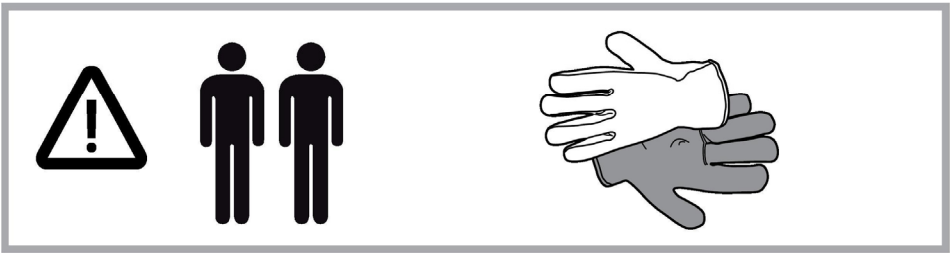
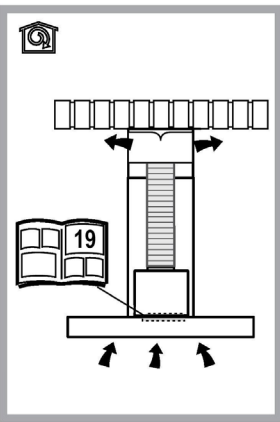
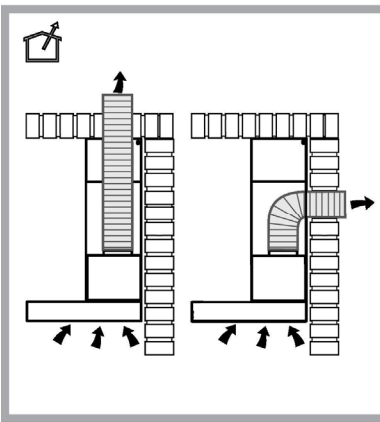
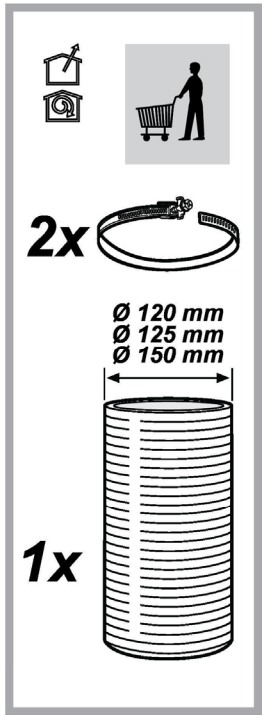
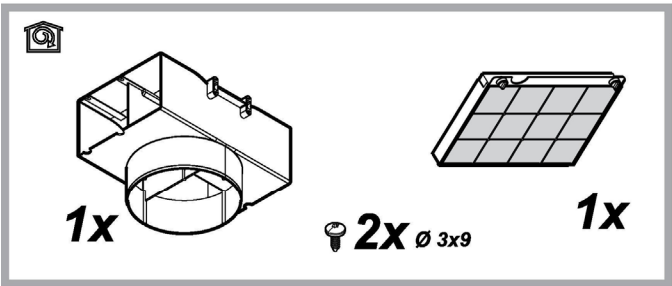
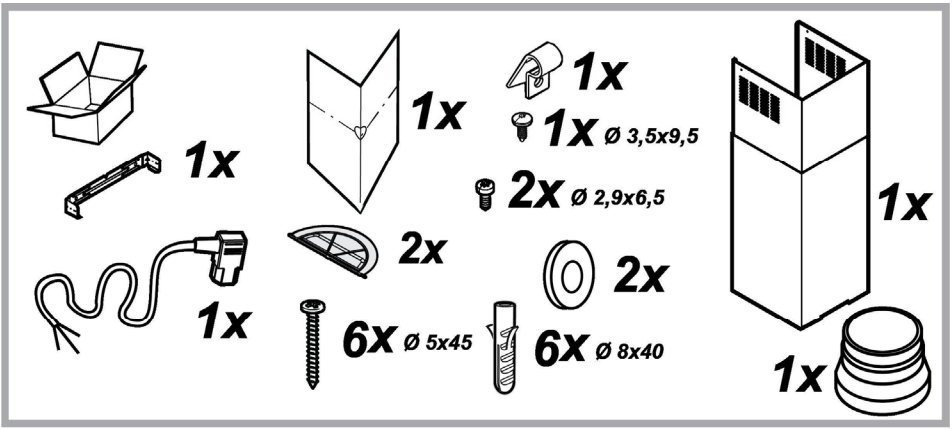
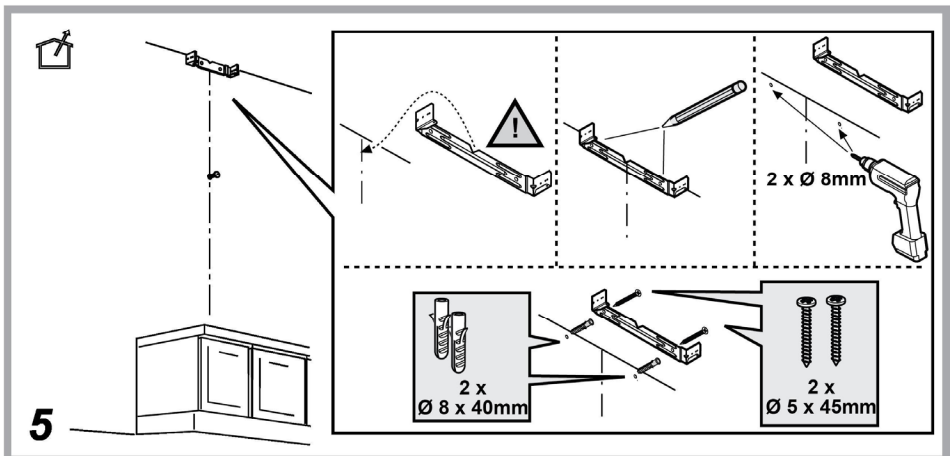
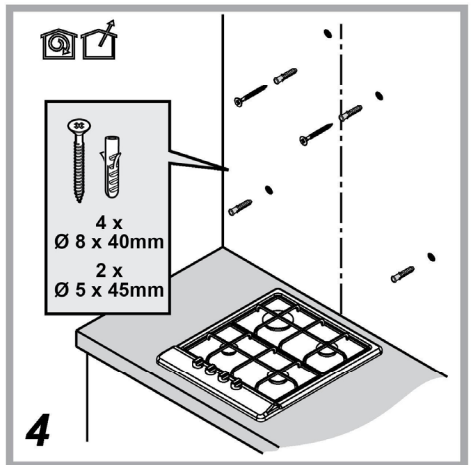
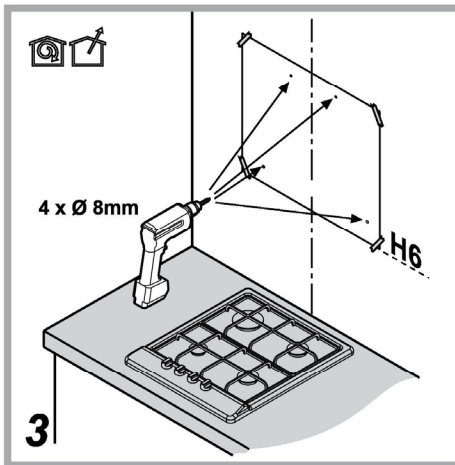
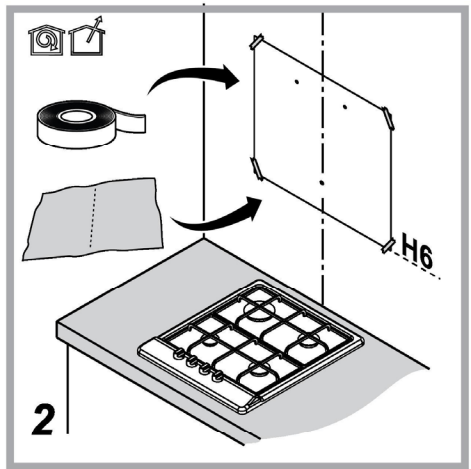
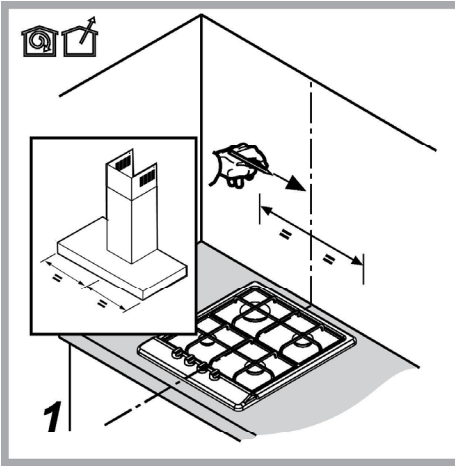
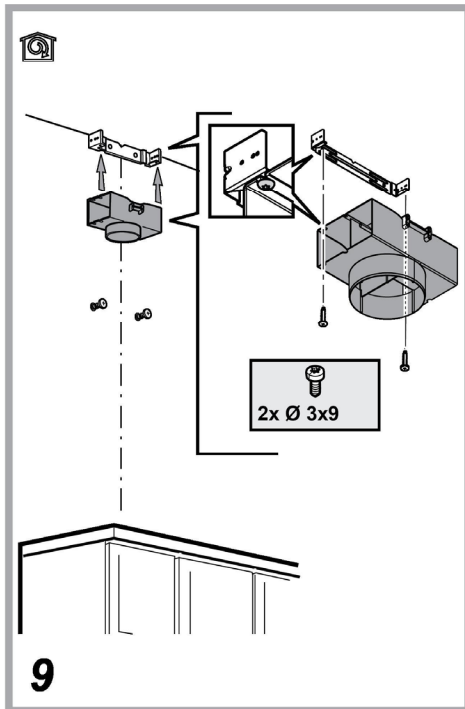
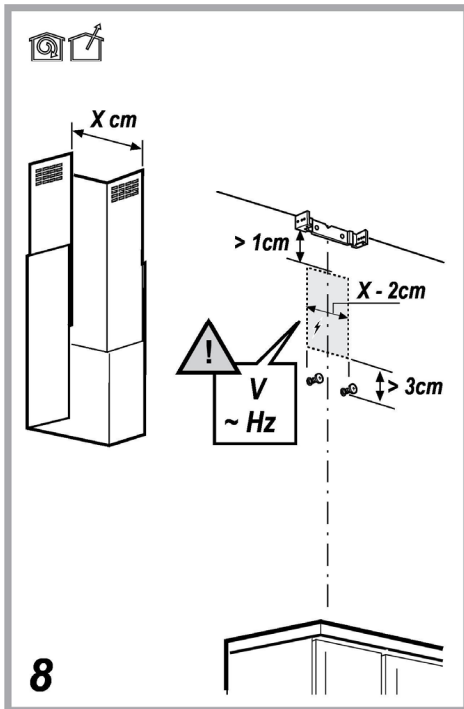
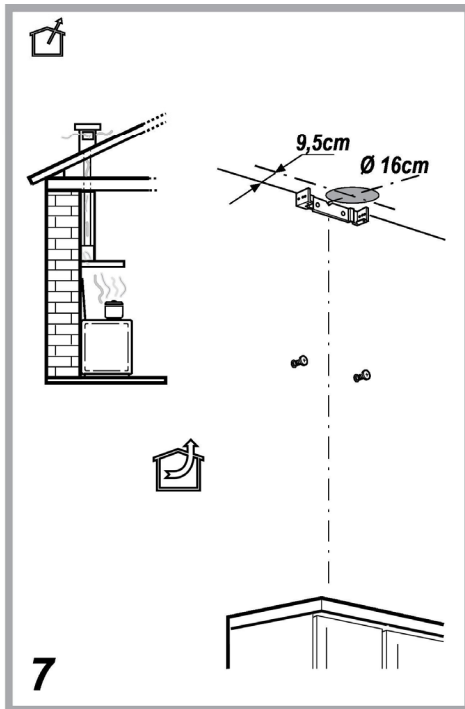
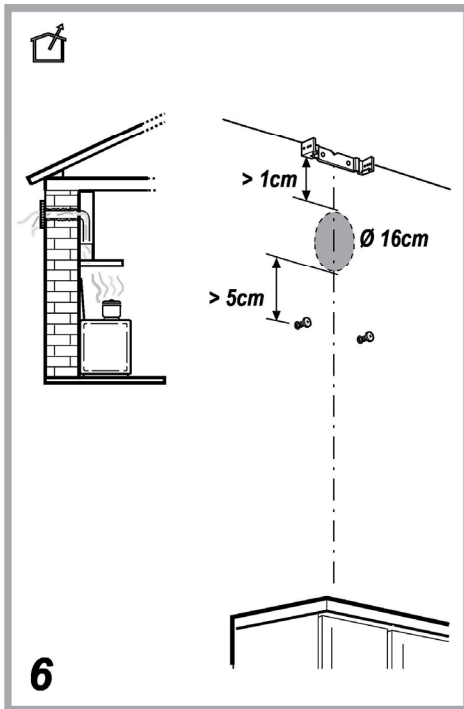


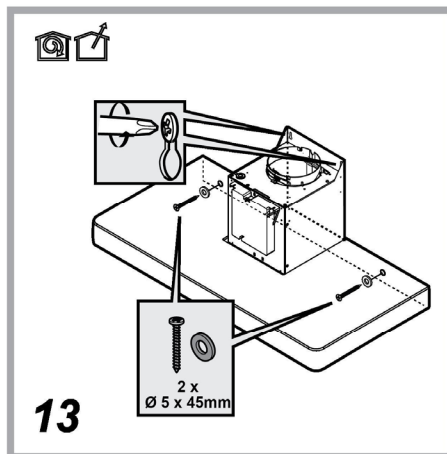
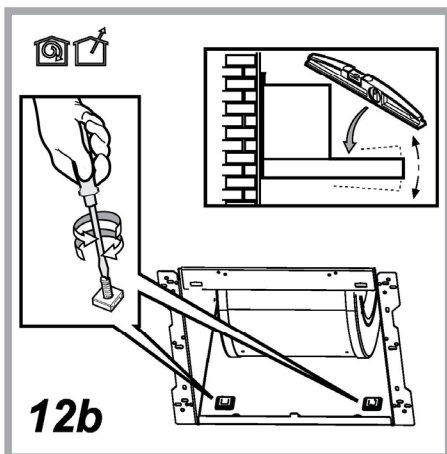
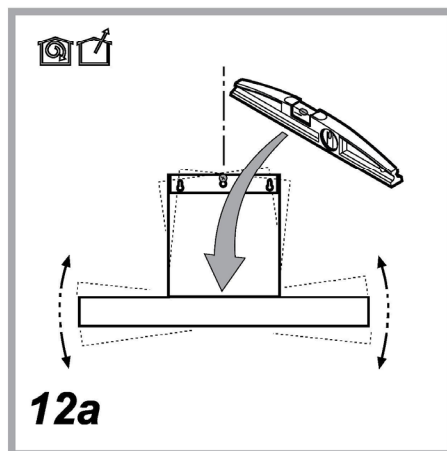
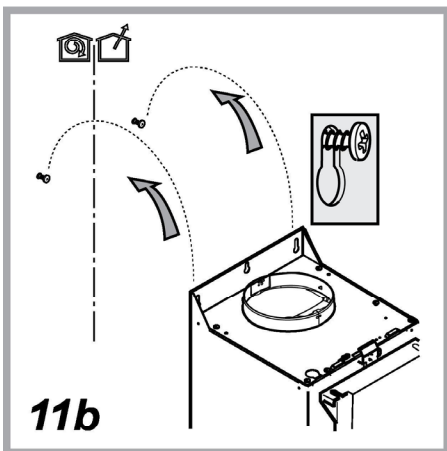
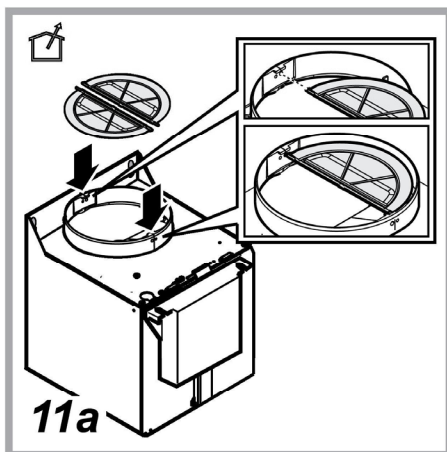
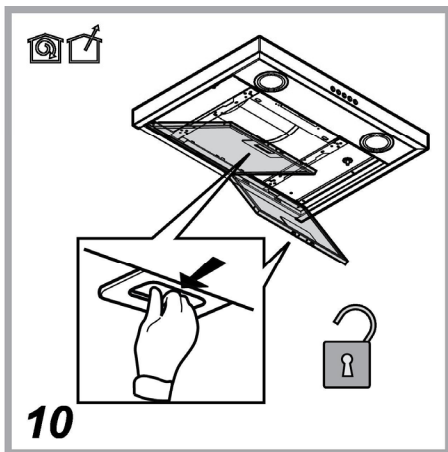
**EN** Instructions for use  
**FR** Mode d'emploi  
**ES** Instrucciones de uso  
**PT** Instruções de uso  
**IT** Istruzioni per l'uso  
**AR** طرق الاستعمال

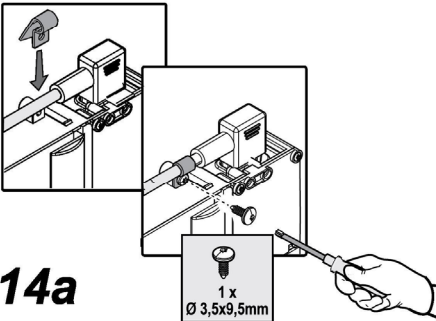
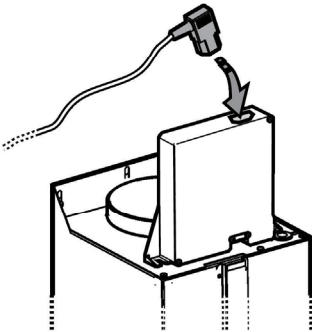
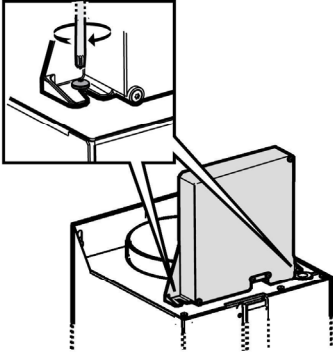
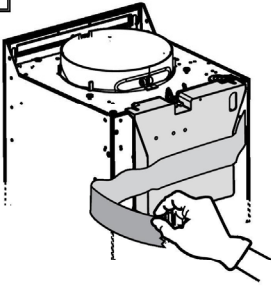
 **ARISTON**



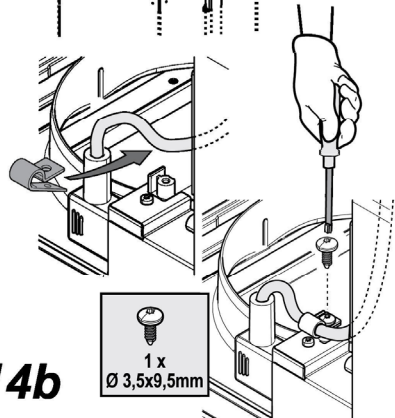
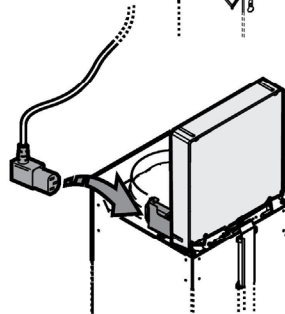
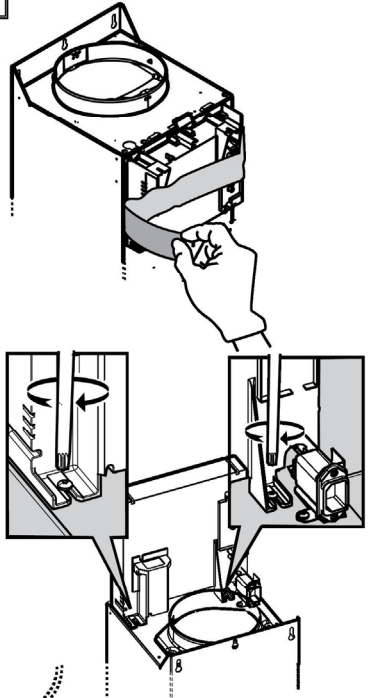




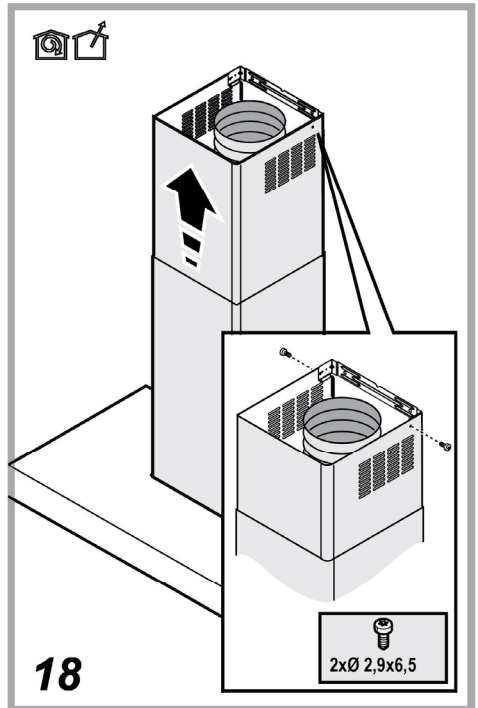
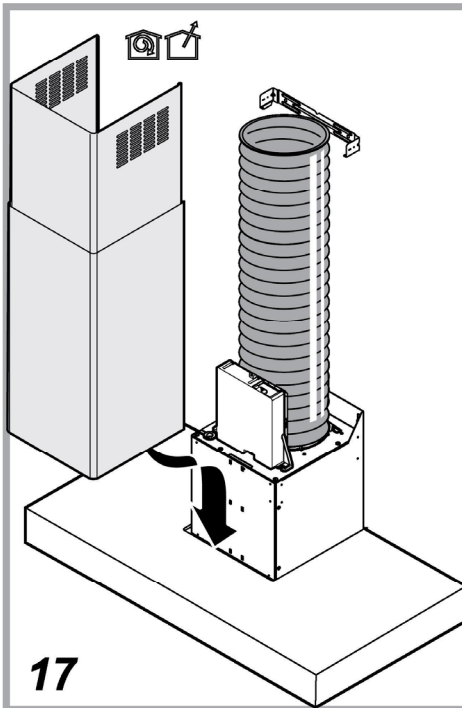
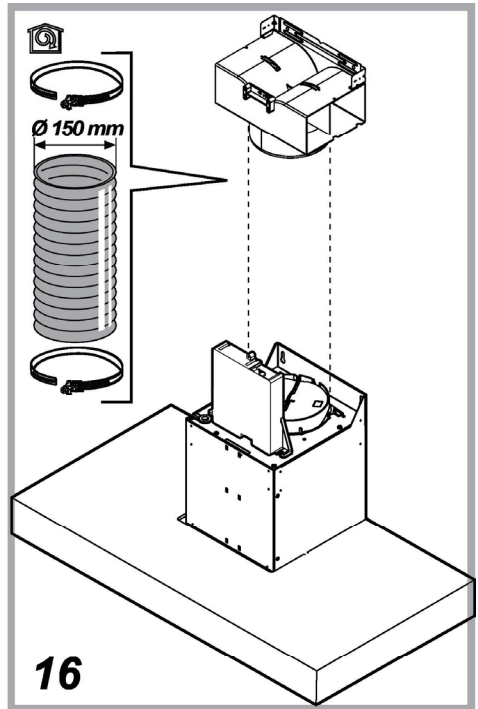
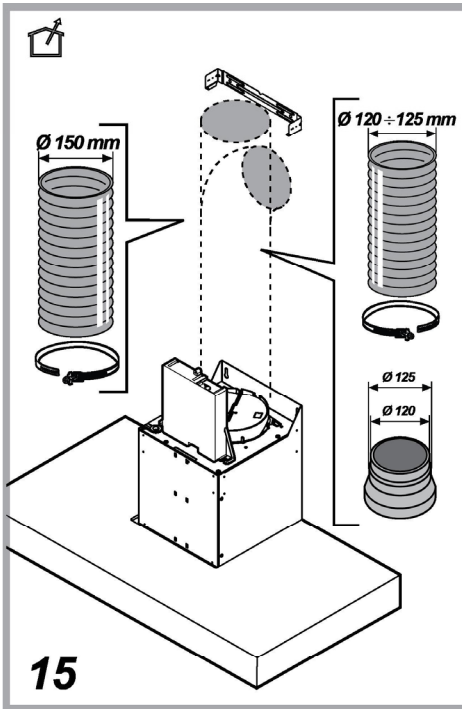


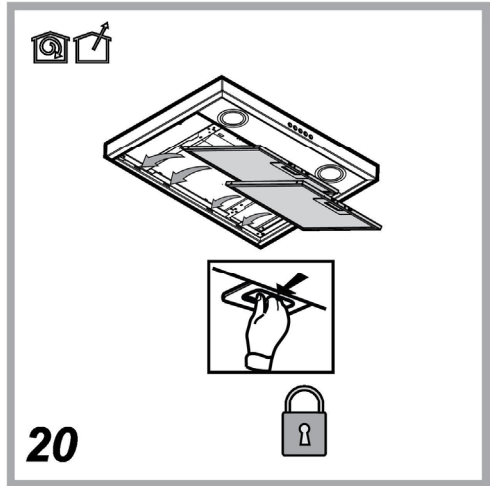
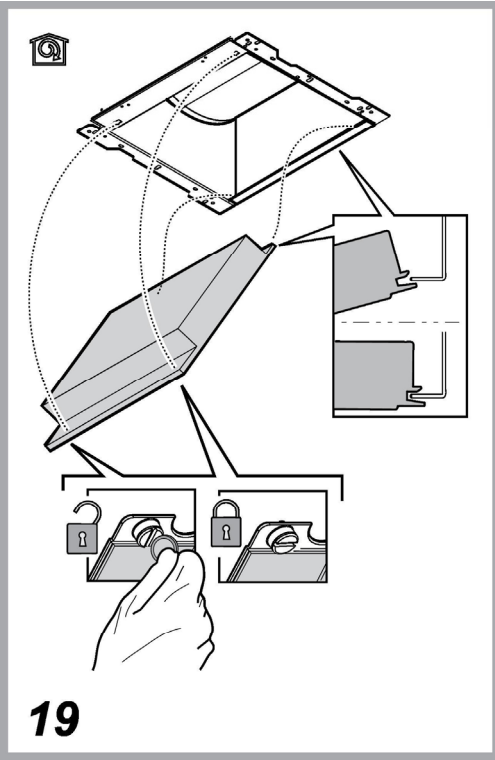


**14a**



**14b**







## GENERAL SAFETY

- Before any cleaning or maintenance operation, disconnect hood from the mains by removing the plug or disconnecting the mains electrical supply.
- Always wear work gloves for all installation and maintenance operations.
- This appliance can be used by children aged from 8 years and above and persons with reduced physical, sensory or mental capabilities or lack of experience and knowledge if they have been given supervision or instruction concerning use of the appliance in a safe way and understand the hazards involved.
- Children shall not be allowed to tamper with the controls or play with the appliance.
- Cleaning and user maintenance shall not be made by children without supervision.
- The premises where the appliance is installed must be sufficiently ventilated, when the kitchen hood is used together with other gas combustion devices or other fuels.
- The hood must be regularly cleaned on both the inside and outside (AT LEAST ONCE A MONTH).
- This must be completed in accordance with the maintenance instructions provided. Failure to follow the instructions provided regarding the cleaning of the hood and filters will lead to the risk of fires.
- Do not flambé under the range hood.
- Do not remove filters during cooking.
- For lamp replacement use only lamp type indicated in the Maintenance/Replacing lamps section of this manual.

The use of exposed flames is detrimental to the filters and may cause a fire risk, and must therefore be avoided in all circumstances.

Any frying must be done with care in order to make sure that the oil does not overheat and ignite.

**CAUTION:** Accessible parts of the hood may become hot when used with cooking appliances.

- Do not connect the appliance to the mains until the installation is fully complete.
- With regards to the technical and safety measures to be adopted for fume discharging it is important to closely follow the regulations provided by the local authorities.
- The air must not be discharged into a flue that is used for exhausting fumes from appliance burning gas or other fuels.
- Do not use or leave the hood without the lamp correctly mounted due to the possible risk of electric shocks.
- Never use the hood without effectively mounted grids.
- The hood must NEVER be used as a support surface unless specifically indicated.
- Use only the fixing screws supplied with the product for installation or, if not supplied, purchase the correct screws type.
- Use the correct length for the screws which are identified in the Installation Guide.
- In case of doubt, consult an authorized service assistance center or similar qualified person.

### **▲ WARNING!**

- Failure to install the screws or fixing device in accordance with these instructions may result in electrical hazards.
- Do not use with a programmer, timer, separate remote control system or any other device that switches on automatically.

Very young children(0-3years)should be kept away from the appliance.Young children (3-8 years)should be kept away from the appliance unless continuously supervised.

**▲ CAUTION:**The appliance is not intended to be operated by means of an external switching device, such as a timer,or separate remote controlled system.

- ⚠ This appliance is not for professional use. Do not use the appliance outdoors.
- ⚠ The appliance must be handled and installed by two or more persons-risk of injury.
- ⚠ Installation, including water supply (if any), electrical connections and repairs must be carried out by a qualified technician. Once installed, packaging waste (plastic, styrofoam parts etc.) must be stored out of reach of children – risk of suffocation. Do not use the appliance when you are wet or barefoot. Never use steam cleaning equipment – risk of electric shock.



The packaging material is 100% recyclable and is marked with the recycle symbol

**The hood can look different to that illustrated in the drawings in this booklet. The instructions for use, maintenance and installation, however, remain the same.**

**Closely follow the instructions set out in this manual.** All responsibility, for any eventual inconveniences, damages or fires caused by not complying with the instructions in this manual, is declined. This appliance is intended to be used in household and similar application such as: - staff kitchen areas in shop, offices and other working environments; - farm houses; - by clients in hotels, motels and other residential type environments; - bed and breakfast type environments.

- It is important to conserve this booklet for consultation at any moment. In the case of sale, cession or move, make sure it is together with the product.
- Read the instructions carefully: there is important information about installation, use and safety.
- Do not carry out electrical or mechanical variations on the product or on the discharge conduits.
- Before proceeding with the installation of the appliance verify that there are no damaged all components. Otherwise contact your dealer and do not proceed with the installation.

The minimum distance between the supporting surface for the cooking equipment on the hob and the lowest part of the range hood must be not less than 50cm from electric cookers and 65cm from gas or mixed cookers.

**If the instructions for installation for the gas hob specify a greater distance, this must be adhered to.**

## ELECTRICAL CONNECTION

The mains power supply must correspond to the rating indicated on the plate situated inside the hood. If provided with a plug connect the hood to a socket in compliance with current regulations and positioned in an accessible area, after installation. If it not fitted with a plug (direct mains connection) or if the plug is not located in an accessible area, after installation, apply a double pole switch in accordance with standards which assures the complete disconnection of the mains under conditions relating to over-current category III, in accordance with installation instructions.

### ⚠ WARNING!


Before re-connecting the hood circuit to the mains supply and checking the efficient function, always check that the mains cable is correctly assembled.

If the cable is not fitted with a plug, connect the wires according to the following table:

#### Mains voltage and frequency

Refer to the rating indicated on the plate inside of the hood

#### Wire connection

 : yellow/green  
 N : blue  
 L : brown

## Replacing the power cable

The hood is provided with a special power cable ; if the cable is damaged, request a new one from Technical Service.

## AIR VENT

(for the suction versions)

Connect the hood and discharge holes on the walls with a diameter equivalent to the air outlet (connection flange).

Using the tubes and discharge holes on walls with smaller dimensions will cause a diminution of the suction performance and a drastic increase in noise.

Any responsibility in the matter is therefore declined.

- ! Use a duct of the minimum indispensable length.
- ! Use a duct with as few elbows as possible (maximum elbow angle: 90°).
- ! Avoid drastic changes in the duct cross-section.
- ! The company declines any responsibility whenever these regulations are not respected.

## FILTERING OR DUCTING ?

! Your cooker hood is ready to be used in suction version.

To use the hood in filtering version the special ACCESSORY KIT must be installed.

Check on the first pages of this manual if the ACCESSORY KIT is furnished or must be bought separately.

**Note:** If furnished, in certain cases, the additional activated carbon filtering system may be installed on the hood.

Information about the conversion of the hood from suction version to filtering version is present in this manual.

### Ducting version

In this case the fumes are conveyed outside of the building by means of a special pipe connected with the connection ring located on top of the hood.

#### ⚠ CAUTION!

The exhausting pipe is not supplied and must be purchased apart.

Diameter of the exhausting pipe must be equal to that of the connection ring.

#### ⚠ CAUTION!

If the hood is supplied with active charcoal filter, then it must be removed.

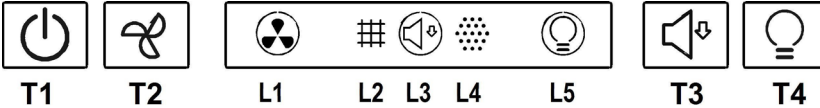
### Filter version

The aspirated air will be degreased and deodorised before being fed back into the room.

In order to use the hood in this version, you have to install a system of additional filtering based on activated charcoal.

## CONTROLS

The hood is fitted with a control panel with aspiration speed selection control and a light switch to control cooking area lights.



**T1. Button ON/OFF suction motor**

**T2. Selection button for medium, high and intensive operating suction speed (power).**

**Note:** Intensive suction speed (power) (LED L1 flashing) lasts for approximately 5 minutes, then the medium suction speed (power) is automatically set.

**T3. Selection button for 'silent' suction speed (power)**

**T4. Button ON/OFF lighting**

**L1. Status icon suction speeds (powers)**

**L2. Status icon saturation indicator for grease filter**

**L3. Status icon low (silent) suction speed (power)**

**L4. Status icon saturation indicator charcoal filter**

**L5. Status icon lighting**

#### Reset filter saturation indicator

After performing maintenance of the filter, press and hold button T3, the icon indicating saturation will switch off. Repeat the operation if both icons indicating saturation (grease and charcoal) are on.

#### Activation of the icon for charcoal filter saturation

The icon for charcoal filter saturation is normally disabled. To activate it, proceed as follows:

With the hood off, press and hold for a long time and simultaneously T1 and T3: L4 flashes at first then it switches on with steady light to indicate successful activation.

**Disabling the icon for charcoal filter saturation:** repeat the above operation, L4 switches on with steady light then flashes and in the end switches off to indicate successful disabling.

#### Automatic operation at high temperature

The hood is fitted with a sensor that detects the temperature. When this becomes too high, the sensor automatically activates the medium suction speed (power). The hood switches off when the temperature detected by the sensor has lowered significantly.

# MAINTENANCE

## Cleaning

Clean using **ONLY** a cloth dampened with neutral liquid detergent. **DO NOT CLEAN WITH TOOLS OR INSTRUMENTS.** Do not use abrasive products. **DO NOT USE ALCOHOL!**

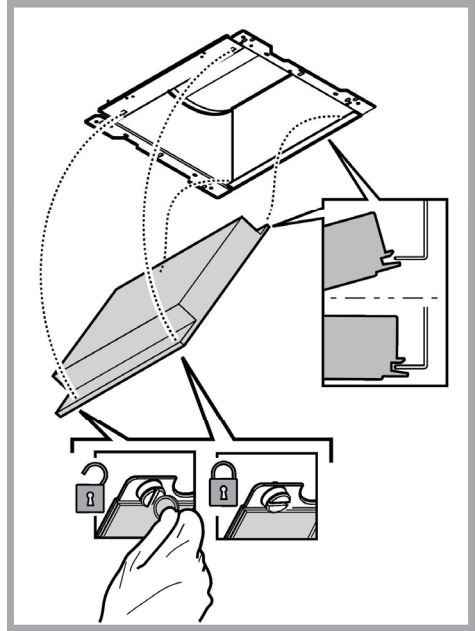
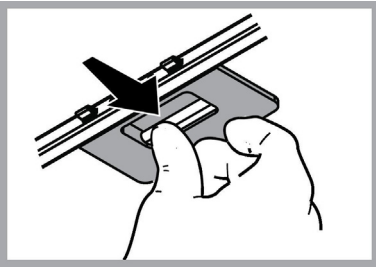
## Maintenance of the anti-grease filters

**Traps cooking grease particles.**

This must be cleaned once a month (or when the filter saturation indication system – if envisaged on the model in possession – indicates this necessity) using non aggressive detergents, either by hand or in the dishwasher, which must be set to a low temperature and a short cycle.

When washed in a dishwasher, the grease filter may discolor slightly, but this does not affect its filtering capacity.

To remove the grease filter, pull the spring release handle.



## Maintenance of the charcoal filter

**It absorbs unpleasant odors caused by cooking.**

The saturation of the charcoal filter occurs after more or less prolonged use, depending on the type of cooking and the regularity of cleaning of the grease filter.

In any case it is necessary to replace the cartridge at least every four months (or when the filter saturation indication system – if envisaged on the model in possession – indicates this necessity). The charcoal filter may **NOT** be washed or regenerated.

### Assembly

Hook the charcoal filter at the back on the metal tongue of the hood first, then on the front with the two knobs.

### Disassembly

Remove the charcoal filter by turning the knobs fixing it to the hood by 90°.

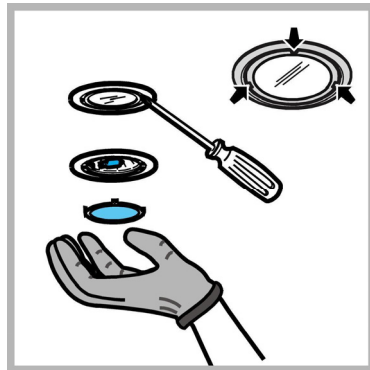
## Replacing lamps

Disconnect the appliance from the electricity.

**Warning!** Prior to touching the light bulbs ensure they are cooled down.

Replace the damaged lamp


Use only 12V halogen lamps, max 20W-G4. For further details, see the attached sheet "ILCOS D" (alphanumeric position "2b").



## DISPOSAL

- This appliance is marked according to the European directive 2012/19/EC on Waste Electrical and Electronic Equipment (WEEE).
- By ensuring this product is disposed of correctly, you will help prevent potential negative consequences for the environment and human health, which could otherwise be caused by inappropriate waste handling of this product.



- The symbol  on the product, or on the documents accompanying the product, indicates that this appliance may not be treated as household waste. Instead it should be taken to the appropriate collection point for the recycling of electrical and electronic equipment. Disposal must be carried out in accordance with local environmental regulations for waste disposal.
- For further detailed information regarding the process, collection and recycling of this product, please contact the appropriate department of your local authorities or the local department for household waste or the shop where you purchased this product.

Appliance designed, tested and manufactured according to:

- Safety: EN/IEC 60335-1; EN/IEC 60335-2-31, EN/IEC 62233.
- Performance: EN/IEC 61591; ISO 5167-1; ISO 5167-3; ISO 5168; EN/IEC 60704-1; EN/IEC 60704-2-13; EN/IEC 60704-3; ISO 3741; EN 50564; IEC 62301.
- EMC: EN 55014-1; CISPR 14-1; EN 55014-2; CISPR 14-2; EN/IEC 61000-3-2; EN/IEC 61000-3-3. Suggestions for a correct use in order to reduce the environmental impact: Switch ON the hood at minimum speed when you start cooking and kept it running for few minutes after cooking is finished. Increase the speed only in case of large amount of smoke and vapor and use boost speed(s) only in extreme situations. Replace the charcoal filter(s) when necessary to maintain a good odor reduction efficiency. Clean the grease filter(s) when necessary to maintain a good grease filter efficiency. Use the maximum diameter of the ducting system indicated in this manual to optimize efficiency and minimize noise.





## MALFUNCTIONS

If something appears not to be working properly, do the following simple checks before calling Technical Service:

- If the hood is not working:  
Check that:
  - The power has not been disconnected.
  - A speed has been selected.
- If the hood performs inefficiently:  
Check that:
  - The motor speed selected is sufficient for the amount of smoke and vapours released.
  - The kitchen is sufficiently ventilated to allow air intake.
  - The charcoal filter is not worn (hood in filtering version).
- If the hood has turned off during normal functioning:  
Check that:
  - The power has not been disconnected.
  - the omnipolar disconnection device has not tripped.

If the hood fails to operate correctly, briefly disconnect it from the mains power supply for almost 5 sec. Then connect it in again and try once more before contacting the Technical Assistance Service.

# TECHNICAL DATA

Height (cm)	Width (cm)	Depth (cm)	Ø of the exhaust tube (cm)
 61,9-114,7  70,6-114,7	89,8	45	15 - 12,5 - 12
 61,9-114,7  70,6-114,7	59,8	45	15 - 12,5 - 12

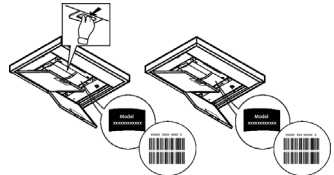


Components not provided with the product



You can download the **Safety Instructions, User Manual, Product Fiche and Energy data** by:

- Visiting our website [docs.hotpoint.eu](http://docs.hotpoint.eu)
- Using QR Code
- Alternatively, **contact our After-sales Service** (See phone number in the warranty booklet). When contacting our After-sales Service, please state the codes provided on your product's identification plate.



## SÉCURITÉ GÉNÉRALE

- Avant tout entretien ou nettoyage du produit débranchez l'alimentation électrique en retirant la fiche électrique ou en coupant l'interrupteur général.
  - Utilisez des gants de travail pour toute opération de nettoyage ou d'entretien.
  - Cet appareil peut être utilisé par des enfants âgés d'au moins 8 ans et par des personnes ayant des capacités physiques, sensorielles ou mentales réduites ou dénuées d'expériences ou de connaissances, sauf si ces personnes sont correctement surveillées ou si des instructions relatives à l'utilisation correcte de l'appareil permettant d'éviter tout danger leur ont été communiquées.
  - Les enfants ne doivent pas jouer avec l'appareil.
  - Le nettoyage et l'entretien par l'utilisateur ne doivent pas être effectués par des enfants sans surveillance.
  - La pièce doit avoir une aération suffisante lorsque la hotte est utilisée conjointement avec d'autres appareils fonctionnant au gaz ou autres combustibles.
  - La hotte doit être régulièrement nettoyée à la fois à l'intérieur et à l'extérieur (AU MOINS UNE FOIS PAR MOIS); cela devrait se faire en conformité avec les instructions d'entretien. Le non respect des instructions expressément fournies concernant le nettoyage de la hotte et des filtres peut provoquer des risques d'incendie.
  - Ne pas flamber d'aliments sous la hotte.
  - Pour le remplacement de la lampe, utilisez uniquement le type de lampe spécifié dans la section remplacement/maintenance lampe dans ce manuel.
- L'utilisation d'une flamme nue est dommageable pour les filtres et peut causer un incendie, par conséquent, il est déconseillé de l'utiliser.
- La friture doit être faite avec soin afin de s'assurer que l'huile surchauffée ne prenne pas feu.

**AVERTISSEMENT:** Lorsque la table de cuisson est en fonctionnement, les parties accessibles de la hotte peuvent devenir très chaudes.

- Ne pas brancher l'appareil au réseau électrique avant que l'installation ne soit complètement terminée.
- En ce qui concerne les mesures techniques et de sécurité à prendre pour l'évacuation des fumées, respectez strictement les dispositions des règlements locaux.
- L'air ne doit pas être envoyé dans un conduit utilisé pour évacuer les fumées d'appareils utilisant du gaz ou un autre combustible.
- Ne pas utiliser ou laisser la hotte sans les lampes correctement montées, car un éventuel risque de choc électrique est possible.
- N'utilisez jamais la hotte sans la grille montée correctement!
- La hotte ne doit JAMAIS être utilisée comme une surface d'appui, sauf indication expresse.
- Utilisez uniquement les vis de fixation fournies avec le produit pour l'installation, ou, si non fournies, acheter le type correct de vis.
- Utilisez la longueur correcte pour les vis qui sont identifiées dans le Guide d'installation.
- En cas de doute, consultez votre centre de service agréé ou du personnel qualifié.

### **▲ ATTENTION !**

- Le défaut d'installer les vis et les dispositifs de fixation conformément à ces instructions peut entraîner des risques électriques.
- Ne pas mettre en marche au moyen d'un programmeur, d'une minuterie, ou d'un système de commande à distance séparé ou tout autre dispositif qui met l'appareil sous tension automatiquement.

Les enfants de moins de 3 ans ne doivent pas s'approcher de l'appareil. Sans la surveillance constante d'un adulte, garder l'appareil hors de la portée des enfants de moins de 8 ans.

**⚠ ATTENTION :** l'appareil ne peut être mis en marche par le biais d'un dispositif externe ou d'un système de commande à distance séparé.

**⚠** Cet appareil n'est pas destiné à un usage professionnel. Ne pas utiliser l'appareil à l'extérieur.

**⚠** Pour éviter le risque de lésions personnelles, l'appareil doit être déplacé et installé par deux ou plusieurs personnes.

**⚠** L'installation, comprenant éventuellement aussi les raccords pour l'alimentation hydriques (si prévus) et les branchements électriques, et les interventions de réparation doivent être effectués par un personnel qualifié.

Après avoir complété l'installation, conserver le matériel d'emballage (plastique, polystyrène, etc.) hors de la portée des enfants pour éviter le risque d'étouffement.

Ne jamais utiliser l'appareil pieds nus ou mouillés.

Ne jamais utiliser d'appareils de nettoyage à vapeur pour éviter le risque de choc électrique.



Comme indiqué par le symbole, le matériel d'emballage est 100 % recyclable

**La hotte peut avoir des configurations esthétiques différentes par rapport à ce qui est illustré dans les dessins de ce manuel, cependant les instructions pour l'utilisation, l'entretien et l'installation restent identiques.**

**Suivre impérativement les instructions de cette notice.** Le constructeur décline toute responsabilité pour tous les inconvénients, dommages ou incendies provoqués à l'appareil et dus à la non observation des instructions de la présente notice. Cet appareil est destiné à être utilisé dans des applications domestiques et analogues telles que : - des coins cuisines réservés au personnel dans des magasins, bureaux et autres environnements professionnels ; - des fermes ; - l'utilisation par les clients des hôtels, motels et autres environnements à caractère résidentiel ; - des environnements du type chambre d'hôtes.

- Il est important de conserver ce livret pour pouvoir le consulter à tout moment. En cas de vente, de cession ou de déménagement, assurez-vous que la notice d'utilisation l'accompagne.
- Veuillez lire attentivement les instructions, vous trouverez des informations importantes sur l'installation, le mode d'emploi et la sécurité.
- Ne pas effectuer des modifications électriques ou mécaniques sur le produit ou sur les conduits d'évacuation.
- Avant d'installer l'appareil, vérifiez qu'il n'y a aucun composant endommagé. Sinon, contactez votre revendeur et ne continuez pas l'installation.

La distance minimum entre la superficie de support des récipients sur le dispositif de cuisson et la partie la plus basse de la hotte de cuisine ne doit pas être inférieure à 50cm dans le cas de cuisinières électriques et de 65 cm dans le cas de cuisinières à gaz ou mixtes.

**Si les instructions d'installation du dispositif de cuisson au gaz spécifient une plus grande distance, il faut en tenir compte.**

## BRANCHEMENT ÉLECTRIQUE

La tension électrique doit correspondre à la tension reportée sur la plaque signalétique située à l'intérieur de la hotte. Si une prise est présente, branchez la hotte dans une prise murale conforme aux normes en vigueur et placée dans une zone accessible également après l'installation. Si aucune prise n'est présente (raccordement direct au circuit électrique), ou si la prise ne se trouve pas dans une zone accessible également après l'installation, appliquez un disjoncteur normalisé pour assurer de débrancher complètement la hotte du circuit électrique en conditions de catégorie surtension III, conformément aux réglementations de montage.

### **⚠ ATTENTION!**


Avant de rebrancher le circuit de la hotte à l'alimentation électrique et d'en vérifier le fonctionnement correct, contrôlez toujours que le câble d'alimentation soit monté correctement.

Si le câble n'est pas équipé d'une fiche, branchez les fils selon le tableau suivant:

#### **Tension principale et fréquence**

Se référer à la valeur indiquée sur l'étiquette des caractéristiques à l'intérieur de la hotte.

#### **Branchement des fils**

 : jaune/vert  
N : bleu  
L : brun

### **Changement du câble d'alimentation**

La hotte est pourvue d'un câble d'alimentation spécial; en cas de détérioration du câble, en demander un neuf au service d'assistance technique.



# ÉVACUATION DE L'AIR

(pour les versions aspirantes)

Relier la hotte aux tubes et trous d'évacuation de la paroi d'un diamètre équivalent à la sortie de l'air (collier de raccord).

L'utilisation de tubes et des trous d'évacuation à paroi avec un diamètre inférieur entraînera une diminution des performances d'aspiration et une nette augmentation du bruit.

Nous déclinons toute responsabilité à cet égard.

! Utiliser un tuyau de la longueur strictement nécessaire.

! Les coudes du tuyau doivent être en nombre minime (angle maxi du coude: 90°).

! Éviter les variations excessives de section du tuyau.

! La société décline toute responsabilité si ces normes ne sont pas respectées.

## FILTRANTE OU ASPIRANTE ?

! Votre hotte est prête pour être utilisée en version aspirante.

Pour utiliser la hotte en version filtrante, il faut installer le KIT ACCESSOIRES prévu.

Vérifier dans les premières pages de ce manuel si le KIT ACCESSOIRES est déjà fourni ou s'il faut l'acheter à part.

**Remarque:** Si fourni dans le kit, dans certains cas, le système de filtration supplémentaire à base de charbon actif pourrait déjà être installé dans la hotte.

Les informations pour la transformation de la hotte de version aspirante à version filtrante sont déjà contenues dans ce manuel.

### Version aspirante

Les vapeurs sont évacuées vers l'extérieur à travers un conduit d'évacuation fixé à la bride de raccord qui se trouve au-dessus de la hotte.

#### ⚠ ATTENTION!

Le tuyau d'évacuation n'est pas fourni et doit être acheté à part.

Le diamètre du tuyau d'évacuation doit être égal à celui de la bride de raccord.

#### ⚠ ATTENTION!

Si la hotte est équipée d'un filtre à charbon, ce dernier doit être enlevé.

### Version filtrante

L'air d'aspiration sera dégraissé et désodorisé avant d'être renvoyé dans la pièce.

Pour utiliser la hotte dans cette version, vous devez installer un système de filtrage supplémentaire basé sur charbon actif.

## COMMANDES

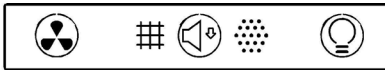
La hotte est équipée d'un panneau de contrôle doté d'une commande de vitesse d'aspiration et d'une commande d'éclairage du plan de cuisson.



T1



T2



L1

L2

L3

L4

L5



T3



T4

**T1. Touche ON/OFF moteur d'aspiration**

**T2. Touche de sélection vitesse (puissance) d'aspiration moyenne, haute et intensive.**

**Note:** La vitesse (puissance) d'aspiration intensive (LED L1 clignotant) a une durée d'environ 5 minutes, puis la vitesse (puissance) d'aspiration moyenne est automatiquement réglée.

**T3. Touche de sélection vitesse (puissance) d'aspiration "silencieuse"**

**T4. Touche ON/OFF éclairage**

**L1. Icône d'état vitesses (puissances) d'aspiration**

**L2. Icône d'état indicateur de saturation filtre à graisse**

**L3. Icône d'état vitesse (puissance) d'aspiration basse (silencieuse)**

**L4. Icône d'état indicateur de saturation du filtre à charbon**

**L5. Icône d'état Éclairage**

### Réinitialisation indicateur saturation filtres

Après avoir effectué l'entretien du filtre, appuyez longuement sur la touche T3, l'icône indiquant la saturation s'éteint. Répétez l'opération si les deux icônes qui indiquent la saturation (graisse et charbon) sont allumées.

### Activation icône saturation du filtre à charbon

L'icône de saturation du filtre à charbon est normalement désactivée. Pour l'activer, procédez comme suit:

Avec la hotte arrêtée, appuyez et maintenez enfoncées et simultanément **T1** et **T3**: d'abord **L4** clignote, puis est allumée à lumière fixe pour indiquer l'activation réussie.

**Désactivation icône saturation du filtre à charbon:** répétez l'opération ci-dessus, **L4** s'allume à lumière fixe, puis clignote et s'éteint pour indiquer la désactivation.

### Fonctionnement automatique à température élevée

La hotte est équipée d'un capteur qui détecte la température. Lorsque la température devient trop élevée, le capteur va activer automatiquement la vitesse (puissance) moyenne d'aspiration. La hotte est désactivée lorsque la température détectée par le capteur est réduite de façon significative.

## ENTRETIEN

### Nettoyage

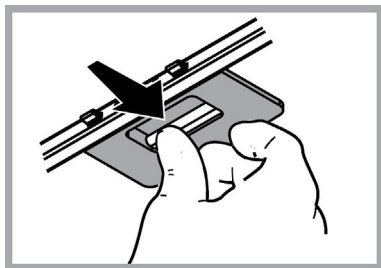
Pour le nettoyage, utiliser **EXCLUSIVEMENT** un chiffon humidifié avec des détergent liquides neutres. **NE PAS UTILISER D'OUTILS OU D'INSTRUMENTS POUR LE NETTOYAGE !** Éviter l'usage de produits abrasifs, **NE PAS UTILISER D'ALCOOL!**

### Entretien des filtres anti-graisses

Il retient les particules de graisse issues de la cuisson.

Le filtre doit être nettoyé une fois par mois (ou lorsque le système d'indication de saturation des filtres – si prévu sur le modèle – indique cette nécessité) avec des détergents non agressifs, à la main ou dans le lave-vaisselle à faibles températures et cycle rapide.

Le lavage du filtre anti-graisse métallique au lave-vaisselle peut en provoquer la décoloration. Toutefois, les caractéristiques de filtrage ne seront en aucun cas modifiées. Pour démonter le filtre anti-graisse, tirer la poignée de décrochement à ressort.



### Entretien des filtres au charbon

Retient les odeurs désagréables de cuisson.

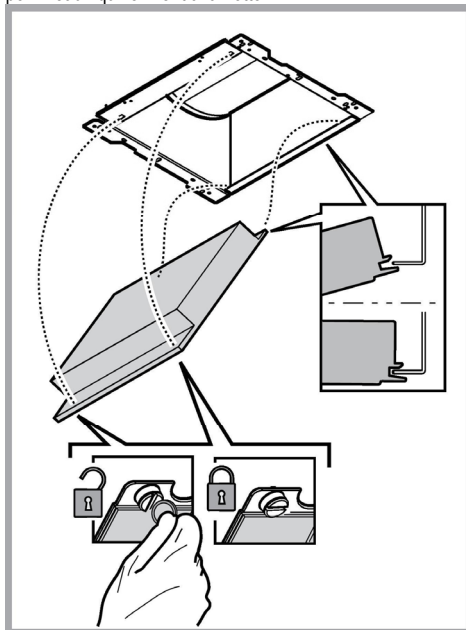
La saturation du charbon actif se constate après un emploi plus ou moins long, selon le type de cuisinière et de régularité du nettoyage du filtre à graisses. En tout cas, il est nécessaire de changer le filtre après, au maximum, quatre mois (ou lorsque le système d'indication de saturation des filtres – si prévu sur le modèle possédé – indique cette nécessité). **IL NE PEUT PAS** être nettoyé ou régénéré.

#### Montage

Accrocher le filtre au charbon actif d'abord à l'arrière de la languette métallique de la hotte, puis à l'avant avec les deux pommeaux.

#### Démontage

Enlever le filtre au charbon actif en tournant de 90° les pommeaux qui le fixent à la hotte.



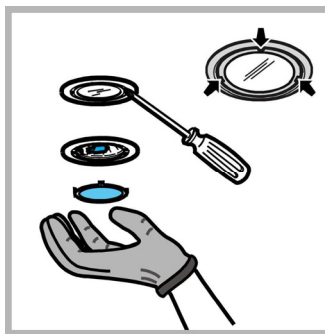
## Remplacement des lampes

Débrancher l'appareil du réseau électrique

**Attention!** Avant de toucher les lampes, assurez-vous qu'elles soient froides.

Remplacer l'ampoule halogène endommagée

Utiliser uniquement des ampoules halogènes de 12V, max 20W-G4. Pour plus de détails, consulter la fiche fournie en annexe « ILCOS D » (position alphanumérique "2b").




## ÉLIMINATION

Cet appareil porte le symbole du recyclage conformément à la Directive Européenne 2012/19/EC concernant les Déchets d'Équipements Électriques et Électroniques (DEEE ou WEEE).

En procédant correctement à la mise au rebut de cet appareil, vous contribuerez à empêcher toute conséquence nuisible pour l'environnement et la santé de l'homme.



Le symbole  présent sur l'appareil ou sur la documentation qui l'accompagne indique que ce produit ne peut en aucun cas être traité comme déchet ménager. Il doit par conséquent être remis à un centre de collecte des déchets chargé du recyclage des équipements électriques et électroniques.

Pour la mise au rebut, respectez les normes relatives à l'élimination des déchets en vigueur dans le pays d'installation.

Pour obtenir de plus amples détails au sujet du traitement, de la récupération et du recyclage de cet appareil, veuillez vous adresser au bureau compétent de votre commune, à la société de collecte des déchets ou directement à votre revendeur.

Appareil conçu, testé et fabriqué conformément aux normes suivantes :

- Sécurité : EN/IEC 60335-1; EN/IEC 60335-2-31, EN/IEC 62233.
- Performances : EN/IEC 61591; ISO 5167-1; ISO 5167-3; ISO 5168; EN/IEC 60704-1; EN/IEC 60704-2-13; EN/IEC 60704-3; ISO 3741; EN 50564; IEC 62301.
- EMC: EN 55014-1; CISPR 14-1; EN 55014-2; CISPR 14-2; EN/IEC 61000-3-2; EN/IEC 61000-3-3. Suggestions pour une utilisation correcte afin de réduire l'impact environnemental : Allumer la hotte à la vitesse minimum pendant la cuisson et la laisser fonctionner pendant quelques minutes après la fin de la cuisson. Augmenter la vitesse uniquement en présence d'une grande quantité de fumée ou de vapeur et n'utiliser la/les vitesse(s) accélérées que dans les cas extrêmes. Remplacer le(s) filtre(s) au charbon lorsque cela est nécessaire afin de maintenir une réduction efficace des odeurs. Nettoyer le(s) filtres à graisse lorsque cela est nécessaire afin de maintenir un filtrage efficace des graisses. Utiliser un système de tuyauterie du diamètre maximum indiqué dans ce manuel afin d'optimiser le rendement et de minimiser le bruit.





## ANOMALIES DE FONCTIONNEMENT

En cas d'anomalie de fonctionnement, avant de faire appel au service d'assistance, effectuer les contrôles suivants:

- Si la hotte ne fonctionne pas:  
S'assurer:
  - de l'absence de coupure de courant.
  - qu'une vitesse a été sélectionnée.
- Si la hotte a un faible rendement:  
S'assurer:
  - que la vitesse du moteur sélectionnée est suffisante pour la quantité de fumée et de vapeurs libérées.
  - que la cuisine est insuffisamment aérée pour assurer une prise d'air.
  - que le filtre à charbon n'est pas usé (hotte en version filtrante).
- Si la hotte s'éteint durant son fonctionnement normal:  
S'assurer:
  - de l'absence de coupure de courant.
  - que le dispositif d'interruption omnipolaire ne s'est pas déclenché.

Si la hotte ne fonctionne pas correctement, débranchez la prise pendant environ 5 secondes, puis rebranchez-la. Si le problème persiste, contactez le service de réparation compétent.

## DONNÉES TECHNIQUE

Hauteur (cm)	Largeur (cm)	Profondeur (cm)	Ø de tube d'évacuation (cm)
 61,9-114,7  70,6-114,7	89,8	45	15 - 12,5 - 12
 61,9-114,7  70,6-114,7	59,8	45	15 - 12,5 - 12

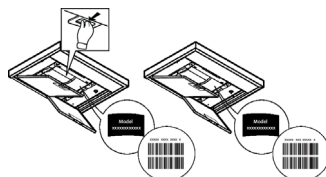


Éléments non fournis avec la hotte



**Vous pouvez télécharger les consignes de sécurité, le manuel de l'utilisateur, la fiche produit et les données énergétiques en :**

- Visitant notre site internet [docs.hotpoint.eu](http://docs.hotpoint.eu)
- Utilisant le Code QR
- Vous pouvez également **contacter notre service après-vente** (voir numéro de téléphone dans le livret de garantie). Lorsque vous contactez notre Service Après-vente, veuillez indiquer les codes visibles sur la plaque signalétique de l'appareil.



## SEGURIDAD GENERAL

- Antes de llevar a cabo cualquier operación de limpieza o mantenimiento, desconectar la campana de la alimentación eléctrica desenchufando la clavija o desconectando el interruptor general de la vivienda.
- Para todas las operaciones de instalación y mantenimiento utilizar los guantes de trabajo.
- El aparato puede ser usado por niños mayores a 8 años y por personas con discapacidades físicas, sensoriales o mentales, o con falta de experiencia o de conocimiento necesario, previsto que estén bajo vigilancia o después de que las mismas hayan recibido instrucción relacionada con el uso seguro del aparato y de la comprensión de los peligros inherentes a éste.
- Los niños deben ser supervisados para asegurarse de que no jueguen con el aparato.
- La limpieza y el mantenimiento no deben ser realizados por niños sin debida supervisión.
- La habitación debe estar suficientemente ventilada cuando la campana se utiliza contemporáneamente con otros dispositivos a combustión de gas u otros combustibles.
- La campana debe ser limpiada con frecuencia, tanto internamente como externamente (POR LO MENOS UNA VEZ AL MES), en todo caso seguir lo que se indica expresamente en las instrucciones de mantenimiento.
- La inobservancia de las normas de limpieza de la campana y del cambio y la limpieza puede comportar riesgo de incendios.
- Es estrictamente prohibido flamear los alimentos bajo la campana.
- Para la sustitución de la lámpara sólo utilizar el tipo de lámpara indicado en la sección de mantenimiento/sustitución de este manual.

El uso de una llama libre es perjudicial para los filtros y puede provocar incendios, por lo tanto, debe evitarse en cualquier caso.

Los fritos debe realizarse con cuidado para evitar que el aceite caliente prenda fuego.

**ATENCIÓN:** Cuando la placa de cocción está funcionando las partes accesibles de la campana pueden calentarse.

- No conectar la unidad a la red eléctrica hasta que la instalación sea totalmente completada.
- En cuanto a las medidas técnicas y de seguridad a adoptar para la descarga de los humos, seguir estrictamente lo previsto por los reglamentos de las autoridades locales competentes.
- El aire aspirado no debe ser transportado en un conducto usado para la descarga de humos producidos por dispositivos de combustión a gas u otros combustibles.
- No utilizar ni dejar la campana sin las luces correctamente instaladas debido al posible riesgo de descarga eléctrica.
- No utilizar nunca la campana sin la rejilla montada correctamente!
- La campana NUNCA debe utilizarse como una superficie de apoyo a menos que así se indique específicamente.
- Utilizar sólo los tornillos para fijación suministrados con el producto para su instalación, o, si no se suministran, comprar el tipo correcto de tornillos. Utilizar la longitud correcta para los tornillos que se identifican en la Guía de instalación.
- En caso de duda, consultar el centro de asistencia autorizado o un similar personal calificado.

### ¡ATENCIÓN!

- Si no se instalan los tornillos y elementos de fijación de acuerdo con estas instrucciones se puede incurrir en riesgos de

naturaleza eléctricos.

- No utilizar con un programador, temporizador, mando a distancia separado o cualquier otro dispositivo que se active automáticamente.

Mantener a los niños menores de 3 años alejados del equipo. Sin la vigilancia constante de un adulto, mantener el equipo alejado del alcance de niños menores de 8 años.

**⚠ ATENCIÓN:** el equipo no está destinado para ser puesto en funcionamiento mediante un dispositivo externo o un sistema de mando a distancia separado.

**⚠** Este equipo no está destinado al uso profesional. No utilizar el equipo al abierto.

**⚠** Para evitar el riesgo de lesiones personales, el equipo debe ser movilizado e instalado por dos o más personas.

**⚠** La instalación, incluye además eventuales empalmes para la alimentación hídrica (si están previstos) y las conexiones eléctricas, y las intervenciones de reparación deben ser realizadas por personal cualificado.

Al finalizar la instalación, conservar el material de embalaje (partes en plástico, polistireno, etc.) fuera del alcance de los niños para evitar el riesgo de asfixia.

No utilizar el equipo cuando se está mojado o descalzo.

Nunca utilizar equipos para limpieza a vapor – riesgo de descarga eléctrica.



El material del embalaje es reciclable al 100% y está marcado con el símbolo de reciclaje

**La campana puede ser diferente con respecto a los dibujos de este manual, aunque las instrucciones para su uso, la manutención y la instalación son las mismas.**

**Aténgase estrictamente a las instrucciones del presente manual.** Se declina cada responsabilidad por eventuales inconvenientes, daños o incendios provocados al aparato originados por la inobservancia de las instrucciones colocadas en este manual. La campana extractora ha sido ideada para la aspiración de humos y vapores producidos durante la cocción y para el uso doméstico.

- Es importante guardar este manual para poder consultar si fuera necesario. En el caso de venta, de inutilidad o de mudanza, asegurarse que quede junto al producto.
- Leer atentamente las instrucciones: contiene importantes informaciones sobre la instalación, el uso y la seguridad.
- No realizar variaciones eléctricas o mecánicas en el producto o en el tubo de escape.
- Antes de instalar el aparato, controlar que todas sus partes no estén dañadas. En caso contrario llamar al revendedor y no realizar la instalación.

La distancia mínima entre la superficie de cocción y la parte más baja de la campana no debe ser inferior a 50cm en el caso de cocinas eléctricas y de 65cm en el caso de cocinas a gas o mixtas.

**Si las instrucciones para la instalación del dispositivo para cocinar con gas especifican una distancia mayor, hay que tenerlo en consideración.**

## CONEXIÓN ELÉCTRICA

La tensión de red debe corresponder con la tensión indicada en la etiqueta colocada en el interior de la campana. Si es suministrada con un enchufe, conectar la campana a un enchufe conforme a las normas en vigor y colocarlo en una zona accesible, aun después de la instalación. Si no es suministrada con enchufe (conexión directa a la red) o clavija y no es posible situarla en un lugar accesible, aun después de la instalación, colocar un interruptor bipolar de acuerdo con las normativas, para asegurarse la desconexión completa a la red en el caso de la categoría de alta tensión III, conforme con las reglas de instalación.

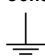
### ⚠ ATENCIÓN!

Antes de reconectar el circuito de la campana a la red y de verificar el correcto funcionamiento, controlar siempre que el cable de red fue montado correctamente. Si el cable no dispone de enchufe, conecte los cables tal como indica la siguiente tabla:

#### Tensión y frecuencia de la red eléctrica

Consultar el valor indicado en la etiqueta de características dentro de la campana.

#### Conexión por cable

 : amarillo/verde  
N : azul  
L : marrón

## Sustitución del cable de alimentación

La campana está provista de un cable de alimentación especial; si el cable se daña, solicite uno nuevo al Servicio de Asistencia Técnica.

# EXTRACCIÓN DE AIRE

(Para las versiones aspirantes) Conectar la campana en los tubos y en los orificios de escape de pared con diámetro equivalente a la salida del aire (brida de empalme).

El uso de tubos u orificios de escape de pared con diámetro inferior, determinará una reducción de los rendimientos de la aspiración y un drástico aumento del ruido.

Se deslinda responsabilidad.

- ! Utilice un conducto cuya longitud sea la mínima indispensable.
- ! Utilice un conducto con el menor número posible de curvas (ángulo máximo de la curva: 90°).
- ! Evite los cambios drásticos en la sección del conducto
- ! La empresa declina cada responsabilidad en caso de que estas normas no sean respetadas!

## ¿ FILTRANTE O ASPIRANTE ?

! Su campana extractora está lista para ser usada en versión aspirante.

Para utilizar la campana en versión filtrante se instala el KIT ACCESORIO.

Controle en las primeras paginas de este manual si el KIT ACCESORIO ya está proveido o si hay que comprarlo.

**Nota:** Si proveido, en algunos casos, el sistema de filtración añadido a base de carbones activos podría estar ya instalado en la campana.

Las informaciones para la transformación de la campana en versión aspirante a versión filtrante ya están presentes en este manual.

## Versión aspirante

El vapor es evacuado hacia el exterior a través de un tubo de escape introducido en el aro de sujeción que se encuentra arriba de la campana.

### ⚠ ATENCIÓN!

El diámetro del tubo de escape debe ser igual al diámetro del aro de sujeción.

### ⚠ ATENCIÓN!

Si la campana está provista de filtro de carbón, hay que sacarlo.

## Versión filtrante

El aire aspirado vendrá desgrasado y desodorizado antes de ser alimentado de nuevo en la habitación.

Para utilizar la campana en esta versión es necesario instalar un sistema de filtración adicional a base de carbón activado.

## MANDOS

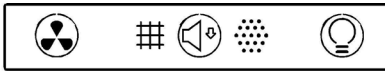
La campana está dotada de un panel de mandos con control de las velocidades de aspiración y control de encendido de la luz para la iluminación del plano de cocción.



T1



T2



L1

L2

L3

L4

L5



T3



T4

T1. Interruptor ON/OFF motor de aspiración

T2. Interruptor selección velocidad (potencia) de aspiración de operación media, alta e intensiva.

**Nota:** La velocidad (potencia) de aspiración intensiva (LED L1 intermitente) tiene una duración de aproximadamente 5 minutos, después de lo cual se ajusta automáticamente a velocidad (potencia) de aspiración media.

T3. Interruptor de selección velocidad (potencia) de aspiración "silenciosa"

T4. Interruptor ON/OFF iluminación

L1. Icono estado velocidad (potencias) de aspiración

L2. Icono estado indicador de saturación filtro grasas

L3. Icono estado velocidad (potencia) de aspiración baja (silenciosa)

L4. Icono estado indicador de saturación filtro de carbón

L5. Icono estado Iluminación

### Restablecimiento indicador saturación filtros

Después de haber realizado la manutención del filtro presionar sostenidamente el interruptor **T3** y el icono que indica la saturación se apaga. Repetir la secuencia en caso de que los dos iconos indicadores de saturación (grasas y carbón) estén encendidos.

### Activación icono saturación filtro de carbón

El icono de la saturación filtro de carbón está normalmente desactivado. Para activarlo proceder de la siguiente manera:

Con la campana apagada, presionar y mantener presionados al mismo tiempo **T1** y **T3**: **L4** primero parpadea, después se enciende con una luz fija para indicar la activación realizada.

**Desactivación icono saturación filtro de carbón:** repetir el procedimiento anteriormente descrito, **L4** se enciende con una luz fija, luego parpadea hasta apagarse para indicar la desactivación realizada.

### Funcionamiento automático en presencia de temperatura elevada

La campana está dotada de un sensor que detecta la temperatura. Cuando ésta última está muy elevada, el sensor hace activar automáticamente la velocidad (potencia) de aspiración media. La campana se apaga cuando la temperatura detectada por el sensor se haya reducido sensiblemente.

## MANTENIMIENTO

### Limpeza

Para la limpieza, utilice **EXCLUSIVAMENTE** un paño impregnado de detergente líquido neutro. **¡NO UTILICE UTENSILIOS O INSTRUMENTOS PARA LA LIMPIEZA!** No utilice productos que contengan abrasivos. **¡NO UTILICE ALCOHOL! ¡NO UTILICE DESINFECTANTES NI PRODUCTOS QUE CONTENGAN CLORO!**

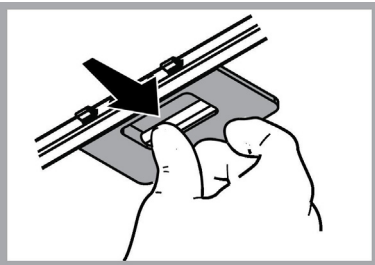
### Mantenimientos de los filtros antigrasa

**Retiene las partículas de grasa producidas cuando se cocina.**

Debe limpiarse una vez al mes (o cuando el sistema de indicación de saturación de los filtros - si está previsto en el modelo que se posee - indica esta necesidad) con detergentes no agresivos, manualmente con un cepillo de cerdas suaves o bien en lavavajillas a bajas temperaturas y con ciclo breve.

Con el lavado en el lavavajilla el filtro antigrasa metálico puede desteñirse pero sus características de filtrado no cambian absolutamente.

Para desmontar el filtro antigrasa, tirar de la manija de desenganche de muelle.



### Mantenimiento del filtro al carbón

**Retiene los olores desagradables producidos por la cocción de alimentos.**

El filtro de carbón activado se satura después de un tiempo de uso, dependiendo del tipo de cocción de alimentos y la regularidad con que se limpia el filtro de grasa. En cualquier

caso es necesario sustituir el cartucho al menos cada 4 meses (o cuando el sistema de indicación de saturación de los filtros - si está previsto en el modelo que se posee - indica esta necesidad).

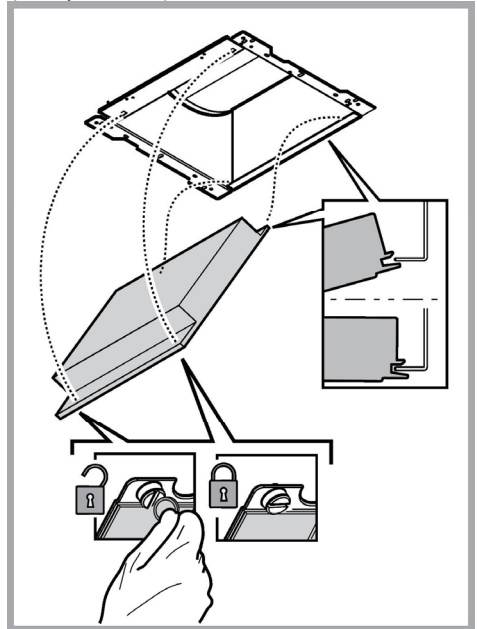
NO puede lavarse o reciclarse.

### Montaje

Enganchar el filtro de carbón activo primero, posteriormente sobre la pestaña metálica de la campana, y después en la parte anterior con las dos perillas.

### Desmontaje

Quitar el filtro de carbón activo girando 90° grados las perillas que lo fijan a la campana.





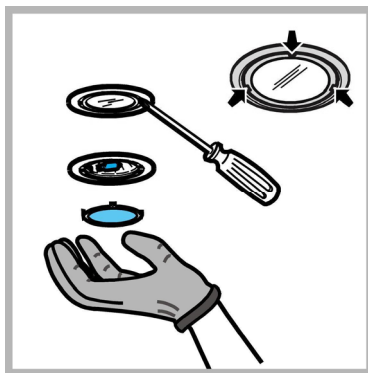
## Sustitución de la lámpara

Desconecte el aparato de la red eléctrica.

**Atención!** Antes de tocar las lámparas asegúrese de que estén frías.

Sustituya la lámpara dañada

Utilice solo lámparas halógenas de 12V, máx 20W-G4. Para más detalles, consulte la página adjunta "ILCOS D" (posición alfanumérica "2b").

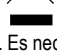


## ELIMINACIÓN

Este aparato lleva el marcado CE en conformidad con la Directiva 2012/19/EC del Parlamento Europeo y del Consejo sobre residuos de aparatos eléctricos y electrónicos (RAEE).

La correcta eliminación de este producto evita consecuencias negativas para el medioambiente y la salud.



El símbolo  en el producto o en los documentos que se incluyen con el producto, indica que no se puede tratar como residuo doméstico. Es necesario entregarlo en un punto de recogida para reciclar aparatos eléctricos y electrónicos.

Deséchelo con arreglo a las normas medioambientales para eliminación de residuos.

Para obtener información más detallada sobre el tratamiento, recuperación y reciclaje de este producto, póngase en contacto con su Municipalidad, con el servicio de eliminación de residuos urbanos o la tienda donde adquirió el producto.

Aparato diseñado, probado y fabricado de acuerdo con:

- Seguridad: EN/IEC 60335-1; EN/IEC 60335-2-31, EN/IEC 62233.
- Prestación: EN/IEC 61591; ISO 5167-1; ISO 5167-3; ISO 5168; EN/IEC 60704-1; EN/IEC 60704-2-13; EN/IEC 60704-3; ISO 3741; EN 50564; IEC 62301.
- EMC: EN 55014-1; CISPR 14-1; EN 55014-2; CISPR 14-2; EN/IEC 61000-3-2; EN/IEC 61000-3-3. Sugerencias para un uso correcto con el fin de reducir el impacto ambiental: Encienda la campana a la velocidad mínima cuando empiece a cocinar y mantenga en marcha durante unos minutos después de haber acabado de cocinar. Aumente la velocidad solo si se produjera una gran cantidad de humo y vapor y use la velocidad o velocidades turbo solo en situaciones extremas. Cambie el filtro o filtros de carbón cuando sea necesario para mantener un buen rendimiento en la reducción de los olores. Limpie el filtro o filtros de grasa cuando sea necesario para mantener un buen rendimiento del filtro de grasa. Utilice el diámetro máximo del sistema de conductos indicado en este manual, para optimizar el rendimiento y minimizar el ruido.





## ANOMALÍAS DE FUNCIONAMIENTO

Si alguna pieza parece no funcionar, realice los siguientes controles antes de llamar al Servicio de Asistencia:

- Si la campana no funciona:  
Compruebe que:
  - no haya interrupciones de corriente.
  - se haya seleccionado una velocidad.
- Si la campana presenta un rendimiento escaso:  
Compruebe que:
  - La velocidad del motor seleccionada es suficiente para la cantidad de humo y vapores emitida.
  - La cocina está suficientemente ventilada para permitir una toma de aire.
  - el filtro de carbón no está gastado (campana en versión filtrante).
- Si la campana se ha apagado durante el funcionamiento normal:  
Compruebe que:
  - no haya interrupciones de corriente.
  - el dispositivo de interrupción omnipolar no se ha disparado.

En caso de eventuales anomalías en el funcionamiento, antes de dirigirse al servicio de asistencia, desconectar el aparato de la alimentación eléctrica, extrayendo el enchufe al menos durante 5 segundos, y después conectarlo nuevamente. Si la anomalía de funcionamiento no desaparece, dirigirse al servicio de asistencia.

# DATOS TÉCNICOS

Alto (cm)	Ancho (cm)	Fondo (cm)	Ø del tubo de salida (cm)
 61,9-114,7  70,6-114,7	89,8	45	15 - 12,5 - 12
 61,9-114,7  70,6-114,7	59,8	45	15 - 12,5 - 12

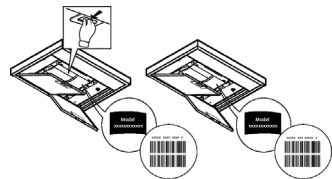


Componentes no suministrados con el producto



Puede descargarse las Instrucciones de seguridad, el Manual del usuario, la Ficha del producto y los Datos de energía:

- Visitando nuestra página web [docs.hotpoint.eu](http://docs.hotpoint.eu)
- Usando el código QR
- También puede, **ponerse en contacto con nuestro Servicio postventa** (Consulte el número de teléfono en el folleto de la garantía). Cuando se ponga en contacto con nuestro Servicio Postventa , deberá indicar los códigos que figuran en la placa de características de su producto.



## SEGURANÇA GERAL

- Antes de fazer qualquer operação de limpeza ou de manutenção, deve-se desligar o exaustor da rede elétrica retirando a tomada ou desligando a alimentação da rede elétrica.
  - Usar sempre luvas de trabalho para todas as operações de instalação e manutenção.
  - Este aparelho pode ser usado por crianças a partir de 8 anos de idade e por pessoas com reduzidas capacidades físicas, sensoriais e mentais, ou falta de experiência e conhecimento, desde que sejam supervisionadas ou se tiverem recebido as necessárias instruções relativas ao uso em segurança do aparelho e que tenham conhecimento dos riscos envolvidos.
  - As crianças não devem ser autorizadas a manipular os comandos ou a brincar com o aparelho.
  - A limpeza e a manutenção não devem ser feitas por crianças sem supervisão.
  - O local onde o aparelho será instalado, deve ser suficientemente ventilado, quando o exaustor for utilizado em conjunto com outros dispositivos de combustão de gás ou outros combustíveis.
  - O exaustor deve ser limpo regularmente, interna e externamente (PELO MENOS UMA VEZ POR MÊS), respeitando expressamente as indicações no manual, nas instruções de manutenção.
  - A inobservância das normas de limpeza do aparelho e da substituição e limpeza dos filtros comporta riscos de incêndio.
  - É severamente proibido colocar alimentos diretamente na chama, sob o exaustor.
  - Para a substituição da lâmpada, utilizar apenas o tipo de lâmpada indicado na secção de Manutenção/Substituição de lâmpadas deste manual.
- O uso de chama livre causa danos aos filtros e pode originar incêndios, portanto, deve ser evitado em quaisquer circunstâncias.
- Os alimentos fritos devem ser feitos sob controle, para evitar que o óleo sobreaqueça e se incendeie.
- CUIDADO:** Peças acessíveis do exaustor podem queimar quando utilizado com a placa de fogão.
- Não ligar o aparelho à rede elétrica até que a instalação esteja totalmente concluída.
  - Relativamente às medidas técnicas e de segurança a serem adotadas para a descarga de fumos, é importante respeitar rigorosamente os regulamentos fornecidos pelas autoridades locais.
  - O sistema de condutas deste aparelho não pode ser conectado a outro sistema de ventilação já existente que esteja a ser usado para qualquer outra finalidade, como descarga de fumos de aparelhos a gás ou outros combustíveis.
  - Não utilizar ou deixar o exaustor sem lâmpadas corretamente montadas, devido ao possível risco de choques elétricos.
  - Nunca utilizar o exaustor sem as grades montadas corretamente.
  - O exaustor NUNCA deve ser utilizado como uma superfície de apoio, a menos que seja especificamente indicado.
  - Usar somente os parafusos de fixação fornecidos com o aparelho, para a instalação, ou, se não for fornecido, comprar o tipo de parafuso correto.
  - Usar o comprimento correto para os parafusos que são identificados no Guia de Instalação.
  - Em caso de dúvida, consultar um centro de assistência autorizado ou técnico qualificado.

## ⚠️ ATENÇÃO!

- A falta de instalação de parafusos ou dispositivos de fixação em conformidade com estas instruções, pode resultar em riscos elétricos.
- Não utilizar com um programador, temporizador, telecomando separado ou qualquer outro dispositivo que se ativa automaticamente.

Manter as crianças menores de 3 anos afastadas do aparelho. Quando não vigiadas por um adulto, as crianças menores de 8 anos devem ser mantidas afastadas do aparelho.

⚠️ **ATENÇÃO:** o aparelho não deve ser operado mediante um dispositivo externo ou através dum sistema de comando à distância separado.

⚠️ Este aparelho não se destina ao uso profissional. Não utilizar o aparelho ao ar livre.

⚠️ Para evitar o risco de ferimentos pessoais, o aparelho deve ser movido e instalado por duas ou mais pessoas.

⚠️ A instalação - incluindo também quaisquer conexões para fornecimento de água (caso previsto) e as ligações elétricas - e as operações de reparação devem ser realizadas por pessoal qualificado.

Uma vez concluída a instalação, o material de embalagem (peças de plástico, poliestireno, etc.) deve ser mantido fora do alcance das crianças para evitar o risco de asfixia. .

Não utilizar o aparelho quando estiver molhado ou descalço.

Nunca utilizar um aparelho de limpeza a vapor para limpar o aparelho - risco de choque elétrico.

O material de embalagem é 100% reciclável e está marcado com o símbolo da reciclagem



**O exaustor pode ser esteticamente diferente do modelo ilustrado neste manual, no entanto as instruções de uso, manutenção e instalação são as mesmas.**

**Siga especificamente as instruções indicadas neste manual.** Declina-se qualquer responsabilidade por eventuais inconvenientes, danos ou incêndios provocados ao aparelho, derivantes da inobservância das instruções indicadas neste manual. O exaustor foi concebido para a aspiração de fumos e vapores de cozedura e é destinado exclusivamente para uso doméstico.

- É importante conservar este manual para eventuais consultas futuras.  
Em caso de venda ou mudança, certifique-se que o manual acompanha o produto.
- Leia cuidadosamente as instruções: apresentam importantes informações sobre a instalação, uso e segurança.
- Não efectue variações elétricas ou mecânicas no produto ou nos tubos de fuga.
- Antes de prosseguir com a instalação do aparelho, verifique se todos os componentes não estão danificados. Caso contrário, contacte o seu fornecedor e não prossiga com a instalação.

A distância mínima entre a superfície de suporte dos recipientes sobre o fogão e a parte mais baixa do exaustor não deve ser inferior a 50cm no caso de fogões elétricos e 65 cm no caso de fogões a gás ou combinados.

**Se as instruções de instalação do fogão a gás especificarem uma distância maior, deve-se levar em conta esta indicação.**

## CONEXÃO ELÉTRICA

A voltagem da rede elétrica deve corresponder com a voltagem indicada na etiqueta das características, situada no interior do exaustor. Se dotado de ficha, conectar o exaustor a uma tomada, em conformidade com as normas vigentes, posta em zona acessível, mesmo depois da instalação. Se não tiver ficha (conexão direta à rede) ou a tomada não se encontrar numa zona acessível, mesmo depois da instalação, aplicar um interruptor bipolar, em conformidade com a norma que assegure a desconexão completa da rede nas condições da categoria de sobretensão III, de acordo com as regras de instalação.

### ⚠️ ATENÇÃO!


Antes de conectar novamente o circuito do exaustor com a alimentação elétrica, verificar o seu funcionamento, e verificar se o cabo de rede está montado corretamente.

Se o cabo não estiver equipado com uma ficha, ligue os cabos de acordo com a tabela seguinte:

#### Tensão da rede elétrica e frequência

Consultar o valor indicado na etiqueta de características no interior do exaustor.

#### Ligação de cabo

 : amarelo/verde

N : azul

L : castanho

## Substituição do cabo de alimentação

O exaustor está equipado com um cabo de alimentação especial; no caso do cabo ficar danificado, efetuar um pedido ao serviço de assistência técnica.

# SAÍDA DO AR

(para as versões aspirantes)

Conectar o exaustor aos tubos e orifícios de descarga da parede com diâmetro equivalente à saída de ar (falange de união).

O uso de tubos ou orifícios de descarga de parede com diâmetro inferior, pode provocar a diminuição do desempenho de aspiração e um drástico aumento do ruído.

Não nos responsabilizamos a este respeito.

- ! Utilizar um tubo condutor com comprimento não inferior ao indicado.
- ! Utilizar um tubo condutor com o menor número possível de curvas (ângulo máximo da curva: 90°C).
- ! Evitar alterações drásticas da seção do tubo (diâmetro).
- ! Caso estas normas não sejam respeitadas a empresa declina qualquer responsabilidade.

## FILTRANTE OU ASPIRANTE ?

! O seu exaustor está pronto para ser utilizado na versão aspirante.

Para utilizar o exaustor na versão filtrante deve ser instalado um KIT ACESSÓRIO apropriado.

Verifique nas primeiras páginas deste manual se o KIT ACESSÓRIO já vem fornecido ou se deve ser comprado separadamente.

**Nota:** Se for fornecido com o equipamento, em alguns casos, o sistema de filtragem adjunta à base de carvão activo pode já estar instalado no exaustor.

As informações para a transformação do exaustor da versão aspirante à versão filtrante já estão contidas neste manual.

## Versão aspirante

Os vapores são evacuados para o exterior, por meio de um tubo de descarga fixado à falange de conexão que se encontra sobre o exaustor.

### ⚠ ATENÇÃO!

O diâmetro do tubo de descarga deve ser equivalente ao diâmetro do anel de conexão.

### ⚠ ATENÇÃO!

Se o exaustor for dotado de filtros de carvão ativo, estes deverão ser retirados.

## Versão filtrante

O ar aspirado será desengordurado e desodorizado antes de ser recanalizado de volta para o ambiente.

Para usar o exaustor nesta versão é necessário instalar um sistema de filtragem adicional à base de carvão ativado.

## COMANDOS

O exaustor vem equipado com um painel de comandos com um controlo de velocidade de aspiração e um controlo para acender a luz de iluminação do plano de cozedura.



T1



T2



L1

L2

L3

L4

L5



T3



T4

T1. Tecla ON/OFF motor de aspiração

T2. Tecla de seleção da velocidade (potência) de aspiração: média, alta e intensiva.

**Nota:** A velocidade (potência) de aspiração intensiva (LED L1 piscando) ha uma duração de aproximadamente 5 minutos, após isso, passa automaticamente para a velocidade (potência) de aspiração média.

T3. Tecla de seleção da velocidade (potência) de aspiração “silenciosa”

T4. Tecla ON/OFF iluminação

L1. Icone do estado da velocidade (potência) de aspiração

L2. Icone do estado do indicador de saturação do filtro de gordura

L3. Icone do estado da velocidade (potência) de aspiração baixa (silenciosa)

L4. Icone do estado do indicador de saturação do filtro de carvão

L5. Icone do estado da iluminação

### Reset do indicador de saturação dos filtros

Após haver efetuado a manutenção do filtro, pressionar prolongadamente a tecla **T3**, o ícone que indica a saturação do filtro se desligará. Repetir a operação caso ambos os ícones indicadores de saturação (gordura e carvão) sejam acesas.

### Ativação do ícone de saturação do filtro de carvão

O ícone de saturação do filtro de carvão está normalmente desativado. Para ativá-lo, proceder da seguinte maneira:

Com o exaustor desligado, pressionar durante um longo tempo e simultaneamente as teclas **T1** e **T3**: a **L4** primeiro irá piscar, depois se acenderá com luz fixa, para indicar a ativação bem sucedida.

**Desativação do ícone de saturação do filtro de carvão:** repetir a operação acima indicada, a tecla **L4** irá acender com luz fixa, depois irá piscar por breve tempo, antes de se apagar, para indicar a desativação bem sucedida.

### Funcionamento automático em presença de temperatura elevada

O exaustor está equipado com um sensor que detecta a temperatura. Quando ela se torna demasiadamente elevada, o sensor liga automaticamente a velocidade (potência) de aspiração média. O exaustor se desligará quando a temperatura detectada pelo sensor for reduzida significativamente.

## MANUTENÇÃO

### Limpeza

Para a limpeza, utilizar um pano humedecido com detergentes líquidos neutros. Evitar o uso de produtos contendo abrasivos. **NÃO UTILIZE ÁLCOOL!**

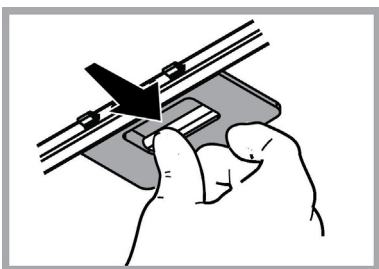
### Manutenção dos filtros anti-gordura

**Capta as partículas de gordura provenientes da cozedura.**

O filtro de gordura deve ser limpo uma vez por mês (ou quando o sistema de indicação da saturação dos filtros - se previsto no modelo adquirido - indicar esta necessidade), com detergentes não agressivos. O filtro pode ser lavado manualmente ou em máquina de lavar louça a baixas temperaturas e com ciclo breve.

O filtro metálico para a gordura pode perder cor com as lavagens na máquina da louça, mas suas características de filtração não se alteram.

Para desmontar o filtro antigordura puxe o puxador de libertação com mola.



### Manutenção do filtro a carvão

**Retém os odores desagradáveis produzidos durante a preparação de alimentos.**

A saturação do filtro de carvão activado se verifica após um uso mais ou menos prolongado em função do tipo de cozinha e da regularidade da limpeza do filtro de gorduras. Em todo caso, é necessário substituir o cartucho no máximo cada 4 meses (ou quando o sistema de indicação da saturação dos filtros - se previsto no modelo que se possui - indicar esta necessidade).

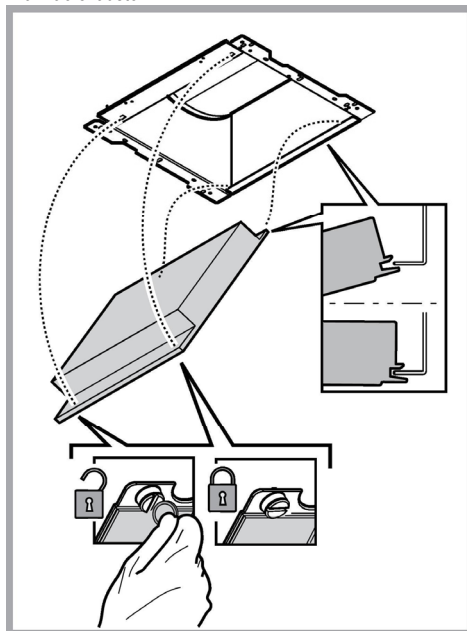
**NÃO** pode ser lavado ou regenerado.

#### Montagem:

Coloque o gancho do filtro de carvão ativo, primeiro na parte de trás da lingueta metálica do exaustor e depois na parte dianteira com os dois botões.

#### Desmontagem:

Remova o filtro de carvão ativo rodando 90° os botões que o fixam ao exaustor.



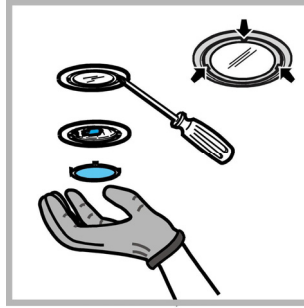
## Substituição das lâmpadas

Desligar o aparelho da rede elétrica;

**Atenção!** Antes de tocar as lâmpadas, certifique-se que estão frias.

Substituir a lâmpada danificada

Utilizar apenas lâmpadas de halogéneo de 12V, máx. 20W-G4. Para maiores especificações, consultar a folha anexa "LCOS D" (posição alfanumérica "2b").




## ELIMINAÇÃO

Este aparelho está classificado de acordo com a Diretiva Europeia 2012/19/EC sobre Resíduos de equipamento elétrico e eletrónico (REEE).

Ao garantir a eliminação adequada deste produto, estará a ajudar a evitar potenciais consequências negativas para o ambiente e para a saúde pública, que poderiam derivar de um manuseamento de dispersão inadequada deste produto.



O símbolo  no produto ou nos documentos que acompanham o produto, indica que este aparelho não pode receber um tratamento semelhante ao de uma dispersão doméstica.

Pelo contrário, deverá ser depositado no respectivo centro de recolha para a reciclagem de equipamento elétrico e eletrónico.

A eliminação deverá ser efetuada em conformidade com as normas ambientais locais para a eliminação de desperdícios.

Para obter informações mais detalhadas sobre o tratamento, a recuperação e a reciclagem deste produto, contate o Departamento na sua localidade, o seu serviço de eliminação de desperdícios domésticos ou a loja onde adquiriu o produto.

Aparelho projetado, testado e fabricado de acordo com:

- Segurança: EN/IEC 60335-1; EN/IEC 60335-2-31, EN/IEC 62233.
- Desempenho: EN/IEC 61591; ISO 5167-1; ISO 5167-3; ISO 5168; EN/IEC 60704-1; EN/IEC 60704-2-13; EN/IEC 60704-3; ISO 3741; EN 50564; IEC 62301.
- EMC: EN 55014-1; CISPR 14-1; EN 55014-2; CISPR 14-2; EN/IEC 61000-3-2; EN/IEC 61000-3-3. Sugestões para uma utilização correta, de modo a reduzir o impacto ambiental: LIGUE o exaustor na velocidade mínima quando começar a cozinhar e mantenha-o em função por mais alguns minutos após ter terminado. Aumente a velocidade somente em caso de muito fumo ou vapor e use as velocidades altas somente em situações extremas. Substitua o(s) filtro(s) a carvão quando necessário, para manter uma boa eficiência na redução dos odores. Limpe o(s) filtro(s) de gordura quando necessário para manter uma boa eficiência. Use o diâmetro máximo do sistema de condutas indicado neste manual para otimizar a eficiência e minimizar o ruído.





## ANOMALIAS DE FUNCIONAMENTO

Se algo parece não funcionar, antes de contactar o Serviço de Assistência efectuar seguintes controlos simples:

- Se o exaustor não funcionar:  
Verificar que:
  - não há interrupção de corrente.
  - foi seleccionada uma velocidade.
- Se o exaustor tiver uma performance fraca:  
Verificar que:
  - A velocidade do motor seleccionada é suficiente para a quantidade de fumo e vapores libertada.
  - O fogão é suficientemente arejado para permitir uma tomada de ar.
  - O filtro de carvão não está gasto (exaustor em versão filtrante).
- Se o exaustor desligar durante o funcionamento normal:  
Verificar que:
  - não há interrupção de corrente.
  - o dispositivo de corte omnipolar não disparou.

Se o exaustor não funcionar correctamente, retirar a ficha para desligá-lo por um breve período da rede eléctrica principal (pelo menos 5 seg.). Em seguida colocar novamente a ficha e experimentar mais uma vez antes de contactar o Serviço de assistência técnica. Se o problema de funcionamento persistir, contacte o serviço de assistência.

## DADOS TÉCNICOS

Altura (cm)	Largura (cm)	Profundidade (cm)	Ø do tubo de escape (cm)
 61,9-114,7  70,6-114,7	89,8	45	15 - 12,5 - 12
 61,9-114,7  70,6-114,7	59,8	45	15 - 12,5 - 12

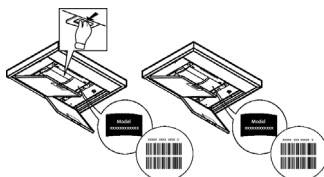


Componentes não fornecidas com o produto.



**Pode transferir as Instruções de Segurança, o Manual do Utilizador, a Ficha do Produto e os Dados Energéticos:**

- Visitando o nosso website [docs.hotpoint.eu](https://docs.hotpoint.eu)
- Utilizando o código QR
- Em alternativa, **contacte o nosso Serviço Pós-venda** (através do número de telefone contido no livrete da garantia). Ao contactar o nosso Serviço Pós-Venda, indique os códigos fornecidos na placa de identificação do seu produto.





## SICUREZZA GENERALE

- Prima di qualsiasi operazione di pulizia o manutenzione, disinserire la cappa dalla rete elettrica togliendo la spina o staccando l'interruttore generale dell'abitazione.
  - Per tutte le operazioni di installazione e manutenzione utilizzare guanti da lavoro.
  - L'apparecchio può essere utilizzato da bambini di età non inferiore a 8 anni e da persone con ridotte capacità fisiche, sensoriali o mentali, o prive di esperienza o della necessaria conoscenza, purché sotto sorveglianza oppure dopo che le stesse abbiano ricevuto istruzioni relative all'uso sicuro dell'apparecchio e alla comprensione dei pericoli ad esso inerenti.
  - I bambini devono essere controllati affinché non giochino con l'apparecchio.
  - La pulizia e la manutenzione non deve essere effettuata da bambini senza sorveglianza.
  - Il locale deve disporre di sufficiente ventilazione, quando la cappa da cucina viene utilizzata contemporaneamente ad altri apparecchi a combustione di gas o altri combustibili.
  - La cappa va frequentemente pulita sia internamente che esternamente (ALMENO UNA VOLTA AL MESE), rispettare comunque quanto espressamente indicato nelle istruzioni di manutenzione. L'inosservanza delle norme di pulizia della cappa e della sostituzione e pulizia dei filtri comporta rischi di incendi.
  - E' severamente vietato fare cibi alla fiamma sotto la cappa.
  - Per la sostituzione della lampada utilizzare solo il tipo lampada indicato nella sezione manutenzione /sostituzione lampada di questo manuale.
- L'impiego di fiamma libera è dannoso ai filtri e può dar luogo ad incendi, pertanto deve essere evitato in ogni caso.

La frittura deve essere fatta sotto controllo onde evitare che l'olio surriscaldato prenda fuoco.

**ATTENZIONE:** Quando il piano di cottura è in funzione le parti accessibili della cappa possono diventare calde.

• Non collegare l'apparecchio alla rete elettrica finché l'installazione non è totalmente completata.

- Per quanto riguarda le misure tecniche e di sicurezza da adottare per lo scarico dei fumi attenersi strettamente a quanto previsto dai regolamenti delle autorità locali competenti.
- L'aria aspirata non deve essere convogliata in un condotto usato per lo scarico dei fumi prodotti da apparecchi a combustione di gas o di altri combustibili.
- Non utilizzare o lasciare la cappa priva di lampade correttamente montate per possibile rischio di scossa elettrica.
- Mai utilizzare la cappa senza griglia correttamente montata!
- La cappa non va MAI utilizzata come piano di appoggio a meno che non sia espressamente indicato.
- Utilizzare solo le viti di fissaggio in dotazione con il prodotto per l'installazione o, se non in dotazione, acquistare il tipo di viti corretto.
- Utilizzare la lunghezza corretta per le viti che sono identificati nella Guida all'installazione.
- In caso di dubbio, consultare il centro di assistenza autorizzato o personale qualificato similare.

### **▲ ATTENZIONE!**

- La mancata installazione di viti e dispositivi di fissaggio in conformità di queste istruzioni può comportare rischi di natura elettrica.

- Non utilizzare con un programmatore, timer, telecomando separato o qualsiasi altro dispositivo che si attiva automaticamente.

Tenere i bambini di età inferiore a 3 anni lontani dall'apparecchio. Senza la sorveglianza costante di un adulto, tenere l'apparecchio fuori dalla portata dei bambini di età inferiore a 8 anni.

**⚠ ATTENZIONE:** l'apparecchio non è destinato ad essere messo in funzione mediante un dispositivo esterno o un sistema di comando a distanza separato.

**⚠** Questo apparecchio non è destinato all'uso professionale. Non utilizzare l'apparecchio all'aperto.

**⚠** Per evitare il rischio di lesioni personali, l'apparecchio deve essere movimentato e installato da due o più persone.

**⚠** L'installazione, comprendente anche eventuali raccordi per l'alimentazione idrica (se previsti) e i collegamenti elettrici, e gli interventi di riparazione devono essere eseguiti da personale qualificato.

A installazione completata, conservare il materiale di imballaggio (parti in plastica, polistirolo, ecc.) fuori dalla portata dei bambini per evitare il rischio di soffocamento.

Non utilizzare l'apparecchio quando si è bagnati oppure a piedi nudi.

Mai utilizzare apparecchi per pulizia a vapore – rischio di shock elettrico.



Il materiale dell'imballo è riciclabile al 100% ed è contrassegnato con il simbolo del riciclo

**La cappa può avere estetiche differenti rispetto a quanto illustrato nei disegni di questo libretto, comunque le istruzioni per l'uso, la manutenzione e l'installazione rimangono le stesse.**

**Attenersi strettamente alle istruzioni riportate in questo manuale.** Si declina ogni responsabilità per eventuali inconvenienti, danni o incendi provocati all'apparecchio derivati dall'inosservanza delle istruzioni riportate in questo manuale. La cappa è concepita per l'aspirazione dei fumi e vapori della cottura ed è destinata al solo uso domestico.

- E' importante conservare tutti i manuali che accompagnano il prodotto per poterli consultare in ogni momento. In caso di vendita, di cessione o di trasloco, assicurarsi che restino insieme al prodotto.
- Leggere attentamente le istruzioni: ci sono importanti informazioni sull'installazione, sull'uso e sulla sicurezza.
- Non effettuare variazioni elettriche o meccaniche sul prodotto o sulle condotte di scarico.
- Verificare l'integrità della cappa prima di procedere con l'installazione. In caso contrario contattare il rivenditore e non proseguire con l'installazione.

La distanza minima fra la superficie di supporto dei recipienti sul dispositivo di cottura e la parte più bassa della cappa da cucina deve essere non inferiore a 50 cm in caso di cucine elettriche e di 65 cm in caso di cucine a gas o miste.

**Se le istruzioni di installazione del dispositivo di cottura a gas specificano una distanza maggiore, bisogna tenerne conto.**

## COLLEGAMENTO ELETTRICO

La tensione di rete deve corrispondere alla tensione riportata sull'etichetta caratteristiche situata all'interno della cappa. Se provvista di spina allacciare la cappa ad una presa conforme alle norme vigenti posta in zona accessibile anche dopo l'installazione. Se sprovvista di spina (collegamento diretto alla rete) o la spina non è posta in zona accessibile, anche dopo installazione, applicare un interruttore bipolare a norma che assicuri la disconnessione completa della rete nelle condizioni della categoria di sovratensione III, conformemente alle regole di installazione.

### ⚠ ATTENZIONE!


Prima di ricollegare il circuito della cappa all'alimentazione di rete e di verificarne il corretto funzionamento, controllare sempre che il cavo di rete sia stato montato correttamente.

Se il cavo non è provvisto di spina, collegare i fili attenendosi alla tabella seguente:

#### Tensione e frequenza della rete

Fare riferimento al valore indicato nella etichetta caratteristiche all'interno della cappa.

#### Collegamento fili

 : giallo/verde  
 N : blu  
 L : marrone

## Sostituzione del cavo di alimentazione

La cappa è provvista di un cavo alimentazione speciale; in caso di danneggiamento del cavo, richiederlo al servizio assistenza tecnica.

# SCARICO DELL'ARIA

(per le versioni aspiranti)

Collegare la cappa a tubi e fori di scarico a parete con diametro equivalente all'uscita d'aria (flangia di raccordo).

L'utilizzo di tubi e fori di scarico a parete con diametro inferiore determinerà una diminuzione delle prestazioni di aspirazione ed un drastico aumento della rumorosità.

Si declina perciò ogni responsabilità in merito.

- ! Usare un condotto lungo il minimo indispensabile.
- ! Usare un condotto con minor numero di curve possibile (angolo massimo della curva: 90°).
- ! Evitare cambiamenti drastici di sezione del condotto.
- ! L'azienda declina ogni responsabilità qualora queste norme non vengano rispettate.

## FILTRANTE O ASPIRANTE?

! La vostra cappa è pronta per essere utilizzata in versione aspirante.

Per utilizzare la cappa in versione filtrante va installato l'apposito KIT ACCESSORIO.

Verificate nelle prime pagine di questo manuale se il KIT ACCESSORIO è già fornito a corredo o va acquistato a parte.

**Nota:** Se fornito a corredo, in alcuni casi, il sistema di filtraggio aggiuntivo a base di carboni attivi potrebbe essere già installato sulla cappa.

Le informazioni per la trasformazione della cappa da versione aspirante a versione filtrante sono già contenute in questo manuale.

## Versione aspirante

I vapori vengono evacuati verso l'esterno tramite un tubo di scarico fissato alla flangia di raccordo.

### ⚠ ATTENZIONE!

Il tubo di evacuazione non è fornito e va acquistato.

Il diametro del tubo di scarico deve essere equivalente al diametro dell'anello di connessione.

### ⚠ ATTENZIONE!

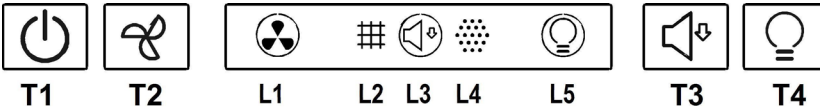
Se la cappa è provvista di filtro/i a carbone, questo/i deve/devono essere rimosso/i.

## Versione filtrante

L'aria aspirata verrà sgrassata e deodorata prima di essere riconvogliata nella stanza. Per utilizzare la cappa in questa versione è necessario installare un sistema di filtraggio aggiuntivo a base di carboni attivi.

## COMANDI

La cappa è fornita di un pannello comandi con un controllo delle velocità di aspirazione ed un controllo di accensione della luce per l'illuminazione del piano di cottura.



**T1. Tasto ON/OFF motore di aspirazione**

**T2. Tasto di selezione velocità (potenza) di aspirazione di esercizio media, alta e intensiva.**

**Nota:** La velocità (potenza) di aspirazione intensiva (LED L1 lampeggiante) ha una durata di circa 5 minuti, dopodiché viene impostata automaticamente la velocità (potenza) di aspirazione media.

**T3. Tasto di selezione velocità (potenza) di aspirazione "silenziosa"**

**T4. Tasto ON/OFF illuminazione**

**L1. Icona stato velocità (potenze) di aspirazione**

**L2. Icona stato indicatore di saturazione filtro grassi**

**L3. Icona stato velocità (potenza) di aspirazione bassa (silenziosa)**

**L4. Icona stato indicatore di saturazione filtro al carbone**

**L5. Icona stato illuminazione**

### Reset indicatore saturazione filtri

Dopo aver eseguito la manutenzione del filtro premere a lungo il tasto **T3**, l'icona che indica la saturazione si spegne. Ripetere l'operazione nel caso entrambe le icone indicatrici di saturazione (grassi e carbone) siano accese.

### Attivazione icona saturazione filtro carbone

L'icona della saturazione filtro carbone è normalmente disattivato. Per attivarlo procedere come segue:

A cappa spenta premere e mantenere premuto a lungo e contemporaneamente **T1** e **T3**: **L4** prima lampeggia, poi si accende a luce fissa ad indicare l'avvenuta attivazione.

**Disattivazione icona saturazione filtro carbone**: ripetere l'operazione sopra descritta, **L4** si accende a luce fissa poi lampeggia sino a spegnersi ad indicare l'avvenuta disattivazione.

### Funzionamento automatico in presenza di temperatura elevata

La cappa è dotata di un sensore che rileva la temperatura. Quando questa diventa troppo elevata, il sensore fa attivare automaticamente la velocità (potenza) di aspirazione media. La cappa si spegne non appena la temperatura rilevata dal sensore si abbassa sensibilmente.

## MANUTENZIONE

### Pulizia

Per la pulizia usare **ESCLUSIVAMENTE** un panno inumidito con detersivi liquidi neutri. **NON UTILIZZARE UTENSILI O STRUMENTI PER LA PULIZIA!**

Evitare l'uso di prodotti contenenti abrasivi. **NON UTILIZZARE ALCOL!**

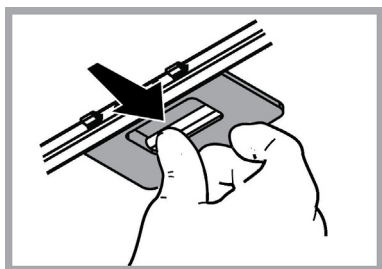
### Manutenzione dei filtri antigrasso

**Trattiene le particelle di grasso derivanti dalla cottura.**

Deve essere pulito una volta al mese (o quando il sistema di indicazione di saturazione dei filtri - se previsto sul modello in possesso- indica questa necessità), con detersivi non aggressivi, manualmente oppure in lavastoviglie a basse temperature ed a ciclo breve.

Con il lavaggio in lavastoviglie il filtro antigrasso metallico può scolorirsi ma le sue caratteristiche di filtraggio non cambiano assolutamente.

Per smontare il filtro grassi tirare la maniglia di sgancio a molla.



### Manutenzione del filtro al carbone

**Trattiene gli odori sgradevoli derivanti dalla cottura.**

La saturazione del filtro carbone si verifica dopo un uso più o meno prolungato a seconda del tipo di cucina e della regolarità della pulizia del filtro grassi. In ogni caso è necessario sostituire la cartuccia al massimo ogni quattro mesi (o quando il sistema di indicazione di saturazione dei filtri - se previsto sul modello in possesso- indica questa necessità).

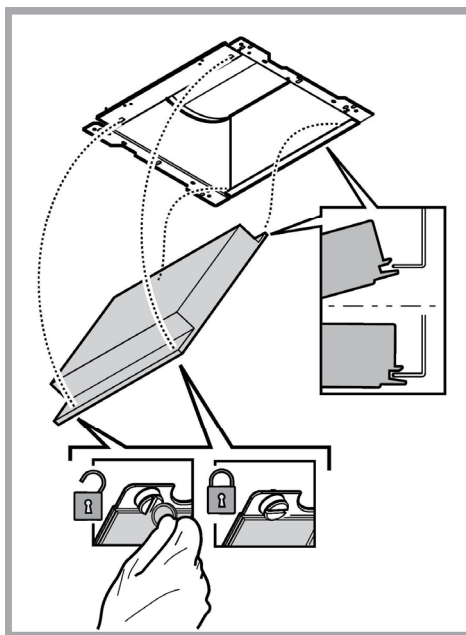
NON può essere lavato o rigenerato

### Montaggio

Agganciare il filtro ai carboni attivi prima posteriormente sulla linguetta metallica della cappa, poi anteriormente con i due pomelli.

### Smontaggio

Rimuovere il filtro ai carboni attivi girando di 90° i pomelli che lo fissano alla cappa.



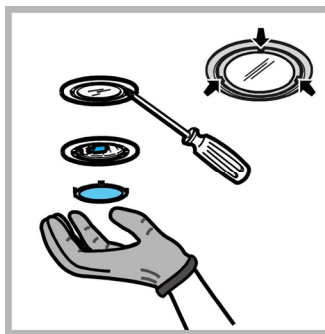
## Sostituzione delle lampade

Disinserire l'apparecchio dalla rete elettrica.

**Attenzione!** Prima di toccare le lampade sincerarsi che siano fredde.

Sostituire la lampada danneggiata


Utilizzare solo lampade alogene da 12V, max 20W-G4. Per maggiori dettagli, consultare il foglio allegato "ILCOS D" (posizione alfanumerica "2b").



## SMALTIMENTO

Questo apparecchio è contrassegnato in conformità alla Direttiva Europea 2012/19/EC, Waste Electrical and Electronic Equipment (WEEE). Assicurandosi che questo prodotto sia smaltito in modo corretto, l'utente contribuisce a prevenire le potenziali conseguenze negative per l'ambiente e la salute.



Il simbolo  sul prodotto o sulla documentazione di accompagnamento indica che questo prodotto non deve essere trattato come rifiuto domestico ma deve essere consegnato presso l'idoneo punto di raccolta per il riciclaggio di apparecchiature elettriche ed elettroniche. Disfarsene seguendo le normative locali per lo smaltimento dei rifiuti. Per ulteriori informazioni sul trattamento, recupero e riciclaggio di questo prodotto, contattare l'idoneo ufficio locale, il servizio di raccolta dei rifiuti domestici o il negozio presso il quale il prodotto è stato acquistato.

Apparecchiatura progettata, testata e realizzata nel rispetto delle norme sulla:

- Sicurezza: EN/IEC 60335-1; EN/IEC 60335-2-31, EN/IEC 62233.
- Prestazione: EN/IEC 61591; ISO 5167-1; ISO 5167-3; ISO 5168; EN/IEC 60704-1; EN/IEC 60704-2-13; EN/IEC 60704-3; ISO 3741; EN 50564; IEC 62301.
- EMC: EN 55014-1; CISPR 14-1; EN 55014-2; CISPR 14-2; EN/IEC 61000-3-2; EN/IEC 61000-3-3. Suggestioni per un corretto utilizzo al fine di ridurre l'impatto ambientale: Quando iniziate a cucinare, accendere la cappa alla velocità minima, lasciandola accesa per alcuni minuti anche dopo il termine della cottura. Aumentare la velocità solo in caso di grandi quantità di fumo e vapore, utilizzando la funzione booster solo in casi estremi. Per mantenere ben efficiente il sistema di riduzione degli odori, sostituire, quando è necessario, il/i filtro/i carbone. Per mantenere ben efficiente il filtro del grasso, pulirlo in caso di necessità. Per ottimizzare l'efficienza e minimizzare i rumori, utilizzare il diametro massimo del sistema di canalizzazione indicato in questo manuale.





## ANOMALIE DI FUNZIONAMENTO

Se qualcosa non sembra funzionare, prima di chiamare il Servizio Assistenza effettuare i seguenti semplici controlli:

- Se la cappa non funziona:  
Verificare che:
  - non c'è interruzione di corrente.
  - è stata selezionata una velocità.
- Se la cappa ha un rendimento scarso:  
Verificare che:
  - La velocità motore selezionata è sufficiente per la quantità di fumo e di vapori liberata.
  - La cucina è sufficientemente areata per permettere una presa d'aria.
  - Il filtro carbone non è consumato (cappa in versione filtrante).
- Se la cappa si è spenta nel corso del normale funzionamento:  
Verificare che:
  - non c'è interruzione di corrente.
  - il dispositivo di interruzione omnipolare non è scattato.

In caso di eventuali anomalie di funzionamento, prima di rivolgerVi al servizio assistenza scollegate per almeno 5 sec. l'apparecchio dall'alimentazione elettrica estraendo la spina e collegatelo poi nuovamente. Nel caso in cui l'anomalia di funzionamento dovesse perdurare, rivolgersi al servizio d'assistenza.

## DATI TECNICI

Altezza (cm)	Larghezza (cm)	Profondità (cm)	Ø del tubodi scarico (cm)
 61,9-114,7  70,6-114,7	89,8	45	15 - 12,5 - 12
 61,9-114,7  70,6-114,7	59,8	45	15 - 12,5 - 12

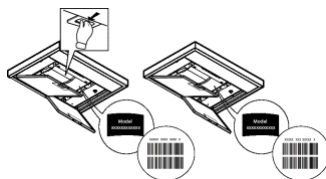


Componenti non in dotazione con il prodotto



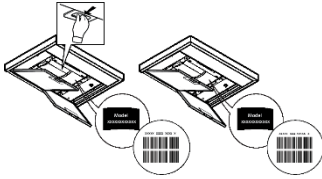
Per scaricare le istruzioni di sicurezza, il manuale d'uso, la scheda tecnica e i dati energetici:

- Visitare il sito web [docs.hotpoint.eu](http://docs.hotpoint.eu)
- Usare il codice QR
- Oppure, **contattare il Servizio Assistenza** (al numero di telefono riportato sul libretto di garanzia). Quando si contatta il Servizio Assistenza, fornire i codici presenti sulla targhetta matricola del prodotto.



الارتفاع (سم)	العرض (سم)	العمق (سم)	Ø أنبوب الصرف (سم)
114,7-61,9 114,7-70,6	89.8	45	12 - 12,5 - 15
114,7-61,9 114,7-70,6	59.8	45	12 - 12,5 - 15

مكونات غير مزودة مع الجهاز



من أجل تنزيل تعليمات السلامة ودليل الاستخدام  
والوثيقة الفنية وبيانات الطاقة:  
 • قم بزيارة موقع الويب [docs.hotpoint.eu](https://docs.hotpoint.eu)  
 • استخدم رمز الكشف السريع QR  
 • أو، اتصل بخدمة الدعم الفني (على رقم الهاتف  
 الوارد على كتيب الضمان). عند الاتصال بمركز  
 الدعم الفني، قم بتزويدهم بالأكواد الموجودة على  
 لوحة الرقم المسلسل للمنتج.



## التخلص من الجهاز

يحمل هذا الجهاز علامة التوافق مع توجيه الأوربي EC/19/2012، والخاص بنفايات المعدات والأجهزة الكهربائية والإلكترونية (WEEE). عند قيام المستخدم بالتخلص من الجهاز بعد انتهاء عمره التشغيلي بالشكل الصحيح، فإنه بذلك يُسهم في تدارك حدوث أية عواقب سلبية أو أضرار على البيئة وعلى الصحة.



يشير الرمز ■ الموجود على المنتج أو على الوثائق المرفقة إلى أن هذا المنتج لا يجب التعامل معه في نهاية عمره التشغيلي على أنه أحد النفايات المنزلية العادية ولكن يجب تسليمه إلى مركز مختص بتجميع الأجهزة الكهربائية والإلكترونية وإعادة تدويرها. تخلص من هذا الجهاز وفقاً للقوانين المحلية بشأن التخلص من النفايات. لمزيد من المعلومات حول معالجة هذا المنتج وإعادة استخدامه وإعادة تدويره، يُرجى الاتصال بالمكتب المحلي المختص، أو بخدمة جمع النفايات المنزلية، أو بالمتجر الذي اشتريته منه هذا الجهاز.

تم تصميم هذا الجهاز وتصنيعه واختباره تشغيلياً وفقاً للمواصفات التالية:

- الأمن والسلامة: EN/IEC 60335-1؛ EN/IEC 60335-2-31 و EN/IEC 62233.
- الأداء التشغيلي: EN/IEC 60704-1؛ EN/IEC 60704-2-13؛ ISO 5167-3؛ ISO 5167-1؛ ISO 61591؛ EN/IEC 60704-3؛ ISO 3741؛ EN 50564؛ IEC 62301.
- الكهرومغناطيسي: EN/IEC 61000-3-2؛ EN/IEC 61000-3-2؛ CISPR 14-2؛ EN 55014-2؛ CISPR 14-1؛ EN 55014-1؛ CISPR 14-1.
- 3-3. اقتراحات لكيفية استخدام الجهاز بالشكل الصحيح بغرض تقليل الأثر البيئي له: عند بدء عملية الطهي، أوقد الشفاط على الحد الأدنى للسرعة، مع تركه يعمل أيضاً ليضع دقائق بعد الانتهاء من عملية الطهي. لا تقم بزيادة السرعة إلا في حالة الكميات الكبيرة من الدخان والبخار، مع استخدام وظيفة الجهاز المعزز في الحالات القصوى فقط. من أجل الحفاظ على الفعالية الجيدة لجهاز تخفيض الروائح، استبدل، عندما يلزم، مرشح/مرشحات الكربون. من أجل الحفاظ على الفعالية الجيدة لمرشح الدهون، قم بتنظيفه في حالة الضرورة. من أجل تحسين الفعالية للحد الأمثل وتقليل الضوضاء للحد الأدنى، استخدم أقصى قطر لنظام الأنابيب المشار إليه في هذا الكتيب.

## خلل أو عطل التشغيل

إن كان شيء ما لا يبدو أنه يعمل، قبل الاتصال بخدمة الدعم الفني قم بتنفيذ الفحوصات البسيطة التالية:

- إذا كان الشفاط لا يعمل:
  - لا يوجد انقطاع في التيار.
  - تم اختيار سرعة.
  - إذا كانت كفاءة الشفاط منخفضة:
    - تحقق من أنه:
      - سرعة المحرك المختارة كافية لكمية العادم والأبخرة الصادرة.
      - تهوية المطبخ كافية لكي تسمح بتجديد الهواء.
      - مرشح الكربون غير مستهلك (الشفاط بإصدار الترشيح).
    - إذا انطفأ الشفاط أثناء التشغيل العادي:
      - تحقق من أنه:
        - لا يوجد انقطاع في التيار.
        - جهاز القطع أحادي القطب غير مفعّل.

في حالة أعطال التشغيل المحتملة، قبل توجهكم إلى خدمة الدعم الفني افضلوا الجهاز لمدة 5 ثوانٍ من التغذية الكهربائية عن طريق نزع القابس ثم أعيدوا توصيله من جديد. في حالة استمرار عطل التشغيل، توجه إلى خدمة الدعم الفني.



## التنظيف

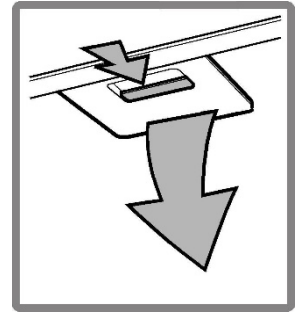
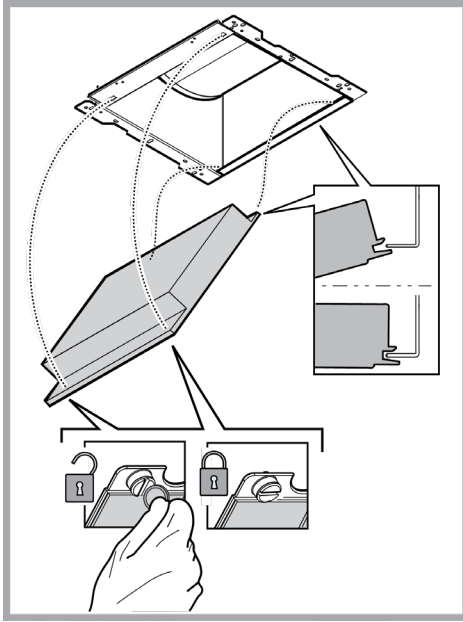
للقيام بعملية التنظيف استخدم فقط وحصريًا قطعة قماش مبلّلة بمنظّفات سائلة محايدة. لا تستخدم أيّة أدوات أو معدّات للقيام بالتنظيف!  
تجنب استخدام المنتجات المحتوية على مواد كاشطة. لا تستخدم الكحول!

## صيانة مرشحات إزالة الدهون

يجب تنظيفه مرة واحدة كل شهر (أو عندما يُشير نظام التنبيه الخاص بتشعّب المرشحات - إذا ما نُصّر على ذلك في الموديل المملوك - فإنه يشير إلى ضرورة القيام بتنظيفها)، باستخدام منظّفات غير عدوانيّة، سواء بشكل يدوي أو في غسالة الأطباق بدرجات حرارة منخفضة وبدورة تنظيف قصيرة.

عند الغسيل في غسالة الأطباق فإن مرشح إزالة الدهون المعدني يمكن أن يفقد لونه ولكن خصائصه ومواصفاته المتعلّقة بعملية الترشيح لا تتغير مطلقًا.

لإزالة مرشح الدهون قم بشد مقبض الفك ذي النابض.



## استبدال المصابيح

افصل الجهاز عن شبكة التيار الكهربائي.

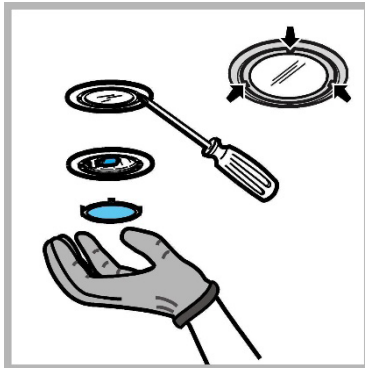
تنبيه! قبل لمس المصابيح، تأكّد من أنّها باردة.

استبدل المصباح التالف

استخدم فقط مصابيح الهالوجين من 12 ف، على الأقصى 20W-

G4. لمزيد من التفسير، قم باستشارة الورقة الملحقّة "ILCOS"

"D" (الوضع الرقمي الأبجدي "2b").



## صيانة مرشح الكربون

يجب تنظيف مرشح الكربون بعد فترة استخدام طويلة وفقًا لنوعية المطبخ وطبيعة وعدد مرات تنظيف وغسل مرشحات حجب وإزالة الدهون. يجب في جميع الأحوال استبدال الخرطوشة كل أربعة أشهر كحد أقصى (أو عندما يشير نظام التنبيه عن تشعّب المرشحات - إذا كان موجوداً في الموديل الذي بحوزتكم- إلى ضرورة الاستبدال).

لا يجوز غسله أو إعادة استخدامه

التركيب

قم بتثبيت مرشح الكربون النشط في البداية من الناحية الخلفية على لسان التركيب المعدني في الشفاط، ثم بعد ذلك من الناحية الأمامية باستخدام المقبضين.

الفك والإزالة

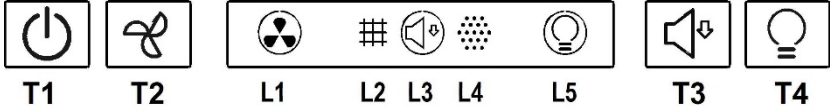
انزع مرشح الكربون النشط بلف المقبضين اللذان يثبتان المرشح بالشفاط بنسبة 90 درجة.

## أوامر التحكم

تم تزويد الشفاط بلوحة أوامر ومفاتيح تشغيل من خلالها يتم التحكم في سرعات الشفط وإضاءة مصابيح إنارة موقد الطهي المسطح.

### LCD Display + Button Soft مفاتيح

#### AHBS 6.7F AL X



**T1.** مفتاح تشغيل / إيقاف OFF/ON محرك الشفط

**T2.** زر اختيار سرعة (قوة) خدمة الشفط المتوسطة، العالية والمكثفة.  
ملاحظة: سرعة (قوة) الشفط المكثفة (المبين الضوئي L1 يومض) تستمر لمدة 5 دقائق تقريبا، بعد ذلك يتم ضبط سرعة (قوة) الشفط المتوسطة تلقائيا.

**T3.** زر اختيار سرعة (قوة) الشفط "الصامتة"  
**T4.** زر تشغيل \ إيقاف OFF/ON الإنارة

**L1.** أيقونة حالة سرعة (قوة) الشفط

**L2.** أيقونة حالة مؤشر التنبيه بامتلاء وتشبع مرشح إزالة الدهون

**L3.** أيقونة حالة سرعة (قوة) الشفط المنخفضة (الصامتة)

**L4.** أيقونة حالة مؤشر التنبيه بامتلاء وتشبع مرشح الكربون

**L5.** أيقونة حالة الإنارة

إعادة ضبط **RESET** مؤشر التنبيه بامتلاء وتشبع المرشحات  
بعد الانتهاء من عملية صيانة الفلتر اضغط لمدة طابئة المفتاح **T3**، سوف تنطفئ أيقونة مؤشر التنبيه بامتلاء وتشبع المرشحات. كرر العملية في حالة بقاء الأيقونتين اللتان تشيران عن الامتلاء والتشبع (الدهون والكربون) مضائيتين.

تنشيط أيقونة مؤشر التنبيه بامتلاء وتشبع مرشح الكربون:

أيقونة مؤشر التنبيه بامتلاء وتشبع مرشح الكربون هي غير نشطة عادة. لتفعيله (عمل على النحو التالي):  
إذا كان الشفاط مطفأ، اضغط واستمر في الضغط طويلا في نفس الوقت **T1** و **L4**: **T3** أولا ثمومض، وبعد ذلك يشتعل الضوء باستمرار ليشير عن التشغيل.

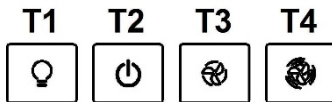
تعطيل أيقونة مؤشر التنبيه بامتلاء وتشبع مرشح الكربون: كرر العملية المدونة أعلاه، **L4** تشتعل الأيقونة بشكل ثابت ثم تومض حتى تنطفئ لتشير عن التعطيل.

التشغيل التلقائي في حالة درجة الحرارة العالية

الشفاط مزود بمستشعر يكشف عن درجة الحرارة. عندما ترتفع كثيرا درجة الحرارة، يقوم المستشعر بتنشيط سرعة (قوة) الشفط المتوسطة تلقائيا. ينطفئ الشفاط عندما يكشف المستشعر انخفاض درجة الحرارة بشكل ملحوظ.

موديلات بلوحة مفاتيح ميكانيكية

#### AHBS 9.4F AM X



**T1.** مفتاح الضوء تشغيل إيقاف OFF/ON.

**T2.** مفتاح إيقاف OFF/السرعة 1

**T3.** اختيار السرعة 2

**T4.** اختيار السرعة 3

## صرف الهواء

(لموديلات الشفط)

قم بتوصيل الشفّاط بأنابيب وفتحات التفريغ الحائطية والتي قُطرها يجب أن يكون مساوي لمخرج الهواء (حافة الوصلة). استخدام أنابيب أو فتحات تفريغ حائطية بقطر أقلّ يمكن أن يتسبب في تقليل مستوى الأداء التشغيلي لعملية الشفط ويؤدي إلى زيادة كبيرة وملحوظة في مستوى الضوضاء.

لا تتحمّل الشركة المصنعة أيّة مسؤولية كانت في هذا الشأن.

! استخدم أنبوب بأقل طول ضروري.

! استخدم أنبوب به أقل عدد ممكن من أنواع التوصيل (الحد الأقصى لانحناء الأكواع هو 90 درجة).

! تجنب التغييرات العنيفة لقطر الأنبوب.

! لا تتحمّل الشركة أية مسؤولية في حالة عدم الالتزام بهذه التوجيهات.

## موديل الترشيح أو موديل الشفط؟

! الشفط الخاص بكم جاهز لكي يستخدم بإصدار الشفط.

من أجل استخدام الشفط بإصدار الترشيح فإنه يجب تركيب طقم الملحقات المخصص لذلك.

تأكدوا في الصفحات الأولى من هذا الدليل إذا كان طقم الملحقات وارد بالفعل أو أنه يجب شراؤه منفصلاً.

**ملاحظة:** إن تم توريده، في بعض الحالات، فإن نظام الترشيح الإضافي المكون من الكربون النشط قد يكون مركباً بالفعل على الشفط.

المعلومات الخاصة بتحويل الشفط من إصدار الشفط إلى إصدار الترشيح يتضمنها بالفعل هذا الدليل.

## موديل الشفط

يتم طرد الأبخرة إلى الخارج عن طريق أنبوب التفريغ المثبت على حافة الوصلة.

## ⚠ انتبه!

أنبوب التفريغ لا يأتي مع الجهاز ويجب شراؤه.

قُطر أنبوب التفريغ يجب أن يكون مساوي لقطر حلقة التوصيل.

## ⚠ انتبه!

إذا كان الشفّاط مزوّد بمرشح / مرشحات كربون، يجب إزالة هذا المرشح / المرشحات.

## موديل الترشيح

يتم تخليص الهواء المشفوط من الدهون ثم إزالة الروائح الكريهة منه قبل إعادة ضخه في الغرفة. قبل استخدام الشفّاط بموديل الترشيح

يجب تركيب نظام ترشيح إضافي يعمل بالكربون النشط.

- ⚠️ **انتبه:** الجهاز غير مخصص للتشغيل بواسطة جهاز خارجي أو جهاز تحكم منفصل عن بعد.
- ⚠️ هذا الجهاز غير مخصص للاستخدام المهني. لا تستخدم الجهاز في مكان مفتوح.
- ⚠️ من أجل تجنب خطر الإصابات الشخصية، يجب تحريك الجهاز وتركيبه بواسطة شخصين أو أكثر.
- ⚠️ يجب إجراء التركيب من قِبل طاقم عمل مؤهل، بما في ذلك أيضاً أية توصيلات للتغذية بالماء (إن وجدت) والتوصيلات الكهربائية، وعمليات الإصلاح.
- عند اكتمال التركيب، احتفظ بمواد التغليف (الأجزاء البلاستيكية، البوليبسترين، الخ) بعيداً عن متناول الأطفال لتجنب خطر الاختناق.

لا تستخدم الجهاز عندما تكون مبتلاً أو حافي القدمين.  
لا تستخدم أبداً أجهزة التنظيف بالبخار – يوجد خطر التعرض لصدمة كهربائية.



مواد التغليف قابلة لإعادة التدوير بنسبة 100% وتحمل رمز إعادة التدوير

يمكن للشفاطات من الناحية الشكلية الجمالية أن يختلف عن تصميمات الشفاطات الواردة في هذا الدليل، ولكن بالرغم من ذلك فإن تعليمات الاستخدام والصيانة والتركيب تظل نفسها.

يرجى إتباع التعليمات والإرشادات الواردة في هذا الدليل والالتزام التام بها. لا تتحمل الشركة المصنعة أية مسؤولية أياً كانت عن أية مشاكل أو أضرار أو حرائق تلحق بالجهاز نتيجة لعدم مراعاة التعليمات الواردة في هذا الدليل. تم تصميم هذا الشفاط لشطف الأدخنة والأبخرة الناتجة عن عمليات الطهي وهو مخصص فقط للاستخدام المنزلي.

- من المهم حفظ جميع الكتيبات المرافقة للمنتج للتأكد من الأطلاع عليها مستقبلاً عند الحاجة إلى ذلك. في حالة البيع أو التنازل أو النقل، تأكد من أن الكتيبات تبقى مع المنتج.
- اقرأ بعناية التعليمات: توجد معلومات هامة بشأن التركيب والاستخدام والأمان.
- لا تُنفذ تعديلات كهربائية أو ميكانيكية على المنتج أو على أنابيب الصرف.
- تحقق من سلامة الشفاط واكتمال مكوناته قبل الشروع في عملية التركيب. خلاف ذلك يجب الاتصال بوكيل التوزيع ويجب إيقاف عملية التركيب.

المسافة الصغرى بين سطح دعامة الأواني على الموقد والجزء السفلي من شفاط الموقد يجب ألا تقل عن 50 سم في حالة المواقد الكهربائية و 65 سم في حالة المواقد التي تعمل بالغاز أو المختلطة.  
إذا ما كانت التعليمات الخاصة بتركيب جهاز الطهي الذي يعمل بالغاز تحدد مسافة فاصلة أكبر، فإنه يجب أخذ ذلك في الاعتبار.

## التوصيل الكهربائي

يجب أن يتوافق تردد وفلظية التيار الموجود في شبكة التيار الكهربائي المنزلية مع تردد وفلظية التيار المحدد لتشغيل الشفاط والمذكور على لوحة البيانات التعريفية والمواصفات الموجودة داخل الشفاط. في حالة وجود قابس تيار قم بتوصيل الشفاط بأخذ تيار مطابق للقواعد والقوانين المعمول بها في هذا الشأن والذي يجب تواجده في منطقة قريبة سهلة الوصول إليها أيضاً بعد إتمام عملية التركيب. في حالة عدم وجود قابس التيار (للتوصيل المباشر بشبكة التيار) أو في حالة أن قابس التيار موجود في مكان بعيد صعب الوصول إليه، حتى بعد إتمام عملية التركيب، قم بوضع مفتاح قطع وتوصيل تيار ثنائي الأقطاب مطابق للمواصفات التي تضمن الفصل الكامل للتيار الكهربائي في حالات المحولات الكهربائية الزائدة من الفئة III، بالشكل الذي يتطابق مع قواعد وشروط التركيب.

### ⚠️ انتبه!

قبل إعادة توصيل دائرة الشفاط بشبكة التيار الكهربائي وقبل التأكد من عمله بالشكل الصحيح، يجب دائماً التأكد أولاً من أن كابل شبكة التيار قد تم تركيبه بالشكل الصحيح.  
إن لم يكن الكابل مزوداً بقابس، قم بتوصيل الأسلاك وفقاً للجدول التالي:

توصيل الأسلاك	جهد وتردد الشبكة
 يُرجى الرجوع إلى القيمة المشار إليها في ملصق المواصفات داخل الشفاط.	أخضر/أصفر : الأرض N : أزرق L : بني

## استبدال كابل التيار الكهربائي

الشفاط مزود بكابل تغذية خاص؛ في حالة تلف الكابل، اطلبه من خدمة الدعم الفني.

## السلامة والأمان العام

- قبل أية عملية نظافة أو صيانة، افصل الشفط عن الشبكة الكهربائية عن طريق نزع القابس أو فصل المفتاح العام للمنزل.
- من أجل إجراء كافة عمليات التركيب والصيانة استخدم قفازات عمل.
- يمكن استخدام هذا الجهاز من قبل الأطفال الأكبر من سن 8 سنوات والأشخاص الذين يعانون من قصور في قدراتهم البدنية أو الحسية أو العقلية، أو الذين لديهم نقص في الخبرة اللازمة أو المعرفة الضرورية لاستخدام هذا الجهاز شريطة أن يكونوا تحت ملاحظة وإشراف شخص بالغ أو بعد تعريفهم بالإرشادات والتعليمات اللازمة للاستخدام الصحيح لهذا الجهاز وبعد توعيتهم بالأخطار ذات الصلة.
- يجب مراقبة الأطفال حتى لا يلعبوا بالجهاز.
- لا يجب أن تُنفذ النظافة والصيانة من قبل أطفال دون مراقبة.
- يجب توفير تهوية كافية في مكان التركيب خاصة عند استخدام شفاط المطبخ في نفس وقت عمل أجهزة أخرى تعمل بالغاز أو بأي محروقات أخرى.
- يجب أن يُنظف الشفط بصفة متكررة سواء من الداخل أو من الخارج (على الأقل مرة شهرياً)، التزم في جميع الأحوال بما تشير إليه صراحةً تعليمات الصيانة. عدم مراعاة قواعد تنظيف الشفاط وعمليات استبدال وتنظيف المرشحات يسبب أخطار الحرائق.
- ممنوع منعاً باتاً طهي الطعام باللهب تحت الشفاط.
- لاستبدال المصابيح استخدم مصابيح من النوعية المحددة والمذكورة في قسم صيانة استبدال المصابيح في هذا الدليل.
- استخدام اللهب الحُر ضارٌّ للغاية بالمرشحات ويمكن أن يسبب الحرائق، لذلك يجب تجنُّب القيام بذلك في جميع الأحوال.
- يجب أن يتم القلي تحت مراقبة من أجل تجنب أن يشتعل الزيت الساخن.
- انتبه: عند استخدام موقد الطهي يمكن أن تُصيح الأجزاء القريبة من الشفاط ساخنة.
- لا توصّل الجهاز بشبكة التيار الكهربائي إلا بعد الانتهاء تماماً من عملية التركيب.
- فيما يخص الإجراءات الفنية وتلك الخاصة بالأمن والسلامة والتي يجب اتّخاذها لشفط وطرود الأدخنة، يجب الرجوع دائماً إلى ما تنص عليه لوائح وقوانين السلطات المحلية المعنية بهذا الشأن والالتزام بها.
- لا يجب توجيه وطرود الهواء المسحوب من الشفاط في الأنابيب المستخدمة لتفريغ وطرود الأدخنة الناتجة عن أجهزة الاحتراق التي تعمل بالغاز أو بأي محروقات أخرى.
- لا تستخدم أو تترك الشفاط دون مصابيح مركبة بشكل صحيح لتجنب خطر الصعق الكهربائي المحتمل.
- لا تقم أبداً باستخدام الشفاط دون شبكة مركبة بشكل جيد!
- لا يجب استخدام الشفاط أبداً كسطح إسناد إلا أن يُشار إلى ذلك صراحةً.
- لا تستخدم إلا مسامير التثبيت المرفقة مع المنتج من أجل التركيب، أو إن لم تكن مرفقة، اشتر نوع المسامير الصحيح.
- استخدم البراغي ذات الأطوال الصحيحة والتي تم تحديدها في دليل عملية التركيب.
- في حالة الشك، استشر مركز الدعم الفني المعتمد أو العمالة المؤهلة المماثلة.

### ⚠ انتبه!

- عدم تركيب براغي وأجهزة التثبيت بالشكل المحدد في الإرشادات الواردة في هذا الدليل يمكن أن يُعرضك لأخطار كهربائية.
- لا تستخدم الجهاز مع أداة برمجة أو مؤقت أو جهاز تحكم عن بعد منفصل أو أي جهاز يتم تنشيطه تلقائياً.

أبقى الأطفال الذين تقل أعمارهم عن 3 سنوات بعيدين عن الجهاز. أبقى الجهاز بعيداً عن الأطفال الذين تقل أعمارهم عن 8 سنوات، في حالة عدم وجود مراقبة مستمرة من أحد البالغين.





