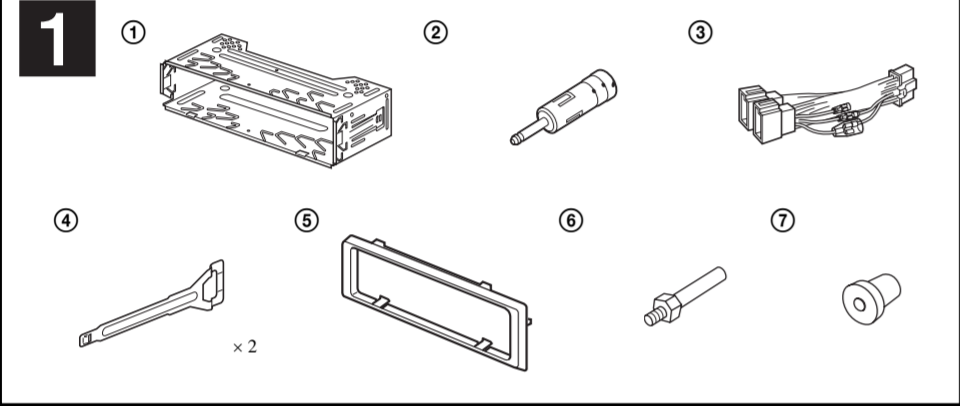


FM/MW/LW Compact Disc Player

Installation/Connections
Installation/Anschluss
Installation/Connexions
Installazione/Collegamenti
Montage/Aansluitingen

CDX-R35MR

© 2006 Sony Corporation Printed in Thailand



Equipment used in illustrations (not supplied)
In Abbildungen dargestellte Geräte (nicht mitgeliefert)
Appareils utilisés dans les illustrations (non fournis)
Apparecchiatura utilizzata nelle illustrazioni (non in dotazione)
Apparatuur gebruikt in de afbeeldingen (niet bijgeleverd)

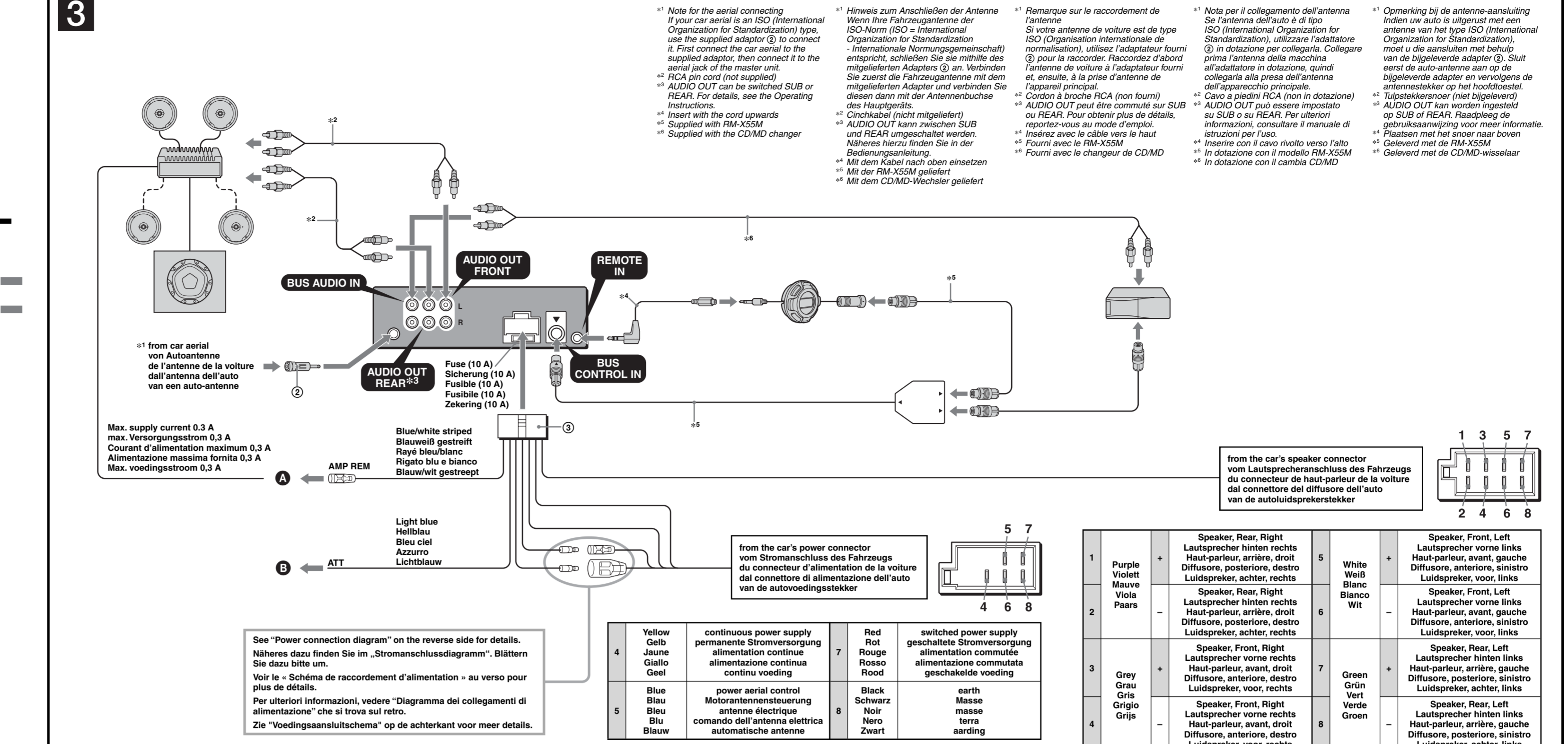
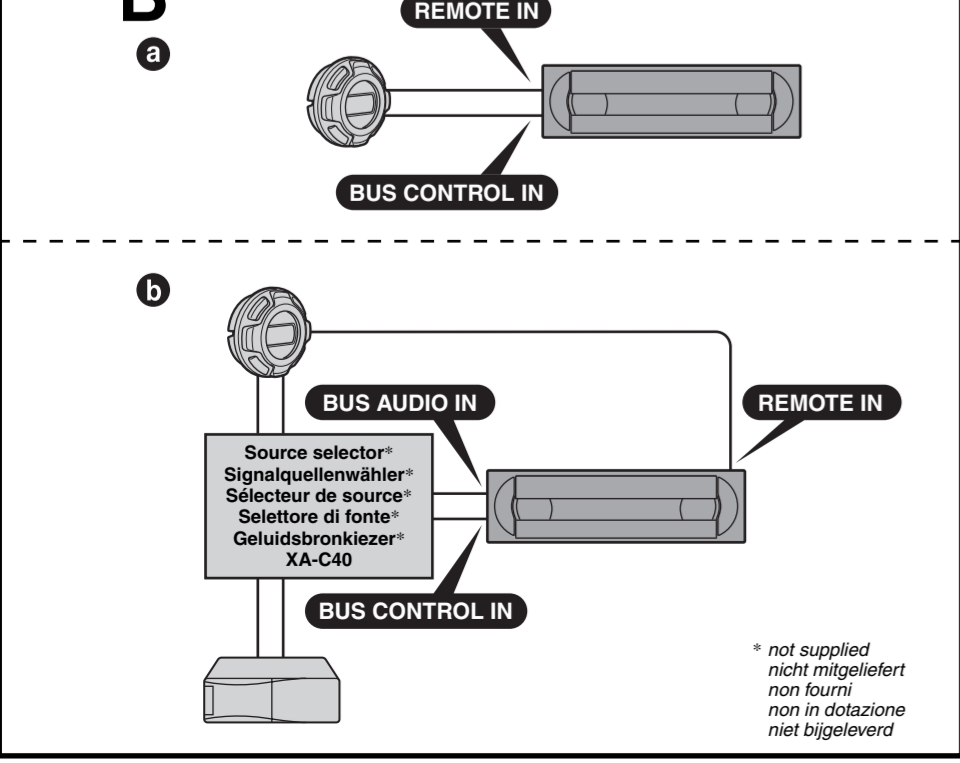
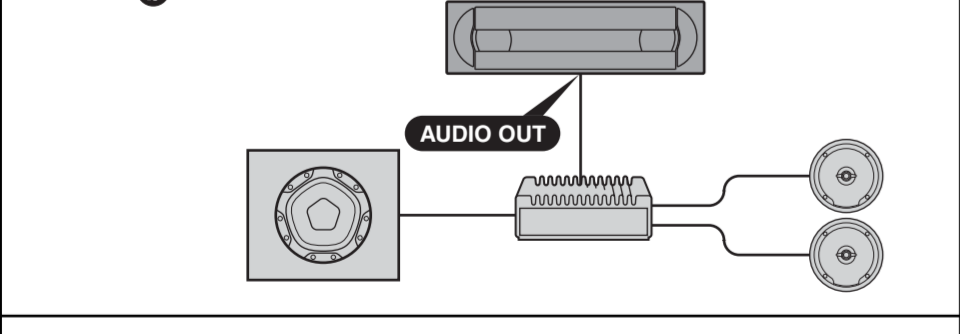
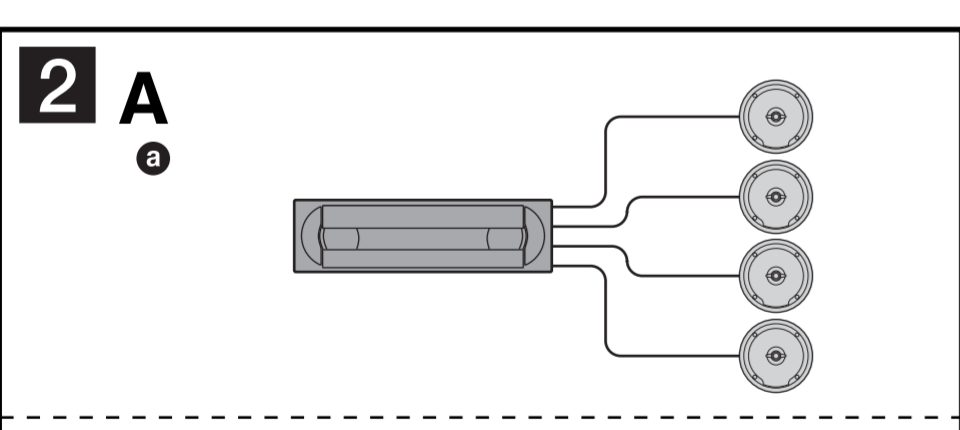
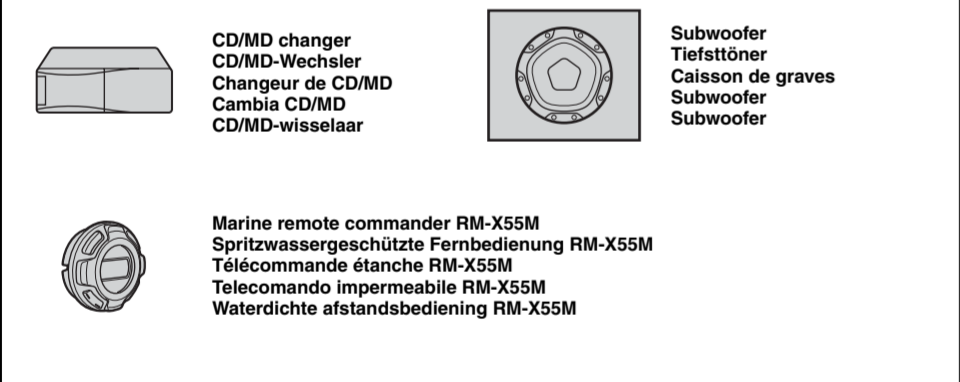
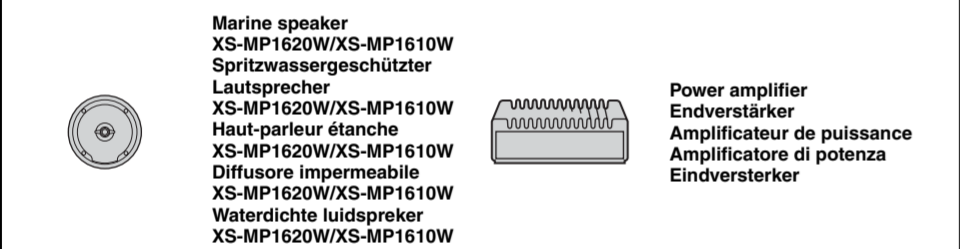


Table with 8 columns and 8 rows detailing wire colors and their functions. Includes columns for power supply, aerial control, speaker connections, and earth connections.

Notes on the power supply lead (yellow)
When the yellow power input lead is connected, power will always be supplied to the memory circuit even when the ignition switch is turned off.

Notes on the control power and supply leads
The power aerial control lead (blue) supplies +12 V DC when you turn on the tune, or when you activate the AF (Alternative Frequency) or TA (Traffic Announcement) function.

Notes on the speaker connection
Before connecting the speakers, turn the unit off. Use speakers with an impedance of 16 ohms, and with accurate power handling capacities to avoid damage.

Notes on connection
If the amplifier and antenna are not connected correctly, 'FAILURE' appears in the display in this case. Make sure the speaker and amplifier are connected correctly.

Notes on aerial connecting
Note for the aerial connecting
If your car aerial is an ISO (International Organization for Standardization) type, use the supplied adaptor (Q) to connect it.

Notes on power supply and speaker connections
Note sur le raccordement de l'antenne
Si votre antenne de voiture est de type ISO (Organisation internationale de normalisation), utilisez l'adaptateur fourni (Q) pour la raccorder.

Cautions

Vorsichtsmaßnahmen

Précautions

Attenzione

Let op

Parts list

Teiliste

Liste des composants

Elenco dei componenti

Onderdelenlijst

Connection example

Anschlussbeispiel

Exemple de raccordement

Esempio di collegamento

Voorbeeldaansluitingen

Connection diagram

Anschlussschema

Schéma de raccordement

Schema di collegamento

Aansluitschema

Note on connection
When Lautsprecher and Verstärker are not connected correctly, 'FAILURE' appears in the display in this case. Make sure the speaker and amplifier are connected correctly.

Note on the power supply lead
The power aerial control lead (blue) supplies +12 V DC when you turn on the tune, or when you activate the AF (Alternative Frequency) or TA (Traffic Announcement) function.

Note on the speaker connection
Before connecting the speakers, turn the unit off. Use speakers with an impedance of 16 ohms, and with accurate power handling capacities to avoid damage.

