

KENWOOD
HI/FI STEREO COMPONENTS

SERVICE MANUAL

KL-777X(KL-7070X)

KL-888X(KL-8080X)

KL-999X(KL-9090X)

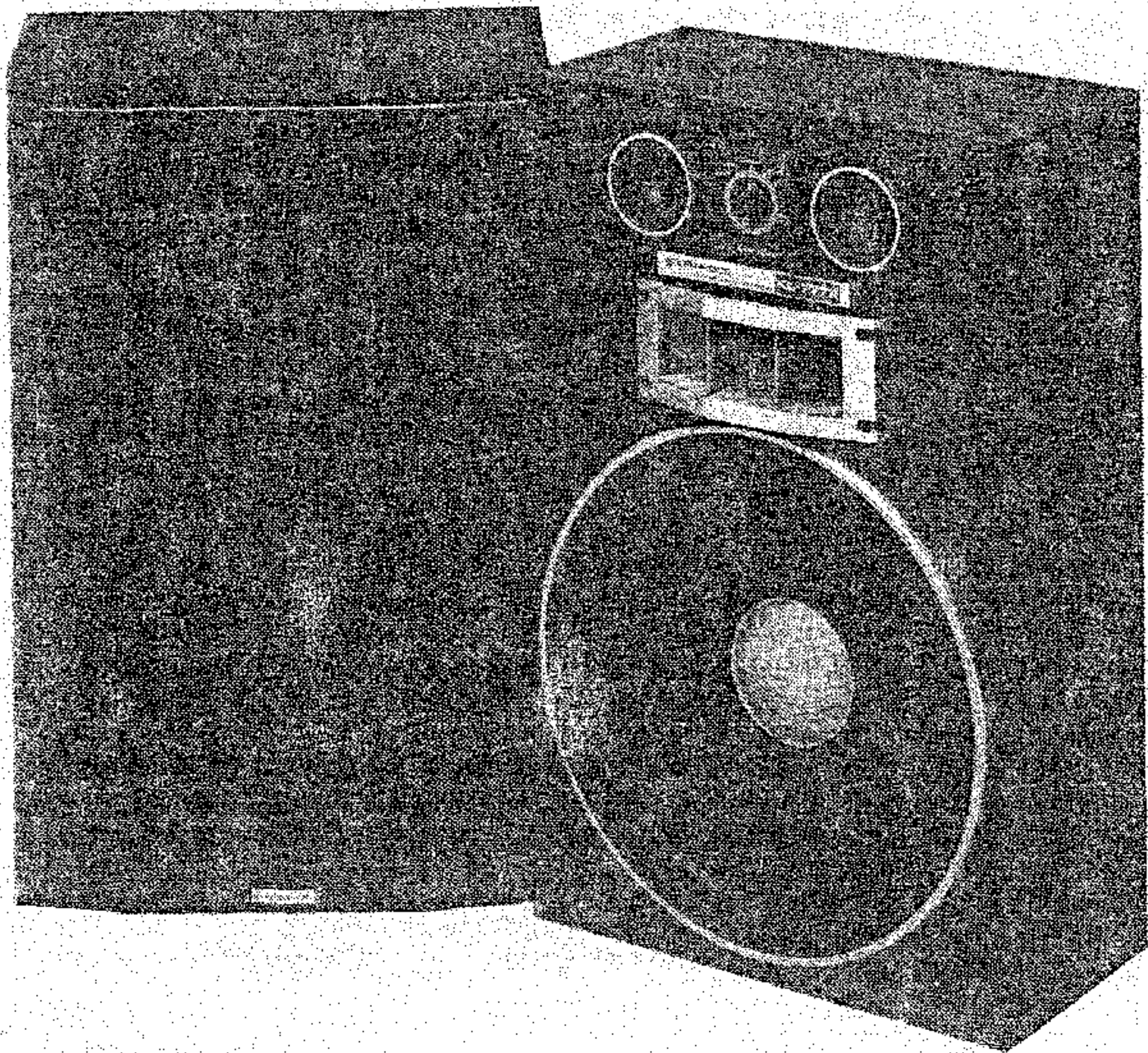


Photo is KL-999X

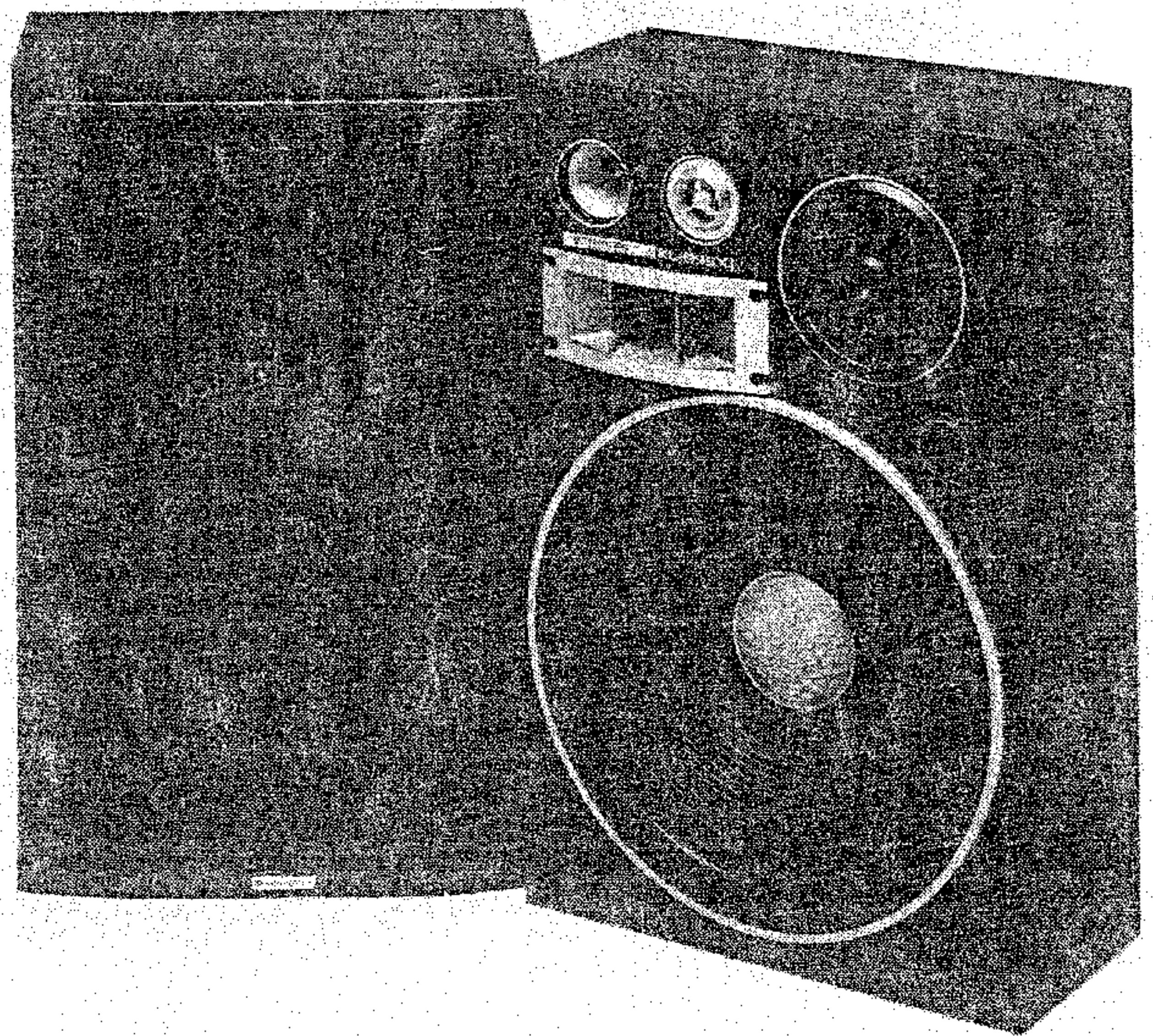
SPEAKER SYSTEM

EXTERNAL VIEW/REPAIR

<KL-777X>



<KL-999X>

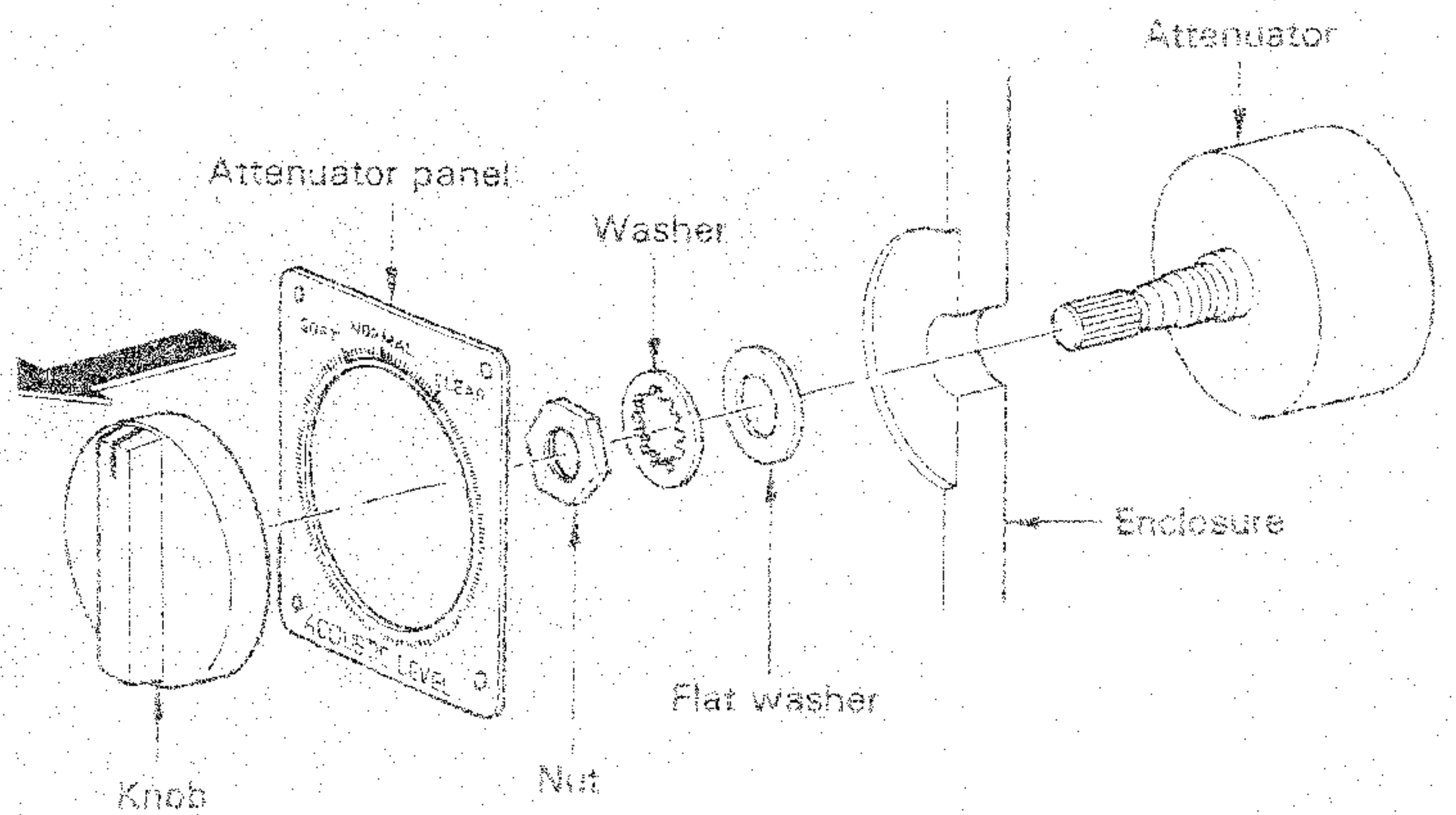


<KL-888X>

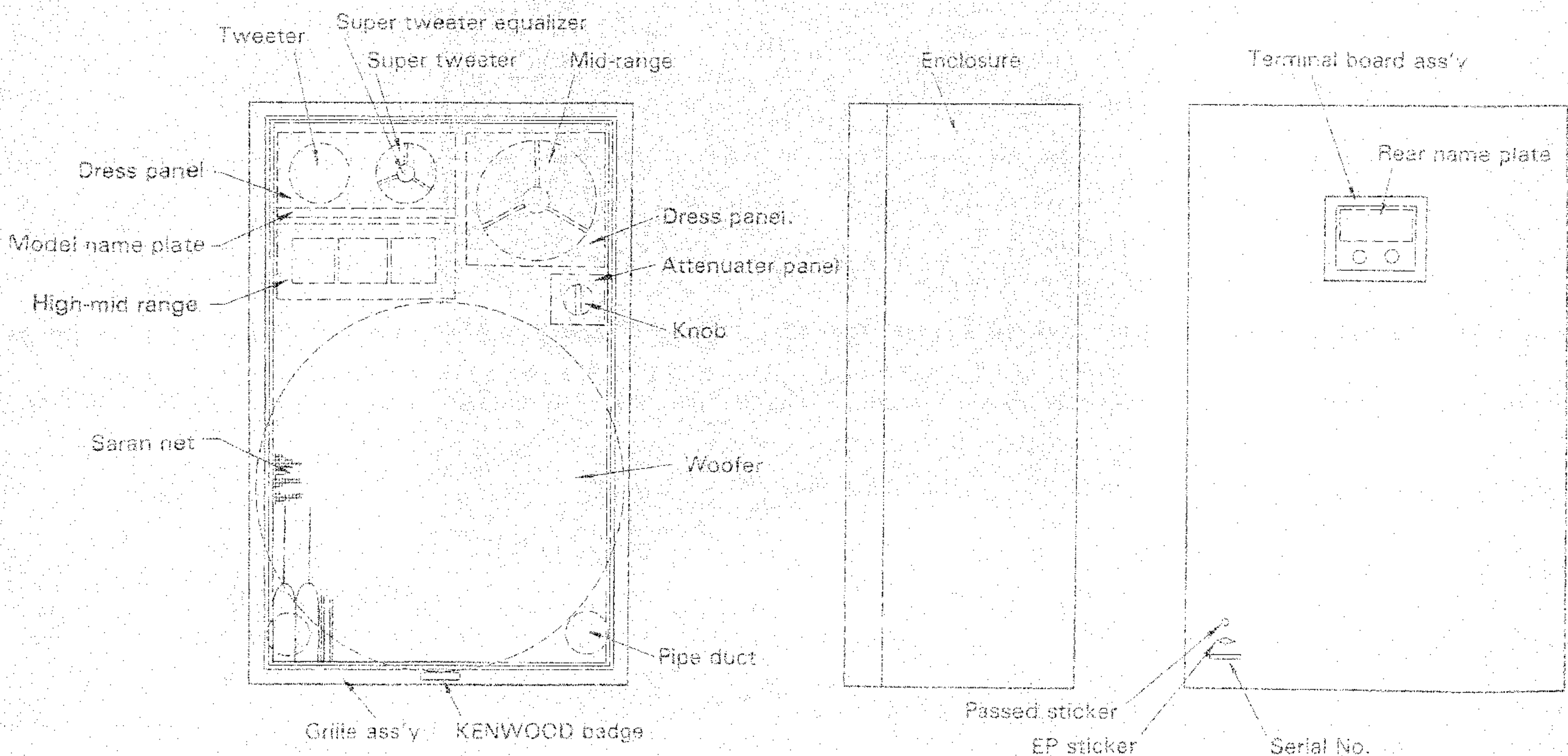


When replacing super tweeter of KL-999X having the serial No. before 961000 remove the screw fixing the super tweeter behind Model name plate.

DISASSEMBLY OF ATTENUATOR



PACKING



PARTS LIST

PARTS LIST

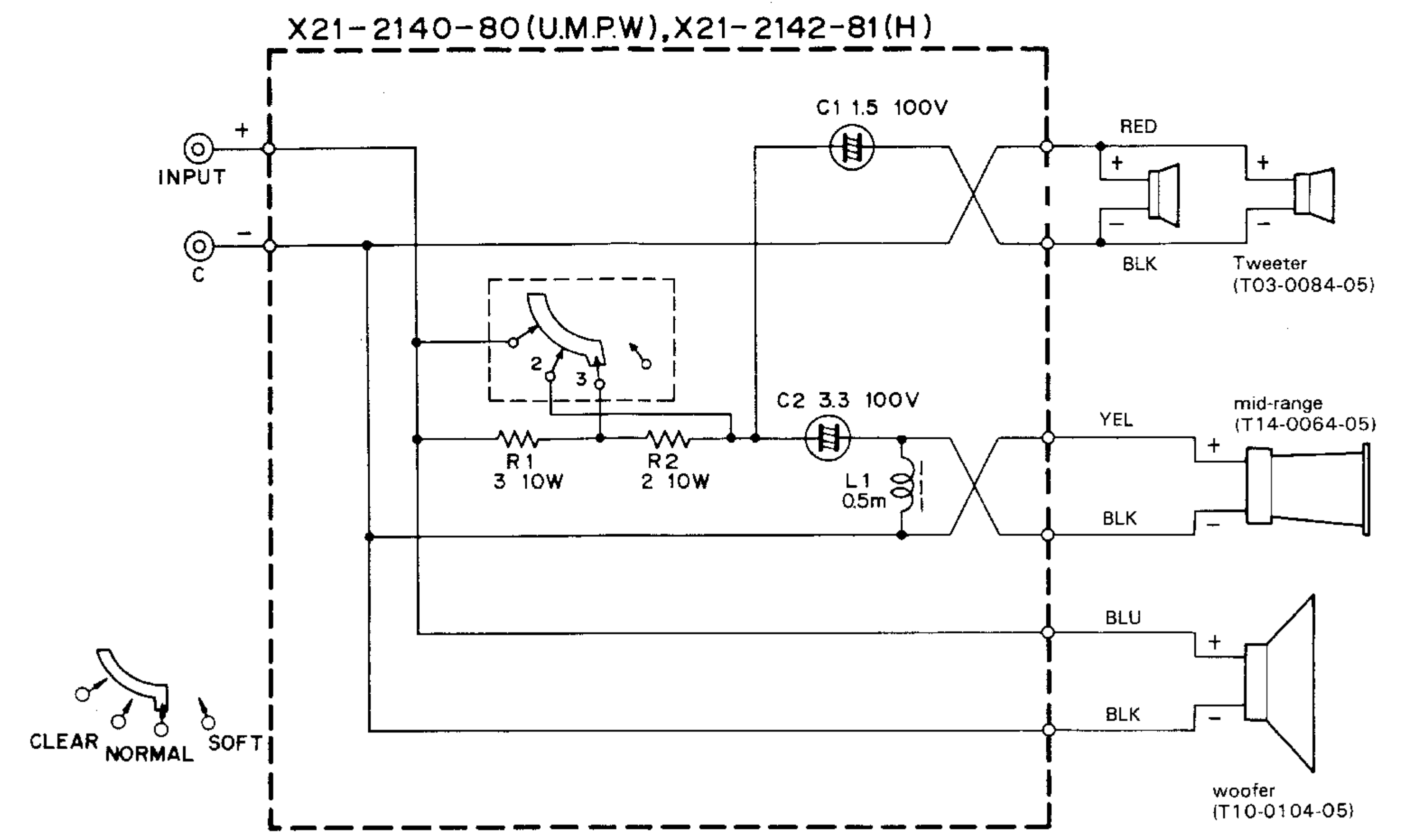
M: other area.
P: Canada U: PX, W: Europe (KL0000X) H: Audio Club (KL-0000X)

☆:New Parts.

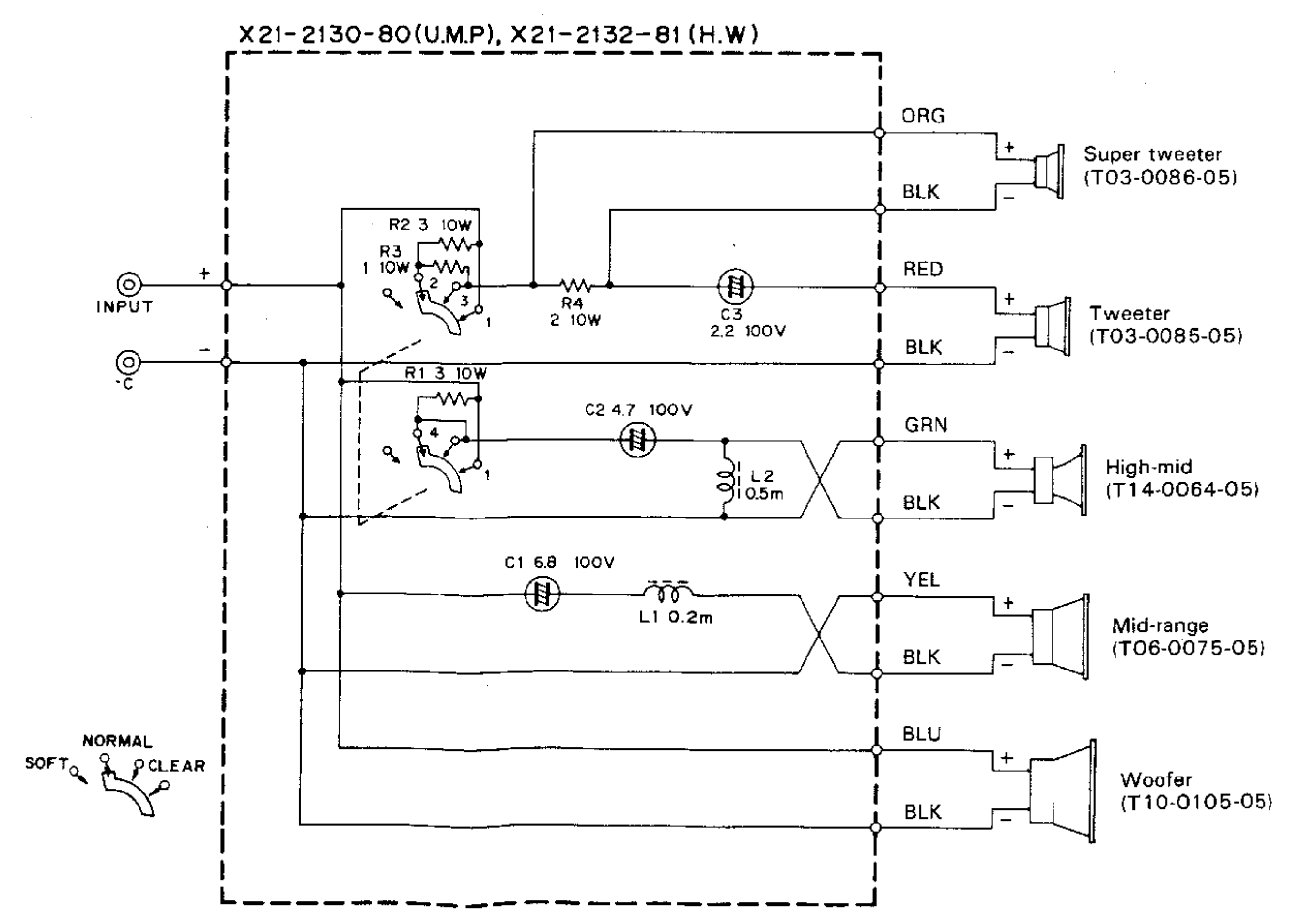
Ref. No.	Parts Number			Description	Remarks
	KL-777X	KL-888X	KL-999X		
-	A29-0288-05	A29-0289-05	A29-0289-05	Attenuator panel ass'y	☆
-	B06-0118-02	B06-0117-01	B06-0117-01	Grille ass'y	☆
-	-	-	B40-1842-00	Model name plate (P,U,M)	☆
-	-	-	B40-1843-00	Model name plate (W,H)	☆
-	B46-0055-20	B46-0055-20	B46-0055-20	Warranty card (P)	
-	B46-0062-20	B46-0062-20	B46-0062-20	Warranty card (U,H)	
-	B46-0063-00	B46-0063-00	B46-0063-00	Warranty card (U)	
-	B50-2126-00	B50-2122-00	B50-2120-00	Instruction manual (U)	☆
-	B50-2127-00	B50-2124-00	B50-2121-00	Instruction manual (P,M)	☆
-	B50-2128-00	B50-2123-00	B50-2125-00	Instruction manual (W,H)	☆
-	E30-1003-05	E30-1003-05	E30-1003-05	Speaker cord (U,M,H)	
-	H01-3510-04	H01-3515-04	H01-3520-04	Carton box (U)	☆
-	H01-3511-04	H01-3516-04	H01-3521-04	Carton box (M)	
-	H01-3512-04	H01-3517-04	H01-3522-04	Carton box (W)	
-	H01-3513-04	H01-3518-04	H01-3523-04	Carton box (P)	
-	H01-3514-04	H01-3519-04	H01-3524-04	Carton box (H)	
-	H10-1978-03	H10-1978-03	H10-1978-03	Polystyrene foamed fixture (R)	☆
-	H10-1979-03	H10-1979-03	H10-1979-03	Polystyrene foamed fixture (L)	☆
-	H12-0818-04	H12-0813-04	H12-0813-04	Buffer fixture	☆
-	H20-0831-04	H20-0832-04	H20-0832-04	Polyethylene cover	
-	H21-0481-04	H21-0482-04	H21-0482-04	Polystyrene foamed sheet	☆
-	K23-0517-05	K23-0517-05	K23-0517-05	Knob	☆
-	J19-0988-04	J19-0988-04	J19-0988-04	Grille holder	☆
-	N09-0460-05	N09-0081-05	N09-0081-05	Speaker mounting screw	
-	N14-0057-05	N14-0057-05	N14-0057-05	T nut (M4)	
-	-	T03-0086-05	T03-0086-05	Speaker unit (Super tweeter)	☆
-	-	T06-0075-05	T06-0076-05	Speaker unit (Mid-range)	☆
-	T10-0104-05	T10-0105-05	T10-0105-05	Speaker unit (Woofer)	☆
-	T14-0064-05	T14-0064-05	T14-0065-05	Speaker unit (High-mid)	☆
-	T03-0084-05	T03-0085-05	T14-0066-05	Speaker unit (Tweeter)	☆
-	X21-2140-80	X21-2130-80	X21-2120-80	Network ass'y (U,M,P)	☆
-	X21-2142-81	X21-2132-81	X21-2122-81	Network ass'y (W,H)	☆

SCHEMATIC DIAGRAM

KL-777X (KL-7070X)



KL-888X (KL-8080X)



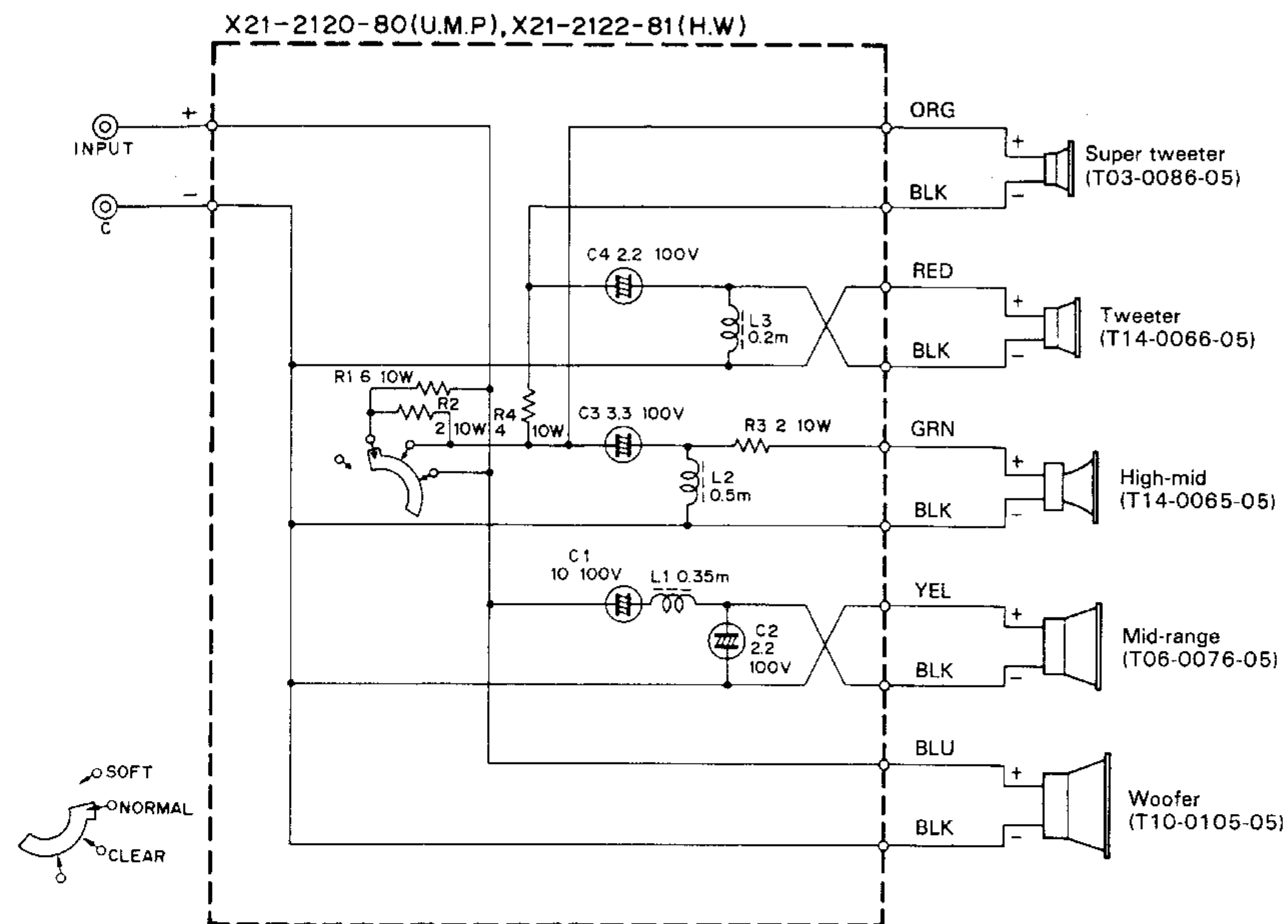
NETWORK PARTS LIST

Ref. No.	Parts No.	Description	Re- marks
KL-777X			
C1	C23-2015-56	Non-pole electro 1.5μF 100WV	
C2	C90-0633-05	Non-pole electro 3.3μF 100WV	
-	E29-0267-03	Terminal board ass'y (KL-777X)	☆
-	E29-0268-03	Terminal board ass'y (KL-7070X)	☆
L1	L38-0091-05	Coil (0.5mH)	
R1	R44-9703-06	Wire wound 3Ω ± 10% 10W	
R2	R44-9702-06	Wire wound 2Ω ± 10% 10W	
-	S01-2201-05	Rotary switch	
KL-888X			
C1	C90-0635-05	Non-pole electro 6.8μF 100WV	
C2	C90-0634-05	Non-pole electro 4.7μF 100WV	
C3	C23-2022-56	Non-pole electro 2.2μF 100WV	
-	E29-0270-03	Terminal board ass'y (KL-888X)	☆
-	E29-0271-03	Terminal board ass'y (KL-8080X)	☆
L1	L38-0089-05	Coil (0.2mH)	
L2	L38-0091-05	Coil (0.5mH)	
R1,2	R44-9703-06	Wire wound 3Ω ± 10% 10W	
KL-999X			
R3	R44-9701-06	Wire wound 1Ω ± 10% 10W	
R4	R44-9702-06	Wire wound 2Ω ± 10% 10W	
-	S01-2201-05	Rotary switch	
C1	C90-0636-05	Non-pole electro 10μF 100WV	
C2	C23-2022-56	Non-pole electro 2.2μF 100WV	
C3	C90-0633-05	Non-pole electro 3.3μF 100WV	
C4	C23-2022-56	Non-pole electro 2.2μF 100WV	
-	E29-0272-03	Terminal board ass'y (KL-999X)	☆
-	E29-0273-03	Terminal board ass'y (KL-9090X)	☆
L1	L38-0090-05	Coil (0.35mH)	
L2	L38-0091-05	Coil (0.5mH)	
L3	L38-0089-05	Coil (0.2mH)	
R1	R44-9706-06	Wire wound 6Ω ± 10% 10W	
R2,3	R44-9702-06	Wire wound 2Ω ± 10% 10W	
R4	R44-9704-06	Wire wound 4Ω ± 10% 10W	
-	S01-2201-05	Rotary switch	

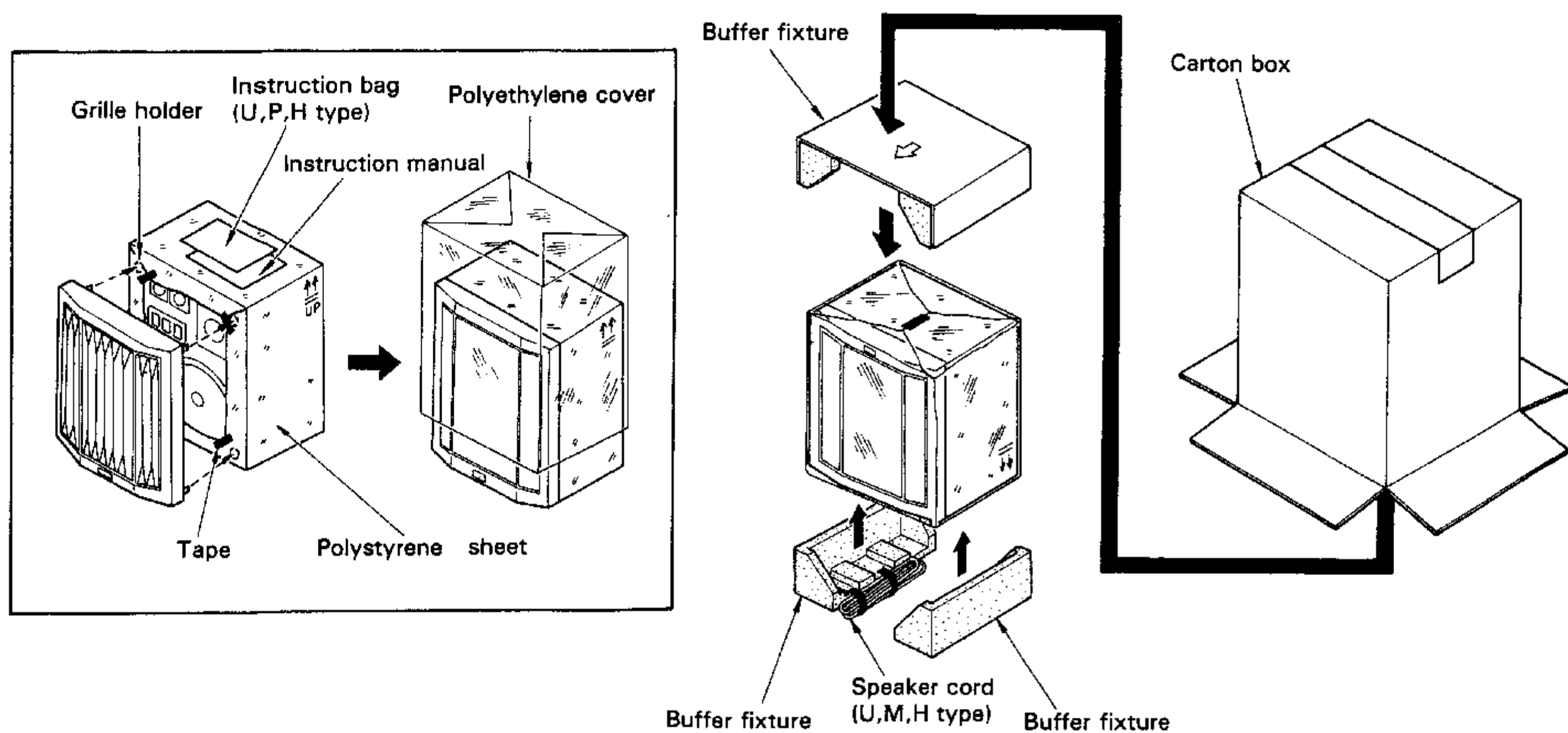
SCHEMATIC DIAGRAM/PACKING

SPECIFICATIONS

KL-999X (KL-9090X)



EXTERNAL VIEW



Note: Make the system up side down first, and then put the carton box from over it.

<KL-777X>

- System 3-Way, 4-Speaker System
- Mounted Speakers
 - Woofer 380 mm (15") Cone Type x 1
 - Mid Range Exponential Horn Type with Diffuser x 1
 - Tweeter 65 mm (2-1/2") Cone Type x 2
- Enclosure Bass-Reflex Type
- Peak Input Power 200 Watts
- Nominal Input Power 100 Watts
- Sensitivity 96 dB/W at 1m
- Frequency Response 20 Hz to 21,000 Hz
- Crossover Frequencies 2,000 Hz, 8,000 Hz
- Impedance 8 Ohms
- Additional Features 3 Step Acoustics Level Control
- Dimensions W: 417 mm (16-13/32")
H: 648 mm (25-1/2")
D: 272 mm (10-23/32")
- Weight (Net) 16.5 kg (36.4 lbs.)
- Enclosure Finish Top, Side and Bottom are in Simulated Walnut-Grain Finish.

(Kenwood follows a policy of continuous advancements in development. For this reason specifications may be changed without notice.)

<KL-888X>

- System 5-Way, 5-Speaker System
- Mounted Speakers
 - Woofer 406 mm (16") Cone Type x 1
 - Mid Range 120 mm (5") Cone Type x 1
 - Mid-High Range Exponential Horn Type with Diffuser x 1
 - Tweeter 65 mm (2-1/2") Cone Type x 1
 - Super Tweeter 30 mm (1-1/4") Cone Type x 1
- Enclosure Bass-Reflex Type
- Peak Input Power 250 Watts
- Nominal Input Power 125 Watts
- Sensitivity 98 dB/W at 1m
- Frequency Response 20 Hz to 22,000 Hz
- Crossover Frequencies 3,000 Hz, 5,000 Hz, 9,000 Hz, 15,000 Hz
- Impedance 8 Ohms
- Additional Features 3 Step Acoustics Level Control
- Dimensions W: 445 mm (17-17/32")
H: 680 mm (26-25/32")
D: 272 mm (10-23/32")
- Weight (Net) 20.5 kg (45.2 lbs.)
- Enclosure Finish Top, Side and Bottom are in Simulated Walnut-Grain Finish.

(Kenwood follows a policy of continuous advancements in development. For this reason specifications may be changed without notice.)

<KL-999X>

- System 5-Way, 5-Speaker System
- Mounted Speakers
 - Woofer 406 mm (16") Cone Type x 1
 - Mid Range 160 mm (6-1/2") Cone Type x 1
 - Mid-High Range Sectoral Horn Type x 1
 - Tweeter Horn Type x 1
 - Super Tweeter 30 mm (1-1/4") Cone Type x 1
- Enclosure Bass-Reflex Type
- Peak Input Power 300 Watts
- Nominal Input Power 150 Watts
- Sensitivity 98 dB/W at 1m
- Frequency Response 20 Hz to 22,000 Hz
- Crossover Frequencies 1,000 Hz, 4,000 Hz, 8,000 Hz, 15,000 Hz
- Impedance 8 Ohms
- Additional Features 3 Step Acoustics Level Control
- Dimensions W: 445 mm (17-17/32")
H: 680 mm (26-25/32")
D: 272 mm (10-23/32")
- Weight (Net) 20.5 kg (45.2 lbs.)
- Enclosure Finish Top, Side and Bottom are in Simulated Walnut-Grain Finish.

(Kenwood follows a policy of continuous advancements in development. For this reason specifications may be changed without notice.)

A product of
TRIO-KENWOOD CORPORATION
6-17, 3-chome, Aobadai, Meguro-ku, Tokyo 153, Japan

KENWOOD ELECTRONICS, INC.
1315 E. Watsoncenter Rd, Carson, California 90745
75 Seaview Drive, Secaucus, New Jersey 07094, U.S.A.
TRIO-KENWOOD ELECTRONICS, N.V.
Leuvensesteenweg 504 B-1930 Zaventem, Belgium
TRIO-KENWOOD ELECTRONICS GmbH
Rudolf-Braas-Str. 20, 6056 Heusenstamm, West Germany
TRIO-KENWOOD FRANCE S.A.
5, Boulevard Ney, 75018 Paris, France
TRIO-KENWOOD SVENSKA AB
Kemistvagen 10A, S-183 21 Taby, Sweden
TRIO-KENWOOD (AUSTRALIA) PTY. LTD.
30 Whiting St., Artamon, N.S.W. 2064, Australia
KENWOOD & LEE ELECTRONICS, LTD.
Room 501, Wang Kee Building, 5th Floor, 34-37, Connaught Road, Central, Hong Kong