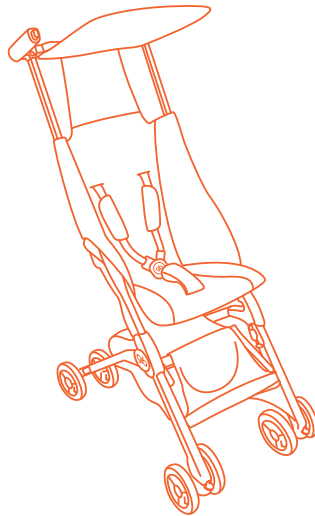




POCKIT

FUTURE PERFECT







PREPARATION

4



COMPACT FOLD

6



ULTRA COMPACT FOLD

7



USING THE HARNESS SYSTEM

10



USING THE BRAKE

13



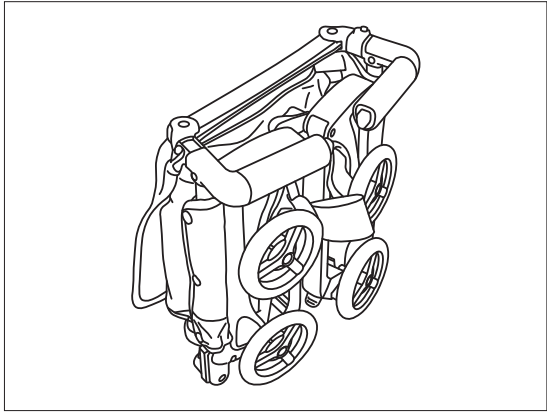
USING THE SWIVEL LOCKS

14

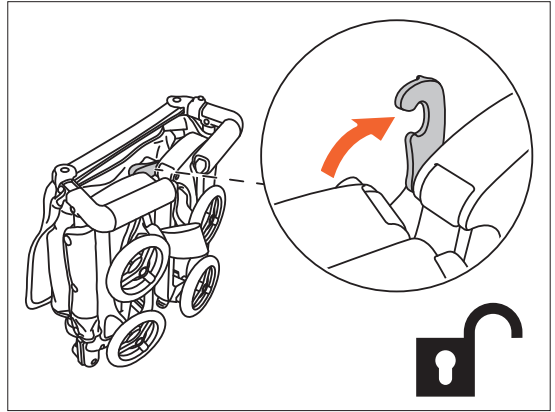


REMOVING THE FABRIC

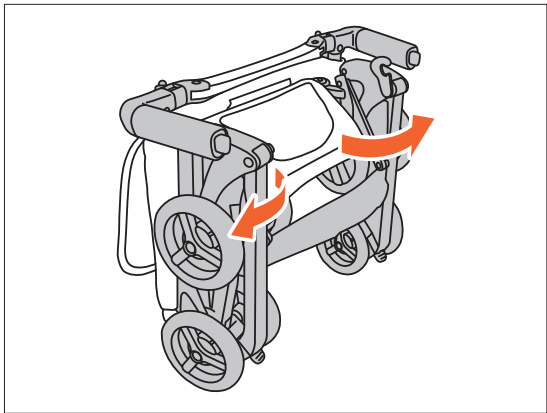
16



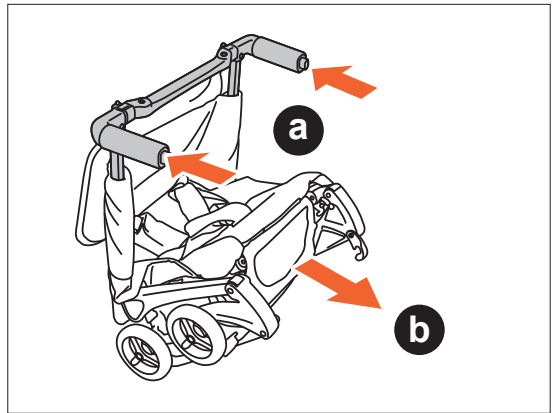
1



2

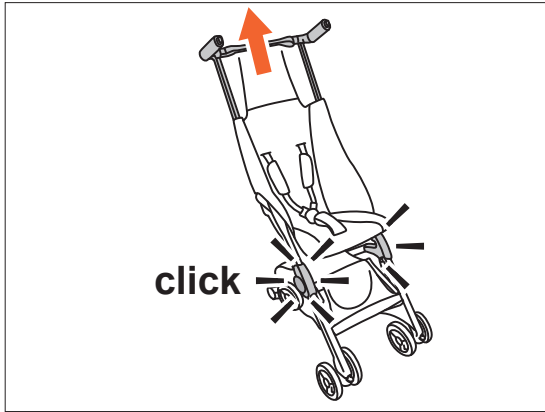


3

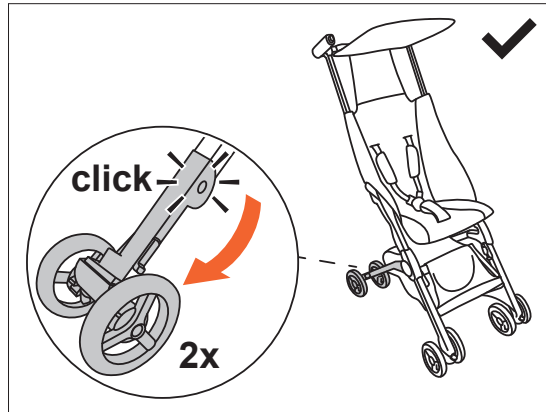


4

4

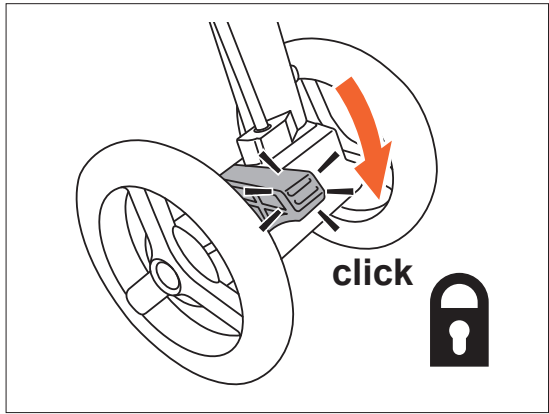


5

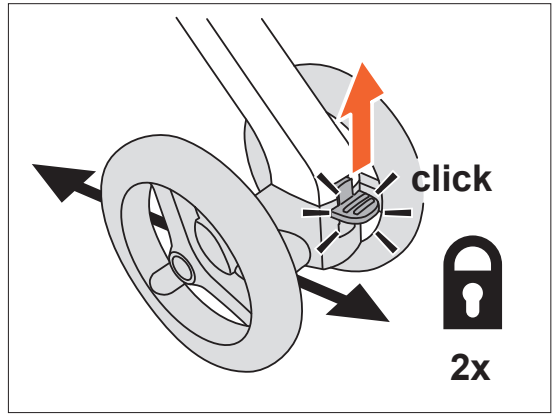


6

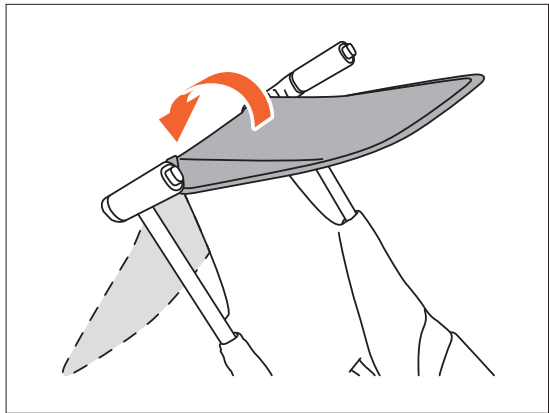




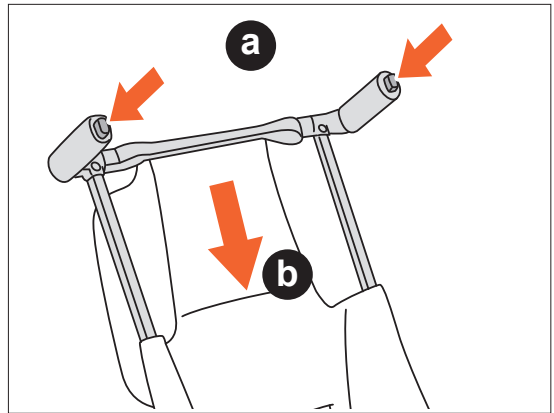
1



2



3

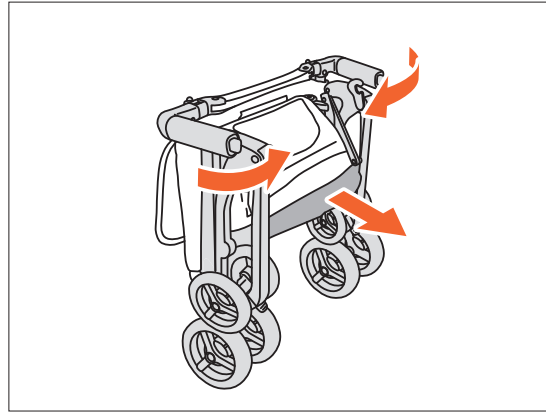


4

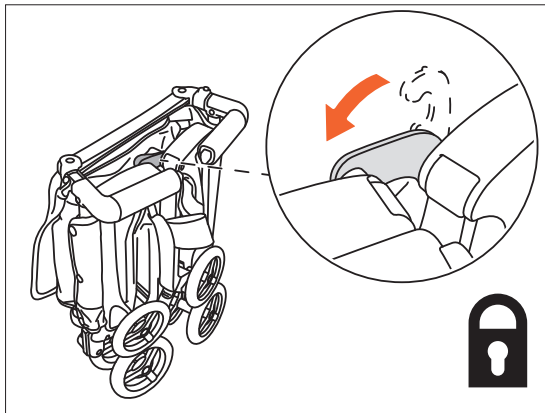
6



5

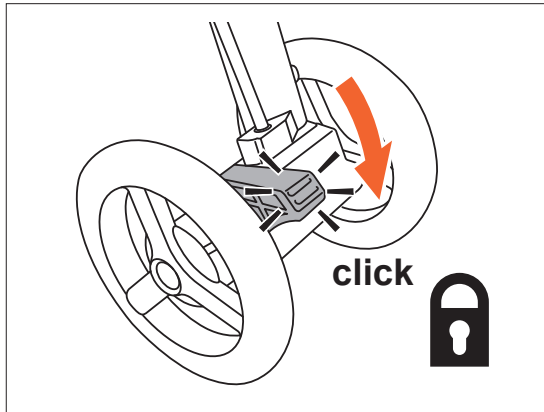


6

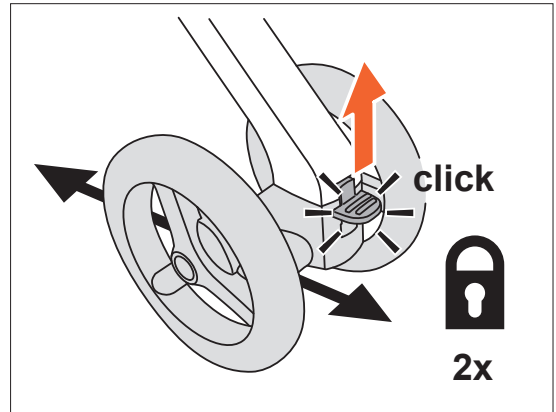


7

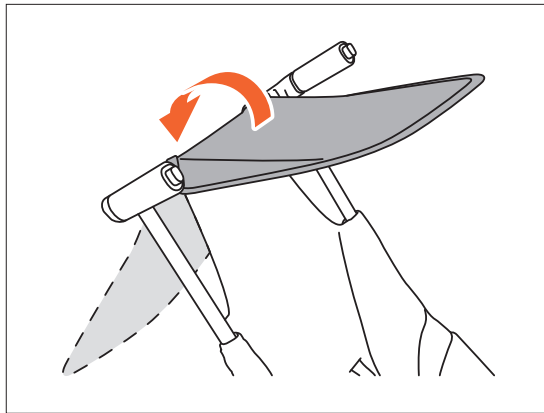
7



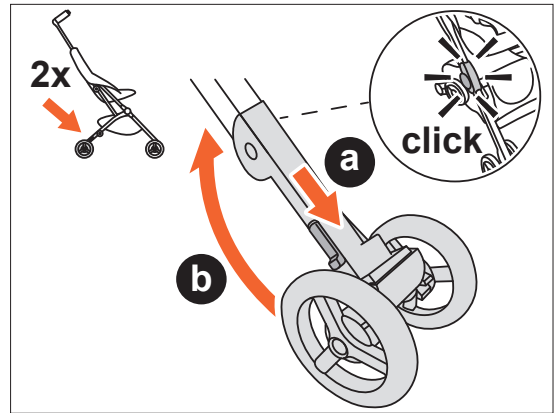
1



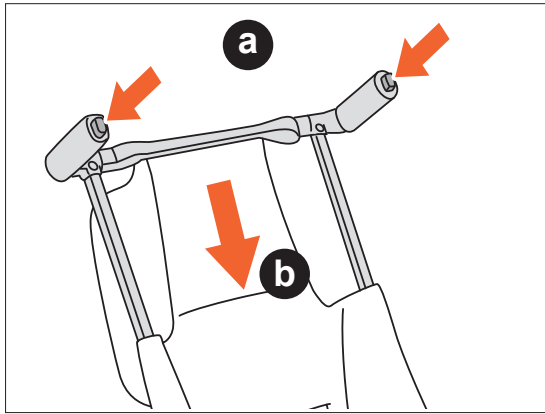
2



3



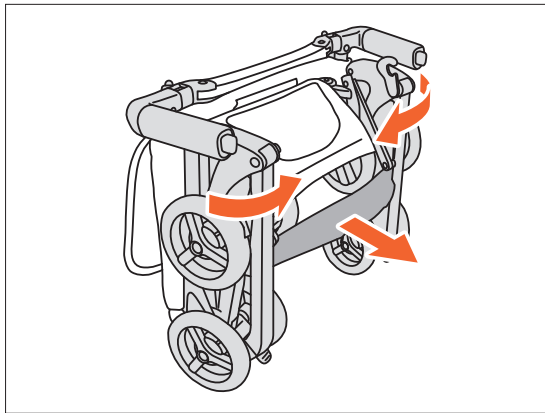
4



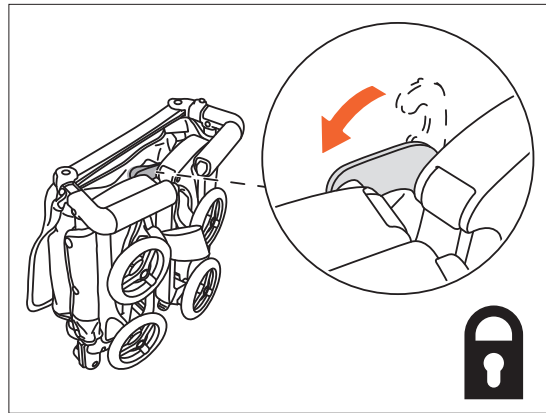
5



6

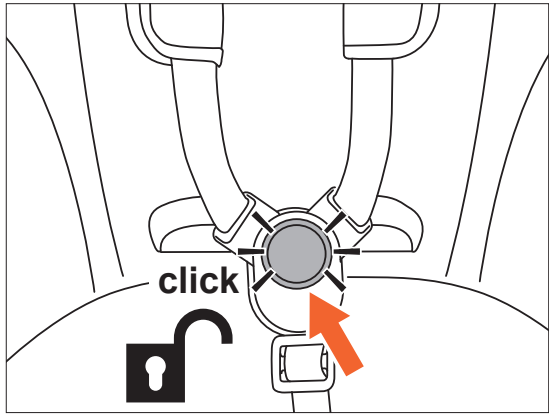


7

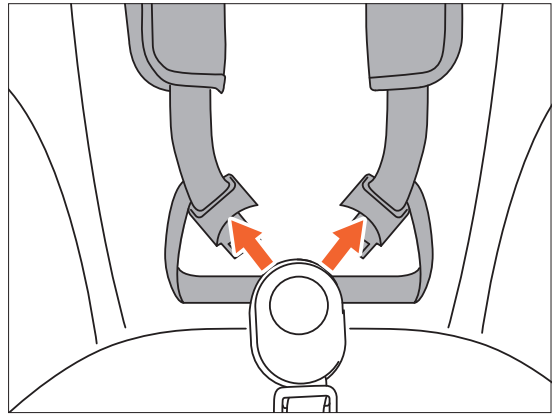


8

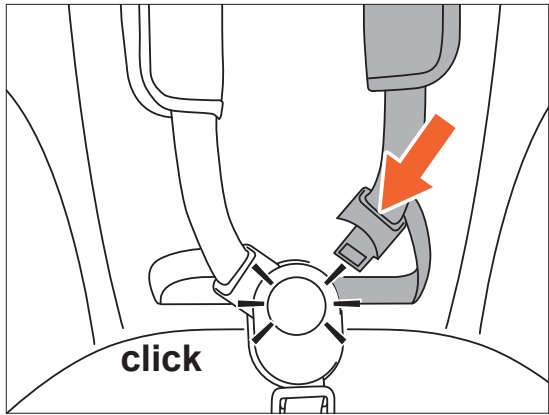
9



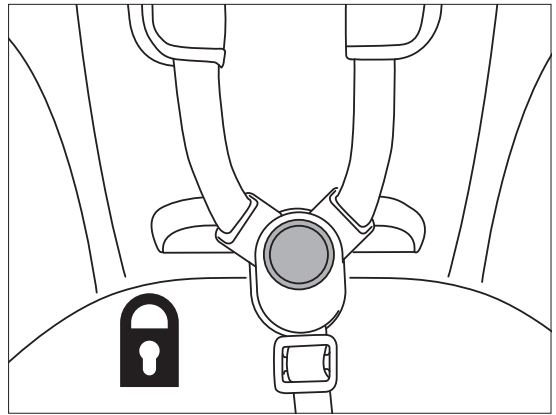
1



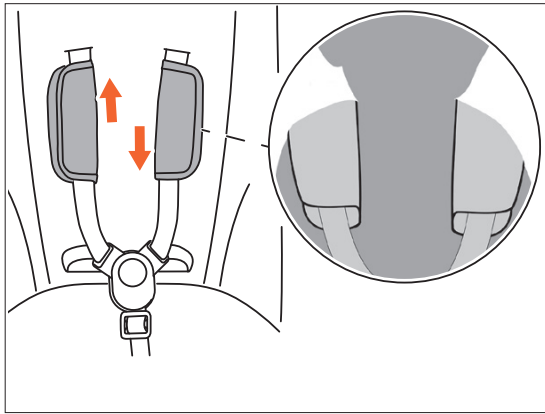
2



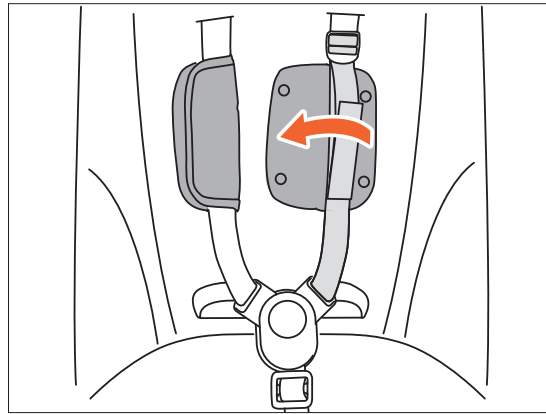
3



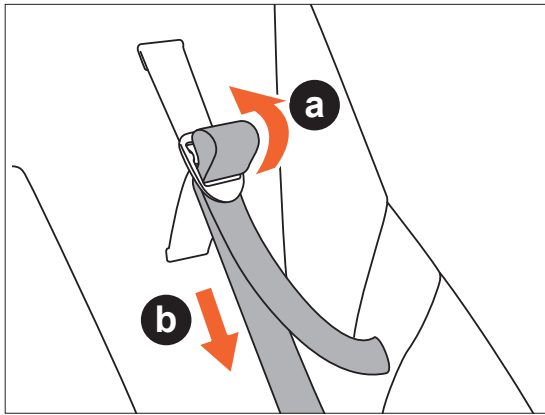
4



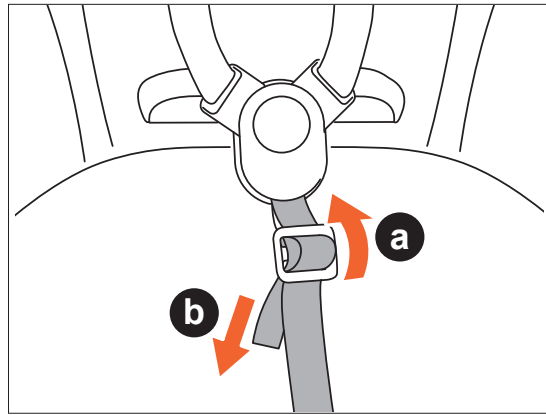
1



2

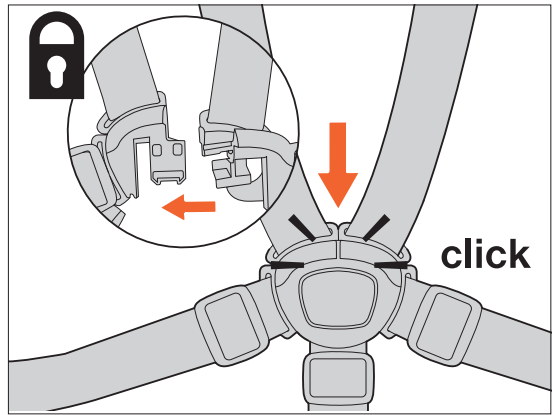
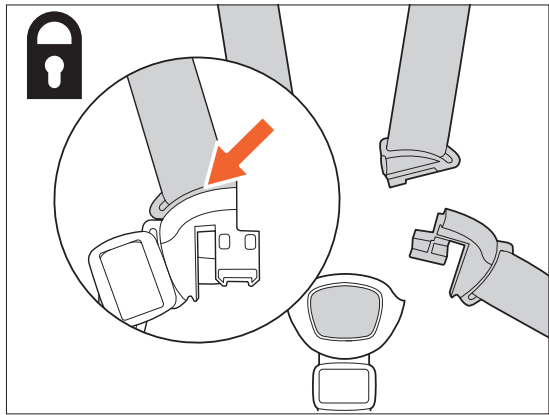
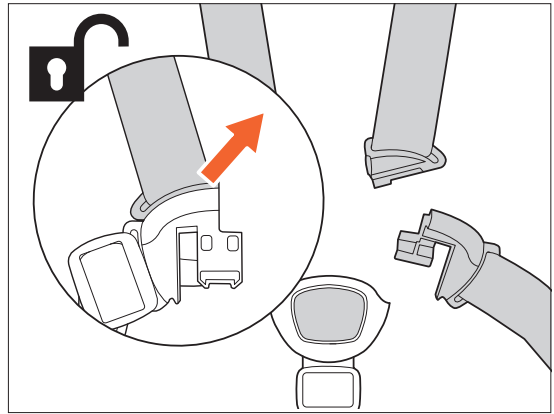
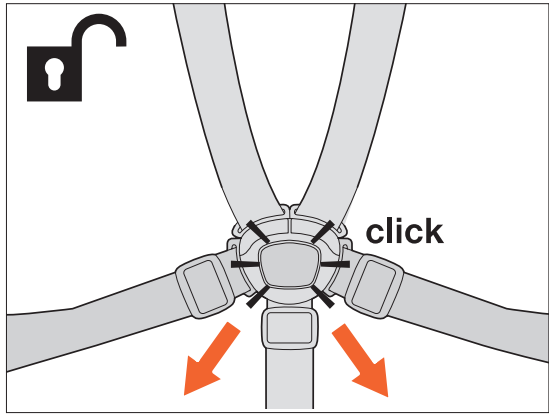


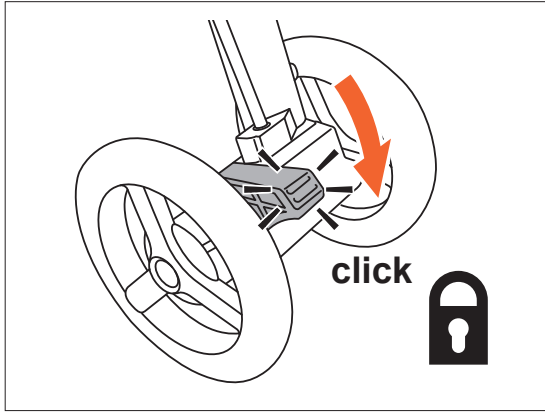
3



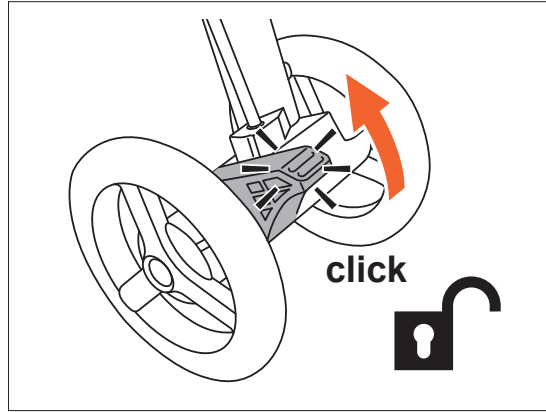
4





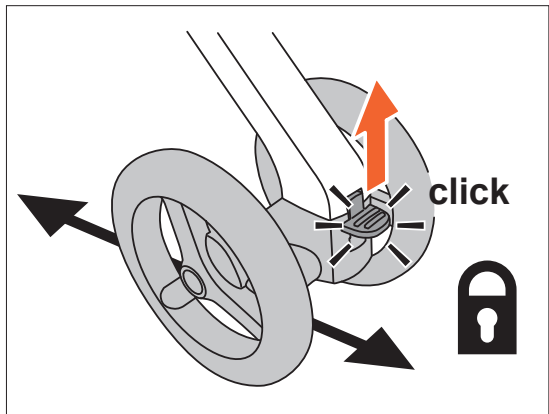


1

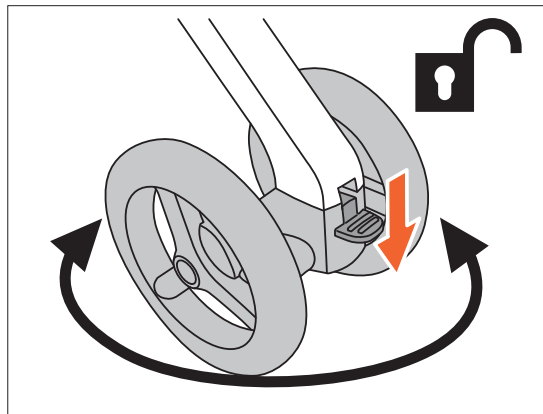


2



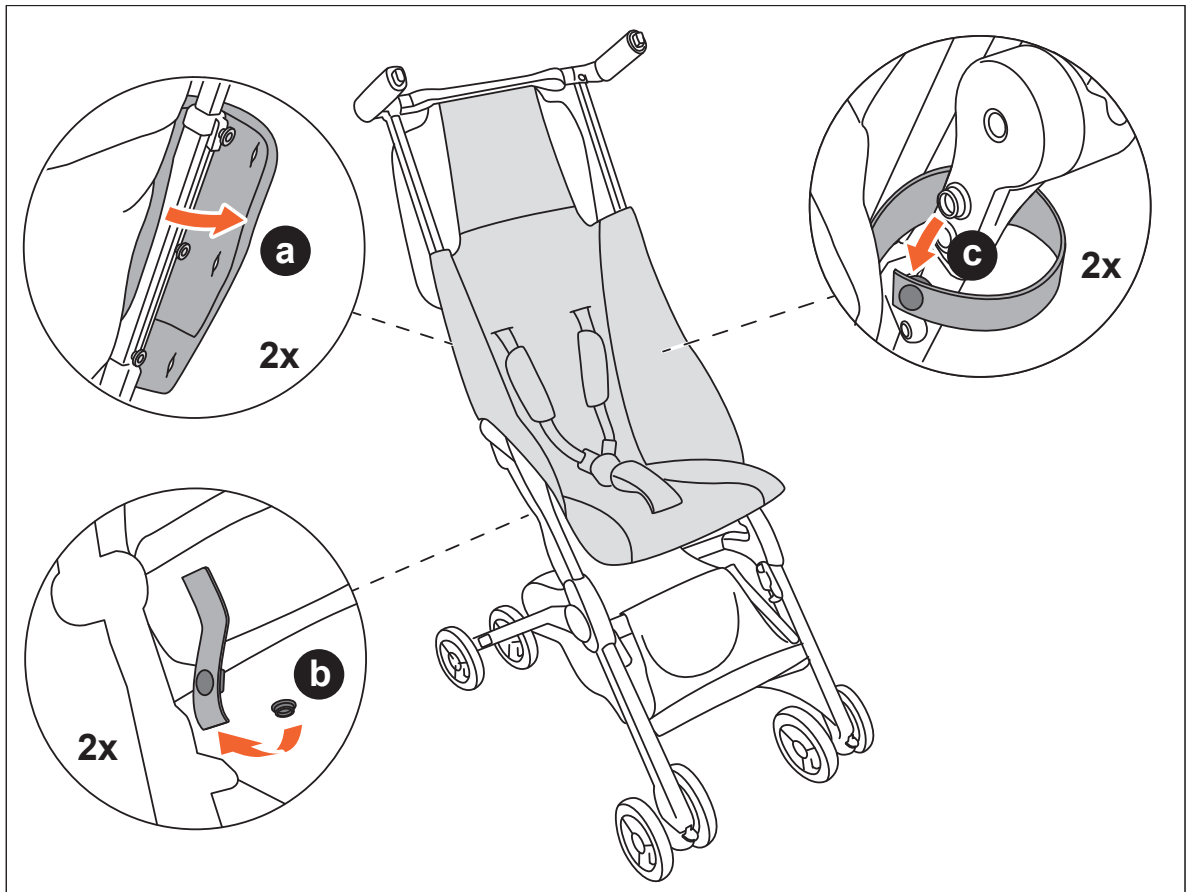


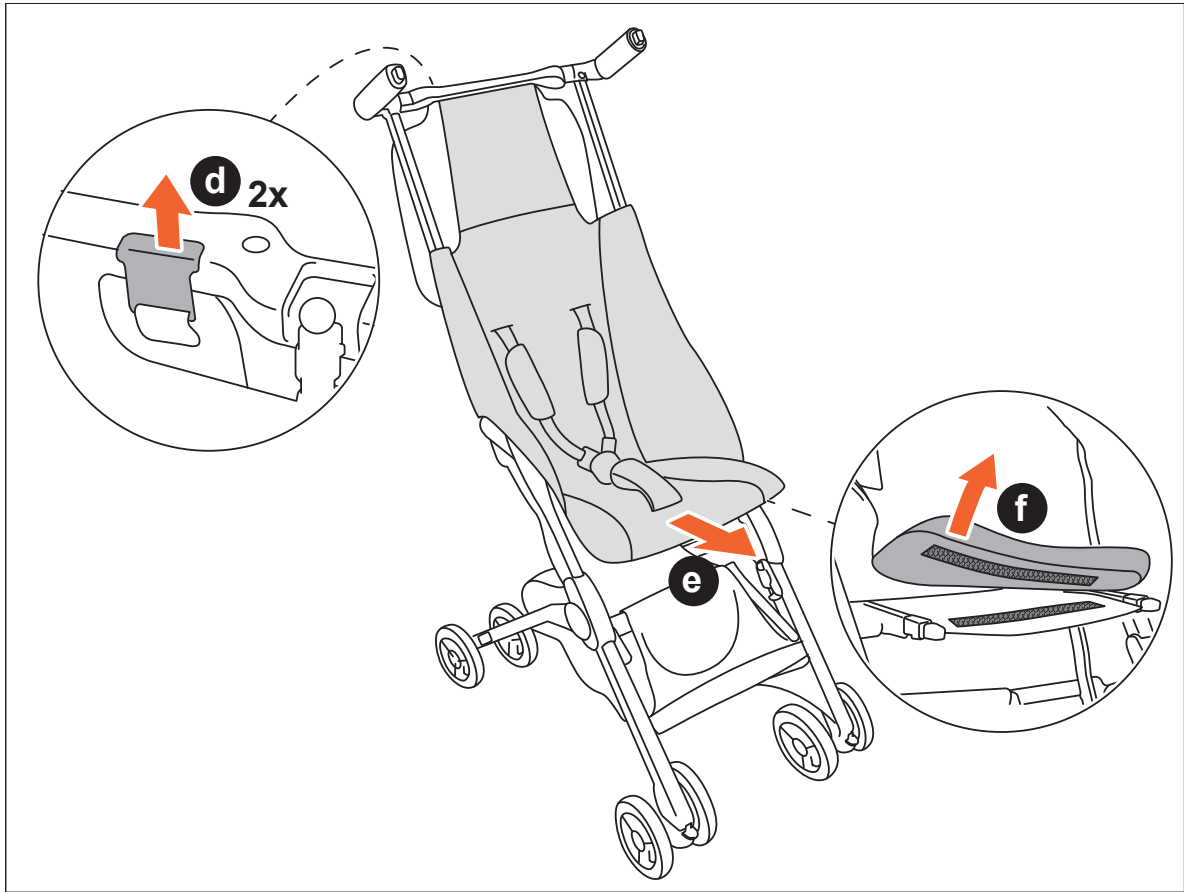
1



2









GOLD

CONTACT

EUROPE AND ASIA

gb GmbH
Riedingerstr 18
95448 Bayreuth
Germany
info@gb-online.com
www.gb-online.com

AMERICAS

Columbus Trading-Partners USA Inc.
560 Harrison Avenue
Boston, MA 02118
USA
Customer Service 1-844-543-2020
<http://register.gb-online.com/us/products>
www.gb-online.com

AUSTRALIA

CNP Brands
20 Calarco Drive, VIC, 3030
Australia
Customer Service 1300 667 137
www.cnpbrands.com.au

NEW ZEALAND

Wainhouse Distribution,
2-6 Argyle St, Morningside,
PO Box 41-014, St Lukes, Auckland
New Zealand
Customer Service: 0800 567 5000
helpline@wainhousedist.co.nz

CY_171_0192_A0915