

EMM20007
EMM20117



EN	Microwave Oven	User Manual	2
FR	Four à micro-ondes	Notice d'utilisation	16
PT	Forno microondas	Manual de instruções	32
ES	Horno de microondas	Manual de instrucciones	47



Electrolux

CONTENTS

1. SAFETY INFORMATION.....	3
2. SAFETY INSTRUCTIONS.....	5
3. PRODUCT DESCRIPTION.....	7
4. BEFORE FIRST USE.....	8
5. DAILY USE.....	8
6. USING THE ACCESSORIES.....	11
7. HINTS AND TIPS.....	11
8. CARE AND CLEANING.....	12
9. TROUBLESHOOTING.....	12
10. INSTALLATION.....	13

WE'RE THINKING OF YOU

Thank you for purchasing an Electrolux appliance. You've chosen a product that brings with it decades of professional experience and innovation. Ingenious and stylish, it has been designed with you in mind. So whenever you use it, you can be safe in the knowledge that you'll get great results every time.

Welcome to Electrolux.

Visit our website for:



Get usage advice, brochures, trouble shooter, service information:
www.electrolux.com/webselfservice



Register your product for better service:
www.registerelectrolux.com



Buy Accessories, Consumables and Original spare parts for your appliance:
www.electrolux.com/shop

CUSTOMER CARE AND SERVICE

Always use original spare parts.

When contacting our Authorised Service Centre, ensure that you have the following data available: Model, PNC, Serial Number.

The information can be found on the rating plate.



Warning / Caution-Safety information



General information and tips



Environmental information

Subject to change without notice.

1. SAFETY INFORMATION

Before the installation and use of the appliance, carefully read the supplied instructions. The manufacturer is not responsible if an incorrect installation and use causes injuries and damages. Always keep the instructions with the appliance for future reference.

1.1 Children and vulnerable people safety



WARNING!

Risk of suffocation, injury or permanent disability.

- This appliance can be used by children aged from 8 years and above and persons with reduced physical, sensory or mental capabilities or lack of experience and knowledge if they have been given supervision or instruction concerning use of the appliance in a safe way and understand the hazards involved.
- Do not let children play with the appliance. Children under 3 years must not be left unsupervised in the vicinity of the appliance.
- Keep all packaging away from children.
- Keep children and pets away from the appliance when it operates or when it cools down. Accessible parts are hot.
- If the appliance has a child safety device, we recommend you activate it.
- Cleaning and user maintenance shall not be made by children without supervision.
- Keep the appliance and its cord out of reach of children less than 8 years.

1.2 General Safety

- This appliance is intended to be used in household and similar applications such as:
 - Farm houses; staff kitchen areas in shops, offices and other working environments;

- By clients in hotels, motels, bed and breakfast and other residential type environments
- Internally the appliance becomes hot when in operation. Do not touch the heating elements that are in the appliance. Always use oven gloves to remove or put in accessories or ovenware.
- Do not use a steam cleaner to clean the appliance.
- Before maintenance, deactivate the appliance and disconnect the mains plug from the mains socket.
- If the door or door seals are damaged, the appliance must not be operated until it has been repaired by a qualified person.
- If the supply cord is damaged, it must be replaced by the manufacturer, its Authorised Service Centre or similarly qualified persons in order to avoid a hazard.
- Only a qualified person can carry out any service or repair operation that involves the removal of a cover which gives protection against exposure to microwave energy.
- Do not operate the appliance by means of an external timer or separate remote-control system.
- Do not heat liquids and other foods in sealed containers. They are liable to explode.
- Only use utensils that are suitable for use in microwave ovens.
- When heating food in plastic or paper containers, keep an eye on the appliance due to the possibility of ignition.
- The appliance is intended for heating food and beverages. Drying of food or clothing and heating of warming pads, slippers, sponges, damp cloth and similar may lead to risk of injury, ignition or fire.
- If smoke is emitted, switch off or unplug the appliance and keep the door closed in order to stifle any flames.
- Microwave heating of beverages can result in delayed eruptive boiling. Care must be taken when handling the container.

- The contents of feeding bottles and baby food jars shall be stirred or shaken and the temperature checked before consumption, in order to avoid burns.
- Eggs in their shell and whole hard-boiled eggs should not be heated in the appliance since they may explode, even after microwave heating has ended.
- The appliance should be cleaned regularly and any food deposits removed.
- Failure to maintain the appliance in a clean condition could lead to deterioration of the surface that could adversely affect the life of the appliance and possibly result in a hazardous situation.
- The temperature of accessible surfaces may be high when the appliance is operating.
- The microwave oven shall not be placed in a cabinet unless it has been tested in a cabinet.
- The rear surface of appliances shall be placed against a wall.
- Do not use harsh abrasive cleaners or sharp metal scrapers to clean the glass door since they can scratch the surface, which may result in shattering of the glass.
- Pay attention to the minimum dimensions of the cabinet (if applicable). Refer to the installation chapter.
- The appliance must be operated with the decorative door open (if applicable).

2. SAFETY INSTRUCTIONS

2.1 Installation



WARNING!

Only a qualified person must install this appliance.

- Remove all the packaging.
- Do not install or use a damaged appliance.
- Obey the installation instruction supplied with the appliance.
- Always be careful when you move the appliance because it is heavy. Always wear safety gloves.
- Do not pull the appliance by the handle.
- Keep the minimum distance from the other appliances and units.
- Make sure that the appliance is installed below and adjacent safe structures.
- The sides of the appliance must stay adjacent to appliances or to units with the same height.

2.2 Electrical Connection



WARNING!

Risk of fire and electrical shock.

- All electrical connections should be made by a qualified electrician.
- The appliance must be earthed.
- Make sure that the electrical information on the rating plate agrees with the power supply. If not, contact an electrician.
- If the appliance is connected to the socket via an extension cord, make sure the cord is earthed.
- Make sure not to cause damage to the mains plug and to the mains cable. Contact the Service or an electrician to change a damaged mains cable.
- Do not pull the mains cable to disconnect the appliance. Always pull the mains plug.

2.3 Use



WARNING!

Risk of injury, burns and electrical shock or explosion.

- Do not change the specification of this appliance.
- Do not let the appliance stay unattended during operation.
- Do not apply pressure on the open door.
- Make sure that the ventilation openings are not blocked.

- Do not use the appliance as a work surface and do not use the cavity for storage purposes.

2.4 Care and Cleaning



WARNING!

Risk of injury, fire, or damage to the appliance.

- Before maintenance, deactivate the appliance and disconnect the mains plug from the mains socket.
- Clean regularly the appliance to prevent the deterioration of the surface material.
- Do not allow food spills or cleaner residue to accumulate on door sealing surfaces.
- Remaining fat or food in the appliance can cause fire.
- Clean the appliance with a moist soft cloth. Only use neutral detergents. Do not use abrasive products, abrasive cleaning pads, solvents or metal objects.
- If you use an oven spray, obey the safety instructions on the packaging.

2.5 Disposal



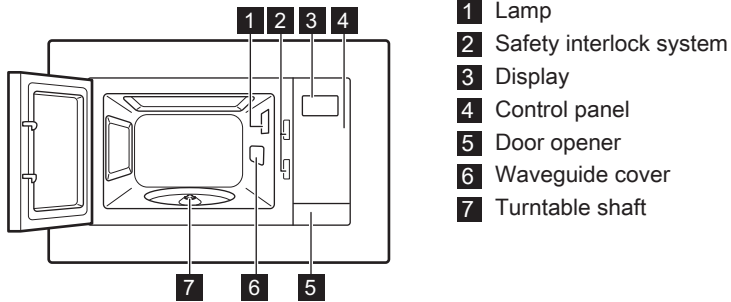
WARNING!

Risk of injury or suffocation.

- Disconnect the appliance from the mains supply.
- Cut off the mains cable and discard it.

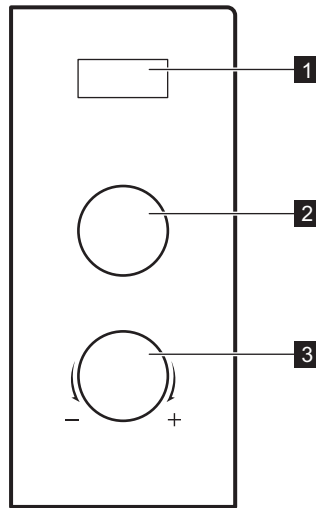
3. PRODUCT DESCRIPTION

3.1 General overview





- 1** Lamp
- 2** Safety interlock system
- 3** Display
- 4** Control panel
- 5** Door opener
- 6** Waveguide cover
- 7** Turntable shaft

3.2 Control Panel



	Symbol	Function	Description
1	—	Display	Shows the settings and current time.
2	—	Power Setting knob	To set the power level.
3	+ —	Setting knob	To set the cooking time or weight.

Other symbols on the control panel

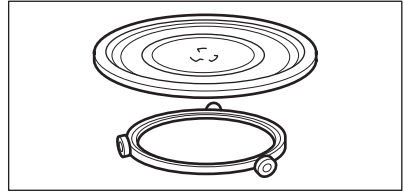
Symbol	Function	Description
	Weight Defrosting	To defrost food by weight.
	Time Defrosting	To defrost food by time.

3.3 Accessories

Turntable set



Always use the turntable set to prepare food in the microwave.



Glass cooking tray and roller guide.

4. BEFORE FIRST USE



WARNING!
Refer to Safety chapters.

- Remove all the parts and additional packaging from the microwave.
- Clean the appliance before first use.

4.1 Initial Cleaning



CAUTION!
Refer to chapter "Care and Cleaning".

5. DAILY USE



WARNING!
Refer to Safety chapters.

5.1 General information about using the appliance

- After you deactivate the appliance, let the food stand for some minutes.
- Remove the aluminium foil packaging, metal containers, etc. before you prepare the food.

Cooking

- If possible, cook food covered with material suitable for use in the microwave. Only cook food without a cover if you want to keep it crusty
- Do not overcook the dishes by setting the power and time too high. The food can dry out, burn or catch fire in some places.
- Do not use the appliance to cook eggs or snails in their shells, because they can explode. With fried eggs, pierce the yolks first.
- Prick food with "skin" or "peel", such as potatoes, tomatoes, sausages, with a fork several times before cooking so that the food does not explode.
- For chilled or frozen food, set a longer cooking time.
- Dishes which contain sauce must be stirred from time to time.
- Vegetables that have a firm structure, such as carrots, peas or cauliflower, must be cooked in water.
- Turn larger pieces after half of the cooking time.
- If possible, cut vegetables into similar-sized pieces.
- Use flat, wide dishes.

- Do not use cookware made of porcelain, ceramic or earthenware with small holes, e. g. on handles or unglazed bottoms. Moisture going into the holes can cause the cookware to crack when it is heated.
- The glass cooking tray is a work space for heating food or liquids. It is necessary for the operation of the microwave.

Defrosting meat, poultry, fish

- Put the frozen, unwrapped food on a small upturned plate with a container below it so that the defrosting liquid collects in the container.
- Turn the food after half of the defrosting time. If possible, divide and then remove the pieces that started to defrost.

Defrosting butter, portions of gâteau, quark

- Do not fully defrost the food in the appliance, but let it defrost at room

temperature. This gives a more even result. Fully remove all metal or aluminium packaging before defrosting.

Defrosting fruit, vegetables

- Do not fully defrost fruit and vegetables, which are to be further prepared while raw, in the appliance. Let them defrost at room temperature.
- You can use a higher microwave power to cook fruit and vegetables without defrosting them first.

Ready meals

- You can prepare ready meals in the appliance only if their packaging is suitable for microwave use.
- You must follow the manufacturer's instructions printed on the packaging (e.g. remove the metal cover and pierce the plastic film).

Suitable cookware and materials

Cookware / Material	Microwave		
	Defrosting	Heating	Cooking
Ovenproof glass and porcelain (with no metal components, e. g. Pyrex, heat-proof glass)	X	X	X
Non-ovenproof glass and porcelain ¹⁾	X	--	--
Glass and glass ceramic made of oven-proof/frost-proof material (e. g. Arcoflam), grill shelf	X	X	X
Ceramic ²⁾ , earthenware ²⁾	X	X	X
Heat-resistant plastic up to 200 °C ³⁾	X	X	X
Cardboard, paper	X	--	--
Clingfilm	X	--	--
Roasting film with microwave safe closure ³⁾	X	X	X
Roasting dishes made of metal, e. g. enamel, cast iron	--	--	--
Baking tins, black lacquer or silicon-coated ³⁾	--	--	--

Cookware / Material	Microwave		
	Defrosting	Heating	Cooking
Baking tray	--	--	--
Browning cookware, e. g. Crisp pan or Crunch plate	--	X	X
Ready meals in packaging ³⁾	X	X	X

1) With no silver, gold, platinum or metal plating / decorations

2) Without quartz or metal components, or glazes which contain metals

3) You must follow the manufacturer's instructions about the maximum temperatures.

X suitable

-- not suitable

5.2 Activating and deactivating the microwave



CAUTION!


Do not let the microwave operate if there is no food in it.

1. Turn the Power Setting knob to set the desired function.
2. Turn the Setting knob to set the time.



The microwave starts to cook automatically after the power level and time are set and the door is closed.

To deactivate the microwave:

- wait until the microwave deactivates automatically, when the time comes to an end.
- open the door. The microwave stops automatically. Close the door to continue cooking. Use this option to inspect food.
- turn the Setting knob to  and wait until the display shows **End**.





When the microwave deactivates automatically, an acoustic signal sounds.

5.3 Power setting table



Power Setting	Power setting
100 W	Low
300 W	Medium Low
400 W	Medium
600 W	Medium High
800 W	High

5.4 Defrosting

You can choose between 2 defrosting modes:

- Weight defrosting 
- Time defrosting 

- i** Do not use weight defrosting on food that is left out of the freezer for more than 20 minutes, or for frozen ready-made food.
- i** To activate weight defrosting you must use more than 100 g of food and less than 2000 g.
- i** To defrost less than 200 g of food place it on the edge of the turntable.

1. Turn the Power setting Knob and set  for weight defrosting or  for time defrosting.
2. Turn the Setting knob anticlockwise to set the weight or clockwise to the time.
For weight defrosting the time is set automatically.
The microwave starts automatically after a few seconds.

6. USING THE ACCESSORIES

! **WARNING!**
Refer to Safety chapters.

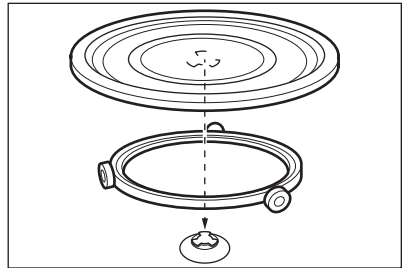
6.1 Inserting the turntable set

! **CAUTION!**
Do not cook food without the turntable set. Use only the turntable set provided with the microwave.

i Never cook food directly on the glass cooking tray.

1. Place the roller guide around the turntable shaft.

2. Place the glass cooking tray on the roller guide



7. HINTS AND TIPS

! **WARNING!**
Refer to Safety chapters.

7.1 Tips for the microwave

Problem	Remedy
You cannot find details for the amount of food prepared.	Look for a similar food. Increase or shorten the length of the cooking times according to the following rule: Double the amount = almost double the time, Half the amount = half the time
The food got too dry.	Set shorter cooking time or select lower microwave power.

Problem	Remedy
The food is not defrosted, hot or cooked after the time came to an end.	Set longer cooking time or set higher power. Note that large dishes need longer time.
After the cooking time comes to an end, the food is overheated at the edge but is still not ready in the middle.	Next time set a lower power and a longer time. Stir liquids halfway through, e.g. soup.

To get better results for rice use a flat, wide dish.

7.2 Defrosting

Always defrost roast with the fat side down.

Do not defrost covered meat because this may cause cooking instead of defrosting.

Always defrost whole poultry breast side down.

7.3 Cooking

Always remove chilled meat and poultry from the refrigerator at least 30 minutes before cooking.

Let the meat, poultry, fish and vegetables stay covered after cooking.

Brush a little oil or melted butter over the fish.

All vegetables should be cooked at full microwave power.

Add 30 - 45 ml of cold water for every 250 g of vegetables.

Cut the fresh vegetables into even size pieces before cooking. Cook all vegetables with a cover on the container.

7.4 Reheating

When you reheat packed ready meals always follow the instruction written on the packaging.

8. CARE AND CLEANING



WARNING!

Refer to Safety chapters.

8.1 Notes and tips on cleaning

- Clean the front of the appliance with a soft cloth with warm water and a cleaning agent.
- To clean metal surfaces, use a usual cleaning agent.
- Clean the appliance interior after each use. Then you can remove dirt more easily and it does not burn on.

- Clean stubborn dirt with a special cleaner.
- Clean all accessories regularly and let them dry. Use a soft cloth with warm water and a cleaning agent.
- To soften the hard to remove remains, boil a glass of water at full microwave power for 2 to 3 minutes.
- To remove odours, mix a glass of water with 2 tsp of lemon juice and boil at full microwave power for 5 minutes.

9. TROUBLESHOOTING



WARNING!

Refer to Safety chapters.

9.1 What to do if...

Problem	Possible cause	Remedy
The appliance does not operate.	The appliance is deactivated.	Activate the appliance.
The appliance does not operate.	The appliance is not plugged in.	Plug in the appliance.
The appliance does not operate.	The fuse in the fuse box is blown.	Check the fuse. If the fuse blows more than one time, contact a qualified electrician.
The appliance does not operate.	The door is not closed properly.	Make sure that nothing blocks the door.
The lamp does not operate.	The lamp is defective.	The lamp has to be replaced.
There is sparking in the cavity.	There are metal dishes or dishes with metal trim.	Remove the dish from the appliance.
There is sparking in the cavity.	There are metal skewers or aluminium foil that touches the interior walls.	Make sure that the skewers and foil does not touch the interior walls.
The turntable set makes scratching or grinding noise.	There is an object or dirt below the glass cooking tray.	Clean the area below the glass cooking tray.
The appliance stop to operate without a clear reason.	There is a malfunction.	If this situation repeats call the Authorised Service Center.

9.2 Service data

If you cannot find a solution to the problem yourself, contact your dealer or an Authorised Service Centre.

The necessary data for the service centre is on the rating plate. The rating plate is on the appliance. Do not remove the rating plate from the appliance.

We recommend that you write the data here:	
Model (MOD.)
Product number (PNC)
Serial number (S.N.)

10. INSTALLATION



WARNING!
Refer to Safety chapters.

10.1 General Information



CAUTION!

Do not block the air vents. If you do that, the appliance can overheat.



CAUTION!

Do not connect the appliance to adapters or extension leads. This can cause overloading and risk of fire.



CAUTION!

The minimum installation height is 85 cm.

- The microwave is for built-in use only. It must be placed on a stable and flat surface.
- The cabinet can not have a back wall in the place where the microwave is located.
- Put the microwave far away from steam, hot air and water splashes.
- If the microwave is too close to the TV and radio it may cause interference in the received signal.
- If you transport the microwave in cold weather, do not activate it immediately after the installation. Let it stand in the room temperature and absorb the heat.

10.2 Electrical installation



WARNING!

Only a qualified person must do the electrical installation.



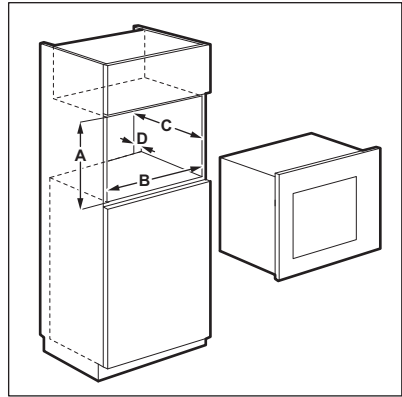
The manufacturer is not responsible if you do not follow the safety precautions from the chapter "Safety Information".

This microwave is supplied with a main cable and main plug.

The cable has an earth wire with an earthing plug. The plug must be plugged into an outlet that is properly installed and earthed. In the event of an electrical short circuit, earthing reduces the risk of electric shock.


10.3 Installing the microwave

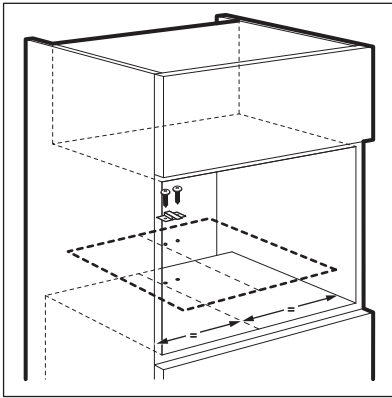
1. Check if the dimensions of the furniture meet the installation distances.



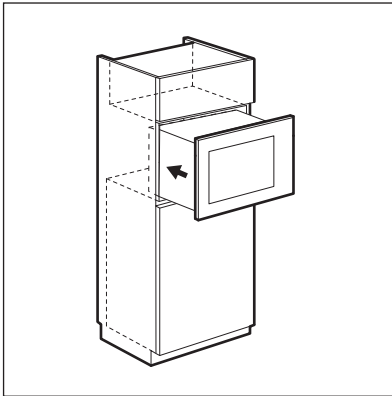
Installation distances

Dimension	mm
A	380 + 2
B	560 + 8
C	300
D	18

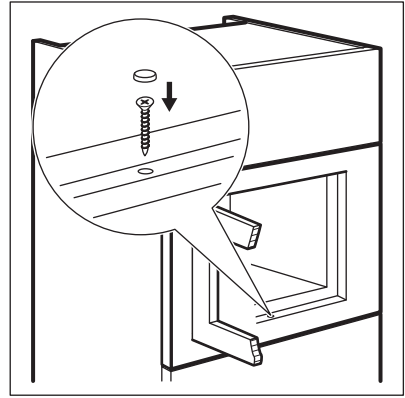
2. If the cabinet depth is over 300 mm, put the template on the bottom of cabinet and check if it fits. If yes, mark the spots for screws. Remove the template and fix the bracket with the screws in the marked spot.
-  Skip this step if the cabinet depth is 300 mm.




3. Install the microwave. If you fixed the bracket, make sure it locks the back of the appliance.



4. Open the door and fix the microwave to the cabinet with screw.



11. ENVIRONMENT CONCERNS

Recycle the materials with the symbol . Put the packaging in applicable containers to recycle it. Help protect the environment and human health and to recycle waste of electrical and electronic appliances. Do not dispose appliances


marked with the symbol  with the household waste. Return the product to your local recycling facility or contact your municipal office.

TABLE DES MATIÈRES

1. CONSIGNES DE SÉCURITÉ.....	17
2. INSTRUCTIONS DE SÉCURITÉ.....	20
3. DESCRIPTION DE L'APPAREIL.....	21
4. AVANT LA PREMIÈRE UTILISATION.....	23
5. UTILISATION QUOTIDIENNE.....	23
6. UTILISATION DES ACCESSOIRES.....	26
7. CONSEILS.....	26
8. ENTRETIEN ET NETTOYAGE.....	27
9. EN CAS D'ANOMALIE DE FONCTIONNEMENT.....	28
10. INSTALLATION.....	29

NOUS PENSONS À VOUS

Merci d'avoir choisi ce produit Electrolux. Avec ce produit, vous bénéficiez de dizaines d'années d'expérience professionnelle et d'innovation. Ingénieux et élégant, il a été conçu sur mesure pour vous. Grâce à cet appareil, vous savez que chaque utilisation vous apportera satisfaction.

Bienvenue chez Electrolux.

Visitez notre site Internet pour :



Obtenir des conseils d'utilisation, des brochures, de l'aide, des informations :
www.electrolux.com/webselfservice



Enregistrer votre produit pour obtenir un meilleur service :
www.registerelectrolux.com



Acheter des accessoires, consommables et pièces de rechange d'origine pour votre appareil :
www.electrolux.com/shop

SERVICE APRÈS-VENTE

N'utilisez que des pièces de rechange d'origine.
Avant de contacter le service, assurez-vous de disposer des informations suivantes : Modèle, PNC, numéro de série.

Vous trouverez ces informations sur la plaque signalétique.



Avertissement/Attention : consignes de sécurité.



Informations générales et conseils.



Informations en matière de protection de l'environnement.

Sous réserve de modifications.

1. ⚠️ CONSIGNES DE SÉCURITÉ

Avant d'installer et d'utiliser cet appareil, lisez soigneusement les instructions fournies. Le fabricant ne peut être tenu pour responsable des dommages et blessures liés à une mauvaise installation ou utilisation. Conservez toujours cette notice avec votre appareil pour vous y référer ultérieurement.

1.1 Sécurité des enfants et des personnes vulnérables



AVERTISSEMENT!

Risque d'asphyxie, de blessure ou d'invalidité permanente.

- Cet appareil peut être utilisé par des enfants âgés d'au moins 8 ans et par des personnes ayant des capacités physiques, sensorielles ou mentales réduites ou dénuées d'expérience ou de connaissance, s'ils (si elles) sont correctement surveillé(e)s ou si des instructions relatives à l'utilisation de l'appareil en toute sécurité leur ont été données et si les risques encourus ont été appréhendés.
- Les enfants ne doivent pas jouer avec l'appareil. Les enfants de moins de 3 ans ne doivent pas être laissés sans surveillance à proximité de l'appareil.
- Ne laissez pas les emballages à la portée des enfants.
- Tenez les enfants et les animaux éloignés de l'appareil lorsqu'il est en cours de fonctionnement ou lorsqu'il refroidit. Les parties accessibles sont chaudes.
- Si l'appareil est équipé d'un dispositif de sécurité enfants, nous vous recommandons de l'activer.
- Le nettoyage et l'entretien par l'utilisateur ne doivent pas être effectués par des enfants sans surveillance.

- L'appareil et son cordon d'alimentation doivent être conservés hors de portée des enfants âgés de moins de 8 ans.

1.2 Consignes générales de sécurité

- Cet appareil est conçu uniquement pour un usage domestique et des utilisations telles que :
 - bâtiments de ferme, cuisines réservées aux employés dans les magasins, bureaux et autres lieux de travail ;
 - pour une utilisation privée, par les clients, dans des hôtels et autres lieux de séjour.
- L'intérieur de l'appareil devient chaud lorsqu'il est en fonctionnement. Ne touchez pas les éléments chauffants se trouvant dans l'appareil. Utilisez toujours des gants de cuisine pour retirer ou enfourner des accessoires ou des plats allant au four.
- N'utilisez pas de nettoyeur vapeur pour nettoyer l'appareil.
- Avant toute opération d'entretien, éteignez l'appareil et débranchez la fiche de la prise secteur.
- Si la porte ou les joints de la porte sont endommagés, vous ne devez pas utiliser l'appareil tant qu'il n'a pas été réparé par un professionnel qualifié.
- Si le câble d'alimentation est endommagé, il doit être remplacé par le fabricant, son service après-vente ou des personnes de qualification similaire afin d'éviter un danger.
- Toute opération de maintenance ou réparation nécessitant le retrait d'un des caches assurant la protection contre les micro-ondes ne doit être confiée qu'à un professionnel qualifié.
- Ne faites pas fonctionner l'appareil avec un minuteur externe ou un système de commande à distance.
- Ne faites pas chauffer de liquides ou d'autres aliments dans des récipients hermétiquement fermés. Ils pourraient exploser.

- N'utilisez que des ustensiles adaptés à une utilisation dans un four à micro-ondes.
- Lorsque vous faites cuire des aliments dans des récipients en plastique ou en papier, surveillez toujours l'appareil car ces matières peuvent s'enflammer.
- Cet appareil est uniquement destiné à chauffer des aliments et des boissons. L'utiliser pour sécher des aliments ou des vêtements, ou pour faire chauffer des compresses chauffantes, des chaussons, des éponges, des tissus humides ou autres pourrait provoquer des blessures ou un incendie.
- En présence de fumée, éteignez ou débranchez l'appareil et laissez la porte fermée pour étouffer les flammes.
- Si vous chauffez des boissons au micro-ondes, celles-ci peuvent entrer en ébullition après être sorties de l'appareil. Soyez prudent lorsque vous manipulez le récipient.
- Mélangez ou remuez le contenu des biberons et des petits pots pour bébés, puis vérifiez la température avant de nourrir votre enfant afin d'éviter les brûlures.
- Les œufs dans leur coquille et les œufs durs entiers ne doivent pas être chauffés dans l'appareil car ils pourraient exploser, même après la fin de la cuisson par les micro-ondes.
- Nettoyez régulièrement l'appareil et retirez-en les résidus alimentaires.
- Si vous ne nettoyez pas régulièrement l'appareil, sa surface peut se détériorer, ce qui pourrait réduire sa durée de vie et provoquer des situations dangereuses.
- La température des surfaces accessibles peut être élevée pendant le fonctionnement de l'appareil.
- Le four à micro-ondes ne doit pas être encastré, à moins qu'il n'ait été spécifiquement testé à cet effet.
- La surface arrière de l'appareil doit être positionnée contre un mur.

- N'utilisez pas de produits abrasifs ni de racloirs pointus en métal pour nettoyer la porte en verre car ils peuvent rayer sa surface, ce qui peut briser le verre.
- Faites attention aux dimensions minimales du meuble (le cas échéant). Reportez-vous au chapitre « Installation ».
- L'appareil doit être mis en marche avec la porte décorative du meuble ouverte (si présente).

2. INSTRUCTIONS DE SÉCURITÉ

2.1 Instructions d'installation



AVERTISSEMENT!

L'appareil doit être installé uniquement par un professionnel qualifié.

- Retirez l'intégralité de l'emballage.
- N'installez pas et ne branchez pas un appareil endommagé.
- Suivez scrupuleusement les instructions d'installation fournies avec l'appareil.
- L'appareil est lourd, prenez toujours des précautions lorsque vous le déplacez. Portez toujours des gants de sécurité.
- Ne tirez jamais l'appareil par la poignée.
- Respectez l'espacement minimal requis par rapport aux autres appareils et éléments.
- Vérifiez que l'appareil est installé sous et à proximité de structures sûres.
- Les côtés de l'appareil doivent rester à côté d'appareils ou d'éléments ayant la même hauteur.

2.2 Branchement électrique



AVERTISSEMENT!

Risque d'incendie ou d'électrocution.

- L'ensemble des branchements électriques doit être effectué par un technicien qualifié.
- L'appareil doit être relié à la terre.
- Vérifiez que les données électriques figurant sur la plaque signalétique

correspondent à celles de votre réseau. Si ce n'est pas le cas, contactez un électricien.

- Si l'appareil est branché à la prise murale en utilisant une rallonge électrique, assurez-vous qu'elle est reliée à la terre.
- Veillez à ne pas endommager la fiche secteur ni le câble d'alimentation. Contactez le service de maintenance ou un électricien pour remplacer le câble d'alimentation s'il est endommagé.
- Ne tirez jamais sur le câble d'alimentation électrique pour débrancher l'appareil. Tirez toujours sur la fiche.

2.3 Emploi



AVERTISSEMENT!

Risque de blessures, de brûlures, d'électrocution ou d'explosion.

- Ne modifiez pas les caractéristiques de cet appareil.
- Ne laissez jamais l'appareil sans surveillance pendant son fonctionnement.
- N'exercez jamais de pression sur la porte ouverte.
- Assurez-vous que les orifices de ventilation ne sont pas bouchés.
- N'utilisez jamais l'appareil comme plan de travail, ni la cavité comme un espace de rangement.

2.4 Entretien et nettoyage



AVERTISSEMENT!

Risque de blessure corporelle, d'incendie ou de dommage matériel à l'appareil.

- Avant toute opération d'entretien, éteignez l'appareil et débranchez la fiche de la prise secteur.
- Nettoyez régulièrement l'appareil afin de maintenir le revêtement en bon état.
- Ne laissez pas les résidus alimentaires ou de produits nettoyants s'accumuler sur les joints de la porte.
- Des graisses ou de la nourriture restant dans l'appareil peuvent provoquer un incendie.

- Nettoyez l'appareil avec un chiffon doux humide. Utilisez uniquement des produits de lavage neutres. N'utilisez pas de produits abrasifs, de tampons à récurer, de solvants ni d'objets métalliques.
- Si vous utilisez un spray pour four, suivez les consignes de sécurité figurant sur l'emballage.

2.5 Mise au rebut



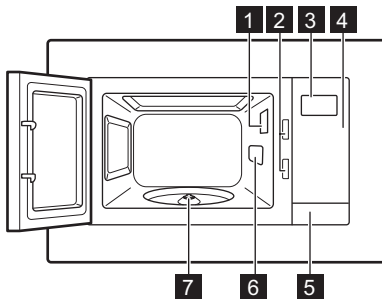
AVERTISSEMENT!

Risque de blessure ou d'asphyxie.

- Débranchez l'appareil de l'alimentation électrique.
- Coupez le câble d'alimentation et mettez-le au rebut.

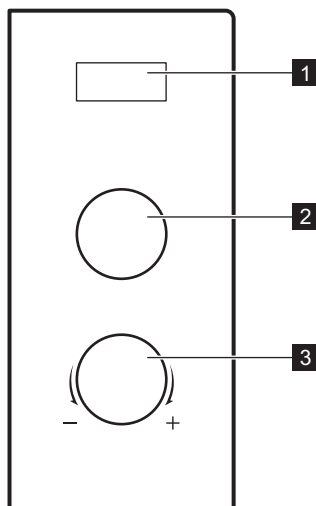
3. DESCRIPTION DE L'APPAREIL

3.1 Vue d'ensemble



- 1 Éclairage
- 2 Système d'interverrouillage de sécurité
- 3 Indicateur
- 4 Panneau de commande
- 5 Bouton d'ouverture de la porte
- 6 Couvercle de guide d'ondes
- 7 Axe du plateau tournant

3.2 Bandeau de commande



Symbole	Fonction	Description
1 —	Affichage	Affiche les réglages et l'heure.
2 —	Manette de réglage de la puissance	Pour régler le niveau de puissance.
3 + —	Manette de réglage	Pour régler la durée de cuisson ou le poids.

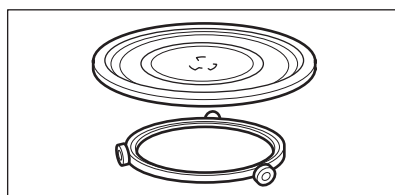
Autres symboles figurant sur le bandeau de commande

Symbole	Fonction	Description
	Décongélation selon le poids	Pour décongeler des aliments selon le poids.
	Décongélation selon la durée	Pour décongeler des aliments selon la durée.

3.3 Accessoires

Ensemble du plateau tournant

- i** Utilisez toujours l'ensemble du plateau tournant pour cuire des aliments dans le micro-ondes.



Plateau de cuisson en verre et support à roulettes.

4. AVANT LA PREMIÈRE UTILISATION



AVERTISSEMENT!
Reportez-vous aux chapitres concernant la sécurité.

4.1 Premier nettoyage



ATTENTION!
Reportez-vous au chapitre « Entretien et nettoyage ».

- Retirez toutes les pièces et l'emballage supplémentaire du micro-ondes.
- Nettoyez l'appareil avant de l'utiliser pour la première fois.

5. UTILISATION QUOTIDIENNE



AVERTISSEMENT!
Reportez-vous aux chapitres concernant la sécurité.

5.1 Informations générales sur le fonctionnement de l'appareil

- Après avoir éteint l'appareil, laissez reposer les aliments pendant quelques minutes.
- Retirez les emballages en aluminium, les récipients en métal, etc. avant de préparer les aliments.

Faites cuire

- Si possible, cuisinez les aliments en les couvrant avec un ustensile d'une matière adaptée à l'utilisation au micro-ondes. Ne cuisinez les aliments sans les couvrir que si vous souhaitez conserver leur croustillant.
- Ne cuisez pas trop les plats en réglant une puissance et une durée trop élevées. Les aliments peuvent se dessécher, brûler ou prendre feu.
- N'utilisez pas l'appareil pour cuisiner des œufs ou des escargots dans leur coquille car ils peuvent exploser. Pour les œufs sur le plat, percez d'abord les jaunes.
- Piquez plusieurs fois les aliments couverts d'une « peau », comme les pommes de terre, les tomates ou les saucisses, avec une fourchette avant de les cuire afin qu'ils n'exploient pas.
- Pour les aliments congelés ou les plats surgelés, réglez un temps de cuisson plus long.

- Les plats contenant de la sauce doivent être remués de temps en temps.
- Les légumes fermes tels que les carottes, les petits pois ou le chou-fleur doivent être cuits dans l'eau.
- Retournez les grosses pièces à la moitié du temps de cuisson.
- Si possible, coupez les légumes en morceaux de même taille.
- Utilisez des plats larges et à fond plat.
- N'utilisez pas d'ustensile de cuisine en porcelaine, en céramique ou en faïence avec de petits trous, par exemple sur les poignées ou dans le fond. L'humidité s'infiltré dans les trous et peut causer un craquement de l'ustensile de cuisine lorsqu'il chauffe.
- Le plateau de cuisson en verre permet de chauffer des aliments ou des liquides. Il est nécessaire au fonctionnement du four à micro-ondes.

Décongélation des viandes, de la volaille et du poisson

- Posez l'aliment surgelé sans emballage sur une petite assiette retournée, puis placez un récipient dessous pour recueillir l'eau de décongélation.
- Retournez les aliments à la moitié du temps de décongélation. Si possible, séparez puis retirez les morceaux ayant commencé à décongeler.

Décongélation de beurre, de morceaux de gâteau, de fromage

- Ne décongelez pas ces aliments entièrement dans l'appareil mais

laissez-les décongeler à température ambiante. Cela vous assure un résultat plus homogène. Retirez tout emballage en métal ou en aluminium avant la décongélation.

Décongélation de fruits et légumes

- Ne décongelez pas entièrement dans l'appareil les fruits et légumes devant être préparés crus. Laissez-les décongeler à température ambiante.
- Vous pouvez utiliser une puissance de micro-ondes plus élevée pour cuire

les fruits et légumes sans les décongeler.

Plats préparés

- Vous pouvez cuire des plats préparés dans l'appareil, uniquement si leur emballage est adapté à une utilisation dans un four à micro-ondes.
- Vous devez suivre les instructions imprimées sur l'emballage (par exemple « Retirez le couvercle en métal et percez le film plastique »).

Ustensiles de cuisine et matériaux compatibles

Ustensile de cuisine/matériaux	Micro-ondes		
	Dégivrer	Résistance	Faites cuire
Verre et porcelaine allant au four (ne contenant aucun composant métallique, par exemple le Pyrex, le verre résistant à la chaleur)	X	X	X
Verre et porcelaine n'allant pas au four ¹⁾	X	--	--
Verre et vitrocéramique composés d'un matériau allant au four/résistant au gel (par exemple l'Arcoflam), grille	X	X	X
Céramique ²⁾ , grès ²⁾	X	X	X
Plastique résistant à une chaleur de 200 °C ³⁾	X	X	X
Carton, papier	X	--	--
Film étirable	X	--	--
Sachet de cuisson avec fermeture de sûreté pour micro-ondes ³⁾	X	X	X
Plats à rôtis composés de métal, par exemple en émail ou en fonte	--	--	--
Moules, laqués noirs ou revêtement en silicone ³⁾	--	--	--
Plateau de cuisson	--	--	--
Ustensiles de cuisine pour dorer, par exemple plat « Crisp » ou plateau « Crunch »	--	X	X

Ustensile de cuisine/matériaux	Micro-ondes		
	Dégivrer	Résistance	Faites cuire
Plats préparés et emballés ³⁾	X	X	X

1) Sans couches/ornements en argent, or, platine ou métal

2) Sans composants en quartz ou en métal ou avec un revêtement contenant du métal

3) Vous devez suivre les instructions du fabricant concernant les températures maximales.

X compatible

-- non compatible

5.2 Activation et désactivation du micro-ondes



ATTENTION!


Ne faites pas fonctionner le micro-ondes à vide.

1. Tournez la manette de réglage de la puissance pour sélectionner la fonction souhaitée.
2. Tournez la manette de réglage pour sélectionner la durée.



Le micro-ondes démarre automatiquement la cuisson dès que le niveau de puissance et la durée sont réglés et que la porte est fermée.

Pour arrêter le micro-ondes, vous pouvez :

- attendre qu'il s'éteigne automatiquement une fois la durée écoulée.
- ouvrir la porte. Le micro-ondes s'arrête automatiquement. Refermez la porte pour poursuivre la cuisson. Choisissez cette option si vous souhaitez simplement surveiller la cuisson des aliments.
- tourner la manette de réglage sur  et attendre que **Fin** s'affiche.



Lorsque le micro-ondes s'arrête automatiquement, un signal sonore retentit.


5.3 Tableau des réglages de puissance

Réglage de la puissance	Réglage de la puissance
100 W	Faible
300 W	Moyennement faible
400 W	Moyenne
600 W	Moyennement élevée
800 W	Élevée

5.4 Décongélation

Vous pouvez choisir 2 modes de décongélation :



- Décongélation selon le poids 

- Décongélation selon la durée 

i La décongélation selon le poids ne doit pas être utilisée avec des aliments décongelés depuis plus de 20 min. ni des plats préparés surgelés.

i Pour activer la décongélation selon le poids, vous devez introduire entre 100 g et 2 000 g d'aliments dans l'appareil.

i Pour décongeler moins de 200 g d'aliments, placez-les sur le bord du plateau tournant.

1. Tournez la manette de réglage de la puissance et sélectionnez  pour la décongélation par le poids ou  pour la décongélation selon la durée.
2. Tournez la manette de réglage vers la gauche pour régler le poids ou vers la droite pour régler la durée. Pour la décongélation selon le poids, la durée est automatiquement réglée. Le micro-ondes démarre automatiquement au bout de quelques secondes.

6. UTILISATION DES ACCESSOIRES

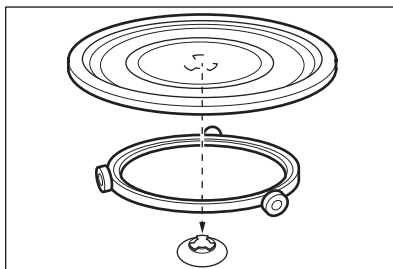
! **AVERTISSEMENT!**
Reportez-vous aux chapitres concernant la sécurité.

6.1 Installation de l'ensemble du plateau tournant

! **ATTENTION!**
Ne cuisez pas les aliments sans l'ensemble du plateau tournant. N'utilisez que l'ensemble du plateau tournant fourni avec le micro-ondes.

i Ne cuisez jamais les aliments directement sur le plateau de cuisson en verre.

1. Placez le support à roulettes autour de l'axe du plateau tournant.
2. Posez le plateau de cuisson en verre sur le support à roulettes



7. CONSEILS

! **AVERTISSEMENT!**
Reportez-vous aux chapitres concernant la sécurité.

7.1 Conseils pour le micro-ondes

Problème	Solution
Vous ne trouvez pas les détails pour la quantité de nourriture préparée.	Recherchez un aliment similaire. Diminuez ou rallongez le temps de cuisson selon la règle suivante : double quantité = presque le double de temps, moitié de la quantité = moitié du temps
La nourriture a trop séché.	Réduisez le temps de cuisson ou sélectionnez une puissance de micro-ondes plus basse.
La nourriture n'est pas décongelée, chaude ou cuite à la fin du temps défini.	Rallongez le temps de cuisson ou sélectionnez une puissance plus élevée. Veuillez noter que les plats de grande taille ont besoin de plus de temps.
Une fois la durée de cuisson écoulée, les aliments sont trop cuits sur les bords mais ne sont pas prêts au centre.	La prochaine fois, diminuez la puissance et allongez le temps. Remuez les liquides à la moitié du temps, par exemple la soupe.

Pour de meilleurs résultats, cuisez le riz dans un récipient plat et large.

7.2 Dégivrer

Décongelez toujours les rôtis avec le côté gras vers le bas.

Ne couvrez pas la viande pour la décongeler car elle risquerait de cuire.

Décongelez toujours la volaille entière poitrail vers le bas.

7.3 Faites cuire

Sortez toujours la viande et la volaille froides du réfrigérateur au moins 30 minutes avant de les cuire.

Après la cuisson, laissez reposer la viande, la volaille ou les légumes en les couvrant.

Huilez ou beurrez légèrement le poisson.

Tous les légumes doivent être cuits à pleine puissance de micro-ondes.

Pour cuire des légumes, ajoutez 30 à 45 ml d'eau froide par tranche de 250 g.

Coupez les légumes frais en morceaux de même taille avant de les cuire. Faites chauffer tous les légumes en couvrant le récipient.

7.4 Réchauffage

Lorsque vous réchauffez des plats cuisinés emballés, suivez toujours les instructions figurant sur l'emballage.

8. ENTRETIEN ET NETTOYAGE



AVERTISSEMENT!

Reportez-vous aux chapitres concernant la sécurité.

8.1 Remarques et conseils sur le nettoyage

- Nettoyez la façade du four à l'aide d'une éponge humide additionnée d'eau savonneuse.
- Utilisez un produit courant destiné au nettoyage des surfaces en métal.

- Nettoyez l'intérieur de l'appareil après chaque utilisation. Les salissures s'éliminent alors plus facilement et ne risquent pas de brûler.
- En cas de salissures importantes, nettoyez à l'aide de produits de nettoyage spécifiques.
- Nettoyez régulièrement tous les accessoires et laissez-les sécher. Utilisez un chiffon doux additionné d'eau savonneuse tiède.
- Pour ramollir les résidus alimentaires secs, faites bouillir un verre d'eau à pleine puissance de micro-ondes pendant 2 ou 3 minutes.
- Pour éliminer les odeurs, versez 2 cuillères à café de jus de citron dans un verre d'eau, puis faites bouillir ce mélange à pleine puissance de micro-ondes pendant 5 minutes.

9. EN CAS D'ANOMALIE DE FONCTIONNEMENT



AVERTISSEMENT!

Reportez-vous aux chapitres concernant la sécurité.

9.1 En cas d'anomalie de fonctionnement

Problème	Cause probable	Solution
L'appareil ne fonctionne pas du tout.	L'appareil est éteint.	Allumez l'appareil.
L'appareil ne fonctionne pas du tout.	L'appareil n'est pas branché.	Branchez l'appareil.
L'appareil ne fonctionne pas du tout.	Le fusible dans la boîte à fusibles a grillé.	Vérifiez le fusible. Si le fusible disjoncte de manière répétée, faites appel à un électricien qualifié.
L'appareil ne fonctionne pas du tout.	La porte n'est pas fermée correctement.	Assurez-vous que rien ne bloque la porte.
L'éclairage ne fonctionne pas.	L'éclairage est défectueux.	L'ampoule doit être remplacée.
Des étincelles jaillissent dans la cavité.	Vous avez placé des plats en métal ou ayant des éléments en métal dans l'appareil.	Retirez le plat de l'appareil.
Des étincelles jaillissent dans la cavité.	Des brochettes en métal ou du papier d'aluminium touchent les parois intérieures.	Assurez-vous que les brochettes et le papier d'aluminium ne touchent pas les parois intérieures.
L'ensemble du plateau tournant émet un grincement.	Il y a un objet ou de la salissure sous le plateau de cuisson en verre.	Nettoyez le dessous du plateau de cuisson en verre.
L'appareil s'arrête de fonctionner sans raison apparente.	Une anomalie de fonctionnement s'est produite.	Si cette situation se reproduit, contactez le service après-vente.

9.2 Données de maintenance

Si vous ne trouvez pas de solution au problème, veuillez contacter votre revendeur ou un service après-vente agréé.

Les informations nécessaires au service après-vente figurent sur la plaque signalétique. La plaque signalétique est apposée sur l'appareil. Ne retirez pas la plaque signalétique de l'appareil.

Nous vous recommandons de noter ces informations ici :	
Modèle (MOD.)
Référence du produit (PNC)
Numéro de série (S.N.)

10. INSTALLATION



AVERTISSEMENT!
Reportez-vous aux chapitres concernant la sécurité.

10.1 Informations générales



ATTENTION!
Ne bouchez pas les aérations. Cela pourrait provoquer une surchauffe de l'appareil.



ATTENTION!
Ne branchez pas l'appareil sur un adaptateur ou un prolongateur. Cela pourrait provoquer une surchauffe et un incendie.



ATTENTION!
La hauteur d'installation minimale est de 85 cm.

- Ce micro-ondes est uniquement destiné à être utilisé encastré. Il doit être installé sur une surface plate et stable.
- Le meuble ne doit comporter aucune paroi arrière à l'endroit où est installé le micro-ondes.
- Éloignez le plus possible le micro-ondes de la vapeur, de l'air chaud et des projections d'eau.
- Si le micro-ondes est installé à proximité d'une télévision et d'une radio, il peut créer des interférences sur le signal reçu.

- Si vous devez transporter le micro-ondes par temps froid, ne l'allumez pas immédiatement après l'installation. Laissez-le atteindre la température de la pièce et absorber la chaleur.

10.2 Installation électrique



AVERTISSEMENT!
Le branchement électrique doit être confié à un électricien qualifié.



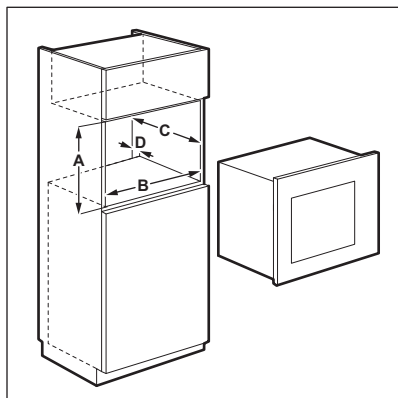
Le fabricant ne pourra être tenu pour responsable si vous ne respectez pas les précautions de sécurité du chapitre « Consignes de sécurité ».

Ce micro-ondes est fourni avec un câble d'alimentation et une fiche d'alimentation.

Le câble possède un fil de terre avec une prise de mise à la terre. La fiche doit être branchée dans une prise correctement installée et mise à la terre. En cas de court-circuit électrique, la mise à la terre réduit le risque d'électrocution.

10.3 Installation du micro-ondes

1. Vérifiez que les dimensions du meuble respectent les distances d'installation.



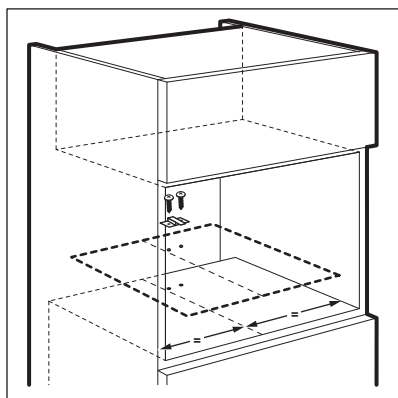
Distances d'installation

Dimensions	mm
A	380 + 2
B	560 + 8
C	300
D	18

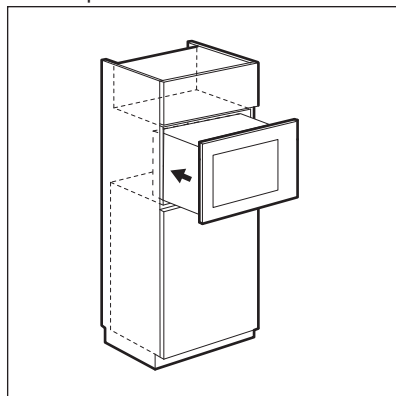
2. Si la profondeur du meuble est supérieure à 300 mm, placez le gabarit dans le meuble pour voir si ses dimensions conviennent. Si oui, faites une marque pour indiquer l'emplacement des vis. Retirez le gabarit et vissez le support dans les marques.



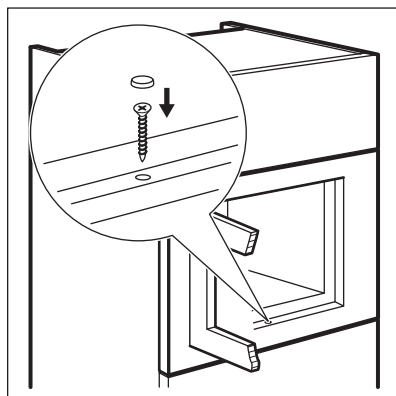
Ignorez cette étape si la profondeur du meuble est inférieure à 300 mm.




3. Installez le micro-ondes. Si vous avez vissé le support, veillez à ce qu'il bloque l'arrière de l'appareil pour l'empêcher de reculer.




4. Ouvrez la porte et fixez le micro-ondes au meuble à l'aide d'une vis.



11. EN MATIÈRE DE PROTECTION DE L'ENVIRONNEMENT

Recyclez les matériaux portant le symbole . Déposez les emballages dans les conteneurs prévus à cet effet. Contribuez à la protection de l'environnement et à votre sécurité, recyclez vos produits électriques et

électroniques. Ne jetez pas les appareils portant le symbole  avec les ordures ménagères. Emmenez un tel produit dans votre centre local de recyclage ou contactez vos services municipaux.

ÍNDICE

1. INFORMAÇÕES DE SEGURANÇA.....	33
2. INSTRUÇÕES DE SEGURANÇA.....	36
3. DESCRIÇÃO DO PRODUTO.....	37
4. ANTES DA PRIMEIRA UTILIZAÇÃO.....	39
5. UTILIZAÇÃO DIÁRIA.....	39
6. UTILIZAR OS ACESSÓRIOS.....	42
7. SUGESTÕES E DICAS.....	42
8. MANUTENÇÃO E LIMPEZA.....	43
9. RESOLUÇÃO DE PROBLEMAS.....	44
10. INSTALAÇÃO.....	45

ESTAMOS A PENSAR EM SI

Obrigado por ter adquirido um aparelho Electrolux. Escolheu um produto que traz com ele décadas de experiência profissional e inovação. Engenhoso e elegante, foi concebido a pensar em si. Assim, quando o utilizar, terá a tranquilidade de saber que obterá sempre óptimos resultados.

Bem-vindo(a) à Electrolux.

Visite o nosso website para:



Resolver problemas e obter conselhos de utilização, catálogos e informações sobre serviços:

www.electrolux.com/webselfservice



Registar o seu produto para beneficiar de um serviço melhor:

www.registerelectrolux.com



Adquirir acessórios, consumíveis e peças de substituição originais para o seu aparelho:

www.electrolux.com/shop

APOIO AO CLIENTE E ASSISTÊNCIA

Utilize sempre peças de substituição originais.

Quando contactar o nosso Centro de Assistência Técnica Autorizado, certifique-se de que tem os seguintes dados disponíveis: Modelo, PNC, Número de Série. A informação encontra-se na placa de características.



Aviso / Cuidado - Informações de segurança



Informações gerais e sugestões



Informações ambientais

Sujeito a alterações sem aviso prévio.

1. INFORMAÇÕES DE SEGURANÇA

Leia atentamente as instruções fornecidas antes de instalar e utilizar o aparelho. O fabricante não é responsável por lesões ou danos resultantes de instalação e utilização incorrectas. Guarde sempre as instruções junto do aparelho para futura referência.

1.1 Segurança para crianças e pessoas vulneráveis



ADVERTÊNCIA!

Risco de asfixia, ferimentos ou incapacidade permanente.

- Este aparelho pode ser utilizado por crianças com 8 anos ou mais e por pessoas com capacidades físicas, sensoriais ou mentais reduzidas ou com pouca experiência e conhecimento se tiverem recebido supervisão ou instruções relativas à utilização do aparelho de forma segura e compreenderem os perigos envolvidos.
- Não permita que as crianças brinquem com o aparelho.
É necessário vigiar as crianças com menos de 3 anos quando se encontrarem perto do aparelho.
- Mantenha todos os materiais de embalagem fora do alcance das crianças.
- Mantenha as crianças e os animais domésticos afastados do aparelho quando este estiver a funcionar ou a arrefecer. As partes acessíveis ficam quentes.
- Se o aparelho tiver um dispositivo de segurança para crianças, recomendamos que o active.
- A limpeza e a manutenção básica não devem ser efectuadas por crianças sem supervisão.
- Mantenha o aparelho e o cabo de alimentação fora do alcance de crianças com idade inferior a 8 anos.

1.2 Segurança geral

- Este aparelho destina-se exclusivamente a utilizações domésticas ou semelhantes, tais como:
 - turismo rural; áreas de cozinha destinadas ao pessoal em lojas, escritórios e outros ambientes de trabalho;
 - utilização por clientes de hotéis, motéis e outros ambientes do tipo residencial.
- O interior do aparelho fica quente durante o funcionamento. Não toque nos elementos de aquecimento do aparelho. Utilize sempre luvas de forno para retirar e colocar acessórios ou recipientes de ir ao forno.
- Não utilize uma máquina de limpar a vapor para limpar o aparelho.
- Antes de qualquer acção de manutenção, desactive o aparelho e desligue a ficha da tomada eléctrica.
- Em caso de danos na porta ou nas juntas da porta, não utilize o aparelho até que tenha sido reparado por uma pessoa qualificada.
- Se o cabo de alimentação estiver danificado, deve ser substituído pelo fabricante, por um agente de assistência autorizado ou por uma pessoa igualmente qualificada, para evitar perigos.
- Apenas uma pessoa qualificada pode efectuar acções de manutenção e reparação que envolvam a remoção da cobertura que protege contra a exposição à energia de microondas.
- Não utilize o aparelho com um temporizador externo ou um sistema de controlo remoto separado.
- Não aqueça líquidos ou outros alimentos em recipientes fechados. Poderão explodir.
- Utilize apenas utensílios adequados para utilizar em fornos microondas.
- Quando aquecer alimentos em recipientes de plástico ou papel, vigie o aparelho porque existe o risco de ignição.

- O aparelho destina-se a aquecimento de alimentos e bebidas. A secagem de alimentos ou vestuário, bem como o aquecimento de botijas, chinelos, esponjas, tecidos húmidos e coisas semelhantes representam risco de ferimentos, ignição e incêndio.
- Se observar saída de fumo, desligue o aparelho ou retire a ficha da tomada e mantenha a porta fechada para abafar possíveis chamas.
- O aquecimento de bebidas no microondas pode provocar ebulições. Tenha cuidado quando manusear o recipiente.
- O conteúdo de biberões e de boidões de comida para bebé deve ser agitado e mexido e a sua temperatura deve ser verificada antes de ser consumido, para evitar queimaduras.
- Os ovos inteiros, crus ou cozidos, não devem ser aquecidos no aparelho porque podem explodir, mesmo após o fim do aquecimento no microondas.
- Deve limpar o aparelho e remover os resíduos de alimentos com regularidade.
- Se não mantiver o aparelho limpo, a superfície poderá deteriorar-se e isso pode afectar negativamente a duração da vida útil do aparelho e resultar numa situação perigosa.
- As superfícies acessíveis podem ficar quentes quando o aparelho está a funcionar.
- O forno microondas não pode ficar instalado num armário se não for testado previamente nesse armário.
- A superfície posterior do aparelho deve ficar voltada para uma parede.
- Não utilize agentes de limpeza abrasivos ou raspadores metálicos afiados para limpar a porta de vidro, porque podem riscar a superfície e causar a quebra do vidro.

- Tenha em consideração as dimensões mínimas do armário (se aplicável). Consulte o capítulo “Instalação”.
- O aparelho não deve ser utilizado com a porta decorativa aberta (se aplicável).

2. INSTRUÇÕES DE SEGURANÇA

2.1 Instalação



ADVERTÊNCIA!

A instalação deste aparelho só deve ser efectuada por uma pessoa qualificada.

- Remova toda a embalagem.
- Não instale nem utilize o aparelho se ele estiver danificado.
- Cumpra as instruções de instalação fornecidas com o aparelho.
- Tenha sempre cuidado quando deslocar o aparelho porque ele é pesado. Utilize sempre luvas de protecção.
- Não puxe o aparelho pela pega.
- Respeite as distâncias mínimas relativamente a outros aparelhos e móveis de cozinha.
- Certifique-se de que as estruturas que ficarem ao lado e por cima do aparelho são seguras.
- As partes laterais do aparelho devem ficar ao lado de aparelhos ou móveis de cozinha que tenham a mesma altura.

2.2 Ligação eléctrica



ADVERTÊNCIA!

Risco de incêndio e choque eléctrico.

- Todas as ligações eléctricas devem ser efectuadas por um electricista qualificado.
- O aparelho tem de ficar ligado à terra.
- Certifique-se de que a informação sobre a ligação eléctrica existente na placa de características está em conformidade com a alimentação eléctrica. Se não estiver, contacte um electricista.

- Se o aparelho for ligado a uma tomada eléctrica por intermédio de um cabo de extensão, certifique-se de que esse cabo tem ligação à terra.
- Certifique-se de que não danifica a ficha e o cabo de alimentação eléctrica. Contacte a Assistência Técnica ou um electricista para substituir o cabo de alimentação se estiver danificado.
- Não puxe o cabo de alimentação para desligar o aparelho. Puxe sempre a ficha.

2.3 Utilização



ADVERTÊNCIA!

Risco de ferimentos, queimaduras, choque eléctrico e explosão.

- Não altere as especificações deste aparelho.
- Não deixe o aparelho a funcionar sem vigilância.
- Não exerça pressão sobre a porta se ela estiver aberta.
- Certifique-se de que as aberturas de ventilação não ficam obstruídas.
- Não utilize o aparelho como superfície de trabalho, nem utilize a cavidade para efeitos de armazenamento.

2.4 Manutenção e limpeza



ADVERTÊNCIA!

Risco de ferimentos, incêndio e danos no aparelho.

- Antes de qualquer acção de manutenção, desactive o aparelho e desligue a ficha da tomada eléctrica.

- Limpe o aparelho com regularidade para evitar que o material da superfície se deteriore.
- Não deixe que resíduos de alimentos ou de detergentes se acumulem nas superfícies vedantes da porta.
- Quaisquer restos de gordura ou alimentos que fiquem no aparelho podem provocar incêndio.
- Limpe o aparelho com um pano macio e húmido. Utilize apenas detergentes neutros. Não utilize produtos abrasivos, esfregões, solventes ou objectos metálicos.

- Se utilizar um spray para forno, siga as instruções de segurança da embalagem.

2.5 Eliminação



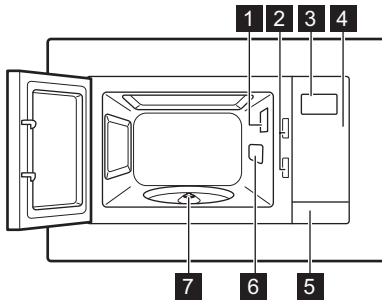
ADVERTÊNCIA!

Risco de ferimentos ou asfixia.

- Desligue o aparelho da alimentação eléctrica.
- Corte o cabo de alimentação eléctrica e elimine-o.

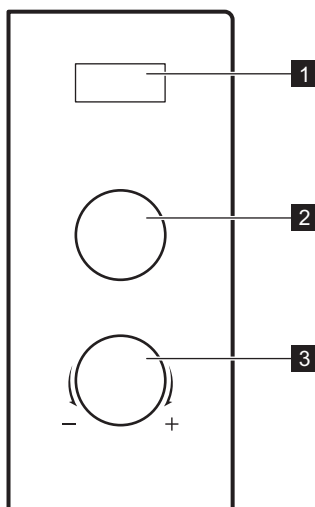
3. DESCRIÇÃO DO PRODUTO

3.1 Descrição geral



- 1 Lâmpada
- 2 Sistema de bloqueio de segurança
- 3 Visor
- 4 Painel de comandos
- 5 Abertura da porta
- 6 Cobertura guia-ondas
- 7 Eixo do prato rotativo

3.2 Painel de comandos



Símbolo	Função	Descrição
1 —	Visor	Apresenta as definições e a hora actual.
2 —	Botão de definição da potência	Para regular o nível de potência.
3 + —	Botão de definição	Para definir o tempo de cozedura ou o peso.

Outros símbolos no painel de comandos

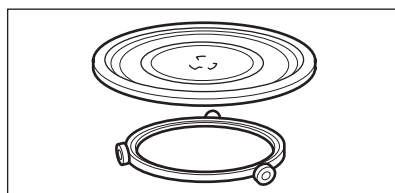
Símbolo	Função	Descrição
	Descongelação por peso	Para descongelar alimentos por peso.
	Descongelação por tempo	Para descongelar alimentos por tempo.

3.3 Acessórios

Conjunto do prato rotativo



Utilize sempre o conjunto do prato rotativo para preparar alimentos no microondas.



Prato de vidro e guia com roletes.

4. ANTES DA PRIMEIRA UTILIZAÇÃO



ADVERTÊNCIA!
Consulte os capítulos relativos à segurança.

- Retire todas as peças e materiais de embalagem do microondas.
- Limpe o aparelho antes da primeira utilização.

4.1 Limpeza inicial



CUIDADO!
Consulte o capítulo “Manutenção e limpeza”.

5. UTILIZAÇÃO DIÁRIA



ADVERTÊNCIA!
Consulte os capítulos relativos à segurança.

5.1 Informação geral sobre a utilização do aparelho

- Após desactivar o aparelho, deixe os alimentos repousar durante alguns minutos.
- Retire as embalagens de alumínio, os recipientes metálicos e outros objectos metálicos antes de preparar os alimentos.

Cozinhar

- Se possível, cozinhe os alimentos cobertos com materiais adequados para utilização no microondas. Cozinhe os alimentos destapados apenas se quiser obter uma crosta.
- Não cozinhe demasiado os pratos com potência e tempo em excesso. Os alimentos podem secar, queimar ou até incendiar em alguns pontos.
- Não utilize o aparelho para cozinhar ovos com casca e caracóis porque podem explodir. No caso de ovos estrelados, fure primeiro as gemas.
- Antes de cozinhar alimentos que tenham pele ou casca, como batatas, tomates e salsichas, pique-os várias vezes com um garfo para não explodirem.
- No caso de alimentos frios ou congelados, defina mais tempo de cozedura.
- Os pratos com molhos devem ser mexidos regularmente.

- Os legumes que tenham estrutura firme, como cenouras, ervilhas ou couve-flor, devem ser cozinhados em água.
- Vire as peças maiores a meio do tempo de cozedura.
- Se possível, corte os legumes em pedaços do mesmo tamanho.
- Utilize recipientes planos e largos.
- Não utilize recipientes de porcelana, cerâmica ou barro que possuam pequenos orifícios, por exemplo, nas pegas ou nas bases que não sejam vidradas. A humidade que entra nos orifícios pode fazer com que os recipientes rachem quando são aquecidos.
- O prato de vidro é um espaço de trabalho para aquecer alimentos ou líquidos. É necessário para o funcionamento correcto do microondas.

Descongelar carne, aves e peixe

- Coloque os alimentos congelados e sem embalagem sobre um prato pequeno virado ao contrário e um recipiente por baixo, para que o líquido da descongelação possa escoar para o recipiente.
- Vire os alimentos a meio do tempo de descongelação. Se possível, divida e retire as partes que tenham começado a descongelar.

Descongelar manteiga, porções de bolo e requeijão

- Não descongele completamente estes alimentos no aparelho; deixe-os acabar de descongelar à temperatura ambiente. Obterá um resultado mais

uniforme. Retire todas as partes da embalagem que sejam de metal ou alumínio antes de descongelar.

Descongelar fruta e legumes

- No caso de fruta e legumes que ainda serão cozinhados, não os descongele completamente no aparelho. Deixe-os acabar a descongelação à temperatura ambiente.
- Pode utilizar uma potência superior no microondas para cozinhar fruta e legumes sem os descongelar antes.

Refeições pré-cozinhadas

- Pode preparar refeições prontas no aparelho apenas se as respectivas embalagens forem adequadas para microondas.
- Deve seguir as instruções do produtor impressas na embalagem (por exemplo, retirar a cobertura metálica e furar a película de plástico).

Recipientes e materiais adequados

Recipiente / Material	Microondas		
	Descongelar	Aquecimento	Cozinhar
Porcelana e vidro próprios para forno (sem componentes metálicos, por exemplo, Pyrex, vidro à prova de calor)	X	X	X
Vidro e porcelana não adequados para forno ¹⁾	X	--	--
Vidro e vitrocerâmica fabricados em material adequado para forno/congelador (por exemplo, Arcoflam), grelha	X	X	X
Cerâmica ²⁾ , louça de barro ²⁾	X	X	X
Plástico resistente ao calor até 200 °C ³⁾	X	X	X
Cartão, papel	X	--	--
Película aderente	X	--	--
Película própria para assados com fecho seguro para microondas ³⁾	X	X	X
Assadeiras em metal, por exemplo, esmalte, ferro fundido	--	--	--
Formas para assar, com revestimento de silicone ou laca preta ³⁾	--	--	--
Tabuleiro para assar	--	--	--
Utensílios para tostar, por exemplo, tacho ou chapa	--	X	X
Refeições prontas em embalagens ³⁾	X	X	X

1) Sem decoração/revestimento em prata, ouro, platina ou outro metal

2) Sem quartzo ou componentes em metal, nem revestimentos metálicos

3) Tem de seguir as instruções do fabricante relativas às temperaturas máximas.

X adequado**-- não adequado****5.2 Activar e desactivar o microondas****CUIDADO!**


Não permita que o microondas funcione sem alimentos no interior.

1. Rode o botão de definição da potência para seleccionar a função pretendida.
2. Rode o botão de definição para definir o tempo.



O microondas inicia a cozedura automaticamente quando a porta for fechada após a definição do tempo e do nível de potência.

Para desactivar o microondas:

- Aguarde até que o microondas se desactive automaticamente quando o tempo chegar ao fim.
- Abra a porta. O microondas pára automaticamente. Feche a porta para que a cozedura prossiga. Utilize esta opção para inspeccionar os alimentos.
- Rode o botão de definição para  e aguarde até o visor apresentar **End** (Fim).




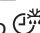
Quando o microondas se desactiva automaticamente, emite um sinal sonoro.

5.3 Tabela de regulação da potência

Regulação de potência	Regulação da potência
100 W	Baixa
300 W	Média-baixa
400 W	Média
600 W	Média-alta
800 W	Alta

5.4 Descongelar

Pode escolher entre 2 modos de descongelação:

- Descongelação por peso 
- Descongelação por tempo 



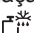
Não utilize a descongelação por peso com alimentos que estejam fora do congelador há mais de 20 minutos, nem com alimentos congelados prontos a cozinhar.




Para utilizar a descongelação por peso, é necessário utilizar um peso superior a 100 g e inferior a 2000 g de alimentos.



Para descongelar menos de 200 g, coloque os alimentos na periferia do prato rotativo.

1. Rode o botão de regulação da potência e seleccione  para

descongelar por peso ou  para descongelar por tempo.

2. Rode o botão de selecção no sentido anti-horário para seleccionar o peso ou no sentido horário para seleccionar o tempo.

Na descongelação por peso, o tempo é definido automaticamente. O microondas inicia automaticamente após alguns segundos.

6. UTILIZAR OS ACESSÓRIOS



ADVERTÊNCIA!

Consulte os capítulos relativos à segurança.

6.1 Instalar o conjunto do prato rotativo



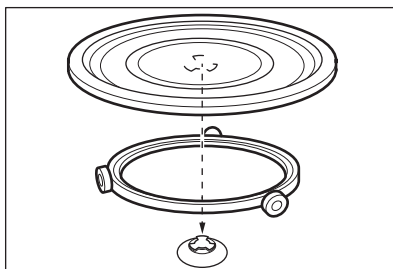
CUIDADO!

Não cozinhe alimentos sem o conjunto do prato rotativo. Utilize apenas o conjunto do prato rotativo fornecido com o microondas.



Nunca cozinhe alimentos directamente no prato de vidro.

1. Coloque a guia com roletes em torno do eixo do prato rotativo.
2. Coloque o prato de vidro sobre a guia com roletes.



7. SUGESTÕES E DICAS



ADVERTÊNCIA!

Consulte os capítulos relativos à segurança.

7.1 Dicas para utilizar o microondas

Problema	Solução
Não encontra informação sobre a quantidade de alimentos a preparar.	Procure alimentos semelhantes. Aumente ou diminua os tempos de cozedura de acordo com a seguinte regra: Dobro da quantidade = quase o dobro do tempo, Metade da quantidade = metade do tempo
Os alimentos ficaram muito secos.	Defina um tempo de cozedura menor ou selecione uma potência de microondas mais baixa.
Após o fim do tempo, os alimentos ainda não descongelaram, aqueceram ou cozeram.	Defina um tempo de cozedura maior ou selecione uma potência de microondas mais elevada. Note que os pratos grandes requerem mais tempo.

Problema	Solução
Após o tempo de cozedura, os alimentos aqueceram demasiado nas extremidades, mas ainda não estão prontos no meio.	Na próxima vez, seleccione uma potência mais baixa e um tempo de cozedura maior. Mexa os líquidos, por exemplo sopa, a meio do tempo.

Para obter os melhores resultados com arroz, utilize um recipiente plano e largo.

7.2 Descongelar

Descongele a carne sempre com a parte da gordura virada para baixo.

Não descongele a carne tapada porque isso pode fazer com que coza em vez de descongelar.

Descongele as aves inteiras sempre com a parte do peito virada para baixo.

7.3 Cozinhar

Retire sempre a carne e as aves frias do frigorífico pelo menos 30 minutos antes de as cozinhar.

Deixe a carne, as aves, o peixe e os legumes cobertos após a cozedura.

Passe um pouco de óleo ou manteiga derretida sobre o peixe.

Todos os legumes devem ser cozinhados com a potência máxima do microondas.

Adicione 30 - 45 ml de água fria por cada 250 g de legumes.

Corte os legumes frescos em pedaços de tamanho igual antes de os cozinhar. Cozinhe todos os legumes com o recipiente tapado.

7.4 Reaquecer

Quando reaquecer refeições prontas embaladas, siga sempre as instruções da embalagem.

8. MANUTENÇÃO E LIMPEZA



ADVERTÊNCIA!

Consulte os capítulos relativos à segurança.

8.1 Notas e dicas sobre a limpeza

- Limpe a parte da frente do aparelho com um pano macio, água quente e um agente de limpeza.
- Para limpar as superfícies de metal, utilize um produto de limpeza normal.
- Limpe o interior do aparelho após cada utilização. Desta forma, a sujidade não ficará queimada e poderá removê-la com mais facilidade.
- Limpe a sujidade persistente com um produto de limpeza especial.
- Limpe todos os acessórios regularmente e deixe-os secar. Utilize um pano macio com água quente e um agente de limpeza.
- Para amolecer os resíduos mais difíceis de remover, ferva um copo de água na potência máxima do microondas durante 2 a 3 minutos.
- Para remover odores, misture 2 colheres de sopa de sumo de limão num copo de água e ferva na potência máxima do microondas durante 5 minutos.

9. RESOLUÇÃO DE PROBLEMAS



ADVERTÊNCIA!

Consulte os capítulos relativos à segurança.

9.1 O que fazer se...

Problema	Causa possível	Solução
O aparelho não funciona.	O aparelho está desactivado.	Active o aparelho.
O aparelho não funciona.	A ficha do aparelho não está ligada na tomada.	Ligue a ficha do aparelho.
O aparelho não funciona.	O disjuntor no quadro eléctrico está desligado.	Verifique o disjuntor. Se o disjuntor disparar mais do que uma vez, contacte um electricista qualificado.
O aparelho não funciona.	A porta não está bem fechada.	Certifique-se de que não há nada a bloquear a porta.
A lâmpada não funciona.	A lâmpada está avariada.	É necessário substituir a lâmpada.
Aparecem faíscas na cavidade.	Utilizou um prato de metal ou com revestimento metálico.	Retire o prato do aparelho.
Aparecem faíscas na cavidade.	Utilizou espetos de metal ou folha de alumínio e estes estão a tocar nas paredes interiores.	Certifique-se de que os espetos e a folha de alumínio não tocam nas paredes interiores.
O conjunto do prato rotativo emite um ruído de arranhar.	Existe algum objecto ou sujidade debaixo do prato de vidro.	Limpe a área debaixo do prato de vidro.
O aparelho deixou de funcionar sem motivo aparente.	Existe uma anomalia.	Se esta situação se repetir, contacte um Centro de Assistência Técnica Autorizado.

9.2 Dados para a Assistência Técnica

Se não conseguir encontrar uma solução para o problema, contacte o seu fornecedor ou um Centro de Assistência Técnica Autorizado.

Os dados de contacto do Centro de Assistência Técnica encontram-se na placa de características. A placa de características encontra-se no aparelho. Não remova a placa de características do aparelho.

Recomendamos que anote os dados aqui:

Modelo (MOD.)

Recomendamos que anote os dados aqui:

Número do produto (PNC)
Número de série (S.N.)

10. INSTALAÇÃO

! **ADVERTÊNCIA!**
 Consulte os capítulos relativos à segurança.

10.1 Informações gerais

! **CUIDADO!**
 Não obstrua as ranhuras de ventilação. Se o fizer, o aparelho pode sobreaquecer.

! **CUIDADO!**
 Não ligue o aparelho a adaptadores de tomadas ou cabos de extensão. Isso pode provocar sobrecarga e risco de incêndio.

! **CUIDADO!**
 A altura mínima de instalação é 85 cm.

- O microondas destina-se apenas a instalação encastrada. Deve ser colocado sobre uma superfície estável e plana.
- O móvel onde o microondas ficar instalado não deve ter a parte de trás tapada.
- Coloque o microondas longe de qualquer fonte de vapor, ar quente e salpicos de água.
- Se o microondas ficar perto de um televisor ou rádio, pode causar interferência na recepção de sinal.
- Se transportar o microondas em clima frio, não o active imediatamente após a instalação. Deixe-o repousar à temperatura ambiente e absorver o calor.

10.2 Instalação eléctrica

! **ADVERTÊNCIA!**
 A instalação eléctrica só deve ser efectuada por uma pessoa qualificada.

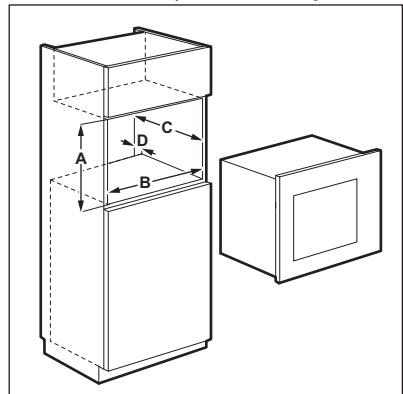
i O fabricante não se responsabiliza por problemas causados pelo não cumprimento das precauções de segurança do capítulo "Informações de segurança".

Este microondas é fornecido com um cabo de alimentação com ficha eléctrica.

O cabo possui um fio de terra e uma ficha eléctrica com ligação de terra. A ficha tem de ser ligada numa tomada eléctrica devidamente instalada e com ligação à terra. Caso ocorra um curto-circuito eléctrico, a ligação à terra reduz o risco de choque eléctrico.

10.3 Instalar o microondas

1. Verifique se as dimensões do armário respeitam as distâncias necessárias para a instalação.



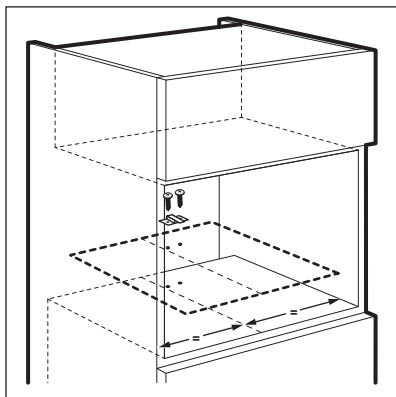
Distâncias de instalação

Dimensão	mm
A	380 + 2
B	560 + 8
C	300
D	18

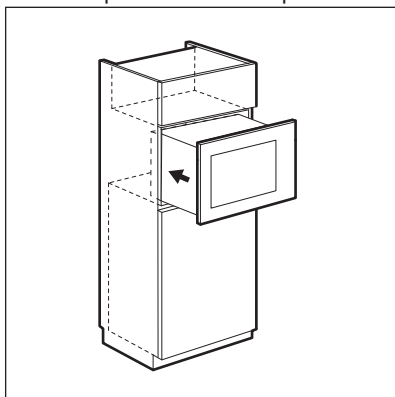
2. Se a profundidade do armário for superior a 300 mm, coloque o modelo no fundo do armário e verifique se cabe. Se couber, marque os pontos para os parafusos. Retire o modelo e fixe o suporte com os parafusos nos pontos marcados.



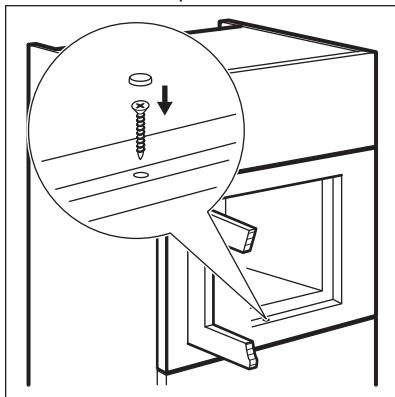
Ignore este passo se a profundidade do armário for igual a 300 mm.




3. Instale o microondas. Se tiver fixado o suporte, certifique-se de que ele fixa a parte de trás do aparelho.




4. Abra a porta e fixe o microondas no móvel com o parafuso.



11. PREOCUPAÇÕES AMBIENTAIS

Recicle os materiais que apresentem o símbolo . Coloque a embalagem nos contentores indicados para reciclagem. Ajude a proteger o ambiente e a saúde pública através da reciclagem dos aparelhos eléctricos e electrónicos. Não elimine os aparelhos que tenham o

símbolo  juntamente com os resíduos domésticos. Coloque o produto num ponto de recolha para reciclagem local ou contacte as suas autoridades municipais.

CONTENIDO

1. INFORMACIÓN SOBRE SEGURIDAD.....	48
2. INSTRUCCIONES DE SEGURIDAD.....	51
3. DESCRIPCIÓN DEL PRODUCTO.....	52
4. ANTES DEL PRIMER USO.....	53
5. USO DIARIO.....	53
6. USO DE LOS ACCESORIOS.....	56
7. CONSEJOS.....	57
8. MANTENIMIENTO Y LIMPIEZA.....	58
9. SOLUCIÓN DE PROBLEMAS.....	58
10. INSTALACIÓN.....	59

PENSAMOS EN USTED

Gracias por adquirir un aparato Electrolux. Ha escogido un producto que contiene décadas de experiencia e innovación profesionales. Ingenioso y elegante, se ha diseñado pensando en usted. Así pues, siempre que lo utilice, puede tener la seguridad de que conseguirá excelentes resultados.

Bienvenido a Electrolux.

Consulte en nuestro sitio web:



Obtener consejos, folletos, soluciones a problemas e información de servicio:
www.electrolux.com/webselfservice



Registrar su producto para recibir un mejor servicio:
www.registerelectrolux.com



Adquirir accesorios, artículos de consumo y recambios originales para su aparato:
www.electrolux.com/shop


ATENCIÓN Y SERVICIO AL CLIENTE

Le recomendamos que utilice recambios originales.

Al contactar con nuestro centro autorizado de servicio técnico, cerciórese de tener la siguiente información a mano: Modelo, PNC, Número de serie.

La información se puede encontrar en la placa de características.

 Advertencia / Precaución-Información sobre seguridad

 Información general y consejos

 Información sobre el medio ambiente

Salvo modificaciones.

1. ⚠ INFORMACIÓN SOBRE SEGURIDAD

Antes de instalar y utilizar el aparato, lea atentamente las instrucciones facilitadas. El fabricante no se hace responsable de los daños y lesiones causados por una instalación y uso incorrectos. Guarde siempre las instrucciones junto con el aparato para futuras consultas.

1.1 Seguridad de niños y personas vulnerables



ADVERTENCIA!

Existe riesgo de sufrir asfixia, lesiones o incapacidad permanente.

- Este electrodoméstico puede ser utilizado por niños de 8 años en adelante y personas cuyas capacidades físicas, sensoriales o mentales estén disminuidas o que carezcan de la experiencia y conocimientos suficientes para manejarlo, siempre que cuenten con las instrucciones o la supervisión sobre el uso del electrodoméstico de forma segura y comprendan los riesgos.
- No deje que los niños jueguen con el aparato. Los niños menores de 3 años no deben estar sin vigilancia cerca del aparato.
- Mantenga los materiales de embalaje fuera del alcance de los niños.
- Mantenga a los niños y mascotas alejados del aparato cuando esté funcionando o se esté enfriando. Las piezas accesibles están calientes.
- Si el aparato dispone de dispositivo de seguridad para niños, se recomienda activarlo.
- La limpieza y el mantenimiento no podrán realizarlas niños sin supervisión.
- Mantenga el aparato y el cable fuera del alcance de los niños menores de 8 años.

1.2 Seguridad general

- Este aparato está concebido para utilizarse en aplicaciones domésticas y similares, tales como:
 - Granjas; áreas de cocina para el personal en tiendas, oficinas y otros entornos de trabajo;
 - Por clientes en hoteles, moteles, pensiones y otros entornos de tipo residencial
- El aparato se calienta cuando está en funcionamiento. No toque las resistencias del aparato. Utilice siempre guantes de horno cuando introduzca o retire accesorios o utensilios refractarios.
- No utilice un limpiador a vapor para limpiar el aparato.
- Antes de proceder con el mantenimiento, apague el aparato y desconecte el enchufe de la red.
- Si la puerta o sus juntas estuvieran dañadas, no utilice el aparato hasta que un técnico cualificado lo haya reparado.
- Si el cable eléctrico sufre algún daño, el fabricante, su servicio técnico autorizado o un profesional cualificado tendrán que cambiarlo para evitar riesgos.
- Únicamente una persona cualificada puede realizar tareas de reparación o mantenimiento que impliquen la extracción de la tapa que protege frente a la exposición a la energía de microondas.
- No accione el aparato con un temporizador externo ni con un sistema de mando a distancia independiente.
- No caliente líquidos ni otros alimentos en recipientes herméticos, ya que podrían explotar.
- Utilice solamente utensilios aptos para hornos de microondas.
- Cuando caliente alimentos en recipientes de papel o plástico, vigile el aparato por la posibilidad de incendio.
- El aparato está pensado para calentar alimentos y bebidas. Secar alimentos o prendas, o calentar mantas térmicas, zapatillas, esponjas, paños

húmedos o similares puede conllevar riesgo de lesiones o incendios.

- Si se genera humo, apague o desenchufe el horno y deje la puerta cerrada para sofocar las posibles llamas.
- Las bebidas que se calientan en el microondas pueden romper a hervir bruscamente en contacto con el aire; extreme la precaución cuando manipule los recipientes.
- Para evitar quemaduras, compruebe siempre la temperatura y agite o mezcle los tarros o botes de alimentos infantiles calentados antes de consumirlos.
- Los huevos duros o con cáscara no se deben calentar en el aparato, ya que pueden explotar incluso después de que el microondas termine de calentar.
- El aparato se debe limpiar periódicamente y los restos de alimentos se deben eliminar.
- Si no se mantiene limpio el aparato, podría deteriorarse la superficie y afectar negativamente a la vida útil del aparato y posiblemente provocar situaciones de riesgo.
- Las superficies accesibles pueden alcanzar temperaturas muy altas cuando el aparato está en funcionamiento
- El microondas no se debe colocar en un armario a menos que se haya probado en armario.
- La superficie posterior de los aparatos se debe colocar contra una pared.
- No utilice limpiadores abrasivos ásperos ni rascadores de metal afilado para limpiar la puerta de cristal si no quiere arañar su superficie, lo que podría hacer que el cristal se hiciese añicos.
- Preste atención a las dimensiones mínimas del armario (en su caso). Consulte el capítulo de instalación.
- El aparato se debe utilizar con la puerta decorativa abierta (en su caso).

2. INSTRUCCIONES DE SEGURIDAD

2.1 Instalación



ADVERTENCIA!

Solo un electricista cualificado puede instalar este aparato.

- Retire todo el embalaje.
- No instale ni utilice un aparato dañado.
- Siga las instrucciones de instalación suministradas con el aparato.
- El aparato es pesado, tenga cuidado siempre cuando lo mueva. Utilice siempre guantes de protección.
- No tire nunca del aparato sujetando el asa.
- Respete siempre la distancia mínima entre el aparato y los demás electrodomésticos y mobiliario.
- Asegúrese de que el aparato se instala debajo y junto a estructuras seguras.
- Los laterales del aparato deben colocarse junto a otros aparatos o muebles de la misma altura.

2.2 Conexión eléctrica



ADVERTENCIA!

Riesgo de incendios y descargas eléctricas.

- Todas las conexiones eléctricas deben realizarlas electricistas cualificados.
- El aparato debe conectarse a tierra.
- Asegúrese de que las especificaciones eléctricas de la placa coinciden con las del suministro eléctrico de su hogar. En caso contrario, póngase en contacto con un electricista.
- Si utiliza un cable prolongador para conectar el aparato a la toma de corriente, asegúrese de que el cable está conectado a tierra.
- Asegúrese de no provocar daños en el enchufe ni en el cable de red. Póngase en contacto con un electricista o con el servicio técnico para cambiar un cable de red dañado.

- No desconecte el aparato tirando del cable de conexión a la red. Tire siempre del enchufe.

2.3 Uso



ADVERTENCIA!

Riesgo de lesiones, quemaduras y descargas eléctricas o explosiones.

- No cambie las especificaciones de este aparato.
- No deje nunca el aparato desatendido mientras está en funcionamiento.
- No ejerza presión sobre la puerta abierta.
- Cerciórese de que los orificios de ventilación no están obstruidos.
- No utilice el aparato como superficie de trabajo ni use el interior como almacenamiento.

2.4 Mantenimiento y limpieza



ADVERTENCIA!

Existe riesgo de lesiones, incendios o daños al aparato.

- Antes de proceder con el mantenimiento, apague el aparato y desconecte el enchufe de la red.
- Limpie periódicamente el aparato para evitar el deterioro del material de la superficie.
- Limpie inmediatamente cualquier salpicadura o resto de limpiador para impedir que se acumule en las superficies del ajuste con la puerta
- Los restos de comida o grasa en el interior del aparato podrían provocar un incendio.
- Limpie el aparato con un paño suave humedecido. Utilice solo detergentes neutros. No utilice productos abrasivos, estropajos duros, disolventes ni objetos metálicos.
- Si utiliza aerosoles de limpieza para hornos, siga las instrucciones del envase.

2.5 Desecho



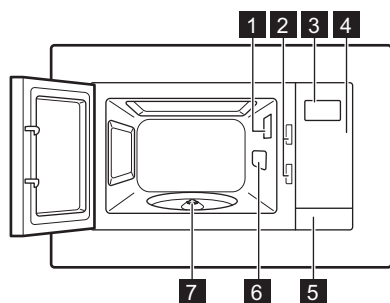
ADVERTENCIA!

Existe riesgo de lesiones o asfixia.

- Desconecte el aparato de la red.
- Corte el cable de conexión a la red y deséchelo.

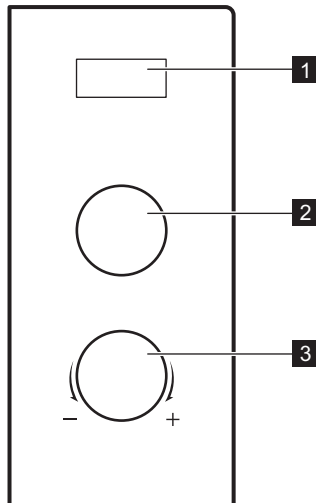
3. DESCRIPCIÓN DEL PRODUCTO

3.1 Descripción general



- 1 Bombilla
- 2 Sistema de bloqueo de seguridad
- 3 Pantalla
- 4 Panel de control
- 5 Abridor de la puerta
- 6 Cubierta de guíaondas
- 7 Eje del plato giratorio



3.2 Panel de control



Símbolo	Función	Descripción
1	Pantalla	Muestra los ajustes y la hora actual.


Símbolo	Función	Descripción
2 —	Mando de ajuste de potencia	Para configurar el nivel de potencia.
3 + —	Mando de ajuste	Para ajustar el tiempo de cocción o el peso.

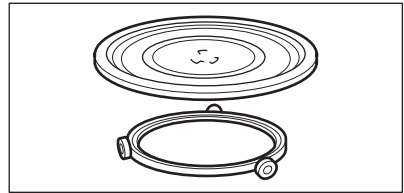
Otros símbolos del panel de control

Símbolo	Función	Descripción
	Descongelación por peso	Para descongelar alimentos por peso.
	Descongelación por tiempo	Para descongelar alimentos por tiempo.

3.3 Accesorios


Conjunto giratorio

 Utilice siempre el plato giratorio para preparar los alimentos en el microondas.




Bandeja de cocción de cristal y guía de rodillos.

4. ANTES DEL PRIMER USO


 **ADVERTENCIA!**
Consulte los capítulos sobre seguridad.

- Retire todas las piezas y embalajes adicionales del microondas.
- Limpie el horno antes de utilizarlo por primera vez.

4.1 Limpieza inicial

 **PRECAUCIÓN!**
Consulte el capítulo "Mantenimiento y limpieza".

5. USO DIARIO

 **ADVERTENCIA!**
Consulte los capítulos sobre seguridad.

- Retire los envoltorios de papel de aluminio, contenedores de metal, etc. antes de preparar los alimentos.

5.1 Información general sobre la utilización del aparato

- Cocción**
- En la medida de lo posible, cocine alimentos cubiertos con material apto para uso en microondas. Cocine alimentos sin tapar solamente si desea un resultado crujiente.

- Después de apagar el aparato, deje reposar el alimento unos minutos.

- No cocine en exceso los platos ajustando una potencia y un tiempo demasiado elevados. Los alimentos se pueden secar, quemar o arder en algunos lados.
- No utilice el aparato para cocinar huevos o caracoles con la cáscara, ya que pueden estallar. Para los huevos fritos, piche primero las yemas.
- Pinche los alimentos con piel como las patatas, los tomates o las salchichas varias veces con un tenedor antes de cocinarlos para que no estallen.
- Los alimentos congelados o refrigerados necesitan más tiempo de cocción.
- Los platos que contienen salsa se deben remover de vez en cuando.
- Las verduras que tienen una estructura sólida, como las zanahorias, los guisantes o la coliflor, se deben cocinar en agua.
- Dele la vuelta a los trozos grandes a la mitad del tiempo de cocción.
- En la medida de lo posible, corte las verduras en trocitos de igual tamaño.
- Use platos llanos y anchos.
- No utilice recipientes de porcelana, cerámica o barro cocido que tengan pequeños orificios, p. ej., en las asas o fondos sin vidriar. La humedad que se transfiere a los orificios puede hacer que el recipiente se agriete o rompa al calentarse.
- La bandeja de cristal es un espacio de trabajo para calentar alimentos o líquidos. Es necesario para el funcionamiento del microondas.

Descongelar carne, aves o pescado

- Coloque el alimento congelado sin desenvolver en un plato pequeño

vuelto del revés con un contenedor debajo para recoger el líquido de descongelación.

- Dé la vuelta al alimento a la mitad del tiempo de descongelación. En la medida de lo posible, divida y retire las piezas que han empezado a descongelarse.

Descongelar mantequilla, porciones de tarta o requesón

- No descongele el alimento completamente en el aparato y deje que se descongele a temperatura ambiente. De esta forma se obtiene un resultado más uniforme. Retire completamente los embalajes o envoltorios de aluminio antes de descongelar.

Descongelar frutas y verduras

- No descongele completamente las frutas y verduras que se van a preparar cuando están crudas aún en el aparato. Deje que se descongelen a temperatura ambiente.
- Puede utilizar una potencia superior del microondas para cocinar frutas y verduras sin descongelarlas primero.

Platos preparados

- Use cocinar platos preparados en el aparato únicamente si su envase es apto para microondas.
- Debe seguir las instrucciones del fabricante impresas en el envase (p. ej., retirar la tapa de metal y pinchar la película de plástico).

Recipientes y materiales adecuados

Material/recipiente	Microondas		
	Descongelar	Calentar	Cocción
Vidrio y porcelana para horno (sin componentes de metal, p. ej., Pyrex, vidrio térmico)	X	X	X
Vidrio y porcelana no aptos para horno ¹⁾	X	--	--

Material/recipiente	Microondas		
	Descongelar	Calentar	Cocción
Vidrio y vitrocerámica de material apto para horno y congelación (p. ej., Arcoflam), parrilla	X	X	X
Cerámica ²⁾ , loza ²⁾	X	X	X
Plástico resistente al calor hasta 200 °C ³⁾	X	X	X
Cartón, papel	X	--	--
Película para alimentos	X	--	--
Película de asado con cierre apto para microondas ³⁾	X	X	X
Fuentes de metal, p. ej., esmalte, hierro fundido	--	--	--
Moldes, barniz negro o revestimiento de silicona ³⁾	--	--	--
Bandeja	--	--	--
Recipientes para tostar, p. ej., Crostino o plato Crunch	--	X	X
Platos preparados con embalaje ³⁾	X	X	X

1) Sin plata, oro, platino ni decoraciones de metal

2) Sin cuarzo ni componentes metálicos, o vidriado que contenga metales

3) Siga las instrucciones del fabricante acerca de las temperaturas máximas.

X apto

-- no apto

5.2 Activación y desactivación del microondas.



PRECAUCIÓN!

No deje funcionar el microondas sin alimentos en el interior.


1. Gire el mando de ajuste de potencia para seleccionar la función deseada.
2. Gire el mando de ajuste para ajustar la hora.



El microondas empieza a cocinar automáticamente después de ajustar el nivel de potencia y el tiempo, y después de cerrar la puerta.

Para desactivar el microondas:

- esperar hasta que el microondas se desactive automáticamente cuando termine el tiempo.
- abrir la puerta. El microondas se para automáticamente. Cierre la puerta para seguir la cocción. Use esta opción para examinar el alimento.

- girar el mando de ajuste a  y esperar hasta que la pantalla muestre **End**.





Cuando el microondas se desactiva automáticamente, se emite una señal acústica.

5.3 Tabla de ajustes de potencia

Potencia	Ajuste de potencia
100 W	Bajo
300 W	Medio bajo
400 W	Medio
600 W	Medio alto
800 W	Alto

5.4 Descongelar

Puede elegir entre 2 modos de descongelación:

- Descongelación por peso 
- Descongelación por tiempo 




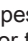
La descongelación por peso no se debe utilizar con alimentos que han estado fuera del congelador durante más de 20 minutos, ni con alimentos preparados congelados.



Para activar la descongelación por peso debe usar más de 100 g de alimento y menos de 2.000 g.



Para descongelar menos de 200 g de alimento, colóquelo en el borde del plato giratorio.

1. Gire el mando de ajuste de la potencia y ajuste  para la descongelación por peso o  para la descongelación por tiempo.
2. Gire el mando de ajuste a la izquierda para ajustar el peso o hacia la derecha para el tiempo. Para la descongelación por peso, el tiempo se ajusta automáticamente. El microondas se inicia automáticamente tras unos segundos.

6. USO DE LOS ACCESORIOS



ADVERTENCIA!

Consulte los capítulos sobre seguridad.



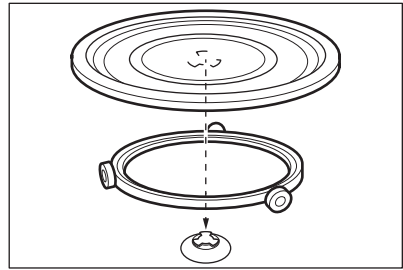
6.1 Inserción del plato giratorio

PRECAUCIÓN!

No cocine alimentos sin el plato giratorio. Utilice únicamente el conjunto giratorio suministrado con el microondas.

i No cocine nunca los alimentos directamente sobre la bandeja de cristal.

1. Coloque la guía de rodillos alrededor del eje giratorio.
2. Coloque la bandeja de cristal sobre la guía



7. CONSEJOS

! **ADVERTENCIA!**
 Consulte los capítulos sobre seguridad.

7.1 Consejos para el microondas

Problema	Solución
No hay datos para la cantidad de alimentos preparados.	Busque alimentos similares. Aumente o reduzca el tiempo de cocción según la regla siguiente: Doble de cantidad = casi doble de tiempo, mitad de cantidad = mitad de tiempo
El alimento se ha secado demasiado.	Ajuste un tiempo más corto o seleccione una potencia más baja.
El alimento aún no se ha descongelado, calentado o cocinado una vez transcurrido el tiempo.	Ajuste un tiempo más largo o seleccione una potencia más alta. Tenga en cuenta que los platos más grandes necesitan más tiempo.
Transcurrido el tiempo de cocción, el alimento se ha sobrecalentado en los bordes pero no se ha hecho en el centro.	La próxima vez seleccione una potencia más baja y un tiempo más largo. Remueva los líquidos a la mitad del tiempo, p. ej., la sopa.

Se obtienen mejores resultados para el arroz con platos llanos y anchos.

7.2 Descongelación

Descongele siempre el asado con la grasa hacia abajo.

No descongele carne tapada, ya que podría cocinarse en lugar de descongelarse.

Descongele siempre pechugas de ave enteras hacia abajo.

7.3 Cocinar

Saque siempre la carne y las aves frías del frigorífico al menos 30 minutos antes de cocinarlos.

Deje tapados la carne, las aves, el pescado y las verduras después de la cocción.

Unte un poco de aceite o mantequilla fundida en el pescado.

Todas las verduras se deben cocinar a la máxima potencia del microondas.

Añada 30 – 45 ml de agua fría por cada 250 g de verduras.

Corte las verduras en pedazos del mismo tamaño antes de cocinarlos. Cocine todas las verduras con una tapa sobre el recipiente.

7.4 Recalentar

Cuando recaliente comida preparada envasada siga siempre las instrucciones que figuran en el envase.

8. MANTENIMIENTO Y LIMPIEZA



ADVERTENCIA!

Consulte los capítulos sobre seguridad.

8.1 Notas y consejos sobre la limpieza

- Limpie la parte delantera del horno con un paño suave humedecido en agua templada y jabón neutro.
- Limpie las superficies metálicas con un producto no agresivo.
- Limpie el interior del horno después de cada uso. Así podrá retirar la suciedad más fácilmente e impedirá que se queme.
- Elimine la suciedad resistente con limpiadores especiales.
- Limpie periódicamente todos los accesorios y déjelos secar. Utilice un paño suave humedecido en agua templada y jabón neutro.
- Para reblandecer los restos difíciles, hierva un vaso de agua a potencia máxima durante 2 a 3 minutos.
- Para eliminar olores, eche 2 cucharaditas de zumo de limón en un vaso de agua y hierva a máxima potencia durante 5 minutos.

9. SOLUCIÓN DE PROBLEMAS



ADVERTENCIA!

Consulte los capítulos sobre seguridad.

9.1 Qué hacer si...

Problema	Posible causa	Solución
El aparato no funciona.	El horno está apagado.	Encienda el horno.
El aparato no funciona.	El aparato no está enchufado.	Enchufe el aparato.
El aparato no funciona.	Se ha fundido un fusible de la instalación doméstica.	Revise el fusible. Si el fusible salta más de una vez, póngase en contacto con un electricista cualificado.
El aparato no funciona.	La puerta no está bien cerrada.	Asegúrese de que nada bloquea la puerta.
La bombilla no funciona.	La bombilla es defectuosa.	La luz se debe cambiar.
Hay chispas en el interior del aparato.	Hay platos de metal o platos con marco de metal.	Retire el plato del aparato.

Problema	Posible causa	Solución
Hay chispas en el interior del aparato.	Hay pinchos o láminas de aluminio que tocan las paredes internas.	Asegúrese de que los pichos o láminas no toquen las paredes internas.
El conjunto del plato giratorio emite ruidos o rechina.	Hay algún objeto o suciedad debajo de la bandeja de cristal.	Limpie la zona bajo la bandeja.
El aparato deja de funcionar sin motivo aparente.	Hay un fallo de funcionamiento.	Si esta situación se repite, llame al Centro de servicio técnico.

9.2 Datos de servicio

Si no logra subsanar el problema, póngase en contacto con su distribuidor o el centro de servicio técnico.

Los datos que necesita para el centro de servicio técnico se encuentran en la

placa de características. La placa de características se encuentra en el aparato. No retire la placa de características del aparato.

Es conveniente que anote los datos aquí:	
Modelo (MOD.)
Número de producto (PNC)
Número de serie (S.N.)

10. INSTALACIÓN



ADVERTENCIA!
Consulte los capítulos sobre seguridad.



PRECAUCIÓN!
La altura de instalación mínima es de 85 cm.

10.1 Información general



PRECAUCIÓN!
No bloquee los orificios de ventilación. De lo contrario, el aparato se puede sobrecalentar.



PRECAUCIÓN!
No conecte el aparato a adaptadores o prolongadores. Pueden producirse sobrecargas o riesgo de incendio.

- El microondas está diseñado exclusivamente para uso integrado. Debe colocarse sobre una superficie estable y plana.
- El armario no debe tener pared posterior donde se coloque el microondas.
- Coloque el microondas alejado de vapores, aire caliente y salpicaduras de agua.
- Si el microondas está demasiado cerca de la TV o la radio, puede causar interferencias en la recepción de la señal.
- Si transporta el microondas a lugares fríos, no lo encienda inmediatamente tras la instalación. Déjelo a la

temperatura ambiente para que absorba el calor.

10.2 Instalación eléctrica



ADVERTENCIA!

Deje la instalación eléctrica en manos de un profesional cualificado.



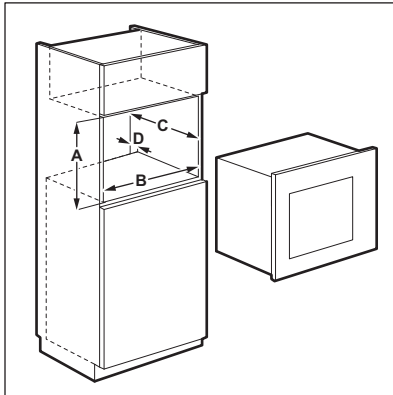
El fabricante declina toda responsabilidad si la instalación no se efectúa siguiendo las instrucciones de seguridad del capítulo "Información sobre seguridad".

El microondas se suministra con enchufe y cable de red.

El cable tiene un cable de tierra con un enchufe de conexión a tierra. El enchufe se debe conectar a una toma correctamente instalada y conectada a tierra. En caso de cortocircuito eléctrico, la conexión a tierra reduce el riesgo de descarga eléctrica.

10.3 Instalación del microondas

1. Asegúrese de que las dimensiones del mueble se adaptan a las distancias de instalación.



Distancias de instalación

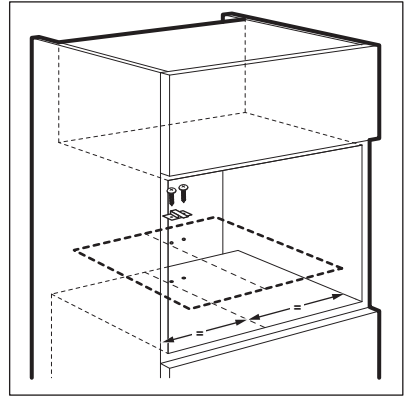
Medidas	mm
A	380 + 2

Medidas	mm
B	560 + 8
C	300
D	18

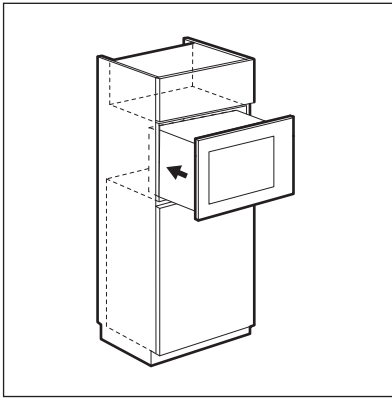
2. Si el fondo del armario tiene más de 300 mm, coloque la plantilla en el fondo del armario y compruebe si se ajusta. En caso afirmativo, marque los puntos para los tornillos. Retire la plantilla y sujete la abrazadera con los tornillos en el punto marcado.



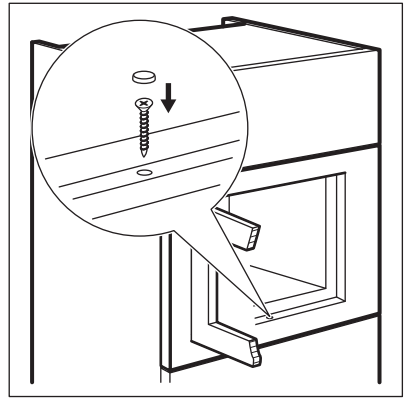
Omita este paso si el fondo del armario tiene más de 300 mm.




3. Coloque el microondas. Si ha fijado la abrazadera, asegúrese de que bloquea la parte posterior del aparato.




4. Abra la puerta y sujete el microondas al armario con un tornillo.



11. ASPECTOS MEDIOAMBIENTALES

Recicle los materiales con el símbolo . Coloque el material de embalaje en los contenedores adecuados para su reciclaje. Ayude a proteger el medio ambiente y la salud pública, así como a reciclar residuos de aparatos eléctricos y

electrónicos. No deseche los aparatos marcados con el símbolo  junto con los residuos domésticos. Lleve el producto a su centro de reciclaje local o póngase en contacto con su oficina municipal.

www.electrolux.com/shop



867300634-C-272015

