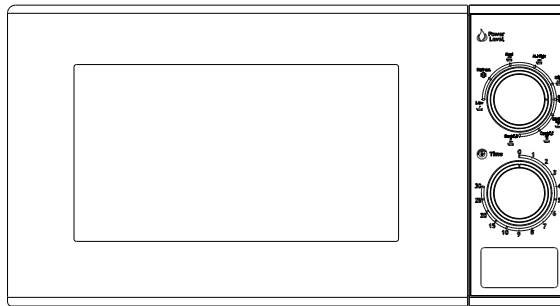


Microwave Oven Instructions

Haier



Model: HGN-2070MG

Please read these instructions carefully before installing and operating the oven. Record in the space below the SERIAL NO. found on the nameplate on your oven and retain this information for future reference.

CONTENTS

PRECAUTIONS TO AVOID POSSIBLE EXPOSURE TO EXCESSIVE MICROWAVE ENERGY	2
IMPORTANT SAFETY INSTRUCTIONS	4
INSTALLATION	15
GROUNDING INSTRUCTIONS	15
RADIO INTERFERENCE	16
UTENSILS GUIDE	16
MICROWAVE COOKING PRINCIPLES	17
PART NAMES	17
CONTROL PANEL	18
Power/Action Selector	18
Timer Knob	18
Microwave Cooking	18
Grill	18
Cuisson combi	19
OPERATION	19
BEFORE YOU CALL FOR SERVICE	20
CLEANING AND CARE	20
SPECIFICATIONS	21



THIS PRODUCT IS FOR HOUSEHOLD USE ONLY!

Please read these instructions carefully before the first use of this product and save this manual for your future reference.

PRECAUTIONS TO AVOID POSSIBLE EXPOSURE TO EXCESSIVE MICROWAVE ENERGY

- 1.** Do not attempt to operate this oven with the door open since open door operation can result in harmful exposure to microwave energy. It is important not to defeat or tamper with the safety interlocks.
- 2.** Do not place any object between the oven front face and the door or allow soil or cleaner residue to accumulate on sealing surfaces.

3. WARNING: If the door or door seals are damaged, the oven must not be operated until it has been repaired by a competent person.

ADDENDUM

If the apparatus is not maintained in a good state of cleanliness, its surface could be degraded and affect the lifespan of the apparatus and lead to a dangerous situation.

IMPORTANT SAFETY

INSTRUCTIONS

WARNING: To reduce the risk of burns, electric shock, fire, injury to persons or exposure to excessive microwave energy when using electrical appliance basic safety precautions should be followed, including the following:

1. Before using, check that the voltage of wall outlet corresponds to the one show on the rating plate.
2. **WARNING:** Liquid or other food must not be heated in sealed containers since they are liable to explode.

-
3. **WARNING:** Only allow children to use the oven without supervision when adequate instructions have been given so that the child is able to use the oven in a safe way and understands the hazards of improper use.
 4. **WARNING:** It is hazardous for anyone other than a trained person to carry out any service or repair operation which involves the removal of any cover which gives protection against exposure to microwave energy.
 5. This appliance can be used by children aged from 8 years and above and persons with reduced

physical, sensory or mental capabilities or lack of experience and knowledge if they have been given supervision or instruction concerning use of the appliance in a safe way and understand the hazards involved. Children shall not play with the appliance. Cleaning and user maintenance shall not be made by children without supervision.

6. Keep the appliance and its supply cord out of reach of children aged less than 8 years.
7. If the supply cord is damaged, it must be replaced by manufacture, its service agent or similarly qualified person in order to avoid a hazard.

-
8. Read and follow the specific *PRECAUTIONS TO AVOID POSSIBLE EXPOSURE TO EXCESSIVE MICROWAVE ENERGY.*
 9. When the microwave oven is used in combined mode, the children should use it under the supervision of adults due to generated temperatures (only for grill series).
 10. Use this appliance only for its intended use as described in this manual. Do not use corrosive chemicals or vapors in this appliance. This type of oven is specifically designed to heat, cook or dry food. It is not designed for industrial or laboratory use.
 11. The oven should be cleaned regularly and any food deposits

should be removed. Do not operate the oven when empty.

12. To reduce the risk of fire in the oven cavity:

- When heating food in plastic or paper container, check the oven frequently to the possibility of ignition.
- Remove wire twist-ties from paper or plastic bags before placing bag in oven.
- If smoke is observed, switch off or unplug the appliance and keep the door closed in order to stifle any flames.
- Do not overcook food.

-
- Do not use the cavity for storage purposes. Do not leave paper products, cooking utensils or food in the cavity when not in use.

13. Microwave heating of beverage can result in delayed eruptive boiling, therefore care has to be taken when handle the container.

14. Do not fry food in the oven. Hot oil can damage oven parts and utensils and even result in skin burns.

15. The temperature of accessible surfaces may be high when the appliance is operating. The surfaces are liable to get hot during use. Keep cord away from heated

surface, and do not cover any vents on the oven.

16. The contents of feeding bottles and baby jars should be stirred or shaken and the temperature should be checked before serving in order to avoid burns.

17. Cooking utensils may become hot because of heat transferred from the heated food. Potholders may be needed to handle the utensil.

18. Utensils should be checked to ensure that they are suitable for use in microwave oven.

19. The appliance is intended to be used in household and similar

applications such as:

- staff kitchen areas in shops, offices and other working environments;
- farm houses;
- by clients in hotels, motels and other residential type environments;
- bed and breakfast type environments.

20. It is recommended to check regularly the supply cord for any sign of possible deterioration, and the appliance should not be used if the cable is damaged.

21. This appliance has been incorporated with a grounded plug. Please ensure the wall outlet in your house is well earthed.

-
22. Eggs in their shell and whole hard-boiled eggs should not be heated in microwave ovens since they may explode even after microwave heating has ended.
23. Failure to maintain the oven in a clean condition could lead to deterioration of the surface that could adversely affect the life of the appliance and possibly result in a hazardous situation.
24. Pierce foods with heavy skins such as potatoes, whole squashes, apples and chestnuts before cooking.
25. Do not let cord hang over edge of table or counter.

-
26. During use the appliance becomes hot. Care should be taken to avoid touching heating elements inside the oven.
 27. The rear surface of appliance shall be placed against a wall.
 28. Always use oven gloves when removing food from the oven. Some dishes absorb the heat of food, so they are very hot.
 29. The door or the outer surface may get hot when the appliance is operating.
 30. The microwave oven shall not be placed in a cabinet unless it has been tested in a cabinet.

-
31. Steam cleaner is not to be used.
 32. Do not store or use this appliance outdoors.
 33. Do not use this oven near water, in a wet basement or near a swimming pool.
 34. Install or locate this oven only in accordance with the installation instructions provided.
 35. The appliance is not intended to be operated by means of an external timer or a separate remote-control system.
 36. This product is a Group 2 Class B ISM equipment. The definition of Group 2 which contains all ISM

(Industrial, Scientific and Medical) equipment in which radio-frequency energy is intentionally generated and/or used in the form of electromagnetic radiation for the treatment of material, and spark erosion equipment. For Class B equipment is equipment suitable for use in domestic establishments and in establishments directly connected to a low voltage power supply network which supplies buildings used for domestic purpose.

37. For installation and cleaning, please refer to the chapters on “INSTALLATION” and “CLEANING AND CARE”

INSTALLATION

1. Make sure that all the packing materials are removed from the inside of the door.
2. **WARNING:** Check the oven for any damage, such as misaligned or bent door, damaged door seals and sealing surface, broken or loose door hinges and latches and dents inside the cavity or on the door. If there is any damage, do not operate the oven and contact qualified service personnel.
3. This microwave oven must be placed on a flat, stable surface to hold its weight and the heaviest food likely to be cooked in the oven.
4. Do not place the oven where heat, moisture, or high humidity are generated, or near combustible materials.
5. For correct operation, the oven must have sufficient airflow. Allow 20cm of space above the oven, 10cm at back and 5cm at both sides. Do not cover or block any openings on the appliance. Do not remove feet.
6. Do not operate the oven without glass tray, roller support, and shaft in their proper positions.
7. Make sure that the power supply cord is undamaged and does not run under the oven or over any hot or sharp surface.
8. The socket must be readily accessible so that it can be easily unplugged in an emergency.
9. Do not use the oven outdoors.

GROUNDING INSTRUCTIONS

This appliance must be grounded. This oven is equipped with a cord having a grounding wire with a grounding plug. It must be plugged into a wall receptacle that is properly installed and grounded. In the event of an electrical short circuit, grounding reduces risk of electric shock by providing an escape wire for the electric current. It is recommended that a separate circuit serving only the oven be provided. Using a high voltage is dangerous and may result in a fire or other accident causing oven damage.

WARNING Improper use of the grounding plug can result in a risk of electric shock.

Note:

1. If you have any questions about the grounding or electrical instructions, consult a qualified electrician or service person.
2. Neither the manufacturer nor the dealer can accept any liability for damage to the oven or personal injury resulting from failure to observe the electrical connection procedures.

The wires in this cable main are colored in accordance with the following code:

Green and Yellow = EARTH

Blue = NEUTRAL

Brown = LIVE

RADIO INTERFERENCE

Operation of the microwave oven can cause interference to your radio, TV, or similar equipment.

When there is interference, it may be reduced or eliminated by taking the following measures:

1. Clean door and sealing surface of the oven.
2. Reorient the receiving antenna of radio or television.
3. Relocate the microwave oven with respect to the receiver.
4. Move the microwave oven away from the receiver.
5. Plug the microwave oven into a different outlet so that microwave oven and receiver are on different branch circuits.

UTENSILS GUIDE

1. The ideal material for a microwave utensil is transparent to microwave, it allows energy to pass through the container and heat the food.
2. Microwave cannot penetrate metal, so metal utensils or dishes with metallic trim should not be used.
3. Do not use recycled paper products when microwave cooking, as they may contain small metal fragments which may cause sparks and/or fires.
4. Round /oval dishes rather than square/oblong ones are recommend, as food in corners tends to overcook.
5. Narrow strips of aluminum foil may be used to prevent overcooking of exposed areas. But be careful don't use too much and keep a distance of 1 inch (2.54cm) between foil and cavity.

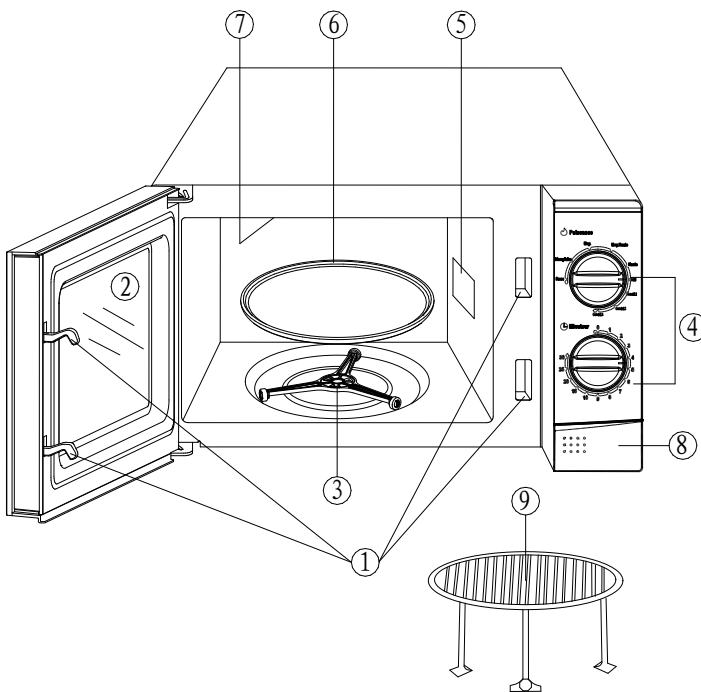
The list below is a general guide to help you select the correct utensils.

COOKWARE	MICROWAVE	GRILL	COMBINATION
Heat-Resistant Glass	Yes	Yes	Yes
Non Heat-Resistant Glass	No	No	No
Heat-Resistant Ceramics	Yes	Yes	Yes
Microwave-Safe Plastic Dish	Yes	No	No
Kitchen Paper	Yes	No	No
Metal Tray	No	Yes	No
Metal Rack	No	Yes	No
Aluminum Foil & Foil Containers	No	Yes	No

MICROWAVE COOKING PRINCIPLES

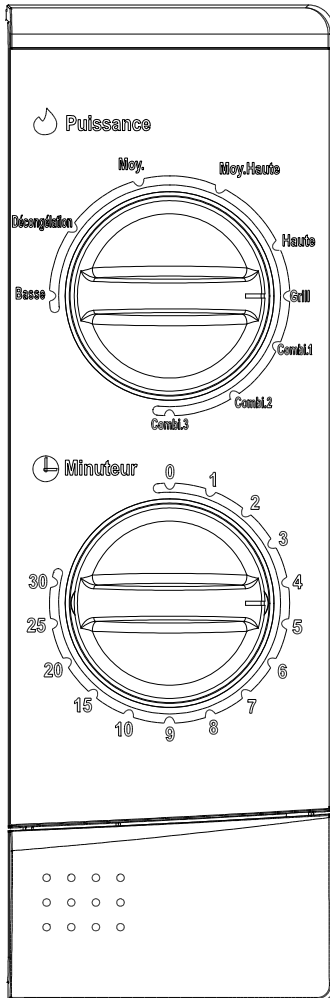
1. Arrange food carefully. Place thickest areas towards outside of dish.
2. Watch cooking time. Cook for the shortest amount of time indicated and add more as needed. Food severely overcooked can smoke or ignite.
3. Cover foods while cooking. Covers prevent spattering and help foods to cook evenly.
4. Turn foods over once during microwave cooking to speed cooking of such foods as chicken and hamburgers. Large items like roasts must be turned over at least once.
5. Rearrange foods such as meatballs halfway through cooking both from top to bottom and from the center of the dish to the outside.

PART NAMES



1. Door Safety Lock System
2. Oven Window
3. Roller Ring
4. Control Panel
5. Wave Guide
6. Glass Tray
7. Grill Heater
8. Door Release Button
9. Metal Rack

CONTROL PANEL



The control panel consists of two function operators. One is a timer knob, and another a power knob.

POWER/ACTION SELECTOR

Use this operator knob to choose a cooking power level. It is the first step to start a cooking session.

TIMER KNOB

It offers visual timing settings at easy turn of your thumb to select a desired cooking time up to 30 minutes per cooking session.

MICROWAVE COOKING

For pure microwave cooking, there are five power levels from which to choose one as best fit to do the job at hand. Power level increases with the knob turning clockwise. The power levels can be classified as the following:

	Power output	Description
1	18%	Low
2	36%	Defrost
3	58%	Medium
4	81%	M. High
5	100%	High

GRILL

With the knob turning clockwise passing the highest microwave power level, the oven come to the grill cooking function which is particularly useful for thin slices of meat, steaks, chops, kebabs, sausages or pieces of chicken. It is also suitable for cooking hot sandwiches and au grain dishes.

CUISSON COMBI.

This cooking operation combines microwave power with that of grill cooking. The operation is categorized into three levels with different combination power settings as you can see from the following table. These are particularly suitable for certain foods and culinary operations. As well as for keeping the much desired crispness of certain foods.

The following table shows 3 different power settings for combination programs.

Program	Microwave cooking time	Grill cooking time	Suitable for
Combi.1	30%	70%	Fish, potatoes, au grain
Combi.2	49%	51%	Pudding, omelets, baked potatoes
Combi.3	67%	33%	Poultry

OPERATION

To start a cooking session,

1. Place food in oven and close the door.
2. Turn Power Selector to select a power level.
3. Use Timer knob to set a cooking time

NOTE:

As soon as the timer is turned, oven starts cooking.

When selecting time for less than 2 minutes, turn timer past 2 minutes and then return to the correct time.

CAUTION: ALWAYS RETURN TIMER BACK TO ZERO POSITION if food is removed from oven before the set cooking time is complete or when oven is not in use. To stop oven during cooking process, push the door release button or open the door by the handle.

BEFORE YOU CALL FOR SERVICE

If the oven fails to operate:

1. Check to ensure that the oven is plugged in securely. If it is not, remove the plug from the outlet, wait 10 seconds, and plug it in again securely.
2. Check for a blown circuit fuse or a tripped main circuit breaker. If these seem to be operating properly, test the outlet with another appliance.
3. Check to ensure that the control panel is programmed correctly and the timer is set.
4. Check to ensure that the door is securely closed engaging the door safety lock system. Otherwise, the microwave energy will not flow into the oven.

IF NONE OF THE ABOVE RECTIFIES THE SITUATION, THEN CONTACT A QUALIFIED TECHNICIAN.

DO NOT TRY TO ADJUST OR REPAIR THE OVEN YOURSELF.

CLEANING AND CARE

1. Turn off the oven and remove the power plug from the wall socket before cleaning.
2. Keep the inside of the oven clean. When food splatters or spilled liquids adhere to oven walls, wipe with a damp cloth. Mild detergent may be used if the oven gets very dirty. Avoid the use of spray and other harsh cleaners as they may stain, streak or dull the door surface.
3. The outside surfaces should be cleaned with a damp cloth. To prevent damage to the operating parts inside the oven, water should not be allowed to seep into the ventilation openings.
4. Wipe the door and window on both sides, the door seals and adjacent parts frequently with a damp cloth to remove any spills or splatters. Do not use abrasive cleaner.
5. Do not allow the control panel to become wet. Clean with a soft, damp cloth. When cleaning the control panel, leave oven door open to prevent oven from accidentally turning on.
6. If steam accumulates inside or around the outside of the oven door, wipe with a soft cloth. This may occur when the microwave oven is operated under high humidity condition. And it is normal.
7. It is occasionally necessary to remove the glass tray for cleaning. Wash the tray in warm sudsy water or in a dishwasher.
8. The roller ring and oven floor should be cleaned regularly to avoid excessive noise. Simply wipe the bottom surface of the oven with mild detergent. The roller ring may be washed in mild sudsy water or dishwasher. When removing the roller ring from cavity floor for cleaning, be sure to replace in the proper position.
9. Remove odors from your oven by combining a cup of water with the juice and skin of one lemon in a deep microwaveable bowl, microwave for 5 minutes. Wipe thoroughly and dry with a soft cloth.
10. When it becomes necessary to replace the oven light, please consult a dealer to have it replaced.

11. The oven should be cleaned regularly and any food deposits removed. Failure to maintain the oven in a clean condition could lead to deterioration of the surface that could adversely affect the life of the appliance and possibly result in a hazardous.
12. Please do not dispose this appliance into the domestic rubbish bin; it should be disposed to the particular disposal center provided by the municipalities.
13. When the microwave ovens have grill function is first used, it may produce slight smoke and smell. This is a normal phenomenon, because the oven is made of a steel plate coated with lubricating oil, and the new oven will produce fumes and odor generated by burning the lubricating oil. This phenomenon will disappear after a period of using.

SPECIFICATIONS

Model	MOG001
Voltage	230V~50Hz
Input power	1200W(Microwave)
	900W(Grill)
Output power	700W(Microwave)
Operation Frequency:	2450MHz
Package Dimensions:	292mm(H)X496mm(W)X362mm(D)
Oven Cavity Dimensions:	198mm(H)×315mm(W)×297mm(D)
Oven Capacity:	20Litres
Cooking Uniformity:	Turntable System
Net Weight:	Approx.11.3kg

- **We decline liability for any damage or accident derived from any use of this product which is not in conformity with the instructions contained in this booklet.**

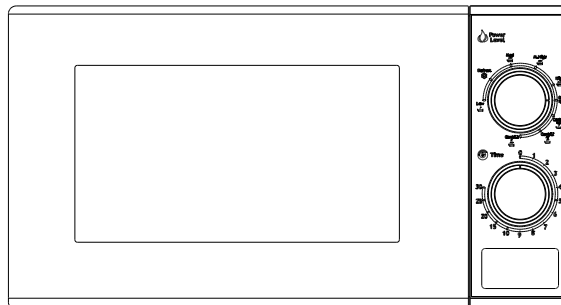
CORRECT DISPOSAL OF THIS PRODUCT



This marking indicates that this product should not be disposed with other household wastes throughout the EU. To prevent possible harm to the environment or human health from uncontrolled waste disposal, recycle it responsibly to promote the sustainable reuse of material resources. To return your used device, please use the return and collection systems or contact the retailer where the product was purchased. They can take this product for environmental safe recycling.

Microwave Oven Instructions

Haier



Model: HGN-2070MG

Please read these instructions carefully before installing and operating the oven.
Record in the space below the SERIAL NO. found on the nameplate on your
oven and retain this information for future reference.

TABLE DES MATIERES

PRÉCAUTIONS CONTRE LES RISQUES D'EXPOSITION EXCESSIVE À L'ÉNERGIE DES MICRO ONDES	2
CONSIGNES DE SECURITE	4
INSTRUCTIONS D'INSTALLATION.....	15
MISE A LA TERRE	15
INTERFERENCES RADIO	16
USTENSILES.....	16
CONSEILS UTILES	16
DESCRIPTION DE L'APAPREIL.....	16
PANNEAU DE COMMANDE.....	17
Sélecteur de puissance.....	17
Minuteur.....	17
Cuisson à micro-ondes	17
Gril.....	17
Cuisson combinée	18
UTILISATION DE L'APPAREIL	18
AVANT D'APPELER LE SERVICE APRES VENTE.....	19
NETTOYAGE ET ENTRETIEN	19
SPECIFICATIONS TECHNIQUES.....	20
ENLEVEMENT DES APPAREILS MENAGERS USAGES	20



CET APPAREIL EST DESTINE A UN USAGE DOMESTIQUE UNIQUEMENT!

Veillez lire attentivement toutes les instructions avant la première utilisation et conservez-les pour une référence ultérieure.

PRÉCAUTIONS CONTRE LES RISQUES D'EXPOSITION EXCESSIVE À L'ÉNERGIE DES MICRO ONDES

1. Ne pas tenter de faire fonctionner le four à micro-ondes lorsque la porte est ouverte sous peine d'exposition dangereuse à l'énergie des micro-ondes. Il est important de ne pas entraver ou modifier le fonctionnement correct des dispositifs de verrouillage de sécurité.
2. Ne placer aucun objet entre la surface frontale du four et la porte. Ne pas laisser des souillures ou résidus de produits de nettoyage s'accumuler sur les surfaces d'étanchéité.

3. MISE EN GARDE: Si la porte ou le joint de porte est endommagé, le four ne doit pas être mis en fonctionnement avant d'avoir été réparé par une personne compétente.

ADDENDUM

Si l'appareil n'est pas maintenu dans un bon état de propreté, sa surface pourrait se dégrader et affecter de façon inexorable la durée de vie de l'appareil et conduire à une situation dangereuse.

CONSIGNES DE SECURITE

AVERTISSEMENT: Afin de réduire les risques d'incendie, de choc électrique, d'accidents corporels ou d'exposition excessive à l'énergie du four à micro-ondes lorsque vous utilisez les appareils électriques, les précautions élémentaires suivantes doivent être toujours prises:

1. Avant l'utilisation, vérifiez que la tension du réseau correspond bien à celle indiquée sur la plaque signalétique de l'appareil; assurez-vous également que votre installation électrique est suffisante pour alimenter cet appareil de cette puissance.
2. **MISE EN GARDE:** Les liquides ou autres aliments ne doivent pas être chauffés dans des récipients hermétiques car ils risquent d'exploser.
3. **MISE EN GARDE:** N'autorisez pas les

enfants à utiliser le four sans surveillance que si des instructions appropriées leur ont été données, permettant à l'enfant d'utiliser le four de façon sûre et de comprendre les dangers d'une utilisation incorrecte.

4. MISE EN GARDE: Il est dangereux pour toute personne n'étant pas spécifiquement formée et compétente d'effectuer une intervention ou une réparation qui nécessite l'ouverture d'un élément protégeant de l'exposition à l'énergie des micro-ondes.

5. Cet appareil peut être utilisé par des enfants à partir de 8 ans et par des personnes ayant des capacités physiques, sensorielles ou mentales réduites ou un manque d'expérience et de connaissances à condition qu'elles aient été placées sous surveillance ou

qu'elles aient reçu des instructions concernant l'utilisation de l'appareil en toute sécurité et qu'elles comprennent les dangers encourus. Les enfants ne doivent pas jouer avec l'appareil. Le nettoyage et l'entretien par l'utilisateur ne doivent pas être effectués par des enfants, sans surveillance.

6. Gardez l'appareil et son cordon d'alimentation hors de la portée des enfants de moins de 8 ans.

7. Si le câble d'alimentation est endommagé, il doit être remplacé par le fabricant, son service après vente ou des personnes de qualification similaire afin d'éviter tout danger.

8. Lisez et suivez les instructions spécifiques dans la section
«PRÉCAUTIONS CONTRE LES

RISQUES D'EXPOSITION EXCESSIVE À L'ÉNERGIE DES MICRO ONDES».

9. Lorsque l'appareil est utilisé en mode combiné, les enfants ne devraient se servir du four que sous la surveillance d'adultes à cause des températures engendrées (seulement pour les séries gril).
10. Utilisez l'appareil uniquement dans le but décrit dans le manuel. Ne pas utiliser de vapeurs ou de produits chimiques corrosifs dans l'appareil. Ce four est conçu spécialement pour la cuisson. Il n'est pas conçu pour un usage industriel ou en laboratoire.
11. Le four doit être nettoyé régulièrement et tous les dépôts alimentaires doivent être retirés. Ne faites pas fonctionner le four lorsqu'il est vide.
12. Afin de réduire le risque d'incendie

dans la cavité du four :

- Si vous réchauffez des aliments dans des récipients en plastique ou en papier, surveillez fréquemment le four en raison du risque d'inflammation de ces matériaux.
- Retirez les tournillons en plastique ou crochets de métal servant à fermer les récipients/sacs en plastique ou papier avant de les placer dans le four.
- Si des matériaux à l'intérieur du four fument ou prennent feu, gardez la porte fermée, éteindre et débrancher l'appareil pour étouffer les flammes éventuelles.
- Ne pas surchauffer les aliments.
- Ne pas utiliser la cavité du four comme espace de stockage. Ne pas stocker des éléments, comme un pain, des cookies, etc. dans le four.

13. Le chauffage des boissons par micro-ondes peut provoquer un jaillissement brusque et différé de liquide en ébullition, aussi des précautions doivent elles être prises lors de la manipulation du récipient.

14. Ne pas frire la nourriture au four. L'huile chaude peut endommager les pièces du four et les ustensiles de cuisine et même entraîner des brûlures de la peau.

15. La température des surfaces accessibles peut être élevée lorsque l'appareil est en marche. Les surfaces susceptibles de devenir brûlantes durant l'utilisation. Maintenez le cordon d'alimentation hors de contact des surfaces chauffantes et ne jamais couvrir le four.

16. Des aliments dans des biberons

doivent être mélangés ou agités et la température doit être vérifiée avant consommation afin d'éviter les brûlures.

17. Les ustensiles de cuisine peuvent devenir chauds. Les maniques peuvent être nécessaires pour manipuler les ustensiles.

18. Utilisez seulement les ustensiles adaptés (recommandés) à l'utilisation du four à micro-ondes.

19. Cet appareil est conçu uniquement pour une utilisation domestique et d'autres utilisations similaires, comme dans:

- Les cuisines de magasins, de bureaux et autres environnements professionnels;
- Les habitations de fermes;
- Les chambres d'hôtels, de motels et autres environnements résidentiels;
- Les restaurations et autres utilisations similaires.

20. Il est recommandé d'examiner régulièrement le câble d'alimentation pour déceler tout signe de détérioration éventuelle, et l'appareil ne doit pas être utilisé si le câble est endommagé.

21. Cet appareil est équipé d'une prise de terre pour vous protéger d'éventuels risques électriques et doit être branché sur un socle de prise de courant comportant un contact de terre.

22. Il n'est pas recommandé de chauffer les oeufs dans leur coquille et les oeufs durs entiers dans un four à micro-ondes car ils risquent d'exploser, même après la fin de cuisson.

23. Un manque d'entretien du four pour le maintenir propre peut entraîner une détérioration de la surface qui peut affecter négativement la durée de vie de

l'appareil et entraîner des situations dangereuses.

24. Percez avec une fourchette la pelure des pommes de terre, pommes et tout autre fruit ou légume recouvert d'une pelure, avant de les cuire.

25. Ne pas laisser le cordon d'alimentation pendre sur le rebord d'une table ou d'un plan de travail.

26. L'appareil devient chaud durant l'utilisation, gardez les enfants éloignés de cet appareil et évitez de toucher les éléments chauffants avec les mains.

27. La surface arrière de l'appareil doit être placée contre un mur.

28. Utilisez toujours des gants isolants pour retirer les plats du four. Certains plats absorbent la chaleur des aliments, et sont donc très chauds.

29. La porte ou la surface extérieure pourrait devenir chaude lorsque l'appareil est en fonctionnement.
30. Le four à micro-ondes ne doit pas être placé dans un cabinet à moins qu'il n'ait été testé dans un cabinet.
31. Nettoyez soigneusement des jointes de porte, des cavités, des surfaces d'étanchéité et des parties adjacentes. Ne pas utiliser un nettoyeur à vapeur.
32. Ne pas ranger ou utiliser cet appareil à l'extérieur.
33. Ne pas utiliser ce four près d'une source d'eau, dans un sous-sol humide ou encore près d'une piscine.
34. Installez ou posez ce four en respectant strictement les instructions d'installation fournies.
35. L'appareil n'est pas destiné à être mis

en fonctionnement au moyen d'une minuterie extérieure ou par un système de commande à distance séparé.

36. Cet appareil est un appareil de Groupe 2 Classe B (qui contient tous les équipements ISM (Industriel, scientifique et Médical), car il produit intentionnellement de l'énergie à fréquence radioélectrique pour le traitement de la matière et il est destiné à être utilisé dans un local domestique ou un établissement raccordé directement au réseau de distribution d'électricité à basse tension alimentant des bâtiments à usage domestique.

37. Pour l'installation et le nettoyage se reporter aux chapitres «INSTRUCTIONS D'INSTALLATION» et «NETTOYAGE ET ENTRETIEN»

INSTRUCTIONS D'INSTALLATION

1. Assurez-vous que tous les emballages et les accessoires sont retirés de l'intérieur du four.
2. **AVERTISSEMENT:** Vérifiez le four pour tout dommage, telles que la porte mal alignée ou cassée, les joints de la porte endommagés ou la surface d'étanchéité, les charnières et les loquets brisés ou branlants à l'intérieur de la cavité ou sur la porte. S'il y a tout dommage, n'utilisez pas le four et contactez un agent de service qualifié.
3. Le four à micro-ondes doit être placé sur une surface plate et stable.
4. Ne pas installer le four dans les lieux où la chaleur, l'humidité ou l'humidité excessive sont générés, ou près de matériaux combustibles.
5. Pour un bon fonctionnement, assurez-vous de laisser un espace suffisant autour du four. Laissez environ 20cm au dessus du four, et 10cm à l'arrière et 5cm sur tous les côtés. Ne pas couvrir ou bloquer les ouvertures sur l'appareil. Ne pas retirer les pieds.
6. Ne pas faire fonctionner le four sans bien installer le plateau en verre, le support tournant et l'entraînement.
7. Assurez-vous que le câble d'alimentation ne soit pas endommagé et ne pas laisser le câble sous le four ou pendre sur toute surface chaude ou tranchante.
8. Assurez-vous que la prise de courant soit accessible.
9. Ne pas utiliser le four à l'extérieur.

MISE A LA TERRE

Cet appareil doit être mis à la terre. Cet appareil est équipé d'un câble ayant un fil de terre avec une fiche de terre. Il doit être branché sur un socle de prise murale qui est bien installé est mise à la terre. En cas de court-circuit, la mise à la terre réduit les risques d'électrocution en permettant au courant électrique de s'échapper par un fil.

Il est recommandé d'utiliser seulement le circuit séparé pour le four à micro-ondes. La haute tension est dangereuse et peut provoquer l'incendie ou tout autre accident/dommage.

AVERTISSEMENT: L'installation incorrecte de la prise de terre peut provoquer les risques du choc électrique.

Remarque:

1. En cas de questions concernant la prise de terre ou le branchement électrique, veuillez consulter un personnel qualifié.
2. Le fabricant et le revendeur ne peuvent pas être tenus responsable de tout dommage ou blessures corporelles résultant de l'inobservation des procédures du raccordement électrique.

Les fils de ce câble sont colorés en conformité avec le code suivant:

Vert et jaune = TERRE

Bleu = NEUTRE

Brun = SOUS TENSION

INTERFERENCES RADIO

Le fonctionnement du four à micro-ondes peut provoquer des interférences avec votre radio, votre téléviseur ou tout autre équipement similaire. Pour réduire ou supprimer les interférences éventuelles, prenez les mesures suivantes :

1. Nettoyez la porte et la surface d'étanchéité du four.
2. Réorientez l'antenne réceptrice de la radio ou du téléviseur.
3. Déplacez le four à micro-ondes par rapport au récepteur.
4. Eloignez le four à micro-ondes du récepteur.
5. Branchez le four à micro-ondes sur une autre prise pour que le four à micro-ondes et le récepteur utilisent des circuits différents.

USTENSILES

1. L'ustensile idéal pour la cuisson à micro-ondes est transparent pour les ondes, il permet d'énergie de pénétrer le récipient et chauffer la nourriture.
2. Les ustensiles en métal ou les plats avec garniture métallique ne doivent pas être utilisés.
3. Ne pas utiliser les produits de papier recyclé lors de la cuisson à micro-ondes, car ils peuvent contenir de petits fragments qui peuvent entraîner des étincelles et/ou des incendies.
4. Il est recommandé d'utiliser les plats ronds/ovales plutôt que ceux carrés/rectangulaires, car la nourriture dans les coins ont tendance à trop cuire.
5. La feuille d'aluminium étroite peut être utilisée pour prévenir la sur cuisson des parties exposées. **Attention:** ne pas utiliser trop et garder une distance de 1 pouce (2.54cm) entre la feuille et la cavité.

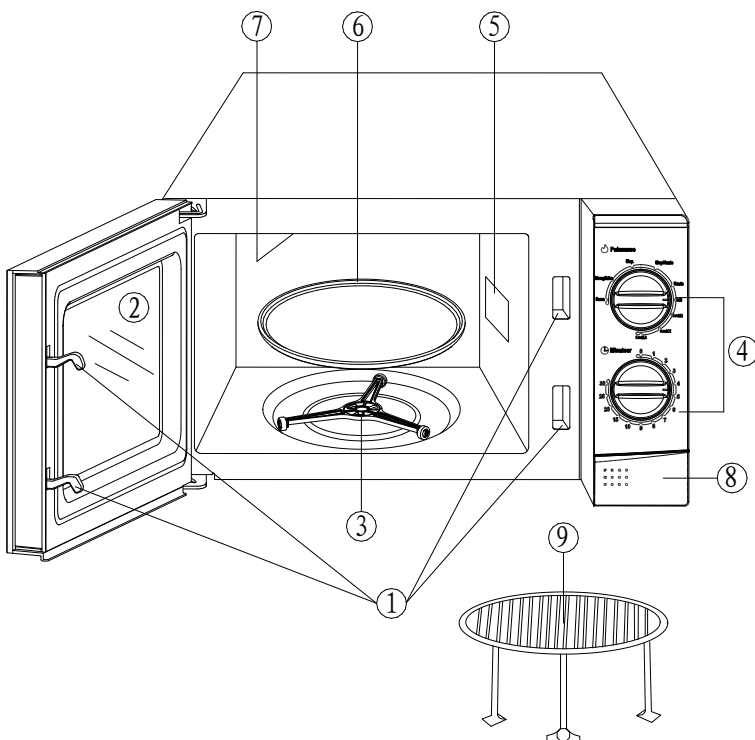
Le tableau suivant est un guide général pour vous aider à sélectionner les ustensiles corrects.

Ustensiles	Micro-ondes	Gril	Cuisson combinée
Verre résistant à la chaleur	Oui	Oui	Oui
Verre non-résistant à la chaleur	Non	Non	Non
Céramiques résistant à la chaleur	Oui	Oui	Oui
Plat plastique adapté à micro-ondes	Oui	Non	Non
Papier de cuisine	Oui	Non	Non
Plateau en métal	Non	Oui	Non
Grille métallique	Non	Oui	Non
Feuille d'aluminium & Conteneurs en feuille	Non	Oui	Non

CONSEILS UTILES

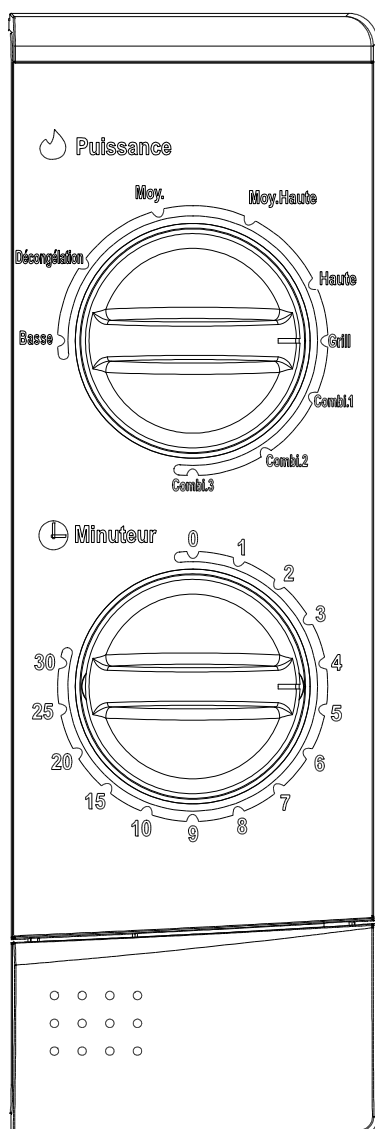
1. Arrangez soigneusement les aliments. Placez les parties les plus épaisses vers l'extérieur du plat.
2. Surveillez le temps de cuisson. Les aliments trop cuits peuvent fumer ou s'enflammer.
3. Couvrez les aliments pendant la cuisson. Les couvertures peuvent éviter les éclaboussures et aider à cuire les aliments uniformément.
4. Tournez les aliments durant la cuisson à micro-ondes pour accélérer la cuisson des aliments comme le poulet et les hamburgers. Les gros articles comme les rôtis doivent être tournés une fois au moins.
5. Réarranger les aliments tels que les boulettes de viande à mi-cuisson pour faire les cuire de haut en bas et du centre du plat vers l'extérieur.

DESCRIPTION DE L'APAREIL



1. Système de verrouillage de sécurité
2. Hublot d'observation
3. Entraîneur du plateau tournant
4. Panneau de commande
5. Guide à micro-ondes
6. Plateau en verre
7. Élément de chauffage (pour le grill)
8. Bouton d'ouverture de la porte
9. Grille métallique

PANNEAU DE COMMANDE



Le panneau de commande se compose de deux boutons réglables: le minuteur et le sélecteur de puissance.

Sélecteur de puissance

Réglez ce sélecteur de puissance pour sélectionner la puissance de cuisson. C'est la première étape pour commencer une séance de cuisine.

Minuteur

Vous pouvez tourner le minuteur en position désirée pour régler le temps de cuisson jusqu'à 30 minutes par séance de cuisson.

Cuisson à micro-ondes

Pour seulement la cuisson à micro-ondes, il y a cinq niveaux de puissance. Vous pouvez augmenter le niveau de puissance en tournant le bouton dans le sens des aiguilles d'une montre. Référez-vous au tableau suivant pour choisir le niveau de puissance.

	Puissance	Description
1	18%	BASSE
2	36%	DECONGELATION
3	58%	MOY.
4	81%	MOY.HAUTE
5	100%	HAUTE

MOY.=Moyenne

Gril

En tournant le bouton dans le sens des aiguilles d'une montre jusqu'à dépasser le plus haut niveau de puissance, le four commencera la fonction de gril; cette fonction est particulièrement utile pour des tranches fines de la viande, des steaks, des côtelettes, des saucisses ou des morceaux de poulet. Il est également adapté pour cuire les sandwichs chauds et des plats des céréales.

Cuisson combinée

Cette fonction combine la puissance de micro-onde avec celle de gril. Il y a trois niveaux différents de réglages combinés comme indiqué dans le tableau suivant. C'est particulièrement adapté pour certains aliments et les opérations culinaires.

Le tableau suivant indique 3 réglages différents de puissance pour les programmes combinés.

Programme	Temps de cuisson à micro-ondes	Temps de cuisson avec gril	Adapté pour
Combi.1	30%	70%	Poissons, pommes de terre, des céréales
Combi.2	49%	51%	Pudding, omelettes, pommes de terre cuites
Combi.3	67%	33%	Volaille

UTILISATION DE L'APPAREIL

Pour commencer une séance de cuisson,

1. Placez l'aliment dans le four et fermez la porte.
2. Réglez le sélecteur de puissance pour sélectionner le niveau de puissance.
3. Tournez le minuteur pour régler le temps de cuisson

Remarque:

Le four à micro-ondes commencera à cuire une fois que le minuteur est bien réglé.

Si le temps de cuisson est moins de 2 minutes, tournez le minuteur dépassé la position de 2 minutes et puis retournez en temps correcte.

ATTENTION: TOUJOURS REGLER LE MINUTEUR EN POSITION ZERO avant de retirer l'aliment du four, lors que le temps de cuisson réglé n'est pas atteint ou lors de non-utilisation. Pour arrêter le fonctionnement durant la cuisson, appuyez sur le bouton d'ouverture ou ouvrez la porte à l'aide de la poignée.

AVANT D'APPELER LE SERVICE APRES VENTE

Si le four ne fonctionne pas:

1. Assurez-vous que le four est bien branché. Si ce n'est pas le cas, retirez la fiche de la prise murale de courant, attendez 10 secondes et rebranchez-la fermement.
2. Vérifiez si le fusible est grillé ou le disjoncteur de circuit déclenche. S'il semble bien, testez la prise en utilisant un autre appareil électrique.
3. Assurez-vous que le panneau de commande est programmé correctement et le minuteur est bien réglé.
4. Assurez-vous que la porte est bien fermée engageant le système de verrouillage. Sinon, l'énergie micro-ondes ne s'écoule pas dans le four.

Si les solutions mentionnées ne vous aident pas, contactez un technicien qualifié. Ne tentez pas de régler ou réparer le four par vous-même.

NETTOYAGE ET ENTRETIEN

1. Eteignez le four et retirez la fiche de la prise murale de courant avant tout nettoyage.
2. L'intérieur du four doit être propre. Lorsque les aliments ou les éclaboussures adhèrent sur les parois du four, essuyez-les avec un chiffon humide. Si le four est très sale, vous pouvez utiliser le détergent doux. Ne pas utiliser le pulvérisateur ou autre produit nettoyant, car il peut tacher; strier, ternir la surface de la porte.
3. Les surfaces extérieures doivent être nettoyées avec un chiffon humide. Afin de ne pas endommager les pièces de fonctionnement à l'intérieur du four, ne pas laisser l'eau s'infiltrer dans les ouvertures de ventilation.
4. Essuyez la porte et la fenêtre sur les deux côtés, les jointes de la porte et les parties adjacentes avec un tissu humide. Ne pas utiliser le nettoyant abrasif,
5. Ne pas mouiller le panneau de commande. Nettoyez-le avec un tissu doux. Lors du nettoyage du panneau de commande, laissez la porte ouverte pour éviter le four d'allumer par hasard.
6. Si la vapeur s'accumule à l'intérieur ou autour de l'extérieur de la porte, essuyez-la avec un chiffon doux. Cela peut se produire lorsque le four à micro-ondes est utilisé dans les conditions d'humidité excessives. C'est normal.
7. Il est parfois nécessaire de retirer le plateau en verre pour le nettoyage. Lavez le plateau dans l'eau chaude savonneuse ou dans un lave-vaisselle.
8. L'entraîneur du plateau tournant et le fond du four doivent être nettoyés régulièrement pour éviter tout bruit excessif. Essuyez seulement le fond du four avec le détergent doux. L'entraîneur du plateau tournant peut être nettoyé dans l'eau savonneuse ou dans un lave-vaisselle. Lorsque vous retirez le plateau tournant de la cavité pour nettoyer, assurez-vous de le refixer en position correcte.
9. Pour éliminer l'odeur dans le four, préparer un verre d'eau avec le jus et la pelure d'un citron dans un bol profond pour cuire à micro-ondes pendant 5 minutes. Ensuite, essuyez et séchez-le complètement avec un chiffon doux.
10. Consultez le revendeur pour le remplacement de la lampe du four.
11. Le four doit être nettoyé régulièrement et tout dépôt alimentaire doit être retiré. Un manque d'entretien du four dans les conditions propres peut entraîner la détérioration de la surface ou affecter l'utilisation de l'appareil.

12. Ne pas jeter l'appareil usagé dans une poubelle domestique. Il doit être éliminé au centre de la disposition particulièrement prévu par les municipalités.
13. Lors de la première utilisation de la fonction du gril, il peut se produire de la fumée et de l'odeur légère. C'est un phénomène normal, car l'huile de graissage brûle. Cela disparaîtra après plusieurs utilisations.

SPECIFICATIONS TECHNIQUES

Mod èle :	MOG001
Tension assignée:	230V~
Fréquence normale:	50Hz
Puissance absorbée:	1200W (Micro-ondes)
	900W (Gril)
Puissance restituée:	700W(Micro-ondes)
Fréquence des ondes:	2450MHz
Dimensions d'emballage:	262mm(H)X453mm(W)X353mm(D)
Dimensions de la cavité:	210mm(H) x315mm(W) x297mm(D)
Capacité du four:	20Litres
L'uniformité de cuisson:	Système du plateau tournant
Poids net:	environ10.5kg

Le fabricant et le revendeur ne peuvent pas être tenus responsable de tout accident ou dommage causé par une utilisation impropre de l'appareil, ou si les instructions données dans le présent manuel n'ont pas été respectées.

ENLEVEMENT DES APPAREILS MENAGERS USAGES



La directive Européenne 2002/96/EC sur les Déchets des Equipements Electriques et Electroniques (DEEE), exige que les appareils ménagers usagés ne soient pas jetés dans le flux normal des déchets municipaux. Les appareils usagés doivent être collectés séparément afin d'optimiser le taux de récupération et le recyclage des matériaux qui les composent et réduire l'impact sur la santé humaine et l'environnement. Le symbole de la *poubelle barrée* est apposé sur tous les produits pour rappeler les obligations de la collecte séparée. Les consommateurs devront contacter les autorités locales ou leur revendeur concernant la démarche à suivre pour l'enlèvement de leur appareil.