

EN

English

MWX 222.1 X

## Contents

### Installation, 2-6

Installation and connection  
Built-in furniture  
Prepare the Cabinet  
Install the oven  
Turntable Installation

### Setting up your oven, 7

Overall view  
Names of Oven Parts and Accessories

### Start-up and use, 8-10

Operation instruction

### Important safety instructions, 11-14

### Utensils, 15-16

Utensil Test  
Materials you can use in microwave oven  
Materials to be avoided in microwave oven

### Maintenance and care, 17

Cleaning

### Troubleshooting, 18

### Assistance, 19

EN

! Read these instructions carefully before using your microwave oven, and keep it carefully.

If you follow the instructions, your oven will provide you with many years of good service.

## ! SAVE THESE INSTRUCTIONS CAREFULLY

### PRECAUTIONS TO AVOID POSSIBLE EXPOSURE TO EXCESSIVE MICROWAVE ENERGY

- a) Do not attempt to operate this oven with the door open since this can result in harmful exposure to microwave energy. It is important not to break or tamper with the safety interlocks.
- (b) Do not place any object between the oven front face and the door or allow soil or cleaner residue to accumulate on sealing surfaces.
- (c) **WARNING:** If the door or door seals are damaged, the oven must not be operated until it has been repaired by a competent person.
- (d) **WARNING:** Ensure that the appliance is switched off before replacing the lamp to avoid the possibility of electric shock.
- (e) Accessible parts may become hot during use. Young children should be kept away.
- (f) Steam cleaner is not to be used.
- (g) Surface of a storage drawer can get hot.
- (h) Do not use harsh abrasive cleaners or sharp metal scrapers to clean the oven door glass since they can scratch the surface, which may result in shattering of the glass.
- (i) This appliance can be used by children aged from 8 years and above and persons with reduced physical, sensory or mental capabilities or lack of experience and knowledge if they have been given supervision or instruction concerning use of the appliance in a safe way and understand the hazards involved. Children shall not play with the appliance. Cleaning and user maintenance shall not be made by children unless they are older than 8 and supervised.

### ADDENDUM

If the apparatus is not maintained in a good state of cleanliness, its surface could be degraded and affect the lifespan of the apparatus and lead to a dangerous situation.

## Installation and connection

This appliance is only intended for domestic use.

2. This oven is intended for built-in use only. It is not intended for counter-top use or for use inside a cupboard.
3. Please observe the special installation instructions.
4. The appliance can be installed in a 60cm wide wallmounted cupboard (at least 55cm deep and 85cm off the floor).
5. The appliance is fitted with a plug and must only be connected to a properly installed earthed socket.
6. The mains voltage must correspond to the voltage specified on the rating plate.
7. The socket must be installed and connecting cable must only be replaced by a qualified electrician. If the plug is no longer accessible following installation, an all-pole disconnecting device must be present on the installation side with a contact gap of at least 3mm.
8. Adapters, multi-way multi-way strips and extension leads must not be used. Overloading can result in a risk of fire. Questo forno a microonde è dotato di un moderno sistema di controllo elettronico per regolare al meglio i parametri di cottura in base alle esigenze dell'utente.

The accessible surface may be hot during operation.



## Please Read the Manual Carefully Before Installation.

### Please Note

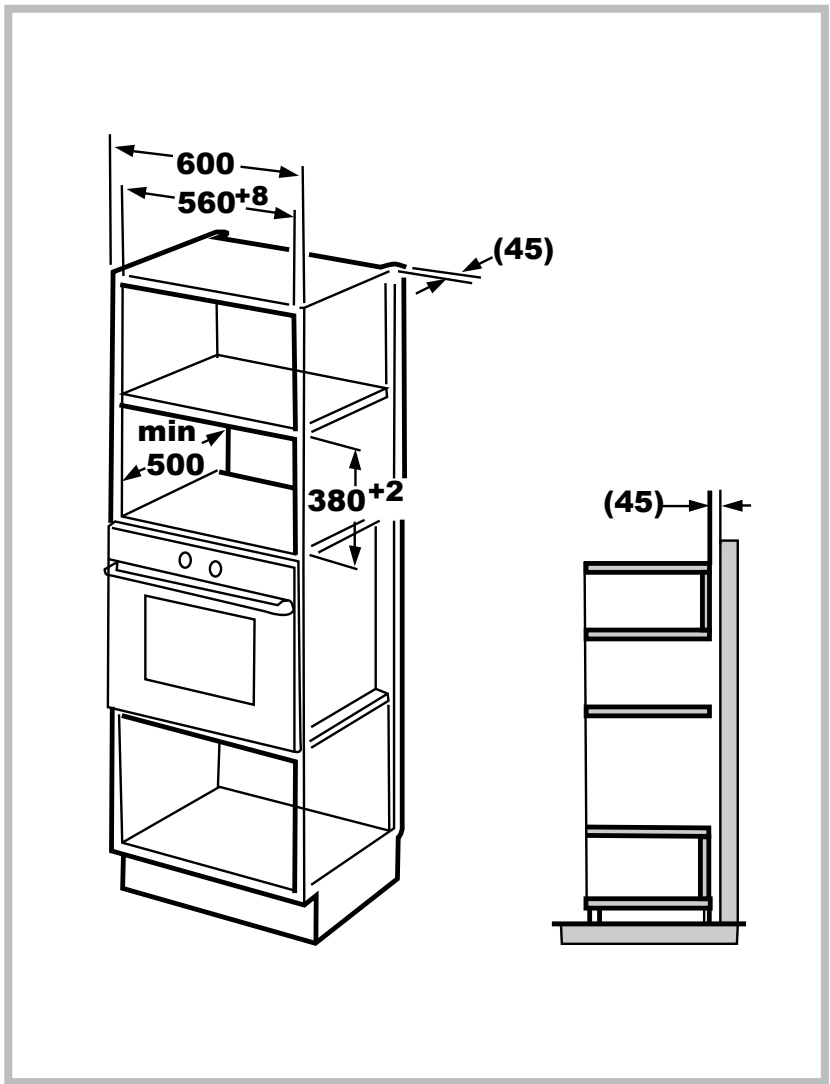
#### Electrical connection

- The oven is fitted with a plug and must be only connected to a properly installed earthed socket. In accordance with the appropriate regulations, the socket must only be installed and the connecting cable must only be replaced by a qualified electrician. If the plug is no longer accessible following installation and all-pole isolating switch must be present on the installation side with a contact gap at least 3mm.

### A. Built-in furniture

The built-in cabinet shall not have a rear wall behind the appliance.

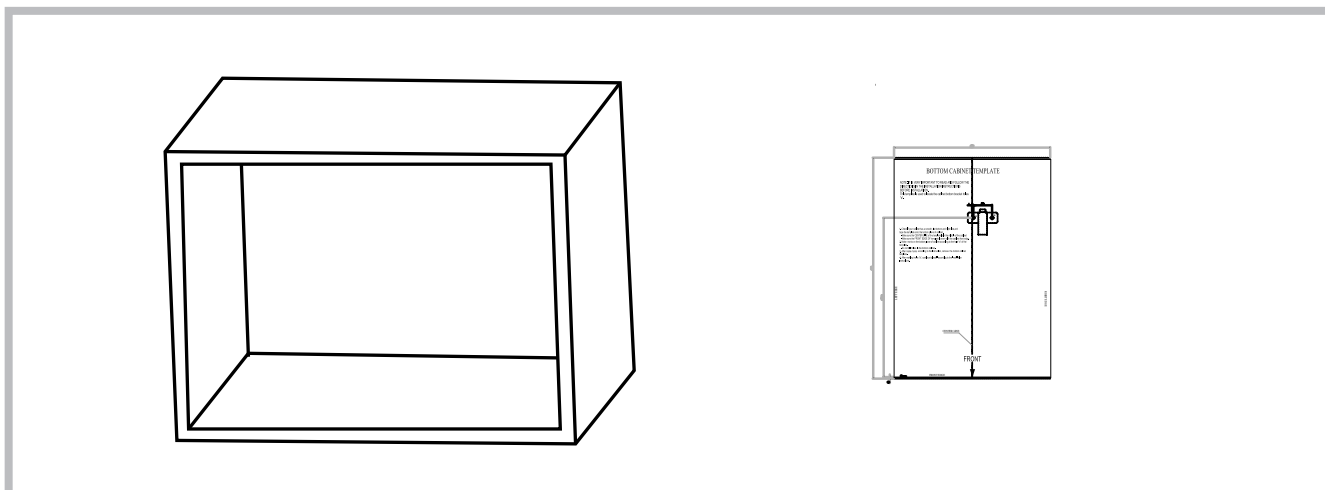
Minimum installation height is 85cm.  
Do not cover ventilation slots and air intake points.



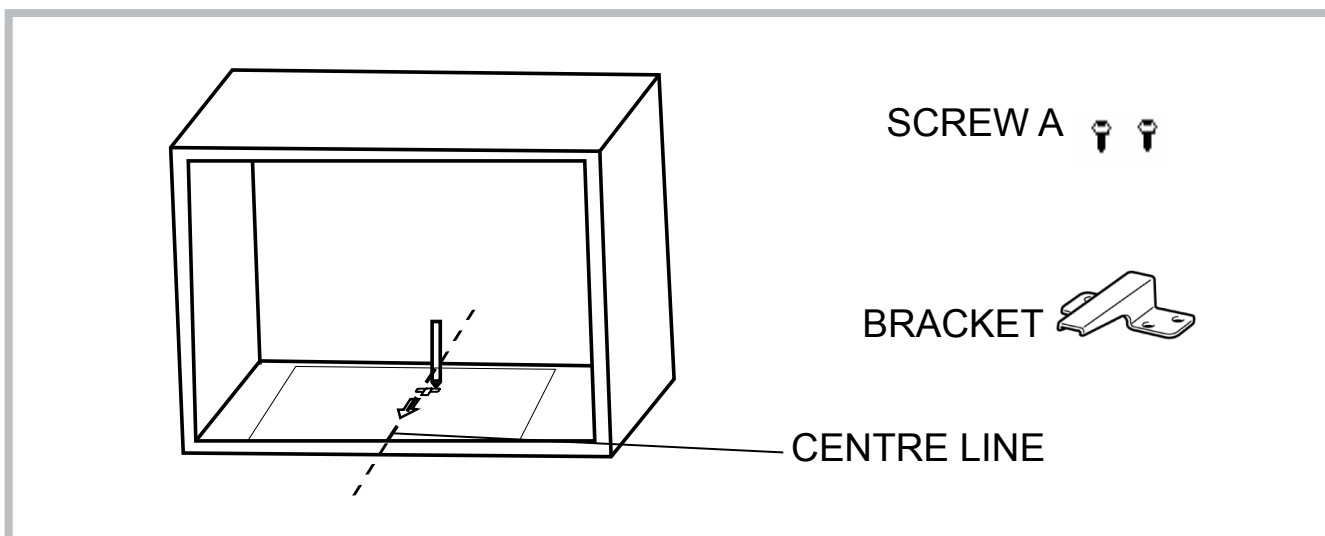
# Installation

EN

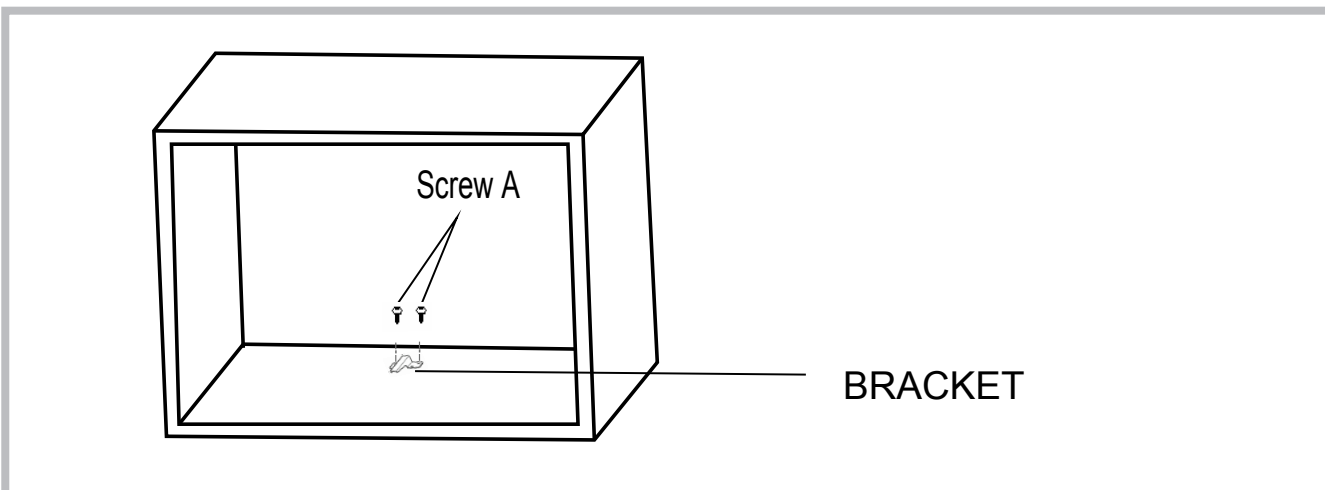
## B. Prepare the Cabinet



1. Read the instruction on the **BOTTOM CABINET TEMPLATE**, put the template on the bottom plane of cabinet.

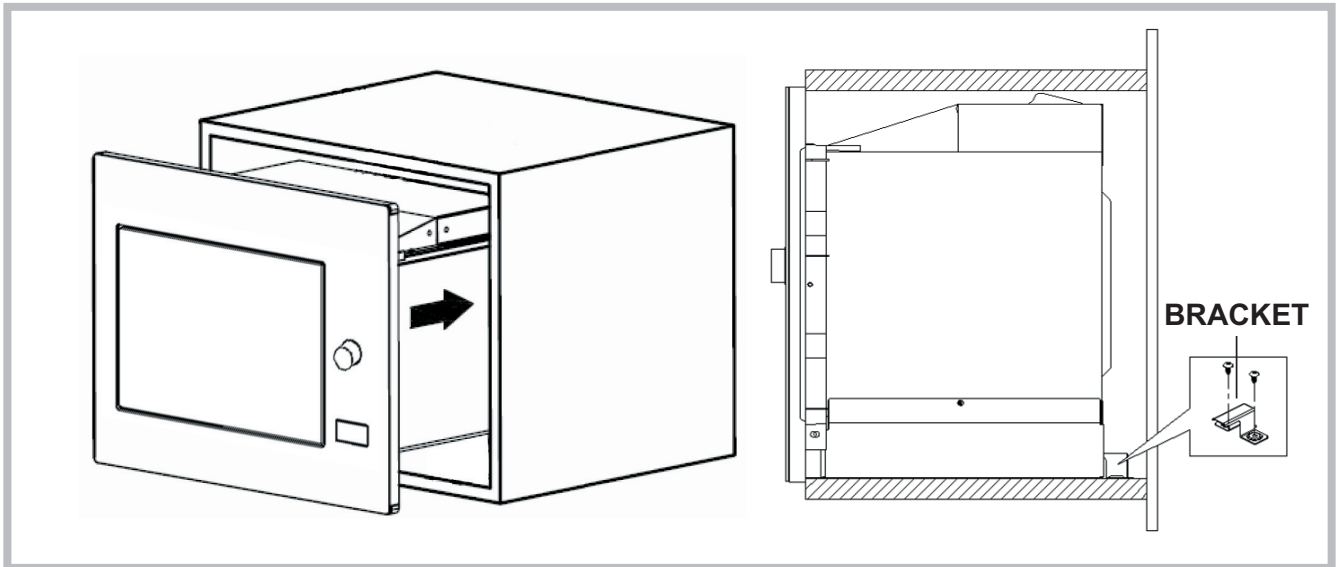


2. Make marks on the bottom plane of cabinet according to marks "a" of the template.



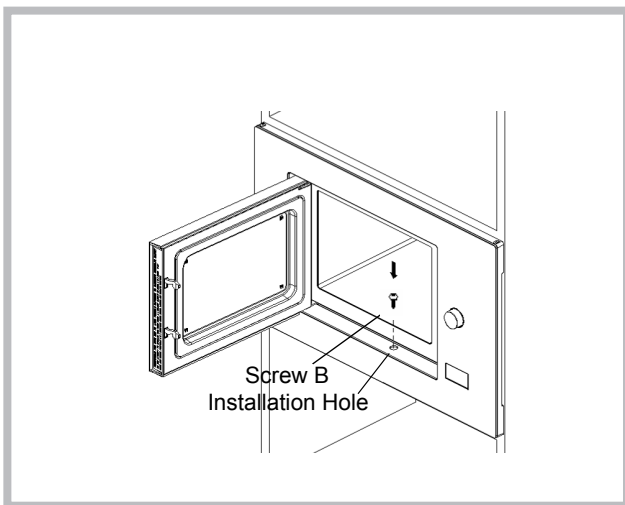
3. Remove the **BOTTOM CABINET TEMPLATE**, and fix the **BOTTOM BRACKETS** with **SCREW A**.

### C. Install the oven



4. Install the oven into the cabinet.

- Make sure the back of the oven is locked by bracket.
- Do not trap or kink the power cord.




5. Open the door, fix the oven to the cabinet with Screw B, at the installation hole.

# Installation

EN

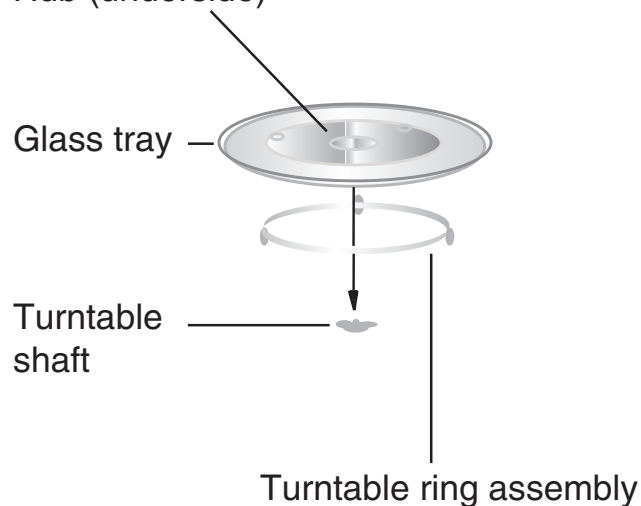
## Specifications

<b>Model:</b>	<b>MWX 222.1 X</b>
Rated Voltage:	240V~50Hz
Rated Input Power (Microwave):	1450W
Rated Output Power (Microwave):	900W
Rated Input Power (Grill):	1000W
Oven Capacity:	25L
Turntable Diameter:	ø 315mm
External Dimensions:	594x410x388mm
Net Weight:	Approx. 19.7 kg
	This appliance conforms to the following European Economic Community directives: 2006/95/EEC dated 12/12/06 (Low Voltage) and subsequent amendments 2004/108/EEC dated 15/12/04 (Electromagnetic Compatibility) and subsequent amendments 93/68/EEC dated 22/07/93 and subsequent amendments 2012/19/EEC and subsequent amendments. 1275/2008 standby/off mode.

## Turntable Installation

- Never place the enamel tray upside down. The enamel tray should never be restricted.
- Both glass tray and turntable ring assembly must always be used during cooking.
- All food and containers of food are always placed on the enamel tray for cooking.
- If enamel tray cracks or breaks, contact your nearest authorized service center.

### Hub (underside)

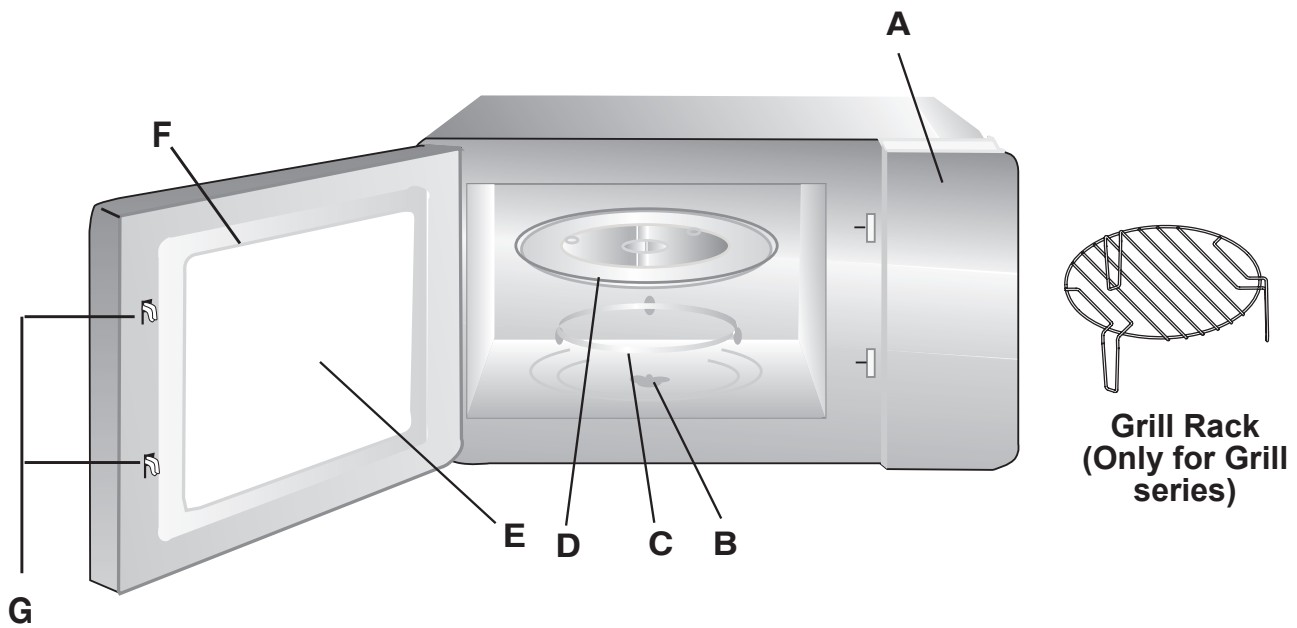


## Names of Oven Parts and Accessories

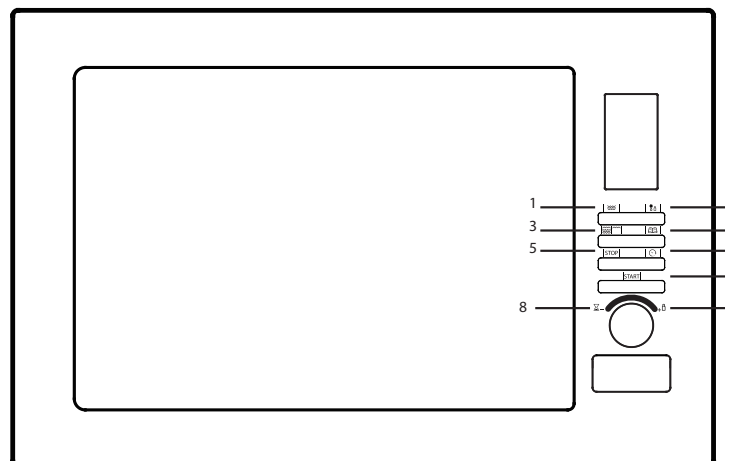
Remove the oven and all materials from the carton and oven cavity. Your oven comes with the following accessories:

- Enamel Tray 1
- Turntable ring assembly 1
- Instruction Manual 1

- A) Control panel
- B) Turntable shaft
- C) Turntable ring assembly
- D) Glass tray
- E) Observation window
- F) Door assembly
- G) Safety interlock system



## User Interface



- 1) Microwave
- 2) Defrost
- 3) Grill/Combi
- 4) Auto-menu
- 5) Stop/ Clear
- 6) Clock
- 7) OK/ Start
- 8) Time (-)
- 9. Weight (+)
- 10. Door opening button

## Operation instruction

This microwave oven uses modern electronic control to adjust cooking parameters to meet your needs better for cooking.

### 1. Clock Setting

When the microwave oven is electrified, “0:00” will blink, buzzer will ring once.

- 1) Press “” once. “00:00” displays.
- 2) Turn “” to adjust the hour figures, the input time should be within 0--23 (24-hour).
- 3) Press “”, the minute figures will flash.
- 4) Turn “” to adjust the minute figures, the input time should be within 0--59.
- 5) Press “” to finish clock setting. “:” will flash.

**Note:**

- 1) If the clock is not set, it would not function when powered.
- 2) During the process of clock setting, if you press “STOP”, the oven will go back to the previous status automatically.

### 2. Microwave Cooking

Press “” the LED will display “900”.

Press “” for times or turn “” to choose the power you want, and “900”, “720”, “450”, “270” or “90” will display for each added press.

Then press “START” to confirm, and turn “” to set cooking time from 0:05 to 95:00. Press “START” again to start cooking.

**Example:**

If you want to use 720W microwave power to cook for 20 minutes, you can operate the oven as the following steps.

- 1) Press “” once, the screen display “900”.
- 2) Press “” once again or turn “” to choose 720W microwave power.
- 3) Press “START” to confirm, and the screen displays “720”.
- 4) Turn “” to adjust the cooking time until the oven displays “20:00”.

- 5) Press “START” to start cooking.

**Note:**

the step quantities for the adjustment time of the coding switch are as follow:

0---1 min	5 seconds
1---5 min	10 seconds
5---10 min	30 seconds
10---30 min	1 minute
30---95 min	5 minutes

MW Pad Instructions Order	Display	Microwave Power	Suitable for
1	900	900 W	Defrosting delicate foods
2	720	720 W	Defrosting and continued cooking
3	450	450 W	Cooking meat and heating delicate foods
4	270	270 W	Heating and cooking food
5	90	90 W	Heating liquids

### 3. Grill or Combi. Cooking

Press “ ” the LED will display “G”, and

press “ ” for times or turn the “” to choose the power you want, and “G”, “C-1”, “C-2”, will display for each added press. Then press “START”

to confirm, and turn “” to set cooking time from 0:05 to 95:00. Press “START” again to start cooking.

**Example:**

If you want to use 55% microwave power and 45% grill power (C-1) to cook for 10 minutes, you can operate the oven as the following steps.

- 1) Press “ ” once, the screen display “G”.
- 2) Press “ ” once again or turn “” to choose combi. 1 mode, and the screen displays “C-1”, the grill and microwave icons will light.
- 3) Press “START” to confirm.
- 4) Turn “” to adjust the cooking time until the oven displays “10:00”
- 5) Press “START” to start cooking.





“Grill/Combi.” Order	Pad Instructions Display	Microwave Power	Grill Power
1	G	0%	100%
2	C-1	55%	45%
3	C-2	36%	64%

**Note:** If half the grill time passes, the oven sounds twice, and this is normal. In order to have a better effect of grilling food, you should turn the food over, close the door, and then press “**START**” to continue cooking. If no operation, the oven will continue working.




#### 4. Speed Cooking

In waiting state, turn “” to set cooking time with 100% microwave power, then press “**START**” to start cooking.

#### 5. Defrost By Weight



- 1) Press “” once, and the microwave and defrosting icons will light.
- 2) Turn “” to select the weight of food from 100 to 2000 g.
- 3) Press “**START**” to start defrosting, and the microwave and defrosting icons will flash.

#### 6. Auto Menu

- 1) Press “” to set auto menu function.  
Turn “” to choose the different menu, “A-1” to “A-8” will display. And the microwave icon, “**Auto**” and the food selected will light in screen.
- 2) Press “**START**” to confirm.
- 3) Turn “” to choose the preset weight. Refer to the “The menu chart”.
- 4) Press “**START**” to start cooking.

#### Example:

If you want to use “” to cook fish for 350g.

- 1) Press “” till “**A-6**” displays.
- 2) Press “**START**” to confirm.
- 3) Turn “” to select the weight of fish till “350” displays.

- 4) Press “**START**” to start cooking.

#### Tabella Menu Automatico:

Menu	Weight	Display	Time
A-1 Pizza	200 g	200	1'20"
	400 g	400	2'30"
A-2 Meat	250 g	250	4'00"
	350 g	350	5'30"
	450 g	450	6'50"
A-3 Vegetables	200 g	200	2'50"
	300 g	300	4'10"
	400 g	400	5'30"
A-4 Pasta	50 g (with 450 ml cold water)	50	17'00"
	100 g (with 800 ml cold water)	100	20'00"
A-5 Potato	200 g	200	4'40"
	400 g	400	7'30"
	600 g	600	9'10"
A-6 Fish	250 g	250	4'20"
	350 g	350	6'00"
	450 g	450	7'30"
A-7 Beverage	1 cup (120 ml)	1	1'00"
	2 cups (240 ml)	2	1'50"
	3 cups (360 ml)	3	2'40"
A-8 Popcorn	50 g	50	1'20"
	100 g	100	2'10"

# Start-up and use

EN







## 7. Multi-Stage Cooking

Two stages can be maximally set. If one stages is defrosting, it should be put in the first stage. The buzzer will ring once after each stage and the next stage will begin.



**Note:** Auto menu cannot be set as one of the multi-stage.

### Esempio:

If you want to defrost 200 gr of food, then to cook with 720W microwave power for 7 minutes. The steps are as following:



- 1) Press “” once, and the microwave and defrosting icons will light.
- 2) Turn “” to select the food weight till “200” displays.
- 3) Press “” the LED will display “900” and the microwave icon will light.
- 4) Repeatedly press “” or turn “” until “720” displays.
- 5) Press “**START**” to confirm.
- 6) Turn “” to adjust the cooking time till the oven displays “7:00”.
- 7) Press “**START**” to start cooking, and buzzer will sound once for the first section, defrosting time counts down; buzzer will sound once again entering the second cooking. When multi-section cooking finishes, buzzer sounds five times.

## 8. Inquiring Function

- 1) In states of microwave, grill and combination cooking, press “”, the current power will be displayed for 3 seconds. After 3 seconds, the oven will turn back to the former state.
- 2) In cooking state, press “” to inquire the time and the time will display for 3 seconds.

## 9. Lock-out Function for Children

### Lock:

In waiting state, press “**STOP**” for 3 seconds, there will be a long “beep” denoting entering into the children-lock state and “” indicator will light. LED will display current time or .

### Lock quitting:

In locked state, press “**STOP**” for 3 seconds, there will be a long “beep” denoting that the lock is released, and “” indicator will disappear.

## IMPORTANT SAFETY INSTRUCTIONS

### WARNING

To reduce the risk of fire, electric shock, injury to persons or exposure to excessive microwave oven energy when using your appliance, follow basic precautions, including the following:

1. Warning: Liquids and other foods must not be heated in sealed containers since they are liable to explode.
2. Warning: It is hazardous for anyone other than a competent person to carry out any service or repair operation that involves the removal of a cover which gives protection against exposure to microwave energy.
3. Warning: Only allow children to use the oven without supervision when adequate instructions have been given so that the child is able to use the oven in a safe way and understand the hazards of improper use.
4. Warning: When the appliance is operated in the combination mode, children should only use the oven under adult supervision due to the temperatures generated. (only for grill series) .
5. Only use utensils suitable for use in microwave ovens.
6. The oven should be cleaned regularly and any food deposits should be removed.
7. Read and follow the specific: "PRECAUTIONS TO AVOID POSSIBLE EXPOSURE TO EXCESSIVE MICROWAVE ENERGY".
8. When heating food in plastic or paper containers, keep an eye on the oven due to the possibility of ignition.
9. If smoke is observed, switch off or unplug the appliance and keep the door closed in order to stifle any flames.
10. Do not overcook food.
11. Do not use the oven cavity for storage purposes. Do not store items, such as bread, cookies, etc. inside the oven.
12. Remove wire twist -ties and metal handles from paper or plastic containers/bags before placing them in the oven.
13. Install or locate this oven only in accordance with the installation instructions provided.
14. Eggs in the shell and whole hard-boiled eggs should not be heated in microwave ovens since they may explode, even after microwave heating has ended.
15. Use this appliance only for its intended uses as described in manual. Do not use corrosive chemicals or vapors in this appliance. This oven is especially designed to heat. It is not designed for industrial or laboratory use.

# Important safety instructions

EN

16. If the supply cord is damaged, it must be replaced by the manufacturer, its service agent or similarly qualified persons in order to avoid a hazard.
17. Do not store or use this appliance outdoors.
18. Do not use this oven near water, in a wet basement or near a swimming pool.
19. The temperature of accessible surfaces may be high when the appliance is operating. The surfaces are liable to get hot during use. Keep cord away from heated surface, and do not cover any events on the oven.
20. Do not let cord hang over edge of table or counter.
21. Failure to maintain the oven in a clean condition could lead to deterioration of the surface that could adversely affect the life of the appliance and possibly result in a hazardous situation.
22. The contents of feeding bottles and baby food jars shall be stirred or shaken and the temperature checked before consumption, in order to avoid burns.
23. Microwave heating of beverages can result in delayed eruptive boiling, therefore care must be taken when handling the container.
24. The appliance is not intended for use by persons (including children) with reduced physical, sensory or mental capabilities, or lack of experience and knowledge, unless they have been given supervision or instruction concerning use of the appliance by a person responsible for their safety.
25. Children should be supervised to ensure that they do not play with the appliance.
26. The microwave oven shall not be placed in a cabinet unless it has been tested in a cabinet.
27. The appliances are not intended to be operated by means of an external timer or separate remote-control system.
28. Surface of a storage drawer can get hot.
29. During use the appliance becomes hot. Care should be taken to avoid touching heating elements inside the oven.
30. Only use the temperature probe recommended for this oven. (for ovens provided with a facility to use a temperature-sensing probe.)
31. During the first use there is a particular smell due to production oils to protect some components.

# Important safety instructions

EN

32. Keep the appliance and its cord out of reach of children less than 8 years.
33. This appliance is intended to be used in household and similar applications such as:
  - staff kitchen areas in shops, offices and other working environments;
  - by clients in hotels, motels and other residential type environments;
  - farm houses;
  - bed and breakfast type environments.
34. **WARNING:** The appliance and its accessible parts become hot during use. Care should be taken to avoid touching heating elements. Children less than 8 years of age shall be kept away unless continuously supervised.

READ CAREFULLY AND KEEP FOR FUTURE REFERENCE

# Important safety instructions

EN

## DANGER

Electric Shock Hazard Touching some of the internal components can cause serious personal injury or death. Do not disassemble this appliance.

## WARNING

Electric Shock Hazard Improper use of the grounding can result in electric shock. Do not plug into an outlet until appliance is properly installed and grounded.

This appliance must be grounded. In the event of an electrical short circuit, grounding reduces the risk of electric shock by providing an escape wire for the electric current.

This appliance is equipped with a cord having a grounding wire with a grounding plug. The plug must be plugged into an outlet that is properly installed and grounded.

Consult a qualified electrician or serviceman if the grounding instructions are not completely understood or if doubt exists as to whether the appliance is properly grounded. If it is necessary to use an extension cord, use only a 3-wire extension cord.

- 1) A short power-supply cord is provided to reduce the risks resulting from becoming entangled in or tripping over a longer cord.
- 2) If a long cord set or extension cord is used:
  - 1) The marked electrical rating of the cord set or extension cord should be at least as great as the electrical rating of the appliance.
  - 2) The extension cord must be a grounding type 3-wire cord.
  - 3) The long cord should be arranged so that it will not drape over the counter top or tabletop where it can be pulled on by children or tripped over unintentionally.

## CAUTION

### Personal Injury Hazard

It is hazardous for anyone other than a competent person to carry out any service or repair operation that involves the removal of a cover which gives protection against exposure to microwave energy.

## Disposal

- When disposing of packaging material: observe local legislation so that the packaging may be reused.
- The European Directive 2012/19/EEC on Waste Electrical and Electronic Equipment (WEEE), requires that old household electrical appliances must not be disposed of in the normal unsorted municipal waste stream. Old appliances must be collected separately in order to optimise the recovery and recycling of the materials they contain and reduce the impact on human health and the environment. The crossed out “wheeled bin” symbol on the product reminds you of your obligation, that when you dispose of the appliance it must be separately collected. Consumers may take their old appliance to public waste collection areas, other communal collection areas, or if national legislation allows return it to a retailer when purchasing a similar new product. All major household appliance manufacturers are active in the creation of systems to manage the collection and disposal of old appliances.

See the instructions on “Materials you can use in microwave oven or to be avoided in microwave oven.”

There may be certain non-metallic utensils that are not safe to use for microwaving. If in doubt, you can test the utensil in question following the procedure below.

### Utensil Test:

- 1) Fill a microwave-safe container with 1 cup of cold water (250ml) along with the utensil in question.
- 2) Cook on maximum power for 1 minute.
- 3) Carefully feel the utensil. If the empty utensil is warm, do not use it for microwave cooking.
- 4) **Do not exceed 1 minute cooking time.**

### Materials you can use in microwave oven

Utensils	Remarks
Aluminum foil	Shielding only. Small smooth pieces can be used to cover thin parts of meat or poultry to prevent overcooking. Arcing can occur if foil is too close to oven walls. The foil should be at least 1 inch (2.5cm) away from oven walls.
Browning dish	Follow manufacturer's instructions. The bottom of browning dish must be at least 3/16 inch (5mm) above the turntable. Incorrect usage may cause the turntable to break.
Dinnerware	Microwave-safe only. Follow manufacturer's instructions. Do not use cracked or chipped dishes.
Glass jars	Always remove lid. Use only to heat food until just warm. Most glass jars are not heat resistant and may break.
Glassware	Heat-resistant oven glassware only. Make sure there is no metallic trim. Do not use cracked or chipped dishes.
Oven cooking bags	Follow manufacturer's instructions. Do not close with metal tie. Make slits to allow steam to escape.
Paper plates and cups	Use for short-term cooking/warming only. Do not leave oven unattended while cooking.
Paper towels	Use to cover food for reheating and absorbing fat. Use with supervision for a short-term cooking only.
Parchment paper	Use as a cover to prevent splattering or a wrap for steaming.
Plastic	Microwave-safe only. Follow the manufacturer's instructions. Should be labeled "Microwave Safe". Some plastic containers soften, as the food inside gets hot. "Boiling bags" and tightly closed plastic bags should be slit, pierced or vented as directed by package.
Plastic wrap	Microwave-safe only. Use to cover food during cooking to retain moisture. Do not allow plastic wrap to touch food.
Thermometers	Microwave-safe only (meat and candy thermometers).
Wax paper	Use as a cover to prevent splattering and retain moisture.

# Utensils

EN

## Materials to be avoided in microwave oven

Utensils	Remarks
Aluminum tray	May cause arcing. Transfer food into microwave-safe dish.
Food carton with metal handle	May cause arcing. Transfer food into microwave-safe dish.
Metal or metal-trimmed utensils	Metal shields the food from microwave energy. Metal trim may cause arcing.
Metal twist ties	May cause arcing and could cause a fire in the oven.
Paper bags	May cause a fire in the oven.
Plastic foam	Plastic foam may melt or contaminate the liquid inside when exposed to high temperature.
Wood	Wood will dry out when used in the microwave oven and may split or crack.



## Cleaning

EN

Be sure to unplug the appliance from the power supply.

- 1) Clean the inside of the oven after using with a slightly damp cloth.
- 2) Clean the accessories in the usual way in soapy water.
- 3) The door frame and seal and neighboring parts must be cleaned carefully with a damp cloth when they are dirty.
4. Do not use harsh abrasive cleaners or sharp metal scrapers to clean the oven door glass since they can scratch the surface, which may result in shattering of the glass.
5. Cleaning Tip---For easier cleaning of the cavity walls that the food cooked can touch: Place half a lemon in a bowl, add 300ml (1/2 pint) water and heat on 100% microwave power for 10 minutes.  
Wipe the oven clean using a soft, dry cloth.

## Problem

**Microwave oven interfering TV reception**

**Dim oven light.**

**Steam accumulating on door, hot air out of vents.**

**Oven started accidentally with no food in.**

**Oven can not be started.**

**Oven does not heat.**

**Glass turntable makes noise when microwave oven operates**

**There are sparks coming from the appliance.**

## Possible causes/Remedy

- Radio and TV reception may be interfered when microwave oven operating. It is similar to the interference of small electrical appliances, like mixer, vacuum cleaner, and electric fan. It is normal.
- In low power microwave cooking, oven light may become dim. It is normal.
- In cooking, steam may come out of food. Most will get out from vents. But some may accumulate on cool place like oven door. It is normal.
- It is forbidden to run the unit without any food inside. It is very dangerous.
- Power cord not plugged in tightly. Unplug. Then plug again after 10 seconds.
- Fuse blowing or circuit breaker works. Replace fuse or reset circuit breaker (repaired by professional personnel of our company).
- Test outlet with other electrical appliances.
- Door not closed well. Close door well.
- Dirty roller rest and oven bottom. Refer to "Maintenance of Microwave" to clean dirty parts.
- Clean the appliance thoroughly; remove any traces of grease, bits of food, etc. Make sure that are no metal abjects close to the oven walls. Never use metal abjects with the shelf. Never operate your oven when it is empty.

**Before contacting the After Sales Service:**

- make sure you can't fix the anomaly yourself;
- if you can't, contact an authorized Technical Assistance Service.

! Never engage non-authorized technicians.

**Report:**

- the type of anomaly;
- the oven model (Mod.);
- the serial number (S/N).

This information is on the ratings plate on the Microwave Oven.

