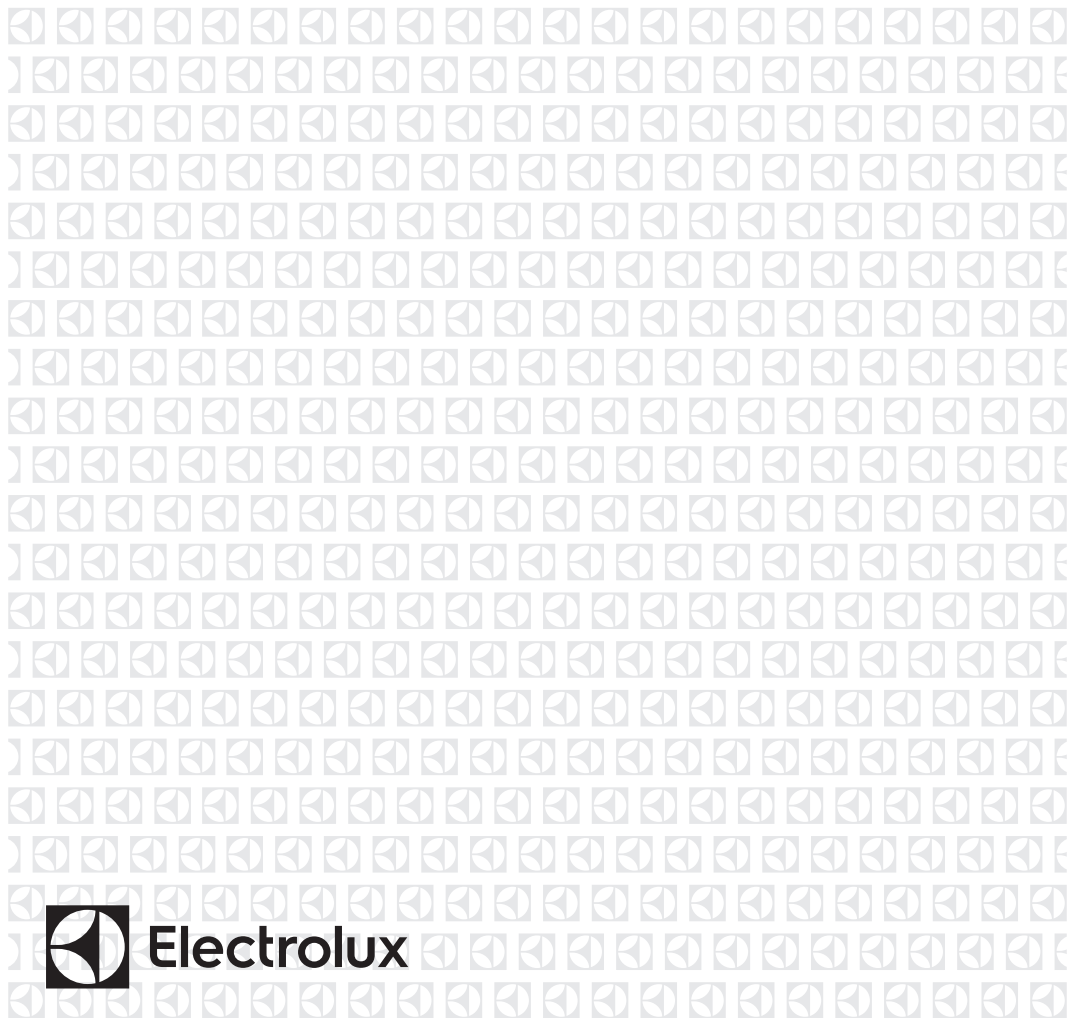




EN Wine Cellar
FR Cave A Vin
SV Vinkyl

User manual 2
Manuel d'utilisation 14
Bruksanvisning 26



Electrolux

CONTENTS

1. SAFETY INFORMATION	3
2. SAFETY INSTRUCTIONS	4
3. ENVIRONMENTAL CONCERNS.....	5
4. PRODUCT DESCRIPTION	6
5. CONTROL PANEL	6
6. DAILY USE.....	7
7. INSTALLATION.....	10
8. CARE AND MAINTENANCE.....	13
9. TROUBLE SHOOTING GUIDE.....	14

WE'RE THINKING OF YOU

Thank you for purchasing an Electrolux appliance. You've chosen a product that brings with it decades of professional experience and innovation. Ingenious and stylish, it has been designed with you in mind. So whenever you use it, you can be safe in the knowledge that you'll get great results every time.

Welcome to Electrolux.

Visit our website for:



Get usage advice, brochures, trouble shooter, service information:
www.electrolux.com



Register your product for better service:
www.electrolux.com/productregistration



Buy Accessories, Consumables and Original spare parts for your appliance:
www.electrolux.com/shop

CUSTOMER CARE AND SERVICE

We recommend the use of original spare parts.

When contacting Service, ensure that you have the following data available.
The information can be found on the rating plate. Model, PNC, Serial Number



Warning / Caution-Safety information.



General information and tips



Environmental information.

Subject to change without notice.

1. SAFETY INFORMATION

Before the installation and use of the appliance, carefully read the supplied instructions. The manufacturer is not responsible if an incorrect installation and use causes injuries and damages. Always keep the instructions with the appliance for future reference.

1.1 Children and vulnerable people safety

- This appliance can be used by children aged from 8 years and above and persons with reduced physical, sensory or mental capabilities or lack of experience and knowledge if they have been given supervision or instruction concerning use of the appliance in a safe way and understand the hazards involved.
- Do not let children play with the appliance.
- Keep all packaging away from children.
- Cleaning and user maintenance shall not be made by children without supervision.

1.2 General Safety

- This appliance is intended to be used in household and similar applications such as:
 - Farm houses; staff kitchen areas in shops, offices and other working environments
 - By clients in hotels, motels, bed and breakfast and other residential type environments
- Use this appliance for storage of wine only.
- Keep ventilation openings, in the appliance enclosure or in the built-in structure, clear of obstruction.
- Do not use mechanical devices or other means to accelerate the defrosting process, other than those recommended by the manufacturer.
- Do not damage the refrigerant circuit.
- Do not use electrical appliances inside the food storage compartments of the appliance, unless they are of the type recommended by the manufacturer.

- Do not use water spray and steam to clean the appliance.
- Clean the appliance with a moist soft cloth. Only use neutral detergents. Do not use abrasive products, abrasive cleaning pads, solvents or metal objects.
- Do not store explosive substances such as aerosol cans with a flammable propellant in this appliance.
- If the supply cord is damaged, it must be replaced by the manufacturer, its service agent or similarly qualified persons in order to avoid a hazard.

2. SAFETY INSTRUCTIONS

2.1 Installation



Warning! Only a qualified person must install this appliance.

- Remove all the packaging.
- Do not install or use a damaged appliance.
- Obey the installation instruction supplied with the appliance.
- Always be careful when you move the appliance because it is heavy. Always wear safety gloves.
- Make sure the air can circulate around the appliance.
- Wait at least 4 hours before connecting the appliance to the power supply. This is to allow the oil to flow back in the compressor.
- Do not install the appliance close to radiators or cookers, oven or hobs. The rear of the appliance must stand against the wall.
- Do not install the appliance where there is direct sunlight.
- Do not install this appliance in areas that are too humid or too colds, such as the construction appendices, garages or wine cellars.
- When you move the appliance, lift it by the front edge to avoid scratching the floor.

2.2 Electrical connection



Warning! Risk of fire and electrical shock.

- The appliance must be earthed.
- All electrical connections should be made by a qualified electrician.
- Make sure that the electrical information on the rating plate agrees with the power supply. If not contact an electrician.
- Always use a correctly installed shockproof socket.
- Do not use multi-plug adapters and extension cables.
- Make sure not to cause damage to the electrical components (e.g. mains plug, mains cable, compressor). Contact the Service or an electrician to change the electrical components.
- The mains cable must stay below the level of the mains plug.
- Connect the mains plug to the mains socket only at the end of the installation. Make sure that there is access to the mains plug after the installation.
- Do not pull the mains cable to disconnect the appliance. Always pull the mains plug.

2.3 Use



Warning! Risk of fire and electrical shock or fire.

- Do not change the specification of this appliance.
- Do not put electrical appliances (e.g. ice cream makers) in the appliance unless they are stated applicable by the manufacturer.
- Be careful not to cause damage to the refrigerant circuit. It contains isobutane (R600a), a natural gas with a high level of environmental compatibility. This gas is flammable.
- If damage occurs to the refrigerant circuit, make sure that there are no flames and sources of ignition in the room. Ventilate the room.
- Do not let hot items to touch the plastic parts of the appliance.
- Do not store flammable gas and liquid in the appliance.
- Do not put flammable products or items that are wet with flammable products in, near or on the appliance.
- Do not touch the compressor or the condenser. They are hot.

2.4 Care and cleaning



Warning! Risk of injury or damage to the appliance.

- Before maintenance, deactivate the appliance and disconnect the mains plug from the mains socket.
- This appliance contains hydrocarbons in the cooling unit. Only a qualified person must do the maintenance and the recharging of the unit.
- Regularly examine the drain of the appliance and if necessary, clean it. If the drain is blocked, defrosted water collects in the bottom of the appliance.


2.5 Disposal




Warning! Risk of injury or suffocation.

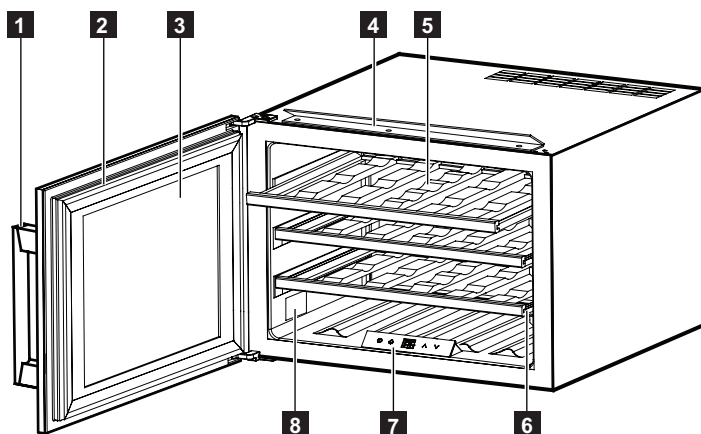
- Disconnect the appliance from the mains supply.
- Cut off the mains cable and discard it.
- Remove the door to prevent children and pets to be closed inside of the appliance.
- The refrigerant circuit and the insulation materials of this appliance are ozone-friendly.
- The insulation foam contains flammable gas. Contact your municipal authority for information on how to discard the appliance correctly.
- Do not cause damage to the part of the cooling unit that is near the heat exchanger.

3. ENVIRONMENTAL CONCERNS

Recycle the materials with the symbol  Put the packaging in applicable container to recycle it. Help protect the environment and human health and to recycle waste of electrical and electronic

appliances. Do not dispose appliances marked with the symbol  with the household waste. Return the product to your local recycling facility or contact your municipal office.

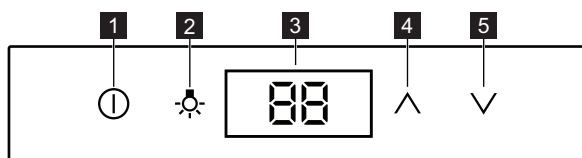
4. PRODUCT DESCRIPTION



- 1** Handle
- 2** Gasket
- 3** Door
- 4** Fastening bar

- 5** Shelves
- 6** Telescopic runners
- 7** Control panel
- 8** Rating plate

5. CONTROL PANEL



- 1** ON/OFF button
- 2** Light button
- 3** Display

- 4** Temperature warmer button
- 5** Temperature colder button

5.1 Switching on

To switch on the appliance follow these steps:

1. Connect the mains plug to the power socket.
2. Press the ON/OFF button if the display is off.
3. The display shows the set default temperature (5°C).

To select a different set temperature refer to "temperature regulation".

5.2 Switching off

To switch off the appliance follow these steps:

1. Press the ON/OFF button for 3 seconds.
2. The display switches off.
3. To disconnect the appliance from the power disconnect the mains plug from the power socket.

5.3 Temperature regulation

The set temperature of the wine cellar may be adjusted by pressing the temperature regulators.

Each press once the \wedge or \vee button, the temperature setting will increase or lower 1°C, When the temperature setting reach the upper limit 20°C and lower limit 5°C, the temperature setting will not increase or lower.

5.4 Light Button

When the door is opened, the LED light is on, when closed is off. If you want to keep the light on with the door closed, open the

door, press the light button to turn off the light, then press the light button again to turn on the light.

If you want to restore the standard conditions, press the light button to turn off the light.



LED Light is equipped with a smooth shut off system lasting 3 sec onds.

5.5 Door open alarm

An acoustic alarm will sound if the door is not completely closed after 5 minutes.

When the door is closed the alarm will stop.

5.6 Temperature Alarm

- If the inner temperature is higher than 23°C, "HI" is shown in display panel, and the buzzer rings for one hour continuously.
- If the inner temperature is lower than 0°C, "LO" is shown in display panel and blinks. The buzzer rings at the same time.

5.7 Temperature Recollection Function

In the event of a power interruption, the wine cellar can remember the previous temperature settings, and when power is recovered, the temperature will go back to the original.

6. DAILY USE

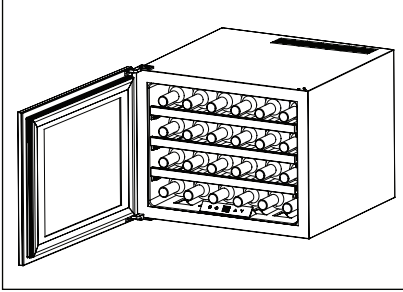
6.1 Cleaning

Before using the appliance for the first time, wash the interior and all internal accessories with lukewarm water and some neutral soap in order to remove the typical smell of a brand-new product, then dry thoroughly.



Do not use detergents or abrasive powders, as these will damage the finish.

6.2 Wine Storage



(for 750 ml Bordeaux bottles)
Total: 24 bottles

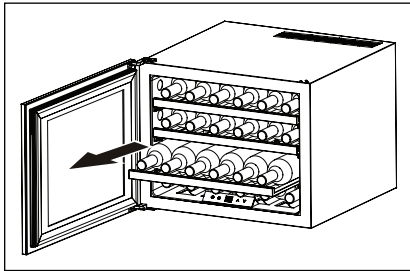
The temperature can be adjusted between +5 and + 20°C. That is ideal for wines.

The storage time for wine depends on aging, the type of grapes, alcoholic content and level of fructose and tannin contained in it. At the time of purchase, check if the wine is already aged or if it will improve over time.


Preservation temperature suggested:

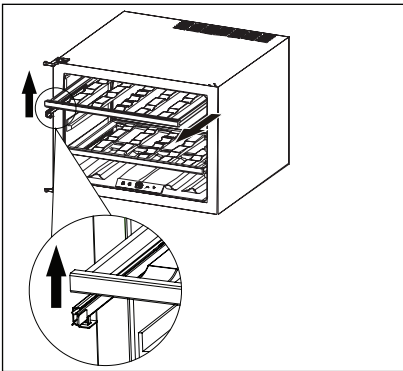
- Champagne/Prosecco and Sparkling wines +6 to +8°C
- White Wines +10 to +12°C
- Rosé wines +12 to +16°C
- Red Wines +14 to +18°C

6.3 Wine Shelves



- For easy access to the contents, pull the shelves approximately 1/2 out of the rail compartment. This unit is designed with the telescopic runners for easy sliding the shelves.

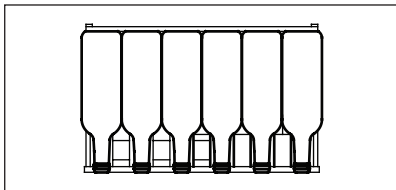
 To prevent damaging the door gasket, make sure that the door is fully opened when pulling shelves out.



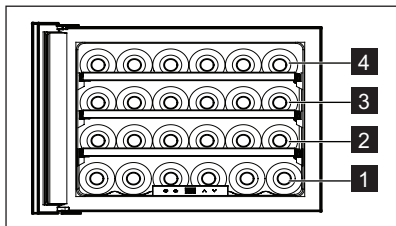
- To remove or fit the wooden shelves lift the shelf upward as per the diagram and simply pull out or push in the shelf till it sits on the telescopic runner securely.

6.4 Possible configurations

- Standard

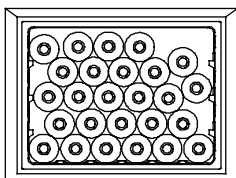
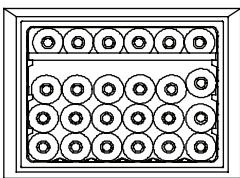


To store up to 24 bordeaux bottles (0.75cl) placing 6 bottles each level.



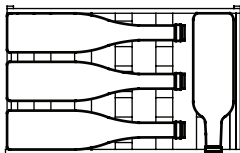
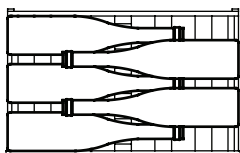
The first level has been designed to accommodate larger and longer bottles.

By removing shelves 2/3/4 it is possible to increase the capacity as shown in the pictures below.

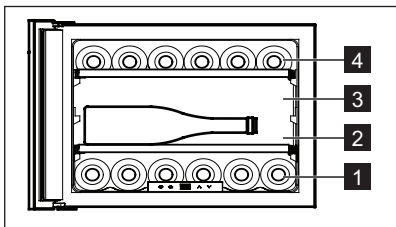


Warning! Please ensure in this case that the bottles do not come in contact with the backwall of the cavity.

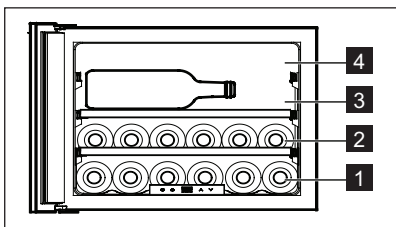
- Horizontal

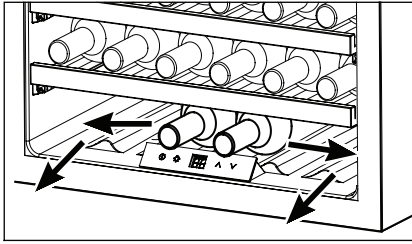


Suitable for large bottles like Prosecco and Champagne taller than 310mm.

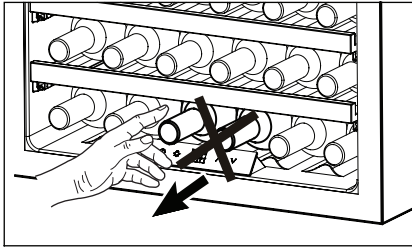


To store tall/large bottles, remove shelves 3 or 4 and place bottles on lower level.

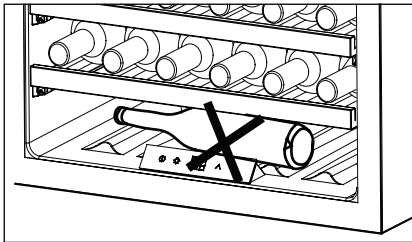




The space behind control panel can store 2 bottles of wine, but please pay attention that put bottles in/out have to move around the control panel.



! Do not pull out the bottles directly behind the control panel as it may damage it.



! Do not store bottles crossways on level 1! As, bottles may fall out when the appliance door is opened and this may cause injury or material damage.

7. INSTALLATION

7.1 Positioning

Adequate air circulation should be around the appliance, to prevent overheating. To achieve sufficient ventilation follow the instructions relevant to installation.

Install this appliance at a location where the ambient temperature corresponds to the climate class indicated on the rating plate of the appliance:

Climate class	Ambient temperature
SN	+10 °C to +32 °C
N	+16 °C to +32 °C
ST	+16 °C to +38 °C
T	+16 °C to +43 °C

7.2 Electrical Connection



Caution! Any electrical work required to install this appliance should be carried out by a qualified electrician or competent person.



Warning! This appliance must be earthed. The manufacturer declines any liability should these safety measures not be observed.

Consult a qualified electrician or service technician if the grounding instructions are not completely understood, or if doubt exists as to whether the appliance is properly grounded.



Warning! We recommend that you wait 4 hours before connecting and installing the appliance to allow the refrigerant to flow back into the compressor.

Before plugging in, ensure that the voltage and frequency shown on the rating plate correspond to your domestic power supply.

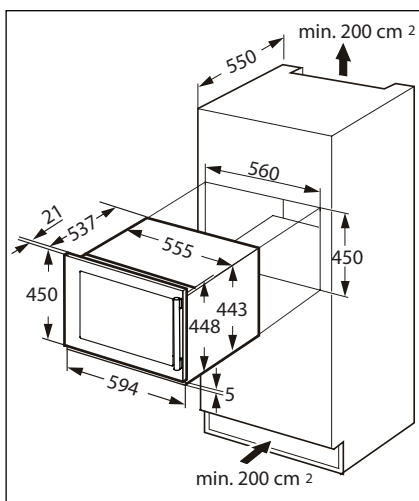
The appliance must be grounded.

The power supply cable plug is provided with a contact for this purpose.

If the domestic power supply socket is not grounded, connect the appliance to a separate ground in compliance with current regulation.

Consult a qualified electrician.

7.3 Installation dimensions (mm) and ventilation requirements

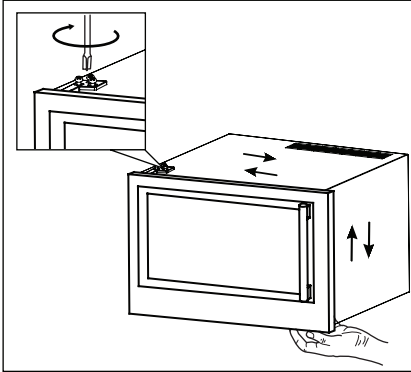


The airflow behind the appliance must be sufficient.



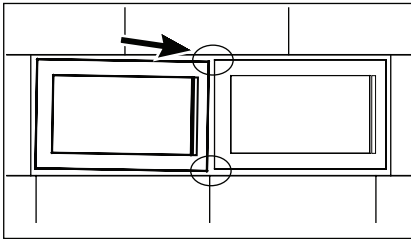
Make sure that the mains cable can move freely.

7.4 Door adjustment

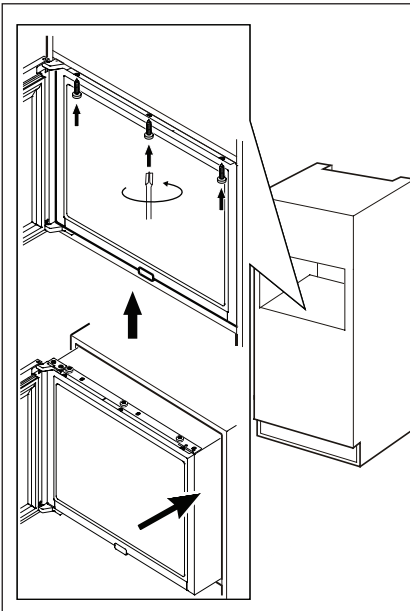


Please follow the below procedure for door adjustment.

- Hold the door whilst loosening the top and bottom screws
- Align the door
- Tighten the screws.



7.5 Fixing in the niche



Follow the below procedure:

- Place the appliance in the niche with door closed and align depth to the front of the kitchen cabinet.
- Open the door and fix the fastening bar with the 3 screws provided.

8. CARE AND MAINTENANCE



Caution! Unplug the appliance before carrying out any maintenance operation.



This appliance contains hydrocarbons in its cooling unit; maintenance and recharging must therefore only be carried out by authorized technicians.

8.1 Periodic cleaning

The equipment has to be cleaned regularly:



Do not pull, move or damage any pipes and/or cables inside the cabinet.

Never use detergents, abrasive-powders, highly perfumed cleaning products or wax polishes to clean the interior as this will damage the surface and leave a strong odour.

- Wash the inside surfaces with a warm water and baking soda solution. The solution should be about 2 tablespoons of baking soda to a quart of water.
- Wash the shelves with a mild detergent solution.
- Wring excess water out of the sponge or cloth when cleaning area of the controls, or any electrical parts.
- Wash the outside cooler with warm water and mild liquid detergent.
- Clean the condenser (black grill) and the compressor at the back of the appliance with a brush. This operation will improve the performance of the appliance and save electricity consumption.
- Clean the inside and accessories with lukewarm water and some neutral soap.
- Regularly check the door seals and wipe clean to ensure they are clean and free from debris.
- Rinse and dry thoroughly.



Take care of not to damage the cooling system.

After cleaning, reconnect the equipment to the mains supply.

8.2 Periods of non-operation

When the appliance is not in use for long periods, take the following precautions:

- disconnect the appliance from electricity supply
- remove all items.
- clean the appliance and all accessories.
- leave the door open to prevent unpleasant smells.

8.3 Power Failure

Most power failures are corrected within a few hours and should not affect the temperature of your appliance if you minimize the number of times the door is opened. If the power is going to be off for a longer period of time, you need to take the proper steps to protect your contents.



The Wine cellar should be located in the coolest area of the room, away from heat producing appliances, and out of the direct sunlight.

9. TROUBLE SHOOTING GUIDE

You can solve many common Wine cellar problems easily, saving you the cost of a possible service call. Try the suggestions

below to see if you can solve the problem before calling the servicer.

Problem	Possible cause	Solution
Wine cellar does not operate.	Not plugged in.	Please connect the appliance.
	The appliance is turned off.	Please turn ON the appliance.
	The circuit breaker tripped or a blown fuse.	Turn on the circuit breaker or change the fuse.
Interior lighting does not work.	Check the temperature control setting.	Verify the set temperature.
	The door is not completely closed.	Review the door adjustment procedure. (par. 7.4)
	The door gasket does not seal properly.	Clean the door gasket with a humid sponge using neutral detergent and water.
The compressor operates continually.	The room temperature is hotter than normal.	Verify the room temperature.
	The door is opened too often.	Do not keep the door open longer than necessary.
	The door is not completely closed.	Verify that the door is completely closed.
	The door gasket does not seal properly.	Verify the gasket condition and in case clean it with a humid sponge using neutral detergent and water.
The light does not work.	Not plugged in.	Please connect the appliance.
	The circuit breaker tripped or a blown fuse.	Turn on the circuit breaker or change the fuse
	The LED has burned out.	Contact the service.
	The light button is not operating.	Contact the service.
Too much vibration.	Check that the wine cellar is level.	Level the appliance.
Too much noise.	The rattling noise may come from the flow of the refrigerant, which is normal.	
	Contraction and expansion of the inside walls may cause popping and crackling noises.	If the noises become louder contact the service.
	The wine cellar is not level.	Level the appliance.
The door does not close properly.	The wine cellar is not level.	Level the appliance.
	The door was fixed not properly.	Review the door adjustment procedure (par. 7.4)
	The gasket is dirty.	Clean the door gasket with a humid sponge using neutral detergent and water.

SOMMAIRE

1. CONSIGNES DE SÉCURITÉ.....	16
2. CONSIGNES DE SÉCURITÉ.....	17
3. EN MATIÈRE DE PROTECTION DE L'ENVIRONNEMENT.....	18
4. DESCRIPTION DE L'APPAREIL.....	19
5. BANDEAU DE COMMANDE.....	19
6. UTILISATION QUOTIDIENNE.....	20
7. INSTALLATION.....	23
8. ENTRETIEN ET MAINTENANCE.....	26
9. GUIDE DE DÉPANNAGE.....	27

NOUS PENSONS À VOUS

Merci d'avoir choisi ce produit Electrolux. Avec ce produit, vous bénéficiez de dizaines d'années d'expérience professionnelle et d'innovation. Ingénieux et élégant, il a été conçu sur mesure pour vous. Grâce à cet appareil, vous savez que chaque utilisation vous apportera satisfaction.

Bienvenue chez Electrolux.

Visitez notre site Internet pour :



Obtenir des conseils d'utilisation, des brochures, de l'aide, des informations :
www.electrolux.com



Enregistrer votre produit pour obtenir un meilleur service :
www.electrolux.com/productregistration



Acheter des accessoires, consommables et pièces de rechange d'origine pour votre appareil :
www.electrolux.com/shop

SERVICE APRÈS-VENTE

N'utilisez que des pièces de rechange d'origine.
Avant de contacter le service, assurez-vous de disposer des informations suivantes :
Vous trouverez ces informations sur la plaque signalétique. Modèle, PNC, numéro de série



Avertissement/Attention : consignes de sécurité.



Informations générales et conseils.



Informations en matière de protection de l'environnement.

Sous réserve de modifications.

1. CONSIGNES DE SÉCURITÉ

Avant d'installer et d'utiliser cet appareil, lisez soigneusement les instructions fournies. Le fabricant ne peut être tenu pour responsable des dommages et blessures liés à une mauvaise installation ou utilisation. Conservez toujours cette notice avec votre appareil pour vous y référer ultérieurement.

1.1 Sécurité des enfants et des personnes vulnérables

- Cet appareil peut être utilisé par des enfants de plus de 8 ans, ainsi que des personnes dont les capacités physiques, sensorielles et mentales sont réduites ou dont les connaissances et l'expérience sont insuffisantes, à condition d'être surveillés ou d'avoir reçu des instructions concernant l'utilisation sécurisée de l'appareil et de comprendre les risques encourus.
- Ne laissez pas les enfants jouer avec l'appareil.
- Ne laissez pas les emballages à la portée des enfants.
- Les enfants ne doivent pas nettoyer ou entreprendre une opération de maintenance sur l'appareil sans surveillance.

1.2 Sécurité générale

- Cet appareil est conçu uniquement pour un usage domestique et des utilisations telles que :
 - dans les bâtiments de ferme ; dans des cuisines réservées aux employés dans des magasins, bureaux et autres lieux de travail
 - Pour une utilisation privée, par les clients, dans des hôtels et autres lieux de séjour
- Votre appareil est destiné au stockage du vin seulement.
- Veillez à ce que les orifices de ventilation, situés dans l'enceinte de l'appareil ou dans la structure intégrée, ne soient pas obstrués.
- N'utilisez aucun dispositif mécanique ou autre appareil pour accélérer le processus de dégivrage que ceux recommandés par le fabricant.
- N'endommagez pas le circuit frigorifique.
- N'utilisez pas d'appareils électriques à l'intérieur des compar-

timents de conservation des aliments de l'appareil, sauf s'ils sont du type recommandé par le fabricant.

- Ne pulvérisez pas d'eau ni de vapeur pour nettoyer l'appareil.
- Nettoyez l'appareil avec un chiffon doux humide. Utilisez uniquement des produits de nettoyage neutres. N'utilisez pas de produits abrasifs, de tampons à récurer, de solvants ni d'objets métalliques.
- Ne conservez aucune substance explosive dans cet appareil, comme des aérosols contenant un produit inflammable.
- Si le câble d'alimentation est endommagé, il doit être remplacé par le fabricant, son service après-vente ou des personnes de qualification similaire afin d'éviter un danger.

2. CONSIGNES DE SÉCURITÉ

2.1 Installation



Avertissement ! L'appareil doit être installé uniquement par un professionnel qualifié.

- Retirez l'intégralité de l'emballage.
- N'installez pas et ne branchez pas un appareil endommagé.
- Suivez scrupuleusement les instructions d'installation fournies avec l'appareil.
- L'appareil est lourd, soyez toujours prudent lorsque vous le déplacez. Portez toujours des gants de sécurité.
- Assurez-vous que l'air circule autour de l'appareil.
- Attendez au moins 4 heures avant de brancher l'appareil sur le secteur. Cela permet à l'huile de refouler dans le compresseur.
- N'installez pas l'appareil à proximité d'un radiateur, d'une cuisinière, d'un four ou d'une table de cuisson. La surface arrière de l'appareil doit être positionnée contre un mur.
- N'installez pas l'appareil dans un endroit exposé à la lumière directe du soleil.
- N'installez pas l'appareil dans un endroit trop humide ou trop froid, comme une dépendance extérieure, un garage ou une cave.
- Lorsque vous déplacez l'appareil, veillez à le soulever par l'avant pour éviter de rayer le sol.

2.2 Branchement électrique



Avertissement ! Risque d'incendie ou d'électrocution.

- L'appareil doit être relié à la terre.
- L'ensemble des branchements électriques doit être effectué par un technicien qualifié.
- Vérifiez que les données électriques figurant sur la plaque signalétique correspondent à celles de votre réseau. Si ce n'est pas le cas, contactez un électricien.
- Utilisez toujours une prise antichoc correctement installée.
- N'utilisez pas d'adaptateurs multiprises ni de rallonges.
- Veillez à ne pas endommager les composants électriques tels que la fiche secteur, le câble d'alimentation ou le compresseur. Contactez le service après-vente ou un électricien pour changer les composants électriques.
- Le câble d'alimentation doit rester en dessous du niveau de la fiche secteur.
- Ne branchez la fiche d'alimentation à la prise de courant qu'à la fin de l'installation. Assurez-vous que la prise de courant est accessible une fois l'appareil installé.
- Ne tirez jamais sur le câble d'alimentation pour débrancher l'appareil. Tirez toujours sur la fiche.

2.3 Usage



Avertissement ! Risque d'incendie ou d'électrocution.

- Ne modifiez pas les caractéristiques de cet appareil.
- Ne placez aucun appareil électrique (sorbetière, etc.) dans l'appareil, en l'absence d'indications du fabricant.
- Veillez à ne pas endommager le circuit frigorifique. Il contient de l'isobutane (R600a), un gaz naturel ayant un niveau élevé de compatibilité environnementale. Ce gaz est inflammable.
- Si le circuit frigorifique est endommagé, assurez-vous de l'absence de flammes et de sources d'ignition dans la pièce. Aérez la pièce.
- Évitez tout contact d'éléments chauds avec les parties en plastique de l'appareil.
- Ne stockez jamais de gaz ou de liquide inflammable dans l'appareil.
- Ne placez pas de produits inflammables ou d'éléments imbibés de produits inflammables à l'intérieur ou à proximité de l'appareil, ni sur celui-ci.
- Ne touchez pas le compresseur ni le condenseur. Ils sont chauds.

2.4 Entretien et Nettoyage



Avertissement ! Risque de blessure corporelle ou de dommages matériels.

- Avant toute opération d'entretien, éteignez l'appareil et débranchez la fiche de la prise secteur.
- Cet appareil contient des hydrocarbures dans son circuit de réfrigération. L'entretien et la recharge du circuit de réfrigération doivent être effectués par un professionnel qualifié.
- Vérifiez régulièrement l'orifice d'écoulement d'eau de dégivrage de l'appareil et si nécessaire, nettoyez-le. Si l'orifice est bouché, l'eau provenant du dégivrage s'écoulera en bas de l'appareil.


2.5 Mise au rebut




Avertissement ! Risque de blessure ou d'asphyxie.

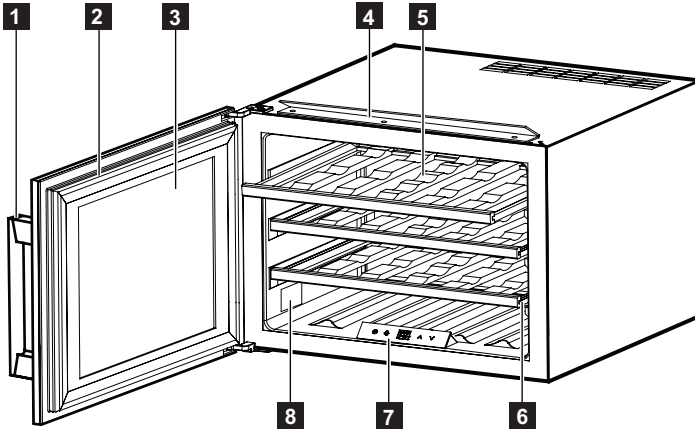
- Débranchez l'appareil de l'alimentation électrique.
- Coupez le câble d'alimentation et mettez-le au rebut.
- Retirez la porte pour empêcher les enfants et les animaux de s'enfermer dans l'appareil.
- Le circuit frigorifique et les matériaux d'isolation de cet appareil préservent la couche d'ozone.
- La mousse isolante contient un gaz inflammable. Contactez votre service municipal pour obtenir des informations sur la marche à suivre pour mettre l'appareil au rebut.
- N'endommagez pas la partie du circuit de réfrigération située à proximité du condenseur thermique.

3. EN MATIÈRE DE PROTECTION DE L'ENVIRONNEMENT

Recycler les matériaux avec le symbole  Mettre l'emballage dans les bacs adaptés pour le recycler. Merci d'aider à protéger l'environnement et la santé de tous en recyclant les déchets issus d'appareils

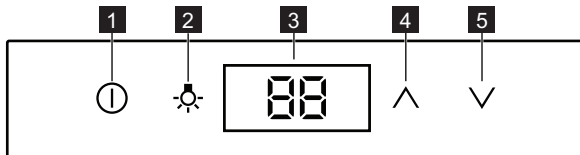
électriques et électroniques. Ne jetez pas les appareils portant le symbole  avec les ordures ménagères. Apporter le produit à un recycleur local ou contacter le service municipal.

4. DESCRIPTION DE L'APPAREIL



- | | | | |
|----------|-------------------|----------|---------------------|
| 1 | Poignée | 5 | Grilles |
| 2 | Joint | 6 | Rails télescopiques |
| 3 | Verrouillage | 7 | Bandeau de commande |
| 4 | Barre de fixation | 8 | Plaque signalétique |

5. BANDEAU DE COMMANDE



- | | | | |
|----------|---------------------|----------|-----------------------------------------|
| 1 | Touche MARCHÉ/ARRÊT | 4 | Touche d'augmentation de la température |
| 2 | Touche d'éclairage | 5 | Touche de diminution de la température |
| 3 | Affichage | | |

5.1 Mise en marche

Pour mettre l'appareil en marche, procédez comme suit :

1. Branchez la fiche électrique de l'appareil à la prise de courant.
1. Appuyez sur la touche Marche/Arrêt si l'affichage est éteint.
2. La température par défaut sélectionnée s'affiche.

Pour sélectionner une température différente, reportez-vous au paragraphe « Réglage de la température ».



5.2 Désactivation

Pour éteindre l'appareil, procédez comme suit :

1. Appuyez sur la touche MARCHE / ARRÊT pendant 3 secondes.
2. L'affichage s'éteint.
3. Pour mettre l'appareil hors tension, débranchez la fiche d'alimentation de la prise électrique.

5.3 Réglage de la température

La température programmée de la cave à vin peut être réglée en appuyant sur les sélecteurs de température.

Chaque fois que vous appuyez une fois sur le bouton  ou , le réglage de la température va augmenter ou s'abaisser de 1 °C, lorsque le réglage de la température atteint la limite supérieure de 20 °C et la limite inférieure de 5 °C, le réglage de la température n'augmente pas ou ne s'abaisse pas.

5.4 Touche Light (éclairage)

Lorsque la porte est ouverte, le voyant lumineux est allumé ; lorsque la porte est fermée, il est éteint. Si vous souhaitez

garder la lumière allumée lorsque la porte est fermée, ouvrez la porte, appuyez sur la touche Light pour éteindre la lumière, puis appuyez de nouveau sur la touche Light pour rallumer lumière.

Si vous souhaitez revenir aux conditions standard, appuyez sur la touche Light pour éteindre le voyant.



Le voyant lumineux est équipé d'un système d'arrêt facile de 3 secondes.

5.5 Alarme de porte ouverte

Après 5 minutes, une alarme sonore se déclenche si la porte n'est pas complètement fermée.

Lorsque la porte est fermée, l'alarme s'arrête.

5.6 Alarme de température

- Si la température interne est supérieure à 23 °C, « HI » s'affiche sur le panneau d'affichage et l'alarme retentit sans s'arrêter pendant une heure.
- Si la température interne est inférieure à 0 °C, « LO » s'affiche sur le panneau d'affichage et clignote. L'alarme retentit en même temps.

5.7 Fonction de récupération de la température

En cas de panne d'électricité, la cave à vin peut se souvenir des précédents réglages de température et lorsque l'alimentation est rétablie, la température initiale est restaurée.

6. UTILISATION QUOTIDIENNE

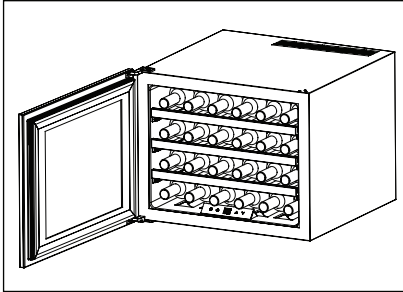
6.1 Nettoyage

Avant d'utiliser l'appareil pour la première fois, nettoyez l'intérieur et tous les accessoires internes avec de l'eau tiède savonneuse pour supprimer l'odeur caractéristique d'un appareil neuf, puis séchez soigneusement.



N'utilisez jamais de produits abrasifs ou caustiques, car ils pourraient endommager le revêtement.

6.2 Cave à vin



(Pour des bouteilles de Bordeaux de 750 ml)

Total : 24 bouteilles

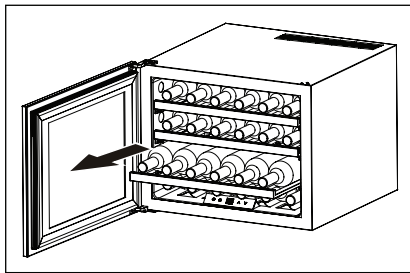
La température peut être réglée entre +5 °C et +20 °C. C'est une température idéale pour le vin.

La durée de conservation d'un vin dépend de son vieillissement, du type de raisin, de sa teneur en alcool et de son taux de fructose et de tanin. Au moment de l'achat, vérifiez si le vin est déjà vieilli ou s'il se bonifiera avec le temps.


Température de conservation suggérée :

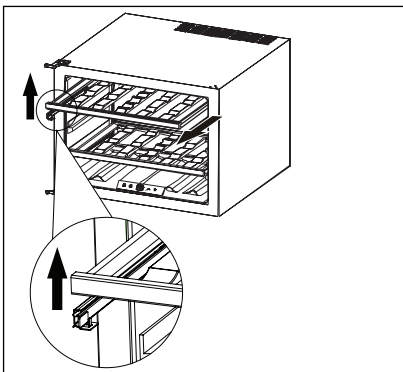
- Champagne / prosecco et vins mousseux de +6 °C à +8 °C.
- Vins blancs de +10 °C à +12 °C
- Vins rosés de +12 °C à +16 °C
- Vins rouges de +14 °C à +18 °C

6.3 Étagères à vin



- Pour accéder facilement au contenu, tirez les étagères environ 1/2 hors du compartiment. Cette unité est conçue avec des glissières télescopiques pour que les étagères puissent glisser facilement.

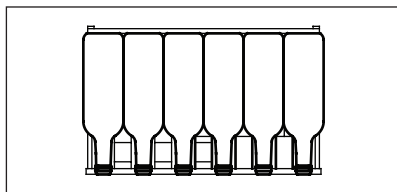
 Pour éviter d'endommager le joint de la porte, assurez-vous que la porte est entièrement ouverte lorsque vous tirez les étagères.



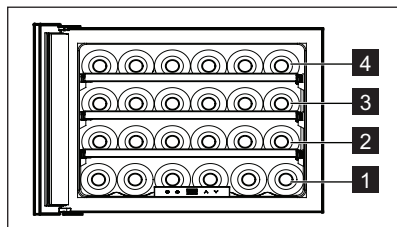
- Pour retirer ou installer les étagères en bois, soulevez l'étagère vers le haut comme sur le schéma et tirez ou poussez simplement l'étagère jusqu'à ce que celle-ci soit bien installée sur la glissière télescopique.

6.4 Configurations possibles

- Standard

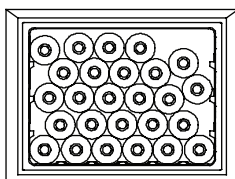
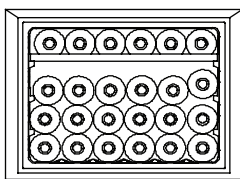


Pour stocker jusqu'à 24 bouteilles de bordeaux (0,75 cl) en plaçant 6 bouteilles sur chaque niveau.



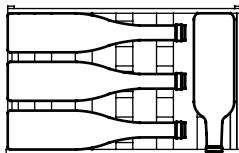
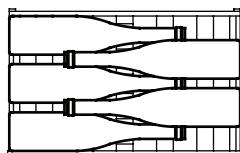
Le premier niveau a été conçu pour accueillir les bouteilles les plus grandes et les plus larges.

En retirant les étagères 2/3/4, il est possible d'augmenter la capacité de l'appareil, comme le montrent les photos ci-dessous.

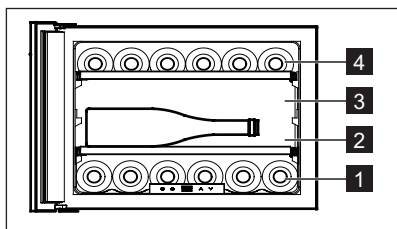


Avertissement ! Dans ce cas, veuillez vous assurer que les bouteilles n'entrent pas en contact avec la paroi arrière de la cavité.

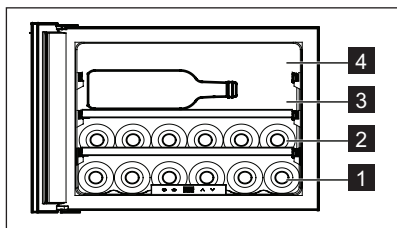
- Horizontale

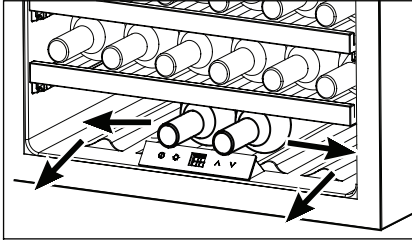


Convient aux grandes bouteilles comme les bouteilles de prosecco et de champagne mesurant plus de 310 mm.

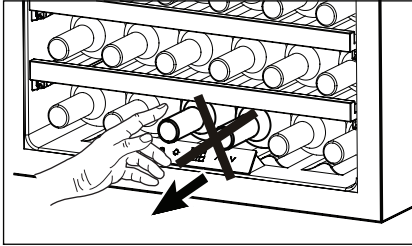


Pour stocker de grandes bouteilles ou des bouteilles larges, retirez les étagères 3 ou 4 et placez les bouteilles sur l'étagère du bas.

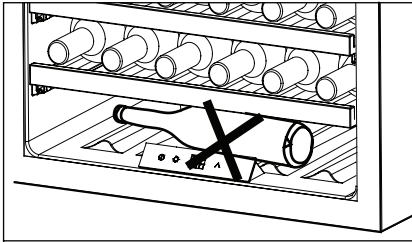




2 bouteilles de vin peuvent tenir dans l'espace derrière le panneau de commande, mais gardez à l'esprit que pour mettre et retirer des bouteilles, il faut contourner le panneau de commande.



⚠ Ne retirez pas les bouteilles directement derrière le panneau de commande, car cela pourrait l'endommager.



⚠ Ne placez pas de bouteilles transversalement sur l'étagère 1 ! Car ces bouteilles pourraient tomber lors de l'ouverture de la porte de l'appareil et cela pourrait causer des blessures ou entraîner des dégâts matériels.

7. INSTALLATION

7.1 Mise en place

Veillez à ce que l'air circule librement autour de l'appareil afin d'éviter toute surchauffe. Pour assurer une ventilation suffisante, respectez les instructions d'installation.

Installez cet appareil à un endroit où la température ambiante correspond à la classe climatique indiquée sur la plaque signalétique de l'appareil :

Classe climatique	Température ambiante
SN	+10 °C à +32 °C
N	+16 °C à +32 °C
ST	+16 °C à +38 °C
T	+16 °C à +43 °C

7.2 Raccordement électrique



Attention ! Si l'installation de votre habitation nécessite une modification pour le branchement de votre appareil, faites appel à un électricien qualifié.



Avertissement ! Cet appareil doit être relié à la terre. Le fabricant décline toute responsabilité en cas de non-respect des consignes de sécurité énoncées dans cette notice.

Consultez un électricien qualifié ou un technicien de service si vous ne comprenez pas complètement les consignes de mise à la terre ou si vous n'êtes pas sûr que l'appareil soit correctement mis à la terre.

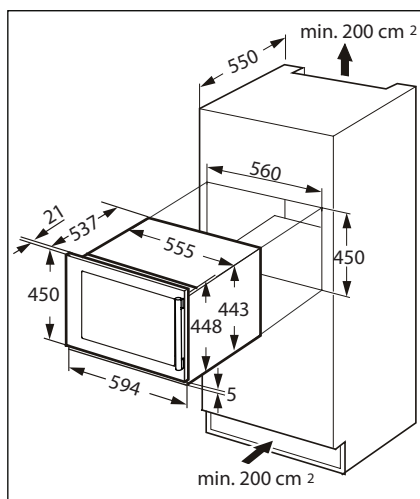


Avertissement ! Nous vous conseillons d'attendre au moins 4 heures avant de brancher l'appareil pour s'assurer que le liquide réfrigérant coule à nouveau dans le compresseur.

Avant de brancher l'appareil, assurez-vous que la tension et la fréquence indiquées sur la plaque signalétique correspondent à celles de votre réseau électrique domestique.

L'appareil doit être mis à la terre. La fiche du cordon d'alimentation est fournie avec un contact à cette fin. Si la prise de courant n'est pas mise à la terre, branchez l'appareil à une mise à la terre séparée conformément aux réglementations en vigueur (consultez un technicien spécialisé). Consultez un électricien qualifié.

7.3 Dimensions d'installation (en mm) et exigences quant à la ventilation

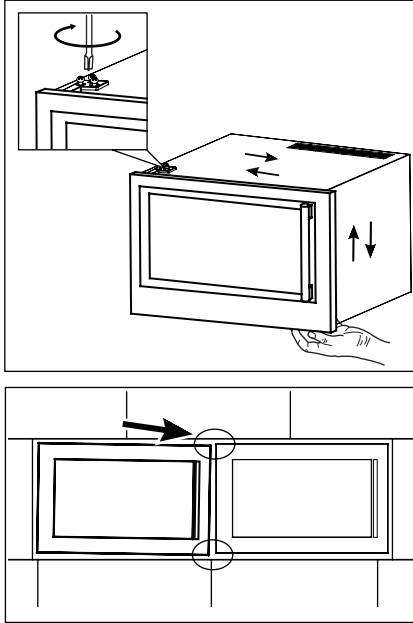


Veillez à garantir une circulation d'air suffisante à l'arrière de l'appareil.



Assurez-vous que le câble d'alimentation n'est pas coincé.

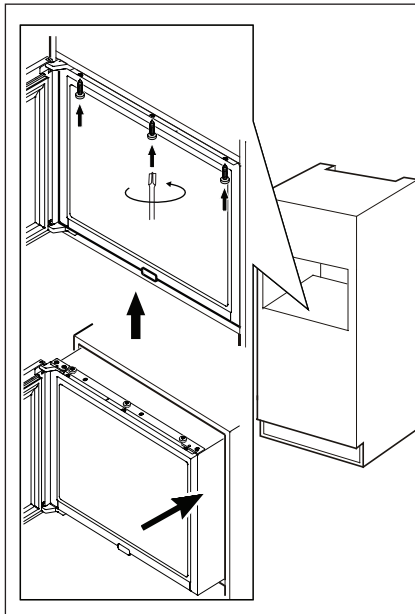
7.4 Ajustement de la porte



Pour le réglage de la porte, veuillez suivre la procédure ci-dessous.

- Tenez la porte en desserrant les vis du haut et du bas
- Alignez la porte
- Serrez les vis.

7.5 Fixer la niche



Procédez comme suit :

- La porte fermée, placez l'appareil dans la niche et alignez la profondeur sur l'avant de l'armoire de cuisine.
- Ouvrez la porte et fixez l'appareil au meuble à l'aide des 3 vis fournies.

8. ENTRETIEN ET MAINTENANCE



Attention ! Débranchez l'appareil avant toute opération d'entretien et de nettoyage.



Cet appareil contient des hydrocarbures dans son circuit de réfrigération ; l'entretien et la recharge ne doivent donc être effectués que par un personnel qualifié.

- Nettoyez l'intérieur et les accessoires avec de l'eau tiède et du savon neutre ;
- Lavez le joint de porte en caoutchouc sans omettre de nettoyer également sous le joint.
- Rincez et séchez soigneusement.



Assurez-vous de ne pas endommager le système de réfrigération.

Après le nettoyage, rebranchez l'appareil à l'alimentation électrique.

8.1 Nettoyage périodique

L'appareil doit être nettoyé régulièrement :



Ne tirez pas, ne déplacez pas, n'endommagez pas les tuyaux et/ou câbles qui se trouvent à l'intérieur de l'appareil.

N'utilisez jamais de détergents, de poudres abrasives, de produits de nettoyage très parfumés ou de produits caustiques pour nettoyer l'intérieur de l'appareil, car cela risque d'endommager la surface et de laisser une forte odeur.

- Lavez les surfaces internes à l'eau chaude, avec une solution de bicarbonate de soude. La solution doit être constituée d'environ 2 cuillères à soupe de bicarbonate de soude diluées dans un litre d'eau.
- Nettoyez les étagères à l'aide d'un détergent doux.
- Essorez bien l'eau de l'éponge ou du chiffon avant de nettoyer les panneaux de commande ou les composants électriques.
- Nettoyez le refroidisseur externe à l'aide d'eau chaude et de détergent liquide doux.
- Nettoyez le condenseur (grille noire) et le compresseur situés à l'arrière de l'appareil avec une brosse. Cette opération améliore les performances de l'appareil et permet des économies d'électricité.

8.2 En cas de non-utilisation prolongée

Si l'appareil n'est pas utilisé pendant de longues périodes, prenez les précautions suivantes :

- débranchez l'appareil de l'alimentation électrique ;
- enlevez toutes les bouteilles ;
- nettoyez l'appareil et tous les accessoires
- laissez la porte entrouverte pour prévenir la formation d'odeurs désagréables.

8.3 Coupure de courant

La plupart des pannes de courant sont réparées en quelques heures et ne devraient pas affecter la température de votre appareil si vous minimisez le nombre d'ouvertures de la porte. Si le courant est coupé pour une durée plus longue, vous devrez prendre les mesures appropriées pour protéger le contenu de l'appareil.



La cave à vin doit être placée dans la zone la plus fraîche de la pièce, loin des radiateurs et sans exposition directe à la lumière du soleil.

9. GUIDE DE DÉPANNAGE

Vous pourrez résoudre facilement de nombreux problèmes de votre cave à vin, ce qui vous permettra d'économiser les

honoraires d'un technicien. Avant d'appeler un réparateur, essayez de mettre en œuvre les solutions suggérées ci-dessous.

Symptôme	Cause probable	Solution
La cave à vin ne fonctionne pas.	Non branché.	Veillez brancher l'appareil.
	L'appareil est à l'arrêt.	Veillez mettre l'appareil sur MARCHÉ.
	Le disjoncteur saute ou un fusible est grillé.	Rallumez le disjoncteur ou changez le fusible.
L'éclairage intérieur ne fonctionne pas.	Vérifiez les paramètres de température.	Vérifiez la température réglée.
	La porte n'est pas fermée complètement.	Revoir la procédure d'ajustement de la porte. (section 7.4)
	Le joint de la porte ne permet pas une fermeture hermétique.	Nettoyez le joint de la porte à l'aide d'une éponge humide avec un détergent neutre et de l'eau.
Le compresseur fonctionne en permanence.	La température de la pièce est plus élevée que la normale.	Vérifiez la température ambiante.
	La porte est trop souvent ouverte.	Ne laissez pas la porte ouverte plus longtemps que nécessaire.
	La porte n'est pas complètement fermée.	Vérifiez que la porte est fermée complètement.
	Le joint de la porte ne permet pas une fermeture hermétique.	Vérifiez l'état du joint et, le cas échéant, nettoyez-le avec une éponge humide, de l'eau et un détergent neutre.
L'éclairage est hors service.	Non branché.	Veillez brancher l'appareil.
	Le disjoncteur saute ou un fusible est grillé.	Rallumez le disjoncteur ou changez de fusible
	Le voyant lumineux a grillé.	Contactez le service de maintenance.
	La touche Light ne fonctionne pas.	Contactez le service de maintenance.
Trop de vibrations.	Vérifiez que la cave à vin est bien à plat	Assurez-vous que l'appareil est bien à niveau.
Trop de bruit.	L'écoulement du réfrigérant peut produire un cliquetis, ce qui est normal.	
	La contraction et l'expansion des parois intérieures peuvent provoquer un bruit sec et des grésillements.	Si le bruit empire, contactez le service de maintenance.
	La cave à vin n'est pas à plat.	Assurez-vous que l'appareil est bien à niveau.
La porte ne se ferme pas correctement.	La cave à vin n'est pas à plat.	Assurez-vous que l'appareil est bien à niveau.
	La porte n'est pas fixée correctement.	Revoir la procédure d'ajustement de la porte (section 7.4)
	Le joint est sale.	Nettoyez le joint de la porte avec une éponge humide, de l'eau et un détergent neutre.

INNEHÅLL

1. SÄKERHETSINFORMATION.....	29
2. SÄKERHETSFÖRESKRIFTER.....	30
3. MILJÖSKYDD	31
4. PRODUKTBEKRIVNING.....	32
5. KONTROLLPANEL	32
6. DAGLIG ANVÄNDNING.....	33
7. INSTALLATION.....	36
8. SKÖTSEL OCH UNDERHÅLL	39
9. FELSÖKNINGSINSTRUKTIONER.....	40

VI TÄNKER PÅ DIG

Tack för att du köpt en Electrolux-produkt. Du har valt en produkt som formats av årtionden av yrkeserfarenhet och innovation. Den är genial och snygg och har utformats med dig i åtanke. Så när du än använder den kan du känna dig trygg med att veta att du får fantastiska resultat varje gång.

Välkommen till Electrolux.

Besök vår webbplats för:



Få användningsråd, broschyrer, felsökningshjälp och serviceinformation:
www.electrolux.se



Registrera din produkt för bättre service:
www.electrolux.com/productregistration



Köp tillbehör, förbrukningsvaror och originalreservdelar till din produkt:
www.electrolux.com/shop

KUNDTJÄNST OCH SERVICE

Vi rekommenderar du använder originalreservdelar.
Ha följande uppgifter till hands när du kontaktar serviceavdelningen.
Informationen finns på typskylten. Modell, PNC, serienummer



Varnings-/viktig säkerhetsinformation



Allmän information och tips



Miljöinformation

Med reservation för ändringar.

1. SÄKERHETSINFORMATION

Läs noga de bifogade instruktionerna före installation och användning av produkten. Tillverkaren kan inte hållas ansvarig för personskador eller skador på egendom som orsakats av felaktig installation eller användning. Förvara alltid instruktionerna tillsammans med produkten för framtida bruk.

1.1 Säkerhet för barn och handikappade

- Denna produkt kan användas av barn över 8 år och personer med reducerad fysisk, sensorisk eller mental förmåga eller som saknar erfarenhet och kunskap, om de får tillsyn eller instruktioner om hur man använder produkten på ett säkert sätt och förstår riskerna.
- Låt inte barn leka med produkten.
- Håll allt förpackningsmaterial utom räckhåll för barn.
- Rengöring och användarunderhåll ska inte utföras av barn utan tillsyn.

1.2 Allmän säkerhet

- Produkten är avsedd att användas i hushåll och liknande användningsområden som t.ex.:
 - Bondgårdar, personalkök, på kontor och i andra arbetsmiljöer
 - Av gäster på hotell, motell, bed and breakfast och andra typer av boendemiljöer
- Använd bara produkten för vinförvaring.
- Se till att ventilationsöppningarna inte blockeras i produktens hölje eller i inbyggnadsutrymmet.
- Använd inga mekaniska verktyg eller andra medel för att påskynda avfrostningsprocessen utöver de som rekommenderas av tillverkaren.
- Var noga med att inte skada kylkretsen.
- Använd inga elektriska apparater inne i förvaringsutrymmena såvida de inte är av en typ som rekommenderas av tillverkaren.

- Spruta inte vatten eller ånga för att rengöra produkten.
- Rengör ugnen med en fuktig, mjuk trasa. Använd bara neutrala rengöringsmedel. Använd inte produkter med slip-effekt, skursvampar, lösningsmedel eller metallföremål.
- Förvara inte explosiva ämnen som aerosolburkar med lättantändligt drivmedel i produkten.
- Om nätsladden är skadad måste den bytas av tillverkaren, tillverkarens servicerepresentant eller personer med motsvarande utbildning, för att undvika fara.

2. SÄKERHETSFÖRESKRIFTER

2.1 Installation



Varning! Endast en behörig person får installera den här produkten.

- Avlägsna allt förpackningsmaterial.
- Installera eller använd inte en skadad produkt.
- Följ de installationsinstruktioner som följer med produkten.
- Produkten är tung, så var alltid försiktig när du flyttar den. Använd alltid skyddshandskar.
- Se till att luft kan cirkulera i produkten.
- Vänta minst fyra sekunder innan du ansluter produkten till eluttaget. Detta för att oljan ska rinna tillbaka i kompressorn.
- Installera inte produkten nära element, spisar, ugnar eller hällar. Produktens bakre yta måste ställas mot väggen.
- Installera inte produkten där den står i direkt solljus.
- Placera inte produkten i utrymmen där det är fuktigt eller kallt, till exempel i baracker, garage och vinkällare.
- Undvik att repa golvet genom att lyfta produktens framkant om du vill flytta den.

2.2 Elektrisk anslutning



Varning! Risk för brand och elektriska stötar.

- Produkten måste vara jordad.
- Alla elektriska anslutningar ska göras av en behörig elektriker.
- Kontrollera att produktens märkdata överensstämmer med din strömkälla. Kontakta i annat fall en elektriker.
- Använd alltid ett korrekt installerat, stötsäkert och jordat eluttag.
- Använd inte grenuttag eller förlängningsladdar.
- Kontrollera så att du inte skadar de elektriska komponenterna (t.ex. stickkontakten, nätkabeln, kompressorn). Kontakta service eller en elektriker om elektriska komponenter behöver bytas ut.
- Nätkabeln måste vara under stickkontaktens nivå.
- Anslut stickkontakten till eluttaget först vid slutet av installationen. Kontrollera att stickkontakten är åtkomlig efter installationen.
- Dra inte i nätkabeln för att koppla bort produkten från eluttaget. Ta alltid tag i stickkontakten.

2.3 Använd



Varning! Risk för brand, elektriska stötar och eldsvåda föreligger.

- Ändra inte produktens specifikationer.
- Ställ inte elektriska produkter (t.ex. glassmaskiner) i produkten om inte tillverkaren uttryckligen säger att det är lämpligt.
- Var försiktig så att du inte skadar kylkretsen. Den innehåller isobutan (R600a), en naturgas som är miljöanpassad i hög grad. Denna gas är lättantändlig.
- Om kylkretsen skadas får inga flammor eller antändningskällor finnas i rummet. Ventilera rummet.
- Låt inte varma föremål vidröra plastdelarna i produkten.
- Förvara inte brandfarliga gaser eller vätskor i produkten.
- Placera inga lättantändliga produkter eller föremål som är fuktiga med lättantändliga produkter i, nära eller på tvättmaskinen.
- Vidrör inte kompressorn eller kondensorn. De är heta.

2.4 Skötsel och rengöring



Varning! Risk för personskador och skador på produkten föreligger.

- Stäng av produkten och koppla bort den från eluttaget före underhåll.
- Produktens kylenhet innehåller kolväten. Endast behöriga personer får utföra underhåll och ladda produkten.
- Undersök regelbundet produktens tömningskanal och rengör den vid behov. Om tömningskanalen täpps igen samlas vatten från avfrostringen på produktens botten.


2.5 Kassering




Varning! Risk för kvävning eller skador.

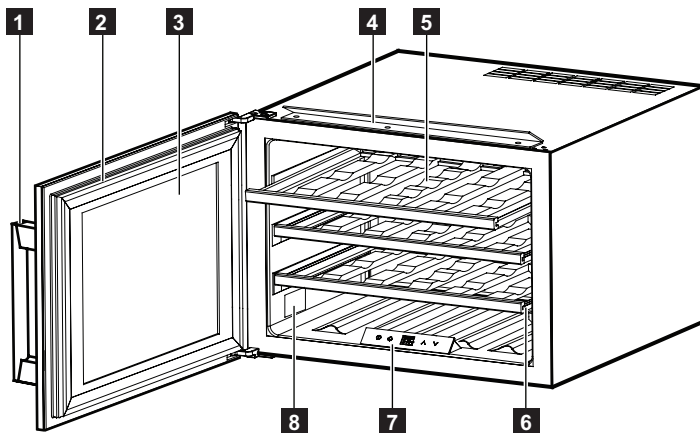
- Koppla loss produkten från eluttaget.
- Klipp av strömkabeln och kassera den.
- Ta bort dörren så att barn och djur inte kan stängas in i produkten.
- Produktens kylkrets och isoleringsmaterial är ozonfria.
- Isoleringsmaterialet innehåller brandfarlig gas. Kontakta kommunen för information om hur produkten kasseras korrekt.
- Orsaka inte skada på den delen av kylenheten som är nära värmeväxlaren.

3. MILJÖSKYDD

Återvinn material märkta med symbolen  Lägg förpackningen i rätt återvinningsbehållare. Bidra till att skydda vår miljö och vår hälsa genom att återvinna avfall från elektriska och

elektroniska produkter. Släng inte produkter märkta med symbolen  i hushållsavfallet. Lämnna in produkten på närmaste återvinningsstation eller kontakta kommunkontoret.

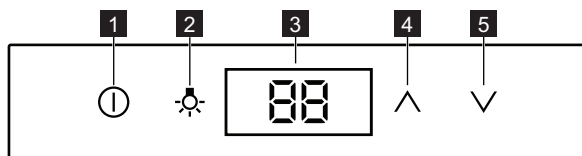
4. PRODUKTBESKRIVNING



- 1** Handtag
- 2** Packning
- 3** Lucka
- 4** Fästbalk

- 5** Hyllor
- 6** Utdragbara bakplåtsskenor
- 7** Kontrollpanelen
- 8** Typskylt

5. KONTROLLPANEL



- 1** PÅ/AV-knapp
- 2** Belysningsknapp
- 3** Display

- 4** Knapp för att höja temperaturen
- 5** Knapp för att sänka temperaturen

5.1 Slå på

Så här slår du på produkten:

1. Sätt i stickkontakten i eluttaget.
2. Tryck på PÅ/AV-knappen om displayen inte är tänd.
1. Den inställda temperaturen visas på displayen (5 °C).

Läs i avsnittet "Temperaturreglering" om du vill välja en annan temperatur.



5.2 Stänga av

Så här stänger du av produkten:

1. Håll strömbrytaren intryckt i tre sekunder.
2. Displayen stängs av.
3. För att koppla loss produkten från strömkällan: dra ut stickkontakten ur eluttaget.

5.3 Temperaturreglering

Du kan trycka på temperaturreglagen och justera vinkylens inställda temperatur.

Varje gång du trycker på knappen  eller  så höjs eller sänks temperaturen med 1 °C. Den högsta temperaturinställningen är 20 °C och den lägsta är 5 °C.

5.4 Ljusknapp

Ljuset tänds när du öppnar dörren och släcks när du stänger den. Om du vill att ljuset ska vara tänd när dörren är stängd öppnar du dörren, trycker på ljusknappen så att ljuset släcks och trycker på ljusknappen igen så att det tänds.

Om du vill återställa standardinställningen trycker du på ljusknappen så att ljuset släcks.



LED-lampor med mjuk, tre sekunder lång avstängning.

5.5 Larm vid öppen dörr

Ett akustiskt larm hörs om dörren är öppen i mer än fem minuter.

Larmet tystnar när dörren stängs.

5.6 Temperaturlarm

- Om temperaturen inne i produkten stiger över 23 °C visas varningsmeddelandet "HI" (hög) på displayen. Varningssignalen ljuder i en timme.
- Om temperaturen i produkten sjunker under 0 °C blinkar varningsmeddelandet "LO" (låg) på displayen. Varningssignalen ljuder.

5.7 Temperaturminnesfunktion

Vid strömavbrott finns temperaturen lagrad i produktens minne. När strömmen kommer tillbaka återgår temperaturen till den tidigare inställningen.

6. DAGLIG ANVÄNDNING

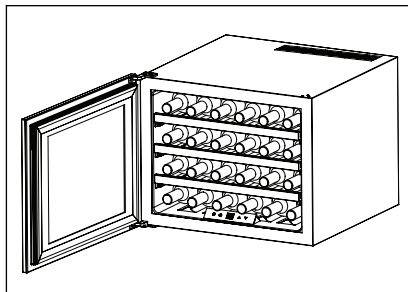
6.1 Rengöring

Innan du använder produkten första gången ska du rengöra insidan och alla invändiga tillbehör med ljummet vatten och neutralt diskmedel för att ta bort den typiska lukten hos nya produkter. Torka sedan noga.



Använd inga starka rengöringsmedel eller skurpulver eftersom sådana produkter skadar ytfinishen.

6.2 Vinförvaring



(för standardvinflaskor på 750 ml)

Totalt: 24 flaskor

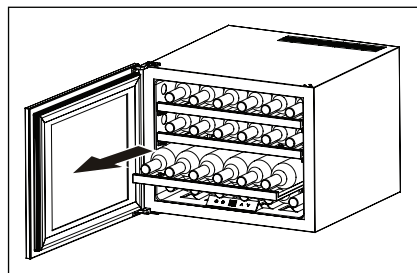
Temperaturen kan justeras till mellan +5 och + 20 °C. Det är perfekt för vin.

Lagringstiden för viner beror på ålder, typen av druva, alkoholhalt och mängden fruktos och tanniner. Fråga vid köptillfället om vinet redan är färdiglagrat eller om det kommer att mogna och förbättras med tiden.

Rekommenderad förvaringstemperatur:

- Champagne, prosecco och mousserande viner +6 till +8 °C
- Vita viner +10 till +12 °C
- Roséviner +12 till +16 °C
- Röda viner +14 till +18 °C

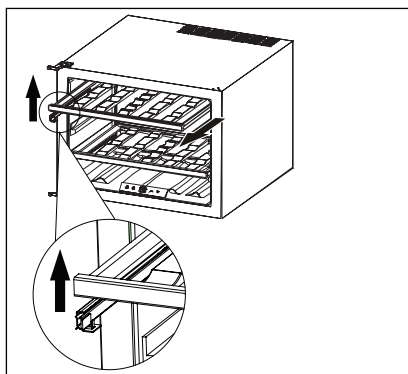
6.3 Vinhyllor



- Det är enklare att komma åt vinerna om du drar ut hyllorna ungefär halvvägs på skenorna. Den här produkten har utdragsskenor som gör att hyllorna är enkla att dra ut.



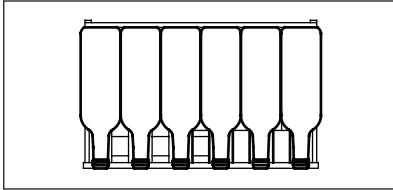
Se till att dörren är helt öppen när du drar ut hyllorna, så att packningen i dörren inte skadas.



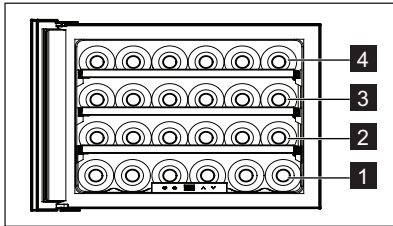
- Om du vill ta bort eller passa in trähyllorna lyfter du helt enkelt hyllan uppåt enligt bilden i diagrammet och drar den utåt eller trycker den inåt tills hyllan ligger säkert på utdragsskenorna.

6.4 Möjliga konfigurationer

- Standard

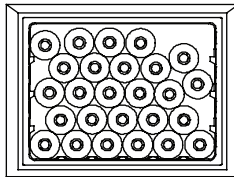
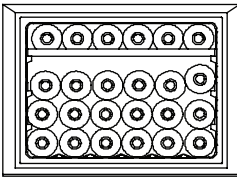


Lagring av upp till 24 standardflaskor (0,75 cl) med sex flaskor på varje nivå.



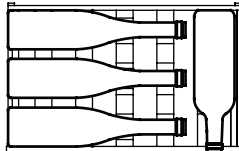
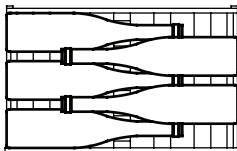
Den första nivån är anpassad för större och längre flaskor.

Om du tar bort hyllorna 2, 3 och 4 kan du öka kapaciteten, enligt bilden nedan.

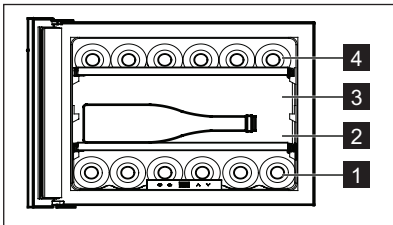


Varning! Se till att flaskorna aldrig kommer i kontakt med den bakre väggen.

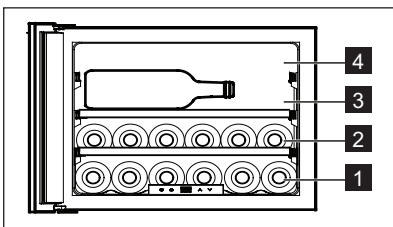
- Horisontell

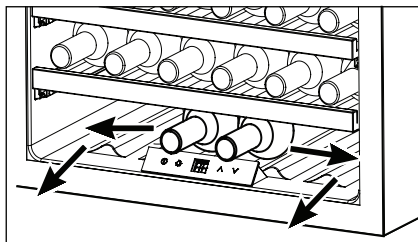


Passar för större flaskor, som prosecco och champagne, som är längre än 310 mm.

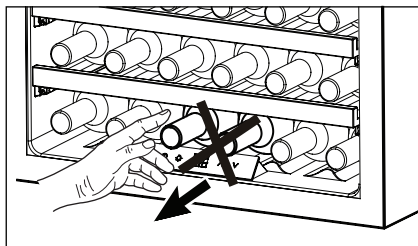


Om du behöver förvara långa och stora flaskor kan du ta bort hyllorna 3 och 4 och placera flaskorna på den lägre nivån.

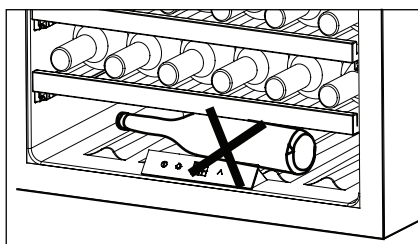




I utrymmet bakom kontrollpanelen kan du lagra två vinflaskor, men du måste flytta på kontrollpanelen när du för in och tar ut flaskorna.



⚠ Dra inte ut flaskorna ur utrymmet bakom kontrollpanelen utan att flytta på den. Den kan skadas.



⚠ Lägg inte flaskorna på tvären på nivå 1! Flaskorna kan ramla ut när du öppnar produktens dörr, vilket kan orsaka skador på personer och egendom.

7. INSTALLATION

7.1 Placering

Se till att tillräckligt med luft cirkulerar runt produkten. Annars kan den överhettas. För att få tillräcklig ventilation, följ instruktionerna som är relevanta för installationen.

Placera produkten på en plats där den omgivningstemperaturen motsvarar den klimatklass som anges på typskylten:

Klimatklass	Omgivningstemperatur
SN	+10 till 32 °C
N	+16 till +32 °C
ST	+16 till +38 °C
T	+16 till +43 °C

7.2 Elektrisk anslutning



Obs! Allt arbete avseende elektricitet som krävs för att installera denna produkt ska utföras av en behörig elektriker.



Varning! Denna produkt måste vara ansluten till ett jordat eluttag. Tillverkaren kan inte hållas ansvarig om de här säkerhetsanvisningarna inte följs.

Kontakta en behörig elektriker eller servicetekniker om du inte förstår jordningsinstruktionerna eller om du är osäker på om produkten är jordad på rätt sätt.



Varning! Vi rekommenderar att du väntar minst fyra timmar innan du ansluter och installerar produkten, så att kylmedlet hinner rinna tillbaka till kompressorn.

Kontrollera att nätspänningen och nätfrekvensen överensstämmer med produktens märkdata som anges på typskylten före anslutning till ett eluttag.

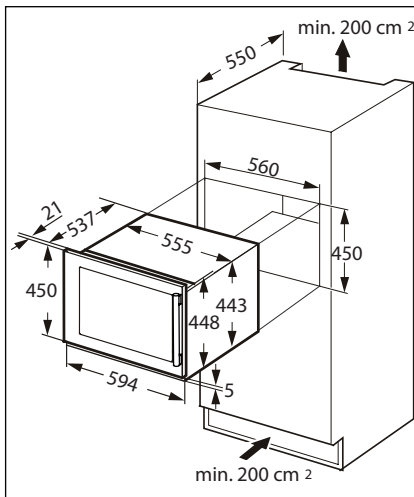
Produkten måste vara jordad.

Nätkabelns stickkontakt är försedd med en kontakt för det här ändamålet.

Om eluttaget inte är jordat ansluter du produkten till en separat jord enligt gällande bestämmelser.

Fråga en behörig elektriker.

7.3 Installationsmått (mm) och ventilationskrav

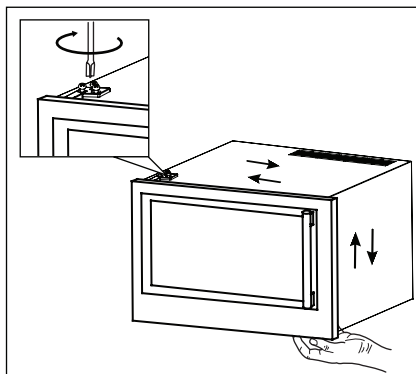


Luftflödet bakom produkten måste vara tillräckligt.



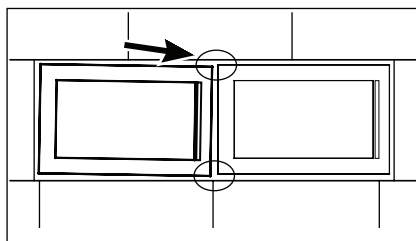
Se till att nätkabeln kan röra sig fritt.

7.4 Dörrjustering

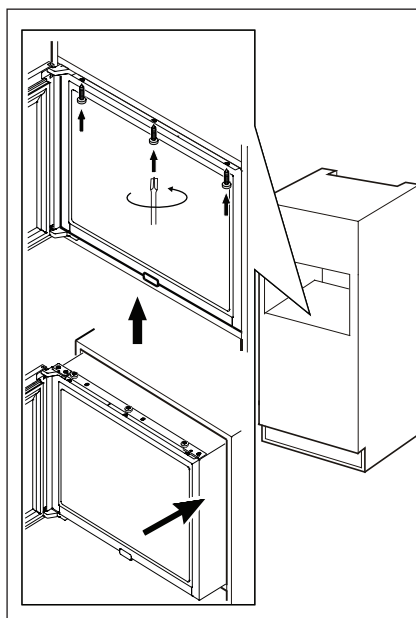


Följ anvisningarna nedan när du justerar dörren.

- Håll i dörren samtidigt som du lossar de övre och nedre skruvarna
- Justera dörren
- Dra åt skruvarna.



7.5 Fixering i nischen



Följ instruktionerna nedan:

- Placera produkten i nischen med stängd dörr och justera djupet efter köksluckan.
- Öppna dörren och fixera fästbalken med de tre medföljande skruvarna.

8. SKÖTSEL OCH UNDERHÅLL



Obs! Dra ut kontakten ur eluttaget innan du utför någon form av underhåll.



Produktens kylenhet innehåller kolväten. Underhåll och påfyllning får därför endast utföras av en auktoriserad servicetekniker.

8.1 Regelbunden rengöring

Utrustningen måste rengöras med jämna mellanrum:



Dra inte i, flytta inte och undvik att skada rörledningarna och kablarna inne i produkten.

Använd aldrig starka rengöringsmedel, skurpulver, parfymerade rengöringsprodukter eller vaxpölermedel för att rengöra produkten invändigt, eftersom sådana produkter skadar ytfinishen och efterlämnar en stark lukt.

- Tvätta insidans ytor med varmt vatten och bikarbonatlösning. Lösningen bör bestå av ca två matskedar bikarbonat och en liter vatten.
- Tvätta hyllorna med en mild lösning med rengöringsmedel.
- Vrid ur svampen eller trasan ordentligt innan du rengör kontrollerna och de elektriska komponenterna.
- Tvätta kylens utsida med varmt vatten och mildt flytande rengöringsmedel.
- Rengör kondensorn (svart galler) och kompressorn på produktens baksida med en borste. Detta förbättrar produktens prestanda och bidrar till en lägre energiförbrukning.
- Rengör produkten insida och alla tillbehör med ljummet vatten och lite neutralt diskmedel.
- Inspektera regelbundet dörrtätningarna och torka dem rena från eventuell smuts.
- Skölj och torka noga.



Var försiktig så att du inte skadar kylsystemet.

Anslut kylan/frysen till eluttaget igen efter rengöringen.

8.2 Långa uppehåll

Följ nedanstående anvisningar om produkten inte skall användas på länge:

- Koppla loss produkten från eluttaget.
- Töm produkten.
- Rengör produkten och alla tillbehör.
- Låt dörren stå öppen så att inte dålig lukt bildas.

8.3 Strömavbrott

De flesta strömavbrott åtgärdas inom några få timmar och bör inte påverka temperaturen i produkten om du undviker att öppna dörren alltför ofta. Om strömmen kommer att vara borta under en längre tidsperiod behöver du vidta åtgärder för att skydda innehållet.



Placera vinkylan i rummets svalaste del, på avstånd från apparater som producerar värme och inte i direkt solljus.

9. FELSÖKNINGSINSTRUKTIONER

Du kan enkelt lösa många vanliga problem med vinkylen, vilket besparar dig tiden som ett servicesamtal skulle ta. Prova

förslagen nedan och se om du kan lösa problemet innan du ringer serviceavdelningen.

Problem	Möjlig orsak	Lösning
Vinkylen fungerar inte.	Den är inte inkopplad.	Anslut produkten till vägguttaget.
	Produkten är avstängd.	Sätt på produkten.
	Jordfelsbrytaren har utlöst eller en säkring har gått.	Sätt på strömbrytaren eller byt säkringen.
Den invändiga belysningen fungerar inte.	Kontrollera inställningen på temperaturvredet.	Verifiera den inställda temperaturen.
	Dörren är inte ordentligt stängd.	Gå igenom dörrjusteringsproceduren. (avsnitt 7.4)
	Dörrens tätning sluter inte ordentligt.	Rengör dörrtätningen med en fuktig svamp, ett mildt rengöringsmedel och vatten.
Kompressorn är kontinuerligt i drift.	Rumstemperaturen är högre än normalt.	Kontrollera rumstemperaturen.
	Dörren öppnas för ofta.	Låt inte dörren stå öppen längre än nödvändigt.
	Dörren är inte ordentligt stängd.	Kontrollera att dörren är helt stängd.
	Dörrens tätning sluter inte ordentligt.	Kontrollera tätningens skick och rengör den vid behov med en fuktig svamp, ett mildt rengöringsmedel och vatten.
Belysningen fungerar inte.	Den är inte inkopplad.	Anslut produkten till vägguttaget.
	Jordfelsbrytaren har utlöst eller en säkring har gått.	Sätt på strömbrytaren eller byt säkringen
	Lampan är trasig.	Kontakta service.
	Ljusknappen fungerar inte.	Kontakta service.
Produkten vibrerar för mycket.	Kontrollera att vinkylen står plant.	Justera vid behov så att produkten står plant.
Produkten låter för mycket.	Det rasslande ljudet kan komma från kylmedlets flöde, och är normalt.	
	Sammandragning och utvidgning av insidans väggar kan ge upphov till smällande och knastrande ljud.	Kontakta service om ljudet blir högre.
	Vinkylen står inte plant.	Justera vid behov så att produkten står plant.

Problem	Möjlig orsak	Lösning
Dörren stängs inte ordentligt.	Vinkylan står inte plant.	Justera vid behov så att produkten står plant.
	Dörren fixerades inte ordentligt.	Gå igenom dörrjusteringsproceduren (avsnitt 7.4)
	Tätningen är smutsig.	Rengör dörrtätningen med en fuktig svamp, ett mildt rengöringsmedel och vatten.

electrolux.com/shop



CE

