

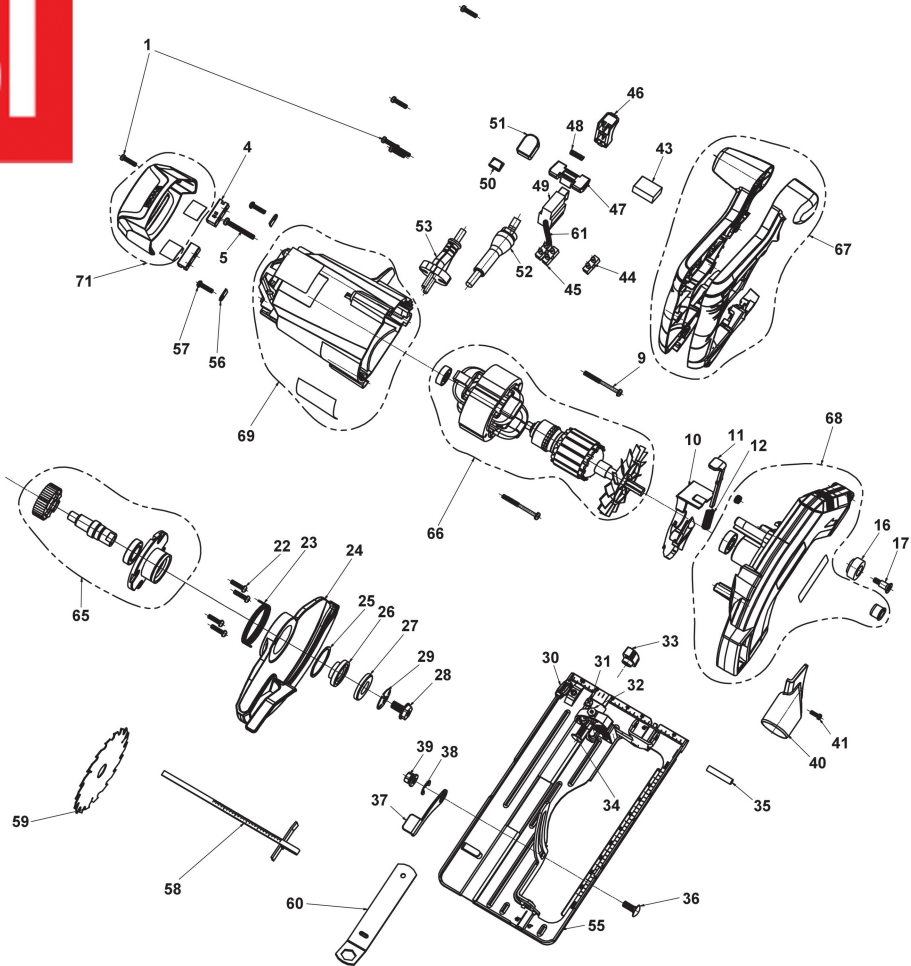
# RCS1400-G SCIE CIRCULAIRE

5133002778 - RCS1400-G - 4000462012





4000462011  
4000462012



Position	Quantité	Désignation	Référence	EAN
1001	8	VIS	5131000000	
1004	1	BALAI CHARBON	5131040104	4058546051662
1005	3	VIS	5131040106	4058546051686
1009	2	VIS	5131031101	4058546127732
1010	1	GUIDE CARTER	5131031102	4058546127749
1011	1	AXE DE BLOCAGE	5131031103	4058546127756
1012	1	RESSORT	5131031104	4058546189464
1016	1	BUTOIR CAOUTCHOUC	5131031109	4058546127787
1017	1	VIS	5131031110	4058546127794
1022	4	VIS	5131020051	4058546056889
1023	1	RESSORT	5131031115	4058546127831
1024	1	CAPOT DE PROTECTION	5131031116	4058546127848
1025	1	CLIPS DE RETENUE	5131031117	4058546127855
1026	1	BRIDE	5131031118	4058546127862
1027	1	BRIDE	5131031119	4058546127879
1028	1	VIS	5131031120	4058546127886
1029	1	RONDELLE RESSORT	5131031158	4058546128180
1030	1	ADJUSTING LOCK	5131031122	4058546127909
1031	1	ECROU	5131019732	4058546056872
1032	1	VIS	5131019731	4058546056865
1033	1	ADJUSTING LOCK	5131031124	4058546127916
1034	1	VIS	5131019736	4058546056797
1035	1	GOUPIL.CYLINDRIQUE	5131031125	4058546127923
1036	1	BOULON DE FIXATION	5131031126	4058546127930
1037	1	LEVIER	5131031127	4058546127947
1038	1	CLIPS DE RETENUE	5131031128	4058546127954
1039	1	ECROU DE BRIDE	5131031946	4058546056780
1040	1	MANCHON D'ASPIRATI.	5131031130	4058546127978
1041	1	VIS	5131019546	4058546056858
1043	1	CONDENSATEUR	5131031161	4058546189587
1044	1	BORNE DE CONNEXION	5131031134	4058546189525
1045	1	REGLETTE D.BORNES	5131012421	4058546056841
1046	1	GACHETTE	5131031135	4058546127992
1047	1	LOQUET	5131031136	4058546128005
1048	1	RESSORT	5131011719	4058546056834
1049	1	SWITCH ON-OFF	5131031137	4058546128012
1050	1	COUVERCLE	5131031138	4058546189532
1051	1	VOYANT TEMOIN TENSIO	5131031139	4058546128029
1052	1	GAINÉ PASSE CABLE	5131031140	4058546189549
1053	1	CABLE D'ALIMENTATI.	5131031141	4058546128036
1055	1	PLAQUE DE BASE	5131040107	4058546051693
1056	2	COUVERTURE D.BALAI	5131033581	4002395147342
1057	2	VIS	5131011573	4058546056827
1058	1	GUIDE PARALLELE SCIE CIRC. CS1201	5132002276	4960673120435
1060	1	CLE	5131040108	4058546051709
1061	2	CABLE	5131031951	4058546056773
1065	1	ENGRENAG.KI.D.MONTA	5131031948	4058546056766
1066	1	FIELD LEAD GROMMET	5131040109	4058546051716
1067	1	CARTER MOTEUR COMPLE	5131031947	4058546056759
1068	1	CAPOT PROTECTEUR	5131040110	4058546051723

<b>Position</b>	<b>Quantité</b>	<b>Désignation</b>	<b>Référence</b>	<b>EAN</b>
1069	1	CARTER MOTEUR	5131040111	4058546051730
1071	1	COUVERCLE	5131040112	4058546051747
1059	1	CSB190A1 190MM CIRC SAW BLADE EMEA	5132002580	4892210120472