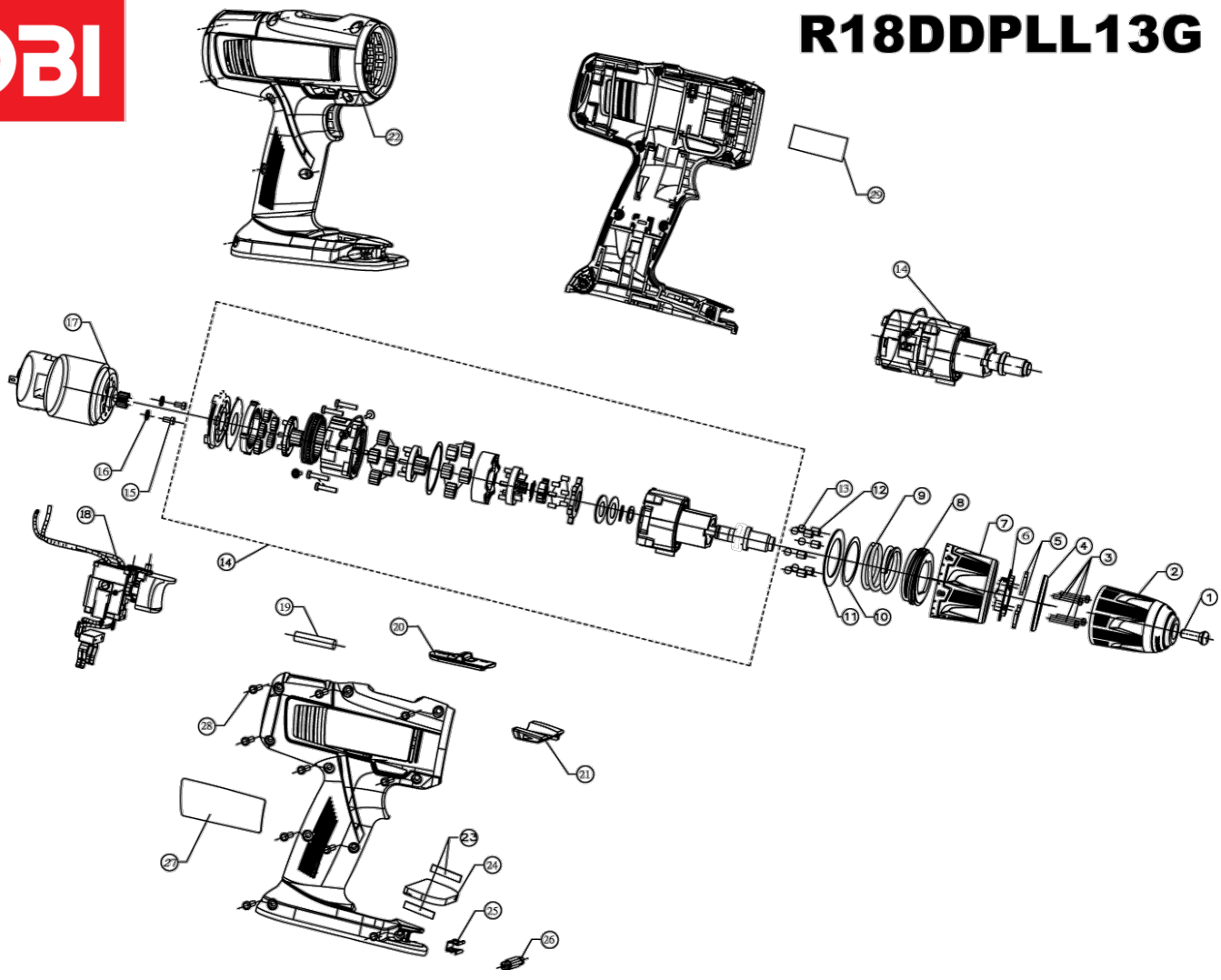


**R18DDPLL13G P.PERCU 18V 2B**

**5133002211 - R18DDPLL13G - 4000444236**



Position	Quantité	Désignation	Référence	EAN
001	1	VIS M6x1.0x27mm	5131028207	4058546115708
002	1	MANDRIN AUTOMATIQUE	5131028208	4058546179731
003	4	VIS	5131031868	4058546194192
004	1	PLAQUE	5131000000	
005	2	RESSORT	5131000000	
006	1	SUPPORT	5131031869	4058546194208
007	1	DOUILLE D'EMBRAYAGE	5131031870	4058546130107
008	1	DOUILLE	5131000000	
009	1	RESSORT	5131000000	
010	1	RONDELLE	5131012280	4058546099503
010	1	RONDELLE	5131016201	4058546103521
010	1	RONDELLE	5131000000	
010	1	RONDELLE	5131016248	4058546103651
010	1	RONDELLE OD39.5*ID30.5*0.5mm	5131000000	
011	1	RONDELLE	5131000000	
012	6	GOUPILLE	5131000000	
013	6	BILLE	5131011639	4058546098537
014	1	BOITIER D'ENGRENAGE	5131031871	4058546130114
015	2	VIS	5131011425	4058546168360
016	2	RONDELLE RESSORT	5131019721	4058546108670
017	1	MOTOR COMPLET	5131031872	4058546130121
018	1	INTER.AV.MOD.ELECTR	5131031873	4058546130138
019	1	NIVEAU A BULLE	5131008331	4058546092542
020	1	BOUTON POUSSOIR	5131031874	4058546194215
021	1	BOUTON INVERSEUR	5131031875	4058546194222
022	1	CARTER MOTEUR COMPLE	5131031876	4058546130145
023	2	PLAQ.EN CAOUTCHOUC	5131000000	
024	1	AIMANT 56X30X5MM	5131031877	4058546130152
025	1	PORTE-EMBOUTS	5131031687	4058546193171
027	1	ETIQUETTE	5131031953	4058546194451
028	10	VIS M3.5X14MM	5131011359	4058546168315
029	1	ETIQUETTE	5131000000	
026	1	EMBOUT DOUBLE CRUCI/PLAT #2 LT50	5131000000	