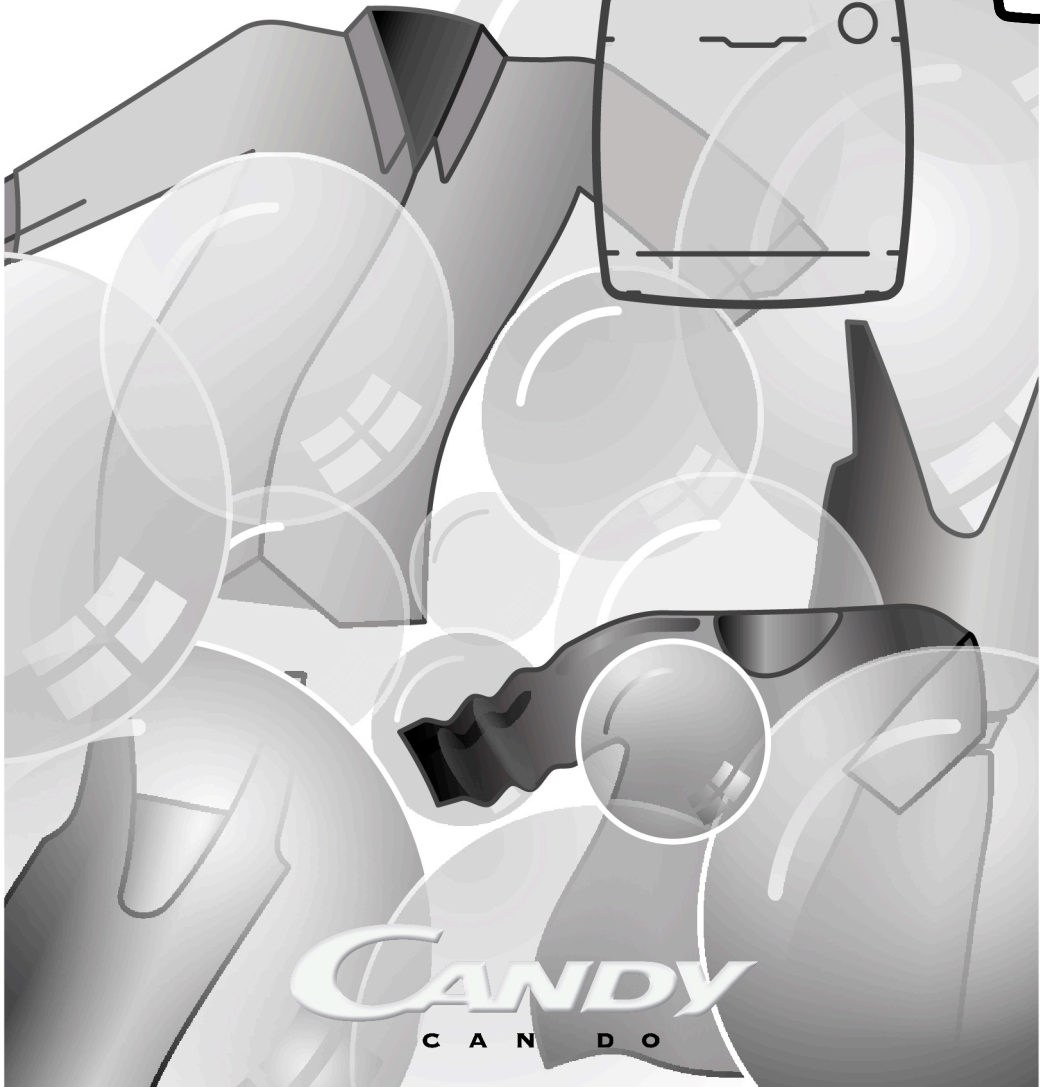


DE ES EN



CANDY

C A N D O

Thank-you for choosing a Candy washing machine. We are confident it will loyally assist you in safely washing your clothes, even delicates, day after day.

You can register your product at www.registercandy.com to gain faster access to supplementary services solely reserved to our most loyal customers.

Carefully read this manual for correct and safe appliance use and for helpful tips on efficient maintenance.



Only use the washing machine after carefully reading these instructions. We recommend you always keep this manual on hand and in good conditions for any future owners.

Please check that the appliance is delivered with this instruction manual, warranty certificate, service centre address and energy efficiency label. Also check that plugs, curve for drain hose and liquid detergent or bleach tray (only on some models) are included. We recommend you keep all these components.

Each product is identified by a unique 16-character code, also called the “serial number”, printed on the sticker affixed to the appliance (porthole area) or in the document envelope found inside the product. This code is a sort of specific product ID card that you will need to register it and should you need to contact the **Candy** Customer Service Centre.

Environmental conditions



This appliance is marked according to the European directive 2002/96/EC on Waste Electrical and Electronic Equipment (WEEE).

By ensuring this product is disposed of correctly, you will help prevent potential negative consequences for the environment and human health, which could otherwise be caused by inappropriate waste handling of this product.

The symbol on the product indicates that this product may not be treated as household waste. Instead it shall be handed over to the applicable collection point for the recycling of electrical and electronic equipment.

Disposal must be carried out in accordance with local environmental regulations for waste disposal.

For more detailed information about treatment, recovery and recycling of this product, please contact your local city office, your household waste disposal service or the shop where you purchased the product.

Contents

- 1. GENERAL SAFETY RULES**
- 2. INSTALLATION**
- 3. PRACTICAL TIPS**
- 4. MAINTENANCE AND CLEANING**
- 5. QUICK USER GUIDE**
- 6. CONTROLS AND PROGRAMS**
- 7. CUSTOMER SERVICE CENTRE AND WARRANTY**

1. GENERAL SAFETY RULES

- This appliances is intended to be used in household and similar applications such as:
 - Staff kitchen areas in shops, offices and other working environments;
 - Farm houses;
 - By clients in hotels, motels and other residential type environments;
 - Bed and breakfast type environments.

A different use of this appliance from household environment or from typical housekeeping functions, as commercial use by expert or trained users, is excluded even in the above applications. If the appliance is used in a manner inconsistent with this it may reduce the life of the appliance and may void the manufacturer's warranty. Any damage to the appliance or other damage or loss arising through use that is not consistent with domestic or household use (even if located in a domestic or household environment) shall not be accepted by the manufacturer to the fullest extent permitted by law.

- This appliance can be used by children aged from 8 years and above and persons with reduced physical, sensory or mental capabilities or lack of experience and knowledge if they have been given supervision or instruction concerning use of the appliance in a safe way and understand the hazards involved.

Children shall not play with the appliance. Cleaning and user maintenance shall not be made by children without supervision.

- Children should be supervised to ensure that they do not play with the appliance.
- Children of less than 3 years should be kept away unless continuously supervised.
- If the supply cord is damaged, it must be replaced by the manufacturer, its service agent or similarly qualified persons in order to avoid a hazard.
- Only use the hose-sets supplied with the appliance for the water supply connection (do not reuse old hose-sets).
- Water pressure must be between 0,05 MPa and 0,8 MPa.
- Make sure that a carpet do not obstruct the base of the machine and ventilation openings.
- The OFF condition is reached by placing the reference mark on the programmes control/knob in the vertical position. Any other different position of such control sets the machine in ON condition.
- After installation, the appliance must be positioned so that the plug is accessible.
- The maximum load capacity of dry clothes depends on the model used (see control panel).

- To consult the product fiche please refer to the manufacturer website.

Safety instructions

- Before cleaning or maintaining the washing machine, unplug the appliance and turn off the water faucet.
- Make sure the electrical system is grounded. Otherwise, seek qualified professional assistance.
- Please do not use converters, multiple sockets or extension cords.



WARNING:
water may reach very high temperatures during the wash cycle.

- Make sure there is no water in the drum before opening the porthole.
- Do not pull on the power cord or appliance to unplug the machine.
- Do not expose the washing machine to rain, direct sunlight or other weather elements.
- When moving, do not lift the washing machine by the knobs or detergent drawer; during transport, never rest the porthole on the trolley. We recommend two people lift the washing machine.

- In the event of fault and/or malfunction, turn off the washing machine, close the water faucet and do not tamper with the appliance.

Immediately contact the Customer Service Centre and only use original spare parts. Failure to observe these instruction may jeopardise appliance safety.

CE Appliance complies with European Directives:

- 2006/95/EC (LVD);
- 2004/108/EC (EMC);
- 2009/125/EC (ErP);
- 2011/65/EU (RoHS)

and subsequent amendments.

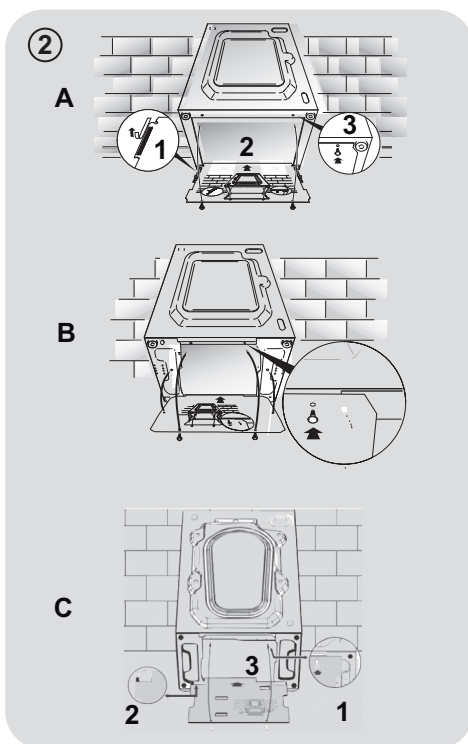
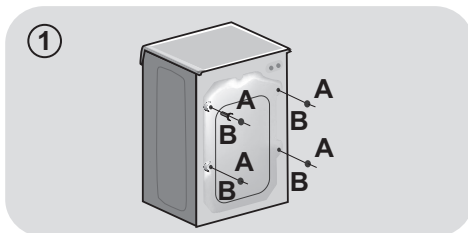
2. INSTALLATION

- Cut the tube straps, being careful not to damage the tube and power cord.
- Unscrew the **2** or **4** screws (**A**) on the back and remove the **2** or **4** shims (**B**) as illustrated in **figure 1**.
- Close the **2** or **4** holes using the plugs included in the instruction envelope.
- If the washing machine is **built-in**, after cutting the hose straps, unscrew the **3** or **4** screws (**A**) and remove the **3** or **4** shims (**B**).
- In some models, **1** or **more** shims will fall inside the machine: tilt the washing machine forward to remove them. Close the holes using the plugs found in the envelope.



WARNING:
keep packaging materials away from children.

- Place the polionda sheet on the bottom as shown in **figure 2** (according to the model, consider version **A**, **B** or **C**).



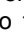
Hydraulic connections

- Connect the water tube to the faucet, only using the drain tube supplied with the washing machine (fig. 3).

DO NOT OPEN THE FAUCET.

- Some models may include one or more of the following features:

● HOT&COLD (fig. 4):

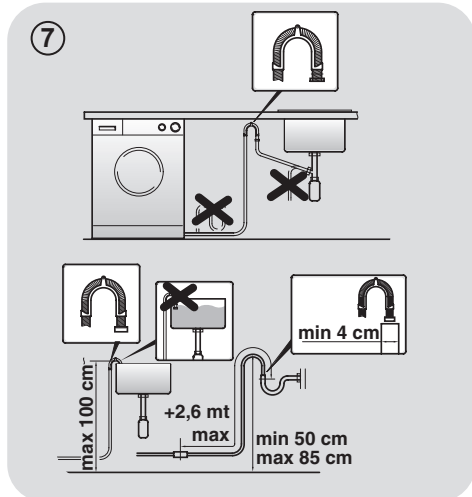
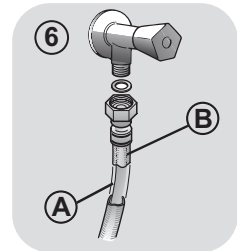
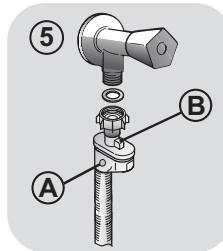
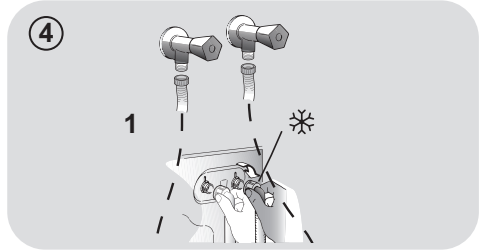
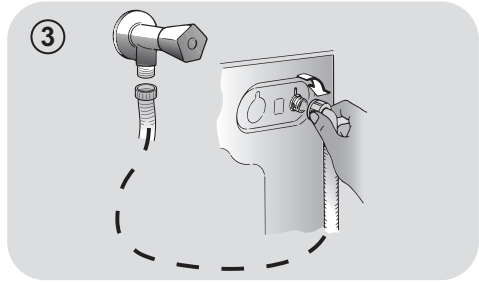
water mains connection settings with hot and cold water for higher energy savings. Connect the grey tube to the cold water faucet  and the red one to the hot water faucet. The machine can be connected to the cold water faucet only: in this case, some programs may start a few minutes later.

● AQUASTOP (fig. 5):

a device located on the supply tube that stops water flow if the tube deteriorates; in this case, a red mark will appear in the window "A" and the tube must be replaced. To unscrew the nut, press the one-way lock device "B".

● AQUAPROTECT – SUPPLY TUBE WITH GUARD (fig. 6):

Should water leak from the primary internal tube "A", the transparent containment sheath "B" will contain water to permit the washing cycle to complete. At the end of the cycle, contact the Customer Service Centre to replace the supply tube.



Setting

- Near the washing machine to the wall, being careful that the tube is not bent or crushed, and place the drain tube in the tub or, preferably, connect it to a wall drain at least 50 cm high with diameter greater than the washing machine tube (fig. 7).

- Level the appliance using the feet as illustrated in **figure 8**:
 - a. turn the nut clockwise to release the screw;
 - b. rotate the foot to raise or lower it until it adheres to the floor;
 - c. lock the foot, screwing in the nut, until it adheres to the bottom of the washing machine.
- Plug in the appliance.



WARNING:
contact the Customer Service Centre should the power cord need replacement.

Detergent drawer

The detergent draw is split into 3 compartments as illustrated in **figure 9**:

- **compartment "1"**: for prewash detergent;
- **compartment "☼"**: for special additives, softeners, starch fragrances, etc.;



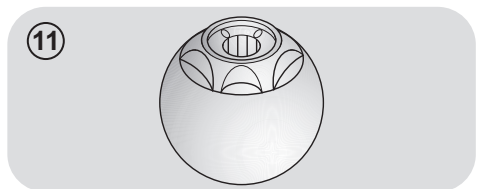
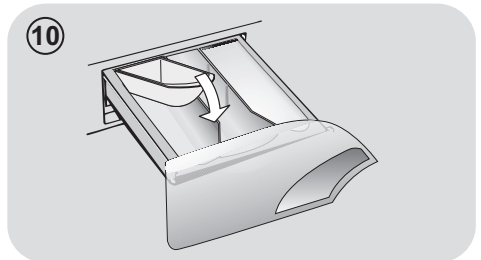
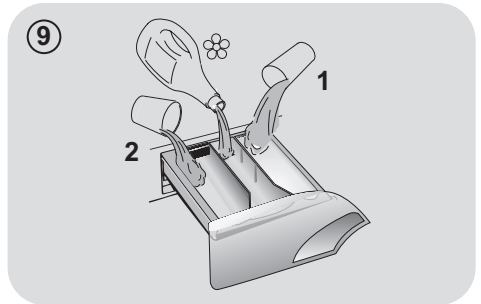
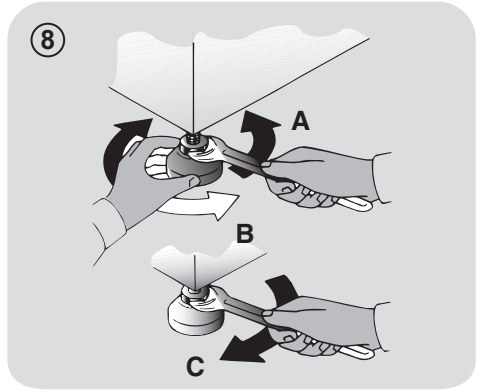
WARNING:
only use liquid products; the washing machine is set to automatically dose additives at each cycle during the last rinse.

- **compartment "2"**: for washing detergent.

A **liquid detergent cup** is also included in some models (**fig. 10**). To use it, place it in **compartment "2"**. This way, liquid detergent will only enter the drum at the right time. The cup can also be used for bleach when the "Rinse" program is selected.



WARNING:
some detergents are hard to remove. In this case we recommend using the specific container to be placed in the drum (example in figure 11).



3. PRACTICAL TIPS

Load tips

WARNING: when sorting laundry, make sure:

- have eliminated metallic objects such as barrettes, pins, coins, from laundry;
 - to have buttoned pillow cases, closed zips, tied loose belts and long robe ribbons;
 - to have removed rollers from curtains;
 - to have carefully read clothing washing labels;
 - to have removed any persistent stains using specific detergents.
- When washing rugs, bedcovers or other heavy clothing, we recommend you avoid centrifuging.
 - To wash wool, make sure the item can be machine washed and marked by the “Pure virgin wool” symbol with the “Does not mat” or “Machine washable” label.

Helpful suggestions for the user

A guide environmentally friendly and economic use of your appliance.

Maximise The Load Size

- Achieve the best use of energy, water, detergent and time by using the recommended maximum load size.
Save up to 50% energy by washing a full load instead of 2 half loads.

Do you need to pre-wash?

- For heavily soiled laundry only!
SAVE detergent, time, water and between 5 to 15% energy consumption by NOT selecting Prewash for slight to normally soiled laundry.

Is a hot wash required?

- Pretreat stains with stain remover or soak dried in stains in water before washing to reduce the necessity of a hot wash programme.
Save up to 50% energy by using a 60°C wash programme.

Following is a **quick guide** with tips and recommendations on **detergent use at the various temperatures**. In any case, always read the instructions on the detergent for correct use and doses.

When washing heavily soiled whites, we recommend using cotton programs of 60°C or above and a normal washing powder (heavy duty) that contains bleaching agents that at medium/high temperatures provide excellent results.

For washes between 40°C and 60°C the type of detergent used needs to be appropriate for the type of fabric and level of soiling.

Normal powders are suitable for “white” or colour fast fabrics with high soiling, while liquid detergents or “colour protecting” powders are suitable for coloured fabrics with light levels of soiling.

For washing at temperatures below 40°C we recommend the use of liquid detergents or detergents specifically labeled as suitable for low temperature washing.

For washing **wool** or **silk**, only use detergents specifically formulated for these fabrics.

4. MAINTENANCE AND CLEANING

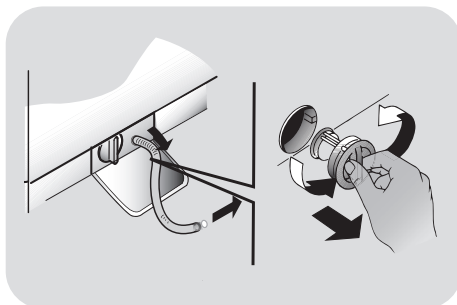
To clean the washing machine exterior, use a damp cloth, avoiding abrasives, alcohol and/or solvents. The washing machine does not require any special care for ordinary cleaning: clean drawer compartments and the filter; some tips on how to move the machine or on long periods of disuse are provided below.

Drawer cleaning

- We recommend you clean the drawer to avoid accumulating detergent and additive residue.
- To do this, extract the drawer using slight force, clean it with running water and reinsert it in its housing.

Filter cleaning

- The washing machine comes with a special filter able to trap large residue, such as buttons or coins, which could clog the drain.
- Only available on certain models: pull out the corrugated hose, remove the stopper and drain the water into a container.
- Before unscrewing the filter, we recommend you place an absorbent cloth under it to keep the floor dry.
- Turn the filter counter-clockwise to the limit stop in the vertical position.
- Remove and clean the filter; when finished, replace it turning it clockwise.
- Repeat the previous steps in reverse order to reassemble all parts.



Suggestions for moves or prolonged disuse

- Should the washing machine be stored in an unheated room for a long period of time, drain all water from tubes.
- Unplug the washing machine.
- Detach the tube from the strap and lower it, fully draining water into a bowl.
- Secure the drain tube with the strap when finished.

5. QUICK USER GUIDE

This washing machine automatically adapts the level of the water to the type and quantity of washing. This system gives a decrease in energy consumption and a sensible reduction in washing times.

Program selection

- Turn on the washing machine and select the required program.
- Adjust the washing temperature if necessary and press the required "option" buttons.
- Press the **START/PAUSE** button to start washing.

Should power go out when the washing machine is running, a special memory saves the settings and, when power returns, the machine resumes the cycle from where it left off.

- The message "end" will appear on the display or the corresponding led will turn on at the end of the program.

Wait until the porthole locked light turns off: about 2 minutes after the program ends.

- Turn off the washing machine.

For any type of wash, see the program table and follow the operating sequence as indicated.

Technical data

Water pressure:

min 0,05 Mpa
max 0,8 Mpa

Spin r.p.m.:

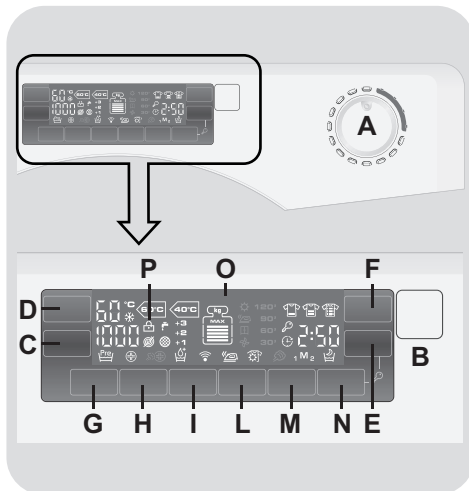
See rating plate.

Power input / Power current fuse amp /

Supply voltage:

See rating plate.

6. CONTROLS AND PROGRAMS



A Programme selector with OFF position

B START/PAUSE button

C SPIN SELECTION button

D TEMPERATURE SELECTION button

E DELAY START button

F STAIN LEVEL button

G PREWASH button

H HYGIENE PLUS button

I EXTRA RINSE button

L EASY IRON button

M MEMORY button

N NIGHT & DAY button

O Digital display

P DOOR LOCKED indicator light

E+N KEY LOCK



WARNING:

Don't touch the display while inserting the plug because the machines calibrates the systems during the first seconds: touching the display, the machine couldn't work properly. In this case, remove the plug and repeat the operation.

Opening the door

A special safety device prevents the door from being opened immediately after the end of the cycle.

Wait for 2 minutes after the wash cycle has finished and the "Door Security" light has gone out before opening the door.

Programme selector with OFF position

When the programme selector is turned the display lights up to show the settings for the programme selected.

For energy saving, at the end of the cycle or with an inactivity period, the display level contrast will decrease.

N.B.: To switch the machine off, turn the programme selector to the OFF position.

- Press the **START/PAUSE** button to start the selected cycle.
- Once a programme is selected the programme selector remains stationary on the selected programme till cycle ends.
- Switch off the washing machine by turning the selector to **OFF**.

The programme selector must be returned to the OFF position at the end of each cycle or when starting a subsequent wash cycle prior to the next programme being selected and started.

START/PAUSE button

Close the door **BEFORE** selecting the button **START/PAUSE**.

- Press to start the selected cycle.

When the **START/PAUSE** button has been pressed, the appliance can take few seconds before it starts working.

ADD OR REMOVE ITEMS AFTER THE PROGRAMMES HAS STARTED (PAUSE)

- Press and hold the **START/PAUSE** button for about **2 seconds** (some indicator light and the time remaining indicator will flash, showing that the machine has been paused).
- Wait **2 minutes** until the safety device unlocks the door.
- After you have added or removed items, close the door and press the **START/PAUSE** button (the programme will start from where it left off).

CANCELLING THE PROGRAMME


- To cancel the programme, set the selector to the **OFF** position.

The option buttons should be selected before pressing the START/PAUSE button.

If an option is selected that is not compatible with the selected programme then the option indicator first flashes and then goes off.

SPIN SELECTION button

- By pressing this button, it is possible to reduce the maximum speed, and if you wish, the spin cycle can be cancelled.

 spin speed cancelled.

- To reactivate the spin cycle press the button until you reach the spin speed you would like to set.

To prevent damage to the fabrics, it is not possible to increase the speed over that which is automatically suitable during the selection of the program.


- It is possible to modify the spin speed without pausing the machine.

The machine is fitted with a special electronic device, which prevents the spin cycle should the load be unbalanced.

This reduces the noise and vibration in the machine and so prolongs the life of your machine.

TEMPERATURE SELECTION button

- This button allows you to change the temperature of the wash cycles.

 cold wash.

- It is not possible to raise the temperature over the maximum allowed for every programme, in order to save the fabrics.

DELAY START button

- This button allows you to pre-programme the wash cycle to delay the start of the cycle for up to **24 hours**.

- To delay the start use the following procedure:

- Set the required programme.

- Press the button once to activate it (**h00** appears on the display) and then press it again to set a **1 hour** delay (**h01** appears on the display). The pre-set delay increases by **1 hour** each time the button is pressed, until **h24** appears on the display, at which point pressing the button again will reset the delay start to zero.

- Confirm by pressing the **START/PAUSE** button (the light on the display starts to flash). The countdown will begin and when it has finished the programme will start automatically.

- It is possible to cancel the delay start by turning the programme selector to **OFF**.

If there is any break in the power supply while the machine is operating, a special memory stores the selected programme and, when the power is restored, it continues where it left OFF

STAIN LEVEL button

- By selecting this button there is a choice of 3 levels of wash intensity, depending on how much the fabrics are soiled (can be used only on some programmes as shown in the table of programmes).

- Once the programme has been selected the indicator light will automatically show the stain level set for that programme.
- Selecting a different stain level the relevant indicator will light up.

PREWASH button

- This option allows you to make a prewash and it is particularly useful for heavily soiled loads (can be used only on some programmes as shown in the table of programmes).
- We recommend you use only 20% of the recommended quantities shown on the detergent pack.

HYGIENE PLUS button

With this option it is possible to hygienize the clothes, the washing programme reach a temperature of 60°C.

EXTRA RINSE button

- This button allows you to add rinses at the end of the washing cycle. The maximum number of extra rinses is related to the programme selected.
- This function has been studied for the people with delicate and sensitive skin, for which also a least residue of detergent can cause irritations or allergies.
- It advises to also use this function for the children items and in case of washings of very dirty items, for which it is due to use a lot of detergent, or in the washing of toweling items whose fibres mostly have the tendency to hold the detergent.

EASY IRON button

This function allows you to minimize creases as much as possible, eliminating the intermediate spins or reducing the intensity of the last one.

MEMORY button

This function allows you to save the settings of your two favourite personalised programmes, including the temperature, spin speed and soil level, so you can recall them quickly.

How to memorize a programme for the first time:

- 1) Select the programme and the options you want.
- 2) Press the **MEMORY** button, choosing either **M1** or **M2**. You should choose **M1** if this is the first programme you have saved.
- 3) Keep your finger on the **MEMORY** button for about **3 seconds** to save the combination in the chosen position.

Memorize a new programme when **M1** & **M2** already have programmes saved:

- 1) Set the programme and the options you want.
- 2) Press the **MEMORY** button for about **3 seconds** to save the combination in the position **M1**. The pre-existing saved programme in **M1** will move in the position **M2**.

Start a program that is already memorized

- Press briefly the **MEMORY** button (once for **M1**, twice for **M2**) and press the **START/PAUSE** button.
- Once you recall a memorized program, you can still change its options and settings, pressing the corresponding keys. In this case, the added options won't be memorized.

If you accidentally select a memorized program, simply turn the program knob to select another one.

NIGHT & DAY button

- This option reduces the intermediate spin speed to 400 rpm, where applicable, increase the water level during rinsing and keep the laundry immersed in water after the final rinse, in order to spread the fiber perfectly.
- During the phase in which the water is held in the tub, the relevant indicator light blink to show that the machine is at a standstill.
- Deselect the option to end the cycle with a spin dry (which may be reduced or cancelled using the appropriate button) and emptying phase.
- Thanks to electronic control, the water in the intermediate phases is emptied silently, making this option very useful for washing at night.

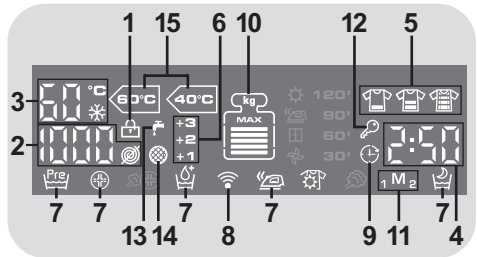
KEY LOCK

- Pressing simultaneously the buttons **NIGHT & DAY** and **DELAY START** for about **3 seconds**, the machine allows you to lock the keys. In this way, you can avoid making accidental or unwanted changes if a button on the display is pressed accidentally during a cycle.

- The key lock can be simply cancelled by pressing the two buttons simultaneously again or by turning the program knob to **OFF**.

Digital Display

The display's indicator system allows you to be constantly informed about the status of the machine.



1) DOOR LOCKED INDICATOR LIGHT

- The indicator light is illuminated when the door is fully closed.

Close the door **BEFORE** selecting the **START/PAUSE** button.


- When **START/PAUSE** is pressed on the machine with the door closed, the indicator will flash momentarily and then illuminate.

If the door is not properly closed, the light will continue to flash for about **7 seconds**, after which the start command will be automatically delete. In this case, close the door in the proper way and press the **START/PAUSE** button.

- A special safety device prevents the door from being opened immediately after the end of the cycle. Wait for **2 minutes** after the wash cycle has finished and the **DOOR LOCKED** light has gone out before opening the door. At the end of the cycle turn the programme selector to **OFF**.


2) SPIN SPEED

This shows the spin speed of the selected programme that can be changed or omitted by the relevant button.

 spin speed cancelled.

3) WASH TEMPERATURE

This shows the washing temperature of the selected programme that can be changed (where allowed) by the relevant button.

 cold wash.

4) CYCLE DURATION

- When a programme is selected the display automatically shows the cycle duration, which can vary, depending on the options selected.
- Once the programme has started you will be kept informed constantly of the time remaining to the end of the wash.
- The appliance calculates the time to the end of the selected programme based upon a standard loading, during the cycle, the appliance corrects the time to that applicable to the size and composition of the load.

5) STAIN LEVEL

- Once the programme has been selected, the indicator light will automatically show the stain level set for that programme.
- Selecting a different stain level the relevant indicator will light up.

6) EXTRA RINSES

The indicator lights show the extra rinses selected by the relevant button.

7) OPTIONS

The indicator lights show the options that can be selected by the relevant buttons.

8) Wi-Fi (some models only)

- In the models with the Wi-Fi option, the icon indicates that the Wi-Fi system is working.
- For all other information in the Wi-Fi system, there is a specific manual inside the machine.

9) DELAY START

This flashes when delay start has been set.

10) Kg Check (*function active only on Cotton and Synthetics programmes*)

- For the programmes where the **"Kg Check"** function is active, the appliance in the first minutes it calculates the real laundry loaded, updating the levels on the display in real time.
Every level shown on the display is the 20% of the maximum loading capacity.
When a programme is selected the maximum capacity suggested is shown on the display.
- Through every wash phase **"Kg Check"** allows to monitor information on the wash load in the drum and in the first minutes of the wash it:
 - adjusts the amount of water required;
 - determines the length of the wash cycle;
 - controls rinsing according to the type of fabric selected to be washed it;
 - adjusts the rhythm of drum rotation for the type of fabric being washed;
 - recognizes the presence of lather, increasing, if necessary, the amount of water during rinsing;
 - adjusts the spin speed according to the load, thus avoiding any imbalance.

11) MEMORY

The indicator light show that the memory function is working.

12) KEY LOCK

The indicator light show that the keys are locked.

13) TAP CLOSED

Indicates that the machine is unable to load the water: it is suggested to turn off the machine, check that the tap is open and the water pressure is not particularly low.

14) FILTER BLOCKED

Indicates that the machine is not able to drain the water: it is suggested to turn off the machine, check that the filter is not clogged or that the drain hose is not kinked or crushed.

15) STANDARD COTTON PROGRAMMES LIGHTS (see table of programmes)

The lights will light up when you select the most efficient program in terms of water and energy consumption, to wash cotton garments with a normal grade of soil.

Table of programmes



PROGRAM		kg * (MAX.)				TEMP.°C		DETERGENT		
						Recommended	Max.	2		1
Perfect 20° Mix & Wash	Perfect 20° Mix & Wash 1)	5,5	6	6,5	7	20°	20°	●	●	
Intensive 40°	Intensive 40° 1)	5,5	6	6,5	7	40°	40°	●	●	
Hygiene 60°	Hygiene 60°	5,5	6	6,5	7	60°	60°	●	●	
Perfect Rapid 59 Min	Perfect Rapid 59 Min	3	3	3,5	3,5	40°	40°	●	●	
30 Min	Rapid 30 Min	2,5	2,5	2,5	2,5	30°	30°	●	●	
14 Min	Rapid 14 Min	1,5	1,5	1,5	1,5	30°	30°	●	●	
Baby	Baby 1)	5,5	6	6,5	7	60°	60°	●	●	
Rinse	Rinse	-	-	-	-	-	-	△	●	
Drain + Spin	Drain + Spin	-	-	-	-	-	-			
Hand/Silk	Hand/Silk	2	2	2	2	30°	30°	●	●	
Wool	Wool	2	2	2	2	40°	40°	●	●	
Delicates	Delicates	2,5	2,5	2,5	2,5	40°	40°	●	●	
Acrylics	Mixed 1)	4	4,5	5	5,5	40°	60°	●	●	(●)
Cottons	Cottons ** 1)	8	9	10	11	40°	60°	●	●	(●)
Cottons Whites	Whites 1)	8	9	10	11	60°	90°	●	●	(●)



An over dosing of detergent can cause excessive foaming. If the appliance detects the presence of excessive foam, it may exclude the spinning phase or extend the duration of the program and increase water consumption.

Please read these notes:

* Maximum load capacity of dry clothes, according to the model used (see control panel).

- Only with PREWASH option selected (programmes with PREWASH option available).

▲ (Only for models with liquid detergent compartment)

When only a limited number of articles have stains which require treatment with liquid bleaching agents, preliminary removal of stain can be carried out in the washing machine.

Pour the bleach into the liquid bleach container, inserted into the compartment marked "2" in the detergent drawer, and set the special programme RINSE.

When this phase has terminated, turn the programme selector on the OFF position, add the rest of the fabrics and proceed with a normal wash on the most suitable programme.

- 1) For the programmes shown you can adjust the duration and intensity of the wash using the STAIN LEVEL button.

**** STANDARD COTTON PROGRAMMES ACCORDING TO (EU) No 1015/2010 and No 1061/2010.**

COTTON PROGRAMME WITH A TEMPERATURE OF 60°C.

COTTON PROGRAMME WITH A TEMPERATURE OF 40°C.

These programmes are suitable to clean normally soiled cotton laundry and they are the most efficient programmes in terms of combined energy and water consumptions for washing cotton laundry.

These programmes have been developed to be compliant with the temperature on the wash label on the garments and the actual water temperature may slightly differ from the declared temperature of the cycle.

The spin speed may also be reduced, to match any guidelines suggested on the fabric label, or for very delicate fabrics cancel the spin completely this option is available with a spin speed button. This function can be activated with the button SPIN SELECTION.

If the label does not indicate specific information, it is possible to use the maximum spin expected in the program.

Programmes selection

To clean different types of fabrics and various levels of dirt, the washing machine has specific programs to meet every need of washing (see table of programmes).

Mix Power System +

The washing machine is equipped with an innovative pre-mix of detergent and water. A jet of water under high pressure sprays the mixture directly in the load.

In the initial phase of the wash cycle, the high pressure spray facilitates the penetration of the wash solution through the fibres, thoroughly removing dirt ensuring the best wash performance.

The system also delivers the "Mix Power System +"; during the rinse, the complete removal of the residues of detergent due to its high pressure water jet, which invests the laundry.

Perfect 20°C – Mix & Wash

This innovative "Mix Power System +" technology, allows you to wash fabrics such as cottons, synthetics and mixed fabrics at 20°C with a performance which is comparable to a 40°C wash.

The consumption of this programme is about 50% of a conventional 40°C. Cottons wash.

We suggest a wash load equal to 2/3 of the maximum capacity of the machine.

This programme applies to the washing system "Mix & Wash" which allows you to wash different fabrics and colours together.



WARNING:

New coloured garments should be washed separately for at least 5 or 6 washes.

Certain large dark items such as jeans and towels should always be washed separately.

Never mix NON COLOURFAST fabrics.

Intensive 40°

This programme is suitable for cotton garments and achieves excellent cleaning results at 40°C ensuring the application of fabrics and colors.

Hygiene 60°

This programme is suitable for cotton garments and has been specially developed to remove stubborn stains already at 60°C thanks to the "Mix Power System +" technology.

Perfect Rapid 59 Min

This specially designed programme maintains the high quality wash performance whilst greatly reducing the wash time.

The programme is designed for a reduced load (see table of programmes).

Rapid 30 Min

A complete washing cycle (wash, rinse and spin). This programme is particularly suited to slightly dirty cottons and mixed fabrics. With this programme it is recommended to use only 20% of the detergent normally used to avoid waste.

Rapid 14 Min

A complete washing cycle (wash, rinse and spin). This programme is suited to slightly dirty cottons and mixed fabrics. With this programme it is recommended to use only 20% of the detergent normally used to avoid waste.

Baby

This program allows you to wash all baby clothes getting a perfect clean and sanitizing effect, setting the temperature at 60°C minimum.

To optimize the result of the sanitizing effect we recommend the use of powder detergent.

Rinse

This program performs 3 rinses with an intermediate spin (which can be reduced or excluded by using the appropriate button) . It is used for rinsing any type of fabric, for example after a wash carried out by hand.

Drain + Spin

The program completes the drain and a maximum spin. It is possible to delete or reduce the spin with the SPIN SELECTION button.

Hand/Silk

This programme allows a delicate washing cycle for garments specified as "Hand Wash only" and laundry items made from Silk or specified as "Wash as Silk" on the fabric label.

Wool

This program performs a wash cycle dedicated to the wool fabrics that can be washed in a washing machine, or the articles to be washed by hand.

Delicates

This program alternates among moments of work during breaks and is particularly suitable

for washing delicate fabrics. The wash cycle and rinses are carried out with a high level of water to ensure the best performance.

Mixed

The washing and rinsing are optimized in the rhythms of rotation of the drum and to the water levels. The gentle spin, ensures a reduced formation of creases in the fabric.

Cottons 40°C - 60°C

This program is suitable to clean normally soiled cotton laundry and it is the most efficient program in terms of combined energy and water consumptions for washing cotton laundry.

Whites

Made to have a perfect washing. The final spin at maximum speed gives more efficient removal.

7. CUSTOMER SERVICE CENTRE AND WARRANTY

If you believe the washing machine is not working correctly, consult the quick guide provided below with some practical tips on how to fix the most common problems.

Problem	Possible causes and practical solutions
<i>The washing machine does not work/start</i>	Make sure it is correctly plugged in.
	Make sure power is on.
	Check whether the required program was correctly selected and to have correctly started the machine.
	Make sure the fuse has not blown and that the wall socket is working, testing it with another appliance such as a lamp. The porthole may not be correctly closed: open and close it again.
<i>The washing machine does not fill with water</i>	Make sure the water faucet is open.
	Make sure the timer is correct set.
<i>The washing machine does not drain water</i>	Make sure the filter is not clogged.
	Make sure the drain hose is not bent.
	Make sure there are no foreign objects in the filter.
<i>Water leaked on the floor near the washing machine</i>	This may be due to a leak in the gasket between the faucet and supply tube; in this case, replace it and tighten the tube and faucet.
<i>The washing machine does not centrifuge</i>	This could be due to the fact that water has not been completely drained: wait a few minutes.
	Some models include a "no centrifuge" function: make sure it is not on.
	An excessive amount of detergent could prevent centrifuge: reduce the amount at the next wash.
<i>Strong vibrations are heard during centrifuge</i>	The washing machine may not be fully levelled: if necessary, adjust the feet as indicated in the specific section.
	Make sure transport brackets were removed.
	Make sure the load is evenly distributed.
<i>If a specific ERROR appears of blinks</i>	If error no. 0, 1, 5, 7 or 8 appears or blinks, contact the Customer Service Centre directly.
	If error no. 2 appears or blinks, the machine does not load water. Make sure the water faucet is open.
	If error no. 3 appears or blinks, the machine does not correctly drain. Make sure the drain is free and that the drain hose is not bent.
	If error no. 4 appears or blinks, the machine is too full. Close the water faucet and contact the Customer Service Centre.
	If error no. 9 appears or blinks, turn off the washing machine, wait 10 – 15 seconds and restart the program.

The use of ecological detergents without phosphates may cause the following effects:

- **cloudier rinse drain water:** This effect is tied to the suspended zeolites which do not have negative effects on rinse efficiency.
- **white powder (zeolites) on laundry at the end of the wash:** this is normal, the powder is not absorbed by fabric and does not change its colour.
- **foam in the water at last rinse:** this does not necessary indicate poor rinsing.
- **abundant foam:** This is often due to the anionic surfactants found in the detergents which are hard to eliminate from laundry.
In this case, do not re-rinse to eliminate these effects: it will not help at all.

If the problem persists or if you suspect a malfunction, immediately contact the **Candy** Customer Service Centre.

You can also register for the **Candy** service plan to receive free home service after the warranty expires.

Attention: the call is not toll-free. The cost will be communicated in a voice message by your telephone operator's customer service.

Candy recommends you always use original spare parts available at our Customer Service Centre.

Warranty

The product is guaranteed under the terms and conditions stated on the certificate included with the product. The warranty certificate must be duly filled in and stored, so as to be shown to the Authorised **Candy** Service Centre in case of need.

Register your product!

Don't waste time. Register your washing machine at once, and discover the benefits to which you are entitled. Discover how at www.registercandy.com or by calling the number stated on the related material.

The manufacturer declines all responsibility for any printing errors in the booklet included with this product. Moreover, it also reserves the right to make any changes deemed useful to its products without changing their essential characteristics.

Muchas gracias por elegir una lavadora **Candy**. Sin ninguna duda, le ayudará a lavar toda su ropa de manera segura, incluso la ropa más delicada, todos los días.

Registre su producto en www.registercandy.com y acceda fácilmente a los servicios complementarios exclusivos para nuestros clientes más fieles.

Lea atentamente este manual de instrucciones para aprender a usar la lavadora de manera correcta y segura y para obtener consejos útiles acerca de su mantenimiento.



Antes de usar su nueva lavadora, lea atentamente este manual de instrucciones para optimizar su funcionamiento. Guarde el manual en buen estado para otros usuarios que pudieran necesitarlo más adelante.

Compruebe que además del manual de instrucciones le hayan entregado el certificado de garantía, la información sobre centros de servicio técnico y la etiqueta de eficiencia energética. Compruebe también que le hayan entregado la clavija, el codo para la manguera de desagüe y la cubeta para detergente (o lejía en algunos modelos). Conserve todos estos accesorios.

Todos los productos están identificados con un único código o número de serie de 16 caracteres, que figura en una etiqueta adherida al aparato (puerta de carga) o en el sobre que se encuentra dentro de la lavadora. El código es una especie de documento de identidad, necesario para registrar el producto y para solicitar la asistencia del Servicio de Atención al Cliente de **Candy**.

Normas ambientales



Este electrodoméstico cumple con la Directiva Europea 2002/96/CE sobre residuos de aparatos eléctricos y electrónicos (RAEE).

En el momento de desechar este producto cuando éste llegue al final de su vida útil, asegurarse de hacerlo de manera correcta para evitar las potenciales consecuencias negativas para el medio ambiente y la salud de la gestión inadecuada de residuos.

Este símbolo indica que el producto no debe tratarse como residuo doméstico sino que debe trasladarse al punto más cercano de recolección de equipamiento eléctrico y electrónico para su reciclado.

Respete las normas ambientales sobre eliminación de residuos en vigor.

Para obtener más información sobre el tratamiento, recuperación y reciclado de este producto, consulte con la entidad pública correspondiente, el servicio de recolección de residuos correspondiente a su domicilio o la tienda donde lo ha adquirido.

Índice

1. **NORMAS DE SEGURIDAD**
2. **INSTALACIÓN**
3. **CONSEJOS PRÁCTICOS**
4. **LIMPIEZA Y MANTENIMIENTO**
5. **GUÍA RÁPIDA**
6. **CONTROLES Y PROGRAMAS**
7. **SERVICIO TÉCNICO Y GARANTÍA**

1. NORMAS DE SEGURIDAD

- Este producto es exclusivamente para uso doméstico o similar:
 - zona de cocina para el personal de tiendas, oficinas y otros entornos laborales;
 - granjas;
 - pasajeros de hoteles, moteles u otros entornos residenciales;
 - hostales (B&B).

No se recomienda el uso de este producto con fines diferentes del doméstico o similar, por ejemplo, con fines comerciales o profesionales.

El empleo de la lavadora con fines no recomendados puede reducir la vida útil del artefacto e invalidar la garantía. Todos los daños, averías o pérdidas ocasionados por un uso diferente del doméstico o similar (aunque ese uso se realice en un entorno doméstico) no serán reconocidos por el fabricante en la medida en que lo permita la ley.

- Este electrodoméstico puede ser utilizado por niños mayores de 8 años y por personas con capacidades físicas, sensoriales o mentales limitadas o que carezcan de la experiencia y el conocimiento necesarios, siempre y cuando estén supervisadas por una persona encargada de velar por su seguridad o hayan sido instruidas en su utilización de manera segura.

Los niños no deben jugar con el electrodoméstico. Los niños no deben ocuparse del mantenimiento ni de la limpieza del electrodoméstico,

salvo que estén supervisados una persona encargada de velar por su seguridad.

- Vigile a los niños de manera que se asegure que no juegan con el aparato.
- Los niños menores de 3 años se deben mantener lejos a menos que estén supervisados de forma continua.
- Si el cable de alimentación está dañado, por seguridad debe reemplazarlo el fabricante, un técnico del Servicio de Atención al Cliente o una persona debidamente cualificada.
- Sólo deben emplearse las mangueras de suministro de agua proporcionadas con el electrodoméstico. No reutilizar mangueras de lavadoras antiguas.
- La presión de agua debe estar entre 0,05 MPa y 0,8 MPa.
- Ninguna alfombrilla debe obstruir las rejillas de ventilación situadas en la base de la lavadora.
- Para apagar la lavadora, se debe la marca de referencia del selector de programas a la posición vertical. Si la marca no se encuentra en posición vertical, la lavadora está encendida.
- Una vez instalado el electrodoméstico, se debe poder acceder fácilmente al enchufe.
- La capacidad máxima de colada seca depende del modelo usado (ver panel de control).
- Para consultar la ficha del producto, visitar la web del fabricante.

Instrucciones de seguridad

- Desenchufar la lavadora y cerrar el grifo del agua antes de proceder a su limpieza o a cualquier operación de mantenimiento.
- Asegurarse de que la toma de corriente tenga conexión a tierra. Si no se dispone de toma con conexión a tierra, llamar a un técnico especializado.
- No utilizar adaptadores, regletas ni alargues.



ATENCIÓN:
el agua puede alcanzar
temperaturas muy elevadas
durante el ciclo de lavado.

- Asegurarse de que no quede agua residual en el tambor antes de abrir la puerta de carga.
- No desenchufar la lavadora tirando del cable de alimentación ni del aparato.
- No instalar la lavadora en el exterior, ni exponerla a la lluvia, a los rayos del sol, o a otros factores ambientales.
- Para transportar la lavadora, no levantarla sosteniéndola de los mandos ni de la cubeta del detergente y no apoyarla sobre la puerta de carga. Para levantar la lavadora, se recomienda la colaboración de al menos dos personas.

- En caso de fallo o mal funcionamiento, apagar la lavadora, cerrar el grifo del agua y no intentar repararla. Llamar de inmediato al Servicio de Atención al Cliente y utilizar sólo piezas de recambio originales. El incumplimiento de estas instrucciones puede afectar la seguridad del aparato.

CE El producto cumple con las siguientes Directivas Europeas:

- 2006/95/EC (LVD);
- 2004/108/EC (EMC);
- 2009/125/EC (ErP);
- 2011/65/EU (RoHS);

y enmiendas posteriores.

2. INSTALACIÓN

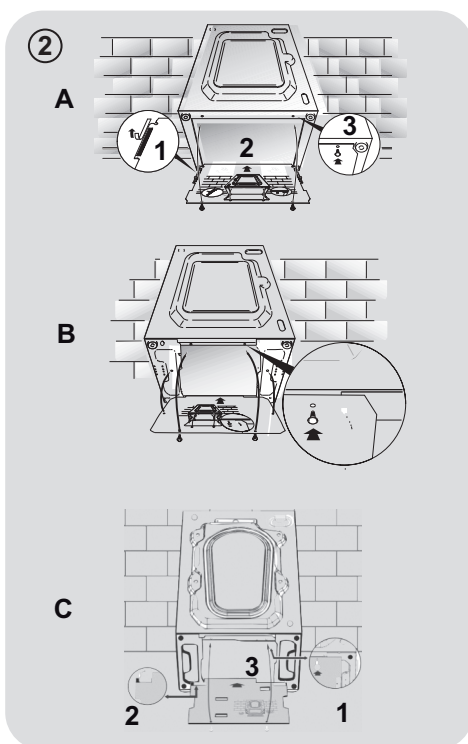
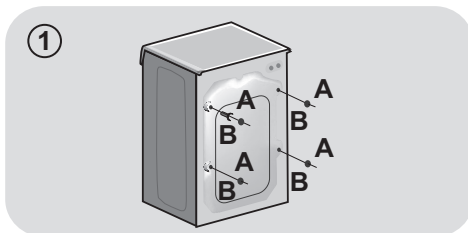
- Retirar las cintas que sostienen el tubo, cuidando de no dañar ni el tubo ni el cable de alimentación.
- Extraer los **2** o **4** tornillos (**A**) que se encuentran en la parte posterior de la lavadora y quitar los dos **2** o **4** seguros de transporte (**B**), tal y como se muestra en la **figura 1**.
- Obstruir los **2** o **4** orificios que quedan tras retirar los tornillos con los tapones que se encuentran en el sobre que contiene las instrucciones.
- Para lavadoras **de encastre**, después de cortar las cintas de la manguera, extraer los **3** o **4** tornillos (**A**) y los **3** o **4** seguros de transporte (**B**).
- En ciertos modelos, **1** o **más** seguros de transporte pueden caer dentro de la lavadora. Para quitarlos, inclinar el aparato hacia delante de modo de poder cogerlos. Obstruir los orificios que quedan tras retirar los tornillos con los tapones que se encuentran en el sobre.



ATENCIÓN:

los niños no deben jugar con los materiales de embalaje.

- Colocar la lámina sintética en la parte inferior, tal y como se muestra en la **figura 2 (A, B o C, según el modelo)**.



Conexión a la red de agua

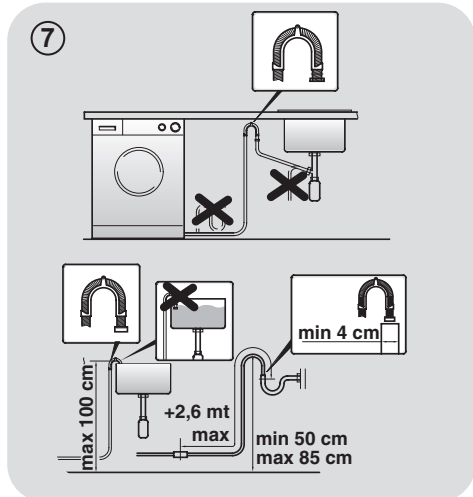
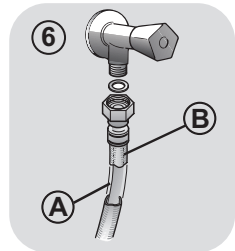
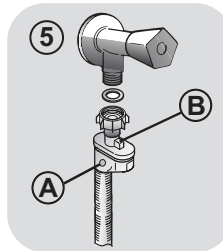
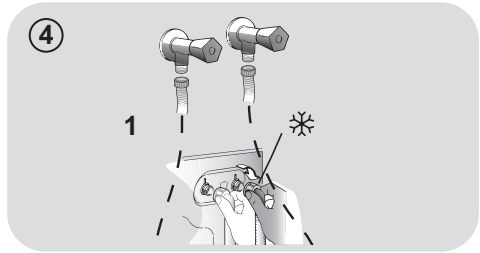
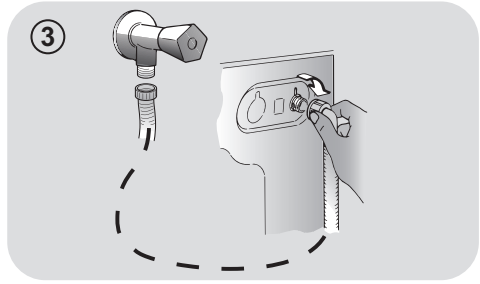
Conectar el tubo de alimentación de agua al grifo, utilizando únicamente el tubo de alimentación suministrado (fig. 3).

NO ABRIR EL GRIFO.

- Algunos modelos tienen una o más de las siguientes características:
- **Conexiones HOT&COLD para agua fría y caliente (fig. 4):** Favorecen el ahorro de energía. Conectar el tubo gris al grifo del agua fría ❄️ y el rojo, al del agua caliente. El electrodoméstico se puede conectar sólo al grifo del agua fría, en cuyo caso se retrasará el inicio de algunos programas.

- **AQUASTOP (fig. 5):** Un dispositivo situado en el tubo de alimentación impide la entrada de agua si el tubo está deteriorado. En caso de avería, aparece una marca de color rojo en la ventana "A", que indica que debe reemplazarse el tubo. Para extraer la tuerca, presionar el dispositivo de bloqueo unidireccional "B".

- **AQUAPROTECT – TUBO DE ALIMENTACIÓN CON PROTECCIÓN (fig. 6):** Si el tubo principal "A" pierde agua, el depósito transparente "B" contiene agua que permite que se complete el ciclo de lavado. Al finalizar el ciclo, solicitar al Servicio de Atención al Cliente el reemplazo del tubo de entrada de agua.



Instalación

- La lavadora debe quedar cerca de la pared en su parte posterior, evitando que el tubo quede doblado o deformado. Ubicar el tubo de descarga en el fregadero o, preferentemente, conectarlo al desagüe de la pared a 50 cm de altura como mínimo, con un diámetro mayor que el tubo de la lavadora (fig. 7).

ES

- Nivelar el electrodoméstico ajustando las patas **fig. 8**:
 - a. girar la tuerca en el sentido de las agujas del reloj para extraer el tornillo;
 - b. girar la pata regulable hasta que toque el suelo;
 - c. bloquear el movimiento de la pata insertando la tuerca hasta que toque la parte inferior de la lavadora.
- Enchufar el aparato.



ATENCIÓN:

si es necesario reemplazar el cable de alimentación, solicitar la asistencia del Servicio de Atención al Cliente.

Cubeta para detergente

La cubeta se divide en tres compartimentos (**fig. 9**)::

- **compartimento "1"**: detergente para el prelavado;
- **compartimento "2"**: otros productos líquidos como suavizantes, almidón, fragancias, etc;



ATENCIÓN:

sólo deben emplearse productos líquidos. La lavadora está configurada para dosificar automáticamente los productos durante el último aclarado.

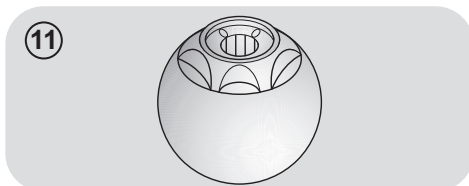
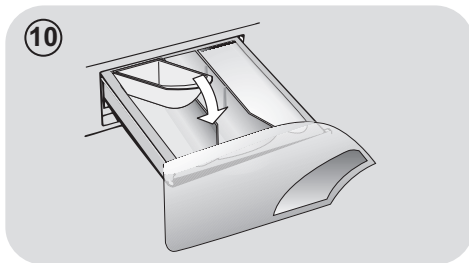
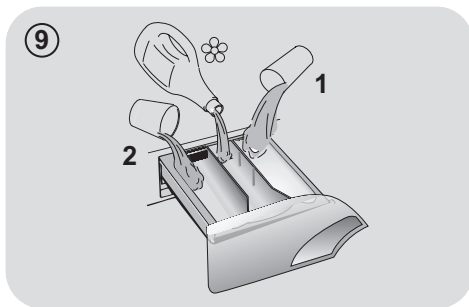
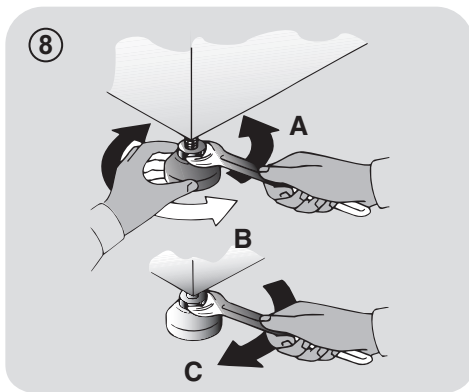
- **compartimento "2"**: detergente para el lavado.

Con algunos modelos se suministra una **pieza especial para el detergente líquido** (**fig. 10**). Si se desea usar detergente líquido, ubicar la pieza especial en el **compartimento "2"**. De ese modo, el detergente líquido pasará al tambor en el momento adecuado del ciclo de lavado. La pieza especial puede emplearse para la lejía cuando se selecciona el programa de aclarado.



ATENCIÓN:

algunos detergentes no son fáciles de limpiar. Si se utilizan detergentes de este tipo, emplear el contenedor especial y ubicarlo dentro del tambor (**fig. 11**).



3. CONSEJOS PRÁCTICOS

Consejos para colocar la ropa en la lavadora

ATENCIÓN: Al clasificar las prendas, asegurarse de:

- quitar objetos metálicos como broches, ganchos, monedas, etc.;
- abotonar fundas, cerrar cremalleras, ajustar cinturones y cintas;
- retirar enganches de las cortinas;
- leer las instrucciones de lavado de cada prenda;
- tratar previamente las manchas difíciles con productos especiales.

- Al lavar alfombras, mantas o prendas pesadas, se recomienda desactivar la función de centrifugado.
- Al lavar prendas de lana, comprobar que sean aptas para lavarlas en la lavadora y que contengan el símbolo de "Pura lana virgen" con la indicación de "No se apelmaza" o "Lavable en lavadora".

Sugerencias útiles para el usuario

Cómo usar su lavadora de forma respetuosa con el medio ambiente y con el máximo ahorro.

Cargar al máximo la lavadora

- Para ahorrar energía, detergente y tiempo, se recomienda cargar al máximo la lavadora. Es posible ahorrar hasta un 50% de energía con una única colada de carga llena, en lugar de dos coladas a media carga.

¿Cuándo es necesario el prelavado?

- ¡Sólo cuando las prendas están muy sucias! Cuando la ropa tiene una suciedad normal, es posible ahorrar entre un 5% y un 15% de energía si no se utiliza la función de prelavado.

¿Qué temperatura de lavado se debe seleccionar?

- Si se emplea un quitamanchas o se sumergen las prendas manchadas antes de lavarlas en la lavadora, se reduce la necesidad de seleccionar un programa de lavado de alta temperatura. Seleccionando el programa de lavado a 60°C se puede ahorrar hasta un 50% de energía.

A continuación se proporciona una **guía rápida** con consejos y recomendaciones sobre el uso de **detergente a distintas temperaturas**. Se recomienda leer siempre las instrucciones de cada detergente para utilizarlo correctamente y en las cantidades adecuadas.

Para lavar ropa blanca muy sucia y obtener excelentes resultados, emplear programas para algodón con temperaturas de 60°C o superiores y un detergente en polvo normal con agentes blanqueadores.

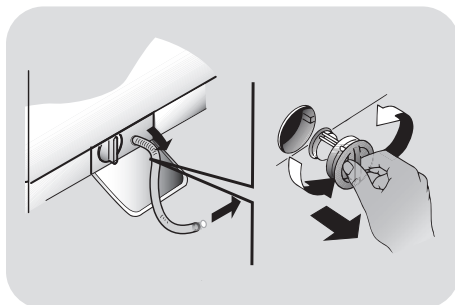
Para temperaturas de lavado de 40°C a 60°C, se debe elegir un detergente apropiado para el tipo de género y el nivel de suciedad. Los detergentes en polvo normales dan excelentes resultados en el lavado de ropa muy sucia "blanca" o de colores resistentes, mientras que los detergentes en polvo para prendas de color son recomendables para el lavado de ropa de color con bajo nivel de suciedad.

Para temperaturas de lavado inferiores a 40°C, se recomienda emplear detergentes líquidos o adecuados para el lavado a bajas temperaturas.

Para el lavado de prendas de **lana o seda**, emplear sólo detergentes formulados especialmente para ese tipo de géneros.

4. LIMPIEZA Y MANTENIMIENTO

Para limpiar el exterior de la lavadora no usar productos abrasivos ni alcohol ni solventes; basta con pasar un paño húmedo. La lavadora no requiere cuidados especiales para mantenerla limpia. Mantener limpios los compartimentos de detergente y suavizante y el filtro. A continuación ofrecemos algunos consejos para el traslado o para largos períodos de inactividad de la lavadora.



Limpieza de la cubeta para el detergente

- Es conveniente limpiar la cubeta para que no se acumulen restos de detergente y otros productos.
- Retirar la cubeta haciendo un poco de fuerza, dejarla bajo el agua hasta que esté limpia y volver a colocarla en su sitio.

Limpieza del filtro

- La lavadora está provista de un filtro especial que retiene los objetos de tamaño relativamente grande, como monedas o botones, que podrían obstruir el desagüe.
- Sólo algunos modelos: extraiga el tubo, saque el tapón y recoja el agua en un contenedor.
- Antes de extraer el filtro, se recomienda colocar un paño absorbente en el suelo para evitar que se moje.
- Girar el filtro en sentido contrario al de las agujas del reloj hasta que se detenga en la posición vertical.
- Extraer el filtro, limpiarlo y volver a colocarlo girándolo en el sentido de las agujas del reloj.
- Para volver a colocar todo en su sitio, repetir los pasos previos siguiendo las instrucciones en sentido contrario.

Recomendaciones para el traslado o para largos períodos de inactividad de la lavadora

- En el caso de que la lavadora estuviese inactiva durante un largo período de tiempo en lugares a bajas temperaturas, se recomienda vaciar por completo los restos de agua que hayan quedado en el interior de los tubos.
- Desenchufar la lavadora.
- Soltar el tubo de la abrazadera y colocar el extremo en un recipiente en el suelo para recoger toda el agua.
- Volver a asegurar el tubo de desagüe con la abrazadera una vez concluida la operación.

5. GUÍA RÁPIDA

La lavadora regula automáticamente el nivel de agua según el tipo de ropa y la carga. Este sistema reduce el consumo energético y el tiempo de lavado.

Selección de programas

- Encender la lavadora y seleccionar el programa de lavado.
- Regular la temperatura de lavado si es necesario y configurar las opciones necesarias.
- Pulsar la tecla **INICIO/PAUSA** para iniciar el lavado.

En caso de que se interrumpa el suministro eléctrico cuando la lavadora está funcionando, una memoria especial guarda la configuración elegida y, cuando se restablece el suministro, la máquina reinicia el ciclo donde éste se ha interrumpido.

- Al finalizar el programa aparece el mensaje "End" (fin) en la pantalla o se enciende el LED de fin de programa.

Esperar unos 2 minutos después de finalizado el programa hasta que se apague la luz que indica que se ha desbloqueado la puerta.

- Apagar la lavadora.

Para distintos tipos de lavado, consultar la tabla de programas y seguir los pasos indicados.

Datos técnicos

Presión en el circuito hidráulico:

min 0,05 Mpa

max 0,8 Mpa

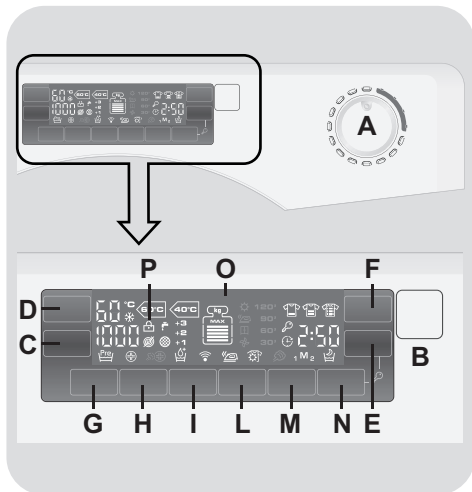
Revoluciones de centrifugado:

ver tarjeta de datos.

Potencia absorbida/ Amperios del fusible de la red/ Tension:

ver tarjeta de datos.

6. CONTROLES Y PROGRAMAS



A Selector de programas con posición OFF

B Tecla INICIO/PAUSA

C Tecla SELECCIÓN CENTRIFUGADO

D Tecla SELECCIÓN TEMPERATURA

E Tecla INICIO DIFERIDO

F Tecla NIVEL DE SUCIEDAD

G Tecla PRELAVADO

H Tecla HIGIENIZANTE PLUS

I Tecla SUPER ACLARADO

L Tecla PLANCHADO FÁCIL

M Tecla MEMORIA

N Tecla BUENAS NOCHES

O Display digital

P Indicador SEGURIDAD PUERTA

E+N BLOQUEO



ATENCIÓN:

No toque la pantalla al insertar el enchufe, porque la lavadora calibra los sistemas durante los primeros segundos: Al tocar la pantalla, la máquina no podía trabajar con propiedad. En este caso, retire el enchufe y repetir la operación.

Apertura puerta

Un dispositivo de seguridad impide que la puerta se abra inmediatamente después del final del ciclo.

Espere 2 minutos después de que el ciclo de lavado haya terminado y la luz de "Puerta de seguridad" se ha apagado antes de abrir la puerta.

PROGRAMA selector con posición OFF

Cuando el selector de programa se activa la pantalla se ilumina para mostrar los ajustes para el programa seleccionado.

Para el ahorro de energía, al final del ciclo o con un período de inactividad, el contraste nivel de visualización disminuirá.

N.B.: Para apagar la máquina, gire el selector de programas en la posición OFF

- Accionar la tecla **INICIO/PAUSA** para iniciar el ciclo seleccionado.
- Una vez que se selecciona un programa el selector de programa se mantiene inmóvil en el programa seleccionado hasta que termine el ciclo.

- Apague la lavadora girando el selector en la posición **OFF**.

El selector de programa se debe volver a la posición **OFF** al final de cada ciclo o cuando se inicia un ciclo de lavado posterior antes del próximo programa que se está seleccionado y se inicia.

Tecla INICIO/PAUSA

Cierre la escotilla **ANTES** de seleccionar **INICIO/PAUSA**.

- Presionar para iniciar el ciclo.

Cuando la tecla **INICIO/PAUSA** ha sido accionada, la lavadora puede tomar unos segundos antes de iniciar el ciclo.

AÑADIR O ELIMINAR ELEMENTOS TRAS LOS PROGRAMAS HA COMENZADO (PAUSA)

- Mantenga pulsado la tecla **INICIO/PAUSA** durante unos **2 segundos** (algunas luces indicadoras y el indicador de tiempo restante parpadeará, indicando que la máquina se ha detenido).
- Espere **2 minutos** hasta que el dispositivo de seguridad permita abrir la puerta.
- Después de haber agregado o quitado elementos a la colada, cierre la puerta y presione la tecla **INICIO/PAUSA** (el programa se iniciará a partir de donde se detuvo).

CANCELACIÓN DE UN PROGRAMA


- Para cancelar un programa, sitúe el selector en la posición **OFF**.

Las opciones y funciones se debe seleccionar antes de pulsar la tecla **INICIO/PAUSA**.

Si se selecciona una opción que no es compatible con el programa elegido entonces el indicador opción parpadea primero y luego se apaga.

Tecla SELECCIÓN CENTRIFUGADO

- Al accionar esta opción, es posible reducir la velocidad máxima, y si lo desea, el ciclo de centrifugado se puede cancelar.

 velocidad de giro cancelada.

- Para reactivar el ciclo de centrifugado de prensa el botón hasta llegar a la velocidad de centrifugado que desea configurar.

Para evitar daños en los tejidos, no es posible aumentar la velocidad prevista para el programa durante la selección del programa.


- Es posible modificar la velocidad de centrifugado sin detenerse la lavadora.

La lavadora está equipada con un dispositivo electrónico especial, que impide que en el ciclo de centrifugado la carga esté desequilibrada.

Esto reduce el ruido y las vibraciones en la lavadora y así prolonga la vida útil de su máquina.

Tecla SELECCIÓN TEMPERATURA

- Esta opción le permite cambiar la temperatura de los ciclos de lavado.

 lavado en frío.

- No es posible elevar la temperatura por encima del máximo permitido para cada programa, con el fin de proteger los tejidos.

Tecla INICIO DIFERIDO

- Esta opción le permite pre-programar el ciclo de lavado para iniciarlo con una posterioridad de hasta **24 horas**.

- Para diferir el inicio del ciclo:

- Introduzca el programa deseado.

- Pulse el botón una vez para activarlo (**h00** aparece en la pantalla) y luego pulse de nuevo para fijar un intervalo de **1 hora** (**h01** aparece en la pantalla). El retardo preestablecido aumenta en **1 hora** cada vez que se pulsa el botón, hasta que aparezca **h24** en la pantalla, y en ese momento, al pulsar el botón de nuevo, se restablecerá el inicio diferido a cero

- Confirme pulsando la tecla **INICIO/PAUSA** (la luz en la pantalla comienza a parpadear). La cuenta atrás comienza y cuando termina el programa se iniciará automáticamente.

- Es posible cancelar el inicio diferido girando el selector de programas a la posición **OFF**.

Si hay alguna interrupción en el suministro de energía mientras la lavadora está en funcionamiento, una memoria especial almacena el programa seleccionado y, cuando se restablezca la energía, continúa donde lo dejó.

Tecla NIVEL DE SUCIEDAD

- Al seleccionar esta opción puede elegir entre 3 niveles de intensidad de lavado, dependiendo del grado de suciedad de los tejidos (se puede utilizar sólo en algunos programas, como se muestra en la tabla de programas).
- Una vez que el programa se ha seleccionado el indicador luminoso mostrará automáticamente el ajuste de nivel de suciedad para ese programa.
- Selección de un nivel de suciedad diferente, el indicador correspondiente se encenderá.

Tecla PRELAVADO

- Esta opción le permite realizar un prelavado y es particularmente útil para cargas muy sucias (se puede utilizar sólo en algunos programas, como se muestra en la tabla de programas).
- Le recomendamos que utilice sólo el 20% de las cantidades recomendadas en el envase del detergente.

Tecla HIGIENIZANTE PLUS

Con esta opción es posible higienizar la ropa, el programa de lavado alcanza una temperatura de 60°C.

Tecla SUPER ACLARADO

- Esta opción permite agregar los aclarados al final del ciclo de lavado. El número máximo de aclarados adicionales está relacionado con el programa seleccionado.
- Esta función se ha estudiado para las personas con piel delicada y sensible, para los que incluso un residuo mínimo de detergente puede causar irritaciones o alergias.

- Se aconseja también utilizar esta función para las prendas de los niños y en caso de lavado de prendas muy sucias, en las que se ha usado una gran cantidad de detergente, o en el lavado de artículos de rizo cuyas fibras en su mayoría tienen la tendencia a retener la detergente.

Tecla PLANCHADO FÁCIL

Esta tecla le permite minimizar las arrugas al máximo eliminando las vueltas intermedias o reduciendo la intensidad de las últimas vueltas.

Tecla MEMORIA

Esta función le permite guardar las configuraciones de los dos programas personalizados preferidos, incluida la temperatura, la velocidad de giro y el nivel de suciedad de forma que podrá recuperarlos con rapidez.

Cómo memorizar un programa por primera vez:

- 1) Seleccione el programa y las opciones que quiere.
- 2) Presione la tecla **MEMORIA**, elija **M1** o **M2**. Ha de elegir **M1** si es el primer programa que guarda.
- 3) Mantenga pulsado la tecla **MEMORIA** durante unos **3 segundos** para guardar la combinación en la posición elegida.

Memorizar un nuevo programa cuando M1 y M2 ya tienen programas guardados:

- 1) Configure el programa y las opciones que quiere.
- 2) Pulse la tecla **MEMORIA** durante unos **3 segundos** para guardar la combinación en la posición **M1**. El programa que ya estaba guardado en **M1** pasará a la posición **M2**.

Poner en marcha un programa que ya está memorizado

- Pulse brevemente la tecla **MEMORIA** (una vez para **M1** y dos veces para **M2**) y a continuación la tecla **INICIO/PAUSA**.
- Una vez recuperado un programa memorizado podrá cambiar las opciones y configuraciones pulsando las teclas correspondientes. En este caso las nuevas opciones no se memorizarán.

Si elige un programa memorizado que no quiere, basta con girar el mando de programas para seleccionar otro.

Tecla BUENAS NOCHES

- Esta opción reduce la velocidad de centrifugado intermedio a 400 rpm, en su caso, aumenta el nivel de agua durante el aclarado y mantiene la ropa sumergida en el agua después del enjuague final, con el fin de relajar las fibras.
- Durante la fase en la que el agua está en el cesto, una intermitencia de la luz indicadora demostrará que la lavadora se encuentra en un punto muerto.
- Desactive la opción para terminar el ciclo con centrifugado (que puede ser reducido o cancelado usando el botón correspondiente) y la fase de vaciado.
- Gracias a electrónico de control, el agua en las fases Intermedias se vacía en silencio, lo que hace esta opción muy útil para el lavado durante la noche.

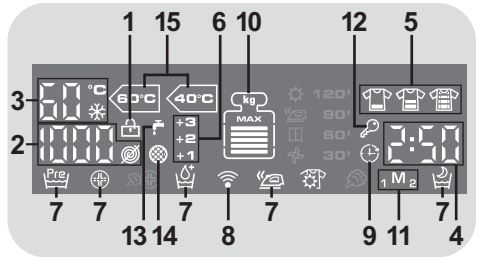
BLOQUEO

- Pulsando simultáneamente las teclas **BUENAS NOCHES** e **INICIO DIFERIDO** se bloquearán las teclas. Así se evitan los cambios involuntarios si se presiona una tecla de la pantalla de forma accidental durante un ciclo.

- El bloqueo se puede cancelar sencillamente volviendo a pulsar las dos teclas de forma simultánea o girando el mando de programas hasta la posición **OFF**.

Display digital

El Display digital le permite estar constantemente informado sobre el estado de la lavadora.



1) INDICADOR SEGURIDAD PUERTA

- El icono indica que la puerta está cerrada.

Cierre la escotilla ANTES de seleccionar INICIO/PAUSA.

- Cuando **INICIO/PAUSA** se presiona con la puerta cerrada, el indicador se parpadeará y luego de manera fija.

Si la puerta no está bien cerrada, la luz seguirá parpadeando durante unos 7 segundos, después de lo cual la orden de marcha se elimina automáticamente. En este caso, cierre la puerta de la manera adecuada y pulse la tecla INICIO/PAUSA.

- Un dispositivo de seguridad impide que la puerta se abra inmediatamente después del final del ciclo. Espere **2 minutos** después de que el ciclo de lavado haya terminado y la luz de **SEGURIDAD PUERTA** se haya apagado antes de abrir la puerta. Al final del ciclo, gire el selector de programas a la posición **OFF**.


2) VELOCIDAD CENTRIFUGADO

Muestra la velocidad de centrifugado del programa seleccionado que se puede cambiar o eliminar por la opción correspondiente.

 velocidad de giro cancelada.

3) TEMPERATURA LAVADO

Muestra la temperatura de lavado del programa seleccionado que se puede cambiar (donde sea permitido) por la opción correspondiente.

 lavado en frío.

4) DURACIÓN CICLO

- Cuando se selecciona un programa, el display muestra automáticamente la duración del ciclo, que puede variar, dependiendo de las opciones seleccionadas.
- Una vez que el programa ha comenzado se le mantiene informado constantemente del tiempo restante hasta el final del lavado.
- La lavadora calcula el tiempo hasta el final del programa seleccionado sobre la base de una carga estándar, durante el ciclo, el aparato corrige el tiempo al que se aplica según tamaño y la composición de la carga.

5) NIVEL DE SUCIEDAD

- Una vez que el programa ha sido seleccionado, el indicador mostrará automáticamente el ajuste de nivel de manchas de ese programa.
- Con la selección de un nivel de suciedad diferente el indicador correspondiente se encenderá.

6) SUPER ACLARADOS

Las luces indicadoras muestran los aclarados adicionales seleccionados por la opción correspondiente.

7) OPCIONES

Las luces indican las opciones que se pueden seleccionar con los botones correspondientes.

8) Wi-Fi (en algunos modelos)

- En los modelos con la opción Wi-Fi, el icono indica que el sistema Wi-Fi está funcionando.
- Para cualquier otra información en el sistema Wi-Fi, hay un manual específico dentro de la lavadora.

9) INICIO DIFERIDO

Parpadea cuando el inicio retardado se ha establecido.

10) Kg Check (*función activa solo en algodón y sintéticos*)

- Para los programas en los que esté activa la función "**Kg Check**", la lavadora calculará durante los primeros minutos la carga real de colada y actualizará los niveles en la pantalla en tiempo real. Los niveles que se muestran en la pantalla representan el 20% de la capacidad máxima de carga. Cuando se seleccione un programa, la pantalla mostrará la capacidad máxima sugerida.
- A través de cada fase de lavado "**Kg Check**" permite monitorear la información sobre la carga de ropa en el tambor y en los primeros minutos de la colada él:
 - Ajusta la cantidad de agua necesaria;
 - Determina la duración del ciclo;
 - Control de los aclarados en función del tipo de tejido a seleccionado para ser lavado;
 - Ajusta el ritmo de rotación del tambor para el tipo de tejido que se lava;
 - Reconoce la presencia de espuma, aumentando, si es necesario, la cantidad de agua durante el aclarado;

- Ajusta la velocidad de centrifugado de acuerdo a la carga, evitando así cualquier desequilibrio.

11) MEMORIA

La luz indica la función de memoria que está en funcionamiento.

12) BLOQUEO

El indicador muestra que los botones están bloqueados.

13) GRIFO CERRADO

Indica que no llega agua a la lavadora: se recomienda apagar la lavadora, comprobar que el grifo está abierto y que la presión de agua no es especialmente baja.

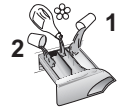
14) FILTRO BLOQUEADO

Indica que la lavadora no puede drenar el agua: se recomienda apagar la lavadora, comprobar que el filtro no está obstruido o que el desagüe no está dañado o roto.

15) LUCES DE PROGRAMAS ESTÁNDAR DE ALGODÓN (ver tabla de programas)

Las luces se encenderán cuando seleccione el programa más eficiente en cuanto a consumo energético y de agua para lavar prendas de algodón con un nivel de suciedad medio.

Tabla de programas



PROGRAMA		kg * (MAX.)				TEMP.°C		DETERGENTE		
						Recomendado	Max.	2		1
Perfect 20° Mix & Wash	Perfect 20° Mix & Wash 1) (mezclar y lavar)	5,5	6	6,5	7	20°	20°	●	●	
Intensive 40°	Intensivo 40° 1)	5,5	6	6,5	7	40°	40°	●	●	
Hygiene 60°	Higienizante 60°	5,5	6	6,5	7	60°	60°	●	●	
Perfect Rapid 59 Min	Perfect Rapid 59 Min	3	3	3,5	3,5	40°	40°	●	●	
30 Min	Rápido 30 Min	2,5	2,5	2,5	2,5	30°	30°	●	●	
14 Min	Rápido 14 Min	1,5	1,5	1,5	1,5	30°	30°	●	●	
Baby	Baby 1)	5,5	6	6,5	7	60°	60°	●	●	
	Aclarados	-	-	-	-	-	-	△	●	
	Desagüe + Centrifugado	-	-	-	-	-	-			
	A mano/Seda	2	2	2	2	30°	30°	●	●	
Wool	Lana	2	2	2	2	40°	40°	●	●	
Delicates	Delicados	2,5	2,5	2,5	2,5	40°	40°	●	●	
Acrylics	Mixtos 1)	4	4,5	5	5,5	40°	60°	●	●	(●)
	Algodón ** 1)	8	9	10	11	40°	60°	●	●	(●)
Cottons	Ropa Blanca 1)	8	9	10	11	60°	90°	●	●	(●)



Por favor lea estas notas:

* La capacidad máxima de colada seca depende del modelo usado (ver panel de control).

**** PROGRAMAS DE ALGODÓN ESTÁNDAR SEGÚN (UE) nº 1015/2010 y nº 1061/2010.**

PROGRAMA DE ALGODÓN CON UNA TEMPERATURA DE 60°C.

PROGRAMA DE ALGODÓN CON UNA TEMPERATURA DE 40°C.

Estos programas son adecuados para limpiar suciedad normal de lavado de algodón y son los programas más eficientes en términos de consumo combinado de energía y agua para lavar la ropa de algodón lavado.

Estos programas se han desarrollado para ser compatibles con la temperatura en la etiqueta de lavado de las prendas y la temperatura real del agua pueden diferir ligeramente de la temperatura declarada del ciclo.

La velocidad de centrifugado puede reducirse también, para que coincida con las directrices sugeridas en la etiqueta de la prenda, o incluso para tejidos muy delicados cancelar completamente las revoluciones de centrifugado. Esta opción está disponible en la opción de selección de velocidad de centrifugado y se puede activar con la tecla SELECCIÓN CENTRIFUGADO. Si la etiqueta no indica información específica, es posible utilizar la máxima prevista en el programa.

Una sobre dosificación de detergente puede causar exceso de espuma.

Si el aparato detecta la presencia de exceso de espuma, puede excluir la fase de centrifugado o ampliar la duración del programa y aumentar el consumo de agua.

- Sólo con la opción PRELAVADO seleccionada (programas con opción PRELAVADO disponible).

▲ (Solo para modelos con compartimento detergente líquido)

Cuando un número limitado de artículos presentan manchas que requieren tratamiento previo con agentes de blanqueo líquidos, la eliminación preliminar de mancha puede ser llevado a cabo en la propia lavadora.

Vierta el blanqueador en el recipiente de detergente líquido, se inserta en el compartimento "2" en el cajetín del detergente, y establecer el programa especial de ACLARADOS.

Cuando esta fase ha terminado, gire el selector de programas en la posición OFF, agregue el resto de colada y proceda al lavado normal en el programa más adecuado.

- 1) Para los programas mostrados se puede ajustar la duración y la intensidad del lavado con el botón NIVEL DE SUCIEDAD.

Selección de programas

Para la limpieza de los diferentes tipos de tejido y los diferentes niveles de suciedad, la lavadora tiene programas específicos para satisfacer todas las necesidades de lavado (véase la tabla).

Mix Power System +

La lavadora está equipada con un innovador sistema de pre-mezcla de agua y detergente. Un inyector de agua a alta presión pulveriza la mezcla resultante directamente en la colada.

En la fase inicial del ciclo de lavado, la inyección de alta presión facilita la penetración de la solución de lavado a través de las fibras, eliminando completamente la suciedad y asegurando el mejor rendimiento de lavado.

El sistema también ofrece el Sistema "Mix Power System +", durante el aclarado, la eliminación completa de los residuos de detergente debido a su alta presión de chorro de agua, que penetra en la colada.

Perfect 20°C – Mix & Wash (mezclar y lavar)

Esta innovadora tecnología "Mix Power System +", le permite lavar tejidos como el algodón, sintéticos y tejidos mixtos a 20°C con un rendimiento que es comparable a un lavado de 40°C.

El consumo de este programa es de aproximadamente el 50% de uno convencional a 40°C. Ciclo algodón.

Sugerimos una carga de ropa de 2/3 de la capacidad máxima de la lavadora.

Este programa se aplica al sistema de lavado "Mix & Wash" (mezclar y lavar), que le permite lavar diferentes telas y colores juntos.



ATENCIÓN:

Las prendas nuevas de color deben lavarse por separado para el primer lavado.

Nunca mezcle telas destiñan.

Intensivo 40°

Este programa es adecuado para prendas de algodón y logra excelentes resultados de limpieza a 40°C, lo que garantiza la conservación de tejidos y colores.

Higienizante 60°

Este programa es adecuado para prendas de algodón y ha sido desarrollado especialmente para eliminar las manchas difíciles a 60°C gracias a la tecnología "Mix Power System +".

Perfect Rapid 59 Min

Este programa especialmente diseñado para mantener el rendimiento de lavado de alta calidad mientras que reduce en gran medida el tiempo de lavado. El programa está diseñado para una carga reducida (ver tabla de programas).

Rápido 30 Min

Un ciclo completo de lavado (lavado, aclarado y centrifugado). Este programa está especialmente indicado para prendas de algodón poco sucias y tejidos mixtos. Con este programa, se recomienda utilizar sólo el 20% del detergente normalmente se utiliza para evitar el despilfarro.

Rápido 14 Min

Un ciclo completo de lavado (lavado, aclarado y centrifugado). Este programa es adecuado para prendas de algodón poco sucias y tejidos mixtos. Con este programa, se recomienda utilizar sólo el 20% del detergente normalmente se utiliza para evitar el despilfarro.

Baby

Este programa le permite lavar toda la ropa del bebé para conseguir un efecto de limpieza y desinfección perfecta, establezca la temperatura a 60°C como mínimo. Para optimizar el resultado del efecto de desinfección se recomienda el uso de detergente en polvo.

Aclarados

Este programa realiza 3 aclarados con un centrifugado intermedio (que puede ser reducido o excluido mediante la opción correspondiente). Se utiliza para el lavado de cualquier tipo de tejido, por ejemplo después de un lavado a mano.

Desagüe + Centrifugado

El programa se completa el vaciado y un centrifugado a máxima velocidad. Es posible eliminar o reducir el centrifugado con la opción SELECCIÓN CENTRIFUGADO.

A mano/Seda

El programa permite a un ciclo completo de lavado para prendas indicadas como "lavable a máquina" tejidos de lana y prendas realizadas en seda o especificadas como "Lavar como Seda" en la etiqueta de la tela.

Lana

Este programa realiza un ciclo de lavado pensado para los tejidos de lana que se pueden lavar en la lavadora, o los artículos a lavar a mano.

Delicados

Este programa se alterna entre momentos de lavado con momentos de pausa y es particularmente adecuado para el lavado de prendas delicadas. El ciclo de lavado y aclarado se llevan a cabo con un alto nivel de agua para asegurar el mejor rendimiento.

Mixtos

El lavado y de aclarado están optimizados según los ritmos de rotación del tambor y los niveles de agua. El centrifugado suave, asegura una menor presencia de arrugas en las prendas.

Algodón 40°C - 60°C

Este programa es adecuado para limpiar suciedad normal de lavado de algodón y es el programa más eficiente en términos de consumo combinado de energía y agua para lavar la ropa de algodón.

Ropa Blanca

Realizados para tener un perfecto lavado. El centrifugado final a la máxima velocidad da un resultado mucho más eficiente.

7. SERVICIO TÉCNICO Y GARANTÍA

Si la lavadora no funciona adecuadamente, consultar la siguiente guía rápida con consejos prácticos que permiten al usuario solucionar los problemas más comunes.

Anomalía	Posibles causas y soluciones
La lavadora no funciona.	Asegurarse de que la lavadora esté enchufada.
	Asegurarse de que la lavadora esté encendida.
	Verificar que se haya seleccionado adecuadamente el programa deseado y que se haya encendido correctamente el electrodoméstico.
	Asegurarse de que los fusibles no estén dañados y de que el enchufe funcione correctamente probando con otro artefacto, por ejemplo, una bombilla.
	La puerta de carga no está bien cerrada. Abrirla y volver a cerrarla.
La lavadora no carga agua.	Verificar que esté abierto el grifo.
	Verificar que el temporizador esté correctamente configurado.
La lavadora no desagota.	Comprobar que no haya obstrucciones en el filtro.
	Comprobar que la manguera de desagüe no esté doblada.
	Comprobar la presencia de objetos extraños en el filtro.
Presencia de agua en el suelo alrededor de la lavadora.	Es probable que haya pérdida de agua por la guarnición que está entre el grifo y la manguera de entrada de agua, en cuyo caso se debe reemplazar la pieza y volver a ajustar la manguera y el grifo.
La lavadora no centrifuga.	La causa puede ser que el agua no se haya eliminado por completo. Esperar unos minutos.
	Algunos modelos tienen la opción de exclusión de centrifugado. Verificar que no esté seleccionada la tecla correspondiente.
	Un exceso de detergente puede hacer que la lavadora no centrifugue. Reducir la cantidad de detergente en los próximos lavados.
La lavadora vibra en exceso durante el centrifugado.	Es probable que la lavadora no esté bien nivelada. Si es necesario, regular las patas como se indica en la sección correspondiente.
	Comprobar que se hayan extraído los seguros de transporte.
	Comprobar que la carga de colada esté distribuida de manera uniforme.
Parpadea una indicación específica de ERROR.	Si aparece una indicación de error N° 0, 1, 5, 7 u 8 , llamar al Servicio de Atención al Cliente.
	Si aparece una indicación de error N° 2 , la lavadora no carga agua. Verificar que esté abierto el grifo.
	Si aparece una indicación de error N° 3 , la lavadora no desagota correctamente. Asegurarse de que el drenaje no esté obstruido y de que la manguera no esté doblada.
	Si aparece una indicación de error N° 4 , la carga de la colada es excesiva. Cerrar el grifo y contactar al Servicio de Atención al Cliente.
	Si aparece una indicación de error N° 9 , apagar la lavadora y esperar unos 10 o 15 segundos antes de reiniciar el programa.

El uso de **detergentes ecológicos sin fosfatos** puede producir los siguientes efectos:

- **El agua de vaciado del aclarado es más turbia** debido a la presencia de zeolitos en suspensión, sin que resulte perjudicada la eficacia del aclarado.
- **Presencia de polvo blanco (zeolitos) en la ropa al finalizar el lavado**, que no se incrusta en el tejido ni altera los colores.
- **Presencia de espuma en el agua del último aclarado**, que no necesariamente es indicación de un aclarado deficiente.
- **Presencia de abundante espuma** debido a los tensoactivos aniónicos presentes en las formulaciones de los detergentes para lavadoras y que son difíciles de separar de la ropa. Volver a aclarar la ropa en estos casos no conlleva ningún beneficio.

Si el problema persiste o si sospecha que se trata de un caso de mal funcionamiento, contacte de inmediato con el Servicio de Atención al Cliente de **Candy**.

Asimismo, puede registrarse en el plan de servicio técnico de **Candy**, que ofrece servicio a domicilio sin cargo después del vencimiento de la garantía.

Atención: El número de teléfono proporcionado no admite llamadas gratuitas. El coste le será informado en un mensaje de voz por el operador telefónico del Servicio de Atención al Cliente.

Candy recomienda el uso de piezas de recambio originales, suministradas por el Servicio de Atención al Cliente.

Garantía

Esta lavadora está garantizada en las condiciones indicadas en el certificado que acompaña al aparato. Usted deberá conservar el certificado de garantía debidamente cumplimentado para mostrarlo al Servicio Técnico autorizado de **Candy** en caso de necesitar su intervención.

¡Registre su producto!

No pierda tiempo: registre su producto y descubra todos los beneficios. ¿Cómo registrarse? Visite la web www.registercandy.com o llame al teléfono que aparece en el material informativo.

El fabricante no se responsabiliza por eventuales erratas de imprenta contenidas en el presente manual de instrucciones. Asimismo, se reserva el derecho de efectuar las modificaciones que considere oportunas para sus productos sin comprometer sus características fundamentales.

Wir freuen uns, dass Sie sich für ein Gerät aus unserem Hause entschieden haben – es soll die tägliche Arbeit im Haushalt und damit Ihren Alltag erleichtern. Wir wünschen Ihnen allzeit viel Freude mit Ihrer **Candy** Waschmaschine.

Sie können Ihr Gerät unter **www.registercandy.com** kostenpflichtig registrieren, um auch nach Ablauf der Garantie einen erweiterten Schutz sowie umfangreichen und schnellen Service zu genießen.



Bitte nehmen Sie sich vor der Installation und vor dem ersten Gebrauch unbedingt ausreichend Zeit, um die vorliegende Gebrauchsanleitung aufmerksam zu lesen und sich in Ruhe mit der Bedienung des Gerätes vertraut zu machen. Dadurch schützen Sie sich und verhindern Schäden an der Waschmaschine. Die Anleitung enthält wichtige Hinweise - bitte daher für evtl. Rückfragen unbedingt aufbewahren bzw. bei der Weitergabe des Gerätes an Nachbesitzer mitgeben.

Bitte überprüfen Sie weiterhin nach dem Auspacken des Gerätes, ob das komplette Zubehör wie z.B. die passende Gebrauchsanleitung, die Garantiebescheinigung, das Energielabel, der Einsatz für Flüssigwaschmittel (nur einige Modelle) und der Bogen für die ordnungsgemäße Anbringung des Ablaufschlauchs mitgeliefert wurden.

Jedes unserer Geräte verfügt über eine 16-stellige Matrikelnummer, die sich auf dem Typenschild im Innenbereich des Bullauges befindet. Bitte notieren Sie sich diese unbedingt, damit Ihnen der **Candy** Kundendienst bei Fragen oder im Servicefall schneller und gezielter helfen kann.

Umweltbedingungen



Dieses Elektrohaushaltsgerät ist entsprechend der EU-Richtlinie 2002/96/CE über Elektro- und Elektronik-Altgeräte (WEEE) gekennzeichnet.

Bitte sorgen Sie dafür, dass das Gerät ordnungsgemäß entsorgt wird, damit mögliche negative Auswirkungen auf Umwelt und Gesundheit vermieden werden, die bei einer unsachgemäßen Entsorgung des Altgerätes entstehen könnten.

Das Symbol auf dem Produkt bedeutet, dass dieses Gerät nicht in den normalen Hausmüll gehört, sondern den jeweiligen kommunalen Rücknahmesystemen für Elektro- und Elektronik-Altgeräte übergeben werden muss. Die Entsorgung muss im Einklang mit den geltenden Umweltrichtlinien für die Abfallentsorgung erfolgen.

Für nähere Informationen über Entsorgung und Recycling dieses Produktes wenden Sie sich bitte an Ihre kommunalen Einrichtungen (Umweltamt) oder an die Abfallentsorgungsgesellschaft Ihrer Stadt bzw. an Ihren Händler.

DE

Inhalt

- 1. GENERELLE SICHERHEITSHINWEISE**
- 2. INSTALLATION**
- 3. PRAKTISCHE TIPPS**
- 4. WARTUNG UND REINIGUNG**
- 5. KURZANLEITUNG**
- 6. STEUERUNG UND PROGRAMME**
- 7. HINWEISE ZUM KUNDENDIENST UND ZUR GARANTIE**

1. GENERELLE SICHERHEITSHINWEISE

- Dieses Gerät ist ausschließlich für den Haushaltsgebrauch konzipiert bzw. für den haushaltsnahen Gebrauch, wie z.B:

- Teeküchen für das Personal von Büros, Geschäften oder ähnlichen Arbeitsbereichen;
- Ferienhäuser;
- Gäste von Hotels, Motels und anderen Wohneinrichtungen;
- Gäste von Apartments/Ferienwohnungen, Bed and Breakfast Einrichtungen

Eine andere Nutzung als die normale Haushaltsnutzung, wie z.B. gewerbliche oder professionelle Nutzung durch Fachpersonal, ist auch im Falle der oben erwähnten Einrichtungen ausgeschlossen.

Sollte das Gerät entgegen diesen Vorschriften betrieben werden, kann dies die Lebensdauer des Gerätes beeinträchtigen und den Garantieanspruch gegenüber dem Hersteller verirken.

Eventuelle Schäden am Gerät oder andere Schäden oder Verluste, die durch eine nicht haushaltsnahe Nutzung hervorgerufen werden sollten (selbst wenn sie in einem Haushalt erfolgen), werden, so weit vom Gesetz ermöglicht, vom Hersteller nicht anerkannt.

- Kinder unter 8 Jahren sowie Personen, die aufgrund ihrer physischen, sensorischen oder geistigen Fähigkeiten oder ihrer Unerfahrenheit oder Unkenntnis nicht in der Lage sind, die Waschmaschine

sicher zu bedienen, dürfen die Waschmaschine nicht ohne Aufsicht oder Anweisung durch eine verantwortliche Person benutzen, sich in der Nähe aufhalten oder das Gerät saubermachen.

Kinder sollten nicht mit dem Gerät spielen. Reinigung und Benutzerwartung sollten nicht von Kindern ohne Einführung, ausgeführt werden.

- Kinder sollten über das Gerät aufgeklärt werden, damit Sie nicht mit dem gerät spielen.
- Kinder unter 3 Jahren dürfen sich nicht unbeaufsichtigt in der Nähe des Gerätes aufhalten oder spielen.
- Wenn das Netzkabel beschädigt ist, muss das Gerät zum Hersteller gebracht werden und von zuständigen Personen repariert werden, um eventuelle Gefahren zu vermeiden.
- Verwenden Sie nur die mit dem Gerät zusammen gelieferten Schläuche.
- Für einen ordnungsgemäßen Betrieb muss der Wasserleitungsdruck konstant zwischen min. 0,05 MPa und max. 0,8 MPa liegen.
- Vergewissern Sie sich, dass ein Teppich nicht die Maschine und Ventilatorenöffnungen, behindert.
- Das Gerät ist abgeschaltet, wenn sich der Referenzpunkt auf dem Bedienknopf in der Position AUS/OFF befindet. In jeder

anderen Stellung ist das Gerät eingeschaltet und betriebsbereit.

- Nach der Installation, sollte das Gerät so positioniert sein, dass der Stecker frei zugänglich ist.
- Die maximale Beladungskapazität (trockene Kleidung lt. Normtest) hängt von dem jeweiligen Gerätemodell ab (s. Bedienblende).
- Für die technischen Daten des Produktes schauen Sie bitte auf der Internetseite des Herstellers nach.

Sicherheitsanweisungen

- Bevor Sie die Waschmaschine reinigen, ziehen Sie das Gerät vor und drehen Sie die Wasserzufuhr ab.
- Überprüfen Sie, ob der Strom abgeschaltet ist oder holen Sie sich professionelle Hilfe dazu.
- Gebrauchen Sie keine Wandler, Mehrfachsteckdosen oder erweiterte Kabel.



WARNUNG:

Wasser kann eine hohe Temperatur während des Waschvorgangs annehmen.

- Stellen Sie sicher, dass sich kein Wasser mehr in der Trommel befindet, wenn Sie das Bullauge öffnen.
- Bringen Sie keine Schnur an, um die Maschine vorzuziehen.

- Setzen Sie das Gerät keinem Regen, direktem Sonnenlicht oder anderen Wetterelementen aus.
- Heben Sie die Maschine nicht an den Drehknöpfen oder dem Bullauge an; lassen Sie das Bullauge nicht im Wagen. Wir empfehlen, die Maschine, immer zu zweit anzuheben.
- Im Falle einer Störung schalten Sie die Maschine aus, schließen Sie die Wasserzufuhr und ändern Sie nichts mehr an dem Gerät. Kontaktieren Sie umgehend den Kundendienst und verwenden Sie nur Originale als Ersatzteile

DE

- CE** Geräte erfüllen die europäischen Richtlinien:
- 2006/95/EC (LVD);
 - 2004/108/EC (EMC);
 - 2009/125/EC (ErP);
 - 2011/65/EU (RoHS);
- sowie die folgenden.**

2. INSTALLATION

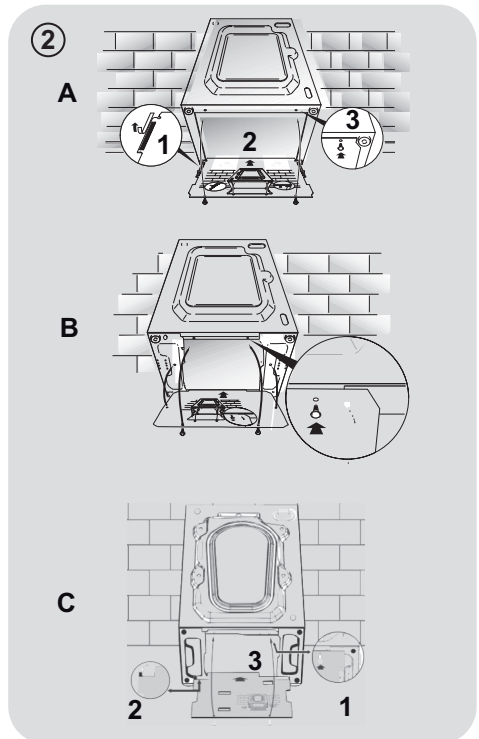
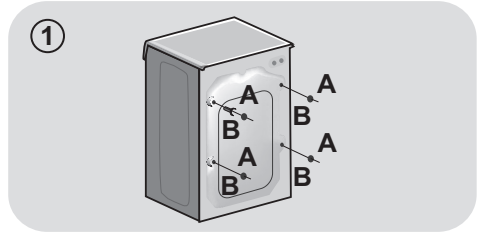
- Schneiden Sie die Transportbefestigungen der beiden Schläuche und des Netzkabels vorsichtig durch und achten darauf, dass diese dabei nicht versehentlich beschädigt werden.
- Lösen Sie die **2 bzw. 4** Schrauben (**A**) auf der Geräterückseite und entfernen die **2 bzw. 4** Distanzstücke (**B**) wie in **Abbildung 1** gezeigt.
- Schließen Sie 2 bzw. 4 Öffnungen anschließend mit den beigelegten Abdeckungen.
- Wenn es sich bei Ihrem Gerät um ein **Einbaumodell** handelt, bitte nach dem Entfernen der Schlauchtransportbefestigungen die 3 bzw. 4 Schrauben (**A**) lösen und die 3 bzw. 4 Distanzstücke (**B**) entfernen.
- Je nach Modell fallen eine oder mehrere der Distanzstücke in das Gerät. Das Gerät dann vorsichtig nach vorne neigen und die Distanzstücke entfernen. Die Öffnungen anschließend mit den beigelegten Abdeckungen schließen.



WARNUNG:

Bewahren Sie die Verpackung abseits von Kindern auf.

- Bringen Sie die Kunststoffabdeckung wie in **Abb. 2** beschrieben unter dem Gerät an (je nach Modell wählen Sie die Variante **A**, **B** oder **C**).



Wasseranschluss

- Verbinden Sie den Wasserzulaufschlauch mit dem Wasserhahn (**Abbildung 3**) und bringen den Wasserablaufschlauch wie in **Abbildung 7** beschrieben an.

ÖFFNEN SIE KEINESFALLS DEN WASSERHAHN OHNE DEN SCHLAUCH ANGEBRACHT ZU HABEN!

- Einige Modelle enthalten ein oder mehrere der folgenden Eigenschaften:

HEIß&KALT (Abbildung 4): Wasserverbindungseinstellungen mit heiß und kalt für höhere Energieeinsparungen. Verbinden Sie den grauen Schlauch mit dem Wasserhahn und den roten mit dem Heißwasserhahn. Die Waschmaschine kann auch nur mit dem Kaltwasserhahn verbunden werden: In diesem Fall brauche einige Programme etwas länger, um zu starten.

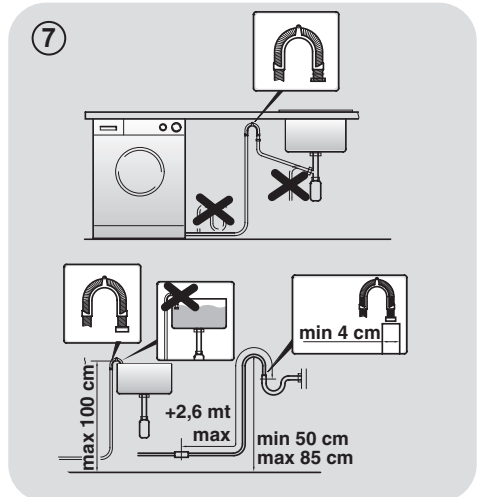
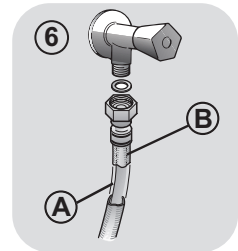
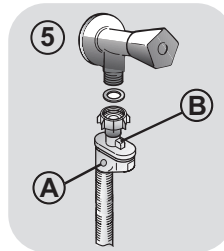
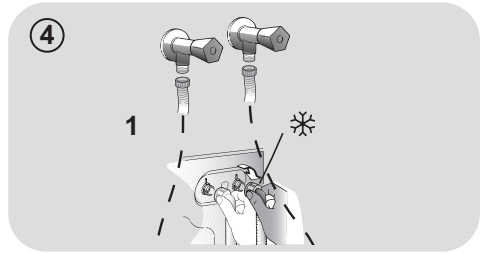
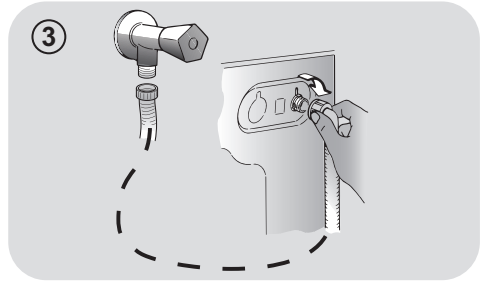
WASSERSTOP (Abbildung 5): Im Falle eines defekten Schlauches stoppt die Wasserzufuhr. In diesem Fall erscheint auf dem Fenster „A“ ein rotes Feld und der Schlauch muss entfernt werden. Um die Schraubenmutter zu lösen, drücken Sie den Entsicherungsknopf „B“.

WASSERSCHUTZ (Abbildung 6): Sollte Wasser aus dem Hauptschlauch „A“ austreten, schützt die Hülle „B“ vor kompletten Wasseraustritt.

- Am Ende dieses Vorganges kontaktieren Sie den Kundenservice, damit der Schlauch ausgewechselt wird.

Aufstellung des Gerätes

- Seien Sie mit dem Abstand zwischen Waschmaschine und Wand vorsichtig, da der Schlauch eingequetscht werden könnte. Es sollte ein Mindestabstand von 50 cm eingehalten werden (**Abbildung 7**).



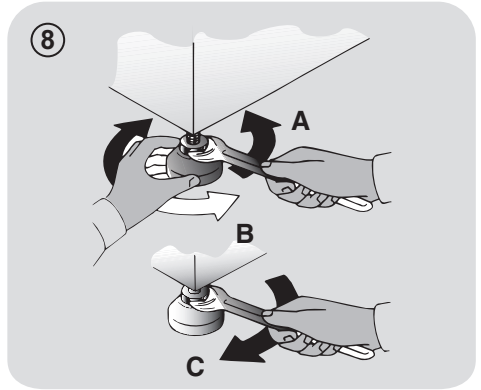
DE

- Justieren Sie die Höhe der Standfüße wie in **Abbildung 8** beschrieben:
 - a. Drehen Sie die Schraubenmutter im Uhrzeigersinn, um diese zu lösen.
 - b. Drehen Sie den Standfuß, um die Höhe einzustellen.
 - c. Sichern Sie den Standfuß durch Drehen der Schraubmutter gegen den Uhrzeigersinn bis zum festen Sitz.



WARNUNG:

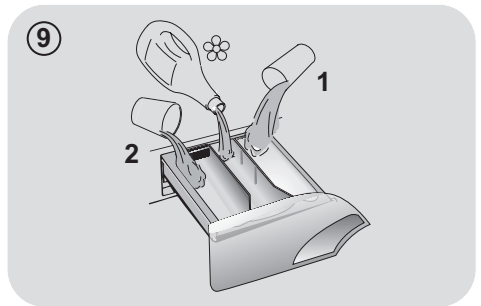
Bitte versuchen Sie keinesfalls den Wasserablaufschlauch selber zu wechseln, sondern setzen sich hierfür mit dem Kundendienst in Verbindung.



Waschmittelschublade

Die Waschmittelschublade ist in drei Fächer aufgeteilt (**Abbildung 9**):

- Fach "1": ist für das in der Vorwäsche benötigte Waschmittel vorgesehen;
- Fach "2": ist für spezielle Wäschezusatzstoffe wie Weichspüler etc.

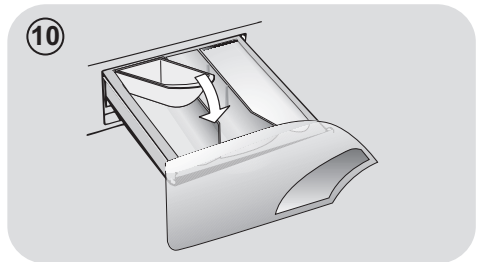


WARNUNG:

Benutzen Sie im mittleren Fach ausschließlich Flüssigprodukte!

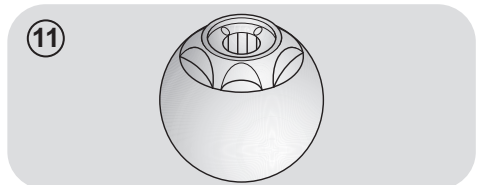
- **Fach "2"**: ist für das in der Hauptwäsche benötigte Waschmittel vorgesehen.

Je nach Modell ist im Lieferumfang des Gerätes ein **spezieller Einsatz für Flüssigwaschmittel** enthalten (**Abbildung 10**), der die Einspülung des Waschmittels in die Trommel richtig reguliert. Bei Einsatz von flüssigen Waschmitteln den Einsatz in **Fach "2"** einlegen. In Kombination mit dem Programm "Spülen" kann dieser Einsatz auch für den Bleichvorgang genutzt werden (s. Beschreibung).



WARNUNG:

Einige flüssige Waschmittel verteilen sich nur schwer oder langsam in der Waschlade. Bitte nutzen Sie ggf. Die vom Waschmittelhersteller zur Verfügung gestellten Dosiervorrichtungen (**Abbildung 11**).



3. PRAKTISCHE TIPPS

Beladungstipps

WARNUNG: Beim Sortieren der Wäsche, beachten Sie folgende Punkte:

- Würden metallische Objekte aus der Wäsche entfernt;
- Reißverschlüsse geschlossen;
- Kissen auf links gezogen;
- Clips von Vorhängen entfernt;
- Waschanweisungen auf Schildchen in der Kleidung gelesen.

- Wir empfehlen beim Waschen von Teppichen/Läufern, Oberbetten und anderen schweren Textilien den Schleudervorgang gänzlich abzustellen, um mögliche Schäden am Gerät zu vermeiden.
- Beim Waschen von Wolle unbedingt vorher prüfen, ob diese waschmaschineneignet ist (s. Pflegesymbol in der Wäsche).

Hilfreiche Empfehlungen für den Nutzer

Einen umweltfreundlichen und ökonomischen Gebrauch Ihres Gerätes schaffen.

Maximieren Sie die Füllmenge

- Erzielen Sie den besten Energie-, Wasser- und Waschmittelverbrauch, in dem sie Ihre Waschmaschine immer voll füllen. Sichern Sie 50 % Energie beim Waschen einer vollen Ladung im Gegensatz zu zwei halben Ladungen.

Wann ist eine Vorwäsche wirklich notwendig?

- In der Regel nur für stark verschmutzte Wäsche!
Wenn Sie normal oder wenig verschmutzte Wäsche waschen, sparen Sie zwischen 5% und 15% Strom, wenn Sie keine Vorwäsche wählen.

Ist heißes Waschen erforderlich?

- Das Vorbehandeln von Flecken kann ein heißes Waschen ersetzen und man kann bis zu 50% Energie bei einem 60 Grad Waschgang sparen.

Nachfolgend ein **kurzer Ratgeber** mit Tipps und Empfehlungen für den **Waschmittelgebrauch in den verschiedenen Programmen/Temperatureinstellungen**.

Beachten Sie jedoch unbedingt die Angaben des Waschmittelherstellers zur Dosierung und korrekten Anwendung.

Beim Waschen von weißen Sachen, empfehlen wir das 60 Grad Baumwollprogramm und ein normales Waschpulver.

Für Waschvorgänge zwischen 40 und 60 Grad muss ein für die Verschmutzung der Wäsche passendes Waschmittel ausgewählt werden. Normale Waschpulver können für weiße oder leichte Farben verwendet werden, während flüssige Waschmittel für Farbschutz geeignet sind.

Für Waschvorgänge unter 40 Grad empfehlen wir den Gebrauch von flüssigen Waschmitteln, die für niedrige Temperaturen geeignet sind.

Zum Waschen von **Wolle oder Seide** empfehlen wir nur den Gebrauch von Spezial- und Feinwaschmitteln.

DE

4. WARTUNG UND REINIGUNG

Um die Waschmaschine von außen zu reinigen, nutzen Sie ein feuchtes Tuch mit leichten Reinigungsmitteln. Das Gerät erfordert keine besondere Reinigung von außen: reinigen Sie lediglich die Schubladen für Waschmittel und den Filter.

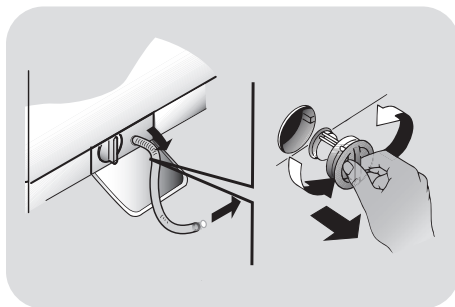
Reinigung der Waschmittelschublade

- Wir empfehlen die Schubladen zu reinigen, um Restmengen und Rückstände von Zusatzstoffen zu vermeiden.
- Der Filter ist dafür ausgelegt, Rückstände und Ablagerungen von der Wäsche fernzuhalten. Reinigen Sie diesen wenn möglich von Hand.

Reinigung der Klammerfalle

- Die Waschmaschine besitzt eine spezielle Vorrichtung zum Auffangen von größeren Gegenständen (z.B. Knöpfe/Münzen), welche die Pumpe oder den Abflussschlauch verstopfen könnten.
- Nur bei einigen Modellen: Schlauch herausziehen, Stöpsel entfernen und Restwasser in einem Behälter auffangen.
- Bevor Sie die Klammerfalle öffnen, empfehlen wir, den Boden mit einer saugfähigen Unterlage auszulegen.
- Drehen Sie den Verschluss gegen den Uhrzeigersinn.
- Entnehmen und Reinigen Sie die Abdeckung mit dem Grobschmutzfilter und drehen sie anschließend im Uhrzeigersinn wieder ein.

- Wiederholen Sie die restlichen Schritte in umgekehrter Reihenfolge, um die Teile wieder einzubauen.



Vorschläge für anhaltenden Nichtgebrauch

- Sollte die Maschine in einem überhitzten Raum gelagert sein, lassen Sie das gesamte Wasser aus den Schläuchen.
- Ziehen Sie alle Stecker aus der Maschine.
- Trennen Sie den Schlauch von dem Riegel und füllen Sie das gesamte Wasser in eine Schüssel.
- Sichern Sie den Schlauch wieder mit den Riegeln.

5. KURZANLEITUNG

Dieses Gerät verfügt über eine moderne Mengenauswahl, die automatisch die benötigte Wassermenge, den Energieverbrauch und die Waschdauer anpasst.

Programmauswahl

- Schalten Sie Ihr Gerät ein und wählen Sie das benötigte Programm aus.
- Stellen Sie wenn nötig eine Wascht Temperatur ein.
- Drücken Sie den Button **START/PAUSE** um den Waschvorgang zu starten.

Sollte die Maschine während des Waschvorgangs ausgehen, starten Sie sie später erneut; das Waschprogramm wurde gespeichert.

- Am Ende des Waschvorgangs erscheint auf dem Display das Wort „Ende“.

Warten Sie bis die Sicherung des Bullauges aufgeht; dies kann bis zu zwei Minuten nach Beendigung des Waschvorgangs passieren.

- Schalten Sie die Waschmaschine nun aus..

Für jeden Waschtyp sehen Sie in der Tabelle die passenden Sequenzen.

Technische Daten

Wasserdruck:

min 0,05 Mpa
max 0,8 Mpa

Schleuderdrehzahl:

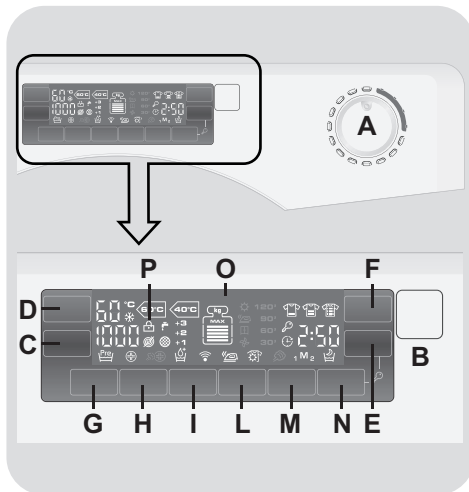
Siehe Typenschild.

Gesamtanschlußwert/Absicherung/

Spannung:

Siehe Typenschild.

6. STEUERUNG UND PROGRAMME



DE

- A** Programmwahlschalter mit Position AUS (OFF)
- B** Taste START/PAUSE
- C** Taste SCHLEUDERDREHZAHLWAHL
- D** Taste WASCHTEMPERATURWAHL
- E** Taste STARTZEITVORWAHL
- F** Taste VERSCHMUTZUNGSGRADWAHL
- G** Taste VORWÄSCHE
- H** Taste HYGIENE+
- I** Taste EXTRA SPÜLEN
- L** Taste LEICHTBÜGELN
- M** Taste SPEICHER
- N** Taste NIGHT & DAY
- O** Anzeigebereich
- P** Kontrolleuchte TÜRVERRIEGELUNG
- E+N** TASTENSPERRE/
KINDERSICHERUNG



WARNUNG:

Berühren beim Einstecken des Geräts in keinem Fall das Display, da sich die Maschine in den ersten Sekunden kalibriert. Sollte dies dennoch passieren, nehmen Sie das Gerät vom Netz und Wiederholen Sie den Vorgang.

Bullauge öffnen

Eine Sicherheitsvorrichtung verhindert, dass das Bullauge unmittelbar nach Beendigung des Waschvorganges geöffnet werden kann. Nach zwei Minuten erlischt die Kontrollleuchte "Türverriegelung" und das Bullauge kann geöffnet werden.

Programmwahlschalter mit Position AUS (OFF)

Im Displaybereich werden die gewählten Programmparameter und Optionen angezeigt. Um Energie zu sparen wird die Helligkeit des Displays während des Waschvorganges und wenn längere Zeit keine Eingaben vorgenommen wurden verringert.

Um das Gerät auszuschalten, bitte den Programmwahlschalter auf die Position AUS stellen.

- Drücken Sie die Taste **START/PAUSE**, um das gewählte Waschprogramm zu beginnen.
- Die Position des Programmwahlschalters ändert sich während des kompletten Programmablaufs nicht.
- Um das Gerät auszuschalten, bitte den Programmwahlschalter auf die Position **AUS** stellen.

Der Programmwahlschalter muss am Ende jedes Waschvorganges oder vor der Wahl eines neuen Waschprogramms auf die Position AUS gedreht werden.

Taste START/PAUSE

ZUERST das Bullauge schliessen und dann die Taste START/PAUSE drücken.

- Drücken Sie die Taste **START/PAUSE**, um das gewählte Waschprogramm zu beginnen.

Wenn die Taste START/PAUSE gedrückt wurde, kann es einige Sekunden dauern, bevor der Waschvorgang beginnt.

WÄSCHE NACHLEGEN ODER ENTNEHMEN, NACHDEM DAS PROGRAMM BEGONNEN HAT (PAUSE)

- Die Taste **START/PAUSE** für mindestens **2 Sekunden** gedrückt halten (einige der Anzeigeleuchten sowie die Restlaufzeitanzeige beginnen zu blinken, während das Programm unterbrochen ist).
- Nach **2 Minuten** wird die Türverriegelung automatisch deaktiviert und das Bullauge kann geöffnet werden.

- Nachdem Entnehmen oder Nachlegen von Wäsche das Bullauge wieder schließen und die Taste **START/PAUSE** erneut drücken (Programm wird an der ursprünglichen Stelle fortgesetzt).

WASCHPROGRAMM ABBRECHEN


- Um ein Programm zu beenden, den Programmwahlschalter auf die Position **AUS** stellen.

Die gewünschten Optionen sollten ausgewählt werden, bevor die Taste **START/PAUSE** betätigt wird.

Wird eine Option gewählt, welche nicht kompatibel mit dem ausgewählten Programm ist, wird die Optionsanzeigemehrfach kurz aufblinken und anschließend wieder erlöschen.

Taste SCHLEUDERDREHZAHLOWAHL

- Die Schleuderdrehzahl kann in jedem Programm angepasst oder sogar ganz ausgeschaltet werden.

 ohne Schleudergang

- Nach Auswahl eines Waschprogramms wird die maximale Schleuderdrehzahl angezeigt und diese kann in Schritten nach unten korrigiert werden.

Jedem Programm ist eine max. Schleuderdrehzahl zugewiesen. Um Schäden an Textilien zu verhindern, ist diese nur nach unten abänderbar.

- Die Schleuderdrehzahl lässt sich auch während eines laufenden Waschprogramms noch jederzeit ändern.

Dieses Gerät ist mit einem automatischen Unwuchtkontrollsystem ausgestattet, dass den Schleudervorgang bei einer ungleichmäßigen Verteilung der Wäsche in der Trommel verhindert.

Taste WASCHEMTEMPERATURWAHL

- Mit dieser Taste wählen Sie die gewünschte Temperatur des Waschvorgangs aus.

 Kaltwäsche

- Um Ihre Textilien zu schützen, ist es nicht möglich die Temperatur höher einzustellen, als das jeweilige Programm es zulässt (s. Programmtabelle).

Taste STARTZEITVORWAHL

- Der Programmstart kann zwischen **1 Stunde** und **24 Stunden** verzögert werden.

- Um den Programmstart zu verzögern, bitte diesen Schritten folgen:

- Stellen Sie das gewünschte Programm ein.

- Drücken Sie die Taste **STARTZEITVORWAHL** einmal, um die Funktion zu aktivieren (es erscheint die Anzeige **h00** auf dem Display). Für **eine einstündige** Verzögerung drücken Sie die Taste erneut (im Display erscheint die Anzeige **h01**). Wiederholen Sie diesen Vorgang so oft, bis die gewünschte Verzögerung im Display erscheint. Zum Zurücksetzen der Startzeitvorwahl die Taste so oft drücken, bis im Display wieder die Anzeige **h00** erscheint.

- Durch das Drücken der Taste **START/PAUSE** bestätigen Sie Ihre Auswahl. Der Countdown beginnt und das Programm startet automatisch.

- Die eingestellte Startzeitvorwahl kann unterbrochen werden, indem der Programmwähler auf **AUS** gestellt wird.

Sollte es eine Unterbrechung der Stromversorgung während eines laufenden Waschvorgangs geben, werden die Einstellungen gespeichert, um das Programm bei Wiederinbetriebnahme automatisch fortzusetzen.

Taste VERSCHMUTZUNGSGRADWAHL

- Diese Taste erlaubt Ihnen eine Vorauswahl des Verschmutzungsgrades Ihrer Wäsche in drei verschiedenen Stufen.

- Diese Option lässt sich nur in bestimmten Programmen zuwählen (s. Programmtabelle).

- Der gewählte Verschmutzungsgrad wird über eine Kontrollleuchte angezeigt.

Taste VORWÄSCHE

- Diese Option erlaubt es Ihnen bei stark verschmutzter vor dem Hauptwaschgang eine Vorwäsche durchzuführen (nur in bestimmten Programmen; s. Programmtabelle).
- Es wird empfohlen hierfür 20% der vom Waschmittelhersteller empfohlenen Waschmitteldosis im angegebenen Waschmittelfach zu verwenden.

Taste HYGIENE+

Mit dieser Option ist es möglich Ihre Wäsche bei einer Waschttemperatur von 60°C zu hygienisieren.

Taste EXTRA SPÜLEN

- Mit dieser Optionstaste fügen Sie am Ende des Waschvorgangs zusätzliche Spülgänge ein, deren Anzahl vom jeweiligen Programm abhängig ist.
- Diese Funktion wurde für Personen mit sensibler Haut entwickelt, bei denen selbst kleinste Rückstände des Waschmittels Hautirritationen oder Allergien auslösen können.
- Zudem empfiehlt sich die Zuwahl dieser Option beim Waschen von stark verschmutzter Kinderkleidung, die eine große Menge an Waschmittel erfordert, bzw. bei sehr saugfähigen Textilien wie Handtüchern etc.

Taste LEICHTBÜGELN

Durch das Zuwählen dieser Option lässt sich die Knitterbildung durch Weglassen der Zwischenschleudergänge bzw. Durchführung des Endschleuderns bei reduzierter Schleuderdrehzahl weitestgehend reduzieren.

Taste SPEICHER

Mit dieser Optionstaste können Sie bis zu zwei individuelle Einstellungen (Kombination aus Waschprogramm, Waschttemperatur, Schleuderdrehzahl und Verschmutzungsgrad) speichern und jederzeit wieder abrufen.

Abspeichern von einer individuellen Programmkombination:

- 1) Wählen Sie das gewünschte Programm und die jeweiligen Einstellungen.
- 2) Wählen Sie mit der Taste **SPEICHER** entweder **M1** oder **M2** aus. Falls es sich um die erste gespeicherte Programmkombination handelt, sollten Sie **M1** auswählen.
- 3) Anschließend die Taste **SPEICHER** für mindestens **3 Sekunden** gedrückt halten, um die Einstellungen zu speichern.

Überschreiben der unter M1 & M2 gespeicherten Programmkombinationen:

- 1) Wählen Sie das gewünschte Programm und die jeweiligen Einstellungen.
- 2) Anschließend die Taste **SPEICHER** für mindestens **3 Sekunden** gedrückt halten, um die Einstellungen in **M1** zu speichern. Das zuvor unter **M1** gespeicherte Programm wird auf **M2** verschoben und die zuvor hier gespeicherte Kombination überschrieben.

Ein bereits gespeichertes Programm starten:

- Die Taste **SPEICHER** kurz antippen (ein Mal für **M1**, zwei Mal für **M2**) und anschließend die Taste **START/PAUSE** drücken.

- Die gewählten Programmeinstellungen und Optionen können auch nach dem Abrufen eines Programmes aus dem Speicher noch verändert werden. Die gemachten Änderungen werden nicht gespeichert.

Programmen oder Optionen nach dem Programmstart verhindert werden.

- Die **TASTENSPERRE/KINDERSICHERUNG** kann durch erneutes Drücken der beiden Tasten oder Drehen des Programmwahlschalters in die Position **AUS** wieder deaktiviert werden.

Wenn Sie versehentlich ein gespeichertes Programm aufgerufen haben, können Sie dieses durch Drehen des Programmwahlschalters in die Position AUS abbrechen.

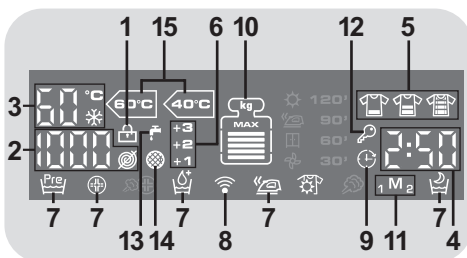
Anzeigebereich

Im Displaybereich werden wichtige Informationen für den Benutzer angezeigt.

DE

Taste NIGHT & DAY

- Diese Option reduziert alle auftretenden Waschgeräusche auf ein Minimum, indem die Geschwindigkeit der Zwischenschleudergänge auf 400 U/Min. reguliert wird, je nach Programm der Wäscheposten nach dem letzten Spülgang komplett im sauberen Spülwasser liegenbleibt, bis der Waschvorgang durch erneute Betätigung der Optionstaste mit einem Endschleudergang beendet wird.



- Während der Spülstoppphase blinkt die entsprechende Anzeigeleuchte im Display, um den Betriebszustand anzuzeigen.
- Durch erneute Betätigung der Optionstaste wird der Waschvorgang mit einem Endschleudergang in der gewünschten Schleuderdrehzahl beendet und das Spülwasser abgepumpt.
- Diese Option eignet sich durch die elektronische, sehr geräuscharme Überwachung ideal für den nächtlichen Betrieb des Gerätes.

1) KONTROLLEUCHE TÜRVERRIEGELUNG

- Die Kontrollleuchte beginnt zu leuchten, sobald das Bullauge richtig geschlossen.

ZUERST das Bullauge schließen und dann die Taste START/PAUSE drücken.

- Wenn die Taste **START/PAUSE** gedrückt wird blinkt die Kontrollleuchte zuerst kurz auf und leuchtet dann permanent.

Wird die START/PAUSE Taste nicht innerhalb von 7 Sekunden nach dem Schließen des Bullauges gedrückt, muss das Programm neu gestartet werden.

TASTENSPERRE / KINDERSICHERUNG


- Durch gleichzeitiges Drücken der Tasten **NIGHT & DAY** und **STARTZEITVORWAHL** kann die Tastensperre aktiviert werden und so ein versehentliches Verstellen von

- Eine Sicherheitsvorrichtung verhindert, dass das Bullauge unmittelbar nach Beendigung des Waschvorganges geöffnet werden kann. Nach **zwei Minuten** erlischt

die Kontrollleuchte TÜRVERRIEGELUNG und das Bullauge kann geöffnet werden. Drehen Sie am Ende des Waschvorganges den Programmwahlschalter auf die Position **AUS**.

2) Anzeige SCHLEUDERDREHZAHLWAHL

In der Anzeige erscheint die gewählte Schleuderdrehzahl des Programmes. Diese kann je nach Programm über die entsprechende Taste nach oben/unten geändert werden.

 ohne Schleudergang

3) Anzeige WASCHTEMPERATUR

In der Anzeige erscheint die gewählte Waschttemperatur des Programmes. Diese kann je nach Programm (s. Programmtabelle) über die entsprechende Taste nach oben/unten geändert werden.

 Kaltwäsche

4) PROGRAMMDAUER

- Sobald ein Waschprogramm ausgewählt wurde, wird automatisch die Standardprogrammlaufzeit im Display angezeigt.
- Nachdem das Programm gestartet wurde, wird die Programmlaufzeit nach einigen Minuten den jeweiligen Programmbedingungen angepasst.
- Die Mengenaomatik berechnet die Programmlaufzeit anhand diverser Parameter wie Wasserdruck, -härte, -einlauftemperatur, Raumtemperatur, Wäscheart, -menge und -verschmutzung, verwendetem Waschmittel, Schwankungen in der Netzspannung und gewählten Optionen etc.

5) Anzeige VERSCHMUTZUNGSGRADWAHL

In der Anzeige erscheint der vorgewählte Verschmutzungsgrad. Dieser kann je nach Programm über die entsprechende Taste angepasst werden.

6) Anzeige EXTRA SPÜLEN

Die Anzeige zeigt die Anzahl der ausgewählten Zusatzspülgänge an. Diese können je nach Programm über die entsprechende Taste angepasst werden.

7) OPTIONSTASTEN

Die Symbolleuchten über den jeweiligen Tasten geben an, ob und welche Optionen zugewählt werden können bzw. angewählt wurden.

8) WiFi-Funktion (nur bestimmte Modelle)

- Bei Modellen mit WiFi-Funktion zeigt diese Anzeige die Aktivität des Signals an.
- Für weitere Informationen zum Wi-Fi System, schauen Sie in die beigelegte Anleitung zu dem Thema.

9) Anzeige STARTZEITVORWAHL

Diese Anzeige blinkt, wenn eine Startzeit voreingestellt wurde.

10) "Kg Check" - Anzeige MENGENAUTOMATIK (nur in Baumwoll- und Synthetikprogrammen)

- In den Programmen, in denen die Funktion **"Kg Check"** aktiviert ist, errechnet die Elektronik des Gerätes in den ersten Minuten des Programmes die jeweilige Füllmenge und zeigt diese nach einiger Zeit im Display an. Jedes Segment in der Anzeige entspricht dabei 20% der max. Beladungskapazität. Nach der Auswahl eines Programmes wird die max. Füllmenge im Display angezeigt.
- Alle Verbrauchswerte und Programmschritte werden dahingehend automatisch optimiert und angepasst:
 - Benötigte Wassermenge nach Art und Menge der eingefüllten Wäsche.
 - Programmdauer nach Art und Menge des eingefüllten Wäsche.

- Anzahl und Intensität der Spülgänge nach Art und Menge des eingesetzten Waschmittels.
- Trommeldrehrhythmus nach Art und Menge der eingefüllten Wäsche.
- Zusätzliche Spülgänge bei übermäßiger Schaumbildung.
- Schleuderdrehzahl nach Art und Menge der eingefüllten Wäsche, um Unwuchten zu vermeiden.

11) Anzeige SPEICHER

Die Anzeigeleuchte zeigt an, dass die Funktion Speicher aktiviert ist.

12) Anzeige KINDERSICHERUNG/ TASTENSPERRE

Die Anzeigeleuchte zeigt an, dass die Funktion Kindersicherung / Tastensperre aktiviert ist.

13) Anzeige WASSERZULAUF BLOCKIERT/ GESCHLOSSEN

Die Anzeigeleuchte zeigt an, dass eine Störung am Wasserzulauf vorliegt. Das Gerät abschalten, prüfen ob der Wasserzulauf geöffnet und frei ist bzw. der Wasserdruck ausreichend ist.

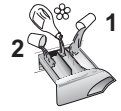
14) Anzeige WASSERABLAUF BLOCKIERT

Die Anzeigeleuchte zeigt an, dass eine Störung am Wasserablauf vorliegt. Das Gerät abschalten, prüfen ob die Klammerfalle verstopft ist oder der Wasserablaufschlauch evtl. geknickt oder blockiert ist.

15) Anzeige STANDARDPROGRAMM BAUMWOLLE (s. Programmtabelle)

Die beiden Anzeigen leuchten nach Anwählen der beiden effizientesten Programme für leicht verschmutzte Baumwolltextilien in Hinblick auf Energie- und Wasserverbrauch auf.

Programmübersicht



PROGRAMM		MAX. BELADUNG* (kg)				WASCHTEMPERATUR °C		WASCHMITTEL		
						Empfohlen	Maximal	2		1
Perfect 20° Mix & Wash	Perfect 20°C Mix & Wash 1)	5,5	6	6,5	7	20°	20°	●	●	
Intensive 40°	Intensiv 40°C 1)	5,5	6	6,5	7	40°	40°	●	●	
Hygiene 60°	Hygiene 60°C	5,5	6	6,5	7	60°	60°	●	●	
Perfect Rapid 59 Min	Perfect Rapid 59 Min.	3	3	3,5	3,5	40°	40°	●	●	
Kurz 30 Min	Kurz 30 Min.	2,5	2,5	2,5	2,5	30°	30°	●	●	
Kurz 14 Min	Kurz 14 Min.	1,5	1,5	1,5	1,5	30°	30°	●	●	
Baby	Baby 1)	5,5	6	6,5	7	60°	60°	●	●	
Spülen	Spülen	-	-	-	-	-	-	△	●	
Abpumpen & Schleudern	Abpumpen & Schleudern	-	-	-	-	-	-			
Handwäsche / Seide	Handwäsche / Seide	2	2	2	2	30°	30°	●	●	
Wolle	Wolle	2	2	2	2	40°	40°	●	●	
Delicates	Feinwäsche	2,5	2,5	2,5	2,5	40°	40°	●	●	
Acrylics	Pflegeleicht 1)	4	4,5	5	5,5	40°	60°	●	●	(●)
Baumwolle	Baumwolle ** 1)	8	9	10	11	40°	60°	●	●	(●)
Cottons	Kochwäsche 1)	8	9	10	11	60°	90°	●	●	(●)



Bitte beachten Sie folgende Hinweise:

* Die maximale Beladungskapazität (trockene Kleidung lt. Normtest) hängt von dem jeweiligen Gerätemodell ab (s. Bedienblende).

****STANDARDBAUMWOLLPROGRAMME für Prüfung und Energieetikettierung gemäß Richtlinie (EU) 1015/2010 und 1061/2010.**

BAUMWOLLPROGRAMM mit einer Waschtemperatur von 60°C.

BAUMWOLLPROGRAMM mit einer Waschtemperatur von 40°C.

Diese Programme eignen sich zur Reinigung normal verschmutzter Baumwollwäsche und sind die effizientesten Programme in Bezug auf den kombinierten Energie- und Wasserverbrauch zum Waschen von Baumwollwäsche.

Die Temperaturangaben zu den Programmen sind auf die Angaben auf dem Wäscheetikett abgestimmt. Die tatsächliche Wassertemperatur kann ggf. leicht abweichen.

Die Schleuderdrehzahl kann je nach Modell und den Angaben auf dem Wäscheetikett auch angepasst bzw. das Endschleudern komplett unterbunden werden. Die Steuerung geschieht dabei über die Taste SCHLEUDERDREHZAHLWAHL.

Werden auf dem Wäscheetikett keine Angaben hierzu gemacht, kann jeweils die maximal mögliche Schleuderdrehzahl genutzt werden.

Waschmittel bitte immer nach Herstellerangabe und Wasserhärte dosieren. Eine Überdosierung des verwendeten Waschmittels bzw. der Waschzusätze kann zu übermäßiger Schaumbildung führen. Erkennt das Gerät eine vermehrte Schaumbildung, beendet es ggf. automatisch den Schleudervorgang vorzeitig, die Programmlaufzeit wird entsprechend verlängert und der Wasserverbrauch angepasst.

- Nur bei gewählter VORWÄSCHE-Option verfügbar (Nur bei Programmen verfügbar, in denen die VORWÄSCHE-Option zuwählbar ist).

△ (Nur für Modelle mit entsprechendem Waschmittelfach für Flüssigwaschmittel)

Wenn nur eine begrenzte Menge von Textilien mit Flecken behaftet ist, die mit einem flüssigen Vorreinigungs- oder Bleichmittel behandelt werden soll, kann eine entsprechende Fleckenbehandlung mit dem Gerät durchgeführt werden. Gießen Sie das Vorreinigungs-/Bleichmittel in die Vorrichtung für Flüssigwaschmittel und setzen diese in das mit der Ziffer "2" markierte Fach der Waschmittelschublade. Wählen Sie anschließend das Programm SPÜLEN aus und starten den Vorgang.

Wenn der Spülvorgang beendet ist, den Programmwähler auf die Position AUS stellen, die restliche Wäsche hinzufügen, das gewünschte Waschprogramm auswählen und starten.

- 1) Für die aufgeführten Programme kann über die Optionstaste VERSCHMUTZUNGSGRADWAHL die Dauer und Intensität des Waschprogramms angepasst werden.

Programmauswahl

Das Gerät bietet eine Vielzahl an Programmen und Optionen, um verschiedene Textilarten in allen Verschmutzungsgraden optimal zu reinigen.

Mix Power System +

Ihre neue Waschmaschine ist mit dem innovativen "Mix Power System +" ausgestattet. Das Waschmittel wird hier bereits vor Beginn des eigentlichen Waschgangs mit dem Wasser vermischt. Diese hochkonzentrierte Mischung wird dann zu Anfang des Waschprogrammes mit hohem Druck direkt in die Trommel gespritzt. Die Waschlauge verteilt sich so gleichmäßig über die komplette Waschladung, dringt tief in das Gewebe ein und erreicht schnell ihre optimale Wirkung. Das Ergebnis sind beste Waschergebnisse schon bei niedrigen Waschttemperaturen - und somit optimale Gewebeschonung.

Zu Programmende wird das Spülwasser ebenfalls wieder unter hohem Druck direkt in die Trommel gespritzt. Dies ermöglicht eine besonders effiziente Entfernung der Waschmittelrückstände aus der Wäsche.

Perfect 20°C – Mix & Wash

Mit diesem Waschprogramm können Sie gleichzeitig farbechte Textilien aus Baumwolle, Mischgeweben und Kunstfasern bei einer Temperatur von nur 20°C waschen. Die Waschergebnisse entsprechen dabei -trotz der niedrigeren Waschttemperaturen- denen eines herkömmlichen 40°C Waschprogramms für Baumwolle, wobei die Verbrauchswerte in diesem Programm vergleichsweise auf etwa die Hälfte reduziert werden konnten. Die max. Füllmenge ist auf 2/3 der Maximalfüllmenge begrenzt.



WARNUNG:

Alle Wäschestücke müssen unbedingt farbecht sein. Bitte testen Sie dies vor Beginn des Waschgangs und waschen im Zweifelsfalle einzelne Wäschestücke lieber separat.

Die erste Wäsche von neuen, bunten Wäschestücken sollte immer getrennt erfolgen.

Intensiv 40°C

Dieses Programm speziell für Baumwolltextilien ermöglicht ein hervorragendes Waschergebnis bereits bei einer Waschttemperatur von nur 40°C und schont so Gewebe und Farben optimal.

Hygiene 60°C

Dank des "Mix Power System +" können Sie in diesem Programm selbst hartnäckigsten Schmutz aus Baumwolltextilien bereits bei einer Waschttemperatur von nur 60°C entfernen.

Perfect Rapid 59 Min.

Dieses Programm bietet gute Waschergebnisse in einer relativ kurzen Programmdauer. Es ist für kleinere Wäscheposten (s. Programmtabelle) ausgelegt.

Kurz 30 Min.

Ein kompletter Waschzyklus (Waschen, Spülen, Schleudern) für einen kleinen Wäscheposten. Dieses Programm eignet sich insbesondere für leicht verschmutzte Textilien aus Baumwolle oder Mischgeweben. Um eine Überdosierung zu vermeiden empfehlen wir nur 20% der vom Hersteller empfohlenen Waschmittelmenge zu verwenden.

Kurz 14 Min.

Ein kompletter Waschzyklus (Waschen, Spülen, Schleudern) für einen geringen Wäscheposten. Dieses Programm eignet sich für sehr leicht verschmutzte Textilien aus Baumwolle oder Mischgeweben. Um eine Überdosierung zu vermeiden empfehlen wir nur 20% der vom Hersteller empfohlenen Waschmittelmenge zu verwenden.

Baby

Dieses Programm mit einer Waschtemperatur von mindestens 60°C eignet sich ideal zur porentiefen und hygienischen Reinigung von Babybekleidung.

Zur Erzielung von optimalen Waschergebnissen empfehlen wir die Verwendung von Pulverwaschmittel.

Spülen

Es werden 3 Spülgänge mit Zwischenschleudern (Schleuderdrehzahl kann mit der Taste SCHLEUDERDREHZAHLWAHL reduziert oder ganz abgestellt werden) durchgeführt.

Abpumpen & Schleudern

Zum nachträglichen Schleudern. Mit der Taste SCHLEUDERDREHZAHLWAHL kann die gewünschte Schleuderdrehzahl eingestellt werden.

Handwäsche / Seide

Dieses besonders sanfte Waschprogramm ist für alle Textilien ausgelegt, die auf dem Wäscheetikett das Symbol für "Handwäsche" oder "Seide" haben.

Wolle

Für die besonders schonende Reinigung aller maschinenwaschbaren Wolltextilien (s. Wäscheetikett) mit langen Programmpausen.

Feinwäsche

Lange Einweichphasen in Kombination mit sanften Trommelbewegungen und hohem Wasserstand bei verringerter Waschtemperatur und Schleuderdrehzahl garantieren optimale Pflege für Feinwäsche.

Pflegeleicht

Für pflegeleichte Textilien aus Baumwolle, Leinen, Synthetik oder Mischgewebe bei reduzierter Waschtemperatur bzw. Schleuderdrehzahl.

Baumwolle 40°C / 60°C

Effizientestes Waschprogramm (kombinierter Energie-/Wasserverbrauch) für die Reinigung normal verschmutzter Baumwollwäsche.

Kochwäsche

Für die gründliche Pflege von strapazierfähigen Textilien.

7. HINWEISE ZUM KUNDENDIENST UND ZUR GARANTIE

Wenn Sie der Meinung sind, Ihre Waschmaschine läuft nicht einwandfrei, nutzen Sie das "schnelle Benutzerhandbuch", in dem erklärt wird, wie einige Probleme schnell behoben werden können.

Problem	Mögliche Ursachen und praktische Lösungen
Die Waschmaschine startet nicht	Überprüfen Sie, ob die Maschine richtig angeschlossen ist. Überprüfen Sie ob Strom auf dem Gerät ist. Überprüfen Sie, ob das Programm richtig ausgewählt wurde und ob die Maschine vorschriftsmäßig gestartet wurde. Vergewissern Sie sich, dass keine Sicherung durchgebrannt ist und ob die Steckdose noch funktioniert. Schauen Sie nach, ob das Bullauge richtig verschlossen wurde.
Die Waschmaschine füllt sich nicht mit Wasser	Schauen Sie ob der Wasserhahn offen ist. Stellen Sie sicher, dass der Timer richtig eingestellt wurde.
Die Waschmaschine lässt kein Wasser ab	Schauen Sie nach, ob der Filter verstopft ist. Vergewissern Sie sich, dass der Abtropfschlauch nicht verbogen ist. Schauen Sie, ob irgendwelche Gegenstände in den Filter gerutscht sind.
Wasserlache neben der Waschmaschine	Die Ursache hier für könnte bei der Dichtung liegen. Dies ist der Bereich zwischen dem Wasserhahn und dem Schlauch. In diesem Falle ziehen Sie diesen Bereich mit einer Zange enger bzw. nach.
Die Waschmaschinentrommel schleudert nicht	Dies kann zur Ursache haben, dass das Wasser nicht vollständig abgelaufen ist. Warten Sie ein paar Minuten. Manche Modelle verfügen über eine „NichtSchleudernFunktion“. Vergewissern Sie sich, dass diese nicht angeschaltet ist.
Laute Geräusche während des Waschvorgangs	Stellen Sie sicher, dass alle Transportklammern entfernt wurden. Vergewissern Sie sich, dass die Last gleichmäßig verteilt ist.
Wenn ein ERROR auf dem Display blinkt	Wenn die Nummern 0,1,5,7 oder 8 erscheinen, kontaktieren Sie umgehend den Kundenservice. Wenn Nummer 2 blinkt, wird kein Wasser geladen. Prüfen Sie, ob der Wasserhahn aufgedreht ist. Wenn Nummer 3 blinkt, tropft die Maschine nicht richtig ab. Wenn Nummer 4 blinkt, ist die Maschine zu voll beladen. Schließen Sie die Wasserzufuhr am Hahn und kontaktieren Sie den Kundenservice. Wenn Nummer 9 blinkt, schalten Sie die Maschine umgehend aus und warten 10 bis 15 Sekunden, bevor Sie die Maschine erneut starten.

Bei der Nutzung von phosphatfreien Waschmitteln können folgende Dinge resultieren:

- **Trüberes Abwasser:** Dieser Effekt ist bedingt durch die suspendierten Zeolithe, was jedoch keine negativen Auswirkungen auf die Wascheffizienz hat.
- **Weißer Schleier auf der Kleidung am Ende des Waschvorgangs:** Dies ist normal, da das Waschmittel nicht von der Wäsche aufgenommen wird.
- **Schaumbildung im letzten Spülgang:** Dies ist nicht zwingend ein Zeichen für ein schlechtes Spülergebnis.
- **Übermäßige Schaumbildung:** Dies tritt häufig beim Einsatz von anionischen Tensiden in Waschmitteln auf. Starten Sie in den vorgenannten Fällen keinen erneuten Waschvorgang, da dies nicht helfen wird.

Sollte das Problem weiterhin bestehen, wenden Sie sich umgehend an den Kundenservice, dessen Nummer auf der Rückseite der Anleitung steht.

Sie können sich auch für einen Serviceplan registrieren, um kostenlosen Service auch nach Ablauf der Garantie zu genießen.

Achtung: Der Anruf ist nicht gebührenfrei. Die Kosten werden durch eine automatische Bandansage genannt.

Candy empfiehlt, immer Originalersatzteile bei einer Reparatur verwenden zu lassen.

Garantie

Die Garantiezeit des Gerätes entspricht den jeweiligen gesetzlichen Vorschriften. Nähere Angaben zu Art und Umfang der Garantiebedingungen finden Sie im Garantieheft. Bitte das Original der Kaufrechnung für die Garantieersatzansprüche aufbewahren, um diese im Bedarfsfall unserem Werkkundendienst vorzulegen. Ohne diese Nachweise können wir und unser Werkkundendienst den Anspruch nicht anerkennen.

Registrieren Sie ihr Produkt!

Sie können Ihr Gerät unter www.registercandy.com kostenpflichtig registrieren, um auch nach Ablauf der Garantie einen erweiterten Schutz sowie umfangreichen und schnellen Service zu genießen.

***Wir schließen die Haftung für alle evtl. Druckfehler aus.
Kleinere Änderungen und technische Weiterentwicklungen im Detail vorbehalten.***

