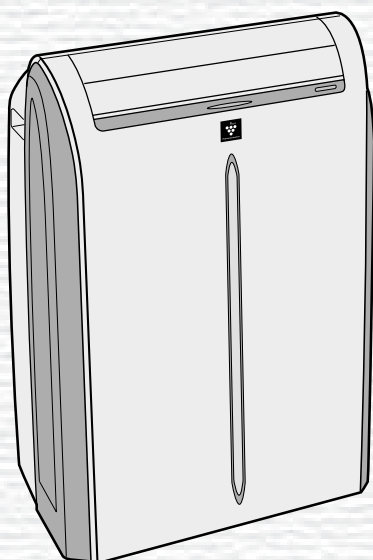


# SHARP®



## CV-P10PR



"Plasmacluster" and "Device of a cluster of grapes" are registered trademarks or trademarks of Sharp Corporation.

LOCAL AIR CONDITONER  
INSTALLATION AND OPERATION  
MANUAL

CONDIZIONATORE D'ARIA  
LOCALE

MANUALE DI INSTALLAZIONE  
E FUNZIONAMENTO

CLIMATISEUR LOCAL

MANUEL D'INSTALLATION  
ET D'UTILISATION

LOKALES KLIMAGERÄT

INSTALLATIONS-  
UND BEDIENUNGSANLEITUNG

ACONDICIONADOR DE AIRE  
LOCAL

MANUAL DE FUNCIONAMIENTO  
E INSTALACIÓN

AR CONDICIONADO LOCAL

MANUAL DE INSTALAÇÃO  
E OPERAÇÃO

KLIMATYZATOR LOKALNY

INSTRUKCJA OBSŁUGI  
I INSTALACJI

LOKALE AIRCONDITIONER

INSTALLATIE  
EN GEBRUIKERSHANDLEIDING

ЛОКАЛЬНЫЙ КОНДИЦИОНЕР  
ВОЗДУХА

РУКОВОДСТВО ПО МОНТАЖУ  
И ЭКСПЛУАТАЦИИ

ENGLISH

ITALIANO

FRANÇAIS

DEUTSCH

ESPAÑOL

PORTUGUÊS

POLSKI

NETERLANDS

РУССКИЙ



Attention: Your product is marked with this symbol. It means that used electrical and electronic products should not be mixed with general household waste. There is a separate collection system for these products.

## A. Information on Disposal for Users (private households)

### 1. In the European Union

Attention: If you want to dispose of this equipment, please do not use the ordinary dust bin!

Used electrical and electronic equipment must be treated separately and in accordance with legislation that requires proper treatment, recovery and recycling of used electrical and electronic equipment.

Following the implementation by member states, private households within the EU states may return their used electrical and electronic equipment to designated collection facilities free of charge\*. In some countries\* your local retailer may also take back your old product free of charge if you purchase a similar new one.

\*) Please contact your local authority for further details.

If your used electrical or electronic equipment has batteries or accumulators, please dispose of these separately beforehand according to local requirements.

By disposing of this product correctly you will help ensure that the waste undergoes the necessary treatment, recovery and recycling and thus prevent potential negative effects on the environment and human health which could otherwise arise due to inappropriate waste handling.

### 2. In other Countries outside the EU

If you wish to discard this product, please contact your local authorities and ask for the correct method of disposal.

For Switzerland: Used electrical or electronic equipment can be returned free of charge to the dealer, even if you don't purchase a new product. Further collection facilities are listed on the homepage of [www.swico.ch](http://www.swico.ch) or [www.sens.ch](http://www.sens.ch).

## B. Information on Disposal for Business Users.

### 1. In the European Union

If the product is used for business purposes and you want to discard it:

Please contact your SHARP dealer who will inform you about the take-back of the product. You might be charged for the costs arising from take-back and recycling. Small products (and small amounts) might be taken back by your local collection facilities.

For Spain: Please contact the established collection system or your local authority for take-back of your used products.

### 2. In other Countries outside the EU

If you wish to discard of this product, please contact your local authorities and ask for the correct method of disposal.



Pb

The battery supplied with this product contains traces of Lead.

For EU: The crossed-out wheeled bin implies that used batteries should not be put to the general household waste! There is a separate collection system for used batteries, to allow proper treatment and recycling in accordance with legislation. Please contact your local authority for details on the collection and recycling schemes.

For Switzerland: The used battery is to be returned to the selling point.

For other non-EU countries: Please contact your local authority for correct method of disposal of the used battery.

Contains fluorinated greenhouse gases covered by the Kyoto Protocol R410A (Global warming potential 1975)

GB

Please read this manual carefully before using the product. This manual should be kept in a safe place for handy reference.

Visit <http://sharp-world.com/> for electronic version of the operation manual.

## CONTENTS

• SAFETY PRECAUTIONS .....	GB-2
• INCLUDED.....	GB-3
• PART NAMES .....	GB-4
• INSTALLATION AND REMOVAL OF EXHAUST HOSE .....	GB-6
• USING THE REMOTE CONTROL.....	GB-8
• NOTE ON OPERATION.....	GB-9

### USE FOR AIR CONDITIONER

• COOL MODE .....	GB-10
• DRY MODE.....	GB-10
• FAN MODE .....	GB-11
• VENTILATION MODE .....	GB-11
• TO CHANGE AIR FLOW DIRECTION.....	GB-12
• TURBO COOL OPERATION.....	GB-13
• SLEEP OPERATION.....	GB-13
• TIMER OPERATION .....	GB-14

### USE FOR ION GENERATOR

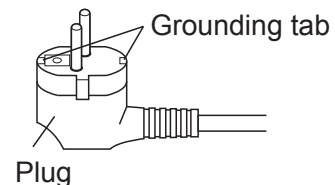
• ION GENERATOR MODE .....	GB-15
• TO CHANGE AIR FLOW DIRECTION.....	GB-16
• MAX DENSITY OPERATION.....	GB-16
• REFRESH OPERATION .....	GB-17
• OFF TIMER OPERATION.....	GB-17
• MAIN UNIT OPERATION.....	GB-18
• DRAINAGE .....	GB-18
• MAINTENANCE.....	GB-19
• BEFORE CALLING FOR SERVICE.....	GB-20

# SAFETY PRECAUTIONS

This appliance can be used by children aged from 8 years and above and persons with reduced physical, sensory or mental capabilities or lack of experience and knowledge if they have been given supervision or instruction concerning use of the appliance in a safe way and understand the hazards involved. Children shall not play with the appliance. Cleaning and user maintenance shall not be made by children without supervision.

## **WARNINGS**

- Do not modify any part of this product. It will cause electric shock, water leak, fire etc.
- Do not pull or deform the power supply cord. Pulling and misuse of the power supply cord can result in damage to the unit and cause electric shock.
- Be careful not to expose your body directly to the outlet air for a long time. It may affect your physical conditions.
- When using the air conditioner for infants, children, elderly, bedridden, or disabled people make sure the room temperature is suitable for those in the room.
- Never insert objects into the unit. Inserting objects can result in injury due to the high speed rotation of internal fans.
- If anything is abnormal with the air conditioner (ex. a burning smell), stop the operation immediately and disconnect the power plug from the wall socket.
- If the supply cord is damaged, it must be replaced by the manufacturer or its service agent or a similarly qualified person in order to avoid a hazard. Use only the manufacture-specified power cord for replacement.
- Do not splash or pour water directly on the unit. Water can cause electric shock or equipment damage.
- This power plug must only be plugged into an appropriate wall socket. Do not use in conjunction with any extension cords.
- Push the power plug securely into the socket and make sure it is not loose.
- This appliance must be grounded. This appliance is equipped with a cord having a grounding wire with a grounding tab. The plug must be plugged into an outlet that is properly installed and grounded.
- The appliance shall be installed in accordance with national wiring regulations.
- The appliance must be positioned so that the plug is accessible.



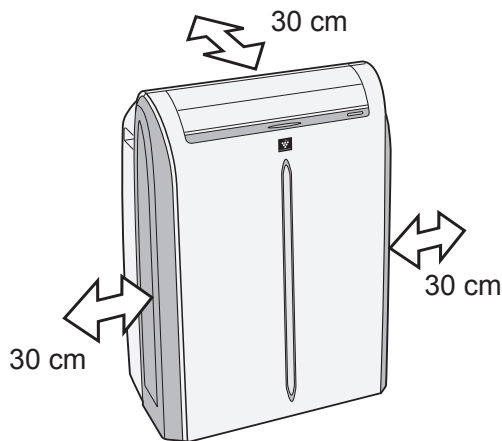
## **CAUTIONS**

- Open a window or door periodically to ventilate the room, especially when using gas appliances. Insufficient ventilation may cause oxygen shortage.
- Do not operate the buttons with wet hand. It may cause electric shock.
- For safety, disconnect the power plug from the wall socket when not using the unit for an extended period of time.
- This unit is designed for residential use. Do not use for other applications such as in a kennel or greenhouse to raise animals or grow plants.
- Do not place a vessel with water on the unit. If water penetrates into the unit, electrical insulations may deteriorate and cause electric shock.
- Drainage should be performed whenever moving the unit. If any water remains in the tank, it may spill out while being moved.
- Do not block the exhaust air outlet with obstacles. Cooling performance may be reduced or stop completely.

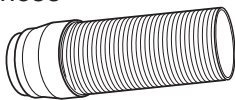
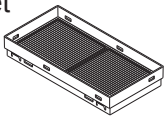
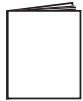
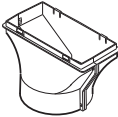



- Be sure to turn the unit off and disconnect the power plug from the wall socket before performing any maintenance or cleaning. A fan is rotating inside the unit and you may get injured.
- Place the unit on a level surface to avoid water spilling out into the room.
- Make sure to connect the air conditioner to power supply of the rated voltage and frequency. Use of a power supply with improper voltage and frequency can result in equipment damage and possible fire.
- Do not use the unit in a place where inflammable gas may leak. It may cause fire. Use the unit in a place with minimal dust, fumes and moisture in the air.
- Make sure a leak breaker or a circuit breaker is installed, depending on the installation location, to avoid electrical shock.
- Install an earth leakage breaker to avoid electric shock in case of leak. Use the current-activated, high-sensitivity, high-speed type breaker with a rated sensitivity current of below 30 mA and an operating time of below 0.1 second.

**LOCATION**

- The unit should be placed on a firm foundation to minimize noise and vibration. For safe and secure positioning, place the unit on a smooth, level floor strong enough to support the unit. This will also help to avoid water spilling out into the room
- The unit has casters to aid placement, but it should only be rolled on smooth, flat surfaces. Use caution when rolling on carpet surfaces. Do not attempt to roll the unit over objects.
- The unit must be placed within reach of a properly rated grounded socket.
- Never place any obstacles around the air inlet or outlet of the unit.
- Allow at least 30 cm of space from the wall for efficient air-conditioning.

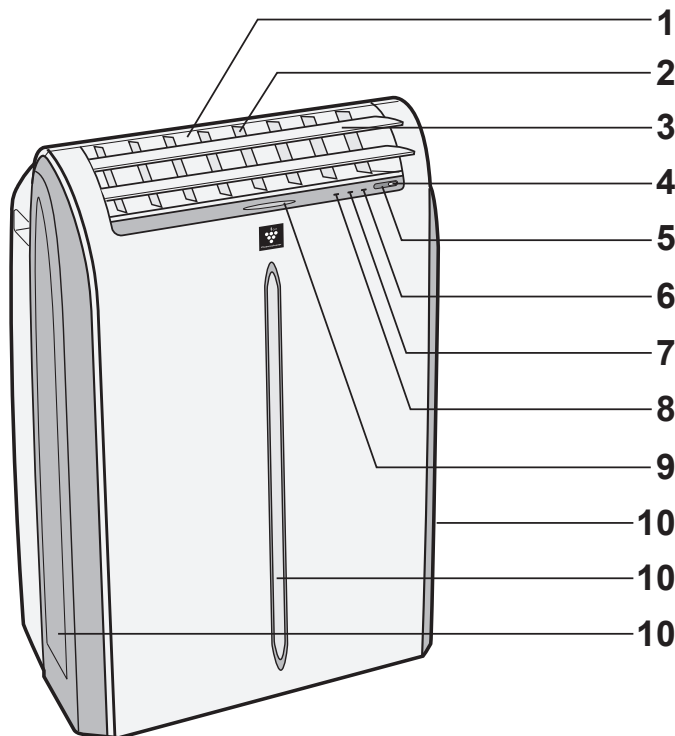


**INCLUDED**

Exhaust hose 	1	Insect guard net 	1	Manual 	1
Window adapter 	1	Remote control 	1		
Rain guard 	2	Battery (R03) 	2		

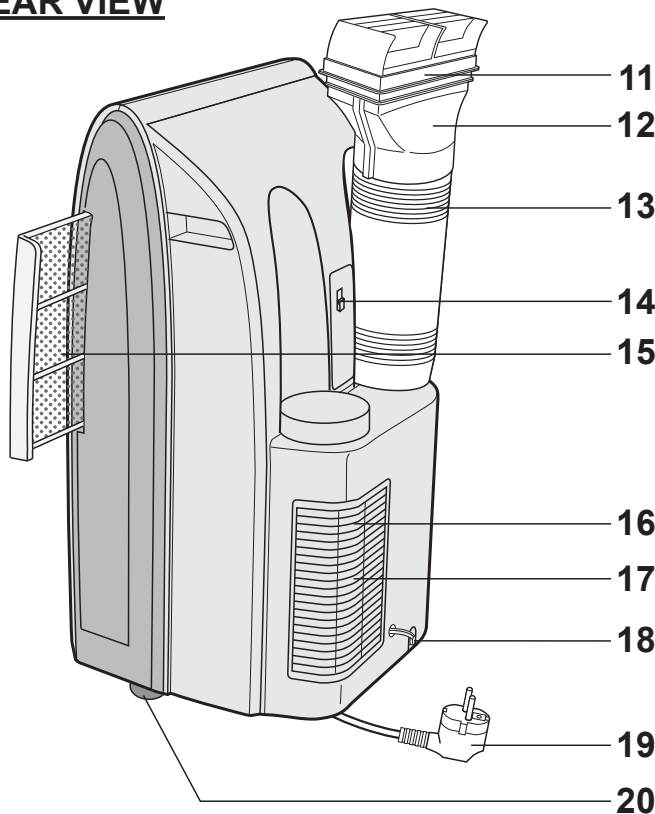
## PART NAMES

### FRONT VIEW



- 1 Air Outlet
- 2 Vertical louvers
- 3 Horizontal louvers
- 4 POWER Button
- 5 Signal receiver for remote control
- 6 AIR CON Lamp (green)
- 7 TIMER Lamp (orange)
- 8 MAXIMUM Lamp (red)
- 9 ION GENERATOR Lamp (blue)
- 10 Air inlet

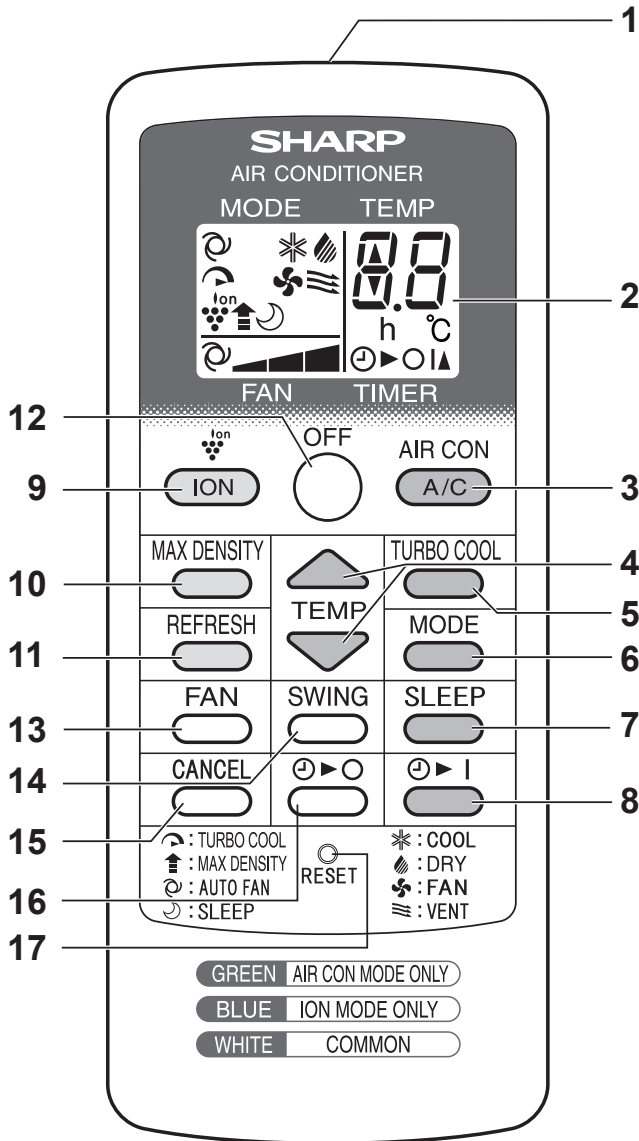
### REAR VIEW



- 11 Exhaust air outlet
- 12 Window adapter
- 13 Exhaust hose
- 14 Remote control hook
- 15 Air filter
- 16 Grille
- 17 Air inlet
- 18 Drainpipe and stopcock
- 19 Power plug
- 20 Casters(4)

NOTE: Actual unit might vary slightly from above illustration.

## REMOTE CONTROL



- 1 Transmitter
- 2 Display

### AIR CON MODE ONLY

- 3 A/C Button
- 4 TEMP Button
- 5 TURBO COOL Button
- 6 MODE Button
- 7 SLEEP Button
- 8 TIMER ON Button

### ION MODE ONLY

- 9 ION Button
- 10 MAX DENSITY Button
- 11 REFRESH Button

### COMMON

- 12 OFF Button
- 13 FAN Button
- 14 SWING Button
- 15 CANCEL Button
- 16 TIMER OFF Button
- 17 RESET Button

### 18 MODE Symbols

- \* : COOL      / : DRY
- ⊙ : FAN      ≡ : VENTILATION

### 19 REFRESH Symbol

### 20 TURBO COOL Symbol

### 21 ION GENERATOR Symbol

### 22 MAX DENSITY Symbol

### 23 SLEEP Symbol

### 24 FAN SPEED Symbols

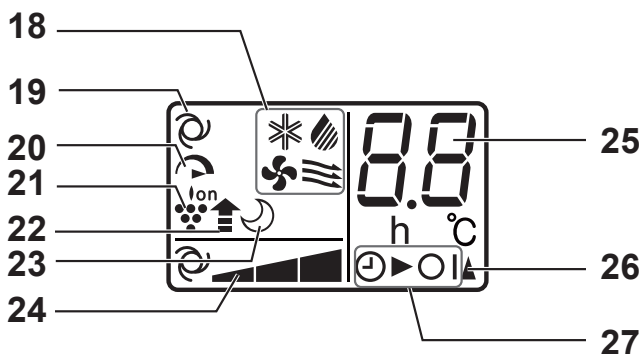
- ⊙ : AUTO      ▲ : SOFT
- ▬ : LOW      ▬ : HIGH

### 25 Temperature and timer count down indicator

### 26 Transmitting Symbol

### 27 TIMER ON/TIMER OFF Symbol

## REMOTE CONTROL DISPLAY



# INSTALLATION AND REMOVAL OF EXHAUST HOSE

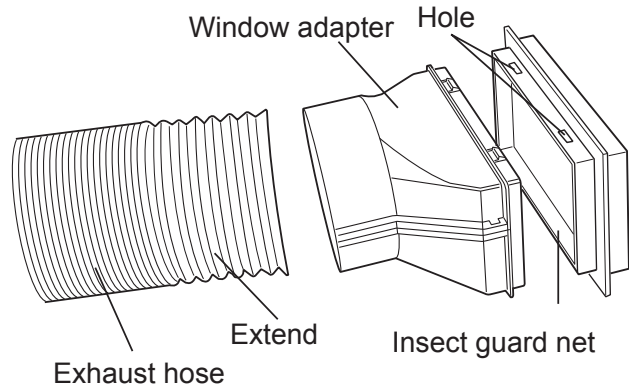
## Installation of the exhaust hose

### **1** Attach the insect guard net to the window adapter.

Push the insect guard net firmly to ensure that four projections on the window adapter fit into the four holes on it.

### **2** Attach the window adapter to the exhaust hose.

Extend one end of the exhaust hose and insert it into the window adapter, and turn it (approx. three times) until it stops. Make sure they are securely attached.

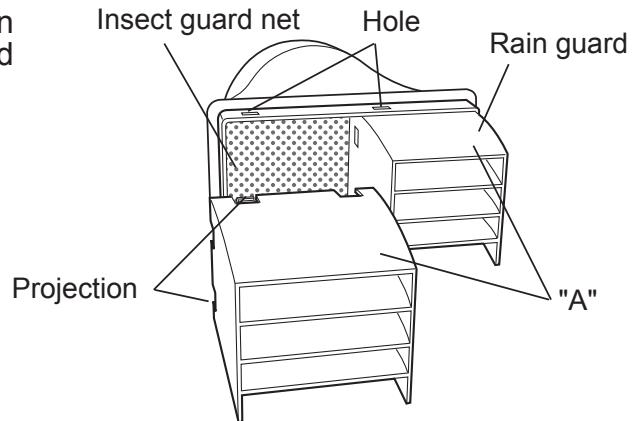


### **3** Attach the rain guards to the insect guard net.

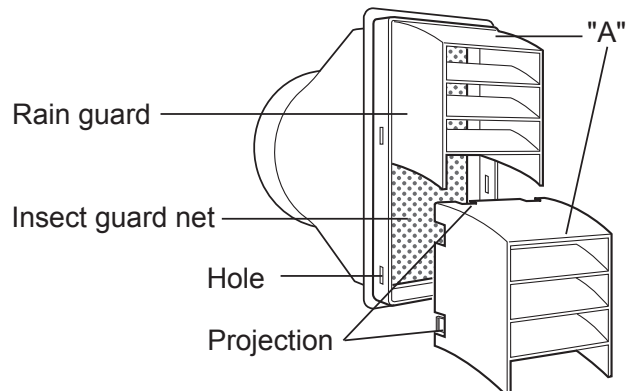
Insert all three projections on each rain guard into the holes in the insect guard net.

Side "A" will now be at the top, as indicated in the diagram.

#### **Horizontally placed**



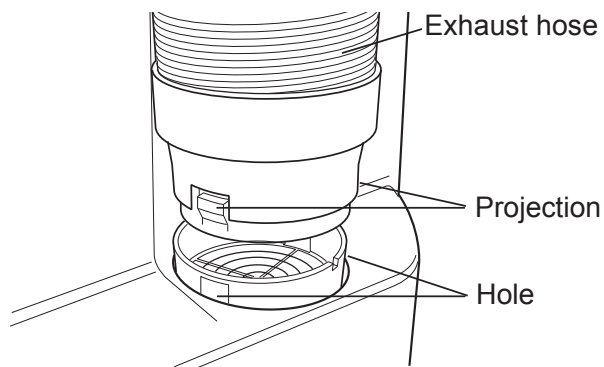
#### **Vertically placed**



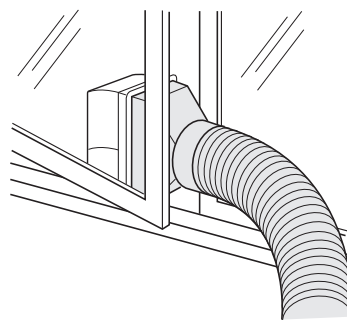


#### 4 Attach the exhaust hose to the unit.

Insert the two projections into the two holes on the unit, and firmly attach them to each other until they click.



#### 5 Lead the exhaust hose outdoors.



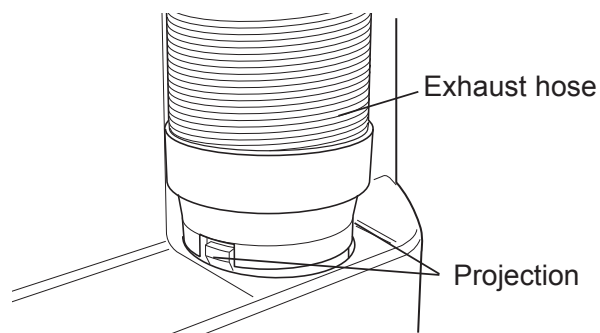
The exhaust hose should be as short as possible for operational efficiency; however, it must not be twisted or bent.

Unacceptable	Acceptable	Acceptable
A line drawing of an exhaust hose that has been twisted. A large circle with a diagonal slash (a prohibition sign) is overlaid on the twisted section.	A line drawing of an exhaust hose that is smoothly curved away from the unit.	A line drawing of an exhaust hose that is smoothly bent away from the unit.

#### Removal of the exhaust hose

##### Remove the exhaust hose from the unit.

Lift up and remove the exhaust hose from the unit by pushing on the two projections.



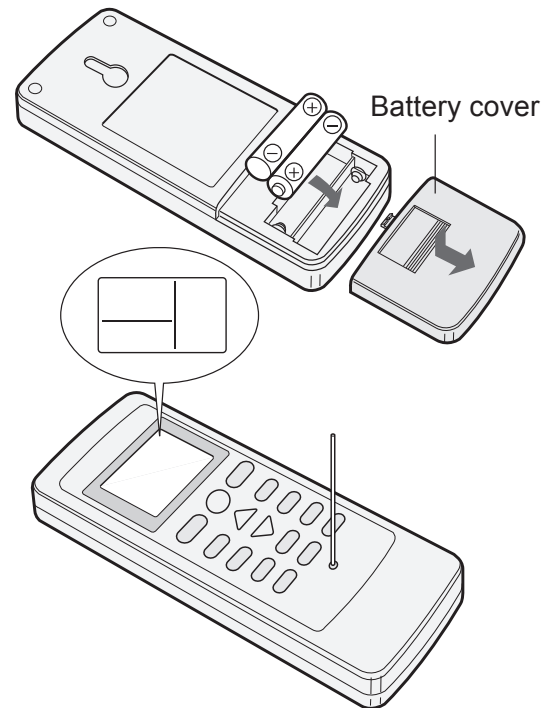
# USING THE REMOTE CONTROL

## LOADING BATTERIES

- 1 Remove the battery cover.**
- 2 Insert two batteries.** (AAA(R03))
  - Make sure the (+) and (-) polarities are correctly aligned.
  - Lines will appear on the display when batteries are properly installed.
- 3 Reattach the battery cover.**
- 4 Press the RESET button using a thin pointed implement.**

### **NOTES:**

- The battery life is approximately 1 year in normal use.
- When replacing the batteries, always change both and use the same type.
- If you will not be using the unit for a long time, remove the batteries from the remote control.



## HOW TO USE THE REMOTE CONTROL

Point the remote control toward the Signal receiver and press the desired button. The unit generates a beep when it receives the signal.

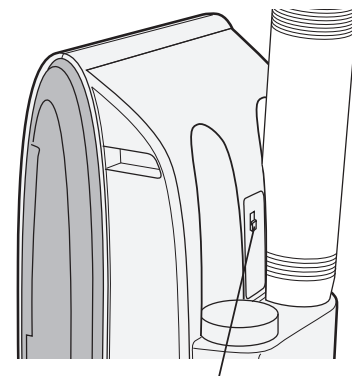
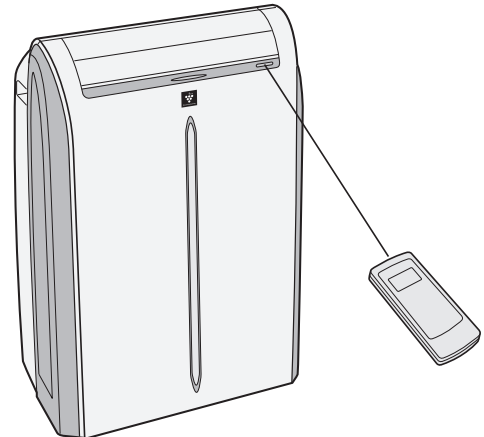
- Make sure nothing, such as curtains, blocks the signal receiver window.
- The signal effective distance is 7 m.

### **CAUTION:**

- Do not expose the receiver window to direct sunlight. This may adversely affect its operation.
- Use of certain fluorescent lamp in the same room may interfere with transmission of the signal.
- Do not leave the remote control in direct sunlight or near a heater. Protect the remote control from moisture and shock.

**To prevent the remote control from being misplaced, hook it to the unit when not in use.**

When attached, to remove the remote control from the unit, lift the remote control up slightly and pull it out.



Remote control hook

## NOTE ON OPERATION

### NOTES ON OPERATION

- **Allow 3 minutes for the compressor to restart cooling.**  
If you turn the unit off and immediately restart it, allow three minutes for the compressor to restart cooling. There is an electronic device in the unit that keeps the compressor turned off for three minutes for safety.
- **When power failure occurs**  
This air conditioner has a memory function to store settings when a power failure occurs. After power recovery, the unit will automatically re-start in the same settings which were active before the power failure, except for timer settings.  
If a power failure occurs while the timer is set, the timer setting will be cancelled and will not be retrieved even after the power is restored.
- **Low temperature operation: Is your unit freezing up?**  
Freezing may occur when the unit is set close to 18°C in low ambient temperature conditions, especially at night.  
In these conditions, a further temperature drop may cause the unit to freeze.  
Setting the unit to a higher temperature will prevent it from freezing.
- **Dry mode increases room temperature.**  
The unit generates heat during dry mode and the room temperature will rise. Warm air will be blown out from the Exhaust air outlet, but this is normal and does not indicate a problem with the unit.
- **This unit blows the warm air generated by the unit outside the room via the exhaust hose while in cool mode.**  
Accordingly, the same amount of air as that is blown out will enter the room from outside through any openings into the room.
- **When cooling operation is performed at high humidity conditions, water tank inside the unit may frequently become full.**  
When water tank inside the unit is full, the unit stops operating and the orange TIMER, the green AIR CON and the red MAXIMUM lamps will blink. In this case, perform drainage to drain out water within the unit.

### OPERATING CONDITIONS

- **The unit must be operated within the following temperature range.**

Mode	Room temperature
Cool	18°C - 40°C
Dry	15°C - 40°C

- A built-in safety device may cut off operation if the temperature exceeds these limits.
- When cooling operation is performed at high room temperature, the fan may run at a slower speed.

### ENERGY EFFICIENCY TIPS

- **Avoid direct sunlight.**  
Close blinds, drapes or shades to keep out direct sunlight while in cooling mode.
- **Keep the filter clean.**  
Keeping the filter clean greatly aids efficient operation. A dirty filter blocks the flow of air, making your unit work harder and less efficiently.

# USE FOR AIR CONDITIONER

Use when the unit operates with the cool, dry, fan or ventilation mode. During operation, Plasmacluster ions are always released into the room.

- The exhaust hose must be installed in these modes.
- Ensure that the stopcock is securely attached the drainpipe.

## COOL MODE

**1** Press the **MODE** button to select **COOL** mode.



**2** Press the **A/C** button to start operation.

- The green AIR CON lamp will light.

### TO TURN OFF

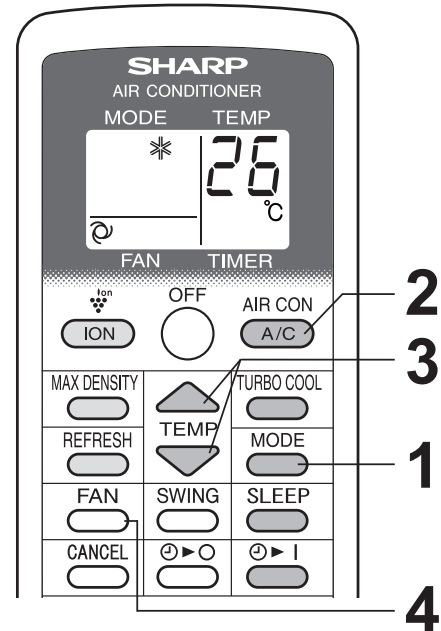
Press the **OFF** button.

- The green AIR CON lamp will turn off.

**3** Press the **TEMP** button to set temperature.

- The temperature setting range: 18°C to 32°C.

**4** Press the **FAN** button to set fan speed.



## DRY MODE

**1** Press the **MODE** button to select **DRY** mode.



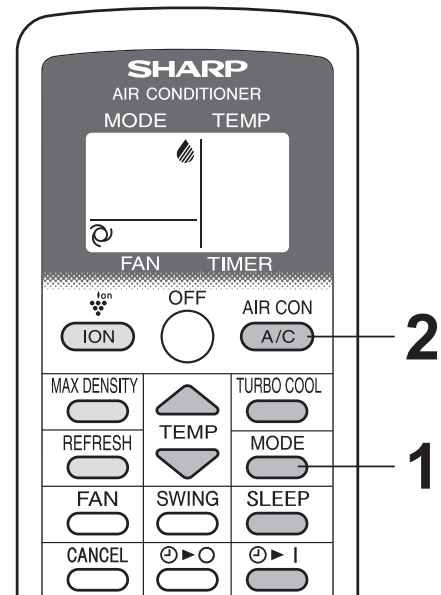
**2** Press the **A/C** button to start operation.

- The green AIR CON lamp will light.
- The temperature cannot be set.
- The fan speed is preset to AUTO and cannot be changed.

### TO TURN OFF

Press the **OFF** button.

- The green AIR CON lamp will turn off.



### NOTES:

- Although you can also operate dry mode without the exhaust hose, the unit generates heat during operation and the room temperature will rise.
- It is also possible to operate in dry mode with hose (not included) attached. Remove the stopcock and attach the hose to the drainpipe and lead to a floor drain to allow water to drain from the unit.

## FAN MODE

The unit simply circulates the air.

**1 Press the MODE button to select FAN mode.**



**2 Press the A/C button to start operation.**

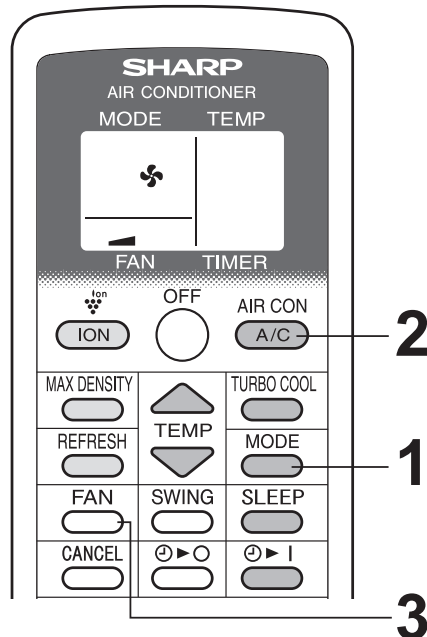
- The green AIR CON lamp will light.
- The temperature cannot be set.

### TO TURN OFF

**Press the OFF button.**

- The green AIR CON lamp will turn off.

**3 Press the FAN button to set fan speed.**



## VENTILATION MODE

The unit ventilates the air to outdoors.

**1 Press the MODE button to select VENT mode.**



**2 Press the A/C button to start operation.**

- The green AIR CON lamp will light.
- The temperature cannot be set.

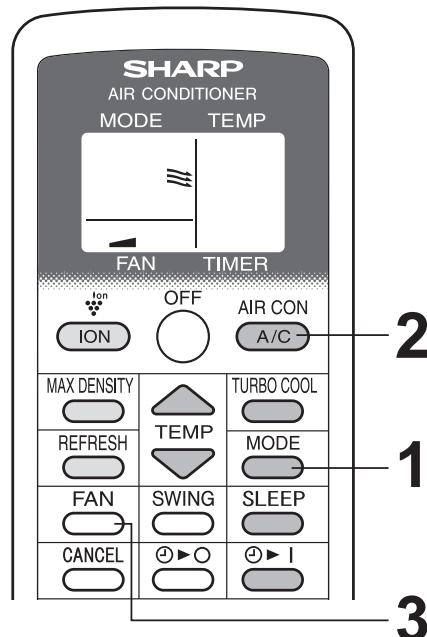
### TO TURN OFF

**Press the OFF button.**

- The green AIR CON lamp will turn off.

**3 Press the FAN button to set fan speed.**

- Although the louvers are closed and no air blows out into the room, the external ventilation fan speed changes.



# USE FOR AIR CONDITIONER

## TO CHANGE AIR FLOW DIRECTION

### UP / DOWN AIR FLOW DIRECTION

**1** Press the **SWING** button.  
• The horizontal louvers will swing.

**2** Press the **SWING** button again to stop the desired position.

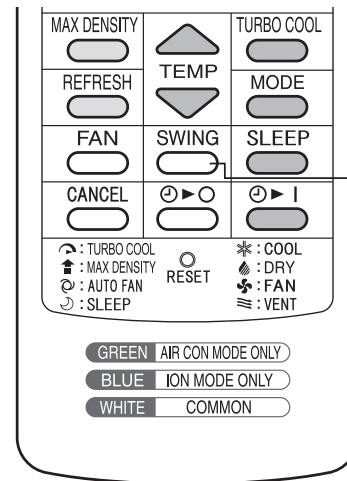
#### CAUTIONS:

Never attempt to adjust the horizontal louvers manually.

- Manual adjustment of the horizontal louvers can cause the unit to malfunction when the remote control is used for adjustment.
- When the horizontal louvers are positioned at the lowest position in the COOL or DRY mode for an extended period of time, condensation may result.

#### NOTE:


- During VENTILATION mode, UP/DOWN air flow direction cannot be changed.

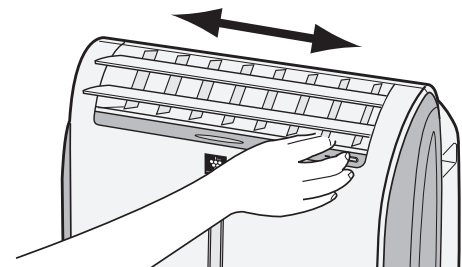


### LEFT / RIGHT AIR FLOW DIRECTION

Hold the vertical louver as shown in the diagram and adjust the air flow direction.

#### CAUTION:

- Do not adjust the vertical louvers to the extreme left or right in the COOL mode with the fan speed set to "SOFT (  )" for an extended period of time. Condensation may form on the louvers.



## TURBO COOL OPERATION

The unit fan works at extra high speed with a setting temperature of 15°C.

### 1 Press the TURBO COOL button during cooling mode.

- The remote control will display "☀".
- The temperature display will go off.
- The red MAXIMUM lamp will light.

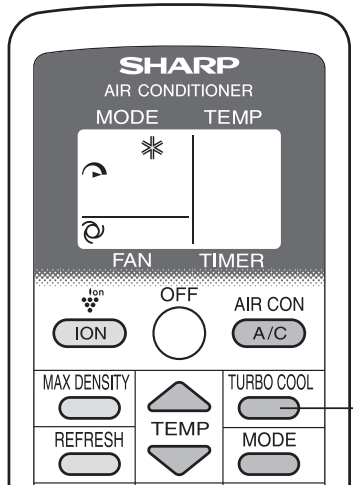
### TO CANCEL

#### Press the TURBO COOL button again.

- The red MAXIMUM lamp will turn off.

### NOTES:

- You cannot set the temperature or fan speed during TURBO COOL operation.
- The fan returns to the HIGH speed setting after the unit has run for 30 minutes in TURBO COOL mode.
- The extra high fan speed may automatically slow down to protect the unit.
- TURBO COOL operation and SLEEP operation can not be used together.



## SLEEP OPERATION

When SLEEP operation is set, the temperature setting is automatically adjusted to prevent the room from becoming too cold.

### 1 Press the SLEEP button during cooling mode.

- The remote control displays "☾".
- The orange TIMER lamp will light.
- The unit will stop operating after 8 hours.
- The fan speed setting is set to AUTO.

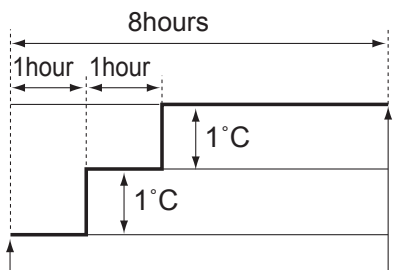
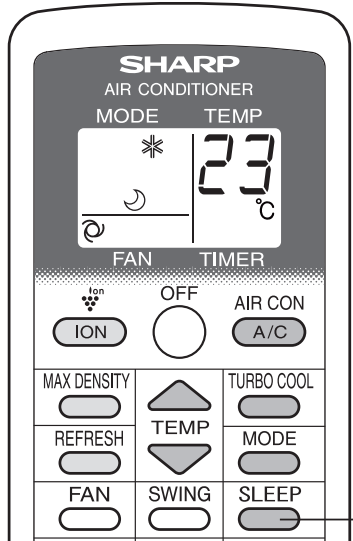
### TO CANCEL

#### Press the SLEEP button.

- The orange TIMER lamp will turn off.

### NOTES:

- One hour after the SLEEP operation is started, the temperature setting rises by 1°C and after another hour it rises by an additional 1°C. Temperature display on the remote control will not change from its original setting.
- SLEEP operation and TURBO COOL operation can not be used together.
- The TIMER OFF, TIMER ON and SLEEP operation can not be set together. Only the most recent settings will be used.



Start of SLEEP operation      Unit shuts off

# USE FOR AIR CONDITIONER

## TIMER OPERATION

### TIMER ON

**1** Press the **TIMER ON** button and set the time as desired.

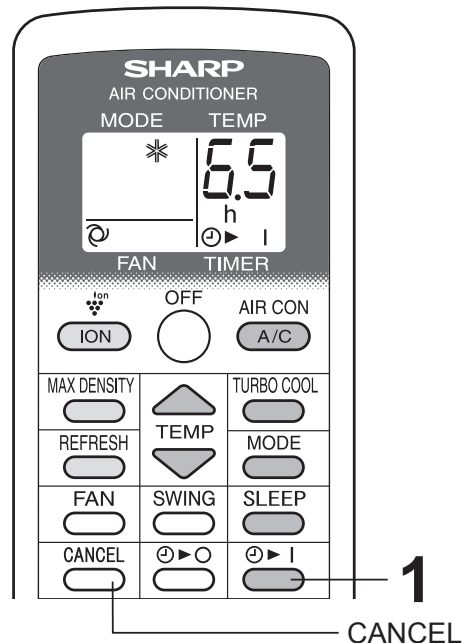


- The orange TIMER lamp will light.
- The time setting will count down to show the remaining time.

### TO CANCEL

Press the **CANCEL** button.

- The orange TIMER lamp will turn off.



### TIMER OFF

**1** Press the **TIMER OFF** button and set the time as desired.

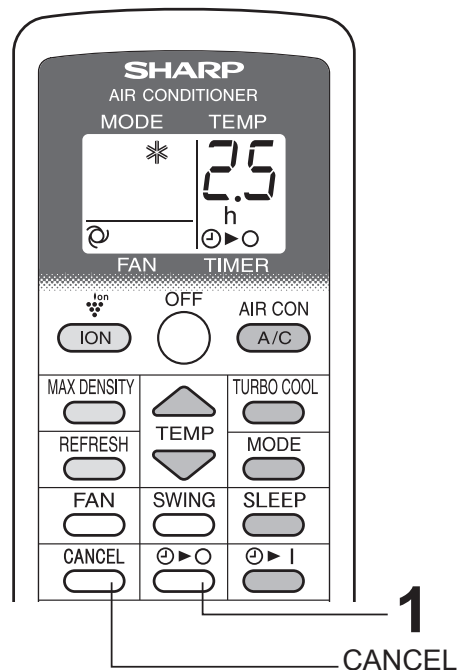


- The orange TIMER lamp will light.
- The time setting will count down to show the remaining time.

### TO CANCEL

Press the **CANCEL** button.

- The orange TIMER lamp will turn off.



### NOTES:

- Timer duration can be set from a minimum of half an hour to a maximum of 12 hours.  
Up to 9.5 hours, you can set in half-hour increments and from 10 to 12 hours, in 1-hour increments.
- The TIMER OFF and TIMER ON can not be set together.
- If a power failure occurs while the TIMER OFF or TIMER ON is set, the TIMER setting will be cancelled and will not be retrieved even after the power is restored.
- When the temperature is set during timer setting, the temperature will show in the display for 5 seconds and then return to the timer display.



## USE FOR ION GENERATOR

Use when the unit operates with ION GENERATOR independently.  
There is no need to install the exhaust hose. Hot air will not come out from the exhaust hose during ION GENERATOR mode.

ENGLISH

### ION GENERATOR MODE

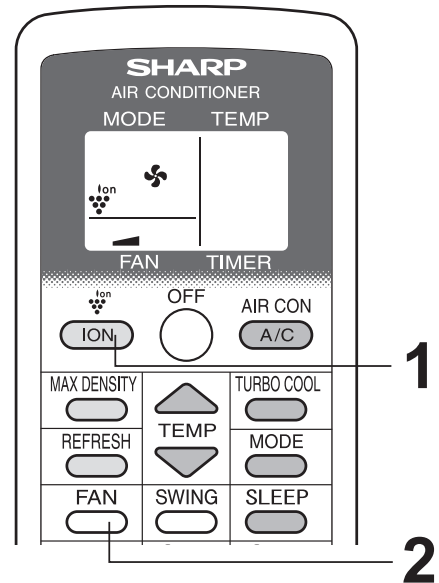
- 1 Press the ION button to start operation.**
  - The blue ION GENERATOR lamp will light.

#### TO TURN OFF

**Press the OFF button.**

- The blue ION GENERATOR lamp will turn off.

- 2 Press the FAN button to set fan speed.**



### **Note for ION GENERATOR MODE**

The ion generator inside the unit releases Plasmacluster ions into the room. Plasmacluster ions will reduce airborne mold.

Plasmacluster is SHARP's original technology.  
For more information, please check our press release such as:  
<http://www.sharp-pci.com/>  
The website is subject to change without notice.

## USE FOR ION GENERATOR

### TO CHANGE AIR FLOW DIRECTION

#### UP / DOWN AIR FLOW DIRECTION

- 1 Press the **SWING** button.
  - The horizontal louvers will swing.
- 2 Press the **SWING** button again to stop the desired position.

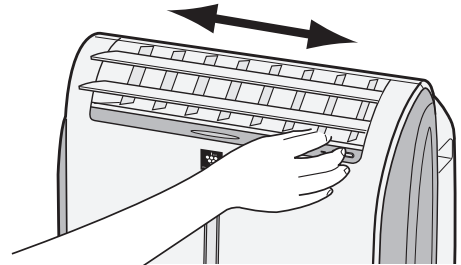
#### CAUTION:

Never attempt to adjust the horizontal louvers manually.

- Manual adjustment of the horizontal louvers can cause the unit to malfunction when the remote control is used for adjustment.

#### LEFT / RIGHT AIR FLOW DIRECTION

Hold the vertical louver as shown in the diagram and adjust the air flow direction.



### MAX DENSITY OPERATION

The unit releases max density Plasmacluster ions. By continuously discharging “extra high” airflow for 30 minutes, the unit discharges the ions throughout the room more effectively.

- 1 Press the **MAX DENSITY** button during Ion generator operation.
  - The remote control will display "↑".
  - The red MAXIMUM lamp will light.

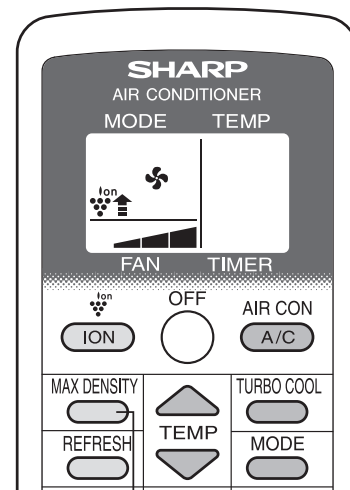
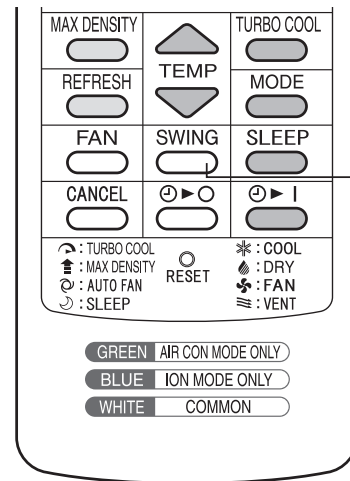
#### TO CANCEL

Press the **MAX DENSITY** button again.

- The red MAXIMUM lamp will turn off.

#### NOTES:

- You cannot set the fan speed during MAX DENSITY operation.
- The MAX DENSITY operation will be automatically cancelled in 30 minutes, and the unit will return to the original settings.
- MAX DENSITY operation and REFRESH operation can not be used together.



## REFRESH OPERATION

REFRESH operation will reduce odors of clothes with Plasmacluster ions. It is recommended to use this function in front of the wardrobe, closet, laundry room or hanging cloth.

### 1 Press the REFRESH button during Ion generator operation.

- The orange TIMER lamp will light.
- The remote control will display " ⌀ ".
- The horizontal louvers will swing.
- The unit will stop operating after 5 hours.

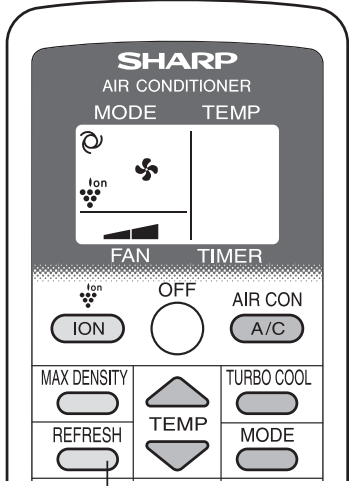
### TO CANCEL

Press the REFRESH button again.

- The orange TIMER lamp will turn off.

### NOTES:

- Adjust the louvers so that air from the unit is blown to the clothes.
- REFRESH operation and MAX DENSITY operation can not be used together.
- REFRESH operation and TIMER OFF can not be set together.
- With this operation, Plasmacluster ion is effective for reducing smell of tobacco smoke etc., but may not always be effective for every kinds of odor.
- Depending on the volume of odor, distance between this unit and clothes, and operating time, this unit may not reduce the odor enough.



1

## TIMER OFF OPERATION

### 1 Press the TIMER OFF button and set the time as desired.



- The orange TIMER lamp will light.
- The time setting will count down to show the remaining time.

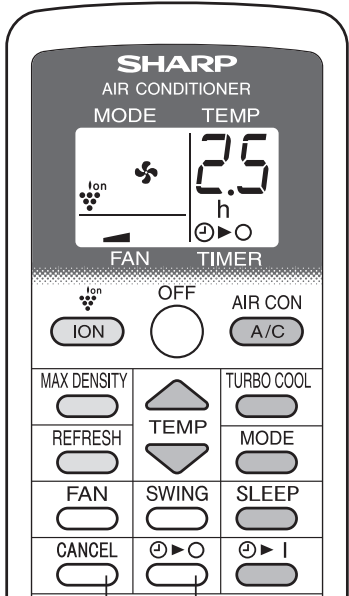
### TO CANCEL

Press the CANCEL button.

- The orange TIMER lamp will turn off.

### NOTES:

- Timer duration can be set from a minimum of half an hour to a maximum of 12 hours. Up to 9.5 hours, you can set in half-hour increments and from 10 to 12 hours, in 1-hour increments.
- In ION GENERATOR mode, TIMER ON can not be set.
- If a power failure occurs while the TIMER OFF is set, the TIMER setting will be cancelled and will not be retrieved even after the power is restored.



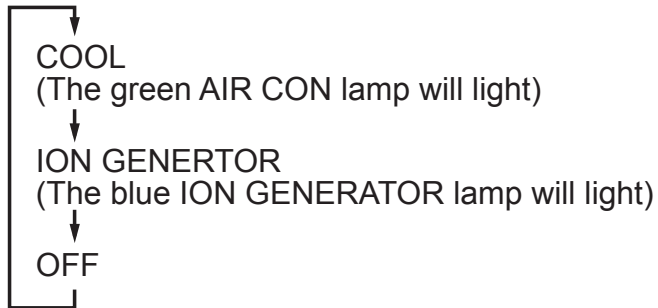
1  
CANCEL

## MAIN UNIT OPERATION

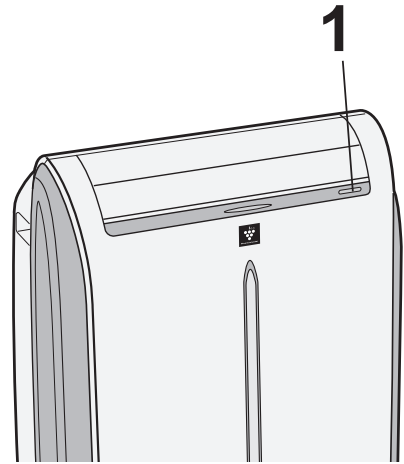
Use this operation when the remote control is not available.

### 1 Press the **POWER** button to start operation.

- The mode will change as you press the button within 5 seconds.



- In cool mode, the unit will operate at its last cooling settings. If the unit has been unplugged since it was last operated, it will resume operation in the cooling mode, set at 20°C. The fan speed set to AUTO.



### TO TURN OFF

Press the **POWER** button during operation.

## DRAINAGE

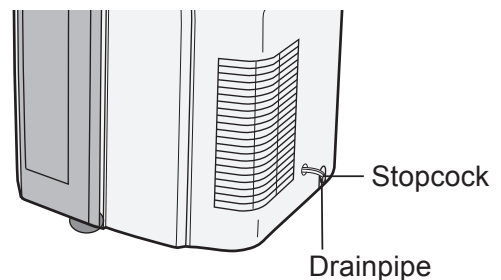
Drain out water within the unit in the following cases.

- When the unit stops operating and the orange **TIMER** lamp, the green **AIR CON** lamp and the red **MAXIMUM** lamp are blinking, the water tank is full and need to be drained.
- When the unit is not used for a long time.

**1** Unplug the power plug and carefully move the unit to a drain or outside to avoid water spilling out into the room.

**2** Remove the stopcock from the drainpipe, and drain water within the unit.

**3** Attach the stopcock securely to the drainpipe.



## MAINTENANCE

Be sure to disconnect the power from the wall socket before cleaning.

### CLEANING THE FILTER

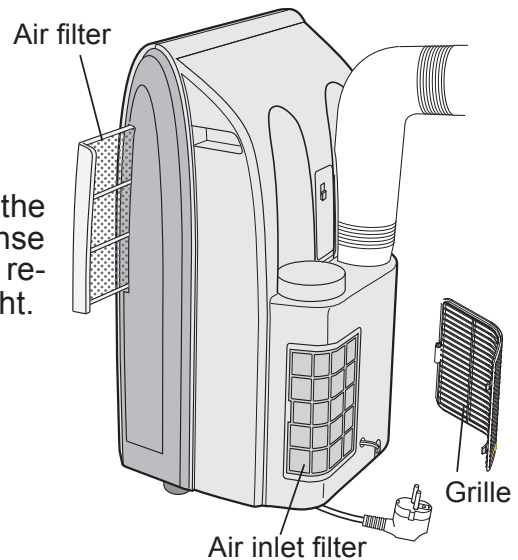
If the filter is clogged with dust, the airflow will be reduced, resulting in poor cooling performance. The filter should be cleaned every two weeks.

#### AIR FILTER

**1 REMOVE THE FILTER**  
• Pull the filter to the right.

**2 CLEAN THE FILTER**  
• Use a vacuum cleaner to remove any dust. If the filter is very dirty, wash it with detergent and rinse carefully with clean water. Dry the filter before re-installing them. Do not leave it in direct sun light.

**3 REINSTALL THE FILTER**



#### AIR INLET FILTER

Remove the grille and clean the air inlet filter with a vacuum cleaner.

#### CAUTION:

Never operate the unit without the filter. Doing so may result in serious damage to the unit.

### CLEANING THE UNIT AND THE REMOTE CONTROL

Wipe them with a soft, dry cloth or with a cloth moistened with a mild soap. Carefully remove any residue by wiping with a damp cloth and dry completely. Avoid splashing water onto the unit. Water can dangerously damage the electrical insulation.

Never use harsh chemicals or abrasive cleaners on any part of the unit. To avoid damaging the unit, do not use hot water (50°C or hotter) when cleaning.

### WHEN STORING FOR A LONG PERIOD (NOT IN USE)

**1** Perform drainage to drain out water within the unit and attach the stopcock securely to the drainpipe.

**2** Operate the unit in the FAN or VENTILATION mode for about half a day to thoroughly dry inside the unit.

**3** Clean the filters, then reinstall them.

**4** Disconnect the power from the wall socket.

## BEFORE CALLING FOR SERVICE

If the unit appears to be malfunctioning, check the following points before calling for a service.

### UNIT DOES NOT OPERATE AT ALL

- Is the unit plugged in or is the plug loose?
- Has the fuse blown or is the circuit breaker tripped?
- Are the green AIR CON lamp, the orange TIMER lamp and the red MAXIMUM lamp blinking?

The water tank inside the unit is full. It must be drained. (See page 18)

### UNIT DOES NOT COOL PROPERLY

- Is it set to FAN, DRY, VENTILATION, ION GENERATOR mode?  
Cooling does not take place in these modes. Change the MODE setting.
- Is the filter clogged with dust?  
Clean the filter.
- Is the cooling coil frozen?  
No air will blow out if the cooling coil is frozen.  
Run the unit in FAN mode with the fan speed set to "HIGH" until all ice dissipates.
- Is the temperature set properly?
- Is the window exposed to direct sunlight?  
Close the curtains or blinds to minimize solar energy heating the room.
- Is the exhaust hose too long?  
For efficient operation, make the hose as short as possible. The exhaust hose must not be twisted or bent.

### SOUNDS

- The unit may seem rather loud for the first 2 to 3 minutes when the unit is turned on. This is the sound of the compressor starting-up and is perfectly normal.
- A soft, swishing noise can be heard immediately after the unit is turned on or off, and also during operation. This is the sound of the refrigerant flowing inside the unit.
- A low buzzing noise is emitted when the unit is generating Plasmacluster ions.
- This unit evaporates water condensed during cooling operation within the unit through the exhaust air outlet. Although water flowing sound may be heard, this is normal.
- An audible gurgling sound may be heard when the unit is operated on a gently sloping floor. Place the unit on a level floor.

### TIMER DOES NOT WORK PROPERLY

- If a power failure occurs while the TIMER is set, the TIMER setting will be cancelled and will not be retrieved even after the power is restored. This is normal for this unit.

### THE UNIT FAILS TO REACT TO THE REMOTE CONTROL SIGNAL

- Check the batteries in the remote control. Replace if necessary.
- Try to send the signal again with the remote control pointed directly at the unit's signal receiver window.
- Check whether the remote control batteries are installed with the polarities properly aligned.

### THE DISCHARGED AIR HAS AN ODOR

- Plasmacluster ion generator emits small traces of ozone which may produce an odor. These ozone emissions are below safety levels and comply with the federal ozone emissions limit.





Attenzione: Il dispositivo è contrassegnato da questo simbolo, che segnala di non smaltire le apparecchiature elettriche ed elettroniche insieme ai normali rifiuti domestici. Per tali prodotti è previsto un sistema di raccolta a parte.

## A. Informazioni sullo smaltimento per gli utenti (privati)

### 1. Nell'Unione europea

Attenzione: Per smaltire il presente dispositivo, non utilizzare il normale bidone della spazzatura!

Le apparecchiature elettriche ed elettroniche usate devono essere gestite a parte e in conformità alla legislazione che richiede il trattamento, il recupero e il riciclaggio adeguato dei suddetti prodotti.

In seguito alle disposizioni attuate dagli Stati membri, i privati residenti nella UE possono conferire gratuitamente le apparecchiature elettriche ed elettroniche usate a centri di raccolta designati\*.

In alcuni paesi\*, anche il rivenditore locale può ritirare gratuitamente il vecchio prodotto se l'utente acquista un altro nuovo di tipologia simile. \*) Per maggiori informazioni si prega di contattare l'autorità locale competente.

Se le apparecchiature elettriche o elettroniche usate hanno batterie o accumulatori, l'utente dovrà smaltirli a parte preventivamente in conformità alle disposizioni locali.

Lo smaltimento corretto del presente prodotto contribuirà a garantire che i rifiuti siano sottoposti al trattamento, al recupero e al riciclaggio necessari prevenendone il potenziale impatto negativo sull'ambiente e sulla salute umana, che potrebbe derivare da un'inadeguata gestione dei rifiuti.

### 2. In paesi che non fanno parte dell'UE

Se si desidera eliminare il presente prodotto, contattare le autorità locali e informarsi sul metodo di smaltimento corretto.

Per la Svizzera: Le apparecchiature elettriche o elettroniche usate possono essere restituite gratuitamente al rivenditore, anche se non si acquista un prodotto nuovo. Altri centri di raccolta sono elencati sulle homepage di [www.swico.ch](http://www.swico.ch) o di [www.sens.ch](http://www.sens.ch).

## B. Informazioni sullo smaltimento per gli utenti commerciali

### 1. Nell'Unione europea

Se il prodotto è impiegato a scopi commerciali, procedere come segue per eliminarlo.

Contattare il proprio rivenditore SHARP che fornirà informazioni circa il ritiro del prodotto. Potrebbero essere addebitate le spese di ritiro e riciclaggio. Prodotti piccoli (e quantitativi ridotti) potranno essere ritirati anche dai centri di raccolta locali.

Per la Spagna: Contattare il sistema di raccolta ufficiale o l'ente locale preposto al ritiro dei prodotti usati.

### 2. In paesi che non fanno parte dell'UE

Se si desidera eliminare il presente prodotto, contattare le autorità locali e informarsi sul metodo di smaltimento corretto.



Pb

La batteria fornita con questo prodotto contiene tracce di Piombo.

Per EU: Il cassonetto barrato indica che le batterie usate non devono essere gettate assieme ai rifiuti domestici! Vi è un sistema di raccolta differenziata per le batterie usate, che consente il loro corretto trattamento e riciclo secondo quanto previsto dalle leggi vigenti. Vi prego di contattare le locali autorità per i dettagli del sistema di raccolta e riciclaggio.

Per la Svizzera: Le batterie usate devono essere restituite al punto vendita

Per altri Stati non-EU: Vi prego di contattare le autorità locali per conoscere il metodo corretto di conferimento delle batterie usate.

Contiene gas fluorurati ad effetto serra disciplinati dal protocollo di Kyoto R410A (Potenziale di riscaldamento globale 1975)



Vi preghiamo di leggere attentamente questo manuale prima di utilizzare il climatizzatore. Si consiglia di tenere questo manuale in un posto sicuro, in caso di consultazioni future. Visitate <http://sharp-world.com/> per la versione elettronica del manuale di istruzioni.

## INDICE

- PRECAUZIONI DI SICUREZZA ..... IT-2
- OGGETTI INCLUSI ..... IT-3
- NOMI DEI COMPONENTI ..... IT-4
- INSTALLAZIONE E RIMOZIONE DEL TUBO DI SCARICO ..... IT-6
- USO DEL TELECOMANDO ..... IT-8
- INFORMAZIONI SUL FUNZIONAMENTO ..... IT-9

### UTILIZZO DEL CONDIZIONATORE D'ARIA

- MODALITA' RAFFREDDAMENTO ..... IT-10
- MODALITA' DEUMIDIFICAZIONE ..... IT-10
- MODALITA' VENTOLA ..... IT-11
- MODALITA' VENTILAZIONE ..... IT-11
- PER CAMBIARE LA DIREZIONE DEL FLUSSO D'ARIA ..... IT-12
- FUNZIONAMENTO RAFFREDDAMENTO TURBO ..... IT-13
- MODALITA' SLEEP ..... IT-13
- FUNZIONAMENTO DEL TIMER ..... IT-14

### UTILIZZO PER GENERATORE DI IONI

- MODALITA' GENERATORE DI IONI ..... IT-15
- PER CAMBIARE LA DIREZIONE DEL FLUSSO D'ARIA ..... IT-16
- OPERAZIONE MAX DENSITY ..... IT-16
- FUNZIONAMENTO DEL REFRESH ..... IT-17
- OPERAZIONE TIMER OFF ..... IT-17
- OPERAZIONE UNITA' PRINCIPALE ..... IT-18
- DRENAGGIO ..... IT-18
- MANUTENZIONE ..... IT-19
- PRIMA DI RICHIEDERE ASSISTENZA ..... IT-20

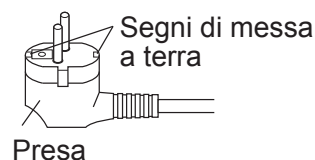
## PRECAUZIONI DI SICUREZZA

Questo apparecchio può essere utilizzato da bambini dagli 8 anni in su e da persone con ridotte capacità fisiche, sensoriali e mentali o senza esperienza e conoscenza se sotto supervisione o se hanno ricevuto istruzioni riguardo l'uso dell'apparecchio in maniera sicura e ne hanno compreso i potenziali rischi.

La pulizia e la manutenzione non possono essere fatti da bambini senza supervisione.

### **ATTENZIONE**

- Non modificate alcuna parte di questo prodotto. Potrebbe causare scosse elettriche, perdite d'acqua, incendi ecc.
- Non tirate o deformate il cavo di alimentazione. Se si tira o si usa scorrettamente il cavo, l'unità si può danneggiare e provocare scosse elettriche.
- Fate attenzione a non esporvi direttamente all'uscita dell'aria per un lungo periodo di tempo. Potrebbe danneggiare la vostra salute.
- Nel caso si usi il condizionatore d'aria in presenza di neonati, bambini, persone anziane, persone costrette a stare a letto o persone con handicap fisici, assicuratevi prima che la temperatura sia loro confortevole.
- Non inserire mai oggetti nell'unità. Ciò potrebbe portare a lesioni a causa dell'alta velocità di rotazione dei ventilatori interni.
- In caso di anomalie del condizionatore d'aria (per esempio odore di bruciato), interrompete subito l'uso e staccate la spina dalla presa di corrente.
- Se è danneggiato il cavo di alimentazione, bisogna farlo sostituire dal fabbricante, da un centro di assistenza o da una persona qualificata per evitare eventuali rischi. Sostituire il cavo di alimentazione solo con un altro specificato dal produttore.
- Non spruzzate o gettate acqua direttamente sull'unità. L'acqua potrebbe causare una scossa elettrica o danni all'apparecchio.
- Questa presa deve essere inserita solamente in una presa adatta. Non usatela insieme a prolunghie.
- Inserite la presa in maniera salda e assicuratevi che non sia allentata.
- Questo apparecchio deve avere una messa a terra. Ha un cavo con messa a terra segnata. La presa deve essere inserita in un'uscita che sia installata correttamente e messa a terra.
- L'apparecchio deve essere installato secondo le regolamentazioni nazionali di cablaggio.
- L'apparecchio deve essere installato in modo che la presa sia accessibile.



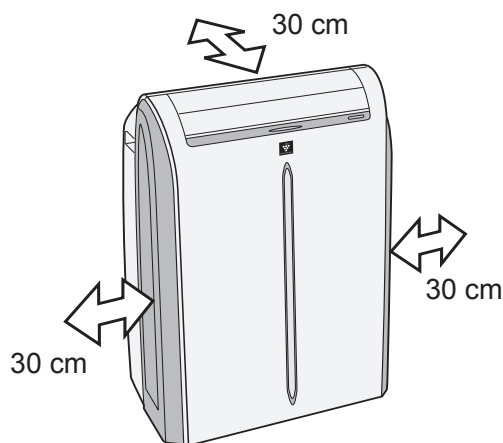
### **ATTENZIONE**

- Aprite periodicamente una finestra o una porta per ventilare la stanza, specialmente quando si usano apparecchi a gas. Una ventilazione insufficiente potrebbe causare mancanza di ossigeno.
- Non toccate i tasti con le mani bagnate. Ciò potrebbe provocare una scossa elettrica.
- Per sicurezza, staccate la spina dalla presa quando non usate l'unità per un lungo periodo di tempo.
- Questa unità è stata progettata per l'uso in aree residenziali. Non usatela in luoghi differenti, come canili o serre.
- Non collocate contenitori d'acqua sull'unità. Se l'acqua penetra nell'unità, l'isolamento elettrico si potrebbe rovinare causando una scossa elettrica.
- Il drenaggio dovrebbe essere effettuato ogniqualvolta l'unità viene spostata. Se c'è dell'acqua che resta all'interno, potrebbe fuoriuscire mentre l'unità viene spostata.
- Non bloccate il tubo dell'uscita d'aria. Il raffreddamento potrebbe ridursi o fermarsi completamente.

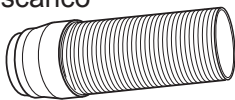
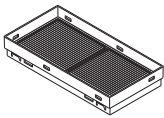

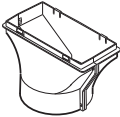



- Assicuratevi di spegnere l'apparecchio e l'interruttore di circuito prima di eseguire lavori di manutenzione o pulitura. Il ventilatore che gira all'interno dell'unità potrebbe provarvi lesioni.
- Posizionate l'unità su una superficie piana per evitare che l'acqua fuoriesca.
- Assicuratevi di collegare il condizionatore a una presa di corrente del voltaggio e della frequenza indicati. L'utilizzo di una presa con voltaggio e frequenza sbagliati può causare danni all'apparecchio e provocare anche un incendio.
- Non installare l'unità in un luogo dove ci potrebbero essere perdite di gas infiammabile. Ciò potrebbe provocare incendi. Non collocate l'unità in luoghi nei quali l'aria contenga polvere, fumi oppure umidità nell'aria.
- Assicuratevi di installare un interruttore differenziale o magnetometrico a seconda del luogo d'installazione, per evitare scosse elettriche.
- Installate un interruttore differenziale con messa a terra per evitare scosse elettriche in caso di perdita. Usate un interruttore ad alta sensibilità, alta velocità e attivato a corrente, con una sensibilità di corrente al di sotto dei 30 mA e funzionante in un lasso di tempo inferiore a 0,1 secondo.

**POSIZIONAMENTO**

- L'unità dovrebbe essere posizionata su una base stabile per minimizzare rumori e vibrazioni. Per un posizionamento sicuro, mettete l'unità su una superficie piana e liscia che possa sostenerla. Questo permetterà di evitare la fuoriuscita di acqua nella stanza.
- L'unità è fornita di rotelle per facilitare lo spostamento, ma dovrebbe essere mosso su superfici piane e lisce. Siate cauti quando la spostate sul parquet. Non provate a far rotolare l'unità sopra a degli oggetti.
- L'unità deve essere posizionata vicino ad una presa di corrente con messa a terra.
- Non mettete mai oggetti davanti all'ingresso o all'uscita di aria dell'unità.
- Lasciate almeno 30 cm di spazio dal muro per un condizionamento d'aria efficace.

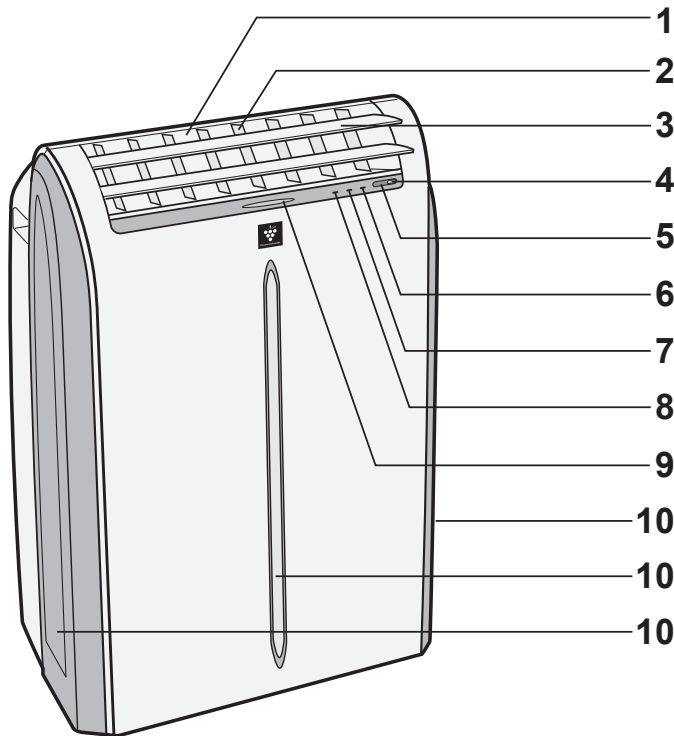


**OGGETTI INCLUSI**

	1		1		1
	1		1		
	2		2		

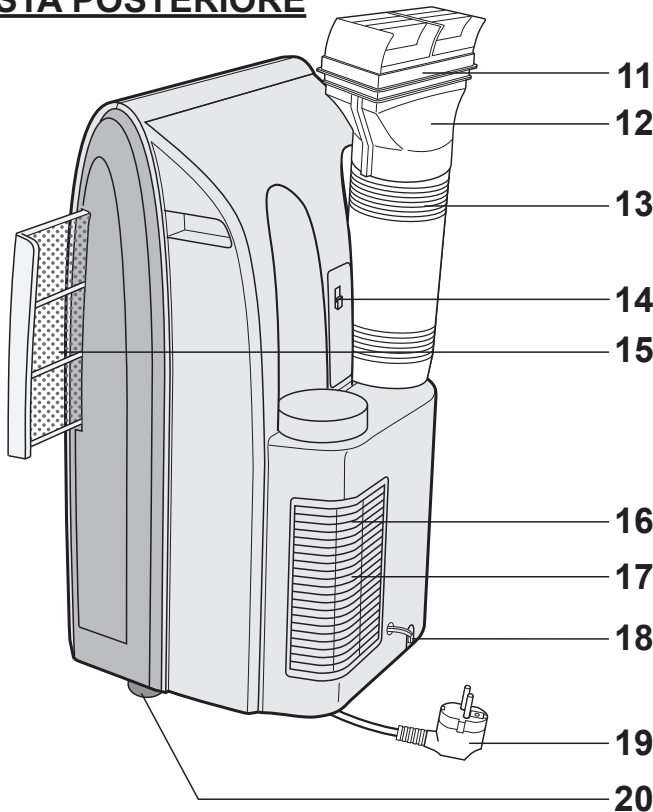
# NOMI DEI COMPONENTI

## VISTA FRONTALE



- 1 Uscita dell'aria
- 2 Deflettori verticali
- 3 Deflettore orizzontale
- 4 Tasto POWER
- 5 Ricevitore di segnali per il telecomando
- 6 Spia ARIA CONDIZIONATA (verde)
- 7 Spia del TIMER (arancione)
- 8 Spia MAXIMUM (rossa)
- 9 Spia GENERATORE IONI (blu)
- 10 Ingresso dell'aria

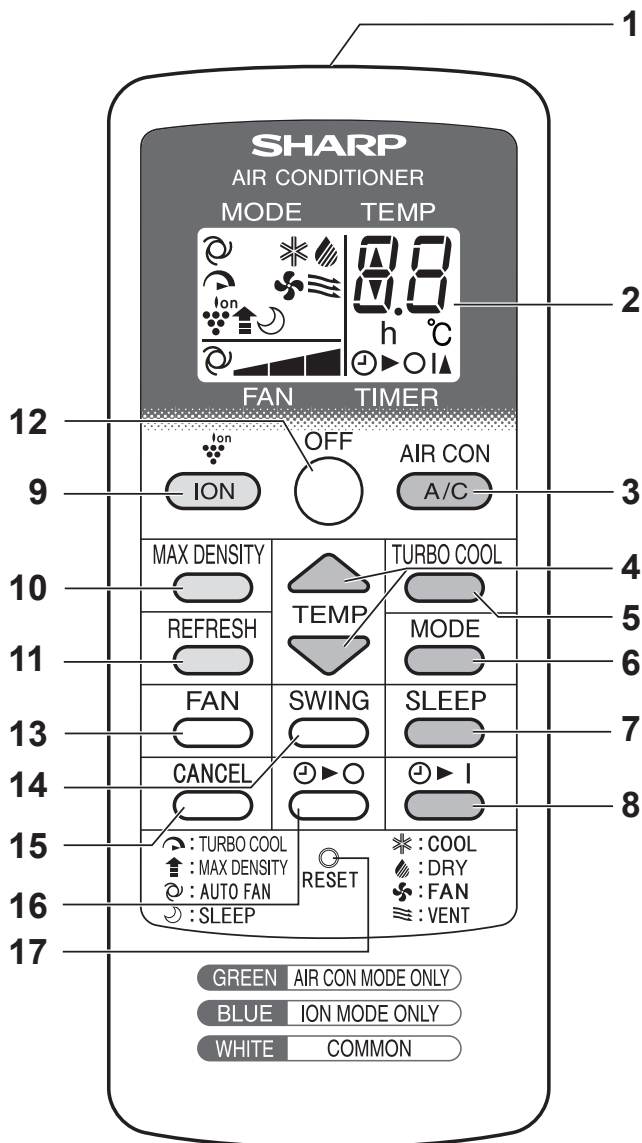
## VISTA POSTERIORE



- 11 Uscita del tubo d'aria
- 12 Adattatore per la finestra
- 13 Tubo di scarico
- 14 Gancio per il telecomando
- 15 Filtri dell'aria
- 16 Griglia
- 17 Ingresso dell'aria
- 18 Tubo di scarico e rubinetto di arresto
- 19 Presa di corrente
- 20 Rotelle (4)

NOTA: L'unità potrebbe leggermente differire da quella nell'illustrazione sopra.

## TELECOMANDO



1 Trasmettitore

2 Display

### SOLO MODALITA' CONDIZIONAMENTO D'ARIA

3 Tasto CA

4 Tasto TEMPERATURA

5 Tasto RAFFREDDAMENTO TURBO

6 Tasto MODALITA'

7 Tasto SLEEP

8 Tasto TIMER ATTIVATO

### SOLO MODALITA' ION

9 Tasto ION

10 Tasto DENSITA' MASSIMA

11 Tasto REFRESH

### IN COMUNE

12 Tasto OFF

13 Tasto FAN

14 Tasto SWING

15 Tasto CANCEL

16 Tasto TIMER DISATTIVATO

17 Tasto RESET

### 18 Simboli MODALITA'

\* : RAFFREDDAMENTO    ■ : DEUMIDIFICAZIONE

⊞ : VENTOLA

▬ : VENTILAZIONE

19 Simbolo REFRESH

20 Simbolo RAFFREDDAMENTO TURBO

21 Simbolo GENERATORE ION

22 Simbolo DENSITA' MASSIMA

23 Simbolo SLEEP

24 Simboli VELOCITA' VENTOLA

⊞ : AUTO

▬ : DEBOLE

▬ : BASSO

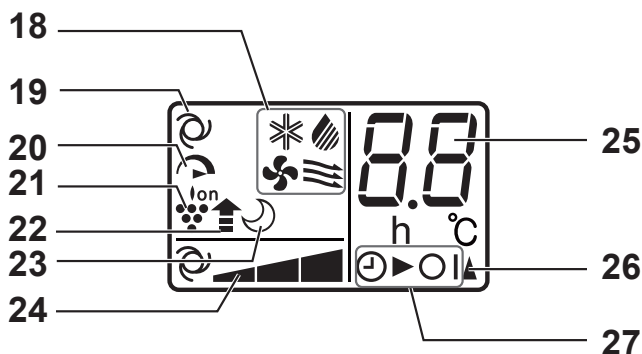
▬ : ALTO

25 Indicatore conteggio del timer e della temperatura

26 Simbolo Trasmettitore

27 Indicatore TIMER ATTIVATO/ DISATTIVATO

## DISPLAY DEL TELECOMANDO

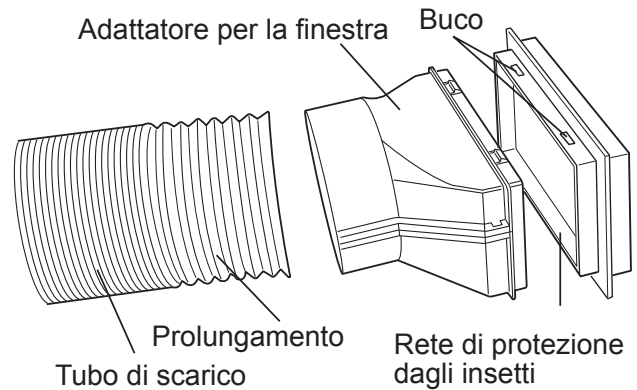


# INSTALLAZIONE E RIMOZIONE DEL TUBO DI SCARICO

## Installazione del tubo di scarico

### 1 Mettete la rete di protezione dagli insetti nell'adattatore per la finestra.

Spingete con decisione la rete di protezione dagli insetti per assicurarvi che le quattro sporgenze sull'adattatore per la finestra entrino nei quattro buchi su di esso.



### 2 Attaccate l'adattatore per la finestra al tubo di scarico.

Allungate un capo del tubo di scarico e inseritelo nell'adattatore per la finestra, e giratelo (tre volte circa) finché non si ferma.

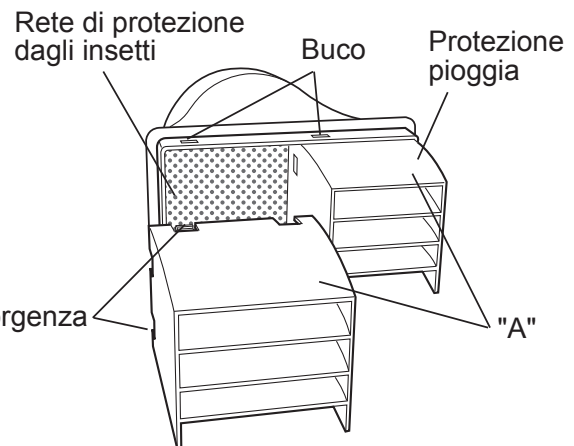
Assicuratevi che siano ben saldi.

### 3 Attaccate le protezioni per la pioggia alla rete di protezione dagli insetti.

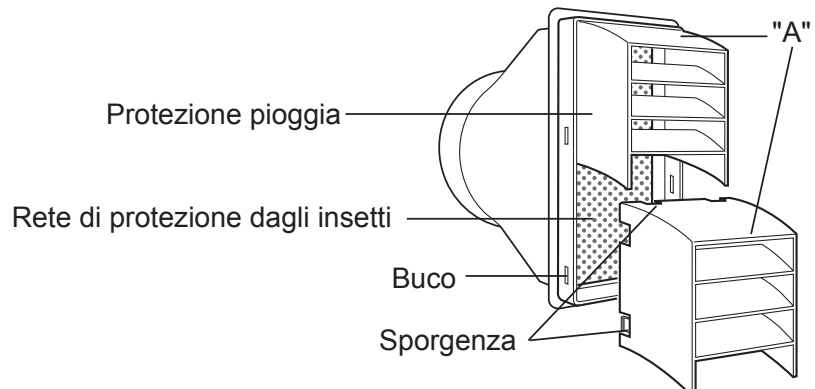
Interite tutte e tre le sporgenze su ogni protezione dalla pioggia nei buchi della rete di protezione dagli insetti.

Il lato "A" sarà ora in alto, come indicato nel diagramma.

#### Posizionato orizzontalmente

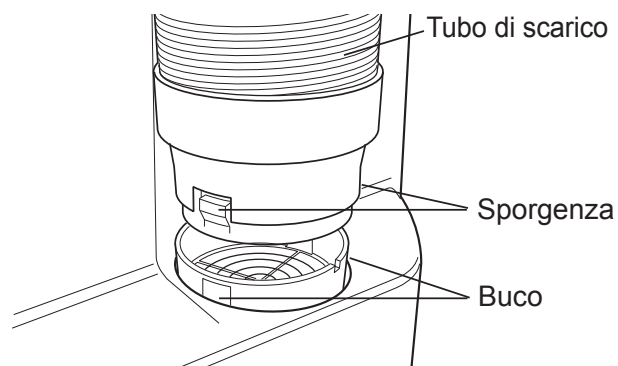


#### Posizionato verticalmente



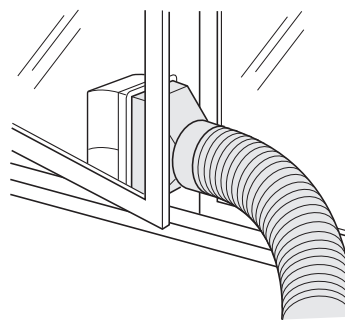
#### 4 Attaccate il tubo di scarico all'unità.

Inserite le due sporgenze nei due buchi dell'unità, e attaccatele saldamente tra di loro, finché non sentirete un "click".



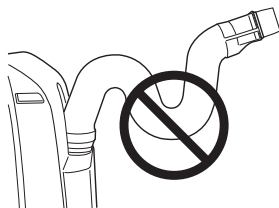
ITALIANO

#### 5 Portate il tubo di scarico all'esterno.

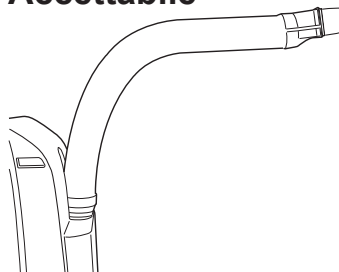


Il tubo di scarico dovrebbe essere il più corto possibile per funzionare al meglio; non deve però essere attorcigliato o piegato.

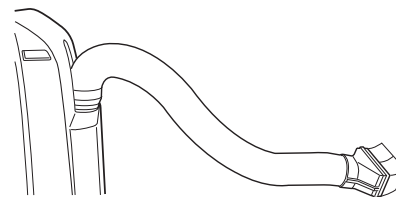
Non accettabile



Accettabile



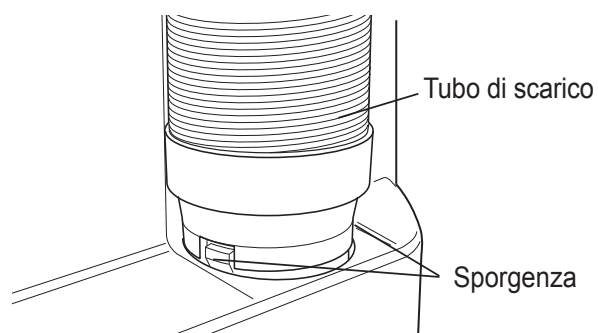
Accettabile



#### Rimozione del tubo di scarico

**Rimuovete il tubo di scarico dall'unità.**

Solevate e rimuovete il tubo di scarico dall'unità spingendo sulle due sporgenze.



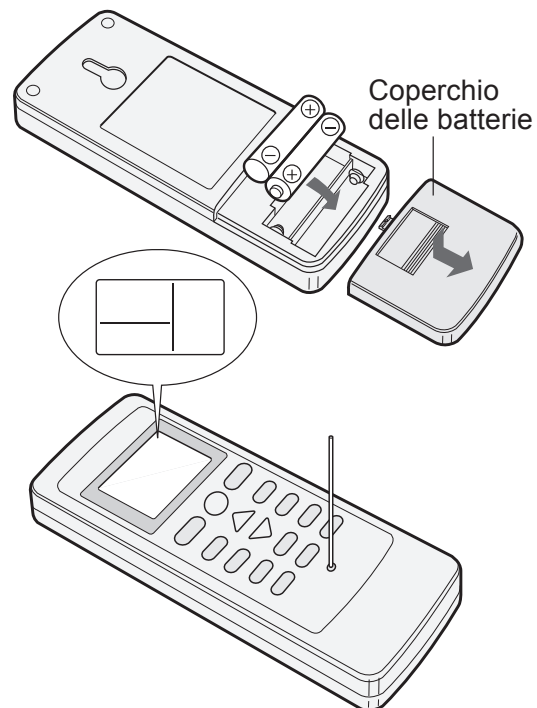
# USO DEL TELECOMANDO

## INSERIMENTO DELLE BATTERIE

- 1** Togliete il coperchio delle batterie.
- 2** Inserite due batterie. (AAA(R03))
  - Assicuratevi che le polarità (+) e (-) siano disposte correttamente.
  - Appariranno delle linee sul display quando le batterie sono inserite correttamente.
- 3** Togliete il coperchio delle batterie.
- 4** Premere il tasto RESET utilizzando un bastoncino sottile.

### NOTE:

- In condizioni di uso normali, le batterie durano circa un anno.
- Quando sostituite le batterie, cambiatele sempre entrambe e usatene dello stesso tipo.
- Se non intendete usare l'unità per un lungo periodo di tempo, togliete le batterie dal telecomando.



## COME USARE IL TELECOMANDO

Puntate il telecomando verso la finestra di ricezione del segnale dell'unità e premete il tasto desiderato. L'unità emette un segnale acustico quando riceve il segnale.

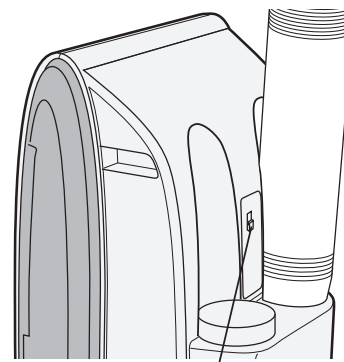
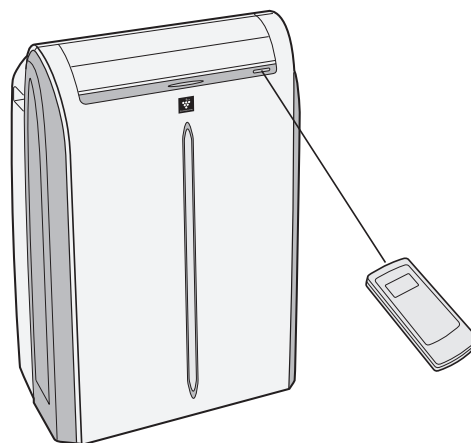
- Assicuratevi che niente, come per esempio una tenda, blocchi la finestra di ricezione del segnale.
- La distanza effettiva del segnale è di 7 metri.

### PRECAUZIONI

- Non esponete la finestra di ricezione alla luce diretta del sole. Questo potrebbe danneggiare irrimediabilmente il suo funzionamento.
- L'uso di lampade fluorescenti nella stessa stanza potrebbe interferire con la trasmissione del segnale.
- Non lasciate il telecomando alla luce diretta del sole o vicino ad un termosifone. Proteggete il telecomando dall'umidità e da colpi.

**Per evitare che il telecomando venga messo in un luogo inappropriato, agganciatelo all'unità quando non lo usate.**

Se attaccato, staccate il telecomando dall'unità sollevandolo leggermente e tirandolo.



Gancio del telecomando



## INFORMAZIONI SUL FUNZIONAMENTO

- **Il compressore impiega 3 minuti prima di riiniziare a raffreddare.**  
Se spegnete l'unità e la riavviate immediatamente, aspettate 3 minuti perché il compressore riprenda a raffreddare. C'è un dispositivo elettronico che mantiene il compressore spento per 3 minuti per questioni di sicurezza.
- **Se si verifica un guasto all'alimentazione.**  
Se si verifica un guasto all'alimentazione, il condizionatore d'aria è dotato di una funzione di memoria che memorizza le impostazioni.  
Dopo il ripristino dell'alimentazione, l'unità riprenderà il funzionamento con le stesse impostazioni di prima, fatta eccezione delle impostazioni del timer.  
Se si verifica un guasto all'alimentazione mentre il timer è impostato, le impostazioni del timer verranno cancellate e non saranno ripristinate, neanche dopo la ripresa dell'alimentazione.
- **Funzione a bassa temperatura: l'unità si sta congelando?**  
Il congelamento può verificarsi quando l'unità è impostata vicino ai 18°C in condizioni di basse temperature, specialmente di notte.  
In queste condizioni, un ulteriore abbassamento della temperatura potrebbe far congelare l'unità.  
Impostare l'unità ad una temperatura più alta ne preverrà il congelamento.
- **La modalità deumidificazione fa aumentare la temperatura della stanza.**  
L'unità genera calore durante la modalità deumidificazione e la temperatura della stanza aumenta. L'aria calda verrà espulsa dall'uscita d'aria, ma questo è normale e non è indice di malfunzionamento dell'unità.
- **Quest'unità espelle l'aria calda generata nella stanza tramite il tubo di scarico durante la modalità raffreddamento.**  
Di conseguenza, la stessa quantità d'aria espulsa entrerà nella stanza dall'esterno attraverso una qualunque apertura della stanza.
- **Quando la funzione raffreddamento viene effettuata in condizioni di alta umidità, il serbatoio dell'acqua all'interno dell'unità potrebbe riempirsi spesso.**  
Quando il serbatoio dell'acqua all'interno dell'unità è pieno, l'unità smette di funzionare e le spie TIMER (arancione), AIR CON (verde) e MAXIMUM (rossa) lampeggeranno. In questo caso, fate un drenaggio per far uscire l'acqua dall'unità.

## CONDIZIONI DI FUNZIONAMENTO

- **L'unità deve essere fatta funzionare entro i seguenti limiti di temperatura.**

Modalità	Temperatura della stanza
RAFFREDDAMENTO	18°C - 40°C
DEUMIDIFICAZIONE	15°C - 40°C

- Un dispositivo di sicurezza installato potrebbe interrompere il funzionamento se la temperatura va oltre questi limiti.
- Quando la funzione raffreddamento viene effettuata in una stanza con un'alta temperatura, la ventola potrebbe funzionare ad una velocità ridotta.

## CLASSE DI EFFICIENZA ENERGETICA

- **Evitate la luce diretta del sole.**  
Chiudete tendine, tende o scuri per evitare la luce diretta del sole, se in modalità raffreddamento.
- **Tenete puliti i filtri.**  
Tenere puliti i filtri contribuisce ad un funzionamento efficiente. Un filtro sporco blocca il flusso dell'aria, facendo funzionare l'unità peggio e in maniera meno efficiente.

# UTILIZZO DEL CONDIZIONATORE D'ARIA

Utilizzatelo quando l'unità funziona in modalità raffreddamento, deumidificazione o ventilazione. Durante la funzione, vengono rilasciati nella stanza ioni plasmacluster.

- Il tubo di scarico deve essere installato in queste modalità.
- Assicuratevi che il rubinetto di arresto sia saldamente attaccato al tubo di drenaggio.

## MODALITA' RAFFREDDAMENTO

### 1 Premete il tasto MODE per selezionare la modalità RAFFREDDAMENTO.



### 2 Premete il tasto A/C per far iniziare una funzione.

- La spia verde AIR CON si accenderà.

#### PER SPEGNERE

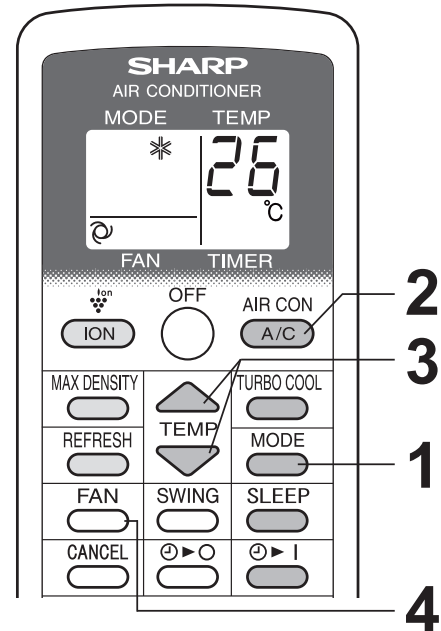
#### Premere il tasto OFF.

- La spia verde AIR CON si spegnerà.

### 3 Premete il tasto TEMP per impostare la temperatura.

- Intervallo di impostazione della temperatura: 18°-32°C.

### 4 Premete il tasto FAN per impostare la velocità della ventola desiderata.



## MODALITA' DEUMIDIFICAZIONE

### 1 Premete il tasto MODE per selezionare la modalità DEUMIDIFICAZIONE.



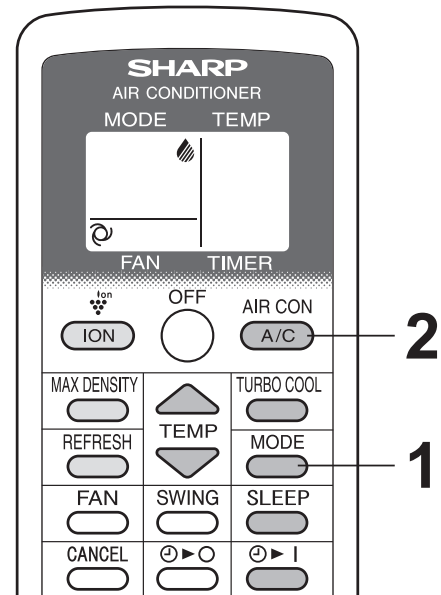
### 2 Premete il tasto A/C per far iniziare la funzione.

- La spia verde AIR CON si accenderà.
- La temperatura non può essere impostata.
- La velocità del ventilatore è preimpostata su AUTO e non può essere cambiata.

#### PER SPEGNERE

#### Premere il tasto OFF.

- La spia verde AIR CON si spegnerà.



#### NOTE:

- Anche se potete far funzionare l'unità in modalità deumidificazione senza il tubo di scarico, l'unità genera calore durante il funzionamento e la temperatura della stanza si alzerà.
- E' anche possibile far funzionare l'unità in modalità deumidificazione con il tubo (non incluso) attaccato. Togliete il rubinetto di arresto e attaccate il tubo a quello di drenaggio e portatelo verso terra in modo da permettere all'acqua di drenare dall'unità.

## MODALITA' VENTOLA

L'unità fa semplicemente circolare l'aria.

### 1 Premete il tasto MODE per selezionare la modalità di funzionamento VENTOLA.

RAFFREDDAMENTO DEUMIDIFICAZIONE VENTOLA VENTILAZIONE



### 2 Premete il tasto A/C per far iniziare una funzione.

- La spia verde AIR CON si accenderà.
- La temperatura non può essere impostata.

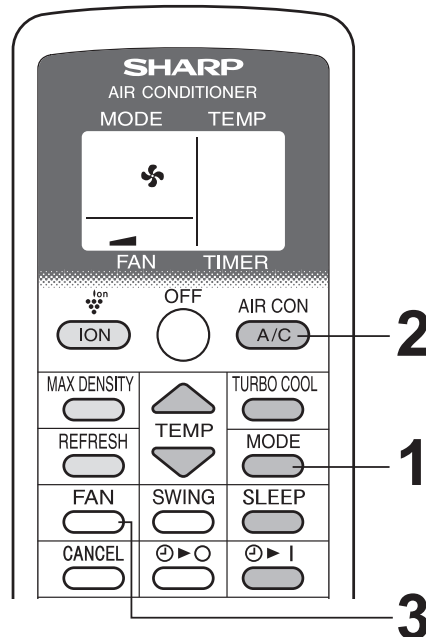
#### PER SPEGNERE

Premere il tasto OFF.

- La spia verde AIR CON si spegnerà.

### 3 Premete il tasto FAN per impostare la velocità della ventola desiderata.

MODERATO BASSO ALTO



ITALIANO

## MODALITA' VENTILAZIONE

L'unità ventila l'aria verso l'esterno.

### 1 Premete il tasto MODE per selezionare la modalità VENTILAZIONE.

RAFFREDDAMENTO DEUMIDIFICAZIONE VENTOLA VENTILAZIONE



### 2 Premete il tasto A/C per far iniziare una funzione.

- La spia verde AIR CON si accenderà.
- La temperatura non può essere impostata.

#### PER SPEGNERE

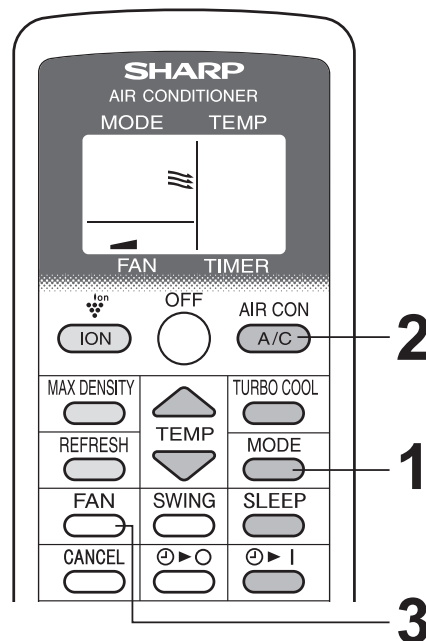
Premere il tasto OFF.

- La spia verde AIR CON si spegnerà.

### 3 Premete il tasto FAN per impostare la velocità della ventola desiderata.

- Anche se i deflettori sono chiusi e non entra aria nella stanza, la velocità della ventola esterna cambia.

MODERATO BASSO ALTO



# UTILIZZO DEL CONDIZIONATORE D'ARIA

## PER CAMBIARE LA DIREZIONE DEL FLUSSO D'ARIA

### DIREZIONE DEL FLUSSO D'ARIA SU/GIU'

**1** Premere il tasto **SWING**.

- Il deflettore orizzontale girerà.

**2** Premere ancora il tasto **SWING** per fermare il deflettore nella posizione desiderata.

#### ATTENZIONE:

Non provate mai a regolare manualmente i deflettori.

- Una regolazione manuale del deflettore orizzontale potrebbe far funzionare male l'unità quando il telecomando viene usato per la regolazione.
- Quando il deflettore di regolazione verticale è posizionato nella parte bassa nella modalità RAFFREDDAMENTO o DEUMIDIFICAZIONE per un lungo periodo di tempo, si potrebbe formare della condensa.


#### NOTE:

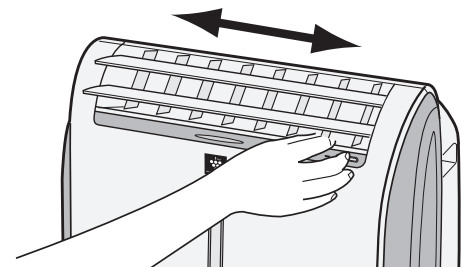
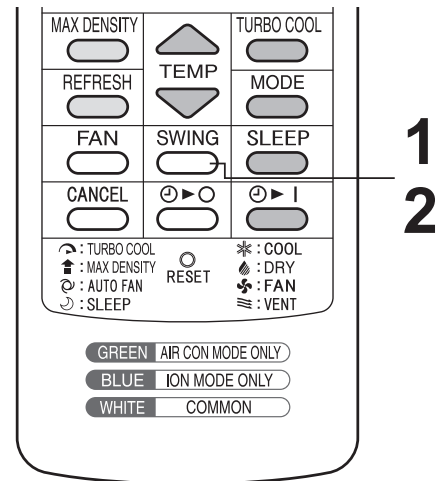
- Durante la modalità VENTILAZIONE, la direzione del flusso d'aria SU/GIU' non può essere cambiata.

### DIREZIONE DEL FLUSSO D'ARIA SINISTRA/DESTRA

Tenete il deflettore verticale come mostrato nel diagramma e regolate la direzione del flusso d'aria.

#### ATTENZIONE:


- Non regolate il deflettore di regolazione automatica all'estrema sinistra o all'estrema destra nella modalità RAFFREDDAMENTO con la velocità della ventola impostata su "MODERATO (  )" per un periodo di tempo prolungato. Si potrebbe formare della condensa sui deflettori.



## FUNZIONAMENTO RAFFREDDAMENTO TURBO

La ventola dell'unità funziona ad una velocità molto alta con un'impostazione della temperatura di 15°C.

### 1 Premete il tasto RAFFREDDAMENTO TURBO durante la modalità raffreddamento.

- Sul telecomando apparirà “”.
- Dal display scomparirà l'indicazione della temperatura.
- La spia rossa MAXIMUM si accenderà.

#### PER ANNULLARE

### Premere nuovamente il tasto RAFFREDDAMENTO TURBO.

- La spia rossa MAXIMUM si spegnerà.


#### NOTE:

- Non si possono impostare la temperatura o la velocità della ventola durante la funzione RAFFREDDAMENTO TURBO.
- La ventola torna alla velocità ALTA dopo che l'unità ha funzionato per 30 minuti in modalità RAFFREDDAMENTO TURBO.
- La velocità molto alta della ventola potrebbe automaticamente diminuire per proteggere l'unità.
- La funzione RAFFREDDAMENTO TURBO e SLEEP non possono essere utilizzate insieme.

## FUNZIONE SLEEP

Quando è impostata la funzione SLEEP, l'impostazione della temperatura si adatta automaticamente per evitare che la stanza diventi troppo fredda.

### 1 Premete il tasto RAFFREDDAMENTO durante la modalità raffreddamento.

- Sul telecomando apparirà “”.
- La spia arancione del TIMER si illuminerà.
- L'unità smetterà di funzionare dopo 8 ore.
- La velocità del ventilatore è impostata su AUTO.

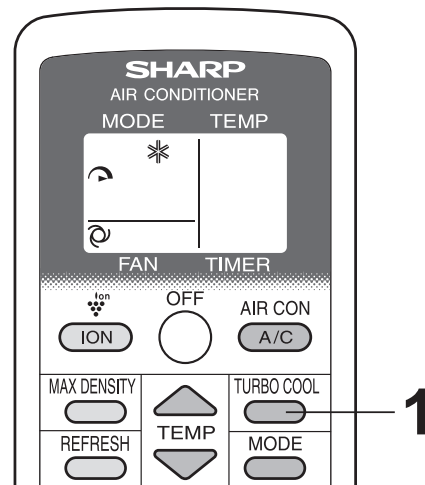
#### PER ANNULLARE

### Premere il tasto SLEEP.

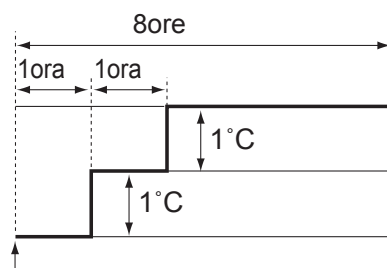
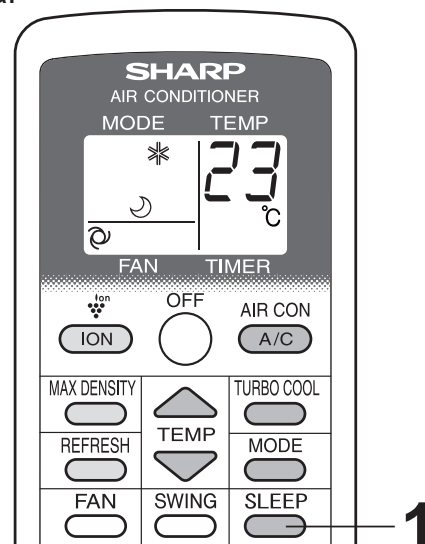
- La spia arancione del TIMER si spegnerà.

#### NOTE:

- Un'ora dopo l'inizio della funzione SLEEP, l'impostazione della temperatura aumenta di 1°C e dopo un'altra ora aumenta di un altro 1°C. La temperatura sul display del telecomando non cambierà rispetto all'impostazione originale.
- La funzione SLEEP e RAFFREDDAMENTO TURBO non possono essere utilizzate insieme.
- Le funzioni TIMER OFF, TIMER ON e SLEEP non possono essere impostate insieme. Verrà utilizzata solamente l'impostazione più recente.



ITALIANO



Inizia la funzione SLEEP

L'unità si spegne

# UTILIZZO DEL CONDIZIONATORE D'ARIA

## FUNZIONAMENTO DEL TIMER

### TIMER ATTIVATO

**1** Premere il tasto **TIMER ATTIVATO** ed impostare l'ora desiderata.

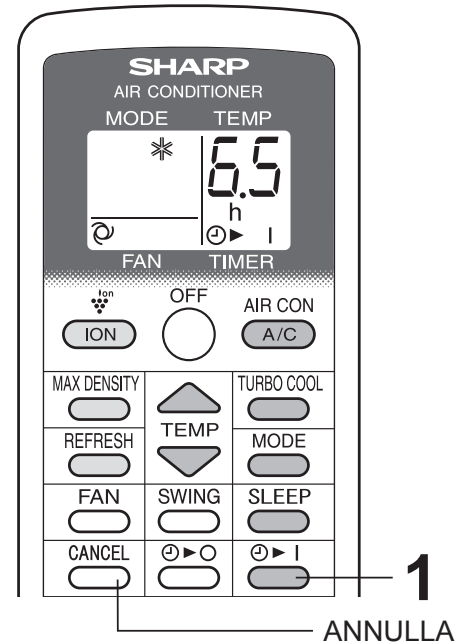


- La spia arancione del TIMER si illuminerà.
- L'impostazione dell'ora scorrerà per indicare il tempo rimanente.

### PER ANNULLARE

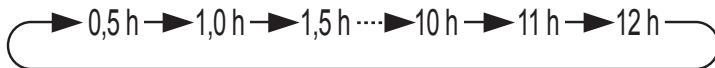
**Premere il tasto CANCEL.**

- La spia arancione del TIMER si spegnerà.



### TIMER DISATTIVATO

**1** Premere il tasto **TIMER DISATTIVATO** ed impostare l'ora desiderata.

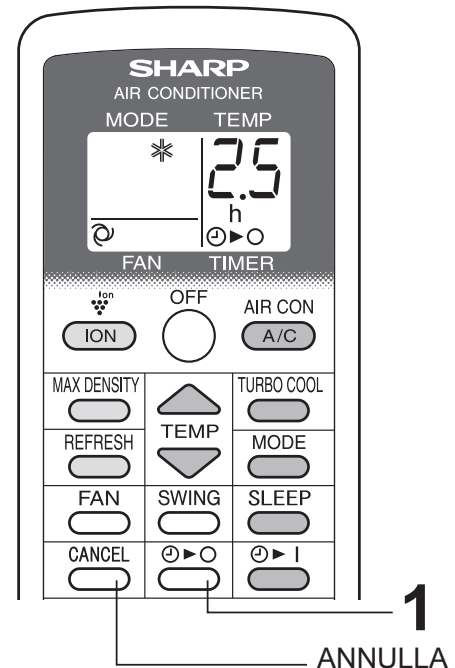


- La spia arancione del TIMER si illuminerà.
- L'impostazione dell'ora scorrerà per indicare il tempo rimanente.

### PER ANNULLARE

**Premere il tasto CANCEL.**

- La spia arancione del TIMER si spegnerà.



### NOTE:

- La durata del timer può essere impostata da un minimo di mezz'ora e un massimo di 12 ore. Fino a 9,5 ore, si può impostare ad incrementi di mezz'ora e da 10 a 12 ore, in incrementi di un'ora.
- TIMER OFF e ON non possono essere impostati insieme.
- Se si verifica un guasto all'alimentazione mentre TIMER OFF o TIMER ON sono impostati, le impostazioni del timer verranno cancellate e non saranno ripristinate, neanche dopo la ripresa dell'alimentazione.
- Quando la temperatura è impostata durante l'impostazione del timer, sul display verrà visualizzata la temperatura per 5 secondi prima di tornare alla visualizzazione dell'ora.

## UTILIZZO PER GENERATORE DI IONI

Utilizzo quando l'unità funziona con il GENERATORE DI IONI indipendentemente. Non c'è bisogno di installare un tubo di scarico. L'aria calda non uscirà dal tubo di scarico durante la modalità GENERATORE DI IONI.

### MODALITA' GENERATORE DI IONI

#### 1 Premete il tasto ION per far iniziare una funzione.

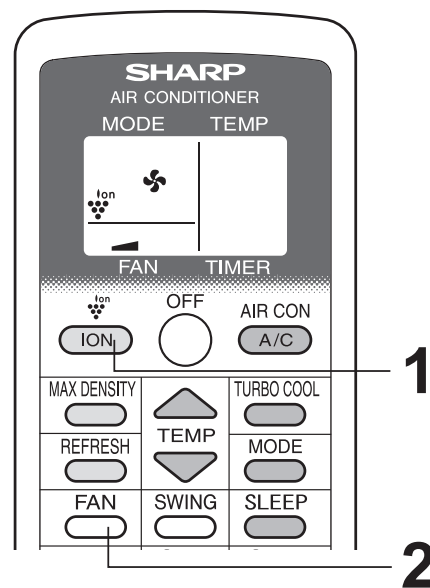
- La spia blu ION GENERATOR si accenderà.

#### PER SPEGNERE

##### Premere il tasto OFF.

- La spia blu ION GENERATOR si spegnerà.

#### 2 Premete il tasto FAN per impostare la velocità della ventola desiderata.



ITALIANO

### Note per la MODALITA' GENERATORE DI IONI

Il generatore di ioni dentro l'unità rilascia ioni Plasmacluster nella stanza. Gli ioni Plasmacluster riducono la muffa presente nell'aria.

Plasmacluster è una tecnologia originale SHARP.  
Per ulteriori informazioni, contattate il nostro ufficio stampa:  
<http://www.sharp-pci.com/>  
Il sito è soggetto a variazioni senza preavviso.

## UTILIZZO PER GENERATORE DI IONI

### PER CAMBIARE LA DIREZIONE DEL FLUSSO D'ARIA

#### DIREZIONE DEL FLUSSO D'ARIA SU/GIU'

##### 1 Premere il tasto SWING.

- Il deflettore orizzontale girerà.

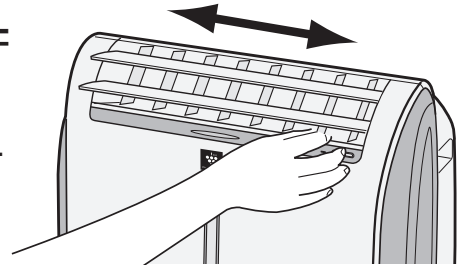
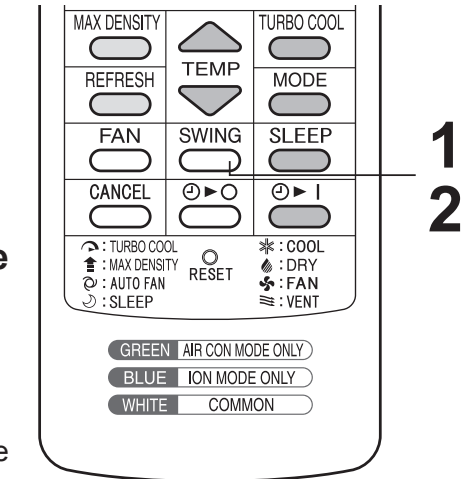
##### 2 Premere ancora il tasto SWING per fermare il deflettore nella posizione desiderata.

#### ATTENZIONE:

- Non provate mai a regolare manualmente i deflettori.
- Una regolazione manuale del deflettore orizzontale potrebbe far funzionare male l'unità quando il telecomando viene usato per la regolazione.

#### DIREZIONE DEL FLUSSO D'ARIA SINISTRA/DESTRA

Tenete il deflettore verticale come mostrato nel diagramma e regolate la direzione del flusso d'aria.



### OPERAZIONE MAX DENSITY

L'unità rilascia ioni Plasmacluster a massima densità. Scaricando continuamente un flusso d'aria "extra forte" per 30 minuti, l'unità scarica ioni nella stanza con maggiore efficacia.

##### 1 Premete il tasto DENSITA' MAX durante la funzione generatore di ioni.

- Sul telecomando apparirà "↑".
- La spia rossa MAXIMUM si accenderà.

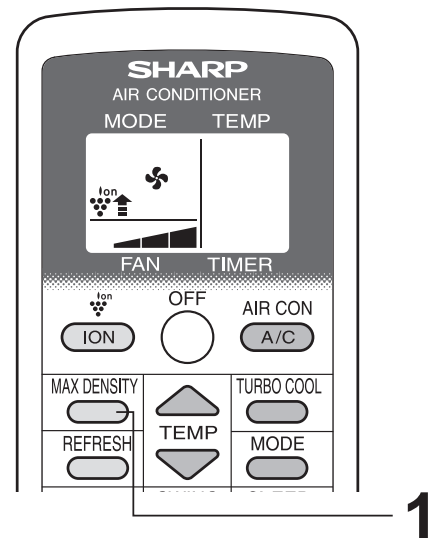
#### PER ANNULLARE

##### Premere nuovamente il tasto DENSITA' MAX.

- La spia rossa MAXIMUM si spegnerà.

#### NOTE:

- Non si può impostare la velocità della ventola durante la funzione DENSITA' MAX.
- La funzione DENSITA' MAX verrà automaticamente cancellata dopo 30 minuti, e l'unità tornerà all'impostazione originale.
- La funzione DENSITA' MAX e REFRESH non possono essere utilizzate insieme.






## FUNZIONAMENTO DEL REFRESH

La funzione REFRESH ridurrà gli odori degli abiti con ioni Plasmacluster. Si raccomanda di utilizzare questa funzione di fronte a guardaroba, armadi, la lavanderia e abiti appesi.

### 1 Premete il tasto REFRESH durante la funzione generatore di ioni.

- La spia arancione del TIMER si illuminerà.
- Sul telecomando apparirà “”.
- Il deflettore orizzontale girerà.
- L'unità smetterà di funzionare dopo 5 ore.

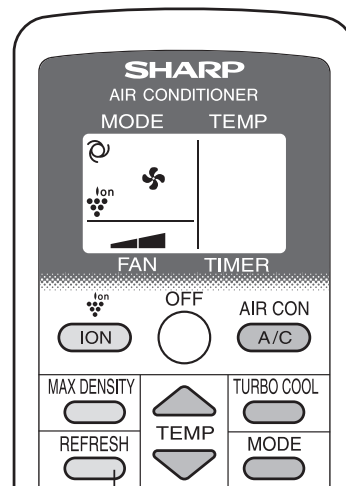
### PER ANNULLARE

#### Premere nuovamente il tasto REFRESH.

- La spia arancione del TIMER si spegnerà.

#### NOTE:

- Regolate i deflettori in modo che l'aria dall'unità venga emessa verso i vestiti.
- La funzione REFRESH e DENSITA' MAX non possono essere utilizzate insieme.
- La funzione REFRESH e TIMER OFF non possono essere impostate insieme.
- Con questa funzione, gli ioni Plasmacluster riducono l'odore di tabacco e fumo, ma possono non essere efficaci con tutti i tipi di odori.
- A seconda del volume dell'odore, la distanza tra l'unità e i vestiti e la durata della funzione, l'unità potrebbe non ridurre a sufficienza gli odori.



1

## OPERAZIONE TIMER OFF

### 1 Premere il tasto TIMER DISATTIVATO ed impostare l'ora desiderata.



- La spia arancione del TIMER si illuminerà.
- L'impostazione dell'ora scorrerà per indicare il tempo rimanente.

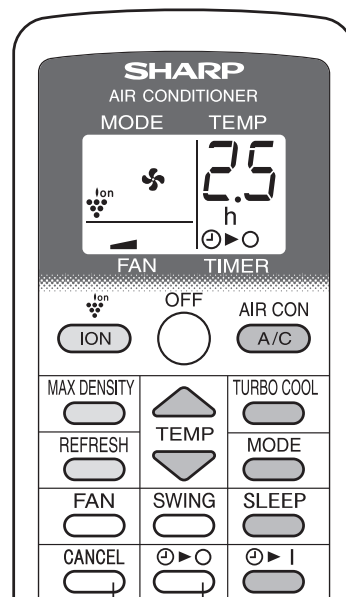
### PER ANNULLARE

#### Premere il tasto CANCEL.

- La spia arancione del TIMER si spegnerà.

#### NOTE:

- La durata del timer può essere impostata da un minimo di mezz'ora e un massimo di 12 ore. Fino a 9,5 ore, si può impostare ad incrementi di mezz'ora e da 10 a 12 ore, in incrementi di un'ora.
- In modalità GENERATORE DI IONI, non si può impostare il TIMER ON.
- Se si verifica un guasto all'alimentazione mentre TIMER OFF è impostato, le impostazioni del timer verranno cancellate e non saranno ripristinate, neanche dopo la ripresa dell'alimentazione.



1

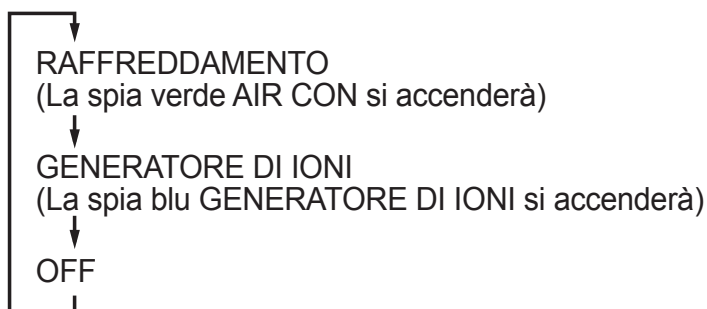
ANNULLA

## OPERAZIONE UNITA' PRINCIPALE

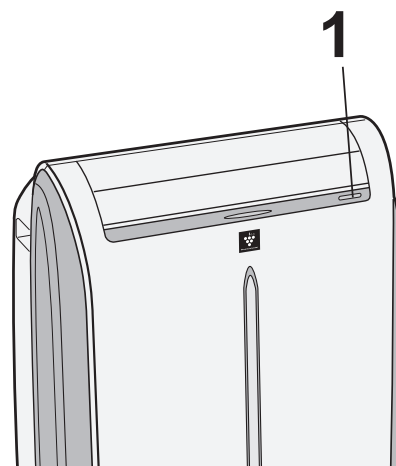
Usate questa modalità quando il telecomando non è disponibile.

### 1 Premete il tasto POWER per far iniziare una funzione.

- La modalità cambia se premete il tasto entro 5 secondi.



- In modalità raffreddamento, l'unità funzionerà secondo le ultime impostazioni di raffreddamento. Se l'unità è stata staccata dall'ultima volta che ha funzionato, funzionerà in modalità raffreddamento, a 20°C. La velocità della ventola è impostata su AUTO.



### PER SPEGNERE

Premere il tasto POWER durante il funzionamento.

## DRENAGGIO

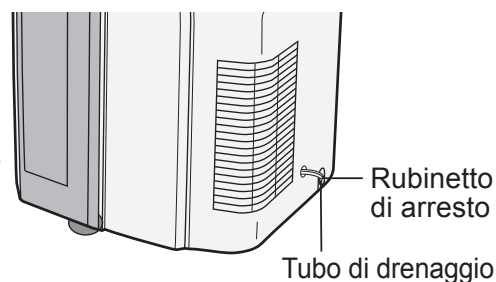
Drenate fuori l'acqua presente nell'unità nei seguenti casi.

- Quando l'unità smette di funzionare e la spia arancione TIMER, la spia verde AIR CON e la spia rossa MAXIMUM lampeggiano, il serbatoio dell'acqua è pieno e deve essere svuotato.
- Quando l'unità non viene usata per lungo tempo.

**1** Staccate la spina e muovete attentamente l'unità verso uno scarico o all'esterno per evitare che l'acqua si riversi all'interno della stanza.

**2** Togliete il rubinetto di arresto dal tubo di scarico e drenate l'acqua all'interno dell'unità.

**3** Attaccate saldamente il rubinetto di arresto al tubo di drenaggio.



## MANUTENZIONE

Assicuratevi di staccare la spina dal muro prima di lavare l'unità.

### **PULIZIA DEI FILTRI**

Se i filtri sono ostruiti da polvere, il flusso dell'aria si riduce, provocando uno scarso raffreddamento. I filtri dovrebbero essere puliti ogni due settimane.

#### **FILTRI DELL'ARIA**

##### **1 RIMUOVETE I FILTRI**

- Tirate i filtri verso destra.

##### **2 PULITE I FILTRI**

- Utilizzate un aspirapolvere per togliere la polvere. Se i filtri sono molto sporchi, lavateli con del detergente e sciacquateli con acqua pulita. Asciugate i filtri prima di reinstallarli. Non esponeteli alla luce diretta del sole.

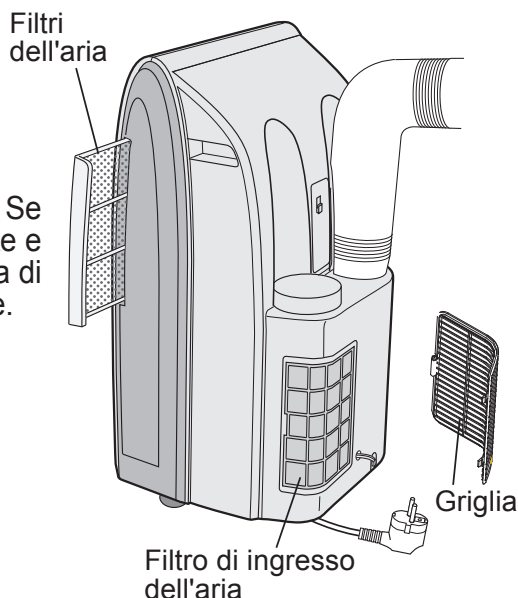
##### **3 REINSTALLATE I FILTRI**

#### **FILTRO DI INGRESSO DELL'ARIA**

Togliete la griglia e pulite il filtro di ingresso dell'aria con un aspirapolvere.

#### **ATTENZIONE:**

Non fate mai funzionare l'unità senza filtri. Questo potrebbe causare seri danni all'unità.



ITALIANO

### **PULIZIA DELL'UNITA' E DEL TELECOMANDO**

Passateli con un panno morbido e asciutto o con un panno imbevuto di sapone neutro. Togliete accuratamente ogni residuo passando con un panno umido e asciugatelo completamente.

Evitate di far cadere dell'acqua nell'unità. L'acqua può pericolosamente danneggiare l'isolamento elettrico.

Non utilizzate mai pulitori chimici aggressivi e aggressivi su alcuna parte dell'unità. Per evitare di danneggiare l'unità, non utilizzate acqua calda (50°C o più) quando la pulite.

### **QUANDO L'UNITA' NON VIENE USATA PER UN LUNGO PERIODO**

- 1** Fate drenare fuori l'acqua presente nell'unità e attaccate saldamente il rubinetto di arresto al tubo di drenaggio.
- 2** Fate funzionare l'unità in modalità FAN o VENTILAZIONE per circa metà giornata per farne asciugare bene l'interno.
- 3** Pulite i filtri e poi reinstallateli.
- 4** Staccate la spina dal muro.

## PRIMA DI RICHIEDERE ASSISTENZA

Se l'unità non funziona correttamente, controllate i seguenti punti prima di chiedere assistenza.

### L'UNITA' NON FUNZIONA PER NIENTE

- La presa è ben inserita?
- E' saltato un fusibile o l'interruttore è bloccato?
- La spia verde AIR CON, quella arancione TIMER e quella rossa MAXIMUM stanno lampeggiando?  
Il serbatoio interno dell'acqua è pieno. deve essere drenato. (Vedi pag. 18)

### L'UNITA' NON RAFFREDDA BENE

- E' impostata su FAN, DEUMIDIFICAZIONE, VENTILAZIONE, GENERATORE DI IONI?  
Il raffreddamento non funziona con queste modalità. Cambiate l'impostazione della MODALITA'.
- Il filtro è ostruito da polvere?  
Pulite i filtri.
- La spirale del raffreddamento è ghiacciata?  
Non viene emessa aria se la spirale del raffreddamento è ghiacciata.  
Fate funzionare l'unità in modalità FAN con la velocità della ventola impostata su "ALTO" finché non si scioglie il ghiaccio.
- La temperatura è impostata correttamente?
- La finestra è esposta alla luce diretta del sole?  
Chiudete le tende o gli scuri per evitare che l'energia solare scaldi la stanza.
- Il tubo di scarico è troppo lungo?  
Per un funzionamento efficace, fate i tubi il più corti possibile. Il tubo di scarico non deve essere attorcigliato o piegato.

### RUMORI

- L'unità potrebbe sembrare abbastanza rumorosa per i primi 2 o 3 minuti quando viene accesa. E' il rumore del compressore che si avvia, ed è perfettamente normale.
- Si sente un rumore debole e sibilante immediatamente dopo l'accensione o lo spegnimento, e anche durante il funzionamento. E' il rumore del refrigerante che scorre all'interno dell'unità.
- Un rumore basso e ronzante viene emesso quando l'unità sta generando ioni Plasmacluster.
- Quest'unità fa evaporare l'acqua che si condensa durante il funzionamento di raffreddamento attraverso l'uscita d'aria di scarico. Anche se si sente un rumore di acqua che scorre, è normale.
- Si può sentire un gorgoglio quando l'unità viene fatta funzionare su un pavimento leggermente inclinato. Mettela su un pavimento piano.

### IL TIMER NON FUNZIONA BENE

- Se si verifica un guasto all'alimentazione mentre il TIMER è impostato, le impostazioni del TIMER verranno cancellate e non saranno ripristinate, neanche dopo la ripresa dell'alimentazione. E' normale per questo modello.

### SE L'UNITA' NON RICEVE IL SEGNALE DEL TELECOMANDO

- Controllate le batterie del telecomando. Sostituitele se necessario.
- Provate a inviare nuovamente il segnale puntando il telecomando correttamente verso la finestra di ricezione del segnale dell'unità.
- Controllate che le polarità delle batterie siano allineate correttamente.

### L'ARIA SCARICATA E' CATTIVA

- Il generatore di ioni Plasmacluster emette piccole tracce di ozono, che può produrre odore. Queste emissioni di ozono sono al di sotto dei livelli di sicurezza e si attengono al limite federale di emissioni di ozono.

ITALIANO



Attention : votre produit comporte ce symbole. Il signifie que les produits électriques et électroniques usagés ne doivent pas être mélangés avec les déchets ménagers généraux. Un système de collecte séparé est prévu pour ces produits.

## A. Informations sur la mise au rebut à l'intention des utilisateurs privés (ménages)

### 1. Au sein de l'Union européenne

Attention : si vous souhaitez mettre cet appareil au rebut, ne le jetez pas dans une poubelle ordinaire !

Les appareils électriques et électroniques usagés doivent être traités séparément et conformément aux lois en vigueur en matière de traitement, de récupération et de recyclage adéquats de ces appareils.

Suite à la mise en oeuvre de ces dispositions dans les Etats membres, les ménages résidant au sein de l'Union européenne peuvent désormais ramener gratuitement\* leurs appareils électriques et électroniques usagés sur des sites de collecte désignés.

Dans certains pays\*, votre détaillant reprendra également gratuitement votre ancien produit si vous achetez un produit neuf similaire.

\*) Veuillez contacter votre administration locale pour plus de renseignements.

Si votre appareil électrique ou électronique usagé comporte des piles ou des accumulateurs, veuillez les mettre séparément et préalablement au rebut conformément à la législation locale en vigueur.

En veillant à la mise au rebut correcte de ce produit, vous contribuerez à assurer le traitement, la récupération et le recyclage nécessaires de ces déchets, et préviendrez ainsi les effets néfastes potentiels de leur mauvaise gestion sur l'environnement et la santé humaine.

### 2. Pays hors de l'Union européenne

Si vous souhaitez mettre ce produit au rebut, veuillez contacter votre administration locale qui vous renseignera sur la méthode d'élimination correcte de cet appareil.

Suisse : les équipements électriques ou électroniques usagés peuvent être ramenés gratuitement au détaillant, même si vous n'achetez pas un nouvel appareil. Pour obtenir la liste des autres sites de collecte, veuillez vous reporter à la page d'accueil du site [www.swico.ch](http://www.swico.ch) ou [www.sens.ch](http://www.sens.ch).

## B. Informations sur la mise au rebut à l'intention des entreprises

### 1. Au sein de l'Union européenne

Si ce produit est utilisé dans le cadre des activités de votre entreprise et que vous souhaitez le mettre au rebut :

Veuillez contacter votre revendeur SHARP qui vous informera des conditions de reprise du produit. Les frais de reprise et de recyclage pourront vous être facturés. Les produits de petite taille (et en petites quantités) pourront être repris par vos organisations de collecte locales.

Espagne : veuillez contacter l'organisation de collecte existante ou votre administration locale pour les modalités de reprise de vos produits usagés.

### 2. Pays hors de l'Union européenne

Si vous souhaitez mettre ce produit au rebut, veuillez contacter votre administration locale qui vous renseignera sur la méthode d'élimination correcte de cet appareil.



Pb

Les piles/accus fournies avec ce produit peuvent contenir des traces de Plomb.

Au sein de l'Union Européenne: Le symbole de la poubelle sur roues barrée laisse supposer que les piles/accus usagées ne doivent pas être mélangées avec les déchets ménagers ! Il existe un mode de collecte séparé pour les piles/accus usagées, ce qui permet d'effectuer un traitement et un recyclage en accord avec la législation. Veuillez contacter une autorité locale pour plus de renseignements sur le système mis en place.

Pour la Suisse: Les piles/accus usagées doivent être retournées chez votre détaillant.

Pour les pays hors Union Européenne: Veuillez contacter une autorité locale afin de connaître la bonne méthode à utiliser pour la collecte de vos piles/accus usagées.

Contient des gaz à effet de serre fluorés relevant du protocole de Kyoto R410A (Potential de réchauffement planétaire 1975)

FR

Lisez attentivement ce manuel avant d'utiliser l'appareil. Ce mode d'emploi doit être conservé en lieu sûr et rester facile d'accès.

Visitez <http://sharp-world.com/> pour une version électronique de ce manuel d'utilisation.

## TABLE DES MATIERES

• CONSIGNES DE SECURITE .....	FR-2
• INCLUS .....	FR-3
• NOMENCLATURE .....	FR-4
• INSTALLATION ET RETRAIT DU TUYAU D'ECHAPPEMENT.....	FR-6
• UTILISATION DE LA TELECOMMANDE.....	FR-8
• AUTRES REMARQUES SUR LE FONCTIONNEMENT .....	FR-9

### UTILISATION EN MODE CLIMATISEUR

• MODE FRAIS.....	FR-10
• MODE SEC .....	FR-10
• MODE CIRCULATION .....	FR-11
• MODE VENTILATION .....	FR-11
• POUR CHANGER LA DIRECTION DU FLUX D'AIR .....	FR-12
• FONCTIONNEMENT TURBO COOL.....	FR-13
• FONCTIONNEMENT DE VEILLE .....	FR-13
• FONCTIONNEMENT DE LA MINUTERIE .....	FR-14

### UTILISATION EN MODE GENERATEUR D'ION

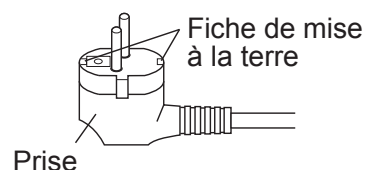
• MODE GENERATEUR D'ION .....	FR-15
• POUR CHANGER LA DIRECTION DU FLUX D'AIR .....	FR-16
• FONCTIONNEMENT EN MODE DE DENSITE MAX .....	FR-16
• FONCTIONNEMENT EN MODE RAFRAICHISSEMENT .....	FR-17
• FONCTIONNEMENT DE LA MINUTERIE D'ARET .....	FR-17
• FONCTIONNEMENT DE L'UNITE PRINCIPALE.....	FR-18
• VIDANGE .....	FR-18
• ENTRETIEN.....	FR-19
• AVANT D'APPELER LE SERVICE APRES-VENTE .....	FR-20

## CONSIGNES DE SECURITE

Cet appareil peut être utilisé par des enfants de plus de 8 ans et des personnes aux capacités physiques, sensorielles ou mentales réduites, ou dont l'expérience et les connaissances sont insuffisantes, si elles sont supervisées ou si elles reçoivent des instructions relatives à l'utilisation de l'appareil. Les enfants ne doivent pas jouer avec l'appareil. Le nettoyage et l'entretien de l'appareil ne doivent pas être effectués par des enfants sans supervision.

### **AVERTISSEMENTS**

- Ne modifiez ce produit en aucune manière, ceci pouvant provoquer une électrocution, une fuite d'eau, un incendie, etc...
- Veuillez ne pas tirer ou déformer le cordon d'alimentation. Le fait de tirer sur le cordon d'alimentation ou une mauvaise utilisation de ce dernier peut endommager l'appareil et provoquer une électrocution.
- Veillez à ne pas exposer directement votre corps à l'air évacué pendant une longue période. Ceci risquerait d'affecter votre état physique.
- Lors de l'utilisation du climatiseur pour des nourrissons, de jeunes enfants, des personnes âgées, des personnes alitées ou handicapées, assurez-vous que la température de la pièce est appropriée aux personnes se trouvant dans la pièce.
- N'insérez jamais d'objets dans l'appareil. L'insertion d'objets peut provoquer des blessures, de par la grande vitesse de rotation des ventilateurs internes.
- Si vous constatez une quelconque anomalie sur le climatiseur (par ex : une odeur de brûlé), arrêtez-le immédiatement et déconnectez le câble d'alimentation de la prise murale.
- Si le cordon d'alimentation est endommagé, il doit être remplacé par le fabricant, par un agent d'entretien agréé ou par une personne similairement qualifiée afin d'éviter tout danger. Utilisez uniquement le cordon d'alimentation de remplacement spécifié par le fabricant.
- Ne pas éclabousser ou verser de l'eau directement sur l'appareil. L'eau risquerait de provoquer une électrocution ou d'endommager l'appareil.
- Ce câble d'alimentation ne doit être branché que dans une prise murale appropriée. N'utilisez pas de multi-prises.
- Branchez fermement la fiche du câble d'alimentation dans la prise et assurez-vous qu'elle ne soit pas lâche.
- Cet appareil doit être mis à la terre. Cet appareil est équipé d'un câble doté d'un fil de terre et d'une fiche de terre. Le câble doit être branché dans une prise correctement installée et mise à la terre.
- L'appareil doit être installé en respectant la réglementation nationale de câblage.
- L'appareil doit être positionné de manière à garder la prise accessible.



### **AVERTISSEMENTS**

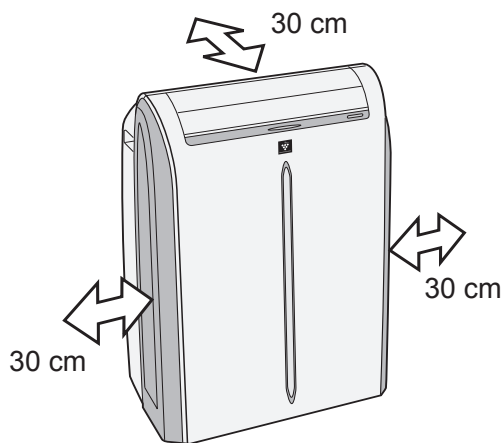
- Ouvrez périodiquement une fenêtre ou une porte pour aérer la pièce, en particulier en cas d'utilisation d'appareils à gaz. Une ventilation insuffisante risquerait de provoquer un manque d'oxygène.
- N'utilisez pas les touches avec des mains mouillées. Ceci risquerait de provoquer une électrocution.
- Par mesure de sécurité, coupez le disjoncteur lorsque l'appareil n'est pas utilisé pendant une période prolongée.
- Cet appareil est conçu pour une utilisation privée. Veuillez ne pas l'utiliser pour d'autres applications, comme par exemple dans un chenil ou une serre pour l'élevage d'animaux ou la culture de plantes.
- Ne placez pas une cuvette contenant de l'eau sur l'appareil. Si de l'eau pénétrait dans l'appareil, l'isolation électrique risquerait d'être détériorée, ceci pouvant provoquer une électrocution.
- Vidangez l'appareil avant de le déplacer. S'il restait de l'eau dans le réservoir, celle-ci risquerait de se déverser lorsque vous déplacez l'appareil.



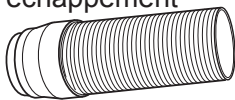
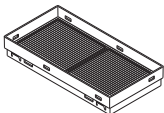

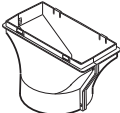



- Ne bloquez par la sortie d'air avec un obstacle quelconque. Les performances de refroidissement pourraient être réduites ou l'appareil pourrait arrêter complètement de fonctionner.
- Assurez-vous d'arrêter le fonctionnement et de couper le disjoncteur avant d'effectuer toute opération de maintenance ou de nettoyage. Un ventilateur tourne à l'intérieur de l'appareil et vous risqueriez de vous blesser.
- Placez l'appareil sur une surface plane afin d'éviter de renverser de l'eau dans la pièce.
- Assurez-vous de connecter le climatiseur à une alimentation de tension et de fréquence appropriées. L'utilisation d'une alimentation ayant une tension et une fréquence incorrectes peut endommager l'appareil et provoquer un incendie.
- N'installez pas l'appareil dans un endroit où des gaz inflammables peuvent être présents. Ceci pourrait causer un incendie.
- Installez l'appareil dans un endroit peu poussiéreux, sans fumées ni humidité dans l'air.
- Assurez-vous qu'un disjoncteur de fuite ou un disjoncteur de circuit soit installé, en fonction de l'emplacement d'installation, pour éviter une électrocution.
- Installez un disjoncteur de fuite de terre pour empêcher toute électrocution en cas de fuite. Choisissez un disjoncteur électrique à haute sensibilité et très rapide, ayant une sensibilité inférieure à 30 mA et une vitesse de réaction inférieure à 0,1 seconde.

### EMPLACEMENT

- L'appareil doit être placé sur une fondation solide pour minimiser le bruit et les vibrations. Pour assurer un emplacement sûr, placez l'appareil sur un sol plan, lisse et suffisamment solide pour supporter l'appareil. Ceci permet aussi d'éviter de déverser de l'eau dans la pièce.
- Cet appareil est doté de roulette pour assister son installation, mais il ne doit être déplacé que sur des surfaces planes et lisses. Faites attention lorsque vous faites rouler l'appareil sur une surface équipée de moquette. N'essayez pas de faire rouler l'appareil par dessus des objets.
- L'appareil doit être placé à proximité d'une prise mise à la terre et aux caractéristiques appropriées.
- Ne placez jamais d'obstacles autour de la sortie et de l'entrée d'air de l'appareil.
- Laissez au moins 30 cm d'espace entre l'appareil et le mur pour assurer un fonctionnement efficace.

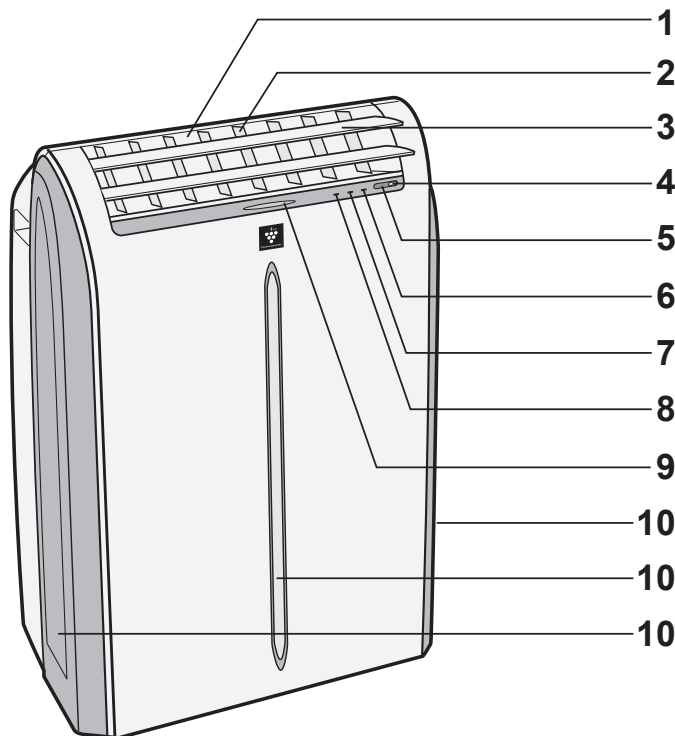


### INCLUS

 Tuyau d'échappement	1	 Filtre anti-insectes	1	 Manuel	1
 Adaptateur de fenêtre	1	 Télécommande	1		
 Capot anti-pluie	2	 Pile (R03)	2		

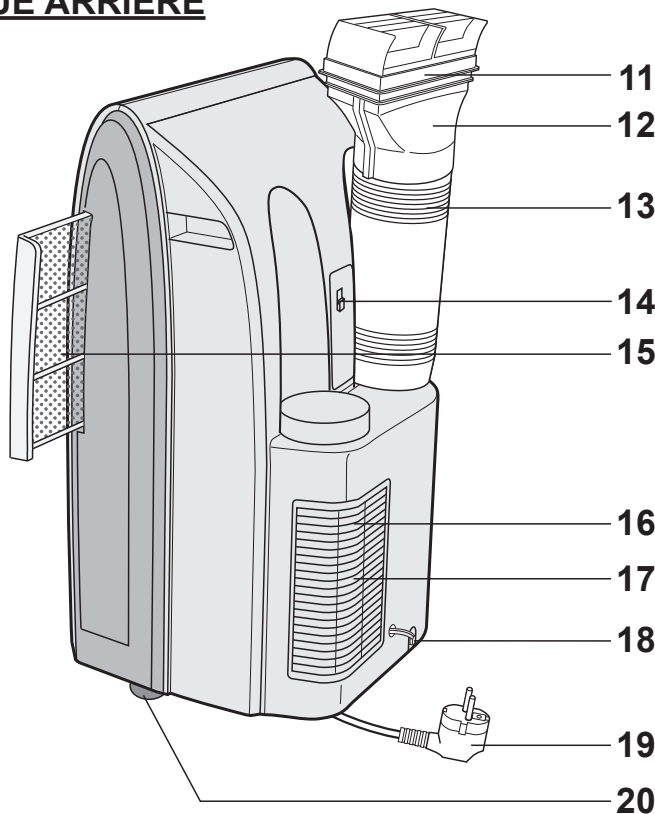
# NOMENCLATURE

## VUE AVANT



- 1 Sortie d'air
- 2 Volets verticaux
- 3 Volets horizontaux
- 4 Touche de MISE EN MARCHÉ
- 5 Récepteur de signal pour la télécommande
- 6 Voyant de CLIM (vert)
- 7 Voyant de MINUTERIE (orange)
- 8 Voyant de MAX (rouge)
- 9 Voyant du GENERATEUR D'ION (bleu)
- 10 Entrée d'air

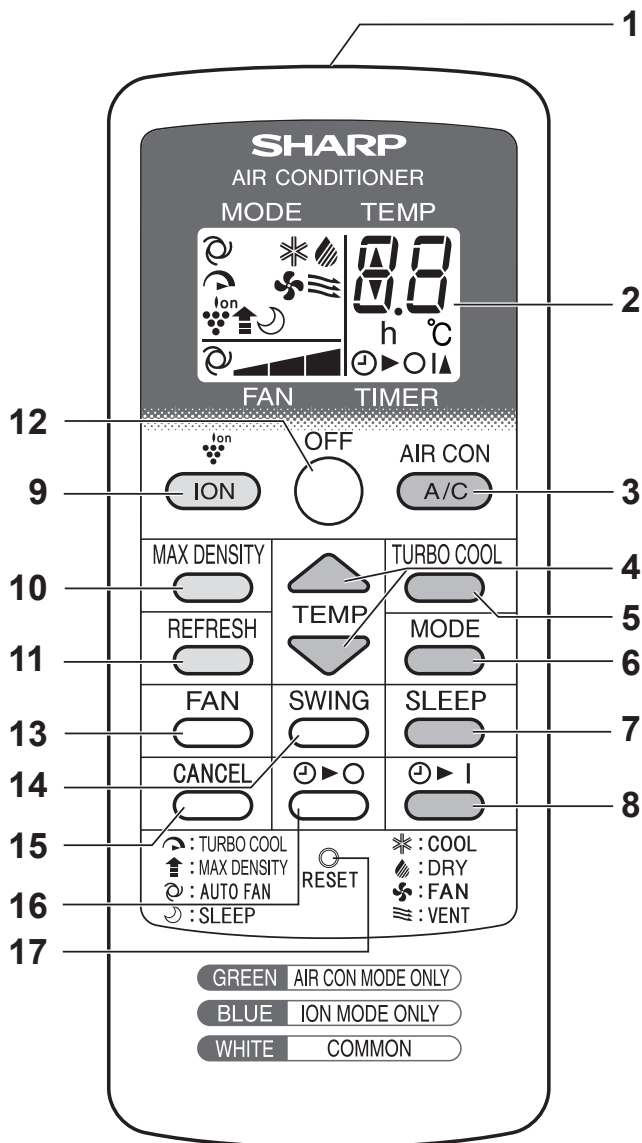
## VUE ARRIERE



- 11 Sortie d'air d'échappement
- 12 Adaptateur de fenêtre
- 13 Tuyau de vidange
- 14 Crochet de la télécommande
- 15 Filtre à air
- 16 Grille
- 17 Entrée d'air
- 18 Tuyauterie de vidange et robinet d'arrêt
- 19 Prise d'alimentation
- 20 Roulettes (4)

NOTE : L'appareil fourni peut être légèrement différent de l'illustration ci-dessus.

## TELECOMMANDE



1 Emetteur

2 Affichage

### MODE CLIM UNIQUEMENT

3 Touche climatisation (A/C)

4 Touche TEMP

5 Touche TURBO COOL

6 Touche MODE

7 Touche VEILLE

8 Touche DEMARRAGE DE MINUTERIE

### MODE ION UNIQUEMENT

9 Touche ION

10 Touche DENSITE MAX

11 Touche RAFRAICHISSEMENT

### TOUCHES GENERALES

12 Touche ARRET

13 Touche VENTILATEUR

14 Touche SWING

15 Touche ANNULATION

16 Touche MINUTERIE D'ARRET

17 Touche REDEMARRAGE

### 18 Symboles de MODE

\* : FRAIS

▧ : SEC

⊙ : CIRCULATION

≡ : VENTILATION

19 Symbole de RAFRAICHISSEMENT

20 Symbole TURBO COOL

21 Symbole du GENERATEUR D'ION

22 Symbole de DENSITE MAX

23 Symbole de VEILLE

24 Symboles de VITESSE DU VENTILATEUR

⊙ : AUTO ▧ : FAIBLE

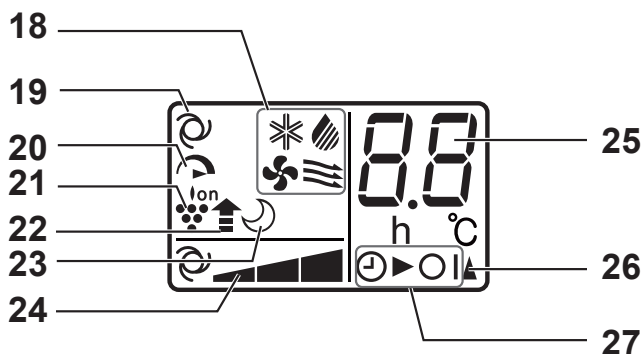
▧ : BASSE ▧ : ELEVEE

25 Indicateur de température et de décompte de minuterie

26 Symbole de transmission

27 Voyant de MINUTERIE DE MARCHÉ / D'ARRET

## ECRAN DE LA TELECOMMANDE



# INSTALLATION ET RETRAIT DU TUYAU D'ÉCHAPPEMENT

## Installation du tuyau d'échappement

### 1 Attachez le filtre anti-insectes à l'adaptateur de fenêtre.

Poussez fermement le filtre anti-insectes fermement pour vous assurer que les quatre fixations de l'adaptateur de fenêtre sont bien rentrées dans les quatre orifice du filtres.

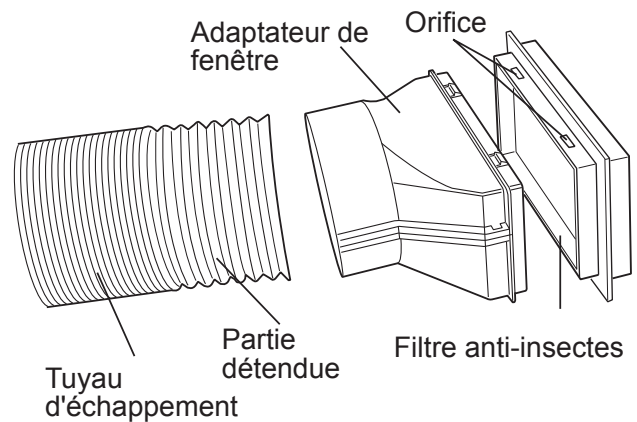
### 2 Attachez l'adaptateur de fenêtre au tuyau de vidange.

Étendez l'une des extrémités du tuyau de vidange et insérez-le dans l'adaptateur de fenêtre, puis tournez-le (environ 3 fois) jusqu'à ce qu'il soit bloqué. Assurez-vous que l'assemblage est bien solide.

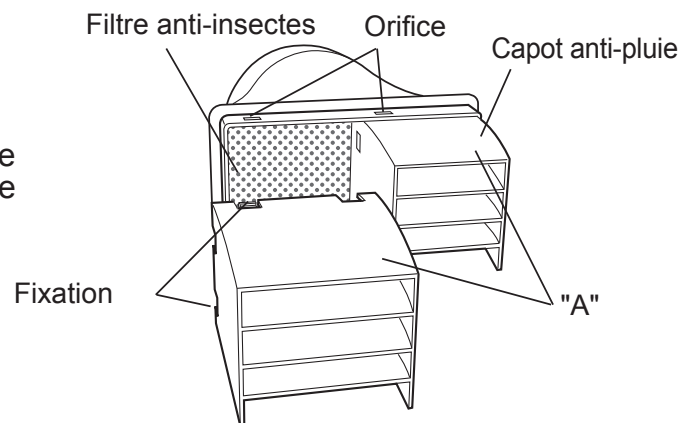
### 3 Attachez les capots anti-pluie au filtre anti-insectes.

Insérez les trois fixations sur chaque capot anti-pluie dans les orifices du filtre anti-insectes.

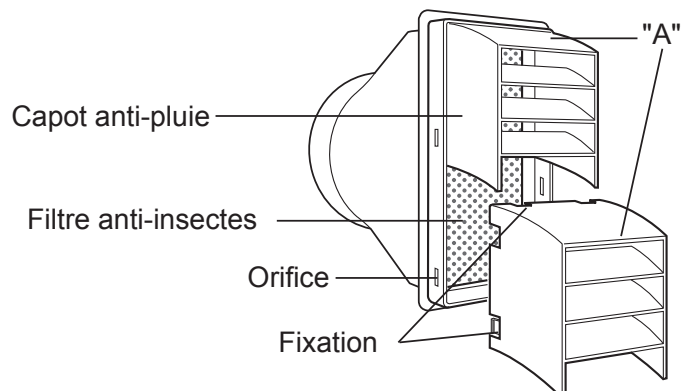
Le côté "A" doit à présent être en haut, tel qu'indiqué dans le diagramme.



## Placé horizontalement

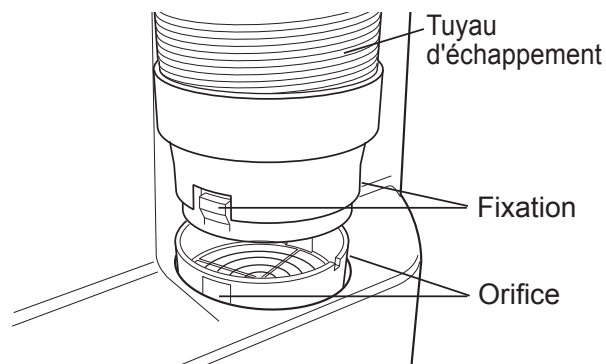


## Placé verticalement

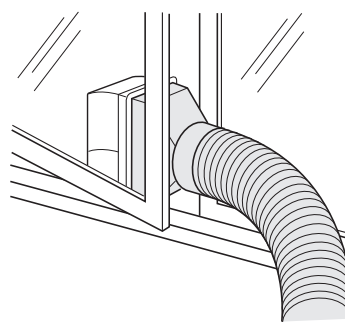


## 4 Attachez le tuyau d'échappement à l'appareil

Insérez les deux fixations dans les deux orifices de l'appareil et poussez-les fermement jusqu'à ce qu'elles cliquent.



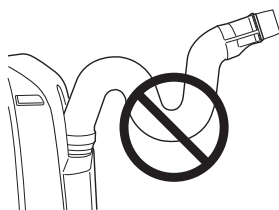
## 5 Placez l'extrémité du tuyau d'échappement à l'extérieur.



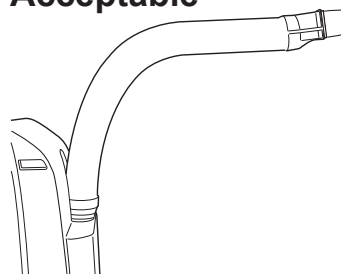
FRANÇAIS

Le tuyau d'échappement doit être aussi court que possible pour optimiser l'efficacité du fonctionnement. Il ne doit cependant pas être entortillé ou tordu.

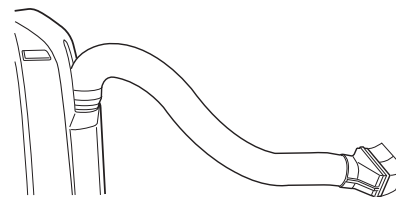
Inacceptable



Acceptable



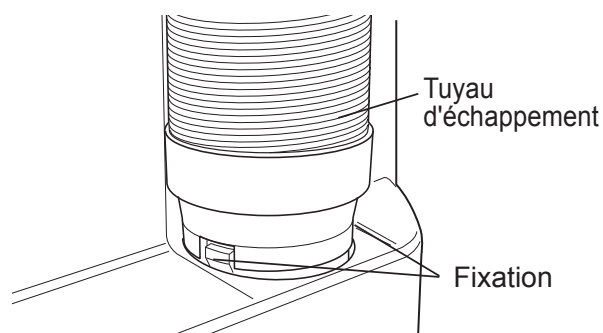
Acceptable



## Retrait du tuyau d'échappement

Enlevez le tuyau d'échappement de l'appareil.

Soulevez et enlevez le tuyau d'échappement de l'appareil en poussant sur les deux fixations.



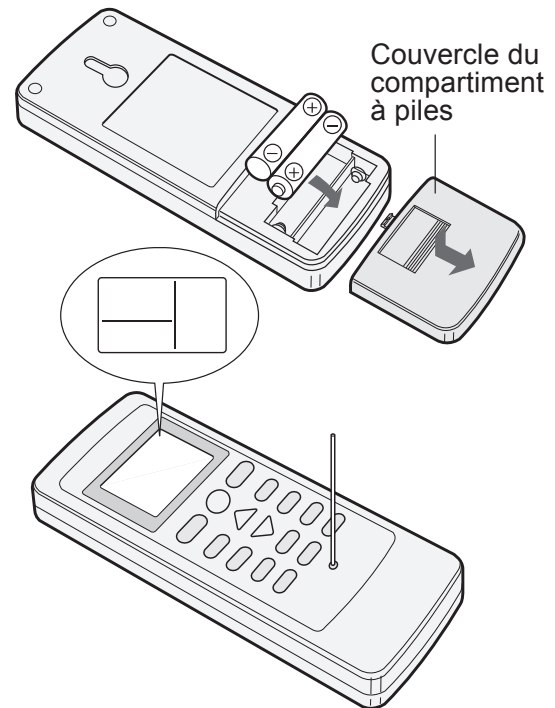
# UTILISATION DE LA TELECOMMANDE

## INSTALLATION DES PILES

- 1 Retirez le couvercle du compartiment à piles.**
- 2 Insérer les piles. (AAA(R03))**
  - Assurez-vous que les polarités (+) et (-) sont correctement alignées.
  - Des lignes apparaissent sur l'affichage lorsque les piles sont installées correctement.
- 3 Remplacez le couvercle du compartiment à piles.**
- 4 Pressez le bouton REDEMARRAGE avec une épingle.**

### NOTES :

- La durée de vie des piles est d'environ un an pour une utilisation normale.
- Lors du remplacement des piles, remplacez toujours les deux piles en même temps, et assurez-vous qu'elles soient du même type.
- Si l'appareil ne doit pas être utilisé pendant une longue période, enlevez les piles de la télécommande.



## COMMENT UTILISER LA TELECOMMANDE

Pointez la télécommande vers la fenêtre de réception du signal de l'appareil et appuyez sur la touche désirée. L'appareil émet un signal sonore lorsqu'il reçoit le signal.

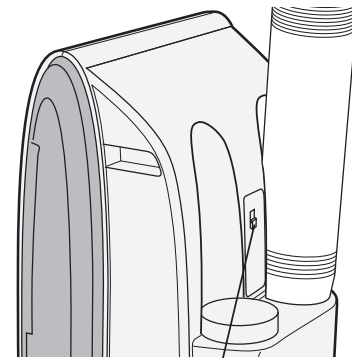
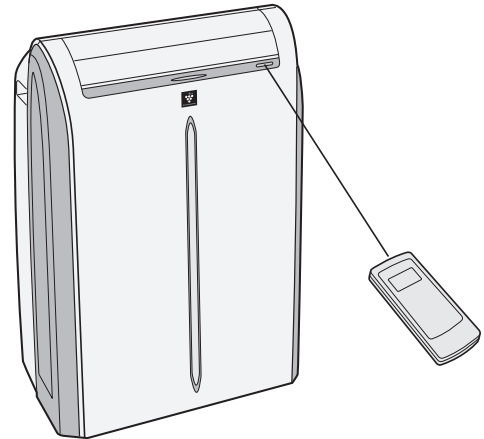
- Assurez-vous qu'il n'y ait pas de rideau ou autre objet entre la télécommande et l'appareil.
- La télécommande peut envoyer des signaux depuis une distance de 7 mètres.

### ATTENTION :

- Évitez d'exposer la fenêtre de réception à la lumière directe du soleil. Ceci peut empêcher son fonctionnement correct.
- L'usage de certaines lampes fluorescentes dans la même pièce peut interférer avec la transmission du signal.
- N'exposez pas la télécommande à la lumière directe du soleil ou ne la laissez pas près d'une source de chaleur. Protégez la télécommande de l'humidité et des chocs.

**Pour éviter de perdre la télécommande, placez-la sur le crochet sur l'appareil lorsqu'elle n'est pas utilisée.**

Lorsque la télécommande est accrochée, pour l'enlever de l'appareil, soulevez-la légèrement et tirez-la vers vous.



Crochet de la télécommande.

## AUTRES REMARQUES SUR LE FONCTIONNEMENT

### AUTRES REMARQUES SUR LE FONCTIONNEMENT

- **Laissez 3 minutes au compresseur pour qu'il commence à refroidir l'air.**  
Si vous arrêtez l'appareil et le redémarrez immédiatement, laissez trois minutes au compresseur pour qu'il puisse recommencer à refroidir l'air. L'appareil est équipé d'un dispositif électronique qui garde le compresseur à l'arrêt pendant trois minutes, pour des raisons de sécurité.
- **En cas de panne de courant.**  
Ce climatiseur est équipé d'une fonction de mémoire pour mémoriser les réglages en cas de panne de courant.  
Lorsque le courant est rétabli, l'appareil redémarrera automatiquement en activant les réglages utilisés avant la panne de courant, à l'exception des réglages de minuterie. Si la minuterie a été réglée avant une panne de courant, les réglages de minuterie seront annulés et ne pourront pas être récupérés lorsque le courant est rétabli.
- **Fonctionnement en basse température : Votre appareil gèle-t-il?**  
Un gel est possible lorsque l'appareil est réglé sur une température proche de 18°C dans des conditions de basses températures ambiantes, particulièrement durant la nuit. Dans ce cas, une baisse additionnelle de température peut causer le gel de l'appareil. Le réglage de l'appareil sur une température plus élevée l'empêchera de geler.
- **Le mode sec augmente la température de la pièce.**  
L'appareil produit de la chaleur en mode sec et la température de la pièce augmente. De l'air chaud est évacué de la sortie d'air d'échappement, ceci est normal et n'indique pas un problème de fonctionnement.
- **Cet appareil évacue l'air chaud généré par l'unité vers l'extérieur de la pièce via le tuyau d'échappement en mode frais.**  
La quantité d'air évacuée vers l'extérieur équivalente sera aspirée depuis l'extérieur à travers toute ouverture de la pièce.
- **Lorsque l'appareil fonctionne en mode refroidissement dans des conditions d'humidité élevées, le réservoir d'eau de l'appareil peut souvent se remplir.**  
Lorsque le réservoir de l'appareil est plein, l'appareil arrête de fonctionner et les voyants orange de MINUTERIE, vert de CLIM et rouge de MAXIMUM clignotent. Dans ce cas, vidangez l'eau du réservoir.

### CONDITIONS DE FONCTIONNEMENT

- **Cet appareil ne doit être utilisé que dans la gamme de température suivante.**

Mode	Température de la pièce
Frais	18°C - 40°C
Sec	15°C - 40°C

- Un dispositif de sécurité intégré peut arrêter le fonctionnement de l'appareil si la température dépasse ces limites.
- Lorsque l'appareil fonctionne en mode refroidissement dans une pièce très chaude, le ventilateur peut tourner à une vitesse plus faible.

### CONSEILS CONCERNANT L'EFFICACITE ENERGETIQUE

- **Évitez la lumière directe du soleil.**  
Fermez les volets ou rideaux pour éviter la lumière directe du soleil en mode refroidissement.
- **Gardez le filtre propre.**  
Un filtre propre permet d'assurer un fonctionnement efficace. Un filtre sale bloque le flux d'air, forçant l'appareil à travailler plus et de manière moins efficace.

# UTILISATION EN MODE CLIMATISEUR

L'appareil fonctionne en mode frais, sec, circulation ou ventilation. Durant le fonctionnement, les ions du Plasmacluster sont toujours relâchés dans la pièce.

- Le tuyau d'échappement doit être installé pour ces modes.
- Assurez-vous que le robinet d'arrêt soit correctement fixé à la tuyauterie de vidange.

## MODE FRAIS

- 1 Appuyez sur la touche **MODE** pour sélectionner le mode **FRAIS**.



- 2 Appuyez sur la touche **CLIM (A/C)** pour commencer l'utilisation.

- Le voyant vert de CLIM s'allume.

### POUR ETEINDRE

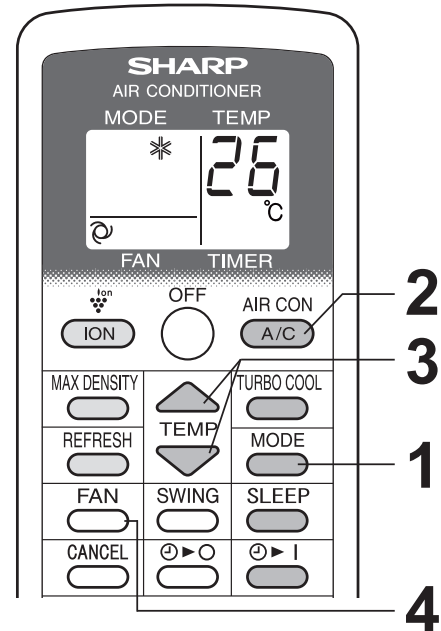
Appuyez sur la touche **ARRET**.

- Le voyant vert de CLIM s'éteint.

- 3 Appuyez sur la touche **TEMPERATURE** pour régler la température.

- Gamme de réglage de la température : 18 à 32°C.

- 4 Appuyez sur la touche **VENTILATEUR** pour régler la vitesse du ventilateur.



## MODE SEC

- 1 Appuyez sur la touche **MODE** pour sélectionner le mode **SEC**.



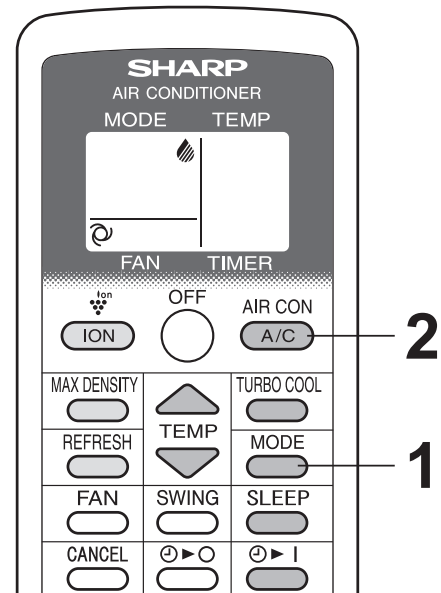
- 2 Appuyez sur la touche **CLIM (A/C)** pour commencer l'utilisation.

- Le voyant vert de CLIM s'allume.
- La température ne peut pas être réglée.
- La vitesse du ventilateur est réglée sur AUTO et ne peut pas être changée.

### POUR ETEINDRE

Appuyez sur la touche **ARRET**.

- Le voyant vert de CLIM s'éteint.



### NOTES :

- Bien que vous puissiez aussi utiliser le mode sec sans le tuyau d'échappement, l'appareil génère de la chaleur durant son fonctionnement et la température de la pièce augmente dans ce cas.
- Il est aussi possible d'utiliser le mode sec avec le tuyau (non-fournis) installé. Enlevez le robinet d'arrêt et attachez le tuyau au tuyau de vidange, puis placez l'autre extrémité dans un drain au sol, afin de permettre à l'eau d'être évacuée de l'appareil.



## MODE CIRCULATION

L'appareil ne fait que circuler de l'air.

- 1 Appuyez sur la touche **MODE** pour sélectionner le mode **CIRCULATION**.



- 2 Appuyez sur la touche **CLIM (A/C)** pour commencer l'utilisation.

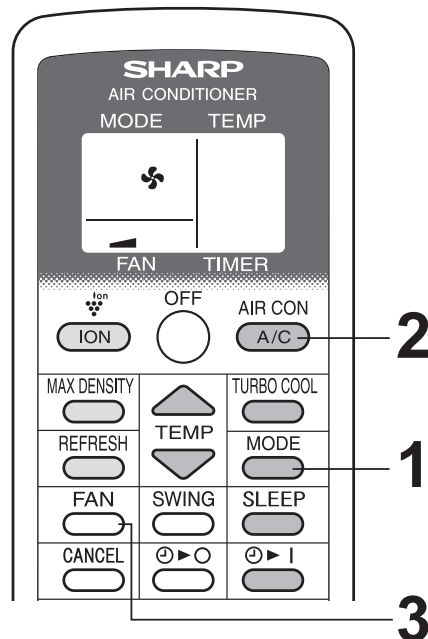
- Le voyant vert de CLIM s'allume.
- La température ne peut pas être réglée.

### POUR ETEINDRE

Appuyez sur la touche **ARRET**.

- Le voyant vert de CLIM s'éteint.

- 3 Appuyez sur la touche **VENTILATEUR** pour régler la vitesse du ventilateur.



## MODE VENTILATION

L'unité ventile l'air vers l'extérieur.

- 1 Appuyez sur la touche **MODE** pour sélectionner le mode **VENT**.



- 2 Appuyez sur la touche **CLIM (A/C)** pour commencer l'utilisation.

- Le voyant vert de CLIM s'allume.
- La température ne peut pas être réglée.

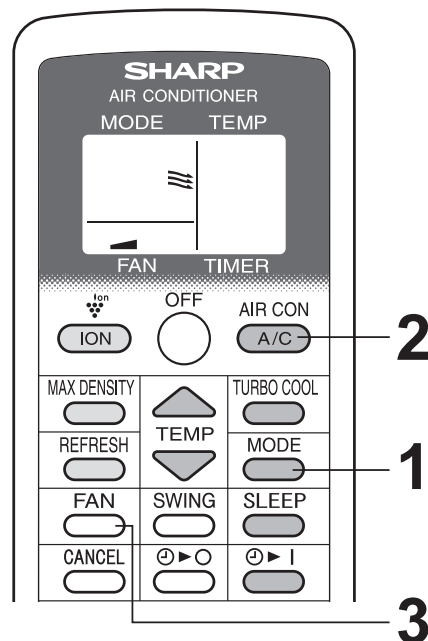
### POUR ETEINDRE

Appuyez sur la touche **ARRET**.

- Le voyant vert de CLIM s'éteint.

- 3 Appuyez sur la touche **VENTILATEUR** pour régler la vitesse du ventilateur.

- Bien que les volets soient fermés et qu'aucun flux d'air ne soit relâché dans la pièce, la vitesse du ventilateur de ventilation externe varie.



# UTILISATION EN MODE CLIMATISEUR

## POUR CHANGER LA DIRECTION DU FLUX D'AIR

### DIRECTION VERTICALE DU FLUX D'AIR

#### 1 Appuyez sur la touche SWING.

- Les volets horizontaux change continuellement d'angle.

#### 2 Appuyez à nouveau sur la touche SWING lorsque les volets sont à la position désirée.

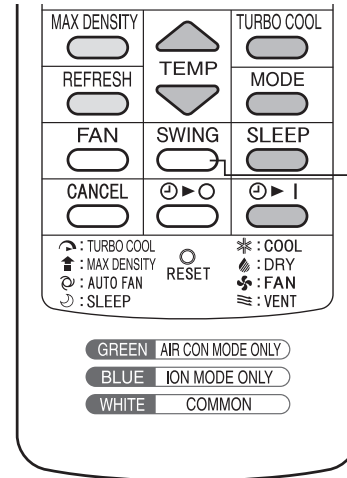
#### AVERTISSEMENTS :

N'essayez jamais d'ajuster les volets horizontaux manuellement.

- Le réglage manuel des volets horizontaux peut causer un mauvais fonctionnement de l'appareil lorsque la télécommande est utilisée pour les réglages.
- Lorsque les volets horizontaux sont réglés sur la position la plus basse en mode FRAIS ou en mode SEC pendant une période prolongée, de la condensation peut se former.

#### REMARQUES :


- En mode VENTILATION, la direction verticale du flux d'air ne peut pas être changée.

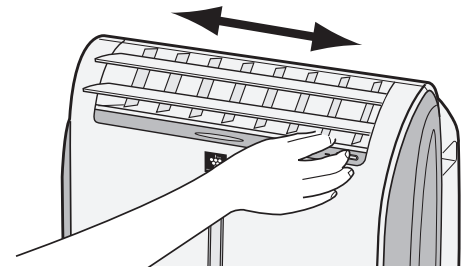


### DIRECTION HORIZONTALE DU FLUX D'AIR

Bloquez le volet vertical tel qu'indiqué dans le schéma et ajustez la direction du flux d'air.

#### ATTENTION :

- Ne réglez pas les volets verticaux tout à droite ou tout à gauche en mode FRAIS lorsque la vitesse du ventilateur est réglée sur "DOUX (  )" pendant une longue période de temps.  
De la condensation peut se former sur les volets.



## FONCTIONNEMENT TURBO COOL

Le ventilateur de l'appareil fonctionne à très haute vitesse et la température est réglée sur 15°C.

### 1 Pressez la touche TURBO COOL durant le fonctionnement en mode refroidissement.

- La télécommande affiche alors " \* ".
- L'affichage de la température s'éteint.
- Le voyant rouge de MAXIMUM s'allume.

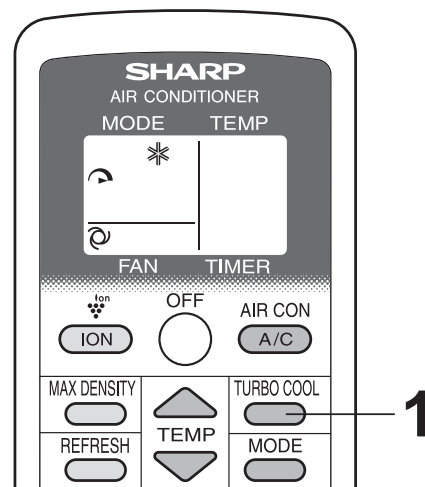
#### POUR ANNULER

### Appuyez à nouveau sur la touche TURBO COOL.

- Le voyant rouge de MAXIMUM s'éteint.

#### NOTES :

- Vous ne pouvez pas régler la température ou la vitesse du ventilateur durant le fonctionnement en mode TURBO COOL.
- Le ventilateur retourne au réglage de vitesse ELEVE après 30 minutes de fonctionnement en mode TURBO COOL.
- La vitesse de ventilateur très élevée peut ralentir automatiquement pour protéger l'appareil.
- Les fonctionnements TURBO COOL et de VEILLE ne peuvent pas être utilisés en même temps.



FRANÇAIS

## FONCTIONNEMENT DE VEILLE

Lorsque l'appareil est placé en mode VEILLE, le réglage de température est automatiquement réglé pour empêcher la pièce de devenir trop froide.

### 1 Pressez la touche VEILLE en mode de refroidissement.

- La télécommande affiche alors " ☾ ".
- Le voyant orange de MINUTERIE s'allume.
- L'appareil arrête de fonctionner après 8 heures.
- La vitesse du ventilateur est réglée sur AUTO.

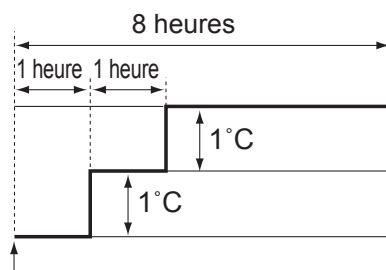
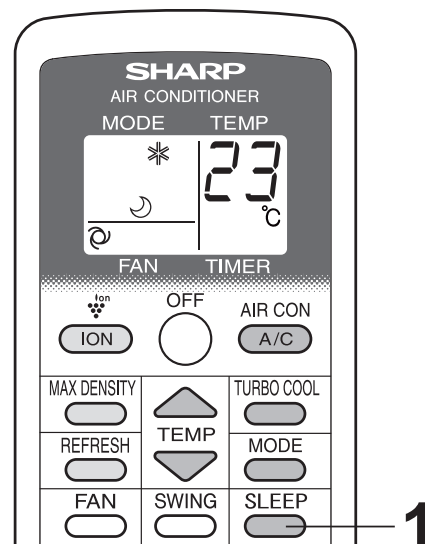
#### POUR ANNULER

### Appuyez sur la touche VEILLE.

- Le voyant orange de MINUTERIE s'éteint.

#### NOTES :

- Une heure après le début du fonctionnement en mode VEILLE, le réglage de température augmente de 1°C, puis augmente par incrément de 1°C chaque heure. L'affichage de la température sur la télécommande affiche toujours le réglage initial.
- Les fonctionnements TURBO COOL et de VEILLE ne peuvent pas être utilisés en même temps.
- Les fonctionnements de la MINUTERIE D'ARRET, de la MINUTERIE DE DEMARRAGE et de VEILLE ne peuvent pas être utilisés en même temps. Uniquement les réglages les plus récents seront utilisés.



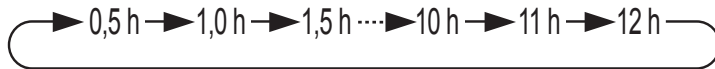
Démarrage du fonctionnement en VEILLE L'appareil s'arrête

# UTILISATION EN MODE CLIMATISEUR

## FONCTIONNEMENT DE LA MINUTERIE

### MINUTERIE DE DEMARRAGE

**1** Appuyez sur la touche de MINUTERIE DE DEMARRAGE et réglez le temps désiré.

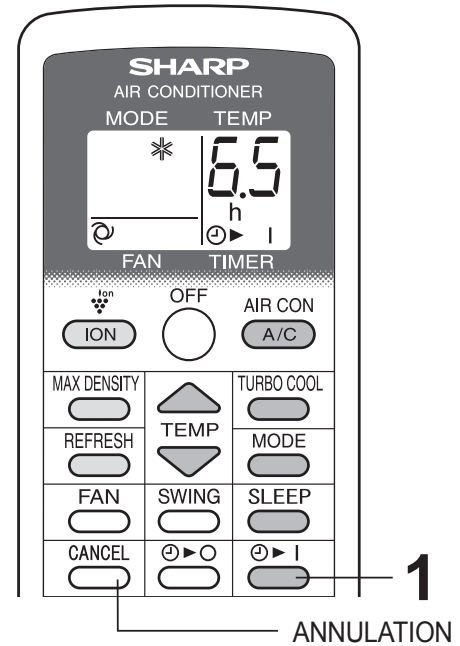


- Le voyant orange de MINUTERIE s'allume.
- La minuterie décompte le temps restant.

#### POUR ANNULER

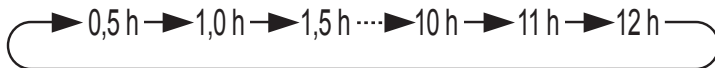
Appuyez sur la touche ANNULATION.

- Le voyant orange de MINUTERIE s'éteint.



### MINUTERIE D'ARRET

**1** Appuyez sur la touche de MINUTERIE D'ARRET et réglez le temps désiré.

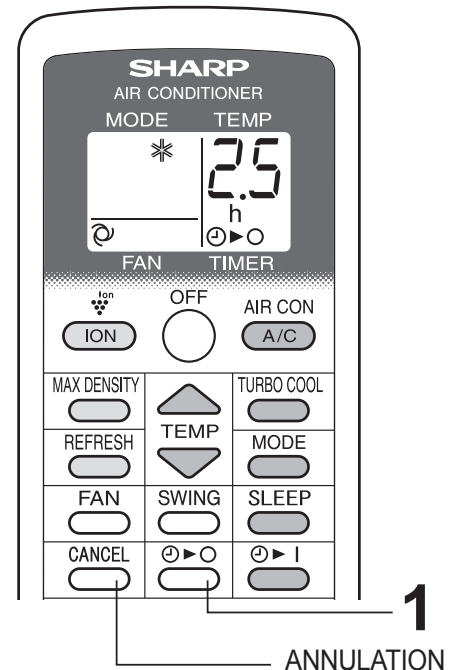


- Le voyant orange de MINUTERIE s'allume.
- La minuterie décompte le temps restant.

#### POUR ANNULER

Appuyez sur la touche ANNULATION.

- Le voyant orange de MINUTERIE s'éteint.



#### NOTES :

- La durée de la minuterie peut être réglée entre 30 minutes et 12 heures. La durée peut être modifiée en incréments de 30 minutes jusqu'à 9,5 heures, puis en incréments d'une heure entre 10 et 12 heures.
- Les MINUTERIES DE DEMARRAGE et D'ARRET ne peuvent pas être réglées en même temps.
- Si les minuteries de DEMARRAGE ou d'ARRET ont été réglées avant une panne de courant, les réglages de MINUTERIE seront annulés et ne pourront pas être récupérés après le redémarrage de l'appareil.
- Lorsque la température est réglée durant le réglage de la minuterie, la température s'affiche dans l'affichage pendant 5 secondes puis retourne à l'affichage de la minuterie.

## UTILISATION EN MODE GENERATEUR D'ION

Dans le cas d'une utilisation de l'appareil en mode GENERATEUR D'IONS uniquement. Il n'est pas nécessaire d'installer le tuyau d'échappement. Aucun air chaud n'est évacué par le tuyau d'échappement en mode GENERATEUR D'ION.

### MODE GENERATEUR D'IONS

#### 1 Appuyez sur la touche ION pour mettre en route l'appareil.

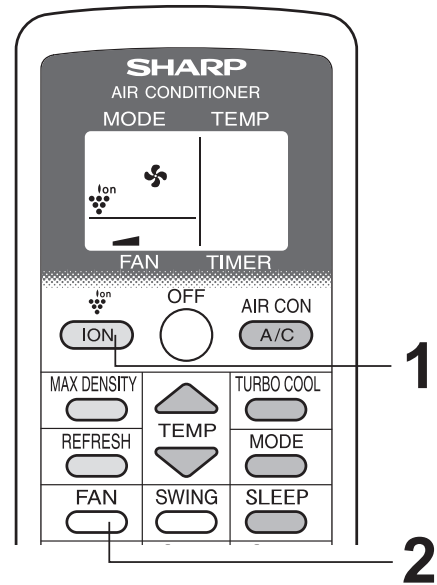
- Le voyant bleu de GENERATEUR s'allume.

#### POUR ETEINDRE

#### Appuyez sur la touche ARRÊT.

- Le voyant bleu de GENERATEUR s'éteint.

#### 2 Appuyez sur la touche VENTILATEUR pour régler la vitesse du ventilateur.



FRANÇAIS

### Note pour le MODE GENERATEUR D'IONS

Le générateur d'ions de l'appareil relâche des ions Plasmacluster dans la pièce. Les ions Plasmacluster permettent de réduire la présence de moisissures dans l'air.

Plasmacluster une technologie originale de Sharp.

Pour plus d'informations, veuillez-vous référer à notre communiqué de presse tel que : <http://www.sharp-pci.com/>

Ce site internet peut être modifié sans avis préalable.

# UTILISATION EN MODE GENERATEUR D'ION

## POUR CHANGER LA DIRECTION DU FLUX D'AIR

### DIRECTION VERTICALE DU FLUX D'AIR

#### 1 Appuyez sur la touche SWING.

- Les volets horizontaux changent continuellement d'angle.

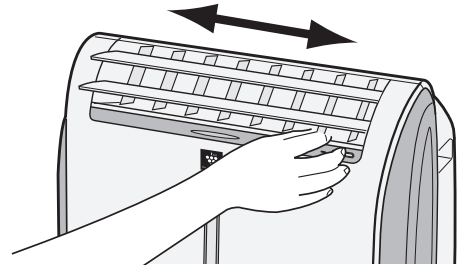
#### 2 Appuyez à nouveau sur la touche SWING lorsque les volets sont à la position désirée.

#### ATTENTION :

- N'essayez jamais d'ajuster les volets horizontaux manuellement.
- Le réglage manuel des volets horizontaux peut causer un mauvais fonctionnement de l'appareil lorsque la télécommande est utilisée pour le réglage.

### DIRECTION HORIZONTALE DU FLUX D'AIR

Bloquez le volet vertical tel qu'indiqué dans le schéma et ajustez la direction du flux d'air.



## FONCTIONNEMENT EN MODE DE DENSITE MAX

Cet appareil relâche une densité maximale d'ions Plasmacluster. En émettant un flux air « très élevé » de manière continue pendant 30 minutes, l'appareil relâche plus efficacement les ions dans la pièce.

#### 1 Pressez la touche DENSITE MAX durant le fonctionnement en mode générateur d'ions.

- La télécommande affiche alors "↑".
- Le voyant rouge de MAXIMUM s'allume.

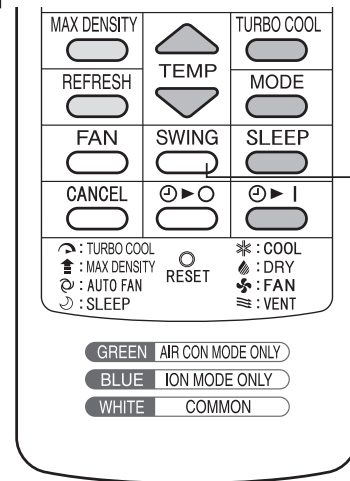
#### POUR ANNULER

Appuyez à nouveau sur la touche DENSITE MAX.

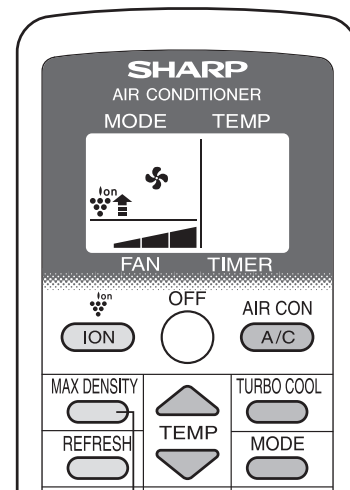
- Le voyant rouge de MAXIMUM s'éteint.

#### NOTES :

- Vous ne pouvez pas régler la vitesse du ventilateur durant le fonctionnement en mode DENSITE MAX.
- Le fonctionnement en mode DENSITE MAX sera automatiquement annulé après 30 minutes, et l'appareil reviendra à ses réglages initiaux.
- Les modes DENSITE MAX et RAFRAICHISSEMENT ne peuvent pas être utilisés en même temps.



1  
2



1

## FONCTIONNEMENT EN MODE RAFRAICHISSEMENT

Le fonctionnement en mode rafraîchissement diminue les odeurs de vêtements avec des ions Plasmacluster. Il est recommandé d'utiliser cette fonction devant une garde-robe, un placard, une buanderie ou des vêtements en cours de séchage.

### 1 Pressez la touche RAFRAICHISSEMENT durant le fonctionnement du GENERATEUR d'ions.

- Le voyant orange de MINUTERIE s'allume.
- La télécommande affiche alors " ⌚ ".
- Les volets horizontaux changent continuellement d'angle.
- L'appareil arrête de fonctionner après 5 heures.

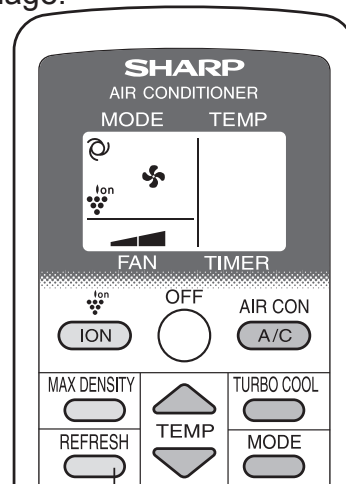
### POUR ANNULER

Appuyez à nouveau sur la touche RAFRAICHISSEMENT.

- Le voyant orange de MINUTERIE s'éteint.

### NOTES :

- Ajustez les volets afin que l'air de l'appareil soit dirigé vers les vêtements.
- Les fonctionnements en mode RAFRAICHISSEMENT et DENSITE MAX ne peuvent pas être utilisés en même temps.
- Le mode RAFRAICHISSEMENT et la MINUTERIE D'ARRET ne peuvent pas être réglés en même temps.
- Dans ce mode, les ions Plasmacluster permettent de réduire de manière efficace les odeurs de fumée de cigarette, etc..., mais ils ne sont pas toujours efficaces pour tous les types d'odeur.
- Suivant le volume de l'odeur, la distance entre l'appareil et les vêtements et le temps de fonctionnement, l'appareil peut ne pas suffisamment réduire l'odeur.



## FONCTIONNEMENT DE LA MINUTERIE D'ARRET

### 1 Appuyez sur la touche de MINUTERIE D'ARRET et réglez le temps désiré.



- Le voyant orange de MINUTERIE s'allume.
- La minuterie décompte le temps restant.

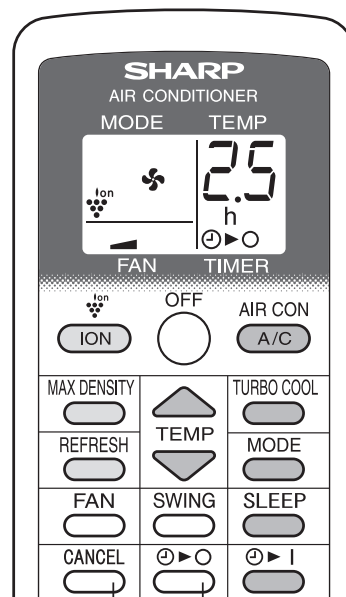
### POUR ANNULER

Appuyez sur la touche ANNULATION.

- Le voyant orange de MINUTERIE s'éteint.

### NOTES :

- La durée de la minuterie peut être réglée entre 30 minutes et 12 heures.  
La durée peut être modifiée en incréments de 30 minutes jusqu'à 9.5 heures, puis en incréments d'une heure entre 10 et 12 heures.
- En mode GENERATEUR D'IONS, la MINUTERIE DE DEMARRAGE ne peut pas être réglée.
- Si la MINUTERIE D'ARRET a été réglée avant une panne de courant, les réglages de minuterie seront annulés et ne pourront pas être récupérés après le redémarrage de l'appareil.



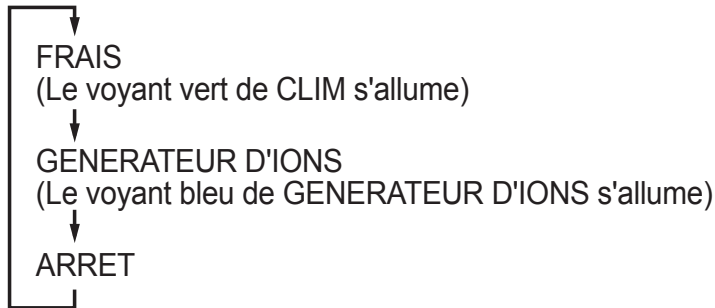
ANNULATION

## FUNCTIONNEMENT DE L'UNITE PRINCIPALE

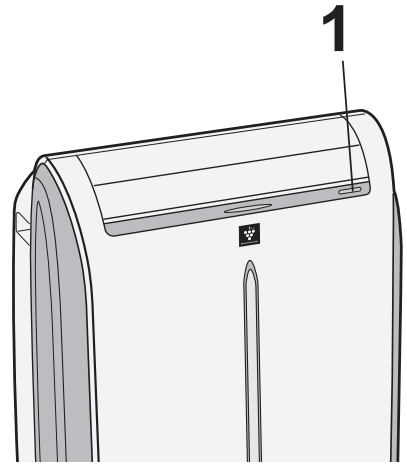
Utilisez ces instructions si la télécommande n'est pas disponible.

### 1 Appuyez sur la touche MARCHE/ARRET pour commencer l'utilisation.

- Le mode change lorsque vous pressez la touche avant 5 secondes.



- En mode frais, l'appareil fonctionne avec ses derniers réglages de refroidissement. Si l'appareil a été débranché durant sa dernière utilisation, il reprendra son fonctionnement en mode refroidissement, réglé sur 20°C. La vitesse du ventilateur sera réglée sur AUTO.



### POUR ETEINDRE

Pressez la touche MARCHE/ARRET durant le fonctionnement.

## VIDANGE

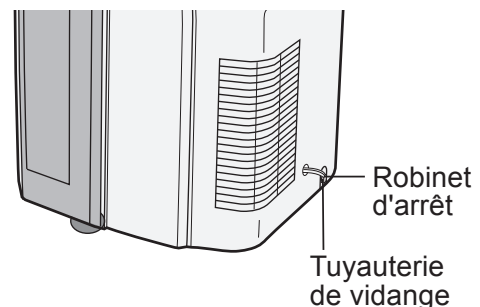
Vidangez l'eau présente dans l'appareil dans les cas suivants.

- Lorsque l'appareil arrête de fonctionner et le voyant orange de MINUTERIE, le voyant vert de CLIM et le voyant rouge de MAXIMUM clignotent, le réservoir d'eau est plein et doit être vidangé.
- Lorsque l'appareil n'est pas utilisé pendant une longue période.

**1** Débranchez la prise d'alimentation et déplacez soigneusement l'appareil vers un drain ou vers l'extérieur pour éviter de renverser de l'eau dans la pièce.

**2** Enlevez le robinet d'arrêt de la tuyauterie de vidange, et vidangez l'eau présente dans l'appareil.

**3** Fixez solidement le robinet d'arrêt sur la tuyauterie de vidange.





## ENTRETIEN

Assurez-vous de déconnecter l'alimentation électrique de la prise murale avant de commencer le nettoyage.

### NETTOYAGE DU FILTRE

Si le filtre est encrassé par la poussière, le flux d'air est réduit et les performances de refroidissement sont limitées. Le filtre doit être nettoyé toutes les deux semaines.

#### Filtre à air

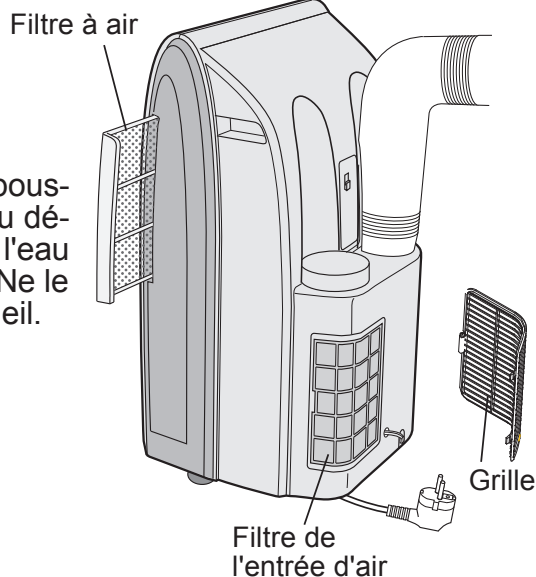
#### 1 ENLEVEZ LE FILTRE

- Poussez le filtre vers la droite.

#### 2 NETTOYEZ LE FILTRE

- Utilisez un aspirateur pour enlever toute la poussière. Si le filtre est très sale, lavez-le avec du détergent et rincez-le soigneusement avec de l'eau propre. Séchez le filtre avec de le réinstaller. Ne le laissez pas exposé à la lumière directe du soleil.

#### 3 REINSTALLEZ LE FILTRE



FRANÇAIS

#### ENTREE D'AIR DU FILTRE

Enlevez la grille et nettoyez l'entrée d'air du filtre avec un aspirateur.

#### ATTENTION :

N'utilisez jamais l'appareil sans filtre. Ceci risquerait de gravement endommager l'appareil.

### NETTOYAGE DE L'APPAREIL ET DE LA TELECOMMANDE

Nettoyez-les avec un chiffon sec et doux ou avec un chiffon humide et du savon doux. Enlevez soigneusement toute saleté en nettoyant avec un chiffon humide et séchez l'appareil complètement. Evitez de projeter de l'eau sur l'appareil. L'eau pourrait endommager l'isolation électrique, et créer un danger d'électrocution.

N'utilisez jamais de produits chimiques agressifs ou de produits nettoyants abrasifs sur aucune partie de l'appareil. Pour éviter d'endommager l'appareil, n'utilisez pas d'eau chaude (50°C ou plus).

### POUR UNE PERIODE D'ENTREPOSAGE PROLONGEE (INACTIVITE)

**1** Vidangez toute l'eau présente dans l'appareil et fixez solidement le robinet d'arrêt à la tuyauterie de vidange.

**2** Utilisez l'appareil en mode VENTILATION ou CIRCULATION pendant environ une demi-journée pour sécher complètement l'intérieur de l'appareil.

**3** Nettoyez les filtres, puis réinstallez-les.

**4** Déconnectez l'alimentation électrique de la prise murale.

## AVANT D'APPELER LE SERVICE APRES-VENTE

Si l'appareil semble mal fonctionner, vérifiez les points suivants avant d'appeler le service après-vente.

### L'UNITE NE FONCTIONNE PLUS DU TOUT

- L'appareil est-il branché ou la prise est-elle lâche ?
- Un fusible ou le disjoncteur a-t-il sauté ?
- Les voyants vert de CLIM, orange de MINUTERIE et rouge de MAXIMUM clignotent-ils ?  
Le réservoir de l'appareil est plein. Il doit être vidangé. (Voir page 18)

### L'APPAREIL NE REFROIDIT PAS CORRECTEMENT

- Est-il réglé sur le mode VENTILATION, SEC, CIRCULATION ou GENERATEUR D'IONS ?  
Ces modes ne permettent pas de refroidir. Changez le réglage de mode.
- Le filtre est-il encrassé par la poussière ?  
Nettoyez le filtre.
- Le serpentin de refroidissement est-il gelé ?  
L'air ne peut pas être relâché si le serpentin de refroidissement est gelé.  
Faites fonctionner l'appareil en mode VENTILATION avec le ventilateur réglé sur "ELEVE" jusqu'à ce que la glace fonde.
- La température est-elle réglée correctement ?
- La fenêtre est-elle exposée à la lumière directe du soleil ?  
Fermez les volets ou les rideaux pour minimiser le chauffage de la pièce par la lumière du soleil.
- Le tuyau d'échappement est-il trop long ?  
Pour un fonctionnement efficace, placez l'appareil afin de minimiser la longueur du tuyau d'échappement. Le tuyau d'échappement ne doit pas être tordu ou entortillé.

### SONS

- L'appareil peut paraître relativement bruyant durant les 2 à 3 premières minutes de fonctionnement. Ce bruit est celui du compresseur démarrant, et il est parfaitement normal.
- Un son doux de chuintement est audible immédiatement après la mise en route ou l'arrêt de l'appareil, mais aussi durant le fonctionnement. Ce bruit est celui du réfrigérant circulant dans l'appareil.
- Un faible bourdonnement est émis lorsque l'appareil génère des ions Plasmacluster.
- Cet appareil évapore l'eau condensée durant le fonctionnement en mode refroidissement à l'intérieur de l'appareil à travers la sortie d'air d'échappement. Des bruits d'écoulement d'eau peuvent être audibles, ceci est parfaitement normal.
- Un bruit de gargouillement peut être audible lorsque l'appareil est utilisé sur un sol légèrement pentu. Placez l'appareil sur un sol plan.

### LA MINUTERIE NE FONCTIONNE PAS CORRECTEMENT

- Si la MINUTERIE a été réglée avant une panne de courant, les réglages de MINUTERIE seront annulés et ne pourront pas être récupérés après le redémarrage de l'appareil. Ceci est normal pour cet appareil.

### L'APPAREIL NE REAGIT PAS AU SIGNAL DE LA TELECOMMANDE

- Vérifiez les piles de la télécommande. Remplacez si nécessaire.
- Essayez d'envoyer à nouveau le signal avec la télécommande pointée directement vers la fenêtre de réception du signal de l'appareil.
- Vérifiez que les piles de la télécommande sont installées en respectant les polarités.

### L'AIR DECHARGE A UNE ODEUR

- Le générateur d'ions Plasmacluster génère de faibles traces d'ozone qui peuvent produire une odeur. Ces émissions d'ozone sont en-dessous des limites de sûreté et respectent les limites d'émission fédérales d'ozone.

FRANÇAIS



Achtung: Ihr Produkt trägt dieses Symbol. Es besagt, dass Elektro- und Elektronikgeräte nicht mit dem Haushaltsmüll entsorgt, sondern einem getrennten Rücknahmesystem zugeführt werden sollten.

## A. Entsorgungsinformationen für Benutzer aus Privathaushalten

### 1. In der Europäischen Union

Achtung: Werfen Sie dieses Gerät zur Entsorgung bitte nicht in den normalen Hausmüll !

Gemäß einer neuen EU-Richtlinie, die die ordnungsgemäße Rücknahme, Behandlung und Verwertung von gebrauchten Elektro- und Elektronikgeräten vorschreibt, müssen elektrische und elektronische Altgeräte getrennt entsorgt werden.

Nach der Einführung der Richtlinie in den EU-Mitgliedstaaten können Privathaushalte ihre gebrauchten Elektro- und Elektronikgeräte nun kostenlos an ausgewiesenen Rücknahmestellen abgeben\*.

In einigen Ländern\* können Sie Altgeräte u.U. auch kostenlos bei Ihrem Fachhändler abgeben, wenn Sie ein vergleichbares neues Gerät kaufen.

\*) Weitere Einzelheiten erhalten Sie von Ihrer Gemeindeverwaltung.

Wenn Ihre gebrauchten Elektro- und Elektronikgeräte Batterien oder Akkus enthalten, sollten diese vorher entnommen und gemäß örtlich geltenden Regelungen getrennt entsorgt werden.

Durch die ordnungsgemäße Entsorgung tragen Sie dazu bei, dass Altgeräte angemessen gesammelt, behandelt und verwertet werden. Dies verhindert mögliche schädliche Auswirkungen auf Umwelt und Gesundheit durch eine unsachgemäße Entsorgung.

### 2. In anderen Ländern außerhalb der EU

Bitte erkundigen Sie sich bei Ihrer Gemeindeverwaltung nach dem ordnungsgemäßen Verfahren zur Entsorgung dieses Geräts.

Für die Schweiz: Gebrauchte Elektro- und Elektronikgeräte können kostenlos beim Händler abgegeben werden, auch wenn Sie kein neues Produkt kaufen. Weitere Rücknahmesysteme finden Sie auf der Homepage von [www.swico.ch](http://www.swico.ch) oder [www.sens.ch](http://www.sens.ch).

## B. Entsorgungsinformationen für gewerbliche Nutzer

### 1. In der Europäischen Union

Wenn Sie dieses Produkt für gewerbliche Zwecke genutzt haben und nun entsorgen möchten:

Bitte wenden Sie sich an Ihren SHARP Fachhändler, der Sie über die Rücknahme des Produkts informieren kann. Möglicherweise müssen Sie die Kosten für die Rücknahme und Verwertung tragen. Kleine Produkte (und kleine Mengen) können möglicherweise bei Ihrer örtlichen Rücknahmestelle abgegeben werden.

Für Spanien: Bitte wenden Sie sich an das vorhandene Rücknahmesystem oder Ihre Gemeindeverwaltung, wenn Sie Fragen zur Rücknahme Ihrer Altgeräte haben.

### 2. In anderen Ländern außerhalb der EU

Bitte erkundigen Sie sich bei Ihrer Gemeindeverwaltung nach dem ordnungsgemäßen Verfahren zur Entsorgung dieses Geräts.



Pb

Die für dieses Produkt mitgelieferte Batterie kann Spuren von Blei enthalten.

Für die EU: Die durchgestrichene Abfalltonne bedeutet, dass gebrauchte Batterien nicht mit dem Haushaltsmüll entsorgt werden sollten! Es gibt getrennte Sammelsysteme für gebrauchte Batterien, welche eine ordnungsgemäße Behandlung und Verwertung entsprechend gesetzlicher Vorgaben erlauben. Weitere Einzelheiten erhalten Sie von Ihrer Gemeindeverwaltung.

Für die Schweiz: Die gebrauchte Batterie kann an der Verkaufsstelle zurückgegeben werden.

Für andere Nicht-EU Staaten: Bitte erkundigen Sie sich bei Bedarf bei Ihrer Gemeindeverwaltung nach weiteren Informationen zur Entsorgung von gebrauchten Batterien.

Enthält vom Kyoto-Protokoll erfasste fluorierte Treibhausgase R410A (Treibhauspotenzial 1975)

Bitte lesen Sie dieses Handbuch sorgfältig durch, bevor Sie das Produkt in Gebrauch nehmen. Dieses Handbuch soll an einem sicheren Ort aufbewahrt und immer griffbereit zur Verfügung stehen. Eine elektronische Version der Betriebsanleitung finden Sie unter <http://sharp-world.com/>.

## INHALT

- SICHERHEITSVORKEHRUNGEN ..... DE-2
- ZUBEHÖR..... DE-3
- BEZEICHNUNGEN DER BESTANDTEILE..... DE-4
- INSTALLATION UND AUSBAU DES ABLUFTSCHLAUCHS ..... DE-6
- VERWENDUNG DER FERNBEDIENUNG ..... DE-8
- NUTZUNGSHINWEIS..... DE-9

### BENUTZUNG DES KLIMAGERÄTS

- KÜHLEN MODUS ..... DE-10
- TROCKNEN MODUS..... DE-10
- LÜFTER MODUS..... DE-11
- VENTILATION MODUS ..... DE-11
- UM DIE RICHTUNG DES LUFTFLUSSES ZU ÄNDERN..... DE-12
- TURBO-KÜHLEN BETRIEB ..... DE-13
- SLEEP BETRIEB ..... DE-13
- BETRIEB MIT DEM ZEITSCHALTER..... DE-14

### VERWENDUNG ALS IONEN-GENERATOR

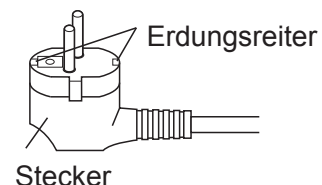
- IONEN-GENERATOR MODUS..... DE-15
- UM DIE RICHTUNG DES LUFTFLUSSES ZU ÄNDERN..... DE-16
- MAX DENSITY (MAX DICHT) BETRIEB..... DE-16
- REFRESH (ERFRISCHEN) BETRIEB..... DE-17
- ZEITSCHALTER AUS (TIMER OFF) BETRIEB..... DE-17
  
- BETRIEB DES HAUPTGERÄTES..... DE-18
- ENTWÄSSERUNG ..... DE-18
- WARTUNG..... DE-19
- BEVOR SIE DEN KUNDENDIENST RUFEN ..... DE-20

# SICHERHEITSVORKEHRUNGEN

Dieses Gerät kann von Kindern ab 8 Jahren und von Personen mit reduzierten physischen, sensorischen oder geistigen Fähigkeiten oder Mangel an Erfahrung und Kenntnis verwendet werden, wenn sie bezüglich der Verwendung überwacht wurden oder eine Unterweisung erhalten haben und die bestehenden Gefahren verstehen. Kinder dürfen nicht mit dem Gerät spielen. Die Reinigung und Wartung darf nicht von Kindern ohne Überwachung durchgeführt werden.

## **WARNUNGEN**

- Die Teile dieses Produkts dürfen nicht modifiziert werden. Dies kann zu Elektroschock, Undichtheit und Feuer etc. führen.
- Ziehen Sie nicht am Netzkabel und deformieren Sie es nicht. Das Ziehen am Netzkabel sowie dessen Missbrauch kann zu einer Beschädigung des Geräts führen und einen elektrischen Schlag verursachen.
- Zur Vermeidung von Gesundheitsschäden sollten Sie Ihren Körper nicht über einen längeren Zeitraum hinweg dem kalten Luftstrom aussetzen. Dies könnte Ihren Gesundheitszustand beeinträchtigen.
- Bei der Verwendung des Klimageräts für Säuglinge, Kinder, ältere, bettlägerige oder behinderte Personen ist unbedingt sicherzustellen, dass die Raumtemperatur für die sich im Raum befindlichen Personen angemessen ist.
- Stecken Sie keinerlei Gegenstände in das Gerät hinein. Dies könnte aufgrund der hohen Geschwindigkeit der Lüfter Verletzungen verursachen.
- Falls an dem Klimagerät etwas nicht in Ordnung zu sein scheint (z.B. Brandgeruch), schalten Sie das Gerät sofort ab und stellen Sie den Leistungsschalter auf AUS.
- Wenn das Netzkabel beschädigt ist, muss es zur Vermeidung von Gefahren entweder vom Hersteller, von dessen Servicepartner oder von einer anderen ähnlich qualifizierten Person ausgetauscht werden. Tauschen Sie das Netzkabel ausschließlich gegen den vom Hersteller angegebenen Netzkabeltyp aus.
- Verspritzen bzw. verschütten Sie kein Wasser direkt über dem Gerät. Wasser kann sowohl einen elektrischen Schlag als auch eine Beschädigung des Geräts verursachen.
- Dieser Netzstecker darf nur in einen dafür geeigneten Wandstecker gesteckt werden. Nicht mit einem Verlängerungskabel verwenden.
- Drücken Sie den Netzstecker sicher in die Steckdose und achten Sie darauf, dass er fest sitzt.
- Dieses Gerät muss geerdet werden. Dieses Gerät ist mit einem Netzkabel mit Erdungskabel ausgestattet. Der Stecker muss in eine ordnungsgemäß installiert und geerdete Steckdose gesteckt werden.
- Das Gerät muss in Übereinstimmung mit den nationalen Anschlussverordnungen installiert werden.
- Das Gerät muss so ausgerichtet werden, dass der Netzstecker zugänglich ist.



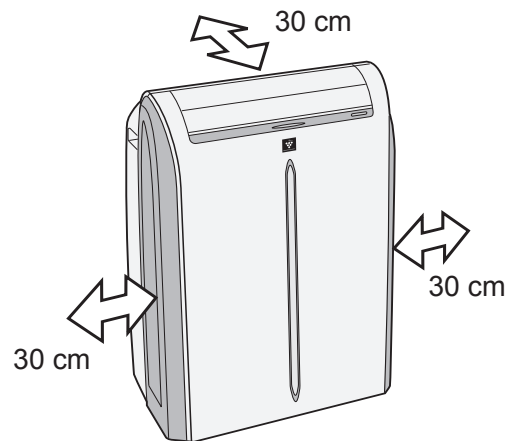
## **VORSICHTSMAßNAHMEN**

- Öffnen Sie regelmäßig ein Fenster oder eine Tür, um den Raum zu lüften, besonders dann, wenn Sie mit Gas betriebene Geräte verwenden. Eine unzureichende Belüftung kann einen Sauerstoffmangel verursachen.
- Bedienen Sie die Tasten nicht mit nassen Händen. Dies könnte einen elektrischen Schlag verursachen.
- Aus Sicherheitsgründen sollte der Netzstecker vom Stromkreis getrennt werden, wenn das Gerät für einen längeren Zeitraum nicht verwendet wird.
- Dieses Gerät wurde ausschließlich für den Hausgebrauch hergestellt und darf nicht für Einrichtungen, wie zum Beispiel eine Hundehütte oder ein Gewächshaus zur Aufzucht von Tieren oder Pflanzen, verwendet werden.
- Stellen Sie keinen mit Wasser gefüllten Behälter auf das Gerät. Beim Eintreten von Wasser in das Gerät könnten die elektrischen Isolierungen Schaden nehmen und einen elektrischen Schlag verursachen.
- Beim Bewegen des Gerätes sollte das Wasser des Gerätes abgelassen werden. Im Tank verbleibendes Wasser kann beim Bewegen des Gerätes herausspritzen.
- Den Luftauslass nicht mit Gegenständen blockieren. Die Kühlleistung kann beeinflusst werden oder das Gerät stoppt komplett.

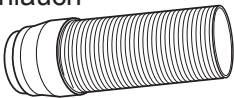
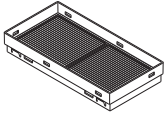

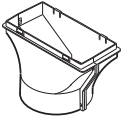



- Vor der Durchführung von Wartungs- oder Reinigungsarbeiten muss das Netzkabel aus der Steckdose genommen werden. Da im Inneren des Geräts ein Lüfter läuft, könnten Sie sich ansonsten Verletzungen zuziehen.
- Platzieren Sie das Gerät auf einer geraden Oberfläche, um ein Auslaufen von Wasser in den Raum zu vermeiden.
- Schließen Sie das Klimagerät unbedingt an ein Netz mit der angegebenen Spannung und Frequenz an. Der Anschluss an ein Netz mit falscher Voltzahl und falscher Frequenz kann zu einer Beschädigung des Geräts führen und möglicherweise einen Brand verursachen.
- Verwenden Sie das Gerät nicht an einem Ort, an dem möglicherweise Gas ausläuft. Dies könnte einen Brand verursachen.  
Verwenden Sie das Gerät an einem Ort, an dem in der Luft nur geringe Mengen an Staub, Rauch und Feuchtigkeit vorhanden sind.
- Stellen Sie je nach Aufstellungsort sicher, dass ein Fehlerstromschutzschalter oder ein Schutzschalter installiert ist, um einen elektrischen Schlag zu vermeiden.
- Zur Vermeidung elektrischer Schläge bei Undichtheit ist ein Fehlerstromschutzschalter einzubauen. Einen Fehlerstromschutzschalter mit einem Ansprechennennstrom von unter 30 mA und einer Ansprechzeit von weniger als 0,1 Sekunde verwenden.

### STANDORT

- Um den Geräuschpegel und Vibrationen zu minimieren sollte das Gerät auf einem festen Untergrund platziert werden. Für eine sicher Positionierung stellen Sie das Gerät auf einem glatten, ebenen Boden auf, der stark genug ist, um das Gewicht des Gerätes standzuhalten. Dies trägt außerdem dazu bei, dass kein Wasser in den Raum verschüttet wird.
- Das Gerät verfügt zur Unterstützung der Platzierung über Rollen. Es sollte allerdings nur auf einer glatten und ebenen Oberfläche gerollt werden. Vorsicht beim Rollen auf Teppichböden. Das Gerät nicht über Objekte rollen.
- Das Gerät muss in Reichweite einer ordnungsgemäß geerdeten Steckdose platziert werden.
- Den Lufteinlass und Luftauslass niemals mit Gegenständen blockieren.
- Für effiziente Kühlung einen Abstand von 30 cm von der Wand einhalten.

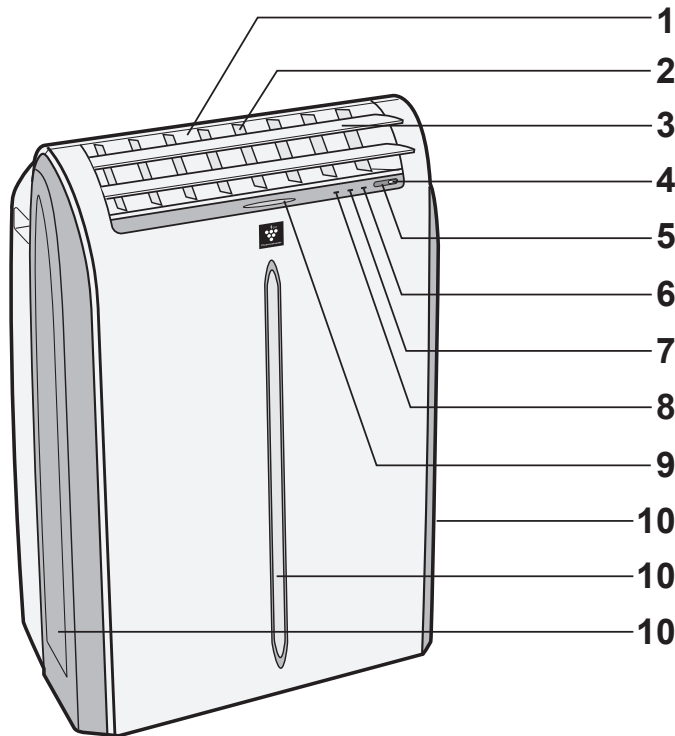


### ZUBEHÖR

Abluftschlauch 	1	Netz zum Schutz vor Insekten 	1	Handbuch 	1
Zwischenstück für das Fenster 	1	Fernbedienung 	1		
Regenschutz 	2	Batterie (R03) 	2		

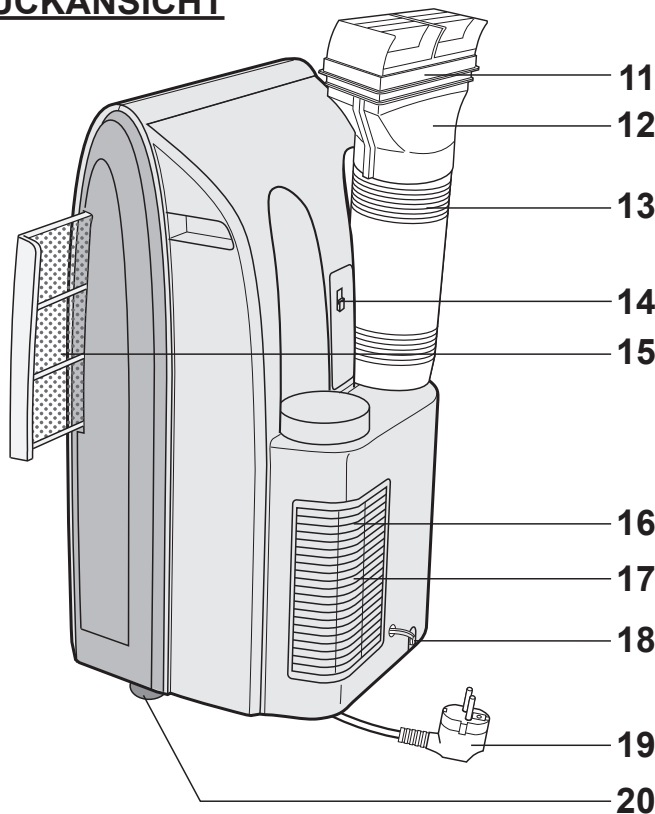
# BEZEICHNUNGEN DER BESTANDTEILE

## FRONTANSICHT



- 1 Luftauslass
- 2 Vertikale Lamellen
- 3 Horizontale Lamellen
- 4 POWER-Taste
- 5 Signalempfänger der Fernbedienung
- 6 AIR CON Lampe (grün)
- 7 ZEITSCHALTER-Lampe (orange)
- 8 MAXIMUM-Lampe (rot)
- 9 ION-GENERATOR Lampe (blau)
- 10 Lufteinlass

## RÜCKANSICHT

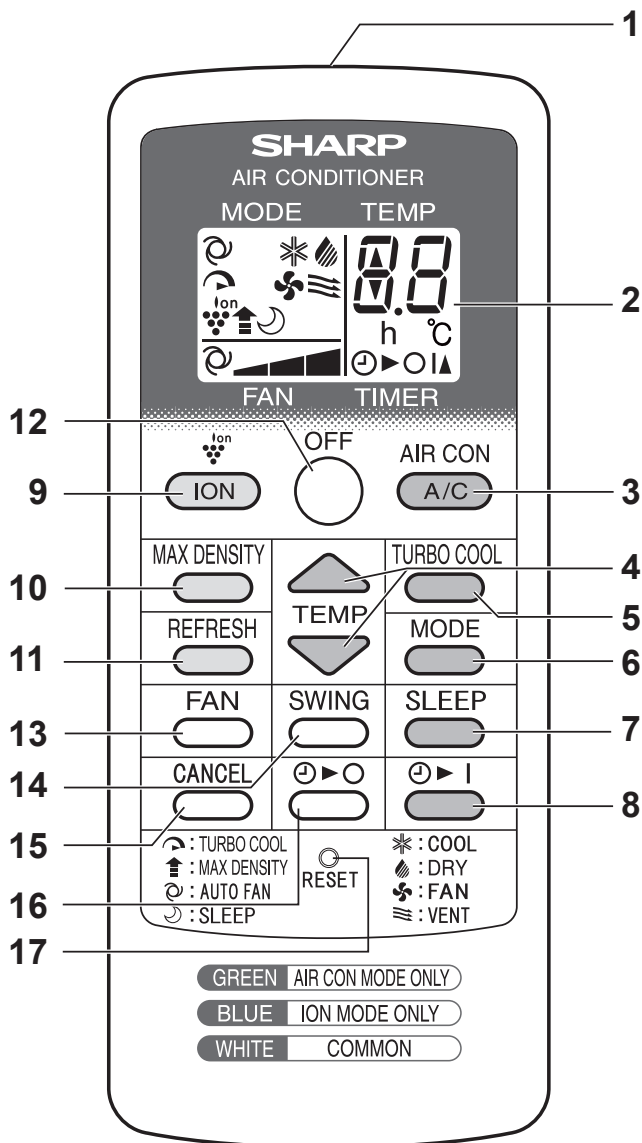


- 11 Abluftauslass
- 12 Zwischenstück für das Fenster
- 13 Abluftschlauch
- 14 Halterung für die Fernbedienung
- 15 Luftfilter
- 16 Gitter
- 17 Lufteinlass
- 18 Abflussrohr und Absperrhahn
- 19 Netzstecker
- 20 Rollen (4)

HINWEIS: Das Gerät kann leicht von den Abbildungen abweichen.



## FERNBEDIENUNG



- 1 Sender
- 2 Anzeige

### NUR KLIMAREGULIERUNG-MODUS

- 3 A/C Taste
- 4 TEMP Taste
- 5 TURBO COOL Taste
- 6 MODE-Taste
- 7 SLEEP Taste
- 8 TIMER ON- Taste

### NUR IONEN MODUS

- 9 ION Taste
- 10 MAX DENSITY Taste
- 11 REFRESH Taste

### HÄUFIG

- 12 OFF-Taste
- 13 FAN-Taste
- 14 SWING-Taste
- 15 CANCEL Taste
- 16 TIMER OFF-Taste
- 17 RESET-Taste

### 18 MODUS-Symbole

- \*: KÜHLEN    /: TROCKNEN
- ⊙: LÜFTER    ≡: VENTILATION

- 19 ERFRISCHEN Symbol
- 20 TURBO-KÜHLEN Symbol
- 21 IONEN-GENERATOR Symbol
- 22 MAXIMALE DICHTHE Symbol
- 23 SLEEP Symbol
- 24 LÜFTERGESCHWINDIGKEIT-Symbole

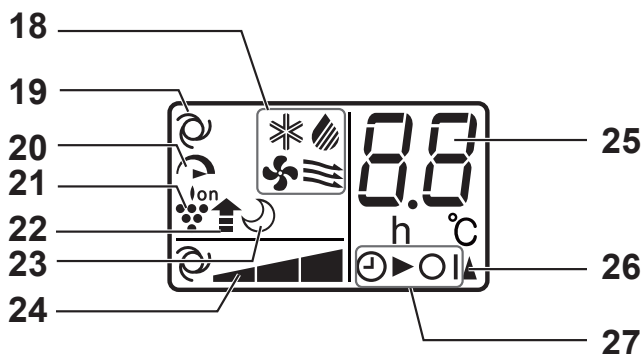
- ⊙: AUTO    ▬: SOFT
- ▬: NIEDRIG    ▬: HOCH

- 25 Temperatur und Timerfunktion-Anzeige

- 26 Sender Symbol

- 27 TIMER AN / TIMER AUS Symbol

## FERNBEDIENUNGSANZEIGE



# INSTALLATION UND AUSBAU DES ABLUFTSCHLAUCHS

## Installation des Abluftschlauchs

### 1 Befestigen Sie den Insektenschutzgitter am Zwischenstück für das Fenster.

Drücken Sie das Insektenschutzgitter fest, um sicherzustellen, dass die vier Projektionen am Zwischenstück für das Fenster in die vier Löcher passen.

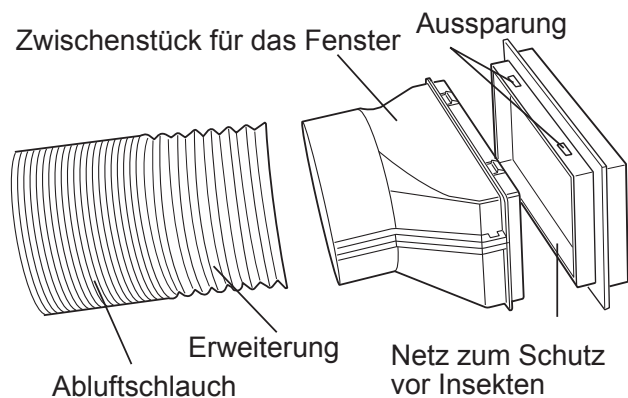
### 2 Verbinden Sie das Zwischenstück für das Fenster mit dem Abluftschlauch.

Erweitern Sie ein Ende des Abluftschlauchs und fügen Sie es in das Zwischenstück für das Fenster ein. Drehen Sie dieses bis zum Anschlag (ca. dreimal). Stellen Sie sicher, dass diese fest angebracht sind.

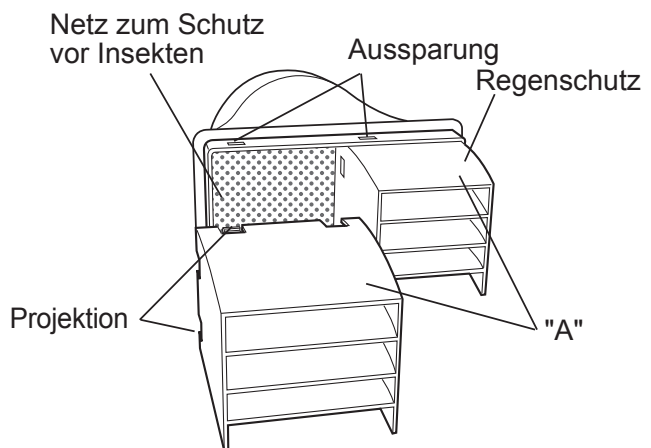
### 3 Befestigen Sie den Regenschutz am Insektenschutzgitter.

Fügen Sie die drei Projektionen an jedem Regenschutz in die Aussparungen am Insektenschutzgitter ein.

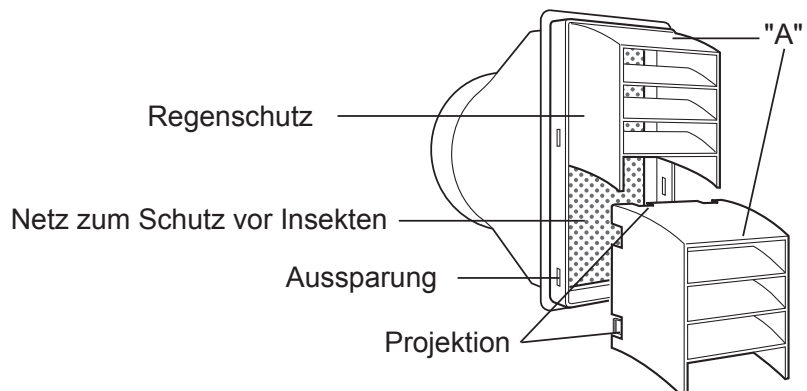
Wie im Diagramm angezeigt ist die Seite "A" nun oben.



### Horizontal platziert

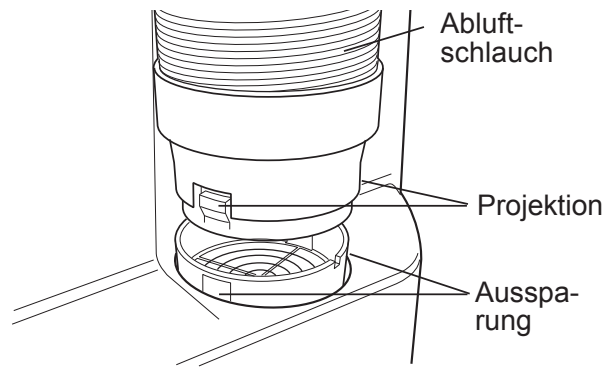


### Vertikal platziert

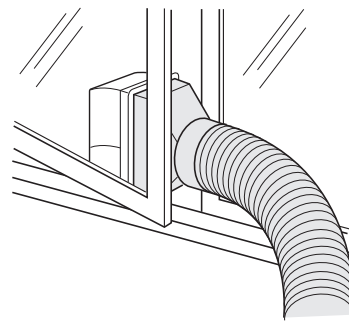


## 4 Verbinden Sie den Abluftschlauch mit dem Gerät.

Fügen Sie die zwei Projektionen in die Aussparungen am Gerät und verbinden Sie diese fest mit jeder anderen Einheit, bis es "Klick" macht.



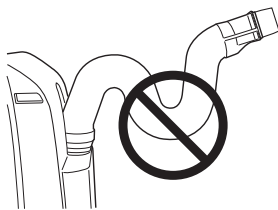
## 5 Führen Sie den Abluftschlauch nach außen.



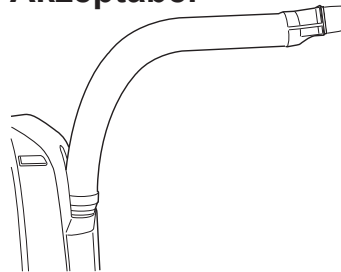
DEUTSCH

Für einen effizienten Betrieb sollte der Abluftschlauch so kurz wie möglich gehalten werden, sollte allerdings nicht verdreht oder verbogen werden.

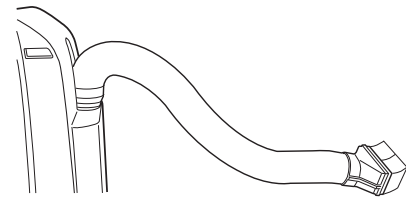
Unakzeptabel



Akzeptabel



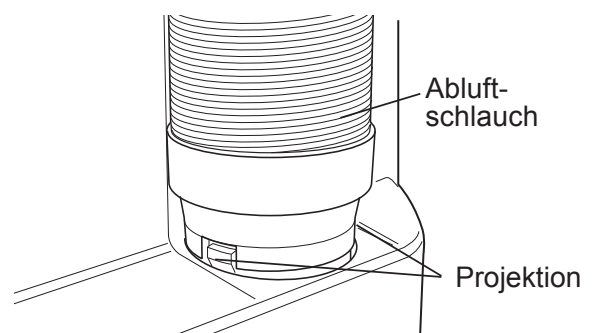
Akzeptabel



## Entfernen des Abluftschlauchs

### Entfernen des Abluftschlauchs vom Gerät.

Heben und entfernen Sie den Abluftschlauch vom Gerät, indem Sie die beiden Projektionen drücken.



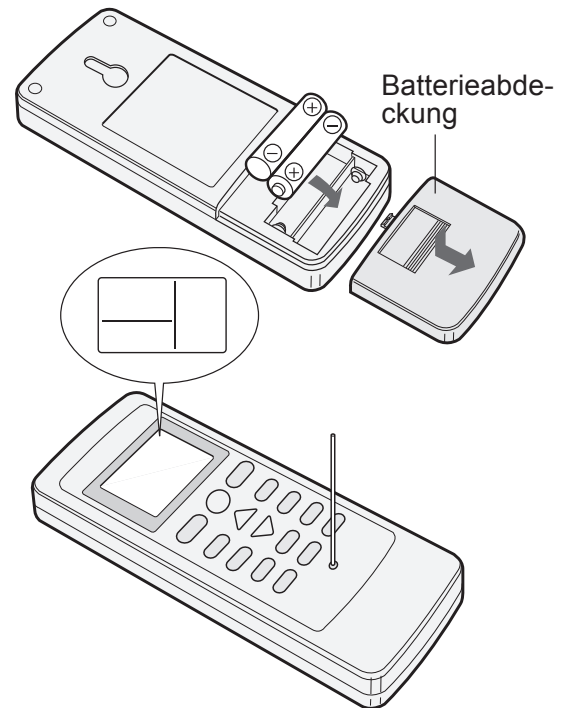
# VERWENDUNG DER FERNBEDIENUNG

## EINLEGEN DER BATTERIEN

- 1 Batterieabdeckung entfernen.**
- 2 Zwei Batterien einlegen. (AAA (R03))**
  - Stellen Sie sicher, dass der (+) und (-) Pol richtig anliegt.
  - Bei korrekter Installation der Batterien erscheinen Linien auf der Anzeige
- 3 Batterieabdeckung wieder anbringen.**
- 4 Drücken Sie die RESET-Taste mit einem langen, dünnen Gegenstand.**

### **Hinweise:**

- Bei normaler Verwendung beträgt die Lebensdauer der Batterie ungefähr ein Jahr.
- Wechseln Sie beim Austausch der Batterien immer beide aus und verwenden Sie denselben Typ.
- Falls die Fernbedienung über einen längeren Zeitraum nicht benutzt wird, bitte Batterien entfernen.



## VERWENDUNG DER FERNBEDIENUNG

Richten Sie die Fernbedienung auf den Empfänger am Hauptgerät und drücken Sie die gewünschte Taste. Beim Empfang des Signals erzeugt das Gerät einen Piepton.

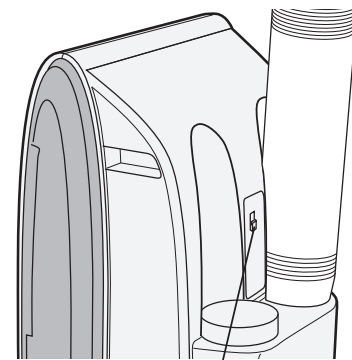
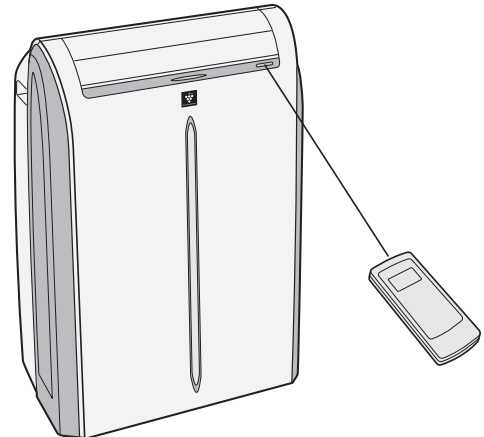
- Stellen Sie sicher, dass der Empfänger nicht von Vorhängen etc. verdeckt wird.
- Die Signalreichweite beträgt 7 m.

### **VORSICHT:**

- Setzen Sie den Empfänger keinem direkten Sonnenlicht aus. Dies könnte sonst zu Problemen führen.
- Die Verwendung von fluoreszierenden Lampen im selben Raum kann zu Problemen bei der Signalübertragung führen.
- Lassen Sie die Fernbedienung nicht im direkten Sonnenlicht oder in der Nähe von Heizungen liegen. Schützen Sie die Fernbedienung vor Feuchtigkeit und Erschütterungen.

**Um ein Verlieren der Fernbedienung zu verhindern platzieren Sie diese bitte am Gerät, wenn sie nicht verwendet wird.**

Zum Entfernen der Fernbedienung diese leicht anheben und herausziehen.



Halterung für die Fernbedienung

## HINWEISE ZUM BETRIEB

- **Der Kompressor benötigt zum Neustart der Kühlung 3 Minuten.**

Wenn Sie das Gerät abschalten und sofort danach wieder anschalten braucht der Kompressor 3 Minuten, um die Kühlleistung zu erreichen. Das Gerät verfügt über eine Elektronik, die den Kompressor aus Sicherheitsgründen 3 Minuten abgestellt lässt.

- **Bei einem Stromausfall**

Dieses Klimagerät verfügt über eine Speicherfunktion, um Einstellungen im Falle eines Stromausfalls zu sichern.

Nach Ende des Stromausfalls startet das Gerät wieder mit den Einstellungen, die vor dem Stromausfall aktiv waren. Einzige Ausnahme sind die Zeitschalter-Einstellungen.

Kommt es während der Einstellung des Zeitschalters zu einem Stromausfall, so wird diese Einstellung abgebrochen und selbst dann nicht ausgeführt, wenn der Strom wieder vorhanden ist.

- **Betrieb bei niedrigen Temperaturen: Ist das Gerät eingefroren?**

Ein Einfrieren des Gerätes kann eintreten, wenn die Temperatur des Gerätes auf 18°C gestellt ist, und niedrige Außentemperaturen, besonders in der Nacht, auftreten.

Unter diesen Umständen kann ein weiterer Temperaturabfall ein Einfrieren des Gerätes zur Folge haben.

Das Einstellen des Gerätes auf eine höhere Temperatur verhindert ein Einfrieren.

- **Trocknen Modus erhöht die Raumtemperatur.**

Während des Trocknen Modus erzeugt das Gerät Wärme und die Raumtemperatur steigt an. Warme Luft wird aus dem Luftauslass geblasen. Dies ist normal und zeigt kein Problem mit dem Gerät an.

- **Während des Kühlen Modus bläst dieses Gerät die erzeugte Warmluft über den Abluftschlauch nach außen.**

Dies hat zur Folge, dass die gleiche Menge an ausgeblasener Luft wieder von außen durch Öffnungen im Raum eintritt.

- **Bei Kühlbetrieb mit hoher Luftfeuchtigkeit kann sich der Wassertank im Inneren des Gerätes schnell füllen.**

Bei vollem Tank im Inneren des Gerätes stoppt das Gerät den Betrieb und die orange TIMER, die grüne AIR CON und die rote MAXIMUM Leuchten blinken. In diesem Fall bitte das Wasser innerhalb des Gerätes ablassen.

## BETRIEBSBEDINGUNGEN

- **Das Gerät muss innerhalb des folgenden Temperaturbereichs betrieben werden.**

Modus	Raumtemperatur
Kühlen	18°C - 40°C
Trocknen	15°C - 40°C

- Wenn diese Temperaturlimits überschritten werden schaltet ein eingebautes Sicherheitsgerät den Betrieb ab.

- Wenn das Gerät bei hohen Raumtemperaturen im Kühlen Modus läuft, dreht sich der Lüfter mit einer niedrigeren Geschwindigkeit.

## TIPPS ZUR ENERGIEEFFIZIENZ-KLASSE

- **Vermeiden Sie direkte Sonneneinstrahlung**

Schließen Sie während des Kühlbetriebs Jalousien, Vorhänge oder Blenden, um eine direkte Sonneneinstrahlung zu vermeiden.

- **Halten Sie die Filter sauber.**

Das Sauberhalten der Filter ist sehr hilfreich für einen effizienten Betrieb. Ein verdreckter Filter blockiert den Luftfluss und erschwert Ihrem Gerät den effizienten Betrieb.

# BENUTZUNG DES KLIMAGERÄTS

Verwenden, wenn sich das Gerät im Modus Kühlen, Trocknen, oder Lüfter oder Ventilation befindet. Während des Betriebs werden immer Plasmacluster-Ionen in den Raum geleitet.

- In diesen Modi muss der Abluftschlauch installiert sein.
- Sicherstellen, dass der Absperrhahn korrekt am Abflussrohr befestigt ist.

## KÜHLEN (COOL) MODUS

- 1 Drücken Sie die MODE-Taste, um den KÜHLEN Modus zu wählen.



- 2 Drücken Sie die A/C-Taste, um den Betrieb zu starten.
  - Die grüne AIR CON Lampe leuchtet auf.

### AUSSCHALTEN

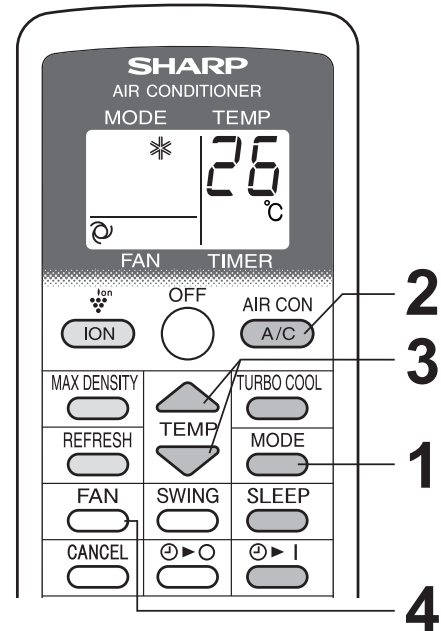
Drücken Sie die OFF-Taste

- Die grüne AIR CON Lampe erlischt.

- 3 Drücken Sie die TEMP-Taste, um die gewünschte Temperatur einzustellen.

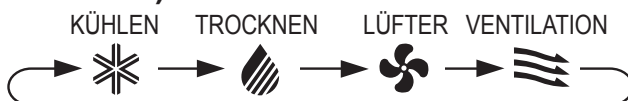
Temperatureinstellungsbereich: 18°C bis 32°C.

- 4 Drücken Sie die FAN-Taste, um die Lüftergeschwindigkeit zu wählen.



## TROCKNEN MODUS

- 1 Drücken Sie die MODE-Taste, um den DRY (Trocknen) Modus zu wählen.

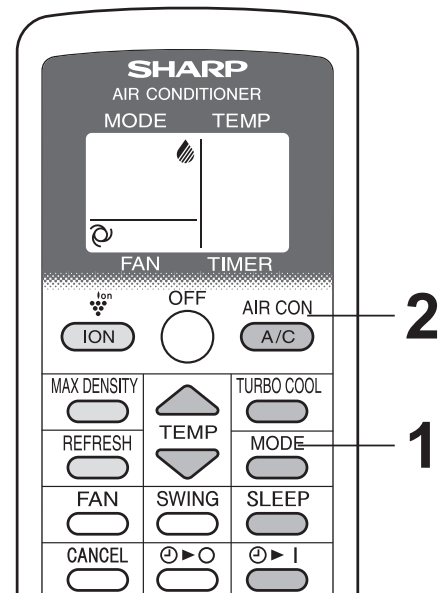


- 2 Drücken Sie die A/C-Taste, um den Betrieb zu starten.
  - Die grüne AIR CON Lampe leuchtet auf.
  - Die Temperatur kann nicht eingestellt werden.
  - Die Lüftergeschwindigkeit ist auf AUTOM. voreingestellt und kann nicht geändert werden.

### AUSSCHALTEN

Drücken Sie die OFF-Taste

- Die grüne AIR CON Lampe erlischt.



### HINWEISE:

- Obwohl Sie das Gerät im Trocknen Modus ohne Abluftschlauch betreiben können erzeugt das Gerät während des Betriebs Wärme und die Raumtemperatur steigt an.
- Ein Betrieb im Trocknen Modus mit angebrachtem Schlauch (nicht im Lieferumfang enthalten) ist möglich. Entfernen Sie den Absperrhahn und verbinden Sie den Schach mit dem Abflussrohr. Leiten Sie dieses in einen Behälter am Boden, um das Abfließen des Wassers aus dem Gerät zu ermöglichen.

## LÜFTER MODUS (FAN)

Das Gerät zirkuliert die Luft.

### 1 Drücken Sie die MODE-Taste, um den LÜFTER Modus zu wählen.



### 2 Drücken Sie die A/C-Taste, um den Betrieb zu starten.

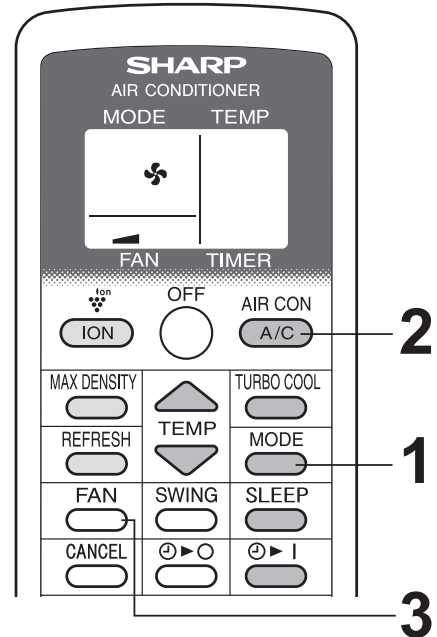
- Die grüne AIR CON Lampe leuchtet auf.
- Die Temperatur kann nicht eingestellt werden.

#### AUSSCHALTEN

Drücken Sie die OFF-Taste

- Die grüne AIR CON Lampe erlischt.

### 3 Drücken Sie die FAN-Taste, um die Lüftergeschwindigkeit zu wählen.

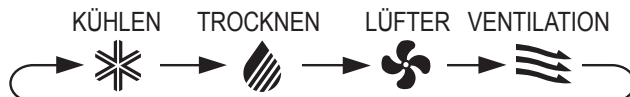


DEUTSCH

## VENTILATION MODUS

Das Gerät ventiliert die Luft nach außen.

### 1 Drücken Sie die MODE-Taste, um den VENT Modus zu wählen.



### 2 Drücken Sie die A/C-Taste, um den Betrieb zu starten.

- Die grüne AIR CON Lampe leuchtet auf.
- Die Temperatur kann nicht eingestellt werden.

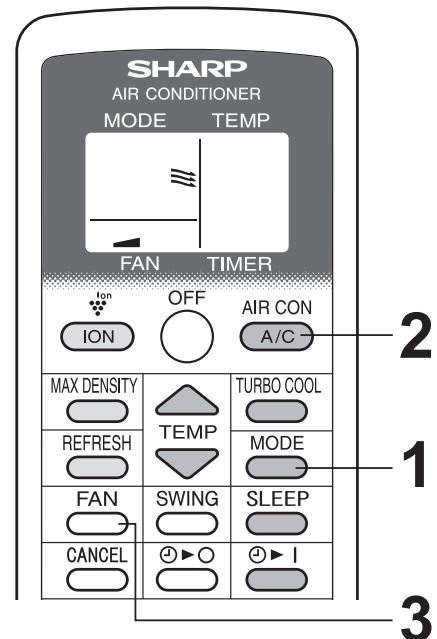
#### AUSSCHALTEN

Drücken Sie die OFF-Taste

- Die grüne AIR CON Lampe erlischt.

### 3 Drücken Sie die FAN-Taste, um die Lüftergeschwindigkeit zu wählen.

- Obwohl die Lamellen geschlossen sind und keine Luft in den Raum geblasen wird verändert sich die Lüfterdrehzahl der externen Ventilation.



# BENUTZUNG DES KLIMAGERÄTS

## UM DIE RICHTUNG DES LUFTFLUSSES ZU ÄNDERN

### LUFTFLUSS NACH OBEN/NACH UNTEN

#### 1 Drücken Sie die SWING-Taste

- Die horizontalen Lamellen beginnen zu schwingen.

#### 2 Drücken Sie die SWING-Taste erneut, um in der gewünschten Position anzuhalten.

#### VORSICHTSMAßNAHMEN.

Versuchen Sie niemals, die horizontalen Lamellen manuell einzustellen.

- Eine manuelle Verstellung der horizontalen Lamellen kann eine Fehlfunktion des Gerätes hervorrufen, wenn die Fernbedienung zur Einstellung verwendet wird.
- Wenn die Lamellen für die Einstellung des horizontalen Luftstroms in den Betriebsarten KÜHLEN oder TROCKNEN über einen längeren Zeitraum auf die niedrigste Position eingestellt sind, kann dies zu Kondensation führen.


#### HINWEIS:

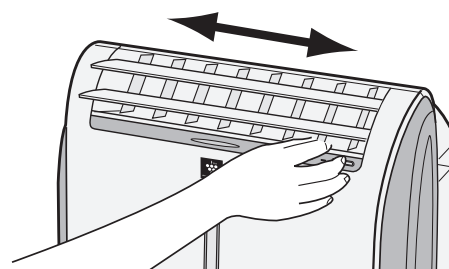
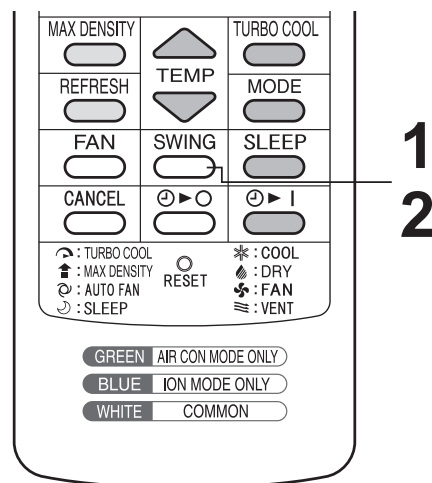
- Während des VENTILATION Modus kann die Luftflussrichtung NACH OBEN/NACH UNTEN nicht verändert werden.

### LUFTFLUSS NACH RECHTS/NACH LINKS

Halten Sie die vertikalen Lamellen wie im Diagramm angezeigt und stellen Sie die Luftflussrichtung ein.

#### VORSICHT:

- Stellen Sie die vertikalen Lamellen im KÜHLEN Modus und einer eingestellten Lüftergeschwindigkeit auf "SOFT (  )" nicht über einen längeren Zeitraum extrem nach rechts oder nach links. Es kann sich Kondensation auf den Lamellen bilden.






## TURBO-KÜHLEN BETRIEB

Der Gerätelüfter läuft auf extra hoher Drehzahl bei einer Temperatureinstellung von 15°C.

### 1 Drücken Sie die TURBO COOL Taste im Kühlen Modus.

- Die Fernbedienung zeigt “” an.
- Die Temperaturanzeige verschwindet.
- Die rote MAXIMUM-Lampe leuchtet auf.

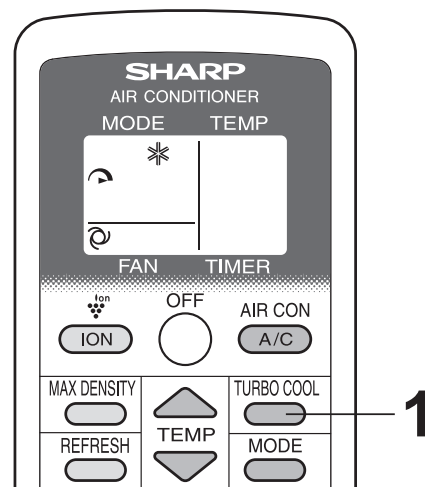
### ABBRECHEN

#### Drücken Sie die TURBO COOL-Taste erneut.

Die rote MAXIMUM-Lampe erlischt.

#### Hinweise:

- Während des TURBO-KÜHLEN Betriebs können weder Temperatur noch Lüfterdrehzahl eingestellt werden.
- Der Lüfter begibt sich in die HOCH-Drehzahleinstellung nach 30 Minuten im TURBO-KÜHLEN-Modus.
- Zum Schutz des Gerätes kann es sein, dass die extra hohe Lüfterdrehzahl verringert wird.
- TURBO-KÜHLEN Betrieb und SLEEP Betrieb können nicht miteinander verwendet werden.




DEUTSCH

## SLEEP BETRIEB

Bei eingestelltem SLEEP Betrieb wird die Temperatur automatisch angepasst, um ein zu starkes Abkühlen des Raumes zu vermeiden.

### 1 Drücken Sie die SLEEP-Taste im Kühlen Modus.

- Die Fernbedienung zeigt “” an.
- Die orange TIMER-Lampe leuchtet auf.
- Das Gerät stoppt den Betrieb nach 8 Stunden.
- Die Lüftergeschwindigkeit wird auf AUTO gestellt.

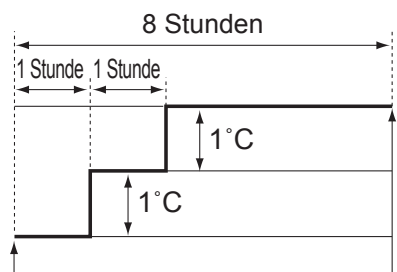
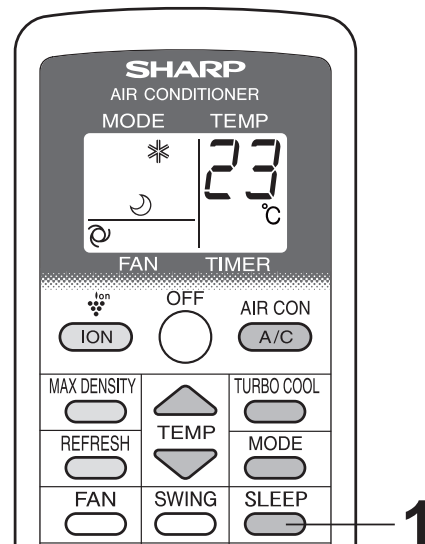
### ABBRECHEN

#### Drücken Sie die SLEEP-Taste

- Die orange TIMER-Lampe erlischt.

#### HINWEISE:

- Eine Stunde nachdem der SLEEP Betrieb gestartet wurde erhöht sich die Temperatur um 1°C und nach einer weiteren Stunde erneut um 1°C. Die Temperaturanzeige verändert die originale Einstellung nicht.
- TURBO-KÜHLEN Betrieb und SLEEP Betrieb können nicht miteinander verwendet werden.
- TIMER OFF, TIMER ON und SLEEP Betrieb können nicht mit einander verwendet werden. Nur die letzten Einstellungen werden verwendet.



Start des SLEEP Betriebs

Das Gerät schaltet sich ab.

# BENUTZUNG DES KLIMAGERÄTS

## BETRIEB MIT DEM ZEITSCHALTER

### ZEITSCHALTER EIN (TIMER ON)

- 1 Drücke Sie die **TIMER ON** Taste und stellen Sie die gewünschte Zeit ein.

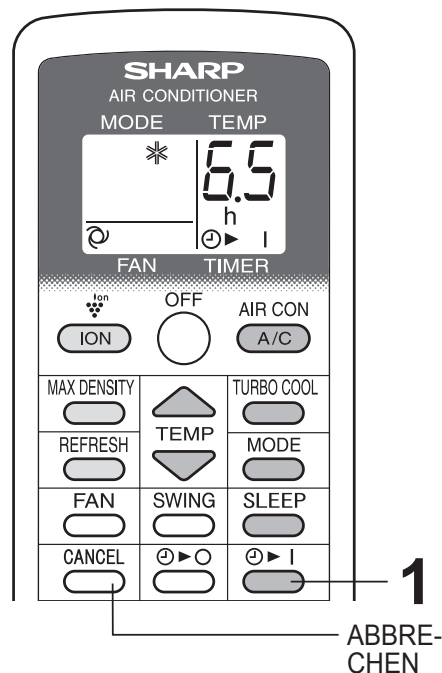


- Die orange TIMER-Lampe leuchtet auf.
- Die Zeit wird herunter gezählt und die verbleibende Zeit wird angezeigt.

### ABBRECHEN

Drücken Sie die **CANCEL**-Taste

- Die orange TIMER-Lampe erlischt.



### ZEITSCHALTER AUS (TIMER OFF)

- 1 Drücken Sie die **TIMER OFF** Taste und stellen Sie die gewünschte Zeit ein.



- Die orange TIMER-Lampe leuchtet auf.
- Die Zeit wird herunter gezählt und die verbleibende Zeit wird angezeigt.

### ABBRECHEN

Drücken Sie die **CANCEL**-Taste

- Die orange TIMER-Lampe erlischt.



### HINWEISE:

- Die Dauer des Timers kann von min. einer halben Stunde bis auf ein max. von 12 Stunden eingestellt werden. Bis zu 9,5 Stunden können 0,5 Stunden-Schritte, und von 10 bis 12 Stunden 1-Stunden-Schritte eingestellt werden.
- TIMER OFF und TIMER ON können nicht gleichzeitig eingestellt werden.
- Kommt es während der Einstellung von TIMER OFF oder TIMER ON zu einem Stromausfall, so wird die TIMER Einstellung abgebrochen und selbst dann nicht ausgeführt, wenn der Strom wieder hergestellt ist.
- Wenn die Temperatur während der Zeitschalter- Einstellungen angepasst wird, so wird die Temperatur für 5 Sekunden angezeigt und danach wieder die Zeitschalter- Einstellung.

## VERWENDUNG ALS IONEN-GENERATOR

Verwenden, wenn das Gerät unabhängig als IONEN-GENERATOR betrieben wird. Es muss kein Abluftschlauch installiert werden. Während des Betriebs als IONEN-GENERATOR wird keine warme Luft aus dem Abluftschlauch austreten.

### IONEN-GENERATOR MODUS

#### 1 Drücken Sie die ION-Taste, um den Betrieb zu starten.

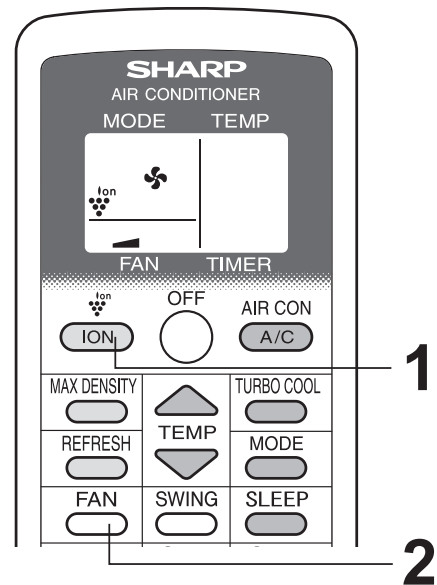
- Die blaue ION-GENERATOR Lampe leuchtet auf.

#### AUSSCHALTEN

#### Drücken Sie die OFF-Taste

- Die blaue ION-GENERATOR Lampe erlischt.

#### 2 Drücken Sie die FAN-Taste, um die Lüftergeschwindigkeit zu wählen.



DEUTSCH

### Hinweis zum ION GENERATOR MODUS

Der Ionen-Generator im Inneren des Gerätes verteilt Plasmacluster-Ionen im Raum. Plasmacluster-Ionen reduzieren Schimmelpilze in der Luft.

Plasmacluster ist eine original Technologie von SHARP.

Mehr Informationen finden Sie auf unserer Presseveröffentlichung unter:

<http://www.sharp-pci.com/>

Die Website kann jederzeit ohne vorherige Ankündigung geändert werden.

# VERWENDUNG ALS IONEN-GENERATOR

## UM DIE RICHTUNG DES LUFTFLUSSES ZU ÄNDERN

### LUFTFLUSS NACH OBEN/NACH UNTEN

#### 1 Drücken Sie die SWING-Taste

- Die horizontalen Lamellen beginnen zu schwingen.

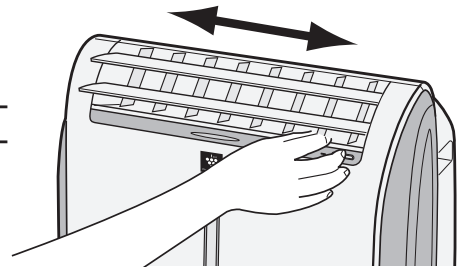
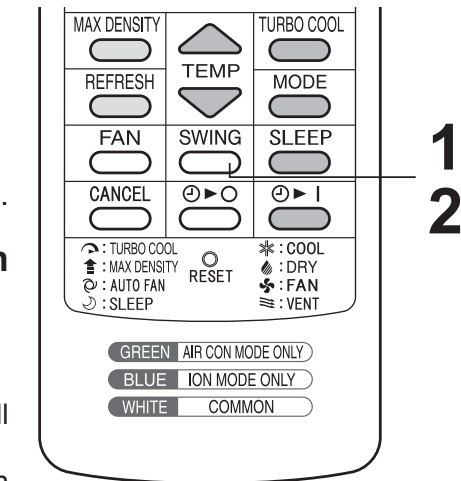
#### 2 Drücken Sie die SWING-Taste erneut, um in der gewünschten Position anzuhalten.

#### VORSICHT:

- Versuchen Sie niemals, die horizontalen Lamellen manuell einzustellen.
- Eine manuelle Verstellung der horizontalen Lamellen kann eine Fehlfunktion des Gerätes hervorrufen, wenn die Fernbedienung zur Einstellung verwendet wird.

### LUFTFLUSS NACH RECHTS/NACH LINKS

Halten Sie die vertikalen Lamellen wie im Diagramm angezeigt und stellen Sie die Luftflussrichtung ein.



## MAX DENSITY (MAX DICHTE) BETRIEB

Das Gerät gibt die max. Dichte an Plasmakluster-Ionen frei. Durch das kontinuierliche Entladen eines "extra hohen" Luftstroms über 30 Minuten entlädt das Gerät die Ionen effektiver in den Raum.

#### 1 Während des Ionen-Generator-Betriebs drücken Sie die MAX DENSITY Taste.

- Die Fernbedienung zeigt "↑" an.
- Die rote MAXIMUM-Lampe leuchtet auf.

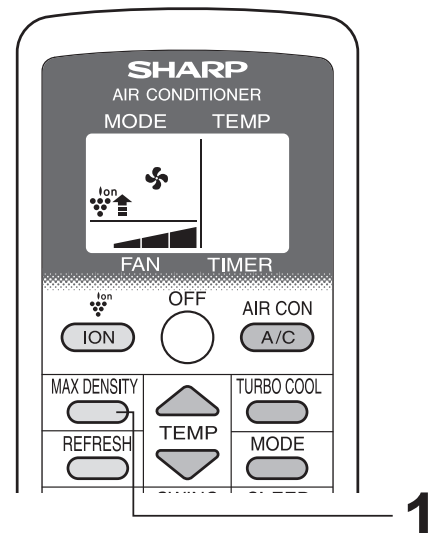
#### ABBRECHEN

Drücken Sie die MAX DENSITY Taste erneut.

Die rote MAXIMUM-Lampe erlischt.

#### HINWEISE:

- Während des MAX DENSITY Betriebs kann Lüfterdrehzahl nicht eingestellt werden.
- Der MAX DENSITY wird nach 30 Minuten automatisch abgebrochen und das Gerät begibt sich zurück in die originale Einstellung
- MAX DENSITY Betrieb und REFRESH Betrieb können nicht miteinander verwendet werden.



## REFRESH (ERFRISCHEN) BETRIEB

Der REFRESH Betrieb reduziert Gerüche von Kleidung mit Plasmacluster-Ionen. Es wird empfohlen, diese Funktion vor einer Garderobe, Abstellraum, Waschküche oder vor hängender Kleidung durchzuführen.

### 1 Während des Ionen-Betriebs drücken Sie die REFRESH Taste.

- Die orange TIMER-Lampe leuchtet auf.
- Die Fernbedienung zeigt "⌚" an.
- Die horizontalen Lamellen beginnen zu schwingen.
- Das Gerät stoppt den Betrieb nach 5 Stunden.

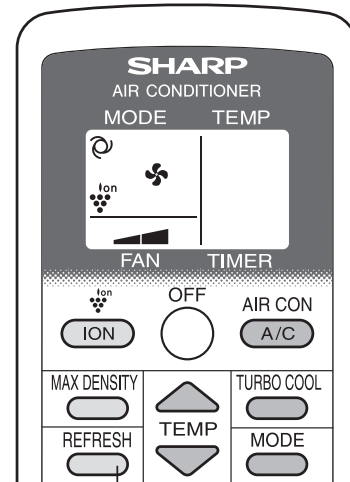
### ABBRECHEN

Drücken Sie die REFRESH Taste erneut.

- Die orange TIMER-Lampe erlischt.

### HINWEISE:

- Stellen Sie die Lamellen so ein, dass die Luft vom Gerät in Richtung der Kleidung geblasen wird.
- REFRESH Betrieb und MAX DENSITY Betrieb können nicht miteinander verwendet werden.
- REFRESH Betrieb und TIMER OFF Betrieb können nicht gleichzeitig eingestellt werden.
- In dieser Betriebsart reduzieren Plasmacluster effektiv den Geruch von Zigarettenrauch usw. Dies ist allerdings nicht immer effektiv für alle Arten von Gerüchen.
- Abhängig von der Stärke des Geruches, dem Abstand zwischen Gerät und Kleidung und der Betriebszeit wird die Reduzierung der Gerüche evtl. nicht ausreichend sein.



DEUTSCH

## ZEITSCHALTER AUS (TIMER OFF) BETRIEB

### 1 Drücken Sie die TIMER OFF Taste und stellen Sie die gewünschte Zeit ein.



- Die orange TIMER-Lampe leuchtet auf.
- Die Zeit wird herunter gezählt und die verbleibende Zeit wird angezeigt.

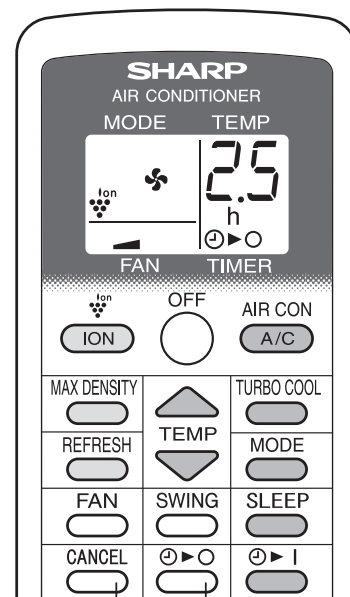
### ABBRECHEN

Drücken Sie die CANCEL-Taste

- Die orange TIMER-Lampe erlischt.

### HINWEISE:

- Die Dauer des Timers kann von min. einer halben Stunde bis auf max. 12 Stunden eingestellt werden. Bis zu 9,5 Stunden können 0,5 Stunden-Schritte, und von 10 bis 12 Stunden 1-Stunden-Schritte eingestellt werden.
- Im IONEN GENERATOR Modus kann TIMER ON nicht eingestellt werden
- Kommt es während der Einstellung des TIMER OFF zu einem Stromausfall, so wird die TIMER Einstellung abgebrochen und selbst dann nicht ausgeführt, wenn der Strom wieder vorhanden ist.



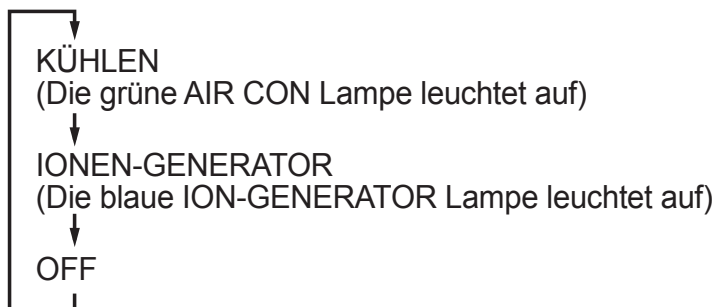
1  
ABBRECHEN

## BETRIEB DES HAUPTGERÄTES

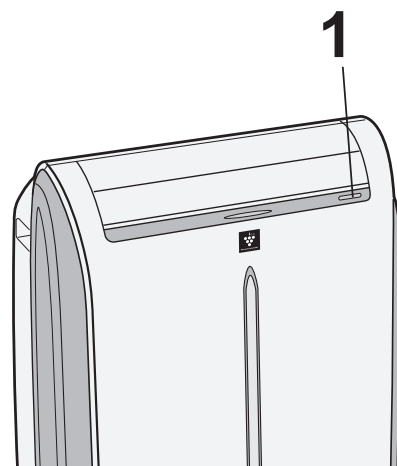
Benutzen Sie diesen Modus, wenn die Fernbedienung nicht vorhanden ist.

### 1 Drücken Sie die POWER-Taste, um den Betrieb zu starten.

- Der Modus verändert sich, wenn sie diese Taste innerhalb von 5 Sekunden drücken.



- Im Kühlen Modus wird das Gerät in der letzten vorgenommenen Einstellung betrieben. Sollte das Gerät seit der letzten Trennung vom Netz nicht mehr betrieben worden sein, so wird es mit Kühlen Modus bei einer Temperatur von 20°C hochgefahren. Die Lüfterdrehzahl ist auf AUTO gesetzt.



### AUSSCHALTEN

Drücken Sie die POWER-Taste während des Betriebs.

## ENTWÄSSERUNG

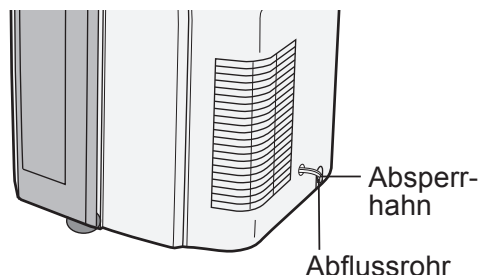
In folgenden Fällen bitte das Wasser aus dem Gerät ablassen.

- Wenn das Gerät den Betrieb stoppt, und die orange TIMER Lampe, die grüne AIR CON Lampe und die rote MAXIMUM Lampe blinken, ist der Wassertank voll und das Wasser muss abgelassen werden.
- Wenn das Gerät über einen längeren Zeitraum nicht verwendet wurde.

**1** Ziehen Sie den Netzstecker und bewegen Sie das Gerät vorsichtig zu einem Abfluss oder nach draußen, um kein Wasser im Raum zu verschütten.

**2** Entfernen Sie den Absperrhahn vom Abflussrohr und lassen Sie das Wasser aus dem Gerät ab.

**3** Verschließen Sie das Abflussrohr mit dem Absperrhahn.



## WARTUNG

Vor dem Beginnen mit der Reinigung stellen Sie bitte sicher, dass das Netzkabel von der Steckdose getrennt ist.

### REINIGUNG DES FILTERS

Ein mit Staub verschmutzter Filter beeinträchtigt den Luftfluss, was zu einer Leistungsverringerung führt. Der Filter sollte alle 2 Wochen gereinigt werden.

#### LUFTFILTER

##### 1 ENTNEHMEN DES FILTERS

- Ziehen Sie den Filter nach rechts.

##### 2 REINIGUNG DES FILTERS

- Verwenden Sie zum Entfernen des Staubs einen Staubsauger. Bei einem stark verschmutzten Filter waschen Sie diesen mit einem Waschmittel und spülen Sie ihn vorsichtig mit klarem Wasser ab. Vor dem Wiedereinsetzen der Filter diese trocknen. Nicht direktem Sonnenlicht aussetzen.

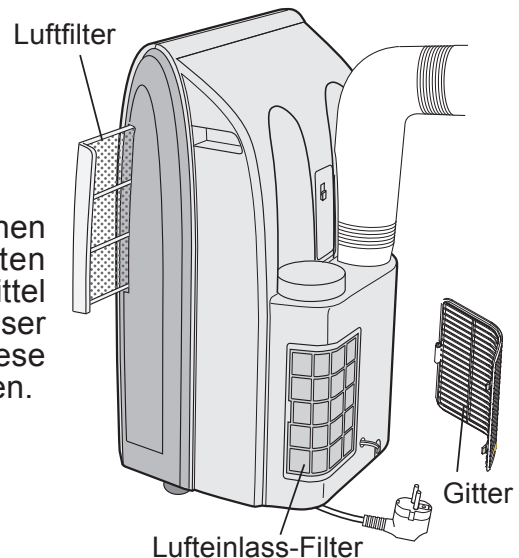
##### 3 EINSETZEN DES FILTERS

#### LUFTEINLASS-FILTER

Entfernen Sie das Gitter und reinigen Sie den Lufteinlass-Filter mit einem Staubsauger.

#### VORSICHT:

Das Gerät niemals ohne Filter betreiben. Dies kann zu erheblichen Schäden des Gerätes führen.



DEUTSCH

### REINIGUNG DES GERÄTS UND DER FERNBEDIENUNG

Reinigen Sie die Einheiten mit einem weichen, trockenen Tuch oder einem feuchten Tuch mit milder Seife. Entfernen Sie alle Rückstände vorsichtig durch Abwischen mit einem feuchten Tuch und trocknen Sie die Einheiten vollständig. Spritzen Sie kein Wasser in das Gerät. Wasser kann die Elektrik des Gerätes beschädigen. Verwenden Sie niemals aggressive Chemikalien oder Scheuermittel an Teilen des Gerätes. Zur Vermeidung von Schäden am Gerät bei der Reinigung kein heißes Wasser verwenden (50°C oder mehr).

### BEI EINLAGERUNG ÜBER EINEN LÄNGEREN ZEITRAUM (NICHT IN VERWENDUNG)

**1** Lassen Sie das Wasser innerhalb des Gerätes komplett ab und verschließen Sie das Abflussrohr mit einem Absperrhahn.

**2** Betreiben Sie das Gerät im FAN (Lüfter) oder VENTILATION Modus für einen halben Tag, um das Innere des Gerätes auszutrocknen.

**3** Reinigen Sie die Filter und setzen Sie sie anschließend wieder ein.

**4** Ziehen Sie den Netzstecker aus der Steckdose

## BEVOR SIE DEN KUNDENDIENST RUFEN

Falls das Gerät eine Fehlfunktion aufweist, prüfen Sie folgende Punkte nach, bevor Sie den Kundendienst anrufen.

### DAS GERÄT FUNKTIONIERT ÜBERHAUPT NICHT

- Ist das Gerät an die Stromverbindung angeschlossen oder ist der Stecker lose?
- Ist die Sicherung durchgebrannt oder der Schutzschalter ausgelöst?
- Blinken die grüne AIR CON Lampe, die orange TIMER Lampe und die rote MAXIMUM Lampe? Der Wassertank im Inneren des Gerätes ist voll und muss abgelassen werden (Siehe Seite 18)

### DAS GERÄT KÜHLT NICHT AUSREICHEND

- Ist das Gerät auf die Modi LÜFTER, TROCKNEN, VENTILATION oder IONEN-GENERATOR eingestellt?  
In diesen Modi findet keine Kühlung statt. Ändern Sie den MODUS.
- Ist der Filter mit Staub verschmutzt?  
Reinigen Sie den Filter.
- Ist die Kühlspule eingefroren?  
Bei eingefrorener Kühlspule wird keine Luft ausgeblasen.  
Betreiben Sie das Gerät im FAN (Lüfter) Modus mit der Lüfterdrehzahl auf "HOCH", bis das Eis abgetaut ist.
- Ist die Temperatur richtig eingestellt?
- Ist das Fenster direkter Sonneneinstrahlung ausgesetzt?  
Schließen Sie Vorhänge oder Jalousien, um das Aufheizen des Raumes durch Sonnenlicht zu minimieren.
- Ist der Abluftschlauch zu lange?  
Für einen effektiven Betrieb muss der Abluftschlauch so kurz als möglich gehalten werden. Der Abluftschlauch darf nicht verdreht oder geknickt sein.

### GERÄUSCHE

- Das Gerät gibt in den ersten 2-3 Minuten nach dem einschalten laute Geräusche von sich. Dies sind Geräusche vom anlaufenden Kompressor und absolut normal.
- Ein sanftes Rascheln oder Surren ertönt unmittelbar nachdem das Gerät an- oder ausgeschaltet wird, und während des Betriebs. Dieses Geräusch kommt vom Kühlmittel, das innerhalb des Gerätes zirkuliert.
- Wenn das Gerät Plasmacluster-Ionen erzeugt ist ein tiefes Brummen wahrzunehmen.
- Das Gerät verdunstet während des Kühlbetriebs kondensiertes Wasser innerhalb des Gerätes durch den Abluftauslass. Dies ist das Geräusch des fließenden Wassers und ist vollkommen normal.
- Ein Gurgeln ist zu hören, wenn das Gerät auf einem leicht abfallenden Untergrund betrieben wird. Platzieren Sie das Gerät auf einem ebenen Boden.

### DAS GERÄT ARBEITET NICHT KORREKT

- Kommt es während der Einstellung des TIMERS zu einem Stromausfall, so wird diese Einstellung abgebrochen und selbst dann nicht ausgeführt, wenn der Strom wieder vorhanden ist. Dies ist bei diesem Gerät normal.

### DAS GERÄT EMPFÄNGT DAS SIGNAL DER FERNBEDIENUNG NICHT

- Überprüfen Sie die Batterien der Fernbedienung und tauschen Sie diese bei Bedarf aus.
- Versuchen Sie noch einmal, das Signal zu senden, indem Sie die Fernbedienung dabei direkt auf den Empfänger am Gerät richten.
- Überprüfen Sie, ob die Batterien mit der richtigen Polarität in die Fernbedienung eingelegt worden sind.

### DIE ABLUFT RIECHT

- Der Plasmacluster-Ionen-Generator gibt geringe Spuren von Ozon ab, die evtl. einen Geruch erzeugen. Diese Ozon-Emissionen liegen unterhalb der Sicherheitsstufen und halten die föderalen Ozon-Emission-Begrenzungen ein.



DEUTSCH



Atención: su producto está marcado con este símbolo. Significa que los productos eléctricos y electrónicos usados no deberían mezclarse con los residuos domésticos generales. Existe un sistema de recogida independiente para estos productos.

## A. Información sobre eliminación para usuarios particulares

### 1. En la Unión Europea

Atención: si quiere desechar este equipo, ¡por favor no utilice el cubo de la basura habitual!

Los equipos eléctricos y electrónicos usados deberían tratarse por separado de acuerdo con la legislación que requiere un tratamiento, una recuperación y un reciclaje adecuados de los equipos eléctricos y electrónicos usados.

Tras la puesta en práctica por parte de los estados miembros, los hogares de particulares dentro de los estados de la Unión Europea pueden devolver sus equipos eléctricos y electrónicos a los centros de recogida designados sin coste alguno \*.

En algunos países\* es posible que también su vendedor local se lleve su viejo producto sin coste alguno si Ud. compra uno nuevo similar.

\*) Por favor, póngase en contacto con su autoridad local para obtener más detalles.

Si sus equipos eléctricos o electrónicos usados tienen pilas o acumuladores, por favor deséchelos por separado con antelación según los requisitos locales.

Al desechar este producto correctamente, ayudará a asegurar que los residuos reciban el tratamiento, la recuperación y el reciclaje necesarios, previniendo de esta forma posibles efectos negativos en el medio ambiente y la salud humana que de otra forma podrían producirse debido a una manipulación de residuos inapropiada.

### 2. En otros países fuera de la Unión Europea

Si desea desechar este producto, por favor póngase en contacto con las autoridades locales y pregunte por el método de eliminación correcto.

Para Suiza: Los equipos eléctricos o electrónicos pueden devolverse al vendedor sin coste alguno, incluso si no compra ningún nuevo producto. Se puede encontrar una lista de otros centros de recogida en la página principal de [www.swico.ch](http://www.swico.ch) o [www.sens.ch](http://www.sens.ch).

## B. Información sobre Eliminación para empresas usuarias

### 1. En la Unión Europea

Si el producto se utiliza en una empresa y quiere desecharlo:

Por favor póngase en contacto con su distribuidor SHARP, quien le informará sobre la recogida del producto. Puede ser que le cobren los costes de recogida y reciclaje. Puede ser que los productos de tamaño pequeño (y las cantidades pequeñas) sean recogidos por sus centros de recogida locales.

Para España: por favor, póngase en contacto con el sistema de recogida establecido o con las autoridades locales para la recogida de los productos usados.

### 2. En otros países fuera de la Unión Europea

Si desea desechar este producto, por favor póngase en contacto con sus autoridades locales y pregunte por el método de eliminación correcto.



Pb

Las baterías suministradas con este producto contienen pequeñas cantidades de Plomo.

Para EU: El contenedor de basura con ruedas tachado indica que las baterías usadas no deberían mezclarse con los residuos domésticos generales. Existe un sistema de recogida independiente de baterías usadas, para permitir un correcto tratamiento y reciclado de acuerdo con la legislación vigente. Por favor póngase en contacto con el sistema de recogida establecido o con las autoridades locales para la recogida selectiva de las baterías usadas.

Para Suiza: Las baterías usadas deben ser retornadas al punto de venta.

Para otros países fuera de la Unión Europea: Por favor póngase en contacto con las autoridades locales para un correcto procedimiento de eliminación de las baterías usadas.

Contiene gases fluorados de efecto invernadero regulados por el Protocolo de Kioto R410A (Potencial de calentamiento atmosférico 1975)

Antes de usar la unidad lea detenidamente el manual. Guárdelo en un lugar seguro para consultarlo con facilidad.

Visite <http://sharp-world.com/> para obtener una versión electrónica de este manual.

## ÍNDICE

- PRECAUCIONES DE SEGURIDAD ..... ES-2
- INCLUIDA..... ES-3
- NOMBRES DE LAS PIEZAS ..... ES-4
- INSTALACIÓN Y EXTRACCIÓN DE LA MANGUERA DE ESCAPE .. ES-6
- USO DEL MANDO A DISTANCIA ..... ES-8
- OBSERVACIONES SOBRE EL FUNCIONAMIENTO..... ES-9

### USO DE ACONDICIONADOR DE AIRE

- MODO FRIO ..... ES-10
- MODO SECAR..... ES-10
- MODO VENTILADOR..... ES-11
- MODO VENTILACIÓN ..... ES-11
- PARA CAMBIAR LA DIRECCIÓN DEL FLUJO DE AIRE..... ES-12
- FUNCIONAMIENTO DEL TURBO FRÍO ..... ES-13
- PROGRAMA DE APAGADO PROGRAMADO..... ES-13
- FUNCIONAMIENTO DEL TEMPORIZADOR..... ES-14

### SE USA PARA LA GENERACIÓN DE IONES

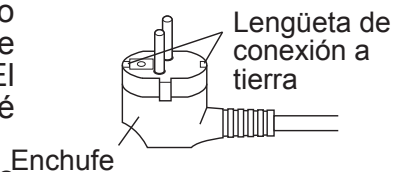
- MODO GENERADOR DE IONES..... ES-15
- PARA CAMBIAR LA DIRECCIÓN DEL FLUJO DE AIRE..... ES-16
- FUNCIONAMIENTO EN DENSIDAD MÁXIMA..... ES-16
- OPERACIÓN DE REFRESCAR ..... ES-17
- FUNCIONAMIENTO EN TEMPORIZADOR APAGADO ..... ES-17
  
- FUNCIONAMIENTO DE LA UNIDAD PRINCIPAL..... ES-18
- DESAGÜE..... ES-18
- MANTENIMIENTO ..... ES-19
- ANTES DE LLAMAR AL SERVICIO TÉCNICO ..... ES-20

## PRECAUCIONES DE SEGURIDAD

Este aparato solo puede ser utilizado por niños con edades superiores a los ocho años y por personas con capacidades físicas, sensoriales o mentales reducidas o con falta de experiencia o conocimientos si son supervisados o se les ha explicado el uso del aparato de forma segura y entienden los peligros asociados a su uso. Los niños no deben jugar con el aparato ni llevar a cabo labores de limpieza y mantenimiento sin supervisión.

### **ADVERTENCIAS**

- No modifique ninguna pieza de este producto. El hacerlo ocasionaría una descarga eléctrica, fugas de agua, fuego, etc.
- No deforme ni tire del cable de alimentación. Estirar y utilizar incorrectamente el cable de alimentación puede ocasionar averías o descargas eléctricas.
- Tenga cuidado de no exponer su cuerpo directamente a la salida de aire durante un largo período de tiempo, ya que podría afectar a su salud.
- Cuando utilice el acondicionador de aire con recién nacidos, niños, ancianos, personas postradas en cama o inválidas, asegúrese de que la temperatura de la habitación sea la adecuada.
- No inserte objetos dentro de la unidad. Insertar objetos puede causar lesiones debido a la rotación a alta velocidad de los ventiladores internos.
- Si sucede algo anormal con el acondicionador de aire (por ej., se detecta un olor a quemado), deténgalo inmediatamente y desconecte el enchufe de la toma de corriente de la pared.
- Si el cable de alimentación está dañado, deberá ser reemplazado por el fabricante, por un técnico de servicio autorizado o por una persona cualificada para evitar situaciones peligrosas. Para su sustitución, utilice únicamente el cable de alimentación especificado por el fabricante.
- No rocíe o derrame agua directamente sobre la unidad. El agua puede causar descargas eléctricas o daños al equipo.
- Este enchufe sólo debe conectarse a una toma de corriente adecuada. No debe usarse en combinación con cables alargadores.
- Introduzca el enchufe en la toma de corriente y asegúrese de que no está suelto.
- Este aparato debe estar conectado a tierra. Este aparato está equipado con un cable que dispone de un alambre de conexión a tierra con una lengüeta de conexión a tierra. El enchufe debe conectarse a una toma de corriente que esté correctamente instalada y conectada a tierra.
- El aparato se debe instalar de acuerdo a las regulaciones nacionales de cableado.
- El aparato se debe colocar de modo que se pueda acceder al enchufe.



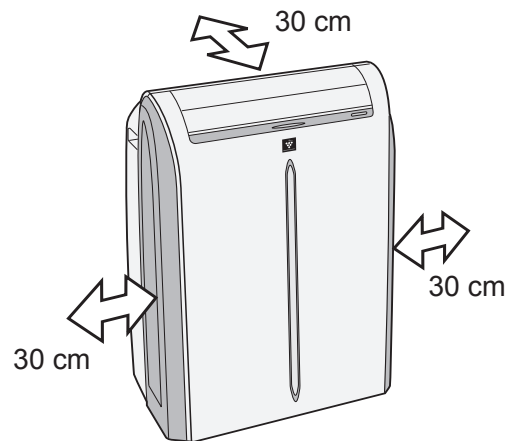
### **PRECAUCIONES**

- Abra periódicamente una ventana o una puerta para ventilar la habitación, sobre todo si se usan aparatos que funcionan con gas. Una ventilación insuficiente puede provocar una falta de oxígeno.
- No pulse los botones con las manos húmedas para evitar descargas eléctricas.
- Por razones de seguridad, desconecte el enchufe de la toma de corriente de la pared cuando no vaya a utilizar la unidad por un período prolongado de tiempo.
- Esta unidad está diseñada para uso doméstico. No la utilice para otros fines, tales como habitáculos para criar animales o invernaderos.
- No coloque recipientes con agua sobre la unidad. Si el agua penetra en la unidad, los aislantes eléctricos pueden deteriorarse y causar descargas eléctricas.
- Se debe llevar a cabo el desagüe cada vez que mueva la unidad. Si queda algo de agua en el depósito, puede derramarse mientras se está moviendo.
- No bloquee la salida de aire de escape con obstáculos. Podría disminuir el rendimiento del refrigerador o pararse por completo.

- Asegúrese de apagar la unidad y desconectar el enchufe antes de llevar a cabo cualquier mantenimiento o limpieza. La unidad incorpora un ventilador rotatorio y podría causar lesiones.
- Coloque la unidad sobre una superficie nivelada para evitar que se derrame agua por la habitación.
- Asegúrese de conectar el acondicionador de aire a la fuente de alimentación del voltaje y la frecuencia correctos. El uso de una fuente de alimentación con un voltaje y una frecuencia inadecuados puede ocasionar averías en el equipo e incluso causar un incendio.
- No instale el aparato en lugares con peligro de fuga de gases inflamables. Podría provocar un incendio.  
Utilice la unidad en un lugar con poco polvo, vapores y humedad.
- Asegúrese de instalar un interruptor automático de pérdidas o un disyuntor, en función de la ubicación de la instalación, para evitar descargas eléctricas.
- Instale un diferencial a tierra para evitar descargas eléctricas en caso de fugas.  
Utilice un diferencial de alta sensibilidad (inferior a 30 mA) y velocidad de reacción (inferior a 0,1 segundos).

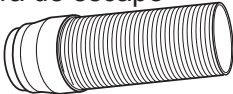
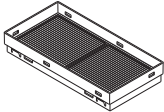
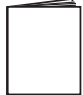
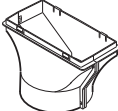



## UBICACIÓN

- La unidad debe colocarse sobre una base firme para minimizar el ruido y las vibraciones. Para una ubicación segura, coloque la unidad sobre una superficie lisa y plana, lo suficientemente resistente como para soportar la unidad. Esto también le ayudará a evitar que se derrame agua por la habitación.
- La unidad dispone de ruedas para ayudar en su colocación, pero debe moverse en superficies lisas y planas. Tenga cuidado al moverla sobre superficies con moqueta. No intente mover la unidad por encima de objetos.
- La unidad debe colocarse cerca de una toma de corriente con la conexión a tierra nominal correcta.
- No coloque ningún objeto que pueda obstaculizar la entrada o la salida de aire de la unidad.
- Deje por lo menos 30 cm de espacio desde la pared para un acondicionamiento del aire correcto.



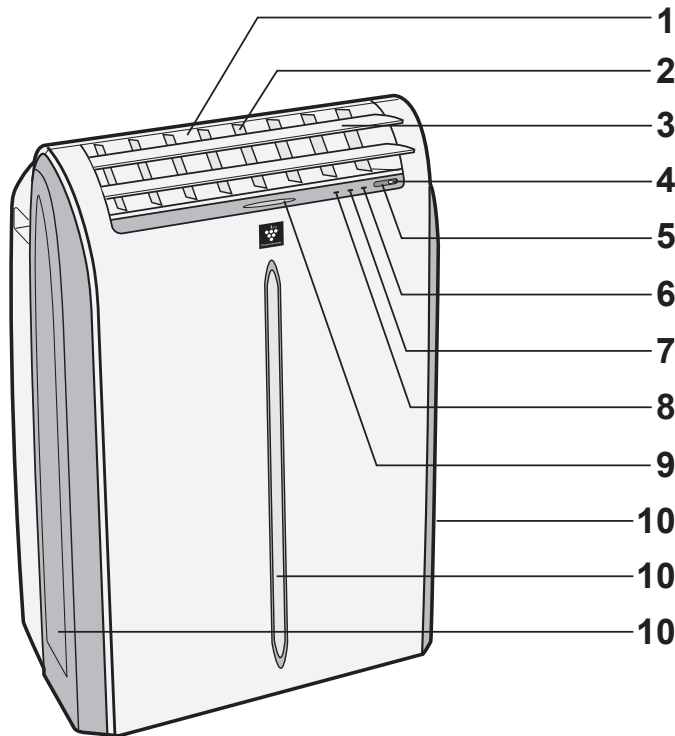
ESPAÑOL

## INCLUIDA

Manguera de escape 	1	Red de protección contra insectos 	1	Instalación 	1
Adaptador de ventana 	1	Mando a distancia 	1		
Vierte aguas 	2	Pila (R03) 	2		

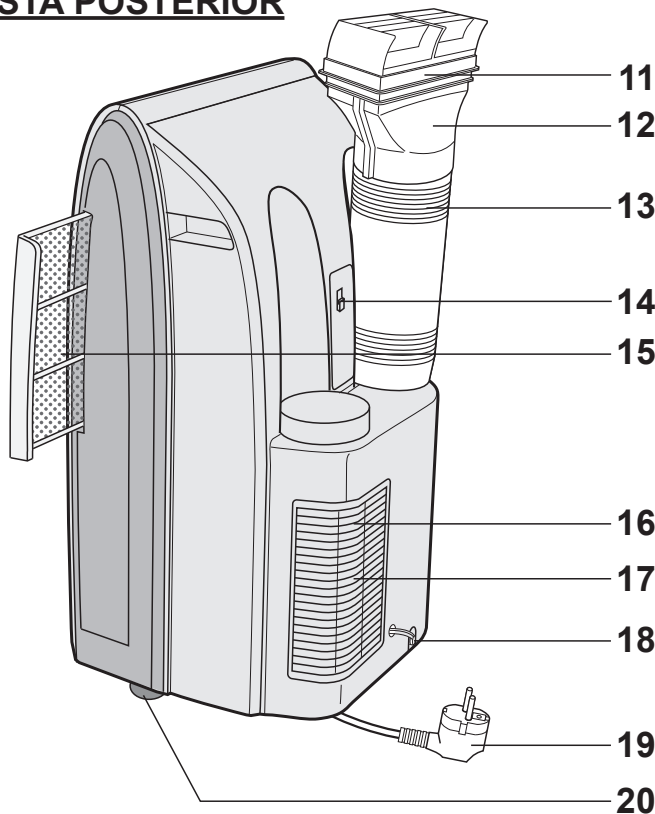
# NOMBRES DE LAS PIEZAS

## VISTA FRONTAL



- 1 Salida de aire
- 2 Reflectores verticales
- 3 Reflectores horizontales
- 4 Botón de ENCENDIDO
- 5 Recepción de la señal del mando a distancia
- 6 Luz de AIRE ACONDICIONADO (verde)
- 7 Luz de TEMPORIZADOR (naranja)
- 8 Luz de MÁXIMO (roja)
- 9 Luz de GENERADOR DE IONES (azul)
- 10 Entrada de aire

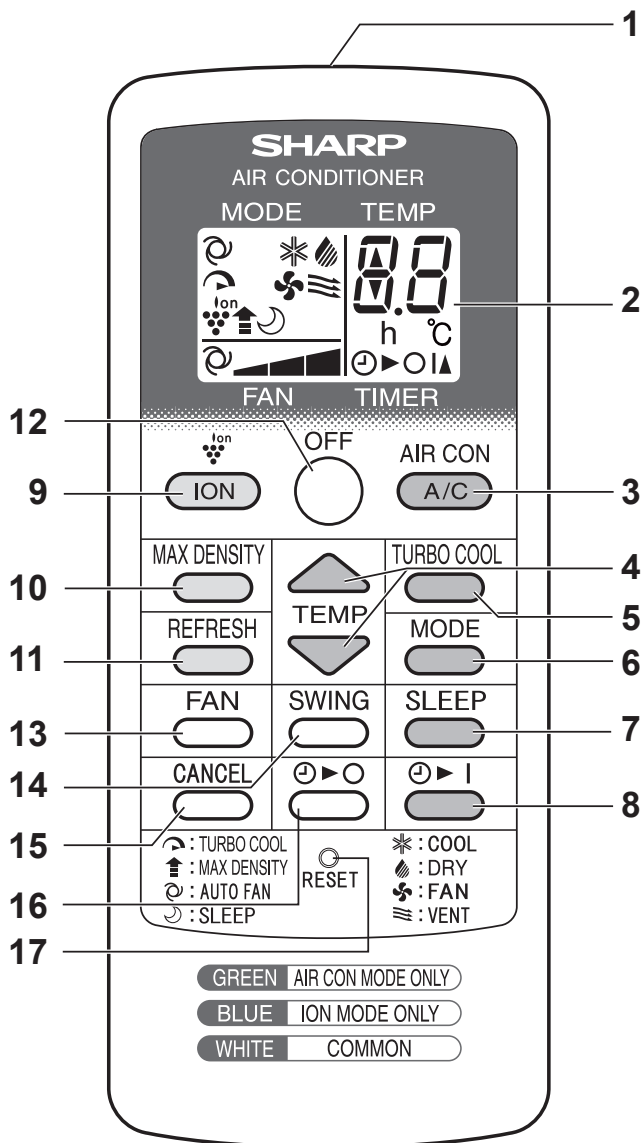
## VISTA POSTERIOR



- 11 Salida del aire de escape
- 12 Adaptador de ventana
- 13 Manguera de escape
- 14 Soporte del mando a distancia
- 15 Filtro de aire
- 16 Rejilla
- 17 Entrada de aire
- 18 Tubería de desagüe y llave de paso
- 19 Enchufe de corriente
- 20 Ruedas (4)

NOTE: La unidad real puede que difiera ligeramente de la ilustración anterior.

## MANDO A DISTANCIA



1 Transmisor

2 Pantalla

### MODO AIRE ACONDICIONADO SOLAMENTE

3 Botón de A/C

4 Botón de TEMP (Temperatura)

5 Botón de TURBO COOL (Turbo frío)

6 Botón de MODE (Modo)

7 Botón de SLEEP (Apagado programado)

8 Botón de TIMER ON (Temporizador encendido)

### MODO ION SOLAMENTE

9 Botón de ION

10 Botón de MAX DENSITY (Densidad máxima)

11 Botón de REFRESH (Refrescar)

### COMUNES

12 Botón de OFF (Apagado)

13 Botón de FAN (Ventilador)

14 Botón de SWING (Oscilación)

15 Botón de CANCEL (Cancelar)

16 Botón de TIMER OFF (Temporizador apagado)

17 Botón de RESET (Reinicio)

### 18 Símbolos de MODO

\* : FRÍO

☀ : SECAR

☪ : VENTILADOR

☪ : VENTILACIÓN

19 Símbolo de REFRESCAR

20 Símbolo de TURBO FRÍO

21 Símbolo de GENERADOR DE IONES

22 Símbolo de DENSIDAD MÁXIMA

23 Símbolo de APAGADO PROGRAMADO

24 Símbolos de VELOCIDAD DEL VENTILADOR

☉ : AUTOMÁTICO

▬ : SUAVE

▬ : BAJA

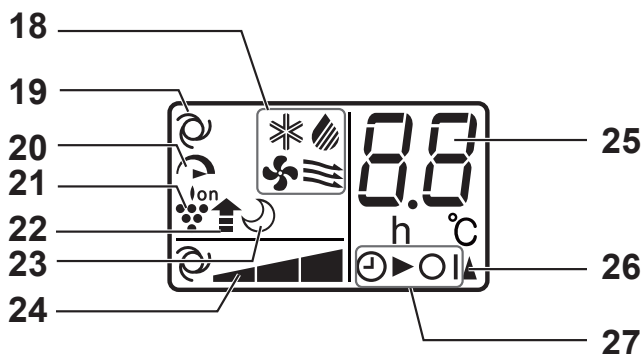
▬ : ALTA

25 Indicador de cuenta atrás del temporizador y temperatura

26 Símbolo de transmisión

27 Símbolo de TEMPORIZADOR ENCENDIDO/TEMPORIZADOR APAGADO

## PANTALLA DEL MANDO A DISTANCIA



# INSTALACIÓN Y EXTRACCIÓN DE LA MANGUERA DE ESCAPE

## Instalación de la manguera de escape

### 1 Conectar la red de protección contra insectos al adaptador de la ventana.

Empuje la red de protección contra insectos con firmeza para asegurar que los cuatro salientes del adaptador de la ventana encajan en los cuatro orificios.

### 2 Conecte el adaptador de la ventana a la manguera de escape.

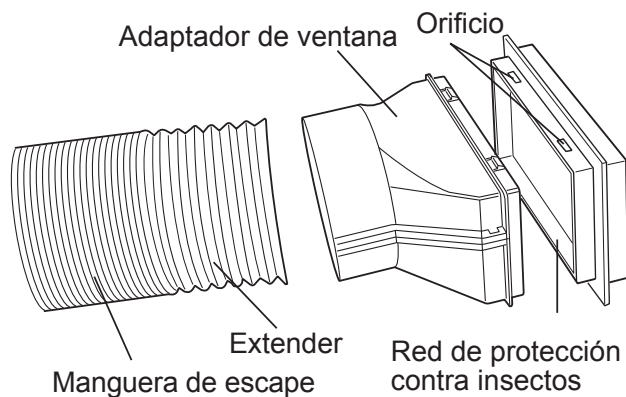
Extender un extremo de la manguera de escape e insertarlo en el adaptador de la ventana, girarlo (tres veces aproximadamente) hasta que se detenga.

Compruebe que están bien conectados.

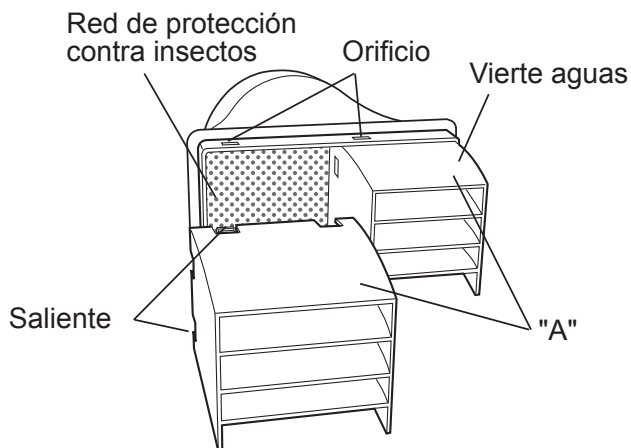
### 3 Conecte los vierte aguas a la red de protección contra insectos.

Insertar los tres salientes de cada vierte aguas en los orificios de la red de protección contra insectos.

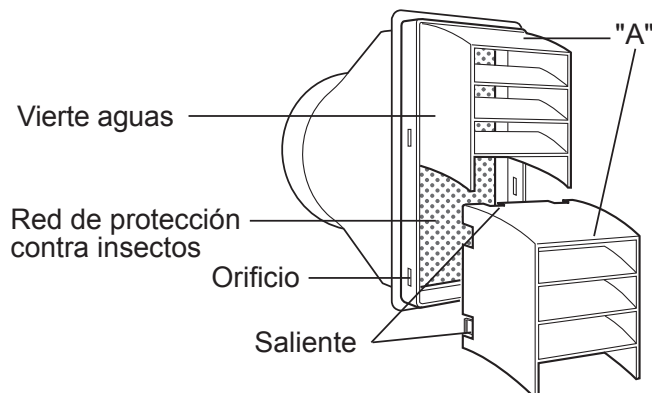
El lado "A" se encontrará ahora en la parte superior, como se indica en el diagrama.



## Colocar horizontalmente



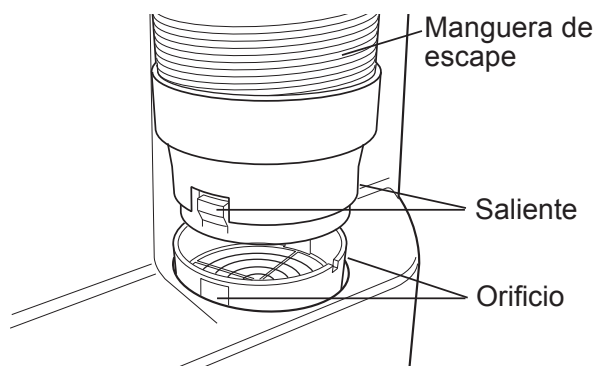
## Colocar verticalmente



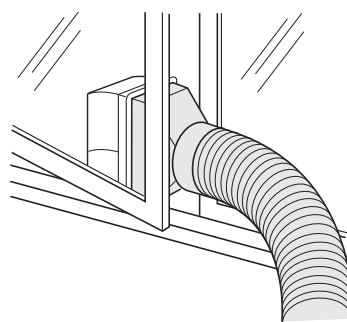


## 4 Conecte la manguera de escape a la unidad.

Inserte los dos salientes en los dos orificios de la unidad, conéctelos firmemente entre sí hasta que hagan clic.

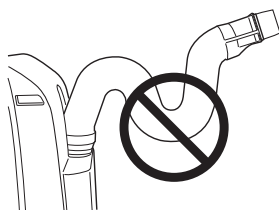


## 5 Lleve la manguera de escape al exterior.

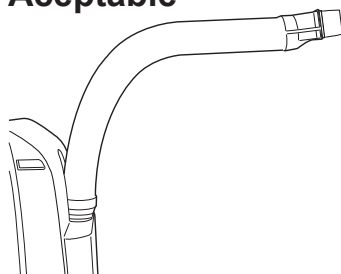


La manguera de escape debe ser tan corta como sea posible para un funcionamiento eficaz, sin embargo, no se debe torcer o doblar.

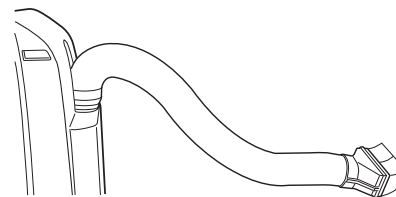
Inaceptable



Aceptable



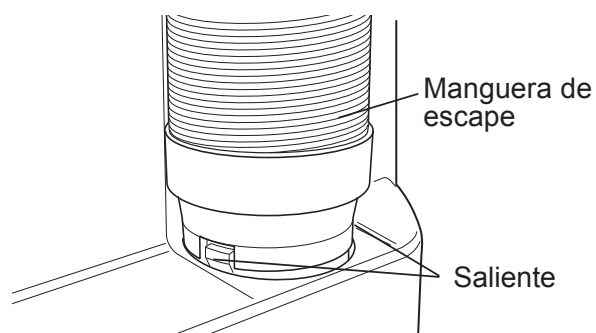
Aceptable



## Extracción de la manguera de escape

**Extraer la manguera de escape de la unidad.**

Levante y extraiga la manguera de escape de la unidad al empujar los dos salientes.



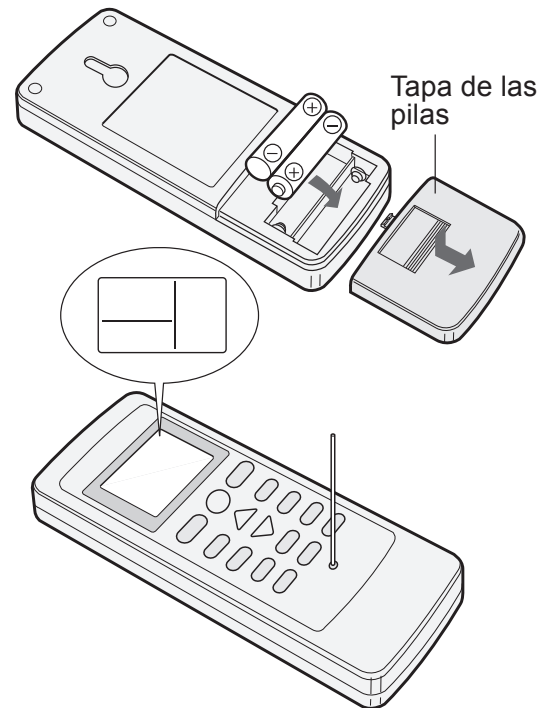
# USO DEL MANDO A DISTANCIA

## FORMA DE COLOCAR LAS PILAS

- 1** Extraiga la tapa del compartimento de las pilas.
- 2** Inserte dos pilas. (AAA(R03))
  - Compruebe que las polaridades (+) y (-) están correctamente alineadas.
  - Aparecerán líneas en la pantalla cuando se instalen correctamente las pilas.
- 3** Vuelva a colocar la tapa del compartimento de pilas.
- 4** Pulse el botón RESET con un palillo.

### **OBSERVACIONES:**

- Las pilas duran un año aproximadamente.
- Al sustituir las pilas, cambie siempre las dos y asegúrese de que son del mismo tipo.
- Cuando no vaya a usar la unidad durante un período prolongado de tiempo, saque las pilas del mando a distancia.



## CÓMO UTILIZAR EL MANDO A DISTANCIA

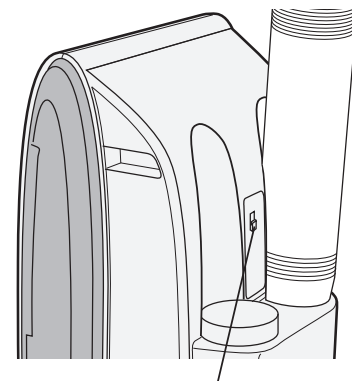
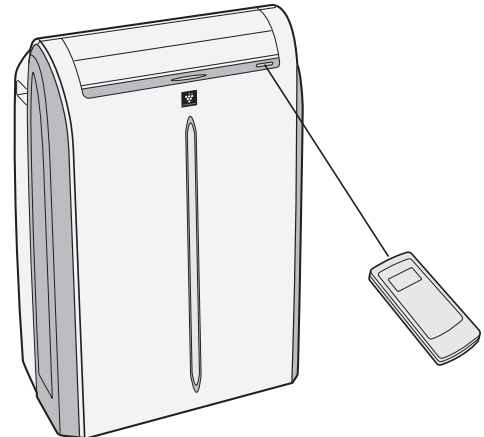
Apunte el mando a distancia hacia la célula receptora de señal y pulse el botón deseado. Cuando la unidad reciba la señal generará un sonido audible.

- Asegúrese de que no haya cortinas u otros objetos que bloqueen la célula receptora entre la señal y la unidad.
- La señal es eficaz hasta una distancia de 7 metros.

### **PRECAUCIÓN:**

- No permita que la célula receptora de la señal reciba la luz directa del sol ya que su funcionamiento podría deteriorarse.
- El uso de determinadas lámparas fluorescentes en la misma habitación puede interferir con la transmisión de la señal.
- No deje el mando a distancia expuesto directamente a la luz del sol ni cerca de un calentador. Proteja la unidad y el mando a distancia contra la humedad y los golpes.

**Para evitar que el mando a distancia se extraíe, colgarlo de la unidad cuando no se utilice.** Una vez colgado, para descolgar el mando a distancia de la unidad, levante el mando a distancia ligeramente y tire de él.



Gancho del mando a distancia

# OBSERVACIONES SOBRE EL FUNCIONAMIENTO

## OBSERVACIÓN SOBRE EL FUNCIONAMIENTO

- **El compresor tarda 3 minutos aproximadamente en volver a encender la refrigeración.**  
Si apaga la unidad y la vuelve a encender inmediatamente, espere tres minutos hasta que el compresor vuelva a encender la refrigeración. Hay un dispositivo electrónico en la unidad que mantiene el compresor apagado durante tres minutos por motivos de seguridad.
- **Cuando se produce un corte de energía**  
Este acondicionador de aire incorpora una función de memoria automática para almacenar la configuración en caso de producirse un corte de energía.  
Una vez recuperado el suministro de energía, el aparato se reiniciará automáticamente con los mismos ajustes activos que había antes del corte de energía, a excepción de la configuración del reloj. Si se produce un corte de energía con el temporizador en funcionamiento, el ajuste del temporizador se cancelará y no se recuperará una vez recuperado el suministro de energía.
- **Funcionamiento a baja temperatura: ¿Se está congelando la unidad?**  
La unidad se puede congelar cuando se encuentre cerca de 18°C, en condiciones de baja temperatura ambiente, especialmente por la noche.  
En semejantes condiciones, un descenso de la temperatura puede hacer que la unidad se congele.  
El ajuste de la unidad a una temperatura más alta evitará que se congele.
- **El modo seco aumenta la temperatura ambiente.**  
La unidad genera calor cuando se encuentra en modo seco y la temperatura ambiente aumentará. La salida de la manguera de escape expulsará aire caliente, pero esto es normal y no significa que la unidad tenga algún problema.
- **Esta unidad expulsa el aire caliente que se genera fuera de la habitación a través de la manguera de escape, mientras se encuentra en el modo frío.**  
En consecuencia, la misma cantidad de aire que se expulsa fuera entrará en la habitación desde el exterior a través de las aberturas.
- **Cuando se lleva a cabo la operación de refrigeración en condiciones de alta humedad, se puede llenar con frecuencia el depósito de agua en el interior de la unidad.**  
Cuando el depósito de agua en el interior de la unidad esté lleno, la unidad dejará de funcionar y las luces naranja del TEMPORIZADOR, verde del AIRE ACONDICIONADO verde y roja de MÁXIMO parpadearán. En este caso, realizar un desagüe para vaciar el agua que se encuentre dentro de la unidad.

## CONDICIONES DE FUNCIONAMIENTO

- **La unidad debe funcionar dentro de siguiente rango de temperaturas.**

Modo	Temperatura ambiente
Frío	18°C - 40°C
Secar	15°C - 40°C

- Un dispositivo de seguridad incorporado puede cortar el funcionamiento si la temperatura excede estos límites.
- Cuando se lleva a cabo la operación de refrigeración a temperatura ambiente alta, es posible que el ventilador trabaje a una velocidad más lenta.

## CONSEJOS PARA UNA EFICACIA ENERGÉTICA

- **Evite la luz solar directa.**  
Cierre las persianas o cortinas para evitar la luz solar directa cuando esté en modo de refrigeración.
- **Mantenga limpio el filtro.**  
Mantener el filtro limpio ayuda en gran parte a un funcionamiento más eficaz. Un filtro sucio bloquea el flujo de aire, lo que conlleva a que la unidad trabaje más duro y menos eficazmente.

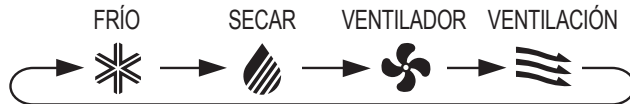
# USO DE ACONDICIONADOR DE AIRE

Se utiliza cuando la unidad funciona en el modo frío, seco, ventilador, o ventilación. Durante el funcionamiento, siempre se liberan iones Plasmacluster en la habitación.

- La manguera de escape debe estar instalada en estos modos.
- Compruebe que la llave de paso está conectada firmemente a la tubería de desagüe.

## MODO FRÍO

- 1 Pulse el botón **MODE** para seleccionar el modo **FRÍO**.



- 2 Pulse el botón **A/C** para ponerlo en marcha.
  - La luz verde de AIRE ACONDICIONADO se iluminará.

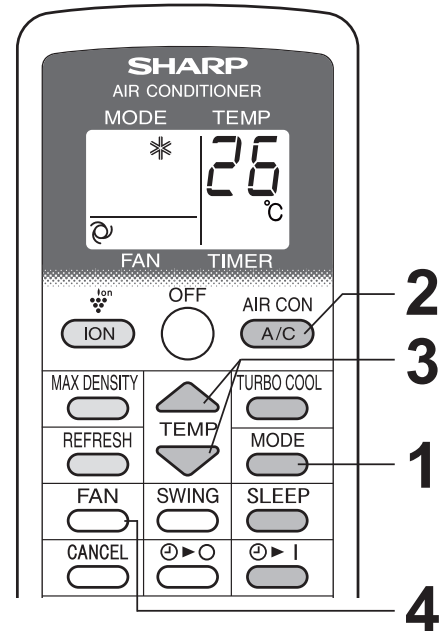
### PARA APAGAR

Pulse el botón **OFF**.

- La luz verde de AIRE ACONDICIONADO se apagará.

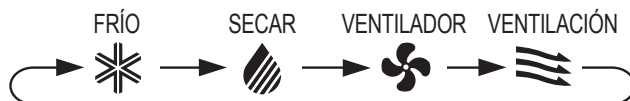
- 3 Pulse el botón **TEMP** para ajustar la temperatura.
  - El rango de configuración de la temperatura se encuentra entre: 18°C y 32°C.

- 4 Pulse el botón **FAN** para ajustar la velocidad del ventilador.



## MODO SECAR

- 1 Pulse el botón **MODE** para seleccionar el modo **SECAR**.

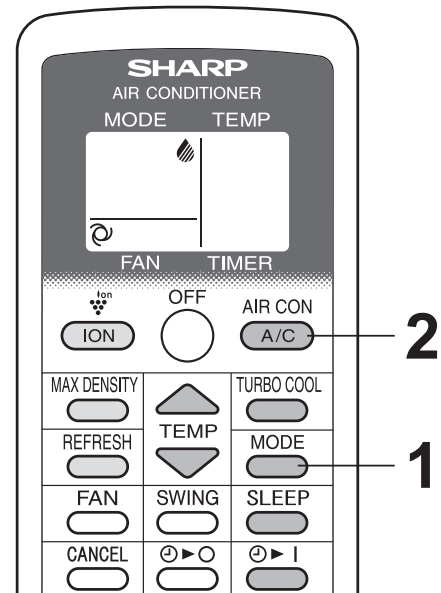


- 2 Pulse el botón **A/C** para ponerlo en marcha.
  - La luz verde de AIRE ACONDICIONADO se iluminará.
  - No se puede establecer la temperatura.
  - La velocidad del ventilador se ajusta a AUTOMÁTICO y no se puede modificar.

### PARA APAGAR

Pulse el botón **OFF**.

- La luz verde de AIRE ACONDICIONADO se apagará.



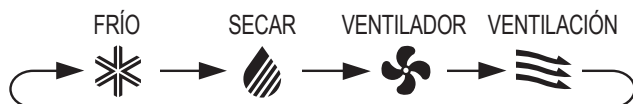
### OBSERVACIONES:

- Aunque también puede funcionar en modo seco sin la manguera de escape, la unidad genera calor cuando se encuentre en funcionamiento y aumentará la temperatura ambiente.
- También puede funcionar en modo seco con una manguera (no incluida) conectada. Retire la llave de paso y conecte la manguera a la tubería de desagüe y llévelo a un desagüe en el piso para vaciar el agua de la unidad.

## MODO VENTILADOR

La unidad simplemente hace que el aire circule.

### 1 Pulse el botón MODE para seleccionar el modo VENTILADOR.



### 2 Pulse el botón A/C para ponerlo en marcha.

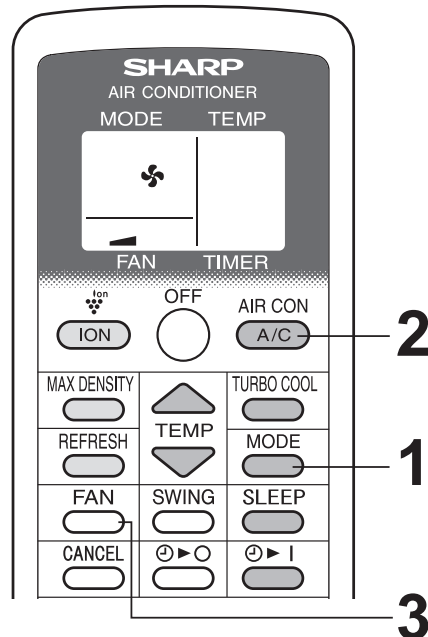
- La luz verde de AIRE ACONDICIONADO se iluminará.
- No se puede establecer la temperatura.

#### PARA APAGAR

Pulse el botón OFF.

- La luz verde de AIRE ACONDICIONADO se apagará.

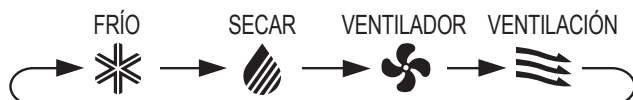
### 3 Pulse el botón FAN para ajustar la velocidad del ventilador.



## MODO VENTILACIÓN

La unidad ventila el aire hacia el exterior.

### 1 Pulse el botón MODE para seleccionar el modo VENTILACIÓN.



### 2 Pulse el botón A/C para ponerlo en marcha.

- La luz verde de AIRE ACONDICIONADO se iluminará.
- No se puede establecer la temperatura.

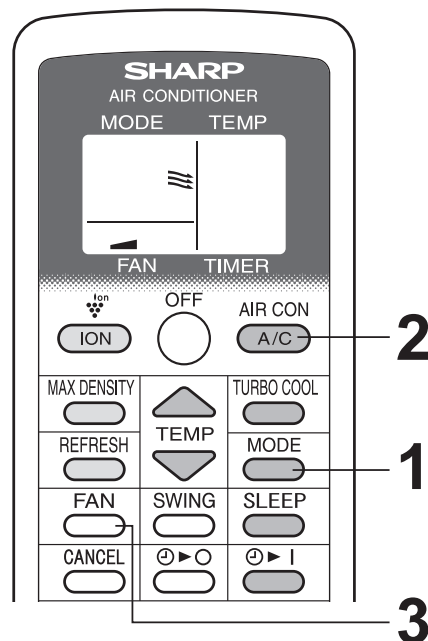
#### PARA APAGAR

Pulse el botón OFF.

- La luz verde de AIRE ACONDICIONADO se apagará.

### 3 Pulse el botón FAN para ajustar la velocidad del ventilador.

- Aunque los deflectores se encuentren cerrados y no circule aire en la habitación, la velocidad del ventilador exterior cambia.



# USO DE ACONDICIONADOR DE AIRE

## PARA CAMBIAR LA DIRECCIÓN DEL FLUJO DE AIRE

### SUBIR / BAJAR LA DIRECCIÓN DEL FLUJO DE AIRE

#### 1 Pulse el botón SWING.

- Los deflectores horizontales oscilarán.

#### 2 Pulse el botón SWING de nuevo para detener el deflector en la posición deseada.

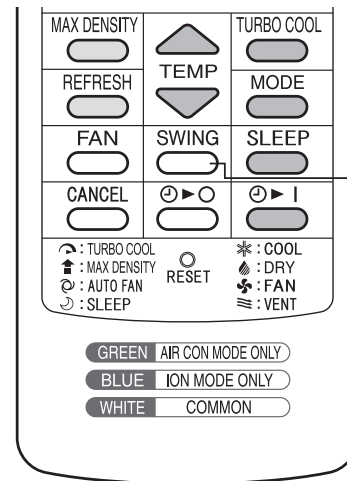
#### PRECAUCIONES:

No trate nunca de ajustar manualmente los deflectores.

- El ajuste manual de los deflectores horizontales pueden provocar que la unidad no funcione correctamente cuando se utilice el mando a distancia para ajustarlos.
- Si el deflector de ajuste vertical se ha regulado en la posición más baja en el modo FRÍO o SECAR por un periodo prolongado de tiempo, puede formarse condensación.

#### OBSERVACIÓN:


- Durante el modo VENTILACIÓN, no se puede SUBIR/BAJAR la dirección del flujo de aire.

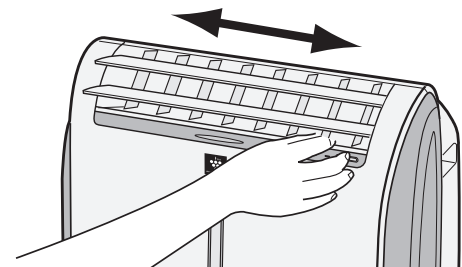


### DIRECCIÓN DEL FLUJO DE AIRE IZQUERDA / DERECHA

Mantenga el deflector vertical como se muestra en el diagrama y ajuste la dirección de flujo de aire.

#### PRECAUCIÓN:


- No ajuste los deflectores verticales a los extremos izquierda o derecha en el modo FRÍO con la velocidad del ventilador ajustada a "SUAVE (  )" por un periodo prolongado de tiempo. Se puede formar condensación en los deflectores.



## FUNCIONAMIENTO DEL TURBO FRÍO

El ventilador de la unidad funciona a velocidad extra alta con un ajuste de temperatura de 15°C.

### 1 Pulse el botón TURBO COOL durante el modo de refrigeración.

- Aparecerá “” en el mando a distancia.
- Desaparecerá la indicación de temperatura.
- La luz roja de MÁXIMO desaparecerá.

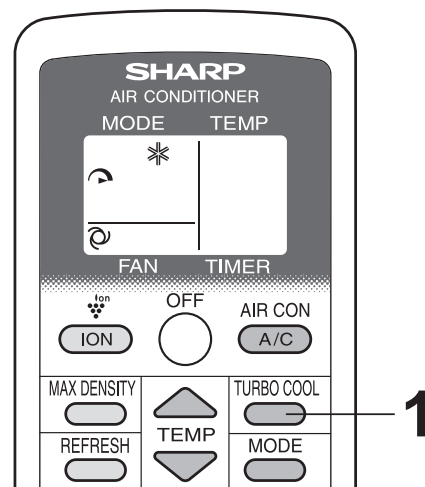
#### PARA CANCELAR

### Pulse de nuevo el botón TURBO COOL.

- La luz roja de MÁXIMO se apagará.

#### OBSERVACIONES:


- No se puede ajustar la temperatura o la velocidad del ventilador durante el funcionamiento en TURBO FRÍO.
- El ventilador vuelve al ajuste de velocidad ALTA una vez que la unidad ha funcionado durante 30 minutos en el modo TURBO FRÍO.
- La velocidad extra alta del ventilador se puede reducir de forma automática para proteger la unidad.
- El funcionamiento en TURBO FRÍO y el funcionamiento en APAGADO PROGRAMADO no se pueden utilizar juntos.



## PROGRAMA DE APAGADO PROGRAMADO

Cuando se establece el programa de APAGADO PROGRAMADO, la temperatura se ajusta automáticamente para evitar que la habitación esté demasiado fría.

### 1 Pulse el botón SLEEP en el modo de refrigeración.

- Aparecerá “” en el mando a distancia.
- La luz naranja del TEMPORIZADOR se iluminará.
- La unidad se detendrá después de 8 horas.
- La velocidad del ventilador se ajusta a AUTOMÁTICO.

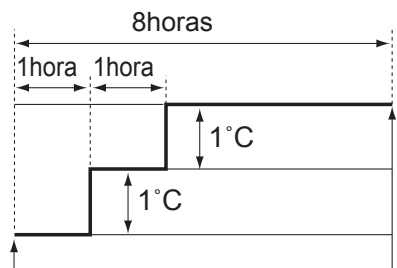
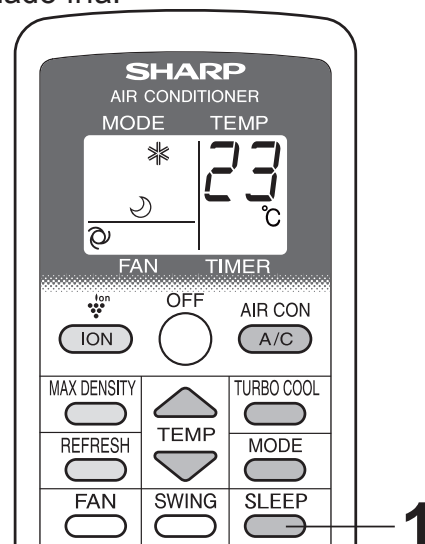
#### PARA CANCELAR

### Pulse el botón SLEEP.

- La luz naranja del TEMPORIZADOR se apagará.

#### OBSERVACIONES:

- Una hora después de que se inicie el programa de APAGADO PROGRAMADO, el ajuste de la temperatura se eleva un 1°C y después de otra hora se eleva un 1°C más. La temperatura que aparece en el mando a distancia no cambiará de su configuración original.
- El funcionamiento en TURBO FRÍO y el programa de APAGADO PROGRAMADO no se pueden utilizar juntos.
- El programa APAGADO PROGRAMADO, el funcionamiento en TEMPORIZADOR ENCENDIDO y TEMPORIZADOR APAGADO no se pueden utilizar juntos. Solamente se utilizarán la configuraciones más recientes.



Inicio del programa de APAGADO PROGRAMADO La unidad se apaga

# USO DE ACONDICIONADOR DE AIRE

## FUNCIONAMIENTO DEL TEMPORIZADOR

### TEMPORIZADOR ENCENDIDO

- 1 Pulse el botón **TIMER ON** y ajuste la hora deseada.

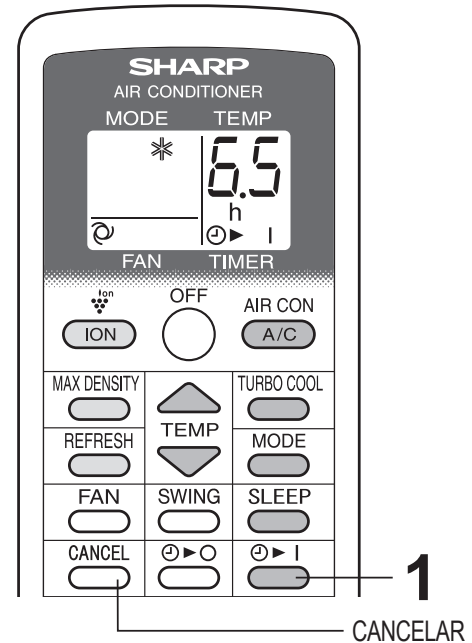


- La luz naranja del TEMPORIZADOR se iluminará.
- El ajuste de tiempo contará hacia atrás para mostrar el tiempo restante.

#### **PARA CANCELAR**

Pulse el botón **CANCEL**.

- La luz naranja del TEMPORIZADOR se apagará.



### APAGAR EL TEMPORIZADOR

- 1 Pulse el botón **TIMER OFF** y ajuste la hora deseada.

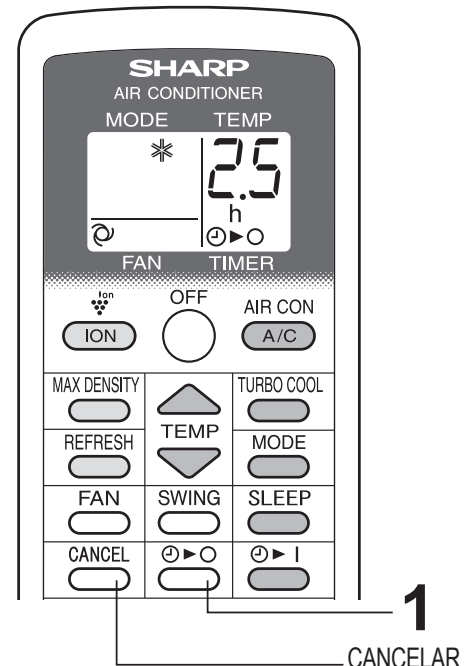


- La luz naranja del TEMPORIZADOR se iluminará.
- El ajuste de tiempo contará hacia atrás para mostrar el tiempo restante.

#### **PARA CANCELAR**

Pulse el botón **CANCEL**.

- La luz naranja del TEMPORIZADOR se apagará.



### OBSERVACIONES:

- Se puede ajustar la duración del temporizador entre un mínimo de media hora y un máximo de 12 horas. Hasta 9,5 horas, se puede ajustar en incrementos de media hora y de 10 a 12 horas, en incrementos de 1 hora.
- El TEMPORIZADOR APAGADO y TEMPORIZADOR ENCENDIDO no se pueden ajustar al mismo tiempo.
- Si se produce un corte de energía con el TEMPORIZADOR APAGADO y el TEMPORIZADOR ENCENDIDO, la configuración del TEMPORIZADOR se cancelará y no se recuperará cuando se restablezca el suministro de energía.
- Cuando se ajusta la temperatura durante la configuración del temporizador, aparecerá la temperatura en la pantalla durante cinco segundos y después volverá a la pantalla del temporizador.



## SE USA PARA LA GENERACIÓN DE IONES

Se utiliza cuando la unidad funciona con GENERADOR DE IONES independiente. No es necesario instalar la manguera de escape. No saldrá aire caliente de la manguera de escape durante el modo GENERADOR DE IONES.

### **MODO GENERADOR DE IONES**

#### **1 Pulse el botón ION para ponerlo en funcionamiento.**

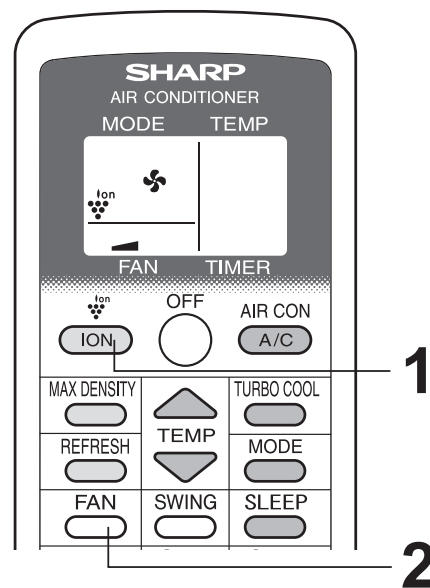
- La luz azul del GENERADOR DE IONES se iluminará.

#### **PARA APAGAR**

#### **Pulse el botón OFF.**

- La lámpara azul de GENERADOR DE IONES se apagará.

#### **2 Pulse el botón FAN para ajustar la velocidad del ventilador.**



### **Observación del MODO GENERADOR DE IONES**

El generador de iones dentro de la unidad libera iones Plasmacluster en la habitación. Los iones Plasmacluster harán de disminuir el moho en el aire.

Plasmacluster es una tecnología original de Sharp.

Para obtener más información, consulte nuestro comunicado de prensa, como por ejemplo:

<http://www.sharp-pci.com/>

La página web está sujeta a cambios sin previo aviso.

## SE USA PARA LA GENERACIÓN DE IONES

### PARA CAMBIAR LA DIRECCIÓN DEL FLUJO DE AIRE

#### SUBIR / BAJAR LA DIRECCIÓN DEL FLUJO DE AIRE

##### 1 Pulse el botón SWING.

- Los deflectores horizontales oscilarán.

##### 2 Pulse el botón SWING de nuevo para detener el deflector en la posición deseada.

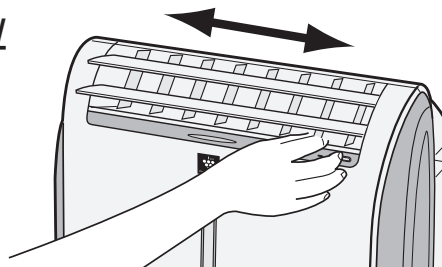
#### PRECAUCIÓN:

No trate nunca de ajustar manualmente los deflectores.

- El ajuste manual de los deflectores horizontales pueden provocar que la unidad no funcione correctamente cuando se utilice el mando a distancia para ajustarlos.

#### DIRECCIÓN DEL FLUJO DE AIRE IZQUERDA / DERECHA

Mantenga el deflector vertical como se muestra en el diagrama y ajuste la dirección de flujo de aire.



### FUNCIONAMIENTO EN DENSIDAD MÁXIMA

La unidad libera iones Plasmacuster de máxima densidad. Al descargar de forma continua un flujo de aire "extra alto" durante 30 minutos, la unidad descarga los iones por la habitación más eficientemente.

##### 1 Presione el botón MAX DENSITY durante el funcionamiento del generador de iones.

- Aparecerá "↑" en el mando a distancia.
- La luz roja de MÁXIMO se iluminará.

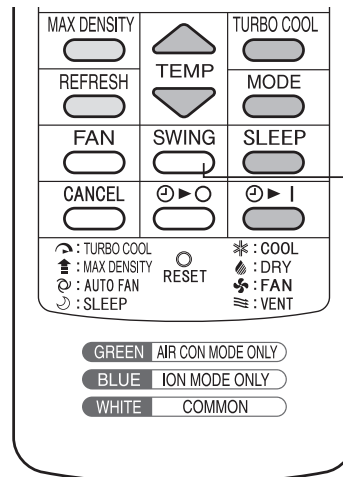
#### PARA CANCELAR

Pulse de nuevo el botón MAX DENSITY.

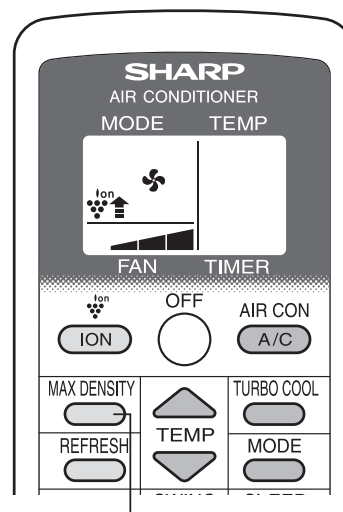
- La luz roja de MÁXIMO se apagará.

#### OBSERVACIONES:

- No se puede ajustar la velocidad del ventilador durante el funcionamiento en DENSIDAD MÁXIMA.
- El funcionamiento en DENSIDAD MÁXIMA se cancelará automáticamente después de 30 minutos, y la unidad volverá a su configuración original.
- El funcionamiento en DENSIDAD MÁXIMA y la operación de REFRESCAR no se pueden utilizar juntos.



1  
2




1

## OPERACIÓN DE REFRESCAR

La operación de REFRESCAR reducirá los olores de la ropa con iones Plasmacluster. Se recomienda utilizar esta función delante del armario, ropero, lavadero o ropa tendida.

### 1 Pulse el botón REFRESH durante el funcionamiento en generador de iones.

- La luz naranja del TEMPORIZADOR se iluminará.
- Aparecerá “” en el mando a distancia.
- Los deflectores horizontales oscilarán.
- La unidad se detendrá después de 5 horas.

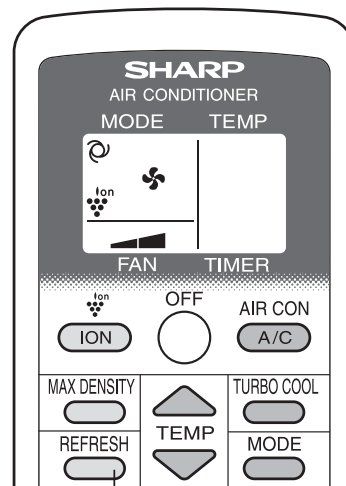
### PARA CANCELAR

#### Pulse nuevamente el botón REFRESH.

- La luz naranja del TEMPORIZADOR se apagará.

### OBSERVACIONES:

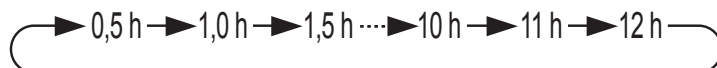
- Ajuste los deflectores de modo que el aire de la unidad llegue hasta la ropa.
- La operación de REFRESCAR y el funcionamiento en DENSIDAD MÁXIMA no se pueden utilizar juntos.
- La operación de REFRESCAR y el funcionamiento en TEMPORIZADOR APAGADO no se pueden configurar a la vez.
- Con esta operación, los iones Plasmacluster son eficaces para reducir el olor del humo de tabaco, etc., pero no siempre son eficaces para cada tipo de olor.
- Dependiendo del volumen de olor, la distancia entre la unidad y la ropa, y el tiempo de funcionamiento, esta unidad puede que no elimine el olor completamente.



1

## FUNCIONAMIENTO EN TEMPORIZADOR APAGADO

### 1 Pulse el botón TIMER OFF y ajuste la hora deseada.



- La luz naranja del TEMPORIZADOR se iluminará.
- El ajuste de tiempo contará hacia atrás para mostrar el tiempo restante.

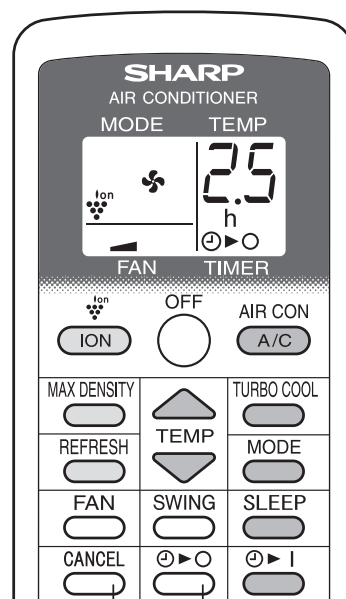
### PARA CANCELAR

#### Pulse el botón CANCEL.

- La luz naranja del TEMPORIZADOR se apagará.

### OBSERVACIONES:

- Se puede ajustar la duración del temporizador entre un mínimo de media hora y un máximo de 12 horas. Hasta 9,5 horas, se puede ajustar en incrementos de media hora y de 10 a 12 horas, en incrementos de 1 hora.
- En el modo GENERADOR DE IONES, no se puede establecer el TEMPORIZADOR ENCENDIDO.
- Si se produce un corte de energía con el TEMPORIZADOR APAGADO, la configuración del TEMPORIZADOR se cancelará y no se recuperará incluso una vez se restablezca el suministro de energía.



1

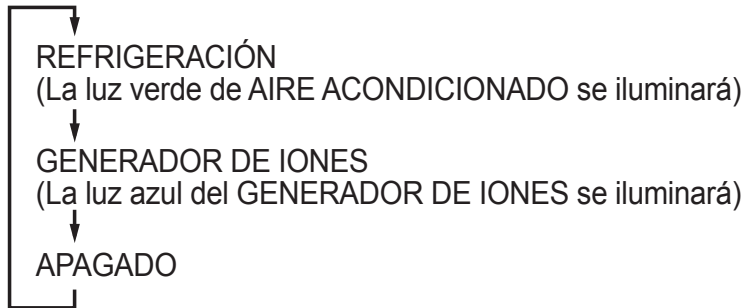
CANCELAR

## FUNCIONAMIENTO DE LA UNIDAD PRINCIPAL

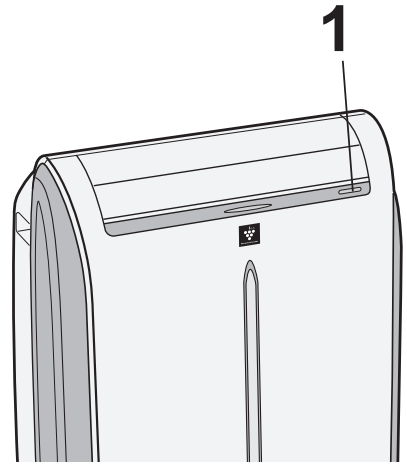
Use el procedimiento siguiente si no dispone de mando a distancia.

### 1 Pulse el botón POWER para encender la unidad.

- El modo cambiará cuando pulse el botón durante 5 segundos.



- En el modo de refrigeración, la unidad funcionará en su última configuración de refrigeración. Si se ha desconectado la unidad desde la última vez que se utilizó, volverá a funcionar en el modo de refrigeración, establecida en 20°C. La velocidad del ventilador se ajusta a AUTOMÁTICO.



### PARA APAGAR

Pulse el botón POWER durante el funcionamiento.

## DESAGÜE

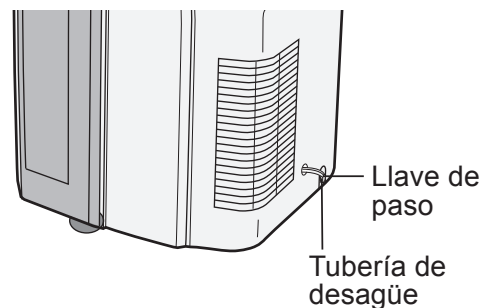
Vaciar el agua que se encuentre dentro de la unidad en los siguientes casos.

- Cuando la unidad deja de funcionar y la luz naranja del TEMPORIZADOR, la luz verde de AIRE ACONDICIONADO y luz roja de MÁXIMO estén parpadeando, el depósito de agua está lleno y debe vaciarse.
- Cuando no se utilice la unidad durante mucho tiempo.

**1** Desconecte el enchufe y mueva la unidad con cuidado a un desagüe o al exterior para evitar que el agua se derrame dentro de la habitación.

**2** Retire la llave de paso de la tubería de desagüe y vaciar el agua que se encuentra dentro de la unidad.

**3** Conecte la llave de paso de forma segura a la tubería de desagüe.



## MANTENIMIENTO

Asegúrese de desconectar el enchufe de la toma de corriente de la pared antes de limpiarlo.

### LIMPIEZA DE LOS FILTROS

Si se acumula polvo que obstruya el filtro, el flujo de aire se reduce, lo que da lugar a un pobre rendimiento de la refrigeración. El filtro debe limpiarse cada dos semanas.

#### FILTRO DEL AIRE

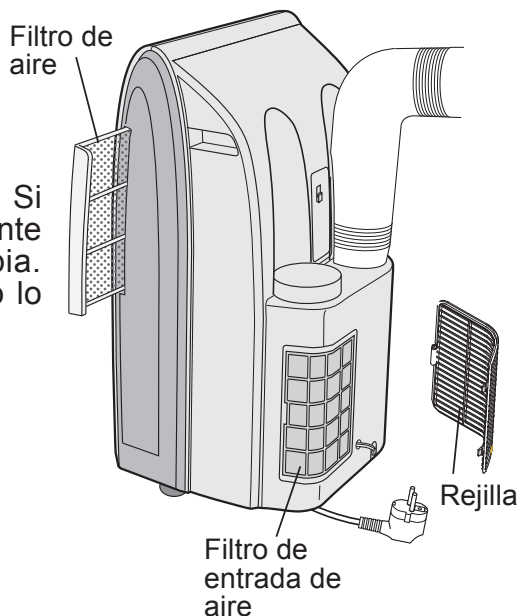
##### 1 EXTRAER EL FILTRO

- Empujar el filtro hacia la derecha.

##### 2 LIMPIAR EL FILTRO

- Utilice una aspiradora para eliminar el polvo. Si el filtro está muy sucio, lavarlo con detergente y enjuagar cuidadosamente con agua limpia. Secar el filtro antes de volver a instalarlo. No lo exponga a la luz directa del sol.

##### 3 VUELVA A INSTALAR EL FILTRO



#### FILTRO DE ENTRADA DE AIRE

Extraiga la rejilla y limpie el filtro de entrada de aire con una aspiradora.

#### PRECAUCIÓN:

No encienda nunca la unidad sin el filtro. El hacerlo puede dañar seriamente la unidad.

### LIMPIEZA DE LA UNIDAD Y DEL MANDO A DISTANCIA

Limpiar con un paño suave y seco o con un paño humedecido con un jabón suave. Elimine con cuidado cualquier residuo frotando con un paño húmedo y secar completamente.

Evite salpicar con agua la unidad. El agua puede dañar peligrosamente el aislamiento eléctrico.

No utilice nunca productos químicos abrasivos o limpiadores abrasivos en ninguna parte de la unidad. Para evitar causar daños a la unidad, no utilice agua caliente para limpiarla (50°C o más caliente).

### CUANDO LA GUARDE POR UN PERIODO PROLONGADO DE TIEMPO (SIN UTILIZARLA)

1 Lleve a cabo un desagüe para vaciar el agua que se encuentre dentro de la unidad y conecte la llave de paso de forma segura a la tubería de desagüe.

2 Haga funcionar la unidad en el modo VENTILADOR o VENTILACIÓN durante aproximadamente medio día para secar completamente el interior de la unidad.

3 Limpie los filtros, a continuación vuelva a instalarlos.

4 Desconecte el enchufe de la toma de corriente de la pared.

## ANTES DE LLAMAR AL SERVICIO TÉCNICO

Si parece que la unidad está funcionando mal, compruebe los siguientes puntos antes de llamar al servicio técnico.

### LA UNIDAD NO FUNCIONA EN ABSOLUTO

- ¿Está la unidad enchufada o el enchufe está suelto?
- ¿Se ha fundido el fusible o se ha disparado el disyuntor?
- ¿Se encuentran la luz verde de AIRE ACONDICIONADO, la luz naranja de TEMPORIZADOR y la luz roja de MÁXIMO parpadeando?  
El depósito de agua dentro de la unidad está lleno. Se debe vaciar. (Ver página 18)

### LA UNIDAD NO REFRIGERA CORRECTAMENTE

- ¿Está ajustado a modo VENTILADOR, SECAR, VENTILACIÓN, GENERADOR DE IONES?  
No se lleva a cabo la refrigeración en estos modos. Cambiar la configuración de MODO.
- ¿Hay polvo obstruyendo el filtro?  
Limpie el filtro.
- ¿Se ha congelado el serpentín refrigerador?  
No saldrá aire si el serpentín refrigerador está congelado.  
Haga funcionar la unidad en el modo VENTILADOR con la velocidad del ventilador establecida a "ALTA" hasta que se derrita todo el hielo.
- ¿Está la temperatura ajustada correctamente?
- ¿Está la ventana expuesta a la luz solar directa?  
Cierre las cortinas o persianas para minimizar la energía solar que calienta la habitación.
- ¿Es la manguera de escape demasiado larga?  
Para un funcionamiento eficaz, haga que la manguera sea lo más corta posible. No se debe torcer o doblar la manguera de escape.

### SONIDOS

- La unidad puede hacer bastante ruido cuando se encienda durante los primeros 2 o 3 minutos. Este es el sonido de la puesta en marcha del compresor y es perfectamente normal.
- Se puede oír un ligero ruido inmediatamente después de encender o apagar la unidad, y también durante el funcionamiento. Este es el sonido del refrigerante que fluye dentro de la unidad.
- Se emite un zumbido bajo cuando la unidad genera iones Plasmacluster.
- Esta unidad evapora agua condensada durante la operación de refrigeración dentro de la unidad a través de la salida del aire de escape. Aunque puede que se oiga el sonido del agua, esto es normal.
- Se puede escuchar un sonido de gorgoteo cuando se utilice la unidad en un piso ligeramente inclinado. Coloque la unidad sobre una superficie nivelada.

### EL TEMPORIZADOR NO FUNCIONA CORRECTAMENTE

- Si se produce un corte de energía mientras se ha establecido el TEMPORIZADOR, se cancelará la configuración del TEMPORIZADOR y no se recuperará incluso una vez que se haya restablecido el suministro de energía.

### LA UNIDAD NO RECIBE LA SEÑAL DEL MANDO A DISTANCIA

- Compruebe las pilas del mando a distancia. Reemplazarlas si es necesario.
- Trate de enviar la señal de nuevo apuntando el mando a distancia hacia la ventana receptora de señal de la unidad.
- Compruebe que las pilas del mando a distancia están instaladas con las polaridades alineadas de forma correcta.

### EL AIRE DESCARGADO HUELE

- El generador de iones Plasmacluster emite pequeños rastros de ozono que pueden oler. Estas emisiones de ozono están por debajo de los niveles de seguridad y cumplen con el límite federal de emisiones de ozono.

ESPAÑOL



Atenção: O seu produto está identificado com este símbolo. Significa que os produtos eléctricos e electrónicos não devem ser misturados com o lixo doméstico comum. Existe um sistema de recolhas específico para estes produtos.

## A. Informações sobre a Eliminação de Produtos para os Utilizadores (particulares)

### 1. Na União Europeia

Atenção: Se quiser eliminar este equipamento, não o deve fazer juntamente com o lixo doméstico comum!

O equipamento eléctrico e electrónico deve ser tratado separadamente e ao abrigo da legislação aplicável que obriga a um tratamento, recuperação e reciclagem adequados de equipamentos eléctricos e electrónicos usados.

Após a implementação desta legislação por parte dos Estados-membros, todos os cidadãos residentes na União Europeia poderão entregar o seu equipamento eléctrico e electrónico usado em estações de recolha específicas a título gratuito\*.

Em alguns países\* o seu revendedor local também pode recolher o seu equipamento usado a título gratuito na compra de um novo equipamento.  
\*) Contacte as entidades locais para mais informações.

Se o seu equipamento eléctrico e electrónico usado funcionar a pilhas ou baterias, deverá eliminá-las em separado, conforme a legislação local, e antes de entregar o seu equipamento.

Ao eliminar este produto correctamente estará a contribuir para que o lixo seja submetido aos processos de tratamento, recuperação e reciclagem adequados. Desta forma é possível evitar os efeitos nocivos que o tratamento inadequado do lixo poderia provocar no ambiente e na saúde.

### 2. Em outros Países fora da UE

Se quiser eliminar este produto, contacte as entidades locais e informe-se sobre o método correcto para proceder à sua eliminação.

Na Suíça: O equipamento eléctrico e electrónico é aceite, a título gratuito, em qualquer revendedor, mesmo que não tenha adquirido um novo produto. Poderá encontrar uma lista das estações de recolha destes equipamentos na página da Web [www.swicho.ch](http://www.swicho.ch) ou [www.sens.ch](http://www.sens.ch).

## B. Informações sobre a Eliminação de Produtos para Utilizadores-Empresas.

### 1. Na União Europeia

Se o produto for usado para fins comerciais e quiser eliminá-lo:

Contacte o seu revendedor SHARP que irá informá-lo sobre a melhor forma de eliminar o produto. Poderá ter de pagar as despesas resultantes da recolha e reciclagem do produto. Alguns produtos mais pequenos (e em pequenas quantidades) poderão ser recolhidos pelas estações locais.

Na Espanha: Contacte o sistema de recolhas público ou as entidades locais para mais informações sobre a recolha de produtos usados.

### 2. Em outros Países fora da UE

Se quiser eliminar este produto, contacte as entidades locais e informe-se sobre o método correcto para proceder à sua eliminação.



Pb

A bateria fornecida com este produto contém traços de chumbo.

Para a União Europeia: o contentor de rodas traçado significa que as baterias usadas não deverão ser colocadas junto com o lixo doméstico! Existe um sistema de separação próprio para baterias usadas, para permitir um tratamento e reciclagem própria de acordo com a legislação em vigor. Por favor contacte as autoridades locais para mais detalhes nos esquemas de recolha e reciclagem.

Para a Suíça: As baterias usadas deverão ser devolvidas ao ponto de venda.

Para os outros países fora da União Europeia: por favor contacte a sua autoridade local para o método correcto de disposição das baterias usadas.

Contém gases fluorados com efeito de estufa abrangidos pelo Protocolo de Quioto R410A (Potencial de aquecimento global 1975)



Leia atentamente este manual de instruções antes de usar o produto. Guarde o manual num lugar seguro para rápida consulta futura.  
Visite <http://sharp-world.com/> para obter uma versão eletrônica deste manual.

## CONTEÚDOS

• MEDIDAS DE SEGURANÇA .....	PT-2
• INCLUÍDO .....	PT-3
• NOMES DAS PEÇAS .....	PT-4
• INSTALAÇÃO E REMOÇÃO DA MANGUEIRA DE ESCAPE .....	PT-6
• USO DO TELECOMANDO .....	PT-8
• NOTAS SOBRE O FUNCIONAMENTO .....	PT-9

### USO PARA O AR CONDICIONADO

• MODO FRIO .....	PT-10
• MODO SECO .....	PT-10
• MODO VENTONHA .....	PT-11
• MODO VENTILAÇÃO .....	PT-11
• PARA ALTERAR A DIREÇÃO DO FLUXO DE AR .....	PT-12
• FUNÇÃO DE ARREFECIMENTO TURBO .....	PT-13
• FUNÇÃO DE DORMIR .....	PT-13
• OPERAÇÃO TEMPORIZADOR .....	PT-14

### USO PARA O GERADOR DE IÕES

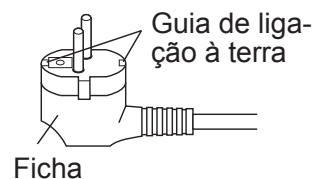
• MODO DE GERAÇÃO DE IÕES .....	PT-15
• PARA ALTERAR A DIREÇÃO DO FLUXO DE AR .....	PT-16
• FUNÇÃO DE DENSIDADE MÁXIMA .....	PT-16
• FUNÇÃO DE REFRESCAR .....	PT-17
• FUNÇÃO DE TEMPORIZADOR DESLIGADO .....	PT-17
• FUNCIONAMENTO DA UNIDADE PRINCIPAL .....	PT-18
• DRENAGEM .....	PT-18
• MANUTENÇÃO .....	PT-19
• ANTES DE SOLICITAR ASSISTÊNCIA .....	PT-20

## MEDIDAS DE SEGURANÇA

Este dispositivo pode ser usado por crianças com idade a partir de 8 anos e por pessoas com capacidades físicas, sensoriais ou mentais reduzidas, ou com falta de experiência e conhecimento, caso sejam supervisionadas ou tenham recebido instruções relativas ao uso do dispositivo de modo seguro e tenham compreendido os riscos envolvidos. As crianças não devem brincar com o dispositivo. A limpeza e a manutenção não devem ser feitas por crianças sem supervisão.

### **ATENÇÃO**

- Não altere nenhuma parte deste produto. Pode provocar choque elétrico, fuga de água, incêndio, etc.
- Não puxe ou deforme o cabo de fornecimento de energia. Puxar o cabo de fornecimento de energia e a sua má utilização poderão resultar em danos para a unidade e causar choque elétrico.
- Evite expor o seu corpo diretamente à saída de ar durante um período prolongado. Poderá afetar a sua condição física.
- Quando utilizar o ar condicionado para bebés, crianças, idosos, acamados ou pessoas deficientes, assegure-se de que a temperatura é adequada para os que se encontram no compartimento.
- Nunca introduza objetos na unidade. A introdução de objetos poderá resultar em ferimentos provocados pela elevada velocidade de rotação das ventoinhas internas.
- Se algo estiver anormal com o aparelho de ar condicionado (por ex., cheiro a queimado), pare imediatamente o funcionamento e DESLIGUE o disjuntor.
- Se o cabo de alimentação estiver danificado, deverá ser substituído pelo fabricante ou pelo seu agente de serviço ou pessoa identicamente qualificada, a fim de evitar uma situação de perigo. Para substituição, utilize apenas o cabo de energia especificado pelo fabricante.
- Não espalhe ou derrame água diretamente sobre a unidade. A água poderá causar choque elétrico ou danos no equipamento.
- Esta ficha elétrica só deverá ser ligada a uma tomada de parede adequada. Não use em conjunto com extensões.
- Empurre a ficha elétrica com segurança para dentro da tomada e certifique-se de que não está solta.
- Este aparelho necessita de ser ligado à terra. Encontra-se equipado com um cabo com fio de ligação à terra com uma guia de ligação à terra. A ficha deve ser ligada a uma tomada devidamente instalada e ligada à terra.
- O aparelho deve ser instalado respeitando os regulamentos nacionais de instalações eléctricas.
- O aparelho deve ser posicionado de forma a que a tomada fique acessível.



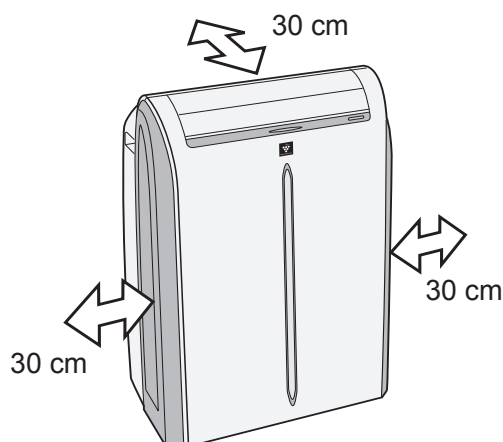
### **PRECAUÇÕES**

- Abra periodicamente uma janela ou uma porta para ventilar o compartimento, especialmente quando utilizar aparelhos a gás. A ventilação insuficiente poderá causar redução de oxigénio.
- Não utilize os botões com as mãos molhadas. Poderá causar choques eléctricos.
- Para sua segurança, desligue o disjuntor quando não utilizar a unidade por um período longo de tempo.
- Esta unidade foi concebida para utilização residencial. Não utilize para outras aplicações, tais como num canil ou numa estufa para criação de animais ou plantas.
- Não coloque recipientes com água na unidade. Se a água penetrar na unidade, os isolamentos eléctricos poder-se-ão deteriorar e causar choques eléctricos.
- De cada vez que mover a unidade deve realizar uma drenagem. Se permanecer água no depósito esta pode ser entornada durante o movimento.
- Não bloqueie a saída de ar de escape com obstáculos. O desempenho do arrefecimento pode ser reduzido ou parar totalmente.

- Antes de executar qualquer manutenção ou limpeza assegure-se de que o aparelho não está em funcionamento e desligue o disjuntor. Existe uma ventoinha a rodar no interior da unidade e você poderá ficar ferido.
- Coloque a unidade numa superfície nivelada para evitar derramamentos de água na divisão.
- Certifique-se de ligar o ar condicionado à fonte de alimentação com a voltagem e frequência adequadas. O uso de uma fonte de alimentação com voltagem e frequência impróprias pode resultar em estragos no equipamento e num possível incêndio.
- Não instale a unidade num local onde possam existir fugas de gás inflamável. Poderá provocar um incêndio.  
Instale a unidade num local com um mínimo de poeira, vapores e humidade no ar.
- Assegure-se de que se encontra instalado um disjuntor diferencial ou um corta-circuitos, dependendo do local de instalação, para evitar o choque elétrico.
- Instale um disjuntor de ligação à terra para proteção contra choques elétricos em caso de fuga de corrente.  
Utilize um disjuntor ativado por corrente, de alta sensibilidade e com corrente de sensibilidade nominal inferior a 30 mA e tempo de ativação inferior a 0,1 segundo.

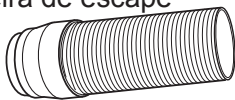
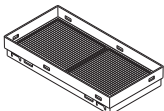
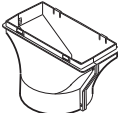



### LOCALIZAÇÃO

- A unidade deve ser colocada num suporte firme para minimizar o ruído e as vibrações. Para um posicionamento seguro coloque a unidade num piso suave e nivelado suficientemente forte para a suportar. Isto ajudará também a evitar derramamentos de água na divisão.
- A unidade tem rodas para ajudar à sua colocação, no entanto estas devem ser rodadas apenas em superfícies lisas e suaves. Tenha cuidado quando as rodar em superfícies com carpetes. Não tente rodar a unidade por cima de objetos.
- A unidade deve ser colocada ao alcance de uma tomada com ligação à terra devidamente avaliada.
- Nunca coloque obstáculos perto da entrada ou saída de ar da unidade.
- Deixe pelo menos 30 cm de espaço da parede para um desempenho eficiente.



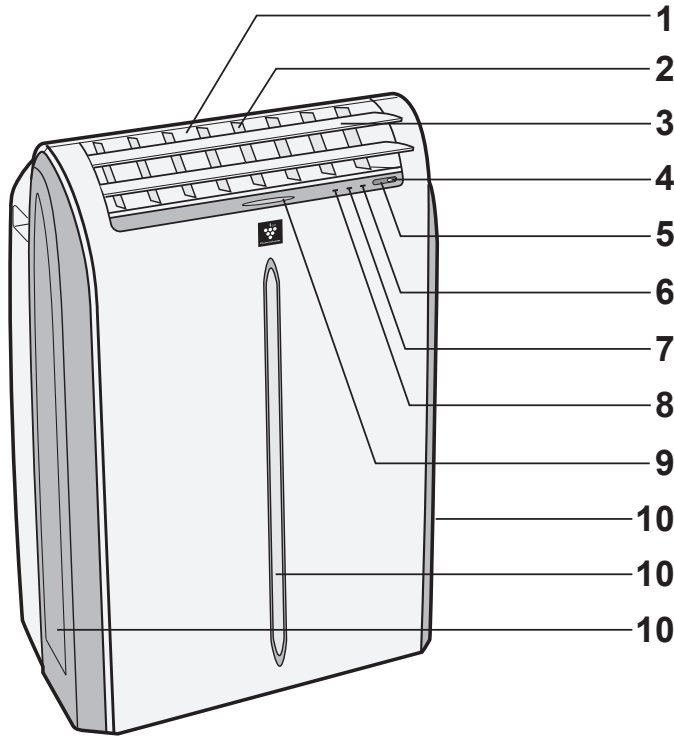
PORTUGUÊS

### INCLUÍDO

Mangueira de escape 	1	Rede de proteção de insetos 	1	Manual 	1
Adaptador de janelas 	1	Telecomando 	1		
Proteção da chuva 	2	Pilhas (R03) 	2		

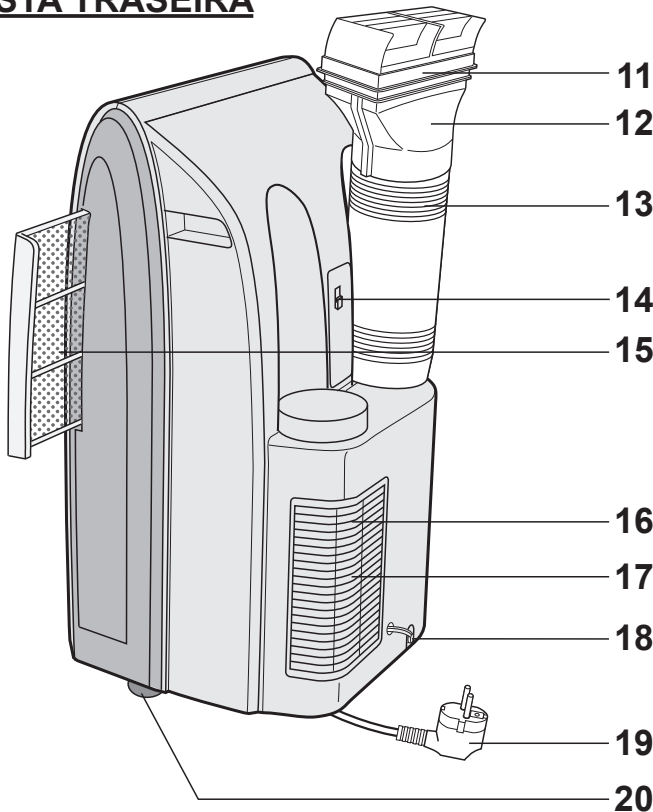
# NOMES DAS PEÇAS

## VISTA DIANTEIRA



- 1 Saída de ar
- 2 Palhetas verticais
- 3 Palhetas horizontais
- 4 Botão de ENERGIA
- 5 Recetor de sinal do telecommando
- 6 Lâmpada de AR CONDICIONADO (verde)
- 7 Lâmpada de TEMPORIZADOR (laranja)
- 8 Lâmpada de MÁXIMO (vermelha)
- 9 Lâmpada de GERAÇÃO DE IÕES (azul)
- 10 Entrada de ar

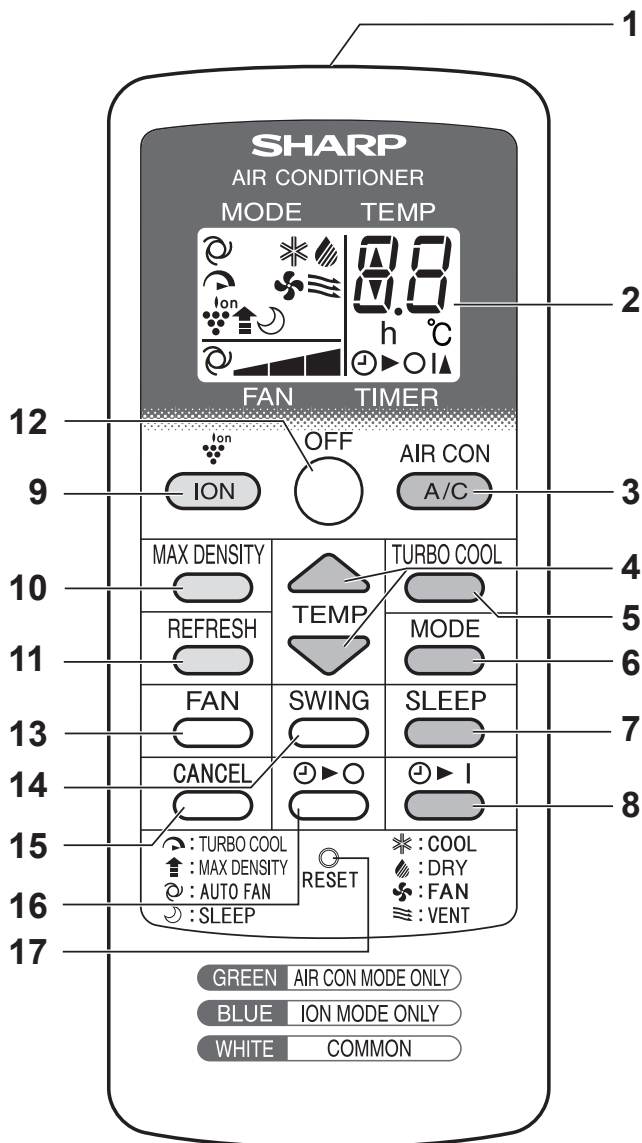
## VISTA TRASEIRA



- 11 Saída de ar de escape
- 12 Adaptador da janela
- 13 Mangueira de escape
- 14 Gancho do telecommando
- 15 Filtro de ar
- 16 Grelha
- 17 Entrada de ar
- 18 Tubo de drenagem e torneira
- 19 Ficha elétrica
- 20 Rodas (4)

NOTA: A unidade real pode variar ligeiramente da ilustração em cima.

## TELECOMANDO



1 Transmissor

2 Mostrador

### APENAS MODO AR CONDICIONADO

3 Botão A/C

4 Botão TEMP

5 Botão ARREFECIMENTO TURBO

6 Botão MODO

7 Botão DORMIR

8 Botão TEMPORIZADOR LIGADO

### APENAS MODO IÃO

9 Botão ION

10 Botão DENSIDADE MÁX

11 Botão REFRESCAR

### COMUM

12 Botão DESLIGAR

13 Botão VENTOINHA

14 Botão GIRAR

15 Botão CANCELAR

16 Botão TEMPORIZADOR DESLIGADO

17 Botão REPOR

### 18 Símbolos de MODO

\*: FRIO

☀: SECO

🌀: VENTOINHA

≡: VENTILAÇÃO

19 Símbolo de REFRESCAR

20 Símbolo de ARREFECIMENTO TURBO

21 Símbolo de GERAÇÃO DE IÕES

22 Símbolo de DENSIDADE MÁXIMA

23 Símbolo de DORMIR

24 Símbolos da VELOCIDADE DA VENTOINHA

🌀: AUTO

▴: SUAVE

▴: LENTA

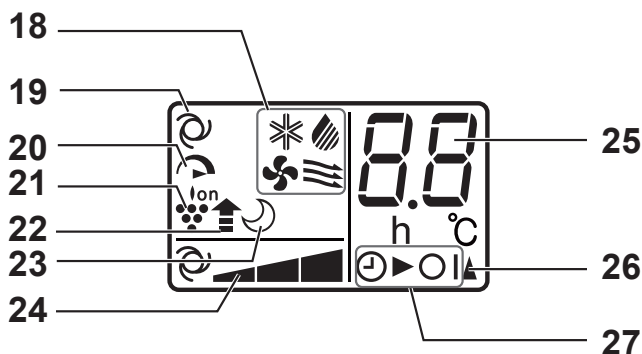
▴: RÁPIDA

25 Indicador de temperatura e contagem decrescente do temporizador

26 Símbolo de TRANSMISSÃO

27 Símbolo de TEMPORIZADOR LIGADO/DESLIGADO

## MOSTRADOR DO TELECOMANDO



# INSTALAÇÃO E REMOÇÃO DA MANGUEIRA DE ESCAPE

## Instalação da mangueira de escape

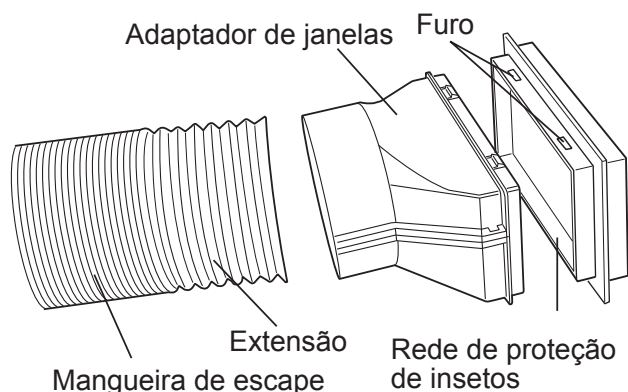
### **1** Prenda a rede de proteção de insetos ao adaptador da janela.

Empurre com firmeza a rede de proteção de insetos para garantir que as quatro saliências do adaptador da janela encaixam nos seus furos.

### **2** Prenda o adaptador da janela à mangueira de escape.

Alargue uma ponta da mangueira de escape, insira-a no adaptador da janela e gire-a (aproximadamente três vezes) até parar.

Certifique-se de que estão encaixadas com segurança.

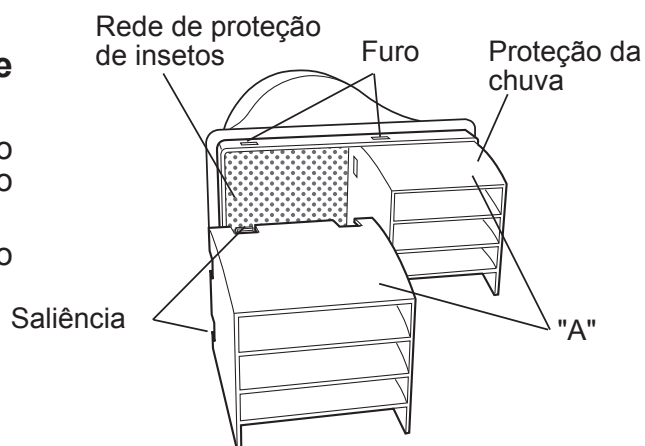


### **3** Prenda a proteção da chuva à rede de proteção de insetos.

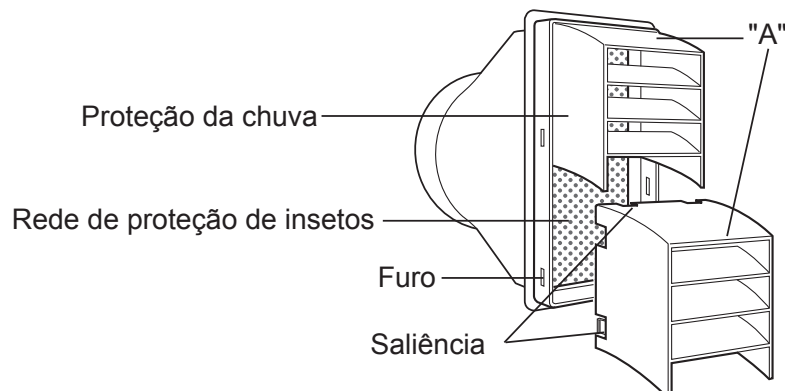
Insira as três saliências de cada proteção da chuva nos furos da rede de proteção de insetos.

O lado "A" estará agora em cima, como indicado no diagrama.

## **Colocado horizontalmente**

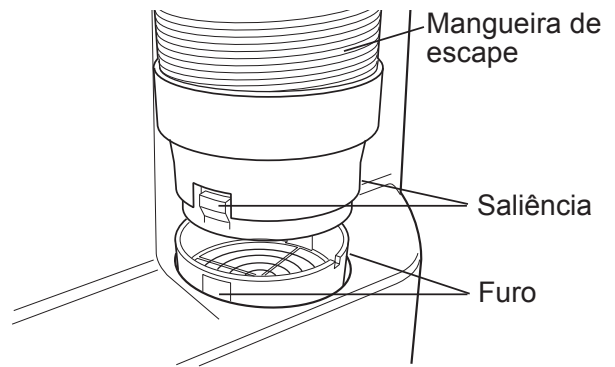


## **Colocado verticalmente**

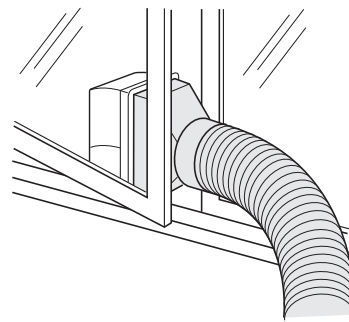


#### 4 Prenda a mangueira de escape à unidade.

Insira as duas saliências nos dois furos da unidade e prenda-os um ao outro até ouvir um "clíc".

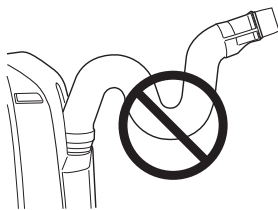


#### 5 Leve a mangueira de escape para fora.

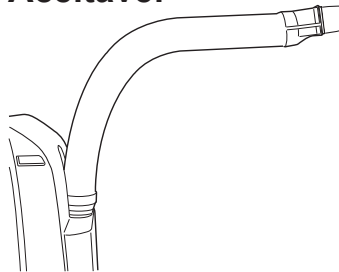


A mangueira de escape deve ser o mais curta possível para um funcionamento eficiente. No entanto, não pode estar torcida ou dobrada.

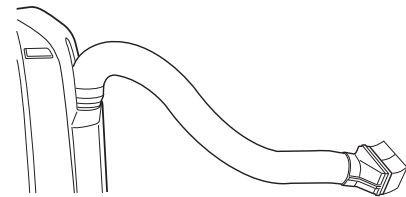
Inaceitável



Aceitável



Aceitável

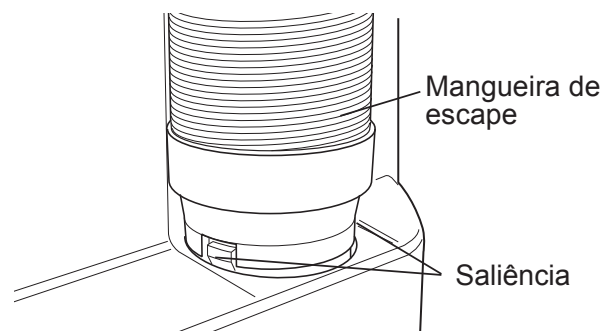


PORTUGUÊS

#### Remoção da mangueira de escape

Retire a mangueira de escape da unidade.

Levante e retire a mangueira de escape da unidade pressionando as duas saliências.



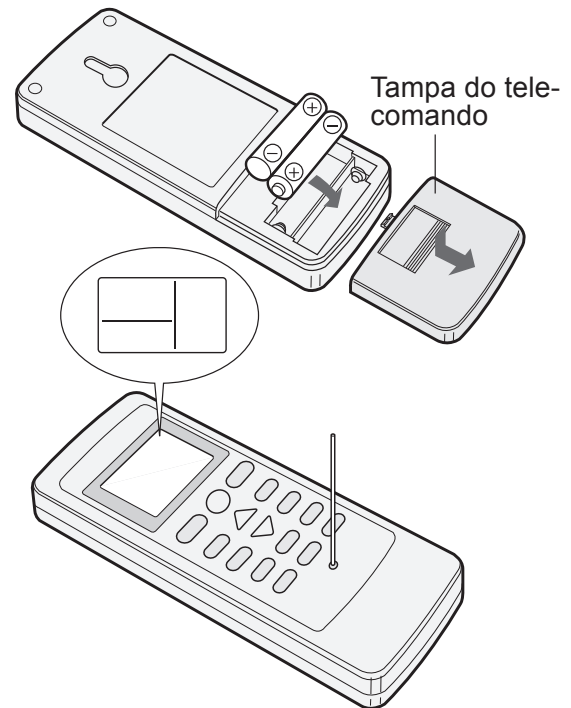
# USO DO TELECOMANDO

## INSTALAÇÃO DAS PILHAS

- 1** Retire a cobertura das pilhas.
- 2** Insira duas pilhas. (AAA (R03))
  - Verifique se as polaridades (+) e (-) estão corretamente alinhadas.
  - Quando as pilhas estiverem bem instaladas aparecerão linhas no mostrador.
- 3** Volte a colocar a tampa das pilhas.
- 4** Carregue no botão **REPOR** com um palito afiado.

### **NOTAS:**

- A duração de vida das pilhas é de aproximadamente um ano sob condições normais de utilização.
- Quando substituir as pilhas, substitua sempre as duas ao mesmo tempo e use pilhas do mesmo tipo.
- Se não pretender utilizar a unidade por um período mais prolongado, retire as pilhas do telecomando.



## COMO UTILIZAR O TELECOMANDO

Aponte o telecomando na direção do recetor da unidade e carregue no botão que pretende acionar. Ouvir-se-á um som quando a unidade receber o sinal.

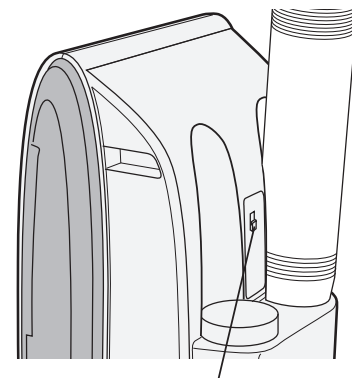
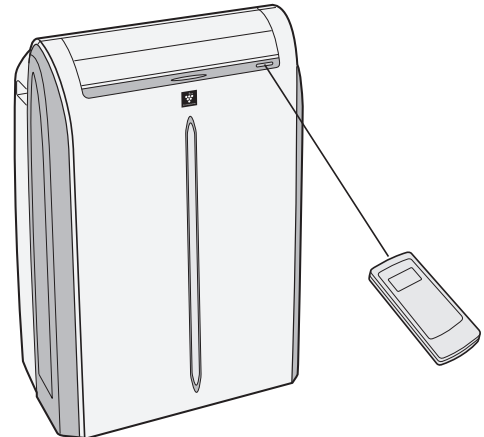
- Verifique que não há nada (cortinas, etc.) a bloquear a janela recetora do sinal.
- A distância efetiva do sinal é de 7 m.

### **ATENÇÃO:**

- Não exponha a janela recetora diretamente à luz solar. Isto pode afetar negativamente o funcionamento.
- O uso de certo tipo de lâmpadas fluorescentes no quarto pode interferir com a transmissão do sinal.
- Não deixe o telecomando à luz solar direta ou perto de uma fonte de calor. Proteja o telecomando de humidade e choques.

**Para evitar que o telecomando se perca, prenda-o à unidade quando não estiver em uso.**

Quando estiver preso, para tirar o telecomando da unidade levante-o ligeiramente e puxe-o.



Suporte do telecomando



# NOTAS SOBRE O FUNCIONAMENTO

## NOTAS SOBRE O FUNCIONAMENTO

- **Deixe estar 3 minutos para o compressor recomeçar a arrefecer.**  
Se desligar a unidade e voltar a ligá-la imediatamente, deixe estar três minutos para o compressor recomeçar a arrefecer. Há um aparelho elétrico na unidade que mantém o compressor desligado durante três minutos por motivos de segurança.
- **Em caso de falha de corrente.**  
Este ar condicionado tem uma função de memória para o caso de haver uma falha de corrente. Depois da corrente ter sido restabelecida, a unidade é automaticamente reiniciada com as mesmas regulações que estavam ativas antes da falta de corrente, exceto as regulações do temporizador.  
Se ocorrer uma falha de corrente quando o temporizador estiver ativo, as definições do temporizador serão apagadas e não serão recuperadas, mesmo depois da corrente ser restabelecida.
- **Função de temperatura baixa: A sua unidade está a congelar?**  
A unidade pode congelar quando estiver definida para perto de 18°C em condições de temperatura ambiente baixa, sobretudo de noite.  
Nestas circunstâncias, uma queda da temperatura adicional pode provocar o congelamento da unidade.  
Definir a unidade para uma temperatura mais alta evita o congelamento.
- **O modo seco aumenta a temperatura da divisão.**  
A unidade gera calor durante o modo seco e a temperatura da divisão aumentará. Sairá ar quente da saída de ar de escape, sendo isto normal e não indica nenhum problema da unidade.
- **Esta unidade emite ar quente gerado pela unidade para fora da divisão através da mangueira de escape enquanto estiver em modo frio.**  
Portanto, a mesma quantidade de ar que é emitido para fora entrará na divisão vinda de fora através de quaisquer aberturas da divisão.
- **Quando executar a função de arrefecimento em condições de muita humidade, o depósito de água dentro da unidade pode encher-se com frequência.**  
Quando o depósito de água dentro da unidade se encher, a unidade parará e as lâmpadas laranja de TEMPORIZADOR, verde de AR CONDICIONADO e vermelha de MÁXIMO irão piscar. Neste caso faça uma drenagem da água dentro da unidade.

## ESTADO DO FUNCIONAMENTO

- **A unidade deve ser operada dentro dos seguintes limites de temperatura.**

Modo	Temperatura da divisão
Frio	18°C - 40°C
Seco	15°C - 40°C

- Um dispositivo de segurança integrado pode cortar o funcionamento caso a temperatura exceda estes limites.
- Quando a função de arrefecimento for realizada com uma temperatura da divisão alta, a ventoinha pode funcionar com uma velocidade mais lenta.

## SUGESTÕES DE EFICIÊNCIA ENERGÉTICA

- **Evite luz solar direta.**  
Feche as cortinas ou persianas para evitar a entrada de luz solar direta enquanto estiver no modo de arrefecimento.
- **Mantenha o filtro limpo.**  
Manter o filtro limpo ajuda a unidade a funcionar eficazmente. Um filtro sujo bloqueia o fluxo de ar fazendo a unidade trabalhar com mais dificuldade e com menos eficiência.

# USO PARA O AR CONDICIONADO

Para usar nos modos frio, seco, ventoinha ou ventilação. Durante o funcionamento serão sempre libertados iões Plasmacluster na divisão.

- A mangueira de escape deve estar instalada nestes modos.
- Certifique-se de que a torneira está devidamente presa ao tubo de drenagem.

## MODO FRIO

**1** Carregue no botão MODO para escolher o modo FRIO.



**2** Carregue no botão LIGAR/DESLIGAR para ativar a função.  
• A lâmpada verde de AR CONDICIONADO acender-se-á.

### PARA DESATIVAR

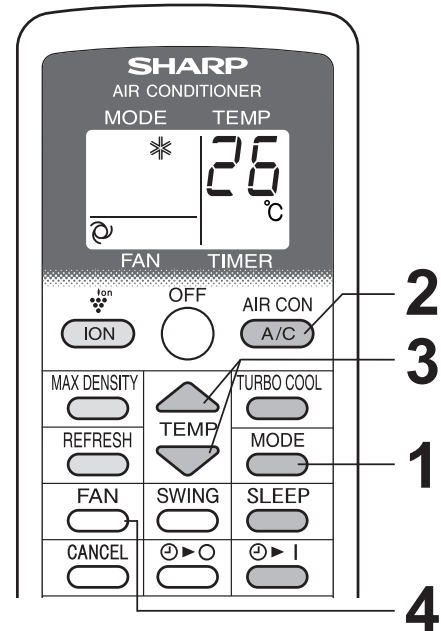
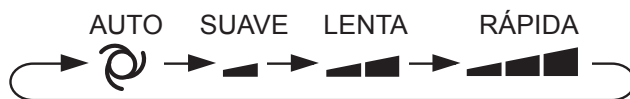
Carregue no botão de DESLIGAR.

- A lâmpada verde de AR CONDICIONADO desligar-se-á.

**3** Carregue no botão TEMPERATURA para definir a temperatura.

- Alcance de temperatura definido: 18°C a 32°C.

**4** Carregue no botão VENTOINHA para definir a velocidade da ventoinha.



## MODO SECO

**1** Carregue no botão MODO para escolher o modo SECO.



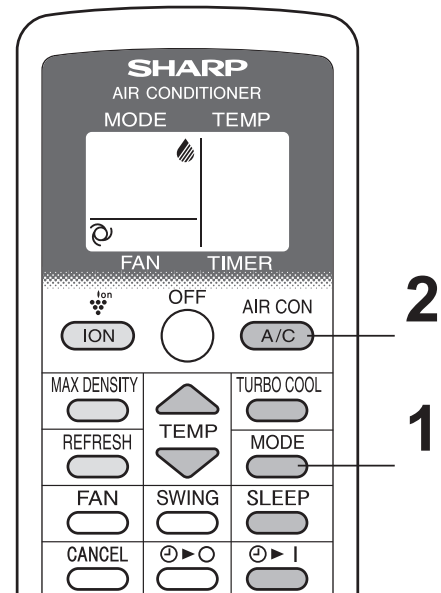
**2** Carregue no botão LIGAR/DESLIGAR para ativar a função.

- A lâmpada verde de AR CONDICIONADO acender-se-á.
- A temperatura não pode ser definida.
- A velocidade da ventoinha está pré-definida para AUTO e não pode ser alterada.

### PARA DESATIVAR

Carregue no botão de DESLIGAR.

- A lâmpada verde de AR CONDICIONADO desligar-se-á.



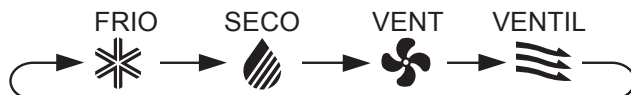
### NOTAS:

- Apesar de conseguir funcionar no modo seco sem a mangueira de escape, a unidade gera calor durante a operação e a temperatura da divisão irá aumentar.
- É ainda possível funcionar no modo seco com mangueira (não incluída) presa. Retire a torneira, prenda a mangueira ao tubo de drenagem e faça uma drenagem no chão para permitir que a água saia da unidade.

## MODO VENTOINHA

A unidade simplesmente circula o ar.

### 1 Carregue no botão MODO para escolher o modo de VENTOINHA.



### 2 Carregue no botão LIGAR/DESLIGAR para ativar a função.

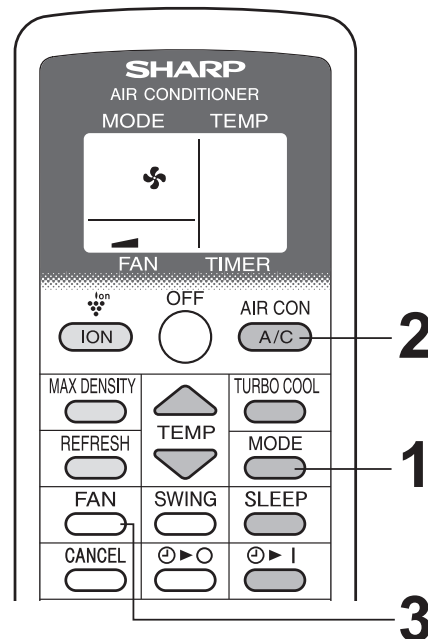
- A lâmpada verde de AR CONDICIONADO acender-se-á.
- A temperatura não pode ser definida.

#### PARA DESATIVAR

Carregue no botão de DESLIGAR.

- A lâmpada verde de AR CONDICIONADO desligar-se-á.

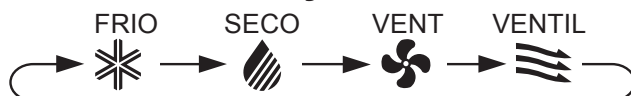
### 3 Carregue no botão VENTOINHA para determinar a velocidade desejada da ventoinha.



## MODO DE VENTILAÇÃO

A unidade ventila ar para o exterior.

### 1 Carregue no botão MODO para escolher o modo de VENTILAÇÃO.



### 2 Carregue no botão LIGAR/DESLIGAR para ativar a função.

- A lâmpada verde de AR CONDICIONADO acender-se-á.
- A temperatura não pode ser definida.

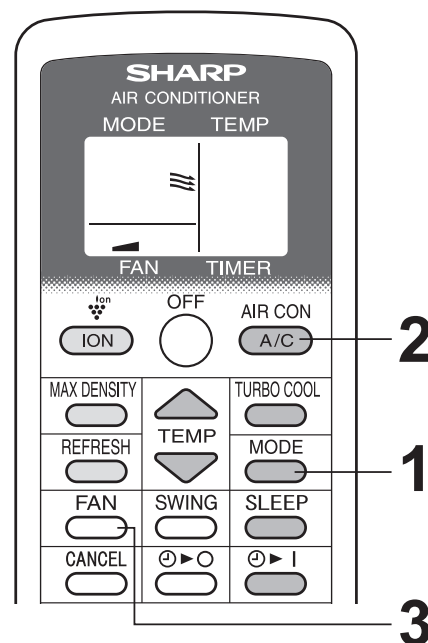
#### PARA DESATIVAR

Carregue no botão de DESLIGAR.

- A lâmpada verde de AR CONDICIONADO desligar-se-á.

### 3 Carregue no botão VENTOINHA para definir a velocidade da ventoinha.

- Apesar das palhetas estarem fechadas e não sair ar para a divisão, a velocidade da ventoinha da ventilação externa é alterada.



# USO PARA O AR CONDICIONADO

## PARA ALTERAR A DIREÇÃO DO FLUXO DE AR

### DIREÇÃO DO FLUXO DE AR PARA CIMA / BAIXO

#### 1 Carregue no botão GIRAR.

- As palhetas horizontais irão girar.

#### 2 Carregue novamente no botão GIRAR para parar na posição desejada.

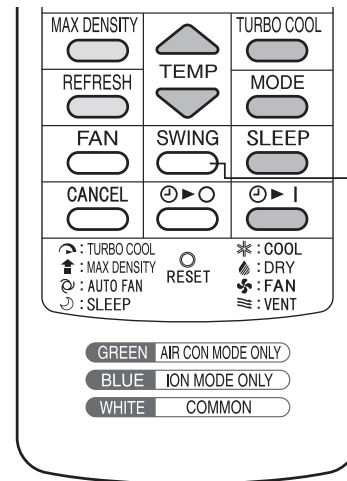
#### ATENÇÃO:

Nunca tente ajustar as palhetas horizontais manualmente.

- O ajuste manual das palhetas horizontais pode provocar o mau funcionamento da unidade quando o telecomando for usado para ajustar.
- Quando as palhetas horizontais se encontram posicionadas na posição mais baixa nos modos FRIO ou SECO durante um período prolongado pode ocorrer condensação.

#### NOTA:

- Durante o modo de VENTILAÇÃO, o fluxo de ar para CIMA/BAIXO não pode ser alterado.

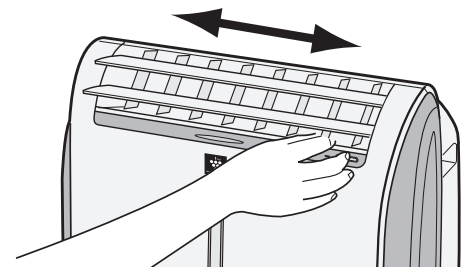


### DIREÇÃO DO FLUXO DE AR ESQUERDA/DIREITA

Mantenha as palhetas verticais como indicado no diagrama e ajuste a direção do fluxo de ar.

#### ATENÇÃO:


- Não regule o ajuste das palhetas horizontais demasiadamente para a direita ou para a esquerda no modo FRIO com a velocidade da ventoinha "SUAVE ( )" durante um longo período de tempo. Poderá acontecer a formação de condensação nas palhetas.



## FUNÇÃO DE ARREFECIMENTO TURBO

A ventoinha da unidade funciona com uma velocidade extra rápida com uma temperatura definida de 15°C.

### 1 Carregue no botão de ARREFECIMENTO TURBO durante o modo de arrefecimento.

- O telecomando irá exibir o símbolo “”.
- O mostrador da temperatura desligar-se-á.
- A lâmpada vermelha de MÁXIMO acender-se-á.

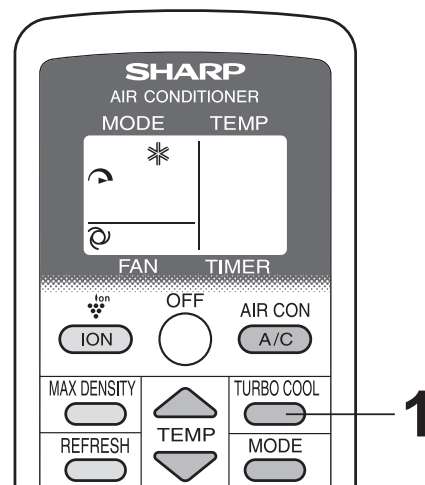
#### PARA DESATIVAR

### Carregue novamente no botão de ARREFECIMENTO TURBO.

- A luz vermelha de MÁXIMO apagar-se-á.

#### NOTAS:


- Não é possível definir a temperatura ou a velocidade da ventoinha durante a função de ARREFECIMENTO TURBO.
- A ventoinha volta à definição de velocidade RÁPIDA após a unidade ter trabalhado durante 30 minutos no modo de ARREFECIMENTO TURBO.
- A velocidade da ventoinha extra rápida pode reduzir-se automaticamente para proteger a unidade.
- A função de ARREFECIMENTO TURBO e a operação de DORMIR não podem ser usadas em conjunto.



## FUNÇÃO DE DORMIR

Quando estiver definida a função de DORMIR, a temperatura definida é automaticamente ajustada para evitar a divisão de ficar muito fria.

### 1 Carregue no botão de DORMIR durante o modo de arrefecimento.

- O telecomando irá exibir o símbolo “”.
- A lâmpada laranja do TEMPORIZADOR acender-se-á.
- A unidade terminará a função ao fim de 8 horas.
- A velocidade da ventoinha está definida para AUTO.

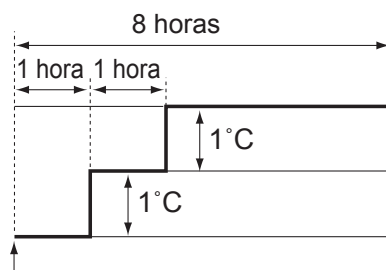
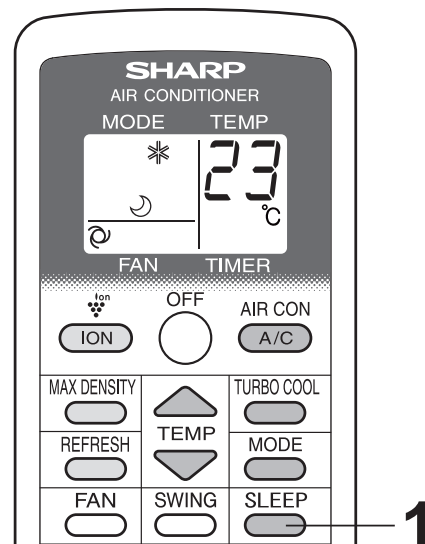
#### PARA DESATIVAR

### Carregue no botão DORMIR.

- A lâmpada laranja de TEMPORIZADOR desligar-se-á.

#### NOTAS:

- Uma hora depois de começar a função de DORMIR a temperatura definida sobe 1°C e ao fim de uma hora aumenta mais 1°C. A temperatura no mostrador do telecomando não será alterada da sua definição original.
- A função de DORMIR e a função de ARREFECIMENTO TURBO não podem ser usadas em conjunto.
- As funções de TEMPORIZADOR DESLIGADO, TEMPORIZADOR LIGADO e de DORMIR não podem ser definidas em conjunto. Serão apenas usadas as definições mais recentes.



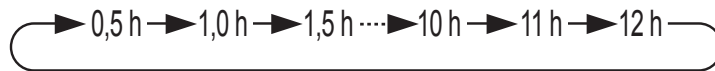
Início da função de DORMIR A unidade desliga-se

# USO PARA O AR CONDICIONADO

## OPERAÇÃO TEMPORIZADOR

### TEMPORIZADOR LIGADO

**1** Carregue no botão **TEMPORIZADOR LIGADO** e defina o tempo desejado.

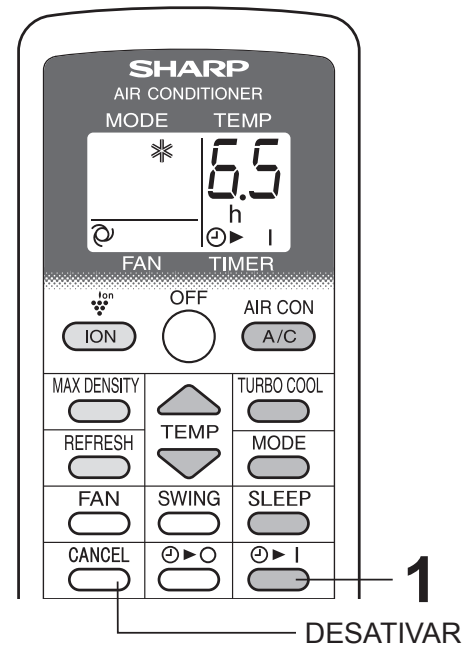


- A lâmpada laranja do TEMPORIZADOR acender-se-á.
- A definição do tempo entrará em contagem decrescente indicando o tempo remanescente.

#### PARA DESATIVAR

Carregue no botão **CANCELAR**.

- A lâmpada laranja de TEMPORIZADOR desligar-se-á.



### TEMPORIZADOR DESLIGADO

**1** Carregue no botão **TEMPORIZADOR DESLIGADO** e defina o tempo desejado.

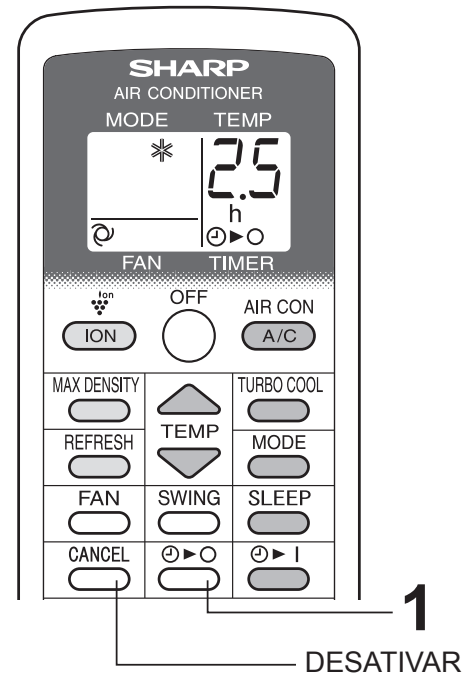


- A lâmpada laranja do TEMPORIZADOR acender-se-á.
- A definição do tempo entrará em contagem decrescente indicando o tempo remanescente.

#### PARA DESATIVAR

Carregue no botão **CANCELAR**.

- A lâmpada laranja de TEMPORIZADOR desligar-se-á.



#### NOTAS:

- A duração do temporizador pode ser definida de um mínimo de meia hora até um máximo de 12 horas. Até às 9.5 horas pode definir intervalos de meia hora e entre as 10 e 12 horas intervalos de 1 hora.
- As funções TEMPORIZADOR DESLIGADO e TEMPORIZADOR LIGADO não podem ser definidas em conjunto.
- Se ocorrer uma falha de corrente quando o temporizador estiver ativo, as definições do temporizador serão apagadas e não serão recuperadas, mesmo depois da corrente ser restabelecida.
- Quando a temperatura for regulada durante o temporizador definido, a temperatura aparecerá no mostrador durante 5 segundos e depois voltará à indicação da hora.

## USO PARA O GERADOR DE IÕES

Usar quando a unidade funcionar com o GERADOR DE IÕES independentemente. Não há necessidade de instalar a mangueira de escape. Não sairá ar quente da mangueira de escape durante o modo de GERAÇÃO DE IÕES.

### MODO DE GERAÇÃO DE IÕES

#### 1 Carregue no botão IÃO para iniciar a função.

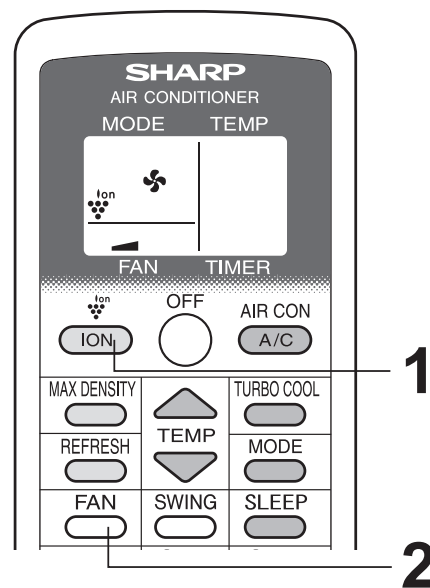
- A lâmpada azul de GERAÇÃO DE IÕES acender-se-á.

#### PARA DESATIVAR

#### Carregue no botão de DESLIGAR.

- A lâmpada azul de GERAÇÃO DE IÕES apagar-se-á.

#### 2 Carregue no botão VENTOINHA para definir a velocidade da ventoinha.



### Nota sobre o MODO DE GERAÇÃO DE IÕES

O gerador de iões dentro da unidade liberta iões Plasmacluster para a divisão. Os iões Plasmacluster irão reduzir o mofo do ar.

Plasmacluster é uma tecnologia original da SHARP.

Para mais informações verifique o nosso comunicado de imprensa, por exemplo em: <http://www.sharp-pci.com/>

A página web encontra-se sujeita a alterações sem aviso prévio.

## USO PARA O GERADOR DE IÕES

### PARA ALTERAR A DIREÇÃO DO FLUXO DE AR

#### DIREÇÃO DO FLUXO DE AR PARA CIMA / BAIXO

**1** Carregue no botão GIRAR.

- As palhetas horizontais irão girar.

**2** Carregue novamente no botão GIRAR para parar na posição desejada.

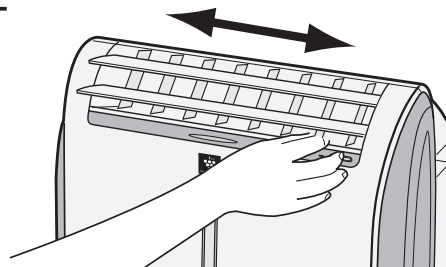
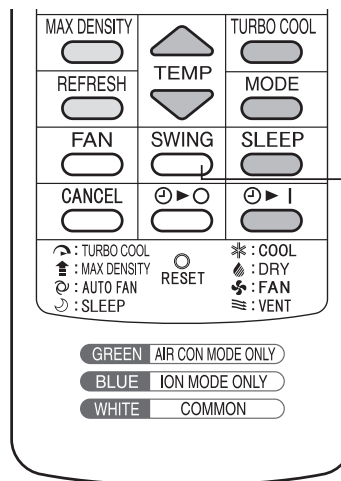
#### ATENÇÃO:

Nunca tente ajustar as palhetas horizontais manualmente.

- O ajuste manual das palhetas horizontais pode provocar o mau funcionamento da unidade quando o telecomando for usado para ajustar.

#### DIREÇÃO DO FLUXO DE AR ESQUERDA/DIREITA

Mantenha as palhetas verticais como indicado no diagrama e ajuste a direção do fluxo de ar.



### FUNÇÃO DE DENSIDADE MÁXIMA

A unidade liberta íons Plasmacluster de máxima densidade. Ao descarregar continuamente fluxos de ar “extra altos” durante 30 minutos, a unidade descarrega os íons pelo quarto mais eficazmente.

**1** Carregue no botão DENSIDADE MÁXIMA durante a operação de geração de íons.

- O telecomando irá exibir o símbolo “↑”.
- A lâmpada vermelha de MÁXIMO acender-se-á.

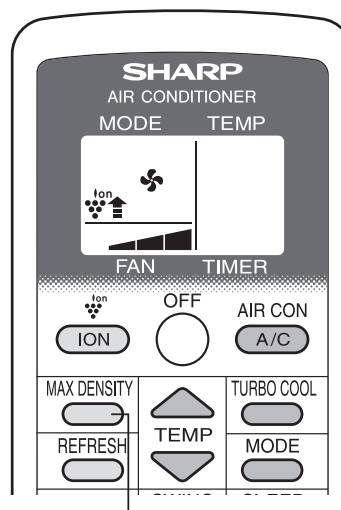
#### PARA DESATIVAR

Carregue novamente no botão de DENSIDADE MÁXIMA.

- A luz vermelha de MÁXIMO apagar-se-á.

#### NOTAS:

- Não pode definir a velocidade da ventoinha durante a função de DENSIDADE MÁXIMA.
- A função de DENSIDADE MÁXIMA será automaticamente cancelada ao fim de 30 minutos e a unidade voltará às definições originais.
- A função de DENSIDADE MÁXIMA e a operação de REFRESCAR não podem ser usadas em conjunto.






## FUNÇÃO DE REFRESCAR

A função de refrescar reduzirá o odor de roupas com iões Plasmacluster. Recomenda-se o uso desta função em frente a guarda-roupas, roupeiros, quartos de vestir ou bengaleiros.

### 1 Carregue no botão REFRESCAR durante a operação de geração de iões.

- A lâmpada laranja do TEMPORIZADOR acender-se-á.
- O telecomando irá exibir o símbolo “”.
- As palhetas horizontais irão girar.
- A unidade terminará a função ao fim de 5 horas.

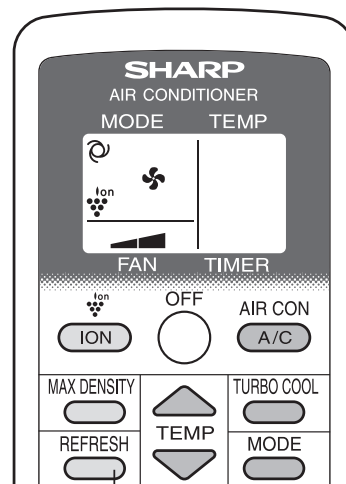
### PARA DESATIVAR

#### Carregue novamente no botão REFRESCAR.

- A lâmpada laranja de TEMPORIZADOR desligar-se-á.

#### NOTAS:

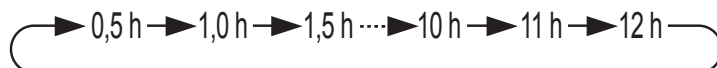
- Ajuste as palhetas para que o ar da unidade se dirija à roupa.
- A função de REFRESCAR e a função de DENSIDADE MÁXIMA não podem ser usadas em conjunto.
- A função de REFRESCAR e o TEMPORIZADOR DESLIGADO não podem ser usados em conjunto.
- Com esta função o ião Plasmacluster é eficaz na redução do cheiro de tabaco, fumo, etc., mas poderá não ser eficaz com todos os tipos de cheiros.
- Dependendo da quantidade do cheiro, da distância entre a unidade e a roupa e do tempo de funcionamento, a unidade pode não reduzir suficientemente o cheiro.



1

## FUNÇÃO DE TEMPORIZADOR DESLIGADO

### 1 Carregue no botão TEMPORIZADOR DESLIGADO e defina o tempo desejado.



- A lâmpada laranja do TEMPORIZADOR acender-se-á.
- A definição do tempo entrará em contagem decrescente indicando o tempo remanescente.

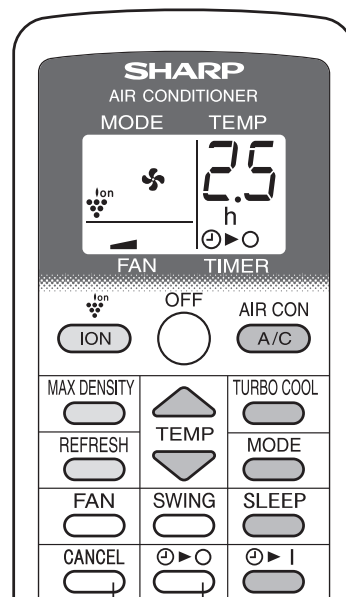
### PARA DESATIVAR

#### Carregue no botão CANCELAR.

- A lâmpada laranja de TEMPORIZADOR desligar-se-á.

#### NOTAS:

- A duração do temporizador pode ser definida de um mínimo de meia hora até um máximo de 12 horas. Até às 9.5 horas pode definir intervalos de meia hora e entre as 10 e 12 horas intervalos de 1 hora.
- No modo de GERAÇÃO DE IÕES não se pode definir o TEMPORIZADOR LIGADO.
- Se ocorrer uma falha de corrente quando o TEMPORIZADOR DESLIGADO estiver ativo, as definições do TEMPORIZADOR serão apagadas e não serão recuperadas, mesmo depois da corrente ser restabelecida.



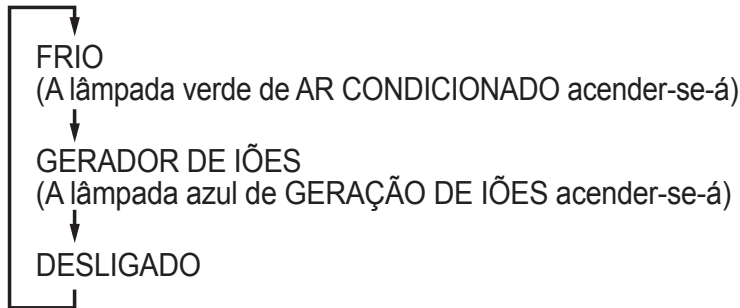
1  
DESATIVAR

## FUNCIONAMENTO DA UNIDADE PRINCIPAL

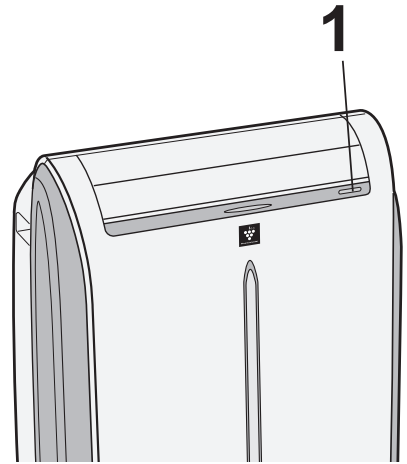
Use este modo quando o telecomando não estiver disponível.

### 1 Carregue no botão de ENERGIA para iniciar a função.

- O modo irá mudar se carregar no botão durante 5 segundos.



- No modo frio a unidade irá funcionar com as últimas definições de arrefecimento. Se a unidade foi desligada da tomada deste o último funcionamento irá retomar o funcionamento no modo de arrefecimento definido a 20°C. A velocidade da ventoinha fica em AUTO.



### PARA DESATIVAR

Carregue no botão de ENERGIA durante o funcionamento.

## DRENAGEM

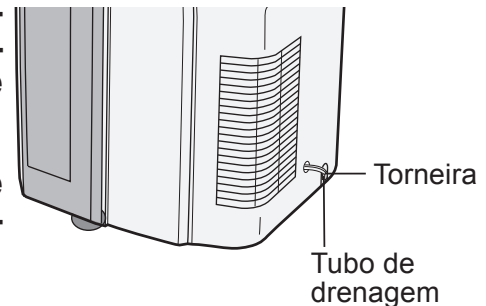
Faça a drenagem da água de dentro da unidade nas seguintes situações.

- Quando a unidade para de funcionar e a lâmpada laranja do TEMPORIZADOR, a lâmpada verde de AR CONDICIONADO e a lâmpada vermelha de MÁXIMO estiverem a piscar, o depósito de água está cheio e necessita de uma drenagem.
- Quando a unidade não é usada durante um período prolongado.

### 1 Desligue o cabo elétrico e leve cuidadosamente a unidade até um local de escoamento ou ao exterior para evitar que se entorne água na divisão.

### 2 Retire a torneira do tubo de drenagem e faça a drenagem da água de dentro da unidade.

### 3 Prenda a torneira com segurança ao tubo de drenagem.



## MANUTENÇÃO

Certifique-se de desligar o cabo da tomada antes de limpar.

### LIMPEZA DOS FILTROS

Se o filtro está entupido com pó, o fluxo de ar será reduzido resultando num arrefecimento reduzido. O filtro deve ser limpo de duas em duas semanas.

#### FILTRO DE AR

##### 1 REMOVA O FILTRO

- Puxe o filtro para a direita.

##### 2 LIMPE O FILTRO

- Use um aspirador para remover o pó. Se o filtro estiver muito sujo lave-o com detergente e enxague cuidadosamente com água limpa. Seque o filtro antes de o voltar a instalar. Não o exponha à luz solar direta.

##### 3 REINSTALE O FILTRO

#### FILTRO DA ENTRADA DE AR

Retire a grelha e limpe o filtro da entrada de ar com um aspirador.

#### ATENÇÃO:

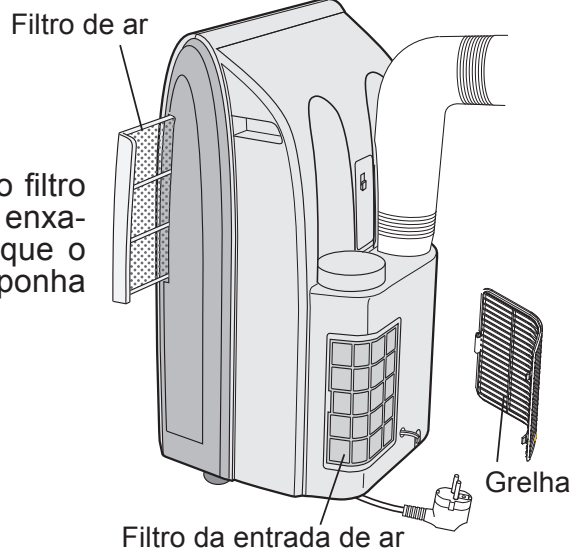
Nunca ponha a unidade em funcionamento sem o filtro. Ao fazê-lo poderá provocar danos graves à unidade.

### LIMPEZA DA UNIDADE E DO TELECOMANDO

Limpe-os com um pano macio seco ou com um pano humedecido num detergente suave. Retire os eventuais resíduos limpando com um pano húmido e seque completamente. Evite salpicos de água na unidade. A água pode danificar o isolamento elétrico com perigo. Nunca use químicos agressivos ou produtos abrasivos em nenhuma parte da unidade. Para evitar danos na unidade não use água quente (50°C ou mais) quando limpar.

### QUANDO GUARDAR DURANTE UM PERÍODO LONGO (FORA DE USO)

- 1 Faça uma drenagem para drenar a água para fora da unidade e ligue a torneira com segurança ao tubo de drenagem.
- 2 Ponha a unidade em funcionamento no modo de VENTONHA ou VENTILAÇÃO durante meio dia para secar cuidadosamente o interior da unidade.
- 3 Limpe os filtros e, em seguida, volte a instalá-los.
- 4 Desligue o cabo da tomada.



## ANTES DE SOLICITAR ASSISTÊNCIA

Se o aparelho parecer estar a funcionar mal, verifique os seguintes pontos antes de solicitar assistência técnica.

### A UNIDADE NÃO FUNCIONA DE TODO

- A unidade está ligada à corrente ou o cabo está solto?
- O fusível saltou ou o disjuntor disparou?
- A lâmpada verde de AR CONDICIONADO, a lâmpada laranja de TEMPORIZADOR e a lâmpada vermelha de MÁXIMO estão a piscar?  
O depósito de água dentro da unidade está cheio. Tem de se fazer uma drenagem. (Ver pág. 18)

### A UNIDADE NÃO ARREFECE DEVIDAMENTE

- Estará definida para o modo VENTOINHA, SECO, VENTILAÇÃO ou GERAÇÃO DE IÕES?  
Neste modos não há arrefecimento. Altere as definições de MODO.
- O filtro está entupido com pó?  
Limpe o filtro.
- A serpentina de arrefecimento está congelada?  
Se a serpentina de arrefecimento estiver congelada não sairá ar.  
Ligue a unidade no modo de VENTOINHA com a velocidade da ventoinha definida para "RÁPIDA" até todo o gelo se dissipar.
- A temperatura está devidamente definida?
- A janela está exposta a luz solar direta?  
Feche as cortinas ou persianas para minimizar o aquecimento da divisão por energia solar.
- A mangueira de escape estará grande demais?  
Para um funcionamento eficaz encurte a mangueira o mais possível. A mangueira de escape não pode estar torcida ou dobrada.

### SONS

- A unidade pode parecer bastante barulhenta durante os primeiros 2 a 3 minutos quando é ligada. Trata-se do som do compressor a iniciar-se e é perfeitamente normal.
- Quando se liga ou desliga a unidade ou ainda durante o funcionamento pode ouvir-se um som suave como um assobio. Trata-se do som do refrigerante a passar dentro da unidade.
- Quando a unidade gera iões Plasmacluster é emitido um som baixo como um zumbido.
- A unidade evapora água condensada durante a operação de arrefecimento através da saída de ar de escape. Pode-se ouvir um som de água a a passar, isto é normal.
- Quando a unidade funciona num piso ligeiramente inclinado pode ouvir-se um som como um gorgolejar. Coloque a unidade num piso nivelado.

### O TEMPORIZADOR NÃO FUNCIONA DEVIDAMENTE

- Se ocorrer uma falha de corrente quando o TEMPORIZADOR estiver ativo, as definições do TEMPORIZADOR serão apagadas e não serão recuperadas, mesmo depois da corrente ser restabelecida. Isto é normal nesta unidade.

### A UNIDADE NÃO RECEBE O SINAL DO TELECOMANDO

- Cerifique as pilhas no telecomando. Substitua se necessário.
- Tente emitir novamente o sinal com o telecomando a apontar devidamente para a janela recetora do aparelho.
- Verifique se as pilhas do telecomando estão colocadas com a polaridade correta.

### O AR EMITIDO TEM CHEIRO

- O gerador de iões Plasmacluster emite vestígios de ozono, o que pode provocar cheiro. Estas emissões de ozono encontram-se abaixo dos níveis de segurança e estão em conformidade com o limite federal de emissões de ozono.

PORTUGUÊS



Uwaga: Państwa produkt oznaczony jest tym symbolem. Oznacza to, że zużytego sprzętu elektrycznego i elektronicznego nie należy łączyć z odpadami z gospodarstw domowych. Dla tego typu produktów istnieje odrębny system zbiórki odpadów.

## A. Informacje dla użytkowników (prywatne gospodarstwa domowe) dotyczące usuwania odpadów

### 1. W krajach Unii Europejskiej

Uwaga: Jeśli chcą Państwo usunąć to urządzenie, prosimy nie używać zwykłych pojemników na śmieci!

Zużyty sprzęt elektryczny i elektroniczny należy usuwać oddzielnie, zgodnie z wymogami prawa dotyczącymi odpowiedniego przetwarzania, odzysku i recyklingu zużytego sprzętu elektrycznego i elektronicznego.

Po wdrożeniu przepisów unijnych w Państwach Członkowskich prywatne gospodarstwa domowe na terenie krajów UE mogą bezpłatnie\* zwracać zużyty sprzęt elektryczny i elektroniczny do wyznaczonych punktów zbiórki odpadów.

W niektórych krajach\* można bezpłatnie zwrócić stary produkt do lokalnych punktów sprzedaży detalicznej pod warunkiem, że zakupią Państwo podobny nowy produkt. \*) W celu uzyskania dalszych informacji na ten temat należy skontaktować się z lokalnymi władzami.

Jeśli zużyty sprzęt elektryczny i elektroniczny jest wyposażony w baterie lub akumulatory, należy je usunąć oddzielnie, zgodnie z wymogami lokalnych przepisów.

Jeśli ten produkt zostanie usunięty we właściwy sposób, pomogą Państwo zapewnić, że odpady zostaną poddane przetworzeniu, odzyskowi i recyklingowi, a tym samym zapobiec potencjalnym negatywnym skutkom dla środowiska naturalnego i zdrowia ludzkiego, które w przeciwnym razie mogłyby mieć miejsce na skutek niewłaściwej obróbki odpadów.

### 2. Kraje pozaunijne

Jeśli chcą Państwo pozbyć się produktu, należy skontaktować się z władzami lokalnymi i uzyskać informacje na temat prawidłowej metody usunięcia produktu.

## B. Informacje dla użytkowników biznesowych dotyczące usuwania odpadów.

### 1. W krajach Unii Europejskiej

W przypadku gdy produkt używany jest do celów handlowych i zamierzają go Państwo usunąć:

Należy skontaktować się z dealerem firmy SHARP, który poinformuje o możliwości zwrotu wyrobu. Być może będą Państwo musieli ponieść koszty zwrotu i recyklingu produktu. Produkty niewielkich rozmiarów (i w małych ilościach) można zwrócić do lokalnych punktów zbiórki odpadów.

### 2. Kraje pozaunijne

Jeśli chcą Państwo usunąć ten produkt, należy skontaktować się z władzami lokalnymi i uzyskać informacje na temat prawidłowej metody jego usunięcia.



Pb

Bateria dostarczona wraz z produktem może zawierać śladowe ilości ołowiu. W krajach Unii Europejskiej: Przekreślony pojemnik na odpady oznacza, że zużytych baterii nie należy wyrzucać do pojemników z odpadami domowymi! Dla zużytych baterii istnieją oddzielne systemy zbiórki, które zapewnią prawidłowe przetwarzanie i odzysk zgodnie z obowiązującym prawem. Szczegóły na temat systemów zbiórki otrzymają Państwo u lokalnych władz.

W Szwajcarii: Zużyte baterie można zwrócić w punkcie sprzedaży.

Kraje pozaunijne: W celu uzyskania szczegółowych informacji na temat prawidłowej metody pozbycia się zużytych baterii, proszę o kontakt z władzami lokalnymi.

Zawiera fluorowane gazy cieplarniane objęte Protokołem z Kioto R410A (Współczynnik ocieplenia globalnego 1975)

Przed przystąpieniem do korzystania z klimatyzatora prosimy o uważne zapoznanie się z niniejszą instrukcją obsługi. Instrukcję należy przechowywać w bezpiecznym miejscu. Niniejszą instrukcję obsługi w wersji elektronicznej można znaleźć na stronie <http://sharp-world.com/>.

## SPIS TREŚCI

• ŚRODKI OSTROŻNOŚCI .....	PL-2
• AKCESORIA .....	PL-3
• NAZWY CZĘŚCI .....	PL-4
• INSTALACJA I DEMONTAŻ RURY ODPROWADZAJĄCEJ CIEPŁE POWIETRZE .....	PL-6
• OBSŁUGA PILOTA ZDALNEGO STEROWANIA.....	PL-8
• UWAGI DOTYCZĄCE OBSŁUGI.....	PL-9

### KORZYSTANIE Z KLIMATYZATORA

• TRYB COOL (chłodzenie) .....	PL-10
• TRYB DRY (osuszanie).....	PL-10
• TRYB FAN (nawiew) .....	PL-11
• TRYB VENT (wentylacja).....	PL-11
• USTAWIENIE KIERUNKU STRUMIENIA POWIETRZA .....	PL-12
• TRYB TURBO COOL (chłodzenie TURBO).....	PL-13
• TRYB SLEEP .....	PL-13
• OPERACJE STEROWANE ZEGAREM (TIMER) .....	PL-14

### KORZYSTANIE Z GENERATORA JONÓW

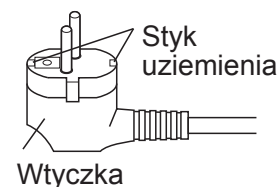
• TRYB GENERATORA JONÓW.....	PL-15
• USTAWIENIE KIERUNKU STRUMIENIA POWIETRZA .....	PL-16
• TRYB MAX DENSITY (maksymalne stężenie jonów).....	PL-16
• TRYB REFRESH (odświeżanie) .....	PL-17
• TRYB TIMER OFF (wyłącznik czasowy).....	PL-17
• OBSŁUGA URZĄDZENIA GŁÓWNEGO.....	PL-18
• ODPROWADZANIE KONDENSATU .....	PL-18
• KONSERWACJA.....	PL-19
• ZANIM WEZWIESZ SERWIS .....	PL-20

# ŚRODKI OSTROŻNOŚCI

Urządzenie to może być obsługiwane przez dzieci powyżej 8 roku życia oraz osoby z obniżonymi zdolnościami fizycznymi, zmysłowymi bądź umysłowymi, a także przez osoby bez doświadczenia i wiedzy na temat obsługi, jeśli pozostają pod nadzorem opiekunów bądź zostały szczegółowo poinstruowane o sposobie bezpiecznego używania urządzenia i rozumieją ryzyka związane z niewłaściwym użyciem. Dzieci nie powinny wykorzystywać urządzenia do zabawy. Dzieci nie powinny czyścić urządzenia ani wykonywać czynności konserwacyjnych, jeśli pozostają bez nadzoru.

## **OSTRZEŻENIA**

- Nie wolno dokonywać modyfikacji żadnych elementów klimatyzatora, ponieważ mogłoby to spowodować porażenie prądem, wyciek wody, pożar itp.
- Nie należy ciągnąć za kabel zasilający ani go deformować. Ciągnięcie i niewłaściwe korzystanie z kabla może spowodować uszkodzenie urządzenia i porażenie prądem osób znajdujących się w pobliżu.
- Nie wolno przez dłuższy czas pozostawać w strumieniu powietrza wylatującego bezpośrednio z klimatyzatora, ponieważ mogłoby to mieć negatywny wpływ na stan zdrowia.
- Jeśli w klimatyzowanym pomieszczeniu mają przebywać noworodki, małe dzieci, osoby starsze, obłożnie chore lub niepełnosprawne, należy się upewnić, że temperatura w pomieszczeniu jest dla nich odpowiednia.
- Do klimatyzatora nie wolno wprowadzać żadnych przedmiotów, ponieważ mogłyby zostać wyrzucone przez pracujące z dużą prędkością wewnętrzne wentylatory i spowodować zranienie osób znajdujących się w pobliżu.
- Jeśli praca klimatyzatora w jakikolwiek sposób odbiega od normy (np. wyczuwalny jest zapach spalenizny), należy natychmiast wyłączyć klimatyzator i odłączyć go od sieci elektrycznej.
- Użyty kabel musi być zgodny z zaleceniami producenta. Wymianę uszkodzonego kabla może przeprowadzić wyłącznie wykwalifikowany pracownik serwisu.
- Klimatyzator należy chronić przed bezpośrednim działaniem wody, ponieważ mogłaby ona spowodować porażenie prądem lub uszkodzić urządzenie.
- Wtyczkę kabla zasilającego należy bezwzględnie podłączyć do odpowiedniego gniazdka elektrycznego w ścianie. Nie wolno jej podłączać do listwy zasilającej.
- Należy starannie włożyć wtyczkę kabla zasilającego do gniazdka elektrycznego i upewnić się, że nie jest poluzowana.
- Opiswane urządzenie należy prawidłowo uziemić. Klimatyzator jest wyposażony w kabel zasilający z uziemieniem. Wtyczkę kabla zasilającego należy podłączyć do prawidłowo zainstalowanego gniazdka elektrycznego z uziemieniem.
- Urządzenie należy podłączyć do sieci elektrycznej zgodnie z lokalnymi przepisami.
- Urządzenie należy ustawić w ten sposób, by wtyczka elektryczna była łatwo dostępna.



## **OSTRZEŻENIA**

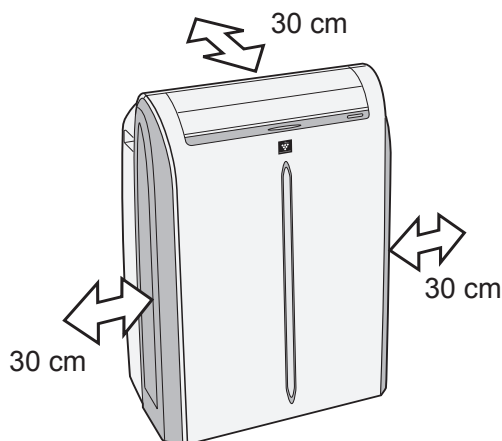
- Należy od czasu do czasu otwierać okno lub drzwi, żeby przewietrzyć pomieszczenie, zwłaszcza jeśli pracują w nim urządzenia gazowe. Nieodpowiednia wentylacja może spowodować brak świeżego powietrza.
- Nie wolno naciskać przycisków mokrymi rękoma, ponieważ mogłoby to spowodować porażenie prądem.
- Jeśli klimatyzator ma pozostawać przez dłuższy czas nieużywany, ze względów bezpieczeństwa należy odłączyć kabel zasilający od gniazdka elektrycznego.
- Opiswany klimatyzator jest przeznaczony do eksploatacji w pomieszczeniach mieszkalnych lub biurach. Nie należy używać go w pomieszczeniach przeznaczonych do chowu zwierząt ani szklarniach.
- Na klimatyzatorze nie wolno ustawiać naczyń z wodą. Przedostanie się wody do wnętrza urządzenia mogłoby spowodować uszkodzenie izolacji i porażenie prądem.
- Przed każdym przeniesieniem klimatyzatora należy odprowadzić kondensat. Pozostawiona w zbiorniku woda mogłaby się wylewać podczas przenoszenia urządzenia.
- Wylotu rury odprowadzającej ciepłe powietrze nie mogą blokować jakiegokolwiek przedmioty. Wydajność chłodzenia mogłaby zostać zmniejszona lub nastąpić całkowite zatrzymanie urządzenia.



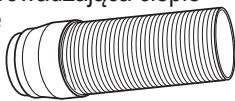
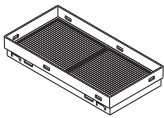

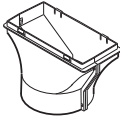


- Przed przeprowadzeniem jakichkolwiek czynności konserwacyjnych lub czyszczenia należy bezwzględnie przerwać pracę urządzenia i odłączyć kabel zasilający od gniazdka elektrycznego. Wentylator pracujący we wnętrzu klimatyzatora mógłby spowodować obrażenia.
- Urządzenie należy ustawić na równej powierzchni, aby zapobiec wylewaniu się wody na podłogę w pomieszczeniu.
- Klimatyzator należy podłączyć do źródła zasilania o odpowiednim napięciu i częstotliwości. Użycie źródła zasilania o nieodpowiednim napięciu lub częstotliwości może doprowadzić do uszkodzenia urządzenia a nawet pożaru.
- Urządzenia nie należy instalować w miejscach, w których możliwy jest wyciek łatwopalnego gazu, ponieważ mogłoby to spowodować wybuch. Urządzenie należy instalować w pomieszczeniach o minimalnej ilości kurzu, dymu i wilgoci w powietrzu.
- Zależnie od miejsca instalacji, należy się upewnić, że został zastosowany wyłącznik zasilania lub bezpiecznik różnicowy.
- Instalację należy wyposażyć w bezpiecznik różnicowy w celu zabezpieczenia przed porażeniem prądem w przypadku przebicia. Należy zastosować wysokoczuły aktywowany prądem bezpiecznik różnicowy o znamionowej czułości prądowej poniżej 30 mA i czasie reakcji poniżej 0,1 sekundy.

### **MIEJSCE INSTALACJI**

- Klimatyzator należy zainstalować na wytrzymałym podłożu, aby zminimalizować poziom szumów i drgania. Aby zapewnić bezpieczeństwo osób i bezpieczne ustawienie urządzenia, należy je umieścić na gładkiej i równej powierzchni, która jest w stanie utrzymać ciężar klimatyzatora. Pomoże to również zapobiec wylewaniu się wody na podłogę w pomieszczeniu.
- Klimatyzator jest wyposażony w kółka, umożliwiające jego przenoszenie. Ale urządzenie należy przesuwac tylko po gładkich powierzchniach. Należy zachować ostrożność podczas toczenia urządzenia po powierzchni dywanu. Nie wolno próbować toczyć klimatyzatora po jakichkolwiek przedmiotach.
- Urządzenie należy umieścić w pobliżu prawidłowo ziemionego gniazdka elektrycznego w ścianie.
- Nie wolno umieszczać żadnych przeszkód w pobliżu otworów wlotu i wylotu powietrza.
- Należy pozostawić przynajmniej 30 cm wolnej przestrzeni wokół klimatyzatora, aby zapewnić efektywne chłodzenie powietrza w pomieszczeniu.

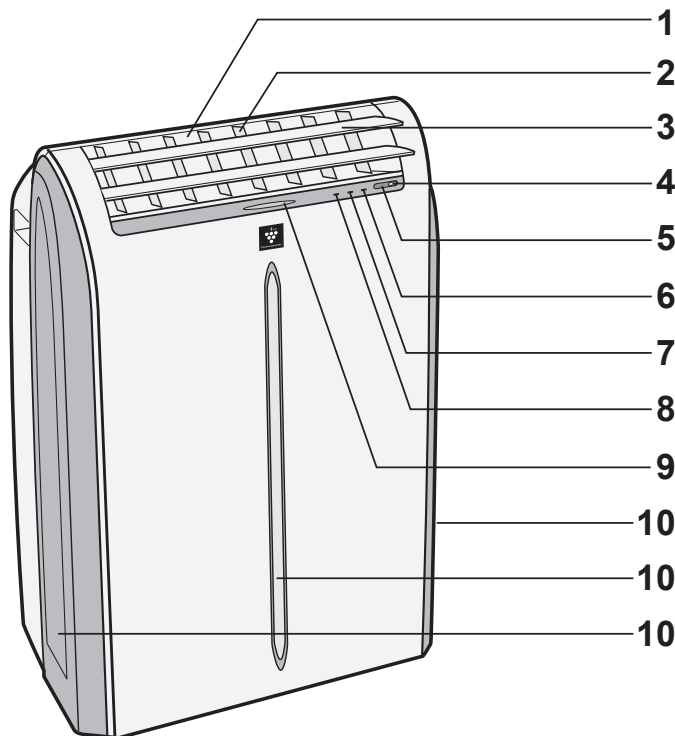


### **AKCESORIA**

Rura odprowadzająca ciepłe powietrze 	1	Siatka przeciw owadom 	1	Instrukcja 	1
Kolnierz do zamocowania rury odprowadzającej ciepłe powietrze w otworze szyby okna 	1	Ośłona pojemnika 	1		
Ośłona przeciwdeszczowa 	2	Bateria (R03) 	2		

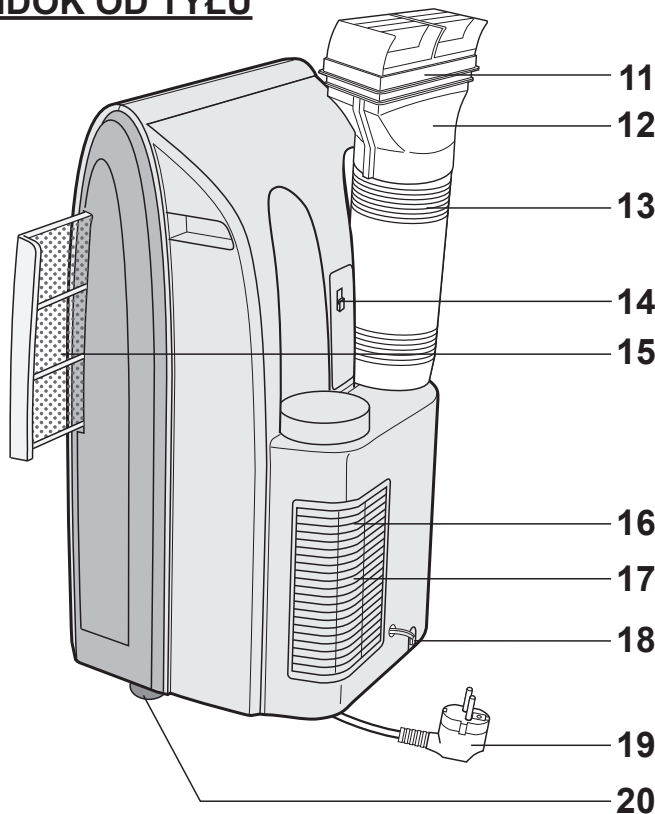
# NAZWY CZĘŚCI

## WIDOK OD PRZODU



- 1 Wylot powietrza
- 2 Pionowe prowadnice
- 3 Poziome prowadnice
- 4 Przycisk POWER
- 5 Odbiornik sygnału pilota
- 6 Wskaźnik AIR CON (zielony)
- 7 Wskaźnik TIMER (pomarańczowy)
- 8 Wskaźnik MAXIMUM (czerwony)
- 9 Wskaźnik ION GENERATOR (niebieski)
- 10 Wlot powietrza

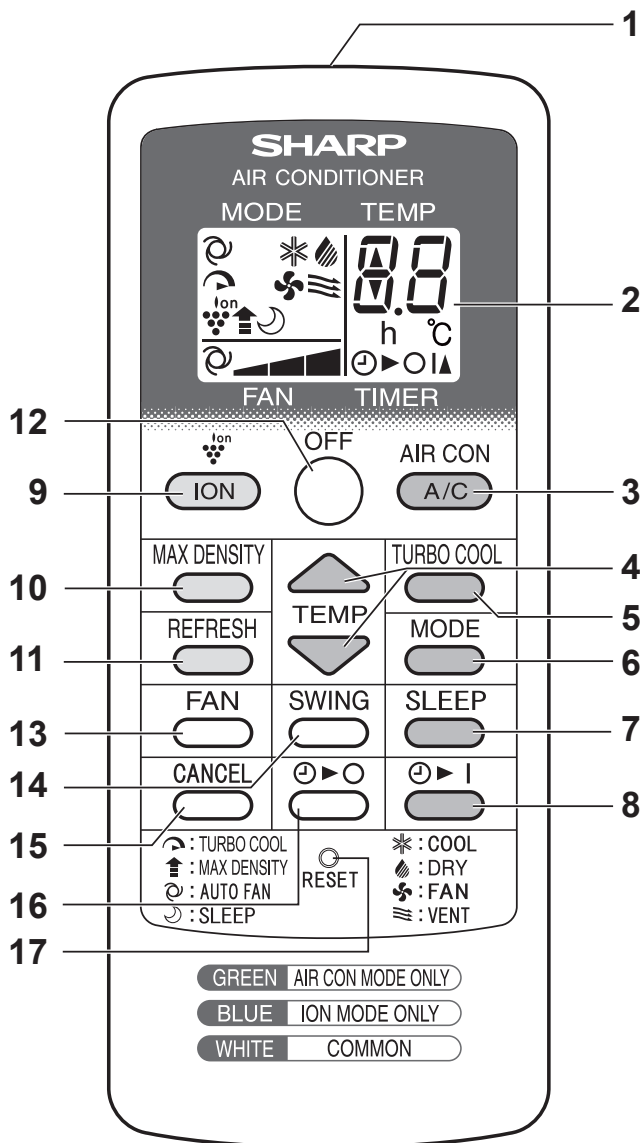
## WIDOK OD TYŁU



- 11 Wylot rury odprowadzającej ciepłe powietrze
- 12 Kołnierz okienny
- 13 Rura odprowadzająca ciepłe powietrze
- 14 Zaczep do zamocowania pilota
- 15 Filtr powietrza
- 16 Kratka wentylacyjna
- 17 Wlot powietrza
- 18 Króciec odprowadzający i zawór odcinający
- 19 Wtyczka kabla zasilającego
- 20 Kółka (4)

UWAGA: Wygląd rzeczywistych urządzeń może nieznacznie odbiegać od powyższych rysunków.

## PILOT ZDALNEGO STEROWANIA



- 1 Nadajnik
- 2 Wyświetlacz

### AIR CON MODE ONLY (praca tylko w trybie chłodzenia)

- 3 Przycisk A/C
- 4 Przycisk TEMP
- 5 Przycisk TURBO COOL
- 6 Przycisk MODE
- 7 Przycisk SLEEP
- 8 Przycisk TIMER ON

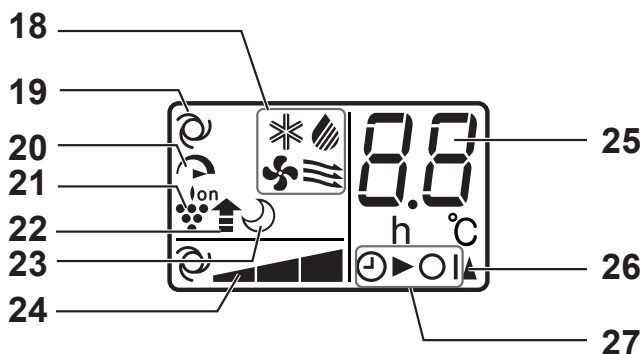
### ION MODE ONLY (praca tylko w trybie generatora jonów)

- 9 Przycisk ION
- 10 Przycisk MAX DENSITY
- 11 Przycisk REFRESH

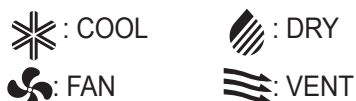
### COMMON (praca w trybie chłodzenia i generatora jonów)

- 12 Przycisk OFF
- 13 Przycisk FAN
- 14 Przycisk SWING
- 15 Przycisk CANCEL
- 16 Przycisk TIMER OFF
- 17 Przycisk RESET

## WYŚWIETLACZ PILOTA ZDALNEGO STEROWANIA



### 18 Wskaźniki TRYBU PRACY



- 19 Wskaźnik REFRESH
- 20 Wskaźnik TURBO COOL
- 21 Wskaźnik ION GENERATOR
- 22 Wskaźnik MAX DENSITY
- 23 Wskaźnik SLEEP
- 24 Wskaźniki prędkości wentylatora



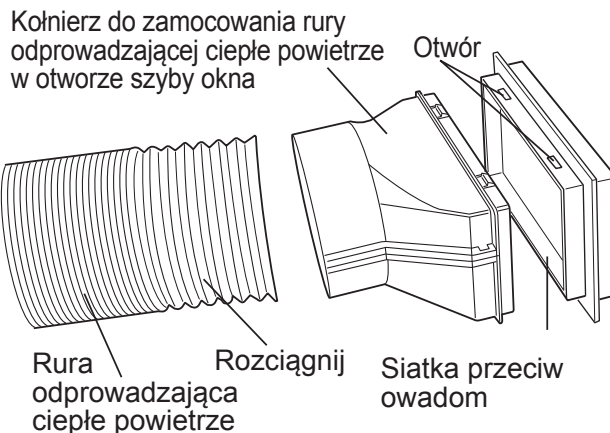
- 25 Wskaźnik temperatury i ustawień timera
- 26 Wskaźnik TRANSMITTING
- 27 Wskaźnik TRYBU PRACY TIMERA

# INSTALACJA I DEMONTAŻ RURY ODPROWADZAJĄCEJ CIEPŁE POWIETRZE

## Instalacja rury odprowadzającej ciepłe powietrze

### **1 Przymocuj siatkę przeciw owadom na kołnierzu do zamocowania rury odprowadzającej ciepłe powietrze w otworze szyby okna.**

Starannie zamocuj siatkę przeciw owadom, aby się upewnić, że 4 wypustki w kołnierzu do zamocowania rury odprowadzającej ciepłe powietrze w otworze szyby okna dokładnie pasują do 4 otworów na siatce.



### **2 Przymocuj kołnierz do rury odprowadzającej ciepłe powietrze.**

Rozciągnij jeden koniec rury odprowadzającej ciepłe powietrze i wsuń do kołnierza, a następnie obracaj do oporu (ok. 3 obroty).

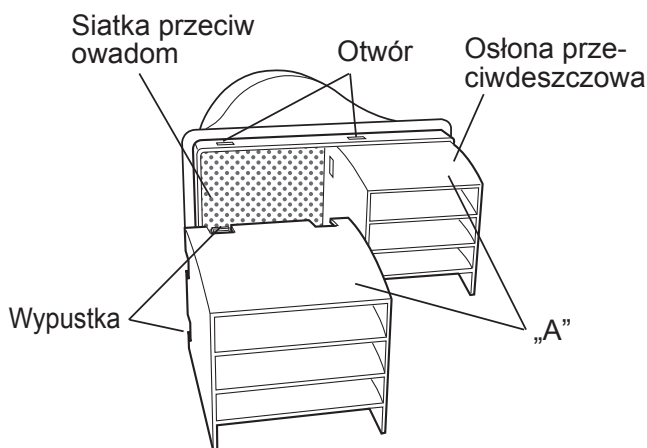
Upewnij się, że rura i kołnierz zostały starannie połączone.

### **3 Zamocuj osłonę przeciwdeszczową na siatce przeciw owadom.**

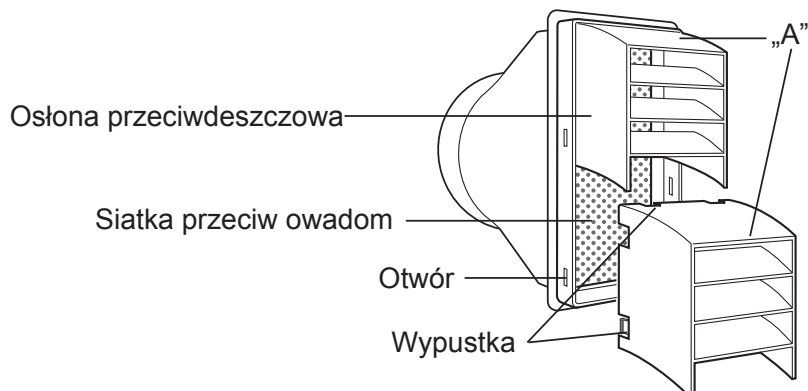
Wsuń wszystkie 3 wypustki, znajdujące się na każdej osłonie przeciwdeszczowej, do otworów na siatce przeciw owadom.

Bok „A” będzie znajdował się teraz u góry, jak pokazano na rysunku.

#### Umocowanie poziome

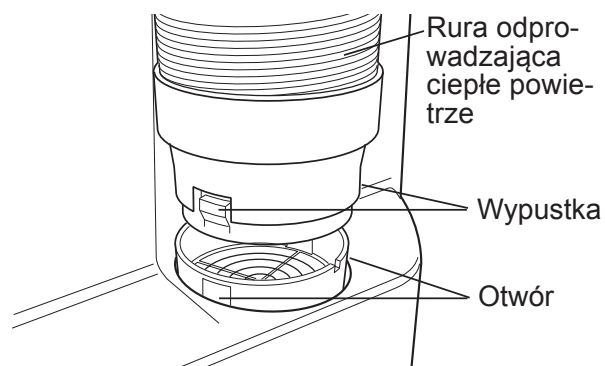


#### Umocowanie pionowe

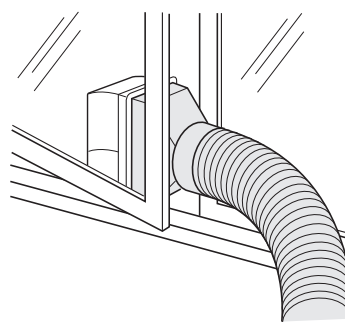


#### 4 Przymocuj rurę odprowadzającą ciepłe powietrze do urządzenia.

Wsuń 2 wypustki do otworów w urządzeniu i starannie zamocuj, aby je prawidłowo zablokować.

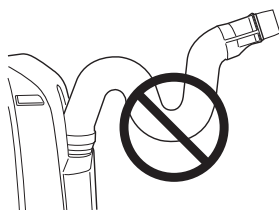


#### 5 Poprowadź rurę odprowadzającą ciepłe powietrze na zewnątrz.

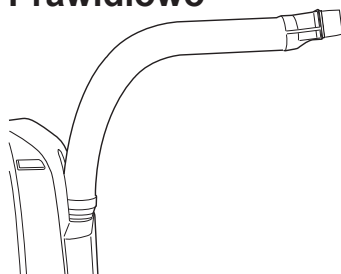


Rura odprowadzająca ciepłe powietrze powinna być możliwie najkrótsza, aby zapewnić wydajną pracę klimatyzatora; ale nie powinna być skrzywiona ani zagięta.

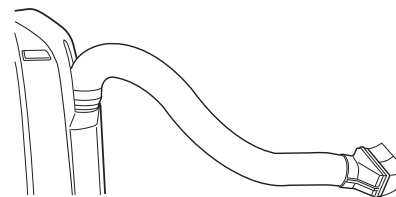
Nieprawidłowo



Prawidłowo



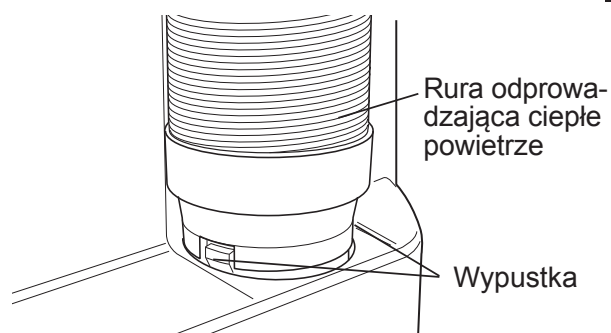
Prawidłowo



#### Demontaż rury odprowadzającej ciepłe powietrze

#### Odłączenie rury odprowadzającej ciepłe powietrze od klimatyzatora.

Unieś i odłącz rurę odprowadzającą ciepłe powietrze od urządzenia naciskając 2 wypustki.



POLSKI

# OBSŁUGA PILOTA ZDALNEGO STEROWANIA

## WKŁADANIE BATERII

- 1** Zdejmij osłonę pojemnika na baterie.
- 2** Włóż dwie baterie typu „AAA (R03)”.
  - Upewnij się, że baterie są prawidłowo zainstalowane, zgodnie z oznaczeniami polaryzacji (+) i (-).
  - Jeśli baterie zostały prawidłowo włożone, na wyświetlaczu powinny pojawić się linie.
- 3** Załóż z powrotem osłonę pojemnika na baterie.
- 4** Naciśnij przycisk RESET wąskim, osto zakończonym przedmiotem.

### UWAGI:

- W normalnym trybie eksploatacji żywotność baterii wynosi około jednego roku.
- Należy wymieniać zawsze obydwie baterie równocześnie, zwracając uwagę, aby były one tego samego typu.
- Jeśli urządzenie ma pozostawać przez dłuższy czas nieużywane, należy wyjąć baterie z pilota.

## JAK KORZYSTAĆ Z PILOTA

Skieruj pilota w stronę odbiornika sygnału w urządzeniu i naciśnij żądany przycisk. Po odebraniu polecenia urządzenie wyemituje krótki sygnał dźwiękowy.

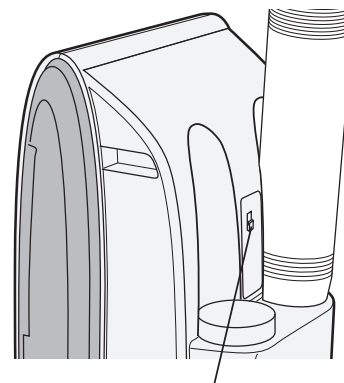
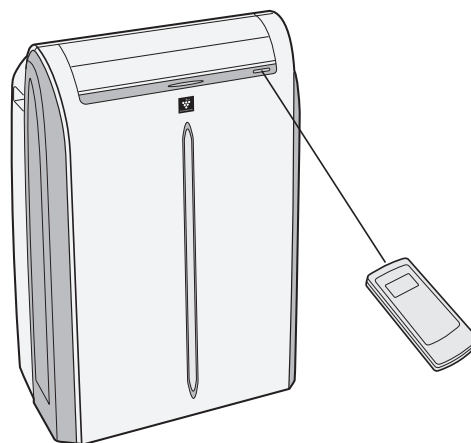
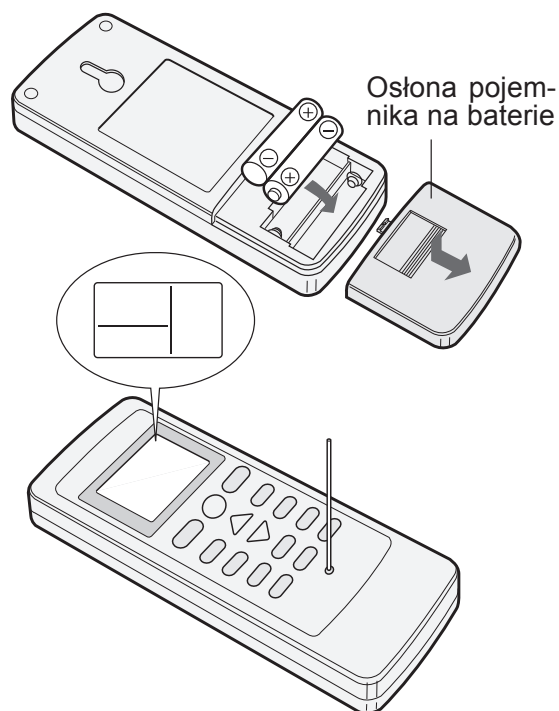
- Upewnij się, że pomiędzy pilotem a okienkiem odbiornika sygnału nie ma żadnych przeszkód (np. zasłon).
- Efektywny zasięg działania pilota wynosi 7 m.

### OSTRZEŻENIA:

- Należy się upewnić, że na okienko odbiornika sygnału nie pada bezpośrednio silne światło słoneczne, ponieważ mogłoby ono uniemożliwić prawidłowy odbiór.
- Światło lampy jarzeniowej również może zakłócać odbiór sygnału.
- Pilota nie należy pozostawiać w miejscach silnie nasłonecznionych ani w pobliżu kaloryfera. Pilota należy chronić również przed wilgocią i wstrząsami.

**Aby nie zawieruszyć pilota, jeśli nie jest używany, należy go zawieszać na odpowiednim zaczepie znajdującym się na obudowie klimatyzatora.**

Jeśli pilot jest zawieszony na zaczepie, nieznacznie unieś go do góry i zdejmij z zaczepu.



Zaczep do zamocowania pilota

## UWAGI DOTYCZĄCE OBSŁUGI

### UWAGI DOTYCZĄCE OBSŁUGI

- **Odczekaj 3 minuty zanim sprężarka wznowi pracę w trybie chłodzenia.**  
Jeśli wyłączysz urządzenie i natychmiast włączysz je ponownie, musisz odczekać 3 minuty zanim sprężarka wznowi pracę w trybie chłodzenia. Klimatyzator jest wyposażony w elektroniczny układ zabezpieczający, który utrzymuje wyłączoną sprężarkę przez 3 minuty ze względów bezpieczeństwa.
- **Jeśli wystąpi przerwa w zasilaniu**  
Opisywany klimatyzator wyposażony jest w pamięć, w której przechowywane są ustawienia trybu pracy w przypadku wystąpienia przerwy w zasilaniu.  
Po przywróceniu zasilania urządzenie automatycznie uruchomi się z ustawieniami, które były aktywne w momencie wystąpienia przerwy – nie dotyczy to tylko operacji sterowanych zegarem.  
Jeśli została zaprogramowana operacja sterowana zegarem, w przypadku wystąpienia przerwy w zasilaniu ustawienia tej operacji zostaną anulowane i nie będą przywrócone nawet po przywróceniu zasilania.
- **Praca przy niskiej temperaturze: Czy urządzenie zamrzło?**  
Zamarznięcie klimatyzatora może się zdarzyć, jeśli urządzenie pracuje z ustawieniem temperatury na ok. 18°C i przy niskiej temperaturze otoczenia, a zwłaszcza w nocy.  
W tych warunkach może nastąpić dalszy spadek temperatury, który spowoduje zamarznięcie urządzenia.  
Ustawienie wyższej temperatury zapobiegnie zamarznięciu klimatyzatora.
- **W trybie osuszania wzrasta temperatura w pomieszczeniu.**  
Klimatyzator pracujący w trybie osuszania wytwarza ciepło, które spowoduje wzrost temperatury w pomieszczeniu. Ciepłe powietrze będzie wydmuchiwane wylotem rury odprowadzającej, ale są to normalne objawy i nie oznaczają usterki klimatyzatora.
- **W trybie chłodzenia opisywany klimatyzator wydmuchuje ciepłe powietrze, wytwarzane wewnątrz urządzenia, przez rurę odprowadzającą.**  
Ilość wydmuchiwanego powietrza dokładnie odpowiada ilości powietrza nawiewanego do pomieszczenia z zewnątrz poprzez wszystkie otwory.
- **Przy wysokiej wilgotności powietrza w trybie chłodzenia zbiornik na wodę, znajdujący się wewnątrz urządzenia, może być często przepełniony.**  
Jeśli znajdujący się wewnątrz urządzenia zbiornik na wodę zostanie przepełniony, klimatyzator wyłączy się i zaczął pulsować wskaźniki TIMER (pomarańczowy), AIR CON (zielony) oraz MAXIMUM (czerwony). W takim przypadku należy odprowadzić kondensat ze zbiornika na wodę w urządzeniu.

### WARUNKI PODCZAS PRACY

- Klimatyzator powinien pracować w zakresie temperatury przedstawionej poniżej.

Tryb	Temperatura w pomieszczeniu
Chłodzenie	18°C - 40°C
Osuszanie	15°C - 40°C

- Wbudowany układ zabezpieczający może przerwać pracę klimatyzatora, jeśli temperatura przekroczy podany zakres.
- Przy wysokiej temperaturze w pomieszczeniu w trybie chłodzenia wentylator może pracować z niską prędkością.

### WSKAZÓWKI DOTYCZĄCE OSZCZĘDZANIA ENERGII

- **Unikaj bezpośredniego działania promieni słonecznych.**  
Zasuń żaluzje, zasłony lub rolety, aby urządzenie pracujące w trybie chłodzenia nie było narażone na bezpośrednie działania promieni słonecznych.
- **Utrzymuj filtr powietrza w czystości.**  
Utrzymanie filtra w czystości znacznie zwiększa wydajność urządzenia. Zabrudzony filtr blokuje strumień nawiewanego powietrza i sprawia, że klimatyzator ciężko i mniej wydajnie pracuje.

# KORZYSTANIE Z KLIMATYZATORA

Wykorzystaj podczas pracy klimatyzatora w trybie chłodzenia, osuszania, nawiewu lub wentylacji. Jeśli urządzenie pracuje, jony Plasmacluster są zawsze uwalniane do pomieszczenia.

- Praca w tych trybach wymaga zainstalowania rury odprowadzającej ciepłe powietrze.
- Upewnij się, że zawór odcinający został starannie zamocowany do króćca odprowadzającego.

## TRYB COOL (chłodzenie)

- 1 Naciskając przycisk MODE wybierz tryb COOL (chłodzenie).



- 2 Naciśnij przycisk A/C, żeby włączyć klimatyzator.
  - Zielony wskaźnik AIR CON zacznie świecić.

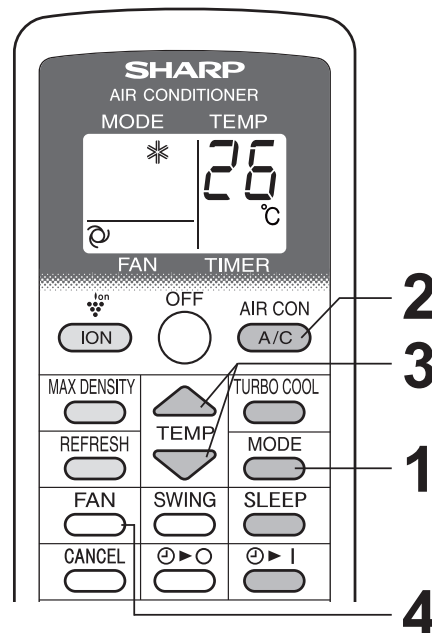
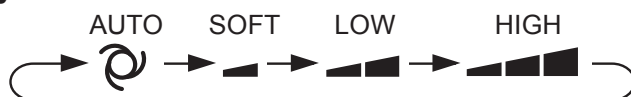
### WYŁĄCZANIE KLIMATYZATORA

Naciśnij przycisk OFF.

- Zielony wskaźnik AIR CON się wyłączy.

- 3 Przyciskami TEMP ustaw temperaturę.
  - Zakres ustawienia temperatury: od 18°C do 32°C.

- 4 Naciskając przycisk FAN wybierz prędkość wentylatora.



## TRYB DRY (osuszanie)

- 1 Naciskając przycisk MODE wybierz tryb DRY.

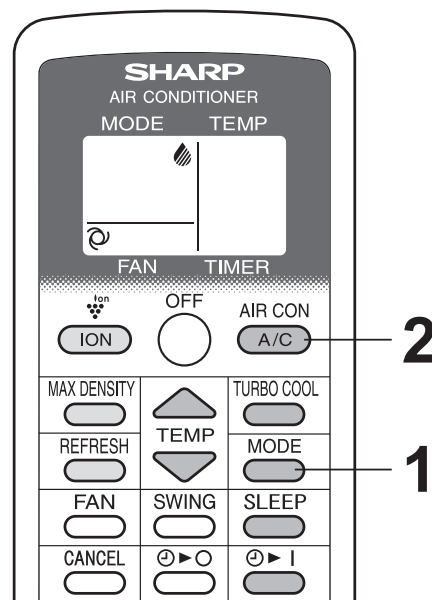


- 2 Naciśnij przycisk A/C, żeby włączyć klimatyzator.
  - Zielony wskaźnik AIR CON zacznie świecić.
  - Temperatury nie można ustawić.
  - W trybie DRY wentylator pracuje w trybie AUTO i nie można tego zmienić.

### WYŁĄCZANIE KLIMATYZATORA

Naciśnij przycisk OFF.

- Zielony wskaźnik AIR CON się wyłączy.



### UWAGI:

- Chociaż możliwa jest praca urządzenia w trybie osuszania bez zainstalowanej rury odprowadzającej ciepłe powietrze, pracujący klimatyzator wytwarza ciepło, które spowoduje wzrost temperatury w pomieszczeniu.
- Możliwa jest również praca urządzenia w trybie osuszania z zainstalowaną rurką odprowadzającą kondensat (niedostarczoną w zestawie). Zdemontuj zawór odcinający i podłącz rurkę do króćca odprowadzającego, a następnie poprowadź ją po podłodze, aby umożliwić odprowadzanie kondensatu z urządzenia.



## TRYB FAN (nawiew)

Klimatyzator tylko utrzymuje cyrkulację powietrza.

### 1 Naciskając przycisk MODE wybierz tryb FAN (nawiew).



### 2 Naciśnij przycisk A/C, żeby włączyć klimatyzator.

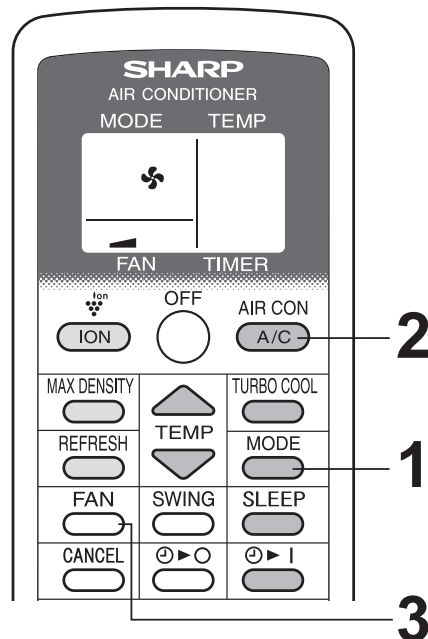
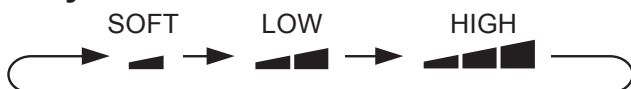
- Zielony wskaźnik AIR CON zacznie świecić.
- Temperatury nie można ustawić.

#### WYŁĄCZANIE KLIMATYZATORA

Naciśnij przycisk OFF.

- Zielony wskaźnik AIR CON się wyłączy.

### 3 Naciskając przycisk FAN wybierz prędkość wentylatora.



## TRYB VENTILATION (wentylacja)

Klimatyzator wydmuchuje powietrze na zewnątrz pomieszczenia.

### 1 Naciskając przycisk MODE wybierz tryb VENT (wentylacja).



### 2 Naciśnij przycisk A/C, żeby włączyć klimatyzator.

- Zielony wskaźnik AIR CON zacznie świecić.
- Temperatury nie można ustawić.

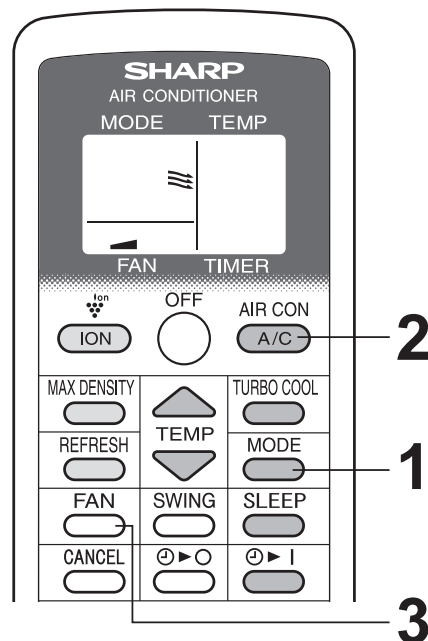
#### WYŁĄCZANIE KLIMATYZATORA

Naciśnij przycisk OFF.

- Zielony wskaźnik AIR CON się wyłączy.

### 3 Naciskając przycisk FAN wybierz prędkość wentylatora.

- Choć prowadnice powietrza są zamknięte i powietrze nie jest nawiewane do pomieszczenia, zmienia się prędkość zewnętrznego wentylatora.



# KORZYSTANIE Z KLIMATYZATORA

## USTAWIENIE KIERUNKU STRUMIENIA POWIETRZA

### REGULACJA STRUMIENIA POWIETRZA DO GÓRY LUB DO DOŁU

#### 1 Naciśnij przycisk SWING.

- Poziome prowadnice powietrza zmieniają położenie.

#### 2 Naciśnij ponownie przycisk SWING, gdy prowadnice powietrza osiągną odpowiednie położenie.

#### OSTRZEŻENIA:

W żadnym przypadku nie wolno próbować ręcznie przestawiać poziomych prowadnic.

- Ręczna regulacja prowadnic poziomych może spowodować uszkodzenie klimatyzatora przy późniejszej próbie wyregulowania prowadnic przy pomocy pilota.
- Jeśli pozioma prowadnica będzie się przez dłuższy czas znajdowała w najniższym położeniu w trybie COOL lub DRY, może dojść do skraplania się na niej pary wodnej.


#### UWAGA:

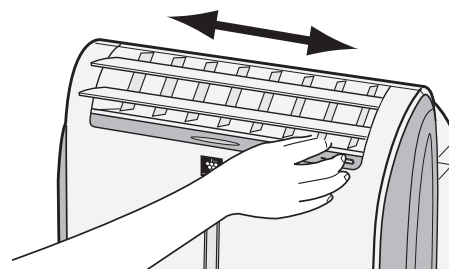
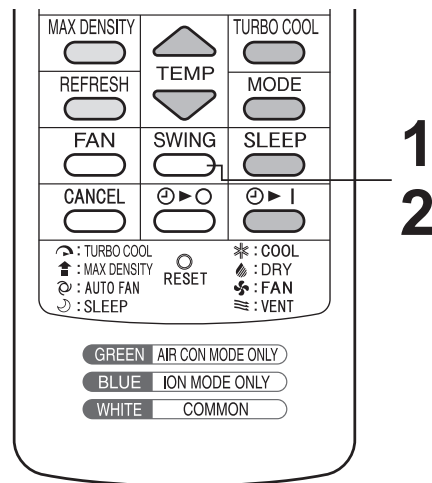
- W trybie wentylacji nie można regulować strumienia powietrza DO GÓRY/DO DOŁU.

### REGULACJA STRUMIENIA POWIETRZA W LEWO LUB W PRAWO

Chwyć pionową prowadnicę strumienia powietrza, tak jak pokazano na rysunku obok, i ustaw żądany kierunek.

#### OSTRZEŻENIA:

- Jeśli w trybie COOL wentylator w klimatyzatorze pracuje z prędkością „SOFT (  )”, prowadnic pionowych nie należy przez dłuższy czas utrzymywać w położeniach skrajnych (w lewo lub w prawo), ponieważ mogłaby się na nich skraplać para wodna.



## TRYB TURBO COOL (chłodzenie TURBO)

Wentylator klimatyzatora pracuje z bardzo dużą szybkością przy ustawieniu temperatury 15°C.

### 1 Podczas pracy klimatyzatora w trybie chłodzenia naciśnij przycisk TURBO COOL.

- Na pilocie pojawi się wskaźnik „☀️”.
- Wskaźnik temperatury się wyłączy.
- Czerwony wskaźnik MAXIMUM zacznie świecić.

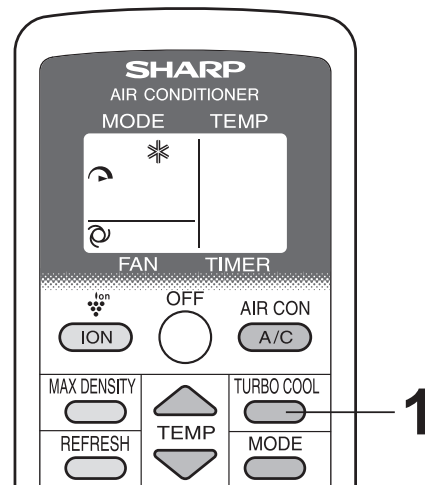
### ANULOWANIE

#### Ponownie naciśnij przycisk TURBO COOL.

- Czerwony wskaźnik MAXIMUM się wyłączy.

### UWAGI:

- Podczas pracy w trybie TURBO COOL nie można regulować temperatury ani prędkości wentylatora.
- Po 30 minutach pracy urządzenia w trybie TURBO COOL wentylator zacznie pracować w trybie „HIGH”.
- Bardzo duża prędkość wentylatora może zostać automatycznie zmniejszona, aby zabezpieczyć urządzenie.
- Klimatyzator nie może pracować w trybie TURBO COOL i SLEEP równocześnie.



## TRYB SLEEP

Jeśli jest ustawiony tryb SLEEP, klimatyzator automatycznie zmienia ustawienie temperatury, żeby zapobiec nadmiernemu obniżeniu temperatury w pomieszczeniu.

### 1 Podczas pracy klimatyzatora w trybie chłodzenia naciśnij przycisk SLEEP.

- Na pilocie pojawi się wskaźnik „🌙”.
- Pomarańczowy wskaźnik TIMER zacznie świecić.
- Klimatyzator się wyłączy po 8 godzinach.
- Prędkość wentylatora będzie regulowana w trybie AUTO.

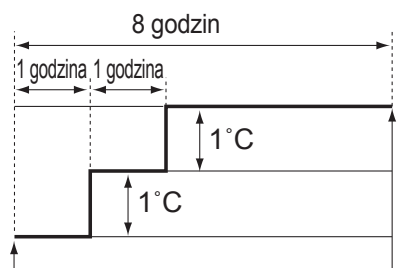
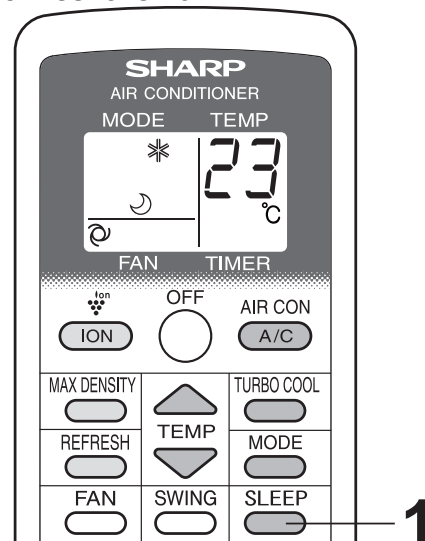
### ANULOWANIE

#### Naciśnij przycisk SLEEP.

- Pomarańczowy wskaźnik TIMER się wyłączy.

### UWAGI:

- Po upływie godziny od włączenia trybu SLEEP ustawiona temperatura wzrasta o 1°C i o kolejny 1°C po upływie następnej godziny. Temperatura wyświetlana na pilocie nie zmienia wartości ustawienia początkowego.
- Klimatyzator nie może pracować w trybie SLEEP i TURBO COOL równocześnie.
- Włącznika i wyłącznika czasowego oraz trybu SLEEP nie można zaprogramować równocześnie. Aktywne będą ostatnio dokonane ustawienia.



Włączenie trybu SLEEP

Urządzenie się wyłączy

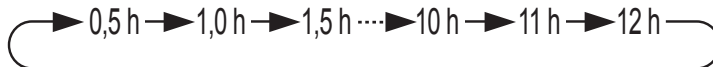
POLSKI

# KORZYSTANIE Z KLIMATYZATORA

## OPERACJE STEROWANE ZEGAREM (TIMER)

### WŁĄCZNIK CZASOWY

**1** Naciśnij kilka razy przycisk **TIMER ON**, żeby ustawić żądany czas.

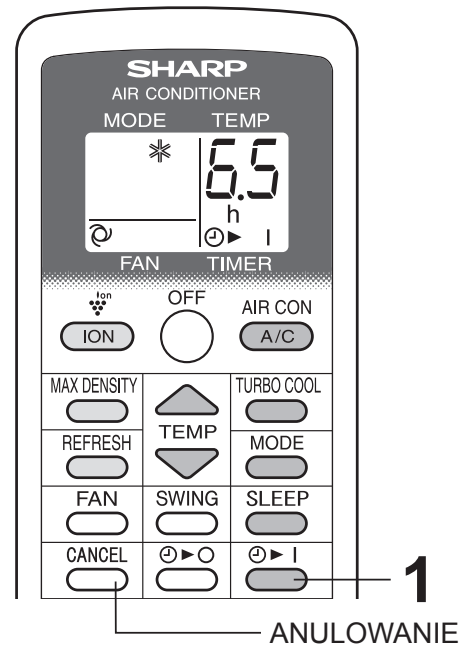


- Pomarańczowy wskaźnik **TIMER** zacznie świecić.
- Wraz z upływem czasu wskazanie na wyświetlaczu będzie malało, dzięki czemu będzie wiadomo, ile czasu pozostało do wyłączenia klimatyzatora.

### ANULOWANIE

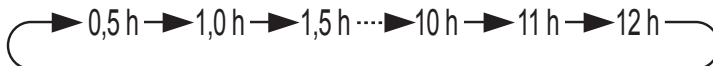
Naciśnij przycisk **CANCEL**.

- Pomarańczowy wskaźnik **TIMER** się wyłączy.



### WYŁĄCZNIK CZASOWY

**1** Naciśnij kilka razy przycisk **TIMER OFF**, żeby ustawić żądany czas.

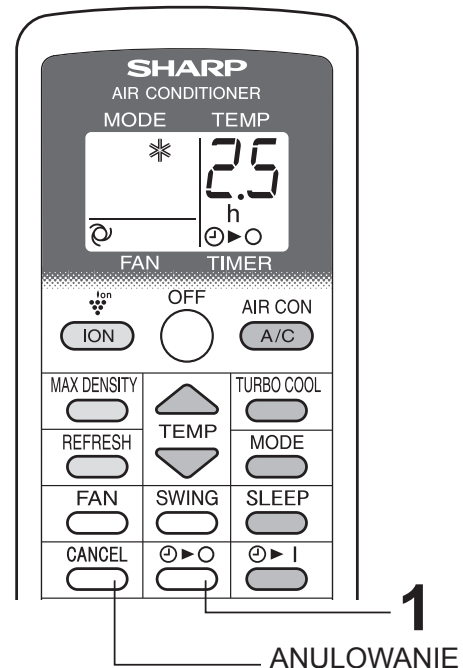


- Pomarańczowy wskaźnik **TIMER** zacznie świecić.
- Wraz z upływem czasu wskazanie na wyświetlaczu będzie malało, dzięki czemu będzie wiadomo, ile czasu pozostało do wyłączenia klimatyzatora.

### ANULOWANIE

Naciśnij przycisk **CANCEL**.

- Pomarańczowy wskaźnik **TIMER** się wyłączy.



### UWAGI:

- Opóźnienie włączenia może wynosić od 0,5 godziny do 12 godzin. Opóźnienie do 9,5 godziny można ustawiać ze skokiem 0,5-godzinnym, a opóźnienie od 10 do 12 godzin – ze skokiem 1-godzinnym.
- Włącznika i wyłącznika czasowego nie można zaprogramować równocześnie.
- Jeśli został zaprogramowany włącznik lub wyłącznik czasowy, w przypadku wystąpienia przerwy w zasilaniu ustawienia timera zostaną anulowane i nie będą przywrócone nawet po przywróceniu zasilania.
- Jeśli podczas programowania operacji sterowanej zegarem temperatura będzie ustawiona, jej wartość będzie widoczna na wyświetlaczu przez 5 sekund, a następnie wyświetlone zostanie ustawienie timera.

## KORZYSTANIE Z GENERATORA JONÓW

Wykorzystaj do niezależnej pracy klimatyzatora TRYB GENERATORA JONÓW. Instalacja rury odprowadzającej ciepłe powietrze nie jest konieczna. Podczas pracy w trybie GENERATORA JONÓW ciepłe powietrze nie jest wydmuchiwane z rury odprowadzającej.

### TRYB GENERATORA JONÓW

#### 1 Naciśnij przycisk ION, żeby włączyć klimatyzator.

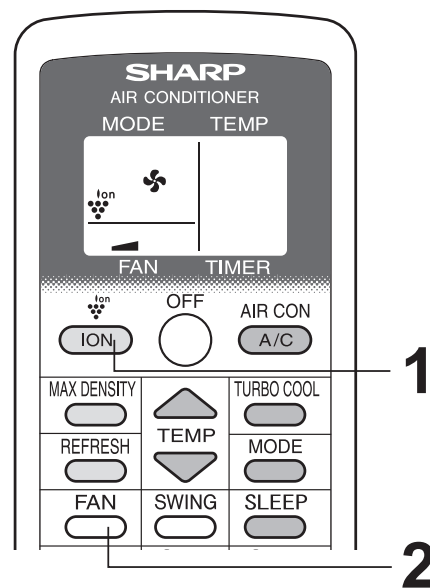
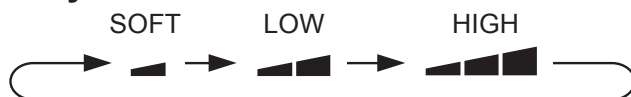
- Niebieski wskaźnik ION GENERATOR zacznie świecić.

#### WYŁĄCZANIE KLIMATYZATORA

##### Naciśnij przycisk OFF.

- Niebieski wskaźnik ION GENERATOR się wyłączy.

#### 2 Naciskając przycisk FAN wybierz prędkość wentylatora.



#### Uwaga dotycząca trybu GENERATORA JONÓW

Generator we wnętrzu klimatyzatora uwalnia do atmosfery w pomieszczeniu skupiska jonów, aby ograniczyć unoszące się w powietrzu zarodniki grzybów pleśniowych.

Plasmacluster jest oryginalną technologią firmy Sharp.

Więcej informacji można znaleźć na stronie:

<http://www.sharp-pci.com/>

Zawartość strony może ulec zmianie bez powiadamiania.

# KORZYSTANIE Z GENERATORA JONÓW

## USTAWIENIE KIERUNKU STRUMIENIA POWIETRZA

### REGULACJA STRUMIENIA POWIETRZA DO GÓRY LUB DO DOŁU

- 1 Naciśnij przycisk SWING.**
  - Poziome prowadnice powietrza zmieniają położenie.
- 2 Naciśnij ponownie przycisk SWING, gdy prowadnice powietrza osiągną odpowiednie położenie.**

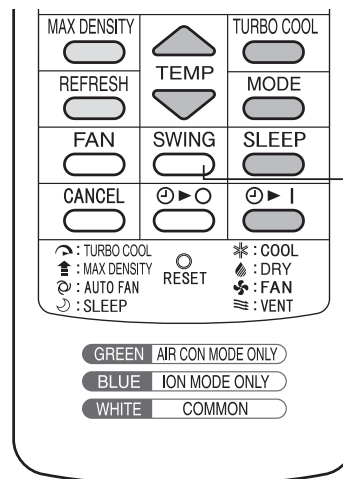
#### OSTRZEŻENIA:

W żadnym przypadku nie wolno próbować ręcznie przestawiać poziomych prowadnic.

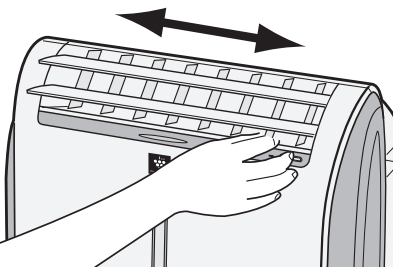
- Ręczna regulacja prowadnic poziomych może spowodować uszkodzenie klimatyzatora przy późniejszej próbie wyregulowania prowadnic przy pomocy pilota.

### REGULACJA STRUMIENIA POWIETRZA W LEWO LUB W PRAWO

Chwyć pionową prowadnicę strumienia powietrza, tak jak pokazano na rysunku obok, i ustaw żądany kierunek.



1  
2



## TRYB MAX DENSITY (maksymalne stężenie jonów)

Klimatyzator uwalnia maksymalne stężenie jonów Plasmacluster. Pracując z bardzo silnym nadmuchem przez 30 minut urządzenie sprawnie rozprowadza jony w pomieszczeniu.

- 1 Podczas pracy urządzenia w trybie generatora jonów naciśnij przycisk MAX DENSITY.**
  - Na pilocie pojawi się wskaźnik „↑”.
  - Czerwony wskaźnik MAXIMUM zacznie świecić.

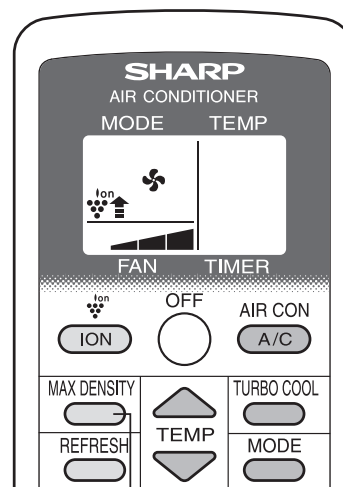
#### ANULOWANIE

**Ponownie naciśnij przycisk MAX DENSITY.**

- Czerwony wskaźnik MAXIMUM się wyłączy.

#### UWAGI:

- Podczas pracy w trybie MAX DENSITY nie można regulować prędkości wentylatora.
- Po 30 minutach praca w trybie MAKS. STĘŻENIA JONÓW zostanie automatycznie anulowana, a urządzenie powróci do ustawień początkowych.
- Klimatyzator nie może pracować w trybie MAKS. STĘŻENIA JONÓW i REFRESH równocześnie.




1

## TRYB REFRESH (odświeżanie)

Tryb REFRESH zmniejsza przykre zapachy z odzieży, wykorzystując jony Plasmacluster. Zaleca się korzystanie z funkcji przy ustawieniu urządzenia z przodu szafy, łazienki, pralni lub wiszącego ubrania.

### 1 Podczas pracy urządzenia w trybie GENERATORA JONÓW naciśnij przycisk REFRESH.

- Pomarańczowy wskaźnik TIMER zacznie świecić.
- Na pilocie pojawi się wskaźnik „”.
- Poziome prowadnice powietrza zmieniają położenie.
- Klimatyzator się wyłączy po 5 godzinach.

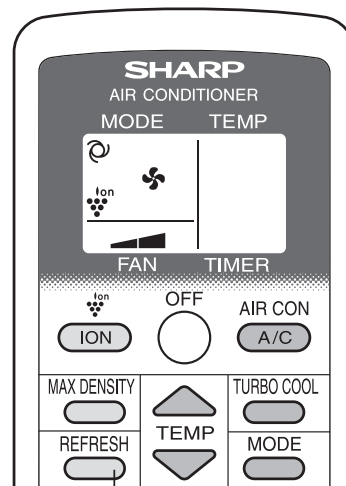
### ANULOWANIE

#### Naciśnij ponownie przycisk REFRESH.

- Pomarańczowy wskaźnik TIMER się wyłączy.

#### UWAGI:

- Odpowiednio ustaw prowadnice powietrza, aby strumień powietrza był nawiewany na ubrania.
- Klimatyzator nie może pracować w trybie REFRESH i MAX DENSITY równocześnie.
- Trybu REFRESH i wyłącznika czasowego nie można zaprogramować równocześnie.
- W tym trybie jony Plasmacluster skutecznie usuwają nieprzyjemny zapach dymu tytoniowego itp., ale mogą być nieskuteczne w przypadku niektórych zapachów.
- Klimatyzator może niezbyt skutecznie usuwać nieprzyjemne zapachy w zależności od intensywności zapachu, odległości urządzenia od ubrań oraz czasu pracy.



1

## TRYB TIMER OFF (wyłącznik czasowy)

### 1 Naciśnij kilka razy przycisk TIMER OFF, żeby ustawić żądany czas.



- Pomarańczowy wskaźnik TIMER zacznie świecić.
- Wraz z upływem czasu wskazanie na wyświetlaczu będzie malało, dzięki czemu będzie wiadomo, ile czasu pozostało do wyłączenia klimatyzatora.

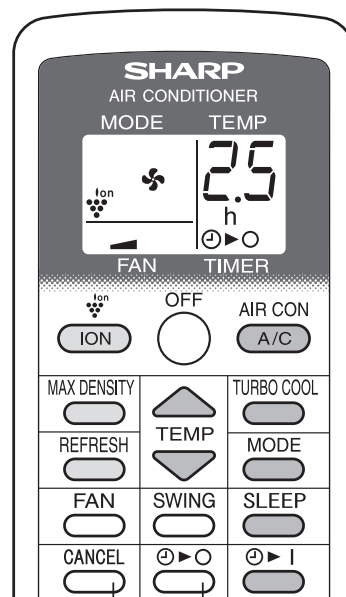
### ANULOWANIE

#### Naciśnij przycisk CANCEL.

- Pomarańczowy wskaźnik TIMER się wyłączy.

#### UWAGI:

- Opóźnienie włączenia może wynosić od 0,5 godziny do 12 godzin. Opóźnienie do 9,5 godziny można ustawiać ze skokiem 0,5-godzinowym, a opóźnienie od 10 do 12 godzin – ze skokiem 1-godzinowym.
- Wyłącznika czasowego nie można zaprogramować w trybie GENERATORA JONÓW.
- Jeśli został zaprogramowany wyłącznik czasowy, w przypadku wystąpienia przerwy w zasilaniu ustawienia timera zostaną anulowane i nie będą przywrócone nawet po przywróceniu zasilania.



1

ANULOWANIE

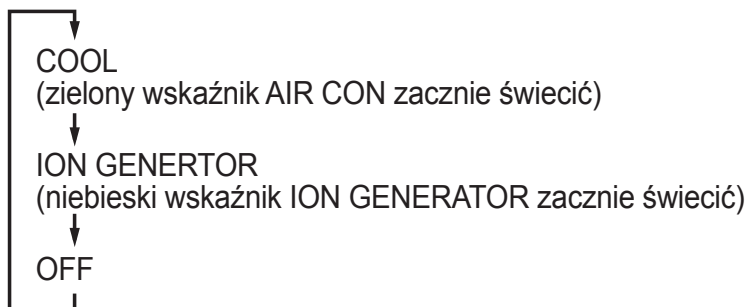
POLSKI

## OBSŁUGA URZĄDZENIA GŁÓWNEGO

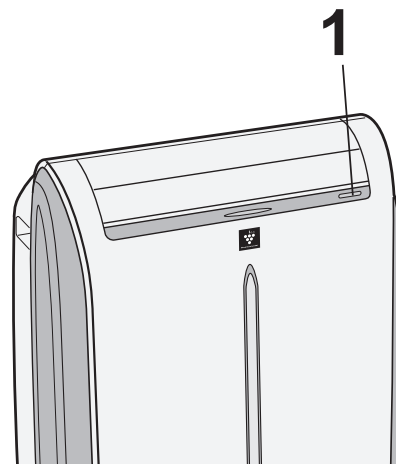
Ten tryb pracy jest użyteczny w przypadku, gdy pilot zdalnego sterowania jest niedostępny.

### 1 Naciśnij przycisk POWER, żeby włączyć klimatyzator.

- Tryb pracy zmieni się, jeśli naciśniesz przycisk w ciągu 5 sekund.



- W trybie chłodzenia klimatyzator będzie pracował z ostatnio dokonanymi ustawieniami. Jeśli kabel zasilający został odłączony od gniazdka elektrycznego podczas pracy, urządzenie wznowi pracę w trybie chłodzenia przy ustawieniu temperatury 20°C. Prędkość wentylatora jest ustawiona na AUTO.



### WYŁĄCZANIE KLIMATYZATORA

Podczas pracy urządzenia naciśnij przycisk POWER.

## ODPROWADZANIE KONDENSATU

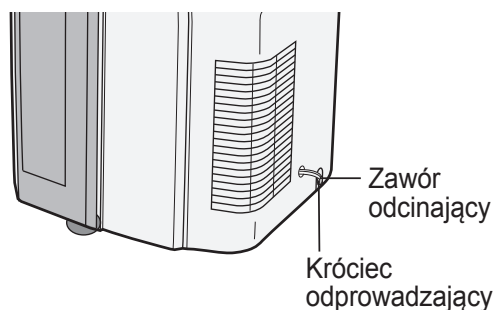
W następujących przypadkach należy odprowadzić kondensat ze zbiornika na wodę.

- Jeśli urządzenie wyłączyło się i pulsują wskaźniki TIMER (pomarańczowy), AIR CON (zielony) oraz MAXIMUM (czerwony), zbiornik na wodę jest pełen i należy odprowadzać kondensat.
- Jeśli urządzenie nie jest używane przez dłuższy czas.

**1** Odłącz wtyczkę kabla zasilającego od gniazdka elektrycznego i ostrożnie przesunąć klimatyzator, aby odprowadzić kondensat lub zapobiec rozlaniu się wody na podłogę w pomieszczeniu.

**2** Odłącz zawór odcinający od króćca odprowadzającego i opróżnij zbiornik na wodę.

**3** Starannie podłącz zawór odcinający do króćca odprowadzającego.





## KONSERWACJA

Przed przystąpieniem do czyszczenia należy odłączyć kabel zasilający od gniazdka elektrycznego w ścianie.

### CZYSZCZENIE FILTRÓW

Jeśli filtr został zablokowany kurzem, zmniejszy się intensywność nawiewu powietrza, powodując obniżenie wydajności chłodzenia. Filtry należy czyścić regularnie co dwa tygodnie.

#### FILTR POWIETRZA

##### 1 WYJMIJ FILTR.

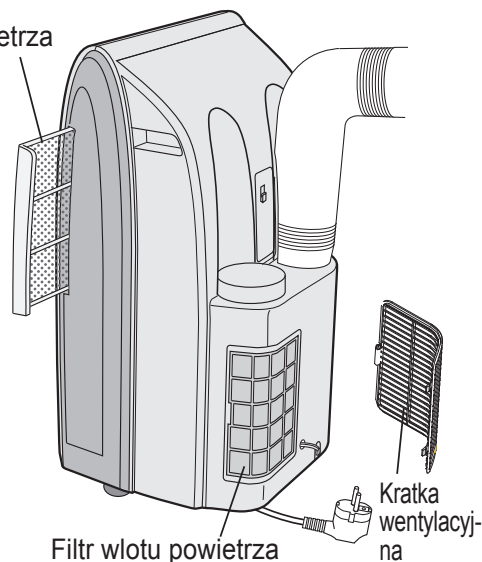
- Pociągnij filtr w prawo.

##### 2 WYCZYŚĆ FILTR.

- Usuń kurz przy pomocy odkurzacza. Jeśli filtr jest bardzo brudny, należy go umyć wodą z detergentem i ostrożnie opłukać czystą wodą. Przed ponowną instalacją należy wysuszyć filtry w zacienionym miejscu.

##### 3 ZAINSTALUJ PONOWNIE FILTR.

Filtr powietrza



#### FILTR WLOTU POWIETRZA

Zdemontuj kratkę wentylacyjną i oczyść filtr wlotu powietrza przy pomocy odkurzacza.

#### OSTRZEŻENIA:

Nie wolno korzystać z klimatyzatora, jeśli zostały wyjęte z niego filtry. Mogłoby to spowodować poważne uszkodzenie urządzenia.

### CZYSZCZENIE URZĄDZENIA GŁÓWNEGO I PILOTA

Do czyszczenia używaj suchej, miękkiej ściereczki lub ściereczki namoczonej w wodzie z łagodnym detergentem. Ostrożnie usuń wszelkie pozostałości za pomocą ściereczki nieznacznie nawilżonej w wodzie, a następnie dokładnie wysuszyć.

Klimatyzatora nie należy polewać wodą. Przedostanie się wody do wnętrza urządzenia mogłoby spowodować niebezpieczne uszkodzenie izolacji.

Do czyszczenia każdej części klimatyzatora nie wolno stosować silnych środków chemicznych ani żrących środków czyszczących. Aby nie uszkodzić urządzenia, do czyszczenia wolno używać gorącej wody (o temperaturze 50°C lub wyższej).

### PRZECHOWYWANIE PRZEZ DŁUŻSZY CZAS (URZĄDZENIE NIE BĘDZIE UŻYWANE)

##### 1 Odprowadź kondensat ze zbiornika na wodę i starannie podłącz zawór odcinający do króćca odprowadzającego.

##### 2 Uruchom klimatyzator w trybie FAN lub VENT na ok. 6 godzin, żeby dokładnie osuszyć całe wnętrze urządzenia.

##### 3 Wyczyść i zainstaluj ponownie filtry.

##### 4 Odłącz kabel zasilający od gniazdka elektrycznego w ścianie.

## ZANIM WEZWIESZ SERWIS

Jeśli klimatyzator działa nieprawidłowo, przed wezwaniem serwisu należy sprawdzić następujące punkty.

### KLIMATYZATOR NIE DZIAŁA

- Czy wtyczka kabla zasilającego urządzenie jest podłączona do gniazdka elektrycznego lub jest poluzowana?
- Czy przepalił się bezpiecznik lub zasilanie zostało wyłączone głównym wyłącznikiem sieciowym?
- Czy pulsują wskaźniki AIR CON (zielony), TIMER (pomarańczowy) i MAXIMUM (czerwony)?  
Znajdujący się wewnątrz urządzenia zbiornik na wodę został przepełniony. Należy odprowadzić kondensat. (patrz strona 18)

### KLIMATYZATOR NIE SCHŁADZA POMIESZCZENIA W WYSTARCZAJĄCYM STOPNIU

- Czy został ustawiony tryb FAN, DRY, VENT lub GENERATORA JONÓW?  
Podczas pracy w tych trybach urządzenie nie chłodzi powietrza. Zmień ustawienie trybu pracy.
- Czy filtr został zablokowany kurzem?  
Wyczyść filtr.
- Czy spirala kondensująca zamarzła?  
Jeśli spirala kondensująca zamarznie, powietrze nie będzie nawiewane do pomieszczenia. Uruchom klimatyzator w trybie FAN z ustawieniem prędkości wentylatora na „HIGH”, dopóki lód nie rozpuści się.
- Czy została ustawiona właściwa temperatura?
- Czy okno jest narażone na bezpośrednie działanie promieni słonecznych?  
Zasuń zasłony lub żaluzje, aby zmniejszyć ciepło w pomieszczeniu wytwarzane przez światło słoneczne.
- Czy rura odprowadzająca ciepłe powietrze nie jest za długa?  
Aby zapewnić wydajną pracę klimatyzatora, rura odprowadzająca ciepłe powietrze powinna być możliwie najkrótsza. Rura nie powinna być skrzywiona ani zagięta.

### ODGŁOSY

- Klimatyzator może emitować szумы przez pierwsze 2-3 minuty po włączeniu zasilania. Odgłos wywołuje uruchamiająca się sprężarka i jest to zjawisko zupełnie normalne.
- Bezpośrednio po włączeniu lub wyłączeniu klimatyzatora może być słyszalny łagodny, szeleszczący odgłos (również podczas pracy). Szelest może być spowodowany przepływem cieczy chłodzącej we wnętrzu urządzenia.
- Szum o niskim tonie może być emitowany podczas generowania jonów Plasmacluster.
- Przez wylot rury odprowadzającej ciepłe powietrze klimatyzator odparowuje wodę, która skrapla się podczas pracy w trybie chłodzenia. Chociaż odgłos przepływającej wody może być słyszalny, jest to zjawisko normalne.
- Odgłos bulgotania może być słyszalny, jeśli urządzenie pracuje na nieco pochylonej powierzchni. Ustaw klimatyzator na równej powierzchni.

### TIMER NIE DZIAŁA PRAWIDŁOWO

- Jeśli została zaprogramowana operacja sterowana zegarem, w przypadku wystąpienia przerw w zasilaniu ustawienia tej operacji zostaną anulowane i nie będą przywrócone nawet po przywróceniu zasilania.

### KLIMATYZATOR NIE REAGUJE NA SYGNAŁ Z PILOTA

- Upewnij się, że baterie w pilocie są sprawne. Jeśli zachodzi potrzeba, wymień baterie.
- Użyj ponownie pilota, kierując jego nadajnik bezpośrednio w stronę okienka odbiornika sygnału w klimatyzatorze.
- Upewnij się, że baterie w pilocie są prawidłowo zainstalowane, zgodnie z oznaczeniami polaryzacji (+/-).

### W NAWIEWANYM POWIETRZU WYCZUWALNY JEST NIEPRZYJEMNY ZAPACH

- Generatory jonów Plasmacluster emitują niewielką ilość ozonu, który może być źródłem zapachu. Stężenie ozonu nie jest szkodliwe dla zdrowia.

POLSKI



Let op: Uw product is van dit merkteken voorzien. Dit betekent dat afgedankte elektrische en elektronische apparatuur niet samen met het normale huisafval mogen worden weggegooid. Er bestaat een afzonderlijk inzamelingssysteem voor deze producten.

## A. Informatie over afvalverwijdering voor gebruikers (particuliere huishoudens)

### 1. In de Europese Unie

Let op: Deze apparatuur niet samen met het normale huisafval weggooien!

Afgedankte elektrische en elektronische apparatuur moet gescheiden worden ingezameld conform de wetgeving inzake de verantwoorde verwerking, terugwinning en recycling van afgedankte elektrische en elektronische apparatuur.

Na de invoering van de wet door de lidstaten mogen particuliere huishoudens in de lidstaten van de Europese Unie hun afgedankte elektrische en elektronische apparatuur kosteloos\* naar hiertoe aangewezen inzamelingsinrichtingen brengen\*.

In sommige landen\* kunt u bij de aanschaf van een nieuw apparaat het oude product kosteloos bij uw lokale distributeur inleveren. \*) Neem contact op met de plaatselijke autoriteiten voor verdere informatie.

Als uw elektrische of elektronische apparatuur batterijen of accumulatoren bevat dan moet u deze afzonderlijk conform de plaatselijke voorschriften weggooien.

Door dit product op een verantwoorde manier weg te gooien, zorgt u ervoor dat het afval de juiste verwerking, terugwinning en recycling ondergaat en potentiële negatieve effecten op het milieu en de menselijke gezondheid worden voorkomen die anders zouden ontstaan door het verkeerd verwerken van het afval.

### 2. In andere landen buiten de Europese Unie

Als u dit product wilt weggooien, neem dan contact op met de plaatselijke autoriteiten voor informatie omtrent de juiste verwijderingsprocedure.

Voor Zwitserland: U kunt afgedankte elektrische en elektronische apparatuur kosteloos bij de distributeur inleveren, zelfs als u geen nieuw product koopt. Aanvullende inzamelingsinrichtingen zijn vermeld op de startpagina van [www.swico.ch](http://www.swico.ch) or [www.sens.ch](http://www.sens.ch).

## B. Informatie over afvalverwijdering voor bedrijven.

### 1. In de Europese Unie

Als u het product voor zakelijke doeleinden heeft gebruikt en als u dit wilt weggooien:

Neem contact op met uw SHARP distributeur die u inlichtingen verschaft over de terugname van het product. Het kan zijn dat u een afvalverwijderingsbijdrage voor de terugname en recycling moet betalen. Kleine producten (en kleine hoeveelheden) kunnen door de lokale inzamelingsinrichtingen worden verwerkt.

Voor Spanje: Neem contact op met de inzamelingsinrichting of de lokale autoriteiten voor de terugname van uw afgedankte producten.

### 2. In andere landen buiten de Europese Unie

Als u dit product wilt weggooien, neem dan contact op met de plaatselijke autoriteiten voor informatie omtrent de juiste verwijderingsprocedure.

De batterij die bij dit toestel geleverd wordt bevat sporen van Lood.

Voor EU: De doorgestreepte vuilnisbak op wietjes duidt aan dat de gebruikte batterijen niet mogen terechtkomen in het gewone huishoudelijke afval. Er bestaat een gescheiden ophaalsysteem voor deze gebruikte batterijen om eigen behandeling en recyclage volgens de wetgeving toe te laten. Gelieve de lokale autoriteiten te contacteren voor de details van ophaling en recyclage.

Voor Zwitserland: De gebruikte batterij moet bij het verkooppunt teruggebracht worden.

Voor andere niet EU landen: Gelieve contact op te nemen met uw lokale autoriteiten voor de correcte methode van verwerking van de gebruikte batterijen.

Bevat onder het Protocol van Kyoto vallende gefluoreerde broeikasgassen R410A (Aardopwarmingsvermogen 1975)



Pb

Lees deze gebruikershandleiding zorgvuldig door alvorens het product te gebruiken. Deze handleiding moet op een veilige plaats worden bewaard als handig hulpmiddel. Bezoek <http://sharp-world.com/> voor de elektronische versie van de bedieningshandleiding.

## INHOUD

- VEILIGHEIDSVOORSCHRIFTEN ..... NL-2
- MEEGLEVERD ..... NL-3
- ONDERDELEN ..... NL-4
- INSTALLATIE EN VERWIJDERING VAN DE AFVOERSLANG..... NL-6
- GEBRUIK VAN DE AFSTANDBEDIENING..... NL-8
- TOELICHTING VOOR GEBRUIK ..... NL-9

### WERKING VAN AIRCONDITIONER

- KOEL-STAND ..... NL-10
- DROOG-STAND ..... NL-10
- VENTILATOR-STAND..... NL-11
- VENTILATIE-STAND..... NL-11
- RICHTING LUCHTSTROOM VERANDEREN ..... NL-12
- WERKING TURBO KOELEN..... NL-13
- WERKING SLAAP-STAND ..... NL-13
- WERKING TIMER..... NL-14

### GEBRUIK VOOR IONEN GENERATOR

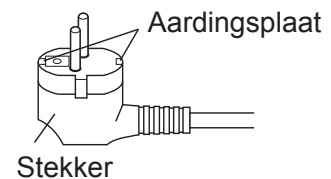
- IONEN GENERATOR-STAND ..... NL-15
- RICHTING LUCHTSTROOM VERANDEREN ..... NL-16
- WERKING MAX. DICHTHEID..... NL-16
- WERKING VAN LUCHTEN ..... NL-17
- WERKING TIMER UIT ..... NL-17
  
- WERKING HOOFDAPPARAAT ..... NL-18
- AFTAPPEN ..... NL-18
- ONDERHOUD..... NL-19
- ALVORENS DE KLANTENSERVICE TE BELLEN ..... NL-20

# VEILIGHEIDSVOORSCHRIFTEN

Dit apparaat kan worden gebruikt door kinderen vanaf 8 jaar en personen met verminderde fysieke, zintuiglijke of mentale capaciteiten of een gebrek aan ervaring en kennis, als ze toezicht of instructies krijgen over het gebruik van het apparaat op een veilige manier en de mogelijke gevaren begrijpen. Kinderen mogen niet met het apparaat spelen. Reiniging en gebruikersonderhoud mag niet zonder toezicht uitgevoerd worden door kinderen.

## **WAARSCHUWING**

- Verander geen enkel onderdeel van dit product. Dit zal leiden tot elektrische schokken, water lekkage, vuur, enz.
- Vervorm of trek niet aan de voedingskabel. Het trekken aan en misbruik van de voedingskabel kan leiden tot schade aan het apparaat en elektrische schokken.
- Vermijd uw lichaam voor langere tijd bloot te stellen aan de afgevoerde lucht. Het kan uw lichamelijke toestand beïnvloeden.
- Wanneer de airconditioner voor zuigelingen, kinderen, ouderen of minder validen wordt gebruikt zorg ervoor dat de kamertemperatuur geschikt voor diegenen in de kamer is.
- Steek nooit voorwerpen in het apparaat. Het insteken van voorwerpen kan leiden tot letsel door de hoge draaisnelheid van de interne ventilatoren.
- Mocht er iets abnormaal zijn tijdens gebruik van de airconditioner (bijv. een brandende geur), stop onmiddellijk het gebruik en trek de stekker uit het stopcontact.
- Indien de voedingskabel beschadigd is, moet deze worden vervangen door de fabrikant of haar onderhoudsvertegenwoordiger of een vergelijkbaar gekwalificeerd persoon om gevaar te voorkomen. Gebruik alleen het door de fabrikant goedgekeurde voedingskabel ter vervanging.
- Water niet direct in het apparaat spetteren of gieten. Water kan tot elektrische schokken of schade aan het apparaat leiden.
- Deze stekker mag alleen in een geschikt stopcontact worden gestopt. Niet gebruiken in combinatie met verlengsnoeren.
- Plaats de stekker zorgvuldig in het stopcontact en verzeker u ervan dat deze niet los zit.
- Dit apparaat moet geaard zijn. Dit apparaat is uitgevoerd met een snoer voorzien van een aardingsdraad met een aardingsplaat. De stekker moet worden aangesloten in een correct aangesloten geaard stopcontact.
- Het apparaat moet worden geïnstalleerd in overeenstemming met nationale bedradingsvoorschriften.
- Het apparaat moet zodanig zijn geplaatst dat de stop bereikbaar is.



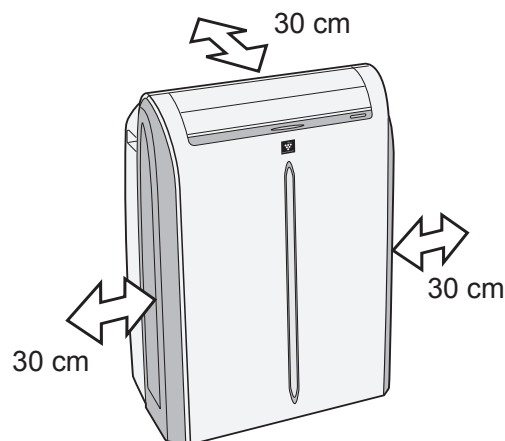
## **LET OP**

- Open een raam of deur om de kamer van tijd tot tijd te ventileren, in het bijzonder bij gebruik van gastoestellen. Onvoldoende ventilatie kan leiden tot zuurstoftekort.
- Bedien de toetsen niet met natte handen. Dit kan elektrische schokken veroorzaken.
- Om veiligheidsredenen, trek de stekker uit het stopcontact wanneer het apparaat voor langere tijd niet gebruikt wordt.
- Dit apparaat is ontworpen voor huishoudelijk gebruik. Niet gebruiken voor andere toepassingen zoals in een kennel of broeikas om dieren te fokken of planten te kweken.
- Plaats nooit een houder met water op het apparaat. Indien water in het apparaat terecht komt, kan de elektrische isolatie beschadigen en elektrische schokken veroorzaken.
- Tap het water af alvorens het apparaat te verplaatsen. Indien er water achterblijft in de tank, kan dit overstromen tijdens het verplaatsen.
- Blokkeer de afvoer openingen niet met obstakels. Het koelvermogen kan verminderen of geheel stoppen.

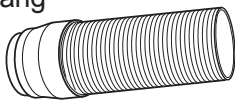
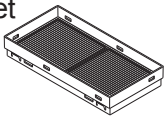

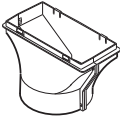



- Verzeker u ervan dat het apparaat is uitgeschakeld en de stekker uit het stopcontact is alvorens enig onderhoud of reiniging te plegen. Een ventilator draait binnen in het apparaat en u kan gewond raken.
- Plaats het apparaat op een waterpas oppervlak om water lekkage in de kamer te voorkomen.
- Zorg ervoor dat de airconditioner is aangesloten op een voeding voorzien van de nominale spanning en frequentie. Gebruik van een voeding met onjuist voltage en frequentie kan leiden tot materiële schade en mogelijk brand.
- Gebruik het apparaat niet op plaatsen waar ontvlambare gassen kunnen lekken. Dit kan leiden tot brand.  
Gebruik het apparaat op een plaats een minimaal niveau van stof, rook en vochtigheid in de lucht.
- Zorg ervoor dat een lekstroomonderbreker of stroomonderbreker is geplaatst, afhankelijk van de plaatsing van de installatie, om elektrische schokken te voorkomen.
- Installeer een lekstroomaarde om elektrische schokken te voorkomen in geval van lekkage.  
Gebruik een door stroom geactiveerde, hoog gevoelige, hoge snelheid type stroom onderbreker met een nominale gevoeligheid van minder dan 30 mA en een bedrijfstijd onder de 0,1 seconde.

## PLAATSING

- Het apparaat moet worden geplaatst op een stevige fundering om geluid en trillingen te minimaliseren. Voor een veilige en stevige plaatsing, plaats het apparaat op een vlakke, waterpasse vloer sterk genoeg om het apparaat te ondersteuning. Dit voorkomt waterlekkage in de kamer.
- Het apparaat heeft wielen ter verplaatsing, maar mag alleen worden gerold over gladde, vlakke oppervlakken. Voorzichtigheid is geboden wanneer het apparaat over van tapijt voorziene oppervlakken wordt gerold. Probeer het apparaat niet over objecten heen te rollen.
- Het apparaat moet worden geplaatst binnen bereik van een geaard stopcontact voorzien van de juiste nominale spanning.
- Plaats nooit obstakels rondom de luchtstroom inlaten of uitlaten van het apparaat.
- Voorzie tenminste 30 cm ruimte vanaf de muur voor een efficiënte airconditioning.

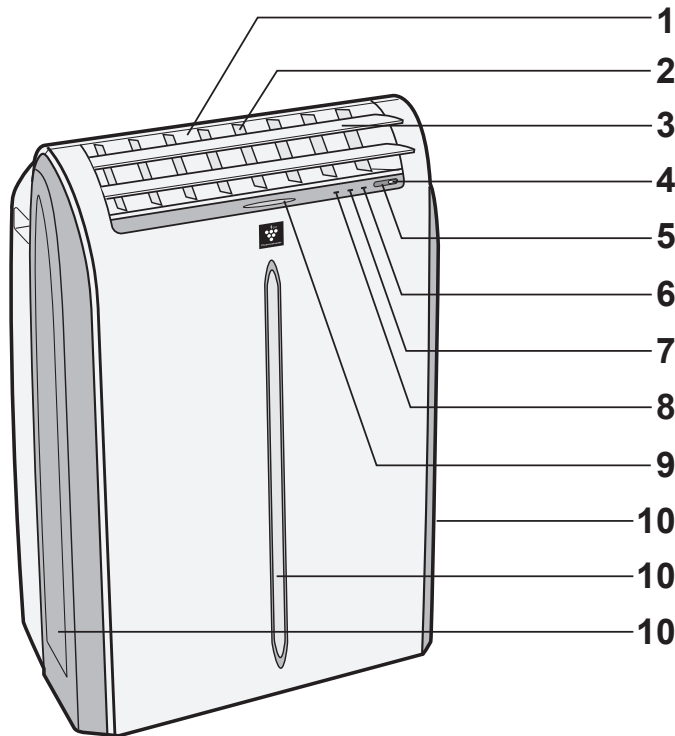


## MEEGELEVERD

Afvoerslang 	1	Anti-insectennet 	1	Handleiding 	1
Raamadapter 	1	Afstandbediening 	1		
Regenbeschermer 	2	Batterij (R03) 	2		

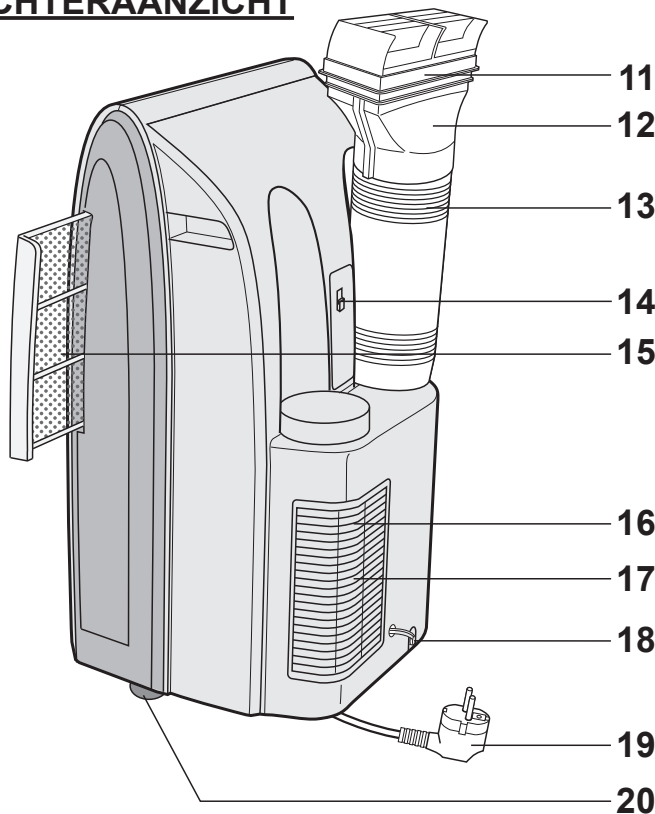
# ONDERDELEN

## VOORAANZICHT



- 1 Luchtafvoer
- 2 Verticale lamellen
- 3 Horizontale lamellen
- 4 AAN/UIT-knop
- 5 Ontvanger afstandbediening
- 6 AIRCO lampje (groen)
- 7 TIMER lampje (oranje)
- 8 MAXIMUM lampje (rood)
- 9 IONEN GENERATOR lampje (blauw)
- 10 Luchtinlaat

## ACHTERAANZICHT

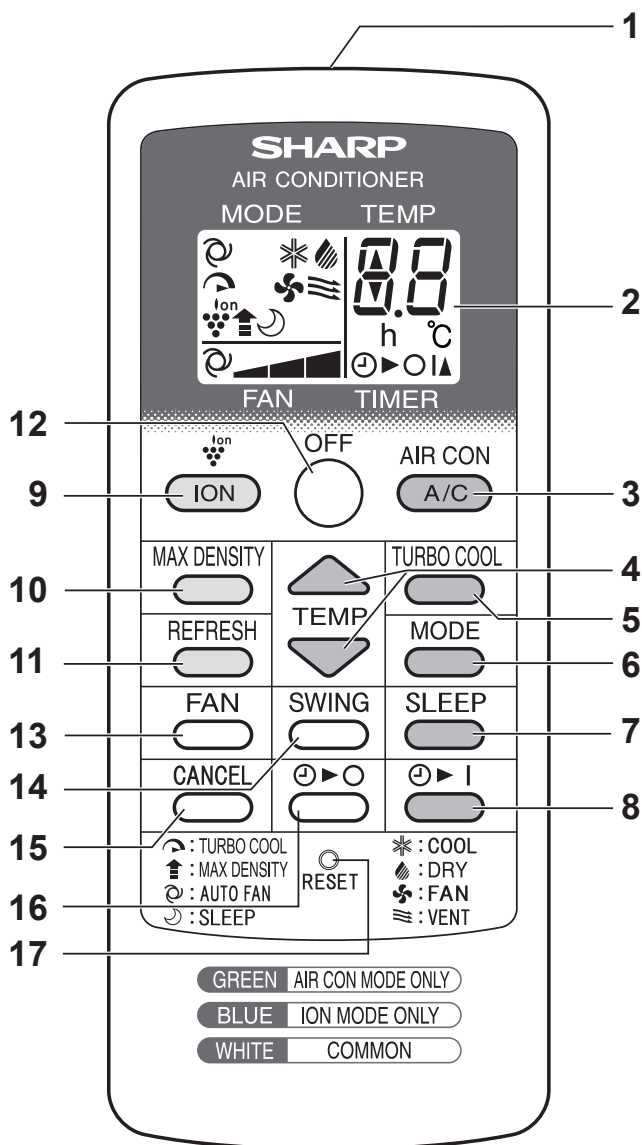


- 11 Opening luchtafvoer
- 12 Raamadapter
- 13 Afvoerslang
- 14 Haak voor afstandbediening
- 15 Luchtfilter
- 16 Rooster
- 17 Luchtinlaat
- 18 Aftapslang en stop
- 19 Stekker
- 20 Wielen (4)

OPMERKING: Geleverd apparaat kan licht afwijken van de hierboven getoonde afbeelding.



## AFSTANDBEDIENING



1 Zender

2 Display

### AIRCO STAND ALLEEN

3 A/C-toets

4 TEMP-toets

5 TURBO KOELEN-toets

6 STAND-toets

7 SLAAP-toets

8 TIMER AAN-toets

### IONEN STAND ALLEEN

9 IONEN toets

10 MAX DICHTHEID toets

11 LUCHTEN-toets

### ALGEMEEN

12 UIT-toets

13 VENTILATOR-toets

14 ZWAAI-toets

15 ANNULEER-toets

16 TIMER UIT-toets

17 RESET-toets

### 18 STAND-symbolen

\* : KOEL

☀ : DROOG

🌀 : VENTILATOR

☀ : VENTILATIE

19 LUCHTEN-symbol

20 TURBO KOELEN-symbol

21 IONEN GENERATOR-symbol

22 MAX DICHTHEID-symbol

23 SLAAPSTAND-symbol

24 VENTILATOR SNELHEID-symbolen

🌀 : AUTO

▬ : ZACHT

▬ : LAAG

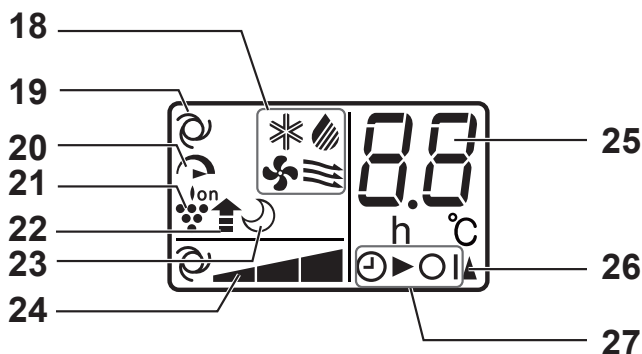
▬ : HOOG

25 Temperatuur en timer aftel-indicator

26 Zend-symbol

27 TIMER AAN/TIMER UIT-symbol

## DISPLAY AFSTANDBEDIENING



NEDERLANDS

# INSTALLATIE EN VERWIJDERING VAN DE AFVOERSLANG

## Installatie van de afvoerslang

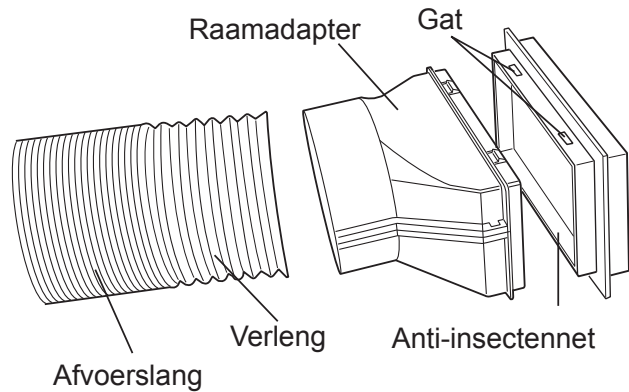
### 1 Bevestig het anti-insectennet aan de raamadapter.

Druk het anti-insectennet stevig aan zodat de vier uitstulpingen op de raamadapter in de vier gaten vallen.

### 2 Bevestig de raamadapter aan de afvoerslang.

Verleng één eind van de afvoerslang uit en steek deze in de raamadapter, dan aandraaien (ong. drie keer) totdat deze stopt.

Zorg ervoor dat deze goed vast zit.

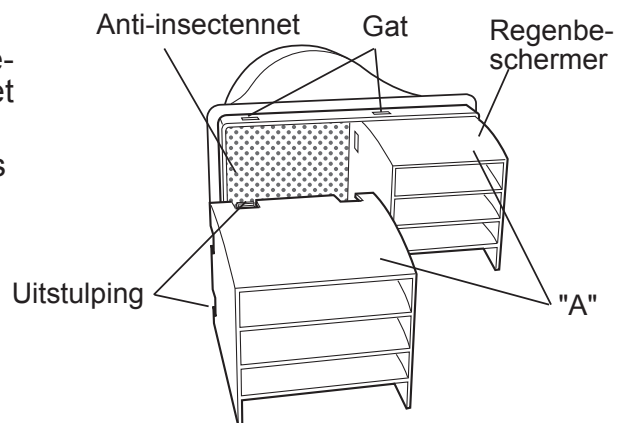


### 3 Bevestig de regenbeschermer aan het anti-insectennet.

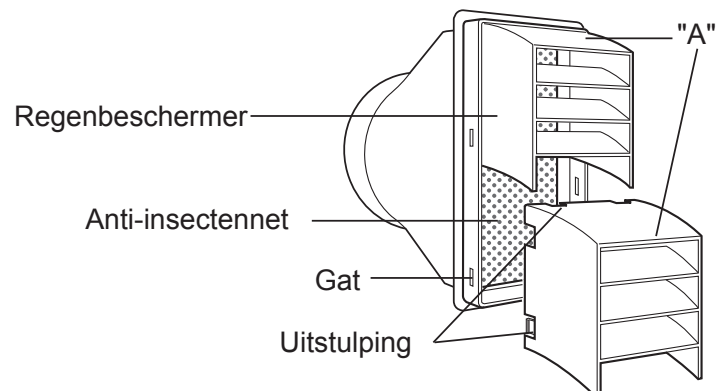
Steek alle drie de uitstulpingen van iedere regenbeschermer in de gaten van het anti-insectennet.

De "A" zijde zal nu bovenop zitten, zoals getoond op de tekening.

#### Horizontaal geplaatst

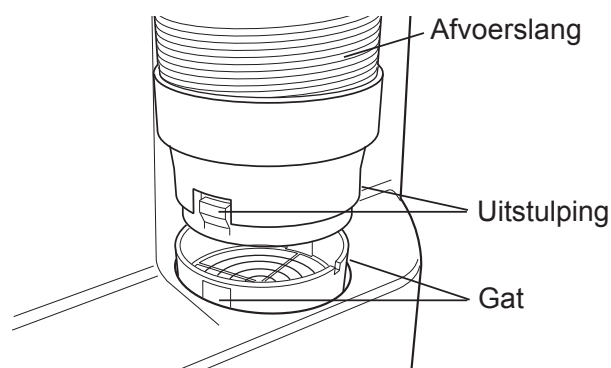


#### Verticaal geplaatst

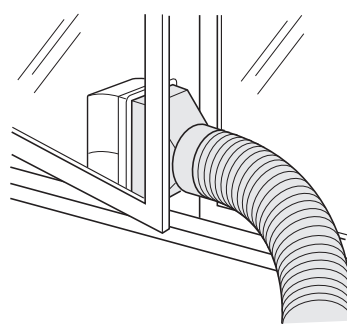


## 4 Bevestig de afvoerslang aan het apparaat.

Plaats de twee uitstulpingen in de twee gaten van het apparaat, en druk deze stevig aan totdat deze klikken.

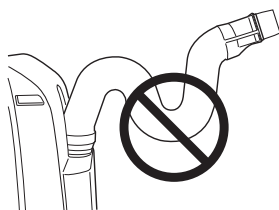


## 5 Leid de afvoerslang naar buiten.

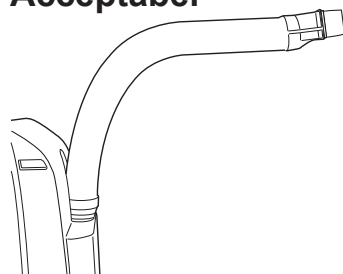


De afvoerslang moet zo kort mogelijk zijn voor efficiënt gebruik, deze mag echter niet gedraaid of geknikt zijn.

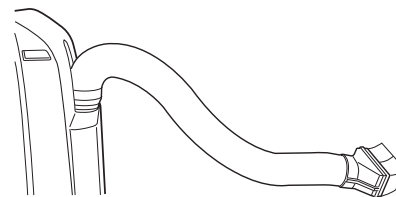
**Onacceptabel**



**Acceptabel**



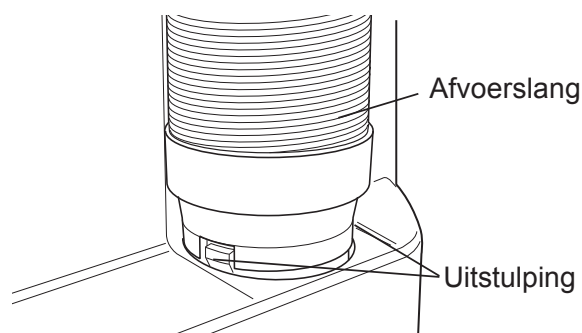
**Acceptabel**



## Verwijdering van de afvoerslang

**Verwijder de afvoerslang van het apparaat.**

De afvoerslang omhoogtrekken en verwijderen door te drukken op de twee uitstulpingen.



NEEDERLANDS

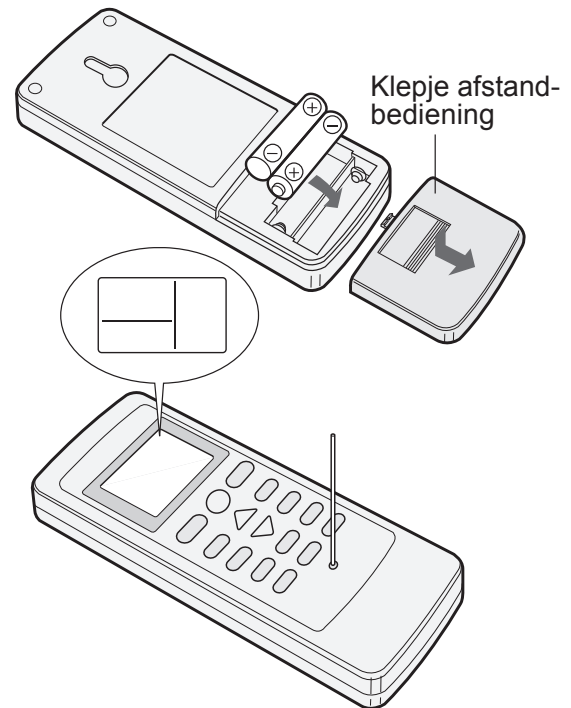
# GEBRUIK VAN DE AFSTANDBEDIENING

## BATERIJEN PLAATSEN

- 1** Verwijder het klepje van de afstandsbediening.
- 2** Plaats de twee batterijen. (AAA(R03))
  - Zorg ervoor dat de (+) en (-) polen correct zijn uitgelijnd.
  - Er zullen lijnen op de display verschijnen indien de batterijen juist zijn geplaatst.
- 3** Plaats klepje afstandsbediening.
- 4** Druk op de RESET-toets met een dun puntig voorwerp.

### **OPMERKING:**

- De levensduur van de batterijen is ongeveer 1 jaar tijdens normaal gebruik.
- Wanneer de batterijen worden vervangen, altijd beide batterijen vervangen en hetzelfde type gebruiken.
- Indien het apparaat voor langere tijd niet wordt gebruikt, verwijder de batterijen van de afstandsbediening.



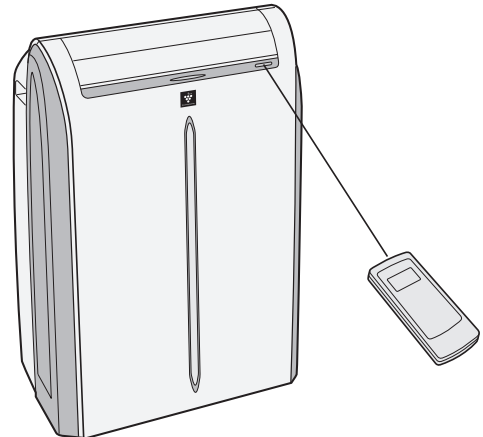
## GEBRUIK VAN DE AFSTANDBEDIENING

Richt de afstandsbediening op de ontvanger en druk op de gewenste toets. Het apparaat geeft een piep toon wanneer het een signaal ontvangt.

- Zorg ervoor dat niets, zoals gordijnen, het scherm van de ontvanger blokkeert.
- Het effectieve bereik van het signaal is 7 m.

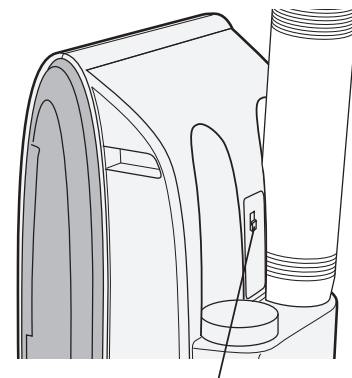
### **LET OP:**

- Stel het scherm van de ontvanger niet bloot aan direct zonlicht. Dit kan een negatieve invloed hebben op de werking.
- Het gebruik van bepaalde fluorescente lampen in dezelfde kamer kan de overdracht van het signaal beïnvloeden.
- Plaats de afstandsbediening niet in direct zonlicht of naast een verwarming. Bescherm de afstandsbediening tegen vocht en schokken.



**Om de afstandsbediening niet kwijt te raken, haak deze aan het apparaat wanneer deze niet wordt gebruikt.**

Wanneer bevestigd, verwijder de afstandsbediening van het apparaat door deze licht op te tillen en naar buiten te trekken.



Haak afstandsbediening

# TOELICHTING VOOR GEBRUIK

## TOELICHTING VOOR GEBRUIK

- **Sta drie minuten toe voordat de compressor begint te koelen.**

Indien u het apparaat uit schakelt en onmiddellijk weer start, sta drie minuten toe voordat de compressor weer begint te koelen. Het apparaat bevat een elektrisch component dat de compressor drie minuten uitschakelt om veiligheidsredenen.

- **Bij stroomuitval.**

Deze airconditioner heeft een geheugenfunctie voor opslag van de instelling tijdens stroomuitval.

Wanneer de stroom weer wordt ingeschakeld, zal het apparaat automatisch met dezelfde instellingen opstarten die zijn opgeslagen voor de stroomuitval, met uitzondering van de timer-instelling.

Indien een stroomuitval zich voordoet terwijl de timer is ingesteld, zal de instelling van de timer worden geannuleerd en zal deze niet worden hersteld nadat de stroomvoorziening is hersteld.

- **Werking lage temperatuur: Bevriest uw apparaat?**

Bevriezing kan zich voordoen wanneer het apparaat is ingesteld rondom de 18°C in een lage omgevingstemperatuur, in het bijzonder 's nachts.

Onder deze omstandigheden kan een verdere daling van de temperatuur leiden tot bevroering van het apparaat.

Stel het apparaat op een hogere temperatuur in om bevroering te voorkomen.

- **De droog-stand verhoogd de kamertemperatuur.**

Het apparaat produceert warmte op de droog-stand en de kamertemperatuur zal stijgen. Warme lucht zal uit de luchtafvoer van het apparaat worden geblazen, dit is normaal en wijst niet op een probleem aan het apparaat.

- **Dit apparaat blaast de warme lucht opgewekt door het apparaat buiten de kamer via de afvoerslang op de koel-stand.**

In overeenstemming, dezelfde hoeveelheid afgevoerde lucht zal de kamer betreden door openingen in de kamer.

- **Wanneer de koel-stand wordt gebruikt bij een hoge luchtvochtigheid, kan de watertank in het apparaat regelmatig vol lopen.**

Wanneer de watertank in het apparaat vol is, stopt het apparaat en zullen het oranje lampje TIMER, de groene AIRCO en de rode MAXIMUM knipperen. In dit geval, water aftappen om het water binnen het apparaat af te voeren.

## GEBRUIKSOMSTANDIGHEDEN

- **Het apparaat moet binnen het volgende bereik worden gebruikt.**

Stand	kamertemperatuur
Koel	18°C - 40°C
Droog	15°C - 40°C

- Een ingebouwde veiligheidsvoorziening kan het gebruik onderbreken indien de temperatuur deze limieten overschrijd.

- Wanneer de koel-stand wordt gebruikt bij een hoge kamertemperatuur, kan de ventilator langzamer draaien.

## ENERGIE BESPAARTIPS

- **Vermijd direct zonlicht.**

Sluit luiken, gordijnen of jaloezieën om direct zonlicht buiten te houden terwijl de koel-stand gebruikt wordt.

- **Houd de filter schoon.**

Een schone filter zorgt voor een efficiënt gebruik. Een vervuilde filter blokkeert de luchtstroom, waardoor uw apparaat harder en minder efficiënt werkt.

# WERKING VAN AIRCONDITIONER

Werking wanneer het apparaat wordt gebruikt op de koel, droog, ventilator of ventilatie stand. Tijdens gebruik worden plasmaclusterionen altijd in de ruimte vrij gelaten.

- De afvoerslang moet zijn geplaatst op deze standen.
- Zorg ervoor dat de stop goed is bevestigd aan de aftapslang.

## KOEL-stand

- 1 Druk op de **STAND**-toets om de **KOEL** stand te kiezen.



- 2 Druk op de **A/C**-toets om in te schakelen.
  - Het groene AIRCO lampje zal gaan branden.

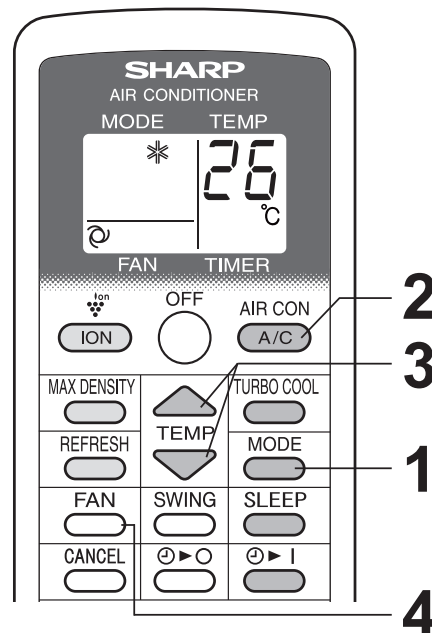
### UITSCHAKELEN

Druk op de **UIT**-toets.

- Het groene AIRCO lampje zal doven.

- 3 Druk op de **TEMP**-toets om de temperatuur in te stellen.
  - Temperatuurbereik: 18°C tot 32°C.

- 4 Druk op de **VENTILATOR**-toets om de snelheid in te stellen.



## DROOG-stand

- 1 Druk op de **STAND**-toets om de **DROOG**-stand te kiezen.

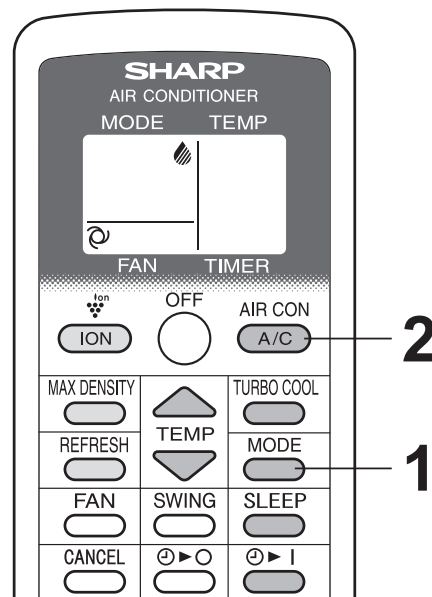


- 2 Druk op de **A/C**-toets om in te schakelen.
  - Het groene AIRCO lampje zal gaan branden.
  - De temperatuur kan niet worden ingesteld.
  - De snelheid van de ventilator is vooraf ingesteld op AUTO en kan niet worden veranderd.

### UITSCHAKELEN

Druk op de **UIT**-toets.

- Het groene AIRCO lampje zal doven.



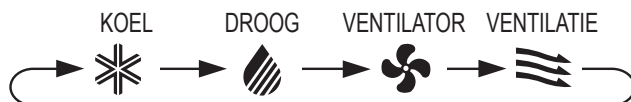
### OPMERKING:

- Hoewel u de droog-stand kan gebruiken zonder de afvoerslang, wekt het apparaat tijdens gebruik warmte op en zal de kamertemperatuur stijgen.
- Het is ook mogelijk de droog-stand te gebruiken met de slang (niet meegeleverd) bevestigd. Verwijder de stop en bevestig de slang aan de aftapslang en leid deze naar een afvoerput in de vloer zodat water van het apparaat kan worden afgevoerd.

## VENTILATOR-stand

Het apparaat laat simpelweg de lucht circuleren.

### 1 Druk op de STAND-toets om de VENTILATOR-stand te kiezen.



### 2 Druk op de A/C-toets om in te schakelen.

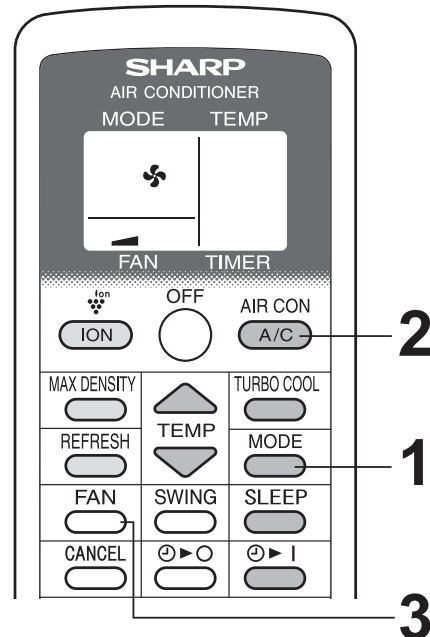
- Het groene AIRCO lampje zal gaan branden.
- DE temperatuur kan niet worden ingesteld.

#### UITSCHAKELEN

Druk op de UIT-toets.

- Het groene AIRCO lampje zal doven.

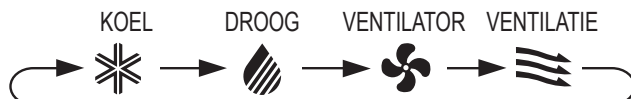
### 3 Druk op de VENTILATOR-toets om de snelheid in te stellen.



## VENTILATIE-stand

Het apparaat ventileert de lucht naar buiten.

### 1 Druk op de STAND-toets om de VENTILATIE-stand te kiezen.



### 2 Druk op de A/C-toets om in te schakelen.

- Het groene AIRCO lampje zal gaan branden.
- DE temperatuur kan niet worden ingesteld.

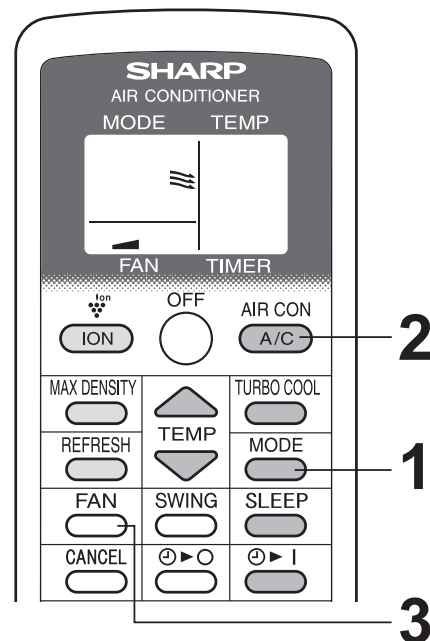
#### UITSCHAKELEN

Druk op de UIT-toets.

- Het groene AIRCO lampje zal doven.

### 3 Druk op de VENTILATOR-toets om de snelheid in te stellen.

- Hoewel de lamellen gesloten zijn en er geen lucht in de kamer geblazen wordt, verandert de snelheid van de externe ventilator.



# WERKING VAN AIRCONDITIONER

## RICHTING LUCHTSTROOM VERANDEREN

### LUCHTSTROOM OMHOOG/OMLAAG RICHTEN

- 1 Druk op de ZWAAI-toets.**
  - De horizontale lamellen zullen draaien.

- 2 Druk nogmaals op de ZWAAI-toets om op de gewenste positie te stoppen.**

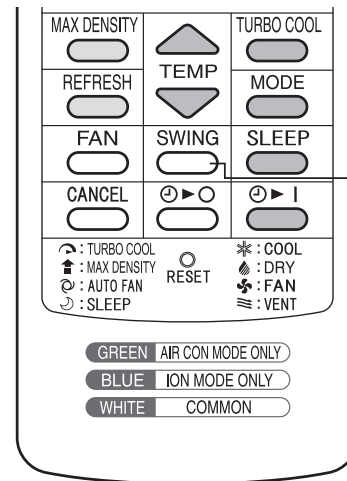
#### LET OP:

Probeer de lamellen nooit met de hand te stellen.

- Het handmatig aanpassen van de horizontale lamellen kan ervoor zorgen dat het apparaat niet goed functioneert wanneer de afstandbediening wordt gebruikt voor aanpassing.
- Wanneer de horizontale lamellen op de laagste stand staan in de KOEL of DROOG stand voor een langere periode kan condensatie optreden.

#### OPMERKING:


- Op de VENTILATIE-stand kan de OMHOOG/OMLAAG richting van de luchtstroom niet worden veranderd.

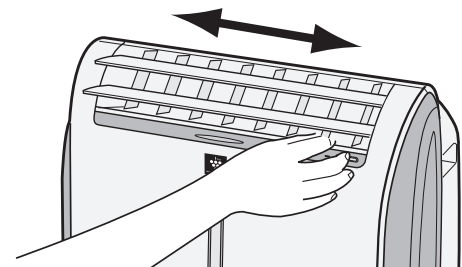


### LUCHTSTROOM LINKS/RECHTS RICHTEN

Houd de verticale lamel vast zoals getoond in het diagram en pas de richting van de luchtstroom aan.

#### LET OP:

- Plaats de verticale lamellen niet in de uiterst linker of rechter positie tijdens de KOEL-stand met de ventilator ingesteld op "ZACHT(  )" voor een langere periode. Er kan condensatie optreden op de lamellen.





## WERKING TURBO KOELEN

Het apparaat werkt op een extra hoge snelheid met een ingestelde temperatuur van 15°C.

### 1 Druk op de TURBO KOELEN-toets tijdens koel-stand.

- De afstandbediening toont "☼".
- De temperatuurafbeelding zal verdwijnen.
- Het rode MAXIMUM-lampje zal gaan branden.

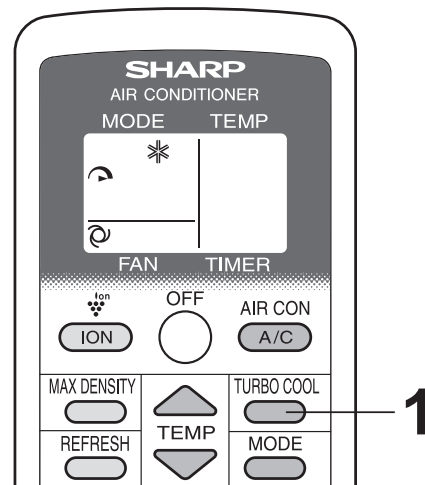
### ANNULEREN

#### Druk nogmaals op de TURBO KOELEN-toets.

- Het rode MAXIMUM-lampje zal doven.

### OPMERKING:

- U kunt de temperatuur of snelheid van de ventilator niet instellen tijdens TURBO KOELEN.
- De ventilator gaat terug naar de HOGE snelheid instelling nadat het apparaat gedurende 30 minuten op de TURBO KOELEN-stand heeft gestaan.
- De extra hoge snelheid van de ventilator kan automatisch verlaagd worden om het apparaat te beschermen.
- De TURBO KOELEN en SLAAP standen kunnen niet tegelijk gebruikt worden.



## WERKING SLAAP-stand

Wanneer de SLAAP-stand is ingeschakeld, wordt de temperatuurinstelling automatisch aangepast om te voorkomen dat de kamer te koud wordt.

### 1 Druk op de SLAAP-toets tijdens de KOEL-stand.

- De afstandbediening toont "☾".
- Het oranje TIMER-lampje zal gaan branden.
- Het apparaat zal na 8 uur stoppen.
- De snelheid van de ventilator is ingesteld op AUTO.

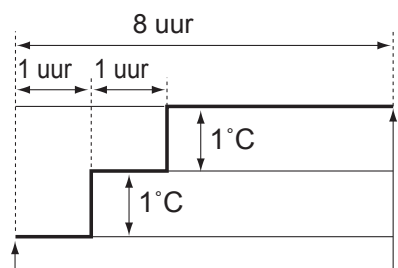
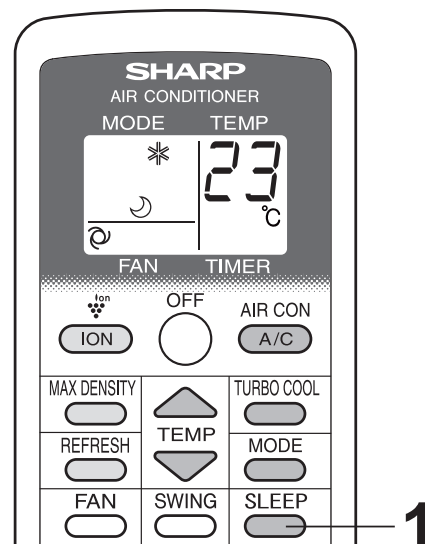
### ANNULEREN

#### Druk op de SLAAP-toets.

- Het oranje TIMER-lampje zal doven.

### OPMERKING:

- Een uur nadat de SLAAP-stand is ingeschakeld, zal de temperatuurinstelling met 1°C verhoogd worden en na nog een uur met een extra 1°C. De getoonde temperatuur op de afstandbediening zal niet van de oorspronkelijk instelling veranderen.
- De standen SLAAP en TURBO KOELEN kunnen niet tegelijkertijd worden gebruikt.
- De standen TIMER UIT, TIMER AAN en SLAAP kunnen niet tegelijkertijd worden gebruikt. Alleen de meeste recente instellingen zullen worden gebruikt.



Begin van SLAAP-stand      Apparaat schakelt uit

# WERKING VAN AIRCONDITIONER

## WERKING TIMER

### TIMER AAN

**1** Druk op de **TIMER**-toets en stel de gewenste tijd in.

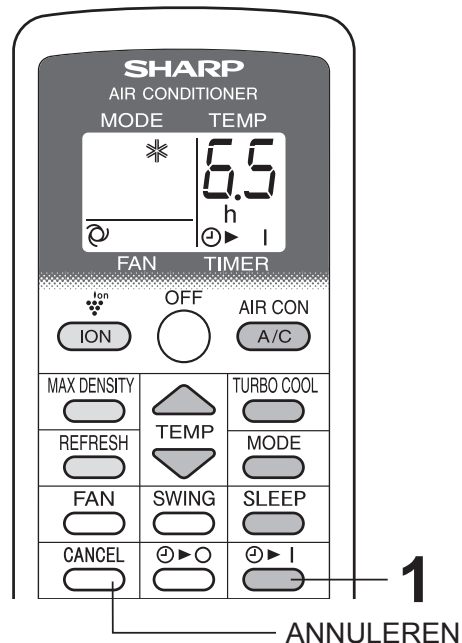


- Het oranje **TIMER**-lampje zal gaan branden.
- De ingestelde tijd zal aftellen om de resterende tijd te tonen.

### ANNULEREN

Druk op de **ANNULEER**-toets.

- Het oranje **TIMER**-lampje zal doven.



### TIMER UIT

**1** Druk op de **TIMER UIT**-toets en stel de gewenste tijd in.

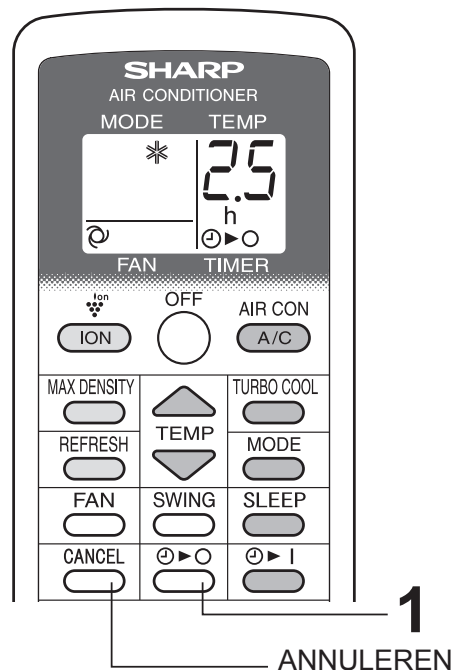


- Het oranje **TIMER**-lampje zal gaan branden.
- De ingestelde tijd zal aftellen om de resterende tijd te tonen.

### ANNULEREN

Druk op de **ANNULEER**-toets.

- Het oranje **TIMER**-lampje zal doven.



### OPMERKING:

- De Timer kan worden ingesteld vanaf een minimum van een half uur tot een maximum van 12 uur. Tot een tijdspanne van 9.5 uur kunt u de timer instellen met stappen van een half uur en van 10 tot 12 uur, met stappen van een uur.
- **TIMER AAN** en **TIMER UIT** kunnen niet tegelijk worden ingesteld.
- Indien een stroomuitval zich voordoet terwijl **TIMER UIT** of **TIMER AAN** is ingesteld, zal de **TIMER** instelling worden geannuleerd en zal deze niet worden hersteld nadat de stroomvoorziening is hersteld.
- Wanneer de temperatuur wordt ingesteld terwijl de timer in werking is, zal de temperatuur gedurende 5 seconden worden getoond waarna de timer terugkeert op de display.

## GEBRUIK VOOR IONEN GENERATOR

Gebruik wanneer het apparaat onafhankelijk werkt met IONEN GENERATOR. De afvoerslang hoeft niet geïnstalleerd te worden. Hete lucht zal niet uit de afvoerslang komen tijdens gebruik van de IONEN GENERATOR-stand.

### **IONEN GENERATOR-stand**

#### **1 Druk op de IONEN-toets om de stand in te schakelen.**

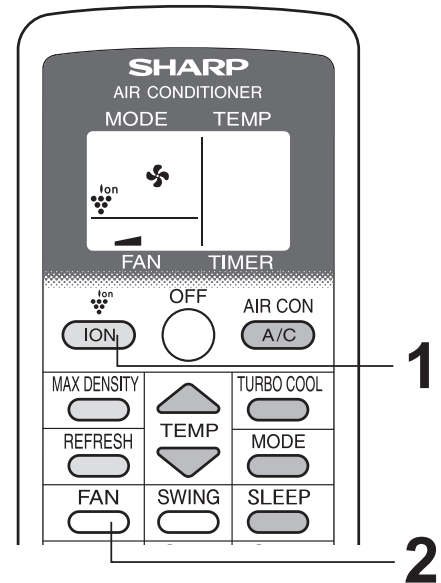
- Het blauwe IONEN GENERATOR-lampje zal gaan branden.

#### **UITSCHAKELEN**

#### **Druk op de UIT-toets.**

- Het blauwe IONEN GENERATOR-lampje zal doven.

#### **2 Druk op de VENTILATOR-toets om de snelheid in te stellen.**



### **OPMERKING VOOR IONEN GENERATOR-stand**

De ionen generator in het apparaat blaast plasmaclusterionen de kamer in. Plasmaclusterionen verminderen schimmel in de lucht.

Plasmaclusters is een eigen techniek van SHARP.

Voor meer informatie, verwijzen wij u naar onze persberichten zoals:

<http://www.sharp-pci.com/>

De website kan zonder kennisgeving worden veranderd.

# GEBRUIK VOOR IONEN GENERATOR

## RICHTING LUCHTSTROOM VERANDEREN

### LUCHTSTROOM OMHOOG/OMLAAG RICHTEN

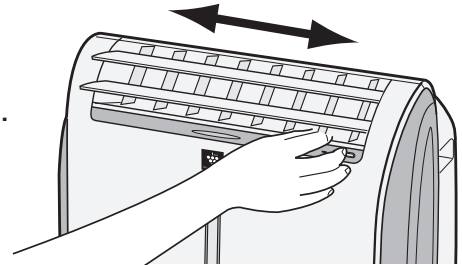
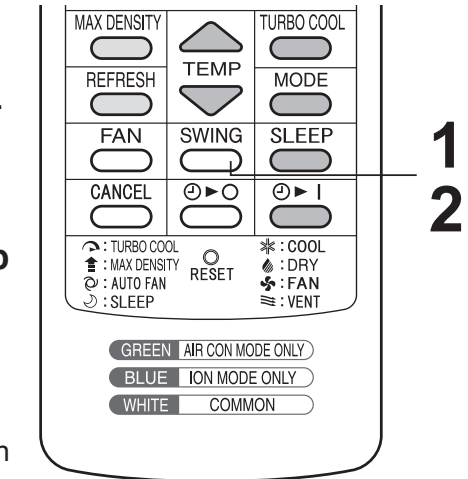
- 1 Druk op de ZWAAI-toets.**
  - De horizontale lamellen zullen draaien.
- 2 Druk nogmaals op de ZWAAI-toets om op de gewenste positie te stoppen.**

#### LET OP:

- Probeer de lamellen nooit met de hand te stellen.
- Het handmatig aanpassen van de horizontale lamellen kan ervoor zorgen dat het apparaat niet goed functioneert wanneer de afstandbediening wordt gebruikt voor aanpassing.

### LUCHTSTROOM LINKS/RECHTS RICHTEN

Houd de verticale lamel vast zoals getoond in het diagram en pas de richting van de luchtstroom aan.



## WERKING MAX. DICHTHEID

Het apparaat geeft een maximale dichtheid aan plasmaclusterionen vrij. Door gedurende 30 minuten een constante "extra hoge" luchtstroom op te wekken, verspreid het apparaat de ionen effectiever door de kamer.

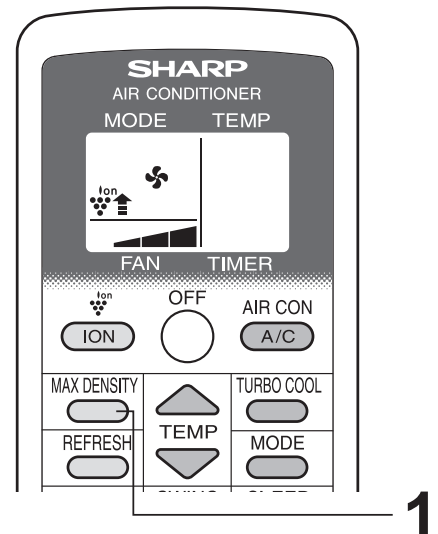
- 1 Druk op de MAX DICHTHEID-toets tijdens de ionen generator-stand.**
  - De afstandbediening toont "▲".
  - Het rode MAXIMUM-lampje zal gaan branden.

### ANNULEREN

- Druk nogmaals op de MAX DICHTHEID-toets.**
- Het rode MAXIMUM-lampje zal doven.

#### OPMERKING:


- U kunt de snelheid van de ventilator niet in stellen tijdens de MAX DICHTHEID-stand.
- De MAX DICHTHEID-stand zal automatisch na 30 minuten geannuleerd worden, en het apparaat zal naar de oorspronkelijke instellingen terug keren.
- De standen MAX DICHTHEID en LUCHTEN kunnen niet tegelijkertijd worden gebruikt.



## WERKING VAN LUCHTEN

Gebruik van de LUCHTEN-functie vermindert geurtjes van kleren met plasmaclusterionen. Het wordt aanbevolen deze functie te gebruiken voor een garderobe, kledingskast, waskamer, of hangende kleren.

### 1 Druk op de LUCHTEN-toets tijdens ionen generator-stand.

- Het oranje TIMER-lampje zal gaan branden.
- De afstandbediening toont "  ".
- De horizontale lamellen zullen gaan draaien.
- Het apparaat zal na 5 uur stoppen.

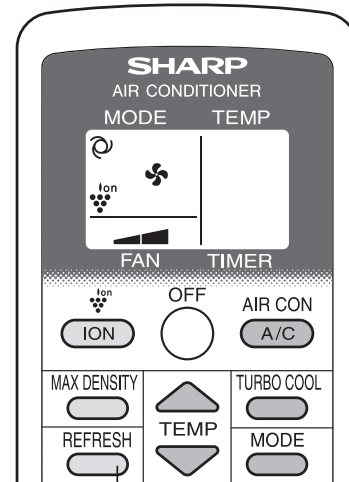
### ANNULEREN

#### Druk nogmaals op de LUCHTEN-toets.

- Het oranje TIMER-lampje zal doven.

#### OPMERKING:

- Stel de lamellen af zodat de lucht van het apparaat naar de kleren wordt geblazen.
- De standen LUCHTEN en MAX DICHTHEID kunnen niet tegelijkertijd worden gebruikt.
- De standen LUCHTEN en TIMER UIT kunnen niet tegelijkertijd worden gebruikt.
- Deze stand, plasmaclusterionen is effectief tegen het verminderen van de geur van tabaksrook enz., maar mogelijk niet altijd effectief zijn tegen allerlei soorten geuren.
- Afhankelijk van de sterkte van de geur, afstand tussen het apparaat en de kleren en gebruiksduur kan dit apparaat de geur niet genoeg verminderen.



1

## WERKING TIMER UIT

### 1 Druk op de TIMER UIT-toets en stel de gewenste tijd in.



- Het oranje TIMER-lampje zal gaan branden.
- De ingestelde tijd zal aftellen om de resterende tijd te tonen.

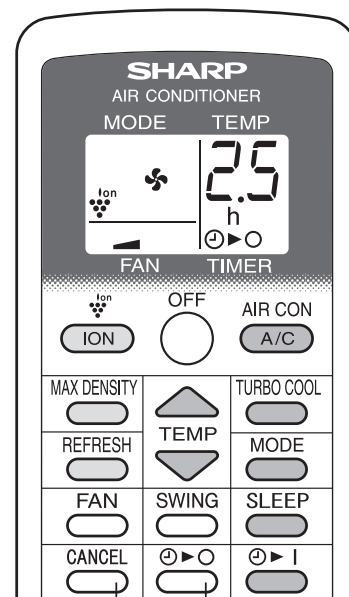
### ANNULEREN

#### Druk op de ANNULEER-toets.

- Het oranje TIMER-lampje zal doven.

#### OPMERKING:

- De Timer kan worden ingesteld vanaf een minimum van een half uur tot een maximum van 12 uur. Tot een tijdspanne van 9.5 uur kunt u de timer instellen met stappen van een half uur en van 10 tot 12 uur, met stappen van een uur.
- De standen IONEN GENERATOR en TIMER UIT kunnen niet tegelijkertijd worden gebruikt.
- Indien er zich een stroomuitval voordoet terwijl TIMER UIT is ingesteld, zal de TIMER instelling worden geannuleerd en kan deze nadat de stroomvoorziening is hersteld niet worden hersteld.



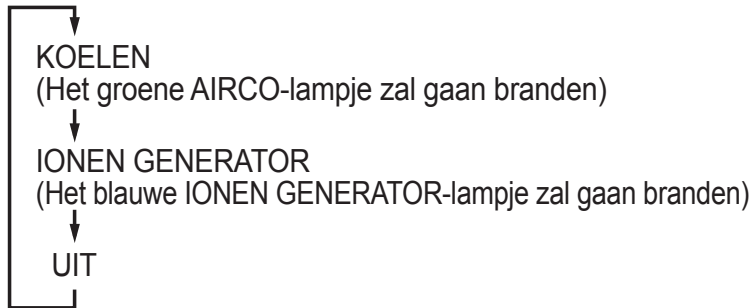
ANNULEREN

## WERKING HOOFDAPPARAAT

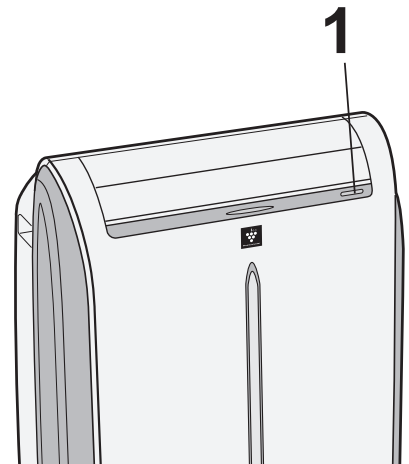
Gebruik deze stappen wanneer de afstandsbediening niet beschikbaar is.

### 1 Druk op de AAN/UIT-toets om het apparaat in te schakelen.

- De stand kan worden veranderd door binnen 5 seconden op de knop te drukken.



- In de koel-stand, zal het apparaat op de laatste koel-instelling werken. Indien het apparaat is losgekoppeld sinds de laatste keer dat het gebruikt is, zal deze weer inschakelen op de koel-stand, ingesteld op 20°C. De ventilator-snelheid is ingesteld op AUTO.



### UITSCHAKELEN

Druk op de AAN/UIT-toets terwijl in werking.

## AFTAPPEN

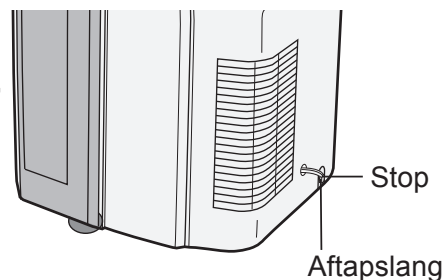
Tap het water van het apparaat af in de volgende gevallen.

- Wanneer het apparaat stopt en het oranje TIMER-lampje gaat branden, het groene AIRCO lampje en rode MAXIMUM-lampje knipperen, de watertank is vol en moet worden afgetapt.
- Wanneer het apparaat voor langere tijd niet gebruikt wordt.

### 1 Trek de stekker uit het stopcontact en verplaats het apparaat voorzichtig naar een afvoerputje of naar buiten om te voorkomen dat er water in de kamer geknoeid wordt.

### 2 Verwijder de stop van de aftapslang, en tap het water in apparaat af.

### 3 Bevestig de stop stevig op de aftapslang.



## ONDERHOUD

Zorg ervoor dat de voeding uit het stopcontact is verwijderd alvorens schoon te maken.

### **FILTER SCHOONMAKEN**

Indien de filter is verstopt met stof, zal de luchtstroom worden verminderd, wat leidt tot een verminderde koelende werking. De filter moet om de twee weken worden schoon gemaakt.

#### **LUCHTFILTER**

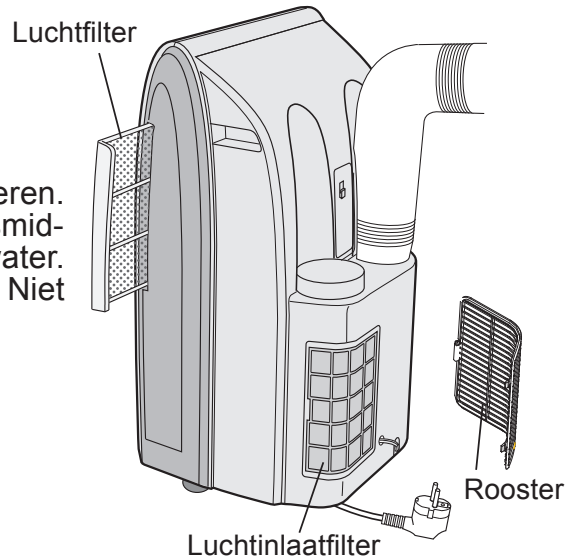
##### **1 VERWIJDER DE FILTER**

- Trek de filter naar rechts.

##### **2 MAAK DE FILTER SCHOON**

- Gebruik een stofzuiger om stof te verwijderen. Als de filter erg vies is, wassen met een wasmiddel en zorgvuldig afspoelen met schoon water. Filter laten drogen alvorens te herplaatsen. Niet in direct zonlicht laten liggen.

##### **3 HERPLAATS DE FILTER**



#### **LUCHTINLAATFILTER**

Verwijder het rooster en maak de luchtinlaatfilter schoon met een stofzuiger.

#### **LET OP:**

Gebruik het apparaat nooit zonder de filter. Het niet opvolgen van deze instructies kan leiden tot ernstige schade aan het apparaat.

### **APPARAAT EN AFSTANDBEDIENING SCHOONMAKEN**

Afnemen met een zachte, droge doek of met een milde in zeepoplossing bevochtigde doek. Verwijder zorgvuldig resterend vuil met een vochtige doek en volledig afdrogen. Vermijd water te spatten op het apparaat. Water kan de elektrische isolatie ernstig beschadigen. Gebruik nooit agressieve chemicaliën of schurende reinigingsmiddelen op enig onderdeel van het apparaat. Om schade aan het apparaat te voorkomen, gebruik geen heet water (50°C of warmer) bij het schoonmaken.

### **LANGDURIGE OPSLAG (NIET IN GEBRUIK)**

- 1** Aftappen om het water in het apparaat af te tappen en bevestig de stop stevig op de aftapslang.
- 2** Laat het apparaat gedurende een halve dag draaien op de **VENTILATOR** of **VENTILATIE** stand om het binnenwerk van het apparaat grondig te drogen.
- 3** Reinig de filters en herplaats deze.
- 4** Trek de stekker uit het stopcontact.

## ALVORENS DE KLANTENSERVICE TE BELLEN

Het apparaat lijkt niet correct te werken, controleer de volgende punten voordat u de klantenservice belt.

### APPARAAT WERKT HELEMAAL NIET

- Zit de stekker in het stopcontact of zit deze los?
- Is de stop doorgebrand of doorgeslagen?
- Knippen de groene AIRCO, oranje TIMER en rode MAXIMUM lampjes?  
De watertank in het apparaat is vol. Deze moet worden afgetapt. (Zie pagina 18)

### APPARAAT KOELT NIET GOED

- Is deze ingesteld op VENTILATOR, DROOG, VENTILATIE of IONEN GENERATOR stand? Het apparaat koelt niet op deze standen. Verander de instelling van het apparaat.
- Is de filter verstopt met stof?  
Maak filter schoon.
- Is het koelspiraal bevroren?  
Er wordt geen lucht geblazen wanneer het koelspiraal bevroren is.  
Laat het apparaat op de VENTILATOR-stand draaien met de ventilatorsnelheid op "HOOG" totdat al het ijs smelt.
- Is de temperatuur juist ingesteld?
- Word het scherm aan direct zonlicht bloot gesteld?  
Sluit de gordijnen of jaloezieën om opwarming van de kamer door zonlicht te minimaliseren.
- Is de afvoerslang te lang?  
Voor een efficiënt gebruik, de slang zo kort mogelijk houden. De afvoer slang mag niet gedraaid of geknikt zijn.

### Geluiden

- Het apparaat kan redelijk luid klinken tijdens de eerste 2 tot 3 minuten wanneer het apparaat wordt ingeschakeld. Dit is het geluid van de opstartende compressor en is volledig normaal.
- Een zacht, ruisend geluid is hoorbaar onmiddellijk nadat het apparaat wordt in- of uitgeschakeld, en ook tijdens gebruik. Dit is het geluid van koelvloeistof stromend binnen het apparaat.
- Een laag zoemend geluid wordt uitgezonden wanneer het apparaat plasmaclusterionen genereert.
- Dit apparaat verdampt water gecondenseerd tijdens koelende werking binnen het apparaat door de luchtafvoer. Hoewel er stromend water kan worden gehoord, is dit normaal.
- Een gorgelend geluid kan worden gehoord wanneer het apparaat wordt gebruikt op een licht aflopende vloer. Plaats het apparaat op een waterpasse vloer.

### TIMER WERKT NIET GOED

- Indien er zich een stroomuitval voor doet terwijl de TIMER is ingesteld, zal de instelling van de TIMER worden geannuleerd en kan deze niet worden hersteld, zelfs nadat de stroomvoorziening is hersteld. Dit is normaal voor dit apparaat.

### HET APPARAAT REAGEERT NIET OP DE AFSTANDBEDIENING

- Controleer de batterijen van de afstandsbediening. Vervang indien vereist.
- Probeer het signaal opnieuw te verzenden met de afstandsbediening rechtstreeks gericht op het ontvangtscherm van het apparaat.
- Controleer of de batterijen van de afstandsbediening zijn geplaatst met de polen juist uitgelijnd.

### DE AFGEVOERDE LUCHT HEEFT EEN GEURTJE

- Plasmaclusterionen generatoren produceren kleine hoeveelheden ozon die een geurtje kunnen veroorzaken. De ozon uitstoot aan ozon is binnen veiligheidsgrenzen en voldoet aan de federale uistootgrenzen aan ozon.



NEDERLANDS



Внимание! Ваше изделие помечено таким символом. Это означает, что старые электрические и электронные изделия не следует выбрасывать вместе с общими бытовыми отходами - для них существует отдельная система сбора отходов.

## А. Информация по утилизации для пользователей (в домашнем хозяйстве)

### 1. В Европейском Союзе

Внимание! Запрещается утилизировать данное изделие вместе с бытовым мусором!

Бывшие в употреблении электрические и электронные приборы должны утилизироваться отдельно в соответствии с законодательством, согласно которому для их переработки, восстановления и повторного использования установлен соответствующий порядок.

После реализации государствами-членами ЕС частные хозяйства на их территории могут возвращать свои старые электрические и электронные приборы в указанные пункты сбора бесплатно\*.

В некоторых странах\* местное предприятие розничной торговли также может бесплатно принять ваше старое изделие, если вы покупаете новый сравнимый прибор. \*) За дополнительной информацией обращайтесь в местные органы управления.

Если в вашем старом электрическом или электронном приборе использовались батарейки или аккумуляторы, предварительно утилизируйте их отдельно в соответствии с местными требованиями.

Утилизируя данное изделие в установленном порядке, вы помогаете обеспечить необходимую переработку, восстановление и повторное использование отходов и тем самым предотвратить возможные неблагоприятные последствия для окружающей среды и здоровья человека, которые в противном случае могли бы возникнуть из-за ненадлежащего удаления в отходы.

### 2. В других странах за пределами ЕС

Если вы хотите утилизировать данное изделие, обратитесь в местные органы управления и попросите проконсультировать вас по вопросам утилизации.

Для Швейцарии: Старый электрический или электронный прибор можно бесплатно вернуть дилеру, даже если вы не покупаете новое изделие. Информация о дополнительных пунктах сбора приводится на домашней странице [www.swico.ch](http://www.swico.ch) или [www.sens.ch](http://www.sens.ch).

## Б. Информация по утилизации для коммерческих пользователей

### 1. В Европейском Союзе

Если изделие используется для коммерческих целей и вы хотите от него избавиться:

Обратитесь к своему дилеру компании SHARP, который проинформирует вас о порядке возврата изделия. С вас могут быть взысканы затраты по возврату и утилизации. Небольшие изделия (и в небольшом количестве) могут быть приняты вашими местными пунктами сбора.

Для Испании: Для возврата вашего старого изделия обратитесь к представителю существующей системы сбора отходов или в местные органы управления.

### 2. В других странах за пределами ЕС

Если вы хотите утилизировать данное изделие, обратитесь в местные органы управления и попросите проконсультировать вас по вопросам утилизации.



Pb

Батарейки, входящие в комплект, могут содержать незначительное количество свинца.

В странах Европейского Союза: Перечёркнутый контейнер для отходов означает: использованные батарейки не следует выкидывать в ёмкости для домашних отходов! Для использованных батареек существуют специальные системы сборов, которые гарантируют правильную и законную переработку и утилизацию. Подробную информацию о системе сборов использованных батареек предоставляют органы местной власти.

В Швейцарии: Использованные батарейки можно сдать в пункте продажи.

Страны, не входящие в Европейский Союз: Подробную информацию о правильном способе утилизации использованных батареек предоставляют органы местной власти.

Содержит фторсодержащие парниковые газы, подпадающие под действие Киотского протокола R410A (потенциал глобального потепления 1975)

Прежде чем приступать к эксплуатации изделия, внимательно прочтите руководство. Его следует сохранить в надежном месте, обеспечивающем удобство пользования. Для получения электронной версии руководства по эксплуатации посетите веб-сайт <http://sharp-world.com/>

## СОДЕРЖАНИЕ

- ПРАВИЛА БЕЗОПАСНОСТИ ..... RU-2
- КОМПЛЕКТНОСТЬ ..... RU-3
- НАЗВАНИЯ ДЕТАЛЕЙ..... RU-4
- УСТАНОВКА И СНЯТИЕ РУКАВА ДЛЯ ВЫПУСКА ВОЗДУХА ..... RU-6
- ПОЛЬЗОВАНИЕ ПУЛЬТОМ ДИСТАНЦИОННОГО УПРАВЛЕНИЯ .. RU-8
- ЗАМЕЧАНИЕ ПО ЭКСПЛУАТАЦИИ..... RU-9

### ПОЛЬЗОВАНИЕ КОНДИЦИОНЕРОМ ВОЗДУХА

- РЕЖИМ ОХЛАЖДЕНИЯ..... RU-10
- РЕЖИМ ОСУШЕНИЯ ..... RU-10
- РЕЖИМ ВЕНТИЛЯЦИИ ..... RU-11
- РЕЖИМ ПРОВЕТРИВАНИЯ ..... RU-11
- КАК ИЗМЕНИТЬ НАПРАВЛЕНИЕ ВОЗДУШНОГО ПОТОКА..... RU-12
- РАБОТА В РЕЖИМЕ УСКОРЕННОГО ОХЛАЖДЕНИЯ..... RU-13
- РАБОТА В НОЧНОМ РЕЖИМЕ ..... RU-13
- РАБОТА В РЕЖИМЕ ТАЙМЕРА ..... RU-14

### ПОЛЬЗОВАНИЕ ГЕНЕРАТОРОМ ИОНОВ

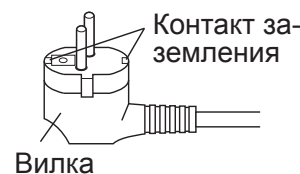
- РЕЖИМ ГЕНЕРАТОРА ИОНОВ ..... RU-15
- КАК ИЗМЕНИТЬ НАПРАВЛЕНИЕ ВОЗДУШНОГО ПОТОКА..... RU-16
- РАБОТА В РЕЖИМЕ МАКСИМАЛЬНОЙ ПЛОТНОСТИ ..... RU-16
- РАБОТА В РЕЖИМЕ ОСВЕЖЕНИЯ..... RU-17
- РАБОТА С ТАЙМЕРОМ ВЫКЛЮЧЕНИЯ..... RU-17
  
- РАБОТА ГОЛОВНОГО БЛОКА ..... RU-18
- ДРЕНАЖ..... RU-18
- ТЕХНИЧЕСКОЕ ОБСЛУЖИВАНИЕ..... RU-19
- ПЕРЕД ВЫЗОВОМ СЕРВИСНОЙ СЛУЖБЫ ..... RU-20

# ПРАВИЛА БЕЗОПАСНОСТИ

Этот прибор может использоваться детьми в возрасте от 8 лет и выше и лицами с ограниченными физическими, сенсорными или умственными способностями или нехваткой опыта и знаний, если они находятся под контролем и руководством в отношении использования прибора безопасным способом и осознают опасность участия. Дети не должны играть с прибором. Очистка и пользовательское обслуживание не должно выполняться детьми без присмотра.

## **ПРЕДУПРЕЖДЕНИЯ**

- Не изменяйте никакие детали изделия. Это приведет к поражению электрическим током, утечке воды, пожару и т. д.
- Не растягивайте и не деформируйте шнур питания. Растягивание и повреждение шнура питания может привести к выходу аппарата из строя и поражению электрическим током.
- Будьте осторожны, чтобы поток воздуха не попадал на тело в течение продолжительного срока. Это может оказать пагубное влияние на состояние здоровья.
- При использовании кондиционера в помещениях с новорожденными, детьми, пожилыми людьми, лежачими больными или лицами с ограниченными возможностями убедитесь, что температура воздуха в помещении безопасна для этих лиц.
- Ни в коем случае не вставляйте в аппарат посторонние предметы. Высокая скорость вращения вентиляторов внутри аппарата может привести к травмированию вставленными предметами.
- Если с кондиционером происходит нечто необычное (например, появился запах горелого), сразу же выключите его и выньте вилку питания из розетки.
- Во избежание опасности в случае повреждения шнура питания его замену должен осуществить изготовитель, его агент по обслуживанию или лицо аналогичной квалификации. Используйте для замены только шнур питания, указанный изготовителем.
- Не разбрызгивайте и не проливайте воду непосредственно на аппарат. Вода может вызвать поражение электрическим током или выход оборудования из строя.
- Вилку питания следует вставлять только в соответствующую розетку. Не пользуйтесь для подключения аппарата удлинителями.
- Плотно вставьте вилку в розетку и убедитесь, что она оттуда не выпадает.
- Аппарат должен быть заземлен. Шнур аппарата оснащен проводником заземления с контактом заземления. Вилку следует вставлять в розетку, надлежащим образом установленную и заземленную.
- Устройство должно быть установлено в соответствии с местными предписаниями по подключению электронных устройств.
- Устройство должно быть расположено рядом с розеткой.



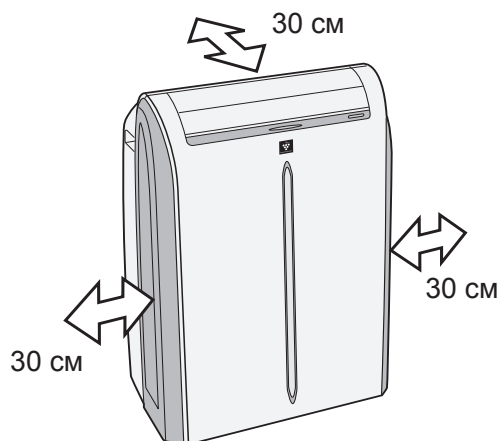
## **ПРЕДОСТЕРЕЖЕНИЯ**

- Периодически проветривайте помещение, открывая дверь или окно, особенно при использовании газовых приборов. Недостаточная вентиляция может вызвать недостаток кислорода.
- Не нажимайте на кнопки влажными руками. Это может вызвать поражение электрическим током.
- Выключая аппарат на продолжительное время, в целях безопасности вынимайте вилку питания из розетки.
- Данный аппарат предназначен для применения в жилых помещениях. Не используйте его в иных целях, например в питомнике для животных или в теплице для выращивания растений.
- Не ставьте на аппарат сосуд с водой. Попадание воды внутрь аппарата может привести к разрушению электрической изоляции и поражению электрическим током.
- При любом перемещении аппарата необходимо слить воду. Если в бачке останется вода, при перемещении аппарата она может вылиться.
- Не преграждайте отверстие для выпуска воздуха посторонними предметами. Это может привести к ухудшению или прекращению охлаждения.

- Перед выполнением каких-либо работ по техническому обслуживанию или чистке следует обязательно выключить аппарат и вынуть вилку питания из розетки. Аппарат содержит вентилятор, способный при вращении нанести телесные повреждения.
  - Во избежание пролива воды в помещение, устанавливать аппарат следует на горизонтальной поверхности.
  - Убедитесь, что для питания аппарата используется сеть надлежащего напряжения и частоты. Подключение к сети другого напряжения и частоты может привести к повреждению, а возможно, и к возгоранию оборудования.
  - Не пользуйтесь аппаратом в месте возможной утечки горючего газа. Это может стать причиной пожара. Устанавливать аппарат следует в месте с минимальным уровнем запыленности, концентрацией паров и влажностью воздуха.
  - Во избежание поражения электрическим током, подключение аппарата должно осуществляться, в зависимости от места его установки, через устройство защитного отключения или через автоматический выключатель.
  - Во избежание поражения электрическим током в случае утечки на землю, подключение следует осуществлять через устройство защитного отключения.
- Для этого следует использовать быстродействующее высокочувствительное токовое устройство защитного отключения с номинальным током срабатывания менее 30 мА и временем срабатывания менее 0,1 с.

## РАЗМЕЩЕНИЕ

- С целью ограничения шума и вибрации, аппарат следует размещать на прочном основании. Чтобы установить аппарат надежно и безопасно, его следует разместить на ровном горизонтальном полу, прочность которого позволяет выдержать вес аппарата. Это позволит избежать разлива воды в помещении.
- Аппарат оснащен колесиками, которые облегчают его перемещение, но пользоваться ими следует только на плоских поверхностях. Будьте осторожны, перемещая аппарат по ковровым покрытиям. Не пытайтесь перекачивать аппарат через другие предметы.
- Устанавливать аппарат следует в пределах досягаемости заземленной розетки, рассчитанной на соответствующий ток.
- Ни в коем случае не преграждайте впуск или выпуск воздуха из аппарата.
- Чтобы обеспечить эффективную работу кондиционера, устанавливайте его на расстоянии хотя бы 30 см от стены.

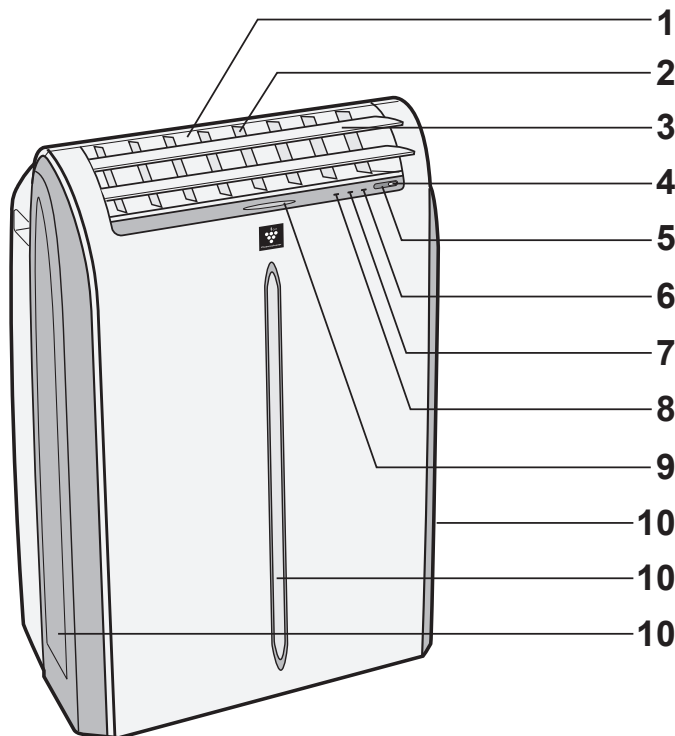


## КОМПЛЕКТНОСТЬ

Рукав для выпуска воздуха 	1	Противомоскитная сетка 	1	Руководство 	1
Оконная вставка 	1	Пульт дистанционного управления 	1		
Каплеотбойник 	2	Батарейка (R03) 	2		

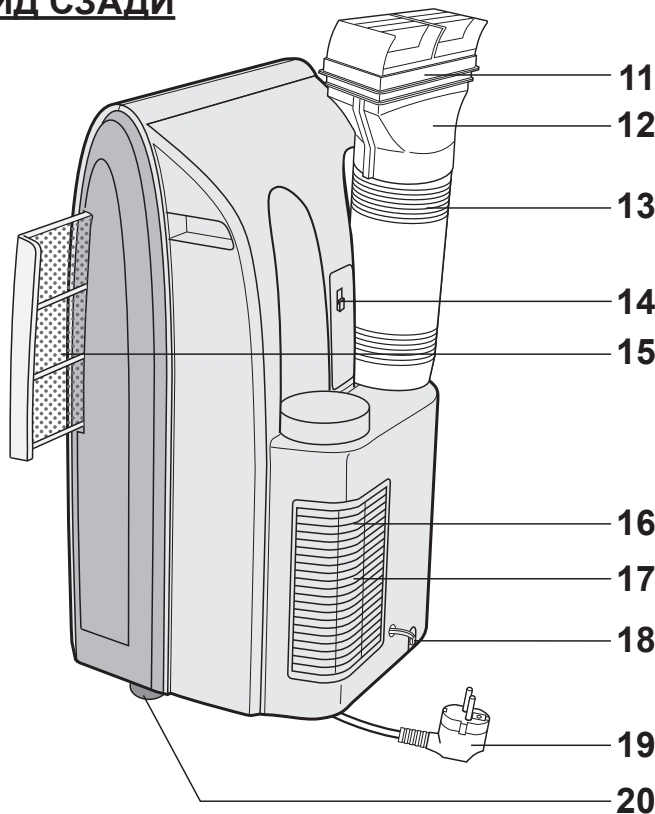
# НАЗВАНИЯ ДЕТАЛЕЙ

## ВИД СПЕРЕДИ



- 1 Выпуск воздуха
- 2 Вертикальные створки
- 3 Горизонтальные створки
- 4 Кнопка POWER (Питание)
- 5 Приемник сигнала дистанционного управления
- 6 Индикатор AIR CON (Кондиционер) (зеленый)
- 7 Индикатор TIMER (Таймер) (оранжевый)
- 8 Индикатор MAXIMUM (Максимум) (красный)
- 9 Индикатор ION GENERATOR (Генератор ионов) (синий)
- 10 Впуск воздуха

## ВИД СЗАДИ

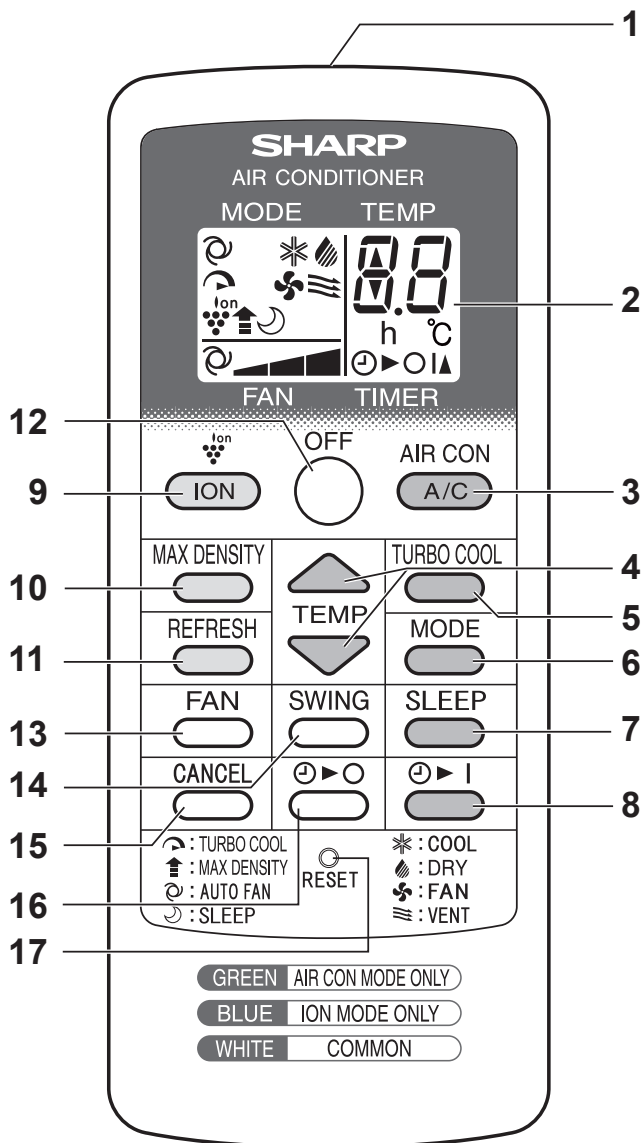


- 11 Отверстие для выпуска воздуха
- 12 Оконная вставка
- 13 Рукав для выпуска воздуха
- 14 Крючок для пульта дистанционного управления
- 15 Воздушный фильтр
- 16 Решетка
- 17 Впуск воздуха
- 18 Дренажная трубка и запорный кран
- 19 Вилка питания
- 20 Колесики (4)

ПРИМЕЧАНИЕ. В действительности аппарат может несколько отличаться от показанного.

RU-4

## ПУЛЬТ ДИСТАНЦИОННОГО УПРАВЛЕНИЯ



- 1 Передатчик
- 2 Дисплей

### ТОЛЬКО В РЕЖИМЕ КОНДИЦИОНИРОВАНИЯ

- 3 Кнопка A/C (Кондиционер)
- 4 Кнопка TEMP (Температура)
- 5 Кнопка TURBO COOL (Ускоренное охлаждение)
- 6 Кнопка MODE (Режим)
- 7 Кнопка SLEEP (Ночной режим)
- 8 Кнопка TIMER ON (Таймер вкл.)

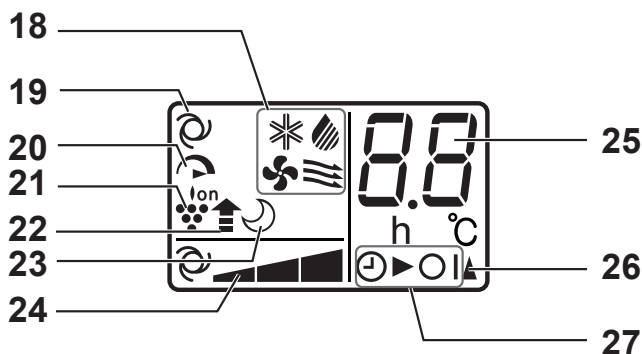
### ТОЛЬКО В РЕЖИМЕ ИОНИЗАЦИИ

- 9 Кнопка ION (Ион)
- 10 Кнопка MAX DENSITY (Макс. плотность)
- 11 Кнопка REFRESH (Освежить)

### ОБЩИЕ

- 12 Кнопка OFF (Выкл.)
- 13 Кнопка FAN (Вентилятор)
- 14 Кнопка SWING (Поворот)
- 15 Кнопка CANCEL (Отмена)
- 16 Кнопка TIMER OFF (Таймер выкл.)
- 17 Кнопка RESET (Сброс)

## ДИСПЛЕЙ ПУЛЬТА ДИСТАНЦИОННОГО УПРАВЛЕНИЯ



### 18 Символы режимов

✱ : ОХЛАЖДЕНИЕ      ☀ : ОСУШЕНИЕ

🌀 : ВЕНТИЛЯЦИЯ      🌬 : ПРОВЕТРИВАНИЕ

### 19 Символ режима освежения

### 20 Символ режима ускоренного охлаждения

### 21 Символ генератора ионов

### 22 Символ режима максимальной плотности

### 23 Символ ночного режима

### 24 Символы скорости вентилятора

🌀 : АВТО

▬ : ТИХО

▬▬▬ : НИЗКАЯ

▬▬▬▬▬ : ВЫСОКАЯ

### 25 Индикатор температуры и оставшегося времени таймера

### 26 Символ передачи

### 27 Символ таймера включения/выключения

# УСТАНОВКА И СНЯТИЕ РУКАВА ДЛЯ ВЫПУСКА ВОЗДУХА

## Установка рукава для выпуска воздуха

### **1** Установите в оконную вставку противомоскитную сетку.

Плотно прижмите противомоскитную сетку, чтобы четыре выступа оконной вставки вошли в соответствующие четыре отверстия.

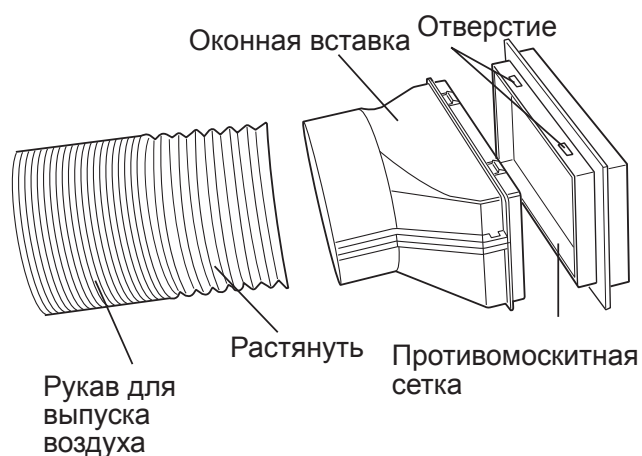
### **2** Закрепите оконную вставку на рукаве для выпуска воздуха.

Вытяните рукав для выпуска воздуха с одной стороны и вставьте его в оконную вставку, а затем поверните его до упора (примерно на три оборота). Убедитесь в надежности соединения.

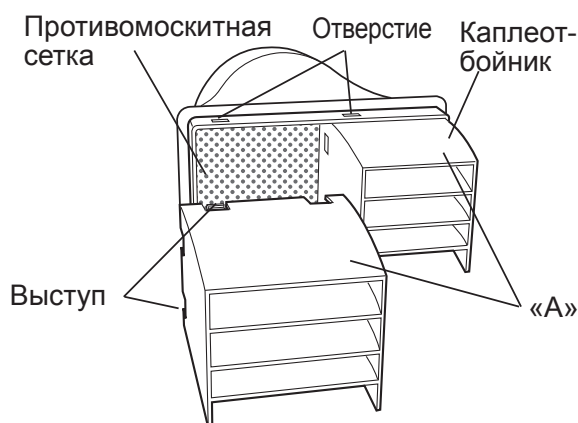
### **3** Наденьте на противомоскитную сетку каплеотбойники.

Вставьте все три выступа каждого каплеотбойника в отверстия противомоскитной сетки.

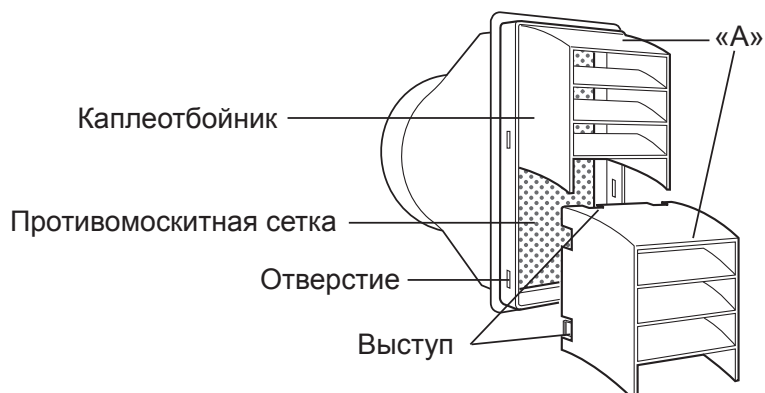
Сторона «А» должна оказаться сверху, как показано на схеме.



## Горизонтальное расположение



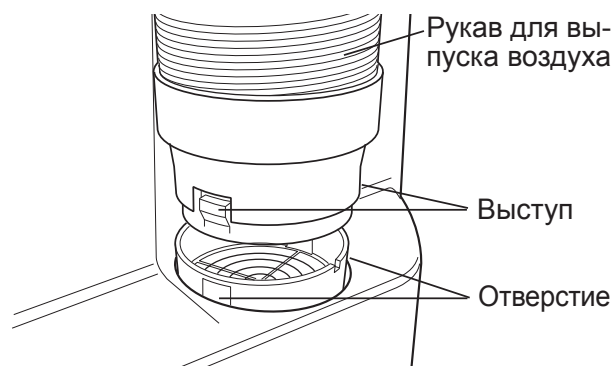
## Вертикальное расположение



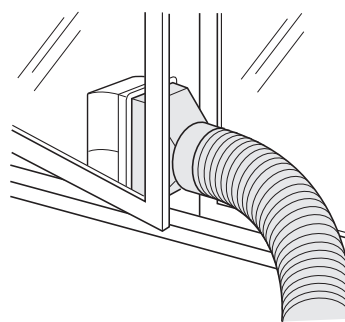


## 4 Вставьте рукав для выпуска воздуха в аппарат.

Вставьте его двумя выступами в соответствующие отверстия аппарата и сильно прижмите до щелчка.

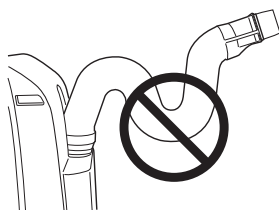


## 5 Выведите рукав для выпуска воздуха за пределы помещения.

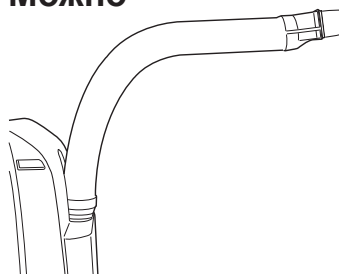


Для эффективной работы аппарата важно, чтобы рукав для выпуска воздуха был проложен как можно более коротким путем; его нельзя перекручивать или перегибать.

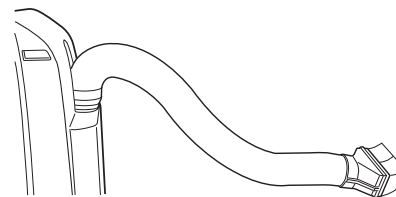
**Нельзя**



**Можно**



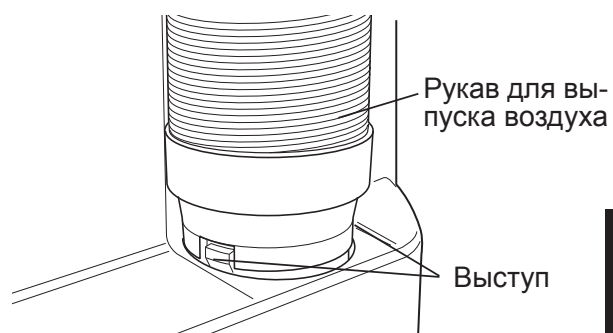
**Можно**



## Снятие рукава для выпуска воздуха

Выньте рукав для выпуска воздуха из аппарата.

Нажав на два выступа, поднимите и выньте рукав для выпуска воздуха из аппарата.



РУССКИЙ

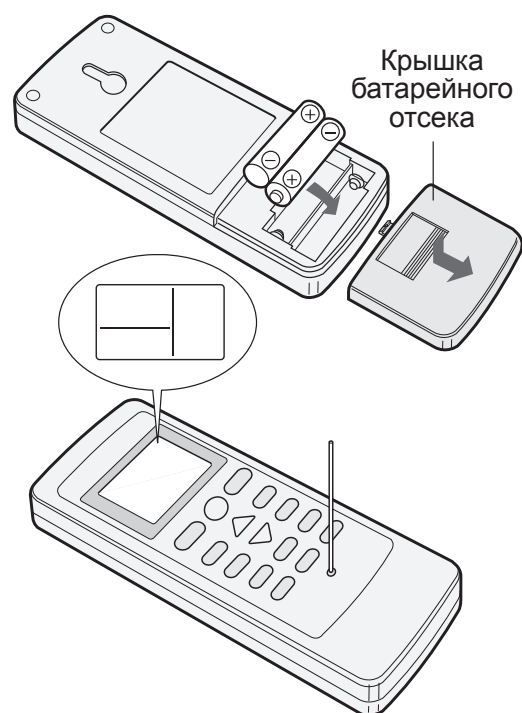
# ПОЛЬЗОВАНИЕ ПУЛЬТОМ ДИСТАНЦИОННОГО УПРАВЛЕНИЯ

## УСТАНОВКА БАТАРЕЕК

- 1** Снимите крышку батарейного отсека.
- 2** Вставьте две батарейки. (AAA (R03))
  - Соблюдайте полярность.
  - При правильной установке батареек на дисплее появятся линии.
- 3** Закройте крышку батарейного отсека.
- 4** Нажмите заостренным предметом кнопку **RESET** (Сброс).

### ПРИМЕЧАНИЯ:

- при нормальной эксплуатации срок службы батареек составляет примерно 1 год;
- всегда используйте для замены батареек батарейки того же типа;
- если планируется не пользоваться аппаратом в течение продолжительного времени выньте батарейки из пульта дистанционного управления.



## РАБОТА С ПУЛЬТОМ ДИСТАНЦИОННОГО УПРАВЛЕНИЯ

Направьте пульт дистанционного управления на приемник сигнала и нажмите нужную кнопку. Получив сигнал, аппарат подаст звуковой сигнал.

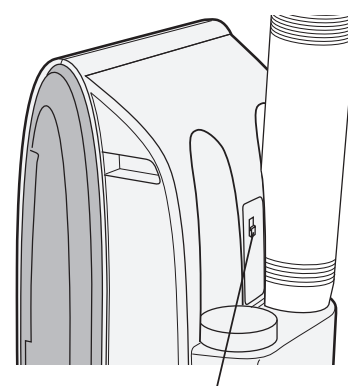
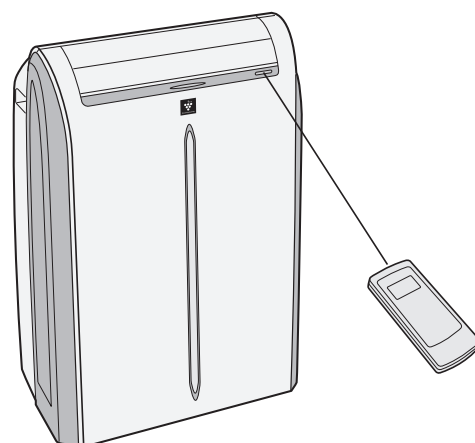
- Убедитесь, что окошко приемника не закрыто никакими предметами, например, шторами.
- Дальность действия пульта составляет 7 м.

### ПРЕДОСТЕРЕЖЕНИЕ:

- Не допускайте попадания прямых солнечных лучей на окошко приемника. Это может препятствовать работе приемника.
- Использование определенных видов флуоресцентных ламп может препятствовать прохождению сигнала.
- Не оставляйте пульт дистанционного управления под прямыми солнечными лучами или около обогревателя. Берегите пульт дистанционного управления от влаги и ударов.

**Завершив пользование пультом дистанционного управления, вешайте его на специально предусмотренный для этого крючок, чтобы не потерять пульт.**

Чтобы снять пульт дистанционного управления с крючка, приподнимите и выньте его.



Крючок для пульта дистанционного управления

## ЗАМЕЧАНИЕ ПО ЭКСПЛУАТАЦИИ

### ЗАМЕЧАНИЯ ПО ЭКСПЛУАТАЦИИ

- **Прежде чем компрессор начнет охлаждение, должно пройти 3 минуты.**  
Если аппарат выключить и сразу же включить, подождите три минуты, пока компрессор не начнет охлаждение. В аппарате предусмотрено электронное устройство, в целях защиты предотвращающее включение компрессора в течение трех минут.
- **При отключении питания**  
Кондиционер имеет память, где в случае отключения питания сохраняются настройки. После восстановления питания аппарат автоматически включается с настройками, действовавшими до отключения, кроме настроек таймера.  
Если отключение питания происходит при настроенном таймере, настройка таймера отменяется и не восстанавливается даже в случае восстановления питания.
- **Работа при низкой температуре: аппарат замерзает?**  
Замерзание может происходить, если аппарат настроен на температуру около 18°C в условиях низкой температуры воздуха, особенно ночью.  
В этих условиях дальнейшее снижение температуры может привести к замерзанию аппарата.  
Если задать более высокую температуру, аппарат не замерзнет.
- **Работа в режиме осушения приводит к повышению температуры в помещении.**  
При работе в режиме осушения аппарат вырабатывает тепло, и температура в помещении повышается. Из отверстия для выпуска воздуха выходит теплый воздух, но это нормальное явление, не указывающее на неисправность аппарата.
- **В режиме охлаждения аппарат через рукав для выпуска воздуха выбрасывает теплый воздух за пределы помещения.**  
Соответственно, то же количество воздуха проникает в помещение через любые имеющиеся отверстия.
- **Когда в условиях высокой влажности аппарат работает в режиме охлаждения, водяной бачок внутри аппарата часто наполняется.**  
При заполнении водяного бачка аппарат останавливается и начинают мерцать оранжевый индикатор TIMER (Таймер), зеленый индикатор AIR CON (Кондиционер) и красный индикатор MAXIMUM (Максимум). В таком случае слейте воду, накопившуюся внутри аппарата.

### УСЛОВИЯ ЭКСПЛУАТАЦИИ

- Пользоваться аппаратом можно в следующем диапазоне температур.

Режим	Температура в помещении
Охлаждение	18°C - 40°C
Осушение	15°C - 40°C

- Если температура выходит за указанные пределы, аппарат может выключаться по сигналу встроенного устройства защиты.
- Когда аппарат работает в режиме охлаждения при высокой температуре в помещении, вентилятор может вращаться с уменьшенной скоростью.

### РЕКОМЕНДАЦИИ ПО ЭФФЕКТИВНОМУ ИСПОЛЬЗОВАНИЮ ЭЛЕКТРОЭНЕРГИИ

- **Не допускайте попадания прямых солнечных лучей.**  
Когда аппарат работает в режиме охлаждения, закройте жалюзи, занавески или шторы, чтобы в помещение не попадал прямой солнечный свет.
- **Чистите фильтр.**  
Чистота фильтра значительно повышает эффективность работы аппарата. Грязный фильтр преграждает поток воздуха, повышая потребление энергии и снижая эффективность работы аппарата.

# ПОЛЬЗОВАНИЕ КОНДИЦИОНЕРОМ ВОЗДУХА

Используйте, когда аппарат работает в режиме охлаждения, осушения, вентиляции или проветривания. Во время работы ионы Plasmacluster все время поступают в помещение.

- В этих режимах должен быть установлен рукав для выпуска воздуха.
- Убедитесь, что запорный кран прочно закреплен на дренажной трубке.

## РЕЖИМ ОХЛАЖДЕНИЯ

**1** Нажимая кнопку MODE (Режим), выберите режим охлаждения.



**2** Нажмите кнопку A/C (Кондиционер), чтобы включить аппарат.

- Загорится зеленый индикатор AIR CON (Кондиционер).

### ВЫКЛЮЧЕНИЕ

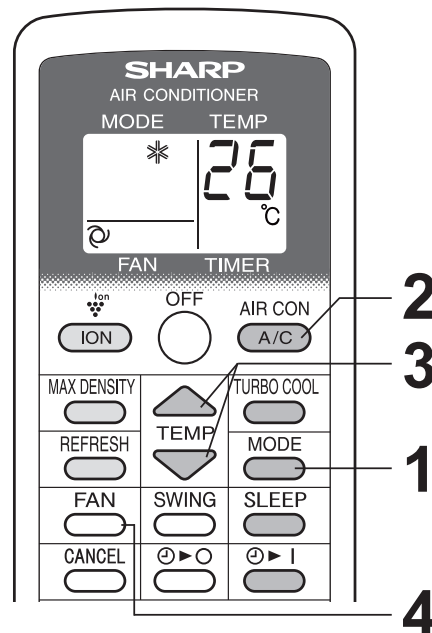
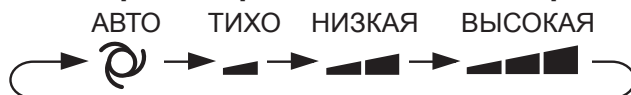
Нажмите кнопку OFF (Выкл.).

- Зеленый индикатор AIR CON (Кондиционер) погаснет.

**3** Нажмите кнопку TEMP (Температура), чтобы задать температуру.

- Диапазон заданных значений температуры: от 18°C до 32°C.

**4** Нажмите кнопку FAN (Вентилятор), чтобы задать скорость вращения вентилятора.



## РЕЖИМ ОСУШЕНИЯ

**1** Нажимая кнопку MODE (Режим), выберите режим осушения.



**2** Нажмите кнопку A/C (Кондиционер), чтобы включить аппарат.

- Загорится зеленый индикатор AIR CON (Кондиционер).
- Задать температуру невозможно.
- Скорость вентилятора установлена в состояние «Автоматически», и изменить ее невозможно.

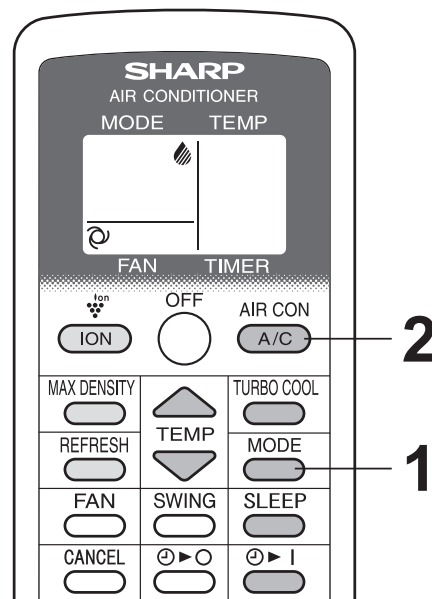
### ВЫКЛЮЧЕНИЕ

Нажмите кнопку OFF (Выкл.).

- Зеленый индикатор AIR CON (Кондиционер) погаснет.

### ПРИМЕЧАНИЯ:

- Хотя в режиме осушения аппарат может работать и без рукава для выпуска воздуха, при работе в режиме осушения аппарат вырабатывает тепло, и температура в помещении повышается.
- Аппарат может работать в режиме осушения также с установленным шлангом (который не входит в комплект). Снимите запорный кран, наденьте на дренажную трубку шланг и выведите его в дренажное отверстие в полу, чтобы вода могла стекать из аппарата.



## РЕЖИМ ВЕНТИЛЯЦИИ

Аппарат просто перемещает воздух внутри помещения.

### 1 Нажимая кнопку MODE (Режим), выберите режим вентиляции.



### 2 Нажмите кнопку A/C (Кондиционер), чтобы включить аппарат.

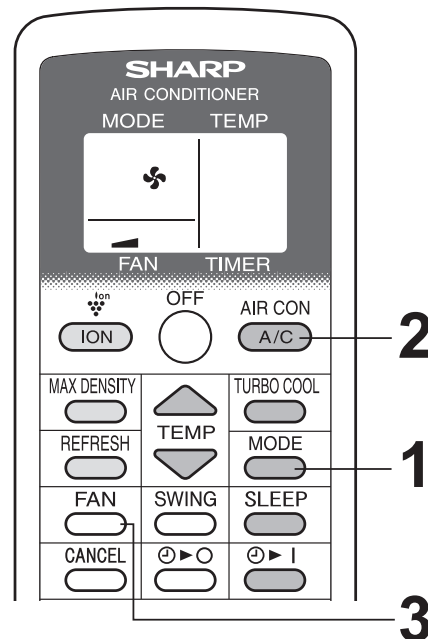
- Загорится зеленый индикатор AIR CON (Кондиционер).
- Задать температуру невозможно.

#### ВЫКЛЮЧЕНИЕ

Нажмите кнопку OFF (Выкл.).

- Зеленый индикатор AIR CON (Кондиционер) погаснет.

### 3 Нажмите кнопку FAN (Вентилятор), чтобы задать скорость вращения вентилятора.



## РЕЖИМ ПРОВЕТРИВАНИЯ

Аппарат вентилирует помещение свежим воздухом.

### 1 Нажимая кнопку MODE (Режим), выберите режим проветривания.



### 2 Нажмите кнопку A/C (Кондиционер), чтобы включить аппарат.

- Загорится зеленый индикатор AIR CON (Кондиционер).
- Задать температуру невозможно.

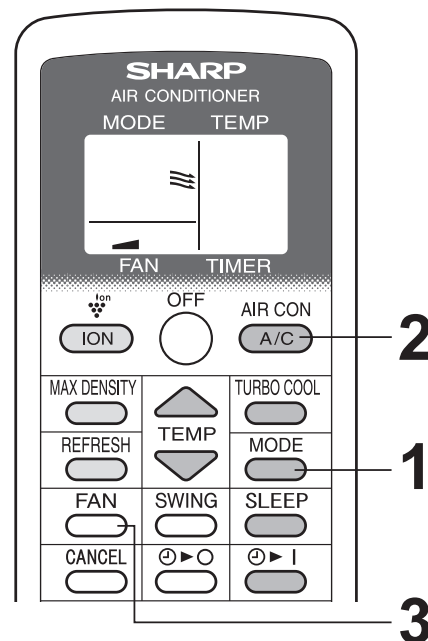
#### ВЫКЛЮЧЕНИЕ

Нажмите кнопку OFF (Выкл.).

- Зеленый индикатор AIR CON (Кондиционер) погаснет.

### 3 Нажмите кнопку FAN (Вентилятор), чтобы задать скорость вращения вентилятора.

- Хотя створки закрыты и в помещение не подается воздух, скорость вращения вентилятора проветривания наружным воздухом изменяется.



# ПОЛЬЗОВАНИЕ КОНДИЦИОНЕРОМ ВОЗДУХА

## КАК ИЗМЕНИТЬ НАПРАВЛЕНИЕ ВОЗДУШНОГО ПОТОКА

### НАПРАВЛЕНИЕ ВОЗДУШНОГО ПОТОКА ПО ВЕРТИКАЛИ

- 1 Нажмите кнопку SWING (Поворот).**
  - Начнут поворачиваться горизонтальные створки.
- 2 Повторно нажав кнопку SWING (Поворот), остановите горизонтальные створки в нужном положении.**

#### **ПРЕДОСТЕРЕЖЕНИЯ:**

Ни в коем случае не изменяйте положение горизонтальных створок вручную.

- Ручное регулирование положения горизонтальных створок может привести к неисправности аппарата в случае регулирования с пульта дистанционного управления.
- Когда горизонтальные створки долго расположены в нижнем положении, в режимах охлаждения и осушения может происходить конденсация.


#### **ПРИМЕЧАНИЕ:**

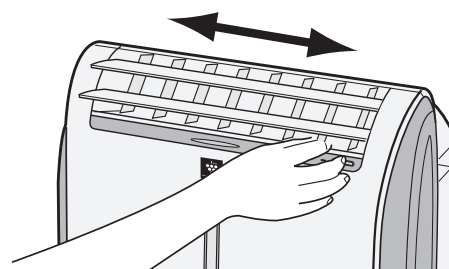
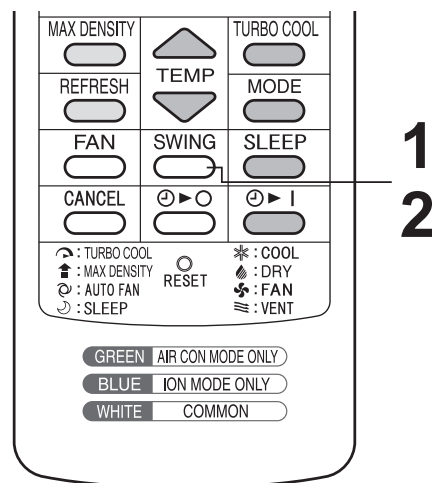
- В режиме проветривания направление воздушного потока по вертикали изменять невозможно.

### НАПРАВЛЕНИЕ ВОЗДУШНОГО ПОТОКА ПО ГОРИЗОНТАЛИ

Возьмите вертикальную створку, как показано на рисунке, и отрегулируйте направление воздушного потока.

#### **ПРЕДОСТЕРЕЖЕНИЕ:**


- Не переводите вертикальные створки в крайнее левое или крайнее правое положение в режиме охлаждения при скорости вентилятора «ТИХО (  )» на продолжительное время. Это может привести к конденсации влаги на створках.



## РАБОТА В РЕЖИМЕ УСКОРЕННОГО ОХЛАЖДЕНИЯ

Вентилятор аппарата работает с увеличенной скоростью, а заданная температура составляет 15°C.

### 1 При работе в режиме охлаждения нажмите кнопку TURBO COOL (Ускоренное охлаждение).

- На дисплее пульта дистанционного управления появится символ «».
- Значение температуры перестанет отображаться на дисплее.
- Загорится красный индикатор MAXIMUM (Максимум).

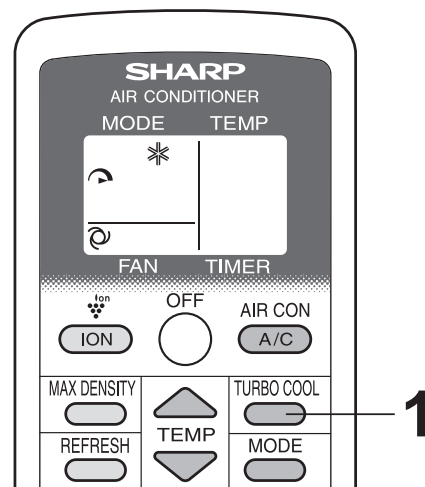
### ВЫХОД ИЗ РЕЖИМА

#### Повторно нажмите кнопку TURBO COOL (Ускоренное охлаждение).

- Красный индикатор MAXIMUM (Максимум) погаснет.

#### ПРИМЕЧАНИЯ:


- При работе в режиме ускоренного охлаждения изменить заданную температуру или скорость вращения вентилятора невозможно.
- После работы в режиме ускоренного охлаждения в течение 30 минут аппарат восстанавливает высокую (HIGH) скорости вращения вентилятора.
- Увеличенная скорость вентилятора может автоматически снижаться с целью защиты аппарата.
- Режим ускоренного охлаждения не может совмещаться с ночным режимом.



## РАБОТА В НОЧНОМ РЕЖИМЕ

При работе в ночном режиме заданная температура автоматически регулируется, чтобы в помещении не стало слишком холодно.

### 1 При работе аппарата в режиме охлаждения нажмите кнопку SLEEP (Ночной режим).

- На дисплее пульта дистанционного управления появится символ «».
- Загорится оранжевый индикатор TIMER (Таймер).
- Через 8 часов аппарат выключится.
- Скорость вращения вентилятора будет установлена в состояние «Автоматически».

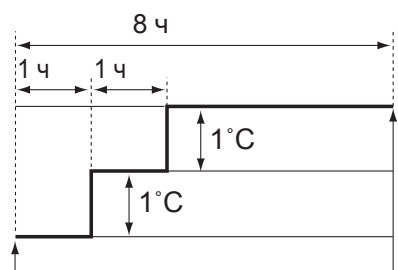
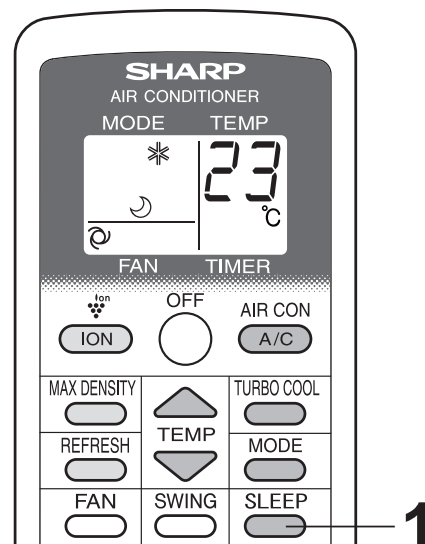
### ВЫХОД ИЗ РЕЖИМА

#### Нажмите кнопку SLEEP (Ночной режим).

- Оранжевый индикатор TIMER (Таймер) погаснет.

#### ПРИМЕЧАНИЯ:

- Через час работы в ночном режиме заданная температура повысится на 1°C, а еще через час – еще на 1°C. Температура, отображаемая на дисплее пульта дистанционного управления, сохранит первоначальное значение.
- Ночной режим не может совмещаться с режимом ускоренного охлаждения.
- Невозможно настроить одновременно таймер включения, таймер выключения и ночной режим. Будут использоваться лишь последние настройки.



Начало работы в ночном режиме      Выключение аппарата

# ПОЛЬЗОВАНИЕ КОНДИЦИОНЕРОМ ВОЗДУХА

## РАБОТА В РЕЖИМЕ ТАЙМЕРА

### TIMER ON (Таймер вкл.)

**1** Нажмите кнопку **TIMER ON** (Таймер вкл.) и задайте нужное время.

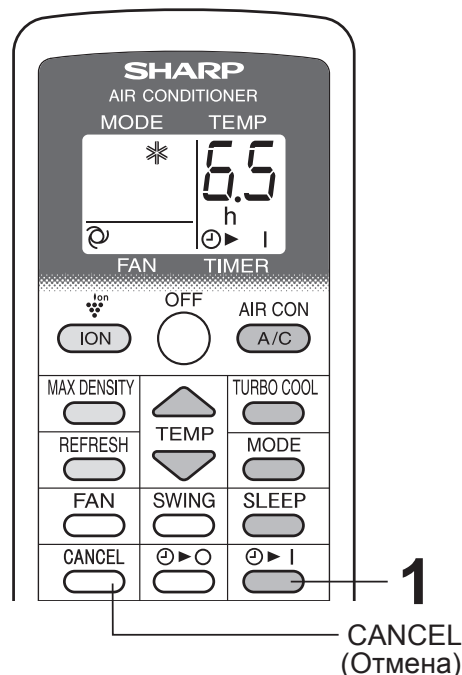


- Загорится оранжевый индикатор **TIMER** (Таймер).
- Значение заданного времени начнет уменьшаться, отображая оставшееся время.

### ВЫХОД ИЗ РЕЖИМА

Нажмите кнопку **CANCEL** (Отмена).

- Оранжевый индикатор **TIMER** (Таймер) погаснет.



### TIMER OFF (Таймер выкл.)

**1** Нажмите кнопку **TIMER OFF** (Таймер выкл.) и задайте нужное время.

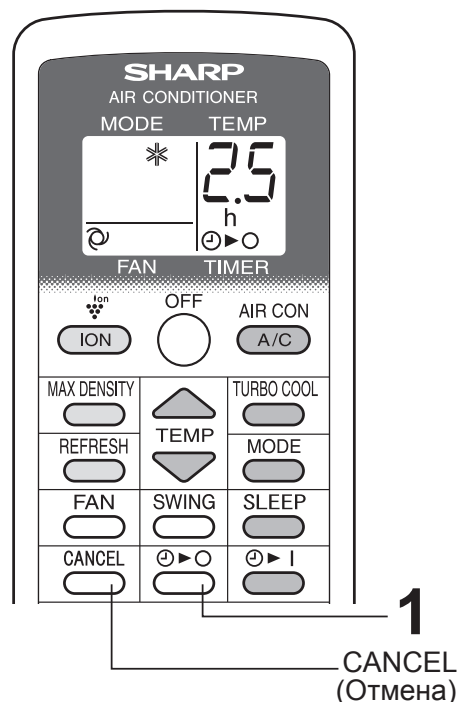


- Загорится оранжевый индикатор **TIMER** (Таймер).
- Значение заданного времени начнет уменьшаться, отображая оставшееся время.

### ВЫХОД ИЗ РЕЖИМА

Нажмите кнопку **CANCEL** (Отмена).

- Оранжевый индикатор **TIMER** (Таймер) погаснет.



### ПРИМЕЧАНИЯ:

- Таймер можно настроить в пределах от получаса до 12 часов. Настройки до 9,5 часов можно задавать с шагом в полчаса, а от 10 до 12 часов – с шагом в один час.
- Таймер выключения и таймер включения не могут быть настроены одновременно.
- Если во время, когда настроены таймер включения или таймер выключения, произойдет отключение питания, это приведет к отмене его настроек, и они не будут восстановлены даже после восстановления питания.
- Если, когда настроен таймер, настроить температуру, значение заданной температуры будет отображаться на дисплее в течение 5 секунд, после чего на дисплее возобновится значение таймера.



## ПОЛЬЗОВАНИЕ ГЕНЕРАТОРОМ ИОНОВ

Используется, когда аппарат самостоятельно использует ION GENERATOR (Генератор ионов). Устанавливать шланг выпуска воздуха не нужно. При работе в режиме генератор ионов аппарат не выпускает теплый воздух.

### РЕЖИМ ГЕНЕРАТОРА ИОНОВ

#### 1 Нажмите кнопку ION (Ион), чтобы начать работу.

- Загорится синий индикатор ION GENERATOR (Генератор ионов).

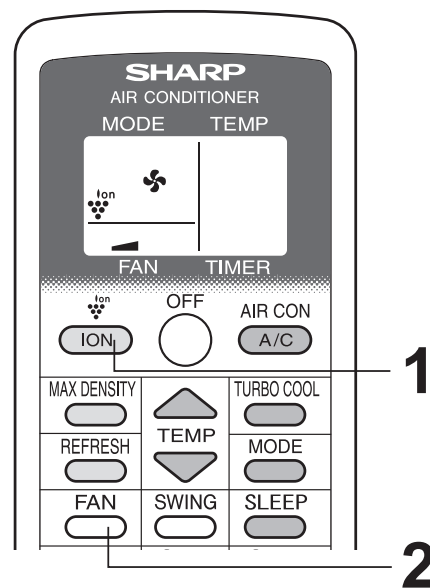
#### ВЫКЛЮЧЕНИЕ

Нажмите кнопку OFF (Выкл.).

- Синий индикатор ION GENERATOR (Генератор ионов) погаснет.

#### 2 Нажмите кнопку FAN (Вентилятор), чтобы задать скорость вращения вентилятора.

ТИХО      НИЗКАЯ      ВЫСОКАЯ



#### Примечание о режиме генератора ионов

Находящийся внутри аппарата генератор ионов выпускает в помещение ионы Plasmacluster. Ионы Plasmacluster сокращают количество переносимых по воздуху плесневых грибов.

Plasmacluster – оригинальная технология компании SHARP.

Чтобы получить дополнительную информацию, ознакомьтесь с нашим пресс-релизом, например:

<http://www.sharp-pci.com/>

Содержание веб-сайта может изменяться без предупреждения.

## ПОЛЬЗОВАНИЕ ГЕНЕРАТОРОМ ИОНОВ

### КАК ИЗМЕНИТЬ НАПРАВЛЕНИЕ ВОЗДУШНОГО ПОТОКА

#### НАПРАВЛЕНИЕ ВОЗДУШНОГО ПОТОКА ПО ВЕРТИКАЛИ

- 1 Нажмите кнопку **SWING** (Поворот).
  - Начнут поворачиваться горизонтальные створки.
- 2 Повторно нажав кнопку **SWING** (Поворот), остановите горизонтальные створки в нужном положении.

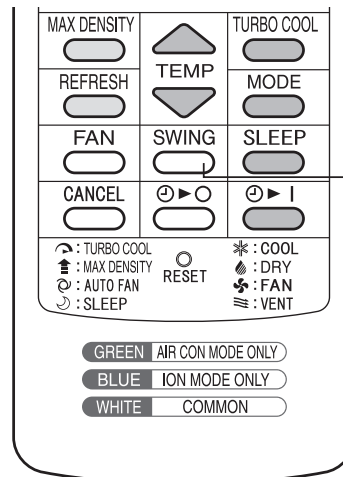
#### ПРЕДОСТЕРЕЖЕНИЕ:

Ни в коем случае не изменяйте положение горизонтальных створок вручную.

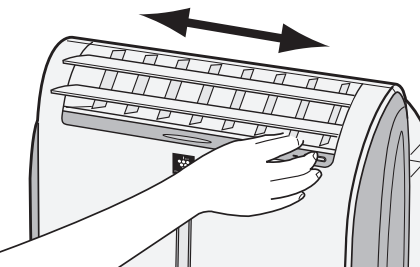
- Ручное регулирование положения горизонтальных створок может привести к неисправности аппарата в случае регулирования с пульта дистанционного управления.

#### НАПРАВЛЕНИЕ ВОЗДУШНОГО ПОТОКА ПО ГОРИЗОНТАЛИ

Возьмите вертикальную створку, как показано на рисунке, и отрегулируйте направление воздушного потока.




1  
2



### РАБОТА В РЕЖИМЕ МАКСИМАЛЬНОЙ ПЛОТНОСТИ

Аппарат выпускает ионы Plasmacluster с максимальной плотностью. Обеспечивая увеличенный расход воздуха в течение 30 минут, аппарат лучше распределяет ионы по помещению.

- 1 Во время работы генератора ионов нажмите кнопку **MAX DENSITY** (Максимальная плотность).
  - На дисплее пульта дистанционного управления появится символ «».
  - Загорится красный индикатор MAXIMUM (Максимум).

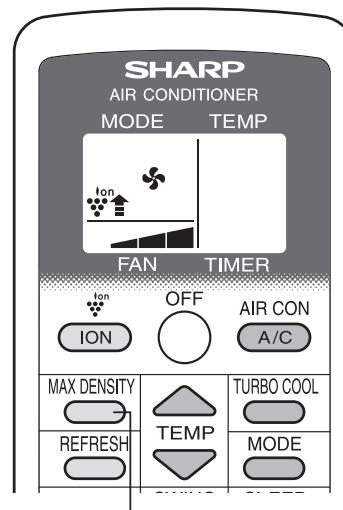
#### ВЫХОД ИЗ РЕЖИМА

Нажмите кнопку **MAX DENSITY** (Максимальная плотность) еще раз.

- Красный индикатор MAXIMUM (Максимум) погаснет.

#### ПРИМЕЧАНИЯ:

- во время работы в режиме максимальной плотности регулировать скорость вращения вентилятора невозможно;
- работа в режиме максимальной плотности автоматически прекращается через 30 минут, после чего аппарат возвращается к первоначальным настройкам;
- работа в режиме максимальной плотности невозможна при работе в режиме освежения.




1

## РАБОТА В РЕЖИМЕ ОСВЕЖЕНИЯ

Режим освежения предназначен для устранения запаха одежды под действием ионов Plasmacluster. Этой функцией рекомендуется пользоваться перед гардеробом, платяным шкафом, в прачечной или сушильном помещении.

### 1 Нажмите во время работы генератора ионов кнопку REFRESH (Освежить).

- Загорится оранжевый индикатор TIMER (Таймер).
- На дисплее пульта дистанционного управления появится символ «».
- Начнут поворачиваться горизонтальные створки.
- Через 5 часов аппарат выключится.

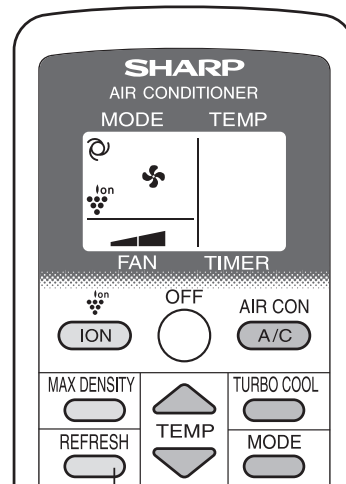
### ВЫХОД ИЗ РЕЖИМА

Повторно нажмите кнопку REFRESH (Освежить).

- Оранжевый индикатор TIMER (Таймер) погаснет.

#### ПРИМЕЧАНИЯ:

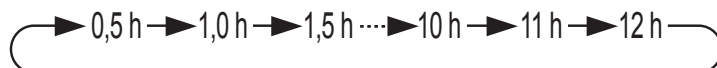
- Отрегулируйте створки так, чтобы воздух из аппарата падал на одежду.
- Режимы освежения и максимальной плотности не могут использоваться одновременно.
- Режимы освежения и таймера выключения не могут быть настроены одновременно.
- В этом режиме аппарат производит ионы Plasmacluster, которые хорошо подавляют запах табачного дыма и прочие, но могут быть неэффективны против некоторых запахов.
- В зависимости от силы запаха, расстояния между аппаратом и одеждой и времени работы, аппарат может не ослаблять запахи в достаточной мере.



1

## РАБОТА С ТАЙМЕРОМ ВЫКЛЮЧЕНИЯ

### 1 Нажмите кнопку TIMER OFF (Таймер выкл.) и задайте нужное время.



- Загорится оранжевый индикатор TIMER (Таймер).
- Значение заданного времени начнет уменьшаться, отображая оставшееся время.

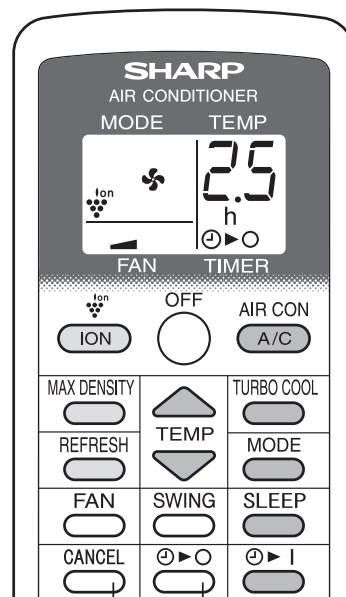
### ВЫХОД ИЗ РЕЖИМА

Нажмите кнопку CANCEL (Отмена).

- Оранжевый индикатор TIMER (Таймер) погаснет.

#### ПРИМЕЧАНИЯ:

- Таймер можно настроить в пределах от получаса до 12 часов. Настройки до 9,5 часов можно задавать с шагом в полчаса, а от 10 до 12 часов – с шагом в один час.
- В режиме генератора ионов таймер включения не может быть настроен.
- Если при настроенном таймере выключения произойдет отключение питания, это приведет к отмене его настроек, и они не будут восстановлены даже после восстановления питания.



1

CANCEL  
(Отмена)

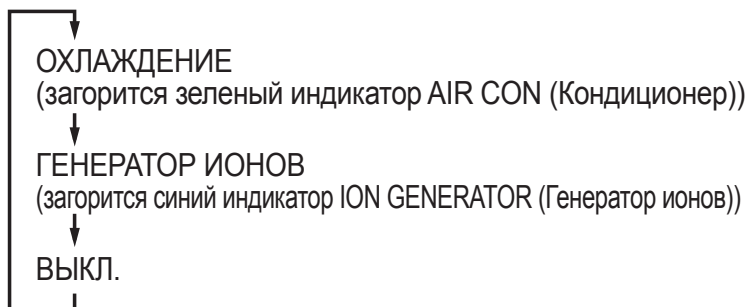
РУССКИЙ

## РАБОТА ГОЛОВНОГО БЛОКА

При отсутствии пульта управления действуйте в следующем порядке.

### 1 Нажмите кнопку POWER (Питание), чтобы включить аппарат.

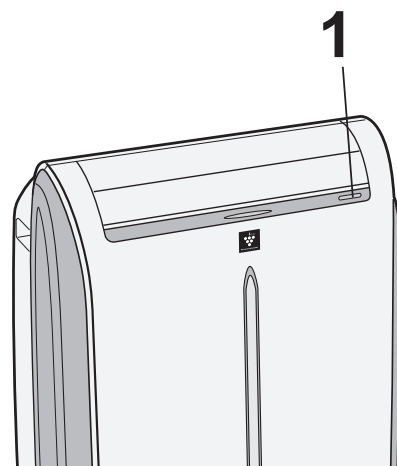
- При повторном нажатии этой кнопки в течение 5 секунд будет происходить смена режима.



- В режиме охлаждения аппарат будет работать с последними настройками охлаждения. Если питание аппарата прерывалось со времени последнего включения, он возобновит работу в режиме охлаждения с заданной температурой 20°C, а скорость вращения вентилятора будет установлена в состояние «Автоматически».

### ВЫКЛЮЧЕНИЕ

Во время работы аппарата нажмите кнопку POWER (Питание).



## ДРЕНАЖ

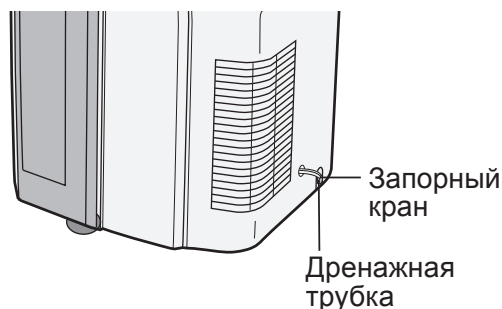
Сливать воду из аппарата следует в таких случаях.

- Когда аппарат прекращает работать и начинают мерцать оранжевый индикатор TIMER (Таймер), зеленый индикатор AIR CON (Кондиционер) и красный индикатор MAXIMUM (Максимум), это означает, что водяной бачок заполнен и необходимо слить воду.
- Перед продолжительным простоем аппарата.

### 1 Выньте вилку из розетки и осторожно выведите аппарат к дренажному отверстию или за пределы помещения, чтобы вода не выливалась внутрь помещения.

### 2 Снимите с дренажной трубки запорный кран и слейте накопленную внутри аппарата воду.

### 3 Надежно установите запорный кран на дренажную трубку.



## ТЕХНИЧЕСКОЕ ОБСЛУЖИВАНИЕ

Перед чисткой обязательно выньте вилку питания из розетки.

### ЧИСТКА ФИЛЬТРА

Запыленность фильтра препятствует прохождению воздуха, что приводит к ухудшению холодильной мощности. Чистить фильтр следует каждые две недели.

#### ВОЗДУШНЫЙ ФИЛЬТР

##### **1 СНИМИТЕ ФИЛЬТР**

- Потяните фильтр вправо.

##### **2 ОЧИСТИТЕ ФИЛЬТР**

- Удалите пыль пылесосом. Если фильтр загрязнен очень сильно, помойте его моющим средством и тщательно промойте чистой водой. Высушите фильтр, прежде чем устанавливать на место. Не оставляйте фильтр под прямыми солнечными лучами.

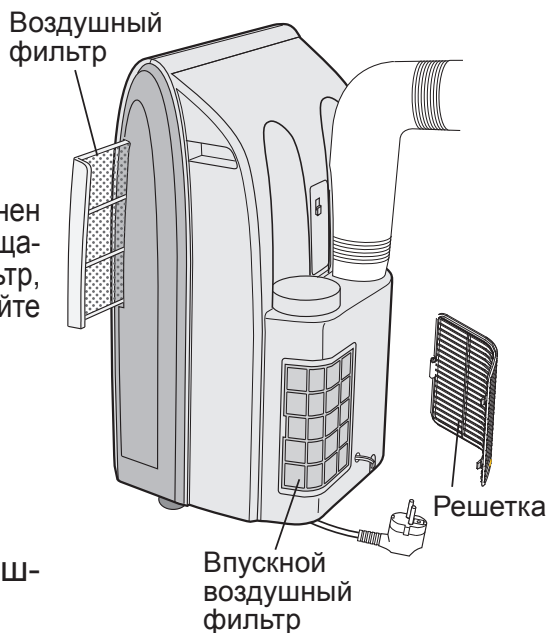
##### **3 УСТАНОВИТЕ ФИЛЬТР НА МЕСТО**

#### ВПУСКНОЙ ВОЗДУШНЫЙ ФИЛЬТР

Снимите решетку и очистите впускной воздушный фильтр пылесосом.

#### **ПРЕДОСТЕРЕЖЕНИЕ:**

Ни в коем случае не включайте аппарат без фильтра. Это может привести к серьезному повреждению аппарата.



### ОЧИСТКА АППАРАТА И ПУЛЬТА ДИСТАНЦИОННОГО УПРАВЛЕНИЯ

Вытрите их сухой мягкой тканью или тканью, смоченной мягким мыльным раствором. Тщательно удалите всякие остатки моющего раствора при помощи влажной ткани, после чего полностью высушите поверхность. Не допускайте попадания воды внутрь аппарата. Вода может вызвать опасные повреждения электрической изоляции.

Ни в коем случае не допускайте попадания агрессивных химических веществ или абразивных чистящих средств на какие-либо части аппарата. Во избежание повреждения аппарата, ни в коем случае не пользуйтесь для его очистки горячей водой (температурой 50°C или выше).

### ПРОДОЛЖИТЕЛЬНОЕ ХРАНЕНИЕ (БЕЗ ИСПОЛЬЗОВАНИЯ)

##### **1 Слейте воду, находящуюся внутри аппарата, и надежно установите запорный кран на дренажную трубку.**

##### **2 Включите аппарат в режиме вентиляции или проветривания примерно на полдня, чтобы тщательно просушить внутренние детали аппарата.**

##### **3 Очистите и установите на место фильтры.**

##### **4 Выньте вилку питания из розетки.**

## ПЕРЕД ВЫЗОВОМ СЕРВИСНОЙ СЛУЖБЫ

Если аппарат работает неправильно, перед вызовом сервисной службы проверьте следующее.

### АППАРАТ ВООБЩЕ НЕ РАБОТАЕТ

- Вставлена ли вилка в розетку? Прочно ли она вставлена?
- Не перегорел ли предохранитель или не сработал ли автоматический выключатель?
- Не мерцают ли оранжевый индикатор TIMER (Таймер), зеленый индикатор AIR CON (Кондиционер) и красный индикатор MAXIMUM (Максимум)?  
Если так, это указывает на заполнение водяного бачка внутри аппарата. Из него необходимо слить воду (см. стр. 18)

### АППАРАТ НЕ ОБЕСПЕЧИВАЕТ НОРМАЛЬНОГО ОХЛАЖДЕНИЯ

- Не настроен ли он на режим ВЕНТИЛЯЦИИ, ОСУШЕНИЯ, ПРОВЕТРИВАНИЯ или ГЕНЕРАТОРА ИОНОВ?  
В этих режимах охлаждение не происходит. Смените настройку MODE (Режим).
- Не забит ли фильтр пылью?  
Очистите фильтр.
- Не обмерз ли теплообменник испарителя?  
На обмерзание теплообменника испарителя указывает отсутствие потока воздуха. Переведите аппарат в режим ВЕНТИЛЯЦИИ с высокой скоростью вращения вентилятора до полного удаления льда.
- Правильно ли задана температура?
- Не попадает ли в помещение прямой солнечный свет?  
Закройте шторы или жалюзи, чтобы солнце не нагревало помещение.
- Не слишком ли длинный рукав для выпуска воздуха?  
Чтобы аппарат работал эффективно, рукав для выпуска воздуха должен быть как можно короче. Его нельзя перекручивать или перегибать.

### ЗВУКИ

- В течение первых 2-3 минут после включения аппарат может работать слишком шумно. Это абсолютно нормальный шум, возникающий при пуске компрессора.
- Сразу после включения и выключения аппарата, а также во время работы может быть слышно мягкое журчание. Этот звук вызван потоком хладагента внутри аппарата.
- Генерация ионов Plasmacluster сопровождается слабым писком.
- При работе в режиме охлаждения аппарат испаряет воду, которая конденсируется и выводится из аппарата через отверстие для выпуска воздуха. Хотя может быть слышен звук текущей воды, это вполне нормально.
- При работе аппарата на полу с небольшим уклоном может быть слышен звук журчания. Переставьте аппарат на горизонтальный пол.

### НЕПРАВИЛЬНО РАБОТАЕТ ТАЙМЕР

- Если при настроенном таймере произойдет сбой питания, настройка таймера отменяется и не восстанавливается даже после восстановления питания. Это нормально для данного аппарата.

### АППАРАТ НЕ РЕАГИРУЕТ НА СИГНАЛЫ ПУЛЬТА ДИСТАНЦИОННОГО УПРАВЛЕНИЯ

- Проверьте батарейки пульта дистанционного управления. Если необходимо, замените их.
- Попробуйте еще раз отправить сигнал, направив пульт дистанционного управления прямо на окошко приемника сигнала.
- Проверьте соблюдение полярности батареек в пульте дистанционного управления.

### ВЫПУСКАЕМЫЙ ВОЗДУХ ИМЕЕТ ЗАПАХ

- Генератор ионов Plasmacluster вырабатывает небольшое количество озона, что может приводить к появлению запаха. Количество вырабатываемого озона ниже предельно допустимых и соответствует ограничениям, действующим в США.

# ENERGY EFFICIENCY CLASS



**SHARP**<sup>®</sup>  
SHARP CORPORATION

Printed in China