

Air-Conditioners OUTDOOR UNIT MXZ-8A140VA

**A946**

INSTALLATION MANUAL

For safe and correct use, please read this installation manual thoroughly before installing the air-conditioner unit.

FOR INSTALLER

INSTALLATIONSHANDBUCH

Zum sicheren und ordnungsgemäßen Gebrauch der Klimaanlage das Installationshandbuch gründlich durchlesen.

FÜR INSTALLATEURE

MANUEL D'INSTALLATION

Veillez lire le manuel d'installation en entier avant d'installer ce climatiseur pour éviter tout accident et vous assurer d'une utilisation correcte.

POUR L'INSTALLATEUR

INSTALLATIEHANDLEIDING

Voor een veilig en juist gebruik moet u deze installatiehandleiding grondig doorlezen voordat u de airconditioner installeert.

VOOR DE INSTALLATEUR

MANUAL DE INSTALACIÓN

Para un uso seguro y correcto, lea detalladamente este manual de instalación antes de montar la unidad de aire acondicionado.

PARA EL INSTALADOR

MANUALE DI INSTALLAZIONE

Per un uso sicuro e corretto, leggere attentamente questo manuale di installazione prima di installare il condizionatore d'aria.

PER L'INSTALLATORE

ΕΓΧΕΙΡΙΔΙΟ ΟΔΗΓΙΩΝ ΕΓΚΑΤΑΣΤΑΣΗΣ

Για ασφάλεια και σωστή χρήση, παρακαλείσθε διαβάσετε προσεκτικά αυτό το εγχειρίδιο εγκατάστασης πριν αρχίσετε την εγκατάσταση της μονάδας κλιματισμού.

ΓΙΑ ΑΥΤΟΝ ΠΟΥ ΚΑΝΕΙ ΤΗΝ ΕΓΚΑΤΑΣΤΑΣΗ

MANUAL DE INSTALAÇÃO

Para segurança e utilização correctas, leia atentamente este manual de instalação antes de instalar a unidade de ar condicionado.

PARA O INSTALADOR

INSTALLATIONS MANUAL

Læs venligst denne installationsmanual grundigt, før De installerer airconditionanlægget, af hensyn til sikker og korrekt anvendelse.

TIL INSTALLATØREN

INSTALLATIONS MANUAL

Läs denna installationsmanual noga för säkert och korrekt bruk innan luftkonditioneringen installeras.

FÖR INSTALLATÖREN

MONTAJ ELKİTABI

Emniyetli ve doğru biçimde nasıl kullanılacağını öğrenmek için lütfen klima cihazını monte etmeden önce bu elkitabını dikkatle okuyunuz.

MONTÖR İÇİN

РУКОВОДСТВО ПО УСТАНОВКЕ

Для осторожного и правильного использования прибора необходимо тщательно ознакомиться с данным руководством по установке до выполнения установки кондиционера.

ДЛЯ УСТАНОВИТЕЛЯ

安裝說明書

在安裝空調機之前，請先通讀此安裝說明書，以便安全正確地使用。

安裝人員適用

安裝說明書

在安裝冷氣機之前，請先詳閱此安裝說明書，以便安全正確地使用。

安裝人員適用

English

Deutsch

Français

Nederlands

Español

Italiano

Ελληνικά

Português

Dansk

Svenska

Türkçe

Русский

简体中文

繁體中文

Contents

1. Safety precautions	2	6. Drainage piping work	10
2. Installation diagram & parts	3	7. Electrical work	10
3. Installation location	4	8. Test run	14
4. Installing the outdoor unit	6	9. Special Functions	15
5. Installing the refrigerant piping	6		

1. Safety precautions

- ▶ Before installing the unit, make sure you read all the “Safety precautions”.
- ▶ Please report to or take consent by the supply authority before connection to the system.
- ▶ Equipment complying with IEC/EN 61000-3-12

⚠ Warning:
Describes precautions that must be observed to prevent danger of injury or death to the user.

⚠ Caution:
Describes precautions that must be observed to prevent damage to the unit.

- ⚠ Warning:**
- The unit must not be installed by the user. Ask a dealer or an authorized technician to install the unit. If the unit is installed incorrectly, water leakage, electric shock, or fire may result.
 - For installation work, follow the instructions in the Installation Manual and use tools and pipe components specifically made for use with R410A refrigerant. The R410A refrigerant in the HFC system is pressurized 1.6 times the pressure of usual refrigerants. If pipe components not designed for R410A refrigerant are used and the unit is not installed correctly, the pipes may burst and cause damage or injuries. In addition, water leakage, electric shock, or fire may result.
 - The unit must be installed according to the instructions in order to minimize the risk of damage from earthquakes, typhoons, or strong winds. An incorrectly installed unit may fall down and cause damage or injuries.
 - The unit must be securely installed on a structure that can sustain its weight. If the unit is mounted on an unstable structure, it may fall down and cause damage or injuries.
 - If the air conditioner is installed in a small room, measures must be taken to prevent the refrigerant concentration in the room from exceeding the safety limit in the event of refrigerant leakage. Consult a dealer regarding the appropriate measures to prevent the allowable concentration from being exceeded. Should the refrigerant leak and cause the concentration limit to be exceeded, hazards due to lack of oxygen in the room may result.
 - Ventilate the room if refrigerant leaks during operation. If refrigerant comes into contact with a flame, poisonous gases will be released.
 - All electric work must be performed by a qualified technician according to local regulations and the instructions given in this manual. The units must be powered by dedicated power lines and the correct voltage and circuit breakers must be used. Power lines with insufficient capacity or incorrect electrical work may result in electric shock or fire.

After installation work has been completed, explain the “Safety Precautions,” use, and maintenance of the unit to the customer according to the information in the Operation Manual and perform the test run to ensure normal operation. Both the Installation Manual and Operation Manual must be given to the user for keeping. These manuals must be passed on to subsequent users.

⚡ : Indicates a part which must be grounded.

⚠ Warning:
Carefully read the labels affixed to the main unit.

- Be sure to connect the power supply cords and the connecting wires for the indoor units, outdoor units, and branch boxes directly to the units (no intermediate connections). Intermediate connections can lead to communication errors if water enters the cords or wires and causes insufficient insulation to ground or a poor electrical contact at the intermediate connection point. (If an intermediate connection is necessary, be sure to take measures to prevent water from entering the cords and wires.)
- Use C1220 copper phosphorus, for copper and copper alloy seamless pipes, to connect the refrigerant pipes. If the pipes are not connected correctly, the unit will not be properly grounded and electric shock may result.
- Use only specified cables for wiring. The connections must be made securely without tension on the terminals. If the cables are connected or installed incorrectly, overheating or fire may result.
- The terminal block cover panel of the outdoor unit must be firmly attached. If the cover panel is mounted incorrectly and dust and moisture enter the unit, electric shock or fire may result.
- When installing or moving the air conditioner, use only the specified refrigerant (R410A) to charge the refrigerant lines. Do not mix it with any other refrigerant and do not allow air to remain in the lines. Air enclosed in the lines can cause pressure peaks resulting in a rupture and other hazards.
- Use only accessories authorized by Mitsubishi Electric and ask a dealer or an authorized technician to install them. If accessories are incorrectly installed, water leakage, electric shock, or fire may result.
- Do not alter the unit. Consult a dealer for repairs. If alterations or repairs are not performed correctly, water leakage, electric shock, or fire may result.
- The user should never attempt to repair the unit or transfer it to another location. If the unit is installed incorrectly, water leakage, electric shock, or fire may result. If the air conditioner must be repaired or moved, ask a dealer or an authorized technician.
- After installation has been completed, check for refrigerant leaks. If refrigerant leaks into the room and comes into contact with the flame of a heater or portable cooking range, poisonous gases will be released.

1.1. Before installation

- ⚠ Caution:**
- Do not use the unit in an unusual environment. If the air conditioner is installed in areas exposed to steam, volatile oil (including machine oil), or sulfuric gas, areas exposed to high salt content such as the seaside, or areas where the unit will be covered by snow, the performance can be significantly reduced and the internal parts can be damaged.
 - Do not install the unit where combustible gases may leak, be produced, flow, or accumulate. If combustible gas accumulates around the unit, fire or explosion may result.

- The outdoor unit produces condensation during the heating operation. Make sure to provide drainage around the outdoor unit if such condensation is likely to cause damage.
- When installing the unit in a hospital or communications office, be prepared for noise and electronic interference. Inverters, home appliances, high-frequency medical equipment, and radio communications equipment can cause the air conditioner to malfunction or breakdown. The air conditioner may also affect medical equipment, disturbing medical care, and communications equipment, harming the screen display quality.

1.2. Before installation (relocation)

- ⚠ Caution:**
- Be extremely careful when transporting the units. Two or more persons are needed to handle the unit, as it weighs 20 kg or more. Do not grasp the packaging bands. Wear protective gloves to remove the unit from the packaging and to move it, as you can injure your hands on the fins or other parts.
 - Be sure to safely dispose of the packaging materials. Packaging materials, such as nails and other metal or wooden parts may cause stabs or other injuries.

- The base and attachments of the outdoor unit must be periodically checked for looseness, cracks or other damage. If such defects are left uncorrected, the unit may fall down and cause damage or injuries.
- Do not clean the air conditioner unit with water. Electric shock may result.
- Tighten all flare nuts to specification using a torque wrench. If tightened too much, the flare nut can break after an extended period and refrigerant can leak out.

1. Safety precautions

1.3. Before electric work

⚠ Caution:

- Be sure to install circuit breakers. If not installed, electric shock may result.

IMPORTANT

Make sure that the current leakage breaker is one compatible with higher harmonics.

Always use a current leakage breaker that is compatible with higher harmonics as this unit is equipped with an inverter.

The use of an inadequate breaker can cause the incorrect operation of inverter.

- For the power lines, use standard cables of sufficient capacity. Otherwise, a short circuit, overheating, or fire may result.

- When installing the power lines, do not apply tension to the cables. If the connections are loosened, the cables can snap or break and overheating or fire may result.
- Be sure to ground the unit. Do not connect the ground wire to gas or water pipes, lighting rods, or telephone grounding lines. If the unit is not properly grounded, electric shock may result.
- Use circuit breakers (ground fault interrupter, isolating switch (+B fuse), and molded case circuit breaker) with the specified capacity. If the circuit breaker capacity is larger than the specified capacity, breakdown or fire may result.

1.4. Before starting the test run

⚠ Caution:

- Turn on the main power switch more than 12 hours before starting operation. Starting operation just after turning on the power switch can severely damage the internal parts. Keep the main power switch turned on during the operation season.
- Before starting operation, check that all panels, guards and other protective parts are correctly installed. Rotating, hot, or high voltage parts can cause injuries.

- Do not touch any switch with wet hands. Electric shock may result.
- Do not touch the refrigerant pipes with bare hands during operation. The refrigerant pipes are hot or cold depending on the condition of the flowing refrigerant. If you touch the pipes, burns or frostbite may result.
- After stopping operation, be sure to wait at least five minutes before turning off the main power switch. Otherwise, water leakage or breakdown may result.

1.5. Using R410A refrigerant air conditioners

⚠ Caution:

- Use C1220 copper phosphorus, for copper and copper alloy seamless pipes, to connect the refrigerant pipes. Make sure the insides of the pipes are clean and do not contain any harmful contaminants such as sulfuric compounds, oxidants, debris, or dust. Use pipes with the specified thickness. (Refer to page 6) Note the following if reusing existing pipes that carried R22 refrigerant.

- Replace the existing flare nuts and flare the flared sections again.

- Do not use thin pipes. (Refer to page 6)

- Store the pipes to be used during installation indoors and keep both ends of the pipes sealed until just before brazing. (Leave elbow joints, etc. in their packaging.) If dust, debris, or moisture enters the refrigerant lines, oil deterioration or compressor breakdown may result.

- Use ester oil, ether oil, alkylbenzene oil (small amount) as the refrigeration oil applied to the flared sections. If mineral oil is mixed in the refrigeration oil, oil deterioration may result.

- Do not use refrigerant other than R410A refrigerant. If another refrigerant is used, the chlorine will cause the oil to deteriorate.
- Use the following tools specifically designed for use with R410A refrigerant. The following tools are necessary to use R410A refrigerant. Contact your nearest dealer for any questions.

Tools (for R410A)	
Gauge manifold	Flare tool
Charge hose	Size adjustment gauge
Gas leak detector	Vacuum pump adapter
Torque wrench	Electronic refrigerant charging scale

- Be sure to use the correct tools. If dust, debris, or moisture enters the refrigerant lines, refrigeration oil deterioration may result.
- Do not use a charging cylinder. If a charging cylinder is used, the composition of the refrigerant will change and the efficiency will be lowered.

2. Installation diagram & parts

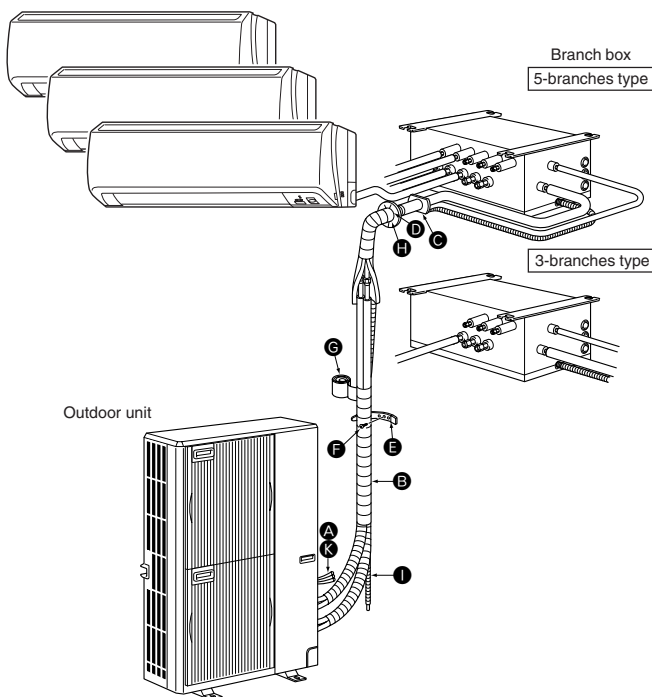


Fig. 2-1

2.1. Before installation (Fig. 2-1)

This installation manual is only for the outdoor unit installation. In installing the indoor units and branch box, refer to the installation manual attached to each unit.

Any structural alterations necessary for the installation must comply with the local building code requirements.

This diagram is intended to show the configuration of accessories.

For actual installation, the outdoor unit is to be turned 180°.

Units should be installed by licensed contractor according to local code requirement.

Note:

The dimensions given along the arrows above are required to guarantee the air conditioner's performance. Install the unit in as wide a place as possible for later service or repairs.

Parts to be locally procured

A	Branch box/outdoor unit connecting wire (3-core, Refer to 7.3. External wiring procedure)	1
B	Extension pipe	1
C	Wall hole sleeve	1
D	Wall hole cover	1
E	Pipe fixing band (The quantity depends on the pipe length.)	2 to 7
F	Fixing screw for E 4 × 20 mm (The quantity depends on the pipe length.)	2 to 7
G	Piping tape	1
H	Putty	1
I	Drain hose (hard PVC pipe VP16)	1
J	Refrigeration oil	1
K	Power supply cord (2-core, Refer to 7.3. External wiring procedure)	1

3. Installation location

3.1. Refrigerant pipe

Refer to 5.2. Pipe length and height difference.

3.2. Choosing the outdoor unit installation location

- Avoid locations exposed to direct sunlight or other sources of heat.
- Select a location from which noise emitted by the unit will not inconvenience neighbors.
- Select a location permitting easy wiring and pipe access to the power source and indoor unit.
- Avoid locations where combustible gases may leak, be produced, flow, or accumulate.
- Note that water may drain from the unit during operation.
- Select a level location that can bear the weight and vibration of the unit.
- Avoid locations where the unit can be covered by snow. In areas where heavy snow fall is anticipated, special precautions such as raising the installation location or installing a hood on the air intake must be taken to prevent the snow from blocking the air intake or blowing directly against it. This can reduce the airflow and a malfunction may result.
- Avoid locations exposed to oil, steam, or sulfuric gas.
- Use the transportation handles of the outdoor unit to transport the unit. If the unit is carried from the bottom, hands or fingers may be pinched.

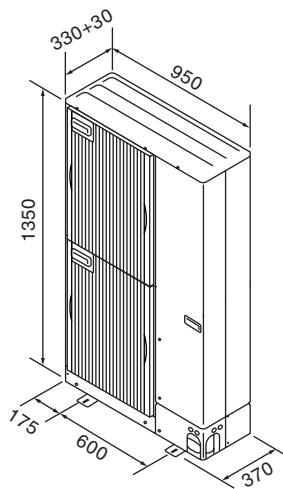


Fig. 3-1

(mm)

3.3. Outline dimensions (Outdoor unit) (Fig. 3-1)

Constraints on indoor unit installation

You should note that indoor units that can be connected to this outdoor unit are the following models.

- Indoor units with model numbers 22, 25, 35, 50, 60, 71, 80 can be connected. Refer to the table below for possible 2-8 room, indoor unit combinations.

Verification

The rated capacity should be determined by observing the table below. The unit's quantities are limited in 2 to 8 units. For the next step, make sure that the total rated capacity selected will stay in a range of 4.4 - 18.5 kW.

Example:

MSZ-60	=	6.0	} Total rated capacity 18.0 ≤ 18.5 kW
	+		
SEZ-35	=	3.5	
	+		
SLZ-35	=	3.5	
	+		
SEZ-25	=	2.5	
	+		
SLZ-25	=	2.5	

Indoor unit type	22	25	35	50	60	71	80
Rated capacity (Cooling) (kW)	2.2	2.5	3.5	5.0	6.0	7.1	8.0

Combinations in which the total capacity of indoor units exceeds the capacity of the outdoor unit (=14.0 kW) will reduce the cooling capacity of each indoor unit below their rated cooling capacity. Thus, combine indoor units with an outdoor unit within the outdoor unit's capacity (=14.0 kW), if possible.

3.4. Ventilation and service space

3.4.1. Windy location installation

When installing the outdoor unit on a rooftop or other location unprotected from the wind, situate the air outlet of the unit so that it is not directly exposed to strong winds. Strong wind entering the air outlet may impede the normal airflow and a malfunction may result.

The following shows three examples of precautions against strong winds.

- ① Face the air outlet towards the nearest available wall about 50 cm away from the wall. (Fig. 3-2)
- ② Install an optional air guide if the unit is installed in a location where strong winds from a typhoon, etc. may directly enter the air outlet. (Fig. 3-3)
 - Ⓐ Air guide
- ③ Position the unit so that the air outlet blows perpendicularly to the seasonal wind direction, if possible. (Fig. 3-4)
 - Ⓑ Wind direction

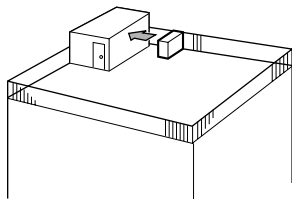


Fig. 3-2

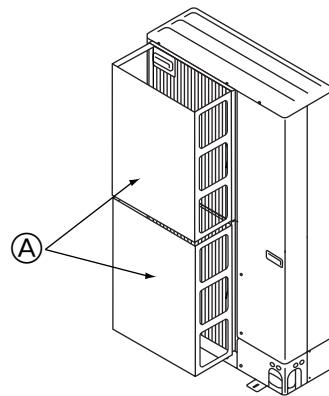


Fig. 3-3

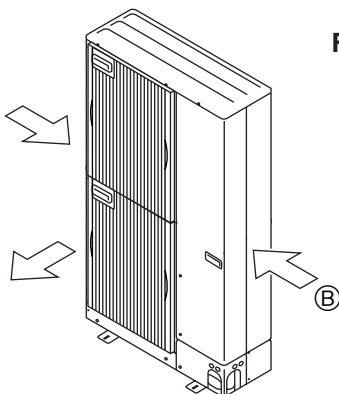


Fig. 3-4

3. Installation location

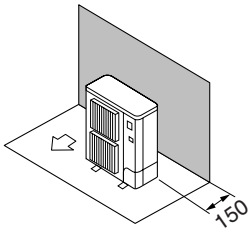


Fig. 3-5

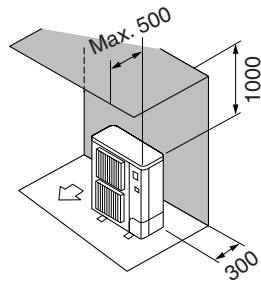


Fig. 3-6

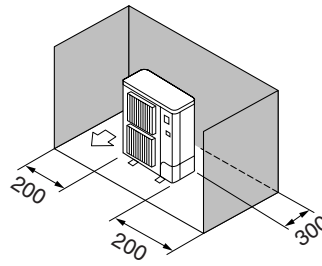


Fig. 3-7

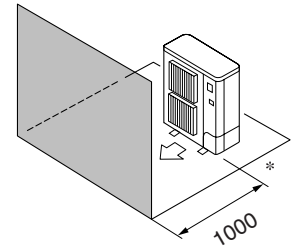


Fig. 3-8

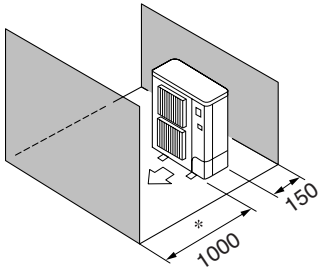


Fig. 3-9

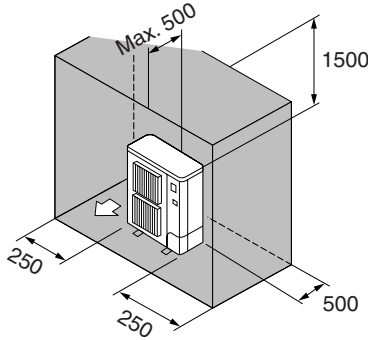


Fig. 3-10

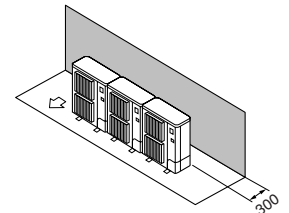


Fig. 3-11

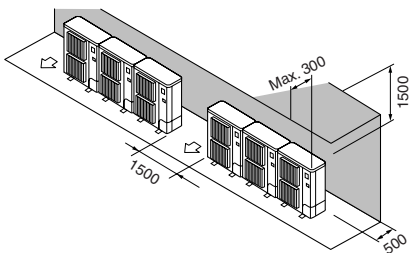


Fig. 3-12

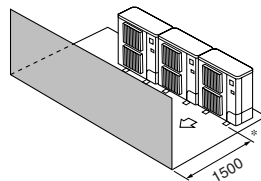


Fig. 3-13

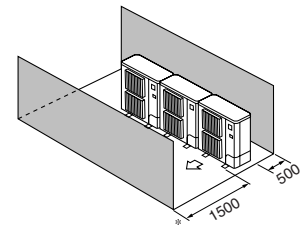


Fig. 3-14

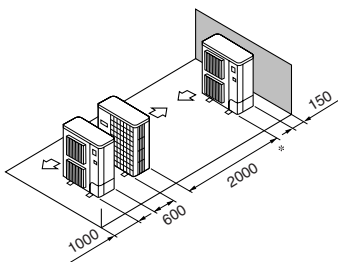


Fig. 3-15

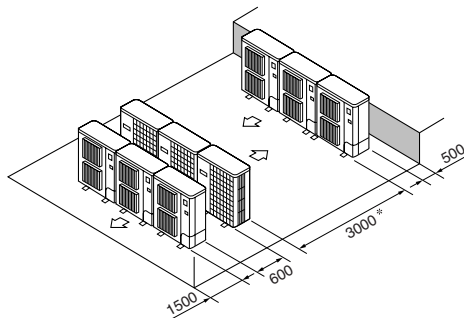


Fig. 3-16

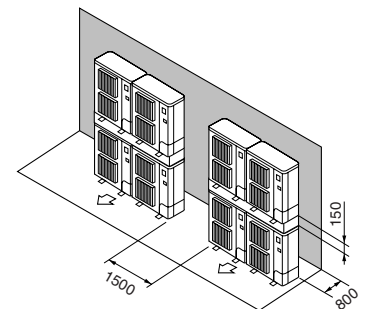


Fig. 3-17

3.4.2. When installing a single outdoor unit

Minimum dimensions are as follows, except for Max., meaning Maximum dimensions, indicated.

Refer to the figures for each case.

- ① Obstacles at rear only (Fig. 3-5)
- ② Obstacles at rear and above only (Fig. 3-6)
- ③ Obstacles at rear and sides only (Fig. 3-7)
- ④ Obstacles at front only (Fig. 3-8)

* When using an optional air outlet guide, the clearance is 500 mm or more.

- ⑤ Obstacles at front and rear only (Fig. 3-9)

* When using an optional air outlet guide, the clearance is 500 mm or more.

- ⑥ Obstacles at rear, sides, and above only (Fig. 3-10)

• Do not install the optional air outlet guides for upward airflow.

3.4.3. When installing multiple outdoor units

Leave 10 mm space or more between the units.

- ① Obstacles at rear only (Fig. 3-11)

- ② Obstacles at rear and above only (Fig. 3-12)

- No more than three units must be installed side by side. In addition, leave space as shown.
- Do not install the optional air outlet guides for upward airflow.

- ③ Obstacles at front only (Fig. 3-13)

* When using an optional air outlet guide, the clearance is 1000 mm or more.

- ④ Obstacles at front and rear only (Fig. 3-14)

* When using an optional air outlet guide, the clearance is 1000 mm or more.

- ⑤ Single parallel unit arrangement (Fig. 3-15)

* When using an optional air outlet guide installed for upward airflow, the clearance is 1000 mm or more.

- ⑥ Multiple parallel unit arrangement (Fig. 3-16)

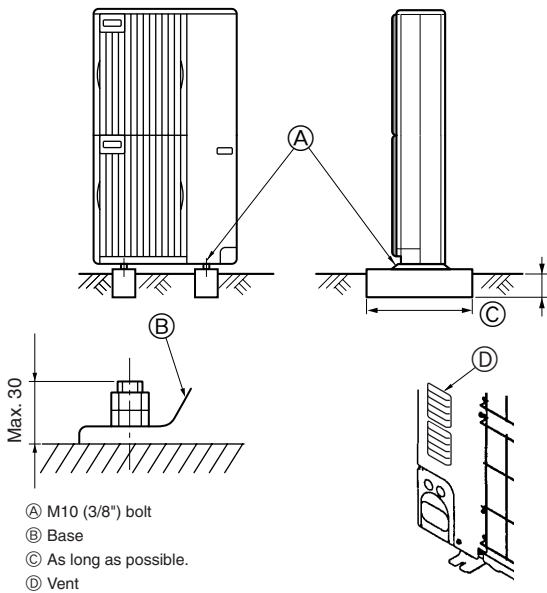
* When using an optional air outlet guide installed for upward airflow, the clearance is 1500 mm or more.

- ⑦ Stacked unit arrangement (Fig. 3-17)

• The units can be stacked up to two units high.

• No more than two stacked units must be installed side by side. In addition, leave space as shown.

4. Installing the outdoor unit



(mm)

- Be sure to install the unit in a sturdy, level surface to prevent rattling noises during operation. (Fig. 4-1)

<Foundation specifications>

Foundation bolt	M10 (3/8")
Thickness of concrete	120 mm
Length of bolt	70 mm
Weight-bearing capacity	320 kg

- Make sure that the length of the foundation bolt is within 30 mm of the bottom surface of the base.

- Secure the base of the unit firmly with four-M10 foundation bolts in sturdy locations.

Installing the outdoor unit

- Do not block the vent. If the vent is blocked, operation will be hindered and breakdown may result.

- In addition to the unit base, use the installation holes on the back of the unit to attach wires, etc., if necessary to install the unit. Use self-tapping screws ($\phi 5 \times 15$ mm or less) and install on site.

⚠ Warning:

- The unit must be securely installed on a structure that can sustain its weight. If the unit is mounted on an unstable structure, it may fall down and cause damage or injuries.

- The unit must be installed according to the instructions in order to minimize the risk of damage from earthquakes, typhoons, or strong winds. An incorrectly installed unit may fall down and cause damage or injuries.

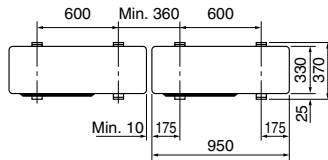


Fig. 4-1

5. Installing the refrigerant piping

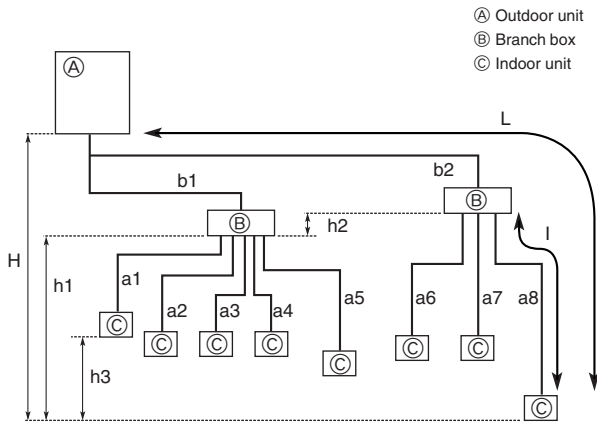


Fig. 5-1

5.1. Precautions for devices that use R410A refrigerant

- Refer to page 3 for precautions not included below on using air conditioners with R410A refrigerant.

- Use ester oil, ether oil, alkylbenzene oil (small amount) as the refrigeration oil applied to the flared sections.

- Use C1220 copper phosphorus, for copper and copper alloy seamless pipes, to connect the refrigerant pipes. Use refrigerant pipes with the thicknesses specified in the table to the below. Make sure the insides of the pipes are clean and do not contain any harmful contaminants such as sulfuric compounds, oxidants, debris, or dust.

⚠ Warning:

- When installing or moving the air conditioner, use only the specified refrigerant (R410A) to charge the refrigerant lines. Do not mix it with any other refrigerant and do not allow air to remain in the lines. Air enclosed in the lines can cause pressure peaks resulting in a rupture and other hazards.

$\phi 6.35, \phi 9.52, \phi 12.7$	Thickness 0.8 mm
$\phi 15.88$	Thickness 1.0 mm

- Do not use pipes thinner than those specified above.

Permissible length (one-way)	Total piping length	$b1+b2+a1+a2+a3+a4+a5+a6+a7+a8 \leq 115$ m
	Farthest piping length (L)	$b2+a8 \leq 70$ m ($b2 \leq 55$ m, $a8 \leq 15$ m)
	Piping length between outdoor unit and branch boxes	$b1+b2 \leq 55$ m
	Farthest piping length after branch box (l)	$a8 \leq 15$ m
	Total piping length between branch boxes and indoor units	$a1+a2+a3+a4+a5+a6+a7+a8 \leq 60$ m
Permissible height difference (one-way)	In indoor/outdoor section (H)*1	$H \leq 30$ m (In case of outdoor unit is set higher than indoor unit) $H \leq 20$ m (In case of outdoor unit is set lower than indoor unit)
	In branch box/indoor unit section (h1)	$h1 + h2 \leq 15$ m
	In each branch unit (h2)	$h2 \leq 15$ m
	In each indoor unit (h3)	$h3 \leq 12$ m
Number of bends		$ b1+a1 , b1+a2 , b1+a3 , b1+a4 , b1+a5 , b2+a6 , b2+a7 , b2+a8 \leq 15$

*1 Branch box should be placed within the level between the outdoor unit and indoor units.

5.2. Pipe length and height difference (Fig. 5-1)

Flared connections

- This unit has flared connections on each indoor unit and branch box and outdoor unit sides.
- Remove the valve cover of the outdoor unit, then connect the pipe.
- Refrigerant pipes are used to connect the branch box and outdoor unit.

5. Installing the refrigerant piping

5.3. Addition of refrigerant

- Additional charging is not necessary for this unit if the total pipe length ($b1+b2+a1+a2+a3+a4+a5+a6+a7+a8$) does not exceed 40 m.
- If the total pipe length exceeds 40 m, charge the unit with additional R410A refrigerant according to the permitted pipe lengths in the chart below.

* When the unit is stopped, charge the unit with the additional refrigerant through the liquid stop valve after the pipe extensions and indoor unit have been vacuumized.

When the unit is operating, add refrigerant to the gas check valve using a safety charger. Do not add liquid refrigerant directly to the check valve.

After charging the unit with refrigerant, note the added refrigerant amount on the service label (attached to the unit).

Refer to the "1.5. Using R410A refrigerant air conditioners" for more information.

Table 1

Total piping length ($b1+b2+a1+a2+a3+a4+a5+a6+a7+a8$)	41 - 50 m	51 - 70 m	71 - 90 m	91 - 115 m
Additional refrigerant charging amount	0.6 kg	1.4 kg	2.2 kg	3.2 kg

If connecting an indoor unit with $\phi 9.52$ liquid pipes (model number 71 or more for M- and S-Series and model number 60 or more for P-Series), the additional refrigerant charging amount in Table 1 must be corrected (add the following ΔR value from the value given in Table 1).

Additional refrigerant charging correction amount

$$\Delta R = 0.01 \text{ [kg/m]} \times \phi 9.52 \text{ branch pipe (liquid pipe) total length [m]}$$

Example) $b1=20$ m, $b2=25$ m

Indoor unit A	$\phi 9.52$ Liquid pipe	$a1=12$ m
Indoor unit B	$\phi 6.35$ Liquid pipe	$a2=11$ m
Indoor unit C	$\phi 6.35$ Liquid pipe	$a6=14$ m
Indoor unit D	$\phi 9.52$ Liquid pipe	$a7=13$ m

Total piping length : $b1+b2+a1+a2+a6+a7=95$ m

→ According to Table 1, the additional refrigerant charging amount is 3.2 kg.

Because indoor units with $\phi 9.52$ liquid pipes are connected (indoor units A and D in this example), the additional refrigerant charging amount must be corrected.

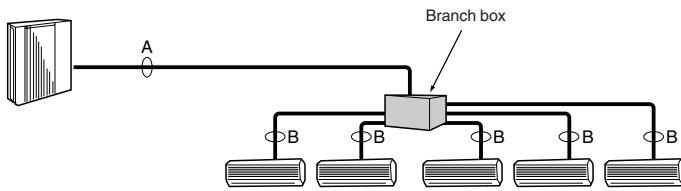
Additional refrigerant charging correction amount

$$\begin{aligned} \Delta R &= 0.01 \text{ [kg/m]} \times \phi 9.52 \text{ branch pipe (liquid pipe) total length (} a1+a7 \text{)} \\ &= 0.01 \times (12+13) \text{ m} \\ &= 0.25 \text{ kg} \end{aligned}$$

Therefore, the additional refrigerant charging amount is $3.2 \text{ kg} + 0.25 \text{ kg} = 3.45 \text{ kg}$.

■ In case of using 1-branch box

Flare connection employed. (No. brazing)



■ In case of using 2-branch boxes

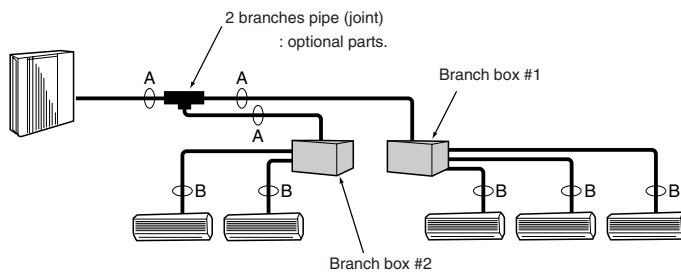


Fig. 5-2

(1) Valve size for outdoor unit

For liquid	$\phi 9.52$ mm
For gas	$\phi 15.88$ mm

(2) Valve size for branch box

[A] UNIT	Liquid pipe	$\phi 6.35$ mm
	Gas pipe	$\phi 9.52$ mm
[B] UNIT	Liquid pipe	$\phi 6.35$ mm
	Gas pipe	$\phi 9.52$ mm
[C] UNIT	Liquid pipe	$\phi 6.35$ mm
	Gas pipe	$\phi 9.52$ mm
[D] UNIT	Liquid pipe	$\phi 6.35$ mm
	Gas pipe	$\phi 9.52$ mm
[E] UNIT	Liquid pipe	$\phi 6.35$ mm
	Gas pipe	$\phi 12.7$ mm

* 3-branch type : only [A], [B], [C] unit

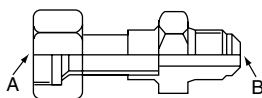


Fig. 5-3

Conversion formula

1/4 F	$\phi 6.35$
3/8 F	$\phi 9.52$
1/2 F	$\phi 12.7$
5/8 F	$\phi 15.88$
3/4 F	$\phi 19.05$

5.4. Selecting pipe size (Fig. 5-2)

	A	B
Liquid (mm)	$\phi 9.52$	The piping connection size differs according to the type and capacity of indoor units. Match the piping connection size of branch box with indoor unit.
Gas (mm)	$\phi 15.88$	If the piping connection size of branch box does not match the piping connection size of indoor unit, use optional different-diameter (deformed) joints to the branch box side. (Connect deformed joint directly to the branch box side.)

Different-diameter joint (optional parts) (Fig. 5-3)

Model name	Connected pipes diameter		Diameter A	Diameter B
	mm		mm	mm
MAC-A454JP	$\phi 9.52$	→ $\phi 12.7$	$\phi 9.52$	$\phi 12.7$
MAC-A455JP	$\phi 12.7$	→ $\phi 9.52$	$\phi 12.7$	$\phi 9.52$
MAC-A456JP	$\phi 12.7$	→ $\phi 15.88$	$\phi 12.7$	$\phi 15.88$
PAC-493PI	$\phi 6.35$	→ $\phi 9.52$	$\phi 6.35$	$\phi 9.52$
PAC-SG76RJ-E	$\phi 9.52$	→ $\phi 15.88$	$\phi 9.52$	$\phi 15.88$

Piping preparation

① Table below shows the specifications of pipes commercially available.

Outside diameter	Insulation thickness	Insulation material
mm	mm	
6.35	8	Heat resisting foam plastic 0.045 specific gravity
9.52	8	
12.7	8	
15.88	8	

② Ensure that the 2 refrigerant pipes are insulated to prevent condensation.

③ Refrigerant pipe bending radius must be 100 mm or more.

⚠ Caution:

Be sure to use the insulation of specified thickness. Excessive thickness may cause incorrect installation of the indoor unit and branch box, and lack of thickness may cause dew drippage.

2-branch pipe (Joint) : Optional parts (According to the connection method, you can choose the favorite one.)

Model name	Connection method
MSDD-50AR-E	flare
MSDD-50BR-E	brazing

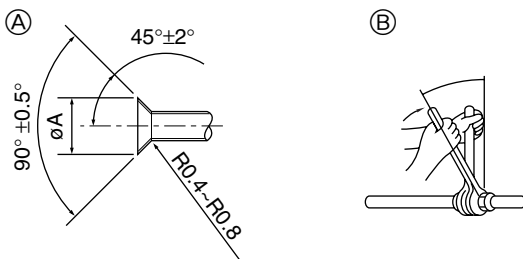
■ Installation procedure (2 branches pipe (Joint))

Refer to the installation manuals of MSDD-50AR-E and MSDD-50BR-E.

5. Installing the refrigerant piping

Refrigerant collection when relocating the indoor and outdoor units (pump down)

- ① Connect a gauge manifold valve (pressure gauge included) to the service port near the gas stop valve of the outdoor unit so that the refrigerant pressure can be measured.
- ② Turn on the power supply (circuit breaker).
- ③ Close the liquid stop valve, and then perform the test run for cooling operation (SW4-1: ON and SW4-2: OFF).
 - * Be sure to wait at least 3 minutes after turning on the power supply before setting SW4-1 and SW4-2. If the DIP switches are set before 3 minutes has elapsed, the test run may not start.
- ④ Fully close the gas stop valve when the pressure reading on the gauge drops to 0.05 - 0.00 MPa* (approximately 0.5 - 0.0 kgf/cm²).
 - * If too much refrigerant has been added to the air conditioner system, the pressure may not drop to 0.5 kgf/cm². If this occurs, use a refrigerant collecting device to collect all of the refrigerant in the system, and then recharge the system with the correct amount of refrigerant after the indoor and outdoor units have been relocated.
- ⑤ Stop the air conditioner operation (SW4-1: OFF and SW4-2: OFF).
- ⑥ Turn off the power supply (circuit breaker).



Ⓐ Flare cutting dimensions
Ⓑ Flare nut tightening torque

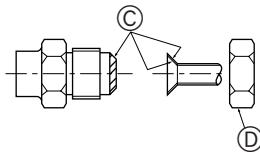


Fig. 5-4

Ⓐ (Fig. 5-4)

Copper pipe O.D. (mm)	Flare dimensions øA dimensions (mm)
ø6.35	8.7 - 9.1
ø9.52	12.8 - 13.2
ø12.7	16.2 - 16.6
ø15.88	19.3 - 19.7

Ⓑ (Fig. 5-4)

Copper pipe O.D. (mm)	Flare nut O.D. (mm)	Tightening torque (N·m)*
ø6.35	17	14 - 18
ø6.35	22	34 - 42
ø9.52	22	34 - 42
ø9.52	26	49 - 61
ø12.7	26	49 - 61
ø12.7	29	68 - 82
ø15.88	29	68 - 82
ø15.88	36	100 - 120

* 1 N·m ≈ 10 kgf·cm

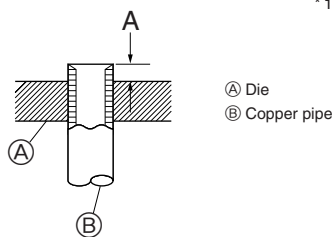


Fig. 5-5

5.5. Connecting pipes (Fig. 5-4)

- When commercially available copper pipes are used, wrap liquid and gas pipes with commercially available insulation materials (heat-resistant to 100 °C or more, thickness of 12 mm or more).
- The indoor parts of the drain pipe should be wrapped with polyethylene foam insulation materials (specific gravity of 0.03, thickness of 9 mm or more).
- Apply thin layer of refrigerant oil to pipe and joint seating surface before tightening flare nut. Ⓐ
- Use two wrenches to tighten piping connections. Ⓑ
- Use leak detector or soapy water to check for gas leaks after connections are completed.
- Apply refrigerating machine oil over the entire flare seat surface. Ⓒ
- Use the flare nuts as follows. Ⓓ

■ Pipe size (Outdoor unit-Branch box)

Pipe size (ømm)	Liquid	ø9.52
	Gas	ø15.88

The lineup of a connectable indoor unit depends on a district/areas/country.

■ Pipe size (Branch box-Indoor unit) *Case of M series or S series Indoor unit

Indoor unit type	(kW)	22	25	35	50	60	71	80
Pipe size (ømm)	Liquid	ø6.35	ø6.35	ø6.35	ø6.35	ø6.35	ø9.52	ø9.52
	Gas	ø9.52	ø9.52	ø9.52	ø12.7	ø15.88*	ø15.88	ø15.88

* When using 60 type indoor unit of MEXZ series, use the flare nut in the indoor unit accessory for the gas side connecting of indoor unit. Do not use the flare nut (gas side) attached to the indoor unit. If it is used, a gas leakage or even a pipe extraction may occur.

■ Pipe size (Branch box-Indoor unit) *Case of P series indoor unit

Indoor unit type	(kW)	35	50	60	71
Pipe size (ømm)	Liquid	ø6.35	ø6.35	ø9.52	ø9.52
	Gas	ø12.7	ø12.7	ø15.88	ø15.88

When using 35, 50 type indoor unit of P series, use the flare nut attached to the indoor unit. Do not use the flare nut (in the indoor unit accessory). If it is used, a gas leakage or even a pipe extraction may occur.

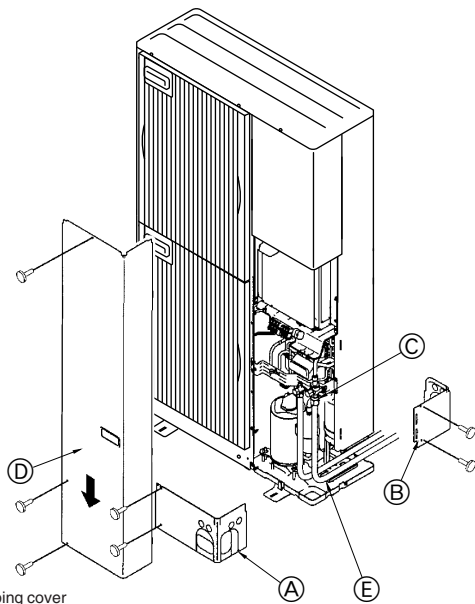
- When bending the pipes, be careful not to break them. Bend radii of 100 mm to 150 mm are sufficient.
- Make sure the pipes do not contact the compressor. Abnormal noise or vibration may result.

- ① Pipes must be connected starting from the indoor unit. Flare nuts must be tightened with a torque wrench.
- ② Flare the liquid pipes and gas pipes and apply a thin layer of refrigeration oil (Applied on site).
- When usual pipe sealing is used, refer to Table 2 for flaring of R410A refrigerant pipes. The size adjustment gauge can be used to confirm A measurements.

Table 2 (Fig. 5-5)

Copper pipe O.D. (mm)	A (mm)	
	Flare tool for R410A	Flare tool for R22-R407C
	Clutch type	
ø6.35 (1/4")	0 - 0.5	1.0 - 1.5
ø9.52 (3/8")	0 - 0.5	1.0 - 1.5
ø12.7 (1/2")	0 - 0.5	1.0 - 1.5
ø15.88 (5/8")	0 - 0.5	1.0 - 1.5

5. Installing the refrigerant piping



- Ⓐ Front piping cover
- Ⓑ Piping cover
- Ⓒ Stop valve
- Ⓓ Service panel
- Ⓔ Band radius : 100 mm - 150 mm

Fig. 5-6

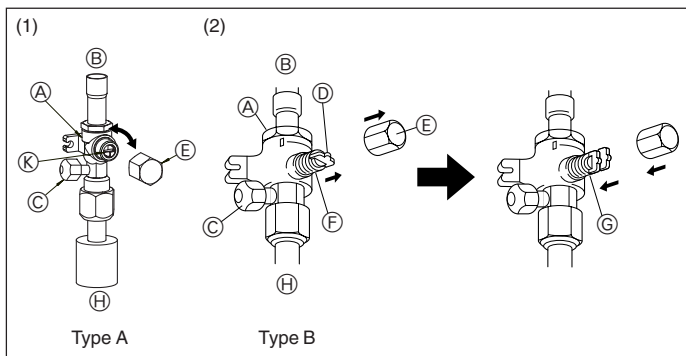


Fig. 5-7

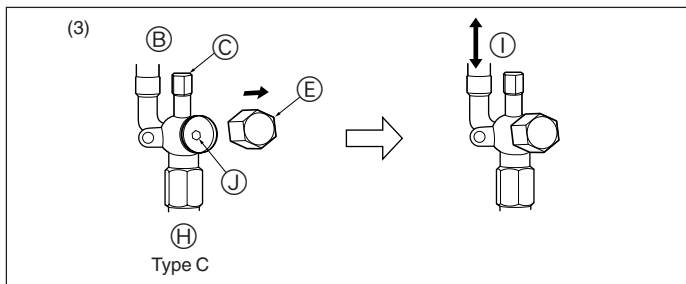


Fig. 5-8

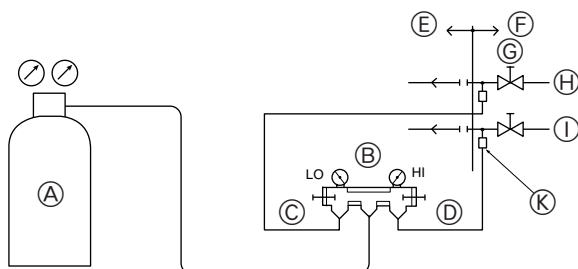


Fig. 5-9

5.6. Refrigerant piping (Fig. 5-6)

Remove the service panel (D) (three screws) and the front piping cover (A) (two screws) and rear piping cover (B) (two screws).

Refrigerant pipes are protectively wrapped

- The pipes can be protectively wrapped up to a diameter of $\phi 90$ before or after connecting the pipes. Cut out the knockout in the pipe cover following the groove and wrap the pipes.

Pipe inlet gap

- Use putty or sealant to seal the pipe inlet around the pipes so that no gaps remain. (If the gaps are not closed, noise may be emitted or water and dust will enter the unit and breakdown may result.)

5.7. Caution for piping connection/valve operation

- Conduct piping connection and valve operation accurately by following the figure below.
- Apply sealer along the insulator to prevent water entering the insulator covering the refrigerant pipe joints.
- After evacuation and refrigerant charge, ensure that the handle is fully open. If operating with the valve closed, abnormal pressure will be imparted to the high- or low-pressure side of the refrigerant circuit, giving damage to the compressor, etc.
- **Determine the amount of additional refrigerant charge (refer "5.3. Addition of refrigerant"), and charge refrigerant additionally through the service port after completing piping connection work.**
- After completing work, tighten the service port (12 - 15 N·m) and cap (20 - 25 N·m) securely to prevent gas leak.

*1 N·m \approx 10 kgf·cm

Method of completely opening the stop valve

The stop valve opening method varies according to the outdoor unit model. Use the appropriate method to open the stop valves.

(1) Type A (Fig. 5-7)

- ① Remove the cap, then turn one-quarter rotation counter-clockwise with a flat-bladed screwdriver to complete open.
- ② Check that the valves are fully open, then return the cap to its original state and tighten it down.

(2) Type B (Fig. 5-7)

- ① Remove the cap, pull the handle toward you and rotate 1/4 turn in a counterclockwise direction to open.
- ② Make sure that the stop valve is open completely, push in the handle and rotate the cap back to its original position.

(3) Type C (Fig. 5-8)

- ① Remove the cap and turn the valve rod counterclockwise as far as it will go with the use of a 4 mm hexagonal wrench. Stop turning when it hits the stopper.
- ② Make sure that the stop valve is open completely and rotate the cap back to its original position.

- Ⓐ Valve
- Ⓑ Unit side
- Ⓒ Service port
- Ⓓ Handle
- Ⓔ Cap
- Ⓕ Completely closed
- Ⓖ Completely open
- Ⓗ (On-side installation) Refrigerant piping side
- Ⓘ Direction the refrigerant flows in
- Ⓛ Wrench hole
- Ⓚ Operation section

5.8. Airtight test and evacuation

① Airtight test (Fig. 5-9)

Airtight test should be made by pressurizing nitrogen gas. For the test method, refer to the following figure.

- (1) Connecting the testing tool. Make a test with the stop valve closed. Be also sure to pressurize both liquid or high-pressure pipe and gas or low pressure pipe.
- (2) Do not add pressure to the specified pressure all at once; add pressure little by little.
 - ① Pressurize to 0.5 MPa (5 kgf/cm²G), wait five minutes, and make sure the pressure does not decrease.
 - ② Pressurize to 1.5 MPa (15 kgf/cm²G), wait five minutes, and make sure the pressure does not decrease.
 - ③ Pressurize to 4.15 MPa (41.5 kgf/cm²G) and measure the surrounding temperature and refrigerant pressure.
- (3) If the specified pressure holds for about one day and does not decrease, the pipes have passed the test and there are no leaks.
 - If the surrounding temperature changes by 1 °C, the pressure will change by about 0.01 MPa (0.1 kgf/cm²G). Make the necessary corrections.
- (4) If the pressure decreases in steps (2) or (3), there is a gas leak. Look for the source of the gas leak.

- Ⓐ Nitrogen gas
- Ⓑ System analyzer
- Ⓒ Lo-knob
- Ⓓ Hi-knob
- Ⓔ To branch box
- Ⓕ Outdoor unit
- Ⓖ Stop valve
- Ⓗ Liquid pipe or high-pressure pipe
- Ⓘ Gas pipe or low-pressure pipe
- Ⓚ Service port

5. Installing the refrigerant piping

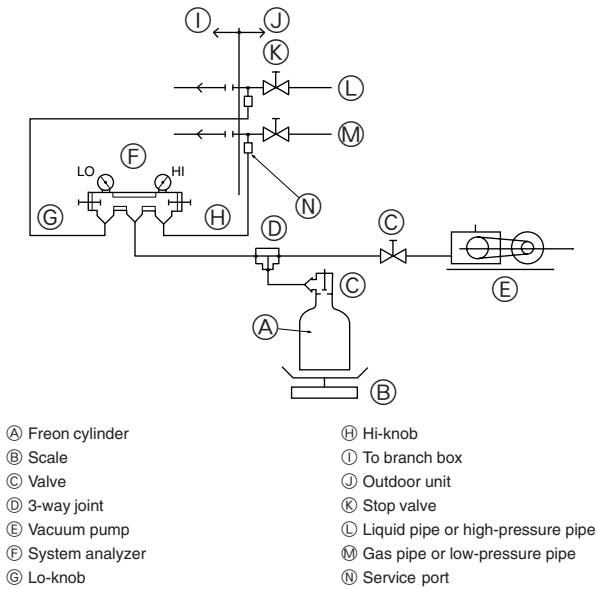


Fig. 5-10

② Evacuation (Fig. 5-10)

Evacuation should be made from the service port provided on the outdoor unit's stop valve to the vacuum pump commonly used for both liquid or high-pressure pipe and gas or low-pressure pipe. (Make evacuation from both liquid or high-pressure pipe and gas or low-pressure pipe with the stop valve closed.)
Remember: Never carry out air purge by refrigerant.

⚠ Warning:

When installing or moving a unit to another place, do not mix anything other than specified refrigerant into the refrigeration cycle. If air is mixed, the refrigeration cycle may obtain abnormally high pressure, resulting in a burst pipe.

* A high-precision gravimeter measurable up to 0.1 kg should be used. If you are unable to prepare such a high-precision gravimeter, you may use a charging cylinder.

Note:

- Use a gauge manifold, changing hose, and other parts for the refrigerant indicated on the unit.
- Use a gravimeter. (One that can measure down to 0.1 kg)

Precautions when using the charge valve (Fig.5-11)

Do not tighten the service port too much when installing it, otherwise, the valve core could be deformed and become loose, causing a gas leak.
After positioning section (B) in the desired direction, turn section (A) only and tighten it. Do not further tighten sections (A) and (B) together after tightening section (A).

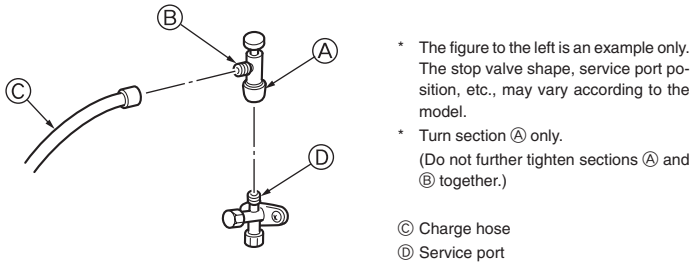


Fig. 5-11

6. Drainage piping work

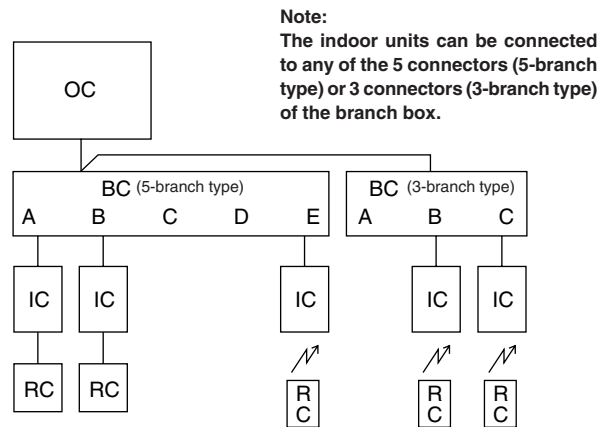
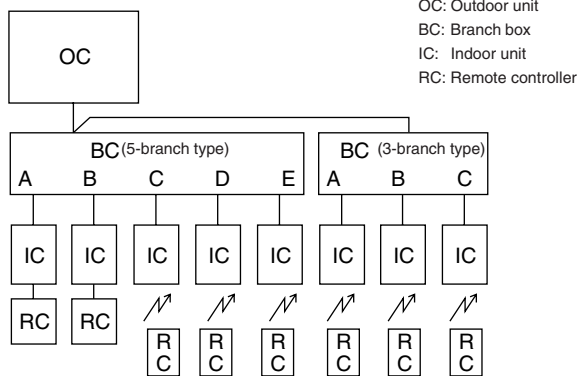
Outdoor unit drainage pipe connection

When drain piping is necessary, use the drain socket or the drain pan (option).

Drain socket	PAC-SG61DS-E
Drain pan	PAC-SG64DP-E

7. Electrical work

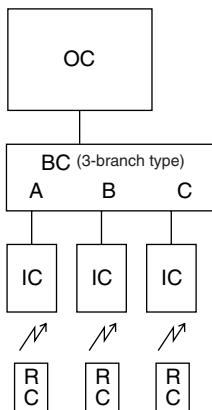
[1] Basic systems



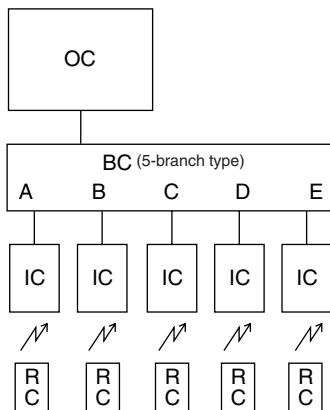
7. Electrical work

[2] Standard systems

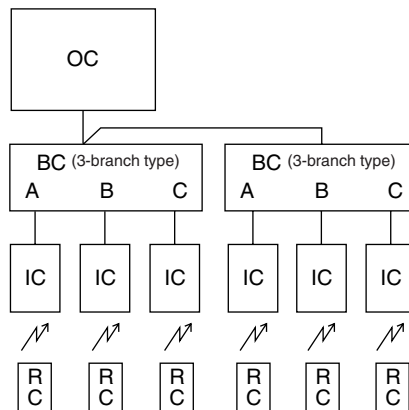
2-1. Only 3-branch type



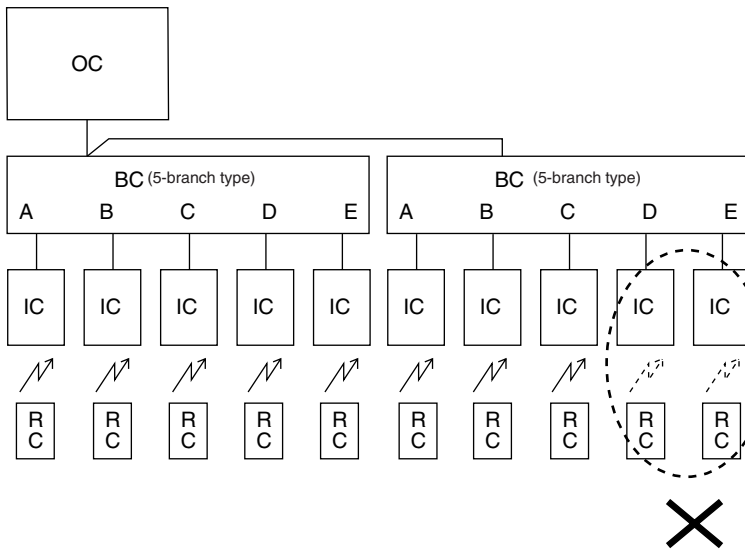
2-2. Only 5-branch type



2-3. 2-branch boxes (3-branch type)



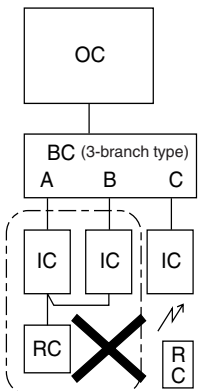
2-4. 2 branch boxes (5-branch type, maximum 8 indoor units)



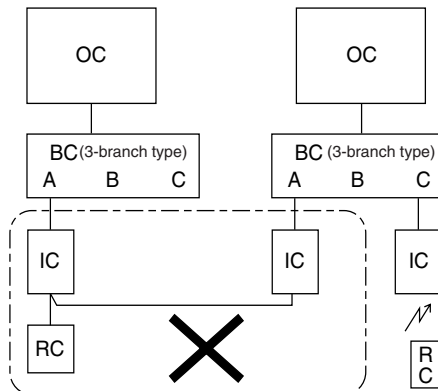
1. Up to 2 branch boxes can be connected to a single outdoor unit.
2. Up to 8 indoor units can be connected to the system.

[3] Incorrect systems

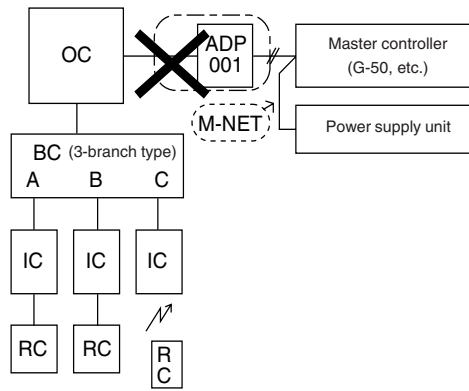
3-1. Group operation by single remote controller



3-2. Group operation between different refrigerant systems



3-3. Connection of M-NET adapter to outdoor unit



- 3-1. Plural indoor units cannot be operated by a single remote controller.
- 3-2. Different refrigerant systems cannot be connected together.
- 3-3. A M-NET adapter cannot be connected to an outdoor unit.

7. Electrical work

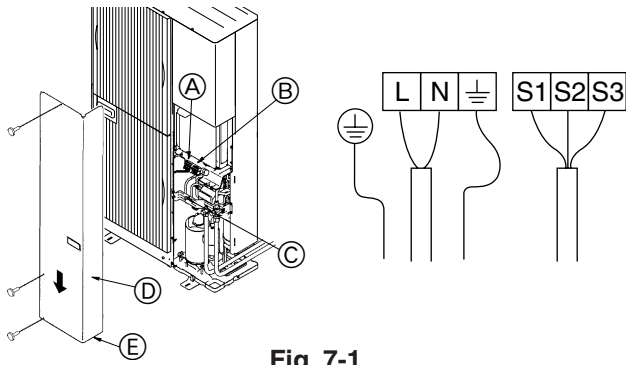


Fig. 7-1

7.1. Outdoor unit (Fig. 7-1)

- ① Remove the service panel.
 - ② Wire the cables referring to the Fig. 7-1.
- Ⓐ Earth terminal
 - Ⓑ Terminal block
 - Ⓒ Clamp
 - Ⓓ Service panel
 - Ⓔ Wire the cables so that they do not contact the center of the service panel or the gas valve.

7.2. Branch box/outdoor wire connection and outdoor power supply cord connection

⚠ Warning:

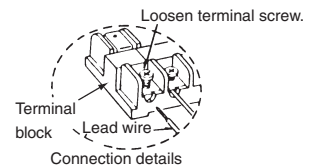
- Be sure to attach the terminal block covers/panel of the outdoor unit securely. If it is not attached correctly, it could result in a fire or an electric shock due to dust, water, etc.
- Be sure to connect the power supply cords and the connecting wires for the indoor units, outdoor units, and branch boxes directly to the units (no intermediate connections).

Intermediate connections can lead to communication errors if water enters the cords or wires and causes insufficient insulation to ground or a poor electrical contact at the intermediate connection point.

(If an intermediate connection is necessary, be sure to take measures to prevent water from entering the cords and wires.)

⚠ Caution:

- Be careful not to make mis-wiring.
- Firmly tighten the terminal screws to prevent them from loosening.
- After tightening, pull the wires lightly to confirm that they not move.
- If the connecting wire is incorrectly connected to the terminal block, the unit does not operate normally.



- Connect wire from the branch box correctly to the terminal block.
- For future servicing, give extra length to connecting wire.

<Example> (In case of 2-branch boxes)

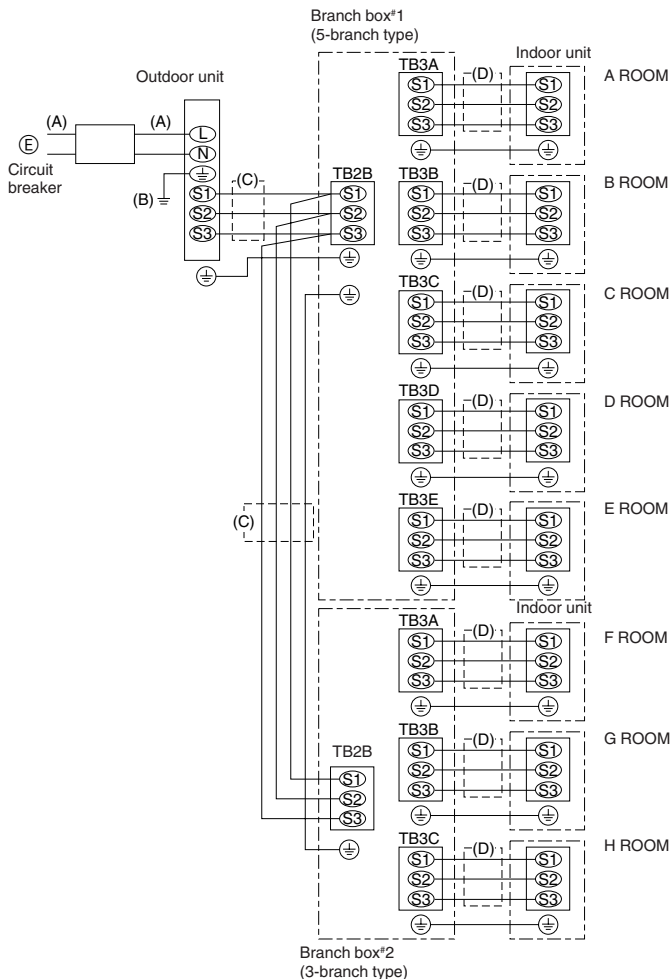


Fig. 7-2

7.3. External wiring procedure (Fig. 7-2)

The power supply work is needed only to the outdoor unit. The power supply to the branch box or indoor unit is conducted through wiring.

Therefore, the power supply work can be carried out at just one spot of the outdoor unit. It will contribute to simplify the work and save costs.

- Ⓔ Power supply
 - single phase AC220/230/240 V, 50 Hz
 - AC220 V, 60 Hz
 - Max. Permissive System Impedance 0.22(Ω)

Note:

- ① **Power supply input: Outdoor unit only.**
Connect the lines (C), (D) in accordance with the terminal block names to ensure correct polarity.

Wire diameter				Breaker *1	
(A) Main power line	(B) Earth line	(C) Signal line	(D) Signal line	Interrupting current	Performance characteristic
6.0 mm ²	6.0 mm ²	1.5 mm ²	1.5 mm ² *2	40 A	40A, 30 mA for 0.1 sec. or less

When using twisted wire for the wiring, the use of round terminal is required.

*1. A breaker with at least 3 mm contact separation in each pole shall be provided. Use non-fuse breaker (NF) or earth leakage breaker (NV).

*2. Max. 45 m ("Outdoor unit - Branch box *1" plus "Branch box *1 - Branch box *2").
If 2.5 mm² used, Max. 55 m.

- Notes:**
1. Wiring size must comply with the applicable local and national code.
 2. Power supply cords and indoor unit/branch box/outdoor unit connecting cords shall not be lighter than polychloroprene sheathed flexible cord. (Design 60245 IEC 57)
 3. Install an earth line longer than power cables.

IMPORTANT

Make sure that the current leakage breaker is one compatible with higher harmonics.

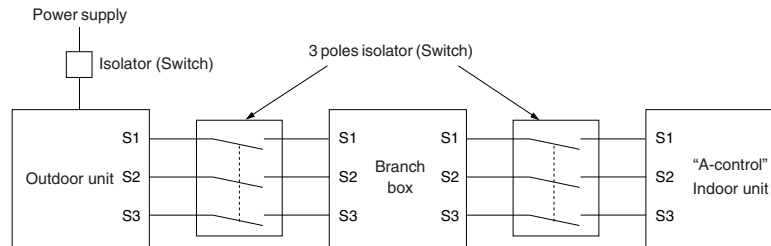
Always use a current leakage breaker that is compatible with higher harmonics as this unit is equipped with an inverter.

The use of an inadequate breaker can cause the incorrect operation of inverter.

7. Electrical work

⚠ Warning:

In case of A-control wiring, there is high voltage potential on the S3 terminal caused by electrical circuit design that has no electrical insulation between power line and communication signal line. Therefore, please turn off the main power supply when servicing. And do not touch the S1, S2, S3 terminals when the power is energized. If isolator should be used between outdoor unit and branch box/indoor unit and branch box, please use 3-poles type.







⚠ Caution:

After using the isolator, be sure to turn off and on the main power supply to reset the system. Otherwise, the outdoor unit may not be able to detect the branch box(es) or indoor units.

WIRING SPECIFICATIONS

(OUTDOOR-BRANCH BOX CONNECTING CABLE)

Cross section of cable	Wire size (mm ²)	Number of wires	Polarity	L (m)*6
Round 	2.5	3	Clockwise : S1-S2-S3 * Pay attention to stripe of yellow and green	(50) *2
Flat 	2.5	3	Not applicable (Because center wire has no cover finish)	Not applicable *5
Flat 	1.5	4	From left to right : S1-Open-S2-S3	(45) *3
Round 	2.5	4	Clockwise : S1-S2-S3-Open *Connect S1 and S3 to the opposite angle	(55) *4

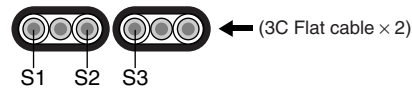
*1 : Power supply cords of appliances shall not be lighter than design 60245 IEC or 227 IEC.

*2 : In case that cable with stripe of yellow and green is available.

*3 : In case of regular polarity connection (S1-S2-S3), wire size is 1.5 mm².

*4 : In case of regular polarity connection (S1-S2-S3).

*5 : In the flat cables are connected as this picture, they can be used up to 55 m.



*6 : Mentioned cable length is just a reference value.

It may be different depending on the condition of installation, Humidity or materials, etc.

Be sure to connect the outdoor-branch box/indoor-branch box connecting cables directly to the units (no intermediate connections). Intermediate connections can lead to communication errors if water enters the cables and causes insufficient insulation to ground or a poor electrical contact at the intermediate connection point.

(If an intermediate connection is necessary, be sure to take measures to prevent water from entering the cables.)

8. Test run

8.1. Before test run

- ▶ After completing installation and the wiring and piping of the indoor and outdoor units, check for refrigerant leakage, looseness in the power supply or control wiring, wrong polarity, and no disconnection of one phase in the supply.
- ▶ Use a 500-volt M-ohm tester to check that the resistance between the power supply terminals and ground is at least 1 MΩ.
- ▶ Do not carry out this test on the control wiring (low voltage circuit) terminals.

⚠ Warning:

Do not use the air conditioner if the insulation resistance is less than 1 MΩ.

Insulation resistance

After installation or after the power source to the unit has been cut for an extended period, the insulation resistance will drop below 1 MΩ due to refrigerant accumulating in the compressor. This is not a malfunction. Perform the following procedures.

1. Remove the wires from the compressor and measure the insulation resistance of the compressor.
2. If the insulation resistance is below 1 MΩ, the compressor is faulty or the resistance dropped due the accumulation of refrigerant in the compressor.

3. After connecting the wires to the compressor, the compressor will start to warm up after power is supplied. After supplying power for the times indicated below, measure the insulation resistance again.
 - The insulation resistance drops due to accumulation of refrigerant in the compressor. The resistance will rise above 1 MΩ after the compressor is warmed up for two to three hours.
(The time necessary to warm up the compressor varies according to atmospheric conditions and refrigerant accumulation.)
 - To operate the compressor with refrigerant accumulated in the compressor, the compressor must be warmed up at least 12 hours to prevent breakdown.
4. If the insulation resistance rises above 1 MΩ, the compressor is not faulty.

⚠ Caution:

- The compressor will not operate unless the power supply phase connection is correct.
- Turn on the power at least 12 hours before starting operation.
 - Starting operation immediately after turning on the main power switch can result in severe damage to internal parts. Keep the power switch turned on during the operational season.

▶ The followings must be checked as well.

- The outdoor unit is not faulty. LED on the control board of the outdoor unit flash when the outdoor unit is faulty.
- Both the gas and liquid stop valves are completely open.

8.2. Test run

8.2.1. Using remote controller

Refer to the indoor unit installation manual.

- Be sure to perform the test run for each indoor unit. Make sure each indoor unit operates properly following the installation manual attached to the unit.
- If you perform the test run for all indoor units at once, you cannot detect any erroneous connection, if any, of the refrigerant pipes and the connecting wires.
 - * The compressor operation is not available for 3 minutes at least after the power is supplied.
- The compressor can emit noise just after turn on the power supply or in case of low outside air temperature.

About the restart protective mechanism

Once the compressor stops, the restart preventive device operates so the compressor will not operate for 3 minutes to protect the air conditioner.

8.2.2. Using SW4 in outdoor unit

In case of the test run from outdoor unit, all indoor units operate. Therefore, you can not detect any erroneous connection of refrigerant pipes and the connecting wires. If it aims at detection of any erroneous connection, be sure to carry out the test run from remote controller with reference to "8.2.1. Using remote controller."

SW4-1	ON	Cooling operation
SW4-2	OFF	
SW4-1	ON	Heating operation
SW4-2	ON	

* After performing the test run, set SW4-1 to OFF.

- A few seconds after the compressor starts, a clanging noise may be heard from the inside of the outdoor unit. The noise is coming from the check valve due to the small difference in pressure in the pipes. The unit is not faulty.

The test run operation mode cannot be changed by DIP switch SW4-2 during the test run. (To change the test run operation mode during the test run, stop the test run by DIP switch SW4-1. After changing the test run operation mode, resume the test run by switch SW4-1.)

When a test run is started by "Using SW4 in outdoor unit", even if it carries out stop instructions by remote controller, outdoor unit does not stop (a test run is not ended). In this case, please set SW4 in outdoor unit to off.

Note:

Be sure to wait at least 3 minutes after turning on the power supply before setting SW4-1 and SW4-2. If the DIP switches are set before 3 minutes has elapsed, the test run may not start.

9. Special Functions

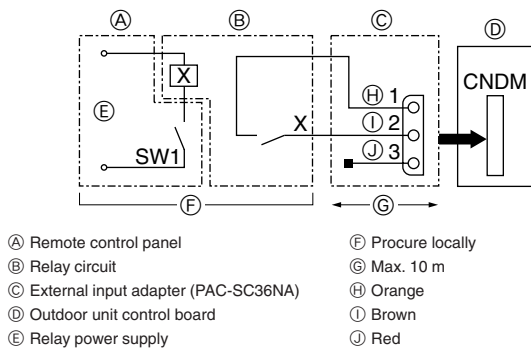


Fig. 9-1

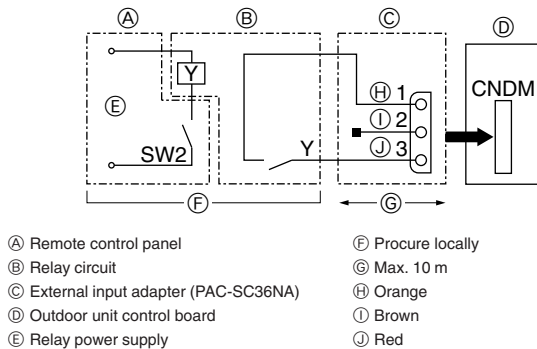
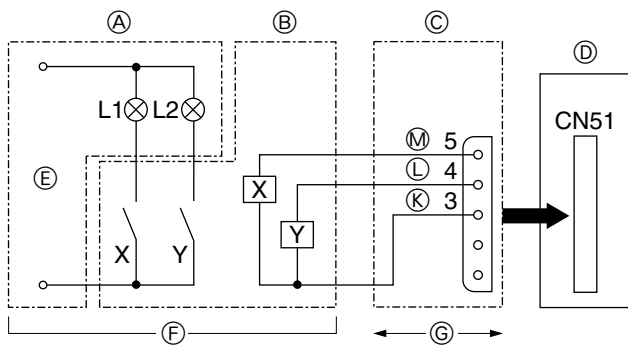


Fig. 9-2



L1 : Error display lamp
 L2 : Compressor operation lamp
 X, Y : Relay (Coil standard of 0.9W or less for DC 12V)
 X, Y : Relay (DC1mA)

Fig. 9-3

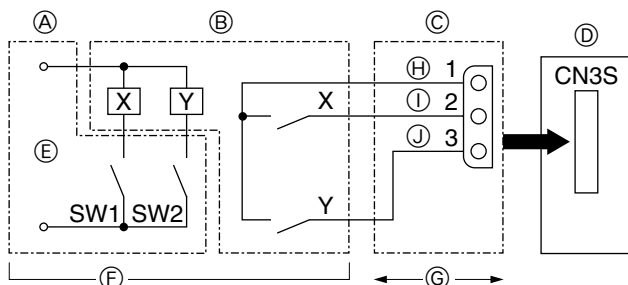


Fig. 9-4

9.1. Low noise mode (on-site modification) (Fig. 9-1)

By performing the following modification, operation noise of the outdoor unit can be reduced by about 3-4 dB.

The low noise mode will be activated when a commercially available timer or the contact input of an ON/OFF switch is added to the CNDM connector (option) on the control board of the outdoor unit.

- The capacity may be insufficient according to the outdoor temperature and conditions, etc.
- Complete the circuit as shown when using the external input adapter (PAC-SC36NA). (Option)

9.2. Demand function (on-site modification) (Fig. 9-2)

It is possible to reduce electricity consumption within a range from 0 to 100 percent by performing the following on-site installation.

The demand function can be enabled by adding a commercially available input contact point ON/OFF switch to the CNDM connector (the contact point demand input, sold separately).

- Incorporate the "Adaptor for external input (PAC-SC36NA)" into the circuit as shown in the diagram on the left.
- By switching SW7-1 on the control circuit board for the outdoor unit, the following power consumption restrictions (compared to rated power) can be set.

SW7-1	Power consumption when SW2 is on
OFF	0% (Forced compressor stop)
ON	50%

9.3. Error and compressor operation monitoring function (CN51)

- Remote control panel
- Relay circuit
- External output adapter (PAC-SA88HA-E)
- Outdoor unit control board
- Lamp power supply
- Procure locally
- Max. 10m
- Orange
- Yellow
- Green

9.4. Auto change over - Operation mode locking function by external signal (CN3S)

- Remote control panel
- Relay circuit
- External input adapter (PAC-SC36NA)
- Outdoor unit control board
- Relay power supply
- Procure locally
- Max. 10m
- Orange
- Brown
- Red

	ON	OFF
SW1	Heating	Cooling
SW2	Validity of SW1	Invalidity of SW1

* Any indoor unit that is operating in a mode different from the one specified by the external signal will enter the standby mode.

* The setting becomes effective when the outdoor unit is under stop.

* The operation mode specified for the test run has priority over the mode specified using this function.

Inhaltsverzeichnis

1. Sicherheitsvorkehrungen	16	6. Verrohrung der Dränage	24
2. Installationszeichnung und Teile	17	7. Elektroarbeiten	24
3. Aufstellort	18	8. Testlauf	28
4. Einbau der Außenanlage	20	9. Spezielle Funktionen	29
5. Installation der Kältemittelrohrleitung	20		

1. Sicherheitsvorkehrungen

- ▶ Vor dem Einbau der Anlage vergewissern, dass Sie alle Informationen über "Sicherheitsvorkehrungen" gelesen haben.
- ▶ Vor Anschluss an das System Mitteilung an Stromversorgungsunternehmen machen oder dessen Genehmigung einholen.
- ▶ Die Anlage entspricht der Norm IEC/EN 61000-3-12

⚠ Warnung:
Beschreibt Vorkehrungen, die beachtet werden müssen, um den Benutzer vor der Gefahr von Verletzungen oder tödlichen Unfällen zu bewahren.

⚠ Vorsicht:
Beschreibt Vorkehrungen, die beachtet werden müssen, damit an der Anlage keine Schäden entstehen.

⚠ Warnung:

- Das Gerät darf nicht vom Benutzer installiert werden. Bitten Sie Ihren Fachhändler oder einen geprüften Fachtechniker, die Installation der Anlage vorzunehmen. Wenn das Gerät unsachgemäß installiert wurde, kann dies Wasseraustritt, Stromschläge oder einen Brand zur Folge haben.
- Folgen Sie bei der Installation den Anweisungen in der Installationsanleitung, und verwenden Sie Werkzeuge und Rohrleitungsbestandteile, die ausdrücklich zum Einsatz von Kältemittel R410A ausgelegt sind. Das Kältemittel R410A ist im HFC-System 1,6-mal höherem Druck ausgesetzt als übliche Kältemittel. Wenn Rohrleitungsbestandteile verwendet werden, die nicht für Kältemittel R410A ausgelegt sind und die Anlage nicht richtig installiert ist, können Rohre platzen und dabei Verletzungen oder Sachschäden verursachen. Außerdem kann das Wasseraustritt, Stromschläge oder einen Brand zur Folge haben.
- Die Anlage muss entsprechend den Anweisungen installiert werden, um die Gefahr von Schäden in Folge von Erdbeben, Stürmen oder starkem Windeinfluss zu minimieren. Eine falsch installierte Anlage kann herabfallen und dabei Verletzungen oder Sachschäden verursachen.
- Die Anlage muss sicher an einem Bauteil installiert werden, das das Gewicht der Anlage tragen kann. Wenn die Anlage an einem zu schwachen Bauteil montiert ist, besteht die Gefahr, dass sie herabfällt und dabei Verletzungen oder Sachschäden verursacht.
- Wenn die Klimaanlage in einem kleinen Raum installiert wird, müssen Maßnahmen ergriffen werden, damit die Kältemittelkonzentration auch bei Kältemittelaustritt den Sicherheitsgrenzwert nicht überschreitet. Konsultieren Sie Ihren Fachhändler bezüglich geeigneter Maßnahmen gegen die Überschreitung der erlaubten Konzentration. Sollte Kältemittel austreten und der Grenzwert der Kältemittelkonzentration überschritten werden, können durch den Sauerstoffmangel im Raum Gefahren entstehen.
- Lüften Sie den Raum, wenn bei Betrieb Kältemittel austritt. Wenn Kältemittel mit einer Flamme in Berührung kommt, werden dabei giftige Gase freigesetzt.
- Alle Elektroarbeiten müssen entsprechend den örtlichen Vorschriften und den Anweisungen in dieser Anleitung von qualifizierten Fachelektrikern ausgeführt werden. Die Anlagen müssen über eigene Stromkreise versorgt werden, und es müssen die richtige Betriebsspannung und die richtigen Leistungsschalter verwendet werden. Stromleitungen mit unzureichender Kapazität oder falsch ausgeführte Elektroarbeiten können Stromschläge oder Brände verursachen.

Erläutern Sie dem Kunden nach Abschluss der Installationsarbeiten die "Sicherheitsvorkehrungen" sowie die Nutzung und Wartung der Anlage entsprechend den Informationen in der Bedienungsanleitung und führen Sie einen Testlauf durch, um sicherzustellen, dass die Anlage ordnungsgemäß funktioniert. Geben Sie dem Benutzer sowohl die Installations- als auch die Bedienungsanleitung zur Aufbewahrung. Diese Anleitungen sind auch den nachfolgenden Besitzern der Anlage weiterzugeben.

⚠ : Verweist auf einen Teil der Anlage, der geerdet werden muss.

⚠ Warnung:
Sorgfältig die auf der Hauptanlage aufgebrachten Aufschriften lesen.

- Darauf achten, die Netzkabel und die Verbindungsleitungen für die Innergeräte, Außengeräte und Abzweigkästen direkt an die Geräte anzuschließen (keine Zwischenanschlüsse). Zwischenanschlüsse können Verbindungsfehler verursachen, wenn Wasser in die Kabel oder Leitungen eindringt und ungenügende Isolierung zur Erde oder unzureichenden Elektrokontakt am Zwischenanschlusspunkt zur Folge hat. (Wenn ein Zwischenanschluss notwendig ist, sicherstellen dass kein Wasser in die Kabel und Leitungen eindringen kann.)
- Verwenden Sie zur Verbindung der Kältemittelrohrleitungen für nahtlose Rohre aus Kupfer und Kupferlegierungen Kupferphosphor C1220. Wenn die Rohre nicht korrekt verbunden sind, ist die Anlage nicht ordnungsgemäß geerdet, was Stromschläge zur Folge haben kann.
- Verwenden Sie zur Verdrahtung nur die angegebenen Kabel. Die Anschlüsse müssen fest und sicher ohne Zugbelastung auf den Klemmen vorgenommen werden. Wenn die Kabel falsch angeschlossen oder installiert sind, kann dies Überhitzung oder einen Brand zur Folge haben.
- Die Abdeckplatte der Klemmleiste der Außenanlage muss fest angebracht werden. Wenn die Abdeckplatte falsch montiert ist und Staub und Feuchtigkeit in die Anlage eindringen, kann dies einen Stromschlag oder einen Brand zur Folge haben.
- Verwenden Sie nach der Installation oder einem Transport der Klimaanlage nur das angegebene Kältemittel (R410A) zum Füllen der Kältemittelleitungen. Mischen Sie es nicht mit anderen Kältemitteln, und achten Sie darauf, dass keine Luft in den Leitungen verbleibt. Luft in den Leitungen kann Druckschärfen verursachen, die zu Rissen und Brüchen sowie anderen Schäden führen können.
- Verwenden Sie nur von Mitsubishi Electric zugelassenes Zubehör, und lassen Sie dieses durch Ihren Fachhändler oder eine Vertragswerkstatt einbauen. Wenn Zubehör falsch installiert ist, kann dies Wasseraustritt, Stromschläge oder einen Brand zur Folge haben.
- Verändern Sie die Anlage nicht. Wenden Sie sich für Reparaturen an Ihren Fachhändler. Wenn Änderungen oder Reparaturen nicht sachgemäß durchgeführt werden, kann dies Wasseraustritt, Stromschläge oder einen Brand zur Folge haben.
- Der Benutzer darf niemals versuchen, die Anlage zu reparieren oder an einem anderen Ort aufzustellen. Wenn die Anlage nicht sachgemäß installiert ist, kann dies Wasseraustritt, Stromschläge oder einen Brand zur Folge haben. Wenn die Klimaanlage repariert oder transportiert werden muss, wenden Sie sich dazu an Ihren Fachhändler oder einen geprüften Fachtechniker.
- Prüfen Sie die Anlage nach Abschluss der Installation auf Kältemittelaustritt. Wenn Kältemittel in den Raum gelangt und mit der Flamme einer Heizung oder eines Gasherds in Berührung kommt, werden dabei giftige Gase freigesetzt.

1.1. Vor der Installation

⚠ Vorsicht:

- Setzen Sie die Anlage nicht in unüblichem Umfeld ein. Wenn die Klimaanlage in Bereichen installiert ist, in denen sie Rauch, austretendem Öl (einschließlich Maschinenöl) oder Schwefeldämpfen ausgesetzt ist, Gegenden mit hohem Salzgehalt, etwa am Meer, oder Bereichen, in denen die Anlage mit Schnee bedeckt wird, kann dies erhebliche Leistungsbeeinträchtigungen und Schäden an den Geräteteilen im Inneren der Anlage zur Folge haben.
- Installieren Sie die Anlage nicht in Bereichen, in denen entzündliche Gase austreten, hergestellt werden, ausströmen oder sich ansammeln können. Wenn sich entzündliche Gase im Bereich der Anlage ansammeln, kann dies zu einem Brand oder einer Explosion führen.

- Während des Heizens entsteht an der Außenanlage Kondenswasser. Sorgen Sie für eine Wasserableitung rund um die Außenanlage, wenn Kondenswasser Schäden verursachen kann.
- Bei der Installation der Anlage in Krankenhäusern oder Kommunikationseinrichtungen müssen Sie mit Lärmbelastung und elektronischen Störungen rechnen. Inverter, Haushaltsgeräte, medizinische Hochfrequenzapparate und Telekommunikationseinrichtungen können Fehlfunktionen oder den Ausfall der Klimaanlage verursachen. Die Klimaanlage kann auch medizinische Geräte in Mitleidenschaft ziehen, die medizinische Versorgung und Kommunikationseinrichtungen durch Beeinträchtigung der Bildschirmdarstellung stören.

1.2. Vor der Installation (Transport)

⚠ Vorsicht:

- Lassen Sie beim Transport der Anlagen besondere Vorsicht walten. Zum Transport der Anlage sind mindestens zwei Personen nötig, da die Anlage 20 kg oder mehr wiegt. Tragen Sie die Anlage nicht an den Verpackungsbändern. Tragen Sie Schutzhandschuhe beim Auspacken und beim Transportieren der Anlage, um Verletzungen der Hände durch die Kühlrippen oder andere Teile zu vermeiden.
- Sorgen Sie für eine ordnungsgemäße Entsorgung der Verpackungsmaterialien. Verpackungsmaterialien wie Nägel sowie andere metallene oder hölzerne Teile können Verletzungen verursachen.

- Die Bodenplatte und die Befestigungsteile der Außenanlage müssen regelmäßig auf Festigkeit, Risse und andere Schäden geprüft werden. Wenn solche Schäden nicht behoben werden, kann die Anlage herabfallen und dabei Verletzungen oder Sachschäden verursachen.
- Die Klimaanlage darf nicht mit Wasser gereinigt werden. Dabei kann es zu Stromschlägen kommen.
- Alle Konusmuttern müssen mit einem Drehmomentschlüssel entsprechend den technischen Anweisungen angezogen werden. Wenn eine Konusmutter zu fest angezogen wird, besteht die Gefahr, dass sie nach einer gewissen Zeit bricht und dass Kältemittel austritt.

1. Sicherheitsvorkehrungen

1.3. Vor den Elektroarbeiten

⚠ Vorsicht:

- Installieren Sie auf jeden Fall Leistungsschalter. Andernfalls besteht die Gefahr von Stromschlägen.

WICHTIG

Darauf achten, dass der Stromunterbrecher mit harmonischen Oberschwingungen kompatibel ist.

Stets einen Stromunterbrecher verwenden, der mit harmonischen Oberschwingungen ordnungsgemäß installiert ist, da dieses Gerät einen Umwandler besitzt.

Wird ein ungeeigneter Unterbrecher verwendet, kann dies zu einem mangelhaften Betrieb des Umwandlers führen.

- Verwenden Sie für die Netzleitungen handelsübliche Kabel mit ausreichender Kapazität. Andernfalls besteht die Gefahr von Kurzschlüssen, Überhitzung oder eines Brandes.

1.4. Vor dem Testlauf

⚠ Vorsicht:

- Schalten Sie den Netzschalter mehr als 12 Stunden vor Betriebsbeginn ein. Ein Betriebsbeginn unmittelbar nach Einschalten des Netzschalters kann zu schwerwiegenden Schäden der Innenteile führen. Lassen Sie während der Betriebsperiode den Netzschalter eingeschaltet.
- Prüfen Sie vor Betriebsbeginn, ob alle Platten, Sicherungen und weitere Schutzvorrichtungen ordnungsgemäß installiert sind. Rotierende, heiße oder unter Hochspannung stehende Bauteile können Verletzungen verursachen.
- Berühren Sie Schalter nicht mit nassen Händen. Dadurch besteht die Gefahr eines Stromschlags.

1.5. Einsatz von Klimaanlage mit dem Kältemittel R410A

⚠ Vorsicht:

- Verwenden Sie zur Verbindung der Kältemittelrohrleitungen für nahtlose Rohre aus Kupfer und Kupferlegierungen Kupferphosphor C1220. Vergewissern Sie sich, dass die Rohre von innen sauber sind und keine schädlichen Verunreinigungen wie Schwefelverbindungen, Oxidationsmittel, Fremdkörper oder Staub enthalten. Verwenden Sie Rohre mit der vorgeschriebenen Stärke (Siehe Seite 20). Beachten Sie die folgenden Hinweise, wenn Sie vorhandene Rohre wieder verwenden, mit denen das Kältemittel R22 transportiert wurde.
- Ersetzen Sie die vorhandenen Konusmuttern, und weiten Sie die zur Aufweitung bestimmten Bereiche erneut auf.
- Verwenden Sie keine dünnen Rohre (Siehe Seite 20).
- Lagern Sie die für die Installation benötigten Rohre in einem geschlossenen Raum, und lassen Sie beide Enden der Rohre bis unmittelbar vor dem Hartlöten abgedichtet. (Belassen Sie Winkelstücke usw. in ihren Verpackungen.) Wenn Staub, Fremdkörper oder Feuchtigkeit in die Kältemittelleitungen eindringen, besteht die Gefahr, dass sich das Öl zersetzt oder der Kompressor ausfällt.
- Tragen Sie eine kleine Menge Esteröl/Ätheröl oder Alkylbenzol als Kältemittelöl auf die Konusanschlüsse auf. Wenn das Kältemittelöl mit Mineralöl gemischt wird, besteht die Gefahr, dass sich das Öl zersetzt.

- Achten Sie bei der Installation der Netzleitungen darauf, dass keine Zugspannung für die Kabel entsteht. Wenn sich die Anschlüsse lösen, besteht die Gefahr, dass die Kabel aus den Klemmen rutschen oder brechen; dies kann Überhitzung oder einen Brand verursachen.
- Die Anlage muss geerdet werden. Schließen Sie die Erdungsleitung nicht an Gas- oder Wasserleitungen, Blitzableitern oder Telefonerdungsleitungen an. Wenn die Anlage nicht ordnungsgemäß geerdet ist, besteht die Gefahr von Stromschlägen.
- Verwenden Sie Leistungsschalter (Erdschlussunterbrecher, Trennschalter (+B-Sicherung) und gussgekapselte Leistungsschalter) mit der angegebenen Kapazität. Wenn die Leistungsschalterkapazität größer ist als vorgeschrieben, kann dies einen Ausfall der Klimaanlage oder einen Brand zur Folge haben.

- Berühren Sie die Kältemittelrohre während des Betriebs nicht mit bloßen Händen. Die Kältemittelrohrleitungen sind je nach Zustand des durchfließenden Kältemittels heiß oder kalt. Beim Berühren der Rohre besteht die Gefahr von Verbrennungen oder Erfrierungen.
- Nach Beendigung des Betriebs müssen mindestens fünf Minuten verstreichen, ehe der Hauptschalter ausgeschaltet wird. Andernfalls besteht die Gefahr von Wasseraustritt oder Ausfall der Anlage.

- Verwenden Sie kein anderes Kältemittel als das Kältemittel R410A. Wenn ein anderes Kältemittel verwendet wird, führt das Chlor dazu, dass sich das Öl zersetzt.
- Verwenden Sie die folgenden Werkzeuge, die speziell für die Verwendung mit Kältemittel R410A ausgelegt sind. Die folgenden Werkzeuge sind für die Verwendung des Kältemittels R410A erforderlich. Wenden Sie sich bei weiteren Fragen an Ihren Fachhändler.

Werkzeuge (für R410A)	
Kaliber des Rohrverteilers	Aufweitungswerkzeug
Füllschlauch	Lehre für die Größenanpassung
Gasleckdetektor	Netzteil der Vakuumpumpe
Drehmomentschlüssel	Elektronische Kältemittelfüllstandsanzeige

- Verwenden Sie unbedingt die richtigen Werkzeuge. Wenn Staub, Fremdkörper oder Feuchtigkeit in die Kältemittelleitungen eindringen, besteht die Gefahr, dass sich das Kältemittelöl zersetzt.
- Verwenden Sie keinen Füllzylinder. Bei Verwendung eines Füllzylinders wird die Zusammensetzung des Kältemittels geändert und damit der Wirkungsgrad verringert.

2. Installationszeichnung und Teile

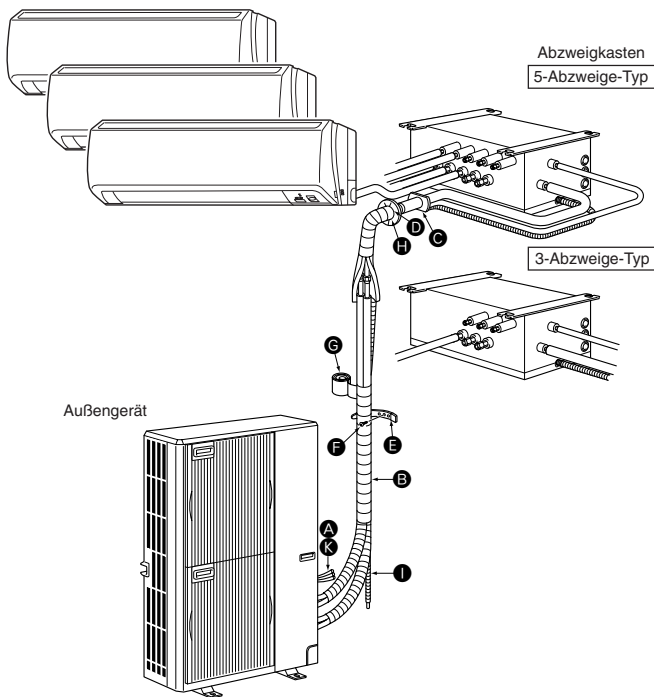


Fig. 2-1

2.1. Vor der Installation (Fig. 2-1)

Diese Installationsanleitung bezieht sich nur auf die Installation des Außengerätes. Für die Installation der Innengeräte und des Abzweigkastens, die jedem Gerät beigefügte Installationsanleitung beachten.

Alle für die Installation notwendigen baulichen Veränderungen müssen die örtlichen Bauvorschriften einhalten.

Diese Zeichnung dient zur Darstellung der Anordnung der Zubehörteile.

Bei der hier gegebenen Installation muss das Außengerät um 180° gedreht werden.

Geräte müssen durch geprüfte Fachbetriebe gemäß den örtlichen Bauvorschriften installiert werden.

Hinweis:

Die neben den oben dargestellten Pfeilen angegebenen Maße sind notwendig, um die Leistung der Klimaanlage zu gewährleisten. Bei der Installation der Anlage soviel Freiraum wie möglich für nachfolgende Bedienung, Wartung oder Reparaturen lassen.

Örtlich zu beschaffende Teile

A	Anschlussleitung für Abzweigkasten/Außengerät (3-adrig, Lesen Sie nach unter 7.3. Verfahren bei der Außenverdrahtung)	1
B	Verlängerungsrohr	1
C	Hülse für Wanddurchbruch	1
D	Abdeckung für Wanddurchbruch	1
E	Rohrfestigungsband (Die Menge richtet sich nach der Rohrlänge.)	2 bis 7
F	Befestigungsschraube für E 4 × 20 mm (Die Menge richtet sich nach der Rohrlänge.)	2 bis 7
G	Klebeband für Rohrleitung	1
H	Spachtel	1
I	Abflussschlauch (Hart-PVC Rohr VP16)	1
J	Kältemittelöl	1
K	Netzkabel (2-adrig, Lesen Sie nach unter 7.3. Verfahren bei der Außenverdrahtung)	1

3. Aufstellort

3.1. Rohrleitung für Kältemittel

Siehe 5.2. Rohrlänge und Höhenunterschied.

3.2. Auswahl des Aufstellungsortes für die Außenanlage

- Vermeiden Sie Aufstellungsorte, die direkter Sonneneinstrahlung oder anderen Hitzequellen ausgesetzt sind.
- Wählen Sie den Aufstellungsort so, dass von der Anlage ausgehende Geräusche die Nachbarschaft nicht stören.
- Wählen Sie den Aufstellungsort so, dass der Netzanschluss und die Verlegung der Rohre zur Innenanlage einfach zu bewerkstelligen sind.
- Vermeiden Sie Aufstellungsorte, an denen entzündliche Gase austreten, hergestellt werden, ausströmen oder sich ansammeln.
- Beachten Sie, dass bei Betrieb der Anlage Wasser heruntertropfen kann.
- Wählen Sie einen waagerechten Aufstellungsort, der dem Gewicht und den Schwingungen der Anlage gewachsen ist.
- Vermeiden Sie Aufstellungsorte, an denen die Anlage mit Schnee bedeckt werden kann. In Gegenden, in denen mit schwerem Schnellfall zu rechnen ist, müssen spezielle Vorkehrungen getroffen werden, wie die Wahl eines höheren Aufstellungsortes oder die Montage einer Abdeckhaube vor der Öffnung für die Luftansaugung, um zu vermeiden, dass Schnee die Luftansaugung blockiert oder direkt hineingeblasen wird. Dadurch kann der Luftstrom vermindert und so Fehlfunktionen verursacht werden.
- Vermeiden Sie Aufstellungsorte, die Öl, Dampf oder Schwefelgas ausgesetzt sind.
- Benutzen Sie zum Transport der Außenanlage die vier Tragegriffe. Wenn die Anlage an der Unterseite getragen wird, besteht die Gefahr, dass Hände oder Finger gequetscht werden.

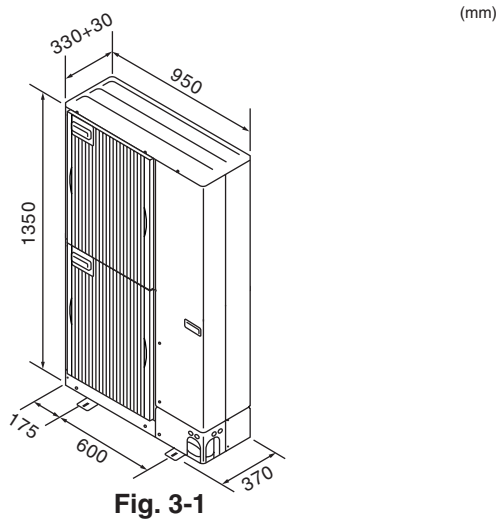


Fig. 3-1

3.3. Außenmaße (Außenanlage) (Fig. 3-1)

Beschränkungen für die Installation des Innengerätes

Bitte beachten, dass Innengeräte, die an das vorliegende Außengerät angeschlossen werden können, zu den nachstehenden Modellen gehören.

- Innengeräte mit den Modell-Nummern 22, 25, 35, 50, 60, 71, 80 können angeschlossen werden. Siehe unten stehende Tabelle für die Möglichkeit von 2 - 8-Raum-Kombinationen von Innengeräten.

Nachprüfung

Die Nennleistung muss unter Beachtung der unten stehenden Tabelle bestimmt werden. Die Mengenangaben sind auf 2-8 Einheiten begrenzt. Stellen Sie im nächsten Schritt sicher, dass die gewählte Gesamtnennleistung in einem Bereich von 4,4 - 18,5 kW.

Beispiel:

MSZ-60	=	6,0	} Gesamtnennleistung 18,0 ≤ 18,5 kW
		+	
SEZ-35	=	3,5	
		+	
SLZ-35	=	3,5	
		+	
SEZ-25	=	2,5	
		+	
SLZ-25	=	2,5	

Innengerätetyp	22	25	35	50	60	71	80
Nennleistung (Kühlen) (kW)	2,2	2,5	3,5	5,0	6,0	7,1	8,0

Kombinationen, bei denen die Gesamtleistung der Innengeräte die Leistung des Außengerätes (=14,0 kW) übersteigt, vermindern die Kühlkapazität jedes Innengerätes unter deren Nennkühlleistung. Daher, wenn möglich, Innengeräte mit einem Außengerät innerhalb der Leistung des Außengerätes (=14,0 kW) kombinieren.

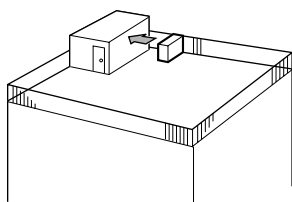


Fig. 3-2

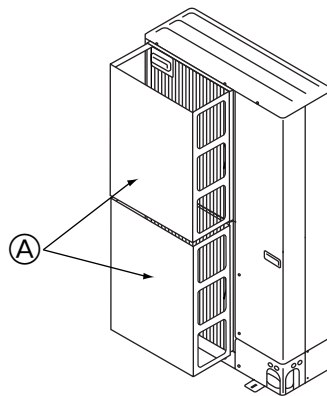


Fig. 3-3

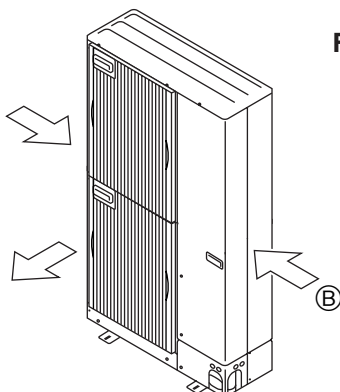


Fig. 3-4

3.4. Freiraum für Belüftung und Bedienung

3.4.1. Aufstellung an windanfälligen Aufstellungsorten

Bei Anbringung der Außenanlage auf dem Dach oder einem anderen, nicht vor Wind geschützten Ort, richten Sie die Luftaustrittsöffnung so aus, dass sie nicht unmittelbar starkem Wind ausgesetzt ist. Wenn starker Wind direkt in die Luftaustrittsöffnung bläst, kann dadurch der normale Luftstrom beeinträchtigt werden, was zu Fehlfunktionen führen kann. Nachstehend 2 Beispiele für Schutzmaßnahmen gegen starken Wind.

- ① Richten Sie die Luftaustrittsöffnung mit einem Abstand von etwa 50 cm auf die nächstgelegene Wand aus. (Fig. 3-2)
- ② Installieren Sie eine als Sonderzubehör erhältliche Luftauslassführung, wenn die Anlage an einem Aufstellungsort installiert ist, an dem die Gefahr besteht, dass starker Wind direkt in die Luftaustrittsöffnung bläst. (Fig. 3-3)
 - Ⓐ Luftauslassführung
- ③ Bringen Sie die Anlage so an, dass die Abluft aus der Luftaustrittsöffnung im rechten Winkel zu derjenigen Richtung geführt wird, aus der saisonal bedingt starker Wind bläst. (Fig. 3-4)
 - Ⓑ Windrichtung

3. Aufstellort

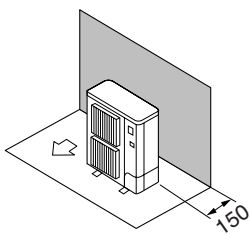


Fig. 3-5

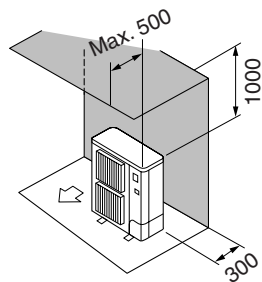


Fig. 3-6

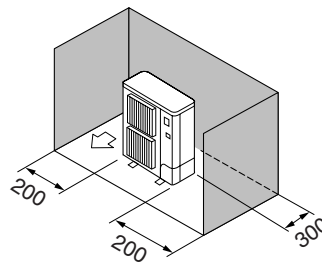


Fig. 3-7

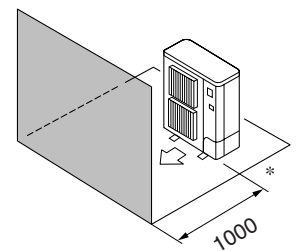


Fig. 3-8

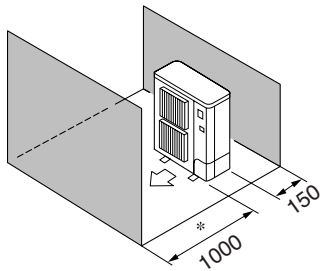


Fig. 3-9

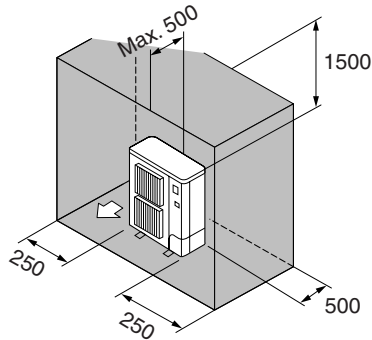


Fig. 3-10

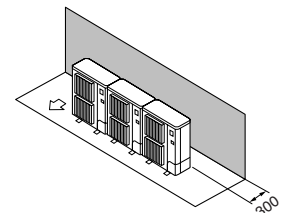


Fig. 3-11

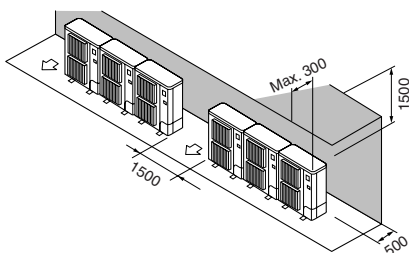


Fig. 3-12

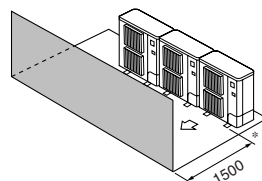


Fig. 3-13

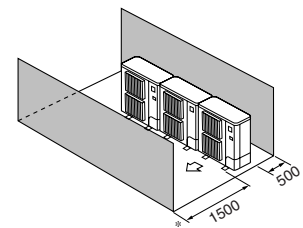


Fig. 3-14

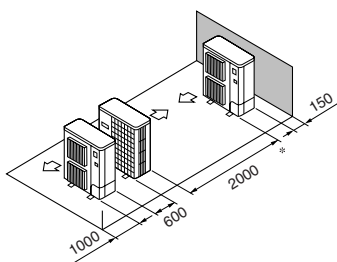


Fig. 3-15

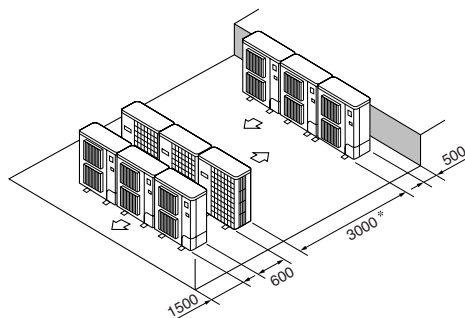


Fig. 3-16

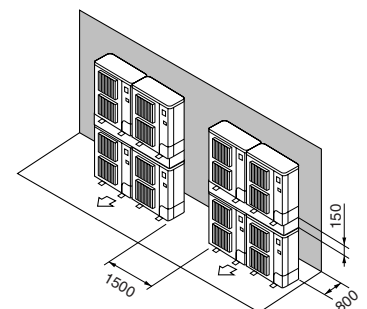


Fig. 3-17

3.4.2. Installation einer einzelnen Außenanlage

Die folgenden Mindestabmessungen gelten, außer für Max., was für Maximalabmessungen steht, wie angezeigt.

In jedem Einzelfall die jeweiligen Zahlenangaben beachten.

- ① Hindernisse nur auf der Rückseite (Fig. 3-5)
- ② Hindernisse nur auf der Rück- und Oberseite (Fig. 3-6)
- ③ Hindernisse nur auf der Rückseite und auf beiden Seiten (Fig. 3-7)
- ④ Hindernisse nur auf der Vorderseite (Fig. 3-8)
 - * Bei Verwendung einer als Sonderzubehör erhältlichen Luftauslassführung muss der Freiraum 500 mm oder mehr betragen.
- ⑤ Hindernisse nur auf der Vorder- und Rückseite (Fig. 3-9)
 - * Bei Verwendung einer als Sonderzubehör erhältlichen Luftauslassführung muss der Freiraum 500 mm oder mehr betragen.
- ⑥ Hindernisse nur auf der Rückseite, beiden Seiten und der Oberseite (Fig. 3-10)
 - Setzen Sie keine als Sonderzubehör erhältliche Luftauslassführungen dazu ein, den Luftstrom nach oben umzuleiten.

3.4.3. Installation mehrerer Außenanlagen

Zwischen den Geräten einen Abstand von mindestens 10 mm einräumen.

- ① Hindernisse nur auf der Rückseite (Fig. 3-11)
- ② Hindernisse nur auf der Rück- und Oberseite (Fig. 3-12)
 - Es dürfen nicht mehr als drei Anlagen nebeneinander installiert werden. Lassen Sie zusätzlich einen Freiraum wie dargestellt.
 - Setzen Sie keine als Sonderzubehör erhältliche Luftauslassführungen dazu ein, den Luftstrom nach oben umzuleiten.
- ③ Hindernisse nur auf der Vorderseite (Fig. 3-13)
 - * Bei Verwendung einer als Sonderzubehör erhältlichen Luftauslassführung muss der Freiraum 1000 mm oder mehr betragen.
- ④ Hindernisse nur auf der Vorder- und Rückseite (Fig. 3-14)
 - * Bei Verwendung einer als Sonderzubehör erhältlichen Luftauslassführung muss der Freiraum 1000 mm oder mehr betragen.
- ⑤ Einzelanlagen in paralleler Anordnung (Fig. 3-15)
 - * Bei Verwendung einer als Sonderzubehör erhältlichen Luftauslassführung zur Umleitung des Luftstroms nach oben muss der Freiraum 1000 mm oder mehr betragen.
- ⑥ Mehrfachanlagen in paralleler Anordnung (Fig. 3-16)
 - * Bei Verwendung einer als Sonderzubehör erhältlichen Luftauslassführung zur Umleitung des Luftstroms nach oben muss der Freiraum 1500 mm oder mehr betragen.
- ⑦ Anlagen in gestapelter Anordnung (Fig. 3-17)
 - Es können maximal zwei Anlagen übereinander gestapelt werden.
 - Es dürfen nicht mehr als zwei Anlagenstapel nebeneinander installiert werden. Lassen Sie zusätzlich einen Freiraum wie dargestellt.

4. Einbau der Außenanlage

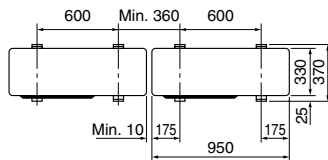
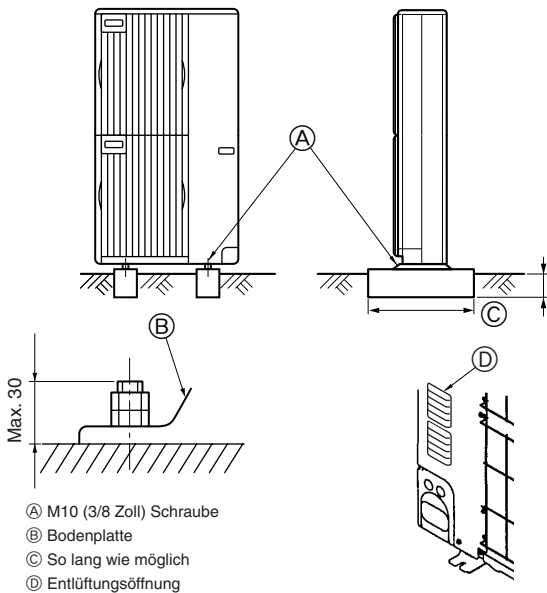


Fig. 4-1

- Die Anlage immer auf fester, ebener Oberfläche aufstellen, um Rattergeräusche beim Betrieb zu vermeiden. (Fig. 4-1)

<Spezifikationen des Fundaments>

Fundamentschraube	M10 (3/8 Zoll)
Betondicke	120 mm
Schraubenlänge	70 mm
Tragfähigkeit	320 kg

- Vergewissern, dass die Länge der Fundamentankerschraube innerhalb von 30 mm von der Unterseite der Bodenplatte liegt.
- Die Bodenplatte der Anlage mit 4 M10 Fundamentankerbolzen an tragfähigen Stellen sichern.

Installation der Außenanlage

- Die Entlüftungsöffnung darf nicht blockiert werden. Wenn die Entlüftungsöffnung blockiert ist, wird der Betrieb behindert, und es besteht die Gefahr des Ausfalls der Anlage.
- Verwenden Sie bei der Installation der Anlage zusätzlich zur Anlagenbodenplatte bei Bedarf die Installationsöffnungen auf der Rückseite der Anlage zum Befestigen von Elektroleitungen usw. Verwenden Sie zum Installieren vor Ort Blechschrauben (ø5 × 15 mm oder weniger).

⚠ Warnung:

- Die Anlage muss sicher an einem Gebäudeteil, das ihr Gewicht tragen kann, installiert werden. Wenn die Anlage an einem Gebäudeteil mit zu geringer Festigkeit installiert wird, besteht die Gefahr, dass sie herabfällt und Verletzungen oder Schäden verursacht.
- Die Anlage muss entsprechend den Anweisungen installiert werden, um die Gefahr von Schäden durch Erdbeben oder Stürme oder starken Windeinfluss zu minimieren. Bei einer nicht ordnungsgemäß installierten Anlage besteht die Gefahr, dass sie herabfällt und Verletzungen oder Schäden verursacht.

5. Installation der Kältemittelrohrleitung

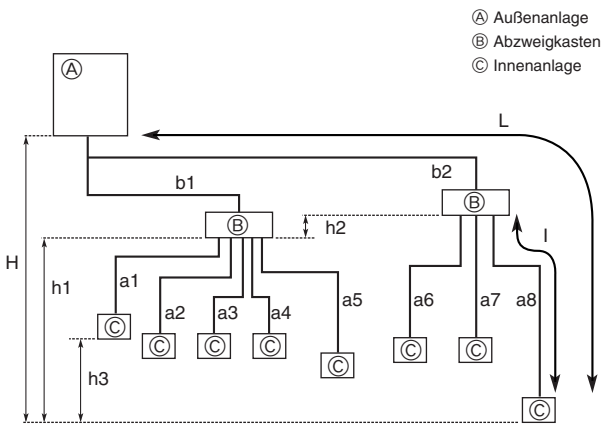


Fig. 5-1

5.1. Vorsichtsmaßnahmen bei Geräten, in denen das Kältemittel R410A verwendet wird

- Nachstehend nicht aufgeführte Vorsichtsmaßnahmen für die Verwendung von Klimaanlage mit dem Kältemittel R410A finden Sie auf Seite 17.
- Tragen Sie eine kleine Menge Esteröl/Ätheröl oder Alkylbenzol als Kältemittelöl auf die Konusanschlüsse auf.
- Verwenden Sie zur Verbindung der Kältemittelrohrleitungen für nahtlose Rohre aus Kupfer und Kupferlegierungen Kupferphosphor C1220. Verwenden Sie Kältemittelrohre mit Stärken wie in der folgenden Tabelle angegeben. Vergewissern Sie sich, dass die Rohre von innen sauber sind und keine schädlichen Verunreinigungen wie Schwefelverbindungen, Oxidationsmittel, Fremdkörper oder Staub enthalten.

⚠ Warnung:

Verwenden Sie bei der Installation oder nach einem Transport der Klimaanlage zum Füllen der Kältemittelleitungen ausschließlich das angegebene Kältemittel (R410A). Mischen Sie es nicht mit anderen Kältemitteln, und achten Sie darauf, dass keine Luft in den Leitungen verbleibt. Durch Luft in den Leitungen können Druckspitzen verursacht werden, die zu Rissen und Brüchen sowie anderen Schäden führen können.

ø6,35, ø9,52, ø12,7	Stärke 0,8 mm
ø15,88	Stärke 1,0 mm

- Verwenden Sie keine dünneren Rohre als oben angegeben.

Zulässige Länge (eine Richtung)	Gesamtrohrlänge	$b1+b2+a1+a2+a3+a4+a5+a6+a7+a8 \leq 115 \text{ m}$
	Äußerste Rohrlänge (L)	$b2+a8 \leq 70 \text{ m}$ ($b2 \leq 55 \text{ m}$, $a8 \leq 15 \text{ m}$)
	Rohrlänge zwischen Außengerät und Abzweigkästen	$b1+b2 \leq 55 \text{ m}$
	Äußerste Rohrlänge hinter dem Abzweigkasten (l)	$a8 \leq 15 \text{ m}$
	Gesamtrohrlänge zwischen Abzweigkästen und Innengeräten	$a1+a2+a3+a4+a5+a6+a7+a8 \leq 60 \text{ m}$
Zulässiger Höhenunterschied (eine Richtung)	Im Abschnitt Innen-/Außengerät (H)*1	$H \leq 30 \text{ m}$ (Wenn das Außengerät höher als das Innengerät eingerichtet ist) $H \leq 20 \text{ m}$ (Wenn das Außengerät niedriger als das Innengerät eingerichtet ist)
	Im Abschnitt Abzweigkasten/Innengerät (h1)	$h1 + h2 \leq 15 \text{ m}$
	In jedem Zweiggerät (h2)	$h2 \leq 15 \text{ m}$
	In jedem Innengerät (h3)	$h3 \leq 12 \text{ m}$
Zahl der Krümmer		$ b1+a1 , b1+a2 , b1+a3 , b1+a4 , b1+a5 , b2+a6 , b2+a7 , b2+a8 \leq 15$

*1 Der Abzweigkasten muss auf der gleichen Ebene zwischen Außengerät und Innengerät angeordnet sein.

5.2. Rohrlänge und Höhenunterschied (Fig. 5-1)

Aufgeweitete Anschlüsse

- Dieses Gerät hat aufgeweitete Anschlüsse an jedem Innengerät, jedem Abzweigkasten und an den Seiten des Außengerätes.
- Die Ventilabdeckung des Außengerätes abnehmen, dann das Rohr anschließen.
- Zum Anschluss des Abzweigkastens und des Außengerätes werden Kältemittelrohrleitungen verwendet.

5. Installation der Kältemittelrohrleitung

5.3. Zugabe von Kältemittel

- Für dieses Gerät ist keine Zusatzfüllung notwendig, wenn die Gesamtröhrlänge ($b_1+b_2+a_1+a_2+a_3+a_4+a_5+a_6+a_7+a_8$) 40 m nicht überschreitet.
- Wenn die Gesamtröhrlänge 40 m überschreitet, das Gerät gemäß den Angaben über zulässige Röhrlänge in der unten stehenden Tabelle mit zusätzlichem Kältemittel R410A füllen.

* Wenn das Gerät ausgeschaltet ist, das Gerät nach Luftabsaugung der Rohrverlängerungen und des Innengerätes durch das Flüssigkeitsabsperrentil mit zusätzlichem Kältemittel füllen. Wenn das Gerät arbeitet, Kältemittel mit einer Sicherheitsfüllvorrichtung am Gasprüfventil hinzufügen. Flüssiges Kältemittel nicht direkt am Prüfventil einfüllen.

Nach dem Füllen des Gerätes mit Kältemittel die hinzugefügte Kältemittelmenge auf dem Bedienungsaufkleber (am Gerät angebracht) vermerken.

Weitere Informationen finden sich unter "1.5. Einsatz von Klimaanlage mit dem Kältemittel R410A".

Tabelle 1

Gesamtlänge der Rohrleitung ($b_1+b_2+a_1+a_2+a_3+a_4+a_5+a_6+a_7+a_8$)	41 - 50 m	51 - 70 m	71 - 90 m	91 - 115 m
Zusätzliche Kältemittelfüllmenge	0,6 kg	1,4 kg	2,2 kg	3,2 kg

Wenn Sie ein Innengerät mit Rohrgröße $\phi 9,52$ für Flüssigkeit (Modell Nr. 71 oder höher für die M- und S-Reihe und Modell Nr. 60 oder höher für die P-Reihe) verwenden, muss die zusätzliche Kältemittelfüllmenge in Tabelle 1 korrigiert werden (fügen Sie den folgenden ΔR -Wert des in Tabelle 1 angegebenen Wertes hinzu).

Korrekturwert für die zusätzliche Kältemittelfüllmenge
 $\Delta R = 0,01 \text{ [kg/m]} \times \phi 9,52 \text{ Rohrleitung (Flüssigkeit) Gesamtlänge [m]}$

Beispiel) $b_1=20 \text{ m}, b_2=25 \text{ m}$

Innengerät A	$\phi 9,52$ Flüssigkeitsrohrleitung	$a_1=12 \text{ m}$
Innengerät B	$\phi 6,35$ Flüssigkeitsrohrleitung	$a_2=11 \text{ m}$
Innengerät C	$\phi 6,35$ Flüssigkeitsrohrleitung	$a_6=14 \text{ m}$
Innengerät D	$\phi 9,52$ Flüssigkeitsrohrleitung	$a_7=13 \text{ m}$

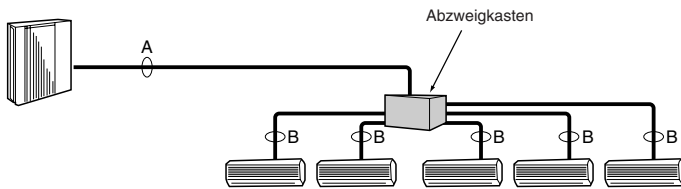
Gesamtlänge des Rohrsystems: $b_1+b_2+a_1+a_2+a_6+a_7=95 \text{ m}$
 → Entsprechend Tabelle 1 beträgt die zusätzliche Kältemittelfüllmenge 3,2 kg.
 Da Innengeräte mit Flüssigkeits-Rohrleitungen von $\phi 9,52$ angeschlossen sind (bei diesem Beispiel Innengeräte A und D), muss die zusätzliche Kältemittelfüllmenge korrigiert werden.

Korrekturwert für die zusätzliche Kältemittelfüllmenge
 $\Delta R = 0,01 \text{ [kg/m]} \times \phi 9,52 \text{ Rohrleitung (Flüssigkeit) Gesamtlänge (} a_1+a_7 \text{)}$
 $= 0,01 \times (12+13 \text{ m})$
 $= 0,25 \text{ kg}$

Demnach beträgt die zusätzliche Kältemittelfüllmenge $3,2 \text{ kg} + 0,25 \text{ kg} = 3,45 \text{ kg}$.

■ Bei Verwendung eines 1-Abzweigkastens

Aufweitungsanschluss. (Kein Hartlöten)



■ Bei Verwendung von 2-Abzweigkästen

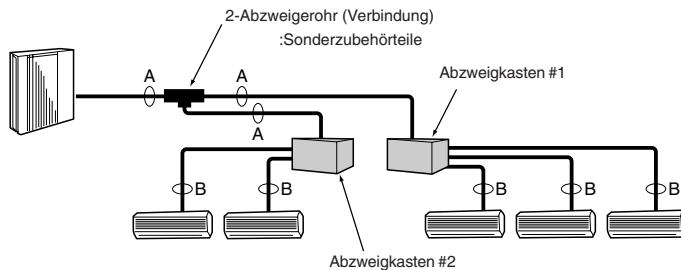


Fig. 5-2

(1) Ventilgröße für Außengerät

Für Flüssigkeit	$\phi 9,52 \text{ mm}$
Für Gas	$\phi 15,88 \text{ mm}$

(2) Ventilgröße für Abzweigkasten

GERÄT [A]	Flüssigkeitsrohrleitung	$\phi 6,35 \text{ mm}$
	Gasrohrleitung	$\phi 9,52 \text{ mm}$
GERÄT [B]	Flüssigkeitsrohrleitung	$\phi 6,35 \text{ mm}$
	Gasrohrleitung	$\phi 9,52 \text{ mm}$
GERÄT [C]	Flüssigkeitsrohrleitung	$\phi 6,35 \text{ mm}$
	Gasrohrleitung	$\phi 9,52 \text{ mm}$
GERÄT [D]	Flüssigkeitsrohrleitung	$\phi 6,35 \text{ mm}$
	Gasrohrleitung	$\phi 9,52 \text{ mm}$
GERÄT [E]	Flüssigkeitsrohrleitung	$\phi 6,35 \text{ mm}$
	Gasrohrleitung	$\phi 12,7 \text{ mm}$

* 3-Abzweige-Typ : nur Gerät [A], [B], [C]

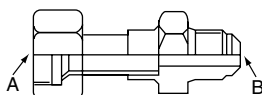


Fig. 5-3

Umwandlungsformel

1/4 F	$\phi 6,35$
3/8 F	$\phi 9,52$
1/2 F	$\phi 12,7$
5/8 F	$\phi 15,88$
3/4 F	$\phi 19,05$

5.4. Wahl der Rohrgröße (Fig. 5-2)

	A	B
Flüssigkeit (mm)	$\phi 9,52$	Die Größe des Rohrleitungsanschlusses ist je nach Typ und Leistung der Innengeräte unterschiedlich. Die Größe des Rohrleitungsanschlusses des Abzweigkastens an das Innengerät anpassen. Wenn die Größe des Rohrleitungsanschlusses des Abzweigkastens nicht mit der Größe des Rohrleitungsanschlusses des Innengerätes übereinstimmt, die als Sonderzubehör erhältlichen (verformten) Verbinder mit unterschiedlichem Durchmesser (Reduzierstücke) auf der Seite des Abzweigkastens verwenden. (Die verformten Verbinder direkt auf der Seite des Abzweigkastens anschließen.)
Gas (mm)	$\phi 15,88$	

Verbinder mit unterschiedlichem Durchmesser (Zubehöerteile) (Fig. 5-3)

Modellbezeichnung	Angeschlossene Rohrdurchmesser	Durchmesser A	Durchmesser B
	mm	mm	mm
MAC-A454JP	$\phi 9,52 \rightarrow \phi 12,7$	$\phi 9,52$	$\phi 12,7$
MAC-A455JP	$\phi 12,7 \rightarrow \phi 9,52$	$\phi 12,7$	$\phi 9,52$
MAC-A456JP	$\phi 12,7 \rightarrow \phi 15,88$	$\phi 12,7$	$\phi 15,88$
PAC-493PI	$\phi 6,35 \rightarrow \phi 9,52$	$\phi 6,35$	$\phi 9,52$
PAC-SG76RJ-E	$\phi 9,52 \rightarrow \phi 15,88$	$\phi 9,52$	$\phi 15,88$

Vorbereitung der Rohrleitung

① Die unten stehende Tabelle zeigt die technischen Daten von im Handel erhältlichen Rohren.

Außendurchmesser	Stärke der Isolierung	Isoliermaterial
mm	mm	
6,35	8	Hitzebeständiger Schaumkunststoff mit 0,045 spezifischem Gewicht.
9,52	8	
12,7	8	
15,88	8	

- ② Dafür sorgen, dass die 2 Kältemittelrohrleitungen gegen Kondenswasserbildung isoliert sind.
- ③ Der Biegeradius des Kältemittelrohres muss 100 mm oder mehr betragen.

⚠ Vorsicht:

Darauf achten, die Isolierung mit der angegebenen Stärke zu verwenden. Eine übermäßige Stärke kann zu einer unkorrekten Installation des Innengerätes und des Abzweigkastens führen, und eine zu geringe Stärke kann das Tropfen von Kondenswasser verursachen.

2-Abzweige-Rohr (Verbinder) : Zubehöerteile (Sie können je nach Anschlussverfahren das Geeignete auswählen.)

Modellbezeichnung	Anschlussverfahren
MSDD-50AR-E	Aufweiten
MSDD-50BR-E	Hartlöten

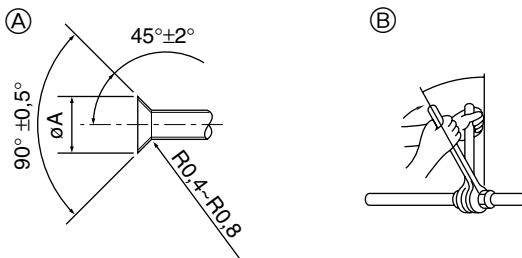
■ Installationsverfahren (2-Abzweige-Rohr (Verbinder))

Bitte lesen Sie in den Installationsanleitungen für MSDD-50AR-E und MSDD-50BR-E.

5. Installation der Kältemittelrohrleitung

Kältemittel absaugen vor dem Transport von Innen- und Außen-geräten

- ① Schließen Sie ein Kaliberventil (mit Druckmesser) an die Wartungseinheit neben der Gasarmatur des Außengerätes an, so dass der Kältemitteldruck gemessen werden kann.
- ② Schalten Sie die Stromversorgung ein (Leistungsschalter).
- ③ Schließen Sie das Flüssigkeitsabsperrenteil, und führen Sie dann einen Testlauf im Kühlbetrieb durch (SW4-1: ON und SW4-2: OFF).
 - * Bitte achten Sie darauf, vor Einstellung von SW4-1 und SW4-2 nach Einschalten des Netzstroms mindestens 3 Minuten zu warten. Wenn die DIP-Schalter vor Ablauf von 3 Minuten eingestellt werden, kann es vorkommen, dass der Testlauf nicht startet.
- ④ Schließen Sie das Gasabsperrenteil vollständig, wenn der auf dem Druckmesser angezeigte Druck auf 0,05 - 0,00 MPa* (ca. 0,5 - 0,0 kgf/cm²) abfällt.
 - * Wenn die Klimaanlage mit zuviel Kältemittel befüllt ist, ist es möglich, dass der Druck nicht auf 0,5 kgf/cm² abfällt. Sollte dies auftreten, entleeren Sie das System mittels einer Kältemittel-Sammelvorrichtung auf, und befüllen Sie die Anlage nach dem Transport von Innen- und Außengeräten dann mit der richtigen Kältemittelmenge.
- ⑤ Stoppen Sie die Klimaanlage (SW4-1: OFF und SW4-2: OFF).
- ⑥ Schalten Sie die Stromversorgung aus (Leistungsschalter).



- Ⓐ Abmessungen der Aufweitungsschnitte
 Ⓑ Anzugsdrehmoment für die Konusmutter

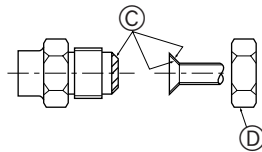


Fig. 5-4

Ⓐ (Fig. 5-4)

Kupferrohr O.D. (mm)	Aufweitungsabmessungen ϕA Abmessungen (mm)
$\phi 6,35$	8,7 - 9,1
$\phi 9,52$	12,8 - 13,2
$\phi 12,7$	16,2 - 16,6
$\phi 15,88$	19,3 - 19,7

Ⓑ (Fig. 5-4)

Kupferrohr O.D. (mm)	Konusmutter O.D. (mm)	Anzugsdrehmoment (N·m)*
$\phi 6,35$	17	14 - 18
$\phi 6,35$	22	34 - 42
$\phi 9,52$	22	34 - 42
$\phi 9,52$	26	49 - 61
$\phi 12,7$	26	49 - 61
$\phi 12,7$	29	68 - 82
$\phi 15,88$	29	68 - 82
$\phi 15,88$	36	100 - 120

* 1 N·m \approx 10 kgf·cm

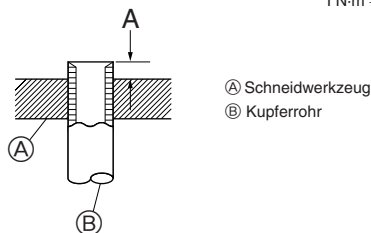


Fig. 5-5

5.5. Rohranschlüsse (Fig. 5-4)

- Wenn im Handel erhältliche Kupferrohre verwendet werden, Flüssigkeits- und Gasrohre mit im Handel erhältlichem Isoliermaterial (Hitzebeständig bis 100 °C und mehr, Stärke 12 mm oder mehr) umwickeln.
- Die in der Anlage befindlichen Teile der Ablassrohre sollten mit Isoliermaterial aus Schaumstoff (spezifisches Gewicht 0,03 - 9 mm oder stärker) umwickelt werden.
- Vor dem Anziehen der Konusmutter eine dünne Schicht Kältemittel-Öl auf das Rohr und auf die Oberfläche des Sitzes an der Nahtstelle auftragen. Ⓐ
- Mit zwei Schraubenschlüsseln die Rohrleitungsanschlüsse fest anziehen. Ⓑ
- Nach Vornahme der Anschlüsse diese mit einem Leckdetektor oder Seifenlauge auf Gasaustritt untersuchen.
- Tragen Sie Kältemaschinenöl auf die gesamte Konusauflagefläche auf. Ⓒ
- Die Konusmutter wie folgt verwenden. Ⓓ

■ Rohrgröße (Außengerät-Abzweigkasten)

Rohrgröße (ømm)	Flüssigkeit	Gas
	ø9,52	ø15,88

Die Anordnung eines anschließbaren Innengerätes richtet sich nach den Gegebenheiten in der Region/dem Gebiet/dem Land.

■ Rohrgröße (Abzweigkasten-Innengerät) *Bei Innengeräten der Baureihen M oder S

Innengerättyp (kW)	22	25	35	50	60	71	80
Rohrgröße Flüssigkeit (ømm)	ø6,35	ø6,35	ø6,35	ø6,35	ø6,35	ø9,52	ø9,52
Rohrgröße Gas (ømm)	ø9,52	ø9,52	ø9,52	ø12,7	ø15,88*	ø15,88	ø15,88

* Bei Einsatz des Innengerätes Typ 60 der Baureihe MEXZ verwenden Sie bitte die im Zubehör des Innengerätes enthaltene Konusmutter zum Anschluss auf der Gasseite des Innengerätes.

Verwenden Sie bitte nicht die dem Innengerät beigelegte Konusmutter (Gasseite). Wenn diese verwendet wird, kann es zu einem Gasaustritt oder sogar zum Ablösen eines Rohres kommen.

■ Rohrgröße (Abzweigkasten-Innengerät) *Im Falle eines Innengerätes der P-Serie

Innengerättyp (kW)	35	50	60	71
Rohrgröße Flüssigkeit (ømm)	ø6,35	ø6,35	ø9,52	ø9,52
Rohrgröße Gas (ømm)	ø12,7	ø12,7	ø15,88	ø15,88

Wird ein Innengerät vom Typ 35 oder 50 der P-Serie eingesetzt, verwenden Sie die Konusmutter am Innengerät.

Die Konusmutter (aus dem Innengerät-Sonderzubehör) darf nicht verwendet werden. Wenn sie verwendet wird, kann es zu Gasaustritt oder sogar zum Lösen des Rohres aus der Konusmutter kommen.

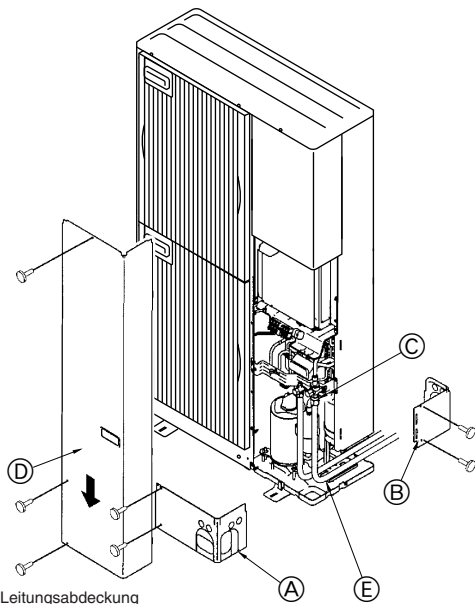
- Achten Sie beim Biegen der Rohre sorgfältig darauf, sie nicht zu zerbrechen. Biegeungsradien von 100 mm bis 150 mm sind ausreichend.
- Achten Sie darauf, dass die Rohre keinen Kontakt mit dem Kompressor haben. Andernfalls könnten unnormale Geräusche oder Schwingungen auftreten.

- ① Die Rohre müssen ausgehend von der Innenanlage miteinander verbunden werden. Die Konusmutter müssen mit einem Drehmomentschlüssel festgezogen werden.
- ② Weiten Sie die Flüssigkeits- und Gasrohre auf, und tragen Sie etwas Kältemittelöl auf (Vor Ort aufzutragen).
- Wenn normale Rohrdichtungen verwendet werden, beachten Sie Tabelle 2 zum Aufweiten von Rohren für Kältemittel R410A. Die Abmessungen-A können mit einem Messgerät zur Größenanpassung überprüft werden.

Tabelle 2 (Fig. 5-5)

Kupferrohr O.D. (mm)	A (mm)	
	Aufweitungswerkzeug für R410A	Aufweitungswerkzeug für R22-R407C
	Kupplungsbauweise	
$\phi 6,35$	0 - 0,5	1,0 - 1,5
$\phi 9,52$	0 - 0,5	1,0 - 1,5
$\phi 12,7$	0 - 0,5	1,0 - 1,5
$\phi 15,88$	0 - 0,5	1,0 - 1,5

5. Installation der Kältemittelrohrleitung



- Ⓐ Vordere Leitungsabdeckung
- Ⓑ Leitungsabdeckung
- Ⓒ Absperrventil
- Ⓓ Wartungspult
- Ⓔ Band-Radius: 100 mm - 150 mm

Fig. 5-6

5.6. Kältemittelrohrleitung (Fig. 5-6)

Das Wartungspult ⑨ (drei Schrauben) und die vordere Leitungsabdeckung ① (zwei Schrauben) sowie die rückwärtige Leitungsabdeckung ② (zwei Schrauben) abnehmen.

Kältemittelrohre haben eine Schutzumwicklung

- Die Rohre können vor oder nach dem Anschließen bis zu einem Durchmesser von $\varnothing 90$ mit einer Schutzumwicklung versehen werden. Schneiden Sie das Loch zum Ausbrechen in der Rohrabdeckung entlang der Einkerbung aus, und umwickeln Sie die Rohre. Rohreingangsöffnung
- Dichten Sie den Rohreinlass um die Rohre herum mit Dichtmasse oder Spachtel, so dass keine Zwischenräume mehr vorhanden sind.
(Wenn die Zwischenräume nicht abgedichtet sind, ist kein ausreichender Lärmschutz gegeben oder Wasser und Schmutz dringen in die Anlage ein und können ihren Ausfall verursachen.)

5.7. Vorsicht beim Anschluss der Rohrleitung/Ventilbetrieb

- Den Anschluss der Rohrleitung und den Ventilbetrieb genau durch Befolgung der nachstehenden Abbildung ausführen.
- Entlang der Isolierung Dichtungsmittel auftragen, damit kein Wasser in die Isolierabdeckung der Kältemittelrohrverbinder eindringen kann.
- Nach Luftabsaugung und Befüllung mit Kältemittel dafür sorgen, dass der Handgriff vollständig geöffnet ist. Bei Betrieb mit geöffnetem Ventil wird auf die Hoch- oder Niederdruckseite des Kältemittelkreislaufs ungewöhnlich hoher Druck ausgeübt, was dem Kompressor etc. schädigt.
- Die zusätzliche Kältemittelfüllmenge bestimmen (siehe dazu "5.3. Zugabe von Kältemittel") und nach Abschluss der Rohranschlussarbeiten zusätzliches Kältemittel durch die Wartungseinheit einfüllen.
- Nach Abschluss der Arbeiten die Wartungseinheit (12 - 15 N-m) und die Kappe (20 - 25 N-m) fest und sicher anziehen, um Gasaustritt zu verhindern.
*1 N-m \approx 10 kgf-cm

Verfahren zum vollständigen Öffnen des Absperrventils

Die Öffnungsmethode des Sperrventils variiert je nach Typ des Außengerätes. Verwenden Sie die jeweilige Methode zum Öffnen der Sperrventile.

(1) Typ A (Fig. 5-7)

- ① Entfernen Sie die Kappe, führen Sie mit einem Schlitzschraubendreher eine Vierteldrehung gegen den Uhrzeigersinn aus, um es vollständig zu öffnen.
- ② Prüfen Sie, ob die Absperrventile vollständig geöffnet sind, und setzen Sie dann die Kappe wieder auf und schrauben sie fest.

(2) Typ B (Fig. 5-7)

- ① Die Kappe entfernen, den Handgriff nach vorne ziehen, und zum Öffnen um 1/4 Umdrehung gegen den Uhrzeigersinn drehen.
- ② Sicherstellen, dass das Absperrventil vollständig offen ist, den Handgriff eindrücken, und die Kappe zurück in die Ausgangsstellung drehen.

(3) Typ C (Fig. 5-8)

- ① Entfernen Sie die Kappe und drehen Sie die Ventilstange mit einem 4 mm-Sechskantschlüssel bis zum Anschlag gegen den Uhrzeigersinn. Hören Sie auf zu drehen, wenn der Anschlag erreicht ist.
- ② Sicherstellen, dass das Absperrventil vollständig offen ist, und die Kappe zurück in die Ausgangsstellung drehen.

- | | |
|---------------------------|---|
| Ⓐ Ventil | Ⓜ Vollständig geöffnet |
| Ⓑ Geräteseite | Ⓨ (Installation vor Ort) Kältemittelrohrseite |
| Ⓒ Wartungseinheit | Ⓩ Fließrichtung des Kältemittels |
| Ⓓ Handgriff | ⓐ Schraubenschlüsselöffnung |
| Ⓔ Kappe | ⓑ Handgriff |
| Ⓕ Vollständig geschlossen | |

5.8. Test auf Luftdichtigkeit und Luftabsaugung

① Test auf Luftdichtigkeit (Fig. 5-9)

Der Test auf Luftdichtigkeit muss durch Druckaufbau mit Stickstoffgas durchgeführt werden. Angaben zum Testverfahren finden sich in der nachstehenden Abbildung.

- (1) Anschluss des Testwerkzeugs. Einen Test bei geschlossenem Absperrventil durchführen. Auch dafür sorgen, dass der Druckaufbau sowohl im Flüssigkeits- oder Hochdruckrohr als auch im Gas- oder Niederdruckrohr vorgenommen wird.
- (2) Bauen Sie den Druck nicht sofort auf den angegebenen Wert auf, sondern erhöhen Sie ihn nach und nach.
 - ① Bauen Sie einen Druck von 0,5 MPa (5 kgf/cm²G) auf, warten Sie fünf Minuten, und vergewissern Sie sich dann, dass der Druck nicht abfällt.
 - ② Bauen Sie einen Druck von 1,5 MPa (15 kgf/cm²G) auf, warten Sie fünf Minuten, und vergewissern Sie sich dann, dass der Druck nicht abfällt.
 - ③ Bauen Sie einen Druck von 4,15 MPa (41,5 kgf/cm²G) auf und messen Sie Umgebungstemperatur und Kältemitteldruck.
- (3) Wenn der angegebene Druck einen Tag lang gehalten wird und nicht abfällt, haben die Rohre den Test bestanden, und es entweicht keine Luft.
 - Wenn sich die Umgebungstemperatur um 1 °C ändert, ändert sich dabei der Druck um etwa 0,01 MPa (0,1 kgf/cm²G). Nehmen Sie die erforderlichen Korrekturen vor.
- (4) Wenn der Druck in den Schritten (2) oder (3) abfällt, entweicht Gas. Suchen Sie nach der Gasaustrittsstelle.

- | | |
|--------------------------|---------------------------------------|
| Ⓐ Stickstoffgas | ⓕ Außengerät |
| Ⓑ Systemanalysegerät | ⓖ Absperrventil |
| Ⓒ Lo-Drehknopf (niedrig) | ⓗ Flüssigkeitsrohr oder Hochdruckrohr |
| Ⓓ Hi-Drehknopf (hoch) | ⓓ Gasrohr oder Niederdruckrohr |
| Ⓔ Zum Abzweigkasten | ⓔ Wartungseinheit |

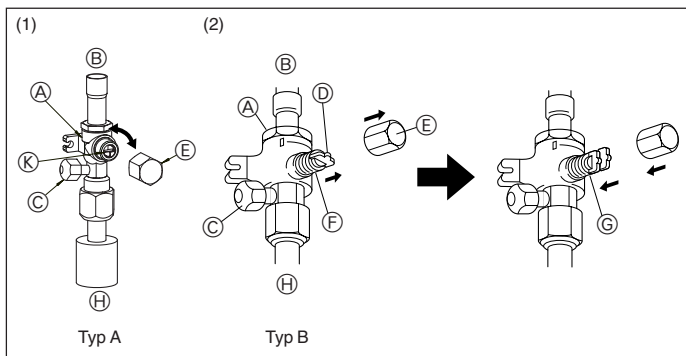


Fig. 5-7

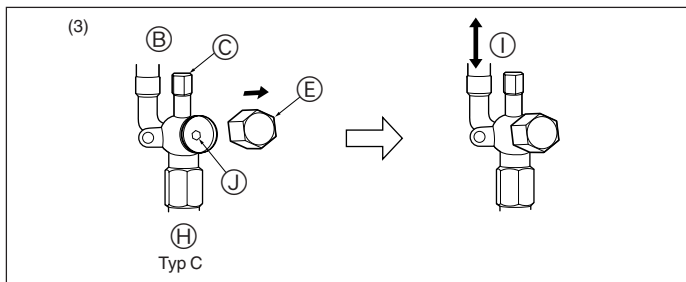


Fig. 5-8

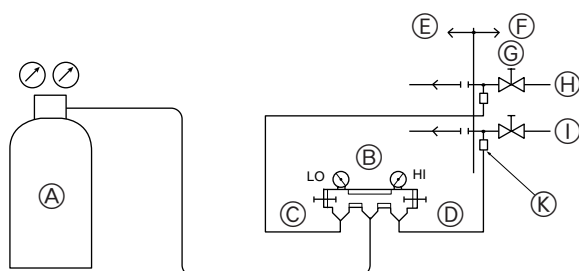


Fig. 5-9

5. Installation der Kältemittelrohrleitung

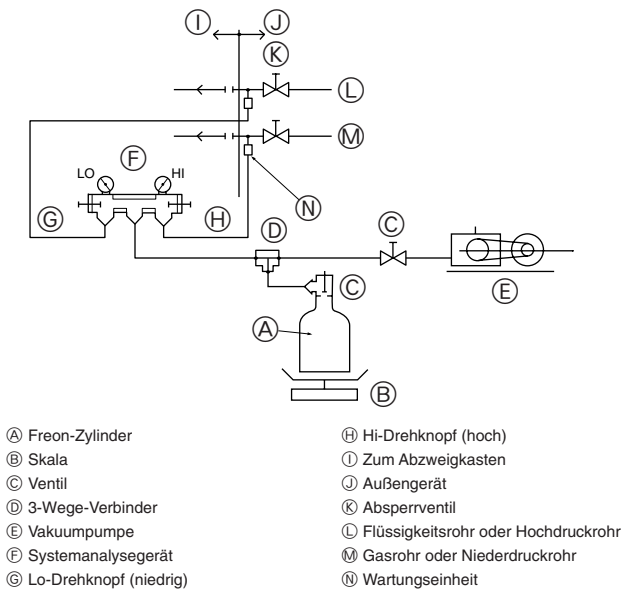


Fig. 5-10

② Luftabsaugung (Fig. 5-10)

Die Luftabsaugung muss von der Wartungseinheit aus, die sich am Absperrventil des Außengerätes befindet, zur Vakuumpumpe erfolgen, die üblicherweise sowohl für die Flüssigkeits- oder Hochdruckrohrleitung als auch für die Gas- oder Niederdruckrohrleitung verwendet wird. (Die Luftabsaugung bei geschlossenem Absperrventil sowohl von der Flüssigkeits- oder Hochdruckrohrleitung als auch von der Gas- oder Niederdruckrohrleitung aus vornehmen.)
Bitte daran denken: Niemals Luftreinigung mittels Kältemittel durchführen.

⚠ Warnung:

Beim Installieren oder Verlagern eines Gerätes an einen anderen Ort nichts anderes als das angegebene Kältemittel in den Kältemittelkreislauf einfüllen und keine Vermischung vornehmen. Bei Vermischung mit Luft kann sich im Kältemittelkreislauf abnorm hoher Druck aufbauen und ein Bersten des Rohres entstehen.

* Ein Hochpräzisions-Gravimeter mit einem Messbereich bis 0,1 kg sollte verwendet werden. Wenn kein Hochpräzisions-Gravimeter zur Verfügung steht, kann ein Füllzylinder verwendet werden.

Hinweis:

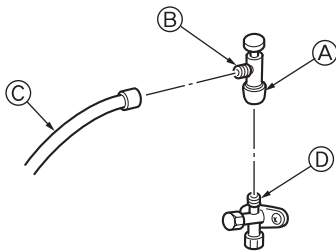
- Für das auf dem Gerät angegebene Kältemittel ein Messrohr, einen Füllschlauch und andere Teile verwenden.
- Ein Gravimeter verwenden. (Mit einem Messbereich nach unten bis zu 0,1 kg).

Vorkehrungen bei Verwendung des Füllventils (Fig.5-11)

Ziehen Sie die Wartungseinheit bei der Installation nicht zu fest an, da sonst der Ventilkern verformt werden und sich lösen kann, wodurch möglicherweise ein Gasleck verursacht wird.

Nachdem Sie Abschnitt ② in der gewünschten Richtung positioniert haben, drehen Sie zum Anziehen nur Abschnitt ①.

Ziehen Sie nicht die Verbindung zwischen den Abschnitten ① und ② fester an, nachdem Sie Abschnitt ① angezogen haben.



- * Die Abbildung links dient nur als Beispiel. Die Form des Sperrventils, die Position der Wartungseinheit usw. können je nach Modell abweichen.
- * Drehen Sie nur den Abschnitt ①. (Ziehen Sie nicht die Verbindung zwischen den Abschnitten ① und ② fester an.)

C Füllschlauch
 D Wartungseinheit

Fig. 5-11

6. Verrohrung der Dränage

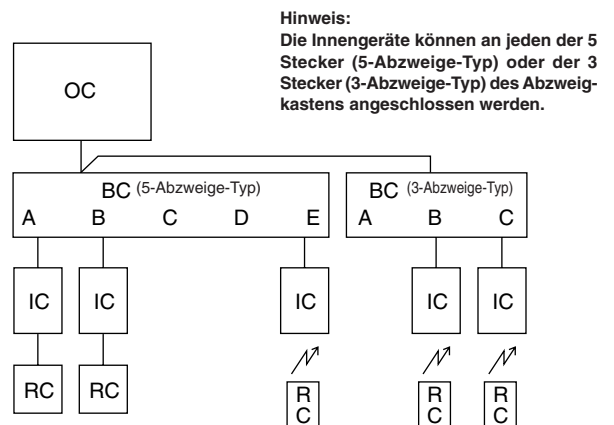
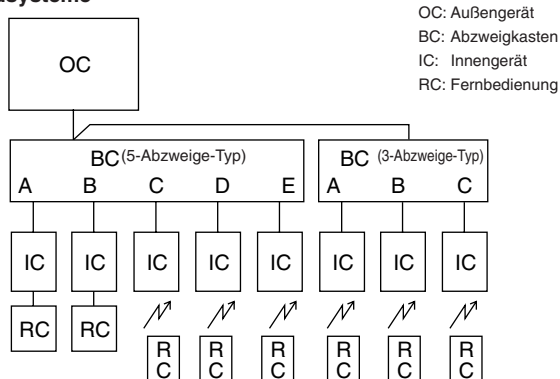
Dränagerohranschluss der Außenanlage

Wenn eine Abflussrohrleitung erforderlich ist, den Abflussstopfen oder die Ablaufpfanne (Zubehör) verwenden.

Abflussstopfen	PAC-SG61DS-E
Ablaufpfanne	PAC-SG64DP-E

7. Elektroarbeiten

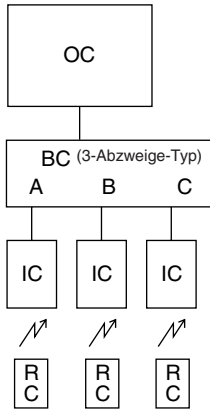
[1] Grundsysteme



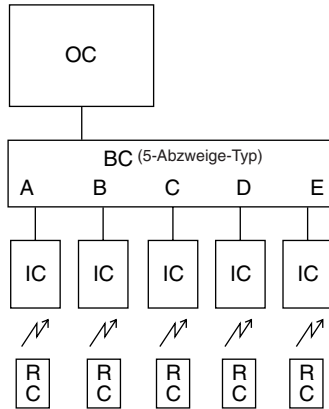
7. Elektroarbeiten

[2] Standardsysteme

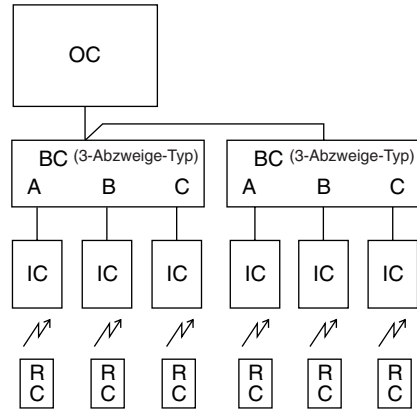
2-1. Nur 3-Abzweige-Typ



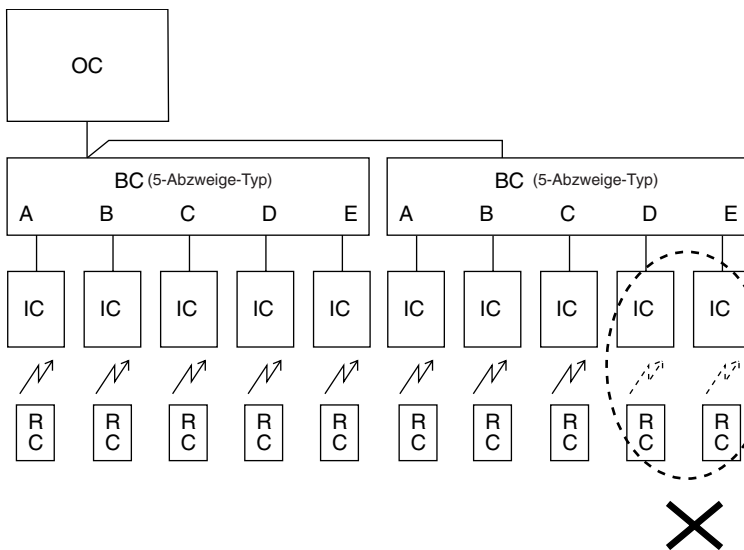
2-2. Nur 5-Abzweige-Typ



2-3. 2-Abzweige-Kästen (3-Abzweige-Typ)



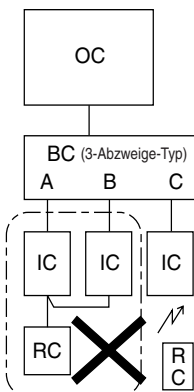
2-4. 2-Abzweigkästen (5-Abzweige-Typ, maximal 8 Innengeräte)



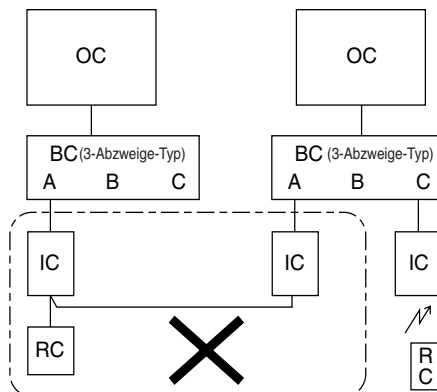
1. An ein einzelnes Außengerät können bis zu 2-Abzweigkästen angeschlossen werden.
2. An das System können bis zu 8 Innengeräte angeschlossen werden.

[3] Unkorrekte Systeme

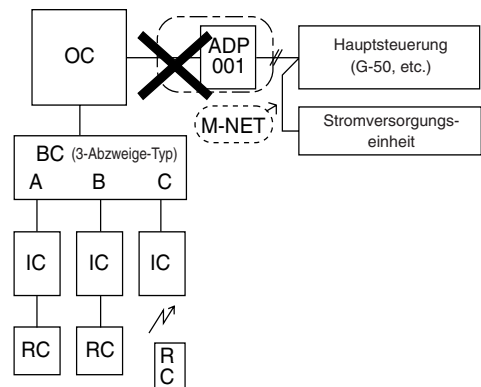
3-1. Gruppenbetrieb durch eine einzelne Fernbedienung



3-2. Gruppenbetrieb zwischen verschiedenen Kältemittelsystemen



3-3. Anschluss des M-NET-Netzteils an das Außengerät



- 3-1. Mehrere Innengeräte können nicht von einer einzelnen Fernbedienung betrieben werden.
 3-2. Unterschiedliche Kältemittelsysteme können nicht zusammengeschlossen werden.
 3-3. Ein M-NET-Netzteil kann nicht an ein Außengerät angeschlossen werden.

7. Elektroarbeiten

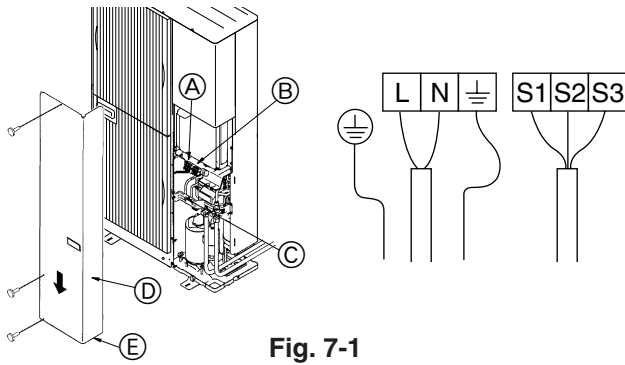


Fig. 7-1

7.1. Außenanlage (Fig. 7-1)

- ① Die Bedienungsplatte abnehmen.
- ② Die Kabel gemäß der Fig. 7-1 verdrahten.
 - Ⓐ Erdungsklemme
 - Ⓑ Klemmleiste
 - Ⓒ Klemme
 - Ⓓ Bedienungsplatte
 - Ⓔ Die Kabel so verdrahten, dass sie weder die Mitte der Bedienungsplatte noch die Gasarmatur berühren.

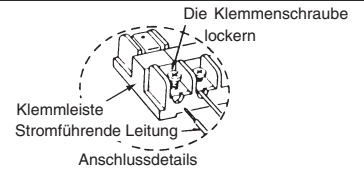
7.2. Abzweigkasten/Außengeräte-/Verbindungsleitung und Netzkabelverbindung zum Außengerät.

⚠ Warnung:

- Darauf achten, die Klemmleistenabdeckungen/Blende des Außengerätes sicher anzubringen. Bei Nichtbeachtung kann durch Staub, Wasser etc. ein Brand oder ein Stromschlag verursacht werden.
- Darauf achten, die Netzkabel und die Verbindungsleitungen für die Innengeräte, die Außengeräte und die Abzweigkästen direkt an die Geräte anzuschließen (keine Zwischenanschlüsse.)
Zwischenanschlüsse können Verbindungsfehler verursachen, wenn Wasser in die Kabel oder Leitungen eindringt und ungenügende Isolierung zur Erdung oder unzureichenden Stromkontakt am Zwischenanschlusspunkt zur Folge hat. (Wenn ein Zwischenanschluss erforderlich ist, sicherstellen, dass kein Wasser in die Kabel und Elektroleitungen eindringen kann.)

⚠ Vorsicht:

- Sorgfältig darauf achten, keine Verdrahtungsfehler vorzunehmen.
- Die Klemmschrauben fest anziehen, damit sie sich nicht lockern können.
- Nach dem Anziehen der Schrauben leicht an den Drähten ziehen, um sicher zu stellen, dass sie sich nicht bewegen.
- Wenn die Verbindungsleitung nicht einwandfrei an die Klemmleiste angeschlossen ist, arbeitet das Gerät nicht normal.



- Die Elektroleitung vom Abzweigkasten ordnungsgemäß an die Klemmleiste anschließen.
- Für zukünftige Wartung Verbindungsleitung länger lassen.

<Beispiel> (Bei 2-Abzweigkästen)

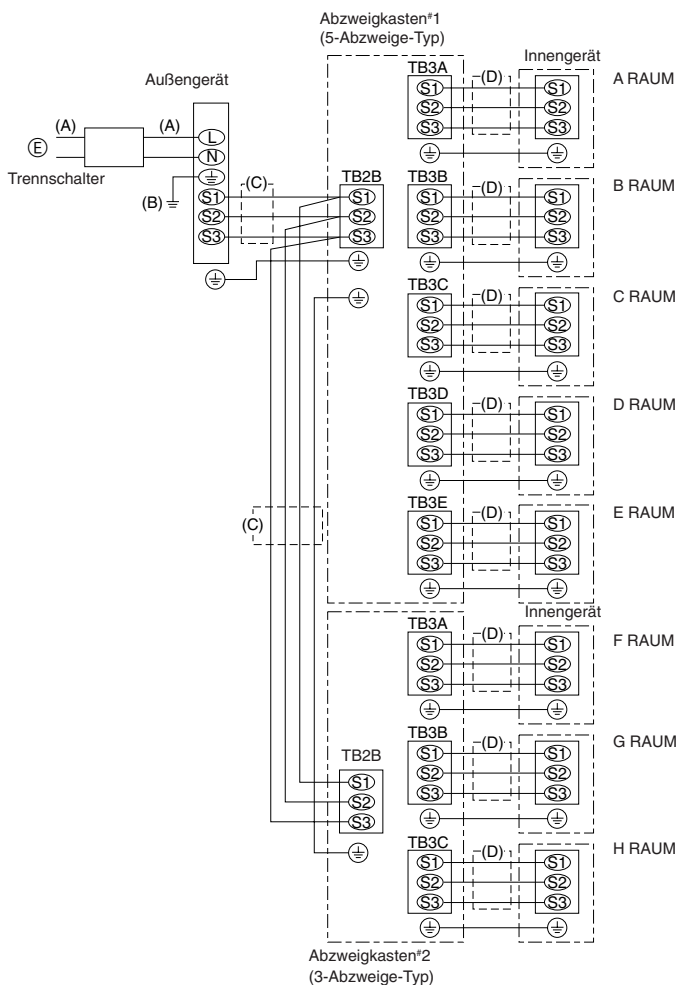


Fig. 7-2

7.3. Verfahren bei der Außenverdrahtung (Fig. 7-2)

Netzanschlussarbeiten sind nur beim Außengerät notwendig. Die Stromversorgung des Abzweigkastens oder des Innengerätes erfolgt über die Verdrahtung. Der Netzanschluss kann daher ausschließlich an einer Stelle des Außengerätes vorgenommen werden. Dies dient zur Vereinfachung des Arbeitsganges und zur Kosteneinsparung.

- Ⓔ Netzanschluss,
1 Phase, Wechselstrom 220/230/240 V, 50 Hz
Wechselstrom 220 V, 60 Hz
Max. erlaubte Systemimpedanz 0,22 (Ω).

Hinweis:

- ① Netzanschlusseingang: Nur Außengerät.
Die Leitungen (C), (D) gemäß den Bezeichnungen auf der Klemmleiste anschließen, um die richtige Polarität zu gewährleisten.

Leitungsdurchmesser				Unterbrecher *1	
(A) Hauptstromleitung	(B) Masseleitung (Erdung)	(C) Signalleitung	(D) Signalleitung	Stromunterbrechung	Leistungsmerkmale
6,0 mm ²	6,0 mm ²	1,5 mm ²	1,5 mm ²	40 A	40A, 30 mA für 0,1 Sek. oder weniger
		*2			

Bei Verwendung einer verdrehten Elektroleitung ist eine runde Klemme erforderlich.

*1. Ein Unterbrecher von mindestens 3 mm Kontaktabstand an jedem Pol ist vorzusehen. Ein Schutzunterbrecher (NF) oder ein Erdschlussunterbrecher (NV) ist zu verwenden.

*2. Max. 45 m ("Außengerät - Abzweigkasten *1" plus "Abzweigkasten *1 - Abzweigkasten *2"). Bei Verwendung von 2,5 mm², max. 55 m.

- Hinweise: 1. Die Leitungsgröße muss den jeweiligen örtlichen und nationalen Vorschriften entsprechen.
2. Netzkabel und Verbindungskabel zwischen Innengerät/Abzweigkasten/Außengerät dürfen nicht leichter als Polychloropropen-abgeschirmte, flexible Kabel sein. (Ausführung 60245 IEC 57)
3. Achten Sie darauf, dass die Erdungsleitung länger ist als die spannungsführenden Kabel.

WICHTIG

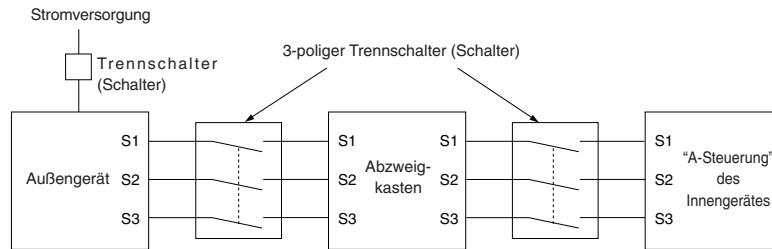
Darauf achten, dass der Stromunterbrecher mit harmonischen Oberschwingungen kompatibel ist.

Stets einen Stromunterbrecher verwenden, der mit harmonischen Oberschwingungen kompatibel ist, da dieses Gerät einen Umwandler besitzt. Wird ein ungeeigneter Unterbrecher verwendet, kann dies zu einem mangelhaften Betrieb des Umwandlers führen.

7. Elektroarbeiten

⚠ Warnung:





Bei der Verkabelung für "A-control" gibt es ein hohes Spannungspotential am Anschluss S3 durch die Auslegung der Schaltung, bei der keine elektrische Isolierung zwischen der Stromversorgung und der Kommunikationsleitung vorgesehen ist. Schalten Sie daher die Stromversorgung und/oder die Sicherung immer aus, wenn Sie Wartungsarbeiten vornehmen. Berühren Sie auf keinen Fall die Anschlüsse S1, S2 und S3, wenn Spannung anliegt. Wenn zwischen Außengerät und Verteilerkasten oder zwischen Innengerät und Verteilerkasten eine Isolierung verwendet wird, benutzen Sie bitte die 3-polige Ausführung.



⚠ Vorsicht:

Nach Benutzung des Isolators schalten Sie in jedem Fall das Gerät aus und wieder ein, um das System zurückzusetzen. Andernfalls ist das Außengerät eventuell nicht in der Lage, Verteilerkästen oder Innengeräte zu erkennen.

TECHNISCHE DATEN DER VERKABELUNG (ANSCHLUSSKABEL DES AUSSEN-VERTEILERKASTENS)

Kabelquerschnitt	Drahtgröße (mm ²)	Anzahl der Drähte	Polarität	L (m)*6
Rund 	2,5	3	Im Uhrzeigersinn : S1-S2-S3 * Auf Gelb- und Grünstreifen achten	(50) *2
Flach 	2,5	3	Nicht zutreffend (Weil Mitteldraht keine Endabdeckung hat)	Nicht zutreffend *5
Flach 	1,5	4	Von links nach rechts : S1-Unbelegt-S2-S3	(45) *3
Rund 	2,5	4	Im Uhrzeigersinn : S1-S2-S3-Unbelegt *S1 und S3 an die gegenüberliegende Seite anschließen	(55) *4

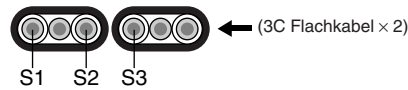
*1 : Netzanschlusskabel für Geräte dürfen nicht leichter als Ausführung 60245 IEC oder 227 IEC sein.

*2 : Für den Fall, dass ein Kabel mit Gelb- und Grünstreifen vorhanden ist.

*3 : Bei Anschluss mit Normalpolarität (S1-S2-S3), ist die Drahtgröße 1,5 mm².

*4 : Bei Anschluss mit Normalpolarität (S1-S2-S3).

*5 : Wenn flache Kabel, wie in der Abbildung dargestellt, angeschlossen sind, dürfen sie bis zu 55 m lang sein.



*6 : Die angegebene Kabellänge stellt nur einen Richtwert dar. Je nach Installationsbedingungen, wie Luftfeuchtigkeit, Materialien etc., ist eine Abweichung möglich.

Schließen Sie die Kabel zwischen Außen- und Innen-Verteilerkasten direkt an den Geräten an (keine Zwischenverbindungen).

Zwischenanschlüsse können Kommunikationsfehler verursachen, wenn Wasser in die Kabel eindringt und unzureichende Isolierung zur Erdung oder schlechten Stromkontakt am Zwischenanschlusspunkt zur Folge hat.

(Wenn ein Zwischenanschluss erforderlich ist, müssen Vorkehrungen getroffen werden, sodass kein Wasser in die Kabel eindringen kann).

8. Testlauf

8.1. Vor dem Testlauf

- ▶ Nach Installation, Verdrahtung und Verlegung der Rohrleitungen der Innen- und Außenanlagen überprüfen und sicherstellen, dass kein Kältemittel ausläuft, Netzstromversorgung und Steuerleitungen nicht locker sind, Polarität nicht falsch angeordnet und keine einzelne Netzanschlussphase getrennt ist.
- ▶ Um zu prüfen, ob der Widerstand zwischen den Netzanschlussklemmen und der Erdung mindestens 1 MΩ beträgt, ein Testgerät von 500-Volt-M-Ohm verwenden.
- ▶ Diesen Test nicht an den Klemmen der Steuerleitungen (Niederspannungsstromkreis) vornehmen.

⚠ Warnung:

Die Klimaanlage nicht in Betrieb nehmen, wenn der Isolationswiderstand weniger als 1 MΩ beträgt.

Isolationswiderstand

Nach der Installation oder nachdem die Anlage längere Zeit von der Stromversorgung getrennt war, fällt der Isolationswiderstand auf Grund der Kältemittelansammlung im Kompressor unter 1 MΩ. Es liegt keine Fehlfunktion vor. Gehen Sie wie folgt vor.

1. Trennen Sie die Stromleitungen vom Kompressor, und messen Sie den Isolationswiderstand des Kompressors.
2. Wenn der Isolationswiderstand niedriger als 1 MΩ ist, ist der Kompressor entweder defekt oder der Widerstand ist auf Grund der Kältemittelansammlung im Kompressor gefallen.

3. Nach dem Anschließen der Stromleitungen und dem Einschalten des Netzstroms, beginnt der Kompressor warmzulaufen. Messen Sie den Isolationswiderstand nach den unten aufgeführten Einschaltzeiten erneut.
 - Der Isolationswiderstand fällt auf Grund der Kältemittelansammlung im Kompressor ab. Der Widerstand steigt auf über 1 MΩ, nachdem sich der Kompressor 2 - 3 Stunden lang warmgelaufen hat.
(Die Zeit, die zum Erwärmen des Kompressors erforderlich ist, ist je nach Wetterbedingungen und Kältemittelansammlung unterschiedlich.)
 - Um den Kompressor mit einer Kältemittelansammlung im Kompressor zu betreiben, muss der Kompressor mindestens 12 Stunden lang warmlaufen, um einen Ausfall zu verhindern.
4. Wenn der Isolationswiderstand über 1 MΩ ansteigt, ist der Kompressor nicht defekt.

⚠ Vorsicht:

• **Kompressor arbeitet nicht, wenn Phasen der Netzstromversorgung nicht richtig angeschlossen sind.**

• **Strom mindestens 12 Stunden vor Betriebsbeginn einschalten.**

- Betriebsbeginn unmittelbar nach Einschalten des Netzschalters kann zu schwerwiegenden Schäden der Innenteile führen. Während der Saison Netzschalter eingeschaltet lassen.

▶ **Die nachfolgenden Positionen müssen ebenfalls überprüft werden.**

- Das Außengerät ist nicht fehlerhaft. Bei fehlerhaftem Außengerät blinkt die LED auf der Steuertafel des Außengerätes.
- Sowohl das Gas- als auch das Flüssigkeits-Absperrventil sind vollständig geöffnet.

8.2. Testlauf

8.2.1. Benutzung der Fernbedienung

Siehe Installationsanleitung des Innengerätes.

- Dafür sorgen, den Testlauf für jedes Innengerät vorzunehmen. Vergewissern, dass jedes Innengerät gemäß der dem Gerät beigefügten Installationsanleitung einwandfrei läuft.
- Wenn Sie den Testlauf für alle Innengeräte gleichzeitig vornehmen, können Sie keine Anschlussfehler feststellen, wenn solche an den Kältemittelrohrleitungen und den Verbindungsleitungen gegeben sind.
- * Nach Anliegen des Netzstroms ist der Kompressorbetrieb mindestens 3 Minuten lang nicht möglich.
- Unmittelbar nach Einschalten des Netzstroms oder bei niedrigen Außentemperaturen kann der Kompressor ein lautes Geräusch verursachen.

Über den Startwiederholungsschutz

Sobald der Kompressor ausgeschaltet wird, arbeitet die Startwiederholungsschutzvorrichtung, so dass der Kompressor zum Schutz der Klimaanlage 3 Minuten lang nicht arbeiten kann.

8.2.2. SW4 in der Außenanlage verwenden

Beim Testlauf vom Außengerät aus arbeiten alle Innengeräte. Daher können Sie keine fehlerhaften Anschlüsse der Kältemittelrohrleitungen und der Verbindungsleitungen feststellen. Wenn es darum geht, fehlerhafte Anschlüsse festzustellen, dafür sorgen, den Testlauf über die Fernbedienung unter Beachtung von "8.2.1. Benutzung der Fernbedienung" vorzunehmen.

SW4-1	ON/EIN	Betriebsart Kühlung
SW4-2	OFF/AUS	
SW4-1	ON/EIN	Betriebsart Heizung
SW4-2	ON/EIN	

* Nach Durchführung des Testlaufs SW4-1 auf OFF/AUS einstellen.

• Einige Sekunden nach dem Anlaufen des Kompressors ist möglicherweise ein klingendes Geräusch aus dem Inneren der Außenanlage zu hören. Dieses Geräusch stammt vom Absperrventil auf Grund geringer Druckunterschiede in den Rohren. Die Anlage ist nicht defekt.

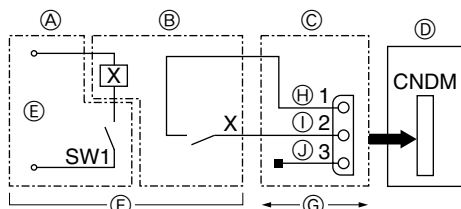
Der Testlauf-Modus kann während des Testlaufs nicht mittels des DIP-Schalters SW4-2 geändert werden. (Zum Ändern des Testlauf-Modus müssen Sie den Testlauf mit DIP-Schalter SW4-1 ausschalten. Nach Änderung des Testlauf-Modus können Sie den Testlauf mit Schalter SW4-1 fortsetzen.)

Wenn ein Testlauf gestartet wird, wie unter "SW4 im Außengerät verwenden" beschrieben, stoppt das Außengerät auch nicht durch Stoppbefehle von der Fernbedienung (der Testlauf wird nicht beendet). Schalten Sie in diesem Fall SW4 im Außengerät bitte aus.

Hinweis:

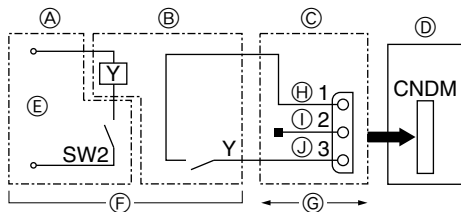
Bitte achten Sie darauf, vor Einstellung von SW4-1 und SW4-2 nach Einschalten des Netzstroms mindestens 3 Minuten zu warten. Wenn die DIP-Schalter vor Ablauf von 3 Minuten eingestellt werden, kann es vorkommen, dass der Testlauf nicht startet.

9. Spezielle Funktionen



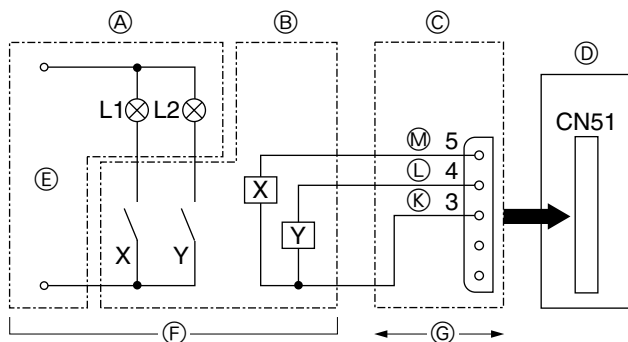
- Ⓐ Schalttafel der Fernbedienung
- Ⓑ Relais-Stromkreis
- Ⓒ Adapter für externen Eingang (PAC-SC36NA)
- Ⓓ Schalttafel des Außengerätes
- Ⓔ Relais-Netzanschluss
- Ⓕ Vor Ort zu beschaffen
- Ⓖ Max. 10 m
- Ⓗ Orange
- Ⓘ Braun
- Ⓝ Rot

Fig. 9-1



- Ⓐ Schalttafel der Fernbedienung
- Ⓑ Relais-Stromkreis
- Ⓒ Adapter für externen Eingang (PAC-SC36NA)
- Ⓓ Schalttafel des Außengerätes
- Ⓔ Relais-Netzanschluss
- Ⓕ Vor Ort zu beschaffen
- Ⓖ Max. 10 m
- Ⓗ Orange
- Ⓘ Braun
- Ⓝ Rot

Fig. 9-2



- L1 : Leuchte für Fehleranzeige
- L2 : Leuchte Kompressorbetrieb
- X, Y : Relais (Kabelstandard von 0,9 W oder weniger für 12 V DC)
- X, Y : Relais (1 mA DC)

Fig. 9-3

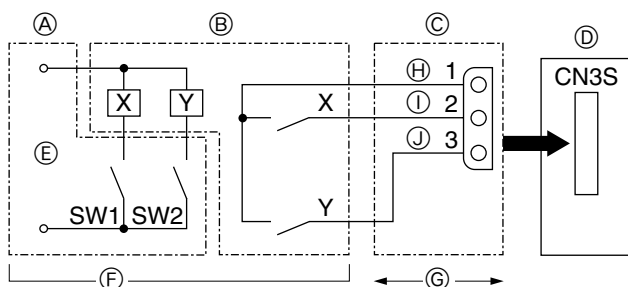


Fig. 9-4

9.1. Lärmschutzmodus (Änderung vor Ort) (Fig. 9-1)

Mittels der folgenden Änderung kann das Betriebsgeräusch des Außengerätes um etwa 3 bis 4 dB reduziert werden.

Der Lärmschutzmodus wird aktiviert, wenn ein im Fachhandel erhältlicher Timer oder der Kontakteingang eines Ein-/Ausschalters an den CNDM-Stecker (als Sonderzubehör käuflich zu erwerben) auf der Schalttafel des Außengerätes zusätzlich angebracht wird.

- Die Kapazität ist je nach Außentemperatur und anderen Bedingungen evtl. nicht ausreichend.

① Vervollständigen Sie bei Verwendung des externen Eingangsadapters (PAC-SC36NA) (Als Sonderzubehör käuflich zu erwerben) den Stromkreis wie dargestellt.

9.2. Abruffunktion (Vor-Ort-Modifikation) (Fig. 9-2)

- Durch Vornahme der folgenden Vor-Ort-Installation lässt sich der Stromverbrauch innerhalb eines Bereichs von 0 – 100 % senken.

Die Abruffunktion kann durch Zusatz eines im Handel erhältlichen ON/OFF (EIN/AUS)-Schalters mit Eingabekontakt zum CNDM-Stecker eingeschaltet werden. (Die Abrufeingabe am Kontaktpunkt kann zusätzlich käuflich erworben werden).

① Den "Adapter für externe Eingabe (PAC-SC36NA)", wie in der Abbildung links dargestellt, in den Stromkreis eingliedern.

② Durch Schalten der SW7-1 auf der Schalttafel des Stromkreises für das Außengerät kann die nachstehende Verringerung des Stromverbrauchs (im Vergleich zum Nennstrom) eingestellt werden.

SW7-1	Stromverbrauch bei eingeschaltetem SW2
OFF (AUS)	0% (Erzwungener Kompressorstopp)
ON (EIN)	50%

9.3. Überwachungsfunktion für Fehler und Kompressorbetrieb (CN51)

- Ⓐ Schalttafel der Fernbedienung
- Ⓑ Relais-Stromkreis
- Ⓒ Adapter für Ausgang (PAC-SA88HA-E)
- Ⓓ Schalttafel der Außengerät
- Ⓔ Stromversorgung für Leuchte
- Ⓕ Vor Ort zu beschaffen
- Ⓖ Max. 10 m
- Ⓚ Orange
- Ⓛ Gelb
- Ⓜ Grün

9.4. Automatische Umschaltung - Modussperrfunktion durch externes Signal (CN3S)

- Ⓐ Schalttafel (entfernt)
- Ⓑ Relais-Stromkreis
- Ⓒ Adapter für Ausgang (PAC-SC36NA)
- Ⓓ Schalttafel des Außengerätes
- Ⓔ Stromversorgung für Leuchte
- Ⓕ Vor Ort zu beschaffen
- Ⓖ Max. 10 m
- Ⓗ Orange
- Ⓘ Braun
- Ⓝ Rot

	ON (EIN)	OFF (AUS)
SW1	Heizung	Kühlung
SW2	Gültigkeit von SW1	Ungültigkeit von SW 1

* Jedes Innengerät, das in einem anderen Modus als dem durch das externe Signal angegebenen arbeitet, begibt sich in den Standby-Modus.

* Die Einstellungen werden wirksam, sobald das Außengerät gestoppt wird.

* Der für den Testlauf angegebene Modus hat Vorrang vor dem bei Verwendung dieser Funktion angegebenen Modus.

Index

1. Consignes de sécurité	30	6. Mise en place du tuyau d'écoulement	38
2. Pièces et schéma d'installation	31	7. Installations électriques	38
3. Emplacement d'installation	32	8. Marche d'essai	42
4. Installation de l'appareil extérieur	34	9. Fonctions spéciales	43
5. Installation de la tuyauterie du réfrigérant	34		

1. Consignes de sécurité

- ▶ Avant d'installer le climatiseur, lire attentivement toutes les "Consignes de sécurité".
- ▶ Veuillez consulter ou obtenir la permission votre compagnie d'électricité avant de connecter votre système.
- ▶ Equipement conforme à la directive IEC/EN 61000-3-12

⚠ Avertissement:

Précautions à suivre pour éviter tout danger de blessure ou de décès de l'utilisateur.

⚠ Précaution:

Décrit les précautions qui doivent être prises pour éviter d'endommager l'appareil.

⚠ Avertissement:

- L'appareil ne doit pas être installé par l'utilisateur. Contacter un revendeur ou un technicien agréé pour installer l'appareil. Si l'appareil n'est pas correctement installé, des fuites d'eau, des chocs électriques ou des incendies peuvent se produire.
- Pour l'installation, respecter les instructions du manuel d'installation et utiliser des outils et des composants de tuyau spécialement conçus pour une utilisation avec le réfrigérant R410A. La pression du réfrigérant R410A du système HFC est 1,6 fois supérieure à celle des réfrigérants traditionnels. Si des composants de tuyau non adaptés au réfrigérant R410A sont utilisés et si l'appareil n'est pas correctement installé, les tuyaux peuvent éclater et provoquer des dommages ou des blessures. Des fuites d'eau, des chocs électriques et des incendies peuvent également se produire.
- L'appareil doit être installé conformément aux instructions pour réduire les risques de dommages liés à des tremblements de terre, des typhons ou des vents violents. Une installation incorrecte peut entraîner la chute de l'appareil et provoquer des dommages ou des blessures.
- L'appareil doit être solidement installé sur une structure pouvant supporter son poids. Si l'appareil est fixé sur une structure instable, il risque de tomber et de provoquer des dommages ou des blessures.
- Si le climatiseur est installé dans une petite pièce, certaines mesures doivent être prises pour éviter que la concentration de réfrigérant ne dépasse le seuil de sécurité en cas de fuite. Consulter un revendeur pour obtenir les mesures adéquates et ainsi éviter de dépasser la concentration autorisée. En cas de fuite de réfrigérant et de dépassement du seuil de concentration, des risques liés au manque d'oxygène dans la pièce peuvent survenir.
- Aérer la pièce en cas de fuite de réfrigérant lors de l'utilisation. Le contact du réfrigérant avec une flamme peut provoquer des émanations de gaz toxiques.
- Toutes les installations électriques doivent être effectuées par un technicien qualifié conformément aux réglementations locales et aux instructions fournies dans ce manuel. Les appareils doivent être alimentés par des lignes électriques adaptées. Utiliser la tension correcte et des coupe-circuits. Des lignes électriques de capacité insuffisante ou des installations électriques incorrectes peuvent provoquer un choc électrique ou un incendie.

Une fois l'installation terminée, expliquer les "Consignes de sécurité", l'utilisation et l'entretien de l'appareil au client conformément aux informations du mode d'emploi et effectuer l'essai de fonctionnement en continu pour garantir un fonctionnement normal. Le manuel d'installation et le mode d'emploi doivent être fournis à l'utilisateur qui doit les conserver. Ces manuels doivent également être transmis aux nouveaux utilisateurs.

⚡ : Indique un élément qui doit être mis à la terre.

⚠ Avertissement:

Prendre soin de lire les étiquettes se trouvant sur l'appareil principal.

- Veiller à relier les cordons d'alimentation et les fils de raccordement des appareils intérieurs, des appareils extérieurs et des boîtiers de dérivation directement sur les appareils (sans raccordement intermédiaire). Les raccordements intermédiaires peuvent engendrer des erreurs de communication si de l'eau s'infiltré dans les cordons et les fils et provoquent une isolation insuffisante de la mise à la terre ou un mauvais contact électrique au niveau du point de raccordement intermédiaire. (Si un raccordement intermédiaire s'avère nécessaire, veiller à prendre des mesures pour éviter que de l'eau ne s'infiltré dans les cordons et les fils.)
- Utiliser le cuivre phosphoreux C1220, pour des tuyaux sans soudure en cuivre et en alliage de cuivre, pour raccorder les tuyaux de réfrigérant. Si les tuyaux ne sont pas correctement raccordés, la mise à la terre de l'appareil ne sera pas conforme et des chocs électriques peuvent se produire.
- N'utiliser que les câbles spécifiés pour les raccordements. Les connexions doivent être correctement effectuées sans tension sur les bornes. Si les câbles ne sont pas correctement connectés ou installés, une surchauffe ou un incendie peut se produire.
- Le couvercle du bloc de sortie de l'appareil extérieur doit être solidement fixé. S'il n'est pas correctement installé et si des poussières et de l'humidité s'infiltré dans l'appareil, un choc électrique ou un incendie peut se produire.
- Lors de l'installation ou du déplacement du climatiseur, n'utiliser que le réfrigérant spécifié (R410A) pour remplir les tuyaux de réfrigérant. Ne pas le mélanger avec un autre réfrigérant et faire le vide d'air dans les tuyaux. La présence d'air dans les tuyaux peut provoquer des pointes de pression entraînant une rupture et d'autres risques.
- N'utiliser que les accessoires agréés par Mitsubishi Electric et contacter un revendeur ou un technicien agréé pour les installer. Si les accessoires ne sont pas correctement installés, une fuite d'eau, un choc électrique ou un incendie peut se produire.
- Ne pas changer l'appareil. Consulter un revendeur en cas de réparations. Si les modifications ou réparations ne sont pas correctement effectuées, une fuite d'eau, un choc électrique ou un incendie peut se produire.
- L'utilisateur ne doit jamais essayer de réparer ou de déplacer l'appareil. Si l'appareil n'est pas correctement installé, des fuites d'eau, des chocs électriques ou des incendies peuvent se produire. Si le climatiseur doit être réparé ou déplacé, contacter un revendeur ou un technicien agréé.
- Une fois l'installation terminée, vérifier les éventuelles fuites de réfrigérant. Si le réfrigérant fuit dans la pièce et entre en contact avec la flamme d'un chauffage ou d'une cuisinière, des gaz toxiques peuvent se dégager.

1.1. Avant l'installation

⚠ Précaution:

- Ne pas utiliser l'appareil dans un environnement inhabituel. Si le climatiseur est installé dans des endroits exposés à la vapeur, à l'huile volatile (notamment l'huile de machine), au gaz sulfurique, à une forte teneur en sel, par exemple, à la mer, ou dans des endroits où l'appareil sera recouvert de neige, les performances peuvent considérablement diminuer et les pièces internes de l'appareil être endommagées.
- Ne pas installer l'appareil dans des endroits où des gaz de combustion peuvent s'échapper, se dégager ou s'accumuler. L'accumulation de gaz de combustion autour de l'appareil peut provoquer un incendie ou une explosion.

- L'appareil extérieur produit de la condensation lors du fonctionnement du chauffage. Prévoir un système de drainage autour de l'appareil extérieur au cas où la condensation provoquerait des dommages.
- Lors de l'installation de l'appareil dans un hôpital ou un centre de communications, se préparer au bruit et aux interférences électroniques. Les inverseurs, les appareils électroménagers, les équipements médicaux haute fréquence et de communications radio peuvent provoquer un dysfonctionnement ou une défaillance du climatiseur. Le climatiseur peut également endommager les équipements médicaux et de communications, perturbant ainsi les soins et réduisant la qualité d'affichage des écrans.

1.2. Avant l'installation (déplacement)

⚠ Précaution:

- Transporter les appareils avec précaution. L'appareil doit être transporté par deux personnes ou plus, car il pèse 20 kg minimum. Ne pas tirer les rubans d'emballage. Se munir de gants pour ôter l'appareil de son emballage et le déplacer au risque de se blesser les mains sur les ailettes ou d'autres pièces.
- Veiller à éliminer le matériel d'emballage en toute sécurité. Le matériel d'emballage (clous et autres pièces en métal ou en bois) peut provoquer des blessures.

- La base et les fixations de l'appareil extérieur doivent être vérifiées régulièrement pour éviter qu'elles ne se desserrent, se fissurent ou subissent d'autres dommages. Si ces défauts ne sont pas corrigés, l'appareil peut tomber et provoquer des dommages ou des blessures.
- Ne pas nettoyer le climatiseur à l'eau au risque de provoquer un choc électrique.
- Serrer les écrous évasés, conformément aux spécifications, à l'aide d'une clé dynamométrique. Si les écrous sont trop serrés, ils peuvent se casser après un certain temps et provoquer une fuite de réfrigérant.

1. Consignes de sécurité

1.3. Avant l'installation électrique

⚠ Précaution:

- Veiller à installer des coupe-circuits. Dans le cas contraire, un choc électrique peut se produire.

IMPORTANT

S'assurer que le disjoncteur de fuite de courant est compatible avec les harmoniques les plus élevées.

Veiller à toujours utiliser un disjoncteur de fuite de courant compatible avec les harmoniques les plus élevées car cet appareil est équipé d'un inverseur. L'utilisation d'un disjoncteur inapproprié peut provoquer un dysfonctionnement de l'onduleur.

- Pour les lignes électriques, utiliser des câbles standard de capacité suffisante. Dans le cas contraire, un court-circuit, une surchauffe ou un incendie peut se produire.

1.4. Avant la marche d'essai

⚠ Précaution:

- Activer l'interrupteur principal au moins 12 heures avant la mise en fonctionnement de l'appareil. L'utilisation de l'appareil juste après sa mise sous tension peut endommager sérieusement les pièces internes. Laisser l'interrupteur activé pendant la période d'utilisation.
- Avant d'utiliser l'appareil, vérifier que tous les panneaux, toutes les protections et les autres pièces de sécurité sont correctement installés. Les pièces tournantes, chaudes ou à haute tension peuvent provoquer des blessures.
- Ne pas toucher les interrupteurs les mains humides au risque de provoquer un choc électrique.

1.5. Utilisation de climatiseurs utilisant le réfrigérant R410A

⚠ Précaution:

- Utiliser le cuivre phosphoreux C1220, pour des tuyaux sans soudure en cuivre et en alliage de cuivre, pour raccorder les tuyaux de réfrigérant. Vérifier que l'intérieur des tuyaux est propre et dépourvu de tout agent nocif tel que des composés sulfuriques, des oxydants, des débris ou des saletés. Utiliser des tuyaux d'épaisseur spécifiée. (Se reporter à la page 34). Respecter les instructions suivantes en cas de réutilisation de tuyaux de réfrigérant R22 existants.
 - Remplacer les écrous évasés existants et évaser de nouveau les sections évasées.
 - Ne pas utiliser de tuyaux fins. (Se reporter à la page 34)
- Stocker à l'intérieur les tuyaux à utiliser pendant l'installation et couvrir les deux extrémités jusqu'au processus de brasage. (Laisser les joints de coude, etc. dans leur emballage.) L'infiltration de poussières, de débris ou d'humidité dans les tuyaux de réfrigérant peut affecter la qualité de l'huile ou endommager le compresseur.
- Appliquer une petite quantité d'huile ester, éther ou alkylbenzène comme huile réfrigérante sur les sections évasées. Le mélange d'huile minérale et d'huile réfrigérante peut affecter la qualité de l'huile.

- Lors de l'installation des lignes électriques, ne pas mettre les câbles sous tension. Si les connexions sont desserrées, les câbles peuvent se rompre et provoquer une surchauffe ou un incendie.
- Veiller à mettre l'appareil à la terre. Ne pas relier le fil de terre aux conduites de gaz ou d'eau, aux paratonnerres ou aux lignes de terre téléphoniques. Une mise à la terre incorrecte de l'appareil peut provoquer un choc électrique.
- Utiliser des coupe-circuits (disjoncteur de fuite à la terre, interrupteur d'isolement (fusible +B) et disjoncteur à boîtier moulé) à la capacité spécifiée. Si la capacité du coupe-circuit est supérieure à celle spécifiée, une défaillance ou un incendie peut se produire.

- Ne pas toucher les tuyaux de réfrigérant les mains nues lors de l'utilisation. Les tuyaux de réfrigérant sont chauds ou froids en fonction de l'état du réfrigérant qu'ils contiennent. Toucher les tuyaux peut provoquer des brûlures ou des gelures.
- A la fin de l'utilisation de l'appareil, attendre au moins cinq minutes avant de désactiver l'interrupteur principal. Dans le cas contraire, une fuite d'eau ou une défaillance peut se produire.

- Ne pas utiliser un réfrigérant autre que le réfrigérant R410A. Si c'est le cas, le chlore peut affecter la qualité de l'huile.
- Utiliser les outils suivants spécialement conçus pour une utilisation avec le réfrigérant R410A. Les outils suivants sont nécessaires pour utiliser le réfrigérant R410A. En cas de questions, contacter le revendeur le plus proche.

Outils (pour R410A)	
Collecteur jauge	Outil d'évasement
Tuyau de charge	Jauge de réglage de la taille
Détecteur de fuite de gaz	Adaptateur pour pompe à vide
Clé dynamométrique	Echelle électronique de charge de réfrigérant

- Veiller à utiliser les outils adaptés. L'infiltration de poussières, de débris ou d'humidité dans les tuyaux de réfrigérant peut affecter la qualité de l'huile réfrigérante.
- Ne pas utiliser un cylindre de charge. L'utilisation d'un cylindre de charge peut modifier la composition du réfrigérant et réduire son efficacité.

2. Pièces et schéma d'installation

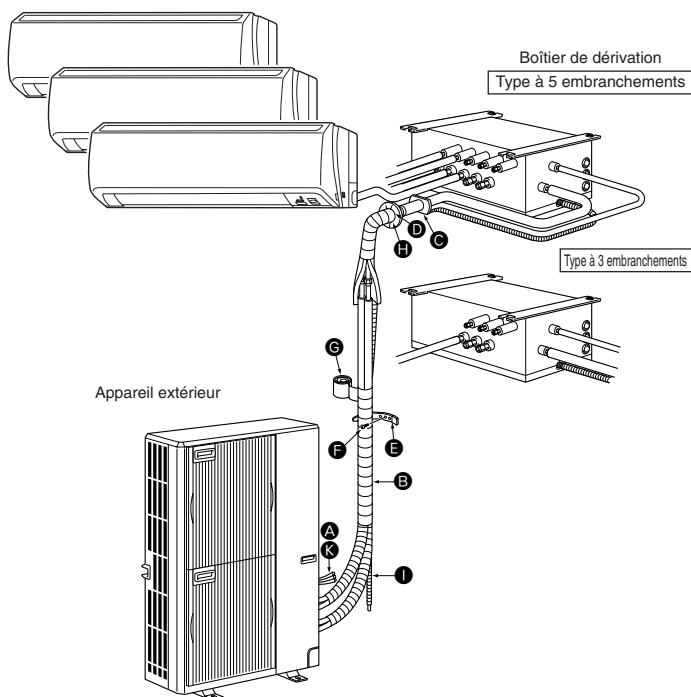


Fig. 2-1

2.1. Avant l'installation (Fig. 2-1)

Ce manuel d'installation ne traite que de l'installation d'un appareil extérieur. Se reporter au manuel d'installation propre à chaque appareil lors de l'installation d'appareils intérieurs et du boîtier de dérivation.

Toutes modifications structurelles requises pour l'installation doivent être conformes au code du bâtiment local en vigueur.

Ce schéma vise à montrer la configuration des accessoires. Dans le cadre d'une installation réelle, l'appareil extérieur doit être tourné de 180°.

Les appareils doivent être installés par des fournisseurs qualifiés conformément à la réglementation locale.

Remarque :

Les dimensions indiquées au-dessus des flèches sont indispensables pour garantir les performances du climatiseur. Installer l'appareil dans un emplacement aussi spacieux que possible pour faciliter son entretien ou ses réparations ultérieurement.

Pièces à acheter localement

A	Fil de raccordement du boîtier de dérivation/de l'appareil extérieur (3 conducteurs, se reporter à la section 7.3. Procédure de câblage externe.)	1
B	Tuyau d'extension	1
C	Manchon d'ouverture murale	1
D	Gaine d'ouverture murale	1
E	Bande de fixation de tuyau (la quantité dépend de la longueur du tuyau.)	2 à 7
F	Vis de fixation pour E 4 x 20 mm (la quantité dépend de la longueur du tuyau.)	2 à 7
G	Ruban adhésif de tuyauterie	1
H	Mastic	1
I	Tuyau de vidange (Tuyau en PVC dur VP16)	1
J	Huile réfrigérante	1
K	Cordon d'alimentation (2 conducteurs, se reporter à la section 7.3. Procédure de câblage externe.)	1

3. Emplacement d'installation

3.1. Tuyaux de réfrigérant

Se reporter à la section 5.2. Longueur de tuyau et différence de hauteur.

3.2. Sélection de l'emplacement d'installation de l'appareil extérieur

- Éviter les endroits exposés au rayonnement solaire direct ou à d'autres sources de chaleur.
- Sélectionner un endroit où le bruit de l'appareil n'incommodera pas le voisinage.
- Sélectionner un endroit permettant un accès facile des câbles et tuyaux à la source d'alimentation et à l'appareil intérieur.
- Éviter les endroits exposés à des risques de fuite, d'échappement ou d'accumulation de gaz.
- Ne pas oublier que des gouttes d'eau peuvent couler de l'appareil lors de son utilisation.
- Sélectionner un endroit de niveau pouvant supporter le poids et les vibrations de l'appareil.
- Éviter les endroits où l'appareil peut être recouvert de neige. Dans les zones où les chutes de neige importantes sont prévisibles, certaines précautions (par ex., relever l'emplacement d'installation ou installer une hotte sur l'arrivée d'air) doivent être prises pour éviter que la neige ne bloque l'arrivée d'air ou ne tombe directement dessus. La circulation de l'air risque de diminuer et d'entraîner un dysfonctionnement.
- Éviter les endroits exposés à l'huile, à la vapeur ou au gaz sulfurique.
- Utiliser les poignées de transport (quatre emplacements à gauche, à droite, à l'avant et à l'arrière) de l'appareil extérieur pour le déplacer. Transporter l'appareil par le bas peut provoquer des pincements aux mains ou aux doigts.

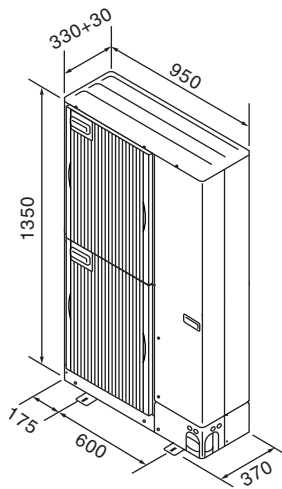


Fig. 3-1

(mm)

3.3. Dimensions extérieures (Appareil extérieur) (Fig. 3-1)

Contraintes concernant l'installation d'un appareil intérieur

Voici les modèles d'appareils intérieurs qu'il est possible de relier à cet appareil extérieur.

- Les appareils intérieurs ayant pour numéro de modèle 22, 25, 35, 50, 60, 71, 80 peuvent être raccordés. Se reporter au tableau ci-après pour connaître les combinaisons possibles de 2 à 8 appareils intérieurs individuels.

Vérification

Déterminer la capacité nominale en respectant les données figurant dans le tableau ci-après. L'appareil extérieur ne prend en charge que de 2 à 8 appareils intérieurs. Pour l'étape suivante, veiller à ce que la capacité nominale totale sélectionnée soit comprise entre 4,4 et 18,5 kW.

Exemple :

MSZ-60	=	6,0	} Capacité nominale totale 18,0 ≤ 18,5 kW
		+	
SEZ-35	=	3,5	
		+	
SLZ-35	=	3,5	
		+	
SEZ-25	=	2,5	
		+	
SLZ-25	=	2,5	

Type d'appareil intérieur	22	25	35	50	60	71	80
Capacité nominale (refroidissement) (kW)	2,2	2,5	3,5	5,0	6,0	7,1	8,0

Dans les combinaisons dans lesquelles la capacité totale des appareils intérieurs est supérieure à la capacité de l'appareil extérieur (= 14,0 kW), la capacité de refroidissement de chaque appareil intérieur sera réduite en dessous de sa capacité de refroidissement nominale. Par conséquent, combiner des appareils intérieurs à un appareil extérieur sans dépasser la capacité de ce dernier (= 14,0 kW), si possible.

3.4. Ventilation et espace de service

3.4.1. Installation à un endroit exposé au vent

Lors de l'installation de l'appareil extérieur sur un toit ou à d'autres endroits non protégés du vent, diriger la sortie d'air de l'appareil vers le côté qui n'est pas directement exposé aux vents forts. Le vent soufflant dans la sortie d'air peut empêcher l'air de circuler normalement et provoquer un dysfonctionnement.

Voici trois exemples de précautions à prendre.

- ① Positionner la sortie d'air vers le mur le plus proche et à environ 50 cm de celui-ci. (Fig. 3-2)
- ② Installer un guidage d'air optionnel si l'appareil est placé dans un endroit où les vents violents d'un typhon par exemple pourraient s'engouffrer directement dans la sortie d'air. (Fig. 3-3)
 - Ⓐ Guidage d'air
- ③ Placer l'appareil de sorte que la sortie d'air souffle dans la direction perpendiculaire à celle des vents saisonniers, si celle-ci est connue. (Fig. 3-4)
 - Ⓑ Sens du vent

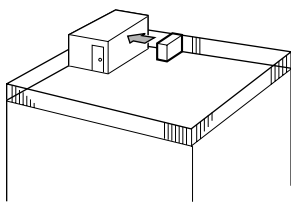


Fig. 3-2

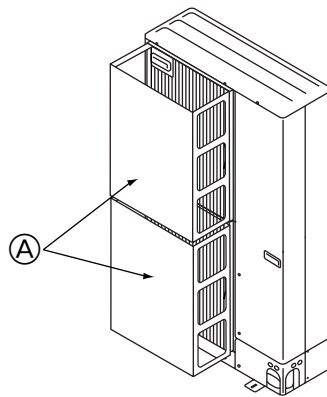


Fig. 3-3

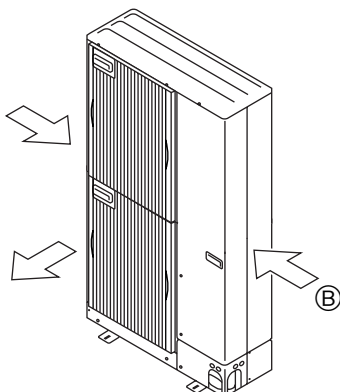


Fig. 3-4

3. Emplacement d'installation

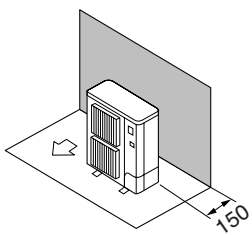


Fig. 3-5

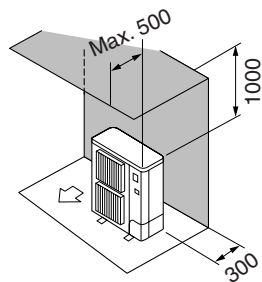


Fig. 3-6

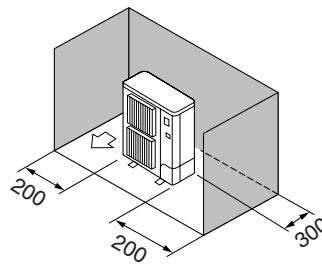


Fig. 3-7

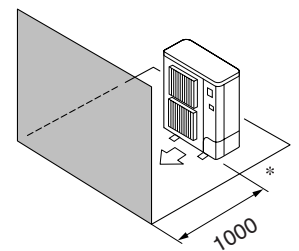


Fig. 3-8

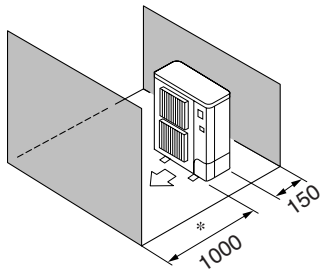


Fig. 3-9

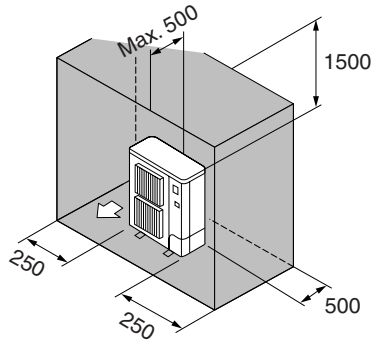


Fig. 3-10

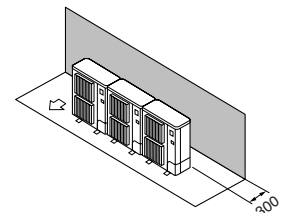


Fig. 3-11

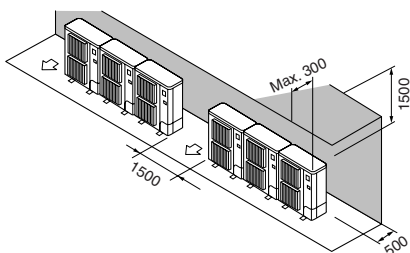


Fig. 3-12

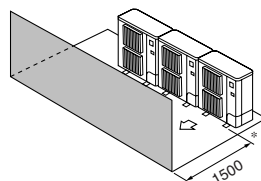


Fig. 3-13

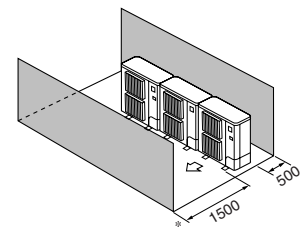


Fig. 3-14

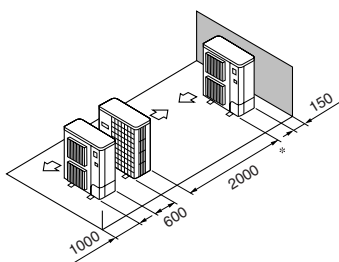


Fig. 3-15

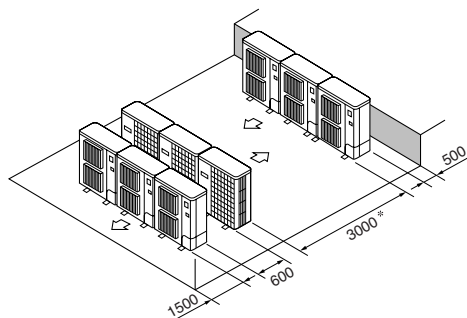


Fig. 3-16

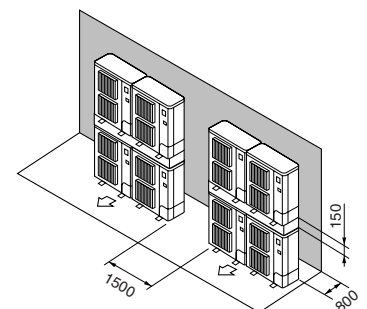


Fig. 3-17

3.4.2. Lors de l'installation d'un seul appareil extérieur

Le dimensions minimales sont les suivantes, à l'exception des valeurs Max., indiquant les dimensions maximales.

Utiliser les chiffres pour chaque cas.

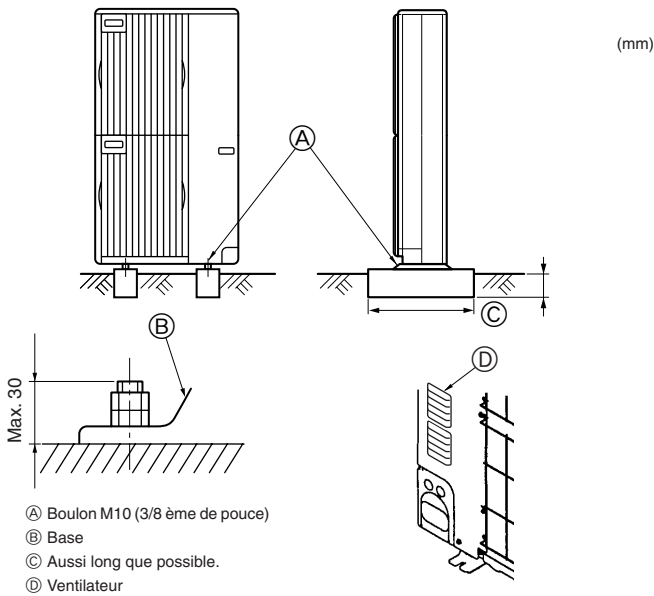
- ① Obstacles uniquement à l'arrière (Fig. 3-5)
- ② Obstacles uniquement à l'arrière et au-dessus (Fig. 3-6)
- ③ Obstacles uniquement à l'arrière et sur les côtés (Fig. 3-7)
- ④ Obstacles uniquement à l'avant (Fig. 3-8)
- * Lors de l'utilisation d'un guidage de sortie d'air en option, le jeu est de 500 mm minimum.
- ⑤ Obstacles uniquement à l'avant et à l'arrière (Fig. 3-9)
- * Lors de l'utilisation d'un guidage de sortie d'air en option, le jeu est de 500 mm minimum.
- ⑥ Obstacles uniquement à l'arrière, sur les côtés et au-dessus (Fig. 3-10)
- Ne pas utiliser les guidages de sortie d'air en option pour un débit d'air vers le haut.

3.4.3. Lors de l'installation de plusieurs appareils extérieurs

Espacer les appareils de 10 mm minimum.

- ① Obstacles uniquement à l'arrière (Fig. 3-11)
- ② Obstacles uniquement à l'arrière et au-dessus (Fig. 3-12)
 - Ne pas installer côte à côte plus de trois appareils. Espacer également les appareils, comme illustré.
 - Ne pas utiliser les guidages de sortie d'air en option pour un débit d'air vers le haut.
- ③ Obstacles uniquement à l'avant (Fig. 3-13)
 - * Lors de l'utilisation d'un guidage de sortie d'air en option, le jeu est de 1000 mm minimum.
- ④ Obstacles uniquement à l'avant et à l'arrière (Fig. 3-14)
 - * Lors de l'utilisation d'un guidage de sortie d'air en option, le jeu est de 1000 mm minimum.
- ⑤ Disposition pour un seul appareil parallèle (Fig. 3-15)
 - * Lors de l'utilisation d'un guidage de sortie d'air en option installé pour un débit d'air vers le haut, le jeu est de 1000 mm minimum.
- ⑥ Disposition pour plusieurs appareils parallèles (Fig. 3-16)
 - * Lors de l'utilisation d'un guidage de sortie d'air en option installé pour un débit d'air vers le haut, le jeu est de 1500 mm minimum.
- ⑦ Disposition pour appareils empilés (Fig. 3-17)
 - Il est possible d'empiler jusqu'à deux appareils.
 - Ne pas installer côte à côte plus de deux appareils empilés. Espacer également les appareils, comme illustré.

4. Installation de l'appareil extérieur



- Bien installer l'appareil sur une surface solide et de niveau, de façon à éviter tout bruit de crécelle pendant le fonctionnement. (Fig. 4-1)

<Spécifications de la fondation>

Boulon de fondation	M10 (3/8 ème de pouce)
Épaisseur de béton	120 mm
Longueur des boulons	70 mm
Résistance au poids	320 kg

- S'assurer que la longueur des boulons de fondation ne dépasse pas 30 mm par rapport à la surface inférieure de la base.
- Fixer fermement la base de l'appareil avec quatre boulons de fondation M10 placés à des endroits suffisamment robustes.

Installation de l'appareil extérieur

- Ne pas bloquer le ventilateur. Si le ventilateur est bloqué, l'appareil sera ralenti et risque d'être endommagé.
- Pour installer l'appareil, utiliser, si nécessaire et en plus de la base de l'appareil, les orifices d'installation situés à l'arrière pour fixer les câbles, etc. Utiliser des vis autotaraudeuses (ø5 x 15 mm maximum) et installer l'appareil sur site.

⚠ Avertissement:

- L'appareil doit être solidement installé sur une structure pouvant supporter son poids. Si l'appareil est fixé sur une structure instable, il risque de tomber et de provoquer des dommages ou des blessures.
- L'appareil doit être installé conformément aux instructions pour réduire les risques de dommages liés à des tremblements de terre, des typhons ou des vents violents. Une installation incorrecte peut entraîner la chute de l'appareil et provoquer des dommages ou des blessures.

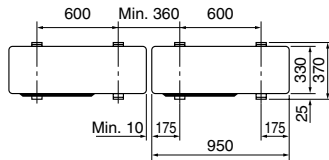


Fig. 4-1

5. Installation de la tuyauterie du réfrigérant

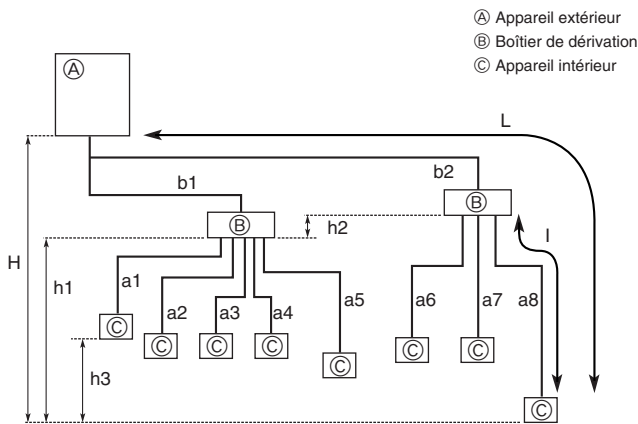


Fig. 5-1

5.1. Consignes pour appareils utilisant le réfrigérant R410A

- Se reporter à la page 31 pour les consignes non reprises ci-dessous concernant l'utilisation de climatiseurs avec un réfrigérant R410A.
- Appliquer une petite quantité d'huile ester, éther ou alkylbenzène comme huile réfrigérante sur les sections évasées.
- Utiliser le cuivre phosphoreux C1220, pour des tuyaux sans soudure en cuivre et en alliage de cuivre, pour raccorder les tuyaux de réfrigérant. Utiliser les tuyaux de réfrigérant dont l'épaisseur est spécifiée dans le tableau ci-dessous. Vérifier que l'intérieur des tuyaux est propre et dépourvu de tout agent nocif tel que des composés sulfuriques, des oxydants, des débris ou des saletés.

⚠ Avertissement:

Lors de l'installation ou du déplacement du climatiseur, n'utiliser que le réfrigérant spécifié (R410A) pour remplir les tuyaux de réfrigérant. Ne pas le mélanger avec un autre réfrigérant et faire le vide d'air dans les tuyaux. La présence d'air dans les tuyaux peut provoquer des pointes de pression entraînant une rupture et d'autres risques.

ø6,35, ø9,52, ø12,7	Épaisseur 0,8 mm
ø15,88	Épaisseur 1,0 mm

- Ne pas utiliser de tuyaux plus fins que ceux spécifiés ci-dessus.

Longueur admise (un sens)	Longueur de tuyau totale	$b1+b2+a1+a2+a3+a4+a5+a6+a7+a8 \leq 115 \text{ m}$
	Longueur de tuyau maximum (L)	$b2+a8 \leq 70 \text{ m}$ ($b2 \leq 55 \text{ m}$, $a8 \leq 15 \text{ m}$)
	Longueur de tuyau entre l'appareil extérieur et les boîtiers de dérivation	$b1+b2 \leq 55 \text{ m}$
	Longueur de tuyau maximum après le boîtier de dérivation (l)	$a8 \leq 15 \text{ m}$
Différence de hauteur admise (un sens)	Longueur de tuyau totale entre les boîtiers de dérivation et les appareils intérieurs	$a1+a2+a3+a4+a5+a6+a7+a8 \leq 60 \text{ m}$
	Dans la section intérieure/extérieure (H)*1	$H \leq 30 \text{ m}$ (Si l'appareil extérieur est placé plus haut que l'appareil intérieur) $H \leq 20 \text{ m}$ (Si l'appareil extérieur est placé plus bas que l'appareil intérieur)
	Dans la section boîtier de dérivation/appareil intérieur (h1)	$h1 + h2 \leq 15 \text{ m}$
	Dans chaque appareil de dérivation (h2)	$h2 \leq 15 \text{ m}$
	Dans chaque appareil intérieur (h3)	$h3 \leq 12 \text{ m}$
Nombre de coudes		$ b1+a1 , b1+a2 , b1+a3 , b1+a4 , b1+a5 , b2+a6 , b2+a7 , b2+a8 \leq 15$

*1 Placer le boîtier de dérivation à une hauteur comprise entre celle de l'appareil extérieur et des appareils intérieurs.

5.2. Longueur de tuyau et différence de hauteur (Fig. 5-1)

Raccordements évasés

- Cet appareil intègre des raccordements évasés de chaque côté des appareils intérieurs, du boîtier de dérivation et de l'appareil extérieur.
- Retirer le couvercle de soupape de l'appareil extérieur, puis raccorder le tuyau.
- Les tuyaux de réfrigérant servent à raccorder le boîtier de dérivation et l'appareil intérieur.

5. Installation de la tuyauterie du réfrigérant

5.3. Ajout de réfrigérant

- Aucune charge supplémentaire n'est nécessaire pour cet appareil si la longueur de tuyau totale ($b1+b2+a1+a2+a3+a4+a5+a6+a7+a8$) ne dépasse pas 40 m.
- Si la longueur de tuyau totale est supérieure à 40 m, charger l'appareil avec du réfrigérant supplémentaire R410A conformément aux longueurs de tuyaux autorisées mentionnées dans le tableau ci-après.

* Une fois l'appareil arrêté, le charger de réfrigérant supplémentaire par la vanne d'arrêt de liquide après avoir vidé les extensions de tuyaux et l'appareil intérieur. Lors de l'utilisation de l'appareil, ajouter du réfrigérant par le clapet de non-retour du gaz à l'aide d'un chargeur de sécurité. Ne pas ajouter de réfrigérant liquide directement par le clapet de non-retour.

Une fois l'appareil chargé de réfrigérant, noter la quantité de réfrigérant ajouté sur l'étiquette de service (collée sur l'appareil).

Se reporter à la section "1.5. Utilisation de climatiseurs utilisant le réfrigérant R410A" pour plus d'informations.

Tableau 1

Longueur totale du tuyau ($b1+b2+a1+a2+a3+a4+a5+a6+a7+a8$)	41 - 50 m	51 - 70 m	71 - 90 m	91 - 115 m
Quantité de charge de réfrigérant ajouté	0,6 kg	1,4 kg	2,2 kg	3,2 kg

En cas de raccordement d'un appareil intérieur avec des conduits de liquide $\phi 9,52$ (numéro de modèle 71 ou supérieur pour les séries M et S et numéro de modèle 60 ou supérieur pour la série P), la quantité de charge de réfrigérant ajouté dans le tableau 1 doit être corrigée (ajoutez la valeur ΔR suivante à partir de la valeur indiquée dans le tableau 1).

Quantité corrigée de charge de réfrigérant ajouté
 $\Delta R = 0,01 \text{ [kg/m]} \times \text{longueur totale [m]} \text{ du tuyau à embranchements (conduit de liquide) } \phi 9,52$

Exemple) $b1=20 \text{ m}$, $b2=25 \text{ m}$

Appareil intérieur A	$\phi 9,52$ Conduit de liquide	$a1=12 \text{ m}$
Appareil intérieur B	$\phi 6,35$ Conduit de liquide	$a2=11 \text{ m}$
Appareil intérieur C	$\phi 6,35$ Conduit de liquide	$a6=14 \text{ m}$
Appareil intérieur D	$\phi 9,52$ Conduit de liquide	$a7=13 \text{ m}$

Longueur totale du tuyau : $b1+b2+a1+a2+a6+a7=95 \text{ m}$

→ D'après le tableau 1, la quantité de charge de réfrigérant ajouté est de 3,2 kg.

Les appareils intérieurs étant raccordés avec des conduits de liquide $\phi 9,52$ (les appareils intérieurs A et D dans cet exemple), la quantité de charge de réfrigérant ajouté doit être corrigée.

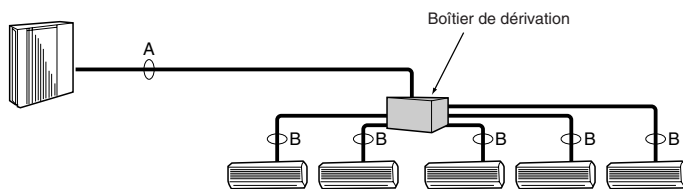
Quantité corrigée de charge de réfrigérant ajouté

$\Delta R = 0,01 \text{ [kg/m]} \times \text{longueur totale (} a1+a7 \text{) du tuyau à embranchements (conduit de liquide) } \phi 9,52$
 $= 0,01 \times (12+13 \text{ m})$
 $= 0,25 \text{ kg}$

La quantité de charge de réfrigérant ajouté est donc de $3,2 \text{ kg} + 0,25 \text{ kg} = 3,45 \text{ kg}$.

■ En cas d'utilisation d'1 boîtier de dérivation

Raccordement évasé utilisé. (Pas de brasage)



■ En cas d'utilisation de 2 boîtiers de dérivation

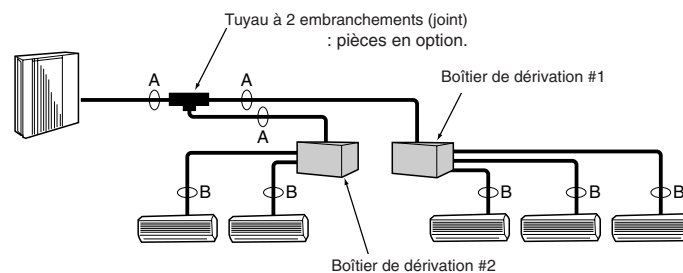


Fig. 5-2

(1) Taille de la vanne pour l'appareil extérieur

Pour les liquides	$\phi 9,52 \text{ mm}$
Pour le gaz	$\phi 15,88 \text{ mm}$

(2) Taille de la vanne pour le boîtier de dérivation

[A] APPAREIL	Conduit de liquide	$\phi 6,35 \text{ mm}$
	Conduit de gaz	$\phi 9,52 \text{ mm}$
[B] APPAREIL	Conduit de liquide	$\phi 6,35 \text{ mm}$
	Conduit de gaz	$\phi 9,52 \text{ mm}$
[C] APPAREIL	Conduit de liquide	$\phi 6,35 \text{ mm}$
	Conduit de gaz	$\phi 9,52 \text{ mm}$
[D] APPAREIL	Conduit de liquide	$\phi 6,35 \text{ mm}$
	Conduit de gaz	$\phi 9,52 \text{ mm}$
[E] APPAREIL	Conduit de liquide	$\phi 6,35 \text{ mm}$
	Conduit de gaz	$\phi 12,7 \text{ mm}$

* Type à 3 embranchements : uniquement l'appareil [A], [B], [C]

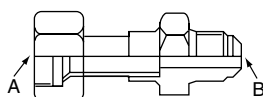


Fig. 5-3

Formule de conversion

1/4 F	$\phi 6,35$
3/8 F	$\phi 9,52$
1/2 F	$\phi 12,7$
5/8 F	$\phi 15,88$
3/4 F	$\phi 19,05$

5.4. Sélection de la taille du tuyau (Fig. 5-2)

	A	B
Liquide (mm)	$\phi 9,52$	La taille des raccords de tuyau diffère selon le type et la capacité des appareils intérieurs. Adapter la taille du raccordement du tuyau du boîtier de dérivation à l'appareil intérieur.
Gaz (mm)	$\phi 15,88$	Si la taille du raccordement du tuyau du boîtier de dérivation diffère de celle du raccordement du tuyau de l'appareil intérieur, utiliser des joints de diamètre différent (déformés), disponibles en option, au niveau du boîtier de dérivation. (Raccorder le joint déformé directement au niveau du boîtier de dérivation.)

Joint de diamètre différent (pièces disponibles en option) (Fig. 5-3)

Nom de modèle	Diamètre des tuyaux raccordés		Diamètre A	Diamètre B
	mm		mm	mm
MAC-A454JP	$\phi 9,52$	→ $\phi 12,7$	$\phi 9,52$	$\phi 12,7$
MAC-A455JP	$\phi 12,7$	→ $\phi 9,52$	$\phi 12,7$	$\phi 9,52$
MAC-A456JP	$\phi 12,7$	→ $\phi 15,88$	$\phi 12,7$	$\phi 15,88$
PAC-493PI	$\phi 6,35$	→ $\phi 9,52$	$\phi 6,35$	$\phi 9,52$
PAC-SG76RJ-E	$\phi 9,52$	→ $\phi 15,88$	$\phi 9,52$	$\phi 15,88$

Préparation du tuyau

① Le tableau ci-dessous présente les spécifications des tuyaux disponibles dans le commerce.

Diamètre extérieur mm	Épaisseur de l'isolation mm	Matériau d'isolation
9,52	8	
12,7	8	
15,88	8	

② Vérifier que les 2 tuyaux de réfrigérant sont isolés pour empêcher la formation de condensation.

③ Le rayon de pliage du tuyau de réfrigérant doit être de 100 mm minimum.

⚠ Prudence :

Veiller à utiliser l'isolation de l'épaisseur indiquée. Une épaisseur trop importante peut engendrer une installation incorrecte de l'appareil intérieur et du boîtier de dérivation ; une épaisseur trop faible peut provoquer un égouttement de la condensation.

Tuyau à 2 embranchements (Joint) : Pièces disponibles en option (en fonction de la méthode de raccordement choisie, il est possible de choisir votre préférée).

Nom de modèle	Méthode de raccordement
MSDD-50AR-E	évasement
MSDD-50BR-E	brasage

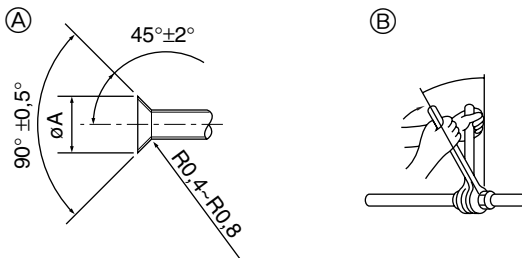
■ Procédure d'installation (tuyau à 2 embranchements (Joint))

Veillez consulter les manuels d'installation des MSDD-50AR-E et MSDD-50BR-E.

5. Installation de la tuyauterie du réfrigérant

Récupération du réfrigérant en cas de déplacement des appareils intérieur et extérieur (pompe dirigée vers le bas)

- ① Raccorder une soupape de collecteur (manomètre inclus) sur le port de maintenance situé près de la valve d'arrêt du gaz de l'appareil extérieur afin que la pression du réfrigérant puisse être mesurée.
- ② Alimenter le circuit (disjoncteur).
- ③ Fermer la valve d'arrêt du liquide, puis lancer le mode d'essai de l'opération de refroidissement (SW4-1 : Allumé et SW4-2 : Eteint).
 - * Veuillez patienter 3 minutes minimum suite à la mise sous tension avant d'appuyer sur les commutateurs SW4-1 et SW4-2. Si vous n'attendez pas 3 minutes avant d'appuyer sur les commutateurs DIP, l'essai de fonctionnement peut ne pas démarrer.
- ④ Fermer complètement la valve d'arrêt du gaz lorsque le relevé de pression indiqué par le manomètre tombe à 0,05 - 0,00 MPa* (environ 0,5 - 0,0 kgf/cm²).
 - * Si une quantité trop importante de réfrigérant a été ajoutée au système de climatisation, la pression peut ne pas tomber à 0,5 kgf/cm². Dans ce cas, utiliser un dispositif de récupération du réfrigérant pour purger le système de l'ensemble du réfrigérant, puis remplir le système de la quantité correcte de réfrigérant une fois que les appareils intérieurs et extérieurs ont été déplacés.
- ⑤ Arrêter le fonctionnement du climatiseur (SW4-1 : Eteint et SW4-2 : Eteint).
- ⑥ Couper l'alimentation (disjoncteur).



- Ⓐ Dimension de l'évasement
Ⓑ Couple de serrage du raccord conique

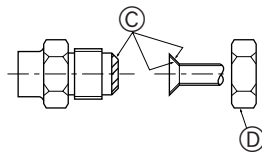


Fig. 5-4

Ⓐ (Fig. 5-4)

Diam. ext. Tuyau en cuivre (mm)	Dimensions évasement Dimensions øA (mm)
ø6,35	8,7 - 9,1
ø9,52	12,8 - 13,2
ø12,7	16,2 - 16,6
ø15,88	19,3 - 19,7

Ⓑ (Fig. 5-4)

Diam. ext. Tuyau en cuivre (mm)	Diam. ext. raccord conique (mm)	Couple de serrage (N·m)*
ø6,35	17	14 - 18
ø6,35	22	34 - 42
ø9,52	22	34 - 42
ø9,52	26	49 - 61
ø12,7	26	49 - 61
ø12,7	29	68 - 82
ø15,88	29	68 - 82
ø15,88	36	100 - 120

* 1 N·m ≈ 10 kgf·cm

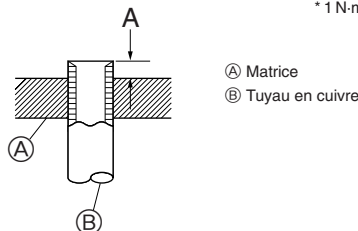


Fig. 5-5

- Ⓐ Matrice
Ⓑ Tuyau en cuivre

5.5. Connexion des tuyaux (Fig. 5-4)

- En cas d'utilisation de tuyaux en cuivre disponibles sur le marché, envelopper les tuyaux de liquide et de gaz avec de la matière isolante vendue dans le commerce sur le marché (résistant à une chaleur de 100 °C ou supérieure et d'une épaisseur de 12 mm ou plus).
- Les parties intérieures du tuyau d'écoulement doivent également être entourées de matière isolante en mousse de polyéthylène (avec une poids spécifique de 0,03 et de 9 mm d'épaisseur ou plus).
- Appliquer un film mince d'huile réfrigérante sur la surface du tuyau et du support du joint avant de serrer l'écrou évasé. Ⓐ
- Utiliser deux clés pour serrer les connexions des tuyaux. Ⓑ
- Lorsque le raccord des tuyaux est terminé, utiliser un détecteur de fuite de gaz ou une solution savonneuse à base d'eau pour s'assurer qu'il n'y ait pas de fuite de gaz.
- Appliquer de l'huile réfrigérante sur toute la surface évasée du fond. Ⓒ
- Utiliser les raccords coniques comme suit. Ⓓ

■ Taille du tuyau (Appareil extérieur/Boîtier de dérivation)

Taille du tuyau (ømm)	Liquide	ø9,52
	Gaz	ø15,88

La connexion réglage d'un appareil intérieur raccordable dépend de la région/du pays.

■ Taille du tuyau (Boîtier de dérivation/Appareil intérieur) *Cas des appareils intérieurs de la série M ou S

Type d'appareil intérieur	(kW)	22	25	35	50	60	71	80
Taille du tuyau (ømm)	Liquide	ø6,35	ø6,35	ø6,35	ø6,35	ø6,35	ø9,52	ø9,52
	Gaz	ø9,52	ø9,52	ø9,52	ø12,7	ø15,88*	ø15,88	ø15,88

* Dans le cas d'un appareil intérieur de type 60 de la série MEXZ, utiliser l'écrou évasé de l'accessoire de cet appareil pour sa connexion côté gaz. Ne pas utiliser l'écrou évasé (côté gaz) fourni avec l'appareil intérieur. Dans le cas contraire, une fuite de gaz voire une extraction du tuyau pourraient se produire.

■ Taille du tuyau (Boîtier de dérivation/Appareil intérieur) *Cas de l'appareil intérieur de la série P

Type d'appareil intérieur	(kW)	35	50	60	71
Taille du tuyau (ømm)	Liquide	ø6,35	ø6,35	ø9,52	ø9,52
	Gaz	ø12,7	ø12,7	ø15,88	ø15,88

Dans le cas d'un appareil intérieur de type 35 et 50 de la série P, utiliser l'écrou évasé fourni avec l'appareil intérieur. Ne pas utiliser l'écrou évasé (comme accessoire de l'appareil intérieur). Dans le cas contraire, une fuite de gaz voire une extraction du tuyau pourraient se produire.

- Veiller à ne pas rompre les tuyaux lors de leur courbure. Des rayons de courbure compris entre 100 mm à 150 mm suffisent.
- Vérifier que les tuyaux ne touchent pas le compresseur. Des vibrations ou des bruits anormaux pourraient se produire.

- ① Raccorder les tuyaux en commençant par l'appareil intérieur. Serrer les écrous évasés à l'aide d'une clé dynamométrique.
- ② Évaser les conduits de liquide et de gaz, puis appliquer un film mince d'huile réfrigérante (application sur site).
- Si un procédé d'étanchéité traditionnel est utilisé pour les tuyaux, se reporter au tableau 2 pour l'évasement des tuyaux de réfrigérant R410A. La jauge de réglage de la taille peut être utilisée pour confirmer les mesures A.

Tableau 2 (Fig. 5-5)

Diam. ext. Tuyau en cuivre (mm)	A (mm)	
	Outil d'évasement pour le R410A	Outil d'évasement pour le R22-R407C
	Type embrayage	
ø6,35	0 - 0,5	1,0 - 1,5
ø9,52	0 - 0,5	1,0 - 1,5
ø12,7	0 - 0,5	1,0 - 1,5
ø15,88	0 - 0,5	1,0 - 1,5

5. Installation de la tuyauterie du réfrigérant

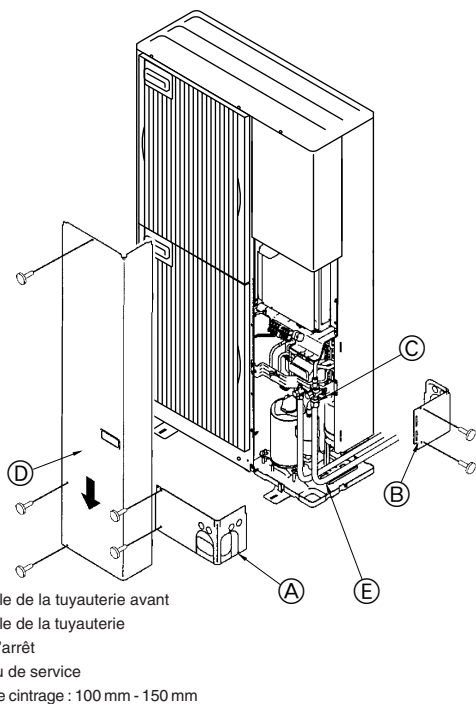


Fig. 5-6

5.6. Mise en place des tuyaux de réfrigérant (Fig. 5-6)

Retirer le panneau de service ④ (trois vis), le cache-tuyaux avant ① (deux vis) et le cache-tuyaux arrière ② (deux vis).

Les tuyaux de réfrigérant sont entourés d'une couche de protection.

- Les tuyaux peuvent être entourés, après ou avant avoir été raccordés, d'une couche de protection allant jusqu'à $\varnothing 90$. Découper la rondelle défonçable du cache-tuyaux en suivant la rainure et envelopper les tuyaux.

Orifice d'entrée du tuyau

- Appliquer du mastic ou un agent d'étanchéité sur l'entrée des tuyaux pour éviter tout espace.

(Si les espaces ne sont pas supprimés, l'appareil risque de fonctionner bruyamment ou d'être endommagé à cause d'une infiltration d'eau et de poussières).

5.7. Précaution concernant le raccordement du tuyau/ le fonctionnement de la vanne

- Raccorder le tuyau et utiliser la vanne avec précision en respectant le diagramme ci-après.
- Appliquer un enduit étanche le long de l'isolant pour empêcher l'eau d'infiltrer l'isolant recouvrant les joints du tuyau réfrigérant.
- Après l'évacuation et la charge de réfrigérant, vérifier que le levier est complètement ouvert. En cas de fonctionnement la vanne fermée, une pression anormale sera transmise au côté haute ou basse pression du circuit réfrigérant, endommageant le compresseur, etc.
- Déterminer la quantité de charge de réfrigérant supplémentaire (se reporter à la section "5.3. Ajout de réfrigérant") et charger du réfrigérant supplémentaire via l'orifice de service, une fois le raccordement du tuyau terminé.
- Une fois terminé, serrer correctement l'orifice de service (12 - 15 N-m) et le capuchon (20 - 25 N-m) pour empêcher une fuite de gaz.

* 1 N-m \approx 10 kgf-cm

Méthode d'ouverture complète de la vanne d'arrêt

La méthode d'ouverture de la vanne d'arrêt varie selon le modèle de l'appareil extérieur. Ouvrir les vannes d'arrêt conformément à la méthode appropriée.

(1) Type A (Fig. 5-7)

- ① Retirer le capuchon, puis tourner le mécanisme d'un quart de tour dans le sens antihoraire à l'aide d'un tournevis plat pour ouvrir complètement la vanne.
- ② S'assurer que la vanne d'arrêt est complètement ouverte, puis replacer et serrer le capuchon dans sa position d'origine.

(2) Type B (Fig. 5-7)

- ① Enlever le capuchon, ramener la poignée vers soi et la tourner d'un quart de tour en sens inverse des aiguilles d'une montre pour ouvrir la vanne.
- ② Vérifier que la vanne d'arrêt est complètement ouverte, appuyer sur la poignée et tourner le capuchon pour la ramener sur sa position d'origine.

(3) Type C (Fig. 5-8)

- ① Retirez le bouchon, et tournez la tige de soupape à fond dans le sens antihoraire avec une clé hexagonale de 4 mm. Arrêtez de tourner quand elle frappe la retenue.
- ② Vérifier que la vanne d'arrêt est complètement ouverte et tourner le capuchon pour le ramener sur sa position d'origine.

- | | |
|----------------------|---|
| ① Vanne | ⑥ Complètement ouvert |
| ② Côté appareil | ⑦ (Installation sur le côté) Côté tuyau réfrigérant |
| ③ Orifice de service | ⑧ Sens d'écoulement du réfrigérant |
| ④ Levier | ⑨ Orifice de la clé |
| ⑤ Capuchon | ⑩ Coté de fonctionnement |
| ⑥ Complètement fermé | |

5.8. Test d'étanchéité à l'air et évacuation

① Test d'étanchéité à l'air (Fig. 5-9)

Réaliser le test d'étanchéité à l'air en pressurant de l'azote. Pour le procédé de test, se reporter au schéma suivant.

- (1) Connexion de l'outil de test. Faire un test avec la vanne d'arrêt fermée. S'assurer également de pressuriser le tuyau de liquide ou à haute pression et le tuyau de gaz ou à basse pression.
- (2) Ne pas ajouter en une seule fois de pression à la pression spécifiée mais progressivement.
 - ① Pressuriser jusqu'à 0,5 MPa (5 kgf/cm²G), attendre cinq minutes et vérifier que la pression ne diminue pas.
 - ② Pressuriser jusqu'à 1,5 MPa (15 kgf/cm²G), attendre cinq minutes et vérifier que la pression ne diminue pas.
 - ③ Pressuriser jusqu'à 4,15 MPa (41,5 kgf/cm²G), puis mesurer la température ambiante et la pression du réfrigérant.
- (3) Si la pression spécifiée se maintient pendant environ une journée sans décroître, les tuyaux ont réussi le test et ne présentent pas de fuite.
 - Si la température ambiante varie de 1 °C, la pression varie d'environ 0,01 MPa (0,1 kgf/cm²G). Apporter les corrections nécessaires.
- (4) Si la pression diminue à l'étape (2) ou (3), il y a une fuite de gaz. Rechercher l'origine de la fuite de gaz.

- | | |
|---------------------------------|--|
| ① Azote | ⑥ Appareil extérieur |
| ② Contrôleur du système | ⑦ Vanne d'arrêt |
| ③ Bouton bas | ⑧ Tuyau de liquide ou tuyau à haute pression |
| ④ Bouton haut | ⑨ Tuyau de gaz ou tuyau à basse pression |
| ⑤ Vers le boîtier de dérivation | ⑩ Orifice de service |

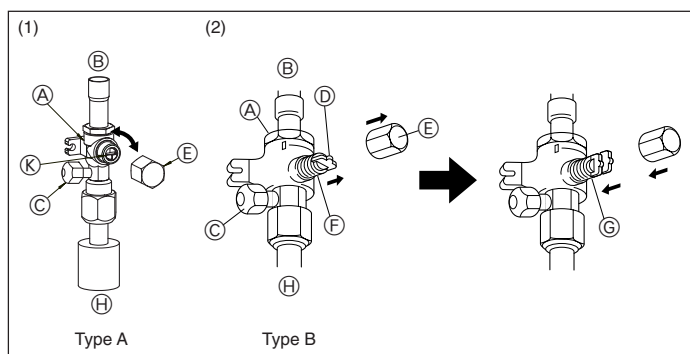


Fig. 5-7

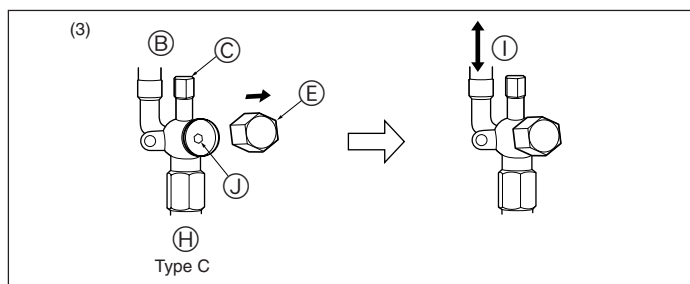


Fig. 5-8

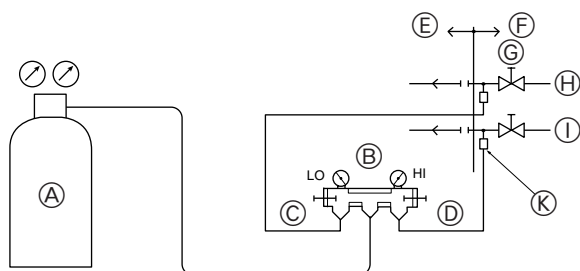
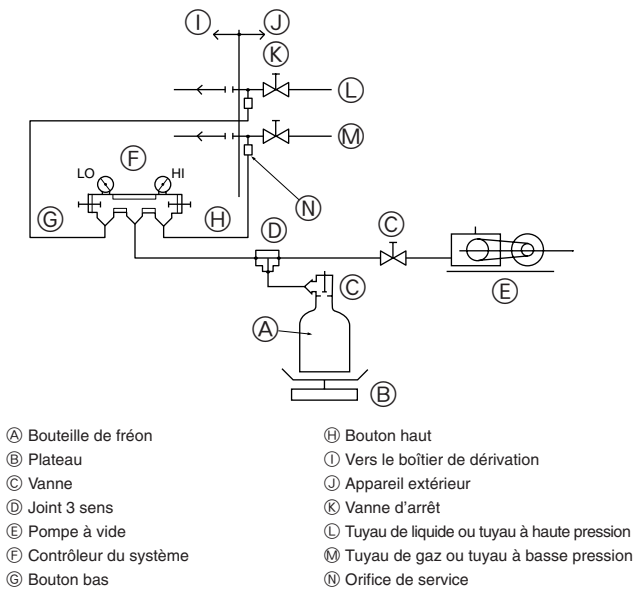


Fig. 5-9

5. Installation de la tuyauterie du réfrigérant



- Ⓐ Bouteille de fréon
- Ⓑ Plateau
- Ⓒ Vanne
- Ⓓ Joint 3 sens
- Ⓔ Pompe à vide
- Ⓕ Contrôleur du système
- Ⓖ Bouton bas
- Ⓗ Bouton haut
- Ⓛ Vers le boîtier de dérivation
- Ⓜ Appareil extérieur
- Ⓝ Vanne d'arrêt
- Ⓛ Tuyau de liquide ou tuyau à haute pression
- Ⓜ Tuyau de gaz ou tuyau à basse pression
- Ⓝ Orifice de service

Fig. 5-10

② Evacuation (Fig. 5-10)

Réaliser l'évacuation à partir de l'orifice de service fourni sur la vanne d'arrêt de l'appareil extérieur vers la pompe à vide généralement utilisée pour le tuyau de liquide ou à haute pression et le tuyau de gaz ou à basse pression. (Réaliser l'évacuation à partir du tuyau de liquide ou à haute pression et du tuyau de gaz ou à basse pression, la vanne d'arrêt fermée.)

Ne pas oublier : Ne jamais procéder à la purge d'air par du réfrigérant.

⚠ Avertissement :

Lors de l'installation ou du déplacement d'un appareil, ne mélanger que le réfrigérant spécifié dans le cycle de réfrigération. Si de l'air est mélangé, le cycle de réfrigération peut atteindre une haute pression anormalement, provoquant l'éclatement d'un tuyau.

* Utiliser un gravimètre haute précision capable de mesurer jusqu'à 0,1 kg. Si la préparation d'un tel gravimètre haute précision est impossible, un cylindre de charge peut être utilisé.

Remarque :

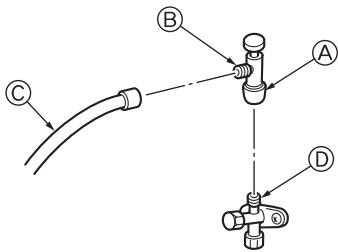
- Utiliser un collecteur à jauge, un tuyau de chargement et d'autres pièces pour le réfrigérant indiqué sur l'appareil.
- Utiliser un gravimètre. (ayant une précision de 0,1 kg).

Précautions à prendre lors de l'utilisation de la soupape de charge (Fig.5-11)

Ne serrez pas trop l'ouverture de service au moment de l'installer, car vous pourriez déformer le corps de la soupape et des fuites pourraient se produire.

Après avoir posé la section ⓑ dans la direction désirée, tournez la section ⓐ uniquement et serrez-la.

Ne serrez pas davantage les sections ⓐ et ⓑ l'une contre l'autre après avoir serré la section ⓐ.



- * La figure à gauche n'est représentée qu'à titre d'exemple. La forme de la vanne d'arrêt, la position de l'ouverture de service, etc., peuvent différer selon le modèle.
- * Tournez la section ⓐ uniquement. (Ne serrez pas davantage les sections ⓐ et ⓑ l'une contre l'autre.)

- Ⓒ Flexible de charge
- Ⓓ Ouverture de service

Fig. 5-11

6. Mise en place du tuyau d'écoulement

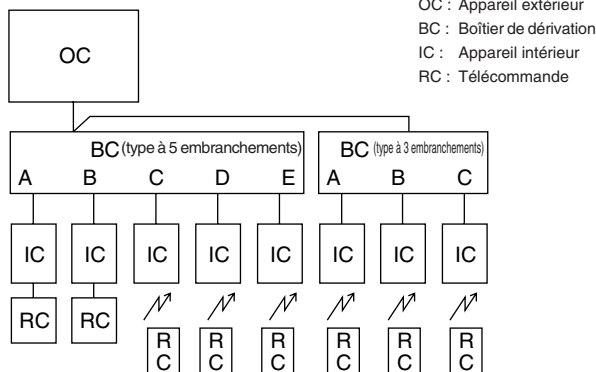
Raccordement du tuyau d'écoulement de l'appareil extérieur

Lorsqu'un tuyau d'écoulement s'avère nécessaire, utiliser la douille de drainage ou la cuvette de drainage (en option).

Douille de drainage	PAC-SG61DS-E
Cuvette de drainage	PAC-SG64DP-E

7. Installations électriques

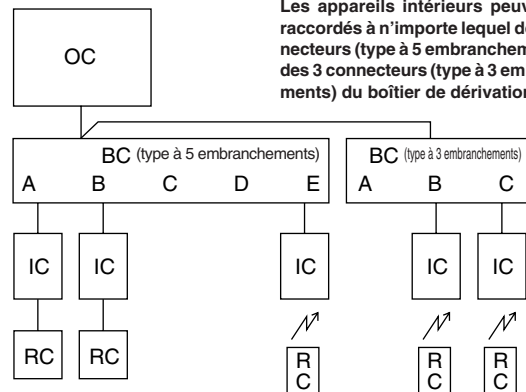
[1] Systèmes de base



- OC : Appareil extérieur
- BC : Boîtier de dérivation
- IC : Appareil intérieur
- RC : Télécommande

Remarque :

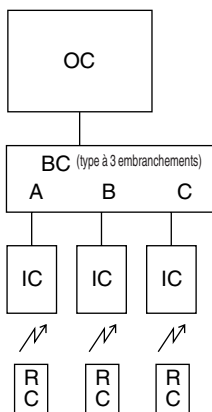
Les appareils intérieurs peuvent être raccordés à n'importe lequel des 5 connecteurs (type à 5 embranchements) ou des 3 connecteurs (type à 3 embranchements) du boîtier de dérivation.



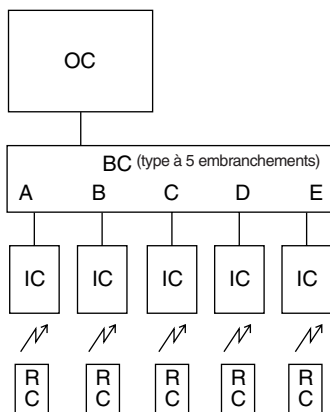
7. Installations électriques

[2] Systèmes standard

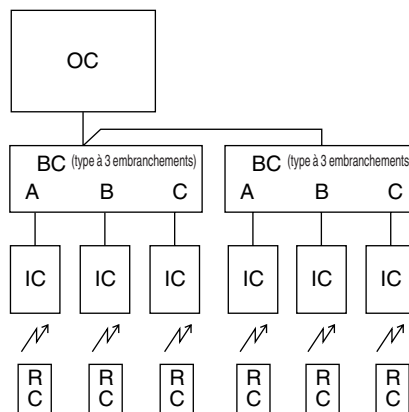
2-1. Type à 3 embranchements uniquement



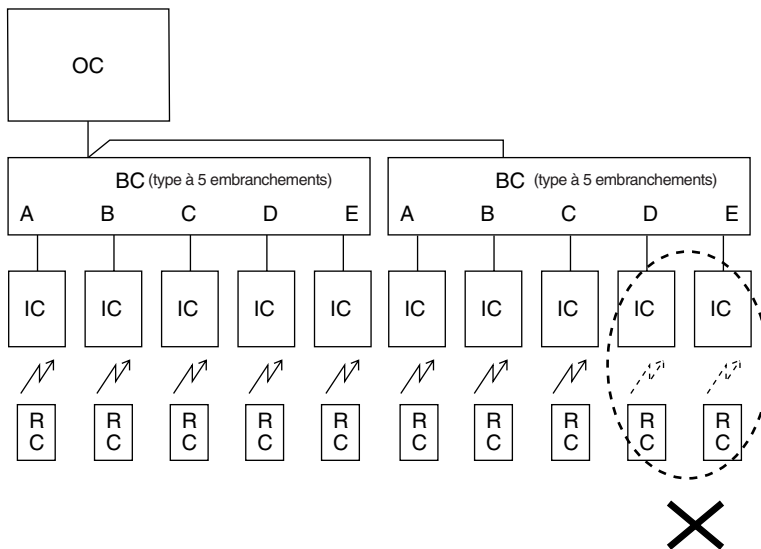
2-2. Type à 5 embranchements uniquement



2-3. 2 boîtiers de dérivation (de type à 3 embranchements)



2-4. 2 boîtiers de dérivation (de type à 5 embranchements, 8 appareils intérieurs maximum)

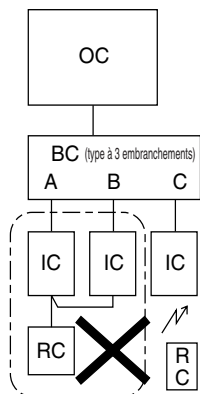


1. Possibilité de raccorder jusqu'à 2 boîtiers de dérivation à un seul appareil extérieur.
2. Possibilité de raccorder jusqu'à 8 appareils intérieurs au système.

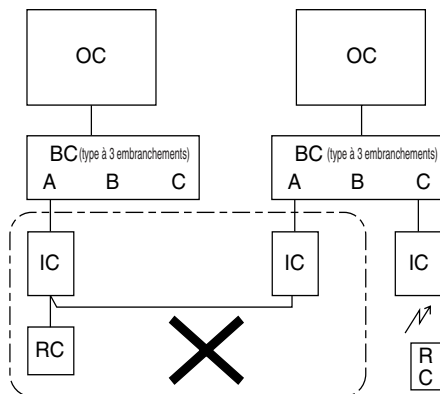


[3] Systèmes incorrects

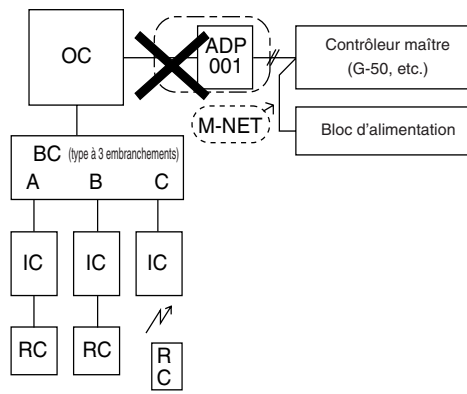
3-1. Fonctionnement groupé au moyen d'une seule télécommande



3-2. Fonctionnement groupé entre différents systèmes réfrigérants



3-3. Raccordement d'un adaptateur M-NET à l'appareil extérieur



3-1. Il est impossible de faire fonctionner plusieurs appareils intérieurs à l'aide d'une seule télécommande.

3-2. Il est impossible de raccorder entre eux plusieurs systèmes réfrigérants.

3-3. Il est impossible de raccorder un adaptateur M-NET à un appareil extérieur.

7. Installations électriques

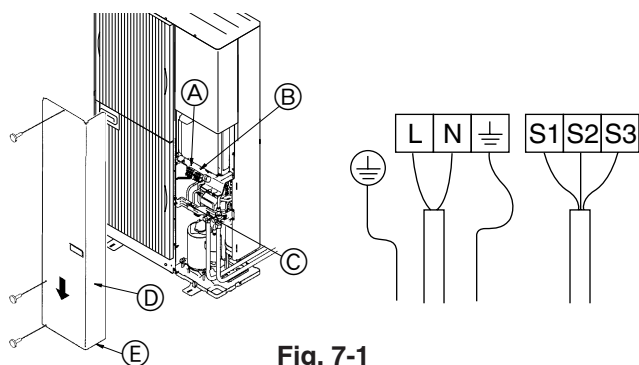


Fig. 7-1

7.1. Appareil extérieur (Fig. 7-1)

- ① Retirer le panneau de service.
 - ② Relier les câbles conformément à la Fig. 7-1.
- Ⓐ Borne de terre
 - Ⓑ Embase de borne
 - Ⓒ Attache
 - Ⓓ Panneau de service
 - Ⓔ Acheminer les câbles de manière qu'ils ne touchent pas le centre du panneau de service ou la vanne de gaz.

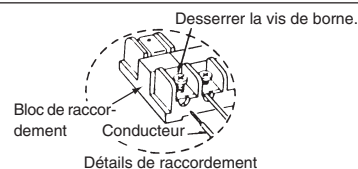
7.2. Raccordement du boîtier de dérivation/du câblage extérieur et raccordement du cordon d'alimentation extérieur

⚠ Avertissement :

- Veiller à fixer correctement les caches de bloc de raccordement/le panneau de l'appareil extérieur. Dans le cas contraire, il pourrait en résulter un incendie ou une électrocution à cause de la poussière, de l'eau, etc.
- Veiller à relier les cordons d'alimentation et les fils de raccordement des appareils intérieurs, des appareils extérieurs et des boîtiers de dérivation directement sur les appareils (sans raccordement intermédiaire). Les raccordements intermédiaires peuvent engendrer des erreurs de communication si de l'eau s'infiltrait dans les cordons et les fils et provoquent une isolation insuffisante de la mise à la terre ou un mauvais contact électrique au niveau du point de raccordement intermédiaire. (Si un raccordement intermédiaire s'avère nécessaire, veiller à prendre des mesures pour éviter que de l'eau ne s'infiltrait dans les cordons et les fils.)

⚠ Précaution :

- Veiller à ne pas procéder à de mauvais raccordements.
- Serrer correctement les vis de borne pour qu'elles ne se desserrent pas.
- Le serrage terminé, tirer doucement sur les fils pour vérifier qu'ils ne bougent pas.
- Si le fil de raccordement n'est pas raccordé correctement au bloc de raccordement, l'appareil ne fonctionne pas correctement.



- Raccorder correctement le fil du boîtier de dérivation sur le bloc de raccordement.
- Pour l'entretien ultérieur, fournir une longueur supplémentaire au fil de raccordement.

<Exemple> (Avec 2 boîtiers de dérivation)

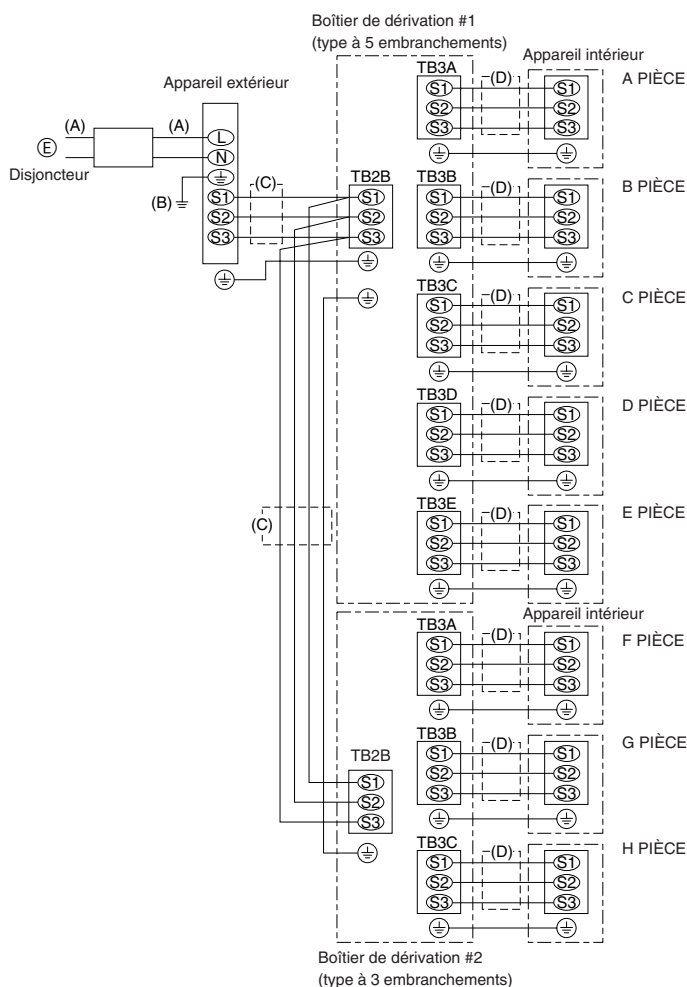


Fig. 7-2

7.3. Procédure de câblage externe (Fig. 7-2)

L'alimentation n'est requise qu'au niveau de l'appareil extérieur. Le boîtier de dérivation ou l'appareil intérieur est alimenté via le câblage. Cependant, il est possible de n'alimenter que partiellement l'appareil extérieur. Ceci contribue à simplifier le fonctionnement et à faire des économies.

- Ⓔ Alimentation monophasée
220/230/240 V c.a., 50 Hz
220 V c.a., 60 Hz
L'Impédance Maxi. Autorisée du Système est de 0,22 (Ω).

Remarque :

- ① Entrée d'alimentation : Appareil extérieur uniquement. Raccorder les lignes (C), (D) conformément aux noms des blocs de raccordement pour s'assurer que la polarité est correcte.

Diamètre des fils				Disjoncteur *1	
(A) Ligne d'alimentation principale	(B) Câble de mise à la terre	(C) Ligne du signal	(D) Ligne du signal	Courant d'interruption	Caractéristique des performances
6,0 mm ²	6,0 mm ²	1,5 mm ²	1,5 mm ²	40 A	40 A, 30 mA pour 0,1 sec. maximum

Avec un câblage torsadé, il est nécessaire d'utiliser une borne ronde.

*1. Un disjoncteur avec un écartement de 3 mm minimum entre les contacts de chaque pôle sera fourni. Utiliser un disjoncteur sans fusible (NF) ou un disjoncteur de fuite à la terre (NV).

*2. Longueur maxi. de 45 m ("Unité externe – Boîtier de dérivation #1" plus "Boîtier de dérivation #1 – Boîtier de dérivation #2").
En cas d'utilisation d'un câble de 2,5 mm², longueur maxi. de 55 m.

- Remarques :
1. La taille du câblage doit être conforme au code local ou national en vigueur.
 2. Les cordons d'alimentation et les cordons de raccordement des appareils intérieurs/boîtiers de dérivation/appareil extérieur ne doivent pas être plus fins que le cordon flexible sous gaine en polychloroprène. (Modèle 60245 IEC 57)
 3. Installer une ligne de terre plus longue que les câbles d'alimentation.

IMPORTANT

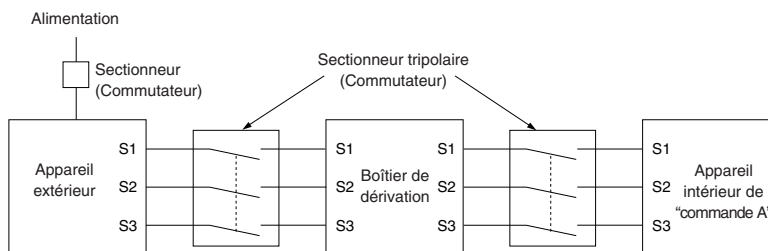
S'assurer que le disjoncteur de fuite de courant est compatible avec les harmoniques les plus élevées.

Veiller à toujours utiliser un disjoncteur de fuite de courant compatible avec les harmoniques les plus élevées car cet appareil est équipé d'un inverseur. L'utilisation d'un disjoncteur inapproprié peut provoquer un dysfonctionnement de l'onduleur.

7. Installations électriques

⚠ Avertissement:





Dans le cas d'un câblage de contrôle A, il est possible que la borne S3 reçoive une tension élevée en raison du schéma du circuit électrique qui ne présente aucune isolation électrique entre le câble d'alimentation et les câbles de signaux de communication. Ainsi, veuillez couper l'alimentation principale pendant l'entretien. Et ne touchez pas aux bornes S1, S2, S3 lorsque le circuit est alimenté. Si un isolateur doit être utilisé entre l'unité externe et le boîtier de dérivation/unité interne et le boîtier de dérivation, veuillez utiliser un isolateur à 3 pôles.



⚠ Attention:

Après avoir utilisé l'isolateur, veuillez à couper puis à remettre l'alimentation principale afin de réinitialiser le système. Sinon, l'unité externe pourra ne pas détecter le(s) boîtier(s) de dérivation ou les unités internes.

CARACTÉRISTIQUES TECHNIQUES DU CÂBLAGE (EXTERNE-CÂBLE DE CONNEXION DU BOÎTIER DE DÉRIVATION)

Section de câble	Dimension du câble (mm ²)	Nombre de fils	Polarité	L (m)*6
Rond 	2,5	3	Sens des aiguilles d'une montre : S1-S2-S3 * Faire attention à la bande jaune et verte	(50) *2
Plat 	2,5	3	Non applicable (Car le câble central n'a pas de finition de protection)	Non applicable *5
Plat 	1,5	4	De gauche à droite : S1-Ouvert-S2-S3	(45) *3
Rond 	2,5	4	Sens des aiguilles d'une montre : S1-S2-S3-Ouvert * Connecter S1 et S3 à l'angle opposé	(55) *4

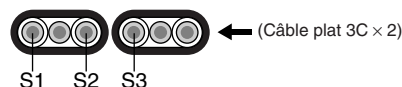
*1 : Le poids des cordons d'alimentation des appareils ne doit pas être inférieur à celui du modèle 60245 IEC ou 227 IEC.

*2 : Si ce câble rayé jaune et vert est disponible.

*3 : En cas de connexion de polarité normale (S1-S2-S3), la dimension du câble est de 1,5 mm².

*4 : En cas de connexion de polarité normale (S1-S2-S3).

*5 : Si les câbles plats sont raccordés comme illustré, ils peuvent être utilisés jusqu'à 55 m.



*6 : La longueur de câble mentionnée n'est qu'une valeur de référence. Elle peut être différente en fonction des conditions d'installation, de l'humidité ou des équipements, etc.

Vous devez connecter les câbles de connexion de l'unité externe-boîtier de dérivation/unité interne-boîtier de dérivation directement sur les unités (sans connexions intermédiaires). Les raccordements intermédiaires peuvent entraîner des erreurs de communication si de l'eau entre dans les câbles et provoquer une isolation insuffisante à la terre ou un mauvais contact électrique au point de raccordement intermédiaire.
(Si un raccordement intermédiaire est nécessaire, assurez-vous de prendre des mesures pour empêcher que l'eau entre dans les câbles.)

8. Marche d'essai

8.1. Avant la marche d'essai

- ▶ Lorsque l'installation, le tuyautage et le câblage des appareils intérieur et extérieur sont terminés, vérifier l'absence de fuites de réfrigérant, la fixation des câbles d'alimentation et de commande, l'absence d'erreur de polarité et contrôler qu'aucune phase de l'alimentation n'est déconnectée.
- ▶ Utiliser un appareil de contrôle des M-ohm de 500 volts pour vérifier que la résistance entre les bornes d'alimentation et la mise à la terre est d'au moins 1 MΩ.
- ▶ Ne pas effectuer ce test sur les terminaux des câbles de contrôle (circuit à basse tension).

⚠ Avertissement:

Ne pas utiliser le climatiseur si la résistance de l'isolation est inférieure à 1 MΩ.

Résistance de l'isolation

Après l'installation ou après la coupure prolongée de la source d'alimentation, la résistance de l'isolation chutera en deçà de 1 MΩ en raison de l'accumulation de réfrigérant dans le compresseur. Il ne s'agit pas d'un dysfonctionnement. Respectez les procédures suivantes.

1. Retirer les câbles du compresseur et mesurer la résistance de l'isolation du compresseur.
2. Si la résistance de l'isolation est inférieure à 1 MΩ, le compresseur est défaillant ou du réfrigérant s'est accumulé dans le compresseur.

3. Après avoir connecté les câbles au compresseur, celui-ci commence à chauffer dès qu'il est sous tension. Après avoir mis sous tension le compresseur pendant les durées indiquées ci-dessous, mesurer de nouveau la résistance de l'isolation.
 - La résistance de l'isolation chute en raison de l'accumulation de réfrigérant dans le compresseur. La résistance dépassera 1 MΩ après que le compresseur a chauffé pendant 2 - 3 heures.
(Le temps mis par le compresseur pour chauffer varie selon les conditions atmosphériques et l'accumulation de réfrigérant).
 - Pour faire fonctionner le compresseur dans lequel s'est accumulé du réfrigérant, il est nécessaire de le faire chauffer pendant au moins 12 heures afin d'éviter toute défaillance.
4. Si la résistance de l'isolation dépasse 1 MΩ, le compresseur n'est pas défectueux.

⚠ Précaution:

- **Le compresseur fonctionnera uniquement si les connexions des phases de l'alimentation électrique sont correctes.**
- **Mettez l'appareil sous tension au moins 12 heures avant de le faire fonctionner.**
- La mise en marche de l'appareil immédiatement après sa mise sous tension pourrait provoquer de sérieux dégâts aux éléments internes. Ne mettez pas l'appareil hors tension pendant la saison de fonctionnement.

▶ **Les points suivants doivent être contrôlés également.**

- L'appareil extérieur n'est pas défectueux. Le témoin sur la carte de commandes de l'appareil extérieur clignote lorsque celui-ci est défectueux.
- Les vannes d'arrêt de liquide et de gaz sont complètement ouvertes.

8.2. Marche d'essai

8.2.1. Utilisation de la télécommande

Se reporter au manuel d'installation de l'appareil intérieur.

- Veiller à effectuer un essai pour chaque appareil intérieur. Vérifier que chaque appareil intérieur fonctionne correctement et conformément aux instructions du manuel d'installation fourni avec l'appareil.
- Si l'essai est réalisé simultanément pour tous les appareils intérieurs, il est impossible de détecter les mauvais raccordements, le cas échéant, des tuyaux de réfrigérant et des fils de raccordement.
- * Il faut attendre au moins 3 minutes après la mise sous tension du compresseur pour que ce dernier soit opérationnel.
- Le compresseur peut émettre un son juste après sa mise sous tension ou si la température de l'air extérieur est basse.

A propos du mécanisme de protection de redémarrage

A l'arrêt du compresseur, le dispositif préventif de redémarrage s'active de sorte que le compresseur ne sera pas opérationnel pendant 3 minutes, afin de protéger le climatiseur.

8.2.2. Utilisation de SW4 dans l'appareil intérieur

Si l'essai est réalisé à partir de l'appareil extérieur, tous les appareils intérieurs fonctionnent. Il est donc impossible de détecter les mauvais raccordements des tuyaux de réfrigérant et des fils de raccordement. Si l'objectif de cet essai est de détecter les mauvais raccordements, veiller à exécuter l'essai au moyen de la télécommande. Pour ce faire, se reporter à la section "8.2.1. Utilisation de la télécommande".

SW4-1	ON	Fonctionnement du rafraîchissement
SW4-2	OFF	
SW4-1	ON	Fonctionnement du chauffage
SW4-2	ON	

* Après avoir effectué l'essai de fonctionnement, placer SW 4-1 sur OFF.

- Quelques secondes après le démarrage du compresseur, un bruit métallique provenant de l'intérieur de l'appareil extérieur peut retentir. Le bruit provient de la valve de contrôle et s'explique par une différence de pression minimale dans les tuyaux. L'appareil n'est pas défectueux.

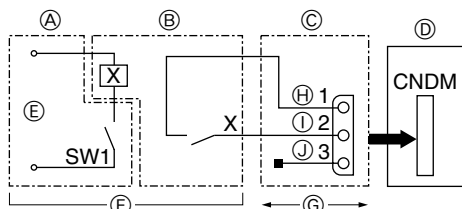
Le mode d'essai ne peut pas être modifié via le commutateur DIP SW4-2 lors de la marche d'essai. (Pour ce faire, arrêter l'essai via le commutateur DIP SW4-1. Une fois le mode modifié, reprendre l'essai via le commutateur SW4-1.)

Si un essai est lancé en suivant les instructions de la section "Utilisation de SW4 dans l'appareil intérieur", l'appareil continuera à fonctionner (poursuite de l'essai) même si des instructions d'arrêt de fonctionnement sont ordonnées au moyen de la télécommande. Dans ce cas, veuillez placer le commutateur SW4 de l'appareil extérieur en position d'arrêt.

Remarque :

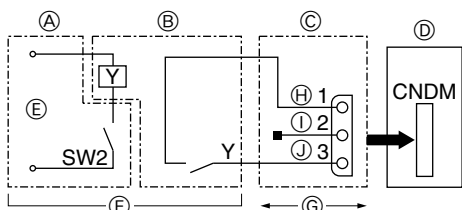
Veillez patienter 3 minutes minimum suite à la mise sous tension avant d'appuyer sur les commutateurs SW4-1 et SW4-2. Si vous n'attendez pas 3 minutes avant d'appuyer sur les commutateurs DIP, l'essai de fonctionnement peut ne pas démarrer.

9. Fonctions spéciales



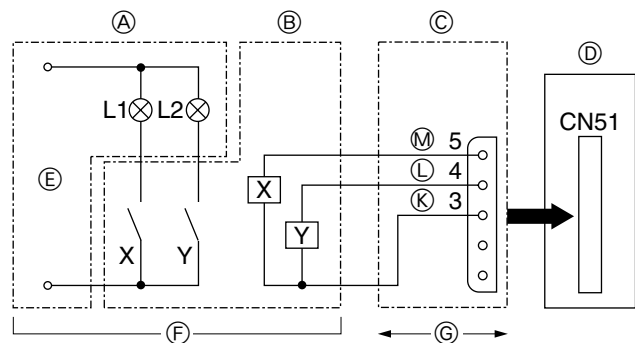
- (A) Panneau de télécommande
 (B) Circuit de relais
 (C) Adaptateur d'entrée externe (PAC-SC36NA)
 (D) Carte de commande de l'appareil extérieur
 (E) Alimentation du relais
 (F) A acheter auprès d'un revendeur local
 (G) 10 m maximum
 (H) Orange
 (I) Marron
 (J) Rouge

Fig. 9-1



- (A) Panneau de télécommande
 (B) Circuit de relais
 (C) Adaptateur d'entrée externe (PAC-SC36NA)
 (D) Carte de commande de l'appareil extérieur
 (E) Alimentation du relais
 (F) A acheter auprès d'un revendeur local
 (G) 10 m maximum
 (H) Orange
 (I) Marron
 (J) Rouge

Fig. 9-2



- L1 : Erreur d'affichage du témoin
 L2 : Témoin de fonctionnement du compresseur
 X, Y : Relais (Bobine standard de 0,9 W ou moins pour 12 V CC)
 X, Y : Relais (DC1 mA)

Fig. 9-3

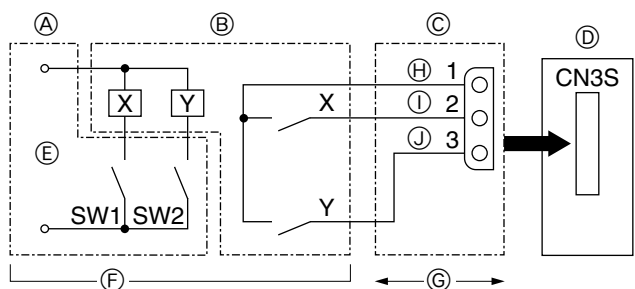


Fig. 9-4

9.1. Mode à faible bruit (modification sur site) (Fig. 9-1)

En apportant la modification suivante, le bruit de fonctionnement de l'appareil extérieur peut être réduit d'environ 3 à 4 dB.

Le mode à faible bruit est activé lorsqu'un temporisateur disponible dans le commerce ou l'entrée par contact d'un commutateur MARCHÉ/ARRÊT est ajouté au connecteur CNDM (option) sur la carte de commande de l'appareil extérieur.

- La puissance peut être insuffisante en raison de la température et des conditions extérieures, etc.

① Etablir le circuit comme illustré lors de l'utilisation de l'adaptateur d'entrée externe (PAC-SC36NA). (Option)

9.2. Fonction de demande (modification sur site) (Fig. 9-2)

- Il est possible de réduire la consommation d'électricité dans une plage de 0 à 100 pour cent en effectuant les installations sur site suivantes.

La fonction de demande peut être activée en ajoutant un commutateur ON/OFF à contact d'entrée (vendu séparément) disponible dans le commerce au connecteur CNDM.

① Introduire "l'adaptateur d'entrée externe (PAC-SC36NA)" dans le circuit comme illustré sur le schéma de gauche.

② La permutation des commutateurs SW7-1 sur la carte du circuit de commande de l'appareil extérieur permet de régler les restrictions de consommation d'électricité suivantes (par rapport à la valeur nominale).

SW7-1	Consommation d'électricité lorsque SW2 est sur ON
OFF	0% (Arrêt forcé du compresseur)
ON	50%

9.3. Fonction de contrôle et d'erreur du fonctionnement du compresseur (CN51)

- (A) Panneau de télécommande
 (B) Circuit de relais
 (C) Régulateur de sortie externe (PAC-SA88HA-E)
 (D) Carte de commande de l'appareil extérieur
 (E) Alimentation du témoin
 (F) A acheter auprès d'un revendeur local
 (G) 10 m maximum
 (K) Orange
 (L) Jaune
 (M) Vert

9.4. Changement automatique – Fonction de verrouillage du mode d'opération grâce à un signal extérieur (CN3S)

- (A) Tableau de contrôle à distance
 (B) Circuit de relais
 (C) Régulateur de sortie externe (PAC-SC36NA)
 (D) Carte de commande de l'appareil extérieur
 (E) Alimentation du témoin
 (F) A acheter auprès d'un revendeur local
 (G) 10 m maximum
 (H) Orange
 (I) Marron
 (J) Rouge

	ON	OFF
SW1	Chauffage	Refroidissement
SW2	Validité de SW1	Non-validité de SW1

* L'appareil intérieur, qui fonctionne dans un mode différent de celui déterminé par le signal extérieur, sera en attente.

* La configuration s'applique lorsque l'appareil extérieur est éteint.

* Le mode d'opération spécifié pour le mode d'essai précèdera le mode de cette fonction.

Inhoud

1. Veiligheidsvoorschriften	44	6. Installatie van Draineerbuizen	52
2. Installatieschema en onderdelen	45	7. Elektrische aansluitingen	52
3. Installatieplaats	46	8. Proefdraaien	56
4. Het buitenapparaat installeren	48	9. Speciale functies	57
5. Installeren van de koelstofleidingen	48		

1. Veiligheidsvoorschriften

- ▶ Lees alle “Veiligheidsvoorschriften” voordat u het apparaat installeert.
- ▶ Stel de aanleverende instantie op de hoogte of vraag om toestemming voordat u het systeem aansluit op het net.
- ▶ Dit apparaat voldoet aan IEC/EN 61000-3-12

⚠ Waarschuwing:

Beschrijft maatregelen die genomen moeten worden om het risico van verwonding of dood van de gebruiker te voorkomen.

⚠ Voorzichtig:

Beschrijft maatregelen die genomen moeten worden om schade aan het apparaat te voorkomen.

⚠ Waarschuwing:

- Het apparaat mag niet door de gebruiker zelf worden geïnstalleerd. Vraag de dealer of een erkende installateur om het apparaat te installeren. Onjuiste installatie van het apparaat kan leiden tot waterlekage, elektrische schokken of brand.
- Volg voor de installatie de instructies in de installatiehandleiding en gebruik gereedschap en pijpmateriaal dat speciaal is gemaakt voor gebruik met R410A-koelstof. De R410A-koelstof in het HFC-systeem wordt gebruikt onder een 1,6 maal grotere druk als normale koelstoffen. Wanneer niet voor R410A-koelstof ontworpen pijpdelen worden gebruikt en het apparaat onjuist wordt geïnstalleerd, kunnen de pijpen knappen waardoor schade of letsel kan ontstaan. Daarnaast kunnen waterlekage, elektrische schokken of brand optreden.
- Het apparaat dient volgens de instructies te worden geïnstalleerd om het risico op beschadiging bij een aardbeving of storm te beperken. Een onjuist geïnstalleerd apparaat kan vallen en schade of letsel veroorzaken.
- Het apparaat moet worden geïnstalleerd op een constructie die het gewicht ervan kan dragen. Als het apparaat wordt geïnstalleerd op een instabiele constructie, kan het vallen en schade of letsel veroorzaken.
- Als het apparaat in een kleine ruimte wordt geïnstalleerd, moeten maatregelen worden genomen tegen het weglekken van koelstof. De concentratie weggelekt koelstof in de lucht mag de grenswaarden niet overschrijden. Vraag de dealer wat u tegen het overmatig weglekken van koelstof kunt doen. Als de concentratie koelstof in de lucht te hoog wordt, kan zuurstofgebrek in de ruimte optreden.
- Ventilatie de ruimte als er koelstof weglekt wanneer het apparaat in werking is. Als de koelstof in contact komt met vuur, komen giftige gassen vrij.
- De installatie van de elektrische onderdelen moet worden uitgevoerd door een gediplomeerde elektricien in overeenstemming met de lokale regelgeving en de instructies in deze handleiding. Installeer stroomonderbrekers en zorg voor een juiste voedingsspanning. Sluit geen andere apparatuur aan op de voedingsleidingen van de apparaten. Onjuist geïnstalleerde of ongeschikte voedingsleidingen kunnen elektrische schokken of brand veroorzaken.

Informeert de klant na voltooiing van de installatie over de “Veiligheidsvoorschriften”, het gebruik en het onderhoud van het apparaat en laat het apparaat proefdraaien om de werking ervan te controleren. Zowel de installatie- als de gebruikershandleiding dienen ter bewaring aan de gebruiker te worden gegeven. Deze handleidingen dienen te worden doorgegeven aan latere gebruikers.

⚠ : Geeft een onderdeel aan dat geaard moet worden.

⚠ Waarschuwing:

Lees de stickers die op het apparaat zitten zorgvuldig.

- Sluit de voedingskabels en de aansluitkabels van de binnenunits, buitenunits en aftakdozen rechtstreeks op elkaar aan (geen tussenliggende doorverbindingen). Tussenliggende doorverbindingen kunnen tot communicatiestoringen leiden indien er bij de doorverbindingen water in de kabels of anderszins dring en de isolatie ten opzichte van aarde of het elektrische contact onvoldoende wordt. (Indien een tussenliggende doorverbinding niet kan worden vermeden, dient u afdoende maatregelen te nemen om te voorkomen dat er water in de kabels of draden kan dringen.)
- Gebruik fosforhoudende, zuurstofarme, naadloze C1220-pijpen van koper of koperlegeringen als koelstofpijpen. Als de pijpen onjuist worden aangesloten, is het apparaat niet goed geaard en kunnen elektrische schokken optreden.
- Gebruik uitsluitend de gespecificeerde kabels. De aansluitingen moeten stevig vastzitten zonder spanning op de aansluitpunten. Onjuiste aansluiting of installatie van de kabels kan leiden tot oververhitting of brand.
- Het deksel van het aansluitblok van het buitenapparaat moet stevig worden vastgemaakt. Bij onjuiste montage van het deksel kunnen stof en vocht in het apparaat komen, wat een elektrische schok of brand kan veroorzaken.
- Gebruik bij het installeren of verplaatsen van het apparaat uitsluitend de gespecificeerde koelstof (R410A) voor het vullen van de koelstofpijpen. Meng de koelstof niet met andere koelstoffen en let erop dat er geen lucht in de pijpen achterblijft. In de leidingen achtergebleven lucht kan drukstoten veroorzaken die kunnen leiden tot scheuren en andere problemen.
- Gebruik uitsluitend door Mitsubishi Electric goedgekeurde accessoires en vraag de dealer of een erkende installateur deze te installeren. Onjuiste installatie van accessoires kan leiden tot waterlekage, elektrische schokken of brand.
- Breng geen wijzigingen aan aan het apparaat. Neem voor reparatie contact op met de dealer. Onjuist uitgevoerde reparaties of wijzigingen kunnen leiden tot waterlekage, elektrische schokken of brand.
- De gebruiker mag nooit proberen het apparaat zelf te repareren of te verplaatsen. Onjuiste installatie van het apparaat kan leiden tot waterlekage, elektrische schokken of brand. Als het apparaat moet worden gerepareerd of verplaatst, neem dan contact op met de dealer of een erkende installateur.
- Controleer na voltooiing van de installatie op koelstoflekage. Als koelstof naar de ruimte lekt en in contact komt met de vlam van een verwarmings- of kookapparaat, komen giftige gassen vrij.

1.1. Voor de installatie

⚠ Voorzichtig:

- Gebruik het apparaat niet in bijzondere omgevingen. Installeer de airconditioner niet in ruimtes waarin deze wordt blootgesteld aan stoom, vluchtige olie (inclusief machine-olie) of zwavelgas, gebieden met een zout klimaat zoals de kust of gebieden waar het apparaat kan worden bedekt door sneeuw, omdat hierdoor de prestaties aanzienlijk kunnen verminderen en schade kan ontstaan aan de interne onderdelen.
- Installeer het apparaat niet in ruimtes waar brandbare gassen worden geproduceerd of kunnen lekken, stromen of samenstromen. Ophoping van brandbare gassen rond het apparaat kan leiden tot brand of een explosie.

- Het buitenapparaat produceert condens tijdens de verwarmingsfase. Zorg voor afvoer rond het buitenapparaat als dergelijk condensvocht schade kan veroorzaken.
- Houd rekening met geluid en elektrische storingen bij installatie van het apparaat in een ziekenhuis of communicatieruimte. Stroomomzetters, huishoudelijke apparaten, hoogfrequente medische apparatuur en radio-communicatieapparatuur kunnen storingen in de airconditioner veroorzaken. Omgekeerd kan de airconditioner storingen veroorzaken in medische apparatuur, communicatieapparatuur en de weergave van beeldschermen.

1.2. Voor de installatie (verplaatsing)

⚠ Voorzichtig:

- Ga zeer voorzichtig te werk bij het verplaatsen van het apparaat. Het apparaat dient door twee of meer personen te worden getild, aangezien het 20 kg of meer weegt. Til het apparaat niet op aan de verpakbands. Draag beschermende handschoenen bij het uitpakken en verplaatsen van het apparaat om te voorkomen dat u zich snijdt aan de vinnen of andere onderdelen.
- Zorg dat het verpakkingsmateriaal op een veilige manier wordt weggegooid. Verpakkingsmaterialen zoals klemmen en andere metalen of houten onderdelen kunnen snijwonden of ander letsel veroorzaken.

- Controleer de dragende constructie en bevestiging van het buitenapparaat regelmatig op loszitten, scheuren of andere beschadigingen. Als dergelijke problemen niet worden verholpen, kan het apparaat vallen en schade of letsel veroorzaken.
- Gebruik geen water om de airconditioner te reinigen. Hierdoor kunnen elektrische schokken optreden.
- Trek alle flensmoeren aan tot het opgegeven aanhaalmoment met een moment-sleutel. Bij overmatig aantrekken kan de flensmoer na enige tijd breken waardoor koelstof kan weglekken.

1. Veiligheidsvoorschriften

1.3. Voor de installatie van de elektrische bedrading

⚠ Voorzichtig:

- Installeer stroomonderbrekers. Als er geen stroomonderbrekers worden geïnstalleerd, kunnen elektrische schokken optreden.

BELANGRIJK

De stroomonderbreker moet geschikt zijn voor de aanwezigheid van hogere harmonischen.

Gebruik altijd een stroomonderbreker die geschikt is voor de aanwezigheid van hogere harmonischen, aangezien dit apparaat een omvormer bevat. Een onjuiste stroomonderbreker kan leiden tot verkeerde werking van de omvormer.

- Gebruik voor de voedingsleidingen standaardkabels met voldoende capaciteit. Te lichte kabels kunnen kortsluiting, oververhitting of brand veroorzaken.

1.4. Voor het proefdraaien

⚠ Voorzichtig:

- Zet de netspanningsschakelaar ten minste 12 uur voordat u het apparaat gaat gebruiken aan. Als u het apparaat direct na het aanzetten van de netspanningsschakelaar inschakelt, kunnen de interne onderdelen ernstig beschadigd raken. Laat de netspanningsschakelaar altijd aanstaan gedurende het seizoen waarin u het apparaat gebruikt.
- Controleer voordat u begint met proefdraaien of alle panelen, beveiligingen en andere beschermende onderdelen goed zijn geïnstalleerd. Draaiende of warme onderdelen of onderdelen onder hoge spanning kunnen letsel veroorzaken.

1.5. Gebruik van airconditioners met R410A-koelstof

⚠ Voorzichtig:

- Gebruik fosforhoudende, zuurstofarme, naadloze C1220-pijpen van koper of koperlegeringen als koelstofpijpen. Controleer of de binnenkant van de pijpen schoon is en vrij van schadelijke stoffen zoals zwavelverbindingen, oxidanten, vuil of stof. Gebruik pijpen van de opgegeven dikte. (Zie p. 48) Let bij hergebruik van pijpen waarin R22-koelstof heeft gezeten op het volgende.
 - Vervang de bestaande flensmoeren en tromp de aansluitingsoppervlakken opnieuw op.
 - Gebruik geen dunne pijpen. (Zie p. 48)
- Bewaar de pijpen die voor de installatie zullen worden gebruikt binnenshuis en laat de verzegeling aan beide uiteinden intact tot vlak voor het solderen. (Laat kniestukken, etc. in hun verpakking.) Het binnendringen van stof, vuil of vocht in de koelstofpijpen kan leiden tot achteruitgang van de olie of compressorstoringen.
- Gebruik esterolie, etherolie of alkylbenzeen (in kleine hoeveelheden) als koelolie om de aansluitingsoppervlakken af te dichten. Vermenging van de koelolie met mineraalolie kan leiden tot achteruitgang van de koelolie.

- Oefen bij de installatie van de voedingsleidingen geen trekkracht uit op de kabels. Als de aansluitingen loszitten, kunnen de kabels loskomen of breken en oververhitting of brand veroorzaken.
- Zorg ervoor dat het apparaat goed is geaard. Sluit de aardleiding niet aan op een gas- of waterleiding, bliksemafleider of aardleiding voor de telefoon. Onjuiste aarding van het apparaat kan elektrische schokken veroorzaken.
- Gebruik stroomonderbrekers (aardlekschakelaar, isolatieschakelaar (+B-zekering) en onderbreker met gegoten behuizing) met de opgegeven capaciteit. Het gebruik van stroomonderbrekers met een te hoge capaciteit kan storingen of brand veroorzaken.

- Raak de schakelaars nooit met natte vingers aan. Hierdoor kan een elektrische schok optreden.
- Raak de koelstofpijpen niet met blote handen aan als het apparaat in werking is. De koelstofpijpen zijn heet of koud afhankelijk van de toestand van de koelstof. Bij het aanraken van de pijpen kunt u brandwonden of bevriezingen oplopen.
- Wacht nadat het apparaat is uitgeschakeld ten minste vijf minuten voordat u de netspanningsschakelaar uitzet. Eerder uitzetten kan waterlekage of storingen veroorzaken.

- Gebruik uitsluitend R410A-koelstof. Bij gebruik van andere koelstoffen veroorzaakt de chloor achteruitgang van de koelolie.
- Gebruik gereedschap dat speciaal is ontworpen voor gebruik met R410A-koelstof. Het volgende gereedschap is vereist. Neem voor vragen contact op met de dichtstbijzijnde dealer.

Gereedschap (voor R410A)	
Verdeelventiel	Optrompgereedschap
Vulslang	Maatafstemmingsmeter
Gaslekdetector	Vacuumpompadapter
Momentsleutel	Elektronische koelstofdrukmeter

- Gebruik uitsluitend de juiste gereedschappen. Het binnendringen van stof, vuil of vocht in de koelstofpijpen kan leiden tot achteruitgang van de koelolie.
- Maak geen gebruik van een vulcilinder. Het gebruik van een vulcilinder leidt tot veranderingen in de samenstelling van de koelstof, waardoor de efficiëntie wordt verminderd.

2. Installatieschema en onderdelen

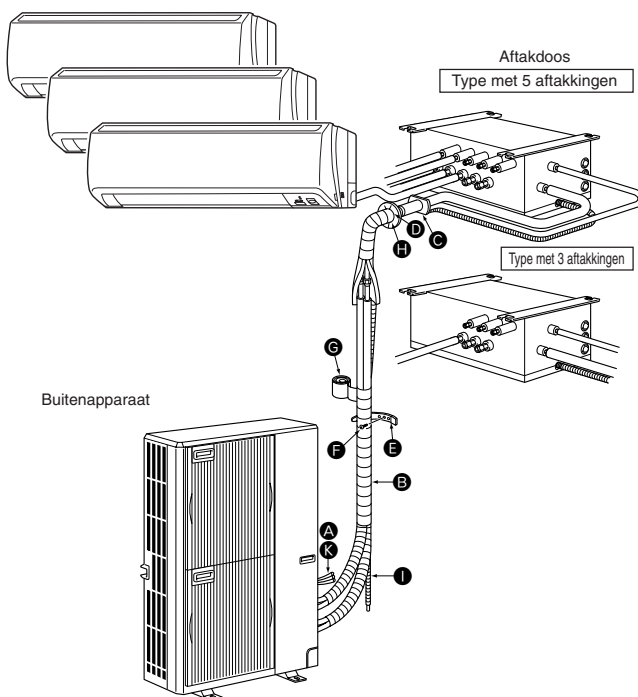


Fig. 2-1

2.1. Voor de installatie (Fig. 2-1)

Deze installatiehandleiding geldt alleen voor de installatie van buitenunits. Voor de installatie van binnenuits en aftakdozen verwijzen wij u naar de installatiehandleidingen die bij deze units zijn meegeleverd.

Alle bouwkundige wijzigingen die voor de installatie nodig zijn dienen te voldoen aan de plaatselijke bouwvoorschriften.

Het doel van dit schema is de onderlinge samenhang van de onderdelen duidelijk te maken.

Voor de feitelijke installatie dient de buitenunit 180° te worden gedraaid.

De units dienen door een erkende aannemer volgens de plaatselijke bouwvoorschriften te worden geïnstalleerd.

Opmerking:

De afmetingen zoals aangegeven bij de bovenstaande pijlen zijn nodig om de goede werking van de airconditioner te kunnen verzekeren. Houd bij de installatie zoveel mogelijk ruimte rond de units aan, met het oog op onderhoud of reparaties in de toekomst.

Ter plaatse aan te schaffen onderdelen

A	Aansluitkabels aftakdoos/buitenunit (3-aderig. Zie 7.3. Procedure voor externe bedrading)	1
B	Verlengpijp	1
C	Kraag voor gat in de muur	1
D	Afdekkap voor gat in de muur	1
E	Bevestigingsband voor de pijpen (de hoeveelheid is afhankelijk van de pijplengte)	2 t/m 7
F	Bevestigingsschroef voor E, 4 x 20 mm (het aantal hangt af van de pijplengte)	2 t/m 7
G	Pijptape	1
H	Kit	1
I	Afvoerslang (harde PVC-pijp VP16)	1
J	Koelolie	1
K	Netsnoer (2-aderig. Zie 7.3. Procedure voor externe bedrading)	1

3. Installatieplaats

3.1. Koelpijpen

Zie 5.2. Pijplengte en hoogteverschil.

3.2. De installatieplaats voor het buitenapparaat kiezen

- Vermijd plaatsen die worden blootgesteld aan direct zonlicht of andere warmtebronnen.
- Kies een plaats waar niemand last heeft van het geluid van het apparaat.
- Kies een plaats die eenvoudige aansluiting van de elektrische bedrading en pijpen naar het binnenapparaat mogelijk maakt.
- Vermijd plaatsen waar brandbare gassen worden geproduceerd of kunnen lekken, stromen of samenstromen.
- Houd er rekening mee dat er tijdens de werking water uit het apparaat kan druppelen.
- Kies een vlakke constructie die bestand is tegen het gewicht en de trillingen van het apparaat.
- Vermijd plaatsen waar het apparaat door sneeuw kan worden bedekt. In sneeuwrijke gebieden moeten speciale maatregelen worden getroffen zoals het verhogen van de installatieplaats of het plaatsen van een afdak om te voorkomen dat de sneeuw in of tegen de luchtinlaat terechtkomt. De sneeuw kan de normale luchtstroom bemoeilijken en storingen veroorzaken.
- Vermijd plaatsen die worden blootgesteld aan olie, stoom of zwavelgas.
- Gebruik de tilhandgrepen van het buitenapparaat om het apparaat te verplaatsen. Als het apparaat van onderen wordt beetgepakt, kunnen verwondingen ontstaan aan de handen of vingers.

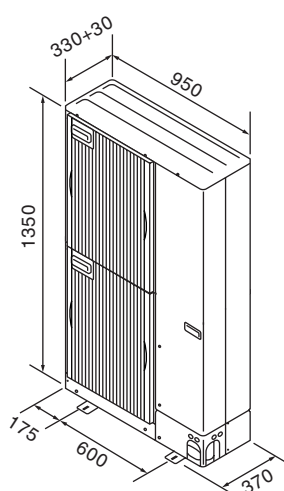


Fig. 3-1

(mm)

3.3. Buitenafmetingen (Buitenapparaat) (Fig. 3-1)

Beperkingen bij de installatie van binneneenheden

De volgende binneneenheid-modellen kunnen op deze buitenunit worden aangesloten.

- Binneneenheden met modelnummers 22, 25, 35, 50, 60, 71 en 80 kunnen worden aangesloten. Zie de onderstaande tabel voor mogelijke binneneenheid-combinaties voor 2-8 ruimten.

Verificatie

De nominale capaciteit dient te worden bepaald aan de hand van de onderstaande tabel. De aantallen zijn beperkt van 2 t/m 8 units. Bij de volgende stap dient u erop te letten dat de totale capaciteit van geselecteerde units binnen 4,4 - 18,5 kW blijft.

Voorbeeld:

MSZ-60	=	6,0	} Totale nominale capaciteit 18,0 ≤ 18,5 kW
	+		
SEZ-35	=	3,5	
	+		
SLZ-35	=	3,5	
	+		
SEZ-25	=	2,5	
	+		
SLZ-25	=	2,5	

Type binneneenheid	22	25	35	50	60	71	80
Nominale capaciteit (koelen) (kW)	2,2	2,5	3,5	5,0	6,0	7,1	8,0

Bij combinaties waarbij de totale capaciteit van de binneneenheden boven de capaciteit van de buitenunit komt (=14,0 kW), zal de koelcapaciteit van alle binneneenheden verminderen tot onder hun nominale koelcapaciteit. Combineer daarom bij voorkeur binneneenheden met een totale capaciteit die minder bedraagt dan de capaciteit van de buitenunit (=14,0 kW).

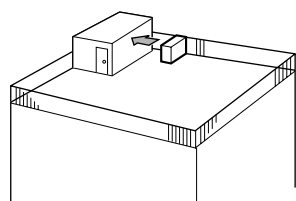


Fig. 3-2

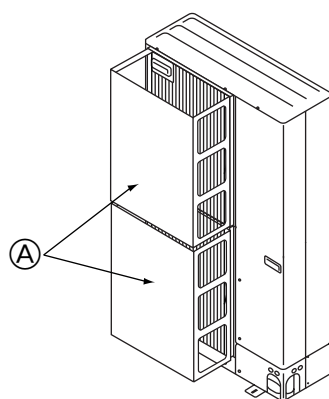


Fig. 3-3

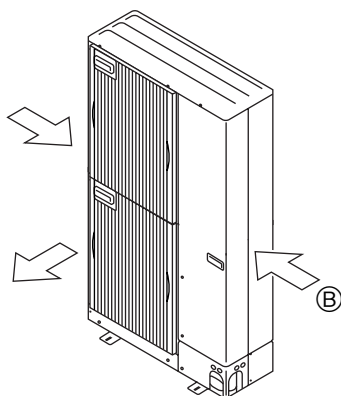


Fig. 3-4

3.4. Ventilatie en bereikbaarheid

3.4.1. Installatie op windrijke plaatsen

Als het buitenapparaat wordt geïnstalleerd op een dak of een andere plaats waar de wind vrij spel heeft, moet de luchtuitlaat van het apparaat zo worden gericht dat deze niet rechtstreeks blootstaat aan krachtige windstoten. Krachtige windstoten die de luchtuitlaat binnendringen kunnen de normale luchtstroom bemoeilijken en storingen veroorzaken.

Hieronder volgen drie manieren om het apparaat tegen krachtige windstoten te beschermen.

- ① Richt de luchtuitlaat naar de dichtstbijzijnde muur, op ongeveer 50 cm van de muur. (Fig. 3-2)
- ② Installeer een optionele luchtgeleider als het apparaat wordt geïnstalleerd op een plaats waar krachtige windstoten zoals van tyfoons, enz. rechtstreeks de luchtuitlaat kunnen binnendringen. (Fig. 3-3)
 - Ⓐ Luchtgeleider
- ③ Plaats het apparaat indien mogelijk zo dat de luchtuitlaat in dezelfde richting blaast als de seizoenswinden. (Fig. 3-4)
 - Ⓑ Windrichting

3. Installatieplaats

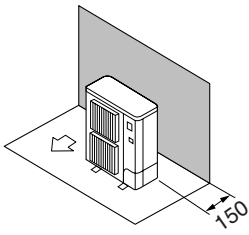


Fig. 3-5

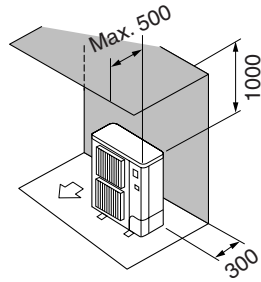


Fig. 3-6

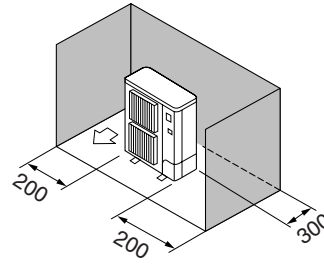


Fig. 3-7

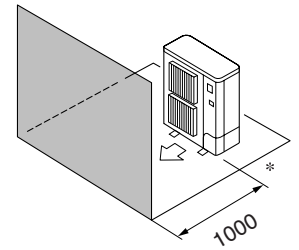


Fig. 3-8

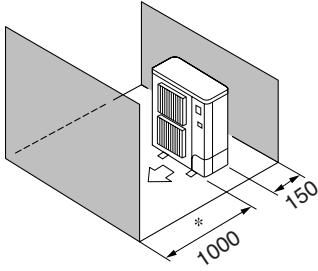


Fig. 3-9

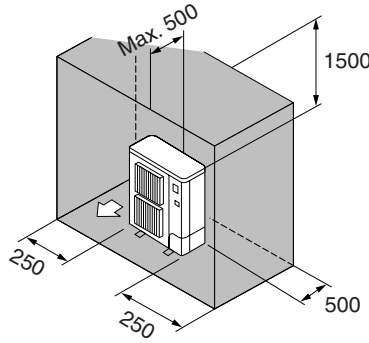


Fig. 3-10

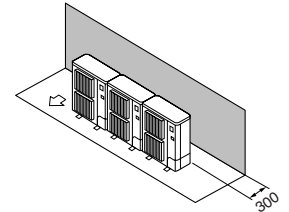


Fig. 3-11

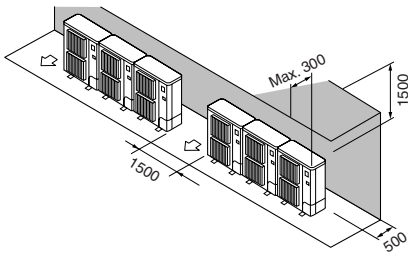


Fig. 3-12

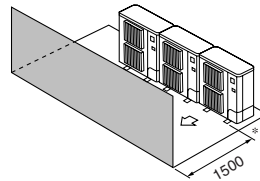


Fig. 3-13

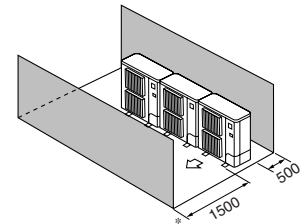


Fig. 3-14

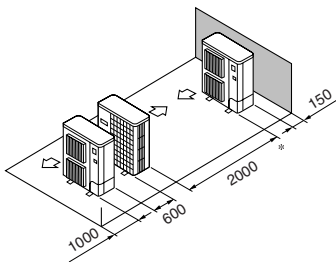


Fig. 3-15

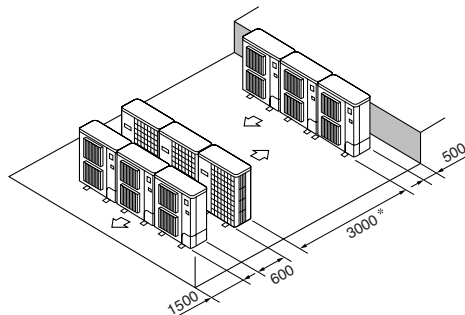


Fig. 3-16

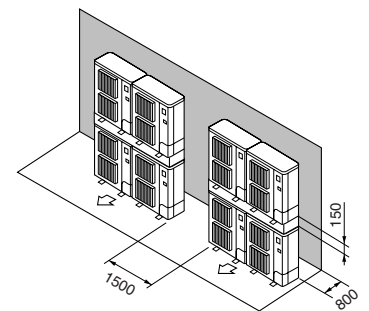


Fig. 3-17

3.4.2. Bij installatie van één buitenapparaat

De minimale afmetingen zijn als volgt aangegeven, behalve voor Max., hetgeen betekent de Maximale afmetingen.

Raadpleeg voor alle gevallen de getallen.

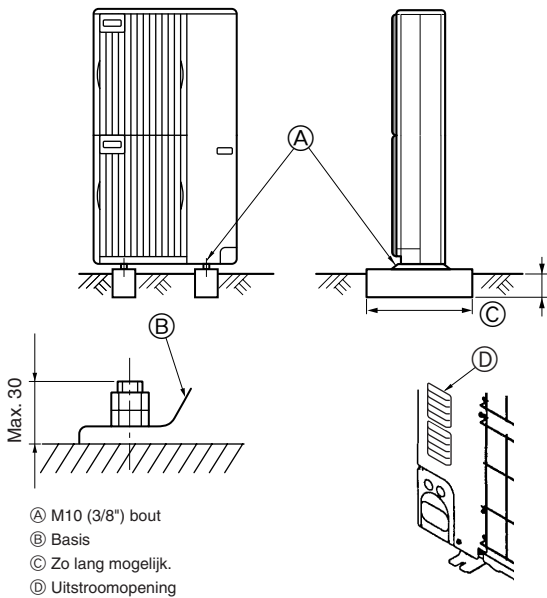
- ① Alleen obstakels aan de achterzijde (Fig. 3-5)
- ② Alleen obstakels aan de achter- en bovenzijde (Fig. 3-6)
- ③ Alleen obstakels aan de achterzijde en de zijkanten (Fig. 3-7)
- ④ Alleen obstakels aan de voorzijde (Fig. 3-8)
- * Indien een optioneel luchtafvoerkanaal wordt toegepast, dient de vrije ruimte 500 mm of meer te bedragen.
- ⑤ Alleen obstakels aan de voor- en achterzijde (Fig. 3-9)
- * Indien een optioneel luchtafvoerkanaal wordt toegepast, dient de vrije ruimte 500 mm of meer te bedragen.
- ⑥ Alleen obstakels aan de achter- en bovenzijde en de zijkanten (Fig. 3-10)
- Maak geen gebruik van de optionele luchtgeleiders voor een opwaartse luchtstroom.

3.4.3. Bij installatie van meerdere buitenapparaten

Laat tussen de onderlinge units minimaal 10 mm ruimte.

- ① Alleen obstakels aan de achterzijde (Fig. 3-11)
- ② Alleen obstakels aan de achter- en bovenzijde (Fig. 3-12)
 - Installeer niet meer dan drie apparaten naast elkaar. Laat bovendien ruimte vrij zoals afgebeeld.
 - Maak geen gebruik van de optionele luchtgeleiders voor een opwaartse luchtstroom.
- ③ Alleen obstakels aan de voorzijde (Fig. 3-13)
 - * Indien een optioneel luchtafvoerkanaal wordt toegepast, dient de vrije ruimte 1000 mm of meer te bedragen.
- ④ Alleen obstakels aan de voor- en achterzijde (Fig. 3-14)
 - * Indien een optioneel luchtafvoerkanaal wordt toegepast, dient de vrije ruimte 1000 mm of meer te bedragen.
- ⑤ Opstelling met één parallel apparaat (Fig. 3-15)
 - * Bij gebruik van een optionele uitlaatluchtgeleider voor een opwaartse luchtstroom moet de vrije ruimte ten minste 1000 mm bedragen.
- ⑥ Opstelling met meerdere parallelle apparaten (Fig. 3-16)
 - * Bij gebruik van een optionele uitlaatluchtgeleider voor een opwaartse luchtstroom moet de vrije ruimte ten minste 1500 mm bedragen.
- ⑦ Opstelling met boven elkaar geplaatste apparaten (Fig. 3-17)
 - Er kunnen twee apparaten boven elkaar worden geplaatst.
 - Installeer niet meer dan twee boven elkaar geplaatste apparaten naast elkaar. Laat bovendien ruimte vrij zoals afgebeeld.

4. Het buitenapparaat installeren



(mm)

- Zorg ervoor dat de eenheid op een stevig, waterpas oppervlak wordt geïnstalleerd om geratel tijdens het gebruik te voorkomen. (Fig. 4-1)

<Specificaties voor de fundering>

Funderingsbout	M10 (3/8")
Dikte van het beton	120 mm
Lengte van de bout	70 mm
Draagkracht	320 kg

- Zorg dat de lengte van de funderingsbout op een afstand van minder dan 30 mm van de onderkant van de basis komt.
- Zet de basis van de eenheid stevig vast met vier M10-funderingsbouten op een stevige ondergrond.

Installatie van het buitenapparaat

- Laat de uitstroombening vrij. Als de uitstroombening wordt geblokkeerd wordt de werking van het apparaat bemoeilijkt, waardoor storingen kunnen ontstaan.
- Gebruik naast de basis van het apparaat de installatieopeningen aan de achterzijde om waar nodig bedrading etc. te bevestigen. Gebruik zelftappende schroeven (ø5 x 15 mm of minder).

⚠ Waarschuwing:

- Het apparaat moet worden geïnstalleerd op een constructie die het gewicht ervan kan dragen. Als het apparaat wordt geïnstalleerd op een instabiele constructie, kan het vallen en schade of letsel veroorzaken.
- Het apparaat dient volgens de instructies te worden geïnstalleerd om het risico op beschadiging bij een aardbeving of storm te beperken. Een onjuist geïnstalleerd apparaat kan vallen en schade of letsel veroorzaken.

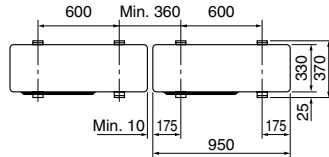


Fig. 4-1

5. Installeren van de koelstofleidingen

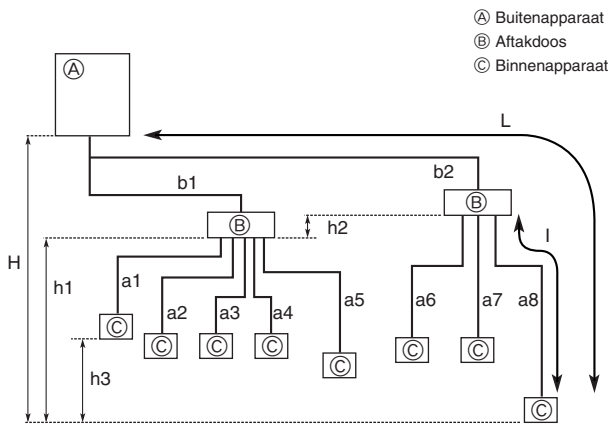


Fig. 5-1

5.1. Voorzorgsmaatregelen voor apparaten die gebruikmaken van R410A-koelstof

- Zie p. 45 voor niet hieronder vermelde voorzorgsmaatregelen voor airconditioners die gebruikmaken van R410A-koelstof.
- Gebruik esterolie, etherolie of alkylbenzeen (in kleine hoeveelheden) als koelolie om de aansluitingsoppervlakken af te dichten.
- Gebruik fosforhoudende, zuurstofarme, naadloze C1220-pijpen van koper of koperlegeringen als koelstofpijpen. Gebruik koelstofpijpen van de in de onderstaande tabel aangegeven dikte. Controleer of de binnenkant van de pijpen schoon is en vrij van schadelijke stoffen zoals zwavelverbindingen, oxidanten, vuil of stof.

⚠ Waarschuwing:

Gebruik bij het installeren of verplaatsen van het apparaat uitsluitend de gespecificeerde koelstof (R410A) voor het vullen van de koelstofpijpen. Meng de koelstof niet met andere koelstoffen en let erop dat er geen lucht in de pijpen achterblijft. In de leidingen achtergebleven lucht kan drukstoten veroorzaken die kunnen leiden tot scheuren en andere problemen.

ø6,35, ø9,52, ø12,7	Dikte 0,8 mm
ø15,88	Dikte 1,0 mm

- Gebruik geen dünnere pijpen dan hierboven aangegeven.

Toegestane lengte (één richting)	Totale pijplengte	$b1+b2+a1+a2+a3+a4+a5+a6+a7+a8 \leq 115 \text{ m}$
	Grootste pijplengte (L)	$b2+a8 \leq 70 \text{ m}$ ($b2 \leq 55 \text{ m}$, $a8 \leq 15 \text{ m}$)
	Pijplengte tussen buitenunit en aftakdoos	$b1+b2 \leq 55 \text{ m}$
	Grootste pijplengte na aftakdoos (l)	$a8 \leq 15 \text{ m}$
Toegestaan hoogteverschil (één richting)	Totale pijplengte tussen aftakdoos en binnenunits	$a1+a2+a3+a4+a5+a6+a7+a8 \leq 60 \text{ m}$
	In binnen/buiten-gedeelte (H)*1	$H \leq 30 \text{ m}$ (Als de buitenunit hoger staat dan de binnenunit) $H \leq 20 \text{ m}$ (Als de buitenunit lager staat dan de binnenunit)
	In aftakdoos/binnenunit-gedeelte (h1)	$h1 + h2 \leq 15 \text{ m}$
	In elke aftakunit (h2)	$h2 \leq 15 \text{ m}$
	In elke binnenunit (h3)	$h3 \leq 12 \text{ m}$
Aantal bochten		$ b1+a1 , b1+a2 , b1+a3 , b1+a4 , b1+a5 , b2+a6 , b2+a7 , b2+a8 \leq 15$

*1 De aftakdoos dient te worden geplaatst op een niveau dat tussen dat van de buitenunits en de binnenunits ligt.

5.2. Pijplengte en hoogteverschil (Fig. 5-1)

Opgetrompte aansluitingen

- Deze unit is voorzien van opgetrompte aansluitingen op elke binnenunit en aftakdoos en aan de zijden van de buitenunit.
- Verwijder de kap van de kraan van de buitenunit en sluit vervolgens de pijp aan.
- Om de aftakdoos en de buitenunit aan te sluiten worden koelpijpen gebruikt.

5. Installeren van de koelstofleidingen

5.3. Koelstof bijvullen

- Bijvullen is voor deze unit niet nodig indien de totale pijplengte ($b_1+b_2+a_1+a_2+a_3+a_4+a_5+a_6+a_7+a_8$) niet mer bedraagt dan 40 m.
- Indien de totale pijplengte meer dan 40 m bedraagt, dient de unit te worden bijgevuld met extra koelstof R410A, overeenkomstig de toelaatbare pijplengtes volgens onderstaande tabel.

* Als de unit is gestopt, vul de unit dan via de afsluitkraan aan de vloeistofzijde met extra koelstof bij, nadat de pijpverlengingen en de binnenuit vacuüm zijn gepompt.

Als de unit in bedrijf is, voegt u via de afsluitkraan aan gaszijde koelstof toe, waarbij u gebruik maakt van een veiligheidsvuller. Voeg niet rechtstreeks via de afsluitkraan vloeibare koelstof toe.

Nadat de unit met koelstof is gevuld, noteer u de toegevoegde hoeveelheid koelstof op het service-etiket (dat zich op de unit bevindt).

Zie "1.5. Gebruik van airconditioners met R410A-koelstof" voor nadere informatie.

Tabel 1

Totale pijplengte ($b_1+b_2+a_1+a_2+a_3+a_4+a_5+a_6+a_7+a_8$)	41 - 50 m	51 - 70 m	71 - 90 m	91 - 115 m
Extra vulhoeveelheid koelstof	0,6 kg	1,4 kg	2,2 kg	3,2 kg

Wanneer u een binnenuit aansluit op vloeistofleidingen met een diameter van $\varnothing 9,52$ (modelnummer 71 of hoger voor M- en S-serie en modelnummer 60 of hoger voor P-serie), moet de hoeveelheid toe te voegen koelstof in tabel 1 worden gecorrigeerd (voeg de volgende ΔR -waarde toe die in tabel 1 wordt gegeven).

Correctiehoeveelheid voor toe te voegen koelstof
 $\Delta R=0,01$ [kg/m] \times $\varnothing 9,52$ pijpafstuk (vloeistofpijp) totale lengte [m]

Voorbeeld) $b_1=20$ m, $b_2=25$ m

Binnenuit A	$\varnothing 9,52$ Vloeistofpijp	$a_1=12$ m
Binnenuit B	$\varnothing 6,35$ Vloeistofpijp	$a_2=11$ m
Binnenuit C	$\varnothing 6,35$ Vloeistofpijp	$a_6=14$ m
Binnenuit D	$\varnothing 9,52$ Vloeistofpijp	$a_7=13$ m

Totale leidinglengte: $b_1+b_2+a_1+a_2+a_6+a_7=95$ m

→ Uit tabel 1 volgt dat de toe te voegen hoeveelheid koelstof 3,2 kg is.

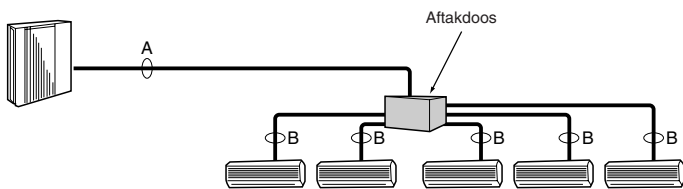
Omdat binnenuits met vloeistofleidingen met een diameter van $\varnothing 9,52$ zijn aangesloten (in dit voorbeeld binnenuits A en D), moet de hoeveelheid toe te voegen koelstof worden gecorrigeerd.

Correctiehoeveelheid voor toe te voegen koelstof
 $\Delta R=0,01$ [kg/m] \times $\varnothing 9,52$ pijpafstuk (vloeistofpijp) totale lengte [a_1+a_7]
 $=0,01 \times (12+13)$
 $=0,25$ kg

De hoeveelheid toe te voegen koelstof is daarom $3,2$ kg + $0,25$ kg = $3,45$ kg.

■ Indien een aftakdoos wordt gebruikt met 1 aftakking

Toegepaste opgetrompte aansluiting. (Geen solderingen)



■ Indien een aftakdoos wordt gebruikt met 2 aftakkingen

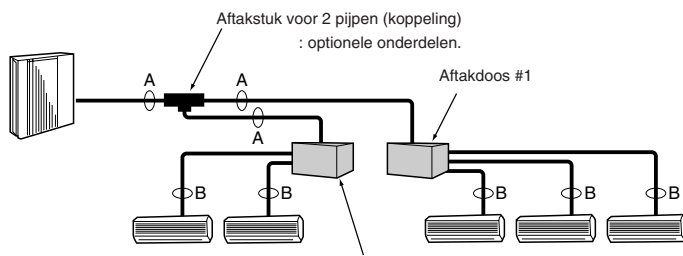


Fig. 5-2

(1) Kraandiameters buitenunit

Voor vloeistof	$\varnothing 9,52$ mm
Voor gas	$\varnothing 15,88$ mm

(2) Kraandiameters aftakdoos

[A] UNIT	Vloeistofpijp	$\varnothing 6,35$ mm
	Gaspijp	$\varnothing 9,52$ mm
[B] UNIT	Vloeistofpijp	$\varnothing 6,35$ mm
	Gaspijp	$\varnothing 9,52$ mm
[C] UNIT	Vloeistofpijp	$\varnothing 6,35$ mm
	Gaspijp	$\varnothing 9,52$ mm
[D] UNIT	Vloeistofpijp	$\varnothing 6,35$ mm
	Gaspijp	$\varnothing 9,52$ mm
[E] UNIT	Vloeistofpijp	$\varnothing 6,35$ mm
	Gaspijp	$\varnothing 12,7$ mm

* Type voor 3 aftakkingen: alleen units [A], [B], [C]

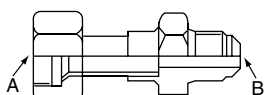


Fig. 5-3

Omrekenformule

1/4 F	$\varnothing 6,35$
3/8 F	$\varnothing 9,52$
1/2 F	$\varnothing 12,7$
5/8 F	$\varnothing 15,88$
3/4 F	$\varnothing 19,05$

5.4. Pijpdiameter selecteren (Fig. 5-2)

	A	B
Vloeistof (mm)	$\varnothing 9,52$	De diameter van de pijp aansluiting verschilt afhankelijk van het type en de capaciteit van de binnenuits. Pas de diameter van de pijp aansluiting van de aftakdoos aan op die van de binnenuit.
Gas (mm)	$\varnothing 15,88$	Indien de diameter van de pijp aansluiting van de aftakdoos niet overeenkomt met de diameter van de binnenuit-aansluiting, gebruikt u aan de zijde van de aftakdoos optionele verbindingen met andere diameters (vervormd). (Sluit de vervormde verbinding rechtstreeks aan de zijde van de aftakdoos aan.)

Verbinding voor afwijkende diameters (optionele onderdelen) (Fig. 5-3)

Modelnaam	Diameter aangesloten pijpen		Diameter A	Diameter B
	mm		mm	mm
MAC-A454JP	$\varnothing 9,52$	→ $\varnothing 12,7$	$\varnothing 9,52$	$\varnothing 12,7$
MAC-A455JP	$\varnothing 12,7$	→ $\varnothing 9,52$	$\varnothing 12,7$	$\varnothing 9,52$
MAC-A456JP	$\varnothing 12,7$	→ $\varnothing 15,88$	$\varnothing 12,7$	$\varnothing 15,88$
PAC-493PI	$\varnothing 6,35$	→ $\varnothing 9,52$	$\varnothing 6,35$	$\varnothing 9,52$
PAC-SG76RJ-E	$\varnothing 9,52$	→ $\varnothing 15,88$	$\varnothing 9,52$	$\varnothing 15,88$

Vorbereiding voor het aansluiten van pijpen

① Onderstaande tabel bevat de specificaties van in de handel verkrijgbare pijpen.

Buitendiameter	Isolatie dikte	Isolatiemateriaal
mm	mm	
6,35	8	Hittebestendig schuim-plastic soortelijk gewicht 0,045
9,52	8	
12,7	8	
15,88	8	

② Zorg ervoor dat de 2 koelpijpen zijn geïsoleerd om condensatie te voorkomen.

③ De radius van bochten in koelpijpen dient minimaal 100 mm te bedragen.

⚠ Voorzichtig:

Let erop dat u isolatie van de opgegeven dikte gebruikt. Te dikke isolatie kan incorrecte installatie van de binnenuit en de aftakdoos tot gevolg hebben; bij onvoldoende dikte kunnen druppels ontstaan door condensvorming.

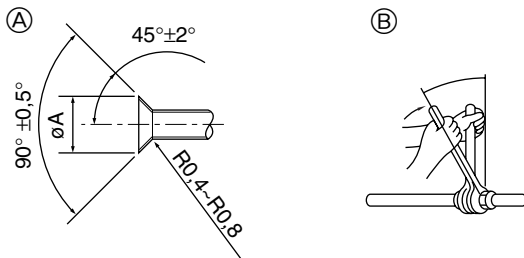
Aftakstuk voor 2 pijpen (verbinding): Optionele onderdelen (Naar eigen voorkeur, afhankelijk van de aansluitmethode.)

Modelnaam	Aansluitmethode
MSDD-50AR-E	opgetrompte aansluiting
MSDD-50BR-E	solderen

■ Installatieprocedure (pijp met 2 aftakkingen (verbinding))

Zie de installatiehandleidingen van MSDD-50AR-E en MSDD-50BR-E.

5. Installeren van de koelstofleidingen



- Ⓐ Afsnijmaten tromp
Ⓑ Aanhaalmoment flensmoer

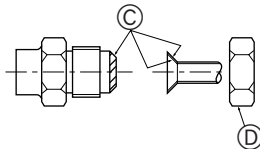


Fig. 5-4

Ⓐ (Fig. 5-4)

Buitendiameter koperen pijp (mm)	Afmetingen tromp øA (mm)
ø6,35	8,7 - 9,1
ø9,52	12,8 - 13,2
ø12,7	16,2 - 16,6
ø15,88	19,3 - 19,7

Ⓑ (Fig. 5-4)

Buitendiameter koperen pijp (mm)	Buitendiameter flensmoer (mm)	Aanhaalmoment (N·m)*
ø6,35	17	14 - 18
ø6,35	22	34 - 42
ø9,52	22	34 - 42
ø9,52	26	49 - 61
ø12,7	26	49 - 61
ø12,7	29	68 - 82
ø15,88	29	68 - 82
ø15,88	36	100 - 120

* 1 N·m \approx 10 kgf·cm

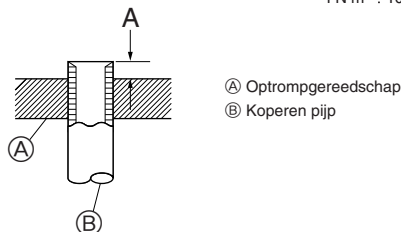


Fig. 5-5

Opvangen van koelstof bij het verplaatsen van binnen- en buitenunits (bij uitgeschakelde pomp)

- Sluit op de servicepoort bij de gaskraan van de buitenunit een verdeelpijp-meter aan (inclusief drukmeter) om de koelstofdruk te meten.
- Schakel de netspanning in (stroomonderbreker).
- Sluit de vloeistofkraan en voer de testprocedure voor koelbedrijf uit (SW4-1: AAN en SW4-2: UIT).
* Wacht na het inschakelen van de netspanning minstens 3 minuten voordat u SW4-1 en SW4-2 instelt. Als u de DIP-schakelaars instelt voordat 3 minuten verstreken zijn, start de testprocedure misschien niet.
- Draai de gaskraan volledig dicht als de druk op de meter naar 0,05 - 0,00 MPa* is gedaald (ongeveer 0,5 - 0,0 kgf/cm²).
* Als er teveel koelstof aan het systeem van de airconditioner was toegevoegd, kan het zijn dat de druk niet tot 0,5 kgf/cm² daalt. Als dit het geval is, vangt u alle koelstof in het systeem met een koelstofopvangunit op. Vul het systeem vervolgens weer met de juiste hoeveelheid koelstof, nadat de binnen- en buitenunits zijn verplaatst.
- Stop airconditionerbedrijf (SW4-1: UIT en SW4-2: UIT).
- Schakel de netspanning uit (stroomonderbreker).

5.5. Aansluiten van de pijpen (Fig. 5-4)

- Als u koperen pijpen gebruikt, moet u de vloeistof- en gaspijpen met isolatiemateriaal bekleden (hittebestendig tot 100 °C, dikte van 12 mm of meer).
- De delen van de afvoerpijp die binnenshuis lopen, moeten worden bekleed met isolatiemateriaal van polyethyleenschuim (relatieve dichtheid 0,03, dikte 9 mm of meer).
- Doe een dun laagje koelmachineolie op de leiding en het aansluitingsoppervlak voordat u de "flare"-moer vastdraait. Ⓐ
- Draai met gebruik van twee pijptangen de aansluitende leidingen vast. Ⓑ
- Gebruik, nadat alle aansluitingen gemaakt zijn, een lekkagedetector of zeepsop om te controleren of er gaslekken zijn.
- Breng koelolie aan op de aansluitingsoppervlakken. Ⓒ
- Gebruik de flensmoeren als volgt. Ⓓ

■ Pijpdiameter (buitenunit-aftakdoos)

Pijpdiameter (ømm)	Vloeistof	Gas
ø9,52	ø9,52	ø15,88

De opstelling van een aan te sluiten binnenunit verschilt per district/regio/land.

■ Pijpdiameter (aftakdoos-binnenunit) *Bij binnenunits van de M-serie of de S-serie

Type binnenunit	(kW)	22	25	35	50	60	71	80
Pijpdiameter (ømm)	Vloeistof	ø6,35	ø6,35	ø6,35	ø6,35	ø6,35	ø9,52	ø9,52
	Gas	ø9,52	ø9,52	ø9,52	ø12,7	ø15,88*	ø15,88	ø15,88

* Indien een binnenunit van het type 60 van de MEXZ-serie wordt toegepast, sluit u de gaszijde van de binnenunit aan met de optrompvoer van de binnenunit accessoire.

Gebruik niet de optrompvoer (gaszijde) die bij de binnenunit is meegeleverd. Als u deze wel zou gebruiken, kan een gaslek of zelfs het losraken van een pijp het gevolg zijn.

■ Pijpdiameter (aftakdoos-binnenunit) *Bij binnenunits van de P-serie

Type binnenunit	(kW)	35	50	60	71
Pijpdiameter (ømm)	Vloeistof	ø6,35	ø6,35	ø9,52	ø9,52
	Gas	ø12,7	ø12,7	ø15,88	ø15,88

Bij de binnenunits-typen 35, 50 van de P-serie gebruikt u de optrompvoer die bij de binnenunit is meegeleverd.

Gebruik niet de optrompvoer (van de binnenunit accessoire). Als u deze wel zou gebruiken kan een gaslek of zelfs het losraken van een pijp het gevolg zijn.

- Let er bij het buigen van de pijpen op dat u deze niet breekt. Een buigstraal van 100 mm tot 150 mm is voldoende.
- Let erop dat de pijpen de compressor niet raken. Hierdoor kunnen ongewone geluiden of trillingen ontstaan.

- Begin met het aansluiten van de pijpen bij het binnenapparaat.
Trek de flensmoeren aan met een momentsleutel.
- Tromp de vloeistof- en gaspijpen op en breng een dun laagje koelolie aan op de aansluitingsoppervlakken.
- Als een gewoon pijpfadingsmiddel wordt gebruikt, zie dan Tabel 2 voor het optrompen van R410A-koelstofpijpen.
Gebruik de maatafstemmingsmeter om de afmetingen A te controleren.

Tabel 2 (Fig. 5-5)

Buitendiameter koperen pijp (mm)	A (mm)	
	Trompgereedschap voor R410A	Trompgereedschap voor R22-R407C
	Type koppeling	
ø6,35	0 - 0,5	1,0 - 1,5
ø9,52	0 - 0,5	1,0 - 1,5
ø12,7	0 - 0,5	1,0 - 1,5
ø15,88	0 - 0,5	1,0 - 1,5

5. Installeren van de koelstofleidingen

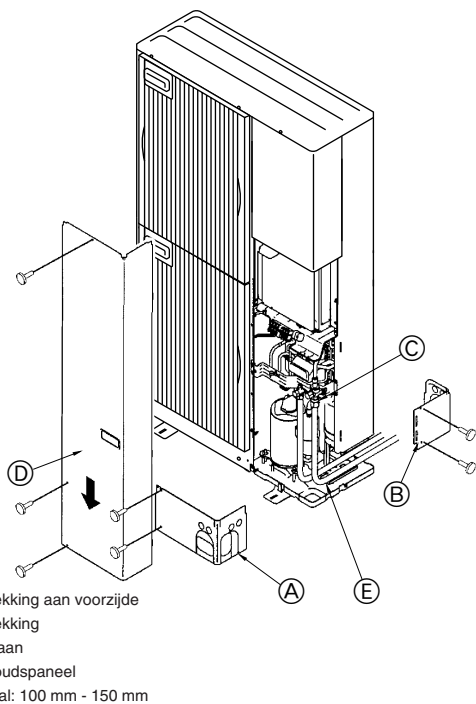


Fig. 5-6

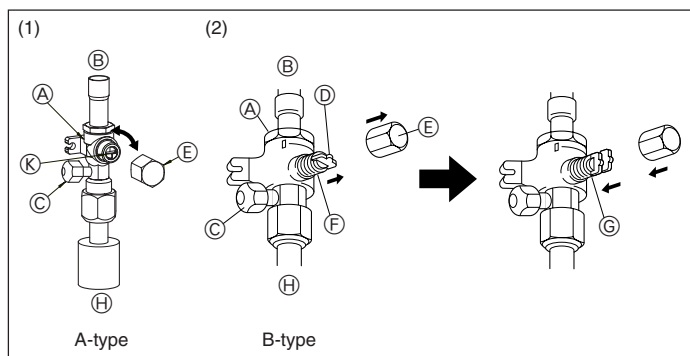


Fig. 5-7

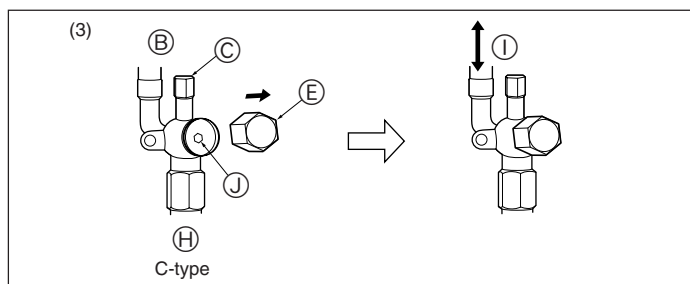


Fig. 5-8

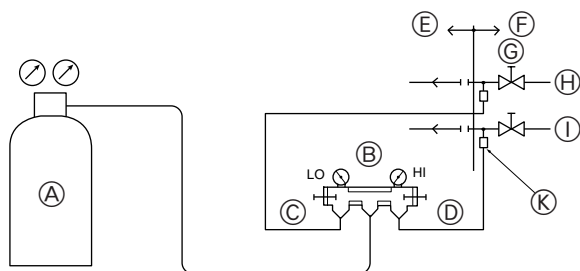


Fig. 5-9

5.6. Koelleidingen (Fig. 5-6)

Verwijder het onderhoudspaneel ④ (drie schroeven) en de pijpafdekkingen aan de voorzijde ① (twee schroeven) en de achterzijde ② (twee schroeven).

Koelleidingen worden omwikkeld voor bescherming

- De pijpen kunnen zowel voor als na het aansluiten worden bekleed met isolatiemateriaal met een dikte van maximaal $\varnothing 90$. Snij het isolatiemateriaal langs de groef open en breng het op de pijpen aan.

Pijpinvoeropening

- Dicht de inlaatopeningen rond de pijpen grondig af met afdichtmiddel of kit. (Als de openingen niet worden gedicht, kan er geluid door hoorbaar zijn of kunnen water en stof het apparaat binnendringen en storingen veroorzaken.)

5.7. Waar u op dient te letten bij het aansluiten van pijpen en het bedienen van kranen

- Wees nauwgezet bij het aansluiten van pijpen en het bedienen van kranen, houd hierbij de onderstaande afbeelding aan.
 - Breng langs de isolator afdichting aan om te voorkomen dat water kan binnendringen in de isolator die de koelleidingafstukken bedekt.
 - Na het vacuüm pompen en vullen met koelstof dient de hendel geheel open te staan. Bij bedrijf met gesloten kraan zal zich aan de hoge- of lage-drukszijde van het koelcircuit uitzonderlijk hoge druk ontwikkelen, waardoor schade aan de compressor enz. kan optreden.
 - Bepaal de hoeveelheid bij te vullen koelmiddel (zie "5.3. Koelstof bijvullen") en voeg nadat de pijpen zijn aangesloten extra koelstof toe via de serviceaansluiting.
 - Na het voltooien van het werk draait u de serviceaansluiting (12 - 15 N·m) en de kap (20 - 25 N·m) stevig dicht om gaslekages te voorkomen.
- * 1 N·m \approx 10 kg·cm

Methode om de afsluitkraan volledig te openen

De wijze van openen van de afsluitkraan varieert met het model buitenapparaat. Open de afsluitkranen op de wijze die in uw situatie van toepassing is.

(1) A-type (Fig. 5-7)

- Verwijder de kap, en draai het binnenwerk met een platte schroevendraaier een kwartslag tegen de klok in om de kraan te openen.
- Controleer of de kranen geheel open zijn, en zet daarna de kap terug en vast op zijn plaats.

(2) B-type (Fig. 5-7)

- Verwijder de dop, trek het handvat naar u toe en draai dit een kwartslag tegen de klok in om de kraan te openen.
- Let erop dat de afsluitkraan geheel open is, druk de hendel in en draai de kap terug naar de oorspronkelijke stand.

(3) C-type (Fig. 5-8)

- Togliere il cappuccio e girare la barra della valvola in senso antiorario fino a quando va con l'uso di una chiave esagonale da 4 mm. Smettere di girare quando colpisce il fermo.
- Let erop dat de afsluitkraan geheel open is en draai de kap terug naar de oorspronkelijke stand.

- | | |
|----------------------|--|
| Ⓐ Kraan | Ⓜ Volledig geopend |
| Ⓑ Unitzijde | Ⓨ (Installatiezijde) Koelstofpijpsijde |
| Ⓒ Serviceaansluiting | Ⓩ Richting van de binnenstromende koelstof |
| Ⓓ Hendel | ⓐ Gat voor sleutel |
| Ⓔ Kap | Ⓥ Bediening binnenwerk |
| Ⓕ Volledig gesloten | |

5.8. Test voor luchtdichtheid en vacuüm

① Test voor luchtdichtheid (Fig. 5-9)

De luchtdichtheid dient te worden getest door de installatie met stikstofgas onder druk te zetten. Zie voor deze testmethode de volgende afbeelding.

- Sluit het testgereedschap aan. Voer met gesloten afsluitkraan een test uit. Overtuig u er tevens van dat zowel de vloeistof- of hoge-drukpomp als de gas- of lage-drukpomp onder druk worden gebracht.
- Breng niet meteen de volle druk aan, maar verhoog de druk beetje bij beetje.
 - Breng druk aan tot 0,5 MPa (5 kgf/cm²G), wacht vijf minuten en let erop dat de druk niet afneemt.
 - Breng druk aan tot 1,5 MPa (15 kgf/cm²G), wacht vijf minuten en let erop dat de druk niet afneemt.
 - Breng druk aan tot 4,15 MPa (41,5 kgf/cm²G) en meet de omgevingstemperatuur en de druk van de koelstof.
- Indien de aangegeven druk gedurende ongeveer een dag op dezelfde waarde blijft en niet afneemt, voldoen de pijpen aan de test en zijn er geen lekkages.
 - Indien de omgevingstemperatuur met 1 °C verandert, mag de druk met ongeveer 0,01 MPa (0,1 kgf/cm²G) veranderen. Voer de nodige correcties uit.
- Indien in de stappen (2) of (3) de druk afneemt, is er sprake van een gaslek. Spoor dan de bron van de gaslekage op.

- | | |
|---------------------|----------------------------------|
| Ⓐ Stikstofgas | ⓕ Buitenunit |
| Ⓑ Systeemanalysator | ⓖ Afsluitkraan |
| Ⓒ LO-knop (laag) | ⓗ Vloeistofpijp of hoge-drukpomp |
| Ⓓ HI-knop (hoog) | Ⓢ Gaspijp of lage-drukpomp |
| Ⓔ Naar de aftakdoos | Ⓥ Serviceaansluiting |

5. Installeren van de koelstofleidingen

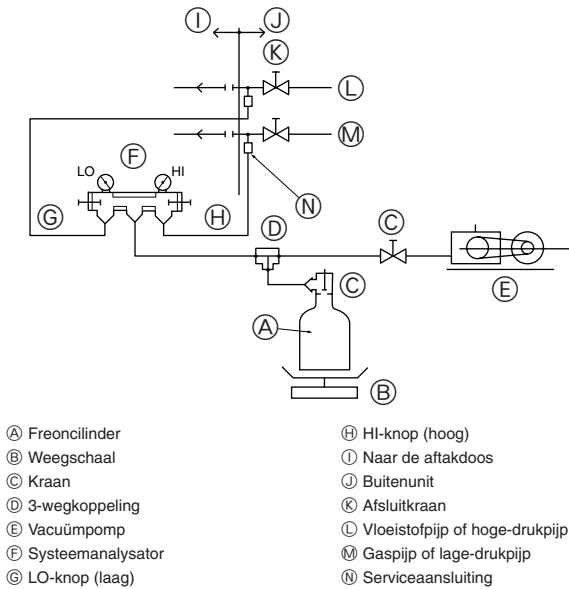


Fig. 5-10

② Vacuüm pompen (Fig. 5-10)

Het vacuüm pompen geschiedt door het maken van een verbinding vanaf de serviceaansluiting aan de afsluitkraan van de buitenunit naar de vacuümpomp, die gemeenschappelijk wordt gebruikt voor zowel de vloeistof- of hoge-drukpijp als aan de gas- of lage-drukpijp. (Breng vacuüm aan zowel aan de vloeistof- of hoge-drukpijp als de gas- of lage-drukpijp, met gesloten afsluitkraan.)

Onthoud: Ontlucht nooit door koelstof te gebruiken.

⚠ Waarschuwing:

Pas bij het installeren of verplaatsen van de unit op dat er niets anders dan de aangegeven koelstof in het koelcircuit kan komen. Indien er lucht in de koelstof wordt gemengd, kunnen in het koelcircuit uitzonderlijk hoge drukken ontstaan, waardoor de pijpen zouden kunnen barsten.

* Er dient een zeer nauwkeurige gravimeter te worden gebruikt, die kan meten tot op 0,1 kg. Indien u niet beschikt over een dergelijk nauwkeurige gravimeter kunt u een vulcilinder gebruiken.

Opmerking:

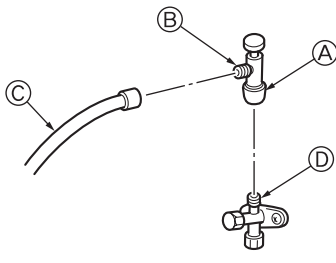
- Gebruik een meetverdeelsstuk, vulslang en andere onderdelen bedoeld voor de koelstof die is aangegeven op de unit.
- Gebruik een gravimeter. (Eén die kan meten tot op 0,1 kg)

Voorzorgsmaatregelen voor het gebruik van de vulkraan (Fig. 5-11)

Trek de dienstopening niet overmatig aan tijdens het installeren. Hierdoor kan de binnenkant van de kraan vervormen en los gaan zitten, wat kan leiden tot een gaslek.

Draai nadat u gedeelte (B) in de gewenste richting hebt geplaatst alleen gedeelte (A) en trek dit gedeelte aan.

Trek gedeelten (A) en (B) niet verder aan, nadat u gedeelte (A) hebt vastgedraaid.



- * De figuur links is slechts een voorbeeld. De vorm van de afsluitkraan, de plaats van de dienstopening, enzovoort, kunnen per model verschillen.
- * Draai alleen gedeelte (A). (Trek gedeelten (A) en (B) niet verder aan.)

- © Vulslang
- ⓓ Dienstopening

Fig. 5-11

6. Installatie van Draineerbuizen

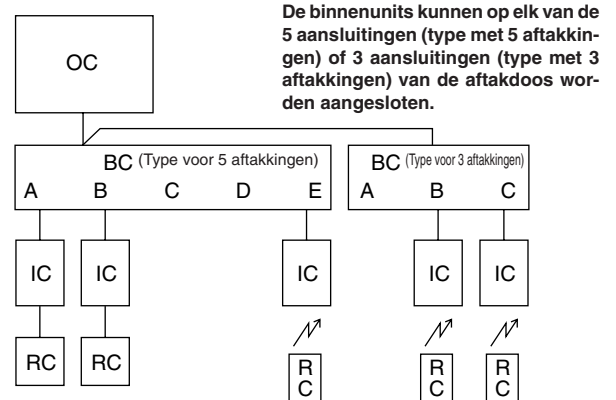
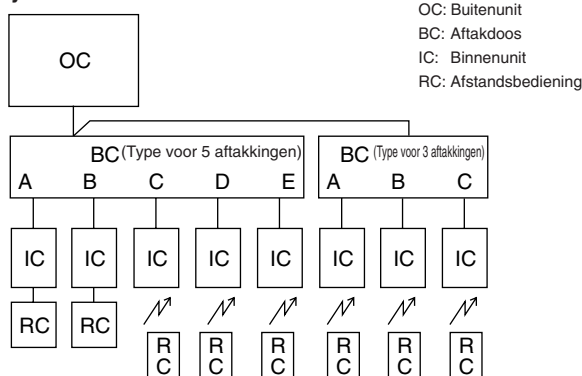
Aansluiting van de draineerleidingen van het buitenapparaat

Wanneer een afvoerleiding benodigd is, moet u een aftapbus of een afvoervat (optioneel) gebruiken.

Aftapbus	PAC-SG61DS-E
Afvoervat	PAC-SG64DP-E

7. Elektrische aansluitingen

[1] Basissystemen



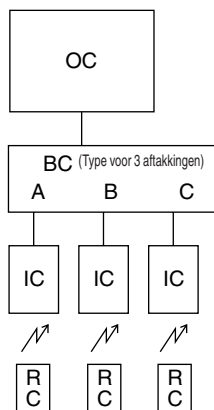
Opmerking:

De binnenunits kunnen op elk van de 5 aansluitingen (type met 5 aftakkingen) of 3 aansluitingen (type met 3 aftakkingen) van de aftakdoos worden aangesloten.

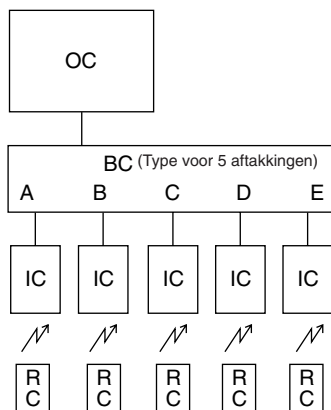
7. Elektrische aansluitingen

[2] Standaardsystemen

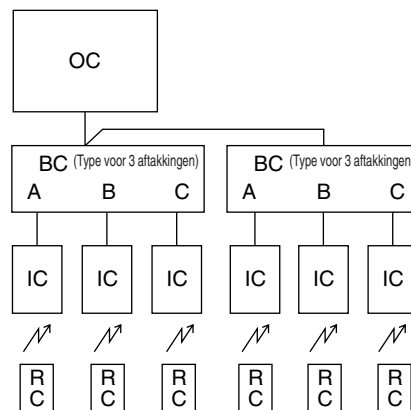
2-1. Alleen voor het type met 3 aftakkingen



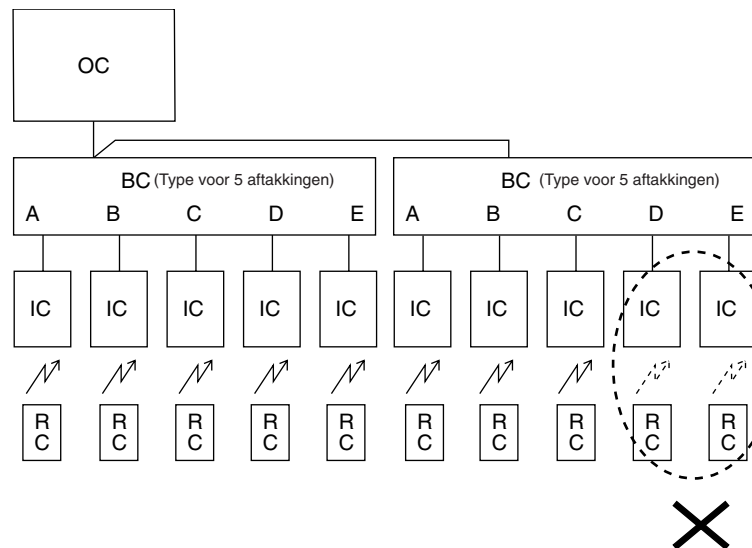
2-2. Alleen voor het type met 5 aftakkingen



2-3. Aftakdoos met 2 aftakkingen (type voor 3 aftakkingen)



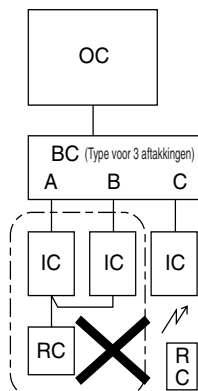
2-4. Aftakdoos met 2 aftakkingen (type voor 5 aftakkingen, maximaal 8 binneneenheden)



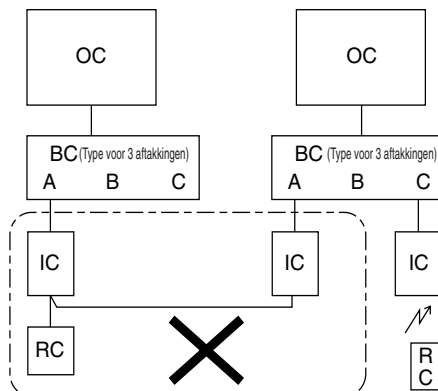
1. Er kunnen maximaal 2 aftakdozen op een enkele buitenunit worden aangesloten.
2. Er kunnen maximaal 8 binneneenheden op het systeem worden aangesloten.

[3] Incorrecte systemen

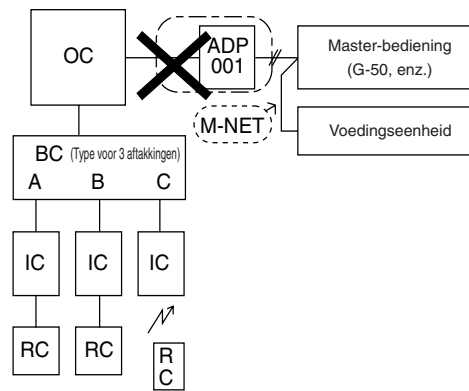
3-1. Groepsbedrijf met behulp van een enkele afstandsbediening



3-2. Groepsbedrijf tussen verschillende koelsystemen



3-3. Aansluiting van een M-NET-adaptor aan de buitenunit



- 3-1. Meerdere binneneenheden kunnen niet met een enkele afstandsbediening worden bediend.
- 3-2. Verschillende koelsystemen kunnen niet op elkaar worden aangesloten.
- 3-3. Een M-NET-adaptor kan niet op een buitenunit worden aangesloten.

7. Elektrische aansluitingen

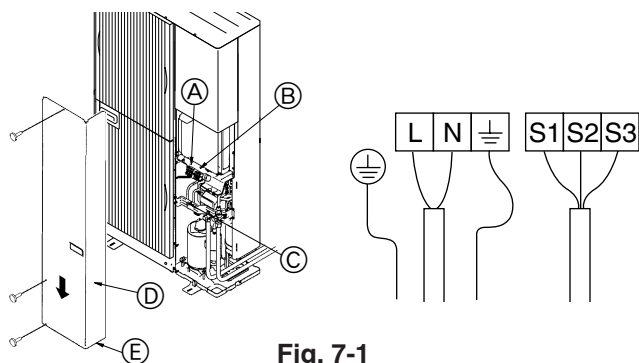


Fig. 7-1

7.1. Buitenapparaat (Fig. 7-1)

- ① Verwijder het onderhoudspaneel.
- ② Sluit de kabels aan volgens Fig. 7-1.
 - A Aarde-aansluiting
 - B Aansluitblok
 - C Klem
 - D Onderhoudspaneel
 - E Let er bij het aansluiten van de kabels op dat deze geen contact maken met het midden van het onderhoudspaneel en/of de gaskraan.

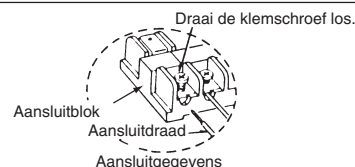
7.2. Aansluiting van de bedrading tussen de aftakdoos/buitenunit en van de voeding voor de buitenunit

⚠ Waarschuwing:

- Zorg ervoor dat de kappen en het paneel van het aansluitblok van de buitenunit goed worden aangebracht. Indien deze niet op correcte wijze worden aangebracht kunnen door vuil, water, enz. brand of elektrische schokken optreden.
- Zorg ervoor dat de voedingskabels en de aan te sluiten kabels voor de binneneenheden, buitenunits en aftakdozen rechtstreeks op de units worden aangesloten (geen tussenliggende doorverbindingen). Tussenliggende doorverbindingen kunnen tot communicatiestoringen leiden indien er bij de doorverbindingen water in de kabels of aders dringt en de isolatie ten opzichte van aarde of het elektrische contact onvoldoende wordt. (Indien een tussenliggende doorverbinding niet kan worden vermeden, dient u afdoende maatregelen te nemen om te voorkomen dat er water in de kabels of draden kan dringen.)

⚠ Voorzichtig:

- Let goed op dat er geen verkeerde aansluitingen worden gemaakt.
- Draai alle klemschroeven stevig vast zodat ze niet los kunnen raken.
- Trek na het aandraaien licht aan de draden om te controleren of ze goed vastzitten.
- Indien de aansluitdraden niet goed op het aansluitblok zijn aangesloten, zal de unit niet normaal functioneren.



- Sluit de draad vanaf de aftakdoos op correcte wijze aan op het aansluitblok.
- Houd met het oog op toekomstig onderhoud extra lengte aan voor de aansluitdraden.

<Voorbeeld> (bij 2 aftakdozen)

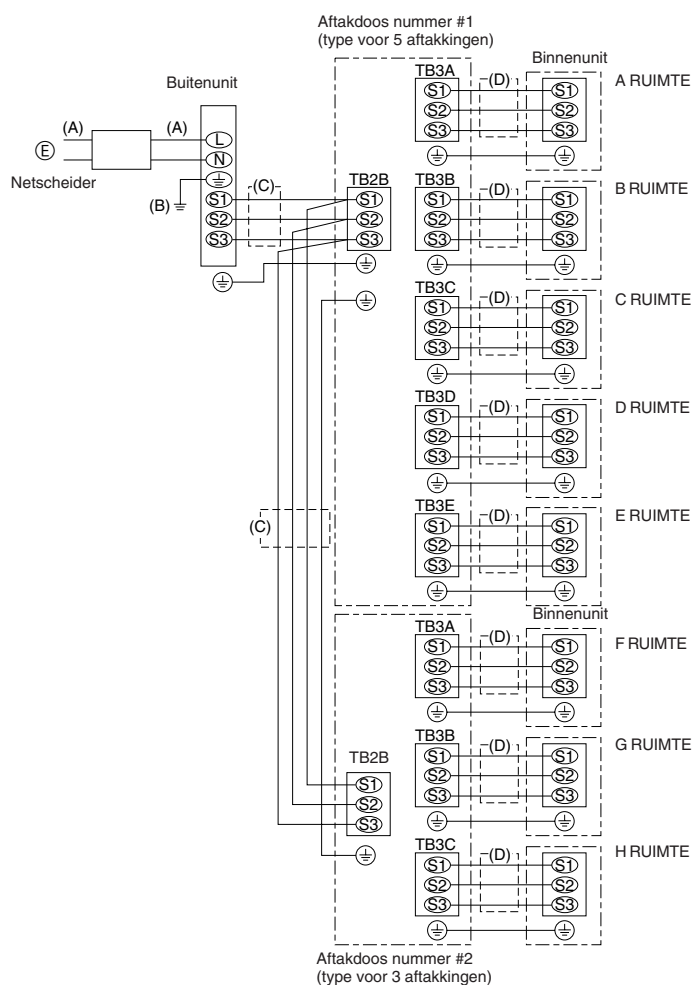


Fig. 7-2

7.3. Procedure voor externe bedrading (Fig. 7-2)

Het aansluiten van de voedingskabels is alleen op de buitenunit nodig. De voeding naar de aftakdoos of binneneenheid wordt doorgegeven via de bekabeling. De voeding hoeft daarom slechts op één positie, op de buitenunit, te worden aangebracht. Het werk wordt hierdoor eenvoudiger en goedkoper.

- ⑤ Voedingsspanning enkelfasig
AC220/230/240 V, 50 Hz
AC220 V, 60 Hz
Max. Toegestane Systeemimpedantie 0,22 (Ω).

Opmerking:

- ① Ingangen voedingsspanning: alleen op de buitenunit. Sluit de draden (C) en (D) overeenkomstig de aanduidingen op de aansluitblokken aan, zodat de juiste polariteit wordt verzekerd.

Draad diameter				Onderbreker *1	
(A) Netvoedingskabel	(B) Aardleiding	(C) Signaleringskabel	(D) Signaleringskabel	Stroomonderbreking	Functie-karakteristiek
6,0 mm ²	6,0 mm ²	1,5 mm ²	1,5 mm ²	40 A	40A, 30 mA gedurende 0,1 s of minder

- Bij gebruik van getwiste draad dienen ronde aansluitklemmen te worden toegepast.
- *1. Er zal worden voorzien in een stroomonderbreker met minstens 3 mm contactscheiding per pool. Gebruik onderbrekers (NF) of aardlekschakelaars (NV) zonder smeltveiligheden.
- *2. Maximaal 45 m ("Buitenunit - Aftakdoos #1" plus "Aftakdoos #1 - Aftakdoos #2"). Maximaal 55 m indien 2,5 mm² wordt gebruikt.

- Opmerkingen:**
1. De draaddiameters moeten overeenkomen met de van toepassing zijnde lokale en nationale voorschriften.
 2. De voedingskabels en de aansluitkabels van binneneenheden/aftakdozen/buitenunit dienen niet lichter te zijn dan flexibele kabel met polychloropreenmantel (ontwerp 60245 IEC 57)
 3. Breng een aardingsleiding aan die langer is dan de voedingskabels.

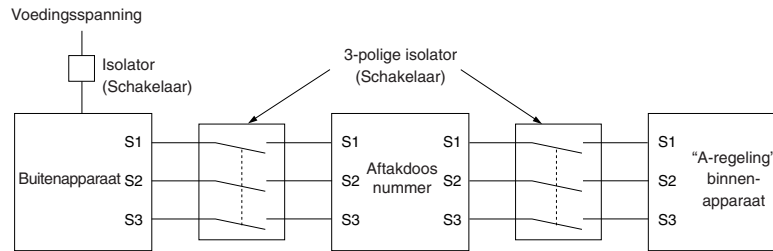
BELANGRIJK

Let erop dat de stroomonderbreker geschikt is voor de aanwezigheid van hogere harmonischen. Gebruik altijd een stroomonderbreker die geschikt is voor de aanwezigheid van hogere harmonischen, aangezien dit apparaat is uitgerust met een omvormer. Een onjuiste stroomonderbreker kan leiden tot verkeerde werking van de omvormer.

7. Elektrische aansluitingen

⚠ Waarschuwing:





In het geval van "A-control"-bedrading staat er hoge spanning op aansluiting S3. Dit komt door het ontwerp van het elektrische circuit dat geen isolatie kent tussen de voedingskabel en de kabel van het communicatiesignaal. Zet daarom de hoofdschakelaar uit als u onderhoud wilt uitvoeren. En raak de aansluitingen S1, S2 en S3 niet aan bij ingeschakelde spanning. Als u een isolator wilt gebruiken tussen de buitenunit en de aftakdoos of de binnenunit en de aftakdoos, gebruik dan een isolator van het 3-polige type.



⚠ Voorzichtig:

Na het gebruik van de isolator dient u de hoofdschakelaar uit en aan te zetten om het systeem te resetten. Anders kan de buitenunit de aftakdozen of binnenunits niet detecteren.

BEDRADINGSSPECIFICATIES (AANSLUITKABEL BUITENAFTAKDOOS)

Doorsnede kabel	Aderdoorsnede (mm ²)	Aantal aders	Polariteit	L (m)*6
Rond 	2,5	3	Rechtsom : S1-S2-S3 * Let op geel-groen-gestreepte ader	(50) *2
Vlak 	2,5	3	Niet van toepassing (Omdat de middelste ader geen afscherming heeft)	Niet van toepassing *5
Vlak 	1,5	4	Van links naar rechts : S1-Open-S2-S3	(45) *3
Rond 	2,5	4	Rechtsom : S1-S2-S3-Open * Sluit S1 en S3 aan op tegenoverliggende aders	(55) *4

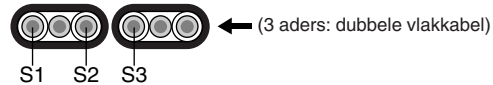
*1 : De voedingskabels van de apparatuur mogen niet dunner zijn dan volgens ontwerp 60245 IEC of 227 IEC.

*2 : Bij kabel met geel-groene ader.

*3 : Bij aansluiting volgens normale polariteit (S1-S2-S3) bedraagt de aderdiameter 1,5 mm².

*4 : Bij aansluiting volgens normale polariteit (S1-S2-S3).

*5 : Indien de vlakkabels volgens de afbeelding zijn aangesloten, mogen ze 55 m lang zijn.



*6 : De genoemde kabellengte is een richtwaarde.

Deze kan afwijken, afhankelijk van de installatieomstandigheden, materiaalvochtigheid, enz.

Zorg ervoor dat de verbindingkabels voor de buiten-/binnenaftakdoos rechtstreeks verbonden zijn met de units (geen tussenverbindingen).

Tussentijdse verbindingen kunnen leiden tot communicatiefouten in geval van water in de kabels en onvoldoende isolatie met de grond veroorzaken of tot een slecht elektrisch contact bij het tussentijdse verbindingspunt.

(Als een tussentijdse verbinding noodzakelijk is, neem dan maatregelen ter voorkoming van het binnendringen van water in de kabels.)

8. Proefdraaien

8.1. Voordat u gaat proefdraaien

- ▶ Controleer nadat u de binnen-en buitenapparaten, inclusief pijpen en bedrading, volledig heeft geïnstalleerd het geheel op lekken van koelstof, losse elektrische contacten in voeding of besturingsbedrading en polariteit en controleer of er geen verbreking van een fase in de voeding is.
 - ▶ Gebruik een 500-V M-ohm-tester om te controleren of de weerstand tussen de voedingsspanning en de aarde minimaal 1MΩ bedraagt.
 - ▶ Voer deze test niet uit op de aansluitpunten van de besturingsbedrading (laagspanningscircuit).
- ⚠ **Waarschuwing:**
U mag de airconditioner niet gebruiken als de isolatieweerstand minder dan 1 MΩ bedraagt.

Isolatieweerstand

Na de installatie of nadat de voeding van het apparaat langere tijd is uitgeschakeld, daalt de isolatieweerstand tot onder 1 MΩ door de ophoping van koelstof in de compressor. Dit is geen storing. Volg de onderstaande procedures.

1. Haal de bedrading van de compressor los en meet vervolgens de isolatieweerstand van de compressor.
2. Als de isolatieweerstand lager is dan 1 MΩ, is de compressor defect of is de weerstand gedaald door de ophoping van koelstof in de compressor.

3. Sluit de bedrading van de compressor weer aan en schakel de voeding in. De compressor zal nu beginnen met warmdraaien. Meet de isolatieweerstand opnieuw nadat de voeding gedurende de hieronder aangegeven periode is ingeschakeld.
 - De isolatieweerstand daalt door de ophoping van koelstof in de compressor. De weerstand stijgt tot boven 1 MΩ nadat de compressor 2 - 3 uur heeft warmgedraaid.
(De tijd die de compressor nodig heeft om warm te draaien varieert afhankelijk van de atmosferische omstandigheden en de ophoping van koelstof.)
 - Bij ophoping van koelstof in de compressor moet deze voor gebruik ten minste 12 uur warmdraaien om storingen te voorkomen.
4. Als de isolatieweerstand stijgt tot boven 1 MΩ, is de compressor niet defect.

⚠ **Voorzichtig:**

- **De compressor werkt uitsluitend als de fase-aansluiting van de netspanning correct is.**
- **Zet de netspanningschakelaar ruim twaalf uur voordat u de airconditioner gaat gebruiken aan.**
- Als u het apparaat meteen nadat u de netschakelaar heeft omgedraaid aanzet, kunnen de interne onderdelen ernstig beschadigd worden. Gedurende het seizoen waarin u het apparaat gebruikt, moet u de netschakelaar altijd aan laten staan.

▶ **Controleer ook het volgende.**

- De buitenunit is niet defect. De LED op het bedieningspaneel van de buitenunit zal gaan knipperen indien de buitenunit defect is.
- Zowel de gas- als vloeistofafsluitkraan staan volledig open.

8.2. Proefdraaien

8.2.1. Afstandsbediening gebruiken

Zie de installatiehandleiding van de binnenunit.

- Voer voor elke binnenunit afzonderlijk een testrun uit. Controleer of elke binnenunit correct functioneert, volgens de installatiehandleiding die bij de unit is meegeleverd.
- Indien u voor alle binnenunits tegelijk een testrun uitvoert, kunt u eventueel aanwezige foutieve aansluitingen van koelpijpen en bedrading niet ontdekken.
- * Na het inschakelen van de netvoeding werkt de compressor gedurende minimaal 3 minuten niet.
- Direct na het inschakelen van de netvoeding of bij lage buitentemperaturen kan de compressor een geluid veroorzaken.

Over het beschermingsmechanisme voor opnieuw starten

Zodra de compressor stopt, treedt een apparaat in werking dat een herstart moet voorkomen, zodat de compressor ter bescherming van de airconditioner gedurende 3 minuten niet werkt.

8.2.2. Met SW4 in het buitenapparaat

Bij proefdraaien van de buitenunit zijn alle binnenunits in bedrijf. Daardoor kunt u geen foutieve aansluitingen van koelpijpen of bedrading detecteren. Voor het detecteren van foutieve aansluitingen dient u de test met de afstandsbediening uit te voeren, zie hiervoor "8.2.1. Afstandsbediening gebruiken".

SW4-1	ON/AAN	Koelen
SW4-2	OFF/UIT	
SW4-1	ON/AAN	Verwarmen
SW4-2	ON/AAN	

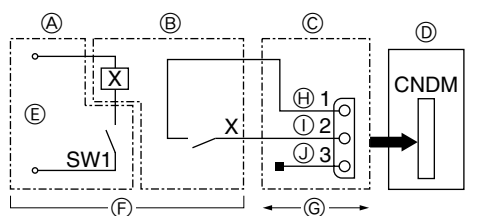
- * Nadat u het apparaat heeft laten proefdraaien, zet u SW4-1 op OFF/UIT.
 - Enkele seconden nadat de compressor is gestart kan een metalig geluid hoorbaar zijn in het binnenapparaat. Dit geluid is afkomstig van de keerklep en wordt veroorzaakt door het kleine drukverschil binnen de pijpen. Het apparaat is niet defect.
- De proefdraaimodus kan tijdens het proefdraaien niet worden gewijzigd door middel van DIP-schakelaar SW4-2. (Als u de proefdraaimodus tijdens het proefdraaien wilt wijzigen, zet het proefdraaien dan stop met DIP-schakelaar SW4-1. Wijzig vervolgens de proefdraaimodus en hervat het proefdraaien met schakelaar SW4-1.)**

Wanneer er wordt begonnen met proefdraaien via "Met SW4 in het buitenapparaat", stopt de buitenunit niet (het proefdraaien wordt niet beëindigd), zelfs als hij via de afstandsbediening de stopinstructies uitvoert. Zet in dit geval SW4 in de buitenunit op "uit".

Opmerking:

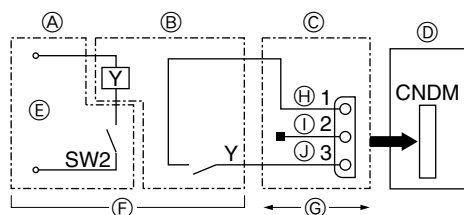
Wacht na het inschakelen van de netspanning minstens 3 minuten voordat u SW4-1 en SW4-2 instelt. Als u de DIP-schakelaars instelt voordat 3 minuten verstreken zijn, start de testprocedure misschien niet.

9. Speciale functies



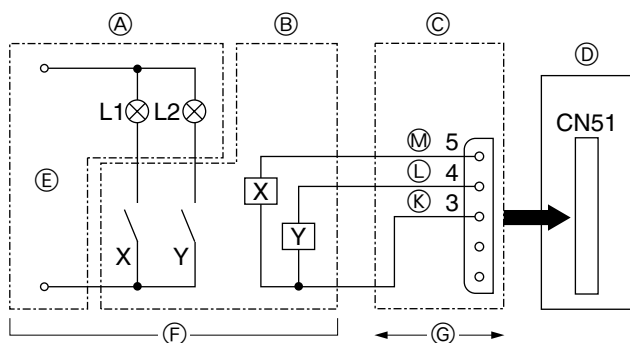
- (A) Afstandsbediening
- (B) Relaiscircuit
- (C) Externe ingangsadapter (PAC-SC36NA)
- (D) Besturingskaart buitenapparaat
- (E) Relaisvoeding
- (F) Ter plaatse aan te schaffen
- (G) Max. 10 m
- (H) Oranje
- (I) Bruin
- (J) Rood

Fig. 9-1



- (A) Afstandsbediening
- (B) Relaiscircuit
- (C) Externe ingangsadapter (PAC-SC36NA)
- (D) Besturingskaart buitenapparaat
- (E) Relaisvoeding
- (F) Ter plaatse aan te schaffen
- (G) Max. 10 m
- (H) Oranje
- (I) Bruin
- (J) Rood

Fig. 9-2



- L1 : Lamp foutdisplay
- L2 : Lamp compressorbedrijf
- X, Y : Relais (Spoel standaard van 0,9 W of minder voor 12 V DC)
- X, Y : Relais (1 mA DC)

Fig. 9-3

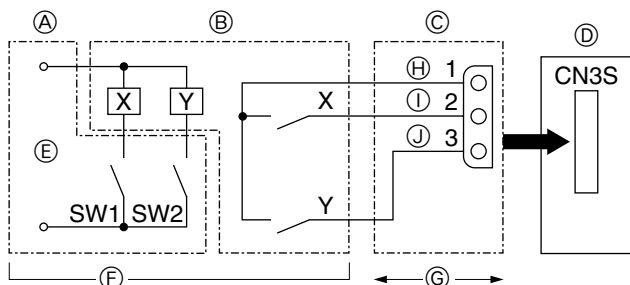


Fig. 9-4

9.1. Stille werking (wijziging ter plaatse) (Fig. 9-1)

Door middel van de volgende aanpassing kan het geluid van het buitenapparaat met ongeveer 3 - 4 dB worden teruggebracht.

De stille werking kan worden geactiveerd door installatie van een in de handel verkrijgbare timer of het omzetten van een ON/OFF-schakelaar op de CNDM-stekker (afzonderlijk verkrijgbaar) op het bedieningspaneel van het buitenapparaat.

- De capaciteit is mogelijk ontoereikend op basis van de buitentemperatuur en omstandigheden, enzovoort.
- ① Breidt het circuit uit zoals afgebeeld bij gebruik van de externe invoeradapter (PAC-SC36NA). (Afzonderlijk verkrijgbaar)

9.2. Verbruiksfunctie (modificatie ter plaatse) (Fig. 9-2)

• Het is mogelijk het elektriciteitsverbruik binnen een bereik van 0 t/m 100 procent te verminderen, door ter plaatse de volgende installatie uit te voeren.

De verbruiksfunctie kan worden ingeschakeld door een in de handel verkrijgbaar ingangs-aan/uitschakelcontact aan de CNDM-connector te koppelen (het verbruiksfunctiecontact, apart verkrijgbaar).

- ① Breng de "Adapter voor externe ingang (PAC-SC36NA)" in het circuit aan, zoals getoond in de afbeelding links.
- ② Door SW7-1 op de besturingskaart van het buitenapparaat om te zetten, kunnen de volgende verbruiksbeperkingen worden ingesteld (vergeleken met nominaal verbruik).

SW7-1	Energieverbruik indien SW2 is ingeschakeld
OFF	0% (Geforceerd stoppen van de compressor)
ON	50%

9.3. Controlefunctie fout- en compressorbedrijf (CN51)

- (A) Afstandsbediening
- (B) Relaiscircuit
- (C) Externe uitgangsadapter (PAC-SA88HA-E)
- (D) Besturingskaart buitenapparaat
- (E) Voeding voor de lamp
- (F) Ter plaatse aan te schaffen
- (G) Max. 10 m
- (K) Oranje
- (L) Geel
- (M) Groen

9.4. Automatisch wisselen – blokkeerfunctie bedrijfsstand door extern signaal (CN3S)

- (A) Besturingskaart op afstand
- (B) Relaiscircuit
- (C) Externe uitgangsadapter (PAC-SC36NA)
- (D) Besturingskaart buitenapparaat
- (E) Voeding voor de lamp
- (F) Ter plaatse aan te schaffen
- (G) Max. 10 m
- (H) Oranje
- (I) Bruin
- (J) Rood

	ON	OFF
SW1	Verwarmen	Koelen
SW2	Geldigheid van SW1	Ongeldigheid van SW1

* Elk binnenapparaat dat in een andere stand werkt dan bepaald door het externe signaal, zal in de stand-by-stand overgaan.

* De instelling wordt effectief als de buitenunit gestopt is.

* De voor proefdraaien aangegeven bedrijfsstand zal prioriteit hebben boven de stand die was aangegeven tijdens het gebruik van deze functie.

Contenido

1. Medidas de Seguridad	58	6. Tubería de drenaje	66
2. Diagrama & componentes de instalación	59	7. Trabajo eléctrico	66
3. Lugar de instalación	60	8. Prueba de funcionamiento	70
4. Instalación de la unidad exterior	62	9. Funciones especiales	71
5. Instalación de los tubos del refrigerante	62		

1. Medidas de Seguridad

- ▶ **Antes de instalar la unidad, asegúrese de haber leído el capítulo de “Medidas de seguridad”.**
- ▶ **Antes de conectar el sistema, informe al servicio de suministro o pídales permiso para efectuar la conexión.**
- ▶ **El equipo cumple la norma IEC/EN 61000-3-12**

⚠ Atención:

Describe las precauciones que deben tenerse en cuenta para evitar el riesgo de lesiones o muerte del usuario.

⚠ Cuidado:

Describe las precauciones que deben tenerse en cuenta para evitar daños en la unidad.

⚠ Atención:

- El usuario no debe instalar la unidad. La instalación del aire acondicionado debe correr a cargo del distribuidor o técnico autorizado. La instalación incorrecta de la unidad puede provocar escapes de agua, descargas eléctricas o incendios.
- Para la instalación, siga las instrucciones del Manual de instalación y utilice las herramientas y piezas de fontanería específicamente diseñados para utilizar con el refrigerante R410A. El refrigerante R410A en el sistema de HFC puede asimilar una presión 1,6 veces superior a la de los refrigerantes convencionales. Si los accesorios de fontanería que se instalan no están fabricados para el refrigerante R410A, los tubos se pueden quemar y causar daños o lesiones. Además, pueden producirse escapes de agua, descargas eléctricas o incendios.
- La unidad debe instalarse según las instrucciones para reducir posibles daños en caso de terremoto, huracán o vientos fuertes. Si no se instala correctamente, la unidad podría caerse y provocar daños o lesiones.
- La unidad debe instalarse firmemente sobre una estructura capaz de soportar su peso. Si la unidad se instala sobre una estructura inestable, podría caerse y provocar daños o lesiones.
- Si el equipo de aire acondicionado se instala en una sala pequeña deberán tomarse medidas para prevenir que la concentración de refrigerante exceda los límites de seguridad en caso de fugas. Pregunte a un distribuidor por las medidas adecuadas para evitar que la concentración exceda los límites. Si se produce una fuga de refrigerante que sobrepase los límites de concentración, la estancia en la sala puede ser peligrosa por falta de oxígeno.
- Si se produce una fuga de refrigerante durante el funcionamiento, ventile la sala. Si el refrigerante entra en contacto con una llama, se desprenderán gases nocivos.
- Todas las conexiones eléctricas deberán ser realizadas por un técnico cualificado según la normativa local y las instrucciones de este manual. Cada unidad debe tener su línea eléctrica y se deben usar disyuntores y un voltaje correcto. El uso de líneas eléctricas con una capacidad insuficiente o una conexión eléctrica incorrecta puede provocar descargas eléctricas o incendios.
- Asegúrese de conectar los cables de alimentación y los cables de conexión a las unidades interiores, unidades exteriores y a las cajas de derivación directamente con las unidades (sin ninguna conexión intermedia). Las conexiones intermedias pueden producir errores de comunicación en caso de que el agua moje los cordones o los cables de conexión y, por consiguiente, la toma a tierra sea insuficiente, así como el contacto eléctrico en el punto de conexión intermedio. (Si fuera necesaria una conexión intermedia, asegúrese de tomar las precauciones oportunas para evitar que el agua moje los cordones y cables de conexión).

1.1. Cuestiones previas a la instalación

⚠ Cuidado:

- No utilice la unidad en un ambiente enrarecido. Este aire acondicionado no se puede instalar en áreas expuestas a vapor, aceite esencial (incluyendo el aceite para máquinas) o al humo sulfúrico, ni en áreas con alto contenido en sal, como playas, o en zonas donde la nieve pueda cubrir la unidad, ya que pueden reducir significativamente su rendimiento y dañar las piezas internas.
- No instale la unidad donde se puedan verter, producir, circular o acumular gases inflamables. Si se acumula gas inflamable en zonas próximas a la unidad, se podría producir un incendio o una explosión.

1.2. Cuestiones previas a la instalación (reubicación)

⚠ Cuidado:

- Tenga mucho cuidado cuando mueva las unidades. Se necesitan dos o más personas para llevar la unidad porque pesa 20 kg o más. No la sujete por las bandas de embalaje. Utilice guantes protectores para sacar la unidad de la caja y para moverla, ya que se podría lesionar con las aletas u otras partes.
- Guarde los embalajes en un lugar seguro. Los materiales de embalaje, como clavos y otras piezas de metal o de madera pueden producir pinchazos y otras lesiones.

Después de terminar la instalación, explique las “Medidas de Seguridad”, funcionamiento y mantenimiento de la unidad al cliente según el Manual de instrucciones y realice una prueba para asegurarse de que funciona correctamente. Entregue una copia del Manual de instalación y del Manual de instrucciones al usuario. Estos manuales deben pasar a usuarios posteriores del equipo.



: Indica una pieza que debe estar conectada a tierra.

⚠ Atención:

Lea atentamente las etiquetas adheridas a la unidad principal.

- Utilice tubos de cobre fosforoso del tipo C1220 y tubos de aleación de cobre sin costuras para conectar los tubos del refrigerante. Si los tubos no se conectan correctamente, la unidad no estará bien puesta a tierra y puede provocar descargas eléctricas.
- Utilice sólo cables especificados para el cableado. Las conexiones se deben realizar con seguridad sin corriente en los terminales. Si los cables no están bien conectados o no se han instalado correctamente, puede producirse sobrecalentamiento o un incendio.
- La cubierta del bloque de terminales de la unidad exterior tiene que estar bien sujeta. Si la cubierta no se instala correctamente y el polvo y la humedad entran en la unidad, se pueden producir una descarga eléctrica o un incendio.
- Cuando instale o mueva el equipo de aire acondicionado, utilice sólo el refrigerante indicado (R410A) para cargar los tubos de refrigerante. No lo mezcle con otro tipo de refrigerante y vacíe completamente de aire los tubos. El aire que quede en los tubos puede provocar picos de presión que causarían su rotura y otros daños.
- Utilice sólo accesorios autorizados por Mitsubishi Electric y pida a su distribuidor o a un técnico autorizado que se los instale. Si los accesorios no se instalan correctamente, pueden producirse escapes de agua, descargas eléctricas o incendios.
- No modifique la unidad. Para las reparaciones, acuda a su distribuidor. Si las modificaciones o las reparaciones no se realizan correctamente, pueden producirse escapes de agua, descargas eléctricas o incendios.
- El usuario nunca debe intentar reparar la unidad o moverla de sitio. Si la unidad no se instala correctamente, pueden producirse escapes de agua, descargas eléctricas o incendios. Si debe reparar o mover el equipo de aire acondicionado, acuda a su distribuidor o técnico autorizado.
- Tras haber realizado la instalación, compruebe si hay fugas de refrigerante. Si en caso de fuga el refrigerante entra en contacto con las llamas de un calentador o de un equipo de cocina portátil, se desprenderán gases nocivos.

- La unidad exterior produce condensación cuando funciona como calefacción. Asegúrese de habilitar drenaje alrededor de la unidad exterior si la condensación puede provocar daños.
- Si instala la unidad en un hospital o en un centro de comunicaciones, recuerde que la unidad produce ruidos e interferencias electrónicas. Los conmutadores, aparatos domésticos, equipos médicos de alta frecuencia y las comunicaciones de radio pueden provocar un mal funcionamiento o la avería del equipo de aire acondicionado. El equipo de aire acondicionado también puede afectar los equipos médicos e interrumpir los cuidados médicos, así como los equipos de comunicación y dañar la calidad de la pantalla.

- La base y los aditamentos de fijación de la unidad exterior deben comprobarse periódicamente para detectar posibles roturas, tuercas flojas o cualquier otro daño que hayan podido sufrir. Si no se solucionan esos problemas, la unidad podría caerse y causar daños o lesiones.
- No limpie con agua el equipo de aire acondicionado. Puede sufrir una descarga eléctrica.
- Apriete las tuercas de abocardado a los niveles recomendados mediante una llave dinamométrica. Si las aprieta demasiado, se pueden romper al cabo de un tiempo y producirse fugas de refrigerante.

1. Medidas de Seguridad

1.3. Antes de la instalación eléctrica

⚠ Cuidado:

- Asegúrese de instalar disyuntores. Si no se instalan, se podrían producir descargas eléctricas.

IMPORTANTE

Asegúrese de que el disyuntor de corriente sea compatible con corrientes armónicas más altas.

Utilice siempre un disyuntor de corriente compatible con corrientes armónicas más altas ya que esta unidad está equipada con un conmutador. El uso de un disyuntor inadecuado puede hacer que el conmutador no funcione correctamente.

- Use cables estándar de suficiente capacidad para las líneas eléctricas. Si no lo hace así, se podría producir un cortocircuito, un sobrecalentamiento o un incendio.

1.4. Antes de realizar las pruebas de funcionamiento

⚠ Cuidado:

- Conecte la corriente al menos 12 horas antes de que empiece a funcionar el equipo. Si se acciona inmediatamente después de haberlo conectado a la corriente, pueden producirse daños graves en las piezas internas. Mantenga la unidad conectada a la corriente durante la temporada de funcionamiento.
- Antes de que comience a funcionar el equipo, compruebe que todos los paneles y protectores están instalados correctamente. Las piezas giratorias, calientes o de alto voltaje pueden provocar lesiones.

1.5. Utilización del refrigerante R410A para equipos de aire acondicionado

⚠ Cuidado:

- Utilice tubos de cobre fosforoso del tipo C1220 y tubos de aleación de cobre sin costuras para conectar los tubos del refrigerante. Asegúrese de que el interior de las tuberías está limpio y que no contienen ningún contaminante dañino como compuestos sulfúricos, oxidantes, impurezas o polvo. Utilice tuberías con el grosor especificado. (Consulte la página 62) Tenga en cuenta lo siguiente si reutiliza tuberías que contenían refrigerante R22.
- Sustituya las tuercas de abocardado existentes y vuelva a abocardar las secciones abocardadas.
- No use tuberías de poco grosor. (Consulte la página 62)
- Almacene las tuberías que se deban instalar en el interior y mantenga los orificios tapados hasta el momento de instalarlas. (Deje las juntas articuladas y otras piezas en sus embalajes.) Si el polvo, los restos o la humedad entran en las tuberías de refrigeración, se puede producir el deterioro del aceite o una avería en el aparato.
- Utilice aceite de éster, de éter o alquilobenceno (en pequeñas cantidades) para recubrir las secciones abocardadas. Si se mezcla aceite mineral con aceite de refrigeración se puede deteriorar el aceite.

- Cuando instale las líneas eléctricas, los cables no deben tener corriente. Si las conexiones se aflojan, los cables se podrían cruzar o romper y se podría producir un incendio o un sobrecalentamiento.
- Asegúrese de instalar una toma de tierra. No conecte el cable de tierra a las tomas de tierra de las tuberías de gas o de agua, de postes de iluminación o de teléfono. Si la unidad no está bien conectada a la línea de tierra, se puede producir una descarga eléctrica.
- Utilice disyuntores (interruptor de falta de tierra, interruptor aislante (+fusible B) e interruptores en caja moldeada) con la potencia especificada. Si la potencia del interruptor es mayor que la especificada, puede ocurrir un incendio o una avería.

- No toque ningún interruptor con las manos mojadas. Puede sufrir una descarga eléctrica.
- No toque la tubería del refrigerante sin guantes mientras durante el funcionamiento. La tubería del refrigerante está caliente o frío según las condiciones de la corriente de refrigerante. Si toca la tubería puede sufrir quemaduras por el calor o por el frío.
- Una vez deje de funcionar el aparato, espere cinco minutos antes de apagar el interruptor principal. De lo contrario, se puede producir un goteo de agua o una avería.

- No utilice otro refrigerante que no sea R410A. Si utiliza otro refrigerante, el cloro provocará el deterioro del aceite.
- Utilice las siguientes herramientas especialmente diseñadas para usar con el refrigerante R410A. Se necesitan las siguientes herramientas para utilizar el refrigerante R410A. Si tiene alguna duda, consulte con su distribuidor más cercano.

Herramientas (para R410A)	
Manómetro	Abocardador
Manguera de carga	Ajustador del tamaño
Detector de fugas de gas	Adaptador de la bomba de vacío
Llave dinamométrica	Báscula electrónica de carga del refrigerante

- Asegúrese de utilizar las herramientas adecuadas. Si el polvo, los restos o la humedad entran en las tuberías de refrigeración, se puede producir el deterioro del aceite de refrigeración.
- No utilice un cilindro de carga. Si utiliza un cilindro de carga, variará la composición del refrigerante y no será tan eficaz.

2. Diagrama & componentes de instalación

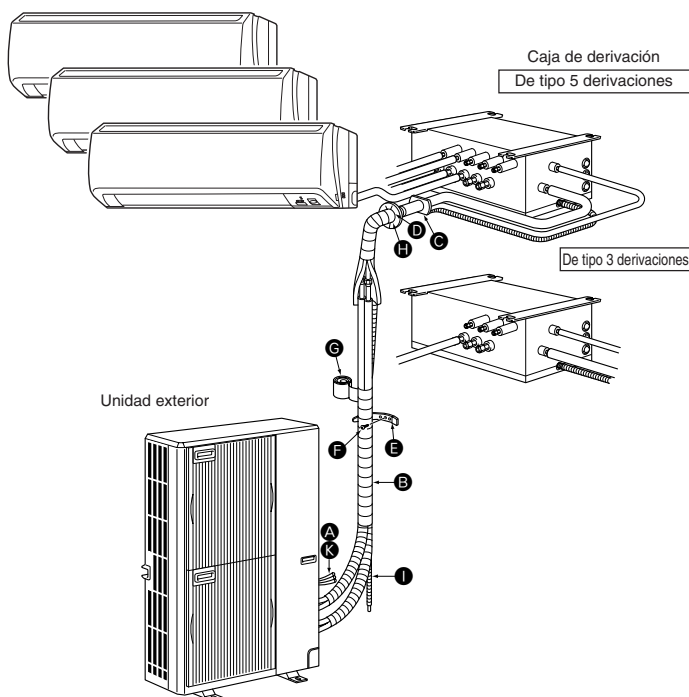


Fig. 2-1

2.1. Cuestiones previas a la instalación (Fig. 2-1)

El presente manual de instalación sirve sólo para la instalación de la unidad exterior. Para instalar las unidades interiores y la caja de derivación, consulte el manual de instalación que se suministra con cada unidad.

Cualquier cambio estructural que se requiera para la instalación debe cumplir con la normativa local en materia de construcción.

La finalidad del presente diagrama es mostrar la configuración de los accesorios. Para la instalación real, hay que girar la unidad exterior 180°.

Las unidades las deberá instalar el contratista autorizado conforme a la normativa local.

Nota:

Se deberán respetar las dimensiones que marcan las flechas del diagrama para garantizar el rendimiento del aparato. Instale la unidad en un lugar lo más amplio posible para permitir posteriormente el mantenimiento o las reparaciones.

Piezas a obtener localmente

A	Cable de conexión de la caja de derivación/unidad exterior (de 3 almas, consulte 7.3. Procedimiento de cableado exterior)	1
B	Tubo de extensión	1
C	Manguito del orificio de la pared	1
D	Tapadera del orificio de la pared	1
E	Cinta de fijación de tubos (La cantidad depende de la longitud del tubo).	de 2 a 7
F	Tornillo de sujeción para E 4 x 20 mm (La cantidad depende de la longitud del tubo).	de 2 a 7
G	Cinta de tubos	1
H	Masilla de minio	1
I	Tubo de drenaje (en PVC duro VP16)	1
J	Aceite de refrigeración	1
K	Cable del interruptor (de 2 almas, consulte 7.3. Procedimiento de cableado exterior)	1

3. Lugar de instalación

3.1. Tubería de refrigerante

Consulte la sección 5.2. Longitud de los tubos y diferencia de altura.

3.2. Elección del lugar de instalación de la unidad exterior

- No instale la unidad en lugares expuestos directamente al sol o a otras fuentes de calor.
- Escoja un lugar donde el ruido de la unidad no moleste a los vecinos.
- Escoja un lugar donde sea fácil instalar el cableado y las tuberías y acceder a la fuente de alimentación y a la unidad exterior.
- No instale la unidad donde se puedan verter, producir, circular o acumular gases inflamables.
- Durante el funcionamiento, la unidad puede perder agua.
- Escoja un lugar nivelado que pueda soportar el peso y la vibración de la unidad.
- No instale la unidad en lugares donde la pueda cubrir la nieve. En zonas propensas a las nevadas intensas, se deben tomar medidas de precaución, como por ejemplo, situar la unidad elevada o instalar una protección en la entrada de aire para evitar que la nieve la obstruya o fluya directamente contra ésta. Esto reduce la corriente de aire e impide que la unidad funcione correctamente.
- No instale la unidad en lugares expuestos a aceite, vapor o humo sulfúrico.
- Utilice las asas de transporte de la unidad exterior para transportarla. Si transporta la unidad tomándola por la parte inferior se podría lesionar las manos o los dedos.

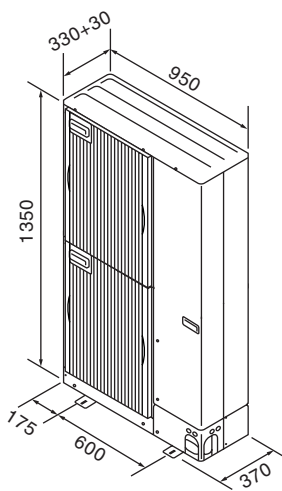


Fig. 3-1

(mm)

3.3. Dimensiones exteriores (Unidad exterior) (Fig. 3-1)

Limitaciones en la instalación de las unidades interiores

Tenga en cuenta que los modelos de unidades interiores que se pueden conectar a esta unidad exterior son los siguientes.

- Las unidades interiores, con los números de modelo 22, 25, 35, 50, 60, 71 y 80, se podrán conectar. Consulte la tabla siguiente para las combinaciones de unidades interiores de 2 a 8 habitaciones.

Verificación

La capacidad nominal se determinará según la tabla siguiente. Las cantidades de unidades son de un mínimo de 2 y un máximo de 8. Para la fase siguiente, asegúrese de que la capacidad calculada total se mantenga del orden de 4,4 - 18,5 kW.

Ejemplo:

MSZ-60	=	6,0	} Capacidad nominal total 18,0 ≤ 18,5 kW
+			
SEZ-35	=	3,5	
+			
SLZ-35	=	3,5	
+			
SEZ-25	=	2,5	
+			
SLZ-25	=	2,5	

Tipo de unidad interior	22	25	35	50	60	71	80
Capacidad nominal (Refrigeración) (kW)	2,2	2,5	3,5	5,0	6,0	7,1	8,0

Las combinaciones en las que la capacidad total de las unidades interiores sobrepase la capacidad de la unidad exterior (=14,0 kW) reducirán la capacidad de refrigeración de cada unidad interior por debajo de la capacidad nominal de refrigeración correspondiente. Por ello, si es posible, combine las unidades interiores según la capacidad que admita la unidad exterior (=14,0 kW).

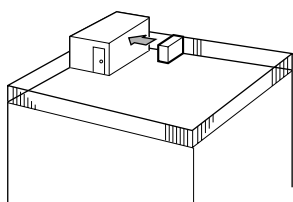


Fig. 3-2

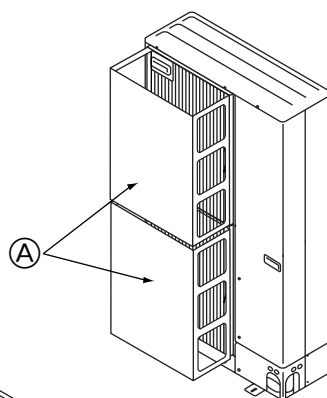


Fig. 3-3

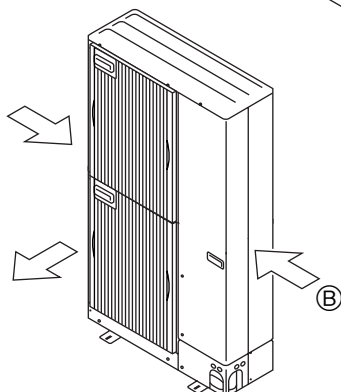


Fig. 3-4

3.4. Ventilación y espacio de servicio

3.4.1. Instalación en lugares expuestos al viento

Cuando instale una unidad en el tejado o en otros lugares desprotegidos del viento, la salida de aire de la unidad no debe quedar expuesta directamente al viento fuerte. Si el viento fuerte entra en la salida de aire puede impedir la circulación normal del aire y causar un mal funcionamiento.

A continuación se muestran tres ejemplos de precauciones a tomar contra el viento fuerte.

- ① Coloque la salida de aire de frente a la pared más próxima a una distancia de unos 50 cm de ella. (Fig. 3-2)
- ② Si la unidad está situada en un lugar expuesto a vientos fuertes como huracanes que puedan entrar en la salida de aire, coloque una guía de aire opcional. (Fig. 3-3)
 - Ⓐ Guía de aire
- ③ Coloque la unidad de manera que la salida de aire sople en dirección perpendicular a la dirección estacional del viento, si la conoce. (Fig. 3-4)
 - Ⓑ Dirección del viento

3. Lugar de instalación

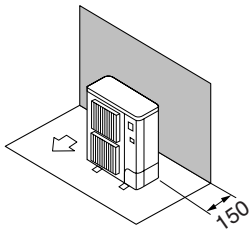


Fig. 3-5

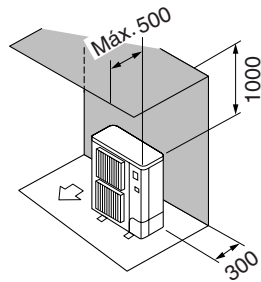


Fig. 3-6

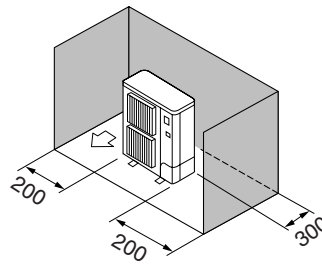


Fig. 3-7

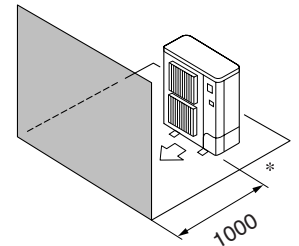


Fig. 3-8

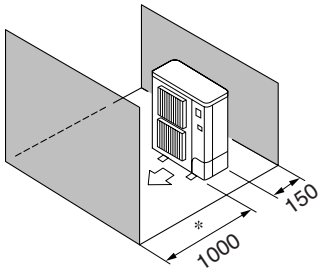


Fig. 3-9

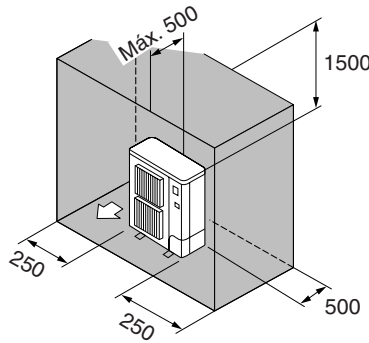


Fig. 3-10

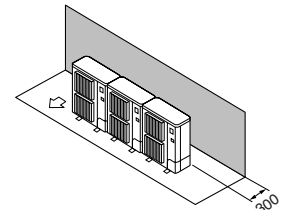


Fig. 3-11

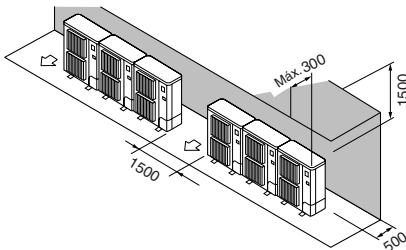


Fig. 3-12

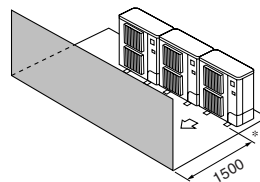


Fig. 3-13

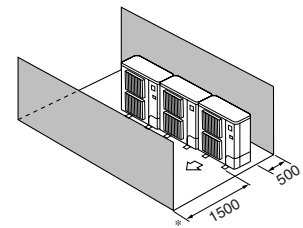


Fig. 3-14

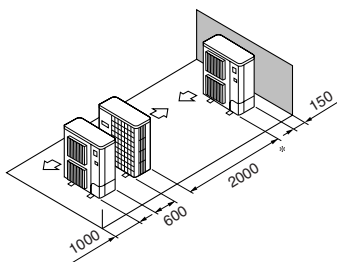


Fig. 3-15

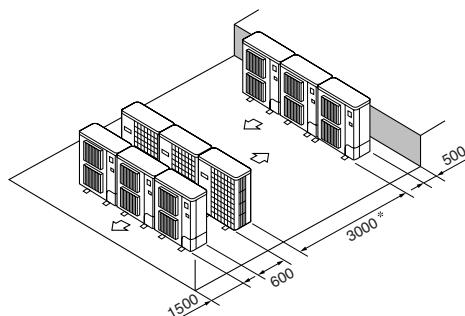


Fig. 3-16

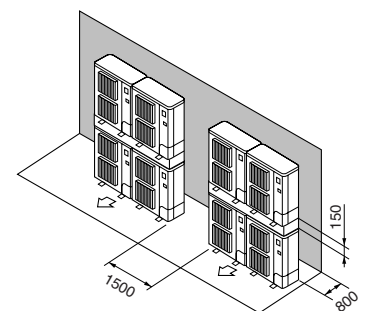


Fig. 3-17

3.4.2. Cuando se instala una unidad exterior simple

Las dimensiones mínimas son las siguientes, excepto para máx. (dimensiones máximas), las cuales también están indicadas.

Consulte los números correspondientes para cada caso.

- ① Obstáculos sólo en la parte trasera (Fig. 3-5)
- ② Obstáculos sólo en la parte trasera y superior (Fig. 3-6)
- ③ Obstáculos sólo en la parte trasera y los laterales (Fig. 3-7)
- ④ Obstáculos sólo en la parte delantera (Fig. 3-8)

* Si utiliza una guía para salida de aire opcional, el espacio libre deberá ser de 500 mm o más.

- ⑤ Obstáculos sólo en la parte delantera y trasera (Fig. 3-9)

* Si utiliza una guía para salida de aire opcional, el espacio libre deberá ser de 500 mm o más.

- ⑥ Obstáculos sólo en la parte trasera, los laterales y superior (Fig. 3-10)

• No utilice las guías para salida de aire opcionales para corriente de aire hacia arriba.

3.4.3. Cuando instale varias unidades exteriores

Deje un espacio de 10 mm o más entre las unidades.

- ① Obstáculos sólo en la parte trasera (Fig. 3-11)
- ② Obstáculos sólo en la parte trasera y superior (Fig. 3-12)
 - No se deben instalar más de tres unidades correlativas. Además, se debe dejar el espacio indicado.
 - No utilice las guías para salida de aire opcionales para corriente de aire hacia arriba.
- ③ Obstáculos sólo en la parte delantera (Fig. 3-13)

* Si utiliza una guía para salida de aire opcional, el espacio libre deberá ser de 1000 mm o más.

- ④ Obstáculos sólo en la parte delantera y trasera (Fig. 3-14)

* Si utiliza una guía para salida de aire opcional, el espacio libre deberá ser de 1000 mm o más.

- ⑤ Disposición en paralelo de unidades simples (Fig. 3-15)

* Si utiliza un guía para salida de aire opcional instalada para que el aire salga hacia arriba, el espacio libre debe ser de 1000 mm o más.

- ⑥ Disposición en paralelo de varias unidades (Fig. 3-16)

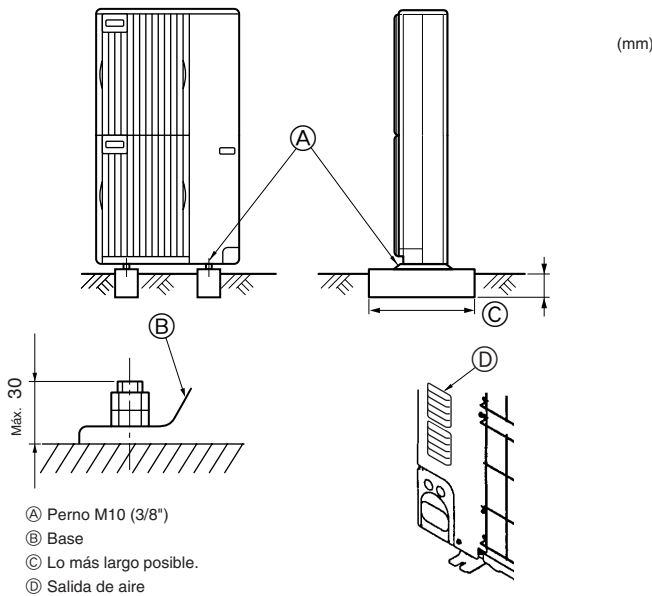
* Si utiliza un guía para salida de aire opcional instalada para que el aire salga hacia arriba, el espacio libre debe ser de 1500 mm o más.

- ⑦ Disposición de unidad apilada (Fig. 3-17)

• Se pueden apilar hasta dos unidades de altura.

• No se deben instalar más de dos unidades correlativas. Además, se debe dejar el espacio indicado.

4. Instalación de la unidad exterior



(mm)

- Cerchiórese de instalar la unidad en una superficie robusta y nivelada para evitar los ruidos de traqueteo durante la operación. (Fig. 4-1)

<Especificaciones de la cimentación>

Perno de cimentación	M10 (3/8")
Grosor del hormigón	120 mm
Longitud del perno	70 mm
Capacidad de soporte de peso	320 kg

- Cerchiórese de que la longitud del perno de cimentación esté dentro de 30 mm de la superficie inferior de la base.
- Asegure firmemente la base de la unidad con cuatro pernos de cimentación M10 en lugares robustos.

Instalación de la unidad exterior

- No obstruya la salida de aire. Si se obstruye la salida de aire, se puede dificultar el funcionamiento del aparato y puede causar una avería.
- Además de la base de la unidad, utilice los orificios de instalación situados en la parte trasera de la unidad para añadirle cables u otros elementos necesarios para instalar la unidad. Utilice tirafondos (ø5 × 15 mm o menos) para instalar el equipo.

⚠ Atención:

- La unidad debe instalarse firmemente sobre una estructura capaz de soportar su peso. Si la unidad se instala sobre una estructura inestable, podría caerse y provocar daños o lesiones.
- La unidad debe instalarse según las instrucciones para reducir posibles daños en caso de terremoto, huracán o vientos fuertes. Si no se instala correctamente, la unidad podría caerse y provocar daños o lesiones.

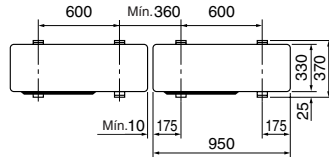


Fig. 4-1

5. Instalación de los tubos del refrigerante

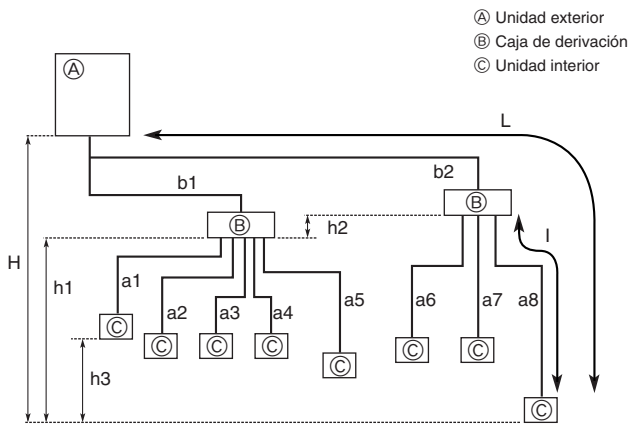


Fig. 5-1

5.1. Precauciones a tomar en equipos que utilicen el refrigerante R410

- Consulte la página 59 para las precauciones a tomar en equipos que utilicen el refrigerante R410A y que no se encuentren a continuación.
- Utilice aceite de éster, de éter o alquilobenceno (en pequeñas cantidades) para recubrir las secciones abocardadas.
- Utilice tubos de cobre fosforoso del tipo C1220 y tubos de aleación de cobre sin costuras para conectar los tubos del refrigerante. Utilice tuberías para refrigerante del grosor especificado en la tabla siguiente. Asegúrese de que el interior de las tuberías está limpio y que no contienen ningún contaminante nocivo como compuestos sulfúricos, oxidantes, restos o polvo.

⚠ Atención:

Cuando instale o mueva el equipo de aire acondicionado, utilice sólo el refrigerante indicado (R410A) para cargar los tubos de refrigerante. No lo mezcle con otro tipo de refrigerante y vacíe completamente de aire los tubos. El aire que quede en los tubos puede provocar picos de presión que causarían su rotura y otros daños.

ø6,35, ø9,52, ø12,7	Grosor 0,8 mm
ø15,88	Grosor 1,0 mm

- No utilice tubos con un grosor menor del especificado a continuación.

Longitud permitida (un sentido)	Longitud total de los tubos	$b1+b2+a1+a2+a3+a4+a5+a6+a7+a8 \leq 115 \text{ m}$
	Longitud máxima de los tubos (L)	$b2+a8 \leq 70 \text{ m}$ ($b2 \leq 55 \text{ m}$, $a8 \leq 15 \text{ m}$)
	Longitud de los tubos entre la unidad exterior y las cajas de derivación	$b1+b2 \leq 55 \text{ m}$
	Longitud máxima del tubo desde la caja de derivación (l)	$a8 \leq 15 \text{ m}$
	Longitud total de los tubos entre las cajas de derivación y las unidades interiores	$a1+a2+a3+a4+a5+a6+a7+a8 \leq 60 \text{ m}$
Diferencia en la altura permitida (un sentido)	En la sección interior/exterior (H)*1	$H \leq 30 \text{ m}$ (En caso de que la unidad exterior se instale más arriba que la unidad interior) $H \leq 20 \text{ m}$ (En caso de que la unidad exterior se instale más abajo que la unidad interior)
	En la sección caja de derivación/unidad interior (h1)	$h1 + h2 \leq 15 \text{ m}$
	En cada unidad de derivación (h2)	$h2 \leq 15 \text{ m}$
	En cada unidad interior (h3)	$h3 \leq 12 \text{ m}$
Número de codos	$ b1+a1 \text{ l}, b1+a2 \text{ l}, b1+a3 \text{ l}, b1+a4 \text{ l}, b1+a5 \text{ l}, b2+a6 \text{ l}, b2+a7 \text{ l}, b2+a8 \text{ l} \leq 15$	

*1 La caja de derivación se deberá situar en el nivel entre la unidad exterior y las unidades interiores.

5.2. Longitud de los tubos y diferencia de altura (Fig. 5-1)

Conexiones abocardadas

- Esta unidad tiene conexiones abocardadas en cada unidad interior, en la caja de derivación y en los laterales de la unidad exterior.
- Retire la cubierta de la válvula de la unidad exterior y, a continuación, conecte el tubo.
- Los tubos de refrigerante se utilizan para conectar la caja de derivación y la unidad interior.

5. Instalación de los tubos del refrigerante

5.3. Añadido de refrigerante

- Para esta unidad no hace falta una carga adicional si la longitud total de los tubos ($b_1+b_2+a_1+a_2+a_3+a_4+a_5+a_6+a_7+a_8$) no supera los 40 m.
- Si la longitud total de los tubos supera los 40 m, cargue la unidad con refrigerante R410 adicional según las longitudes de los tubos permitidas en la siguiente tabla.

* Con la unidad parada, cargue la unidad con refrigerante adicional a través de la válvula de parada de líquido después de haber aspirado los tubos y la unidad interior. Si la unidad está en marcha, añada refrigerante a la válvula de retención de gas con un cargador seguro. No añada refrigerante líquido directamente a la válvula de retención.

Después de haber cargado la unidad con refrigerante, apunte la cantidad de refrigerante añadida en la etiqueta de mantenimiento (adjunta a la unidad).

Para más información, consulte la sección "1.5. Utilización del refrigerante R410A para equipos de aire acondicionado".

Tabla 1

Longitud total de los tubos ($b_1+b_2+a_1+a_2+a_3+a_4+a_5+a_6+a_7+a_8$)	41 - 50 m	51 - 70 m	71 - 90 m	91 - 115 m
Cantidad de carga adicional de refrigerante	0,6 kg	1,4 kg	2,2 kg	3,2 kg

Si conecta una unidad interior con tubos de líquido de $\varnothing 9,52$ (número de modelo 71 o más para las series M y S; número de modelo 60 o más para la serie P), deberá corregir la cantidad adicional de carga de refrigerante indicada en la tabla 1 (agregar el siguiente valor ΔR del valor dado en la tabla 1).

Cantidad adicional de carga de refrigerante para la corrección
 $\Delta R = 0,01 \text{ [kg/m]} \times \text{longitud total [m]} \text{ del tubo de derivación de } \varnothing 9,52 \text{ (tubo de líquido)}$

Ejemplo) $b_1=20 \text{ m}$, $b_2=25 \text{ m}$

Unidad interior A	$\varnothing 9,52$ Tubo de líquido	$a_1=12 \text{ m}$
Unidad interior B	$\varnothing 6,35$ Tubo de líquido	$a_2=11 \text{ m}$
Unidad interior C	$\varnothing 6,35$ Tubo de líquido	$a_6=14 \text{ m}$
Unidad interior D	$\varnothing 9,52$ Tubo de líquido	$a_7=13 \text{ m}$

Longitud total del tubo: $b_1+b_2+a_1+a_2+a_6+a_7=95 \text{ m}$

→ De acuerdo con la tabla 1, la carga adicional de refrigerante será de 3,2 kg.

Como las unidades interiores con tubos de líquido de $\varnothing 9,52$ están conectadas (unidades A y D en este ejemplo), debe corregirse la cantidad adicional de carga de refrigerante.

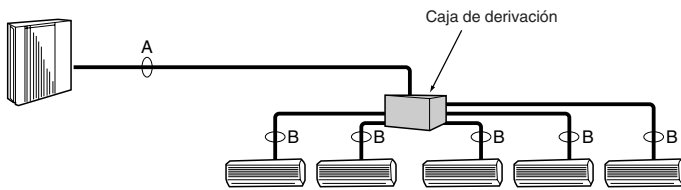
Cantidad adicional de refrigerante para la corrección

$\Delta R = 0,01 \text{ [kg/m]} \times \text{longitud total (} a_1+a_7 \text{) del tubo de derivación de } \varnothing 9,52 \text{ (tubo de líquido)}$
 $= 0,01 \times (12+13 \text{ m})$
 $= 0,25 \text{ kg}$

Así pues, la cantidad adicional de carga de refrigerante será $3,2 \text{ kg} + 0,25 \text{ kg} = 3,45 \text{ kg}$.

■ En caso de utilizar una caja de 1 derivación

Conexión abocardada utilizada. (Sin soldadura)



■ En caso de utilizar cajas de 2 derivaciones

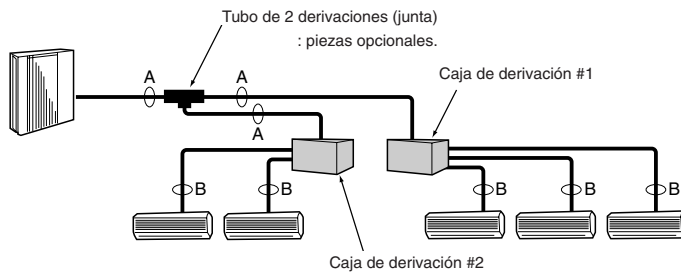


Fig. 5-2

(1) Tamaño de la válvula de la unidad interior

Para líquido	$\varnothing 9,52 \text{ mm}$
Para gas	$\varnothing 15,88 \text{ mm}$

(2) Tamaño de la válvula para la caja de derivación

[A] UNIDAD	Tubo de líquido	$\varnothing 6,35 \text{ mm}$
	Tubo de gas	$\varnothing 9,52 \text{ mm}$
[B] UNIDAD	Tubo de líquido	$\varnothing 6,35 \text{ mm}$
	Tubo de gas	$\varnothing 9,52 \text{ mm}$
[C] UNIDAD	Tubo de líquido	$\varnothing 6,35 \text{ mm}$
	Tubo de gas	$\varnothing 9,52 \text{ mm}$
[D] UNIDAD	Tubo de líquido	$\varnothing 6,35 \text{ mm}$
	Tubo de gas	$\varnothing 9,52 \text{ mm}$
[E] UNIDAD	Tubo de líquido	$\varnothing 6,35 \text{ mm}$
	Tubo de gas	$\varnothing 12,7 \text{ mm}$

* De tipo 3 derivaciones : sólo unidad [A], [B], [C]

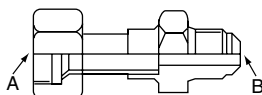


Fig. 5-3

Fórmula de conversión

1/4 F	$\varnothing 6,35$
3/8 F	$\varnothing 9,52$
1/2 F	$\varnothing 12,7$
5/8 F	$\varnothing 15,88$
3/4 F	$\varnothing 19,05$

5.4. Selección del tamaño de los tubos (Fig. 5-2)

	A	B
Líquido (mm)	$\varnothing 9,52$	El tamaño de la conexión de los tubos varía en función del tipo y la capacidad de las unidades interiores. Haga que coincida el tamaño de la conexión del tubo de la caja de derivación con la unidad interior.
Gas (mm)	$\varnothing 15,88$	Si el tamaño de la conexión del tubo de la caja de derivación no coincide con el tamaño de la conexión del tubo de la unidad interior, utilice juntas opcionales de diámetro diferente (deformadas) en el lateral de la caja de derivación. (Conecte la junta deformada directamente al lateral de la caja de derivación).

Junta de diámetro diferente (piezas opcionales) (Fig. 5-3)

Nombre del modelo	Diámetro de los tubos conectados		Diámetro A	Diámetro B
	mm		mm	mm
MAC-A454JP	$\varnothing 9,52$	→ $\varnothing 12,7$	$\varnothing 9,52$	$\varnothing 12,7$
MAC-A455JP	$\varnothing 12,7$	→ $\varnothing 9,52$	$\varnothing 12,7$	$\varnothing 9,52$
MAC-A456JP	$\varnothing 12,7$	→ $\varnothing 15,88$	$\varnothing 12,7$	$\varnothing 15,88$
PAC-493PI	$\varnothing 6,35$	→ $\varnothing 9,52$	$\varnothing 6,35$	$\varnothing 9,52$
PAC-SG76RJ-E	$\varnothing 9,52$	→ $\varnothing 15,88$	$\varnothing 9,52$	$\varnothing 15,88$

Preparación de los tubos

① En la tabla siguiente se muestran las especificaciones de los tubos comercialmente disponibles.

Diámetro exterior	Grosor del aislamiento	Material de aislamiento
mm	mm	
6,35	8	Plástico celular resistente al calor y gravedad específica de 0,045
9,52	8	
12,7	8	
15,88	8	

② Asegúrese de que los 2 tubos de refrigerante están aislados para evitar la condensación.

③ El radio mínimo de curvatura debe ser de 100 mm o más.

⚠ Cuidado:

Asegúrese de utilizar el aislamiento del grosor especificado. Si el grosor es excesivo puede que no se instalen correctamente la unidad interior y la caja de derivación; y si es insuficiente, puede provocar el goteo de rocío.

Tubo de 2 derivaciones (Junta) : Piezas opcionales (Elija la más conveniente según el método de conexión).

Nombre del modelo	Método de conexión
MSDD-50AR-E	abocardado
MSDD-50BR-E	soldadura

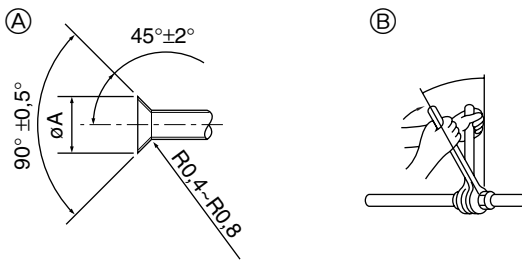
■ Procedimiento de instalación (Tubo de 2 derivaciones (Junta))

Consulte los manuales de instalación de MSDD-50AR-E y MSDD-50BR-E.

5. Instalación de los tubos del refrigerante

Recogida de refrigerante al reubicar las unidades interior y exterior (bombeo)

- ① Conecte la válvula del colector (indicador de presión incluido) al puerto de servicio situado junto a la válvula de interrupción de gas de la unidad exterior, de modo que se pueda medir la presión del refrigerante.
- ② Conecte la alimentación (disyuntor).
- ③ Cierre la válvula de interrupción de líquido y efectúe una prueba de funcionamiento del sistema de refrigeración (SW4-1: ON y SW4-2: OFF).
 - * Asegúrese de esperar al menos 3 minutos tras conectar la alimentación antes de ajustar SW4-1 y SW4-2. Si los conmutadores DIP se ajustan antes de que hayan pasado 3 minutos, es posible que la prueba de funcionamiento no se inicie.
- ④ Cierre completamente la válvula de gas cuando la presión del indicador baje a 0,05 - 0,00 MPa* (aprox. 0,5 - 0,0 kgf/cm²).
 - * Si se ha agregado demasiado refrigerante al sistema de aire acondicionado, es probable que la presión no baje a 0,5 kgf/cm². Si esto sucede, utilice un dispositivo de recogida de refrigerante para extraer todo el refrigerante del sistema y, a continuación, volver a introducir en él la cantidad adecuada una vez estén reubicadas las unidades interior y exterior.
- ⑤ Detenga el funcionamiento del aire acondicionado (SW4-1: OFF y SW4-2: OFF).
- ⑥ Desconecte la alimentación (disyuntor).



- Ⓐ Dimensiones del corte abocinado
 Ⓑ Torsión de apriete de la tuerca abocardada

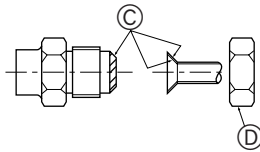


Fig. 5-4

Ⓐ (Fig. 5-4)

Tubo de cobre O.D. (mm)	Dimensiones de abocinado dimensiones ØA (mm)
ø6,35	8,7 - 9,1
ø9,52	12,8 - 13,2
ø12,7	16,2 - 16,6
ø15,88	19,3 - 19,7

Ⓑ (Fig. 5-4)

Tubo de cobre O.D. (mm)	Tuerca de abocardado O.D. (mm)	Torsión de apriete (N·m)*
ø6,35	17	14 - 18
ø6,35	22	34 - 42
ø9,52	22	34 - 42
ø9,52	26	49 - 61
ø12,7	26	49 - 61
ø12,7	29	68 - 82
ø15,88	29	68 - 82
ø15,88	36	100 - 120

* 1 N·m ≈ 10 kgf·cm

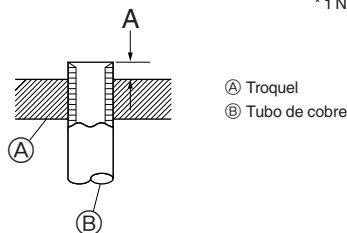


Fig. 5-5

5.5. Tubos de conexión (Fig. 5-4)

- Si se utilizan tubos de cobre convencionales, envuelva los tubos de gas y líquido con materiales aislantes (resistente al calor hasta 100 °C o más, espesor de 12 mm o más).
- Las piezas interiores del tubo de drenaje tienen que estar envueltas en materiales aislantes de espuma de polietileno (gravedad específica de 0,03 y espesor de 9 mm o más).
- Aplique una capa delgada de aceite refrigerante a la superficie tubo y de la junta de asiento antes de apretar la tuerca de abocardado. Ⓐ
- Utilice dos llaves de apriete para apretar las conexiones de los tubos. Ⓑ
- Utilice un detector de fugas o agua jabonosa para comprobar posibles fugas de gas una vez realizadas las conexiones.
- Aplique aceite refrigerante para máquinas en toda la superficie abocinada. Ⓒ
- Utilice las tuercas abocardadas tal y como se indica a continuación. Ⓓ

■ Tamaño del tubo (Unidad exterior-Caja de derivación)

Tamaño del tubo (ømm)	Líquido	Gas
	ø9,52	ø15,88

La alineación de una unidad interior conectable depende del distrito/zona/país.

■ Tamaño del tubo (Caja de derivación-Unidad interior) *Caso de la serie M o unidad interior de la serie S

Tipo de unidad interior	(kW)	22	25	35	50	60	71	80
Tamaño del tubo (ømm)	Líquido	ø6,35	ø6,35	ø6,35	ø6,35	ø6,35	ø9,52	ø9,52
	Gas	ø9,52	ø9,52	ø9,52	ø12,7	ø15,88*	ø15,88	ø15,88

* En el caso de una unidad interior de tipo 60 de la serie MEXZ, utilice la tuerca abocardada que se adjunta para la conexión de la unidad interior al lado del gas.

No utilice la tuerca abocardada (lado del gas) suministrada con la unidad interior. Si se utiliza, puede producirse un escape de gas o incluso que se extraiga el tubo.

■ Tamaño del tubo (Caja de derivación-Unidad interior) *Caso de la unidad interior de la serie P

Tipo de unidad interior	(kW)	35	50	60	71
Tamaño del tubo (ømm)	Líquido	ø6,35	ø6,35	ø9,52	ø9,52
	Gas	ø12,7	ø12,7	ø15,88	ø15,88

En el caso de una unidad interior de tipo 35, 50 de la serie P, utilice la tuerca abocardada suministrada con la unidad interior.

No utilice la tuerca cónica que se adjunta. Si se utiliza, puede producirse un escape de gas o incluso que se extraiga el tubo.

- Cuando doble los tubos, tenga cuidado de no romperlos. Un radio de curvatura de 100 mm a 150 mm es suficiente.
- Asegúrese de que las tuberías no tocan el compresor. Podría producir ruidos o vibraciones extrañas.

- ① Las tuberías se deben conectar empezando por la unidad interior. Las tuercas abocardadas se deben apretar con una llave dinamométrica.
- ② Caliente el tubo de líquido y el tubo de gas y aplique una fina capa de aceite de refrigeración (aplicado directamente).
- Cuando utilice un sellador de tubos normal, consulte la Tabla 2 para abocardar tuberías para refrigerante R410A. Para confirmar las medidas de A se puede utilizar el ajustador del tamaño.

Tabla 2 (Fig. 5-5)

Tubo de cobre O.D. (mm)	A (mm)	
	Herramienta abocinada para R410A	Herramienta abocinada para R22-R407C
	Tipo gancho	
ø6,35	0 - 0,5	1,0 - 1,5
ø9,52	0 - 0,5	1,0 - 1,5
ø12,7	0 - 0,5	1,0 - 1,5
ø15,88	0 - 0,5	1,0 - 1,5

5. Instalación de los tubos del refrigerante

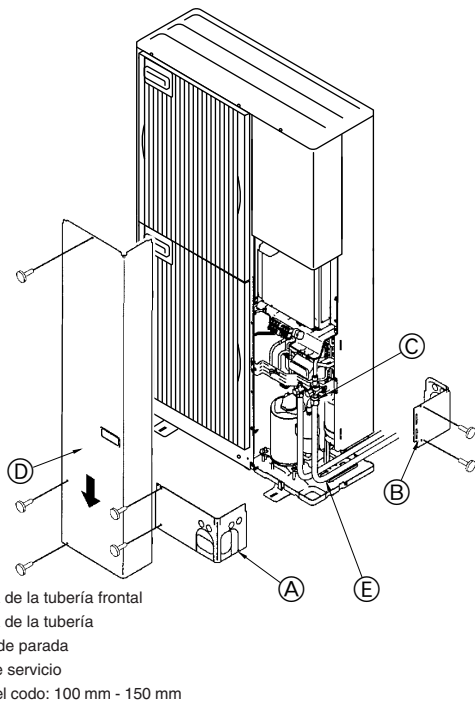


Fig. 5-6

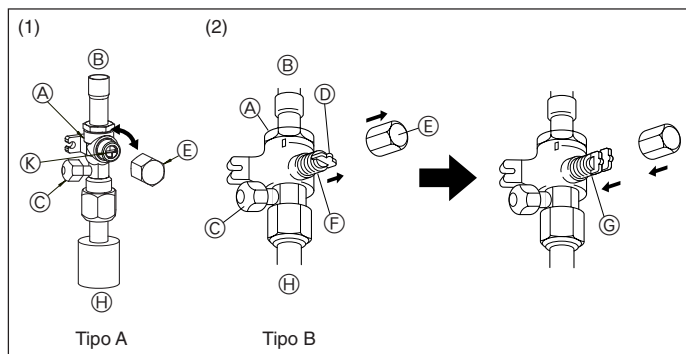


Fig. 5-7

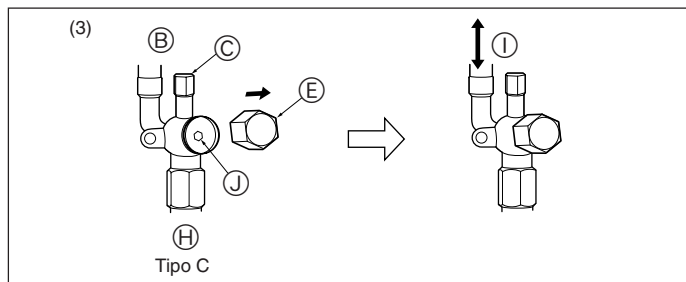


Fig. 5-8

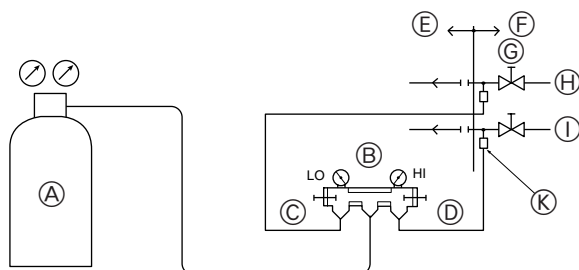


Fig. 5-9

5.6. Tubos de refrigerante (Fig. 5-6)

Quite el panel de servicio (D) (tres tornillos) y la cubierta de la tubería frontal (A) (dos tornillos) y cubierta de la tubería posterior (B) (dos tornillos).

Las tuberías de refrigerante están envueltas con una protección

- Los tubos se pueden envolver para su protección hasta un diámetro de $\varnothing 90$ antes de conectar los tubos. Corte la tapa del tubo siguiendo la guía y envuelva los tubos.

Hueco de entrada de la tubería

- Utilice masilla de minio o un sellador para sellar el extremo del tubo alrededor del tubo para que no queden espacios vacíos.
(Si no se tapan los vacíos, se puede producir ruido o puede entrar agua o polvo y la unidad se podría averiar.)

5.7. Medidas de precaución con la conexión de tubos/manipulación de las válvulas

- Efectúe la conexión de los tubos y la manipulación de las válvulas siguiendo exactamente las indicaciones de la figura siguiente.
- Aplique el sellador en el aislante para evitar que entre agua en el aislante que cubre las juntas de los tubos del refrigerante.
- Después de la evacuación y la carga de refrigerante, asegúrese de que la manivela está totalmente abierta. Si se pone en funcionamiento con la válvula cerrada, se transmitirá una presión anormal en el lado de presión alta o baja del circuito del refrigerante, dañando el compresor, etc.
- **Determine la cantidad de carga adicional de refrigerante (consulte la sección "5.3. Añadido de refrigerante"), y cargue el refrigerante adicional a través del puerto de servicio una vez que finalice el trabajo de conexión de los tubos.**
- Una vez finalizado el trabajo, apriete el puerto de servicio (12 - 15 N-m) y la tapa (20 - 25 N-m) de modo seguro para evitar un escape de gas.

* 1 N-m \approx 10 kgf-cm

Método de apertura completa de la válvula de parada

El método de apertura de la válvula de retención varía según el modelo de unidad exterior. Utilice el método adecuado para abrir las válvulas de retención.

(1) Tipo A (Fig. 5-7)

- 1 Quite la tapa, gire la válvula un cuarto de vuelta hacia la izquierda con un destornillador plano para abrirla completamente.
- 2 Cerciérese de que las válvulas están completamente abiertas, coloque la tapa en su posición original y apriétela.

(2) Tipo B (Fig. 5-7)

- 1 Quite la tapa, tire de la manivela hacia usted y gire 1/4 de vuelta hacia la izquierda para abrir.
- 2 Cerciérese de que la válvula de parada esté completamente abierta, empuje la manivela y enrosque la tapa en su posición original.

(3) Tipo C (Fig. 5-8)

- 1 Abra la tapa y gire la varilla de válvula hacia la izquierda hasta su tope, utilizando una llave hexagonal de 4 mm. Deje de girar cuando llega al tope.
- 2 Cerciérese de que la válvula de parada esté completamente abierta y enrosque la tapa en su posición original.

- | | |
|-------------------------|---|
| A Válvula | G Completamente abierta |
| B Lado de unidad | H (Instalación correcta) Lado de tubo de refrigerante |
| C Puerto de servicio | I Dirija la circulación del refrigerante a |
| D Manivela | J Orificio de llave |
| E Tapa | K Sección de operación |
| F Completamente cerrada | |

5.8. Prueba de fuga de gas y evacuación

1 Prueba de fuga de gas (Fig. 5-9)

La prueba de fuga de gas se deberá realizar presurizando el gas nitrógeno. Consulte en la figura siguiente el método para realizar la prueba.

- (1) Conexión de la herramienta para pruebas. Haga una prueba con la válvula de parada cerrada. Asegúrese también de presurizar el tubo de líquido o de alta presión, y el tubo de gas o de baja presión.
- (2) No añada presión a la presión especificada de una vez; añádala poco a poco.
 - 1 Presurice a 0,5 MPa (5 kgf/cm²G), espere cinco minutos y compruebe que la presión no se ha reducido.
 - 2 Presurice a 1,5 MPa (15 kgf/cm²G), espere cinco minutos y compruebe que la presión no se ha reducido.
 - 3 Presurice a 4,15 MPa (41,5 kgf/cm²G) y tome la temperatura ambiental y la presión del refrigerante.
- (3) Si la presión especificada se mantiene estable durante un día y no se reduce, las tuberías han pasado la prueba y no existe riesgo de fugas.
 - Si la temperatura ambiental cambia 1 °C, la presión variará unos 0,01 MPa (0,1 kgf/cm²G). Haga las correcciones necesarias.
- (4) Si la presión se reduce en los pasos (2) o (3), hay una fuga de gas. Busque el punto de fuga del gas.

- | | |
|--------------------------|--|
| A Gas nitrógeno | F Unidad exterior |
| B Analizador del sistema | G Válvula de parada |
| C Saliente bajo | H Tubo de líquido o tubo de alta presión |
| D Saliente alto | I Tubo de gas o tubo de baja presión |
| E A caja de derivación | K Puerto de servicio |

5. Instalación de los tubos del refrigerante

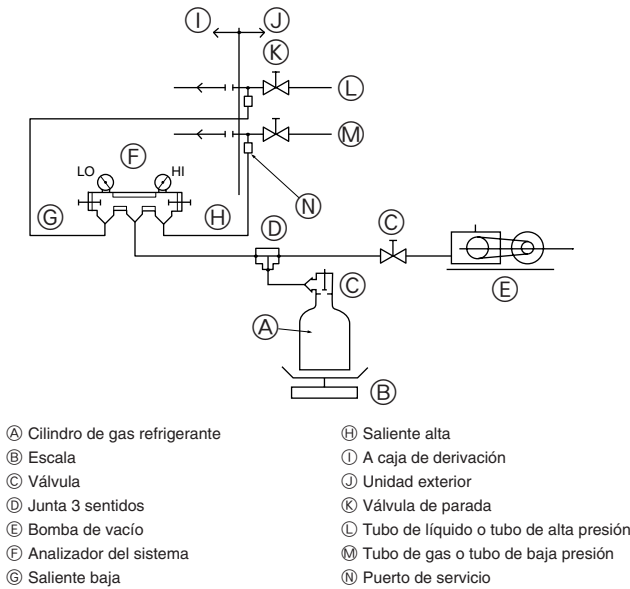


Fig. 5-10

② Evacuación (Fig. 5-10)

La evacuación se deberá hacer desde el puerto de servicio, situado en la válvula de parada de la unidad exterior, hasta la bomba de vacío usada tanto para el tubo de líquido o de alta presión, y el tubo de gas o de baja presión. (Efectúe la evacuación tanto del tubo de líquido o tubo de alta presión, o del tubo de gas o de baja presión con la válvula de parada cerrada).

Recuerde: Nunca lleve a cabo la purga de aire con refrigerante.

⚠ Atención:

Cuando instale o cambie la unidad de sitio, no mezcle otro elemento en el ciclo de refrigeración que no sea el refrigerante especificado. Si se mezcla con el aire, el ciclo de refrigeración puede producir una alta presión anormal, con el riesgo de que reviente el tubo.

* Se deberá utilizar un gravímetro de alta precisión que pueda medir hasta 0,1 kg. Si no puede procurarse dicho gravímetro de alta precisión, utilice un cilindro de carga.

Nota:

- Utilice un manómetro abocardado, una manguera de carga y las demás piezas para el refrigerante que se indique en la unidad.
- Utilice un gravímetro. (Que pueda medir hasta 0,1 kg)

Precauciones al utilizar la válvula de carga (Fig.5-11)

No apriete demasiado el puerto de servicio cuando lo instale, de lo contrario, el núcleo de la válvula podría deformarse y quedar suelto, provocando fugas de gas. Tras situar la sección ② en la dirección deseada, gire únicamente la sección ① y apriétela.

No siga apretando las secciones ① y ② juntas tras apretar la sección ①.

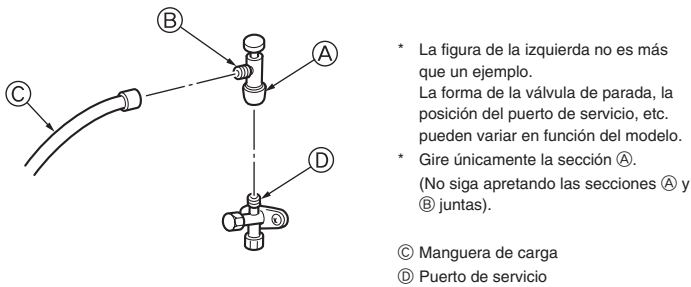


Fig. 5-11

6. Tubería de drenaje

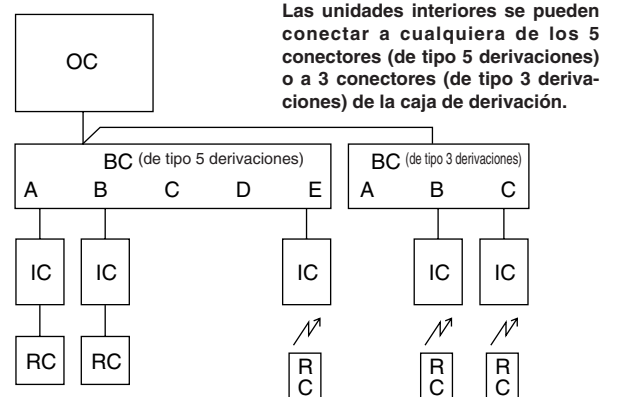
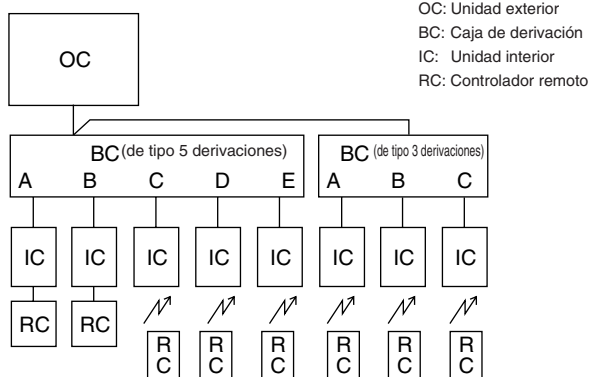
Conexión de la tubería de drenaje con la unidad exterior

Cuando sea necesario drenar la tubería, use la toma de drenaje o la batería de drenaje (opcional).

Toma de drenaje	PAC-SG61DS-E
Batería de drenaje	PAC-SG64DP-E

7. Trabajo eléctrico

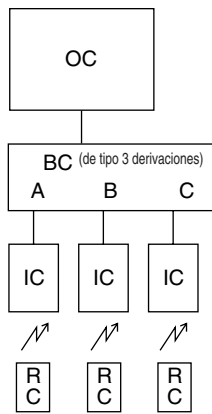
[1] Sistemas básicos



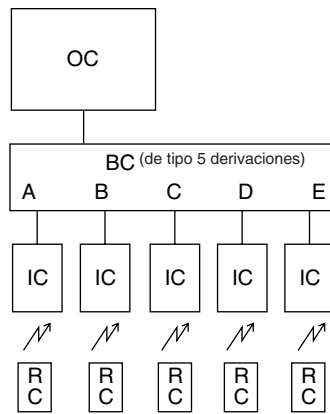
7. Trabajo eléctrico

[2] Sistemas estándar

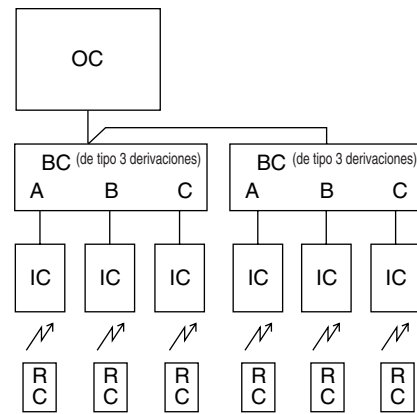
2-1. Sólo de tipo 3 derivaciones



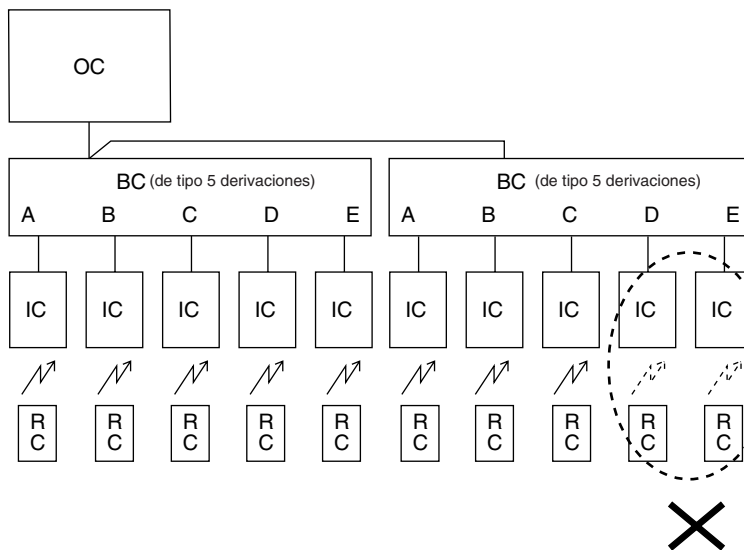
2-2. Sólo de tipo 5 derivaciones



2-3. 2 cajas de derivación (de tipo 3 derivaciones)



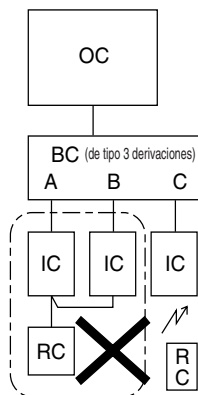
2-4. 2 cajas de derivación (de tipo 5 derivaciones, máximo 8 unidades interiores)



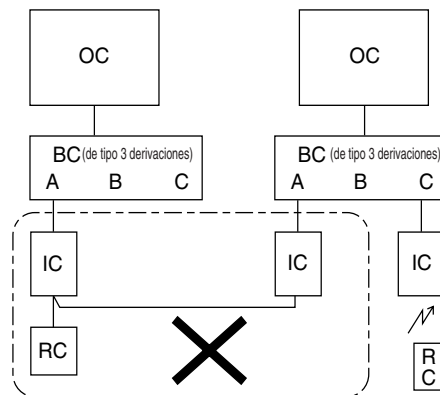
1. Se puede conectar un máximo de 2 cajas de derivación a una unidad exterior.
2. Se puede conectar al sistema un máximo de 8 unidades interiores.

[3] Sistemas incorrectos

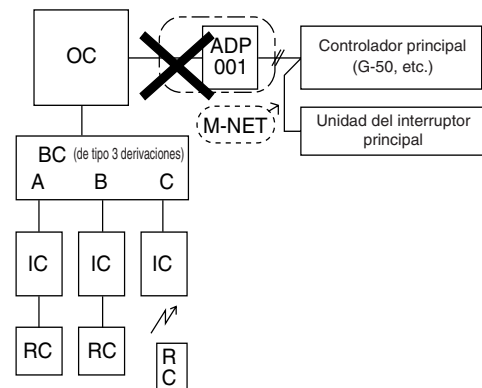
3-1. Funcionamiento agrupado mediante un único controlador remoto



3-2. Funcionamiento agrupado entre distintos sistemas refrigerantes



3-3. Conexión del adaptador M-NET a la unidad exterior



3-1. Un único controlador remoto no puede hacer funcionar varias unidades interiores.

3-2. No se pueden conectar sistemas refrigerantes diferentes.

3-3. Un adaptador M-NET no se puede conectar a una unidad exterior.

7. Trabajo eléctrico

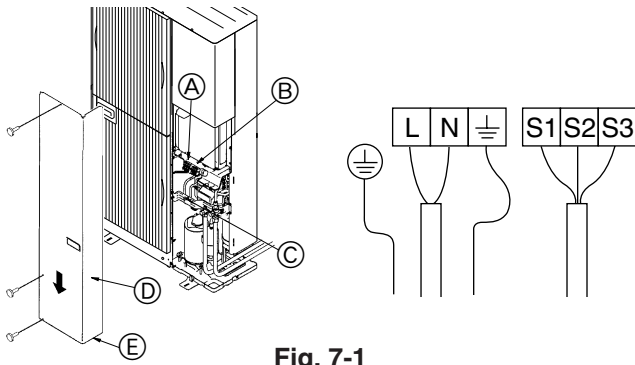


Fig. 7-1

7.1. Unidad exterior (Fig. 7-1)

- ① Extraiga el panel de servicio.
- ② Efectúe el cableado según se muestra en la Fig. 7-1.
 - (A) Tierra del terminal
 - (B) Bloque de terminales
 - (C) Grapa
 - (D) Panel de servicio
 - (E) Enrute los cables de modo que no entren en contacto con el centro del panel de servicio o la válvula de gas.

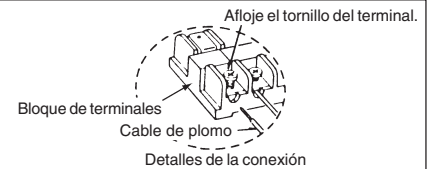
7.2. Conexión de la caja de derivación/cables de unidad exterior y conexión de los cables de alimentación de la unidad exterior

⚠ Atención:

- Asegúrese de ajustar con seguridad las cubiertas del bloque de terminales/panel de la unidad exterior. Si no se ajusta correctamente podría producirse un incendio o una descarga eléctrica por el polvo, el agua, etc.
- Asegúrese de conectar los cables de alimentación y los cables de conexión a las unidades interiores, unidades exteriores y a las cajas de derivación directamente con las unidades (sin ninguna conexión intermedia). Las conexiones intermedias pueden producir errores de comunicación en caso de que el agua moje los cordones o los cables de conexión y, por consiguiente, provoca un aislamiento insuficiente a tierra así como un contacto eléctrico deficiente en el punto de conexión intermedio. (Si fuera necesaria una conexión intermedia, asegúrese de tomar las precauciones oportunas para evitar que el agua moje los cables y cordones de conexión).

⚠ Cuidado:

- Tenga cuidado en no equivocarse en el cableado.
- Ajuste firmemente los tornillos del terminal para evitar que se aflojen.
- Una vez ajustados, tire ligeramente de los cables para asegurarse de que no se muevan.
- Si el cable no está conectado correctamente al bloque de terminales, la unidad no funcionará normalmente.



- Conecte correctamente el cable desde la caja de derivación al bloque de terminales.
- Para facilitar el mantenimiento futuro, añada una longitud suplementaria al cable de conexión.

<Ejemplo> (En el caso de cajas de 2 derivaciones)

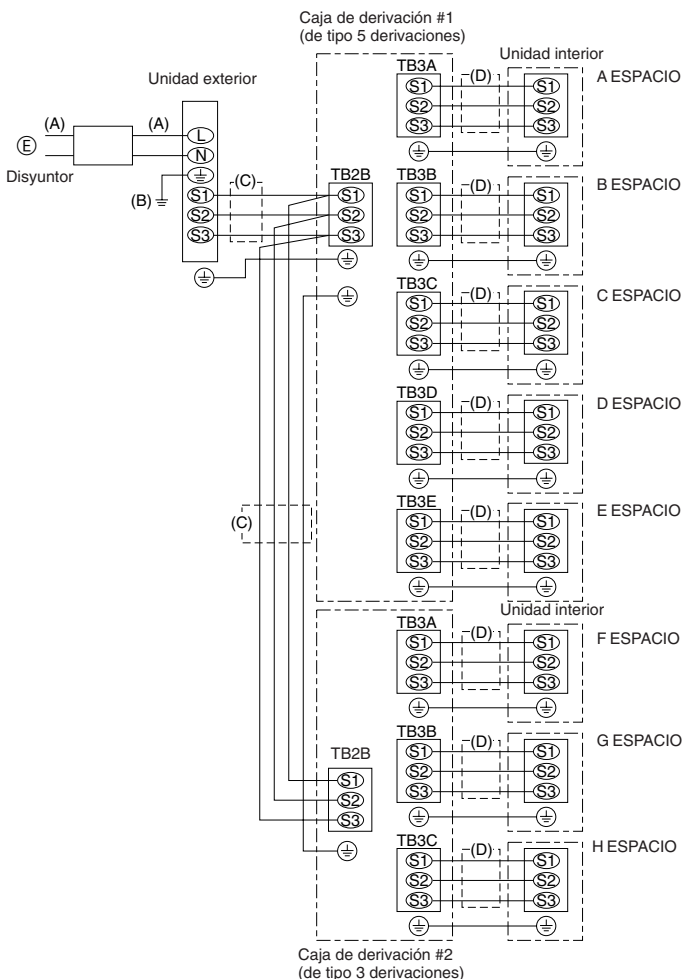


Fig. 7-2

7.3. Procedimiento de cableado exterior (Fig. 7-2)

Sólo se necesita instalar la alimentación de corriente a la unidad exterior. La alimentación de la caja de derivación o de la unidad interior se efectúa a través del cableado. Por consiguiente, la instalación de la alimentación de corriente se efectuará en un único punto de la unidad exterior. Con ello, se simplifica el trabajo y se ahorran costes.

- (E) Fuente de alimentación monofásica
 - AC220/230/240 V, 50 Hz
 - AC220 V, 60 Hz
 - Impedancia máx. admitida en el sistema 0,22 (Ω).

Nota:

- ① **Entrada de alimentación: Sólo unidad exterior.** Conecte las líneas (C), (D) según los nombres de los bloques de terminales para asegurar que la polaridad sea la correcta.

Diámetro del cable				Diferencial *1	
(A) Línea eléctrica principal	(B) Línea de puesta a tierra	(C) Línea de señal	(D) Línea de señal	Interrupción de corriente	Características de rendimiento
6,0 mm ²	6,0 mm ²	1,5 mm ²	1,5 mm ²	40 A	40A, 30 mA para 0,1 segundos o menos
		*2			

Se requiere un terminal redondo cuando se utiliza cable de par trenzado.

*1. Se necesita un disyuntor con una separación mínima de contacto de 3 mm en cada uno de los polos. Utilice un disyuntor sin fusible (NF) o disyuntor de fugas a tierra (NV).

*2. Máx. 45 m ("Unidad exterior - caja de derivación #1" más "Caja de derivación #1 - caja de derivación #2"). Si se utiliza 2,5 mm², máx. 55 m.

- Notas:**
1. El diámetro de los cables debe cumplir la normativa local y nacional correspondiente.
 2. Los cables de alimentación y los de conexión de la unidad interior/caja de derivación/unidad exterior deben tener una resistencia mínima equiparable a los cables flexibles revestidos de policloropreno. (Diseño 60245 IEC 57)
 3. Instale una línea a tierra más larga que los cables de alimentación.

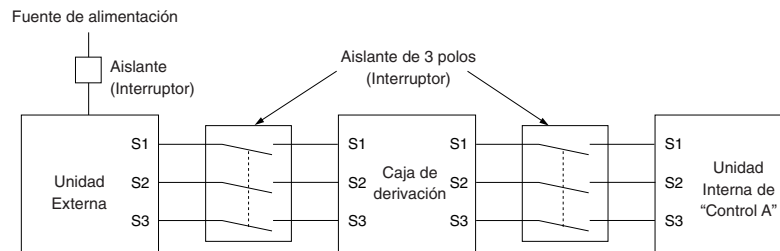
IMPORTANTE

Asegúrese de que el disyuntor de corriente es compatible con corrientes armónicas más altas. Utilice siempre un disyuntor de corriente compatible con corrientes armónicas más altas ya que esta unidad está equipada con un conmutador. El uso de un disyuntor inadecuado puede hacer que el conmutador no funcione correctamente.

7. Trabajo eléctrico

⚠ Atención:

Si realiza el cableado de control A, el terminal S3 presentará potencial de alto voltaje debido al diseño del circuito eléctrico, que no tendrá aislamiento eléctrico entre la línea de alimentación y la línea de señal de comunicación. Por lo tanto, desconecte la fuente de alimentación principal antes de realizar el mantenimiento. Y nunca toque los terminales S1, S2 ni S3 mientras esté conectada la alimentación. Si es necesario aislar la unidad exterior de la caja de derivación/unidad interior, utilice un interruptor de tres polos.



⚠ Cuidado:

Cuando termine de utilizar el aislante, asegúrese de apagar y volver a encender la alimentación principal para reiniciar el sistema. De lo contrario, es posible que la unidad exterior no pueda detectar la caja o cajas de derivación ni las unidades interiores.

ESPECIFICACIONES DE CABLEADO

(CABLE DE CONEXIÓN UNIDAD EXTERIOR-CAJA DE DERIVACIÓN)

Corte transversal del cable	Tamaño del cable (mm ²)	Número de cables	Polaridad	L (m)*6
Redondo	2,5	3	Hacia la derecha : S1-S2-S3 * Preste atención a la banda amarilla y verde	(50) *2
Plano	2,5	3	No se aplica (Porque el cable central no tiene revestimiento)	No se aplica *5
Plano	1,5	4	De izquierda a derecha : S1-Abierto-S2-S3	(45) *3
Redondo	2,5	4	Hacia la derecha : S1-S2-S3- Abierto * Conecte S1 y S3 en el ángulo opuesto	(55) *4

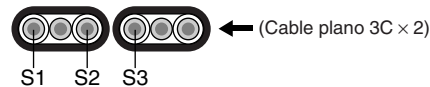
*1 : Los cables de alimentación de los aparatos no deben ser más livianos que los cables de diseño 60245 IEC o 227 IEC.

*2 : En caso de que se disponga de cable con banda amarilla y verde.

*3 : En caso de conexión con polaridad regular (S1-S2-S3), el tamaño de cable es de 1,5 mm².

*4 : En caso de conexión con polaridad regular (S1-S2-S3).

*5 : En caso de que los cables planos estén conectados según esta imagen, puede utilizarse hasta 55 m.



*6 : La longitud de cable indicada sólo tiene un valor de referencia.

Puede ser diferente dependiendo de las condiciones de instalación, humedad o materiales, etc.

Asegúrese de conectar los cables de conexión de la unidad exterior a la caja de derivación/unidad interior directamente a las unidades (sin conexiones intermedias). Las conexiones intermedias pueden dar lugar a errores de comunicación si entra agua en los cables y ocasionar que el aislamiento a tierra sea insuficiente o que el contacto eléctrico sea deficiente en el punto de conexión intermedio.
(En caso de que sea necesaria una conexión intermedia, asegúrese de tomar las medidas para evitar que el agua entre en contacto con los cables).

8. Prueba de funcionamiento

8.1. Antes de realizar las pruebas

- ▶ Después de la instalación de tubos y cables en las unidades interior y exterior, compruebe que no haya escapes de refrigerante, que no se haya aflojado ni la fuente de alimentación ni el cableado de control, que la polaridad no sea errónea y que no se haya desconectado ninguna fase de la alimentación.
 - ▶ Utilice un probador megaohmímetro de 500 voltios para comprobar que la resistencia entre los terminales de alimentación y la tierra es como mínimo de 1 MΩ.
 - ▶ No efectúe esta prueba en los bornes de los cables de control (circuito de bajo voltaje).
- ⚠ **Atención:**
No utilice el aire acondicionado si la resistencia de aislamiento es inferior a 1 MΩ.

Resistencia del aislamiento

Después de la instalación, o después de un prolongado período de desconexión del aparato, la resistencia del aislamiento será inferior a 1 MΩ debido a la acumulación de refrigerante en el compresor. Esto no es una avería. Siga los siguientes pasos:

1. Retire los cables del compresor y mida la resistencia del aislamiento del compresor.
2. Si la resistencia del aislamiento es menor de 1 MΩ, el compresor está dañado o la resistencia ha descendido por la acumulación de refrigerante en el compresor.

3. Después de conectar los cables al compresor, éste empezará a calentarse después de volver a restablecerse el suministro de corriente. Después de restablecer la corriente según los intervalos que se detallan a continuación, vuelva a medir la resistencia del aislamiento.
 - La resistencia del aislamiento se reduce debido a la acumulación de refrigerante en el compresor. La resistencia volverá a subir por encima de 1 MΩ después de que el compresor haya funcionado durante 2 - 3 horas. (El tiempo requerido para calentar el compresor varía según las condiciones atmosféricas y la acumulación de refrigerante.)
 - Para hacer funcionar un compresor con refrigerante acumulado, se debe calentar durante al menos 12 horas para evitar que se averíe.
4. Si la resistencia del aislamiento es superior a 1 MΩ, el compresor no está averiado.

⚠ Precaución:

- **El compresor no funcionará a menos que la conexión de fase de la fuente de alimentación sea correcta.**
- **Conecte la corriente al menos 12 horas antes de que empiece a funcionar el equipo.**
- Si se acciona inmediatamente después de haberlo conectado a la corriente, pueden producirse daños graves en las piezas internas. Mantenga la unidad conectada a la corriente durante la temporada de funcionamiento.

▶ También debe comprobar lo siguiente.

- La unidad exterior no está averiada. El indicador LED en el cuadro de control de la unidad exterior parpadea cuando esta está averiada.
- Tanto las válvulas de gas como las de líquido están completamente abiertas.

8.2. Prueba de funcionamiento

8.2.1. Uso del control remoto

Consulte el manual de instalación de la unidad interior.

- Asegúrese de realizar la prueba de funcionamiento en cada unidad interior. Asegúrese de que cada unidad interior funciona correctamente siguiendo el manual de instalación que se entrega con la unidad.
- Si realiza la prueba de funcionamiento en todas las unidades interiores a la vez, no podrá detectar si existe alguna conexión errónea en los tubos del refrigerante y en los cables de conexión.
- * El compresor no funciona durante tres minutos como mínimo después del encendido del interruptor.
- Puede que el compresor emita un ruido cuando se enciende el interruptor o en caso de que la temperatura externa del aire sea baja.

Acerca del mecanismo de protección de la puesta en marcha

Cuando se para el compresor, se desencadena el dispositivo preventivo de puesta en marcha para que el compresor permanezca inactivo durante 3 minutos como medida de protección del aparato.

8.2.2. Al usar SW4 en la unidad exterior

En caso de realizar la prueba de funcionamiento desde la unidad exterior, todas las unidades interiores se ponen en funcionamiento. Por consiguiente, no podrá detectar si existe alguna conexión errónea en los tubos del refrigerante y en los cables de conexión. Si lo que desea es comprobar que no exista una conexión errónea, asegúrese de efectuar la prueba de funcionamiento desde el control remoto; para ello, consulte la sección "8.2.1. Uso del control remoto".

SW4-1	ON	Funcionamiento del enfriamiento
SW4-2	OFF	
SW4-1	ON	Funcionamiento del de la calefacción
SW4-2	ON	

* Después de la realización de las pruebas, ponga SW4-1 en OFF.

- A los pocos segundos de funcionar el compresor, se puede oír un pequeño sonido metálico del interior de la unidad exterior. El sonido lo produce la válvula de retención por la pequeña diferencia de presión de las tuberías. La unidad no está averiada.

El modo de prueba de funcionamiento no se puede cambiar por el conmutador DIP SW4-2 durante la prueba. (Para cambiar el modo de prueba de funcionamiento durante la prueba, pare la prueba con el conmutador DIP SW4-1. Después de cambiar el modo de prueba de funcionamiento, reanude la prueba con el conmutador SW4-1.)

Una vez iniciada la prueba de funcionamiento según lo indicado en la sección "Al usar SW4 en la unidad exterior", la unidad exterior no se detendrá aunque reciba instrucciones de parar a través del control remoto (la prueba no habrá terminado). En tal caso, detenga la prueba poniendo el conmutador SW4 de la unidad exterior en posición OFF.

Nota:

Asegúrese de esperar al menos 3 minutos tras conectar la alimentación antes de ajustar SW4-1 y SW4-2. Si los conmutadores DIP se ajustan antes de que hayan pasado 3 minutos, es posible que la prueba de funcionamiento no se inicie.

9. Funciones especiales

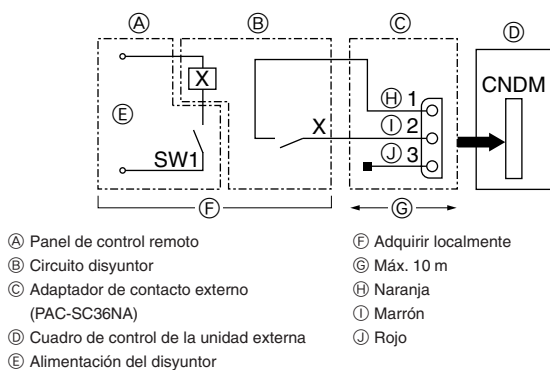


Fig. 9-1

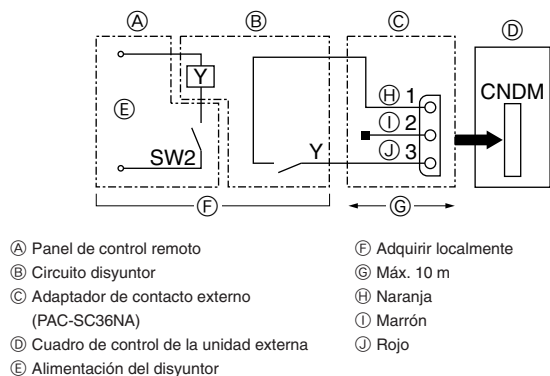
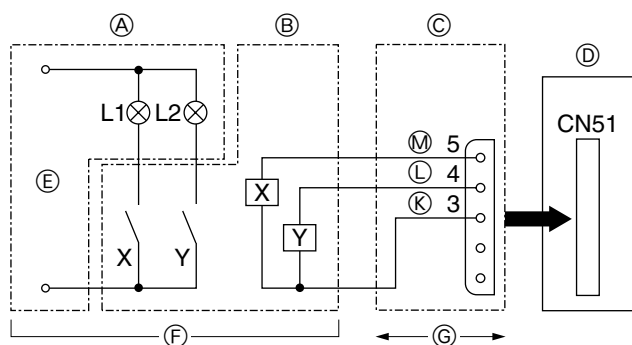


Fig. 9-2



L1 : Luz de indicación de error
 L2 : Luz de funcionamiento del compresor
 X, Y : Relé (bobina estándar de 0,9 W o menos para 12 V CC)
 X, Y : Relé (1 mA CC)

Fig. 9-3

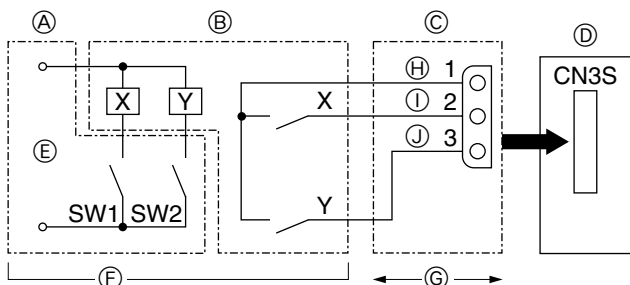


Fig. 9-4

9.1. Modo de reducción del ruido (modificación in situ) (Fig. 9-1)

Si lleva a cabo las siguientes modificaciones, puede reducir el ruido de la unidad exterior en 3 o 4 dB.

El modo de reducción del ruido se activará cuando añada un programador (disponible en los comercios) o si al conector CNDM (que se vende por separado) del cuadro de control de la unidad exterior se le añade una entrada por contacto de un interruptor de Encendido/Apagado.

- La capacidad puede ser insuficiente en función de la temperatura exterior y las condiciones, etc.

① Complete el circuito como se muestra utilizando el adaptador de contacto externo (PAC-SC36NA). (Se vende por separado)

9.2. Función de demanda (modificación in situ) (Fig. 9-2)

- Se puede reducir el consumo de electricidad en un rango del 0 al 100% si se realiza la siguiente instalación in situ.

La función de demanda se puede activar añadiendo un interruptor ON/OFF para entrada por contacto, disponible en los comercios, al conector CNDM (la entrada por contacto para la función de demanda se vende por separado).

① Incorpore el "Adaptador de contacto externo (PAC-SC36NA)" al circuito tal y como se muestra en el diagrama de la izquierda.

② Al activar el interruptor SW7-1 del cuadro de control de circuito de la unidad externa, se pueden definir las siguientes restricciones de consumo de energía (respecto de la potencia normal).

SW7-1	Consumo de energía cuando está activado SW2
OFF	0% (Parada forzada del compresor)
ON	50%

9.3. Función de vigilancia de errores y funcionamiento del compresor (CN51)

- Ⓐ Panel de control remoto
- Ⓑ Circuito disyuntor
- Ⓒ Adaptador de salida externo (PAC-SA88HA-E)
- Ⓓ Cuadro de control de la unidad externa
- Ⓔ Luz de la fuente de alimentación
- Ⓕ Adquirir localmente
- Ⓖ Máx. 10 m
- Ⓚ Naranja
- Ⓛ Amarillo
- Ⓜ Verde

9.4. Cambio automático - función de bloqueo de modo de operación por orden de una señal externa (CN3S)

- Ⓐ Panel de control a distancia
- Ⓑ Circuito disyuntor
- Ⓒ Adaptador de salida externo (PAC-SC36NA)
- Ⓓ Cuadro de control de la unidad externa
- Ⓔ Luz de la fuente de alimentación
- Ⓕ Adquirir localmente
- Ⓖ Máx. 10 m
- Ⓚ Naranja
- Ⓛ Marrón
- Ⓜ Rojo

	ON	OFF
SW1	Calefacción	Refrigeración
SW2	Validez de SW1	Invalidez de SW1

* Cualquier unidad interior que funcione en un modo distinto del determinado por la señal externa quedará en estado de espera.

* El ajuste se aplica cuando la unidad externa se detiene.

* El modo especificado en la prueba de funcionamiento tendrá preferencia por delante del modo especificado de esta función.

Indice

1. Misure di sicurezza	72	6. Installazione della tubazione di drenaggio	80
2. Schema di installazione e componenti	73	7. Collegamenti elettrici	80
3. Luogo di installazione	74	8. Prova di funzionamento	84
4. Installazione della sezione esterna	76	9. Funzioni speciali	85
5. Installazione della tubazione del refrigerante	76		

1. Misure di sicurezza

- ▶ Leggere attentamente la sezione “Misure di sicurezza” prima di far funzionare l'unità.
- ▶ Prima di collegare l'equipaggiamento alla rete di alimentazione, contattare o chiedere l'autorizzazione dell'autorità competente.
- ▶ Attrezzatura conforme alle norme IEC/EN 61000-3-12

⚠ Avvertenza:

Descrive le precauzioni da prendere per evitare il rischio di lesioni, anche mortali, per l'utente.

⚠ Cautela:

Descrive le precauzioni da prendere per evitare il danneggiamento dell'unità.

⚠ Avvertenza:

- L'unità non deve essere montata dall'utente. Richiedere ad un rivenditore o ad un tecnico autorizzato di provvedere all'installazione. Un montaggio scorretto dell'unità può essere causa di perdite di acqua, scosse elettriche o incendi.
- Per eseguire l'installazione, seguire quanto indicato nel Manuale d'installazione e utilizzare gli strumenti e i componenti dei tubi specificatamente previsti per il refrigerante R410A. Il R410A presente nel sistema a idrofluorocarburi è pressurizzato con una pressione pari a 1,6 volte quella dei refrigeranti tradizionali. L'utilizzo di componenti dei tubi non adatti al refrigerante di tipo R410A e un'installazione scorretta dell'unità possono causare lo scoppio dei tubi, provocando danni e lesioni. Inoltre, si possono verificare perdite di acqua, scosse elettriche o incendi.
- L'unità deve essere montata conformemente alle istruzioni, riducendo al minimo il rischio di possibili danni causati da terremoti, tifoni o forti raffiche di vento. Se installata in maniera scorretta, può cadere e provocare danni e lesioni.
- Installare l'unità in maniera sicura su una struttura in grado di sostenerne il peso. Se montata su una struttura instabile, l'unità potrebbe cadere e provocare danni e lesioni.
- Nel caso il condizionatore venisse installato in un ambiente piccolo, è consigliabile prendere i dovuti accorgimenti per evitare che nella stanza, nel caso di una perdita di refrigerante, si formi una concentrazione di refrigerante superiore ai limiti di sicurezza. Per maggiori informazioni sulle misure adatte ad evitare il superamento dei limiti di concentrazione stabiliti, consultare un rivenditore. Eventuali perdite di refrigerante o il superamento dei limiti di concentrazione possono causare situazioni di pericolo imputabili alla mancanza di ossigeno nella stanza.
- In presenza di perdite di refrigerante durante il funzionamento, aerare la stanza. A contatto con una fiamma, il refrigerante può rilasciare gas tossici.
- Tutti gli interventi elettrici devono essere eseguiti da un tecnico qualificato, rispettando le normative locali e le istruzioni riportate nel presente manuale. Le unità devono essere alimentate da linee elettriche dedicate e con il voltaggio corretto; è inoltre necessario utilizzare appositi interruttori di circuito. Le linee elettriche con una capacità insufficiente o un'attività elettrica non idonee possono provocare scosse elettriche o incendi.

Terminata l'installazione, spiegare le “Misure di sicurezza”, l'uso e la manutenzione dell'unità al cliente conformemente alle informazioni riportate nel manuale d'uso ed eseguire il ciclo di prova per accertare che l'impianto funzioni normalmente. Consegnare il Manuale d'uso ed il Manuale di installazione al cliente, che li dovrà conservare e, in futuro, consegnarli ad eventuali nuovi utenti.

⚡ : Indica la necessità di collegare un componente a massa.

⚠ Avvertenza:

Leggere attentamente le etichette attaccate all'unità principale.

- Collegare i cavi di alimentazione e i fili di collegamento di unità interne, unità esterne e scatole di derivazione direttamente alle unità (senza collegamenti intermedi). I collegamenti intermedi possono causare errori di comunicazione nel caso in cui l'acqua s'infiltri nei cavi e nei fili provocando di conseguenza un insufficiente isolamento a massa o un contatto elettrico insufficiente nel punto di collegamento intermedio. (Se è necessario un collegamento intermedio, accertarsi di adottare le misure necessarie per evitare che l'acqua s'infiltri nei cavi e nei fili.)
- Per tutti i tubi continui in rame e lega di rame, per collegare i tubi di refrigerazione, utilizzare rame fosforoso C1220. Nel caso di errato collegamento dei tubi, l'unità non sarà messa a terra correttamente, con un conseguente rischio di scossa elettrica.
- Utilizzare esclusivamente i cablaggi specificati. I collegamenti devono essere fatti in condizioni di sicurezza, senza tensione sui connettori. Un collegamento non idoneo o un'installazione errata dei cavi possono essere causa di surriscaldamento o incendio.
- Il pannello di copertura della morsettiera dell'unità esterna deve essere fissato saldamente. Se il pannello di copertura non è montato correttamente e nell'unità penetra polvere ed umidità, vi è il rischio di scosse elettriche o di incendio.
- Durante l'installazione o lo spostamento del condizionatore, per ricaricare i tubi del refrigerante utilizzare soltanto il refrigerante specificato (R410A). Non mescolarlo con nessun altro tipo di refrigerante e assicurarsi che nei tubi non rimanga aria. Eventuali residui di aria nei tubi possono provocare picchi di pressione tali da causare rotture e altre situazioni di pericolo.
- Utilizzare soltanto gli accessori autorizzati dalla Mitsubishi Electric e richiedere a un rivenditore o a un tecnico autorizzato di provvedere all'installazione. Un montaggio non corretto degli accessori può causare perdite di acqua, scosse elettriche o incendi.
- Non modificare la struttura dell'unità. Per le riparazioni, consultare un rivenditore. Eventuali modifiche o riparazioni non eseguite correttamente possono provocare perdite di acqua, scosse elettriche o incendi.
- L'utente non dovrebbe mai tentare di riparare l'unità o spostarla in un'altra sede. Un montaggio scorretto dell'unità può essere causa di perdite di acqua, scosse elettriche o incendi. Per riparare o spostare il condizionatore contattare un rivenditore o un tecnico specializzato.
- Terminata l'installazione, accertarsi che non vi siano perdite di refrigerante. Eventuali perdite di refrigerante nella stanza a contatto con una fiamma possono causare la formazione di gas tossici.

1.1. Prima dell'installazione

⚠ Cautela:

- Non utilizzare l'unità in un ambiente insolito. Se installata in zone esposte a vapore, olio volatile (compreso l'olio per macchine), gas solfureo, in zone a elevato contenuto salino, tra cui le località marittime o in aree dove l'unità rischia di venire ricoperta dalla neve, le sue prestazioni potrebbero essere notevolmente pregiudicate e i componenti interni potrebbero essere danneggiati.
- Non installare l'unità dove si possono verificare perdite, produzione, flusso o accumulo di gas. Nel caso di accumulo di gas attorno all'unità, si possono verificare incendi ed esplosioni.

- Durante la fase di riscaldamento, l'unità esterna produce condensa. Provvedere a un apposito sistema di scarico attorno all'unità esterna nel caso questa condensa possa provocare danni.
- Qualora l'unità venisse installata in un ospedale o in uffici aperti al pubblico, considerare che essa potrà essere fonte di rumorosità ed interferenze con le apparecchiature elettroniche. Gli inverter, le applicazioni domestiche, le attrezzature mediche ad alta frequenza e le apparecchiature di radiocomunicazione possono provocare danni o rotture del condizionatore. Il condizionatore può anche influire sul funzionamento delle attrezzature mediche, disturbandone le prestazioni e le apparecchiature di comunicazione, pregiudicando la qualità di visualizzazione sullo schermo.

1.2. Prima dell'installazione (spostamento)

⚠ Cautela:

- Durante il trasporto delle unità, prestare estrema attenzione. L'unità pesa oltre 20 chili, quindi per poterla maneggiare sono necessarie due o più persone. Non afferrare l'unità dai nastri di imballaggio. Per estrarre l'unità dalla confezione e per spostarla indossare appositi guanti protettivi, per evitare il rischio di ferimento dei palmi delle mani o di altre parti.
- Smaltire in maniera sicura il materiale di imballaggio. Il materiale di imballaggio, tra cui i chiodi e altre parti in metallo o legno, possono causare ferite da punta o altri tipi di lesione.

- La base e gli elementi di fissaggio dell'unità esterna devono essere sottoposti a controlli periodici, accertando che non siano allentati, fessurati o danneggiati in altro modo. Se non si eliminano questi difetti, l'unità può cadere e causare danni e lesioni.
- Non pulire il condizionatore con acqua. Rischio di scossa elettrica.
- Stringere tutti i dadi svasati utilizzando una chiave dinamometrica. Se stretto troppo, il dado svasato dopo un periodo prolungato si può rompere, causando una perdita di refrigerante.

1. Misure di sicurezza

1.3. Prima dell'esecuzione degli interventi elettrici

⚠ Cautela:

- Accertarsi di aver installato gli interruttori di circuito. In caso contrario, esiste il rischio di scossa elettrica.

IMPORTANTE

Accertarsi che l'interruttore del circuito di dispersione sia compatibile con armoniche più alte.

Utilizzare sempre un interruttore del circuito di dispersione compatibile con armoniche più alte in quanto questa unità è dotata di inverter.

L'uso di un interruttore inadeguato può compromettere il funzionamento dell'inverter.

- Per le linee di alimentazione utilizzare cavi standard di capacità sufficiente. In caso contrario, rischio di cortocircuito, surriscaldamento o incendio.

1.4. Prima di iniziare il ciclo di prova

⚠ Cautela:

- Azionare l'interruttore principale almeno 12 ore prima di avviare l'impianto. L'avvio dell'impianto immediatamente dopo l'azionamento dell'interruttore principale può danneggiare gravemente le parti interne. Mantenere l'interruttore principale azionato per l'intera stagione operativa.
- Prima di avviare l'impianto, accertarsi che tutti i pannelli, le protezioni ed altri elementi di sicurezza siano installati correttamente. Gli elementi rotanti, caldi o ad alta tensione possono provocare lesioni.

1.5. Utilizzo dei condizionatori caricati con refrigerante R410A

⚠ Cautela:

- Per tutti i tubi continui in rame e lega di rame, per collegare i tubi di refrigerazione, utilizzare rame fosforoso C1220. Accertarsi che le parti interne dei tubi siano pulite e che non contengano agenti contaminanti dannosi, tra cui composti solfurei, ossidanti, detriti o polvere. Usare tubi dello spessore specificato. (Vedere a pag. 76) Nel caso si intenda riutilizzare i tubi già esistenti con i quali sia stato utilizzato il refrigerante R22, notare quanto segue.
 - Sostituire i dadi svasati presenti e svasare nuovamente le sezioni svasate.
 - Non utilizzare tubi sottili. (Vedere a pag. 76)
- Conservare i tubi da utilizzare durante l'installazione in un ambiente chiuso e mantenere sigillate entrambe le estremità dei tubi fino a poco prima di procedere con la brasatura. (Lasciare le giunzioni a gomito ecc. nella confezione). La presenza di polvere, detriti o umidità nelle linee dei refrigeranti, può causare il deterioramento dell'olio e guastare il compressore.
- Come olio di refrigerazione da applicare alle sezioni svasate, usare olio esterico, eterico, olio di alchilbenzolo (in quantità limitate). Mescolando l'olio minerale con l'olio di refrigerazione si può provocare un deterioramento dell'olio.

- Durante l'installazione delle linee di alimentazione, non mettere i cavi sotto tensione. In presenza di connessioni lente, i cavi possono fuoriuscire e rompersi, causando surriscaldamento o incendio.
- Mettere a terra l'unità. Non collegare il cavo di messa a terra alle linee del gas o dell'acqua, ai parafulmini o alle linee di messa a terra telefoniche. Se non messa a terra correttamente, l'unità può causare scosse elettriche.
- Usare interruttori di circuito (interruttore di guasti a terra, sezionatore (fusibile +B) e interruttore di circuito a corpo sagomato) con la capacità specificata. Una capacità dell'interruttore di circuito superiore a quella specificata può causare guasti o incendi.

- Non toccare nessun interruttore con le mani umide. Rischio di scossa elettrica.
- Non toccare i tubi del refrigerante a mani nude durante il funzionamento. I tubi del refrigerante possono essere estremamente caldi o freddi, secondo le condizioni del flusso del refrigerante. Il contatto con i tubi può quindi provocare ustioni o congelamento.
- A funzionamento terminato, attendere almeno cinque minuti prima di spegnere l'interruttore principale. Diversamente, si possono verificare perdite di acqua o guasti.

- Non utilizzare altri refrigeranti diversi dal tipo R410A. Utilizzando un refrigerante diverso, il cloro provoca un deterioramento dell'olio.
- Per il refrigerante R410A, usare i seguenti strumenti appositi. Con il refrigerante R410A sono richiesti i seguenti strumenti. Per qualsiasi informazione aggiuntiva, contattare il rivenditore più vicino.

Strumenti (per R410A)	
Calibro tubo	Utensile di svasatura
Tubo di caricamento	Calibro di regolazione misura
Rilevatore di perdite di gas	Adattatore pompa a vuoto
Chiave dinamometrica	Bilancia elettronica di caricamento refrigerante

- Accertarsi di utilizzare gli strumenti adatti. La presenza di polvere, detriti o umidità nelle linee dei refrigeranti, può causare il deterioramento dell'olio.
- Non utilizzare un cilindro di caricamento. L'impiego di un cilindro di caricamento può modificare la composizione del refrigerante ed abbassare il livello di efficienza.

2. Schema di installazione e componenti

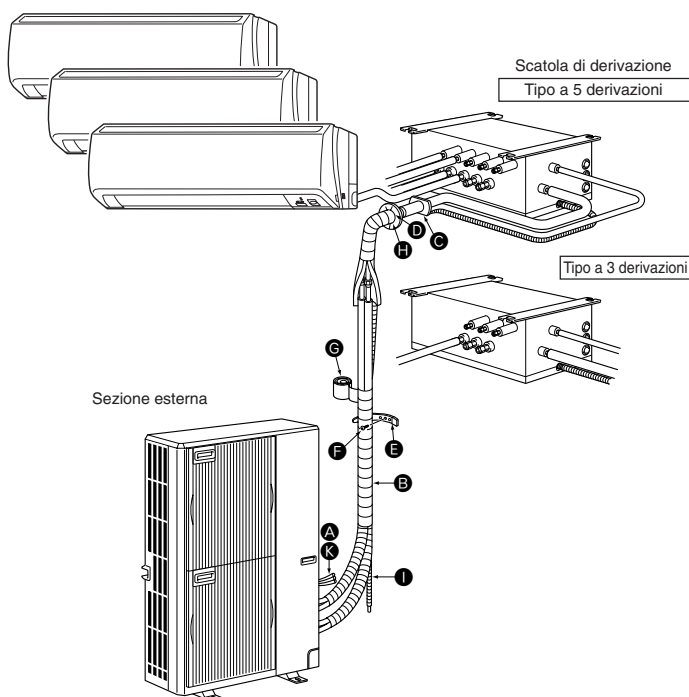


Fig. 2-1

2.1. Prima dell'installazione (Fig. 2-1)

Questo manuale di installazione si riferisce unicamente all'installazione dell'unità esterna. Per l'installazione delle unità interne e della scatola delle derivazioni, fare riferimento al manuale di installazione in dotazione con ogni unità.

Eventuali modifiche strutturali necessarie per l'installazione devono essere conformi ai requisiti del regolamento edilizio locale.

Questo schema ha lo scopo di mostrare la configurazione degli accessori. Per l'installazione vera e propria, l'unità esterna deve essere ruotata di 180°.

Le unità devono essere installate dal fornitore autorizzato, in conformità alle normative locali.

Nota:

Si dovranno rispettare le dimensioni indicate dalle frecce del diagramma per garantire le prestazioni del condizionatore d'aria. Installare l'unità in un luogo il più spazioso possibile per facilitarne in seguito la manutenzione o le riparazioni.

Parti da procurare localmente

A	Cablaggio di collegamento scatola di derivazione/unità esterna (a 3 nuclei, consultare il punto 7.3. Procedura cablaggio esterno)	1
B	Prolunga tubo	1
C	Manicotto foro parete	1
D	Coperchio foro parete	1
E	Fascia di fissaggio tubo (la quantità dipende dalla lunghezza del tubo.)	Da 2 a 7
F	Vite di fissaggio per E 4 x 20 mm (la quantità dipende dalla lunghezza del tubo.)	Da 2 a 7
G	Nastro adesivo per tubazioni	1
H	Stucco	1
I	Tubo di scarico (tubo in PVC duro VP16)	1
J	Olio refrigerante	1
K	Cavo elettrico (a 2 nuclei, consultare il punto 7.3. Procedura cablaggio esterno)	1

3. Luogo di installazione

3.1. Tubazione del refrigerante

Fare riferimento a 5.2. Differenza lunghezza tubo e altezza.

3.2. Scelta del luogo di installazione dell'unità esterna

- Evitare i luoghi esposti alla luce solare diretta o altre fonti di calore.
- Scegliere un luogo dove il rumore emesso dall'unità non disturbi i vicini.
- Scegliere un luogo che consenta di eseguire facilmente i cablaggi ed accedere ai tubi della fonte di alimentazione e dell'unità interna.
- Evitare i luoghi dove si possono verificare perdite, produzione, flusso o accumulo di gas.
- Notare che durante il funzionamento si possono verificare perdite di acqua dall'unità.
- Scegliere un luogo piano in grado di supportare il peso e le vibrazioni dell'unità.
- Evitare di installare l'unità dove possa venire ricoperta dalla neve. Nelle zone in cui le precipitazioni nevose vengono previste in anticipo, prendere particolari precauzioni, ad esempio aumentando l'altezza di installazione o installando un cappuccio nella presa d'aria, in modo da evitare che la neve possa ostruire la presa d'aria o possa soffiare direttamente contro di essa. Questi fenomeni possono ridurre il flusso dell'aria e causare anomalie.
- Evitare i luoghi esposti agli schizzi di olio, vapore o al gas solfureo.
- Per trasportare l'unità usare le apposite maniglie dell'unità esterna. Trasportando l'unità dal fondo, mani o dita possono rimanere schiacciate.

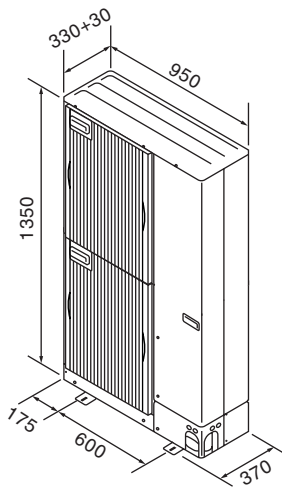


Fig. 3-1

(mm)

3.3. Dimensioni (Sezione esterna) (Fig. 3-1)

Limitazioni relative all'installazione dell'unità interna

Notare che le unità interne che è possibile collegare a questa unità esterna appartengono ai seguenti modelli.

- È possibile collegare unità interne con numeri di modello 22, 25, 35, 50, 60, 71, 80. Fare riferimento alla tabella seguente per le combinazioni possibili di unità interne per 2 - 8 ambienti.

Verifica

La capacità nominale deve essere determinata osservando la tabella seguente. Le quantità di unità sono limitate a 2 - 8 unità. Per il passaggio successivo, accertarsi che la capacità nominale totale selezionata sia compresa tra 4,4 e 18,5 kW.

Esempio:

MSZ-60	=	6,0	} Capacità nominale totale 18,0 ≤ 18,5 kW
	+		
SEZ-35	=	3,5	
	+		
SLZ-35	=	3,5	
	+		
SEZ-25	=	2,5	
	+		
SLZ-25	=	2,5	
	+		

Tipo di unità interna	22	25	35	50	60	71	80
Capacità nominale (raffreddamento) (kW)	2,2	2,5	3,5	5,0	6,0	7,1	8,0

Le combinazioni in cui la capacità totale di unità interne supera la capacità dell'unità esterna (=14,0 kW) ridurranno la capacità di raffreddamento di ogni unità interna al di sotto della sua capacità di raffreddamento nominale. Quindi, se possibile, combinare le unità interne con un'unità esterna entro la capacità dell'unità esterna (=14,0 kW).

3.4. Ventilazione e spazio di servizio

3.4.1. Installazione in una posizione ventosa

Nel caso l'unità esterna venisse montata in cima a un tetto o in un altro punto non protetto dal vento, posizionare l'uscita dell'aria dell'unità in modo da non esporla direttamente ai venti forti. Eventuali raffiche di vento, penetrando nella bocca di uscita dell'aria, possono impedire il normale flusso dell'aria e causare anomalie.

Le istruzioni riportate di seguito illustrano tre esempi di misure di protezione dai venti forti.

① Posizionare la bocca di uscita dell'aria verso la parete più vicina, mantenendola a circa 50 cm di distanza dalla parete. (Fig. 3-2)

② Se l'unità viene installata in luoghi in cui vi è il rischio che nell'uscita aria penetrino forti venti da tifone, ecc., installare una guida opzionale per l'aria. (Fig. 3-3)

Ⓐ Guida per l'aria

③ Se possibile, posizionare l'unità in modo che la bocca di uscita soffi perpendicolarmente alla direzione del vento stagionale. (Fig. 3-4)

Ⓑ Direzione del vento

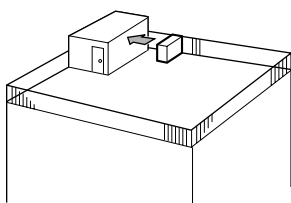


Fig. 3-2

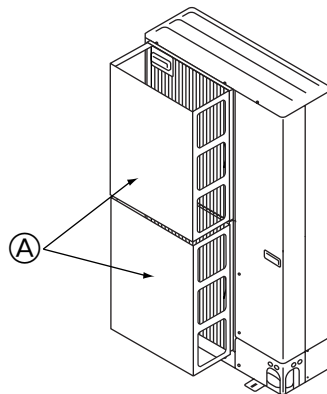


Fig. 3-3

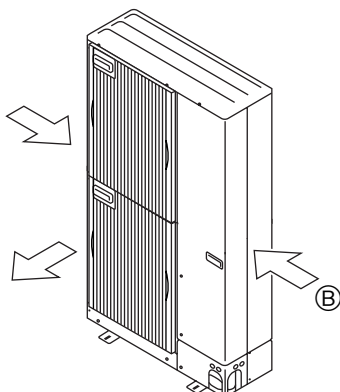


Fig. 3-4

3. Luogo di installazione

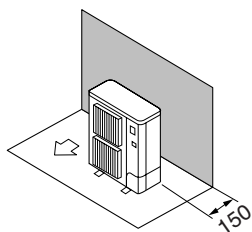


Fig. 3-5

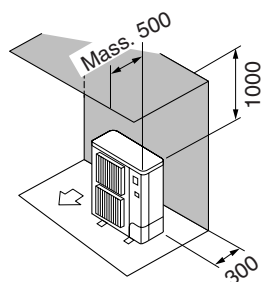


Fig. 3-6

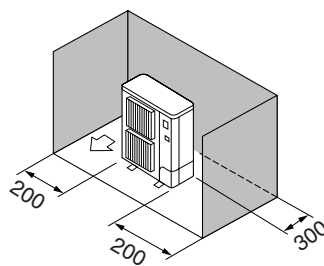


Fig. 3-7

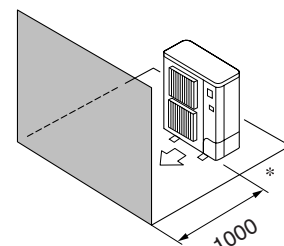


Fig. 3-8

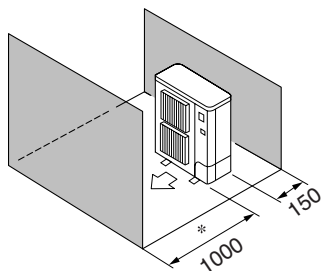


Fig. 3-9

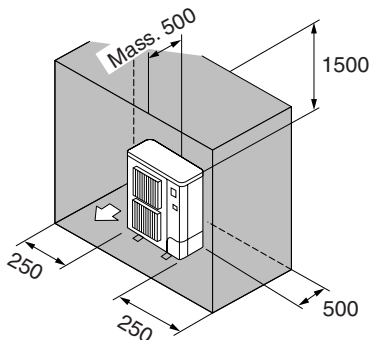


Fig. 3-10

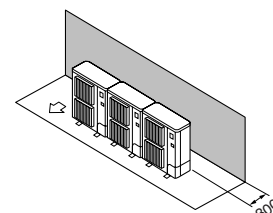


Fig. 3-11

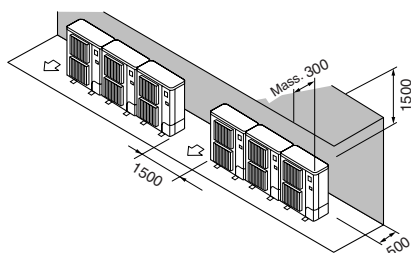


Fig. 3-12

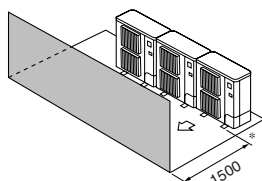


Fig. 3-13

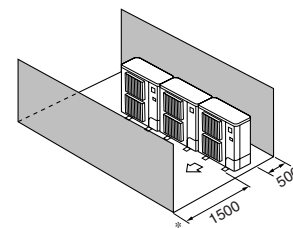


Fig. 3-14

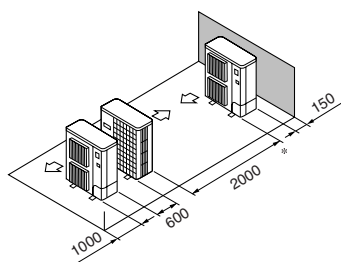


Fig. 3-15

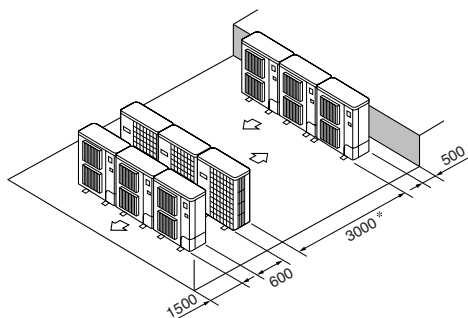


Fig. 3-16

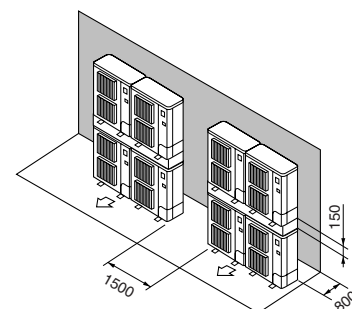


Fig. 3-17

3.4.2. Installazione di un'unica unità esterna

Le dimensioni minime sono le seguenti, eccetto per i valori Max., i quali indicano le dimensioni massime.

Fare riferimento alle figure per ciascun caso.

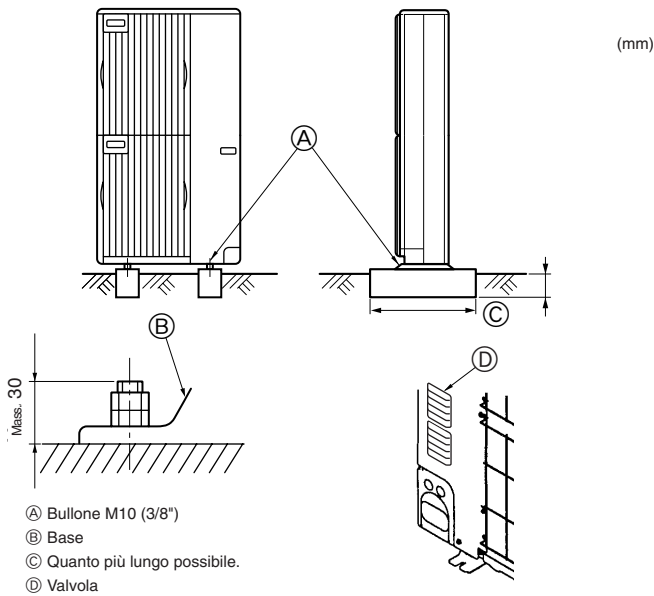
- ① Solo ostacoli posteriori (Fig. 3-5)
- ② Solo ostacoli posteriori e superiori (Fig. 3-6)
- ③ Solo ostacoli posteriori e laterali (Fig. 3-7)
- ④ Solo ostacoli anteriori (Fig. 3-8)
- * Quando si utilizza una guida opzionale di uscita aria, lo spazio è di almeno 500 mm.
- ⑤ Solo ostacoli anteriori e posteriori (Fig. 3-9)
- * Quando si utilizza una guida opzionale di uscita aria, lo spazio è di almeno 500 mm.
- ⑥ Solo ostacoli posteriori, laterali e superiori (Fig. 3-10)
- Non utilizzare le guide per la bocca di uscita opzionale per il flusso dell'aria verso l'alto.

3.4.3. Installazione di diverse unità esterne

Lasciare almeno 10 mm di spazio tra le unità.

- ① Solo ostacoli posteriori (Fig. 3-11)
- ② Solo ostacoli posteriori e superiori (Fig. 3-12)
 - Non affiancare più di tre unità. Inoltre lasciare lo spazio indicato.
 - Non utilizzare le guide per la bocca di uscita opzionale per il flusso dell'aria verso l'alto.
- ③ Solo ostacoli anteriori (Fig. 3-13)
 - * Quando si utilizza una guida opzionale di uscita aria, lo spazio è di almeno 1000 mm.
- ④ Solo ostacoli anteriori e posteriori (Fig. 3-14)
 - * Quando si utilizza una guida opzionale di uscita aria, lo spazio è di almeno 1000 mm.
- ⑤ Disposizione di unità singole parallele (Fig. 3-15)
 - * Nel caso si utilizzi una guida della bocca di uscita aria opzionale installata per il flusso verso l'alto, il gioco previsto è di almeno 1000 mm.
- ⑥ Disposizione di diverse unità parallele (Fig. 3-16)
 - * Nel caso si utilizzi una guida della bocca di uscita aria opzionale, il gioco previsto è di almeno 1500 mm.
- ⑦ Disposizione unità sovrapposte (Fig. 3-17)
 - È consentito sovrapporre al massimo due unità.
 - Non affiancare più di due unità sovrapposte. Inoltre lasciare lo spazio indicato.

4. Installazione della sezione esterna



(mm)

- Assicurarsi di installare l'unità su una superficie solida e in piano, per evitare rumori di sbattimento durante il funzionamento. (Fig. 4-1)

<Specifiche delle fondamenta>

Bullone fundamenta	M10 (3/8")
Spessore del cemento	120 mm
Lunghezza del bullone	70 mm
Capacità di carico	320 kg

- Assicurarsi che la lunghezza del bullone fundamenta non superi 30 mm rispetto alla superficie inferiore della base.
- Assicurare saldamente la base dell'unità con quattro bulloni fundamenta M-10 in punti sufficientemente solidi.

Installazione dell'unità esterna

- Non bloccare la valvola. Il blocco della valvola può impedire il funzionamento dell'impianto e provocare guasti.
- Oltre alla base dell'unità, utilizzare i fori di installazione previsti sul retro dell'unità per collegare i cavi ecc., se necessario per installare l'unità. Utilizzare viti autofilettanti ($\phi 5 \times 15$ mm o inferiore) ed eseguire l'installazione sul posto.

⚠ Avvertenza:

- L'unità deve essere installata in maniera sicura su una struttura in grado di sostenerne il peso. Se montata su una struttura instabile, l'unità potrebbe cadere e causare danni e lesioni.
- L'unità deve essere montata conformemente alle istruzioni, riducendo al minimo il rischio di possibili danni causati da terremoti, tifoni o forti raffiche di vento. Se installata in maniera scorretta, un'unità può cadere e causare danni e lesioni.

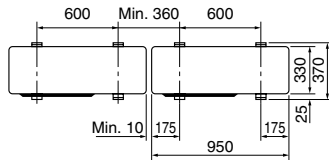


Fig. 4-1

5. Installazione della tubazione del refrigerante

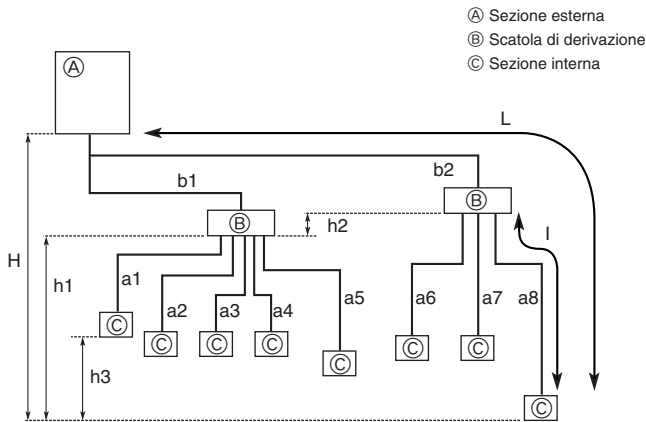


Fig. 5-1

5.1. Precauzioni per gli impianti che utilizzano il refrigerante tipo R410A

- Per ulteriori precauzioni non riportate di seguito sull'impiego dei condizionatori con refrigerante R410A, vedere a pagina 73.
- Come olio di refrigerazione da applicare alle sezioni svasate, usare olio eterico, eterico, olio di alchilbenzolo (in quantità limitate).
- Per tutti i tubi continui in rame e lega di rame, per collegare i tubi di refrigerazione, utilizzare rame fosforoso C1220. Usare i tubi del refrigerante dello spessore specificato nella tabella in basso. Accertarsi che le parti interne dei tubi siano pulite e che non contengano agenti contaminanti dannosi, tra cui composti sulfurei, ossidanti, detriti o polvere.

⚠ Avvertenza:

Durante l'installazione o lo spostamento del condizionatore, per ricaricare i tubi del refrigerante utilizzare soltanto il refrigerante specificato (R410A). Non mescolarlo con nessun altro tipo di refrigerante e assicurarsi che nei tubi non rimanga aria. Eventuali residui di aria nei tubi possono causare picchi di pressione tali da causare rotture ed altre situazioni di pericolo.

$\phi 6,35, \phi 9,52, \phi 12,7$	Spessore 0,8 mm
$\phi 15,88$	Spessore 1,0 mm

- Non utilizzare tubi più sottili di quanto specificato in precedenza.

Lunghezza ammessa (un senso)	Lunghezza tubazione totale	$b1+b2+a1+a2+a3+a4+a5+a6+a7+a8 \leq 115$ m
	Lunghezza tubazione massima (L)	$b2+a8 \leq 70$ m ($b2 \leq 55$ m, $a8 \leq 15$ m)
	Lunghezza tubazione tra unità esterna e scatole di derivazione	$b1+b2 \leq 55$ m
	Lunghezza tubazione massima dopo la scatola di derivazione (l)	$a8 \leq 15$ m
Differenza altezza ammessa (un senso)	Lunghezza tubazione totale tra scatole di derivazione e unità interne	$a1+a2+a3+a4+a5+a6+a7+a8 \leq 60$ m
	In sezione interna/esterna (H)*1	$H \leq 30$ m (Nel caso in cui l'unità esterna sia collocata più in alto dell'unità interna)
	In sezione scatola di derivazione/unità interna (h1)	$H \leq 20$ m (Nel caso in cui l'unità esterna sia collocata più in basso dell'unità interna)
	In ogni unità di derivazione (h2)	$h1 + h2 \leq 15$ m
Numero di curvature	In ogni unità di derivazione (h3)	$h2 \leq 15$ m
	In ogni unità interna (h3)	$h3 \leq 12$ m
		$ b1+a1 , b1+a2 , b1+a3 , b1+a4 , b1+a5 , b2+a6 , b2+a7 , b2+a8 \leq 15$

*1 Collocare la scatola di derivazione ad un'altezza compresa tra quella dell'unità esterna e delle unità interne.

5.2. Differenza lunghezza tubo e altezza (Fig. 5-1)

Collegamenti a cartella

- Questa unità è dotata di collegamenti a cartella sui lati di ogni unità interna, della scatola di derivazione e dell'unità esterna.
- Rimuovere il coperchio della valvola dell'unità esterna, quindi collegare il tubo.
- I tubi del refrigerante si usano per collegare la scatola di derivazione e l'unità esterna.

5. Installazione della tubazione del refrigerante

5.3. Aggiunta di refrigerante

- Per questa unità non è necessario un caricamento supplementare se la lunghezza totale del tubo ($b_1+b_2+a_1+a_2+a_3+a_4+a_5+a_6+a_7+a_8$) non supera i 40 m.
- Se la lunghezza totale del tubo supera i 40 m, caricare l'unità con altro refrigerante R410A conformemente alle lunghezze dei tubi consentite nel grafico in basso.

* Quando l'unità è ferma, caricarla con altro refrigerante attraverso la valvola di arresto del liquido dopo aver creato il vuoto nei tubi di prolunga e nell'unità interna. Quando l'unità è in funzione, aggiungere il refrigerante attraverso la valvola di controllo del gas utilizzando un caricatore di sicurezza. Non aggiungere il refrigerante liquido direttamente attraverso la valvola di controllo.

Dopo aver caricato il refrigerante nell'unità, annotare la quantità di refrigerante aggiunta sull'etichetta di servizio (applicata sull'unità).

Per maggiori informazioni fare riferimento a "1.5. Utilizzo dei condizionatori caricati con refrigerante".

Tabella 1

Lunghezza tubazione totale ($b_1+b_2+a_1+a_2+a_3+a_4+a_5+a_6+a_7+a_8$)	41 - 50 m	51 - 70 m	71 - 90 m	91 - 115 m
Quantità di caricamento di refrigerante supplementare	0,6 kg	1,4 kg	2,2 kg	3,2 kg

Se si collega un'unità interna con tubi liquidi di $\varnothing 9,52$ (numero di modello 71 o superiore per la Serie M e la Serie S; numero di modello 60 o superiore per la Serie P), la quantità di caricamento di refrigerante supplementare della Tabella 1 deve essere corretta (aggiungere il seguente valore ΔR al valore indicato nella Tabella 1).

Quantità di correzione caricamento di refrigerante supplementare
 $\Delta R = 0,01 \text{ [kg/m]} \times \text{la lunghezza totale [m] del tubo di derivazione (tubo liquidi) di } \varnothing 9,52$

Esempio) $b_1=20 \text{ m}$, $b_2=25 \text{ m}$

Unità interna A	$\varnothing 9,52$ Tubo liquidi	$a_1=12 \text{ m}$
Unità interna B	$\varnothing 6,35$ Tubo liquidi	$a_2=11 \text{ m}$
Unità interna C	$\varnothing 6,35$ Tubo liquidi	$a_6=14 \text{ m}$
Unità interna D	$\varnothing 9,52$ Tubo liquidi	$a_7=13 \text{ m}$

Lunghezza tubazione totale: $b_1+b_2+a_1+a_2+a_6+a_7=95 \text{ m}$

→ In base alla Tabella 1, la quantità di caricamento di refrigerante supplementare è pari a 3,2 kg.

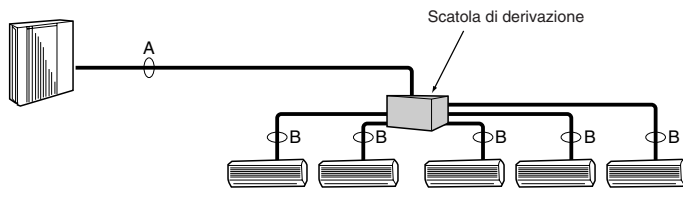
Poiché le unità interne connesse hanno tubi liquidi di $\varnothing 9,52$ (in questo esempio, si tratta delle unità interne A e D), è necessario rettificare la quantità di caricamento di refrigerante supplementare.

Quantità di correzione caricamento di refrigerante supplementare
 $\Delta R = 0,01 \text{ [kg/m]} \times \text{la lunghezza totale (} a_1+a_7 \text{) del tubo di derivazione (tubo liquidi) di } \varnothing 9,52$
 $= 0,01 \times (12+13 \text{ m})$
 $= 0,25 \text{ kg}$

La quantità di caricamento di refrigerante supplementare è pertanto equivalente a $3,2 \text{ kg} + 0,25 \text{ kg} = 3,45 \text{ kg}$.

■ In caso di uso di una scatola a 1 derivazione

Impiegato collegamento a cartella. (Senza saldatura)



■ In caso di uso di scatole a 2 derivazioni

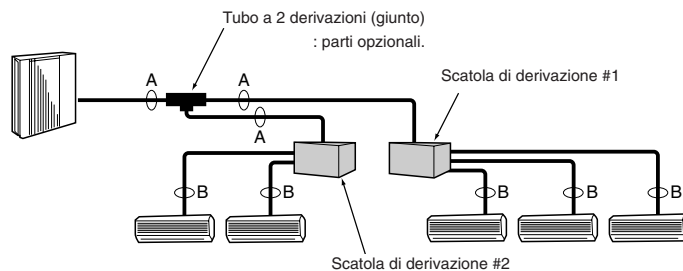


Fig. 5-2

(1) Dimensioni valvola per unità esterna

Per liquido	$\varnothing 9,52 \text{ mm}$
Per gas	$\varnothing 15,88 \text{ mm}$

(2) Dimensioni valvola per scatola di derivazione

[A] UNITÀ	Tubo liquidi	$\varnothing 6,35 \text{ mm}$
	Tubo gas	$\varnothing 9,52 \text{ mm}$
[B] UNITÀ	Tubo liquidi	$\varnothing 6,35 \text{ mm}$
	Tubo gas	$\varnothing 9,52 \text{ mm}$
[C] UNITÀ	Tubo liquidi	$\varnothing 6,35 \text{ mm}$
	Tubo gas	$\varnothing 9,52 \text{ mm}$
[D] UNITÀ	Tubo liquidi	$\varnothing 6,35 \text{ mm}$
	Tubo gas	$\varnothing 9,52 \text{ mm}$
[E] UNITÀ	Tubo liquidi	$\varnothing 6,35 \text{ mm}$
	Tubo gas	$\varnothing 12,7 \text{ mm}$

* Tipo a 3 derivazioni : solo unità [A], [B], [C]

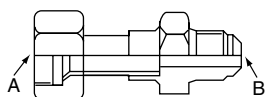


Fig. 5-3

Formula conversione

1/4 F	$\varnothing 6,35$
3/8 F	$\varnothing 9,52$
1/2 F	$\varnothing 12,7$
5/8 F	$\varnothing 15,88$
3/4 F	$\varnothing 19,05$

5.4. Selezione delle dimensioni del tubo (Fig. 5-2)

	A	B
Liquido (mm)	$\varnothing 9,52$	Le dimensioni di collegamento della tubazione sono differenti in base al tipo e alla capacità delle unità interne. Far corrispondere le dimensioni di collegamento della scatola di derivazione con l'unità interna. Se le dimensioni di collegamento della tubazione della scatola di derivazione non corrispondono alle dimensioni di collegamento delle tubazioni dell'unità interna, utilizzare giunti di diametro differente opzionali (deformati) sul lato della scatola delle derivazioni. (Collegare il giunto deformato direttamente sul lato della scatola di derivazione.)
Gas (mm)	$\varnothing 15,88$	

Giunto di diametro differente (parti opzionali) (Fig. 5-3)

Nome del modello	Diametro dei tubi collegati	Diametro A	Diametro B
	mm	mm	mm
MAC-A454JP	$\varnothing 9,52 \rightarrow \varnothing 12,7$	$\varnothing 9,52$	$\varnothing 12,7$
MAC-A455JP	$\varnothing 12,7 \rightarrow \varnothing 9,52$	$\varnothing 12,7$	$\varnothing 9,52$
MAC-A456JP	$\varnothing 12,7 \rightarrow \varnothing 15,88$	$\varnothing 12,7$	$\varnothing 15,88$
PAC-493PI	$\varnothing 6,35 \rightarrow \varnothing 9,52$	$\varnothing 6,35$	$\varnothing 9,52$
PAC-SG76RJ-E	$\varnothing 9,52 \rightarrow \varnothing 15,88$	$\varnothing 9,52$	$\varnothing 15,88$

Preparazione delle tubazioni

① La tabella seguente mostra i dati tecnici relativi ai tubi disponibili in commercio.

Diametro esterno	Spessore isolamento	Materiali di isolamento
mm	mm	
6,35	8	Schiuma plastica resistente al calore Gravità specifica 0,045
9,52	8	
12,7	8	
15,88	8	

② Accertarsi che i 2 tubi del refrigerante siano isolati per impedire la condensa.

③ Il raggio di piegatura del tubo del refrigerante non deve essere inferiore a 100 mm.

⚠ Attenzione:

Accertarsi di utilizzare l'isolamento dello spessore specificato. Uno spessore eccessivo può provocare l'installazione errata dell'unità interna e della scatola di derivazione, mentre uno spessore insufficiente può causare sgocciolamento di condensa.

Tubo a 2 derivazioni (giunto) : Parti opzionali (secondo il metodo di collegamento, è possibile scegliere quella preferita.)

Nome del modello	Metodo di collegamento
MSDD-50AR-E	cartella
MSDD-50BR-E	saldatura

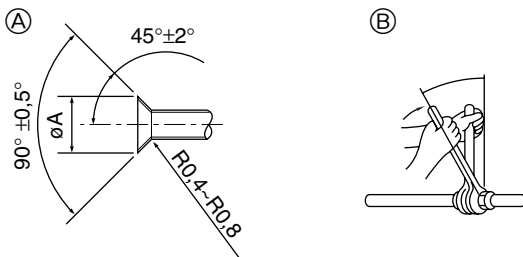
■ Procedura d'installazione (tubo a 2 derivazioni (giunto))

Fare riferimento ai manuali d'installazione dell'MSDD-50AR-E e MSDD-50BR-E.

5. Installazione della tubazione del refrigerante

Raccolta del refrigerante quando si spostano le unità interne ed esterne (svuotamento)

- ① Collegare la valvola di un collettore (con manometro incluso) all'apertura di servizio accanto alla valvola di arresto gas dell'unità esterna, in modo da poter misurare la pressione del refrigerante.
- ② Attivare l'alimentazione (interruttore di protezione).
- ③ Chiudere la valvola di arresto del liquido, quindi eseguire una prova di funzionamento in raffreddamento (SW4-1: ON e SW4-2: OFF).
 - * Prima di regolare SW4-1 e SW4-2, aspettare almeno 3 minuti dopo aver attivato l'alimentazione. Se i DIP switch vengono regolati prima che siano trascorsi 3 minuti, la prova di funzionamento può non avviarsi.
- ④ Chiudere completamente la valvola di arresto gas quando la pressione misurata dal manometro scende a 0,05 - 0,00 MPa* (circa 0,5 - 0,0 kgf/cm²).
 - * Se al sistema di condizionamento d'aria è stato aggiunto troppo refrigerante, la pressione non può scendere a 0,5 kgf/cm². In questo caso, utilizzare un dispositivo di raccolta refrigerante per raccogliere tutto il refrigerante presente nel sistema, quindi ricaricare il sistema con la quantità corretta di refrigerante dopo aver spostato le unità interne ed esterne.
- ⑤ Arrestare il condizionatore d'aria (SW4-1: OFF e SW4-2: OFF).
- ⑥ Interrompere l'alimentazione (interruttore di protezione).



- Ⓐ Dimensioni di taglio per raccordo a cartella
 Ⓑ Coppia di serraggio del dado a cartella

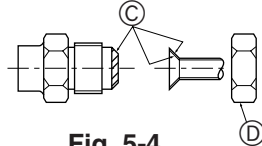


Fig. 5-4

Ⓐ (Fig. 5-4)

D.E. del tubo di rame (mm)	Dimensioni cartella dimensioni ØA (mm)
ø6,35	8,7 - 9,1
ø9,52	12,8 - 13,2
ø12,7	16,2 - 16,6
ø15,88	19,3 - 19,7

Ⓑ (Fig. 5-4)

D.E. del tubo di rame (mm)	O.D. del dado a cartella (mm)	Coppia di serraggio (N·m)*
ø6,35	17	14 - 18
ø6,35	22	34 - 42
ø9,52	22	34 - 42
ø9,52	26	49 - 61
ø12,7	26	49 - 61
ø12,7	29	68 - 82
ø15,88	29	68 - 82
ø15,88	36	100 - 120

* 1 N·m ≈ 10 kgf·cm

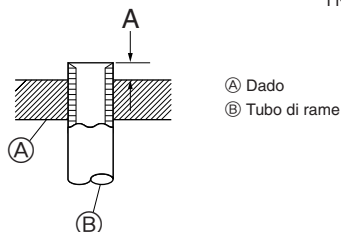


Fig. 5-5

5.5. Collegamento dei tubi (Fig. 5-4)

- Se vengono utilizzati dei tubi di rame disponibili in commercio, avvolgere del materiale di isolamento, disponibile in commercio, attorno ai tubi del liquido e del gas (resistente alla temperatura di 100 °C o superiore, spessore di almeno 12 mm).
- Le parti interne del tubo di drenaggio devono essere ricoperte di materiale di isolamento in schiuma di polietilene (gravità specifica di 0,03, spessore di almeno 9 mm).
- Stendere uno strato sottile di oliorefrigerante sul tubo e collegare la superficie di appoggio prima di serrare il dado a cartella. Ⓐ
- Serrare i raccordi dei tubi usando due chiavi. Ⓑ
- Una volta terminato il collegamento, usare un rivelatore di perdite di gas od una soluzione di acqua e sapone per controllare la presenza di eventuali perdite di gas.
- Applicare olio adatto alle macchine di refrigerazione sull'intera superficie di alloggiamento svasata. Ⓒ
- Utilizzare i dadi a cartella nel modo seguente. Ⓓ

■ Dimensioni tubo (unità esterna-scatoletta di derivazione)

Dimensioni tubo (ømm)	Liquido	ø9,52
	Gas	ø15,88

L'allineamento di un'unità interna collegabile dipende dal distretto/area/paese.

■ Dimensioni tubo (scatoletta di derivazione-unità interna) *Involucro serie M o unità interna serie S

Tipo di unità interna	(kW)	22	25	35	50	60	71	80
Dimensioni tubo (ømm)	Liquido	ø6,35	ø6,35	ø6,35	ø6,35	ø6,35	ø9,52	ø9,52
	Gas	ø9,52	ø9,52	ø9,52	ø12,7	ø15,88*	ø15,88	ø15,88

* Quando si utilizza un'unità interna di tipo 60 della serie MEXZ, utilizzare il dado a cartella nell'accessorio dell'unità interna per il collegamento del lato gas dell'unità interna.

Non utilizzare il dado a cartella (lato gas) fissato all'unità interna. Se lo si utilizza, si rischia una perdita di gas o la fuoriuscita del tubo.

■ Dimensioni tubo (scatoletta di derivazione-unità interna) *Unità interna della serie P

Tipo di unità interna	(kW)	35	50	60	71
Dimensioni tubo (ømm)	Liquido	ø6,35	ø6,35	ø9,52	ø9,52
	Gas	ø12,7	ø12,7	ø15,88	ø15,88

Con le unità interne della serie P e del tipo 35, 50, utilizzare il dado a cartella fissato all'unità interna.

Non utilizzare il dado a cartella fornito come accessorio dell'unità interna. Se lo si utilizza, si rischia una perdita di gas o la fuoriuscita del tubo.

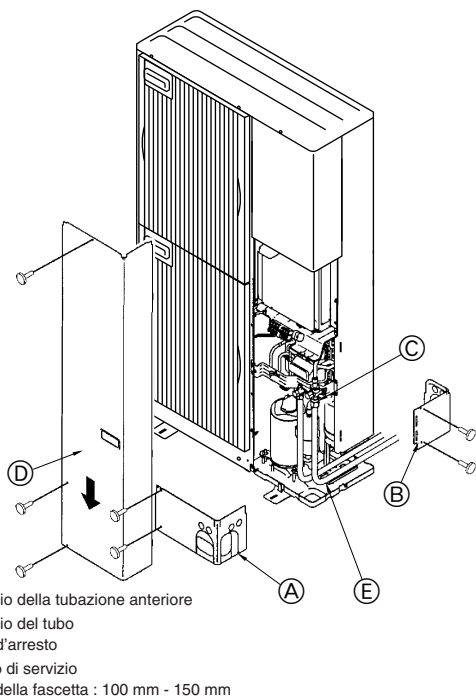
- Nel caso si dovessero piegare i tubi, fare attenzione a non romperli. I raggi di piegatura compresi tra 100 mm e 150 mm sono sufficienti.
- Accertarsi che i tubi non vengano a contatto con il compressore. Possibili conseguenze sono una rumorosità anomala e vibrazioni.

- ① Collegare i tubi partendo dall'unità interna. Stringere le viti svasate con una chiave dinamometrica.
- ② Svasare i tubi del liquido e del gas ed applicare un sottile strato di olio di refrigerazione (da applicare in loco).
- Nel caso si utilizzi un sistema di sigillatura dei tubi tradizionale, per maggiori indicazioni sulla svasatura dei tubi del refrigerante R410A, vedere la tabella 2. Il calibro di regolazione misura può essere utilizzato per confermare le misure A.

Tabella 2 (Fig. 5-5)

D.E. del tubo di rame (mm)	A (mm)	
	Attrezzo per raccordi a cartella per R410A	Attrezzo per raccordi a cartella per R22-R407C
	Tipo a innesto	
ø6,35	0 - 0,5	1,0 - 1,5
ø9,52	0 - 0,5	1,0 - 1,5
ø12,7	0 - 0,5	1,0 - 1,5
ø15,88	0 - 0,5	1,0 - 1,5

5. Installazione della tubazione del refrigerante



A Coperchio della tubazione anteriore
 B Coperchio del tubo
 C Valvola d'arresto
 D Pannello di servizio
 E Raggio della fascetta : 100 mm - 150 mm

Fig. 5-6

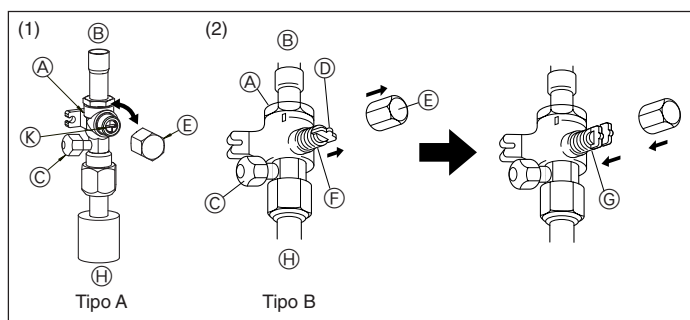


Fig. 5-7

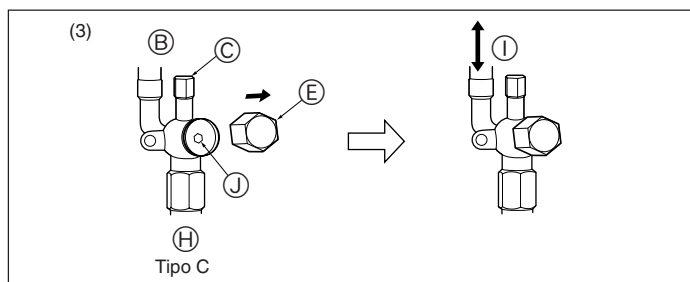


Fig. 5-8

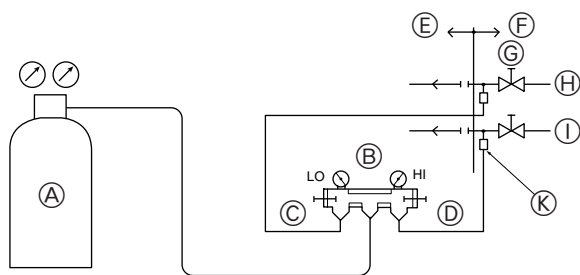


Fig. 5-9

5.6. Tubazione del refrigerante (Fig. 5-6)

Rimuovere il pannello di servizio (D) (tre viti) e il coperchio della tubazione anteriore (A) (due viti) e il coperchio della tubazione posteriore (B) (due viti).

I tubi del refrigerante sono avvolti da una protezione

- I tubi possono essere avvolti in un materiale protettivo fino ad un diametro di $\varnothing 90$ prima e dopo la connessione. Tagliare il foro di uscita nel coperchio del tubo dopo il solco ed avvolgere i tubi.

Gap ingresso tubo

- Con del sigillante o del mastice sigillare la bocca di ingresso dei tubi in modo da non far rimanere nessuno spazio libero.

(La mancata chiusura degli spazi liberi può essere causa di rumorosità o perdite di acqua, nonché consentire la penetrazione dell'acqua con conseguenti guasti all'impianto.)

5.7. Attenzione al collegamento tubazione/funzionamento valvola

- Eseguire il collegamento della tubazione e la messa in opera della valvola accuratamente, attenendosi alla figura seguente.
- Applicare il sigillante lungo l'isolatore per impedire l'ingresso dell'acqua nell'isolatore che copre i giunti del tubo del refrigerante.
- Dopo l'evacuazione e il caricamento di refrigerante, accertarsi che l'impugnatura sia completamente aperta. Se si lavora con la valvola chiusa, si trasmetterà una pressione anomala al lato della bassa o dell'alta pressione del circuito del refrigerante, con conseguenti danni al compressore, ecc.
- **Determinare la quantità di caricamento di refrigerante supplementare (fare riferimento a "5.3. Aggiunta di refrigerante"), e caricare altro refrigerante attraverso il pannello di servizio al termine del lavoro di collegamento della tubazione.**
- Al termine del lavoro, serrare il pannello di servizio (12 - 15 N-m) e il cappuccio (20 - 25 N-m) saldamente per impedire perdite di gas.

* 1 N-m \approx 10 kgf-cm

Metodo di apertura completa della valvola di arresto

La modalità di aperture della valvola di arresto varia a seconda del modello dell'unità esterna. Utilizzare la modalità corretta per aprire le valvole di arresto.

(1) Tipo A (Fig. 5-7)

- 1 Rimuovere il cappuccio, quindi ruotare in senso antiorario di un quarto di giro tramite un cacciavite a lama piatta per completare l'apertura.
- 2 Controllare che le valvole siano completamente aperte, quindi ricollocare il cappuccio nella sua posizione originale e stringerlo.

(2) Tipo B (Fig. 5-7)

- 1 Rimuovere il cappuccio, tirare la maniglia verso di sé e ruotare di 1/4 di giro in senso antiorario per aprire.
- 2 Assicurarsi che la valvola d'arresto sia completamente aperta, spingere in dentro la maniglia e riportare il cappuccio alla posizione originale.

(3) Tipo C (Fig. 5-8)

- 1 Togliere il cappuccio e girare fino a quando è possibile l'asta della valvola in senso antiorario utilizzando una chiave esagonale du 4 mm. Smettere di girare quando si urta l'otturatore.
- 2 Assicurarsi che la valvola d'arresto sia completamente aperta e riportare il cappuccio alla posizione originale.

- | | |
|------------------------|---|
| A Valvola | G Completamente aperto |
| B Lato dell'unità | H (Installazione su lato) lato tubazione del refrigerante |
| C Pannello di servizio | I Direzione i flussi di refrigerante verso l'interno |
| D Impugnatura | J Foro chiave |
| E Cappuccio | K Sezione funzionamento |
| F Completamente chiuso | |

5.8. Test tenuta d'aria ed evacuazione

1 Test tenuta d'aria (Fig. 5-9)

Eseguire il test di tenuta d'aria mediante pressurizzazione di azoto. Per il metodo del test, fare riferimento alla seguente figura.

- 1 Collegamento dello strumento per il test. Eseguire un test con la valvola di arresto chiusa. Accertarsi anche di pressurizzare il tubo dei liquidi o dell'alta pressione e dei gas o della bassa pressione.
- 2 Non aggiungere improvvisamente pressione a quella indicata, ma farlo gradualmente.
 - 1 Pressurizzare fino a 0,5 MPa (5 kgf/cm²G), attendere cinque minuti e accertarsi che la pressione non decresca.
 - 2 Pressurizzare fino a 1,5 MPa (15 kgf/cm²G), attendere cinque minuti e accertarsi che la pressione non decresca.
 - 3 Pressurizzare fino a 4,15 MPa (41,5 kgf/cm²G) e misurare la temperatura circostante e la pressione del refrigerante.
- 3 Se la pressione indicata si mantiene per circa un giorno e non si riduce, la sbavatura del tubo ha superato la prova e non sono presenti perdite.
 - Se la temperatura circostante cambia di 1 °C, la pressione si modifica di circa 0,01 MPa (0,1 kgf/cm²G). Apportare le necessarie correzioni.
- 4 Se la pressione si riduce nelle fasi (2) o (3), è presente una perdita di gas. Cercare l'origine di tale perdita.

- | | |
|-------------------------------|---|
| A Azoto | F Unità esterna |
| B Analizzatore di sistema | G Valvola di arresto |
| C Manopola-Lo | H Tubo dei liquidi o tubo dell'alta pressione |
| D Manopola-Hi | I Tubo del gas o tubo della bassa pressione |
| E Alla scatola di derivazione | K Pannello di servizio |

5. Installazione della tubazione del refrigerante

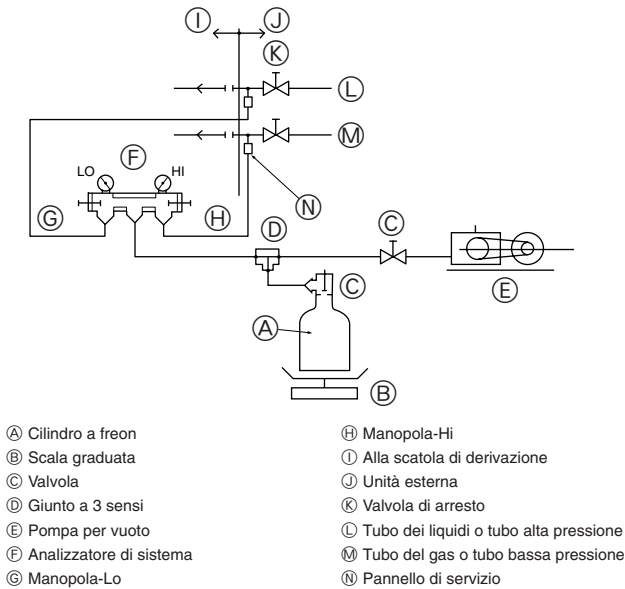


Fig. 5-10

② Evacuazione (Fig. 5-10)

Eseguire l'evacuazione dal pannello di servizio presente sulla valvola di arresto dell'unità esterna alla pompa per vuoto, comunemente usata per il tubo dei liquidi o dell'alta pressione e per il tubo dei gas o della bassa pressione. (Eseguire l'evacuazione dal tubo dei liquidi o dell'alta pressione e dal tubo del gas o della bassa pressione con la valvola di arresto chiusa.)

Ricordare: non usare mai il refrigerante per eseguire lo spurgo dell'aria.

⚠ Avvertenza:

Quando si installa o si sposta un'unità in un altro luogo, non mescolare altro elemento nel ciclo di refrigerazione che non sia il refrigerante specificato. Se si mescola aria, nel ciclo di refrigerazione può verificarsi alta pressione anomala e conseguente rottura del tubo.

* Utilizzare un gravimetro ad alta precisione che misuri fino a 0,1 kg. Se non si è in grado di preparare tale gravimetro ad alta precisione, è possibile utilizzare un cilindro per il caricamento.

Nota:

- Utilizzare un morsetto per l'indicatore, cambiando il flessibile e le altre parti create appositamente per il refrigerante indicato sull'unità.
- Utilizzare un gravimetro. (che possa misurare fino a 0,1 kg)

Precauzioni per l'utilizzo della valvola di caricamento (Fig.5-11)

Non stringere eccessivamente l'apertura di servizio al momento dell'installazione, altrimenti il nucleo della valvola può deformarsi ed allentarsi, con il rischio di perdite di gas.

Dopo aver posizionato la parte B nella direzione desiderata, ruotare unicamente la parte A e serrarla.

Dopo aver serrato la parte A, non serrare ulteriormente le parti A e B l'una con l'altra.

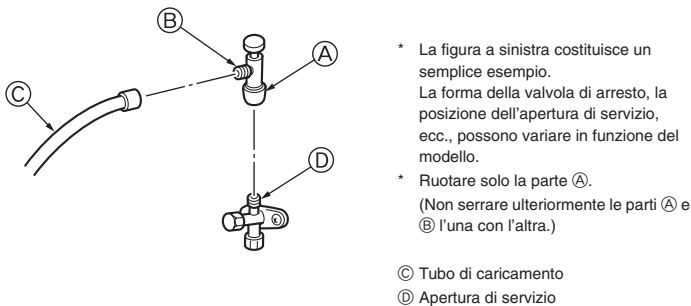


Fig. 5-11

6. Installazione della tubazione di drenaggio

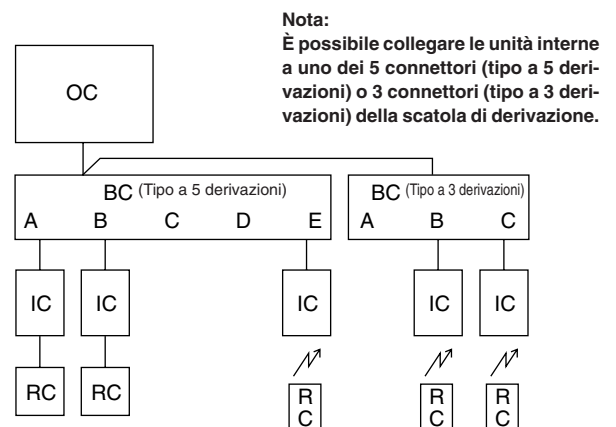
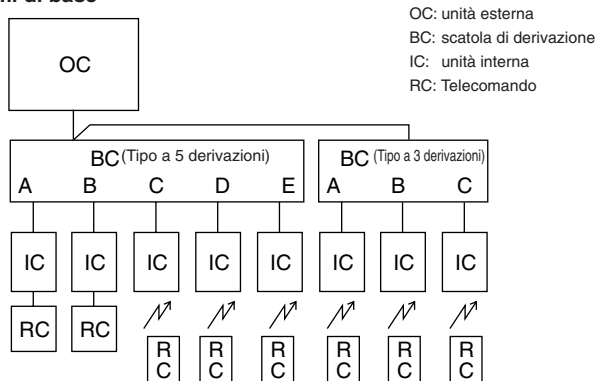
Collegamento del tubo di drenaggio della sezione esterna

Se è necessario eseguire la tubazione di drenaggio, utilizzare il tubo o la vaschetta di drenaggio (in opzione).

Tubo di drenaggio	PAC-SG61DS-E
Vaschetta di drenaggio	PAC-SG64DP-E

7. Collegamenti elettrici

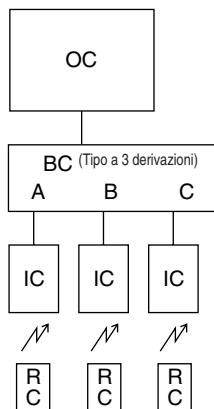
[1] Sistemi di base



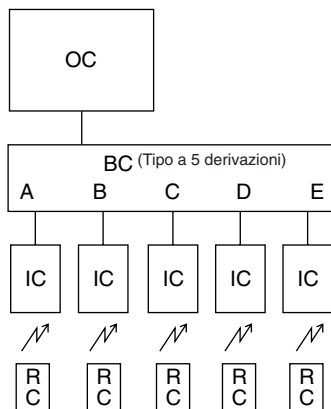
7. Collegamenti elettrici

[2] Sistemi standard

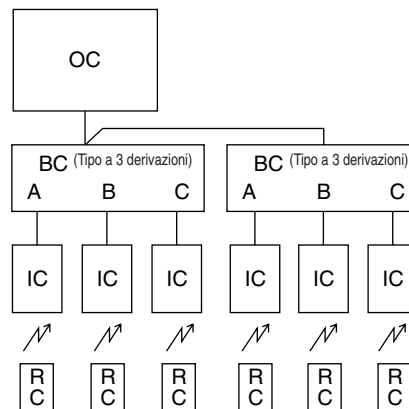
2-1. Solo tipo a 3 derivazioni



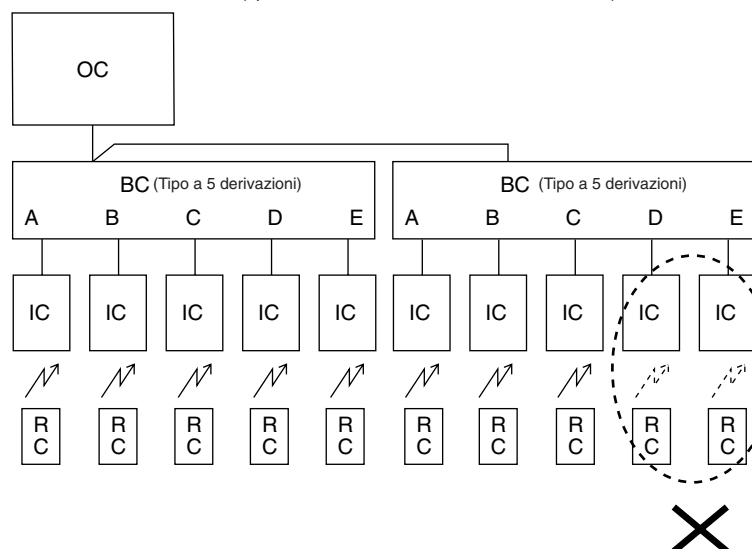
2-2. Solo tipo a 5 derivazioni



2-3. Scatola a 2 derivazioni (tipo a 3 derivazioni)



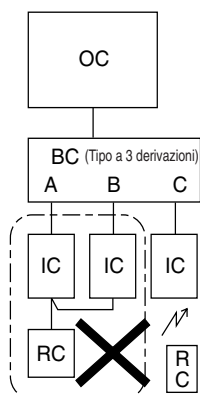
2-4. Scatole a 2 derivazioni (tipo a 5 derivazioni, massimo 8 unità interne)



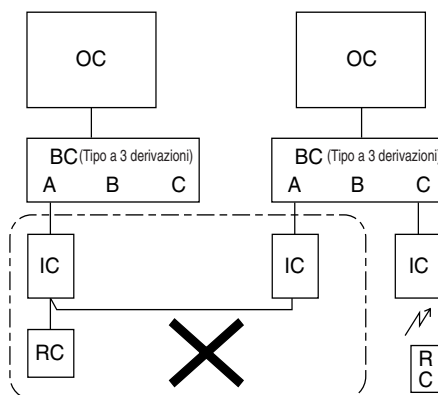
1. A una singola unità interna è possibile collegare fino a 2 scatole di derivazione.
2. Al sistema è possibile collegare fino a 8 unità interne.

[3] Sistemi errati

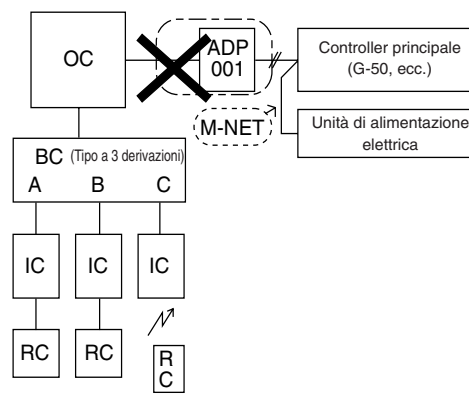
3-1. Funzionamento del gruppo mediante un singolo telecomando



3-2. Funzionamento del gruppo tra diversi sistemi di refrigerante



3-3. Collegamento dell'adattatore M-NET all'unità esterna



- 3-1. Più unità interne non possono essere azionate da un singolo telecomando.
- 3-2. Diversi sistemi di refrigerante non possono essere collegati assieme.
- 3-3. Non è possibile collegare un adattatore M-NET a un'unità esterna.

7. Collegamenti elettrici

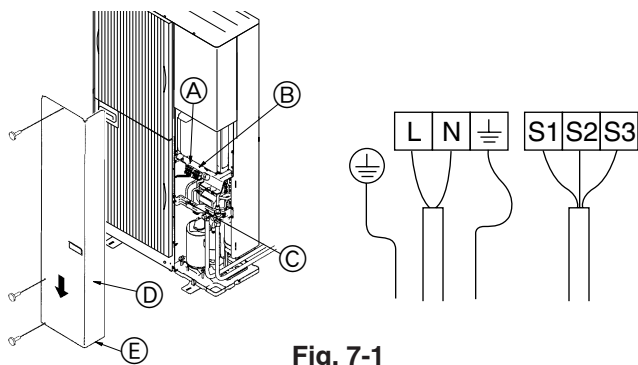


Fig. 7-1

7.1. Unità esterna (Fig. 7-1)

- ① Rimuovere il pannello di servizio.
 - ② Cablare i cavi facendo riferimento alla Fig. 7-1.
- Ⓐ Morsetto di terra
 - Ⓑ Morsetteria
 - Ⓒ Fascetta serracavi
 - Ⓓ Pannello di servizio
 - Ⓔ Collegare i cavi in modo che non vengano a contatto con il centro del pannello di servizio o con la valvola del gas.

7.2. Collegamento scatola di derivazione/filo esterno e collegamento cavo di alimentazione esterno

⚠ Avvertenza:

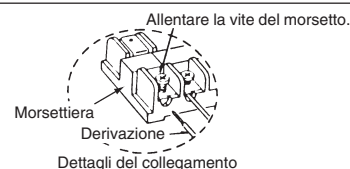
- Accertarsi di collegare saldamente il coperchio morsetteria/pannello all'unità esterna. Se non li si collega correttamente, ne potrebbe derivare un incendio o scossa elettrica derivanti da polvere, acqua, ecc.
- Accertarsi di collegare i cavi elettrici e di collegamento per le unità interne, le unità esterne e le scatole di derivazione direttamente alle unità (senza collegamenti intermedi).

I collegamenti intermedi possono causare errori di comunicazione nel caso in cui l'acqua s'infiltri nei cavi e nei fili provocando di conseguenza un insufficiente isolamento a massa o un contatto elettrico insufficiente nel punto di collegamento intermedio.

(Se è necessario un collegamento intermedio, accertarsi di adottare le misure necessarie per evitare che l'acqua s'infiltri nei cavi e nei fili)

⚠ Attenzione:

- Fare attenzione a non effettuare cablaggi errati.
- Serrare saldamente le viti dei morsetti per impedire che si allentino.
- Dopo il serraggio, tirare i fili leggermente per verificare che non si spostino.
- Se il filo di collegamento è collegato in maniera errata alla morsetteria, l'unità non funziona normalmente.



- Collegare correttamente il filo dalla scatola di derivazione alla morsetteria.
- Per la futura manutenzione, dare ulteriore lunghezza al filo di collegamento.

<Esempio> (In caso di scatole a due derivazioni)

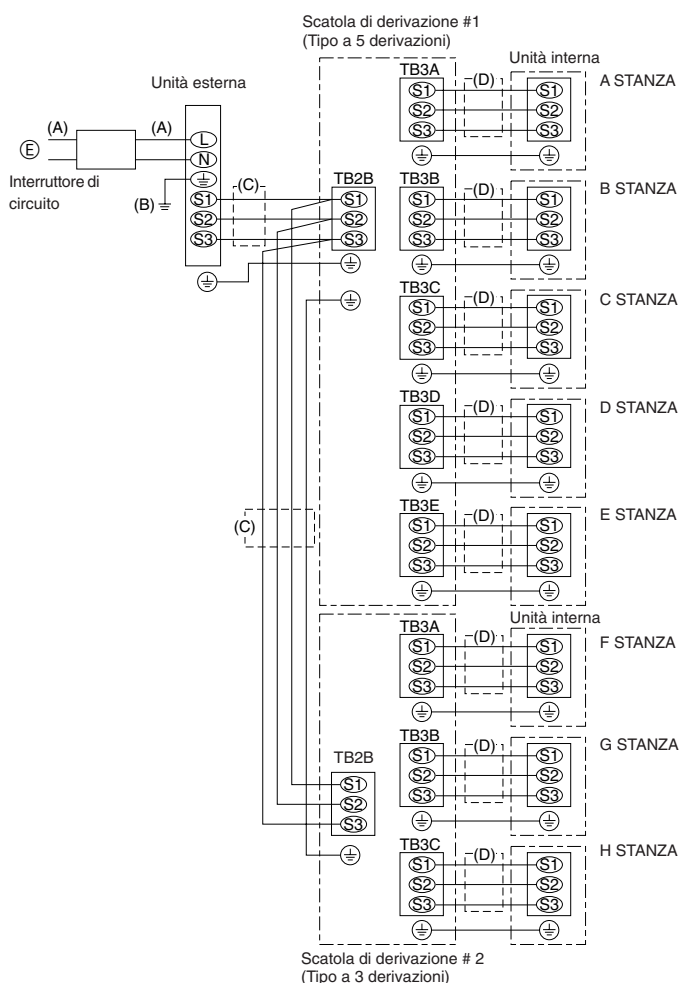


Fig. 7-2

7.3. Procedura cablaggio esterno (Fig. 7-2)

Il lavoro di alimentazione è necessario solo per l'unità esterna. L'alimentazione elettrica alla scatola di derivazione o all'unità interna è condotta attraverso il cablaggio. Quindi, è possibile eseguire il lavoro di alimentazione solo su un punto dell'unità esterna. Esso contribuirà a semplificare il lavoro e a ridurre i costi.

- Ⓔ Fase singola di alimentazione
AC220/230/240 V, 50 Hz
AC220 V, 60 Hz
Impedenza del sistema massima ammissibile 0,22 (Ω).

Nota:

- ① **Ingresso alimentazione elettrica: Solo unità esterna.**
Collegare le linee (C), (D) secondo i nomi della morsetteria, per assicurare la corretta polarità.

Diametro filo				Interruttore *1	
(A) Linea alimentazione principale	(B) Linea di messa a terra	(C) Linea segnale	(D) Linea segnale	Interruzione di corrente	Caratteristiche delle prestazioni
6,0 mm ²	6,0 mm ²	1,5 mm ²	1,5 mm ²	40 A	40A, 30 mA per 0,1 sec. o meno

Quando si utilizza un cavo intrecciato per il cablaggio, è necessario disporre di un terminale tondo.

*1. Sarà fornito un interruttore con almeno una separazione di contatto di 3 mm in ogni polo. Utilizzare un interruttore senza fusibile (NF) o un interruttore del circuito di dispersione a terra (NV).

*2. Max 45 m ("Unità esterna - Scatola delle derivazioni *1" più "Scatola delle derivazioni *1 - Scatola delle derivazioni *2").
Se si utilizzano 2,5 mm², Max 55 m.

- Note:**
1. La dimensione del cablaggio deve essere conforme al codice vigente locale e nazionale.
 2. I cavi dell'alimentazione e i cavi di collegamento dell'unità interna/scatola di derivazione/unità esterna non saranno più leggeri del cavo flessibile schermato di policloroprene. (Progetto 60245 IEC 57)
 3. Installare una linea di messa a terra più lunga dei cavi di alimentazione.

IMPORTANTE

Accertarsi che l'interruttore del circuito di dispersione sia compatibile con armoniche più alte.

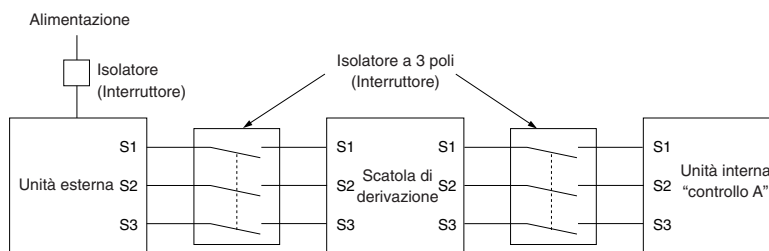
Utilizzare sempre un interruttore del circuito di dispersione compatibile con armoniche più alte in quanto questa unità è dotata di inverter.

L'uso di un interruttore inadeguato può compromettere il funzionamento dell'inverter.

7. Collegamenti elettrici

⚠ Avvertenza:

Per i cavi di comando A, esiste un potenziale di alta tensione sul terminale S3 dovuto alla tipologia del circuito elettrico che non dispone di isolamento elettrico tra la linea di alimentazione e la linea del segnale di comunicazione. Pertanto, quando si eseguono interventi di manutenzione, disinserire l'alimentazione principale. Non toccare i terminali S1, S2, S3 quando è inserita l'alimentazione. Qualora sia necessario utilizzare un isolatore tra la scatola di derivazione e le unità esterna o interna, utilizzare un isolatore di tipo a 3 poli.



⚠ Attenzione:

Dopo aver utilizzato l'isolatore, accertarsi di spegnere e riaccendere l'alimentazione di rete per azzerare il sistema. Altrimenti, l'unità esterna potrebbe non essere in grado di rilevare alcuna scatola delle derivazioni o le unità interne.

SPECIFICHE DI CABLAGGIO

(CAVO DI COLLEGAMENTO DELLA SCATOLA DI DERIVAZIONE ESTERNA)

Sezione trasversale cavo	Dimensione cavo (mm ²)	Numero di cavi	Polarità	L (m)*6
Tonda	2,5	3	Senso orario : S1-S2-S3 * Fare attenzione alla striscia gialla e verde	(50) *2
Piatta	2,5	3	Non disponibile (Il conduttore centrale non è provvisto di guaina protettiva)	Non disponibile *5
Piatta	1,5	4	Da sinistra a destra : S1-Aperto-S2-S3	(45) *3
Tonda	2,5	4	Senso orario : S1-S2-S3-Aperto * Collegare S1 e S3 all'angolo opposto	(55) *4

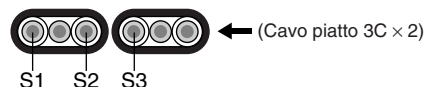
*1: I cavi di alimentazione delle apparecchiature elettriche non devono essere più leggeri dei cavi 60245 IEC o 227 IEC.

*2: Se il cavo con la striscia gialla e verde è disponibile.

*3: In caso di collegamento con polarità normale (S1-S2-S3), la dimensione del cavo è 1,5 mm².

*4: In caso di collegamento con polarità normale (S1-S2-S3).

*5: Se i cavi piatti sono collegati come mostrato in figura, possono essere utilizzati per una lunghezza massima di 55 m.



*6: La lunghezza del cavo indicata è solo un valore di riferimento.

Potrebbe essere diversa a seconda delle condizioni di installazione, umidità, materiali, ecc.

Assicurarsi di collegare i cavi di collegamento della scatola di derivazione esterna/interna direttamente alle unità (senza collegamenti intermedi).

I collegamenti intermedi possono provocare errori di comunicazione se dell'acqua penetra nei cavi e causare un insufficiente isolamento a terra o uno scarso contatto elettrico nel punto di collegamento intermedio.

(Se fosse necessario un collegamento intermedio, assicurarsi di prendere tutte le precauzioni necessarie per prevenire infiltrazioni d'acqua nei cavi.)

8. Prova di funzionamento

8.1. Operazioni preliminari alla prova di funzionamento

- ▶ Dopo aver completato l'installazione, i collegamenti elettrici e le tubazioni delle sezioni interne ed esterne, verificare l'assenza di perdite di refrigerante, allentamenti dei cavi di alimentazione o di comando, errori di polarità e scollegamenti di una fase dell'alimentazione elettrica.
- ▶ Utilizzare un tester M-ohm da 500-volt per controllare che la resistenza tra i morsetti di alimentazione e la massa sia di almeno 1 MΩ.
- ▶ Non eseguire questa prova sui morsetti del cablaggio di controllo (circuito a bassa tensione).

⚠ Avvertenza:

Non avviare il condizionatore d'aria se la resistenza dell'isolamento è inferiore a 1 MΩ.

Resistenza d'isolamento

Terminata l'installazione o dopo aver staccato l'alimentazione dell'unità per un periodo prolungato, la resistenza d'isolamento scende ad un valore inferiore a 1 MΩ a causa dell'accumulo di refrigerante nel compressore. Non si tratta di un'anomalia. Procedere nel seguente modo.

1. Staccare i cavi dal compressore e misurare la resistenza d'isolamento del compressore.
2. Se la resistenza d'isolamento risulta inferiore a 1 MΩ, significa che il compressore è difettoso o che la resistenza è scesa a causa di un accumulo di refrigerante nel compressore.

8.2. Prova di funzionamento

8.2.1. Uso del comando a distanza

Fare riferimento al manuale d'installazione dell'unità interna.

- Accertarsi di eseguire la prova per ogni unità interna. Accertarsi che ogni unità interna funzioni correttamente attenendosi al manuale di installazione in dotazione con l'unità.
- Se si esegue la prova per tutte le unità interne contemporaneamente, non è possibile rilevare un'eventuale collegamento errato dei tubi del refrigerante e dei cavi di collegamento.
- * Il funzionamento del compressore non è disponibile per 3 minuti almeno dopo l'erogazione di corrente.
- Il compressore può emettere rumore subito dopo l'accensione dell'alimentazione elettrica o in caso di temperatura dell'aria esterna bassa.

Informazioni sul meccanismo di protezione riavvio

Quando il compressore si arresta, il dispositivo preventivo di riavvio funziona in maniera tale che il compressore non funzionerà per 3 minuti per proteggere il condizionatore d'aria.

8.2.2. Uso dell'SW4 nell'unità esterna

Nel caso in cui la prova venga eseguita dall'unità esterna, azionare tutte le unità interne. Quindi, non è possibile rilevare un collegamento errato dei tubi del refrigerante e dei cavi di collegamento. Se l'obiettivo di questa prova è di rilevare i collegamenti errati, accertarsi di eseguire la prova dal telecomando facendo riferimento a "8.2.1. Uso del comando a distanza."

3. Dopo aver collegato i cavi al compressore, quest'ultimo inizia a riscaldarsi una volta attivata l'alimentazione. Dopo aver erogato la corrente di alimentazione per gli intervalli indicati di seguito, misurare nuovamente la resistenza d'isolamento.
 - La resistenza d'isolamento scende a causa di un accumulo di refrigerante nel compressore. La resistenza sale oltre 1 MΩ dopo che il compressore è stato riscaldato per 2 - 3 ore.
(Il tempo necessario per riscaldare il compressore varia in base alle condizioni atmosferiche e all'accumulo di refrigerante).
 - Per far funzionare il compressore con il refrigerante accumulato nel compressore e per evitare possibili guasti, quest'ultimo deve essere riscaldato per almeno 12 ore.
4. Se la resistenza d'isolamento sale oltre 1 MΩ, il compressore non è difettoso.

⚠ Cautela:

- Il compressore non si avvierà se la connessione della fase di alimentazione non è corretta.
- Accendere l'interruttore di alimentazione principale almeno dodici ore prima dell'avvio dell'unità.
- Un immediato avvio dell'unità dopo l'accensione di questo interruttore può danneggiare le parti interne della stessa. Tenere acceso l'interruttore di alimentazione principale durante la stagione di funzionamento.

▶ Controllare anche i seguenti punti.

- L'unità esterna funziona. Il LED sulla scheda di controllo dell'unità esterna lampeggia quando l'unità esterna non funziona.
- Le valvole di arresto del gas e del liquido sono completamente aperte.

SW4-1	ON	Funzionamento del raffreddamento
SW4-2	OFF	
SW4-1	ON	Funzionamento del riscaldamento
SW4-2	ON	

- * Dopo aver eseguito la prova di funzionamento, portare SW4-1 su OFF.
- Alcuni secondi dopo l'avvio del compressore, si potrebbe sentire un rumore sferragliante dall'interno dell'unità esterna. Questo rumore viene prodotto dalla valvola di controllo a causa della piccola differenza di pressione nei tubi. L'unità non è difettosa.

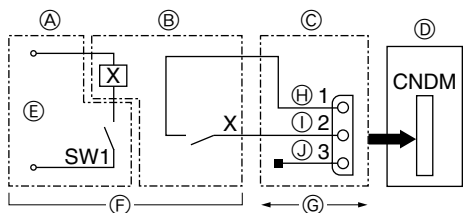
La modalità di esecuzione del ciclo di prova non può essere modificata dal dip switch SW4-2 durante il ciclo di prova. (Per modificare la modalità di esecuzione del ciclo di prova durante il ciclo stesso, fermare il ciclo di prova con il dip switch SW4-1. Dopo aver modificato la modalità di esecuzione del ciclo di prova, riprendere il ciclo di prova azionando lo switch SW4-1.)

Quando viene avviata una prova mediante "Uso dell'SW4 nell'unità esterna", l'unità esterna non si arresta, anche se esegue i comandi di arresto forniti tramite comando a distanza (l'esecuzione della prova non è terminata). In tal caso, impostare l'SW4 nell'unità esterna su off (disattivato).

Nota:

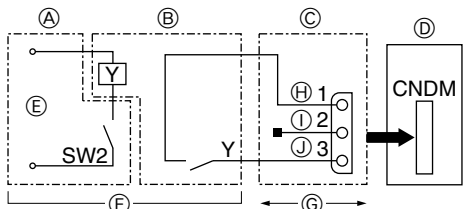
Prima di regolare SW4-1 e SW4-2, aspettare almeno 3 minuti dopo aver attivato l'alimentazione. Se i DIP switch vengono regolati prima che siano trascorsi 3 minuti, la prova di funzionamento può non avviarsi.

9. Funzioni speciali



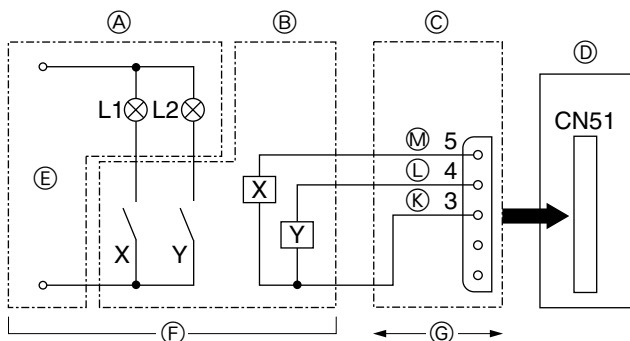
- (A) Pannello comando a distanza
 (B) Circuito a relè
 (C) Adattatore di input (entrata) esterno (PAC-SC36NA)
 (D) Pannello di comando dell'unità esterna
 (E) Alimentazione dei relè
 (F) Da acquistare localmente
 (G) Mass. 10 m
 (H) Arancione
 (1) Marrone
 (2) Rosso

Fig. 9-1



- (A) Pannello comando a distanza
 (B) Circuito a relè
 (C) Adattatore di input (entrata) esterno (PAC-SC36NA)
 (D) Pannello di comando dell'unità esterna
 (E) Alimentazione dei relè
 (F) Da acquistare localmente
 (G) Mass. 10 m
 (H) Arancione
 (1) Marrone
 (2) Rosso

Fig. 9-2



- L1: Spia di visualizzazione errore
 L2: Spia di funzionamento del compressore
 X, Y: Relè (standard bobina di 0,9 W o inferiore per CC 12 V)
 X, Y: Relè (DC1 mA)

Fig. 9-3

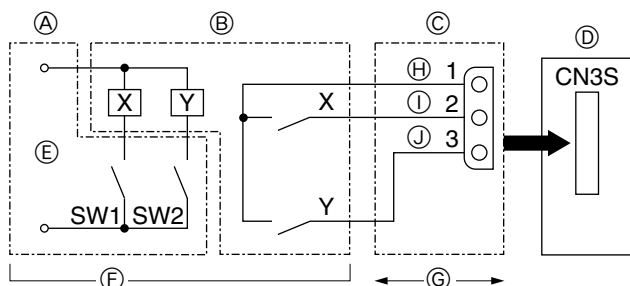


Fig. 9-4

9.1. Modalità bassa rumorosità (modifica in loco) (Fig. 9-1)

Eseguito la seguente modifica, la rumorosità dell'unità esterna può essere ridotta di circa 3 - 4 dB.

La modalità a bassa rumorosità viene attivata aggiungendo un timer disponibile in commercio o un'entrata di contatto di un interruttore ON/OFF sul connettore CNDM (optional) sul pannello di comando dell'unità esterna.

- La capacità può essere insufficiente in funzione della temperatura esterna e delle condizioni, ecc.
- Completare il circuito come illustrato utilizzando l'adattatore di entrata esterno (PAC-SC36NA) (optional).

9.2. Funzione di consumo (modifica in loco) (Fig. 9-2)

È possibile ridurre il consumo di elettricità di un valore compreso tra 0 e 100% eseguendo la seguente installazione in loco.

La funzione di consumo può essere attivata aggiungendo un input (entrata) di contatto di uno switch (interruttore) ON/OFF, disponibile in commercio, al connettore CNDM (venduto separatamente).

- Aggiungere l'adattatore di input (entrata) esterno (PAC-SC36NA) al circuito come indicato nell'illustrazione a sinistra.
- Impostare gli switch (interruttori) SW7-1 sul pannello del circuito di comando per l'unità esterna, in modo da definire le limitazioni del consumo di energia indicate di seguito (rispetto al consumo normale).

SW7-1	Consumo di energia con SW2 su ON
OFF	0% (Blocco forzato del compressore)
ON	50%

9.3. Funzione di monitoraggio errori e funzionamento del compressore (CN51)

- (A) Pannello comando a distanza
 (B) Circuito a relè
 (C) Adattatore di uscita esterno (PAC-SA88HA-E)
 (D) Pannello di comando dell'unità esterna
 (E) Alimentazione spie
 (F) Da acquistare localmente
 (G) Mass. 10 m
 (K) Arancione
 (L) Giallo
 (M) Verde

9.4. Cambio automatico – Funzione di blocco della modalità di funzionamento tramite segnale esterno (CN3S)

- (A) Quadro di comando a distanza
 (B) Circuito a relè
 (C) Adattatore di uscita esterno (PAC-SC36NA)
 (D) Pannello di comando dell'unità esterna
 (E) Alimentazione spie
 (F) Da acquistare localmente
 (G) Mass. 10 m
 (H) Arancione
 (1) Marrone
 (2) Rosso

	ON	OFF
SW1	Riscaldamento	Raffreddamento
SW2	Validità di SW1	Non validità di SW1

* Tutte le unità interne che funzionano in una modalità diversa da quella specificata dal segnale esterno entreranno in modo standby (attesa).

* L'impostazione diventa operativa quando l'unità esterna viene arrestata.

* La modalità di funzionamento specificata per la prova di funzionamento avrà la priorità su quella specificata utilizzando questa funzione.

Περιεχόμενα

1. Προφυλακτικά Μέτρα Ασφαλείας	86
2. Διάγραμμα εγκατάστασης & μέρη	87
3. Θέση εγκατάστασης	88
4. Εγκατάσταση της εξωτερικής μονάδας	90
5. Εγκατάσταση της σωλήνωσης ψυκτικού υγρού	90
6. Εργασίες Σωληνώσεων Αποχέτευσης	94
7. Ηλεκτρικές εργασίες	94
8. Δοκιμαστική λειτουργία	98
9. Ειδικές λειτουργίες	99

1. Προφυλακτικά Μέτρα Ασφαλείας

- ▶ Πριν κάνετε την εγκατάσταση της μονάδας, βεβαιωθείτε ότι διαβάσατε όλα τα “Προφυλακτικά Μέτρα Ασφαλείας”.
- ▶ Πριν κάνετε τη σύνδεση στο σύστημα, παρακαλούμε να αναφέρετε ή να ζητήσετε επιβεβαίωση από τον αρμόδιο οργανισμό ανεφοδιασμού.
- ▶ Εξοπλισμός συμβατός προς το πρότυπο IEC/EN 61000-3-12

⚠ Προειδοποίηση:

Περιγράφει τα μέτρα ασφαλείας που πρέπει να λαμβάνονται για την πρόληψη του κινδύνου τραυματισμού ή και θανάτου του χρήστη.

⚠ Προσοχή:

Περιγράφει προφυλακτικά μέτρα που πρέπει να λαμβάνονται για ν'αποφεύγεται θλάθη στη μονάδα.

⚠ Προειδοποίηση:

- Η εγκατάσταση της μονάδας δεν πρέπει να γίνεται από το χρήστη. Ζητήστε από τον αντιπρόσωπο ή από εξουσιοδοτημένο τεχνικό να εγκαταστήσει τη μονάδα. Αν η εγκατάσταση της μονάδας δεν γίνει σωστά, μπορεί να προκληθεί διαρροή νερού, ηλεκτροπληξία ή πυρκαγιά.
- Για τις εργασίες εγκατάστασης, ακολουθήστε τις οδηγίες που υπάρχουν στο Εγχειρίδιο Εγκατάστασης και χρησιμοποιήστε τα κατάλληλα εργαλεία και τα εξαρτήματα σωλήνων που είναι ειδικά κατασκευασμένα για χρήση με το ψυκτικό R410A. Το ψυκτικό R410A στο σύστημα HFC βρίσκεται υπό 1,6 φορές μεγαλύτερη πίεση από την πίεση των κοινών ψυκτικών. Αν χρησιμοποιηθούν εξαρτήματα σωλήνων που δεν προορίζονται για χρήση με το ψυκτικό R410A και η εγκατάσταση της μονάδας δεν γίνει σωστά, οι σωλήνες μπορεί να σπάσουν και να προκαλέσουν ζημιές ή τραυματισμούς. Επίσης, μπορεί να προκληθεί διαρροή νερού, ηλεκτροπληξία ή πυρκαγιά.
- Η εγκατάσταση της μονάδας πρέπει να γίνει σύμφωνα με τις οδηγίες προκειμένου να ελαχιστοποιηθεί ο κίνδυνος ζημιάς από σεισμούς, τυφώνες ή δυνατούς ανέμους. Όταν η μονάδα δεν είναι σωστά εγκατεστημένη, μπορεί να πέσει και να προκαλέσει ζημιά ή τραυματισμό.
- Η μονάδα πρέπει να εγκατασταθεί και να στερεωθεί καλά σε μια επιφάνεια που μπορεί να αντέξει το βάρος της. Αν η μονάδα τοποθετηθεί σε ασταθή επιφάνεια, μπορεί να πέσει και να προκαλέσει τραυματισμούς.
- Αν το κλιματιστικό πρόκειται να εγκατασταθεί σε μικρό χώρο, πρέπει να ληφθούν μέτρα προκειμένου να αποτραπεί η συγκέντρωση ψυκτικού στο δωμάτιο επάνω από το όριο ασφαλείας σε περίπτωση που σημειωθεί διαρροή. Συμβουλευτείτε τον αντιπρόσωπο για τα κατάλληλα μέτρα που πρέπει να λάβετε προκειμένου να αποτρέψετε την υπέρβαση των ορίων ασφαλείας όσον αφορά τη συγκέντρωση ψυκτικού. Αν σημειωθεί διαρροή ψυκτικού και υπέρβαση του ορίου συγκέντρωσης, υπάρχει σοβαρός κίνδυνος για την υγεία εξαιτίας της έλλειψης οξυγόνου στο δωμάτιο.
- Αερίστε το χώρο σε περίπτωση διαρροής ψυκτικού κατά τη λειτουργία της μονάδας. Αν το ψυκτικό έρθει σε επαφή με φλόγα, θα απελευθερωθούν δηλητηριώδη αέρια.
- Όλες οι ηλεκτρικές εργασίες πρέπει να εκτελούνται από εκπαιδευμένο τεχνικό και σύμφωνα με τους τοπικούς κανονισμούς και τις οδηγίες που δίνονται σε αυτό το εγχειρίδιο. Τα κλιματιστικά πρέπει να τροφοδοτούνται από ξεχωριστές γραμμές και να χρησιμοποιείται η σωστή τάση καθώς και οι κατάλληλοι ασφαλειοδιακόπτες. Οι γραμμές τροφοδοσίας με ανεπαρκή ισχύ ή οι εσφαλμένες ηλεκτρικές συνδέσεις μπορεί να προκαλέσουν ηλεκτροπληξία ή πυρκαγιά.

Αφού ολοκληρωθούν οι εργασίες για την εγκατάσταση, περιγράψτε στον πελάτη τα “Προφυλακτικά Μέτρα Ασφαλείας”, τη χρήση και τη συντήρηση της μονάδας σύμφωνα με τις πληροφορίες στο Εγχειρίδιο Λειτουργίας και εκτελέστε τη δοκιμαστική λειτουργία για να σιγουρευτείτε ότι η μονάδα λειτουργεί κανονικά. Το Εγχειρίδιο Εγκατάστασης και το Εγχειρίδιο Λειτουργίας πρέπει να δοθούν στον χρήστη για αναφορά. Τα εγχειρίδια αυτά πρέπει να δίνονται και στους επόμενους χρήστες της μονάδας.

⚠ : Δείχνει μέρος της συσκευής που πρέπει να γειώνεται.

⚠ Προειδοποίηση:

Διαβάστε προσεκτικά τις ετικέτες που είναι κολλημένες πάνω στην κύρια μονάδα.

- Συνδέστε τα καλώδια τροφοδοσίας και τα καλώδια σύνδεσης για τις εσωτερικές, τις εξωτερικές μονάδες και τα κουτιά διακλάδωσης απευθείας στις συσκευές (χωρίς ενδιάμεσες συνδέσεις). Οι ενδιάμεσες συνδέσεις μπορεί να προκαλέσουν ασφάλματα επικοινωνίας εάν εισχωρήσει νερό στα καλώδια ή στους αγωγούς το οποίο καταστρέφει τη μόνωση ή έχει σαν αποτέλεσμα κακή ηλεκτρική επαφή στο σημείο της ενδιάμεσης σύνδεσης. (Αν είναι απαραίτητη η ενδιάμεση σύνδεση, πρέπει να λάβετε όλα τα μέτρα για να αποτρέψετε την είσοδο νερού στα καλώδια και τους αγωγούς.)
- Χρησιμοποιήστε φωσφορούχο κρατέρωμα C1220 για τη σύνδεση των σωληνώσεων ψυκτικού, όταν έχετε χαλκοσωλήνες και σωλήνες κράματος χαλκού χωρίς ενώσεις. Αν η σύνδεση των σωληνώσεων δεν γίνει σωστά, η μονάδα δεν θα είναι κατάλληλα γειωμένη και μπορεί να προκληθεί ηλεκτροπληξία.
- Χρησιμοποιείτε μόνο τα συνιστώμενα καλώδια για τις καλωδιώσεις. Οι συνδέσεις πρέπει να γίνονται σωστά χωρίς να ασκείται πίεση στα τερματικά. Αν η σύνδεση ή η τοποθέτηση των καλωδίων γίνει εσφαλμένα, μπορεί να προκληθεί υπερθέρμανση ή πυρκαγιά.
- Το κάλυμμα της πλακέτας ακροδεκτών της εξωτερικής μονάδας πρέπει να είναι καλά στερεωμένο στη θέση του. Αν το κάλυμμα δεν τοποθετηθεί σωστά και εισχωρήσει στη μονάδα σκόνη και υγρασία, μπορεί να προκληθεί ηλεκτροπληξία ή πυρκαγιά.
- Κατά την εγκατάσταση ή τη μετακίνηση του κλιματιστικού, χρησιμοποιείτε μόνο το συνιστώμενο ψυκτικό (R410A) για την πλήρωση των γραμμών ψυκτικού. Μην το αναμειγνύετε με άλλο ψυκτικό μέσο και μην αφήνετε τον αέρα να παραμείνει μέσα στις γραμμές. Ο αέρας που μπλοκάρει στις γραμμές μπορεί να προκαλέσει απότομες αυξήσεις στην πίεση με αποτέλεσμα θραύση και άλλες επικίνδυνες συνέπειες.
- Χρησιμοποιείτε μόνο εγκεκριμένα εξαρτήματα από την Mitsubishi Electric και για την εγκατάστασή τους καλέστε τον αντιπρόσωπο ή εξουσιοδοτημένο τεχνικό. Αν τα εξαρτήματα δεν εγκατασταθούν σωστά, μπορεί να προκληθεί διαρροή νερού, ηλεκτροπληξία ή πυρκαγιά.
- Μην επιχειρήσετε να τροποποιήσετε τη μονάδα. Απευθυνθείτε στον αντιπρόσωπο για εργασίες επισκευής. Αν οι τροποποιήσεις ή οι επισκευές δεν εκτελεστούν σωστά, μπορεί να προκύψει διαρροή νερού, ηλεκτροπληξία ή πυρκαγιά.
- Ο χρήστης δεν πρέπει ποτέ να επιχειρήσει να επισκευάσει τη μονάδα ή να τη μεταφέρει σε άλλη θέση χωρίς τη βοήθεια ειδικού προσωπικού. Αν η μονάδα δεν εγκατασταθεί σωστά, μπορεί να προκληθεί διαρροή νερού, ηλεκτροπληξία ή πυρκαγιά. Αν το κλιματιστικό πρέπει να επισκευαστεί ή να μεταφερθεί, ζητήστε τη βοήθεια του αντιπροσώπου ή ενός εκπαιδευμένου τεχνικού.
- Αφού ολοκληρωθεί η εγκατάσταση, ελέγξτε για τυχόν διαρροές ψυκτικού. Αν υπάρχει διαρροή ψυκτικού στο δωμάτιο και έρθει σε επαφή με τη φλόγα μιας ηλεκτρικής θερμάστρας ή μιας φορητής εστίας μαγειρέματος, υπάρχει κίνδυνος να απελευθερωθούν δηλητηριώδη αέρια.

1.1. Προετοιμασία για την εγκατάσταση

⚠ Προσοχή:

- Μην χρησιμοποιείτε τη μονάδα σε ασυμπίεστους χώρους. Αν το κλιματιστικό εγκατασταθεί σε χώρους όπου υπάρχουν ατμοί, πτητικό λάδι (συμπεριλαμβανομένων των λαδιών μηχανημάτων) ή θειικά αέρια, σε περιοχές όπου υπάρχει υψηλή περιεκτικότητα σε αλάτι όπως τα παράλια, ή σε χώρους όπου υπάρχει ενδεχόμενο η μονάδα να σκεπαστεί με χιόνι, η απόδοσή του μπορεί να μειωθεί σημαντικά και τα εσωτερικά του μέρη να καταστραφούν.
- Μην εγκαθιστάτε τη μονάδα σε σημεία όπου υπάρχει κίνδυνος διαρροής, απελευθέρωσης, κυκλοφορίας ή συγκέντρωσης εύφλεκτων αερίων. Αν γύρω από τη μονάδα συγκεντρωθούν εύφλεκτα αέρια, υπάρχει κίνδυνος πυρκαγιάς ή έκρηξης.
- Στην εξωτερική μονάδα δημιουργείται συμπύκνωση νερού κατά τη λειτουργία θέρμανσης. Φροντίστε για την αποστράγγιση του νερού που βγαίνει γύρω από την εξωτερική μονάδα εάν υπάρχει κίνδυνος να προκαλέσει ζημιές.

1.2. Προετοιμασία για την εγκατάσταση (μεταφορά)

⚠ Προσοχή:

- Όταν μεταφέρετε τη μονάδα, πρέπει να είστε ιδιαίτερα προσεκτικοί. Για τη μεταφορά της μονάδας, η οποία ζυγίζει τουλάχιστον 20 κιλά, χρειάζονται δύο ή και περισσότερα άτομα. Μην τη σηκώνετε από τις ταινίες συσκευασίας. Φοράτε προστατευτικά γάντια για να βγάλετε τη μονάδα από τη συσκευασία της και να την μεταφέρετε, γιατί τα χέρια σας μπορεί να τραυματιστούν στα πτερύγια ή σε άλλα μέρη της μονάδας.
- Βεβαιωθείτε ότι τα υλικά συσκευασίας έχουν πεταχτεί σε ασφαλές μέρος. Τα υλικά συσκευασίας, όπως τα καρφιά και άλλα μεταλλικά ή ξύλινα μέρη, μπορεί να προκαλέσουν κοψίματα ή άλλους τραυματισμούς.

- Η βάση και τα σημεία στήριξης της εξωτερικής μονάδας πρέπει να ελέγχονται περιοδικά μήπως έχουν χαλαρώσει, σπάσει ή έχουν υποστεί άλλη ζημιά. Αν δεν διορθώσετε τις ζημιές αυτές, η μονάδα μπορεί να πέσει προκαλώντας ζημιά ή τραυματισμούς.
- Μην καθαρίζετε το κλιματιστικό με νερό. Μπορεί να πάθετε ηλεκτροπληξία.
- Σφίξτε όλα τα περικόχλια εκκλιώσεως σύμφωνα με τις προδιαγραφές χρησιμοποιώντας ένα δυναμόκλειδο. Αν τα σφίξετε πάρα πολύ, μπορεί να σπάσουν μετά από ορισμένο χρονικό διάστημα και να σημειωθεί διαρροή ψυκτικού.

1. Προφυλακτικά Μέτρα Ασφαλείας

1.3. Προετοιμασία για τις ηλεκτρικές εργασίες

⚠ Προσοχή:

- Φροντίστε να τοποθετήσετε διακόπτες κυκλώματος. Διαφορετικά, μπορεί να προκληθεί ηλεκτροπληξία.

ΣΗΜΑΝΤΙΚΟ

Βεβαιωθείτε ότι ο διακόπτης διαρροής είναι συμβατός με υψηλής συχνότητας. Πάντα να χρησιμοποιείτε διακόπτη διαρροής συμβατό με υψηλής συχνότητας καθώς αυτή η μονάδα είναι εξοπλισμένη με αναστροφή. Η χρήση ανεπαρκούς διακόπτη ενδέχεται να οδηγήσει σε λανθασμένη λειτουργία του αναστροφέα.

- Για τις γραμμές τροφοδοσίας, χρησιμοποιήστε καλώδια του εμπορίου επαρκούς ισχύος. Διαφορετικά, μπορεί να προκληθεί βραχυκύκλωμα, υπερθέρμανση ή πυρκαγιά.

1.4. Πριν τη δοκιμαστική λειτουργία

⚠ Προσοχή:

- Ανοίξτε τον κεντρικό διακόπτη τροφοδοσίας 12 ώρες τουλάχιστον πριν την έναρξη της λειτουργίας. Η έναρξη λειτουργίας της μονάδας αμέσως αφού ανοίξετε τον κεντρικό διακόπτη τροφοδοσίας μπορεί να προκαλέσει σοβαρή ζημιά στα εσωτερικά της μέρη. Μην κλείνετε τον κεντρικό διακόπτη τροφοδοσίας την περίοδο λειτουργίας του κλιματιστικού.
- Πριν την έναρξη της λειτουργίας, ελέγξτε ότι όλα τα πλαίσια, οι διατάξεις ασφαλείας και άλλα προστατευτικά μέρη είναι σωστά τοποθετημένα. Μέρη που περιστρέφονται, έχουν υψηλή θερμοκρασία ή υψηλή τάση μπορεί να προκαλέσουν τραυματισμούς.

1.5. Χρήση κλιματιστικών με ψυκτικό μέσο R410A

⚠ Προσοχή:

- Χρησιμοποιήστε φωσφορούχο κρατέρωμα C1220 για τη σύνδεση των σωληνώσεων ψυκτικού, όταν έχετε χαλκοσωλήνες και σωλήνες κράματος χαλκού χωρίς ενώσεις. Βεβαιωθείτε ότι οι εσωτερικές επιφάνειες των σωλήνων είναι καθαρές και δεν περιέχουν επικίνδυνες προσμίξεις όπως θειικές ενώσεις, οξειδωτικά, ρινίσματα ή σκόνη. Χρησιμοποιείτε σωλήνες με το συνιστώμενο πάχος. (Ανατρέξτε στη σελίδα 90) Αν πρόκειται να χρησιμοποιήσετε ξανά παλιούς σωλήνες που περιείχαν ψυκτικό R22, προσέξτε τα παρακάτω.
- Αντικαταστήστε τα παλιά περικόχλια εκχειλωσης και εκχειλώστε ξανά τα διαπλατυσμένα τμήματα.
- Μην χρησιμοποιείτε σωλήνες με πολύ μικρό πάχος. (Ανατρέξτε στη σελίδα 90)
- Φυλάξτε τους σωλήνες που θα χρησιμοποιήσετε στην εγκατάσταση σε εσωτερικό χώρο και σφραγίστε και τα δύο άκρα των σωλήνων μέχρι να εκτελέσετε τις εργασίες χαλκοκόλλησης. (Μην θγάλετε τα γωνιακά ρακόρ κτλ. από τη συσκευασία τους.) Αν στις σωληνώσεις ψυκτικού μπου σκόνη, ρινίσματα ή υγρασία, υπάρχει κίνδυνος να προκληθεί αλλοίωση της ποιότητας του λαδιού ή θλάθη του συμπιεστή.
- Χρησιμοποιήστε λάδι εστέρα, λάδι αιθέρα ή αλκυλιобенζόλη (μικρή ποσότητα) σαν ψυκτικό λάδι για την εφαρμογή στα διαπλατυσμένα τμήματα. Το ψυκτικό λάδι αν αναμιχθεί με ορυκτέλαιο, θα αλλοιωθεί.

2. Διάγραμμα εγκατάστασης & μέρη

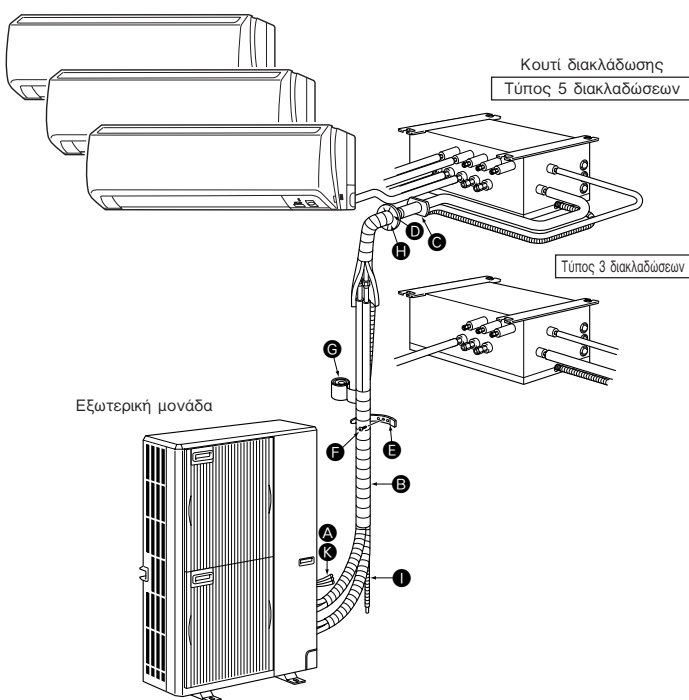


Fig. 2-1

- Όταν συνδέετε τις γραμμές τροφοδοσίας, μην τεντώνετε υπερβολικά τα καλώδια. Αν οι συνδέσεις χαλαρώσουν, τα καλώδια μπορεί να σπάσουν με συνέπεια να προκληθεί υπερθέρμανση ή πυρκαγιά.
- Φροντίστε να γειώσετε τη μονάδα. Μην συνδέετε το καλώδιο γείωσης σε σωλήνες αερίου ή υγρού, κολώνες ρεύματος ή τηλεφωνικές γραμμές. Αν η μονάδα δεν είναι κατάλληλα γειωμένη, μπορεί να προκληθεί ηλεκτροπληξία.
- Χρησιμοποιήστε διακόπτες κυκλώματος (διακόπτης κυκλώματος θλάθης γείωσης, διακόπτης απομόνωσης κυκλώματος (ασφάλεια +B), και διακόπτης κυκλώματος σε χυτευτό κουτί) με την ενδεικνυόμενη χωρητικότητα. Αν η χωρητικότητα του διακόπτη κυκλώματος είναι μεγαλύτερη από την ενδεικνυόμενη, μπορεί να προκληθεί θλάθη ή πυρκαγιά.

- Μην αγγίζετε τους διακόπτες με βρεγμένα χέρια. Μπορεί να πάθετε ηλεκτροπληξία.
- Μην αγγίζετε τους σωλήνες ψυκτικού με γυμνά χέρια όταν λειτουργεί το κλιματιστικό. Οι σωλήνες ψυκτικού είναι πολύ ζεστοί ή πολύ κρύοι ανάλογα με την κατάσταση του κυκλοφορούντος ψυκτικού μέσου. Αν αγγίξετε τους σωλήνες, μπορεί να πάθετε εγκαύματα ή κρυοπαγήματα.
- Αφού σταματήσει να λειτουργεί το κλιματιστικό, περιμένετε τουλάχιστον πέντε λεπτά πριν κλείσετε τον κεντρικό διακόπτη τροφοδοσίας. Διαφορετικά, μπορεί να προκληθεί διαρροή ή θλάθη.

- Μην χρησιμοποιείτε άλλο ψυκτικό από το R410A. Αν χρησιμοποιήσετε άλλο ψυκτικό, το χλώριο στο ψυκτικό μπορεί να προκαλέσει αλλοίωση στην ποιότητα του λαδιού.
- Χρησιμοποιήστε τα παρακάτω εργαλεία που προορίζονται ειδικά για χρήση με το ψυκτικό R410A. Τα παρακάτω εργαλεία είναι απαραίτητα για τη χρήση ψυκτικού R410A. Για τυχόν απορίες, απευθυνθείτε στον πλησιέστερο αντιπρόσωπο.

Εργαλεία (για R410A)	
Πολλαπλός μετρητής	Εργαλείο διαπλάτυνσης
Σωλήνας πλήρωσης	Μετρητής διαστάσεων
Ανιχνευτής διαρροής αερίου	Σωλήνας αντλίας κενού
Δυναμόκλειδο	Ηλεκτρονικός ζυγός πλήρωσης ψυκτικού

- Χρησιμοποιείτε πάντα τα κατάλληλα εργαλεία. Αν στις σωληνώσεις ψυκτικού μπου σκόνη, ρινίσματα ή υγρασία, υπάρχει κίνδυνος να προκληθεί αλλοίωση του ψυκτικού λαδιού.
- Μην χρησιμοποιείτε κύλινδρο γόμωσης. Αν χρησιμοποιήσετε κύλινδρο γόμωσης, η σύνθεση του ψυκτικού μέσου θα αλλάξει και θα μειωθεί η απόδοσή του.

2.1. Πριν την εγκατάσταση (Fig. 2-1)

Αυτό το εγχειρίδιο εγκατάστασης αφορά μόνο την εγκατάσταση της εξωτερικής μονάδας. Για την εγκατάσταση των εσωτερικών μονάδων και του κουτιού διακλάδωσης, ανατρέξτε στο εγχειρίδιο εγκατάστασης που συνοδεύει κάθε μονάδα.

Τυχόν δομικές μετατροπές που απαιτούνται για την πραγματοποίηση της εγκατάστασης πρέπει να είναι σύμφωνες με τις τοπικές πολεοδομικές διατάξεις.

Το διάγραμμα αυτό σκοπό έχει να δείξει τη διάταξη των εξαρτημάτων. Στην πράξη, η εξωτερική μονάδα πρέπει να γυρίσει 180°.

Η εγκατάσταση πρέπει να γίνεται από διπλωματούχο ειδικευμένο τεχνικό σύμφωνα με τους κανονισμούς και τις προδιαγραφές που ισχύουν στη χώρα σας.

Σημείωση:

Οι διαστάσεις που δίνονται στις εικόνες πρέπει να τηρούνται προκειμένου να εξασφαλιστεί η βέλτιστη λειτουργία και απόδοση του κλιματιστικού. Η θέση εγκατάστασης της μονάδας πρέπει να παρέχει όσο το δυνατόν μεγαλύτερο χώρο για τη συντήρηση και τυχόν επισκευές στο μέλλον.

Εξαρτήματα που θα προμηθευτείτε από το εμπόριο

A	Καλώδιο σύνδεσης κουτιού διακλάδωσης/εξωτερικής μονάδας (3-κλωνο, Ανατρέξτε στην ενότητα 7.3. Διαδικασία εξωτερικής καλωδίωσης)	1
B	Σωλήνας επέκτασης	1
C	Συνδετικός σωλήνας οπής τοίχου	1
D	Κάλυμμα οπής τοίχου	1
E	Στεφάνη στερέωσης σωλήνων (Η ποσότητα εξαρτάται από το μήκος των σωλήνων.)	2 έως 7
F	Βίδα στερέωσης για E 4 x 20 mm (Η ποσότητα εξαρτάται από το μήκος των σωλήνων.)	2 έως 7
G	Ταινία σωλήνων	1
H	Στόκος	1
I	Σωλήνας αποστράγγισης (σκληρό PVC τύπου VP16)	1
J	Ψυκτικό λάδι	1
K	Καλώδιο τροφοδοσίας (2-κλωνο, Ανατρέξτε στην ενότητα 7.3. Διαδικασία εξωτερικής καλωδίωσης)	1

3. Θέση εγκατάστασης

3.1. Σωλήνες ψυκτικού

Ανατρέξτε στην ενότητα 5.2. Μήκος σωλήνα και υψομετρική διαφορά.

3.2. Επιλογή σημείου εγκατάστασης εξωτερικής μονάδας

- Αποφύγετε σημεία άμεσα εκτεθειμένα στην ηλιακή ακτινοβολία ή σε άλλες πηγές θερμότητας.
- Επιλέξτε ένα σημείο στο οποίο ο θόρυβος που εκπέμπεται από τη μονάδα να μην ενοχλεί τους γείτονες.
- Επιλέξτε μια θέση που επιτρέπει την εύκολη σύνδεση των καλωδίων και των σωλήνων στην πηγή τροφοδοσίας και στην εσωτερική μονάδα.
- Αποφύγετε σημεία όπου υπάρχει κίνδυνος διαρροής, απελευθέρωσης, κυκλοφορίας ή συγκέντρωσης εύφλεκτων αερίων.
- Έχετε υπόψη σας ότι κατά τη λειτουργία του κλιματιστικού, μπορεί να τρέχει νερό από τη μονάδα.
- Επιλέξτε μια επίπεδη επιφάνεια η οποία να μπορεί να αντέξει το βάρος και τους κραδασμούς της μονάδας.
- Αποφύγετε σημεία όπου η μονάδα μπορεί να σκεπαστεί με χιόνι. Σε περιοχές όπου σημειώνονται δυνατές χιονοπτώσεις, πρέπει να παίρνετε ειδικές προφυλάξεις, όπως η ανύψωση της θέσης εγκατάστασης ή η τοποθέτηση κοκκούλας στη θυρίδα εισαγωγής του αέρα, ώστε να μην μπλοκάρει με χιόνι και να αποφεύγεται η απευθείας πτώση του χιονιού. Σε αντίθετη περίπτωση, μπορεί να μειωθεί η ποσότητα της ροής του αέρα και να προκληθεί βλάβη.
- Αποφύγετε μέρη εκτεθειμένα σε λάδια, ατμούς ή θεϊκά αέρια.
- Χρησιμοποιείτε τις λαβές μεταφοράς της εξωτερικής μονάδας όταν πρόκειται να μετακινήσετε τη μονάδα. Αν μεταφέρετε τη μονάδα κρατώντας την από την κάτω πλευρά της, μπορεί να τραυματιστούν τα δάχτυλα ή τα χέρια σας.

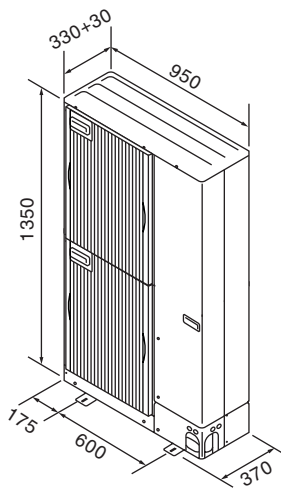


Fig. 3-1

(mm)

3.3. Εξωτερικές διαστάσεις (Εξωτερική μονάδα) (Fig. 3-1)

Περιορισμοί στην εγκατάσταση της εσωτερικής μονάδας

Πρέπει να γνωρίζετε ότι οι εσωτερικές μονάδες που μπορούν να συνδεθούν σε αυτή την εξωτερική μονάδα είναι τα ακόλουθα μοντέλα.

- Οι εσωτερικές μονάδες με αριθμό μοντέλου 22, 25, 35, 50, 60, 71, 80 μπορούν να συνδεθούν. Ανατρέξτε στον παρακάτω πίνακα για τους πιθανούς συνδυασμούς εσωτερικών μονάδων 2 - 8 δωματίων.

Επαλήθευση

Η ονομαστική ικανότητα πρέπει να καθορίζεται με τη βοήθεια του παρακάτω πίνακα. Το πλήθος των μονάδων κυμαίνεται από 2 έως 8. Για το επόμενο βήμα, βεβαιωθείτε ότι η συνολική ονομαστική ικανότητα του επιλεγμένου συνδυασμού θα παραμείνει μεταξύ 4,4 - 18,5 kW.

Παράδειγμα:

MSZ-60	=	6,0	} Συνολική οδομαστική ικανότητα 18,0 ≤ 18,5 kW
	+		
SEZ-35	=	3,5	
	+		
SLZ-35	=	3,5	
	+		
SEZ-25	=	2,5	
	+		
SLZ-25	=	2,5	

Τύπος εσωτερικής μονάδας	22	25	35	50	60	71	80
Ονομαστική ικανότητα (ψυκτική) (kW)	2,2	2,5	3,5	5,0	6,0	7,1	8,0

Στους συνδυασμούς στους οποίους η συνολική ικανότητα των εσωτερικών μονάδων υπερβαίνει την ικανότητα της εξωτερικής μονάδας (=14,0 kW), η ψυκτική ικανότητα κάθε εσωτερικής μονάδας μειώνεται κάτω από την ονομαστική της τιμή. Επομένως, πρέπει να συνδυάζετε εσωτερικές μονάδες που να μην υπερβαίνουν την ικανότητα της εξωτερικής μονάδας (=14,0 kW), εφόσον αυτό είναι δυνατό.

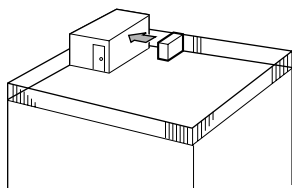


Fig. 3-2

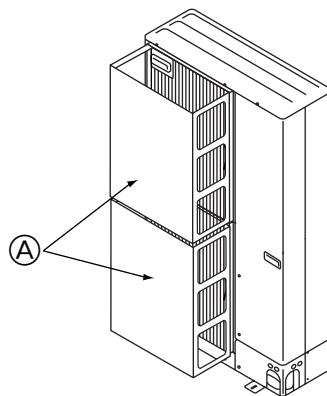


Fig. 3-3

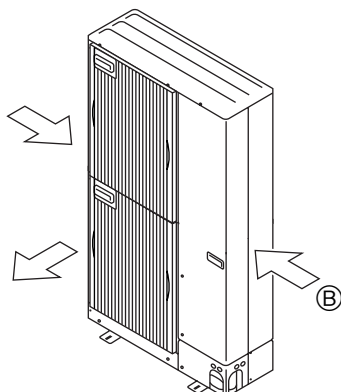


Fig. 3-4

3.4. Εξαερισμός και χώρος συντήρησης

3.4.1. Εγκατάσταση σε σημείο εκτεθειμένο στον άνεμο

Όταν η εγκατάσταση της εξωτερικής μονάδας γίνεται σε στέγη ή σε άλλη θέση που δεν είναι προστατευμένη από τον αέρα, τα στόμια εξαγωγής του αέρα πρέπει να τοποθετούνται με τρόπο ώστε να μην είναι άμεσα εκτεθειμένα σε δυνατούς ανέμους.

Όταν δυνατός αέρας φυσά απευθείας στο στόμιο εξαγωγής του αέρα, εμποδίζεται η κανονική ροή του αέρα και υπάρχει κίνδυνος βλάβης.

Στη συνέχεια, βλέπετε τρία παραδείγματα προφυλάξεων από δυνατούς ανέμους.

① Τοποθετήστε τη μονάδα ώστε το στόμιο εξαγωγής του αέρα να είναι στραμμένο προς τον πλησιέστερο διαθέσιμο τοίχο και να απέχει περίπου 50 εκατοστά. (Fig. 3-2)

② Τοποθετήστε έναν προαιρετικό οδηγό αέρα, εάν πρόκειται να εγκαταστήσετε τη μονάδα σε σημεία όπου υπάρχει ενδεχόμενο να φυσούν απευθείας στο στόμιο εξαγωγής του αέρα πολύ δυνατοί άνεμοι κτλ. (Fig. 3-3)

Ⓐ Οδηγός αέρα

③ Εγκαταστήστε τη μονάδα με τρόπο ώστε ο αέρας που βγαίνει από το στόμιο εξαγωγής να φυσά κάθετα σε σχέση με την κατεύθυνση του ανέμου, εάν αυτό είναι δυνατό. (Fig. 3-4)

Ⓑ Κατεύθυνση ανέμου

3. Θέση εγκατάστασης

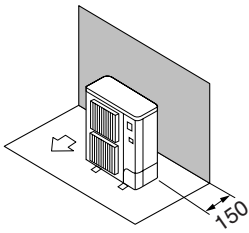


Fig. 3-5

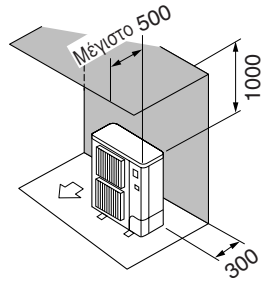


Fig. 3-6

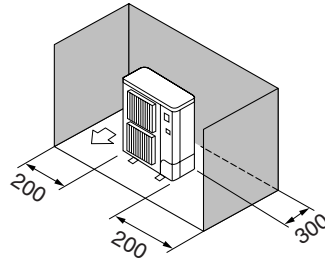


Fig. 3-7

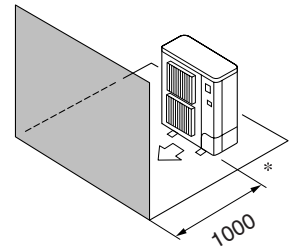


Fig. 3-8

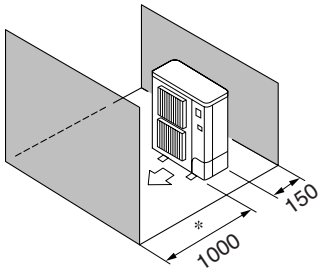


Fig. 3-9

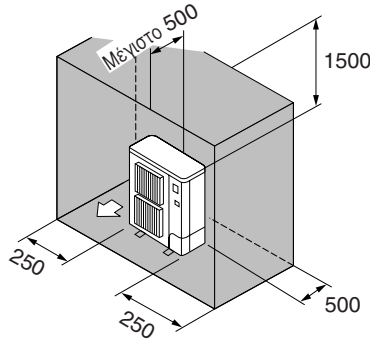


Fig. 3-10

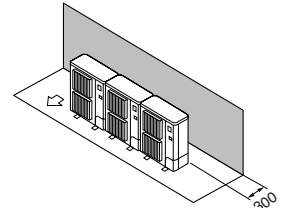


Fig. 3-11

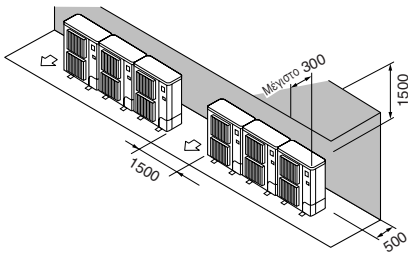


Fig. 3-12

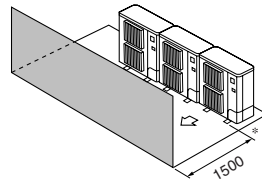


Fig. 3-13

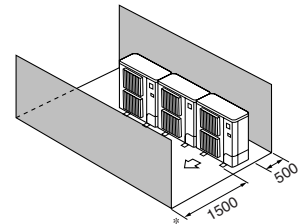


Fig. 3-14

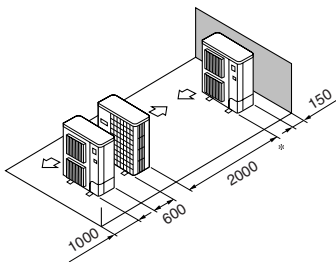


Fig. 3-15

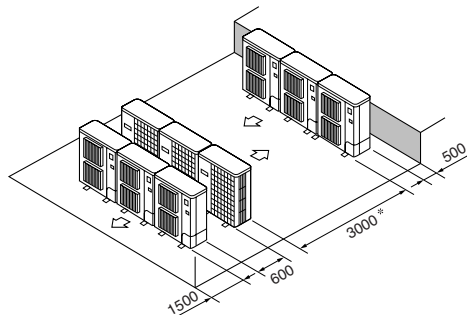


Fig. 3-16

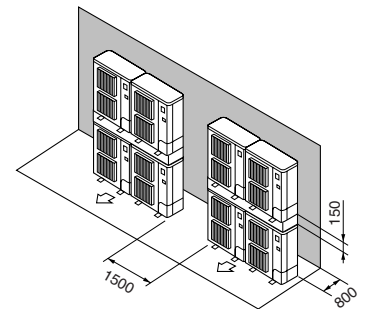


Fig. 3-17

3.4.2. Εγκατάσταση μόνης εξωτερικής μονάδας

Οι ελάχιστες διαστάσεις έχουν ως εξής, εκτός αν επισημαίνεται η μέγ., που σημαίνει μέγιστες διαστάσεις.

Για κάθε περίπτωση ανατρέξτε στους αριθμούς.

- ① Εμπόδια στην πίσω πλευρά μόνο (Fig. 3-5)
- ② Εμπόδια στην πίσω και επάνω πλευρά μόνο (Fig. 3-6)
- ③ Εμπόδια στην πίσω και στις δύο πλαϊνές πλευρές μόνο (Fig. 3-7)
- ④ Εμπόδια στην μπροστινή πλευρά μόνο (Fig. 3-8)
 - * Όταν χρησιμοποιείτε προαιρετικό οδηγό στο στόμιο εξαγωγής του αέρα, η απόσταση πρέπει να 500 mm ή περισσότερο.
- ⑤ Εμπόδια στην μπροστινή και την πίσω πλευρά μόνο (Fig. 3-9)
 - * Όταν χρησιμοποιείτε προαιρετικό οδηγό στο στόμιο εξαγωγής του αέρα, η απόσταση πρέπει να 500 mm ή περισσότερο.
- ⑥ Εμπόδια στην πίσω, στις δύο πλαϊνές και στην επάνω πλευρά μόνο (Fig. 3-10)
 - Μην χρησιμοποιείτε τους προαιρετικούς οδηγούς στο στόμιο εξαγωγής του αέρα για κατεύθυνση της ροής προς τα πάνω.

3.4.3. Εγκατάσταση πολλαπλών εξωτερικών μονάδων

Αφήστε ελεύθερο χώρο 10 mm ή περισσότερο μεταξύ των μονάδων.

- ① Εμπόδια στην πίσω πλευρά μόνο (Fig. 3-11)
- ② Εμπόδια στην πίσω και επάνω πλευρά μόνο (Fig. 3-12)
 - Δεν πρέπει να εγκαθιστάτε περισσότερες από τρεις μονάδες στη σειρά. Επιπλέον, πρέπει να αφήνετε ελεύθερο χώρο μεταξύ τους όπως δείχνει η εικόνα.
 - Μην χρησιμοποιείτε τους προαιρετικούς οδηγούς στο στόμιο εξαγωγής του αέρα για κατεύθυνση της ροής προς τα πάνω.
- ③ Εμπόδια στην μπροστινή πλευρά μόνο (Fig. 3-13)
 - * Όταν χρησιμοποιείτε προαιρετικό οδηγό στο στόμιο εξαγωγής του αέρα, η απόσταση πρέπει να 1000 mm ή περισσότερο.
- ④ Εμπόδια στην μπροστινή και την πίσω πλευρά μόνο (Fig. 3-14)
 - * Όταν χρησιμοποιείτε προαιρετικό οδηγό στο στόμιο εξαγωγής του αέρα, η απόσταση πρέπει να 1000 mm ή περισσότερο.
- ⑤ Απλή παράλληλη διάταξη μονάδων (Fig. 3-15)
 - * Όταν χρησιμοποιείτε προαιρετικό οδηγό στο στόμιο εξαγωγής του αέρα για κατεύθυνση της ροής προς τα πάνω, η απόσταση είναι 1000 mm ή περισσότερο.
- ⑥ Πολλαπλή παράλληλη διάταξη μονάδων (Fig. 3-16)
 - * Όταν χρησιμοποιείτε προαιρετικό οδηγό στο στόμιο εξαγωγής του αέρα για κατεύθυνση της ροής προς τα πάνω, η απόσταση είναι 1500 mm ή περισσότερο.
- ⑦ Διάταξη μονάδων σε στοιβά (Fig. 3-17)
 - Οι μονάδες μπορούν να τοποθετηθούν και σε στοιβά (μέχρι δύο μονάδες).
 - Δεν μπορείτε να τοποθετήσετε στη σειρά περισσότερες από δύο στοιβές. Επιπλέον, πρέπει να αφήνετε ελεύθερο χώρο μεταξύ τους όπως δείχνει η εικόνα.

4. Εγκατάσταση της εξωτερικής μονάδας

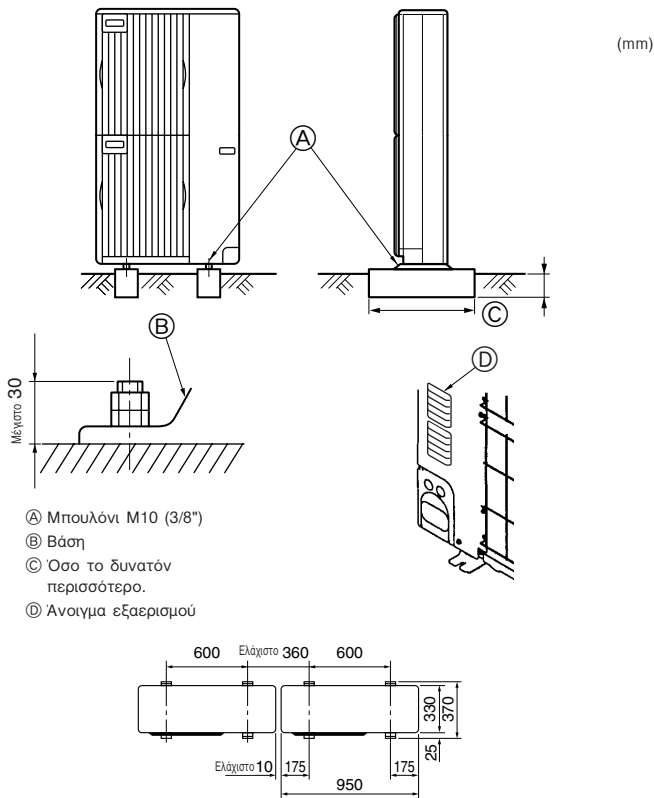


Fig. 4-1

(mm)

• Η μονάδα πρέπει να τοποθετηθεί σε σταθερή και επίπεδη επιφάνεια για την αποφυγή θορύβων κατά τη λειτουργία. (Fig. 4-1)

<Χαρακτηριστικά θεμελίωσης>

Μπουλόνι θεμελίωσης	M10 (3/8")
Πάχος σκυροδέματος	120 χλστ.
Μήκος μπουλονιού	70 χλστ.
Βάρος-ικανότητα συγκράτησης	320 κιλά

- Βεβαιωθείτε ότι το μήκος του μπουλονιού θεμελίωσης είναι το πολύ 30 χλστ. από την κάτω επιφάνεια της βάσης.
- Στερεώστε καλά τη βάση της μονάδας με τέσσερα μπουλόνια θεμελίωσης M10 σε σταθερή επιφάνεια.

Εγκατάσταση της εξωτερικής μονάδας

- Μην φράσσετε το άνοιγμα εξαερισμού. Σε αντίθετη περίπτωση, η λειτουργία της μονάδας παρεμποδίζεται και μπορεί να προκληθεί ζημιά.
- Εκτός από τη βάση της μονάδας, χρησιμοποιήστε και τις σπές στην πίσω πλευρά της μονάδας για τη σύνδεση συρμάτων στερέωσης κτλ., εφόσον χρειάζεται για την εγκατάσταση της μονάδας. Χρησιμοποιήστε λαμαρινόβιδες (ø5 x 15 mm ή λιγότερο) και κάντε την εγκατάσταση επιτόπου.

⚠ Προειδοποίηση:

- Η μονάδα πρέπει να εγκατασταθεί και να στερεωθεί καλά σε μια επιφάνεια που μπορεί να αντέξει το βάρος της. Αν η μονάδα τοποθετηθεί σε ασταθή επιφάνεια, μπορεί να πέσει και να προκαλέσει τραυματισμούς.
- Η εγκατάσταση της μονάδας πρέπει να γίνει σύμφωνα με τις οδηγίες προκειμένου να ελαχιστοποιηθεί ο κίνδυνος ζημιάς από σεισμούς, τυφώνες ή δυνατούς ανέμους. Όταν η μονάδα δεν είναι σωστά εγκατεστημένη, μπορεί να πέσει και να προκαλέσει ζημιά ή τραυματισμό.

5. Εγκατάσταση της σωληνώσης ψυκτικού υγρού

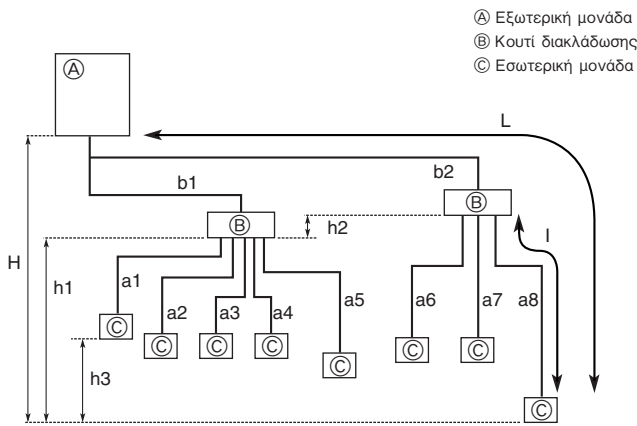


Fig. 5-1

5.1. Προφυλάξεις για τις συσκευές που χρησιμοποιούν ψυκτικό R410A

- Ανατρέξτε στη σελίδα 87 για προφυλάξεις που δεν περιλαμβάνονται παρακάτω σχετικά με τη χρήση κλιματιστικών με ψυκτικό R410A.
- Χρησιμοποιήστε λάδι εστέρα, λάδι αιθέρα ή αλκυλιοβενζόλη (μικρή ποσότητα) σαν ψυκτικό λάδι για την εφαρμογή στα διαπλευσμένα τμήματα.
- Χρησιμοποιήστε φωσφορούχο κρατέρωμα C1220 για τη σύνδεση των σωληνώσεων ψυκτικού, όταν έχετε χαλκοσωλήνες και σωλήνες κράματος χαλκού χωρίς ενώσεις. Χρησιμοποιείτε σωλήνες ψυκτικού με πάχος σύμφωνα με τις προδιαγραφές στον παρακάτω πίνακα. Βεβαιωθείτε ότι οι εσωτερικές επιφάνειες των σωληνών είναι καθαρές και δεν περιέχουν επικίνδυνες προσμίξεις όπως θεικές ενώσεις, οξειδωτικά, ρινίσματα ή σκόνη.

⚠ Προειδοποίηση:

Κατά την εγκατάσταση ή τη μετακίνηση του κλιματιστικού, χρησιμοποιείτε μόνο το συνιστώμενο ψυκτικό (R410A) για την πλήρωση των γραμμών ψυκτικού. Μην το αναμιγνύετε με άλλο ψυκτικό μέσο και μην αφήνετε τον αέρα να παραμείνει μέσα στις γραμμές. Ο αέρας που μπλοκάρει στις γραμμές μπορεί να προκαλέσει απότομες αυξήσεις στην πίεση με αποτέλεσμα θραύση και άλλες επικίνδυνες συνέπειες.

ø6,35, ø9,52, ø12,7	πάχος 0,8 mm
ø15,88	πάχος 1,0 mm

- Μην χρησιμοποιείτε σωλήνες με πάχος μικρότερο από τις προδιαγραφές του παραπάνω πίνακα.

Επιτρεπόμενο μήκος (μία κατεύθυνση)	Συνολικό μήκος σωληνώσεων	$b1+b2+a1+a2+a3+a4+a5+a6+a7+a8 \leq 115 \text{ m}$
	Μέγιστο μήκος σωληνώσεων (L)	$b2+a8 \leq 70 \text{ m}$ ($b2 \leq 55 \text{ m}$, $a8 \leq 15 \text{ m}$)
	Μήκος σωληνώσεων μεταξύ εξωτερικής μονάδας και κουτιών διακλάδωσης	$b1+b2 \leq 55 \text{ m}$
	Μέγιστο μήκος σωληνώσεων μετά το κουτί διακλάδωσης (l)	$a8 \leq 15 \text{ m}$
Επιτρεπόμενη υψομετρική διαφορά (μία κατεύθυνση)	Συνολικό μήκος σωληνώσεων μεταξύ των κουτιών διακλάδωσης και των εσωτερικών μονάδων	$a1+a2+a3+a4+a5+a6+a7+a8 \leq 60 \text{ m}$
	Μεταξύ εσωτερικής/εξωτερικής μονάδας (H)*1	$H \leq 30 \text{ m}$ (Στην περίπτωση της εξωτερικής μονάδας ορίζεται υψηλότερα από την εσωτερική μονάδα) $H \leq 20 \text{ m}$ (Στην περίπτωση της εξωτερικής μονάδας ορίζεται χαμηλότερα από την εσωτερική μονάδα)
	Μεταξύ κουτιού διακλάδωσης/εσωτερικής μονάδας (h1)	$h1 + h2 \leq 15 \text{ m}$
	Μεταξύ κάθε μονάδας διακλάδωσης (h2)	$h2 \leq 15 \text{ m}$
	Μεταξύ κάθε εσωτερικής μονάδας (h3)	$h3 \leq 12 \text{ m}$
Αριθμός κάμψων		$ b1+a1 , b1+a2 , b1+a3 , b1+a4 , b1+a5 , b2+a6 , b2+a7 , b2+a8 \leq 15$

*1 Το κουτί διακλάδωσης πρέπει να τοποθετηθεί στο ύψος μεταξύ της εξωτερικής και των εσωτερικών μονάδων.

5.2. Μήκος σωλήνα και υψομετρική διαφορά (Fig. 5-1)

Εκχειλωμένες συνδέσεις

- Η μονάδα έχει εκχειλωμένες συνδέσεις στην πλευρά κάθε εσωτερικής μονάδας, κουτιού διακλάδωσης και εξωτερικής μονάδας.
- Αφαιρέστε το κάλυμμα της βαλβίδας της εξωτερικής μονάδας και συνδέστε το σωλήνα.
- Οι σωλήνες ψυκτικού χρησιμοποιούνται για τη σύνδεση του κουτιού διακλάδωσης και της εξωτερικής μονάδας.

5. Εγκατάσταση της σωλήνωσης ψυκτικού υγρού

5.3. Προσθήκη ψυκτικού

- Δεν απαιτείται συμπληρωματική πλήρωση της μονάδας με ψυκτικό εάν το συνολικό μήκος του σωλήνα ($b_1+b_2+a_1+a_2+a_3+a_4+a_5+a_6+a_7+a_8$) δεν υπερβαίνει τα 40 m.
- Αν το συνολικό μήκος του σωλήνα υπερβαίνει τα 40 m, πληρώστε τη μονάδα με πρόσθετη ποσότητα ψυκτικού R410A σύμφωνα με το επιτρεπόμενο μήκος σωλήνα στον παρακάτω πίνακα.

* Όταν το κλιματιστικό δεν λειτουργεί, πληρώστε με το πρόσθετο ψυκτικό από την ανασταλτική βαλβίδα της γραμμής υγρού αφού εξεραρωθούν πρώτα όλες οι προεκτάσεις των σωληνώσεων και η εσωτερική μονάδα. Όταν το κλιματιστικό λειτουργεί, πληρώστε με ψυκτικό από τη βαλβίδα ελέγχου της γραμμής αερίου χρησιμοποιώντας μια συσκευή πλήρωσης ασφαλείας. Μην προσθέτετε υγρό ψυκτικό απευθείας στη βαλβίδα ελέγχου.

Μετά την πλήρωση της μονάδας με ψυκτικό, σημειώστε την ποσότητα του ψυκτικού που προσέσατε στην ετικέτα συντήρησης (που βρίσκεται κολλημένη στη μονάδα).

Ανατρέξτε στην ενότητα "1.5. Χρήση κλιματιστικών με ψυκτικό μέσο R410A" για περισσότερες πληροφορίες.

Πίνακας 1

Συνολικό μήκος σωληνώσεων ($b_1+b_2+a_1+a_2+a_3+a_4+a_5+a_6+a_7+a_8$)	41 - 50 m	51 - 70 m	71 - 90 m	91 - 115 m
Πρόσθετη ποσότητα ψυκτικού	0,6 kg	1,4 kg	2,2 kg	3,2 kg

Εάν συνδέσετε μία εσωτερική μονάδα με $\varnothing 9,52$ σωλήνες υγρού (αριθμός μοντέλου 71 ή περισσότερο για τις σειρές M και S και αριθμός μοντέλου 60 ή περισσότερο για τη σειρά P), η πρόσθετη ποσότητα πλήρωσης ψυκτικού στον Πίνακα 1 πρέπει να διορθωθεί (προσθέστε την ακόλουθη αξία ΔR από την αξία που αναγράφεται στον Πίνακα 1).

Διορθωμένη πρόσθετη ποσότητα πλήρωσης ψυκτικού
 $\Delta R = 0,01 \text{ [kg/m]} \times \varnothing 9,52 \text{ συνολικό μήκος [m]} \text{ σωλήνα διακλάδωσης (σωλήνα υγρού)}$

Παράδειγμα) $b_1=20 \text{ m}, b_2=25 \text{ m}$

Εσωτερική μονάδα A	$\varnothing 9,52$ Σωλήνας υγρού	$a_1=12 \text{ m}$
Εσωτερική μονάδα B	$\varnothing 6,35$ Σωλήνας υγρού	$a_2=11 \text{ m}$
Εσωτερική μονάδα C	$\varnothing 6,35$ Σωλήνας υγρού	$a_6=14 \text{ m}$
Εσωτερική μονάδα D	$\varnothing 9,52$ Σωλήνας υγρού	$a_7=13 \text{ m}$

Συνολικό μήκος σωληνώσεων : $b_1+b_2+a_1+a_2+a_6+a_7=95 \text{ m}$

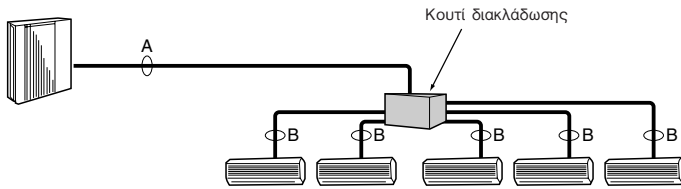
→ Σύμφωνα με τον Πίνακα 1, η πρόσθετη ποσότητα πλήρωσης ψυκτικού είναι 3,2 kg. Επειδή συνδέονται εσωτερικές μονάδες με $\varnothing 9,52$ σωλήνες υγρού (εσωτερικές μονάδες A και D σε αυτό το παράδειγμα), η πρόσθετη ποσότητα πλήρωσης ψυκτικού πρέπει να διορθωθεί.

Διορθωμένη πρόσθετη ποσότητα πλήρωσης ψυκτικού
 $\Delta R = 0,01 \text{ [kg/m]} \times \varnothing 9,52 \text{ συνολικό μήκος σωλήνα διακλάδωσης (σωλήνα υγρού)} (a_1+a_7)$
 $= 0,01 \times (12+13 \text{ m})$
 $= 0,25 \text{ kg}$

Επομένως, η πρόσθετη ποσότητα πλήρωσης ψυκτικού είναι $3,2 \text{ kg} + 0,25 \text{ kg} = 3,45 \text{ kg}$.

■ Σε περίπτωση που χρησιμοποιείται 1 κουτί διακλάδωσης

Με εκχειλωμένη σύνδεση. (Χωρίς χαλκοκόλληση)



■ Σε περίπτωση που χρησιμοποιούνται 2 κουτιά διακλάδωσης

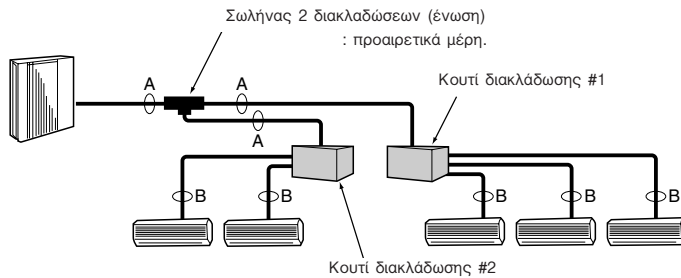


Fig. 5-2

(1) Μέγεθος βαλβίδας για εξωτερική μονάδα

Για υγρό	$\varnothing 9,52 \text{ mm}$
Για αέριο	$\varnothing 15,88 \text{ mm}$

(2) Μέγεθος βαλβίδας για κουτί διακλάδωσης

[A] ΜΟΝΑΔΑ	Σωλήνας υγρού	$\varnothing 6,35 \text{ mm}$
	Σωλήνας αερίου	$\varnothing 9,52 \text{ mm}$
[B] ΜΟΝΑΔΑ	Σωλήνας υγρού	$\varnothing 6,35 \text{ mm}$
	Σωλήνας αερίου	$\varnothing 9,52 \text{ mm}$
[C] ΜΟΝΑΔΑ	Σωλήνας υγρού	$\varnothing 6,35 \text{ mm}$
	Σωλήνας αερίου	$\varnothing 9,52 \text{ mm}$
[D] ΜΟΝΑΔΑ	Σωλήνας υγρού	$\varnothing 6,35 \text{ mm}$
	Σωλήνας αερίου	$\varnothing 9,52 \text{ mm}$
[E] ΜΟΝΑΔΑ	Σωλήνας υγρού	$\varnothing 6,35 \text{ mm}$
	Σωλήνας αερίου	$\varnothing 12,7 \text{ mm}$

* Τύπος 3 διακλαδώσεων: μόνο μονάδα [A], [B], [C]

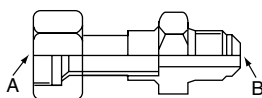


Fig. 5-3

Πίνακας μετατροπής

1/4 F	$\varnothing 6,35$
3/8 F	$\varnothing 9,52$
1/2 F	$\varnothing 12,7$
5/8 F	$\varnothing 15,88$
3/4 F	$\varnothing 19,05$

5.4. Επιλογή μεγέθους σωλήνων (Fig. 5-2)

	A	B
Υγρό (mm)	$\varnothing 9,52$	Το μέγεθος του σωλήνα διαφέρει ανάλογα με τον τύπο και την ικανότητα των εσωτερικών μονάδων. Το μέγεθος σωλήνα του κουτιού διακλάδωσης πρέπει να ταιριάζει με αυτό της εσωτερικής μονάδας στο σημείο σύνδεσης. Σε αντίθετη περίπτωση, πρέπει να χρησιμοποιήσετε προαιρετικούς μετατροπείς διαμέτρου (παρομορφωμένους συνδέσμους) στην πλευρά του κουτιού διακλάδωσης. (Συνδέστε το μετατροπέα διαμέτρου απευθείας στο κουτί διακλάδωσης.)
Αέριο (mm)	$\varnothing 15,88$	

Μετατροπείς διαμέτρου (προαιρετικό εξάρτημα) (Fig. 5-3)

Όνομα μοντέλου	Διάμετρος συνδεδεμένων σωλήνων		Διάμετρος A	Διάμετρος B
	mm			
MAC-A454JP	$\varnothing 9,52$	→ $\varnothing 12,7$	$\varnothing 9,52$	$\varnothing 12,7$
MAC-A455JP	$\varnothing 12,7$	→ $\varnothing 9,52$	$\varnothing 12,7$	$\varnothing 9,52$
MAC-A456JP	$\varnothing 12,7$	→ $\varnothing 15,88$	$\varnothing 12,7$	$\varnothing 15,88$
PAC-493PI	$\varnothing 6,35$	→ $\varnothing 9,52$	$\varnothing 6,35$	$\varnothing 9,52$
PAC-SG76RJ-E	$\varnothing 9,52$	→ $\varnothing 15,88$	$\varnothing 9,52$	$\varnothing 15,88$

Προετοιμασία σωληνώσεων

① Ο παρακάτω πίνακας δείχνει τις προδιαγραφές των σωλήνων που είναι διαθέσιμοι στο εμπόριο.

Εξωτερική διάμετρος	Πάχος μόνωσης	Υλικό μόνωσης
6,35	8	Αφρώδες πλαστικό ανθεκτικό στη θερμοκρασία με ειδικό βάρος 0,045
9,52	8	
12,7	8	
15,88	8	

② Βεβαιωθείτε ότι οι 2 σωλήνες ψυκτικού είναι μονωμένοι προκειμένου να αποφευχθεί η δημιουργία συμπύκνωσης.

③ Η ακτίνα κάμψης του σωλήνα ψυκτικού πρέπει να είναι 100 mm ή μεγαλύτερη.

⚠ Προσοχή:

Χρησιμοποιήστε μόνωση με το ενδεδειγμένο πάχος. Αν η μόνωση έχει μεγαλύτερο πάχος, μπορεί να μην γίνει σωστά η εγκατάσταση της εσωτερικής μονάδας και του κουτιού διακλάδωσης, ενώ αν η μόνωση έχει μικρότερο πάχος, μπορεί να προκληθεί συμπύκνωση και να στάξει νερό.

Σωλήνας 2 διακλαδώσεων (ένωση) : Προαιρετικά εξαρτήματα (Ανάλογα με τη μέθοδο σύνδεσης, μπορείτε να διαλέξετε το καταλληλότερο.)

Όνομα μοντέλου	Μέθοδος σύνδεσης
MSDD-50AR-E	εκχειλίωση
MSDD-50BR-E	χαλκοκόλληση

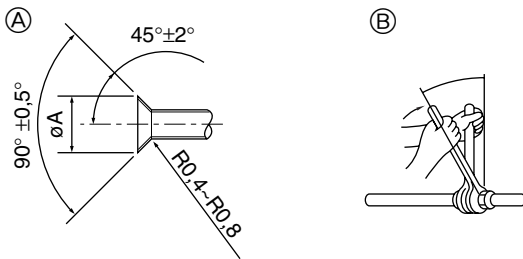
■ Διαδικασία εγκατάστασης (σωλήνας 2 διακλαδώσεων (ένωση))

Ανατρέξτε στα εγχειρίδια εγκατάστασης της MSDD-50AR-E και MSDD-50BR-E.

5. Εγκατάσταση της σωλήνωσης ψυκτικού υγρού

Συλλογή ψυκτικού υγρού όταν μεταπορίζονται οι εσωτερικές και εξωτερικές μονάδες (άντληση)

- Συνδέστε μια βαλβίδα κάσας μονομέτρων (συμπεριλαμβάνεται μανόμετρο πίεσης) στη θυρίδα συντήρησης που βρίσκεται κοντά στην ανασταλτική βαλβίδα αερίου της εξωτερικής μονάδας, ώστε να μπορεί να μετρηθεί η πίεση του ψυκτικού υγρού.
- Ανοίξτε την τροφοδοσία του ρεύματος (ασφαλειοδιακόπτη).
- Κλείστε την ανασταλτική βαλβίδα υγρού και δοκιμάστε τη λειτουργία ψύξης (SW4-1: ON και SW4-2: OFF).
 - * Φροντίστε να περιμένετε τουλάχιστον 3 λεπτά αφού ανοίξετε την τροφοδοσία ρεύματος και πριν ρυθμίσετε τους SW4-1 και SW4-2. Εάν οι διακόπτες DIP ρυθμιστούν πριν περάσουν 3 λεπτά, η δοκιμαστική λειτουργία ενδέχεται να μην ξεκινήσει.
- Κλείστε τελείως την ανασταλτική βαλβίδα αερίου, όταν η πίεση που αναγράφεται στο μανόμετρο πέσει στα 0,05 - 0,00 MPa* (περίπου 0,5 - 0,0 kgf/cm²).
 - * Αν έχει εισαχθεί υπερβολική ποσότητα ψυκτικού στο κλιματιστικό, η πίεση ενδέχεται να μην πέσει στα 0,5 kgf/cm². Αν συμβεί κάτι τέτοιο, χρησιμοποιήστε μια ειδική συσκευή συγκέντρωσης του ψυκτικού για να συλλέξετε όλο το ψυκτικό του συστήματος και έπειτα επαναπληρώστε το σύστημα με τη σωστή ποσότητα ψυκτικού μετά την επανατοποθέτηση της εσωτερικής και της εξωτερικής μονάδας.
- Διακόψτε τη λειτουργία του συστήματος κλιματισμού (SW4-1: OFF και SW4-2: OFF).
- Κλείστε την τροφοδοσία ρεύματος (ασφαλειοδιακόπτη).



- Α Διαστάσεις εκχειλωσης
Β Ροπή σύσφιξης για το περικόχλιο εκχειλωσης

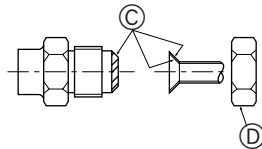


Fig. 5-4

Α (Fig. 5-4)

Διάμετρος χαλκοσωλήνα (mm)	Διαστάσεις εκχειλωσης Διάσταση θA (mm)
$\phi 6,35$	8,7 - 9,1
$\phi 9,52$	12,8 - 13,2
$\phi 12,7$	16,2 - 16,6
$\phi 15,88$	19,3 - 19,7

Β (Fig. 5-4)

Διάμετρος χαλκοσωλήνα (mm)	Διάμετρος περικοχλίου εκχειλωσης (mm)	Ροπή σύσφιξης (N·m)*
$\phi 6,35$	17	14 - 18
$\phi 6,35$	22	34 - 42
$\phi 9,52$	22	34 - 42
$\phi 9,52$	26	49 - 61
$\phi 12,7$	26	49 - 61
$\phi 12,7$	29	68 - 82
$\phi 15,88$	29	68 - 82
$\phi 15,88$	36	100 - 120

* 1 N·m \approx 10 kgf·cm

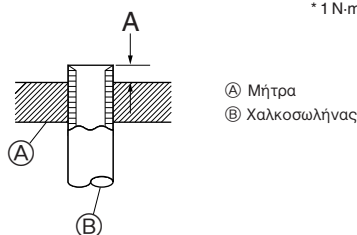


Fig. 5-5

- Α Μήτρα
Β Χαλκοσωλήνας

5.5. Σωλήνες σύνδεσης (Fig. 5-4)

- Όταν είναι διαθέσιμοι στο εμπόριο χρησιμοποιούνται χαλκοσωλήνες, σπειροειδείς σωλήνες υγρού και αερίου με υλικό μόνωσης που διατίθεται στο εμπόριο (θερμική αντοχή έως 100 °K ή μεγαλύτερη, πάχος 12 χλστ. ή μεγαλύτερο).
- Τα εσωτερικά εξαρτήματα του σωλήνα αποστράγγισης πρέπει να περιτυλίγονται με μονωτικό αφρό πολυαιθυλαίου (ειδικό βάρος 0,03, πάχος 9 χλστ. ή μεγαλύτερο).
- Πριν βιδώσετε το περικόχλιο εκχειλωσης του ψυκτικού για να συλλέξετε όλο το ψυκτικό του συστήματος και έπειτα επαναπληρώστε το σύστημα με τη σωστή ποσότητα ψυκτικού μετά την επανατοποθέτηση της εσωτερικής και της εξωτερικής μονάδας.
- Χρησιμοποιήστε δύο κλειδιά για να σφίξετε τις συνδέσεις των σωλήνων. Β
- Όταν έχουν γίνει οι συνδέσεις στις σωληνώσεις, χρησιμοποιήστε ένα όργανο εντοπισμού διαρροών ή διάλυμα σαπουνιού για να εντοπίσετε τυχόν διαρροές αερίου.
- Αλειψτε με ψυκτικό λάδι ολόκληρη την επιφάνεια στα διαπλευρωμένα τμήματα. Γ
- Χρησιμοποιήστε τα περικόχλια εκχειλωσης όπως περιγράφεται παρακάτω. Δ

■ Μέγεθος σωλήνα (Εξωτερική μονάδα-Κουτί διακλάδωσης)

Μέγεθος σωλήνα (mm)	Υγρό	$\phi 9,52$
	Αέριο	$\phi 15,88$

Τα διαθέσιμα μοντέλα εσωτερικών μονάδων που μπορούν να συνδεθούν διαφέρουν ανάλογα με την περιοχή/χώρα.

■ Μέγεθος σωλήνα (Κουτί διακλάδωσης-Εσωτερική μονάδα) *Εσωτερική μονάδα σειράς M ή σειράς S

Τύπος εσωτερικής μονάδας	Μέγεθος σωλήνα (mm)	(kW)	22	25	35	50	60	71	80
		Υγρό	$\phi 6,35$	$\phi 6,35$	$\phi 6,35$	$\phi 6,35$	$\phi 6,35$	$\phi 6,35$	$\phi 9,52$
Αέριο	$\phi 9,52$	$\phi 9,52$	$\phi 9,52$	$\phi 9,52$	$\phi 12,7$	$\phi 15,88^*$	$\phi 15,88$	$\phi 15,88$	

* Όταν χρησιμοποιείτε την εσωτερική μονάδα τύπου 60 της σειράς MEXZ, χρησιμοποιήστε το παξιμάδι ρακόρ από το εξαρτήματά της για τη σύνδεση αερίου στο πλανό μέρος της εσωτερικής μονάδας. Μην χρησιμοποιείτε το παξιμάδι ρακόρ που είναι προσαρτημένο στην εσωτερική μονάδα (στην πλευρά σύνδεσης αερίου). Εάν το χρησιμοποιήσετε, μπορεί να σημειωθεί διαρροή αερίου ή ακόμη και απόσπαση του σωλήνα.

■ Μέγεθος σωλήνα (Κουτί διακλάδωσης-Εσωτερική μονάδα) *Εσωτερική μονάδα σειράς P

Τύπος εσωτερικής μονάδας	Μέγεθος σωλήνα (mm)	(kW)	35	50	60	71
		Υγρό	$\phi 6,35$	$\phi 6,35$	$\phi 9,52$	$\phi 9,52$
Αέριο	$\phi 12,7$	$\phi 12,7$	$\phi 15,88$	$\phi 15,88$		

Με τα μοντέλα εσωτερικών μονάδων 35, 50 της σειράς P, χρησιμοποιήστε το παρεχόμενο περικόχλιο εκχειλωσης που συνοδεύει την εσωτερική μονάδα. Μην χρησιμοποιείτε το περικόχλιο εκχειλωσης (στο συνοδευτικό της εσωτερικής μονάδας). Εάν το χρησιμοποιήσετε, μπορεί να σημειωθεί διαρροή αερίου ή ακόμη και απόσπαση του σωλήνα.

- Όταν κάμπτετε τους σωλήνες, προσέξτε να μην τους σπάσετε. Ακτίνες κάμψης της τάξης των 100 mm ή 150 mm είναι αρκετές.
- Βεβαιωθείτε ότι οι σωλήνες δεν έρχονται σε επαφή με το συμπιεστή. Μπορεί να προκληθεί μη φυσιολογικός θόρυβος ή κραδασμοί.

- Η σύνδεση των σωλήνων πρέπει να ξεκινά από την εσωτερική μονάδα. Για το σφίξιμο των περικοχλίων εκχειλωσης πρέπει να χρησιμοποιείτε δυναμόκλειδο.
- Εκχειλώστε τους σωλήνες υγρού και αερίου και αλειψτε τους με ένα λεπτό στρώμα λαδιού ψυκτικού (επιτόπου εργασίας).
- Όταν χρησιμοποιούνται τα συνηθισμένα υλικά για το σφράγισμα των σωλήνων, ανατρέξτε στον Πίνακα 2 για την εκχειλωση των σωλήνων με ψυκτικό R410A. Για την επαλήθευση των μετρήσεων A πρέπει να χρησιμοποιήσετε το μετρητή διαστάσεων.

Πίνακας 2 (Fig. 5-5)

Διάμετρος χαλκοσωλήνα (mm)	A (mm)	
	Εργαλείο διαπλάτυσης για R410A	Εργαλείο διαπλάτυσης για R22/R407C
	Τύπου σφιγκτήρα	
$\phi 6,35$	0 - 0,5	1,0 - 1,5
$\phi 9,52$	0 - 0,5	1,0 - 1,5
$\phi 12,7$	0 - 0,5	1,0 - 1,5
$\phi 15,88$	0 - 0,5	1,0 - 1,5

5. Εγκατάσταση της σωληνώσης ψυκτικού υγρού

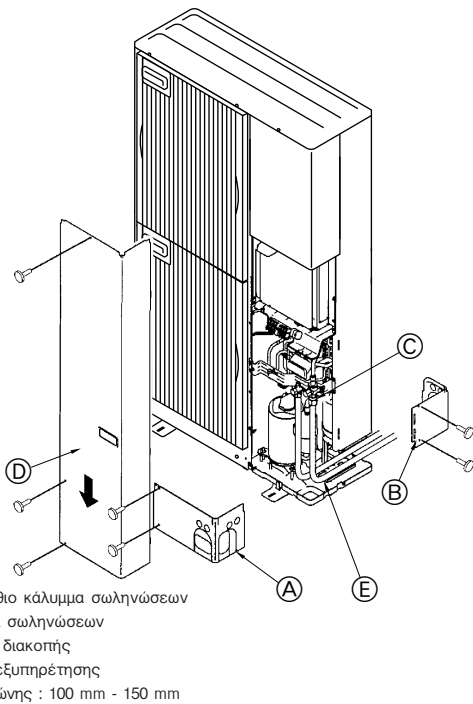


Fig. 5-6

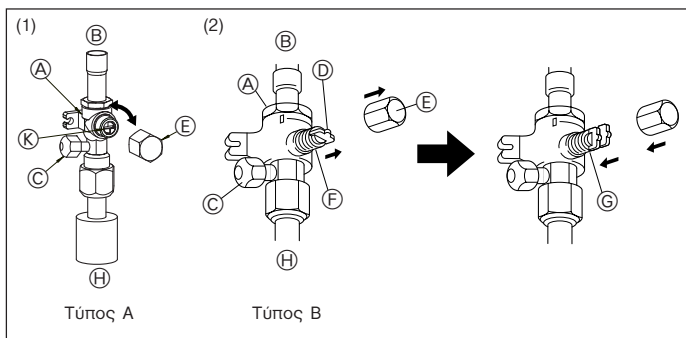


Fig. 5-7

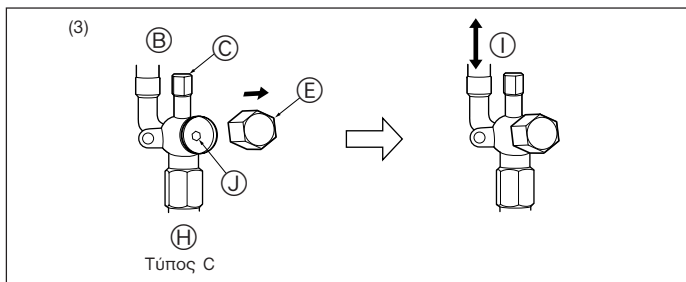


Fig. 5-8

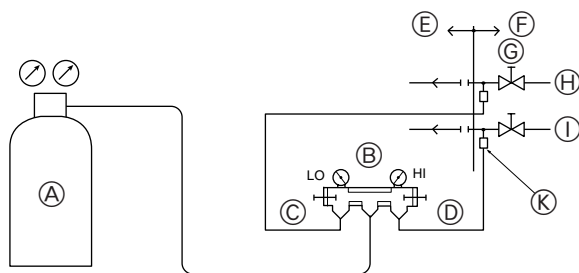


Fig. 5-9

5.6. Σωληνώσεις ψυκτικού υγρού (Fig. 5-6)

Αφαιρέστε το καπάκι ④ (τρεις βίδες), το εμπρόσθιο ① κάλυμμα των σωληνώσεων (δύο βίδες) και το πίσω κάλυμμα των σωληνώσεων ② (δύο βίδες).

Οι σωλήνες ψυκτικού τυλιγνόνται προσεκτικά με ταινία για προστασία

• Οι σωλήνες μπορούν να τυλιχτούν με προστατευτική ταινία μέχρι να φθάσουν διάμετρο $\varnothing 90$ πριν ή μετά τη σύνδεσή τους. Ανοίξτε τη χαραγμένη τρύπα στο κάλυμμα των σωληνών ακολουθώντας την αυλάκωση και τυλίξτε τους σωλήνες.

• Ανοίγμα εισόδου σωλήνα

• Χρησιμοποιήστε στόκο ή μονωτικό υλικό για να σφραγίσετε το σημείο σύνδεσης των σωληνών ώστε να μην υπάρχουν κενά.

(Αν τα κενά δεν σφραγιστούν, μπορεί να ακούγεται ασυνήθιστος θόρυβος ή να εισχωρήσει στη μονάδα σκόνη ή νερό και να προκαλέσει βλάβη.)

5.7. Προσοχή για τη σύνδεση των σωληνώσεων/τη λειτουργία της βαλβίδας

• Πραγματοποιήστε σωστά τις συνδέσεις των σωληνώσεων και τη λειτουργία της βαλβίδας με τη βοήθεια των εικόνων.

• Εφαρμόστε στεγανωτικό υλικό κατά μήκος του μονωτικού αγωγού ώστε να μην μπαίνει νερό στον αγωγό που περιβάλλει τις ενώσεις των σωληνώσεων ψυκτικού.

• Μετά την εξέρωση και την πλήρωση με ψυκτικό, βεβαιωθείτε ότι η βαλβίδα είναι εντελώς ανοικτή. Αν η μονάδα τεθεί σε λειτουργία με τη βαλβίδα κλειστή, θα αναπτυχθεί μη φυσιολογική πίεση στην πλευρά υψηλής ή χαμηλής πίεσης του κυκλώματος ψύξης προκαλώντας βλάβη στο συμπιεστή κτλ.

• Προσδιορίστε την ποσότητα του ψυκτικού που θα συμπληρώσετε (ανατρέξτε στην ενότητα "5.3. Προσθήκη ψυκτικού") και συμπληρώστε ψυκτικό μέσω της θυρίδας συντήρησης αφού ολοκληρώσετε τις συνδέσεις των σωληνώσεων.

• Όταν τελειώσετε, σφίξτε καλά τη θυρίδα συντήρησης (12 - 15 N·m) και το καπάκι (20 - 25 N·m) για να αποφευχθεί η διαρροή αερίου.

* 1 N·m \approx 10 kgf·cm

Μέθοδος πλήρους ανοίγματος της ανασταλτικής βαλβίδας

Η μέθοδος ανοίγματος της ανασταλτικής βαλβίδας εξαρτάται από το μοντέλο της εξωτερικής μονάδας. Χρησιμοποιήστε την κατάλληλη μέθοδο για να ανοίξετε την ανασταλτική βαλβίδα.

(1) Τύπος A (Fig. 5-7)

① Αφαιρέστε την τάπα και κατόπιν κάντε περιστροφή 90 μοιρών προς τα αριστερά με ίσο κατασβίδι για πλήρες άνοιγμα.

② Ελέγξτε ότι οι βαλβίδες είναι τελείως ανοικτές και στη συνέχεια επαναφέρετε την τάπα στην αρχική της θέση και σφίξτε την.

(2) Τύπος B (Fig. 5-7)

① Βγάλτε το καπάκι, τραβήξτε τη λαβή προς την πλευρά σας και περιστρέψτε κατά το 1/4 της στροφής προς τα αριστερά για να ανοίξει.

② Βεβαιωθείτε ότι η βαλβίδα διακοπής είναι εντελώς ανοικτή, πιέστε μέσα τη λαβή και περιστρέφοντας επαναφέρετε το καπάκι στην αρχική του θέση.

(3) Τύπος C (Fig. 5-8)

① Βγάλτε το καπάκι και περιστρέψτε το στέλεχος της βαλβίδας προς τα αριστερά έως το τέρμα χρησιμοποιώντας ένα εξαγωνικό κλειδί 4 χλστ. Σταματήστε να περιστρέφετε έως ότου φτάσει στον αναστολέα.

② Βεβαιωθείτε ότι η βαλβίδα διακοπής είναι εντελώς ανοικτή, και περιστρέφοντας επαναφέρετε το καπάκι στην αρχική του θέση.

- | | |
|---------------------|---|
| ① Βαλβίδα | ④ Εντελώς ανοικτή |
| ② Πλευρά μονάδας | ⑤ (επιτόπου εγκατάσταση) Πλευρά σωληνώσεων ψυκτικού |
| ③ Θυρίδα συντήρησης | ⑥ Κατεύθυνση των διαδρομών ροής ψυκτικού |
| ④ Λαβή | ⑦ Υποδοχή κλειδιού |
| ⑤ Καπάκι | ⑧ Τμήμα λειτουργίας |
| ⑥ Εντελώς κλειστή | |

5.8. Έλεγχος αεροστεγανότητας και εξαέρωση

① Έλεγχος αεροστεγανότητας (Fig. 5-9)

Ο έλεγχος αεροστεγανότητας πρέπει να γίνεται με αέριο άζωτο υπό πίεση. Για τη μέθοδο ελέγχου, δείτε την εικόνα που ακολουθεί.

(1) Σύνδεση του εργαλείου ελέγχου. Κάντε τον έλεγχο με την ανασταλτική βαλβίδα κλειστή. Μην παραλείψετε να συμπίεσετε και το σωλήνα υγρού ή υψηλής πίεσης και το σωλήνα αερίου ή χαμηλής πίεσης.

(2) Μην διοχετεύετε πίεση μέχρι την ενδεδειγμένη τιμή μεμιάς αλλά σταδιακά.

① Αυξήστε την πίεση σε 0,5 MPa (5 kgf/cm²G), περιμένετε πέντε λεπτά και βεβαιωθείτε ότι η πίεση δεν μειώνεται.

② Αυξήστε την πίεση σε 1,5 MPa (15 kgf/cm²G), περιμένετε πέντε λεπτά και βεβαιωθείτε ότι η πίεση δεν μειώνεται.

③ Αυξήστε την πίεση σε 4,15 MPa (41,5 kgf/cm²G) και μετρήστε τη θερμοκρασία περιβάλλοντος και την πίεση του ψυκτικού.

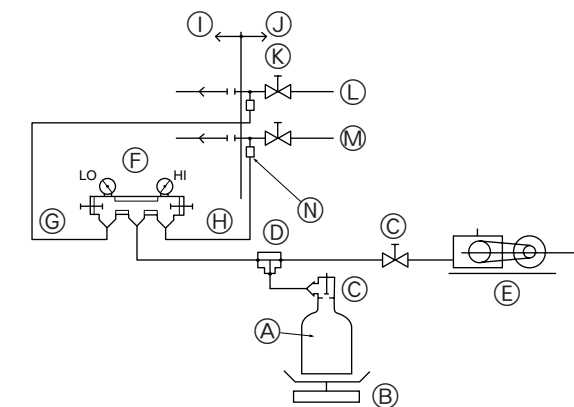
(3) Αν η ενδεδειγμένη πίεση διατηρηθεί για μία ημέρα περίπου και δεν μειωθεί, ο σωλήνας έχει περάσει με επιτυχία τον έλεγχο και δεν υπάρχουν διαρροές.

• Αν η θερμοκρασία περιβάλλοντος μεταβληθεί κατά 1 °C, η πίεση θα μεταβληθεί επίσης κατά 0,01 MPa (0,1 kgf/cm²G). Κάντε τις απαραίτητες διορθώσεις.

(4) Αν η πίεση μειωθεί στα βήματα (2) ή (3), τότε υπάρχει διαρροή αερίου. Αναζητήστε την αιτία της διαρροής.

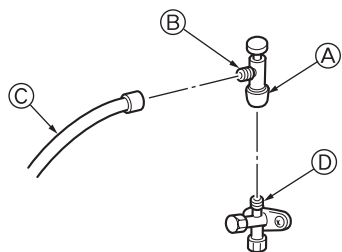
- | | |
|--------------------------|---|
| ① Αέριο άζωτο | ④ Εξωτερική μονάδα |
| ② Αναλυτής συστήματος | ⑤ Ανασταλτική βαλβίδα |
| ③ Διακόπτης χαμηλής | ⑥ Σωλήνας υγρού ή σωλήνας υψηλής πίεσης |
| ④ Διακόπτης υψηλής | ⑦ Σωλήνας αερίου ή σωλήνας χαμηλής πίεσης |
| ⑤ Προς κουτί διακλάδωσης | ⑧ Θυρίδα συντήρησης |

5. Εγκατάσταση της σωληνώσης ψυκτικού υγρού



- Α Κύλινδρος φρέον
- Β Ζυγαριά
- Γ Βαλβίδα
- Δ Ένωση 3 κατευθύνσεων
- Ε Αντλία κενού
- Φ Αναλυτής συστήματος
- Θ Διακόπτης χαμηλής
- Η Διακόπτης υψηλής
- Ι Προς κουτί διακλάδωσης
- Ή Εξωτερική μονάδα
- Κ Ανασταλτική βαλβίδα
- Λ Σωλήνας υγρού ή σωλήνας υψηλής πίεσης
- Μ Σωλήνας αερίου ή σωλήνας χαμηλής πίεσης
- Ν Θυρίδα συντήρησης

Fig. 5-10



- * Η εικόνα στα αριστερά δεν είναι παρά ένα παράδειγμα. Το σχήμα της βαλβίδας διακοπής, η θέση της θυρίδας συντήρησης κ.λπ. ενδέχεται να ποικίλλουν ανάλογα με το μοντέλο.
- * Περιστρέψτε μόνο το τμήμα Α. (Μην σφίγγετε άλλο τα τμήματα Α και Β.)

- © Σωλήνας πλήρωσης
- ⓓ Θυρίδα συντήρησης

Fig. 5-11

② Εξαέρωση (Fig. 5-10)

Η εξαέρωση πρέπει να γίνεται μέσω της θυρίδας συντήρησης που βρίσκεται στην ανασταλτική βαλβίδα της εξωτερικής μονάδας στην αντλία κενού που χρησιμοποιείται συνήθως και για το σωλήνα υγρού ή υψηλής πίεσης και για το σωλήνα αερίου ή χαμηλής πίεσης. (Πραγματοποιήστε την εξαέρωση από το σωλήνα υγρού ή υψηλής πίεσης και το σωλήνα αερίου ή χαμηλής πίεσης με την ανασταλτική βαλβίδα κλειστή.) Θυμηθείτε: Μην κάνετε ποτέ την εξαέρωση με ψυκτικό.

⚠ Προειδοποίηση:

Κατά την εγκατάσταση ή τη μετακίνηση της μονάδας σε διαφορετικό χώρο, μην αφήσετε τίποτε άλλο εκτός από το ενδεδειγμένο ψυκτικό να αναμιχθεί στο κύκλωμα ψύξης. Αν μπει αέρας στο κύκλωμα ψύξης, μπορεί να αναπτυχθεί ασυνήθιστα υψηλή πίεση με αποτέλεσμα να σπάσουν οι σωληνώσεις.

* Πρέπει να χρησιμοποιηθεί βαρόμετρο υψηλής ακρίβειας με δυνατότητα μέτρησης μέχρι 0,1 kg. Αν δεν μπορείτε να βρείτε βαρόμετρο υψηλής ακρίβειας, μπορείτε να χρησιμοποιήσετε έναν κύλινδρο γόμωσης.

Σημείωση:

- Χρησιμοποιήστε παχύμετρο, σωλήνα πλήρωσης και άλλα εξαρτήματα για το ψυκτικό που ενδείκνυται για τη μονάδα.
- Χρησιμοποιήστε θαρμόμετρο. (Πρέπει να έχει δυνατότητα μέτρησης μέχρι και 0,1 kg)

Μέτρα ασφαλείας που πρέπει να τηρούνται κατά τη χρήση της θαλβίδας πλήρωσης (Fig.5-11)

Μην σφίγγετε πάρα πολύ τη θυρίδα συντήρησης κατά την εγκατάσταση, καθώς μπορεί να παραμορφωθεί και να χαλαρώσει ο πυρήνας της βαλβίδας, με αποτέλεσμα τη διαροή αερίου.

Αφού τοποθετήσετε το τμήμα Β προς τη σωστή κατεύθυνση, περιστρέψτε μόνο το τμήμα Α και σφίξτε το.

Αφού σφίξετε το τμήμα Α, μην σφίγγετε άλλο τα τμήματα Α και Β.

6. Εργασίες Σωληνώσεων Αποχέτευσης

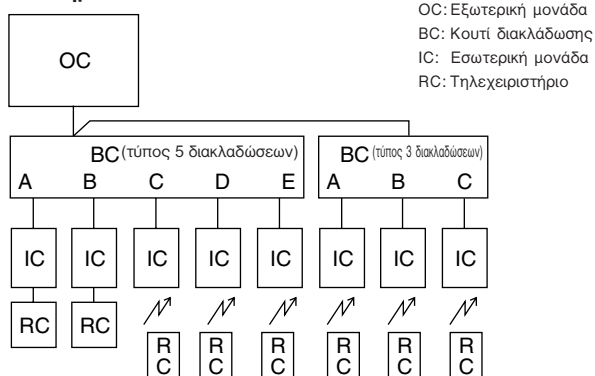
Σύνδεση σωλήνα αποχέτευσης εξωτερικής μονάδας

Όταν απαιτείται αποχετευτική σωληνώση, χρησιμοποιήστε την οπή ή το δοχείο αποστράγγισης (προαιρετικά μέρη).

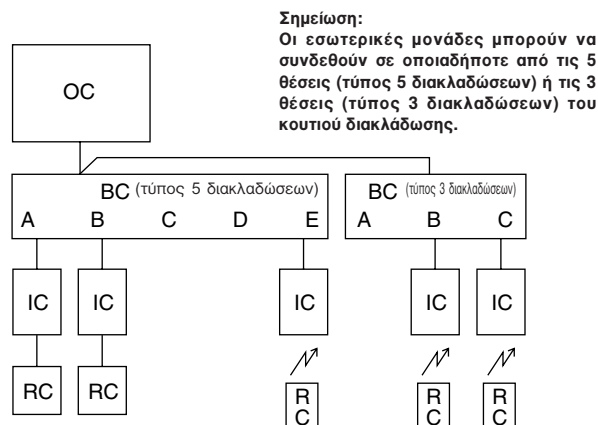
Οπή αποστράγγισης	PAC-SG61DS-E
Δοχείο αποστράγγισης	PAC-SG64DP-E

7. Ηλεκτρικές εργασίες

[1] Βασικά συστήματα



- OC: Εξωτερική μονάδα
- BC: Κουτί διακλάδωσης
- IC: Εσωτερική μονάδα
- RC: Τηλεχειριστήριο

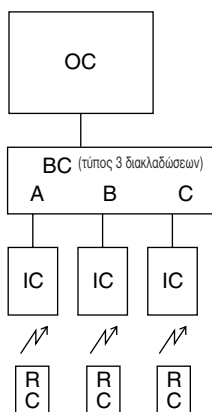


Σημείωση:
Οι εσωτερικές μονάδες μπορούν να συνδεθούν σε οποιαδήποτε από τις 5 θέσεις (τύπος 5 διακλαδώσεων) ή τις 3 θέσεις (τύπος 3 διακλαδώσεων) του κουτιού διακλάδωσης.

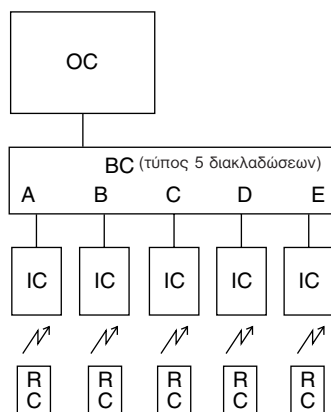
7. Ηλεκτρικές εργασίες

[2] Τυπικά συστήματα

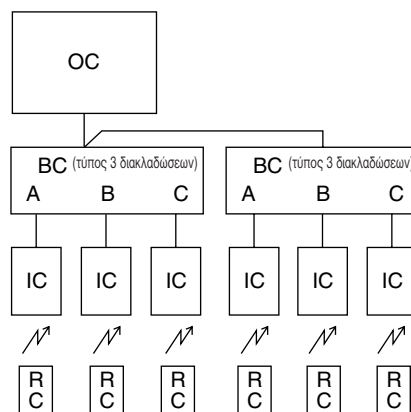
2-1. Μόνο τύπος 3 διακλαδώσεων



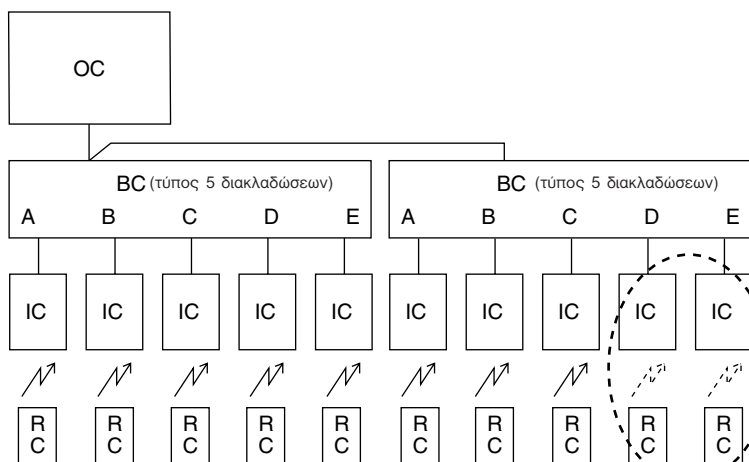
2-2. Μόνο τύπος 5 διακλαδώσεων



2-3. 2 κουτιά διακλάδωσης (τύπου 3 διακλαδώσεων)



2-4. 2 κουτιά διακλάδωσης (τύπου 5 διακλαδώσεων, 8 εσωτερικές μονάδες κατά μέγιστο)

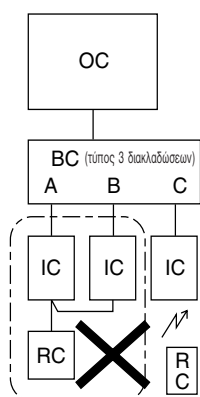


1. Μέχρι 2 κουτιά διακλάδωσης μπορούν να συνδεθούν σε μία μόνο εξωτερική μονάδα.
2. Μέχρι 8 εσωτερικές μονάδες μπορούν να συνδεθούν στο σύστημα.

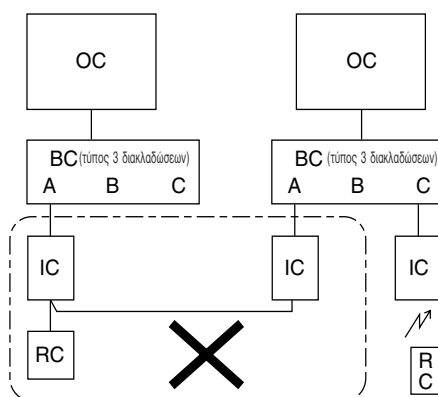


[3] Λανθασμένα συστήματα

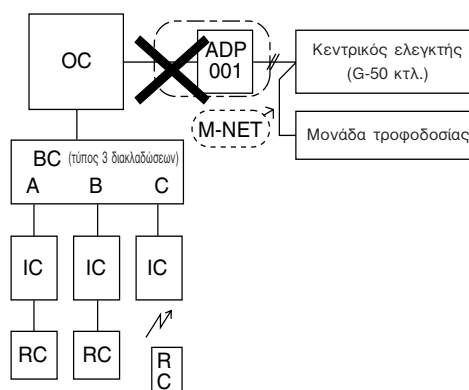
3-1. Ομαδική λειτουργία με ένα τηλεχειριστήριο



3-2. Ομαδική λειτουργία μεταξύ διαφορετικών συστημάτων ψύξης



3-3. Σύνδεση προσαρμογέα M-NET στην εξωτερική μονάδα



3-1. Δεν είναι δυνατή η λειτουργία πολλαπλών εσωτερικών μονάδων από ένα τηλεχειριστήριο.

3-2. Δεν είναι δυνατή η σύνδεση μεταξύ διαφορετικών συστημάτων ψύξης.

3-3. Δεν είναι δυνατή η σύνδεση προσαρμογέα M-NET σε μια εξωτερική μονάδα.

7. Ηλεκτρικές εργασίες

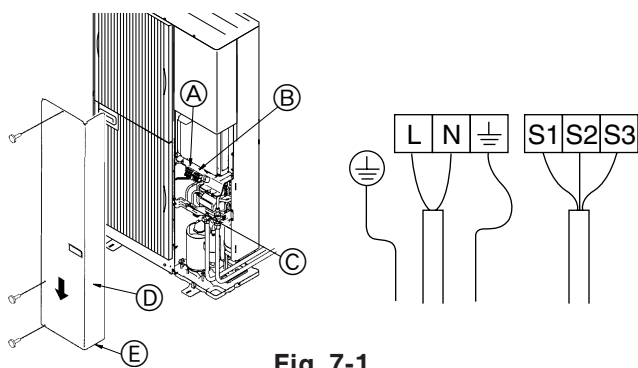


Fig. 7-1

7.1. Εξωτερική μονάδα (Fig. 7-1)

- ① Αφαιρέστε το πλαίσιο συντήρησης.
- ② Συνδέστε τα καλώδια σύμφωνα με την εικόνα Fig. 7-1.
 - Ⓐ Ακροδέκτης γείωσης
 - Ⓑ Πίνακας ακροδεκτών
 - Ⓒ Σφικτήρας
 - Ⓓ Κάλυμμα συντήρησης
 - Ⓔ Συνδέστε τα καλώδια με τρόπο ώστε να μην έρχονται σε επαφή με το κέντρο του καλύμματος συντήρησης ή με τη βαλβίδα αερίου.

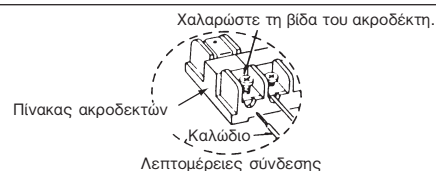
7.2. Σύνδεση καλωδιώσεων κουτιού διακλάδωσης/εξωτερικής μονάδας και σύνδεση καλωδίου τροφοδοσίας εξωτερικής μονάδας

⚠ Προειδοποίηση:

- Φροντίστε να τοποθετήσετε σωστά στη θέση τους τα καλύμματα/πλαίσιο του πίνακα ακροδεκτών. Αν δεν τοποθετηθούν σωστά, θα μπορούσε να προκληθεί πυρκαγιά ή ηλεκτροπληξία εξαιτίας της σκόνης, του νερού κτλ.
- Συνδέστε τα καλώδια τροφοδοσίας και τα καλώδια σύνδεσης για τις εσωτερικές, τις εξωτερικές μονάδες και τα κουτιά διακλάδωσης απευθείας στις συσκευές (χωρίς ενδιάμεσες συνδέσεις). Οι ενδιάμεσες συνδέσεις μπορεί να προκαλέσουν σφάλματα επικοινωνίας εάν εισχωρήσει νερό στα καλώδια ή στους αγωγούς το οποίο καταστρέφει τη μόνωση ή έχει σαν αποτέλεσμα κακή ηλεκτρική επαφή στο σημείο της ενδιάμεσης σύνδεσης. (Αν είναι απαραίτητη η ενδιάμεση σύνδεση, πρέπει να λάβετε όλα τα μέτρα για να αποτρέψετε την είσοδο νερού στα καλώδια και τους αγωγούς.)

⚠ Προσοχή:

- Προσέξτε να μην κάνετε λανθασμένες συνδέσεις.
- Σφίξτε καλά τις βίδες των ακροδεκτών για να είστε σίγουροι ότι δεν θα ξεβιδωθούν.
- Αφού τις σφίξετε, τραβήξτε λίγο τα καλώδια για να θεβαιωθείτε ότι δεν μετακινούνται.
- Αν το καλώδιο σύνδεσης δεν είναι σωστά συνδεδεμένο στον ακροδέκτη, η μονάδα δεν θα λειτουργεί σωστά.



- Συνδέστε το καλώδιο από το κουτί διακλάδωσης απευθείας στον πίνακα ακροδεκτών.
- Για το σκοπό της μελλοντικής συντήρησης, αφήστε περισσότερο μήκος στο καλώδιο σύνδεσης.

<Παράδειγμα> (Στην περίπτωση 2 κουτιών διακλάδωσης)

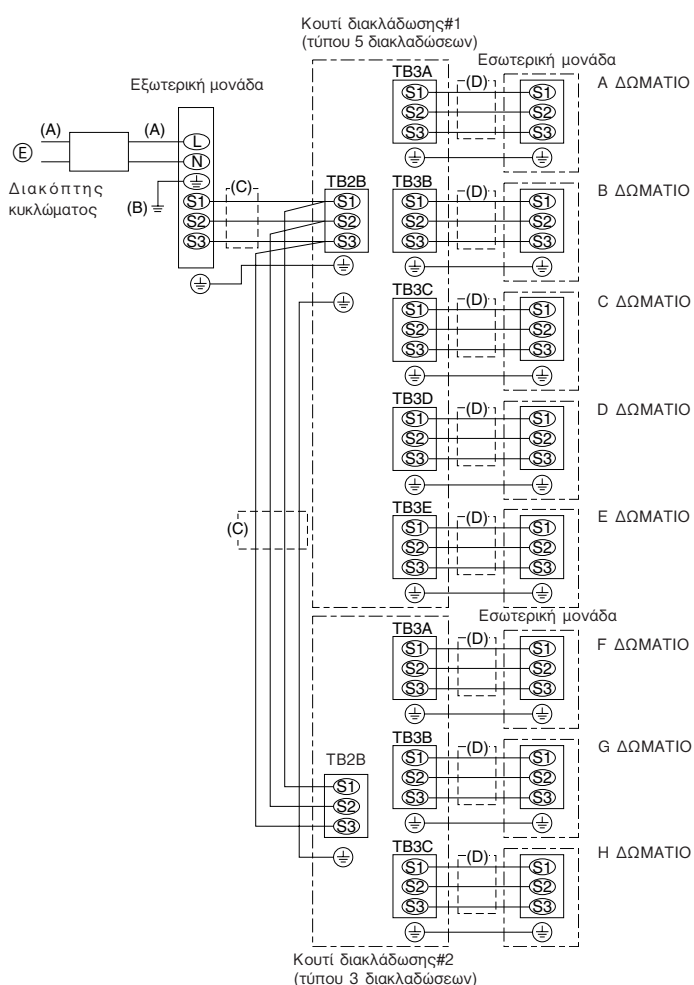


Fig. 7-2

7.3. Διαδικασία εξωτερικής καλωδίωσης (Fig. 7-2)

Οι εργασίες για την τροφοδοσία είναι απαραίτητες μόνο στην εξωτερική μονάδα. Η τροφοδοσία στο κουτί διακλάδωσης ή στην εσωτερική μονάδα γίνεται μέσω της καλωδίωσης.

Επομένως, οι εργασίες τροφοδοσίας μπορούν να γίνουν μόνο σε ένα σημείο της εξωτερικής μονάδας. Έτσι απλουστεύεται η διαδικασία και εξοικονομείται κόστος.

- Ⓔ Μονοφασική τροφοδοσία
AC220/230/240 V, 50 Hz
AC220 V, 60 Hz
Μέγ. επιτρεπτή αντίσταση συστήματος 0,22 (Ω).

Σημείωση:

- ① Είσοδος τροφοδοσίας: Εξωτερική μονάδα μόνο. Συνδέστε τις γραμμές (C), (D) σε αντιστοιχία με τα ονόματα του πίνακα ακροδεκτών για να εξασφαλιστεί η σωστή πολικότητα.

Διάμετρος καλωδίου				Διακόπτης *1	
(A) Κύρια γραμμή ρεύματος	(B) Καλώδιο γείωσης	(C) Γραμμή σήματος	(D) Γραμμή σήματος	Διακοπή ρεύματος	Χαρακτηριστικά απόδοσης
6,0 mm ²	6,0 mm ²	1,5 mm ²	1,5 mm ²	40 A	40 A, 30 mA για 0,1 sec. ή λιγότερο
		*2			

- *1. Όταν χρησιμοποιείτε συνεστραμμένο καλώδιο, απαιτείται η χρήση κυκλικού ακροδέκτη. Πρέπει να τοποθετηθεί ένας διακόπτης με τουλάχιστον 3 mm διάκενο επαφών σε κάθε πόλο. Χρησιμοποιήστε διακόπτη χωρίς ασφάλεια (NF) ή διακόπτη διαρροής προς γη (NV).
- *2. Μέγ. 45 m ("Εξωτερική μονάδα - Κουτί διακλάδωσης #1" συν "Κουτί διακλάδωσης #1 - Κουτί διακλάδωσης #2"). Εάν χρησιμοποιείτε 2,5 mm², Μέγ. 55 m.

- Σημειώσεις:
1. Το μέγεθος των καλωδίων πρέπει να πληροί τους ισχύοντες τοπικούς και εθνικούς κανονισμούς.
 2. Τα καλώδια τροφοδοσίας και τα καλώδια σύνδεσης εσωτερικής μονάδας/κουτιού διακλάδωσης/εξωτερικής μονάδας δεν πρέπει να είναι ελαφρύτερα από το εύκαμπτο καλώδιο με περίβλημα πολυχλωροπρενίου. (Πρότυπο 60245 IEC 57)
 3. Εγκαταστήστε ένα καλώδιο γείωσης, το οποίο πρέπει να είναι μακρύτερο από τα καλώδια τροφοδοσίας.

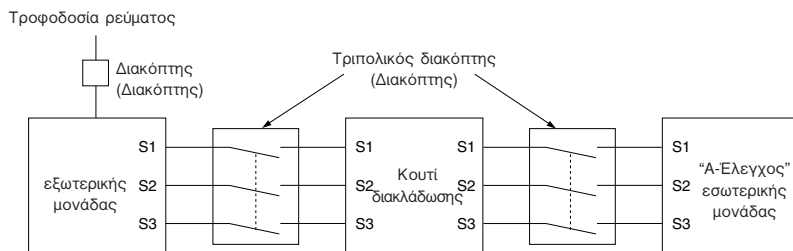
ΣΗΜΑΝΤΙΚΟ

Βεβαιωθείτε ότι ο διακόπτης διαρροής είναι συμβατός με υψηλές συχνότητες. Πάντα να χρησιμοποιείτε διακόπτη διαρροής συμβατό με υψηλές συχνότητες καθώς αυτή η μονάδα είναι εξοπλισμένη με αναστροφή. Η χρήση ανεπαρκούς διακόπτη ενδέχεται να οδηγήσει σε λανθασμένη λειτουργία του αναστροφέα.

7. Ηλεκτρικές εργασίες

⚠ Προειδοποίηση:

Σε περίπτωση καλωδίωσης ελέγχου A, υπάρχει υψηλό δυναμικό τάσης στον ακροδέκτη S3 που οφείλεται στη σχεδίαση του ηλεκτρικού κυκλώματος το οποίο δεν παρέχει μόνωση μεταξύ της γραμμής τροφοδοσίας και της γραμμής μετάδοσης του σήματος. Επομένως, στη διάρκεια συντήρησης ή επισκευής, αποσυνδέστε την κύρια πηγή τροφοδοσίας. Και μην αγγίζετε τους ακροδέκτες S1, S2, S3 όταν επανέλθει η τροφοδοσία ρεύματος. Εάν πρέπει να χρησιμοποιηθεί αποζεύκτης μεταξύ εξωτερικής μονάδας και κουτιού διακλάδωσης/εσωτερικής μονάδας, συνιστάται να είναι τριπολικού τύπου.



⚠ Προσοχή:

Μετά τη χρήση του αποζεύκτη, πρέπει να κλείσετε και να ανοίξετε ξανά τον κεντρικό διακόπτη τροφοδοσίας για να γίνει επανεκκίνηση του συστήματος. Διαφορετικά, η εξωτερική μονάδα ίσως δεν είναι σε θέση να ανιχνεύσει το κουτί ή τα κουτιά διακλάδωσης ή τις εσωτερικές μονάδες.

ΠΡΟΔΙΑΓΡΑΦΕΣ ΚΑΛΩΔΙΩΣΗΣ

(ΚΑΛΩΔΙΟ ΣΥΝΔΕΣΗΣ ΕΞΩΤΕΡΙΚΗΣ ΜΟΝΑΔΑΣ-ΚΟΥΤΙΟΥ ΔΙΑΚΛΑΔΩΣΗΣ)

Διατομή καλωδίου	Μέγεθος κλώνου (mm ²)	Πλήθος κλώνων	Πολικότητα	L (m)*6
Κυκλικό	2,5	3	Δεξιόστροφα : S1-S2-S3 * Προσέξτε την κίτρινη και πράσινη ράβδωση	(50) *2
Επίπεδο	2,5	3	Δεν ισχύει (Επειδή ο κεντρικός κλώνος δεν έχει περίβλημα)	Δεν ισχύει *5
Επίπεδο	1,5	4	Από αριστερά προς τα δεξιά : S1-S2-S3	(45) *3
Κυκλικό	2,5	4	Δεξιόστροφα : S1-S2-S3-Ανοικτό * Συνδέστε τα S1 και S3 στην αντίθετη γωνία	(55) *4

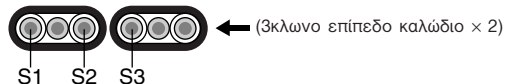
*1 :Τα καλώδια ηλεκτρικής παροχής των συσκευών δεν πρέπει να έχουν μικρότερο βάρος από τις προδιαγραφές των προτύπων 60245 IEC ή 227 IEC.

*2 :Στην περίπτωση που υπάρχει διαθέσιμο καλώδιο με κίτρινη και πράσινη ράβδωση.

*3 :Σε περίπτωση σύνδεσης με κανονική πολικότητα (S1-S2-S3), το μέγεθος κλώνου είναι 1,5 mm².

*4 :Σε περίπτωση σύνδεσης με κανονική πολικότητα (S1-S2-S3).

*5 :Εάν τα επίπεδα καλώδια είναι συνδεδεμένα όπως σε αυτή την εικόνα, μπορούν να έχουν μήκος μέχρι 55 μέτρα.



*6 :Το αναφερόμενο μήκος καλωδίου χρησιμεύει μόνο για αναφορά.

Μπορεί να διαφέρει ανάλογα με τις συνθήκες της εγκατάστασης, υγρασία ή υλικά κτλ.

Φροντίστε να συνδέσετε τα καλώδια σύνδεσης εξωτερικής μονάδας-κουτιού διακλάδωσης/εσωτερικής μονάδας-κουτιού διακλάδωσης απευθείας στις μονάδες (χωρίς ενδιάμεσες συνδέσεις).

Οι ενδιάμεσες συνδέσεις μπορεί να οδηγήσουν σε σφάλματα επικοινωνίας αν εισχωρήσει νερό στα καλώδια και προκαλέσει ανεπαρκή μόνωση γείωσης ή κακή ηλεκτρική επαφή στο σημείο της ενδιάμεσης σύνδεσης.

(Αν είναι απαραίτητη η ενδιάμεση σύνδεση, βεβαιωθείτε ότι έχετε λάβει μέτρα για να εμποδίσετε το νερό να εισχωρήσει στα καλώδια.)

8. Δοκιμαστική λειτουργία

8.1. Πριν από τη δοκιμαστική λειτουργία

- ▶ Μετά την εγκατάσταση και αφού τελειώσετε με την καλωδίωση και τη σωλήνωση της εσωτερικής και της εξωτερικής μονάδας, ελέγξτε για τυχόν διαρροή ψυκτικού, χαλαρά καλώδια ηλεκτρικής παροχής ή καλωδίωσης ελέγχου, λανθασμένη πολικότητα ή αποσύνδεση μίας από τις φάσεις της παροχής.
- ▶ Χρησιμοποιήστε ωμόμετρο 500-voIt για να ελέγξετε ότι η αντίσταση μεταξύ των ακροδεκτών τροφοδοσίας και της γείωσης είναι τουλάχιστον 1 MΩ.
- ▶ Μην εκτελέσετε αυτή τη δοκιμή στα τερματικά της καλωδίωσης ελέγχου (κύκλωμα χαμηλής τάσης).

⚠ Προειδοποίηση:

Μην χρησιμοποιήσετε το κλιματιστικό αν η αντίσταση μόνωσης είναι μικρότερη από 1 MΩ.

Αντίσταση μόνωσης

Μετά την εγκατάσταση ή αφού έχετε αποσυνδέσει το κλιματιστικό από την πηγή τροφοδοσίας για μεγάλο χρονικό διάστημα, η αντίσταση της μόνωσης θα πέσει κάτω από 1 MΩ εξαιτίας της συσσώρευσης ψυκτικού στο συμπιεστή. Αυτό δεν αποτελεί βλάβη. Εκτελέστε τις παρακάτω εργασίες.

1. Απομακρύνετε τα καλώδια από το συμπιεστή και μετρήστε την αντίσταση μόνωσης του συμπιεστή.
2. Αν η αντίσταση της μόνωσης είναι κάτω από 1 MΩ, ο συμπιεστής έχει βλάβη ή η αντίσταση έπεσε εξαιτίας της συσσώρευσης ψυκτικού στο συμπιεστή.

3. Αφού συνδέσετε τα καλώδια στο συμπιεστή, ο συμπιεστής θα αρχίσει να θερμαίνεται μόλις τροφοδοτηθεί με ρεύμα. Αφού τροφοδοτηθεί με ρεύμα για τους χρόνους που αναφέρονται παρακάτω, μετρήστε ξανά την αντίσταση της μόνωσης.

- Η αντίσταση μόνωσης πέφτει εξαιτίας της συσσώρευσης ψυκτικού στο συμπιεστή. Η αντίσταση θα ανέβει και πάλι πάνω από 1 MΩ αφού ο συμπιεστής θερμανθεί για 2 - 3 ώρες. (Ο χρόνος που απαιτείται για τη θέρμανση του συμπιεστή ποικίλλει ανάλογα με τις συνθήκες του περιβάλλοντος και τη συσσώρευση ψυκτικού.)
 - Για να δουλέψει ο συμπιεστής με συσσωρευμένο ψυκτικό, πρέπει πρώτα να θερμανθεί τουλάχιστον 12 ώρες για να αποτραπεί ο κίνδυνος βλάβης.
4. Αν η αντίσταση της μόνωσης ανέβει πάνω 1 MΩ, ο συμπιεστής δεν έχει βλάβη.

⚠ Προσοχή:

- Ο συμπιεστής δεν θα λειτουργήσει εάν η φάση της ηλεκτρικής παροχής δεν είναι σωστή.
- **Ανοίξτε τον διακόπτη τροφοδοσίας τουλάχιστον 12 ώρες πριν την έναρξη λειτουργίας.** Αρχίζοντας τη λειτουργία της συσκευής αμέσως μετά το άνοιγμα του κεντρικού διακόπτη τροφοδοσίας, ενδέχεται να προκληθεί σοβαρή ζημιά σε εσωτερικά τμήματα. Κατά την εποχή διάκρισης λειτουργίας της συσκευής, αφήστε τον διακόπτη τροφοδοσίας αναμμένο.

▶ Πρέπει επίσης να ελέγξετε τα παρακάτω.

- Η εξωτερική μονάδα δεν έχει βλάβη. Η ενδεικτική λυχνία στον πίνακα ελέγχου της εξωτερικής μονάδας αναβοσβήνει όταν η εξωτερική μονάδα παρουσιάζει βλάβη.
- Οι ανασταλτικές βαλβίδες και της γραμμής υγρού και της γραμμής αερίου είναι εντελώς ανοικτές.

8.2. Δοκιμαστική λειτουργία

8.2.1. Χρήση του τηλεχειριστηρίου

Ανατρέξτε στο εγχειρίδιο εγκατάστασης της εσωτερικής μονάδας.

- Μην παραλείψετε να εκτελέσετε δοκιμαστική λειτουργία σε κάθε εσωτερική μονάδα. Βεβαιωθείτε ότι κάθε εσωτερική μονάδα λειτουργεί σωστά ακολουθώντας τις οδηγίες του εγχειριδίου εγκατάστασης που συνοδεύει τη μονάδα.
- Αν εκτελέσετε τη δοκιμαστική λειτουργία ταυτόχρονα σε όλες τις εσωτερικές μονάδες, δεν θα είναι δυνατός ο εντοπισμός λανθασμένης σύνδεσης, εάν υπάρχει, των σωλήνων ψυκτικού και των καλωδίων σύνδεσης.
- * Ο συμπιεστής δεν λειτουργεί για τουλάχιστον 3 λεπτά μετά την παροχή ρεύματος.
- Ο συμπιεστής μπορεί να κάνει θόρυβο αμέσως μετά την τροφοδοσία με ρεύμα ή σε περίπτωση που η εξωτερική θερμοκρασία είναι χαμηλή.

Πληροφορίες για τον προστατευτικό μηχανισμό επανεκκίνησης

Από τη στιγμή που θα σταματήσει να λειτουργεί ο συμπιεστής, ο προστατευτικός μηχανισμός επανεκκίνησης λειτουργεί έτσι ώστε ο συμπιεστής να μην λειτουργήσει για τα επόμενα 3 λεπτά προκειμένου να προστατευτεί το κλιματιστικό.

8.2.2. Χρησιμοποιώντας SW4 στην εξωτερική μονάδα

Σε περίπτωση δοκιμαστικής λειτουργίας από την εξωτερική μονάδα, όλες οι εσωτερικές μονάδες λειτουργούν. Άρα λοιπόν δεν μπορείτε να εντοπίσετε λανθασμένες συνδέσεις σωλήνων ψυκτικού και καλωδίων σύνδεσης. Αν θέλετε να κάνετε ανίχνευση λανθασμένης σύνδεσης, εκτελέστε τη δοκιμαστική λειτουργία από το τηλεχειριστήριο. Ανατρέξτε στην ενότητα "8.2.1. Χρήση του τηλεχειριστηρίου."

SW4-1	ON	Λειτουργία ψύξης
SW4-2	OFF	
SW4-1	ON	Λειτουργία θέρμανσης
SW4-2	ON	

* Αιού κάνετε τη δοκιμαστική λειτουργία, ρυθμίστε τον διακόπτη SW4-1 στη θέση OFF.

- Λίγα δευτερόλεπτα μετά τη λειτουργία του συμπιεστή, ίσως ακουστεί ένας μεταλλικός ήχος από την εσωτερική μονάδα. Ο ήχος αυτός προέρχεται από τη βαλβίδα ελέγχου εξαιτίας της μικρής διαφοράς πίεσης στους σωλήνες. Αυτό δεν σημαίνει ότι η μονάδα έχει βλάβη.

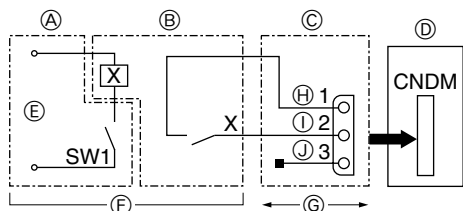
Ο τρόπος λειτουργίας της μονάδας κατά τη δοκιμαστική λειτουργία δεν αλλάζει με τον κωδικοδιακόπτη SW4-2 ενώ εκτελείται η δοκιμαστική λειτουργία. (Για να αλλάξετε τον τρόπο λειτουργίας της μονάδας κατά τη δοκιμαστική λειτουργία, διακόψτε τη δοκιμαστική λειτουργία με το διακόπτη SW4-1. Αφού αλλάξετε τον τρόπο λειτουργίας, επαναλάβετε τη δοκιμαστική λειτουργία της μονάδας με το διακόπτη SW4-1.)

Όταν εκτελείται δοκιμαστική λειτουργία "Χρησιμοποιώντας SW4 στην εξωτερική μονάδα", ακόμη και αν δοθούν οδηγίες διακοπής της λειτουργίας από το τηλεχειριστήριο, η εξωτερική μονάδα δεν σταματά να λειτουργεί (η δοκιμαστική λειτουργία δεν διακόπτεται). Στην περίπτωση αυτή, θάτε το διακόπτη SW4 στην εξωτερική μονάδα στη θέση off.

Σημείωση:

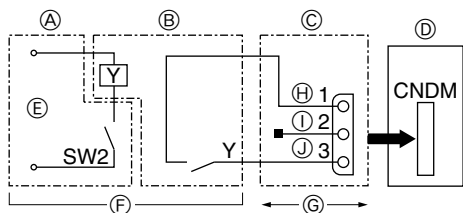
Φροντίστε να περιμένετε τουλάχιστον 3 λεπτά αφού ανοίξετε την τροφοδοσία ρεύματος και πριν ρυθμίσετε τους SW4-1 και SW4-2. Εάν οι διακόπτες DIP ρυθμιστούν πριν περάσουν 3 λεπτά, η δοκιμαστική λειτουργία ενδέχεται να μην ξεκινήσει.

9. Ειδικές λειτουργίες



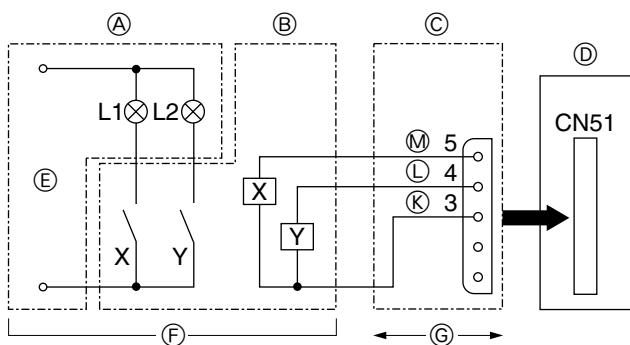
- Α Πίνακας τηλεχειριστηρίου
 Β Κύκλωμα ρελέ
 Γ Εξωτερικός διακόπτης δυαδικής εισαγωγής (PAC-SC36NA)
 Δ Πίνακας ελέγχου εξωτερικής μονάδας
 Ε Τροφοδοσία ρελέ
 Ϝ Θα τον προμηθευτείτε από το εμπόριο
 Ϟ Μέγιστο 10 m
 Ϟ Πορτοκαλί
 Ϡ Καφέ
 ϡ Κόκκινο

Fig. 9-1



- Α Πίνακας τηλεχειριστηρίου
 Β Κύκλωμα ρελέ
 Γ Εξωτερικός διακόπτης δυαδικής εισαγωγής (PAC-SC36NA)
 Δ Πίνακας ελέγχου εξωτερικής μονάδας
 Ε Τροφοδοσία ρελέ
 Ϝ Θα τον προμηθευτείτε από το εμπόριο
 Ϟ Μέγιστο 10 m
 Ϟ Πορτοκαλί
 Ϡ Καφέ
 ϡ Κόκκινο

Fig. 9-2



- L1 : Λυχνία οθόνης σφαλμάτων
 L2 : Λυχνία λειτουργίας συμπιεστή
 X, Y : Ρελέ (Βασικό πηνίο 0,9 W ή λιγότερο για DC 12 V)
 X, Y : Ρελέ (DC1 mA)

Fig. 9-3

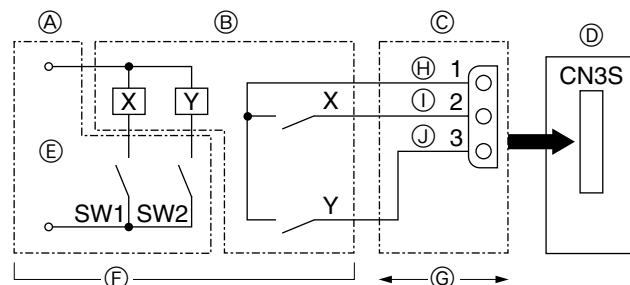


Fig. 9-4

9.1. Λειτουργία με χαμηλότερα επίπεδα θορύβου (επιτόπου τροποποίηση) (Fig. 9-1)

Με την παρακάτω τροποποίηση, μπορεί να μειωθεί ο θόρυβος από τη λειτουργία της μονάδας κατά περίπου 3 - 4 dB.

Η λειτουργία με χαμηλότερα επίπεδα θορύβου είναι εφικτή όταν συνδεθεί στη φίσα CNDM (πωλείται ξεχωριστά) του πίνακα ελέγχου της εξωτερικής μονάδας ένας χρονοδιακόπτης του εμπορίου ή η είσοδος επαφής ενός διακόπτη ON/OFF.

• Η ισχύς ενδέχεται να είναι ανεπαρκής ανάλογα με την εξωτερική θερμοκρασία και τις συνθήκες του περιβάλλοντος κτλ.

- ① Κλείστε το κύκλωμα όπως δείχνει η εικόνα όταν χρησιμοποιείτε εξωτερικό διακόπτη δυαδικής εισαγωγής (PAC-SC36NA). (Πωλείται ξεχωριστά)

9.2. Λειτουργία χαμηλής κατανάλωσης (επιτόπου τροποποίηση) (Fig. 9-2)

Είναι δυνατή η μείωση κατανάλωσης ρεύματος από 0 έως 100 τοις εκατό με την πραγματοποίηση της παρακάτω επιτόπου τροποποίησης.

Η λειτουργία χαμηλής κατανάλωσης μπορεί να ενεργοποιηθεί με την προσθήκη μιας επαφής εισαγωγής ON/OFF του εμπορίου στη φίσα CNDM (ο διακόπτης πουλιέται χωριστά).

- ① Ενσωματώστε τον "Εξωτερικό διακόπτη δυαδικής εισαγωγής (PAC-SC36NA)" στο κύκλωμα όπως φαίνεται στο διάγραμμα στα αριστερά.
 ② Γυρνώντας τους διακόπτες SW7-1 στον πίνακα ελέγχου της εξωτερικής μονάδας, μπορούν να επιτευχθούν οι ακόλουθες μειώσεις κατανάλωσης (σε σύγκριση με την ονομαστική ισχύ).

SW7-1	Κατανάλωση ενέργειας με τον SW2 ανοιχτό
OFF	0% (Αναγκαστική διακοπή λειτουργίας συμπιεστή)
ON	50%

9.3. Λειτουργία παρακολούθησης σφαλμάτων και του συμπιεστή (CN51)

- Α Πίνακας τηλεχειριστηρίου
 Β Κύκλωμα ρελέ
 Γ Εξωτερικός διακόπτης δυαδικής εξαγωγής (PAC-SA88HA-E)
 Δ Πίνακας ελέγχου εξωτερικής μονάδας
 Ε Τροφοδοσία ρεύματος λυχνίας
 Ϝ Θα τον προμηθευτείτε από το εμπόριο
 Ϟ Μέγιστο 10 m
 Ϟ Πορτοκαλί
 Ϡ Κίτρινο
 ϡ Πράσινο

9.4. Αυτόματη μεταγωγή - Η κατάσταση λειτουργίας ασφαλίξει με εξωτερικό σήμα (CN3S)

- Α Απομακρυσμένος πίνακας ελέγχου
 Β Κύκλωμα ρελέ
 Γ Εξωτερικός διακόπτης δυαδικής εξαγωγής (PAC-SC36NA)
 Δ Πίνακας ελέγχου εξωτερικής μονάδας
 Ε Τροφοδοσία ρεύματος λυχνίας
 Ϝ Θα τον προμηθευτείτε από το εμπόριο
 Ϟ Μέγιστο 10 m
 Ϟ Πορτοκαλί
 Ϡ Καφέ
 ϡ Κόκκινο

	ON	OFF
SW1	Θέρμανση	Ψύξη
SW2	Εγκυρότητα του SW1	Ακυρότητα του SW1

* Οποιαδήποτε εσωτερική μονάδα με κατάσταση λειτουργίας διαφορετική από εκείνη που ορίζεται από το εξωτερικό σήμα θα τίθεται σε κατάσταση αναμονής.

* Η ρύθμιση τίθεται σε ισχύ όταν η εξωτερική μονάδα έχει σταματήσει.

* Η κατάσταση που ορίζεται για τη δοκιμαστική λειτουργία έχει προτεραιότητα έναντι της κατάστασης που ορίζεται χρησιμοποιώντας αυτή τη λειτουργία.

Índice

1. Precauções de Segurança	100	6. Trabalho de tubagem de drenagem	108
2. Diagrama de instalação e peças	101	7. Trabalho de electricidade	108
3. Localização da instalação	102	8. Ensaio	112
4. Instalação da unidade exterior	104	9. Funções especiais	113
5. Instalação da tubagem do refrigerante	104		

1. Precauções de Segurança

- ▶ **Antes de instalar a unidade, leia atentamente as “Precauções de segurança”.**
- ▶ **Reporte-se ou peça autorização à autoridade responsável pelo fornecimento antes de proceder à ligação do sistema.**
- ▶ **Equipamento em conformidade com a norma IEC/EN 61000-3-12**

⚠ Aviso:

Descreve as precauções a observar para evitar riscos de ferimentos ou morte ao utilizador.

⚠ Cuidado:

Descreve os cuidados a ter para não danificar a unidade.

⚠ Aviso:

- A unidade não deve ser instalada pelo utilizador. Peça a um concessionário ou electricista qualificado que a instale. Se a unidade não for instalada correctamente, podem ocorrer fugas de água, choques eléctricos ou incêndios.
- Para proceder à instalação, siga as instruções do Manual de Instruções e utilize ferramentas e componentes da tubagem especificamente concebidos para utilização com o refrigerante R410A. O refrigerante R410A no sistema HFC é comprimido 1,6 vezes mais do que a pressão dos refrigerantes comuns. Se forem utilizados componentes da tubagem que não tenham sido concebidos especificamente para o refrigerante R410A ou se a unidade não tiver sido instalada correctamente, a tubagem pode rebentar e provocar danos ou ferimentos. Para além disso, podem ainda ocorrer fugas de água, choques eléctricos ou incêndios.
- A unidade deve ser instalada de acordo com as instruções, para minimizar o risco de danos sofridos devido a tremores de terra ou ventos fortes. Uma unidade instalada incorrectamente pode cair e provocar danos ou ferimentos.
- A unidade deve ser instalada com segurança numa estrutura que suporte o seu peso. Se a unidade for montada numa estrutura instável, poderá cair e provocar danos ou ferimentos.
- Se o aparelho de ar condicionado for instalado num compartimento pequeno, deverão ser tiradas medidas por forma a evitar que a concentração do refrigerante exceda o limite de segurança, mesmo que ocorram fugas de refrigerante. Consulte um concessionário relativamente às medidas a adoptar no sentido de evitar que a concentração permitida seja excedida. Em caso de fuga de refrigerante e de ultrapassagem do limite de concentração, poderá haver potenciais perigos devido à falta de oxigénio no compartimento.
- Ventile o compartimento em caso de fuga de refrigerante durante o funcionamento. Se o refrigerante entrar em contacto com fogo, serão libertados gases tóxicos.
- Todos os trabalhos de electricidade devem ser levados a cabo por um electricista qualificado e em conformidade com a regulamentação local e as instruções fornecidas neste manual. As unidades devem ser alimentadas através de cabos de alimentação dedicados e deve utilizar-se a voltagem correcta e os disjuntores adequados. Caso sejam usados cabos de alimentação com capacidade insuficiente ou haja trabalhos de electricidade mal efectuados, tal poderá originar choques eléctricos ou incêndios.

Após ter concluído a instalação, explique as “Precauções de Segurança”, a utilização e a manutenção da unidade ao cliente, de acordo com as informações do Manual de Funcionamento, e efectue um ensaio para verificar se a unidade está a funcionar correctamente. O Manual de Instalação e o Manual de Funcionamento devem ser fornecidos ao utilizador, para que este os guarde. Os referidos manuais deverão ser fornecidos a utilizadores futuros.

⚡ : Indica uma peça a ligar à terra.

⚠ Aviso:

Leia atentamente os rótulos afixados na unidade principal.

- **Assegure-se de que liga os cabos de alimentação e os fios de ligação das unidades interiores, das unidades exteriores e das caixas de derivação directamente às unidades (sem ligações intermediárias). As ligações intermediárias podem originar erros de comunicação se entrar água nos cabos ou fios e causar um isolamento insuficiente da ligação à terra ou um mau contacto eléctrico no ponto da ligação intermediária. (Se for necessária uma ligação intermediária, assegure-se de que toma medidas para evitar que entre água para os cabos e fios.)**
- **Utilize fósforo de cobre C1220, para tubagens de cobre ou de liga de cobre sem juntas, para ligar a tubagem do refrigerante. Se a tubagem não for ligada correctamente, a unidade não será devidamente ligada à terra, o que poderá provocar choques eléctricos.**
- **Utilize apenas os cabos eléctricos indicados. As ligações devem ser efectuadas de modo seguro e sem tensão nos terminais. Se os cabos forem ligados ou instalados incorrectamente, poderá ocorrer sobreaquecimento ou incêndio.**
- **O painel da tampa do bloco terminal da unidade externa deve estar bem fixo. Se o painel da tampa for montado incorrectamente e entrar poeira e humidade na unidade, podem ocorrer choques eléctricos ou incêndio.**
- **Ao instalar ou mudar o aparelho de ar condicionado de sítio, utilize apenas o refrigerante especificado (R410A) para carregar as linhas de refrigerante. Não o misture com qualquer outro refrigerante e assegure-se de que não fica ar nas linhas. O ar que fica preso nas linhas poderá causar um aumento de pressão, originando uma ruptura ou outros acidentes.**
- **Utilize só acessórios autorizados pela Mitsubishi Electric e peça ao seu distribuidor ou a uma empresa autorizada que os instale. Se os acessórios não forem correctamente instalados, podem ocorrer fugas de água, choques eléctricos ou incêndios.**
- **Não modifique a unidade. Consulte um distribuidor caso seja necessário proceder a reparações. Se as modificações ou reparações não forem devidamente efectuadas, podem ocorrer fugas de água, choques eléctricos ou incêndios.**
- **O utilizador nunca deve tentar reparar a unidade ou transferi-la para outro local. Se a unidade for instalada incorrectamente, podem ocorrer fugas de água, choques eléctricos ou incêndios. Se o aparelho de ar condicionado tiver que ser reparado ou transferido para outro local, peça a um distribuidor ou electricista qualificado que efectue essa tarefa.**
- **Depois de a instalação estar concluída, verifique se não existem fugas de refrigerante. Se ocorrer uma fuga de refrigerante no compartimento e entrar em contacto com uma chama proveniente de outro dispositivo, serão libertados gases tóxicos.**

1.1. Antes da instalação

⚠ Cuidado:

- Não utilize a unidade num ambiente invulgar. Se o aparelho de ar condicionado for instalado em áreas expostas a vapor, óleo volátil (incluindo óleo de máquinas) ou a gás sulfúrico, áreas expostas a uma grande concentração de sal, tal como à beira-mar, ou áreas onde a unidade possa ser coberta por neve, o rendimento poderá ser significativamente reduzido e as peças internas podem ser danificadas.
- Não instale a unidade onde possam ocorrer fugas, produção, fluxo ou acumulação de gases combustíveis. Em caso de acumulação de gás combustível em torno da unidade, podem ocorrer incêndios ou explosões.

- A unidade exterior produz condensação durante a operação de aquecimento. Assegure-se de que existe drenagem suficiente em torno da unidade exterior caso a referida condensação possa causar danos.
- Ao instalar a unidade num hospital ou gabinete de comunicações, não estranhe se se verificar ruído e interferência eléctrica. Inversores, electrodomésticos, equipamento médico de alta frequência e equipamento de comunicação por rádio podem provocar mau funcionamento ou avaria do aparelho de ar condicionado. O ar condicionado também pode afectar equipamento médico, perturbando a prestação dos serviços médicos, e equipamento de comunicações, comprometendo a qualidade da imagem de ecrãs.

1.2. Antes da instalação (transferência)

⚠ Cuidado:

- Tenha muito cuidado ao transportar as unidades. São precisas duas ou mais pessoas para transportar a unidade, uma vez que esta pesa 20 Kg ou mais. Não agarre nas bandas da embalagem. Use luvas de protecção para retirar a unidade da embalagem e para a transportar, pois pode ferir as mãos nas palhetas e noutras peças.
- Assegure-se de que elimina com segurança os materiais de embalagem. Materiais de embalagem tais como pregos e outras peças em metal ou madeira podem provocar cortes ou outros ferimentos.

- A base e os acessórios da unidade exterior devem ser verificados periodicamente, a fim de detectar possíveis folgas, fendas ou outros danos. Se tais danos não forem corrigidos, a unidade poderá cair e provocar acidentes ou ferimentos.
- Não limpe o aparelho de ar condicionado com água. Poderá provocar choques eléctricos.
- Aperte bem todas as porcas afuniladas, utilizando uma chave dinamómetro. Se as porcas forem demasiadamente apertadas, podem quebrar passado algum tempo e originar uma fuga de refrigerante.

1. Precauções de Segurança

1.3. Antes do trabalho de electricidade

⚠ Cuidado:

- Assegure-se de que instala disjuntores. Se não forem instalados disjuntores, podem ocorrer choques eléctricos.

IMPORTANTE

Certifique-se de que o disjuntor de corrente de fuga é compatível com harmónicos mais altos.

Utilize sempre um disjuntor de corrente de fuga que seja compatível com harmónicos mais altos, uma vez que esta unidade está equipada com um inversor.

A utilização de um disjuntor inadequado pode provocar o mau funcionamento do inversor.

- Para as linhas de alta tensão, utilize cabos normalizados de capacidade suficiente. De outro modo, poderá ocorrer um curto-circuito, sobreaquecimento ou incêndio.

1.4. Antes de iniciar o ensaio

⚠ Cuidado:

- Ligue o interruptor principal de corrente mais de doze horas antes de dar início ao funcionamento. Se o funcionamento tiver início imediatamente depois de ligar o interruptor principal, tal poderá danificar seriamente as peças internas. Mantenha o interruptor ligado durante a estação operacional.
- Antes de o funcionamento ter início, verifique se todos os painéis e outras peças de protecção foram correctamente instalados. Peças rotativas, quentes ou de alta tensão podem causar ferimentos.

1.5. Utilização de aparelhos de ar condicionado refrigerantes R410A

⚠ Cuidado:

- Utilize fósforo de cobre C1220, para tubagens de cobre ou de liga de cobre sem juntas, para ligar a tubagem do refrigerante. Certifique-se de que o interior da tubagem está limpo e não contém substâncias tóxicas, tais como compostos de enxofre, oxidantes, sujidade ou poeira. Utilize tubos com a espessura indicada. (Consulte a página 104) Considere as indicações que se seguem se reutilizar tubos que transportavam refrigerante R22.
- Substitua as porcas afuniladas existentes e afunile as secções apertadas novamente.
- Não utilize tubos finos. (Consulte a página 104)
- Mantenha os tubos a utilizar na instalação protegidos e ambas as extremidades tapadas até ao momento de serem soldadas. (Deixe as juntas curvas, etc., na embalagem.) Se entrar poeira, sujidade ou humidade nas linhas do refrigerante, poderá ocorrer deterioração do óleo ou avaria do compressor.
- Utilize óleo de éster, de éter ou de alquilbenzeno (pequenas quantidades) como óleo de refrigeração para revestir as secções afuniladas. Se se misturar óleo mineral com o óleo de refrigeração, pode ocorrer uma deterioração do óleo.
- Utilize unicamente refrigerante R410A. Se utilizar outro refrigerante, o cloro provocará a deterioração do óleo.

- Ao instalar as linhas de alimentação, não aplique tensão nos cabos. Se existir mau contacto nas ligações, os cabos podem rebentar ou partir, originando sobreaquecimento ou incêndio.
- Assegure-se de que liga a unidade à terra. Não ligue o fio terra a canos de gás ou de água, pára-raios ou linhas telefónicas de ligação à terra. Se a unidade não for devidamente ligada à terra, poderão ocorrer choques eléctricos.
- Utilize disjuntores (interruptor de falha de ligação à terra, interruptor de isolamento (fusível +B) e disjuntor com protecção moldada) com a capacidade especificada. Se a capacidade do disjuntor for superior à capacidade especificada, podem ocorrer avarias ou incêndios.

- Não toque em nenhum interruptor com as mãos molhadas. Poderá provocar choques eléctricos.
- Quando o aparelho de ar condicionado estiver a funcionar, não toque nos tubos do refrigerante sem qualquer protecção nas mãos. Os tubos do refrigerante podem estar quentes ou frios, dependendo do estado do refrigerante em circulação. Se tocar nos tubos, poderá sofrer queimaduras.
- Após interromper o funcionamento, espere pelo menos cinco minutos antes de desligar o interruptor principal. De outro modo, poderá originar fugas de água ou avarias.

- Utilize as ferramentas que se seguem, especificamente concebidas para serem utilizadas com o refrigerante R410A. As ferramentas que se seguem são necessárias para a utilização do refrigerante R410A. Contacte o seu distribuidor caso tenha alguma questão a colocar.

Ferramentas (para R410A)	
Colector do manómetro	Instrumento de afunilamento
Tubo flexível de carga	Manómetro de ajuste de tamanho
Detector de fugas de gás	Adaptador da bomba de vácuo
Chave dinamómetro	Escala electrónica de abastecimento de refrigerante

- Assegure-se de que utiliza as ferramentas correctas. Se entrar poeira, sujidade ou humidade nas linhas do refrigerante, poderá ocorrer deterioração do óleo de refrigeração.
- Não utilize uma botija de abastecimento. Se utilizar uma botija de abastecimento, a composição do refrigerante será alterada e o grau de eficiência será inferior.

2. Diagrama de instalação e peças

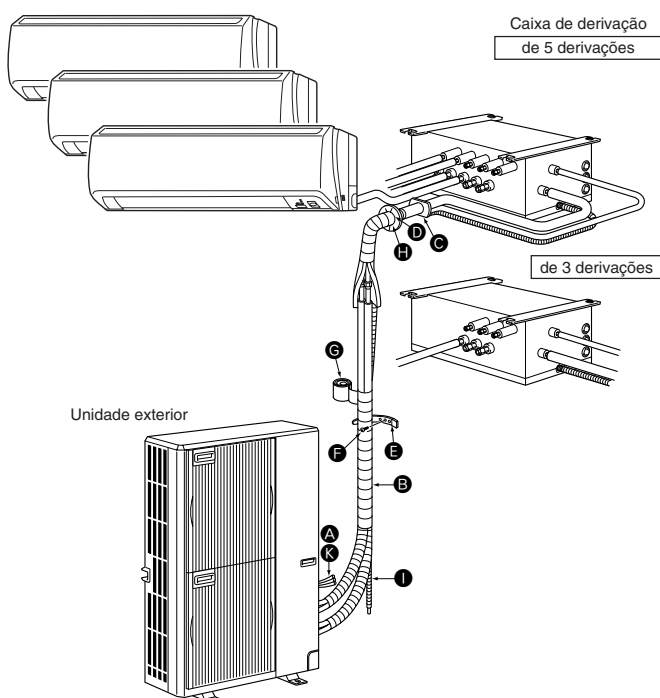


Fig. 2-1

2.1. Antes da instalação (Fig. 2-1)

Este manual de instalação aplica-se apenas à unidade exterior. Para instalar as unidades interiores e a caixa de derivação, consulte o manual de instalação fornecido com cada unidade.

Quaisquer alterações estruturais necessárias para a instalação devem estar em conformidade com os requisitos da legislação local de construção.

Este diagrama pretende mostrar a configuração dos acessórios.

Para a instalação propriamente dita, a unidade exterior deve ser rodada 180°.

As unidades devem ser instaladas por pessoal autorizado e em conformidade com os requisitos da legislação local.

Nota:

As dimensões indicadas junto às setas apresentadas nas figuras deste manual são necessárias para garantir o desempenho do aparelho de ar condicionado. Instale a unidade num local o mais amplo possível, para permitir uma posterior manutenção ou reparação.

Peças a serem adquiridas localmente

A	Fio de ligação da caixa de derivação/unidade exterior (3 núcleos; consulte 7.3. Procedimento de ligação da unidade exterior)	1
B	Tubo de extensão	1
C	Manga do orifício de parede	1
D	Tampa do orifício de parede	1
E	Banda de fixação do tubo (a quantidade depende do comprimento do tubo.)	2 a 7
F	Parafuso de fixação para E 4 × 20 mm (a quantidade depende do comprimento do tubo.)	2 a 7
G	Fita de tubo	1
H	Pasta	1
I	Mangueria de drenagem (tubo de PVC rígido VP16)	1
J	Óleo refrigerante	1
K	Cabo de alimentação (2 núcleos; consulte 7.3. Procedimento de ligação da unidade exterior)	1

3. Localização da instalação

3.1. Tubo de refrigerante

Consulte a secção 5.2. Comprimento do tubo e diferença de altura.

3.2. Selecção do local de instalação da unidade exterior

- Evite locais sujeitos a luz solar directa ou outras fontes de calor.
- Seleccione um local onde o ruído produzido pela unidade não incomode os vizinhos.
- Seleccione um local que permita um acesso fácil dos cabos e tubos à fonte de alimentação e unidade interior.
- Evite locais onde possam ocorrer fugas, produção, fluxo ou acumulação de gases combustíveis.
- Lembre-se que poderá ocorrer gotejamento de água durante o funcionamento.
- Seleccione um local capaz de sustentar o peso e a vibração da unidade.
- Evite locais onde a unidade possa ser coberta por neve. Em áreas em que costume nevar muito, devem tomar-se precauções especiais, tais como elevar o local de instalação ou instalar uma tampa no orifício de admissão de ar, no sentido de evitar que a neve impeça a admissão de ar ou caia directamente sobre o orifício de admissão de ar. Este facto poderá reduzir o fluxo de ar, causando uma avaria.
- Evite locais expostos a óleo, vapor ou gás sulfúrico.
- Utilize as pegas de transporte da unidade exterior para transportar a unidade. Se a unidade for transportada pegando por baixo, as mãos ou os dedos poderão ser trilhados.

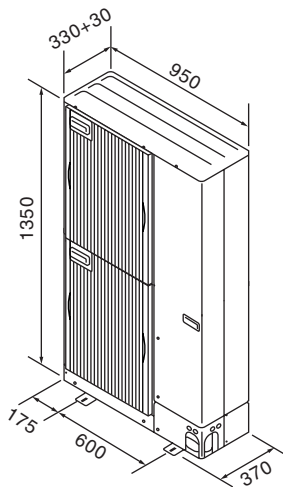


Fig. 3-1

(mm)

3.3. Dimensões globais (Unidade exterior) (Fig. 3-1)

Limitações à instalação das unidades interiores

Deve ter em atenção que as unidades interiores que é possível ligar a esta unidade exterior são dos modelos que se seguem.

- Pode ligar unidades interiores com os números de modelo 22, 25, 35, 50, 60, 71 e 80. Consulte a tabela abaixo para obter as combinações possíveis de unidades interiores, entre 2 e 8 divisões.

Verificação

Observe a tabela abaixo para determinar a capacidade nominal. O limite de quantidade da unidade exterior é de 2 a 8 unidades interiores. Para o passo seguinte, assegure-se de que a capacidade nominal total seleccionada se mantém entre 4,4 - 18,5 kW.

Exemplo:

MSZ-60	=	6,0	} Capacidade nominal total 18,0 ≤ 18,5 kW
		+	
SEZ-35	=	3,5	
		+	
SLZ-35	=	3,5	
		+	
SEZ-25	=	2,5	
		+	
SLZ-25	=	2,5	

Tipo de unidade interior	22	25	35	50	60	71	80
Capacidade nominal (refrigeração) (kW)	2,2	2,5	3,5	5,0	6,0	7,1	8,0

As combinações em que a capacidade total das unidades interiores exceda a capacidade da unidade exterior (=14,0 kW) reduzirão a capacidade de refrigeração de cada unidade interior para um valor inferior ao da respectiva capacidade nominal de refrigeração. Assim sendo, se possível, a combinação das unidades interiores não deve ultrapassar a capacidade da unidade exterior (=14,0 kW).

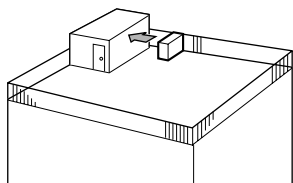


Fig. 3-2

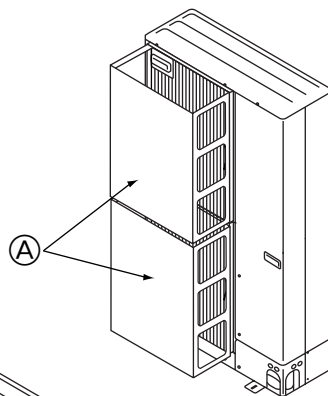


Fig. 3-3

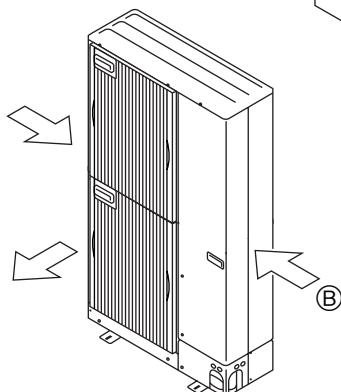


Fig. 3-4

3.4. Ventilação e espaço de manutenção

3.4.1. Instalação em locais sujeitos a ventos

Ao instalar a unidade exterior num telhado ou noutro local desprotegido do vento, situe a saída de ar da unidade de modo a que não esteja exposta directamente a ventos fortes. A entrada de vento na saída de ar poderá impedir o normal fluxo de ar e provocar avarias.

Apresentam-se abaixo três exemplos de precauções que se podem tomar contra os ventos fortes.

- ① Direcione a saída de ar para a parede mais próxima a uma distância de cerca de 50 cm. (Fig. 3-2)
- ② Instale uma guia de ar opcional se a unidade estiver instalada num local sujeito a fortes ventos, como no caso de tufões, por exemplo, que possam entrar directamente na saída de ar. (Fig. 3-3)
 - Ⓐ Guia de ar
- ③ Posicione a unidade de forma a que o ar seja libertado perpendicularmente à direcção do vento, se possível. (Fig. 3-4)
 - Ⓑ Direcção do vento

3. Localização da instalação

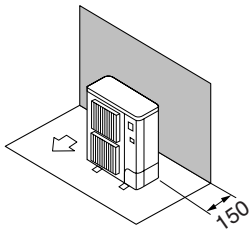


Fig. 3-5

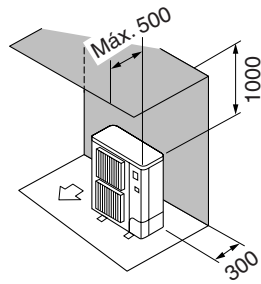


Fig. 3-6

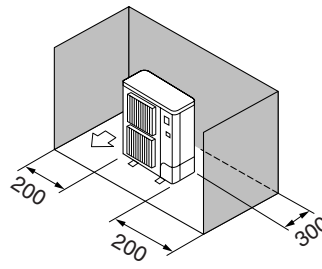


Fig. 3-7

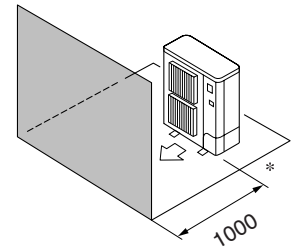


Fig. 3-8

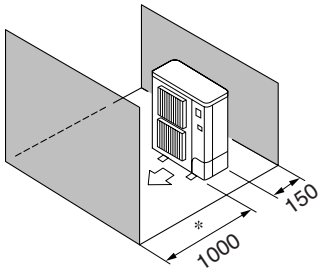


Fig. 3-9

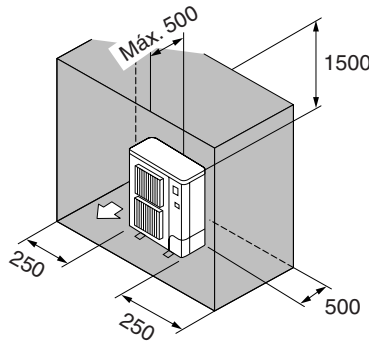


Fig. 3-10

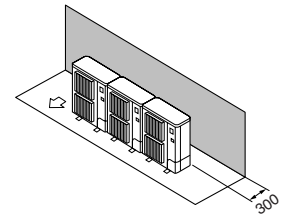


Fig. 3-11

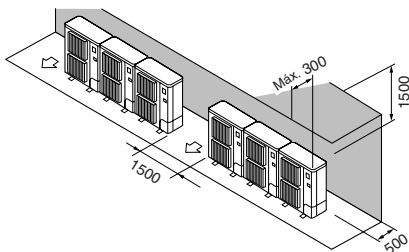


Fig. 3-12

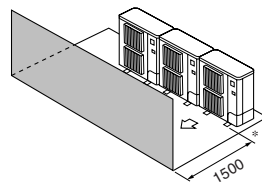


Fig. 3-13

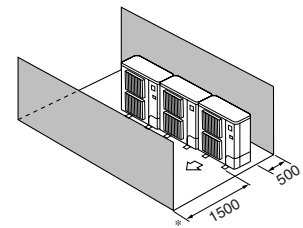


Fig. 3-14

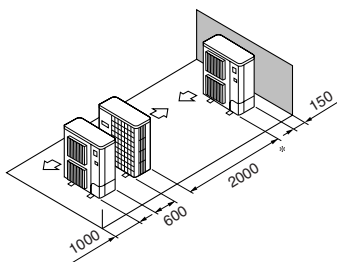


Fig. 3-15

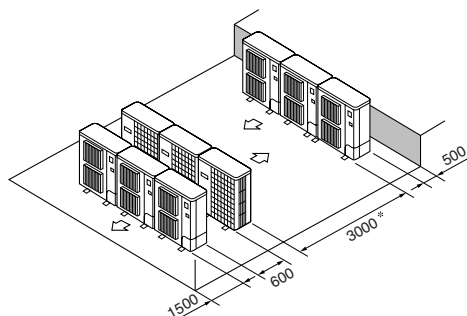


Fig. 3-16

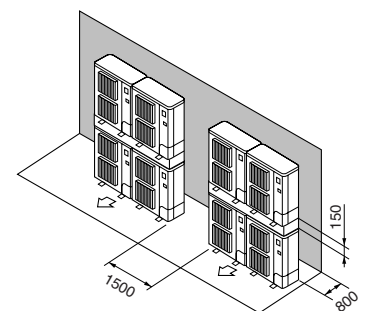


Fig. 3-17

3.4.2. Quando instalar uma só unidade exterior

As dimensões mínimas são as seguintes, excepto para máx. (dimensões máximas), as quais também estão indicadas.

Para cada caso consulte as figuras.

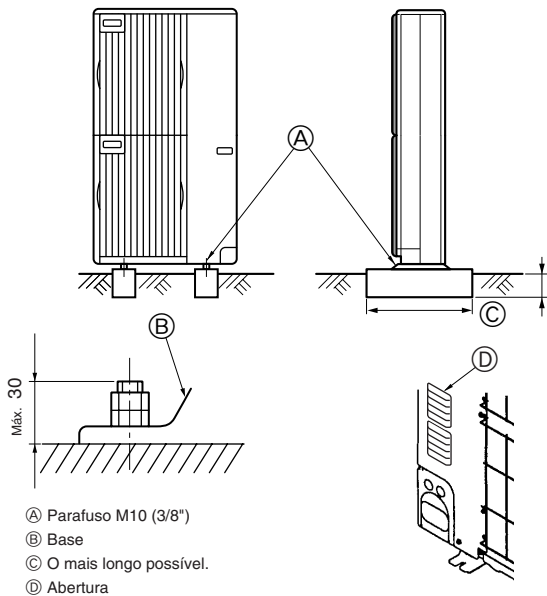
- ① Obstáculos apenas na parte de trás (Fig. 3-5)
- ② Obstáculos apenas na parte de trás e por cima (Fig. 3-6)
- ③ Obstáculos apenas na parte de trás e nos lados (Fig. 3-7)
- ④ Obstáculos apenas na parte da frente (Fig. 3-8)
- * Quando se utiliza uma guia de saída de ar opcional, a folga deve ser de 500 mm ou mais.
- ⑤ Obstáculos apenas na parte da frente e de trás (Fig. 3-9)
- * Quando se utiliza uma guia de saída de ar opcional, a folga deve ser de 500 mm ou mais.
- ⑥ Obstáculos apenas na parte de trás, nos lados e por cima (Fig. 3-10)
- Não utilize as guias de saída opcionais para o fluxo de ar ascendente.

3.4.3. Quando instalar várias unidades exteriores

Deixe uma distância de 10 mm ou mais entre as unidades.

- ① Obstáculos apenas na parte de trás (Fig. 3-11)
- ② Obstáculos apenas na parte de trás e por cima (Fig. 3-12)
 - Não devem ser instaladas mais de três unidades lado a lado. Para além disso, deve deixar distância entre elas, tal como se demonstra.
 - Não utilize as guias de saída opcionais para o fluxo de ar ascendente.
- ③ Obstáculos apenas na parte da frente (Fig. 3-13)
 - * Quando se utiliza uma guia de saída de ar opcional, a folga deve ser de 1000 mm ou mais.
- ④ Obstáculos apenas na parte da frente e de trás (Fig. 3-14)
 - * Quando se utiliza uma guia de saída de ar opcional, a folga deve ser de 1000 mm ou mais.
- ⑤ Disposição de uma unidade em paralelo (Fig. 3-15)
 - * Quando se utiliza uma guia de saída de ar opcional instalada para fluxo de ar ascendente, a folga é de 1000 mm ou mais.
- ⑥ Disposição de várias unidades em paralelo (Fig. 3-16)
 - * Quando se utiliza uma guia de saída de ar opcional instalada para fluxo de ar ascendente, a folga é de 1500 mm ou mais.
- ⑦ Disposição de unidades sobrepostas (Fig. 3-17)
 - Podem ser sobrepostas até duas unidades.
 - Não devem ser instaladas mais de duas unidades sobrepostas lado a lado. Para além disso, deve deixar distância entre elas, tal como se demonstra.

4. Instalação da unidade exterior



(mm)

- Certifique-se de instalar a unidade numa superfície firme e nivelada para evitar estrépidos durante a operação. (Fig. 4-1)

<Especificações de fundação>

Parafuso da fundação	M10 (3/8")
Espessura do betão	120 mm
Comprimento do parafuso	70 mm
Capacidade de carga	320 kg

- Certifique-se de que o comprimento do parafuso da fundação esteja dentro de 30 mm da superfície inferior da base.
- Fixe a base da unidade firmemente com quatro parafusos de fundação M10 em locais resistentes.

Instalação da unidade exterior

- Não tape a abertura. Se a abertura for tapada, o funcionamento será impedido, o que poderá provocar uma avaria.
- Para além da base da unidade, utilize os furos de instalação na parte posterior da unidade para prender fios, etc., se for necessário para instalar a unidade. Utilize parafusos roscados (ø5 × 15 mm ou menos) e instale no local.

⚠ Aviso:

- A unidade deve ser instalada com segurança numa estrutura que suporte o seu peso. Se a unidade for montada numa estrutura instável, poderá cair e provocar danos ou ferimentos.
- A unidade deve ser instalada de acordo com as instruções, para minimizar o risco de danos sofridos devido a tremores de terra ou ventos fortes. Uma unidade instalada incorrectamente pode cair e provocar danos ou ferimentos.

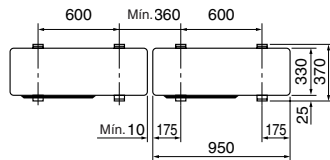


Fig. 4-1

5. Instalação da tubagem do refrigerante

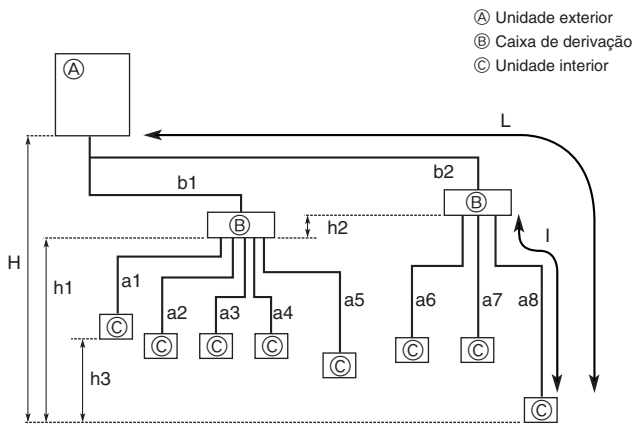


Fig. 5-1

5.1. Precauções para dispositivos que utilizam o refrigerante R410A

- Consulte a página 101, que contém outras precauções relativamente à utilização de aparelhos de ar condicionado com o refrigerante R410A.
- Utilize óleo de éster, de éter ou de alquilbenzeno (pequenas quantidades) como óleo de refrigeração para revestir as secções afuniladas.
- Utilize fósforo de cobre C1220, para tubagens de cobre ou de liga de cobre sem juntas, para ligar a tubagem do refrigerante. Utilize tubos de refrigerante com a espessura especificada na tabela. Certifique-se de que o interior da tubagem está limpo e não contém substâncias tóxicas, tais como compostos de enxofre, oxidantes, sujidade ou poeira.

⚠ Aviso:

- Ao instalar ou mudar o aparelho de ar condicionado de sítio, utilize apenas o refrigerante especificado (R410A) para carregar as linhas de refrigerante. Não o misture com qualquer outro refrigerante e assegure-se de que não fica ar nas linhas. O ar que fica preso nas linhas poderá causar um aumento de pressão, originando uma ruptura ou outros acidentes.

ø6,35, ø9,52, ø12,7	Espessura 0,8 mm
ø15,88	Espessura 1,0 mm

- Não utilize tubos com uma espessura menor do que a indicada.

Comprimento permitido (unidireccional)	Comprimento total da tubagem	$b1+b2+a1+a2+a3+a4+a5+a6+a7+a8 \leq 115 \text{ m}$
	Comprimento da tubagem mais longa (L)	$b2+a8 \leq 70 \text{ m}$ ($b2 \leq 55 \text{ m}$, $a8 \leq 15 \text{ m}$)
	Comprimento da tubagem entre a unidade exterior e as caixas de derivação	$b1+b2 \leq 55 \text{ m}$
	Comprimento da tubagem mais longa após a caixa de derivação (l)	$a8 \leq 15 \text{ m}$
Diferença de altura permitida (unidireccional)	Comprimento total da tubagem entre as caixas de derivação e as unidades interiores	$a1+a2+a3+a4+a5+a6+a7+a8 \leq 60 \text{ m}$
	Na secção interior/exterior (H)*1	$H \leq 30 \text{ m}$ (Caso a unidade exterior esteja a uma altura superior à da unidade interior.) $H \leq 20 \text{ m}$ (Caso a unidade exterior esteja a uma altura inferior à da unidade interior.)
	Na secção caixa de derivação/unidade interior (h1)	$h1 + h2 \leq 15 \text{ m}$
	Em cada unidade de derivação (h2)	$h2 \leq 15 \text{ m}$
Número de curvas	Em cada unidade interior (h3)	$h3 \leq 12 \text{ m}$
		$ b1+a1 , b1+a2 , b1+a3 , b1+a4 , b1+a5 , b2+a6 , b2+a7 , b2+a8 \leq 15$

*1 A caixa de derivação deve ser colocada no nível entre a unidade exterior e as unidades interiores.

5.2. Comprimento do tubo e diferença de altura (Fig. 5-1)

Ligações afuniladas

- Esta unidade tem ligações afuniladas junto a cada unidade interior e caixa de derivação e nos lados da unidade exterior.
- Remova a tampa da válvula da unidade exterior e ligue o tubo.
- Os tubos do refrigerante são utilizados para ligar a caixa de derivação e a unidade exterior.

5. Instalação da tubagem do refrigerante

5.3. Adição de refrigerante

- Se o comprimento total do tubo ($b1+b2+a1+a2+a3+a4+a5+a6+a7+a8$) não exceder os 40 m, não é necessário um abastecimento adicional para esta unidade.
- Se o comprimento total do tubo exceder os 40 m, adicione refrigerante R410A à unidade de acordo com os comprimentos de tubo permitidos na tabela abaixo.

* Quando a unidade estiver desligada, abasteça-a com o refrigerante adicional através da válvula de paragem de líquido depois das extensões do tubo e unidade interior terem sido aspiradas. Quando a unidade estiver a funcionar, adicione refrigerante na válvula de paragem de gás utilizando um carregador de segurança. Não adicione líquido refrigerante directamente na válvula de paragem.

Após abastecer a unidade com refrigerante, anote a quantidade de refrigerante adicionada na etiqueta da manutenção (colada à unidade).

Consulte a secção "1.5. Utilização de aparelhos de ar condicionado refrigerantes R410A" para obter mais informações.

Tabela 1

Comprimento total da tubagem ($b1+b2+a1+a2+a3+a4+a5+a6+a7+a8$)	41 - 50 m	51 - 70 m	71 - 90 m	91 - 115 m
Quantidade de refrigerante adicional	0,6 kg	1,4 kg	2,2 kg	3,2 kg

Se ligar uma unidade interior com tubos de líquido $\phi 9,52$ (número de modelo 71 ou superior para as Séries M e S e o número de modelo 60 ou superior para a Série P), a quantidade de refrigerante adicional na Tabela 1 tem de ser corrigida (acrescente o seguinte valor ΔR ao valor fornecido na Tabela 1).

Correcção da quantidade de refrigerante adicional
 $\Delta R = 0,01 \text{ [kg/m]} \times \text{comprimento total [m]} \text{ do tubo de derivação (tubo de líquido) } \phi 9,52$

Exemplo) $b1=20 \text{ m}$, $b2=25 \text{ m}$

Unidade interior A	$\phi 9,52$ Tubo de líquido	$a1=12 \text{ m}$
Unidade interior B	$\phi 6,35$ Tubo de líquido	$a2=11 \text{ m}$
Unidade interior C	$\phi 6,35$ Tubo de líquido	$a6=14 \text{ m}$
Unidade interior D	$\phi 9,52$ Tubo de líquido	$a7=13 \text{ m}$

Comprimento total da tubagem: $b1+b2+a1+a2+a6+a7=95 \text{ m}$

→ De acordo com a Tabela 1, a quantidade de refrigerante adicional é 3,2 kg.

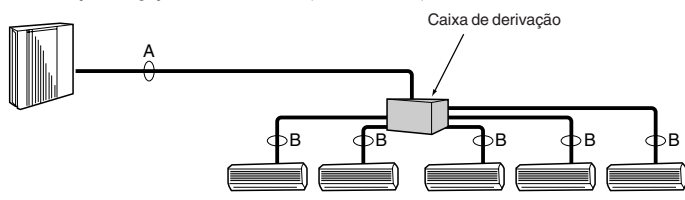
Dado que as unidades interiores estão ligadas com tubos de líquido $\phi 9,52$ (unidades interiores A e D neste exemplo), é necessário corrigir a quantidade de refrigerante adicional.

Correcção da quantidade de refrigerante adicional
 $\Delta R = 0,01 \text{ [kg/m]} \times \text{comprimento total (} a1+a7 \text{) do tubo de derivação (tubo de líquido) } \phi 9,52$
 $= 0,01 \times (12+13)$
 $= 0,25 \text{ kg}$

Assim, a quantidade de refrigerante adicional é $3,2 \text{ kg} + 0,25 \text{ kg} = 3,45 \text{ kg}$.

■ No caso de utilizar 1 caixa de derivação

Utilização de ligação de afunilamento. (Sem soldadura)



■ No caso de utilizar 2 caixas de derivação

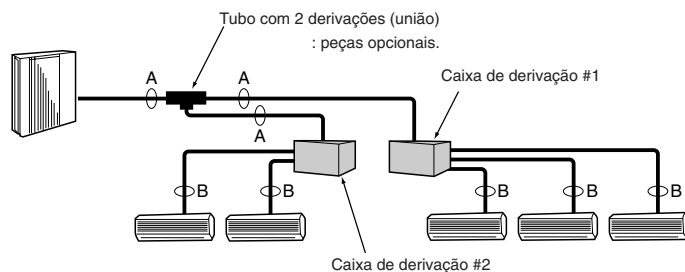


Fig. 5-2

(1) Tamanho da válvula para a unidade exterior

Para líquido	$\phi 9,52 \text{ mm}$
Para gás	$\phi 15,88 \text{ mm}$

(2) Tamanho da válvula para a caixa de derivação

[A] UNIDADE	Tubo de líquido	$\phi 6,35 \text{ mm}$
	Tubo de gás	$\phi 9,52 \text{ mm}$
[B] UNIDADE	Tubo de líquido	$\phi 6,35 \text{ mm}$
	Tubo de gás	$\phi 9,52 \text{ mm}$
[C] UNIDADE	Tubo de líquido	$\phi 6,35 \text{ mm}$
	Tubo de gás	$\phi 9,52 \text{ mm}$
[D] UNIDADE	Tubo de líquido	$\phi 6,35 \text{ mm}$
	Tubo de gás	$\phi 9,52 \text{ mm}$
[E] UNIDADE	Tubo de líquido	$\phi 6,35 \text{ mm}$
	Tubo de gás	$\phi 12,7 \text{ mm}$

* de 3 derivações: apenas unidades [A], [B], [C]

Fórmula de conversão

1/4 F	$\phi 6,35$
3/8 F	$\phi 9,52$
1/2 F	$\phi 12,7$
5/8 F	$\phi 15,88$
3/4 F	$\phi 19,05$

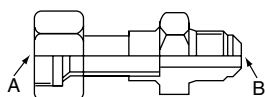


Fig. 5-3

5.4. Selecção do tamanho do tubo (Fig. 5-2)

	A	B
Líquido (mm)	$\phi 9,52$	O tamanho da ligação de tubagens varia consoante o tipo e a capacidade das unidades interiores. Utilize ligações de tubagens com o mesmo tamanho para a caixa de derivação e para a unidade interior. Se o tamanho das ligações de tubagens da caixa de derivação e da unidade interior não for igual, utilize uniões opcionais com diâmetros diferentes (deformadas) para o lado da caixa de derivação. (Ligue a união deformada directamente ao lado da caixa de derivação.)
Gás (mm)	$\phi 15,88$	

Uniões com diâmetros diferentes (peças opcionais) (Fig. 5-3)

Nome do modelo	Diâmetro dos tubos ligados	Diâmetro A	Diâmetro B
	mm	mm	mm
MAC-A454JP	$\phi 9,52 \rightarrow \phi 12,7$	$\phi 9,52$	$\phi 12,7$
MAC-A455JP	$\phi 12,7 \rightarrow \phi 9,52$	$\phi 12,7$	$\phi 9,52$
MAC-A456JP	$\phi 12,7 \rightarrow \phi 15,88$	$\phi 12,7$	$\phi 15,88$
PAC-493PI	$\phi 6,35 \rightarrow \phi 9,52$	$\phi 6,35$	$\phi 9,52$
PAC-SG76RJ-E	$\phi 9,52 \rightarrow \phi 15,88$	$\phi 9,52$	$\phi 15,88$

Preparação da tubagem

① A tabela abaixo apresenta as especificações de tubos comercialmente disponíveis.

Diâmetro externo	Espessura do isolamento	Material de isolamento
6,35	8	Plástico espumoso antitérmico com 0,045 de densidade
9,52	8	
12,7	8	
15,88	8	

② Assegure-se de que os 2 tubos do refrigerante estão isolados, para evitar condensação.

③ O raio de curvatura do tubo do refrigerante deve ser de 100 mm ou mais.

⚠ Cuidado:

Assegure-se de que utiliza um isolamento com a espessura indicada. Uma espessura excessiva poderá provocar a incorrecta instalação da unidade interior e da caixa de derivação e uma espessura insuficiente poderá provocar queda de gotas de água.

Tubo com 2 derivações (união) : Peças opcionais (Consoante o método de ligação, pode optar pelo que preferir.)

Nome do modelo	Método de ligação
MSDD-50AR-E	afunilamento
MSDD-50BR-E	soldadura

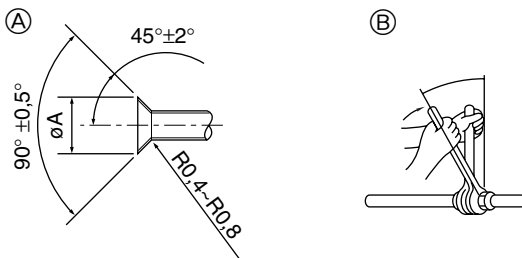
■ Procedimento de instalação [tubo com duas derivações (união)]

Consulte os manuais de instalação da MSDD-50AR-E e MSDD-50BR-E.

5. Instalação da tubagem do refrigerante

Recolha do refrigerante em caso de deslocação das unidades interior e exterior (bomba e baixo)

- ① Ligue uma válvula do colectores do manómetro (manómetro incluído) à porta de manutenção junto à válvula de retenção de gás da unidade exterior, de forma a que se possa medir a pressão do refrigerante.
- ② Ligue a alimentação (disjuntor).
- ③ Feche a válvula de retenção de líquido e, de seguida, efectue um teste de funcionamento da função de refrigeração (SW4-1: ON e SW4-2: OFF).
 - * Certifique-se de que espera pelo menos 3 minutos depois de ligar a fonte de alimentação antes de definir SW4-1 e SW4-2. Se os interruptores DIP forem definidos antes de decorridos os 3 minutos, o teste de funcionamento poderá não ser iniciado.
- ④ Feche totalmente a válvula de retenção de gás quando o valor da pressão no manómetro descer para 0,05 - 0,00 MPa* (cerca de 0,5 - 0,0 kgf/cm²).
 - * Se tiver sido adicionado demasiado refrigerante ao sistema de ar condicionado, a pressão pode não descer para 0,5 kgf/cm². Caso tal aconteça, utilize um dispositivo de recolha de refrigerante para recolher todo o refrigerante existente no sistema e, de seguida, recarregue o sistema com a quantidade correcta de refrigerante, após ter deslocado as unidades interior e exterior.
- ⑤ Interrompa o funcionamento do ar condicionado (SW4-1: OFF e SW4-2: OFF).
- ⑥ Desligue a alimentação (disjuntor).



- Ⓐ Dimensões do corte de afunilamento
Ⓑ Binário de aperto da porca afunilada

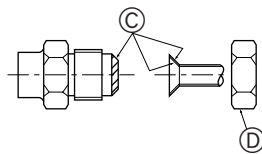


Fig. 5-4

Ⓐ (Fig. 5-4)

Tubo de cobre O.D. (mm)	Dimensões de afunilamento øA dimensões (mm)
ø6,35	8,7 - 9,1
ø9,52	12,8 - 13,2
ø12,7	16,2 - 16,6
ø15,88	19,3 - 19,7

Ⓑ (Fig. 5-4)

Tubo de cobre O.D. (mm)	Porca afunilada O.D. (mm)	Binário de Aperto (N·m)*
ø6,35	17	14 - 18
ø6,35	22	34 - 42
ø9,52	22	34 - 42
ø9,52	26	49 - 61
ø12,7	26	49 - 61
ø12,7	29	68 - 82
ø15,88	29	68 - 82
ø15,88	36	100 - 120

* 1 N·m ≈ 10 kgf·cm

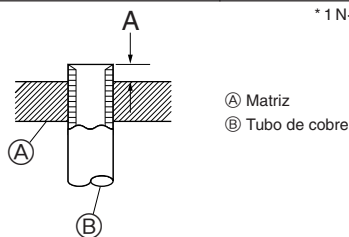


Fig. 5-5

5.5. Tubos de ligação (Fig. 5-4)

- Se forem utilizados tubos de cobre comercialmente disponíveis, limpe os tubos de líquido e de gás com materiais de isolamento comercialmente disponíveis (resistentes ao calor de 100 °C ou mais, com uma espessura de 12 mm ou mais).
- As peças internas do tubo de drenagem devem ser limpas com materiais de isolamento de espuma de polietileno (gravidade específica de 0,03 de espessura de 9 mm ou mais).
- Aplique uma fina camada de óleo refrigerante ao tubo e à superfície de costura da junta antes de apertar a porca do tubo. Ⓐ
- Aperte os tubos de ligação com duas chaves. Ⓑ
- Depois de feitas as ligações, utilize um detector de fugas ou água de sabão para se certificar de que não há fugas de gás.
- Aplique óleo de máquina refrigerante em toda a superfície de encaixe de afunilamento. Ⓒ
- Use as porcas afuniladas da seguinte maneira. Ⓓ

■ Tamanho do tubo (Unidade exterior-Caixa de derivação)

Tamanho do tubo (ømm)	Líquido	ø9,52
	Gás	ø15,88

O alinhamento de uma unidade interior de ligação varia consoante o distrito/área/país.

■ Tamanho do tubo (Caixa de derivação-Unidade interior) * Caso da unidade interior da série M ou série S

Tipo de unidade interior	(kW)	22	25	35	50	60	71	80
		Tamanho do tubo (ømm)	Líquido	ø6,35	ø6,35	ø6,35	ø6,35	ø6,35
	Gás	ø9,52	ø9,52	ø9,52	ø12,7	ø15,88*	ø15,88	ø15,88

* Quando utilizar a unidade interior tipo 60 da série MEXZ, utilize a porca afunilada do acessório da unidade interior para ligação do lado do gás à unidade interior.

Não utilize a porca afunilada (lado do gás) fixa à unidade interior. Caso se utilize a porca afunilada, poderá verificar-se uma fuga de gás ou até mesmo a remoção do tubo.

■ Tamanho do tubo (Caixa de derivação-Unidade interior) * Caso da unidade interior da série P

Tipo de unidade interior	(kW)	35	50	60	71
		Tamanho do tubo (ømm)	Líquido	ø6,35	ø6,35
	Gás	ø12,7	ø12,7	ø15,88	ø15,88

Quando utilizar unidades interiores do tipo 35, 50 da série P, utilize a porca afunilada fixa à unidade interior.

Não utilize a porca afunilada (no acessório da unidade interior). Caso seja utilizada, poderá ocorrer uma fuga de gás ou até mesmo remoção do tubo.

- Ao dobrar os tubos, tenha cuidado para não os partir. Níveis de curvatura de 100 mm a 150 mm são suficientes.
- Assegure-se de que os tubos não entram em contacto com o compressor. Tal pode provocar ruído ou vibrações.

- ① Os tubos devem ser ligados começando pela unidade interior. As porcas de afunilamento devem ser apertadas utilizando uma chave dinamómetro.
- ② Afunile os tubos de líquido e os tubos de gás e aplique uma camada fina de óleo de refrigeração (aplicado no local).
- Quando utilizar um isolante de tubos normal, consulte a Tabela 2 relativamente ao afunilamento de tubos de refrigerante R410A. O manómetro de ajuste de tamanho pode ser utilizado para confirmar as medidas A.

Tabela 2 (Fig. 5-5)

Tubo de cobre O.D. (mm)	A (mm)	
	Ferramenta de afunilamento para R410A	Ferramenta de afunilamento para R22-R407C
	Tipo de alavanca	
ø6,35	0 - 0,5	1,0 - 1,5
ø9,52	0 - 0,5	1,0 - 1,5
ø12,7	0 - 0,5	1,0 - 1,5
ø15,88	0 - 0,5	1,0 - 1,5

5. Instalação da tubagem do refrigerante

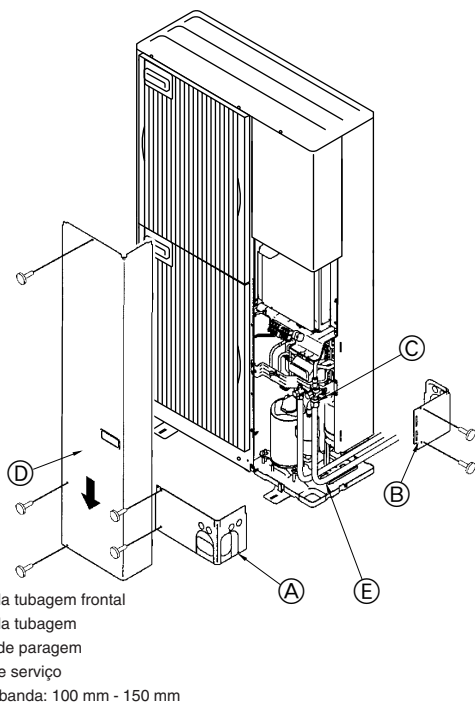


Fig. 5-6

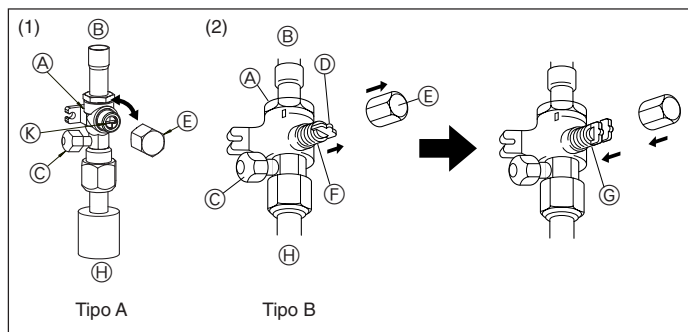


Fig. 5-7

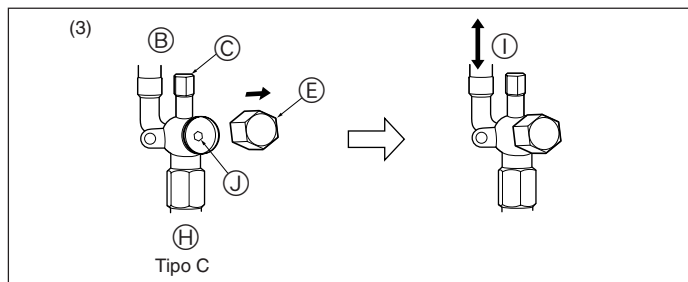


Fig. 5-8

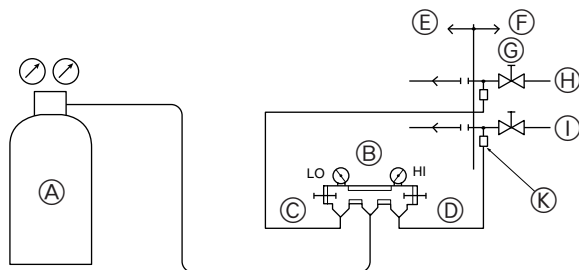


Fig. 5-9

5.6. Tubagem de refrigerante (Fig. 5-6)

Remova o painel de manutenção (D) (três parafusos), a tampa da tubagem frontal (A) (dois parafusos) e a tampa da tubagem traseira (B) (dois parafusos).

Os tubos de refrigerante são revestidos de forma segura para evitar que entre água na cobertura do isolador.

Os tubos podem ser revestidos de forma segura até um diâmetro de $\varnothing 90$ antes ou depois de efectuar a ligação dos tubos. Corte o recorte na tampa do tubo, seguindo a ranhura, e revista os tubos.

Intervalo de entrada do tubo

Utilize pasta ou vedante para vedar a entrada do tubo em torno dos tubos, para que não existam intervalos.

(Se os intervalos não forem eliminados, pode verificar-se a emissão de ruído ou a entrada de poeira na unidade, provocando avarias.)

5.7. Precaução na ligação das tubagens/funcionamento da válvula

A ligação das tubagens e o funcionamento da válvula devem ser efectuados com precisão, seguindo a figura abaixo.

Aplice vedante ao longo do isolador, cobrindo as uniões do tubo de refrigerante, para evitar que entre água na cobertura do isolador.

Após a descarga e abastecimento de refrigerante, assegure-se de que a haste está totalmente aberta. Se funcionar com a válvula fechada, o lado de alta ou baixa pressão do circuito do refrigerante será sujeito a uma pressão anormal, danificando o compressor.

Determine a quantidade de refrigerante adicional (consulte a secção "5.3. Adição de refrigerante") e abasteça o refrigerante adicional através da porta de manutenção, após concluir os trabalhos de ligação das tubagens.

Após concluir o trabalho, aperte bem a porta de manutenção (12 - 15 N-m) e a tampa (20 - 25 N-m), para evitar fugas de gás.

* 1 N-m \approx 10 kgf-cm

Método para abertura completa da válvula de paragem

O método de abertura da válvula de retenção varia consoante o modelo de unidade exterior. Utilize o método adequado para abrir as válvulas de retenção.

(1) Tipo A (Fig. 5-7)

1 Retire a tampa e, utilizando uma chave de fendas chata, rode a válvula 90 graus para a esquerda para a abrir completamente.

2 Certifique-se de que as válvulas estão completamente abertas, em seguida, volte a colocar a tampa na sua posição original e aperte-a.

(2) Tipo B (Fig. 5-7)

1 Remova a cápsula, puxe a alavanca na sua direcção e gire 1/4 de volta no sentido contrário aos ponteiros do relógio para abrir.

2 Certifique-se de que a válvula de paragem esteja completamente aberta, empurre a alavanca e gire a cápsula de volta à sua posição original.

(3) Tipo C (Fig. 5-8)

1 Retire a tampa e rode a válvula para a esquerda o máximo que puder com uma chave sextavada de 4 mm. Pare de rodar quando esta alcançar o batente.

2 Certifique-se de que a válvula de paragem esteja completamente aberta e gire a cápsula de volta à sua posição original.

A Válvula

B Lado da unidade

C Porta de manutenção

D Haste

E Tampa

F Completamente fechada

G Completamente aberta

H (Instalação num lado) Lado da tubagem de refrigerante

I Direcção do fluxo de refrigerante

J Orifício para a chave

K Secção de operação

5.8. Teste de vedação ao ar e descarga

1 Teste de vedação ao ar (Fig. 5-9)

O teste de vedação ao ar deve ser realizado pressurizando gás nitrogénio. Consulte a figura abaixo para obter informações sobre o método de teste.

(1) Ligue a ferramenta de teste. Realize um teste com a válvula de paragem fechada. Assegure-se ainda de que pressuriza tanto o tubo de líquido, ou alta pressão, como o tubo de gás, ou baixa pressão.

(2) Não adicione pressão na quantidade especificada de uma só vez; adicione pressão aos poucos.

1 Pressurize até 0,5 MPa (5 kgf/cm²G), aguarde cinco minutos e assegure-se de que a pressão não diminui.

2 Pressurize até 1,5 MPa (15 kgf/cm²G), aguarde cinco minutos e assegure-se de que a pressão não diminui.

3 Pressurize até 4,15 MPa (41,5 kgf/cm²G) e meça a temperatura ambiente e a pressão do refrigerante.

(3) Se a pressão especificada se mantiver durante cerca de um dia e não diminuir, os tubos terão passado no teste e não existem fugas.

• Se a temperatura ambiente se alterar em 1 °C, a pressão irá alterar-se em cerca de 0,01 MPa (0,1 kgf/cm²G). Efectue as correcções necessárias.

(4) Se a pressão diminuir nos passos (2) ou (3), existe uma fuga de gás. Procure descobrir a causa da fuga de gás.

A Gás nitrogénio

B Analisador do sistema

C Botão Lo (baixa)

D Botão Hi (alta)

E Para a caixa de derivação

F Unidade exterior

G Válvula de paragem

H Tubo de líquido ou tubo de alta pressão

I Tubo de gás ou tubo de baixa pressão

K Porta de manutenção

5. Instalação da tubagem do refrigerante

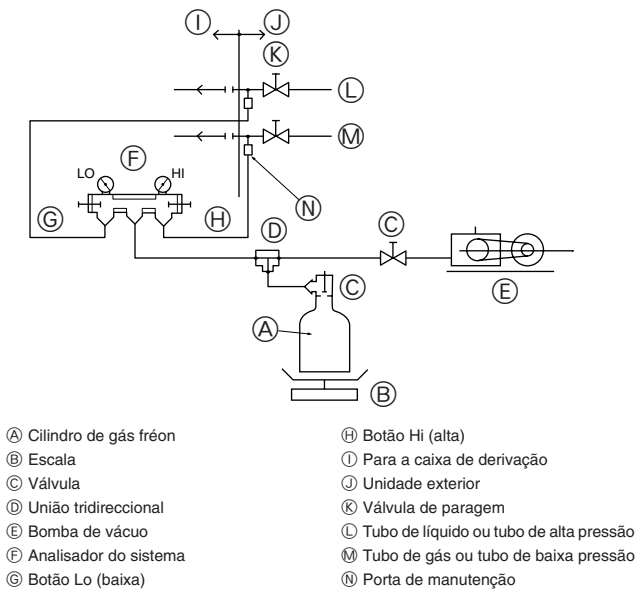


Fig. 5-10

② Descarga (Fig. 5-10)

A descarga deve ser feita a partir da porta de manutenção existente na válvula de paragem da unidade exterior para a bomba de vácuo geralmente utilizada tanto para o tubo de líquido, ou alta pressão, como para o tubo de gás, ou baixa pressão. (Faça a descarga tanto do tubo de líquido, ou alta pressão, como do tubo de gás, ou baixa pressão, com a válvula de paragem fechada.)

Lembre-se: nunca utilize refrigerante para purgar o ar.

⚠ Aviso:

Quando instalar ou mudar a unidade de local, misture apenas o refrigerante especificado no ciclo de refrigeração. Se misturar ar, o ciclo de refrigeração poderá atingir uma pressão involuntariamente elevada, resultando na ruptura do tubo.

* Deve ser utilizado um gravímetro de alta precisão com medições até 0,1 kg. Se não dispuser de um gravímetro de tão elevada precisão, poderá utilizar uma botija de abastecimento.

Nota:

- Utilize um tubo de manómetro, uma mangueira de abastecimento e outras peças concebidas para utilização com o refrigerante indicado na unidade.
- Utilize um gravímetro. (com capacidade para medições até 0,1 kg)

Precauções de utilização da válvula de carga (Fig.5-11)

Quando instalar a porta de serviço não a aperte demasiado, pois se apertar demasiado, o núcleo da válvula pode ficar deformado e soltar-se, provocando uma fuga de gás.

Depois de posicionar a secção B na direcção pretendida, rode apenas a secção A e aperte-a.

Depois de apertar a secção A não aperte mais as secções A e B em conjunto.

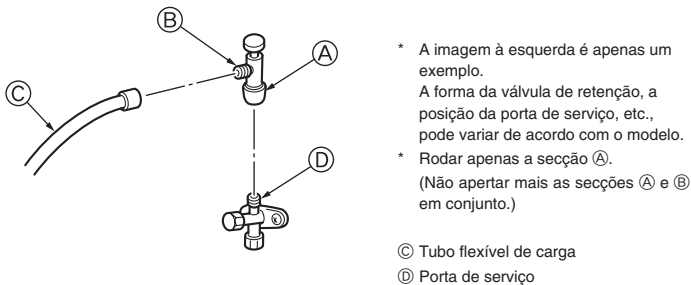


Fig. 5-11

6. Trabalho de tubagem de drenagem

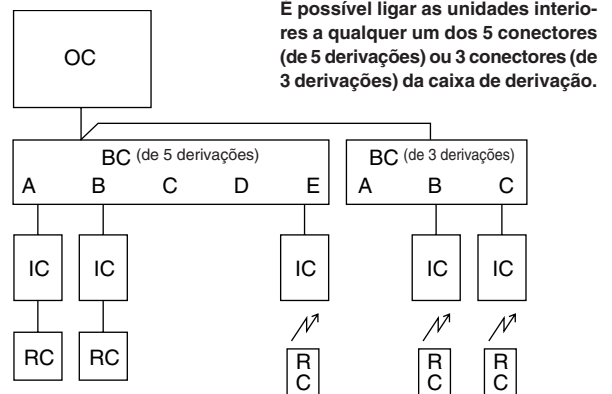
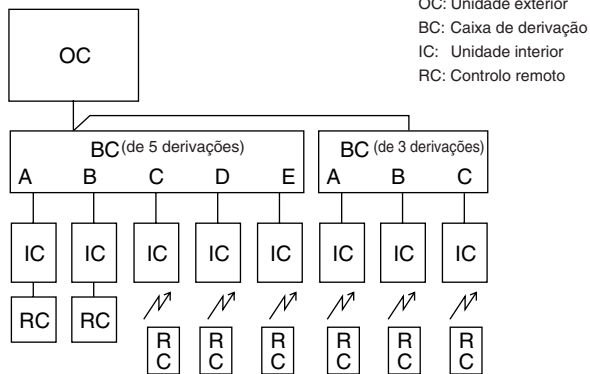
Ligação do tubo de drenagem da unidade exterior

Se for necessário drenar a tubagem, utilize o bocal de drenagem ou o recipiente de drenagem (opção).

Bocal de drenagem	PAC-SG61DS-E
Recipiente de drenagem	PAC-SG64DP-E

7. Trabalho de electricidade

[1] Sistemas básicos



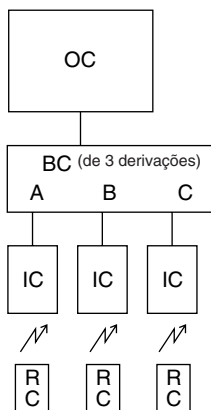
Nota:

É possível ligar as unidades interiores a qualquer um dos 5 conectores (de 5 derivações) ou 3 conectores (de 3 derivações) da caixa de derivação.

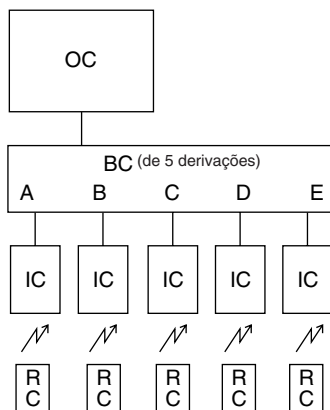
7. Trabalho de electricidade

[2] Sistemas padrão

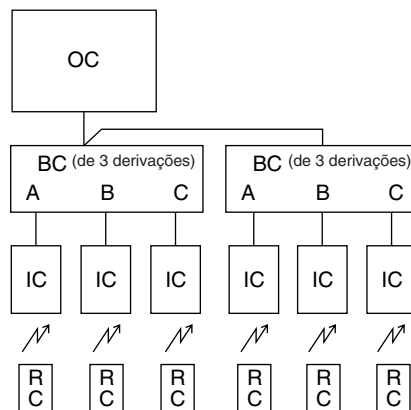
2-1. Apenas de 3 derivações



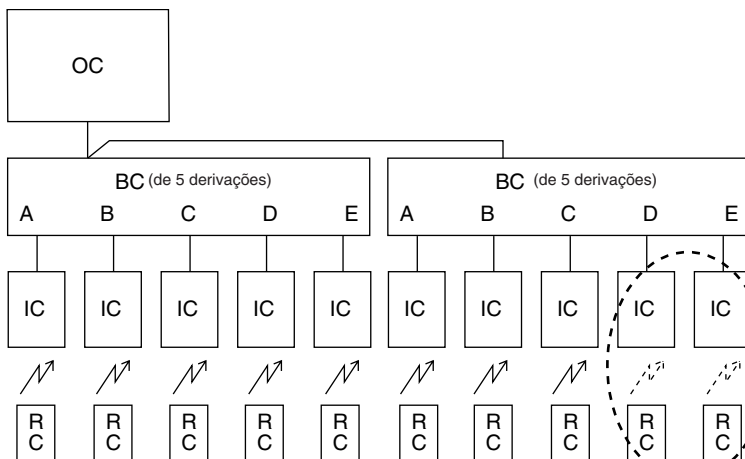
2-2. Apenas de 5 derivações



2-3. 2 caixas de derivação (de 3 derivações)



2-4. 2 caixas de derivação (de 5 derivações, máximo de 8 unidades interiores)

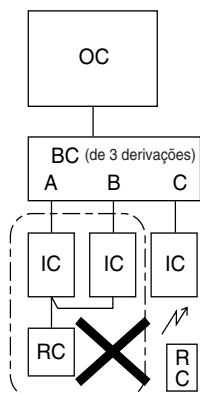


1. É possível ligar até 2 caixas de derivação a uma única unidade exterior.
2. É possível ligar até 8 unidades interiores ao sistema.

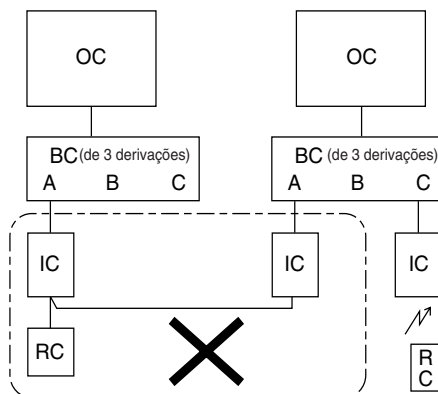


[3] Sistemas incorrectos

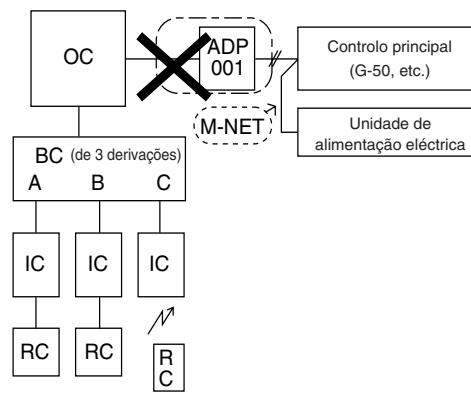
3-1. Funcionamento em grupo com um único controlo remoto



3-2. Funcionamento em grupo entre diferentes sistemas de refrigerante



3-3. Ligação do adaptador M-NET à unidade exterior



3-1. Não é possível controlar várias unidades interiores com um único controlo remoto.

3-2. Não é possível interligar diferentes sistemas de refrigerante.

3-3. Não é possível ligar um adaptador M-NET a uma unidade exterior.

7. Trabalho de electricidade

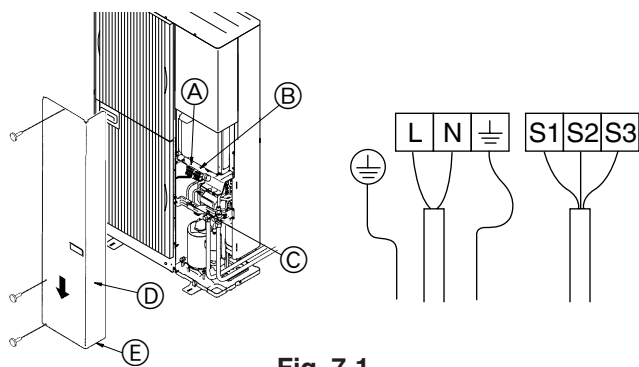


Fig. 7-1

7.1. Unidade exterior (Fig. 7-1)

- ① Remova o painel de manutenção.
 - ② Ligue os cabos consultando a Fig. 7-1.
- (A) Borne de terra
 (B) Bloco de terminais
 (C) Grampo
 (D) Painel de serviço
 (E) Ligue os cabos de modo que não fiquem em contacto com o centro do painel de manutenção ou a válvula do gás.

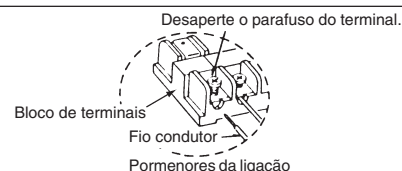
7.2. Ligação do fio da caixa de derivação/unidade exterior e ligação do cabo de alimentação exterior

⚠ Aviso:

- Assegure-se de que instala bem a tampa do bloco de terminais/painel da unidade exterior. Se não for correctamente instalada, pode originar um incêndio ou choque eléctrico devido ao pó, água, etc..
- Assegure-se de que liga os cabos de alimentação e os fios de ligação das unidades interiores, das unidades exteriores e das caixas de derivação directamente às unidades (sem ligações intermediárias).
As ligações intermediárias podem originar erros de comunicação se entrar água nos cabos ou fios e causar um isolamento insuficiente da ligação à terra ou um mau contacto eléctrico no ponto da ligação intermediária.
(Se for necessária uma ligação intermediária, assegure-se de que toma medidas para evitar que entre água para os cabos e fios.)

⚠ Cuidado:

- Tenha cuidado para não fazer ligações erradas.
- Aperte bem os parafusos dos terminais, para evitar que se soltem.
- Após apertar, puxe ligeiramente os fios, para confirmar que não se soltam.
- Se o fio de ligação estiver incorrectamente ligado ao bloco de terminais, a unidade não funcionará normalmente.



- Ligue o fio da caixa de derivação correctamente ao bloco de terminais.
- Para posterior manutenção, deixe o fio de ligação com comprimento extra.

<Exemplo> (No caso de 2 caixas de derivação)

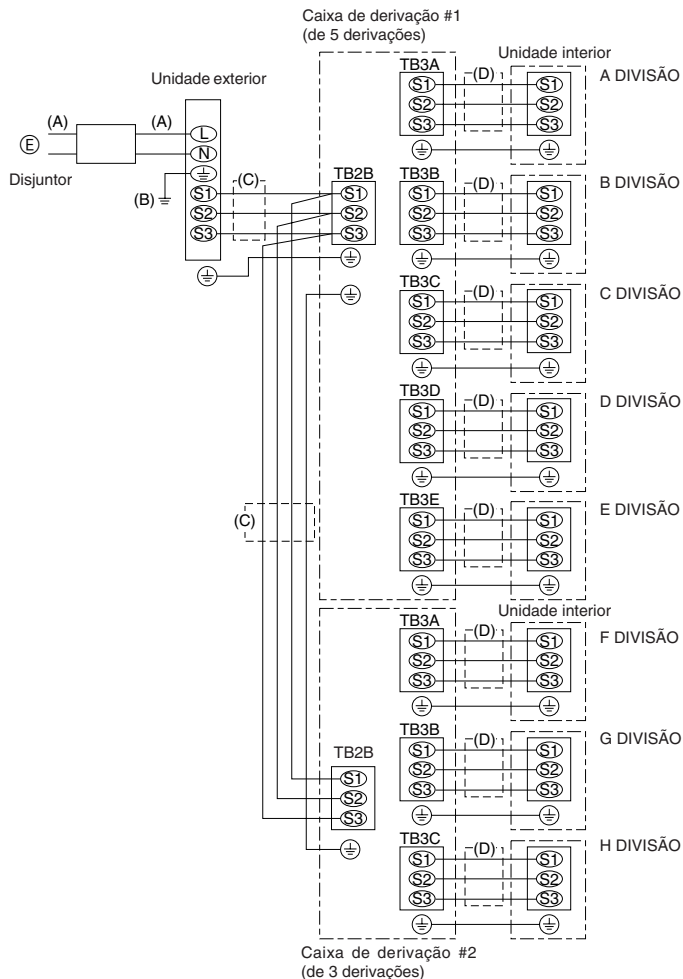


Fig. 7-2

7.3. Procedimento de ligação da unidade exterior (Fig. 7-2)

O trabalho de alimentação eléctrica é necessário apenas na unidade exterior. A alimentação eléctrica para a caixa de derivação ou para a unidade interior é realizada através de cablagem.

Assim sendo, o trabalho de alimentação eléctrica pode ser realizado apenas num local da unidade exterior. Isto simplifica o trabalho e é mais económico.

- (E) Alimentação monofásica
 CA220/230/240 V, 50 Hz
 CA220 V, 60 Hz
 Impedância Máx. do Sistema Permitida 0,22 (Ω).

Nota:

- ① **Entrada de alimentação: Apenas unidade exterior.**
Ligue as linhas (C) e (D) em conformidade com os nomes do bloco de terminais, para garantir uma polaridade correcta.

Diâmetro dos fios				Disjuntor *1	
(A) Linha de tensão principal	(B) Linha de terra	(C) Linha de sinal	(D) Linha de sinal	Corrente de interrupção	Característica do desempenho
6,0 mm ²	6,0 mm ²	1,5 mm ²	1,5 mm ²	40 A	40 A, 30 mA durante 0,1 seg. ou menos

Quando utilizar cablagem de fio torcido, é necessário utilizar um terminal arredondado.

*1. Utilize um disjuntor com uma separação de, pelo menos, 3 mm entre os contactos de cada pólo. Utilize um disjuntor sem fusível (NF) ou um disjuntor de fuga à terra (NV).

*2. Máx. 45 m ("Unidade exterior - Caixa de derivação #1" mais "Caixa de derivação #1 - Caixa de derivação #2").

Se for utilizado 2,5 mm², Máx. 55 m.

- Notas:**
1. A dimensão da cablagem deve estar em conformidade com a legislação local e nacional aplicável.
 2. Os cabos de alimentação e os cabos de ligação da unidade interior/caixa de derivação/unidade exterior não devem ser inferiores a cabos flexíveis revestidos a policloropreno. (Tipo 60245 IEC 57)
 3. Instale um fio de terra mais comprido do que os cabos de alimentação.

IMPORTANTE

Certifique-se de que o disjuntor de corrente de fuga é compatível com harmónicos mais altos.

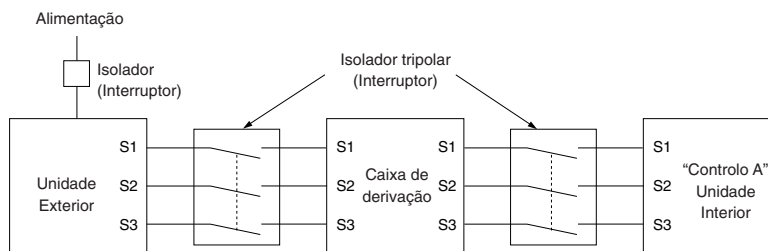
Utilize sempre um disjuntor de corrente de fuga que seja compatível com harmónicos mais altos, uma vez que esta unidade está equipada com um inversor.

A utilização de um disjuntor inadequado pode provocar o mau funcionamento do inversor.

7. Trabalho de electricidade

⚠ Aviso:

No caso da ligação eléctrica de controlo A, existe a possibilidade de alta tensão no terminal S3, causada por um circuito eléctrico que não possui isolamento eléctrico entre a linha de alimentação e a linha de sinal de comunicação. Por conseguinte, desligue a fonte de alimentação principal ao fazer qualquer reparação. Além disso, não toque nos terminais S1, S2 e S3 enquanto a corrente estiver ligada. Se utilizar um isolador entre a unidade exterior e a caixa de derivação/unidade interior e a caixa de derivação, utilize um do tipo tripolar.



⚠ Cuidado:

Depois de utilizar o isolador, não se esqueça de desligar e voltar a ligar a fonte de alimentação principal para reiniciar o sistema. Caso contrário, a unidade exterior pode não conseguir detectar a(s) caixa(s) de derivação ou as unidades interiores.

ESPECIFICAÇÕES DA CABLAGEM

(CABO DE LIGAÇÃO DA CAIXA DE DERIVAÇÃO EXTERIOR)

Perfil transversal do cabo	Tamanho do fio (mm ²)	Número de fios	Polaridade	L (m)*6
Redondo	2,5	3	Sentido dos ponteiros do relógio : S1-S2-S3 * Preste atenção às riscas amarela e verde	(50) *2
Plano	2,5	3	Não aplicável (Porque o fio central não tem cobertura de acabamento)	Não aplicável *5
Plano	1,5	4	Da esquerda para a direita : S1-Aberto-S2-S3	(45) *3
Redondo	2,5	4	Sentido dos ponteiros do relógio : S1-S2-S3-Aberto * Ligue S1 e S3 ao ângulo oposto	(55) *4

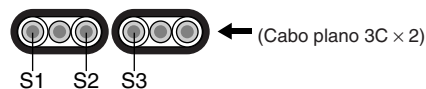
*1 : Os cabos de alimentação dos dispositivos não devem ser mais leves do que o design 60245 IEC ou 227 IEC.

*2 : Caso o cabo com riscas amarela e verde esteja disponível.

*3 : Em caso de ligação de polaridade regular (S1-S2-S3), o tamanho do fio é de 1,5 mm².

*4 : Em caso de ligação de polaridade regular (S1-S2-S3).

*5 : Caso os cabos planos sejam ligados conforme indicado nesta figura, estes podem ser usados até 55 m.



*6 : O comprimento do cabo referido serve apenas como referência. Pode ser diferente, dependendo das condições de instalação, humidade ou materiais, etc.

Certifique-se de que liga os cabos de ligação da caixa de derivação exterior/caixa de derivação interior directamente às unidades (sem ligações intermédias). As ligações intermédias podem provocar erros de comunicação caso se dê a entrada de água nos cabos e provocar isolamento à terra insuficiente ou um mau contacto eléctrico no ponto de ligação intermédio.
(Caso seja necessária uma ligação intermédia, certifique-se de que toma as medidas necessárias de modo a evitar a entrada de água nos cabos).

8. Ensaio

8.1. Antes do ensaio

- ▶ **Depois de concluir a instalação, a cablagem e a tubagem das unidades interior e exterior, verifique se não há fugas de refrigerante, maus contactos na fonte de alimentação ou na cablagem de controlo, polaridade errada e se não foi desligada qualquer fase na alimentação.**
- ▶ **Utilize um megohmetro de 500 V para verificar se a resistência entre os terminais da fonte de alimentação e a ligação à terra é de, pelo menos, 1 MΩ.**
- ▶ **Não execute este ensaio nos terminais da cablagem de controlo (circuito de baixa voltagem).**

⚠ Aviso:

Não utilize o ar condicionado se a resistência de isolamento for inferior a 1 MΩ.

Resistência de isolamento

Após a instalação ou após a fonte de alimentação da unidade ter sido cortada durante um período longo, a resistência de isolamento vai diminuir até menos de 1 MΩ, devido à acumulação de refrigerante no compressor. Este facto não representa uma avaria. Efectue as acções que se seguem.

1. Retire os fios do compressor e meça a resistência de isolamento do mesmo.
2. Se a resistência de isolamento estiver abaixo de 1 MΩ, o compressor está a falhar ou a resistência diminuiu devido à acumulação de refrigerante no compressor.

3. Depois de ligar os fios ao compressor, este começará a aquecer assim que a fonte de alimentação for restituída. Depois de fornecer energia para os períodos indicados abaixo, meça a resistência de isolamento novamente.
 - A resistência de isolamento diminui devido à acumulação de refrigerante no compressor. A resistência irá subir acima de 1 MΩ depois de o compressor ter aquecido durante 2 - 3 horas.
(O tempo necessário para aquecer o compressor varia de acordo com as condições atmosféricas e com a acumulação de refrigerante.)
 - Para que o compressor funcione com acumulação de refrigerante, deve ser aquecido durante pelo menos 12 horas, para evitar avarias.
4. Se a resistência de isolamento subir acima de 1 MΩ, o compressor não está a falhar.

⚠ Cuidado:

- **O compressor só funcionará se a ligação da fase da fonte de alimentação for correcta.**
- **Ligue a electricidade pelo menos 12 horas antes de dar início à operação.**
- Se começar a operação imediatamente depois de ligar o interruptor principal poderá danificar seriamente peças internas. Mantenha o interruptor ligado durante a estação operacional.

▶ Deverá também ser verificado o seguinte.

- A unidade exterior não está a falhar. O LED no painel de controlo da unidade exterior fica intermitente quando a unidade exterior está a falhar.
- As válvulas de retenção de gás e de líquido estão completamente abertas.

8.2. Ensaio

8.2.1. Utilização do controlo remoto

Consulte o manual de instalação da unidade interior.

- Assegure-se de que realiza o teste de funcionamento de cada unidade interior. Assegure-se de que cada unidade interior funciona correctamente seguindo o manual de instalação fornecido com a unidade.
- Se realizar o teste de funcionamento para todas as unidades interiores em simultâneo, não conseguirá detectar qualquer ligação errada, caso exista, dos tubos de refrigerante e dos fios de ligação.
- * O compressor só funciona 3 minutos, ou mais, após ser ligada a alimentação.
- O compressor pode emitir ruído após ser ligada a alimentação ou no caso de uma temperatura reduzida do ar de saída.

Acerca do mecanismo de protecção contra reinício

Depois de o compressor parar, o dispositivo de prevenção de reinício é activado de modo a que o compressor não funcione durante 3 minutos, no sentido de proteger o aparelho de ar condicionado.

8.2.2. Utilizar o SW4 na unidade exterior

No caso de um teste de funcionamento a partir da unidade exterior, funcionam todas as unidades interiores. Por conseguinte, não conseguirá detectar qualquer erro de ligação dos tubos de refrigerante e dos fios de ligação. Se o objectivo for a detecção de qualquer erro de ligação, assegure-se de que realiza o teste de funcionamento a partir do controlo remoto, consultando a secção "8.2.1. Utilização do controlo remoto".

SW4-1	ON (ligado)	Operação de refrigeração
SW4-2	OFF (desligado)	
SW4-1	ON (ligado)	Operação de aquecimento
SW4-2	ON (ligado)	

* Após realizar o teste de funcionamento coloque SW4-1 em OFF.

- Alguns segundos depois de o compressor começar a funcionar, pode ouvir-se um som metálico proveniente do interior da unidade exterior. O ruído provém da válvula de retenção devido à pequena diferença de pressão nos tubos. A unidade não está a falhar.

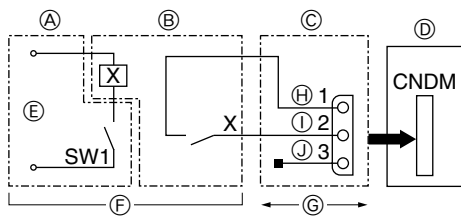
O modo de ensaio não pode ser alterado pelo interruptor DIP SW4-2 durante o ensaio. (Para alterar o modo de ensaio durante o mesmo, interrompa-o através do interruptor DIP SW4-1. Depois de alterar o modo de ensaio, recomece o ensaio através do interruptor SW4-1.)

Quando se inicia um teste de funcionamento através de "Utilizar o SW4 na unidade exterior", mesmo que realize instruções de paragem por controlo remoto, a unidade exterior não pára (o teste de funcionamento não termina). Neste caso, regule SW4 na unidade exterior para "off" (desligado).

Nota:

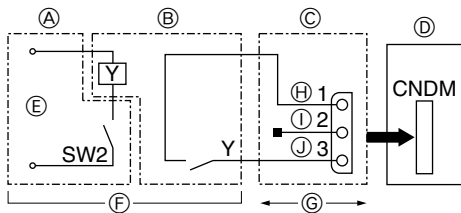
Certifique-se de que espera pelo menos 3 minutos depois de ligar a fonte de alimentação antes de definir SW4-1 e SW4-2. Se os interruptores DIP forem definidos antes de decorridos os 3 minutos, o teste de funcionamento poderá não ser iniciado.

9. Funções especiais



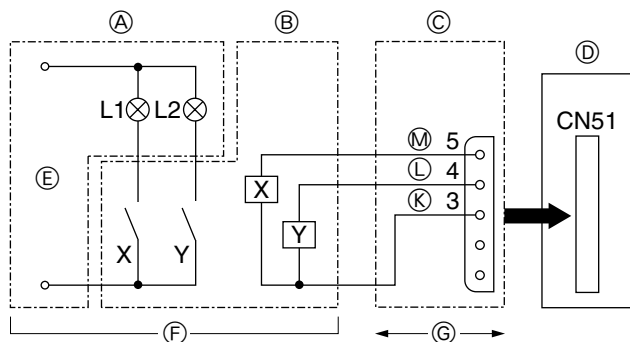
- (A) Painel de controlo remoto
 (B) Circuito de relé
 (C) Adaptador de entrada externo (PAC-SC36NA)
 (D) Painel de controlo da unidade exterior
 (E) Fonte de alimentação de relé
 (F) Adquirir localmente
 (G) Máx. 10 m
 (H) Cor-de-laranja
 (I) Castanho
 (J) Vermelho

Fig. 9-1



- (A) Painel de controlo remoto
 (B) Circuito de relé
 (C) Adaptador de entrada externo (PAC-SC36NA)
 (D) Painel de controlo da unidade exterior
 (E) Fonte de alimentação de relé
 (F) Adquirir localmente
 (G) Máx. 10 m
 (H) Cor-de-laranja
 (I) Castanho
 (J) Vermelho

Fig. 9-2



- L1: Indicador de erros
 L2: Indicador de funcionamento do compressor
 X, Y: Relé (bobina normal de 0,9 W ou menos para CC de 12 V)
 X, Y: Relé (CC 1 mA)

Fig. 9-3

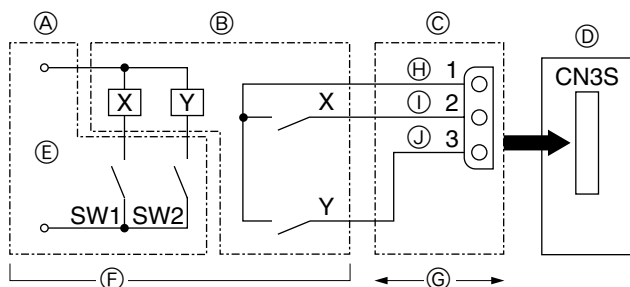


Fig. 9-4

9.1. Modo de baixo nível de ruído (modificação no local) (Fig. 9-1)

Ao efectuar a alteração que se segue, o ruído de funcionamento da unidade exterior pode ser reduzido em cerca de 3 - 4 dB.

O modo de baixo nível de ruído será activado quando se adicionar um temporizador à venda no mercado ou um interruptor ON/OFF ao conector CNDM (vendido separadamente) no painel de controlo da unidade exterior.

- A capacidade pode ser insuficiente de acordo com a temperatura e as condições exteriores, etc.
- Complete o circuito, tal como demonstrado, ao utilizar o adaptador de entrada externo (PAC-SC36NA). (vendido separadamente)

9.2. Função de pedido (modificação no local) (Fig. 9-2)

É possível reduzir o consumo de electricidade entre 0 e 100 por cento realizando a seguinte instalação no local.

A função de pedido pode ser activada acrescentando um interruptor de ponto de contacto de entrada disponível comercialmente ao conector CNDM (a entrada de pedido de ponto de contacto, vendida separadamente).

- Incorpore o "Adaptador para entrada externa (PAC-SC36NA)" no circuito, conforme ilustrado no diagrama à esquerda.
- Ao ligar o SW7-1 no painel do circuito de controlo para a unidade exterior, podem ser configuradas as seguintes restrições de consumo de energia (em comparação com a potência nominal).

SW7-1	Consumo de energia quando o SW2 está ligado
OFF (desligado)	0% (Paragem do compressor forçada)
ON (ligado)	50%

9.3. Função de controlo de erros e do funcionamento do compressor (CN51)

- (A) Painel de controlo remoto
 (B) Circuito de relé
 (C) Adaptador de saída externo (PAC-SA88HA-E)
 (D) Painel de controlo da unidade exterior
 (E) Alimentação da lâmpada
 (F) Adquirir localmente
 (G) Máx. 10 m
 (K) Cor-de-laranja
 (L) Amarelo
 (M) Verde

9.4. Comutação automática – função de bloqueio do modo de funcionamento por sinal externo (CN3S)

- (A) Painel de controlo à distância
 (B) Circuito de relé
 (C) Adaptador de saída externo (PAC-SC36NA)
 (D) Painel de controlo da unidade exterior
 (E) Alimentação da lâmpada
 (F) Adquirir localmente
 (G) Máx. 10 m
 (H) Cor-de-laranja
 (I) Castanho
 (J) Vermelho

	ON (ligado)	OFF (desligado)
SW1	Quente	Arrefecimento
SW2	Validade de SW1	Ausência de validade de SW1

* Qualquer unidade interior a funcionar num modo diferente do modo determinado pelo sinal externo ficará em estado de espera.

* O ajuste tem efeito quando a unidade exterior estiver parada.

* O modo de funcionamento especificado para o teste de funcionamento tem prioridade sobre o modo especificado utilizando esta função.

Indholdsfortegnelse

1. Sikkerhedsforanstaltninger	114	6. Føring af drænrør	122
2. Installationsdiagram og dele	115	7. Elektrisk arbejde	122
3. Monteringssted	116	8. Afprøvning	126
4. Montering af den udendørs enhed	118	9. Specielle funktioner	127
5. Montering af kølemiddelrør	118		

1. Sikkerhedsforanstaltninger

- ▶ Læs alle "Sikkerhedsforanstaltninger", før De installerer enheden.
- ▶ De skal forhøre Dem hos forsyningskilden før tilslutning til systemet.
- ▶ Udstyr i overensstemmelse med IEC/EN 61000-3-12

⚠ Advarsel:

Beskriver sikkerhedsforanstaltninger, der skal træffes, for at undgå personskade eller dødsfald.

⚠ Forsigtig:

Beskriver forholdsregler, der skal træffes, for at forhindre at enheden bliver beskadiget.

⚠ Advarsel:

- Enheden må ikke installeres af brugeren. Lad en forhandler eller en autoriseret tekniker installere enheden. Hvis enheden ikke installeres korrekt, kan det resultere i vandlækage, elektrisk stød eller brand.
- Foretag installationen i overensstemmelse med installationsvejledningen, og brug værktøj og rørdeler, der er specielt beregnet til anvendelse sammen med R410A kølemiddel. R410A kølemidlet i HFC-systemet er under 1,6 gange højere tryk end sædvanlige kølemidler. Hvis der anvendes rørdeler, der ikke er konstrueret til R410A kølemiddel og enheden ikke installeres korrekt, kan rørene sprænges og forårsage beskadigelse eller kvæstelse. Der kan desuden opstå vandlækage, elektrisk stød eller brand.
- For at minimere risikoen for beskadigelse som følge af jordskælv, tyfoner eller kraftigt stormvejr skal enheden installeres ifølge vejledningen. En ukorrekt installeret enhed kan falde ned og forårsage beskadigelse eller kvæstelser.
- Enheden skal monteres fast og sikkert på en underkonstruktion, der kan bære dens vægt. Hvis enheden monteres på en ustabil konstruktion, kan den falde ned og forårsage beskadigelse og kvæstelser.
- Hvis klimaanlægget installeres i et lille rum, skal der tages forholdsregler til at forhindre, at kølemiddelkoncentrationen i rummet overstiger sikkerhedsgrænsen i tilfælde af kølemiddellækage. Kontakt en forhandler mht. de passende forholdsregler til forhindring af, at den tilladte koncentration overskrides. Hvis der opstår lækage af kølemidlet, som forårsager overskridelse af koncentrationsgrænsen, kan der opstå livsfare på grund af manglende ilt i rummet.
- Ventil rummet hvis der opstår kølemiddellækage under driften. Hvis kølemidlet kommer i kontakt med åben ild, afgives der giftige gasser.
- Alle elinstallationsarbejder skal udføres af en faguddannet elinstallatør og ifølge de lokale bestemmelser og instruktionerne i denne vejledning. Enheden skal forsynes med strøm fra dertil beregnede forsyningsledninger og med den korrekte spænding og korrekte hovedafbrydere. Strømforsyningsledninger med utilstrækkelig kapacitet eller ukorrekt udført elinstallationsarbejde kan medføre elektrisk stød eller brand.

Efter afslutning af installationsarbejdet skal "Sikkerhedsforanstaltninger", brugen og vedligeholdelsen af enheden forklares for kunden ifølge betjeningsvejledningen. Desuden skal der foretages en testkørsel for at sikre normal funktion. Både installations- og betjeningsvejledningen skal overdrages til brugeren. Disse vejledninger skal gives videre til efterfølgende brugere.

⚡ : Angiver en del, der skal jordforbindes.

⚠ Advarsel:

Læs etiketterne på hovedenheden omhyggeligt.

- Sørg for at tilslutte strømforsyningsledningerne og tilslutningsledningerne til både indendørs- og udendørsenhederne, og tilslut forgreningsdåserne direkte til enhederne (ingen mellemiggende forbindelser). Mellemforbindelser kan medføre kommunikationsfejl, hvis der trænger vand ind i ledningerne eller kablerne, og de medfører utilstrækkelig jordisolering eller ringe elektrisk kontakt ved det mellemliggende tilslutningspunkt. (Hvis det er nødvendigt at anvende en mellemliggende forbindelse, skal der etableres foranstaltninger for at forhindre, at der trænger vand ind i ledningerne og kablerne.)
- Brug C1220 kobber-fosfor legering, for sømløse rør af kobber og kobberlegering, til at samle kølemiddelrør. Hvis rørene ikke samles korrekt, bliver enheden ikke ordentligt jordet, hvilket kan resultere i elektrisk stød.
- Brug kun de specificerede kabler til tilslutningen. Forbindelserne skal udføres fast og sikkert uden trækpåvirkninger på klemmerne. Hvis kablerne tilsluttes eller installeres ukorrekt, kan der opstå overophedning eller brand.
- Klemkassens dæksel på den udvendige enhed skal skrues godt fast. Hvis dækslet monteres ukorrekt og der kommer støv og fugt ind i enheden, kan der opstå elektrisk stød eller brand.
- Ved installation eller flytning af klimaanlægget må der kun anvendes det specificerede kølemiddel (R410A) til fyldning af kølemiddelrørene. Det må ikke blandes med nogen anden type kølemiddel, og der må ikke være luft tilbage i rørene. Luftlommer i rørene kan forårsage forøget tryk og dermed sprængning og andre farlige situationer.
- Brug kun tilbehør, der er godkendt af Mitsubishi Electric og lad en forhandler eller en autoriseret tekniker installere dem. Hvis tilbehøret ikke installeres korrekt, kan det resultere i vandlækage, elektrisk stød eller brand.
- Der må ikke foretages ændringer på enheden. Lad en forhandler foretage reparationer. Hvis ændringer eller reparationer ikke udføres korrekt, kan det resultere i vandlækage, elektrisk stød eller brand.
- Brugeren bør aldrig forsøge at reparere enheden eller flytte den til en anden placering. Hvis enheden ikke installeres korrekt, kan det resultere i vandlækage, elektrisk stød eller brand. Hvis klimaanlægget skal repareres eller flyttes, skal det udføres af en forhandler eller en autoriseret tekniker.
- Når installationen er afsluttet, kontrolleres for kølemiddellækager. Hvis kølemiddel løber ud i rummet og kommer i kontakt med åben ild (f.eks. flammen på en opvarmningsenhed eller et transportabelt kogeudstyr), vil der opstå giftige gasser.

1.1. Inden installationen

⚠ Forsigtig:

- Brug ikke enheden i usædvanlige omgivelser. Hvis klimaanlægget installeres i områder, hvor det udsættes for damp, flygtig olie (inklusive maskinolie), eller svovlholdige gasser, områder med højt saltindhold som f.eks. ved havet, eller områder hvor enheden kan blive dækket af sne, kan ydelsen blive betydelig nedsat og de indvendige dele kan blive beskadiget.
- Installer ikke enheden på steder, hvor brændbare gasser kan slippe ud, opstå, strømme eller samle sig. Hvis der samler sig brændbare gasser omkring enheden, kan det medføre brand eller eksplosion.

- Udendørs enheden danner kondensvand under opvarmningsdriften. Sørg for at der er afløb omkring den udvendige enhed, hvis denne kondensdannelse kan forårsage skader.
- Hvis enheden installeres i et hospital eller et kommunikationsrum, skal man være forberedt på støj og elektronisk interferens. Omformere, husholdningsapparater, højfrekvent medicinsk udstyr og radiokommunikationsudstyr kan forårsage, at klimaanlægget fungerer forkert eller ødelægges. Klimaanlægget kan også påvirke medicinsk udstyr, kommunikationsudstyr, kvaliteten af skærm billeder og influere på medicinsk behandling.

1.2. Inden installation (flytning)

⚠ Forsigtig:

- Enhederne skal transporteres med stor forsigtighed. Der skal mindst to personer til at håndtere enheden, da den vejer 20 kg eller mere. Løft ikke i emballagebåndene. Bær beskyttelseshandsker, når enheden flyttes eller tages ud af emballagen, da hænderne kan blive kvæstet af ribberne eller andre dele.
- Sørg for at bortskaffe emballagen efter gældende regler. Emballagematerialer, som f.eks. søm og andre metal- eller trædele kan forårsage rifter eller andre kvæstelser.

- Grundenheden og tilbehør på udendørsenheden skal regelmæssigt kontrolleres for løse forbindelser, revner eller anden skade. Hvis sådanne defekter ikke repareres, kan enheden falde ned og forårsage skade eller kvæstelser.
- Klimaanlægget må ikke rengøres med vand. Dette kan medføre elektrisk stød.
- Spænd alle brystmøtrikker efter specifikationerne med en momentnøgle. Hvis den spændes for stramt, kan brystmøtrikken knække efter et stykke tid og kølemidlet kan løbe ud.

1. Sikkerhedsforanstaltninger

1.3. Inden el-arbejde

⚠ Forsigtig:

- Sørg for at installere hovedafbrydere. Hvis de ikke installeres, kan der opstå elektrisk stød.

VIGTIGT

Sørg for, at strøm-lækageafbryderen er kompatibel med højere harmoni. Brug altid en strøm-lækageafbryder, der er kompatibel med højere harmoni, da denne enhed er udstyret med en omformer. Anvendelse af en utilstrækkelig afbryder kan forårsage ukorrekt funktion af vekselretteren.

- Brug standard kabler med tilstrækkelig kapacitet til forsyningsledningerne. Ellers kan der opstå kortslutning, overophedning eller brand.

1.4. Inden start af testkørsel

⚠ Forsigtig:

- Tænd hovedafbryderen mere end 12 timer før start af driften. Hvis driften startes straks efter, at hovedafbryderen er tændt, kan der opstå alvorlige skader på de indvendige dele. Sørg for at hovedafbryderen er tændt i hele driftssæsonen.
- Inden start af driften skal det kontrolleres, at alle paneler, beskyttelsesdæksler og andre beskyttelsesdele er korrekt monteret. Roterende, varme eller højspændings dele kan forårsage kvæstelser.

1.5. Anvendelse af klimaanlæg med R410A kølemiddel

⚠ Forsigtig:

- Brug C1220 kobber-fosfor legering, for sømløse rør af kobber og kobber-legering, til at samle kølemiddelrør. Kontrollér at det indvendige af rørene er rene og ikke indeholder skadelige forureninger som f.eks. svovlholdige blandinger, oxidanter, affald eller støv. Brug rør med den specificerede tykkelse. (Se side 118) Bemærk følgende, hvis eksisterende rør, der har været brugt til R22 kølemiddel, genanvendes.

- Udskift de eksisterende brystmøtrikker og opkrav de opkravede sektioner igen.

- Anvend ikke tynde rør. (Se side 118)

- Opbevar de rør, der skal anvendes, indendørs og hold begge ender af rørene lukkede indtil lige før lodningen. (Lad knæsamlinger osv. forblive i deres emballage.) Hvis der kommer støv, affald eller fugt ind i kølemiddelrørene, kan det medføre forringelse af olien eller nedbrud af kompressoren.

- Brug ester-olie, ether-olie eller alkylbenzen-olie (i lille mængde) som kølemiddelolie til at smøre på de opkravede sektioner. Hvis mineralolie blandes med kølemiddelolien, kan det forringe olien.

- Ved installation af forsyningsledningerne må der ikke være træk i kablerne. Hvis tilslutningerne løsnes, kan kablerne springe tilbage eller knække, hvilket kan forårsage overophedning eller brand.
- Sørg for at jordforbinde enheden. Forbind ikke jordledningen til gas- eller vandrør, lynafledere eller telefonjordledninger. Hvis enheden ikke er korrekt jordet, kan det resultere i elektrisk stød.
- Brug mekaniske effektafbrydere (HFI-relæ, hovedafbryder (+B sikring) og effektafbryder i støbt hus) med den specificerede kapacitet. Hvis effektafbryderens kapacitet er større end den specificerede kapacitet, kan det resultere i nedbrud eller brand.

- Rør ikke ved nogen kontakt med våde eller fugtige hænder. Dette kan medføre elektrisk stød.
- Berør ikke kølemiddelrørene med de bare hænder under driften. Kølemiddelrørene er varme eller kolde afhængig af tilstanden af det gennemstrømmende kølemiddel. Hvis rørene berøres, kan der opstå forbrændinger eller forfrysninger.
- Efter standning af driften skal der ventes i mindst 5 minutter, inden der slukkes på hovedafbryderen. Ellers kan det resultere i vandlækage eller nedbrud.

- Der må ikke anvendes andre kølemidler end R410A kølemiddel. Hvis der anvendes andre kølemidler, vil klorindholdet forringe olien.
- Brug følgende værktøj, der er specielt beregnet til anvendelse sammen med R410A kølemiddel. Følgende værktøj er nødvendigt ved anvendelse af R410A kølemiddel. Ved spørgsmål kontaktes den nærmeste forhandler.

Værktøj (til R410A)	
Målermanifold	Opkravningsværktøj
Påfyldningsslange	Størrelsesmåler
Gaslækage detektor	Vakuumpumpeadapter
Momentnøgle	Elektronisk kølemidelpåfyldningsskala

- Sørg for at anvende det korrekte værktøj. Hvis der kommer støv, affald eller fugt ind i kølemiddelrørene, kan det medføre forringelse af kølemiddelolien.
- Anvend ikke en påfyldningscylinder. Hvis der bruges en påfyldningscylinder, vil sammensætningen af kølemidlet blive ændret, hvilket vil nedsætte effektiviteten.

2. Installationsdiagram og dele

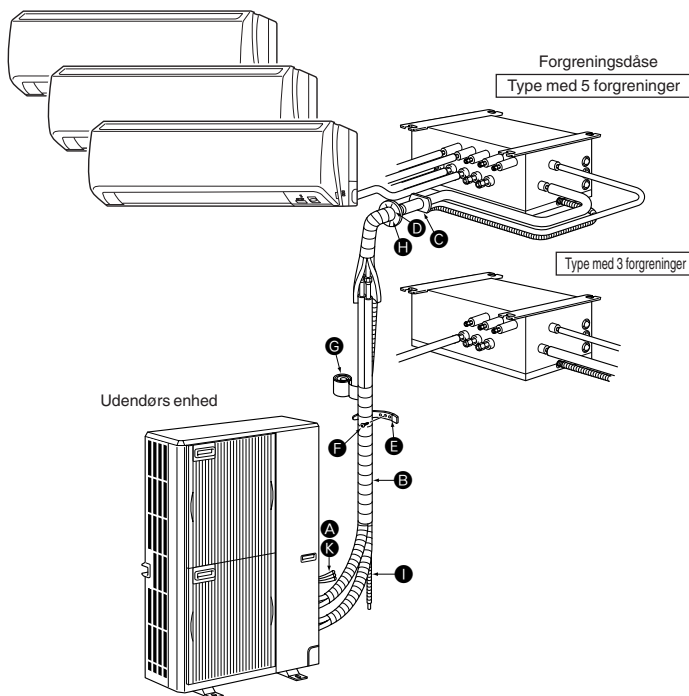


Fig. 2-1

2.1. Før installation (Fig. 2-1)

Denne installationsmanual er kun beregnet til installation af udendørsenheden. Ved installation af indendørsenhederne og forgrebningsdåsen skal vejledningen i installationsmanualen, som er fastgjort til de enkelte enheder, følges.

Eventuelle strukturelle ændringer, som er nødvendige for at gennemføre installationen, skal overholde kravene i den lokale byggeslovgivning.

Dette diagram viser tilbehørets konfiguration.

Til faktisk installation skal udendørsenheden drejes 180°.

Enhederne skal installeres af en godkendt kontrahent i overensstemmelse med de lokale lovkra.

Bemærkning:

De angivne mål langs pilene ovenfor er påkrævede for at garantere klimaanlæggets ydeevne. Installer enheden på så bredt et sted som muligt af hensyn til senere service eller reparationer.

Delene skal skaffes lokalt

A	Forgrebningsdåse/udendørsenheds tilslutningsledning (3-trådet, se 7.3. Ekstern ledningsføringsprocedure)	1
B	Forlængerrør	1
C	Væghulsmanchet	1
D	Væghulsdæksel	1
E	Rørreparationsbånd (mængden afhænger af rørets længde.)	2 til 7
F	Fikseringsskrue til E 4 x 20 mm (antallet afhænger af rørets længde.)	2 til 7
G	Rørledningstape	1
H	Kit	1
I	Aftapningsslange (hårdt PVC-rør VP16)	1
J	Kølemiddelolie	1
K	Strømforsyningsledning (2-trådet, se 7.3. Ekstern ledningsføringsprocedure)	1

3. Monteringssted

3.1. Kølerør

Se afsnit 5.2. Rørlængde og højdeforskel.

3.2. Valg af placering af den udvendige enhed

- Undgå placeringer, der er udsat for direkte sollys eller andre varmekilder.
- Vælg en placering, hvor støj fra enheden ikke forstyrrer naboerne.
- Vælg en placering, der tillader nem adgang for rør- og ledningsføring til forsyningskilderne og til indendørs enheden.
- Undgå placeringer, hvor brændbare gasser kan lække, opstå, strømme eller samle sig.
- Vær opmærksom på, at der kan løbe vand fra enheden under driften.
- Vælg en vandret placering, der kan bære vægten af og modstå vibrationer fra enheden.
- Undgå placeringer, hvor enheden kan blive dækket af sne. I områder, hvor der kan forventes kraftigt snefald, skal der tages særlige forholdsregler som f.eks. at hæve placeringen af enheden eller montere en hætte på luftindtaget for at forhindre, at sneen blokerer luftindtaget eller blæser direkte imod det. Dette kan reducere luftstrømmen og medføre fejlfunktion.
- Undgå placeringer, der udsættes for olie, damp eller svovlholdige gasser.
- Brug transporthåndtagene på udendørs enheden, når den skal transporteres. Hvis enheden bæres i bunden, kan hænder eller fingre komme i klemme.

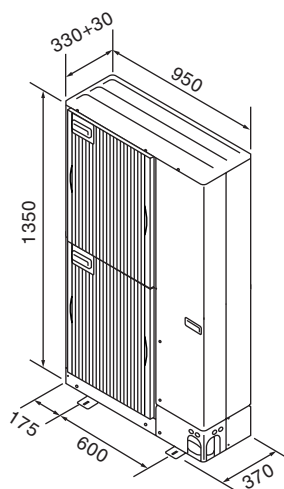


Fig. 3-1

(mm)

3.3. Udvendige mål (Udendørs enhed) (Fig. 3-1)

Restriktioner på indendørs installation

Bemærk, at indendørsenheder, der kan tilsluttes til denne udendørsenhed, er følgende modeller.

- Indendørsenheder med modelnumrene 22, 25, 35, 50, 60, 71, 80 kan tilsluttes. Se tabellen herunder for mulige kombinationer af indendørsenheder i 2 - 8 rum.

Verificering

Den nominelle kapacitet skal fastslås ved at kontrollere tabellen herunder. Enhedens antal er begrænset til 2 til 8 enheder. Til næste trin skal det kontrolleres, at den samlede valgte nominelle kapacitet bliver inden for et interval på 4,4 - 18,5 kW.

Eksempel:

MSZ-60	=	6,0	} Samlet nominel kapacitet 18,0 ≤ 18,5 kW
		+	
SEZ-35	=	3,5	
		+	
SLZ-35	=	3,5	
		+	
SEZ-25	=	2,5	
		+	
SLZ-25	=	2,5	

Indendørsenhedstype	22	25	35	50	60	71	80
Nominel kapacitet (afkøling) (kW)	2,2	2,5	3,5	5,0	6,0	7,1	8,0

Kombinationer, hvori den samlede kapacitet for indendørsenheder overskrider kapaciteten for udendørsenheden (=14,0 kW), reducerer afkølingskapaciteten for hver indendørsenhed under deres nominelle afkølingskapacitet. Indendørsenheder kombineres således med en udendørsenhed inden for udendørsenhedens kapacitet (=14,0 kW), hvis det er muligt.

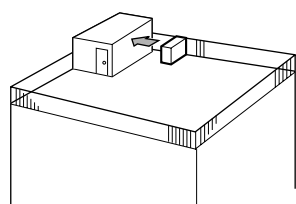


Fig. 3-2

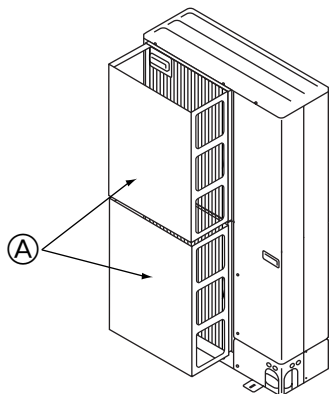


Fig. 3-3

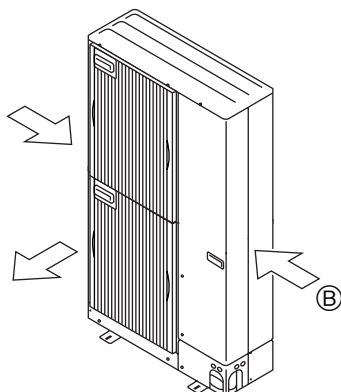


Fig. 3-4

3.4. Plads til ventilation og service

3.4.1. Installation på et sted med megen blæst

Hvis udendørs enheden installeres på et tag eller et andet sted, hvor den er ubeskyttet imod blæsten, skal enhedens luftudblæsning anbringes, så den ikke udsættes direkte for kraftig blæst. Hvis stærk blæst kommer ind i luftudblæsningen, kan det hæmme den normale luftstrøm og medføre fejlfunktion.

I det følgende vises tre eksempler på forholdsregler imod stærk blæst.

- ① Anbring udblæsningen, så den vender imod den nærmeste væg og ca. 50 cm fra den. (Fig. 3-2)
- ② Monter en luftdeleplade (ekstraudstyr), hvis enheden installeres på et sted, hvor kraftig blæst fra stormvejr osv. kan komme direkte ind i luftudblæsningen. (Fig. 3-3)
 - Ⓐ Luftdeleplade
- ③ Anbring om muligt enheden således, at luftudblæsningen blæser vinkelret på den fremherskende vindretning. (Fig. 3-4)
 - Ⓑ Vindretning

3. Monteringssted

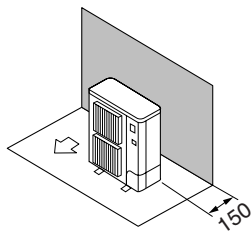


Fig. 3-5

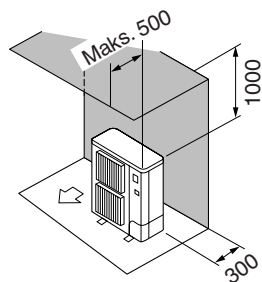


Fig. 3-6

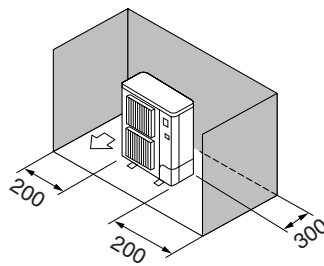


Fig. 3-7

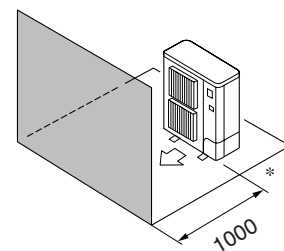


Fig. 3-8

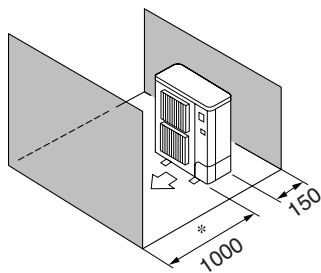


Fig. 3-9

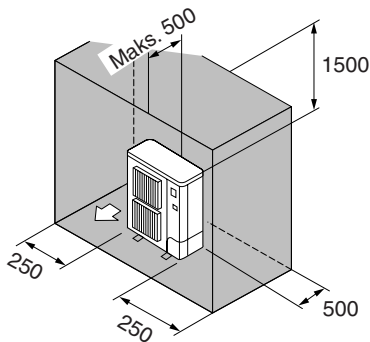


Fig. 3-10

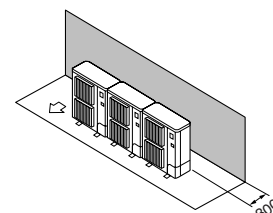


Fig. 3-11

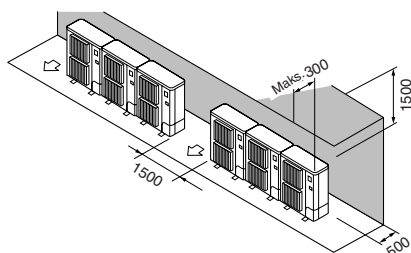


Fig. 3-12

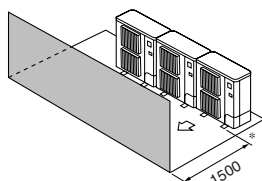


Fig. 3-13

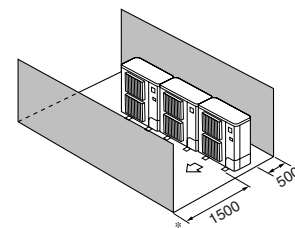


Fig. 3-14

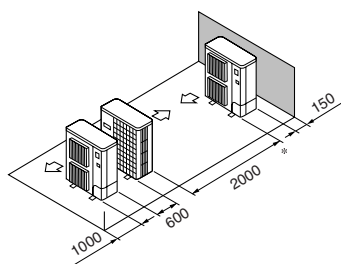


Fig. 3-15

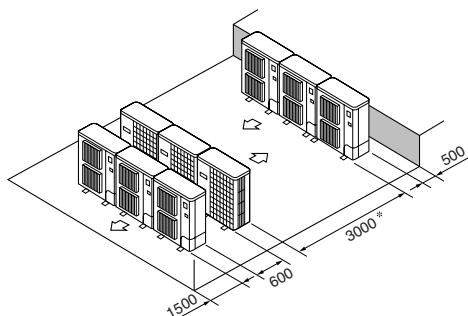


Fig. 3-16

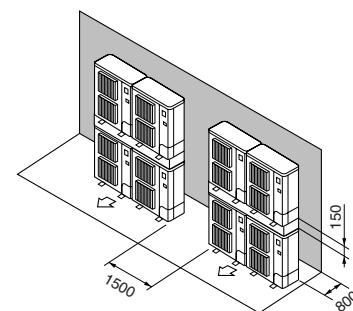


Fig. 3-17

3.4.2. Ved installation af en enkelt udendørs enhed

Der er følgende minimumsmål, bortset fra angivne maks., der betyder maksimumsmål. Se disse henvisninger i hvert enkelt tilfælde.

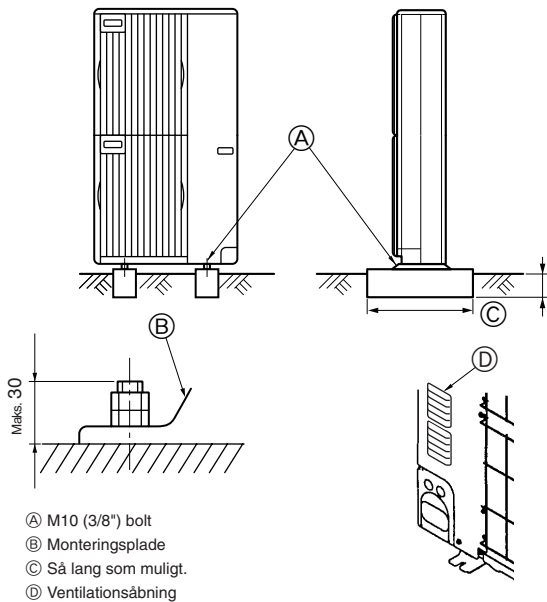
- ① Kun forhindringer bagved (Fig. 3-5)
- ② Kun forhindringer bagved og ovenover (Fig. 3-6)
- ③ Kun forhindringer bagved og i siderne (Fig. 3-7)
- ④ Kun forhindringer foran (Fig. 3-8)
- * Når der bruges en ledeskærm til luftudledning, er afstanden 500 mm eller derover.
- ⑤ Kun forhindringer foran og bagved (Fig. 3-9)
- * Når der bruges en ledeskærm til luftudledning, er afstanden 500 mm eller derover.
- ⑥ Kun forhindringer bagved, i siderne og ovenover (Fig. 3-10)
- Brug ikke udblæsningsledepladerne (ekstraudstyr) til luftstrøm opad.

3.4.3. Ved installation af flere udendørs enheder

Lad der være 10 mm eller derover mellem enhederne.

- ① Kun forhindringer bagved (Fig. 3-11)
- ② Kun forhindringer bagved og ovenover (Fig. 3-12)
 - Der må ikke installeres mere end tre enheder ved siden af hinanden. Der skal desuden være afstand som vist.
 - Brug ikke udblæsningsledepladerne (ekstraudstyr) til luftstrøm opad.
- ③ Kun forhindringer foran (Fig. 3-13)
 - * Når der bruges en ledeskærm til luftudledning, er afstanden 1000 mm eller derover.
- ④ Kun forhindringer foran og bagved (Fig. 3-14)
 - * Når der bruges en ledeskærm til luftudledning, er afstanden 1000 mm eller derover.
- ⑤ Enkelt parallel enhed arrangement (Fig. 3-15)
 - * Hvis der anvendes en udblæsningsledeplade (ekstraudstyr) til luftstrøm opad, skal den fri afstand være 1000 mm eller mere.
- ⑥ Flere parallelle enheder arrangement (Fig. 3-16)
 - * Hvis der anvendes en udblæsningsledeplade (ekstraudstyr) til luftstrøm opad, skal den fri afstand være 1500 mm eller mere.
- ⑦ Stabilede enheder arrangement (Fig. 3-17)
 - Enhederne kan stables i op til 2 enheders højde.
 - Der må ikke installeres mere end 2 stablede enheder ved siden af hinanden. Der skal desuden være afstand som vist.

4. Montering af den udendørs enhed



(mm)

- Enheden skal monteres på en solid, plan overflade for at forhindre raslelyde under anvendelsen. (Fig. 4-1)

<Specifikationer for fundament>

Fundamentbolt	M10 (3/8")
Betontykkelse	120 mm
Boltlængde	70 mm
Belastningskapacitet	320 kg

- Kontroller at fundamentboltene er mindre end 30 mm fra monteringspladens bund.
- Fastgør monteringspladen omhyggeligt med fire M10-fundamentbolte på solide steder.

Installation af udendørs enheden

- Sørg for ikke at blokere ventilationsåbningen. Hvis ventilationsåbningen blokeres, vil driften blive forhindret og der kan opstå nedbrud.
- Udover enhedens underdel kan man om nødvendigt anvende installationshullerne på bagsiden, der er beregnet til ledninger mm., til installation af enheden. Brug selvskærende skruer (ø5 × 15 mm eller mindre) og monter på stedet.

⚠ Advarsel:

- Enheden skal monteres fast og sikkert på en underkonstruktion, der kan bære dens vægt. Hvis enheden monteres på en ustabil konstruktion, kan den falde ned og forårsage beskadigelse og kvæstelser.
- For at minimere risikoen for beskadigelse som følge af jordskælv, tyfoner eller kraftigt stormvejr skal enheden installeres ifølge vejledningen. En ukorrekt installeret enhed kan falde ned og forårsage beskadigelse eller kvæstelser.

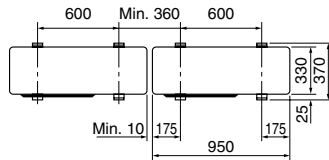


Fig. 4-1

5. Montering af kølemiddelrør

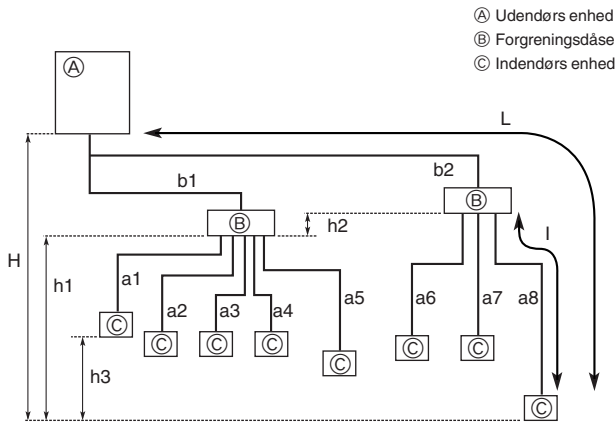


Fig. 5-1

5.1. Forholdsregler for apparater der anvender R410A kølemiddel

- Se side 115 for forholdsregler, der ikke er angivet nedenfor, vedrørende anvendelse af klimaanlæg med R410A kølemiddel.
- Brug ester-olie, ether-olie eller alkylbenzen-olie (i lille mængde) som kølemiddelolie til at smøre på de opkravede sektioner.
- Brug C1220 kobber-fosfor legering, for sømløse rør af kobber og kobberlegering, til at samle kølemiddelrør. Brug kølemiddelrør med den tykkelse, der er angivet i skemaet nedenfor. Kontrollér at det indvendige af rørene er rene og ikke indeholder skadelige forureninger som f.eks. svovlholdige blandinger, oxidanter, affald eller støv.

⚠ Advarsel:

Ved installation eller flytning af klimaanlægget må der kun anvendes det specificerede kølemiddel (R410A) til fyldning af kølemiddelrørene. Det må ikke blandes med nogen anden type kølemiddel, og der må ikke være luft tilbage i rørene. Luftflommer i rørene kan forårsage forøget tryk og dermed sprængning og andre farlige situationer.

ø6,35, ø9,52, ø12,7	Tykkelse 0,8 mm
ø15,88	Tykkelse 1,0 mm

- Anvend ikke rør med mindre tykkelse end angivet ovenfor.

Tilladelige længde (envejs)	Samlet rørlængde	$b1+b2+a1+a2+a3+a4+a5+a6+a7+a8 \leq 115 \text{ m}$
	Længste rørlængde (L)	$b2+a8 \leq 70 \text{ m}$ ($b2 \leq 55 \text{ m}$, $a8 \leq 15 \text{ m}$)
	Rørlængde mellem udendørsenhed og forgreningsdåser	$b1+b2 \leq 55 \text{ m}$
	Længste rørlængde efter forgreningsdåse (l)	$a8 \leq 15 \text{ m}$
	Samlet rørlængde mellem forgreningsdåser og indendørsenheder	$a1+a2+a3+a4+a5+a6+a7+a8 \leq 60 \text{ m}$
Tilladelige højde (envejs)	l indendørs-/udendørsafsnit (H)*1	$H \leq 30 \text{ m}$ (l tilfælde af at udendørsenheden er indstillet højere end indendørsenheden) $H \leq 20 \text{ m}$ (l tilfælde af at udendørsenheden er indstillet lavere end indendørsenheden)
	l forgreningsdåse-/indendørsenhedsafsnit (h1)	$h1 + h2 \leq 15 \text{ m}$
	l hver forgreningsenhed (h2)	$h2 \leq 15 \text{ m}$
	l hver indendørsenhed (h3)	$h3 \leq 12 \text{ m}$
Antal krumninger		$ b1+a1 , b1+a2 , b1+a3 , b1+a4 , b1+a5 , b2+a6 , b2+a7 , b2+a8 \leq 15$

*1 Forgreningsdåsen skal placeres på niveauet mellem udendørsenheden og indendørsenhederne.

5.2. Rørlængde og højdeforskel (Fig. 5-1)

Tragtformede forbindelser

- Denne enhed har tragtformede forbindelser på alle indendørsenheder og forgreningsdåsen samt udendørsenhedernes side.
- Afmonter udendørsenhedens ventildæksel, og tilslut derefter røret.
- Kølemiddelrør bruges til at tilslutte forgreningsdåsen og udendørsenheden.

5. Montering af kølemiddelrør

5.3. Tilsætning af kølemiddel

- Det er ikke nødvendigt at foretage yderligere påfyldning på denne enhed, hvis den samlede rørlængde ($b_1+b_2+a_1+a_2+a_3+a_4+a_5+a_6+a_7+a_8$) ikke overskrider 40 m.
- Hvis den samlede rørlængde overskrider 40 m, skal enheden påfyldes yderligere R410A-kølemiddel i overensstemmelse med de tilladte rørlængder i tabellen herunder.

* Når enheden er afbrudt, skal enheden fyldes med ekstra kølemiddel gennem væskestopventilen, når rørlængelserne og indendørsenhederne er under vakuum.

Når enheden kører, skal der tilsættes kølemiddel til gaskontrolventilen ved hjælp af en sikkerhedspåfyldningsenhed. Tilsæt ikke flydende kølemiddel direkte til kontrolventilen.

Når der er fyldt kølemiddel på enheden, skal den påfyldte mængde kølemiddel noteres på servicemærkaten (fastgjort på enheden).

Se afsnittet "1.5. Anvendelse af klimaanlæg med R410A kølemiddel" for at få yderligere information.

Skema 1

Samlet rørlængde ($b_1+b_2+a_1+a_2+a_3+a_4+a_5+a_6+a_7+a_8$)	41 - 50 m	51 - 70 m	71 - 90 m	91 - 115 m
Mængde ekstra påfyldt kølemiddel	0,6 kg	1,4 kg	2,2 kg	3,2 kg

Ved tilslutning af en indendørsenhed med $\varnothing 9,52$ væskerør (modelnummer 71 eller højere for M- og S-serien og modelnummer 60 eller højere for P-serien) skal mængden for påfyldning af ekstra kølemiddel i skema 1 korrigeres (tillæg følgende ΔR -værdi til den værdi, der er angivet i skema 1).

Korrektionsmængde for påfyldning af ekstra kølemiddel
 $\Delta R = 0,01 \text{ [kg/m]} \times \varnothing 9,52 \text{ forgreningsrør (væskerør) samlet længde [m]}$

Eksempel) $b_1=20 \text{ m}$, $b_2=25 \text{ m}$

Indendørsenhed	$\varnothing 9,52$ Væskerør	$a_1=12 \text{ m}$
Indendørsenhed B	$\varnothing 6,35$ Væskerør	$a_2=11 \text{ m}$
Indendørsenhed C	$\varnothing 6,35$ Væskerør	$a_6=14 \text{ m}$
Indendørsenhed D	$\varnothing 9,52$ Væskerør	$a_7=13 \text{ m}$

Samlet rørlængde : $b_1+b_2+a_1+a_2+a_6+a_7=95 \text{ m}$

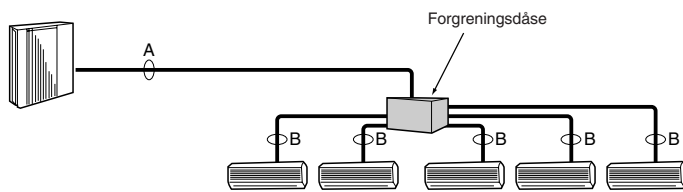
→ I henhold til skema 1 er mængden for påfyldning af ekstra kølemiddel 3,2 kg. Da der er tilsluttet indendørsenheder med $\varnothing 9,52$ væskerør (i dette eksempel indendørsenhed A og D), skal mængden for påfyldning af ekstra kølemiddel korrigeres.

Korrektionsmængde for påfyldning af ekstra kølemiddel
 $\Delta R = 0,01 \text{ [kg/m]} \times \varnothing 9,52 \text{ forgreningsrør (væskerør) total længde (} a_1+a_7 \text{)}$
 $= 0,01 \times (12+13 \text{ m})$
 $= 0,25 \text{ kg}$

Mængden for påfyldning af ekstra kølemiddel er derfor $3,2 \text{ kg} + 0,25 \text{ kg} = 3,45 \text{ kg}$.

■ Ved brug af forgreningsdåser med 1 gren

Tragtformet forbindelse anvendt. (Ingen hårdlodning)



■ Ved brug af forgreningsdåser med 2 grene

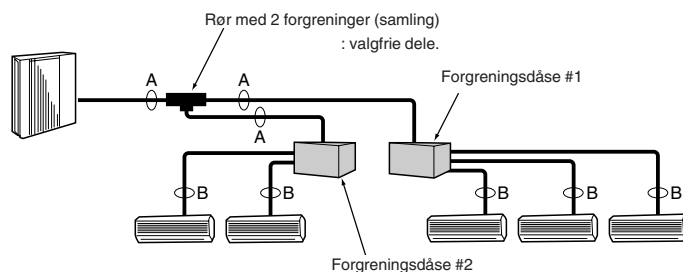


Fig. 5-2

(1) Ventilstørrelse til udendørsenhed

Til væske	$\varnothing 9,52 \text{ mm}$
Til gas	$\varnothing 15,88 \text{ mm}$

(2) Ventilstørrelse til forgreningsdåse

[A] ENHED	Væskerør	$\varnothing 6,35 \text{ mm}$
	Gasrør	$\varnothing 9,52 \text{ mm}$
[B] ENHED	Væskerør	$\varnothing 6,35 \text{ mm}$
	Gasrør	$\varnothing 9,52 \text{ mm}$
[C] ENHED	Væskerør	$\varnothing 6,35 \text{ mm}$
	Gasrør	$\varnothing 9,52 \text{ mm}$
[D] ENHED	Væskerør	$\varnothing 6,35 \text{ mm}$
	Gasrør	$\varnothing 9,52 \text{ mm}$
[E] ENHED	Væskerør	$\varnothing 6,35 \text{ mm}$
	Gasrør	$\varnothing 12,7 \text{ mm}$

* Type med 3 forgreninger: Kun enhederne [A], [B], [C]

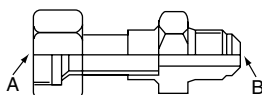


Fig. 5-3

Konverteringsformel

1/4 F	$\varnothing 6,35$
3/8 F	$\varnothing 9,52$
1/2 F	$\varnothing 12,7$
5/8 F	$\varnothing 15,88$
3/4 F	$\varnothing 19,05$

5.4. Valg af rørstørrelse (Fig. 5-2)

	A	B
Væske (mm)	$\varnothing 9,52$	Størrelsen på rørens samling varierer efter typen og kapaciteten af indendørsenhederne. Match forgreningsdåsens rørsamlingsstørrelse med indendørsenheden. Hvis størrelsen på forgreningsdåsens rørsamling ikke matcher indendørsenhedens rørsamling, skal der bruges (deformerede) samlinger med en anden diameter (ekstraudstyr) på forgreningsdåsensiden. (Tilslut deformerede samlinger direkte til forgreningsdåsensiden.)
Gas (mm)	$\varnothing 15,88$	

Samling med anden diameter (ekstraudstyr) (Fig. 5-3)

Modelnavn	Diameter af tilsluttede rør		Diameter A	Diameter B
	mm		mm	mm
MAC-A454JP	$\varnothing 9,52$	→ $\varnothing 12,7$	$\varnothing 9,52$	$\varnothing 12,7$
MAC-A455JP	$\varnothing 12,7$	→ $\varnothing 9,52$	$\varnothing 12,7$	$\varnothing 9,52$
MAC-A456JP	$\varnothing 12,7$	→ $\varnothing 15,88$	$\varnothing 12,7$	$\varnothing 15,88$
PAC-493PI	$\varnothing 6,35$	→ $\varnothing 9,52$	$\varnothing 6,35$	$\varnothing 9,52$
PAC-SG76RJ-E	$\varnothing 9,52$	→ $\varnothing 15,88$	$\varnothing 9,52$	$\varnothing 15,88$

Forbehandling af rør

① Tabellen herunder viser specifikationerne for de rør, der er tilgængelige i handelen.

Udvendig diameter	Isoleringsdykkelse	Isoleringsmateriale
mm	mm	
6,35	8	Varmebestandig skumplast med en specifik tyngde på 0,045
9,52	8	
12,7	8	
15,88	8	

② Sørg for, at de 2 kølemiddelrør er isoleret for at forhindre kondensdannelse.

③ Kølemiddelrørets rundingsradius skal være 100 mm eller derover.

⚠ Forsigtig:

Sørg for at bruge isoleringen af den specificerede tykkelse. For stor tykkelse kan forårsage forkert installation af indendørsenheden og forgreningsdåsen, og manglende tykkelse kan forårsage dugdryp.

Rør med 2 forgreninger (samling): Ekstraudstyr (alt efter tilslutningsmetoden kan der vælges en favorit.)

Modelnavn	Tilslutningsmetode
MSDD-50AR-E	tragt
MSDD-50BR-E	hårdlodning

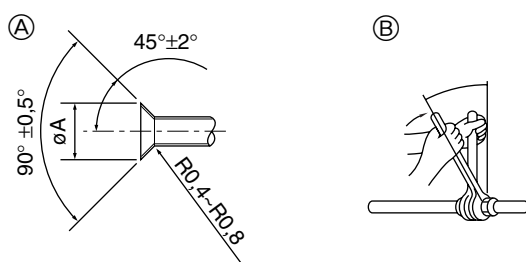
■ Installationsprocedure (rør med 2 forgreninger (samling))

Se installationsvejledningerne til MSDD-50AR-E og MSDD-50BR-E.

5. Montering af kølemiddelrør

Kølemiddelopsamling når indendørs- og udendørsenheden flyttes (pumpe ned)

- Forbind målermanifoldventilen (trykmåler inkluderet) til serviceåbningen i nærheden af gasstopventilen på udendørsenheden, så kølemidlets tryk kan måles.
- Kobl strømforsyningen til (hovedafbryder).
- Luk væskestopventilen, og udfør testkørslen for køledriften (SW4-1: ON og SW4-2: OFF).
* Vent mindst 3 minutter, efter at der er tændt for strømforsyningen, før indstilling af SW4-1 og SW4-2. Hvis DIP-switchene indstilles, før de 3 minutter er gået, starter testkørslen muligvis ikke.
- Luk gasstopventilen helt, når trykaf læsningen på måleren falder til 0,05 - 0,00 MPa* (ca. 0,5 - 0,0 kg/cm²).
* Hvis der er påfyldt for meget kølemiddel på klimaanlægget, falder trykket eventuelt ikke til 0,5 kgf/cm². Hvis dette sker, skal man bruge et kølemiddelgenindvindingsapparat til at genindvinde kølemidlet i systemet, og derefter genpåfylde systemet med den korrekte mængde kølemiddel, efter at indendørs- og udendørsenheden er blevet genmonteret.
- Stop klimaanlæggets drift (SW4-1: OFF og SW4-2: OFF).
- Kobl strømforsyningen fra (hovedafbryder).



- Ⓐ Skæremål for kraver
Ⓑ Tilspændingsmoment for omløbermøtrik

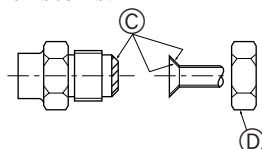


Fig. 5-4

Ⓐ (Fig. 5-4)

Kobberrør udv. dia (mm)	Kravemål ϕA -mål (mm)
$\phi 6,35$	8,7 - 9,1
$\phi 9,52$	12,8 - 13,2
$\phi 12,7$	16,2 - 16,6
$\phi 15,88$	19,3 - 19,7

Ⓑ (Fig. 5-4)

Kobberrør udv. dia (mm)	Omløbermøtrik, udv. dia. (mm)	Tilspændingsmoment (N·m)*
$\phi 6,35$	17	14 - 18
$\phi 6,35$	22	34 - 42
$\phi 9,52$	22	34 - 42
$\phi 9,52$	26	49 - 61
$\phi 12,7$	26	49 - 61
$\phi 12,7$	29	68 - 82
$\phi 15,88$	29	68 - 82
$\phi 15,88$	36	100 - 120

* 1 N·m \approx 10 kgf·cm

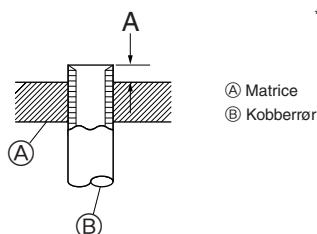


Fig. 5-5

5.5. Forbindelsesrør (Fig. 5-4)

- Når der anvendes almindelige kobberrør, pakkes væske- og gasrør ind i almindeligt isoleringsmateriale (varmebestandigt indtil 100 °C eller derover, tykkelse 12 mm og derover).
- De indendørs dele af drænrøret skal pakkes ind i isoleringsmateriale af polyethylenskum (massefyldt på 0,03, tykkelse på 9 mm eller derover).
- Kom et tyndt lag køleolie på rør og samlingsoverflade, før stramning af brystmøtrikken. Ⓐ
- Anvend to skruenøgler til at spænde rørforbindelserne. Ⓑ
- Anvend en lækagedetektor eller sæbevand til at kontrollere for gaslækager efter færdiggørelse af forbindelser.
- Påfør kølemaskineolie på hele opkravnings sædets overflade. Ⓒ
- Brug omløbermøtrikkerne på følgende måde. Ⓓ

Rørstørrelse (udendørsenhed-forgreningsdåse)

Rørstørrelse (ømm)	Væske	$\phi 9,52$
	Gas	$\phi 15,88$

Opstillingen af en tilslutningsklar indendørsenhed afhænger af distriktet/området/landet.

Rørstørrelse (forgreningsdåse-indendørsenhed) *Tilfældet ved M-serien eller indendørsenheder i S-serien

Indendørsenhedstype	(kW)	22	25	35	50	60	71	80
		Rørstørrelse (ømm)	Væske	$\phi 6,35$	$\phi 6,35$	$\phi 6,35$	$\phi 6,35$	$\phi 6,35$
		Gas	$\phi 9,52$	$\phi 9,52$	$\phi 9,52$	$\phi 12,7$	$\phi 15,88^*$	$\phi 15,88$

* Når der anvendes en indendørs enhed af type 60 fra MEXZ-serien, skal den koniske møtrik i tilbehøret til indendørsenheden bruges til tilslutning af indendørsenhedens gasside.

Brug ikke den koniske møtrik (gasside), der er monteret på indendørsenheden. Hvis den bruges, kan der opstå gaslækage eller endda udtrækning af røret.

Rørstørrelse (forgreningsdåse-indendørsenhed) * I tilfælde af P-serie indendørsenhed

Indendørsenhedstype	(kW)	35	50	60	71
		Rørstørrelse (ømm)	Væske	$\phi 6,35$	$\phi 6,35$
		Gas	$\phi 12,7$	$\phi 12,7$	$\phi 15,88$

Ved anvendelse af P-serie indendørsenhed type 35 eller 50, skal den brystmøtrik, der er monteret på indendørsenheden, anvendes.

Brug ikke brystmøtrikken (ekstraudstyr til indendørsenheden). Hvis den bruges, kan der opstå gaslækage eller endda udtrækning af røret.

- Pas på ikke at knække rørene, når de bøjes. Bøjningsradier på 100 mm til 150 mm er passende.
- Sørg for at rørene ikke rører kompressoren. Ellers kan der opstå unormal støj eller vibrationer.

- Tilslutning af rørene skal påbegyndes fra indendørs enheden. Brystmøtrikker skal fastspændes med en momentnøgle.
- Opkrav væskerørene og gasrørene og påfør et tyndt lag kølemiddelolie (påføres på stedet).
- Når der anvendes normal rørtætning, refereres til skema 2 for opkravning af R410A kølemiddelrør. Størrelsesmåleren kan anvendes til kontrol af A-mål.

Skema 2 (Fig. 5-5)

Kobberrør udv. dia (mm)	A (mm)	
	Kravenøgle til R410A	Kravenøgle til R22-R407C
	Koblingstype	
$\phi 6,35$	0 - 0,5	1,0 - 1,5
$\phi 9,52$	0 - 0,5	1,0 - 1,5
$\phi 12,7$	0 - 0,5	1,0 - 1,5
$\phi 15,88$	0 - 0,5	1,0 - 1,5

5. Montering af kølemiddelrør

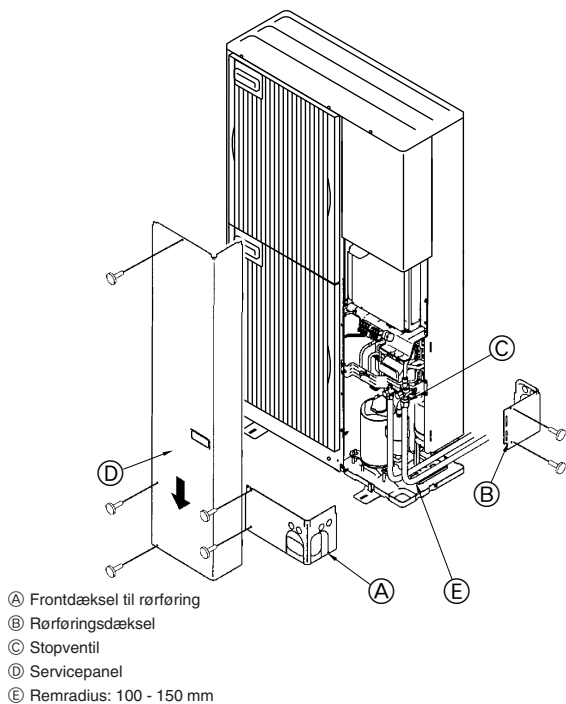


Fig. 5-6

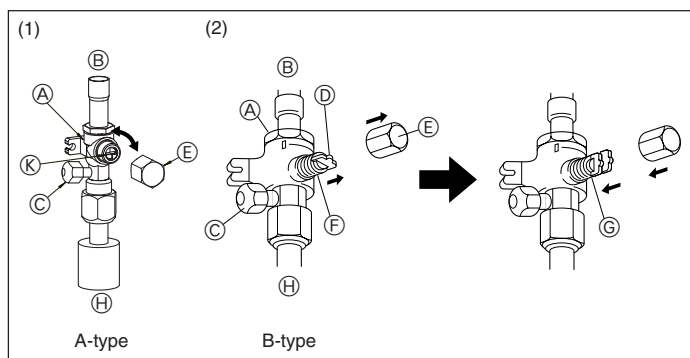


Fig. 5-7

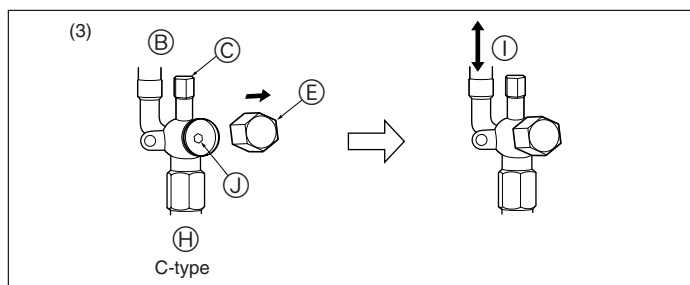


Fig. 5-8

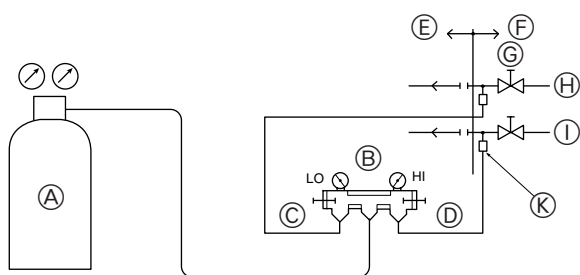


Fig. 5-9

5.6. Kølerør (Fig. 5-6)

Afmonter servicepanelet (D) (tre skruer) og rørafdækningen foran (A) (to skruer) og rørafdækningen bagtil (B) (to skruer).

Kølemiddelrørene er omviklet med beskyttelsesbeklædning

• Rørene kan omvikles med beskyttelsesbeklædning op til en diameter på $\varnothing 90$ før eller efter rørene forbindes. Skær udsparingen i rørbeklædningen ud ved at følge rillen og vikl beklædningen omkring rørene.

Rørindgangsåbning

• Brug kit eller tætningsmiddel til at tætte rørindgangsåbningen omkring rørene, så der ikke er nogen åben spalte.

(Hvis spalterne ikke lukkes, kan der blive udsendt støj eller der kan komme vand og støv ind i enheden, hvilket kan resultere i nedbrud.)

5.7. Forsigtighed ved rørtilslutning/ventildrift

- Opret rørforbindelsen og betjen ventilen korrekt ved at følge figuren herunder.
- Påfør tætningsmiddel langs isoleringsmaterialet omkring samlingerne af kølemiddelrørene for at forhindre, at der trænger vand ind.
- Efter udtømning og påfyldning af kølemiddel skal det sikres, at håndtaget er helt åbent. Hvis enheden betjenes med lukket ventil, overføres et unormalt tryk til høj- eller lavtryksiden af kølemiddelkredslobet, hvilket beskadiger kompressoren mv.
- **Fastslå mængden af ekstra kølemiddel, der skal påfyldes (se "5.3. Tilsætning af kølemiddel"), og påfyld ekstra kølemiddel gennem serviceporten efter gennemførelse af rørtilslutningsarbejde.**
- Når arbejdet er gennemført, skal serviceporten (12 - 15 N-m) og dækslet (20 - 25 N-m) strammes for at forhindre gaslækage.

* 1 N-m \approx 10 kgf-cm

Metode til fuld åbning af stopventilen

Åbningsmetoden for stopventilen varierer afhængig af udendørsenhedsmodel. Brug den relevante metode til åbning af stopventilerne.

(1) A-type (Fig. 5-7)

- 1 Afmonter hættten, træk håndtaget hen imod Dem, og drej en 1/4 omgang mod uret for at åbne.
- 2 Kontrollér, at stopventilen er helt åben, skub håndtaget ind, og drej hættten tilbage til den oprindelige position.

(2) B-type (Fig. 5-7)

- 1 Afmonter hættten, træk håndtaget hen imod Dem og drej en 1/4 omgang mod uret for at åbne.
- 2 Kontrollér, at stopventilen er helt åben, skub håndtaget ind og drej hættten tilbage til den oprindelige position.

(3) C-type (Fig. 5-8)

- 1 Fjern dækslet, og drej ventilspindlen mod uret så langt som muligt vha. en 4 mm sekskantet skruenøgle. Stop med at dreje, når den når stopperen.
- 2 Kontrollér, at stopventilen er helt åben og drej hættten tilbage til den oprindelige position.

(A) Ventil	(G) Helt åben
(B) Enhedsside	(H) (Installation på siden) Kølemiddelrørside
(C) Serviceport	(I) Den retning, kølemidlet flyder
(D) Håndtag	(J) Skruenøglehul
(E) Dæksel	(K) Håndtag
(F) Helt lukket	

5.8. Lufttæthedstest og udtømning

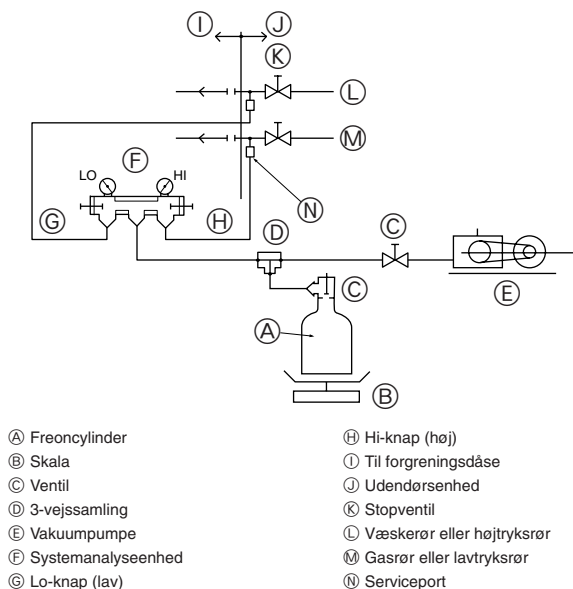
1 Lufttæthedstest (Fig. 5-9)

Lufttæthedstesten skal foretages ved at påføre tryk med nitrogengas. Se følgende figur for at få information om testmetoden.

- 1 Tilslutning af testværktøjet. Foretag en test, mens stopventilen er lukket. Sørg også for at påføre tryk til både væske- eller højtryksrøret og gas- eller lavtryksrøret.
- 2 Påfør ikke tryk til det specificerede tryk på én gang. Påfør tryk lidt efter lidt.
 - 1 Påfør et tryk på 0,5 MPa (5 kgf/cm²G), vent fem minutter, og sørg for, at trykket ikke falder.
 - 2 Påfør et tryk på 1,5 MPa (15 kgf/cm²G), vent fem minutter, og sørg for, at trykket ikke falder.
 - 3 Påfør et tryk på 4,15 MPa (41,5 kgf/cm²G), og mål den omgivende temperatur og kølemiddeltrykket.
- 3 Hvis det specificerede tryk holder i cirka en dag og ikke falder, bestod rørskrabningen testen, og der er ingen lækager.
 - Hvis den omgivende temperatur ændres med 1 °C, vil trykket ændres med cirka 0,01 MPa (0,1 kgf/cm²G). Foretag de nødvendige korrektioner.
- 4 Hvis trykket falder i trin (2) eller (3), er der en gaslækage. Søg efter kilden til gaslækagen.

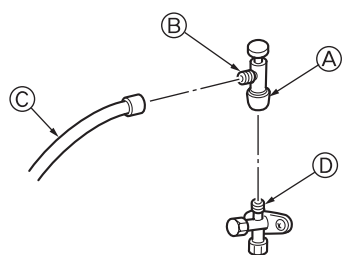
(A) Nitrogengas	(F) Udendørsenhed
(B) Systemanalyseenhed	(G) Stopventil
(C) Lo-knap (lav)	(H) Væskerør eller højtryksrør
(D) Hi-knap (høj)	(I) Gasrør eller lavtryksrør
(E) Til forgreningsdåse	(K) Serviceport

5. Montering af kølemiddelrør



- Ⓐ Freoncylinder
- Ⓑ Skala
- Ⓒ Ventil
- Ⓓ 3-vejssamling
- Ⓔ Vakuumpumpe
- Ⓕ Systemanalyseenhed
- Ⓖ Lo-knap (lav)
- Ⓗ Hi-knap (høj)
- Ⓘ Til forgreningsdåse
- Ⓝ Udendørsenhed
- Ⓚ Stopventil
- Ⓛ Væskerør eller højtryksrør
- Ⓜ Gasrør eller lavtryksrør
- Ⓝ Serviceport

Fig. 5-10



- * Tallet til venstre er kun et eksempel. Stopventilens form, serviceportens placering etc. kan variere afhængig af model.
- * Drej kun sektion Ⓐ. (Spænd ikke sektionerne Ⓐ og Ⓑ yderligere sammen.)
- Ⓒ Påfyldningsslange
- Ⓓ Serviceport

Fig. 5-11

② Udtømning (Fig. 5-10)

Udtømning skal foretages fra serviceporten på udendørsenhedens stopventil til vakuumpumpen, som almindeligvis bruges til både væske- eller højtryksrør og gas- eller lavtryksrør. (Foretag udtømning fra både væske- eller højtryksrøret og gas- eller lavtryksrøret, mens stopventilen er lukket.)
Husk: Brug ikke kølemiddel til at udføre luftudtømningen.

⚠ Advarsel:

Ved installation eller flytning af en enhed til et andet sted må der ikke blandes andet end det specificerede kølemiddel i kølingskredsløbet. Hvis der iblandes luft, kan kølingskredsløbet forårsage et unormalt højt tryk, hvilket kan medføre et sprængt rør.

* Der skal bruges et præcisionsgravimeter, der kan måle op til 0,1 kg. Hvis det ikke er muligt at forberede et præcisionsgravimeter, kan der også anvendes en påfyldningscylinder.

Bemærkning:

- Brug en målermanifold, udskiftningsslange og andre dele, der er beregnet til brug sammen med kølemiddel som angivet på enheden.
- Brug et gravimeter. (Et der kan måle ned til 0,1 kg)

Forholdsregler ved brug af påfyldningsventilen (Fig.5-11)

Spænd ikke serviceporten for kraftigt under installation. Ventilindsatsen kan blive deformet eller blive løs og forårsage udsivning af gas.

Når sektion Ⓑ er placeret i den ønskede retning, drejes kun sektion Ⓐ, hvorefter den spændes.

Spænd ikke sektionerne Ⓐ og Ⓑ yderligere sammen, efter spænding af sektion Ⓐ.

6. Føring af drænrør

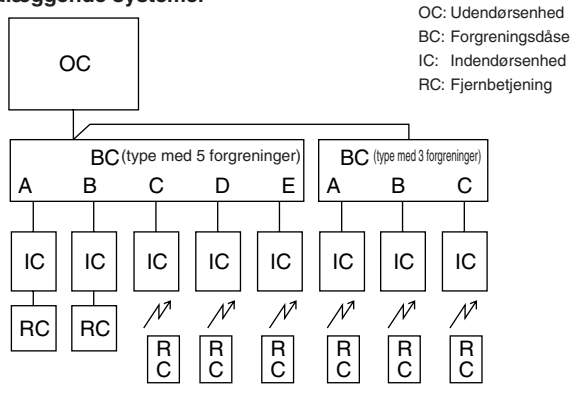
Udendørs enheds drænrørsforbindelser

Når føring af drænrør er nødvendigt, anvend da en drænsokkel eller drænbakke (ekstraudstyr).

Drænsokkel	PAC-SG61DS-E
Drænbakke	PAC-SG64DP-E

7. Elektrisk arbejde

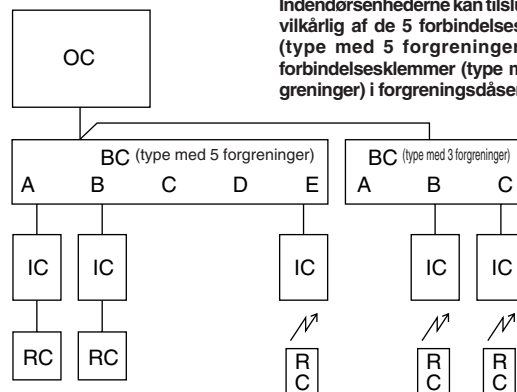
[1] Grundlæggende systemer



- OC: Udendørsenhed
- BC: Forgreningsdåse
- IC: Indendørsenhed
- RC: Fjernbetjening

Bemærkning:

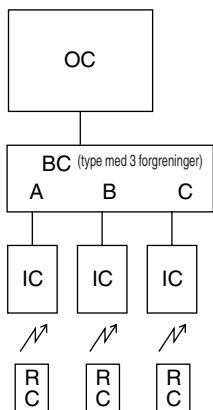
Indendørsenhederne kan tilsluttes til en vilkårlig af de 5 forbindelsesklammer (type med 5 forgreninger) eller 3 forbindelsesklammer (type med 3 forgreninger) i forgreningsdåsen.



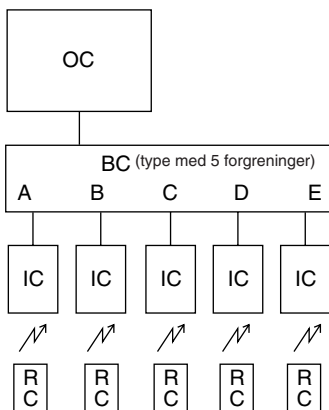
7. Elektrisk arbejde

[2] Standardsystemer

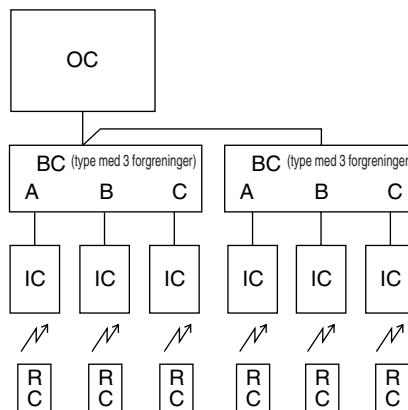
2-1. Kun typen med 3 forgreninger



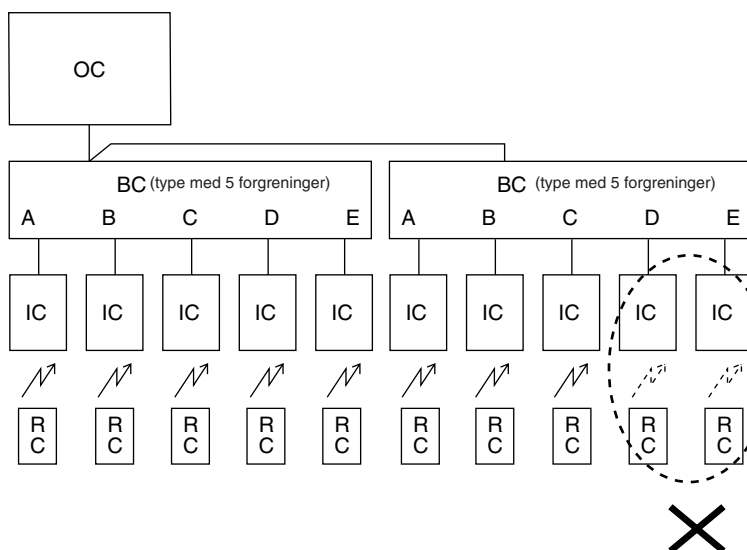
2-2. Kun typen med 5 forgreninger



2-3. 2-forgreningdsåser (type med 3 forgreninger)



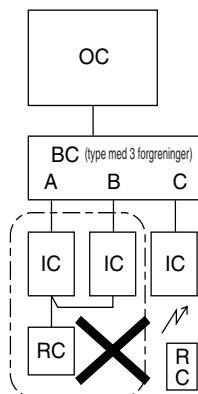
2-4. 2-forgreningdsåser (type med 5 forgreninger, maks. 8 indendørsenheder)



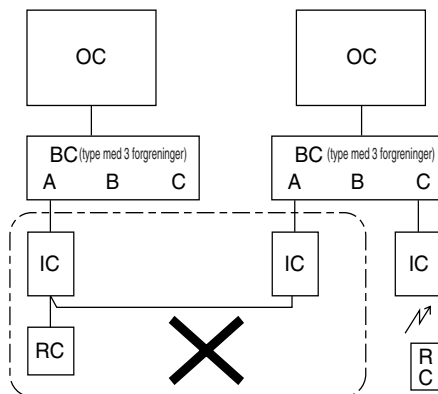
1. Op til 2 forgreningdsåser kan tilsluttes til en enkelt udendørsenhed.
2. Op til 8 indendørsenheder kan tilsluttes til systemet.

[3] Forkerte systemer

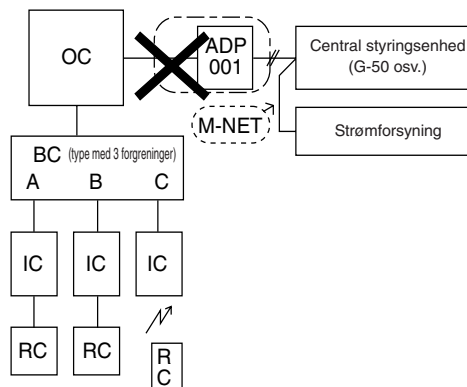
3-1. Gruppebetjening med en enkelt fjernbetjening



3-2. Gruppebetjening mellem forskellige kølemiddelsystemer



3-3. Tilslutning af M-NET-adapter til udendørsenhed



3-1. Flere indendørsenheder kan ikke betjenes af en enkelt fjernbetjening.

3-2. Forskellige kølemiddelsystemer kan ikke tilsluttes sammen.

3-3. Der kan ikke tilsluttes en M-NET-adapter til en udendørsenhed.

7. Elektrisk arbejde

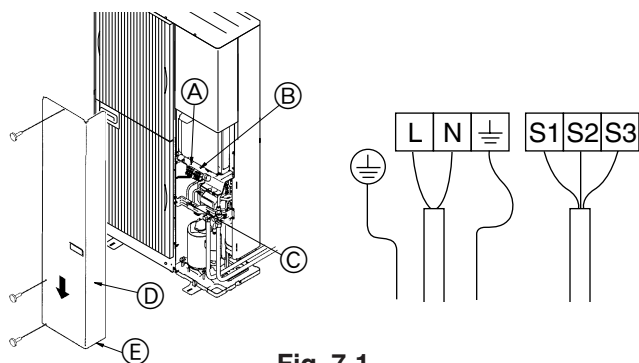


Fig. 7-1

7.1. Udendørs enhed (Fig. 7-1)

- ① Afmonter servicepanelet.
- ② Tilslut kablerne ved hjælp af Fig. 7-1.
 - A Jordforbindelsesklemme
 - B Klemkasse
 - C Klemme
 - D Servicepanel
 - E Før kablerne, så de ikke kommer i kontakt med midten af servicepanelet eller gasventilen.

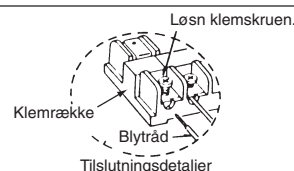
7.2. Forgreningsdåse/udendørs kabeltilslutning og udendørs tilslutning af strømforsyningsledning

⚠ Advarsel:

- Sørg for at fastgøre klemrækkedækslerne/panelet på udendørsenheden. Hvis det ikke er fastgjort korrekt, kan det medføre brand eller elektrisk stød på grund af støv, vand osv.
- Sørg for at tilslutte strømforsyningsledningerne og tilslutningsledningerne til indendørsenhederne, udendørsenhederne og forgreningsdåser direkte til enhederne (ingen mellemforbindelser). Mellemløst kan medføre kommunikationsfejl, hvis der trænger vand ind i ledningerne eller kablerne og forårsager utilstrækkelig jordisolering eller ringe elektrisk kontakt ved mellemløsttilslutningspunktet. (Hvis en mellemforbindelse er nødvendig, skal der tages forholdsregler for at forhindre, at der trænger vand ind i ledningerne og kablerne.)

⚠ Forsigtig:

- Pas på ikke at foretage forkert ledningsføring.
- Stram klemskrueene for at undgå, at de løsnes.
- Når de er strammet, skal der trækkes let i kablerne for at sikre, at de ikke bevæger sig.
- Hvis tilslutningskablet er tilsluttet forkert til klemrækken, fungerer enheden ikke normalt.



- Tilslut kablet fra forgreningsdåsen korrekt til klemrækken.
- Afsæt ekstra kabellængde til service på et senere tidspunkt.

<Eksempel> (Ved brug af 2-forgreningsdåser)

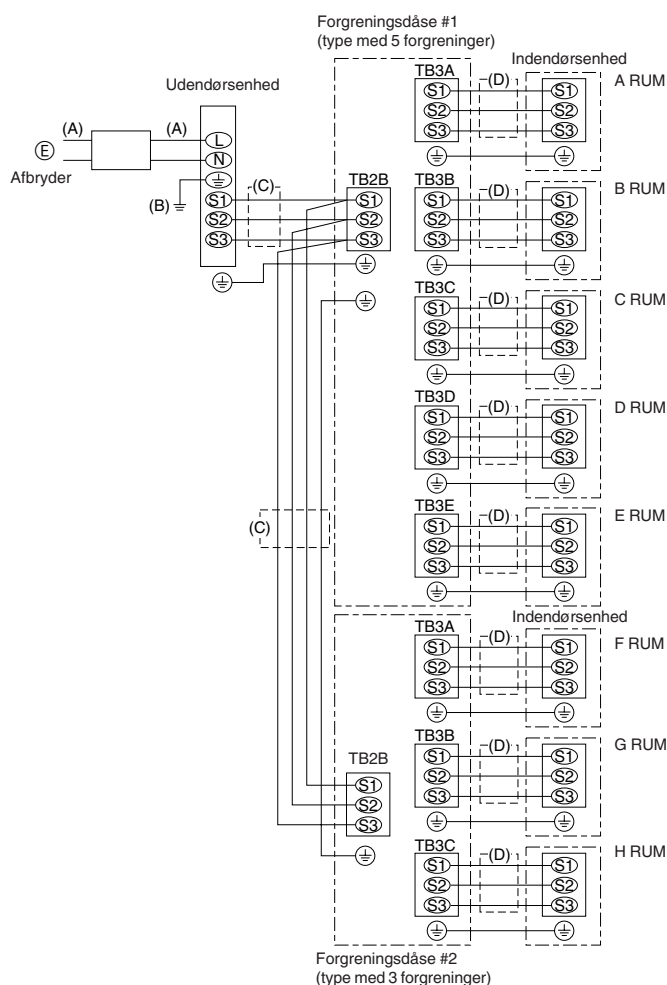


Fig. 7-2

7.3. Ekstern ledningsførselsprocedure (Fig. 7-2)

Der er kun bug for strømforsyningsarbejde på udendørsenheden. Strømforsyningen til forgreningsdåsen eller indendørsenheden foregår via ledningsføringen. Derfor kan strømforsyningsarbejdet udføres på ét sted på udendørsenheden. Det er med til at forenkle arbejdet og spare penge.

- ⑤ Strømforsyning enfaset
 - AC 220/230/240 V, 50 Hz
 - AC 220 V, 60 Hz
 - Maks. tilladelig systemimpedans 0,22 (Ω).

Bemærkning:

- ① **Strømforsyningsindgang: Kun udendørsenhed**
Tilslut ledningerne (C), (D) i overensstemmelse med klemrækkenavnene for at sikre korrekt polaritet.

Kabeldiameter				Afbryder *1	
(A) Hovedledning	(B) Jordledning	(C) Signalledning	(D) Signalledning	Afbrydelse af strøm	Ydelsesegenskaber
6,0 mm ²	6,0 mm ²	1,5 mm ²	1,5 mm ²	40 A	40 A, 30 mA for 0,1 sek. eller derunder

Der kræves en rund tilslutningsklemme, når der anvendes en snoet ledning.

*1. Der skal være en afbryder med mindst 3 mm kontaktskillete. Brug en ikke-sikringsafbryder (NF) eller jordet lækageafbryder (NV).

*2. Maks. 45 m ("udendørsenhed – forgreningsdåse #1" plus "forgreningsdåse #1 – forgreningsdåse #2"). Hvis der bruges 2,5 mm², da maks. 55 m.

- Bemærkninger:**
1. Kabelstørrelsen skal overholde den gældende lokale og nationale lovgivning.
 2. Strømforsyningsledningerne og tilslutningsledningerne til indendørsenhed/forgreningsdåse/udendørsenhed må ikke være lettere end polychloropren-gummibeklædte bøjelige ledninger. (Design 60245 IEC 57)
 3. Installer en jordledning, der er længere end strømkablerne.

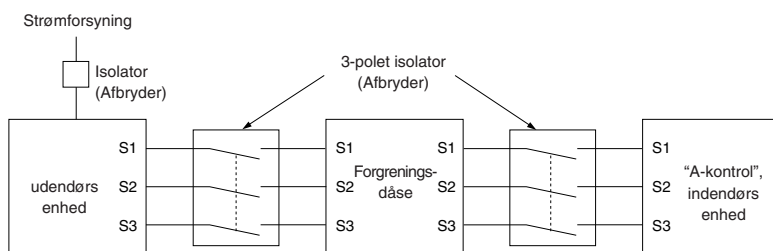
VIGTIGT

Sørg for, at strømlækageafbryderen er kompatibel med højere harmoni. Brug altid en strømlækageafbryder, der er kompatibel med højere harmoni, da denne enhed er udstyret med en omformer. Anvendelse af en utilstrækkelig afbryder kan forårsage ukorrekt funktion af vekselretteren.

7. Elektrisk arbejde

⚠ Advarsel:

I tilfælde af A-styrekabel er der højspænding på S3-klemmen på grund af konstruktionen af det elektriske kredsløb, der ikke har nogen elektrisk isolering mellem strømforsyningsledningen og kommunikationsledningen. Derfor skal hovedstrømforsyningen altid afbrydes ved udførelse af service og vedligeholdelse. Berør ikke S1, S2 eller S3-klemmerne, når der er strøm på. Hvis der skal bruges en afbryder mellem udendørsenheden og forgreningsboksen/indendørsenheden og forgreningsboksen, skal det være en 3-polet type.



⚠ Forsigtig:

Efter at isolatoren er anvendt skal hovedstrømforsyningen slås fra og til for at nulstille systemet. Eller kan udendørsenheden måske ikke registrere forgreningsdåsen(erne) eller indendørsenhederne.

KABELTILSLUTNINGSSPECIFIKATIONER (FORBINDELSKABEL TIL UDENDØRSENHED-FORGRENINGSBOKS)

Tværsnit af kabel	Lederstørrelse (mm ²)	Antal ledere	Polaritet	L (m)*6
Rund	2,5	3	Med uret : S1-S2-S3 * Vær opmærksom på gul og grøn stribe	(50) *2
Flad	2,5	3	Ikke anvendelig (Fordi midterlederen ikke har overfladefinish)	Ikke anvendelig *5
Flad	1,5	4	Fra venstre mod højre : S1-Åben-S2-S3	(45) *3
Rund	2,5	4	Med uret : S1-S2-S3-Åben * Forbind S1 og S3 til den modsatte vinkel	(55) *4

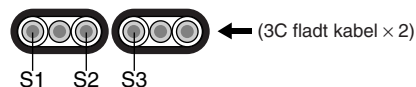
*1 : Strømforsyningsledninger til apparater må ikke være mindre end konstruktion 60245 IEC eller 227 IEC.

*2 : I tilfælde af, at kabel med gul og grøn stribe er tilgængeligt.

*3 : I tilfælde af normal polaritetstilslutning (S1-S2-S3), lederstørrelse er 1,5 mm².

*4 : I tilfælde af normal polaritetstilslutning (S1-S2-S3).

*5 : Hvis de flade kabler tilsluttes som angivet i dette billede, kan de anvendes op til 55 m.



*6 : Den angivne kabellængde er kun en referenceværdi.

Den kan være forskellig afhængig af installationen, fugtighed eller materialer m.m.

Sørg for at forbinde udendørs-forgreningsboks/indendørs-forgreningsboks forbindelseskablerne direkte til enhederne (ingen mellemliggende forbindelser). Mellemliggende forbindelser kan medføre kommunikationsfejl, hvis der kommer vand ind i kablerne og forårsager utilstrækkelig isolering imod jord eller ringe elektrisk kontakt ved det mellemliggende forbindelsespunkt.
(Hvis det er nødvendigt at udføre en mellemliggende forbindelse, skal der tages forholdsregler til at forhindre vand i at komme ind i kablerne.)

8. Afprøvning

8.1. Før afprøvning

- ▶ Efter installation, ledningsføring og rørføring af indendørs og udendørs enheder er afsluttet, kontroller da for udsivning af kølemiddel, om ledningsføring til strømforsyning eller styring er løs og for fejlagtig polaritet, samt at der ikke er afbrydelse af én fase i strømforsyningen.
 - ▶ Brug en 500-volt M-ohm-kontrolinstrument til at kontrollere, at modstanden mellem Strømforsyningsklemmerne og jorden er mindst 1 MΩ.
 - ▶ Udfør ikke denne test på styreledningsføringen (lavspændingskredsløb) klemmer.
- ⚠ **Advarsel:**
Brug ikke aircondition-enheden, hvis isoleringsmaterialets modstand er mindre end 1 MΩ.

Isoleringsmodstand

Efter installationen eller efter at strømforsyningen har været afbrudt i længere tid, vil isoleringsmodstanden falde til under 1 MΩ på grund af akkumulering af kølemiddel i kompressoren. Dette er ikke en fejlfunktion. Udfør følgende procedurer.

1. Afmonter ledningerne fra kompressoren og mål kompressorens isoleringsmodstand.
2. Hvis isoleringsmodstanden er under 1 MΩ, er der fejl ved kompressoren eller modstanden er faldet på grund af akkumuleringen af kølemiddel i kompressoren.

3. Når ledningerne er tilsluttet til kompressoren igen, vil kompressoren begynde at varme op, efter at strømmen er tilsluttet. Efter at have tilført strøm i de tider, der angivet nedenfor, måles isoleringsmodstanden igen.
 - Isoleringsmodstanden falder på grund af akkumuleringen af kølemiddel i kompressoren. Modstanden vil stige til over 1 MΩ efter at kompressoren har varmet op i 2 - 3 timer.
(Den nødvendige tid til opvarmning af kompressoren varierer afhængig af de atmosfæriske betingelser og akkumuleringen af kølemiddel).
 - For at drive kompressoren med akkumuleret kølemiddel i kompressoren, skal den varmes op i mindst 12 timer for at forhindre nedbrud.
4. Hvis isoleringsmodstanden stiger over 1 MΩ, er der ingen fejl ved kompressoren.

⚠ Forsigtig:

- **Kompressoren kører kun, hvis strømforsyningens faseforbindelse er korrekt.**
 - **Tænd for anlægget mindst 12 timer før testkørslen.**
 - Start af driften lige efter, at der er tændt for anlægget, kan resultere i alvorlig skade på de interne dele. Strømkontakten skal stå på ON i hele driftsperioden.
- ▶ **Følgende punkter skal desuden kontrolleres.**
- Udendørsenheden er ikke defekt. LED'en på udendørsenhedens hovedtavle blinker, når udendørsenheden er defekt.
 - Både gas- og væskestopventilen er helt åben.

8.2. Afprøvning

8.2.1. Brug af fjernstyringen

Se installationsmanualen til indendørsenheden.

- Sørg for at udføre testkørslen for hver indendørsenhed. Kontroller, at hver indendørsenhed fungerer korrekt efter installationsmanualen, som er fastgjort til enheden.
- Hvis testkørslen udføres for alle indendørsenheder på én gang, kan der ikke registreres fejltilslutninger i kølemiddellørene og tilslutningskablerne.
- * Kompressoren kan ikke køre i mindst 3 minutter efter, at strømmen tilsluttes.
- Kompressoren kan afgive støj umiddelbart efter, at strømmen er tilkoblet eller i tilfælde af lav temperatur uden for.

Om genstart af beskyttelsesmekanismen

Når kompressoren stopper, aktiveres startspærren, så kompressoren ikke fungerer i 3 minutter, hvilket beskytter klimaanlægget.

8.2.2. Brug af SW4 på udendørs enhed

Ved testkørsel fra udendørsenheden, fungerer alle indendørsenheder. Derfor kan der ikke registreres forkert tilslutning af kølemiddellørene og tilslutningskablerne. Hvis der sigtes mod registrering af forkerte forbindelser, skal testkørslen foretages fra fjernbetjeningen. Se afsnit "8.2.1. Brug af fjernstyringen".

SW4-1	ON	Kølefunktion
SW4-2	OFF	
SW4-1	ON	Opvarmingsfunktion
SW4-2	ON	

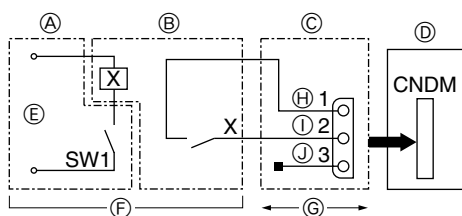
- * Efter at have udført prøvekørslen, indstilles SW4-1 til OFF.
 - Nogle få sekunder efter at kompressoren er startet, kan der evt. høres en klirrende lyd fra det indvendige af udendørs enheden. Lyden kommer fra kontrolventilen på grund af en lille trykforskel i rørene. Der er ingen fejl ved enheden.
- Testkørsels-modusen kan ikke ændres med vippekontakt SW4-2 under testkørslen. (For at ændre testkørsels-modusen under testkørslen, stoppes testkørslen ved hjælp af vippekontakt SW4-1. Efter ændring af testkørsels-modusen genoptages testkørslen med kontakt SW4-1.)**

Hvis en testkørsel startes ved "Brug af SW4 på udendørs enhed", stopper udendørsenheden ikke (en testkørsel afsluttes ikke), selv hvis den udfører stopinstruktionerne fra fjernbetjeningen. I dette tilfælde skal SW4 i udendørsenheden sættes til "off".

Bemærkning:

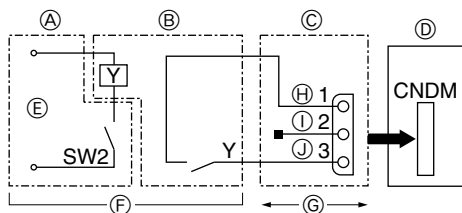
Vent mindst 3 minutter, efter at der er tændt for strømforsyningen, før indstilling af SW4-1 og SW4-2. Hvis DIP-switchene indstilles, før de 3 minutter er gået, starter testkørslen muligvis ikke.

9. Specielle funktioner



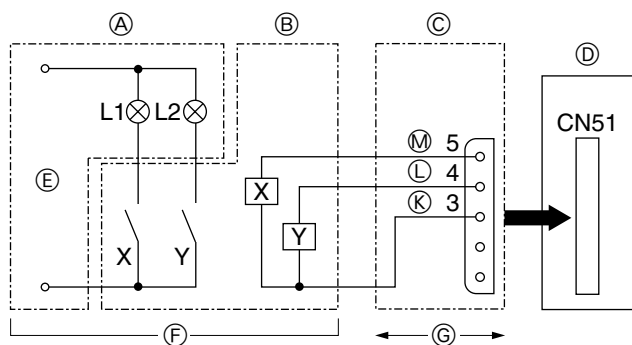
- Ⓐ Fjernbetjeningspanel
- Ⓑ Relækreds
- Ⓒ Ekstern inputadapter (PAC-SC36NA)
- Ⓓ Kontrolpanel på udendørs enhed
- Ⓔ Strømforsyning til relæ
- Ⓕ Anskaffet lokalt
- Ⓖ Maks. 10 m
- Ⓗ Orange
- Ⓘ Brun
- Ⓝ Rød

Fig. 9-1



- Ⓐ Fjernbetjeningspanel
- Ⓑ Relækreds
- Ⓒ Ekstern inputadapter (PAC-SC36NA)
- Ⓓ Kontrolpanel på udendørs enhed
- Ⓔ Strømforsyning til relæ
- Ⓕ Anskaffet lokalt
- Ⓖ Maks. 10 m
- Ⓗ Orange
- Ⓘ Brun
- Ⓝ Rød

Fig. 9-2



- L1 : Fejldisplay lampe
- L2 : Kompressordrift lampe
- X, Y : Relæ (spolestandard på 0.9 W eller mindre for DC 12 V)
- X, Y : Relæ (DC1 mA)

Fig. 9-3

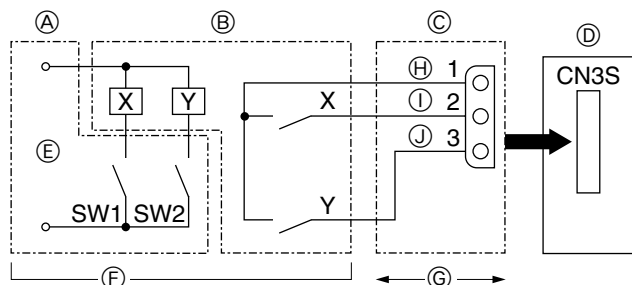


Fig. 9-4

9.1. Low noise modus (ændring på stedet) (Fig. 9-1)

Ved at udføre følgende ændring kan driftsstøjen fra udendørs enheden reduceres med ca. 3 - 4 dB.

“Low noise” modusen vil blive aktiveret, når en kommercielt tilgængelig timer eller kontaktingputtet fra en ON/OFF kontakt tilføjes til CNDM-stikket (sælges separat) på kontrolpanelet på udendørs enheden.

- Kapaciteten kan være utilstrækkelig afhængig af udetemperatur og udeforhold etc.
- ① Afslut kredsløbet som vist ved anvendelse af den eksterne inputadapter (PAC-SC36NA). (Sælges separat)

9.2. Efterspørgselsfunktion (ændring på stedet) (Fig. 9-2)

Det er muligt at reducere strømforbruget inden for et interval fra 0 til 100 procent ved at udføre følgende installation på stedet.

Efterspørgselsfunktionen kan aktiveres ved at tilføje kontaktingputtet fra en ON(tilsluttet)/OFF(frasluttet)-kontakt (fås i handlen) til CNDM-stikket (sælges separat).

- ① Indføj “Ekstern inputadapter (PAC-SC36NA)” i kredsen, som vist på diagrammet til venstre.
- ② Ved at skifte SW7-1 på hovedtavlen for den udendørs enhed kan følgende restriktioner for strømforbrug (sammenlignet med mærkeeffekt) indstilles.

SW7-1	Strømforbrug, når SW2 er slået til.
OFF (frasluttet)	0% (Tvungen kompressorstop)
ON (tilsluttet)	50%

9.3. Funktion til overvågning af fejl og kompressordrift (CN51)

- Ⓐ Fjernbetjeningspanel
- Ⓑ Relækreds
- Ⓒ Udvendig udgangsadapter (PAC-SA88HA-E)
- Ⓓ Kontrolpanel på udendørs enhed
- Ⓔ Lampe strømforsyning
- Ⓕ Anskaffet lokalt
- Ⓖ Maks. 10 m
- Ⓚ Orange
- Ⓛ Gul
- Ⓜ Grøn

9.4. Autoskift – Driftsmodus låsefunktion ved eksternt signal (CN3S)

- Ⓐ Fjernkontrolpanel
- Ⓑ Relækreds
- Ⓒ Udvendig udgangsadapter (PAC-SC36NA)
- Ⓓ Kontrolpanel på udendørs enhed
- Ⓔ Lampe strømforsyning
- Ⓕ Anskaffet lokalt
- Ⓖ Maks. 10 m
- Ⓗ Orange
- Ⓘ Brun
- Ⓝ Rød

	ON (tilsluttet)	OFF (frasluttet)
SW1	Opvarmning	Afkøling
SW2	Gyldighed af SW1	Ugyldighed af SW1

* Enhver indendørsenhed, som arbejder i en anden modus end den, der specificeres af det eksterne signal, vil gå i standby-modus.

* Indstillingen bliver effektiv, når udendørsenheden er stoppet.

* Den driftsmodus, der er specificeret til testkørslen, har første prioritet frem for den specificerede modus, der bruger denne funktion.

Innehåll

1. Säkerhetsåtgärder	128	6. Dräneringsrör	136
2. Installationschema & delar	129	7. Elektrisk arbete	136
3. Plats för installation	130	8. Provkörning	140
4. Installation av utomhusenhet	132	9. Specialfunktioner	141
5. Installera kylmedelsrör	132		

1. Säkerhetsåtgärder

- ▶ **Innan du installerar enheten bör du läsa igenom samtliga "Säkerhetsåtgärder".**
- ▶ **Se till att elsystemets ansvarige underrättas och ger sitt godkännande innan systemet kopplas in.**
- ▶ **Utrustning som uppfyller IEC/EN 61000-3-12**

⚠ Varning:

Anger försiktighetsmått som bör vidtas för att förhindra att användaren utsätts för fara eller risk.

⚠ Försiktighet:

Beskriver säkerhetsåtgärder som bör följas för att undvika att enheten skadas.

⚠ Varning:

- Enheten får inte installeras av användaren. Be en återförsäljare eller behörig tekniker installera enheten. Felaktig installation av enheten kan orsaka vattenläckage, elektriska stötar eller brand.
- Vid installationen, följ anvisningarna i installationsanvisningen och använd verktyg och rörkomponenter som är gjorda för att användas med köldmedlet R410A. Köldmedlet R410A i HFC-systemet är trycksatt till 1,6 gånger trycket hos vanliga köldmedel. Om man använder rörkomponenter som inte är konstruerade för köldmedlet R410A och enheterna inte installerats på rätt sätt, kan rören spricka och orsaka person- och maskinskadorna. Dessutom kan detta orsaka vattenläckage, elektriska stötar eller brand.
- Enheten ska installeras enligt anvisningarna för att risken för skador från jordbävningar, tyfoner och kraftig vind ska minimeras. En felaktigt installerad enhet kan falla ned och orsaka person- och maskinskadorna.
- Enheten måste fästas säkert på en konstruktion som kan bära dess vikt. Om enheten monteras på en instabil konstruktion, kan den falla ned och orsaka person- och maskinskadorna.
- Om luftkonditioneringen installeras i ett litet rum, måste man vidta åtgärder för att förhindra att köldmedelskoncentrationen i rummet överskrider säkerhetsgränsen i händelse av ett läckage. Rådfråga en återförsäljare om vilka åtgärder som måste vidtas för att förhindra att den tillåtna koncentrationen överskrider. Om köldmedlet läcker ut och gör att koncentrationen överskrider gränsen, kan risker uppstå på grund av syrebrist i rummet.
- Vädra rummet om köldmedel läcker ur vid drift. Om köldmedel kommer i kontakt med öppen låga kan giftiga gaser utvecklas.
- Alla elarbeten måste utföras av behörig tekniker enligt lokala föreskrifter och anvisningarna i denna manual. Enheterna måste matas via därför avsedda elledningar. Rätt spänning och överspänningskydd måste användas. För klena elledningar eller felaktiga elinstallationer kan orsaka elektriska stötar eller brand.

När installationen är klar, förklara "Säkerhetsåtgärder" för enheten, hur den används och underhålls för kunden enligt informationen i bruksanvisningen och utför provkörningen för att kontrollera att den fungerar som den ska. Användaren ska behålla både installationsanvisningen och bruksanvisningen. Dessa manualer ska lämnas över till kommande användare.

⚡ : Indikerar en del som måste jordas.

⚠ Varning:

Läs noga texten på alla dekalerna på huvudenheten.

- Var noga med att ansluta nätsladdarna och anslutningskablarna till inomhusenheterna, utomhusenheterna och avgreningsdosorna direkt till enheten (utan mellanskarvdon). Mellanskarvdon kan orsaka otillräcklig jordning eller dålig kontakt vid skarvningspunkten. (Om ett mellanskarvdon erfordras, säkerställ att vatten ej kan tränga in i sladdarna.)
- Använd C1220 koppar/fosfor till skarvfria rör av koppar eller kopparlegering för anslutning av kylmedelsrören. Om rören inte ansluts på rätt sätt, blir enheten inte ordentligt jordad och detta kan orsaka elektriska stötar.
- Använd de angivna kablarna. Anslutningarna måste fästas ordentligt utan att kontaktstiften utsätts för belastning. Felaktig anslutning eller installation av kablarna kan orsaka överhettning eller brand.
- Skyddet för kopplingsplinten på utomhusenheten måste fästas ordentligt. Om skyddet monteras på fel sätt och om damm och fukt tränger in i enheten, kan detta orsaka elektriska stötar eller brand.
- Vid installation eller flytt av luftkonditioneringen, använd endast angivet köldmedel (R410A) för att fylla på köldmedelsrören. Blanda det inte med något annat köldmedel och låt inte luft finnas kvar i rören. Luft i ledningarna kan orsaka trycktoppar som kan orsaka bristningar och andra risker.
- Använd endast tillbehör som är godkända av Mitsubishi Electric och be en återförsäljare eller behörig tekniker installera dem. Felaktig installation av tillbehör kan orsaka vattenläckage, elektriska stötar eller brand.
- Förändra inte enheten. Kontakta en återförsäljare för reparationer. Felaktiga ändringar och reparationer av enheten kan orsaka vattenläckage, elektriska stötar eller brand.
- Användaren ska aldrig försöka reparera eller flytta enheten själv. Felaktig installation av enheten kan orsaka vattenläckage, elektriska stötar eller brand. Om luftkonditioneringen måste repareras eller flyttas, be en återförsäljare eller behörig tekniker.
- När installationen är klar, kontrollera att det inte läcker ut köldmedel. Om det läcker ut köldmedel i rummet och det kommer i kontakt med lågan i en värmare eller campingkök, utvecklas giftiga gaser.

1.1. Före installationen

⚠ Försiktighet:

- Använd inte enheten på ovanliga ställen. Om luftkonditioneringen installeras i ett område som utsätts för ånga, flyktiga oljor (inklusive maskinolja) eller svavelhaltiga gaser, eller i områden med hög saltkoncentration som i kustområden, eller områden där enheten kommer att täckas av snö, kan dess prestanda försämrats avsevärt och dess inre delar kan skadas.
- Installera inte enheten där brännbara gaser kan läcka ut, skapas, strömma ut eller ansamlas. Om brännbara gaser ansamlas runt enheten kan det orsaka brand eller explosion.

- Utomhusenheten skapar kondens vid värmning. Se till att det finns dränering runt utomhusenheten om det finns risk för att sådan kondens orsakar skador.
- Vid installation av enheten i ett sjukhus eller där det finns datakommunikation, var beredd på störande ljud och elektriska störningar. Växelriktare, hushållsapparater, högfrekvent, medicinsk utrustning och utrustning för radio-kommunikation kan göra att luftkonditioneringen inte fungerar eller skadas. Luftkonditionering kan även påverka medicinsk utrustning, vilken kan störa vården, och kommunikationsutrustning, vilket kan störa bildkvaliteten.

1.2. Före installationen (flyttning)

⚠ Försiktighet:

- Var ytterst försiktig vid transport av enheterna. Det krävs två eller flera personer för att hantera enheten, eftersom den väger 20 kg eller mer. Lyft inte i packbanden. Använd skyddshandskar när du tar ut enheten ur förpackningen och när du flyttar den, eftersom du kan skada händerna på kylplåtarna och övriga delar.
- Gör dig av med förpackningsmaterialet på ett säkert sätt. Förpackningsmaterial, som spikar och andra delar av metall eller trä, kan orsaka sticksår och andra skador.

- Utomhusenhetens fundament och fästen ska kontrolleras regelbundet så att de inte är lösa, har sprickor eller andra skador. Om sådana felaktigheter inte korrigeras, kan enheten falla ned och orsaka person- eller maskinskadorna.
- Rengör inte luftkonditioneringen med vatten. Det kan orsaka elektriska stötar.
- Dra åt alla flänsmuttrar med en momentnyckel enligt specifikationen. Om de dras åt för hårt, kan flänsmuttrarna gå sönder efter en tid och köldmedel kan läcka ut.

1. Säkerhetsåtgärder

1.3. Före elarbeten

⚠ Försiktighet:

- Montera överspänningskydd. Om sådana inte monteras, kan det orsaka elektriska stötar.

VIKTIGT

Säkerställ att jordfelsbrytaren är kompatibel med högre svängningar. Använd alltid en jordfelsbrytare som är kompatibel med högre svängningar eftersom denna enhet är utrustad med en växelriktare. Om en otillräcklig brytare används kan växelriktaren fungera felaktigt.

- Använd tillräckligt grova standardkablar för elledningarna. Annars kan det orsaka kortslutning, överhettning eller brand.

1.4. Innan du startar provkörningen

⚠ Försiktighet:

- Slå på strömmen minst 12 timmar innan provkörningen startas. Om provkörningen startas omedelbart efter det att strömmen slagits på, kan interna delar skadas allvarligt. Låt strömbrytaren vara inkopplad under driftsäsongen.
- Innan du startar provkörningen, kontrollera att alla paneler, skydd och annan skyddsutrustning är korrekt monterad. Roterande eller heta delar eller högspänningsdelar kan orsaka personskador.

1.5. Använda luftkonditioneringar med köldmedlet R410A

⚠ Försiktighet:

- Använd C1220 koppar/fosfor till skarvfria rör av koppar eller kopparlegering för anslutning av kylmedelsrören. Kontrollera att rörens insidor är rena och inte innehåller skadliga föroreningar som svavelhaltiga föreningar, oxider, skräp eller damm. Använd rör med angiven tjocklek. (se sidan 132) Observera följande om du återanvänder befintliga rör som innehållit köldmedlet R22.
- Byt befintliga flämsmuttrar och flänsa ut flänsarna igen.
- Använd inte tunna rör. (Se sidan 132)
- Lagra de rör som ska användas vid installationen inomhus och håll båda ändarna av rören förseglade tills strax innan du ska löda dem. (Låt knärör osv ligga kvar i förpackningen.) Om damm, skräp eller fukt kommer in i köldmedelsrören, kan detta orsaka försämring av oljan eller kompressorhaveri.
- Använd olja med ester, eter, alkylbensen (liten mängd) som den köldmedelsolja som används på flänsarna. Om mineralolja blandas med köldmedelsolja kan detta orsaka försämring av oljan.

- Vid installation av elledningarna, belasta inte kablarna. Om anslutningarna lossas kan kablarna gå av och det kan orsaka överhettning eller brand.
- Jorda enheten. Anslut inte jordledningen till gas- eller vattenledningar, åskledare eller telefonens jordledning. Felaktig jordning av enheten kan orsaka elektriska stötar.
- Använd överspänningskydd (jordfelsbrytare, fränkskyljare (+B-säkring) och helgjutna överspänningskydd) med angiven kapacitet. Om kapaciteten för överspänningskyddet är större än angiven kapacitet, kan detta orsaka haveri eller brand.

- Rör inte vid några omkopplare med svettiga händer. Det kan orsaka elektriska stötar.
- Rör inte vid köldmedelsrören med bara händer när enheten är igång. Köldmedelsrören är varma eller kalla beroende på det köldmedel som strömmar genom dem. Om du rör vid rören kan du få frost- eller brännskador.
- Efter körningen, vänta minst fem minuter innan du slår från strömbrytaren. Annars kan det uppstå vattenläckage eller haveri.

- Använd inget annat köldmedel än R410A. Om något annat köldmedel används, gör kloret att oljan försämras.
- Använd följande verktyg, som är specialkonstruerade för att användas med köldmedlet R410A. Det är nödvändigt att använda följande verktyg med köldmedlet R410A. Kontakta närmaste återförsäljare om du har några frågor.

Verktyg (till R410A)	
Mätklocka	Flänsverktyg
Påfyllningsslang	Instrument för storleksinställning
Gasläckagedetektor	Vakuumpumpadapter
Momentnyckel	Elektronisk våg för köldmedelspåfyllning

- Använd rätt verktyg. Om damm, skräp eller fukt kommer in i köldmedelsrören, kan detta orsaka försämring av köldmedelsoljan.
- Använd inte en påfyllningscylinder. Om en påfyllningscylinder används, ändras köldmedlets sammansättning och dess effektivitet minskar.

2. Installationsschema & delar

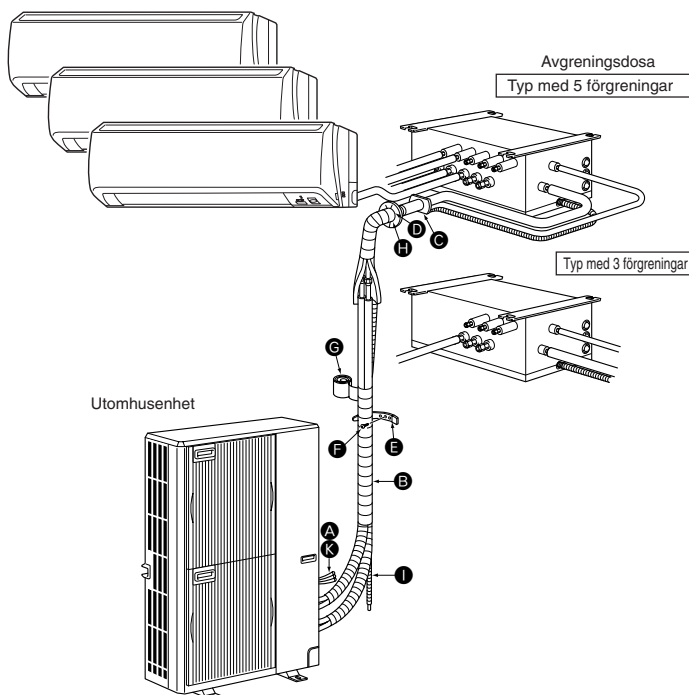


Fig. 2-1

2.1. Före installationen (Fig. 2-1)

Denna installationsanvisning är avsedd endast för installation av utomhusenheten. Vid installering av inomhusenheter och avgreningsdosor, se separat anvisning för respektive enhet.

Skulle det krävas strukturella förändringar för installationen, måste sådana överensstämma med de lokala byggnormerna.

Detta diagram är ämnat att visa tillbehörens konfiguration. Vid en verklig installering, skall utomhusenheten vridas 180°.

Enheter bör installeras av behörig installatör i enlighet med lokala föreskrifter.

Obs:

De dimensioner som anges längs pilarna ovan, krävs för att säkerställa luftkonditionerarens prestanda. Installera enheten på en så bred plats som möjligt för att underlätta framtida service och reparationer.

Delar som bör införskaffas lokalt

A	Anslutningskabel (3-ledare, se 7.3. Yttre ledningsdragning) avgreningsdosa/utomhusenhet	1
B	Förlängningsrör	1
C	Vägghålmanschett	1
D	Vägghålslock	1
E	Fästband (Mängden beror på rörlängden).	2 - 7
F	Fästskruv för E 4 x 20 mm (antalet beror på rörlängden).	2 - 7
G	Rörtejp	1
H	Kitt	1
I	Dräneringsslang (hårt PVC-rör VP16)	1
J	Kylolja	1
K	Nätsladd (2-ledare, se 7.3. Yttre ledningsdragning)	1

3. Plats för installation

3.1. Kylmedelsrör

Se 5.2. Rörlängd och höjdskillnad.

3.2. Välja plats för utomhusenheten

- Undvik platser som utsätts för direkt solljus eller andra värmekällor.
- Välj en plats där det ljud som enheten avger inte stör grannarna.
- Välj en plats där det är enkelt att koppla in elledningar och att komma åt rören, spänningskällan och inomhusenheten.
- Undvik platser där brännbara gaser kan läcka ut, skapas, strömma ut eller ansamlas.
- Observera att vatten kan droppa från enheten under drift.
- Välj en vågrät plats som kan bära upp enhetens vikt och klara dess vibrationer.
- Undvik platser där enheten kan täckas av snö. I områden där man kan förvänta sig kraftiga snöfall, måste speciella åtgärder som att höja upp installationen eller installera en huv på luftintaget vidtas, för att förhindra att snön blockerar luftintaget eller blåser in direkt i det. Det kan minska luftflödet, vilket kan orsaka fel.
- Undvik platser som utsätts för olja, ånga eller svavelhaltiga gaser.
- Använd transporthandtagen på utomhusenheten för att transportera enheten. Om man bär enheten undertill, kan händer och fingrar klämmas.

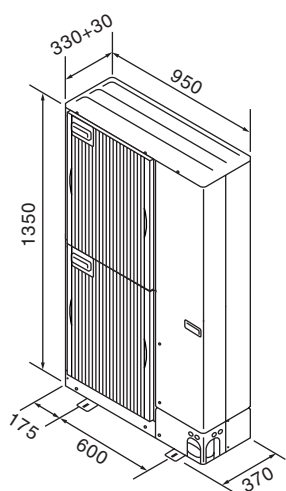


Fig. 3-1

(mm)

3.3. Yttre dimensioner (Utomhusenhet) (Fig. 3-1)

Restriktioner vid installation av inomhusenhet

Notera att de modeller av inomhusenheter som kan anslutas till denna utomhusenhet är följande:

- Inomhusenheter med modellnummer 22, 25, 35, 50, 60, 71, 80 kan anslutas. Se nedanstående tabell för möjliga kombinationer av inomhusenheter för 2-8 rum.

Verifiering

Märkströmmen skall fastställas genom att kontrollera i nedanstående tabell. Enhetens kvantiteter är begränsad till 2 - 8 enheter. För nästa steg, säkerställ att den totala märkströmmen som valts ligger inom området 4,4 - 18,5 kW.

Exempel:

MSZ-60	=	6,0	} Total märkström 18,0 ≤ 18,5 kW
		+	
SEZ-35	=	3,5	
		+	
SLZ-35	=	3,5	
		+	
SEZ-25	=	2,5	
		+	
SLZ-25	=	2,5	

Typ av inomhusenhet	22	25	35	50	60	71	80
Märkström (Kyla) (kW)	2,2	2,5	3,5	5,0	6,0	7,1	8,0

Kombinationer i vilka den totala kapaciteten för inomhusenheter överskrider kapaciteten för utomhusenheten (=14,0 kW) kommer att sänka kylförmågan för var och en av inomhusenheterna under deras märkta kyleffekt. Kombinera därför inomhusenheterna inom kapaciteten för utomhusenhetens kapacitet (=14,0 kW), om så är möjligt.

3.4. Ventilation och utrymme för underhåll

3.4.1. Installation på blåsiga platser

Vid installation av utomhusenheten på tak eller andra platser som är utsatta för vinden, placera enhetens utblås så att det inte utsätts direkt för kraftig vind. Kraftig vind som kommer in i luftutblåset kan försämra det normala luftflödet, vilket kan orsaka fel.

Nedan följer tre exempel på åtgärder mot kraftig vind.

- ① Rikta luftutblåset mot närmaste vägg, cirka 50 cm från väggen. (Fig. 3-2)
- ② Montera en luftledare (tillval) om enheten installeras på en plats där starka vindar, t.ex. vid en storm, direkt kan tränga in i luftutblåset. (Fig. 3-3)
 - Ⓐ Luftledare
- ③ Placera om det går enheten så att luftutblåset blåser vinkelrätt mot den säsongsbetingade vindriktningen. (Fig. 3-4)
 - Ⓑ Vindriktning

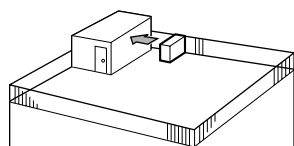


Fig. 3-2

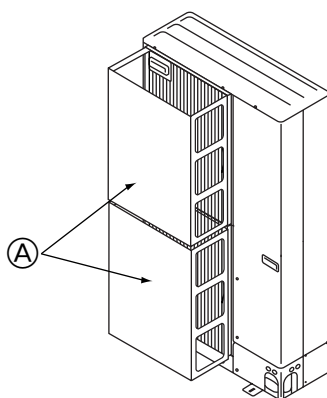


Fig. 3-3

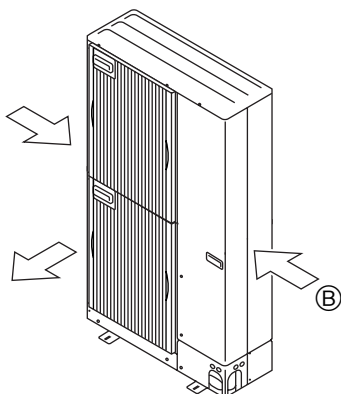


Fig. 3-4

3. Plats för installation

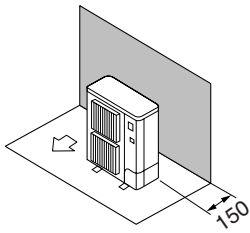


Fig. 3-5

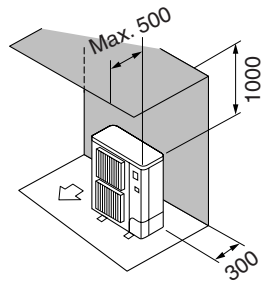


Fig. 3-6

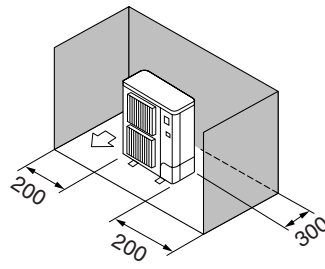


Fig. 3-7

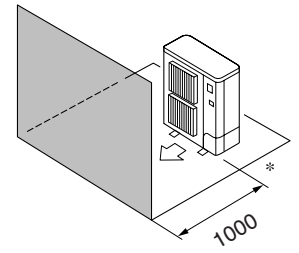


Fig. 3-8

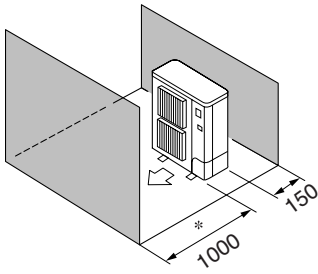


Fig. 3-9

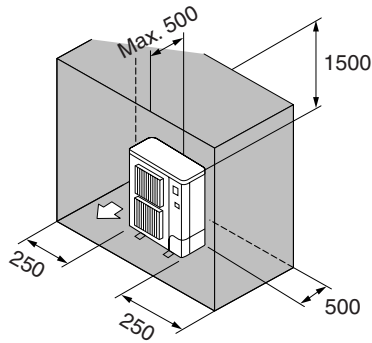


Fig. 3-10

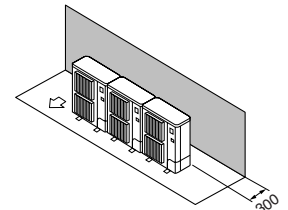


Fig. 3-11

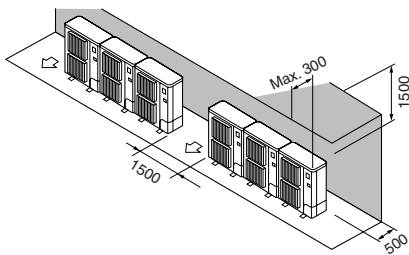


Fig. 3-12

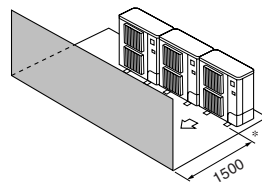


Fig. 3-13

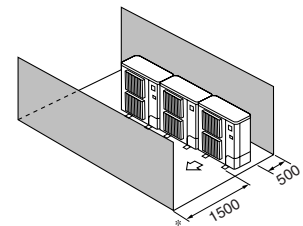


Fig. 3-14

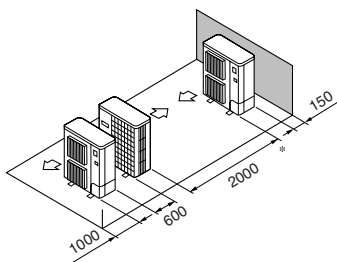


Fig. 3-15

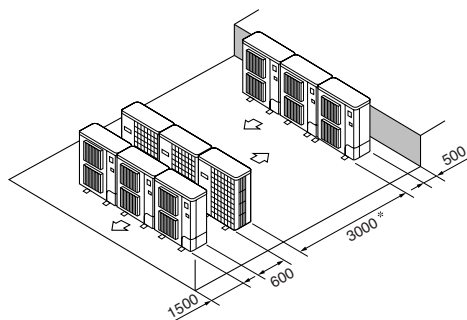


Fig. 3-16

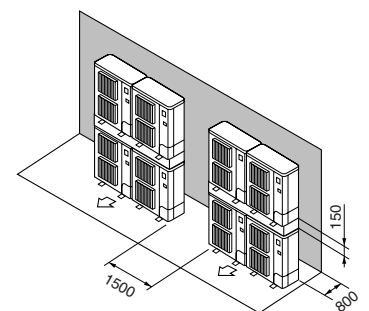


Fig. 3-17

3.4.2. Vid installation av en enstaka utomhusenhet

De minsta måtten är följande, utom där max. anges vilket står för maximala mått. Hänvisa till siffrorna i enskilda fall.

- ① Enbart hinder på baksidan (Fig. 3-5)
- ② Enbart hinder på baksidan och ovsidan (Fig. 3-6)
- ③ Enbart hinder på baksidan och sidorna (Fig. 3-7)
- ④ Enbart hinder på framsidan (Fig. 3-8)
- * Vid användande av en extra styrning för luftutblåset, är avståndet 500 mm eller mer.
- ⑤ Enbart hinder på framsidan och baksidan (Fig. 3-9)
- * Vid användande av en extra styrning för luftutblåset, är avståndet 500 mm eller mer.
- ⑥ Enbart hinder på baksidan, sidorna och ovsidan (Fig. 3-10)
- Använd inte de extra styrningarna för luftutblåsen för luftflöden uppåt.

3.4.3. Vid installation av flera utomhusenheter

Lämna minst 10 mm fritt utrymme mellan enheterna.

- ① Enbart hinder på baksidan (Fig. 3-11)
- ② Enbart hinder på baksidan och ovsidan (Fig. 3-12)
 - Installera inte fler än tre enheter bredvid varandra. Lämna dessutom avstånd mellan dem enligt bilden.
 - Använd inte de extra styrningarna för luftutblåsen för luftflöden uppåt.
- ③ Enbart hinder på framsidan (Fig. 3-13)
 - * Vid användande av en extra styrning för luftutblåset, är avståndet 1000 mm eller mer.
- ④ Enbart hinder på framsidan och baksidan (Fig. 3-14)
 - * Vid användande av en extra styrning för luftutblåset, är avståndet 1000 mm eller mer.
- ⑤ Uppställning med en enstaka parallell enhet (Fig. 3-15)
 - * När en extra styrning för luftutblåset för luftflöden uppåt används, är avståndet 1000 mm eller mer.
- ⑥ Uppställning med flera parallella enheter (Fig. 3-16)
 - * När en extra styrning för luftutblåset för luftflöden uppåt används, är avståndet 1500 mm eller mer.
- ⑦ Uppställning med staplade enheter (Fig. 3-17)
 - Enheterna kan staplas upp till två på höjden.
 - Installera inte fler än två staplade enheter bredvid varandra. Lämna dessutom avstånd mellan dem enligt bilden.

4. Installation av utomhusenhet

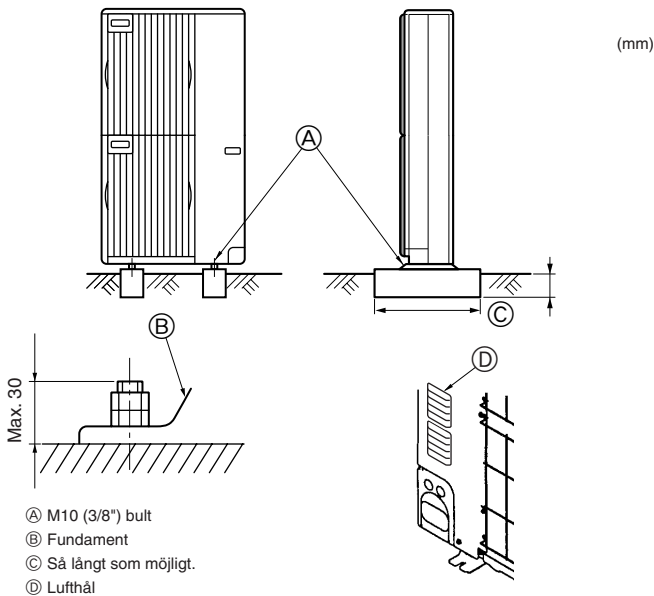


Fig. 4-1

(mm)

- Se till att enheten monteras på ett stabilt och jämnt underlag för att förhindra skallrande ljud under pågående drift. (Fig. 4-1)

<Specifikationer för fundament>

Fundamentbult	M10 (3/8")
Betongtjocklek	120 mm
Bultlängd	70 mm
Viktbarande kapacitet	320 kg

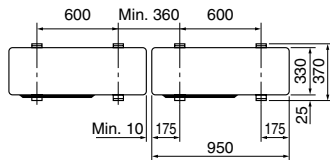
- Se till att fundamentbultens längd ligger inom 30 mm av fundamentets bottenyta.
- Säkra enhetens fundament så det sitter säkert med fyra M10 fundamentbultar på stadiga platser.

Installera utomhusenheten

- Blockera inte lufthålet. Om lufthålet blockeras, hindras driften och detta kan orsaka haveri.
- Förutom enhetens fundament kan man vid behov använda monteringshålen på enhetens baksida för att fästa ledningar osv. Använd självgående skruvar (ø5 × 15 mm eller mindre) och montera den på platsen.

⚠ Varning:

- Enheten måste fästas säkert på en konstruktion som kan bära dess vikt. Om enheten monteras på en instabil konstruktion, kan den falla ned och orsaka person- och maskinskador.
- Enheten ska installeras enligt anvisningarna för att risken för skador från jordbävningar, tyfoner och kraftig vind ska minimeras. En felaktigt installerad enhet kan falla ned och orsaka person- och maskinskador.



5. Installera kylmedelsrör

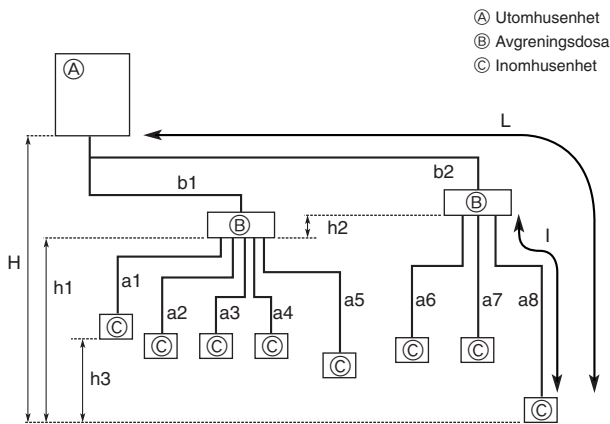


Fig. 5-1

5.1. Försiktighetsåtgärder för enheter som använder köldmedlet R410A

- Se sidan 129 för försiktighetsåtgärder som inte finns med nedan om hur man använder luftkonditioneringar med köldmedlet R410A.
- Använd olja med ester, eter, alkylbensen (liten mängd) som den köldmedelsolja som används på flänsarna.
- Använd C1220 koppar/fosfor till skarvfria rör av koppar eller kopparlegering för anslutning av kylmedelsrören. Använd köldmedelsrör med den tjocklek som anges i tabellen nedan. Kontrollera att rörens insidor är rena och inte innehåller skadliga föroreningar som svavelhaltiga föreningar, oxider, skräp eller damm.

⚠ Varning:

Vid installation eller flytt av luftkonditioneringen, använd endast angivet köldmedel (R410A) för att fylla på köldmedelsrören. Blanda det inte med något annat köldmedel och låt inte luft finnas kvar i rören. Luft i ledningarna kan orsaka trycktoppar som kan orsaka bristningar och andra risker.

ø6,35, ø9,52, ø12,7	Tjocklek 0,8 mm
ø15,88	Tjocklek 1,0 mm

- Använd inte tunnare rör än dem som anges ovan.

Tillåten längd (ena hållet)	Rörledningens totallängd	$b1+b2+a1+a2+a3+a4+a5+a6+a7+a8 \leq 115 \text{ m}$
	Längsta rörledningslängd (L)	$b2+a8 \leq 70 \text{ m}$ ($b2 \leq 55 \text{ m}$, $a8 \leq 15 \text{ m}$)
	Rörledningslängd mellan utomhusenhet och avgreningsdosor	$b1+b2 \leq 55 \text{ m}$
	Längsta rörledningslängd efter avgreningsdosa (I)	$a8 \leq 15 \text{ m}$
Tillåten höjdskillnad (ena hållet)	Total rörledningslängd mellan avgreningsdosor och inomhusenhet	$a1+a2+a3+a4+a5+a6+a7+a8 \leq 60 \text{ m}$
	I inomhus/utomhus-sektion (H) *1	$H \leq 30 \text{ m}$ (För det fall utomhusenheten är placerad högre än inomhusenheten)
	I avgreningsdosa/inomhusenhetessektion (h1)	$h1 + h2 \leq 15 \text{ m}$
	I respektive avgreningsdosa (h2)	$h2 \leq 15 \text{ m}$
Antal böjar	I respektive inomhusenhet (h3)	$h3 \leq 12 \text{ m}$
		$ b1+a1 , b1+a2 , b1+a3 , b1+a4 , b1+a5 , b2+a6 , b2+a7 , b2+a8 \leq 15$

*1 Avgreningsdosa skall placeras på en nivå som ligger mellan den för utomhus- och inomhusenheterna.

5.2. Rörlängd och höjdskillnad (Fig. 5-1)

Flänsanslutningar

- Denna enhet är försedd med flänsanslutningar på sidan av varje inomhusenhet och avgreningsdosa och utomhusenhet.
- Avlägsna ventilskyddet på utomhusenheten, och anslut därefter röret.
- Köldmedelsledningarna används för att ansluta till avgreningsdosan och utomhusenheten.

5. Installera kylmedelsrör

5.3. Påfyllning av köldmedel

- Tilläggsuppfyllning av denna enhet krävs inte om den totala rörlängden ($b1+b2+a1+a2+a3+a4+a5+a6+a7+a8$) ej överskrider 40 m.
- Om den totala rörlängden är längre än 40 m, fyll på med ytterligare köldmedel R410A i enheten i enlighet med tillåtna rörlängder i schemat nedan.

* När enheten stannat, fyll på den med ytterligare köldmedel genom stoppventilen för vätska när rören och inomhusenheten tömts. När enheten är igång, fyll på köldmedel i gasbackventilen med en säkerhetsladdare. Fyll inte på flytande köldmedel direkt i backventilen.

Sedan du fyllt på med köldmedel i enheten, anteckna den påfyllda köldmedelmängden på serviceetiketten (som sitter på enheten).

Se "1.5. Använda luftkonditioneringar med köldmedlet R410A" för ytterligare information.

Tabell 1

Rörledningens total längd ($b1+b2+a1+a2+a3+a4+a5+a6+a7+a8$)	41 - 50 m	51 - 70 m	71 - 90 m	91 - 115 m
Påfyllningsmängd köldmedel	0,6 kg	1,4 kg	2,2 kg	3,2 kg

Om en inomhusenhet ansluts med $\varnothing 9,52$ vätskerör (modellnummer 71 eller högre för M- och S-serien och modellnummer 60 eller högre för P-serien), måste den extra mängden köldmedel som anges i tabell 1 korrigeras (lägg till följande ΔR -värde till värdet som anges i tabell 1).

Korrigeringsvärde för extra köldmedelsmängd
 $\Delta R = 0,01 \text{ [kg/m]} \times \varnothing 9,52 \text{ förgreningrör (vätskerör) total längd [m]}$

Exempel) $b1=20 \text{ m}, b2=25 \text{ m}$

Inomhusenhet A	$\varnothing 9,52$ Vätskerör	$a1=12 \text{ m}$
Inomhusenhet B	$\varnothing 6,35$ Vätskerör	$a2=11 \text{ m}$
Inomhusenhet C	$\varnothing 6,35$ Vätskerör	$a6=14 \text{ m}$
Inomhusenhet D	$\varnothing 9,52$ Vätskerör	$a7=13 \text{ m}$

Total rörlängd: $b1+b2+a1+a2+a6+a7=95 \text{ m}$

→ Enligt tabell 1 är den extra köldmedelsmängden 3,2 kg.

Eftersom inomhusenheter med $\varnothing 9,52$ vätskerör är anslutna (inomhusenheterna A och D i exemplet), måste mängden extra köldmedel korrigeras.

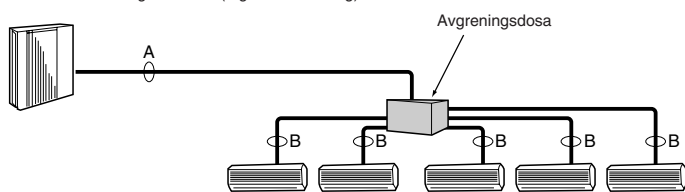
Korrigeringsmängd för extra köldmedel

$\Delta R = 0,01 \text{ [kg/m]} \times \varnothing 9,52 \text{ förgreningrör (vätskerör) total längd (} a1+a7 \text{)}$
 $= 0,01 \times (12+13 \text{ m})$
 $= 0,25 \text{ kg}$

Den extra mängden köldmedel är därmed $3,2 \text{ kg} + 0,25 \text{ kg} = 3,45 \text{ kg}$.

■ Vid användande av 1-avgreningssdos

Flänsanslutning används. (Ingen hårdlödning)



■ Vid användande av 2-avgreningssdosor

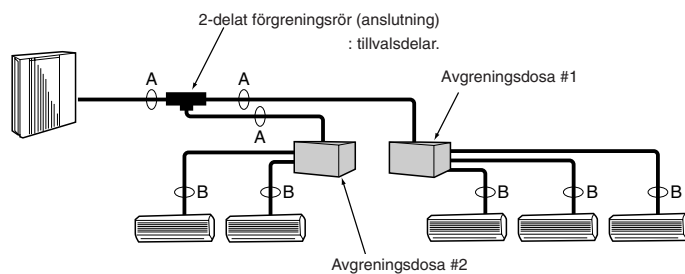


Fig. 5-2

(1) Ventilstorlek för utomhusenhet

För vätska	$\varnothing 9,52 \text{ mm}$
För gas	$\varnothing 15,88 \text{ mm}$

(2) Ventilstorlek för avgreningssdos

[A] ENHET	Vätskerör	$\varnothing 6,35 \text{ mm}$
	Gasrör	$\varnothing 9,52 \text{ mm}$
[B] ENHET	Vätskerör	$\varnothing 6,35 \text{ mm}$
	Gasrör	$\varnothing 9,52 \text{ mm}$
[C] ENHET	Vätskerör	$\varnothing 6,35 \text{ mm}$
	Gasrör	$\varnothing 9,52 \text{ mm}$
[D] ENHET	Vätskerör	$\varnothing 6,35 \text{ mm}$
	Gasrör	$\varnothing 9,52 \text{ mm}$
[E] ENHET	Vätskerör	$\varnothing 6,35 \text{ mm}$
	Gasrör	$\varnothing 12,7 \text{ mm}$

* Typ med 3 förgreningar: endast enhet [A], [B], [C]

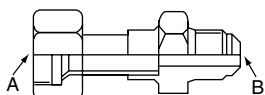


Fig. 5-3

Omräkningsformel

1/4 F	$\varnothing 6,35$
3/8 F	$\varnothing 9,52$
1/2 F	$\varnothing 12,7$
5/8 F	$\varnothing 15,88$
3/4 F	$\varnothing 19,05$

5.4. Val av rörlängd (Fig. 5-2)

	A	B
Vätska (mm)	$\varnothing 9,52$	Röranslutningsstorleken varierar beroende på inomhusenhetens typ och prestanda. Matcha röranslutningsstorleken för avgreningssdosan med inomhusenhetens. Om röranslutningsstorleken för avgreningssdosan inte överensstämmer med röranslutningsstorleken för inomhusenheten, använd tillvalet anslutningar med olika diameter (deformerade) på avgreningssdosan. (Anslut deformerad anslutning direkt på avgreningssdosan).
Gas (mm)	$\varnothing 15,88$	

Anslutning med olika diameter (tillval) (Fig. 5-3)

Modellbeteckning	Anslutna rörs diameter		Diameter A	Diameter B
	mm		mm	mm
MAC-A454JP	$\varnothing 9,52$	→ $\varnothing 12,7$	$\varnothing 9,52$	$\varnothing 12,7$
MAC-A455JP	$\varnothing 12,7$	→ $\varnothing 9,52$	$\varnothing 12,7$	$\varnothing 9,52$
MAC-A456JP	$\varnothing 12,7$	→ $\varnothing 15,88$	$\varnothing 12,7$	$\varnothing 15,88$
PAC-493PI	$\varnothing 6,35$	→ $\varnothing 9,52$	$\varnothing 6,35$	$\varnothing 9,52$
PAC-SG76RJ-E	$\varnothing 9,52$	→ $\varnothing 15,88$	$\varnothing 9,52$	$\varnothing 15,88$

Förberedelse för rördragning

① Tabellen nedan visar specifikationer för vanliga rör tillgängliga i handeln.

Ytterdiameter	Isolerings tjocklek	Isoleringsmaterial
mm	mm	
6,35	8	Värmebeständig skumplast, densitetstal 0,045
9,52	8	
12,7	8	
15,88	8	

② Tillse att de 2 köldmedelsrören isoleras för att förhindra kondensation.

③ Bockningsradien på köldmedelsrören måste vara minst 100 mm.

⚠ Försiktighet:

Tillse att isolering av angiven tjocklek används. För väl tilltagen tjocklek kan orsaka felaktig installation av inomhusenheten och avgreningssdosan, och tunt tilltagen tjocklek kan orsaka fuktdropp.

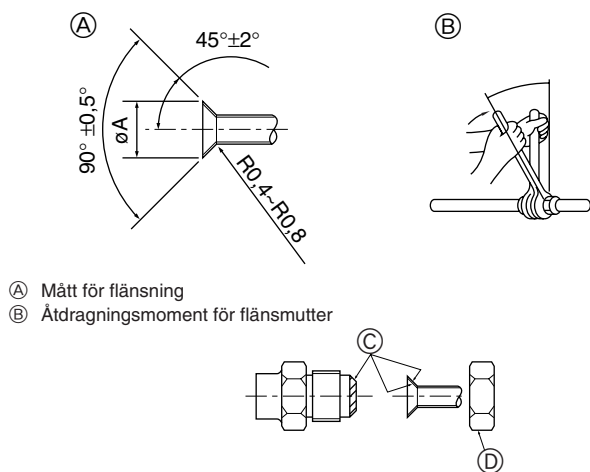
2 förgreningrör (anslutning): Tillvalsdelar (Beroende på anslutningsmetod, välj den du anser vara bäst).

Modellbeteckning	Anslutningsmetod
MSDD-50AR-E	fläns
MSDD-50BR-E	hårdlödning

■ Installationsanvisning (2-delat förgreningrör (anslutning))

Se MSDD-50AR-E och MSDD-50BR-E installationshandböcker.

5. Installera kylmedelsrör



- Ⓐ Mått för flänsning
Ⓑ Åtdragningsmoment för flänsmutter

Fig. 5-4

Ⓐ (Fig. 5-4)

Kopparrör Y.D. (mm)	Flänsmått ϕA mått (mm)
$\phi 6,35$	8,7 - 9,1
$\phi 9,52$	12,8 - 13,2
$\phi 12,7$	16,2 - 16,6
$\phi 15,88$	19,3 - 19,7

Ⓑ (Fig. 5-4)

Kopparrör Y.D. (mm)	Flänsmutter Y.D. (mm)	Åtdragningsmoment (N·m)*
$\phi 6,35$	17	14 - 18
$\phi 6,35$	22	34 - 42
$\phi 9,52$	22	34 - 42
$\phi 9,52$	26	49 - 61
$\phi 12,7$	26	49 - 61
$\phi 12,7$	29	68 - 82
$\phi 15,88$	29	68 - 82
$\phi 15,88$	36	100 - 120

* 1 N·m \approx 10 kgf·cm

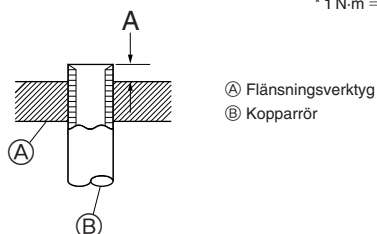


Fig. 5-5

Köldmedelsuppsamling när inom- och utomhusenheter omplaceras (pump ned)

- 1 Anslut en mätklocksventil (med tryckmätare) till serviceöppningen i närheten av gasstoppventilen på utomhusenheten så att köldmedelstrycket kan mätas.
- 2 Slå på strömmen (överspänningskydd).
- 3 Stäng vätskans stoppventil och utför sedan testkörning för nedkyllning (SW4-1: PÅ och SW4-2: AV).
* Kom ihåg att vänta minst 3 minuter efter det att strömmen slagits på innan SW4-1 och SW4-2 ställs in. Om DIP-omkopplarna ställs in innan 3 minuter har gått kanske provkörningen inte startar.
- 4 Stäng gasstoppventilen helt när det avlästa trycket på mätaren sjunker till 0,05 - 0,00 MPa* (ca. 0,5 - 0,0 kgf/cm²).
* Om för mycket köldmedel har tillsatts i luftkonditioneringen kanske trycket inte sjunker till 0,5 kgf/cm². Om det inträffar ska en uppsamlingsenhet för köldmedel användas för att samla upp allt köldmedel i systemet, ladda sedan systemet med rätt mängd köldmedel efter det att inom- och utomhusenheterna har flyttats.
- 5 Stoppa luftkonditioneringens drift (SW4-1: AV och SW4-2: AV).
- 6 Stäng av strömmen (överspänningskydd).

5.5. Anslutningsrör (Fig. 5-4)

- Om kommersiellt tillgängliga kopparrör används bör vätske- och gasrör lindas med kommersiellt tillgängligt isoleringsmaterial (värmebeständig upp till 100 °C eller mer, tjocklek 12 mm eller mer).
- Inomhusdelarna på dräneringsröret bör lindas med isoleringsmaterial av polyetylen-skum (specifik vikt 0,03, tjocklek 9 mm eller mer).
- Stryk på ett tunt lager av frysmaskinolja på röret och fogens tätningssyta innan den flänsade muttern dras åt. Ⓐ
- Använd två skruvnycklar för att dra åt röranslutningarna. Ⓑ
- När röranslutningarna avslutats, använd en läckdetektor eller en tvålvattenslösning för att kontrollera efter gasläckor.
- Sätt på köldmedelolja på flänsens hela yta. Ⓒ
- Använd flänsmuttrarna på följande sätt. Ⓓ

■ Rörstorlek (utomhusenhet - avgreningsdosa).

Rörstorlek (ømm)	Vätska	ø9,52
	Gas	ø15,88

Uppsättning av en anslutningsbar inomhusenhet beror på distrikt/område/land.

■ Rörstorlek (avgreningsdosa - inomhusenhet) *För inomhusenhet i M-serien eller S-serien

Typ av inomhusenhet	(kW)	22	25	35	50	60	71	80
Rörstorlek (ømm)	Vätska	ø6,35	ø6,35	ø6,35	ø6,35	ø6,35	ø9,52	ø9,52
	Gas	ø9,52	ø9,52	ø9,52	ø12,7	ø15,88*	ø15,88	ø15,88

* Vid användande av inomhusenheter av typen 60 i MEXZ-serien, använd tillvalet flänsmutter bland tillbehören för inomhusenheter för anslutning av gassidan på inomhusenheten.

Använd inte flänsmuttern (gassidan) som är monterad på inomhusenheten. Om den används kan gasläckor uppstå eller rören dela på sig.

■ Rörstorlek (avgreningsdosa - inomhusenhet) * För inomhusenhet i P-serien

Typ av inomhusenhet	(kW)	35	50	60	71
Rörstorlek (ømm)	Vätska	ø6,35	ø6,35	ø9,52	ø9,52
	Gas	ø12,7	ø12,7	ø15,88	ø15,88

På inomhusenheter i P-serien av typerna 35 och 50 ska flänsmuttern som är monterad på inomhusenheterna användas.

Använd inte flänsmuttern (i inomhusenhetens tillbehör). Om den används kan gasläckor uppstå eller rören dela på sig.

- När du böjer rören, se till att de inte går av. En böjningsradie på 100 mm till 150 mm räcker.
- Kontrollera att rören inte kommer i kontakt med kompressorn. Det kan orsaka onormalt ljud eller vibrationer.

- 1 Rören ska anslutas med början från inomhusenheten. Flänsmuttrar ska alltid dras åt med momentnycklar.
- 2 Flänsa rören för vätska och gasrören och sätt på ett tunt lager köldmedelolja (på plats).
- När vanlig rörtätning används, se tabell 2 för flänsning av köldmedelsrör för R410A. Instrumentet för storleksinställning kan användas för kontroll av måtten A.

Tabell 2 (Fig. 5-5)

Kopparrör Y.D. (mm)	A (mm)	
	Flänsningsverktyg för R410A	Flänsningsverktyg för R22-R407C
	Kopplingstyp	
$\phi 6,35$	0 - 0,5	1,0 - 1,5
$\phi 9,52$	0 - 0,5	1,0 - 1,5
$\phi 12,7$	0 - 0,5	1,0 - 1,5
$\phi 15,88$	0 - 0,5	1,0 - 1,5

5. Installera kylmedelsrör

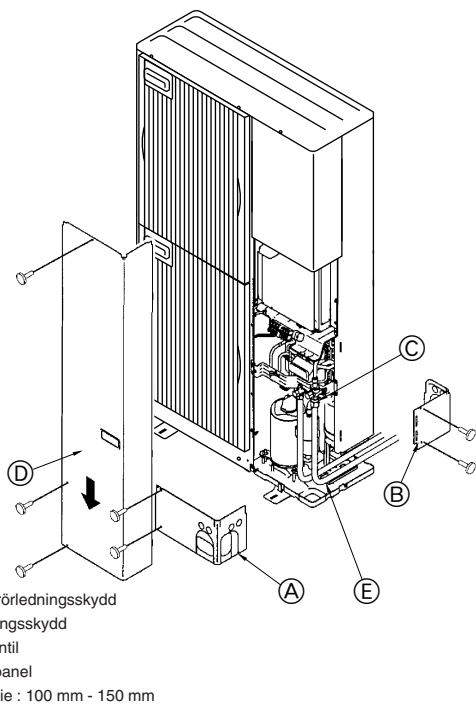


Fig. 5-6

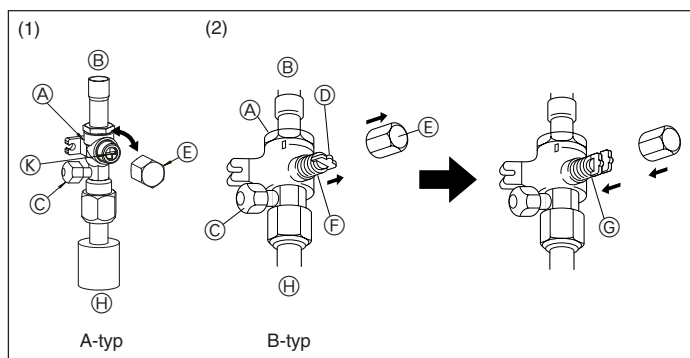


Fig. 5-7

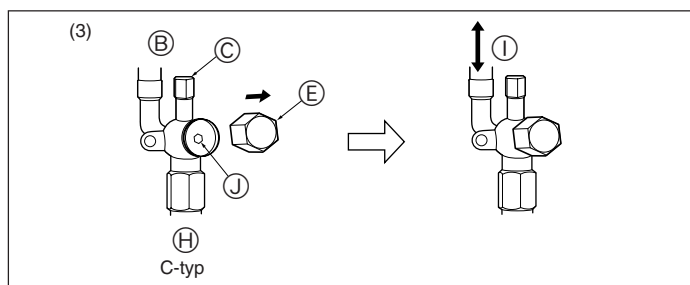


Fig. 5-8

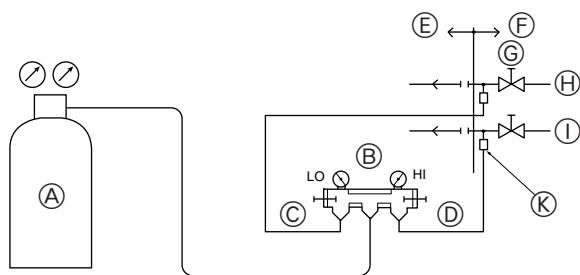


Fig. 5-9

5.6. Kylmedelsrör (Fig. 5-6)

Ta bort servicepanelen (D) (tre skruvar), det främre rörledningsskyddet (A) (två skruvar) och det bakre rörledningsskyddet (B) (två skruvar).

Köldmedelsrör är inlindade som skydd

- Rören kan lindas in som skydd upp till en diameter på $\varnothing 90$ innan eller efter det att rören ansluts. Skär ut anvisningen i rörskyddet efter spåret och linda in rören.

Rörets inloppshål

- Använd kitt eller tätningsmassa för att tätta rörinloppet runt rören så att det inte finns kvar några hål.

(Om hålen inte sluts, kan ljud komma ut ur enheten eller så kan vatten och damm komma in i enheten, vilket kan orsaka haveri.)

5.7. Försiktighet vid röranslutning/ventilanvändande

- Utför röranslutningar, och använd ventilerna, på ett korrekt sätt genom att följa anvisningarna i nedanstående figur.
- Applicera tätningsmedel längs isoleringen för att förhindra att vatten tränger in i den isolering som skyddar köldmedelsrörens anslutningar.
- Efter evakuering och påfyllning av köldmedel, kontrollera att handtaget är fullt öppet. Skulle det tas i drift med ventilen stängd, kommer ett onormalt tryck att vidarebefordras till hög- eller lågtryckssidan i kylmedelsslungan, vilket skadar kompressorn, osv.
- Beräkna tillägg av påfyllningsmängd för kylmedel (Se "5.3. Påfyllning av köldmedel"), och fyll på med extra köldmedel genom serviceporten efter avslutat rörledningsarbete.
- När arbetet är utfört, skruva åt serviceporten (12 - 15 N·m) och hatten (20 - 25 N·m) ordentligt för att förhindra läckage av gas.

* 1 N·m \approx 10 kgf·cm

Tillvägagångssätt för att öppna stoppventilen helt

Öppningsmetoden för stoppventiler varierar med olika modeller av utomhusenheter. Använd lämplig metod för att öppna stoppventilerna.

(1) A-typ (Fig. 5-7)

- Ta av locket och vrid den sedan ett kvarts varv moturs med en flat skruvmejsel för att öppna den.
- Kontrollera att ventilerna är helt öppna, och sätt sedan tillbaka locket och skruva fast det igen.

(2) B-typ (Fig. 5-7)

- Ta bort locket, dra handtaget mot dig och vrid motors 1/4 varv för att öppna.
- Kontrollera att stoppventilen är helt öppen, tryck in handtaget och skruva på locket igen.

(3) C-typ (Fig. 5-8)

- Ta bort kåpan och vrid ventilstången motsols så långt det går med en 4 mm sexkantsnyckel. Sluta när den når stoppet.
- Kontrollera att stoppventilen är helt öppen och skruva på locket igen.

- | | |
|---------------|--|
| Ⓐ Ventil | Ⓢ Helt öppen |
| Ⓑ Enhets sida | Ⓣ (Installation på sidan) Köldmedelsrörssida |
| Ⓒ Serviceport | Ⓤ Köldmedelsflödesriktning |
| Ⓓ Handtag | Ⓥ Hål för skruvnyckel |
| Ⓔ Hatt | Ⓦ Funktionsdel |
| Ⓕ Helt stängd | |

5.8. Lufttättest och evakuering

1 Lufttättest (Fig. 5-9)

Lufttättest skall utföras genom att trycka med kvävgas. För testmetod, se följande figur.

- Anslutning av testverktyget. Utför ett test med stängd stoppventil. Var noga med trycksätta både vätske- eller högtrycksrören, och gas- eller lågtrycksrören.
- Trycksätt inte direkt till angivet tryck, utan lägg på trycket lite i taget.
 - Trycksätt till 0,5 MPa (5 kgf/cm²G), vänta i fem minuter, och kontrollera att trycket inte minskar.
 - Trycksätt till 1,5 MPa (15 kgf/cm²G), vänta i fem minuter, och kontrollera att trycket inte minskar.
 - Trycksätt till 4,15 MPa (41,5 kgf/cm²G) och mät den omgivande temperaturen och köldmedelstrycket.
- Om det angivna trycket håller sig i ungefär en dag utan att minska, har röret klarat testet och det finns inga läckor.
 - Om den omgivande temperaturen ändras med 1 °C, ändras trycket med ungefär 0,01 MPa (0,1 kgf/cm²G). Gör nödvändiga korrigeringar.
- Om trycket minskar i steg (2) eller (3), finns det en gasläcka. Leta efter orsaken till denna gasläcka.

- | | |
|-----------------------|------------------------------|
| Ⓐ Kvävgas | Ⓣ Utomhusenhet |
| Ⓑ Systemanalysator | Ⓤ Stoppventil |
| Ⓒ Låg-knapp (Lo) | Ⓣ Vätske- eller högtrycksrör |
| Ⓓ Hög-knapp (Hi) | Ⓤ Gas- eller lågtrycksrör |
| Ⓔ Till avgreningsdosa | Ⓦ Serviceport |

5. Installera kylmedelsrör

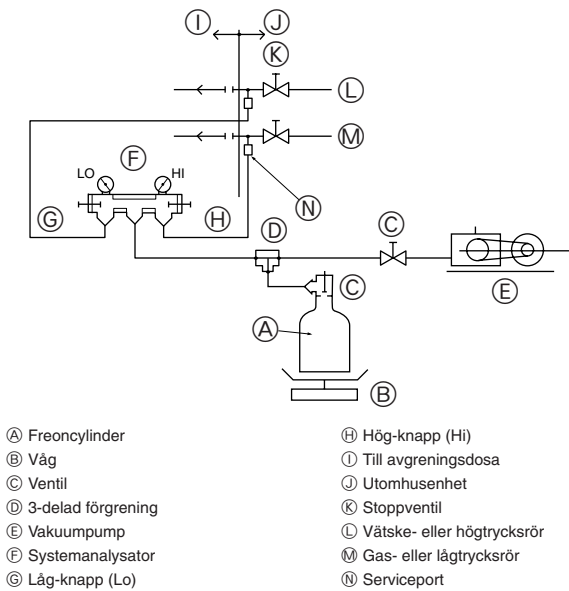


Fig. 5-10

② Evakuering (Fig. 5-10)

Evakuering skall utföras genom serviceporten som sitter placerad på utomhusenhetens stoppventil för vakuumpumpen, vanligen använd för både vätske- eller högtrycksrör, och gas- eller lågtrycksrör. (Evakuera både från vätske- eller högtrycksrör, och gas- eller lågtrycksrör med stoppventilen stängd.)
Kom ihåg: Utför aldrig luftspolning med köldmedel.

⚠ Varning:

Vid installation eller flytt av en enhet till annan plats, blanda inte utan använd endast angivet köldmedel för att fylla på köldmedelsrören. Om luften blandas, kan köldmedelscykeln uppnå ett onormalt högt tryck vilket kan resultera i att rörledningen springer sönder.

* En högprecisionsgravimeter mätbar upp till 0,1 kg bör användas. Om en sådan högprecisionsgravimeter ej finns tillgänglig, kan du använda en påfyllningsflaska.

Obs:

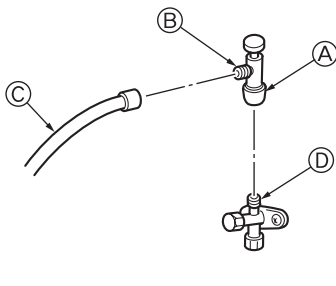
- Använd en mätlocka, påfyllningsslang, och andra delar för köldmedlet enligt vad som anges på enheten.
- Använd en gravimeter. (En som kan mäta ned till 0,1 kg)

Försiktighetsåtgärder när påfyllningsventilen används (Fig.5-11)

Dra inte åt serviceporten för mycket när den installeras, det kan göra att ventilkärnan deformeras och lossnar vilket kan leda till gasläckor.

När sektion B positionerats på önskad plats ska du vrida på sektion A enbart och dra åt den.

Dra inte åt sektionerna A och B mer tillsammans efter det att du dragit åt sektion A.



- * Figuren till vänster är enbart ett exempel. Stoppventilens form, serviceportens läge osv. kan variera beroende på modellen.
- * Vrid endast sektion A. (Dra inte åt sektionerna A och B mer tillsammans.)

- © Påfyllningsslang
- ⓓ Serviceport

Fig. 5-11

6. Dräneringsrör

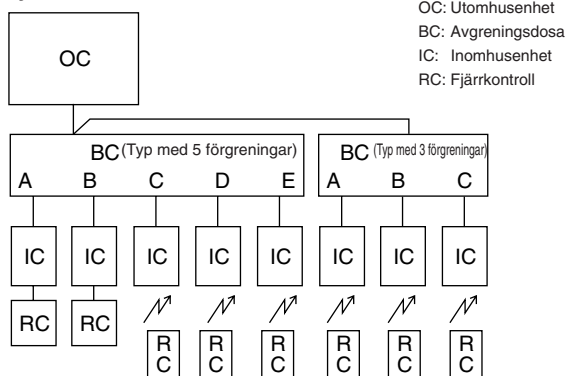
Anslutningar för dräneringsrör för utomhusenheten

Om dräneringsrör krävs ska dräneringsuttaget eller dräneringstråget (tillval) användas.

Dräneringsuttag	PAC-SG61DS-E
Dräneringstråg	PAC-SG64DP-E

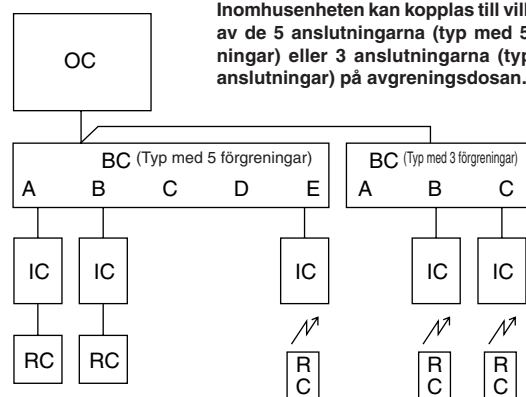
7. Elektrisk arbete

[1] Grundsystem



Obs:

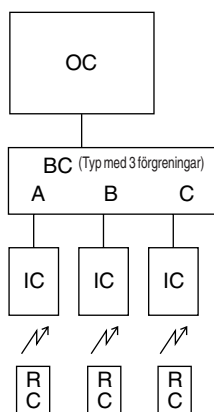
Inomhusenheten kan kopplas till vilken som av de 5 anslutningarna (typ med 5 förgreningar) eller 3 anslutningarna (typ med 3 anslutningar) på avgreningsdosan.



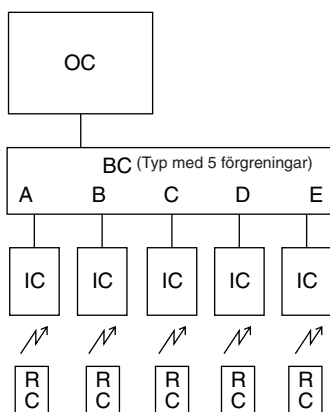
7. Elektrisk arbejde

[2] Standardssystem

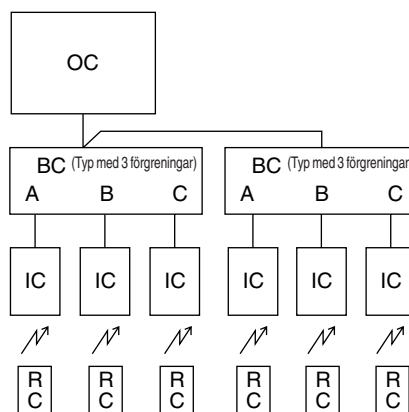
2-1. Endast typ med 3 förgreningar



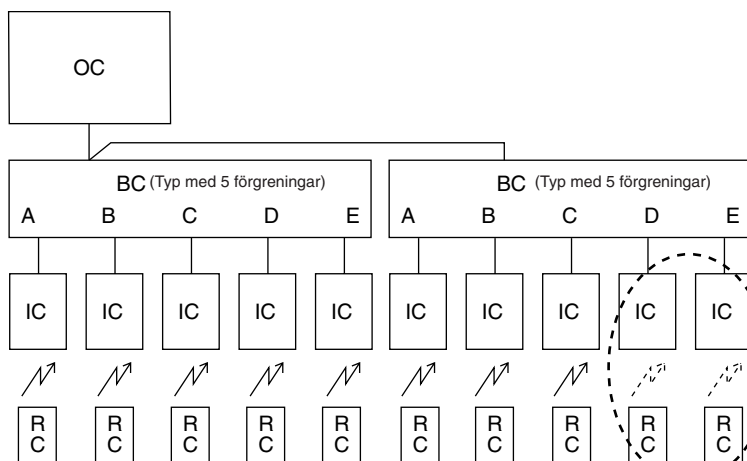
2-2. Endast typ med 5 förgreningar



2-3. 2-avgreningsdosor (typ med 3 förgreningar)



2-4. 2-avgreningsdosor (typ med 5 förgreningar, max. 8 inomhusenheter)

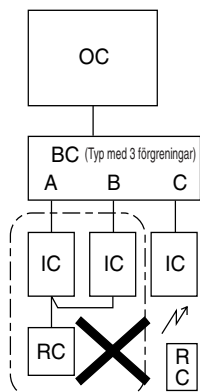


1. Upp till 2 avgreningsdosor kan kopplas till en enskild utomhusenhet.
2. Upp till 8 inomhusenheter kan anslutas i systemet.

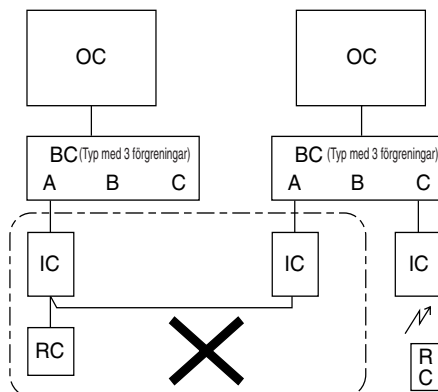


[3] Felaktiga system

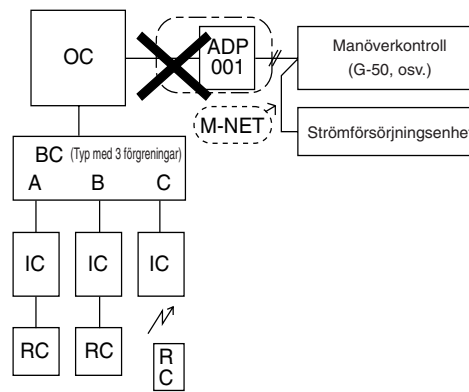
3-1. Gruppdrift med en enda fjärrkontroll.



3-2. Gruppdrift mellan olika kylsystem.



3-3. Anslutning av en M-NET-adapter till utomhusenheten



3-1. Flera inomhusenheter kan inte regleras med en enda fjärrkontroll.

3-2. Olika kylsystem kan inte anslutas till varandra.

3-3. En M-NET-adapter kan ej anslutas till en utomhusenhet.

7. Elektrisk arbejde

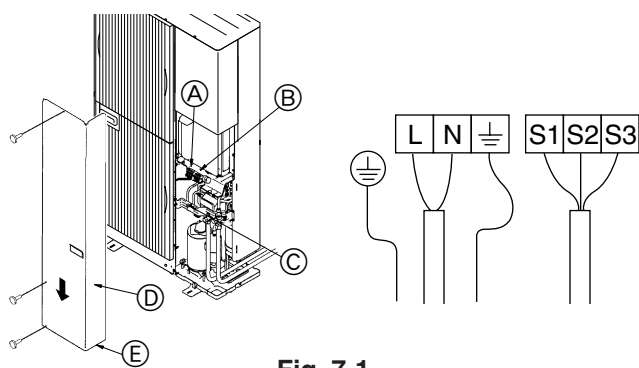


Fig. 7-1

7.1. Utomhusenhet (Fig. 7-1)

- ① Ta bort servicepanelen.
- ② Anslut kablar enligt Fig. 7-1.
 - Ⓐ Jorduttag
 - Ⓑ Kopplingsplint
 - Ⓒ Klämma
 - Ⓓ Servicepanel
 - Ⓔ Dra kablar så att de inte kommer i kontakt med servicepanelens mitt eller gasventilen.

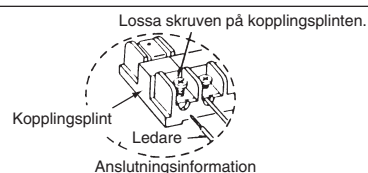
7.2. Avgrensningsdosa/utomhus kabeldragning och nätkabelanslutning utomhus

⚠ Varning:

- Fäst skyddet för kopplingsplinten/panelen för utomhusenheten ordentligt. Om den inte är fäst korrekt, kan det orsaka brand eller elstötar på grund av damm, vatten osv.
- Tillse att nätkablarna och anslutningsladdarna för inomhusenheterna, utomhusenheterna och avgrensningsdosorna ansluts direkt till enheterna (ej via mellanskarvdon). Mellanskarvdon kan leda till kommunikationsfel om vatten tränger in i sladdarna och orsakar otillräcklig jordning eller dålig elektrisk kontakt vid skarvningspunkten. (Om ett mellanskarvdon erfordras, säkerställ att vatten ej kan tränga in i sladdarna.)

⚠ Försiktighet:

- Var försiktig så att sladdarna ej ansluts på felaktigt sätt.
- Dra åt kopplingskruvarna ordentligt så att de inte lossnar.
- Efter åtdragningen, dra lätt i kablar för att kontrollera att de inte rör sig.
- Om anslutningskabeln ej är ansluten på korrekt sätt till kopplingsplinten, kommer enheten ej att fungera normalt.



- Anslut kabeln från avgrensningsdosan korrekt i kopplingsplinten.
- För senare underhåll, gör anslutningskabeln extra lång.

<Exempel> (Vid användande av 2-avgrensningsdosor)

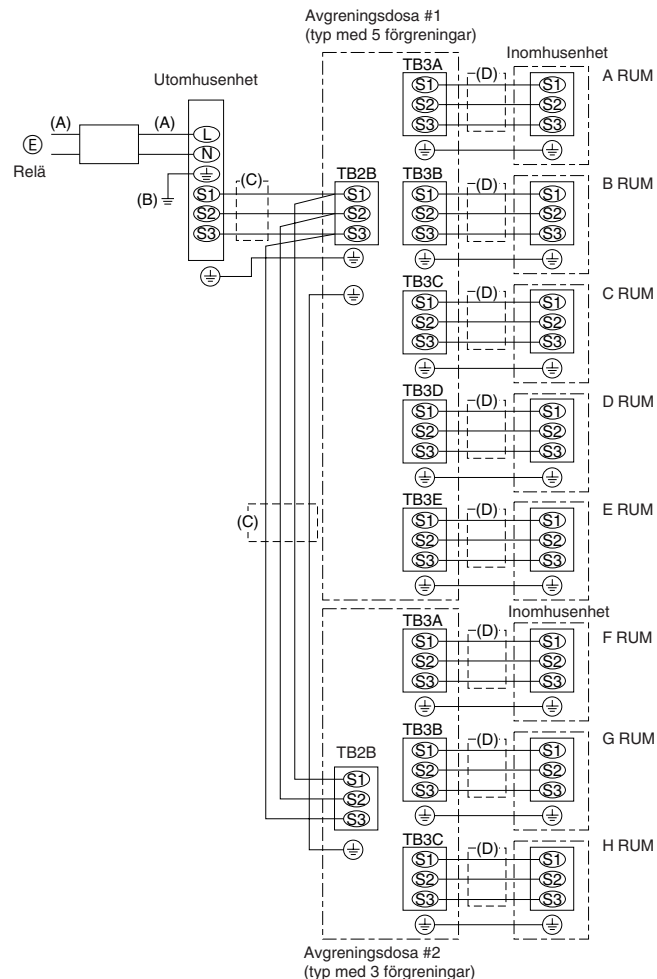


Fig. 7-2

7.3. Yttre ledningsdragning (Fig. 7-2)

Nätanslutningsarbete krävs endast för utomhusenheten. Strömförsörjningen till avgrensningsdosan eller inomhusenheten sker via kabeldragning. Därför kan nätanslutningsarbete utföras vid en enda punkt vid utomhusenheten. Detta bidrar till att förenkla arbetet och till att göra det billigare.

- Ⓔ Strömförsörjning
 - AC220/230/240 V, 50 Hz
 - AC220 V, 60 Hz
 - Max. tillåten systemimpedans 0,22 (Ω).

Obs:

- ① Strömförsörjningsingång Endast utomhusenhet. Anslut ledningarna (C), (D) enligt beteckningarna på kopplingsplintarna för att säkerställa korrekt polaritet.

Trådtjocklek				Brytare *1	
(A) Strömförande ledning	(B) Jordledning	(C) Signalledning	(D) Signalledning	Brytström	Prestandakaraktistik
6,0 mm ²	6,0 mm ²	1,5 mm ²	1,5 mm ²	40 A	40 A, 30 mA under 0,1 sek. eller mindre

När tvinnade ledningar används vid ledningsdragningen måste ett runt uttag användas.

*1. Det skall finnas en brytare med minst 3 mm kontaktavstånd i varje pol. Använd en brytare utan säkring (NF) eller jordfelsbrytare (NV).

*2. Max 45 m ("utomhusenhet – forgreningsdåse *1" plus "forgreningsdåse *1 – forgreningsdåse *2"). Max. 55 m om 2,5 mm² används.

- Obs: 1. Kabeltjockleken måste överensstämma med nationella föreskrifter.
2. Elkablar och anslutningsledningar för inomhusenhet/avgrensningsdosa/utomhusenhet får inte vara lättare än neoprenskärmad, böjlig kabel. (Design 60245 IEC 57)
3. Installera en jordledning som är längre än kraftkablar.

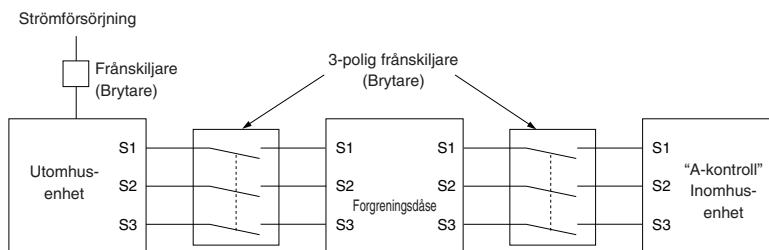
VIKTIGT

Säkerställ att jordfelsbrytaren är kompatibel med högre svängningar. Använd alltid en jordfelsbrytare som är kompatibel med högre svängningar eftersom denna enhet är utrustad med en växelriktare. Om en otillräcklig brytare används kan växelriktaren fungera felaktigt.

7. Elektrisk arbejde

⚠ Varning:

När ledningsdragning för A-kontroll används, finns det högspänningspotential på S3-kopplingsplinten som orsakas av att de elektriska kretsarna saknar elektrisk isolering mellan strömledningen och signalledningen. Därför bör huvudströmmen stängas av vid underhåll. Ta inte på kopplingsplintarna S1, S2 eller S3 när strömmen är på. Om en fränskiljare används mellan utomhusenheten och avgreningsdosan eller inomhusenheten och avgreningsdosan ska en 3-polig typ användas.







⚠ Försiktighet:

Kom ihåg att stänga av och slå på strömförsörjningen så att systemet återställs när fränskiljaren har använts. Annars kanske utomhusenheten inte kan avkänna avgreningsdosorna eller inomhusenheterna.

LEDNINGSSPECIFIKATIONER

(ANSLUTNINGSKABEL UTOMHUSENHET-AVGRENINGSDOSAN)

Tvårsnitt av kabeln	Trådtjocklek (mm ²)	Antal trådar	Polaritet	L (m)*6
Rund 	2,5	3	Medurs : S1-S2-S3 * Notera gul och grön märkning	(50) *2
Flat 	2,5	3	Gäller ej (Eftersom mittledaren inte har något hölje)	Gäller ej *5
Flat 	1,5	4	Från vänster till höger : S1-Öppen-S2-S3	(45) *3
Rund 	2,5	4	Medurs : S1-S2-S3-Öppen * Anslut S1 och S3 mitt emot varandra	(55) *4

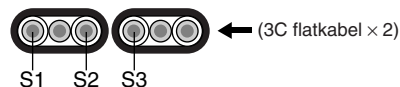
*1 : Nätsladdar för apparater ska inte vara klenare än design 60245 IEC eller 227 IEC.

*2 : I händelse av att kabel med gul och grön märkning finns tillgängligt.

*3 : I händelse av konventionell polanslutning (S1-S2-S3), kabeltjockleken är 1,5 mm².

*4 : I händelse av konventionell polanslutning (S1-S2-S3).

*5 : Om flatkablarna är inkopplade enligt bilden, kan de användas upp till 55 m.



*6 : Nämnt kabellängd är enbart som exempel.

Det kan skilja sig beroende på installationsförhållande, fuktighet eller material, etc.

Se till att anslutningskablarna för utomhusenheten-avgreningsdosan/inomhusenheten-avgreningsdosan ansluts direkt till enheterna (inga mellanliggande anslutningar). Mellanliggande anslutningar kan leda till kommunikationsfel om vatten tränger in i kablarna och gör jordisoleringen otillräcklig eller skapar dålig elektrisk kontakt vid den mellanliggande anslutningspunkten.

(Om en mellanliggande anslutning är nödvändig bör åtgärder vidtas för att förhindra att vatten tränger in i kablarna.)

8. Provkörning

8.1. Innan provkörningen

- ▶ Efter installationen och då rör- och elarbeten för inomhus- och utomhusenheterna är avslutade, leta efter köldmedelsläckage, lösa anslutningar för nätström eller styrström och felaktig polaritet och att det inte finns någon urkoppling av en fas i matningsspänningen.
- ▶ Använd ett 500-Volt M-ohm mätinstrument för att kontrollera att resistansen mellan strömtillförselkontakterna och jord är minst 1 MΩ.
- ▶ Utför ej denna test på styrströmsledningarnas uttag (lågspänningskretsar).

⚠ Varning:

Använd ej luftkonditioneringen om isoleringsmotståndet är mindre än 1 MΩ.

Isoleringsresistans

Efter installationen eller när enhetens spänningskälla har varit urkopplad under en längre tid, sjunker isoleringsresistansen under 1 MΩ på grund av köldmedel som ansamlas i kompressorn. Detta är inget fel. Gör följande:

1. Ta bort ledningarna från kompressorn och mät kompressorns isoleringsresistans.
2. Om isoleringsresistansen är lägre än 1 MΩ, är det fel på kompressorn eller så sjönk resistansen på grund av ansamlingen av köldmedel i kompressorn.

8.2. Provkörning

8.2.1. Att använda fjärrkontrollen

Se installationsanvisningen för inomhusenheten.

- Var noga med att provköra var och en av inomhusenheterna. Säkerställ att de olika inomhusenheterna fungerar på ett korrekt sätt genom att följa de anvisningar som medföljer respektive enhet.
- Om provkörningen utförs för samtliga inomhusenheter samtidigt, kan man ej upptäcka eventuella felaktiga anslutningar av köldmedelsrör och anslutningskablar.
- * Kompressorn kan ej tas i drift under de 3 första minuterna (minst) sedan strömmen slagits på.
- Kompressorn kan avge ljud precis efter att strömmen slagits på eller om utomhustemperaturen är låg.

Om omstartsskyddet

När kompressorn stannar, aktiveras ett omstartsskydd för att skydda luftkonditioneringen så att kompressorn inte går igång under 3 minuter.

8.2.2. Använda SW4 på utomhusenheten

För det fall provkörningen görs från utomhusenheten, kommer samtliga inomhusenheter att var i drift. Därför kan man ej upptäcka några felaktiga anslutningar av köldmedelsrör eller anslutningskablar. Om syftet med provkörningen är att upptäcka eventuella felaktiga anslutningar, var noga med att utföra provkörningen via fjärrkontrollen enligt vad som beskrivs i "8.2.1. Att använda fjärrkontrollen".

3. När du anslutit ledningarna till kompressorn, börjar den värmas upp när spänningen kopplats in. Mät isoleringsresistansen igen, när spänningen varit inkopplad den tid som anges nedan.
 - Isoleringsresistansen sjunker på grund av ansamling av köldmedel i kompressorn. Resistansen ökar över 1 MΩ när kompressorn värmts upp i 2 - 3 timmar. (Den tid som behövs för att värma upp kompressorn varierar på grund av atmosfäriska villkor och ansamlingen av köldmedel.)
 - För att man ska kunna använda kompressorn när köldmedel ansamlats i kompressorn, måste den värmas upp i minst 12 timmar för att förhindra haveri.
4. Om isoleringsresistansen ökar över 1 MΩ, är det inget fel på kompressorn.

⚠ Försiktighet:

- **Kompressorn kommer ej att fungera om inte fasanslutningen för nätströms-tillförseln är korrekt.**
- **Slå på strömmen minst 12 timmar innan provkörningen startas.**
 - Om drift inleds omedelbart efter det att nätströmmen slagits på kan interna delar skadas. Låt strömbrytaren vara inkopplad under driftssäsongen.

▶ Följande måste även kontrolleras.

- Utomhusenheten är hel. Lysdioden på utomhusenhetens kontrollkort blinkar när utomhusenheten är trasig.
- Både stoppventilen för gas och den för vätska är helt öppna.

SW4-1	ON	Nedkyllning
SW4-2	OFF	
SW4-1	ON	Uppvärmning
SW4-2	ON	

* Efter provkörningen, ställs SW4-1 in på OFF.

- Ett par sekunder efter att kompressorn startar kan ett klingande ljud höras inifrån utomhusenheten. Ljudet kommer från backventilen och beror på den lilla tryckskillnaden i rören. Enheten är hel.

Driftssättet vid provkörning kan inte ändras med DIP-omkopplarna SW4-2 under själva provkörningen. (För att ändra driftssättet vid provkörning under själva provkörningen, stoppa provkörningen med DIP-omkopplare SW4-1. När du ändrat driftssättet vid provkörning, fortsätt provkörningen med omkopplare SW4-1.)

En testkörning startas med "Använda SW4 på utomhusenheten" och utomhusenheten stannar inte även om fjärrkontrollen utför stoppinstruktionerna (testkörningen avslutas inte). Ställ i sådana fall in SW4 på utomhusenheten på av.

Obs:

Kom ihåg att vänta minst 3 minuter efter det att strömmen slagits på innan SW4-1 och SW4-2 ställs in. Om DIP-omkopplarna ställs in innan 3 minuter har gått kanske provkörningen inte startar.

9. Specialfunktioner

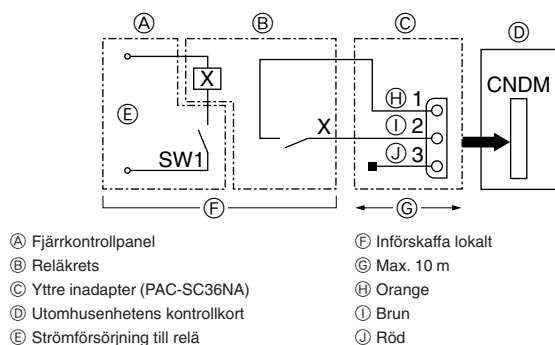


Fig. 9-1

9.1. Lägsta ljud-nivå (ändring på plats) (Fig. 9-1)

Om du gör följande ändring kan ljudet från utomhusenheten vid drift minskas med 3 - 4 dB.

Lägsta ljud-nivån aktiveras när en vanlig timer eller kontakten på en ON/OFF-omkopplare (PÅ/AV) läggs till CNDM-anslutningen (säljs separat) på utomhusenhetens kontrollkort.

- Kapaciteten kanske inte är tillräcklig beroende på utomhustemperaturen, förhållandena osv.
- ① Slut kretsen enligt figuren med den yttre inadaptorn (PAC-SC36NA). (Sälj separat)

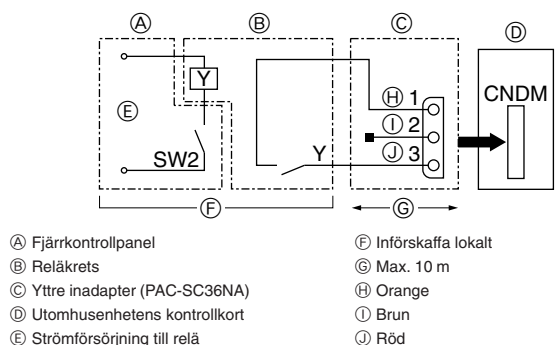


Fig. 9-2

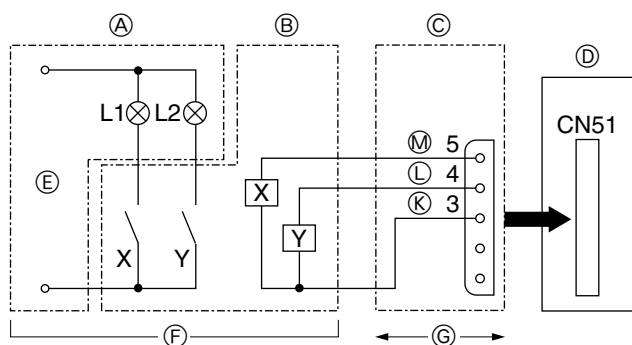
9.2. Behovsfunktion (modifiering på plats) (Fig. 9-2)

• Det är möjligt att minska elförbrukningen inom ett intervall från 0-100% genom att utföra följande installation på plats.

Behovsfunktionen kan aktiveras genom att lägga till en i handeln tillgänglig inkopplingspunkt ON/OFF(PÅ/AV)-kontakt till CNDM-kontakten (kontaktpunkt för behovsingång, säljs separat).

- ① Införsliva "Adapter för extern ingång (PAC-SC36NA)" i kretsen enligt anvisningarna i diagrammet till vänster.
- ② Genom att använda SW7-1 på kontrollkort för utomhusenheten, kan följande energiförbrukningsbegränsningar (jämfört med den nominella energin) ställas in.

SW7-1	Energiförbrukning då SW2 är påslagen
OFF (AV)	0% (Tvångsavstängning av kompressorn)
ON (PÅ)	50%



L1 : Fesignalslampa
L2 : Kompressordriftslampa
X, Y : Relä (spolstandard 0,9 W eller mindre för DC 12 V)
X, Y : Relä (DC1 mA)

Fig. 9-3

9.3. Övervakningsfunktion för fel och kompressordrift (CN51)

- Ⓐ Fjärrkontrollpanel
- Ⓑ Reläkrets
- Ⓒ Adapter för extern utgång (PAC-SA88HA-E)
- Ⓓ Utomhusenhetens kontrollkort
- Ⓔ Strömförsörjning för lampa
- Ⓕ Införskaffa lokalt
- Ⓖ Max. 10 m
- Ⓚ Orange
- Ⓛ Gul
- Ⓜ Grön

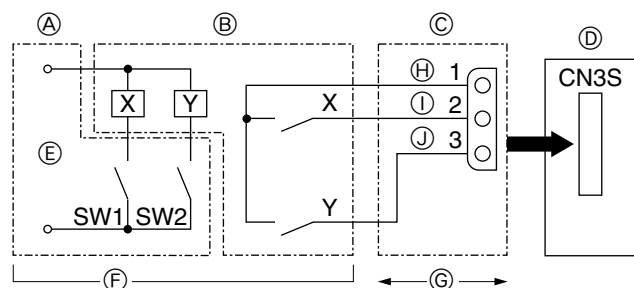


Fig. 9-4

9.4. Automatisk växling – Funktion som spärrar driftsläget genom en extern signal (CN3S)

- Ⓐ Fjärrstyrkort
- Ⓑ Reläkrets
- Ⓒ Adapter för extern utgång (PAC-SC36NA)
- Ⓓ Utomhusenhetens kontrollkort
- Ⓔ Strömförsörjning för lampa
- Ⓕ Införskaffa lokalt
- Ⓖ Max. 10 m
- Ⓚ Orange
- Ⓛ Brun
- Ⓜ Röd

	ON (PÅ)	OFF (AV)
SW1	Varmt	Svalt
SW2	Giltighet för SW1	SW1 ej giltig

* Inomhusenheter som drivs i ett annat läge än det som anges av den externa signalen går in i väntläge.

* Inställningen aktiveras när utomhusenheten är stoppad.

* Driftsläget som anges för testkörningen har prioritet över läget som specificerats med den här funktionen.

İçindekiler

1. Güvenlik Önlemleri	142	6. Drenaj Tesisi İşleri	150
2. Montaj şeması ve parçalar	143	7. Elektrik işleri	150
3. Montaj yeri	144	8. Çalışma testi	154
4. Dış ünitenin monte edilmesi	146	9. Özel fonksiyonlar	155
5. Soğutucu borularının monte edilmesi	146		

1. Güvenlik Önlemleri

- ▶ Üniteyi monte etmeden önce "Güvenlik Önlemleri"nin hepsini okumalısınız.
- ▶ Lütfen sisteme bağlamadan önce elektrik kurumuna haber verin veya onayını alın.
- ▶ IEC/EN 61000-3-12 ile uyumlu cihaz

⚠ Uyarı:

Kullanıcı açısından yaralanma veya ölüm tehlikesinin önüne geçmek için alınması gereken önlemleri açıklar.

⚠ Dikkat:

Cihazın hasar görmesini önlemek için alınması gereken önlemleri açıklar.

⚠ Uyarı:

- Cihaz kullanıcı tarafından monte edilmemelidir. Satıcıdan veya yetkili servisten cihazı monte etmelerini isteyin. Cihazın montajı yanlış yapıldığı takdirde, su kaçağı, elektrik çarpması veya yangın meydana gelebilir.
- Montaj işleri sırasında, Montaj Kılavuzu'nda yer alan talimatları izleyin ve R410A soğutucu ile kullanılmak üzere özel olarak imal edilmiş gereçleri ve boru elemanlarını kullanın. HFC sistemi içindeki R410A soğutucu, sıradan soğutuculardan 1,6 kat daha yüksek bir basınçla sıkıştırılmıştır. R410A soğutucu için tasarlanmamış boru elemanları kullanıldığı ve cihaz doğru şekilde monte edilmediği takdirde, borular patlayabilir ve hasara veya yaralanmalara yol açabilir. Ayrıca, su kaçağı, elektrik çarpması veya yangın da meydana gelebilir.
- Deprem, fırtına veya şiddetli rüzgardan zarar görme riskini en aza indirmek için, cihaz talimatlara uygun olarak monte edilmelidir. Yanlış monte edilmiş bir cihaz düşebilir ve hasara veya yaralanmalara yol açabilir.
- Cihaz, ağırlığını taşıyabilecek bir yapı üzerine emniyetli şekilde monte edilmelidir. Cihaz dengesiz bir yapı üzerine monte edildiği takdirde, düşebilir ve hasara veya yaralanmalara yol açabilir.
- Klima cihazı küçük bir odaya kurulacaksa, soğutucu kaçağı olması durumunda oda içindeki soğutucu konsantrasyonunun güvenlik sınırının aşmasını önleyecek tedbirler alınmalıdır. İzin verilen konsantrasyonun aşılması için alınacak tedbirler konusunda satıcıya danışın. Soğutucu kaçağı olması ve konsantrasyon sınırının aşılması durumunda, oda içinde oluşacak oksijen azlığı nedeniyle tehlikeli durumlara yol açılabilir.
- Kullanım sırasında soğutucu kaçağı meydana gelirse, odayı havalandırın. Soğutucunun alevle temas etmesi durumunda zehirli gazlar oluşabilir.
- Bütün elektrik işleri ruhsatlı teknisyenler tarafından, yerel yönetmeliklere ve bu kılavuzda verilen talimatlara uygun şekilde yapılmalıdır. Cihazlar kendilerine ayrılmış elektrik hatlarına bağlanmalı ve doğru voltaj ve devre kesiciler kullanılmalıdır. Yetersiz kapasiteye sahip elektrik tesisatı ve elektrik işlerinin yanlış yapılması elektrik çarpmasına veya yangına neden olabilir.
- İç üniteler, dış üniteler ve şube kutularının güç kaynağı kabloları ve bağlantı tellerinin (ara bağlantılara değil) doğrudan ünitelere bağlandığından emin olun. Ara bağlantılar, kablolar veya tellere su girmesi halinde haberleşme hatalarına neden olabilir ve topraklama yalıtımının yetersiz olmasına veya ara bağlantı noktasında elektrik temassızlığına yol açabilir. (Bir ara bağlantı gerekli ise, kablo ve tellere su girmesini önleyecek tedbirler aldığınızdan emin olun.)

1.1. Montajdan önce

⚠ Dikkat:

- Cihazı alışılmadık ortamlarda kullanmayın. Klima cihazının buhar, uçucu yağ (makine yağı dahil) ve sülfürik aside maruz kalan alanlara, deniz kenarı gibi yüksek derecede tuza maruz kalan alanlara veya cihazın karla kaplanabileceği alanlara monte edilmesi durumunda, performansı önemli ölçüde düşebilir ve iç aksamı zarar görebilir.
- Cihazı yanıcı gazların oluşabileceği, sızabileceği, akabileceği veya birikebileceği yerlere monte etmeyin. Cihazın yakınında yanıcı gazların birikmesi halinde yangın veya patlama meydana gelebilir.

1.2. Montajdan önce (yer değiştirme)

⚠ Dikkat:

- Cihazların yerini değiştirirken son derece dikkatli olun. 20 kg veya daha ağır olduğundan, bu cihazı taşımak için iki veya daha fazla kişi gerekir. Ambalaj bantlarından tutmayın. Soğutma kanatçıkları veya diğer parçalar ellerinizi yaralayabileceği için, cihazı ambalajından çıkarırken veya taşıırken koruyucu eldiven giyin.
- Ambalaj maddelerinin güvenli şekilde atıldığından emin olun. Çivi veya başka metal veya tahta parçalar gibi ambalaj maddeleri batma veya başka şekillerde yaralanmalara yol açabilir.

Montaj tamamlandıktan sonra, Kullanma Kılavuzunda yer alan bilgilere uygun şekilde müşteriye cihazın "Güvenlik Önlemleri"ni, kullanımını ve bakımını açıklayın ve cihazın normal şekilde çalıştığından emin olmak için bir çalışma testi yapın. Hem Montaj Kılavuzu hem de Kullanım Kılavuzu, kullanıcıda kalmak üzere kendisine verilmelidir. Bu kılavuzlar sonraki kullanıcılara da devredilmelidir.

⚠ : Topraklanması gereken parçaları gösterir.

⚠ Uyarı:

Ana üniteye yapıştırılmış olan etiketleri dikkatle okuyunuz.

- Soğutucu borularını bağlarken, bakır ve bakır alaşımli kaynaklı borular için C1220 bakır fosfor kullanın. Borular düzgün şekilde bağlanmadığı takdirde, cihaz doğru şekilde topraklanmayacak ve elektrik çarpması riski doğacaktır.
- Tesisatta yalnızca belirtilmiş olan kabloları kullanın. Bağlantılar, terminallerde gerginlik yaratmaksızın emniyetli şekilde yapılmalıdır. Kablolar yanlış şekilde bağlandığı veya monte edildiği takdirde, aşırı ısınma veya yangına yol açabilir.
- Bina dışı ünitenin terminal blok kapağı paneli sıkıca tutturulmalıdır. Kapak paneli yanlış yerleştirilirse ve üniteye toz ve nem girerse, elektrik şoku oluşabilir veya yangın çıkabilir.
- Klima cihazını monte ederken veya sökerken, soğutucu hatlarını doldurmak için yalnızca belirtilmiş olan soğutucuyu (R410A) kullanın. Bunu başka bir soğutucuyla karıştırmayın ve hatlarda hava kalmamasına dikkat edin. Hatlarda kalan hava yüksek basınçta yol açarak delinmelere ve diğer tehlikelere neden olabilir.
- Bunların monte edilmesi sırasında yalnızca Mitsubishi Electric tarafından izin verilen aksesuarları kullanın veya satıcı veya yetkili teknisyene danışın. Aksesuarların montajı yanlış yapıldığı takdirde, su kaçağı, elektrik çarpması veya yangın meydana gelebilir.
- Cihaz üzerinde değişiklik yapmayın. Onarım işleri için satıcıya başvurun. Değişikliklerin veya onarımların yanlış yapılması durumunda, su kaçağı, elektrik çarpması veya yangın meydana gelebilir.
- Kullanıcı asla cihazı tamir etmeye veya başka bir yere taşımaya kalkışmamalıdır. Cihazın montajı yanlış yapıldığı takdirde, su kaçağı, elektrik çarpması veya yangın meydana gelebilir. Klima cihazının onarılması veya başka bir yere taşınması gerekiyorsa, satıcı veya yetkili bir teknisyene başvurun.
- Montaj tamamlandıktan sonra, soğutucu kaçağı olup olmadığını kontrol edin. Soğutucunun odaya sızması ve herhangi bir ısıtıcının alevi veya portatif bir yemek pişirme aracının etki alanıyla temas etmesi halinde zehirli gazlar oluşabilir.

- Dış ünite, ısıtma işlemi sırasında yoğuşmaya yol açar. Söz konusu yoğuşmanın zarar verme olasılığı varsa, dış ünite etrafında drenaj sağlayın.
- Cihazı hastane veya iletişim ofislerine monte ederken, gürültü ve elektronik parazite karşı hazırlıklı olun. Akım dönüştürücüler, ev aletleri, yüksek frekanslı tıbbi cihazlar ve radyo iletişim cihazları, klima cihazının çalışmasının aksamasına veya bozulmasına yol açabilir. Aynı zamanda klima cihazı da tıbbi cihazlara etki ederek ekran görüntüsünü bozmak suretiyle tıbbi bakımı ve iletişim cihazlarının çalışmasını aksatabilir.

- Dış ünitenin tabanı ve takılı parçalar gevşeme, çatlama ve diğer aksaklıklara karşı belirli aralıklarla kontrol edilmelidir. Bu gibi aksaklıklar düzeltilmeden bırakılırsa, cihaz düşebilir ve hasara veya yaralanmalara yol açabilir.
- Klima cihazını suyla temizlemeyin. Elektrik çarpması meydana gelebilir.
- Tork anahtarları kullanarak, bütün geçme somunları belirtilen değere kadar sıkın. Fazla sıkıldığı takdirde, geçme somun bir süre sonra kırılabilir ve soğutucu kaçağı meydana gelebilir.

1. Güvenlik Önlemleri

1.3. Elektrik işlerinden önce

⚠ Dikkat:

- Devre kesicilerini taktığınızdan emin olun. Bunlar takılmadığı takdirde, elektrik çarpması meydana gelebilir.

ÖNEMLİ

Akım kaçacağı devre kesicisinin yüksek harmoniklerle uyumlu olduğundan emin olun.
Bu ünite bir redresörle donatıldığı için daima yüksek harmoniklerle uyumlu bir akım kaçacağı devre kesicisi kullanın.
Uyumsuz bir devre kesicinin kullanılması, dönüştürücünün (inverter) yanlış çalışmasına neden olabilir.

1.4. Çalışma testinden önce

⚠ Dikkat:

- Cihazı çalıştırmadan en az 12 saat önce ana elektrik şalterini açın. Ana elektrik şalterini açtıktan hemen sonra cihazı çalıştırmak iç parçaların ciddi hasar görmesine yol açabilir. Cihazın çalıştırılacağı mevsim boyunca ana elektrik şalterini açık bırakın.
- Çalıştırmaya başlamadan önce, bütün panellerin, muhafazaların ve diğer koruyucu parçaların doğru şekilde takılmış olduklarından emin olun. Dönen, sıcak veya yüksek voltajlı parçalar yaralanmalara yol açabilir.

1.5. R410A soğutuculu klima cihazlarının kullanımı

⚠ Dikkat:

- Soğutucu borularını bağlarken, bakır ve bakır alaşımli kaynaksız borular için C1220 bakır fosfor kullanın. Boruların iç yüzeylerinin temiz ve kükürlü bileşikler, oksitler, moloz veya toz gibi zararlı maddelerden arınmış olduğundan emin olun. Belirtilmiş kalınlıkta borular kullanın. (Sayfa 146'e bakın) Önceden R22 soğutucusu taşıyan mevcut boruları yeniden kullanırken şunlara dikkat edin:
 - Mevcut geçme somunları değiştirin ve kıvrımlı bölümleri tekrar geçirin.
 - İnce boru kullanmayın. (Sayfa 146'e bakın)
- Montajda kullanılacak olan boruları kapalı yerde saklayın ve boruların her iki ucunu da kaynak işleminden hemen öncesine kadar kapalı tutun. (Dirsek bağlantıları, vb.'yi ambalajlarında tutun.) Soğutucu hatlarına toz, moloz veya nem girdiği takdirde, yağ bozulabilir veya kompresör arızalanabilir.
- Geçmeli bölümlere uygulanacak soğutucu yağı olarak ester yağı, eter yağı, alkilbenzen yağı (az miktarda) kullanın. Soğutma yağına mineral yağ karışırsa, yağ bozulabilir.

2. Montaj şeması ve parçalar

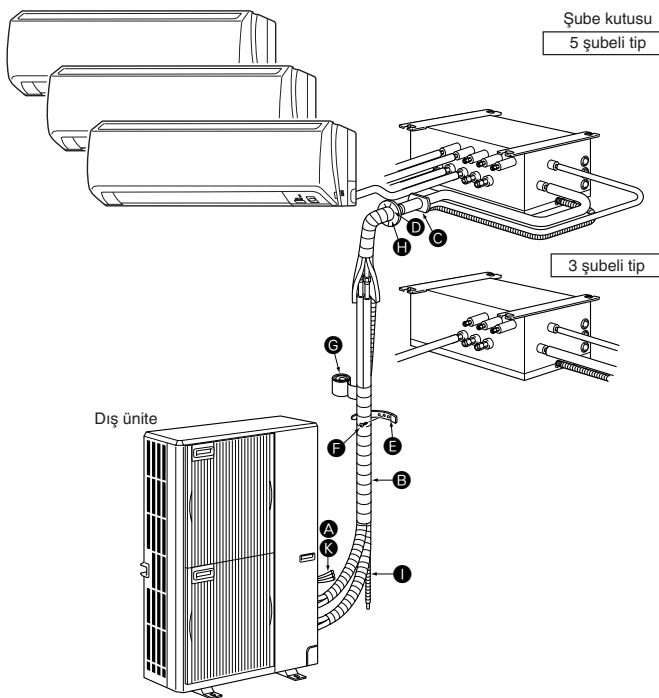


Fig. 2-1

- Elektrik tesisatında, yeterli kapasiteye sahip standart kablolar kullanın. Aksi takdirde, kısa devre, aşırı ısınma veya yangın meydana gelebilir.
- Elektrik tesisatını kurarken kabloları germeyin. Kablolar gevşedikleri takdirde kopabilir veya kırılabilir ve bunun sonucunda da aşırı ısınma veya yangına yol açabilir.
- Cihazın topraklandığından emin olun. Toprak hattını gaz veya su borularına, paratonerlere veya telefon toprak hatlarına bağlamayın. Cihaz doğru şekilde topraklanmadığı takdirde, elektrik çarpması meydana gelebilir.
- Belirtilen kapasiteye sahip devre kesicileri (toprak arıza kesici, izolasyon anahtarı (+B sigortası) ve kalıplı devre kesici) kullanın. Devre kesicinin kapasitesi belirtilenden fazla olduğu takdirde, arıza veya yangın meydana gelebilir.

- Hiçbir düğmeye ıslak elle dokunmayın. Elektrik çarpması meydana gelebilir.
- Çalışma sırasında soğutucu borularına çıplak elle dokunmayın. Soğutucu boruları, akmakta olan soğutucunun durumuna göre soğuk veya sıcak olabilir. Borulara dokunulduğu takdirde yanma veya soğuk ısırmaya meydan gelebilir.
- Klimayı durdurduktan sonra, ana şalteri kapatmadan önce en az beş dakika bekleyin. Aksi takdirde, su kaçığı veya arıza meydana gelebilir.

- R410A soğutucusundan başka bir soğutucu kullanmayın. başka bir soğutucu kullanıldığı takdirde, klor yağın bozulmasına neden olacaktır.
- R410A soğutucu ile birlikte kullanılmak için özel olarak tasarlanmış aşağıdaki gereçleri kullanın: R410A soğutucuyu kullanmak için şu gereçler gereklidir: Herhangi bir sorunuz olduğu takdirde en yakın satıcıyla görüşün.

Gereçler (R410A için)	
Geyç manifoldu	Geçme aleti
Doldurma hortumu	Ebat ayarlama geyçi
Gaz sızıntı detektörü	Vakum pompa adaptörü
Tork anahtarı	Elektronik soğutucu dolun tartısı

- Doğru gereçleri kullandığınızdan emin olun. Soğutucu hatlarına toz, moloz veya nem girdiği takdirde, soğutma yağı bozulabilir.
- Doldurma silindiri kullanmayın. Doldurma silindiri kullanılırsa, soğutucunun bileşimi değişecek ve verimi düşecektir.

2.1. Montajdan önce (Fig. 2-1)

Bu montaj kılavuzu sadece dış ünitenin monte edilmesi içindir. İç üniteyi veya şube kutularını monte ederken her bir üniteyle birlikte gelen montaj kılavuzuna başvurun.

Montaj için gerekli görülen tüm yapısal değişiklikler yerel inşaat kanunlarının gerekliliklerine uyumlu olmalıdır.

Bu şemada aksesuarların konfigürasyonunu göstermek hedeflenmektedir. Gerçek montaj için dış ünite 180° döndürülmelidir.

Üniteler, belgeli bir müteahhit tarafından yerel kanunların gereklilikleri uyarınca monte edilmelidir.

Not:

Yukarıda yer alan okların yanındaki boyutlar klimanın performansını garanti etmek açısından gereklidir. Üniteyi, sonraki servis ve onarım işleri açısından olabildiğince geniş bir yere monte edin.

Yerel olarak temin edilecek parçalar

A	Şube kutusu/dış ünite bağlantı teli (3 damarlı, Bkz. 7.3. Harici kablo bağlantısı prosedürü)	1
B	Uzatma borusu	1
C	Duvar delik manşonu	1
D	Duvar delik kapağı	1
E	Boru tespit bandı (Miktar, borunun uzunluğuna bağlıdır.)	2 ila 7
F	4 x 20 mm için tespit vidası (Miktar, borunun uzunluğuna bağlıdır.)	2 ila 7
G	Boru bandı	1
H	Macun	1
I	Drenaj hortumu (sert PVC boru VP16)	1
J	Soğutma yağı	1
K	Güç kaynağı kablo (2 damarlı, Bkz. 7.3. Harici kablo bağlantısı prosedürü)	1

3. Montaj yeri

3.1. Soğutucu boruları

5.2'ye bakın. Boru uzunluğu ve yükseklik farkı.

3.2. Dış ünitenin montaj yerinin seçimi

- Doğrudan güneş ışığına veya diğer ısı kaynaklarına maruz kalan yerlerden kaçınin.
- Cihaz tarafından yayılan sesin komşuları rahatsız etmeyeceği bir yer seçin.
- Elektrik kaynağına ve iç üniteye kolay şekilde kablo tesisatı ve boru döşemeye elverişli bir yer seçin.
- Yanıcı gazların sızıntı yaratabileceği, meydana gelebileceği, akabileceği veya birikebileceği yerlerden kaçınin.
- Çalışma sırasında cihazdan su akabileceğini unutmayın.
- Cihazın ağırlığını ve titreşimini kaldıracak düz bir yer seçin.
- Cihazın karla kaplanabileceği yerlerden kaçınin. Şiddetli kar yağışının beklendiği yerlerde, karın hava girişini tıkamasını veya tam karşısından yağmasını engellemek için montaj konumunu yükseltmek veya hava girişine bir kapak takmak gibi özel tedbirler alınmalıdır. Bu yapılmadığı takdirde hava akışı azalabilir ve arıza çıkabilir.
- Yağ, buhar veya kükürlü gazlara maruz kalan yerlerden kaçınin.
- Cihazı taşıırken, dış üniteye yer alan taşıma kollarını kullanın. Cihaz alttan taşındığı takdirde eller veya parmaklar sıkışabilir.

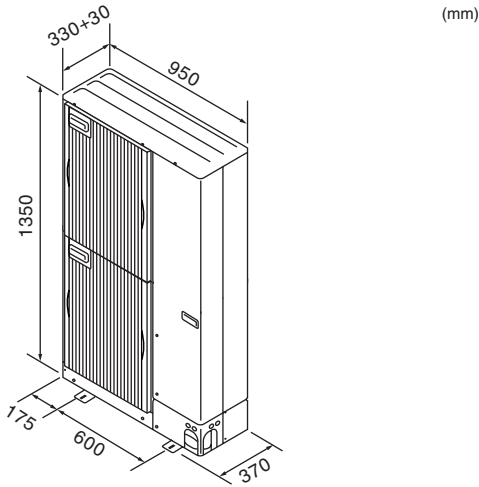


Fig. 3-1

3.3. Dış ölçüler (Dış ünite) (Fig. 3-1)

İç ünite montajı üzerindeki sınırlamalar

Bu dış üniteye aşağıda yer alan modellerdeki iç ünitelerin bağlanabileceğini unutmayın.

- Model numarası 22, 25, 35, 50, 60, 71, 80 olan iç üniteler bağlanabilir. Olası 2-8 odalı iç ünite kombinasyonları için aşağıdaki tabloya bakın.

Doğrulama

Nominal kapasite aşağıdaki tablo incelenerek belirlenmelidir. Ünite adedi 2 ila 8 ünite ile sınırlıdır. Bir sonraki adım için, seçilen toplam nominal kapasitenin 4,4 - 18,5 kW aralığında kalacağından emin olun.

Örnek:

MSZ-60	=	6,0	} Toplam nominal kapasite 18,0 ≤ 18,5 kW
SEZ-35	=	3,5	
SLZ-35	=	3,5	
SEZ-25	=	2,5	
SLZ-25	=	2,5	

İç ünite tipi	22	25	35	50	60	71	80
Nominal kapasite (Soğutma) (kW)	2,2	2,5	3,5	5,0	6,0	7,1	8,0

İç ünitelerin toplam kapasitesinin dış ünitenin kapasitesini (=14,0 kW) aştığı kombinasyonlar her bir iç ünitenin soğutma kapasitesini kendi nominal soğutma kapasitelerinin altına düşürecektir. Bu yüzden, iç üniteleri mümkünse dış ünitenin kapasitesi dahilinde bir dış ünite ile birleştirin (=14,0 kW).

3.4. Havalandırma ve bakım alanı

3.4.1. Rüzgarlı yerlerde montaj

Dış üniteyi çatı üstüne veya rüzgara karşı korunaksız başka bir yere monte ederken, cihazı, hava çıkışı doğrudan rüzgara karşı gelmeyecek şekilde yerleştirin. Hava çıkışından girecek güçlü rüzgar normal hava akışını aksatabilir ve arızaya yol açabilir. Güçlü rüzgarlara karşı alınabilecek üç önlem şunlardır:

- ① Hava çıkışını, en yakındaki duvara doğru, duvardan yaklaşık 50 cm uzaklıkta olacak şekilde yerleştirin. (Fig. 3-2)
 - ② Ünite, tayfun ve başka nedenlerden oluşan güçlü rüzgarların doğrudan hava çıkışına girebileceği bir yere monte edilmişse, isteğe bağlı olarak sağlanan bir hava kılavuzu monte edin. (Fig. 3-3)
 - ③ Cihazın konumunu, mümkünse, hava çıkışından gelen havanın, mevsimsel rüzgarlarının yönüne dik gelmesini sağlayacak şekilde seçin. (Fig. 3-4)
- Ⓐ Hava kılavuzu
Ⓑ Rüzgarın yönü

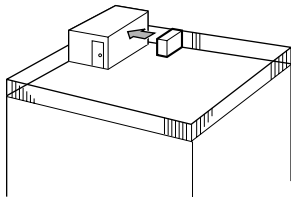


Fig. 3-2

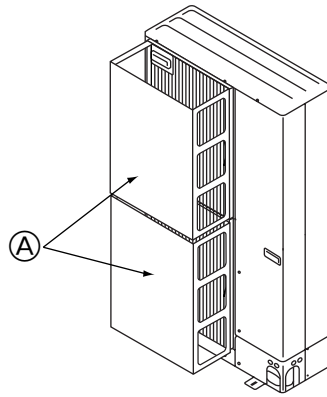


Fig. 3-3

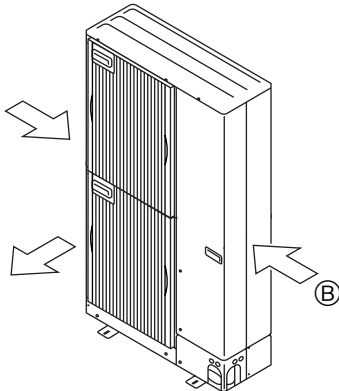


Fig. 3-4

3. Montaj yeri

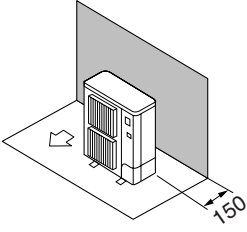


Fig. 3-5

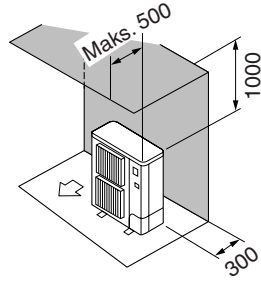


Fig. 3-6

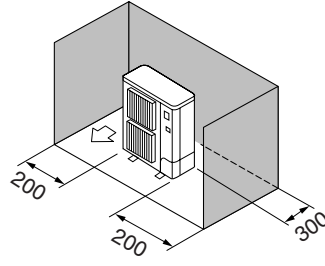


Fig. 3-7

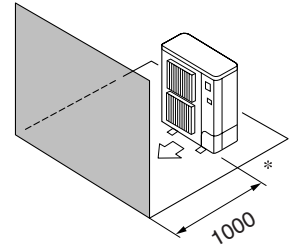


Fig. 3-8

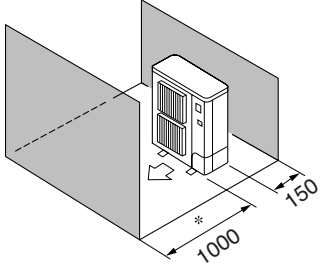


Fig. 3-9

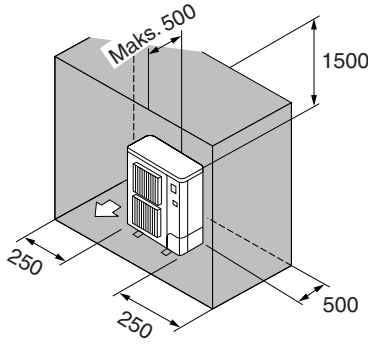


Fig. 3-10

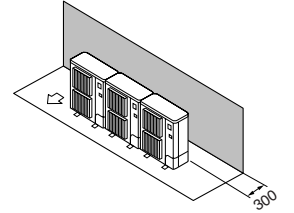


Fig. 3-11

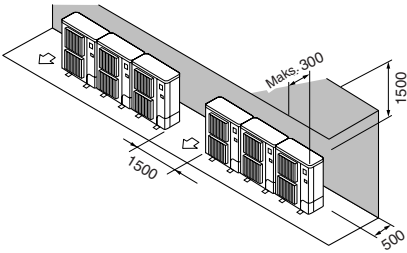


Fig. 3-12

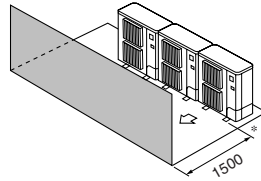


Fig. 3-13

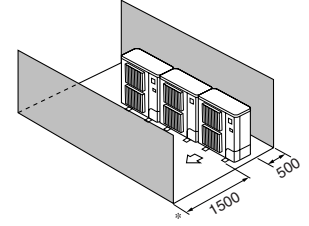


Fig. 3-14

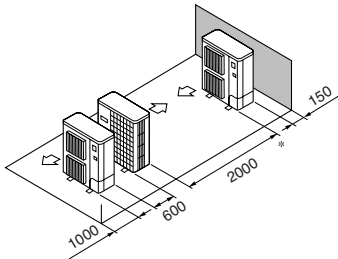


Fig. 3-15

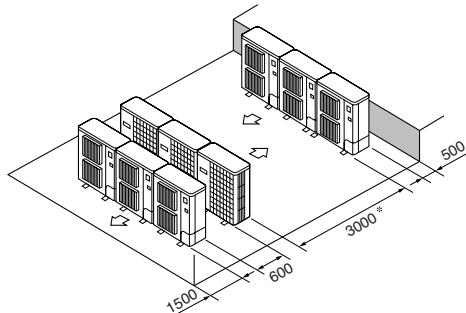


Fig. 3-16

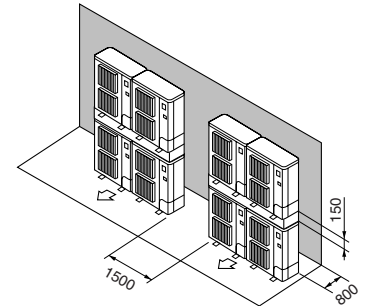


Fig. 3-17

3.4.2. Tek bir dış ünite monte ederken

Minimum ölçüler, Maksimum boyutlar anlamına gelen Max'te belirtilenler dışında, şöyledir.

Her durumda şemalara başvurun.

- ① Yalnızca arkadaki engeller (Fig. 3-5)
- ② Yalnızca arkadaki ve üstteki engeller (Fig. 3-6)
- ③ Yalnızca arkadaki ve yandaki engeller (Fig. 3-7)
- ④ Yalnızca öndeki engeller (Fig. 3-8)
 - * İsteğe bağlı bir çıkış kılavuzu kullanırken boşluk 500 mm veya üzerinde olmalıdır.
- ⑤ Yalnızca öndeki ve arkadaki engeller (Fig. 3-9)
 - * İsteğe bağlı bir çıkış kılavuzu kullanırken boşluk 500 mm veya üzerinde olmalıdır.
- ⑥ Yalnızca arkadaki, yandaki ve üstteki engeller (Fig. 3-10)
 - İsteğe bağlı hava çıkış kılavuzlarını yukarı yöndeki hava akışı için kullanmayın.

3.4.3. Birden fazla dış ünite monte ederken

Üniteler arasında 10 mm ve üzerinde bir boşluk bırakın.

- ① Yalnızca arkadaki engeller (Fig. 3-11)
- ② Yalnızca arkadaki ve üstteki engeller (Fig. 3-12)
 - Yan yana en fazla üç ünite yerleştirilmelidir. Ayrıca, aralarında gösterildiği şekilde boşluk bırakılmalıdır.
 - İsteğe bağlı hava çıkış kılavuzlarını yukarı yöndeki hava akışı için kullanmayın.
- ③ Yalnızca öndeki engeller (Fig. 3-13)
 - * İsteğe bağlı bir çıkış kılavuzu kullanırken boşluk 1000 mm veya üzerinde olmalıdır.
- ④ Yalnızca öndeki ve arkadaki engeller (Fig. 3-14)
 - * İsteğe bağlı bir çıkış kılavuzu kullanırken boşluk 1000 mm veya üzerinde olmalıdır.
- ⑤ Tekli paralel ünite düzeni (Fig. 3-15)
 - * Yukarı yöndeki hava akışı için isteğe bağlı hava çıkış kılavuzu kullanırken, açıklık 1000 mm veya daha fazla olmalıdır.
- ⑥ Çoklu paralel ünite düzeni (Fig. 3-16)
 - * Yukarı yöndeki hava akışı için isteğe bağlı hava çıkış kılavuzu kullanırken, açıklık 1500 mm veya daha fazla olmalıdır.
- ⑦ İstifli ünite düzeni (Fig. 3-17)
 - Üniteler üst üste en fazla iki üniteye kadar istiflenebilir.
 - Yan yana en fazla iki ünite istifli şekilde yerleştirilmelidir. Ayrıca, aralarında şekildedeki gibi boşluk bırakılmalıdır.

4. Dış ünitenin monte edilmesi

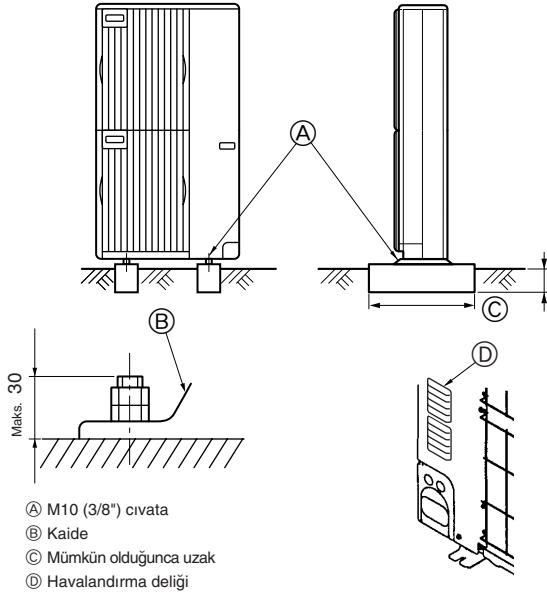


Fig. 4-1

(mm)

- Ünitenin çalışması sırasında gürültü yapmaması için üniteyi mutlaka sağlam ve düz bir yüzeye monte edin. (Fig. 4-1)

<Temel spesifikasyonları>

Temel cıvatası	M 10 (3/8")
Beton kalınlığı	120 mm
Cıvatanın uzunluğu	70 mm
Ağırlık çekme kapasitesi	320 kg

- Temel cıvatasının uzunluğunun kaidenin alt yüzeyine kadar 30mm'den az olmasını sağlayın.
- Ünitenin kaidesini dört adet M-10 cıvatasıyla sağlam yerlere tespit edin.

Dış ünitenin monte edilmesi

- Havalandırma deliğini tıkamayın. Havalandırma deliğinin tıkanması, çalışmayı aksatacak ve arızaya yol açacaktır.
- Gerekirse, cihazın tabanına ek olarak bulunan delikleri de kabloları tutturmak, vb. için kullanarak cihazı tespit edin. Kendinden dış açmalı vidalar (ø5 x 15 mm ya da daha az) kullanarak seçilen yere monte edin.

⚠ Uyarı:

- Cihaz, ağırlığını taşıyabilecek bir yapı üzerine emniyetli şekilde monte edilmelidir. Cihaz dengesiz bir yapı üzerine monte edildiği takdirde, düşebilir ve hasara veya yaralanmalara yol açabilir.
- Deprem, fırtına veya şiddetli rüzgardan zarar görme riskini en aza indirmek için, cihaz talimatlarına uygun olarak monte edilmelidir. Yanlış monte edilmiş bir cihaz düşebilir ve hasara veya yaralanmalara yol açabilir.

5. Soğutucu borularının monte edilmesi

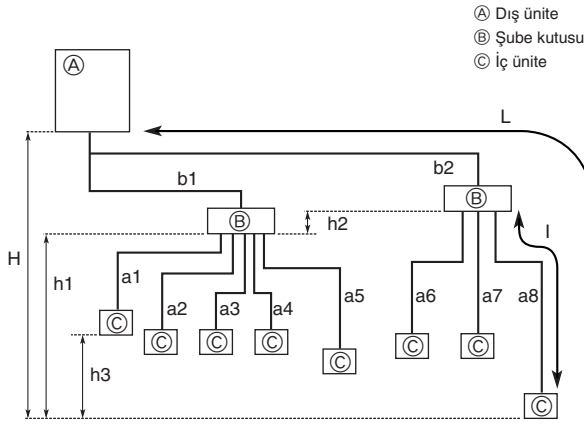


Fig. 5-1

5.1. R410A soğutucu kullanan cihazlarda alınacak önlemler

- R410A soğutuculu klima cihazlarını kullanırken alınacak önlemlerden aşağıda belirtilmemiş olanlar için sayfa 143'ya başvurun.
- Geçmeli bölümlere uygulanacak soğutucu yağı olarak ester yağı, eter yağı, alkilbenzen yağı (az miktarda) kullanın.
- Soğutucu borularını bağlarken, bakır ve bakır alaşımı kaynaklı borular için C1220 bakır fosfor kullanın. Aşağıdaki tabloda belirtilmiş kalınlıkta soğutucu boruları kullanın. Boruların iç yüzeylerinin temiz ve kükürtlü bileşikler, oksidantlar, moloz veya toz gibi zararlı maddelerden arınmış olduğundan emin olun.

⚠ Uyarı:

- Klima cihazını monte ederken veya sökerken, soğutucu hatlarını doldurmak için yalnızca belirtilmiş olan soğutucuyu (R410A) kullanın. Bunu başka bir soğutucuyla karıştırmayın ve hatlarda hava kalmamasına dikkat edin. Hatlarda kalan hava yüksek basınca yol açarak delinmelere ve diğer tehlikelere neden olabilir.

ø6,35, ø9,52, ø12,7	Kalınlık 0,8 mm
ø15,88	Kalınlık 1,0 mm

- Yukarıda belirtilenlerden daha ince boru kullanmayın.

İzin verilen uzunluk (tek yönlü)	Toplam boru uzunluğu	$b1+b2+a1+a2+a3+a4+a5+a6+a7+a8 \leq 115$ m
	En büyük boru uzunluğu (L)	$b2+a8 \leq 70$ m ($b2 \leq 55$ m, $a8 \leq 15$ m)
	Dış ünite ile şube kutuları arasındaki boru uzunluğu	$b1+b2 \leq 55$ m
	Şube kutusundan sonra en büyük boru uzunluğu (l)	$a8 \leq 15$ m
İzin verilen yükseklik farkları (tek yönlü)	Şube kutuları ile iç üniteler arasındaki toplam boru uzunluğu	$a1+a2+a3+a4+a5+a6+a7+a8 \leq 60$ m
	İç ünite/dış ünite bölümünde (H)*1	$H \leq 30$ m (Dış ünitenin iç üniteden yükseğe yerleştirilmesi halinde)
	Şube kutusu/iç ünite bölümünde (h1)	$H \leq 20$ m (Dış ünitenin iç üniteden alçağa yerleştirilmesi halinde)
	Her bir şube ünite (h2)	$h1 + h2 \leq 15$ m
Büküm adedi	Her bir iç ünite (h3)	$h2 \leq 15$ m
		$h3 \leq 12$ m
		$ b1+a1 , b1+a2 , b1+a3 , b1+a4 , b1+a5 , b2+a6 , b2+a7 , b2+a8 \leq 15$

*1 Şube kutusu dış ünite ile iç üniteler arasındaki seviye dahilinde yerleştirilmelidir.

5.2. Boru uzunluğu ve yükseklik farkı (Fig. 5-1)

Geçme bağlantılar

- Bu ünite, her bir iç ünite, şube kutusu ve dış ünitenin yan tarafında geçme bağlantılara sahiptir.
- Dış ünitenin vana kapağını çıkartıp boruyu bağlayın.
- Şube kutusu ile dış üniteyi bağlamak için soğutucu boruları kullanılır.

5. Soğutucu borularının monte edilmesi

5.3. Soğutucu madde eklenmesi

- Toplam boru uzunluğunun $(b1+b2+a1+a2+a3+a4+a5+a6+a7+a8)$ 40 m'yi aşmaması halinde ilave dolm gereksizdir.
- Toplam boru uzunluğu 40 m'yi aşarsa üniteye, aşağıdaki çizelgede yer alan müsaade edilen boru uzunluklarına göre ilave R410A soğutucu doldurun.

* Ünite durgun haldeyken, boru uzatmaları ve iç ünite vakumlandıktan sonra sıvı kesme vanasından üniteye soğutucu ilave edin. Ünite çalışırken soğutucuyu bir güvenli dolm cihazı kullanarak gaz çek valfinden ekleyin. Çek valfine doğrudan sıvı soğutucu eklemeyin.

Üniteyi soğutucu ile doldurduktan sonra eklenen soğutucu miktarını servis etiketine (üniteye yapıştırılmıştır) yazın.

Daha fazla bilgi için "1.5. R410A soğutuculu klima cihazlarının kullanımı" başlıklı bölüme bakın.

Tablo 1

Toplam boru uzunluğu ($b1+b2+a1+a2+a3+a4+a5+a6+a7+a8$)	41 - 50 m	51 - 70 m	71 - 90 m	91 - 115 m
İlave soğutucu doldurma miktarı	0,6 kg	1,4 kg	2,2 kg	3,2 kg

ø9,52 sıvı borularını bir iç üniteye bağlarken (M ve S Serisi için model numarası 71 ya da üstü ve P Serisi için model numarası 60 ya da üstü), Tablo 1'deki ek soğutucu doldurma miktarı düzeltilmelidir (Tablo 1'de verilen değere aşağıdaki ΔR değerini ekleyin).

Ek soğutucu doldurma düzeltme miktarı

$$\Delta R = 0,01 \text{ [kg/m]} \times \text{ø9,52 şubeli borunun (sıvı borusu) toplam uzunluğu [m]}$$

Örnek) $b1=20 \text{ m}$, $b2=25 \text{ m}$

İç ünite	Boru	Uzunluk
İç ünite A	ø9,52 Sıvı borusu	$a1=12 \text{ m}$
İç ünite B	ø6,35 Sıvı borusu	$a2=11 \text{ m}$
İç ünite C	ø6,35 Sıvı borusu	$a6=14 \text{ m}$
İç ünite D	ø9,52 Sıvı borusu	$a7=13 \text{ m}$

Toplam boru uzunluğu : $b1+b2+a1+a2+a6+a7=95 \text{ m}$

→ Tablo 1'e göre, ek soğutucu doldurma miktarı 3,2 kg'dır.

ø9,52 sıvı boru kullanılan iç üniteler bağlandığında (bu örnekte A ve D iç üniteleri), ek soğutucu doldurma miktarı düzeltilmelidir.

Ek soğutucu doldurma düzeltme miktarı

$$\Delta R = 0,01 \text{ [kg/m]} \times \text{ø9,52 şubeli borunun (sıvı borusu) toplam uzunluğu (a1+a7)}$$

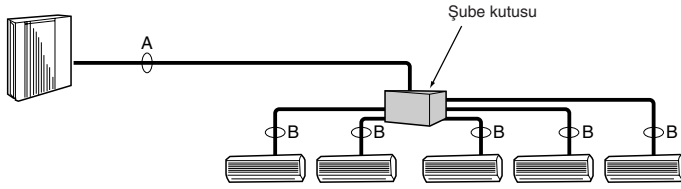
$$= 0,01 \times (12+13 \text{ m})$$

$$= 0,25 \text{ kg}$$

Bu durumda, ek soğutucu doldurma miktarı $3,2 \text{ kg} + 0,25 \text{ kg} = 3,45 \text{ kg}$ 'dir.

■ 1 şube kutusunun kullanıldığı hallerde

Kullanılan geçme bağlantı. (Lehim yoktur)



■ 2 şube kutusunun kullanıldığı hallerde

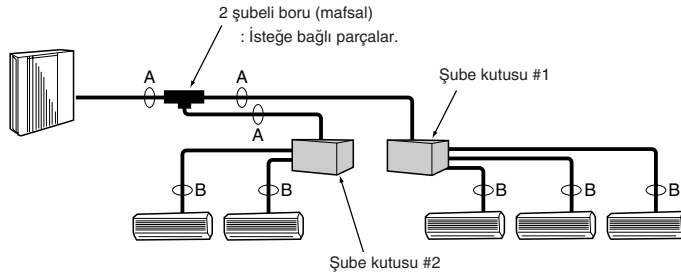


Fig. 5-2

(1) Dış ünite için vana boyutu

Sıvı için	ø9,52 mm
Gaz için	ø15,88 mm

(2) Şube kutusu için vana boyutu

Ünite	Boru	Boyut
[A] ÜNİTE	Sıvı borusu	ø6,35 mm
	Gaz borusu	ø9,52 mm
[B] ÜNİTE	Sıvı borusu	ø6,35 mm
	Gaz borusu	ø9,52 mm
[C] ÜNİTE	Sıvı borusu	ø6,35 mm
	Gaz borusu	ø9,52 mm
[D] ÜNİTE	Sıvı borusu	ø6,35 mm
	Gaz borusu	ø9,52 mm
[E] ÜNİTE	Sıvı borusu	ø6,35 mm
	Gaz borusu	ø12,7 mm

* 3 şubeli tip : Sadece [A], [B], [C] ünitesi

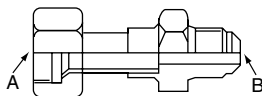


Fig. 5-3

Dönüştürme formülü

1/4 F	ø6,35
3/8 F	ø9,52
1/2 F	ø12,7
5/8 F	ø15,88
3/4 F	ø19,05

5.4. Boru boyutunun seçilmesi (Fig. 5-2)

	A	B
Sıvı (mm)	ø9,52	Boru bağlantı boyutu iç ünitenin tipi ve kapasitesine göre değişmektedir. Şube kutusunun boru bağlantı boyutunu iç üniteyle eşleştirin.
Gaz (mm)	ø15,88	Şube kutusunun boru bağlantı boyutu iç ünitenin boru bağlantı boyutuyla eşleşmezse şube kutusu tarafında isteğe bağlı farklı çapta (deforme) mafsal kullanın. (Deforme mafsalı doğrudan şube kutusu tarafına bağlayın.)

Farklı çapta mafsal (isteğe bağlı parçalar) (Fig. 5-3)

Model adı	Bağlı boruların çapı		A Çapı	B Çapı
	mm			
MAC-A454JP	ø9,52 → ø12,7		ø9,52	ø12,7
MAC-A455JP	ø12,7 → ø9,52		ø12,7	ø9,52
MAC-A456JP	ø12,7 → ø15,88		ø12,7	ø15,88
PAC-493PI	ø6,35 → ø9,52		ø6,35	ø9,52
PAC-SG76RJ-E	ø9,52 → ø15,88		ø9,52	ø15,88

Boru tesisatının hazırlanması

① Aşağıdaki tabloda piyasadan edinebileceğiniz boruların özellikleri yer almaktadır.

Dış çap	Yalıtım kalınlığı	Yalıtım malzemesi
mm	mm	
6,35	8	0,045 özgül ağırlığında ısıya dirençli köpük plastik
9,52	8	
12,7	8	
15,88	8	

② Yoğuşmayı önlemek için 2 soğutucu borusunun yalıtıldığından emin olun.

③ Soğutucu borusu bükme yarıçapı 100 mm veya üzerinde olmalıdır.

⚠ Dikkat:

Belirtilen kalınlıkta yalıtım kullandığınızdan emin olun. Kalınlığın fazla olması, iç ünite ve şube kutusunun yanlık monte edilmesine az olması ise çığ damlamasına neden olabilir.

2 şubeli boru (Mafsal) : İsteğe bağlı parçalar (Bağlantı yöntemine göre beğendiğinizi seçebilirsiniz.)

Model adı	Bağlantı yöntemi
MSDD-50AR-E	geçme
MSDD-50BR-E	lehim

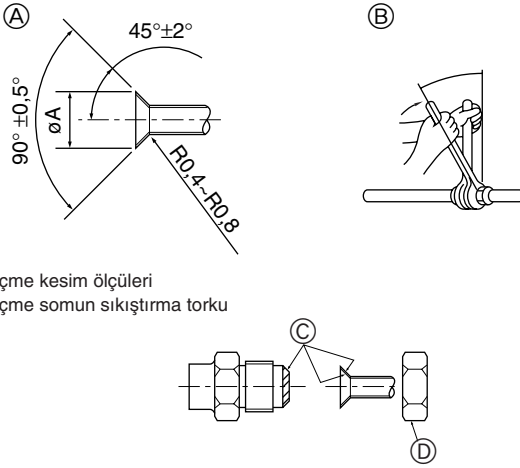
■ Montaj prosedürü (2 şubeli boru (Mafsal))

MSDD-50AR-E ve MSDD-50BR-E montaj kılavuzlarına başvurun.

5. Soğutucu borularının monte edilmesi

İç ve dış ünitelerin yerini değiştirirken soğutucunun toplanması (pompalama)

- ① Ölçme aleti manifold vanasını (basınçölçer içerir) soğutma basıncı ölçülebilecek şekilde dış ünitenin gaz kesme vanası yanındaki servis girişine bağlayın.
- ② Elektrik beslemesini açın (devre kesici).
- ③ Sıvı kesme vanasını kapatın ve daha sonra soğutma işlemi için bir test çalışması yapın (SW4-1: AÇIK ve SW4-2: KAPALI).
* SW4-1 ve SW4-2 ayarı yapmadan önce güç kaynağını kapattıktan sonra en az 3 dakika beklediğinizden emin olun. DIP anahtarları 3 dakika geçmeden ayarlanırsa, test çalışması başlamayabilir.
- ④ Ölçme aleti üzerinde görülen basınç değeri 0,05 - 0,00 MPa* (yaklaşık 0,5 - 0,00 kgf/cm²) değerine düştüğünde gaz kesme vanasını tamamen kapatın.
* Klima ünitesi sistemine çok fazla soğutucu ilave edilmişse, basınç 0,5 kgf/cm²'ye düşmeyebilir. Bu olduğunda, sistemdeki soğutucunun tümünü toplamak için bir soğutucu toplama cihazı kullanın ve daha sonra iç ve dış ünitelerin yeri değiştirildikten sonra sisteme doğru miktarda soğutucu koyun.
- ⑤ Klima ünitesini kapatın (SW4-1: KAPALI ve SW4-2: KAPALI).
- ⑥ Elektrik beslemesini kapatın (devre kesici).



- Ⓐ Geçme kesim ölçüleri
Ⓑ Geçme somun sıkıştırma torku

Fig. 5-4

Ⓐ (Fig. 5-4)

Bakır boru O.D. (mm)	Geçme boyutları øA boyutları (mm)
ø6,35	8,7 - 9,1
ø9,52	12,8 - 13,2
ø12,7	16,2 - 16,6
ø15,88	19,3 - 19,7

Ⓑ (Fig. 5-4)

Bakır boru O.D. (mm)	Geçme somun O.D. (mm)	Sıkıştırma torku (N-m)*
ø6,35	17	14 - 18
ø6,35	22	34 - 42
ø9,52	22	34 - 42
ø9,52	26	49 - 61
ø12,7	26	49 - 61
ø12,7	29	68 - 82
ø15,88	29	68 - 82
ø15,88	36	100 - 120

* 1 N-m ≈ 10 kgf-cm

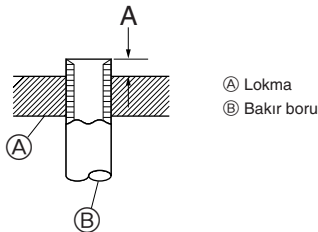


Fig. 5-5

- Ⓐ Lokma
Ⓑ Bakır boru

5.5. Boruların bağlanması (Fig. 5-4)

- Piyasada satılan bakır borular kullanıldığında, sıvı ve gaz borularını piyasada satılan yalıtım malzemeleriyle sarın (en az 100 °C sıcaklığa dayanıklı olmalı veya en az 12 mm kalınlığında olmalıdır).
- Drenaj borusunun bina içindeki aksamı polietilen köpük yalıtım malzemeleriyle sarılmalıdır (özgül ağırlığı 0,03 olmalı, kalınlığı en az 9 mm olmalıdır).
- Geçme somunu sıkmadan önce boru ve conta bağlantı yüzeylerine ince bir tabaka halinde soğutucu yağı uygulayınız. Ⓐ
- Boru bağlantılarını iki somun anahtarıyla sıkınız. Ⓑ
- Boru bağlantılarının yapılmasından sonra, bir kaçak dedektörü veya biraz sabunlu suyla gaz kaçağı olup olmadığını muayene ediniz.
- Bütün geçme yatağı yüzeyine soğutucu makine yağı sürün. Ⓒ
- Geçme somunları şu şekilde kullanın. Ⓓ

■ Boru boyutu (Dış ünite-Şube kutusu)

Boru boyutu (ømm)	Sıvı	ø9,52
	Gaz	ø15,88

Bağlanabilir iç ünitenin yerleşimi mahalle/bölge/ülkelere göre değişmektedir.

■ Boru boyutu (Şube kutusu-iç ünite) *M serisi ve S serisi iç ünite örneği

İç ünite tipi	(kW)	22	25	35	50	60	71	80
Boru boyutu (ømm)	Sıvı	ø6,35	ø6,35	ø6,35	ø6,35	ø6,35	ø9,52	ø9,52
	Gaz	ø9,52	ø9,52	ø9,52	ø12,7	ø15,88*	ø15,88	ø15,88

* MEXZ serisi 60 tipi iç ünite kullanırken, iç ünitenin gaz kısmı için iç ünite aksesuarları içindeki geçme somunu kullanın. İç üniteye takılı olan geçme somununu (gaz tarafı) kullanmayın. Kullanılması halinde, gaz kaçağı meydana gelebilir veya boru yerinden çıkabilir.

■ Boru boyutu (Şube kutusu-iç ünite) *P serisi iç ünite kullanılması durumunda

İç ünite tipi	(kW)	35	50	60	71
Boru boyutu (ømm)	Sıvı	ø6,35	ø6,35	ø9,52	ø9,52
	Gaz	ø12,7	ø12,7	ø15,88	ø15,88

P serisi 35, 50 tipi iç ünite kullanırken, iç üniteye takılı olan geçme somununu kullanın. Geçme somununu kullanmayın (iç ünite aksesuarları içindeki). Kullanılması halinde, gaz kaçağı meydana gelebilir veya boru yerinden çıkabilir.

- Boruları bükerken kırmamaya dikkat edin. 100 mm ila 150 mm arasındaki bükme çapları yeterlidir.
- Boruların kompresöre değmemesine özen gösterin. Aksi takdirde anormal gürültü veya titreşim meydana gelebilir.

- ① Borular iç üniteden başlayarak döşenmelidir. Geçme somunlar tork anahtarları ile sıkılmalıdır.
- ② Sıvı borularını ve gaz borularını geçirin ve ince bir tabaka halinde soğutma yağı sürün (Yerinde uygulanır).
- Normal boru contası kullanıldığında, R410A soğutma borularının geçme işlemleri için Tablo 2'e başvurun.
A ölçülerini doğrulamak için ebat ayarlama geyiği kullanılabilir.

Tablo 2 (Fig. 5-5)

Bakır boru O.D. (mm)	A (mm)	
	R410A için geçme aleti	R22-R407C için geçme aleti
	Kavrama tipi	
ø6,35	0 - 0,5	1,0 - 1,5
ø9,52	0 - 0,5	1,0 - 1,5
ø12,7	0 - 0,5	1,0 - 1,5
ø15,88	0 - 0,5	1,0 - 1,5

5. Soğutucu borularının monte edilmesi

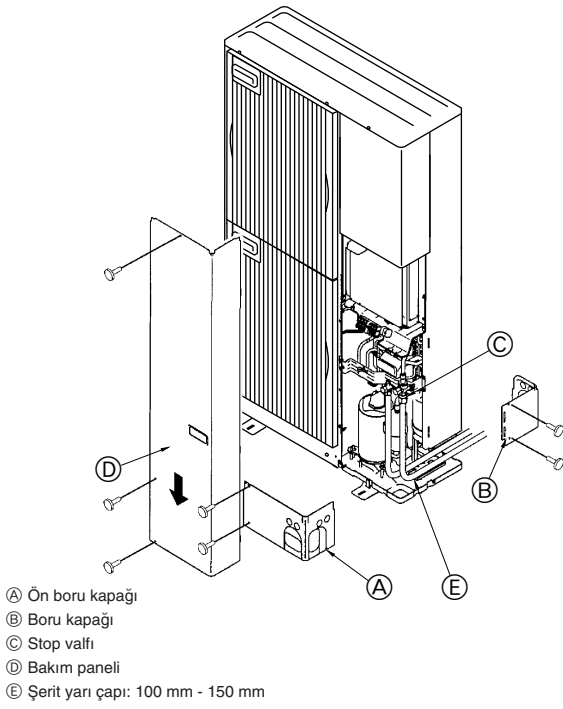


Fig. 5-6

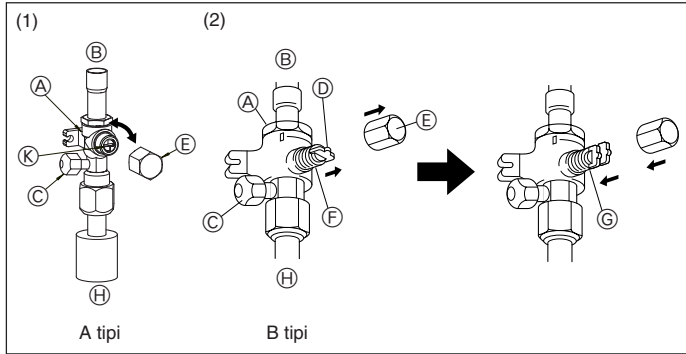


Fig. 5-7

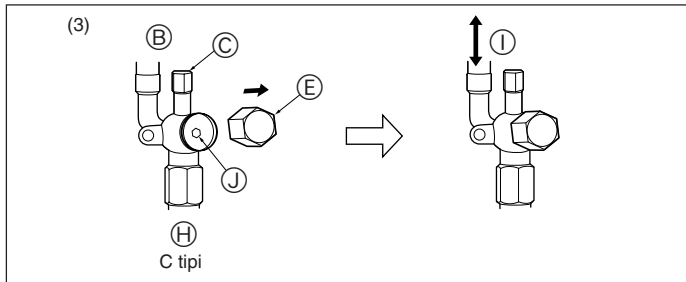


Fig. 5-8

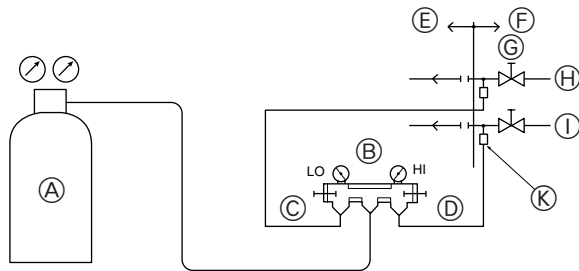


Fig. 5-9

5.6. Soğutucu boruları (Fig. 5-6)

Bakım panelini (D) (üç vida) ve ön boru kapağını (A) (iki vida) ve arka boru kapağını (B) (iki vida) çıkarın.

Soğutucu boruları koruyucu bir şekilde sarılmıştır.

• Borular, bağlanmadan önce veya bağlandıktan sonra koruma amacıyla ø90'lık bir çapa ulaşacak şekilde sarılabilirler. Boru kaplamasındaki parçayı yarıktan itibaren kesip atın ve boruları sarın.

Boru giriş boşluğu

• Boru girişindeki boruların etrafını macunla veya sızdırmaz madde ile hiç boşluk kalmayacak şekilde kapatın.

(Boşluklar kapatılmadığı takdirde, gürültü yayılır veya cihaza toz veya su girerek bozulmasına neden olabilir.)

5.7. Boru tesisatı bağlantısı/vana işletimi ile ilgili dikkat edilecek hususlar

- Boru tesisatı bağlantısı ve vana işletimi aşağıdaki şekle göre dikkatli bir biçimde yürütün.
- Soğutucu borusu mafsallarını saran yalıtıma su girmesini önlemek için yalıtım boyunca sızdırmazlık maddesi uygulayın.
- Boşaltma ve soğutucu doldurma işlemlerinin ardından kolun tümüyle açık olduğundan emin olun. Vana kapalıyken çalıştırılması halinde soğutucu devresinin yüksek veya düşük basınç tarafına anormal basınç verilecek ve kompresör vb. hasar görecektir.
- İlave soğutucu miktarını belirleyin ("5.3. Soğutucu madde eklenmesi" başlıklı bölüme bakın) ve boru tesisatı bağlantı işlemini tamamladıktan sonra servis ağzından ilave soğutucu doldurun.
- İş tamamlandıktan sonra, gaz kaçacağını önlemek için servis ağzı (12 - 15 N-m) ve kapağını (20 - 25 N-m) güvenli bir şekilde sıkın.

* 1 N-m \approx 10 kgf-cm

Kesme vanasını tümüyle açma yöntemi

Stop valfi açma metodu dış ünite modeline göre değişir. Stop valfları açmak için uygun olan metodu kullanın.

(1) A tipi (Fig. 5-7)

- 1 Başlığı çıkarın, daha sonra düz-ağızlı bir tornavida ile tamamen açmak için saat yönünün tersinde bir-çeyrek tur çevirin.
- 2 Vanaların tamamen açık olduğundan emin olun, daha sonra başlığı ilk konumuna getirin ve sıkın.

(2) B tipi (Fig. 5-7)

- 1 Kapağı çıkarın, kolu kendinize doğru çekip saat yönünün tersine 1/4 devir çevirerek açın.
- 2 Stop valfinin tamamen açık olduğundan emin olun, kolu içeri itin ve başlığı çevirerek tekrar ilk konumuna getirin.

(3) C tipi (Fig. 5-8)

- 1 Başlığı çıkarın ve 4 mm'lik bir altıgen somun anahtarıyla vana çubuğunu gidebileceği yere kadar saat yönünün tersine döndürün. Tampona dayanınca döndürmeye son verin.
- 2 Stop valfinin tamamen açık olduğundan emin olun ve başlığı çevirerek tekrar ilk konumuna getirin.

- | | |
|--------------------|---|
| (A) Vana | (G) Tümüyle açık |
| (B) Ünite tarafı | (H) (Yan montaj) Soğutucu borusu tarafı |
| (C) Servis ağzı | (I) Soğutucu akış yönü |
| (D) Kol | (J) Anahtar deliği |
| (E) Kapak | (K) İşletim kısmı |
| (F) Tümüyle kapalı | |

5.8. Hava sızdırmazlık testi ve boşaltma

1 Hava sızdırmazlık testi (Fig. 5-9)

Hava sızdırmazlık testi basınçlı nitrojen gazıyla gerçekleştirilmelidir. Test yöntemi için aşağıdaki şekle bakın.

- 1 Test cihazının bağlanması. Kesme vanası kapalıyken test edin. Ayrıca hem sıvı veya yüksek basınç borusunu hem de gaz veya düşük basınç borusunu basınç altına aldığınızdan emin olun.
- 2 Belirtilen basıncın tümünü bir defada uygulamayın; basıncı azar azar arttırın.
 - 1 0,5 MPa (5 kgf/cm²G) basınç uygulayın, beş dakika bekleyin ve basıncın azaldığından emin olun.
 - 2 1,5 MPa (15 kgf/cm²G) basınç uygulayın, beş dakika bekleyin ve basıncın azaldığından emin olun.
 - 3 4,15 MPa (41,5 kgf/cm²G) basınç uygulayın ve ortamdaki sıcaklığı ve soğutucu basıncını ölçün.
- 3 Belirtilen basınç yaklaşık bir gün kalır ve düşmezse, borular testi geçmiş ve hiçbir kaçak yok demektir.
 - Ortam sıcaklığı 1 °C değişirse, basınç da yaklaşık 0,01 MPa (0,1 kgf/cm²G) düşecektir. Gerekli düzeltmeleri yapın.
- 4 Basıncı (2) veya (3). Adımda düşerse bir gaz kaçağı var demektir. Gaz kaçağının kaynağını araştırın.

- | | |
|--------------------------|---|
| (A) Nitrojen gazı | (F) Dış ünite |
| (B) Sistem analiz cihazı | (G) Kesme vanası |
| (C) Lo (Düşük) düğmesi | (H) Sıvı borusu veya yüksek basınç borusu |
| (D) Hi (Yüksek) düğmesi | (I) Gaz borusu veya düşük basınç borusu |
| (E) Şube kutusuna | (K) Servis ağzı |

5. Soğutucu borularının monte edilmesi

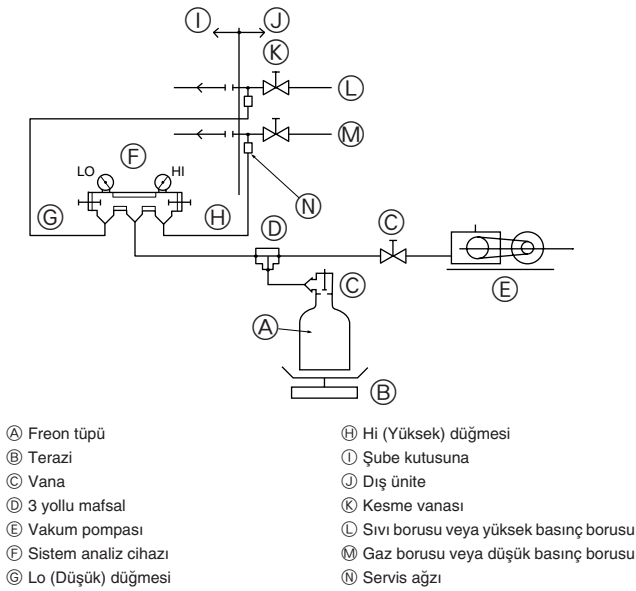


Fig. 5-10

② Boşaltma (Fig. 5-10)

Boşaltma işlemi, dış ünitenin kesme vanasından hem sıvı veya yüksek basınç borusu hem de gaz veya düşük basınç borusu için ortak olarak kullanılan vakum pompasına doğru yapılmalıdır. (Boşaltma işlemi hem sıvı veya yüksek basınç borusunu hem de gaz veya düşük basınç borusundan, kesme vanası kapalı iken gerçekleştirin.) Unutmayın: Kesinlikle soğutucu kullanarak hava temizleme işlemi gerçekleştirmeyin.

⚠ Uyarı:

Bir üniteyi monte ederken veya başka bir yere taşıırken, soğutucu devresine belirtilen soğutucudan başka bir şey karıştırmayın. Hava karıştırılması halinde, soğutucu devresinde anormal düzeyde basınç birikerek boruların patlamasına neden olabilir.

* 0,1 kg'a kadar ölçme yeteneğine sahip hassas bir ağırlık ölçer kullanılmalıdır. Bu düzeyde hassas bir ağırlık ölçer hazırlayamıyorsanız bir dolun tüpü de kullanabilirsiniz.

Not:

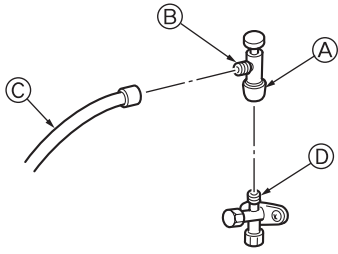
- Ünite kullanılmıyken öngörülen soğutucu için tasarlanmış olan bir ölçüm aleti manifoldu, dolun hortumu ve diğer parçaları kullanın.
- Bir ağırlık ölçer kullanın. (0,1 kg'a kadar ölçme yeteneğine sahiptir)

Doldurma valfi kullanılırken alınması gereken önlemler (Fig.5-11)

Servis portunu takarken çok fazla sıkmayın aksi takdirde, valf gövdesi deforme olabilir, gevşeyebilir ve gaz sızıntısına neden olur.

② bölümünü belirtilen yönde konumlandırdıktan sonra yalnızca ① bölümünü döndürün ve sıkın.

① bölümünü sıktıktan sonra ① ve ② bölümünü bir arada daha fazla sıkmayın.



- * Sol taraftaki şekil yalnızca örnektir. Stop valfinin şekli, servis portu konumu vb. modele bağlı olarak değişiklik gösterebilir.
- * Yalnızca ① bölümünü döndürün. (① ve ② bölümlerini daha fazla bir arada sıkmayın.)

C Doldurma hortumu
 D Servis portu

Fig. 5-11

6. Drenaj Tesiatı İşleri

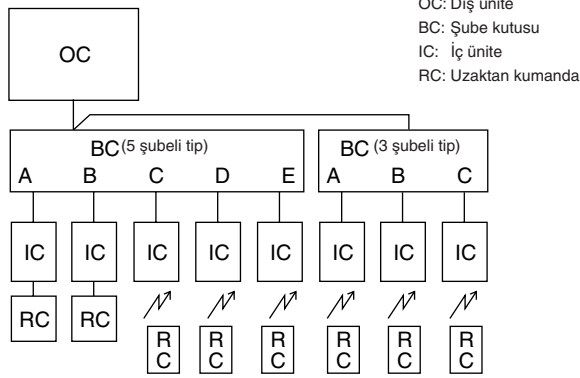
Dış ünite drenaj borusu bağlantısı

Drenaj borusu gerekli olduğu zaman, drenaj soketini veya drenaj çanağını (isteğe bağlı aksam) kullanın.

Drenaj soketi	PAC-SG61DS-E
Drenaj çanağı	PAC-SG64DP-E

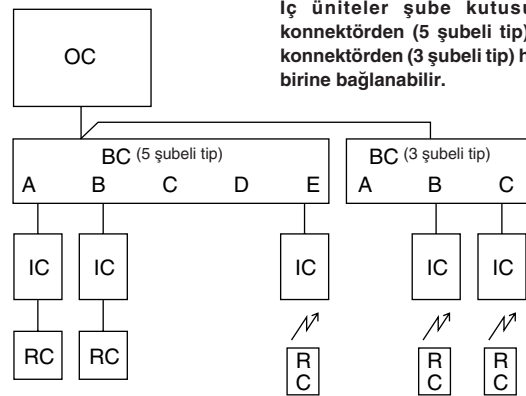
7. Elektrik işleri

[1] Temel sistem



Not:

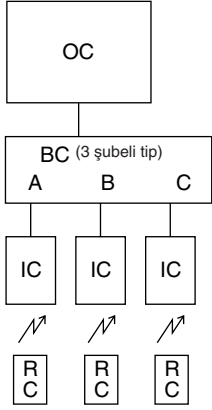
İç üniteler şube kutusunun 5 konnektörden (5 şubeli tip) veya 3 konnektörden (3 şubeli tip) herhangi birine bağlanabilir.



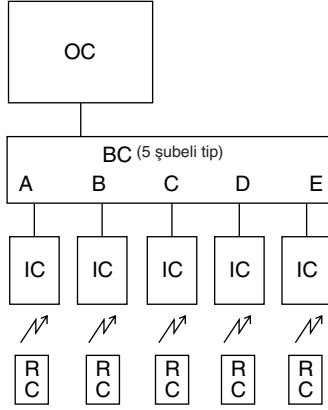
7. Elektrik işleri

[2] Standart sitemler

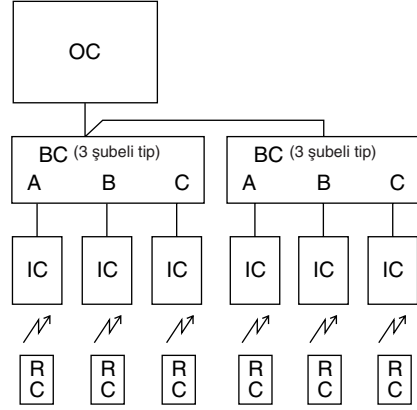
2-1. Sadece 3 şubeli tip



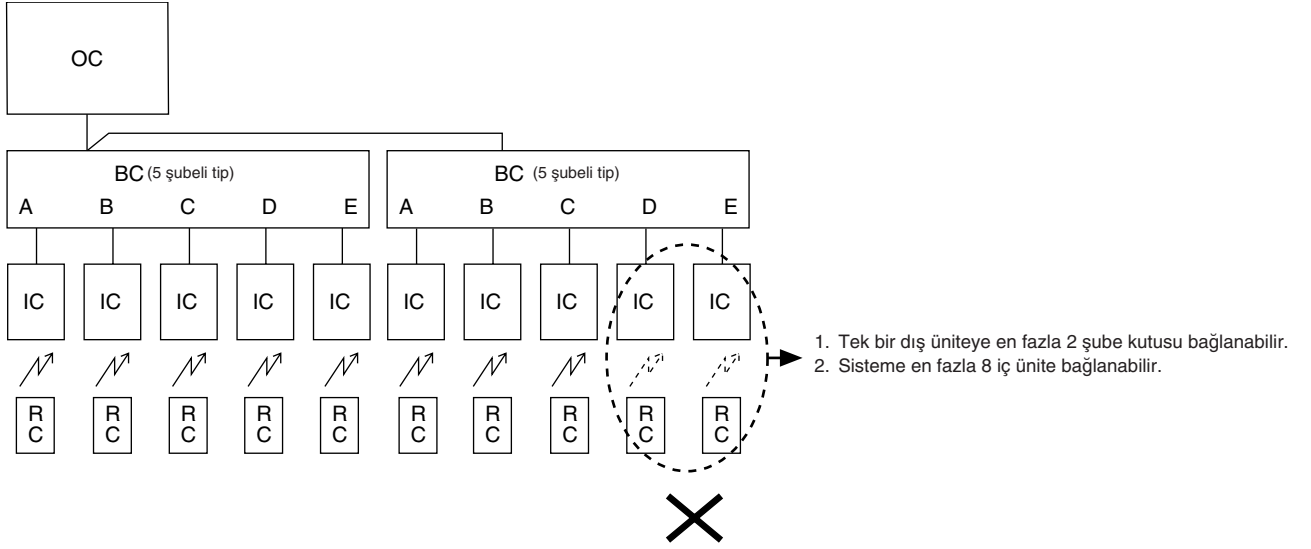
2-2. Sadece 5 şubeli tip



2-3. 2 şube kutusu (3 şubeli tip)

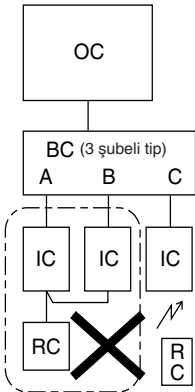


2-4. 2 şube kutusu (5 şubeli tip, maksimum 8 iç ünite)

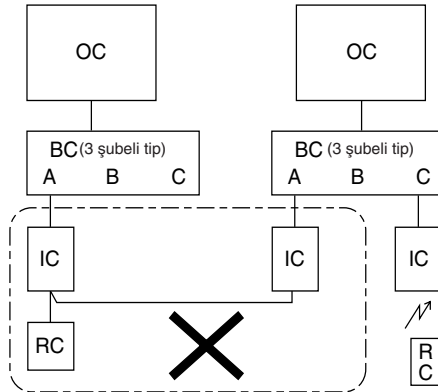


[3] Yanlış sitemler

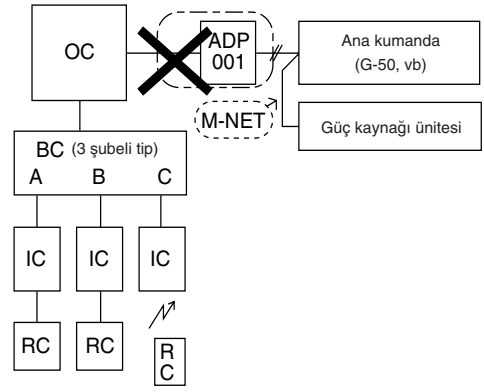
3-1. Tek uzaktan kumanda ile grup halinde işletim



3-2. Farklı soğutucu sistemleri arasında grup halinde işletim



3-3. M-NET adaptörünün dış üniteye bağlanması



3-1. Birden çok iç ünite tek bir uzaktan kumanda ile çalıştırılmaz.

3-2. Farklı soğutucu sistemleri birbirine bağlanamaz.

3-3. Bir iç üniteye bir M-NET adaptörü bağlanamaz.

7. Elektrik işleri

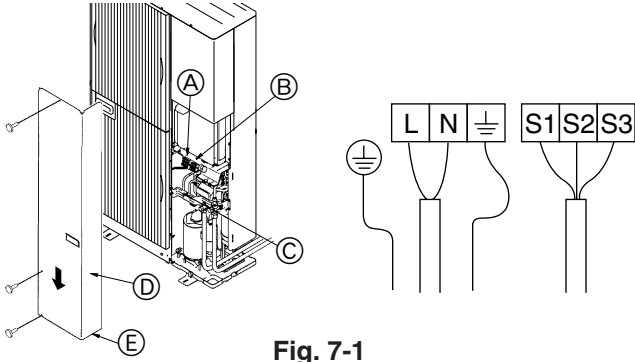


Fig. 7-1

7.1. Dış ünite (Fig. 7-1)

- ① Servis panelini sökün.
- ② Kabloları Fig. 7-1 uyarınca bağlayın.
 - Ⓐ Toprak bağlantısı
 - Ⓑ Terminal bloğu
 - Ⓒ Kelepçe
 - Ⓓ Servis panosu
 - Ⓔ Kabloları servis panosunun ortasına veya gaz valfına temas etmeyecek şekilde bağlayın.

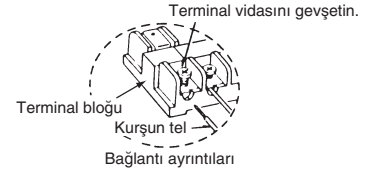
7.2. Şube kutusu/dış ünite tel bağlantısı ve dış ünite güç kaynağı kablo bağlantısı

⚠ Uyarı:

- Dış ünitenin terminal bloğu kapaklarını/panelini güvenli bir şekilde taktığınızdan emin olun. Doğru takılmaları halinde, toz, su vb. nedeniyle yangına veya elektrik çarpmasına neden olabilir.
- İç üniteler, dış üniteler ve şube kutularının güç kaynağı kabloları ve bağlantı tellerinin (ara bağlantılara değil) doğrudan ünitelere bağlandığından emin olun. Ara bağlantılar, kablolar veya tellere su girmesi halinde haberleşme hatalarına neden olabilir ve topraklama yalıtımının yetersiz olmasına veya ara bağlantı noktasında elektrik temasızlığına yol açabilir. (Bir ara bağlantı gerekli ise, kablo ve tellere su girmesini önleyecek tedbirler aldığınızdan emin olun.)

⚠ Dikkat:

- Yanlış bağlantı yapmamaya dikkat edin.
- Terminal vidalarını, gevşemelerini önlemek için güzelce sıkın.
- Sıkma işleminin ardından, hareket etmediklerinden emin olmak için telleri hafifçe çekin.
- Bağlantı teli, terminal bloğuna yanlış bağlanırsa ünite normal çalışmaz.



- Şube kutusundan gelen teli terminal bloğuna doğru bir şekilde bağlayın.
- Sonradan gerçekleştirilecek servis işlemleri için bağlantı telinde ilave uzunluk bırakın.

<Örnek> (2 şubeli kutu örneğinde)

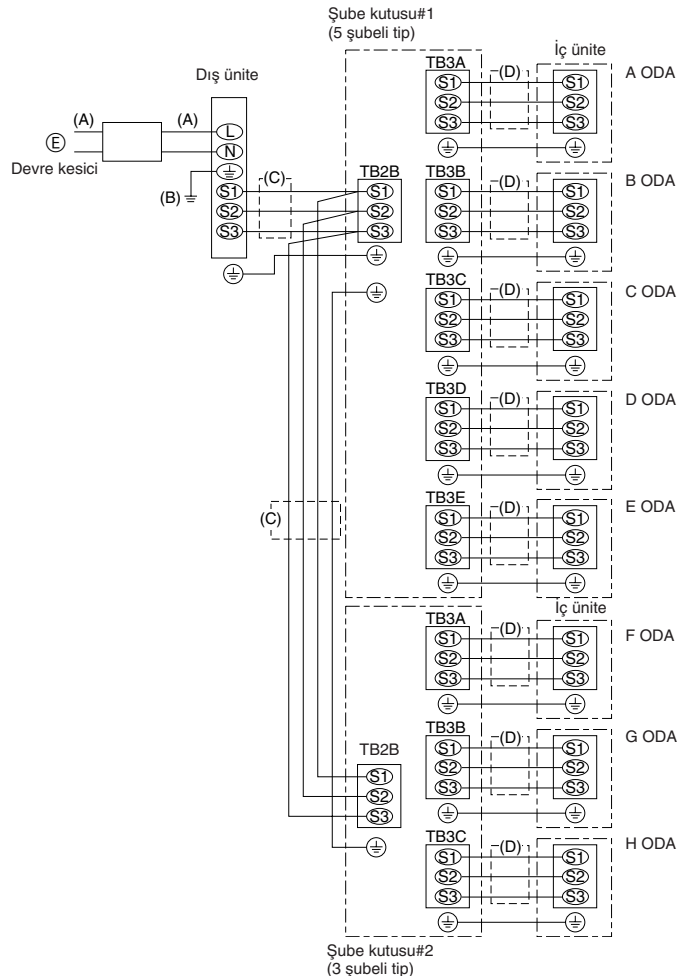


Fig. 7-2

7.3. Harici kablo bağlantısı prosedürü (Fig. 7-2)

Güç kaynağı işlemleri sadece dış ünite üzerinde gerçekleştirilir. Şube kutusuna veya iç üniteye güç kaynağı kablo bağlantısı üzerinden sağlanır. Bu nedenle güç kaynağı işlemleri sadece dış ünitenin bir yönünde gerçekleştirilebilir. İş basitleştirmeye ve maliyet tasarrufu sağlamaya yardımcı olacaktır.

- Ⓔ Güç kaynağı tek faz
 - AC220/230/240 V, 50 Hz
 - AC220 V, 60 Hz
 - Maksimum İzin Verilen Sistem Empedansı 0,22 (Ω).

Not:

- ① Güç kaynağı girişi: Sadece dış ünite. Doğru polariteyi elde etmek için (C), (D) hatlarını terminal bloğu adlarına göre bağlayın.

Kablo çapı				Devre kesici *1	
(A) Ana güç hattı	(B) Toprak hattı	(C) Sinyal hattı	(D) Sinyal hattı	Akımın kesilmesi	Performans özellikleri
6,0 mm ²	6,0 mm ²	1,5 mm ²	1,5 mm ²	40 A	0,1 saniye veya altı için 40A, 30 mA
		*2			

- Kablo tesisatında bükümlü kablo kullanırken, yuvarlak terminalin kullanılması gerekir.
- *1. Her bir kutupta en az 3 mm kontak ayırmalı bir devre kesicisi yer alacaktır. Sigortasız devre kesicisi (NF) veya topraklama kaçışı devre kesicisi (NV) kullanın.
- *2. Maks. 45 m ("Dış ünite – Şube kutusu *1" + "Şube kutusu *1 – Şube kutusu *2"). 2,5 mm² kullanılıyorsa, Maks. 55 m.

- Notlar: 1. Kablo bağlantısı boyutu geçerli yerel ve ulusal kanunlara uyumlu olmalıdır.
2. Güç kaynağı kabloları ve İç Ünite/şube kutusu/dış ünite bağlantı kabloları polikloropiren kaplı esnek kablolardan daha hafif olmayacaktır. (Tasarım 60245 IEC 57)
3. Güç kablolarından uzun bir topraklama hattı takın.

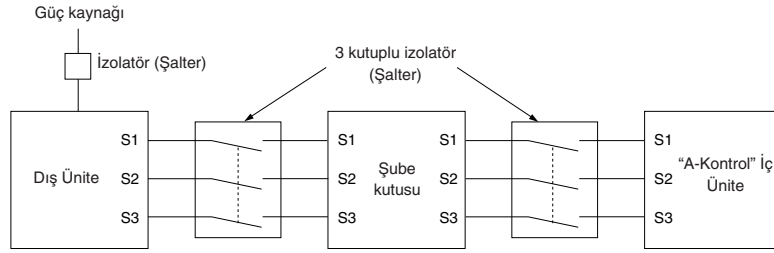
ÖNEMLİ

Akım kaçışı devre kesicisinin yüksek harmoniklerle uyumlu olduğundan emin olun. Bu ünite bir redresörle donatıldığı için daima yüksek harmoniklerle uyumlu bir akım kaçışı devre kesicisi kullanın. Uyumsuz bir devre kesicinin kullanılması, dönüştürücünün (inverter) yanlış çalışmasına neden olabilir.

7. Elektrik işleri

⚠ Uyarı:

A-kontrol kablosu kullanılması halinde, S3 terminalinde güç hattı ile haberleşme sinyali hattı arasında elektrik yalıtımı bulunmayan elektrik devresi tasarımından kaynaklı bir yüksek voltaj potansiyeli vardır. Bu nedenle, servis sırasında ana güç kaynağını kapatın. Ve, akım verildiğinde S1, S2, S3 terminallerine dokunmayın. Dış ünite ile şube kutusu/iç ünite ile şube kutusu arasında yalıtıcı kullanılması gereken hallerde lütfen 3 kutuplu tipte olanını kullanın.



⚠ Dikkat:

Yalıtıcıyı kullandıktan sonra sistemi sıfırlamak için ana güç beslemesini kapatıp açtığınızdan emin olun. Aksi takdirde dış ünite, şube kutusunu (kutularını) veya iç üniteleri algılayamayabilir.

KABLO BAĞLANTISI TEKNİK ÖZELLİKLERİ (DIŞ ÜNİTE-ŞUBE KUTUSU BAĞLANTI KABLOSU)

Kablonun ara kesiti	Kablo ebadı (mm ²)	Kablo sayısı	Polarite	L (m)*6
Yuvarlak	2,5	3	Saat yönünde : S1-S2-S3 * Sarı-yeşil çizgilere dikkat edin	(50) *2
Düz	2,5	3	Uygulanabilir değil (Çünkü orta kablodaki kaplama yok)	Uygulanabilir değil *5
Düz	1,5	4	Soldan sağa : S1-Açık-S2-S3	(45) *3
Yuvarlak	2,5	4	Saat yönünde : S1-S2-S3-Açık * S1 ve S3'ü ters açığa bağlayın	(55) *4

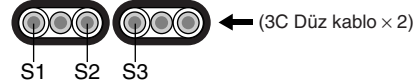
*1 : Cihazların elektrik kablosu kordonu tasarım 60245 IEC veya 227 IEC'den daha hafif olmayacaktır.

*2 : Sarı-yeşil çizgili kablo bulunabiliyorsa.

*3 : Normal polariteli bağlantı (S1-S2-S3) durumunda, kablo ebadı 1,5 mm² olmalıdır.

*4 : Normal polariteli bağlantı (S1-S2-S3) durumunda.

*5 : Bu resimdeki gibi düz kablolar bağlandığında, 55 m'ye kadar kullanılabilirler.



*6 : Belirtilen kablo uzunluğu yalnızca referans değeridir.

Montaj şartları, nemlilik veya malzeme, vb.'ye bağlı olarak farklı olabilir.

Dış ünite-şube kutusu/iç ünite-şube kutusu bağlantı kablolarını doğrudan ünitelere bağladığınızdan emin olun (ara bağlantı yoktur).

Ara bağlantılar, kabloların su girip topraklama yalıtımında yetersizliğe veya ara bağlantı noktasında temassızlığa neden olması halinde haberleşme hatalarına yol açabilir. (Bir ara bağlantı gerekli ise, kabloların su girmesini önleyecek tedbirler aldığınızdan emin olun.)

8. Çalışma testi

8.1. İşletme testinden önce

- İç ve dış ünitenin montajının ve kablo ve boru bağlantılarının tamamlanmasından sonra, soğutucu kaçağı, elektrik ve kontrol kablolarında gevşeme, hatalı polarite ve fazlardan birinde kopma olup olmadığına bakınız.
- Güç kaynağı terminaller ile toprak arasındaki direncin en az 1 MΩ olup olmadığını kontrol etmek için 500 voltluk bir M-ohm test cihazı kullanın.
- Bu testi kontrol kablosu (düşük gerilim devresi) terminallerinde yapmayınız.

⚠ Uyarı:

İzolasyon direnci 1 MΩ'dan azsa klimayı kullanmayınız.

İzolasyon direnci

Montajdan veya cihaza giden elektrik kesildikten uzun süre sonra, kompresörde soğutucu birikmesi nedeniyle izolasyon direnci 1 MΩ un altına düşecektir. Bu arıza anlamına gelmez. Aşağıdaki prosedürleri izleyin.

1. Kabloları kompresörden çıkarın ve kompresörün izolasyon direncini ölçün.
2. İzolasyon direnci 1 MΩ un altında ise, kompresörde arıza vardır veya direnç kompresörde soğutucu birikmesi nedeniyle düşmüştür.

3. Kabloları kompresöre bağladıktan sonra, elektriğin verilmesinin ardından kompresör ısınmaya başlayacaktır. Aşağıda verilmiş olan sürelerde elektrik verdikten sonra izolasyon direncini tekrar ölçün.

- İzolasyon direnci, kompresörde soğutucu birikmesi nedeniyle düşmüştür. Kompresör 2 - 3 saat süreyle ısındıktan sonra direnç 1 MΩ un üstüne çıkacaktır. (Kompresörün ısınması için gereken süre atmosferik koşullara veya soğutucu birikmesine göre değişir.)
- Kompresörü içinde soğutucu birikmiş vaziyette çalıştırmak için, herhangi bir arıza meydana gelmesini önlemek amacıyla kompresörün en az 12 saat süreyle ısınması sağlanmalıdır.

4. İzolasyon direnci 1 MΩ un üstüne çıkarsa, kompresör arızalı değil demektir.

⚠ Dikkat:

- Güç kaynağının faz bağlantısı doğru değilse kompresör çalışmaz.
- Cihazı çalıştırmadan en az 12 saat önce ana elektrik şalterini açınız.
- Ana elektrik şalterini açtıktan hemen sonra cihazı çalıştırmak iç parçaların ciddi hasar görmesine yol açabilir. Cihazın çalıştırılacağı mevsimde ana elektrik şalterini açık bırakınız.

► Aşağıdaki kontrollerin de yapılması gerekir.

- Dış ünite arızalı değildir. Dış ünite arızaya girdiğinde dış ünitenin kontrol panosundaki LED yanıp söner.
- Hem gaz hem de sıvı kesme vanaları tamamen açık.

8.2. Çalışma testi

8.2.1. Uzaktan kumandayı kullanma

İç ünite montaj kılavuzuna bakın.

- Her bir iç üniteyi test çalıştırmasına tabi tuttuğunuzdan emin olun. Üniteye bağlı olan montaj kılavuzunu kullanarak her bir iç ünitenin doğru çalıştığından emin olun.
- Tüm iç ünitelerin test çalıştırmasını bir defada yaparsanız soğutucu boruları ve bağlantı tellerindeki olası hatalı bağlantıları tespit edemezsiniz.
- * Kompresör, güç açıldıktan sonraki en az 3 dakika boyunca çalışmaz.
- Kompresör, güç kaynağı açıldıktan hemen sonra veya dış hava sıcaklığının düşük olması halinde gürültü yapabilir.

Yeniden çalışma önleme mekanizması hakkında

Kompresör durduktan sonra, yeniden çalışma önleme aygıtı devreye girerek klima cihazını korumak amacıyla kompresörü çalışmasını 3 dakika süreyle engeller.

8.2.2. Dış ünite SW4 kullanarak

Dış ünite test çalıştırması yapılması halinde tüm iç üniteler çalışır. Bu nedenle, soğutucu boruları ve bağlantı tellerindeki herhangi bir hatalı bağlantıyı tespit edemezsiniz. Herhangi bir hatalı bağlantının tespit edilmesi hedefleniyorsa, test çalıştırmasını "8.2.1. Uzaktan kumandayı kullanma." uyarınca uzaktan kumandadan gerçekleştirin.

SW4-1	ON (AÇIK)	Soğutma operasyonu
SW4-2	OFF (KAPALI)	
SW4-1	ON (AÇIK)	Isıtma operasyonu
SW4-2	ON (AÇIK)	

- * Test çalıştırması yapıldıktan sonra, SW4-1 OFF (KAPALI)'a ayarlanmalıdır.
- Kompresör çalışmaya başladıktan birkaç saniye sonra, dış ünitenin içinden bir gürültü gelebilir. Gürültü, borulardaki küçük basınç farklılıklarından dolayı çek valften gelmektedir. Ünite arızalı değildir.

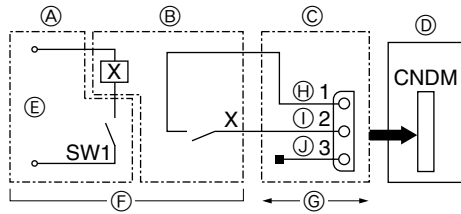
Çalışma testi sırasında, çalışma testi modu DIP SW4-2 düğmesiyle değiştirilemez. (İşletim testi modunu çalışma testi sırasında değiştirmek için, DIP SW4-1 düğmesiyle çalışma testini durdurun. Çalışma testi modunu değiştirdikten sonra SW4-1 düğmesiyle çalışma testine devam edin.)

"Dış ünite SW4 kullanarak" bir deneme çalıştırması başlatıldığında, iç ünite uzaktan kumanda ile verilmiş durma talimatlarını yürütse bile dış ünite durmaz (deneme çalıştırmasına son verilmez). Bu durumda dış ünite SW4'ü kapalı konuma getirin.

Not:

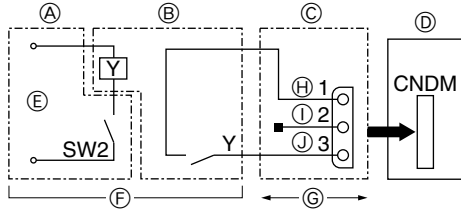
SW4-1 ve SW4-2 ayarı yapmadan önce güç kaynağını kapattıktan sonra en az 3 dakika beklediğinizden emin olun. DIP anahtarları 3 dakika geçmeden ayarlanırsa, test çalışması başlamayabilir.

9. Özel fonksiyonlar



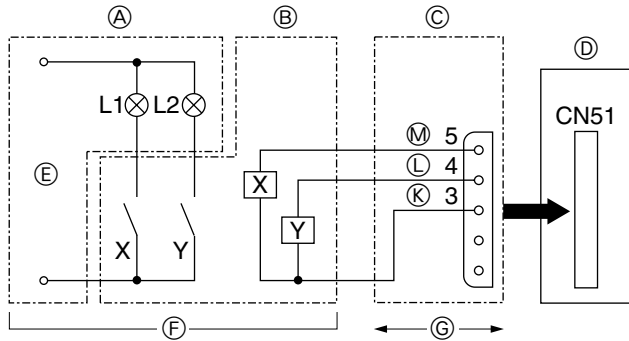
- A Uzaktan kumanda paneli
 B Röle devresi
 C Harici giriş adaptörü (PAC-SC36NA)
 D Dış ünite kontrol panosu
 E Röle güç kaynağı
 F Yerel olarak temin edin
 G Maks 10 m
 H Turuncu
 I Kahverengi
 J Kırmızı

Fig. 9-1



- A Uzaktan kumanda paneli
 B Röle devresi
 C Harici giriş adaptörü (PAC-SC36NA)
 D Dış ünite kontrol panosu
 E Röle güç kaynağı
 F Yerel olarak temin edin
 G Maks 10 m
 H Turuncu
 I Kahverengi
 J Kırmızı

Fig. 9-2



- L1 : Hata ekran lambası
 L2 : Kompresör çalışma lambası
 X, Y : Röle (0.9 W bobin standardı veya DC 12 V için daha az)
 X, Y : Röle (DC1 mA)

Fig. 9-3

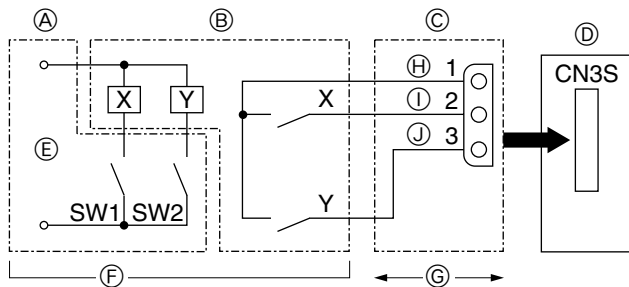


Fig. 9-4

9.1. Düşük sesli mod (yerde değişiklik) (Fig. 9-1)

Aşağıdaki modifikasyonu gerçekleştirerek, dış ünitenin çalışma gürültüsü yaklaşık 3 - 4 dB düşürülebilir.

Dış ünitenin kontrol panosu üzerindeki CNDM konektörüne (isteğe bağlı) piyasada bulunan bir zamanlayıcı veya AÇMA/KAPALI düğmesinin kontak girişi eklendiği takdirde, düşük sesli mod devreye girecektir.

- Kapasite dışındaki sıcaklık ve şartlara vb. bağlı olarak değişebilir.

① Harici giriş adaptörü (PAC-SC36NA) kullanırken, devreyi gösterildiği şekilde tamamlayın. (İsteğe bağlı)

9.2. Talep işlevi (sahada modifikasyon) (Fig. 9-2)

Aşağıdaki saha montaj işlemini uygulayarak elektrik tüketimini yüzde 0 ile 100 aralığında azaltılmak mümkündür.

Talep işlevi, CNDM konektörüne (ayrıca satılan temas noktası talep girişi) piyasada bulunan kontak nokta AÇMA/KAPALI düğmesi eklenerek devreye sokulabilir.

① "Harici giriş adaptörünü (PAC-SC36NA)" soldaki şemada görüldüğü şekilde devreye ekleyin.

② Dış ünitenin kontrol devre panosu üzerindeki SW7-1 kullanılarak şu güç tüketim kısıtlamaları (nominal güce kıyasla) ayarlanabilir.

SW7-1	SW2 devrede iken güç tüketimi
OFF (KAPALI)	0% (Kompresörün zorla durdurulması)
ON (AÇIK)	50%

9.3. Hata ve kompresör çalışmasını izleme fonksiyonu (CN51)

- A Uzaktan kumanda paneli
 B Röle devresi
 C Harici çıkış adaptörü (PAC-SA88HA-E)
 D Dış ünite kontrol panosu
 E Lamba elektrik beslemesi
 F Yerel olarak temin edin
 G Maks 10 m
 K Turuncu
 L Sarı
 M Yeşil

9.4. Otomatik değiştirme – Harici sinyalle çalışma modu sabitleme fonksiyonu (CN3S)

- A Mesafe kontrol kartı
 B Röle devresi
 C Harici çıkış adaptörü (PAC-SC36NA)
 D Dış ünite kontrol panosu
 E Lamba elektrik beslemesi
 F Yerel olarak temin edin
 G Maks 10 m
 H Turuncu
 I Kahverengi
 J Kırmızı

	ON (AÇIK)	OFF (KAPALI)
SW1	Isıtma	Serin
SW2	SW1 geçerliliği	SW1 geçersizliği

* Harici sinyalle tespit edilenden başka bir modda çalışan bir iç ünite, bekleme konumunda olacaktır.

* Dış ünite durdurulma konumundayken ayar etkisiz kalır.

* Test çalışması ile belirlenen çalışma modu bu fonksiyonun belirlenen modundan önce gelecektir.

Содержание

1. Меры предосторожности	156	6. Дренажные трубы	164
2. Монтажная схема и детали	157	7. Электрические работы	164
3. Место монтажа	158	8. Выполнение испытания	168
4. Установка наружного прибора	160	9. Специальные функции	169
5. Прокладка труб хладагента	160		

1. Меры предосторожности

- ▶ До установки прибора убедитесь, что Вы прочли все “Меры предосторожности”.
- ▶ Пожалуйста, проконсультируйтесь с органами электроснабжения до подключения системы.
- ▶ Оборудование соответствует IEC/EN 61000-3-12

⚠ Предупреждение:

Описывает меры предосторожности, необходимые для предотвращения получения травмы или гибели пользователя.

⚠ Осторожно:

Описывает меры предосторожности, необходимые для предотвращения повреждения прибора.

⚠ Предупреждение:

- Прибор не должен устанавливаться пользователем. Для выполнения установки прибора обратитесь к дилеру или сертифицированному техническому специалисту. Неправильная установка аппарата может повлечь за собой протечку воды, удар электрическим током или возникновение пожара.
- При установочных работах следуйте инструкциям в Руководстве по установке. Используйте инструменты и детали трубопроводов, специально предназначенные для использования с хладагентом марки R410A. Хладагент R410A в HFC-системе находится под давлением в 1,6 раза большим, чем давление, создаваемое при использовании обычных хладагентов. Если компоненты трубопроводов не предназначены для использования с хладагентом R410A, и аппарат установлен неправильно, трубы могут лопнуть и причинить повреждение или нанести травму. Кроме того, это может привести к утечке воды, поражению электрическим током или возникновению пожара.
- Прибор должен быть установлен согласно инструкциям, чтобы свести к минимуму риск повреждения от землетрясений, тайфунов или сильных порывов ветра. Неправильно установленный прибор может упасть и причинить повреждение или нанести травму.
- Прибор должен быть установлен на конструкции, способной выдержать его вес. Прибор, установленный на неустойчивой конструкции, может упасть и причинить повреждение или нанести травму.
- Если кондиционер установлен в небольшом помещении, необходимо принять меры для предотвращения концентрации хладагента свыше безопасных пределов в случае утечки хладагента. Проконсультируйтесь у дилера относительно соответствующих мер, предотвращающих превышение допустимой концентрации. В случае утечки хладагента и превышении допустимой его концентрации из-за нехватки кислорода в помещении может произойти несчастный случай.
- Если во время работы прибора произошла утечка хладагента, проветрите помещение. При контакте хладагента с пламенем образуются ядовитые газы.
- Все электроработы должны выполняться квалифицированным техническим специалистом в соответствии с местными правилами и инструкциями, приведенными в данном Руководстве. Приборы должны быть подключены к специально выделенным линиям электропитания с соответствующим напряжением через автоматические выключатели. Использование линий электропитания недостаточной мощности или неправильно проведенных линий может привести к поражению электрическим током или возникновению пожара.

После окончания установочных работ проинструктируйте пользователя относительно правил эксплуатации и обслуживания аппарата, а также ознакомьте с разделом “Мера предосторожности” в соответствии с информацией, приведенной в Руководстве по использованию аппарата, и выполните тестовый прогон аппарата для того, чтобы убедиться, что он работает нормально. Обязательно передайте пользователю на хранение экземпляры Руководства по установке и Руководства по эксплуатации. Эти Руководства должны быть переданы и последующим пользователям данного прибора.



: Указывает, что данная часть должна быть заземлена.

⚠ Предупреждение:

Внимательно прочтите текст на этикетках главного прибора.

- Обязательно подключайте кабели электропитания и соединительные провода внутренних приборов, наружных приборов и ответительных коробок непосредственно к приборам (без промежуточных соединений). Промежуточные соединения могут привести к ошибкам связи, если вода попадет в кабели или провода и приведет к недостаточной изоляции заземления или плохому электрическому контакту в точке промежуточного соединения. (Если промежуточное соединение необходимо, обязательно предпримите меры по предотвращению проникновения воды в кабели и провода.)
- Для соединения медных или медносплавных бесшовных труб, предназначенных для хладагента, используйте медный фосфор C1220. Если трубы соединены неправильно, прибор не будет должным образом заземлен, что может привести к поражению электрическим током.
- Используйте только указанные кабели для электропроводки. Соединения должны быть выполнены надежно, без натяжения около клемм. Если кабели подключены или укреплены неправильно, это может привести к перегреву или возникновению пожара.
- Крышка наружного прибора должна быть надежно присоединена к прибору. Если крышка установлена неправильно, в прибор могут попасть пыль и влага, что может привести к поражению электрическим током или возникновению пожара.
- При монтаже или перемещении кондиционера используйте только указанный хладагент (R410A) для заполнения трубопроводов хладагента. Не смешивайте его ни с каким другим хладагентом и не допускайте наличия воздуха в трубопроводах. Наличие воздуха в трубопроводах может вызывать скачки давления, в результате которых может произойти разрыв или другие повреждения.
- Используйте только те дополнительные принадлежности, на которые имеется разрешение от Mitsubishi Electric; для их установки обратитесь к дилеру или уполномоченному техническому специалисту. Неправильная установка дополнительных принадлежностей может привести к протечке воды, поражению электрическим током или возникновению пожара.
- Не изменяйте конструкцию прибора. При необходимости ремонта обратитесь к дилеру. Если изменения или ремонт выполнены неправильно, это может привести к протечке воды, удару электрическим током или возникновению пожара.
- Пользователю не следует пытаться ремонтировать прибор или перемещать его на другое место. Если прибор установлен неправильно, это может привести к утечке воды, удару электрическим током или возникновению пожара. Если необходимо отремонтировать или переместить кондиционер, обратитесь к дилеру или уполномоченному техническому специалисту.
- По окончании установки убедитесь в отсутствии утечки хладагента. Если хладагент проникнет в помещение и произойдет контакт его с пламенем обогревателя или переносного газового нагревателя, образуются ядовитые газы.

1.1. Перед установкой

⚠ Осторожно:

- Не используйте прибор в нестандартной окружающей среде. Установка кондиционера в местах, подверженных воздействию пара, летучих масел (включая машинное масло) или сернистых испарений, местах с повышенной концентрацией соли (таких, как берег моря), или местах, где прибор будет засыпан снегом, может привести к значительному снижению эффективности работы прибора или повреждению его внутренних частей.
- Не устанавливайте прибор в местах, где возможна утечка, возникновение, приток или накопление горючих газов. Если горючий газ будет накапливаться вокруг прибора, это может привести к возникновению пожара или взрыву.

- При использовании режима обогрева на наружном приборе образуется конденсат. Удостоверьтесь, что обеспечен хороший дренаж в районе наружного прибора, если этот конденсат может принести какой-либо вред.
- При монтаже прибора в больнице или центре связи примите во внимание шумовое и электрическое воздействие. Работа таких устройств, как инверторы, бытовые приборы, высокочастотное медицинское оборудование и оборудование радиосвязи может вызвать сбои в работе кондиционера или его поломку. Кондиционер также может повлиять на работу медицинского оборудования и медицинское обслуживание, работу коммуникационного оборудования, вызывая искажение изображения на дисплее.

1.2. Перед установкой (перемещением)

⚠ Осторожно:

- Будьте чрезвычайно осторожны при транспортировке приборов. Прибор должны переносить два или более человека, поскольку он весит не менее 20 кг. Не поднимайте прибор за упаковочные ленты. При распаковке прибора или его передвижении используйте защитные перчатки, поскольку можно повредить руки ребристыми деталями или другими частями прибора.
- Утилизируйте упаковочные материалы надлежащим образом. Упаковочные материалы, такие, как гвозди и другие металлические или деревянные части, могут поранить или причинить другие травмы.
- Необходимо периодически производить проверку основного блока наружного прибора и установленных на нем компонентов на разболтанность, наличие трещин или других повреждений. Если такие дефекты оставить неисправленными, прибор может упасть и причинить повреждение или нанести травму.

- Не мойте кондиционер водой. Это может привести к поражению электрическим током.
- Затягивайте все хомуты на муфтах в соответствии со спецификациями, используя ключ с регулируемым усилием. Слишком сильно затянутый хомут муфты по прошествии некоторого времени может сломаться, что вызовет утечку хладагента.

1. Меры предосторожности

1.3. Перед электрическими работами

⚠ Осторожно:

- Обязательно установите автоматические выключатели. В противном случае возможно поражение электрическим током.

ВАЖНО

Убедитесь в том, что используемый прерыватель утечки тока совместим с более высокой гармоникой.

Всегда пользуйтесь прерывателем утечки тока, так как данный прибор оборудован инвертором.

Прерыватель утечки тока, несовместимый с более высокой гармоникой, может стать причиной неправильной работы инвертора.

- Используйте для электропроводки стандартные кабели, рассчитанные на соответствующую мощность. В противном случае может произойти короткое замыкание, перегрев или пожар.

1.4. Перед тестовым прогоном

⚠ Осторожно:

- Включайте главный выключатель питания не позднее, чем за 12 часов до начала эксплуатации. Запуск прибора сразу после включения выключателя питания может серьезно повредить внутренние части. Держите главный выключатель питания включенным в течение всего времени работы.
- Перед началом эксплуатации проверьте, что все пульты, щитки и другие защитные части правильно установлены. Вращающиеся, нагретые или находящиеся под напряжением части могут нанести травмы.
- Не прикасайтесь ни к каким выключателям влажными руками. Это может привести к поражению электрическим током.

1.5. Использование кондиционеров с хладагентом R410A

⚠ Осторожно:

- Для соединения медных или медносплавных бесшовных труб, предназначенных для хладагента, используйте медный фосфор C1220. Удостоверьтесь, что внутри трубы чисты и не содержат никаких вредных загрязнителей, таких как соединения серы, окислители, мелкий мусор или пыль. Используйте трубы указанной толщины. (См. стр. 160) При использовании имеющихся труб, которые применялись для хладагента R22, обратите внимание на следующее.
 - Замените хомуты на муфтах и перезатяните соединенные секции.
 - Не используйте тонкие трубы. (См. стр. 160)
- Храните трубы, предназначенные для установки в закрытом помещении, запечатанными, а также оставьте запечатанными их концы; распаковывайте их непосредственно перед пайкой. (Оставьте коленчатые трубы и т.д. в упаковке.) Если пыль, мелкий мусор или влага попадут в трубопроводы хладагента, может произойти порча масла или поломка компрессора.
- Используйте в качестве масла охлаждения для покрытия соединительных муфт масло сложного или простого эфира или алкилбензол (в небольшом количестве). Если в масле охлаждения присутствует минеральное масло, может произойти порча масла.
- Используйте только хладагент R410A. В случае использования другого хладагента хлор может испортить масло.

- При монтаже кабелей питания не прикладывайте растягивающих усилий. Если соединения ненадежны, кабель может отсоединиться или порваться, что может привести к перегреву или возникновению пожара.
- Обязательно заземлите прибор. Не присоединяйте провод заземления к газовым или водопроводным трубам, громоотводам или телефонным линиям заземления. Отсутствие надлежащего заземления может привести к поражению электрическим током.
- Используйте автоматические выключатели (прерыватель утечки тока на землю, разъединитель (плавкий предохранитель +В) и предохранитель корпуса) с указанным предельным током. Если предельный ток автоматического выключателя больше, чем необходимо, может произойти поломка или пожар.

- Не прикасайтесь к трубам с хладагентом голыми руками во время работы прибора. Трубы с хладагентом при работе прибора нагреваются или охлаждаются в зависимости от состояния циркулирующего хладагента. Прикосновение к трубам может привести к ожогу или обморожению.
- После остановки прибора обязательно подождите по крайней мере пять минут перед выключением главного выключателя питания. В противном случае возможна протечка воды или поломка прибора.

- Используйте нижеперечисленные инструменты, специально предназначенные для работы с хладагентом R410A. Для работы с хладагентом R410A необходимы следующие инструменты. При возникновении каких-либо вопросов обратитесь к ближайшему дилеру.

Инструменты (для R410A)	
Набор шаблонов	Инструмент для затяжки муфт
Шланг зарядки	Калибр регулирования размера
Детектор утечки газа	Адаптер вакуумного насоса
Ключ с регулируемым усилием	Электронный измеритель зарядки хладагента

- Используйте только специальные инструменты. Попадание пыли, мелкого мусора или влаги в трубопроводы хладагента может привести к порче масла охлаждения.
- Не используйте для зарядки баллон. Использование баллона для зарядки приведет к изменению состава хладагента и снижению эффективности работы прибора.

2. Монтажная схема и детали

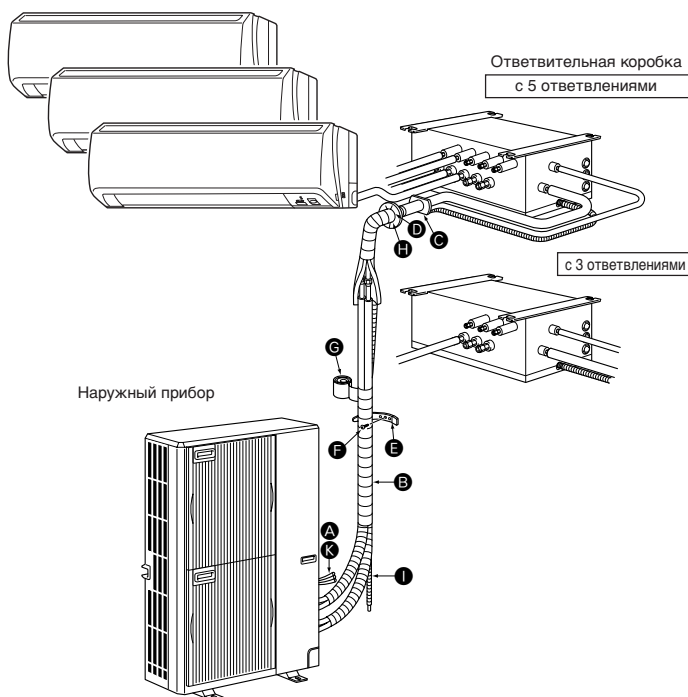


Fig. 2-1

2.1. Перед установкой (Fig. 2-1)

Данное руководство по монтажу относится только к установке наружного прибора. Информация об установке внутренних приборов и ответственной коробки приводится в руководстве по монтажу, прилагаемому к каждому прибору.

Любые конструкционные изменения, необходимые для монтажа, должны отвечать требованиям местных постановлений в строительной сфере.

Эта схема предназначена для иллюстрации конфигурации принадлежностей. Для осуществления фактического монтажа, наружный прибор необходимо повернуть на 180°.

Прибор должен устанавливать подрядчик, имеющий специальное разрешение, согласно требованиям местных постановлений.

Примечание:

Размеры, приведенные около стрелок выше, необходимы для обеспечения производительности кондиционера. Устанавливайте прибор в наиболее широком месте, насколько это возможно, для последующего обслуживания или ремонта.

Детали, подлежащие самостоятельному приобретению

А	Соединительный провод ответственной коробки/наружного прибора (3-х жильный, см. Раздел 7.3. Процедура подключения внешних проводов)	1
Б	Удлинительная труба	1
С	Манжета для отверстия в стене	1
Д	Крышка для отверстия в стене	1
Е	Полоска для крепления труб (количество зависит от длины трубопровода).	от 2 до 7
Ф	Крепежный винт для Е 4 × 20 мм (количество зависит от длины трубопровода).	от 2 до 7
Г	Лента трубопровода	1
И	Шпаклевка	1
Л	Дренажный шланг (твердая труба из ПВХ VP16)	1
Д	Охлаждающее масло	1
К	Кабель электропитания (2-х жильный, см. Раздел 7.3. Процедура подключения внешних проводов)	1

3. Место монтажа

3.1. Трубы хладагента

См. раздел 5.2. Длина труб и разность высот.

3.2. Выбор места установки наружного прибора

- Не устанавливайте прибор в местах, подверженных воздействию прямых солнечных лучей или других источников нагрева.
- Выберите такое размещение, чтобы шум при работе прибора не беспокоил окружающих.
- Выберите место, удобное для проведения кабелей и трубопроводов к источнику питания и внутреннему прибору.
- Не устанавливайте прибор в местах, где возможна утечка, возникновение, приток или накопление горючих газов.
- Примите во внимание, что во время работы прибора из него может капать вода.
- Выберите место, способное выдержать вес и вибрацию прибора.
- Не устанавливайте прибор в местах, где он может быть засыпан снегом. В тех регионах, где возможны сильные снегопады, требуется принять специальные меры предосторожности (например, разместить прибор повыше или смонтировать на воздухозаборнике козырек) с целью предотвращения закупорки воздухозаборника снегом или прямого воздействия ветра. В противном случае возможно уменьшение потока воздуха, что может привести к сбою.
- Не устанавливайте прибор в местах, подверженных влиянию летучих масел, пара или сернистых испарений.
- Для транспортировки наружного прибора используйте четыре ручки, расположенные на приборе слева, справа, спереди и сзади. При переносе прибора за нижнюю часть можно придавить руки или пальцы.

3.3. Контурные габариты (Наружный прибор) (Fig. 3-1)

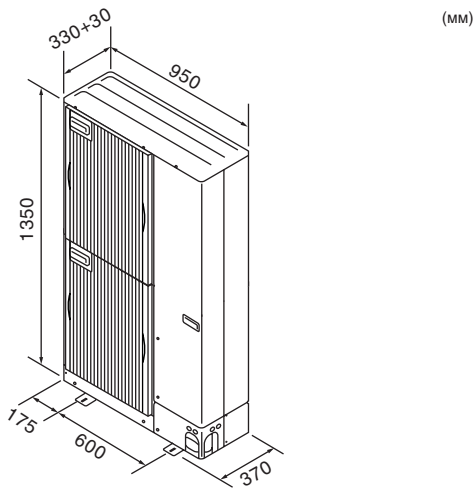


Fig. 3-1

Ограничения по монтажу внутреннего прибора

Вам необходимо обратить внимание на то, что к данному наружному прибору можно подключить внутренние приборы следующих моделей.

- Можно подключать внутренние приборы с номерами моделей 22, 25, 35, 50, 60, 71, 80. В таблице ниже приводятся возможные комбинации внутренних приборов по схеме 2 - 8 в помещении.

Проверка

Номинальную мощность следует определить с учетом таблицы ниже. Количество приборов ограничено числом от 2 до 8. На следующем этапе, убедитесь, что общая выбранная номинальная мощность будет находиться в пределах 4,4 - 18,5 кВт.

Пример:

MSZ-60	=	6,0	} Общая номинальная мощность 18,0 ≤ 18,5 кВт
		+	
SEZ-35	=	3,5	
		+	
SLZ-35	=	3,5	
		+	
SEZ-25	=	2,5	
		+	
SLZ-25	=	2,5	

Тип внутреннего прибора	22	25	35	50	60	71	80
Номинальная мощность (охлаждение) (кВт)	2,2	2,5	3,5	5,0	6,0	7,1	8,0

Комбинации, в которых общая мощность внутренних приборов превышает мощность наружного прибора (=14,0 кВт), понизят производительность каждого внутреннего прибора по охлаждению до уровня ниже его номинальной производительности по охлаждению. Следовательно, по мере возможности, комбинируйте внутренние приборы с наружным прибором, не выходя за пределы мощности наружного прибора (=14,0 кВт).

3.4. Вентиляция и сервисное пространство

3.4.1. Установка в местах, где возможен сильный ветер

При монтаже наружного прибора на крыше или другом месте, не защищенном от ветра, расположите вентиляционную решетку прибора так, чтобы она не подвергалась воздействию сильного ветра. Сильный ветер, дующий прямо в выходное отверстие, может препятствовать нормальному потоку воздуха, что может привести к сбою. Ниже приведены три примера соблюдения мер предосторожности против сильного ветра.

- ① Расположите прибор так, чтобы выходное отверстие было направлено к самой близкой из доступных стен на расстоянии около 50 см от стены. (Fig. 3-2)
- ② Установите дополнительный воздуховод выходного отверстия и основной воздуховод, если прибор установлен в месте, где сильный ветер от тайфуна и др. может попадать непосредственно в вентиляционную решетку. (Fig. 3-3)

Ⓐ Воздуховод выходного отверстия

- ③ По возможности разместите прибор так, чтобы воздух из выходного отверстия выдувался в направлении, перпендикулярном к сезонному направлению ветра. (Fig. 3-4)

Ⓑ Направление ветра

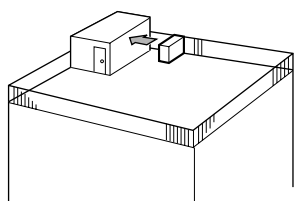


Fig. 3-2

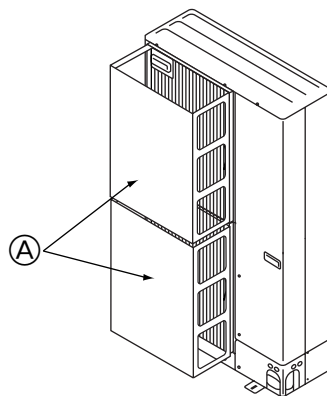


Fig. 3-3

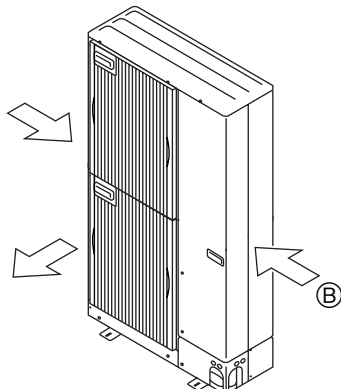


Fig. 3-4

3. Место монтажа

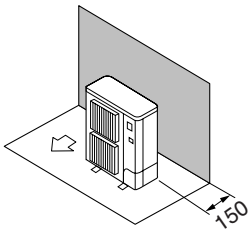


Fig. 3-5

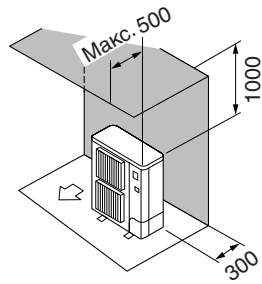


Fig. 3-6

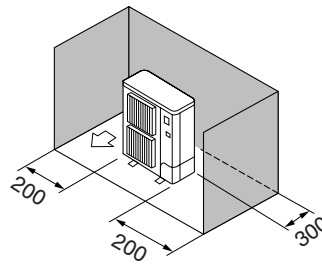


Fig. 3-7

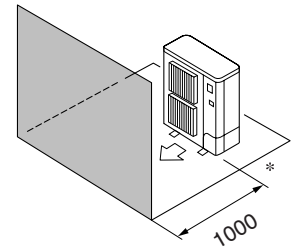


Fig. 3-8

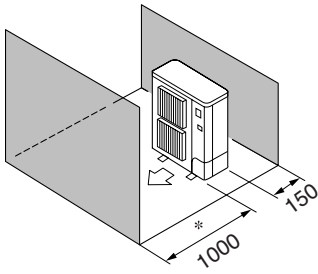


Fig. 3-9

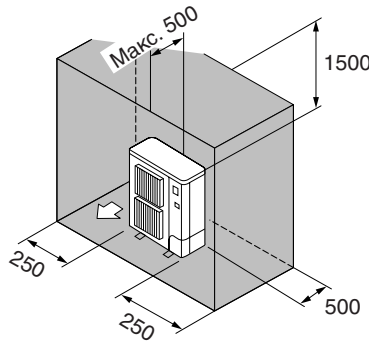


Fig. 3-10

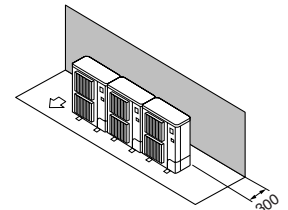


Fig. 3-11

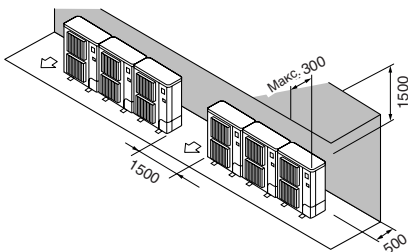


Fig. 3-12

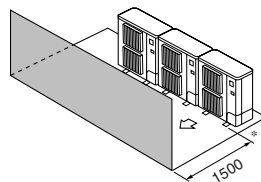


Fig. 3-13

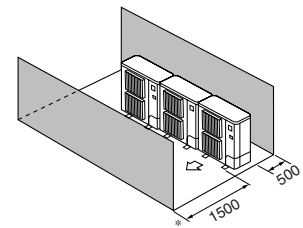


Fig. 3-14

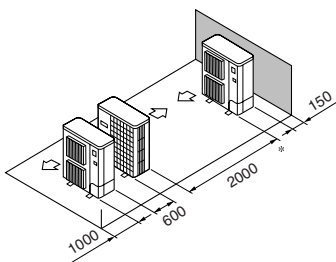


Fig. 3-15

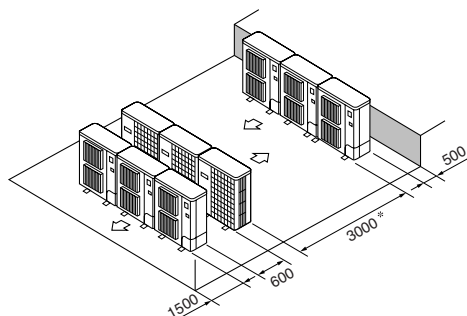


Fig. 3-16

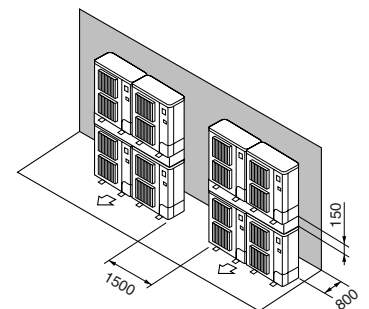


Fig. 3-17

3.4.2. При установке одиночного наружного прибора

Минимальные размеры включают, за исключением указанных Макс., значит Максимальных размеров, следующие размеры.

См. соответствующие значения для каждого случая.

- ① Окружающие предметы - только сзади (Fig. 3-5)
- ② Окружающие предметы - только сзади и сверху (Fig. 3-6)
- ③ Окружающие предметы - только сзади и с боковых сторон (Fig. 3-7)
- ④ Окружающие предметы - только спереди (Fig. 3-8)

* При использовании дополнительной направляющей воздуховыпускного отверстия, зазор составляет 500 мм или больше.

- ⑤ Окружающие предметы - только спереди и сзади (Fig. 3-9)

* При использовании дополнительной направляющей воздуховыпускного отверстия, зазор составляет 500 мм или больше.

- ⑥ Окружающие предметы - только сзади, с боковых сторон и сверху (Fig. 3-10)

• Не используйте дополнительные воздуховоды для восходящего потока воздуха.

3.4.3. При установке нескольких наружных приборов

Оставьте пространство в 10 мм или больше между приборами.

- ① Окружающие предметы - только сзади (Fig. 3-11)
- ② Окружающие предметы - только сзади и сверху (Fig. 3-12)

- Не следует устанавливать рядом более трех приборов. Приборы должны находиться на указанном расстоянии друг от друга.
- Не используйте дополнительные воздуховоды для восходящего потока воздуха.

- ③ Окружающие предметы - только спереди (Fig. 3-13)

* При использовании дополнительной направляющей воздуховыпускного отверстия, зазор составляет 1000 мм или больше.

- ④ Окружающие предметы - только спереди и сзади (Fig. 3-14)

* При использовании дополнительной направляющей воздуховыпускного отверстия, зазор составляет 1000 мм или больше.

- ⑤ Расположение приборов в один горизонтальный ряд (Fig. 3-15)

* При использовании дополнительного воздуховода выходного отверстия для восходящего потока воздуха, расстояние должно быть 1000 мм или больше.

- ⑥ Расположение приборов в несколько горизонтальных рядов (Fig. 3-16)

* При использовании дополнительного воздуховода выходного отверстия для восходящего потока воздуха расстояние должно быть 1500 мм или более.

- ⑦ Расположение приборов вертикальными рядами (Fig. 3-17)

- Можно вертикально расположить до двух приборов.
- Рядом должно быть установлено не более двух вертикальных рядов. Приборы должны находиться на указанном расстоянии друг от друга.

4. Установка наружного прибора

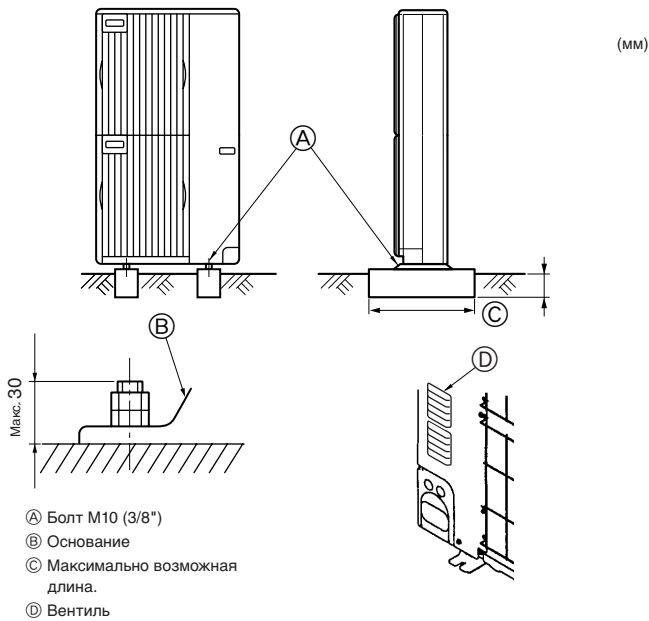


Fig. 4-1

- Обязательно устанавливайте прибор на твердой ровной поверхности для предотвращения его дребезжания во время эксплуатации. (Fig. 4-1)

<Требования к фундаменту>

Фундаментный болт	M10 (3/8")
Толщина бетона	120 мм
Длина болта	70 мм
Несущая способность	320 кг

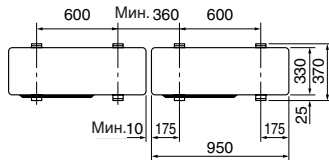
- Убедитесь в том, что фундаментный болт в пределах 30 мм от нижней поверхности основания.
- Надежно прикрепите основание прибора с помощью четырех фундаментных болтов M10 к твердой поверхности.

Установка наружного прибора

- Не блокируйте вентиль. Если вентиль заблокирован, это будет препятствовать работе, что может привести к поломке.
- Кроме предусмотренных изначально, используйте установочные отверстия в задней стенке прибора для подсоединения проводов и т.д., если возникнет такая необходимость. Для установки на место используйте шурупы-саморезы ($\varnothing 5 \times 15$ мм или меньше).

Предупреждение:

- Прибор должен быть установлен на конструкции, способной выдержать его вес. Прибор, установленный на неустойчивой конструкции, может упасть и причинить повреждение или нанести травму.
- Прибор должен быть установлен согласно инструкциям, чтобы свести к минимуму риск повреждения от землетрясений, тайфунов или сильных порывов ветра. Неправильно установленный прибор может упасть и причинить повреждение или нанести травму.



5. Прокладка труб хладагента

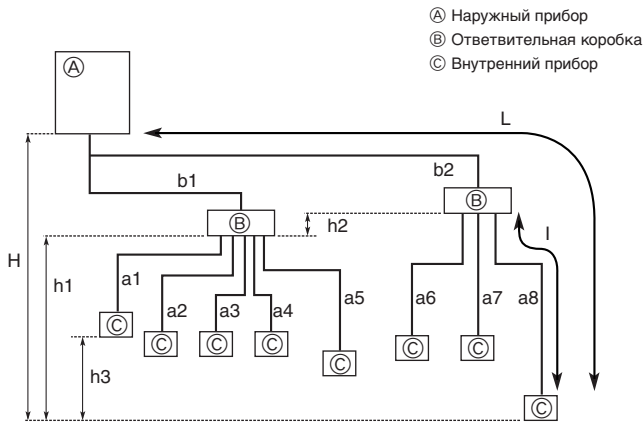


Fig. 5-1

5.1. Меры предосторожности для устройств, в которых используется хладагент марки R410A

- См. стр. 157, на которой приведены не перечисленные ниже меры предосторожности относительно использования кондиционеров с хладагентом R410A.
- Используйте в качестве масла охлаждения для покрытия соединительных муфт масло сложного или простого эфира или алкилбензол (небольшое количество).
- Для соединения медных или медносплавных бесшовных труб, предназначенных для хладагента, используйте медный фосфор C1220. Используйте трубы для хладагента соответствующей толщины для каждого случая; значения толщины приведены в таблице ниже. Удостоверьтесь, что изнутри трубы чисты и не содержат никаких вредных загрязнителей, таких, как соединения серы, окислители, мелкий мусор или пыль.

Предупреждение:

- При монтаже или перемещении кондиционера используйте только указанный хладагент (R410A) для заполнения трубопроводов хладагента. Не смешивайте его ни с каким другим хладагентом и не допускайте наличия воздуха в трубопроводах. Наличие воздуха в трубопроводах может вызывать скачки давления, в результате которых может произойти разрыв или другие повреждения.

$\varnothing 6,35, \varnothing 9,52, \varnothing 12,7$	Толщина 0,8 мм
$\varnothing 15,88$	Толщина 1,0 мм

- Не используйте трубы более тонкие, чем указано выше.

Допустимая длина (в одну сторону)	Общая длина трубопровода	$b1+b2+a1+a2+a3+a4+a5+a6+a7+a8 \leq 115$ m
	Длина самого дальнего трубопровода (L)	$b2+a8 \leq 70$ m ($b2 \leq 55$ m, $a8 \leq 15$ m)
	Длина трубопровода между наружным прибором и ответвительными коробками	$b1+b2 \leq 55$ m
	Длина самого дальнего трубопровода после ответвительной коробки (l)	$a8 \leq 15$ m
Допустимая разность высот (в одну сторону)	Общая длина трубопровода между ответвительными коробками и внутренними приборами	$a1+a2+a3+a4+a5+a6+a7+a8 \leq 60$ m
	На участке внутренний прибор/наружный прибор (H)*1	$H \leq 30$ m (Если наружный прибор установлен выше внутреннего прибора) $H \leq 20$ m (Если наружный прибор установлен ниже внутреннего прибора)
	На участке ответвительная коробка/внутренний прибор (h1)	$h1 + h2 \leq 15$ m
	В каждом ответвительном приборе (h2)	$h2 \leq 15$ m
	В каждом внутреннем приборе (h3)	$h3 \leq 12$ m
Количество сгибов		$ b1+a1 , b1+a2 , b1+a3 , b1+a4 , b1+a5 , b2+a6 , b2+a7 , b2+a8 \leq 15$

*1 Ответвительную коробку следует располагать на уровне между наружным прибором и внутренними приборами.

5.2. Длина труб и разность высот (Fig. 5-1)

Фланцевые соединения

- В данном оборудовании используются фланцевые соединения на каждом внутреннем приборе и по сторонам ответвительной коробки и наружного прибора.
- Снимите крышку клапана наружного прибора, затем подсоедините трубу.
- Трубы хладагента используются для соединения ответвительной коробки и наружного прибора.

5. Прокладка труб хладагента

5.3. Добавление хладагента

- Если общая длина труб ($b_1+b_2+a_1+a_2+a_3+a_4+a_5+a_6+a_7+a_8$) не превышает 40 м, дополнительно добавлять хладагент не нужно.
- Если общая длина труб превышает 40 м, добавьте в прибор дополнительное количество хладагента R410A в соответствии со значениями допустимой длины труб в таблице ниже.

* При остановленном приборе, добавьте в него дополнительное количество хладагента через жидкостный запорный клапан после создания вакуума в удлинительных трубах и внутреннем приборе. При работающем приборе, добавьте хладагент в газовый контрольный клапан с помощью устройства для безопасной зарядки. Не добавляйте жидкий хладагент непосредственно в контрольный клапан.

После зарядки прибора хладагентом, запишите количество добавленного хладагента на бирке обслуживания (прикрепленной к прибору).

См. раздел "1.5. Использование кондиционеров с хладагентом R410A" для получения дополнительной информации.

Таблица 1

Общая длина трубопровода ($b_1+b_2+a_1+a_2+a_3+a_4+a_5+a_6+a_7+a_8$)	41 - 50 м	51 - 70 м	71 - 90 м	91 - 115 м
Количество дополнительного добавляемого хладагента	0,6 kg	1,4 kg	2,2 kg	3,2 kg

При подключении внутреннего прибора с трубами для жидкости $\varnothing 9,52$ (номера моделей от 71 и выше для серий M и S и номера модели 60 и выше для серии P) количество дополнительного добавляемого хладагента, указанное в Таблице 1, должно быть откорректировано (добавить следующее количество ΔR к количеству, указанному в Таблице 1).

Корректировка количества дополнительного добавляемого хладагента $\Delta R = 0,01 \text{ [кг/м]} \times \varnothing 9,52$ трубы с ответвлениями (жидкостная труба), полная длина [м]

Пример $b_1=20 \text{ м}$, $b_2=25 \text{ м}$

Внутренний прибор A	$\varnothing 9,52$ Жидкостная труба	$a_1=12 \text{ м}$
Внутренний прибор B	$\varnothing 6,35$ Жидкостная труба	$a_2=11 \text{ м}$
Внутренний прибор C	$\varnothing 6,35$ Жидкостная труба	$a_6=14 \text{ м}$
Внутренний прибор D	$\varnothing 9,52$ Жидкостная труба	$a_7=13 \text{ м}$

Полная длина трубопровода: $b_1+b_2+a_1+a_2+a_6+a_7=95 \text{ м}$

→ В соответствии с Таблицей 1, количество дополнительного добавляемого хладагента равно 3,2 кг.

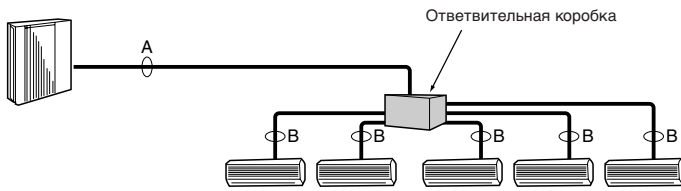
Так как подключены внутренние приборы с трубами для жидкости $\varnothing 9,52$ (в данном примере внутренние приборы A и D), то необходимо откорректировать количество дополнительного добавляемого хладагента.

Корректировка количества дополнительного добавляемого хладагента $\Delta R = 0,01 \text{ [кг/м]} \times \varnothing 9,52$ трубы с ответвлениями (жидкостная труба), полная длина (a_1+a_7)
 $= 0,01 \times (12+13 \text{ м})$
 $= 0,25 \text{ кг}$

Таким образом, количество дополнительного добавляемого хладагента равно $3,2 \text{ кг} + 0,25 \text{ кг} = 3,45 \text{ кг}$.

■ При использовании ответвительной коробки с 1 ответвлением

Используется фланцевое соединение. (Без пайки)



■ При использовании ответвительных коробок с 2 ответвлениями

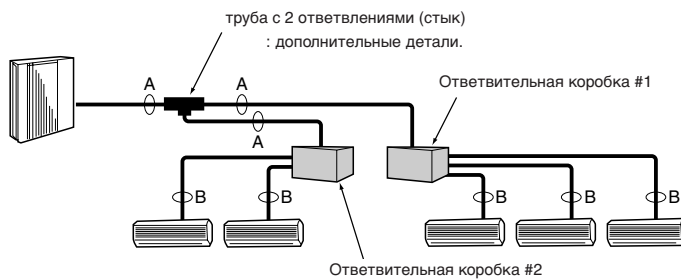


Fig. 5-2

(1) Размер клапана для наружного прибора

Для жидкости	$\varnothing 9,52 \text{ мм}$
Для газа	$\varnothing 15,88 \text{ мм}$

(2) Размер клапана для ответвительной коробки

[A] ПРИБОР	Жидкостная труба	$\varnothing 6,35 \text{ мм}$
	газовая труба	$\varnothing 9,52 \text{ мм}$
[B] ПРИБОР	Жидкостная труба	$\varnothing 6,35 \text{ мм}$
	газовая труба	$\varnothing 9,52 \text{ мм}$
[C] ПРИБОР	Жидкостная труба	$\varnothing 6,35 \text{ мм}$
	газовая труба	$\varnothing 9,52 \text{ мм}$
[D] ПРИБОР	Жидкостная труба	$\varnothing 6,35 \text{ мм}$
	газовая труба	$\varnothing 9,52 \text{ мм}$
[E] ПРИБОР	Жидкостная труба	$\varnothing 6,35 \text{ мм}$
	газовая труба	$\varnothing 12,7 \text{ мм}$

* тип с 3 ответвлениями: только прибор [A], [B], [C]

Формула преобразования

1/4 F	$\varnothing 6,35$
3/8 F	$\varnothing 9,52$
1/2 F	$\varnothing 12,7$
5/8 F	$\varnothing 15,88$
3/4 F	$\varnothing 19,05$

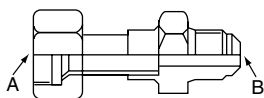


Fig. 5-3

5.4. Выбор размера труб (Fig. 5-2)

	A	B
Жидкость (мм)	$\varnothing 9,52$	Размер трубопроводного соединения отличается в зависимости от типа и мощности внутренних приборов. Подберите одинаковые трубопроводные соединения ответвительной коробки и внутреннего прибора. Если размер трубопроводного соединения ответвительной коробки не совпадает с размером трубопроводного соединения внутреннего прибора, воспользуйтесь дополнительными стыками (деформированными) с различными диаметрами, чтобы подсоединить их к стороне ответвительной коробки. (Подсоедините деформированный стык непосредственно к стороне ответвительной коробки.)
Газ (мм)	$\varnothing 15,88$	

Стык с различными диаметрами (дополнительные детали) (Fig. 5-3)

Наименование модели	Диаметр подсоединяемых труб		Диаметр A	Диаметр B
	мм	мм		
MAC-A454JP	$\varnothing 9,52 \rightarrow \varnothing 12,7$	$\varnothing 9,52$	$\varnothing 12,7$	$\varnothing 12,7$
MAC-A455JP	$\varnothing 12,7 \rightarrow \varnothing 9,52$	$\varnothing 12,7$	$\varnothing 9,52$	$\varnothing 9,52$
MAC-A456JP	$\varnothing 12,7 \rightarrow \varnothing 15,88$	$\varnothing 12,7$	$\varnothing 15,88$	$\varnothing 15,88$
PAC-493PI	$\varnothing 6,35 \rightarrow \varnothing 9,52$	$\varnothing 6,35$	$\varnothing 9,52$	$\varnothing 9,52$
PAC-SG76RJ-E	$\varnothing 9,52 \rightarrow \varnothing 15,88$	$\varnothing 9,52$	$\varnothing 15,88$	$\varnothing 15,88$

Подготовка трубопровода

① В таблице ниже приводятся спецификации имеющихся в продаже труб.

Наружный диаметр	Толщина изоляции		Изоляционный материал
	мм	мм	
6,35	8	Теплостойкий пенопласт, удельная масса 0,045	
9,52	8		
12,7	8		
15,88	8		

② Убедитесь, что 2 трубы хладагента имеют изоляцию, чтобы предотвратить конденсацию.

③ Радиусгиба трубы хладагента должен составлять 100 мм или больше.

⚠ Осторожно:

Обязательно используйте изоляцию указанной толщины. Чрезмерная толщина может привести к неправильному монтажу внутреннего прибора и ответвительной коробки, а недостаточная толщина может привести к стеканию росы.

труба с 2 ответвлениями (Стык): Дополнительные детали (В зависимости от метода подсоединения, Вы можете выбрать наиболее подходящую деталь.)

Наименование модели	Метод подсоединения
MSDD-50AR-E	фланец
MSDD-50BR-E	пайка

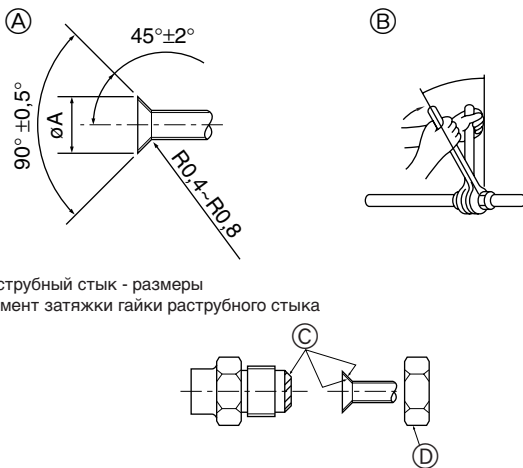
■ Процедура монтажа (труба с 2 ответвлениями (Стык))

См. Руководства по монтажу MSDD-50AR-E и MSDD-50BR-E.

5. Прокладка труб хладагента

Удаление хладагента при переносе внутренних и внешних приборов на другое место (откачка)

- ① Подсоедините распределительную гребёнку прибора (включая манометр) к сервисному порту около газового стопорного клапана внешнего прибора с таким расчётом, чтобы можно было измерить давление хладагента.
- ② Включите электропитание (автоматический выключатель).
- ③ Закройте стопорный клапан жидкости и выполните тестовый прогон режима охлаждения (переключатели SW4-1: ВКЛ и SW4-2: ВЫКЛ).
 - * Обязательно подождите не менее 3 минут после включения электропитания перед настройкой переключателей SW4-1 и SW4-2. Если настроить микропереключатели до истечения 3 минут, пробный запуск может не включиться.
- ④ Когда давление упадет до 0,05 - 0,00 МПа* (примерно 0,5 - 0,0 кгс/см²), полностью закройте газовый стопорный клапан.
 - * Если в систему кондиционирования воздуха было закачено слишком много хладагента, давление может не снизиться до 0,5 кгс/см². Если это произошло, удалите весь хладагент из системы с помощью собирающего устройства и после переноса внутреннего или внешнего прибора на новое место снова зарядите систему.
- ⑤ Выключите режим кондиционирования воздуха (SW4-1: ВЫКЛ и SW4-2: ВЫКЛ).
- ⑥ Выключите электропитание (автоматический выключатель).



- А Раструбный стык - размеры
 Б Момент затяжки гайки раструбного стыка

Fig. 5-4

А (Fig. 5-4)

Медная труба O.D. (мм)	Размеры раструба, диаметр А (мм)
ø6,35	8,7 - 9,1
ø9,52	12,8 - 13,2
ø12,7	16,2 - 16,6
ø15,88	19,3 - 19,7

Б (Fig. 5-4)

Медная труба O.D. (мм)	Гайка раструбного стыка O.D. (мм)	Момент затяжки (Н·м)*
ø6,35	17	14 - 18
ø6,35	22	34 - 42
ø9,52	22	34 - 42
ø9,52	26	49 - 61
ø12,7	26	49 - 61
ø12,7	29	68 - 82
ø15,88	29	68 - 82
ø15,88	36	100 - 120

*1 Нм ≈ 10 кгс см

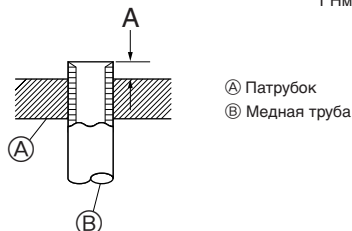


Fig. 5-5

- А Патрубок
 Б Медная труба

5.5. Соединение труб (Fig. 5-4)

- При использовании медных труб, имеющих в продаже, оберните трубы для жидкости и газа имеющимися в продаже изоляционными материалами (с теплозащитой от 100 °C или выше, толщиной не менее 12 мм).
- Внутренняя часть дренажной трубы должна быть обернута в пенополиэтиленовый изолирующий материал (удельный вес 0,03; толщина 9 мм или более).
- Нанесите тонкий слой масла хладагента на контактную поверхность труб и соединений перед тем, как затягивать гайку с фланцем. А
- Для затягивания трубных соединений используйте два гаечных ключа. Б
- Используйте детектор утечки или мыльный раствор для проверки утечки газа после завершения всех соединений.
- Нанесите машинное масло охлаждения на всю поверхность области присоединения муфты. В
- Использование гайки раструбного стыка. Д

■ Размер трубы (Наружный прибор - Ответвительная коробка)

Размер трубы (øмм)	Жидкость	ø9,52
	Газ	ø15,88

Согласование подключаемого внутреннего прибора зависит от района/области/страны.

■ Размер трубы (Ответвительная коробка - Внутренний прибор) *В случае внутреннего прибора серии М или серии S

Тип внутреннего прибора	(кВт)	22	25	35	50	60	71	80
		Размер трубы (øмм)	Жидкость	ø6,35	ø6,35	ø6,35	ø6,35	ø6,35
	Газ	ø9,52	ø9,52	ø9,52	ø12,7	ø15,88*	ø15,88	ø15,88

* При использовании внутреннего прибора серии MEXZ типа 60, используйте дополнительную конусную гайку для подсоединения внутреннего прибора с газовой стороны.

Не используйте конусную гайку (газовая сторона), прилагаемую к внутреннему прибору. Если она используется, может возникнуть утечка газа или даже выход трубы.

■ Размер трубы (Ответвительная коробка - Внутренний прибор) *В случае внутреннего прибора серии Р

Тип внутреннего прибора	(кВт)	35	50	60	71
		Размер трубы (øмм)	Жидкость	ø6,35	ø6,35
	Газ	ø12,7	ø12,7	ø15,88	ø15,88

При использовании внутренних приборов типов 35, 50 серии Р, используйте конусную гайку, прилагаемую к внутреннему прибору.

Не используйте конусную гайку (из комплекта принадлежностей к внутреннему прибору). Если она используется, может возникнуть утечка газа или даже экстракция трубы.

- При изгибе труб будьте осторожны, чтобы не допустить их поломки. Рекомендуются радиусы изгиба от 100 мм до 150 мм.
- Удостоверьтесь, что трубы не соприкасаются с компрессором. Такое соприкосновение может вызывать лишний шум или вибрацию.

- ① Соединение труб производится, начиная от внутреннего прибора. Хомуты на муфтах следует затягивать с помощью ключа с регулируемым усилием.
- ② Установите трубы для жидкости и для газа и нанесите тонкий слой масла охлаждения (на соответствующее место).
- В случае использования обычного уплотнения трубы, обратитесь к таблице 2 для справки о соединении труб для хладагента R410A. Для проверки размеров А можно использовать шаблон подгонки размера.

Таблица 2 (Fig. 5-5)

Медная труба O.D. (мм)	А (мм)	
	Инструмент раструбного стыка для R410A	Инструмент раструбного стыка для R22-R407C
	Тип муфты	
ø6,35	0 - 0,5	1,0 - 1,5
ø9,52	0 - 0,5	1,0 - 1,5
ø12,7	0 - 0,5	1,0 - 1,5
ø15,88	0 - 0,5	1,0 - 1,5

5. Прокладка труб хладагента

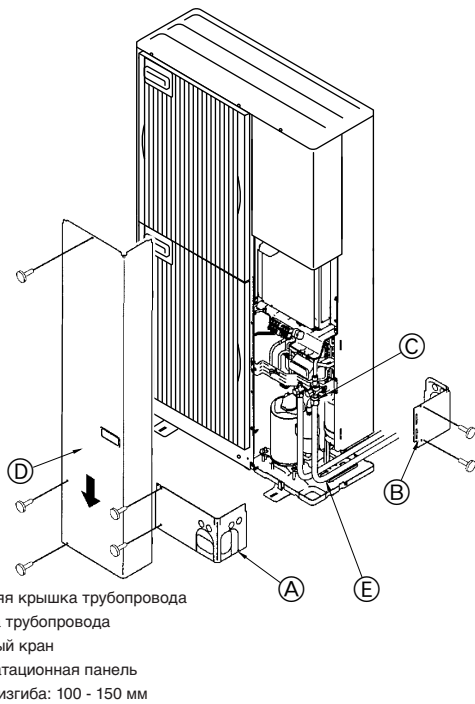


Fig. 5-6

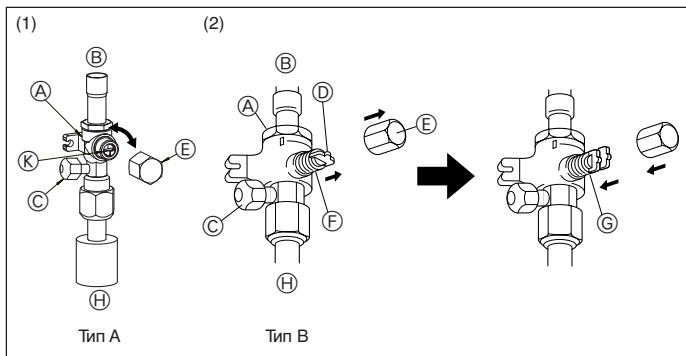


Fig. 5-7

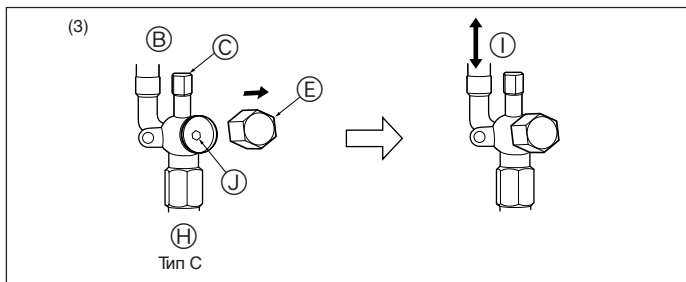


Fig. 5-8

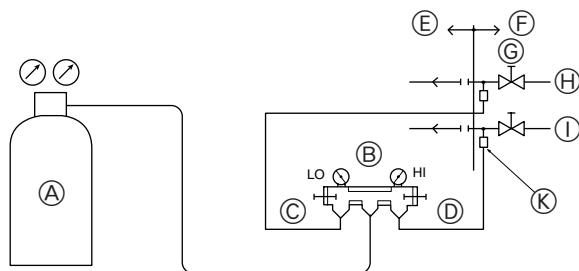


Fig. 5-9

5.6. Прокладка труб хладагента (Fig. 5-6)

Снимите эксплуатационную панель (D) (три винта), а также переднюю крышку трубопровода (A) (два винта) и заднюю крышку трубопровода (B) (два винта).

Трубы хладагента имеют защитную оболочку

• Трубы могут быть обернуты защитной изоляцией до диаметра $\varnothing 90$ до или после соединения. Вырежьте кусок в покрытии по канавке и оберните трубы.

Цель на входе трубы

• Используйте замазку или герметик, чтобы загерметизировать входное отверстие для трубы и ликвидировать все щели.

(Если имеются незакрытые отверстия, прибор может издавать шум, а также в него могут проникнуть вода и пыль, что может привести к поломке.)

5.7. Меры предосторожности при подсоединении трубопроводов/работе с клапаном

- Осуществляйте подсоединение трубопровода и работу с клапаном аккуратно, в соответствии с рисунком ниже.
 - Загерметизируйте изоляционный материал для предотвращения проникновения воды в изоляционный материал, закрывающий стыки труб хладагента.
 - После создания вакуума и зарядки хладагента, убедитесь, что рукоятка полностью открыта. При работе с закрытым клапаном, непредусмотренное давление может воздействовать на сторону высокого или низкого давления контура хладагента, повреждая компрессор и т.д.
 - Определите количество дополнительного добавляемого хладагента (см. раздел "5.3. Добавление хладагента"), и осуществите зарядку дополнительного хладагента через сервисный порт по завершении работ по подсоединению трубопроводов.
 - После окончания работы, плотно затяните сервисный порт (12 - 15 Нм) и крышку (20 - 25 Нм) для предотвращения утечки газа.
- *1 Нм \approx 10 кгс см

Метод полного открытия запорного клапана

Метод открытия запорного клапана изменяется в зависимости от модели наружного прибора. Используйте надлежащий метод открытия запорных клапанов.

(1) Тип А (Fig. 5-7)

- 1 Снимите крышку, затем поверните на четверть оборота против часовой стрелки с помощью отвертки с плоским лезвием для полного открытия.
- 2 Убедитесь, что клапаны полностью открыты, затем установите крышку в первоначальное положение и затяните ее.

(2) Тип В (Fig. 5-7)

- 1 Снимите колпачок, потяните ручку на себя и поверните на 1/4 оборота против часовой стрелки для открытия.
- 2 Убедитесь в том, что запорный кран полностью открыт, надавите на ручку и поверните колпачок в первоначальное положение.

(3) Тип С (Fig. 5-8)

- 1 Снимите колпачок и поверните шток золотника против часовой стрелки до упора, используя для этой цели 4 мм шестигранный гаечный ключ. Прекратите поворачивать шток в момент, когда тот достигнет стопора.
- 2 Убедитесь в том, что запорный кран полностью открыт, и поверните колпачок в первоначальное положение.

- | | |
|--------------------|---|
| А Клапан | Г Полностью открыт |
| В Сторона прибора | Н (Боковая установка) Сторона трубопровода хладагента |
| С Сервисный порт | И Направление входящего потока хладагента |
| Д Рукоятка | Л Отверстие для ключа |
| Е Крышка | М Рабочая секция |
| Ф Полностью закрыт | |

5.8. Проверка герметичности и создание вакуума

1 Проверка герметичности (Fig. 5-9)

Проверку герметичности следует осуществлять при помощи нагнетания азота. Метод проверки приведен на следующем рисунке.

- (1) Подключение проверочного инструмента. Осуществите проверку с закрытым запорным клапаном. Также обязательно создайте избыточное давление в жидкостной трубе или трубе высокого давления и в газовой трубе или трубе низкого давления.
- (2) Не нагнетайте давление сразу до достижения указанного давления; добавляйте давление постепенно.
 - 1 Создайте давление в 0,5 МПа (5 кгс/см²G), подождите пять минут, и убедитесь в том, что давление не падает.
 - 2 Создайте давление в 1,5 МПа (15 кгс/см²G), подождите пять минут, и убедитесь в том, что давление не падает.
 - 3 Создайте давление в 4,15 МПа (41,5 кгс/см²G) и измерьте температуру окружающей среды и давление хладагента.
- (3) Если указанное давление поддерживается на том же уровне примерно в течение суток и не падает, трубы прошли проверку, и утечек нет.
 - Если температура окружающей среды изменится на 1°C, давление изменится примерно на 0,01 МПа (0,1 кгс/см²G). Сделайте необходимые исправления.
- (4) Если на этапах (2) или (3) давление падает, имеется утечка газа. Найдите источник утечки газа.

- | | |
|---------------------------|--|
| А Азот | Ф Наружный прибор |
| В Анализатор системы | Г Запорный клапан |
| С Кнопка Lo (низ.) | Н Жидкостная труба или труба высокого давления |
| Д Кнопка Hi (выс.) | И Газовая труба или труба низкого давления |
| Е К ответственной коробке | Л Сервисный порт |

5. Прокладка труб хладагента

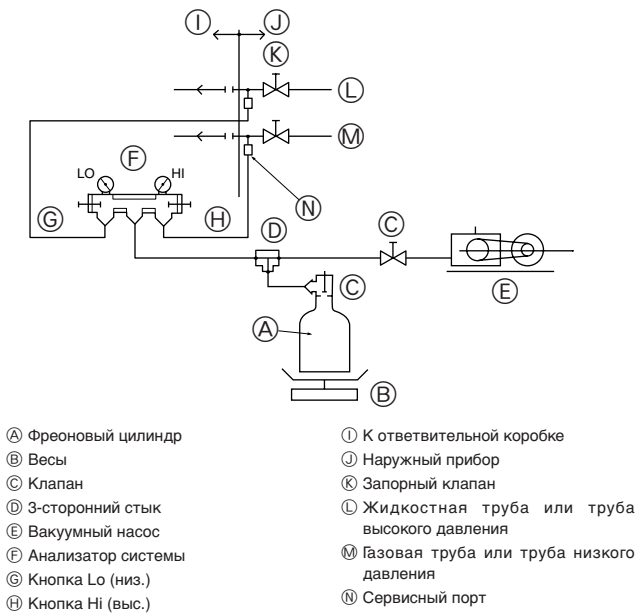


Fig. 5-10

② Создание вакуума (Fig. 5-10)

Вакуум необходимо создавать через сервисный порт, установленный на запорном клапане внутреннего прибора и подключенный к вакуумному насосу, который обычно используется и для жидкостной трубы или трубы высокого давления, и для газовой трубы или трубы низкого давления. (Создавайте вакуум в жидкостной трубе или трубе высокого давления и в газовой трубе или трубе низкого давления при закрытом запорном клапане.)

Помните: Не производите продувку с использованием хладагента.

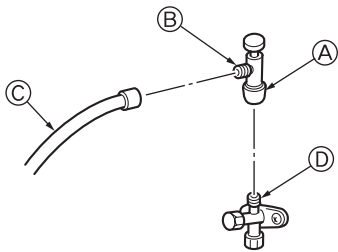
⚠ Предупреждение:

При установке или перемещении прибора в другое место, не подмешивайте ничего, кроме указанного хладагента, в контур охлаждения. Если произойдет смешивание с воздухом, в контуре охлаждения может образоваться непредусмотренное давление, что приведет к разрыву трубы.

* Необходимо использовать высокоточный гравиметр с точностью до 0,1 кг. Если у Вас нет высокоточного гравиметра, Вы можете воспользоваться зарядным цилиндром.

Примечание:

- Используйте коллектор манометра, зарядный шланг и другие детали для хладагента, указанного на приборе.
- Используйте гравиметр. (С точностью до 0,1 кг)



- * Рисунок, расположенный слева, приведён в качестве примера. Форма запорного клапана, положение сервисного порта и т.д. могут отличаться в зависимости от модели.
- * Поверните только секцию A. (Дополнительного затягивания секций A и B друг с другом не требуется.)
- С Шланг заправки хладагента
- D Сервисный порт

Fig. 5-11

Меры предосторожности при использовании клапана заправки хладагента (Fig.5-11)

Не затягивайте сервисный порт слишком сильно при установке, в противном случае возможна деформация сердечника клапана и его ослабление, что может стать причиной утечки газа.

После установки секции B в необходимое положение, поверните только секцию A и затяните ее.

Дополнительного затягивания секций A и B друг с другом после затягивания секции A не требуется.

6. Дренажные трубы

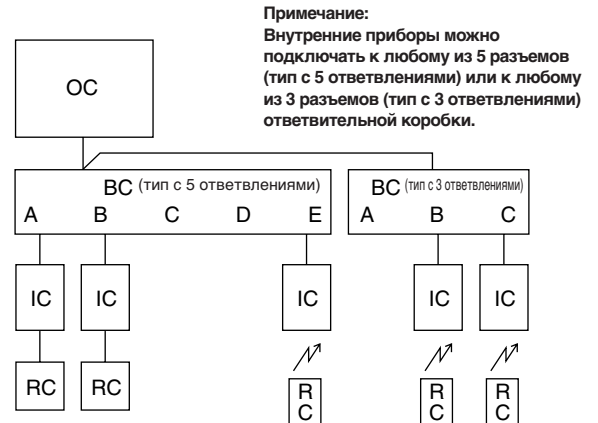
Соединение дренажных труб наружного прибора

При необходимости дренажа используйте сливное гнездо или дренажный поддон (дополнительно).

Сливное гнездо	PAC-SG61DS-E
Дренажный поддон	PAC-SG64DP-E

7. Электрические работы

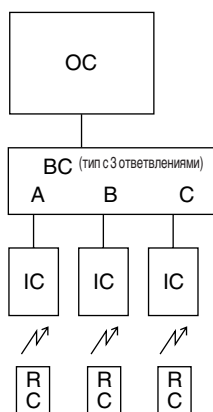
[1] Основные системы



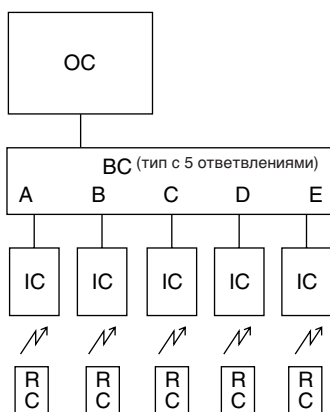
7. Электрические работы

[2] Стандартные системы

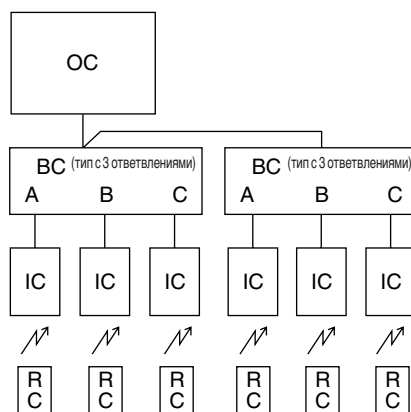
2-1. Только тип с 3 ответвлениями



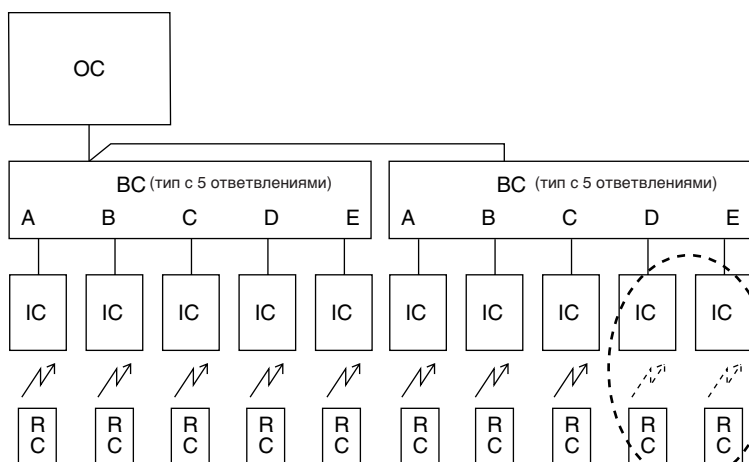
2-2. Только тип с 5 ответвлениями



2-3. 2 ответвительные коробки (тип с 3 ответвлениями)



2-4. 2 ответвительные коробки (тип с 5 ответвлениями, максимум 8 внутренних приборов)

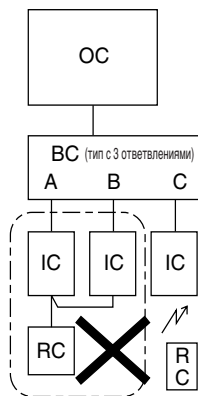


1. К одному наружному прибору можно подключить до 2 ответвительных коробок.
2. К системе можно подключить до 8 внутренних приборов.

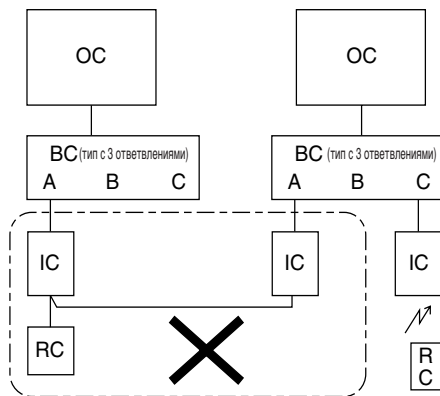


[3] Неправильные системы

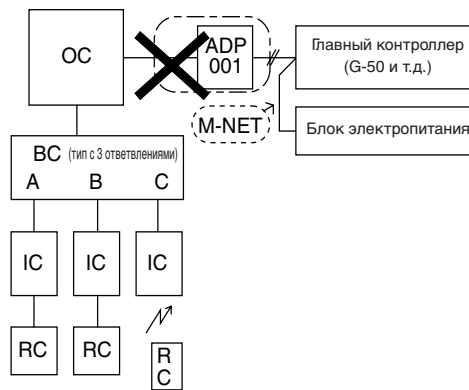
3-1. Групповая работа с помощью одного пульта дистанционного управления



3-2. Групповая работа между системами с различным хладагентом



3-3. Подключение адаптера M-NET к наружному прибору



- 3-1. Несколькими внутренними приборами нельзя управлять с помощью одного пульта дистанционного управления.
- 3-2. Системы с различным хладагентом нельзя подключать друг к другу.
- 3-3. Адаптер M-NET нельзя подключать к наружному прибору.

7. Электрические работы

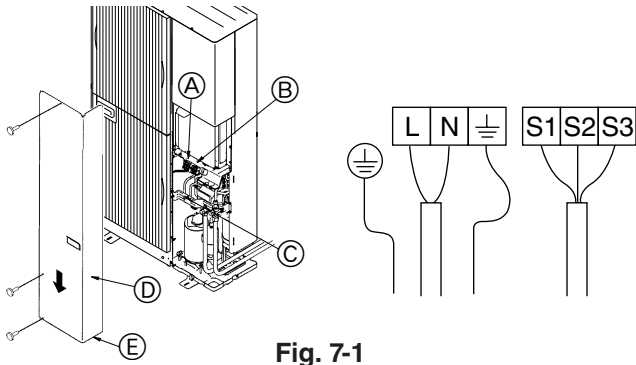


Fig. 7-1

7.1. Наружный прибор (Fig. 7-1)

- ① Снимите защитную панель.
 - ② Проведите кабели согласно Fig. 7-1.
- A Клеммы заземления
 B Клеммная панель
 C Клемма
 D Сервисная панель
 E Прокладывайте кабели так, чтобы они не соприкасались с центром эксплуатационной панели или газового клапана.

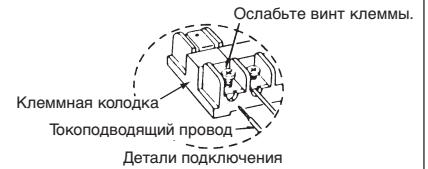
7.2. Подключение проводов ответвительной коробки/наружного прибора и подключение кабеля электропитания наружного прибора

⚠ Предупреждение:

- Обязательно плотно закрепляйте крышки/панель клеммной колодки наружного прибора. Если закрепить ее неправильно, может произойти пожар или поражение электрическим током из-за влажности, воды и т.д.
- Обязательно подключайте кабели электропитания и соединительные провода внутренних приборов, наружных приборов и ответвительных коробок непосредственно к приборам (без промежуточных соединений). Промежуточные соединения могут привести к ошибкам связи, если вода попадет в кабели или провода и приведет к недостаточной изоляции заземления или плохому электрическому контакту в точке промежуточного соединения. (Если промежуточное соединение необходимо, обязательно предпринимите меры по предотвращению проникновения воды в кабели и провода.)

⚠ Осторожно:

- Следите за правильностью подключения проводов.
- Крепко затягивайте винты клемм для предотвращения их раскручивания.
- После затяжки, немного потяните за провода, чтобы убедиться, что они остаются на месте.
- Если соединительный провод подключить к клеммной колодке неправильно, прибор не будет работать надлежащим образом.



- Подсоедините провод из ответвительной коробки к клеммной колодке надлежащим образом.
- В целях последующего обслуживания, не подключайте соединительный провод с натяжкой.

<Пример> (В случае 2 ответвительных коробок)

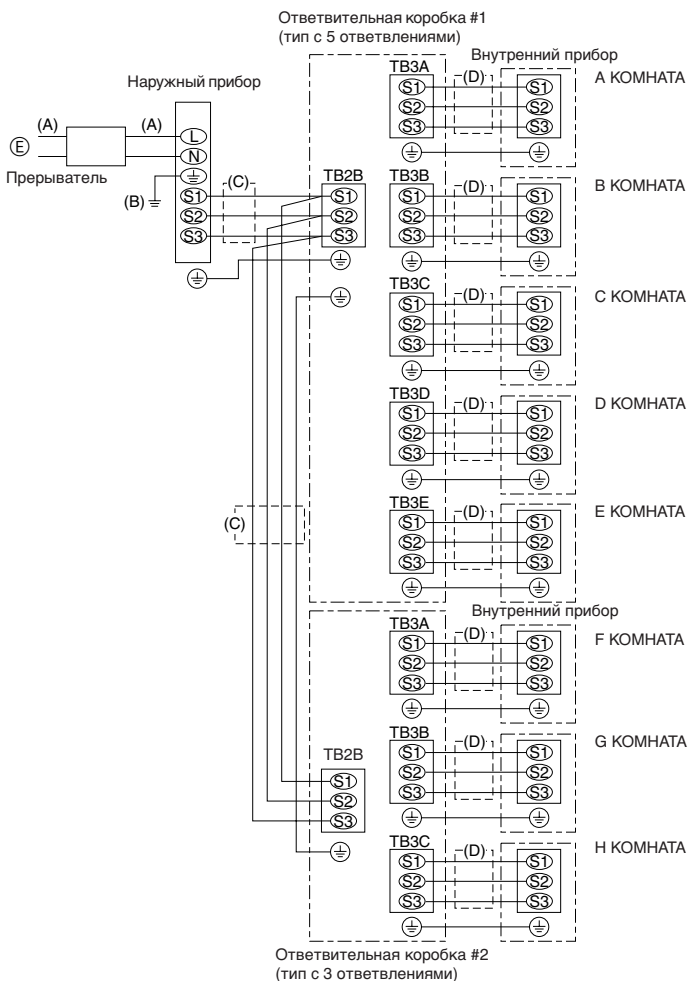


Fig. 7-2

7.3. Процедура подключения внешних проводов (Fig. 7-2)

Работы по обеспечению электропитанием необходимы только для наружного прибора. Питание для ответвительной коробки или внутреннего прибора идет по проводке. Следовательно, работы по обеспечению электропитанием можно осуществлять всего в одной точке наружного прибора. Это упростит работу и обеспечит экономию.

- E Источник питания, однофазный
 220 В перем. тока, 50 Гц
 220 В перем. тока, 60 Гц
 Макс. допустимое сопротивление системы 0,22 (Ω).

Примечание:

- ① Подводимая мощность электропитания: Только наружный прибор. Подсоедините линии (C), (D) в соответствии с наименованиями клеммной колодки для обеспечения правильной полярности.

Диаметр провода				Прерыватель *1	
(A) Основная линия электропитания	(B) Линия заземления	(C) Сигнальная линия	(D) Сигнальная линия	Ток отключения	Рабочая характеристика
6,0 мм ²	6,0 мм ²	1,5 мм ²	1,5 мм ²	40 А	40 А, 30 мА в течение 0,1 сек или меньше

При использовании скрутки проводов, необходима круглая клемма.

*1. Необходимо установить прерыватель с расстоянием между контактами, по крайней мере, в 3 мм. Используйте прерыватель без предохранителя (NF) или прерыватель утечки на землю (NV).

*2. Макс. 45 м ("Наружный прибор - Ответвительная коробка #1" плюс "Ответвительная коробка #1 - Ответвительная коробка #2"). Если используется 2,5 мм², макс. 55 м.

- Примечания:**
1. Размер проводов должен подбираться с учетом применимых местных и национальных нормативов.
 2. Кабели электропитания и соединительные провода внутреннего прибора/ответвительной коробки/наружного прибора не должны быть легче гибкого кабеля с полихлорпреновой оболочкой. (Конструкция 60245 IEC 57)
 3. Длина устанавливаемой линии заземления должна превышать длину силовых кабелей.

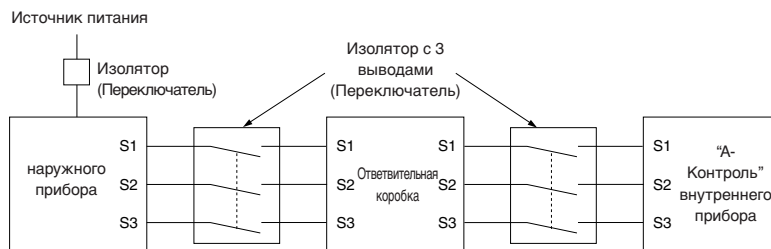
ВАЖНО

Убедитесь в том, что используемый прерыватель утечки тока совместим с более высокой гармоникой. Всегда пользуйтесь прерывателем утечки тока, так как данный прибор оборудован инвертором. Прерыватель утечки тока, несовместимый с более высокой гармоникой, может стать причиной неправильной работы инвертора.

7. Электрические работы

⚠ Предупреждение:


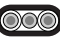


При использовании кабеля управления А существует возможность высокого напряжения на клемме S3, вызванного конструкцией электрической цепи, в которой отсутствует электроизоляция между линией электропередачи и линией сигнала в канале связи. Поэтому основной источник питания необходимо выключать при обслуживании. Не дотрагивайтесь до клемм S1, S2, S3 при включении питания. Если необходимо применить изоляцию между наружным блоком и ответвительной коробкой/внутренним блоком, используйте изоляцию трехполюсного типа.



⚠ Осторожно:

После использования изолятора, обязательно выключите и включите источник электропитания, чтобы осуществить сброс системы. В противном случае, наружный прибор не сможет определить ответвительную коробку(и) или внутренние приборы.

ТЕХНИЧЕСКИЕ ХАРАКТЕРИСТИКИ ПРОВОДКИ (СОЕДИНИТЕЛЬНЫЙ КАБЕЛЬ НАРУЖНОГО БЛОКА И ОТВЕТВИТЕЛЬНОЙ КОРОБКИ)

Поперечное сечение кабеля	Размер провода (мм ²)	Количество проводов	Полярность	L (м)*6
Круглый 	2,5	3	По часовой стрелке : S1-S2-S3 * Обратите внимание на желтую и зеленую полоски	(50) *2
Плоский 	2,5	3	Неприменимо (Потому что центральный провод не имеет отделочной изоляции)	Неприменимо *5
Плоский 	1,5	4	Слева направо : S1-разомкнуто-S2-S3	(45) *3
Круглый 	2,5	4	По часовой стрелке : S1-S2-S3-разомкнуто * Подсоедините S1 b S3 на противоположном углу	(55) *4

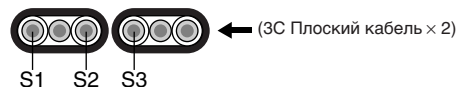
*1: Шнуры питания устройств должны отвечать, по меньшей мере, требованиям 60245 IEC или 227 IEC.

*2: В случае если имеется кабель с желтой и зеленой полосками.

*3: В случае подсоединения с обычной полярностью (S1-S2-S3), размер провода равен 1,5 мм².

*4: В случае подсоединения с обычной полярностью (S1-S2-S3).

*5: Если плоские кабели подсоединяются так, как показано на данном рисунке, их длина может составлять 55 м.



*6: Указанная длина кабеля приведена только в качестве справочного значения. Она может отличаться в зависимости от условий монтажа, влажности или материалов и т.п.

Обязательно подключите соединительные кабели ответвительной коробки наружного/внутреннего блока непосредственно к блокам (без промежуточных подключений). Промежуточные соединения могут привести к ошибкам связи, если в кабели попадет вода, которая приведет к недостаточной изоляции заземления или плохому электрическому контакту в точке промежуточного соединения.

(Если промежуточное соединение необходимо, обязательно предпримите меры для предотвращения попадания воды в кабели.)

8. Выполнение испытания

8.1. Перед пробным прогоном

- ▶ После завершения установки, прокладки труб и электропроводки внутреннего и наружного приборов проверьте отсутствие утечки хладагента, слабых соединений кабеля питания или проводов управления и неправильной полярности, а также убедитесь, что все фазы питания подключены.
- ▶ Используйте тестер на 500-Вольт МОм, чтобы проверить, что сопротивление между клеммами электропитания и заземлением составляет, по меньшей мере, 1 МΩ.
- ▶ Запрещается выполнять этот замер на терминалах проводах управления (цепь низкого напряжения).

⚠ Предупреждение:

Не пользуйтесь кондиционером воздуха, если сопротивление изоляции ниже 1 МΩ.

Сопротивление изоляции

После установки или длительного отключения источника питания от прибора, сопротивление изоляции падает ниже 1 МΩ вследствие накопления хладагента в компрессоре. Это не является неисправностью. Выполните следующие действия.

1. Отключите от компрессора провода и измерьте сопротивление изоляции компрессора.
2. Если сопротивление изоляции ниже 1 МΩ, то компрессор неисправен или сопротивление упало вследствие накопления хладагента в компрессоре.

3. После подсоединения проводов к компрессору при подаче питания он начнет нагреваться. После подачи питания в течение нижеуказанных периодов времени, измерьте сопротивление изоляции еще раз.
 - Сопротивление изоляции понижается из-за накопления хладагента в компрессоре. Сопротивление поднимется выше 1 МΩ после прогрева компрессора в течение 2 - 3 часов. (Время, в течение которого необходимо прогревать компрессор, зависит от атмосферных условий и количества накопленного хладагента.)
 - Чтобы использовать компрессор, в котором скопился хладагент, компрессор необходимо прогреть в течение по крайней мере 12 часов, чтобы предотвратить поломку.
4. Если сопротивление изоляции возрастает до значения свыше 1 МΩ, то компрессор исправен.

⚠ Внимания:

- Компрессор не будет работать при неправильном подсоединении фаз источника электропитания.
- Подключите электропитание прибора не менее чем за 12 часов до начала работы.
- Запуск прибора сразу после подключения сетевого питания может серьезно повредить внутренние части прибора. Сетевой выключатель должен оставаться во включенном положении в течение всего периода эксплуатации прибора.

▶ Выполните проверку следующего.

- Наружный прибор исправен. Светодиод на контрольной панели наружного прибора мигает, если наружный прибор неисправен.
- Запорные краны газа и жидкости полностью открыты.

8.2. Выполнение испытания

8.2.1. Использование пульта дистанционного управления

См. руководство по монтажу внутреннего прибора.

- Обязательно осуществите пробный запуск каждого внутреннего прибора. Убедитесь в том, что каждый внутренний прибор работает надлежащим образом согласно руководству по монтажу, прилагаемому к прибору.
- Если Вы выполните пробный запуск всех внутренних приборов одновременно, Вы не сможете обнаружить неправильное подсоединение труб хладагента и соединительных проводов, если оно имеет место.
- * Компрессор начинает работу, по меньшей мере, через 3 минуты после подачи электропитания.
- Компрессор может издавать шум сразу же после включения электропитания или при низкой температуре наружного воздуха.

О защитном механизме повторного запуска

После останова компрессора включается защитный механизм повторного запуска, который предотвращает включение компрессора в течение 3 минут для защиты кондиционера.

8.2.2. Использование SW4 в наружном блоке

Если пробный запуск осуществляется с наружного прибора, включатся все внутренние приборы. Следовательно, Вы не сможете обнаружить неправильное подсоединение труб хладагента или соединительных проводов. Если необходимо определить какое-либо неправильное подсоединение, обязательно осуществляйте пробный запуск с пульта дистанционного управления согласно разделу "8.2.1. Использование пульта дистанционного управления".

SW4-1	ON (Вкл.)	Работа в режиме охлаждения
SW4-2	OFF (Выкл.)	
SW4-1	ON (Вкл.)	Работа в режиме обогрева
SW4-2	ON (Вкл.)	

* После выполнения пробного прогона, установите SW4-1 на OFF (Выкл.).

- Через несколько секунд после запуска компрессора внутри наружного прибора может появиться шум (лязг). Этот шум исходит от контрольного крана вследствие небольшого перепада давления в трубах. Это не является неисправностью.

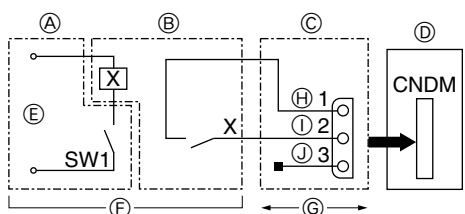
Режим тестового прогона во время его выполнения невозможно изменить DIP-переключателем SW4-2. (Для смены режима тестового прогона во время его выполнения прервите выполнение с помощью DIP-переключателя SW4-1. После смены режима продолжайте выполнение тестового прогона, включив DIP-переключатель SW4-1.)

При пробном запуске, проведенном по указаниям главы "Использование SW4 в наружном блоке", наружный блок не останавливается (пробный запуск не прекращается), даже если выполняются инструкции от пульта дистанционного управления. В этом случае установите SW4 на наружном блоке в положение off (выкл.).

Примечание:

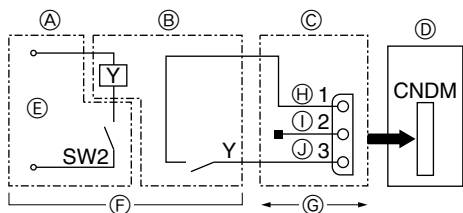
Обязательно подождите не менее 3 минут после включения электропитания перед настройкой переключателей SW4-1 и SW4-2. Если настроить микропереключатели до истечения 3 минут, пробный запуск может не включиться.

9. Специальные функции



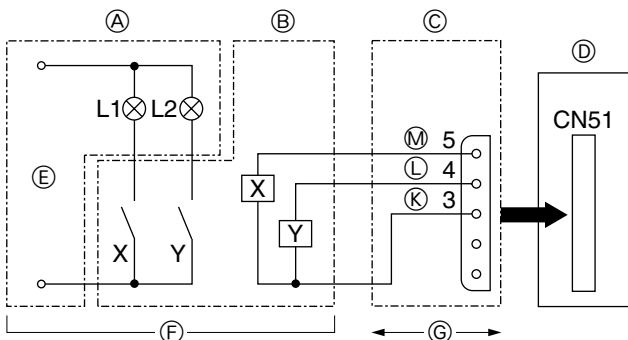
- А Панель дистанционного управления
 Б Релейный контур
 В Внешний входной адаптер (PAC-SC36NA)
 Д Панель управления наружным прибором
 Е Источник питания реле
 Ф Приобретается на месте
 Г Макс. 10 м
 H Оранжевый
 I Коричневый
 J Красный

Fig. 9-1



- А Панель дистанционного управления
 Б Релейный контур
 В Внешний входной адаптер (PAC-SC36NA)
 Д Панель управления наружным прибором
 Е Источник питания реле
 Ф Приобретается на месте
 Г Макс. 10 м
 H Оранжевый
 I Коричневый
 J Красный

Fig. 9-2



- L1 : Индикатор сигнализации об ошибке
 L2 : Индикатор работы компрессора
 X, Y : Реле (стандартная обмотка 0,9Вт или менее для напряжения 12В постоянного тока)
 X, Y : Реле (DC1mA)

Fig. 9-3

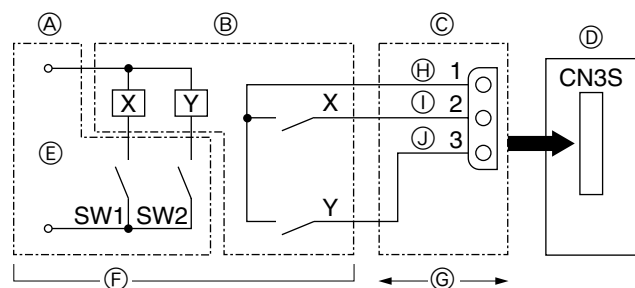


Fig. 9-4

9.1. Режим низкого шума (модификация “на месте”) (Fig. 9-1)

После выполнения нижеприведенной модификаций шум работы наружного прибора может быть уменьшен примерно на 3 - 4 дБ.

Режим низкого шума активизируется после подключения отдельно поставляемого таймера или подключения контактного входа переключателя “ON/OFF” (Вкл./ Выкл.) к разъему CNNDM (также поставляется отдельно) на пульте управления наружного прибора.

- Емкости может не хватать в связи с температурой наружного воздуха и другими условиями.
- ① При использовании внешнего входного адаптера (PAC-SC36NA) (поставляется отдельно) дополните электросхему как показано ниже.

9.2. Функция по запросу (модификация на месте) (Fig. 9-2)

• Имеется возможность снижения потребления электроэнергии в пределах от 0 до 100 процентов при осуществлении следующего монтажа на месте. Функцию по запросу можно включить путем добавления имеющегося на рынке входного контактного переключателя ON/OFF (ВКЛ/ВЫКЛ) к разъему CNNDM (вход контактной точки по запросу, продается отдельно).

- ① Включите “Адаптер внешнего входа (PAC-SC36NA)” в контур, как показано на схеме слева.
- ② Путем переключения SW7-1 на плате контура управления наружным прибором, можно задать следующие ограничения потребляемой мощности (по сравнению с номинальной мощностью).

SW7-1	Потребляемая мощность, когда SW2 включен
OFF (ВЫКЛ)	0% (Принудительная остановка компрессора)
ON (ВКЛ)	50%

9.3. Функция выявления ошибок и мониторинга работы компрессора (CN51)

- А Панель дистанционного управления
 Б Релейный контур
 В Внешний выходной адаптер (PAC-SA88HA-E)
 Д Панель управления наружным прибором
 Е Электропитание индикаторов
 Ф Приобретается на месте
 Г Макс. 10 м
 К Оранжевый
 Л Жёлтый
 М Зелёный

9.4. Автозамена - функция блокировки режима работы внешним сигналом (CN3S)

- А Панель дистанционного управления
 Б Релейный контур
 В Внешний выходной адаптер (PAC-SC36NA)
 Д Панель управления наружным прибором
 Е Электропитание индикаторов
 Ф Приобретается на месте
 Г Макс. 10 м
 H Оранжевый
 I Коричневый
 J Красный

	ON (ВКЛ)	OFF (ВЫКЛ)
SW1	Обогрев	Охлаждение
SW2	Достоверность SW1	Недостоверность SW1

* Внутренний прибор, работающий в режиме, отличающемся от режима, задаваемого внешним сигналом, будет находиться в режиме ожидания.

* Эта настройка вступает в силу при остановке внешнего прибора.

* Режим, заданный во время тестового прогона, имеет приоритет по отношению к режиму, заданному для использования этой функции.

目录

1. 安全注意事项	170	6. 排水管作业	178
2. 安装图示和零件	171	7. 电力工作	178
3. 安装位置	172	8. 运行测试	182
4. 安装室外机组	174	9. 特殊功能	183
5. 安装致冷剂管	174		

1. 安全注意事项

- ▶ 在安装设备之前，确定您已阅读了所有的“安全注意事项”。
- ▶ 在连接到系统上之前，请向供电管理局报告或得到其许可。
- ▶ 符合IEC/EN 61000-3-12要求的设备

⚠ 警告：
描述了必须遵守的注意事项，以防止对用户造成伤害或死亡的危险。

⚠ 注意：
说明为了防止本机损坏而必须遵循的注意事项。

- ⚠ 警告：**
- 用户不得自行安装本机。应请经销商或合格技工进行安装。如果安装不正确，可能引致漏水、触电或火灾。
 - 请按照安装说明书中的说明进行安装，并使用专为R410A致冷剂而制造的工具和零件。在HFC系统中的R410A致冷剂压力是普通致冷剂压力的1.6倍。如果未使用专为R410A致冷剂而制造的管件且安装不正确，管道可能爆裂，并造成损坏或伤害。另外，可能引致漏水、触电或火灾。
 - 务必按说明安装本机，使因地震、台风或强风引起的损害减到最低。不正确安装本机可使机组倾倒，并造成损坏或伤害。
 - 本机应牢固地安装在能够承受其重量的结构物上。如果安装机组的结构物不稳固，机组可能倾倒，并造成损坏或伤害。
 - 如果空调机安装在小房间内，必须采取预防措施，以免致冷剂发生泄漏时，室内致冷剂浓度超过安全极限。有关避免室内致冷剂浓度超过安全极限的预防措施，请咨询经销商。一旦致冷剂泄漏，浓度超过安全极限，室内就可能出现缺氧的危险。
 - 如果空调机运行期间致冷剂泄漏，应确保室内通风。如果致冷剂遇到明火，会释放出有毒气体。
 - 所有电力工作都必须由合格的电气技师按照当地法规和说明书中的说明完成。必须用专用的电源线给机组供电，并使用正确的电压和电路断路器。电源线负荷不足或电力工作不正确，可能引致触电或火灾。
 - 务必将室内机组、室外机组和分线盒的电源线与连接线直接连接至机组（无中间连接）。若有水进入电源线或连接线，中间连接会造成通信错误，并导致接地绝缘不足或中间接头接触不良。（若需要中间连接，请采取措施避免有水进入电源线或连接线。）

1.1. 安装前

- ⚠ 注意：**
- 切勿在不正常的环境下使用本机。如果把空调机安装在有蒸气、挥发油（包括机油）或含硫气体的环境中或有高盐含量的海滨区域，或安装在机组会被冰雪覆盖的区域，机组性能会大大降低，内部零件也会损坏。
 - 切勿把机组安装在可燃气体可能泄漏、产生、流动或积聚的地方。如果可燃气体在机组附近积聚，可能造成火灾或爆炸。

1.2. 安装前（更换位置）

- ⚠ 注意：**
- 搬运机组时务必特别小心。因为机组重达20kg或以上，所以需要两人或更多人搬运。请勿抓包装扎带。把机组从包装中取出和移动机组时务必戴上保护手套，因为散热片或其他零件会弄伤手。
 - 务必安全地处理包装材料。钉子和其他金属或木制件等包装材料可能造成刺伤或其他伤害。

在安装工作完成后，根据操作说明书向客户解释本机的“安全注意事项”、使用和维护等资料，并进行运行测试，以确保本机正常运行。安装说明书和操作说明书都必须交给用户保存。这些说明书须转交给以后的用户。

⚡：指示一个必须接地的零件。

⚠ 警告：
请非常仔细地阅读贴在机组上的标签。

- 使用C1220铜磷料（用于铜和铜合金制成的无缝管）连接致冷剂管。如果不正确连接管道，本机可能接地不当，并引致触电。
- 务必使用指定的电缆接线，必须连接可靠，不使端子受力。如果电缆的连接或安装不正确，可能造成过热或火灾。
- 室外机组的接线盒盖板必须安装牢固。如果盖板安装不正确，灰尘和水分便可进入机内，并可能造成触电或火灾。
- 安装或移动空调机时，务必使用指定的致冷剂（R410A）充注致冷剂管。切勿与其他致冷剂混合，管内也不要残留空气。残留在管内的空气在压力增大时，会使管道爆裂，并引致其他危险。
- 务必使用三菱电机公司指定的附件，并请经销商或合格技工安装附件。如果安装附件不正确，可能引致漏水、触电或火灾。
- 切勿改动机组。务必请经销商修理本机。如果改动或修理不正确，可能引致漏水、触电或火灾。
- 用户切勿尝试自行修理本机，或把机组转移到其他地方。如果不正确安装机组，可能引致漏水、触电或火灾。必须修理或移动空调机时，应请经销商或合格技工负责。
- 安装完毕后，检查致冷剂是否泄漏。如果致冷剂泄漏到室内，并遇到加热器或携带式炊具上的明火，就会释放有毒气体。

- 室外机组在加热期间会产生冷凝水。如果这些冷凝水会造成损害，务必在室外机组周围安装排水管。
- 如果把本机安装在医院或电信室中，应采取预防措施避免制造噪声和电子干扰。反相器、家用电器、高频医疗设备和无线电通信设备会使空调机发生故障或停机。空调机也可能影响医疗设备，干扰医疗和通信设备，并损害屏幕显示器的质量。

- 务必定期检查室外机组的基座和附件是否松动、出现裂痕或其他损坏。如果未及时处理这些问题，机组可能倾倒，并造成损坏或伤害。
- 切勿用水清洗空调机，否则可能触电。
- 用扭矩扳手将扩口螺母拧紧到规定值。如果拧得过紧，经过一段时间后，扩口螺母会裂开，导致致冷剂泄漏。

1. 安全注意事项

1.3. 进行电力工作前

⚠ 注意:

- 务必安装电路断路器。如果未安装电路断路器，可能引致触电。

重点

确定漏电断路器为高谐波相容型。

因为机组配备反相器，所以请使用高谐波相容型漏电断路器。使用相容性不足的断路器，会导致反相器操作错误。

- 务必使用足够容量的标准电缆作为电源线，否则可能造成短路、过热或火灾。

- 安装电源线时，切勿用力拉电缆。如果连接松动，电缆会折断，造成过热或火灾。
- 务必把机组接地。切勿把接地线连接至煤气管、水管、避雷针或电话接地线上。如果机组接地不当，可能引致触电。
- 使用指定容量的电路断路器（接地故障中断器、绝缘开关（+B保险丝）及铸模外壳电路断路器）。如果电路断路器的容量比指定容量大，机组可能停机或引致火灾。

1.4. 开始运行测试前

⚠ 注意:

- 至少在开始运行前12小时先接通主电源开关。如果一接通主电源开关就立即运行，则可能导致内部机件严重损坏。在频繁使用季节，可将主电源开关一直开着。
- 在开始运行前，检查所有面板、保护装置和其他保护性零件是否已正确安装。旋转件、高温件或高压件会造成伤害。

- 切勿用湿手触摸任何开关，否则可能触电。
- 切勿在机组运行期间用手触摸致冷剂管。致冷剂管因内里有致冷剂流动而可能很热或很冷。如果触摸致冷剂管，可能灼伤或冻伤手。
- 停止运行后，务必等候至少五分钟才关闭主电源开关，否则可能漏水或停机。

1.5. 使用R410A致冷剂的空调机

⚠ 注意:

- 使用C1220铜磷磅（用于铜和铜合金制成的无缝管）连接致冷剂管。确保管内壁清洁，不含有硫化物、氧化剂、碎屑或灰尘等任何有害的脏物。务必使用指定厚度的管道。（请参考第174页）如果使用装有R22致冷剂的旧管，请注意以下事项。
 - 换下旧的扩口螺母，并重新把扩口部分扩口。
 - 切勿使用薄壁管。（请参考第174页）
- 把安装机组时所需的管道存放在室内，并将管道两端密封起来，待需要铜焊时才取下密封胶。（把弯头接头等留在包装中。）如果灰尘、碎屑或水气进入致冷剂管，油质可能变差或压缩机停机。
- 使用酯油、乙醚油、烷基苯油（少量）作为冷冻机油，涂在扩口部分。如果把矿物油混入冷冻机油中，油质可能变差。
- 切勿使用R410A以外的致冷剂。如果使用其他致冷剂，氯会使油变质。
- 使用以下专门为R410A致冷剂设计的工具。使用R410A致冷剂时必须使用以下工具。请咨询就近的经销商。

工具（用于R410A）	
压力计歧管	扩口工具
充注软管	尺寸调整量规
气体泄漏检测器	真空泵接头
扭矩扳手	电子致冷剂加料秤

- 务必使用正确的工具。如果灰尘、碎屑或水气进入致冷剂管，冷冻机油的油质可能变差。
- 切勿使用充注罐。如果使用充注罐添加致冷剂，致冷剂的成分会改变，令效率降低。

2. 安装图示和零件

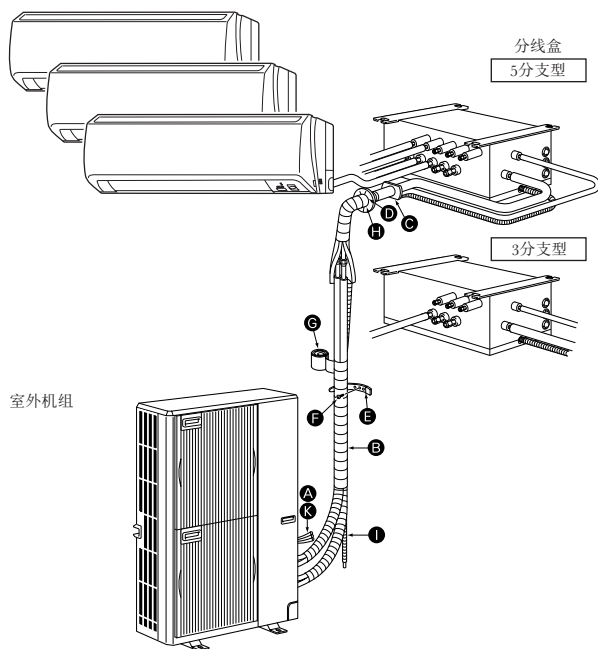


Fig. 2-1

2.1. 安装之前 (Fig. 2-1)

本安装说明书仅适用于室外机组安装。在安装室内机组与分线盒方面，请参考每种设备随附的安装说明书。

安装所需的任何结构改变都必须符合当地建筑法规需求。

此图用于显示配件的配置。有关实际安装，室外机组需旋转 180°。

根据当地法规要求，请由持有执照的承包商安装机组。

备注:

箭头上方所标示的尺寸为保证空调机效能所需的尺寸。请尽可能将机组安装于宽敞的地点，方便日后检修或修理。

自行采购的零件

A	分线盒/室外机组连接线 (3芯, 请参阅7.3的“外台配线程序”)	1
B	延长管	1
C	壁孔套筒	1
D	壁孔盖	1
E	管道固定扎带 (数量取决于管长。)	2 至 7
F	用于E 4 × 20 mm的固定螺钉 (数量取决于管长。)	2 至 7
G	接管胶带	1
H	油灰	1
I	排水软管 (硬PVC管VP16)	1
J	冷冻机油	1
K	电源线 (2芯, 请参阅7.3的“外台配线程序”)	1

3. 安装位置

3.1. 制冷剂管

请参考5.2. 管道长度及高度差。

3.2. 选择室外机组的安装位置

- 避免在阳光直射或其他热源附近的地方安装。
- 选择一处机组发出的噪声不干扰邻居的地方安装。
- 选择一处容易把电线和管道连接至电源和室内机组的地方安装。
- 避免在可燃气体可能泄漏、产生、流动或积聚的地方安装。
- 请注意，机组在运行过程中可能排水。
- 选择一处可以承受机组重量和振动的水平位置安装。
- 避免在冰雪可能覆盖机组的地方安装。在预料有大雪的地区安装时应采取特殊措施，如提高安装位置或在进气口安装护罩，以免大雪堵塞进气口或直接吹向进气口，否则气流会减少，并使机组故障。
- 避免在有油、蒸气或硫化气体的地方安装。
- 搬运机组时请使用室外机组的搬运把手。若从底台搬动机组，可能会夹到手或手指。

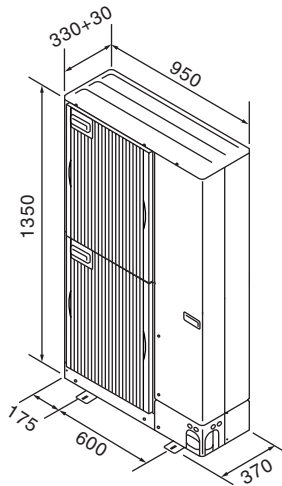


Fig. 3-1

(mm)

3.3. 外形尺寸（室外机组）（Fig. 3-1）

室内机组安装限制

请注意，可连接到此室外机组的室内机组机型如下。

- 可连接型号为22、25、35、50、60、71、80的室内机组。有关可能的2-8房间室内机组组合方式，请参考下表。

确认

请参考下表来决定额定容量。机组数量限制在2至8台。进行下个步骤之前，请确定所选择的总额定容量位于4.4 - 18.5 kW的范围内。

范例：

MSZ-60	=	6.0	} 总额定容量 18.0 ≤ 18.5 kW
+			
SEZ-35	=	3.5	
+			
SLZ-35	=	3.5	
+			
SEZ-25	=	2.5	
+			
SLZ-25	=	2.5	

室内机组类型	22	25	35	50	60	71	80
额定容量（制冷）(kW)	2.2	2.5	3.5	5.0	6.0	7.1	8.0

在室内机组总容量超出室外机组容量（=14.0 kW）的组合中，将会使每台室内机组的制冷能力低于其额定制冷能力。因此，室内机组与室外机组的组合请尽可能在室外机组容量内（=14.0 kW）。

3.4. 通风及检修空间

3.4.1. 安装于多风的地方

将室外机组安装于屋顶或其他不能遮挡强风的地方时，应确保机组的送风口位置不会直接面向强风。强风直接进入送风口会阻碍正常气流，导致故障。

下面显示可抵挡强风的三个措施。

- ① 让送风口面对最近的墙壁大约50cm。（Fig. 3-2）
- ② 若机组安装在台风等强风可直接吹入送风口的地方，请安装选购的导气板。（Fig. 3-3）
 - Ⓐ 导气板
- ③ 尽可能将机组安置在送风口垂直于季候风方向的地方。（Fig. 3-4）
 - Ⓑ 风向

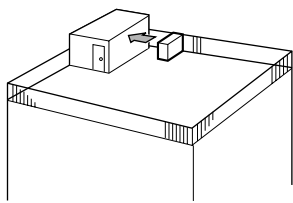


Fig. 3-2

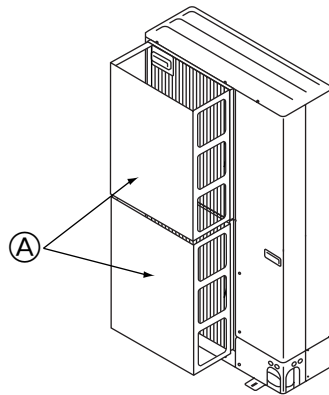


Fig. 3-3

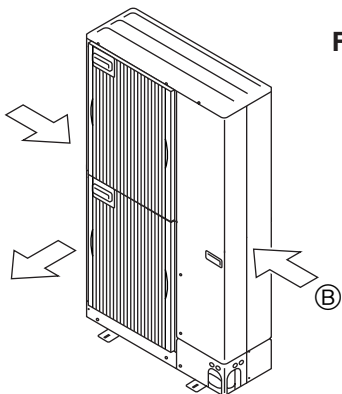


Fig. 3-4

3. 安装位置

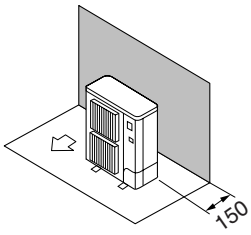


Fig. 3-5

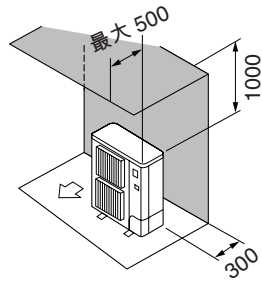


Fig. 3-6

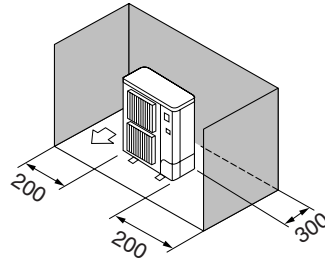


Fig. 3-7

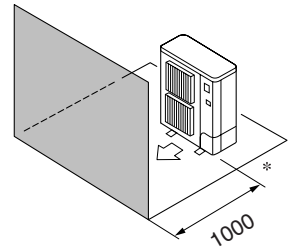


Fig. 3-8

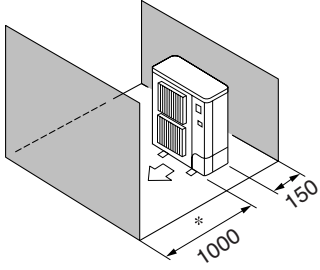


Fig. 3-9

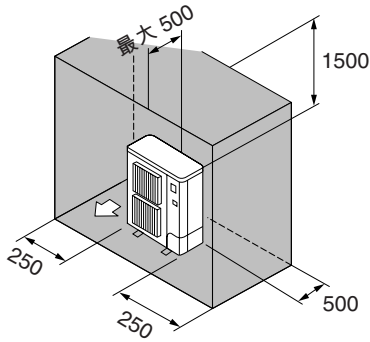


Fig. 3-10

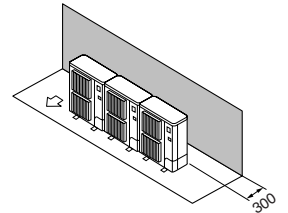


Fig. 3-11

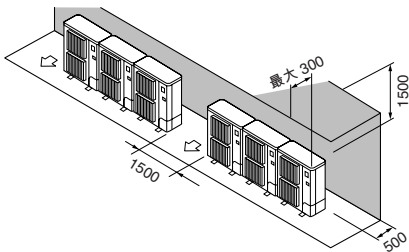


Fig. 3-12

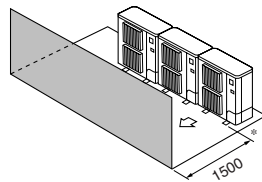


Fig. 3-13

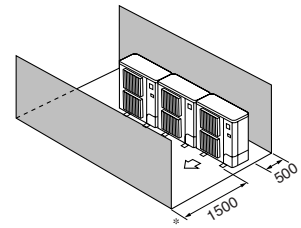


Fig. 3-14

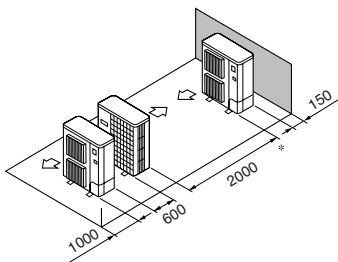


Fig. 3-15

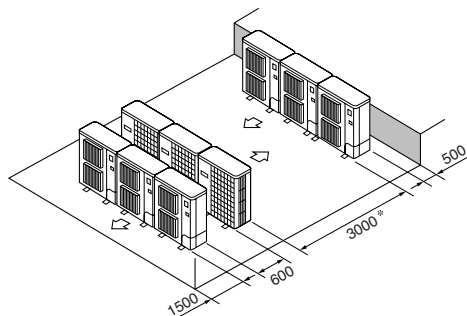


Fig. 3-16

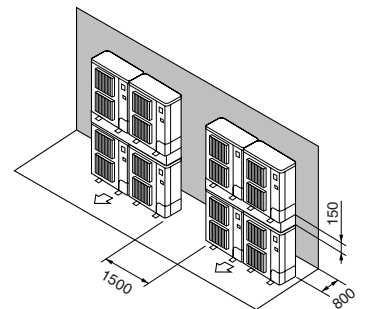


Fig. 3-17

3.4.2. 安装单一室外机组时

下列都是最小尺寸，标示最大（指最大尺寸）的除外。有关每种情况，请参考下列数值。

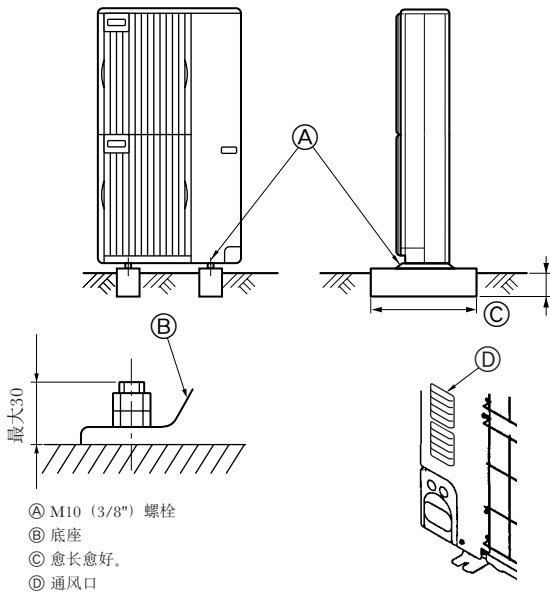
- ① 仅后方有阻碍 (Fig. 3-5)
- ② 仅后方与上方有阻碍 (Fig. 3-6)
- ③ 仅后方与侧面有阻碍 (Fig. 3-7)
- ④ 仅前方有阻碍 (Fig. 3-8)
 - * 使用选购的送风口导板时，间隙为500 mm或以上。
- ⑤ 仅前后方有阻碍 (Fig. 3-9)
 - * 使用选购的送风口导板时，间隙为500 mm或以上。
- ⑥ 仅后方、侧面与上方有阻碍 (Fig. 3-10)
 - 请勿安装选购的往上气流送风口导板。

3.4.3. 安装多台室外机组时

机组之间请留下10 mm或以上空间。

- ① 仅后方有阻碍 (Fig. 3-11)
- ② 仅后方与上方有阻碍 (Fig. 3-12)
 - 不可并列安装超过三台机组。此外，请如图所示留下空间。
 - 请勿安装选购的往上气流送风口导板。
- ③ 仅前方有阻碍 (Fig. 3-13)
 - * 使用选购的送风口导板时，间隙为1000 mm或以上。
- ④ 仅前后方有阻碍 (Fig. 3-14)
 - * 使用选购的送风口导板时，间隙为1000 mm或以上。
- ⑤ 单列平行机组配置 (Fig. 3-15)
 - * 使用选购的往上气流送风口导板时，间隙为1000 mm或以上。
- ⑥ 多列平行机组配置 (Fig. 3-16)
 - * 使用选购的往上气流送风口导板时，间隙为1500 mm或以上。
- ⑦ 堆迭机组配置 (Fig. 3-17)
 - 最多可堆迭两台机组。
 - 不可并列安装超过两组堆迭机组。此外，请如图所示留下空间。

4. 安装室外机组



(mm)

- 请将机组安装于稳固、水平的表面上，避免运作时发出噪声。(Fig. 4-1)

<基座规格>	
基座螺栓	M10 (3/8")
混凝土厚度	120 mm
螺栓长度	70 mm
承重能力	320 kg

- 确定基座螺栓的长度位于底座底台表面的30 mm之内。
 - 用四个M10基座螺栓将机组底座固定在稳固的表面上。
- 安装室外机组**
- 请勿阻挡通风口。若通风口堵塞，会妨碍运行并导致故障。
 - 除了机组底座外，安装机组时如有需要，请用机组背面的安装孔固定电线。使用自攻螺钉 (ø5×15 mm或以下) 并于现场安装。

⚠ 警告:

- 机组必须安装在可以承受其重量的结构上。若将机组固定在不稳固的结构上，机组可能会倾倒并导致设备受损或人员受伤。
- 请依照指示安装机组，将地震、台风或强风的危害减至最低。安装错误的机组可能会倾倒，导致设备受损或人员受伤。

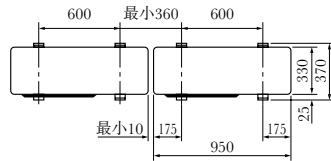


Fig. 4-1

5. 安装致冷剂管

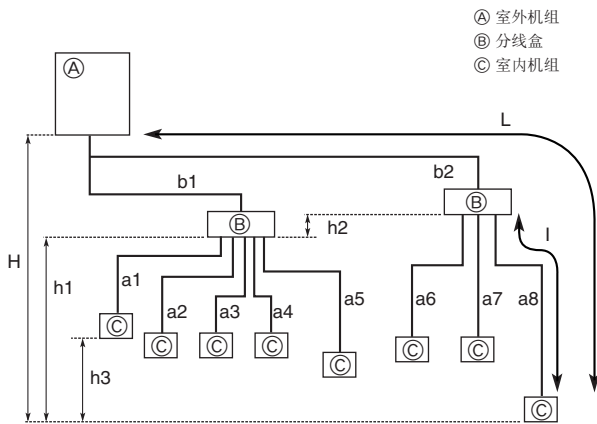


Fig. 5-1

5.1. 使用R410A致冷剂的装置之注意事项

- 下面未提及的有关使用含有R410A致冷剂的装置之注意事项，请参考第171页。
- 使用酯油、乙醚油、烷基苯油（少量）当成冷冻机油涂抹于扩口部分。
- 使用C1220铜磷料（用于铜与铜合金无缝管）连接致冷剂管。请使用具有下表指定厚度的致冷剂管。请确定管道内部清洁并且不含任何有害污染物质，例如硫化物、氧化物、碎屑或灰尘。

⚠ 警告:

- 安装或移动空调时，只能使用指定的致冷剂（R410A）来填充致冷剂管。请勿与其他任何致冷剂混合，并且不可让空气留在管路中。管路中有空气会造成压力增大，导致管路破裂与其他伤害。

ø6.35, ø9.52, ø12.7	厚度 0.8 mm
ø15.88	厚度 1.0 mm

- 请勿使用厚度低于上述指定值的管道。

容许长度 (单向)	总管道长度	$b1+b2+a1+a2+a3+a4+a5+a6+a7+a8 \leq 115 \text{ m}$
	最远的管道长度 (L)	$b2+a8 \leq 70 \text{ m}$ ($b2 \leq 55 \text{ m}$, $a8 \leq 15 \text{ m}$)
	室外机组与分线盒之间的管道长度	$b1+b2 \leq 55 \text{ m}$
	分线盒之后最远的管道长度 (I)	$a8 \leq 15 \text{ m}$
	分线盒与室内机组之间的总管道长度	$a1+a2+a3+a4+a5+a6+a7+a8 \leq 60 \text{ m}$
容许的高度差 (单向)	室内/室外部分 (H) *1	$H \leq 30 \text{ m}$ (室外机组高于室内机组的情况) $H \leq 20 \text{ m}$ (室外机组低于室内机组的情况)
	分线盒/室内机组部分 (h1)	$h1 + h2 \leq 15 \text{ m}$
	每个分线盒内 (h2)	$h2 \leq 15 \text{ m}$
	每台室内机组内 (h3)	$h3 \leq 12 \text{ m}$
	弯头数目	$ b1+a1 , b1+a2 , b1+a3 , b1+a4 , b1+a5 , b2+a6 , b2+a7 , b2+a8 \leq 15$

*1 分线盒的放置高度应该在室外机组与室内机组之间。

5.2. 管道长度及高度差 (Fig. 5-1)

扩口连接

- 本装置在每台室内机组、分线盒以及室外机组上都有扩口连接。
- 卸下室外机组阀门盖，然后连接管道。
- 致冷剂管用于连接分线盒与室外机组。

5. 安装致冷剂管

5.3. 添加致冷剂

- 若管道总长度 (b1+b2+a1+a2+a3+a4+a5+a6+a7+a8) 未超过40 m, 则不需要额外添加致冷剂。
- 若管道总长度超过40 m, 请根据下表内容允许的管道长度来添加额外的R410A致冷剂。

* 机组停止时, 请在延长管及室内机组已经真空之后, 透过液体截止阀填充额外致冷剂。
当机组运行时, 请使用安全填充器将致冷剂添加至气体止回阀。请勿直接将液体致冷剂添加至止回阀。

为机组添加致冷剂之后, 请在检修标签(黏贴于机组)上记录致冷剂添加量。

有关详细资料, 请参考“1.5. 使用R410A致冷剂的空调机”。

表 1

总管道长度 (b1+b2+a1+a2+a3+a4+a5+a6+a7+a8)	41 - 50 m	51 - 70 m	71 - 90 m	91 - 115 m
致冷剂添加量	0.6 kg	1.4 kg	2.2 kg	3.2 kg

如果连接带有 $\varnothing 9.52$ 液体管道的室内机组 (对于M和S系列, 型号为71或以上; 对于P系列, 型号为60或以上), 则必须修正表1中添加额外制冷剂的量 (将表1中所列出的数值加到以下的 ΔR 值)。

添加额外制冷剂修正量

$$\Delta R = 0.01 \text{ [kg/m]} \times \varnothing 9.52 \text{ 分支管 (液体管道) 总长度 [m]}$$

范例 b1=20 m, b2=25 m

室内机组 A	$\varnothing 9.52$ 液体管道	a1=12 m
室内机组 B	$\varnothing 6.35$ 液体管道	a2=11 m
室内机组 C	$\varnothing 6.35$ 液体管道	a6=14 m
室内机组 D	$\varnothing 9.52$ 液体管道	a7=13 m

总管道长度: b1+b2+a1+a2+a6+a7=95 m

→ 根据表1, 添加额外制冷剂的量为3.2kg。

由于连接了带有 $\varnothing 9.52$ 液体管道的室内机组 (本例中为室内机组A和D), 因此, 必须修正添加额外制冷剂的量。

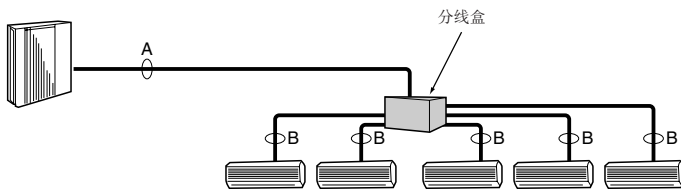
添加额外制冷剂修正量

$$\begin{aligned} \Delta R &= 0.01 \text{ [kg/m]} \times \varnothing 9.52 \text{ 分支管 (液体管道) 总长度 (a1+a7)} \\ &= 0.01 \times (12+13 \text{ m}) \\ &= 0.25 \text{ kg} \end{aligned}$$

因此, 添加额外制冷剂的量为3.2kg + 0.25kg=3.45kg。

■ 使用1个分线盒时

运用扩口连接 (铜焊接数)



■ 使用2个分线盒时

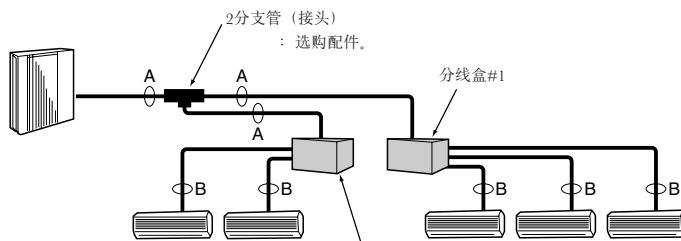


Fig. 5-2

(1) 室外机组的阀门尺寸

液体用	$\varnothing 9.52 \text{ mm}$
气体用	$\varnothing 15.88 \text{ mm}$

(2) 分线盒的阀门尺寸

[A] 组	液体管道	$\varnothing 6.35 \text{ mm}$
	气体管道	$\varnothing 9.52 \text{ mm}$
[B] 组	液体管道	$\varnothing 6.35 \text{ mm}$
	气体管道	$\varnothing 9.52 \text{ mm}$
[C] 组	液体管道	$\varnothing 6.35 \text{ mm}$
	气体管道	$\varnothing 9.52 \text{ mm}$
[D] 组	液体管道	$\varnothing 6.35 \text{ mm}$
	气体管道	$\varnothing 9.52 \text{ mm}$
[E] 组	液体管道	$\varnothing 6.35 \text{ mm}$
	气体管道	$\varnothing 12.7 \text{ mm}$

* 3分支型: 仅适用于[A]、[B]、[C]组

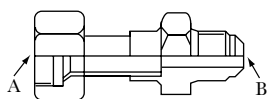


Fig. 5-3

转换公式

1/4 F	$\varnothing 6.35$
3/8 F	$\varnothing 9.52$
1/2 F	$\varnothing 12.7$
5/8 F	$\varnothing 15.88$
3/4 F	$\varnothing 19.05$

5.4. 选择管道大小 (Fig. 5-2)

	A	B
液体 (mm)	$\varnothing 9.52$	根据室内机组的类型与容量, 管道连接尺寸会有所不同。请配合分线盒与室内机组的管道连接尺寸。若分线盒的管道连接尺寸未与室内机组的管道连接尺寸吻合, 请在分线盒一侧使用选购的不同直径 (变形的) 接头。(将变形的接头直接连接至分线盒一侧。)
气体 (mm)	$\varnothing 15.88$	

不同直径接头 (选购配件) (Fig. 5-3)

机型名称	连接管道直径		直径A	直径B
	mm		mm	mm
MAC-A454JP	$\varnothing 9.52$	→ $\varnothing 12.7$	$\varnothing 9.52$	$\varnothing 12.7$
MAC-A455JP	$\varnothing 12.7$	→ $\varnothing 9.52$	$\varnothing 12.7$	$\varnothing 9.52$
MAC-A456JP	$\varnothing 12.7$	→ $\varnothing 15.88$	$\varnothing 12.7$	$\varnothing 15.88$
PAC-493PI	$\varnothing 6.35$	→ $\varnothing 9.52$	$\varnothing 6.35$	$\varnothing 9.52$
PAC-SG76RJE	$\varnothing 9.52$	→ $\varnothing 15.88$	$\varnothing 9.52$	$\varnothing 15.88$

管道准备

① 下表显示市面上可选购的管道规格。

外径 mm	绝热厚度 mm	绝热材料
		耐热泡沫塑胶, 比重0.045
6.35	8	
9.52	8	
12.7	8	
15.88	8	

② 确定两根致冷剂管都已经绝热以避免冷凝水。

③ 致冷剂管弯曲半径必须至少有100 mm或以上。

⚠ 注意:

确保使用指定厚度的绝热材料, 太厚会导致室内机组与分线盒安装错误, 太薄则会导致滴水。

2分支管 (接头): 选购配件 (您可根据连接方式来选择最理想的方式。)

机型名称	连接方式
MSDD-50AR-E	扩口
MSDD-50BR-E	铜焊

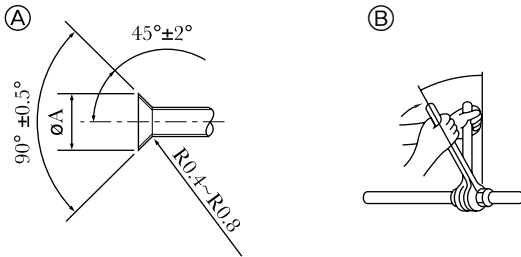
■ 安装程序 (2分支管 (接头))

请参考MSDD-50AR-E和MSDD-50BR-E的安装说明书。

5. 安装致冷剂管

重新安置室内和室外机组时的致冷剂收集方法（抽空）

- ① 将压力计歧管阀（提供的压力表）连接至室外机组气体截止阀附近的检修口，以测量致冷剂压力。
- ② 接通电源（电路断路器）。
- ③ 关闭液体截止阀，然后进行制冷运行测试（SW4-1：开启以及SW4-2：关闭）。
 - * 接通电源后请等待至少3分钟，然后才设定SW4-1和SW4-2。如果在3分钟过去之前设定DIP开关，运行测试可能不会开始。
- ④ 当压力表读数下降至0.05-0.00 MPa*（约0.5-0.0 kgf/cm²）时，完全关闭气体截止阀。
 - * 如果将过量的致冷剂加入空调机系统，压力可能不会下降至0.5 kgf/cm²。如果出现这个情况，用一个致冷剂收集设备收集系统内的所有致冷剂，然后在重新安置室内和室外机组后，将正确份量的致冷剂重新注入系统内。
- ⑤ 使空调机停止运行（SW4-1：关闭以及SW4-2：关闭）。
- ⑥ 切断电源（电路断路器）。



- ① 扩口切割尺寸
② 扩口螺母拧紧扭矩

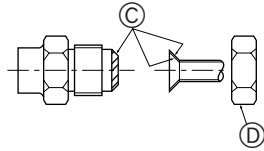


Fig. 5-4

① (Fig. 5-4)

铜管外径 (mm)	扩口尺寸 øA 尺寸 (mm)
ø6.35	8.7 - 9.1
ø9.52	12.8 - 13.2
ø12.7	16.2 - 16.6
ø15.88	19.3 - 19.7

② (Fig. 5-4)

铜管外径 (mm)	扩口螺母外径 (mm)	拧紧扭矩 (N·m)*
ø6.35	17	14 - 18
ø6.35	22	34 - 42
ø9.52	22	34 - 42
ø9.52	26	49 - 61
ø12.7	26	49 - 61
ø12.7	29	68 - 82
ø15.88	29	68 - 82
ø15.88	36	100 - 120

* 1 N·m ≈ 10 kgf·cm

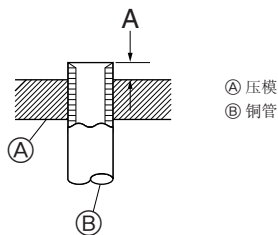


Fig. 5-5

5.5. 连接管道 (Fig. 5-4)

- 使用市场上出售的铜管时，请使用市售的绝热材料（耐热100℃或以上，厚度12mm或以上）来缠绕液体与气体管道。
- 排水管的室内侧应该缠绕聚乙烯泡沫绝热材料（比重0.03，厚度9mm或以上）。
- 在拧紧扩口螺母之前，请于管道和接头装配表面上涂抹薄薄一层冷冻机油。①
- 使用两把扳手拧紧接管接头。②
- 连接完成后，请使用气体泄漏检测器或肥皂水检查是否漏气。
- 在整个扩口装配表面上涂抹冷冻机油。③
- 使用下列的扩口螺母。④

■管道大小（室外机组-分线盒）

管道大小 (ømm)	液体	ø9.52
	气体	ø15.88

可连接的室内机组的排列方式取决于地区/区域/国家。

■管道大小（分线盒-室内机组）*使用M系列或S系列室内机组时

室内机组 类型	(kW)	22	25	35	50	60	71	80
		管道大小 (ømm)	液体 ø6.35 气体 ø9.52	ø6.35 ø9.52	ø6.35 ø9.52	ø6.35 ø12.7	ø6.35 ø15.88*	ø9.52 ø15.88

* 使用MEXZ系列的60型室内机组时，请使用室内机组附件内的扩口螺母来连接室内机组气体侧接头。请勿使用室内机组附带的扩口螺母（气体侧）。使用此螺母会发生漏气或甚至是管道抽出的情况。

■管道大小（分线盒-室内机组）*使用P系列室内机组时

室内机组 类型	(kW)	35	50	60	71
		管道大小 (ømm)	液体 ø6.35 气体 ø12.7	ø6.35 ø12.7	ø9.52 ø15.88

使用P系列的35、50型室内机组时，请使用室内机组附带的扩口螺母。请勿使用（室内机组附件内）的扩口螺母。若使用此螺母，可能导致漏气或甚至使管道抽出。

- 弯曲管道时，请小心不要弄破管道。弯曲半径在100mm至150mm之内已经足够。
- 确定管道未接触压缩机，否则会产生怪声或震动。

- ① 管道必须从室内机组开始连接。
扩口螺母必须用扭矩扳手紧固。
- ② 将液体管道与气体管道扩口，并涂上薄薄一层冷冻机油（现场涂抹）。
- 在使用一般管道密封时，关于R410A致冷剂管的扩口连接，请参考表2。
可使用尺寸调整量规来确定A测量值。

表2 (Fig. 5-5)

铜管外径 (mm)	A (mm)	
	适用于R410A的扩口工具	适用于R22·R407C的扩口工具 接合型
ø6.35 (1/4")	0 - 0.5	1.0 - 1.5
ø9.52 (3/8")	0 - 0.5	1.0 - 1.5
ø12.7 (1/2")	0 - 0.5	1.0 - 1.5
ø15.88 (5/8")	0 - 0.5	1.0 - 1.5

5. 安装致冷剂管

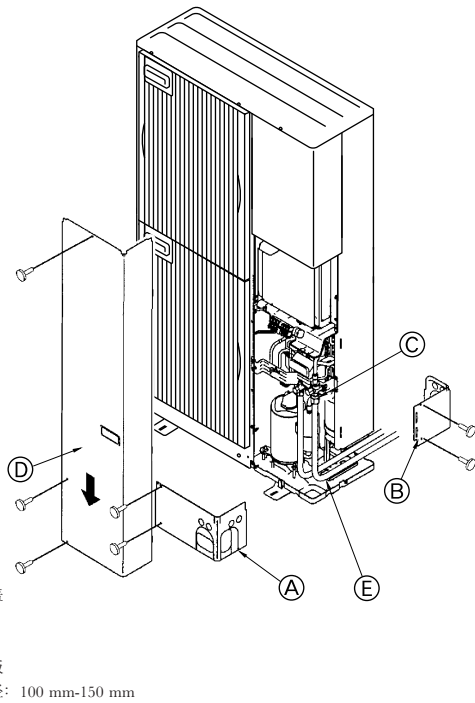


Fig. 5-6

5.6. 致冷剂管 (Fig. 5-6)

卸下检修面板④ (三枚螺钉)、前接管盖① (两枚螺钉) 以及后接管盖② (两枚螺钉)。

致冷剂管可缠绕保护胶带

- 可在连接管道之前或之后, 在管道上缠绕保护胶带至直径 $\phi 90$, 顺著凹槽切断管盖内的突出管并包裹管道。

管道入口间隙

- 使用油灰或密封胶密封管道周围的管道入口, 不要留下任何空隙。(若未将间隙密封起来, 可能会发出噪声或者水或灰尘会进入机组内, 导致故障。)

5.7. 接管/阀门操作的注意事项

- 依照下列图示精确进行管道连接以及阀门操作。
- 沿著绝热材料涂抹密封胶, 避免水进入覆盖致冷剂管接头的绝热材料内。
- 在抽空以及填充致冷剂之后, 确定把手完全开启。若在运作时阀门关闭, 在致冷剂回路的高压或低压侧会施加不正常压力, 导致压缩机等受损。
- 决定额外致冷剂填充量 (请参考“5.3. 添加致冷剂”), 并在完成管道连接作业之后透过检修口填充致冷剂。
- 完成作业之后, 请紧固检修口 (12-15N·m) 与盖子 (20-25N·m), 避免漏气。
*1 N·m \approx 10 kgf·cm

完全开启截止阀的方法

打开截止阀的方法视室外机组机型而不同。请使用适当的方法打开截止阀。

(1) A型 (Fig. 5-7)

- 取下盖帽, 然后用平头螺丝起子逆时针旋转1/4圈, 以便完全打开。
- 检查阀门是否已完全打开, 然后将盖帽放回原位, 再往下旋紧。

(2) B型 (Fig. 5-7)

- 取下盖帽, 向您的方向拉把手并逆时针旋转1/4圈, 以打开截止阀。
- 确保截止阀完全打开, 推入把手然后将盖帽旋回原位。

(3) C型 (Fig. 5-8)

- 卸下盖子并用4 mm六角扳手逆时针方向旋转阀门杆到底。转到底后停止旋转。
- 确保截止阀已完全打开, 再将盖帽旋回原位。

- ① 阀门
- ② 机组侧
- ③ 检修口
- ④ 把手
- ⑤ 盖子
- ⑥ 完全开启
- ⑦ 完全关闭
- ⑧ (单侧安装) 致冷剂管侧
- ⑨ 致冷剂流入方向
- ⑩ 扳手孔
- ⑪ 操作部分

5.8. 气密测试与抽空

① 气密测试 (Fig. 5-9)

请用氮气加压的方式进行气密测试。有关测试方法, 请参考下图。

- 连接测试工具。在截止阀关闭时测试。同时确定让液体或高压管道以及气体或低压管道充压。
- 请勿一次就将压力提升到指定压力, 请逐渐提高压力。
 - 充压至0.5 MPa (5 kgf/cm²G), 等待五分钟, 确定压力未下降。
 - 充压至1.5 MPa (15 kgf/cm²G), 等待五分钟, 确定压力未下降。
 - 充压至4.15 MPa (41.5 kgf/cm²G), 并测量周围温度与致冷剂压力。
- 若指定压力维持一天并且未下降, 表示管道通过测试, 并无漏气。
 - 若周围温度改变1℃, 压力会改变大约0.01 MPa (0.1 kgf/cm²G)。请进行必要的修正。
- 若在步骤 (2) 或 (3) 内压力下降, 表示有漏气。请找出漏气来源。

- ① 氮气
- ② 系统分析仪
- ③ 低旋钮
- ④ 高旋钮
- ⑤ 至分线盒
- ⑥ 室外机组
- ⑦ 截止阀
- ⑧ 液体管道或高压管道
- ⑨ 气体管道或低压管道
- ⑩ 检修口

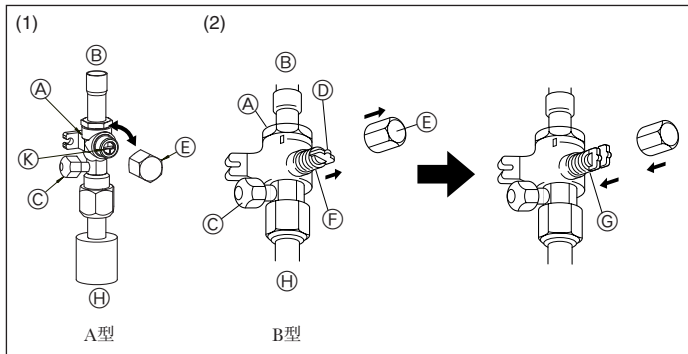


Fig. 5-7

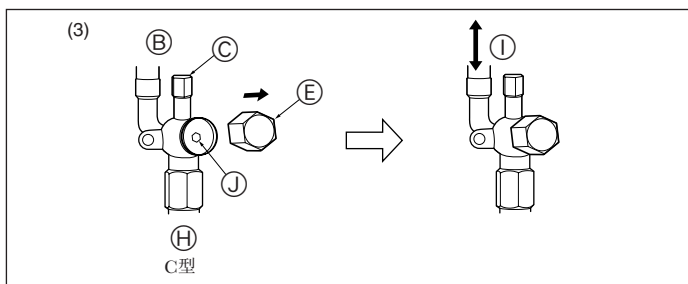


Fig. 5-8

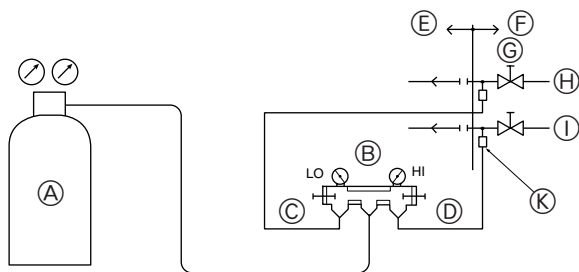
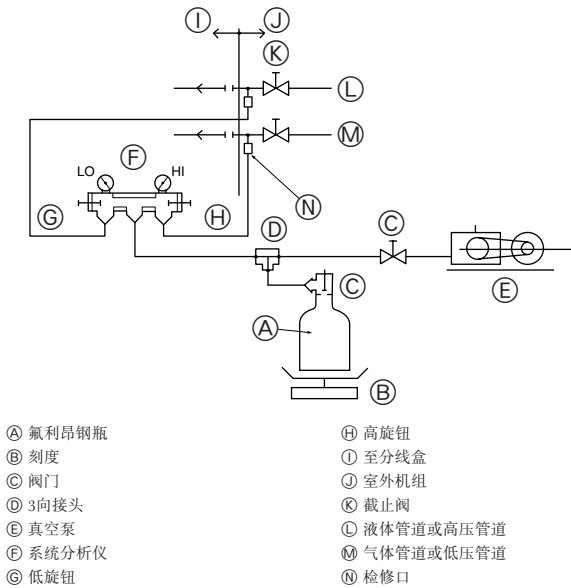


Fig. 5-9

5. 安装致冷剂管



- ① 氟里昂钢瓶
- ② 刻度
- ③ 阀门
- ④ 3向接头
- ⑤ 真空泵
- ⑥ 系统分析仪
- ⑦ 低旋钮
- ⑧ 高旋钮
- ⑨ 至分线盒
- ⑩ 室外机组
- ⑪ 截止阀
- ⑫ 液体管道或高压管道
- ⑬ 气体管道或低压管道
- ⑭ 检修口

Fig. 5-10

② 抽空 (Fig. 5-10)

请由室外机组截止阀上提供的检修口，将气体排往液体或高压管道以及气体或低压管道共用的真空泵。（请在截止阀关闭的状态下，同时从液体或高压管道以及气体或低压管道排气）。

切记：请勿用致冷剂净化空气。

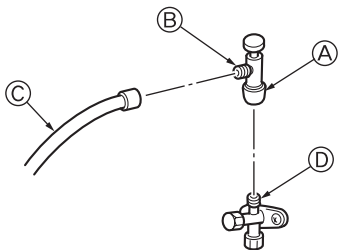
⚠ 警告：

安装或移动机组到其他地方时，请勿在致冷剂回路中混入指定以外的致冷剂。若混入空气，致冷剂回路会有不正常的高压，并导致致冷剂管破裂。

* 请使用测量准确度高达0.1 kg的高精度比重计。若没有这种仪器，您可使用充注罐。

备注：

- 请使用压力计歧管、充注软管以及机组上指示的其他致冷剂零件。
- 请使用比重计。（测量准确度至0.1 kg）



- * 左图只作示例参考。止动阀形状、检修口位置等可能随机型而有所不同。
- * 只转动部分①。
- （请勿同时过度拧紧部分②和③。）

- ④ 充注软管
- ⑤ 检修口

Fig. 5-11

使用充注阀的注意事项 (Fig.5-11)

安装检修口时请勿将之过度拧紧，否则阀芯可能会变形及松脱，造成气体泄漏。

将部分①转向想要的方向后，请只转动并拧紧部分②。拧紧部分②后，请勿同时过度拧紧部分②和③。

6. 排水管作业

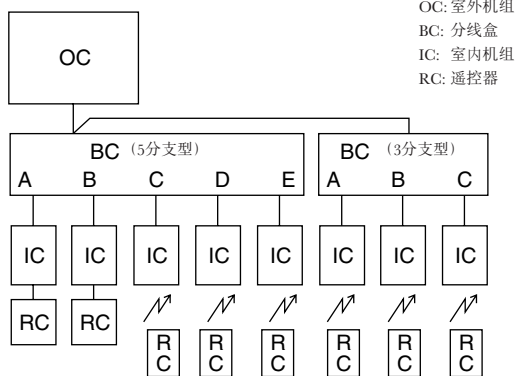
室外机组排水管连接

需要排水管时，请使用排水座或排水盘（选购）。

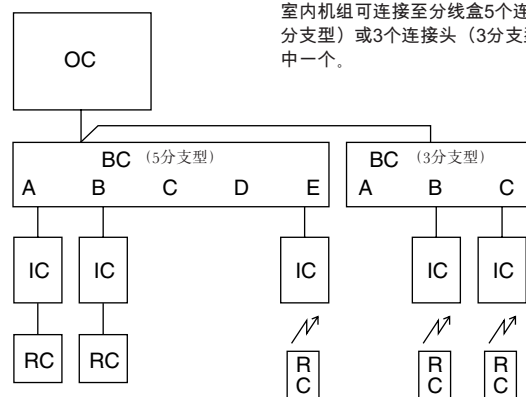
排水座	PAC-SG61DS-E
排水盘	PAC-SG64DP-E

7. 电力工作

[1] 基本系统



- OC: 室外机组
- BC: 分线盒
- IC: 室内机组
- RC: 遥控器



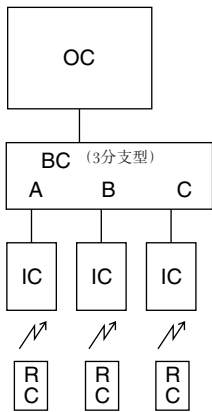
备注：

室内机组可连接至分线盒5个连接头（5分支型）或3个连接头（3分支型）的其中一个。

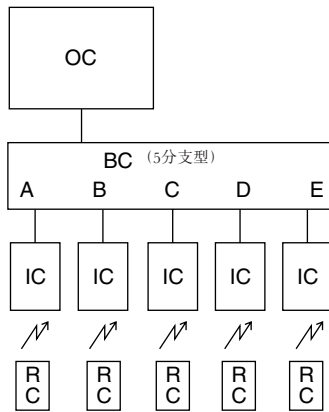
7. 电力工作

[2] 标准系统

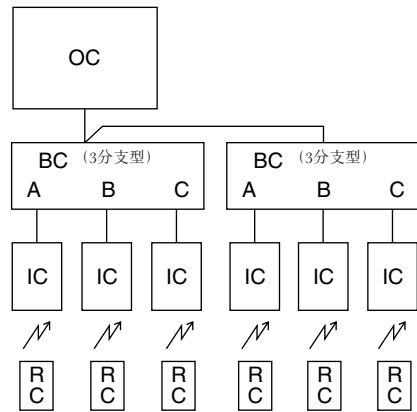
2-1. 仅3分支型



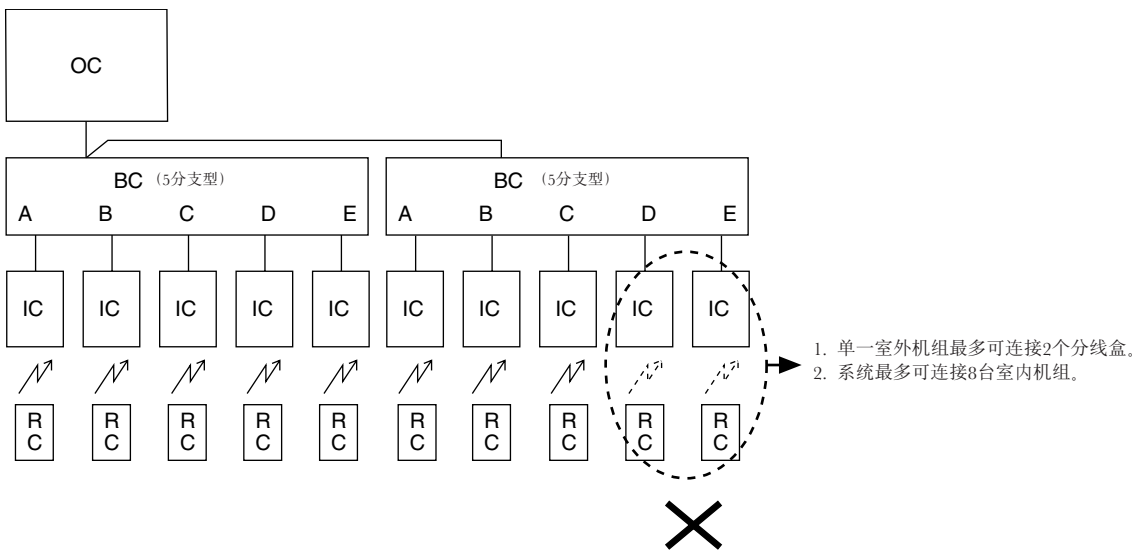
2-2. 仅5分支型



2-3. 2分线盒 (3分支型)

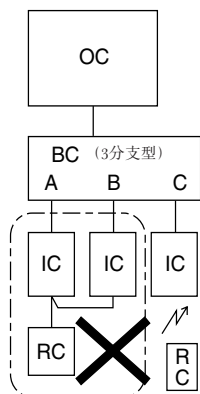


2-4. 2分线盒 (5分支型, 最多8台室内机组)

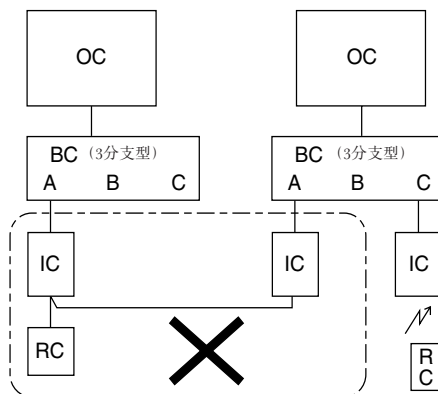


[3] 错误系统

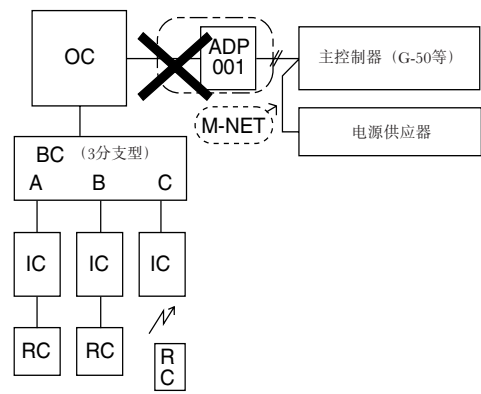
3-1. 由单一遥控器分组运作



3-2. 在不同的致冷剂系统之间分组运作



3-3. 将M-NET转接器连接至室外机组



- 3-1. 单一遥控器不可操作多台室内机组。
- 3-2. 不同的致冷系统不可连接在一起。
- 3-3. M-NET转接器不可连接至室外机组。

7. 电力工作

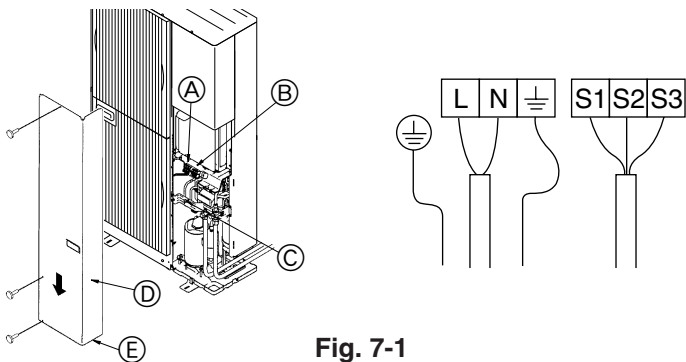


Fig. 7-1

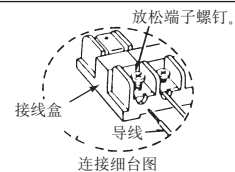
7.1. 室外机组 (Fig. 7-1)

- ① 卸下检修面板。
 - ② 参考图7-1连接电线。
- Ⓐ 接地端子
Ⓑ 接线盒
Ⓒ 夹子
Ⓓ 检修面板
Ⓔ 装配电线让电线不要接触检修面板中央或气体阀门。

7.2. 分线盒/室外电线连接与室外电源线连接

- 警告:**
- 请将室外机组的接线盒盖板/面板固定妥当。若未正确固定, 会因为灰尘、水等导致火灾或触电。
 - 确保将室内机组、室外机组与分线盒的电源线与连接线直接连接至机组 (无中间连接)。
 - 若有水进入电源线或连接线, 中间连接会造成通信错误, 并导致接地绝缘不足或中间连接头接触不良。
(若需要中间连接, 请采取措施避免有水进入电源线或连接线)。

- 注意:**
- 小心不要配错线。
 - 锁紧端子螺钉避免松脱。
 - 锁紧之后, 稍微拉扯电线确定不会移动。
 - 若连接线未正确连接至接线盒, 机组将无法正常工作。



- 从分线盒正确将电线连接至接线盒。
- 为了方便日后检修, 请多留一些连接线。

<范例> (使用2分线盒时)

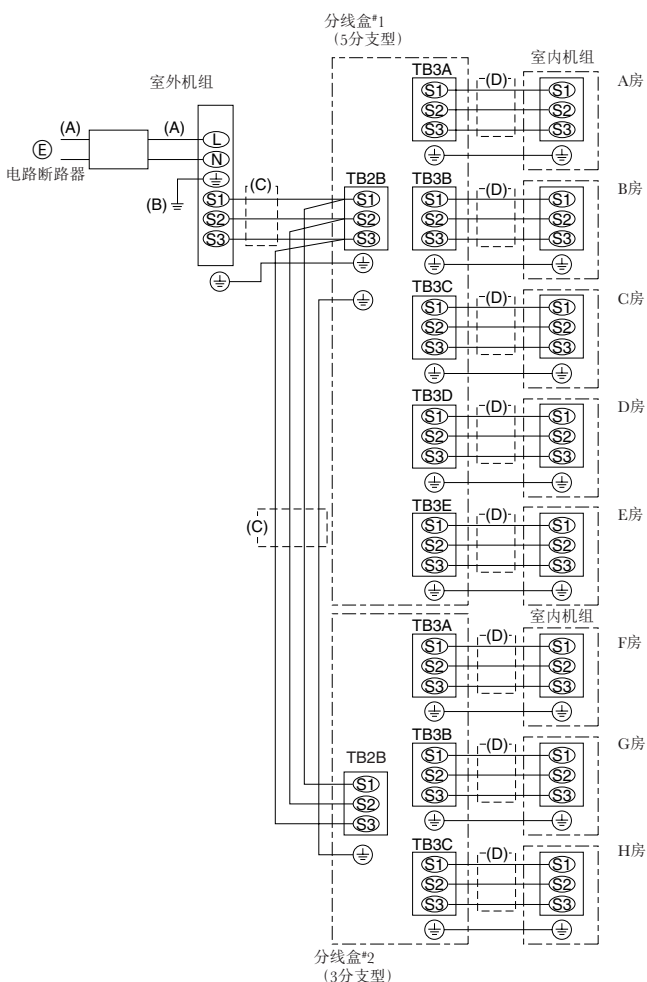


Fig. 7-2

7.3. 外台配线程序 (Fig. 7-2)

电源供应作业只需要至室外机组, 分线盒或室内机组的电源供应都由配线完成。因此, 电源供应作业只需要在室外机组的一个位置上进行。如此可简化作业并节省成本。

- Ⓔ 电源供应
- 单相 AC220/230/240 V, 50 Hz
AC220 V, 60 Hz
- 最大允许系统阻抗 0.22 (Ω)

- 备注:**
- ① 电源供应输入: 仅适用于室外机组。
依照接线盒的名称连接电线(C)、(D)以确定极性正确。

电线直径				断路器 *1	
(A) 主电源线	(B) 接地	(C) 单线	(D) 单线	断路电流	性能特性
6.0 mm ²	6.0 mm ²	1.5 mm ² *2	1.5 mm ²	40 A	40 A, 0.1秒 或以下则 30 mA

使用绞合线配线时, 需要使用圆形端子。

*1. 断路器应该提供每个极性至少有3 mm的接点分隔。请使用无熔丝断路器 (NF) 或接地漏电断路器 (NV)。

*2. 最长为45m (“室外机组—分线盒#1”加“分线盒#1—分线盒#2”)。
若使用2.5mm², 最长为55m。

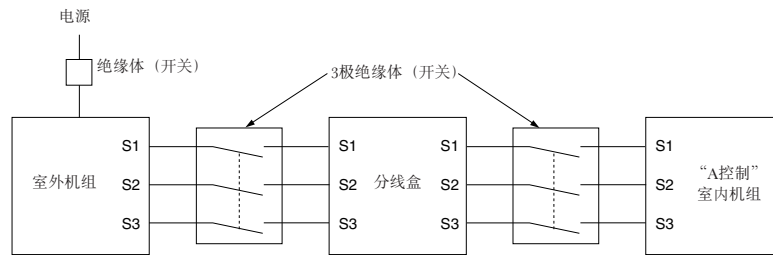
- 备注:**
1. 接线尺寸必须符合适当的当地与国家法规。
 2. 电源线与室内机组/分线盒/室外机组连接线规格不可低于聚丁二烯覆鞘弹性线。(60245 IEC 57设计)
 3. 安装一条比电源线更长的接地线。

重点
确定漏电断路器为高调波相容型。
因为机组配备有反相器, 所以请使用高调波相容型漏电断路器。
使用相容性不足的断路器, 会导致反相器操作错误。

7. 电力工作

⚠ 警告:

如果使用A控制线，在电源线与通信信号线之间无电气绝缘的电路设计中，S3端子上具有高电压电位。因此，检修时请关闭主电源供应，并且在通电时请勿触摸S1、S2和S3端子。若在室外机组和分线盒/室内机组和分线盒之间使用绝缘体，请使用3极型。



⚠ 注意:

使用绝缘体后，务必先关闭再开启主电源供应，以便重设系统。否则，室外机组可能无法识别分线盒或室内机组系统。

接线规格

(室外-分线盒连接电缆)

电缆剖面图	电线尺寸 (mm ²)	电线数目	极性	L (m) *6
	2.5	3	顺时针：S1-S2-S3 * 注意黄线和绿线	(50) *2
	2.5	3	不适用 (因为中间线没有覆盖物)	不适用 *5
	1.5	4	从左到右：S1-打开-S2-S3	(45) *3
	2.5	4	顺时针：S1-S2-S3-打开 * 以对角方向连接S1和S3	(55) *4

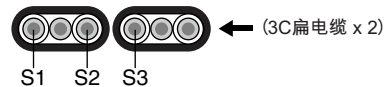
*1：设备电源线规格不可低于60245 IEC或227 IEC设计。

*2：如果电缆有黄线和绿线。

*3：如果使用标准极性连接 (S1-S2-S3)，电线尺寸为1.5 mm²。

*4：如果使用标准极性连接 (S1-S2-S3)。

*5：如果如图所示连接扁电缆，电缆最长可达55 m。



*6：所述电缆长度只作参考之用。

根据安装条件、湿度或物料等而定，电缆长度可能有所不同。

务必将室外-分线盒/室内-分线盒连接电缆直接连接至机组 (无中间连接)。
若有水进入电缆，中间连接会造成通信错误，并导致接地绝缘不足或中间连接头接触不良。
(若需要中间连接，请采取措施避免有水进入电缆。)

8. 运行测试

8.1. 在运行测试前

- ▶ 完成室内机组和室外机组的安装、接线和接管工作后，请检查制冷剂有否泄漏，电源线或控制线是否过松，极性是否正确，以及电源的某一相是否断开。
- ▶ 使用500伏高阻抗表测量电源端子和地面之间的阻抗是否等于或大于1MΩ。
- ▶ 切勿在控制线（低压电路）端子上进行运行测试。

⚠ 警告：

若绝缘阻抗低于1MΩ，请勿使用空调机。

绝缘阻抗

安装之后或长时间断电之后，会因为制冷剂积聚在压缩机内造成绝缘阻抗低于1MΩ。这不是故障。请执行下列程序。

1. 卸下压缩机电线，并测量压缩机的绝缘阻抗。
2. 若绝缘阻抗低于1MΩ，表示压缩机故障或因为压缩机内积聚制冷剂造成阻抗下降。

3. 把电线连接压缩机并接通电源后，压缩机会启动预热程序。在通电达到以下所述的时间后，重新测量绝缘电阻。

- 由于制冷剂积聚在压缩机中，绝缘电阻因而降低。在压缩机预热2-3小时后，电阻会升到1MΩ以上。

（压缩机所需的预热时间视乎大气条件和积聚的制冷剂容量而定。）

- 如果要运行积聚了制冷剂的压缩机，必须使压缩机预热12个小时以上，否则压缩机会出现故障。

4. 若绝缘阻抗高于1MΩ，表示压缩机正常。

⚠ 注意：

- 压缩机将不会操作，除非电源相连接正确。
- 开始操作前，请打开电源至少12小时。
- 打开主电源开关后立即开始操作可严重损耗内部零件。在空调机操作季节期间，请保持电源开关启动。

▶ 务必同时检查以下事项。

- 室外机组没有故障。当室外机组出现故障时，室外机组控制板上的LED会闪烁。
- 气体和液体截止阀完全打开。

8.2. 运行测试

8.2.1. 使用遥控器

请参考室内机组安装说明书。

- 确定执行每台室内机组的运行测试。确定每台室内机组都如机组附随的安装说明书内之描述正确运作。
- 若您一次执行所有室内机组的运行测试，则无法侦测到制冷剂管与连接线可能出现的任何错误连接。
- * 在供电之后请等待3分钟以上才能运转压缩机。
- 压缩机只有在通电之时或低温下会发出噪声。

关于重新启动保护机械装置

一旦压缩机停止，重新启动保护装置就会启动，这样在3分钟内压缩机都不会运作来保护空调机。

8.2.2. 使用室外机组内的SW4

在室外机组的运行测试中，所有室内机组都会运作。因此，您无法侦测到制冷剂管与连接线的错误连接。若目标在于侦测任何错误连接，请用遥控器执行运行测试，并参考“8.2.1. 使用遥控器”。

SW4-1	开启	制冷运作
SW4-2	关闭	
SW4-1	开启	加热运作
SW4-2	开启	

* 进行运行测试后，将SW4-1设定为关闭。

- 在压缩机启动的几秒钟后，从室外机组内会发出叮当作响的噪声，此噪声来自于止回阀，这是因为管道内有稍微压力差的缘故。机组并未故障。

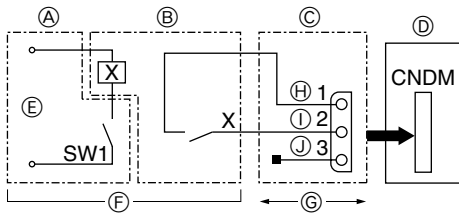
在运行测试期间，无法由DIP开关SW4-2改变运行测试运作模式。（若要在运行测试期间变更运行测试运作模式，请用DIP开关SW4-1停止运行测试。在变更运行测试运作模式之后，请用开关SW4-1恢复运行测试。）

当“使用室外机组内的SW4”启动运行测试时，即使利用遥控器发出停止指示，室外机组也不会停止运行（运行测试不会结束）。在这种情况下，请将室外机组的SW4设定为关闭。

备注：

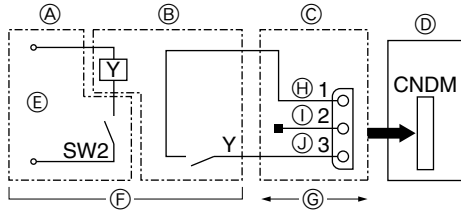
接通电源后请等待至少3分钟，然后才设定SW4-1和SW4-2。如果在3分钟进去之前设定DIP开关，运行测试可能不会开始。

9. 特殊功能



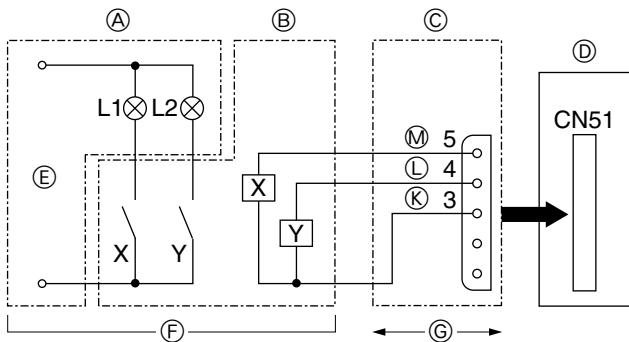
- (A) 遥控器面板
 (B) 继电器电路
 (C) 外部输入适配器 (PAC-SC36NA)
 (D) 室外机组控制板
 (E) 继电器电源
 (F) 在当地购买
 (G) 最大10米
 (H) 橘色
 (I) 啡色
 (J) 红色

Fig. 9-1



- (A) 遥控器面板
 (B) 继电器电路
 (C) 外部输入适配器 (PAC-SC36NA)
 (D) 室外机组控制板
 (E) 继电器电源
 (F) 在当地购买
 (G) 最大10米
 (H) 橘色
 (I) 啡色
 (J) 红色

Fig. 9-2



- L1: 故障显示灯
 L2: 压缩机运行灯
 X, Y: 继电器 (DC 12V使用0.9W或以下的线圈标准)
 X, Y: 继电器 (DC1mA)

Fig. 9-3

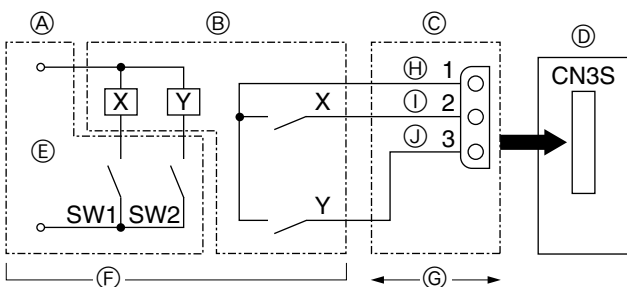


Fig. 9-4

9.1. 低噪音模式（在现场修改）(Fig. 9-1)

进行以下修改，把室外机组的运行噪音降低约3-4分贝。
在室外机组控制板上的CNDM接头（另购）上安装定时器（在市场上出售）或ON/OFF开关接触输入装置后，低噪音模式即会启动。

- 根据室外温度和情况等等，容量可能不够。

① 使用外部输入适配器（PAC-SC36NA）时，应如图所示安装电路。（另购）

9.2. 需求功能（现场修改）(Fig. 9-2)

在现场进行以下安装，可减低电力消耗量达0%至100%。
只要将在市面上另购的输入接触点ON/OFF开关附加在CNDM接头上，就可以启动需求功能（接触点需求输入，另购）。

- ① 如左图所示，将“外部输入适配器（PAC-SC36NA）”安装在电路内。
② 只要切换室外机组控制板上的SW7-1，就可以设定以下的功率消耗量限制（与电源功率比较）。

SW7-1	当SW2设定至开时的功率消耗量
关	0%（强制压缩机停止）
开	50%

9.3. 故障和压缩机运行监控功能（CN51）

- (A) 遥控器面板
 (B) 继电器电路
 (C) 外部输出适配器 (PAC-SA88HA-E)
 (D) 室外机组控制板
 (E) 指示灯电源
 (F) 在当地购买
 (G) 最大10米
 (K) 橘色
 (L) 黄色
 (M) 绿色

9.4. 自动转换 — 利用外部信号的运作模式锁定功能（CN3S）

- (A) 遥控器面板
 (B) 继电器电路
 (C) 外部输入适配器 (PAC-SC36NA)
 (D) 室外机组控制板
 (E) 继电器电源
 (F) 在当地购买
 (G) 最大10米
 (H) 橘色
 (I) 啡色
 (J) 红色

	开启	关闭
SW1	加热	制冷
SW2	SW1有效	SW1无效

- 以不同于外部信号指定的模式运行的室内机组会进入待机模式。
- 当室外机组在停止状态时，设定便会生效。
- 指定用于运行测试的运作模式会比使用此功能指定的模式优先。

目錄

1. 安全注意事項	184	6. 排水配管作業	192
2. 安裝圖示及配件	185	7. 電氣工程	192
3. 安裝位置	186	8. 試運行	196
4. 安裝室外機組	188	9. 特殊功能	197
5. 安裝冷媒配管	188		

1. 安全注意事項

- ▶ 安裝主機之前，請確保閱讀所有“安全注意事項”。
- ▶ 連接系統之前，請向供電管理局報告或得到其許可。
- ▶ 符合IEC/EN 61000-3-12要求的設備

⚠ 警告：

說明必須遵守的注意事項，避免用戶受傷或死亡。

⚠ 注意：

說明必須遵守的注意事項，避免主機受損。

⚠ 警告：

- 用戶不可自行安裝主機。請由經銷商或授權的技師來安裝。若未正確安裝主機，可能會導致漏水、觸電或發生火災。
- 請遵照安裝說明書內的指示進行安裝，並使用R410A冷媒專用的工具與管路組件。HFC系統內的R410A冷媒壓力為一般冷媒的1.6倍，若使用非R410A冷媒專用配管組件，並且主機未正確安裝，冷媒配管會爆裂並導致設備受損或人員傷害。此外可能會導致漏水、觸電或發生火災。
- 請依照指示安裝主機，將地震、颱風或強風的危害減至最低。安裝錯誤的主機可能會傾倒，導致設備受損或人員受傷。
- 主機必須穩固地安裝在可以承受其重量的結構上。若將主機固定在不穩的結構上，可能會傾倒並導致設備受損或人員受傷。
- 若將冷氣機安裝在較小的房間內，必須採取預防措施，以避免在冷媒洩漏時，冷媒濃度超出安全限制。有關避免超出容許濃度的適當措施，請向經銷商諮詢。若冷媒洩漏並超出濃度限制，則會因為室內缺氧而造成危險。
- 若運轉期間發生冷媒洩漏情況，請維持房間通風。若冷媒接觸到明火，則會產生有毒氣體。
- 請遵照當地法規與本說明書內的指示，由合格技師執行所有電氣工程。主機必須由專屬電源線路供電，並且必須使用正確的電壓和電路斷路器。容量不足或電氣工程不正確的電源線會導致觸電或發生火災。
- 確保將室內機組、室外機組與分線盒的電源線與連接線直接連接至主機（無中間連接）。
若有水進入電源線或連接線，中間連接會造成通訊錯誤，並導致接地絕緣不足或中間連接頭接觸不良。
(若需要中間連接，請採取措施避免有水進入電源線或連接線。)

在安裝作業完成之後，請依照操作說明書內的資訊向用戶解說主機的“安全注意事項”、用法以及保養，並執行試運行確保運作正常。請將安裝說明書與操作說明書交給用戶妥善保存。這些說明書必須移交給後續用戶。



指出必須接地的配件。

⚠ 警告：

請仔細閱讀主機上黏貼的標籤。

- 若使用銅與銅合金無縫配管，請使用C1220銅磷連接冷媒配管。若未正確連接配管，主機就不會接地，而可能導致觸電。
- 使用指定的纜線進行配線。連接頭必須堅固，不可對端子施加拉力。若電纜連接或安裝錯誤，可能會導致過熱或起火。
- 室外機組的端子板蓋必須固定妥當。若蓋板未固定妥當，可能會讓灰塵與濕氣進入機組，導致觸電或發生火災。
- 安裝或移動冷氣機時，只能使用指定的冷媒（R410A）來填充冷媒配管。請勿與其他任何冷媒混合，並且不可讓空氣留在管路中。管路中有空氣會造成壓力峰值，導致管路破裂與其他傷害。
- 只能使用三菱電機公司授權的附件，並由經銷商或授權的技師安裝。若配件未正確安裝，可能會導致漏水、觸電或發生火災。
- 請勿修改主機。請向經銷商諮詢進行維修。若未正確修改或維修，可能會導致漏水、觸電或發生火災。
- 用戶不可試圖維修主機或運送至其他位置。若未正確安裝，可能會導致漏水、觸電或發生火災。若必須維修或移動冷氣機，請洽詢經銷商或授權的技師。
- 完成安裝之後，請檢查冷媒是否洩漏。若冷媒洩漏到房間內並且與暖氣或小爐子的火焰接觸，則會產生有毒氣體。

1.1. 安裝之前

⚠ 注意：

- 請勿在異常環境下使用主機。若冷氣機安裝在暴露於蒸氣、揮發油（包括機油）或硫磺氣體的區域、暴露於海邊等高含鹽量的區域或主機遭雪覆蓋的區域，其效能會顯著降低並且內部配件會受損。
- 請勿將主機安裝在會洩漏、產生、流動或積聚可燃性氣體的地方。若可燃性氣體積聚在主機四周，可能會導致起火或爆炸。

- 室外機組會在加熱運行時產生凝結。若這種凝結可能會造成損害，請確保在室外機組周圍安裝排水措施。
- 將主機安裝在醫院或通訊機房時，請採取噪聲與電子干擾預防措施。變頻器、家用設備、高頻醫療器材或無線電通訊設備會導致冷氣機故障或損毀。冷氣機也會影響醫療設備，干擾醫療及通訊設備，並損害螢幕顯示品質。

1.2. 安裝之前（更改位置）

⚠ 注意：

- 運送主機時請格外小心。因為主機重達20kg或以上，所以需要兩人或更多人來搬運。請勿抓包裝扎帶。從包裝卸下主機以及移動主機時，請戴上保護手套，否則散熱片或其他配件會使您的手受傷。
- 確保安全地處置包裝材料。釘子及其他金屬或木製部份等包裝材料，可能會導致刺傷或其他傷害。

- 定期檢查室外機組的底座與附件是否鬆脫、破裂或有其他損壞。若未解決這些問題，主機可能會傾倒，導致設備受損或人員受傷。
- 請勿用水清潔冷氣機主機，否則會導致觸電。
- 使用扭矩扳手將喇叭口螺母緊固至規定指數。若過度用力擰緊，經過一段時間後喇叭口螺母會破裂，並洩漏冷媒。

1. 安全注意事項

1.3. 進行電氣工程之前

△ 注意：

- 確保安裝電路斷路器。若未安裝，可能會觸電。

重點

確定漏電斷路器為高調波相容型。

因為主機配備變頻器，所以請使用高調波相容型漏電斷路器。

使用相容性不足的斷路器，會導致變頻器操作錯誤。

- 關於電源線，請使用容量足夠的標準電線，否則會導致短路、過熱或引發火災。

- 安裝電源線時，請勿拉扯電線。若連接頭鬆弛，電線會變脆或破裂，並且過熱或起火。
- 確保將主機接地。請勿將接地線連接至瓦斯管或水管、避雷針或電話接地線。若主機未確實接地，可能會觸電。
- 使用指定容量的電路斷路器（接地故障斷續器、絕緣開關（+B 保險絲）以及鑄模電路斷路器）。若電路斷路器容量大於指定容量，可能會導致故障或起火。

1.4. 開始試運行之前

△ 注意：

- 開始運行前12個小時就先打開主電源開關。

如果一接通電源開關就開始運行，則會嚴重損壞內部機件。在頻繁使用季節，可將主電源開關一直開著。

- 開始運作之前，請檢查所有面板、護板與其他保護配件是否正確安裝。轉動、高溫或高電壓配件會導致人員受傷。

- 請勿用潮濕的手觸摸任何開關，否則會導致觸電。
- 運作時請勿徒手觸摸冷煤配管。根據冷煤的流動情況，冷煤配管的溫度不是相當高就是相當低。若您觸摸配管，可能會導致燙傷或凍傷。
- 在停止運作之後，確保等待五分鐘之後才關閉主電源開關，否則會導致漏水或故障。

1.5. 使用R410A冷煤的冷氣機

△ 注意：

- 若使用銅與銅合金無縫配管，請使用C1220銅磷連接冷煤配管。請確定配管內部清潔並且不含任何有害污染物質，例如硫磺化合物、氧化物、碎片或灰塵。請使用指定厚度的配管。（請參閱第188頁）若重複使用R22冷煤的舊管時，請注意下列事項。

- 更換舊的喇叭口螺母，並重新將喇叭口部份擴口。

- 請勿使用薄管。（請參閱第188頁）

- 將安裝時會用到的配管存放在室內，並將兩端密封起來，直到焊接之前才可開封。（不要拆開彎管接頭等的包裝）。若有灰塵、碎片或濕氣進入冷煤配管，可能會導致冷煤機油變質或壓縮機故障。

• 使用酯油、醚油、烷基苯油（少量）當成冷煤機油塗抹於喇叭口部份。若礦物油混入冷煤機油內，會導致冷煤機油變質。

• 請勿使用R410A冷煤以外的冷煤。若使用其他冷煤，氣會造成冷煤機油變質。

- 使用下列R410A冷煤專用工具。使用R410A冷煤時需要用到下列工具。若有任何問題，請聯絡就近的經銷商。

工具（適用於R410A）	
歧管量錶	擴口工具
充注軟管	大小調整錶
氣體洩漏偵測器	真空泵轉接器
扭矩扳手	電子冷媒填充錶

- 確保使用正確的工具。若有灰塵、碎片或濕氣進入冷煤配管，可能會導致冷煤機油變質。

- 請勿使用填充泵。若使用填充泵，冷煤的成份會改變並且減低效能。

2. 安裝圖示及配件

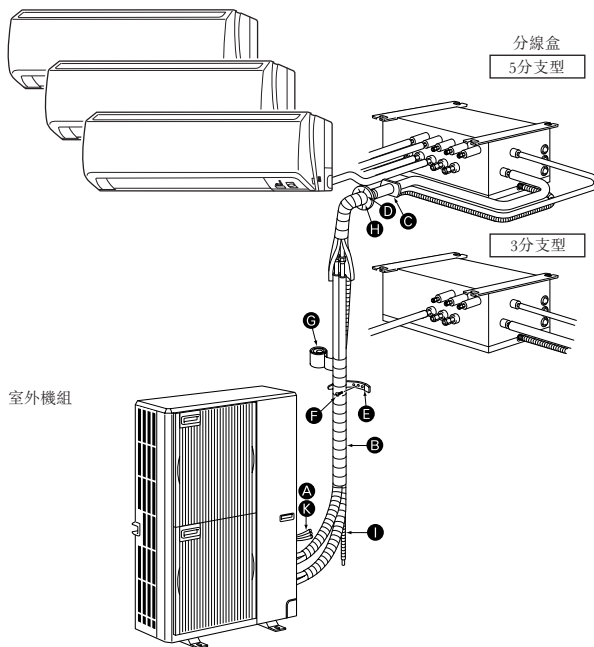


圖2-1

2.1. 安裝之前（圖2-1）

本安裝說明書僅適用於室外機組安裝。在安裝室內機組與分線盒方面，請參閱每種設備隨附的安裝說明書。

安裝所需的任何結構改變都必須符合當地建築法規需求。

此圖用於顯示配件的配置。

有關實際安裝，室外機組需旋轉 180°。

根據當地法規要求，請由持有執照的承包商安裝機組。

備註：

箭頭上方所標示的尺寸為保證冷氣機效能所需的尺寸。請盡可能將主機安裝於寬敞的地點，方便日後維修或修理。

自行採購的配件

A	分線盒/室外機組連接線 (3芯, 請參閱7.3的“外部配線程序”)	1
B	延長配管	1
C	壁孔套筒	1
D	壁孔蓋	1
E	配管固定扎帶 (數量取決於管長。)	2 至 7
F	用於 E 4 × 20 mm 的固定螺絲 (數量取決於管長。)	2 至 7
G	接管膠帶	1
H	油灰	1
I	排水軟管 (硬PVC管VP16)	1
J	冷煤機油	1
K	電源線 (2芯, 請參閱7.3的“外部配線程序”)	1

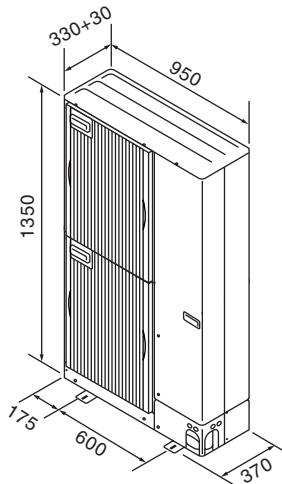
3. 安裝位置

3.1. 冷媒配管

請參閱5.2. 配管長度及高度差。

3.2. 選擇室外機組安裝位置

- 避免直接日照或其他熱源的地方。
- 選擇一個主機發出的噪聲不會干擾鄰居的地方。
- 選擇容易接線與配管至電源與室內機組的地方。
- 避免將主機安裝在會洩漏、產生、流動或積聚可燃性氣體的地方。
- 請注意，主機運作期間可能會滴水。
- 選擇可承受主機重量與震動的地方。
- 避免主機遭到積雪覆蓋的地方。在預期會降下大風雪的地區，請採取特殊措施，例如提高安裝位置或在進氣口上安裝蓋子，避免積雪阻塞或直接吹入進氣口，否則會降低氣流並造成故障。
- 避免選擇暴露於油、蒸氣或硫磺氣的地方。
- 運送主機時請使用室外機組的搬運把手。若從底部搬動主機，可能會夾到手或手指。



(mm)

3.3. 外觀尺寸 (室外機組) (圖3-1)

室內機組安裝限制

請注意，可連接到此室外機組的室內機組機型如下。

- 可連接型號為22、25、35、50、60、71、80的室內機組。有關可能的2-8房間室內機組組合方式，請參閱下表。

確認

請參閱下表來決定額定容量。主機數量限制在2至8部。進行下個步驟之前，請確定所選擇的總額定容量位於4.4 - 18.5 kW的範圍內。

範例：

MSZ-60	=	6.0	} 總額定容量 18.0 ≤ 18.5 kW
+			
SEZ-35	=	3.5	
+			
SLZ-35	=	3.5	
+			
SEZ-25	=	2.5	
+			
SLZ-25	=	2.5	

室內機組類型	22	25	35	50	60	71	80
額定容量 (冷卻) (kW)	2.2	2.5	3.5	5.0	6.0	7.1	8.0

在室內機組總容量超出室外機組容量 (=14.0 kW) 的組合中，將會使每部室內機組的冷卻能力低於其額定冷卻能力。因此，室內機組與室外機組的組合請盡可能在室外機組容量內 (=14.0 kW)。

3.4. 通風及維修空間

3.4.1. 安裝於多風的地方

將室外機組安裝於屋頂或其他不能遮擋強風的地方時，應確保主機的送風口位置不會直接面向強風。強風直接進入送風口會阻礙正常氣流，導致故障。

下面顯示可抵擋強風的三個措施。

- ① 讓送風口面對最近的牆壁大約50 cm。(圖3-2)
- ② 若機組安裝在颱風等強風可直接吹入送風口的地方，請安裝選購的導氣板。(圖3-3)
 - Ⓐ 導氣板
- ③ 盡可能將主機安置在送風口垂直於季候風方向的地方。(圖3-4)
 - Ⓑ 風向

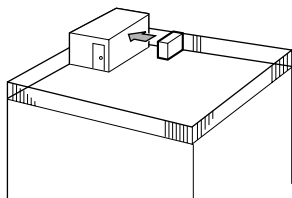


圖3-2

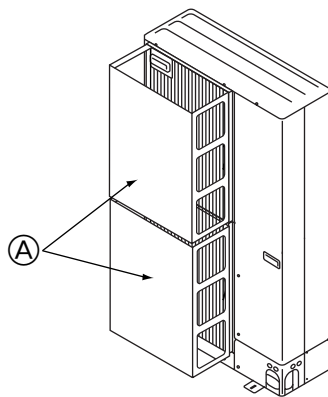


圖3-3

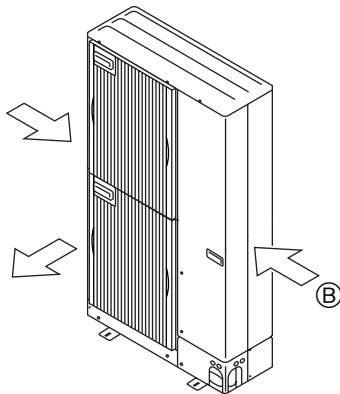


圖3-4

3. 安裝位置

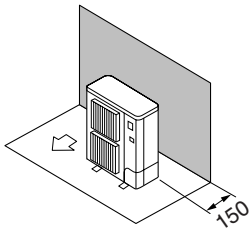


圖3-5

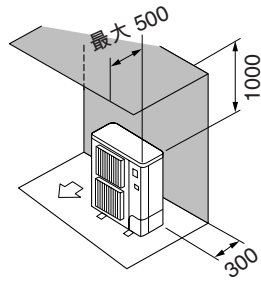


圖3-6

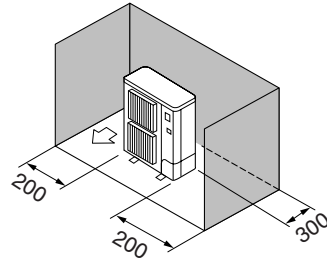


圖3-7

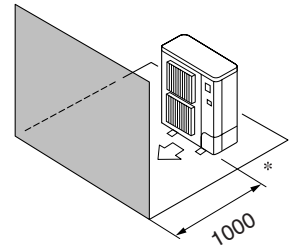


圖3-8

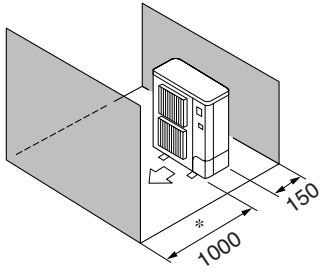


圖3-9

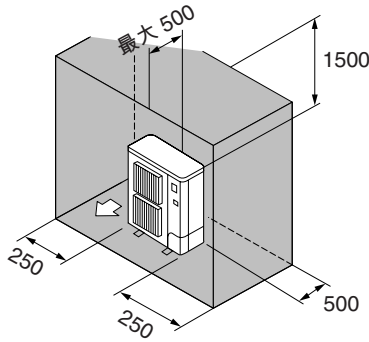


圖3-10

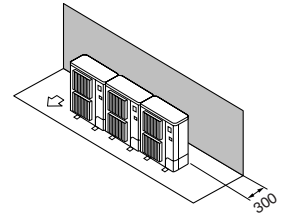


圖3-11

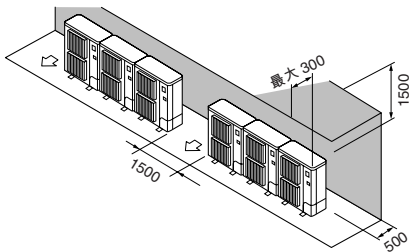


圖3-12

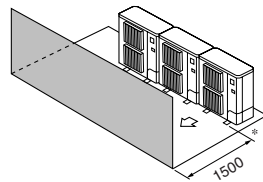


圖3-13

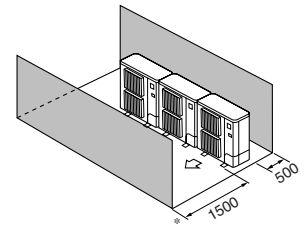


圖3-14

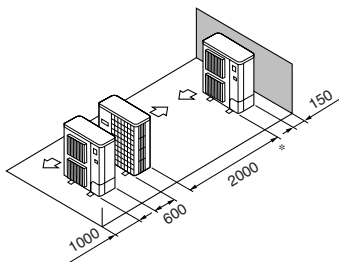


圖3-15

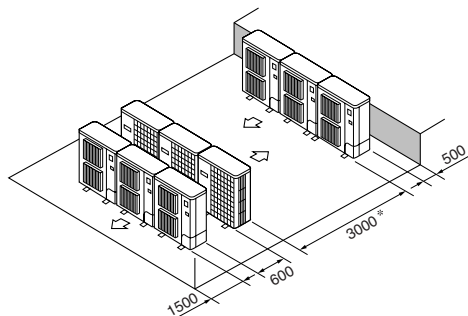


圖3-16

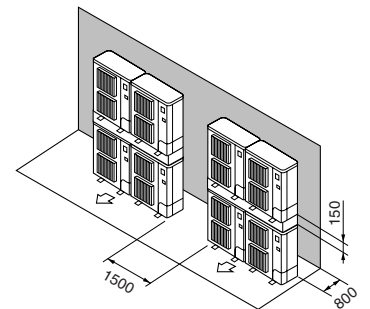


圖3-17

3.4.2. 安裝單一室外機組時

下列都是最小尺寸，標示最大（指最大尺寸）的除外。有關每種情況，請參閱下列數值。

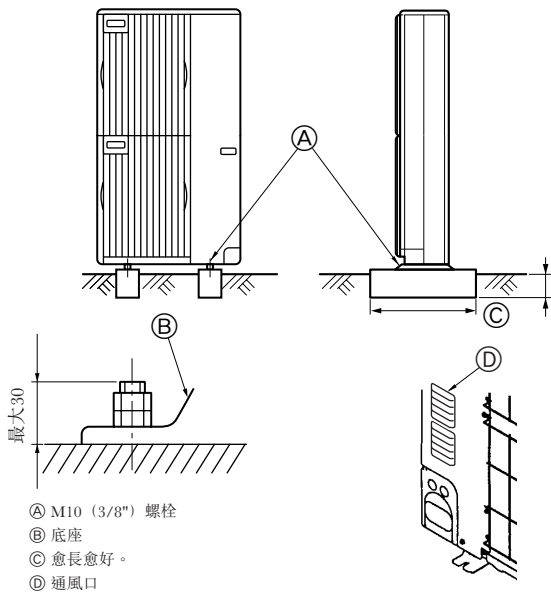
- ① 只有後方有阻礙（圖3-5）
- ② 只有後方與上方有阻礙（圖3-6）
- ③ 只有後方與側面有阻礙（圖3-7）
- ④ 只有前方有阻礙（圖3-8）
 - * 使用選購的送風口導板時，間隔為500 mm或以上。
- ⑤ 只有前後方有阻礙（圖3-9）
 - * 使用選購的送風口導板時，間隔為500 mm或以上。
- ⑥ 只有後方、側面與上方有阻礙（圖3-10）
 - * 請勿安裝選購的往上氣流送風口導板。

3.4.3. 安裝多部室外機組時

主機之間請留下10 mm或以上空間。

- ① 只有後方有阻礙（圖3-11）
- ② 只有後方與上方有阻礙（圖3-12）
 - * 不可並排安裝超過三部主機。此外，請如圖所示留下空間。
 - * 請勿安裝選購的往上氣流送風口導板。
- ③ 只有前方有阻礙（圖3-13）
 - * 使用選購的送風口導板時，間隔為1000 mm或以上。
- ④ 只有前後方有阻礙（圖3-14）
 - * 使用選購的送風口導板時，間隔為1000 mm或以上。
- ⑤ 單列平行主機配置（圖3-15）
 - * 使用選購的往上氣流送風口導板時，間隔為1000 mm或以上。
- ⑥ 多列平行主機配置（圖3-16）
 - * 使用選購的往上氣流送風口導板時，間隔為1500 mm或以上。
- ⑦ 堆疊主機配置（圖3-17）
 - * 最多可堆疊兩部主機。
 - * 不可並排安裝超過兩組堆疊主機。此外，請如圖所示留下空間。

4. 安裝室外機組



(mm)

- 請將主機安裝於穩固、水平的表面上，避免運作時發出噪聲。(圖4-1)

<基座規格>	
基座螺栓	M10 (3/8")
混凝土厚度	120 mm
螺栓長度	70 mm
承重能力	320 kg

- 確定基座螺栓的長度位於底座底部表面的30 mm之內。
 - 用四個M10基座螺栓將主機底座固定在穩固的表面上。
- 安裝室外機組**
- 請勿阻擋通風口。若通風口堵塞，會妨礙運行並導致故障。
 - 除了主機底座外，安裝主機時如有需要，請用主機背面的安裝孔固定電線。使用自攻螺絲 (ø5 × 15 mm或以下) 並於現場安裝。

⚠ 警告：

- 主機必須安裝在可以承受其重量的結構上。若將主機固定在不穩固的結構上，主機可能會傾倒並導致設備受損或人員受傷。
- 請依照指示安裝主機，將地震、颱風或強風的危害減至最低。安裝錯誤的主機可能會傾倒，導致設備受損或人員受傷。

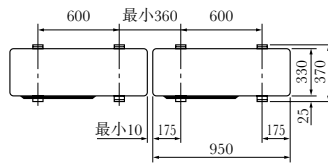


圖4-1

5. 安裝冷媒配管

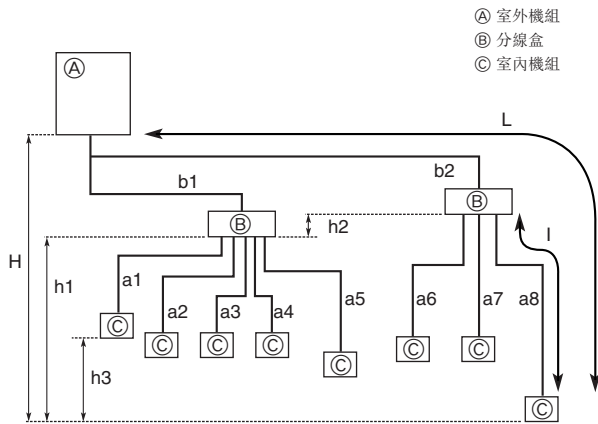


圖5-1

5.1. 使用R410A冷媒的裝置之注意事項

- 下面未提及的有關使用含有R410A冷媒的裝置之注意事項，請參閱第185頁。
- 使用酯油、醚油、烷基苯油（少量）當成冷媒機油塗抹於喇叭口部份。
- 若使用銅與銅合金無縫配管，請使用C1220銅磷連接冷煤配管。請使用具有下表指定厚度的冷煤配管。請確定配管內部清潔並且不含任何有害污染物質，例如硫磺化合物、氧化物、碎片或灰塵。

⚠ 警告：

- 安裝或移動冷氣機時，只能使用指定的冷媒（R410A）來填充冷煤配管。請勿與其他任何冷煤混合，並且不可讓空氣留在管路中。管路中有空氣會造成壓力峰值，導致管路破裂與其他傷害。

ø6.35, ø9.52, ø12.7	厚度 0.8 mm
ø15.88	厚度 1.0 mm

- 請勿使用厚度低於上述指定值的配管。

容許長度 (單向)	總配管長度	$b1+b2+a1+a2+a3+a4+a5+a6+a7+a8 \leq 115 \text{ m}$
	最遠的配管長度 (L)	$b2+a8 \leq 70 \text{ m}$ ($b2 \leq 55 \text{ m}$, $a8 \leq 15 \text{ m}$)
	室外機組與分線盒之間的配管長度	$b1+b2 \leq 55 \text{ m}$
	分線盒之後最遠的配管長度 (I)	$a8 \leq 15 \text{ m}$
	分線盒與室內機組之間的總配管長度	$a1+a2+a3+a4+a5+a6+a7+a8 \leq 60 \text{ m}$
容許的高度差 (單向)	室內/室外部份 (H) *1	$H \leq 30 \text{ m}$ (室外機組高於室內機組的情況) $H \leq 20 \text{ m}$ (室外機組低於室內機組的情況)
	分線盒/室內機組部份 (h1)	$h1+h2 \leq 15 \text{ m}$
	每個分線盒內 (h2)	$h2 \leq 15 \text{ m}$
	每部室內機組內 (h3)	$h3 \leq 12 \text{ m}$
彎頭數目		$ b1+a1 , b1+a2 , b1+a3 , b1+a4 , b1+a5 , b2+a6 , b2+a7 , b2+a8 \leq 15$

*1 分線盒的放置高度應該在室外機組與室內機組之間。

5.2. 配管長度及高度差 (圖5-1)

喇叭口連接

- 本裝置在每部室內機組、分線盒以及室外機組上都有喇叭口連接。
- 卸下室外機組閥門蓋，然後連接配管。
- 冷煤配管用於連接分線盒與室外機組。

5. 安裝冷媒配管

5.3. 添加冷媒

- 若配管總長度 (b1+b2+a1+a2+a3+a4+a5+a6+a7+a8) 未超過40 m，則不需要額外添加冷媒。
- 若配管總長度超過40 m，請根據下表內容許的配管長度來添加額外的R410A冷媒。

* 主機停止時，請在延長配管及室內機組已經真空之後，透過液體斷流閥填充額外冷媒。
當主機運行時，請使用安全填充器將冷媒添加至氣截止回閥。請勿直接將液體冷媒添加至止回閥。

為主機添加冷媒之後，請在維修標籤（黏貼於主機）上記錄冷媒添加量。

有關詳細資訊，請參閱“1.5. 使用R410A冷媒的冷氣機”。

表 1

總配管長度 (b1+b2+a1+a2+a3+a4+a5+a6+a7+a8)	41 - 50 m	51 - 70 m	71 - 90 m	91 - 115 m
冷媒添加量	0.6 kg	1.4 kg	2.2 kg	3.2 kg

如果連接帶有 $\varnothing 9.52$ 液體配管的室內機組（對於M和S系列，型號為71或以上；對於P系列，型號為60或以上），則必須修正表1中添加額外冷媒的量（將表1中所列出的數值加到以下的 ΔR 值）。

添加額外冷媒修正量

$$\Delta R = 0.01 \text{ [kg/m]} \times \varnothing 9.52 \text{ 分支管 (液體配管) 總長度 [m]}$$

範例) b1=20 m, b2=25 m

室內機組	液體配管	長度
室內機組 A	$\varnothing 9.52$ 液體配管	a1=12 m
室內機組 B	$\varnothing 6.35$ 液體配管	a2=11 m
室內機組 C	$\varnothing 6.35$ 液體配管	a6=14 m
室內機組 D	$\varnothing 9.52$ 液體配管	a7=13 m

總配管長度：b1+b2+a1+a2+a6+a7=95 m

→ 根據表1，添加額外冷媒的量為3.2kg。

由於連接了帶有 $\varnothing 9.52$ 液體配管的室內機組（本例中為室內機組A和D），因此，必須修正添加額外冷媒的量。

添加額外冷媒修正量

$$\Delta R = 0.01 \text{ [kg/m]} \times \varnothing 9.52 \text{ 分支管 (液體配管) 總長度 (a1+a7)}$$

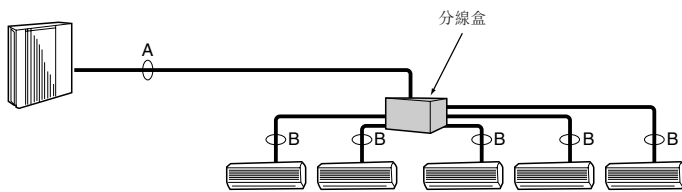
$$= 0.01 \times (12+13 \text{ m})$$

$$= 0.25 \text{ kg}$$

因此，添加額外冷媒的量為3.2kg+0.25kg=3.45kg。

■ 使用1個分線盒時

運用喇叭口連接（銅焊接數）



■ 使用2個分線盒時

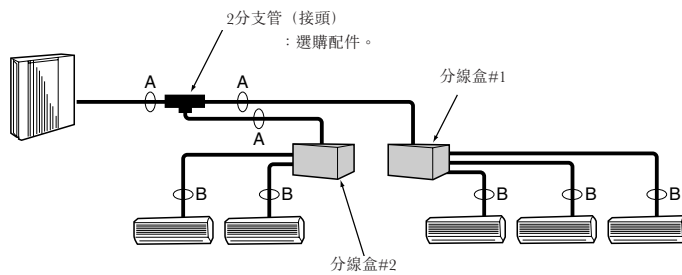


圖5-2

(1) 室外機組的閥門尺寸

液體用	$\varnothing 9.52 \text{ mm}$
氣體用	$\varnothing 15.88 \text{ mm}$

(2) 分線盒的閥門尺寸

組別	配管類型	尺寸
[A] 組	液體配管	$\varnothing 6.35 \text{ mm}$
	氣體配管	$\varnothing 9.52 \text{ mm}$
[B] 組	液體配管	$\varnothing 6.35 \text{ mm}$
	氣體配管	$\varnothing 9.52 \text{ mm}$
[C] 組	液體配管	$\varnothing 6.35 \text{ mm}$
	氣體配管	$\varnothing 9.52 \text{ mm}$
[D] 組	液體配管	$\varnothing 6.35 \text{ mm}$
	氣體配管	$\varnothing 9.52 \text{ mm}$
[E] 組	液體配管	$\varnothing 6.35 \text{ mm}$
	氣體配管	$\varnothing 12.7 \text{ mm}$

* 3分支型：只適用於[A]、[B]、[C]組

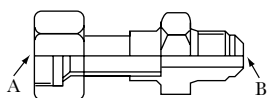


圖5-3

轉換公式

1/4 F	$\varnothing 6.35$
3/8 F	$\varnothing 9.52$
1/2 F	$\varnothing 12.7$
5/8 F	$\varnothing 15.88$
3/4 F	$\varnothing 19.05$

5.4. 選擇配管尺寸（圖5-2）

	A	B
液體 (mm)	$\varnothing 9.52$	根據室內機組的類型與容量，配管連接尺寸會有所不同。請配合分線盒與室內機組的配管連接尺寸。若分線盒的配管連接尺寸未與室內機組的配管連接尺寸吻合，請在分線盒一側使用選購的不同直徑（變形的）接頭。（將變形的接頭直接連接至分線盒一側。）
氣體 (mm)	$\varnothing 15.88$	

不同直徑接頭（選購配件）（圖5-3）

機型名稱	連接配管直徑		直徑A	直徑B
	mm		mm	mm
MAC-A454JP	$\varnothing 9.52$	→ $\varnothing 12.7$	$\varnothing 9.52$	$\varnothing 12.7$
MAC-A455JP	$\varnothing 12.7$	→ $\varnothing 9.52$	$\varnothing 12.7$	$\varnothing 9.52$
MAC-A456JP	$\varnothing 12.7$	→ $\varnothing 15.88$	$\varnothing 12.7$	$\varnothing 15.88$
PAC-493PI	$\varnothing 6.35$	→ $\varnothing 9.52$	$\varnothing 6.35$	$\varnothing 9.52$
PAC-SG76RJ-E	$\varnothing 9.52$	→ $\varnothing 15.88$	$\varnothing 9.52$	$\varnothing 15.88$

配管準備

① 下表顯示市面上可選購的配管規格。

外徑	絕熱厚度	絕熱材料 耐熱泡沫塑膠， 比重0.045
mm	mm	
6.35	8	
9.52	8	
12.7	8	
15.88	8	

② 確定兩根冷媒配管都已經絕熱以避免凝結。

③ 冷媒配管彎曲半徑必須至少有100 mm或以上。

⚠ 注意：

確保使用指定厚度的絕熱材料，太厚會導致室內機組與分線盒安裝錯誤，太薄則會導致滴水。

2分支管（接頭）：選購配件（您可根據連接方式來選擇最理想的方式。）

機型名稱	連接方式
MSDD-50AR-E	喇叭口
MSDD-50BR-E	銅焊

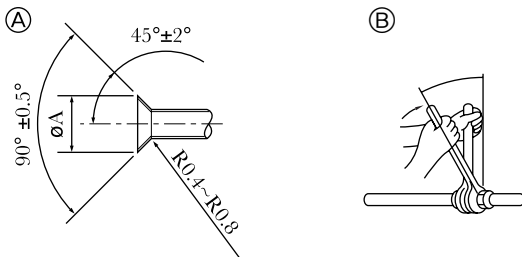
■ 安裝程序（2分支管（接頭））

請參閱MSDD-50AR-E和MSDD-50BR-E的安裝說明書。

5. 安裝冷媒配管

重新安置室內和室外機組時的冷媒收集方法（抽空）

- ① 將歧管量錶閥（提供的壓力計）連接至室外機組氣體斷流閥附近的維修口，以測量冷媒壓力。
- ② 開啟電源（電路斷路器）。
- ③ 關閉液體斷流閥，然後進行冷卻運作試運行（SW4-1：開啟以及SW4-2：關閉）。
 - * 開啟電源後請等待至少3分鐘，然後才設定SW4-1和SW4-2。如果在3分鐘過去之前設定DIP開關，試運行可能不會開始。
- ④ 當壓力計讀數下降至0.05-0.00 MPa*（約0.5-0.0 kgf/cm²）時，完全關閉氣體斷流閥。
 - * 如果將過量的冷媒加入冷氣機系統，壓力可能不會下降至0.5 kgf/cm²。如果出現這個情況，用一個冷媒收集設備收集系統內的所有冷媒，然後在重新安置室內和室外機組後，將正確份量的冷媒重新注入系統內。
- ⑤ 使空調機停止運行（SW4-1：關閉以及SW4-2：關閉）。
- ⑥ 關閉電源（電路斷路器）。



- Ⓐ 喇叭口切割尺寸
Ⓑ 喇叭口螺母擰緊扭矩

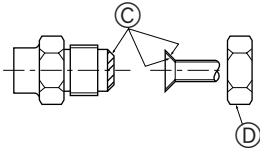


圖5-4

Ⓐ (圖5-4)

銅管外徑 (mm)	喇叭口尺寸 øA 尺寸 (mm)
ø6.35	8.7 - 9.1
ø9.52	12.8 - 13.2
ø12.7	16.2 - 16.6
ø15.88	19.3 - 19.7

Ⓑ (圖5-4)

銅管外徑 (mm)	喇叭口螺母外徑 (mm)	擰緊扭矩 (N·m)*
ø6.35	17	14 - 18
ø6.35	22	34 - 42
ø9.52	22	34 - 42
ø9.52	26	49 - 61
ø12.7	26	49 - 61
ø12.7	29	68 - 82
ø15.88	29	68 - 82
ø15.88	36	100 - 120

* 1 N·m ≈ 10 kgf·cm

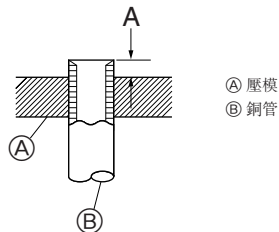


圖5-5

5.5. 連接配管 (圖5-4)

- 使用市場上出售的銅管時，請使用市售的絕熱材料（耐熱100℃或以上，厚度12 mm或以上）來纏繞液體與氣體配管。
- 排水配管的室內側應該纏繞聚乙烯泡沫絕熱材料（比重0.03，厚度9 mm或以上）。
- 在擰緊喇叭口螺母之前，請於配管和接頭裝配表面上塗抹薄薄一層冷媒機油。Ⓐ
- 使用兩把扳手擰緊接管連接頭。Ⓑ
- 連接完成後，請使用洩漏偵測器或肥皂水檢查是否漏氣。
- 在整個喇叭口裝配表面上塗抹冷媒機油。Ⓒ
- 使用下列的喇叭口螺母。Ⓓ

■ 配管尺寸 (室外機組-分線盒)

配管尺寸 (ømm)	液體	ø9.52
	氣體	ø15.88

可連接的室內機組的排列方式取決於地區/區域/國家。

■ 配管尺寸 (分線盒-室內機組) *使用M系列或S系列室內機組時

室內機組 類型	(kW)	22	25	35	50	60	71	80
	配管尺寸 (ømm)	液體	ø6.35	ø6.35	ø6.35	ø6.35	ø6.35	ø9.52
	氣體	ø9.52	ø9.52	ø9.52	ø12.7	ø15.88*	ø15.88	ø15.88

* 使用MEXZ系列的60型室內機組時，請使用室內機組附件內的喇叭口螺母來連接室內機組氣體側接頭。請勿使用室內機組附帶的喇叭口螺母（氣體側）。使用此螺母會發生漏氣甚至是配管抽出的情況。

■ 配管尺寸 (分線盒-室內機組) *使用P系列室內機組時

室內機組 類型	(kW)	35	50	60	71
配管尺寸 (ømm)	液體	ø6.35	ø6.35	ø9.52	ø9.52
	氣體	ø12.7	ø12.7	ø15.88	ø15.88

使用P系列的35、50型室內機組時，請使用室內機組附帶的喇叭口螺母。請勿使用（室內機組附件內）的喇叭口螺母。若使用此螺母，可能導致漏氣甚至是配管抽出。

- 彎曲配管時，請小心不要弄破配管。彎曲半徑在100 mm至150 mm之內已經足夠。
- 確定配管未接觸壓縮機，否則會產生怪聲或震動。

- ① 配管必須從室內機組開始連接。
喇叭口螺母必須用扭矩扳手緊固。
- ② 使液體配管與氣體配管呈喇叭形展開，並塗上薄薄一層冷媒機油（現場塗抹）。
在使用一般配管密封時，關於R410A冷媒配管的喇叭口連接，請參閱表2。
可使用尺寸調整錶來確定A測量值。

表2 (圖5-5)

銅管外徑 (mm)	A (mm)	
	R410A的擴口工具	R22-R407C的擴口工具
	離合器類型	
ø6.35 (1/4")	0 - 0.5	1.0 - 1.5
ø9.52 (3/8")	0 - 0.5	1.0 - 1.5
ø12.7 (1/2")	0 - 0.5	1.0 - 1.5
ø15.88 (5/8")	0 - 0.5	1.0 - 1.5

5. 安裝冷媒配管

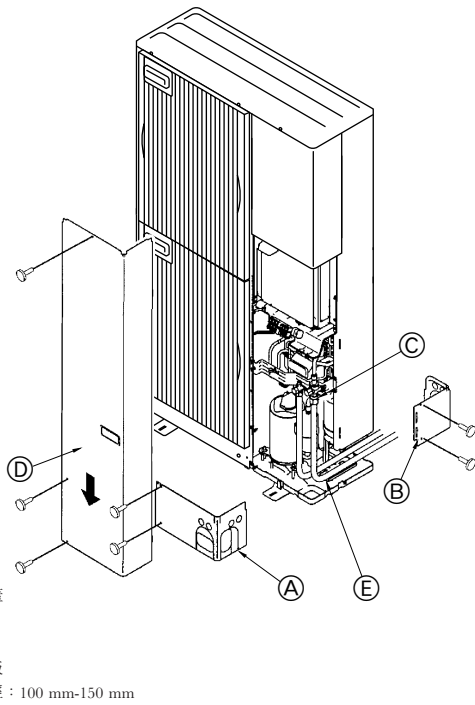


圖5-6

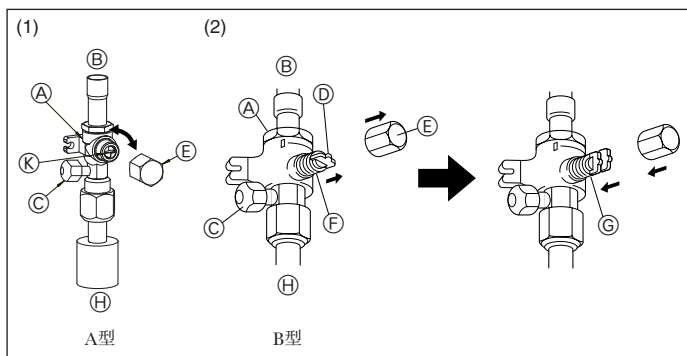


圖5-7

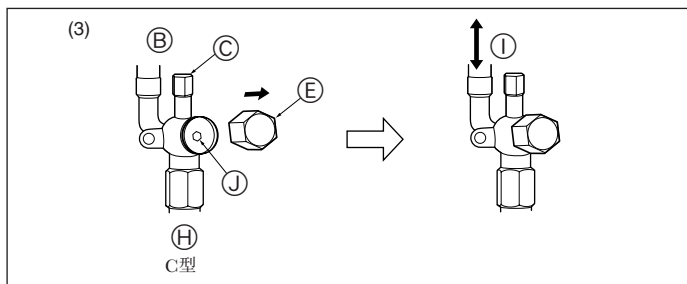


圖5-8

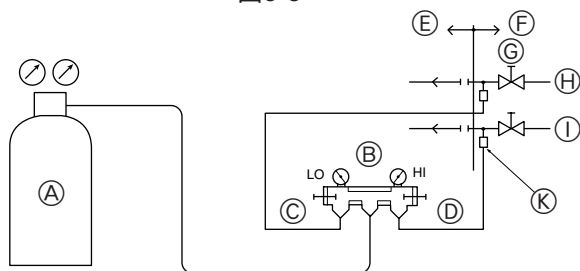


圖5-9

5.6. 冷媒配管 (圖5-6)

卸下維修面板④ (三只螺絲)、前接管蓋① (兩只螺絲) 以及後接管蓋② (兩只螺絲)。

冷媒配管可纏繞保護膠帶

- 可在連接配管之前或之後，在配管上纏繞保護膠帶至直徑 $\phi 90$ 。順著凹槽切斷管蓋內的突出管並包裹配管。

配管入口間隙

- 使用油灰或密封劑密封配管周圍的配管入口，不要留下任何空隙。(若未將間隙密封起來，可能會發出噪聲或者水或灰塵會進入主機內，導致故障。)

5.7. 接管/閥門操作的注意事項

- 依照下列圖示精確進行配管連接以及閥門操作。
- 沿著絕熱材料塗抹密封劑，避免水進入覆蓋冷媒配管接頭的絕熱材料內。
- 在抽空以及填充冷媒之後，確定把手完全開啟。若在運作時間閥門關閉，在冷媒迴路的高壓或低壓側會施加不正常壓力，導致壓縮機等受損。
- 決定額外冷媒填充量 (請參閱“5.3. 添加冷媒”)，並在完成配管連接作業之後透過維修口填充冷媒。
- 完成作業之後，請緊固維修口 (12-15N·m) 與蓋子 (20-25N·m)，避免漏氣。
*1 N·m \approx 10 kgf·cm

完全開啟斷流閥的方法

斷流閥打開的方法隨室外機組型號而有所不同。請使用適當的方法來打開斷流閥。

(1) A型 (圖 5-7)

- ① 卸下蓋子，然後用平頭螺絲起子逆時針旋轉1/4圈，以便完全打開。
- ② 檢查閥門是否已完全打開，然後將蓋子放回原位，再往下旋緊。

(2) B型 (圖 5-7)

- ① 卸下蓋子，向您的方向拉把手並逆時針旋轉1/4圈，以打開斷流閥。
- ② 確保斷流閥完全打開，推入把手然後將蓋子旋回原位。

(3) C型 (圖 5-8)

- ① 卸下蓋子並用4 mm六角扳手逆時鐘方向旋轉閥門桿到底。轉到底後停止旋轉。
- ② 確保斷流閥已完全打開，然後將單旋轉回原位位置。

- | | |
|--------|----------------|
| ① 閥門 | ⑥ 完全開啟 |
| ② 主機側 | ⑦ (單側安裝) 冷媒配管側 |
| ③ 維修口 | ⑧ 冷媒流入方向 |
| ④ 把手 | ⑨ 扳手孔 |
| ⑤ 蓋子 | ⑩ 操作部分 |
| ⑪ 完全關閉 | |

5.8. 氣密測試與排氣

① 氣密測試 (圖5-9)

請用氮氣加壓的方式進行氣密測試。有關測試方法，請參閱下圖。

- (1) 連接測試工具。在斷流閥關閉時測試。同時確定讓液體或高壓配管以及氣體或低壓配管充壓。
- (2) 請勿一次就將壓力提升到指定壓力，請逐漸提高壓力。
 - ① 充壓至0.5 MPa (5 kgf/cm²G)，等待五分鐘，確定壓力未下降。
 - ② 充壓至1.5 MPa (15 kgf/cm²G)，等待五分鐘，確定壓力未下降。
 - ③ 充壓至4.15 MPa (41.5 kgf/cm²G)，並測量周圍溫度與冷媒壓力。
- (3) 若指定壓力維持一天並且未下降，表示配管通過測試，並無漏氣。
 - 若周圍溫度改變1℃，壓力會改變大約0.01 MPa (0.1 kgf/cm²G)。請進行必要的修正。
- (4) 若在步驟 (2) 或 (3) 內壓力下降，表示有漏氣。請找出漏氣來源。

- | | |
|---------|-------------|
| ① 氮氣 | ⑥ 室外機組 |
| ② 系統分析儀 | ⑦ 斷流閥 |
| ③ 低旋鈕 | ⑧ 液體配管或高壓配管 |
| ④ 高旋鈕 | ⑨ 氣體配管或低壓配管 |
| ⑤ 至分線盒 | ⑩ 維修口 |

5. 安裝冷媒配管

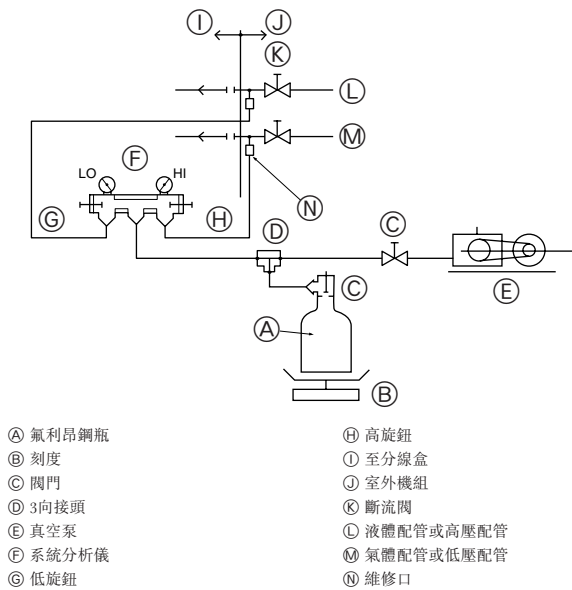


圖5-10

② 排氣 (圖5-10)

請由室外機組斷流閥上提供的維修口，將氣體排往液體或高壓配管以及氣體或低壓配管共用的真空泵。（請在斷流閥關閉的狀態下，同時從液體或高壓配管以及氣體或低壓配管排氣）。

切記：請勿用冷媒淨化空氣。

⚠ 警告：

安裝或移動主機到其他地方時，請勿在冷媒迴路中混入指定以外的冷媒。若混入空氣，冷媒迴路會有不正常的高壓，並導致冷媒配管破裂。

* 請使用測量準確度高達0.1 kg的高精確度比重計。若沒有這種儀器，您可使用填充泵。

備註：

- 請使用歧管量錶、充注軟管以及主機上指示的其他冷媒配件。
- 請使用比重計。（測量準確度至0.1 kg）

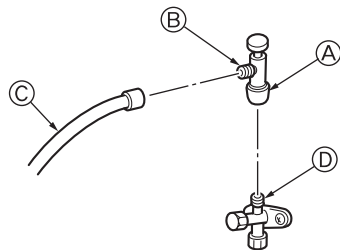


圖5-11

使用填充閥的注意事項 (圖5-11)

安裝供氣口時請勿將之過度旋緊，否則閥心可能會變形及鬆脫，造成氣體外洩。

將部分ⓑ轉向想要的方向後，請僅轉動並旋緊部分Ⓐ。旋緊部分Ⓐ後，請勿同時過度旋緊部分Ⓐ和ⓑ。

- * 左圖僅作示例參考。止動閥形狀、供氣口位置等可能隨機型而有所不同。
- * 僅轉動部分Ⓐ。
- （請勿同時過度旋緊部分Ⓐ和ⓑ。）

- Ⓒ 填充軟管
- Ⓓ 供氣口

6. 排水配管作業

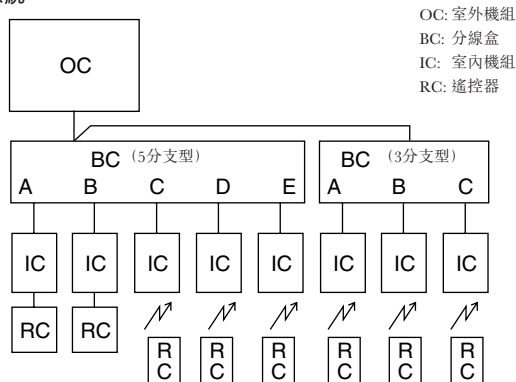
室外機組排水配管連接

需要排水配管時，請使用排水座或排水盤（選購）。

排水座	PAC-SG61DS-E
排水盤	PAC-SG64DP-E

7. 電氣工程

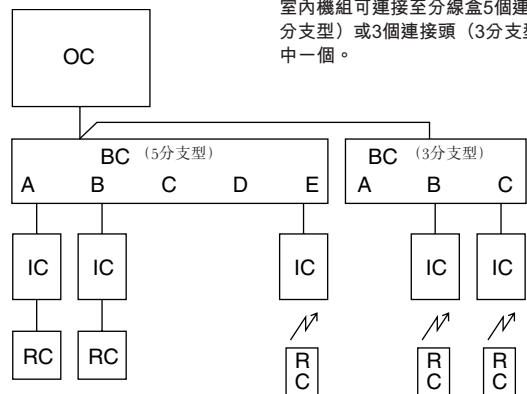
[1] 基本系統



- OC: 室外機組
- BC: 分線盒
- IC: 室內機組
- RC: 遙控器

備註：

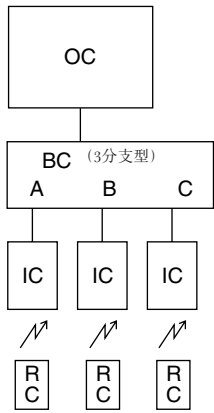
室內機組可連接至分線盒5個連接頭（5分支型）或3個連接頭（3分支型）的其中一個。



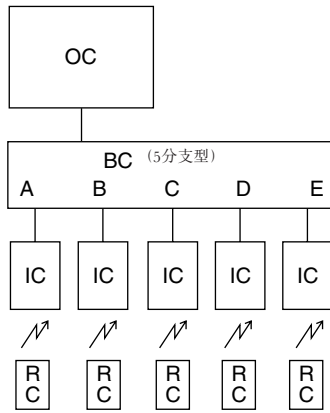
7. 電氣工程

[2] 標準系統

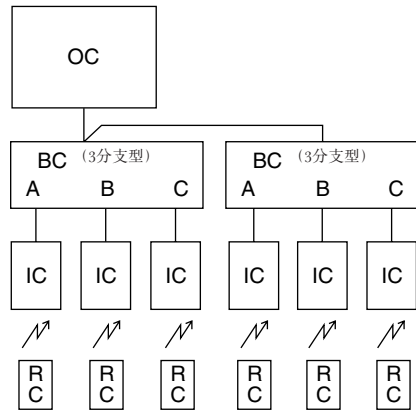
2-1. 只有3分支型



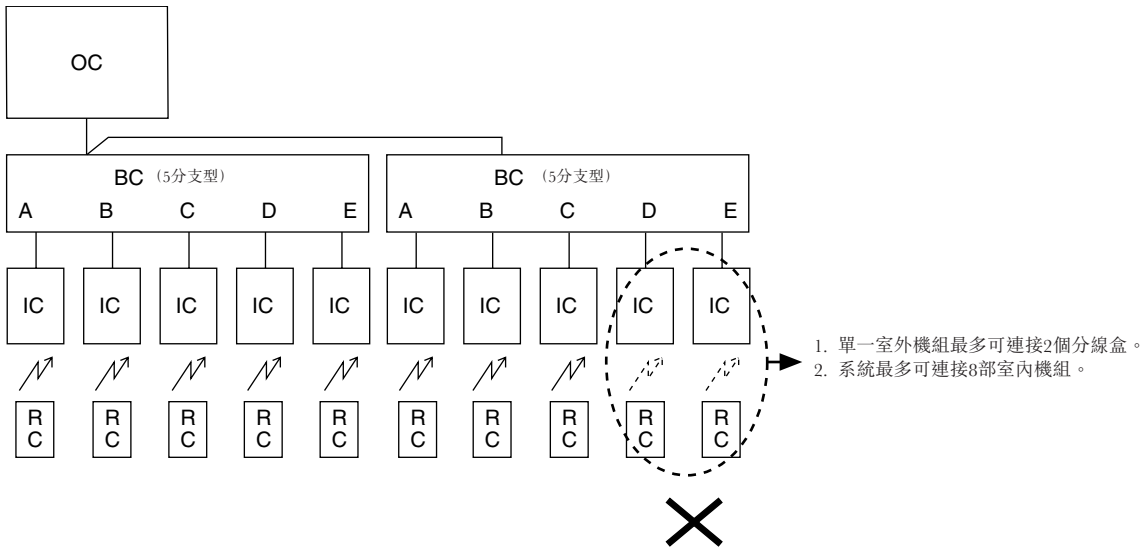
2-2. 只有5分支型



2-3. 2分線盒 (3分支型)

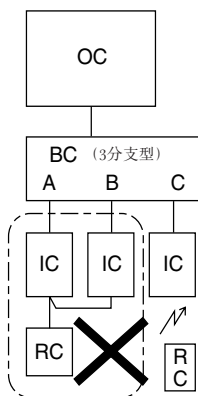


2-4. 2分線盒 (5分支型, 最多8部室內機組)

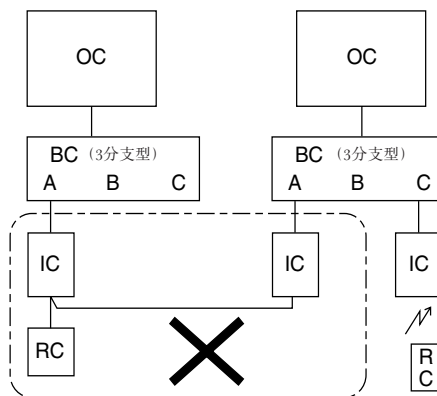


[3] 錯誤系統

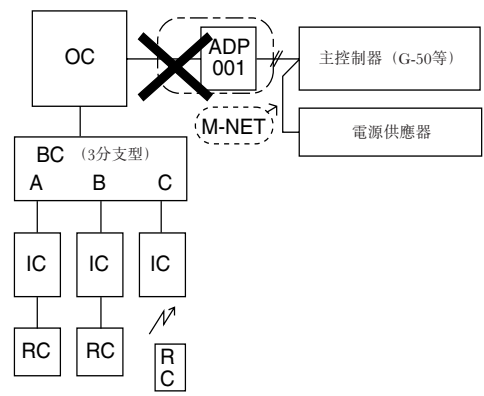
3-1. 由單一遙控器分組運作



3-2. 在不同的冷媒系統之間分組操作



3-3. 將M-NET轉接器連接至室外機組



- 3-1. 單一遙控器不可操作多部室內機組。
- 3-2. 不同的冷媒系統不可連接在一起。
- 3-3. M-NET轉接器不可連接至室外機組。

7. 電氣工程

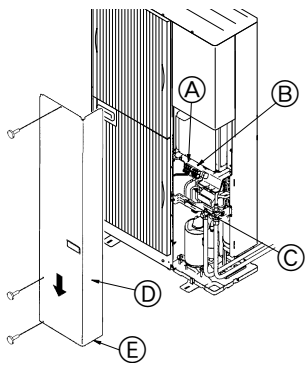
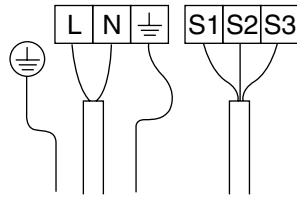


圖7-1

7.1. 室外機組 (圖7-1)

- ① 卸下維修面板。
- ② 參閱圖7-1連接電線。
 - Ⓐ 接地端子
 - Ⓑ 端子板
 - Ⓒ 夾子
 - Ⓓ 維修面板
 - Ⓔ 裝配電線讓電線不要接觸維修面板中央或氣體閥門。



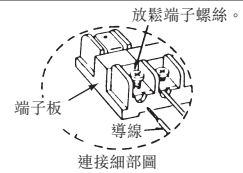
7.2. 分線盒/室外電線連接與室外電源線連接

⚠ 警告：

- 請將室外機組的端子板蓋/面板固定妥當。若未正確固定，會因為灰塵、水等導致火災或觸電。
- 確保將室內機組、室外機組與分線盒的電源線與連接線直接連接至主機（無中間連接）。
若有水進入電源線或連接線，中間連接會造成通訊錯誤，並導致接地絕緣不足或中間連接頭接觸不良。
(若需要中間連接，請採取措施避免有水進入電源線或連接線。)

⚠ 注意：

- 小心不要配錯線。
- 鎖緊端子螺絲避免鬆脫。
- 鎖緊之後，稍微拉扯電線確定不會移動。
- 若連接線未正確連接至端子板，主機將無法正常運作。



- 從分線盒正確將電線連接至端子板。
- 為了方便日後維修，請多留一些連接線。

<範例> (使用2分線盒時)

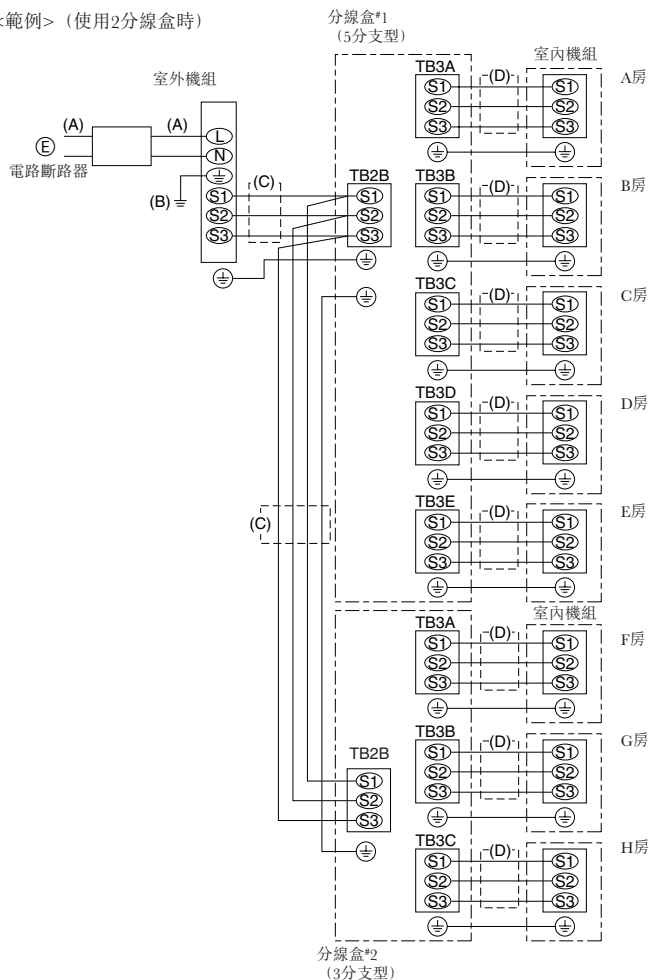


圖7-2

7.3. 外部配線程序 (圖7-2)

電源供應作業只需要至室外機組，分線盒或室內機組的電源供應都經由配線完成。因此，電源供應作業只需要在室外機組的一個位置上進行。如此可簡化作業並節省成本。

- Ⓔ 電源供應
 - 單相 AC220/230/240 V, 50 Hz
 - AC220 V, 60 Hz
 - 最大允許系統阻抗 0.22 (Ω)

備註：

- ① 電源供應輸入：只適用於室外機組。
依照端子板的名稱連接電線(C)、(D)以確定極性正確。

電線直徑				斷路器 *1	
(A) 主電源線	(B) 接地	(C) 單線	(D) 單線	斷路電流	性能特性
6.0 mm ²	6.0 mm ²	1.5 mm ²	1.5 mm ²	40 A	40A, 0.1秒 或以下則 30 mA

使用絞合線配線時，需要使用圓形端子。

*1. 斷路器應該提供每個極性至少有3 mm的接點分隔。請使用無熔絲斷路器 (NF) 或接地漏電斷路器 (NV)。

*2. 最長為45m (“室外機組—分線盒#1”加“分線盒#1—分線盒#2”)。
若使用2.5mm²，最長為55m。

備註：

1. 接線尺寸必須符合適當的當地與國家法規。
2. 電源線與室內機組/分線盒/室外機組連接線規格不可低於聚丁二烯覆鞘彈性線。(60245 IEC 57設計)
3. 安裝一條比電源線更長的接地線。

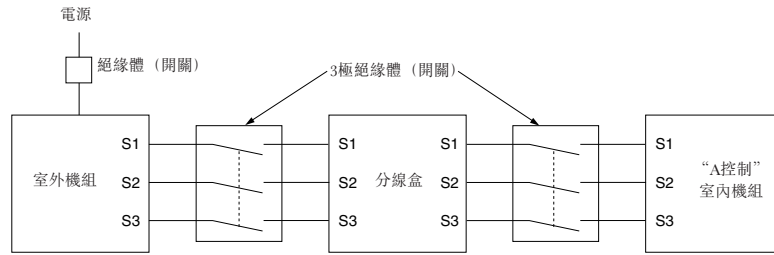
重點

確定漏電斷路器為高調波相容型。
因為主機配備變頻器，所以請使用高調波相容型漏電斷路器。
使用相容性不足的斷路器，會導致變頻器操作錯誤。

7. 電氣工程

警告：

如果使用A控制線，在電源線與通訊信號線之間無電氣絕緣的電路設計中，S3端子上具有高電壓電位。因此，維修時請關閉主電源供應，並且在通電時請勿觸摸S1、S2和S3端子。若在室外機組和分線盒/室內機組和分線盒之間使用絕緣體，請使用3極型。



注意：

使用絕緣體後，務必先關閉再開啟主電源供應，以便重設系統。否則，室外機組可能無法識別分線盒或室內機組系統。

接線規格

(室外-分線盒連接電纜)

電纜剖面圖	電線尺寸 (mm ²)	電線數目	極性	L (m) *6
圓形	2.5	3	順時針：S1-S2-S3 * 注意黃線和綠線	(50) *2
扁平	2.5	3	不適用 (因為中間線沒有覆蓋層)	不適用 *5
扁平	1.5	4	從左到右：S1-打開-S2-S3	(45) *3
圓形	2.5	4	順時針：S1-S2-S3-打開 * 以對角方向連接S1和S3	(55) *4

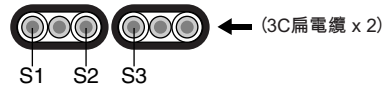
*1：設備電源線規格不可低於60245 IEC或227 IEC設計。

*2：如果電纜有黃線和綠線。

*3：如果使用標準極性連接 (S1-S2-S3)，電線尺寸為1.5 mm²。

*4：如果使用標準極性連接 (S1-S2-S3)。

*5：如果如圖所示連接扁電纜，電纜最長可達55 m。



*6：所述電纜長度只作參考之用。

根據安裝條件、濕度或物料等而定，電纜長度可能有所不同。

確保將室外-分線盒/室內-分線盒連接電纜直接連接至主機 (無中間連接)。
若有水進入電纜，中間連接會造成通訊錯誤，並導致接地絕緣不足或中間連接頭接觸不良。
(若需要中間連接，請採取措施避免有水進入電纜。)

8. 試運行

8.1. 試運行之前

- ▶ 完成室內機組與室外機組的安裝、接線與接管之後，請檢查是否有冷媒洩漏、電源線或控制線鬆脫、極性錯誤以及電源極性連接妥當。
- ▶ 請使用500伏特M歐姆測試器來檢查電源供應端子與接地之間的阻抗是否至少有1MΩ。
- ▶ 請勿在控制線（低壓電路）端子進行此項測試。

⚠ 警告：

若絕緣阻抗低於1MΩ，請勿使用冷氣機。

絕緣阻抗

安裝之後或長時間斷電之後，會因為冷媒積聚在壓縮機內造成絕緣阻抗低於1MΩ。這不是故障。請執行下列程序。

1. 卸下壓縮機電線，並測量壓縮機的絕緣阻抗。
2. 若絕緣阻抗低於1MΩ，表示壓縮機故障或因為壓縮機內積聚冷媒造成阻抗下降。

3. 將電線連接到壓縮機並通電之後，壓縮機將開始預熱。在通電時間達到下面所指示的時間之後，再次測量絕緣阻抗。

- 由於冷媒在壓縮機中堆積，因此絕緣阻抗會降低。壓縮機預熱兩到三個小時之後，阻抗將超過1MΩ。（壓縮機預熱所需的時間隨空氣狀況和冷媒堆積的情況而有所不同。）
- 若要在壓縮機中堆積冷媒的情況下運行壓縮機，壓縮機必須至少預熱12小時，以防止出現故障。

4. 若絕緣阻抗高於1MΩ，表示壓縮機正常。

⚠ 注意：

- 除非電源供應相位連接正確，否則壓縮機不會運作。
- 至少在開始運行前12小時先接通電源。
- 如果接通主電源開關就立即開始運行，則會導致內部機件嚴重損壞。在頻繁使用季節，可將電源開關一直開著。

▶ 請檢查下列事項。

- 室外機組未故障。室外機組故障時，室外機組控制板上的LED會閃爍。
- 氣體與液體斷流閥都已經完全開啟。

8.2. 試運行

8.2.1. 使用遙控器

請參閱室內機組安裝說明書。

- 確定執行每部室內機組的試運行。確定每部室內機組都如主機附隨的安裝說明書內之描述正確運作。
- 若您一次執行所有室內機組的試運行，則無法偵測到冷媒配管與連接線可能出現的任何錯誤連接。
- * 在供電之後請等待3分鐘以上才能運轉壓縮機。
- 壓縮機只有在通電之時或室外低溫下會發出噪聲。

關於重新啟動保護機械裝置

一旦壓縮機停止，重新啟動保護裝置就會啟動，這樣在3分鐘內壓縮機都不會運作來保護冷氣機。

8.2.2. 使用室外機組內的SW4

在室外機組的試運行中，所有室內機組都會運作。因此，您無法偵測到冷媒配管與連接線的錯誤連接。若目標在於偵測任何錯誤連接，請用遙控器執行試運行，並參閱“8.2.1. 使用遙控器”。

SW4-1	開啟	冷卻運作
SW4-2	關閉	
SW4-1	開啟	加熱運作
SW4-2	開啟	

* 進行試運行後，將SW4-1設定為關閉。

- 在壓縮機啟動的幾秒鐘後，從室外機組內會發出叮噠作響的噪聲，此噪聲來自於止回閥，這是因為配管內有稍微壓力差的緣故。主機並未故障。

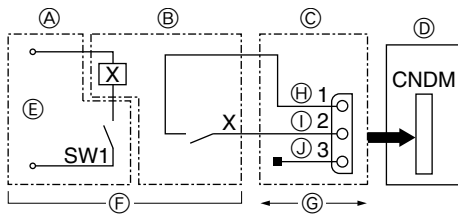
在試運行期間，無法由DIP開關SW4-2改變試運行運作模式。（若要在試運行期間變更試運行運作模式，請用DIP開關SW4-1停止試運行。在變更試運行運作模式之後，請用開關SW4-1恢復試運行。）

當“使用室外機組內的SW4”啟動試運行時，即使利用遙控器發出停止指示，室外機組也不會停止運行（試運行不會結束）。在這種情況下，請將室外機組的SW4設定為關閉。

備註：

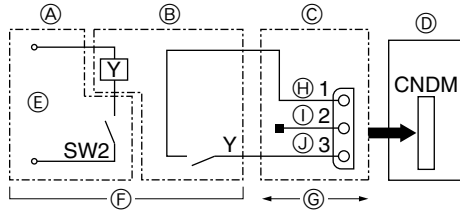
開啟電源後請等待至少3分鐘，然後才設定SW4-1和SW4-2。如果在3分鐘過去之前設定DIP開關，試運行可能不會開始。

9. 特殊功能



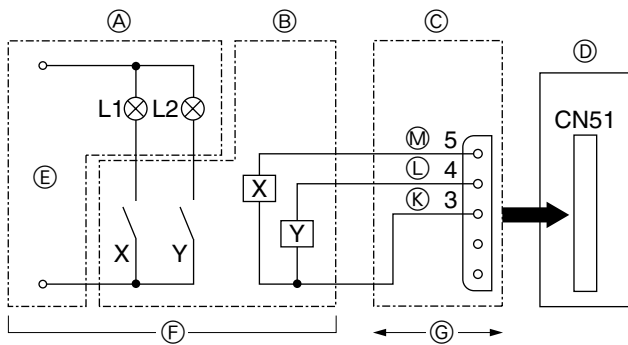
- Ⓐ 遙控器面板
- Ⓑ 繼電器電路
- Ⓒ 外部輸入適配器 (PAC-SC36NA)
- Ⓓ 室外機組控制板
- Ⓔ 繼電器電源
- Ⓕ 在當地購買
- Ⓖ 最大10米
- Ⓗ 橘色
- Ⓘ 啡色
- Ⓝ 紅色

圖9-1



- Ⓐ 遙控器面板
- Ⓑ 繼電器電路
- Ⓒ 外部輸入適配器 (PAC-SC36NA)
- Ⓓ 室外機組控制板
- Ⓔ 繼電器電源
- Ⓕ 在當地購買
- Ⓖ 最大10米
- Ⓗ 橘色
- Ⓘ 啡色
- Ⓝ 紅色

圖9-2



- L1: 故障顯示燈
- L2: 壓縮機運行燈
- X, Y: 繼電器 (DC 12V使用0.9W或以下的線圈標準)
- X, Y: 繼電器 (DC1mA)
- Ⓕ 在當地購買
- Ⓖ 最大10米
- Ⓚ 橘色
- Ⓛ 黃色
- Ⓜ 綠色

圖9-3

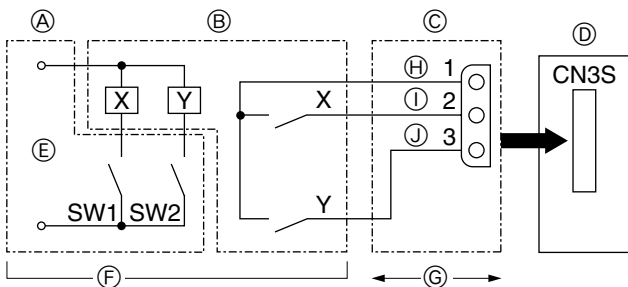


圖9-4

9.1. 低噪音模式 (在現場修改) (圖 9-1)

進行以下修改，把室外機組的運行噪音降低約3-4分貝。
在室外機組控制板上的CNDM接頭 (另購) 上安裝定時器 (在市面上出售) 或ON/OFF開關接觸輸入裝置後，低噪音模式即會啟動。

- 根據室外溫度和情況等等，容量可能不夠。
- ① 使用外部輸入適配器 (PAC-SC36NA) 時，應如圖所示安裝電路。(另購)

9.2. 需求功能 (現場修改) (圖 9-2)

• 在現場進行以下安裝，可減低電力消耗量達0%至100%。
只要將在市面上另購的輸入接觸點ON/OFF開關附加在CNDM接頭上，就可以啟動需求功能 (接觸點需求輸入，另購)。

- ① 如左圖所示，將“外部輸入適配器 (PAC-SC36NA)”安裝在電路內。
- ② 只要切換室外機組控制板上的SW7-1，就可以設定以下的功率消耗量限制 (與電源功率比較)。

SW7-1	當SW2設定至開時的功率消耗量
關	0% (強制壓縮機停止)
開	50%

9.3. 故障和壓縮機運行監控功能 (CN51)

- Ⓐ 遙控器面板
- Ⓑ 繼電器電路
- Ⓒ 外部輸出適配器 (PAC-SA88HA-E)
- Ⓓ 室外機組控制板
- Ⓔ 指示燈電源
- Ⓕ 在當地購買
- Ⓖ 最大10米
- Ⓚ 橘色
- Ⓛ 黃色
- Ⓜ 綠色

9.4. 自動轉換 — 利用外部訊號的運作模式鎖定功能 (CN3S)

- Ⓐ 遙控器面板
- Ⓑ 繼電器電路
- Ⓒ 外部輸入適配器 (PAC-SC36NA)
- Ⓓ 室外機組控制板
- Ⓔ 繼電器電源
- Ⓕ 在當地購買
- Ⓖ 最大10米
- Ⓗ 橘色
- Ⓘ 啡色
- Ⓝ 紅色

	開啟	關閉
SW1	加熱	冷卻
SW2	SW1有效	SW1無效

- * 以不同於外部訊號指定的模式運行的室內機組會進入待機模式。
- * 當室外機組在停止狀態時，設定便會生效。
- * 指定用於試運行的運作模式會比使用此功能指定的模式優先。

WEEE



Note: This symbol mark is for EU countries only.
This symbol mark is according to the directive 2002/96/EC
Article 10 Information for users and Annex IV.

English

Your MITSUBISHI ELECTRIC product is designed and manufactured with high quality materials and components which can be recycled and reused.

This symbol means that electrical and electronic equipment, at their end-of-life, should be disposed of separately from your household waste.

Please, dispose of this equipment at your local community waste collection/recycling centre.

In the European Union there are separate collection systems for used electrical and electronic product.

Please, help us to conserve the environment we live in!

Deutsch

Ihr MITSUBISHI ELECTRIC-Produkt wurde unter Einsatz von qualitativ hochwertigen Materialien und Komponenten konstruiert und gefertigt, die für Recycling geeignet sind.

Dieses Symbol bedeutet, dass elektrische und elektronische Geräte am Ende ihrer Nutzungsdauer von Hausmüll getrennt zu entsorgen sind.

Bitte entsorgen Sie dieses Gerät bei Ihrer kommunalen Sammelstelle oder im örtlichen Recycling-Zentrum.

In der Europäischen Union gibt es unterschiedliche Sammelsysteme für gebrauchte Elektrik- und Elektronikgeräte.

Bitte helfen Sie uns, die Umwelt zu erhalten, in der wir leben!

Français

Votre produit Mitsubishi Electric est conçu et fabriqué avec des matériels et des composants de qualité supérieure qui peuvent être recyclés et réutilisés.

Ce symbole signifie que les équipements électriques et électroniques, à la fin de leur durée de service, doivent être éliminés séparément des ordures ménagères.

Nous vous prions donc de confier cet équipement à votre centre local de collecte/recyclage.

Dans l'Union Européenne, il existe des systèmes sélectifs de collecte pour les produits électriques et électroniques usagés. Aidez-nous à conserver l'environnement dans lequel nous vivons !

Les machines ou appareils électriques et électroniques contiennent souvent des matières qui, si elles sont traitées ou éliminées de manière inappropriée, peuvent s'avérer potentiellement dangereuses pour la santé humaine et pour l'environnement.

Cependant, ces matières sont nécessaires au bon fonctionnement de votre appareil ou de votre machine. Pour cette raison, il vous est demandé de ne pas vous débarrasser de votre appareil ou machine usagé avec vos ordures ménagères.

Nederlands

Mitsubishi Electric producten zijn ontwikkeld en gefabriceerd uit eerste kwaliteit materialen. De onderdelen kunnen worden gerecycled en worden hergebruikt.

Het symbool betekent dat de elektrische en elektronische onderdelen op het einde van de gebruiksduur gescheiden van het huishoudelijk afval moeten worden ingezameld.

Breng deze apparatuur dan naar het gemeentelijke afvalinzamelingspunt.

In de Europese Unie worden elektrische en elektronische producten afzonderlijk ingezameld.

Help ons mee het milieu te beschermen!

Español

Su producto MITSUBISHI ELECTRIC está diseñado y fabricado con materiales y componentes de alta calidad que pueden ser reciclados y reutilizados.

Este símbolo significa que el aparato eléctrico y electrónico, al final de su ciclo de vida, se debe tirar separadamente del resto de sus residuos domésticos.

Por favor, deposite este aparato en el centro de recogida/reciclado de residuos de su comunidad local cuando quiera tirarlo.

En la Unión Europea existen sistemas de recogida específicos para productos eléctricos y electrónicos usados.

¡Ayúdenos a conservar el medio ambiente!

Italiano

Questo prodotto MITSUBISHI ELECTRIC è stato fabbricato con materiali e componenti di alta qualità, che possono essere riciclati e riutilizzati.

Questo simbolo significa che i prodotti elettrici ed elettronici devono essere smaltiti separatamente dai rifiuti casalinghi alla fine della loro vita di servizio.

Per disfarsi di questo prodotto, portarlo al centro di raccolta/riciclaggio dei rifiuti solidi urbani locale.

Nell'Unione Europea ci sono sistemi di raccolta differenziata per i prodotti elettrici ed elettronici usati.

Aiutateci a conservare l'ambiente in cui viviamo!



Note: This symbol mark is for EU countries only.
This symbol mark is according to the directive 2002/96/EC
Article 10 Information for users and Annex IV.

Ελληνικά

Το προϊόν MITSUBISHI ELECTRIC που διαθέτετε είναι σχεδιασμένο και κατασκευασμένο από υλικά και εξαρτήματα υψηλής ποιότητας, τα οποία μπορούν να ανακυκλωθούν και να χρησιμοποιηθούν ξανά.

Το σύμβολο αυτό σημαίνει ότι ο ηλεκτρολογικός και ηλεκτρικός εξοπλισμός, στο τέλος της διάρκειας ζωής του, θα πρέπει να απορριφτεί ξεχωριστά από τα υπόλοιπα οικιακά απορρίμμάτα σας.

Παρακαλούμε διαθέστε (εξαλείψτε) τον εξοπλισμό αυτό στον τοπικό σας κοινοτικό κέντρο συλλογής/ανακύκλωσης απορριμμάτων.

Στην Ευρωπαϊκή Ένωση υπάρχουν ξεχωριστά συστήματα συλλογής για τα χρησιμοποιημένα ηλεκτρολογικά και ηλεκτρικά προϊόντα.

Βοηθήστε μας να προστατεύσουμε το περιβάλλον στο οποίο ζούμε!

Português

O seu produto MITSUBISHI ELECTRIC foi concebido e produzido com materiais e componentes de alta qualidade que podem ser reciclados e reutilizados.

Este símbolo significa que o equipamento eléctrico e electrónico no final da sua vida útil deve ser deixado fora separadamente do lixo doméstico.

Por favor, entregue este equipamento no seu ponto local de recolha/reciclagem.

Na União Europeia existem sistemas de recolha separados para produtos eléctricos e electrónicos usados.

Por favor, ajude-nos a conservar o ambiente em que vivemos!

Dansk

Dit produkt fra MITSUBISHI ELECTRIC er designet og fremstillet med kvalitetsmaterialer og -komponenter, der kan genbruges. Dette symbol viser, at elektrisk eller elektronisk udstyr ikke må bortskaffes sammen med almindeligt husholdningsaffald efter endt levetid.

Bortskaf dette udstyr på en lokal genbrugsplads.

I EU er der særskilte indsamlingsordninger for elektriske og elektroniske produkter.

Hjælp os med at bevare det miljø, vi lever i!

Svenska

Denna produkt från MITSUBISHI ELECTRIC är designad och tillverkad av material och komponenter med hög kvalitet som kan återvinnas och återanvändas.

Denna symbol betyder att elektriska och elektroniska produkter, efter slutanvändande, skall sorteras och hanteras separat från Ditt hushållsavfall.

Var snäll och lämna denna produkt hos Din lokala mottagningstation för avfall och återvinning.

Inom den Europeiska Unionen finns det separata insamlingsystem för begagnade elektriska och elektroniska produkter.

Var snäll och hjälp oss att bevara miljön vi lever i!

Türkçe

Bu sembol işareti sadece AB ülkeleri içindir.

Bu sembol işareti, direktif 2002/96/EC Madde 10 Kullanıcı bilgileri ve Ek IV'e tabidir.

Русский

Данный символ применяется только в странах ЕС.

Данный символ соответствует директиве Статьи 10 ЕС 2002/96/, Информация для пользователей, и Приложению IV.

This product is designed and intended for use in the residential,
commercial and light-industrial environment.

The product at hand is based on the following EU regulations:

- Low Voltage Directive 2006/95/ EC
- Electromagnetic Compatibility Directive 89/336/ EEC

Please be sure to put the contact address/telephone number on
this manual before handing it to the customer.