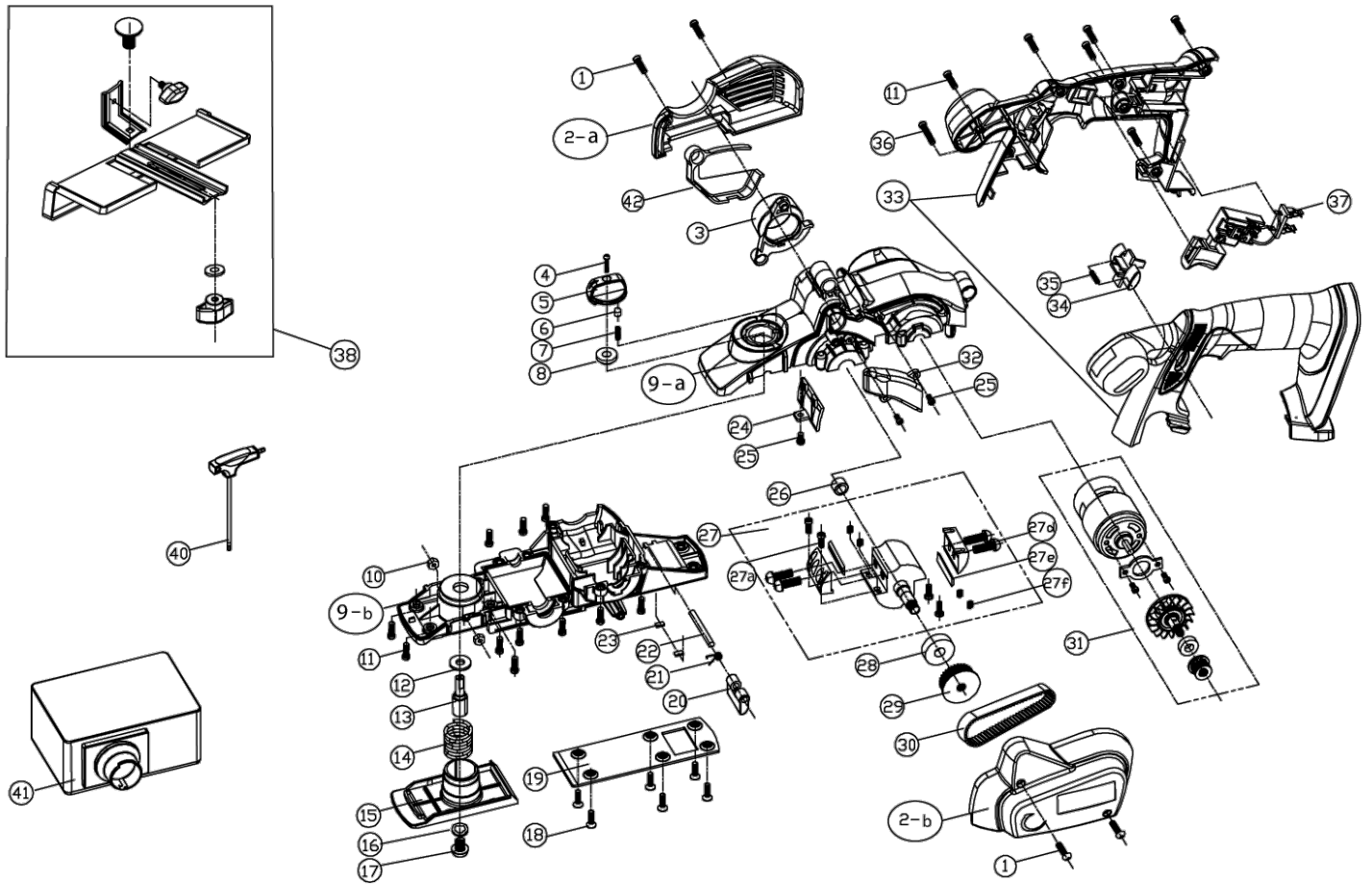


# CPL180MHG RABOT ONE+

5133000195 - CPL180MHG - CPL180MHG#1





Position	Quantité	Désignation	Référence	EAN
001	4	VIS M3.5X16 WS6613/15/15X CPL180M	5131000000	
002-a	1	CARTER LATERAL CPL180M	5131000000	
002-b	1	CARTER DE COURROIE CPL180M	5131000000	
003	1	APPUI DE SAC	5131000000	
004	1	VIS	5131000000	
005	1	BOUTON	5131000000	
006	1	CAPUCHON PROT.	5131000000	
007	1	RESSORT	5131000000	
008	1	RONDELLE	5131000000	
009	1	CARTER MOTEUR	5131000000	
010	2	ECROU	5131000000	
011	17	VIS	5131000000	
012	1	RONDELLE	5131000000	
013	1	ARBRE DE GUIDAGE	5131000000	
014	1	RESSORT	5131000000	
015	1	SUPPOR.D'ECARTEMENT	5131000000	
016	1	RONDELLE ONDULEE EBS7576 CPL180M	5131000000	
017	1	VIS M8X9MM CPL180M	5131000000	
018	6	VIS	5131000000	
019	1	COUVERCLE	5131000000	
026	1	ROUL. A AIGUILLES	5131019513	4058546174149
027-a	4	VIS	5131011523	4058546168452
027-c	2	PORTE FER CPL180M	5131000000	
027-d	4	VIS M6X16 CPL180M	5131000000	
027-f	4	RESSORT DIA. 0.5MM CPL180M	5131000000	
028	1	ROULEMENT A BILLES	5131001902	4058546162405
029	1	PIGNON	5131000000	
030	1	COURROIE	5131009457	4058546167813
031	1	MOTEUR	5131001555	4058546161934
031-a	1	PIGNON	5131000000	
032	1	DEFLECTEUR CPL180M	5131000000	
033	1	COUVERCLE D.POIGNEE	5131019533	4058546174156
034	1	BOUTON	5131000000	
035	1	RESSORT	5131000000	
036	1	VIS	5131000000	
037	1	INTERRUPTEUR	5131001561	4058546161941
038-a	1	VIS	5131019736	4058546056797
038-d	1	RONDELLE	5131019735	4058546108694
040	1	CLE DE SERVICE CPL180M	5131000000	
042	1	PLAQUE CPL180M	5131000000	
027-e	1	LOT 2 FERS 50MM CPL180M	5131000000	
038	1	EXTENSION BUTEE	5131000000	
041	1	SAC D'ASPIRATION COMPLET CPL180M	5131000000	