

Moulinex

MO30EC

English	EG-1~21
French	FR-1~22
Dutch	NL-1~22
Italy	IT-1~20
Spanish	ES-1~21
Czech	CZ-1~20
Slovak	SK-1~20



WARNINGS.....	EG-2
IMPORTANT SAFETY INSTRUCTIONS.....	EG-4
APPLIANCE DESCRIPTION.....	EG-4
DISPLAY.....	EG-5
CONTROL PANEL.....	EG-5
ACCESSORIES.....	EG-6
INSTALLATION.....	EG-6
Preparation.....	EG-6
Position.....	EG-6
INSTRUCTIONS FOR USE.....	EG-7
Foods.....	EG-7
Containers and materials.....	EG-8
Cooking time.....	EG-10
Resting time.....	EG-10
SETTING THE TIME.....	EG-11
USING THE AUTOMATIC PROGRAMMES.....	EG-11
AUTO COOK.....	EG-12
AUTO DEFROST.....	EG-13
USING THE MANUAL FUNCTIONS.....	EG-13
MICRO MODE (microwaves only).....	EG-14
GRILL MODE.....	EG-14
MICRO GRILL MODE.....	EG-15
CONVECTION MODE.....	EG-16
MICRO CONVECTION MODE.....	EG-16
USING THE QUICK REHEAT FUNCTION.....	EG-17
MULTI-STAGE COOKING.....	EG-18
STOPPING THE OVEN.....	EG-18
ACTIVATING THE CHILD SAFETY.....	EG-19
CLEANING AND MAINTENANCE.....	EG-19
SPECIFICATIONS.....	EG-20
TROUBLESHOOTING.....	EG-21

WARNINGS

- ❖ This appliance is intended for domestic household use only and should not be used for any other purpose or in any other application, such as for non-domestic use or in a commercial environment.
- ❖ **IMPORTANT SAFETY INSTRUCTIONS**
READ CAREFULLY AND KEEP FOR FUTURE REFERENCE
- ❖ This appliance can be used by children aged from 8 years and above and persons with reduced physical, sensory or mental capabilities or lack of experience and knowledge if they have been given supervision or instruction concerning use of the appliance in a safe way and understand the hazards involved. Children shall not play with the appliance. Cleaning and user maintenance shall not be made by children unless they are older than 8 and supervised.
- ❖ If the supply cord is damaged, it must be replaced by the manufacturer, its service agent or similarly qualified persons in order to avoid a hazard.
- ❖ Do not use harsh abrasive cleaners or sharp metal scrapers to clean the oven door glass since they can scratch the surface which may result in shattering of the glass.
- ❖ **WARNING:** If the door or door seals are damaged, the oven must not be operated until it has been repaired by a competent person.
- ❖ **WARNING:** It is hazardous for anyone other than a competent person to carry out any service or repair operation that involves the removal of a cover which gives protection against exposure to microwave energy.
- ❖ **WARNING:** Liquids and other foods must not be heated in sealed containers since they are liable to explode.
- ❖ Microwave heating of beverages can result in delayed eruptive boiling; therefore care must be taken when handling the container.
- ❖ Only use utensils that are suitable for use in microwave ovens.
- ❖ When heating food in plastic or paper containers, keep an eye on the oven due to the possibility of ignition.
- ❖ If smoke is emitted, switch off or unplug the appliance and keep the door closed in order to stifle any flames.

- ❖ The contents of feeding bottles and baby food jars shall be stirred or shaken and the temperature checked before consumption, in order to avoid burns;
- ❖ Eggs in their shell and whole hard-boiled eggs should not be heated in microwave ovens since they may explode, even after microwave heating has ended.
- ❖ The oven should be cleaned regularly and any food deposits removed.
- ❖ Failure to maintain the oven in a clean condition could lead to deterioration of the surface that could adversely affect the life of the appliance and possibly result in a hazardous situation.
- ❖ During use the appliance becomes hot. Care should be taken to avoid touching heating elements inside the oven.
- ❖ The appliance is not intended to be operated by means of an external timer or separate remotecontrol system.
- ❖ **Caution:** If the device operates in combination mode, it is recommended that children use the oven only under the supervision of adults because the temperature may be high.
- ❖ The microwave oven shall not be placed in a cabinet.
- ❖ The door or the outer surface may get hot when the appliance is operating.
- ❖ Keep the appliance and its cord out of reach of children less than 8 years.
- ❖ **Caution:** If the device operates in combination mode, it is recommended that children use the oven only under the supervision of adults because the temperature may be high.

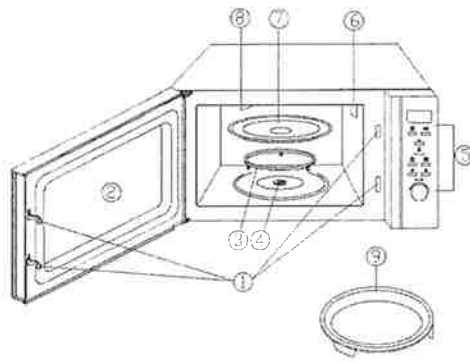


- ❖ **Caution: Hot Surface.**

IMPORTANT SAFETY INSTRUCTIONS

- ❖ When the microwave oven is switched off, please disconnect it from the supply mains, to do this you must remove the plug from the supply outlet.
- ❖ The plug shall be the main disconnection device and shall remain accessible at all times.
- ❖ The microwave oven cannot be operated with the door open due to the safety interlocks built into the door mechanism which switch off the cooking functions when the door is opened. Operating the microwave oven with the door open could result in harmful exposure to microwave energy. It is important not to tamper with the door mechanism.
- ❖ Do not let water or any other liquid enter the oven through the ventilation slots.
- ❖ Do not place any object between the oven front face and the door or allow soil or cleaner residue to accumulate on sealing surfaces.
- ❖ Avoid using straight-sided containers with narrow necks.
- ❖ Stir any liquid before placing the container back into the microwave oven half way through the heating time.
- ❖ After heating, always allow standing time, stir or shake the contents and carefully check the temperatures before consumption.
- ❖ Do not use harsh abrasive cleaners or sharp metal scrapers to clean the oven door glass since they can scratch the surface, which may result in shattering of the glass.
- ❖ A steam cleaner is not to be used.
- ❖ The microwave oven is intended to be used freestanding only.

APPLIANCE DESCRIPTION



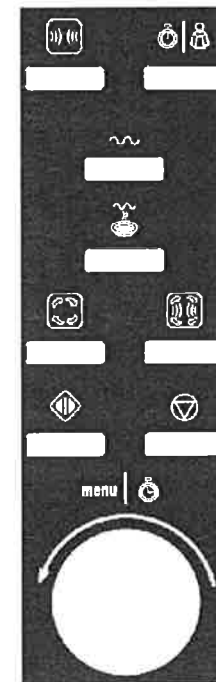
EG-4

1. Door locking system
2. Door
3. Ring bearing
4. Drive
5. Control panel
6. Wave guide cover
7. Turntable
8. Grill element
9. Grill plate

DISPLAY



CONTROL PANEL



Buttons:

- Power setting
- Clock/Weight setting
- Grill
- Micro grill
- Convection
- Micro convection
- Start and quick reheat (+30 seconds)
- Stop/Cancel + Child safety control

Rotary knob:

- Clock and cooking time setting.

EG-5

Auto cooking menu setting

ACCESSORIES

Drive

This fixture is located in the middle of the oven, beneath the turntable. It is connected with the motor and drives the turntable round.



Ring bearing

This component is placed in the middle of the oven, beneath the turntable. It has rollers to support the turntable while leaving it free to rotate.



Turntable

This glass plate is placed on the ring bearing in the middle of the oven and must be engaged with the drive. It can be used for all types of cooking. Containers containing food to be cooked or to collect particles and juices produced by food during cooking are placed on the turntable. It is easily removed for cleaning.



Grill plate

In grill mode, this accessory can be used for browning flat dishes. It must be carefully centred on the turntable.



INSTALLATION

Preparation

Unpack the accessories, wash them and wipe them off carefully. Position the ring bearing and then the turntable in the centre of the oven.

The turntable must be properly engaged with the drive.

Position

Your appliance can be installed in one of two ways:

- On a worktop: Position the appliance on a flat and stable surface, capable of supporting the oven and its contents. The oven must be handled with care, remembering that the control panel side is the heavier.

Adequate ventilation is essential: the minimum clearances are 20 cm above the oven and 10 cm at the sides and rear.

Install the appliance away from any source of heat such as a traditional oven or radiator. It has been designed and tested for use in ambient temperatures up to 35°C.

Ensure that the ventilation holes of the appliance are not obstructed.

INSTRUCTIONS FOR USE

The following recommendations will help you get the greatest benefit from using your oven. Please read them carefully.

Your appliance can be used to defrost, reheat and cook foods much faster than is possible with traditional cooking methods.

Foods

Forbidden foods

If you choose a cooking method using microwaves, you should never:

- Attempt to fry food – it is impossible to control the temperature of the oil and other fats – fire-risk.
- Attempt to cook or warm up eggs in their shells, hard-boiled eggs with or without their shells or snails – they may explode.
- Attempt to cook food in an intact shell (e.g. chestnuts) or hard skin (tomatoes, potatoes, sausages) – always make a slit.

Food temperatures

The action of microwaves is such that only the food is heated. The container may, therefore, remain cold or cool while the food that it contains is burning hot.

To avoid any risk of burning, always stir before serving and check the temperature carefully before serving – especially to children.

Shake feeding bottles well and try a few drops on the back of your wrist to check the temperature.

Preparing food for cooking

Before warming feeding bottles and small pots, remove teats and covers.

Remember to cover the food in order to:

- avoid any splashing of the oven cavity,

- retain sufficient moisture for cooking.

Heating liquids

When heating liquids, a sudden overflow may occur when you take the container to remove it from the appliance. In fact, when the temperature reaches boiling point, steam tends to remain trapped in the liquid until it is disturbed.

To avoid this superheating effect and the consequent risk of scalding, always place a plastic spoon in the liquid to be heated.

Containers and materials

Below, you will find details of the various types of containers, which can be used or must not be used for the chosen cooking method.

"micro" mode (microwaves)

Use containers suitable for microwave cooking.

A container can easily be tested for microwave "transparency":

Place the empty container on the turntable together with a glass of water and run the oven for one minute at maximum power.

After one minute:

- if the container is cold, it is "transparent" and can be used for microwave cooking,
- if the container is warm or hot it is absorbent and must not be used for microwave cooking.

Never use hermetically sealed containers.

Remember to remove covers and stoppers from feeding bottles, jars, bottles and plastic containers.

Disposable containers

Never leave the appliance to run unsupervised when using disposable containers in plastic, paper or other inflammable materials.

If you see smoke appear, keep the oven door closed and disconnect your appliance.

Metal containers

Never use metallic materials and containers for microwave cooking.

You can, however, use your appliance to heat or defrost certain preparations in metallic trays, provided the height of the tray does not exceed 4 cm, not including the cover.

With regard to the cover, follow the instructions on the package. It will have to be removed or left in place, as the case may be. If not indicated otherwise, play safe and remove it.

Centre the tray(s) on the turntable, leaving at least 1 cm clearance from the oven walls. If there are several trays, space them at least 2 cm apart.

"Grill" and "convection" modes

These cooking modes do not require the use of special containers. Use the same kind of heatproof containers as you would use in a conventional oven.

NOTE:

- Never use plastic containers (they may melt) or containers in paper or cardboard (fire-risk).
- Maintain a minimum clearance of 2 cm between the food and the grill element.

"Micro grill" and "micro convection" modes (combined cooking)

Containers not permitted in "micro", "grill" and "convection" modes are also not permitted in "micro grill" mode.

Use only containers that can withstand both microwaves and high temperatures.

Summary of containers and materials permitted and not permitted in "micro" mode

Materials Containers	Suitable for micro-waves	Remarks
METAL		
Aluminium foil	In certain cases	May be used in small quantities to protect certain parts of the food from overcooking. Risk of electric arcing if the foil is too close to the oven walls or you have used too much.
Aluminium tray	In certain cases	See "Metal containers", above
Metal sheet	No	Risk of electric arcing and fire
Freezer bag ties	No	Risk of electric arcing and fire
GLASS		
Heat-resistant glass	Yes	Perfectly suitable
Glass with metal-based decoration (gold, lead etc.)	No	Risk of electric arcing
Fine glassware	No	May break or crack if heated suddenly
PLASTIC		
Plastic containers	Yes	Perfectly suitable if the plastic is heat-resistant. Certain plastics may be prone to deformation or discoloration after repeated use. Do not seal closed.
Plastic film	Yes	Can be used to retain moisture and prevent spitting. The plastic must not touch the food

		during cooking. Puncture the plastic to allow excess vapour to escape. Use oven gloves to remove the plastic film after cooking (risk of burns from hot vapour escaping from the container).
DISPOSABLE CONTAINER MATERIALS FORBIDDEN IN GRILL MODE		
Polystyrene cups or packaging	Yes	Can be used for heating liquids and foods for a short time. Overheating could melt the polystyrene, which would then become mixed with the food.
Paper bag	No	Fire-risk
Paper plates, cups, napkins or absorbent paper.	Yes	May be used for heating and brief cooking
Grease-proof paper	Yes	Can be used to retain moisture and prevent spitting. Short cooking times.
Recycled paper	No	Risk of electric arcing
PORCELAIN		
Porcelain containers	Yes	Perfectly suitable except with metal-based decoration (gold, lead etc.).

Cooking time

To determine the right cooking time for your foods, follow the instructions on the packaging of ready-made dishes and deep-frozen products.

In the absence of any precise indication, divide the cooking or reheating time given for a conventional oven by at least three.

Do not programme a cooking time longer than necessary. You will then avoid any risk of overcooking or setting fire to your food.

Resting time

Microwaves act close to the surface and penetrate food to a depth of 2 to 3 cm. once the surface layers are hot, heat penetrates to the centre of the food by conduction, i.e. the hot parts heat the cold parts. This makes it a good idea to allow the food to rest after removing it from the microwave so that the heat can penetrate to the centre.

SETTING THE TIME

You must set the clock after connecting your appliance or after a break in supply.



Press the clock/weight button once or twice.

- The clock can be set in 12hr or 24hr format.



Adjust the hours by turning the rotary knob.

Press the clock/weight button to enter the hours setting.

- The "00" indication for the minutes will blink.

Adjust the minutes by turning the rotary knob.

Press the clock/weight button to enter the minutes setting.

- The clock is now set.

USING THE AUTOMATIC PROGRAMMES

With the automatic programmes, everything is calculated automatically. You simply have to specify the type of food and its weight and the oven will automatically select the cooking mode, the power and appropriate cooking time.

Your oven has 2 types of programme, depending on the desired action:

- AUTO COOK for cooking
- AUTO DEFROST for defrosting

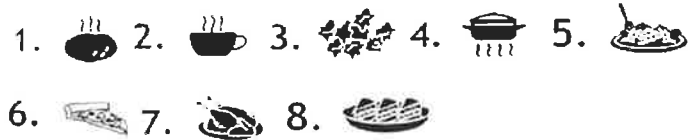
If you use an automatic programme, you cannot change the power or the cooking time.

At the end of cooking, the oven will beep 4 times and "End" will be shown on the display.

AUTO COOK

Automatic cooking programme

8 programmes are available:



1. Potato—230 g each, 1 to 3
2. Coffee—200 ml/cup, 1 to 3 cups
3. Popcorn—99 g
4. Auto reheat—200 to 800 g
5. Spaghetti—100 to 300 g
6. Pizza—150 to 450 g
7. Chicken—800 to 1400 g
8. Cake—475 g

The oven must know the type of food and its exact weight.

Use

Place the food at the centre of the turntable and close the door. Select the type of food by turning the rotary knob anticlockwise until the number corresponding to the food to be cooked is displayed.



- The number of the programme will be shown on the display, together with "CODE" symbol. **CODE**

Select the weight by pressing the clock/weight button.



- The weight will be shown on the display.

Press the start button.



- The oven will start cooking for a time selected to suit your food perfectly.

AUTO DEFROST

Automatic defrost programme

Use

Place the food at the centre of the turntable and close the door. Turn the rotary knob anticlockwise until the number "9" is displayed, together with the "CODE" symbol and the Defrost symbol.



Press the clock/weight button.



Select the defrosting time by turning the rotary knob.



- The maximum defrosting time is 45 minutes.

Press the start button.



- The oven will start defrosting for a time selected to suit your food perfectly.

USING THE MANUAL FUNCTIONS

Use the manual functions, you can cook, reheat or defrost all kinds of food. Here, in contrast to the automatic programmes, you must make your own selection of cooking mode, cooking time and power.

5 cooking modes are available:

Micro— Cooking with microwaves

Grill— Cooking with the grill element in its upper position

Micro grill— Cooking with combined microwaves and grill

Convection — Cooking with the hot air fan

Micro convection — Cooking with combined microwaves and hot air fan

The cooking mode cannot be changed during cooking.

At the end of cooking, the oven will beep 4 times and "End" will be shown on the display.

MICRO MODE (microwaves only)

Use this mode for manual cooking, heating or defrosting of your food. Place the food at the centre of the turntable and close the door.

Set the desired power by pressing the power setting button the required number of times.

The number of times	Power	Display
1	100%	P-HI
2	90%	P-90
3	80%	P-80
4	70%	P-70
5	60%	P-60
6	50%	P-50
7	40%	P-40
8	30%	P-30
9	20%	P-20
10	10%	P-10
11	0%	P-00

The power will be shown on the display, together with the "micro" symbol for the microwave cooking mode. 

Select the cooking time, using the rotary knob.

- The cooking time will be shown on the display.

The maximum time setting in microwave mode is 95 minutes.



Press the start button.

- The oven will start cooking for the selected time.


GRILL MODE


Use this mode to brown food such as gratins or meat by means of your oven's grill element.

Preferably for use with the grill rack
Only use heat-resistant containers.

Place the food on the top of the grill rack and place the rack in the centre of the turntable.

Always use oven gloves (not supplied) to handle dishes and accessories in "grill" mode. Risk of burns.

Select "grill" mode by pressing the grill button. 

- The "grill" symbol will appear on the display, together with ":" blinking. 

Set the cooking time, using the rotary knob.



Press the start button to start grilling.

The maximum time setting in "grill" mode is 95 minutes.

MICRO GRILL MODE

Use this mode for rapidly microwave-cooking or reheating food, while it is browned by the grill.

Preferably for use with the grill rack

Use only containers that can withstand both microwaves and high temperatures.

It is advised to preheat the grill in "micro grill" mode.

Place the food on the top of the grill rack and place this in the centre of the turntable.

Always use oven gloves (not supplied) to handle dishes and accessories in "micro grill" mode. Risk of burns.

Select "micro grill" mode 1 or 2 by keeping the micro grill button pressed. 

- The "1" or "2" symbol will appear on the display, together with the corresponding "micro grill" mode symbol.



Mode 1—30% of time for microwave cooking and 70% for grill cooking

Mode 2—55% of time for microwave cooking and 45% for grill cooking

Select the cooking time, using the rotary knob.

- The cooking time will be shown on the display.

The maximum time setting in "micro grill" mode is 95 minutes.



Press the start button.

- The oven will start cooking for the selected time.

CONVECTION MODE

Use this mode to cook all types of food, exactly as you would do in a conventional oven.

Only use heat-resistant containers.

In "convection" mode, it is advisable to preheat the oven for a few minutes before inserting the food.

1st step: preheating the oven



Select "convection" mode by pressing the convection button.

The "convection" symbol will appear on the display, together with "200".

CONV

When you select "convection" mode, the default temperature setting is 200°C.

To change the temperature setting, press the convection button the required number of times.

10 temperature settings are available between 110°C and 200°C (110-120-130-140-150-160-170-180-190-200°C).

Select the preheat time, using the rotary knob.

- The selected preheat time is shown on the display.

The maximum time setting in "convection" mode is 9 hours and 30 minutes (9H:30).



Press the start button.

- The oven will start preheating for the selected time.

2nd step: cooking

Always use the oven gloves (not supplied) to handle dishes and accessory in "convection" mode. Risk of burns.

Select "convection" mode and then set the temperature and the cooking time. Start the oven (for details of the settings, see the preheating section above).

MICRO CONVECTION MODE

Use this mode to cook all types of food, exactly as you would do in a conventional oven but much faster.

Use only containers that can withstand both microwaves and high temperatures.

it is not necessary to preheat the oven in "micro convection" mode.

Always use the oven gloves (not supplied) to handle dishes and accessory in "micro convection" mode. Risk of burns.



Select "micro convection" mode by pressing the micro convection button.

- The "micro convection" symbol will appear on the display, together with "200".

CONV. MICRO

When you select "micro convection" mode, the default temperature setting is 200°C.

To change the temperature setting, press the micro convection button the required number of times.

4 temperature settings are available between 110°C and 200°C (110-140-170-200°C).

- The selected temperature is shown on the display.

Select the cooking time, using the rotary knob.

- The selected cooking time is shown on the display.

The maximum time setting in "micro convection" mode is 9 hours and 30 minutes (9H:30).



Press the start button.

- The oven will start cooking for the selected time.

USING THE QUICK REHEAT FUNCTION

If you wish to warm a dish or liquid very briefly, use the "Start+30 sec" button.

Place the food at the centre of the turntable and close the door.



Press the "Start+30 sec" button.

- The oven will start automatically for 30 seconds at maximum power.

Each time that the "Start+30 sec" button is pressed, the cooking time will be increased by 30 seconds. The maximum cooking time is 10 minutes.

MULTI-STAGE COOKING

Your oven can be programmed for up to 3 automatic cooking sequences.

Suppose you set a microwave and a grill cooking programmes.

Press the start button.



Auto cook, preheat with convection and quick reheat cannot be set in the multi-stage cooking programme.

Auto defrost can only be set in the first stage.

If there are more than one stage cooking programme, "MEM" symbol will appear on the display.



STOPPING THE OVEN

Pause

You can interrupt the operation of the oven at any time to:

- check the progress of cooking,
- turn or stir the food,
- allow the food to rest.

To do this, you can simply open the oven door or press once on the stop/cancel

button.



- The oven will stop and hold the cooking status in memory.
- No change in the display will occur during the pause.

To restart cooking, press the start button.



To cancel the cooking, press the stop/cancel button again.

- The clock time will then reappear on the display.

ACTIVATING THE CHILD SAFETY

Your oven is equipped with a control locking system, which prevents its being started unintentionally or by unsupervised children.

To lock:

Keep the stop/cancel button pressed for 3 seconds.



- The oven will beep to indicate that the controls are locked.
- The "Safety" symbol will appear on the display.



The buttons are locked.

- Any attempt at starting will cause the oven to beep.

To unlock:

Keep the stop/cancel button pressed for 3 seconds.

- The oven will beep to indicate that the controls are unlocked.
- The "Safety" symbol will disappear on the display.

This function is only available when the oven is stopped.

CLEANING AND MAINTENANCE

Disconnect the electrical supply to the oven before cleaning.

General Advice

Frequent cleaning prevents smoke and bad odours during cooking and also sparking in the oven cavity and around the door seal.

Do not let food deposits or grease accumulate inside the oven cavity or on the door seal.

If your microwave oven is fitted with a waveguide cover (usually located inside the oven cavity on the right side wall) it must be kept clean at all times, should food deposits or grease be allowed to accumulate on the cover, sparking will occur and may damage your oven invalidating the warranty.

Before any maintenance or cleaning, disconnect the oven from the mains supply and wait for it to cool to room temperature.

Oven Door

Remove any food deposits and grease between the door seal and oven cavity using a

damp cloth, it is important to keep this area clean at all times.

Interior Walls

Remove any grease splashes from the oven cavity walls with soap and water, then rinse and dry.

The door seal and oven cavity have to be particularly well cleaned to ensure the door will close properly and to avoid sparking between the oven cavity and door assembly.

Do not use abrasive products such as scouring pads which will damage the surfaces of the oven cavity and door.

Only warm soapy water must be used to clean stainless steels surfaces.

Outer Surfaces

To clean the outside surface, use a damp cloth.

Avoid using abrasive products such as scouring pads that may damage the cosmetic surfaces. Make sure water does not seep into the ventilation slots.

Accessories should be washed in warm soapy water by hand.

CAUTION:

Some waveguide covers can be easily damaged take care when cleaning.

Do not wash accessories in a dishwasher.

Cleaning surfaces that come into contact with food

For hygiene safety the glass tray should be cleaned regularly as the item may come into contact with food.

The item should be cleaned with warm soapy water and dried thoroughly.

If the inside of the oven cavity and door seal are not kept perfectly clean there is a danger of damage due to sparking inside the oven cavity invalidating the warranty.

Never scrape the oven cavity walls with sharp objects.

SPECIFICATIONS

Rating input (microwave): 1400W

Voltage: 230-240V~ 50Hz

Grill power: 1250W

Convection: 2200W

Microwave frequency: 2450MHz

TROUBLESHOOTING

Normal Phenomena	
Microwave oven interfering TV reception	Radio and TV reception may be affected when the microwave oven is operating. It is similar to the interference of small electrical appliances, like mixer, vacuum cleaner and electric fan. It is normal.
Dim oven light	During low power microwave cooking, the oven light may become dim. It is normal.
Steam accumulating on door, hot air out of vents	During cooking, steam may come out of food. Most of steam will escape from the vents. But some of them may accumulate on positions like the oven door. It is normal.
Oven operation accidentally with no food in.	It is forbidden to operate the appliance without any food inside. It is very DANGEROUS.

Problem	Possible Cause	Solution
Oven cannot be operated.	Power cord not plugged in tightly.	Unplug the appliance then plug it in again after 10 seconds.
	There is something wrong with the mains socket.	Test the mains socket by plugging another appliance in.
Oven does not heat up.	Door not closed well.	Close door well.
Glass turntable makes noise when microwave oven operates.	Dirty roller rest and oven bottom.	Refer to 'CLEANING AND MAINTENANCE' to clean dirty parts.

We apologise for any inconvenience caused by minor inconsistencies in these instructions, which may occur as a result of product improvement and development.

TABLE DES MATIÈRES

AVERTISSEMENTS.....	FR-1
CONSIGNES DE SÉCURITÉ IMPORTANTES.....	FR-3
DESCRIPTION DE L'APPAREIL.....	FR-4
AFFICHAGE.....	FR-4
PANNEAU DE CONTRÔLE.....	FR-5
ACCESSOIRES.....	FR-6
INSTALLATION.....	FR-6
Préparation.....	FR-6
Positionnement.....	FR-6
INSTRUCTIONS D'UTILISATION.....	FR-7
Aliments.....	FR-7
Récipients et matériaux.....	FR-8
Durées de cuisson.....	FR-11
Temps de repos.....	FR-11
RÉGLER LA DURÉE.....	FR-11
UTILISER LES PROGRAMMES AUTOMATIQUES.....	FR-12
CUISSON AUTO.....	FR-12
DÉCONGÉLATION AUTO.....	FR-13
UTILISER LES FONCTIONS MANUELLES.....	FR-14
MODE MICRO (micro-ondes uniquement).....	FR-14
MODE GRILL.....	FR-15
MODE MICRO GRILL.....	FR-15
MODE CONVECTION.....	FR-16
MODE MICRO CONVECTION.....	FR-17
UTILISER LA FONCTION DE RÉCHAUFFAGE EXPRESS.....	FR-18
CUISSON SÉQUENTIELLE.....	FR-18
ARRÊTER LE FOUR.....	FR-19
ACTIVER LE VERROU ENFANT.....	FR-19
ENTRETIEN ET NETTOYAGE.....	FR-20
SPÉCIFICATIONS.....	FR-21
DÉPANNAGE.....	FR-21

AVERTISSEMENTS

- ❖ Cet appareil est destiné à un usage domestique uniquement. Toute utilisation autre que celle prévue pour cet appareil, ou pour une autre application que celle prévue, par exemple une application commerciale, est interdite.
- ❖ INSTRUCTIONS DE SÉCURITÉ IMPORTANTES
LIRE AVEC ATTENTION ET GARDER POUR DE FUTURES UTILISATIONS
- ❖ Cet appareil peut être utilisé par des enfants âgés de 8 ans et plus, et par des personnes dont les capacités physiques, sensorielles ou mentales sont réduites ou des personnes dénuées d'expérience ou de connaissance, si elles ont pu bénéficier d'une surveillance ou d'instructions préalables concernant l'utilisation de l'appareil en toute sécurité et avoir compris les dangers impliqués. Les enfants ne doivent pas jouer avec l'appareil. Le nettoyage et la maintenance ne doivent pas être réalisés par les enfants sauf s'ils sont âgés de 8 ans et plus et s'ils sont supervisés.
- ❖ Si le câble d'alimentation est endommagé, il doit être remplacé par le fabricant, son service après-vente ou des personnes de qualification similaire afin d'éviter un danger.
- ❖ Ne pas utiliser de produits d'entretien abrasifs ou de grattoirs métalliques durs pour nettoyer la porte en verre du four, ce qui pourrait érafler la surface et entraîner l'éclatement du verre.
- ❖ MISE EN GARDE: Si la porte ou le joint de porte est endommagé, le four ne doit pas être mis en fonctionnement avant d'avoir été réparé par une personne compétente.
- ❖ MISE EN GARDE: Il est dangereux pour quiconque autre qu'une personne compétente d'effectuer des opérations de maintenance ou de réparation entraînant le retrait d'un couvercle qui protège de l'exposition à l'énergie micro-ondes.
- ❖ MISE EN GARDE: Les liquides et autres aliments ne doivent pas être chauffés dans des contenants fermés hermétiquement car ils risquent d'exploser.
- ❖ Le chauffage des boissons par micro-ondes peut provoquer un jaillissement brusque et différé de liquide en ébullition, aussi des précautions doivent elles être prises lors de la manipulation du récipient.
- ❖ N'utiliser que des ustensiles appropriés à l'usage dans les fours micro-ondes.
- ❖ Cet appareil n'est pas prévu pour être utilisé par des personnes (y compris les enfants) dont les capacités physiques, sensorielles ou mentales sont réduites, ou

des personnes dénuées d'expérience ou de connaissance, sauf si elles ont pu bénéficier, par l'intermédiaire d'une personne responsable de leur sécurité, d'une surveillance ou d'instructions préalables concernant l'utilisation de l'appareil.

- ❖ Il convient de surveiller les enfants pour s'assurer qu'ils ne jouent pas avec l'appareil.
- ❖ **Appareil de groupe 2 Classe B**
Cet appareil est un appareil de Groupe 2 car il produit intentionnellement de l'énergie à fréquence radioélectrique pour le traitement de la matière et il est destiné à être utilisé dans un local domestique ou un établissement raccordé directement au réseau de distribution d'électricité à basse tension alimentant des bâtiments à usage domestique (Classe B).
- ❖ Pendant le chauffage de denrées alimentaires dans des contenants en plastique ou en papier, garder un oeil sur le four en raison de la possibilité d'inflammation.
- ❖ Si de la fumée est émise, arrêter ou débrancher le four et garder la porte fermée pour étouffer les flammes éventuelles.
- ❖ Le contenu des biberons et des pots d'aliments pour bébé doit être remué ou agité et la température doit en être vérifiée avant consommation, de façon à éviter les brûlures.
- ❖ Il n'est pas recommandé de chauffer les oeufs dans leur coquille et les oeufs durs entiers dans un four micro-ondes car ils risquent d'exploser, même après la fin de cuisson.
- ❖ Il est recommandé de nettoyer le four régulièrement et d'enlever tout dépôt alimentaire.
- ❖ Si l'appareil n'est pas maintenu dans un bon état de propreté, sa surface pourrait se dégrader et affecter de façon inexorable la durée de vie de l'appareil et conduire à une situation dangereuse.
- ❖ Cet appareil n'est pas destiné à être mis en fonctionnement au moyen d'une minuterie extérieure ou par un système de commande à distance séparé.

- ❖ Le four à micro ondes ne doit pas être placé dans un meuble.
- ❖ La porte ou la surface extérieure peuvent devenir chaudes lorsque l'appareil fonctionne.
- ❖ L'appareil et son cordon d'alimentation doivent toujours être hors de portée des enfants de moins de 8 ans.
- ❖ **MISE EN GARDE:** N'autorisez les enfants à utiliser le four sans surveillance que si des instructions appropriées leur ont été données, permettant à l'enfant d'utiliser le four de façon sûre et de comprendre les dangers d'une utilisation incorrecte.
- ❖ La température des surfaces accessibles peut être élevée lorsque l'appareil est en fonctionnement.



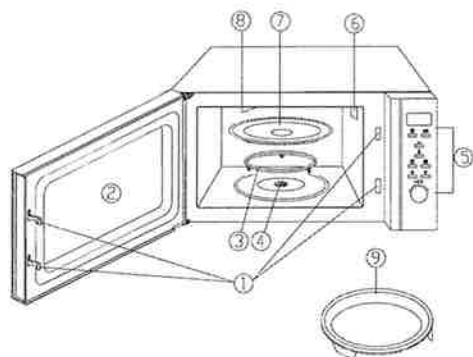
- ❖ Les surfaces sont susceptibles de devenir chaudes au cours de l'utilisation.

CONSIGNES DE SÉCURITÉ IMPORTANTES

- ❖ Quand le four à micro-ondes est éteint, débranchez-le de l'alimentation électrique en sortant sa fiche de la prise électrique.
- ❖ La fiche de l'appareil fait office de coupe-circuit principal de l'appareil et doit donc rester accessible en permanence.
- ❖ Le mécanisme de la porte du four à micro-ondes comporte des verrous de sécurité qui stoppent la cuisson lorsque la porte n'est pas correctement fermée. Le four à micro-ondes ne peut donc pas cuire si sa porte est ouverte. Le fonctionnement du four à micro-ondes porte ouverte pourrait en effet provoquer l'exposition dangereuse à l'énergie des micro-ondes. Il est important de ne pas modifier le mécanisme de verrouillage de la porte.
- ❖ Veillez à ce qu'aucun liquide, eau ou autre, ne pénètre à l'intérieur du four par ses orifices de ventilation.
- ❖ Ne placez pas d'objet entre la face avant du four et sa porte. Veillez à ce que les salissures et les résidus de produit de nettoyage ne s'accumulent pas sur les surfaces d'étanchéité.
- ❖ Évitez d'utiliser des récipients dont les bords sont verticaux et comportent un goulot étroit.

- ❖ Mélangez les liquides à mi-cuisson, puis remettez-les dans le four à micro-ondes pour effectuer la deuxième moitié de la cuisson.
- ❖ Une fois la cuisson terminée, laissez-les impérativement reposer, les mélanger ou les secouer, et vérifiez prudemment leur température avant de les consommer.
- ❖ N'utilisez pas de nettoyant abrasif agressif, ni de tampon à récurer métallique agressif pour nettoyer le verre de la porte du four, car ceux-ci risquent de rayer sa surface et le verre risque de se briser.
- ❖ N'utilisez pas de nettoyeur vapeur.
- ❖ Le four à micro-ondes est conçu exclusivement pour être utilisé non encastré.

DESCRIPTION DE L'APPAREIL

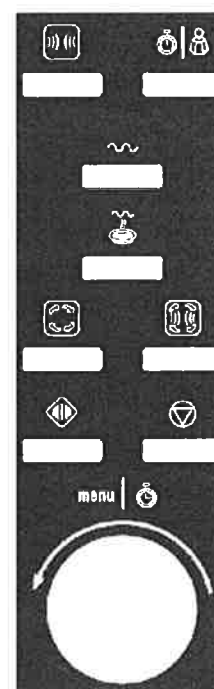


1. Verrous de porte
2. Porte
3. Anneau rotatif
4. Axe d'entraînement
5. Panneau de contrôle
6. Capot du guide d'ondes
7. Plateau tournant
8. Résistance du grill
9. Plaque grill

AFFICHAGE



PANNEAU DE CONTRÔLE



Touches et boutons :

- Réglage de la puissance
- Réglage de l'Horloge/Poids
- Grill
- Micro Grill
- Convection
- Micro Convection
- Démarrer et réchauffage express (+ 30 secondes)
- Arrêter/Annuler + Verrou enfant

Bouton rotatif :

- Réglage de l'horloge et de la durée de cuisson, Réglage du menu de cuisson auto

ACCESSOIRES

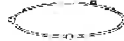
Axe d'entraînement

Cette pièce se trouve au centre du four sous le plateau tournant. Elle est reliée au moteur et sert à entraîner le plateau tournant.



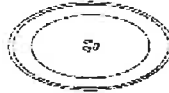
Bague support rotatif

Cette pièce doit être placée au centre du four sous le plateau tournant. Elle comporte des roulettes soutenant le plateau tournant et lui permettant de tourner.



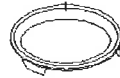
Plateau tournant

Ce plateau en verre doit être placé sur le support rotatif au centre du four et encastré sur l'axe d'entraînement. Il peut être utilisé pour tous les types de cuisson. Les récipients contenant des aliments à cuire et les récipients de récupération des particules et jus alimentaires produits durant la cuisson doivent être placés sur le plateau tournant. Ce dernier peut être facilement sorti pour être nettoyé.



Plaque grill

Dans le mode grill, cet accessoire vous permet de brunir les aliments posés à plat. Il doit être soigneusement centré sur le plateau tournant.



INSTALLATION

Préparation

Déballez les accessoires, lavez-les, puis essuyez-les soigneusement. Positionnez le support rotatif, puis le plateau tournant au centre du four.

Le plateau tournant doit être correctement encastré sur l'axe d'entraînement.

Positionnement

Votre appareil peut être installé de deux manières :

- Sur un plan de travail : Posez l'appareil sur une surface plane et stable, capable de supporter son poids et celui de ce qu'il contient. Le four doit être manipulé avec soin. Gardez à l'esprit que le côté où se trouve le panneau de contrôle est le plus lourd.

Il est essentiel de permettre une ventilation adéquate : Il doit y avoir un espace

vide minimal de 20 cm au-dessus du four et de 10 cm sur chacun de ses côtés, ainsi que derrière lui.

Installez l'appareil loin de toutes les sources de chaleur, par exemple les fours traditionnels et les radiateurs. L'appareil a été conçu et testé pour être utilisé à une température ambiante maximale de 35°C.

Veillez à ce que les orifices de ventilation de l'appareil ne soient pas obstrués.

INSTRUCTIONS D'UTILISATION

Les recommandations suivantes sont conçues pour vous aider à optimiser l'utilisation de votre four. Lisez-les attentivement.

Votre appareil peut être utilisé pour décongeler, réchauffer et cuire des aliments bien plus vite qu'avec les méthodes de cuisson traditionnelles.

Aliments

Aliments interdits

Si vous utilisez les micro-ondes, vous ne devez jamais :

- Essayer de frire des aliments – Il est impossible de contrôler la température de l'huile et des autres matières grasses – Risque d'incendie.
- Essayer de cuire ou de chauffer des œufs encore dans leur coquille, des œufs durs avec ou sans leur coquille, ou des escargots – Ils risquent d'exploser.
- Essayer de cuire des aliments recouverts d'une coque intacte (par exemple des châtaignes) ou d'une peau dure (par exemple les tomates, les pommes de terre ou les saucisses) – Percez toujours leur peau.

Températures des aliments

Les micro-ondes ne chauffent que les aliments. Les récipients peuvent donc rester totalement ou partiellement froids alors que les aliments qu'ils contiennent sont brûlants.

Pour éviter tout risque de brûlure, mélangez systématiquement les aliments et vérifiez soigneusement leur température avant de les servir – Cela est particulièrement important pour les aliments destinés aux enfants. Secouez fermement les biberons et versez quelques gouttes de liquide sur le dos de votre poignet pour en contrôler la température.

Préparez les aliments à cuire

Avant de réchauffer des biberons ou des petits pots, retirez-en les tétines et les couvercles.

Pensez à recouvrir les récipients pour éviter :

- Les projections dans la cavité interne du four.
- Éviter que les aliments ne se dessèchent.

Chauffer des liquides

Les liquides chauffés aux micro-ondes peuvent se mettre brusquement à déborder après que vous ayez sorti le récipient les contenant du four. Cela est dû au fait que lorsque la température atteint le point d'ébullition, la vapeur tend à rester prisonnière dans le liquide jusqu'à ce qu'il soit remué.

Pour vous prémunir contre le risque de brûlures dues à ce phénomène, mettez toujours une cuillère en plastique dans les liquides à chauffer.

Récipients et matériaux

Ci-dessous, les différents types de récipients que vous pouvez utiliser ou ne devez jamais utiliser en fonction du mode de cuisson sont indiqués.

Mode « Micro » (micro-ondes uniquement)

Il est facile de tester les récipients pour vous assurer qu'ils sont « transparents » aux micro-ondes, c'est-à-dire qu'ils les laissent entièrement passer.

Placez le récipient à tester sur le plateau tournant avec un verre d'eau, puis faites fonctionner le four une minute à la puissance maximale.

Après une minute :

- Si le récipient est froid, cela indique qu'il est « transparent » et peut être utilisé pour cuire aux micro-ondes.
- Si le récipient est chaud ou brûlant, cela indique qu'il absorbe tout ou partie des micro-ondes et ne doit donc pas être utilisé pour cuire aux micro-ondes.

N'utilisez jamais de récipient fermé hermétiquement

Pensez à retirer les couvercles et les bouchons des biberons, des pichets, des bouteilles et des récipients en plastique.

Récipients jetables

Ne laissez jamais l'appareil en fonctionnement sans surveillance lors de l'utilisation d'un récipient jetable en plastique, en papier ou constitué d'un autre matériau inflammable.

Si de la fumée apparaît, ouvrez la porte du four, laissez-la ouverte et débranchez le four.

Récipients métalliques

N'utilisez jamais de récipient métallique. Vous pouvez, néanmoins, utiliser votre appareil pour chauffer ou décongeler certaines préparations contenues dans des plats métalliques, si la hauteur du plat, couvercle inclus, est inférieure à 4 cm. Respectez les instructions concernant le couvercle fournies sur l'emballage. Il doit être retiré ou laissé en fonction du type de plat. S'il n'y a pas d'indication, retirez-le par sécurité.

Centrez le(s) récipient(s) sur le plateau tournant en sorte que ses bords restent toujours éloignés de 1 cm au minimum des parois internes du four. S'il y a plusieurs récipients, espacez-les de 2 cm environ.

Modes « Grill » et « Convection »

Ces modes de cuisson ne restreint pas le type de récipient utilisé. Utilisez les mêmes types de récipients résistants à la chaleur que ceux utilisés dans un four traditionnel.

REMARQUE :

- N'utilisez jamais de récipients en plastique (ils risquent de fondre), en papier ou en carton (ils risquent de s'enflammer).
- Laissez un espace vide minimal de 2 cm entre les aliments et les résistances du grill.

Mode « Micro Grill » et « Micro Convection » (cuisson combinée)

Les récipients ne devant pas être utilisés dans les modes Grill, Micro et Convection ne doivent pas non plus être utilisés dans le mode Micro Grill.

Les récipients ne devant pas être utilisés dans les modes Grill et Micro ne doivent pas non plus être utilisés dans le mode Micro Grill.

Utilisez exclusivement des récipients pouvant résister aux hautes températures et aux micro-ondes.

Tableau récapitulatif des récipients et matériaux que vous pouvez ou ne devez pas utiliser dans le mode Micro :

Matériaux des récipients	Adapté ou non aux micro-ondes	Remarques
MÉTAL		
Feuilles d'aluminium	Parfois	Peuvent être utilisées en petite quantité pour protéger certaines parties des aliments afin d'éviter qu'ils ne cuisent trop. Des arcs électriques peuvent se produire si les feuilles sont trop proches des parois internes du four

		ou si vous en avez trop utilisé.
Plat en aluminium	Parfois	Voir « Récipients Métalliques » ci-dessus.
Feuille de métal	Non	Risque d'arcs électriques et de flammes.
Sachets de congélation	Non	Risque d'arcs électriques et de flammes.
VERRE		
Verre résistant à la chaleur	Oui	Parfaitement adapté.
Verre comportant des décorations métalliques (or, plomb, etc.)	Non	Risque d'arcs électriques.
Verrerie fine	Non	Peut se briser ou se fissurer si soudainement chauffé.
PLASTIQUE		
Récipients en plastique	Oui	Parfaitement appropriés si le plastique est résistant à la chaleur. Certains plastiques peuvent se déformer ou se décolorer après de multiples utilisations. Ne les fermez pas hermétiquement.
Film plastique	Oui	Peut être utilisé pour bloquer l'humidité et éviter les projections. Le plastique ne doit pas être en contact avec les aliments pendant la cuisson. Percez le plastique pour que l'excès de vapeur puisse s'échapper. Utilisez des maniques pour retirer le film plastique après la cuisson (faites attention à la vapeur brûlante s'échappant du récipient, car elle peut vous brûler).
MATÉRIAUX DES RÉCIPIENTS JETABLES À NE JAMAIS UTILISER DANS LE MODE GRILL		
Emballages ou tasses en polystyrène	Oui	Peuvent être utilisés pour chauffer des liquides ou des aliments pendant une durée courte. S'ils sont surchauffés, le polystyrène risque de fondre et de se mélanger aux aliments.
Sachets en papier	Non	Ils risquent de s'enflammer.
Papier essuie-tout, serviettes, verres ou assiettes en papier	Oui	Peuvent être utilisés pour chauffer des aliments ou les cuire brièvement.
Papier sulfurisé	Oui	Peut être utilisé pour bloquer l'humidité et éviter les projections. Durées de cuisson courtes.
Papier recyclé	Non	Risque d'arcs électriques.
PORCELAINE		

Récipients en porcelaine	Oui	Conviennent parfaitement sauf s'ils comportent des décorations métalliques (or, plomb, etc.).
--------------------------	-----	---

Durées de cuisson

Pour déterminer la durée de cuisson appropriée des aliments, respectez les instructions indiquées sur l'emballage des plats préparés et des produits congelés.

S'il n'y a pas d'instruction précise, divisez par trois la durée de cuisson ou de réchauffage normale dans un four traditionnelle.

Ne programmez pas une durée de cuisson plus longue que la durée nécessaire. Cela permet d'éviter de trop cuire les aliments ou de les enflammer.

Temps de repos

Les micro-ondes agissent près de la surface et pénètrent dans les aliments jusqu'à 2 à 3 cm de profondeur une fois que les couches superficielles sont chaudes. La chaleur se répand par conduction à partir du centre des aliments, c'est-à-dire que les parties chaudes chauffent les parties encore froides. Laisser les aliments reposer après les avoir sortis du four à micro-ondes est utile, car cela permet à la chaleur de se répandre depuis leur centre.

RÉGLER LA DURÉE

Vous devez régler l'horloge après avoir branché ou débranché votre appareil d'une prise électrique.

Appuyez une ou deux fois sur la touche horloge/poids.

- Vous pouvez sélectionner l'affichage de l'heure sur 12 h ou 24 h



Réglez les chiffres des heures en tournant le bouton rotatif.



Puis appuyez sur la touche horloge/poids pour confirmer.

- « 00 » clignote à l'écran, cela correspond aux chiffres des minutes.

Réglez les chiffres des minutes en tournant le bouton rotatif.

Puis appuyez sur la touche horloge/poids pour confirmer.

- L'horloge est maintenant réglée.

UTILISER LES PROGRAMMES AUTOMATIQUES

Lors de l'utilisation de l'un des programmes automatiques, tous les paramètres sont automatiquement calculés. Il vous suffit de saisir le type d'aliment et son poids pour que le four sélectionne automatiquement le mode, la puissance et la durée de fonctionnement appropriés.

Votre four comporte 2 types de programmes en fonction de l'action à réaliser :

- CUISSON AUTO pour cuire
- DÉCONGÉLATION AUTO pour décongeler

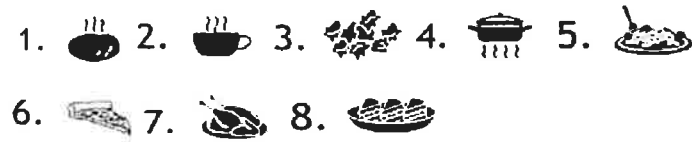
Si vous utilisez un programme automatique, vous ne pouvez pas modifier la puissance et la durée de fonctionnement.

Une fois la cuisson ou la décongélation terminée, le four sonne 4 fois et « End » s'affiche.

CUISSON AUTO

Programmes de cuisson automatiques

8 programmes sont disponibles :



1. Pommes de terre – 230 g chacune, 1 à 3
2. Café – 200 ml/tasse, 1 à 3 tasses
3. Popcorn – 99 g
4. Réchauffage auto – 200 à 800 g
5. Spaghetti – 100 à 300 g
6. Pizza – 150 à 450 g
7. Poulet – 800 à 1400 g
8. Gâteau – 475 g

Le four a besoin de connaître le type et le poids des aliments.

Utilisation

Placez les aliments au centre du plateau tournant, puis refermez la porte du four.



FR-12

Sélectionnez le type d'aliment en tournant le bouton rotatif dans le sens contraire des aiguilles d'une montre jusqu'à ce que le numéro correspondant au type d'aliment à cuire soit affiché.

- Le numéro du programme s'affiche à l'écran, ainsi que l'indication « CODE ».

CODE

Réglez le poids en appuyant sur la touche de réglage de l'horloge/poids.

- Le poids s'affiche à l'écran.



Appuyez sur la touche démarrer.



- Le four démarre la cuisson pour la durée la plus appropriée aux aliments à cuire.

DÉCONGÉLATION AUTO

Programme de décongélation automatique

Utilisation

Placez les aliments au centre du plateau tournant, puis refermez la porte du four.



Tournez le bouton rotatif dans le sens contraire des aiguilles d'une montre jusqu'à ce que le nombre « 9 » soit affiché, ainsi que l'indication « CODE » et le symbole décongélation.

Appuyez sur la touche horloge/poids.



Réglez la durée de décongélation en tournant le bouton rotatif.



- La durée de décongélation maximale est de 45 minutes.

Appuyez sur la touche démarrer.



- Le four démarre la cuisson pour la durée la plus appropriée aux aliments à cuire.

FR-13

UTILISER LES FONCTIONS MANUELLES

Vous pouvez utiliser votre four à micro-ondes pour cuire, réchauffer ou décongeler toutes sortes d'aliments. Contrairement aux programmes automatiques, vous devez dans ce mode régler manuellement le mode, la puissance et la durée de fonctionnement du four.

5 modes de cuisson sont disponibles :

Micro – Cuisson aux micro-ondes

Grill – Cuisson avec la résistance supérieure du grill

Micro Grill – Cuisson avec les micro-ondes et le grill

Convection – Cuisson avec de l'air chaud pulsé

Micro Convection – Cuisson combinée micro-ondes et air chaud pulsé

Le mode de cuisson ne peut pas être modifié pendant la cuisson.

Une fois la cuisson ou la décongélation terminée, le four sonne 4 fois et « End » s'affiche.

MODE MICRO (micro-ondes uniquement)

Utilisez ce mode manuel pour cuire, réchauffer ou décongeler des aliments. Placez les aliments au centre du plateau tournant, puis refermez la porte du four.

Réglez la puissance en appuyant le nombre de fois nécessaires sur la touche de réglage de la puissance.

Nombre de pressions	Puissance	Affichage
1	100%	P-HI
2	90%	P-90
3	80%	P-80
4	70%	P-70
5	60%	P-60
6	50%	P-50
7	40%	P-40
8	30%	P-30
9	20%	P-20
10	10%	P-10
11	0%	P-00

La puissance s'affiche à l'écran, ainsi que le symbole « micro » du mode de cuisson aux micro-ondes. 

Réglez la durée de cuisson avec le bouton rotatif.

- La durée de cuisson s'affiche.

La durée de cuisson maximale programmable dans le mode micro-ondes est de 95 minutes.



Appuyez sur la touche démarrer.

Le four démarre la cuisson et la poursuit pendant la durée programmée.

MODE GRILL


Utilisez ce mode pour brunir des plats, par exemple des gratins ou des viandes, avec la résistance du grill de votre four.

Utilisez de préférence ce mode avec la grille.

Utilisez exclusivement des récipients résistants à des températures élevées.

Placez les aliments sur la grille, puis placez la grille au centre de la cavité interne du four.

Utilisez toujours des maniques (non fournies) pour manipuler les récipients et accessoires dans le mode grill. Risques de brûlures.

Sélectionnez le mode grill en appuyant sur la touche grill. 

- Le symbole grill s'affiche, ainsi que deux points « : ».



Réglez la durée de cuisson avec le bouton rotatif.



Appuyez sur la touche démarrer pour démarrer la cuisson.

La durée de cuisson maximale programmable dans le mode grill est de 95 minutes.

MODE MICRO GRILL

Utilisez ce mode pour cuire ou réchauffer rapidement des aliments tout en les faisant griller avec le grill.

Utilisez de préférence ce mode avec la grille.

Utilisez exclusivement des récipients pouvant résister aux hautes températures et aux micro-ondes.

Il est conseillé de préchauffer le four dans le mode micro grill.

Placez les aliments sur la grille, puis placez la grille au centre de la cavité interne du

four.

Utilisez toujours des maniques (non fournies) pour manipuler les récipients et accessoires dans le mode grill. Risques de brûlures.

Sélectionnez le mode micro grill 1 ou 2 en maintenant la touche micro grill appuyée.

- Le chiffre « 1 » ou « 2 » s'affiche à l'écran, ainsi que le symbole du mode micro grill.



MICRO GRILL

Mode 1 – La durée de cuisson se divise comme suit : 30% aux micro-ondes et 70% au grill.

Mode 2 – La durée de cuisson se divise comme suit : 55% aux micro-ondes et 45% au grill.

Réglez la durée de cuisson avec le bouton rotatif.

- La durée de cuisson s'affiche.

La durée de cuisson maximale programmable dans le mode micro grill est de 95 minutes.



Appuyez sur la touche démarrer.

Le four démarre la cuisson et la poursuit pendant la durée programmée.

MODE CONVECTION

Ce mode de cuisson convient pour tous les types d'aliments comme un four traditionnel.

Utilisez exclusivement des récipients résistants à des températures élevées.

Dans le mode « convection », il est conseillé de préchauffer le four quelques minutes avant d'y mettre les aliments.

Étape 1 : Préchauffer le four

Sélectionnez le mode « convection » en appuyant sur la touche convection.



Le symbole « convection » s'affiche, ainsi que « 200 ».



Lorsque vous sélectionnez le mode « convection », la température par défaut est de 200°C.

Pour modifier le réglage de la température, appuyez sur la touche convection le nombre de fois requis.

10 réglages de température sont possibles entre 110°C et 200°C : 110-120-130-140-150-160-170-180-190-200°C.

Réglez la durée de préchauffage avec le bouton rotatif.

- La durée de préchauffage réglée est affichée à l'écran.

La durée maximale réglable dans le mode « convection » est de 9 h 30 (9H:30).



Appuyez sur la touche démarrer.

- Le four démarre le préchauffage et le poursuit pour la durée programmée.

2^e Étape : Cuisson

Utilisez toujours des maniques (non fournies) pour manipuler les récipients et accessoires dans le mode « convection ». Risques de brûlures.

Sélectionnez le mode « convection », puis réglez la température et la durée de cuisson.

Démarrez le four (consultez la section concernant le préchauffage ci-dessus pour savoir comment effectuer les réglages).

MODE MICRO CONVECTION

Ce mode de cuisson convient pour tous les types d'aliments, comme un four traditionnel, mais en plus rapide.

Utilisez exclusivement des récipients pouvant résister aux hautes températures et aux micro-ondes.

Il est nécessaire de préchauffer le four dans le mode « micro convection ».

Utilisez toujours des maniques (non fournies) pour manipuler les récipients et accessoires dans le mode « micro convection ». Risques de brûlures.

Sélectionnez le mode « micro convection » en appuyant sur la touche micro



convection.

- Le symbole « micro convection » s'affiche, ainsi que « 200 ».



Lorsque vous sélectionnez le mode « micro convection », la température par défaut

est de 200°C.

Pour modifier le réglage de la température, appuyez sur la touche micro convection le nombre de fois requis.

4 réglages de température sont possibles entre 110°C et 200°C : 110-140-170-200°C.

- La température réglée est affichée à l'écran.

Réglez la durée de cuisson avec le bouton rotatif.

- La durée de cuisson réglée est affichée à l'écran.

La durée maximale réglable dans le mode « micro convection » est de 9 h 30 (9H:30).



Appuyez sur la touche démarrage.

- Le four démarre la cuisson et la poursuit pendant la durée programmée.

UTILISER LA FONCTION DE RÉCHAUFFAGE EXPRESS

Si vous désirez réchauffer très rapidement un plat ou un liquide, utilisez la touche « Démarrer+30 sec ».

Placez les aliments au centre du plateau tournant, puis refermez la porte du four.



Appuyez sur la touche « Démarrer+30 sec ».

- Le four commence automatiquement à cuire à la puissance maximale pendant 30 secondes.

À chaque pression sur la touche « Démarrer+30 sec », la durée de cuisson augmente de 30 secondes. La durée de cuisson maximale est de 10 minutes.

CUISSON SÉQUENTIELLE

Vous pouvez programmer votre four pour qu'il enchaîne automatiquement 2 phases de cuisson.

Imaginons que vous vouliez programmer la cuisson aux micro-ondes et au grill.



Appuyez sur la touche démarrage.

La cuisson automatique, le préchauffage avec l'air pulsé et le réchauffage express

FR-18

ne peuvent pas être programmés dans un programme de cuisson séquentielle. Le mode décongélation auto ne peut être programmé qu'en premier. Si le programme de cuisson comporte plusieurs phases, le symbole « MEM »

s'affiche à l'écran.



ARRÊTER LE FOUR

Pause

Vous pouvez interrompre le fonctionnement du four à tout moment pour :

- Vérifier l'avancement de la cuisson.
- Tourner ou mélanger les aliments.
- Laisser les aliments reposer.

Pour cela, il vous suffit d'ouvrir la porte du four ou d'appuyer une fois sur la touche



stop/annuler.

- Le four s'arrête et conserve en mémoire les données du programme de cuisson.
- L'affichage ne change pas lorsque la cuisson est en pause.

Pour reprendre la cuisson, appuyez sur la touche démarrage.



Pour annuler la cuisson, appuyez à nouveau sur la touche stop/annuler.

- L'écran affiche alors à nouveau l'heure.

ACTIVER LE VERROU ENFANT

Votre four est équipé d'un système de verrouillage de ses commandes permettant d'éviter qu'un enfant non surveillé ne le mette en marche ou que vous ne le mettiez en marche involontairement.

Verrouillage :



Appuyez sur la touche stop/annuler 3 secondes.

- Le four sonne pour indiquer que ses commandes sont verrouillées.
- Le symbole « Verrou » s'affiche à l'écran. **LOCK**

Les touches sont verrouillées.

- En cas de tentative de démarrage, le four sonne.

FR-19

Déverrouillage :

Appuyez sur la touche stop/annuler 3 secondes.

- Le four sonne pour indiquer que ses commandes sont déverrouillées.
- Le symbole « Verrou » n'est plus affiché à l'écran.

Cette fonction n'est disponible que lorsque le four est arrêté.

ENTRETIEN ET NETTOYAGE

Débranchez le four de l'alimentation électrique avant de le nettoyer.

Conseils généraux

Nettoyer fréquemment le four permet d'éviter pendant la cuisson la formation de fumées et de mauvaises odeurs, et d'étincelle dans la cavité du four et sur le pourtour du joint de la porte.

Veillez à ce qu'il n'y ait pas d'accumulation de dépôts alimentaires ou de graisses dans la cavité du four et sur le joint de porte.

Si votre four à micro-ondes est pourvu d'un capot de guide d'ondes (généralement situé dans la cavité du four sur la paroi latérale droite), veillez à ce qu'il soit toujours propre. Si des dépôts alimentaires et gras s'accumulent sur le capot, cela provoquera des étincelles risquant d'endommager votre four et d'annuler la garantie.

Avant toute opération d'entretien ou de nettoyage sur le four, débranchez-le de la prise secteur et attendez qu'il refroidisse jusqu'à la température ambiante.

Porte du four

Éliminez tous les dépôts alimentaires et les graisses présents entre le joint de porte et la cavité du four avec un chiffon humide. Il est très important de veiller à ce que cette zone soit toujours propre.

Parois Intérieures

Éliminez toutes les projections de graisses des parois intérieures du four avec de l'eau et du savon, puis rincez-les et séchez-les.

Veillez particulièrement à maintenir propres le joint de porte et la cavité du four pour garantir que la porte se ferme complètement et évitez qu'il n'y ait des projections hors de la cavité du four par la porte.

N'utilisez pas de matériau abrasif, par exemple un tampon à récurer, car il risque d'endommager les surfaces internes du four et de la porte.

Utilisez exclusivement de l'eau savonneuse chaude pour nettoyer les surfaces en acier inoxydable.

Surfaces extérieures

Nettoyez les surfaces extérieures du four avec un chiffon humide.

N'utilisez pas de produit abrasif, par exemple un tampon à récurer, car il risque d'endommager les surfaces décoratives extérieures. Veillez à ce que de l'eau ne pénètre pas à l'intérieur de l'appareil par ses orifices de ventilation.

Les accessoires doivent être lavés à la main avec de l'eau savonneuse chaude.

ATTENTION :

Certains capots de guide d'ondes peuvent être facilement endommagés, faites particulièrement attention à ne pas les détériorer.

Ne lavez aucun accessoire dans un lave-vaisselle.

Nettoyage des surfaces en contact avec les aliments

Pour des raisons d'hygiène, le plateau en verre doit être nettoyé régulièrement, car il peut entrer en contact avec les aliments.

Nettoyez-le à l'eau chaude savonneuse, puis séchez-le soigneusement.

Si l'intérieur de la cavité interne du four et le joint de porte ne sont pas maintenus parfaitement propres, le four risque d'être endommagé par des étincelles se produisant dans sa cavité interne. Ce type de détériorations annule la garantie.

Ne grattez jamais les parois internes du four avec un objet coupant.

SPÉCIFICATIONS

Puissance d'entrée nominale (micro-ondes) : 1400W

Tension : 230-240V~ 50Hz

Puissance du grill : 1250W

Convection : 2200 W

Fréquence des micro-ondes : 2450 MHz

DÉPANNAGE

Phénomènes normaux	
Le four à micro-ondes crée des interférences qui perturbent la réception de votre téléviseur.	Quand le four à micro-ondes est en fonctionnement, cela peut perturber la réception de vos radios et téléviseurs. C'est un phénomène que l'on retrouve avec d'autres petits appareils électroménagers, par exemple les mixeurs, les aspirateurs et les ventilateurs.

INHOUD

	C'est normal.
L'intensité de l'éclairage intérieur du four est faible.	Pendant la cuisson aux micro-ondes à faible puissance, la lumière interne peut devenir faible. C'est normal.
De la buée s'accumule sur la paroi interne de la porte et de l'air chaud sort par les orifices de ventilation.	Pendant la cuisson, les aliments peuvent produire de la vapeur. La plus grande partie de la vapeur s'échappe par les orifices de ventilation du four. Néanmoins de la vapeur peut s'accumuler dans certains endroits, par exemple la porte du four. C'est normal.
Le four est mis en marche accidentellement alors qu'il ne contient pas d'aliment.	Il est interdit de faire fonctionner l'appareil quand il ne contient pas d'aliment. C'est très DANGEREUX.

Problème	Cause possible	Solution
Impossible de mettre le four en marche.	Son cordon d'alimentation n'est pas correctement branché.	Débranchez l'appareil, puis rebranchez-le après 10 secondes.
	La prise secteur ne fonctionne pas correctement.	Testez la prise secteur en branchant un autre appareil dessus.
Le four ne chauffe pas.	Sa porte n'est pas bien fermée.	Fermez correctement sa porte.
Le plateau en verre fait du bruit quand le four à micro-ondes est en fonctionnement.	L'anneau guide ou le bas de la cavité du four est sale.	Reportez-vous au chapitre « NETTOYAGE ET ENTRETIEN » et nettoyez les pièces sales.

En raison des modifications et améliorations apportées à nos produits, de petites incohérences peuvent apparaître dans cette notice d'utilisation. Veuillez nous excuser pour la gêne occasionnée.

French

Hotline Darty France

Quels que soient votre panne et le lieu d'achat de votre produit en

France, avant de vous déplacer en magasin Darty, appelez le

0 978 970 970 & 0 821 082 082 (prix d'un appel local)

7j/7 de 7h à 22h

Darty France

120, avenue Gallieni

93140 BONDY

FRANCE

WAARSCHUWINGEN..... NL-1

BELANGRIJKE VEILIGHEIDSVORSCHRIFTEN..... NL-3

BESCHRIJVING VAN DE ONDERDELEN..... NL-4

DISPLAY..... NL-4

BEDIENINGSPANEEL..... NL-5

ACCESSOIRES..... NL-5

INSTALLATIE..... NL-6

 Voorbereiding..... NL-6

 Positie..... NL-6

GEbruIKSINSTRUCTIES..... NL-7

 Voedsel..... NL-7

 Houders en materialen..... NL-8

 Kooktijd..... NL-10

 Rusttijd..... NL-10

DE TIJD INSTELLEN..... NL-11

DE AUTOMATISCHE PROGRAMMA'S GEBRUIKEN..... NL-11

AUTO COOK..... NL-11

AUTO DEFROST..... NL-13

DE MANUELE FUNCTIES GEBRUIKEN..... NL-13

MICRO MODUS (alleen microgolven)..... NL-14

GRILLMODUS..... NL-14

MICRO-GRILL MODUS (microgolven + grill)..... NL-15

CONVECTIEMODUS..... NL-16

MICRO-CONVECTIEMODUS..... NL-17

DE SNELLE OPWARMFUNCTIE GEBRUIKEN..... NL-17

MEERFASE KOKEN..... NL-18

DE OVEN STOPPEN..... NL-18

DE KINDERBEVEILIGING ACTIVEREN..... NL-18

REINIGING EN ONDERHOUD..... NL-19


SPECIFICATIES..... NL-20

PROBLEEMOPLOSSING..... NL-20

WAARSCHUWINGEN

- ❖ Dit apparaat is alleen bedoeld voor huishoudelijk gebruik en mag niet voor andere doeleinden of toepassingen worden gebruikt, zoals niet-huishoudelijk gebruik of in een commerciële omgeving.
- ❖ **BELANGRIJKE VEILIGHEIDSVORSCHRIFTEN**
LEES ZORGVULDIG EN BEWAAR VOOR LATERE RAADPLEGING
- ❖ Dit apparaat mag worden gebruikt door kinderen vanaf 8 jaar oud en personen met beperkte fysieke, visuele of mentale mogelijkheden, of die een gebrek aan ervaring en kennis hebben indien ze gepaste instructies hebben gekregen zodat ze de oven op een veilige manier kunnen gebruiken en op de hoogte zijn van de gevaren die het gebruik van het apparaat met zich meebrengt. Kinderen mogen niet met het apparaat spelen. Kinderen mogen het apparaat niet schoonmaken of onderhouden, tenzij ze ouder dan 8 jaar oud zijn en onder toezicht staan.
- ❖ Laat het snoer vervangen door de fabrikant, reparateur of gelijksoortig bevoegd persoon als deze is beschadigd, om risico's te voorkomen.
- ❖ Maak de glazen ovendeur niet schoon met agressieve schoonmaakmiddelen of scherpe metalen krabbers, deze kunnen het oppervlak van het apparaat krassen wat tot breuk van het glas kan leiden.
- ❖ **WAARSCHUWING:** Wanneer de deur of de deurbekslagen beschadigd zijn, mag de oven niet worden gebruikt totdat deze wordt gerepareerd door een gekwalificeerd persoon.
- ❖ **WAARSCHUWING:** Het is gevaarlijk voor ieder niet gekwalificeerd persoon om reparaties of onderhoud uit te voeren waarbij het deksel, dat ons beschermt tegen blootstelling aan magnetronenergie, verwijderd wordt.
- ❖ **WAARSCHUWING:** Verwarm geen vloeistoffen of andere voedingsmiddelen in afgesloten houders want deze kunnen ontploffen.
- ❖ Het verhitten van dranken in de magnetron kan leiden tot een vertraagd kookproces, wees dus voorzichtig bij het uitnemen van de houder.
- ❖ Gebruik enkel keukengerei dat geschikt is voor gebruik in de magnetron.
- ❖ Als u voedingsmiddelen in plastic of papieren dozen verhit, houd de oven in het oog vanwege brandgevaar.
- ❖ Als rook wordt waargenomen, schakel het apparaat uit of haal de stekker uit het

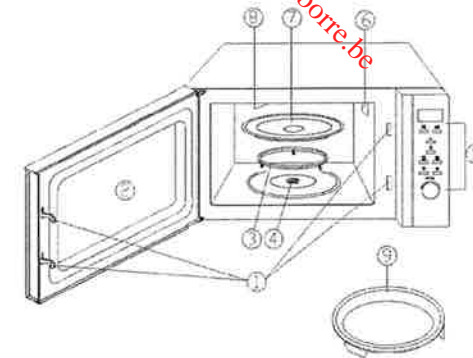
stopcontact en houd de deur gesloten om elke mogelijke vlam te doven.

- ❖ Roer of schud de inhoud van babypotjes of zuigflessen en controleer de temperatuur voor gebruik om brandwonden te vermijden.
 - ❖ Het bereiden van gekookte eieren in de schaal in de magnetron kan ontplofingsgevaar veroorzaken, zelfs na de opwarming ten einde is.
 - ❖ Maak de oven regelmatig schoon en verwijder eventuele voedselresten.
 - ❖ Het niet goed onderhouden van de oven kan een beschadiging van het oppervlak veroorzaken wat de levensduur van het apparaat aantast en mogelijk tot een gevaarlijke situatie kan leiden.
 - ❖ Het apparaat wordt heet tijdens de werking. Raak de warmte-elementen in de oven niet aan.
 - ❖ Het apparaat is niet bestemd voor gebruik door middel van een externe timer of een afzonderlijk op afstand bediend systeem.
 - ❖ **Opgelet:** Als de oven in de combinatiemodus wordt gebruikt is het aanbevolen om kinderen de oven alleen onder toezicht van een volwassene te laten gebruiken want de temperatuur kan hoog oplopen.
 - ❖ Plaats de magnetronoven niet in een kast.
 - ❖ De deur of de buitenkant kan tijdens de werking van het apparaat zeer heet worden.
 - ❖ Houd het apparaat en snoer uit het bereik van kinderen die jonger dan 8 jaar oud zijn.
 - ❖ **Opgelet:** Als de oven in de combinatiemodus wordt gebruikt is het aanbevolen om kinderen de oven alleen onder toezicht van een volwassene te laten gebruiken want de temperatuur kan hoog oplopen.
 - ❖ Het apparaat wordt heet tijdens de werking. Raak de warmte-elementen in de oven niet aan.
- ❖  **Opgelet:** Heet oppervlak.

BELANGRIJKE VEILIGHEIDSVOORSCHRIFTEN

- ❖ Het uitschakelen van de magnetron betekent niet dat het apparaat van de voeding is losgekoppeld. Om het apparaat volledig van de voeding los te koppelen, haal de stekker uit het stopcontact.
- ❖ De netstekker wordt gebruikt om het apparaat van de stroom los te koppelen en deze moet steeds makkelijk bereikbaar zijn.
- ❖ De magnetronoven kan niet worden gebruikt wanneer de deur open is, omwille van een veiligheidsmechanisme die in de deur is ingebouwd dat ervoor zorgt dat alle kookfuncties uitgeschakeld worden wanneer de deur open is. De oven met een open deur gebruiken kan leiden tot blootstelling aan schadelijke magnetronenergie. Beschadig of omzeil de veiligheidsvergrendelingen niet.
- ❖ Zorg dat er geen water of een andere vloeistof het apparaat binnendringt.
- ❖ Plaats geen voorwerp tussen de voorzijde van de oven en de deur en zorg dat er geen vuil of schoonmaakresten op de deurekoppelingen ophopen.
- ❖ Vermijd het gebruik van houders met een rechte zijde en nauwe hals.
- ❖ In het midden van de kooktijd, roer elke vloeistof alvorens de houder terug in de magnetronoven te plaatsen.
- ❖ Na het opwarmen, laat de vloeistof even staan, roer of schud de inhoud en controleer voorzichtig de temperatuur alvorens de vloeistof in te nemen.
- ❖ Maak de glazen ovendeur niet schoon met agressieve schoonmaakmiddelen of scherpe metalen krabbers, deze kunnen het oppervlak van het apparaat krassen wat tot breuk van het glas kan leiden.
- ❖ Gebruik geen stoomreiniger.
- ❖ De magnetronoven mag alleen in een vrijstaande positie worden gebruikt.

BESCHRIJVING VAN DE ONDERDELEN

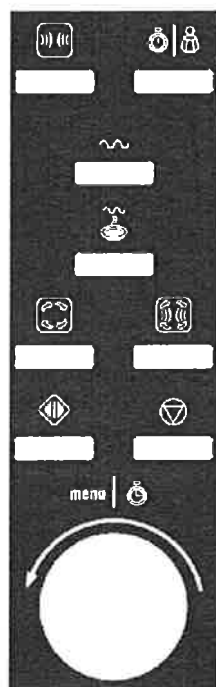


1. Deurvergrendelingsysteem
2. Deur
3. Rolelement
4. Aandrijving
5. Bedieningspaneel
6. Golfgeleiderdekse
7. Draaiplateau
8. Grillelement
9. Grillplaat

DISPLAY



BEDIENINGSPANEEL



Knoppen:

-  Vermogen instellen
-  Klok/Gewicht instellen
-  Grill
-  Micro-grill
-  Convection
-  Micro-convection
-  Start en snel opwarmen (+30 seconden)
-  Stop/Annuleren + kinderbeveiliging

Draaiknop:

-  Klok en kooktijd instellen,
Automatisch kookmenu instellen

ACCESSOIRES

Aandrijving

Dit component bevindt zich in het midden van de oven, onder het draaiplateau. Deze is met de motor verbonden en laat het draaiplateau draaien.



Rolelement

Dit component wordt in het midden van de oven, onder het draaiplateau geplaatst. Het rolelement is voorzien van wielen om het draaiplateau te ondersteunen zonder dat deze tijdens het ronddraaien wordt gehinderd.



Draaiplateau

Dit glazen plateau wordt op het rolelement in het midden van de oven geplaatst en moet op de aandrijving vast komen te zitten. Deze kan voor alle kooktypes worden gebruikt. Houders die het te koken voedsel bevatten of houders die stoffen en sappen opvangen die tijdens het koken door het voedsel worden geproduceerd worden op het draaiplateau geplaatst. Dit draaiplateau kan voor reiniging eenvoudig worden afgehaald.



Grilplaat

In de grillmodus, dit accessoire kan worden gebruikt voor het bruinen van platte gerechten. Plaats deze voorzichtig in het midden van het draaiplateau.



INSTALLATIE

Vorbereiding

Haal de accessoires uit de verpakking, was deze en droog deze voorzichtig af. Plaats het rolelement en vervolgens het draaiplateau in het midden van de oven.

Zorg dat het draaiplateau juist op de aandrijving is geplaatst.

Positie

Uw apparaat kan op twee manieren worden geïnstalleerd:

- **Op een aanrecht:** Plaats het apparaat op een vlak en stabiel oppervlak, dat stevig genoeg is om de oven met inhoud te kunnen dragen. Hanteer de oven met de nodige voorzichtigheid. Let op, de zijde van het bedieningspaneel is zwaarder dan de andere zijde.
- **In een nis:** De nis moet dient zich minstens op 85 cm boven de grond te bevinden. Plaats het apparaat in het midden van de nis zodat deze de zijwanden niet aanraakt.

Zorg voor voldoende ventilatie: Houd een minimale ruimte van 20 cm boven en 10 cm naast en achter de oven.

Installeer het apparaat uit de buurt van een warmtebron zoals een traditionele oven of radiator. Het apparaat werd ontworpen en getest voor gebruik in een omgeving tot maximaal 35°C.

Zorg dat de ventilatiegaten van het apparaat niet worden belemmerd.

GEBRUIKSIINSTRUCTIES

De volgende aanbevelingen zullen ervoor zorgen dat u het maximum uit uw oven haalt. Lees deze aandachtig door.

Uw apparaat kan worden gebruikt om voedsel op een veel snellere manier dan de traditionele kookmethoden te ontdooien, op te warmen of te koken.

Voedsel

Verboden voedsel

Als u een kookmethode met gebruik van microgolven gebruikt, probeer nooit om:

- Voedsel te frituren – Het is niet mogelijk om de temperatuur van de olie of ander vet te regelen – brandgevaar.
- Eieren in hun schaal, hard gekookte eieren met of zonder schaal of slakken te koken of op te warmen – deze kunnen ontploffen.
- Voedsel in hun gesloten (bijv. kastanjes) of harde schil (tomaten, aardappelen, worst) te koken – maak altijd een lange snee.

Temperatuur van het voedsel

De werking van de microgolven zorgt ervoor dat enkel het voedsel wordt verwarmd. De houder kan dus koud of koel aanvoelen terwijl het voedsel binnenin gloeiend heet is.

Om risico op brandwonden te voorkomen, roer en controleer de temperatuur voorzichtig alvorens op te dienen – in het bijzonder voor kinderen.

Schud zuigflessen stevig en giet enkele druppels op de achterzijde van uw pols om de temperatuur te controleren.

Het te koken voedsel voorbereiden

Alvorens zuigflessen en potjes op te warmen, verwijder de spenen en deksels

Dek het voedsel af om:

- Gespetter in de ovenruimte te vermijden,
- De etenswaren voldoende vochtig te houden.

Vloeistoffen opwarmen

Tijdens het opwarmen van een vloeistof is het mogelijk dat deze plotseling overstroomt wanneer u de houder uit het apparaat haalt. Dit komt omdat de temperatuur het kookpunt heeft bereikt en de stoom in de vloeistof blijft zitten totdat deze wordt verstoord.

Om dit effect van superverhitting en risico op brandwonden te vermijden, plaats altijd een plastic lepel in het op te warmen vloeistof.

Houders en materialen

Hieronder vindt u details over de verschillende soorten van houders die al dan niet voor de gekozen kookmethode gebruikt kunnen worden.

"micro" modus (microgolven)

Gebruik houders die voor de magnetron geschikt zijn

Een houder kan eenvoudig op magnetron "doorzichtigheid" worden getest.

Plaats de lege houder samen met een glas water op het draaiplateau en schakel de oven gedurende één minuut op het maximum vermogen in.

Na één minuut:

- Als de houder koud is, is deze "doorzichtig" en kan deze voor de magnetron worden gebruikt.
- Als de houder warm of heet aanvoelt, is deze absorberend en mag deze niet in de magnetron worden gebruikt.

Gebruik nooit hermetisch afgesloten houders

Let op, verwijder deksels en stoppers van zuigflessen, kannen, flessen en plastic houders.

Wegwerphouders

Laat het apparaat nooit zonder toezicht achter wanneer u wegwerphouders in plastic, papier of een ander brandbaar materiaal gebruikt.

Als rook verschijnt, houd de ovendeur gesloten en koppel uw apparaat los.

Metalen houders

Gebruik nooit metalen houders. Het is echter mogelijk om metalen bakjes te gebruiken voor het verwarmen of ontdooien van bepaalde bereidingen in de oven, op voorwaarde dat het bakje niet hoger dan 4 cm is, dit zonder deksel.

Wat betreft het deksel, volg de instructies op de verpakking. Deze dient, afhankelijk van het soort bakje, afgehaald of geplaatst te worden. Als dit niet is aangegeven, speel op veilig en verwijder deze.

Plaats het bakje in het midden op het draaiplateau en laat minstens 1 cm ruimte tot de ovenwanden.

Plaats het bakje op het draaiplateau en laat minstens 1 cm ruimte tot de ovenwanden. Als er meerdere bakjes zijn, laat een minimale ruimte van 2 cm tussen de bakjes.

"Grill" en "convectie" modi

Deze kookmodus vereist geen gebruik van speciale houders. U kunt dezelfde hittebestendige houders gebruiken als deze die u in een conventionele oven gebruikt.

OPMERKING:

- Gebruik nooit plastic houders (deze kunnen smelten) of houders in papier of karton (brandgevaar).
- Handhaaf een minimale ruimte van 2 cm tussen het voedsel en het grillelement.

“Micro-grill” en “Micro-convectie” modi (gecombineerd koken)

Houders die niet geschikt zijn voor de “micro” en “convectie” modi zijn tevens niet geschikt voor de “micro-grill” modus.

Houders die niet geschikt zijn voor de “micro” en “grill” modi zijn tevens niet geschikt voor de “micro-grill” modus.

Gebruik alleen houders die zowel tegen microgolven als hoge temperaturen bestand zijn.

Samenvatting van containers en materialen die al dan niet in de “micro” modus gebruikt kunnen worden.

Materialen Houders	Geschikt voor magnetron	Opmerkingen
METAAL		
Aluminiumfolie	In bepaalde gevallen	Kan in kleine hoeveelheden worden gebruikt om bepaalde delen van het voedsel tegen overkoken te beschermen. Risico op elektrische vonken als de folie zich te dicht bij de ovenwand bevindt of als u teveel folie hebt gebruikt.
Aluminium schaal	In bepaalde gevallen	Zie “Metalen houders”, hierboven
Metalen plaat	Nee	Risico op elektrische vonken en brandgevaar
Strips voor vrieszakjes	Nee	Risico op elektrische vonken en brandgevaar
GLAS		
Hittebestendig glas	Ja	Perfect geschikt
Glas met metalen versiering (goud, lood, enz.)	Nee	Risico op elektrische vonken
Fijn glaswaar	Nee	Kan breken of barsten wanneer plotseling wordt verwarmd
PLASTIC		
Plastic houders	Ja	Perfect geschikt als het plastic hittebestendig is. Bepaald plastic kan na herhaald gebruik vervormen of verkleuren.

		Dek deze niet af.
Plastic folie	Ja	Kan worden gebruikt om het vocht te behouden en gespetter te vermijden. Het plastic mag het voedsel tijdens het koken niet aanraken. Doorpriek het plastic zodat de damp kan ontsnappen. Gebruik ovenwanten om de plastic folie na het koken te verwijderen (risico op brandwonden door de hete stoom die uit de houder ontsnapt).
WEGWERPBARE HOUDERS DIE IN DE GRILLMODUS NIET GEBRUIKT MOGEN WORDEN		
Bekers of verpakking uit polystyreen	Ja	Kan gedurende een korte periode worden gebruikt om vloeistoffen of voedsel op te warmen. Oververhitting kan het polystyreen laten smelten, wat vervolgens in het voedsel terecht komt.
Papieren zak	Nee	Brandgevaar
Papieren borden, bekens, servetten of absorberend papier	Ja	Kan worden gebruikt om op te warmen of kort te koken
Vetvrijpapier	Ja	Kan worden gebruikt om het vocht te behouden en gespetter te vermijden. Korte kooktijden.
Gerecycled papier	Nee	Risico op elektrische vonken
PORSELEIN		
Houders uit porselein	Ja	Perfect geschikt, tenzij met metalen versiering (goud, lood, enz.).

Kooktijd

Om de juiste kooktijd van uw voedsel te bepalen, volg de instructies op de verpakking van de kant-en-klaar gerechten en diepgevroren producten.

Als er geen tijd is vermeld, deel de kook- of opwarmtijd die voor een conventionele oven wordt aangegeven minimaal door drie.

Programmeer geen kooktijd die langer dan nodig is. Uw voedsel kan overkookt worden of vuur vatten.

Rusttijd

Microgolven werken in de buurt van het oppervlak en dringen tot een diepte van 2 tot 3 cm in het voedsel. Eenmaal de oppervlaktelagen heet zijn, dringt de hitte via geleiding in het midden van het voedsel, d.w.z. de hete delen verwarmen de koude

delen. Daarom is het een goed idee om het voedsel, na deze uit de oven te hebben gehaald, even te laten rusten zodat de warmte in het midden kan dringen.

DE TIJD INSTELLEN

U dient de klok in te stellen na het aansluiten van uw apparaat of na een stroomonderbreking.

Druk een- of tweemaal op de klok/gewichtsknop.



- De klok kan in het 12-uur of 24-uur formaat ingesteld worden.



Pas het uur aan door aan de draaiknop te draaien.

Druk op de klok/gewichtsknop om de uurinstelling te bevestigen.

- De "00" aanduiding voor de minuten knipperen.

Pas de minuten aan door aan de draaiknop te draaien.

Druk op de klok/gewichtsknop om de minuteninstelling te bevestigen.

- De klok is nu ingesteld.

DE AUTOMATISCHE PROGRAMMA'S GEBRUIKEN

Met de automatische programma's wordt alles automatisch berekend. U dient enkel het soort voedsel en het gewicht aan te geven en de oven selecteert automatisch de kookmodus, het vermogen en de gepaste kooktijd.

Uw oven heeft 2 soorten programma's, afhankelijk van de gewenste actie:

- AUTO COOK voor het koken
- AUTO DEFROST voor het ontdooien

Als u een automatisch programma gebruikt, kunt u het vermogen of de kooktijd niet wijzigen.

U hoort vier pieptonen en "End" wordt op het display weergegeven zodra de kooktijd verstreken is.

AUTO COOK

Automatisch kookprogramma

Er zijn 8 programma's beschikbaar:



1. Aardappelen—230 g elk, 1 tot 3
2. Koffie—200 ml/beker, 1 tot 3 bekers
3. Popcorn—99 g
4. Automatisch opwarmen—200 tot 800 g
5. Spaghetti—100 tot 300 g
6. Pizza—150 tot 450 g
7. Kip—800 tot 1400 g
8. Cake—475 g

De oven dient op de hoogte te zijn van het soort voedsel en het exact gewicht.

Werking

Plaats het voedsel in het midden van het draaiplateau en sluit de deur.

Selecteer het soort voedsel door de draaiknop tegen de klok in te draaien totdat het nummer dat met het te koken voedsel overeenstemt wordt weergegeven.



- Het nummer van het programma wordt, samen met het "CODE" symbool, op het display weergegeven.

CODE

Selecteer het gewicht door op de klok/gewichtsknop te drukken.

- Het gewicht wordt op het display weergegeven.



Druk op de startknop.



- De oven zal gedurende een bepaalde tijd koken zodat uw voedsel perfect wordt bereid.

AUTO DEFROST
Automatisch ontdooiprogramma

Werking

Plaats het voedsel in het midden van het draaiplateau en sluit de deur.
Draai de draaiknop tegen de klok in totdat "9", samen met het "CODE" symbool en het ontdooisymbool wordt weergegeven.

9. 

Druk op de klok/gewichtknop.



Selecteer de ontdooitijd door aan de draaiknop te draaien.



- De maximale ontdooitijd is 45 minuten.

Druk op de startknop.



- De oven zal gedurende een bepaalde tijd koken zodat uw voedsel perfect wordt bereid.

DE MANUELE FUNCTIES GEBRUIKEN

Gebruik de manuele functies voor het koken, opwarmen en ontdooien van alle soorten voedsel. In tegenstelling tot de automatische programma's dient u hier zelf de kookmodus, kooktijd en vermogen te selecteren.

Er zijn 5 kookmodi beschikbaar:

Micro—Koken met microgolven

Grill—Koken met het grillelement op de hoogste positie

Micro-grill— Koken met combinatie van microgolven en grill

Convectie — Koken met de hete luchtventilator

Micro-convectie— Koken met een combinatie van microgolven en hete luchtventilator

De kookmodus kan tijdens het koken niet gewijzigd worden.

U hoort vier pieptonen en "End" wordt op het display weergegeven zodra de kooktijd verstreken is.

MICRO MODUS (alleen microgolven)

Gebruik deze modus om uw voedsel manueel te koken, op te warmen of te ontdooien.

Plaats het voedsel in het midden van het draaiplateau en sluit de deur.

Stel het gewenste vermogen in door het gewenste aantal keer op de vermogeninstelknop te drukken.

Aantal keren	Vermogen	Display
1	100%	P-HI
2	90%	P-90
3	80%	P-80
4	70%	P-70
5	60%	P-60
6	50%	P-50
7	40%	P-40
8	30%	P-30
9	20%	P-20
10	10%	P-10
11	0%	P-00

Het vermogen wordt, samen met het "micro" symbool en het symbool voor de

microgolfkookmodus, op het display weergegeven. 

Selecteer de kooktijd met gebruik van de draaiknop.

- De kooktijd wordt op het display weergegeven.

De maximum Insteltijd in de microgolfmodus is 95 minuten.

Druk op de startknop.



De oven start met koken gedurende de ingestelde tijd.

GRILLMODUS

Gebruik deze modus om voedsel zoals gratins of vlees met gebruik van het grillelement te bruinen.

Het is aanbevolen om het grillrek te gebruiken.

Gebruik alleen hittebestendige houders.

Plaats het voedsel op het grillrek en plaats het rek in het midden van het draaiplateau.

Gebruik altijd ovenwanten (niet meegeleverd) om de gerechten en accessoires in

de "grill" modus aan te raken. **Risico voor brandwonden.**

Selecteer "grill" modus door op de grillknop te drukken. 

- Het "grill" symbool wordt, samen met een knipperende ":", op het scherm weergegeven.

GRILL

Selecteer de kooktijd met gebruik van de draaiknop.

Druk op de startknop om het grillproces te starten. 

De maximum insteltijd in de "grill" modus is 95 minuten.

MICRO-GRILL MODUS (microgolven + grill)

Gebruik deze modus om snel met microgolven te koken of voedsel op te warmen, terwijl het voedsel door de grill wordt gebruikt.

Het is aanbevolen om het grillrek te gebruiken.

Gebruik alleen houders die zowel tegen microgolven als hoge temperaturen bestand zijn.

Het is aanbevolen om de grill in de "micro-grill" modus voor te verwarmen.

Plaats het voedsel op het grillrek en plaats het rek in het midden van het draaiplateau.

Gebruik altijd ovenwanten (niet meegeleverd) om de gerechten en accessoires in de "micro-grill" modus aan te raken. Risico voor brandwonden.


Selecteer "micro-grill" modus 1 of 2 door de micro-grillknop ingedrukt te houden. 

- Het "1" of "2" symbool wordt, samen met het overeenkomstig "micro-grill" modussymbool, op het display weergegeven.

MICRO GRILL


Modus 1—30% tijd voor koken met microgolven en 70% koken met grill

Modus 2—55% tijd voor koken met microgolven en 45% koken met grill

Selecteer de kooktijd met gebruik van de draaiknop. 

- De kooktijd wordt op het display weergegeven.

De maximum insteltijd in de "micro-grill" modus is 95 minuten.

Druk op de startknop. 

NL-15

- De oven start met koken gedurende de ingestelde tijd.

CONVECTIEMODUS

Gebruik deze modus om alle soorten voedsel op identieke wijze als in een conventionele oven te koken.

Gebruik alleen hittebestendige houders.

In de "convectie" modus is het aanbevolen om de oven gedurende enkele minuten voor te verwarmen alvorens het voedsel in de oven te plaatsen.

1^e stap: De oven voorverwarmen

Selecteer de "convectie" modus door op de  convectieknop te drukken.

Het "convectie" symbool wordt, samen met "200" op het display weergegeven.

CONV

Als u de "convectie" modus selecteert, is de standaard temperatuurinstelling 200°C.

Om de temperatuurinstelling te wijzigen, druk het gewenste aantal keren op de luchtknop.

Er zijn 10 temperatuurinstellingen tussen 110°C en 200°C (110-120-130-140-150-160-170-180-190-200°C).

Selecteer de voorverwarmtijd met gebruik van de draaiknop.

- De geselecteerde voorverwarmtijd wordt op het display weergegeven.
- De maximale tijdstelling in de "convectie" modus is 9 uur en 30 minuten (9H:30).**

Druk op de startknop. 

- De oven start met voorverwarmen gedurende de geselecteerde tijd.

2^e stap: Koken

Gebruik altijd ovenwanten (niet meegeleverd) om de gerechten en accessoires in de "convectie" modus aan te raken. Risico voor brandwonden.

Selecteer de "convectie" modus en stel vervolgens de temperatuur en de kooktijd in. Start de oven (voor details over de instellingen, zie de bovenstaande rubriek over voorverwarmen).

NL-16

MICRO-CONVECTIEMODUS

Gebruik deze modus om alle soorten voedsel op identieke wijze als in een conventionele oven te koken, maar dan veel sneller.

Gebruik alleen houders die zowel tegen microgolven als hoge temperaturen bestand zijn.

Het is niet nodig om de oven in de "micro-convectie" modus voor te verwarmen. Gebruik altijd ovenwanten (niet meegeleverd) om de gerechten en accessoires in de "micro-convectie" modus aan te raken. Risico voor brandwonden.

Selecteer de "micro-convectie" modus door op de micro-luchtknop te drukken.



- Het "micro-convectie" symbool wordt, samen met "200" op het display weergegeven.

CONV MICRO

Als u de "micro-convectie" modus selecteert, is de standaard temperatuurinstelling 200°C.

Om de temperatuurinstelling te wijzigen, druk het gewenste aantal keren op de micro-luchtknop.

Er zijn 4 temperatuurinstellingen tussen 110°C en 200°C (110-140-170-200°C).

- De geselecteerde temperatuur wordt op het display weergegeven.

Selecteer de kooktijd met gebruik van de draaiknop.

- De geselecteerde kooktijd wordt op het display weergegeven.

De maximale tijdstelling in de "micro-convectie" modus is 9 uur en 30 minuten (9H:30).



Druk op de startknop.

- De oven start met koken gedurende de ingestelde tijd.

DE SNELLE OPWARMFUNCTIE GEBRUIKEN

Als u gedurende een zeer korte tijd een maaltijd of vloeistof wilt verwarmen, gebruik de "Start+30 sec" knop.

Plaats het voedsel in het midden van het draaiplateau en sluit de deur.



Druk op de "Start+30 sec" knop.

NL-17

- De oven start automatisch gedurende 30 seconden op maximum vermogen.

Telkens u op de "Start+30sec" knop drukt, wordt de kooktijd met 30 seconden verlengd. De maximale kooktijd is 10 minuten.

MEERFASE KOKEN

U kunt uw oven tot maximum 2 automatische kookfasen programmeren.

Veronderstel dat u zowel een kookprogramma op microgolven als grill wilt instellen.



Druk op de startknop.

Automatisch koken, voorverwarmen met convectie en snel opwarmen kunnen niet in het meerfase kookprogramma ingesteld worden.

Automatisch ontdooien kan alleen in de eerste fase worden ingesteld.

Als het kookprogramma uit meerdere fasen bestaat, wordt "MEM" op het display

weergegeven.

MEM

DE OVEN STOPPEN

Pauze

U kunt de werking van de oven op elk moment onderbreken om:

- de voortgang van het kookproces te controleren,
- het voedsel te draaien of te roeren,
- het voedsel te laten rusten.

Om dit te verwezenlijken, open de ovendeur en druk eenmaal op de stop/annuleren



knop.

- De oven stopt en houdt de kookstatus in het geheugen vast.
- Het display wordt tijdens het pauzeren niet gewijzigd.

Om het kookproces te hervatten, druk op de startknop.



Om het kookproces te annuleren, druk nogmaals op de stop/annuleren-knop.

- De kloktijd wordt vervolgens opnieuw op het display weergegeven.

DE KINDERBEVEILIGING ACTIVEREN


NL-18

Uw oven is uitgerust met een vergrendelingssysteem, deze vermijdt dat de oven onopzettelijk of door kinderen zonder toezicht gestart kan worden.

Om te vergrendelen:

Houd de stop/annuleren-knop gedurende 3 seconden ingedrukt.



- De oven piept om aan te geven dat de bedieningsknoppen vergrendeld zijn.
- Het "Veiligheid" symbool wordt op het display weergegeven. 

De knoppen zijn vergrendeld.

- Elke poging tot starten zorgt ervoor dat de oven piept.

Om te ontgrendelen:

Houd de stop/annuleren-knop gedurende 3 seconden ingedrukt.

- De oven piept om aan te geven dat de bedieningsknoppen ontgrendeld zijn.
- Het "Veiligheid" symbool verdwijnt van het display.

Deze functie is alleen beschikbaar als de oven is gestopt.

REINIGING EN ONDERHOUD

Haal de stekker uit het stopcontact alvorens de oven schoon te maken.

Algemeen advies

Een regelmatige reiniging voorkomt rook en slechte geuren tijdens het koken en voorkomt vonken in de ovenruimte en rond de deurafdichting.

Zorg dat de voedselresten of vetten niet in de ovenruimte of op de deurafdichting ophopen.

Als uw magnetronoven met een microgolfeleiderdeksel is uitgerust (bevindt zich over het algemeen in de ovenruimte aan de rechterzijde), houd deze altijd schoon.

Als er voedselresten of vetten op het deksel ophopen kan dit vonken veroorzaken die uw oven kunnen beschadigen. Deze schade wordt niet door uw garantie gedekt.

Alvorens uw apparaat te onderhouden of te reinigen, haal de stekker uit het stopcontact en wacht totdat deze tot kamertemperatuur is afgekoeld.

Ovendeur

Verwijder eventuele voedselresten en vetten tussen de deurafdichting en ovenruimte met gebruik van een vochtige doek. Het is belangrijk om deze ruimte altijd schoon te houden.

Binnenwanden

Verwijder eventuele vetspaten van de binnenwanden van de oven met behulp van zeep en water, veeg deze af en droog vervolgens.

De deurafdichting en ovenruimte moeten zeer goed worden schoongemaakt zodat de deur op een correcte manier sluit en vonken tussen de ovenruimte en de deur worden vermeden.

Gebruik geen schurende producten zoals schuursponsjes want deze beschadigen de oppervlakken van de ovenruimte en deur.

Maak de roestvrijstalen oppervlakken alleen schoon met warm zeepwater.

Buitenkant

Maak de buitenkant van de oven schoon met een vochtige doek.

Gebruik geen schurende producten zoals schuursponsjes die de buitenlaag kunnen beschadigen. Zorg dat er geen water in de ventilatie-openingen binnendringt.

Maak accessoires met de hand in warm zeep water schoon.

OPGELET:

Sommige microgolfeleiderdeksels kunnen tijdens het schoonmaken eenvoudig worden beschadigd.

Was de accessoires niet in een afwasmachine.

Het schoonmaken van oppervlakken die met voedsel in aanraking komen

Voor een goede hygiëne, maak het glazen draaiplateau regelmatig schoon, want dit item komt met voedsel in aanraking.

Maak dit item met warm zeepwater schoon en droog grondig.

Als de ovenruimte en deurafdichting niet kraaknet worden gehouden, is er risico op schade door vonken in de ovenruimte die niet door de garantie wordt gedekt.

Schrob de binnenwanden van de oven nooit met scherpe voorwerpen.

SPECIFICATIES

Nominaal ingangsvermogen (magnetron): 1400W

Spanning: 230-240 V~ 50 Hz

Grilvermogen: 1250W

Convectie: 2200W

Microgolffrequentie: 2450MHz

We verontschuldigen ons voor enig ongemak veroorzaakt door kleine inconsistenties in deze gebruikershandleiding, die zich kunnen voordoen door een productverbetering of -ontwikkeling.

PROBLEEMOPLOSSIN

Normale gebeurtenissen	
Magnetronoven verstoort de TV-ontvangst.	Tijdens de werking van de magnetronoven kan de radio- en TV-ontvangst verstoord zijn. Deze is gelijk aan de storing die andere kleine elektrische apparatuur, zoals mixers, stofzuigers of ventilatoren, veroorzaken. Dit is normaal.
Gedempt ovenlicht	Tijdens het koken op laag vermogen is het mogelijk dat het ovenlicht gedempt is. Dit is normaal.
Stoomophoping op deur, hete lucht uit ventilatieopeningen	Tijdens het kookproces kan er stoom uit het voedsel komen. De meeste stoom ontsnapt via de ventilatie-openingen. Een deel van de stoom kan zich echter ophopen op bijvoorbeeld de ovendeur. Dit is normaal.
Oven wordt per ongeluk gestart zonder dat er voedsel in de oven aanwezig is.	Het is niet toegelaten om de oven zonder aanwezig voedsel te gebruiken. Dit is ZEER gevaarlijk.

Probleem	Mogelijke oorzaak	Oplossing
Oven kan niet worden ingeschakeld.	Snoer is niet juist aangesloten.	Haal de stekker uit het stopcontact en plaats deze terug na 10 seconden.
	Er is iets mis met het stopcontact.	Test het stopcontact door er een ander apparaat op aan te sluiten.
Oven wordt niet heet.	Deur is niet goed dicht.	Sluit de deur op een juiste manier.
Glazen draaiplateau maakt geluid wanneer oven in werking is.	Rolelement of bodem van oven is vuil.	Zie 'REINIGING EN ONDERHOUD' om de vuile onderdelen schoon te maken.

Hulplijn Nederland

Hiervoor kunt u contact opnemen met het BCC Service Center: 0900 0555 (12 cent p/m), geopend van maandag t/m vrijdag van 8.30 tot 18.00 uur.

Hulplijn New Vandenborre

Die dienst na verkoop is bereikbaar van maandag t/m zaterdag aan hulplijn 02 334 00 00. & 02 334 00 02.

New Vandenborre

Slesbroekstraat 101
1600 Sint-Pieters-Leeuw
Belgium.

BCC elektro-speciaalzaken B.V.

Postbus 75513 · 1118 ZN Schiphol

Bellsingel 61 · 1119 NT Schiphol Rijk

Kesa Electricals © UK: EC1N 6TE 19/06/2012

INDICE

ATTENZIONE.....	IT-1
IMPORTANTI ISTRUZIONI DI SICUREZZA.....	IT-2
DESCRIZIONE DELL'APPARECCHIO.....	IT-3
DISPLAY.....	IT-3
PANNELLO DI CONTROLLO.....	IT-4
ACCESSORI.....	IT-5
INSTALLATION.....	IT-5
Preparazione.....	IT-5
Posizionamento.....	IT-5
ISTRUZIONI PER L'USO.....	IT-6
Alimenti.....	IT-6
Contenitori e materiali.....	IT-6
Tempo di cottura.....	IT-9
Tempo di riposo.....	IT-9
IMPOSTARE L'ORA.....	IT-10
USARE I PROGRAMMI AUTOMATICI.....	IT-10
COTTURA AUTOMATICA.....	IT-10
SCONGELAMENTO AUTOMATICO.....	IT-11
USARE LE FUNZIONI MANUALI.....	IT-12
MODALITA' MICRO (solo microonde).....	IT-12
MODALITA' GRILL.....	IT-13
MICRO GRILL MODE (microonde + grill).....	IT-14
MODALITA' CONVEZIONE.....	IT-14
MODALITA' MICRO CONVEZIONE.....	IT-15
USARE LA FUNZIONE RISCALDAMENTO RAPIDO.....	IT-16
COTTURA MULTIFASE.....	IT-17
INTERROMPERE LA COTTURA.....	IT-17
ATTIVARE IL BLOCCO SICUREZZA BAMBINI.....	IT-17
PULIZIA E MANUTENZIONE.....	IT-18
SPECIFICHE.....	IT-19
INDIVIDUAZIONE ED ELIMINAZIONE DI GUASTI.....	IT-19

ATTENZIONE

- ❖ Questo apparecchio è esclusivamente destinato a un uso domestico e non deve essere impiegato per altri scopi o applicazioni, ad esempio in un contesto non domestico o in un ambiente commerciale.
- ❖ **IMPORTANTI ISTRUZIONI DI SICUREZZA**
LEGGERE CON ATTENZIONE E CONSERVARE PER CONSULTAZIONI FUTURE
- ❖ Questo apparecchio può essere usato da bambini di almeno 8 anni e da persone con ridotte capacità fisiche, mentali o sensoriali o senza esperienza e conoscenza del prodotto purché supervisionate e istruite sull'uso sicuro dell'apparecchio e sui relativi rischi. I bambini non devono giocare con il prodotto. La pulizia e la manutenzione non devono essere effettuate da bambini di età inferiore a 8 anni.
- ❖ Per evitare ogni rischio, se il cavo di alimentazione è difettoso deve essere sostituito dal costruttore, dal suo centro di assistenza o da un tecnico qualificato.
- ❖ Non usare detersivi abrasivi o utensili di metallo appuntiti per pulire il vetro del forno, poiché potrebbero graffiare e danneggiare la superficie e causare quindi la frantumazione del vetro.
- ❖ **AVVERTENZA:** Se lo sportello o le sue guarnizioni di chiusura sono danneggiati, il forno non deve essere usato fino a quando non è stato riparato da una persona competente.
- ❖ **AVVERTENZA:** E' pericoloso per chiunque non sia competente effettuare qualsiasi operazione o riparazione che comporta la rimozione della copertura che protegge dall'esposizione all'energia microonde.
- ❖ **AVVERTENZA:** Non riscaldare liquidi e altri alimenti in contenitori sigillati poiché potrebbero esplodere.
- ❖ Il riscaldamento a microonde delle bevande può causare l'ebollizione dei liquidi: prestare attenzione durante la manipolazione dei contenitori.
- ❖ Usare esclusivamente utensili adatti al forno a microonde.
- ❖ Durante il riscaldamento in contenitori di plastica o carta, controllare gli alimenti per evitare il rischio di incendio.
- ❖ In caso di fumo, spegnere l'apparecchio o scollegarlo dalla rete elettrica e tenere lo sportello chiuso per soffocare eventuali principi di incendio.
- ❖ Per evitare ustioni, mescolare o agitare il contenuto di biberon e vasetti di omogeneizzati e controllarne la temperatura prima del consumo.
- ❖ Non riscaldare nel forno a microonde uova intere e uova sode perché possono

esplodere, anche a cottura terminata.

- ◆ Pulire regolarmente il forno e rimuovere i residui alimentari.
- ◆ Se il forno non è mantenuto pulito, la superficie potrebbe deteriorarsi riducendo la durata vita dell'apparecchio e causando possibili situazioni pericolose.
- ◆ Durante l'uso l'apparecchio diventa bollente. Prestare attenzione a non toccare gli elementi riscaldanti all'interno del forno.
- ◆ L'apparecchio non è concepito per essere usato in combinazione con timer esterni o telecomandi.
- ◆ **Attenzione:** Quando l'apparecchio è usato in modalità combinata, si consiglia di sorvegliare i bambini che usano il forno perché la sua temperatura potrebbe essere elevata.
- ◆ Non installare il forno a microonde in armadi o credenze.
- ◆ Lo sportello e la superficie esterna potrebbero diventare caldi quando l'apparecchio è in funzione.
- ◆ Tenere l'apparecchio fuori dalla portata di bambini di età inferiore a 8 anni.
- ◆ **Attenzione:** Quando l'apparecchio è usato in modalità combinata, si consiglia di sorvegliare i bambini che usano il forno perché la sua temperatura potrebbe essere elevata.
- ◆ Durante l'uso l'apparecchio diventa bollente. Prestare attenzione a non toccare gli elementi riscaldanti all'interno del forno.

- ◆  **Attenzione:** Superficie calda.

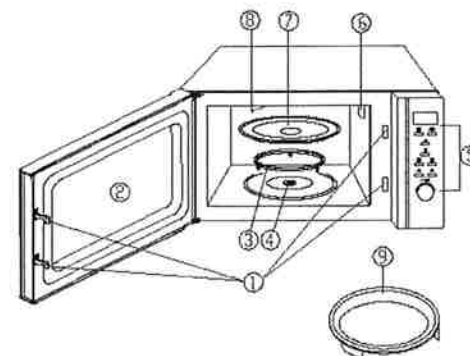
IMPORTANTI ISTRUZIONI DI SICUREZZA

- ◆ Quando il forno a microonde è spento, scollegarlo dalla rete elettrica rimuovendo la spina dalla presa.
- ◆ La spina è il principale dispositivo di scollegamento dalla rete elettrica e deve essere raggiungibile in qualsiasi momento.
- ◆ Il forno a microonde non può essere utilizzato se lo sportello è aperto. In questo caso, i dispositivi di sicurezza incorporati nel meccanismo dello sportello disattivano automaticamente le funzioni di cottura. L'uso del forno a microonde con lo sportello

Downloaded from www.pdfdrive.com

- aperto può esporre l'utente a gravi rischi a causa dell'esposizione all'energia delle microonde. Non manomettere il meccanismo dello sportello.
- ◆ Non fare entrare acqua o altri liquidi nel forno attraverso le aperture di ventilazione.
- ◆ Non mettere alcun oggetto tra il pannello anteriore del forno e lo sportello e non fare accumulare residui di sporco o di detergente sulle superfici a tenuta.
- ◆ Non utilizzare contenitori con lati diritti e colli stretti.
- ◆ Se si stanno cuocendo dei liquidi nel forno a microonde, mescolarli quando giungono a metà cottura.
- ◆ Dopo avere riscaldato gli alimenti, lasciarli riposare per qualche istante, mescolarli o agitarli e controllare bene la temperatura prima di servirli.
- ◆ Non usare detersivi abrasivi o utensili di metallo appuntiti per pulire il vetro del forno poiché potrebbero graffiarne e danneggiarne la superficie.
- ◆ Non utilizzare pulitori a vapore.
- ◆ Il forno a microonde è progettato per essere utilizzato unicamente in modo autonomo.

DESCRIZIONE DELL'APPARECCHIO

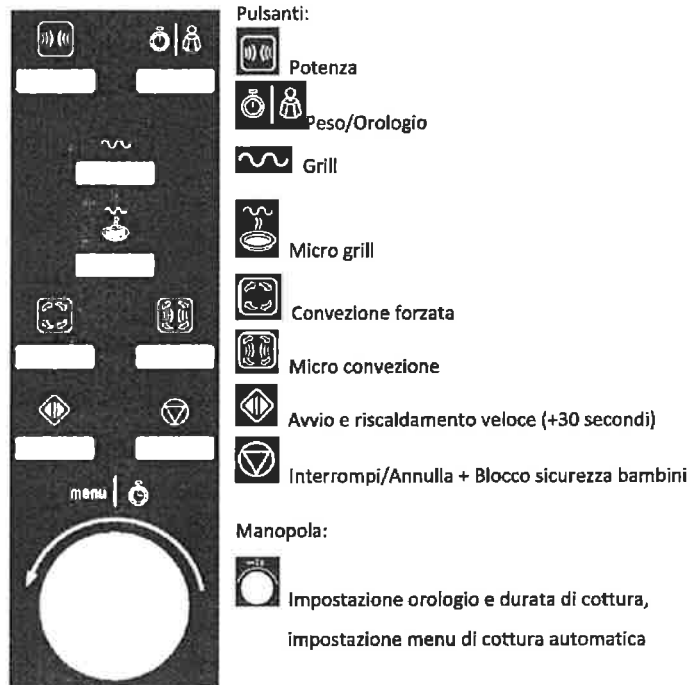


1. Sistema di blocco dello sportello
2. Sportello
3. Anello guida
4. Anello di trasmissione
5. Pannello di controllo
6. Placca a copertura della guida d'onda
7. Piatto rotante
8. Grill
9. Griglia distanziatrice

DISPLAY



PANNELLO DI CONTROLLO



ACCESSORI

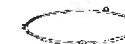
Anello di trasmissione

Questo componente è posizionato al centro del forno, al di sotto del piatto rotante. E' collegato al motore e imprime movimento al piatto rotante.



Anello rotante

Questo componente è posizionato al centro del forno, sotto il piatto rotante. E' dotato di piccole rotelle per supportare il piatto rotante e allo stesso tempo lasciarlo libero di ruotare.



Piatto rotante

Questo piatto di vetro è posizionato sull'anello rotante al centro del forno e deve rimanere in contatto con esso. Può essere usato per tutti i tipi di cottura. Collocare sul piatto rotante gli alimenti da cuocere nei contenitori che servono anche a raccogliere o i residui e i succhi del cibo. E' facilmente removibile per poterlo pulire.



Griglia distanziatrice

In modalità grill, è possibile usare questo accessorio per dorare gli alimenti collocati su un piatto piano. Deve essere posizionato sul piatto rotante, precisamente centrato.



INSTALLATION

Preparazione

Rimuovere gli accessori dalla confezione, lavarli e asciugarli con cura. Posizionare l'anello rotante e successivamente il piatto rotante al centro del forno.

Il piatto rotante deve essere correttamente collegato all'anello rotante.

Posizionamento

L'apparecchio può essere installato in due modi:

- Su un piano di lavoro: posizionare il forno su una superficie piana e stabile, in grado di supportare l'apparecchio il suo contenuto. Manipolare il forno con attenzione, tenendo presente che la parte del pannello di controllo è più pesante.
- In una cavità: la cavità deve trovarsi ad almeno 85 cm da terra. Installare l'apparecchio nella cavità posizionandolo al centro in modo che non tocchi le pareti laterali.

E' essenziale garantire un'adeguata ventilazione: lasciare 20 cm di spazio al di sopra del forno e 10 cm ai suoi lati e posteriormente.

Installare l'apparecchio lontano da fonti di calore, ad esempio forni tradizionali o radiatori. E' stato progettato e testato per l'uso in temperature ambientali fino a 35°C.

Assicurarsi che le aperture di ventilazione dell'apparecchio non siano ostruite.

ISTRUZIONI PER L'USO

Le seguenti istruzioni permettono di ottenere le migliori prestazioni del forno. Leggerle attentamente.

L'apparecchio può essere usato per scongelare, scaldare e cucinare gli alimenti molto più velocemente rispetto ai metodi di cottura tradizionali.

Allimenti

Alimenti vietati

In caso di una modalità di cottura che comprende le microonde:

- Non friggere: è impossibile controllare la temperatura dell'olio e altri grassi che potrebbero causare un incendio.
- Non cuocere o riscaldare uova intere o uova sode: potrebbero esplodere.
- Non cucinare alimenti chiusi in un guscio (ad esempio castagne) o in una buccia (pomodori, patate, salsicce ecc.): si spaccherebbero.

Temperatura degli alimenti

Il microonde riscalda esclusivamente il cibo. Pertanto il contenitore potrebbe rimanere freddo nonostante l'alimento sia bollente.

Per evitare il rischio di ustioni, mescolare gli alimenti e controllarne scrupolosamente la temperatura prima di servirli, specialmente a bambini.

Scuotere bene i biberon e versare poche gocce sul retro del polso per controllare la temperatura.

Preparare gli alimenti per la cottura

Prima di riscaldare biberon e vasetti, rimuovere tettarelle e tappi.

Coprire gli alimenti per:

- evitare schizzi all'interno della cavità del forno;
- mantenere un'umidità sufficiente per la cottura.

Riscaldare liquidi

Durante il riscaldamento di liquidi, potrebbero verificarsi improvvise fuoriuscite quando si rimuove il contenitore dall'apparecchio. Infatti, quando la temperatura raggiunge il punto di ebollizione il vapore tende a rimanere intrappolato nel liquido finché non viene disturbato.

Per evitare questo effetto di surriscaldamento e il correlato rischio di ustione, inserire un cucchiaino di plastica nel liquido da riscaldare.

Contenitori e materiali

I dettagli dei vari tipi di contenitori che possono o non possono essere usati per la

modalità di cottura desiderata sono elencati di seguito.

Modalità "micro" (microonde)

Contenitori adatti per la cottura a microonde

La "trasparenza" alle microonde di un contenitore può essere facilmente testata.

Posizionare il contenitore vuoto sul piatto rotante insieme a un bicchiere di acqua; mettere in funzione il forno per un minuto alla massima potenza.

Dopo un minuto:

- * Se il contenitore è freddo, è "trasparente" e può essere usato per la cottura a microonde.
- Se il contenitore è caldo o bollente, è "assorbente" e non deve essere usato per la cottura a microonde.

Non usare contenitori sigillati ermeticamente.

Assicurarsi di rimuovere tappi e turaccioli da biberon, vasetti, bottiglie e contenitori in plastica.

Contenitori usa e getta

Non lasciare l'apparecchio senza sorveglianza durante l'uso di contenitori usa e getta in plastica, carta o altri materiali infiammabili.

In caso di fumo tenere lo sportello chiuso e scollegare l'apparecchio dalla rete elettrica.

Contenitori in metallo

Non usare contenitori in metallo. Tuttavia è possibile usare l'apparecchio per scaldare o scongelare alcuni alimenti su vassoi metallici, purché lo spessore del vassoio non superi i 4 cm, coperchio escluso.

Per quanto riguarda il coperchio, seguire le istruzioni presenti sulla confezione. Potrebbe essere necessario rimuoverlo o lasciarlo, a seconda dei casi. Se non indicato, si consiglia di rimuoverlo per sicurezza.

Posizionare il vassoio al centro del piatto rotante, lasciando almeno 1 cm di spazio dalle pareti del forno.

Posizionare il vassoio o i vassoi sul piatto rotante, lasciando una distanza di almeno 1 cm dalle pareti del forno. Se si usano diversi vassoi, distanziarli di almeno 2 cm.

Modalità "grill" e "convezione"

Questa modalità di cottura non richiede l'uso di particolari contenitori. Usare lo stesso tipo di contenitori resistenti al calore adatti per l'uso in forni convenzionali.

NOTA:

- Non usare contenitori in plastica, che potrebbero fondersi, o contenitori in carta o cartone, che potrebbero prendere fuoco.
- Lasciare almeno 2 cm di spazio tra gli alimenti e il grill.

Modalità "micro grill" e "micro convezione" (cottura combinata)

I contenitori vietati nelle modalità "micro", "grill" e "convezione" sono ugualmente vietati nella modalità "micro grill".

Usare esclusivamente contenitori resistenti sia alle microonde che alle alte temperature.

Riepilogo dei contenitori e dei materiali adatti alla modalità "micro"

Materiali Contenitori	Adatto alle microonde	Note
METALLO		
Pellicola di alluminio	In alcuni casi	Può essere usato in piccole quantità per proteggere alcune parti degli alimenti affinché non cuociano troppo. Potrebbero formarsi archi elettrici se la pellicola è troppo vicina alle pareti o se ne è stata usata troppa.
Vassoio in alluminio	In alcuni casi	Consultare il paragrafo "Contenitori in metallo"
Lastra di metallo	No	Rischio di archi elettrici e incendio
Laccetti di chiusura per sacchetti gelo	No	Rischio di archi elettrici e incendio
VETRO		
Vetro resistente al calore	Si	Perfettamente adatto
Vetro con decorazioni metalliche (oro, piombo ecc.)	No	Rischio di archi elettrici
Cristalleria sottile	No	Potrebbe rompersi o incrinarsi se riscaldata improvvisamente
PLASTICA		
Contenitori in plastica	Si	Perfettamente adatti se la plastica è resistente al calore. Alcuni tipi di plastica potrebbero deformarsi o scolorirsi dopo molti usi. Non chiuderli ermeticamente.
Pellicola in plastica	Si	Può essere usata per trattenere l'umidità e

		evitare gli schizzi. La plastica non deve entrare in contatto con gli alimenti durante la cottura. Forare la plastica per permettere al vapore in eccesso di fuoriuscire. Usare guanti da forno per rimuovere la pellicola di plastica dopo la cottura (per evitare ustioni derivanti dalle fuoriuscite di vapore bollente dal contenitore)
MATERIALI DEI CONTENITORI USA E GETTA VIETATI NELLA MODALITA' GRILL		
Bicchieri o contenitori in polistirolo	Sì	Possono essere usati per riscaldare brevemente cibo e bevande. Il polistirolo potrebbe fondersi se esposto al calore troppo a lungo, e mischiarsi agli alimenti.
Sacchetti di carta	No	Rischio di incendio
Piatti, tazze e fazzoletti di carta o carta assorbente	Sì	Possono essere usati per brevi cotture.
Carta da forno	Sì	Può essere usata per trattenere l'umidità e evitare gli schizzi. Tempi di cottura brevi.
Carta riciclata	No	Rischio di archi elettrici
PORCELLANA		
Contenitori in porcellana	Sì	Perfettamente adatti tranne quelli con decorazioni metalliche (oro, piombo ecc.)

Tempo di cottura

Per determinare il giusto tempo di cottura degli alimenti, seguire le istruzioni sulla confezione dei prodotti confezionati o surgelati.

In assenza di precise indicazioni dividere almeno per tre il tempo di cottura o riscaldamento previsto per il forno tradizionale.

Non impostare un tempo di cottura più lungo del necessario, per evitare che il cibo si cuocia troppo o che prenda fuoco.

Tempo di riposo

Le microonde vengono generate vicino alla superficie e penetrano il cibo a una profondità di 2 o 3 cm. Una volta che le superfici del cibo sono calde, il calore penetra per conduzione nel centro dell'alimento (le parti calde scaldano quelle più fredde). Pertanto si consiglia di lasciare che gli alimenti riposino dopo averli estratti dal forno, affinché il calore possa penetrare al centro.

IMPOSTARE L'ORA

E' necessario impostare l'ora dopo aver collegato l'apparecchio alla rete elettrica o dopo un black-out.



Premere il pulsante Orologio/Peso una o due volte.

- L'ora può essere impostata in formato 12h o 24h.



Impostare le ore ruotando la manopola.

Premere il pulsante Orologio/Peso per salvare l'impostazione delle ore.

- Le cifre "00" dei minuti lampeggeranno.

Impostare i minuti ruotando la manopola.

Premere il pulsante Orologio/Peso per salvare l'impostazione dei minuti.

- L'orologio è stato impostato.

USARE I PROGRAMMI AUTOMATICI

Con i programmi automatici tutte le impostazioni sono calcolate automaticamente. E' necessario specificare unicamente il tipo di alimento e il suo peso, e il forno selezionerà automaticamente la modalità, la potenza e la durata della cottura.

Questo forno ha 2 tipi di programmi automatici, a seconda dell'operazione desiderata:

- COTTURA AUTOMATICA per la cottura
- SCONGELAMENTO AUTOMATICO per lo scongelamento

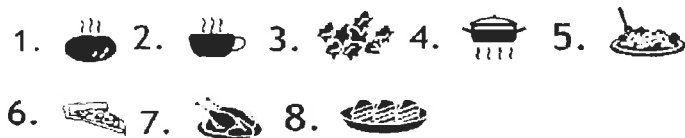
Durante l'uso dei programmi automatici non è possibile modificare la potenza o la durata della cottura.

Al termine della cottura il forno emetterà 4 segnali sonori, e sul display apparirà "End".

COTTURA AUTOMATICA

Programma di cottura automatica

Sono disponibili 8 programmi:



1. Patate - 230 g ognuna, da 1 a 3
2. Caffè - 200 ml per tazza, da 1 a 3 tazze
3. Popcorn - 99 g
4. Riscaldamento automatico - da 200 a 800 g
5. Pasta - da 100 a 300 g
6. Pizza - da 150 a 450 g
7. Pollo - da 800 a 1400 g
8. Torta - 475 g

E' necessario conoscere il tipo di alimento e il suo esatto peso.

Uso

Collocare gli alimenti al centro del piatto rotante e chiudere lo sportello.

Selezionare il tipo di alimento ruotando la manopola in senso antiorario finché non apparirà il numero corrispondente a tale alimento.



- Il numero del programma apparirà sul display, insieme al simbolo "CODE".

CODE

Impostare il peso premendo il pulsante Orologio/Peso.

- Il peso apparirà sul display.



Premere il pulsante Avvio.

- Il forno inizierà a cuocere per il tempo appropriato per l'alimento.

SCONGELAMENTO AUTOMATICO

Programma di scongelamento automatico

Uso

Posizionare gli alimenti al centro del piatto rotante e chiudere lo sportello.

Ruotare la manopola in senso antiorario finché non apparirà il numero "9", insieme al simbolo "CODE" e al simbolo "scongelo".



Premere il pulsante Orologio/Peso.



Impostare la durata dello scongelamento ruotando la manopola.

- La durata massima dello scongelamento è 45 minuti.



Premere il pulsante Avvio.

- Il forno inizierà a cuocere per il tempo impostato.

USARE LE FUNZIONI MANUALI

Usando le funzioni manuali è possibile cuocere, riscaldare o scongelare tutti i tipi di alimenti. Al contrario dei programmi automatici, in questo caso è necessario impostare la modalità di cottura, il tempo di cottura e la potenza.

Sono disponibili 5 modalità di cottura:

Micro - Cottura a microonde

Grill - Cottura con grill superiore

Micro grill - Cottura che combina grill e microonde

Convezione - Cuocere con la ventola dell'aria calda

Micro convezione - Cucinare combinando microonde e ventola dell'aria calda.

Durante la cottura non è possibile cambiare la modalità di cottura.

Al termine della cottura il forno emetterà 4 segnali sonori, e sul display apparirà "End".

MODALITA' MICRO (solo microonde)


Usare questa modalità per cuocere, riscaldare o scongelare manualmente gli alimenti.

Collocare gli alimenti al centro del piatto rotante e chiudere lo sportello.

Selezionare la potenza premendo il pulsante Impostazione potenza per il numero di

volte necessario.

Numero di pressioni	Potenza	Display
1	100%	P-HI
2	90%	P-90
3	80%	P-80
4	70%	P-70
5	60%	P-60
6	50%	P-50
7	40%	P-40
8	30%	P-30
9	20%	P-20
10	10%	P-10
11	0%	P-00

La potenza apparirà sul display, insieme al simbolo "micro" della modalità di cottura microonde. 

Impostare la durata della cottura usando la manopola.

- La durata della cottura apparirà sul display.

La durata massima in modalità microonde è 95 minuti.

Premere il pulsante Avvio. 

Il forno inizierà a cuocere per il tempo impostato.

MODALITA' GRILL

Usare questa modalità per dorare gli alimenti, ad esempio gratin o carne, con il grill del forno.


Si consiglia l'uso della griglia distanziatrice.

Usare esclusivamente contenitori resistenti al calore.

Posizionare gli alimenti sulla griglia distanziatrice e collocare la griglia al centro del piatto rotante.

Usare guanti da forno (non inclusi) per manipolare piatti e accessori in modalità "grill", per evitare il rischio di ustioni.

Selezionare la modalità "grill" premendo il pulsante Grill. 

- Il simbolo "grill" apparirà sul display e ":" inizierà a lampeggiare. 

Impostare la durata della cottura usando la manopola.

Premere il pulsante Avvio per avviare il grill. 

La durata massima in modalità "grill" è 95 minuti.

MICRO GRILL MODE (microonde + grill)

Usare questa modalità per cuocere o riscaldare gli alimenti a microonde rapidamente, e allo stesso tempo dorarli con il grill.

Si consiglia l'uso della griglia distanziatrice.


Usare esclusivamente contenitori resistenti sia alle microonde che alle alte temperature.

Uso

Nella modalità "micro grill" si consiglia di preriscaldare il grill.

Posizionare gli alimenti sulla griglia distanziatrice e collocare la griglia al centro del piatto rotante.

Usare guanti da forno (non inclusi) per manipolare piatti e accessori in modalità "grill", per evitare il rischio di ustioni.

Selezionare la modalità "micro grill" 1 o 2 tenendo premuto il pulsante Micro grill. 

- Il simbolo "1" o "2" apparirà sul display, insieme al corrispondente simbolo di modalità "micro grill".

MICRO GRILL

Modalità 1 - 30% del tempo di cottura microonde e 70% di cottura grill.

Modalità 2 - 55% del tempo di cottura microonde e 45% di cottura grill.

Impostare la durata della cottura usando la manopola.

- La durata della cottura apparirà sul display. 

La durata massima in modalità "micro grill" è 95 minuti.

Premere il pulsante Avvio. 

- Il forno inizierà a cuocere per il tempo impostato.

MODALITA' CONVEZIONE

Usare questa modalità per cuocere tutti i tipi di alimenti, esattamente come in un forno tradizionale.

Usare esclusivamente contenitori resistenti al calore.

In modalità "convezione", si consiglia di riscaldare il forno per qualche minuto prima di inserire gli alimenti.

1° passo: preriscaldare il forno

Selezionare la modalità "convezione" premendo il  pulsante Convezione.

Il simbolo "convezione" apparirà sul display, insieme a "200".

CONV

Quando si seleziona la modalità "convezione", la temperatura è impostata di default a 200°C.

Per modificare la temperatura, premere il pulsante Convezione il numero di volte necessario.

Sono disponibili 10 temperature, da 110°C a 200°C (110-120-130-140-150-160-170-180-190-200°C).

Impostare la durata del preriscaldamento ruotando la manopola.

- Il tempo del preriscaldamento impostato apparirà sul display.

La durata massima in modalità "convezione" è 9 ore e 30 minuti (9h30).

Premere il pulsante Avvio 

- Il forno inizierà a preriscaldarsi per la durata impostata.

2° passo: cuocere

Usare guanti da forno (non inclusi) per manipolare piatti e accessori in modalità "convezione", per evitare il rischio di ustioni.

Selezionare la modalità "convezione" e successivamente la temperatura e la durata della cottura.

Avviare il forno (per i dettagli consultare la sezione "preriscaldamento").

MODALITÀ MICRO CONVEZIONE

Usare questa modalità per cucinare tutti i tipi di alimenti, esattamente come in un forno tradizionale ma molto più velocemente.

Usare esclusivamente contenitori resistenti sia alle microonde che alle alte

temperature.

In modalità "micro convezione" non è necessario preriscaldare il forno.

Usare guanti da forno (non inclusi) per manipolare piatti e accessori in modalità "micro convezione", per evitare il rischio di ustioni.

Selezionare la modalità "micro convezione" premendo il pulsante Micro convezione.



- Il simbolo "micro convezione" apparirà sul display, insieme a "200".

CONV MICRO

Quando si seleziona la modalità "micro convezione", la temperatura è impostata di default a 200°C.

Per modificare la temperatura, premere il pulsante Micro convezione il numero di volte necessario.

Sono disponibili 4 temperature, da 110°C a 200°C (110-140-170-200°C).

- La temperatura impostata apparirà sul display.

Impostare la durata della cottura ruotando la manopola.

- La durata della cottura impostata apparirà sul display.

La durata massima in modalità "micro convezione" è 9 ore e 30 minuti (9h30).

Premere il pulsante Avvio 

Il forno inizierà a cuocere per il tempo impostato.

USARE LA FUNZIONE RISCALDAMENTO RAPIDO

Se si desidera riscaldare velocemente un alimento o un liquido, usare il pulsante "Start+30 sec".

Collocare gli alimenti al centro del piatto rotante e chiudere lo sportello.

Premere il pulsante Avvio e riscaldamento veloce (+30 secondi). 

- Il forno si avvierà automaticamente per 30 secondi alla massima potenza.

A ogni pressione del pulsante Avvio e riscaldamento veloce (+30 secondi) la durata della cottura aumenterà di 30 secondi. Il tempo di cottura massimo è di 10 minuti.

COTTURA MULTIFASE

E' possibile programmare fino a 2 sequenze di cottura automatica.

Esempio: si desidera impostare un programma di cottura microonde e uno di cottura grill.

Premere il pulsante Avvio.



La cottura automatica, il preriscaldamento con convezione e il riscaldamento veloce non possono essere impostati nel programma di cottura multifase. Lo scongelamento automatico può essere impostato solo nella prima fase. Se è stata impostata più di una fase di cottura, il simbolo "MEM" apparirà sul display".



INTERROMPERE LA COTTURA

Pausa

E' possibile interrompere il funzionamento del forno in qualsiasi momento per:

- controllare il progresso della cottura,
- mescolare o agitare gli alimenti,
- far riposare gli alimenti.

Per fare ciò, è sufficiente aprire lo sportello del forno o premere una volta il pulsante

Interrompi/annulla.



- Il forno smetterà di funzionare e memorizzerà il punto in cui la cottura è stata interrotta.
- Durante la pausa il display non subirà modifiche.

Per riprendere la cottura premere il pulsante Avvio.



Per annullare la cottura premere nuovamente il pulsante Interrompi/annulla.

- L'orario riapparirà sul display.

ATTIVARE IL BLOCCO SICUREZZA BAMBINI

Questo forno è dotato di un sistema di blocco dei comandi, che ne impedisce l'avvio accidentale o causato da bambini non sorvegliati.

Per bloccare

Tenere premuto il pulsante Interrompi/annulla per 3 secondi.



- Il forno emetterà un segnale sonoro per indicare che i comandi sono bloccati.

I comandi sono bloccati.

- Il simbolo "Blocco sicurezza bambini" apparirà sul display.



- Ogni tentativo di avvio sarà segnalato da un'emissione sonora.

Per sbloccare

Tenere premuto il pulsante Interrompi/annulla per 3 secondi.

- Il forno emetterà un segnale sonoro per indicare che i comandi sono sbloccati.

- Il simbolo "Blocco sicurezza bambini" scomparirà dal display.

Questa funzione è disponibile solo quando il forno non è in funzione.

PULIZIA E MANUTENZIONE

Scollegare il forno dalla rete elettrica prima di qualsiasi operazione di pulizia.

Avvertenze generali

Una pulizia frequente e regolare previene l'emissione di fumo o di cattivi odori durante la cottura e la presenza di scintille nella cavità del forno o nei pressi della chiusura dello sportello.

Non lasciare accumuli di cibo o grasso nella cavità del forno o sulla chiusura dello sportello. Se il forno è equipaggiato con una placca a copertura della guida d'onda (di solito collocata sul lato interno destro del forno), quest'ultima deve essere tenuta costantemente pulita per evitare accumuli di cibo o grasso e per prevenire il rischio di scintille, che danneggerebbero il forno e annullerebbero la garanzia.

Prima di ogni intervento di manutenzione o pulizia, scollegare il forno dalla rete elettrica e attendere che si raffreddi a temperatura ambiente.

Sportello del forno

Rimuovere ogni deposito di cibo e grasso tra la guarnizione dello sportello e la cavità del forno con un panno umido; è importante tenere questa zona sempre pulita.

Pareti interne

Rimuovere schizzi di grasso dalle pareti della cavità del forno con sapone e acqua, quindi sciacquare e asciugare.

Prestare particolare attenzione nella pulizia dello sportello e dell'interno del forno e assicurarsi che lo sportello si chiuda correttamente per evitare scintille tra l'interno del forno e i meccanismi dello sportello.

Non usare prodotti abrasivi (ad esempio, pagliette) poiché rischierebbero di danneggiare le superfici interne e lo sportello del forno.

Usare solo acqua calda con sapone per la pulizia delle superfici in acciaio inox.

Superfici esterne

Per la pulizia delle superfici esterne usare un panno umido.

Non usare prodotti abrasivi (ad esempio, pagliette) poiché rischierebbero di danneggiare le superfici esterne. Accertarsi che l'acqua non penetri nelle fessure di ventilazione.

Lavare gli accessori a mano in acqua calda e sapone.

ATTENZIONE :

Alcune placche a copertura della guida d'onda sono particolarmente delicate e possono essere facilmente danneggiate. Prestare attenzione durante la pulizia.

Non lavare gli accessori in lavastoviglie.

Pulire le superfici sporche di cibo

Per motivi di igiene, pulire regolarmente il piatto rotante.

Pulire con acqua insaponata e asciugare con cura.

Se l'interno del forno non viene mantenuto in condizioni ottimali, ciò può causare danni e rischi di scosse elettriche, invalidando la garanzia.

Non graffiare le pareti della cavità del forno con oggetti appuntiti.

SPECIFICHE

Ingresso nominale (microonde): 1400W

Voltaggio: 230-240V~ 50Hz

Potenza griglia: 1250W

Convezione: 2200W

Frequenza microonde: 2450MHz

INDIVIDUAZIONE ED ELIMINAZIONE DI GUASTI

Fenomeni normali	
Il forno a microonde interferisce	Il funzionamento del forno può interferire con la

con la ricezione TV	ricezione radio e TV. E' simile all'interferenza di piccoli elettrodomestici, quali frullatori aspirapolveri e ventilatori elettrici. E' normale.
Luce del forno debole	Durante le cotture a bassa potenza, la luce del forno può indebolirsi. E' normale.
Accumulo di vapore sullo sportello, aria calda proveniente dalle fessure di ventilazione	Durante la cottura può prodursi del vapore. Buona parte fuoriuscirà dalle fessure. Ma una parte potrebbe accumularsi sullo sportello. E' normale.
Il forno si è avviato accidentalmente senza cibo al suo interno.	Si raccomanda di non avviare mai il forno senza alimenti all'interno. Può essere MOLTO PERICOLOSO.

Problema	Possibile causa	Soluzione
Il forno non funziona.	Il cavo di corrente non è inserito saldamente.	Scollegare l'apparecchio dalla presa elettrica e ricollegarlo dopo 10 secondi.
	Ci sono problemi con la presa della rete elettrica.	Testare la presa collegandovi un'altra spina.
Il forno non riscalda.	Lo sportello non è chiuso bene.	Chiudere bene lo sportello.
Il piatto rotante di vetro fa rumore durante il funzionamento del forno a microonde.	Anello o base del forno sporchi.	Consultare la sezione PULIZIA E MANUTENZIONE.

Queste istruzioni potrebbero contenere piccole imprecisioni dovute alla nostra politica di sviluppo e miglioramento continuo dei prodotti. Ci scusiamo per eventuali inconvenienti.

Darty Italia

Per richieste di assistenza o di informazioni sull'utilizzo di questo prodotto, indipendentemente dal negozio Darty in cui lo hai acquistato.

puoi chiamare il numero dal lunedì 199.777.779 al sabato dalle 08:00 alle 20:00, la domenica dalle 09:00 alle 17:00.

Darty Italia

Kesa Sourcing Limited – Filiale Italiana

Presso Commerciale Brianza/Carrefour

Superstrada Milano-Meda, 44

20037 Paderno Dugnano (MI).