

# BEKO



**FS225300**

**GB**

**Instruction for use**

**FR**

**Notice d'utilisation**

**D**

**bedienungsanleitung**

**NL**

**Gebruiksaanwijzing**

**IT**

**Istruzioni per l'uso**

**LV**

**Lietošanas instrukcija**

**CZ**

**Pokyny pro používání**





### **WARNING!**

In order to ensure a normal operation of your refrigerating appliance, which uses a completely environmentally friendly refrigerant the R600a (flammable only under certain conditions) you must observe the following rules.

- ◆ Do not hinder the free circulation of the air around the appliance.
- ◆ Do not use mechanical devices in order to accelerate the defrosting, others than the ones recommended by the manufacturer.
- ◆ Do not destroy the refrigerating circuit.
- ◆ Do not use electric appliances inside the food keeping compartment, other than those that might have been recommended by the manufacturer.

### **AVERTISSEMENT !**

Afin de s'assurer du fonctionnement normal de votre réfrigérateur, contenant le réfrigérant R 600a qui contribue à la protection de l'environnement (inflammable dans certaines conditions seulement), il convient de respecter les règles suivantes :

- ◆ Ne pas empêcher la circulation d'air autour de l'appareil.
- ◆ Ne pas utiliser d'outils mécaniques ou autres dispositifs pour accélérer le processus de décongélation autres que ceux qui sont recommandés par le fabricant.
- ◆ Ne pas abîmer le circuit réfrigérant.
- ◆ Ne pas utiliser d'appareils électriques à l'intérieur des compartiments de conservation de denrées, à moins qu'ils soient conformes au type d'appareils recommandés par le fabricant.

### **WARNUNG!**

Damit Ihr Kühlgerät, das ein vollständig umweltverträgliches Kühlmittel (R 600a, nur unter bestimmten Bedingungen entflammbar) nutzt, richtig arbeiten kann, müssen Sie die folgenden Regeln beachten:

- ◆ Sorgen Sie für freie Luftzirkulation um das Gerät herum.
- ◆ Verwenden Sie keinerlei mechanischen Geräte zum Beschleunigen des Abtauvorgangs. Ausgenommen davon sind Geräte, die vom Hersteller empfohlen werden.
- ◆ Beschädigen Sie nicht den Kühlkreislauf.
- ◆ Setzen Sie keinerlei Elektrogeräte im Inneren des Kühlgerätes ein. Ausgenommen davon sind Geräte, die vom Hersteller empfohlen werden.

### **WAARSCHUWING!**

U moet de volgende regels in acht nemen om de normale werking van uw koelkast, die het volledig milieuvriendelijke koelmiddel R 600a gebruikt, te verzekeren:

- ◆ Hinder de vrije luchtcirculatie rond het toestel niet.
- ◆ Gebruik geen andere mechanische toestellen om het ontdooien te versnellen dan de toestellen die door de fabrikant worden aangeraden.
- ◆ Vernietig het koelcircuit niet.
- ◆ Gebruik geen andere elektrische toestellen in de bewaarlade voor etenswaren dan de toestellen die eventueel door de fabrikant worden aangeraden.

### **AVVERTENZA!**

Per garantire il funzionamento adeguato dell'elettrodomestico, che utilizza il refrigerante R 600a completamente adatto all'ambiente (infiammabile solo in determinate condizioni), è necessario attenersi alle seguenti regole:

- ◆ Non ostacolare la libera circolazione dell'aria attorno all'elettrodomestico.
- ◆ Per accelerare lo sbrinatorio non utilizzare dispositivi meccanici diversi da quelli consigliati dal produttore.
- ◆ Non danneggiare il circuito refrigerante.
- ◆ Non utilizzare all'interno del comparto del cibo elettrodomestici diversi da quelli consigliati dal produttore.

### **UZMANĪBU!**

Lai garantētu jūsu sasaldēšanas iekārtas (kura izmanto viedei nekaitīgu dzesēšanas vielu R600a – uzliesmojošs tikai pie noteiktiem apstākļiem), ir nepieciešams ievērot sekojošo:

- ◆ Netrauciet gaisa cirkulācijai ap iekārtu.
- ◆ Neizmantojiet nekādas mehāniskās iekārtas atkausēšanas paātrināšanai.
- ◆ Nesabojājiet dzesēšanas ķēdi.
- ◆ Nodalījumā pārtikas produktu glabāšanai neizmantojiet nekādas mehāniskās iekārtas, ja ražotājs to neiesaka.

### **UPOZORNĚNÍ!**

Aby byl zajištěn normální provoz vaší chladničky, která používá pro životní prostředí zcela neškodné chladicí médium R600a (vznětlivé pouze za určitých podmínek), musíte dodržet následující pravidla:

- ◆ Nebraňte ve volné cirkulaci vzduchu kolem přístroje.
- ◆ Nepoužívejte mechanická zařízení pro zrychlení odmražení kromě těch, která jsou doporučena výrobcem.
- ◆ Nelikvidujte chladicí okruh.
- ◆ Nepoužívejte elektrické spotřebiče uvnitř prostoru pro potraviny kromě těch, která by mohl doporučit výrobce.

**GB Index**

Safety first /1  
 Electrical requirements /2  
 Transportation instructions /2  
 Installation instructions /2  
 Temperature control and adjustment /3  
 Before operating /3  
 Freezer control panel /4  
 Fast freeze function /4  
 Storing frozen food /4  
 Freezing fresh food /4  
 Making ice cubes /5  
 Getting to know your appliance /5  
 Defrosting /5  
 Cleaning and care /5  
 Repositioning the door /5  
 Do's and don'ts /6  
 Troubleshooting /7  
 Information about operating noises /7  
 Technical data /8

**FR Sommaire**

La sécurité d'abord /9  
 Conditions électriques /10  
 Instructions de transport /10  
 Instructions d'installation /10  
 Commande de température et réglage /11  
 Avant l'utilisation /11  
 Bandeau de commande du congélateur /12  
 Fonction de congélation rapide /12  
 Conservation des denrées surgelées /12  
 Congélation des produits frais /13  
 Fabrication de glaçons /13  
 Apprendre à connaître votre appareil /13  
 Dégivrage /13  
 Nettoyage et entretien /14  
 Repositionnement de la porte /14  
 À faire / À éviter /14  
 Diagnostic /15  
 Informations relatives aux bruits de fonctionnement /15  
 Caractéristiques techniques /16

**D Inhaltsverzeichnis**

Wichtige Sicherheitshinweise /17  
 Elektrischer Anschluss /18  
 Transporthinweise /18  
 Aufstellen des Gerätes /18  
 Temperaturkontrolle und –Einstellung /19  
 Vor der Inbetriebnahme /19  
 Tiefkühlbereich-Bedienfeld /20  
 Schnellgefrierfunktion /20  
 Lagerung von Tiefkühlkost /20  
 Frische Lebensmittel tiefkühlen /21  
 Herstellung von Eiswürfeln /21  
 Lernen Sie Ihr neues Gerät kennen /21  
 Abtauen /21  
 Reinigung und Pflege /22  
 Änderung des Türanschlags /22  
 Wichtige Hinweise – Bitte beachten! /22  
 Problemlösung /23  
 Hinweise zum Betriebsgeräusch /23  
 Technische Daten /24

**NL Inhoud**

Veiligheid eerst /25  
 Elektrische vereisten /26  
 Transportinstructies /26  
 Installatie-instructies /26  
 Opmeting en regeling van de temperatuur /27  
 Alvorens de inwerkstelling /27  
 Bedieningspaneel diepvriezer /28  
 Diepvriesproducten bewaren /28  
 Verse etenswaren invriezen /29  
 IJsblokjes maken /29  
 Uw toestel leren kennen /29  
 Ontdooien /29  
 Schoonmaak en onderhoud /30  
 De deur verplaatsen /30  
 Wel en niet /30  
 Problemen oplossen /31  
 Informatie over de functiegeluiden /31  
 Technische gegevens /32

**IT Indice**

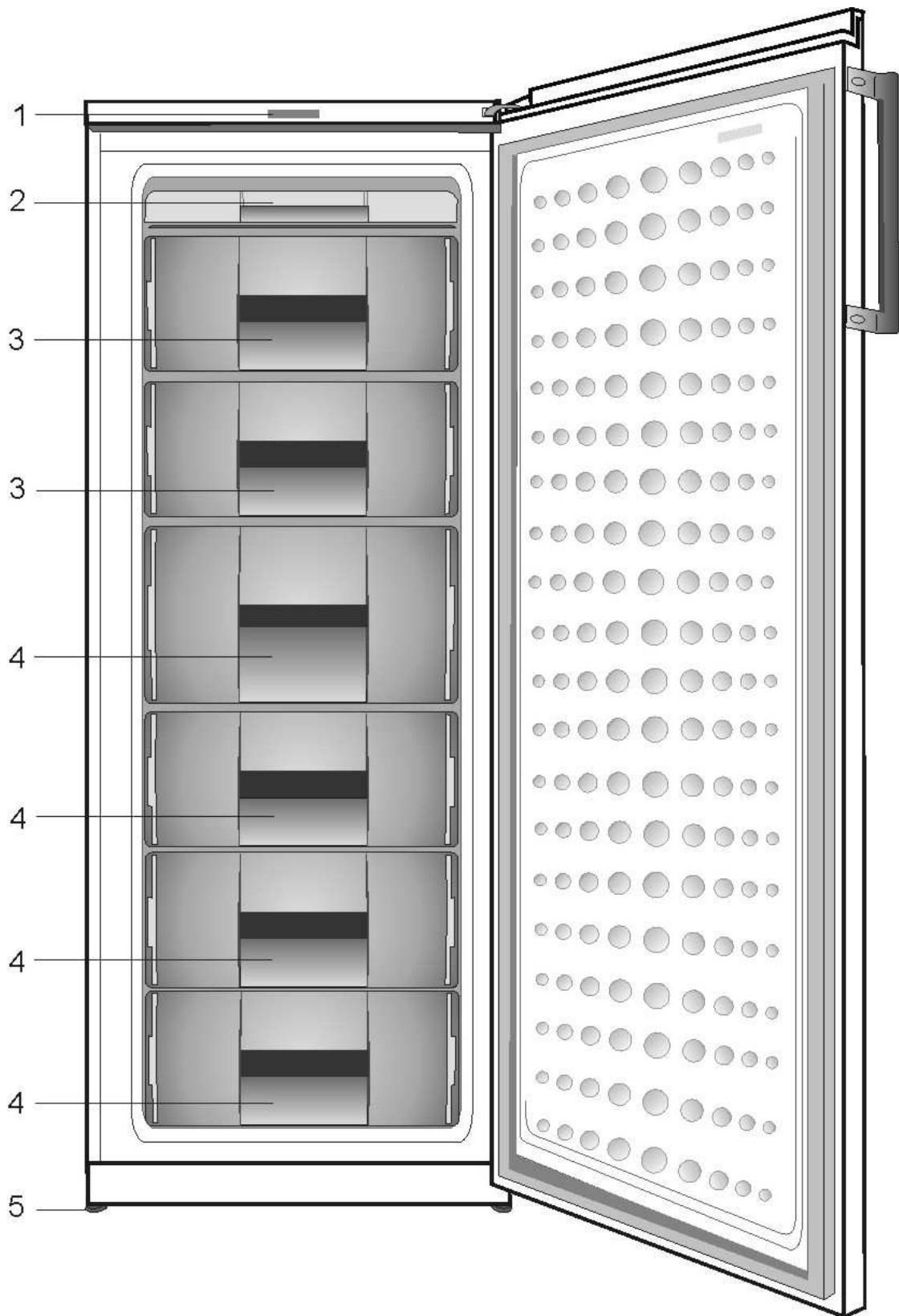
Sicurezza iniziale /33  
 Requisiti elettrici /34  
 Istruzioni per il trasporto /34  
 Istruzioni di installazione /34  
 Controllo e regolazione della temperatura /35  
 Prima della messa in funzione /35  
 Pannello di controllo freezer /36  
 Funzione congelamento rapido /36  
 Conservazione di cibo congelato /36  
 Congelamento di cibo fresco /37  
 Preparazione dei cubetti di ghiaccio /37  
 Informazioni generali sull'elettrodomestico /37  
 Sbrinatorio /37  
 Pulizia e manutenzione /37  
 Riposizionamento dello sportello /38  
 Cosa fare e cosa non fare /38  
 Risoluzione dei problemi /39  
 Informazioni sui rumori di funzionamento /39  
 Dati tecnici /40

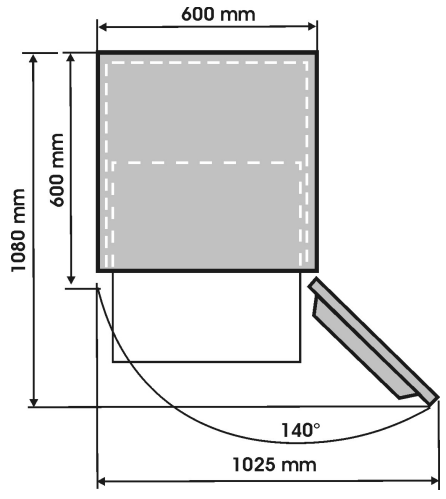
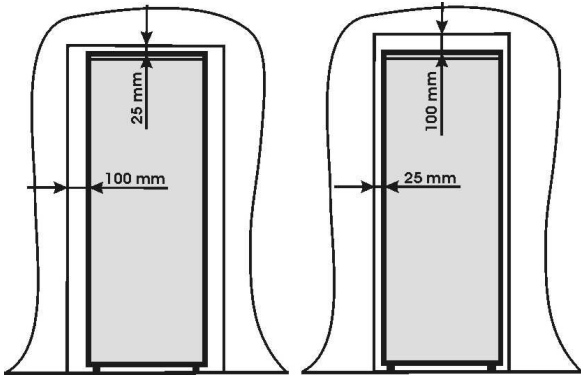
**LV Saturs**

Drošība pirmkārt /41  
 Elektrotīkla prasības /42  
 Transportēšana /42  
 Uzstādīšana /42  
 Temperatūras ataiņošana un iestatīšana /43  
 Pirms izmantošanas /43  
 Vadības panelis /44  
 Saldēšanas kameras vadības panelis /44  
 Sasaldētu pārtikas produktu glabāšana /44  
 Svaigu pārtikas produktu sasaldēšana /45  
 Ledus gabaliņu pagatavošana /45  
 Galvenās sastāvdaļas /45  
 Atkausēšana /45  
 Tīrīšana un apkope /45  
 Durvju uzstādīšana uz otru pusi /46  
 Ieteikumi un norādījumi /46  
 Kļūmju novēršana /47  
 Parasti darba trokšņi /47  
 Tehniskā specifikācija /48

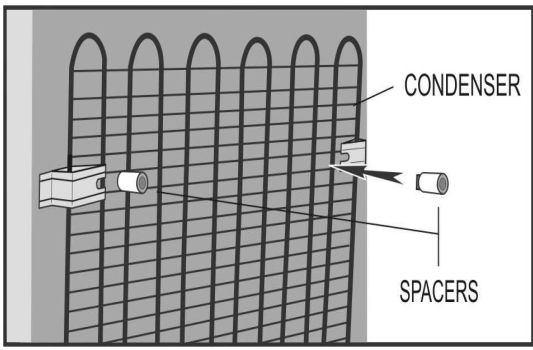
**CZ Rejstřík**

Bezpečnost především /49  
 Elektrické požadavky /50  
 Pokyny pro transport /50  
 Pokyny pro instalaci /50  
 Kontrola a nastavení teploty /51  
 Před spuštěním /51  
 Ovládací panel mrazničky /51  
 Funkce rychlého zmrazení /52  
 Ukládání zmrazených potravin /52  
 Mražení čerstvých potravin /52  
 Tvorba kostek ledu /52  
 Seznámení s vaším spotřebičem /52  
 Odmrazování /53  
 Čištění a péče /53  
 Výměna dvířek /53  
 Co dělat a co nedělat /54  
 Odstraňování potíží /55  
 Informace o provozních hlucích /55  
 Technická data /56

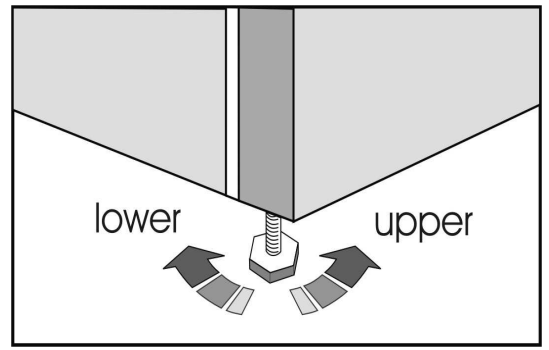




2



3



4



1

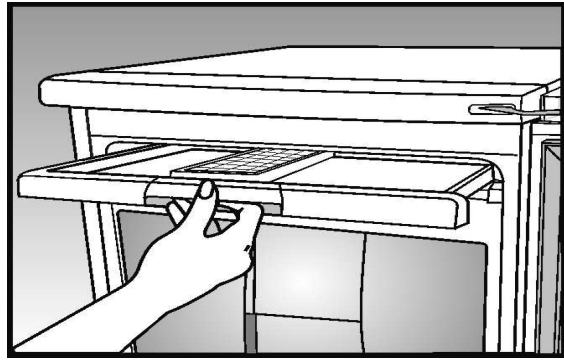
2

3

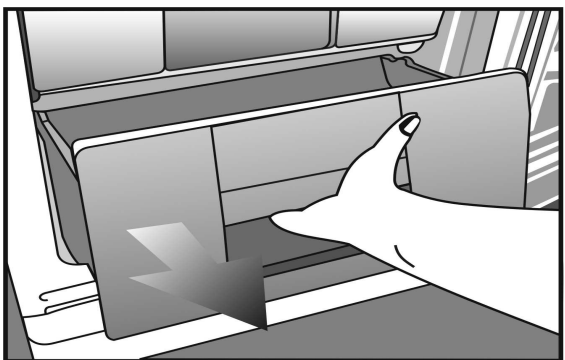
4

5

6



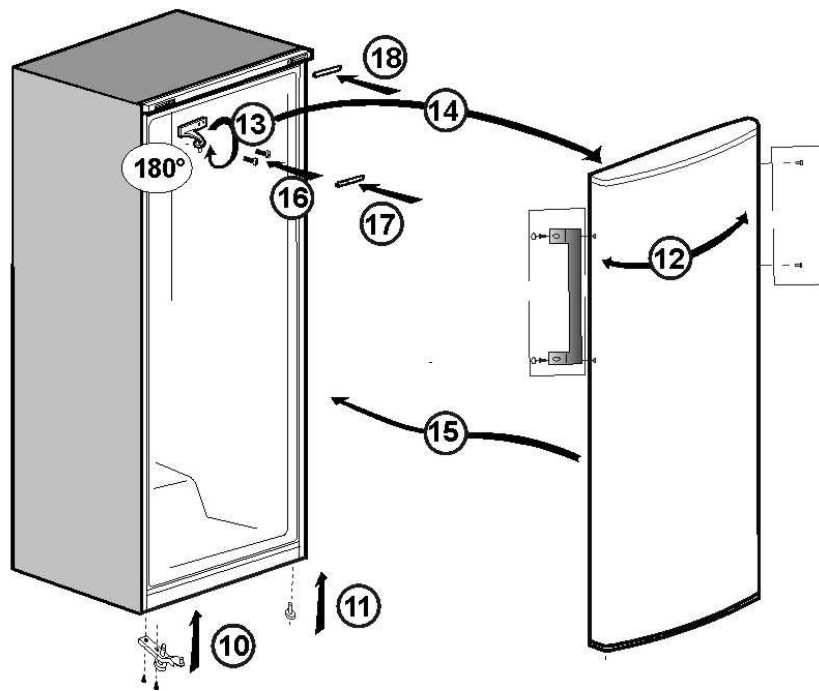
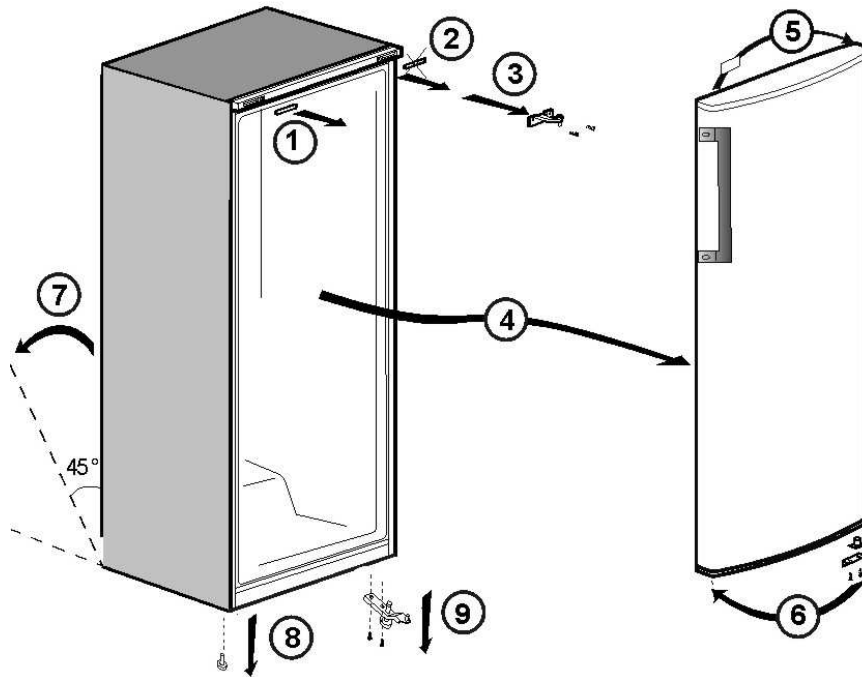
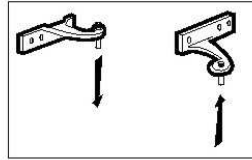
7



8



(13)



Congratulations on your choice of a **BEKO** Quality Appliance, designed to give you many years of service.

### ***Safety first!***

Do not connect your appliance to the electricity supply until all packing and transit protectors have been removed.

- Leave to stand for at least 12 hours before switching on, to allow compressor oil to settle, if transported horizontally.
- If you are discarding an old appliance with a lock or latch fitted to the door, ensure that it is left in a safe condition to prevent the entrapment of children.
- This appliance must only be used for its intended purpose.
- Do not dispose of the appliance on a fire. Your appliance contains non CFC substances in the insulation which are flammable. We suggest you contact your local authority for information on disposal and available facilities.
- We do not recommend use of this appliance in an unheated, cold room (e.g. garage, conservatory, annex, shed, out-house etc.).

To obtain the best possible performance and trouble free operation from your appliance it is very important to read these instructions carefully. Failure to observe these instructions may invalidate your right to free service during the guarantee period.

Please keep these instructions in a safe place for easy reference.

**This appliance is not intended for use by person with reduced physical, sensory or mental capabilities or lack of experience and knowledge unless they have been given supervision or instruction concerning use of the appliance by a person responsible for their safety.  
Children should be supervised to ensure that they do not play with the appliance.**

## Electrical requirements

Before inserting the plug into the wall socket make sure that the voltage and the frequency shown in the rating plate inside the appliance corresponds to your electricity supply.

We recommend that this appliance is connected to the mains supply via a suitably switched and fused socket in a readily accessible position.

The plug has to be accessible after installation in order to allow disconnection of the appliance from the supply after installation.

### **Warning! This appliance must be earthed.**

Repairs to the electrical equipment may only be made by qualified experts. If the power cable is damaged, the manufacturer or customer service must replace it in order to avoid danger.

### **ATTENTION!**

This appliance operates with R 600a which is an environmental friendly but flammable gas. During the transportation and fixing of the product, care must be taken not to damage the cooling system. If the cooling system is damaged and there is a gas leakage from the system, keep the product away from open flame sources and ventilate the room for a while.

**WARNING** - Do not use mechanical devices or other means to accelerate the defrosting process, others than those recommended by the manufacturer.

**WARNING** - Do not damage the refrigerant circuit.

**WARNING** - Do not use electrical appliances inside the food storage compartments of the appliance, unless they are of the type recommended by the manufacturer.

## Transportation instructions

1. The appliance should be transported only in an upright position. The packing as supplied must be intact during transportation.

2. If during the transport the appliance, has been positioned horizontally, it must not be operated for at least 12 hours, to allow the system to settle.

3. Failure to comply with the above instructions could result in damage to the appliance, for which the manufacturer will not be held liable.

4. The appliance must be protected against rain, moisture and other atmospheric influences.

### **Important!**

- Care must be taken while cleaning/carrying the appliance not to touch the bottom of the condenser metal wires at the back of the appliance, as this could cause injury to fingers and hands.

- Do not attempt to sit or stand on top of your appliance as it is not designed for such use. You could injure yourself or damage the appliance.

- Make sure that the mains cable is not caught under the appliance during and after moving, as this could damage the cable.

- Do not allow children to play with the appliance or tamper with the controls.

## Installation instructions

1. Do not keep your appliance in a room where the temperature is likely to fall below 10 degrees C (50 degrees F) at night and/or especially in winter, as it is designed to operate in ambient temperatures between +10 and +32 degrees C (50 and 90 degrees F). At lower temperatures the appliance may not operate, resulting in a reduction in the storage life of the food.

2. Do not place the appliance near cookers or radiators or in direct sunlight, as this will cause extra strain on the appliance's functions. If installed next to a source of heat or freezer, maintain the following minimum side clearances:

From Cookers 30 mm

From Radiators 300 mm

From Freezers 25 mm

3. Make sure that sufficient room is provided around the appliance to ensure free air circulation (**Item 2**).

- Put the back airing lid to the back of your refrigerator to set the distance between the refrigerator and the wall (**Item 3**).



4. The appliance should be positioned on a smooth surface. The two front feet can be adjusted as required. To ensure that your appliance is standing upright adjust the two front feet by turning clockwise or anti-clockwise, until firm contact is secured with the floor. Correct adjustment of feet prevents excessive vibration and noise (**Item 4**).
5. Refer to "Cleaning and Care" section to prepare your appliance for use.

### **Temperature control and adjustment**

The freezer temperature is influenced by the freezer temperature set button (**recommended are 2 or 3 position**).

Generally, this temperature is below  $-18^{\circ}\text{C}$ . Lower temperatures can be obtained by adjusting the thermostat knob towards position MAX.

We recommend checking the temperature with a thermometer to ensure that the storage compartments are kept to the desired temperature. Remember to take the reading immediately since the thermometer temperature will rise very rapidly after you remove it from the freezer.

Please remember that each time the door is opened cold air escapes and the internal temperature rises. Therefore never leave the door open and ensure it is closed immediately after food is put in or removed.

### **Before operating**

#### **Final Check**

Before you start using the freezer check that:

1. The feet have been adjusted for perfect levelling.
2. The interior is dry and air can circulate freely at the rear.
3. The interior is clean as recommended under "CLEANING AND CARE."
4. The plug is inserted into the wall socket and the electricity supply is switched on. Avoid accidental disconnection by taping over the switch.

#### **And note that:**

5. You will hear a noise as the compressor starts up. The liquid and gases sealed within the refrigeration system may also make some noise, whether the compressor is running or not. This is quite normal.

6. To freeze the fresh foods use the compartment marked with 4 stars (recommended second shelf).

7. Don't put in freezer a too big quantity of foods in the same time. The foods quality is well kept if they are deeply frozen in the shortest time possible. Therefore it is preferable do not exceed the freezing capacity of the appliance shown in "*Appliance record*". The thermostat shall be adjusted in order to obtain the lowest temperature inside the freezer with the button on fast freeze function and the orange lamp lighting

8. After the time necessary to freeze the fresh foods from the freezer is finished, set the thermostat button on a medium position (yellow lamp is not lighting).

9. Do not load the appliance immediately it is switched on. Wait until the correct storage temperature has been reached. We recommend that you check the temperature with an accurate thermometer (see; Temperature Control and Adjustment).

#### **Important Note:**

If there is a power failure do not open the door. Frozen food should not be affected if the failure lasts for less than 19 hours. If the failure is longer, then the food should be checked and either eaten immediately or cooked and then re-frozen.

## Freezer control panel

### Item 5

The control panel adjusts the temperature in the freezer and has the following functions:

#### 1 - Orange led - Fast freeze on

When you turn the freezer temperature set buton (4) to the max position, the orange led (1) will light and the compressor will run continuously. Remember to turn the thermostat knob back to its previous position once food has frozen.

#### 2 - Green led - electricity on (Voltage)

Lights when the appliance is connected to the network and remains lit as long as it is available power supply. LED green does not provide information on temperature inside the freezer.

#### 3 - Red Led - High Temperature Alarm

#### 4 - Setting temperature buton

#### High temperature alarm

After the appliance is turned on for the first time the alarm is not active for 12 hours (red led is off).

After this period, red led can lights (red led is on) in the following cases:

- If the appliance is overloaded with fresh food
- If the door is left open by mistake.

In these cases the red led will remain lit until the appliance reached the preset temperature. If the red led is on wait for 24 hours before to announce the authorized service.

#### **Important:**

The temperatures obtained inside can vary according to the conditions of use of the appliance: location, ambient temperature, frequency of door opening, degree of loading with food. The temperature setting will be modified according to these conditions.

If the red led is on wait for 24 hours before to announce the authorized service.

It could be the warm food placed inside the freezer and/or the door who was left open.

In 24 hrs of functioning the allarm for hight temperature (red led) it should be off.

## Fast freeze function

When you turn the freezer temperature set buton (4) to the max position, the orange led (1) will light and the compressor will run continuously.

## Storing frozen food

Your freezer is suitable for the long-term storage of commercially frozen foods and also can be used to freeze and store fresh food. If there is a power failure, do not open the door. Frozen food should not be affected if the failure lasts for less than 19 hrs. If the failure is longer, then the food should be checked and either eaten immediately or cooked and then re-frozen.

## Freezing fresh food

Please observe the following instructions to obtain the best results.

Do not freeze too large a quantity at any one time. The quality of the food is best preserved when it is frozen right through to the core as quickly as possible.

If large amounts of fresh food are going to be frozen, adjust the control knob to max. 24 hours before putting the fresh food in the fast freeze compartment.

It is strongly recommended to keep the knob at MAX. position at least 24 hours to freeze maximum amount of fresh food declared as freezing capacity. Take special care not to mix frozen food and fresh food.

Remember to turn the thermostat knob back to its previous position once food has frozen Small quantities of food up to 1/2 kg. (1 lb) can be frozen without fast freezer function Take special care not to mix already frozen food and fresh food.

## **Making ice cubes**

### **(Item 6)**

Fill the ice - cube tray 3/4 full with water and place it in the freezer. Loosen frozen trays with a spoon handle or a similar implement; never use sharp-edged objects such as knives or forks.

## **Getting to know your appliance**

### **(Item 1)**

- 1 - Control panel, display and adjustment
- 2 - Ice tray support and ice tray
- 3 - Compartment for quickly freezing
- 4 - Compartments for frozen foods keeping
- 5 - Adjustable front feet

## **Defrosting**

Please defrost the freezer compartment at least twice a year or when the ice layer is too thick.

- Ice build-up is a normal phenomenon.
- The ice build-up, especially in the upper side of the compartment is a natural phenomenon and does not affect the good functioning of the appliance.
- It is recommended to defrost the appliance when the quantity of frozen food is not too big.
- Before the defrosting set the adjusting thermostat button on the maximum position in order to strongly freeze the foods. During this time, the temperature in the refrigerator must not be too low.
  - Unplug the appliance
  - Take out the frozen foods, pack them in several paper sheets and put them in a cool place.
  - Let the door open for a quick defrosting and put inside vessels with warm water (max.80°C).

Do not use pointed or sharp-edged objects such as knives or forks to remove the frost. Never use hairdryers, electrical heaters or other such electrical appliances for defrosting. When defrosting has finished, close the defrosting part and dry the interior thoroughly **(Item 7 & 8)**.

Press the fast-freeze switch, and leave it on for about three hours.

## **Cleaning and care**

1. We recommend that you switch off the appliance at the socket outlet and pull out the mains plug before cleaning.

2. Never use any sharp instruments or abrasive substances, soap, household cleaner, detergent or wax polish for cleaning.

3. Use luke warm water to clean the cabinet of the appliance and wipe it dry.

4. Use a damp cloth wrung out in a solution of one teaspoon of bicarbonate of soda to one pint of water to clean the interior and wipe it dry.

5. If the appliance is not going to be used for a long period of time, switch it off, remove all food, clean it and leave the door ajar.

6. We recommend that you polish the metal parts of the product (i.e. door exterior, cabinet sides) with a silicone wax (car polish) to protect the high quality paint finish.

7. Any dust that gathers on the condenser, which is located at the back of the appliance, should be removed once a year with a vacuum cleaner.

8. Check door seals regularly to ensure they are clean and free from food particles.

9. Never:

- Clean the appliance with unsuitable material; eg petroleum based products.
- Subject it to high temperatures in any way,
- Scour, rub etc., with abrasive material.

10. Excess deposit of ice should be removed regularly. Large accumulation of ice will impair the performance of the freezer.

11. To remove a drawer, pull it as far as possible, tilt it upwards and then pull it out completely.

## **Repositioning the door**

Proceed in numerical order **(Item 9)**.

**Do's and don'ts**

- Do-** Check contents of the freezer at regular intervals.
- Do-** Clean and defrost your appliance regularly (See "Defrosting")
- Do-** Keep food for as short a time as possible and adhere to "Best Before" and "Use By" dates.
- Do-** Store commercially frozen food in accordance with the instructions given on the packets.
- Do-** Always choose high quality fresh food and be sure it is thoroughly clean before you freeze it.
- Do-** Prepare fresh food for freezing in small portions to ensure rapid freezing.
- Do-** Wrap frozen food immediately after purchasing and put it in to the freezer as soon as possible.
- Do-** Separate food in the compartments and complete the contents card. This will enable you to find food quickly and avoid excessive door opening, which will save electricity.
- Don't-** Leave the door open for long periods, as this will make the appliance more costly to run and cause excessive ice formation.
- Don't-** Use sharp edged objects such as knives or forks to remove the ice.
- Don't-** Put hot food into the appliance. Let it cool down first.
- Don't-** Put liquid-filled bottles or sealed cans containing carbonated liquids into the freezer, as they may burst.
- Don't-** Store poisonous or any dangerous substances in your appliance. It has been designed for the storage of edible foodstuffs only.
- Don't-** Exceed the maximum freezing loads when freezing fresh food.
- Don't-** Consume ice-cream and water ices direct from the freezer. The low temperature may cause 'freezer burns' on lips.
- Don't-** Freeze fizzy drinks.
- Don't-** Try to keep frozen food which has thawed; it should be eaten within 24 hours or cooked and refrozen.
- Don't-** Remove items from the freezer with wet hands.
- Don't-** Close the door before replacing the fast-freeze compartment cover.

## Troubleshooting

If the appliance does not operate when switched on, check;

- That the plug is inserted properly in the socket and that the power supply is on. (To check the power supply to the socket, plug in another appliance)
- Whether the fuse has blown/circuit breaker has tripped/main distribution switch has been turned off.
- That the temperature control has been set correctly.
- That the new plug is wired correctly, if you have changed the fitted, moulded plug.

If the appliance is still not operating at all after above checks, contact the dealer from whom you purchased the unit.

Please ensure that above checks have been done, as a charge will be made if no fault is found.

## Information about operating noises

To keep the selected temperature constant, your appliance occasionally switches ON the compressor.

The resulting noises are quite normal.

As soon as the appliance has reached the operating temperature, the noises automatically reduce in volume.

The **humming noise** is emitted by the motor (compressor). When the motor switches ON, the noise may briefly increase in volume.

The **bubbling, gurgling or whirring** noise is emitted by the refrigerant as it flows through the pipes.

The **clicking noise** can always be heard when the thermostat switches ON/OFF the motor.

### **A clicking noise may occur when**

- the automatic defrosting system is active.
- the appliance is cooling down or warming up (material expansion).

**If these noises are excessively loud, the causes are probably not serious and are usually very easy to eliminate.**

### **The appliance is not level**

Use the height-adjustable feet or place packing under the feet.

### **The appliance is not free-standing**

Please move the appliance away from kitchen units or other appliances.

### **Shelves are loose or stick**

Please check the detachable components and, if required, refit them.


### **Warning!**

Do not attempt at any time to repair the appliance or its electric components yourself. Any repair done by an unskilled person is dangerous for the user and can lead to warranty loss.

**Technical data**

Brand	<b>BEKO</b>
Modell	<b>FS225300</b>
Appliance type	<b>UPRIGHT FREEZER</b> * ** *
Total gross volume (l.)	250
Total usable volume (l.)	190
Freezing capacity (kg/24 h)	14
Energy class (1)	A
Power consumption (kWh/year) (2)	263
Autonomy (h)	19
Noise [dB(A) re 1 pW]	41
Ecological refrigerating agent R600a	
(1) Energy class : A . . . G (A = economical . . . G = less economical)	
(2) The real power consumption depends on using conditions and appliance location.	



The symbol  on the product or on packaging indicates that this product may not be treated as household waste. Instead it shall be handed over to the applicable collection point for the recycling of electrical and electronic equipment. By ensuring this product is disposed of correctly, you will help prevent potential negative consequences for the environment and human health, which could otherwise be caused by inappropriate waste handling of this product. For more detailed information about recycling of this product, please contact your local city office, your household waste disposal service or the shop where you purchased the product.

Nous vous félicitons d'avoir choisi un Appareil de qualité **BEKO** conçu pour vous offrir de nombreuses années de service.

### ***La sécurité d'abord !***

Ne connectez pas votre appareil à l'alimentation électrique avant d'avoir enlevé tous les emballages et protections de transport.

- Attendez au moins 12 heures avant de le brancher pour que l'huile du compresseur se stabilise s'il a été transporté couché.
- Si vous vous débarrassez d'un vieil appareil à ressort ou loquet intégré à la porte, prenez soin de le rendre hors de danger pour éviter que les enfants ne s'enferment à l'intérieur.
- L'utilisation de cet appareil s'applique uniquement à l'usage prévu.
- Ne vous débarrassez pas de l'appareil dans un feu. L'isolation de votre appareil contient des substances non CFC qui sont inflammables. Veuillez contacter les autorités locales pour obtenir des renseignements concernant la mise au rebut et les endroits existants.
- L'utilisation de cet appareil dans une pièce froide, non chauffée n'est pas recommandée. (garage, jardin d'hiver, annexe, abri, remise, etc.)

Afin d'obtenir le meilleur résultat possible et un fonctionnement sans encombres de votre appareil, veuillez lire ces instructions attentivement. Le non-respect de ces instructions pourrait annuler votre droit à l'assistance sans frais pendant la période de garantie. Veuillez conserver ces instructions soigneusement à titre de référence pratique.

**Cet appareil ne sera pas utilisé par des personnes ayant capacités physiques, sensorielles ou mentales réduites, ou sans expérience concernant l'utilisation de l'appareil, si une personne responsable de leur sécurité ne les a pas instruites pour ce but.**

**Les enfants doivent être surveillés pour avoir la certitude qu'ils ne jouent pas avec l'appareil.**

## Conditions électriques

Avant de brancher l'appareil à la prise murale, vérifiez que la tension et la fréquence indiquées sur la plaque signalétique à l'intérieur de l'appareil correspondent à votre alimentation électrique.

Nous recommandons de connecter cet appareil au réseau électrique par le biais d'une prise dotée d'un commutateur et d'un fusible et placée de façon à être facile d'accès.

La prise doit être accessible après l'installation afin de permettre le débranchement de l'appareil du secteur.

### **Avertissement ! Cet appareil doit être branché à une borne de mise à la terre.**

Les réparations de l'appareillage électrique doivent être réalisées par des techniciens qualifiés. Si le câble d'alimentation est endommagé, il doit être remplacé par le constructeur ou le service clientèle afin d'écartier tout danger.

### **ATTENTION !**

Cet appareil fonctionne avec du R 600a, un gaz qui contribue à la protection de l'environnement mais qui est inflammable. Pendant le transport et l'installation du produit, veillez à ne pas endommager le système réfrigérant. Si le système réfrigérant est abîmé et qu'une fuite de gaz se produit, tenez l'appareil à l'écart des sources de flammes vives et aérer bien la pièce.

**AVERTISSEMENT** - N'utilisez pas d'outils mécaniques ou autres moyens pour accélérer le processus de décongélation autres que ceux qui sont recommandés par le fabricant.

**AVERTISSEMENT**- N'abîmez pas le circuit réfrigérant.

**AVERTISSEMENT**- Ne faites pas fonctionner d'appareils électriques à l'intérieur des compartiments de conservation de denrées, à moins qu'ils soient conformes au type d'appareils recommandés par le fabricant.

## Instructions de transport

1. L'appareil doit être transporté en position debout uniquement. L'emballage fourni doit rester intact pendant le transport.

2. Si l'appareil a été couché pendant le transport, il ne doit pas être mis en service pendant au moins 12 heures pour permettre au système de se stabiliser.

3. Le non-respect des instructions ci-dessus pourrait endommager l'appareil et ne saurait engager la responsabilité du fabricant.

4. L'appareil doit être protégé contre la pluie, l'humidité et autres conditions atmosphériques.

### **Important !**

- Lors du nettoyage/déplacement de l'appareil, prenez soin de ne pas toucher les câbles métalliques du condenseur au dos de l'appareil, cela pouvant occasionner des blessures aux doigts et aux mains.
- N'essayez pas de vous asseoir ou de vous monter sur l'appareil, celui-ci n'étant pas prévu à cet effet. Vous pourriez vous blesser ou endommager l'appareil.
- Assurez-vous que le câble d'alimentation ne soit pas coincé sous l'appareil pendant et après son déplacement car cela pourrait endommager le câble.
- Veillez à ce que les enfants ne jouent pas avec l'appareil et ne touchent pas aux commandes.

## Instructions d'installation

1. N'installez pas votre appareil dans une pièce dont la température peut descendre en dessous de 10 degrés Celsius (50 degrés Fahrenheit) la nuit et/ou particulièrement en hiver. En effet, il est conçu pour fonctionner à des températures ambiantes comprises entre +10 et +32 degrés Celsius (50 et 90 degrés Fahrenheit). En cas de températures inférieures, l'appareil peut ne pas fonctionner correctement et réduire ainsi la durée de conservation des denrées.

2. Ne placez pas l'appareil à proximité de cuisinières, radiateurs ou à la lumière directe du soleil, car cela entraînerait un effort supplémentaire des fonctions de l'appareil. S'il est installé à côté d'une source de chaleur ou d'un congélateur, respectez les dégagements latéraux minimum suivants :

- des Cuisinières 30 mm
- des Radiateurs 300 mm
- des Congélateurs 25 mm



3. Assurez-vous de laisser suffisamment d'espace autour de l'appareil pour que l'air puisse circuler librement (**figure 2**).

• Placez la grille d'aération au dos de votre réfrigérateur pour établir la distance nécessaire entre le réfrigérateur et le mur (**figure 3**).

4. L'appareil doit être posé sur une surface lisse. Les deux pieds avant peuvent se régler si nécessaire. Pour s'assurer que votre appareil est à niveau, ajustez les deux pieds avant en tournant dans le sens des aiguilles d'une montre ou dans le sens inverse jusqu'à ce que l'appareil soit bien calé au sol. Le réglage approprié des pieds évite les vibrations excessives et le bruit (**figure 4**).

5. Référez-vous à la section « Nettoyage et Entretien » pour préparer votre appareil à l'emploi.

### **Commande de température et réglage**

La température du congélateur dépend de la position du bouton de réglage de la température du congélateur (**il est recommandé de le placer sur 2 ou 3**).

Généralement, cette température est inférieure à -18°C. Vous pouvez obtenir des températures plus basses en ajustant la commande du thermostat dans la direction de la Position MAX.

Nous vous conseillons de vérifier la température avec un thermomètre pour s'assurer que les compartiments de conservation soient maintenus à la température souhaitée. Pensez à lire la température sur le thermomètre immédiatement comme elle montera très rapidement après l'avoir sorti du congélateur. Veuillez vous rappeler que l'air froid s'échappe et la température interne monte à chaque ouverture de la porte. Ne laissez donc jamais la porte ouverte et assurez-vous de la fermer immédiatement après avoir introduit ou sorti des denrées.

### **Avant l'utilisation**

#### **Vérification finale**

Avant de commencer à utiliser le congélateur, vérifiez que :

1. Les pieds ont été ajustés et sont parfaitement à niveau.
2. L'intérieur est sec et l'air peut circuler librement derrière l'appareil.

3. L'intérieur est propre comme l'indique la section « NETTOYAGE ET ENTRETIEN ».

4. La prise de l'appareil est branchée à la prise murale et le courant passe. Évitez une coupure accidentelle en collant du ruban adhésif sur la prise.

#### **Et notez que :**

5. Vous remarquerez un bruit lorsque le compresseur se met en marche. Le liquide et les gaz intégrés au système du réfrigérateur peuvent également faire du bruit, que le compresseur soit en marche ou non. Ceci est tout à fait normal.

6. Pour congeler les produits frais, utilisez le compartiment indiqué par 4 étoiles (il est recommandé de le placer sur le second tiroir).

7. N'introduisez pas une trop grande quantité de denrées dans le congélateur à la fois. La qualité des denrées est bien préservée si elles sont entièrement congelées aussi rapidement que possible. Il est donc conseillé de ne pas dépasser le pouvoir de congélation de l'appareil indiqué sur la plaque signalétique. Le thermostat doit être ajusté de façon à obtenir la température la plus basse dans le congélateur, le bouton placé sur la fonction de congélation rapide et le témoin orange doit clignoter.

8. Une fois que le temps nécessaire à la congélation des produits frais est écoulé, réglez la commande du thermostat sur la position médiane (voyant jaune éteint).

9. Ne remplissez pas l'appareil immédiatement après l'avoir branché. Attendez que la bonne température de conservation soit atteinte. Nous vous conseillons de vérifier la température à l'aide d'un thermomètre précis (voir Commande de Température et Réglage).

#### **Remarque importante :**

En cas de panne de courant, n'ouvrez pas la porte. Les denrées surgelées ne devraient pas s'abîmer si la coupure dure moins de 19 heures. Si la panne dure plus longtemps, inspectez les denrées et mangez-les immédiatement ou bien faites-les cuire puis congélez-les à nouveau.

## **Bandeau de commande du congélateur**

### **Figure 5**

Le bandeau de commande contrôle la température du congélateur et dispose des fonctions suivantes :

#### **1 - LED orange - Congélation rapide active**

Lorsque vous tournez la molette de réglage de la température du congélateur (4) sur la position max., le témoin orange (1) s'allume et le compresseur fonctionne en continu. Rappelez-vous de replacer la molette de thermostat dans sa position précédente une fois que la nourriture est congelée.

#### **2 - LED verte - alimentation (tension)**

S'allume lorsque l'appareil est connecté au secteur et reste allumé tant qu'il est alimenté en électricité. La LED verte ne fournit aucune information sur la température à l'intérieur du congélateur.

#### **3 - LED rouge - Alarme de température élevée**

#### **4 - Bouton de réglage de fonctionnement**

##### **Alarme de température élevée**

Lorsque l'appareil a été allumé pour la première fois, l'alarme n'est pas active pendant 12 heures (la LED rouge est éteinte). Après cette période, la LED rouge peut s'allumer dans les cas suivants :

- Si l'appareil est surchargé de produits frais.
- Si la porte a été laissée ouverte par mégarde.

Dans ces cas, la LED rouge restera allumée jusqu'à ce que l'appareil atteigne la température prédéfinie.

Si la LED rouge est allumée, attendez 24 heures avant de contacter le service après vente agréé.

#### **Important :**

Les températures obtenues peuvent varier selon les conditions d'utilisation de l'appareil : emplacement, température ambiante, fréquence d'ouverture de la porte, quantité de denrées introduites. Le réglage de la température sera modifié en fonction de ces conditions.

Si la LED rouge est allumée, attendez 24 heures avant de contacter le service après vente agréé.

Des aliments chauds ont pu être introduits dans le congélateur et/ou la porte a été laissée ouverte.

Au bout de 24 heures, le voyant d'alerte de haute température (LED rouge) devrait s'éteindre.

#### **Fonction de congélation rapide**

Lorsque vous placez le bouton de réglage de la température du congélateur sur la position max. (4), le témoin orange (1) s'allume et le compresseur fonctionne en continu.

#### **Conservation des denrées surgelées**

Votre congélateur est destiné à la conservation à long terme d'aliments surgelés du commerce et peut servir également à congeler et conserver des produits frais. En cas de panne de courant, n'ouvrez pas la porte. Les denrées surgelées ne devraient pas s'abîmer si la coupure dure moins de 19 heures. Si la coupure est plus longue, inspectez les denrées et mangez-les immédiatement ou bien faites-les cuire puis congelez-les à nouveau.

## **Congeler les produits frais**

Veillez respecter les instructions suivantes afin d'obtenir les meilleurs résultats. Ne congélez pas une quantité trop importante à la fois. La qualité des aliments est préservée de façon optimale lorsqu'ils sont entièrement congelés aussi rapidement que possible.

Si vous vous apprêtez à congeler de grandes quantités de produits frais, réglez le bouton de commande sur la position max. pour obtenir une congélation rapide. 24

heures avant d'introduire les produits frais dans le compartiment de congélation rapide. Nous vous recommandons fortement de laisser la touche de congélation sur la position maximum pendant au moins 24 heures pour congeler le volume maximal de produits frais correspondant au pouvoir de congélation stipulé. Prenez particulièrement soin de ne pas mélanger

les produits congelés et les produits frais. Rappelez-vous de replacer la manette de thermostat dans sa position précédente une fois que la nourriture est congelée.

De petites quantités de nourriture ne dépassant pas 0,5 kg (1 lb) peuvent être congelées sans la fonction de congélation rapide.

Faites particulièrement attention à ne pas mélanger les produits déjà congelés et les produits frais.

## **Fabrication de glaçons (Figure 6)**

Remplissez les bacs à glaçons d'eau jusqu'aux  $\frac{3}{4}$  et introduisez les dans le congélateur. Dégagez les bacs à glaçons à l'aide du manche d'une cuillère ou outil similaire, n'utilisez jamais d'objets tranchants tels que des couteaux ou fourchettes.

## **Apprendre à connaître votre appareil (Figure 1)**

- 1 - Bandeau de commande, affichage et réglage
- 2 - Bac à glaçons et support
- 3 - Compartiment de congélation rapide
- 4 - Compartiment de conservation des denrées surgelées
- 5 - Pieds avant réglables

## **Dégivrage**

Veillez dégivrer le compartiment congélateur au moins deux fois par an ou lorsque la couche de glace est trop épaisse.

- La formation de glace est un phénomène normal.
- La formation de glace, notamment dans le compartiment supérieur, est normale et n'affecte pas le fonctionnement de l'appareil.
- Il est conseillé de dégivrer l'appareil lorsque la quantité de denrées surgelées n'est pas trop importante.
- Avant de procéder au dégivrage, réglez la commande du thermostat sur la position maximale de façon à bien congeler les denrées. Au cours de cette période, la température dans le réfrigérateur ne doit pas être trop basse.
  - Débranchez l'appareil
  - Sortez les denrées surgelées, enveloppez-les dans plusieurs feuilles de papier et mettez-les dans un endroit frais.
  - Laissez la porte ouverte pour accélérer le dégivrage et introduisez des récipients d'eau chaude (80°C maximum).

N'utilisez pas d'objets pointus ou tranchants tels que couteaux ou fourchettes pour enlever le givre.

N'utilisez jamais de sèche-cheveux, radiateurs électriques ou autres appareils électriques similaires pour dégivrer. Une fois le dégivrage terminé, séchez soigneusement l'intérieur

## **(Figure 7 et 8).**

Appuyez sur la touche de congélation rapide et laissez-la enclenchée pendant trois heures environ.

## Nettoyage et entretien

1. Avant de procéder au nettoyage, veuillez déconnecter le réfrigérateur et débrancher la prise d'alimentation.
2. N'utilisez jamais d'ustensiles tranchants ni de substances abrasives, savon, produit de nettoyage domestique, détergent ou cirage pour le nettoyer.
3. Utilisez de l'eau tiède pour nettoyer la carrosserie et séchez soigneusement à l'aide d'un chiffon.
4. Utilisez un chiffon humide imbibé d'une solution composée d'une cuillère à café de bicarbonate de soude pour un demi litre d'eau pour nettoyer l'intérieur et séchez soigneusement.
5. En cas de non utilisation de l'appareil pendant une période prolongée, débranchez-le, sortez toutes les denrées, nettoyez-le et laissez la porte entrouverte.
6. Il est recommandé de polir les parties métalliques de votre appareil (extérieur de la porte, parois latérales de la carrosserie) à l'aide d'une cire en silicone (cire pour voiture) pour protéger la surface peinte de qualité supérieure.
7. Dépoussiérez le condenseur situé à l'arrière de l'appareil une fois par an à l'aide d'un aspirateur.
8. Inspectez les joints de porte régulièrement pour vérifier qu'ils sont propres et qu'il n'y a pas de particules de nourriture.
9. Ne jamais :
  - Nettoyer l'appareil au moyen d'un produit inadapté, à base de pétrole par exemple.
  - L'exposer à de hautes températures en aucune façon.
  - Récuser, frotter etc. avec un matériau abrasif.
10. Le dépôt excessif de glace doit être enlevé régulièrement. Une couche de glace trop épaisse diminuera les résultats du congélateur.
11. Pour sortir un tiroir, tirez-le vers vous autant que possible, soulevez-le et retirez-le ensuite complètement.

## Repositionnement de la porte

Procédez dans l'ordre numérique (**figure 9**).

## À faire / À éviter

- À faire-** Inspecter le contenu du congélateur à intervalles réguliers.
- À faire-** Nettoyer et dégivrer votre appareil régulièrement (voir « Dégivrage »).
- À faire-** Conserver les denrées pendant une durée aussi courte que possible et respecter les « dates limite de conservation » et « dates limite de consommation ».
- À faire-** Stocker les aliments surgelés dans le commerce selon les instructions indiquées sur les emballages.
- À faire-** Toujours Sélectionner des produits frais de bonne qualité et veiller à les nettoyer soigneusement avant de les congeler.
- À faire-** Préparer de petites portions de produits frais à congeler pour permettre une congélation rapide.
- À faire-** Emballer les produits surgelés juste après les avoir achetés et les mettre au congélateur dès que possible.
- À faire-** Répartir les denrées dans les compartiments et remplir la carte du contenu. Cela vous permettra de trouver les aliments rapidement et d'éviter d'ouvrir la porte trop longtemps, ce qui économisera de l'électricité.
- À éviter-** Laisser la porte ouverte pendant une durée prolongée car cela augmentera le coût de fonctionnement de l'appareil et entraînera un dépôt excessif de glace.
- À éviter-** Utiliser des objets tranchants tels que couteaux ou fourchettes pour enlever la glace.
- À éviter-** Introduire des aliments chauds dans l'appareil. Le laisser refroidir au préalable.
- À éviter-** Mettre des bouteilles remplies de liquide ou cannettes fermées hermétiquement contenant des liquides gazeux au congélateur car elles pourraient éclater.

- À éviter-** Conserver des substances toxiques ou dangereuses dans l'appareil. Ce dernier a été conçu pour la conservation de denrées alimentaires uniquement.
- À éviter-** Dépasser le pouvoir de congélation maximal lors de la congélation de produits frais.
- À éviter-** Consommer de la glace et des bâtonnets glacés dès leur sortie du congélateur. La basse température peut provoquer des brûlures aux lèvres.
- À éviter-** Congeler des boissons gazeuses.
- À éviter-** Conserver un produit congelé qui a été dégelé ; il doit être consommé sous 24 heures ou bien cuit puis recongelé.
- À éviter-** Sortir des produits du congélateur avec les mains mouillées.
- À éviter-** Fermer la porte avant de remettre le couvercle du compartiment congélation rapide en place.

### Diagnostic

Si l'appareil ne fonctionne pas quand il est branché, vérifiez :

- Que la prise de l'appareil est branchée correctement à la prise murale et que le courant passe (pour vérifier l'alimentation à la prise murale, branchez un autre appareil)
- Si le fusible a sauté/le disjoncteur s'est déclenché/l'interrupteur du réseau d'alimentation est éteint.
- Que la commande de température soit réglée correctement.
- Que la nouvelle prise soit montée correctement si vous avez changé la prise moulée intégrée.

Si l'appareil ne fonctionne toujours pas après avoir effectué toutes les vérifications ci-dessus, contactez le fournisseur qui vous a vendu le produit.

Veuillez vous assurer d'avoir effectué toutes les vérifications ci-dessus car vous serez facturés si aucun défaut n'est détecté.

### Informations relatives aux bruits de fonctionnement

Afin de maintenir la température sélectionnée, votre appareil met le compresseur en marche de temps en temps.

Les bruits correspondants sont tout à fait normaux.

Dès que l'appareil atteint la température de fonctionnement, les bruits sont automatiquement atténués.

Le **vrombissement** est émis par le moteur (compresseur). Lorsque le moteur se met en marche, le volume sonore peut augmenter brièvement.

Les bruits de **bouillonnement, de gargouillement** ou de **ronnement** sont émis par le réfrigérant lorsqu'il circule dans les tuyaux.

Un **bruit sec** se fait toujours entendre lorsque le thermostat enclenche/arrête le moteur.

#### Un bruit sec peut être émis lorsque

- le système de dégivrage automatique est activé.
- l'appareil se refroidit ou se réchauffe (expansion des matériaux).

**Si ces bruits sont excessivement forts, leurs causes ne sont probablement pas graves et peuvent être supprimées très facilement.**

#### L'appareil n'est pas à niveau

Utilisez les pieds ajustables ou insérez une cale sous le pied.

#### L'appareil n'est pas indépendant

Veuillez séparer l'appareil des meubles de cuisine ou autres appareils.


#### Les clayettes sont desserrées ou coincées

Veuillez vérifier les composants amovibles et les réinstaller, le cas échéant.

#### Avertissement !

N'essayez en aucun cas de réparer l'appareil ou l'un de ses composants électriques vous-même. Toute réparation effectuée par une personne non qualifiée est dangereuse pour l'utilisateur et peut entraîner l'annulation de la garantie.

**Caractéristiques techniques**

Marque	<b>BEKO</b>
Type d'appareil	<b>FS225300</b> <b>CONGÉLATEUR VERTICAL</b> * 
Volume total brut (l)	250
Volume total utilisable (l)	190
Pouvoir de congélation (kg/24 h)	14
Classe énergétique (1)	A
Consommation énergétique (kWh/an) (2)	263
Autonomie (h)	19
Bruit [dB(A) re 1 pW]	41
Agent réfrigérant écologique R600a	
(1) Classe énergétique : A . . . G (A = économique . . . G = moins économique)	
(2) La consommation énergétique effective dépend des conditions d'utilisation et de l'emplacement de l'appareil.	

**Recyclage**

Ce produit est marqué du symbole du tri sélectif, relatif aux déchets d'équipements électriques et électroniques. Cela signifie que ce produit doit être pris en charge par un système de collecte sélectif conformément à la directive européenne 2002/96/CE, afin de pouvoir être recyclé ou démantelé dans le but de réduire tout impact sur l'environnement. Attention les produits électroniques n'ayant pas fait l'objet d'un tri sélectif sont potentiellement dangereux pour l'environnement et la santé humaine en raison de la présence potentielle de substances dangereuses.

Herzlichen Glückwunsch zu Ihrer Wahl eines **BEKO** Qualitätsgerätes, das Ihnen ganz sicher viele Jahre lang gute Dienste leisten wird.

### **Wichtige Hinweise zu Ihrer Sicherheit**

Schließen Sie Ihr Gerät nicht an die Stromversorgung an, solange nicht alle Verpackungsmaterialien und Transportsicherungen entfernt wurden.

- Wenn der Transport in waagerechter Lage durchgeführt wurde, lassen Sie das Gerät mindestens 12 Stunden stehen, ehe Sie es einschalten, damit sich das Kompressoröl setzen kann.
- Wenn Sie ein altes Gerät mit einem Schloss oder Sperrklinke an der Türe ausrangieren, stellen Sie sicher, dass Kinder nicht eventuell in das Gerät klettern und eingeschlossen werden können.
- Dieses Gerät darf nur für den vorgesehenen Verwendungszweck genutzt werden.
- Entsorgen Sie das Gerät nicht durch Verbrennen. Die Isolierung Ihres Gerätes enthält brennbare Substanzen (FCKW-frei). Ihre örtlichen Behörden informieren Sie über die verfügbaren Entsorgungsmöglichkeiten und -einrichtungen.
- Wir raten von einer Nutzung dieses Gerätes in unbeheizten und kalten Räumen ab. (z. B. in Garagen, Kühlhäusern, Anbauten, Lagerhäusern, Außengebäuden, usw.)

Um eine bestmögliche Leistung und einen problemlosen Betrieb Ihres Gerätes zu gewährleisten, ist es sehr wichtig, dass Sie die Bedienungsanleitung sorgfältig durchlesen und das Gerät entsprechend bedienen. Tun Sie dies nicht, können Sie Ihr Anrecht auf kostenlosen Service während der Garantiezeit verlieren.

Bitte verwahren Sie diese Bedienungsanleitung an einem sicheren Ort, damit Sie jederzeit darin nachlesen können.

**Dieses Gerät ist nicht dafür bestimmt durch Personen (einschließlich Kinder) mit eingeschränkten physischen, sensorischen oder geistigen Fähigkeiten oder mangels Erfahrung und/oder mangels Wissen benutzt zu werden, es sei denn, sie werden durch eine für ihre Sicherheit zuständige Person beaufsichtigt oder erhalten von ihr Anweisungen, wie das Gerät zu benutzen ist.**

## Elektrischer Anschluss

Ehe Sie den Stecker in die Steckdose einstecken, kontrollieren Sie bitte, ob die auf dem Typenschild im Innenraum des Gerätes angegebene Spannung und Frequenz mit Ihrer Stromversorgung übereinstimmt. Wir empfehlen, dieses Gerät über eine entsprechend gesicherte und mit einem Schalter versehene Steckdose in leicht erreichbarer Lage mit der Stromversorgung zu verbinden.

Der Stecker muss auch nach der Installation stets zugänglich bleiben, damit das Gerät jederzeit von der Stromversorgung getrennt werden kann.

### **Warnung! Dieses Gerät muss geerdet werden.**

Reparaturen an Elektrogeräten dürfen nur von qualifizierten Fachleuten ausgeführt werden. Falls das Stromkabel beschädigt sein sollte, muss es vom Hersteller oder vom Kundendienst ersetzt werden, damit es nicht zu Gefährdungen kommen kann.

### **ACHTUNG!**

Dieses Gerät arbeitet mit R600a, welches ein umweltfreundliches, aber brennbares Gas ist. Während des Transports und der Aufstellung des Geräts muss darauf geachtet werden, dass das Kühlsystem nicht beschädigt wird. Wenn das Kühlsystem beschädigt wird und Gas aus dem System austritt, halten Sie das Gerät von offenen Flammen fern und lüften Sie den Raum für einige Zeit.

**WARNUNG-** Verwenden Sie außer der vom Hersteller empfohlenen, keine mechanischen oder anderen Hilfsmittel um den Abtauprozess zu beschleunigen.

**WARNUNG-** Beschädigen Sie den Kühlkreislauf nicht.

**WARNUNG -** Verwenden Sie im Lebensmittelaufbewahrungsbereich ihres Geräts nur vom Hersteller empfohlene elektrische Geräte.

## Transporthinweise

1. Das Gerät sollte nur in aufrechter Position transportiert werden. Die Originalverpackung muss während des gesamten Transports unbeschädigt bleiben.

2. Wenn das Gerät in einer horizontalen Lage transportiert wurde, darf es erst 12 Stunden nach Aufstellung in Betrieb genommen werden, um dem System die Möglichkeit zur Stabilisierung zu geben.

3. Bei Nichteinhaltung der obigen Hinweise können Schäden am Gerät auftreten, für die der Hersteller nicht haftbar gemacht werden kann.

4. Das Gerät muss vor Regen, Feuchtigkeit und anderen atmosphärischen Einflüssen geschützt werden.

### **Wichtig!**

- Achten Sie darauf, nicht die Unterseite der metallischen Kondensatordrähte an der Rückseite des Geräts zu berühren, wenn Sie das Gerät reinigen oder bewegen, da Sie sich Finger und Hände verletzen könnten.
- Versuchen Sie nicht auf dem Gerät zu sitzen oder zu stehen, es ist nicht für eine solche Verwendung ausgerichtet. Sie könnten sich verletzen oder das Gerät beschädigen.
- Stellen Sie sicher, dass das Gerät während oder nach einem Ortswechsel nicht auf dem Stromkabel steht, da sonst das Kabel beschädigt werden könnte.
- Gestatten Sie Kindern nicht, mit dem Gerät oder den Gerätekontrollen zu spielen.

## Aufstellen des Gerätes

1. Stellen Sie das Gerät nicht in Räumen auf, in welchen die Raumtemperatur während der Nacht oder speziell im Winter unter 10°C fallen könnte, da es darauf ausgerichtet ist, bei Umgebungstemperaturen von +10 bis +32 °C zu arbeiten. In Umgebungen mit geringerer Temperatur arbeitet das Gerät möglicherweise nicht; dadurch wird die Haltbarkeit eingelagerter Lebensmittel reduziert.

2. Stellen Sie das Gerät nicht in der Nähe von Herden, Heizungen oder an Stellen mit direkter Sonneneinstrahlung auf, da dies eine zusätzliche Belastung für das Gerät bedeutet. Bei Aufstellung neben Wärme- oder Kältequellen halten Sie die nachfolgend angegebenen Mindestseitenabstände ein:

- Von Kochherden: 30 mm
- Von Heizungen: 300 mm
- Von Kühlgeräten: 25 mm



3. Stellen Sie sicher, dass um das Gerät herum genügend Raum ist, um ungehinderte Luftzirkulation zu garantieren (**Stück 2**).

• Legen Sie die hintere Kühlklappe an die Rückseite ihres Kühlschranks an um so die Entfernung zwischen Kühlschrank und Mauer festzulegen (**Stück 3**).

4. Das Gerät sollte auf einer ebenen Fläche stehen. Die beiden Füße an der Frontseite können nach Bedarf adjustiert werden. Um Sicherzustellen, dass ihr Gerät gerade steht, adjustieren Sie die beiden Füße an der Frontseite im Uhrzeigersinn oder gegen diesen, bis ein guter Bodenkontakt gegeben ist. Eine korrekte Einstellung der Füße verhindert starke Vibrationen und Geräusche (**Stück 4**).

5. Zur Vorbereitung ihres Geräts auf die Benutzung lesen Sie den Abschnitt "Reinigung und Pflege".

### **Temperaturkontrolle und -Einstellung**

Die Temperatur des Tiefkühlbereiches wird durch die Gefriertemperaturtaste beeinflusst; **wir empfehlen die Positionen 2 oder 3**. Diese Temperatur liegt generell unter -18 °C. Sie können noch tiefere Temperaturen erreichen, indem Sie den Thermostatknopf zur Position MAX. hin drehen.

Wir empfehlen, die Temperatur mit einem Thermometer zu überprüfen – so können Sie sicher sein, dass in den Ablagen die gewünschte Temperatur herrscht. Denken Sie daran, das Thermometer sofort abzulesen, da die angezeigte Temperatur sehr schnell ansteigt, sobald Sie das Thermometer aus dem Kühlgerät nehmen.

Bitte vergessen Sie nicht, dass bei jedem Öffnen der Tür kalte Luft aus dem Inneren entweicht und dadurch die Temperatur im Gerät ansteigt. Lassen Sie die Tür daher nie offen stehen und schließen Sie sie sofort wieder, nachdem Sie Lebensmittel hineingestellt oder herausgenommen haben.

### **Vor der Inbetriebnahme**

#### **Endkontrolle**

Ehe Sie Ihr Kühlgerät in Betrieb nehmen, überprüfen Sie bitte, dass:

1. Die Füße zwecks perfektem Stand adjustiert wurden.

2. Der Innenraum trocken ist und die Luft an der Rückseite frei zirkulieren kann.

3. Der Innenraum entsprechend der Hinweise im Abschnitt „Reinigung und Pflege“ gereinigt wurde.

4. Der Stecker in die Steckdose eingesteckt wurde und der Strom eingeschaltet ist. Geben Sie Acht, das Gerät nicht aus Versehen durch Überkleben des Schalters auszuschalten.

#### **Und beachten Sie, dass:**

5. Sie ein Geräusch hören, wenn sich der Kompressor einschaltet. Auch die im Kühlsystem befindlichen Flüssigkeiten und Gase können Geräusche verursachen, egal, ob der Kompressor läuft oder nicht. Dies ist völlig normal.

6. Zum Einfrieren frischer Lebensmittel benutzen Sie das mit vier Sternen gekennzeichnete Fach; wir empfehlen die zweite Ablage.

7. Geben Sie nicht zu viele Lebensmittel gleichzeitig in das Gefriergerät. Die Qualität der Lebensmittel bleibt am besten erhalten, wenn sie in möglichst kurzer Zeit tiefgefroren werden. Daher sollten Sie darauf achten, die im Datenblatt zum Gerät angegebene Gefrierkapazität nicht zu überschreiten. Das Thermostat sollte auf die geringste Innentemperatur eingestellt, die Schnellgefriertaste eingedrückt werden – die orange Leuchte leuchtet auf.

8. Nachdem das Einfrieren frischer Lebensmittel abgeschlossen ist, stellen Sie das Thermostat wieder auf eine mittlere Position ein (die gelbe Leuchte erlischt).

9. Beladen Sie das Gerät nicht gleich nach dem Einschalten. Warten Sie, bis die richtige Lagerungstemperatur erreicht ist. Wir empfehlen, die Temperatur mit einem präzisen Thermometer zu kontrollieren (siehe „Temperaturkontrolle und -Einstellung“).

**Wichtiger Hinweis:**

Bei Stromausfall halten Sie die Gerätetür geschlossen. Gefrorene Lebensmittel sollten keinen Schaden nehmen, wenn der Ausfall nicht länger als 19 Stunden andauert. Falls der Ausfall länger andauern sollte, so sollten Sie die Lebensmittel überprüfen und entweder sofort verzehren, oder kochen und danach erneut einfrieren.

**Tiefkühlbereich-Bedienfeld****Abbildung 5**

Über das Bedienfeld stellen Sie die Tiefkühltemperatur ein; es bietet noch einige weitere Funktionen:

**1 - Orange LED - Schnellgefrieren läuft**

Wenn das Kühlgerät bei auf maximale Leistung eingestellter Gefriertemperaturtaste (4) eingeschaltet wird, leuchtet die orange LED (1) auf, der Kompressor arbeitet ununterbrochen. Vergessen Sie nicht, den Thermostatknopf wieder in seine ursprüngliche Position zurückzustellen, sobald die Lebensmittel eingefroren sind.

**2 - Grüne LED - Stromversorgung hergestellt**

Leuchtet, solange das Gerät mit Strom versorgt wird. Die grüne LED informiert nicht über die Innentemperatur.

**3 - Rote LED - Hochtemperaturalarm****4 - Temperatureinstelltaste****Hochtemperaturalarm**

In den ersten 12 Stunden nach dem Einschalten wird dieser Alarm nicht ausgelöst. Nach Ablauf dieser Zeit kann die rote LED in folgenden Fällen aufleuchten:

- Falls das Gerät mit frischen Lebensmitteln überladen wurde.
- Falls die Tür offen gelassen wurde.

In diesen Fällen leuchtet die rote LED, bis die vorgegebene Temperatur wieder erreicht ist. Falls die rote LED leuchten sollte, warten Sie bitte erst 24 Stunden ab, bevor Sie sich an den autorisierten Kundendienst wenden.

**Wichtig:**

Je nach Einsatzbedingungen des Gerätes kann die Innentemperatur gewissen Schwankungen unterworfen sein: Aufstellungsort, Umgebungstemperatur, Häufigkeit des Türöffnens, Menge eingelagerter Lebensmittel. Die Temperatur wird entsprechend dieser Bedingungen nachgeregelt.

Falls die rote LED leuchten sollte, warten Sie 24 Stunden, bevor Sie sich an den autorisierten Kundendienst wenden.

Das Aufleuchten der LED kann dadurch verursacht worden sein, dass warme Speisen in das Kühlgerät gestellt wurden und/oder die Tür offen gelassen wurde.

Nach weiteren 24 Stunden Betrieb sollte die Warnung vor zu hoher Innentemperatur (rote LED) erlöschen.

**Schnellgefrierfunktion**

Wenn das Kühlgerät bei auf maximale Leistung eingestellter Gefriertemperaturtaste (4) eingeschaltet wird, leuchtet die orange LED (1) auf, der Kompressor arbeitet ununterbrochen.

**Lagerung von Tiefkühlkost**

Ihr Kühlgerät ist für die langfristige Lagerung handelsüblicher Tiefkühlkost geeignet und kann auch dazu benutzt werden, frische Lebensmittel einzufrieren.

Bei Stromausfall nicht die Külschranktür öffnen. Tiefgekühlte Lebensmittel sollten von Stromausfällen von weniger als 19 Stunden nicht in Mitleidenschaft gezogen werden. Sollte der Stromausfall länger dauern, sollten die Lebensmittel überprüft werden und entweder sofort verzehrt oder gekocht und danach wieder eingefroren werden.

## **Frische Lebensmittel tiefkühlen**

Bitte beachten Sie die folgenden Anweisungen, um beste Resultate zu erzielen.

Frieren Sie nicht zu große Mengen auf einmal ein. Die Qualität der Lebensmittel bleibt am besten erhalten, wenn sie so schnell wie möglich bis in den Kern tiefgekühlt werden. Wenn Sie große Mengen frischer Lebensmittel einfrieren möchten, betätigen Sie den Einstellungsknopf 24 Stunden vor dem Einlagern von frischen Lebensmitteln im Schnellgefrierfach.

Wir empfehlen dringend, den Knopf mindestens 24 Stunden lang in der Maximalposition zu belassen – so können Sie die maximale Menge an Gefriergut verarbeiten. Achten Sie besonders darauf, tiefgekühlte und frische Speisen nicht zu vermischen.

Vergessen Sie nicht, den Thermostatknopf wieder in seine ursprüngliche Position zurückzustellen, sobald die Lebensmittel eingefroren sind. Geringe Lebensmittelmengen bis 500 g können auch ohne Schnellgefrieren eingefroren werden. Achten Sie besonders darauf, bereits tiefgekühlte und frische Speisen nicht zu vermischen.

## **Herstellung von Eiswürfeln (Abbildung 6)**

Füllen Sie die Eiswürfelschale zu etwa 3/4 mit Wasser und stellen Sie diese ins Tiefkühlfach. Lösen Sie angefrorene Schalen mit einem Löffelstil oder einem ähnlichen Hilfsmittel; verwenden Sie niemals Gegenstände mit scharfen Kanten wie Messer oder Gabeln.

## **Lernen Sie Ihr neues Gerät kennen (Abbildung 1)**

- 1 - Bedienfeld, Anzeige und Einstellung
- 2 - Eiswürfelschalenhalter und Eiswürfelschale
- 3 - Schnellgefrierfach
- 4 - Fächer zur Lagerung gefrorener Lebensmittel
- 5 - Einstellbare Füße an der Frontseite

## **Abtauen**

Bitte tauen Sie das Gefrierfach mindestens zweimal pro Jahr ab - oder spätestens dann, wenn die Eisschicht zu dick werden sollte.

- Eisansammlungen sind völlig normal.
- Die Ansammlung von Eis (insbesondere an der Oberseite des Gefrierfachs) ist vollkommen normal und beeinflusst den Betrieb des Gerätes nicht.
- Wir empfehlen, das Gerät abzutauen, wenn sich nur geringe Mengen an Lebensmitteln im Inneren befinden.
- Bevor Sie mit dem Abtauen beginnen, stellen Sie den Temperaturregler auf maximale Kühlleistung ein, damit die Lebensmittel im Inneren gut durchgefroren werden.
- Ziehen Sie den Netzstecker
- Nehmen Sie die gefrorenen Lebensmittel heraus, verpacken Sie diese in einige Lagen Papier und lagern Sie diese an einem kühlen Ort.
- Zum schnellen Abtauen lassen Sie die Tür offen stehen und stellen Gefäße mit warmem Wasser (maximal 80 °C) in das Gerät. Verwenden Sie niemals spitze oder scharfe Gegenstände (wie Messer oder Gabeln) zum Entfernen der Eisschicht. Verwenden Sie niemals Haartrockner, elektrische Heizgeräte oder ähnliches zum Beschleunigen des Abtauvorgangs. Wenn der Abtauvorgang abgeschlossen ist, trocknen Sie den Innenraum gründlich und schließen dann die Tür.

### **(Abbildungen 7 und 8)**

Drücken Sie die Schnellgefrierfaste und lassen Sie das Gerät etwa drei Stunden lang arbeiten.

## Reinigung und Pflege

1. Wir empfehlen, das Gerät an der Steckdose auszuschalten und den Netzstecker zu ziehen, ehe Sie mit der Reinigung beginnen.

2. Verwenden Sie zur Reinigung niemals scharfe Gegenstände, Scheuermittel, Seife, Haushaltsreiniger, Waschmittel oder Wachspolituren.

3. Reinigen Sie die Außenflächen des Gerätes mit lauwarmem Wasser, wischen Sie die Flächen danach trocken.

4. Zur Reinigung des Innenraums verwenden Sie ein feuchtes Tuch, das Sie in eine Lösung aus 1 Teelöffel Natron und einem halben Liter Wasser getaucht und ausgewrungen haben. Nach dem Reinigen wischen Sie den Innenraum trocken.

5. Wenn das Gerät längere Zeit nicht benutzt wird, schalten Sie es ab, nehmen alle Lebensmittel heraus, reinigen das Gerät und lassen die Türe geöffnet.

6. Wir empfehlen, die Metallteile des Geräts (wie Türbeschläge, Außenwände) mit einem Silikonwachs (Autowachs) zu polieren um den Lack zu schützen.

7. Der Staub, der sich auf dem Kondensator an der Rückseite des Geräts ansammelt, sollte einmal jährlich mit dem Staubsauger entfernt werden.

8. Kontrollieren Sie die Türdichtungen regelmäßig, um sicherzustellen, dass diese sauber und frei von Speiseresten sind.

9. Niemals:

- Das Gerät mit ungeeigneten Mitteln reinigen, z. B. mit Reinigern auf Petroleum- oder Benzinbasis.

- Hohen Temperaturen aussetzen

- Scheuern, schrubben etc. mit Scheuermitteln

10. Größere Eisansammlungen sollten regelmäßig entfernt werden. Starke Eisansammlungen beeinträchtigen die Leistung des Kühlgerätes.

11. Um eine Lade zu entfernen, ziehen Sie diese so weit wie möglich heraus, heben sie etwas an und ziehen sie dann komplett heraus.

## Ändern des Türanschlags

Gehen Sie der Reihe nach vor (**Abbildung 9**).

### Wichtige Hinweise – bitte beachten!

**Ja:** Überprüfen Sie den Inhalt Ihres Kühlgerätes regelmäßig.

**Ja:** Reinigen und tauen Sie ihr Gerät regelmäßig ab (lesen Sie dazu den Abschnitt „Abtauen“)

**Ja:** Lagern Sie die Lebensmittel so kurz wie möglich und halten Sie sich an Angaben wie „Verwendbar bis“ oder an das Mindesthaltbarkeitsdatum.

**Ja:** Lagern Sie handelsübliche Tiefkühl Speisen entsprechend der Hinweise auf der Verpackung.

**Ja:** Wählen Sie immer qualitativ hochwertige, frische Ware und stellen Sie sicher, dass diese komplett sauber ist, ehe Sie sie tiefkühlen.

**Ja:** Bereiten Sie frische Speisen, die Sie tiefkühlen möchten, in kleinen Portionen vor, damit die Lebensmittel möglichst schnell eingefroren werden können.

**Ja:** Wickeln Sie Tiefkühlkost sofort nach dem Kauf gut ein und geben Sie diese so schnell wie möglich in Ihr Kühlgerät.

**Ja:** Verteilen Sie Lebensmittel auf die einzelnen Fächer und füllen Sie die Inhaltskarte aus. Dadurch finden Sie Lebensmittel schnell wieder und müssen die Tür nicht lange geöffnet halten – das spart Energie.

- NEIN:** Tür lange geöffnet halten. Dies verteuert den Betrieb des Gerätes und trägt außerdem zu vermehrter Eisbildung bei.
- NEIN:** Eisschicht mit ungeeigneten Objekten wie Messern oder Gabeln entfernen.
- NEIN:** Heiße Speisen in das Gerät stellen. Lassen Sie diese zuerst auskühlen.
- NEIN:** Mit Flüssigkeiten gefüllte Flaschen oder ungeöffnete Behälter mit kohlenensäurehaltigem Inhalt in den Tiefkühler legen – sie könnten platzen.
- NEIN:** Giftige und andere gefährliche Substanzen im Gerät lagern. Es ist nur auf die Lagerung von Lebensmitteln ausgerichtet.
- NEIN:** Überschreitung der maximalen Tiefkühlmenge beim Einfrieren frischer Lebensmittel.
- NEIN:** Kindern Eiscreme und Wassereis direkt aus dem Gefrierfach geben. Die sehr niedrige Temperatur kann zu Erfrierungen der Lippen führen.
- NEIN:** Kohlenensäurehaltige Getränke tiefkühlen.
- NEIN:** Tiefkühlware, die bereits angetaut ist, wieder einfrieren; diese sollte innerhalb von 24 Stunden entweder verzehrt, oder gekocht und danach wieder eingefroren werden.
- NEIN:** Gegenstände mit nassen Händen aus dem Tiefkühler nehmen.
- NEIN:** Tür schließen, bevor das Schnellgefrierfach richtig verschlossen wurde.

## Problemlösung

Wenn das Gerät nicht arbeitet, obwohl es eingeschaltet ist, kontrollieren Sie:

- Ob der Stecker richtig in der Steckdose steckt und die Stromzufuhr eingeschaltet ist. (Um die Stromzufuhr in der Steckdose zu überprüfen, stecken Sie ein anderes Gerät ein.)
- Ob die Sicherung durchgebrannt/ausgelöst oder die Hauptstromzufuhr abgeschaltet wurde.
- Dass die Temperatur richtig eingestellt wurde.
- Dass der neue Stecker richtig verdrahtet ist, sofern Sie den gelieferten, vergossenen Stecker ausgetauscht haben.

Falls das Gerät nach den oben angeführten Kontrollen immer noch nicht arbeiten sollte, wenden Sie sich bitte den Händler, bei dem Sie das Gerät gekauft haben.

Stellen Sie bitte sicher, dass alle oben genannten Kontrollen durchgeführt wurden, da eine Gebühr anfällt, falls kein Fehler gefunden werden sollten.

## Hinweise zum Betriebsgeräusch

Um die eingestellte Temperatur konstant zu halten, schaltet Ihr Gerät hin und wieder den Kompressor ein.

Die dadurch entstehenden Geräusche sind völlig normal.

Sobald die richtige Betriebstemperatur erreicht ist, lassen die Geräusche automatisch nach.

Ein **Summton** wird durch den Motor (Kompressor) hervorgerufen. Wenn sich der Motor einschaltet, kann die Lautstärke des Geräusches etwas zunehmen.

**Blubbernde, gurgelnde oder zischende** Geräusche entstehen, wenn das Kühlmittel durch die Rohre fließt.

Ein **Klicken** kann entstehen, wenn der Motor durch das Thermostat ein- oder ausgeschaltet wird.

**Ein Klicken entsteht, wenn:**

- Das automatische Abtausystem arbeitet.
- Das Gerät abgekühlt oder aufgewärmt wird (Materialausdehnung).

**Falls diese Geräusche übermäßig laut ausfallen sollten, liegt dies meist nicht an einem schwerwiegenden Fehler. Solche Geräusche lassen sich meist sehr einfach abstellen.**

**Das Gerät ist nicht völlig gerade aufgestellt**

Nutzen Sie die höhenverstellbaren Füße oder legen Sie etwas darunter.

**Das Gerät steht nicht frei**

Sorgen Sie für einen gewissen Abstand zu Küchen- und sonstigen Geräten.

**Ablagen sind lose oder verklemmt**

Bitte überprüfen Sie die abnehmbaren Teile und passen Sie diese bei Bedarf neu ein.

**Warnung!**

Versuchen Sie niemals, das Gerät oder seine elektrischen Komponenten selbst zu reparieren. Jede von einer nicht qualifizierten Person versuchte Reparatur ist gefährlich und kann zum Erlöschen der Garantie führen.

**Technische daten**

Fabrikat	<b>BEKO</b>
Gerätetyp	<b>FS225300</b> <b>GEFRIERSCHRANK</b> * ** *
Bruttogesamtvolumen (l)	250
Nutzbares Gesamtvolumen (l)	190
Gefrierkapazität (kg / 24 h)	14
Energieklasse (1)	A
Stromverbrauch (KWh / Jahr) (2)	263
Netzausfallautonomie (h)	19
Betriebsgeräusch [dB(A) re 1 pW]	41
Ökologisch verträgliches Kühlmittel R600a	
(1) Energieklasse: A . . . G (A = ökonomisch . . . G = weniger ökonomisch)	
(2) Der tatsächliche Stromverbrauch hängt von Einsatzbedingungen und Aufstellort ab.	

**Bedeutung des Symbols „Mülltonne“**

Schonen Sie unsere Umwelt, Elektrogeräte gehören nicht in den Hausmüll.

Nutzen Sie die für die Entsorgung von Elektrogeräten vorgesehenen Sammelstellen und geben dort Ihre Elektrogeräte ab die Sie nicht mehr benutzen werden.

Sie helfen damit die potenziellen Auswirkungen, durch falsche Entsorgung, auf die Umwelt und die menschliche Gesundheit zu vermeiden.

Sie leisten damit Ihren Beitrag zur Wiederverwertung, zum Recycling und zu anderen Formen der Verwertung von Elektro- und Elektronik-Altgeräten.

Informationen, wo die Geräte zu entsorgen sind, erhalten Sie über Ihre Kommunen oder die Gemeindeverwaltungen.

In vielen Ländern der EU ist die Entsorgung von Elektro- und Elektronik-Altgeräten über den Haus- und/oder Restmüll ab 13.8.2005 verboten.

In Deutschland ab 23.3.2006.

Gefeliciteerd met uw keuze voor een kwaliteitstoestel van **BEKO**, ontwikkeld voor vele jaren dienst.

### ***Veiligheid eerst!***

Sluit uw toestel niet op de stroomtoevoer aan totdat alle verpakking en transportbescherming werd verwijderd.

- Laat de koelkast, als ze horizontaal werd vervoerd, minstens 12 uur stilstaan alvorens ze in werking te stellen. Dit dient om de olie van de compressor te laten zakken.

- Als u een oud toestel met een slot of een klink aan de deur vervangt, zorg er dan voor dat het op een veilige manier wordt achtergelaten zodat kinderen er niet in opgesloten kunnen geraken.

- Dit toestel mag enkel worden gebruikt voor het doel waar het voor dient.

- Verbrand uw apparaat niet. Het apparaat bevat bestanddelen zonder C.F.K. in de isolatie. Deze zijn brandbaar. Wij raden u aan om de plaatselijke instanties te contacteren voor informatie over de beschikbare faciliteiten voor het verwijderen van uw toestel.

- Wij raden het gebruik van dit toestel af in een onverwarmde, koude ruimte. (bijv. garage, serre, aanbouw, schuurtje, bijgebouw, enz.)

Het is heel belangrijk deze instructies zorgvuldig te lezen om de best mogelijke en probleemloze werking van uw toestel te bewerkstelligen. Het niet opvolgen van deze instructies kan uw recht op gratis service tijdens de garantieperiode doen vervallen.

Gelieve deze instructies op een veilige plaats te bewaren voor eenvoudige raadpleging.

**Dit toestel is niet geschikt voor gebruik door personen met fysische of mentale problemen of met een gebrek aan ervaring of kennis tenzij er toezicht of uitleg over het product gegeven wordt door de persoon die de verantwoordelijkheid over hun veiligheid draagt.**

**Kinderen moeten onder toezicht staan zodat ze niet met het toestel kunnen spelen.**

## Elektriciteitsvereisten

Vergewis u ervan, alvorens u de stekker in het stopcontact steekt, dat de voltage en de frequentie op de kwalificatieplaat binnenin het toestel overeenkomen met uw stroomtoevoer. Wij raden u aan dit toestel aan te sluiten op de hoofdtoevoer via een naar behoren aangesloten en verzekerd stopcontact op een onmiddellijk bereikbare plaats. Na plaatsing van het apparaat moet de stekker eenvoudig toegankelijk blijven, zodat het mogelijk is om het apparaat na installatie van de stroomtoevoer af te sluiten.

### **Waarschuwing! Dit toestel moet worden geaard.**

Reparaties aan de elektrische apparatuur mogen alleen door gekwalificeerde deskundigen worden uitgevoerd. Als de stroomkabel beschadigd is, moet deze – om gevaar te voorkomen – door de fabrikant of klantenservice worden vervangen.

### **OPGELET!**

Dit toestel werkt op R600a. Dit is een milieuvriendelijk, maar brandbaar gas. Tijdens het transport en de plaatsing van het product moet er zorg voor worden gedragen dat het koelsysteem niet wordt beschadigd. Als het koelsysteem toch wordt beschadigd en er ontstaat een gaslek, houd het product dan verwijderd van open vuurbronnen en verlucht de kamer een tijdje.

**WAARSCHUWING** - Gebruik geen andere mechanische toestellen of andere middelen om het ontdooiingproces te versnellen dan die toestellen of middelen die door de fabrikant worden aangeraden.

**WAARSCHUWING** - Beschadig het koelcircuit niet.

**WAARSCHUWING** - Gebruik geen elektrische toestellen in de bewaarladen van het toestel, tenzij ze door de fabrikant worden aangeraden.

## Transportinstructies

1. Het toestel mag enkel in staande positie worden vervoerd. De oorspronkelijke verpakking moet intact blijven tijdens het transport.

2. Als het toestel tijdens het transport horizontaal werd geplaatst, mag het minstens gedurende 12 uur niet in werking worden gesteld zodat het systeem kan stabiliseren.

3. Het niet naleven van de bovenstaande instructies kan het toestel beschadigen. Hiervoor kan de fabrikant niet verantwoordelijk worden gehouden.

4. Het apparaat moet worden beschermd tegen regen, vochtigheid en andere weersinvloeden.

### **Belangrijk!**

- Tijdens het schoonmaken/dragen van het toestel dient u ervoor te zorgen dat de metalen draden aan de onderkant van de condensor, die zich aan de achterkant van het toestel bevindt, niet worden aangeraakt. Deze kunnen vingers en handen kwetsen.
- Probeer niet bovenop het toestel te gaan zitten of staan, omdat het daar niet voor werd ontworpen. U zou zichzelf kunnen kwetsen of het toestel beschadigen.
- Zorg ervoor dat de hoofdkabel niet onder het toestel komt vast te zitten tijdens en na het verplaatsen ervan. Dit zou de kabel kunnen beschadigen.
- Laat kinderen niet met het toestel spelen of aan de knoppen komen.

## Installatie-instructies

1. Plaats uw toestel niet in een kamer waar de temperatuur 's nachts en/of vooral 's winters lager dan 10°C (50°F) kan worden. Het werd ontworpen voor een werking in een omgevingstemperatuur tussen +10°C en +32°C (50°F en 90°F). Bij lagere temperaturen zou het apparaat mogelijk niet kunnen werken. Dit zou de bewaartijd van de etenswaren verkorten.

2. Plaats het toestel niet in direct zonlicht of in de nabijheid van een fornuis of een radiator. Dit zou de functies van het toestel extra belasten. Als het toch naast een warmtebron of een diepvriezer wordt geplaatst, neem dan de volgende minimumafstanden in acht:

- Van een fornuis 30 mm
- Van een radiator 300 mm
- Van een diepvriezer 25 mm



3. Zorg voor voldoende ruimte rond het toestel, zodat de lucht er vrij kan circuleren (**Afbeelding 2**).

• Bevestig het verluchtingstokje aan de achterkant van uw koelkast om de afstand tussen de koelkast en de muur te bepalen (**Afbeelding 3**).

4. Het toestel moet op een vlak oppervlak worden geplaatst. De twee voorste voetjes kunnen naar wens worden aangepast. Draai ze met of tegen de richting van de klok, totdat ze veilig en stevig de grond raken en uw toestel goed recht staat. Het juist afstellen van de voetjes voorkomt overdreven trillingen en lawaai (**Afbeelding 4**).

5. Raadpleeg het onderdeel "Schoonmaak en Onderhoud" om uw toestel klaar te maken voor gebruik.

### **Opmeting en regeling van de temperatuur**

Met de instelknop voor de temperatuur van de diepvriezer kunt u de diepvriezertemperatuur aanpassen (**aanbevolen stand 2 of 3**).

Over het algemeen ligt deze temperatuur onder  $-18^{\circ}\text{C}$ . U kunt een lagere temperatuur verkrijgen door de thermostaatknop in de stand MAX te draaien.

We raden aan om de temperatuur met een thermometer te controleren om ervoor te zorgen dat de opslagvakken de gewenste temperatuur behouden. Lees de thermometer onmiddellijk af want de thermometertemperatuur zal zeer snel stijgen nadat u deze uit de vriezer genomen hebt. Vergeet niet dat telkens de deur wordt geopend, koude lucht ontsnapt en de interne temperatuur stijgt. Laat daarom de deur nooit open staan en sluit de deur onmiddellijk nadat voedsel verwijderd werd of erin werd geplaatst.

### **Alvorens de inwerkingstelling**

#### **Laatste controle**

Alvorens u de diepvriezer begint te gebruiken, controleer of:

1. De voetjes zo werden geregeld dat de koelkast perfect recht staat.
2. De binnenkant droog is en dat de lucht achteraan vrij kan circuleren.

3. De binnenkant proper is, zoals aanbevolen onder "SCHOONMAAK EN ONDERHOUD".

4. De stekker in het stopcontact zit en de elektriciteit is aangesloten. Vermijd een toevallige loskoppeling door de schakelaar vast te plakken.

#### **Ter informatie:**

5. U zult een geluid horen wanneer de compressor opstart. De vloeistof en de gassen die zich in het koelsysteem bevinden, zouden ook wat lawaai kunnen veroorzaken en dit zowel wanneer de compressor aan het werken is of niet. Dit is normaal.

6. Om verse producten in te vriezen, gebruikt u het diepvriesvak dat voorzien is van vier sterren (tweede schap is hiervoor aanbevolen).

7. Plaats geen te grote hoeveelheid voedsel tegelijkertijd in de diepvries. De voedselkwaliteit wordt goed behouden als het op de kortst mogelijk tijd wordt ingevroren. Het is daarom verkieslijk om de vriescapaciteit van het toestel, weergegeven in "Toestelrecord", niet te overschrijden. Met de Fast Freeze-knop, waarbij het oranje lampje gaat branden, wordt de thermostaat aangepast om binnenin de vriezer de laagste temperatuur te verkrijgen.

8. Nadat de tijd die nodig is om het voedsel in te vriezen voltooid is, stelt u de thermostaatknop in op de middenpositie (geel lampje brandt niet).

9. Laad het toestel niet onmiddellijk, nadat het is aangeschakeld. Wacht tot de juiste bewaartemperatuur wordt bereikt. Wij raden u aan de temperatuur op te meten met een accurate thermometer (zie: Opmeting en regeling van de temperatuur).

#### **Belangrijke opmerking:**

Open de deur niet in geval van een elektriciteitspanne. Ingevroren voedsel wordt niet aangetast indien de panne minder dan 19 uur duurt. Indien de panne langer duurt, moet het voedsel worden gecontroleerd en ofwel onmiddellijk worden opgegeten of worden bereid en opnieuw worden ingevroren.

## **Bedieningspaneel diepvriezer**

### **Afbeelding 5**

Met het bedieningspaneel kunt u de temperatuur in diepvriezer aanpassen en beschikt u over de volgende functies:

#### **1 - Oranje lampje - Fast freeze (snelvriezen) aan**

Als u de knop voor het instellen van de diepvriezertemperatuur (4) naar de maximale stand draait, gaat het oranje lampje (1) branden en begint de compressor ononderbroken te werken. Denk eraan om de thermostaatknop naar de vorige stand terug te draaien wanneer de producten zijn ingevroren.

#### **2 - Groene lampje - elektriciteit aan (Voltage)**

Dit lampje brandt wanneer het toestel op het netwerk is aangesloten en blijft branden zolang er stroomtoevoer is. Het groene lampje geeft geen informatie over de temperatuur binnenin de vriezer.

#### **3 - Rode lampje - Alarm Hoge Temperatuur**

#### **4 - Knop temperatuurinstelling**

#### **Alarm hoge temperatuur**

Nadat het toestel voor de eerste keer is ingeschakeld is het alarm gedurende 12 uur niet actief (rode lampje is uit).

Na deze periode kan het rode lampje in de volgende gevallen gaan branden (rode lampje aan):

- Als het toestel te vol is geladen met verse etenswaren
  - Als de deur onbedoeld is open blijven staan.
- In deze gevallen blijft het rode lampje branden totdat het toestel de vooraf ingestelde temperatuur weer heeft bereikt.

Als het rode lampje brandt, wacht dan 24 uur voordat u een geautoriseerde onderhoudsdienst belt.

#### **Belangrijk:**

De temperatuur die binnenin verkregen wordt, kan variëren afhankelijk van de gebruiksomstandigheden van het toestel: plaats, omgevingstemperatuur, frequentie van het openen van de deur, hoeveelheid voedsel in het toestel. De temperatuurinstelling wordt afhankelijk van deze omstandigheden aangepast.

Als het rode lampje brandt, wacht 24 uur voor u een erkend servicebedrijf contacteert.

Het zou het warme voedsel kunnen zijn dat in het toestel werd geplaatst en/of de deur die werd open gelaten.

Na 24 uur zou het alarm voor te hoge temperatuur (rode lampje) dan uit moeten zijn.

#### **Snelvriesfunctie**

Als u de instelknop voor de temperatuur van de diepvriezer (4) in de maximale stand zet, gaat de oranje led (1) branden. De compressor zal ononderbroken draaien.

#### **Diepvriesproducten bewaren**

Uw diepvriezer is geschikt voor het langdurige bewaren van commercieel ingevroren etenswaren en kan ook worden gebruikt om verse etenswaren in te vriezen en te bewaren. Open de deur niet in geval van een elektriciteitspanne. De ingevroren etenswaren zouden niet mogen worden aangetast, als de panne minder dan 19 uur duurt. Als ze langer duurt, moeten de etenswaren worden nagekeken en ofwel onmiddellijk worden opgegeten, ofwel worden klaargemaakt en dan opnieuw ingevroren.

## Verse etenswaren invriezen

Gelieve de volgende instructies in acht te nemen om de beste resultaten te bereiken. Vries nooit een al te grote hoeveelheid in één keer in. De kwaliteit van het eten blijft het best geconserveerd wanneer het zo snel mogelijk goed tot in het hart wordt ingevroren.

Als u grote hoeveelheden verse producten gaat invriezen, draait u de bedieningsknop 24 uur voordat u de producten in het Fast Freeze-diepvriesvak plaatst naar de stand MAX.

Wij raden aan deze knop minstens 24 uur in de stand MAX te houden wanneer u de maximale hoeveelheid verse producten (aangegeven als invriescapaciteit) wilt invriezen. Zorg ervoor dat u geen ingevroren producten

en verse etenswaren met elkaar mengt.

Denk eraan om de thermostaatknop naar de vorige stand terug te draaien wanneer de producten zijn ingevroren.

Kleine hoeveelheden etenswaren, tot ½ kg. (1 lb.), kunnen zonder de Fast Freeze-knop worden ingevroren.

Zorg er goed voor geen ingevroren producten te mengen met verse etenswaren.

## Ijsblokjes maken (Afbeelding 6)

Vul de vorm voor  $\frac{3}{4}$  met water en plaats hem in de diepvriezer. Maak aangevoren vormen los met het uiteinde van een lepel of een gelijkaardig instrument; gebruik nooit scherpe voorwerpen, zoals messen of vorken.

## Uw toestel leren kennen (Afbeelding 1)

- 1 - Bedieningspaneel, weergave en aanpassing
- 2 - Houder voor ijschaal en ijschaal
- 3 - Lade voor snel invriezen
- 4 - Lade voor het bewaren van ingevroren etenswaren
- 5 - Verstelbare voetjes

## Ontdooien

We bevelen aan om het diepvriezergedeelte minstens tweemaal per jaar te ontdooien of wanneer de ijslaag te dik is.

- Ijsaanslag is een normaal fenomeen.
- De ijsaanslag, vooral in het bovenste gedeelte van het vak, is een natuurlijk fenomeen en beïnvloedt de goede werking van het toestel niet.
- Het is aan te bevelen om het toestel te ontdooien wanneer de hoeveelheid ingevroren voedsel niet te groot is.
- Zet voor het ontdooien de thermostaatknop op de maximum positie om het voedsel diep in te vriezen. Tijdens deze tijd mag de temperatuur van de koelkast niet te laag zijn.
  - Trek de stekker uit het stopcontact.
  - Verwijder de diepgevroren etenswaren, verpak ze in verschillende lagen papier en plaats ze op een koude plaats.
  - Laat de deur open staan voor snel ontdooien en plaats in de kast potten met warm water (max. 80°C).

Gebruik geen puntige of scherpe voorwerpen, zoals messen of vorken, om het ijs te verwijderen.

Gebruik nooit haardrogers, elektrische verwarmingstoestellen of andere gelijkaardige elektrische toestellen om te ontdooien. Wanneer het ontdooien klaar is, sluit het ontdooigedeelte en droog de binnenkant grondig.

### (Afbeelding 7 & 8).

Druk op de snelvriesknop en laat deze gedurende drie uur ingeschakeld.

## Schoonmaak en onderhoud

1. Wij raden u aan het toestel uit te schakelen aan het stopcontact en de hoofdstekker uit te trekken voor het schoonmaken.
2. Gebruik nooit scherpe instrumenten of schurende bestanddelen, zeep, huishoudproducten, afwasmiddel of boenwas om te poetsen.
3. Gebruik lauw water om het kabinet van het toestel schoon te maken en wrijf het droog.
4. Gebruik een vochtige doek, uitgewrongen in een oplossing van één koffielepel natriumbicarbonaat voor 50 cl water, om de binnenkant schoon te maken en wrijf vervolgens droog.
5. Als het toestel voor een lange periode niet zal worden gebruikt, schakel het dan uit, verwijder al de etenswaren, maak het schoon en laat de deur op een kier staan.
6. Wij raden u aan de metalen onderdelen van het product (d.i. de buitenkant van de deur, de wanden van de kast) op te poetsen met een siliconewas (autoboenwas) om de verfafwerking van hoge kwaliteit te beschermen.
7. Al het stof dat zich op de condensator nestelt, die zich achteraan het toestel bevindt, moet één keer per jaar met een stofzuiger worden verwijderd.
8. Kijk de deurgrendels regelmatig na om u ervan te vergewissen dat ze proper en vrij van etensresten zijn.
9. Nooit doen:
  - Maak het toestel nooit schoon met ongeschikt materiaal; vb. producten op basis van petroleum.
  - Stel het toestel nooit bloot aan hoge temperaturen op eender welke manier.
  - Schrob, wrijf, enz. nooit met schurend materiaal.
10. Overdreven ijsaanslag moet regelmatig worden verwijderd. Een grote ophoping van ijs zal afbreuk doen aan de prestatie van de diepvriezer.
11. Om een lade te verwijderen, trekt u hem zo ver mogelijk uit het toestel, licht u hem op en trekt u hem er vervolgens volledig uit.

## De deur verplaatsen

Ga te werk in de volgorde van de getallen (Afbeelding 9).

### Wel en niet doen

- Wel-** De inhoud van de diepvriezer regelmatig controleren.
- Wel-** Uw toestel regelmatig schoonmaken en ontdooien (Zie "Ontdooien")
- Wel-** Bewaar etenswaren zo kort mogelijk en houdt u aan de vervaldatum.
- Wel-** Bewaar diepvriesproducten volgens de instructies op de verpakking.
- Wel-** Opteer altijd voor verse etenswaren van hoge kwaliteit en zorg ervoor dat ze volledig proper zijn alvorens u ze invriest.
- Wel-** Verdeel in te vriezen verse etenswaren in kleine porties, zodat ze snel kunnen invriezen.
- Wel-** Pak diepvriesproducten onmiddellijk in na aankoop en plaats ze zo snel mogelijk in de diepvriezer.
- Wel-** Houd de voedingswaren gescheiden in de vakken en vul de inhoudkaarten in. Zo kunt u de voedingswaren snel vinden en vermijden om de deur te lang te openen waardoor u elektriciteit bespaart.
- Niet-** De deur voor een lange tijd open laten staan. Dit zal het toestel kostelijker maken en overdreven ijsaanslag veroorzaken.
- Niet-** Scherpe objecten, zoals messen of vorken, gebruiken om het ijs te verwijderen.
- Niet-** Warm eten in het toestel plaatsen. Laat het eerst afkoelen.
- Niet-** Flessen of luchtdichte blikken met koolzuurhoudende vloeistoffen in de diepvriezer plaatsen. Deze zouden namelijk kunnen barsten.
- Niet-** Giftige of gevaarlijke bestanddelen in uw koelkast bewaren. Het toestel werd namelijk enkel ontworpen voor het bewaren van eetbare producten.
- Niet-** De maximumlading overschrijden wanneer u verse etenswaren invriest.

- Niet-** Ijsjes of ijslolly's, die direct uit de diepvriezer komen, opeten. De lage temperatuur kan 'vriesbrandwonden' veroorzaken op de lippen.
- Niet-** Bruisende dranken diepvriezen.
- Niet-** Ingevroren etenswaren, die zijn ontdooid, proberen te bewaren; zij moeten binnen de 24 uur worden opgegeten of worden klaargemaakt en opnieuw ingevroren.
- Niet-** Items uit de diepvriezer nemen met natte handen.
- Niet-** De deur sluiten voor u het deksel van het snelvriesvak vervangt.

### **Problemen oplossen**

Als het toestel niet werkt wanneer het is aangeschakeld, controleer dan het volgende:

- Of de stekker goed in het stopcontact steekt en of de stroomtoevoer aanstaat. (Om de stroomtoevoer naar het stopcontact te testen, sluit u een ander toestel erop aan)
- Of de zekering is gesprongen / de stroomonderbreker is doorgeslagen / de hoofddistributie werd afgesloten.
- Of de temperatuurregeling juist werd ingesteld.
- Of de nieuwe stekker juist werd aangesloten, als u de aangeleverde standaardstekker heeft vervangen.

Als het toestel nog altijd niet werkt na alle bovenstaande controles, contacteer dan de verdeler van wie u het toestel heeft gekocht. Gelieve ervoor te zorgen dat de bovenstaande controles werden uitgevoerd, aangezien u de verplaatsing zal worden aangerekend als er geen fout wordt vastgesteld.

### **Informatie over de functiegeluiden**

Om de geselecteerde temperatuur constant te houden, schakelt uw toestel nu en dan de compressor AAN.

De resulterende geluiden zijn normaal.

Van zodra het toestel de gewenste temperatuur heeft bereikt, zullen de geluiden automatisch minder luid worden.

Het zoemende geluid wordt voortgebracht door de motor (compressor). Wanneer de motor wordt AANGESCHAKELD, kan het geluid even luider worden.

Het bubbelende, gorgelende of gonzende geluid wordt voortgebracht door de koelvloeistof, wanneer ze door de pijpen stroomt.

Het klikkende geluid kan altijd worden gehoord wanneer de thermostaat de motor AAN/UIT schakelt.

#### **Een klikkend geluid kan voorkomen wanneer**

- het automatische ontdooisysteem is actief.
- het toestel aan het afkoelen of aan het opwarmen is (materiaalexpansie).

**Als deze geluiden overdreven luid zijn, zijn de oorzaken ervan waarschijnlijk niet heel erg. Meestal kan dit heel eenvoudig worden opgelost.**

#### **Het toestel staat niet waterpas**

Gebruik de verstelbare voetjes of plaats verpakking onder de voetjes.

#### **Het toestel staat ergens tegenaan**

Plaats het toestel zo dat het niet tegen keukenkastjes of andere toestellen staat.


#### **Lades liggen los of kleven vast**

Kijk de verwijderbare onderdelen na en plaats ze opnieuw indien nodig.


#### **Waarschuwing!**

Probeer nooit om het toestel of zijn elektrische onderdelen zelf te repareren. Reparaties die worden uitgevoerd door een ongekwalificeerde persoon zijn gevaarlijk voor de gebruiker en kunnen tot garantieverlies leiden.

**Technische gegevens**

Merk	<b>BEKO</b>
Toesteltype	<b>FS225300</b> <b>STAAND DIEPVRIEZER</b> * 
Totale volume (l.)	250
Totale bruikbare volume (l.)	190
Diepvriescapaciteit (kg/24 u)	14
Energieklasse (1)	A
Stroomverbruik (kWh/jaar) (2)	263
Autonomie (u)	19
Lawaai [dB(A) re 1 pW]	41
Ecologisch koelmiddel R600a	
(1) Energieklasse: A . . . G (A = economisch . . . G = minder economisch)	
(2) Het reële stroomverbruik hangt af van de gebruiksomstandigheden en de plaats van het toestel.	



Het symbool  op het product of op de verpakking geeft aan dat het product niet als huishoudelijke afval kan worden behandeld. In plaats daarvan moet het worden afgegeven in het toepasselijke recyclagecentrum voor het recycleren van elektrische en elektronische apparaten. Door ervoor te zorgen dat dit product op de juiste manier wordt verwijderd, helpt u potentiële negatieve gevolgen te vermijden voor het milieu en de menselijke gezondheid, die anders veroorzaakt zouden kunnen worden door de verkeerde afvalbehandeling van dit product. Voor meer gedetailleerde informatie over het recycleren van dit product, neem contact op met de plaatselijke instanties, uw huishoudafvalverwerkingsdienst of de winkel waar u het product hebt aangekocht.

Complimenti per la scelta di un elettrodomestico di qualità **BEKO**, progettato per una lunga durata.

### ***Innanzitutto la sicurezza!***

Non collegare l'elettrodomestico all'alimentazione elettrica finché non sono stati rimossi l'imballaggio e le protezioni per il trasporto.

- Lasciare l'elettrodomestico diritto per almeno 12 ore prima di accenderlo, per consentire all'olio del compressore di risistemarsi se è stato trasportato in modo orizzontale.
- Se si smaltisce un elettrodomestico vecchio con lucchetto o chiusura sullo sportello, assicurarsi che sia in condizione di sicurezza per evitare che un bambino vi resti intrappolato.
- Questo elettrodomestico deve essere utilizzato esclusivamente per l'uso per cui è stato progettato.
- Non gettare l'elettrodomestico nel fuoco. L'elettrodomestico contiene sostanze non CFC nel materiale isolante che sono infiammabili. Si consiglia di contattare l'autorità locale per informazioni sullo smaltimento e sugli impianti disponibili.
- È sconsigliato l'utilizzo dell'elettrodomestico in ambienti freddi e non riscaldati (ad esempio garage, serra, dipendenza, rimessa, giardino, etc.).

Per ottenere le migliori prestazioni possibili e un funzionamento senza problemi è molto importante leggere con attenzione le seguenti informazioni. La mancata osservanza di queste istruzioni può invalidare il diritto alla manutenzione gratuita in periodo di garanzia.

Conservare queste istruzioni al sicuro per una rapida consultazione.

**Questo apparecchio elettrico non è inteso per essere utilizzato da persona con handicap fisico, e/o mentale o con mancanza di esperienza e competenza anche se ad esse siano state date istruzioni concernenti l'uso da un supervisore o da persona con esperienza.**

**I bambini devono essere supervisionati da un adulto affinché non utilizzino l'apparecchio per il gioco.**

## Requisiti elettrici

Prima di inserire la spina nella presa a muro assicurarsi che la tensione e la frequenza riportate sull'etichetta informativa all'interno dell'elettrodomestico corrispondano all'alimentazione in uso.

Si consiglia di collegare questo elettrodomestico alla rete di alimentazione tramite una presa dotata di interruttore e fusibile in una posizione facilmente accessibile. A installazione ultimata, la spina deve essere accessibile per poter scollegare l'apparecchio dall'alimentazione.

**Avvertenza! Questo elettrodomestico deve essere dotato di messa a terra.**

Le riparazioni ai componenti elettrici devono essere eseguite solo da personale esperto qualificati. Se il cavo di alimentazione è danneggiato, il produttore o il servizio di assistenza clienti devono sostituirlo per evitare danni.

### ATTENZIONE!

Questo elettrodomestico utilizza il gas R 600a che rispetta l'ambiente ma è infiammabile. Durante il trasporto e l'installazione del prodotto è necessario fare attenzione a non danneggiare il sistema di raffreddamento. Se il sistema di raffreddamento è danneggiato e vi è perdita di gas dal sistema, tenere il prodotto lontano da fiamme e ventilare la stanza per il tempo necessario.

**AVVERTENZA** - Non utilizzare apparecchiature meccaniche o altri mezzi diversi da quelli consigliati dal produttore per accelerare il processo di sbrinamento.

**AVVERTENZA** - Non danneggiare il circuito del refrigerante.

**AVVERTENZA** - Non utilizzare componenti elettrici all'interno degli scomparti per la conservazione del cibo, a meno che non siano del tipo consigliato dal produttore.

## Istruzioni per il trasporto

1. L'elettrodomestico deve essere trasportato solo in posizione verticale. L'imballaggio fornito deve essere intatto durante il trasporto.

2. Se l'elettrodomestico è stato trasportato in posizione orizzontale, non deve essere messo in funzione per almeno 12 ore per consentire al sistema di risistemarsi.

3. La mancata osservanza delle istruzioni sopra riportate può causare danni all'elettrodomestico dei quali il produttore non è responsabile.

4. L'elettrodomestico deve essere protetto da pioggia, umidità e altri fenomeni atmosferici.

### Importante!

- È necessario fare attenzione quando si pulisce/trasporta l'elettrodomestico affinché quest'ultimo non tocchi la parte inferiore dei cavi metallici del condensatore sulla parte posteriore dell'elettrodomestico in quanto potrebbero verificarsi lesioni alle dita e alle mani.

- Non tentare di sedersi o di stare in piedi sull'elettrodomestico poiché non è progettato per tale uso. Potrebbero risultarne lesioni personali o danni all'elettrodomestico.

- Assicurarsi che i cavi principali non siano impigliati sotto l'elettrodomestico durante e dopo lo spostamento poiché potrebbero derivarne danni ai cavi.

- Non permettere ai bambini di giocare con l'elettrodomestico o di manomettere i comandi.

## Istruzioni di installazione

1. Non tenere l'elettrodomestico in un ambiente in cui la temperatura scenderà con ogni probabilità sotto i 10 °C (50 °F) di notte e/o in inverno, poiché è progettato per il funzionamento a temperature comprese tra i +10 e +32°C (50 e 90 °F). A temperature più basse, l'elettrodomestico potrebbe non funzionare, provocando una riduzione nella durata di conservazione del cibo.

2. Non posizionare l'elettrodomestico vicino a fornelli o radiatori o alla luce diretta del sole, poiché ciò causerebbe ulteriore sollecitazione sulle funzioni dell'elettrodomestico. Se viene installato accanto a una fonte di calore o a un freezer, mantenere le seguenti distanze laterali minime:

Da fornelli 30 mm

Da radiatori 300 mm

Da freezer 25 mm



3. Assicurarsi che ci sia spazio sufficiente intorno all'elettrodomestico per garantire la libera circolazione dell'aria **(2)**.
- Collocare il coperchio di aerazione posteriore sul retro del frigorifero per impostare la distanza tra il frigorifero e il muro **(3)**.
4. L'elettrodomestico deve essere collocato su una superficie piana. È possibile regolare i due piedi anteriori come necessario. Per assicurare che l'elettrodomestico sia in posizione verticale regolare i due piedi anteriori ruotandoli in senso orario o antiorario finché non si ottiene contatto stabile con il pavimento. La corretta regolazione dei piedi previene vibrazione e rumore eccessivi **(4)**.
5. Consultare il capitolo "Pulizia e manutenzione" per preparare l'elettrodomestico per l'uso.

### **Controllo e regolazione della temperatura**

La temperatura del freezer viene regolata mediante il tasto di regolazione della temperatura del freezer **(si consigliano 2 o 3 posizioni)**.

In generale, la temperatura è inferiore a -18°C. È possibile raggiungere temperature inferiori portando la manopola del termostato sulla posizione MAX.

Si consiglia di controllare la temperatura con un termometro per assicurare che gli scomparti di conservazione restino della temperatura desiderata. Ricordare di effettuare la lettura subito poiché la temperatura del termometro si alzerà con molta rapidità dopo che è stato rimosso dal freezer.

Ricordare che ogni volta che viene aperto lo sportello l'aria fredda si disperde e la temperatura interna aumenta. Pertanto, non lasciare mai lo sportello aperto e accertarsi di chiuderli immediatamente dopo averli introdotto o prelevato del cibo.

### **Prima della messa in funzione**

#### **Controllo finale**

Prima di cominciare a utilizzare il freezer controllare che:

1. I piedi siano stati regolati per un livellamento perfetto.

2. L'interno sia asciutto e l'aria circoli liberamente nella parte posteriore.

3. L'interno sia pulito come consigliato nel capitolo "PULIZIA E MANUTENZIONE".

4. La spina sia stata inserita nella presa a muro e l'alimentazione elettrica sia accesa. Evitare lo scollegamento accidentale picchiando sull'interruttore.

#### **Si noti che:**

5. Si udrà un rumore quando il compressore si avvia. I liquidi e i gas sigillati nel sistema refrigerante possono produrre dei rumori, che il compressore sia in funzione o meno. Ciò è abbastanza normale.

6. Per congelare cibi freschi, utilizzare lo scomparto contrassegnato da 4 stelle (si consiglia il secondo ripiano).

7. Non inserire nel una quantità troppo grande di cibi in una sola volta. La qualità dei cibi si conserva se vengono congelati nel minor tempo possibile. Pertanto è opportuno non superare la capacità di congelamento dell'elettrodomestico indicata nella sezione "*Record elettrodomestico*". Il termostato verrà regolato in modo da raggiungere la temperatura più bassa all'interno del freezer con il pulsante sulla funzione di congelamento rapido e la spia gialla accesa.

8. Quando è trascorso il tempo necessario per il congelamento dei cibi freschi, impostare il termostato su una posizione intermedia (la spia gialla è spenta).

9. Non caricare l'elettrodomestico appena lo si accende. Attendere finché non viene raggiunta la temperatura di conservazioni corretta. Si consiglia di controllare la temperatura con un termometro di precisione (vedere il capitolo Controllo e regolazione della temperatura).

#### **Nota importante:**

In caso di interruzione di alimentazioni, non aprire lo sportello. Il cibo congelato non subirà effetti negativi se il guasto dura meno di 19 ore. Se l'interruzione della corrente è prolungata, è necessario controllare il cibo e mangiarlo immediatamente o cucinarlo e ricongelarlo.

## **Pannello di controllo freezer**

5

Il pannello di controllo regola la temperatura nel freezer e ha le seguenti funzioni:

### **1 - LED arancione - congelamento rapido attivato**

Quando si ruota il pulsante di impostazione della temperatura del freezer (4), la spia arancione (1) si illuminerà e il compressore funzionerà continuamente. Ricordare di riportare la manopola del termostato sulla posizione precedente quando gli alimenti si sono congelati.

### **2 - LED verde - alimentazione attivata (tensione)**

Si accende quando l'apparecchio è collegato alla rete e resta accesa finché l'alimentazione è attivata. Il LED verde non fornisce informazioni sulla temperatura all'interno del freezer.

### **3 - Led rosso - allarme alta temperatura**

### **4 - Tasto di impostazione della temperatura**

#### **Allarme di alta temperatura**

Quando l'apparecchio è acceso per la prima volta, l'allarme non è attivo per 12 ore (il led rosso è spento).

Dopo questo periodo, il led rosso può illuminarsi (led rosso è acceso) nei casi che seguono:

- Se l'elettrodomestico è sovraccarico di cibi freschi
- Se lo sportello viene lasciato aperto per errore.

In questi casi, il led rosso resta acceso finché l'apparecchio raggiunge la temperatura preimpostata.

Se il LED rosso è acceso, aspettare 24 ore prima di chiamare l'assistenza autorizzata.

#### **Importante:**

Le temperature ottenute all'interno possono variare in base alle condizioni di utilizzo dell'elettrodomestico: collocazione, temperatura ambientale, frequenza dell'apertura dello sportello, livello di carico di cibo. L'impostazione della temperatura sarà modificata in base a queste condizioni.

Se il LED rosso è acceso, aspettare 24 ore prima di chiamare l'assistenza autorizzata. Potrebbe essere a causa di cibi caldi posizionati nel freezer e/o dello sportello lasciato aperto.

Dopo 24 ore di funzionamento, la spia di allarme per l'alta temperatura (LED rosso) dovrebbe spegnersi.

#### **Funzione congelamento rapido**

Quando ruotate il pulsante di impostazione della temperatura del freezer (4), la spia arancio (1) si illuminerà e il compressore funzionerà continuamente.

#### **Conservazione di cibo congelato**

Il freezer è adatto alla conservazione a lungo termine di cibi congelati disponibili in commercio e può essere inoltre utilizzato per congelare e conservare cibi freschi.

In caso di interruzione di alimentazioni, non aprire lo sportello. Il cibo congelato non verrà danneggiato se la mancanza di alimentazione dura meno di 19 ore. Se dura di più, è necessario controllare il cibo e mangiarlo immediatamente o cuocerlo e quindi congelarlo di nuovo.

## **Congelamento di cibi freschi**

Attenersi alle seguenti istruzioni per ottenere i risultati migliori.

Non congelare quantità troppo grandi in una volta sola. La qualità del cibo viene preservata in modo ottimale quando il cibo viene congelato il più velocemente possibile.

Se è necessario congelare grosse quantità di alimenti freschi, portare la manopola di controllo sulla posizione max.

24 ore prima di mettere gli alimenti freschi nello scomparto di congelamento rapido.

Si raccomanda di mantenere la manopola sulla posizione MAX per almeno 24 ore per congelare

la quantità massima di alimenti freschi riportata come capacità di congelamento.

Fare attenzione a non mescolare cibi congelati e cibi freschi.

Ricordare di riportare la manopola del termostato sulla posizione precedente quando gli alimenti si sono congelati.

È possibile congelare piccole quantità di alimenti fino a 1/2 Kg (1 lb) senza utilizzare la funzione di congelamento rapido.

Fare attenzione a non mescolare cibi già congelati e cibi freschi.

## **Preparazione dei cubetti di ghiaccio (6)**

Riempire la vaschetta per cubetti di ghiaccio per 3/4 con acqua e metterla nel freezer.

Allentare la vaschetta congelata con un cucchiaio o un attrezzo simile; non utilizzare mai oggetti appuntiti come coltelli o forchette.

## **Conoscere l'elettrodomestico (1)**

- 1 - Pannello di controllo, visualizzazione e regolazione
- 2 - Supporto per vaschetta del ghiaccio e vaschetta del ghiaccio
- 3 - Scomparto per il congelamento rapido
- 4 - Scomparti per la conservazione di cibi congelati
- 5 - Piedi anteriori regolabili

## **Sbrinamento**

Sbrinare il freezer almeno due volte all'anno o quando lo strato di ghiaccio diventa troppo spesso.

- La formazione di ghiaccio è un fenomeno normale.
- La formazione di ghiaccio, soprattutto nella parte alta dello scomparto, è un fenomeno naturale e non influenza il buon funzionamento dell'elettrodomestico.
- Si consiglia di sbrinare l'elettrodomestico quando la quantità di cibo congelato non è troppo elevata.
- Prima di procedere allo sbrinamento, impostare il termostato di regolazione sulla posizione massima per congelare rapidamente i cibi. In questo periodo la temperatura dell'elettrodomestico non deve essere troppo bassa.

- Scollegare l'elettrodomestico;
- Estrarre il cibo congelato, avvolgerlo in vari fogli di carta e metterlo in un posto freddo.
- Lasciare lo sportello aperto per il congelamento rapido e inserire dei recipienti con acqua calda (max. 80 °C).

Non utilizzare oggetti appuntiti come coltelli o forchette per rimuovere il ghiaccio.

Non utilizzare mai asciugacapelli, stufe o altri elettrodomestici simili per lo sbrinamento.

Al termine dello sbrinamento, chiudere la parte sbrinata e asciugare l'interno **(7 e 8)**.

Premere l'interruttore di congelamento rapido e lasciarlo acceso per circa tre ore.

## **Pulizia e manutenzione**

1. Si consiglia di spegnere l'elettrodomestico dalla presa e di scollegare il cavo di alimentazione prima di pulire.

2. Non utilizzare mai attrezzi appuntiti o sostanze abrasive, saponi, detergenti per la casa o cere per la pulizia.

3. Utilizzare acqua tiepida per pulire l'armadietto del dispositivo e asciugarlo.

4. Utilizzare un panno umido intriso di una soluzione composta da un cucchiaino di bicarbonato di soda e da circa mezzo litro di acqua e pulire l'interno, quindi asciugare.

5. Se l'elettrodomestico non viene usato per un lungo periodo di tempo, spegnerlo, togliere tutti gli alimenti dal suo interno, pulirlo e lasciare lo sportello aperto.

6. Si consiglia di pulire le parti metalliche del prodotto (ad esempio l'esterno dello sportello e i lati dell'armadietto) con una cera al silicone (lucidante per auto) per proteggere la finitura della vernice di alta qualità.

7. La polvere che si raccoglie sul condensatore, che si trova sul retro dell'elettrodomestico, deve essere rimossa una volta all'anno con un aspirapolvere.

8. Controllare le guarnizioni dello sportello periodicamente per garantire che siano pulite e che non siano presenti particelle di cibo.

9. Non:

- Pulire l'elettrodomestico con sostanze non adatte ad esempio prodotti a base di petrolio.
- Esporre mai ad alte temperature in alcun modo.
- Strofinare, sfregare o simili con sostanze abrasive.

10. Eccessivi depositi di ghiaccio devono essere rimossi periodicamente. Un grande accumulo di ghiaccio influenzerà negativamente le prestazioni del freezer.

11. Per rimuovere un cassetto, tirarlo fuori per quanto è possibile, rovesciarlo e poi estrarlo completamente.

### **Riposizionamento dello sportello**

Procedere seguendo l'ordine numerico (9).

### **Cosa fare e cosa non fare**

- Si** - Verificare il contenuto del ad intervalli regolari.
- Si** - Pulire e sbrinare periodicamente l'elettrodomestico (vedere "Sbrinamento")
- Si** - Conservare il cibo per brevi periodi come possibile e attenersi alle date di scadenza .
- Si** - Conservare i cibi congelati in commercio seguendo le istruzioni presenti sulla confezione.

- Si** - Scegliere sempre cibo fresco di alta qualità e assicurarsi che sia completamente pulito prima di congelarlo.
- Si** - Preparare il cibo fresco per il congelamento in piccole porzioni per assicurare un congelamento rapido.
- Si** - Avvolgere i cibi congelati subito dopo l'acquisto e metterli nel freezer appena possibile.
- Si** - Separare i cibi nei vari scomparti e compilare la scheda, in modo che sia possibile trovare rapidamente il cibo ed evitare un'eccessiva aperture dello sportello, risparmiando elettricità.
- No** - Non lasciare lo sportello aperto per lunghi periodi poiché il funzionamento dell'elettrodomestico diventa più costoso e causa un'eccessiva formazione di ghiaccio.
- No** - Non usare mai oggetti con bordi taglienti come coltelli o forchette per rimuovere il ghiaccio.
- No** - Non introdurre cibi caldi nell'elettrodomestico. Attendere prima che si raffreddino.
- No** - Non inserire bottiglie riempite di liquidi o barattoli di latta contenenti liquidi carbonati nel freezer in quanto possono scoppiare.
- No** - Non conservare sostanze velenose o pericolose nell'elettrodomestico. È stato progettato solo per la conservazione di cibi commestibili.
- No** - Non superare i carico massimo di congelamento durante il congelamento di cibi freschi.
- No** - Consumare gelati e ghiaccio presi direttamente dal freezer. La bassa temperatura può provocare bruciate da freddo alle labbra.
- No** - Non congelare bevande gasate.
- No** - Non tentare di conservare cibi congelati che si sono scongelati; devono essere mangiati entro 24 ore o cucinati e ricongelati.
- No** - Non rimuovere il cibo dal freezer con le mani bagnate.
- No** - Chiudere lo sportello prima di sostituire il coperchio dello scomparto per il congelamento rapido.

## Risoluzione dei problemi

Se l'elettrodomestico non funziona quando è acceso, controllare:

- che la spina sia inserita correttamente nella presa e che l'alimentazione sia accesa (per controllare l'alimentazione della presa, collegare ad essa un altro elettrodomestico)
- se il fusibile è bruciato/l'interruttore di distribuzione è spento.
- che il comando della temperatura sia impostato correttamente.
- che la nuova spina sia cablata correttamente se è stata cambiata la spina.

Se l'elettrodomestico ancora non funziona dopo i controlli elencati in precedenza, contattare il distributore presso il quale è stata acquistata l'unità.

Assicurarsi di aver effettuato questi controlli poiché verrà richiesto un sovrapprezzo se non viene trovato alcun guasto.

## Informazioni sui rumori di funzionamento

Per mantenere costante la temperatura selezionata, l'elettrodomestico a volte attiva il compressore.

I rumori che ne risultano sono normali.

Appena l'elettrodomestico ha raggiunto la temperatura di funzionamento, i rumori si riducono automaticamente.

Il **gorgoglio** viene emesso dal motore (compressore). Quando il motore si accende, il rumore può aumentare brevemente.

Il **ribollio**, il **gorgoglio** o il **ronzio** vengono emessi dal refrigerante quando scorre attraverso le tubature.

È possibile che si oda uno **schiocco** quando il termostato accende/spegne il motore.

### **Può verificarsi uno schiocco quando**

- Il sistema di sbrinamento automatico è attivo.

- L'elettrodomestico si sta raffreddando o riscaldando (espansione materiali).

**Se i rumori sono eccessivamente forti, le cause probabilmente non sono serie e in genere sono molto facili da eliminare.**

### **L'elettrodomestico non è stabile.**

Utilizzare i piedini regolabili o porre della carta sotto di essi.

### **L'elettrodomestico non è indipendente**

Spostare l'elettrodomestico lontano dalle unità della cucina o da altri elettrodomestici.

### **I ripiani sono allentati o attaccati**

Controllare le parti staccabili e se necessario ricollocarle nella giusta posizione.


### **Avvertenza!**

Non tentare mai di riparare l'elettrodomestico o i componenti elettrici da soli. Le riparazioni condotte da persone non qualificate sono pericolose per chi le esegue e provocano il decadimento della garanzia.

**Dati tecnici**

Marchio	<b>BEKO</b>
Tipo di elettrodomestico	<b>FS225300</b> <b>CONGELATORE VERTICALE</b> * ** *
Volume lordo totale (l)	250
Volume utilizzabile totale (l)	190
Capacità di congelamento (kg/24 ore)	14
Classe energia (1)	A
Consumo elettrico (kWh/anno) (2)	263
Autonomia (ore)	19
Rumore [dB (A) re 1 pW]	41
Agente refrigerante ecologico R600a	
(1) Classe di energia: A . . . G (A = economica. . . G = meno economica)	
(2) Il consumo elettrico reale dipende dalle condizioni di utilizzo e dalla posizione dell'elettrodomestico.	



Il simbolo  sul prodotto o sulla confezione indica che questo prodotto non può essere trattato come normale rifiuto domestico. Invece deve essere portato al punto di raccolta adatto per il riciclaggio delle apparecchiature elettriche ed elettroniche. Assicurando il corretto smaltimento di questo prodotto, si evitano potenziali conseguenze negative per l'ambiente e la salute, che potrebbero derivare da una gestione inappropriata del prodotto. Per informazioni più dettagliate sul riciclaggio di questo prodotto, contattare l'ufficio cittadino locale, il servizio di smaltimento dei rifiuti domestici o il negozio dove è stato acquistato il prodotto.

**Apsveicam ar jūsu izvēli!**

Saldētava, ko jūs esat iegādājušies ir viens no **BEKO** produktiem un harmoniski kombinē sevī lielisku darbaspēju un estētisku ārējo izskatu. Tai ir jauns pievilcīgs dizains un tā ir konstruēta, ievērojot Eiropas un nacionālos standartus, kas garantē saldētavas drošību. Bez tam lietota saldētava nekaitē apkārtējai videi un neietekmē ozona slāni. Lai pareizi izmantotu jūsu saldētavu, uzmanīgi izlasiet šo lietošanas instrukciju.

**Drošība pirmkārt!**

Uzmanīgi izlasiet lietošanas pamācību. Tā ietverta svarīga informācija par dotās ierīces izmantošanu. Lietošanas instrukcijas noteikumu neievērošanas gadījumā jūs varat zaudēt tiesības uz bezmaksas apkalpošanu garantijas darbības termiņa laikā. Glabājiet doto lietošanas pamācību drošā vietā un, pēc nepieciešamības, nododiet viņu pēcnākamjiem ierīces lietotājiem.

Nepieslēdziet ierīci pie elektroenerģijas avota līdz aizsardzības iesaiņojuma pilnai izsaiņošanai.

- Ja aparāts bija transportējams horizontālā stāvoklī, dodiet viņam pastāvēt ne mazāk kā 12 stundas pirms ieslēgšanas, lai sistēma nostātos.
- Pēc piegādes pārbaudiet aparātu un visu komplektāciju, vai ir nebojātā stāvoklī un aksesuāru priekšmetu netrūkšanu.
- Dotais aparāts ir jāpielieto tikai tam, kam ir paredzēts, t.i., lai glabātu un iesaldētu produktus.
- Neutilizējiet elektroaparātu sadedzinot to. Izolāciju elektroaparāta materiālos ietver vielas CFC (HFU) grupas, kuras ir ugunsnedrošas. Lai saņemtu uzziņas par utilizāciju un uzņēmumiem, kas nodarbojas ar utilizāciju, rekomendējam vērsties pie lokālām varas institūcijām
- Doto aparātu nav rekomendējams izmantot neapkurināmajā aukstajā telpā, piemēram, garāžā, noliktavās, flīgelī, šķūnī, ārpus mājas un t.t., sk. Nodalījumu «Izvietošana».
- Neļaujiet bērniem spēlēties ar aparātu.
- Ne sēžaties un nekāpjiet uz aparāta un viņa uzstājošās daļām un neatļaujiet to bērniem.
- Cenšaties neskarties klāt metāliskam kondensātoram uz aparāta aizmugurējās sienas, tā kā pie tam ir iespējama traumas saņemšana.
- Varbūtējo bojājumu gadījumā sākumā atslēdziet aparātu no barošanas avota.
- Pirms ierīces tīrīšanas obligāti atslēdziet to no barošanas avota vai izslēdziet drošinātāju. Nevelciet tīkla vadu, bet gan izdabūjiet kontaktdakšu no rozetes. Elektriska aprīkojuma remontu var veikt tikai kvalificēti speciālisti. Pie tīkla vada bojājuma ražotājam vai servisu dienestam ir jānomaina tas bīstamības novēršanai.

Šī ierīce nav paredzēta, lai to izmantotu persona ar ierobežotām garīgām un fiziskām spējām, bez pieredzes un zināšanām, un arī ja viņš nav apmācīts. Šī ierīce jālieto tikai tā cilvēka klātbūtnē, kurš atbildīgs par personas drošību.

Bērni šo ierīci drīkst lietot tikai tā cilvēka klātbūtnē, kurš par tiem ir atbildīgs, lai novērstu nelaimes gadījumus un to, lai bērni ar ierīci nespēlētos.

## Elektrotīkla prasības

Pirms ledusskapja pievienošanas strāvas tīklam pārliedzieties, ka strāvas tīkla spriegums un frekvence atbilst ierīces prasībām. Ieteicams pievienot ierīci strāvas tīklam caur zemētu strāvas tīkla ligzdu, kas atrodas viegli pieejamā vietā. Pēc iekārtas uzstādīšanas spraudkontaktam jābūt viegli pieejamam, lai būtu iespējams atvienot iekārtu no strāvas avota.

### **Brīdinājums! Šo ierīci nepieciešams iezemēt.**

Elektroaprīkojuma labošanu drīkst veikt tikai kvalificēti speciālisti. Ja spēka kabelis ir bojāts, tad ražotājam vai klientu apkalpošanas centram tas jānomaina, lai izvairītos no iespējamajiem riskiem.

- Izritiniet elektrības vadu, lai to būtu vienkāršāki pieslēgt vai atvienot pēc ierīces instalēšanas.

- Izmantojiet kontaktu separatoru, ja nav pieejams galvenais kontakts.

### **SVARĪGI!**

- Nekādā gadījumā neatbrīvojieties no ierīces sadedzinot to. **BEKO** uzstāj, ka apkārtējās vides aizsardzība un rūpes par to ir ļoti būtiskas. Šī ierīce, kas ir viens no jaunākajiem modeļiem, ir videi draudzīga. Ierīce satur dabiskās anti-freona vielas saldēšanas sistēmās (ko sauc par R600a) un izolācijā (ko sauc par ciklopentānu), kas ir uguns nedroši, ja tiek pakļauti uguns iedarbībai.

Tādēļ uzmanieties, lai nebojātu saldēšanas ķēdi / caurules transportēšanas un izmantošanas laikā.

Bojājumu gadījumā, nepakļaujiet ierīci uguns iedarbībai un nekavējoties izvēdiniet telpu, kurā atrodas ierīce.

- Lai uzzinātu par atbrīvošanās iespējām, sazinieties ar vietējiem varas orgāniem.

**BRĪDINĀJUMS** - Nekādā gadījumā nenobloķējiet ventilācijas atveres ierīces korpusā un iekšpusē.

**BRĪDINĀJUMS** - Neizmantojiet nekādus mehāniskus priekšmetus vai citus līdzekļus, lai paātrinātu atkuššanas procesu, izņemot tos, kurus iesaka ražotājs.

**BRĪDINĀJUMS** - Nebojājiet saldēšanas ķēdi.

**BRĪDINĀJUMS** - Neizmantojiet elektriskās ierīces pārtikas produktiem paredzētajā nodalījumā, ja vien to nav ieteicis ražotājs.

## Transportēšana

1. Ierīci drīkst transportēt tikai stateniskā pozīcijā. Transportēšanas laikā iepakojuma materiāliem jābūt nebojātiem.
2. Ja transportēšanas laikā ierīce atrodas horizontālā pozīcijā, to nedrīkst ieslēgt vismaz 12 stundas, lai visa sistēma nostātos savās vietās.
3. Augstāk minēto norādījumu neievērošana var novest pie bojājumiem, par kuriem ražotājs nenes atbildību.
4. Ierīci nedrīkst pakļaut lietus, mitruma un citai atmosfēras iedarbībai.

### **Svarīgi!**

- Ierīces tīrīšanas laikā nepieskarities kondensatora metāla stieplēm ierīces aizmugurē. Pretējā gadījumā iespējama pirkstu un roku traumu gūšana.
- Nemēģiniet apsēsties vai nostāties uz ierīces, jo šādiem gadījumiem tā nav paredzēta. Pretējā gadījumā iespējami ierīces bojājumi vai traumu gūšana.
- Pārliedzieties, ka strāvas kabelis nav pakļūvis zem ierīces transportēšanas laikā vai pēc tās. Pretējā gadījumā kabelis var tikt bojāts.
- Neļaujiet bērniem spēlēties ar ierīci vai vadības taustiņiem.

## Uzstādīšana

1. Neturiet ierīci telpās, kuru temperatūra varētu nokristies zemāk par 10°C naktīs un/vai īpaši ziemā, jo tā paredzēta lietošanai no +10 līdz +32°C. Zemākās temperatūrās ierīce var nedarboties, kas var saīsināt pārtikas produktu glabāšanās laiku.
2. Neuzstādiet ierīci blakus plītim vai radiatoriem vai tiešā saules staru iedarbībā. Pretējā gadījumā iespējama ierīces korpusa deformācija. Ja ierīce tiek uzstādīta blakus saldētājkamerai, ievērojiet sekojošus minimālos attālumus:
  - no plītim 30 mm
  - no radiatoriem 300 mm
  - no saldētājkamerām 25 mm
3. Pārliedzieties, ka ap ierīci ir atstāta atbilstoša vieta brīvas gaisa cirkulācijas nodrošināšanai.



4. Ierīci jāuzstāda uz stabilas virsmas. Abas priekšējās kājiņas iespējams noregulēt, ja nepieciešams. Lai ierīce stāvētu stabili, noregulējiet divas priekšējās kājiņas griežot tās pulksteņa rādītāju kustības virzienam vai pretēji tam līdz tiek sasniegts kājiņu ciešs kontakts ar grīdas virsmu. Noregulējot kājiņas, iespējams novērst pārmērīgu vibrāciju un trokšņus.

5. Lai sagatavotu ierīci darbam, skatīt nodaļu "Tīrīšana un apkope".

### **Temperatūras atainošana un iestatīšana**

Saldēšanas kameras temperatūru ietekmē saldēšanas kameras temperatūras pogas iestatījums (**ieteicama 2. vai 3. pozīcija**). Kopumā, šī temperatūra ir zemāka par  $-18^{\circ}\text{C}$ . Zemāku temperatūru iespējams iestatīt pagriežot termostata pārslēgu MAX pozīcijas virzienā.

Temperatūras līmenis var būt dažāds atkarībā no iekārtas izmantošanas apstākļiem, tādiem, ka:

Uzstādīšanas vieta, apkārtējās vides temperatūra, durvju atvēršanas biežums, produktu daudzums.

Termostata riteņa stāvoklis mainīsies atkarībā no minētajiem apstākļiem. Parasti, ja apkārtējās vides temperatūra ir apmēram  $25^{\circ}\text{C}$  -  $32^{\circ}\text{C}$ , tad termostata ritenis ir jāuzstāda uz vidējo pozīciju.

Saldētavas temperatūra paaugstinājusies pateicoties ievietotajam siltajam ēdienam, siltajam gaisam, vai ja saldētavas durvis turētas vaļā ilgāku laiciņu.

### **Pirms izmantošanas**

#### **Pēdējā pārbaude**

Pirms uzsākat ierīces izmantošanu, pārliedzinieties, ka:

1. Priekšējās ierīces kājiņas ir noregulētas pareizajā līmenī.
2. Ierīces iekšpuse ir sausa un aizmugurē nodrošināta pietiekami liela brīva vieta gaisa cirkulācijai.
3. Ierīces iekšpuse ir tīra un tīrīšana veikta vadoties pēc "Tīrīšana un apkope" nodaļas norādījumiem.

4. Ierīce ir pieslēgta strāvas tīklam un elektrība ir pieslēgta. Atverot ierīces durvis, iekšpusē izgaismojas lampiņa.

#### **Un ņemiet vērā, ka:**

5. Ieslēdzot ierīci, no kompresora atskan troksnis. Arī šķidrums un gāzes saldēšanas sistēmā var izraisīt troksni pat kompresoram nedarbojoties. Tas ir normāli.
6. Lai sasaldētu svaigu pārtiku, izmantojiet nodalījumu, kas atzīmēts ar 4 zvaigznītēm (ieteicams, - otro plauktu).
7. Ieteicams iestatīt termostata slēdzi pa vidu un uzmanīt temperatūru, lai saglabātu nepieciešamo temperatūru (skatīt nodaļu Temperatūras kontrole un noregulēšana). Lai panāktu viszemāko saldēšanas kameras temperatūru, termostats tiks noregulēts ar ātrās sasaldēšanas funkcijas pogas un dzeltenā gaismas indikatora palīdzību.
8. Nekādā gadījumā nepiekrāmējiet ierīci uzreiz pēc ieslēgšanas. Vispirms pārliedzinieties, ka ierīces temperatūra ir sasniegusi vajadzīgo.

#### **SVARĪGI:**

Saldētava piemērota sasaldētu pārtikas produktu glabāšanai, kā arī svaigas pārtikas sasaldēšanai un uzglabāšanai. Ja gadās strāvas padeves pārrāvums, neatveriet saldētavas durvis.

Sasaldētajiem pārtikas produktiem nekas nevar notikt, ja strāvas padeves pārrāvums neturpinās ilgāk par 19 stundām. Ja pārrāvums ir ilgāks, pārbaudiet pārtikas produktu stāvokli un vai nu patērējiet tos nekavējoties, vai pagatavojiet tos un tad no jauna sasaldējiet.

## **Saldēšanas kameras vadības panelis (att. 5)**

Vadības panelis tiek izmantots saldēšanas kameras temperatūras regulēšanai un piedāvā šādas funkcijas:

### **1 - Oranža gaismas diode - ieslēgta ātrās sasaldēšanas funkcija**

Kad pagriezīsiet saldēšanas kameras temperatūras iestatīšanas pogu (4) MAX. pozīcijā, tad iedegsies oranžā gaismas diode (1) un nepārtraukti darbosies kompresors. Pēc tam, kad pārtika sasalusi, neaizmirsiet pagriezt termostata pārslēgu atpakaļ tā iepriekšējā pozīcijā.

### **2 - Zaļā gaismas diode - iekārta pievienota barošanas avotam (spriegums)**

Iedegas, kad iekārta tiek pievienota elektrības tīklam un turpina degt tikmēr, kamēr darbojas barošanas avots. Zaļā gaismas diode nenodrošina informāciju par temperatūru saldēšanas kameras iekšpusē.

### **3 - Sarkana gaismas diode - Brīdinājums par augstu temperatūru**

#### **4 - Temperatūras iestatīšanas poga**

#### **Brīdinājums par augstu temperatūru**

Šī brīdinājuma funkcija nedarbosies 12 stundas pēc iekārtas pirmās ieslēgšanas reizes (sarkanā gaismas diode nedegs). Pēc šī laika perioda paiešanas sarkanā gaismas diode iedegsies šādos gadījumos:

- ja iekārtā ir ievietots pārāk liels svaigas pārtikas daudzums;
- ja iekārtas durvis ir nejauši palikušas atvērtas.

Šajos gadījumos sarkanā gaismas diode turpinās degt, līdz iekārta sasniegs iepriekš iestatīto temperatūru.

Ja sarkanā gaismas diode turpina degt vairāk nekā 24 stundas, tad vērsieties pilnvarotā apkalpošanas centrā.

### **SVARĪGI:**

- a. Deg, kad iekārta ir ieslēgta pirmo reizi, un pazud, kad tiek sasniegta uzdota temperatūra.
- b. Iekārta ir parslogota ar produktiem.
- c. Durvis ir atvertas.

Sarkanā indikatora, kas iedegas, kad iekšējā temperatūra ir pārāk augsta; Šis indicators degs pirmās 15 - 50 minūtes pēc iekārtas ieslēgšanas un pazudīs, kad temperatūra sasniegs pietiekami zemu līmeni. Ja šis indicators deg visu laiku, tad iekārta ir bojāta.

### **Ātrās sasaldēšanas funkcija**

Kad pagriezīsiet saldēšanas kameras temperatūras iestatīšanas pogu (4) MAX pozīcijā, tad iedegsies oranžais gaismas indicators (1) un nepārtraukti darbosies kompresors.

### **Sasaldētu pārtikas produktu glabāšana**

Ledusskapja saldētava piemērota sasaldētu pārtikas produktu glabāšanai, kā arī svaigas pārtikas sasaldēšanai un uzglabāšanai. Ja gadās strāvas padeves pārrāvums, neatveriet saldētavas durvis. Sasaldētajiem pārtikas produktiem nekas nevar notikt, ja strāvas padeves pārrāvums neturpinās ilgāk par 19 stundām. Ja pārrāvums ir ilgāks, pārbaudiet pārtikas produktu stāvokli un vai nu patērējiet tos nekavējoties, vai pagatavojiet tos un tad no jauna sasaldējiet.

## Svaigu pārtikas produktu sasaldēšana

Lūdzam ievērot sekojošus norādījumus optimālāko rezultātu iegūšanai:

Nemēģiniet sasaldēt pārtikas produktus lielos daudzumos vienā reizē. Pārtikas produktu kvalitāte saglabājas vislabāk, ja tie tiek sasaldēti viscaur līdz kodolam pēc iespējas ātrāk.

Ja jāsasaldē liels daudzums svaigas pārtikas, tad novietojiet pārslēgu MAX pozīcijā 24 stundas pirms svaigās pārtikas ievietošanas ātrās sasaldēšanas kamerā.

Lai sasaldētu maksimālo norādīto pārtikas daudzumu, ļoti ieteicams novietot pārslēgu MAX pozīcijā vismaz 24 stundas pirms pārtikas sasaldēšanas. Pievērsiet īpašu uzmanību tam, lai nesajauktu sasaldētu pārtiku un svaigu pārtiku.

Pēc tam, kad pārtika sasalusi, neaizmirsiet pagriezt termostata pārslēgu atpakaļ tā iepriekšējā pozīcijā.

Neliels pārtikas daudzums līdz ½ kg (1 mārc.) var tikt sasaldēts bez ātrās sasaldēšanas funkcijas izmantošanas.

Pievērsiet īpašu uzmanību, lai nesajauktu jau sasaldētu pārtiku un svaigu pārtiku.

## Ledus gabaliņu pagatavošana (att. 6)

Piepildiet ledus gabaliņu pagatavošanas trauku ar ¾ ūdens un ievietojiet to saldētavā. Izņemiet gatavos ledus gabaliņus ar karotes otra gala vai līdzīga priekšmeta palīdzību. Nekādā gadījumā neizmantojiet asus priekšmetus, piemēram, nažus vai dakšiņas.

## Galvenās sastāvdaļas (att. 1)

1. Vadības panelis
2. Ledus ražotājs
3. Ātri sasaldējošs nodalījums saldētiem produktiem
4. Plastmasas atvilkntnes sasaldēto produktu glabāšanai
5. Noregulējamās priekšējās kājiņas

## Atkausēšana

- Mēs iesakām atkausēt saldētavu vismaz divas reizes gadā vai kad ledus slānis kļūst pārāk biezs.

- Ledus veidošanās ir normāls efekts.

- Ledus daudzums un tā veidošanas intensitāte ir atkarīgi no apkārtējās vides apstākļiem un no tā, cik bieži tiek atvērtas durvis.

- Mēs iesakām atkausēt saldētavu, kad tajā ir maz produktu.

- Pirms atkausēšanas iestatiet viszemāko temperatūru, lai produkti dziļāk sasaldētos.

- Atslēdziet iekārtu no barošanas;

- Izņemiet saldētus produktus un apvelciet tos ar dažām papīra lapām, tad ielieciet to ledusskapī vai aukstā vietā.

Paņemiet paplāti un uzlieciet to zem ūdens izliešanas snīpja. Izņemiet snīpja vāciņu.

Ūdens notecēs paplātē. Pēc atkausēšanas noslaukiet saldētavu ar mīkstu lupatu.

Uzstādiet snīpja vāciņu atpakaļ. **(att. 7 - 8)**

Lai ledusskapis ātrāk kļūtu sauss, atstājiet durvis atvērtas.

**Neizmantojiet asus metāliskus priekšmetus ledus kasīšanai.**

**Neizmantojiet matu fēnu vai citus elektriskus sildīšanas ierīces saldētavas atkausēšanai.**

Pievienojiet ierīci strāvas tīklam.

Nospiediet ātrās sasaldēšanas taustiņu ievietojot saldētavā pārtikas produktus un atstājāt uz 3 stundām.

## Tīrīšana un apkope

1. Pirms tīrīšanas ieteicams ierīci izslēgt atvienojot to no strāvas tīkla.

2. Tīrīšanai nekādā gadījumā neizmantojiet asus priekšmetus vai abrazīvus tīrīšanas līdzekļus, ziepes, mājsaimniecības tīrīšanas līdzekļus, šķīdinātājus vai vasku.

3. Izmantojiet remdenu ūdeni, lai iztīrītu ierīces iekšpusi un izslaukiet to sausu.

4. Lai iztīrītu saldētavas iekšpusi samitriniet mīkstu drāniņu ūdenī, kas atšķaidīts ar sodu. Uz 0.57 l ūdens 1 tējkarote sodas. Pēc tam izslaukiet to sausu.

5. Uzmanieties, lai temperatūras vadības nodalījumā neiekļūtu ūdens.

6. Ja ierīci neplānojat izmantot ilgāku laika periodu, izslēdziet to, izņemiet visus pārtikas produktus, iztīriet to un atstājiet durvis atvērtas.

7. Ieteicams pulēt ierīces metāliskās detaļas (piemēram, durvju ārpusi, nodalījuma sānu daļas) ar silikona vasku (automašīnu vasku), lai aizsargātu augstās kvalitātes krāsojumu.

8. Vismaz vienu reizi gadā ar putekļu sūcēju nosūciet uz kondensētāja sakrājušos putekļus.

9. Regulāri pārbaudiet durvju izolācijas gumijas un pārļiecinieties, ka tajās nav sakrājušies pārtikas produktu pārpalikumi.

10. Nekādā gadījumā:

- netīriet ierīci ar nepiemērotiem tīrīšanas līdzekļiem; t.i. šķīdinājošiem līdzekļiem;
- nepakļaujiet ierīci jebkādu augstu temperatūru iedarbībai;
- netīriet un neberziet ierīci ar abrazīviem tīrīšanas materiāliem.

11. Augļu nodalījuma vāka un durvju paplātes izņemšana:

- Lai izņemtu augļu nodalījuma vāku, paceliet to aptuveni 2,5 cm augstumā un izņemiet to no tās puses, kur vākā ir atvere.
- Lai izņemtu durvju paplāti, izņemiet visu tās saturu un tad vienkārši izstumiet to uz augšu.

12. Vienmēr pārbaudiet, vai plastmasas konteineris ierīces aizmugurē notekūdeņu savākšanai ir tīrs.

Ja vēlaties to noņemt, lai notīrītu, veiciet sekojošas darbības:

- Atvienojiet ierīci no strāvas tīkla.
- Viegli salieciet kompresora sviru izmantojot knaibles tā, lai konteineri varētu izņemt.
- Iztīriet un izslaukiet to sausu.
- Ievietojiet to atpakaļ vietā.

13. Lai izņemtu atvilktni, izstumiet to uz āru, cik vien iespējams, paceliet to un tad izņemiet to ārā.

### ***Durvju uzstādīšana uz otru pusi***

Durvis izveidotas tā, lai tās būtu iespējams uzstādīt uz abām pusēm, lai tās būtu iespējams atvērt to pusi, uz kuru Jums būtu ērtāk. Ja vēlaties, lai durvis būtu atveramas no otras puses, sazinieties ar kvalificētu servisa centru (**att. 9**).

### ***Ieteikumi un norādījumi ieteikumi***

- Regulāri noskrāpējiet sasalušo ledu saldētavā ar komplektācijā ietilpstošo ledus skrāpi.
  - Regulāri tīriet un atkausējiet ledusskapi.
  - Glabājiet svaigo gaļu un putnu gaļu zem gatavā ēdiena un piena produktiem.
  - Glabājiet ēdienu pēc iespējas īsāku laiku un ņemiet vērā to derīguma termiņus.
  - Noņemiet jebkādas nevajadzīgas lapas no dārzeņiem un notīriet no tiem augsni.
  - Atstājiet salātus, kāpostus, pētersīļus un ziedkāpostus uz stumbriem.
  - Ietīniet sieru vispirms tauknecaurlaidīgā papīrā un tad polietilēna plēvē, neļaujot piekļūt gaisam.
- Lai tas saglabātu labākās garšas īpatnības, izņemiet to no ledusskapja apmēram stundu pirms ēšanas.
- Ievietojiet svaigu gaļu un putnu gaļas produktus polietilēna maisiņā vai ietīniet to alumīnija folijā.
- Tas neļauj gaļai izžūt.
- Ietīniet zivis un subproduktus polietilēna plēvē.
  - Ietīniet produktus ar spēcīgu aromātu vai produktus, kuri ātri izkalst, polietilēna plēvē, alumīnija folijā vai ievietojiet tos hermētiskā trauciņā.
  - Labi ietīniet maizi, lai tā saglabātos svaiga.
  - Pirms pasniegšanas atdzesējiet balto vīnu, alu, gaišālu un minerālūdeni.
  - Glabājiet sasaldētos produktus ievērojot norādījumus uz iepakojuma.
  - Atlaidiniet sasaldētos produktus ledusskapī.

**Norādījumi**

- Nelieciet karstus ēdienus ledusskapī. Ļaujiet tiem vispirms atdzist.
- Neglabājiet banānus ledusskapī.
- Neglabājiet melones ledusskapī. Tās drīkst ievietot ledusskapī uz īsu brīdi, lai atdzesētu, ja tās ir ietītas polietilēna plēvē, lai novērstu citu produktu piesūkšanos ar to aromātu.
- Neatstājiet ledusskapja durvis atvērtas uz ilgu laiku, Pretējā gadījumā ledusskapis patērēs daudz vairāk elektroenerģijas.
- Neapklājiet ledusskapja plauktus ar jebkādu aizsargājošu materiālu, kas varētu kavēt gaisa cirkulāciju.
- Nemēģiniet vēlreiz sasaldēt atkausētus produktus. Tos jāpatērē 24 stundu laikā pēc atkausēšanas.
- Neglabājiet ledusskapī jebkādas indīgas vai veselībai bīstamas vielas. Ledusskapis paredzēts tikai ēdamu pārtikas produktu glabāšanai.
- Nelietojiet uzturā pārtikas produktus, kas ir pārāk ilgi glabājušies ledusskapī.
- Neglabājiet gatavo ēdienu un svaigos pārtikas produktus vienā trauciņā. Tos nepieciešams iesaiņot un uzglabāt atsevišķi.
- Nepieļaujiet atkausēto pārtikas produktu vai produktu sulām notecēt uz cietiem pārtikas produktiem ledusskapī.
- Nekādā gadījumā neizmantojiet asus priekšmetus, piemēram, nažus vai dakšiņas, lai noskrāpētu ledu.

**Kļūmju novēršana**

Ja ierīce nedarbojas to ieslēdzot, pārliedzinieties:

- ka kontaktdakša ir rūpīgi ievietota strāvas tīkla kontaktligzdā. (Lai pārliedzinātos, ka strāvas tīkla kontaktligzda darbojas, iespraudiet tajā citu elektroierīci).
- ka visi drošinātāji ir savās vietās un elektrība vispār ir pieslēgta.
- ka temperatūras vadības slēdzis ir iestatīts pareizā pozīcijā.
- ka jaunā kontaktdakša ir pievienota pareizi, ja esat to nomainījis.

Ja ierīce vēl joprojām nedarbojas, sazinieties ar izplatītāju, pie kura iegādājāties to. Lūdzam rūpīgi pārbaudīt visus augstāk minētos punktus pirms ierīces nogādāšanas servisa centrā, jo ja darbības kļūme tomēr netiks konstatēta, no Jums tiks paprasīta attiecīga samaksa.

**Parasti darba trokšņi****Atšķirīgi funkcionāli trokšņi ir pilnīgi parasta parādība tādēļ, ka strādā ledusskapja atvēsināšanas sistēma.**

- Trokšņi, kuri klunkšķ, svilpo vai mutuļo, ir izsaukti ar hladagenta cirkulāciju iekšpus atvēsināšanas sistēmas. Šos trokšņus var dzirdēt pat īsu laiku pēc kompresora atvienošanas.
- Trokšņi, kuri ir pēkšņi, asi vai brakšķoši, ir izsaukti ar paplašinājumu un iekšēju sieniņu un dažu komponentu blīvēšanos iekšpus kameras.
- Dūcošie trokšņi, kuri zum, svilpo, pulsē vai ilgst, ir izsaukti ar kompresoru. Šie trokšņi nedaudz skaļāk palaižot kompresoru un pazeminās pie panākuma ar darba temperatūru ierīci.
- **Maisošo vibrāciju un trokšņu izvairīšanās gadījumā pārliedzinieties par to, ka**
- Ledusskapis tieši stāv uz visām četrām kājiņām.
- Ledusskapis nesaskaras ar sienām, apkārtējiem priekšmetiem vai virtuvju mēbelēm.
- Burkas, pudeles vai trauki iekšpus ledusskapja neskar un neplarkšķ saskaroties viens ar otru.
- Visi plaukti un konteineri cieši ir iestiprināti kamerās un uz ledusskapja durvīm.

**Tehniskā specifikācija**

MARKA	<b>BEKO</b>
IEKĀRTAS TIPS	<b>FS225300</b> <b>VERTIKĀLĀ SALDĒTĀJKUĢU * ** *</b>
Kopējais bruto tilpums (l)	250
Kopējais lietderīgais tilpums (l)	190
Sasaldēšanas kapacitāte (kg/24 h)	14
Energoefektivitātes klase (1)	A
Enerģijas patēriņš (kWh/an) (2)	263
Autonoms darbs (stundas)	19
Trokšņu līmenis (dB (A) re 1 pW)	41
Ekoloģiski nekaitīga dzesējošā viela R600a	
(1) Energoefektivitātes klase : A . . . G (A = ekonomisks . . . G = mazāk ekonomisks)	
(2) Reālais enerģijas patēriņš ir atkarīgs no apkārtējās vides apstākļiem un vietas, kurā iekārta ir uzstādīta.	

Šīs iekārtas specifikācijas var mainīties bez brīdinājuma, lai uzlabotu produkta kvalitāti. Attēli šajā rokasgrāmatā ir shematiski un, iespējams, neatbilst pilnīgi jūsu produktam.

Vērtības, norādītās uz mašīnas etiķetēm vai pavaddokumentācijā, ir iegūtas laboratorijā saskaņā ar attiecīgiem standartiem. Atkarībā no iekārtas lietošanas un vides apstākļiem, vērtības var atšķirties.



■ Iekārtas materiāls ir pārstrādājams. Palīdziet to pārstrādāt un aizsargāt vidi, atstājot to pašvaldības šķirošanas centros, kas veic šo pakalpojumu. Jūsu iekārta satur daudz pārstrādājamu materiālu. Tā ir atzīmēta ar šo uzlīmi, lai norādītu uz izlietotām iekārtām, kuras nedrīkst jaukt ar citiem atkritumiem. Tādējādi, iekārtas pārstrāde, ko organizē ražotājs, tiks veikta labākajos apstākļos, saskaņā ar Eiropas Direktīvu 2002/96/EC "Par Elektrisko un elektronisko iekārtu atkritumiem". Sazinieties ar pilsētas pašvaldību vai izplatītāju, lai uzzinātu par jums tuvāko atkritumu savākšanas centru. Pateiciamies par jūsu piedalīšanos vides aizsardzībā.

Blahopřejeme k výběru kvalitního spotřebiče **BEKO** který je určen pro mnoho let služby.

### ***Bezpečnost především!***

Nezapojte spotřebič do napájecí sítě, dokud neodstraníte všechny obalové a přepravní materiály.

- Před zapnutím nechte nejméně 12 hodin stát, aby se usadil olej v kompresoru po přepravě v horizontální poloze.
- Pokud likvidujete starý spotřebič s zámkem nebo západkou na dveřích, ujistěte se, že je v bezpečném stavu a dětem nehrozí uvíznutí uvnitř.
- Tento spotřebič musí být používán pro stanovený účel.
- Neodkládejte spotřebič do ohně. Váš spotřebič obsahuje v izolační vrstvě látky bez CFC, které jsou hořlavé. Doporučujeme kontaktovat místní úřady pro informace o likvidaci a dostupných zařízeních.
- Nedoporučujeme používat tento spotřebič v nevytápěné chladné místnosti. (např. garáž, sklad, přístavba, kůlna, hospodářské stavení atd.)

Pro co nejlepší výkonnost a bezporuchovou službu vašeho spotřebiče je velmi důležité pozorně si přečíst tyto pokyny. Nedodržením těchto pokynů se vystavujete riziku zrušení možnosti servisu zdarma po dobu záruční lhůty.

Uschovejte tyto pokyny na bezpečném místě pro snadné vyhledání.

**Tento spotřebič by neměly používat osoby se sníženou fyzickou, senzorickou nebo mentální způsobilostí a nebo s nedostatečnými zkušenostmi a poznatky. Tyto osoby mohou spotřebič používat jen pod dohledem osoby zodpovědné za jejich bezpečnost, a nebo pokud je zodpovědná osoba poučila o správném používání spotřebiče.**

**Děti by měly být pod dozorem, aby si nehrály se spotřebičem.**

## Elektrické požadavky

Před zasunutím zásuvky do sítě se ujistěte, že napětí a kmitočet na štítku uvnitř spotřebiče odpovídají vašemu zdroji. Doporučujeme připojit tento spotřebič do sítě přes vhodně vypínanou a zajištěnou zásuvku na snadno dostupném místě. Zásuvka musí být přístupná po instalaci tak, aby se umožnilo odpojení spotřebiče od napájení po instalaci.

### **Upozornění! Tento spotřebič musí být uzemněn.**

Opravy elektrického vybavení smí provádět jen kvalifikovaný odborník. Dojde-li k poškození napájecího kabelu, výrobce nebo zákaznický servis jej musí vyměnit, aby se předešlo nebezpečí.

### **POZOR!**

Tento spotřebič používá R600a, což je plyn, který je šetrný k životnímu prostředí, ale je hořlavý. Během přepravy a upevňování výrobku je třeba dbát zvýšené opatrnosti, aby nedošlo k poškození chladicí soustavy. Pokud je chladicí soustava poškozená a ze systému uniká plyn, udržte výrobek mimo otevřený oheň a nějakou dobu v místnosti větrejte.

**UPOZORNĚNÍ** – Nepoužívejte mechanické nástroje nebo jiné prostředky k urychlení procesu odmrazení s výjimkou těch, které doporučuje výrobce.

**UPOZORNĚNÍ** – Nepoškozujte chladicí obvod.

**UPOZORNĚNÍ** – Nepoužívejte elektrické spotřebiče uvnitř prostor na skladování potravin spotřebiče, pokud se nejedná o typy doporučené výrobcem.

## Pokyny pro přepravu

1. Spotřebič se smí přenášet jen ve svislé pozici. Obaly musí zůstat během přepravy neporušené.
2. Pokud byl spotřebič během přepravy umístěn vodorovně, nesmí být používán po vybalení nejméně 12 hodin, aby se systém mohl ustálit.

3. Nedodržení výše uvedených pokynů by mohlo vést k poškození spotřebiče, za které výrobce nezodpovídá.
4. Spotřebič je třeba chránit proti dešti, vlhku a jiným atmosférickým vlivům.

### **Důležité upozornění!**

- Při čištění/přenášení spotřebiče se nedotýkejte spodní části kovových kabelů kondenzátoru na zadní straně spotřebiče, mohlo by dojít k poranění prstů a rukou.
- Nepokoušejte se stoupat nebo sedat na horní okraj spotřebiče, jelikož na toto není určen. Mohli byste se zranit nebo poškodit spotřebič.
- Ujistěte se, že napájecí kabel není zachycen pod spotřebičem během a po přesouvání, mohlo by to poškodit kabel.
- Nedovolte dětem hrát si se spotřebičem nebo manipulovat s ovladači.

## Pokyny pro instalaci

1. Nepřechovávejte spotřebič v místnosti, kde může teplota klesnout pod 10°C v noci a/nebo zejména v noci, jelikož je určen na provoz v teplotách mezi +10 a +32°C stupni Celsia. Při nižších teplotách nemusí spotřebič fungovat, čímž poklesne doba skladovatelnosti potravin.
2. Neumisťujte spotřebič do blízkosti sporáků nebo radiátorů nebo na přímé sluneční světlo, dojde tím ke zvýšenému napětí funkcí spotřebiče. Při instalaci v blízkosti zdroje tepla nebo mrazničky udržujte minimální odstupy po stranách:
  - Od sporáků 30 mm
  - Od radiátorů 300 mm
  - Od mrazniček 25 mm
3. Ujistěte se, že kolem spotřebiče je dostatečný odstup tak, aby se zaručil volný oběh vzduchu (**Položka 2**).
  - Umístěte zadní odvětrávací víko na zadní stranu vaší chladničky, abyste viděli vzdálenost mezi chladničkou a stěnou (**Položka 3**).



4. Spotřebič by měl být umístěn na hladkém povrchu. Obě přední nožky lze nastavit dle potřeby. Abyste měli jistotu, že váš spotřebič stojí vzpřímeně, nastavte obě přední nožky tak, že jimi otočíte doprava nebo doleva, dokud není zajištěn pevný kontakt s podlahou. Správným nastavením nožek předejdete přílišným vibracím a hluku (**Položka 4**).

5. Informace pro přípravu spotřebiče na použití naleznete v oddíle „Čištění a údržba“.

### **Kontrola a nastavení teploty**

Na teplotu mrazničky má vliv tlačítko nastavení teploty mrazničky (**doporučena je poloha 2 nebo 3**).

Obecně platí, že tato teplota je pod  $-18^{\circ}$ .

Nižších teplot lze dosáhnout nastavením tlačítka termostatu směrem k poloze MAX. Doporučujeme kontrolovat teplotu teploměrem, abyste měli jistotu, že skladovací prostory mají stále požadovanou teplotu. Nezapomínejte zjistit hodnotu okamžitě, protože teplota na teploměru stoupne velmi rychle poté, co jej vyjmete z mrazničky. Nezapomínejte, že při každém otevření dveří uniká studený vzduch ven a teplota uvnitř stoupne. Proto nikdy nenechávejte dveře otevřené a zajistěte, aby se zavřely okamžitě po vyjmutí či vložení potravin.

### **Před zahájením provozu**

#### **Poslední kontrola**

Než začnete používat mrazničku, zkontrolujte, zda:

1. Nožky byly seřizeny pro ideální rovnováhu.
2. Vnitřek je suchý a vzduch může vzadu volně cirkulovat.
3. Vnitřek je čistý dle doporučení v oddíle „ČIŠTĚNÍ A ÚDRŽBA“.
4. Zásuvka byla zasunuta do sítě a elektřina je zapnutá. Předcházejte náhodnému odpojení tím, že spínač přelepíte.

#### **A nezapomeňte, že:**

5. Uslyšíte hluk při startování kompresoru. Kapalina a plyny uzavřené v chladicí soustavě

6. Ke zmrazení čerstvých potravin použijte přihrádku se 4 hvězdami (doporučena druhá police).

7. Nevkládejte do mrazničky příliš velké množství potravin najednou. Kvalita potravin se zachová, pokud se hloubkově zmrazí v co nejkratší době. Proto se doporučuje nepřekračovat kapacitu mrazničky uvedenou v „Záznamu spotřebiče“. Termostat nastavujte tak, abyste dosáhli co nejnižší teploty uvnitř mrazničky, pomocí tlačítka na funkci rychlého mražení a rozsvícením žlutého světla.

8. Po uplynutí doby nezbytné k zmrazení čerstvých potravin, nastavte tlačítko termostatu na střední pozici (žluté světlo zhasne).

9. Nezapíňujte spotřebič ihned po jeho zapnutí. Počkejte na dosažení správné skladovací teploty. Doporučujeme kontrolovat teplotu přesným teploměrem (viz: Kontrola a nastavení teploty).

#### **Důležitá poznámka:**

Dojde-li k výpadku elektrické energie, neotvírejte dveře. Zmražené potraviny nebudou poškozeny, pokud výpadek trvá méně než 19 hodin. Pokud je výpadek delší, pak potraviny zkontrolujte a buď okamžitě snězte, nebo je uvařte a pak znovu zmraďte.

### **Ovládací panel mrazničky**

#### **Položka 5**

Ovládací panel upravuje teplotu v mrazničce a má následující funkce:

#### **1 - Oranžová kontrolka - rychlé zmražení zapnuto**

Když zapnete mrazničku, nastavená teplota tlačítkem (4) na max. polohu, rozsvítí se oranžová kontrolka (1) a kompresor poběží nepřetržitě. Nezapomeňte vrátit tlačítko termostatu zpět do předchozí polohy po zmražení potravin.

#### **2 - Zelená kontrolka - Napětí zapnuto (napětí)**

Svítil, když je spotřebič připojen k síti, a zůstane svítit, dokud je dostupné napájení. Zelená kontrolka neposkytuje informace o teplotě uvnitř mrazničky.

### 3 - Červená kontrolka - Alarm na vysokou teplotu

#### 4 - Tlačítko nastavení teploty

##### **Alarm vysoké teploty**

Po prvním zapnutí spotřebiče není alarm aktivní 12 hodin (červená kontrolka nesvítí).

Po této době se může červená kontrolka rozsvítit v následujících případech:

- Pokud spotřebič přeplníte čerstvými potravinami
  - Pokud dlouho necháte otevřená dvířka.
- V těchto případech zůstane červená kontrolka svítit, dokud spotřebič nedosáhne předvolené teploty.

Pokud svítí červená kontrolka, počkejte 24 hodin, než kontaktujete autorizovaný servis.

##### **Důležité:**

Vnitřní teploty s mohou lišit podle podmínek používání spotřebiče, jako např.: umístění, okolní teplota, četnost otevírání dvířek, stupeň zaplnění jídlem. Nastavení teploty bude změněno podle těchto podmínek.

Pokud svítí červená kontrolka, počkejte 24 hodin, než kontaktujete autorizovaný servis. Může se to stát vložením teplých potravin do mrazničky a/nebo dvířek nechaných v otevřené pozici.

Za 24 hod. by měl alarm hlásící vysokou teplotu (červená kontrolka) ustát.

#### **Funkce rychlého zmrazení**

Když otočíte tlačítko nastavení mrazničky (4) na maximální polohu, oranžová kontrolka (1) se rozsvítí a kompresor poběží trvale.

#### **Skladování zmražených potravin**

Vaše mraznička je vhodná na dlouhodobé uchovávání běžně dostupných zmražených potravin a lze ji též použít na zmrazení a uskladnění čerstvých potravin.

Před uskladněním doma zmražených čerstvých potravin zkontrolujte návod na délku skladování na výplni dvířek.

Dojde-li k výpadku elektrické energie, neotvírejte dveře. Zmražené potraviny by měly zůstat nepoškozeny, pokud závada trvá necelých 19 hodin. Pokud je výpadek delší, pak by měly být potraviny zkontrolovány a buď ihned upraveny, nebo uvařeny a pak znovu zmrazeny.

#### **Mražení čerstvých potravin**

Pro dosažení nejlepších výsledků prosím dodržujte následující pokyny. Nezmrazujte příliš velké množství najednou. Množství potravin se nejlépe uchovává, pokud se zmrazí hloubkově a co nejrychleji. Pokud hodláte mrazit velké množství čerstvých potravin, nastavte ovladač na max. 24 hodin předním, než vložíte čerstvé potraviny do prostoru pro rychlé mražení. Důrazně doporučujeme udržovat tlačítko na poloze MAX nejméně 24 hodin pro zmražení maximálního množství čerstvých potravin podle kapacity mražení. Dávejte pozor, aby nedošlo ke smíchání mražených a čerstvých potravin. Nezapomeňte vrátit tlačítko termostatu zpět do předchozí polohy po zmražení potravin. Malá množství do ½ kg lze zmrazit bez funkce rychlého zmražení. Dávejte zvýšený pozor, abyste nesmísili již zmražené a čerstvé potraviny.

#### **Tvorba ledových kostek (Položka 6)**

Zaplňte podnos na kostky ledu ze ¾ vodou a umístěte jej do mrazničky. Zmražené podnosy uvolněte koncem lžičky nebo podobným nástrojem; nepoužívejte ostré předměty, jako jsou nože nebo vidličky.

#### **Seznámení s vaším spotřebičem (Položka 1)**

- 1 - Ovládací panel, displej a nastavení
- 2 - Podpěra podnosu na led a podnos na led
- 3 - Prostor pro rychlé zmražení
- 4 - Přihrádky pro uchovávání zmražených potravin
- 5 - Nastavitelné přední nožky

## Odmrazování

Prostor mrazničky odmrázujte nejméně dvakrát ročně nebo po nahromadění vrstvy ledu.

- Hromadění ledu je normální jev.
- Nahromadění ledu, zejména v horní části prostoru, je přirozený jev a neovlivňuje správnou funkci spotřebiče.
- Doporučujeme odmrázovat spotřebič, když není obsah mražených potravin příliš velký.
- Před odmrážením nastavte tlačítko nastavení termostatu na maximální pozici pro silné zmražení potravin. Během této doby nesmí být teplota v chladničce příliš nízká.
  - Odpojte spotřebič ze sítě;
  - Vyjměte mražené potraviny, zabalte je do několika listů papíru a odložte je na chladné místo.
  - Nechte dvířka otevřená pro rychlejší odmrážení a vložte dovnitř nádoby s teplou vodou (max. 80°C).

Námrazu neodstraňujte špičatými nebo ostrými předměty, jako jsou nože nebo vidličky.

Nepoužívejte sušiče na vlasy, elektrické radiátory nebo jiné elektrické spotřebiče na odmrážení.

Po skončení odmrážování zavřete díl pro odmrážování a vnitřek důkladně vysušte **(Položka 7 a 8)**.

Stiskněte tlačítko rychlého mražení a nechte je zapnuté asi tři hodiny.

## Čištění a péče

1. Doporučujeme vypnout přístroj ze sítě a vyjmout hlavní zásuvku, než přistoupíte k čištění.

2. Nikdy nepoužívejte ostré předměty či brusné látky, mýdlo, domovní čistič, odmašťovač či voskové čisticí.

3. Používejte vlažnou vodu pro vyčištění skříně a otřete ji pak dosucha.

4. Používejte vlhký hadřík namočený do roztoku jedné čajové lžičky sody bikarbony na půl litru vody na vyčištění vnitřku, pak jej dosucha otřete.

5. Pokud spotřebič delší dobu nebudete používat, vypněte jej, vyjměte všechny potraviny, vyčistěte jej a nechte dveře otevřené.

6. Doporučujeme vyčistit kovové součásti výrobku (např. vnější část dvířek, posuvné části) silikonovým voskem (autoleštidlem) pro ochranu vysoce kvalitního povrchového nátěru.

7. Prach, který se usadí na kondenzátoru, který je umístěný na zadní straně spotřebiče, by měl být jednou ročně odstraněn vysavačem.

8. Pravidelně kontrolujte těsnění dvířek, abyste zajistili jejich čistotu a nezanesení částicemi potravin.

9. Nikdy:

- Nečištěte spotřebič nevhodnými materiály; tzn. výrobky na bázi petroleje.
- Jej nevystavujte vysokým teplotám.
- Nedrhňte, nebruste atd. brusnými materiály.

10. Přebytečné nahromadění ledu doporučujeme pravidelně odebírat. Velké nahromadění ledu sníží výkonnost mrazničky.

11. Pro vyjmutí zásuvky ji vytáhněte co nejdále, nadzvedněte ji a pak ji zcela vytáhněte ven.

## Výměna dvířek

Postupujte v číselném pořadí **(Položka 9)**.

**Co dělat a co nedělat**

- Ano-** Zkontrolujte obsah mrazničky v pravidelných intervalech.
- Ano-** Pravidelně čistěte a odmrazujte spotřebič (viz „Odmrazování“)
- Ano-** Uchovávejte potraviny co nejkratší dobu a dodržujte jejich lhůtu spotřeby, doporučenou dobu spotřeby atd.
- Ano-** Již zmrazené potraviny skladujte v souladu s instrukcemi uvedenými na jejich obalech.
- Ano-** Vždy si vybírejte kvalitní čerstvé potraviny a před jejich zmrazením se ujistěte, zda jsou zcela čisté.
- Ano-** Připravte čerstvé potraviny na zmrazení v malých částech, abyste zajistili rychlé zmrazení.
- Ano-** Zmrazené potraviny obalte ihned po zakoupení a co nejrychleji je vložte do mrazničky.
- Ano-** Potraviny v přihrádkách oddělujte a vypisujte si kartičku s obsahem. Díky tomu rychle najdete potraviny a předejdete přílišnému otevírání dveří, čímž ušetříte elektřinu.
- Ne-** nechte dveře otevřené delší dobu, provoz spotřebiče se tím prodraží a dojde k nadbytečné tvorbě ledu.
- Ne-** používejte ostré předměty jako nože nebo vidličky na odstranění ledu.
- Ne-** vkládejte do spotřebiče teplé potraviny. Nechte je nejprve vychladnout.
- Ne-** vkládejte lahve s kapalinou nebo zavřené plechovky s perlivými kapalinami do mrazničky, mohly by explodovat.
- Ne-** skladujte ve spotřebiči jedovaté nebo nebezpečné látky. Byl určen na skladování jen jedlých potravin.
- Ne-** překračujte maximální náplň mrazničky při zmrazování čerstvých potravin.
- Ne-** konzumujte zmrzlinu a led do vody přímo z mrazničky. Nízká teplota může způsobit na rtech „popáleniny od mrazu“.
- Ne-** zmrazujte šumivé nápoje.
- Ne-** snažte se uchovat zmrzlé potraviny, které rozmrzly; měli byste je sníst do 24 hodin, nebo uvařit a znovu zmrazit.
- Ne-** odstraňujte předměty z mrazničky mokřýma rukama.
- Ne-** zavírejte dvířka před navrácením krytu prostoru pro rychlé zmrazení.

## Odstraňování potíží

Pokud spotřebič po zapnutí nefunguje, zkontrolujte;

- Zda je zásuvka správně zasunutá do sítě a je zapnutý přívod elektrické energie. (Pro kontrolu napětí v zásuvce do ní zapojte další spotřebič)
- Zda není vyhozená pojistka/se neaktivoval přerušovač obvodu/hlavní jistič není vypnutý.
- Zda byla správně nastavena funkce ovládání teploty.
- Zda je nová zásuvka správně propojená, pokud jste změnilí osazenou tvarovanou zásuvku.

Pokud spotřebič po provedení těchto kontrol stále nefunguje, kontaktujte prodejce, u něhož jste přístroj zakoupili.

Proveďte prosím všechny výše uvedené kontroly, v případě nezjištění závady bude kontrola zpoplatněna.

## Informace o provozních hlucích

Aby zvolená teplota zůstala konstantní, zapne váš spotřebič občas kompresor.

Výsledný hluk je zcela normální.

Jakmile spotřebič dosáhne provozní teploty, zvuk se automaticky ztiší.

**Hučení** vychází z motoru (kompresoru). Když se motor zapne, hluk může na chvíli zesílit.

**Bublání, vrčení nebo šplouchání** je způsobeno chladicím médiem, které prochází vedením.

Vždy, když termostat zapne/vypne motor, je slyšet **cvaknutí**.

### **Cvaknutí se může ozývat, když**

- je automatický systém odmrazování aktivní.
- se spotřebič zahřívá nebo zchlazuje (rozpínání materiálu).

**Pokud tyto zvuky jsou příliš hlasité, příčiny nejsou nejspíš vážné a obvykle se velmi snadno odstraňují.**

### **Spotřebič není vyrovnaný**

Použijte nožky pro nastavení výšky nebo vložte pod nožky část obalu.

### **Spotřebič nestojí volně**

Posuňte spotřebič mimo kuchyňské pomůcky nebo jiné spotřebiče.

### **Police jsou uvolněné nebo zaseknuté**

Zkontrolujte odnímatelné součásti a v případě nutnosti je vraťte zpět.


### **Upozornění!**

Nikdy se nepokoušejte opravit přístroj či jeho elektrické součástky sami. Jakákoli oprava provedená neškolenou osobou je nebezpečná pro uživatele a může vést k ukončení záruky.

**Technické parametry**

Značka	<b>BEKO</b>
Typ spotřebiče	<b>SKŘÍŇOVÁ MRAZNIČKA</b> * ** *
	<b>FS225300</b>
Celkový hrubý objem (l)	250
Celkový užitečný objem (l)	190
Kapacita mražení (kg/24 h)	14
Energetická třída (1)	A
Spotřeba energie (kWh/rok) (2)	263
Uchování bez napájení (h)	19
Hlučnost (dB(A) re 1 pW)	41
Ekologické chladicí činidlo R600a	
(1) Energetická třída: A . . . G (A = ekonomická . . . G = méně ekonomická)	
(2) skutečná spotřeba energie závisí na podmínkách používání a umístění spotřebiče.	



Symbol  na výrobku nebo na obalu upozorňuje na skutečnost, že spotřebič nepatří do běžného domácího odpadu. Místo toho je třeba jej odevzdat do speciální sběrné odpadů na recyklování elektrických a elektronických zařízení. Vaší podporou správné likvidace pomáháte zabránit potenciálně negativním vlivům na životní prostředí a lidské zdraví, které by jinak nesprávná likvidace výrobku mohla způsobit. Další informace a recyklování tohoto spotřebiče získáte na místním úřadě, ve sběrně odpadů nebo u prodejce, kde jste spotřebič zakoupili.



4578332502  
21.02.2012