

**SAMSUNG**

Digital Color Dome Camera **User's Guide**

**SCC-B531x(B)**



ENG

GER

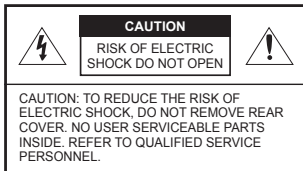
FRE

SPA

ITA

TUR

# Safety Precautions



This symbol indicates high voltage is present inside. It is dangerous to make any kind of contact with any inside part of this product.



This symbol alerts you that important literature concerning operation and maintenance has been included with this product.

To prevent damage which may result in fire or electric shock hazard, do not expose this appliance to rain or moisture.

## WARNING

1. Be sure to use only the standard adapter that is specified in the specification sheet. Using any other adapter could cause fire, electrical shock, or damage to the product
2. Incorrectly connecting the power supply or replacing battery may cause explosion, fire, electric shock, or damage to the product.
3. Do not connect multiple cameras to a single adapter. Exceeding the capacity may cause abnormal heat generation or fire.
4. Securely plug the power cord into the power receptacle. Insecure connection may cause fire.
5. When installing the camera, fasten it securely and firmly. A falling camera may cause personal injury.
6. Do not place conductive objects (e.g. screwdrivers, coins, metal things, etc.) or containers filled with water on top of the camera. Doing so may cause personal injury due to fire, electric shock, or falling objects.
7. Do not install the unit in humid, dusty, or sooty locations. Doing so may cause fire or electric shock.
8. If any unusual smells or smoke come from the unit, stop using the product. In such case, immediately disconnect the power source and contact the service center. Continued use in such a condition may cause fire or electric shock.

9. If this product fails to operate normally, contact the nearest service center. Never disassemble or modify this product in any way. (SAMSUNG is not liable for problems caused by unauthorized modifications or attempted repair.)
  10. When cleaning, do not spray water directly onto parts of the product. Doing so may cause fire or electric shock.
8. Apparatus shall not be exposed to dripping or splashing and no objects filled with liquids, such as vases, shall be placed on the apparatus.
  9. The Mains plug is used as a disconnect device and shall stay readily operable at any time.

## CAUTION

1. Do not drop objects on the product or apply strong shock to it. Keep away from a location subject to excessive vibration or magnetic interference.
2. Do not install in a location subject to high temperature (over 122°F), low temperature (below 14°F), or high humidity. Doing so may cause fire or electric shock.
3. If you want to relocate the already installed product, be sure to turn off the power and then move or reinstall it.
4. Remove the power plug from the outlet when there is a lightning. Neglecting to do so may cause fire or damage to the product.
5. Keep out of direct sunlight and heat radiation sources. It may cause fire.
6. Install it in a place with good ventilation.
7. Avoid aiming the camera directly towards extremely bright objects such as sun, as this may damage the CCD image sensor.

## FCC Statement

This device complies with part 15 of the FCC Rules. Operation is subject to the following two conditions:

- 1) This device may not cause harmful interference, and
- 2) This device must accept any interference received including interference that may cause undesired operation.

### Note

This equipment has been tested and found to comply with the limits for a Class A digital device, pursuant to part 15 of FCC Rules. These limits are designed to provide reasonable protection against harmful interference when the equipment is operated in a commercial environment. This equipment generates, uses, and can radiate radio frequency energy and, if not installed and used in accordance with the instruction manual, may cause harmful interference to radio communications. Operation of this equipment in a residential area is likely to cause harmful interference in which case the user will be required to correct the interference at his own expense.

# Important Safety Instructions

1. Read these instructions.
2. Keep these instructions.
3. Heed all warnings.
4. Follow all instructions.
5. Do not use this apparatus near water.
6. Clean only with dry cloth.
7. Do not block any ventilation openings. Install in accordance with the manufacturer's instructions.
8. Do not install near any heat sources such as radiators, heat registers, or other apparatus (including amplifiers) that produce heat.
9. Do not defeat the safety purpose of the polarized or grounding-type plug. A polarized plug has two blades with one wider than the other. A grounding type plug has two blades and a third grounding prong. The wide blade or the third prong is provided for your safety. If the provided plug does not fit into your outlet, consult an electrician for replacement of the obsolete outlet.
10. Protect the power cord from being walked on or pinched particularly at plugs, convenience receptacles, and the point where they exit from the apparatus.
11. Only use attachments/accessories specified by the manufacturer.
12. Use only with cart, stand, tripod, bracket, or table specified by the manufacturer, or sold with the apparatus.
13. Unplug this apparatus. When a cart is used, use caution when moving the cart/apparatus combination to avoid injury from tip-over.
14. Refer all servicing to qualified service personnel. Servicing is required when the apparatus has been damaged in any way, such as power-supply cord or plug is damaged, liquid has been spilled or objects have fallen into the apparatus, the apparatus has been exposed to rain or moisture, does not operate normally, or been dropped.

# Contents

<b>Overview .....</b>	<b>6</b>
<b>About this guide .....</b>	<b>6</b>
<b>Product overview .....</b>	<b>6</b>
<b>Main features .....</b>	<b>6</b>
<b>Components .....</b>	<b>6</b>
Checking components in the package .....	6
Components of your camera .....	7
<b>Installation .....</b>	<b>8</b>
<b>Setting switches .....</b>	<b>8</b>
Setting function switches .....	8
<b>Connecting cables and setting switches .....</b>	<b>10</b>
<b>Installing camera .....</b>	<b>11</b>
Before installation .....	11
Installation procedure .....	11
<b>Adjusting the camera direction .....</b>	<b>12</b>
<b>Appendix A: Specifications for NTSC Standard .....</b>	<b>13</b>
<b>Appendix B: Specifications for PAL Standard .....</b>	<b>15</b>

# Overview

## About this guide

This user guide includes basic instructions for the product. It is recommended that all users read this guide before use.

This guide is divided as follows:

- Chapter 1, "Overview," introduces the user guide and product related information. (This chapter)
- Chapter 2, "Installation," explains how to set and install the product.
- Appendix, "Specifications," provides the specifications of the product.

## Product overview

This is the high resolution dome camera equipped with a fixed focal lens, which has no dynamic delay when implementing motion pictures, and provides the features such as digital noise reduction (DNR) by real-time CCD defect compensation, low speed shutter (LSS: Auto x128) to implement clear picture quality, Day/Night color compensation, and the like.

## Main features

- Power: DC 12V/AC 24V
- Special functions
  - Line lock (LL) control
  - Auto white balancing
  - Horizontal/vertical image reversing
  - Auto gain control
  - Low shutter speed control
  - Backlight compensation control
  - Automatic switching between color and black & white modes
  - Digital noise reduction (DNR)
  - Dynamic CCD defect compensation

## Components

### Checking components in the package

Please check your camera and accessories are included in the package. Those components are as shown below:



Camera



Test Monitor Cable



Tab screw



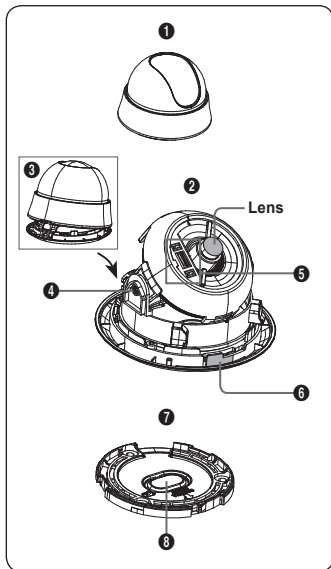
User's Guide

### Note

The test monitor cable is used to test the camera by connecting to a portable display. If you really want to connect the camera to a monitoring display, use the BNC cable.

## Components of your camera

Your camera has the following components:



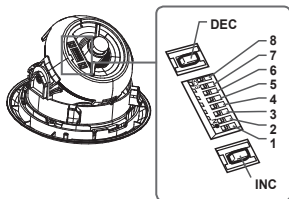
- 1. Cover dome:** Covers the lens and main body to protect them.
- 2. Main body:** Includes a lens, a switch board, a PCB board, screws, and such.
- 3. Locker:** Used to open or close the Cover dome. To open the cover dome, press the locker.
- 4. Tilt fixing screw:** Using this screw, the slope of the lens can be adjusted and fixed.
- 5. Switch board:** Includes two kinds of control switches such as function switches and phase-control switches. The board has eight function switches in the middle and two phase-control buttons on each side of the function switch area.
- 6. Lock releaser:** Push it outward and rotate the main body in **UNLOCK** direction when you want to remove the mount bracket from the main body.
- 7. Mount bracket:** Used as a ceiling or wall fixture. It is fixed using three long tab screws provided in the package.
- 8. Ceiling mount opener:** Remove it for line connection to the ceiling when it is installed on the ceiling.

# Installation

## Setting switches

### Setting function switches

To set the available functions on your camera, adjust eight switches as shown below:



No	Name	Brief description
1	LL	Line lock ON/OFF
2	LSS	Sens-up or Low speed shutter ON/OFF
3	H-REV	Horizontal reverse ON/OFF
4	V-REV	Vertical reverse ON/OFF
5	BLC	Backlight compensation ON/OFF
6	AGC	Auto gain control ON/OFF
7	D/N	Automatic switching between color and black & white ON/OFF
8	AWB	Automatic white balance ON/OFF

- Switch 1 (LL):** When this switch is set to **OFF**, the camera operates in the internal synchronization mode, while when it is set to **ON**, the camera operates in the line lock mode. In the internal synchronization mode, the camera always uses an inside crystal oscillator for synchronization. However if multiple cameras are connected to a sequential switcher, picture rolling or flickering may occur when switching from one camera to another. In this case, you can set this switch to **ON** to solve this problem. The line lock mode allows the camera to use the phase of the AC power as the synchronization reference. In this mode, you can use the phase control buttons(INC/DEC).

#### Note

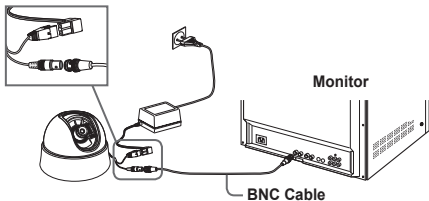
When you are using the DC 12V power, set this switch to **OFF**. The line lock feature will not normally operate even when the switch is set to **ON**.

Set the LL switch to **ON** while the AC power is connected. If any picture roll happens, you have to adjust the phase using the phase-control buttons. Press the **INC** or **DEC** button to increase or decrease the phase by one degree.



2. **Switch 2 (LSS):** This sens-up mode accumulates the image fields in memory to reduce noise but increase the brightness and contrast rate. When this switch is set to **ON**, the camera automatically switches to a maximum of 128 times of image acquisition speed to implement a clear picture for darker image.
3. **Switch 3 (H-REV):** When this switch is set to **ON**, the camera image is reversed horizontally. If you want to monitor your site using a mirror, you can use this feature to see the right image.
4. **Switch 4 (V-REV):** When this switch is set to **ON**, the camera image is reversed vertically. If your camera reluctantly displays the vertically reversed image, you can use this feature to see the right image.
5. **Switch 5 (BLC):** When this switch is set to **ON**, you can view a clear image even though the camera faces any excessive light such as sunlight and fluorescent light. When it is set to **OFF**, the subject with excessive light is not clearly shown.
6. **Switch 6 (AGC):** When this switch is set to **ON**, the camera automatically increase the sensitivity by amplifying the video signal when the strength of the signal falls below a given value. When any dark images are expected, use this feature.
7. **Switch 7 (D/N):** When this switch is set to **ON**, the camera automatically switches between color and B&W according to the brightness of the vicinity.
8. **Switch 8 (AWB):** This switch adjusts white balancing. When this switch is set to **ON**, this camera operates in ATW mode, and in case of **OFF**, this camera operates in AWC mode.
  - ATW (Auto Tracking White Balance): The color temperature is automatically adjusted according to the environmental change. (Approx. 2000°K to 11,000°K)
  - AWC (Auto White Balance Control): It stores the color temperature just when the switch is changed to **OFF**. Accordingly color temperatures are adjusted by the stored value.

## ■ Connecting cables and setting switches



### To connect cables

1. Connect the BNC cable to the Video connector attached on your camera.
2. Connect the BNC cable to the Video Input on a monitor.
3. Connect the power adapter to the Power connector attached on your camera. When the monitor is turned on, the camera image appears.

### To check the camera view and set the switches

1. Remove the Cover dome. For more details about the removing procedures, see "Installation procedure," in the Installing camera section on the next page.
2. Adjust the function of your camera using the Switch board while you are viewing the image on the screen.

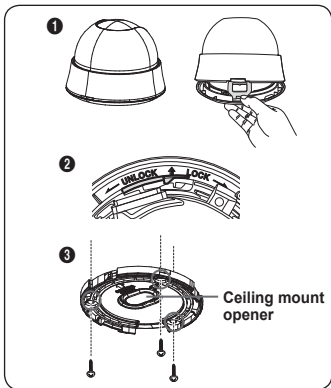
## ■ Installing camera

### Before installation

Before installing your camera, you have to read the following cautions:

- You have to check whether the location (ceiling or wall) can bear five times the weight of your camera.
- Don't let the cable to be caught in improper place or the electric line cover to be damaged. Otherwise it may cause a breakdown or fire.
- When installing your camera, don't allow any person to approach the installation site. If you have any valuable things under the place, move them away.

### Installation procedure



### To install your camera

1. Press the **Locker** button on the bottom of your camera and remove the **Cover dome** from the **Main body** using the other hand. The Main body will be exposed to you.
2. As shown in the picture, push the Lock releaser outward and rotate the **Main body** in the **UNLOCK** direction to remove the **Mount bracket**. If it is not easily done, rotate the Mount bracket in the **LOCK** direction while holding small holes on the Mount bracket.
3. Fix the **Mount bracket** to the location (ceiling or wall) with supplied three screws.

#### Note

The **CAMERA FRONT** sign on the **Mount bracket** should face the camera monitoring area.

- When you install the **Mount bracket** on the ceiling, remove the **Ceiling mount opener** by pressing it hard to connect the line attached on your camera through the hole in the ceiling. Otherwise, you can use the empty space opposite to the CAMERA FRONT sign for line connection.
- Now attach the **Main body** to the **Mount bracket** by rotating it in the LOCK direction after aligning the **Lock releaser** on the Main body with the wide groove around the CAMERA FRONT inlay.
- Adjust the camera direction. For more details on the direction control, see "Adjusting the camera direction," on the same page.
- Finally attach the **Cover dome** to the **Main body** by pressing it until a "click" sound is heard after aligning the wide groove at the lower part of the Cover dome with the **Locker** on the Main body.

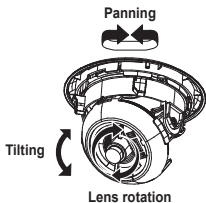
## Adjusting the camera direction

When the camera is fixed on the ceiling, you can adjust the camera viewing angle. You can rotate your camera leftward or rightward (Panning), and can change the slope of your camera upward or downward (Tilting).

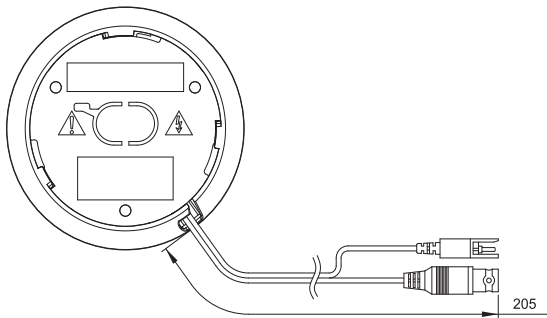
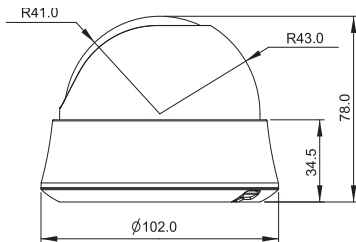
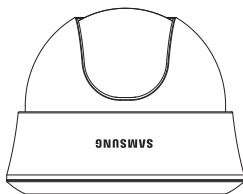
In case of panning, the rotation limit of your camera is set to 340 degree (220 degree clockwise and 120 degree counterclockwise). The rotation is stopped by the **Stopper** inside of the camera. For panning control, first unfasten two screws located on the bottom and rotate in the direction you want, and then fasten them to fix the camera. When both fixing screws cannot be tightened, change the location of screws. When inevitable, just tightening one screw is alright.

In case of tilting, you can change the slope of your camera from zero to 90 degree. When the slope angle is under 23 degree, you can encounter a partial image hide problem. To fix the location after adjusting the tilting angle, use the **Tilt fixing screws**.

To adjust the focus of your camera, rotate the fixed lens for clear image. When you install the camera on the inclined ceiling or wall, you can rotate the camera lens to see a correct direction image.



# SCC-B531X



# Appendix A: Specifications for NTSC Standard

Item	Details				
Product type	CCTV color dome camera				
Power input	AC 24V $\pm$ 10% (60Hz $\pm$ 0.3 Hz), DC 12V $\pm$ 10%/ -5%				
Broadcast type	NTSC Standard color system (525 Lines, 60 Fields)				
Power consumption	Approx. 1.6W				
Image device	1/3 inch IT Type Super-HAD CCD				
Pixels	SCC-B5311N, B5313N, B5315N		SCC-B5310N		
	<b>Total:</b> 811(H) x 508(V), 410,000 pixels <b>Effective:</b> 768(H) x 494(V), 380,000 pixels		<b>Total:</b> 537(H) x 505(V), 270,000 pixels <b>Effective:</b> 510(H) x 492(V), 250,000 pixels		
Scanning mode	525 Lines, 2:1 Interlace				
Scanning line frequency	<b>Horizontal:</b> 15.734Hz(INT)/15.750Hz(LL) <b>Vertical:</b> 59.94Hz(INT)/60Hz(LL)				
Synchronization mode	INT/Line Lock (Adjusting the phase using INC/DEC button)				
Horizontal resolution	SCC-B5311N, B5313N, B5315N		SCC-B5310N		
	540 TV Lines		330 TV Lines		
Min. object illumination	F2.0	Sens-up Off	50IRE	1Lux	0.6Lux
			30IRE	0.6Lux	0.4Lux
			15IRE	0.3Lux	0.2Lux
		Sens-up x128	50IRE	0.008Lux	0.005Lux
			30IRE	0.005Lux	0.003Lux
			15IRE	0.002Lux	0.001Lux
Signal output	COMPOSITE Video(1.0 Vp-p, 75ohm, BNC), Test Monitor OUT(1.0 Vp-p, 75ohm, Harness cable)				
Lens	Focal length	Zone	Limit of viewing angle	Model	
	3.0mm	Horizontal	92°	SCC-B5313N	
		Vertical	72°		
	3.8mm	Horizontal	71°	SCC-B5310N, B5311N	
Vertical		53°			
8.0mm	Horizontal	33.6°	SCC-B5315N		
	Vertical	25.3°			
PAN function	Range: 0 to 340° (220 degree clockwise and 120 degree counterclockwise)				
TILT function	Range: 0 to 90°				

Item	Details
Controls	Line Lock (LL) Sens-up; Low Speed Shutter(LSS) Horizontal Reverse (H-REV) Vertical Reverse (V-REV) Backlight compensation (BLC) Auto gain control (AGC) Switching between color and B&W by day and night change (D/N) Automatic white balancing (AWB) Digital noise reduction (DNR) Dynamic CCD defect compensation
Product color	SCC-B531xN : White / SCC-B531xBN : Black
Operation temperature	-10°C to +50°C
Operation humidity	Up to 90%
Size	102(φ) x 78(H)mm
Weight	190g

# Appendix B: Specifications for PAL Standard

Item	Details				
Product type	CCTV color dome camera				
Power input	AC 24V $\pm$ 10% (50Hz $\pm$ 0.3 Hz), DC 12V $\pm$ 10%/ -5%				
Broadcast type	PAL Standard color system (625 Lines, 50 Fields)				
Power consumption	Approx. 1.6W				
Image device	1/3 inch IT Type Super-HAD CCD				
Pixels	SCC-B5311P, B5313P, B5315P		SCC-B5310P		
	<b>Total:</b> 795(H) x 596(V), 470,000 pixels <b>Effective:</b> 752(H) x 582(V), 440,000 pixels		<b>Total:</b> 537(H) x 597(V), 320,000 pixels <b>Effective:</b> 500(H) x 582(V), 290,000 pixels		
Scanning mode	625 Lines, 2:1 Interlace				
Scanning line frequency	<b>Horizontal:</b> 15.625Hz(INT)/15.625Hz(LL) <b>Vertical:</b> 50Hz(INT)/50Hz(LL)				
Synchronization mode	INT/Line Lock (Adjusting the phase using INC/DEC button)				
Horizontal resolution	SCC-B5311P, B5313P, B5315P		SCC-B5310P		
	540 TV Lines		330 TV Lines		
Min. object illumination	F2.0	Sens-up Off	50IRE	1Lux	0.6Lux
			30IRE	0.6Lux	0.4Lux
			15IRE	0.3Lux	0.2Lux
		Sens-up x128	50IRE	0.008Lux	0.005Lux
			30IRE	0.005Lux	0.003Lux
			15IRE	0.002Lux	0.001Lux
Signal output	COMPOSITE Video(1.0 Vp-p, 75ohm, BNC), Test Monitor OUT(1.0 Vp-p, 75ohm, Harness cable)				
Lens	Focal length	Zone	Limit of viewing angle	Model	
	3.0mm	Horizontal	92°	SCC-B5313P	
		Vertical	72°		
	3.8mm	Horizontal	71°	SCC-B5310P, B5311P	
Vertical		53°			
8.0mm	Horizontal	33.6°	SCC-B5315P		
	Vertical	25.3°			
PAN function	Range: 0 to 340° (220 degree clockwise and 120 degree counterclockwise)				
TILT function	Range: 0 to 90°				



Item	Details
Controls	Line Lock (LL) Sens-up; Low Speed Shutter(LSS) Horizontal Reverse (H-REV) Vertical Reverse (V-REV) Backlight compensation (BLC) Auto gain control (AGC) Switching between color and B&W by day and night change (D/N) Automatic white balancing (AWB) Digital noise reduction (DNR) Dynamic CCD defect compensation
Product color	SCC-B531xP : White / SCC-B531xBP : Black
Operation temperature	-10°C to +50°C
Operation humidity	Up to 90%
Size	102(φ) x 78(H)mm
Weight	190g





## **Correct Disposal of This Product**

(Waste Electrical & Electronic Equipment)

---

(Applicable in the European Union and other European countries with separate collection systems)

This marking shown on the product or its literature, indicates that it should not be disposed with other household wastes at the end of its working life. To prevent possible harm to the environment or human health from uncontrolled waste disposal, please separate this from other types of wastes and recycle it responsibly to promote the sustainable reuse of material resources.

Household users should contact either the retailer where they purchased this product, or their local government office, for details of where and how they can take this item for environmentally safe recycling.

Business users should contact their supplier and check the terms and conditions of the purchase contract. This product should not be mixed with other commercial wastes for disposal.



**SAMSUNG**

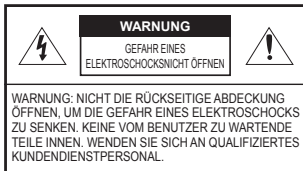
Digitale Dome-Farbkamera Benutzerhandbuch

**SCC-B531x(B)**



GER

# Sicherheitsvichtsmaßnahmen



Dieses Symbol weist auf hohe Spannung im Innern des Geräts hin. Der Kontakt mit innenliegenden Teilen dieses Produktes ist gefährlich.



Dieses Symbol macht Sie darauf aufmerksam, dass wichtige Dokumente bezüglich Betrieb und Wartung dem Produkt beiliegen.

Setzen Sie dieses Gerät nicht Regen oder Feuchtigkeit aus, um Schäden zu vermeiden, die Brand oder Elektroschock zur Folge haben können.

## WARNUNG

1. Achten Sie darauf, nur den im Datenblatt angegebenen Standard-Adapter zu verwenden. Die Verwendung eines anderen Adapters kann Brand, Elektroschock oder Schäden am Produkt verursachen.
2. Falscher Anschluss des Netzkabels oder Austausch der Batterie kann Explosion, Brand, Elektroschock oder Schäden am Produkt zur Folge haben.
3. Schließen Sie nicht mehrere Kameras an einen einzelnen Adapter an. Überschreiten der Kapazität kann abnormale Wärme oder Brand erzeugen.
4. Schließen Sie das Netzkabel sicher an die Steckdose an. Ein ungesicherter Anschluss kann einen Brand verursachen.
5. Wenn Sie die Kamera installieren, befestigen Sie sie sicher und fest. Eine herunterfallende Kamera kann Körperverletzungen verursachen.
6. Stellen Sie keine leitenden Gegenstände (z.B. Schraubendreher, Münzen, Metallgegenstände, usw.) oder Behälter mit Wasser auf die Kamera. Dies kann sonst Körperverletzungen aufgrund von Brand, Elektroschock oder herunterfallenden Gegenständen verursachen.
7. Installieren Sie das Gerät nicht an feuchten, staubigen oder rüßigen Standorten. Dies führt sonst zu Brand oder Elektroschock.
8. Verwenden Sie das Produkt nicht weiter, wenn eine ungewöhnliche Geruchs- oder Rauchentwicklung auftritt. Ziehen Sie in diesem Fall sofort den Netzstecker und wenden Sie sich an den Kundendienst. Wenn Sie das Gerät unter diesen Bedingungen weiterhin verwenden, kann Brand oder Elektroschock resultieren.

9. Wenn dieses Produkt nicht einwandfrei funktioniert, wenden Sie sich an den nächstgelegenen Kundendienst. Zerlegen oder modifizieren Sie dieses Produkt nie in irgendeiner Weise. (SAMSUNG haftet nicht für Schäden, die durch unbefugte Änderungen oder Reparaturversuche verursacht werden.)
  10. Spritzen Sie während der Reinigung kein Wasser direkt auf die Produktteile. Dies führt sonst zu Brand oder Elektroschock.
7. Zielen Sie mit der Kamera nicht direkt in Richtung extrem heller Gegenstände wie zum Beispiel die Sonne, da dies den CCD-Bildsensor beschädigen kann.
  8. Das Gerät darf nicht mit Wasser oder anderen Flüssigkeiten in Berührung kommen. Außerdem dürfen keine mit Flüssigkeiten gefüllten Behälter, wie beispielsweise Vasen, darauf abgestellt werden.
  9. Der Netzstecker sollte jederzeit in Reichweite und zugänglich sein, da er aus der Steckdose entfernt werden muss, um das Gerät vollständig abzuschalten.

## VORSICHT

1. Lassen Sie keine Gegenstände auf das Produkt fallen oder setzen Sie es keinen starken Stößen aus. Halten Sie sich fern von Standorten die übermäßiger Erschütterung oder magnetischer Beeinflussung ausgesetzt sind.
2. Installieren Sie das Gerät nicht an einem Standort, der hohen Temperaturen (über 50°C), niedrigen Temperaturen (unter 10°C) oder hoher Feuchtigkeit ausgesetzt ist. Dies führt sonst zu Brand oder Elektroschock.
3. Wenn Sie das bereits installierte Gerät versetzen möchten, achten Sie darauf, die Stromversorgung abzuschalten und es dann erst zu versetzen und erneut zu installieren.
4. Ziehen Sie den Netzstecker bei Gewitter. Nichtbeachtung kann Brand oder Schäden am Gerät verursachen.
5. Halten Sie das Gerät fern von direktem Sonnenlicht und anderen Wärmestrahlungsquellen. Dies kann sonst zu Brand führen.
6. Installieren Sie das Gerät an einem Ort mit guter Belüftung.

## FCC-Angaben

Dieses Gerät entspricht Abschnitt 15 der FCC-Normen. Der Betrieb unterliegt folgenden zwei Bedingungen:

- 1) Von diesem Gerät gehen keine schädlichen Interferenzen aus und
- 2) dieses Gerät muss empfangene Interferenzen einschließlich der Interferenzen akzeptieren, die einen ungewollten Betrieb verursachen können.

### Hinweis

Dieses Gerät ist getestet worden und die Einschränkungen für ein Digitalgerät der Kategorie A wurden als erfüllt betrachtet, gemäß Abschnitt 15 der FCC-Normen. Diese Einschränkungen wurden festgelegt, um für angemessenen Schutz gegen schädliche Störanfälligkeit zu sorgen, wenn das Gerät in einer gewerblichen Umgebung betrieben wird. Dieses Gerät erzeugt, verwendet und kann Hochfrequenzenergie ausstrahlen und, falls es nicht in Übereinstimmung mit dem Bedienungshandbuch installiert und verwendet wird, schädliche Störungen beim Funkverkehr verursachen. Der Betrieb dieses Geräts in einem Wohngebiet verursacht sehr wahrscheinlich schädliche Störungen, in diesem Fall muss der Benutzer die Störungen auf seine eigenen Kosten beseitigen.

# Wichtige Sicherheitshinweise

1. Lesen Sie diese Anweisungen.
2. Bewahren Sie sie auf.
3. Beachten Sie alle Warnungen.
4. Befolgen Sie alle Anweisungen.
5. Verwenden Sie dieses Gerät nicht in der Nähe von Wasser.
6. Reinigen Sie es nur mit einem trockenen Lappen.
7. Blockieren Sie keine Belüftungsöffnungen. Installieren Sie es gemäß den Herstelleranweisungen.
8. Installieren Sie das Gerät nicht in der Nähe von Wärmequellen wie beispielsweise von Radiatoren, Heizkörpern oder anderen Geräten (einschließlich Verstärkern), die Wärme erzeugen.
9. Bitte achten Sie darauf, die Schutzvorrichtung des gepolten bzw. geerdeten Steckers nicht zu beschädigen. Ein gepolter Stecker verfügt über zwei Stifte, von denen einer breiter als der andere ist. Ein geerdeter Stecker hat zwei Stifte und einen Erdungsstift. Der breite Stift oder der dritte Stift ist für Ihre Sicherheit vorgesehen. Wenn der vorgesehene Stecker nicht in Ihre Steckdose passt, wenden Sie sich an einen Elektriker, um die veraltete Steckdose austauschen zu lassen.
10. Schützen Sie das Netzkabel so, dass nicht darauf getreten wird, und dass es insbesondere an den Steckern oder passenden Steckdosen bzw. der Stelle, an der das Kabel das Gerät verlässt, nicht abgeklemt wird.
11. Verwenden Sie nur die vom Hersteller angegebenen Zusatzgeräte/ Zubehörteile.
12. Verwenden Sie diese nur mit dem vom Hersteller angegebenen Wagen, Ständer, Stativ, Auflage oder Tisch, oder die mit dem Gerät zusammen verkauft wurden.
13. Ziehen Sie den Netzstecker dieses Geräts. Geben Sie Acht bei der Verwendung eines Wagens, wenn Sie die Wagen-/Gerätekombination verschieben, um Verletzungen durch Herunterfallen zu vermeiden.
14. Überlassen Sie alle Wartungsarbeiten qualifiziertem Kundendienstpersonal. Wartungsarbeiten sind erforderlich, wenn das Gerät in irgendeiner Weise beschädigt wurde, wie zum Beispiel ein beschädigtes Netzkabel oder Stecker, verschüttete Flüssigkeiten oder Gegenstände, die in das Gerät gefallen sind, das Gerät Regen oder Feuchtigkeit ausgesetzt wurde, nicht normal funktioniert oder fallen gelassen wurde.



# Inhaltsangabe

<b>Übersicht</b> .....	<b>6</b>
Über diese Anleitung .....	6
Produktübersicht .....	6
Hauptfunktionen .....	6
Teile .....	6
Prüfen Sie die Teile in der Verpackung .....	6
Einzelteile Ihrer Kamera .....	7
<b>Installation</b> .....	<b>8</b>
Einstellung der Schalter .....	8
Einstellung der Funktionsschalter .....	8
Anschluss der Kabel und Einstellung der Schalter .....	10
Installation der Kamera .....	11
Vor der Installation .....	11
Installationsvorgang .....	11
Einstellen der Kamerarichtung .....	12
<b>Anhang A: Spezifikationen für NTSC-Standard</b> .....	<b>13</b>
<b>Anhang B: Spezifikationen für PAL-Standard</b> .....	<b>15</b>

# Übersicht

## Über diese Anleitung

Diese Bedienungsanleitung enthält grundlegende Anweisungen für das Gerät. Es wird empfohlen, dass alle Benutzer diese Anleitung vor Gebrauch lesen.

Diese Anleitung ist wie folgt unterteilt:

- Kapitel 1, "Übersicht", führt in das Benutzerhandbuch und die produktbezogenen Informationen ein. (Dieses Kapitel)
- Kapitel 2, "Installation", beschreibt wie das Gerät einzustellen und zu installieren ist.
- Anhang, "Spezifikationen", beschreibt die Spezifikationen des Produktes.

## Produktübersicht

Dies ist die hochauflösende Dome-Kamera, die mit einem Objektiv mit fester Brennweite ausgestattet ist, welche über keine dynamische Verzögerung bei der Ausführung beweglicher Bilder und Eigenschaften wie zum Beispiel digitale Rauschminderung (DNR) durch Echtzeit-CCD Fehler-Kompensation, Low-Speed-Shutter (LSS: Auto x128), um eine deutliche Bildqualität zu realisieren, Tag- und Nacht-Farbkompensierung und ähnliches, verfügt.

## Hauptfunktionen

- Energie: 12V Gleichstrom/24V Wechselstrom
- Sonderfunktionen
  - Line-Lock-Regelung (LL)
  - Automatischer Weißabgleich
  - Horizontale/vertikale Spiegelung
  - Automatische Verstärkungsregelung
  - Low-Speed-Shutter-Regelung
  - Gegenlicht-Kompensationsregelung
  - Automatisches Umschalten zwischen Farb und Schwarz-/Weißmodi
  - Digitale Rauschminderung (DNR)
  - Dynamische CCD Fehlerkompensation

## Teile

### Prüfen Sie die Teile in der Verpackung

Überprüfen Sie bitte, ob Ihre Kamera und die Zubehörteile sich in der Verpackung befinden. Diese Teile sind wie folgt dargestellt:



Kamera



Test Monitor Kabel



Sicherungsschrauben



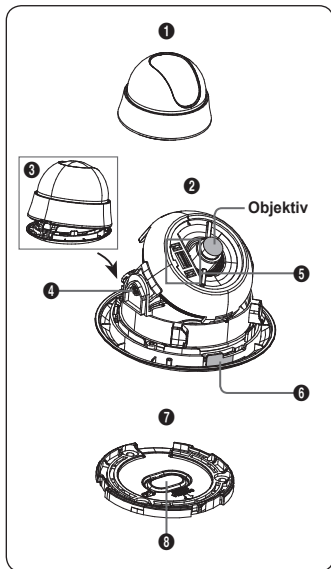
Benutzerhandbuch

### Hinweis

Das Test Monitor kabel dient dazu, die Kamera durch Anschluss an einen tragbaren Bildschirm zu testen. Falls Sie die Kamera wirklich an einen Überwachungsbildschirm anschließen möchten, verwenden Sie das BNC-Kabel.

## Einzelteile Ihrer Kamera

Ihre Kamera verfügt über folgende Einzelteile:



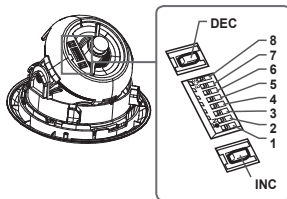
1. **Kuppelabdeckung:** Dient als Schutz für das Objektiv und das Hauptgehäuse.
2. **Hauptgehäuse:** Beinhaltet ein Objektiv, eine Schalttafel, eine Leiterplatte, Schrauben und dergleichen.
3. **Verriegelung:** Dient zum Öffnen oder Schließen der Kuppelabdeckung. Drücken Sie die Verriegelung, um die Kuppelabdeckung zu öffnen.
4. **Kipp-Befestigungsschraube:** Mithilfe dieser Schraube kann die Neigung des Objektivs verstellt und festgestellt werden.
5. **Schalttafel:** Umfasst zwei verschiedene Arten von Schaltern, wie zum Beispiel Funktionsschalter und Schalter für die Phasenregelung. Die Tafel verfügt über acht Funktionsschalter in der Mitte und zwei Phasenregelungstasten auf der Seite des Funktionsschalterbereichs.
6. **Verriegelungsauslöser:** Drücken Sie ihn nach außen und drehen Sie das Hauptgehäuse in Richtung **ENTSPERREN**, wenn Sie den Bügel vom Hauptgehäuse entfernen möchten.
7. **Bügel:** Dient zur Decken- oder Wandbefestigung. Er wird mit den drei langen Sicherungsschrauben befestigt, die in der Verpackung enthalten sind.
8. **Öffner für die Deckenhalterung:** Entfernen Sie den Öffner bei Installation des Netzanschlusses an der Decke.

# Installation

## ■ Einstellung der Schalter

### Einstellung der Funktionsschalter

Verstellen Sie die acht Schalter wie nachfolgend dargestellt, um die verfügbaren Funktionen an Ihrer Kamera einzustellen:



Nr.	Name	Kurzbeschreibung
1	LL	Line-Lock EIN/AUS
2	LSS	Sens-up oder Low-Speed-Shutter EIN/AUS
3	H-REV	Horizontale Spiegelung EIN/AUS
4	V-REV	Vertikale Spiegelung EIN/AUS
5	BLC	Gegenlicht-Kompensation EIN/AUS
6	AGC	Automatische Verstärkungsregelung EIN/AUS
7	D/N	Automatische Umschaltung zwischen Farbe und Schwarz/Weiß EIN/AUS
8	AWB	Automatischer Weißabgleich EIN/AUS

- Schalter 1 (LL):** Wenn dieser Schalter auf **AUS** gestellt wird, läuft die Kamera im internen Synchronisationsmodus, wenn er jedoch auf **EIN** gestellt wird, läuft sie im Line-Lock-Modus. Beim internen Synchronisationsmodus verwendet die Kamera stets einen Innen-Kristalloszillator für die Synchronisation. Wenn jedoch mehrere Kameras an einen Folgeschalter angeschlossen werden, kann beim Umschalten von einer Kamera zur anderen das Kippen des Bildes oder Flimmern auftreten. Sie können in diesem Fall den Schalter auf **EIN** stellen, um dieses Problem zu lösen.  
Der Line-Lock-Modus lässt die Kamera die Wechselstromphase als Synchronisationsreferenz verwenden. In diesem Modus können Sie die Phasenregler (INC/DEC) betätigen.

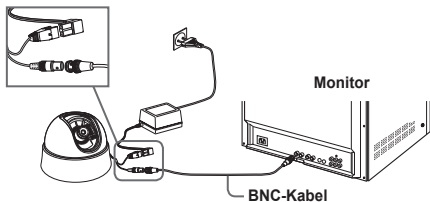
#### Hinweis

Stellen Sie diesen Schalter auf **AUS**, wenn Sie 12V Gleichstrom verwenden. Die Line-Lock-Funktion funktioniert nicht wie gewöhnlich, wenn der Schalter auf **EIN** gestellt wird.

Stellen Sie den LL-Schalter auf **EIN**, während der Wechselstrom angeschlossen wird. Wenn das Bild kippt, müssen Sie die Phase mithilfe der Phasenregler einstellen. Drücken Sie die Taste **INC** oder **DEC**, um die Phase um ein Grad zu erhöhen oder zu senken.

2. **Schalter 2 (LSS):** Dieser Sens-up-Modus sammelt die Bildfelder im Speicher, um das Rauschen zu mindern und gleichzeitig die Helligkeit und das Kontrastverhältnis zu erhöhen. Wenn dieser Schalter auf **EIN** gestellt wird, schaltet die Kamera automatisch auf maximal das 128-fache der Bilderfassungsgeschwindigkeit, um ein deutliches Bild für eine dunklere Darstellung zu implementieren.
3. **Schalter 3 (H-REV):** Wird dieser Schalter auf **EIN** gestellt, wird das Kamerabild horizontal gespiegelt. Wenn Sie Ihren Standort mit einem Spiegel überwachen möchten, können Sie diese Funktion nutzen, um die richtige Darstellung zu sehen.
4. **Schalter 4 (V-REV):** Wird dieser Schalter auf **EIN** gestellt, wird das Kamerabild vertikal gespiegelt. Wenn Ihre Kamera das vertikal gespiegelte Bild zu langsam anzeigt, können Sie diese Funktion nutzen, um die richtige Darstellung zu sehen.
5. **Schalter 5 (BLC):** Wird dieser Schalter auf **EIN** gestellt, können Sie selbst dann ein deutliches Bild betrachten, wenn die Kamera mit übermäßigem Licht wie zum Beispiel Sonnenlicht und fluoreszierendem Licht konfrontiert wird. Wird dieser Schalter auf **AUS** gestellt, wird der Gegenstand bei übermäßigem Licht nicht deutlich angezeigt.
6. **Schalter 6 (AGC):** Wird dieser Schalter auf **EIN** gestellt, erhöht die Kamera automatisch die Empfindlichkeit durch Verstärkung des Videosignals, sofern die Stärke des Signals unter einen vorgegebenen Wert absinkt. Verwenden Sie diese Funktion, wenn dunkle Bilder zu erwarten sind.
7. **Schalter 7 (D/N):** Wird dieser Schalter auf **EIN** gestellt, schaltet die Kamera je nach Helligkeit der Umgebung automatisch zwischen Farbe und Schwarz/Weiß um.
8. **Schalter 8 (AWB):** Dieser Schalter stellt den Weißabgleich ein. Wird dieser Schalter auf **EIN** gestellt, läuft die Kamera im ATW-Modus, und wird er auf **AUS** gestellt, läuft die Kamera im AWC-Modus.
  - ATW (Automatischer Weißabgleich): Die Farbtemperatur wird automatisch entsprechend den Umgebungsänderungen eingestellt. (Ungefähr 2000°K bis 11.000°K)
  - AWC (Automatische Weißabgleichregelung): Speichert die Farbtemperatur in dem Moment, wenn der Schalter auf **AUS** gesetzt wird. Dementsprechend werden die Farbtemperaturen anhand des gespeicherten Wertes eingestellt.

## ■ Anschluss der Kabel und Einstellung der Schalter



### Für den Anschluss der Kabel:

1. Schließen Sie das BNC-Kabel an den Videoanschluss an, der sich an Ihrer Kamera befindet.
2. Schließen Sie das BNC-Kabel an den Video-Eingang am Monitor an.
3. Schließen Sie den Netzadapter an den an Ihrer Kamera befindlichen Netzanschluss an. Sobald der Monitor eingeschaltet wird, wird das Kamerabild angezeigt.

### Für die Überprüfung des Kamerabilds und der Einstellung der Schalter

1. Nehmen Sie die Kuppelabdeckung ab. Weitere Einzelheiten darüber, wie die Abdeckung abzunehmen ist, entnehmen Sie dem "Installationsverfahren" im Abschnitt 'Installation der Kamera' auf der nächsten Seite.
2. Stellen Sie die Funktion Ihrer Kamera mithilfe der Schalttafel ein, während Sie das Bild am Bildschirm betrachten.

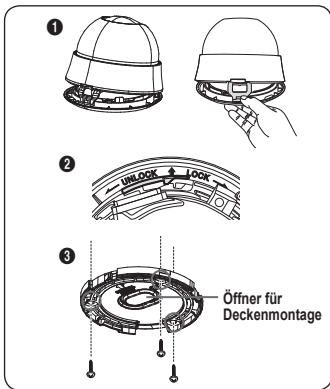
## ■ Installation der Kamera

### Vor der Installation

Vor der Installation Ihrer Kamera müssen Sie folgende Vorsichtsmaßnahmen lesen:

- Sie müssen prüfen, ob der Standort (Decke oder Wand) das fünffache Gewicht Ihrer Kamera tragen kann.
- Lassen Sie das Kabel sich nicht an einer ungeeigneten Position verhaken oder die Umhüllung der elektrischen Leitung beschädigen. Ansonsten kann ein Defekt oder Brand verursacht werden.
- Lassen Sie keine Personen am Installationsstandort zu, wenn Sie Ihre Kamera installieren. Sollten sich wertvolle Gegenstände unter dem Installationsplatz befinden, müssen Sie sie entfernen.

### Installationsvorgang



### Für die Installation Ihrer Kamera

1. Drücken Sie die Taste **Verriegelung** an der Unterseite Ihrer Kamera und nehmen Sie die **Kuppelabdeckung** vom **Hauptgehäuse** mithilfe der anderen Hand ab. Das Hauptgehäuse wird in Ihre Richtung freigelegt.
2. Drücken Sie den Verriegelungsauslöser nach außen, wie in der Abbildung dargestellt, und drehen Sie das **Hauptgehäuse** in Richtung **ENTSPERREN**, um den **Bügel** abzunehmen. Wenn dies nicht leicht durchzuführen ist, drehen Sie den Bügel in Richtung **VERRIEGELN**, während Sie die kleinen Öffnungen am Bügel halten.
3. Befestigen Sie den **Bügel** an der Position (Decke oder Wand) mit den enthaltenen drei Schrauben.

#### Hinweis

Das Zeichen **KAMERA** VORDERSEITE auf dem **Bügel** sollte dem Kameraüberwachungsbereich gegenüberstehen.

4. Wenn Sie den **Bügel** an der Decke installieren, entfernen Sie den **Öffner für die Deckenmontage**, indem Sie fest dagegendrücken, um die an Ihrer Kamera befestigte Leitung durch die Öffnung in der Decke zu führen. Ansonsten können Sie den leeren Platz gegenüber dem Zeichen **KAMERA VORDERSEITE** für den Leitungsanschluss verwenden.
5. Befestigen Sie nun das **Hauptgehäuse** am **Bügel**, indem Sie es in Richtung **VERRIEGELUNG** drehen, nachdem Sie den **Verriegelungsauslöser** am Hauptgehäuse auf die breite Rille an der **KAMERA VORDERSEITE** ausgerichtet haben.
6. Stellen Sie die Kamerarichtung ein. Weitere Einzelheiten über die Richtungsregelung entnehmen Sie dem Kapitel "Einstellung der Kamerarichtung", auf derselben Seite.
7. Befestigen Sie nun die **Kuppelabdeckung** am **Hauptgehäuse**, indem Sie dagegendrücken bis Sie ein "Klicken" hören, nachdem Sie die breite Rille am Unterteil der Kuppelabdeckung auf die **Verriegelung** am Hauptgehäuse ausgerichtet haben.

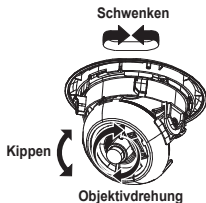
## Einstellen der Kamerarichtung

Wenn die Kamera an der Decke befestigt ist, können Sie den Kamerabetrachtungswinkel einstellen. Sie können Ihre Kamera nach links oder rechts drehen (Schwenken) und Sie können Ihre Kamera nach oben oder unten neigen (Kippen).

Beim Schwenken ist das Rotationslimit Ihrer Kamera auf 340 Grad (220 Grad im Uhrzeigersinn und 120 Grad entgegen dem Uhrzeigersinn) eingestellt. Die Rotation wird durch den **Stopper** innerhalb der Kamera gestoppt. Lösen Sie für die Schwenkregelung zuerst die beiden Schrauben, die sich an der Unterseite befinden. Drehen Sie dann in die von Ihnen gewünschte Richtung und ziehen Sie die Schrauben wieder an, um die Kamera zu befestigen. Ändern Sie die Position der Schrauben, wenn die beiden Befestigungsschrauben nicht angezogen werden können. Wenn es unvermeidlich ist, kann auch nur eine Schraube angezogen werden.

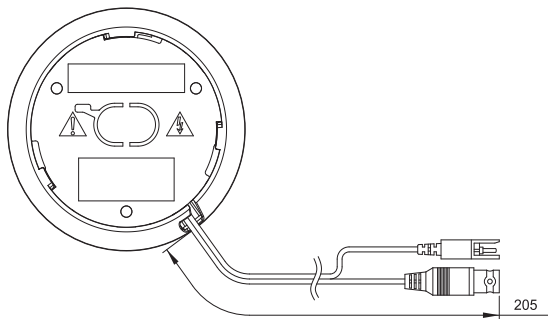
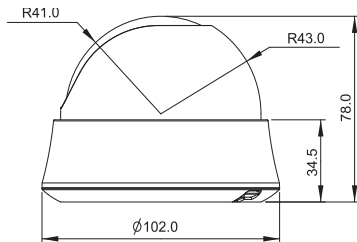
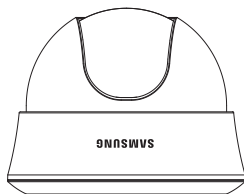
Beim Kippen können Sie die Neigung Ihrer Kamera von null bis zu 90 Grad ändern. Wenn der Neigungswinkel unter 23 Grad ist, kann das Bild teilweise ausgeblendet sein. Verwenden Sie die **Kipp-Befestigungsschrauben**, um die Position nach Einstellung des Kippwinkels zu befestigen.

Drehen Sie für ein deutliches Bild das festgestellte Objektiv, um die Bildschärfe Ihrer Kamera einzustellen. Wenn Sie die Kamera an einer schrägen Decke oder Wand installieren, können Sie das Kameraobjektiv drehen, um eine korrekte Bildrichtung zu sehen.





# SCC-B531X



# Anhang A: Spezifikationen für NTSC-Standard

Objekt	Beschreibung				
Produkttyp	CCTV Farb-Domekamera				
Leistungsaufnahme	24V Wechselstrom $\pm 10\%$ (60Hz $\pm 0,3$ Hz), 12V Gleichstrom $+10\%/ -5\%$				
Übertragungsart	NTSC-Standard Farbsystem (525 Zeilen, 60 Felder)				
Leistungsaufnahme	Ungefähr 1,6W				
Bildwandler	1/3 Zoll IT Typ Super-HAD CCD				
Pixel	SCC-B5311N, B5313N, B5315N		SCC-B5310N		
	<b>Gesamt:</b> 811(H) x 508(V), 410.000 Pixel <b>Effektiv:</b> 768(H) x 494(V), 380.000 Pixel		<b>Gesamt:</b> 537(H) x 505(V), 270.000 Pixel <b>Effektiv:</b> 510(H) x 492(V), 250.000 Pixel		
Abtastmodus	525 TV-Linien, 2:1 Interlace				
Abtastrate	<b>Horizontal:</b> 15,734Hz(INT)/15,750Hz(LL) <b>Vertikal:</b> 59,94Hz(INT)/60Hz(LL)				
Synchronisationsmodus	INT/Line Lock (Einstellen der Phase mit der Taste INC/DEC)				
Horizontale Auflösung	SCC-B5311N, B5313N, B5315N		SCC-B5310N		
	540 TV-Linien		330 TV-Linien		
Min. Lichtstärke des Objekts	F2,0	Sens-up Off	50IRE	1Lux	0,6Lux
			30IRE	0,6Lux	0,4Lux
			15IRE	0,3Lux	0,2Lux
		Sens-up x128	50IRE	0,008Lux	0,005Lux
			30IRE	0,005Lux	0,003Lux
			15IRE	0,002Lux	0,001Lux
Ausgangssignal	COMPOSITE Video(1,0 Vp-p, 75ohm, BNC), Test Monitor OUT(1,0 Vp-p, 75ohm, Kabelbaum)				
Objektiv	Brennweite	Bereich	Einschränkung des Betrachtungswinkels	Modell	
	3,0mm	Horizontal Vertical	92° 72°	SCC-B5313N	
	3,8mm	Horizontal Vertical	71° 53°	SCC-B5310N, B5311N	
	8,0mm	Horizontal Vertical	33,6° 25,3°	SCC-B5315N	
PAN Funktion	Reichweite: 0 bis 340° (220 Grad im Uhrzeigersinn und 120 Grad entgegen dem Uhrzeigersinn)				
TILT (Kipp)-Funktion	Reichweite: 0 bis 90°				

Objekt	Beschreibung
Regelungen	Line-Lock (LL) Sens-up; Low-Speed-Shutter(LSS) Horizontale Spiegelung (H-REV) Vertikale Spiegelung (V-REV) Gegenlicht-Kompensation (BLC) Automatische Verstärkungsregelung (AGC) Umschaltung zwischen Farbe und Schwarz/Weiß bei Tag und Nacht-Wechsel (D/N) Automatischer Weißabgleich (AWB) Digitale Rauschminderung (DNR) Dynamische CCD Fehlerkompensation
Produktfarbe	SCC-B531xN : Weiß / SCC-B531xBN : Schwarz
Betriebstemperatur	-10°C bis +50°C
Betriebsfeuchtigkeit	bis zu 90%
Größe	102(Ø) x 78(H) mm
Gewicht	190g

# Anhang B: Spezifikationen für PAL-Standard

Objekt	Beschreibung				
Produkttyp	CCTV Farb-Domekamera				
Leistungsaufnahme	24V Wechselstrom $\pm 10\%$ (50Hz $\pm 0,3$ Hz), 12V Gleichstrom $+10\%/ -5\%$				
Übertragungsart	PAL-Standard Farbsystem (625 Zeilen, 50 Felder)				
Leistungsaufnahme	Ungefähr 1,6W				
Bildwandler	1/3 Zoll IT Typ Super-HAD CCD				
Pixel	SCC-B5311P, B5313P, B5315P		SCC-B5310P		
	<b>Gesamt:</b> 795(H) x 596(V), 470.000 Pixel <b>Effektiv:</b> 752(H) x 582(V), 440.000 Pixel		<b>Gesamt:</b> 537(H) x 597(V), 320.000 Pixel <b>Effektiv:</b> 500(H) x 582(V), 290.000 Pixel		
Abtastmodus	625 TV-Linien, 2:1 Interlace				
Abtastrate	<b>Horizontal:</b> 15,625Hz(INT)/15,625Hz(LL) <b>Vertikal:</b> 50Hz(INT)/50Hz(LL)				
Synchronisationsmodus	INT/Line Lock (Einstellen der Phase mit der Taste INC/DEC)				
Horizontale Auflösung	SCC-B5311P, B5313P, B5315P		SCC-B5310P		
	540 TV-Linien		330 TV-Linien		
Min. Lichtstärke des Objekts	F2,0	Sens-up Off	50IRE	1Lux	0,6Lux
			30IRE	0,6Lux	0,4Lux
			15IRE	0,3Lux	0,2Lux
		Sens-up x128	50IRE	0,008Lux	0,005Lux
			30IRE	0,005Lux	0,003Lux
			15IRE	0,002Lux	0,001Lux
Ausgangssignal	COMPOSITE Video(1,0 Vp-p, 75ohm, BNC), Test Monitor OUT(1,0 Vp-p, 75ohm, Kabelbaum)				
Objektiv	Brennweite	Bereich	Einschränkung des Betrachtungswinkels	Modell	
	3,0mm	Horizontal Vertical	92° 72°	SCC-B5313P	
	3,8mm	Horizontal Vertical	71° 53°	SCC-B5310P, B5311P	
	8,0mm	Horizontal Vertical	33,6° 25,3°	SCC-B5315P	
PAN Funktion	Reichweite: 0 bis 340° (220 Grad im Uhrzeigersinn und 120 Grad entgegen dem Uhrzeigersinn)				
TILT (Kipp)-Funktion	Reichweite: 0 bis 90°				

Objekt	Beschreibung
Regelungen	Line-Lock (LL) Sens-up; Low-Speed-Shutter(LSS) Horizontale Spiegelung (H-REV) Vertikale Spiegelung (V-REV) Gegenlicht-Kompensation (BLC) Automatische Verstärkungsregelung (AGC) Umschaltung zwischen Farbe und Schwarz/Weiß bei Tag und Nacht-Wechsel (D/N) Automatischer Weißabgleich (AWB) Digitale Rauschminderung (DNR) Dynamische CCD Fehlerkompensation
Produktfarbe	SCC-B531xP : Weiß / SCC-B531xBP : Schwarz
Betriebstemperatur	-10°C bis +50°C
Betriebsfeuchtigkeit	bis zu 90%
Größe	102(Ø) x 78(H) mm
Gewicht	190g





## Korrekte Entsorgung von Altgeräten

(Elektroschrott)

(In den Ländern der Europäischen Union und anderen europäischen Ländern mit einem separaten Sammelsystem)

Die Kennzeichnung auf dem Produkt bzw. auf der dazugehörigen Dokumentation gibt an, dass es nach seiner Lebensdauer nicht zusammen mit dem normalen Haushaltsmüll entsorgt werden darf. Entsorgen Sie dieses Gerät bitte getrennt von anderen Abfällen, um der Umwelt bzw. der menschlichen Gesundheit nicht durch unkontrollierte Müllbeseitigung zu schaden. Helfen Sie mit, das Altgerät fachgerecht zu entsorgen, um die nachhaltige Wiederverwertung von stofflichen Ressourcen zu fördern.

Private Nutzer wenden sich an den Händler, bei dem das Produkt gekauft wurde, oder kontaktieren die zuständigen Behörden, um in Erfahrung zu bringen, wo Sie das Altgerät für eine umweltfreundliche Entsorgung abgeben können.

Gewerbliche Nutzer wenden sich an ihren Lieferanten und gehen nach den Bedingungen des Kaufvertrags vor. Dieses Produkt darf nicht zusammen mit anderem Gewerbemüll entsorgt werden.





**SAMSUNG**

Caméra Dôme Numérique Couleur **Guide de l'utilisateur**

**SCC-B531x(B)**



FR

# Précautions de sécurité



Ce symbole indique la présence de haute tension dans l'appareil. Il est dangereux de vouloir toucher les pièces internes de ce produit.



Ce symbole attire votre attention sur le fait que des documentations importantes relatives au fonctionnement ou à la maintenance ont été incluses avec ce produit.

Pour prévenir tous dommages pouvant provoquer des risques d'incendie ou de choc électrique, n'exposez pas cet appareil à la pluie ou à l'humidité.

## ATTENTION

1. Assurez-vous d'utiliser uniquement l'adaptateur standard spécifié dans la fiche des caractéristiques techniques. Utiliser tout autre adaptateur peut provoquer des risques d'incendie ou des chocs électriques et endommager le produit.
2. Un branchement incorrect de l'alimentation électrique ou un mauvais remplacement de la pile peut provoquer des risques d'incendie, des chocs électriques ou des dommages au produit.
3. Ne pas connecter plusieurs caméras à un seul adaptateur. Dépasser la capacité peut générer une chaleur anormale ou un risque d'incendie.
4. Branchez correctement le cordon d'alimentation dans la prise. Une mauvaise connexion peut provoquer des risques d'incendie.
5. Lors de l'installation de la caméra, attachez-la fermement et en toute sécurité. Une caméra qui tombe peut causer des blessures.
6. Ne placez pas d'objets conducteurs (tourne-vis, pièces de monnaie, objets en métal, etc...par exemple) ou des récipients remplis d'eau sur la caméra. Cela peut causer des blessures dues au feu, au choc électrique ou à la chute d'objets.
7. Ne pas installer l'appareil dans des lieux humides, poussiéreux ou couverts de suie. Cela peut provoquer des risques d'incendie ou des chocs électriques.
8. Si vous constatez une odeur ou une fumée inhabituelle provenant de l'appareil, arrêtez immédiatement son utilisation. Dans de tel cas, déconnectez immédiatement la source d'alimentation et contactez le centre de maintenance. Si vous continuez à utiliser le produit dans de telle condition, cela peut provoquer des risques d'incendie ou des chocs électriques.

9. Si ce produit ne fonctionne pas normalement, contactez le centre de maintenance le plus proche. Ne jamais démonter ou modifier le produit de quelque manière que ce soit. (SAMSUNG n'est pas responsable des problèmes causés par des modifications ou des tentatives de réparation non autorisées.)
10. Lors du nettoyage, ne pas diriger l'eau directement sur les pièces de l'appareil. Cela peut provoquer des risques d'incendie ou des chocs électriques.
8. Veillez à éviter toute projection sur l'appareil et ne placez jamais de récipients contenant un liquide (ex. : vase) dessus.
9. La prise d'alimentation fait office de système de déconnexion ; elle doit donc rester disponible en permanence.

## MISE EN GARDE

1. Ne pas faire tomber des objets sur le produit ou lui faire subir des chocs. Éloignez le produit des emplacements soumis aux vibrations ou interférences magnétiques excessives.
2. Ne pas installer le produit à des emplacements soumis aux températures élevées (supérieures à 122 °F), aux températures faibles (inférieures à 14 °F), ou à une humidité élevée. Cela peut provoquer des risques d'incendie ou des chocs électriques.
3. Si vous désirez changer le produit de place, assurez-vous de le mettre hors tension, déplacez-le et réinstallez-le.
4. Débranchez le cordon d'alimentation de la prise lorsqu'il y a des éclairs. Ne pas appliquer cette consigne peut provoquer des risques d'incendie ou endommager le produit.
5. Éloignez le produit des rayons directs du soleil ou des sources de radiation de chaleur. Cela peut provoquer des risques d'incendie.
6. Installez le produit dans un lieu où la ventilation est suffisante.
7. Évitez de pointer la caméra directement vers des objets extrêmement brillants comme le soleil, cela peut endommager le capteur d'image CCD.

## Déclaration FCC

Cet appareil est conforme à la partie 15 des réglementations FCC. Le fonctionnement est soumis aux deux conditions suivantes :

- 1) Il se peut que cet appareil ne cause pas d'interférences nuisibles et
- 2) Cet appareil doit tolérer toutes interférences reçues, y compris des interférences pouvant provoquer un fonctionnement inapproprié.

### Remarque

Cet équipement a été testé et se conforme aux limites relatives à un appareil numérique de classe A, conformément à la partie 15 des Réglementations FCC. Ces limites sont élaborées pour fournir un degré raisonnable de protection contre les interférences dangereuses si l'équipement fonctionne dans un environnement commercial. Cet équipement génère, utilise et peut produire une énergie à radio fréquence, s'il n'est pas installé et utilisé selon le manuel d'instruction, il peut causer des interférences dangereuses pour les communications radios. Le fonctionnement de cet équipement au sein d'une zone résidentielle peut provoquer des interférences dangereuses, dans ce cas l'utilisateur est sommé de corriger l'interférence à ses propres frais.

# Instructions importantes relatives à la sécurité

1. Veuillez lire ces instructions.
2. Conservez ces instructions.
3. Prêtez attention à tous les avertissements.
4. Veuillez suivre toutes les instructions.
5. N'utilisez pas cet appareil à proximité de l'eau.
6. Nettoyez-le avec un tissu sec.
7. N'obstruez pas les ouvertures de ventilation. Procédez à l'installation conformément aux instructions du fabricant.
8. Ne pas installer l'appareil à proximité de sources de chaleur comme les radiateurs, les registres de chaleur et les autres appareils (incluant les amplificateurs) produisant de la chaleur.
9. Veuillez à vous conformer aux sécurités des prises de terre et polarisées. Une prise dite polarisée est composée de deux fiches, une plus large que l'autre. Une prise de terre est composée de deux fiches et d'une troisième fiche pour la terre. La troisième fiche, plus large que les deux autres, est fournie pour votre sécurité. Si la prise qui vous est fournie ne correspond pas à votre prise murale, demandez à un électricien de remplacer la prise obsolète.
10. Veuillez à ce que personne ne marche ou se prenne les pieds dans le cordon d'alimentation et particulièrement au niveau des fiches et des prises de courant et au niveau où ils se situent.
11. N'utilisez que des accessoires ou des produits additionnels spécifiés par le fabricant.
12. N'utilisez que des chariots, des pieds, trépieds, ou tables spécifiés par le fabricant ou vendus avec l'appareil.
13. Débranchez cet appareil. Si vous utilisez un chariot, faites attention lorsque vous déplacez l'appareil et le chariot pour éviter les blessures causées par un renversement.
14. Veuillez faire appel au personnel qualifié pour tous travaux de maintenance. Les travaux de maintenance sont nécessaires si l'appareil a été endommagé de quelque manière que ce soit, comme cordon d'alimentation endommagé, liquide répandu, objets tombés sur l'appareil, appareil exposé à la pluie et à l'humidité, il ne fonctionne pas normalement ou est tombé par terre.

# Table des matières

<b>Synthèse</b> .....	<b>6</b>
A propos de ce guide .....	6
Synthèse du produit .....	6
Caractéristiques principales .....	6
Composants .....	6
Vérification des composants dans l'emballage .....	6
Composants de votre caméra .....	7
<b>Installation</b> .....	<b>8</b>
Réglage des interrupteurs .....	8
Régler les interrupteurs de fonction .....	8
Connexion des câbles et réglage des interrupteurs .....	10
Installation de la caméra .....	11
Avant l'installation .....	11
Procédure d'installation .....	11
Ajuster la direction de la caméra .....	12
<b>Appendice A : Caractéristiques NTSC Standard</b> .....	<b>13</b>
<b>Appendice B : Caractéristiques PAL Standard</b> .....	<b>15</b>

# Synthèse

## ■ A propos de ce guide

Ce guide utilisateur inclut les instructions de base relatives à ce produit. Nous recommandons à tous les utilisateurs de lire ce guide avant d'utiliser l'appareil.

Ce guide est divisé comme suit :

- Le chapitre 1, "Synthèse" introduit le guide utilisateur et les informations relatives au produit. (Ce chapitre)
- Le chapitre 2, "Installation" explique comment régler et installer le produit.
- L'appendice, "Caractéristiques", vous fournit les caractéristiques de ce produit.

## ■ Synthèse du produit

Ce produit est une caméra dôme à haute résolution équipée d'une optique à focale fixe, sans retard dynamique lors de l'implémentation des images de mouvement, elle bénéficie de fonctions comme la réduction de bruit numérique (DNR), la réduction des défauts CCD en temps réel, et l'obturation à vitesse réduite (Vitesse ambiante du son : Auto x 128) pour implémenter une qualité d'image claire, et une compensation de couleur Jour / Nuit.

## ■ Caractéristiques principales

- Alimentation : CC 12V/CA 24V
- Fonctions spéciales
  - Commande de verrouillage de ligne (LL)
  - Balance automatique des blancs
  - Renversement de l'image horizontal/vertical
  - Réglage automatique de l'amplification
  - Commande d'obturation à vitesse réduite
  - Commande de la compensation du rétroéclairage

- Passage automatique entre les modes noir & blanc et couleur.
- Réduction automatique de bruit (DNR)
- Compensation des défauts CCD dynamique

## ■ Composants

### Vérification des composants dans l'emballage

Veuillez vérifier que votre caméra et ses accessoires soient inclus dans l'emballage. Ces composants sont comme illustrés ci-dessous :



Caméra :



Câble du moniteur de test



Vis



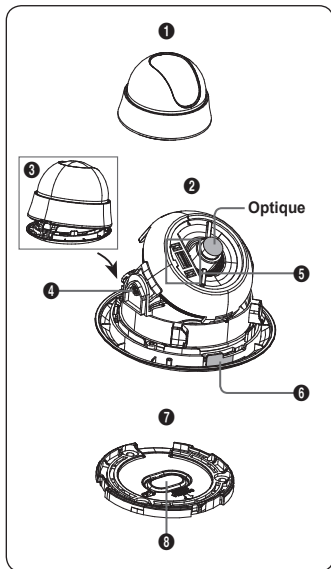
Guide de l'utilisateur

### Remarque

Le câble du moniteur de test est utilisé pour tester la caméra en la connectant à un écran portable. Si vous désirez vraiment connecter la caméra à un écran moniteur, utilisez le câble BNC.

## Composants de votre caméra

Votre caméra est composée des éléments suivants :



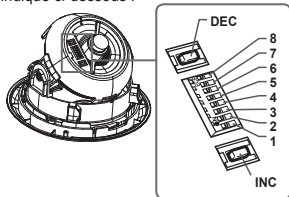
1. **Couvercle du dôme** : Recouvre l'optique et le corps principal pour les protéger.
2. **Corps principal** : Inclut l'optique, le dispositif de commande, une carte de circuit imprimé, les vis et accessoires associés.
3. **Verrouilleur** : Utilisé pour ouvrir ou fermer le couvercle du dôme. Pour ouvrir le couvercle du dôme, appuyez sur le verrouilleur.
4. **Vis de fixation de bascule** : Vous pouvez ajuster ou fixer, à l'aide de cette vis, le coefficient angulaire de l'optique.
5. **Dispositif de commande** : Inclut deux sortes de commutateurs de commande comme les commutateurs de fonction et les commutateurs de commande de la phase. Le dispositif de commande est composé de huit commutateurs de fonction situés au milieu et de deux commutateurs de commande de la phase sur chaque côté de la zone des commutateurs de fonction.
6. **Déverrouilleur** : Tirez-le et tournez le corps principal en direction de **DEVERROUILLAGE** lorsque vous désirez retirer le support de fixation du corps principal.
7. **Support de fixation** : Utilisé pour fixer la caméra sur un mur ou au plafond. Fixé à l'aide de 3 longues vis fournies dans l'emballage.
8. **Ouvreur du plafonnier** : Retirez-le pour connecter la ligne au plafond, une fois installé au plafond.

# Installation

## ■ Réglage des interrupteurs

### Régler les interrupteurs de fonction

Pour régler les fonctions disponibles sur votre caméra, ajustez les huit interrupteurs comme indiqué ci-dessous :



N°	Nom	Brève description
1	LL	Verrouillage de ligne ON/OFF
2	LSS	Capteur d'obturation ou Sens-up (captation) de vitesse haute ou faible ON/OFF
3	H-REV	Renversement horizontal ON/OFF
4	V-REV	Renversement vertical ON/OFF
5	BLC	Compensation du rétroéclairage ON/OFF
6	AGC	Réglage d'amplification automatique ON/OFF
7	D/N	Passage automatique entre le noir & blanc et la couleur ON/OFF
8	AWB	Balance automatique des blancs ON/OFF

1. **Interrupteur 1 (LL)**: Si cet interrupteur est positionné sur **OFF**, la caméra fonctionne en mode de synchronisation interne, alors que si réglé sur **ON**, la caméra fonctionne en mode de verrouillage de ligne.

En mode de synchronisation interne, la caméra utilise toujours un oscillateur de cristal interne pour la synchronisation. Cependant si plusieurs caméras sont connectées à un interrupteur séquentiel, vous pouvez constater une image instable ou un tremblement lors du passage d'une caméra à une autre. Dans ce cas, vous pouvez positionner l'interrupteur sur **ON** pour résoudre le problème.

Le mode de verrouillage de ligne permet à la caméra d'utiliser la phase de l'alimentation à courant alternatif comme référence de synchronisation. Dans ce mode, vous pouvez utiliser, les boutons de commande de la phase (INC/DEC).

#### Remarque

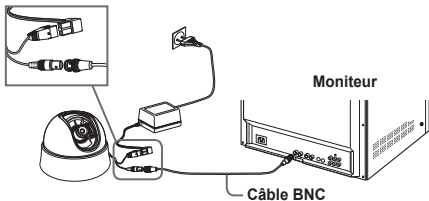
Si vous utilisez l'alimentation 12 V CC, réglez l'interrupteur sur **OFF**. La fonction de verrouillage de ligne ne fonctionnera pas même si l'interrupteur est en position **ON**.

Mettez l'interrupteur LL en position **ON** tandis que l'alimentation CA est connectée. Si vous constatez une instabilité de l'image, vous pouvez ajuster la phase à l'aide des boutons de commande de la phase. Appuyez sur le bouton **INC** ou **DEC** pour augmenter ou réduire la phase par incrément d'un degré.



2. **Interrupteur 2 (LSS):** Ce mode de captation (sens-up) accumule le champs de l'image en mémoire pour réduire le bruit mais aussi augmenter le taux de clarté et de contraste. Une fois l'interrupteur sur **ON**, la caméra passe automatiquement à une vitesse maximum d'acquisition de l'image de 128 fois pour implémenter une image claire à la place d'une image plus sombre.
3. **Interrupteur 3 (H-REV):** Une fois cet interrupteur sur **ON**, l'image de la caméra est horizontalement renversée. Si vous désirez effectuer la surveillance de votre site à l'aide d'un miroir, vous pouvez utiliser cette fonction pour voir la bonne image.
4. **Interrupteur 4 (V-REV):** Une fois cet interrupteur sur **ON**, l'image de la caméra est verticalement renversée. Si votre caméra n'affiche pas correctement l'image renversée, vous pouvez utiliser cette fonction pour voir la bonne image.
5. **Interrupteur 5 (BLC):** Une fois cet interrupteur sur **ON**, vous pouvez visualiser une image claire, bien que la caméra soit face à une lumière excessive comme les rayons du soleil ou une lumière fluorescente. Une fois positionné sur **OFF**, le sujet éclairé par une lumière excessive n'apparaît pas très clairement.
6. **Interrupteur 6 (AGC):** Une fois cet interrupteur sur **ON**, la caméra augmente automatiquement la sensibilité en amplifiant le signal vidéo si la force du signal est inférieure à une valeur donnée. Si vous vous attendez à des images sombres, utilisez cette fonction.
7. **Interrupteur 7 (D/N):** Une fois cet interrupteur sur **ON**, la caméra passe automatiquement du Noir et Blanc à la couleur selon la clarté de l'environnement.
8. **Interrupteur 8 (AWB):** Cet interrupteur ajuste la balance des blancs. Une fois cet interrupteur sur **ON**, cette caméra fonctionne en mode ATW, au cas où l'interrupteur est sur **OFF**, la caméra fonctionne en mode AWC.
  - ATW (Autorepérage de la balance des blancs) : La température de la couleur est automatiquement ajustée selon les modifications apportées par l'environnement. (Environ 2000°K à 11000°K)
  - ATW (Commande automatique de la balance des blancs) Il enregistre la température de la couleur une fois l'interrupteur en position **OFF**. Les températures de la couleur sont conformément ajustées grâce aux valeurs enregistrées.

## ■ Connexion des câbles et réglage des interrupteurs



### Connexion des câbles

1. Connectez le câble BNC au connecteur vidéo fixé à votre caméra.
2. Connectez le câble BNC à l'entrée vidéo du moniteur.
3. Connectez l'adaptateur électrique au connecteur d'alimentation fixé à votre caméra. Une fois le moniteur activé, les images de la caméra apparaissent.

### Vérification de la vue de la caméra et réglages des interrupteurs

1. Retirez le couvercle du dôme Pour obtenir plus de détails sur les procédures relatives au retrait, voir la "Procédure d'installation" dans la section installation de la caméra sur la page suivante.
2. Ajustez la fonction de votre caméra à l'aide du dispositif de commande tout en visualisant l'image sur l'écran.

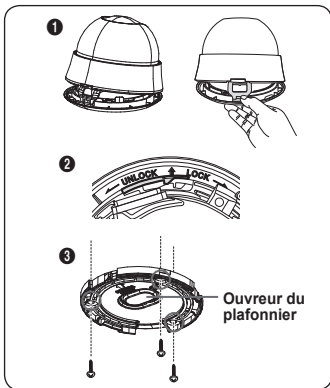
## Installation de la caméra

### Avant l'installation

Avant l'installation de votre caméra, veuillez lire les mises en garde suivantes :

- Vous devez vérifier si le lieu d'installation (plafond ou mur) peut supporter le poids de cinq fois votre caméra.
- Ne laissez pas le câble pendre à un emplacement inapproprié ou le couvercle de la ligne électrique être endommagé. Cela peut causer un court-circuit ou un incendie.
- Lors de l'installation de votre caméra, ne laissez personne s'approcher du site d'installation. Si des objets de valeur se situent sous l'emplacement d'installation, déplacez-les.

### Procédure d'installation



### Installation de votre caméra

1. Appuyez sur le bouton de **Verrouillage** situé sur le bas de votre caméra et retirez le **couvercle du dôme du corps principal** avec l'autre main. Le corps principal se présentera à vous.
2. Comme indiqué sur l'image, tirez le **déverrouilleur** et faites tourner le **corps principal** en direction de **DEVERROUILLAGE** pour retirer le **support de fixation**. Si vous n'y arrivez pas facilement, tournez le support de fixation en direction de **VERROUILLAGE** tout en tenant les petits trous du support de fixation.
3. Fixez le **support de fixation** sur le lieu d'installation (mur ou plafond) avec les trois vis fournies.

#### Remarque

Le signe **CAMERA FRONT** (AVANT DE LA CAMERA) situé sur le **support de fixation** doit faire face à la zone de contrôle de la caméra.

- Lorsque vous installez le **support de fixation** au plafond, retirez l'**ouvreur du plafonnier** en appuyant fortement pour connecter la ligne fixée à votre caméra au trou du plafond. Vous pouvez autrement utiliser l'espace vide faisant face au signe CAMERA FRONT (AVANT DE LA CAMERA) pour connecter la ligne.
- Fixez maintenant le **corps principal** au **support de fixation** en le tournant en direction de VERROUILLAGE après avoir aligné le **déverrouilleur** sur le corps principal à l'aide de la large rainure située autour de l'incrustation CAMERA FRONT (AVANT DE LA CAMERA).
- Ajuster la direction de la caméra. Pour obtenir plus de détails sur la commande de direction, voir la section "Ajuster la direction de la caméra" sur la même page.
- Fixez enfin le **couvercle du dôme** au **corps principal** en appuyant jusqu'à entendre un "clac" après avoir aligné la large rainure sur la partie inférieure du couvercle du dôme à l'aide du **Verrouilleur** situé sur le corps principal.

## Ajuster la direction de la caméra

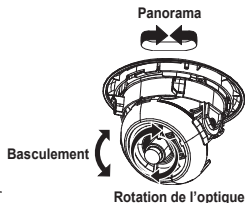
Une fois la caméra fixée au plafond, vous pouvez ajuster son angle de vue. Vous pouvez tourner votre caméra sur la gauche ou sur la droite (Panoramique) et remonter ou descendre son angle (basculement).

Pour un panorama, la limite de rotation de la caméra est réglée à 340 degrés (220 degrés dans le sens des aiguilles d'une montre et 120 degrés dans le sens inverse aux aiguilles d'une montre). La rotation est arrêtée par un **Stop** à l'intérieur de la caméra. Pour la commande panoramique, desserrez dans un premier temps les deux vis situées sur le bas et tournez dans la direction de votre choix, puis resserrez les vis pour fixer la caméra. Si vous ne pouvez serrer les deux vis de fixation, modifiez leur emplacement.

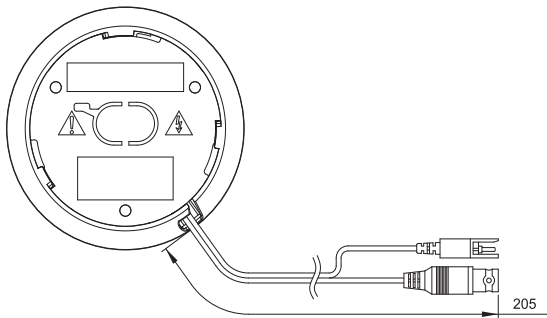
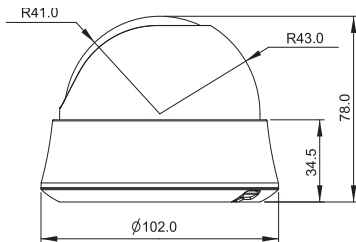
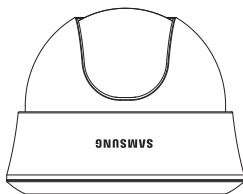
Si vous ne pouvez faire autrement, serrer une seule vis est acceptable.

En cas de basculement, vous pouvez modifier l'angle de votre caméra de zéro à 90 degrés. Si l'angle est inférieur à 23 degrés, il se peut qu'une partie de l'image soit cachée. Pour fixer l'emplacement après avoir ajusté l'angle de basculement, utilisez les **vis de fixation de bascule**.

Pour régler la mise au point de votre caméra, tournez l'objectif fixé pour éclaircir l'image. Si vous installez la caméra sur un mur ou un plafond incliné, vous pouvez tourner l'optique de la caméra pour apercevoir une image directionnelle correcte.



# SCC-B531X



# Appendice A : Caractéristiques NTSC Standard

Fonctions	Détails				
Type de produit	Caméra dôme couleur CCTV				
Entrée alimentation	24V CA $\pm$ 10% (60Hz $\pm$ 0,3 Hz), 12 V CC +10%/ -5%				
Type de diffusion	Système couleur standard NTSC (525 lignes, 60 champs)				
Consommation électrique	Approx. 1,6 W				
Dispositif d'image	IT Type Super-HAD CCD 1/3 pouce				
Pixels	SCC-B5311N, B5313N, B5315N		SCC-B5310N		
	<b>Total:</b> 811(H) x 508(V), 410 000 pixels <b>Effectif:</b> 768(H) x 494(V), 380 000 pixels		<b>Total:</b> 537(H) x 505(V), 270 000 pixels <b>Effectif:</b> 510(H) x 492(V), 250 000 pixels		
Mode de balayage	525 lignes, Entrelacement 2:1				
Fréquence de la ligne de balayage	<b>Horizontal:</b> 15,734Hz(INT)/15,750Hz(LL) <b>Vertical:</b> 59,94Hz(INT)/60Hz(LL)				
Mode de synchronisation	INT/Verrouillage de ligne (Ajuster la phase à l'aide du bouton INC/DEC)				
Résolution horizontale	SCC-B5311N, B5313N, B5315N		SCC-B5310N		
	540 Lignes TV		330 Lignes TV		
Illumination mini. de l'objet	F2,0	Sens-up Off	50IRE	1Lux	0,6Lux
			30IRE	0,6Lux	0,4Lux
			15IRE	0,3Lux	0,2Lux
		Sens-up x128	50IRE	0,008Lux	0,005Lux
			30IRE	0,005Lux	0,003Lux
			15IRE	0,002Lux	0,001Lux
Sortie de signal	Vidéo COMPOSITE (1,0 Vp-p, 75ohm, BNC), SORTIE Moniteur de test (1,0 Vp-p, 75ohm, Câble couplé)				
Optique	Longueur focale	Zone	Limite de l'angle de vue	Modèle	
	3,0mm	Horizontal Vertical	92° 72°	SCC-B5313N	
	3,8mm	Horizontal Vertical	71° 53°	SCC-B5310N, B5311N	
	8,0mm	Horizontal Vertical	33,6° 25,3°	SCC-B5315N	
Fonction PANORAMA	Etendue : 0 à 340° (220 degrés sens des aiguilles d'une montre et 120 degrés sens contraire aux aiguilles d'une montre).				
Fonction BASCULEMENT	Etendue : 0 à 90°				

Fonctions	Détails
Commandes	Verrouillage de ligne (LL) Sens-up ; Obturation à vitesse réduite (LSS) Renversement horizontal (H-REV) Renversement vertical (V-REV) Compensation du rétroéclairage (BLC) Réglage automatique de l'amplification (AGC) Passage de la couleur au N/B lors du changement nuit et jour (D/N) Balance automatique des blancs (AWB) Réduction automatique de bruit (DNR) Compensation des défauts CCD dynamique
couleur de produit	SCC-B531xN : Blanc / SCC-B531xBN : noir
Température fonctionnelle	-10°C à +50°C
Humidité fonctionnelle	90% maxi
Taille	102(Ø) x 78(H)mm
Poids	190g

# Appendice B : Caractéristiques PAL Standard

Fonctions		Détails			
Type de produit	Caméra dôme couleur CCTV				
Entrée alimentation	24V CA $\pm$ 10% (50Hz $\pm$ 0,3 Hz), 12V CC $\pm$ 10%/ -5%				
Type de diffusion	Système couleur standard PAL (625 lignes, 50 champs)				
Consommation électrique	Approx. 1,6 W				
Dispositif d'image	IT Type Super-HAD CCD 1/3 pouce				
Pixels	SCC-B5311P, B5313P, B5315P		SCC-B5310P		
	<b>Total:</b> 795(H) x 596(V), 470 000 pixels <b>Effectif:</b> 752(H) x 582(V), 440 000 pixels		<b>Total:</b> 537(H) x 597(V), 320 000 pixels <b>Effectif:</b> 500(H) x 582(V), 290 000 pixels		
Mode de balayage	625 lignes, Entrelacement 2:1				
Fréquence de la ligne de balayage	<b>Horizontal:</b> 15,625Hz(INT)/15,625Hz(LL) <b>Vertical:</b> 50Hz(INT)/50Hz(LL)				
Mode de synchronisation	INT/Verrouillage de ligne (Ajuster la phase à l'aide du bouton INC/DEC)				
Résolution horizontale	SCC-B5311P, B5313P, B5315P		SCC-B5310P		
	540 Lignes TV		330 Lignes TV		
Illumination mini. de l'objet	F2,0	Sens-up Off	50IRE	1Lux	0,6Lux
			30IRE	0,6Lux	0,4Lux
			15IRE	0,3Lux	0,2Lux
		Sens-up x128	50IRE	0,008Lux	0,005Lux
			30IRE	0,005Lux	0,003Lux
			15IRE	0,002Lux	0,001Lux
Sortie de signal	Vidéo COMPOSITE (1,0 Vp-p, 75ohm, BNC), SORTIE Moniteur de test (1,0 Vp-p, 75ohm, Câble couplé)				
Optique	Longueur focale		Zone	Limite de l'angle de vue	Modèle
	3,0mm		Horizontal	92°	SCC-B5313P
			Vertical	72°	
	3,8mm		Horizontal	71°	SCC-B5310P, B5311P
Vertical			53°		
8,0mm		Horizontal	33,6°	SCC-B5315P	
		Vertical	25,3°		
Fonction PANORAMA	Etendue : 0 à 340° (220 degrés sens des aiguilles d'une montre et 120 degrés sens contraire aux aiguilles d'une montre).				
Fonction BASCULEMENT	Etendue : 0 à 90°				



Fonctions	Détails
Commandes	Verrouillage de ligne (LL) Sens-up ; Obturation à vitesse réduite (LSS) Renversement horizontal (H-REV) Renversement vertical (V-REV) Compensation du rétroéclairage (BLC) Réglage automatique de l'amplification (AGC) Passage de la couleur au N/B lors du changement nuit et jour (D/N) Balance automatique des blancs (AWB) Réduction automatique de bruit (DNR) Compensation des défauts CCD dynamique
couleur de produit	SCC-B531xP : Blanc / SCC-B531xBP : noir
Température fonctionnelle	-10°C à +50°C
Humidité fonctionnelle	90% maxi
Taille	102(Ø) x 78(H)mm
Poids	190g





## Comment éliminer ce produit

(déchets d'équipements électriques et électroniques)

(Applicable dans les pays de l'Union Européen et aux autres pays européens disposant de systèmes de collecte sélective)

Ce symbole sur le produit ou sa documentation indique qu'il ne doit pas être éliminé en fin de vie avec les autres déchets ménagers. L'élimination incontrôlée des déchets pouvant porter préjudice à l'environnement ou à la santé humaine, veuillez le séparer des autres types de déchets et le recycler de façon responsable. Vous favoriserez ainsi la réutilisation durable des ressources matérielles.

Les particuliers sont invités à contacter le distributeur leur ayant vendu le produit ou à se renseigner auprès de leur mairie pour savoir où et comment ils peuvent se débarrasser de ce produit afin qu'il soit recyclé en respectant l'environnement.

Les entreprises sont invitées à contacter leurs fournisseurs et à consulter les conditions de leur contrat de vente. Ce produit ne doit pas être éliminé avec les autres déchets commerciaux.



**SAMSUNG**

Cámara digital color tipo domo **Guía de Usuario**

# **SCC-B531x(B)**



SPA

# Precauciones de seguridad



Este símbolo indica que dentro del aparato hay alto voltaje. Es peligroso tener cualquier tipo de contacto con cualquier parte del interior de este producto.



Este símbolo le advierte de que este aparato incluye información importante relacionada con su funcionamiento y mantenimiento.

Para evitar que el aparato sufra daños, lo que puede provocar peligro de incendio o de sufrir una descarga eléctrica, no exponga este aparato a la lluvia ni a la humedad.

## ADVERTENCIA

1. Asegúrese de utilizar únicamente el adaptador estándar que se indica en la hoja de especificaciones. Utilizar cualquier otro adaptador puede provocar un incendio, riesgo de sufrir una descarga eléctrica o puede dañar el producto.
2. Conectar de manera incorrecta el suministro de energía o cambiar las baterías de manera incorrecta puede producir explosiones, incendios, riesgo de sufrir una descarga eléctrica o puede dañar el producto.
3. No conecte varias cámaras a un único adaptador. Superar la capacidad puede generar calor de manera anormal o crear un incendio.
4. Enchufe de manera segura el cable de alimentación en la toma de corriente. Una conexión no segura puede provocar un incendio.
5. Al instalar la cámara, ajústela firmemente y de manera segura. La caída de una cámara puede causar daños personales.
6. No coloque objetos conductores (p. ej. destornilladores, monedas, objetos de metal, etc.) o recipientes que contengan agua sobre la cámara. Se pueden producir daños personales debido a incendios, descargas eléctricas u objetos que se caigan.
7. No instale el aparato en lugares húmedos, cubiertos de polvo o de hollín. Podría producirse un incendio o riesgo de sufrir una descarga eléctrica.
8. Si la unidad desprende un olor o humo inusual, deje de utilizar el aparato. En caso de que esto ocurra, desconecte inmediatamente la fuente de energía y póngase en contacto con el servicio técnico. El uso continuado del aparato en esas condiciones puede provocar un incendio o riesgo de sufrir una descarga eléctrica.

9. Si este producto deja de funcionar con normalidad, póngase en contacto con el servicio técnico más cercano. Nunca intente desmontar o modificar este producto de ninguna manera. (SAMSUNG no se hace responsable de los problemas producidos por modificaciones no autorizadas o por intentos de reparaciones.)
  10. Al limpiar el producto, no rocíe sus piezas directamente con agua. Podría producirse un incendio o riesgo de sufrir una descarga eléctrica.
8. No debe exponer el aparato a gotas ni salpicaduras de agua ni a objetos con líquido, como jarrones, evitando colocarlos sobre el aparato.
  9. El enchufe principal se utiliza como un dispositivo de desconexión y debe tenerlo a mano en cualquier momento.

## PRECAUCIÓN

1. No deje objetos sobre el producto ni aplique una fuerte presión sobre él. Manténgalo lejos de lugares sujetos a demasiadas vibraciones o a interferencias magnéticas.
2. No lo instale en lugares con temperaturas elevadas (más de 50°C), temperaturas bajas (menos de -10°C) o humedad elevada. Podría producirse un incendio o riesgo de sufrir una descarga eléctrica.
3. Si desea cambiar de ubicación el aparato ya instalado, asegúrese de desconectar el suministro de energía. Una vez esté desconectado, mueva el aparato o vuelva a instalarlo.
4. Desconecte el enchufe de la toma de corriente cuando hay rayos. Si no lo hace, puede producirse un incendio o el aparato puede dañarse.
5. Mantenga el aparato alejado de la luz solar directa y de las fuentes que irradian calor. Se puede producir un incendio.
6. Instale el aparato en un lugar bien ventilado.
7. Evite dirigir la cámara directamente hacia objetos extremadamente brillantes como, por ejemplo, el sol, puesto que puede dañar el sensor de imagen CCD.

## Declaración de la Comisión Federal de Comunicaciones de Estados Unidos de América (FCC)

Este aparato cumple con la parte 15 de la normativa de la FCC. El funcionamiento está sujeto a las dos condiciones siguientes:

- 1) Este aparato no puede producir interferencias perjudiciales y
- 2) Este aparato debe aceptar cualquier interferencia recibida, incluidas las interferencias que puedan provocar un funcionamiento incorrecto.

### Nota

Este aparato ha sido probado y se ha determinado que se encuentra dentro de los límites para ser clasificado como un aparato digital de Clase A, de conformidad a la parte 15 de la normativa de la FCC. Estos límites se han fijado para ofrecer protección suficiente contra las interferencias perjudiciales cuando el equipo está en funcionamiento en un entorno comercial. Este aparato genera, utiliza y puede irradiar energía por radiofrecuencias y si no es instalado y utilizado siguiendo el manual de instrucciones, puede producir interferencias perjudiciales para las comunicaciones por radio. Es probable que el funcionamiento de este equipo en una zona residencial provoque interferencias perjudiciales. En ese caso, el usuario tendrá que hacerse cargo de los gastos que conlleve corregir la emisión de interferencias.

# Instrucciones de seguridad importantes

1. Lea estas instrucciones.
2. Consérvelas.
3. Preste atención a todas las advertencias.
4. Siga todas las instrucciones.
5. No utilice este aparato cerca del agua.
6. Límpielo únicamente con un paño seco.
7. No obstruya ninguna abertura de ventilación. Instale el aparato siguiendo las instrucciones del fabricante.
8. No lo instale cerca de ninguna fuente de calor como radiadores, focos de calor o cualquier otro aparato (incluidos los amplificadores) que emita calor.
9. No olvide que la finalidad de los enchufes polarizados o de toma a tierra es proporcionarles seguridad. Un enchufe polarizado tiene dos clavijas, una más ancha que la otra. Un enchufe con toma a tierra tiene dos clavijas y una tercera de toma a tierra. Tanto la clavija más ancha, en el caso del enchufe polarizado, como la clavija adicional, en el caso del enchufe con toma a tierra, tienen como objetivo aportarle seguridad. Si el enchufe del aparato no encaja en su toma de corriente, póngase en contacto con un electricista para cambiar la toma de corriente obsoleta.
10. Evite pisar o doblar el cable de alimentación. Ponga especial cuidado para no hacerlo en enchufes, tomas de corriente y en los puntos en los que salen desde el aparato.
11. Utilice únicamente los dispositivos y accesorios especificados por el fabricante.
12. Utilice únicamente la carretilla, plataforma, trípode, soporte o mesa especificados por el fabricante o suministrados junto con el equipo.
13. Desenchufe el aparato cuando no se vaya a utilizar. Cuando se utilice una carretilla, tenga cuidado al mover la carretilla junto con el aparato con el fin de evitar heridas debido a que la carretilla vuelca.
14. Remita todas las reparaciones a personal de mantenimiento cualificado. Es necesario enviar el aparato para su reparación cuando ha sufrido cualquier tipo de daño, como, por ejemplo, que el cable o el enchufe de la alimentación está dañado, se han derramado líquidos sobre el aparato o algún objeto ha caído sobre él, el aparato ha sido expuesto a la lluvia o a humedad, no funciona correctamente o se ha caído al suelo.



# Contenidos

<b>Vista preliminar</b> .....	<b>6</b>
Sobre esta guía .....	6
<b>Vista preliminar del producto</b> .....	<b>6</b>
<b>Principales funciones</b> .....	<b>6</b>
<b>Componentes</b> .....	<b>6</b>
Comprobación de los componentes del paquete .....	6
Componentes de la cámara .....	7
<b>Instalación</b> .....	<b>8</b>
<b>Ajuste de interruptores</b> .....	<b>8</b>
Ajuste de interruptores de función .....	8
<b>Conexión de cables y configuración de interruptores</b> .....	<b>10</b>
<b>Instalación de la cámara</b> .....	<b>11</b>
Antes de la instalación .....	11
Procedimiento de instalación .....	11
<b>Ajuste de la dirección de la cámara</b> .....	<b>12</b>
<b>Apéndice A: Especificaciones para el estándar NTSC</b> .....	<b>13</b>
<b>Apéndice B: Especificaciones para el estándar PAL</b> .....	<b>15</b>

# Vista preliminar

## Sobre esta guía

Esta guía de usuario incluye instrucciones básicas del aparato. Se recomienda que todos los usuarios lean esta guía antes de utilizarlo.

Esta guía se divide en:

- Capítulo 1, "Vista preliminar", presenta a guía del usuario y a información relacionada con el aparato. (Este capítulo)
- Capítulo , "Instalación", explica cómo configurar e instalar el aparato.
- Apéndice, "Especificaciones", indica las especificaciones del producto.

## Vista preliminar del producto

Esta es una cámara de tipo domo de alta resolución que incluye una lente focal fija, sin retraso dinámico al captar imágenes en movimiento y con funciones como reducción digital de ruidos (DNR) mediante compensación de defectos CCD en tiempo real, obturador a baja velocidad (LSS: Auto x 128) para añadir una nítida calidad de imagen, compensación de color Día y Noche y otro tipo de funciones.

## Principales funciones

- Corriente: 12 VCC/24 VCA
- Funciones especiales
  - Control del sincronismo de línea (LL)
  - Autobalance de blancos
  - Inversión de la imagen en horizontal o en vertical
  - Control automático de ganancia
  - Control de la velocidad baja del obturador
  - Control de compensación de contraluz
  - Cambio automático entre los modos a color y blanco y negro
  - Reducción digital de ruidos (DNR)
  - Compensación de defectos dinámica CCD

## Componentes

### Comprobación de los componentes del paquete

Compruebe que su cámara y accesorios están incluidos en la caja. Los componentes son los siguientes:



Cámara



Cable para probar el monitor



Tornillos



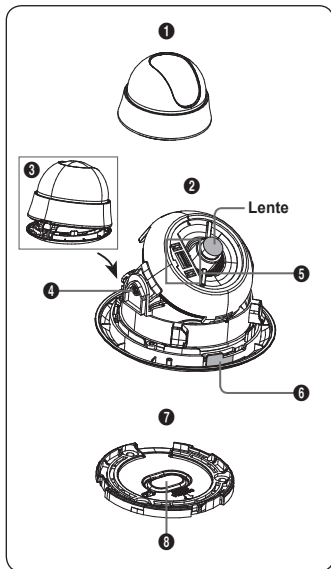
Guía de usuario

### Nota

El cable para probar el monitor se utiliza para probar la cámara conectándola a un monitor portátil. Si realmente desea conectar la cámara a una pantalla, utilice el cable BNC.

## Componentes de la cámara

La cámara tiene los siguientes componentes:



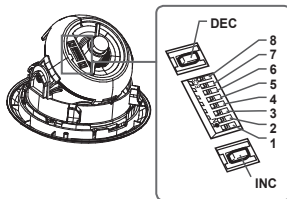
1. **Cubierta tipo domo:** Cubre la lente y el cuerpo principal, protegiéndolos.
2. **Cuerpo principal:** Incluye una lente, un cuadro de control, una placa PCI, tornillos y similares.
3. **Cierre:** Utilizado para abrir o cerrar la cubierta tipo domo. Para abrir la cubierta tipo domo, pulse el cierre.
4. **Tornillo de ajuste de la inclinación:** Con este tornillo se puede ajustar y configurar la inclinación de la lente.
5. **Cuadro de control:** Incluye dos tipos de interruptores de control: interruptores de función e interruptores de control de fase. El cuadro tiene ocho interruptores de función en la zona central y dos botones de control de fase a cada lado de la zona en la que se encuentran los interruptores de función.
6. **Separador del cierre:** Púlselo hacia afuera y gire el cuerpo principal hacia la dirección **UNLOCK (DESBLOQUEO)** cuando desee separar el soporte para montaje del cuerpo principal.
7. **Soporte para montaje:** Se utiliza como un soporte para el montaje en el techo o en la pared. Se ajusta con tres largos tornillos incluidos en la caja.
8. **Apertura del montaje en el techo:** Quítela para conectar la línea al techo al instalar el aparato en el techo.

# Instalación

## Ajuste de interruptores

### Ajuste de interruptores de función

Para ajustar las funciones disponibles de su cámara, ajuste los ocho interruptores de la siguiente manera:



Núm.	Nombre	Breve descripción
1	LL	Sincronismo de línea, ACTIVAR/DESACTIVAR
2	LSS	Sensibilidad u Obturador a baja velocidad, ACTIVAR/DESACTIVAR
3	H-REV	Inversión horizontal, ACTIVAR/DESACTIVAR
4	V-REV	Inversión vertical, ACTIVAR/DESACTIVAR
5	BLC	Compensación de contraluz, ACTIVAR/DESACTIVAR
6	AGC	Control automático de ganancia, ACTIVAR/DESACTIVAR
7	D/N	Cambio automático entre color y blanco y negro, ACTIVAR/DESACTIVAR
8	AWB	Autobalance de blancos, ACTIVAR/DESACTIVAR

- Interruptor 1 (LL):** Cuando este interruptor está en la posición **OFF** (DESACTIVADO), la cámara funciona en el modo de sincronización interno, mientras que cuando está en la posición **ON** (ACTIVADO), la cámara funciona en el modo de sincronismo de línea. En el modo de sincronización interna, la cámara siempre utiliza un oscilador interno de cristal para la sincronización. Sin embargo, si hay varias cámaras conectadas a un conmutador secuencial, se puede producir un movimiento de barrido o pueden aparecer destellos al cambiar de una cámara a otra. En este caso, se puede ajustar este interruptor en la posición **ON** (ACTIVADO) para resolver este problema. El modo de sincronismo de línea permite a la cámara utilizar la fase de la corriente CA como la referencia de sincronización. En este modo, puede utilizar los botones de control de base (INC/DEC).

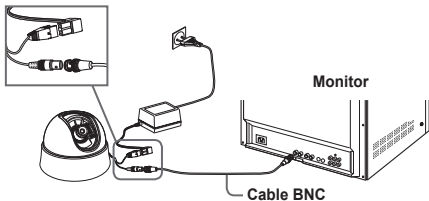
#### Nota

Cuando se utiliza la corriente de 12 VDC, ajuste este interruptor a **OFF** (DESACTIVADO). La función de sincronismo de línea no funcionará correctamente aunque el interruptor esté en la posición **ON** (ACTIVADO).

Ajuste el interruptor LL en la posición **ON** (ACTIVADO) mientras la corriente CA está conectada. Si se produce algún movimiento de barrido en la imagen, tiene que ajustar la fase mediante los botones de control de fase. Pulse el botón **INC** o **DEC** para aumentar o disminuir la fase en un grado.

- Interruptor 2 (LSS):** Este modo de sensibilidad acumula los campos de la imagen en la memoria para reducir el ruido pero aumenta el brillo y el contraste. Cuando este interruptor se encuentra en la posición **ON** (ACTIVADO), la cámara pasa automáticamente a una velocidad máxima de captura de imágenes de 128 veces para obtener una imagen clara de una imagen oscura.
- Interruptor 3 (H-REV):** Cuando este interruptor está en la posición **ON** (ACTIVADO), la imagen de la cámara se invierte horizontalmente. Si quiere vigilar un lugar utilizando un espejo, puede utilizar esta función para ver la imagen correcta.
- Interruptor 4 (V-REV):** Cuando este interruptor está en la posición **ON** (ACTIVADO), la imagen de la cámara se invierte verticalmente. Si la cámara suele mostrar la imagen invertida verticalmente, puede utilizar esta función para ver la imagen correcta.
- Interruptor 5 (BLC):** Cuando este interruptor se encuentra en la posición **ON** (ACTIVADO), se puede observar una imagen clara aunque la cámara esté enfocando entornos con excesiva luz, como la luz del sol o la luz fluorescente. Cuando se encuentra en la posición **OFF** (DESACTIVADO), la imagen enfocada con excesiva luz no se puede ver con claridad.
- Interruptor 6 (AGC):** Cuando este interruptor se encuentra en la posición **ON** (ACTIVADO), la cámara aumenta de manera automática la sensibilidad mediante la amplificación de la señal de video cuando la intensidad de la señal se encuentra por debajo de determinado valor. Utilice esta función cuando crea que se van a observar imágenes oscuras.
- Interruptor 7 (D/N):** Cuando este interruptor se encuentra en la posición **ON** (ACTIVADO), la cámara alterna automáticamente entre color y blanco y negro según sea el brillo del entorno.
- Interruptor 8 (AWB):** Este interruptor ajusta el balance de blancos. Cuando este interruptor se encuentra en la posición **ON** (ACTIVADO), la cámara funciona en modo ATW y si está en posición **OFF** (DESACTIVADO), la cámara funciona en modo AWC.
  - ATW (Autoajuste del balance de blancos): La temperatura de color se ajusta de manera automática según los cambios del entorno. (Aprox. 2.000°K to 11.000°K)
  - AWC (Control del autobalance de blancos): Guarda la temperatura de color en el momento en el que el interruptor se coloca en la posición **OFF** (DESACTIVADO). Por consiguiente, las temperaturas de color se ajustan según el valor guardado.

## ■ Conexión de cables y configuración de interruptores



### Para conectar los cables:

1. Conecte el cable BNC al conector de video de la cámara.
2. Conecte el cable BNC a la entrada de video de un monitor.
3. Conecte el adaptador de corriente al cable de alimentación de la cámara. La imagen de la cámara aparece en el monitor cuando éste se enciende.

### Comprobación de la visualización de la cámara y configuración de los interruptores

1. Quite la cubierta tipo domo. Si desea obtener más información sobre cómo quitar la cubierta, consulte "Procedimiento de instalación" de la sección Instalación de la cámara de la página siguiente.
2. Ajuste la función de la cámara utilizando el Cuadro de control al mismo tiempo que observa la imagen en la pantalla.

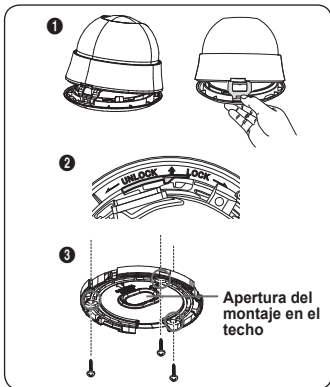
## Instalación de la cámara

### Antes de la instalación

Antes de la instalación debe leer las siguientes advertencias:

- Debe comprobar si la ubicación de la cámara (techo o pared) puede aguantar cinco veces el peso de la cámara.
- Evite que el cable se quede atrapado en lugares inadecuados o que se dañe la cubierta de la línea eléctrica. De lo contrario, se puede producir una avería o un incendio.
- Al instalar la cámara, no permita que nadie se acerque al lugar en el que se está instalando. Si hay objetos de valor bajo el lugar en el que se colocará la cámara, apártelos.

### Procedimiento de instalación



### Para instalar la cámara

1. Pulse el botón **Cierre** que se encuentra en la parte inferior de la cámara y retire la **Cubierta tipo domo del Cuerpo principal** ayudándose con la otra mano. Podrá ver el **Cuerpo principal**.
2. Tal y como se muestra en la imagen, pulse el **Separador del cierre** hacia afuera y gire el **Cuerpo principal hacia la dirección UNLOCK (DESBLOQUEO)** para quitar el **Soporte para montaje**. Si no puede realizar este movimiento con facilidad, gire el **Soporte para montaje** hacia la dirección **LOCK (BLOQUEO)** mientras sujeta los pequeños agujeros del **Soporte para montaje**.
3. Ajuste el **Soporte para montaje** en el lugar en el que desea colocar la cámara (techo o pared) con los tres tornillos incluidos en la caja.

#### Nota

La indicación **CAMERA FRONT (PARTE DELANTERA DE LA CÁMARA)** del **Soporte para montaje** debe quedar frente a la zona de vigilancia de la cámara.

4. Cuando se instala el **Soporte para montaje** en el techo, quite la **Apertura del montaje en el techo** pulsándola fuertemente para conectar el cable de la cámara a través del agujero del techo. Además, puede utilizar el espacio vacío opuesto a la indicación CAMERA FRONT (PARTE DELANTERA DE LA CÁMARA) para conectar el cable.
5. Ahora puede ajustar el **Cuerpo principal** en el **Soporte para montaje** girándolo en la dirección LOCK (BLOQUEO) después de alinear el **Separador del cierre** en el Cuerpo principal con la ranura ancha alrededor de la inscripción CAMERA FRONT (PARTE DELANTERA DE LA CÁMARA).
6. Ajuste la dirección de la cámara. Si desea obtener más información sobre el control de la dirección, consulte "Ajuste de la dirección de la cámara" que se encuentra en esta misma página.
7. Finalmente, coloque la **Cubierta tipo domo** sobre el **Cuerpo principal** presionándola hasta que escuche un "clic" tras haber alineado la ranura ancha en la parte inferior de la Cubierta tipo domo con el **Cierre** en el Cuerpo principal.

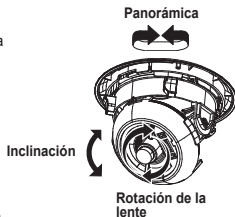
## Ajuste de la dirección de la cámara

Cuando la cámara ya está colocada en el techo se puede ajustar el ángulo de visión de la cámara. La cámara se puede girar de izquierda a derecho o de derecha a izquierda (Panorámica) y se puede modificar la inclinación de la cámara hacia adelante y hacia atrás (Inclinación).

En el caso de la vista panorámica, el límite de rotación de la cámara se encuentra en 340 grados (220 grados en el sentido de las agujas del reloj y 120 grados en el sentido contrario). La rotación se detiene gracias al **Tope** que se encuentra dentro de la cámara. Para controlar la vista panorámica, en primer lugar, desatornille los dos tornillos que se encuentran en la parte inferior y gírelos en la dirección deseada. Después, ajústelos de nuevo para configurar la cámara. Cuando no se pueda ajustar ninguno de los dos tornillos, cambie la ubicación de los tornillos. Cuando no quede otra opción, es posible ajustar un solo tornillo únicamente.

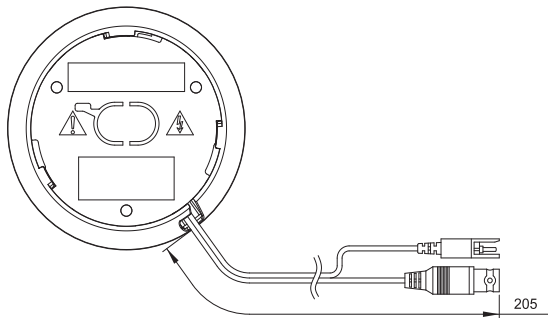
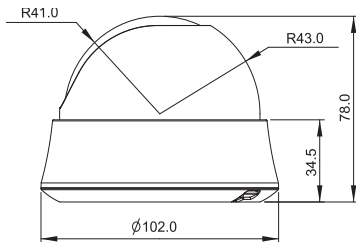
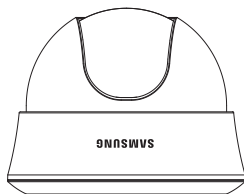
En el caso de la inclinación, se puede modificar la inclinación de la cámara de cero a 90 grados. Cuando el ángulo de inclinación es inferior a los 23 grados, es posible que haya una parte de la imagen que no se muestre. Para ajustar la ubicación después de configurar el ángulo de visión, utilice los **Tornillos de ajuste de la inclinación**.

Para ajustar el foco de la cámara, gire la lente fija para obtener una imagen más nítida. Cuando la cámara se instala en una pared o en un techo inclinado, se puede girar la lente para ver la imagen en la dirección correcta.





# SCC-B531X



# Apéndice A: Especificaciones para el estándar NTSC

Descripción		Información				
Tipo de producto		Cámara color tipo domo para circuito cerrado de televisión				
Alimentación		24 VCA ± 10% (60Hz ± 0,3 Hz), 12 VCC +10%/-5%				
Tipo de emisión		Sistema de color NTSC estándar (525 Líneas, 60 Campos)				
Consumo de energía		1,6 W aprox.				
Sensor de imagen		CCD de tipo Super HAD IT de 1/3 pulgadas				
Píxeles		SCC-B5311N, B5313N, B5315N		SCC-B5310N		
		<b>Totales:</b> 811 (H) x 508 (V), 410.000 píxeles <b>Efectivos:</b> 768 (H) x 494 (V), 380.000 píxeles		<b>Totales:</b> 537 (H) x 505 (V), 270.000 píxeles <b>Efectivos:</b> 510 (H) x 492 (V), 250.000 píxeles		
Modo de escaneo		525 Líneas, Entrelazado 2:1				
Frecuencia de la línea de escaneo		<b>Horizontal:</b> 15,734 Hz (INT)/ 15,750 Hz (LL) <b>Vertical:</b> 59,94 Hz (INT)/ 60 Hz (LL)				
Modo de sincronización		INT/Sincronismo de línea (Ajuste de fase mediante el botón INC/DEC)				
Resolución horizontal		SCC-B5311N, B5313N, B5315N		SCC-B5310N		
		540 líneas de TV		330 líneas de TV		
Iluminación mínima de la esena		F2,0	Sensibilidad Off	50IRE	1Lux	0,6Lux
				30IRE	0,6Lux	0,4Lux
			Sensibilidad x128	15IRE	0,3Lux	0,2Lux
				50IRE	0,008Lux	0,005Lux
				30IRE	0,005Lux	0,003Lux
				15IRE	0,002Lux	0,001Lux
Salida de la señal		COMPOSITE Video (1 Vpp, 75 ohmios, BNC), SALIDA de monitor de prueba (1 Vpp, 75 ohmios, mazo de cables)				
Lente		Distancia focal		Zona	Límite del ángulo de visión	Modelo
		3,0mm		Horizontal Vertical	92° 72°	SCC-B5313N
		3,8mm		Horizontal Vertical	71° 53°	SCC-B5310N, B5311N
		8,0mm		Horizontal Vertical	33,6° 25,3°	SCC-B5315N
Función PAN (panorámica)		Intervalo: De 0 a 340° (220 grados en el sentido de las agujas del reloj y 120 en el sentido contrario)				
Función TILT (inclinación)		Intervalo: De 0 a 90°				

Descripción	Información
Controles	Sincronismo de línea (LL) Sensibilidad, Obturador a baja velocidad (LSS) Inversión horizontal (H-REV) Inversión vertical (H-REV) Compensación de contraluz (BLC) Control automático de ganancia (AGC) Cambio automático entre color y blanco y negro por el día y cambio por la noche (D/N) Autobalance de blancos (AWB) Reducción digital de ruidos (DNR) Compensación de defectos dinámica CCD
color de producto	SCC-B531xN : Blanco / SCC-B531xBN : Negro
Temperatura de funcionamiento	De -10°C hasta +50°C
Humedad de almacenamiento	Hasta un 90 %
Tamaño	102 (Ø) x 78 (H) mm
Peso	190g

## Apéndice B: Especificaciones para el estándar PAL

Descripción		Información				
Tipo de producto		Cámara color tipo domo para circuito cerrado de televisión				
Alimentación		24 VCA ± 10% (50Hz ± 0,3 Hz), 12 VCC +10%/-5%				
Tipo de emisión		Sistema de color PAL estándar (625 Líneas, 50 Campos)				
Consumo de energía		1,6 W aprox.				
Sensor de imagen		CCD de tipo Super HAD IT de 1/3 pulgadas				
Píxeles		SCC-B5311P, B5313P, B5315P		SCC-B5310P		
		Totales: 795 (H) x 596 (V), 470.000 píxeles Efectivos: 752 (H) x 582 (V), 440.000 píxeles		Totales: 537 (H) x 597 (V), 320.000 píxeles Efectivos: 500 (H) x 582 (V), 290.000 píxeles		
Modo de escaneo		625 Líneas, Entrelazado 2:1				
Frecuencia de la línea de escaneo		Horizontal: 15,625 Hz (INT) / 15,625 Hz (LL) Vertical: 50 Hz (INT) / 50 Hz (LL)				
Modo de sincronización		INT/Sincronismo de línea (Ajuste de fase mediante el botón INC/DEC)				
Resolución horizontal		SCC-B5311P, B5313P, B5315P		SCC-B5310P		
		540 líneas de TV		330 líneas de TV		
Iluminación mínima de la esena		F2,0	Sensibilidad Off	50IRE	1Lux	0,6Lux
				30IRE	0,6Lux	0,4Lux
			Sensibilidad x128	15IRE	0,3Lux	0,2Lux
				50IRE	0,008Lux	0,005Lux
				30IRE	0,005Lux	0,003Lux
				15IRE	0,002Lux	0,001Lux
Salida de la señal		COMPOSITE Video (1 Vpp, 75 ohmios, BNC), SALIDA de monitor de prueba (1 Vpp, 75 ohmios, mazo de cables)				
Lente		Distancia focal		Zona	Límite del ángulo de visión	Modelo
		3,0mm		Horizontal Vertical	92° 72°	SCC-B5313p
		3,8mm		Horizontal Vertical	71° 53°	SCC-B5310p, B5311p
		8,0mm		Horizontal Vertical	33,6° 25,3°	SCC-B5315p
Función PAN (panorámica)		Intervalo: De 0 a 340° (220 grados en el sentido de las agujas del reloj y 120 en el sentido contrario)				
Función TILT (inclinación)		Intervalo: De 0 a 90°				

Descripción	Información
Controles	Sincronismo de línea (LL) Sensibilidad, Obturador a baja velocidad (LSS) Inversión horizontal (H-REV) Inversión vertical (H-REV) Compensación de contraluz (BLC) Control automático de ganancia (AGC) Cambio automático entre color y blanco y negro por el día y cambio por la noche (D/N) Autobalance de blancos (AWB) Reducción digital de ruidos (DNR) Compensación de defectos dinámica CCD
color de producto	SCC-B531xP : Blanco / SCC-B531xBP : Negro
Temperatura de funcionamiento	De -10°C hasta +50°C
Humedad de almacenamiento	Hasta un 90 %
Tamaño	102 (Ø) x 78 (H) mm
Peso	190g





## Eliminación correcta de este producto

(material eléctrico y electrónico de descarte)

(Aplicable en la Unión Europea y en países europeos con sistemas de recogida selectiva de residuos)

La presencia de esta marca en el producto o en el material informativo que lo acompaña, indica que al finalizar su vida útil no deberá eliminarse junto con otros residuos domésticos. Para evitar los posibles daños al medio ambiente o a la salud humana que representa la eliminación incontrolada de residuos, separe este producto de otros tipos de residuos y reciclelo correctamente para promover la reutilización sostenible de recursos materiales.

Los usuarios particulares pueden contactar con el establecimiento donde adquirieron el producto, o con las autoridades locales pertinentes, para informarse sobre cómo y dónde pueden llevarlo para que sea sometido a un reciclaje ecológico y seguro.

Los usuarios comerciales pueden contactar con su proveedor y consultar las condiciones del contrato de compra. Este producto no debe eliminarse mezclado con otros residuos comerciales.





**SAMSUNG**

Telecamera aDome Digitale a Colori Manuale Utente

**SCC-B531x(B)**



TTA

# Precauzioni di sicurezza



Questo simbolo indica la presenza di alto voltaggio all'interno dell'apparecchio. È pericoloso il contatto con qualsiasi parte interna del prodotto.



Questo simbolo avvisa che con il prodotto sono state incluse importanti informazioni di funzionamento e manutenzione.

Per prevenire danni che possano provocare incendi o rischi di scossa elettrica non esporre questo dispositivo alla pioggia o all'umidità.

## AVVERTENZA

1. Assicurarsi di utilizzare solo l'adattatore indicato nel foglio delle specifiche. Utilizzare altri adattatori può provocare incendi, scossa elettrica o danni al prodotto
2. Collegare scorrettamente l'alimentazione o sostituire le batterie in modo inadeguato può causare esplosione, incendio, scossa elettrica o danni al prodotto.
3. Non collegare più di una telecamera allo stesso adattatore. Eccederne la capacità può provocare surriscaldamento o incendio.
4. Inserire il cavo di alimentazione nella presa in modo sicuro. Un collegamento non sicuro può provocare incendi.
5. Quando si installa la telecamera, fissarla in modo sicuro e saldo. Una telecamera che cade può causare danni alle persone.
6. Non sistemare oggetti conduttori (es. cacciaviti, monete, oggetti metallici, ecc.) o contenitori con acqua sulla telecamera. Ciò può causare danni alle persone dovuti a incendio, scossa elettrica o caduta di oggetti.
7. Non installare l'unità in luoghi umidi, con polveri o ceneri. Ciò può causare incendi o scosse elettriche.
8. Se l'unità emana un odore insolito o fumo, interrompere l'uso del prodotto. In questo caso scollegare immediatamente l'alimentazione e mettersi in contatto con il centro di assistenza. Continuare ad utilizzare il prodotto in tali condizioni può causare incendi o scosse.

- Se il prodotto non funzionasse in modo normale, mettersi in contatto con il centro di assistenza più vicino. Non smontare o riparare in alcun modo questo prodotto. (SAMSUNG non è responsabile per problemi causati da modifiche non autorizzate o tentativi di riparazione)
- Quando si pulisce, non spruzzare acqua direttamente sulle parti del prodotto. Ciò può causare incendi o scosse elettriche.
- Non schizzare o sgocciolare liquidi sull'apparecchio e non porre su di esso degli oggetti contenenti liquidi, come ad esempio dei vasi.
- La presa di rete viene utilizzata per scollegare l'apparecchio e deve essere facilmente accessibile in qualsiasi istante.

## ATTENZIONE

- Non far cadere oggetti sul prodotto ed evitare colpi forti. Mantenere lontano da luoghi sottoposti ad eccessive vibrazioni o ad interferenze magnetiche.
- Non installare in luoghi sottoposti ad alte temperature (più di 50°C), basse temperature temperature (meno di -10°C), o grande umidità. Ciò può causare incendi o scosse elettriche.
- Se si desidera modificare l'ubicazione del prodotto già installato, assicurarsi di spegnerlo e quindi spostarlo e installarlo nuovamente.
- Scollegare la spina dalla presa in caso di lampi. Non farlo può provocare incendi o danni al prodotto.
- Mantenere lontano dalla luce diretta e da fonti di radiazioni. Ciò può provocare incendi.
- Installare in un luogo ben ventilato.
- Evitare di direzionare la telecamera direttamente verso oggetti molto luminosi quali il sole, ciò può danneggiare il sensore d'immagine CCD.

## Dichiarazione FCC

Questo apparecchio è conforme alla parte 15 delle norme FCC. Il suo funzionamento è soggetto alle seguenti condizioni:

- Questo apparecchio non deve causare interferenze dannose e
- Questo apparecchio deve accettare ogni interferenza in ricezione, comprese quelle che possano determinare un funzionamento non desiderato.

### Nota

Questo dispositivo è stato sottoposto a collaudi che hanno dimostrato la sua conformità ai limiti stabiliti per un apparecchio digitale di classe A, in base alla parte 15 delle norme FCC. Questi limiti sono stati concepiti per fornire una protezione adeguata contro le interferenze dannose quando il dispositivo è utilizzato in zone commerciali. Questo dispositivo genera, utilizza e può irradiare energia in radiofrequenza e, se non installato e utilizzato in accordo con il manuale di istruzioni, può provocare interferenze dannose alle comunicazioni radio. Il funzionamento in un'area residenziale può causare interferenze dannose, in tal caso all'utente potrà essere richiesto di correggere l'interferenza a sue spese.

# Istruzioni di Sicurezza Importanti

1. Leggere queste istruzioni.
2. Conservare queste istruzioni.
3. Rispettare tutti gli avvertimenti.
4. Seguire tutte le istruzioni.
5. Non utilizzare questo apparecchio vicino all'acqua.
6. Pulire solo con un panno asciutto.
7. Non bloccare nessuna apertura di ventilazione. Installare seguendo le istruzioni del fabbricante.
8. Non installare vicino a fonti di calore quali caloriferi, stufe o altri prodotti (compresi gli amplificatori) che possano produrre calore.
9. Non eludere il sistema di sicurezza della spina polarizzata o a terra. Una spina polarizzata è costituita da due spinotti, uno più grande dell'altro. Una spina con presa a terra ha due spinotti e un terzo per la presa a terra. Lo spinotto più grande o il terzo spinotto sono stati previsti per la vostra sicurezza. Se la spina fornita non entra nella presa, mettersi in contatto con l'elettricista per la sostituzione della presa obsoleta.
10. Proteggere il cavo dell'alimentazione per evitare che sia calpestato o schiacciato, facendo particolare attenzione alle spine, alle prese e al punto in cui i cavi escono dell'apparecchio.
11. Utilizzare solo connettori/accessori indicati dal fabbricante.
12. Utilizzare solo su carrelli, piedistalli, treppiedi, staffe o tavoli indicati dal fornitore o venduti con l'apparecchio.
13. Scollegare questo apparecchio. Quando si utilizza un carrello, prestare attenzione quando si muove l'insieme carrello/apparecchio per evitare incidenti per il possibile rovesciamento.
14. Rivolgersi a personale specializzato per qualsiasi riparazione. Le riparazioni sono richieste quando l'apparecchio viene in qualche modo danneggiato, ad esempio quando viene danneggiato il cavo di alimentazione o la spina, se è stato versato qualche liquido nell'apparecchio o vi sono caduti degli oggetti o se è stato esposto alla pioggia o all'umidità, se non funziona normalmente o se è caduto.

# Indice

<b>Introduzione</b> .....	<b>6</b>
Riguardo a questo manuale .....	6
Introduzione al prodotto .....	6
Caratteristiche principali .....	6
Componenti .....	6
Controllare i componenti nella confezione .....	6
Componenti della telecamera .....	7
<b>Istallazione</b> .....	<b>8</b>
Impostare le levette .....	8
Impostare le levette di funzione .....	8
Collegare i cavi e impostare le levette .....	10
Installare la telecamera .....	11
Prima dell'istallazione .....	11
Procedura d'istallazione .....	11
Regolare la direzione della telecamera .....	12
<b>Appendice A: Specifiche per lo Standard NTSC</b> .....	<b>13</b>
<b>Appendice B: Specifiche per lo Standard PAL</b> .....	<b>15</b>

# Introduzione

## ■ Riguardo a questo manuale

Questo manuale dell'utente comprende istruzioni base sul prodotto. Si consiglia a tutti gli utenti di leggerlo prima dell'uso.

Il manuale è suddiviso come segue:

- Capitolo 1, "Introduzione", introduce il manuale dell'utente e fornisce informazioni riguardo al prodotto. (Questo capitolo)
- Capitolo 2, "Installazione", spiega come impostare e installare il prodotto.
- Appendice, "Specifiche", fornisce le specifiche del prodotto.

## ■ Introduzione al prodotto

Questa è una telecamera dome ad alta risoluzione, fornita di obiettivo focale fisso, senza ritardo dinamico per le immagini in movimento e che dispone di caratteristiche quali la riduzione digitale del rumore (DNR) attraverso la compensazione CCD dei difetti in tempo reale, otturatore a bassa velocità (LSS: Auto x128) per aumentare la nitidezza delle immagini, compensazione del colore Giorno/Notte ecc.

## ■ Caratteristiche principali

- Alimentazione: DC 12V/AC 24V
- Funzioni speciali
  - Controllo line lock (LL)
  - Bilanciamento del bianco automatico
  - Rotazione dell'immagine orizzontale/verticale
  - Controllo guadagno automatico
  - Controllo otturatore bassa velocità
  - Controllo compensazione luce di fondo
  - Passaggio automatico modalità a colori / bianco e nero
  - Riduzione digitale del rumore (DNR)
  - Compensazione CCD dei difetti automatica

## ■ Componenti

### Controllare i componenti nella confezione

Controllare che la telecamera e gli accessori siano inclusi nella confezione. Tali componenti sono indicati qui sotto:



Telecamera



Cavo Test Monitor



Viti



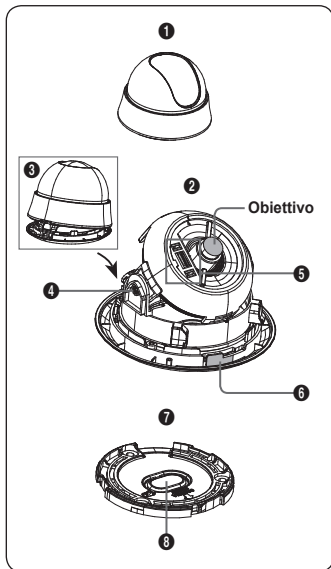
Manuale utente

### Nota

Il cavo testmonitor è utilizzato per provare la telecamera collegandola ad un display portatile. Se realmente si desidera collegare la telecamera ad un display, utilizzare il cavo BCN.

## Componenti della telecamera

La telecamera si compone delle seguenti parti:



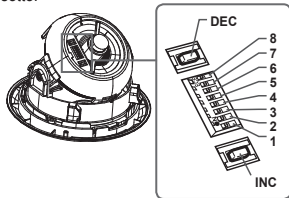
- 1. Involucro a cupola:** Copre l'obiettivo e il corpo principale per proteggerli.
- 2. Corpo principale:** Comprende un obiettivo, una centralina, una centralina PCB, viti, eccetera.
- 3. Chiusura:** Utilizzata per aprire o chiudere l'involucro a cupola. Per aprire l'involucro a cupola premere la chiusura.
- 4. Vite di fissaggio inclinazione:** Utilizzando la vite può essere regolata e fissata la curvatura dell'obiettivo.
- 5. Centralina:** Comprende due tipi di levette di controllo: quelle di funzione e quelle di controllo di fase. La centralina è composta da otto levette di funzione nel centro e due pulsanti di controllo fase su ciascun lato dell'area delle levette di funzione.
- 6. Disinnesto chiusura:** Spingere verso l'esterno e ruotare il corpo principale verso **UNLOCK** quando si desidera rimuovere il supporto dal corpo principale.
- 7. Supporto:** Utilizzato come montaggio a soffitto o a parete. Si fissa utilizzando le tre viti lunghe fornite nella confezione.
- 8. Apri supporto da soffitto:** Rimuoverlo per l'allacciamento quando è installato a soffitto.

# Istallazione

## Impostare le levette

### Impostare le levette di funzione

Per impostare le funzioni disponibili sulla telecamera, regolare le otto levette come indicato sotto:



Num.	Nome	Breve descrizione
1	LL	Line lock ON/OFF
2	LSS	Sens-up od Otturatore a bassa velocità ON/OFF
3	H-REV	Rotazione orizzontale ON/OFF
4	V-REV	Rotazione verticale ON/OFF
5	BLC	Compensazione luce di fondo ON/OFF
6	AGC	Controllo guadagno automatico ON/OFF
7	D/N	Passaggio automatico modalità a colori / bianco e nero ON/OFF
8	AWB	Bilanciamento automatico del bianco ON/OFF

- Levetta 1 (LL):** Quando questa levetta è posizionata su **OFF**, la telecamera funziona in modalità sincronizzazione interna, quando è posizionato su **ON**, la telecamera funziona in modalità line lock. In modalità sincronizzazione interna, la telecamera utilizza sempre un oscillatore interno al quarzo. Tuttavia, se diverse telecamere sono collegate ad un commutatore sequenziale, nel passaggio da un'immagine all'altra questa può apparire traballante o distorta. In questo caso, per risolvere il problema, occorre posizionare questa levetta su **ON** per risolvere il problema. La modalità line lock permette alla telecamera di utilizzare la fase della corrente alternata come riferimento per la sincronizzazione. In questa modalità si possono utilizzare i pulsanti di controllo di fase (INC/DEC).

#### Nota

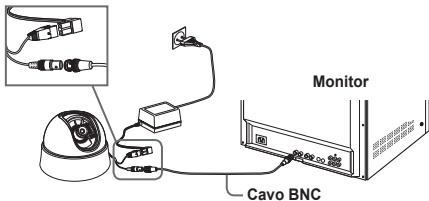
Quando si utilizza corrente continua a 12V, impostare questa levetta su **OFF**. La caratteristica line lock non funzionerà normalmente nemmeno quando la levetta è posizionata su **ON**.

Impostare la levetta LL su **ON** quando è collegata la corrente alternata. Se l'immagine traballa, si dovrà regolare la fase, utilizzando i pulsanti di controllo fase. Premere i pulsanti **INC** o **DEC** per aumentare o diminuire la fase di un grado.



2. **Levetta 2 (LSS):** La modalità sens-up accumula i campi dell'immagine nella memoria per ridurre il rumore, ma aumenta il livello di luminosità e di contrasto. Quando questa levetta è posizionata su **ON**, la telecamera automaticamente passa ad una velocità di acquisizione dell'immagine massima di 128 tempi, per fornire un'immagine più chiara per immagini più scure.
3. **Levetta 3 (H-REV):** Quando questa levetta è posizionata su **ON**, l'immagine della telecamera viene ruotata orizzontalmente. Se si desidera monitorare uno spazio attraverso uno specchio, si può utilizzare questa caratteristica per vedere l'immagine correttamente.
4. **Levetta 4 (V-REV):** Quando questa levetta è posizionata su **ON**, l'immagine della telecamera viene ruotata verticalmente. Se la telecamera mostra a fatica l'immagine ruotata verticalmente, si può utilizzare questa caratteristica per vedere l'immagine correttamente.
5. **Levetta 5 (BLC):** Quando questa levetta è impostata su **ON**, si può vedere un'immagine nitida anche se la telecamera è rivolta verso luci molto forti quali la luce solare o quella fluorescente. Quando è posizionata su **OFF**, l'oggetto esposto ad una luce eccessiva non appare nitidamente.
6. **Levetta 6 (AGC):** Quando la levetta è posizionata su **ON**, la telecamera automaticamente aumenta la sensibilità, amplificando il segnale video quando la potenza del segnale cade al di sotto di un valore dato. Utilizzare questa caratteristica nel caso di immagini oscure.
7. **Levetta 7 (D/N):** Quando questa levetta è impostata su **ON**, la telecamera automaticamente passa dai colori al bianco e nero, a seconda della luminosità dell'ambiente.
8. **Levetta 8 (AWB):** Questa levetta regola il bilanciamento del bianco. Quando questa levetta è posizionata su **ON**, la telecamera funziona in modalità ATW, se è su **OFF**, in modalità AWC.
  - ATW (Auto Tracking White Balance): La temperatura del colore è regolata automaticamente in base ai cambiamenti dell'ambiente. (Circa. 2000°K a 11.000°K)
  - AWC (Auto White Balance Control): Memorizza la temperatura del colore quando la levetta viene spostata su **OFF**. Le temperature del colore vengono regolate dal valore memorizzato.

## ■ Collegare i cavi e impostare le leve



### Per collegare i cavi

1. Collegare il cavo BNC al connettore video della telecamera.
2. Collegare il cavo BNC all'entrata video nel monitor.
3. Collegare l'adattatore di corrente al connettore dell'alimentazione della telecamera. Quando il monitor è acceso, l'immagine della telecamera appare.

### Per controllare la vista della telecamera e impostare le leve

1. Rimuovere l'involucro a cupola. Per ulteriori dettagli sulle procedure di rimozione, vedere "Procedure d'installazione" nella sezione d'installazione della telecamera, alla pagina successiva.
2. Regolare le funzioni della telecamera utilizzando la centralina, mentre si guarda l'immagine sullo schermo.

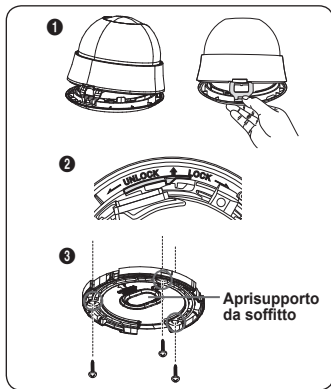
## Istallare la telecamera

### Prima dell'installazione

Prima d'installare la telecamera, leggere le seguenti avvertenze:

- Controllare che il luogo di ubicazione (soffitto o parete) possa sopportare cinque volte il peso della telecamera.
- Evitare che il cavo si impigli o che venga danneggiata la copertura dei cavi elettrici. Ciò può provocare guasti o incendi.
- Quando si installa la telecamera, non permettere ad altre persone di avvicinarsi al luogo d'installazione. Allontanare gli oggetti di valore.

### Procedura d'installazione



### Per installare la telecamera

1. Premere il pulsante **Chiusura** sul fondo della telecamera e rimuovere l'**involucro a cupola** dal **Corpo principale**, utilizzando l'altra mano. Il corpo principale sarà quindi visibile.
2. Come mostrato nell'immagine, spingere il **Disinnesto chiusura** verso l'esterno e ruotare il **Corpo principale** verso **UNLOCK** per rimuovere il **Supporto**. Se questa operazione non potesse essere eseguita facilmente, ruotare il supporto verso **LOCK** mentre si trattengono i piccoli fori del supporto.
3. Fissare il **Supporto** nel luogo previsto (soffitto o parete) con le tre viti in dotazione.

#### Nota

Il contrassegno **CAMERA FRONT** del **Supporto** deve essere rivolto verso l'area di monitoraggio della telecamera.

- Quando si installa il **Supporto** al soffitto, rimuovere l' **Aprisupporto da soffitto** premendolo forte per collegare il cavo della telecamera attraverso il foro nel soffitto. Altrimenti, per l'allacciamento, si può utilizzare lo spazio vuoto dall'altra parte del contrassegno CAMERA FRONT.
- Attaccare ora il **Corpo principale** al **Supporto** ruotandolo verso LOCK, dopo aver allineato il **Disinnesto chiusura** del corpo principale con la scanalatura grande intorno al contrassegno CAMERA FRONT.
- Regolare la direzione della telecamera. Per ulteriori particolari sul controllo della direzione, vedere "Regolare la direzione della telecamera" in questa pagina.
- Attaccare quindi l'**Involucro a cupola** al **Corpo principale** premendolo fino a sentire un "clic", dopo aver allineato la scanalatura grande della parte inferiore dell'involucro a cupola con la **Chiusura** del Corpo principale.

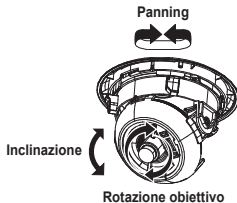
## Regolare la direzione della telecamera

Quando la telecamera è fissata al soffitto, si può regolare l'angolo visuale della telecamera. Si può ruotare la telecamera verso sinistra o destra (Panning) e cambiare l'inclinazione verso l'alto e verso il basso (Tilting).

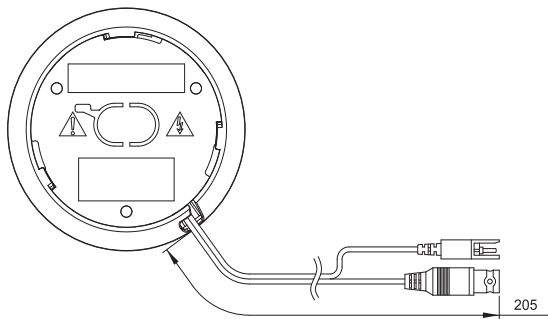
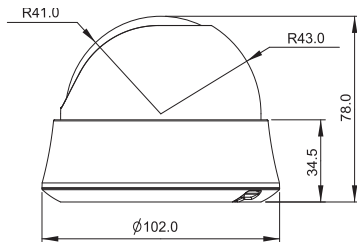
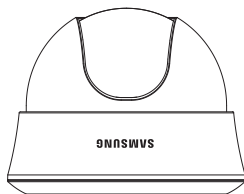
Nel caso di panning, il limite di rotazione della telecamera è di 340 gradi (220 gradi in senso orario e 120 gradi in senso antiorario). La rotazione viene fermata da un **Fermo** all'interno della telecamera. Per il controllo del panning, allentare le due viti situate sul fondo, per poi ruotare nella direzione desiderata, quindi serrarle per fissare la telecamera. Quando le due viti non possono essere più serrate, cambiarne l'ubicazione. Quando non vi è altra opzione, è possibile serrare anche una sola vite.

Nel caso di inclinazione, si può cambiare la curvatura della telecamera da zero a 90 gradi. Quando l'angolo di curvatura è al di sotto dei 23 gradi, si può incorrere in un problema di occultamento parziale dell'immagine. Per fissare l'ubicazione, dopo aver regolato l'angolo di inclinazione, utilizzare le **viti di fissaggio inclinazione**.

Per regolare il fuoco della telecamera, ruotare l'obiettivo fisso per un'immagine più nitida. Quando si installa la telecamera su un soffitto inclinato o sulla parete, si può ruotare l'obiettivo della telecamera per vedere l'immagine nella direzione corretta.



# SCC-B531X



# Appendice A: Specifiche per lo Standard NTSC

Voce	Particolari				
Tipo di prodotto	Telecamera dome a colori a circuito chiuso				
Alimentazione	AC 24V $\pm$ 10% (60Hz $\pm$ 0.3 Hz), DC 12V $\pm$ 10%/ -5%				
Tipo di trasmissione	Sistema a colori standard NTSC (525 Linee, 60 Campi)				
Consumo energetico	Circa 1,6W				
Dispositivo immagine	Super-HAD CCD 1/3" tipo IT				
Pixel	SCC-B5311N, B5313N, B5315N		SCC-B5310N		
	<b>Totale:</b> 811(O) x 508(V), 410.000 pixel <b>Effettivi:</b> 768(O) x 494(V), 380.000 pixel		<b>Totale:</b> 537(O) x 505(V), 270.000 pixel <b>Effettivi:</b> 510(O) x 492(V), 250.000 pixel		
Modalità di scansione	525 Linee, interlacciato 2:1				
Frequenza linea di scansione	<b>Orizzontale:</b> 15,734Hz(INT)/15,750Hz(LL) <b>Verticale:</b> 59,94Hz(INT)/60Hz(LL)				
Modalità di sincronizzazione	INT/Line Lock (Adjusting the phase using INC/DEC button)				
Risoluzione orizzontale	SCC-B5311N, B5313N, B5315N		SCC-B5310N		
	540 linee TV		330 linee TV		
Illuminazione degli oggetti minima	F2,0	Sens-up Off	50IRE	1Lux	0,6Lux
			30IRE	0,6Lux	0,4Lux
			15IRE	0,3Lux	0,2Lux
		Sens-up x128	50IRE	0,008Lux	0,005Lux
			30IRE	0,005Lux	0,003Lux
			15IRE	0,002Lux	0,001Lux
Segnale in uscita	COMPOSITE Video(1,0 Vp-p, 75ohm, BNC), Test Monitor OUT(1,0 Vp-p, 75ohm, Harness cable)				
Obiettivo	Focal length	Zone	Limit of viewing angle	Model	
	3,0mm	Horizontal	92°	SCC-B5313N	
		Vertical	72°		
	3,8mm	Horizontal	71°	SCC-B5310N, B5311N	
Vertical		53°			
8,0mm	Horizontal	33,6°	SCC-B5315N		
	Vertical	25,3°			
Funzione PAN	Raggio: da 0 a 340° (220 gradi in senso orario e 120 in senso antiorario)				
Funzione INCLINAZIONE	Raggio: da 0 a 90°				

Voce	Particolari
Controlli	Line Lock (LL) Sens-up; Otturatore a bassa velocità (LSS) Rotazione Orizzontale (H-REV) Rotazione Verticale (V-REV) Compensazione luce di fondo (BLC) Controllo guadagno automatico (AGC) Passaggio da colore a bianco e nero attraverso l'impostazione giorno e notte (D/N) Bilanciamento automatico del bianco (AWB) Riduzione digitale del rumore (DNR) Compensazione CCD dei difetti automatica
colore del prodotto	SCC-B531xN : Bianco / SCC-B531xBN : Nero
Temperatura di esercizio	da -10°C a +50°C
Umidità di esercizio	Fino al 90%
Dimensioni	102(Ø) x 78(A)mm
Peso	190g

# Appendice B: Specifiche per lo Standard PAL

Voce	Particolari				
Tipo di prodotto	Telecamera dome a colori a circuito chiuso				
Alimentazione	AC 24V $\pm$ 10% (50Hz $\pm$ 0.3 Hz), DC 12V $\pm$ 10%/ -5%				
Tipo di trasmissione	Sistema a colori standard PAL (625 Linee, 50 Campi)				
Consumo energetico	Circa 1,6W				
Dispositivo immagine	Super-HAD CCD 1/3" tipo IT				
Pixel	SCC-B5311P, B5313P, B5315P		SCC-B5310P		
	<b>Totale:</b> 795(O) x 596(V), 470.000 pixel <b>Effettivi:</b> 752(O) x 582(V), 440.000 pixel		<b>Totale:</b> 537(O) x 597(V), 320.000 pixel <b>Effettivi:</b> 500(O) x 582(V), 290.000 pixel		
Modalità di scansione	625 Linee, interlacciato 2:1				
Frequenza linea di scansione	<b>Orizzontale:</b> 15,625Hz(INT)/15,625Hz(LL) <b>Verticale:</b> 50Hz(INT)/50Hz(LL)				
Modalità di sincronizzazione	INT/Line Lock (Regolazione della fase utilizzando il pulsante INC/DEC)				
Risoluzione orizzontale	SCC-B5311P, B5313P, B5315P		SCC-B5310P		
	540 linee TV		330 linee TV		
Illuminazione degli oggetti minima	F2,0	Sens-up Off	50IRE	1Lux	0,6Lux
			30IRE	0,6Lux	0,4Lux
			15IRE	0,3Lux	0,2Lux
		Sens-up x128	50IRE	0,008Lux	0,005Lux
			30IRE	0,005Lux	0,003Lux
			15IRE	0,002Lux	0,001Lux
Segnale in uscita	COMPOSITE Video(1,0 Vp-p, 75ohm, BNC), Test Monitor OUT(1,0 Vp-p, 75ohm, Harness cable)				
Obiettivo	Focal length	Zone	Limit of viewing angle	Model	
	3,0mm	Horizontal	92°	SCC-B5313P	
		Vertical	72°		
	3,8mm	Horizontal	71°	SCC-B5310P, B5311P	
Vertical		53°			
8,0mm	Horizontal	33,6°	SCC-B5315P		
	Vertical	25,3°			
Funzione PAN	Raggio: da 0 a 340° (220 gradi in senso orario e 120 in senso antiorario)				
Funzione INCLINAZIONE	Raggio: da 0 a 90°				



Voce	Particolari
Controlli	Line Lock (LL) Sens-up; Otturatore a bassa velocità (LSS) Rotazione Orizzontale (H-REV) Rotazione Verticale (V-REV) Compensazione luce di fondo (BLC) Controllo guadagno automatico (AGC) Passaggio da colore a bianco e nero attraverso l'impostazione giorno e notte (D/N) Bilanciamento automatico del bianco (AWB) Riduzione digitale del rumore (DNR) Compensazione CCD dei difetti automatica
colore del prodotto	SCC-B531xP : Bianco / SCC-B531xBP : Nero
Temperatura di esercizio	da -10°C a +50°C
Umidità di esercizio	Fino al 90%
Dimensioni	102(Ø) x 78(A)mm
Peso	190g





## Corretto smaltimento del prodotto

(rifiuti elettrici ed elettronici)

(Applicabile in i paesi dell'Unione Europea e in quelli con sistema di raccolta differenziata)

Il marchio riportato sul prodotto o sulla sua documentazione indica che il prodotto non deve essere smaltito con altri rifiuti domestici al termine del ciclo di vita. Per evitare eventuali danni all'ambiente o alla salute causati dall'inopportuno smaltimento dei rifiuti, si invita l'utente a separare questo prodotto da altri tipi di rifiuti e di riciclarlo in maniera responsabile per favorire il riutilizzo sostenibile delle risorse materiali.

Gli utenti domestici sono invitati a contattare il rivenditore presso il quale è stato acquistato il prodotto o l'ufficio locale preposto per tutte le informazioni relative alla raccolta differenziata e al riciclaggio per questo tipo di prodotto.

Gli utenti aziendali sono invitati a contattare il proprio fornitore e verificare i termini e le condizioni del contratto di acquisto. Questo prodotto non deve essere smaltito unitamente ad altri rifiuti commerciali.



**SAMSUNG**

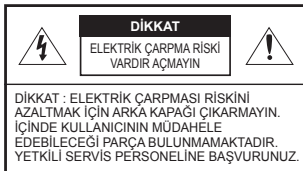
Dijital Renkli Dome Kamera **Kullanım Kılavuzu**

**SCC-B531x(B)**



TUR

# Sembollerle İlgili Güvenlik



Bu sembol, içinde yüksek voltajın bulunduğunu göstermektedir. Bu ürünün herhangi bir iç parçasına herhangi bir şekilde temas etmek tehlikelidir.



Bu sembol, işletim ve bakımla ilgili önemli literatürün bu ürüne dahil edildiği konusunda sizi uymaktadır.

Yangına ya da elektrik çarpmasına neden olabilecek tehlikeyi önlemek için bu cihazı yağmura veya neme maruz bırakmayın.

## UYARI

1. Sadece özellikler sayfasında belirtilen standart adaptörün kullanıldığından emin olun. Başka bir adaptörün kullanılması yangına, elektrik çarpmasına neden olabilir ya da ürüne zarar verebilir.
2. Yanlış şekilde güç kaynağının bağlanması veya bataryanın değiştirilmesi patlamaya, yangına, elektrik çarpmasına yol açabilir ya da ürüne zarar verebilir.
3. Tek bir adaptöre çoklu kamara bağlamayınız. Kapasitenin aşılması, anormal ısı üretimine veya yangına neden olabilir.
4. Güvenli bir şekilde güç yuvasına güç kordonunu takın. Emniyetsiz bağlantı yangına neden olabilir.
5. Kamerayı kurarken, sağlam ve sıkı bir biçimde takın. Kameranın düşürülmesi yaralanmalara yol açabilir.
6. Kamera üzerine iletken nesnelere (örneğin tornavidalar, madeni paralar, metal objeler vs.) veya suyla doldurulmuş kaplar koymayın. Aksi durumda yangın, elektrik çarpmasına bağlı yaralanmalar meydana gelebilir.
7. Üniteyi nemli, tozlu veya ıslak yerlerde kurmayın. Aksi durumda yangın veya elektrik çarpmasına neden olabilir.

8. Üniteden alışılmamış kokular veya duman geliyorsa ürünü kullanmayı bırakın. Bu durumda derhal güç kaynağını kesin ve servis merkeziyle irtibata geçin. Kullanıma devam edildiği takdirde yangın veya elektrik çarpması meydana gelebilir.
9. Bu ürün normal şekilde çalışmıyorsa, en yakın servis merkeziyle irtibata geçin. Asla demonte etmeyin ya da bu ürünü hiçbir şekilde modifiye etmeyin. (SAMSUNG, yetkisiz modifikasyonların veya tamir girişimlerinin neden olduğu sorunlardan sorumlu değildir.)
10. Temizlerken ürün parçalarının üzerine doğrudan su püskürtmeyin. Aksı durumda yangın veya elektrik çarpmasına neden olabilir.
5. Doğrudan güneş ışığından ve ısı yayma kaynaklarından uzak tutun. Yangına neden olabilir.
6. Havalandırma imkanı bulunan bir yerde kurun.
7. CCD görüntü sensörüne zarar verebileceği için güneş gibi aşırı parla objelere doğrudan kamerayı yönlendirmekten kaçının.
8. Aygıt, su sıçramasına ve damlamasına maruz bırakılmamalıdır ve vazo gibi diğer sıvı dolu objeler aygıtın yanına konulmamalıdır.
9. Ana şebeke kablosu cihazın bağlantısını kesmek için kullanılır ve her zaman kullanılabilir bir durumda tutulmalıdır.

## DİKKAT

1. Ürün üzerine objeler düşürmemeyin ya da ürüne güçlü şoklar uygulamayın. Aşırı titreşim veya manyetik girişimlerin bulunduğu yerlerden uzak tutunuz.
2. Yüksek sıcaklıkları (122°F, 50°F üzeri), ve düşük sıcaklıkların (14°F, -10°F altı) veya yüksek nemin bulunduğu yerlerde kurmayın. Aksı durumda yangın veya elektrik çarpmasına neden olabilir.
3. Halihazırdaki kurulu olan ürünün yerini değiştirmek istiyorsanız elektriğin kapalı olduğundan emin olun ve sonra taşıyıp yeniden kurun.
4. Ark olduğunda prizden güç fişini çıkartın. İhmal edildiği takdirde yangın veya elektrik çarpması meydana gelebilir.

## FCC Beyannamesi

Bu cihaz, FCC Kurallarının 15. bölümüne uygundur. Çalıştırılması aşağıdaki koşula tabidir.

- 1) Bu cihaz, Zararlı girişimler oluşturamaz ve
- 2) Bu cihaz, istenmeyen bir çalışmaya neden olabilecek girişim dahil alınan herhangi bir girişimi kabul etmelidir.

### Not

Bu ekipman, test edilmiştir ve FCC Kurallarının 15. bölümüne uygun olarak Sınıf A dijital cihaz sınıflamalarına uygun bulunmuştur. Bu limitler, ekipman ticari bir ortamda çalıştırıldığında zararlı girişimlere karşı makul korumalar uygulayacak şekilde düşünülmüştür. Bu ekipman, talimat kılavuzuna göre kurulmaz ve kullanılmazsa, radyo frekans enerjisi üretir, kullanır ve yayabilir. Meskun bölgede bu ekipmanın çalıştırılması, kullanıcının kendi hesabına girişimi düzeltmesini gerektirecek durumda zararlı girişime neden olabilir.

# Önemli Güvenlik Yönergeleri

1. Bu yönergeleri okuyun.
2. Bu yönergeleri saklayın.
3. Uyarıları dikkate alın.
4. Yönergeyi takip edin.
5. Bu cihazı suyun yakınında kullanmayın.
6. Yalnızca kuru bir bezle temizleyin.
7. Havalandırma deliklerini kapatmayın. Üreticinin talimatlarına göre kurun.
8. Radyatör, ısı aygıtları gibi ısı kaynaklarının veya (amplifikatörler dahil) ısı üreten diğer cihazların yanına koymayın.
9. Güvenlik amaçlı polarize veya topraklamalı tip fişi bozmayın. Polarize fiş, biri diğerinden daha geniş iki ağıza sahiptir. Topraklama tipi fiş iki ağıza ve üç topraklama dişine sahiptir. Geniş ağız veya üçüncü diş güvenliğinizi için sağlanmıştır. Verilen fiş prizinize uymuyorsa tam uyan bir prizle değiştirmek için elektrikçiyle görüşün.
10. Özellikle fişlerde, priz yuvalarında ve üründen çıkan uçlarda sıkışan veya yürüyüş yolu üzerinde olan güç kablosunu koruyun.
11. Yalnızca üretici tarafından belirtilen ekleri/aksesuarları kullanın.
12. Yalnızca üretici tarafından belirtilen veya cihazla birlikte satılan arabayı, standı, tripodu, kelepçeyi veya masayı kullanın.
13. Bu cihazı fişten çekin. Araba kullanıldığında devrilmeden kaynaklanan yaralanmayı önlemek için araba/cihaz kombinasyonu hareket ederken dikkat edin.
14. Bütün servis işlemlerini yetkili servis personeline bildirin.  
Güç kaynağı kordonu veya fişin zarar görmesi, sıvının dökülmesi veya cihazın içine nesne düşmesi, cihazın yağmura veya neme maruz kalması, normal çalışmaması veya düşmesi gibi herhangi bir şekilde cihaz hasar gördüğünde servis gereklidir.



# İçindekiler

<b>Genel bakış</b> .....	<b>6</b>
Bu kılavuz hakkında .....	6
Ürüne Genel Bakış .....	6
Temel özellikler .....	6
Parçalar .....	6
Ambalajdaki parçaların kontrolü .....	6
Kameranızın parçaları .....	7
<b>Kurulum</b> .....	<b>8</b>
Ayarlama anahtarları .....	8
Fonksiyon anahtarlarının ayarlanması .....	8
Kabloların bağlanması ve anahtarların ayarlanması .....	10
Kameranin kurulumu .....	11
Kurulumdan önce .....	11
Kurulum Prosedürü .....	11
Kamera yönünün ayarlanması .....	12
<b>Ek A: NTSC Standardı için Özellikler</b> .....	<b>13</b>
<b>Ek B: PAL Standardı için Özellikler</b> .....	<b>15</b>

# Genel bakış

## ■ Bu lavuz hakkında

Bu kullanım kılavuzu, ürünle ilgili temel talimatları içermektedir. Kullanmadan önce tüm kullanıcıların bu kılavuzu okumaları tavsiye edilmektedir.

Bu kılavuz şu bölümlere ayrılmıştır:

- Bölüm 1 "Genel Bakış" kullanım kılavuzunu ve ürünle ilgili bilgileri tanıtır (Bu bölüm).
- Bölüm 2 "Kurulum", ürünün nasıl kurulup ayarlanacağı hakkında açıklama yapar.
- Ek "Özellikler", ürün özelliklerini verir.

## ■ Ürüne Genel Bakış

Hareketli görüntüler ortaya çıktığında devingen gecikmelere sahip olmayan sabit bir odaksal lensle donatılmış yüksek çözünürlüğe sahip bir dome kameradır ve net görüntü kalitesi, Gece/gündüz renk telafisini uygulamak amacıyla gerçek zamanlı CCD kusur tedavisi, düşük hızda obtüratör (LSS: Auto x 128) ile dijital gürültü giderme (DNR) gibi özellikleri sağlamaktadır.

## ■ Temel Özellikler

- Güç: DC 12V/AC 24V
- Özel fonksiyonlar
  - Hat kilidi (LL) kontrolü
  - Otomatik beyaz dengeleme
  - Yatay/dikey görüntü değiştirme
  - Otomatik amplifikasyon kontrolü
  - Düşük obtüratör hız kontrolü
  - Arka ışık telafisinin kontrolü
  - Renkli ve siyah & beyaz modlar arasında otomatik anahtarlama
  - Dijital gürültü giderme (DNR)
  - Dinamik CCD kusur telafisi

## ■ Parçalar

### Ambalajdaki Parçaların Kontrolü

Lütfen, kamera ve aksesuarların ambalaj içinde olduğunu kontrol edin. Bu parçalar aşağıda gösterildiği gibidir:



Kamera



Test monitör kablosu



Tırnak vidası



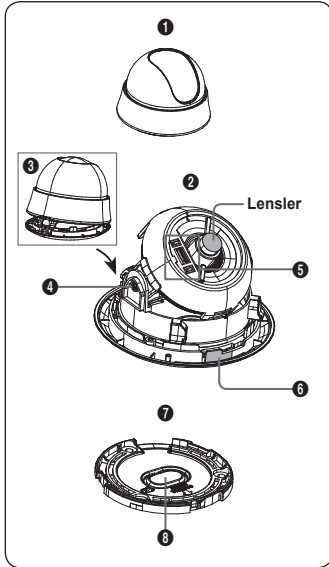
Kullanım Kılavuzu

### Not

Test monitör kablosu, taşınabilir bir ekrana bağlayarak kamerayı test etmek için kullanılır. Gerçekten, izlenen bir ekrana kamerayı bağlamak istiyorsanız BNC kablosunu kullanın.

## Kameranızın parçaları

Kameranız şu parçalardan oluşmaktadır:



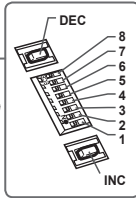
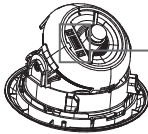
- 1. Dome Kapağı:** Koruma amaçlı lens ve temel yapıyı kapatır.
- 2. Temel yapı:** Lens, anahtar tablosu, PCB kartı, vidalar vb. bulunmaktadır.
- 3. Kilitleyici:** Dome Kapağını açmak ya da kapamak için kullanılır. Dome kapağını açmak için kilitleyiciye bastırın.
- 4. Eğimli sabitleme vidası:** Bu vidayı kullanarak lensin eğimi ayarlanabilir ve sabitlenebilir.
- 5. Anahtar tablosu:** Fonksiyon anahtarları ve faz kontrol anahtarları şeklinde iki çeşit kontrol anahtarına sahiptir. Tabloda, ortasında sekiz fonksiyon anahtarı ve fonksiyon anahtar alanının her bir yanında iki adet faz kontrol düğmesi vardır.
- 6. Kilit çözümü:** Temel yapıdan montaj kenedini ayırtmak istiyorsanız dışarıya doğru itin ve temel yapıyı **KİLİTSİZ** yöne doğru yönlendirin.
- 7. Montaj kenedi:** Tavan veya duvar sabitlemesi için kullanılır. Ambalajla verilen üç uzun tırnak vidasını kullanarak sabitlenir.
- 8. Tavan montaj açıcısı:** Tavana kurarken hat bağlantısı için onu çıkartın.

# Kurulum

## Ayarlama anahtarları

### Fonksiyon anahtarlarının ayarlanması

Kameranızdaki mevcut fonksiyonları düzenlemek için aşağıda gösterilen sekiz fonksiyonu ayarlayın:



No	İsim	Kısa açıklama
1	LL	Hat kilitleme ON/OFF
2	LSS	Sensör- yüksek veya düşük hız obtüratörü ON/OFF
3	H-REV	Yatay döndürme ON/OFF
4	V-REV	Dikey döndürme ON/OFF
5	BLC	Arka ışık telafisi ON/OFF
6	AGC	Otomatik amplifikasyon kontrolü ON/OFF
7	D/N	Renkli ve siyah & beyaz arasında otomatik anahtarlama ON/OFF
8	AWB	Otomatik beyaz dengeleme ON/OFF

- 1. Anahtar 1 (LL):** Anahtar **OFF** konumundayken kamera, dahili senkronizasyon modunda çalışır; **ON** konumundayken kamera, hat kilitleme modunda çalışır. Dahili senkronizasyon modunda kamera, senkronizasyon için kristal bir osilatör içerisinde daima kullanılır. Ancak çoklu kameralar sıralı bir anahtarlama için bir anahtarlama birimine bağlanırsa, bir kameradan diğerine anahtarlama yapılırken görüntü dalgalanması veya titremesi meydana gelebilir. Bu durumda bu sorunu çözmek için bu anahtarı **ON** konumuna ayarlayabilirsiniz. Hat kilidi modu, kamerada senkronizasyon referansı olarak AC elektrik fazının kullanılmasına izin verir. Bu modda faz kontrol düğmelerini (INC/DEC) kullanabilirsiniz.

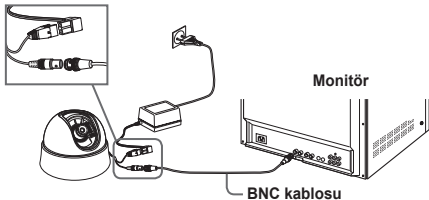
#### Not

DC 12V gücünü kullandığınızda bu anahtarı **OFF** konumuna ayarlayın. Hat kilidi özelliği, anahtar **ON** konumundayken dahi normal şekilde çalışmayacaktır..

AC elektriği bağlanırken LL anahtarını **ON** konumuna ayarlayın. Herhangi bir görüntü dalgası meydana gelirse faz kontrol düğmelerini kullanarak fazı ayarlamalısınız. Bir dereceyle fazı azaltmak ya da arttırmak için **INC** veya **DEC** düğmesine basın.

2. **Anahtar 2 (LSS):** Bu sensör-yukarı modu, gürültüye azaltmak ama parlaklığı ve kontrastlığı arttırmak için bellekteki görüntü alanlarını çoğaltır. Anahtar **ON** konumundayken kamera otomatik olarak koyu görüntüyü netleştirmek için azami 128 defa görüntü elde etme hızına anahtarlama yapar.
3. **Anahtar 3 (H-REV):** Anahtar **ON** konumundayken kameranın görüntüsü yatay yöne çevrilir. Bir ayna kullanarak konumunuzu görüntülemek isterseniz doğru görüntüyü görmek için bu özelliği kullanabilirsiniz.
4. **Anahtar 4 (V-REV):** Anahtar **ON** konumundayken kameranın görüntüsü dikey yöne çevrilir. Kameranız dikey görüntü yönünü zoraki görüntülüyorsa doğru görüntüyü görmek için bu özelliği kullanabilirsiniz.
5. **Anahtar 5 (BLC):** Anahtar **ON** konumundayken, kamera güneş ışığı floresan ışığı gibi aşırı bir ışıkla karşılaşsa bile net bir görüntü elde edebilirsiniz. **OFF** konumundayken aşırı ışığa sahip hedef görüntüyü net olarak göstermez.
6. **Anahtar 6 (AGC):** Anahtar **ON** konumundayken kamera, sinyal uzunluğu verilen sürenin altına düştüğünde video sinyalini büyütür otomatik olarak duyarlılığı artırır. Herhangi bir koyu görüntü hissedildiğinde bu özelliği kullanın.
7. **Anahtar 7 (D/N):** Anahtar **ON** konumundayken kamera, parlaklık yakınlığına göre renkli ve S&B arasında otomatik olarak anahtarlanır.
8. **Anahtar 8 (AWB):** Bu anahtar, beyaz dengesini ayarlar. Anahtar **ON** konumundayken kamera **ATV** modunda çalışır ve **OFF** durumunda ise kamera **AWC** modunda çalışır.
  - **ATW (Otomatik İzlenen Beyaz Denge):** Renk sıcaklığı, otomatik olarak çevresel değişimlere göre ayarlanır. (Yaklaşık 2000°K ila 11.000°K)
  - **AWC (Otomatik Beyaz Denge Kontrolü):** Anahtar **OFF** konuma getirildiğinde, mevcut renk sıcaklığını depo eder. Dolayısıyla renk sıcaklığı depo edilen değere göre ayarlanır.

## ■ Kabloların bağlanması ve anahtarların ayarlanması



### Kabloları bağlamak için

1. Kamaranıza ekli Video bağlayıcısına BNC kablosunu bağlayın.
2. Monitör üzerindeki Video Girişine BNC kablosuna bağlayın.
3. Kamaranıza ekli Güç bağlantısına güç adaptörünü takın. Monitör açıldığında kamera görüntüsü görünür.

### Kamera görüntüsünü kontrol etmek ve anahtarları ayarlamak için

1. Dome kapağını çıkartın. Çıkartma prosedürleri hakkında daha fazla detay için bir sonraki sayfada yer alan Kamera kurulumu bölümündeki "Kurulum Prosedürleri"ne bakınız.
2. Ekranda görüntüyü görüntülerken Anahtar tablosunu kullanarak kameranızın fonksiyonlarını ayarlayın.

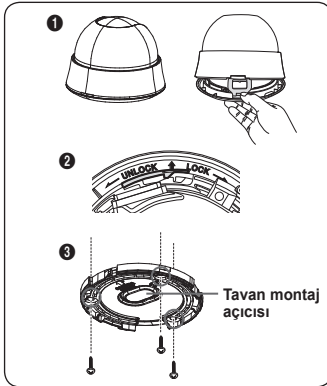
## Kameranın Kurulumu

### Kurulumdan önce

Kameranızı kurmadan önce aşağıdaki uyarıları okumalısınız:

- Yerin (tavan veya duvar) kameranızın ağırlığının beş katına uygun olup olmadığını kontrol etmeniz gerekmektedir.
- Kablonun hasar göreceği uygun olmayan yerlerde veya elektrik geçen kapaklarda bulunmasına izin vermeyin. Aksi takdirde arıza veya yangına neden olabilir.
- Kameranızı kurarken kimsenin kurulum alanına yaklaşmasına izin vermeyin. O alanda değerli şeyleriniz varsa onları uzağa taşıyın.

### Kurulum prosedürü



### Kameranızı kurmak için

1. Kameranızın altındaki **Kilitleyici** düğmesine basın ve diğer elinizi kullanarak **Temel yapıdan Dome Kapağını** çıkartın. Temel yapı size doğru açılacaktır.
2. Resimde gösterildiği gibi kilit çözücüsünü dışarı doğru itin ve **Montaj kenedini** ayırtmak için **Temel yapıyı KİLİTSİZ** yöne doğru yönlendirin. Bunu yapmak kolay değilse Montaj kenedi üzerindeki küçük delikleri tutarken **KİLİT** yönünde Montaj kenedini yönlendirin.
3. Üç vidayla desteklenen yere (tavan veya duvar) **Montaj kenedini** sabitleyin.

#### Not

**Montaj kenedi** üzerindeki **ÖN KAMERA** işareti kamera izleme alanını göstermelidir.

4. Tavana **Montaj kenedini** yerleřtirirken tavandaki deliđin iinden kameranıza ekli hattı bađlamak iin sıkıca bastırarak **Tavan montaj aıcısını** ıkartın. Aksi durumda hat bađlantısı iin **ÖN KAMERA** iřaretine ters boř alanı kullanabilirsiniz.
5. Őimdi, gmme **ÖN KAMERA** alanında geniř girintiye sahip Temel yapı üzerindeki **Kilit zcsn** hizaladıktan sonra **KİLİT** ynnde ynlendirerek **Montaj kenedine Temel yapıyı** ekleyin.
6. Kamera ynn ayarlayın. Yn kontrol hakkında daha fazla detay iin aynı sayfadaki "Kamera Ynnn Ayarlanması" bařlıđına bakın.
7. Son olarak Temel yapıdaki **Kilitleyiciye** sahip dome Kapađının alt blmnde geniř girintiye hizaladıktan sonra "klik" sesini duyuncaya kadar basarak **Temel yapıya dome Kapađını** ekleyin.

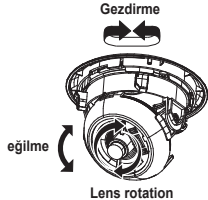
## Kamera ynnn ayarlanması

Kamera tavana sabitlenirken, kamera grntleme aısı ayarlanabilir. Kameranızı sađa veya sola dođru (gezdirme) ynlendirebilirsiniz ve yukarı veya ařađı dođru (eđilme) eđimini deđiřtirebilirsiniz.

Gezdirme konumunda kameranızın rotasyon limiti 340 dereceye ayarlanabilir (saat ynnde 220 derece ve saat ynnn aksine 120 derece). Kamera iindeki **Durdurucu** ile rotasyon durdurulabilir. Gezdirme kontrol iin ilk nce alt tarafa yerleřik iki vidayı skp istediđiniz ynde yn verin ve sonra kamerayı sabitlemek iin vidaları takın. Her iki sabitleme vidası sađlamlařtırılmadıđında vidaların ynn deđiřtirin. Zorunlu olduđunda sadece bir vidanın sıklıkması dođru olacaktır.

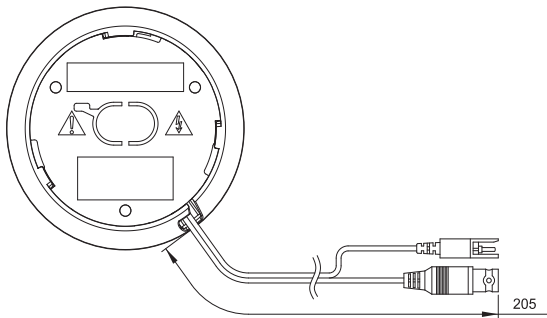
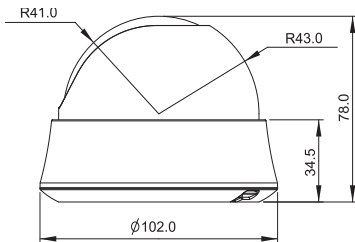
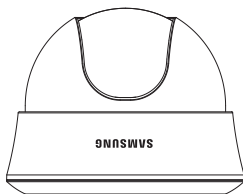
Eđilme durumunda, 0 dereceden 90 dereceye kadar kameranızın eđimini deđiřtirebilirsiniz. Eđim aıları 23 derecenin altındayken kısmi grnt saklama problemiyle karřılařabilirsiniz. Eđilme aıcısını ayarladıktan sonra konumu sabitlemek iin **Eđim sabitleme vidalarını** kullanın.

Kameranızın odađını ayarlamak amacıyla net grnt iin sabitlenen lensleri ynlendirin. Eđimli tavan veya duvara kamerayı yerleřtirirken grntnn tam ynn grmek iin kamera lensini ynlendirebilirsiniz.





# SCC-B531X



# Ek A: NTSC Standardı için Özellikler

Madde	Ayrıntılar				
Ürün tipi	CCTV renkli dome kamera				
Güç girişi	AC 24V $\pm$ 10% (60Hz $\pm$ 0.3 Hz), DC 12V $\pm$ 10%/ -5%				
Yayın tipi	NTSC Standart renkli sistem (525 hat, 60 alan)				
Güç tüketimi	Yaklaşık 1.6W				
Görüntü cihazı	1/3 inç IT tipi Süper-HAD CCD				
Piksel	SCC-B5311N, B5313N, B5315N		SCC-B5310N		
	<b>Toplam:</b> 811(H) x 508(V), 410.000 pixels <b>Geçerli:</b> 768(H) x 494(V), 380.000 pixels		<b>Toplam:</b> 537(H) x 505(V), 270.000 pixels <b>Geçerli:</b> 510(H) x 492(V), 250.000 pixels		
Tarama modu	525 hat, 2:1 ara birim				
Taranan hat frekansı	<b>Yatay:</b> 15.734Hz(INT)/15.750Hz(LL) <b>Dikey:</b> 59.94Hz(INT)/60Hz(LL)				
Senkronizasyon modu	INT/hat Kilidi (INC/DEC düğmesi kullanılarak faz ayarlama)				
Yatay çözünürlük	SCC-B5311N, B5313N, B5315N		SCC-B5310N		
	540 TV hattı		330 TV hattı		
Min. obje aydınlatma	F2.0	Sensör-yukarı OFF	50IRE	1Lux	0.6Lux
			30IRE	0.6Lux	0.4Lux
			15IRE	0.3Lux	0.2Lux
		Sensör-yukarı x128	50IRE	0.008Lux	0.005Lux
			30IRE	0.005Lux	0.003Lux
			15IRE	0.002Lux	0.001Lux
Sinyal çıkışı	BİLEŞİK Video (1.0 Vp-p, 75ohm, BNC), Test Monitörü OUT (1.0 Vp-p, 75ohm, Donatım kablosu)				
Lens	Ödak uzunluğu		Bölge	Görüntüleme açısı	Model
	3.0mm		Yatay Dikey	92° 72°	SCC-B5313N
	3.8mm		Yatay Dikey	71° 53°	SCC-B5310N, B5311N
	8.0mm		Yatay Dikey	33.6° 25.3°	SCC-B5315N
GEZ fonksiyonu	Alan: 0 ila 340° (220 derece saat yönü ve 120 derece saat yönünün tersi)				
EĞM. fonksiyonu	Alan: 0 ila 90°				

Madde	Ayrıntılar
Kontroller	Hat kilidi (LL) Sensör-yukarı; düşük hız obtüratörü (LSS) Yatay dönme (H-REV) Dikey dönme (V-REV) Arka ışık telafisi (BLC) Otomatik amplifikasyon kontrolü (AGC) Gündüz ve gece değişimli renkli ve S&B arasında anahtarlama (D/N) Otomatik beyaz dengeleme (AWB) Dijital gürültü giderme (DNR) Dinamik CCD kusur telafisi
Ürün rengi	SCC-B531xN : Beyaz / SCC-B531xBN : Siyah
Çalıştırma sıcaklığı	-10°C ila +50°C
Çalıştırma nemi	%90'a kadar
Ebat	102(φ) x 78(H)mm
Ağırlık	190g

# Ek B: PAL Standardı için Özellikler

Madde	Ayrıntılar				
Ürün tipi	CCTV renkli dome kamera				
Güç girişi	AC 24V ± 10% (50Hz ± 0.3 Hz), DC 12V +10%/-5%				
Yayın tipi	PAL Standart renkli sistem (625 hat, 50 alan)				
Güç tüketimi	Yaklaşık 1.6W				
Görüntü cihazı	1/3 inç IT tipi Süper-HAD CCD				
Piksel	SCC-B5311P, B5313P, B5315P		SCC-B5310P		
	<b>Toplam:</b> 795(H) x 596(V), 470.000 pixels <b>Geçerli:</b> 752(H) x 582(V), 440.000 pixels		<b>Toplam:</b> 537(H) x 597(V), 320.000 pixels <b>Geçerli:</b> 500(H) x 582(V), 290.000 pixels		
Tarama modu	625 hat, 2:1 ara birim				
Taranan hat frekansı	<b>Yatay:</b> 15.625Hz(INT)/15.625Hz(LL) <b>Dikey:</b> 50Hz(INT)/50Hz(LL)				
Senkronizasyon modu	INT/Hat Kilidi (INC/DEC düğmesi kullanılarak faz ayarılama)				
Yatay çözünürlük	SCC-B5311P, B5313P, B5315P		SCC-B5310P		
	540 TV hattı		330 TV hattı		
Min. obje aydınlatma	F2.0	Sensör-yukarı OFF	50IRE	1Lux	0.6Lux
			30IRE	0.6Lux	0.4Lux
			15IRE	0.3Lux	0.2Lux
		Sensör-yukarı x128	50IRE	0.008Lux	0.005Lux
			30IRE	0.005Lux	0.003Lux
			15IRE	0.002Lux	0.001Lux
Sinyal çıkışı	BİLEŞİK Video (1.0 Vp-p, 75ohm, BNC), Test Monitörü OUT (1.0 Vp-p, 75ohm, Donatım kablosu)				
Lens	Odak uzunluğu		Bölge	Görüntüleme açısı limiti	Model
	3.0mm		Yatay Dikey	92° 72°	SCC-B5313P
	3.8mm		Yatay Dikey	71° 53°	SCC-B5310P, B5311P
	8.0mm		Yatay Dikey	33.6° 25.3°	SCC-B5315P
GEZ fonksiyonu	Alan: 0 ila 340° (220 derece saat yönü ve 120 derece saat yönünün tersi)				
EGM. fonksiyonu	Alan: 0 ila 90°				

Madde	Ayrıntılar
Kontroller	Hat kilidi (LL) Sensör-yukarı; düşük hız obtüratörü (LSS) Yatay dönme (H-REV) Dikey dönme (V-REV) Arka ışık telafisi (BLC) Otomatik amplifikasyon kontrolü (AGC) Gündüz ve gece değişimli renkli ve S&B arasında anahtarlama (D/N) Otomatik beyaz dengeleme (AWB) Dijital gürültü giderme (DNR) Dinamik CCD kusur telafisi
Ürün rengi	SCC-B531xP : Beyaz / SCC-B531xBP : Siyah
Çalıştırma sıcaklığı	-10°C ila +50°C
Çalıştırma nemi	%90'a kadar
Ebat	102(φ) x 78(H)mm
Ağırlık	190g



Part No. AB68-00647D(04)