



REVOLUTION87+

- User's Manual
- Benutzerhandbuch
- Manual Del Usuario
- Manuel d'utilisateur
- Manuale dell'Utente
- Руководство пользователя
- Instrukcja obsługi

INDEX

Precaution Notice.....	1
ENERMAX REVOLUTION87+ Series Power Supply Specification	2
ENGLISH.....	3
DEUTSCH.....	8
ESPAÑOL	14
FRANCAIS	19
ITALIANO	24
РУССКИЙ	29
POLSKI	34

Precaution Notice

Only a technician, authorized by ENERMAX, is allowed to perform maintenance service! Warranty is subject to void under unauthorized attempt to open the power case or modification of any kinds, even attempted only, of the power supply or its components!

ENERMAX will not be responsible for damages caused by following situations:

- Opening of the PSU case and/or modification of any component or cable without ENERMAX's written authorization.
- Ignoring connector's wrong insertion prevention design by attaching a connector to a device in wrong orientation.
- Connecting too many devices to one cable unit by using additional adaptor (Y cables).
- Usage of non-genuine ENERMAX modular cables.
- The serial number label or warranty seal is defaced, modified, or removed.
- Damage caused by natural phenomena or uncontrollable forces, such as lightning, flooding, fire, earthquake, etc.

This ENERMAX Technology Corporation product is warranted to be free from defects in material and workmanship for a period of five (5) years from the date of purchase. ENERMAX Technology Corporation agrees to repair or replace the product, at its own option and at no charge, if, during the warranty period, it is returned to nearest ENERMAX Technology Corporation subsidiary/agent with all shipping charges prepaid and bearing a return merchandise authorization (RMA) number, and if inspection reveals that the product is defective. Charges for removing or installing the product are excluded under the terms of this warranty agreement. This warranty shall not apply to any product, which has been subject to connection to a faulty power source, alteration, negligence, or accident, or to any product, which has been installed other than in accordance with these instructions. In no event shall ENERMAX Technology Corporation, or its subsidiaries, or agents be liable for damages for a breach of warranty in an amount exceeding the purchase price of this product!

If you are uncertain whether or not your ENERMAX PSU is defective, please contact your dealer/reseller for support!

Web Site: <http://www.enermax.com>

E-mail: enermax@enermax.com.tw

Forum: forum.enermax.com

ENERMAX Technology Corporation, 15F-2, No. 888, Jing-Guo Road, Taoyuan City (330), Taiwan (R.O.C.), Tel. +886-3-316-1675, Fax. +886-3-346-6640

©2011 ENERMAX Technology Corporation. All rights reserved. Specifications are subject to change without prior notice. Actual product and accessories may differ from illustrations. Omissions and printing errors excepted. Content of delivery might differ in different countries or areas. Some trademarks may be claimed as the property of others. Reproduction in any manner without the written permission of ENERMAX is strictly forbidden.

ENERMAX REVOLUTION87+ Series Power Supply Specification

	ERV550AWT-G	ERV650AWT-G	ERV750AWT-G	ERV850EWT-G	ERV1000EWT-G					
AC Input Voltage	100-240VAC, 50-60Hz				115-240VAC, 50-60Hz					
AC Input Current	7.5 – 3A	8.5 – 3.5A	9 – 4.5A	11 – 5A	11 – 5A					
DC OUTPUT										
	Rated	Combined	Rated	Combined	Rated	Combined	Rated	Combined	Rated	Combined
3.3V	0-24A	120W	0-24A	120W	0-24A	120W	0-24A	120W	0-24A	120W
5V	0-24A		0-24A		0-24A					
12V1	0-25A	540W (45A)	0-25A	648W (54A)	0-25A	744W (62A)	0-30A	840W (70A)	0-30A	996W (83A)
12V2	0-25A		0-25A		0-25A		0-30A			
12V3	0-25A		0-25A		0-25A		0-30A			
12V4	-		-		-		0-25A		0-30A	
-12V	0-0.5A	6W	0-0.5A	6W	0-0.5A	6W	0-0.5A	6W	0-0.5A	6W
5Vsb	0-3A	15W	0-3A	15W	0-3A	15W	0-3A	15W	0-3A	15W
Total Power	550W		650W		750W		850W		1000W	
Peak Power*	605W		715W		825W		935W		1100W	
PROTECTION CIRCUIT										
Over Current Protection	DC Rail	OCP trigger range								
	3.3V	30 – 40A								
	5V	30 – 40A								
	12V	30 – 40A (ERV550AWT-G / ERV650AWT-G) 35 – 45A (ERV750AWT-G / ERV850EWT-G / ERV1000EWT-G)								
Over Voltage Protection	DC Rail	OVP trigger range								
	3.3V	3.7 – 4.1V								
	5V	5.7 – 6.5V								
	12V	13.1 – 14.5V								
(DC)Under Voltage Protection	DC Rail	UVP trigger range								
	3.3V	2.0 – 2.4V								
	5V	3.3 – 3.7V								
	12V	8.5 – 9.5V								
Over Power Protection	Activated when output power > 120 ~150% of rated max load.									
Over Temperature Protection	Activated when PSU heat sink > 90 ~ 120°C.									
Short Circuit Protection	Activated when any DC rails short-circuited.									
ENVIRONMENT										
Temperature	Operation ambient: 0~50°C (for full rated output) Storage ambient: -40~70 °C									
Humidity	Operation: to 85% relative humidity, non-condensing Storage: to 95% relative humidity, non-condensing									
OTHERS										
Cooling	One 13.9cm twist bearing fan, speed auto controlled.									
MTBF	> 100,000 hours at 70% of full rated load, 230VAC/50Hz, 25 °C (MIL-HDBK-217F standard)									
Dimension	150(w) x 86(h) x 160(d) mm (ERV550AWT-G / ERV650AWT-G) 150(w) x 86(h) x 175(d) mm (ERV750AWT-G / ERV850EWT-G / ERV1000EWT-G)									
Weight	2kg (without modular cables)±50g (ERV550AWT-G / ERV650AWT-G) 2.9kg(without modular cables)±50g (ERV750AWT-G / ERV850EWT-G / ERV1000EWT-G)									
Safety	UL/cUL(Level 6), TUV, GOST, CB, BSMI									
EMC	CE, FCC, KCC									

* Peak power may last up to 60 seconds

User's Manual

Dear customer,

Thank you for choosing this ENERMAX power supply unit (PSU)! Please read this manual carefully and follow its instructions before installing the PSU.

We would like to draw your attention that a computer required very specific conditions to work best for you without failing. To avoid failures and to increase lifetime of the system, we suggest that:

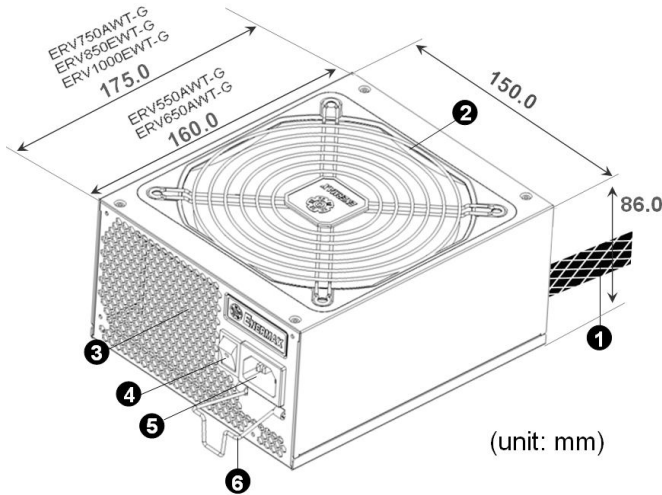
- Your system is NOT located near a radiator or any other heat producing device
- Your system is NOT located near a magnetic device
- Your system is NOT located in a moist and/or dusty and/or vibrating environment
- Your system is NOT exposed to direct sunshine
- Your system is sufficiently cooled by additional fans
- If you use AC extension cables, please make sure it can support all connected appliances' potential peak power draw. Or redistribute other high power consumption equipment, such as laser printers or monitors to other AC wall outlets. Exceeding the extension cable's loading capacity could trigger its circuit breaker and cut off the power.
- If you want to add the UPS (Uninterruptible Power Supply) for your system, please choose adequate Watts/VA capacity UPS.

Ex.

PSU Model	Suggested minimum UPS output power capacity (Based on efficiency & PFC at respective load)
ERV550AWT-G	600W / 1000VA
ERV650AWT-G	700W / 1100VA
ERV750AWT-G	900W / 1400VA
ERV850EWT-G	1000W / 1400VA
ERV1000EWT-G	1100W / 1600VA

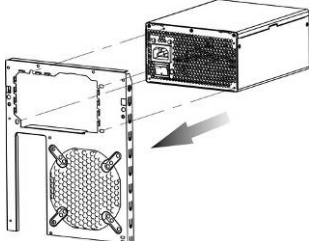
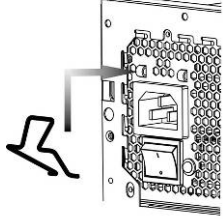
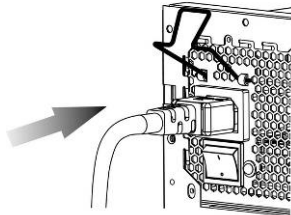
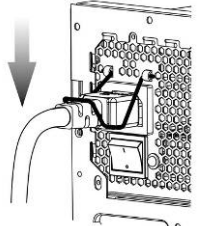
- * If you intend to add other appliance powered by the same UPS, such as monitor or printer, please use higher capacity UPS according to all connected devices' rated power draw.
- * Please do not mistake VA capacity as Watts, or use insufficient power UPS. This would result in less UPS battery runtime or the inability to power the system in battery mode.

NAME OF PARTS



- ① Output cable: Please check “Cables & Connectors” section.
- ② Fan. #1
- ③ Honeycomb air vent. #1
- ④ ON/OFF switch (I=ON, O=OFF). #2
- ⑤ AC Inlet. #2
- ⑥ CordGuard. #3

- #1 To ensure best system cooling, do not block PSU fan’s air in-take and air vent area.
This PSU offers a special HeatGuard function. When the system is turned off, or goes into ACPI S3/S4 sleep mode, the PSU fan will keep dissipating the remaining heat for 30 ~ 60 seconds and prolonging system lifetime.
- #2 When assembling or maintaining the system, please remove AC cord from AC inlet, or turn ON/OFF switch into “OFF” position. Then you can safely service the system.
- #3 AC cord can get loose in many ways. The ENERMAX CordGuard lock can fix your AC cord tightly to the PSU, so that it will not be easily detached and avoid shut-downs of your PC. The following is CordGuard installation:

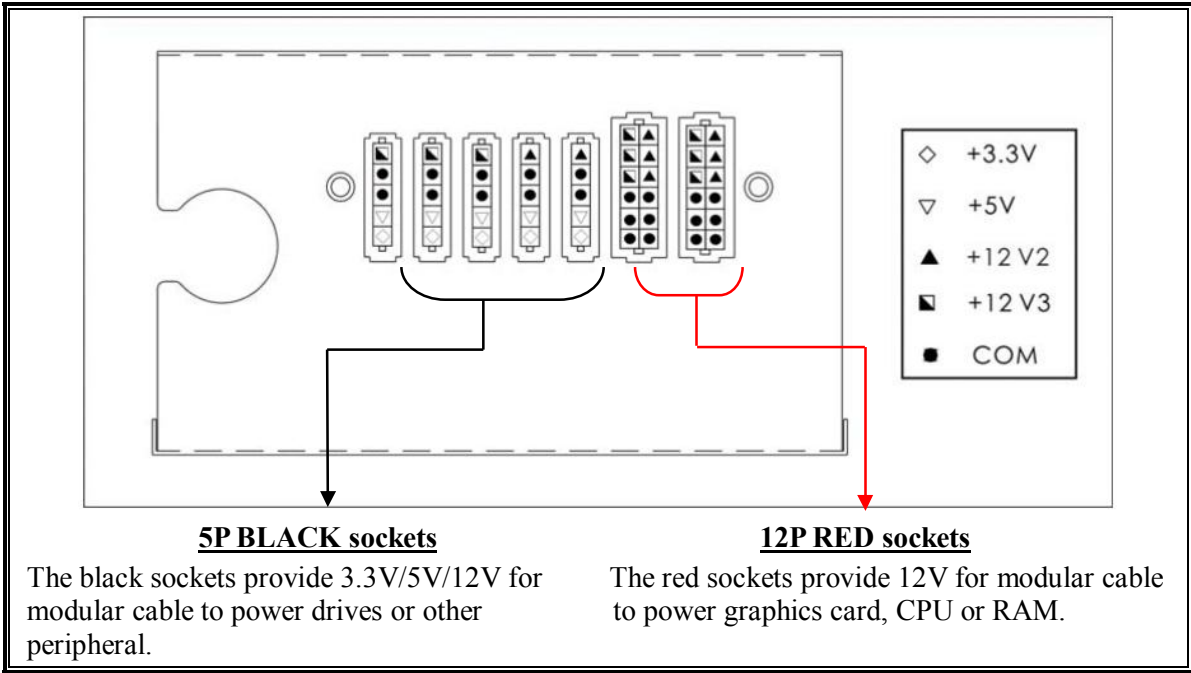
<p>① Set your PSU into the chassis, and please make sure the I/O switch is on “O” position.</p> 	<p>② Press two sides of the CordGuard lock together, and set it into CordGuard holder near the AC inlet.</p> 
<p>③ Plug the AC cord into your PSU.</p> 	<p>④ Lock CordGuard to latch onto AC cord.</p> 
<p>1. CordGuard is for AC cords supplied with ENERMAX CordGuard-compatible PSUs. Other AC cords may be incompatible.</p> <p>2. When assembling or maintaining the system, please remove AC cord from AC inlet, or turn I/O switch into “O” position.</p>	

CABLES & CONNECTORS

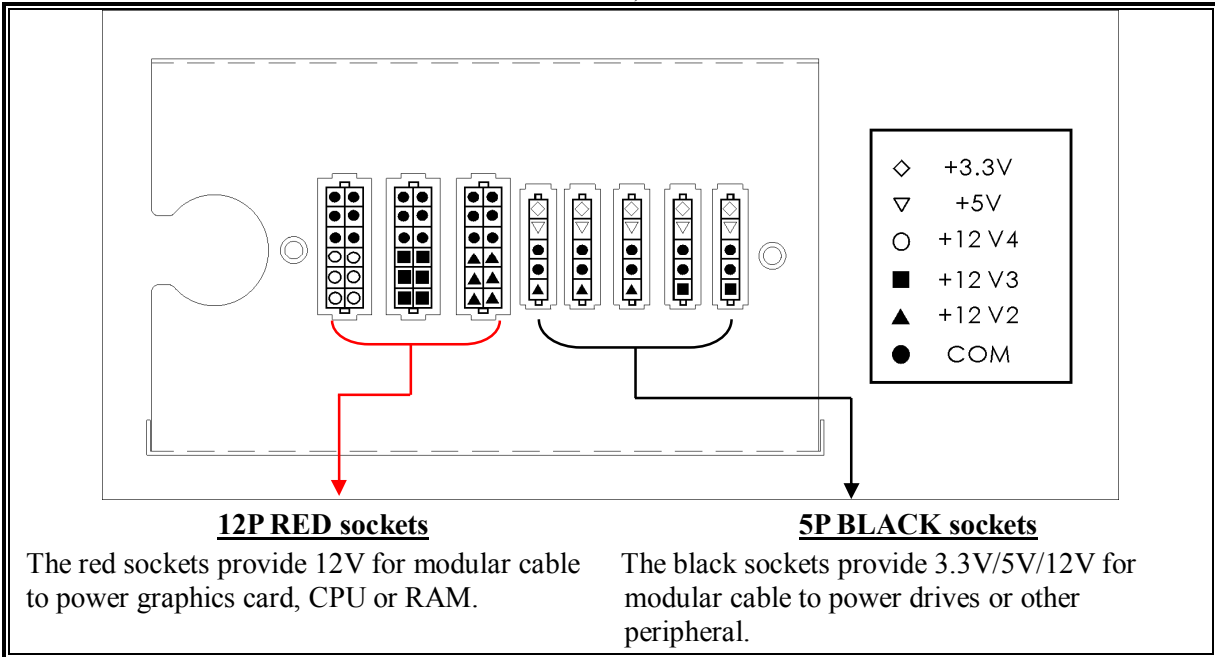
All connectors are designed to prevent insertion in wrong orientation. If you cannot easily insert a connector, please check if you are inserting the connector in the right orientation. Do not try by force to insert it nor modify the connectors. This might damage power supply and system components, and warranty shall be void.

Following graphic illustrates the modular sockets layout and its DC rail distribution.

(ERV550AWT-G / ERV650AWT-G)







(ERV750AWT-G / ERV850EWT-G / ERV1000EWT-G)



* This product incorporates multiple 12V rails over current protection. If you let many peripherals consume the power on only one 12V rail, it may trigger the over current protection and shut down the system. Please re-direct certain peripheral power cable to other 12V rail to share the current loading to ensure highest stability and safety.

● **CONNECTOR TYPES**





	24P Mainboard For new generations of ATX/EEB/CEB server/workstation MB.
	8P CPU +12V Native cable, 12V rail supplied by 12V1 (750/850/1000W) 8-pin configuration supports multi-CPU server/workstation systems and some single extreme CPU systems.
	4+4P(8P) CPU+12V, in combined mode Native cable, 12V rail supplied by 12V1 8-pin configuration supports multi-CPU server/workstation systems and some single extreme CPU systems.
	4+4P(8P) CPU+12V, in split mode Native cable, 12V rail supplied by 12V1 4-pin configuration supports certain single CPU systems. Some multi-CPU workstation/server system might also need this extra 4-pin 12V connector. Please use the connector with “12V” marking.
	6+2P (8P) PCI Express, in combined mode 12V rail supplied by 12V4 on native cables (850/1000W) 8-pin configuration supports latest extreme graphic cards, which require 8-pin PCI-E connector.
	6+2P (8P) PCI Express, in split mode / 6P PCI Express 12V rail supplied by 12V4 on native cables (850/1000W) 6-pin configuration supports most performance PCI-E graphic cards, which require 6-pin PCI-E connector.
	SATA #1 For SATA/SAS drives.
	4P Molex #2 For IDE/SCSI/SAS drives or some AGP graphic card with traditional 4P power in socket.
	FDD For floppy drive or certain add-on card.

#1 Some SATA drives might accept SATA or 4P Molex power. Normally, use either one of power connector to power the driver, BUT NOT BOTH! Please check the drive’s manual for details.

#2 Some MB might require this connector to share the +12V current from 24-pin Mainboard connector to PCI-E slot. If your system has multiple extreme graphic cards, please plug this connector to MB correspond socket and check the MB’s manual for details.


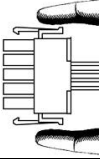
● **MODULAR CABLES SUPPLIED**

Use ONLY genuine ENERMAX modular cables coming with ENERMAX PSU. Third party cables might not be compatible and might cause damage to your PSU and/or system, and use of third party cable shall void PSU warranty.

	EMC014-G: 2 x 6+2P (8P) PCI-E 2.0 Modular cable for 1 or 2 performance PCI Express graphic cards, which needs 6P or 8P PCI-E connector.
	EMC019-G: 4 x SATA drives Modular cable for SATA/SAS drives like ODD and HDD.
	EMC020-G : 4 x 4P Molex (IDE/SCSI) drives & 1 x FDD connector Modular cable for IDE/SCSI/SAS drives and peripheral, plus 1 FDD power connector.
	EMC021-G: 2 x SATA & 2 x 4P Molex Modular cable for SATA/SAS/IDE/SCSI drives and other peripherals.

Special note for System Integrators: *If your system requires special modular cable configuration or design, please contact an ENERMAX sales representative.*

● ATTACHING / DETACHING THE MODULAR CABLES

	<p>Attaching the modular cable to PSU 5-pin / 12-pin connector on modular cable and PSU's modular socket has an arrow mark. To make correct connection is easy:</p> <ol style="list-style-type: none">1. Black connector to black socket, and red to red.2. Arrow mark to arrow mark.3. Then you can easily plug in the connector.
	<p>Detaching the modular cable from PSU 5-pin / 12-pin connector on modular cable has two hooks to lock with the PSU's modular sockets. When unplug the modular cable from PSU, please press two hooks together and gently pull out the cable.</p>

BOOTING YOUR SYSTEM

Before booting your system, please check that:

1. Main power connector (24P) is properly connected.
2. CPU +12V power connector (4 or 8P configuration), and/or a 4P Molex connector (if required by MB) is properly connected.
3. All other needed connectors are properly connected.
4. AC cord is properly connected to wall outlet and PSU AC inlet.
5. Close your system chassis.
6. Turn on the PSU by switching the ON/OFF switch to "ON", and your system is ready.

PROTECTION, SAFETY & SECURITY

This ENERMAX PSU features multiple protections. In case of most abnormal situations, the power supply will automatically turn off to avoid potential danger to itself and other PC components. It is usually a malfunction of components or user's negligence to trigger off a protection event. In such circumstance, please check your PC devices and working environment for malfunction:

1. Turn I/O switch of power supply into "O" position, or disconnect AC cord from wall plug and power supply AC inlet.
2. Check PSU for temperature by simply touching it. If it is very hot, this can be caused by malfunction of case fans or the PSU fan itself and/or wrong positioning of your PC.
3. Wait some minutes until PSU cools off.
4. Reconnect AC cord to wall plug and power supply AC inlet.
5. Turn I/O switch of power supply into "I" position, and reboot your system.
6. Check, if all fans are working.
7. Contact technical support of the respective manufacturer of the component which you think might be the cause to the problem. (e.g. MB, GPU or PSU)

If you have any question or need support, please contact your reseller or nearest ENERMAX subsidiary/agent or ENERMAX headquarter service center.

Benutzerhandbuch

Sehr geehrte Kundin, sehr geehrter Kunde,

Vielen Dank, dass Sie sich für dieses ENERMAX-Netzteil (PSU) entschieden haben! Bitte lesen Sie sich dieses Handbuch sorgfältig durch und folgen Sie bitte seinen Anweisungen bevor Sie das Netzteil installieren!

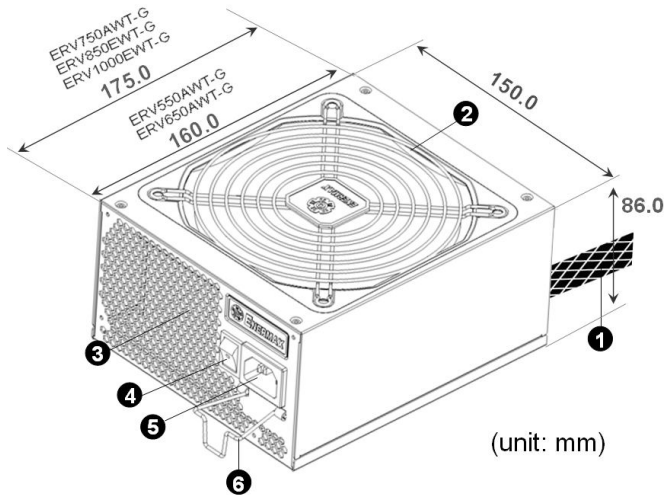
Wir möchten Sie darauf hinweisen, dass moderne Systeme sehr empfindlich geworden sind und genau definierte Bedingungen benötigen, um optimal ohne Ausfälle arbeiten zu können. Um solche Ausfälle zu vermeiden und die Lebensdauer Ihres Systems zu verlängern, empfehlen wir Ihnen sicherzustellen, dass:

- Ihr System nicht neben einer Heizung oder einer anderen Wärmequelle steht.
- Ihr System nicht neben einer magnetischen Quelle steht.
- Ihr System nicht in einer feuchten und/oder staubigen und/oder vibrierenden Umgebung steht.
- Ihr System nicht dem direkten Sonnenlicht ausgesetzt ist.
- Ihr System ausreichend durch Lüfter gekühlt wird.
- Falls Sie ein Verlängerungskabel verwenden, stellen Sie bitte sicher, dass dieses dazu geeignet ist, den maximalen Strombedarf sämtlicher angeschlossenen Geräte zu leisten. Andernfalls schließen Sie bitte weitere viel Strom verbrauchende Geräte (wie Laserdrucker oder Monitor) an eine andere Steckdose an. Ein Überschreiten der maximalen Durchleitungsfähigkeit des Verlängerungskabels könnte zu einem Auslösen der Sicherung führen.
- Falls Sie eine USV (Unterbrechungsfreie Stromversorgung) verwenden möchten, nutzen Sie bitte eine mit ausreichender Watt/VA-Kapazität. Z. B.:

PSU Modell	Empfohlene kleinste USV-Kapazität (gemäß Effizienz & PFC bei entsprechender Last)
ERV550AWT-G	600W / 1000VA
ERV650AWT-G	700W / 1100VA
ERV750AWT-G	900W / 1400VA
ERV850EWT-G	1000W / 1400VA
ERV1000EWT-G	1100W / 1600VA

- * Falls Sie andere Geräte wie Monitor oder Drucker gleichfalls an die selbige USV anschließen möchten, wählen Sie bitte eine USV mit höherer Kapazität gemäß der Summe der Leistungsaufnahme aller angeschlossenen Geräte.
- * Bitte verwechseln Sie nicht VA mit Watt und nutzen Sie bitte eine ausreichende USV. Andernfalls verkürzt sich die Laufzeit der Batterie und gefährdet die Versorgung des Systems im Batterie-Modus.

DETAILBESCHREIBUNG

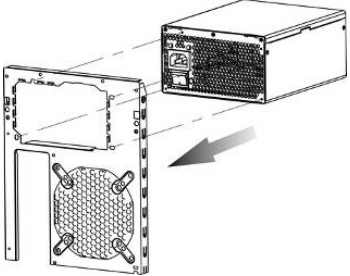
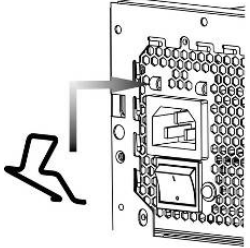
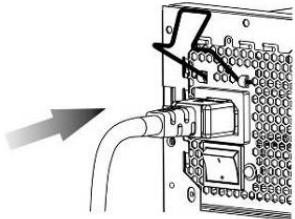
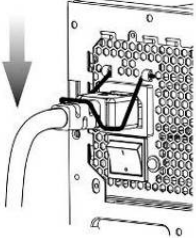


- ① Ausgangskabel: Bitte lesen Sie den Abschnitt „Kabel & Anschlüsse“.
- ② Lüfter. #1
- ③ Honigwabenluftauslass. #1
- ④ I/O Schalter*: separater Netzteil An/Aus-Schalter (I=AN, O=AUS). #2
- ⑤ Stromeingang. #2
- ⑥ CordGuard #3

#1 Bitte blockieren Sie nicht die Lufteinlässe/Luftauslässe, um eine bestmögliche Systemkühlung zu gewährleisten. Dieses PSU verfügt über eine besondere HeatGuard-Funktion: Wenn das System abgeschaltet oder in den ACPI S3/S4 Schlafmodus gebracht wird, wird der PSU-Lüfter die Restwärme für 30-60 Sek. abführen und so die Lebensdauer des Systems verlängern.

#2 Entfernen Sie immer das Stromkabel vom Netzteil, schalten Sie den I/O-Schalter auf „O“ und warten Sie, bevor Sie am System arbeiten.

#3 Der Netzstecker kann sich auf unterschiedliche Weise lösen. Der ENERMAX-CordGuard fixiert den Stecker am Netzteil. Er verhindert unfreiwillige Systemabstürze durch einen versehentlich gezogenen Netzstecker.

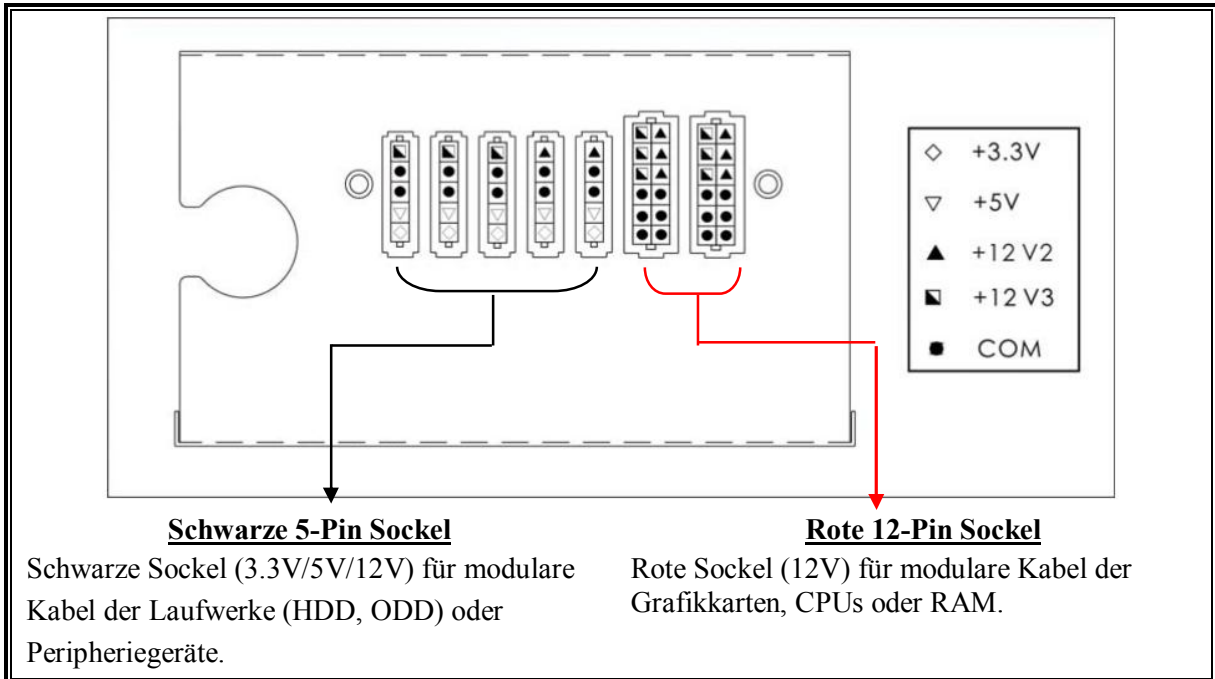
<p>① Setzen Sie das Netzteil in das Gehäuse ein. Stellen Sie sicher, dass der Netzschalter auf “O“ (Aus) steht.</p> 	<p>② Drücken Sie die beiden Seiten des CordGuard zusammen und befestigen Sie ihn an der dafür vorgesehenen Stelle.</p> 
<p>③ Schließen Sie das Netzkabel am Netzteil an.</p> 	<p>④ Klappen Sie den CordGuard herunter und sichern Sie auf diese Weise den Netzstecker.</p> 
<p>1. Der CordGuard ist nur für Netzkabel geeignet, die mit CordGuard-kompatiblen ENERMAX-Netzteilen ausgeliefert wurden. Andere Netzkabel sind mit dem ENERMAX-CordGuard ggf. nicht kompatibel. 2. Beim Zusammenbauen oder bei der Wartung des Systems ziehen Sie bitte immer den Netzstecker oder stellen Sie den Netzschalter auf “O“(Aus).</p>	

KABEL & ANSCHLÜSSE

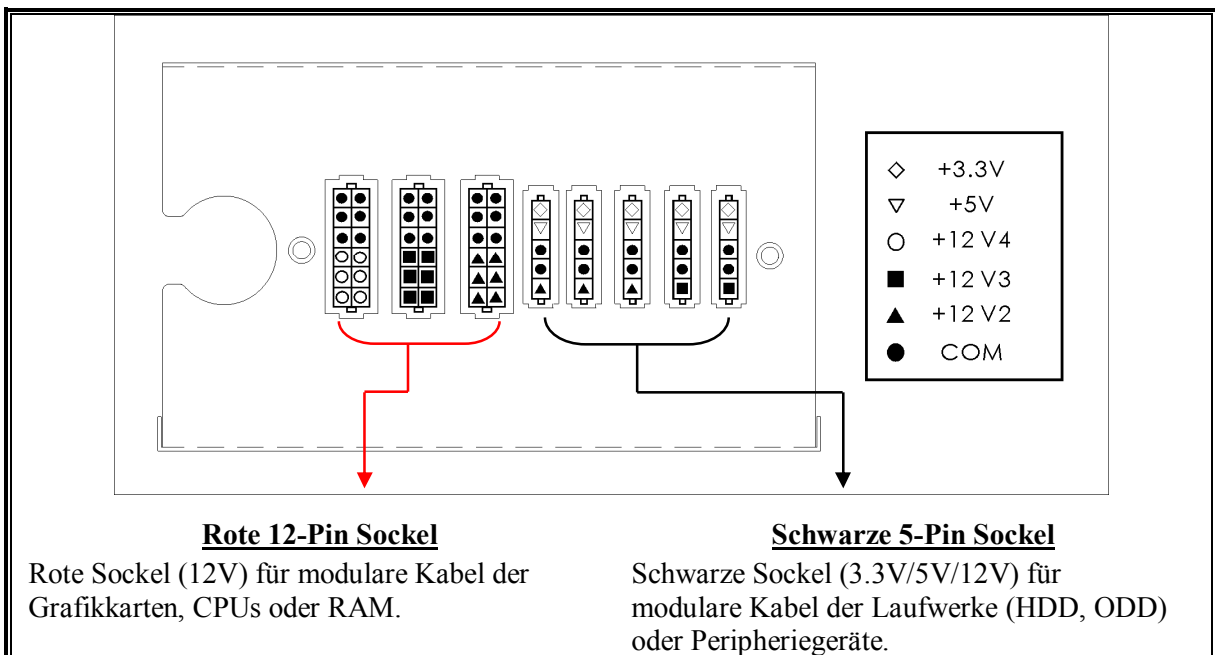
Alle Sockel und Anschlüsse sind so entworfen, dass ein Anschluss in falscher Ausrichtung nahezu unmöglich ist. Der Anschluss an die kompatiblen Sockel gestaltet sich leichtgängig und ohne größeren Widerstand. Wenn Sie einen originalen ENERMAX Anschluss nicht auf Antrieb mit einer Komponente verbinden können, überprüfen Sie bitte, ob Sie die richtige Ausrichtung gewählt haben. Versuchen Sie es keinesfalls mit Gewalt! Verändern Sie nicht die Anschlüsse! Dies könnte das Netzteil beschädigen und hat das Erlöschen der Garantie zur Folge!

Folgende Grafik illustriert das Layout der modularen Sockel und deren DC Leitungsverteilung.

(ERV550AWT-G / ERV650AWT-G)



(ERV750AWT-G / ERV850EWT-G / ERV1000EWT-G)



* Dieses Netzteil besitzt eine Überstromsicherung (OCP) auf jeder einzelnen 12V-Leitung. Wenn zu viele Komponenten an einer 12V-Leitung angeschlossen werden, kann es zur Auslösung der Überstromsicherung kommen. Daher achten Sie bitte auf eine gleichmäßige Verteilung der Komponenten auf die einzelnen 12V-Leitungen, um optimale Stabilität und Sicherheit zu gewährleisten.

● **Anschlussstypen**

	<p>24P Mainboard Natives Kabel, 12V Leitung versorgt durch 12V1 Für die neueste Generation von ATX/EEB/CEB Server/Workstation MB's.</p>
	<p>8P CPU +12V Natives Kabel, 12V Leitung versorgt durch 12V1 (750/850/1000W) Unterstützt Multi-CPU Server/Workstation-Systeme und einige Ein-Sockel Systeme.</p>
	<p>4+4P (8P) CPU +12V, in "kombiniertem Modus" Natives Kabel, 12V Leitung versorgt durch 12V1 Unterstützt Multi-CPU Server/Workstation-Systeme und einige Hochleistungs-Einzel-CPU Systeme.</p>
	<p>4+4P (8P) CPU +12V, in "getrenntem Modus" Natives Kabel, 12V Leitung versorgt durch 12V1 4-Pin Konfiguration unterstützt herkömmliche Einzel-CPU Systeme. Einige Multi-CPU Systeme benötigen möglicherweise ebenfalls diesen zusätzlich Stecker. Bitte verwenden Sie das Modul mit der „+12V“ Markierung.</p>
	<p>6+2P (8P) PCI Express, in "kombiniertem Modus" Natives Kabel, 12V Leitung versorgt durch 12V4 (850/1000W) 8-pin Konfiguration unterstützt die neuesten Grafikkarten, welche diesen 8-Pin PCI-E Stecker benötigen.</p>
	<p>6+2P (8P) PCI Express, in "getrenntem Modus" / 6P PCI Express Natives Kabel, 12V Leitung versorgt durch 12V4 (850/1000W) 6-Pin Konfiguration unterstützt die meisten Grafikkarten, welche diesen 6-Pin PCI-E Stecker benötigen.</p>
	<p>SATA #1 Für SATA/SAS-Laufwerke.</p>
	<p>4P Molex #2 Für IDE/SCSI/SAS-Laufwerke oder einige AGP Grafikkarten mit traditionellem 4-Pin Stecker.</p>
	<p>FDD Für Floppy-Laufwerke oder einige Erweiterungskarten.</p>





#1 Einige SATA-Laufwerke unterstützen SATA & 4-Pin Molex Stecker. Schließen Sie nur einen Stecker an!

Lesen Sie ansonsten im Handbuch des Laufwerks nach!

#2 Bei einigen Mainboards reicht die Spannung des 24-Pin-Mainboard-Steckers nicht für die Stromversorgung von Grafikkarten im PCI-E-Slot aus (wenn Sie z. B. ein System mit mehreren hochleistungsfähigen Grafikkarten betreiben). Der Anschluss eines zusätzlichen 4-Pin-Molex-Steckers ist erforderlich. Details entnehmen Sie bitte dem Benutzerhandbuch des Mainboards.

● **MODULARE KABEL (im Lieferumfang enthalten)**


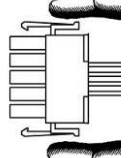
Benutzen Sie nur original ENERMAX modulare Kabel für dieses PSU. Andere Kabel könnten das PSU und Ihr System beschädigen und den Garantieverlust zur Folge haben!

	<p>EMC014-G: 2 x 6+2P (8P) PCI-E 2.0 Modulares Kabel für 1 oder 2 Performance PCI Express Grafikkarten, welche 6P oder 8P PCI-E Stecker benötigen.</p>
	<p>EMC019-G: 4 x SATA drives Modulares Kabel für SATA/SAS-Laufwerke wie ODD und HDD.</p>
	<p>EMC020-G : 4 x 4P Molex (IDE/SCSI) drives & 1 x FDD connector Modulares Kabel für IDE/SCSI/SAS-Laufwerke und Peripheriegeräte + 1x FDD-Anschluss.</p>
	<p>EMC021-G: 2 x SATA & 2 x 4P Molex Modulares Kabel für SATA/SAS/IDE/SCSI-Laufwerke und Peripheriegeräte.</p>

- Die im Lieferumfang enthaltenen modularen Kabel können je nach Modell und Region variieren.
- Wir bieten weitere optionale Kabel an. Bitte besuchen Sie unsere Webseite: www.enermax.de.

Besonderer Hinweis für Systemintegratoren: Falls Ihr System besondere modulare Kabelkonfigurationen oder Designs benötigt, sprechen Sie bitte mit einem ENERMAX Vertriebsbeauftragten.

● **VERBINDEN & ENTFERNEN VON MODULAREN KABELN**

	<p>Modulare Kabel an das Netzteil anschließen Die 5-Pin / 12-Pin Stecker auf den modularen Kabeln und den Sockeln des Netzteils haben weiße Pfeilmarkierungen. Folgende Regeln machen die Anwendung einfach:</p> <ol style="list-style-type: none"> 1. Schwarze Stecker zu schwarzen Sockeln und rote zu roten. 2. Pfeilmarkierung zu Pfeilmarkierung.
	<p>Modulare Kabel vom Netzteil entfernen Alle 5-Pin / 12-Pin Stecker auf den modularen Kabeln haben zwei Haken zum Einrasten mit den Sockeln des Netzteils. Um ein modulares Kabel zu entfernen, pressen Sie bitten gegen die zwei Haken und ziehen Sie den Stecker dann sanft heraus.</p>

EINSCHALTEN IHRES SYSTEMS

Vor dem Einschalten Ihres Systems stellen Sie bitte sicher, dass:

1. Mainboard-Stromanschluss (24P) korrekt angeschlossen ist.
2. CPU +12V ATX Stromanschluss (4 oder 8 Pin Konfiguration) (falls für MB erforderlich) korrekt angeschlossen ist, oder ein 4-Pin Molex-Stromanschluss (falls für MB erforderlich) korrekt angeschlossen ist.
3. Alle anderen erforderlichen Stromanschlüsse korrekt angeschlossen sind.
4. Kaltgerätekabel (Stromkabel) korrekt an Steckdose und Netzteil angeschlossen ist.
5. Das Systemgehäuse verschlossen und verschraubt ist!
6. Drücken Sie am Netzteil den I/O-Schalter auf "I" (ON). Das System ist jetzt bereit!

SICHERHEITSFUNKTIONEN

Dieses ENERMAX Netzteil verfügt über zahlreiche Sicherheitsfunktionen. Im Fall der meisten abnormen Situationen wird sich das Netzteil zum Schutz Ihres gesamten PC-Systems automatisch abschalten, um Schäden zu vermeiden. In den meisten Situationen, in denen dies geschieht, ist eine Komponenten-Fehlfunktion oder Fehlverhalten die Ursache. In einer solchen Situation prüfen Sie bitte zuerst ihre PC-Komponenten und die Umgebung auf Fehlfunktion(en), indem Sie folgendes ausschalten und/oder abtrennen:

1. I/O Schalter des Netzteils auf "O" & Kaltgerätekabel (Stromkabel) von der Steckdose und vom Netzteil trennen.
2. Berühren Sie das Netzteil vorsichtig, um zu prüfen, ob es stark erhitzt ist. Sollte dies der Fall sein, kann es eine Folge der Fehlfunktion von Gehäuse-oder Netzteil Lüftern sein oder durch eine ungenügende Anzahl von Gehäuselüftern oder eine falsche PC-Positionierung verursacht worden sein.
3. Warten Sie einige Minuten, bis sich das Netzteil abgekühlt hat.
4. Schliessen Sie wieder das Kaltgerätekabel (Stromkabel) an Steckdose und Netzteil an.
5. Schalten Sie den I/O-Schalter am Netzteil auf "I".
6. Prüfen Sie nun, ob alle Lüfter Ihres Systems arbeiten.
7. Kontaktieren Sie bitte den technischen Support des Herstellers der Komponente, von der Sie glauben, dass Sie die Fehlfunktion verursacht (z.B. MB, Grafikkarte oder ENERMAX-Netzteil).

Falls Sie Fragen haben oder Support benötigen, wenden Sie sich bitte an Ihren Händler, Ihre nächste ENERMAX-Niederlassung, deren Agenten oder an das ENERMAX Headquarter Service Center!

Manual Del Usuario

Estimado cliente:

Muchas gracias por comprar nuestra fuente ENERMAX . Le recomendamos que se lea bien este manual para el usuario.

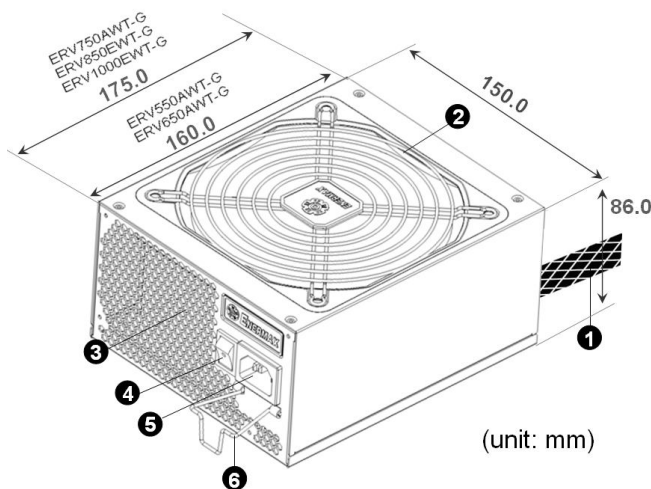
Queremos recordarle que los ordenadores actuales son muy vulnerables y necesitan condiciones especiales para funcionar sin problemas. Para evitar dichos fallos y maximizar la duración del sistema, le recomendamos que se asegure de:

- Su ordenador no se encuentre al lado de la calefacción ni otro objeto que irradie calor
- Su ordenador no se encuentre al lado de un objeto magnético
- Su ordenador no se encuentre en un entorno húmedo, con polvo y vibraciones
- Su ordenador no reciba radiación solar directa
- Su ordenador sea refrigerado lo suficiente por parte de los ventiladores
- Si utiliza un cable prolongador no lo puede utilizar con otros equipos de alto consumo de corriente, como impresoras LASER para asegurarse de que no sobrepasa la corriente máxima del cable, o conecte los equipos a otra toma de corriente.
- Si utiliza un SAI (Sistemas de Alimentación Ininterrumpida) para su sistema, debe emplear uno con capacidad de vatios-VA suficiente como:

modelo de la fuente	Capacidad recomendada mínima del SAI: (se basa por eficiencia y PFC a carga respectiva)
ERV550AWT-G	600W / 1000VA
ERV650AWT-G	700W / 1100VA
ERV750AWT-G	900W / 1400VA
ERV850EWT-G	1000W / 1400VA
ERV1000EWT-G	1100W / 1600VA

- * Si quiere enchufar otros equipos como una impresora o monitor, tiene que usar un modelo con capacidad mayor.
- * Por favor, no confunda capacidad de VA con vatios ni utilice un SAI insuficiente, ya que provocaría una disminución de la duración SAI o problemas al encender el sistema en modalidad de batería.

NOMENCLATURA DE LAS PARTES

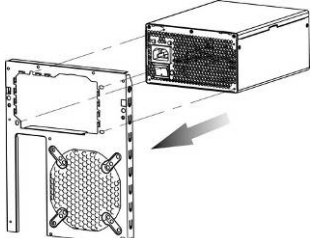
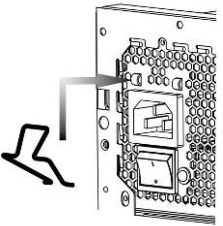
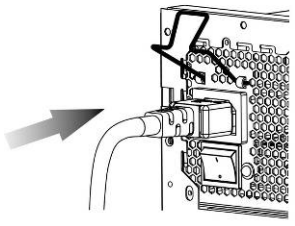
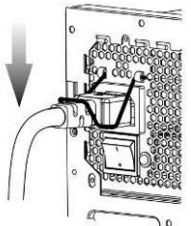


- ① Cable del corriente: Por favor, examine el párrafo „CABLES Y ENCHUFES”.
- ② Ventilador. #1
- ③ Honeycomb air vent. #1
- ④ Interruptor I/O*: separado interruptor de la fuente por En/Paro (I=En, O=Paro). #2
- ⑤ Toma de corriente #2
- ⑥ CordGuard #3

#1 Para asegurar la mejor refrigeración del sistema., no obstruye la ventilación de la fuente. Esta fuente se ofrece una función especial “HeatGuard”. Cuando el sistema esta apagado o está en modo ACPI S3/S4, el ventilador de la fuente va a desviar el calor hacia fuera durante 30-60 segundos para bajar la temperatura media del sistema en unos 3-5 °C.

#2 Cuando construya el sistema ponga el interruptor en posición “Paro/O” y desenchufe la toma de la corriente . Ahora puede mantener el sistema de forma segura.

#3 El cable de Alimentación puede ser desconectado accidentalmente de la fuente de alimentación ocasionando apagados sin aviso y daños en el PC, Enermax dispone de la tecnología CordGuard manteniendo el conector en su posición correcta y evitando accidentes fortuitos.

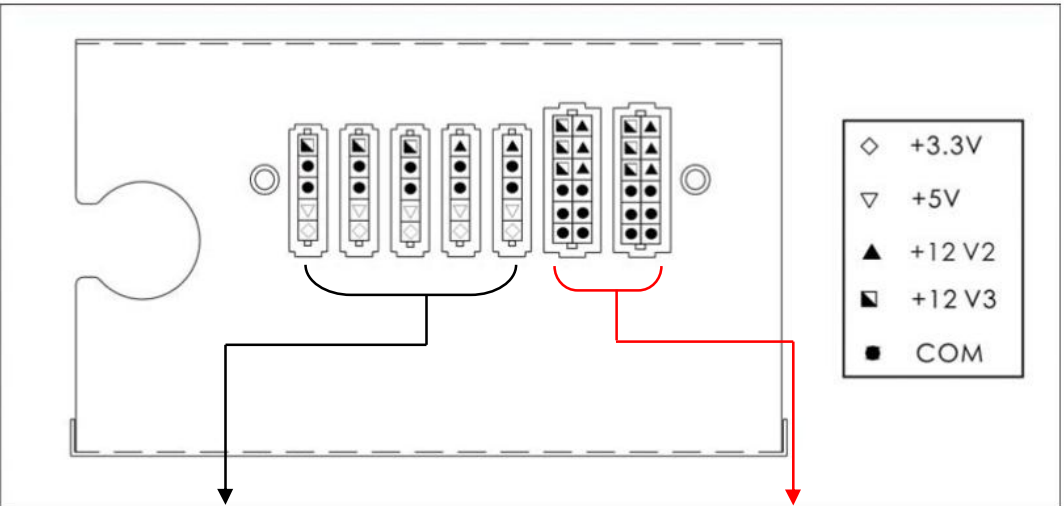
<p>① Alojando dentro de la misma fuente el propio conector y así se asegura que el conector se mantiene en la posición correcta.</p> 	<p>② Apretando al mismo tiempo las dos solapas de CordGuard e insertandolos en los huecos donde se aloja el cable de alimentación.</p> 
<p>③ Conectar el cable a la fuente.</p> 	<p>④ Se cierra CordGuard haciendo presión. Esto permite tener siempre en la posición correcta el dispositivo.</p> 
<p>1. CordGuard es un sistema exclusivo de la marca ENERMAX, cualquier intento de instalación en otro dispositivo distinto puede ocasionar problemas. 2. Cuando se hace mantenimiento del sistema con operaciones internas, el cable SIEMPRE debe permanecer desconectado.</p>	

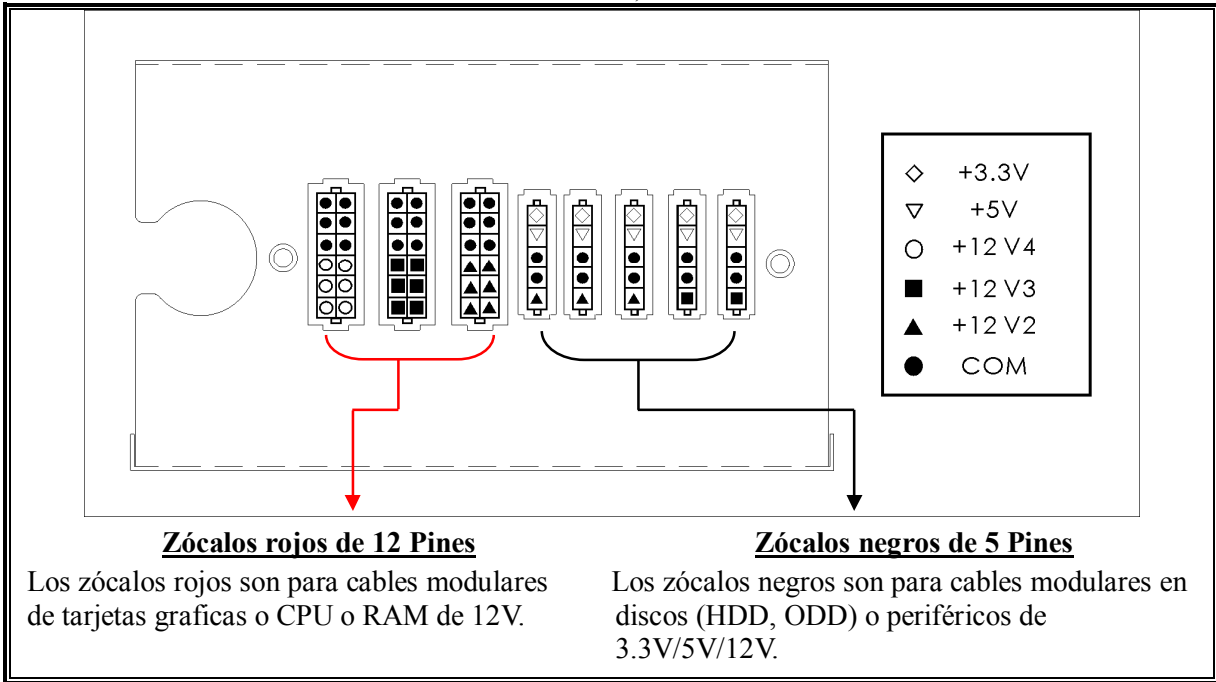
CABLES Y ENCHUFES

Todos los enchufes están diseñados para que sea imposible conectar cables en la dirección equivocada. Poner un enchufe en un zócalo tiene que ser fácil. Si no puede poner fácilmente el cableado modular original de ENERMAX en un zócalo, por favor, revise si está insertado en la dirección correcta. Nunca lo intente utilizando fuerza ni cambie los pines del voltaje. Eso puede dañar la fuente e invalidar la garantía.

Ilustración gráfica de los zócalos modulares y la distribución c.c..


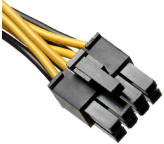


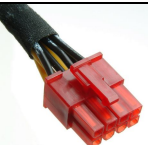
(ERV550AWT-G / ERV650AWT-G)





	
<p><u>Zócalos negros de 5 Pines</u> Los zócalos negros son para cables modulares en discos (HDD, ODD) o periféricos de 3.3V/5V/12V.</p>	<p><u>Zócalos rojos de 12 Pines</u> Los zócalos rojos son para cables modulares de tarjetas graficas o CPU o RAM de 12V.</p>



* Este producto incluye una protección para sobrecarga para una línea múltipla de 12v. Si se deja que muchos periféricos utilicen solo una línea de 12v, esto podría accionar la protección y provocar el apagamiento del sistema. Para repartir la carga de corriente y asegurar la mejor estabilidad y seguridad aconsejamos reconectar ciertos cables de alimentación de los periféricos a otras líneas de 12v.

● TIPOS DE ENCHUFES

	24P tarjeta madre Cable nativo, 12V salida por 12V1 Soporta generaciones nuevas de ATX/EEB/CEB server/workstation.
	8P CPU +12V Cable nativo, 12V salida por 12V1 (750/850/1000W) Soporta multi-CPU server/workstation & algunos sistemas single-socket.
	4+4P CPU +12V, en “modo combinado” Cable nativo, 12V salida por 12V1 La configuración 8-Pin soporta multi-CPU server/workstation & algunos sistemas single-socket extremas.
	4+4P CPU +12V, en “modo separado” Cable nativo, 12V salida por 12V1 La configuración 4-Pin soporta la mayoría de los sistemas single-socket. Unos sistemas multi-CPU server/workstation posiblemente necesitan este enchufe de 4-Pin 12V. Use el enchufe parcial marcado con “+12V”.
	6+2P (8P) PCI Express, en “modo combinado” Cable nativo, 12V salida por 12V4 (850/1000W) La configuración 8-pin configuración soporta las nuevas tarjetas gráficas, que necesitan este enchufe de 8-Pin PCI-E.





	6+2P (8P) PCI Express, en “modo separado” / 6P PCI Express Cable nativo, 12V salida por 12V4 (850/1000W) La configuración 6-pin configuración soporta la mayoría de las tarjetas gráficas, que necesitan este enchufe de 6-Pin PCI-E.
	SATA #1 Para ODD o HDD tipo SATA/SAS.
	4P Molex #2 Para ODD tipo IDE/SCSI/SAS de “vieja” generación con enchufe 4-P.
	FDD Para discos “Floppy” ó tarjetas de expansión..

#1 Unos discos duros de SATA soportan conectores SATA e 4-Pin Molex. Conecte Vd. solamente un enchufe! Examine su manual para el disco duro para entrar más en detalle.

#2 Unas placas base soportan este enchufe para suministrar corriente adicional aparte del enchufe 24-Pin de la placa base. Si tu ordenador está equipado con más de una VGA de gama alta, por favor, conecte este conector al socket correspondiente en la placa base y consulte el manual de instrucciones de la placa base para mayores detalles.

● CABLES MODULARES (contenido)

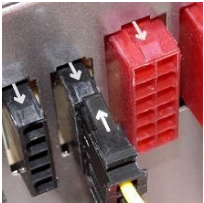
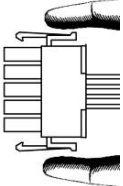
Por favor utilice solamente cables modulares originales de ENERMAX. Otros cables podrían dañar el sistema e invalidar la garantía.

	EMC014-G: 2 x 6+2P (8P) PCI-E 2.0 Cable modular para una o dos tarjetas gráficas Performance PCI Express, que necesitan enchufes de 6 o 8-Pin PCI-E.
	EMC019-G: 4 x SATA drives Cable modular para ODD o HDD tipo SATA/SAS de la generación más reciente.
	EMC020-G : 4 x 4P Molex (IDE/SCSI) drives & 1 x FDD connector Cable modular para ODD o HDD tipo IDE/SCSI/SAS mas 1x FDD (Floppy).
	EMC021-G: 2 x SATA & 2 x 4P Molex Cable modular para ODD o HDD tipo SATA/SAS/ IDE/SCSI/ de la generación más reciente.

- Los cables adjuntos podrían diferenciarse por modelo y por región de ventas.
- Ofrecemos más cables de forma opcional. Por favor revise nuestra página web para obtener más información: www.enermax.com

Nota especial para integradores de sistemas: Si su sistema necesita cables especiales, cables modulares o con un diseño, contacte a un representante de ENERMAX.

● CONECTAR Y EXTRAER CABLES MODULARES

	<p>CONECTAR CABLES MODULARES CON LA FUENTE 5-Pin / 12-Pin enchufes de los cables modulares y los zócalos de la fuente tienen marcas blancas de flecha.</p> <ol style="list-style-type: none">1. Enchufes negros con zócalos negros y rojos con rojos.2. Flecha con flecha.3. Ahora puede conectarlo fácilmente.
	<p>RENOVAR CABLES MODULARES DE LA FUENTE Todos los enchufes 5-Pin / 12-Pin de los cables modulares tienen ganchos para guardar con los zócalos de la fuente. Para quitar un cable modular pulse hacia las flechas y desconecte el enchufe cuidadosamente.</p>

ENCENDIENDO EL SISTEMA

Antes de encenderlo por favor asegúrese de que:

1. El enchufe de la placa base está conectado correctamente.
2. El enchufe del CPU +12V AUX (si es necesario) esté conectado correctamente.
3. o un enchufe 4-Pin Molex (si es necesario) esté conectado correctamente.
4. Todos los otros enchufes necesarios están conectado correctamente.
5. El cable de la corriente (AC) está conectado correctamente con la fuente y el enchufe!
6. Cierre la caja del sistema!
7. Coloque el interruptor de la fuente en la posición "I".

FUNCIONES DE PROTECCIÓN Y SEGURIDAD

La fuente ENERMAX tiene varias funciones de protección y seguridad. En caso de mal funcionamiento se detendrá para proteger todo el sistema de daños. En la mayoría de casos eso será causado por un mal funcionamiento de componentes o mala utilización. En cualquier situación siempre siga las instrucciones y desconéctela o apáguela:

1. El interruptor de la fuente por "O" y el cable corriente (AC) del enchufe y de la fuente.
2. Todos los componentes, que no son absolutamente necesarios, como ODD. Examine su temperatura por medio del tacto. Si está caliente, puede ser, que los ventiladores del sistema o de la fuente estén dañados o su caja no tenga ventiladores suficientes o es en una mala posición. (Lea nuestras recomendaciones en el comienzo del manual)
3. Espere. por unos minutos hasta que la fuente se haya enfriado.
4. Conecte de nuevo el cable corriente (AC) con enchufe y fuente.
5. Ponga el interruptor de la fuente en "I".
6. Examine Si todos los ventiladores están trabajando.
7. Contacte. el fabricante del componente si piensa que está causando el problema. (como tarjetas o ENERMAX)

Si tiene preguntas o si necesita ayuda, por favor contacte con su vendedor o acuda a una sucursal de ENERMAX o al centro mundial de soporte de ENERMAX.

Manuel d'utilisateur

Chers clients,

Merci d'avoir choisi l'alimentation ENERMAX ! Veuillez lire avec attention ce manuel avant de procéder à l'installation de l'alimentation.

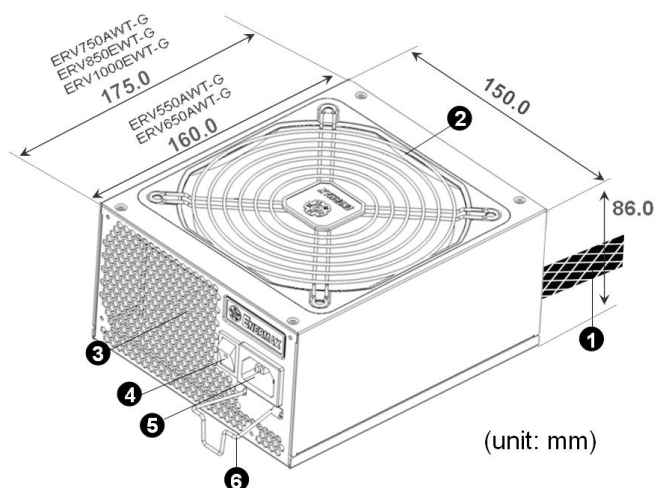
Nous souhaiterions attirer votre attention sur le fait qu'un ordinateur est fragile, qui demande de respecter certaines conditions pour fonctionner de façon optimale. Pour éviter tous problèmes et augmenter la durée de vie de votre système, nous vous suggérons de :

- Ne pas placer votre système près d'un radiateur ou de toutes autres sources de chaleur
- Ne pas placer votre système près d'une source magnétique
- Ne pas placer votre système dans une pièce humide, et/ou salle, et/ou un environnement soumis à des vibrations
- Ne pas exposer votre système à la lumière directe du soleil
- Suffisamment refroidir votre système par l'ajout de ventilateurs supplémentaires si nécessaire
- Si vous utilisez une rallonge électrique, assurez-vous qu'elle puisse supporter le courant nécessaire au bon fonctionnement de tous les appareils connectés. Sinon déportez le branchement des appareils à forte consommation électrique sur une autre prise murale. Si vous dépassez les capacités de charge maximale supportées par votre câble électrique, vous risquez de couper l'alimentation.
- Si vous souhaitez ajouter un onduleur à votre système, veuillez à choisir la capacité Watts/VA adéquate. Ex.

Modèle d'alimentation	Capacité minimale suggérée pour votre onduleur
ERV550AWT-G	600W / 1000VA
ERV650AWT-G	700W / 1100VA
ERV750AWT-G	900W / 1400VA
ERV850EWT-G	1000W / 1400VA
ERV1000EWT-G	1100W / 1600VA

- * Si vous souhaitez brancher plusieurs autres appareils à votre onduleur, comme une imprimante ou un moniteur, veuillez à choisir une capacité en courant plus élevée.
- * Assurez vous que les capacités de votre onduleur en watts et VA soient suffisante, sans quoi votre réserve d'énergie sera fortement réduite ou simplement nulle en cas de coupure de courant.

ELEMENTS PRATIQUES



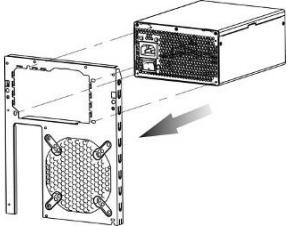
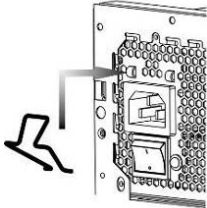
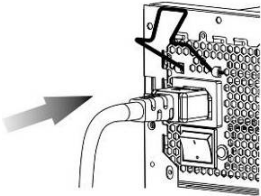
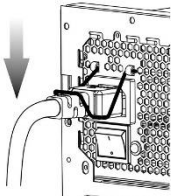
- ① Câble de sortie: Veuillez vérifier les section "Câbles & Connecteurs".
- ② Ventilateur. #1
- ③ Ventilation en Nid d'abeille. #1
- ④ Bouton ON/OFF: (I=ON, O=OFF). #2
- ⑤ Connecteur AC. #2
- ⑥ CordGuard. #3

#1 Pour assurer un refroidissement optimal de votre système, veuillez à ne pas obstruer les entrées et sorties d'air De l'alimentation.

Cette alimentation intègre la fonction HeatGuard. Lorsque le système est éteint, ou bien en mode veille ACPI S3/S4, le ventilateur de l'alimentation continuera à dissiper la chaleur de votre système pendant 30 à 60 secondes, et prolonger la durée de vie du système.

#2 Lors de l'assemblage ou de la maintenance de votre système, veuillez débrancher le câble d'alimentation ou bien positionner le bouton sur OFF. Ainsi vous pourrez travailler en toute sécurité.

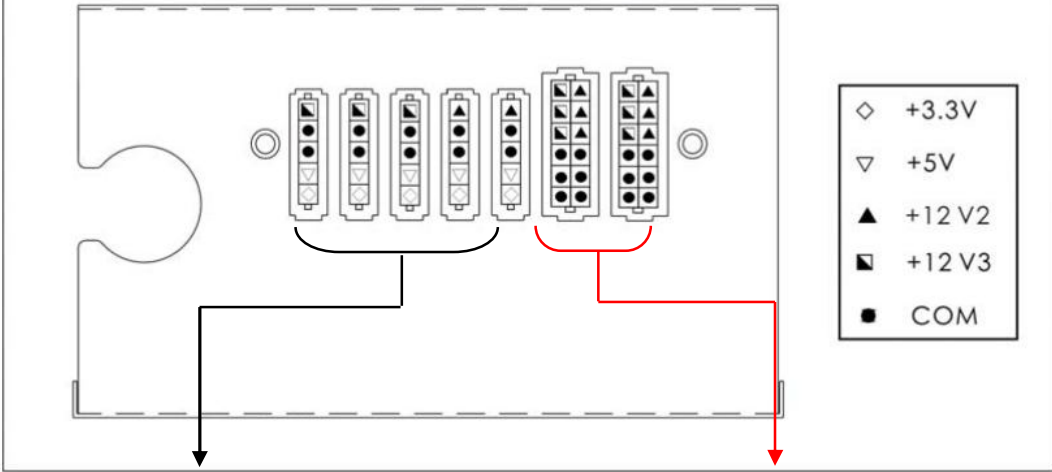
#3 Le câble d'alimentation peut se décrocher très facilement. Le système ENERMAX CordGuard permet de fixer le câble d'alimentation sur l'alimentation, rendant la déconnexion quasi impossible.

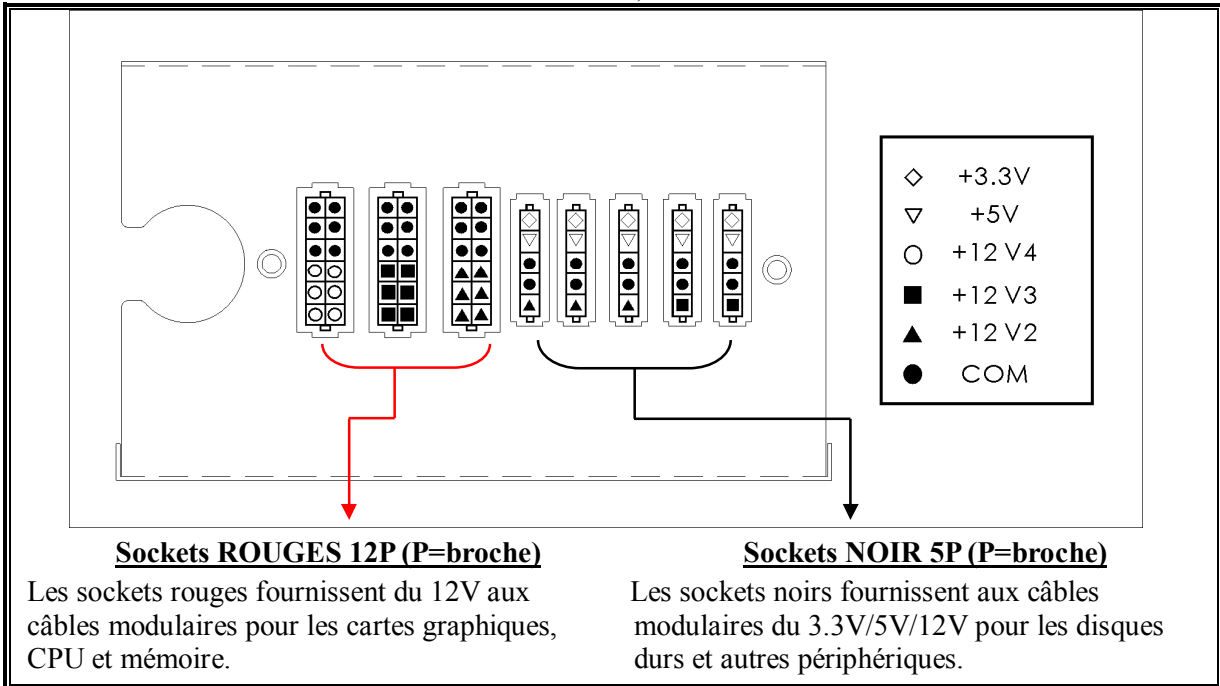
<p>① Mettre l'alimentation dans le boîtier, et vous assurer que le bouton est bien sur la position "O".</p> 	<p>② Insérer simultanément les deux côtés du système de fixation CordGuard dans l'emplacement prévu à cet effet proche du connecteur d'alimentation.</p> 
<p>③ Brancher le câble dans l'alimentation.</p> 	<p>④ Refermer le système CordGuard pour bloquer le câble d'alimentation.</p> 
<p>1. CordGuard est compatible avec le câble A.C. fourni avec l'alimentation ENERMAX fonction CordGuard. Les autres câbles A.C. sont susceptibles d'être incompatibles. 2. Lorsque vous réalisez des manipulations du système, veuillez retirer le câble d'alimentation de la prise murale ou mettre l'alimentation en position 'O'.</p>	

CABLES & CONNECTEURS

Tous les connecteurs sont étudiés pour éviter une mauvaise insertion. Si vous ne parvenez pas à insérer facilement un câble dans un connecteur, veuillez vérifier son sens d'insertion. Ne pas forcer ou modifier les connecteurs. Cela pourrait endommager votre système ou l'alimentation. La garantie sera annulée. Veuillez suivre les instructions ci-dessous pour le branchement des câbles modulaires.

(ERV550AWT-G / ERV650AWT-G)




	
<p><u>Sockets NOIR 5P (P=broche)</u> Les sockets noirs fournissent aux câbles modulaires du 3.3V/5V/12V pour les disques durs et autres périphériques.</p>	<p><u>Sockets ROUGES 12P (P=broche)</u> Les sockets rouges fournissent du 12V aux câbles modulaires pour les cartes graphiques, CPU et mémoire.</p>



* Ce produit intègre la protection contre sur-courant sur les rails 12V mutiple. Si vous laissez de nombreux périphériques consomment la puissance sur un seul rail 12V, il peut déclencher la protection contre sur-courant et éteindre le système. Veuillez distribuer les câble d'alimentation de certains périphériques ver d'autres rails 12V pour partager la charge afin d'assurer la stabilité et le sécurité.

● CONNECTOR TYPES

	<p>24P Carte Mère Câble indigène, courant 12V distribué par 12V1 Pour la nouvelle génération de cartes mères serveur et stations de travail ATX/EEB/CEB</p>
	<p>8P CPU +12V Câble indigène, courant 12V distribué par 12V1 (750/850/1000W) Pour les serveurs et stations de travail multi-CPU et certaines mono CPU.</p>
	<p>4+4P (8P) CPU +12V, en mode combiné Câble indigène, courant 12V distribué par 12V1 La configuration 8-pins supporte les serveurs et stations de travail multi-CPU et certaines mono CPU.</p>
	<p>4+4P (8P) CPU +12V, en mode séparé Câble indigène, courant 12V distribué par 12V1 La configuration 4-pins supporte les systèmes mono CPU. Certaines stations de travail ou serveurs multi-CPU pourraient avoir besoin de ce connecteur 4-pins 12V supplémentaire. Veillez utiliser le connecteur marqué "12V".</p>
	<p>6+2P (8P) PCI Express, en mode combiné Câble indigène, courant 12V distribué par 12V4 (850/1000W) La configuration 8-pins supporte les dernières cartes graphiques PCI-E.</p>
	<p>6+2P (8P) PCI Express, en mode séparé / 6P PCI Express Câble indigène, courant 12V distribué par 12V4 (850/1000W) La configuration 6-pins supporte la plupart des cartes graphiques PCI-E.</p>





	SATA #1 Pour les disques durs/ lecteurs optique SATA/SAS.
	4P Molex #2 Pour les disques durs/ lecteur optique IDE/SCSI/SAS ou quelques cartes graphiques AGP.
	FDD Pour lecteur de disquette

#1 Certains disques durs SATA peuvent accepter une alimentation SATA ou 4P Molex. Utiliser l'un des deux connecteurs, et JAMAIS les deux en même temps.

#2 Certains cartes mères nécessitent ce connecteur pour partager le current 12V de connecteur 24-pin Mainboard vers PCI-E. Si votre système est équipé de plusieurs cartes graphiques haut de gamme, veuillez brancher ce connecteur à l'emplacement prévu de la carte-mère et vérifiez le manuel de celle-ci pour plus de détails.

● CABLES MODULAIRES FOURNIS


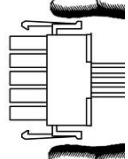
Utiliser uniquement les câbles modulaires certifiés par ENERMAX et fournis avec l'alimentation. Les autres câbles pourraient ne pas être compatibles et pourraient endommager votre alimentation, votre système, et annuler la garantie.

	EMC014-G: 2 x 6+2P (8P) PCI-E 2.0 Câble modulaire pour 1 ou 2 cartes graphiques nécessitant des connecteurs PCI-E 6P ou 8P.
	EMC019-G: 4 x SATA drives Câble modulaire pour lecteurs SATA/SAS comme les disques durs et lecteurs optiques.
	EMC020-G : 4 x 4P Molex (IDE/SCSI) drives & 1 x FDD connector Câble modulaire pour lecteur et autres périphériques IDE/SCSI/SAS, plus connecteur d'alimentation pour 1 FDD.
	EMC021-G: 2 x SATA & 2 x 4P Molex Câble modulaire pour lecteur et autres périphériques SATA/SAS/IDE/SCSI.

- Les câbles modulaires fournis sont différents suivants les modèles et les pays.
- Nous proposons des câbles optionnels. Pour les découvrir, visitez www.enermax.com

A l'intention des intégrateurs: Si votre configuration nécessite des câbles modulaires spéciaux, veuillez contacter votre représentant commercial Enermax.

● BRANCHER / DEBRANCHER UN CÂBLE MODULAIRE

	<p>Brancher un câble modulaire à l'alimentation</p> <p>Le connecteur 5P / 12P des câbles modulaires porte une flèche: Procédez ainsi pour connecter un câble:</p> <ol style="list-style-type: none">1. Connecteur noir sur socket noir, et rouge avec rouge.2. Les flèches blanches se rencontrent.3. Ainsi la connexion est possible.
	<p>Débrancher un câble modulaire de l'alimentation</p> <p>Les connecteurs 5P / 12P des câbles modulaires ont deux crochets de sûreté qui s'accrochent au socket de l'alimentation. Pour retirer le câble, appuyez sur les deux crochets et tirer doucement.</p>

DEMARRER VOTRE SYSTEME

Avant de démarrer votre système, veuillez vérifier les points suivants:

1. Le connecteur d'alimentation principal est correctement branché (24P).
2. Le connecteur CPU +12V (4P ou 8P), et/ou le connecteur 4P Molex (si nécessaire) sont correctement branchés.
3. Tous les autres connecteurs nécessaires sont correctement branchés.
4. Le cordon d'alimentation doit être connecté à la prise électrique murale et à l'alimentation.
5. Fermer le boîtier de votre système.
6. Placer le bouton ON/OFF de l'alimentation sur la position 'ON' et votre système est prêt à démarrer.

PROTECTION, PRECAUTION ET SECURITE

Cette alimentation intègre plusieurs protections. Dans des situations anormales, celle-ci s'arrêtera automatiquement pour éviter tout danger pour vous et votre PC. Ces situations sont la plupart du temps liées à un dysfonctionnement d'un composant ou à une mauvaise manipulation. Dans ces circonstances, merci de suivre les points suivants :

1. Placer le bouton I/O de l'alimentation sur la position 'O', puis déconnecter le câble d'alimentation de la prise murale électrique aisément accessible.
2. Vérifier la température de l'alimentation en la touchant. Si elle est vraiment chaude, cela peut être dû à un mauvais fonctionnement du ventilateur ou à la mauvaise position de votre PC.
3. Attendre quelques minutes que l'alimentation refroidisse.
4. Reconnecter le cordon d'alimentation au mur et à l'alimentation elle-même.
5. Placer le boutons I/O de l'alimentation sur la position 'I' et relancer votre système.
6. Vérifier si tous les ventilateurs fonctionnent.
7. Contacter le service technique de chaque composant qui vous semble être la cause de ce problème.

Si vous avez des questions, merci de contacter ENERMAX ou l'un de ses agents à travers le monde.

Les informations contenues dans ce document peuvent être soumises à des modifications sans préavis.

Les informations contenues dans ce document peuvent être soumises à des modifications sans préavis.

©2011 ENERMAX Technology Corporation. All rights reserved. Toute reproduction, par quelque manière que ce soit, est strictement interdite sans l'autorisation écrite de ENERMAX.

Manuale dell'Utente

Cari clienti,

Vi siamo grati per avere scelto questo ALIMENTATORE ENERMAX ! Prima di installarlo, leggete attentamente questo manuale e seguite le sue istruzioni.

Desideriamo attirare la vostra attenzione sul fatto che un computer richiede condizioni di lavoro molto specifiche per dare il meglio in termini di prestazioni, e per non guastarsi. Onde evitare guasti e aumentare la durata del sistema, noi vi consigliamo:

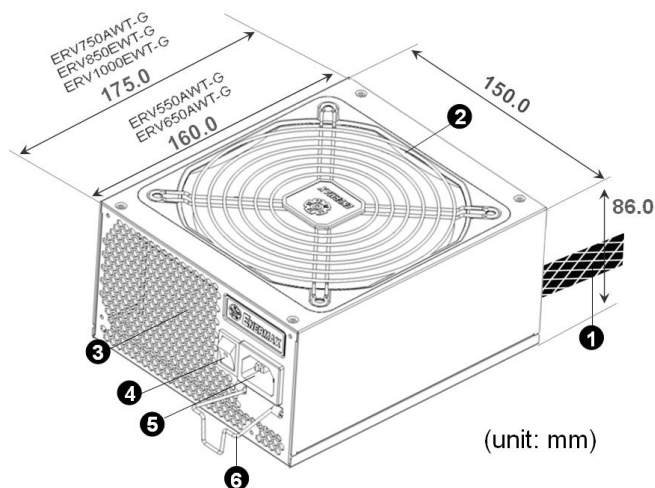
- Di NON posizionare il sistema vicino a un radiatore o ad altro dispositivo che produce calore
- Di NON posizionare il sistema vicino a un dispositivo magnetico
- Di NON tenere il sistema in un ambiente umido o polveroso e/o con vibrazioni
- Di NON esporre il sistema ai raggi diretti del sole
- Di raffreddare a sufficienza il sistema con delle ventole supplementari
- Se usate delle prolunghie AC, assicuratevi che siano in grado di supportare il carico massimo di consumo di corrente di tutti gli apparecchi collegati, altrimenti ridistribuite le altre apparecchiature con alto consumo di corrente come stampanti laser o monitor, su altre prese AC a muro. Superando in eccesso la capacità di carico della prolunga, facilmente si attiva il dispositivo di protezione, con conseguente interruzione dell'alimentazione.
- Se volete aggiungere dei gruppi di continuità (UPS: Uninterruptible Power Supply) al vostro sistema, scegliete degli UPS con adeguata capacità di Watts/VA. Per es.

Modello di PSU	Capacità minima di corrente consigliata per gli UPS (Basata sul efficienza e PFC con il rispettivo carico)
ERV550AWT-G	600W / 1000VA
ERV650AWT-G	700W / 1100VA
ERV750AWT-G	900W / 1400VA
ERV850EWT-G	1000W / 1400VA
ERV1000EWT-G	1100W / 1600VA

* Se intendete aggiungere un altro apparecchio alimentato dallo stesso UPS, quale un monitor o stampante, usate un UPS di capacità superiore in base al consumo di corrente stimato per tutti i dispositivi collegati.

* Non sbagliatevi a considerare la capacità VA come Watts, o ad usare un UPS con corrente non sufficiente. Questo avrebbe come risultato una durata minore della batteria dell'UPS oppure l'incapacità ad alimentare il sistema nella modalità batteria.

NOME DELLE PARTI



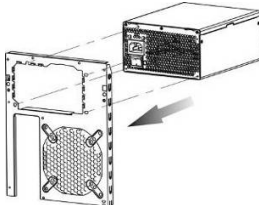
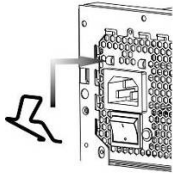
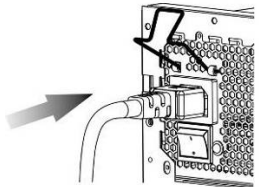
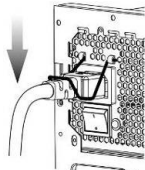
- ① Cavo di output: Consultare la sezione “Cavi e connettori”.
- ② Ventola. #1
- ③ Condotto espulsione aria calda (struttura a nido d’ape). #1
- ④ Interruttore ON/OFF: (I=ON, O=OFF). #2
- ⑤ Entrata AC. #2
- ⑥ CordGuard. #3

#1 Per garantire un miglior raffreddamento del sistema, non ostruire la ventola dell’ alimentatore o il condotto per l’espulsione dell’ aria calda posto sul retro

Questo alimentatore implementa la funzione HeatGuard : quando il sistema viene spento, o entra nella modalità sleep ACPI S3/S4, la ventola continua a dissipare calore per 30 ~ 60 secondi allungando così la vita del sistema.

#2 Durante l’assemblaggio o la manutenzione del sistema, rimuovere SEMPRE il cavo AC dalla presa AC, Solo allora si potrà operare sulle apparecchiature in totale sicurezza.






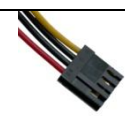
#3 Il cavo di alimentazione AC, può sconnettersi a seguito di sollecitazioni improprie. Il dispositivo Enermax CordGuard, mantiene saldamente in posizione il connettore di alimentazione, evitando spegnimenti improvvisi ed il danneggiamento del PC.

<p>① Alloggiare l’alimentatore all’interno del case ed assicurarsi che il connettore I/O sia in posizione “O”.</p> 	<p>② Premere contemporaneamente le due alette del dispositivo CordGuard ed inserirle negli appositi fori di alloggiamento vicino al cavo di alimentazione AC.</p> 
<p>③ Connettere il cavo AC all’Alimentatore.</p> 	<p>④ Chiudere il dispositivo CordGuard, mediante pressione su di esso. Ciò consente di mantenere perfettamente in posizione il connettore AC.</p> 
<p>1. CordGuard nasce per essere impiegato esclusivamente con Alimentatori Enermax Compatibili. L’installazione su prodotti di altra marca potrebbe dare luogo a problemi.</p> <p>2. Quando si eseguono operazioni di installazione o manutenzione del sistema si deve SEMPRE rimuovere il cavo di alimentazione AC dal relativo connettore</p>	

CAVIE CONNETTORI

Tutti i connettori sono stati progettati per impedirne l’inserimento errato. Se non fosse possibile inserire con facilità un connettore, controllate se il suo orientamento è corretto. Non cercate di inserirlo a forza o di modificare i connettori: questo potrebbe danneggiare l’alimentatore ed i componenti del sistema, oltre ad invalidarne la garanzia.

Il seguente grafico illustra il layout delle prese modulari e la distribuzione delle linee.





	4+4P (8P) CPU +12V, in modalità separata Cavo nativo, linea 12V alimentata da 12V1 Per server/workstation multi-CPU e sistemi a CPU singola Usare il connettore con il segno "12V".
	6+2P (8P) PCI Express, in modalità combinata Cavo nativo, linea 12V alimentata da 12V4 (850/1000W) La configurazione a 8-pin supporta quelle schede grafiche di ultima generazione, che richiedono il connettore PCI-E a 8 pin.
	6+2P (8P) PCI Express, in modalità separata / 6P PCI Express Cavo nativo, linea 12V alimentata da 12V4 (850/1000W) La configurazione a 6-pin supporta quelle schede grafiche ad elevata prestazione che richiedono il connettore PCI-E a 6 pin.
	SATA #1 Per i lettori SATA/SAS.
	4P Molex #2 Per i lettori IDE/SCSI/SAS o per alcuni modelli di schede grafiche AGP
	FDD Per lettori floppy o schede add-on.

#1 Certi lettori SATA accettano il connettore SATA o Molex 4P. Usare l'uno o l'altro connettore per alimentare il driver, MA NON TUTTI E DUE! Controllare il manuale del lettore per i dettagli.

#2 Alcune MB potrebbero richiedere questo connettore allo scopo di ripartire la corrente, necessaria agli slot PCI-E, erogata sulla linea +12V del connettore principale a 24 Pin. Nel caso il vostro sistema contenga più schede grafiche di fascia alta, collegate il connettore al Socket corrispondente sulla MB. In seguito controllate, sul manuale della stessa, per ottenere maggiori dettagli.

● CAVI MODULARI IN DOTAZIONE

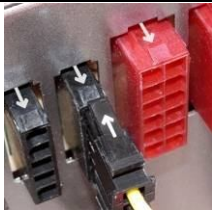
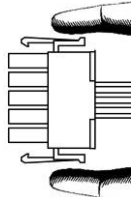
Usare SOLO cavi modulari ENERMAX forniti in dotazione con l'alimentatore ENERMAX. Cavi di terzi potrebbero non essere compatibili e potrebbero causare un danno al vostro PSU e/o al sistema: l'uso di cavi di terze parti renderà nulla la garanzia del PSU.

	EMC014-G: 2 x 6+2P (8P) PCI-E 2.0 Cavo modulare per 1 o 2 schede grafiche PCI Express, che richiedono il connettore PCI-E 6P o 8P.
	EMC019-G: 4 x SATA drives Cavo modulare per lettori SATA/SAS e HDD.
	EMC020-G : 4 x 4P Molex (IDE/SCSI) drives & 1 x FDD connector Cavo modulare per lettori IDE/SCSI/SAS ed altre periferiche.
	EMC021-G: 2 x SATA & 2 x 4P Molex Cavo modulare per lettori SATA/SAS/IDE/SCSI e periferiche.

- I cavi modulari in dotazione potrebbero presentare differenze a seconda del modello e del luogo di commercializzazione
- Ulteriori cavi opzionali sono disponibili per la vendita all'indirizzo: www.enermax.com

Nota : Se il vostro sistema richiede un particolare cavo modulare per la sua configurazione, contattate l'assistenza tecnica di ENERMAX.

● COME ATTACCARE/ STACCARE I CAVI MODULARI

	Attacco dei cavi modulari al PSU Il connettore da 5-pin / 12-pin sul cavo modulare e la presa modulare del PSU ha un segno di freccia. È estremamente facile effettuare il collegamento corretto: 1. Connettore nero alla presa nera, lo stesso dicasi per il connettore rosso. 2. Le punte della freccia deve corrisponde.
	Come staccare i cavi modulari dal PSU Il connettore da 5-pin / 12-pin sul cavo modulare ha due ganci per agganciarsi con le prese modulari del PSU. Quando si stacca la spina del cavo modulare dal PSU, premere i due ganci insieme ed estrarre delicatamente il cavo.

ACCENSIONE DEL SISTEMA

Prima di accendere il sistema controllare che:

1. Il connettore principale della corrente (24 pin) sia adeguatamente collegato.
2. Il connettore di corrente CPU +12V (configurazione 4 o 8 pin), e/o un connettore Molex 4P (se richiesto da MB) sia adeguatamente collegato.
3. Tutti gli altri connettori necessari siano adeguatamente collegati.
4. Il cavo AC sia adeguatamente collegato alla presa a muro e alla presa di entrata AC del PSU.
5. Chiudere il telaio del sistema.
6. Accendere il PSU girando l'interruttore ON/OFF su "ON", e il sistema è pronto.

PROTEZIONE, SICUREZZA E AFFIDABILITÀ

Il PSU ENERMAX è dotato di molte protezioni. In caso di situazioni anomale, l'alimentatore viene spento automaticamente per evitare pericoli verso le persone o componenti del PC. La protezione viene generalmente attivata dal malfunzionamento di un componente o dalla negligenza dell'utente. In questo caso verificare il PC e l'ambiente di lavoro procedendo come segue:

1. Portare l'interruttore I/O dell'alimentatore nella posizione "O", scollegare il cavo CA dalla presa a muro e l'alimentatore dall'ingresso CA.
2. Controllare la temperatura del PSU toccandolo. Se risulta molto caldo potrebbe esserci un malfunzionamento delle ventole o della ventola PSU o un montaggio errato del PC.
3. Attendere alcuni minuti fino al raffreddamento del PSU.
4. Ricollegare il cavo CA alla presa a muro e l'alimentatore all'ingresso CA.
5. Portare l'interruttore I/O dell'alimentatore nella posizione "I" e riavviare il sistema.
6. Controllare se tutte le ventole funzionano.
7. Contattare il supporto tecnico del costruttore del componente che si ritiene sia la causa del problema (p.e. MB, GPU o PSU).

Se avete domande o avete bisogno di supporto, contattate il vostro rivenditore o il centro assistenza della filiale ENERMAX

Руководство пользователя

Уважаемый пользователь,

Спасибо за то, что выбрали блок питания (БП) ENERMAX. Перед установкой БП прочтите, пожалуйста, внимательно данное руководство и придерживайтесь изложенных в нем указаний.

Обратите внимание, что для бесперебойной работы компьютера требуется соблюдение определенных требований. Во избежание сбоев в работе и для продления срока службы системы мы рекомендуем:

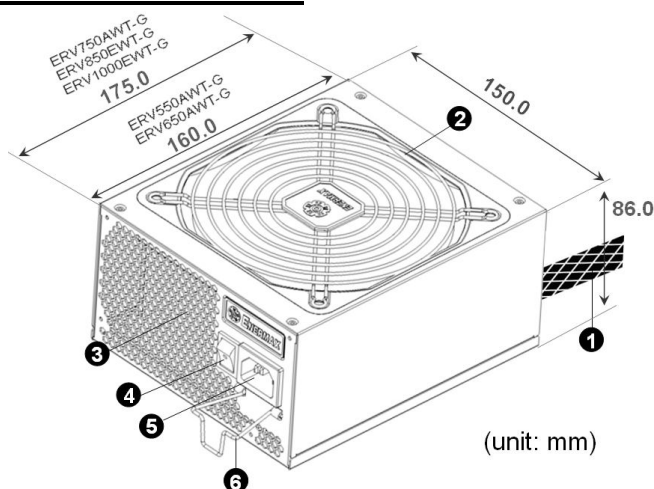
- НЕ устанавливать систему возле батареи или другого теплогенерирующего устройства
- НЕ устанавливать систему возле устройств создающих магнитные помехи
- НЕ устанавливать систему во влажном и/или пыльном, помещении, которое может подвергаться воздействию вибраций.
- НЕ подвергать систему воздействию прямых солнечных лучей
- Обеспечить соответствующее охлаждение системы с помощью дополнительных вентиляторов
- В случае использования удлинительных кабелей переменного тока, следует убедиться, поддерживают ли они максимальную передаваемую мощность всех подсоединенных приборов. Или переключить оборудование с высоким потреблением мощности, как например лазерные принтеры или мониторы, в другую настенную розетку сети переменного тока. Превышение допустимой нагрузки кабелей может привести к срабатыванию аварийного отключения.
- Используя в системе ИБП, выбирайте подходящую мощность Вт/ВА. Прим.

Модель БП	Рекомендованная наименьшая выходная мощность ИБП (с учетом КПД и PFC при соответствующей нагрузке)
ERV550AWT-G	600W / 1000VA
ERV650AWT-G	700W / 1100VA
ERV750AWT-G	900W / 1400VA
ERV850EWT-G	1000W / 1400VA
ERV1000EWT-G	1100W / 1600VA

* Если присоединяете к тому же ИБП другие устройства, например, монитор или принтер, используйте ИБП более высокой мощности с учетом номинальной мощности всех подсоединенных устройств.

* Пожалуйста, не путайте мощность в единицах ВА с Вт, и не используйте ИБП с недостаточной мощностью. Это приведет к уменьшению времени работы аккумулятора ИБП или невозможности работы системы от аккумулятора.

НАЗВАНИЯ ЧАСТЕЙ



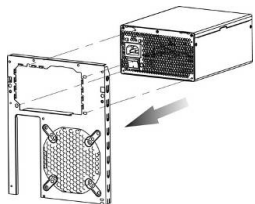
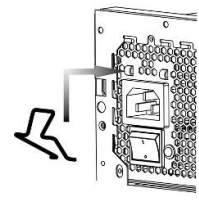
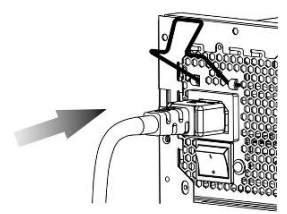
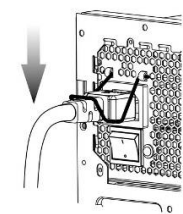
- ① Кабель вывода: См. раздел «Кабели и подключения».
- ② Вентилятор. #1
- ③ Вентиляционные отверстия в форме сот. #1
- ④ Переключатель «Вкл./Выкл.»: (I=ВКЛ., O=ВЫКЛ.). #2
- ⑤ Силовой разъем переменного тока. #2
- ⑥ CordGuard. #3

#1 Для обеспечения достаточного охлаждения системы, не закрывайте доступ к вентиляционным отверстиям БП.

БП обладает специальной функцией HeatGuard. После выключения системы он переходит в режим ожидания ACPI S3/S4 и вентилятор БП продолжает работать еще 30-60 секунд после выключения, чтобы вывести оставшееся тепло из системы и таким образом увеличить срок службы системных компонентов.

#2 При сборке и уходе за системой отключите силовой шнур питания из сетевого разъема или установите переключатель «Вкл./Выкл.» в положение «ВЫКЛ.» и подождите. После этого можно безопасно проводить техническое обслуживание.

#3 Вилка питания может случайно отсоединиться от блока питания. ENERMAX-CordGuard закрепляет вилку в гнезде блока питания. Он предотвращает незапланированные сбои системы связанные со случайным отключением.

<p>① Установите блок питания в корпусе. Убедитесь, что кнопка включения стоит в режиме “О” (выкл.)</p> 	<p>② Сожмите, пожалуйста, с обеих сторон защелку CordGuard и прикрепите его на предусмотренном для него месте.</p> 
<p>③ Подключите кабель питания к блоку.</p> 	<p>④ Опустите защелку CordGuard, закрепляя таким образом, вилку питания.</p> 
<p>1. Защелка CordGuard подходит только для кабелей питания, которые прилагаются в комплекте вместе с совместимыми блоками питания производителя ENERMAX. Другие кабели питания могут быть не совместимы с ENERMAX-CordGuard.</p> <p>2. При установке или обслуживании системы, пожалуйста, всегда вытягивайте вилку питания или выключайте блок питания, переключив кнопку на “О” (Выкл.).</p>	

КАБЕЛИ И ПОДКЛЮЧЕНИЯ

Все подключения имеют конструкцию, не позволяющую подключить их неправильным образом. Если не удастся легко вставить разъем, проверьте, делаете ли вы это правильно. Не пытайтесь вставить силой или изменить форму разъемов. Это может повредить компоненты блока питания или системы и привести к утрате гарантии и неустранимой поломке.

На следующем рисунке показана схема компоновки модульных разъемов и распределение по шинам постоянного тока.

(ERV550AWT-G / ERV650AWT-G)



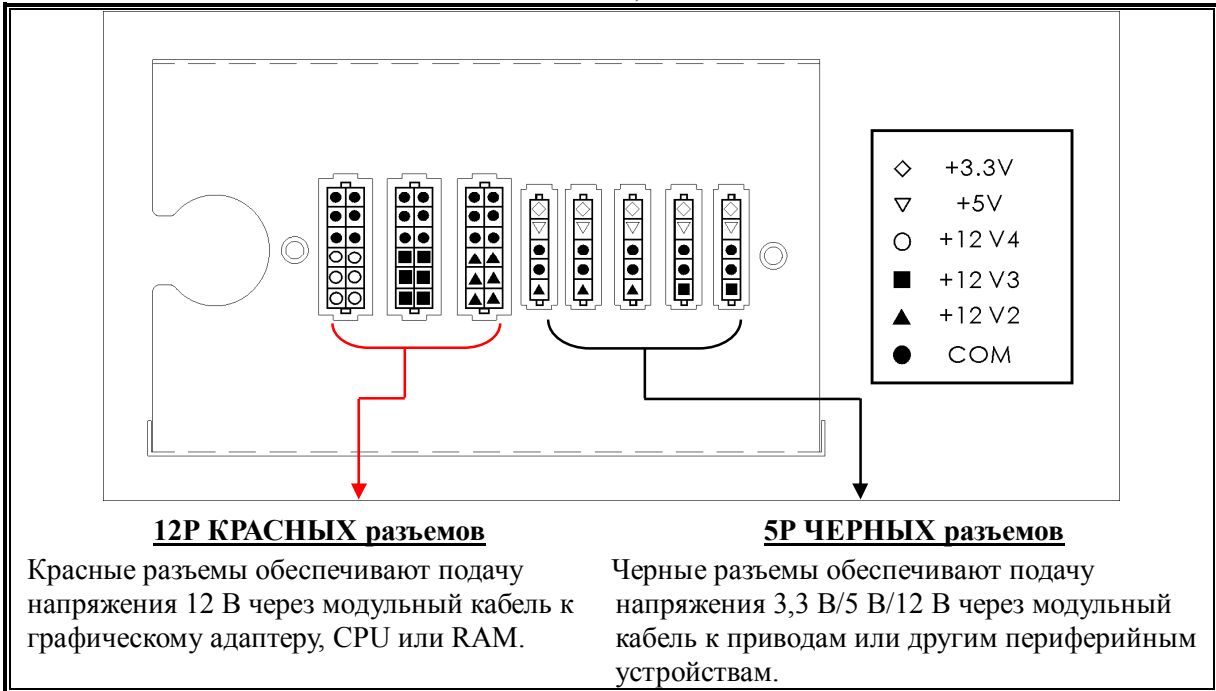
◇	+3.3V
▽	+5V
▲	+12 V2
▣	+12 V3
●	COM

5P ЧЕРНЫХ разъемов

Черные разъемы обеспечивают подачу напряжения 3,3 В/5 В/12 В через модульный кабель к приводам или другим периферийным устройствам.

12P КРАСНЫХ разъемов

Красные разъемы обеспечивают подачу напряжения 12 В через модульный кабель к графическому адаптеру, CPU или RAM.

**12P КРАСНЫХ разъемов**

Красные разъемы обеспечивают подачу напряжения 12 В через модульный кабель к графическому адаптеру, CPU или RAM.




5P ЧЕРНЫХ разъемов

Черные разъемы обеспечивают подачу напряжения 3,3 В/5 В/12 В через модульный кабель к приводам или другим периферийным устройствам.

* Данный блок питания оснащен защитой от перегрузки. Защитой оснащены каждый из каналов напряжений 12В. В случае подключения слишком большого количества компонентов к одному из каналов, защита может сработать. Поэтому, пожалуйста, следите чтобы компоненты были подключены равномерно по различным 12 В каналам, для безопасной и надежной работы системы.

● ВИДЫ ПОДКЛЮЧЕНИЙ

	<p>24-контактное подключение материнской платы Встроенный кабель, 12В шина, питаемая от 12V1 Для нового поколения MB серверов/рабочих станций ATX/ЕЕВ/СЕВ.</p>
	<p>8-контактный разъем CPU +12В Встроенный кабель, 12В шина, питаемая от 12V1 (750/850/1000W) Поддерживает мульти-CPU сервера/рабочие станции и некоторые одноразъемные системы.</p>
	<p>4+4-контактный (8P) CPU +12В комбинированный разъем Встроенный кабель, 12В шина, питаемая от 12V1 8-контактная конфигурация поддерживает сервера/рабочие станции с множественными CPU и некоторые системы с одним CPU нового поколения.</p>
	<p>4+4-контактный (8P) CPU +12В разделенный разъем Встроенный кабель, 12В шина, питаемая от 12V1 4-контактная конфигурация поддерживает некоторые системы с одним CPU. Для некоторых рабочих станций/серверов с несколькими CPU может понадобиться дополнительное 4-контактное 12В подключение. Используйте соединитель с маркировкой «12V».</p>
	<p>6+2-контактный (8P) PCI Express комбинированный разъем Встроенный кабель, 12В шина, питаемая от 12V4 (850/1000W) 8-контактная конфигурация поддерживает графические карты нового поколения, для которых требуется 8-контактное подключение PCI-E.</p>
	<p>6+2-контактный (8P) PCI Express, разделенный разъем / 6P PCI Express Встроенный кабель, 12 В шина, питаемая от 12V4 (850/1000W) 6-контактная конфигурация поддерживает большинство графических карт PCI-E, для которых требуется 6-контактное подключение PCI-E.</p>

	SATA #1 Для приводов SATA/SAS.
	4P Molex #2 Для приводов IDE/SCSI/SAS и некоторых графических карт AGP с традиционным 4-контактным разъемом питания.
	FDD Для дисковода гибких дисков и некоторых дополнительных плат.

#1 Для некоторых приводов SATA подходит SATA подключение или 4-контактный Molex. Как правило, используется только одно подключение для питания драйвера, **НО НЕ ДВА!** Подробнее см. инструкцию к приводу.

#2 Некоторые материнские платы нуждаются в разделении канала +12В от 24-контактного подключения материнской платы к гнезду PCI-E. Если в вашей системе используются несколько высокопроизводительных видеокарт, пожалуйста, подключите этот разъем к соответствующему гнезду на материнской плате и проверьте руководство пользователя вашей материнской платы.

● КОМПЛЕКТ МОДУЛЬНЫХ КАБЕЛЕЙ

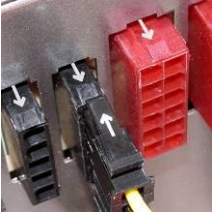
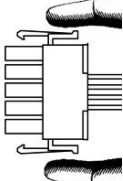
Используйте **ТОЛЬКО** оригинальные модульные кабели ENERMAX, поставляемые вместе с БП ENERMAX. Кабели других производителей могут быть несовместимы и повредить БП и/или систему, и использование кабелей других производителей приводит к потере гарантии на БП.

	EMC014-G: 2 x 6+2 контактный (8P) PCI-E 2.0 Модульный кабель для одной или двух графических карт PCI Express, для которых требуется 6- или 8-контактное подключение PCI-E.
	EMC019-G: 4 приводы SATA Модульный кабель для приводов SATA/SAS, таких как ODD и HDD.
	EMC020-G: приводы 4 x 4 контактный Molex (IDE/SCSI) и подключение 1 x FDD Модульный кабель для приводов IDE/SCSI/SAS и периферийного оборудования, а также одно подключение питания FDD.
	EMC021-G: приводы 2xSATA и 2x4 контактный Molex (IDE/SCSI) Модульный кабель для приводов SATA/SAS/ IDE/SCSI, таких как ODD и HDD.

- Поставляемые модульные кабели могут отличаться в зависимости от модели и региона.
- Мы также предлагаем широкий ассортимент кабелей на выбор. Более подробную информацию ищите на нашем сайте: www.enermax.com

Особое примечание для системных интеграторов : Если Ваша система нуждается в модульных кабелях специальной конфигурации или формы, обратитесь к торговому представителю компании ENERMAX.

● ПОДКЛЮЧЕНИЕ / ОТКЛЮЧЕНИЕ МОДУЛЬНЫХ КАБЕЛЕЙ

	<p>Подключение модульных кабелей к PSU 5-контактное / 12-контактное подключение на модульном кабеле и модульный разъем БП обозначены стрелками. Для упрощения правильного подключения: 1. Черный соединитель вставляется в черный разъем, а красный в красный. 2. Стрелка должна направляться к стрелке. 3. Теперь можно легко вставить разъем.</p>
	<p>Отключение модульных кабелей от БП 5-контактное / 12-контактное подключение оснащено двумя фиксаторами, фиксирующимися на модульных разъемах БП. Для отсоединения модульного кабеля от БП, сожмите, пожалуйста, два фиксатора по направлению друг к другу и аккуратно вытяните разъем кабеля.</p>

СБОРКА СИСТЕМЫ

1. Главный разъем питания правильно подключен (24-контактная конфигурация).
2. Разъем питания ЦП +12В (4- или 8-контактная конфигурация) и (или) 4-контактный Molex-разъем (если требуется для материнской платы) правильно подключены
3. Все остальные необходимые разъемы правильно подключены.
4. Кабель питания переменного тока надлежащим образом подключен к электрической розетке и входному гнезду переменного тока БП.
5. Корпус ПК закрыт.
6. Включите БП, установив переключатель «Вкл./Выкл.» в положение «ВКЛ.» – система готова к работе.

ЗАЩИТА, МЕРЫ ПРЕДОСТОРОЖНОСТИ И ПРАВИЛА ТЕХНИКИ БЕЗОПАСНОСТИ

БП ENERMAX оснащен несколькими средствами защиты. В большинстве аномальных ситуаций блок питания автоматически выключается для предотвращения повреждения БП и других компонентов ПК. Защита обычно срабатывает вследствие неисправности компонентов ПК или небрежности пользователей. В такой ситуации проверьте исправность устройств ПК и условия эксплуатации.

1. Отключите питание БП, переведя выключатель в положение «О», или отсоединив кабель переменного тока от электрической розетки и входного гнезда переменного тока БП.
2. Проверьте температуру БП, прикоснувшись к нему. Перегрев БП может быть вызван неисправностью вентиляторов корпуса ПК или вентилятора БП, либо неправильным размещением ПК.
3. Подождите несколько минут, пока БП не остынет.
4. Подсоедините кабель переменного тока к электрической розетке и к входному гнезду переменного тока БП.
5. Переведите выключатель БП в положение «I» и выполните перезагрузку системы.
6. Проверьте работоспособность системы.
7. Обратитесь в службу технической поддержки производителя компонента, который, возможно, вызывает проблему, например материнской платы, графической платы или БП.

С вопросами и за поддержкой обращайтесь к местному продавцу или в ближайший филиал или в представительство ENERMAX, либо в головной сервисный центр ENERMAX.

Instrukcja obsługi

Szanowni Klienci,

Dziękujemy za zakup tego zasilacza ENERMAX (PSU)! Proszę przeczytać uważnie ten podręcznik i wykonać zamieszczone w nim instrukcje przed instalacją zasilacza.

Chcielibyśmy zwrócić Państwa uwagę na fakt, że komputer wymaga pracy w bardzo specyficznych warunkach. Aby uniknąć awarii i wydłużyć żywotność systemu zalecamy, aby:

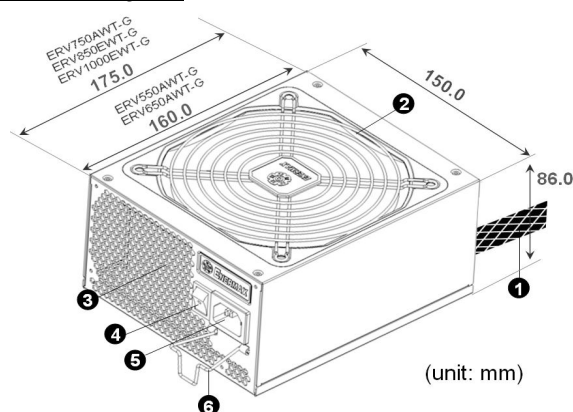
- NIE umieszczać systemu w pobliżu grzejnika lub innych urządzeń wytwarzających ciepło.
- NIE lokalizować systemu w pobliżu urządzenia magnetycznego.
- NIE lokalizować systemu w miejscu wilgotnym i/lub zapyłonym oraz/albo w miejscu występowania wibracji.
- NIE wystawiać systemu na bezpośrednie oddziaływanie światła słonecznego.
- System jest odpowiednio chłodzony przez dodatkowe wentylatory.
- Jeśli używane są przedłużacze prądu zmiennego należy sprawdzić, czy mogą one obsłużyć maksymalną moc wszystkich podłączonych urządzeń. Lub należy przełączyć inne urządzenia o wysokim zużyciu energii, takie jak drukarki laserowe lub monitory do innych ściennych gniazd prądu zmiennego. Przekroczenie maksymalnego obciążenia przedłużacza, może spowodować przerwanie obwodu przez bezpiecznik i odcięcie zasilania.
- Aby dodać do systemu UPS (Uninterruptible Power Supply [Bezprzerwowe źródło zasilania]), proszę wybrać odpowiednią pojemność UPS W/VA. Np.:

Model PSU	Zalecana minimalna pojemność wyjścia UPS (W oparciu o sprawność i PFC przy odpowiednim obciążeniu)
ERV550AWT-G	600W / 1000VA
ERV650AWT-G	700W / 1100VA
ERV750AWT-G	900W / 1400VA
ERV850EWT-G	1000W / 1400VA
ERV1000EWT-G	1100W / 1600VA

* Aby dodać inne urządzenie zasilane przez ten sam UPS, takie jak monitor lub drukarka, należy użyć UPS o większej pojemności UPS, odpowiadającej mocy znamionowej wszystkich podłączonych urządzeń.

* Nie należy mylić pojemności VA z Watami lub używać nieodpowiedniego UPS. Mogłoby to spowodować skrócenie czasu działania baterii UPS lub brak możliwości zasilania systemu w trybie bateryjnym.

NAZWA CZĘŚCI

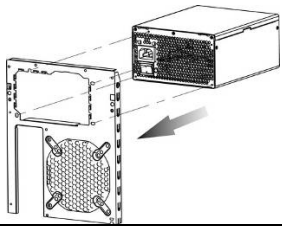
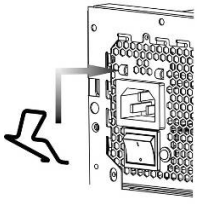
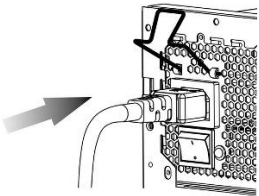
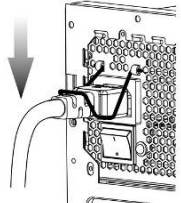


- ① Kabel wyjścia: Sprawdź część „Kable i połączenia”.
- ② Wentylator. #1
- ③ Szczeliny wentylacyjne „plaster miodu”. #1
- ④ Przełącznik Włączenie/Wyłączenie:
I=Włączenie, O=Wyłączenie. #2
- ⑤ Wejście prądu zmiennego. #2
- ⑥ CordGuard. #3

#1 Aby zapewnić optymalne chłodzenie systemu, nie należy blokować wlotu powietrza wentylatora PSU i szczelin wentylacyjnych. Ten PSU oferuje specjalną funkcję HeatGuard. Gdy system jest wyłączony lub po przejściu do trybu uśpienia ACPI S3/S4, wentylator PSU nadal odprowadza pozostałe ciepło przez 30 ~ 60 sekund, co wydłuża żywotność systemu.

#2 Podczas montażu lub konserwacji systemu należy odłączyć przewód prądu zmiennego od gniazda prądu zmiennego lub przełączyć włącznik ON/OFF.(Włączenie/Wyłączenie) do pozycji “OFF (Wyłączenie)”.

#3 Przewód prądu zmiennego może się poluzować. Blokada CordGuard ENERMAX umożliwia zamocowanie przewodu prądu zmiennego do zasilacza, a przez to uniknięcie jego odłączenia i wyłączenia komputera PC.

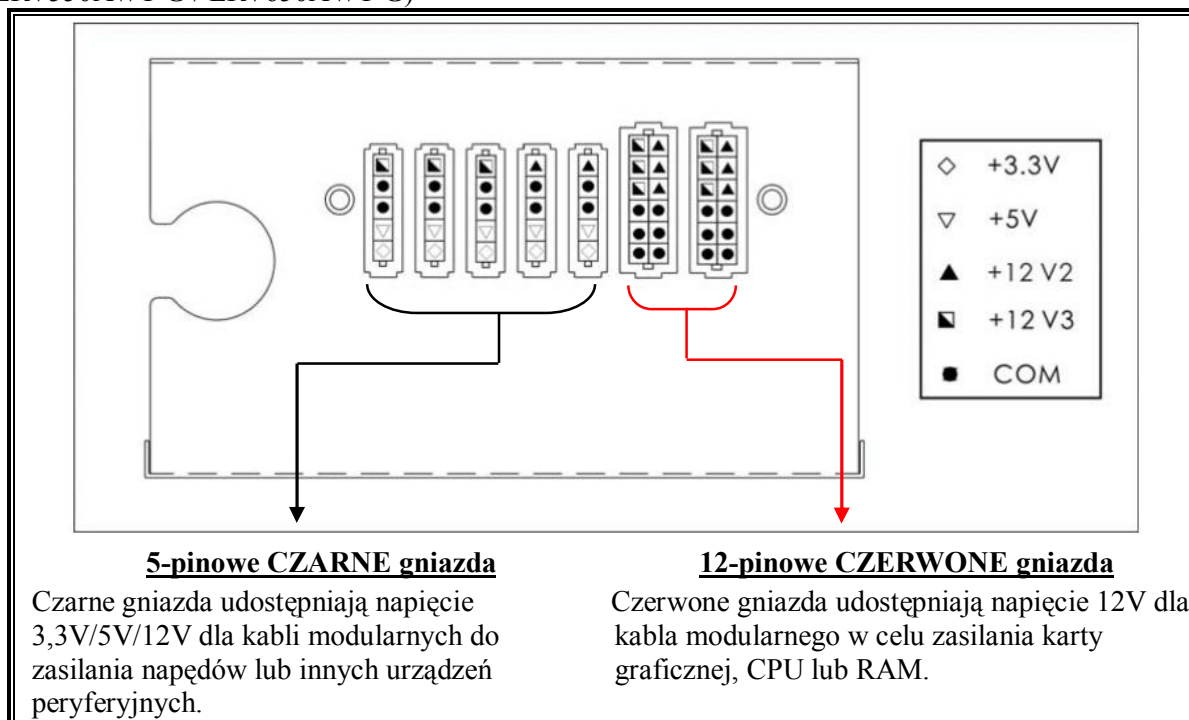
<p>① Włóż zasilacz do obudowy i upewnij się, że przełącznik I/O (We/Wy) znajduje się w pozycji "O".</p> 	<p>② Naciśnij razem dwa boki blokady CordGuard i wstaw do uchwytu CordGuard w pobliżu gniazda wejścia prądu zmiennego.</p> 
<p>③ Podłącz przewód prądu zmiennego do zasilacza.</p> 	<p>④ Zablokuj blokadę CordGuard, zatraskując ją na przewodzie prądu zmiennego.</p> 
<p>1. Blokada CordGuard jest przeznaczona do przewodów prądu zmiennego dostarczonych z zasilaczami zgodnymi z ENERMAX CordGuard. Inne przewody prądu zmiennego mogą nie być zgodne. 2. Podczas montażu lub konserwacji systemu należy odłączyć przewód prądu zmiennego z gniazda prądu zmiennego lub przestawić przełącznik I/O (We/Wy) na pozycję "O".</p>	

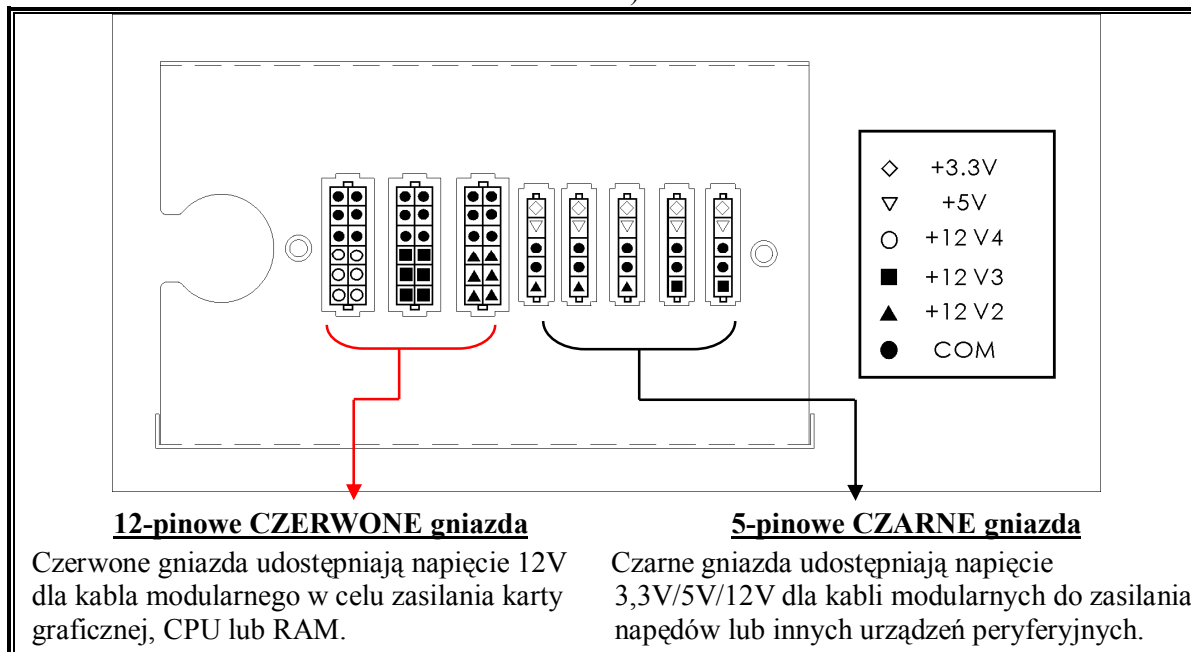
KABLE I ZŁĄCZA

Wszystkie złącza są tak skonstruowane, aby zapobiec włożeniu w niewłaściwy sposób. Jeśli nie można łatwo włożyć złącza należy sprawdzić, czy złącze jest wkładane prawidłową stroną. Nie należy wkładać złączy na siłę lub ich modyfikować. Może to spowodować uszkodzenie zasilacza i komponentów systemu oraz pozbawić prawa do gwarancji.

Na następującej ilustracji pokazano układ gniazd modularnych i dystrybucję linii prądu stałego DC.

(ERV550AWT-G / ERV650AWT-G)



**12-pinowe CZERWONE gniazda**

Czerwone gniazda udostępniają napięcie 12V dla kabla modularnego w celu zasilania karty graficznej, CPU lub RAM.




5-pinowe CZARNE gniazda

Czarne gniazda udostępniają napięcie 3,3V/5V/12V dla kabli modularnych do zasilania napędów lub innych urządzeń peryferyjnych.

* Zasilacz ten na każdej linii 12V posiada oddzielne zabezpieczenie przed wysokim prądem (OCP). W przypadku, gdy zbyt wiele komponentów systemowych zostało podłączonych do jednej linii 12V, zabezpieczenie powoduje wyłączenie zasilacza. Należy wtedy rozdzielić zasilanie podzespołów na osobne linie 12V, co zagwarantuje stabilne i bezpieczne zasilanie systemu.

● RODZAJE ZŁĄCZY

	<p>24-pinowe złącze płyty głównej Kabel natywny, linia 12V obsługiwana przez 12V1 Do nowej generacji płyt głównych serwera/stacji roboczych ATX/EEB/CEB.</p>
	<p>8-pinowe CPU +12V Kabel natywny, linia 12V obsługiwana przez 12V1 (750/850/1000W) Obsługa wielu procesorowych systemów serwera/stacji roboczych i niektórych systemów z gniazdem pojedynczym.</p>
	<p>CPU 4+4-pinowe (8-pinowe) +12V, w trybie kombinowanym Kabel natywny, linia 12V obsługiwana przez 12V1 8-pinowa konfiguracja obsługuje wiele procesorowych systemów serwera/stacji roboczych i niektóre pojedyncze, ekstremalne rozwiązania systemów CPU.</p>
	<p>CPU 4+4-pinowe (8-pinowe) +12V, w trybie podziału Kabel natywny, linia 12V obsługiwana przez 12V1 4-pinowa konfiguracja obsługuje niektóre systemy z pojedynczym CPU. Niektóre wieloprocessorowe systemy stacji roboczych/serwerów mogą także wymagać tego dodatkowego 4-pinowego złącza 12V. Należy użyć złącza z oznaczeniem "12V".</p>
	<p>PCI Express 6+2-pinowe (8-pinowe), w trybie kombinowanym Kabel natywny, linia 12V obsługiwana przez 12V4 (850/1000W) 8-pinowa konfiguracja obsługuje najnowsze wysokowydajne karty graficzne, które wymagają 8-pinowego złącza PCI-E.</p>
	<p>PCI Express 6+2-pinowe (8-pinowe), w trybie podziału / 6-pinowe PCI Express Kabel natywny, linia 12V obsługiwana przez 12V4 (850/1000W) 6-pinowa konfiguracja obsługuje większość wysokowydajnych kart graficznych PCI-E, które wymagają 6-pinowego złącza PCI-E.</p>





	SATA #1 Do napędów SATA/SAS.
	4-pinowe Molex #2 Do napędów IDE/SCSI/SAS lub niektórych kart graficznych AGP z tradycyjnym 4-pinowym gniazdem zasilania.
	FDD Do napędów FDD lub niektórych dodatkowych kart.

#1 Niektóre napędy SATA mogą akceptować zasilanie SATA lub 4-pinowe Molex. Zwykle do zasilania napędu należy użyć jedno ze złączy zasilania, ALE NIE OBU! Szczegółowe informacje zawiera podręcznik napędu.

#2 Zasilacz ten na każdej linii 12V posiada oddzielne zabezpieczenie przed wysokim prądem (OCP). W przypadku, gdy zbyt wiele komponentów systemowych zostało podłączonych do jednej linii 12V, zabezpieczenie powoduje wyłączenie zasilacza. Należy wtedy rozdzielić zasilanie podzespołów na osobne linie 12V, co zagwarantuje stabilne i bezpieczne zasilanie systemu.

● DOSTARCZONE KABELE MODULARNE

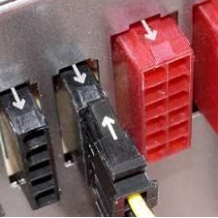
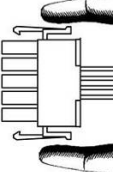
Należy używać WYŁĄCZNIE oryginalnych kabli modularnych ENERMAX, dostarczanych z zasilaczami ENERMAX. Kable firm trzecich mogą nie być zgodne i mogą spowodować uszkodzenie PSU i/lub systemu, a także, używanie kabli firm trzecich może spowodować unieważnienie gwarancji PSU.

	EMC014-G: 2 x 6+2-pinowe (8-pinowe) PCI-E 2.0 Kabel modularny dla 1 lub 2 wysokiej wydajności kart graficznych PCI Express, które wymagają złącza 6-pinowego lub 8-pinowego PCI-E.
	EMC019-G: 4 x napędy SATA Kabel modularny do napędów SATA/SAS, takich jak ODD i HDD.
	EMC020-G: 4 x 4-pinowe Molex do napędów (IDE/SCSI) & 1 x złącze FDD Kabel modularny do napędów IDE/SCSI/SAS i urządzeń peryferyjnych oraz 1 złącze zasilania FDD.
	EMC021-G: 2 x napędy SATA & 2 x 4-pinowe Molex do napędów (IDE/SCSI) Kabel modularny do napędów SATA/SAS/ IDE/SCSI, takich jak ODD i HDD.

- Dostarczone kable modularne zależą od modelu i od regionu.
- Oferujemy więcej opcjonalnych kabli. Dalsze informacje znajdują się na naszej stronie internetowej: www.enermax.pl.

Specjalna uwaga dla integratorów systemów: Jeśli posiadany system wymaga specjalnej konfiguracji lub konstrukcji kabla modularnego należy skontaktować się z przedstawicielem sprzedaży ENERMAX.

● PODŁĄCZANIE / ODŁĄCZANIE KABLI MODULARNYCH

	<p>Podłączenie kabla modularnego do zasilacza Na 5-pinowym / 12-pinowym złączu kabla modularnego oraz na modularnym gnieździe PSU, znajduje się znak strzałki. Aby ułatwić wykonanie prawidłowego połączenia:</p> <ol style="list-style-type: none">1. Czarne złącze należy podłączyć do czarnego gniazda, a czerwone do czerwonego.2. Znak strzałki do znaku strzałki.3. Następnie można łatwo podłączyć złącze.
	<p>Odłączanie kabla modularnego od PSU 5-pinowe / 12-pinowe złącze kabla modularnego posiada dwa zaczepy mocowania w gniazdach modularnych PSU. Podczas odłączania kabla modularnego od PSU należy nacisnąć razem dwa zaczepy i delikatnie wyciągnąć kabel.</p>

URUCHAMIANIE SYSTEMU

Przed uruchomieniem systemu należy sprawdzić, czy:

1. Jest prawidłowo podłączone złącze zasilania (24-pinowe).
2. Czy jest prawidłowo podłączone złącze zasilania CPU +12V (konfiguracja 4- lub 8-pinowa) i/lub złącze 4-pinowe Molex (jeśli jest wymagane przez MB).
3. Czy są prawidłowo podłączone wszystkie inne wymagane złącza.
4. Czy przewód zasilający prądu zmiennego jest prawidłowo podłączony do gniazda ściennego i do gniazda wejścia prądu zmiennego zasilacza
5. Czy obudowa jest zamknięta.
6. Czy włączono zasilacz, poprzez włączenie przełącznika ON/OFF (Włączenie/Wyłączenie) do pozycji „ON (Włączenie)” oraz czy system uzyskał gotowość.

ZABEZPIECZENIE, BEZPIECZEŃSTWO I OCHRONA

Ten zasilacz posiada wielokrotną ochronę. W sytuacjach awaryjnych zasilacz wyłącza się automatycznie, aby uniknąć potencjalnego zagrożenia zasilacza i innych komponentów systemu. Aktywację obwodu zabezpieczenia często powoduje defekt innego urządzenia systemu lub nieuwaga użytkownika. Proszę sprawdzić wszystkie komponenty oraz otoczenie systemu, żeby wykryć przyczynę błędu:

1. Przewód zasilający od gniazda ściennego oraz od gniazda wejścia prądu zmiennego zasilacza.
2. Przewód zasilający od gniazda ściennego oraz od gniazda wejścia prądu zmiennego zasilacza.
3. Przewód zasilający od gniazda ściennego oraz od gniazda wejścia prądu zmiennego zasilacza.
4. Przewód zasilający od gniazda ściennego oraz od gniazda wejścia prądu zmiennego zasilacza.
5. Przewód zasilający od gniazda ściennego oraz od gniazda wejścia prądu zmiennego zasilacza.
6. Przewód zasilający od gniazda ściennego oraz od gniazda wejścia prądu zmiennego zasilacza.
7. Przewód zasilający od gniazda ściennego oraz od gniazda wejścia prądu zmiennego zasilacza.

W przypadku pytań lub potrzeby skorzystania z serwisu należy skontaktować się ze sprzedawcą lub najbliższą filią/przedstawicielem ENERMAX albo z siedzibą główną centrum serwisowego ENERMAX.

Bezpośrednią pomoc techniczną można uzyskać również online na forum wsparcia technicznego: <http://forum.enermax.com>.

©2011 ENERMAX Technology Corporation. Wszelkie prawa zastrzeżone. Specyfikacje mogą zostać zmienione bez wcześniejszego powiadomienia. Rzeczywisty wygląd produktu i akcesoriów, może być inny od przedstawionego na ilustracjach. Mogą wystąpić pominięcia i błędy drukowania. Zawartość przesyłki zależy od kraju i regionu. Niektóre znaki towarowe mogą być własnością innych stron. Powielanie w jakikolwiek sposób, bez pisemnej zgody ENERMAX, jest surowo zabronione.