

INSTALLATION MANUAL MANUEL D'INSTALLATION

GPS NAVIGATION AUDIO SYSTEM
SISTEMA DE AUDIO Y NAVEGACIÓN GPS
GPS-NAVIGATIONS-AUDIOSYSTEM
SYSTEME AUDIO ET NAVIGATION GPS
SISTEMA AUDIO DI NAVIGAZIONE GPS
GPS NAVIGATIE- EN AUDIOSYSTEEM

AVIC-F320BT

English

Español

Deutsch

Français

Italiano

Nederlands

01 IMPORTANT INFORMATION

ABOUT YOUR NEW NAVIGATION SYSTEM
AND THIS MANUAL **3**

02 IMPORTANT SAFEGUARDS

PLEASE READ ALL OF THESE
INSTRUCTIONS REGARDING YOUR
NAVIGATION SYSTEM AND RETAIN THEM
FOR FUTURE REFERENCE **4**

03 Connecting the System

Precautions before connecting the
system **5**

Before installing this product **5**

To prevent damage **6**

- Notice for the blue/white lead **6**

Parts supplied **7**

Connecting the system **8**

Connecting the power cord (1) **10**

Connecting the power cord (2) **12**

When connecting to separately sold power
amp **13**

04 Installation

Precautions before installation **14**

To guard against electromagnetic
interference **14**

Before installing **14**

Installing this navigation system **15**

- Installation notes **15**
- Parts supplied **16**
- Before installing this navigation
unit **17**
- Installation with the holder and side
bracket **17**
- Installation using the screw holes on
the side of the navigation unit **18**

Installing the GPS aerial **19**

- Installation notes **19**
- Parts supplied **19**

- When installing the aerial inside the
vehicle (on the dashboard or rear
shelf) **20**

Installing the microphone **21**

- Parts supplied **21**
- Mounting on the sun visor **21**
- Installation on the steering column **22**
- Adjusting the microphone angle **22**

05 After Installation

After Installing this navigation system **23**

IMPORTANT INFORMATION

ABOUT YOUR NEW NAVIGATION SYSTEM AND THIS MANUAL

- The navigation features of this product are intended solely to aid you in the operation of your vehicle. It is not a substitute for your attentiveness, judgement and care when driving.
- Never use this navigation system to route to hospitals, police stations, or similar facilities in an emergency. Please call the appropriate emergency number.
- Do not operate this navigation system if doing so in any way will divert your attention from the safe operation of your vehicle. Traffic restrictions and advisories currently in force should always take precedence over guidance given by this product. Always obey current traffic restrictions, even if this product provides contrary advice.
- This manual explains how to install this navigation system in your vehicle. Operation of this navigation system is explained in the separate manuals for the navigation system.
- Do not install this product where it may (i) obstruct the driver's vision, (ii) impair the performance of any of the vehicle's operating systems or safety features, including airbags, hazard lamp buttons or (iii) impair the driver's ability to safely operate the vehicle. In some cases, it may not be possible to install this product because of the vehicle type or the shape of the vehicle interior. ■


**WARNING**

Pioneer does not recommend that you install your navigation system yourself. We recommend that only authorised Pioneer service personnel, who have special training and experience in mobile electronics, set up and install this product. NEVER SERVICE THIS PRODUCT YOURSELF. Installing or servicing this product and its connecting cables may expose you to the risk of electric shock or other hazards, and can cause damage to the navigation system that is not covered by warranty.

PLEASE READ ALL OF THESE INSTRUCTIONS REGARDING YOUR NAVIGATION SYSTEM AND RETAIN THEM FOR FUTURE REFERENCE

- 1 Read this manual fully and carefully before installing your navigation system.
- 2 Keep this manual handy for future reference.
- 3 Pay close attention to all warnings in this manual and follow the instructions carefully.
- 4 The first time the system is started up, the message "**Preparing to start up system... please wait**" may be displayed since battery power remaining may be quite low. If you see this message, do not operate the unit until after the message "**Ready to start up system.**" is displayed.
- 5 This navigation system may in certain circumstances display erroneous information regarding the position of your vehicle, the distance of objects shown on the screen, and compass directions. In addition, the system has certain limitations, including the inability to identify one-way streets, temporary traffic restrictions and potentially unsafe driving areas. Please exercise your own judgement in the light of actual driving conditions.
- 6 As with any accessory in your vehicle's interior, the navigation system should not divert

your attention from the safe operation of your vehicle. If you experience difficulty in operating the system or reading the display, please make adjustments while safely parked.

- 7 Please remember to wear your seat belt at all times while operating your vehicle. If you are ever in an accident, your injuries can be considerably more severe if your seat belt is not properly fastened.
- 8 Certain country and government laws may prohibit or restrict the placement and use of this system in your vehicle. Please comply with all applicable laws and regulations regarding the use, installation and operation of your navigation system. 


Connecting the System

Precautions before connecting the system



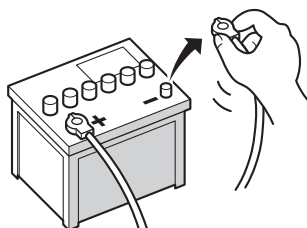
CAUTION

- If you decide to perform the installation yourself, and have special training and experience in the mobile electronics installations, please carefully follow all of the steps in the installation manual.
- Secure all wiring with cable clamps or electrical tape. Do not allow any bare wiring to remain exposed.
- Do not directly connect the yellow lead of this product to the vehicle battery. If the lead is directly connected to the battery, engine vibration may eventually cause the insulation to fail at the point where the wire passes from the passenger compartment into the engine compartment. If the yellow lead's insulation tears as a result of contact with metal parts, short-circuiting can occur, resulting in considerable danger.
- It is extremely dangerous to allow the cables to become wound around the steering column or gearstick. Be sure to install this product, its cables, and wiring away in such a way that they will not obstruct or hinder driving.
- Make sure that the cables and wires are routed and secured so they will not interfere with or become caught in any of the vehicle's moving parts, especially the steering wheel, gearstick, handbrake, sliding seat tracks, doors, or any of the vehicle's controls.
- Do not route wires where they will be exposed to high temperatures. If the insulation heats up, wires may become damaged, resulting in a short circuit or malfunction and permanent damage to the product.
- Do not cut the GPS aerial cable to shorten it or use an extension to make it longer. Altering the aerial cable could result in a short circuit or malfunction.

- Do not shorten any leads. If you do, the protection circuit (fuse holder, fuse resistor or filter, etc.) may fail to work properly.
- Never feed power to other electronic products by cutting the insulation of the power supply lead of the navigation system and tapping into the lead. The current capacity of the lead will be exceeded, causing overheating. 

Before installing this product

- Use this unit with a 12-volt battery and negative earthing only. Failure to do so may result in a fire or malfunction.
- To avoid shorts in the electrical system, be sure to disconnect the (-) battery cable before beginning installation.



To prevent damage

! WARNING

- **Use speakers over 50 W (output value) and between 4 Ω to 8 Ω (impedance value). Do not use 1 Ω to 3 Ω speakers for this unit.**
- **The black lead is earth. Please earth this lead separately from the earth of high-current products such as power amps. Do not earth more than one product together with the earth from another product. For example, you must separately earth any amp unit away from the earth of this navigation system. Connecting earths together can cause a fire and/or damage the products if their earths became detached.**
- **When replacing the fuse, be sure to only use a fuse of the rating prescribed on this product.**
 - When disconnecting a connector, pull the connector itself. Do not pull the lead, as you may pull it out of the connector.
 - This product cannot be installed in a vehicle without ACC (accessory) position on the ignition switch.



ACC position



No ACC position

- To avoid short-circuiting, cover the disconnected lead with insulating tape. It is especially important to insulate all unused speaker leads, which if left uncovered may cause a short circuit.
- Attach the connectors of the same colour to the corresponding coloured port, i.e., blue connector to the blue port, black to black, etc.
- Refer to the owner's manual for details on connecting the power amp and other units, then make connections accordingly.

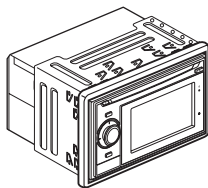
- Since a unique BPTL circuit is employed, do not directly earth the \ominus side of the speaker lead or connect the \ominus sides of the speaker leads together. Be sure to connect the \ominus side of the speaker lead to the \ominus side of the speaker lead on this navigation system.

Notice for the blue/white lead

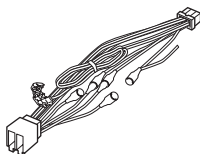
- When this unit is turned on, a control signal is output through the blue/white cable. Connect it to an external power amp's system remote control or the vehicle's auto-aerial relay control terminal (max. 300 mA, 12 V DC). If the vehicle is equipped with a glass aerial, connect the cable to the aerial booster power supply terminal.
- Never connect the blue/white cable to an external power amp's power terminal. Also, never connect it to the power terminal of the auto aerial. Otherwise, battery drain or malfunction may result.
- Be sure not to use this lead as the power supply lead for the auto-aerial or aerial booster. Such connection could cause excessive current drain and malfunction.

Connecting the System

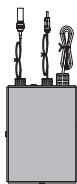
Parts supplied



The navigation unit



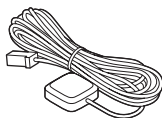
Power cord



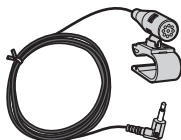
RDS-TMC tuner



USB connector



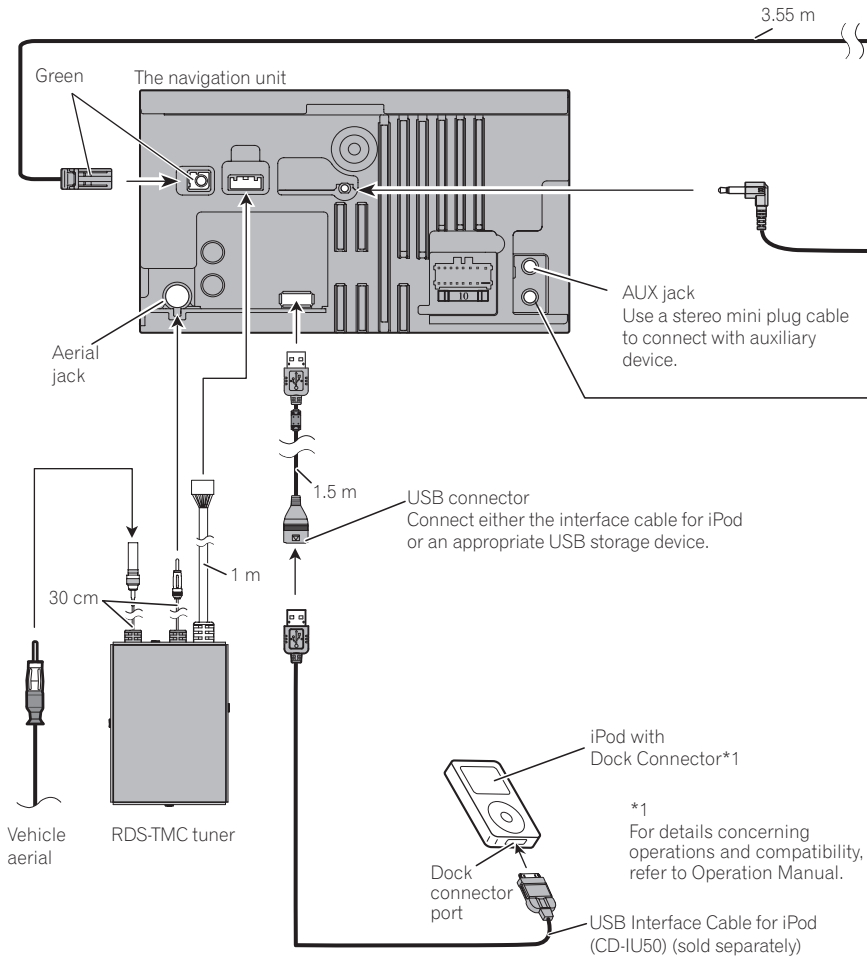
GPS aerial



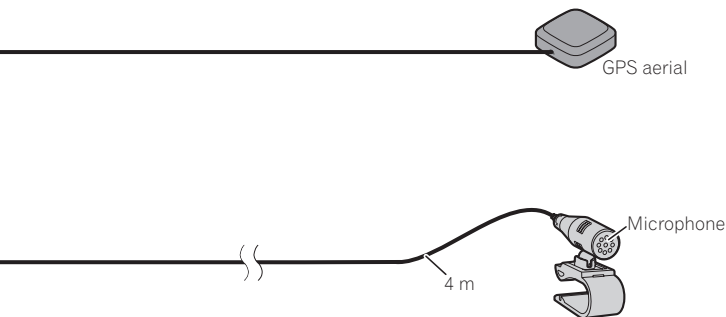
Microphone



Connecting the system



Connecting the System



WIRED REMOTE INPUT
Please see the Instruction
Manual for the Wired Remote
Control Adapters (sold separately).

WARNING

To avoid the risk of accident and the potential violation of applicable laws, this product should never be used while the vehicle is being driven except for navigation purposes.



Connecting the System

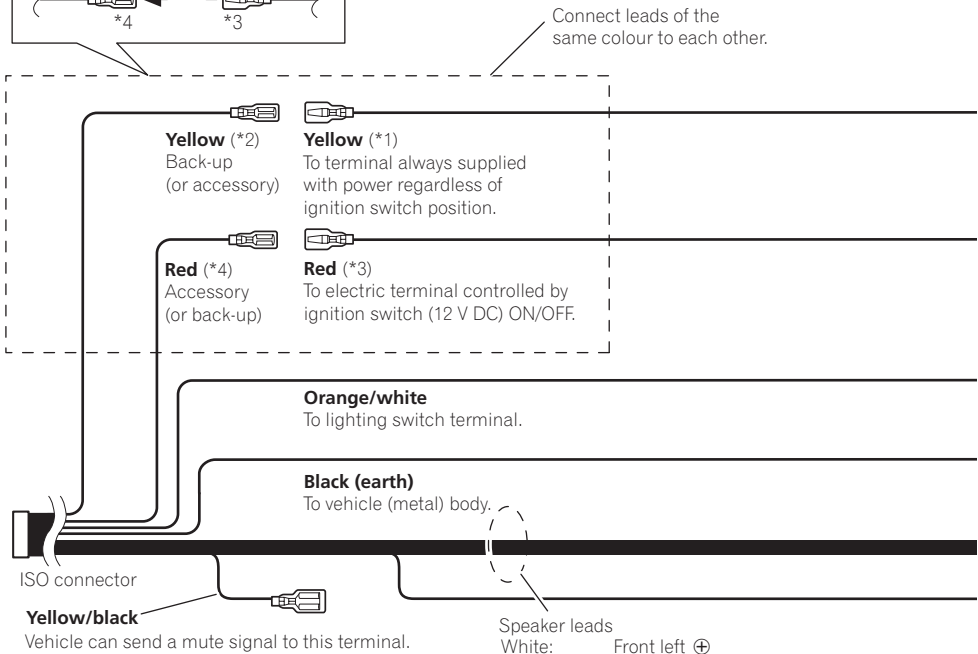
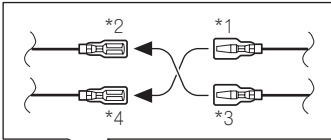
Connecting the power cord (1)

Note

Depending on the kind of vehicle, the function of *2 and *4 may be different. In this case, be sure to connect *1 to *4 and *3 to *2.

Notes

- When a subwoofer (*7) is connected to this navigation system instead of a rear speaker, change the rear output setting in the Initial Setting. (Refer to Operation Manual.) The subwoofer output of this navigation system is monaural.
- When using a subwoofer of 70 W (2 Ω), be sure to connect with violet and violet/black leads of this navigation system. Do not connect anything with green and green/black leads.



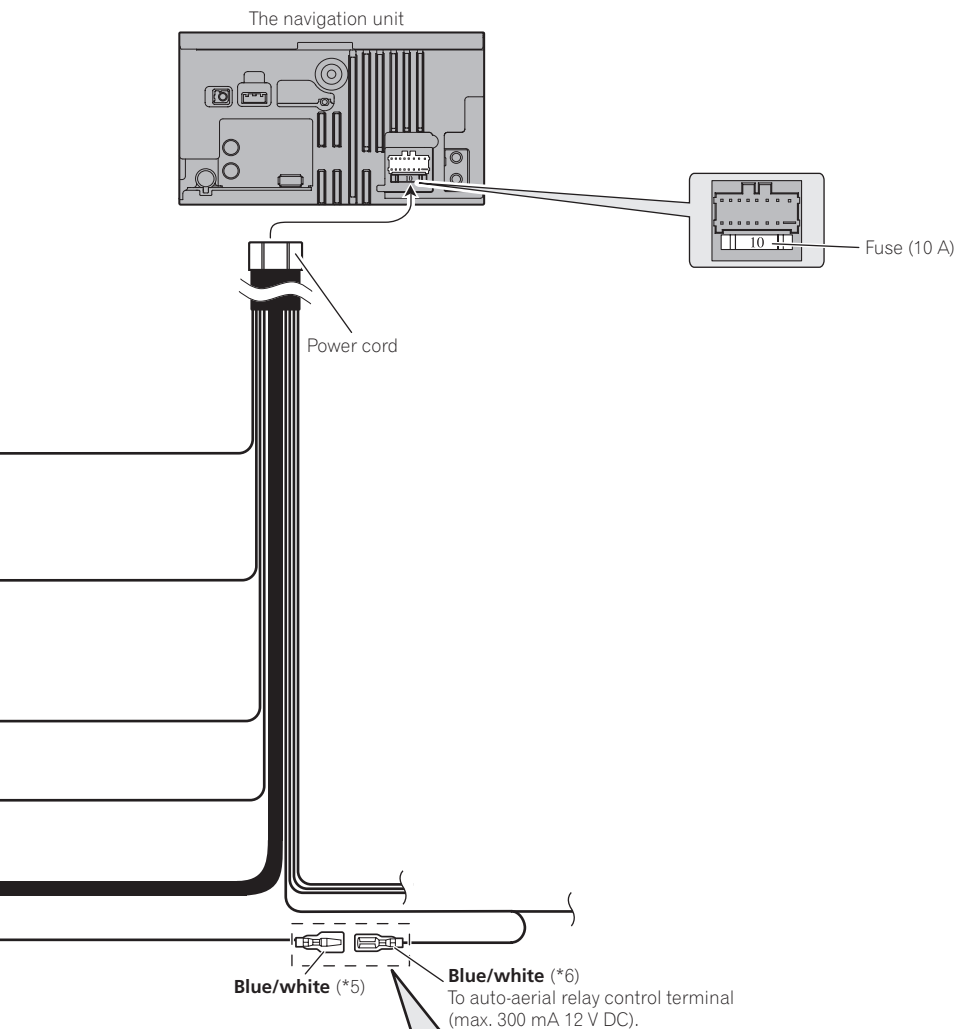
Note

In some vehicles, the ISO connector may be divided into two. In this case, be sure to connect to both connectors.

Speaker leads

- White: Front left ⊕
- White/black: Front left ⊖
- Grey: Front right ⊕
- Grey/black: Front right ⊖
- Green: Rear left ⊕ or Subwoofer ⊕ (*7)
- Green/black: Rear left ⊖ or Subwoofer ⊖ (*7)
- Violet: Rear right ⊕ or Subwoofer ⊕ (*7)
- Violet/black: Rear right ⊖ or Subwoofer ⊖ (*7)

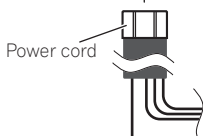
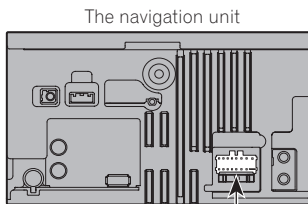
Connecting the System



The pin position of the ISO connector will differ depends on the type of vehicle. Connect *5 and *6 when Pin 5 is an aerial control type. In another type of vehicle, never connect *5 and *6.



Connecting the power cord (2)



Light green

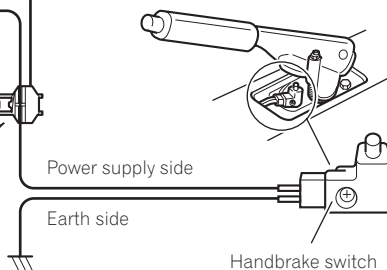
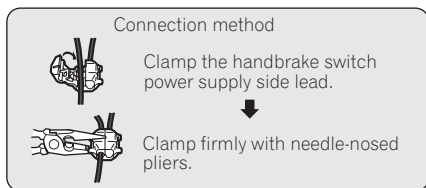
Used to detect the ON/OFF status of the handbrake. This lead must be connected to the power supply side of the handbrake switch.

If this connection is made incorrectly or omitted, certain functions of your navigation system will be unusable.



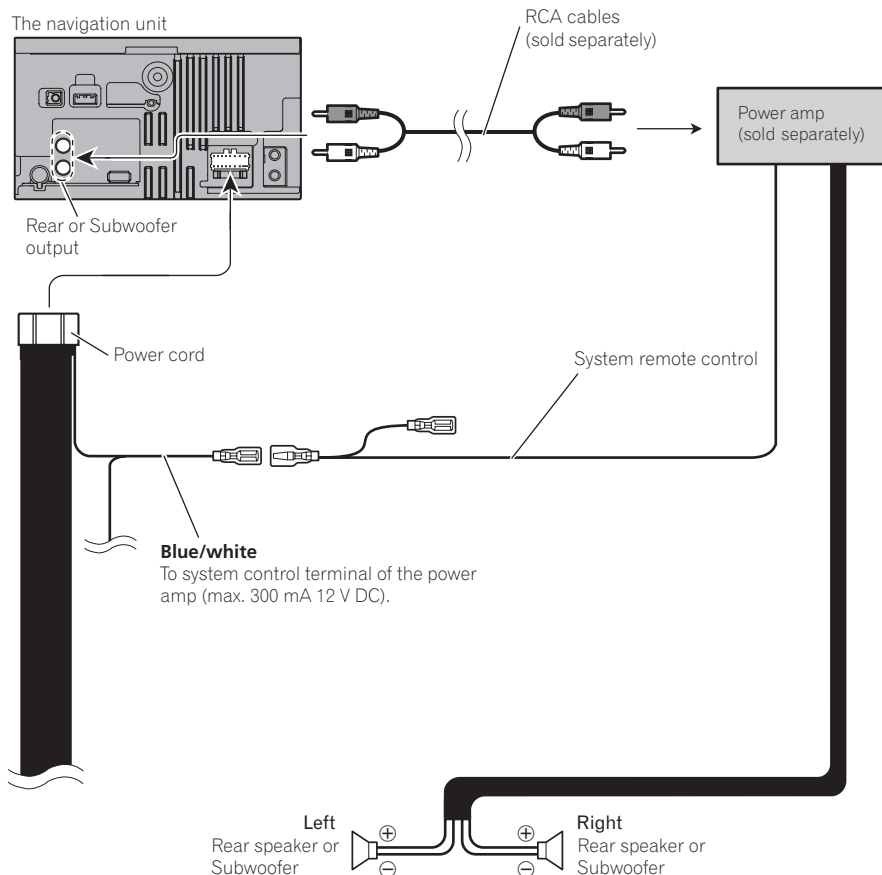
WARNING

LIGHT GREEN LEAD AT POWER CONNECTOR IS DESIGNED TO DETECT PARKED STATUS AND MUST BE CONNECTED TO THE POWER SUPPLY SIDE OF THE HANDBRAKE SWITCH. IMPROPER CONNECTION OR USE OF THIS LEAD MAY VIOLATE APPLICABLE LAW AND MAY RESULT IN SERIOUS INJURY OR DAMAGE.



Connecting the System

When connecting to separately sold power amp



Note


You can change the RCA output of the subwoofer depending on your subwoofer system. (Refer to Operation Manual.)



Precautions before installation




CAUTION

- **Never install this product in places where, or in a manner that:**
 - It could injure the driver or passengers if the vehicle stops suddenly.
 - It may interfere with the driver's operation of the vehicle, such as on the floor in front of the driver's seat, or close to the steering wheel or gearstick.
- **Make sure there is nothing behind the dashboard or panelling when drilling holes in them. Be careful not to damage fuel lines, brake lines, electronic components, communication wires or power cables.**
- **When using screws, do not allow them to come into contact with any electrical lead. Vibration may damage wires or insulation, leading to a short circuit or other damage to the vehicle.**
- **To ensure proper installation, be sure to use the supplied parts in the manner specified. If any parts are not supplied with this product, use compatible parts in the manner specified after you have the parts' compatibility checked by your dealer. If parts other than supplied or compatible ones are used, they may damage internal parts of this product or they may work loose and the product may become detached.**
- **It is extremely dangerous to allow the cables to become wound around the steering column or gearstick. Be sure to install this product, its cables, and wiring away in such a way that they will not obstruct or hinder driving.**
- **Make sure that leads cannot get caught in a door or the sliding mechanism of a seat, resulting in a short circuit.**
- **Please confirm the proper function of your vehicle's other equipment following installation of the navigation system.**
- **Do not install this navigation system where it may (i) obstruct the driver's vision, (ii) impair the performance of any of the vehicle's operating systems or safety features, including airbags, hazard lamp buttons or (iii) impair the driver's ability to safely operate the vehicle.**
- **Install the navigation system between the driver's seat and front passenger seat so that it will not be hit by the driver or passenger if the vehicle stops quickly.**
- **Never install the navigation system in front of or next to the place in the dash, door, or pillar from which one of your vehicle's airbags would deploy. Please refer to your vehicle's owner's manual for reference to the deployment area of the frontal airbags. **


To guard against electromagnetic interference

In order to prevent interference, set the following items as far as possible from this navigation system, other cables or leads:

- FM, MW/LW aerial and its lead
- GPS aerial and its lead

In addition you should lay or route each aerial lead as far as possible from other aerial leads. Do not bind them together, lay or route them together, or cross them. Such electromagnetic noise will increase the potential for errors in the location display. 

Before installing

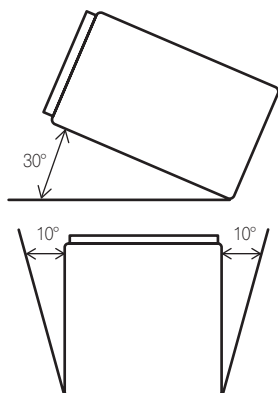
- Consult with your nearest dealer if installation requires the drilling of holes or other modifications of the vehicle.
- Before making a final installation of this product, temporarily connect the wiring to confirm that the connections are correct and the system works properly. 

Installation

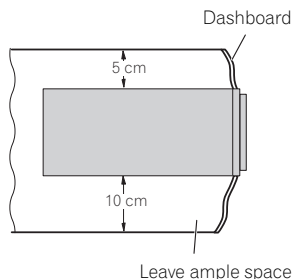
Installing this navigation system

Installation notes

- Do not install this navigation system in places where it may become subject to high temperatures or humidity, such as:
 - Places close to a heater, vent or air conditioner.
 - Places exposed to direct sunlight, such as on top of the dashboard.
 - Places that may be splashed by rain, for example close to the door.
- Install this navigation system in an area strong enough to bear its weight. Choose a position where this navigation system can be firmly installed, and install it securely. If this navigation system is not securely installed, the current location of the vehicle cannot be displayed correctly.
- Install the navigation unit horizontally on a surface within 0 degrees to 30 degrees tolerance (within 10 degrees to the left or right). Improper installation of the unit with the surface tilted more than these tolerances increases the potential for errors in the location display, and might otherwise cause reduced display performance.



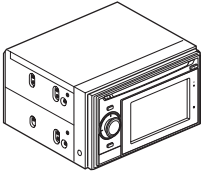
- When installing, to ensure proper heat dispersal when using this unit, make sure you leave ample space behind the rear panel and wrap any loose cables so they are not blocking the vents.



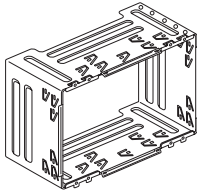
- The semiconductor laser will be damaged if it overheats, so don't install the navigation unit anywhere hot—for instance, near a heater outlet.
- Do not install this navigation system where detaching the detachable device from the head unit is hampered by the gear stick or any other objects. Before installing this navigation system, be sure to leave sufficient space so that the detachable device does not prevent operation of the gear stick when it is detached. Otherwise, this may cause interference with the gear stick, or a malfunction of the detaching mechanism.

Parts supplied

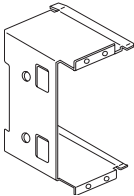
- Parts marked (*1) are pre-installed.
- Parts marked (*2) are for in-store display use only.



The navigation unit



Holder*1



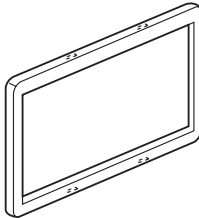
Side bracket*1
(2 pcs.)



Screw*1
(3 mm x 6 mm)
(8 pcs.)



Screw for fixing the
side bracket*1
(5 mm x 6 mm)
(4 pcs.)



Trim ring*1



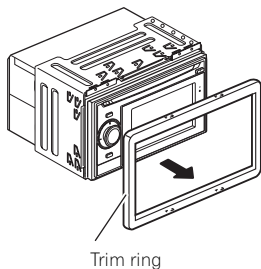
Screw*2
(2 mm x 8 mm)
(1 pc.)

Installation

Before installing this navigation unit

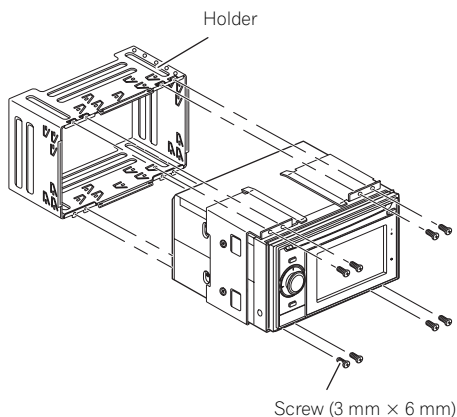
1 Remove the trim ring.

Extend top and bottom of the trim ring outwards to remove the trim ring.



2 Remove the holder.

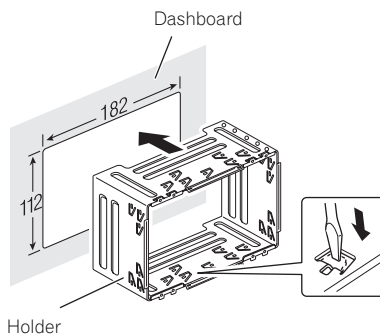
Loosen the screws (3 mm × 6 mm) to remove the holder.



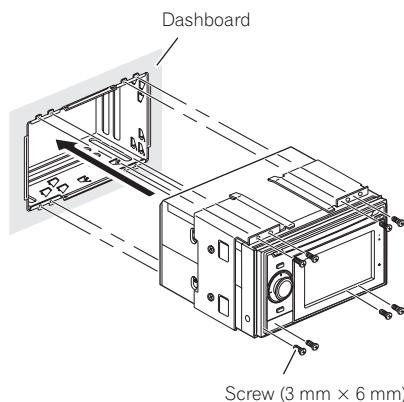
Installation with the holder and side bracket

1 Install the holder into the dashboard.

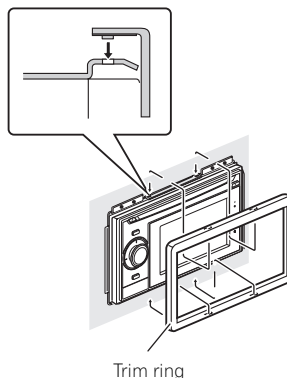
After inserting the holder into the dashboard, select and bend the tabs appropriate to the thickness of the dashboard material. (Install this navigation unit as firmly as possible using the top and bottom tabs. To secure this navigation unit, bend the tabs 90 degrees.)



2 Install this navigation unit and fasten the screws.

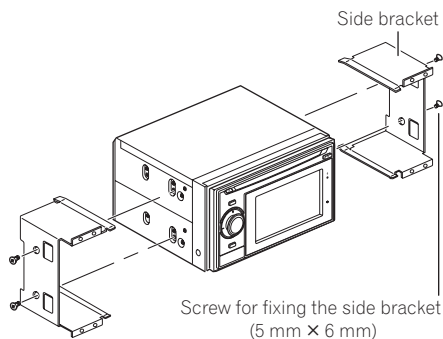


3 Attach the trim ring.



Installation using the screw holes on the side of the navigation unit

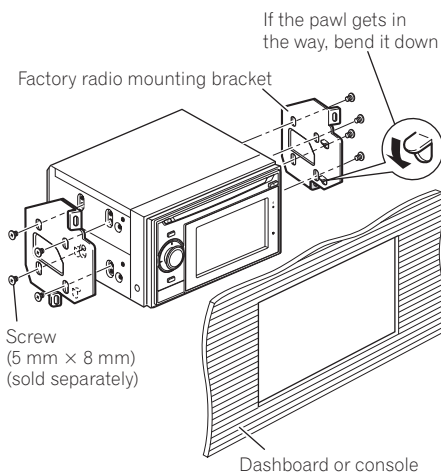
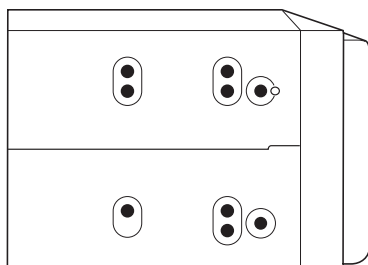
1 Remove the side brackets.



2 Fastening the navigation unit to the factory radio-mounting bracket.

Position the navigation unit so that its screw holes are aligned with the screw holes of the bracket, and tighten the screws at 3 or 4 locations on each side.

Use the screws (5 mm × 8 mm) (sold separately), depending on the shape of the bracket's screw holes.



Installation

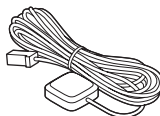
Installing the GPS aerial



CAUTION

Do not cut the GPS aerial lead to shorten it or use an extension to make it longer. Altering the aerial cable could result in a short circuit or malfunction and permanent damage to the navigation system.

Parts supplied



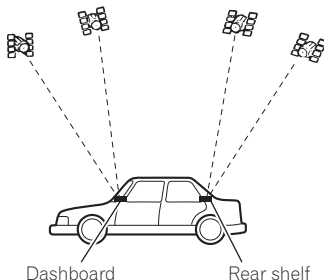
GPS aerial



Metal sheet

Installation notes

- The aerial should be installed on a level surface where radio waves will be blocked as little as possible. Radio waves cannot be received by the aerial if reception from the satellite is blocked.



Dashboard

Rear shelf

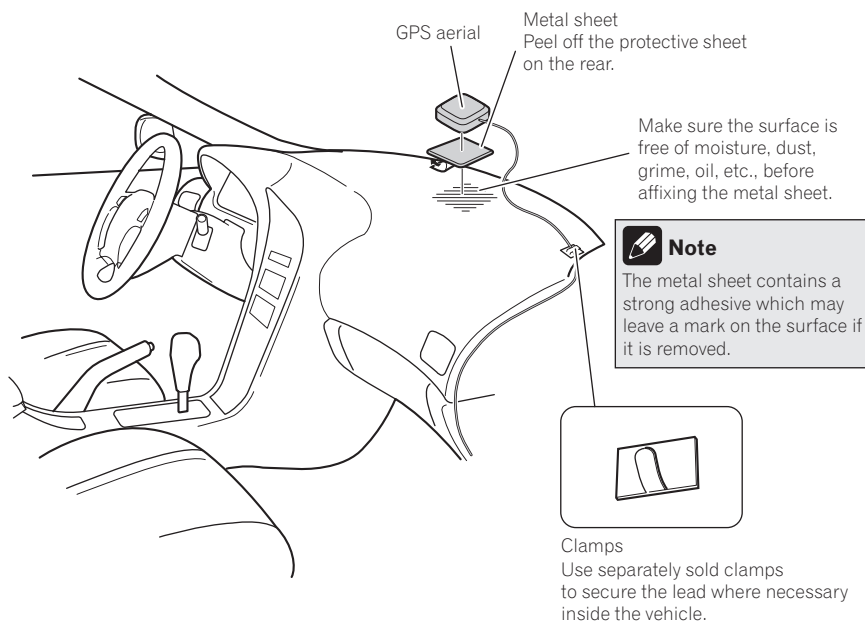
- When installing the GPS aerial inside the vehicle, be sure to use the metal sheet provided with your system. If this is not used, the reception sensitivity will be poor.
- Do not cut the accessory metal sheet. This would reduce the sensitivity of the GPS aerial.
- Take care not to pull the aerial lead when removing the GPS aerial. The magnet attached to the aerial is very powerful, and the lead may become detached.
- Do not paint the GPS aerial, as this may affect its performance.

When installing the aerial inside the vehicle (on the dashboard or rear shelf)

! WARNING

Do not install the GPS aerial over any sensors or vents on the dashboard of the vehicle, as doing so may interfere with the proper functioning of such sensors or vents and may compromise the ability of the metal sheet under the GPS aerial to properly and securely affix to the dashboard.

Affix the metal sheet on as level a surface as possible where the GPS aerial faces the window. Place the GPS aerial on the metal sheet. (The GPS aerial is fastened with its magnet.)



! Notes

- When attaching the metal sheet, do not cut it into small pieces.
- Some models use window glass that does not allow signals from GPS satellites to pass through. On such models, install the GPS aerial on the outside of the vehicle.

Installation

Installing the microphone

- Install the microphone in a place where its direction and distance from the driver make it easiest to pick up the driver's voice.
- Make sure to connect the microphone to the navigation system after the system is turned off. (ACC OFF)

Parts supplied



Microphone



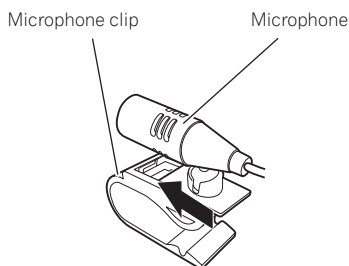
Microphone clip



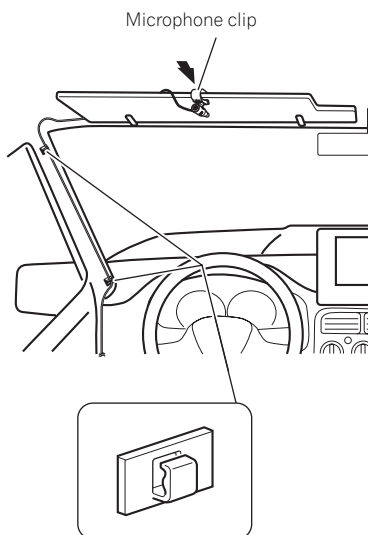
Double-sided tape

Mounting on the sun visor

1 Install the microphone in the microphone clip.



2 Attach the microphone clip to the sun visor.



Clamps

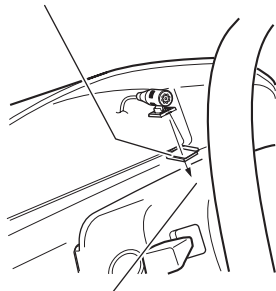
Use separately sold clamps to secure the lead where necessary inside the vehicle.

Install the microphone on the sun visor when it is in the up position. It cannot recognise the driver's voice if the sun visor is in the down position.

Installation on the steering column

- Mount the microphone on the steering column.

Double-sided tape



Install the microphone on the steering column, keeping it away from the steering wheel.

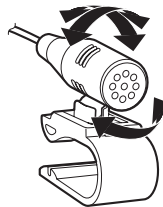


Clamps

Use separately sold clamps to secure the lead where necessary inside the vehicle.

Adjusting the microphone angle

The microphone angle can be adjusted.



After Installation

After Installing this navigation system

1 Reconnecting the battery.

First, double-check that all connections are correct and that this product is installed correctly. Reassemble all vehicle components that you previously removed. Then reconnect the negative (-) cable to the negative (-) terminal of the battery.

2 Start the engine.

3 Press the RESET button while the detachable device is attached.

Press the **RESET** button on the navigation unit with a pointed object such as the tip of a pen.



4 Make the following settings.

- For details concerning operations, refer to Operation Manual.
- 1 Set the language.
- 2 Drive an unobstructed road until the GPS starts receiving the signal normally.
- 3 Make some necessary adjustments.
 - Setting the time
 - Change other settings as you prefer



Note

After installing this navigation system, be sure to check at a safe place that the vehicle is performing normally.

01 INFORMACIÓN IMPORTANTE

ACERCA DE SU NUEVO SISTEMA DE NAVEGACIÓN Y ESTE MANUAL 25

02 PRECAUCIONES IMPORTANTES

LEA TODAS ESTAS INSTRUCCIONES RELACIONADAS CON SU SISTEMA DE NAVEGACIÓN Y GUÁRDELAS PARA EMPLEARLAS COMO REFERENCIA EN EL FUTURO 26

03 Conexión del sistema

Precauciones antes de conectar el sistema 27

Antes de instalar este producto 27

Para impedir daños 28

- Aviso para el cable conductor azul/blanco 28

Partes suministradas 29

Conexión del sistema 30

Conexión del cable de alimentación (1) 32

Conexión del cable de alimentación (2) 34

Conexión al amplificador de potencia que se vende por separado 35

04 Instalación

Precauciones antes de la instalación 36

Para impedir que se produzcan interferencias electromagnéticas 36

Antes de la instalación 37

Instalación de este sistema de navegación 37

- Notas acerca de la instalación 37
- Partes suministradas 38
- Antes de instalar esta unidad de navegación 39
- Instalación con el soporte y el soporte lateral 39
- Instalación utilizando los orificios del tornillo al lado de la unidad de navegación 40

Instalación de la antena GPS 41

– Notas acerca de la instalación 41

– Partes suministradas 41

– Cuando instale la antena en el interior del vehículo (en el salpicadero o en la bandeja trasera) 42

Instalación del micrófono 43

– Partes suministradas 43

– Montaje en el parasol 43

– Instalación en la columna de dirección 44

– Ajuste del ángulo del micrófono 45

05 Después de la instalación

Después de instalar este sistema de navegación 46

INFORMACIÓN IMPORTANTE**ACERCA DE SU NUEVO SISTEMA DE NAVEGACIÓN Y ESTE MANUAL**

- Las funciones de navegación de este producto están pensadas únicamente para ayudarlo en el manejo de su vehículo. De ninguna forma deben considerarse como un sustituto de su atención, buen juicio y cuidado durante la conducción.
- Nunca utilice este sistema de navegación para guiarse hasta hospitales, comisarías de policía o instalaciones parecidas si se produce una emergencia. En tal caso, llame al número de emergencias correspondiente.
- No active el sistema de navegación si al hacerlo deja de prestar atención y pone en peligro el manejo seguro de su vehículo. Las limitaciones y consejos sobre el tráfico existentes en cada momento deben tomarse siempre con prioridad respecto a la guía que proporciona este producto. Haga caso siempre de las limitaciones de tráfico existentes en cada momento, aunque este producto aconseje lo contrario.
- Este manual explica cómo instalar este sistema de navegación en su vehículo. El funcionamiento del mismo se explica en los manuales del sistema de navegación, que se entregan por separado.
- No instale este producto en puntos en los que pueda (i) dificultar la visión del conductor, (ii) comprometer el funcionamiento de alguno de los sistemas de seguridad del vehículo, como los airbags, los botones de los indicadores de peligro, o (iii) comprometer la capacidad del conductor para manejar el vehículo con seguridad. En algunos casos, es posible que este producto no pueda instalarse debido al tipo de vehículo o a la forma del interior del vehículo. ■

**ADVERTENCIA**

Pioneer aconseja que no realice usted mismo la instalación del sistema de navegación. Recomendamos que sólo el personal de servicio autorizado de Pioneer, que cuenta con formación especializada y experiencia en el campo de la electrónica móvil, instale y configure este producto. NUNCA EFECTÚE EL MANTENIMIENTO DE ESTE PRODUCTO USTED MISMO. La instalación o el mantenimiento del producto y de los cables de conexión asociados puede exponerle al riesgo de una descarga eléctrica u otros peligros, y puede ocasionar daños en el sistema de navegación que no cubre la garantía.

LEA TODAS ESTAS INSTRUCCIONES RELACIONADAS CON SU SISTEMA DE NAVEGACIÓN Y GUÁRDELAS PARA EMPLEARLAS COMO REFERENCIA EN EL FUTURO

- 1 Lea completa y detenidamente este manual antes de instalar su sistema de navegación.
- 2 Guarde al alcance de la mano este manual para utilizarlo como referencia en el futuro.
- 3 Ponga mucha atención a todas las advertencias de este manual y siga cuidadosamente las instrucciones.
- 4 La primera vez que se inicie el sistema, podría aparecer el sistema **"Preparing to start up system...please wait"**, dado que la carga restante en la batería podría ser muy reducida. Si aparece este mensaje, no efectúe ninguna acción hasta que no se muestre el mensaje **"Ready to start up system."**.
- 5 En ciertas circunstancias, este sistema de navegación puede mostrar una información errónea de la posición de su vehículo, la distancia de los objetos mostrados en la pantalla y las direcciones de la brújula. Además, el sis-

tema tiene ciertas limitaciones, incluyendo la incapacidad de identificar calles de una dirección, restricciones temporales de tráfico y zonas donde la conducción pueda resultar peligrosa. Haga uso de su buen juicio en función de las condiciones de conducción reales.

- 6 Al igual que con cualquier otro accesorio del interior, el sistema de navegación nunca deberá distraerle ni poner en peligro el manejo seguro de su vehículo. Si encuentra dificultades al utilizar el sistema o al leer la pantalla, haga los ajustes necesarios con el vehículo estacionado en un lugar seguro.
- 7 Recuerde ponerse siempre el cinturón de seguridad cuando maneje su vehículo. En el caso de sufrir un accidente, sus lesiones pueden ser mucho más graves si no tiene bien puesto su cinturón de seguridad.
- 8 Algunos países y leyes gubernamentales pueden prohibir o limitar la ubicación y el uso de este sistema en su vehículo. Cumpla con todas las leyes y normas pertinentes en cuanto al uso, la instalación y el funcionamiento del sistema de navegación. ▣

Conexión del sistema

Precauciones antes de conectar el sistema

! PRECAUCIÓN

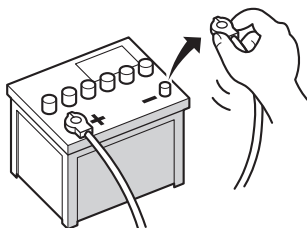
- Si decide efectuar la instalación usted mismo y cuenta con formación especializada y experiencia en la instalación de sistemas electrónicos móviles, siga con cuidado todos los pasos descritos en el manual de instalación.
- Asegure todo el cableado con abrazaderas de cables o cinta para usos eléctricos. No permita que el cableado pelado permanezca descubierto.
- No enchufe directamente el cable amarillo de este producto a la batería del vehículo. Si lo hace, puede que la vibración del motor acabe provocando un problema relacionado con el aislamiento en el punto por donde el cable cruza del compartimiento del pasajero al compartimiento del motor. Si se rompe el aislamiento del cable amarillo como resultado del contacto con partes metálicas, puede producirse un cortocircuito y generar por tanto un peligro considerable.
- Es extremadamente peligroso permitir que los cables queden enrollados alrededor de la columna de la dirección o palanca de cambio. Asegúrese de instalar este producto, sus cables y hilos alejados, de forma que no obstruyan o impidan la conducción del vehículo.
- Asegúrese de que todos los cables estén enrutados y sujetos de manera que no entorpezcan o queden atrapados con alguna de las partes móviles del vehículo, en especial con el volante, la palanca de cambio, el freno de mano, las guías de los asientos deslizantes, las puertas o con alguno de los controles del vehículo.
- No enrute cables que vayan a estar sometidos a altas temperaturas. Si se calienta el aislamiento, los cables pueden resultar dañados y, como consecuencia, puede producirse un cortocircuito o una avería y

el producto puede sufrir un deterioro permanente.

- No corte el cable de la antena GPS para reducir su longitud ni utilice una extensión para alargarlo. La alteración del cable de la antena puede causar un cortocircuito.
- No acorte ningún cable. En el caso de que lo haga, el circuito de protección (el portafusibles, la resistencia de fusible o el filtro, etc.) puede que no funcione correctamente.
- Nunca suministre alimentación a otros productos electrónicos cortando el aislamiento del cable de alimentación del sistema de navegación y tomando corriente de él. La capacidad nominal del cable se excederá y causará un recalentamiento. ■

Antes de instalar este producto

- Utilice esta unidad solamente con una batería de 12 voltios y puesta a tierra negativa. De lo contrario, podrá ocasionar un incendio o un fallo de funcionamiento.
- Para evitar cortocircuitos en el sistema eléctrico, asegúrese de desconectar el cable de la batería (-) antes de comenzar con la instalación.



■

Para impedir daños

⚠ ADVERTENCIA

- **Utilice altavoces con capacidad superior a 50 W (valor de salida) y entre $4\ \Omega$ a $8\ \Omega$ (valor de impedancia). No utilice altavoces de $1\ \Omega$ a $3\ \Omega$ para esta unidad.**
- **El cable negro es de conexión a tierra. Conecte este cable a una toma de tierra distinta de productos de alta tensión, como, por ejemplo, amplificadores de potencia. No conecte a tierra más de un componente junto con la conexión a tierra de otro componente. Por ejemplo, debe conectar a tierra por separado cualquier unidad de amplificador y este sistema de navegación. La conexión conjunta de la tierra de uno y otro puede ocasionar un incendio y/o dañar los productos si se desprende la tierra de cada uno.**
- **Al sustituir el fusible, asegúrese de utilizar exclusivamente un fusible del régimen nominal descrito en este producto.**
 - Cuando desconecte un conector, tire del propio conector. No tire del cable porque podría sacarlo del conector.
 - No se puede instalar este producto en un vehículo sin la posición ACC (accesorio) en el interruptor de encendido.



Posición ACC



Sin posición ACC

- Para evitar cortocircuitos, cubra el conductor desconectado con cinta aislada. Es especialmente importante aislar todos los cables de altavoz que no se usen, ya que si no se recubren pueden llegar a provocar un cortocircuito.
- Acople los conectores de un color determinado al puerto correspondiente del mismo

color, es decir, el conector azul al puerto azul, el conector negro al puerto negro, etc.

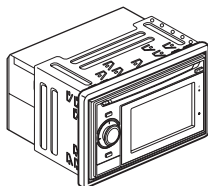
- Consulte el manual del propietario para obtener información sobre la conexión del amplificador de potencia y de otras unidades y, a continuación, realice las conexiones de manera acorde.
- Como se utiliza un circuito BPTL único, no conecte directamente a tierra el extremo \ominus del cable del altavoz, ni conecte juntos los extremos \ominus de los cables de los altavoces. Asegúrese de conectar el extremo \ominus del cable del altavoz al extremo \ominus del cable del altavoz de este sistema de navegación.

Aviso para el cable conductor azul/blanco

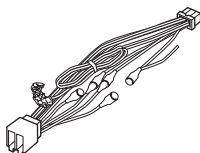
- Al encender esta unidad se emite una señal de control a través del cable azul/blanco. Conéctelo al control remoto de un sistema de amplificación de potencia externo, o al terminal de control de relé de antena automática del vehículo (max. 300 mA, 12 V cc). Si el vehículo está equipado con una antena para cristal, conecte el cable al terminal de suministro eléctrico del amplificador de antena.
- No conecte nunca el cable azul/blanco a un terminal de alimentación de un amplificador de potencia externo. Del mismo modo, nunca lo conecte al terminal de alimentación de la antena automática. De lo contrario, podría agotar carga de batería o producirse fallos de funcionamiento.
- Asegúrese de utilizar este cable conductor como el cable conductor del suministro de energía para la antena automática o amplificador de antena. Tal conexión podría causar un drenaje excesivo de corriente y un fallo de funcionamiento. ▣

Conexión del sistema

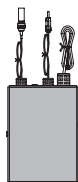
Partes suministradas



La unidad de navegación



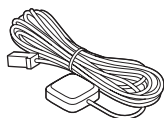
Cable de alimentación



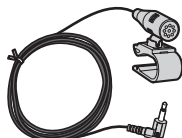
Sintonizador RDS-TMC



Conector USB



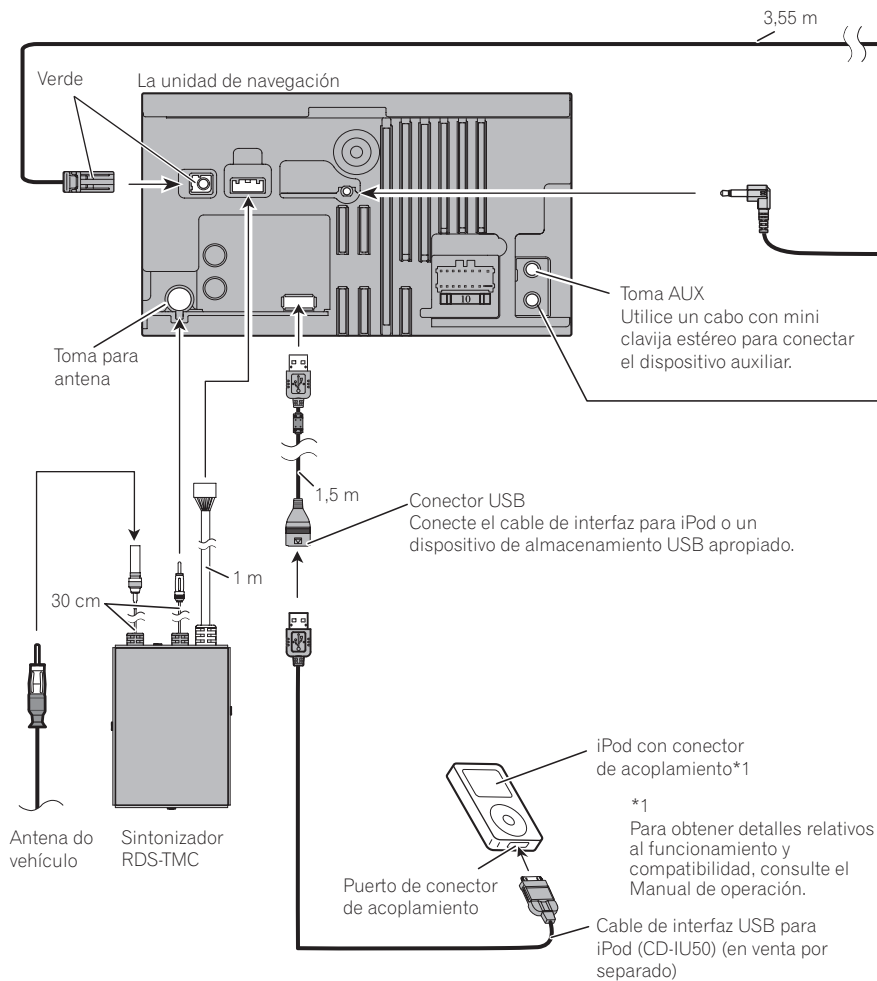
Antena GPS



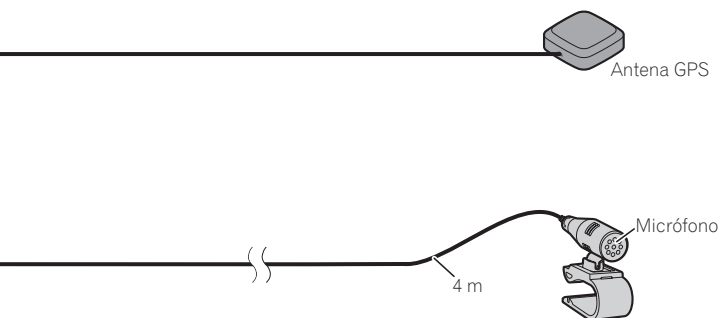
Micrófono



Conexión del sistema



Conexión del sistema



WIRED REMOTE INPUT

Consulte el manual de instrucciones para los adaptadores de control remoto por cable (en venta por separado).



ADVERTENCIA

Para evitar el riesgo de accidente y la violación potencial de las leyes aplicables, nunca se debe utilizar este producto durante la conducción del vehículo, excepto para los propósitos de navegación.

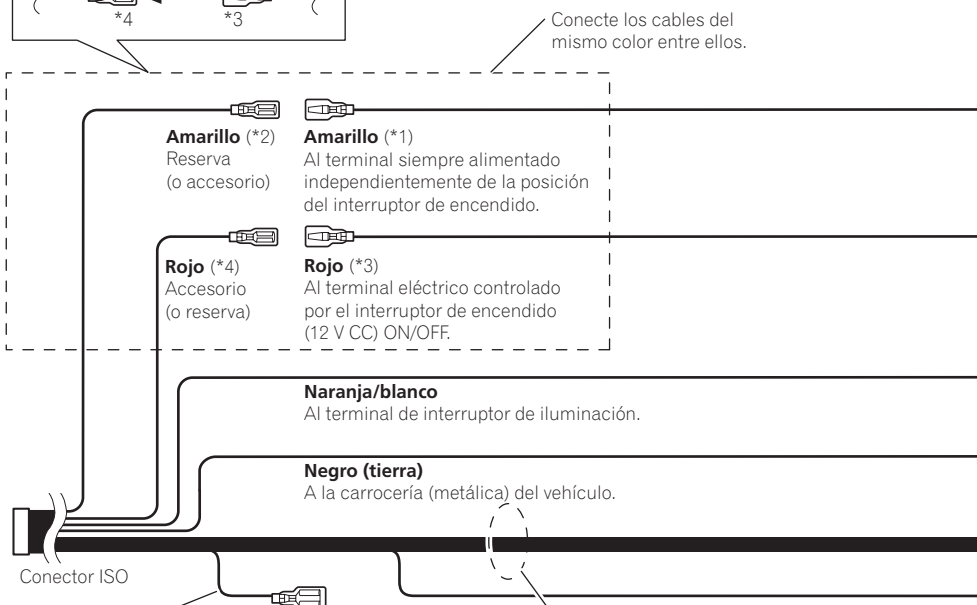
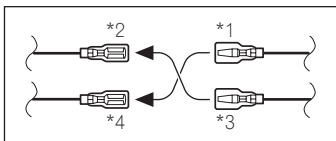


Conexión del cable de alimentación (1)

Nota
 Dependiendo del tipo de vehículo, puede que la función de *2 y *4 sea diferente. En este caso, asegúrese de conectar *1 a *4 y *3 a *2.

Notas

- Cuando se conecta un altavoz de graves (*7) a este sistema de navegación en vez de un altavoz trasero, cambie la configuración de salida trasera en la Configuración inicial. (Consulte el Manual de operación.) La salida de altavoz de graves de este sistema de navegación es monofónica.
- Cuando utilice un altavoz de graves de 70 W (2 Ω), asegúrese de conectar con los cables violeta y violeta/negro de este sistema de navegación. No conecte nada con los cables verde y verde/negro.



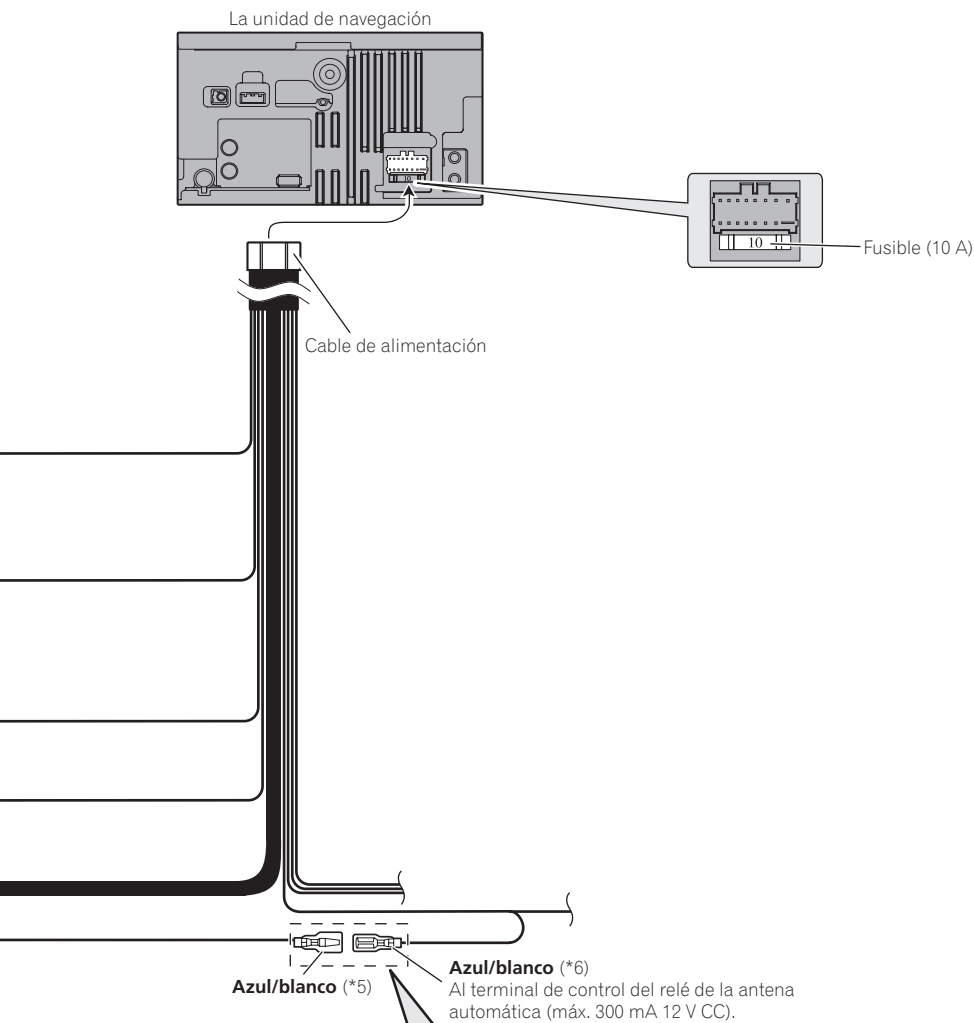
Conecte los cables del mismo color entre ellos.

Amarillo/negro
 El vehículo puede enviar una señal muda a este terminal.

Nota
 En algunos vehículos, el conector ISO puede estar dividido en dos. En este caso, asegúrese de conectar a ambos conectores.

- Cables de altavoz
- Blanco: Izquierdo delantero ⊕
 - Blanco/negro: Izquierdo delantero ⊖
 - Gris: Derecho delantero ⊕
 - Gris/negro: Derecho delantero ⊖
 - Verde: Izquierdo trasero ⊕ o Altavoz de graves ⊕ (*7)
 - Verde/negro: Izquierdo trasero ⊖ o Altavoz de graves ⊖ (*7)
 - Violeta: Derecho trasero ⊕ o Altavoz de graves ⊕ (*7)
 - Violeta/negro: Derecho trasero ⊖ o Altavoz de graves ⊖ (*7)

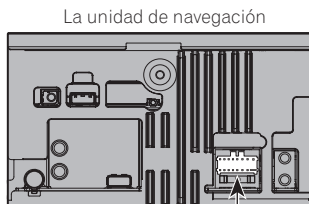
Conexión del sistema



La posición de la clavija del conector ISO difiere en función del tipo de vehículo. Conecte *5 y *6 cuando la clavija 5 es del tipo de control de antena. En otro tipo de vehículo, nunca conecte *5 y *6.



Conexión del cable de alimentación (2)



Verde claro

Se utiliza para detectar el estado ON/OFF del freno de mano. Se debe conectar este cable al lado de alimentación del interruptor del freno de mano.

Si esta conexión se hace mal o se omite, ciertas funciones de su sistema de navegación no podrán utilizarse.



ADVERTENCIA

EL CABLE VERDE CLARO EN EL CONECTOR DE ALIMENTACIÓN ESTÁ DISEÑADO PARA DETECTAR EL ESTADO DE ESTACIONAMIENTO Y DEBE CONECTARSE AL LADO DE ALIMENTACIÓN DEL INTERRUPTOR DEL FRENO DE MANO. LA CONEXIÓN O USO INADECUADO DE ESTE CABLE PUEDE VIOLAR LA LEY APLICABLE Y PUEDE CAUSAR SERIAS HERIDAS O DAÑOS.

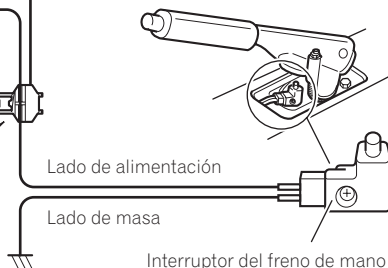
Método de conexión



Apriete el cable del lado de alimentación del interruptor del freno de estacionamiento.

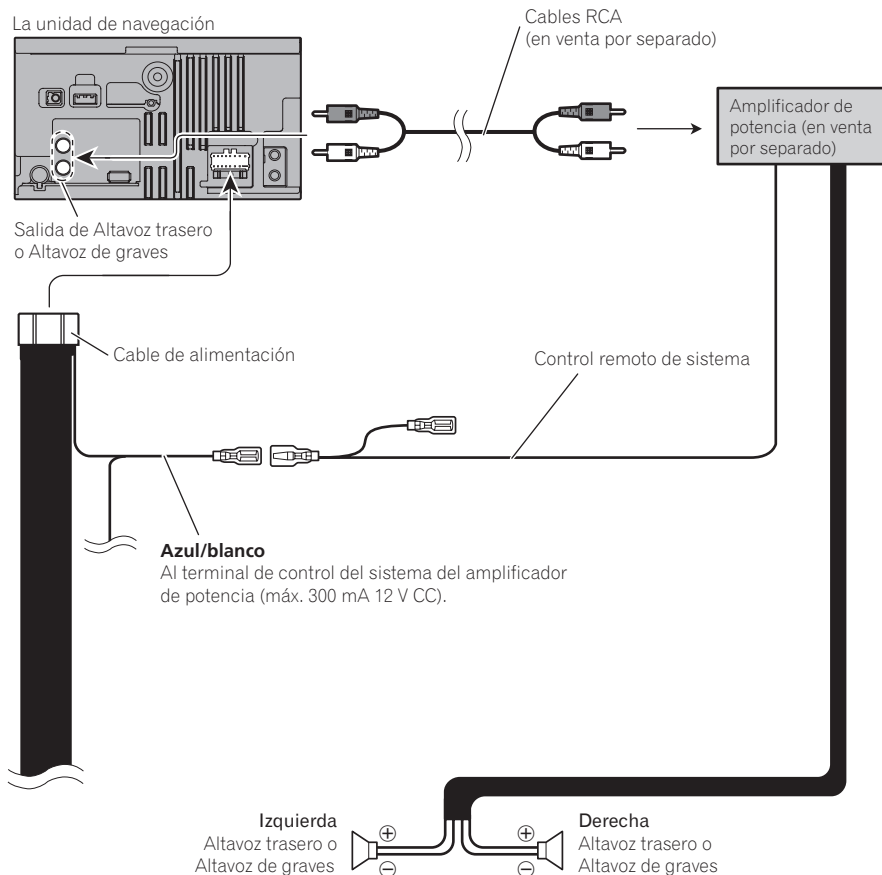


Apriete firmemente con alicates de punta de aguja.



Conexión del sistema

Conexión al amplificador de potencia que se vende por separado



Nota

Se puede cambiar la salida RCA del altavoz de graves dependiendo del sistema de altavoz de graves. (Consulte el Manual de operación.)



Precauciones antes de la instalación



PRECAUCIÓN

- Nunca instale este producto en lugares en los que, o de manera que:
 - Pueda lesionar al conductor o a los pasajeros si el vehículo se detiene bruscamente.
 - Pueda entorpecer el manejo del vehículo por parte del conductor, por ejemplo en el piso delante del asiento del conductor o cerca del volante o de la palanca de cambio.
- Asegúrese de que no haya nada detrás del tablero de instrumentos u otros paneles al taladrar agujeros en ellos. Tenga cuidado de no dañar conductos de combustible, tuberías de freno, componentes electrónicos, cables de alimentación y de comunicaciones.
- Cuando utilice tornillos no permita que éstos entren en contacto con ningún cable eléctrico. La vibración puede deteriorar los cables o el aislamiento y provocar un cortocircuito u otros daños en el vehículo.
- Para asegurar una instalación apropiada, utilice las piezas suministradas de la forma especificada. Si no se suministran piezas con este producto, utilice piezas compatibles de la forma especificada después de haber comprobado a través de su distribuidor la compatibilidad de dichas piezas. Si utiliza otras piezas que no hayan sido suministradas o las que no sean compatibles, éstas podrán estropear las piezas internas del producto, o podrán aflojarse y hacer que se desprenda el producto.
- Es extremadamente peligroso permitir que los cables queden enrollados alrededor de la columna de la dirección o palanca de cambio. Asegúrese de instalar este producto, sus cables y hilos alejados, de forma que no obstruyan o impidan la conducción del vehículo.
- Asegúrese de que los cables no queden atrapados en una puerta ni en el mecanismo de deslizamiento de un asiento porque puede producirse un cortocircuito.
- Después de instalar el sistema de navegación, compruebe que todos los demás equipos de su vehículo funcionan correctamente.
- No instale este sistema de navegación en puntos en los que pueda (i) dificultar la visión del conductor, (ii) comprometer el funcionamiento de alguno de los sistemas de seguridad del vehículo, como los airbags, los botones de los indicadores de peligro, o (iii) comprometer la capacidad del conductor para manejar el vehículo con seguridad.
- Instale el sistema de navegación entre el asiento del conductor y el asiento del pasajero delantero de manera que no sufra ningún golpe por parte del conductor o del pasajero en el caso de que el vehículo frene bruscamente.
- No instale nunca el sistema de navegación en la frente o cerca del sitio en el tablero de instrumentos, puerta o pilar donde un airbag del vehículo podría desplegarse. Consulte el manual del propietario de su vehículo para las referencias acerca de las áreas de despliegue de los airbags delanteros. ▣

Para impedir que se produzcan interferencias electromagnéticas

Para evitar interferencias, instale los siguientes elementos lo más lejos posible del sistema de navegación, así como de otros cables:

- La antena FM, MW/LW y su cable
- La antena GPS y su cable

Instalación

Además debería colocar o enrutar cada cable de antena lo más alejado posible de otros cables de antena. No los ate, ni los coloque o enrute juntos, ni tampoco los cruce. El ruido electromagnético aumentará las posibilidades de que se produzcan errores en la pantalla de situación. ■

Antes de la instalación

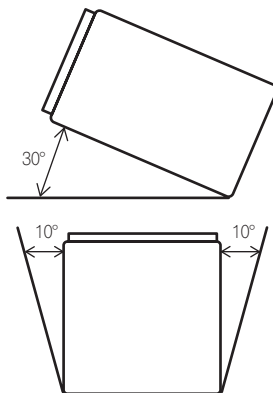
- Consulte con su distribuidor si la instalación requiere del taladro de orificios u otras modificaciones del vehículo.
- Antes de realizar la instalación final de este producto, conecte el cableado temporalmente y asegúrese de que todo está conectado correctamente y que el sistema funciona debidamente. ■

Instalación de este sistema de navegación

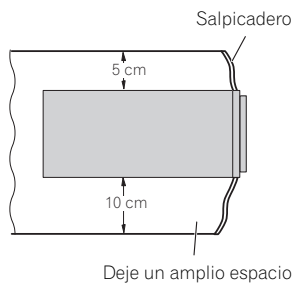
Notas acerca de la instalación

- No instale este sistema de navegación en sitios donde pueda estar expuesto a altas temperaturas o a humedad, como por ejemplo:
 - Lugares cercanos a un calefactor, conducto de ventilación o aire acondicionado.
 - Lugares expuestos a la luz solar directa tales como el salpicadero.
 - Lugares donde pueda ser salpicada por la lluvia como, por ejemplo, cerca de la puerta.
- Instale este sistema de navegación en una zona que sea lo bastante resistente para soportar su peso. Elija un lugar donde este sistema de navegación se pueda instalar bien e instálelo de forma segura. Si el sistema de navegación no está bien instalado, no se mostrará correctamente la ubicación actual del vehículo.

- Instale la unidad de navegación de forma horizontal sobre una superficie dentro de un margen de tolerancia de 0 grados a 30 grados (en un margen de 10 grados a la izquierda o a la derecha). La incorrecta instalación de la unidad, con la superficie inclinada más de lo que se indica en estas instrucciones, aumenta la posibilidad de que se produzcan errores en la visualización de ubicación, y podría a su vez mermar el rendimiento de la pantalla.



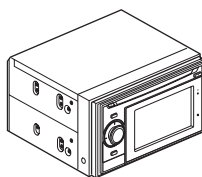
- Cuando instale, para asegurar la dispersión apropiada del calor durante el uso de esta unidad, asegúrese de dejar un amplio espacio por detrás del panel trasero y enrolle cualesquiera cables sueltos de modo que no bloquee en las aberturas de ventilación.



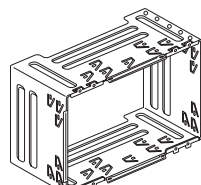
- El láser de semiconductor quedará dañado si se sobrecalienta, por tanto no instale la unidad de navegación en ningún sitio con calor (por ejemplo, cerca de una salida de calefacción).
- No instale este sistema de navegación en un lugar en el que la desconexión del dispositivo extraíble de la unidad principal pudiera estar dificultado por la palanca de cambios o cualquier otro objeto. Antes de instalar este sistema de navegación, asegúrese de dejar espacio suficiente para que el dispositivo extraíble no impida el funcionamiento de la palanca de cambios al desconectarlo. De lo contrario, podría interferir con el funcionamiento de la palanca de cambios, o provocar fallos de funcionamiento del mecanismo de desconexión.

Partes suministradas

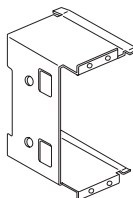
- Las piezas marcadas con un asterisco (*1) están instaladas previamente.
- Las piezas marcadas con un asterisco (*2) están destinadas exclusivamente para su uso en expositores de tiendas.



La unidad de navegación



Soporte*1



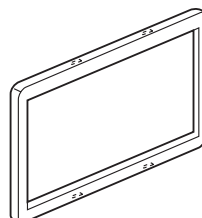
Soporte lateral*1
(2 piezas)



Tornillo*1
(3 mm x 6 mm)
(8 piezas)



Tornillo para fijar la so-
porte lateral*1
(5 mm x 6 mm)
(4 piezas)



Anillo embellecedor*1



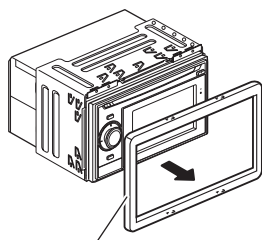
Tornillo*2
(2 mm x 8 mm)
(1 pieza)

Instalación

Antes de instalar esta unidad de navegación

1 Extraiga el anillo embellecedor.

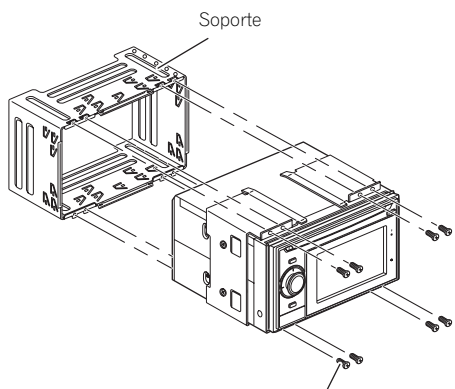
Extienda la parte superior y la parte inferior del anillo embellecedor hacia fuera para extraer el anillo embellecedor.



Anillo embellecedor

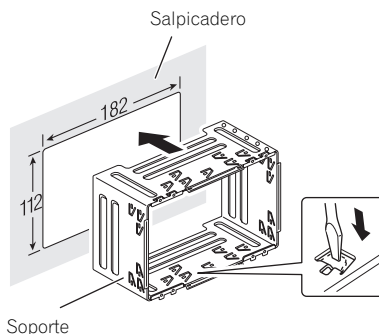
2 Retire el soporte.

Afloje los tornillos (3 mm x 6 mm) para retirar el soporte.

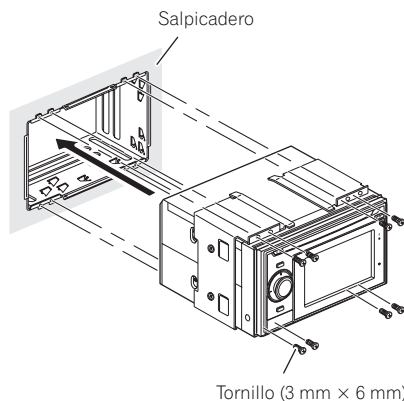


Tornillo (3 mm x 6 mm)

Para asegurar esta unidad de navegación, doble las pestañas 90 grados.)



2 Instale esta unidad de navegación y apriete los tornillos.

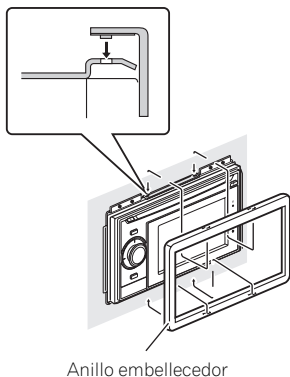


Instalación con el soporte y el soporte lateral

1 Instale el soporte en el salpicadero.

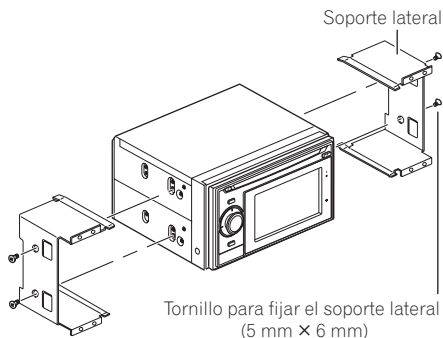
Tras introducir el soporte en el salpicadero, seleccione y doble las pestañas de acuerdo con el grosor del material del salpicadero. (Instale esta unidad de navegación lo más firme posible utilizando las pestañas superior e inferior.

3 Coloque el anillo embellecedor.



Instalación utilizando los orificios del tornillo al lado de la unidad de navegación

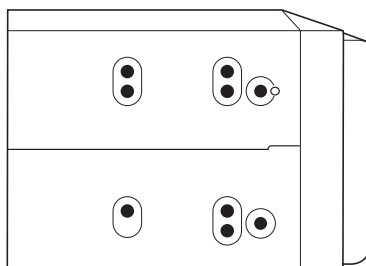
1 Retire los soportes laterales.



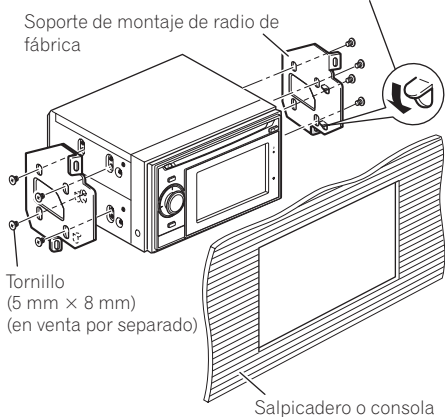
2 Fijar la unidad de navegación al soporte de montaje de radio de fábrica.

Coloque la unidad de navegación de forma que los orificios de su tornillo estén alineados con los orificios del tornillo del soporte, y apriete los tornillos en 3 o 4 lugares a cada lado.

Utilice los tornillos (5 mm × 8 mm) (se venden por separado), dependiendo de la forma de los orificios del tornillo del soporte.



Si el trinquete está en medio, dóblelo hacia abajo



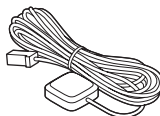
Instalación

Instalación de la antena GPS

⚠ PRECAUCIÓN

No corte el cable de la antena GPS para reducir su longitud, ni utilice una extensión para alargarlo. La alteración del cable de la antena puede provocar un cortocircuito o una avería y daños permanentes al sistema de navegación.

Partes suministradas



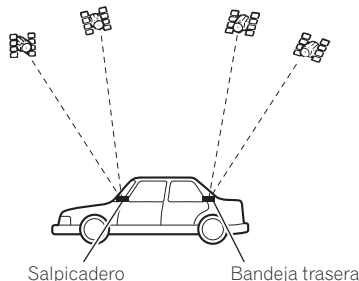
Antena GPS



Hoja de metal

Notas acerca de la instalación

- La antena debe instalarse en una superficie nivelada donde las ondas de radio queden bloqueadas lo menos posible. Las ondas de radio no podrán ser recibidas por la antena si la emisión desde el satélite queda bloqueada.



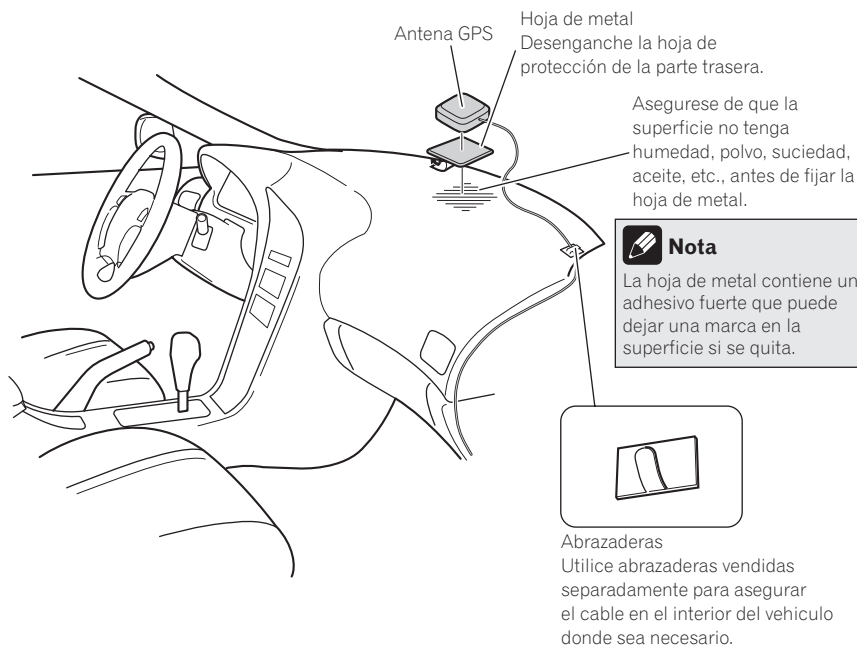
- Cuando instale la antena GPS en el interior del vehículo, asegúrese de utilizar la hoja de metálica proporcionada con su sistema. Si ésta no se utiliza, la sensibilidad de la recepción no será apropiada.
- No corte la hoja de metálica suministrada para hacerla más pequeña. Esto podría reducir la sensibilidad de la antena GPS.
- Tenga cuidado de no tirar del cable de la antena cuando quite la antena GPS. El imán colocado en la antena es muy potente y es posible que el cable se desprenda.
- No pinte la antena GPS ya que puede alterar su rendimiento.

Cuando instale la antena en el interior del vehículo (en el salpicadero o en la bandeja trasera)

⚠ ADVERTENCIA

No instale la antena GPS sobre sensores o aberturas de ventilación en el tablero de instrumentos del vehículo, ya que eso puede interferir con el funcionamiento apropiado de tales sensores o aberturas de ventilación y puede comprometer la habilidad de adherencia apropiada y segura de la hoja de metal por debajo de la antena GPS en el tablero de instrumentos.

Fije la hoja de metal en una superficie lo más plana posible y donde la antena GPS apunte hacia la ventana. Ponga la antena GPS en la hoja de metal. (La antena GPS se fija mediante su imán.)



Instalación



Notas

- Cuando monte la hoja de metal, no la corte en piezas pequeñas.
- Algunos modelos utilizan ventanas con un tipo de cristal que no permiten el paso de las señales procedentes de satélites GPS. Para tales modelos, instale la antena GPS en el exterior del vehículo.



Instalación del micrófono

- Instale el micrófono de tal forma que esté correctamente orientado y a la distancia correcta del conductor y resulte fácil recoger la voz del conductor.
- Asegúrese de conectar el micrófono al sistema de navegación una vez que el sistema está apagado. (ACC OFF)

Partes suministradas



Micrófono



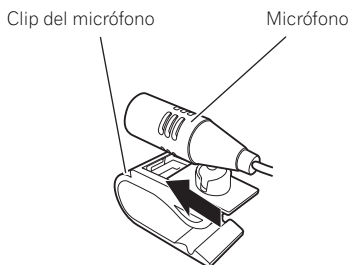
Clip del micrófono



Cinta de doble cara

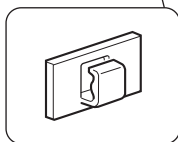
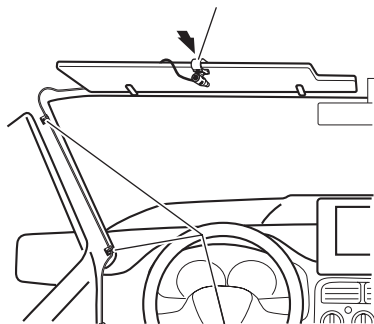
Montaje en el parasol

1 Instale el micrófono en el clip del micrófono.



2 Fije el clip del micrófono al parasol.

Clip del micrófono



Abrazaderas

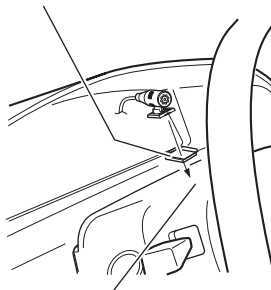
Utilice abrazaderas vendidas separadamente para asegurar el cable en el interior del vehículo donde sea necesario.

Instale el micrófono en el parasol cuando éste esté plegado hacia arriba. No puede reconocer la voz del conductor si el parasol está bajado.

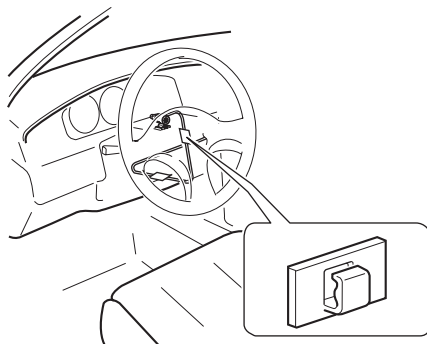
Instalación en la columna de dirección

- Monte el micrófono en la columna de dirección.

Cinta de doble cara



Instale el micrófono en la columna de dirección, manteniéndolo alejado del volante.

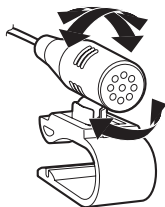


Abrazaderas

Utilice abrazaderas vendidas separadamente para asegurar el cable en el interior del vehículo donde sea necesario.

Ajuste del ángulo del micrófono

Se puede ajustar el ángulo del micrófono.



Después de instalar este sistema de navegación

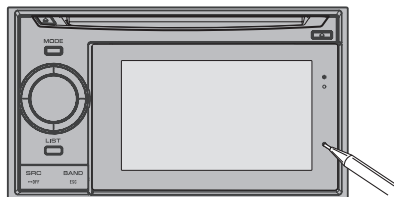
1 Vuelva a conectar la batería.

Primero, cerciédese de que todas las conexiones estén bien hechas y de que este producto esté instalado correctamente. Vuelva a instalar todos los componentes del vehículo que extrajo previamente. Y luego vuelva a conectar el cable negativo (-) al borne negativo (-) de la batería.

2 Ponga en marcha el motor.

3 Pulse el botón RESET con el dispositivo extraíble conectado.

Pulse el botón **RESET** de la unidad de navegación con un objeto puntiagudo como, por ejemplo, la punta de un bolígrafo.




4 Realice los siguientes ajustes.

- ➔ Para los detalles acerca de las operaciones, consulte el Manual de operación.
- 1 Ajuste el idioma.
- 2 Conduzca a través de una carretera despejada hasta que el GPS comience a recibir la señal de forma normal.
- 3 Realice los ajustes necesarios.
 - Ajuste la hora
 - Cambie el resto de ajustes según desee



Nota

Tras instalar este sistema de navegación, asegúrese de comprobar en un lugar seguro que el vehículo funciona con normalidad. 

01 WICHTIGE INFORMATION

ÜBER IHR NEUES NAVIGATIONSSYSTEM
UND DIESE ANLEITUNG 48

02 WICHTIGE SICHERHEITSHINWEISE

BITTE LESEN SIE DIESE ANLEITUNG ZUM
NAVIGATIONSSYSTEM AUFMERKSAM
DURCH UND BEWAHREN SIE DIE
ANLEITUNG FÜR SPÄTERES
NACHSCHLAGEN AUF 49

03 Anschluss des Systems

Vor dem Anschließen des Systems zu
beachten 50

Vor dem Einbau dieses Produkts 50

Zur Vermeidung von Schäden 51

- Anmerkung zum blau/weißen
Kabel 52

Mitgelieferte Teile 52

Anschluss des Systems 54

Stromkabel anschließen (1) 56

Stromkabel anschließen (2) 58

Beim Anschluss an den separat erhältlichen
Leistungsverstärker 59

04 Einbau

Vor der Installation zu beachten 60

Zur Vermeidung elektromagnetischen
Rauschens 60

Vor dem Einbau 61

Einbau dieses Navigationssystems 61

- Hinweise zum Einbau 61
- Mitgelieferte Teile 62
- Vor der Installation des
Navigationsgerätes 63
- Installation mit Halterung und
Seitenbügel 63
- Installation mit Hilfe der
Schraubenbohrungen an der Seite des
Navigationsgerätes 64

Einbau der GPS-Antenne 65

- Hinweise zur Befestigung 65

– Mitgelieferte Teile 65

- Einbau der Antenne im
Fahrzeuginnenraum (auf dem
Armaturenbrett oder der
Hutablage) 66

Einbau des Mikrofons 67

- Mitgelieferte Teile 67

– Montage an der Sonnenblende 67


– Montage auf der Lenksäule 68

– Anpassen des Mikrofonwinkels 69

05 Nach der Installation

Nach dem Einbau dieses
Navigationssystems 70

ÜBER IHR NEUES NAVIGATIONSSYSTEM UND DIESE ANLEITUNG

- Die Eigenschaften dieses Produktes dienen nur zu Ihrer Unterstützung beim Fahren Ihres Fahrzeugs. Es ist keinesfalls ein Ersatz für Ihre Aufmerksamkeit und Umsicht beim Fahren.
- Benutzen Sie dieses Navigationssystem nie, um im Notfall zu einem Krankenhaus, einer Polizeiwache oder ähnlichen Einrichtungen zu navigieren. Rufen Sie in solchen Fällen immer die entsprechende Notrufnummer an.
- Bedienen Sie dieses Navigationssystem niemals während der Fahrt, wenn dadurch Ihre Aufmerksamkeit von der sicheren Bedienung des Fahrzeugs abgelenkt wird. Aktuelle Verkehrsbeschränkungen und -hinweise haben Vorrang vor den Angaben dieses Produkts. Beachten Sie stets die vorhandenen Verkehrsbeschränkungen, selbst wenn dieses Produkt Ihnen das Gegenteil vorgibt.
- Diese Anleitung erklärt den Einbau des Navigationssystems in Ihren Wagen. Die Bedienung des Navigationssystems ist in den separaten Anleitungen des Navigationssystems beschrieben.
- Bauen Sie dieses Produkt nicht an Orten ein, wo es (i) die Sicht des Fahrers beeinträchtigt, (ii) die Leistung der eingebauten Sicherheitssysteme einschließlich Airbags und Warnleuchtschalter beeinträchtigt oder (iii) den Fahrer bei der sicheren Bedienung des Fahrzeugs einschränkt. Manchmal kann dieses Produkt auf Grund des Fahrzeugtyps oder der Gestaltung des Fahrzeuginterieurs evtl. nicht eingebaut werden. 

WICHTIGE SICHERHEITSHINWEISE




WARNUNG

Pioneer empfiehlt, das Navigationssystem nicht selbst einzubauen. Dieses Produkt sollte nur von autorisierten Pioneer-Mitarbeitern eingebaut werden, die entsprechend ausgebildet sind und Erfahrung im Bereich mobiler Elektronik haben. FÜHREN SIE WARTUNGSARBEITEN AN DIESEM PRODUKT NIEMALS SELBST DURCH. Beim Einbau oder Warten des Produkts und der Anschlusskabel besteht die Gefahr eines elektrischen Schlags und anderer Gefahren. Außerdem können dabei Beschädigungen am Navigationssystem entstehen, die nicht durch die Gewährleistung abgedeckt sind.

BITTE LESEN SIE DIESE ANLEITUNG ZUM NAVIGATIONSSYSTEM AUFMERKSAM DURCH UND BEWAHREN SIE DIE ANLEITUNG FÜR SPÄTERES NACHSCHLAGEN AUF

- 1 Lesen Sie diese Anleitung vor dem Einbau Ihres Navigationssystems aufmerksam und vollständig durch.
- 2 Bewahren Sie die Anleitung für späteres Nachschlagen auf.
- 3 Beachten Sie alle Warnungen in dieser Anleitung und folgen Sie den hier gegebenen Anweisungen genauestens.
- 4 Beim erstmaligen Hochfahren des Systems wird möglicherweise die Meldung **"Startvorgang wird vorbereitet ... bitte warten."** angezeigt, da der Akku unter Umständen stark entladen ist. Sollte diese Meldung erscheinen, warten Sie vor der Bedienung des Geräts, bis die Meldung **"Bereit für Startvorgang."** angezeigt wird.
- 5 Es kann vorkommen, dass dieses Navigationssystem die Position des Fahrzeugs, die Entfernung der auf dem Bildschirm angezeigten

Objekte und die Kompassrichtung nicht korrekt anzeigt. Darüber hinaus funktioniert das System nur innerhalb bestimmter Grenzen und erkennt z. B. keine Einbahnstraßen, vorübergehende Verkehrsbeschränkungen oder potenziell gefährliche Streckenabschnitte. Beurteilen Sie die Verkehrssituation unter Beachtung der herrschenden Bedingungen immer selbst.

- 6 Wie alles andere Zubehör im Innenraum des Fahrzeugs sollte das Navigationssystem Ihre Aufmerksamkeit niemals von der sicheren Bedienung Ihres Fahrzeugs ablenken. Falls Schwierigkeiten hinsichtlich der Bedienung des Geräts auftreten oder das angezeigte Bild schlecht erkennbar ist, sollten weitere Einstellungen erst nach dem sicheren Parken des Fahrzeugs vorgenommen werden.
- 7 Beachten Sie bitte, beim Fahren stets den Sicherheitsgurt anzulegen. Nicht korrekt angeschnallte Insassen sind bei einem Unfall einer wesentlich höheren Verletzungsgefahr ausgesetzt.
- 8 Gewisse nationale und behördliche Vorschriften können den Einbau und die Benutzung von Navigationssystemen in Fahrzeugen einschränken. Bitte beachten Sie die jeweils gültigen Gesetze und Richtlinien beim Einbau und Betrieb Ihres Navigationssystems. 

Vor dem Anschließen des Systems zu beachten



VORSICHT

- Wenn Sie den Einbau selbst vornehmen möchten und über die dafür erforderlichen Kenntnisse und Erfahrungen verfügen, befolgen Sie bitte sorgfältig alle Schritte in dieser Einbauanleitung.
- Alle Kabel mit Kabelklemmen oder Isolierband befestigen. Es dürfen keine offenerliegenden Drähte vorhanden sein.
- Das gelbe Kabel dieses Produkts nicht direkt an die Fahrzeugbatterie anschließen. Wenn das Kabel direkt an die Batterie angeschlossen wird, können die Motorvibrationen dazu führen, dass die Isolierung des Kabels an der Stelle durchscheuert, an der das Kabel von der Fahrgastzelle zum Motorraum durchgeführt wird. Kommt das blanke gelbe Kabel in Kontakt mit Metallteilen, kommt es zu einem Kurzschluss mit beträchtlichen Gefahren.
- Um die Lenksäule oder den Gangschalthebel gewickelte Kabel sind extrem gefährlich. Dieses Produkt und seine Kabel so einbauen, dass der sichere Betrieb des Fahrzeugs nicht gestört oder behindert wird.
- Die Kabel müssen so verlegt und befestigt werden, dass sie die Bewegungen von beweglichen Fahrzeugteilen, insbesondere des Lenkrads, des Schalthebels, der Handbremse, der Sitzführungsschienen, der Türen und der Schalter nicht beeinträchtigen oder sich in solchen Komponenten verfangen.
- Die Kabel so verlegen, dass sie keinen hohen Temperaturen ausgesetzt werden. Ein Erhitzen der Isolierung kann zu einer Beschädigung der Kabel führen und einen Kurzschluss, eine Fehlfunktion oder einen dauerhaften Schaden am Produkt verursachen.
- Die GPS-Antennenkabel nicht abschneiden, um es zu kürzen, oder mit einem Ver-

längerungskabel verlängern, da beides zu einem Kurzschluss oder einer Fehlfunktion führen kann.

- Kabel sollten grundsätzlich nicht gekürzt werden. Durch Kürzen der Kabel kann es eventuell zu einem Versagen der Sicherheitsschaltung kommen (Sicherheitshalter, Sicherungswiderstand oder Filter, usw.).
- Niemals durch Anzapfen der Versorgungsleitung des Navigationssystems Strom an andere elektronische Produkte abgreifen. Derartige Eingriffe führen zum Überschreiten der Stromkapazität und Überhitzen des Kabels.

- Unsachgemäßer Einbau kann zum Erlöschen der Garantie des Fahrzeugherstellers führen.
- Beachten Sie alle Vorschriften und Sicherheitshinweise des Kfz-Herstellers, insbesondere die Vorschriften zu Alarmanlage, Wegfahrsperre und Airbag!

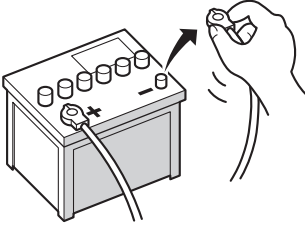


Vor dem Einbau dieses Produkts

- Das Gerät darf nur an ein 12-V-Bordnetz mit Minus an Masse angeschlossen werden. Nichtbeachtung dieses Punkts kann einen Brand oder eine Betriebsstörung zur Folge haben.

Anschluss des Systems

- Um Kurzschlüsse im elektrischen System zu verhindern, ist unbedingt vor dem Einbau das Minus-Batteriekabel (-) abzutrennen.



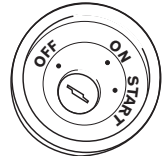
Zur Vermeidung von Schäden

! WARNUNG

- Verwenden Sie Lautsprecher mit mehr als 50 W (Belastbarkeit) und 4Ω bis 8Ω (Impedanz). Verwenden Sie keine Lautsprecher mit 1Ω bis 3Ω für dieses Gerät.
- Die schwarze Leitung ist die Masseleitung. Erden Sie diese Leitung getrennt von Hochstromprodukten wie Leistungsverstärkern. Niemals zwei Geräte zusammen erden. Zum Beispiel muss die Masseleitung des Verstärkers getrennt vom Masseleitung des Navigationssystems geerdet werden. Wenn mehrere Masseleitung zusammen geerdet werden, können sich die Kabel eventuell lösen und ein Feuer oder eine Beschädigung der Produkte verursachen.
- Achten Sie beim Sicherungswechsel darauf, ausschließlich Sicherungen zu verwenden, deren Anschlusswerte den Angaben am Produkt entsprechen.
 - Beim Abziehen eines Steckers stets am Stecker ziehen, niemals am Kabel. Andernfalls kann das Kabel aus dem Stecker herausgezogen werden.
 - Dieses Produkt kann nur in Fahrzeuge eingebaut werden, deren Zündschalter eine ACC-Position (für Zubehör) aufweisen.



ACC-Stellung



Keine ACC-Stellung

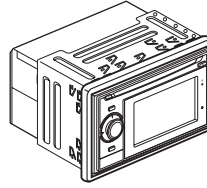
- Um einen Kurzschluss zu vermeiden, abgetrennte Kabel mit Isolierband umwickeln. Besonders wichtig ist es, alle nicht genutzten Lautsprecherkabel zu isolieren, damit diese keinen Kurzschluss verursachen.

- Die Anschlussstecker auf die gleichfarbigen Anschlüsse aufstecken (blauer Stecker auf blauen Anschluss, schwarz auf schwarz usw.)
- Einzelheiten zum Anschluss des Leistungsverstärkers und anderer Geräte siehe Benutzerhandbuch. Die Anschlüsse entsprechend ausführen.
- Wegen des eingebauten BPTL-Schaltkreises die "⊖"-Seite des Lautsprecherkabels nicht direkt erden oder die "⊖"-Seiten zweier Lautsprecherkabel verbinden. Die "⊖"-Seite des Lautsprecherkabels muss mit der "⊖"-Seite des Lautsprecherkabels des Navigationssystems verbunden werden.

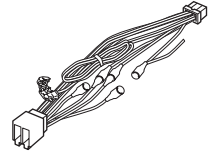
Anmerkung zum blau/weißen Kabel

- Beim Einschalten des Geräts wird ein Steuersignal über das blau/weiße Kabel ausgegeben. Das Kabel kann mit dem System-Fernbedienungsanschluss eines externen Leistungsverstärkers oder dem Relaissteuerungsanschluss der automatischen Antenne des Fahrzeugs verbunden werden (max. 300 mA, 12 V DC). Wenn das Fahrzeug mit einer Glasantenne ausgestattet ist, wird das Kabel an den Stromversorgungsanschluss des Antennenverstärkers angeschlossen.
- Das blau/weiße Kabel darf nicht an den Stromversorgungsanschluss eines externen Leistungsverstärkers angeschlossen werden. Es darf auch nicht mit dem Stromversorgungsanschluss der automatischen Antenne verbunden werden. Dies kann eine Entleerung der Batterie oder eine Funktionsstörung zur Folge haben.
- Dieses Kabel darf nicht als Stromversorgungskabel für die automatische Antenne oder den Antennenverstärker verwendet werden. So ein Anschluss könnte zu extrem hohem Stromverbrauch und Fehlfunktionen führen. ▣

Mitgelieferte Teile



Die Navigationseinheit



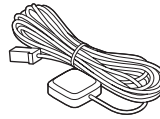
Netz Kabel



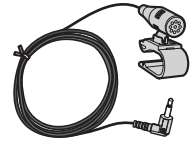
RDS-TMC-Tuner



USB-Anschluss



GPS-Antenne



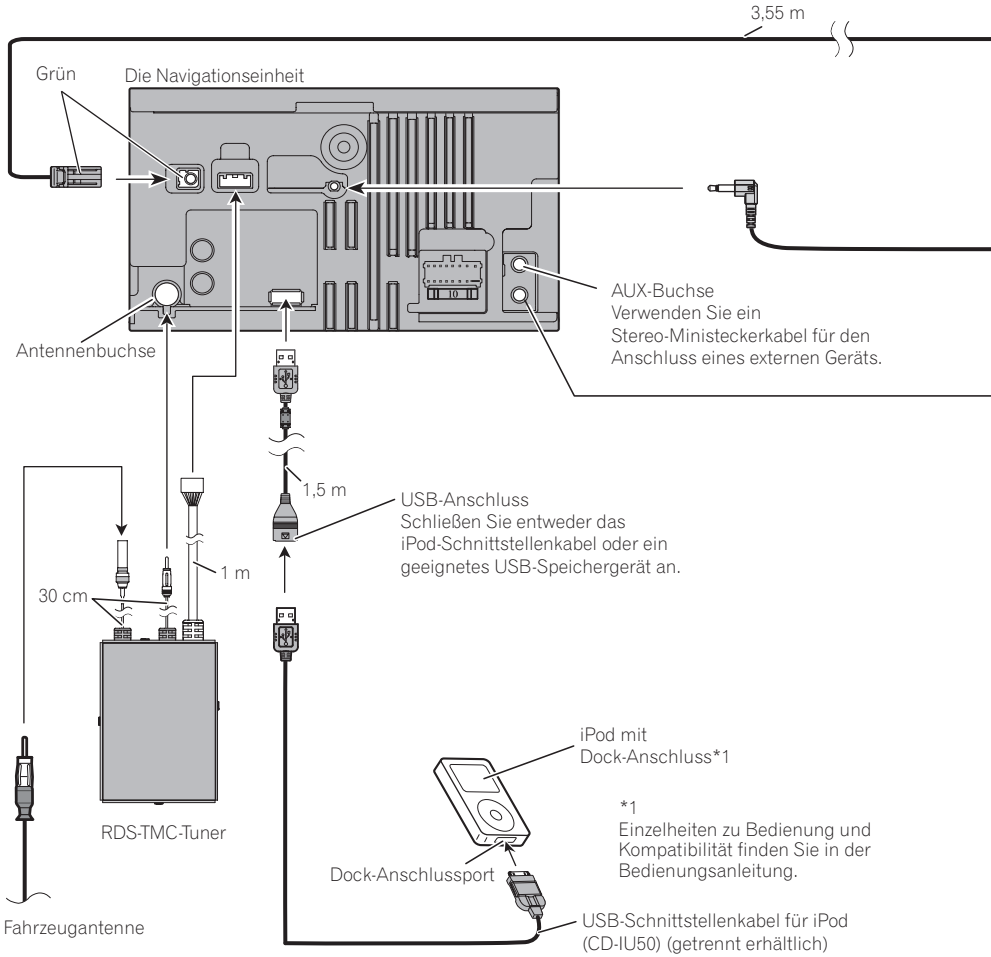
Mikrofon



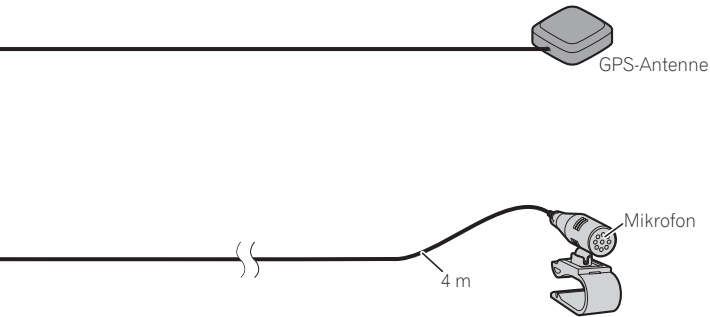
Anschluss des Systems

Deutsch

Anschluss des Systems



Anschluss des Systems



WIRED REMOTE INPUT
 Siehe die Bedienungsanleitung für die
 Adapter der verdrahteten
 Fernbedienung (getrennt erhältlich).



WARNUNG

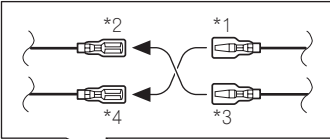
Zur Vermeidung von Unfallgefahren und der möglichen Verletzung geltenden Rechts sollte dieses Produkt außer zu Navigationszwecken nicht während der Fahrt verwendet werden.



Stromkabel anschließen (1)

**Hinweis**

Je nach der Art des Fahrzeugs können die Funktionen *2 und *4 anders sein. In diesem Fall muss *1 mit *4 und *3 mit *2 verbunden werden.

**Hinweise**

- Wenn anstelle von Hecklautsprechern ein Subwoofer (*7) an dieses Navigationssystem angeschlossen wird, ändern Sie die Einstellung des Heckausgangs in der Grundeinstellung. (Siehe Bedienungsanleitung.) Der Subwoofer-Ausgang dieses Navigationssystems ist monaural.
- Wenn Sie einen 70-W-Subwoofer (2 Ω) verwenden, muss dieser mit den violetten und violett/schwarzen Adern des Navigationssystems verbunden werden. Schließen Sie nichts an die grünen und grün/schwarzen Adern an.

Gleichfarbige Kabel mit einander Verbinden.



Orange/weiß
An Lichtschalteranschluss

Schwarz (Masse)
Zur Fahrzeugkarosserie (Metall)

ISO-Anschluss

Felb/Schwarz

Das Fahrzeug kann ein stummes Signal an diese Buchse schicken.

Lautsprecherkabel

Weiß: vorne links ⊕

Weiß/schwarz: vorne links ⊖

Grau: vorne rechts ⊕

Grau/schwarz: vorne rechts ⊖

Grün: hinten links ⊕ oder Subwoofer ⊕ (*7)

Grün/schwarz: hinten links ⊖ oder Subwoofer ⊖ (*7)

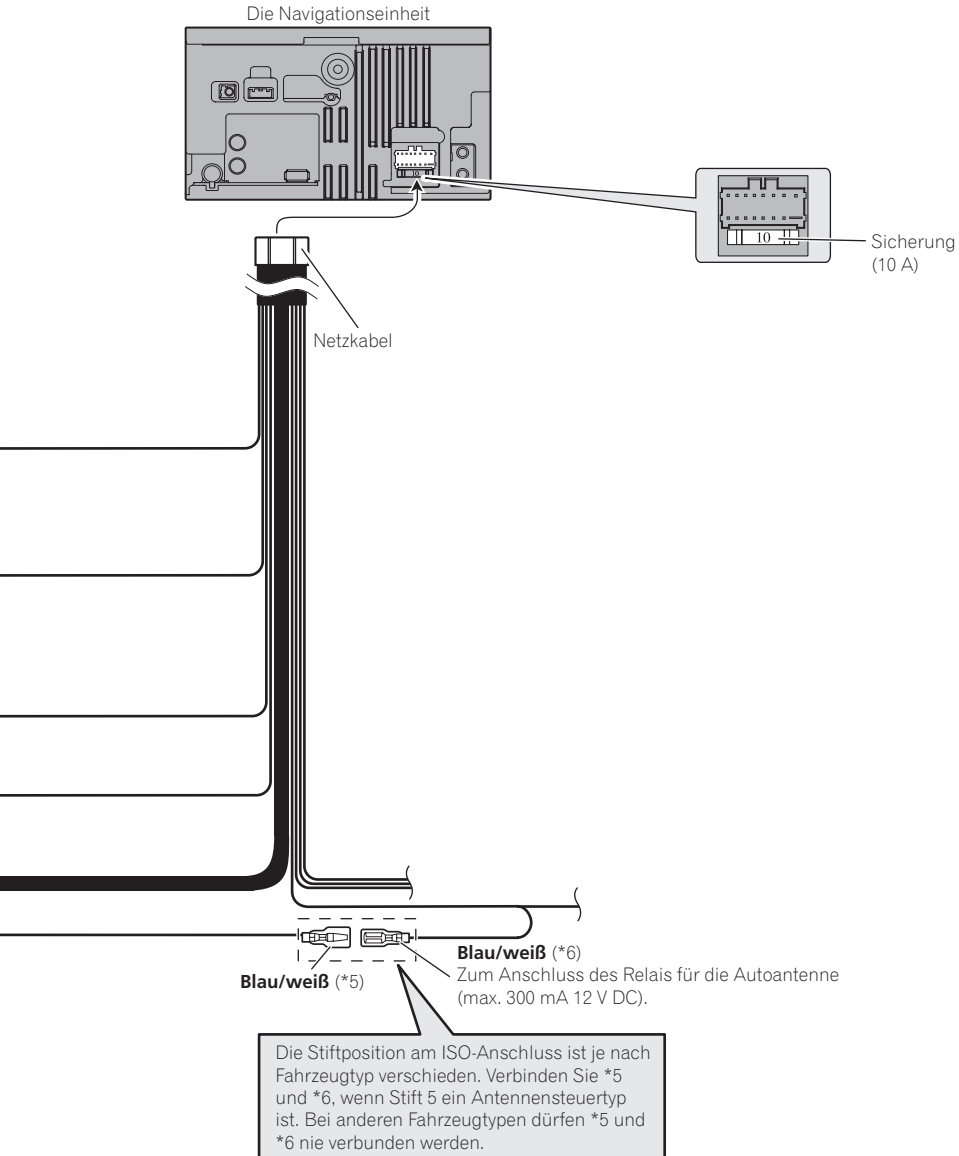
Violett: hinten rechts ⊕ oder Subwoofer ⊕ (*7)

Violett/schwarz: hinten rechts ⊖ oder Subwoofer ⊖ (*7)

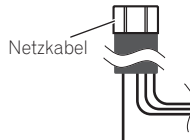
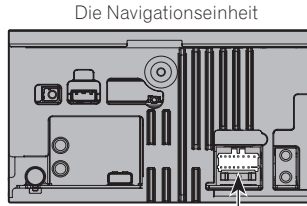
**Hinweis**

Bei manchen Fahrzeugen kann der ISO-Anschluss auf zwei Anschlüsse aufgeteilt sein. Stellen Sie in diesem Fall sicher, dass beide Stecker angeschlossen werden.

Anschluss des Systems



Stromkabel anschließen (2)

**Hellgrün**

Dieser Anschluss dient zur Erkennung des ON/OFF-Status der Handbremse. Das Kabel ist an die Stromversorgungsseite des Handbremsschalters anzuschließen.

Wird dieser Anschluss falsch ausgeführt oder ausgelassen, sind bestimmte Funktionen des Navigationssystems nicht betriebsfähig.

**WARNUNG**

DAS HELLGRÜNE KABEL AM STROMANSCHLUSS IST DAFÜR AUSGELEGT, DEN PARKSTATUS ZU ERMITTELN, UND MUSS AN DIE STROMVERSORGUNGSSEITE DES HANDBREMSSCHALTERS ANGESCHLOSSEN WERDEN. WENN DIESES KABEL NICHT RICHTIG ANGESCHLOSSEN IST, KÖNNTE DIES GEGEN GELTENDES RECHT VERSTOSSEN UND ZU ERNSTHAFTEN VERLETZUNGEN ODER SCHÄDEN FÜHREN.

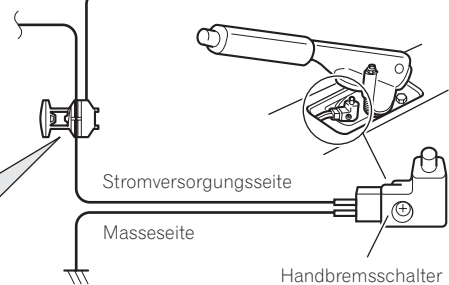
Anschlussmethode



Die Stromversorgung des Handbremsschalters anklemmen.



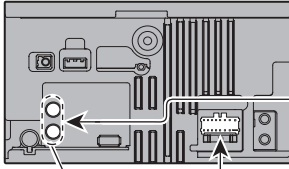
Fest mit einer Nadelzange einklemmen.



Anschluss des Systems

Beim Anschluss an den separat erhältlichen Leistungsverstärker

Die Navigationseinheit



Ausgang für hinteren Lautsprecher oder Subwoofer

Cinch-Kabel
(getrennt erhältlich)

Leistungsverstärker
(getrennt erhältlich)

Netzkabel

Systemfernbedienung

Blau/weiß

Zum Systemsteueranschluss des
Leistungsverstärkers (max. 300 mA 12 V DC).

Links
Hinterer
Lautsprecher oder
Subwoofer



Rechts
Hinterer
Lautsprecher oder
Subwoofer



Hinweis

Sie können den Cinch-Ausgang des Subwoofers je nach Ihrem Subwoofer-System ändern. (Siehe Bedienungsanleitung.)

Vor der Installation zu beachten



VORSICHT

- Dieses Produkt niemals an folgenden Orten oder in folgender Weise einbauen:
 - Plätze, an denen das Gerät bei einem plötzlichen Bremsmanöver Fahrer oder Mitfahrer verletzen kann.
 - Plätze, an denen es die Bedienung des Fahrzeugs behindern kann, wie z. B. auf dem Fußboden vor dem Fahrersitz oder dicht am Lenkrad oder Schalthebel.
- Vergewissern Sie sich vor dem Bohren von Löchern in Armaturenbrett oder sonstige Verkleidungen, dass sich dahinter keine Gegenstände befinden. Achten Sie darauf, dass Sie keine Kraftstoff- oder Bremsleitungen, elektronische Komponenten, Kommunikationsleitungen oder Stromkabel beschädigen.
- Bei der Verwendung von Schrauben darauf achten, dass diese keine elektrischen Kabel berühren. Kabel oder Isolierungen können durch Vibrationen beschädigt werden, was zu Kurzschlüssen oder anderen Beschädigungen des Fahrzeugs führen kann.
- Um einen korrekten Einbau zu gewährleisten, sind die mitgelieferten Teile entsprechend der jeweiligen Anleitung zu verwenden. Im Falle von Teilen, die nicht mit dem Produkt geliefert werden, sind auf die angegebene Weise kompatible Teile zu verwenden, die vom Händler auf Tauglichkeit geprüft wurden. Die Verwendung von Teilen, die nicht zum Lieferumfang gehören bzw. nicht kompatibel sind, kann zur Beschädigung von internen Teilen des Produkts führen, und es besteht darüber hinaus die Gefahr, dass diese Teile sich lösen und den vorschriftsmäßig festen Sitz des Produkts lockern.
- Um die Lenksäule oder den Gangschalthebel gewickelte Kabel sind extrem gefähr-

lich. Dieses Produkt und seine Kabel so einbauen, dass der sichere Betrieb des Fahrzeugs nicht gestört oder behindert wird.

- Vergewissern Sie sich, dass sich die Kabel nicht in der Tür oder im Sitzverstellmechanismus verfangen und dadurch einen Kurzschluss auslösen können.
- Vergewissern Sie sich nach dem Einbau des Navigationssystems, dass alle anderen Vorrichtungen des Fahrzeugs ordnungsgemäß funktionieren.
- Bauen Sie dieses Navigationssystem nicht an Orten ein, wo es (i) die Sicht des Fahrers beeinträchtigt, (ii) die Leistung der eingebauten Sicherheitssysteme einschließlich Airbags und Warnleuchtschalter beeinträchtigt oder (iii) den Fahrer bei der sicheren Bedienung des Fahrzeugs einschränkt.
- Installieren Sie das Navigationssystem zwischen Fahrer- und Beifahrersitz, so dass Fahrer oder Beifahrer bei einer scharfen Bremsung nicht dagegen stoßen.
- Bauen Sie das Navigationssystem niemals im Bereich des Armaturenbretts, einer Tür oder einer Säule ein, in dem sich bei einem Aufprall ein Airbag entfaltet. Einzelheiten zum Entfaltungsbereich der Frontairbags finden Sie im Benutzerhandbuch Ihres Fahrzeugs. ▣

Zur Vermeidung elektromagnetischen Rauschens

Um Störeinflüsse zu vermeiden sind die folgenden Bauteile so weit wie möglich von dem Navigationssystem, anderen Kabeln oder Leitungen zu installieren:

- Radioantenne (UKW, MW/LW) und Antennenkabel
- GPS-Antenne und Antennenkabel

Einbau

Zusätzlich sollten Sie jedes Antennenkabel so weit wie möglich entfernt von anderen Antennenkabeln verlegen. Binden Sie Antennenkabel nicht zusammen und verlegen Sie sie nicht zusammen oder über Kreuz. Elektromagnetisches Rauschen erhöht die Fehlerwahrscheinlichkeit in der Ortsanzeige.

Vor dem Einbau

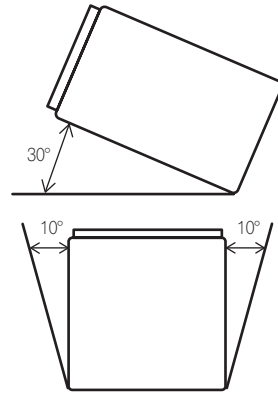
- Wenden Sie sich an Ihren Fachhändler, wenn zum Einbau des Geräts Löcher gebohrt oder andere Veränderungen an Ihrem Auto vorgenommen werden müssen.
- Ehe Sie die Installation dieses Produkts abschließen, schließen Sie die Kabel provisorisch an und vergewissern sich, dass die Verbindungen korrekt hergestellt werden und das System ordnungsgemäß arbeitet.

Einbau dieses Navigationssystems

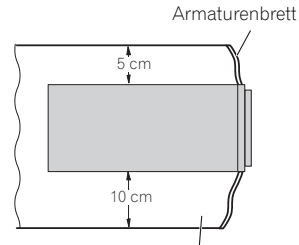
Hinweise zum Einbau

- Bauen Sie dieses Navigationssystem nicht an Plätzen ein, wo es hohen Temperaturen oder Feuchtigkeit ausgesetzt werden kann, wie z. B.:
 - Plätze in der Nähe einer Heizung, Lüftung oder Klimaanlage.
 - Plätze mit direkter Sonnenbestrahlung, wie z. B. auf dem Armaturenbrett.
 - Plätze, die Regenspritzern ausgesetzt sind, wie z. B. in Türrnähe.
- Montieren Sie dieses Navigationssystem an einem Ort, der stabil genug ist, sein Gewicht zu tragen. Wählen Sie eine Position, an der dieses Navigationssystem sicher montiert werden kann und bauen Sie es fest ein. Wenn das Navigationssystem nicht fest montiert ist, kann der aktuelle Standort des Fahrzeugs nicht korrekt angezeigt werden.

- Installieren Sie die Navigationseinheit horizontal auf einer Fläche innerhalb einer Toleranz von max. 0 Grad bis 30 Grad ein (mit max. 10 Grad nach links oder rechts). Eine nicht vorschriftsgemäße Montage der Einheit, bei der die Fläche außerhalb dieser Toleranz liegt, erhöht die Gefahr einer falschen Standortanzeige und einer verminderten Anzeigeleistung.



- Damit die bei Betrieb dieses Geräts entwickelte Wärme richtig abgeleitet werden kann, sorgen Sie beim Einbau dafür, dass ausreichend Platz hinter der Rückwand bleibt, und wickeln Sie lockere Kabel so, dass diese keine Öffnungen blockieren können.

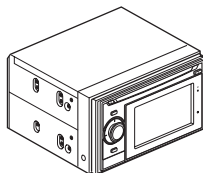


- Der Halbleiter-Laser wird beschädigt, wenn er überhitzt wird, also bauen Sie die Navigationseinheit nirgends ein, wo es heiß ist, z. B. in der Nähe der Heizungsausgänge.

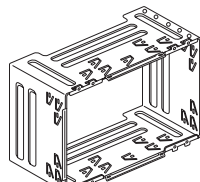
- Installieren Sie dieses Navigationssystem nicht in einer Position, in der das Entfernen der abnehmbaren Einheit vom Hauptgerät durch den Schalthebel oder andere Gegenstände behindert wird. Achten Sie vor der Installation des Navigationssystems darauf, ausreichend Platz zu lassen, so dass die entfernte abnehmbare Einheit den Schalthebel nicht behindert. Dies kann ansonsten zu Störungen des Schalthebels oder einer Fehlfunktion des Mechanismus für die abnehmbare Einheit führen.

Mitgelieferte Teile

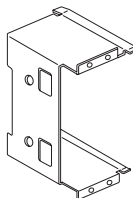
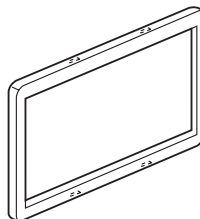
- Mit einem (*1) markierte Teile sind vorinstalliert.
- Mit einem (*2) markierte Teile sind zur Ausstellung im Geschäftsraum vorgesehen.



Die Navigationseinheit



Halterung*1

Seitenbügel*1
(2 Stück)Schraube*1
(3 mm × 6 mm)
(8 Stück)Befestigungsschraube
für Seitenbügel*1
(5 mm × 6 mm)
(4 Stück)

Abdeckring*1

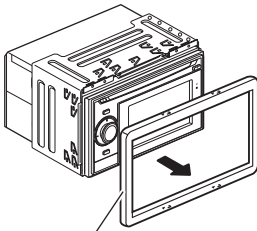
Schraube*2
(2 mm × 8 mm)
(1 Stück)

Einbau

Vor der Installation des Navigationsgerätes

1 Entfernen Sie den Abdeckring.

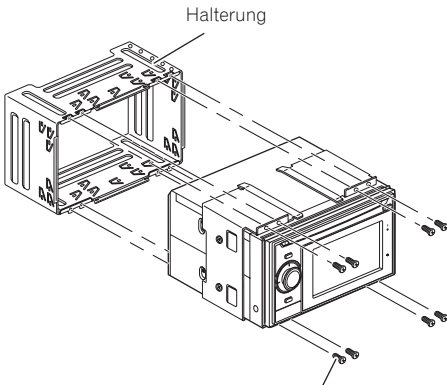
Ziehen Sie die obere und die untere Seite des Abdeckrings nach außen, um den Abdeckring zu entfernen.



Abdeckring

2 Halterung entfernen.

Zum Entfernen der Halterung lösen Sie die Schrauben (3 mm × 6 mm).



Halterung

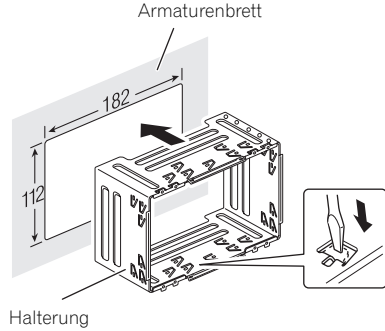
Schraube (3 mm × 6 mm)

Installation mit Halterung und Seitenbügel

1 Halterung im Armaturenbrett installieren.

Nachdem Sie die Halterung in das Armaturenbrett eingesetzt haben, biegen Sie zur Fixierung die entsprechenden Haltetaschen zurück. Welche dies sind, richtet sich nach

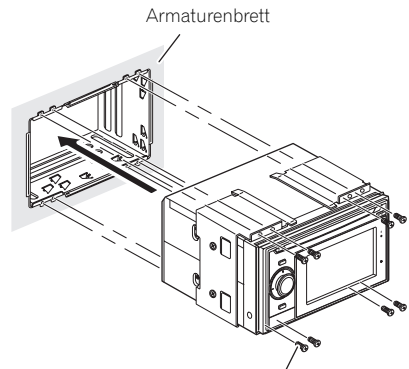
der Stärke des Armaturenbrettmaterials. (Sorgen Sie durch Rückbiegen der oberen und unteren Haltetaschen für eine absolut feste Installation des Navigationsgerätes. Zum sicheren Fixieren des Gerätes biegen Sie die Laschen um 90 Grad zurück.)



Armaturenbrett

Halterung

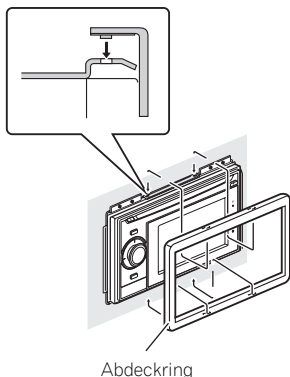
2 Installieren Sie das Navigationsgerät und ziehen Sie die Schrauben an.



Armaturenbrett

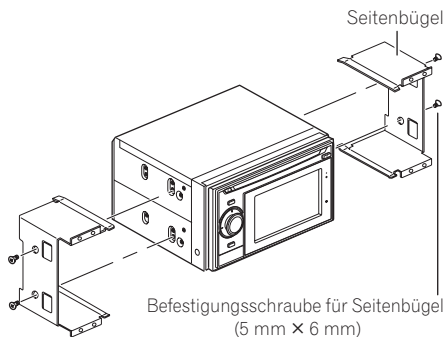
Schraube (3 mm × 6 mm)

3 Bringen Sie den Abdeckung an.



Installation mit Hilfe der Schraubenbohrungen an der Seite des Navigationsgerätes

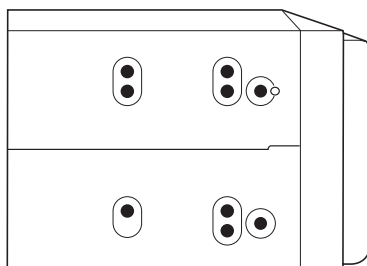
1 Entfernen Sie die Seitenbügel.



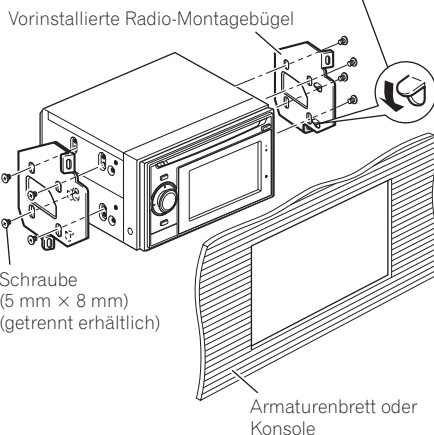
2 Navigationsgerät an den vorinstallierten Radio-Montagebügeln anbringen.

Positionieren Sie das Navigationsgerät so, dass die Schraubenbohrungen über den Schraubenbohrungen des Bügels liegen, und ziehen Sie die Schrauben an drei bis vier Stellen an jeder Seite an.

Verwenden Sie zur Form der Schraubenbohrungen an der Halterung passende Schrauben (5 mm × 8 mm) (separat erhältlich).



Falls die Sperre im Weg sein sollte, biegen Sie diese nach unten.



Einbau

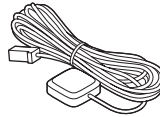
Einbau der GPS-Antenne



VORSICHT

Das GPS-Antennenkabel darf nicht verkürzt oder verlängert werden. Veränderungen am Antennenkabel können zu einem Kurzschluss oder einer Funktionsstörung und dauerhaften Beschädigung des Navigationssystems führen.

Mitgelieferte Teile



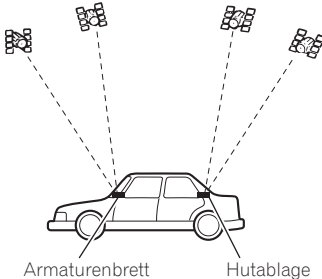
GPS-Antenne



Metallblech

Hinweise zur Befestigung

- Die Antenne ist auf einer ebenen Fläche zu befestigen, die für Funkwellen gut zugänglich sein sollte. Der Empfang der Signale durch die Antenne ist nur möglich, wenn die vom Satelliten gesendeten Signale nicht blockiert werden.



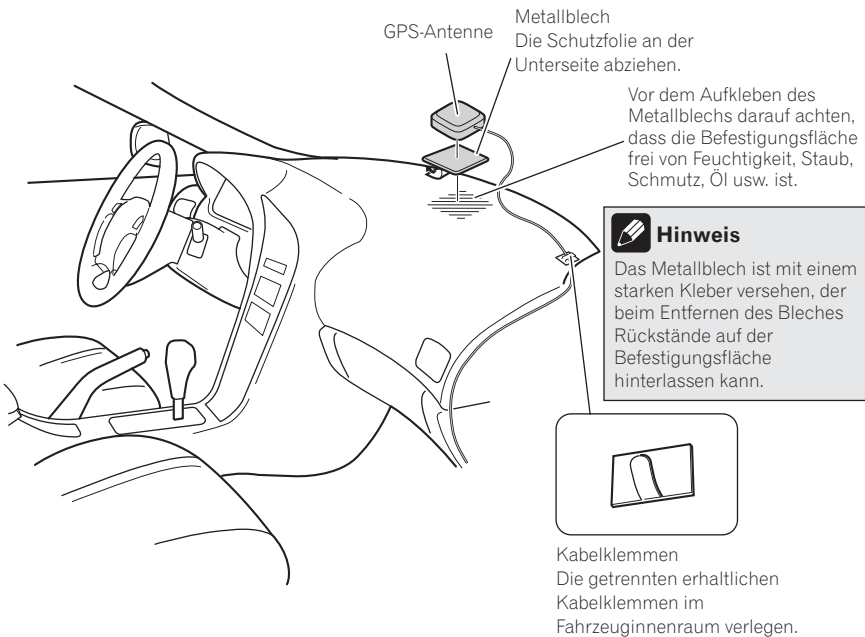
- Bei der Befestigung der GPS-Antenne im Fahrzeuginnenraum unbedingt das mitgelieferte Metallblech verwenden, da sich andernfalls kein guter Empfang erzielen lässt.
- Das Metallblech nicht kleiner schneiden, da hierdurch die Empfangsempfindlichkeit der GPS-Antenne geschwächt wird.
- Beim Entfernen der GPS-Antenne nicht am Antennenkabel ziehen. Der an der Antenne angebrachte Magnet ist stark, wodurch sich das Kabel lösen könnte.
- Die GPS-Antenne nicht lackieren, um eine Minderung der Antennenleistung zu vermeiden.

Einbau der Antenne im Fahrzeuginnenraum (auf dem Armaturenbrett oder der Hutablage)

⚠️ WARNUNG

Installieren Sie die GPS-Antenne nicht über Sensoren oder Öffnungen am Armaturenbrett des Fahrzeugs, da anderenfalls der sachgemäße Betrieb dieser Sensoren oder Öffnungen beeinträchtigt werden könnte. Außerdem könnte es in diesem Fall ggf. schwierig sein, das unter der GPS-Antenne befindliche Blech korrekt und sicher am Armaturenbrett zu befestigen.

Das Metallblech auf einer möglichst ebenen Fläche befestigen, an der die GPS-Antenne zum Fenster gerichtet ist. Die GPS-Antenne auf dem Metallblech platzieren. (Die Befestigung erfolgt durch Magnethaftung.)



Einbau



Hinweise

- Beim Einbau des Metallblechs keine anderen Bauteile beschädigen.
- Einige Modelle verwenden Glas, das Signale von GPS-Satelliten nicht durchlässt. Bei solchen Modellen die GPS-Antenne außen am Fahrzeug anbauen.



Einbau des Mikrofons

- Bauen Sie das Mikrofon so ein, dass die Richtung und der Abstand zum Fahrer ideal sind, um die Stimme des Fahrers optimal zu empfangen.
- Schalten Sie das Navigationssystem aus, bevor Sie das Mikrofon anschließen. (ACC OFF)

Mitgelieferte Teile



Mikrofon



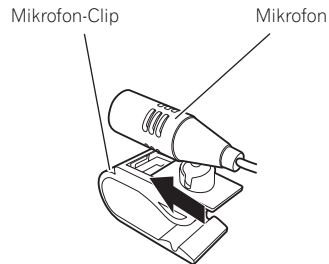
Mikrofon-Clip



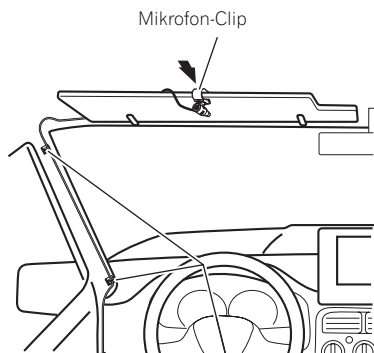
Doppelseitiges Klebeband

Montage an der Sonnenblende

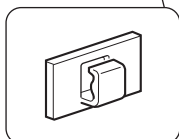
1 Montieren Sie das Mikrofon im Mikrofon-Clip.



2 Befestigen Sie den Mikrofon-Clip an der Sonnenblende.



Mikrofon-Clip



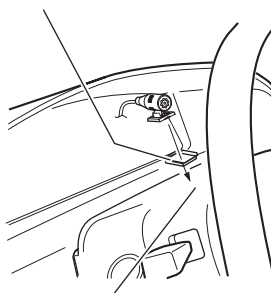
Kabelklemmen
Die getrennten erhältlichen Kabelklemmen im Fahrzeuginnenraum verlegen.

Montieren Sie das Mikrofon auf der nach oben gerichteten Sonnenblende. Bei heruntergeklappter Sonnenblende wird die Stimme des Fahrers nicht erkannt.

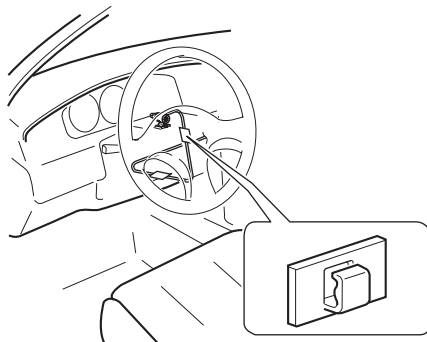
Montage auf der Lenksäule

- Montieren Sie den Mikrofon auf der Lenksäule.

Doppelseitiges Klebeband



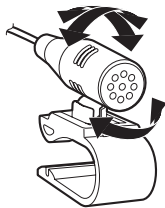
Montieren Sie den Mikrofon auf der Lenksäule, aber halten Sie ihn weg vom Lenkrad.



Kabelklemmen
Die getrennten erhältlichen Kabelklemmen im Fahrzeuginnenraum verlegen.

Anpassen des Mikrofonwinkels

Der Mikrofonwinkel kann eingestellt werden.



Nach dem Einbau dieses Navigationssystems

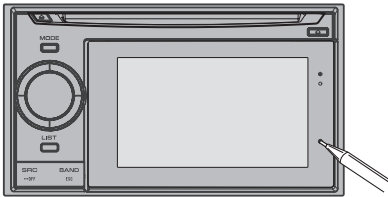
1 Batterie erneut anschließen.

Vergewissern Sie sich, dass alle Anschlüsse in Ordnung sind und dieses Produkt korrekt eingebaut ist. Hiernach alle zuvor ausgebauten Fahrzeugteile wieder befestigen. Anschließend das negative (-) Batteriekabel wieder an den Minuspol (-) der Fahrzeugbatterie anschließen.

2 Den Motor anlassen.

3 Drücken Sie die RESET-Taste, während die abnehmbare Einheit angebracht ist.

Drücken Sie die **RESET**-Taste am Navigationsgerät mit einem spitzen Gegenstand, beispielsweise der Spitze eines Kugelschreibers.



4 Nehmen Sie die folgenden Einstellungen vor.

- ➔ Einzelheiten zu Bedienfunktionen siehe Bedienungsanleitung.
- 1 Stellen Sie die Sprache ein.
- 2 Fahren Sie auf einer freien Straße, bis das GPS-Signal normal empfangen wird.
- 3 Nehmen Sie erforderliche Einstellungen vor.
 - Einstellen der Uhrzeit
 - Ändern anderer Einstellungen je nach Bevorzugung

Hinweis

Nach dem Einbau dieses Navigationssystems an einem sicheren Ort die korrekte Funktion des Fahrzeugs überprüfen.

01 INFORMATION IMPORTANTE

A PROPOS DE VOTRE NOUVEAU SYSTEME
DE NAVIGATION ET DE CE MANUEL 72

02 IMPORTANTES MESURES DE SECURITE

VEUILLEZ LIRE TOUTES LES EXPLICATIONS
RELATIVES A VOTRE SYSTEME DE
NAVIGATION ET LES CONSERVER POUR
VOUS Y REFERER PAR LA SUITE 73

03 Branchement du système

Précautions à prendre avant de brancher le
système 74

Avant de raccorder ce produit 74

Pour éviter toute détérioration 75

- Remarque concernant le câble bleu/
blanc 75

Pièces fournies 76

Branchement du système 78

Branchement du cordon d'alimentation

(1) 80

Branchement du cordon d'alimentation

(2) 82

Branchement d'un amplificateur de
puissance vendu séparément 83

04 Installation

Précautions à prendre avant
l'installation 84

Pour protéger le système de navigation
contre les parasites
électromagnétiques 84

Avant de procéder à l'installation 85

Installation de ce système de navigation 85

- Remarques sur l'installation 85
- Pièces fournies 86
- Avant d'installer cette unité de
navigation 87
- Installation avec le support et le
support latéral 87

- Installation en utilisant les trous de vis
sur les côtés de cette unité de
navigation 88

Installation de l'antenne GPS 89

- Remarques sur l'installation 89
- Pièces fournies 89
- Installation de l'antenne dans le
véhicule (sur planche de bord ou
lunette arrière) 90

Installation du microphone 91

- Pièces fournies 91
- Installation sur le pare-soleil 91
- Installation sur la colonne de
direction 92
- Réglage de l'angle du microphone 93

05 Après l'installation

Après installation de ce système de
navigation 94

A PROPOS DE VOTRE NOUVEAU SYSTEME DE NAVIGATION ET DE CE MANUEL

- La fonction de navigation de ce produit est uniquement destinée à vous assister lors de la conduite de votre véhicule. Elle n'autorise en aucun cas un relâchement de votre attention, de votre jugement et de votre vigilance pendant la conduite.
- N'utilisez jamais le présent système de navigation en cas d'urgence pour vous rendre à l'hôpital ou dans une station de police. Veuillez le cas échéant appeler le numéro d'urgence du service concerné.
- N'utilisez jamais le présent système de navigation s'il risque de perturber votre attention et de nuire à une conduite sécurisée de votre véhicule. Les restrictions en vigueur en matière de circulation doivent toujours avoir la priorité sur les indications de guidage données par ce produit. Respectez toujours le code de la route et les restrictions en matière de circulation, même en cas d'indication contraire du produit.
- Ce manuel explique comment installer le système de navigation dans votre véhicule. Le fonctionnement du système de navigation est expliqué dans les manuels séparés du système de navigation.
- N'installez pas ce produit à un endroit où il risque (i) d'entraver la visibilité du conducteur, (ii) de réduire l'efficacité des systèmes de commande des fonctions de sécurité du véhicule, y compris les airbags, les boutons de commande des feux de détresse ou (iii) d'empêcher le conducteur de conduire en toute sécurité le véhicule. Dans certains cas, l'installation de ce produit s'avère impossible en raison du type de véhicule ou de la forme de l'habitacle du véhicule. ■

IMPORTANTES MESURES DE SECURITE




AVERTISSEMENT

Pioneer vous déconseille d'installer vous-même votre système de navigation. Nous vous recommandons de confier l'installation uniquement à un personnel de service Pioneer agréé, qui a été spécialement formé et est expérimenté en matière de systèmes électroniques mobiles, de montage et d'installation de ce type de produit. NE TENTEZ JAMAIS D'EFFECTUER VOUS-MÊME L'ENTRETIEN OU DE DEPANNER CE SYSTEME DE NAVIGATION. L'installation ou l'entretien de ce produit et des câbles de raccordement vous exposent à des décharges électriques ou autres dangers, et risquent de provoquer des détériorations du système de navigation non couvertes par la garantie.

VEUILLEZ LIRE TOUTES LES EXPLICATIONS RELATIVES A VOTRE SYSTEME DE NAVIGATION ET LES CONSERVER POUR VOUS Y REFERER PAR LA SUITE

- 1 Lisez attentivement le contenu du présent manuel avant d'installer votre système de navigation.
- 2 Conservez ce manuel à portée de main pour vous y référer ultérieurement.
- 3 Tenez compte de tous les avertissements formulés dans ce manuel et respectez soigneusement les consignes.
- 4 Lors de la première mise en service du système, il se peut que le message "**Le système est en train de démarrer... attendez s'il vous plaît.**" s'affiche, en raison du possible faible niveau restant de la batterie. Si ce message apparaît, n'utilisez pas l'appareil tant que le message "**Le système est prêt à démarrer.**" ne s'affiche pas.
- 5 Dans certaines circonstances, ce système de navigation peut afficher des informations erronées à propos de la position de votre véhicule,

de la distance des objets affichés sur l'écran et des directions de la boussole. En outre, le système comporte certaines limitations, telles que l'incapacité de signaler les rues à sens unique, les restrictions temporaires à la circulation et les zones où la circulation peut devenir dangereuse. Veuillez faire appel à votre propre jugement en fonction de la situation réelle.

- 6 Comme tout autre accessoire de l'habitacle, le système de navigation ne doit pas détourner votre attention ni nuire à la sécurité de la conduite. Si vous éprouvez des difficultés à utiliser le système ou à lire l'écran, effectuez les réglages nécessaires après vous être garé dans un endroit sûr.
- 7 Veillez à toujours attacher votre ceinture de sécurité sur la route. En cas d'accident, le port de la ceinture peut réduire considérablement la gravité des blessures.
- 8 Certaines lois nationales ou gouvernementales peuvent interdire ou restreindre l'emplacement et l'utilisation de ce système dans votre véhicule. Veuillez vous conformer à toutes les lois et réglementations en vigueur concernant l'utilisation, l'installation et le fonctionnement de votre système de navigation. 

Précautions à prendre avant de brancher le système

⚠ ATTENTION

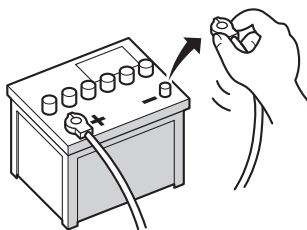
- Si vous décidez de réaliser l'installation vous-même, et possédez une expérience spéciale en installation d'électronique automobile, veuillez suivre attentivement toutes les étapes du manuel d'installation.
- Attachez tous les fils avec des colliers ou des serre-câbles. Ne laissez aucun fil à nu.
- Ne raccordez pas directement le fil jaune conducteur de ce produit à la batterie du véhicule. Si ce fil conducteur est directement raccordé à la batterie, les vibrations du moteur peuvent finir par user les câbles au niveau de la jonction avec l'habitacle et provoquer un défaut d'isolation. Si l'isolation du fil conducteur jaune se déchire sous l'effet du contact avec des pièces métalliques, il peut en résulter un court-circuit extrêmement dangereux.
- Il est extrêmement dangereux de laisser les câbles s'enrouler autour de la colonne de direction ou du levier de vitesse. Assurez-vous d'installer ce produit, ses câbles et les raccordements de telle façon qu'ils n'obstruent pas ni gênent la conduite.
- Veillez à ce que la trajectoire des câbles et des fils n'interfère pas avec les pièces en mouvement du véhicule. Fixez les câbles de manière à les empêcher d'être happés par, notamment, le volant, le levier de vitesse, le frein à main, les glissières de siège, les portes, ou tout autre élément de commande du véhicule.
- La trajectoire des fils ne doit pas être exposée à des températures élevées. Si l'isolation s'échauffe, les fils risquent d'être endommagés, ce qui peut entraîner un court-circuit ou un dysfonctionnement, et endommager définitivement le produit.
- Ne coupez pas le câble de l'antenne GPS et n'utilisez pas de prolongateur. Une telle

modification pourrait provoquer un court-circuit ou un dysfonctionnement.

- Ne raccourcissez aucun fil conducteur. Vous risquez sinon de provoquer un dysfonctionnement du circuit de protection (porte-fusibles, résistance de fusible ou filtre, etc.).
- N'utilisez jamais le cordon d'alimentation du système d'alimentation pour raccorder d'autres appareils électriques. La capacité du cordon serait dépassée, ce qui provoquerait une surchauffe. ▣

Avant de raccorder ce produit

- Utilisez cet appareil avec une batterie de 12 V, avec pôle négatif à la masse. Sinon, cela pourrait entraîner un incendie, ou un mauvais fonctionnement.
- Afin d'éviter tout risque de court-circuit, débranchez le câble de la borne négative (-) de la batterie avant de commencer la pose. ▣



Branchement du système

Pour éviter toute détérioration



AVERTISSEMENT

- Utilisez des haut-parleur de plus de 50 W (valeur de sortie) et avec une impédance comprise entre 4 Ω et 8 Ω . N'utilisez pas de haut-parleur 1 Ω et 3 Ω avec cet appareil.
- Le fil conducteur noir est mis à la masse. Veuillez mettre à la masse ce fil conducteur séparément de la masse des produits haut courant tels que les amplificateurs de puissance. Ne reliez pas plus d'un produit à la masse d'un autre produit. Par exemple, vous devez relier à la masse chaque unité d'amplificateur séparément de la masse de l'unité déportée. Le fait de raccorder les masses ensemble risque de provoquer un incendie et/ou d'endommager les produits, si les fils de masse sont déconnectés.
- Lors du remplacement du fusible, veuillez à utiliser seulement un fusible du calibre indiqué sur ce produit.
 - Pour débrancher un connecteur, tirez le connecteur proprement dit et non son fil pour éviter de l'arracher.
 - Ce produit ne peut pas être installé dans un véhicule qui ne possède pas de position ACC (accessoire) sur le commutateur d'allumage.



Position ACC



Pas de position ACC

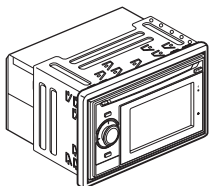
- Pour éviter les courts-circuits, recouvrez les fils déconnectés par du ruban isolant. Il est particulièrement important d'isoler tous les fils conducteurs de haut-parleur dénudés pour éviter tout risque de court-circuit.

- Raccordez les connecteurs de même couleur au port de couleur correspondant, c'est-à-dire le connecteur bleu au port bleu, le noir au noir, etc.
- Pour raccorder l'amplificateur de puissance à d'autres unités, veuillez vous reporter au manuel d'utilisation concerné.
- Un circuit BPTL unique étant employé, ne reliez pas directement l'extrémité du fil conducteur de haut-parleur \ominus ou ne reliez pas les extrémités des fils conducteurs de haut-parleur \ominus ensemble. Veuillez à relier l'extrémité \ominus du fil conducteur de haut-parleur à l'extrémité \ominus du fil conducteur de haut-parleur de ce système de navigation.

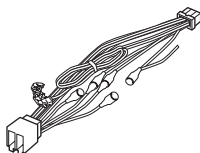
Remarque concernant le câble bleu/blanc

- Le signal de commande est sorti par le câble bleu/blanc quand cet appareil est sous tension. Connectez-le à la prise du système de commande à distance d'un amplificateur extérieur ou à la prise se commande de relais de l'antenne automatique du véhicule (max. 300 mA, 12 V CC). Si le véhicule est muni d'une antenne de pare-brise, connectez le câble à la prise d'alimentation de l'amplificateur d'antenne.
- Ne connectez jamais le câble bleu/blanc à la prise d'alimentation d'un amplificateur extérieur. De plus, ne le connectez jamais à la prise d'alimentation de l'antenne automatique. Sinon, la batterie pourrait se décharger ou un mauvais fonctionnement pourrait se produire.
- Assurez-vous de ne pas utiliser ce câble comme câble d'alimentation pour l'antenne automatique ou l'amplificateur d'antenne. Une telle connexion pourrait causer un appel de courant excessif et un mauvais fonctionnement. ■

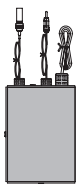
Pièces fournies



Unité de navigation



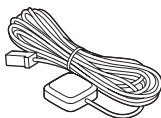
Cordon d'alimentation



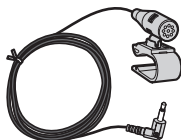
Tuner RDS-TMC



Connecteur USB



Antenne GPS

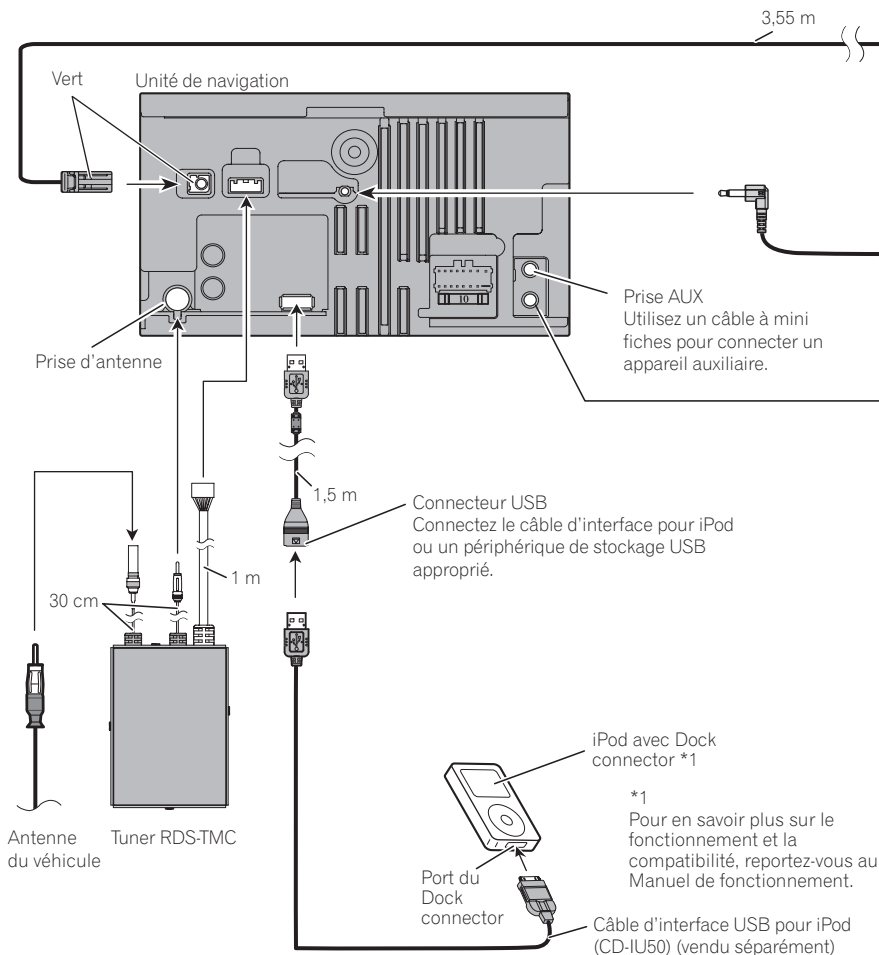


Microphone

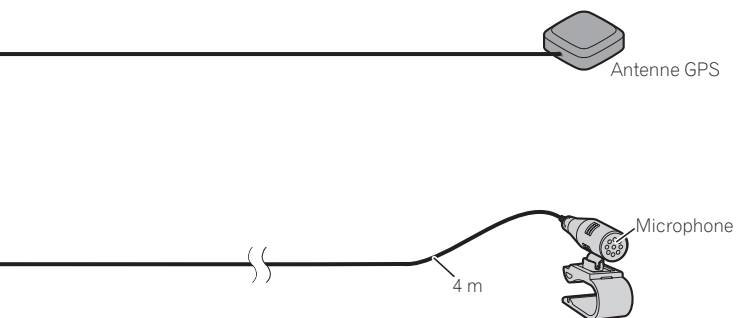


Branchement du système

Branchement du système



Branchement du système



WIRED REMOTE INPUT

Veillez consulter le manuel d'utilisation pour en savoir plus sur les adaptateurs de commande à distance câblés (vendus séparément).



AVERTISSEMENT

Pour éviter tout risque d'accident et de violation potentielle des lois en vigueur, ce produit ne doit jamais être utilisé pendant la conduite, sauf à des fins de navigation.



Branchement du cordon d'alimentation (1)



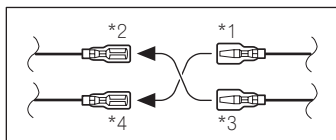
Remarque

La fonction *2 et *4 peut différer en fonction du type de véhicule. Dans ce cas, assurez-vous de connecter *1 à *4 et *3 à *2.

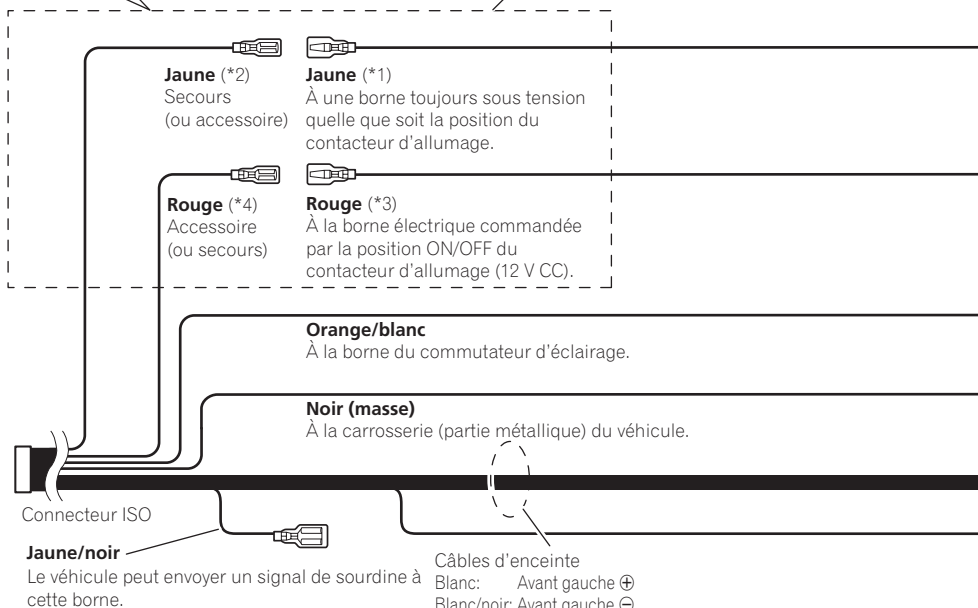


Remarques

- Quand un haut-parleur d'extrêmes graves (*7) est connecté à ce système de navigation à la place du haut-parleur arrière, changez le réglage de sortie arrière dans les Réglages initiaux. (Reportez-vous au Manuel de fonctionnement.) La sortie pour haut-parleur d'extrêmes-graves de ce système de navigation est monaurale.
- Lors de l'utilisation d'un haut-parleur d'extrêmes-graves de 70 W (2 Ω), assurez-vous de connecter les câbles violet et violet/noir de ce système de navigation. Ne connectez rien sur les câbles vert et vert/noir.



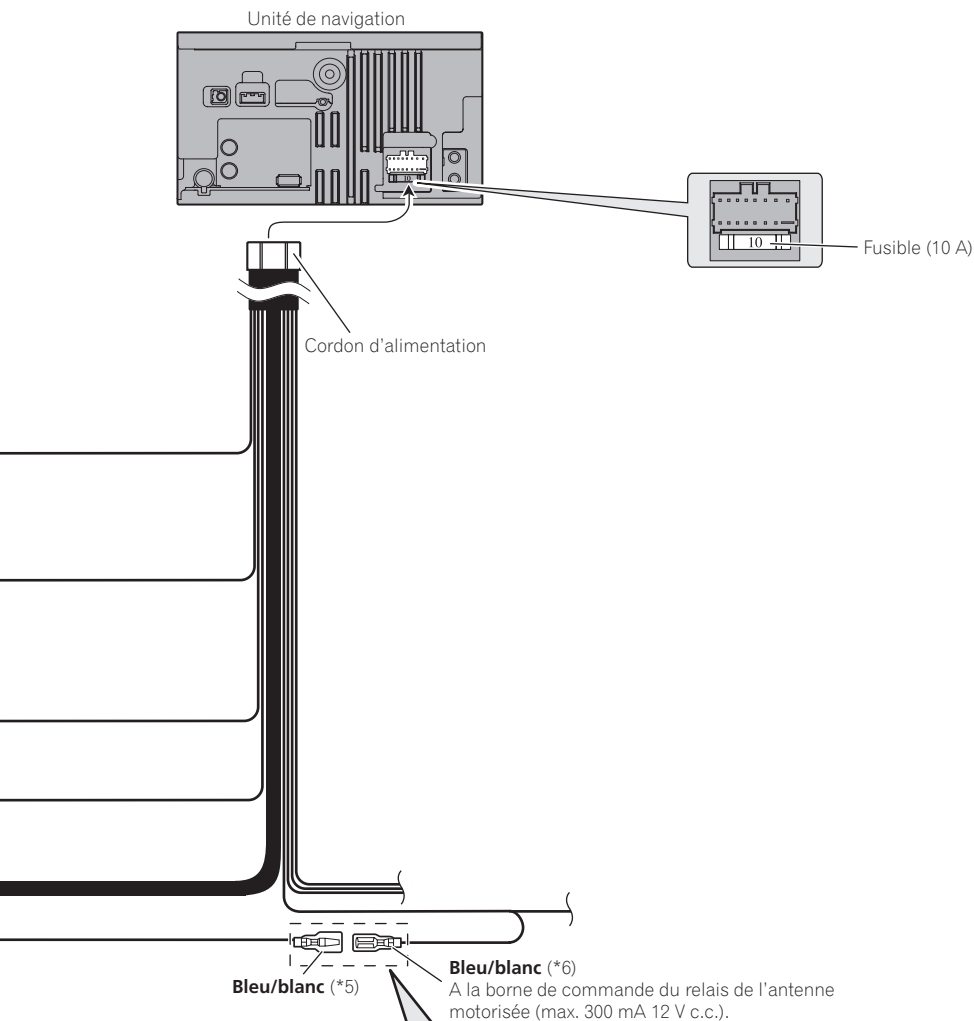
Connectez ensemble les câbles de même couleur.



Remarque

Sur certains véhicules, le connecteur ISO peut être divisé en deux. Dans ce cas, assurez-vous que les deux connecteurs sont branchés.

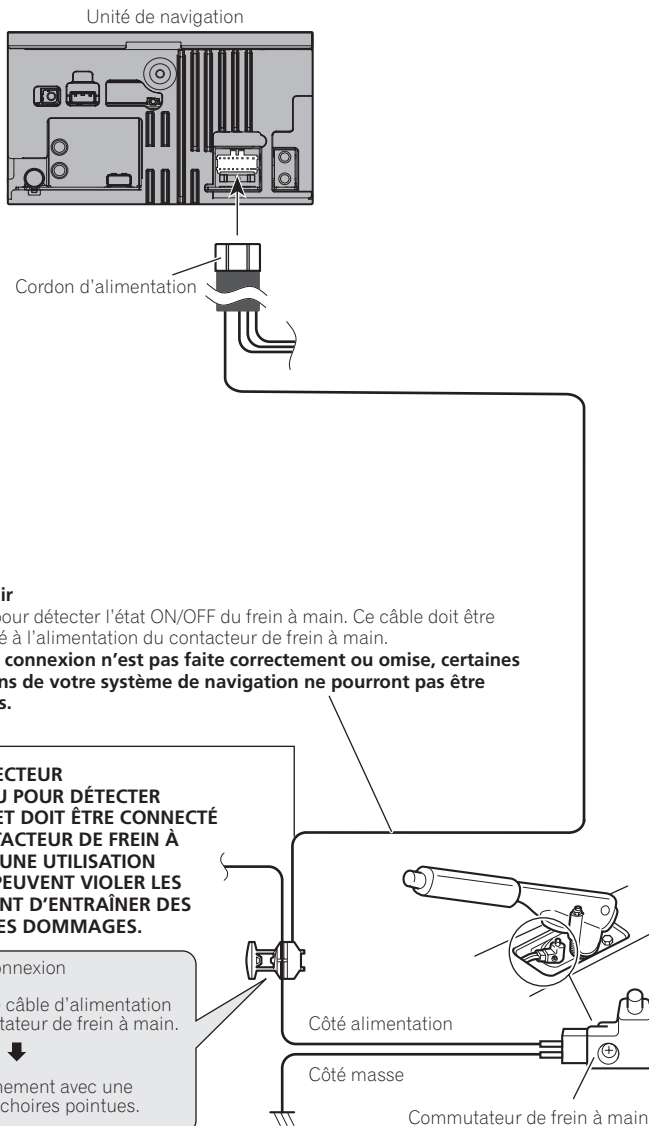
Branchement du système



La position du connecteur ISO diffère en fonction du type de véhicule. Connectez *5 et *6 quand la broche 5 est de type à commande d'antenne. Pour les autres types de véhicule, ne connectez jamais *5 et *6.

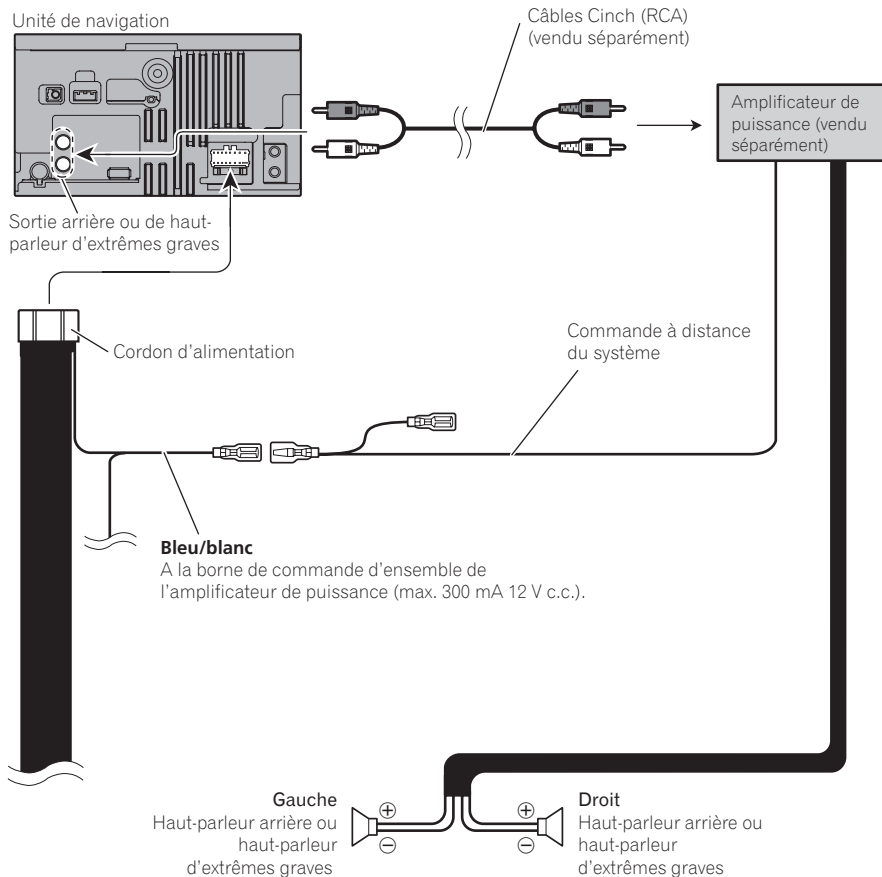


Branchement du cordon d'alimentation (2)



Branchement du système

Branchement d'un amplificateur de puissance vendu séparément



Remarque


Vous pouvez changer la sortie Cinch (RCA) du haut-parleur d'extrêmes graves en fonction de votre système de haut-parleur d'extrême graves. (Reportez-vous au Manuel de fonctionnement.)



Précautions à prendre avant l'installation



ATTENTION

- **Ne jamais installer ce produit à un endroit ou de telle sorte qu'il :**
 - risque de blesser le conducteur ou les passagers en cas d'arrêt brusque.
 - puisse interférer avec les commandes de manoeuvre du conducteur tel que sur le sol, en face du siège conducteur, ou à proximité du volant ou du levier de vitesse.
- **Assurez-vous que rien ne se trouve derrière le tableau de bord ou une cloison avant d'y percer des trous. Veillez à ne pas endommager les tubulures de carburant et de frein, les composants électroniques, les câbles de communication ou d'alimentation.**
- **Si vous utilisez des vis, veillez à ce qu'elles n'entrent pas en contact avec un conducteur électrique. Les vibrations peuvent endommager les câbles ou l'isolation, en entraînant un court-circuit ou d'autres dommages sur le véhicule.**
- **Pour assurer une installation correcte, assurez-vous d'utiliser les pièces fournies de la façon spécifiée. Si certaines pièces ne sont pas fournies avec cet appareil, utilisez des pièces compatibles de façon spécifiée après avoir fait vérifier la compatibilité par votre revendeur. Si d'autres pièces que les pièces fournies ou compatibles sont utilisées, elle peuvent endommager les pièces internes de cet appareil ou peuvent être mal assujetties et l'appareil peut se détacher.**
- **Il est extrêmement dangereux de laisser les câbles s'enrouler autour de la colonne de direction ou du levier de vitesse. Assurez-vous d'installer ce produit, ses câbles et les raccordement de telle façon qu'ils n'obstruent pas ni gênent la conduite.**
- **Assurez-vous qu'aucun fil ou conducteur n'est coincé dans une porte ou le mécanisme de coulissement d'un siège, car ceci pourrait provoquer un court-circuit.**
- **Vérifiez le bon fonctionnement des autres équipements du véhicule après l'installation du système de navigation.**
- **N'installez pas ce système de navigation à un endroit où il risque (i) d'entraver la visibilité du conducteur, (ii) de réduire l'efficacité des systèmes de commande des fonctions de sécurité du véhicule, y compris les airbags, les boutons de commande des feux de détresse ou (iii) d'empêcher le conducteur de conduire le véhicule en toute sécurité.**
- **Installez le système de navigation entre le siège conducteur et le siège passager avant afin qu'il ne puisse pas être percuté par le conducteur ou le passager avant en cas de freinage brusque.**
- **N'installez jamais le système de navigation devant ou à côté d'un endroit sur le tableau de bord, une portière ou un pilier, à partir duquel un des coussins de sécurité gonflable du véhicule doit se déployer. Veuillez vous reporter au mode d'emploi du véhicule pour en savoir plus sur les zones de déploiement des coussins de sécurité gonflable frontaux. **

Pour protéger le système de navigation contre les parasites électromagnétiques

Pour éviter toute interférence, placez les éléments suivants le plus loin possible de ce système de navigation, d'autres câbles ou de cordons :

- Antenne FM, PO/GO et son cordon
- Antenne GPS et son cordon

Installation

En outre, chaque câble d'antenne doit toujours être posé ou acheminé le plus loin possible des autres câbles d'antenne. Les câbles ne doivent pas être regroupés en faisceau, posés ensemble ou se croiser. Les parasites électromagnétiques ainsi engendrés risquent d'accroître le potentiel d'erreurs au niveau de l'affichage de la localisation. ■

Avant de procéder à l'installation

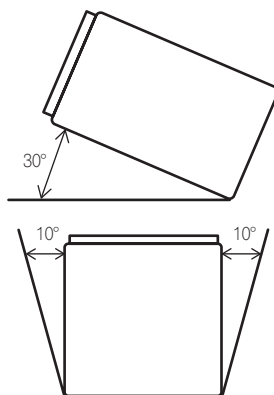
- Consultez le concessionnaire le plus proche si l'installation nécessite le percement de trous ou toute autre modification du véhicule.
- Avant d'installer ce produit définitivement, connectez le câblage provisoirement pour vous assurer que les connexions sont correctes et que le système fonctionne normalement. ■

Installation de ce système de navigation

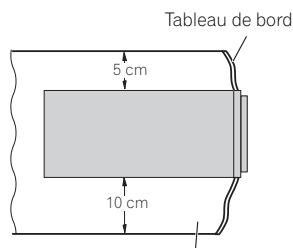
Remarques sur l'installation

- N'installez pas ce système de navigation dans un endroit où il risque d'être soumis à des températures élevées ou à l'humidité. Par exemple :
 - A proximité du chauffage, de la ventilation ou de la climatisation.
 - En plein soleil, comme sur le dessus du tableau de bord.
 - Là où il risque d'être mouillé par la pluie, comme près d'une porte.
- Installez ce système de navigation dans une zone suffisamment solide pour supporter son poids. Choisissez un endroit où le système de navigation puisse être fixé de manière sûre et installez-le. Une mauvaise fixation du système de navigation peut entraîner un dysfonctionnement de la localisation du véhicule.

- Installez l'unité de navigation horizontalement sur une surface avec une tolérance de 0 degrés à 30 degrés (dans une plage de 10 degrés vers la gauche ou la droite). Une mauvaise installation de l'unité avec une inclinaison de la surface supérieure au-delà de cette marge de tolérance risque d'accroître le potentiel d'erreurs dans l'affichage de l'emplacement, et risque de réduire les performances d'affichage.



- Lors de l'installation de l'appareil, laissez suffisamment d'espace derrière le panneau arrière pour permettre une dissipation correcte de la chaleur et pliez tout câble gênant de façon qu'il n'obstrue pas les orifices de ventilation.



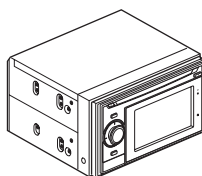
Laissez suffisamment d'espace

- Une surchauffe peut provoquer la détérioration du laser semi-conducteur. Evitez donc d'installer l'unité de navigation à proximité d'une source de chaleur, une bouche d'air par exemple.

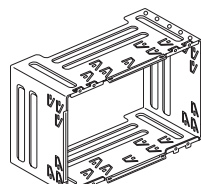
- N'installez pas ce système de navigation là où le retrait du périphérique amovible de l'unité principale risquerait d'être gêné par le levier de vitesses ou tout autre objet. Avant d'installer ce système de navigation, veillez à laisser suffisamment de place pour que le périphérique amovible n'empêche pas le fonctionnement du levier de vitesses lorsqu'il est retiré. Il en résulterait autrement une interférence avec le levier de vitesses ou un dysfonctionnement du mécanisme de retrait.

Pièces fournies

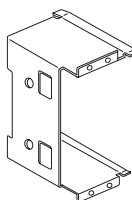
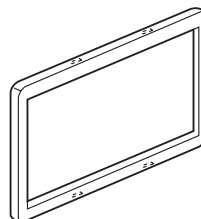
- Les pièces indiquées par un astérisque (*1) sont pré-installées.
- La pièces marquées (*2) sont pour une utilisation d'affichage en magasin uniquement.



Unité de navigation



Support*1

Support latéral*1
(2 pièces)Vis*1 (3 mm x 6 mm)
(8 pièces)Vis de fixation de la
support latéral*1
(5 mm x 6 mm)
(4 pièces)

Anneau de garniture*1

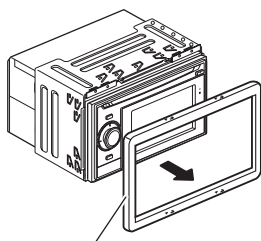
Vis*2
(2 mm x 8 mm)
(1 pièce)

Installation

Avant d'installer cette unité de navigation

1 Retirez l'anneau de garniture.

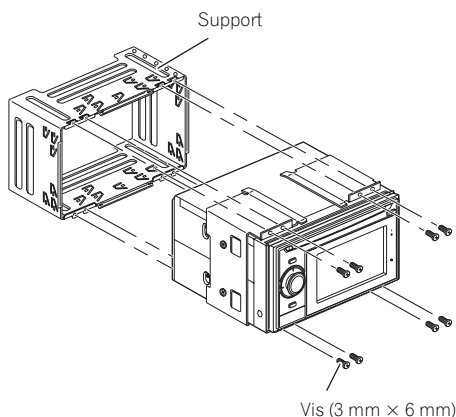
Étirez vers l'extérieur la partie supérieure et inférieure de l'anneau de garniture pour le retirer.



Anneau de garniture

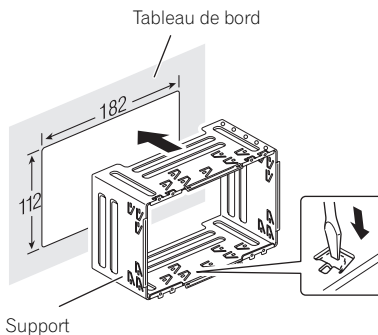
2 Retirer le support.

Dévisser les vis (3 mm × 6 mm) pour retirer le support.

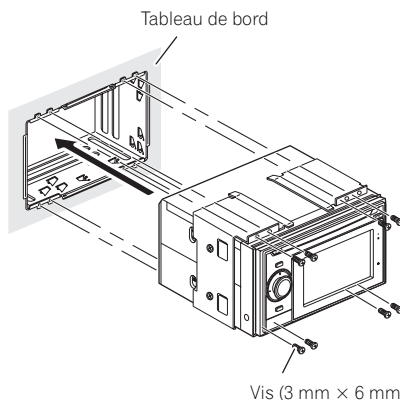


Vis (3 mm × 6 mm)

aussi solidement que possible en utilisant les languettes supérieures et inférieures. Pour fixer l'unité de navigation, courbez les languettes de 90 degrés.)



2 Installez cette unité de navigation et fixez les vis.



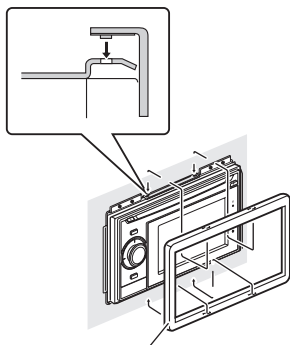
Vis (3 mm × 6 mm)

Installation avec le support et le support latéral

1 Installer le support sur le tableau de bord.

Après avoir inséré le support sur le tableau de bord, sélectionnez et courbez les languettes en fonction de l'épaisseur du matériau du tableau de bord. (Installez l'unité de navigation

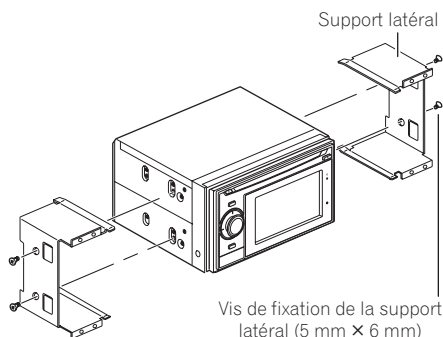
3 Attacher l'anneau de garniture.



Anneau de garniture

Installation en utilisant les trous de vis sur les côtés de cette unité de navigation

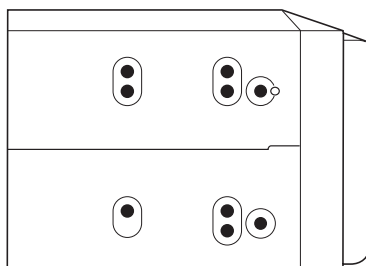
1 Retirer les supports latéraux.



2 Fixation de l'unité de navigation dans le tiroir de l'autoradio.

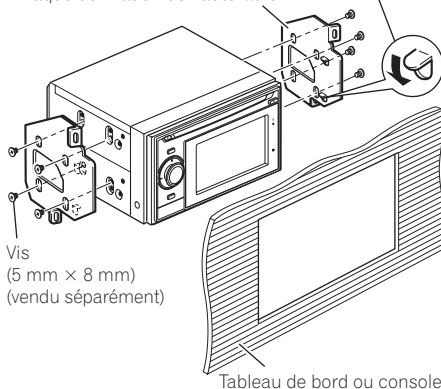
Positionnez l'unité de navigation de manière à ce que les trous de vis soient alignés avec les trous de vis de la console, et serrez 3 ou 4 vis de chaque côté.

Utilisez des vis (5 mm x 8 mm) (vendus séparément), en fonction de la forme des trous de vis du support.



Si le cliquet ressort, le courber

Plaque de fixation de l'autoradio



Vis
(5 mm x 8 mm)
(vendu séparément)

Tableau de bord ou console



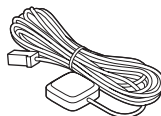
Installation

Installation de l'antenne GPS

⚠ ATTENTION

Ne coupez pas le câble d'antenne GPS pour le raccourcir et n'utilisez pas d'extension pour le rallonger. Le fait d'intervenir sur le câble d'antenne risque d'entraîner un court-circuit ou un dysfonctionnement et d'endommager définitivement le système de navigation.

Pièces fournies



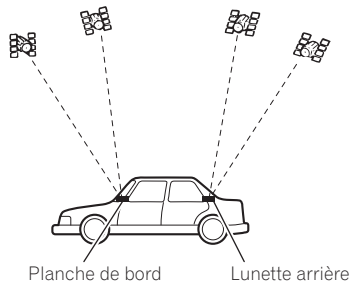
Antenne GPS



Plaque métallique

Remarques sur l'installation

- L'antenne doit être installée sur une surface plane bien réceptrice aux ondes radio. Les ondes radio ne peuvent pas être captées correctement par l'antenne si la réception des satellites est gênée.



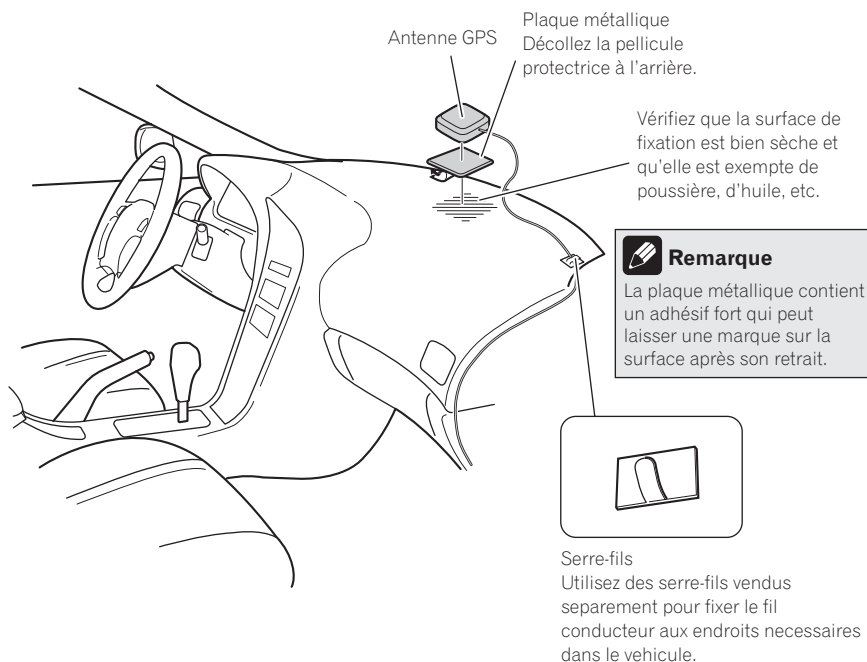
- Si vous installez l'antenne GPS à l'intérieur du véhicule, utilisez la plaque métallique fournie avec le système. La sensibilité de réception sera faible si elle n'est pas utilisée.
- Ne coupez pas la plaque métallique car la sensibilité de l'antenne GPS en serait réduite.
- Ne tirez pas le câble pour déplacer l'antenne GPS. Celle-ci est fixée à l'aide d'un aimant très puissant. Vous risqueriez d'arracher le câble.
- Aucune peinture ne doit être appliquée sur l'antenne GPS afin de ne pas réduire ses performances.

Installation de l'antenne dans le véhicule (sur planche de bord ou lunette arrière)

⚠ AVERTISSEMENT

N'installez pas l'antenne GPS par-dessus un capteur ou une bouche d'air du tableau de bord du véhicule, car cela pourrait interférer avec la fonctionnalité normale du capteur ou de la bouche d'air et compromettre la capacité de la feuille métallique sous l'antenne GPS d'assurer une fixation correcte et sûre sur le tableau de bord.

Fixez la plaque métallique sur une surface aussi plate que possible située de manière à ce que l'antenne GPS soit orientée vers une vitre. Posez l'antenne GPS sur la plaque métallique. (L'antenne GPS est immobilisée par son propre aimant.)



Installation



Remarques

- Lors de la fixation de la plaque métallique, ne la coupez pas en petits morceaux.
- Les vitres de certains modèles de véhicules ne laissent pas passer les signaux des satellites GPS. Dans ce cas, installez l'antenne GPS à l'extérieur du véhicule.



Installation du microphone

- Installez le microphone à un emplacement permettant une bonne réception de la voix du conducteur.
- Eteignez le système avant de connecter le microphone (ACC OFF).

Pièces fournies



Microphone



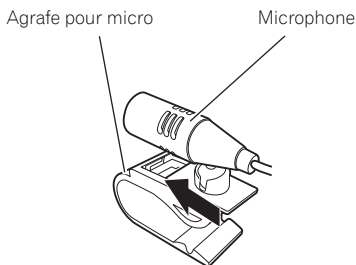
Agrafe pour micro



Bande adhésive à double face

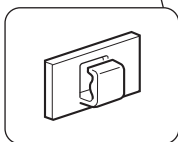
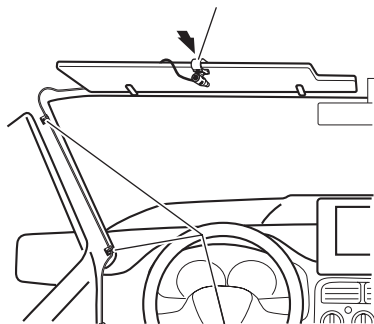
Installation sur le pare-soleil

1 Installez le microphone dans l'agrafe pour micro.



2 Fixez l'agrafe pour micro au pare-soleil.

Agrafe pour micro



Serre-fils

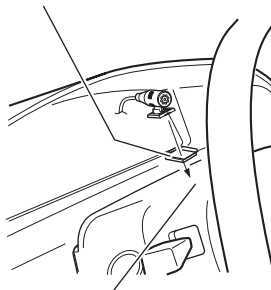
Utilisez des serre-fils vendus separement pour fixer le fil conducteur aux endroits necessaires dans le vehicule.

Installez le microphone sur le pare-soleil lorsqu'il est en position relevée. La reconnaissance vocale est impossible lorsque le pare-soleil est en position relevée.

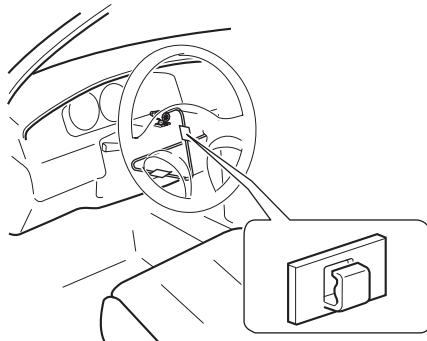
Installation sur la colonne de direction

- Montez le microphone sur la colonne de direction.

Bande adhésive à double face



Installez le microphone sur la colonne de direction, à distance du volant.

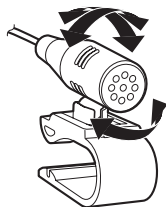


Serre-fils

Utilisez des serre-fils vendus separement pour fixer le fil conducteur aux endroits necessaires dans le vehicule.

Réglage de l'angle du microphone

L'angle du microphone peut être.



Après installation de ce système de navigation

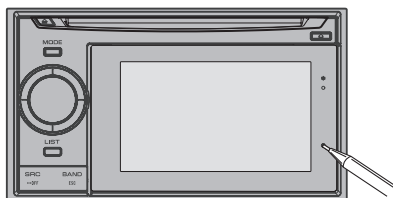
1 Branchement de la batterie.

Vérifiez une nouvelle fois que toutes les connexions ont été bien faites et que ce produit est correctement installé. Remettez en place les éléments démontés du véhicule, puis rebranchez le câble négatif (-) sur la borne négative (-) de la batterie.

2 Mettez le moteur en marche.

3 Appuyez sur le bouton RESET alors que le périphérique amovible est en place.

Avec la pointe d'un stylo-bille par exemple, appuyez sur le bouton **RESET** de l'unité de navigation.



4 Faites les réglages suivants.

- ➔ Pour en savoir sur leur fonctionnement, reportez-vous au Manuel de fonctionnement.
- 1 Réglez la langue.
- 2 Roulez sur une route sans obstacle jusqu'à ce que le GPS commence à recevoir le signal normalement.
- 3 Réalisez les réglages nécessaires.
 - Réglage de l'heure
 - Changez les autres réglages selon vos préférences

Remarque

Une fois l'installation terminée, vérifiez le bon fonctionnement du véhicule dans un endroit sécurisé. ■

01 INFORMAZIONI IMPORTANTI

USO DEL NUOVO SISTEMA DI NAVIGAZIONE E DEL PRESENTE MANUALE 96

02 MISURE DI SICUREZZA IMPORTANTI

LEGGERE TUTTE LE PRESENTI ISTRUZIONI RIGUARDANTI IL SISTEMA DI NAVIGAZIONE E CONSERVARLE PER RIFERIMENTI FUTURI 97

03 Collegamento del sistema

Precauzioni prima di collegare il sistema 98

Prima di installare questo prodotto 98

Per evitare danni 99

- Informazione sul cavetto blu/ bianco 99

Pezzi in dotazione 100

Collegamento del sistema 102

Collegamento del cavo di alimentazione

(1) 104

Collegamento del cavo di alimentazione

(2) 106

Quando si collega ad un amplificatore in vendita separatamente 107

04 Installazione

Precauzioni prima dell'installazione 108

Per proteggere l'unità di navigazione da disturbi elettromagnetici 108

Prima dell'installazione 109

Installazione di questo sistema di navigazione 109

- Note sull'installazione 109
- Pezzi in dotazione 110
- Prima di installare questo unità di navigazione 111
- Installazione con il supporto e la staffa laterale 111
- Installazione usando i fori delle viti sul lato del unità di navigazione 112

Installazione dell'antenna GPS 113

– Note sull'installazione 113

– Pezzi in dotazione 113

– Quando si installa l'antenna all'interno del veicolo (sul cruscotto o sul piano portaoggetti posteriore) 114

Installazione del microfono 115

– Pezzi in dotazione 115

– Montaggio sul parasole 115


– Installazione sulla colonna di sterzo 116

– Regolazione dell'angolazione del microfono 117

05 Dopo l'installazione

Dopo l'installazione di questo sistema di navigazione 118

USO DEL NUOVO SISTEMA DI NAVIGAZIONE E DEL PRESENTE MANUALE

- Le caratteristiche di navigazione di questo prodotto sono da considerare soltanto come un ausilio alla conduzione del Vostro veicolo. Non devono mancare attenzione, giudizio e cautela del conducente durante la guida.
- Non utilizzare mai il sistema di navigazione per raggiungere ospedali, stazioni di polizia o altre destinazioni simili in un'emergenza. Chiamare l'apposito numero di emergenza.
- Non utilizzare questo sistema di navigazione se ciò può in qualunque modo distrarre la Vostra attenzione dalla conduzione sicura del Vostro veicolo. Le limitazioni del traffico e gli avvisi attualmente in vigore devono sempre avere la precedenza sulla guida fornita da questo prodotto. Rispettare sempre le limitazioni del traffico in vigore, anche se questo prodotto fornisce indicazioni contrarie.
- Questo manuale illustra l'installazione del sistema di navigazione nel veicolo. Il funzionamento del sistema di navigazione è illustrato negli altri manuali del sistema stesso.
- Non installare questo prodotto dove può (i) ostruire la visione del conducente, (ii) compromettere le prestazioni di un qualunque sistema operativo sul veicolo o le funzioni di sicurezza, inclusi airbag, pulsanti delle luci di emergenza oppure (iii) compromettere la capacità del conducente di condurre in sicurezza il veicolo. In alcuni casi, è possibile che non si possa installare questo prodotto a causa del tipo di veicolo o della forma dell'interno del veicolo. 

MISURE DI SICUREZZA IMPORTANTI



AVVERTENZA

Pioneer raccomanda di non installare personalmente il sistema di navigazione. Consigliamo che solo il personale di manutenzione autorizzato Pioneer, dotato di addestramento speciale ed esperienza nell'elettronica mobile, si occupi del montaggio e dell'installazione di questo prodotto. NON TENTARE MAI DI ESEGUIRE PERSONALMENTE LA MANUTENZIONE DI QUESTO PRODOTTO. L'installazione o la manutenzione di questo prodotto e dei suoi cavi di collegamento può esporre al rischio di scosse elettriche o altri pericoli, e può causare danni al sistema di navigazione che non sono coperti da garanzia.

LEGGERE TUTTE LE PRESENTI ISTRUZIONI RIGUARDANTI IL SISTEMA DI NAVIGAZIONE E CONSERVARLE PER RIFERIMENTI FUTURI

- 1 Leggere completamente e con attenzione questo manuale prima di installare il sistema di navigazione.
- 2 Conservare questo manuale a portata di mano per riferimenti futuri.
- 3 Fare attenzione a tutti gli avvertimenti in questo manuale e seguire attentamente le istruzioni.
- 4 Alla prima accensione del sistema potrebbe essere visualizzato il messaggio **"Preparing to start up system...please wait"** poiché il livello della batteria potrebbe essere basso. Se viene visualizzato questo messaggio, non accendere l'unità finché non viene visualizzato il messaggio **"Ready to start up system."**.
- 5 Questo sistema di navigazione può in alcuni casi visualizzare informazioni errate sulla posizione del veicolo, la distanza degli oggetti mostrati sullo schermo e le direzioni della bussola. Inoltre il sistema ha alcuni limiti inerenti, come l'incapacità di individuare vie a senso unico, limitazioni temporanee del traffi-

co e zone di guida potenzialmente pericolose. Usare il proprio giudizio in base alle condizioni di guida effettive.

- 6 Come per altri accessori all'interno del veicolo, il sistema di navigazione non deve distrarre il conducente da una guida sicura del veicolo. Se si hanno difficoltà nel controllo del sistema o nella lettura dello schermo, eseguire le regolazioni dopo aver parcheggiato in un luogo sicuro.
- 7 Ricordare di allacciare sempre la cintura di sicurezza durante l'uso dell'automobile. In caso di incidenti, le lesioni possono essere molto più gravi se la cintura di sicurezza non è allacciata correttamente.
- 8 Le legislazioni di alcuni Paesi e governi possono impedire o limitare il montaggio e l'uso di questo sistema nel veicolo. Conformarsi a tutte le leggi e i regolamenti applicabili riguardo ad uso, installazione e funzionamento del sistema di navigazione. ■

Precauzioni prima di collegare il sistema

⚠ ATTENZIONE

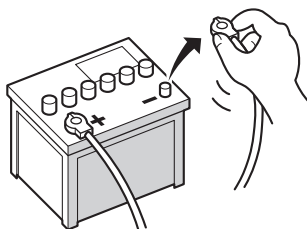
- Se decidete di eseguire l'installazione da soli ed avete particolare addestramento ed esperienza nelle installazioni elettroniche mobili, siete pregati di seguire attentamente tutti i passi nel manuale di installazione.
- Fissare tutti i fili con morsetti cavo o nastro isolante. Non lasciare esposto alcun filo nudo.
- Non collegare direttamente il cavo giallo di questo prodotto alla batteria del veicolo. Se il cavo viene collegato direttamente alla batteria, le vibrazioni del motore possono causare il cedimento dell'isolamento nel punto in cui il cavo passa dall'abitacolo al vano motore. Se l'isolamento del cavo giallo si lacera, il contatto con le parti metalliche può causare cortocircuiti, con corrispondenti gravi pericoli.
- I cavi potrebbero costituire una seria fonte di pericolo qualora si attorcigliassero alla colonna dello sterzo o alla leva del cambio. L'apparecchio, i relativi cavi e ogni altro collegamento devono essere sistemati in modo che non ostruiscano o impediscano la guida in sicurezza del veicolo.
- Assicurarsi che i cavi e i fili seguano un percorso e siano fissati in modo da non interferire o rimanere impigliati in una qualsiasi delle parti mobili del veicolo, specialmente il volante, la leva del cambio, il freno a mano, le guide di scorrimento dei sedili, le porte e qualunque comando del veicolo.
- Non posare i fili lungo percorsi in cui risultano esposti a temperature elevate. Se l'isolamento si scalda, il filo può danneggiarsi e causare cortocircuiti o malfunzionamenti e danni permanenti al prodotto.
- Non tagliare il cavo dell'antenna GPS per accorciarlo e non usare una prolunga per

allungarlo. Un'alterazione del cavo antenna può causare un cortocircuito.

- Non accorciare alcun cavo. Facendolo ciò, il circuito di protezione (supporto fusibile, resistore fusibile o filtro, ecc.) può non funzionare più correttamente.
- Mai alimentare altri prodotti elettronici tagliando l'isolamento del cavo di alimentazione del sistema di navigazione e attingendo al cavo. La capacità di corrente del cavo verrebbe ecceduta, causando surriscaldamenti. ▣

Prima di installare questo prodotto

- Utilizzare questa unità solo con una batteria da 12 volt e una messa a terra negativa. Se queste specifiche non verranno rispettate, potrebbe scaturirne un incendio o un malfunzionamento.
- Per evitare cortocircuiti nell'impianto elettrico, accertarsi di scollegare il cavo della batteria (-) prima di iniziare l'installazione.



Collegamento del sistema

Per evitare danni



AVVERTENZA

- **Utilizzare diffusori con potenza superiore a 50 W (valore di uscita) e tra 4 Ω e 8 Ω (valore di impedenza). Non utilizzare diffusori con valori tra 1 Ω e 3 Ω per questa unità.**
- **Il cavo nero è il cavo di terra. Si prega di eseguire la messa a terra di questo cavo separatamente dalla messa a terra di prodotti a corrente elevata, come gli amplificatori di alimentazione. Non mettere a massa un prodotto insieme alla messa a terra di un altro prodotto. Per esempio, si deve mettere a massa separatamente ciascuna unità amplificatore a distanza dall'unità a scomparsa di questo sistema di navigazione. Collegando le masse insieme si può causare un incendio e/o danni ai prodotti se le loro masse si staccano.**
- **Quando si sostituisce il fusibile, assicurarsi di usare soltanto un fusibile con le caratteristiche prescritte su questo prodotto.**
 - Quando si scollega un connettore, tirare afferrando il connettore. Non tirare afferrando il cavo, perché si potrebbe strappare dal connettore.
 - L'apparecchio non può essere installato nei veicoli la cui chiave di accensione sia priva della posizione ACC (accessori).



Posizione ACC



Nessuna posizione
ACC

- Per evitare cortocircuiti, coprire con nastro isolante il cavo staccato. È particolarmente importante isolare tutti i cavi dei diffusori inutilizzati, che se vengono lasciati scoperti possono causare cortocircuiti.
- Fissare i connettori dello stesso colore alla corrispondente porta colorata, cioè il con-

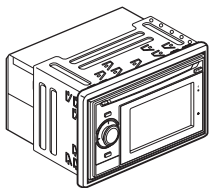
nettore blu alla porta blu, il nero a quella nera, ecc.

- Fare riferimento al manuale dell'utente per i dettagli sul collegamento di amplificatore ed altre unità, quindi eseguire i collegamenti secondo quanto previsto.
- Poiché è impiegato un unico circuito BPTL, non mettere direttamente a massa il lato \ominus del cavo diffusore o collegare i lati \ominus dei cavi diffusore insieme. Assicurarsi di collegare il lato \ominus del cavo diffusore al lato \ominus del cavo diffusore sul sistema di navigazione.

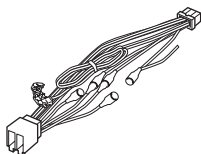
Informazione sul cavetto blu/bianco

- Quando lo si accende, l'apparecchio invia attraverso il cavo blu/bianco un segnale di controllo. Esso va collegato al controllo remoto di sistema dell'amplificatore esterno oppure alla presa di controllo del relé dell'antenna automatica installata sul veicolo (massimo 300 mA, 12 V CC). Se il veicolo è provvisto di un'antenna da vetro il cavo deve essere collegato alla presa di alimentazione del relativo booster.
- Non si deve collegare il cavo blu/bianco alla presa di alimentazione di un amplificatore esterno. Non lo si deve collegare neppure alla presa di alimentazione dell'antenna automatica. In caso contrario la batteria si scaricherebbe o non funzionerebbe correttamente.
- Questo cavetto non deve essere usato per fornire alimentazione elettrica all'antenna automatica o all'amplificatore d'antenna. In caso contrario si creerebbe un assorbimento eccessivo di corrente e un malfunzionamento. ■

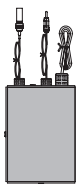
Pezzi in dotazione



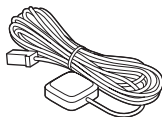
L'unità di navigazione



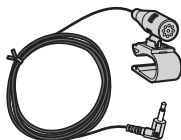
Cavo di alimentazione

Sintonizzatore RDS-
TMC

Connettore USB



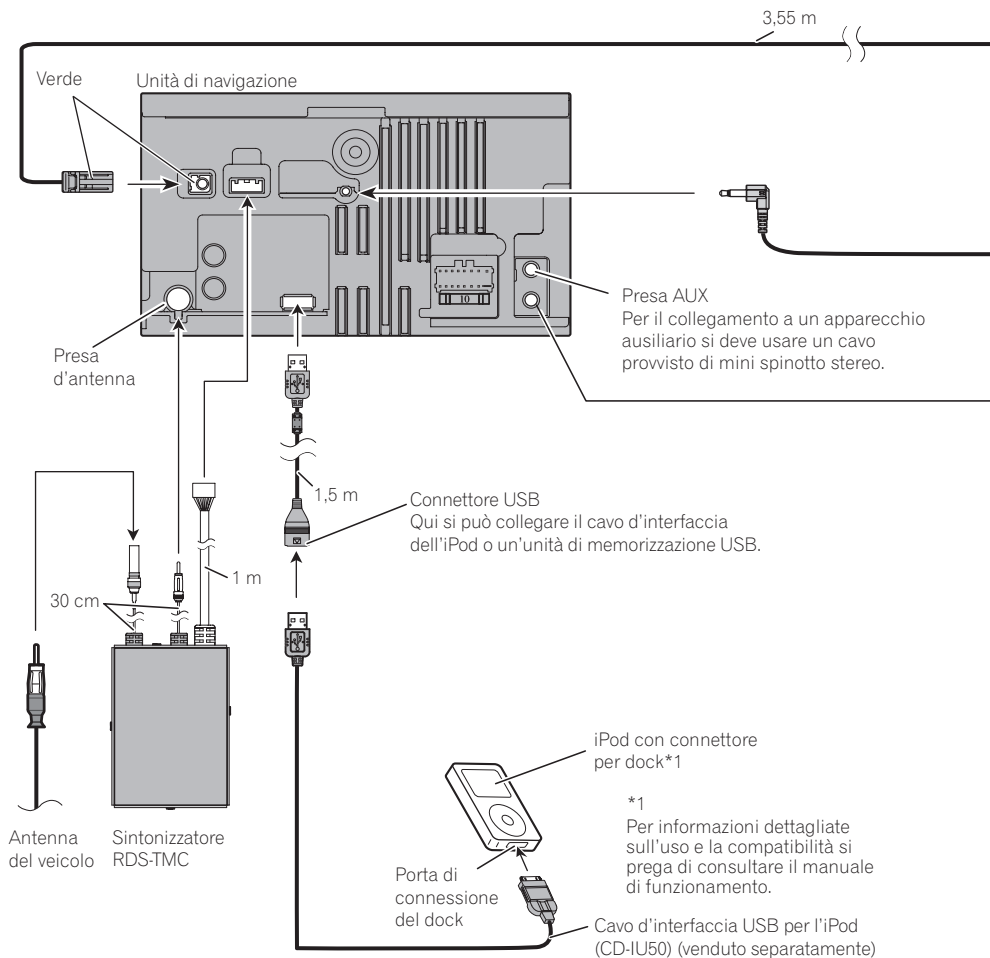
Antenna GPS



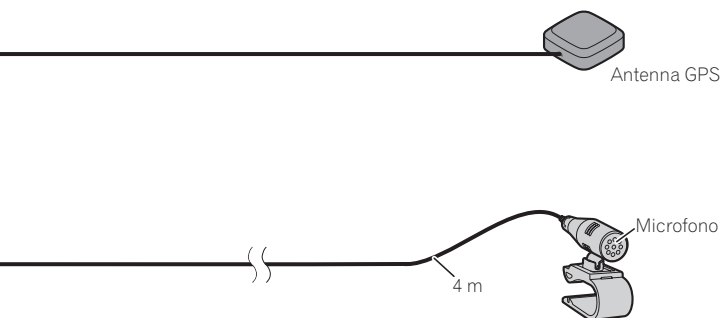
Microfono



Collegamento del sistema



Collegamento del sistema



WIRED REMOTE INPUT

Per informazioni sugli adattatori per controllo remoto cablato (venduto separatamente) si prega di vedere il relativo manuale di istruzioni.



AVVERTENZA

Per evitare gli incidenti e la violazione delle leggi applicabili questo apparecchio non deve mai essere usato mentre il veicolo è in marcia eccetto che per scopi di navigazione.



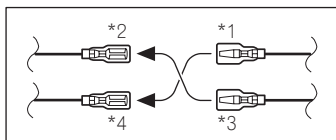
Collegamento del cavo di alimentazione (1)

**Nota**

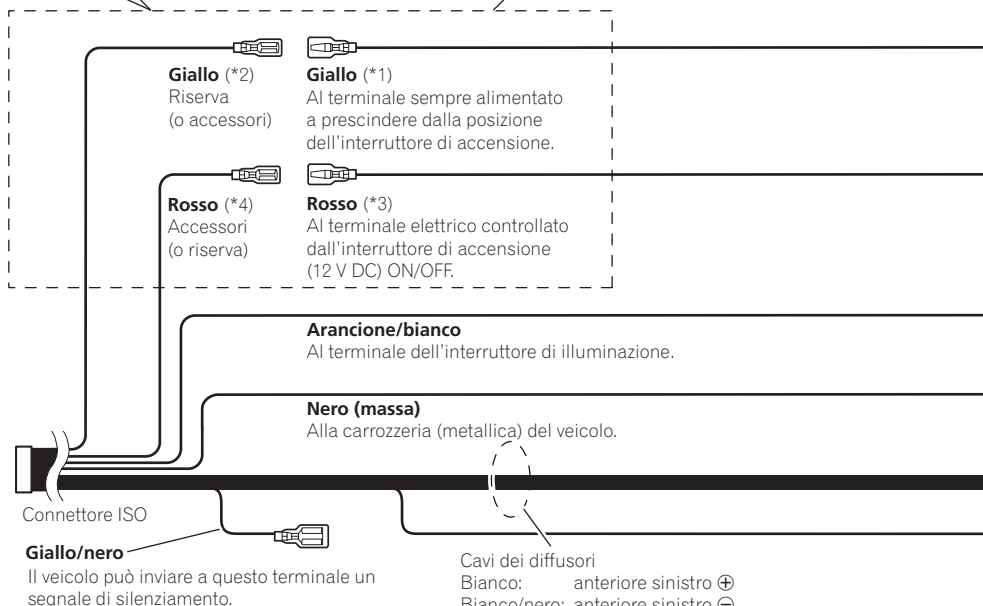
A seconda del tipo di veicolo la funzione di *2 e di *4 può differire. In tal caso si deve collegare *1 a *4 e *3 a *2.

**Note**

- Quando al sistema di navigazione si collega un subwoofer (*7) in luogo del diffusore posteriore, nelle impostazioni iniziali è necessario cambiare quella relativa all'uscita posteriore (vedere a questo riguardo il Manuale di funzionamento). L'uscita del subwoofer del sistema di navigazione è monofonica.
- In caso d'uso di un subwoofer da 70 W (2 Ω), si devono collegare i cavi viola e viola/nero del sistema di navigazione. Non si deve collegare nulla ai cavi verde e verde/nero.

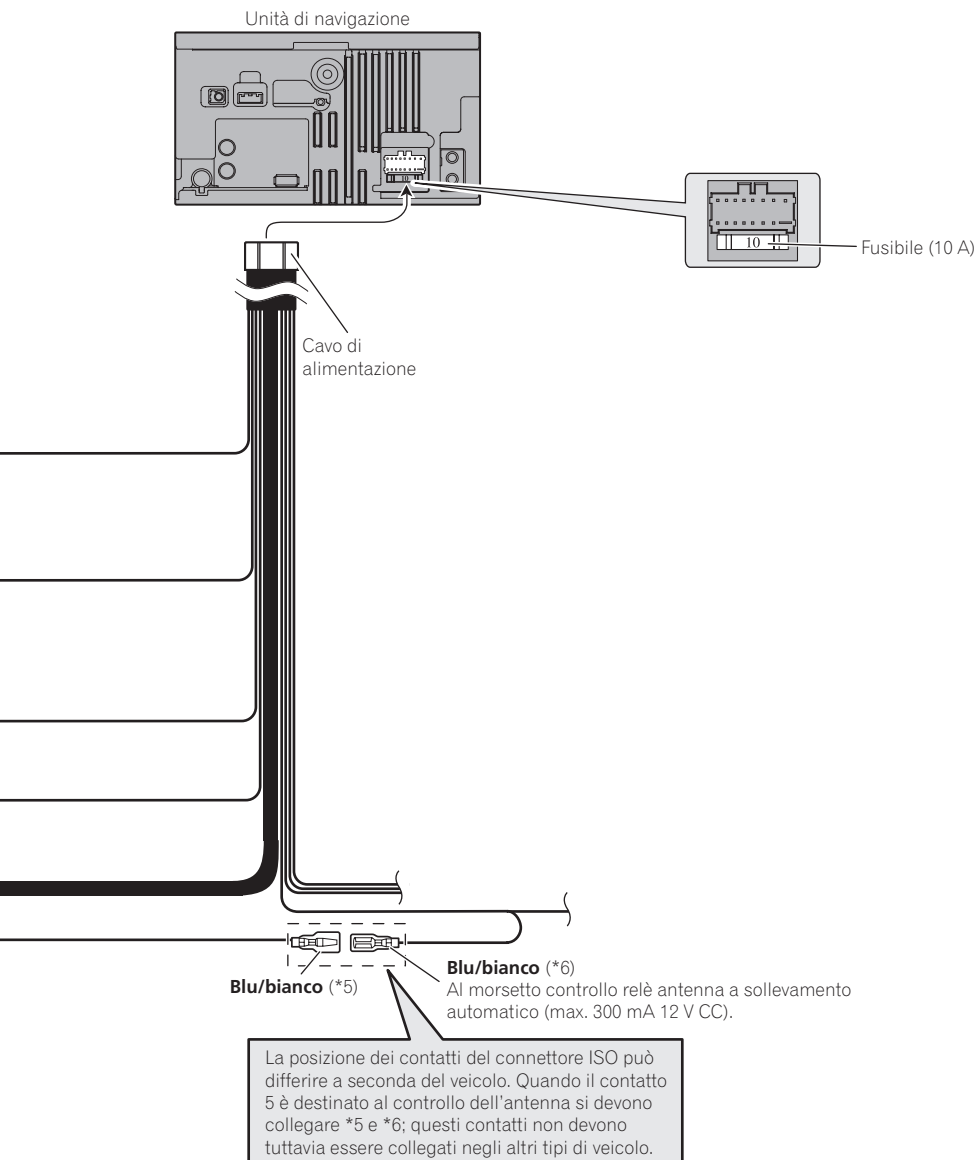


Collegare fra loro i cavi dello stesso colore.

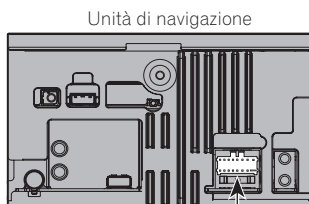
**Nota**

In alcuni veicoli il connettore ISO può essere suddiviso in due. In tal caso è necessario collegarli entrambi.

Collegamento del sistema



Collegamento del cavo di alimentazione (2)



Cavo di alimentazione

Verde chiaro

Usato per rilevare lo stato di ON/OFF del freno a mano. Questo cavo deve essere collegato al lato alimentato dell'interruttore del freno a mano stesso.

Se si esegue questo collegamento in modo errato, oppure lo si omette, alcune funzioni del sistema di navigazione risulteranno inutilizzabili.

**AVVERTENZA**

LA FUNZIONE DEL CAVO VERDE DEL CONNETTORE DI ALIMENTAZIONE È RILEVARE LO STATO D'INNESTO E DISINNESTO DEL FRENO A MANO E DEVE ESSERE COLLEGATO AL LATO ALIMENTATO DELL'INTERRUTTORE DI QUEST'ULTIMO. IL COLLEGAMENTO O L'USO NON CORRETTO DI QUESTO CAVO PUÒ RISULTARE NELLA VIOLAZIONE DELLE LEGGI APPLICABILI E CAUSARE GRAVI INCIDENTI O DANNI.

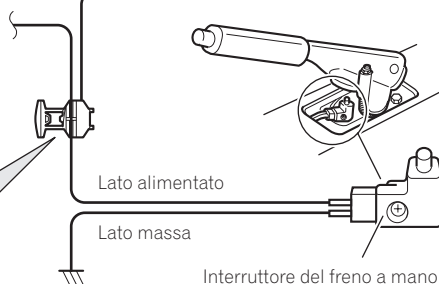
Metodo di collegamento



Serrare il cavo sul lato alimentato dell'interruttore del freno a mano.

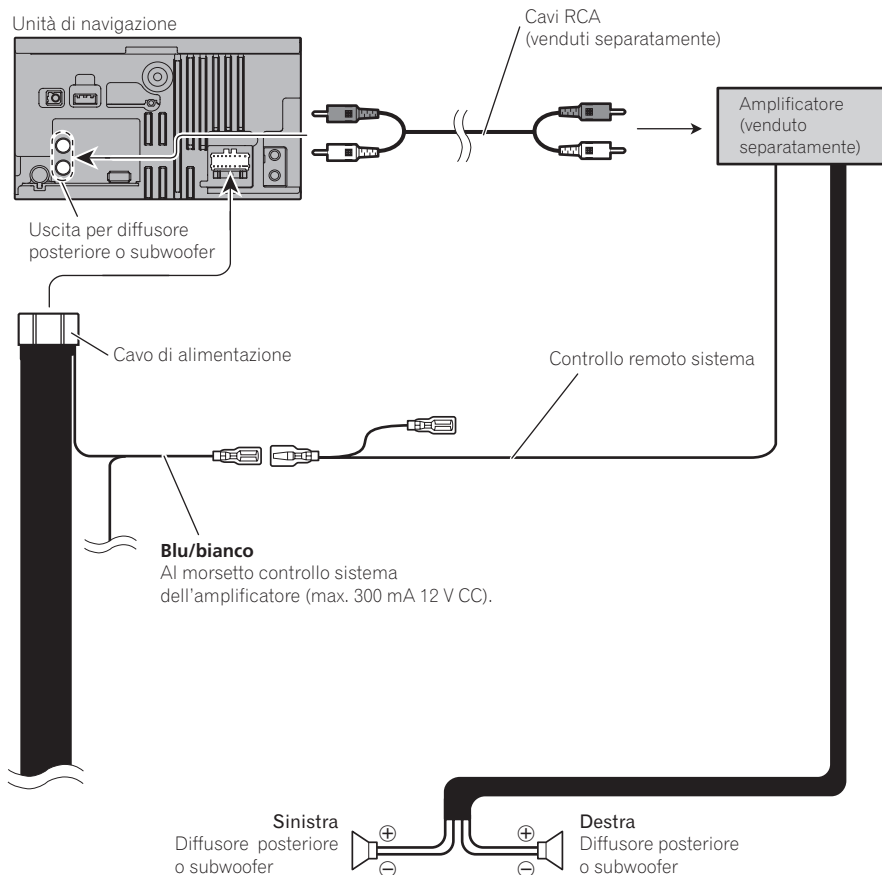


Serrare saldamente con pinze a punta.



Collegamento del sistema

Quando si collega ad un amplificatore in vendita separatamente



Nota

A seconda del subwoofer installato è possibile cambiarne l'uscita RCA (si prega di vedere il Manuale di funzionamento).

Precauzioni prima dell'installazione



ATTENZIONE

- Non installare mai questo sistema di navigazione in luoghi dove, o in maniera che:
 - Possa ferire il conducente o i passeggeri se il veicolo si arresta improvvisamente.
 - Possa interferire con le azioni del conducente del veicolo, come sul pavimento di fronte al sedile del conducente o vicino al volante o alla leva del cambio.
- Assicurarsi che non vi sia nulla dietro il cruscotto o i pannelli quando si trapanano fori in queste parti. Prestare attenzione a non danneggiare linee del carburante, linee dei freni, componenti elettronici, fili di comunicazione o cavi di alimentazione.
- Quando si usano viti, non permettere che vengano in contatto con nessun cavo elettrico. Le vibrazioni possono danneggiare i fili o l'isolamento, causando cortocircuiti o altri danni al veicolo.
- Per assicurare un'installazione corretta, usare i pezzi in dotazione nel modo specificato. Qualora dovesse mancare qualche pezzo, utilizzare pezzi compatibili in base alle istruzioni fornite, dopo aver verificato la compatibilità dei pezzi con il rivenditore. Se si usa qualsiasi pezzo diverso da quelli in dotazione oppure quello non compatibile, ne possono risultare danni alle parti interne di questo prodotto o il pezzo può allentarsi causando il distacco del prodotto.
- I cavi potrebbero costituire una seria fonte di pericolo qualora si attorcigliassero alla colonna dello sterzo o alla leva del cambio. L'apparecchio, i relativi cavi e ogni altro collegamento devono essere sistemati in modo che non ostruiscano o impediscano la guida in sicurezza del veicolo.
- Assicurarsi che i fili non possano rimanere schiacciati da una portiera o dal meccani-

simo di scorrimento dei sedili, causando cortocircuiti.

- Verificare che le altre apparecchiature del veicolo funzionino correttamente dopo aver installato il sistema di navigazione.
- Non installare questo sistema di navigazione dove può (i) ostruire la visione del conducente, (ii) compromettere le prestazioni di un qualunque sistema operativo sul veicolo o le funzioni di sicurezza, inclusi airbag, pulsanti delle luci di emergenza oppure (iii) compromettere la capacità del conducente di condurre in sicurezza il veicolo.
- Installare il sistema di navigazione tra il sedile del conducente e il sedile del passeggero anteriore in modo che non venga colpito dal conducente o dal passeggero se il veicolo si arresta bruscamente.
- Il sistema di navigazione non deve essere installato in un punto della plancia, delle portiere o dei montanti in cui potrebbe interferire con l'apertura degli airbag. Per informazioni sull'ingombro di apertura degli airbag frontali si raccomanda di consultare il manuale del veicolo.

Per proteggere l'unità di navigazione da disturbi elettromagnetici


Per impedire eventuali interferenze, posizionare i seguenti apparecchi il più lontano possibile da questo sistema di navigazione, altri cavi o fili:

- antenna FM, MW/LW e suo filo
- antenna GPS e suo filo

Inoltre si deve posare o indirizzare ciascun cavo antenna quanto più possibile lontano da altri cavi antenna. Non fascettarli, posarli, indirizzarli insieme o farli incrociare. Questo disturbo elettromagnetico aumenterà la possibilità di errori nel display della posizione.

Installazione

Prima dell'installazione

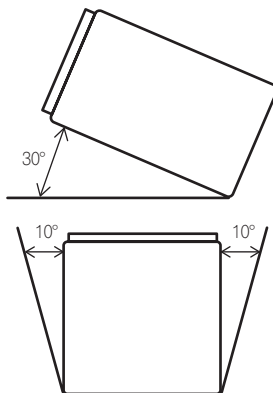
- Rivolgersi al più vicino rivenditore se l'installazione richiede la trapanatura di fori o altre modifiche del veicolo.
- Prima di eseguire l'installazione definitiva di questo prodotto, collegare temporaneamente i cablaggi per verificare che i collegamenti siano corretti e che il sistema funzioni correttamente. 

Installazione di questo sistema di navigazione

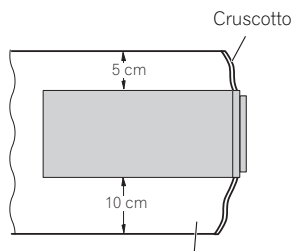
Note sull'installazione

- Non installare questo sistema di navigazione in una posizione in cui possa essere soggetto a temperature elevate o umidità, come:
 - Posizioni vicine ad un riscaldatore, una bocchetta o un condizionatore d'aria.
 - In luoghi dove batte direttamente il sole, come sul cruscotto.
 - Luoghi che possono essere schizzati dalla pioggia, come vicino alla portiera.
- Installare questo sistema di navigazione in una zona abbastanza forte da poterne sostenere il peso. Scegliere un luogo dove questo sistema di navigazione può essere installato saldamente, e installarlo in maniera sicura. Se questo sistema di navigazione non è installato correttamente, l'attuale posizione del veicolo non può essere visualizzata in maniera corretta.

- Installare l'unità di navigazione orizzontalmente su una superficie con una tolleranza tra 0 e 30 gradi (entro 10 gradi a destra o a sinistra). L'installazione non corretta dell'unità, con la superficie inclinata maggiormente rispetto a queste tolleranze, può aumentare la possibilità di errori nella visualizzazione della posizione e potrebbe anche comportare una riduzione delle prestazioni di visualizzazione.



- Per assicurare un'adeguata dispersione del calore dell'apparecchio nel corso del suo utilizzo, durante l'installazione si raccomanda di lasciare ampio spazio dietro il pannello posteriore e di avvolgere i cavi allentati affinché non ostruiscano le bocche di ventilazione.



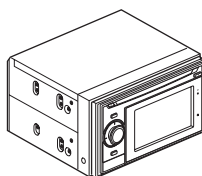
Lasciare ampio spazio

- Il laser semiconduttore si danneggia se viene surriscaldato, pertanto non installare l'unità di navigazione in luoghi caldi, per esempio vicino alla presa di un radiatore.

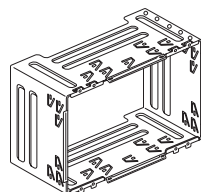
- Non installare questo sistema di navigazione in un punto in cui lo scollegamento del dispositivo rimovibile dall'unità principale è bloccato dalla leva del cambio o da altri oggetti. Prima di installare questo sistema di navigazione, accertarsi di lasciare spazio sufficiente in modo che il dispositivo rimovibile non ostacoli l'utilizzo della leva del cambio quando viene scollegato. In caso contrario, è possibile che il dispositivo interferisca con la leva del cambio o causi un malfunzionamento del meccanismo di scollegamento.

Pezzi in dotazione

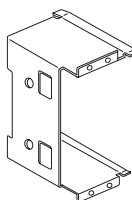
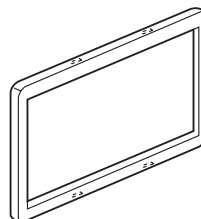
- Le parti contrassegnate con (*1) sono pre-installate.
- Le parti contrassegnate con (*2) sono destinate esclusivamente per l'uso dimostrativo nei negozi.



L'unità di navigazione



Supporto*1

Staffa laterale*1
(2 pezzi)Vite*1 (3 mm × 6 mm)
(8 pezzi)Vite per il fissaggio
della staffa laterale*1
(5 mm × 6 mm)
(4 pezzi)

cornice di finitura*1

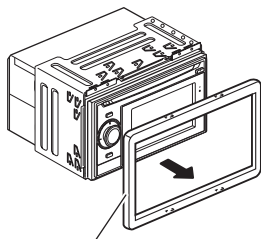
Vite*2
(2 mm × 8 mm)
(1 pezzo)

Installazione

Prima di installare questo unità di navigazione

1 Rimuovere la cornice di finitura.

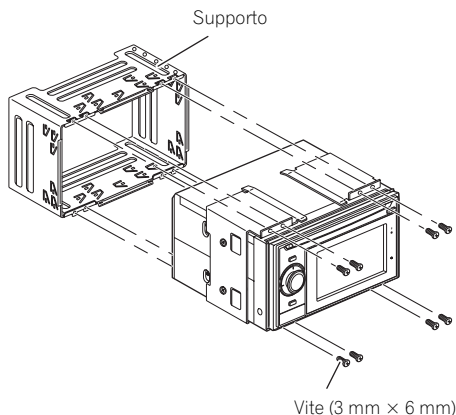
Per rimuovere la cornice di finitura occorre tirare verso l'esterno le parti superiore e inferiore.



cornice di finitura

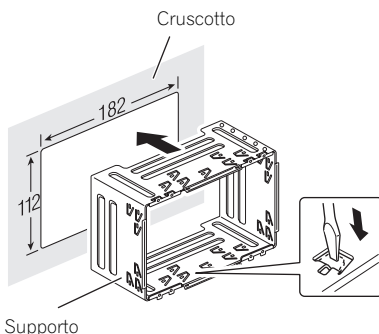
2 Rimuovere il supporto.

Allentare le viti (3 mm × 6 mm) per rimuovere il supporto.

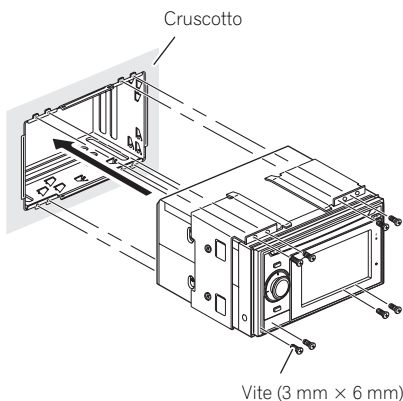


Vite (3 mm × 6 mm)

inferiori. Per fissare questo unità di navigazione, piegare le linguette a 90 gradi.)



2 Installare questo unità di navigazione e fissare le viti.

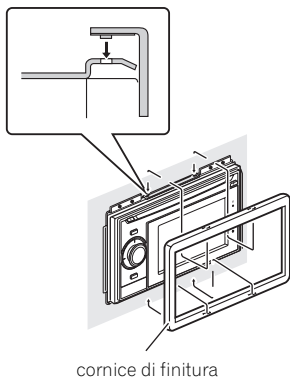


Installazione con il supporto e la staffa laterale

1 Installare il supporto nel cruscotto.

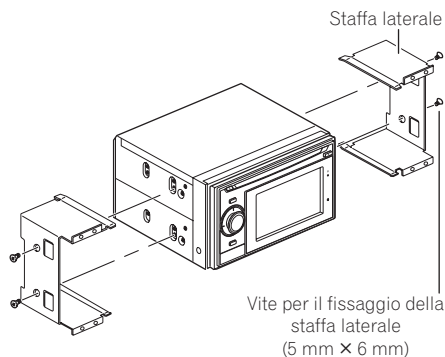
Dopo aver inserito il supporto nel cruscotto, selezionare e piegare le linguette adatte allo spessore del materiale del cruscotto. (Installare questo unità di navigazione il più saldamente possibile usando le linguette superiori e

3 Fissare la cornice di finitura.



Installazione usando i fori delle viti sul lato dell'unità di navigazione

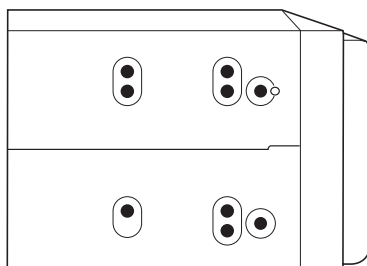
1 Rimuovere le staffe laterali.



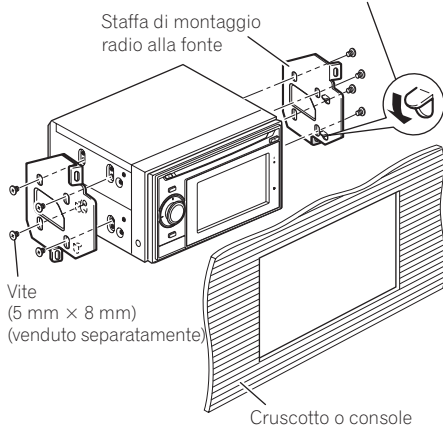
2 Fissaggio dell'unità di navigazione alla staffa di montaggio radio alla fonte.

Posizionare l'unità di navigazione in modo che i suoi fori delle viti siano allineati con i fori delle viti della staffa, e serrare le viti in 3 o 4 punti su ciascun lato.

Utilizzare le viti (5 mm × 8 mm) (vendute separatamente), a seconda della forma dei fori delle viti della staffa.



Se il nottolino è d'intralcio, piegarlo verso il basso



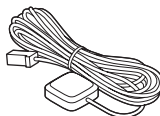
Installazione

Installazione dell'antenna GPS

⚠ ATTENZIONE

Non tagliare il cavo dell'antenna GPS per accorciarlo e non usare una prolunga per allungarlo. L'alterazione del cavo dell'antenna può causare cortocircuiti o malfunzionamenti e danni permanenti al sistema di navigazione.

Pezzi in dotazione



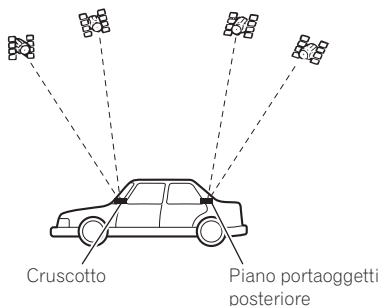
Antenna GPS



Lastra metallica

Note sull'installazione

- L'antenna deve essere installata su una superficie piana dove le onde radio siano bloccate il meno possibile. Le onde radio non possono essere ricevute dall'antenna se la ricezione dal satellite è bloccata.



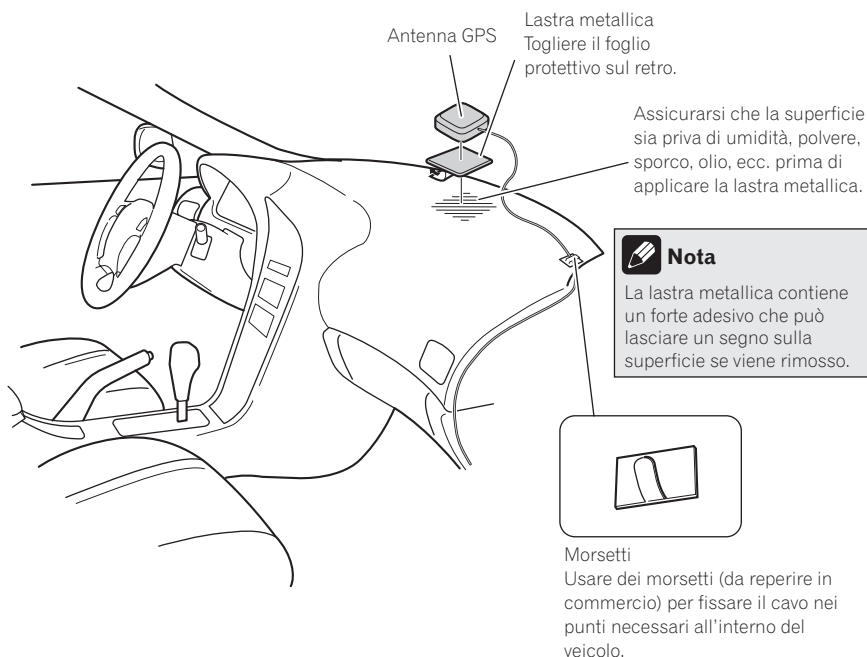
- Quando si installa l'antenna GPS all'interno del veicolo, assicurarsi di usare la lastra metallica in dotazione al sistema. Se non se ne fa uso, la sensibilità di ricezione è scadente.
- Non tagliare la lastra metallica in dotazione. Questo riduce la sensibilità dell'antenna GPS.
- Fare attenzione a non tirare il cavo dell'antenna quando si rimuove l'antenna GPS. Il magnete applicato all'antenna è molto potente e il cavo potrebbe staccarsi.
- Non pitturare l'antenna GPS, perché questo può interferire con le sue prestazioni.

Quando si installa l'antenna all'interno del veicolo (sul cruscotto o sul piano portaoggetti posteriore)

⚠ AVVERTENZA

Non installare l'antenna GPS su eventuali sensori o aperture presenti sul cruscotto del veicolo poiché ciò potrebbe interferire con il corretto funzionamento di tali sensori e aperture e compromettere il corretto fissaggio della placca metallica dell'antenna GPS al cruscotto.

Applicare la lastra metallica ad una superficie più piana possibile dove l'antenna GPS sia rivolta verso il finestrino. Collocare l'antenna GPS sulla lastra metallica. (L'antenna GPS viene trattenuta dal suo magnete.)



Installazione



Note

- Quando fissate la lastra metallica, non tagliatela in pezzi piccoli.
- Alcuni modelli usano per i finestrini un vetro che non lascia passare i segnali dai satelliti GPS. Per tali modelli, installare l'antenna GPS all'esterno del veicolo.



Installazione del microfono

- Installare il microfono in un luogo dove la sua direzione e distanza dal conducente rendano facile il rilevamento della voce del conducente.
- Accertarsi di collegare il microfono al sistema di navigazione dopo che il sistema si è spento. (ACC OFF)

Pezzi in dotazione



Microfono



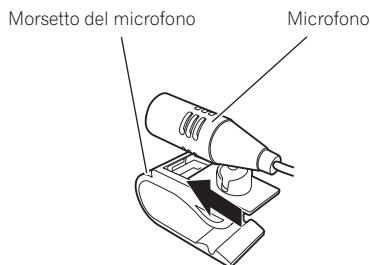
Morsetto del microfono



Nastro a doppio lato

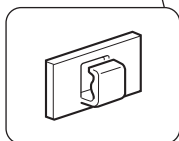
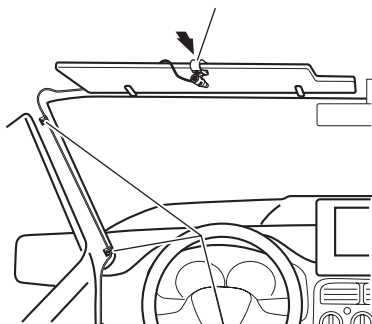
Montaggio sul parasole

1 Installare il microfono nel morsetto del microfono.



2 Fissare il morsetto del microfono al parasole.

Morsetto del microfono



Morsetti

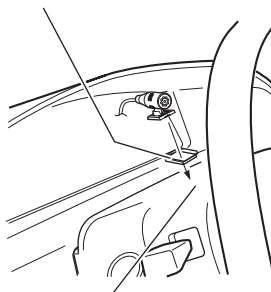
Usare dei morsetti (da reperire in commercio) per fissare il cavo nei punti necessari all'interno del veicolo.

Installare il microfono sul parasole quando si trova in posizione alzata. Non è in grado di riconoscere la voce del conducente se è in posizione abbassata.

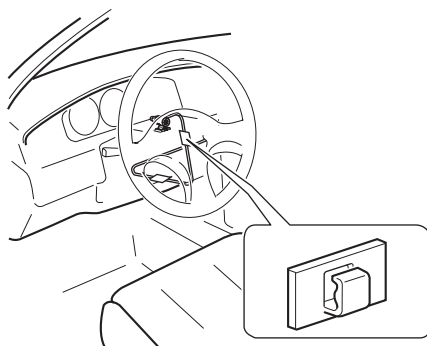
Installazione sulla colonna di sterzo

● Montare il microfono sulla colonna di sterzo.

Nastro a doppio lato



Installare il microfono sulla colonna di sterzo, tenendolo lontano dal volante.

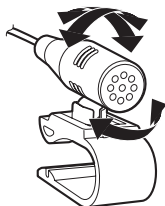


Morsetti

Usare dei morsetti (da reperire in commercio) per fissare il cavo nei punti necessari all'interno del veicolo.

Regolazione dell'angolazione del microfono

L'angolo del microfono è regolabile.



Dopo l'installazione di questo sistema di navigazione

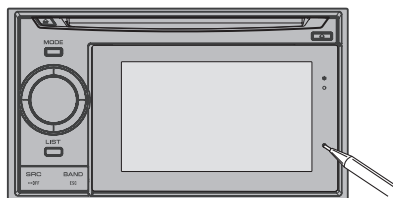
1 Ricollegare la batteria.

Innanzitutto controllare due volte che tutti i collegamenti siano corretti e che questo prodotto sia installato correttamente. Rimontare tutti i componenti del veicolo precedentemente rimossi. Quindi ricollegare il cavo negativo (-) al terminale negativo (-) della batteria.

2 Avviare il motore.

3 Premere il pulsante RESET mentre il dispositivo rimovibile è collegato.

Premere il pulsante **RESET** sul sistema di navigazione usando un oggetto appuntito come la punta di una penna.



4 Effettuare le seguenti impostazioni.

- ➔ Per maggiore informazioni sulle operazioni, vedere il Manuale di funzionamento.
 - 1 Impostare la lingua.
 - 2 Percorrere una strada senza ostacoli fino a quando il GPS non inizia a ricevere il segnale normalmente.
 - 3 Eseguire le regolazioni necessarie.
 - Impostare l'ora
 - Modificare altre impostazioni come desiderato



Nota

Dopo avere installato questo sistema di navigazione, assicurarsi di controllare in una posizione sicura che il veicolo stia funzionando normalmente. ■

01 BELANGRIJKE INFORMATIE

BETREFFENDE UW NIEUWE
NAVIGATIESYSTEEM EN HET GEBRUIK
VAN DEZE HANDLEIDING **120**

02 BELANGRIJKE VEILIGHEIDSMATREGELEN

LEES DEZE INFORMATIE BETREFFENDE UW
NAVIGATIESYSTEEM ZORGVULDIG DOOR
EN BEWAAR DE INFORMATIE VOOR
LATERE NASLAG **121**

03 Aansluitingen

Voorzorgen voor het aansluiten van het
systeem **122**

Alvorens u dit product inbouwt **122**

Voorkomen van beschadigingen **123**

- Opmerking over de blauw/witte draad **123**

Bijgeleverde accessoires **124**

Systeemcomponenten aansluiten **126**

Het stroomsnoer aansluiten (1) **128**

Het stroomsnoer aansluiten (2) **130**

Voor aansluiting op een los verkrijgbare
eindversterker **131**

04 Inbouwen

Voorzorgen voor installatie **132**

Voorkomen van elektromagnetische
storingen **132**

Voor de installatie **133**

Dit navigatiesysteem inbouwen **133**

- Opmerkingen betreffende het inbouwen **133**
- Bijgeleverde accessoires **134**
- Vóór het installeren van dit navigatie-eenheid **135**
- Installatie met de houder en zijbeugel **135**
- Installatie met gebruik van de schroefgaten aan de zijkant van het navigatie-eenheid **136**

Bevestigen van de GPS-antenne **137**

- Opmerkingen betreffende het bevestigen **137**
- Bijgeleverde accessoires **137**
- Bevestigen van de antenne binnen in de auto (op het dashboard of de hoedenplank) **138**

De microfoon installeren **139**

- Bijgeleverde accessoires **139**
- Montage op de zonneklep **139**
- Installatie op stuurkolom **140**
- De hoek van de microfoon aanpassen **141**

05 Na installatie

Na het inbouwen van dit
navigatiesysteem **142**

BETREFFENDE UW NIEUWE NAVIGATIESYSTEEM EN HET GEBRUIK VAN DEZE HANDLEIDING

- De navigatie-elementen van dit product zijn uitsluitend bedoeld als hulpmiddel voor de bediening van uw voertuig. U mag het autonavigatiesysteem niet beschouwen als vervanging van uw eigen beoordelingsvermogen en alertheid tijdens het rijden.
- Gebruik dit navigatiesysteem nooit om in geval van nood naar ziekenhuizen, politiestations of dergelijke instellingen te rijden. Bel dan het juiste hulpdienstnummer.
- Gebruik dit navigatiesysteem niet indien hierdoor op enigerlei wijze uw aandacht van het veilig besturen van uw auto kan worden afgeleid. Neem altijd de gangbare beperkingen en aanwijzingen voor weggebruikers in acht, boven het advies en de begeleiding die dit product biedt. Volg strikt de geldende verkeersregels, ook als dit product tegenstrijdige aanwijzingen geeft.
- In deze handleiding wordt de inbouw van het navigatiesysteem in uw voertuig beschreven. De bediening van het navigatiesysteem wordt beschreven in de afzonderlijke handleidingen die bij het navigatiesysteem worden geleverd.
- Bouw dit product niet in op plaatsen waar het (i) het zicht van de bestuurder kan hinderen, (ii) de werking van een van de bedieningssystemen of veiligheidsvoorzieningen van de auto, inclusief airbags en knoppen van waarschuwingsknipperlichten nadelig kan beïnvloeden of (iii) een belemmering kan vormen voor het vermogen van de bestuurder om het voertuig veilig te bedienen. In bepaalde gevallen is het wellicht niet mogelijk dit product in te bouwen vanwege het type voertuig of de vorm van het interieur van het voertuig. 

BELANGRIJKE VEILIGHEIDSMATREGELEN



WAARSCHUWING

Pioneer raadt u af het navigatiesysteem zelf in te bouwen. Wij adviseren u om alleen bevoegd Pioneer onderhoudspersoneel, dat speciaal is opgeleid en ervaring heeft met mobiele elektronica, dit product te laten instellen en inbouwen. VOER NOOIT ZELF ONDERHOUD UIT AAN DIT PRODUCT. Bij verkeerd inbouwen of onderhoud van dit product en de aansluitkabels bestaat de kans op een elektrische schok of een andere gevaarlijke situatie, en kan het navigatiesysteem schade oplopen die niet onder de garantie valt.

LEES DEZE INFORMATIE BETREFFENDE UW NAVIGATIESYSTEEM ZORGVULDIG DOOR EN BEWAAR DE INFORMATIE VOOR LATERE NASLAG

- 1 Lees de handleiding zorgvuldig door voordat u het navigatiesysteem gaat inbouwen.
 - 2 Bewaar de handleiding voor latere naslag in de toekomst.
 - 3 Neem alle waarschuwingeninformatie in acht en volg de instructies nauwkeurig op.
 - 4 Wanneer het systeem de eerste maal wordt opgestart, kan het bericht "**Preparing to start up system...please wait**" verschijnen aangezien de resterende batterijspanning laag kan zijn. Als u dit bericht ziet, moet u het toestel niet bedienen totdat het bericht "**Ready to start up system.**" wordt weergegeven.
 - 5 Onder bepaalde omstandigheden kan dit navigatiesysteem foutieve informatie op het scherm tonen betreffende de positie van uw auto, de afstand tot bepaalde plaatsen die u op het scherm ziet en de kompasrichting. Ook heeft het systeem een aantal beperkingen, zoals het ontbreken van informatie over eenrichtingswegen, tijdelijke verkeersomleidingen en eventueel gevaarlijke routes. Uw eigen be-
- oordelingsvermogen heeft daarom te allen tijde voorrang op de informatie die het systeem geeft.
- 6 Evenals bij het gebruik van andere accessoires in uw auto dient u erop te letten dat het navigatiesysteem niet uw aandacht van de weg afleidt. Indien u moeilijkheden heeft bij de bediening van het apparaat of als de informatie op het beeldscherm niet duidelijk is, parkeer de auto dan op een veilige plaats langs de weg voordat u het probleem probeert op te lossen.
 - 7 Tijdens het rijden dient u altijd de veiligheidsgordel te dragen. Bij een ongeluk is de kans op letsel aanzienlijk groter als u de veiligheidsgordel niet draagt.
 - 8 Bepaalde wetten en regels van de landelijke zowel als plaatselijke overheid kunnen de plaatsing en het gebruik van dit systeem in uw voertuig verbieden of beperken. Volg bij het gebruik, de installatie en de bediening van uw navigatiesysteem alle toepasselijke wetten en regels stipt op. 

Voorzorgen voor het aansluiten van het systeem



BELANGRIJK

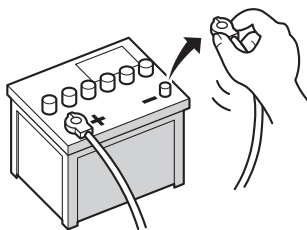
- Indien u besluit de installatie zelf uit te voeren, een speciale opleiding heeft gehad en ervaring heeft met het inbouwen van mobiele elektronica, volg dan nauwgezet alle stappen van de installatiehandleiding.
- Maak alle draden met kabelklemmen of isolatietape vast. Let er op dat er geen draden blootliggen.
- Sluit de gele draad van dit product niet direct aan op de accu van de auto. Als de draad direct is verbonden met de accu, kan de isolatie door de motortrillingen losraken op de plaats waar de draad van het interieur naar de motorruimte loopt. Als de isolatie van de gele draad door het contact met metalen delen scheurt, kan er kortsluiting ontstaan, hetgeen tot een zeer gevaarlijke situatie leidt.
- Het is zeer gevaarlijk als de bedrading rond de stuurkolom, rond de versnellingspook of andere bedieningsorganen vast komt te zitten. U moet dit product, de kabels en andere bedrading zo installeren dat deze het besturen van het voertuig niet verhinderen of belemmeren.
- Zorg ervoor dat de kabels en draden zo worden geleid en bevestigd dat ze niet verstrikt raken in de bewegende onderdelen van de auto of deze niet hinderen. Dit geldt met name voor het stuur, de versnellingshendel, de handrem, de geleidingsrails voor de verstelbare stoelen, de portieren of een van de regelmechanismen van het voertuig.
- Laat de draden niet langs plaatsen lopen waar ze blootgesteld worden aan hoge temperaturen. Als de isolatie van de draden erg warm wordt, kunnen ze beschadigd raken, waardoor er kortsluiting of een storing ontstaat en er mogelijk perma-

nente beschadiging aan dit product optreedt.

- Maak de GPS antennedraad niet korter en ook niet langer. Wijzigen van de antennedraad kan resulteren in kortsluiting.
- Maak ook geen enkele andere draad korter. Wanneer dit gebeurt, is het mogelijk dat het beveiligingscircuit (zekeringhouder, zekeringweerstand of filter) niet goed meer functioneert.
- Tap nooit stroom af van de stroomtoevoerdraad van het navigatiesysteem voor de voeding van andere elektronische apparatuur. De stroomcapaciteit van de draad kan overschreden worden, met oververhitting tot gevolg. ▣

Alvorens u dit product inbouwt

- Gebruik dit toestel uitsluitend met een 12 Volt accu met negatieve aarding. Doet u dit niet, dan kunnen brand of storingen het gevolg zijn.
- Om kortsluiting te vermijden, dient u vooraf voor het installeren de negatieve (-) accukabel los te maken.



Aansluitingen

Voorkomen van beschadigingen

! WAARSCHUWING

- Gebruik luidsprekers van meer dan 50 W (uitgangsvermogen) en tussen 4 Ω t/m 8 Ω (impedantiewaarde). Gebruik geen luidsprekers van 1 Ω t/m 3 Ω voor dit toestel.
- Het zwarte snoer is de aardverbinding. Dit snoer dient afzonderlijk van de aarding van producten met een hoog stroomverbruik, zoals eindversterkers, te worden geaard. Aard niet meer dan één product samen met de aarding van een ander product. U dient bijvoorbeeld elke versterkermodule afzonderlijk, los van de aarding van het navigatiesysteem te aarden. Door de aarding met elkaar te verbinden, kan er brand en/of schade aan producten ontstaan als de massaverbinding losraakt.
- Zorg ervoor dat u de zekering alleen vervangt door een zekering met de waarde die op het product staat aangegeven.
 - Wanneer u een stekker uittrekt, pak dan de stekker zelf vast. Trek niet aan de draad, want het is mogelijk dat u deze uit de stekker trekt.
 - Dit product kan niet worden geïnstalleerd in een voertuig zonder ACC (Accessoire) stand op de contactschakelaar.



ACC stand



Geen ACC stand

- Om kortsluiting te voorkomen dient u de losgekoppelde draad af te dekken met isolatieband. Het is met name van belang alle ongebruikte speakerdraden te isoleren. Wanneer deze onbedekt blijven, kan er kortsluiting ontstaan.
- Sluit de stekkers met dezelfde kleur aan op de corresponderende gekleurde poort, d.w.

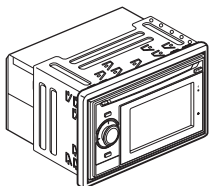
z. de blauwe stekker op de blauwe poort, zwart op zwart, enz.

- Zie voor nadere informatie over het aansluiten van de eindversterker en andere toestellen de gebruikershandleiding en voer de aansluiting vervolgens uit zoals hierin beschreven.
- Aangezien een uniek BPTL-circuit wordt gebruikt, mag de \ominus zijde van de speakerdraad niet direct worden geaard en mogen de \ominus zijden van de speakerdraden niet met elkaar worden verbonden. Zorg ervoor dat \ominus zijde van de speakerdraad wordt verbonden met de \ominus zijde van de speakerdraad op het navigatiesysteem.

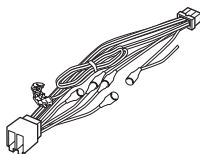
Opmerking over de blauw/witte draad

- Wanneer dit toestel is ingeschakeld, wordt er een stuursignaal geproduceerd via de blauw/witte kabel. Sluit deze aan op de afstand bedieningsaansluiting van een externe eindversterker of op de stuuransluiting van het autoantennenrelais (max. 300 mA, 12 V DC). Als het voertuig is voorzien van een ruitantenne, sluit de kabel dan aan op de stroomaansluiting van de antenne-signaalversterker.
- Verbind de blauw/witte kabel in geen geval met de stroomaansluiting van een externe eindversterker. Sluit deze kabel ook niet aan op de stroomaansluiting van de autoantenne. Dit kan leiden tot het leeglopen van de accu of tot storingen.
- Gebruik deze draad in geen geval als de stroomdraad voor de automatische antenne of de antennesignaalversterker. Een dergelijke aansluiting kan leiden tot een te hoge stroom en daardoor tot storingen en defecten. \blacksquare

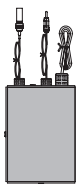
Bijgeleverde accessoires



De navigatie-eenheid



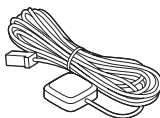
Stroomsnoer



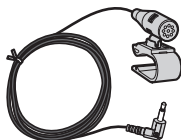
RDS-TMC tuner



USB-stekker



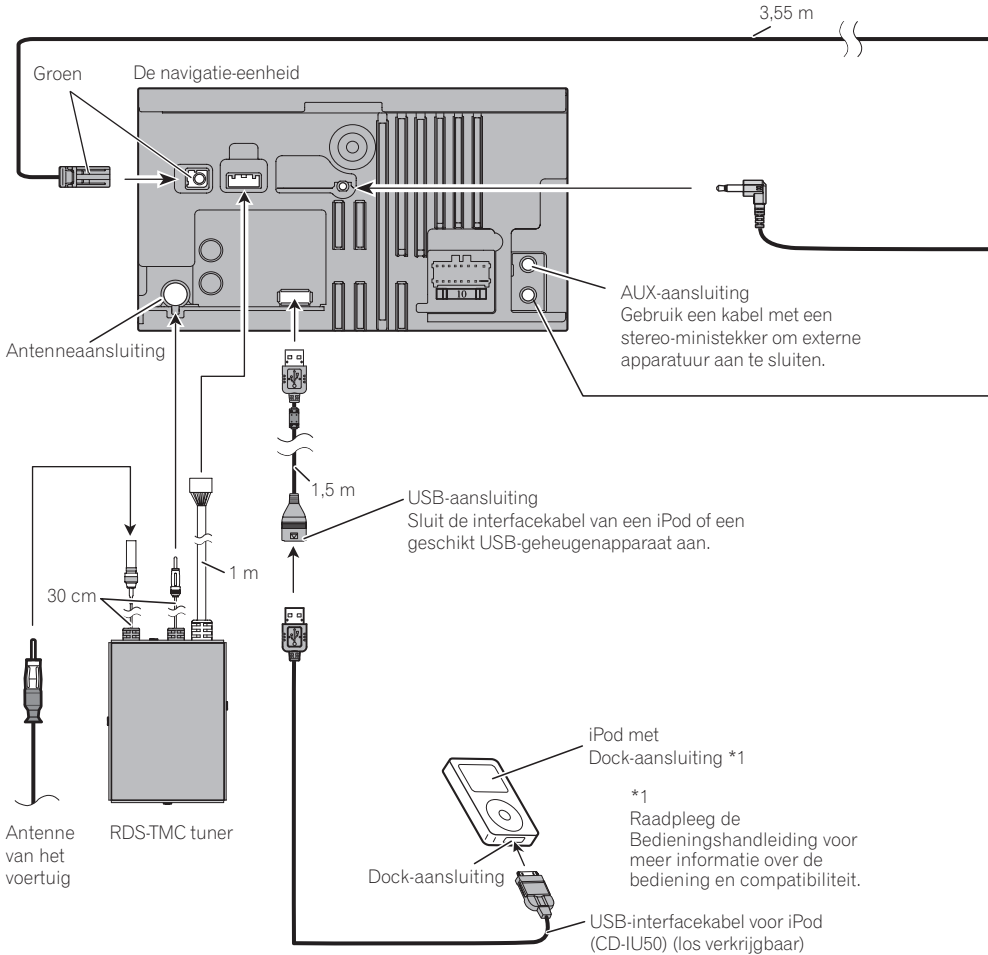
GPS-antenne



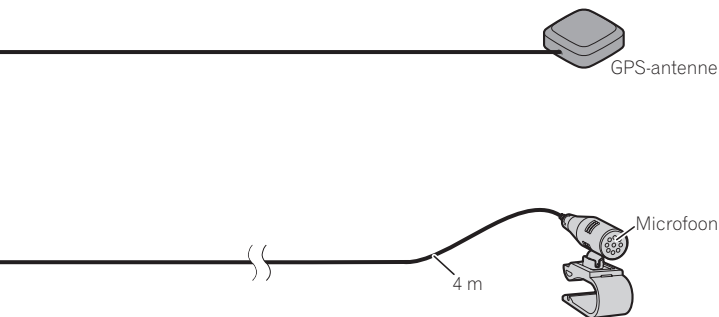
Microfoon



Systemcomponenten aansluiten



Aansluitingen



WIRED REMOTE INPUT

Raadpleeg de handleiding van de adapter voor een afstandsbediening met draad (los verkrijgbaar).



WAARSCHUWING

Om het risico op ongevallen en mogelijke overtreding van toepasselijke wetten en regels te voorkomen, mag dit product terwijl er met het voertuig gereden wordt, uitsluitend voor navigatiedoelinden worden gebruikt.



Het stroomsnoer aansluiten (1)



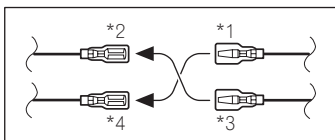
Opmerking

Afhankelijk van het soort voertuig is het mogelijk dat de functies van 2* en 4* anders zijn. Let er in een dergelijk geval op dat u 1* op 4* en 3* op 2* aansluit.

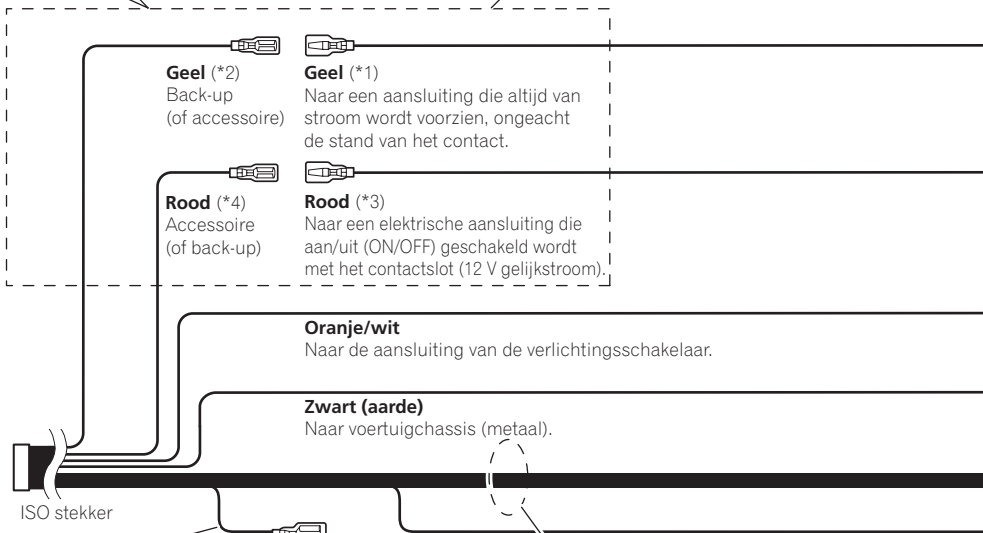


Opmerkingen

- Wanneer er een subwoofer (*7) is aangesloten op dit navigatiesysteem in plaats van een achterluidspreker, moet u de instelling voor de achteruitgang veranderen in de Begininstellingen. (Raadpleeg de Bedieningshandleiding.) Dit navigatiesysteem produceert een mono subwoofer-uitgangssignaal.
- Bij gebruik van een van 70 W (2 Ω), moet u voor de aansluiting de paarse en paars/zwarte draden van dit navigatiesysteem gebruiken. Sluit niets aan op de groene en groen/zwarte draden.



Sluit draden van dezelfde kleur op elkaar aan.



ISO stekker

Geel/zwart

Het voertuig kan een dempingssignaal naar deze aansluiting sturen.



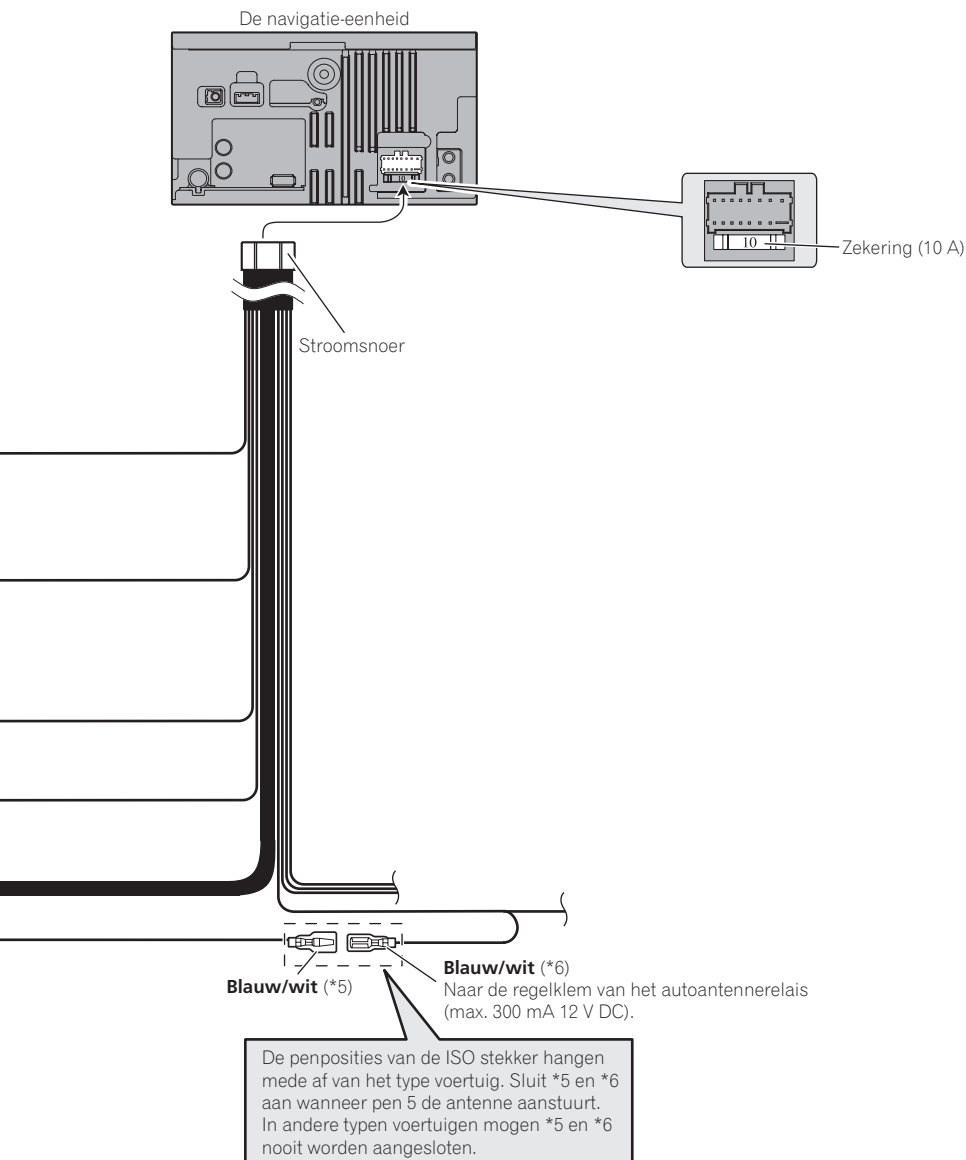
Opmerking

In sommige voertuigen kan de ISO stekker in twee stukken gedeeld zijn. Sluit in een dergelijk geval beide stekkers aan.

Luidsprekerdraden

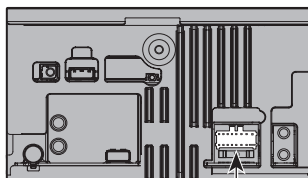
- Wit: Links voor ⊕
- Wit/zwart: Links voor ⊖
- Grijs: Rechts voor ⊕
- Grijs/zwart: Rechts voor ⊖
- Groen: Links achter ⊕ of subwoofer ⊕ (*7)
- Groen/zwart: Links achter ⊖ of subwoofer ⊖ (*7)
- Paars: Rechts achter ⊕ of subwoofer ⊕ (*7)
- Paars/zwart: Rechts achter ⊖ of subwoofer ⊖ (*7)

Aansluitingen



Het stroomsnoer aansluiten (2)

De navigatie-eenheid



Stroomsnoer

Licht groen

Voor het bepalen of de handrem is aangetrokken of niet. Deze draad moet worden aangesloten op de stroomkant van de handremschakelaar.

Als deze verbinding verkeerd gemaakt wordt of helemaal niet, zullen bepaalde functies van uw navigatiesysteem niet gebruikt kunnen worden.



WAARSCHUWING

DE LICHT GROENE DRAAD MOET WORDEN AANGESLOTEN OP DE STROOMDRAAD VOOR DE HANDREMSCHAKELAAR OMDAT DEZE IS BEDOELD VOOR HET DETECTEREN VAN DE STAND VAN DE HANDREM. ONDEUGDELIJKE AANSLUITING OF ONJUIST GEBRUIK VAN DEZE DRAAD KAN IN STRIJD ZIJN MET TOEPASSELIJKE REGELGEVING EN KAN LEIDEN TOT ERNSTIG LETSEL OF SCHADE.

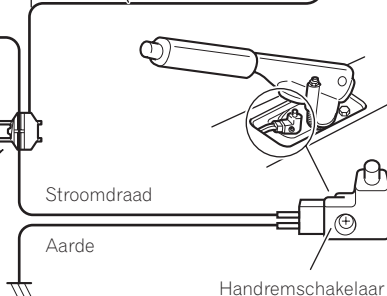
Aansluitmethode



Klem de stroomdraad van de handremschakelaar vast.

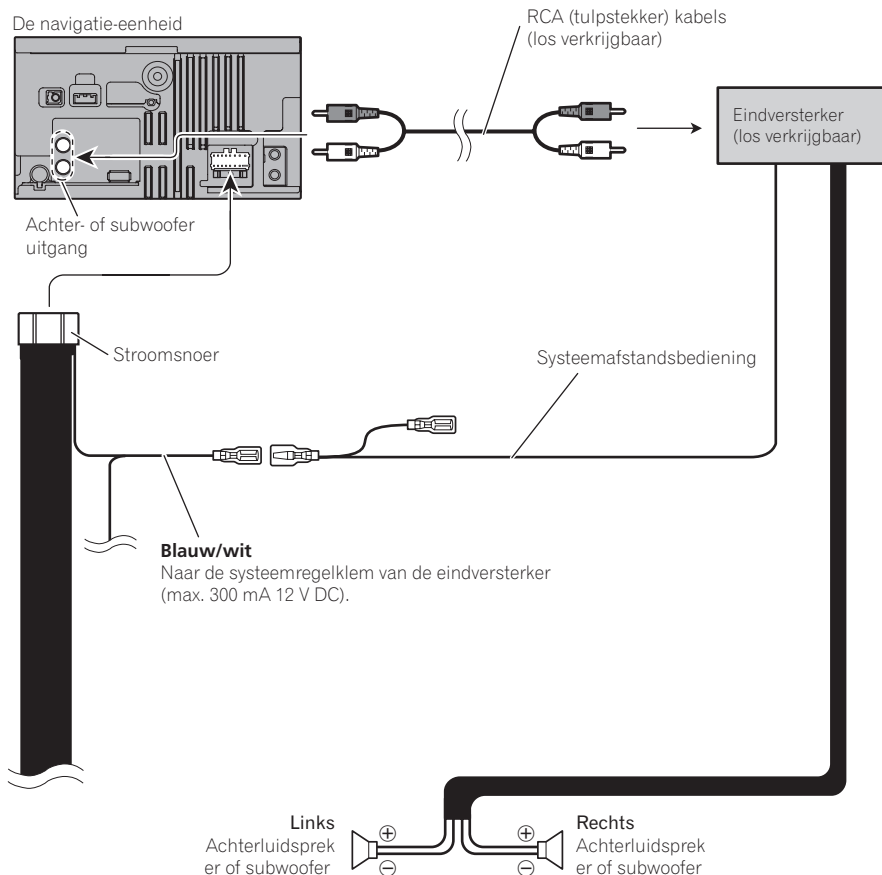


Knip de klem stevig dicht met een smalle tang.



Aansluitingen

Voor aansluiting op een los verkrijgbare eindversterker



Opmerking

Afhankelijk van uw subwoofersysteem kunt u de RCA (tulpstekker) uitgang van de subwoofer veranderen. (Raadpleeg de Bedieningshandleiding.)

Voorzorgen voor installatie



BELANGRIJK

- Installeer dit product nooit op plaatsen waar, of op een manier waardoor:
 - Het letsel kan toebrengen aan de bestuurder of de passagiers wanneer plotseling hard geremd wordt.
 - Het een belemmering kan vormen voor de bediening van het voertuig door de bestuurder, zoals op de vloer voor de stoel van de bestuurder, of dichtbij het stuur of de versnellingshendel.
- Controleer of er niets achter het dashboard of de panelen zit wanneer u hierin gaten gaat boren. Let erop dat u geen brandstofleidingen, remleidingen, elektronische componenten, communicatiedraden of voedingskabels beschadigt.
- Wanneer u schroeven gebruikt, let er dan op dat deze niet in contact komen met de elektrische bedrading. Door de trilling kunnen isolatiedraden beschadigd raken, met als gevolg kortsluiting of anderssoortige beschadigingen aan het voertuig.
- Gebruik de bijgeleverde onderdelen op de voorgeschreven wijze, zodat dit product juist wordt ingebouwd. Als bepaalde onderdelen niet bij het product zijn geleverd, moet u geschikte onderdelen op de voorgeschreven wijze gebruiken nadat u de geschiktheid van de betreffende onderdelen bij uw dealer hebt nagevraagd. Als u andere onderdelen dan de bijgeleverde onderdelen gebruikt of onderdelen die niet geschikt zijn, kunnen deze beschadigingen aan de interne onderdelen van het product veroorzaken of kunnen deze onderdelen en het product losraken.
- Het is zeer gevaarlijk als de bedrading rond de stuurkolom, rond de versnellingspook of andere bedieningsorganen vast komt te zitten. U moet dit product, de kabels en andere bedrading zo installeren dat deze het besturen van het voertuig niet verhinderen of belemmeren.
- Zorg ervoor dat de draden niet loshangen en geraakt kunnen worden door een portier of stoelverschuivingsmechanisme, met eventueel kortsluiting tot gevolg.
- Controleer nadat u het navigatiesysteem heeft ingebouwd of de andere apparatuur in uw auto naar behoren werkt.
- Bouw dit navigatiesysteem niet in op plaatsen waar het (i) het zicht van de bestuurder kan hinderen, (ii) de werking van een van de bedieningssystemen of veiligheidsvoorzieningen van de auto, inclusief airbags en knoppen van waarschuwingsknipperlichten nadelig kan beïnvloeden of (iii) een belemmering kan vormen voor het vermogen van de bestuurder om het voertuig veilig te bedienen.
- Bouw het navigatiesysteem in tussen de stoel van de bestuurder en de stoel van de voorste inzittende, zodat het niet wordt geraakt door de bestuurder of inzittende als het voertuig abrupt afremt.
- Installeer het navigatiesysteem in geen geval voor of naast plekken in het dashboard, portier of de stijlen van het voertuig waar een airbag zich kan ontplooiën. Raadpleeg het instructieboekje van uw voertuig voor meer informatie omtrent de plekken waar de airbags zich bevinden en hoe zij zich zullen ontplooiën. 

Voorkomen van elektromagnetische storingen

Om storingen te voorkomen moeten de volgende voorwerpen zo ver mogelijk van dit navigatiesysteem alsmede andere kabels en draden worden geplaatst:

- FM, MG/LG-antenne met de kabel
- GPS-antenne met de kabel

Inbouwen

Daarnaast dient u elke antennedraad zover mogelijk van de andere antennedraden te leggen. Bind de draden niet samen, leg ze niet naast elkaar en laat ze elkaar niet kruisen. Door de elektromagnetische ruis die daardoor ontstaat, wordt de kans op fouten op de plaats waar het display bevestigd is vergroot.

Voor de installatie

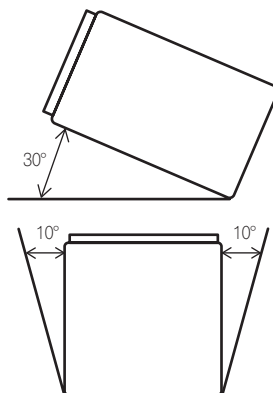
- Raadpleeg uw dichtstbijzijnde dealer als het voor het installeren van dit product nodig blijkt gaten te boren of andere wijzigingen aan te brengen aan de auto.
- Voordat u het apparaat definitief installeert, is het raadzaam tijdelijk alle aansluitingen te maken om te kijken of deze correct zijn en alles naar behoren functioneert.

Dit navigatiesysteem inbouwen

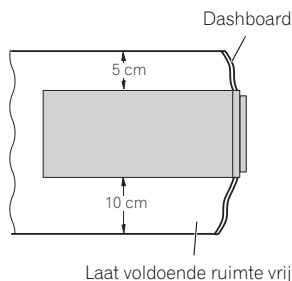
Opmerkingen betreffende het inbouwen

- Installeer dit navigatiesysteem niet op plaatsen waar ze kunnen worden blootgesteld aan hoge temperaturen of vocht, zoals:
 - Dichtbij een radiator, luchtopening of airconditioningapparaat.
 - Op plaatsen blootgesteld aan direct zonlicht, zoals op het dashboard.
 - Op plaatsen waar water op het apparaat terecht kan komen, zoals dicht in de buurt van een portier.
- Installeer dit navigatiesysteem op een plek die stevig genoeg is om het gewicht van het product te dragen. Kies een plaats waar dit navigatiesysteem stevig kan worden geïnstalleerd en zorg voor een veilige bevestiging. De actuele locatie van het voertuig kan alleen correct worden weergegeven wanneer het navigatiesysteem goed bevestigd is.

- Installeer de navigatie-eenheid op een horizontaal oppervlak binnen een hoek van 0 graden tot 30 graden (binnen 10 graden naar links of rechts). Een verkeerde installatie van het apparaat waarbij het oppervlak meer dan het toegestane aantal graden gekanteld is, verhoogt het risico op fouten in het locatiedisplay en leidt tot minder goede prestaties van het display.



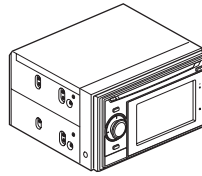
- Om verzekerd te kunnen zijn van voldoende ventilatie bij gebruik van dit toestel, dient u er bij de installatie voor te zorgen dat u achter het achterpaneel en rondom het toestel voldoende ruimte vrij laat, en dient u eventuele losse bedrading samen te bundelen zodat deze de ventilatie-openingen niet kan blokkeren.



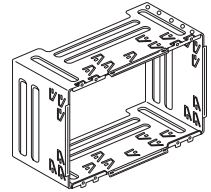
- Ingeval van oververhitting wordt de halfgeleider laser beschadigd. Bouw de navigatie-eenheid daarom niet in op een plaats waar deze te warm kan worden, bijvoorbeeld naast een radiator.
- Dit navigatiesysteem mag niet op een plaats worden ingebouwd waar het losmaken van het afneembare paneel van het hoofdtoestel kan worden belemmerd door de versnellingspook of een ander voorwerp. Voordat u het navigatiesysteem inbouwt, moet u controleren of er voldoende ruimte is zodat het afneembare paneel de bediening van de versnellingspook niet belemmert wanneer het paneel wordt losgemaakt. Dit om interferentie met de versnellingspook of een foutieve werking van het mechanisme voor het losmaken van het paneel te voorkomen.

Bijgeleverde accessoires

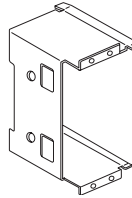
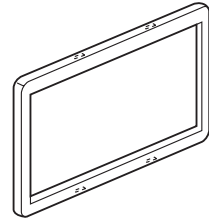
- De met een asterisk (*1) gemarkeerde onderdelen zijn reeds geïnstalleerd.
- De met een asterisk (*2) gemarkeerde onderdelen zijn alleen bedoeld voor gebruik in de winkel waar het product wordt verkocht.



De navigatie-eenheid



Houder*1

Zijbeugels*1
(2 st.)Schroef*1
(3 mm × 6 mm) (8 st.)Schroef voor het bevestigen van de zijbeugel*1
(5 mm × 6 mm) (4 st.)

Afwerkingsrand*1

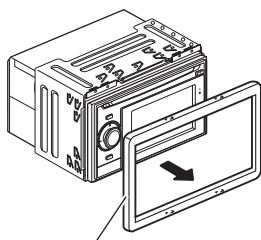
Schroef*2
(2 mm × 8 mm)
(1 st.)

Inbouwen

Vóór het installeren van dit navigatie-eenheid

1 Verwijder de afwerkingsrand.

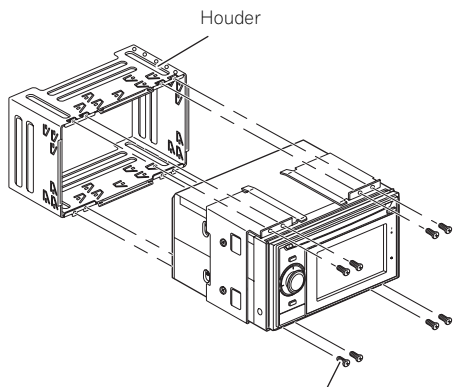
Buig de bovenkant en de onderkant van de afwerkingsrand naar buiten om deze te verwijderen.



Afwerkingsrand

2 Verwijder de houder.

Draai de schroeven (3 mm × 6 mm) los om de de houder te verwijderen.



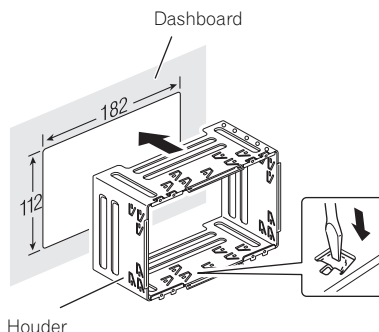
Schroef (3 mm × 6 mm)

Installatie met de houder en zijbeugel

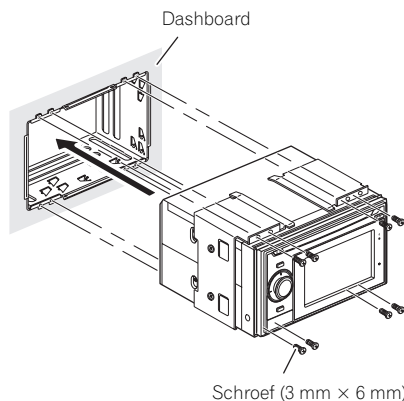
1 Installeer de houder in het dashboard.

Nadat u de houder in het dashboard hebt geplaatst, kiest u de juiste lipjes voor de dikte van het dashboardmateriaal en buigt u deze om. (Zo stevig mogelijk bevestigen met gebruik van de boven- en onderlipjes. Buig de lip-

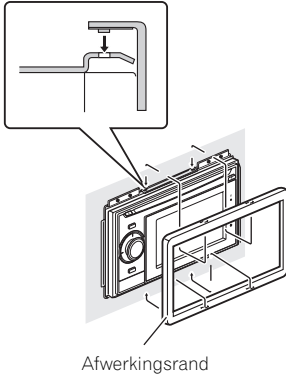
jes 90 graden om het navigatie-eenheid te vergrendelen.)



2 Installeer dit navigatie-eenheid en draai de schroeven vast.

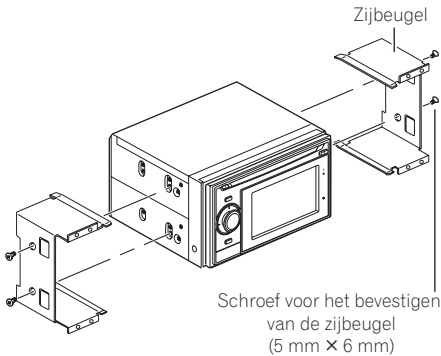


3 Bevestig de afwerkingsrand.



Installatie met gebruik van de schroefgaten aan de zijkant van het navigatie-eenheid

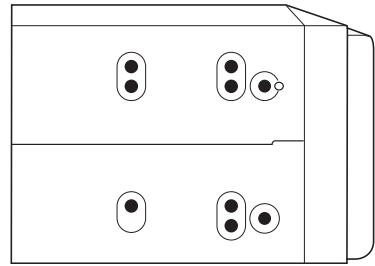
1 Verwijder de zijbeugels.



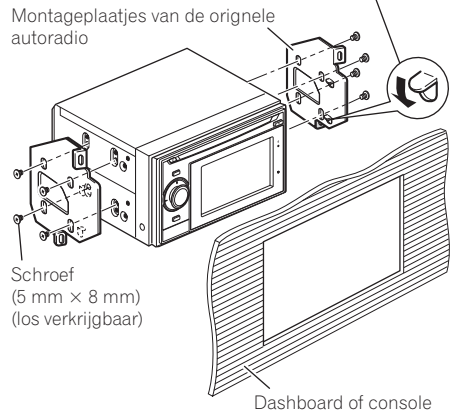
2 De navigatie-eenheid op de montageplaatjes van de originele autoradio vastzetten.

Positioneer het navigatie-eenheid zodanig dat zijn schroefgaten op een lijn liggen (passen) met de schroefgaten van de beugel, en draai de schroeven op 3 of 4 plaatsen aan elke kant vast.

Gebruik de schroeven (5 mm × 8 mm) (los verkrijgbaar), afhankelijk van de vorm van de schroefgaten in de beugel.



Buig het palletje naar beneden indien het in de weg zit.



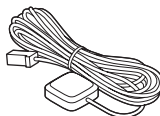
Inbouwen

Bevestigen van de GPS-antenne

! BELANGRIJK

Maak de GPS antenne draad niet korter en ook niet langer. Wijzigingen aan de antennekabel kunnen leiden tot kortsluiting of storingen en permanente schade aan het navigatiesysteem.

Bijgeleverde accessoires



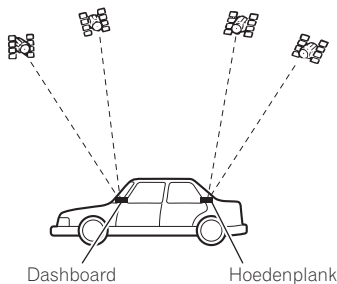
GPS-antenne



Metalen plaatje

Opmerkingen betreffende het bevestigen

- De antenne dient op een zo horizontaal mogelijk oppervlak te worden bevestigd, op een plaats waar de ontvangst van de radiogolven zo min mogelijk wordt gehinderd. De antenne kan de radiogolven van de satelliet alleen ontvangen als er geen obstakel tussen de antenne en de satelliet is.



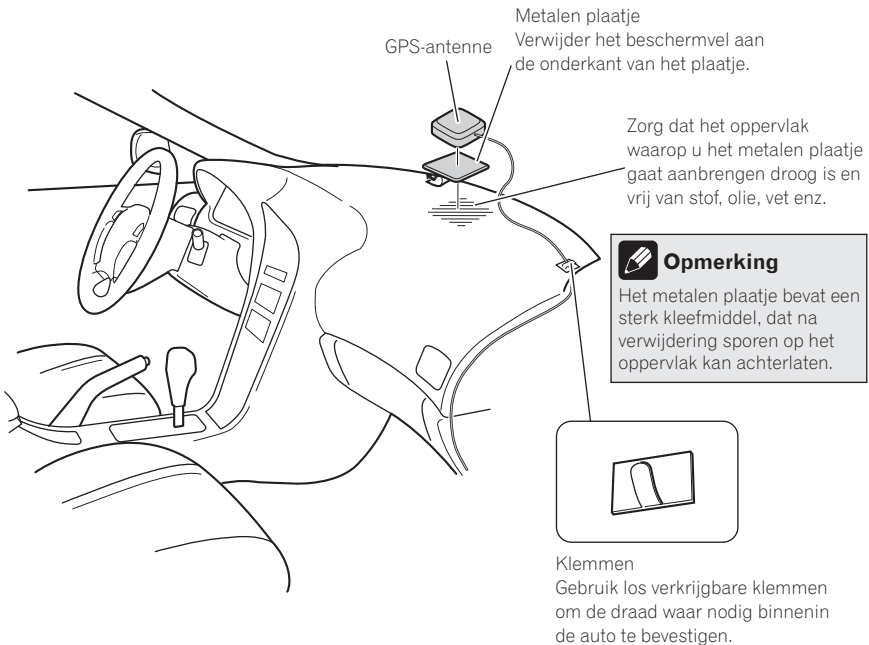
- Indien u de GPS-antenne binnen in de auto aanbrengt, gebruik dan het metalen plaatje dat bij het systeem wordt geleverd. Als dit plaatje niet gebruikt wordt, zal de ontvangstgevoeligheid onbevredigend zijn.
- Maak het bijgeleverde metalen plaatje niet kleiner, aangezien dit resulteert in een lagere gevoeligheid van de GPS-antenne.
- Trek niet aan de antenne draad wanneer u de GPS-antenne wilt verwijderen. De magneet van de antenne is erg krachtig en u zou de draad kunnen lostrekken van de antenne.
- Verf de GPS-antenne niet, aangezien dit de prestatie van de antenne beïnvloedt.

Bevestigen van de antenne binnen in de auto (op het dashboard of de hoedenplank)

⚠ WAARSCHUWING

Installeer de GPS-antenne niet over andere sensoren of de ventilatie-openingen in het dashboard van het voertuig, want hierdoor kan de juiste werking van de sensoren of ventilatie-openingen belemmerd worden en is het ook mogelijk dat de GPS-antenne niet goed meer met de metalen plaat onderaan correct en stevig op het dashboard bevestigd kan worden.

Bevestig het metalen plaatje op een zo horizontaal mogelijke ondergrond op een plaats waar de GPS-antenne de golven door de ruit kan ontvangen. Plaats de GPS-antenne op het metalen plaatje. (De GPS-antenne heeft een magneet aan de onderzijde.)



Inbouwen



Opmerkingen

- Let er bij het aanbrengen van het metalen plaatje op dat het niet in kleine onderdelen wordt gesneden.
- De ruiten van sommige auto's laten de signalen van de GPS-satellieten niet door. In dat geval dient u de GPS-antenne aan de buitenzijde van de auto te bevestigen.



De microfoon installeren

- Installeer de microfoon in de juiste richting en op de juiste afstand zodat de microfoon gemakkelijk de stem van de bestuurder kan opvangen.
- Sluit de microfoon aan op het navigatiesysteem nadat het systeem is uitgezet. (ACC OFF)

Bijgeleverde accessoires



Microfoon



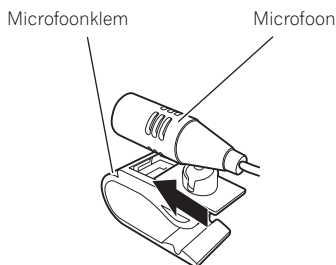
Microfoonklem



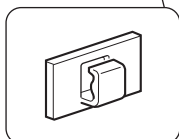
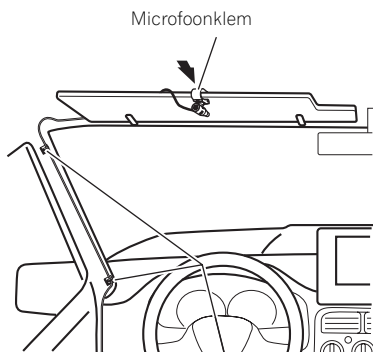
Dubbelzijdig tape

Montage op de zonneklep

1 Plaats de microfoon in de microfoonklem.



2 Bevestig de microfoonklem aan de zonneklep.



Klemmen

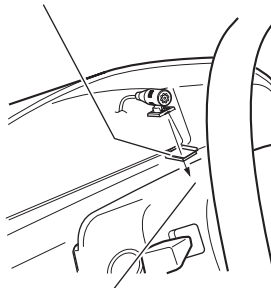
Gebruik los verkrijgbare klemmen om de draad waar nodig binnenin de auto te bevestigen.

Plaats de microfoon in de zonneklep terwijl de klep omhoog staat. De microfoon kan de stem van de bestuurder niet opvangen wanneer de zonneklep naar beneden is geklapt.

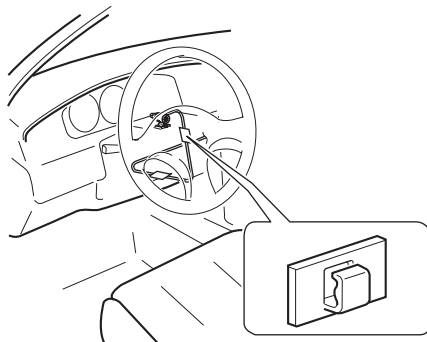
Installatie op stuurkolom

- Bevestig de microfoon op de stuurkolom.

Dubbelzijdig tape



Plaats de microfoon op de stuurkolom en houd hem uit de buurt van het stuurwiel.

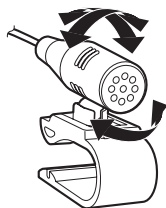


Klemmen

Gebruik los verkrijgbare klemmen om de draad waar nodig binnenin de auto te bevestigen.

De hoek van de microfoon aanpassen

De hoek van de microfoon kan worden ingesteld.



Na het inbouwen van dit navigatiesysteem

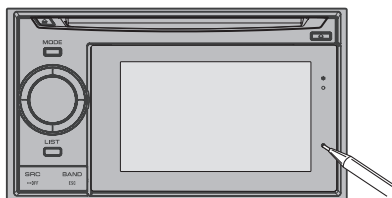
1 Sluit de accu aan.

Controleer nogmaals of alle aansluitingen op de juiste wijze zijn gemaakt en dit product correct is ingebouwd. Monteer de auto-onderdelen die u bij het inbouwen van het apparaat heeft verwijderd. Sluit tot slot de massakabel (-) weer op de massapool (-) van de accu aan.

2 Start de motor.

3 Druk op de RESET toets terwijl het afneembare paneel is aangebracht.

Druk met een spits voorwerp, zoals de punt van een pen, op de **RESET** toets van het navigatietoestel.



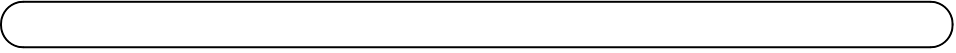
4 Maak de volgende instellingen.

- ➔ Zie de Bedieningshandleiding voor meer details over de bediening.
 - 1 Stel de taal in.
 - 2 Rijd over een normale weg totdat de GPS het signaal begint te ontvangen.
 - 3 Maak enkele vereiste instellingen.
 - Instelling van de tijd
 - Verander de andere instellingen naar wens



Opmerking

Na installatie van dit navigatiesysteem dient u op een veilige plaats te controleren of het voertuig normaal functioneert. ■



**Technische Hotline der
Pioneer Electronics Deutschland GmbH**

TEL: 02154/913-333

PIONEER CORPORATION

1-1, Shin-Ogura Saiwai-ku, Kawasaki-shi
Kanagawa-ken 212-0031, JAPAN

PIONEER ELECTRONICS (USA) INC.

P.O. Box 1540, Long Beach, California 90801-1540, U.S.A.
TEL: (800) 421-1404

PIONEER EUROPE NV

Haven 1087, Keetberglaan 1, B-9120 Melsele, Belgium/Belgique
TEL: (0) 3/570.05.11

Published by Pioneer Corporation.
Copyright © 2010 by Pioneer Corporation.
All rights reserved.

Publié par Pioneer Corporation.
Copyright © 2010 par Pioneer
Corporation.
Tous droits réservés.

Printed in China
Imprimé en Chine

<CRD4479-A/S> EU

<KYTZX> <10B00000>