

ADONIA  
ANUAL  
RUCCIONES

MANUAL  
DE INSTRUÇÕES

LAVADORA  
MANUAL  
DE INSTRUCCIONES

LAVATRICE  
ISTRUZIONI  
PER L'USO

AUTOMATICKÁ  
PRAČKA  
NÁVOD  
K OBSLUZE

МАШИНА  
ИНСТРУКЦИЯ ПО  
ИСПОЛЬЗОВАНИЮ

СТИРАЛЬНАЯ МАШИНА  
ИНСТРУКЦИЯ ПО  
ИСПОЛЬЗОВАНИЮ

LAVE-LINGE  
NOTICE  
D'UTILISATION

PRALKA  
INSTREUKCJA  
OBSŁUGI

ΜΥΝΤΗΡΙΟ  
ΡΟΥΧΩΝ  
ΟΔΗΓΙΕΣ  
ΧΡΗΣΕΩΣ

ΠΛΥΝΤΗΡΙΟ  
ΡΟΥΧΩΝ  
ΟΔΗΓΙΕΣ  
ΧΡΗΣΕΩΣ

WASHING MACHINE  
OPERATING  
INSTRUCTIONS

WÄSCHMASCHINE  
GEBRAUCHSANWEISUNG

WASMACHINE  
GEBRUIKSAANWIJZING

MÁQUINA  
DE LAVAR ROUPA  
MANUAL  
DE INSTRUÇÕES

WASHING MACHINE  
OPERATING  
INSTRUCTIONS

LAVATRICE  
ISTRUZIONI  
PER L'USO

LAVADORA  
MANUAL  
DE INSTRUCCIONES

AUTOMATICKÁ  
PRAČKA  
NÁVOD  
K OBSLUZE

LAVATRICE  
ISTRUZIONI  
PER L'USO

PRALKA  
INSTREUKCJA  
OBSŁUGI

СТИРАЛЬНАЯ МАШИНА  
ИНСТРУКЦИЯ ПО  
ИСПОЛЬЗОВАНИЮ

ΠΛΥΝΤΗΡΙΟ  
ΡΟΥΧΩΝ  
ΟΔΗΓΙΕΣ  
ΧΡΗΣΕΩΣ

LAVE-LINGE  
NOTICE  
D'UTILISATION

PRALKA  
INSTREUKCJA  
OBSŁUGI

WASMACHINE  
GEBRUIKSAANWIJZING

MÁQUINA  
DE LAVAR ROUPA  
MANUAL

WASHING MACHINE  
OPERATING  
INSTRUCTIONS

WÄSCHMASCHINE  
GEBRAUCHSANWEISUNG

WASMACHINE  
GEBRUIKSAANWIJZING

MÁQUINA  
DE LAVAR ROUPA  
MANUAL

(F)

### Code d'entretien des textiles

(GB)

### Fabric cleaning code

(D)

### Waschanleitung

(NL)

### Onderhoudscodes voor textiel

(I)

### Simboli di manutenzione dei tessili

(PL)

### Objaśnienia dotyczące konserwacji tkanin

(E)

### Codigos de mantenimiento de los textiles

(P)

### Códigos de manutenção dos têxteis

(GR)

### Κωδικοί καθαρισμού υφασμάτων

(RUS)

### Условные обозначения на этикетках текстильных изделий

	Lavage : ne dépassez jamais les températures indiquées
	Wash : never exceed the recommended temperatures
	Hauptwäsche : Wählen Sie niemals höhere Temperaturen als die auf der Wäsche angegebenen Werte
	Hoofdwassen : de aangegeven temperaturen nooit overschrijden
	Lavaggio : non superare mai le temperature indicate
	Pranie : nigdy nie przekraczać podanych temperatur
Lavado : nunca exceda las temperaturas indicadas	
Lavagem : nunca ultrapassar as temperaturas indicadas	
Πλύση : μην υπερβαίνετε ποτέ τις συνιστώμενες θερμοκρασίες	
Стирка : ни в коем случае не превышать указанные температуры	

	Chlorage dilué à froid possible
	Cold diluted bleach can be used
	Möglichkeit der Verwendung von kalt verdünnter Bleichlauge
	Verdund chloor kan koud worden toegevoegd
	Possibilità di inserire lo sbiancante diluito in acqua fredda
	Możliwość użycia chlorku rozpuszczonego w zimnej wodzie
	Es posible utilizar lejía diluida en frío
	Lixívia diluída a frio possível
Χρησιμοποιήστε λευκαντικό διαλυμένο σε κρύο νερό	
Отбеливание разбавленной хлоркой в холодной воде возможно	

	Repassage :	● doux	●● moyen	●●● fort
	Iron :	● cold	●● medium	●●● hot
	Bügeln :	● schwach	●● mittel	●●● stark
	Strijken :	● zacht	●● middelmatig	●●● sterk
	Stiratura :	● leggera	●● media	●●● forte
	Prasowanie :	● łagodne	●● średnie	●●● gorące
	Planchado :	● suave	●● medio	●●● fuerte
	Passar a ferro :	● brando	●● médi	●●● forte
	Σίδερο :	● κρύο	●● μέτριο	●●● δυνατό
	Гладить :	● умеренная температура	●● средняя температура	●●● высокая температура

		(F)	(P)	(A)
	Nettoyage à sec :	essence minérale	perchloréthylène	tous solvants
	Dry-cleaning :	mineral spirit	hexachlorethane	all solvents
	Chemische Reinigung :	Mineralbenzin	Perchlorethyleen	allgem. übliche Lösungsmittel
	Droog reinigen :	wasbenzine	perchloorethyleen	alle oplosmiddelen
	Lavaggio a secco :	essenza minerale	percloretilene	tutti i tipi di solventi
	Pranie chemiczne :	benzyna mineralna	perchloroetylen	rozpuszczalniki różne
	Lavado en seco :	gasolina mineral	percloretileno	todos los solventes
	Lavagem a seco :	essência mineral	percloretileno	todos os solventes
	Στεγνό καθαρίσμα :	βενζίνη	τετραχλωροαιθυλένιο	διαλυτικό
Химическая чистка :	бензин	перхлорэтилен	любые растворители	

	Respectez les interdictions !
	Do not use !
	Beachten Sie die Verbote !
	Neem de aanwijzingen in acht !
	Rispettare i divieti !
	Przestrzegać zakazów !
	Respete las indicaciones !
	Seguir as indicações !
	Ακολουθήστε τις οδηγίες
	Соблюдайте запрещения!

## Unpacking your machine

see diagrams page B **D1-D2-D3**

### BEFORE ATTEMPTING TO USE THE MACHINE, YOU MUST FOLLOW THE PROCEDURE DESCRIBED BELOW

These operations involve removing the metal transit bracket and the blocks which immobilise the tank of your machine during the transportation, as well as the supports which hold up the hoses and the electric cable.

**These operations, known as "unpacking", are necessary for your machine to operate correctly and also for complying with current safety standards.**

- 1 - Remove the washing machine from its base (**check that the block (A) that retains the motor is not stuck under the machine**) (Diagram D1.①)
- 2 - Remove the four screws (B) with a screwdriver (Diagram D1.②)
- 3 - Remove the bracket (C) by removing the two bolts (D) with a 13 spanner (Diagram D1.③)  
**(Make sure that the two plastic spacers attached to the bar are removed at the same time).**  
Replace screws (B) in their original position.
- 4 - Blank off the two holes using the plugs (E) provided (in bag of accessories) (Diagram D1.④)
- 5 - Remove the block that immobilises the drum and tub (Diagram D2).  
To do this :
  - raise the machine lid;
  - if your machine comes with a packing wedge (F), remove it;
  - remove the block (G) by rotating it through 90°;
  - open the doors of the drum, locked in the low position, by pushing both flaps at the same time.
- 6 - Lift up the hoses support clamps ① and **do not fall to block the holes using plugs ②** (provided in the accessories bag) (Diagram D3).

**Please keep carefully all the packing components because they must be replaced if the machine is to be shipped elsewhere**

**All these parts and the components of your machine are made of recyclable materials. Please bear this in mind when the time comes to dispose of your machine**

Your machine was inspected before leaving the factory. You may therefore find traces of water in the tank or in the detergent compartment

## Installing the machine

see diagram page B **D4**

**We advise against installing your machine on a carpeted floor. If this is unavoidable, take all precautions to avoid preventing air circulation at the base, to ensure that the internal parts are well ventilated.**

### Machine location

If you locate your machine next to another appliance or an item of furniture, you should leave space between them to allow air to circulate.

### Levelling :

Use a spirit level to check that the ground is horizontal: the maximum allowable slope is 2° which gives a difference in height of about 1 cm across the width of the machine and 1.5 cm from front to rear.

### Moving the machine - using the castors :

If your machine is fitted with folding castors, it is easy to move. To extend the castors, move the lever at the bottom of the machine from right to left (Diagram D4).

The machine should not be used while standing on its two "front" castors : do not forget to return the lever to its original position.

## Connecting up your machine

see diagrams page B **D5-D6-D7**

### Cold water supply

Connect up the hose (Diagram D5) :

- connect one end to the union at the back of the machine;
- connect the other end to a tap fitted with a threaded end diameter 20 x 27 mm (3/4 BSP), not forgetting to insert the seal supplied in the bag of accessories (Important: with some models, this hose already has a rubber seal fitted). If you are using a self-piercing tap, the opening made should have a diameter of at least 6 mm.

Water inlet :

- **Minimum water pressure : 0.07 MPa or 0.7 bars**
- Maximum water pressure : 1 MPa or 10 bars

### Waste water drain

Connect up the drain hose, after fitting the hook supplied in the machine (Diagram D6) :

- either temporarily into a sink or bath
- or permanently to a ventilated siphon.

If your drain installation is not fitted with a ventilated siphon, ensure that the connection is not airtight. In order to avoid any build-up of waste water in the machine, we strongly recommend that an air gap be left between the drain hose of the machine and the drainpipe.

In these circumstances, the hooked end of the drain hose should be between 90 and 65 cm above the bottom of the machine.

**Note : make sure that the drain hose is securely attached to prevent it releasing in service and causing a flood.**

The waste water can be drained on to the ground, so long as the drain hose passes through a point between 90 and 65 cm higher than the bottom of the machine.

**For your own safety, please follow the following instructions**

### Power supply (Diagram D7)

- Before you connect the appliance, it is essential to check that its electrical characteristics are compatible with your installation (see details on the rating plate on the back of the appliance).
- The electrical installation must be compliant with current standards and the requirements of the Electrical Authorities in the country concerned, **especially as regards earthing and installation in a bathroom.**

**We cannot be held liable for any incident resulting from improper earthing of the machine.**

### Recommendations for the electrical installation of your machine.

- Do not use extension leads, adaptors or multiple plugs ;
- **Never** remove the earth connection ;
- The socket outlet must be readily accessible but out of the reach of children.

**If in doubt, get in touch with your installer**

**Your machine complies with European directives EEC/73/23 (electrical safety) and EEC/89/336 (electromagnetic compatibility), amended by directive EEC/93/68.**

## Loading the laundry and the washing powder/liquid

Proceed as follows :

### Opening the machine

- Ensure that the "ON-OFF" button is released ;
- Raise the opening handle. The lid will open.
- Open the doors of the drum by pushing the button situated on the front flap.

### Loading the laundry

Put the laundry, sorted beforehand, in the drum; do not push it down, and distribute it evenly.

### Loading detergent

- ① - **Pre-wash tray (powder)**  
See the adjoining table
- ② - **Detergent tray (powder or liquid)**  
See the adjoining table.
- ③ - **Fabric conditioner**  
The conditioner is designed to make your clothes soft and pleasant smelling.  
**Concentrated conditioner should be diluted in hot water.**
- ④ - **Bleach**  
Bleach can be used as a disinfectant or as a bleaching agent. Its action supplements that of the washing powder.  
**Concentrated bleach must be diluted.**

### Amount of detergent to be used

	pre-wash	main wash
<b>Normal washing powders</b>	<b>140 ml</b>	<b>300 ml</b>
<b>Liquid detergents</b>		<b>180 ml</b>

We recommend that you use the graduated beaker provided with most washing products for measuring out your detergent.

*The quantities recommended above refer to normal washing conditions and may be modified according to the hardness of the water, the dirt level of the laundry and if certain options are fitted :*


- **Soft water (hardness below 15 French degrees)**  
or "slightly soiled" laundry  
or "quick wash", "half load", etc.:  
**reduce the quantities by 10%**
- **Very hard water (hardness exceeding 30 French degrees)**  
or "very soiled" laundry :  
**increase the quantities by 10%.**

### Concentrated detergents

Follow the instructions printed on the container.

### Detergents for woollens and delicate fabrics

Always use the appropriate detergent. Use the quantities recommended on the package.

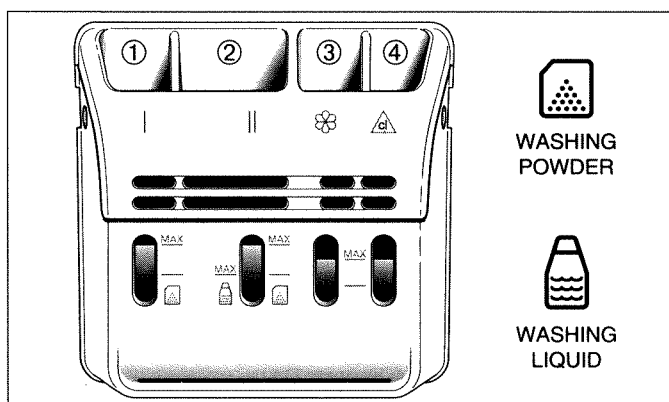


**PURE NEW WOOL**®

The wool wash cycle of this machine has been approved by the International Wool Secretariat for the washing of machine washable Woolmark products provided that the garments are washed according to the instructions on the garment label and those issued by the manufacturer of this washing machine.

### IMPORTANT :

- when filling the detergent trays, open the lid as far as possible ;
- do not exceed the maximum level.



## Automatic safety devices

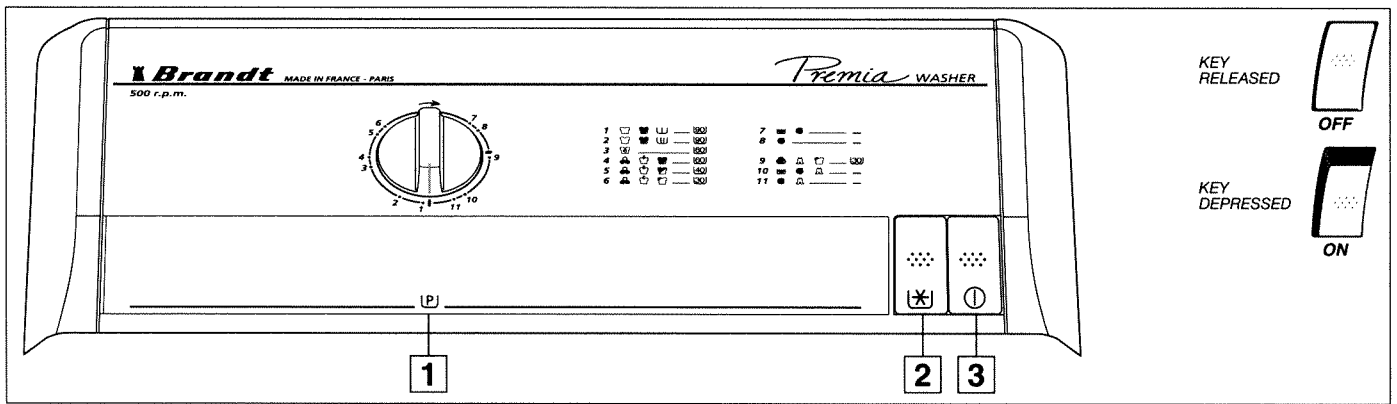
### Lid open safety devices :

This original device means that it is possible to add or remove an item of laundry throughout the duration of the wash. To do this, release the "ON-OFF" button before opening the lid. Then, after closing the lid again, press the "ON-OFF" button again. The cycle will continue as normal.

However, we recommend that you do not do this more than 10 to 15 minutes after the beginning of the cycle so as to achieve a perfect wash.

On the other hand, for your safety during spin-drying, you must wait for 2 to 3 minutes after releasing the "ON-OFF" button before opening the lid.

In the same way, at the end of the cycle, you must wait for 2 to 3 minutes before the safety system unlocks.



KEY  
RELEASED



OFF

KEY  
DEPRESSED



ON

## Selecting a wash programme

- 1** **Selecting the type of laundry** P

Select a programme according to the type of laundry to be washed.  
See the programme examples given below.
- 2** **Cold** \*

Press this button to turn off the heating.  
Operation is suitable for delicate coloureds and synthetics (can also be used with programmes 2 and 3).
- 3** **On / Off** Ⓜ

Check that the power cable is plugged in and the water inlet tap open.  
Programme your machine and then press in the "ON-OFF" button.  
The washing cycle begins.  
*Do not start the machine unless the drum loading doors and the machine lid are properly closed.*  
On completion of the cycle, switch off the machine by releasing the "ON-OFF" button.  
You can then open the lid and remove your laundry.  
Also release the other button if you had selected it.  
*As a safety measure, you should unplug the power cable and close the water inlet valve.*

## Programme examples

		<span style="border: 1px solid black; border-radius: 50%; padding: 2px;">P</span>	°C	<span style="border: 1px solid black; border-radius: 50%; padding: 2px;"> </span>	<span style="border: 1px solid black; border-radius: 50%; padding: 2px;">  </span>	<span style="border: 1px solid black; border-radius: 50%; padding: 2px;">   </span>		
<span style="border: 1px solid black; border-radius: 50%; padding: 2px;"> </span>	Heavily soiled whites with pre-wash	<b>1</b>	<span style="border: 1px solid black; border-radius: 50%; padding: 2px;">90</span>	■	■	■	4	02 : 15
<span style="border: 1px solid black; border-radius: 50%; padding: 2px;">  </span>	Heavily soiled whites	<b>2</b>	<span style="border: 1px solid black; border-radius: 50%; padding: 2px;">90</span>		■	■	4	02 : 00
	Soiled whites ECO	<b>3</b>	<span style="border: 1px solid black; border-radius: 50%; padding: 2px;">60</span>		■	■	4	01 : 35
	Heavily soiled coloureds and synthetics	<b>4</b>	<span style="border: 1px solid black; border-radius: 50%; padding: 2px;">60</span>		■	■	4	01 : 30
	Soiled coloureds and synthetics	<b>5</b>	<span style="border: 1px solid black; border-radius: 50%; padding: 2px;">40</span>		■	■	4	01 : 15
	Slightly Soiled coloureds and synthetics	<b>6</b>	<span style="border: 1px solid black; border-radius: 50%; padding: 2px;">30</span>		■	■	4	01 : 10
	Rinsing spinning whites, coloureds and synthetics	<b>7</b>	—				1	00 : 20
	Spinning whites, coloureds and synthetics	<b>8</b>	—				—	00 : 15
	Delicate and wool	<b>9</b>	<span style="border: 1px solid black; border-radius: 50%; padding: 2px;">30</span>		■	■	3	00 : 45
	Rinsing spinning delicate	<b>10</b>	—				1	00 : 10
	Spinning delicate	<b>11</b>	—				—	00 : 05

"Delicate and wool" cycle : maximum load 1 kg

The temperatures given in the table of programmes are not necessarily the temperatures reached by the machine : they are the symbolic representation of the different categories of laundry for which the programmes have been worked out.

### POWER CONSUMPTION OF CYCLE RECOMMENDED FOR WHITE COTTON

Programme 3 : Soiled whites ECO 60°	LOAD 5 kg	DURATION 01 : 35	POWER 1.35 kWh	WATER 74 l
-------------------------------------	--------------	---------------------	-------------------	---------------

The above consumption figures were measured during tests carried out under normal washing conditions

### Cleaning the detergent compartment (Diagram D8)

Clean the detergent compartment regularly. To do this :

- Press simultaneously on the bosses at either side of the compartment, causing it to spring out of its housing.
- Depending on the model, the rear of the detergent compartment may be fitted with 2 or 4 removable siphon tubes, which you should in fact remove.
- Rinse all parts under the tap (take care to remove any excess water remaining inside the compartment).
- Replace the siphon tubes and refit the compartment

### Cleaning the "debris trap"

This clever system traps any small debris you might have overlooked in the clothes and prevents it from damaging the pump.

To clean the trap :

- remove part **(A)** (see procedure in the chapter on "Incidents ...: **the machine does not empty ...**"). Then rotate the drum slightly with the flaps open, towards the front of the machine.

You then have access to the "debris trap" (Diagram D11)

- remove it from its housing ;
- remove any items from the inside ;
- rinse it under the tap ;
- replace it, pushing it firmly into its housing after first checking that the housing is clean ;
- refit part **(A)** .

### Cleaning the machine (Diagram D9).

**For cleaning the surfaces:**

use only soap and water.

**For cleaning all plastics parts (control panels, plinth, etc.) :** use only a cloth moistened with water.

**Do not use** any of the following :

- abrasive powders
- metal or plastic scrubbers
- alcohol-based substances (alcohol, thinners, etc.)

### Risk of freezing

If there is a risk of freezing, disconnect the water inlet hose and empty out any water remaining in the drain hose by placing this as low as possible in a sink.

### Maintenance of internal parts

In the interests of hygiene (e.g. to prevent mould):

- leaving the lid open for a time after washing ;
- every month or so, clean the plastic and rubber parts around the tub access using a slightly chlorinated product. Rinse thoroughly ;
- do a wash cycle at 90° at least once a month.

### Periodic checks

You should check the condition of the water inlet and drain hoses. If you find any splits in the hoses, however minor, do not hesitate to replace them by identical hoses that can be obtained from the manufacturer or the after-sales service.

## Replacing the power lead

*If you ever need to change the lead, call in a qualified tradesman approved for your make of machine.*

## Possible incidents

Incidents may occasionally occur when you are using your washing machine : if so, check the following points.

### The washing machine does not work - check :

- water and power supplies ;
- that the lid is closed.

### The machine vibrates when spinning - check :

- the machine has been properly unpacked ;
- that the ground is horizontal ;
- that the washing machine is not standing on its two "front" castors.

### There is water on the floor near the washing machine (VERY IMPORTANT: unplug the machine from the power socket or remove the individual fuse) - check :

- that the drain hose hook fitting is properly positioned in the drain
- the seal on the water inlet hose or tap (check that the seals are present and that the hose connectors on the machine and on the tap are tight).

There may also be water on the ground near the machine if your machine is producing too much suds.

In this case check :

- that you have in fact used a MACHINE washing product ;
- that you have not used too much detergent.

In these two cases, after mopping up the water, plug in the power lead again, programme an emptying operation if your machine can do this (if not, proceed as indicated at the foot of the page), then carry out several rinses.

Finally, restart your programme.

### The machine does not empty or the clothes are not properly spun - check :

- that you have not programmed a function that prevents spinning (for example, full drum stop) ;
- that the bottom of the tank is not blocked by some small item of laundry (for example, a handkerchief, sock, etc.).

In this case :

- unplug the machine ;
- remove as much water as possible using the drain spout (see "Emptying the machine" at the foot of the page)
- remove the washing ;

- rotate the drum so that the closed flaps are at the bottom : you will see a plastic part **(A)** (Diagram D10)

- if it is fitted on your machine, remove screw **(B)** ;
- on some types of machine, part **(A)** is provided with a clip **(C)**. If this is the case, unlock part **(A)** by applying pressure to the clip while gently sliding it to the right ;
- then, in all instances : turn the drum again, open the doors and remove part **(A)** by sliding it in the direction of the arrow ;
- remove whatever is in the bottom of the tub through the holes now accessible.

Take the opportunity to clean the "debris trap" at the bottom of the tub (see procedure in the chapter "Maintenance ...: cleaning the debris trap").

- refit the plastic part and bolt **(B)** by following the above procedure in the reverse order.

### Emptying the machine

If, after an incident, you have to empty the machine, proceed as follows (Diagram D12) :

- open the door **(1)** at the front of the machine. To do this :
  - insert a screwdriver as indicated on the diagram
  - detach the door by pressing to the left
- pull on yellow plug **(2)** to release the drain spout.

- separate the plug from the spout **(3)** and allow the water to flow into a container placed for the purpose (**be careful of the water temperature**).

When emptying is complete, refit the spout by following the above procedure in the reverse order.

(F)

## Guide des symboles

(GB)

## Symbols guide

(D)

## Zeichenerklärungen

(NL)

## Uitleg v/d symbolen

(I)

## Guida dei simboli

(PL)

## Lista symboli

(E)

## Guía de los símbolos

(P)









## Tabela de símbolos

(GR)

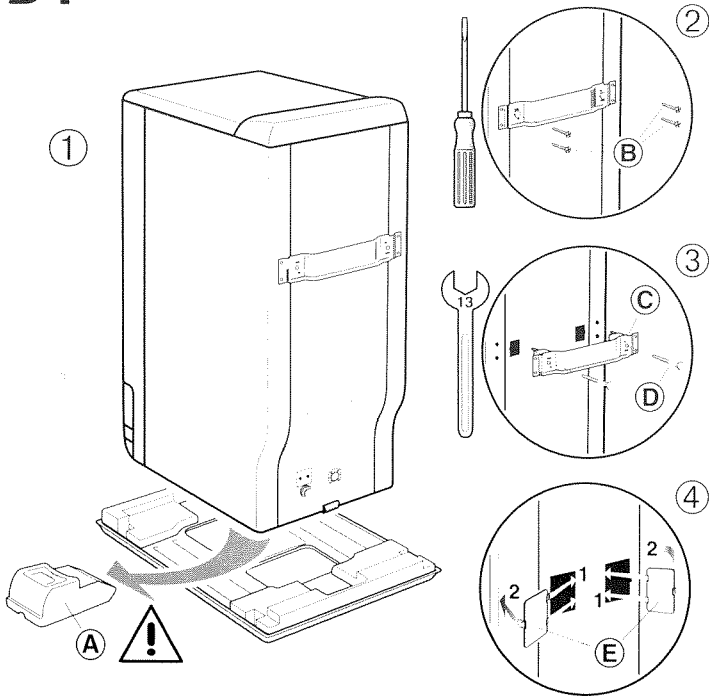
## Οδηγός για τα σύμβολα

(RUS)

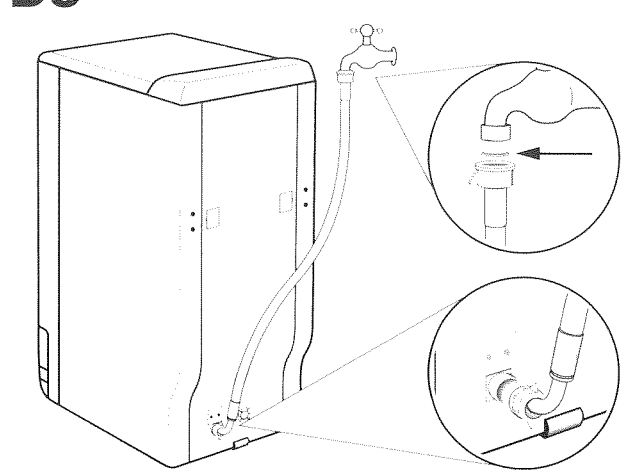
## Условные обозначения

				
COTON COTTON BAUMWOLLE KATOEN COTONE BAWEŁNA ALGODON ALGODÃO БАМБАКЕРА ХЛОПОК	ECONOMIQUE ECONOMY SPAR SPAAR ECONOMICO OSZCZĘDNE ECONOMICO ECO ΟΙΚΟΝΟΜΙΚΟ ЭКОНОМИЧНЫЙ ЦИКЛ	COULEUR COLOUREDS BUNTWASCHE BONTWAS COLORATI KOLOROWE COLORES COR ΧΡΩΜΑΤΙΣΤΑ ЦВЕТНОЕ БЕЛЬЕ	SYNTHÉTIQUE SYNTHETICS SYNTHETIK SYNTHETISCH SINTHETICI SYNTETYCZNE SINTETICOS SINTÉTICA ΣΥΝΘΕΤΙΚΑ СИНТЕТИЧЕСКОЕ БЕЛЬЕ	DÉLICAT DELICATES FEINWÄSCHE FIJNE STOFFEN DELICATI DELIKATNE DELICADO DELICADA ΕΥΑΙΣΘΗΤΑ ТОНКОЕ БЕЛЬЕ
				
LAINÉ WOOL WOLLE WOL LANA WEŁNA LANA LĀ ΜΑΛΛΙΝΑ ШЕРСТЬ	LAINÉ Woolmark WOOL Woolmark WOLLE Woolmark WOL Woolmark LANA Woolmark WEŁNA Woolmark LANA Woolmark LĀ Woolmark ΜΑΛΛΙΝΑ Woolmark ШЕРСТЬ «Woolmark»	TRÈS SALE HEAVILY SOILED STARK VERSCHMUTZT ZEER VUIL MOLTO SPORCA TKANINY BARDZO BRUDNE MUY SUCIO MUITO SUJA ΠΟΛΥ ΛΕΡΩΜΕΝΑ ОЧЕНЬ ГРЯЗНОЕ БЕЛЬЕ	SALE SOILED NORMAL VERSCHMUTZT VUIL SPORCA TKANINY BRUDNE SUCIO SUJA ΛΕΡΩΜΕΝΑ ГРЯЗНОЕ БЕЛЬЕ	PEU SALE SLIGHTLY SOILED WEINIG VERSCHMUTZT WEINIG VUIL POCO SPORCA TKANINY LEKKO ZABRUDZONE POCO SUCIO POUCO SUJA ΛΙΓΟ ΛΕΡΩΜΕΝΑ МАЛО ГРЯЗНОЕ БЕЛЬЕ
				
FROID COLD KALT KOUÐ FREDDO NA ZIMNO FRIO FRIO ΚΡΥΟ ХОЛОДНАЯ ВОДА	RINÇAGE RINSE SPÜLEN SPOELEN RISCIACQUO PŁUKANIE ACLARADO ENXAGUAGEM ΞΕΒΓΑΛΜΑ ПОЛОСКАНИЕ	ESSORAGE SPIN DRY SCHLEUDERN CENTRIFUGEREN CENTRIFUGA WIROWANIE CENTRIFUGADO CENTRIFUGAÇÃO ΣΤΥΨΙΜΟ ΟΟΤΖΑΤΙΕ	ÉGOUTTAGE DRIP DRY SCHONSCHEUDERN WATER AFFOMPEN SGOCCIOLIO ODWIROWANIE DELIKATNE ESCURRIMENTO GOTA A GOTA ΑΠΑΛΟ ΣΤΥΨΙΜΟ СТЕКАНИЕ	VIDANGE DRAIN ABPUMPEN AFVOER SCARICO OPRÓZNIANIE DESAGUE ESCOAMENTO ΕΚΚΕΝΩΣΗ СЛИВ

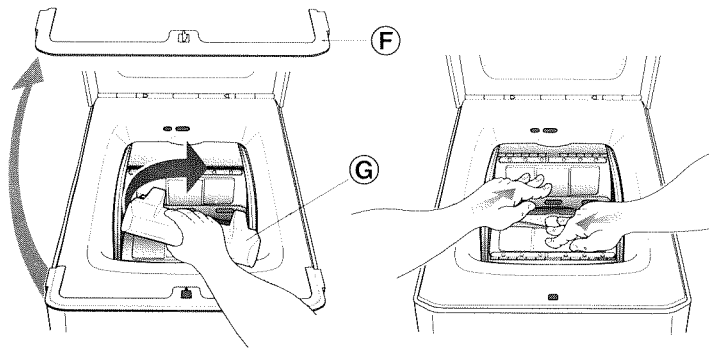
# D1



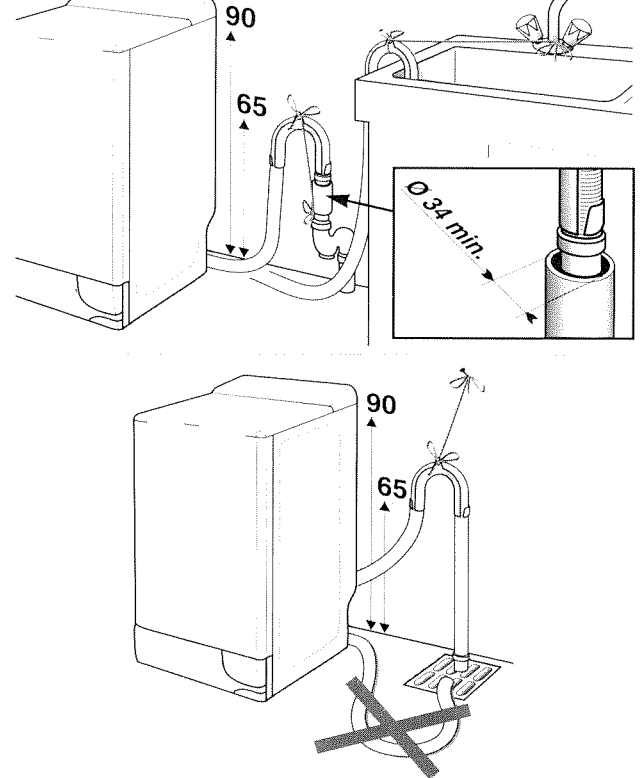
# D5



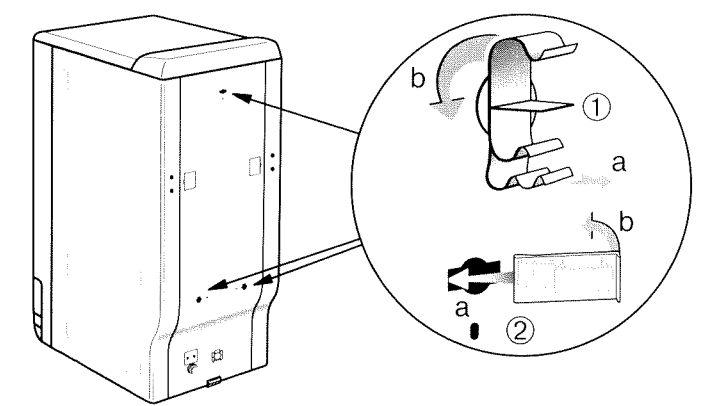
# D2



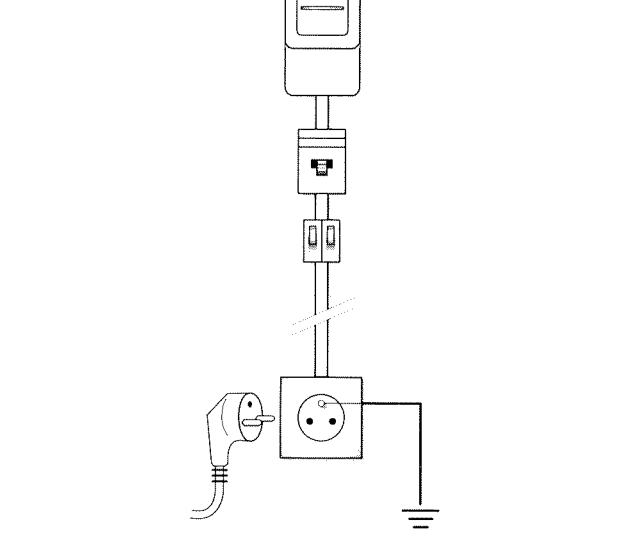
# D6



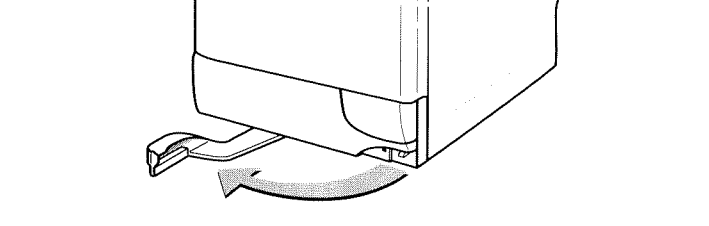
# D3



# D7

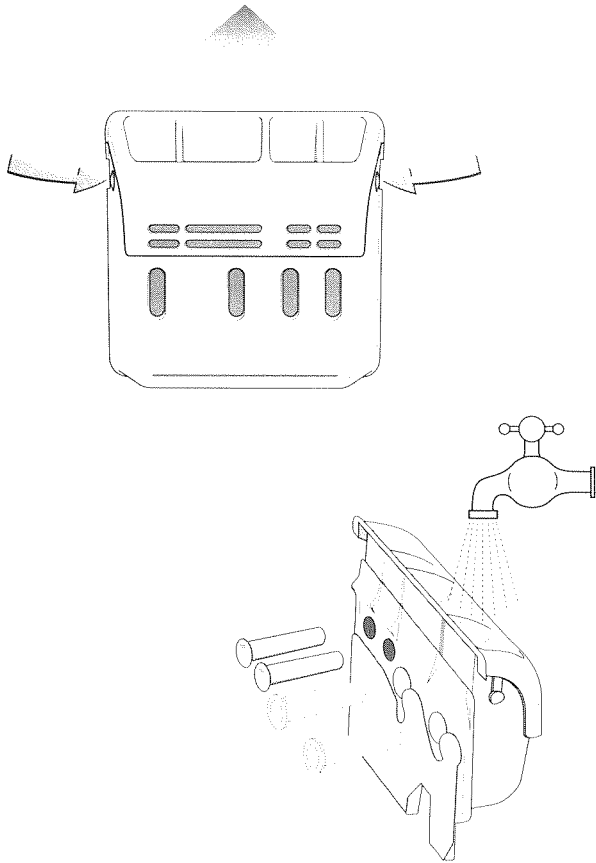


# D4

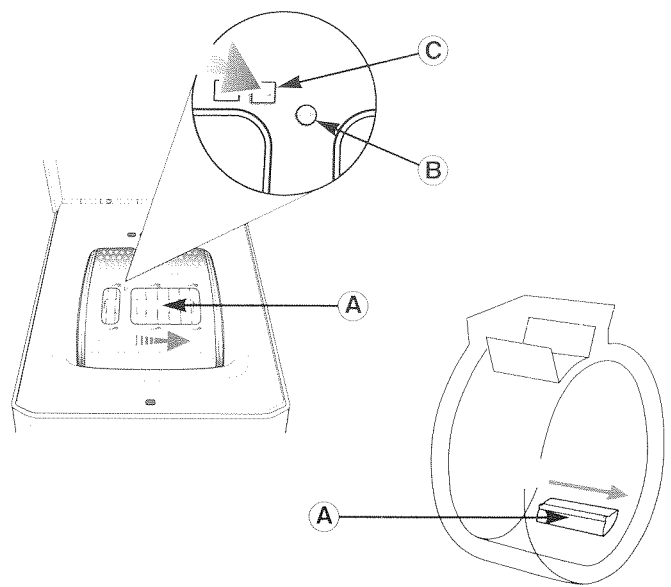




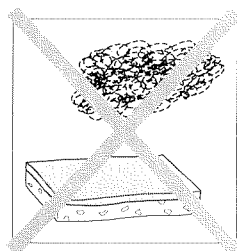
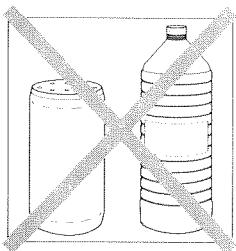
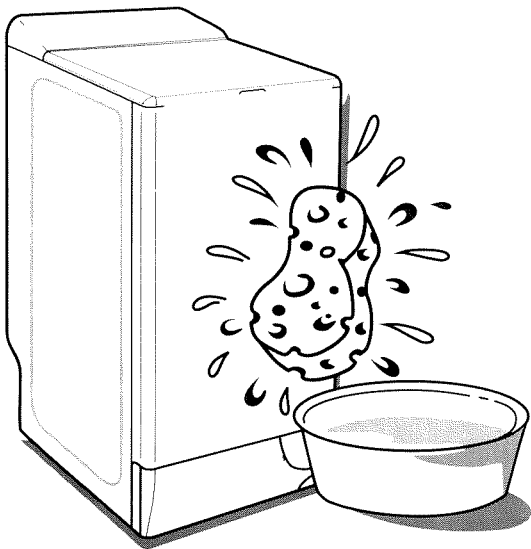
**D8**



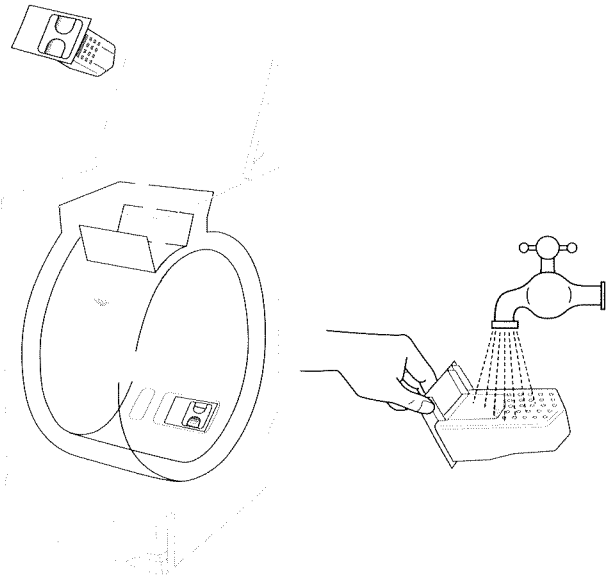
**D10**



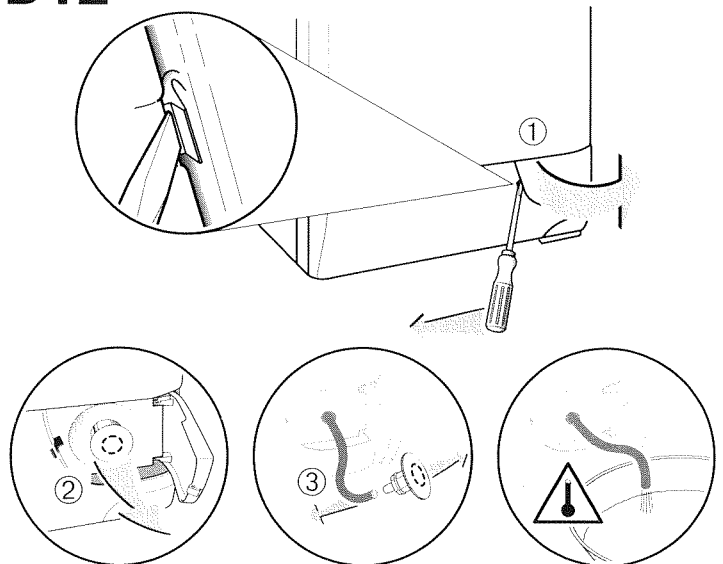
**D9**



**D11**



**D12**



F

#### Service après vente :

Les éventuelles interventions sur votre appareil doivent être effectuées :

- soit par votre revendeur,
- soit par un autre professionnel qualifié dépositaire de la marque.

Lors de votre appel, mentionnez la référence complète de votre appareil (modèle, type et numéro de série). Ces renseignements figurent sur la plaque signalétique fixée au dos de l'appareil.

GB

#### After Sales Service :

Possible maintenance on your washing machine should be undertaken by :

- either your dealer,
- or another qualified mechanic who is an authorized agent for the brand appliances.

When making an appointment, state the complete reference of your equipment (model, type and serial number). This information appears on the manufacturer's nameplate attached to the rear of the equipment.

D

#### Kundendienst :

Eingriffe an Ihrem Gerät dürfen nur :

- von Ihrem Händler oder,
- von einem sonstigen Fachmann und Vertragshändler der Marke durchgeführt werden.

Geben Sie bei der Meldung einer Störung die vollständige Typenbezeichnung Ihres Gerätes an (Modell, typ, Seriennummer). Diese Angaben sind auf einem Schild auf der Hinterseite des Gerätes markiert.

NL

#### Na koop service :

De eventuele interventies in de machine moeten worden uitgevoerd :

- of door een verkoper,
- of door een andere professioneel van dit merk.

Tijdens het telefoneren, dient u de complete referentie op te geven van uw machine (model, type, serienummer). Deze informatie staat op het typeplaatje aan de achterkant van de machine.

I

#### Servizio Assistenza :

Gli interventi eventuali sul vostro apparecchio devono essere effettuati :

- sia dal rivenditore,
- sia da persone qualificate concessionarie della marca.

Quando si chiama il Servizio Assistenza, bisogna dare tutte le referenze dell'apparecchio (modello, tipo, numero di serie). Queste informazioni sono fornite sulla targhetta matricola applicata sulla parte posteriore dell'apparecchio.

PL

#### Usługi konserwacyjno-naprawcze:

Wszelkie czynności konserwacyjno-naprawcze mają być wykonywane wyłącznie przez:

- waszego sprzedawcę,
- wyspecjalizowany zakład naprawy posiadający atest producenta

Aby przyspieszyć i ułatwić obsługę prosimy o podanie dokładnych danych dotyczących sprzętu (model, typ i numer serii). Wszystkie te dane znajdują się na płytce informacyjnej z tyłu sprzętu.

E

#### Servicio postventa :

Las intervenciones que requiera la lavadora deberán ser efectuadas :

- por el revendedor,
- o por cualquier profesional cualificado depositario de la marca.

Al llamar, indique la referencia completa de la máquina (modelo, tipo, número de serie). Estos datos figuran en la placa de identificación situada en la parte trasera de la máquina.

P

#### Serviços autorizados :

Qualquer intervenção na sua máquina de lavar deve ser realizada :

- quer pelo seu revendedor,
- quer por um outro profissional qualificado autorizado pela marca.

Ao chamá-los, indique a referência completa de sua máquina (o modelo, o tipo, o número da série). Estas informações figuram na placa de identificação fixada atrás da máquina .

GR

#### Τεχνική υποστήριξη:

Οι ενδεχόμενες επεμβάσεις στο πλυντήριο σας θα πρέπει να διενεργηθούν μόνο από το κατά τόπους εξουσιοδοτημένο σέρβις.

Σε περίπτωση που τηλεφωνήσετε, θα πρέπει να αναφέρετε όλα τα στοιχεία του πλυντηρίου σας (μοντέλο, τύπο και αριθμό σειράς). Τα στοιχεία αυτά αναγράφονται στην πινακίδα μητρώου που βρίσκεται στην πλάτη του πλυντηρίου σας.

RUS

#### Сервисное обслуживание:

Необходимый ремонт Вашей машины должен производиться:

- либо тем, кто продал ее Вам
- либо квалифицированным специалистом по данной марке изделий.

При вызове ремонтной службы необходимо указать полный номер Вашей машины (модель, тип и серийный номер). Эти сведения приведены на номерном щитке сзади машины.