

~~LOUNGE LASER~~



Operation Manual EN
Mode d'emploi FR
Gebruiksaanwijzing NL
Bedienungsanleitung DE
Manual de instrucciones ES
Manual do utilizador PT

WWW.BEGLEC.COM

Copyright © 2008 by BEGLEC cva.

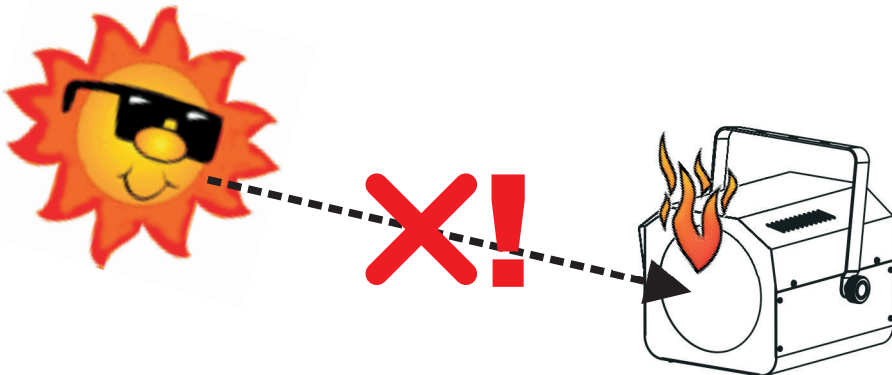
Reproduction or publication of the content in any manner, without express permission of the publisher, is prohibited.



Version: 1.1

JBSYSTEMS
Light

DANGER ~ GEVAAR ~ GEFAHR ~ PELIGRO ~ PERIGO



WARNING: DANGER! never expose the lens to direct sunlight, even for a short period. This may damage the light effect or even cause fire!

ATTENTION: DANGER! n'exposez jamais la lentille directement aux rayons de soleil, même pendant un bref instant. Ceci peut endommager l'intérieur de l'appareil ou même causer un incendie !

OPGELET : GEVAAR ! stel de lens nooit bloot aan direct zonlicht, zelfs gedurende een korte periode. Dit kan het toestel beschadigen en zelfs brand veroorzaken!

WARNUNG: GEFAHR! Setzen sie die Linse niemals direkter Sonneneinstrahlung aus, auch nicht für eine kurze Zeit ! Die direkte Sonneneinstrahlung kann das Gerät zerstören oder zum brennen bringen!

ADVERTENCIA: ¡PELIGRO! ¡nunca exponga la lente a la luz solar directa, aún durante un período corto! ¡Esto puede dañar el efecto de luz o incluso causar el fuego!

AVISO: PERIGO! Nunca exponha as lentes directamente à luz solar, mesmo que por pouco tempo! Isto pode danificar o efeito luminoso ou mesmo provocar um incêndio!

EN - DISPOSAL OF THE DEVICE

Dispose of the unit and used batteries in an environment friendly manner according to your country regulations.

FR - DÉCLASSER L'APPAREIL

Débarrassez-vous de l'appareil et des piles usagées de manière écologique, conformément aux dispositions légales de votre pays.

NL - VERWIJDEREN VAN HET APPARAAT

Verwijder het toestel en de gebruikte batterijen op een milieuvriendelijke manier conform de in uw land geldende voorschriften.

DU - ENTSORGUNG DES GERÄTS

Entsorgen Sie das Gerät und die Batterien auf umweltfreundliche Art und Weise gemäß den Vorschriften Ihres Landes.

ES - DESHACERSE DEL APARATO

Reciclar el aparato y pilas usadas de forma ecologica conforme a las disposiciones legales de su país.

PT - COMO DESFAZER-SE DA UNIDADE

Tente reciclar a unidade e as pilhas usadas respeitando o ambiente e em conformidade com as normas vigentes no seu país.



OPERATION MANUAL

Thank you for buying this JB Systems® product. To take full advantage of all possibilities and for your own safety, please read these operating instructions very carefully before you start using this unit.

FEATURES

This unit is radio-interference suppressed. This product meets the requirements of the current European and national guidelines. Conformity has been established and the relevant statements and documents have been deposited by the manufacturer.

- This device was designed to produce decorative effect lighting and is used in light show systems.
- The best of both worlds: this fantastic effect uses a 30mW green laser + 80mW red laser in combination with a nice water wave LED projector.
- Using special grating technology the beams are split-up in a lot of separate laser beams pointing in all directions to create an amazing, room filling effect.
- Plug & play: no expensive controllers needed!
- Separate rotation controls for lasers and LED projector.
- Strobe control for each laser + dimmer for the LED projector
- Perfect for projections on walls and ceilings in bars, clubs, discotheques, hotels, etc
- Key actuated on/off switch for additional safety
- Complies to EN/IEC 60825-1 for Laser Safety

BEFORE USE

- Before you start using this unit, please check if there's no transportation damage. Should there be any, do not use the device and consult your dealer first.
- **Important:** This device left our factory in perfect condition and well packaged. It is absolutely necessary for the user to strictly follow the safety instructions and warnings in this user manual. Any damage caused by mishandling is not subject to warranty. The dealer will not accept responsibility for any resulting defects or problems caused by disregarding this user manual.
- Keep this booklet in a safe place for future consultation. If you sell the fixture, be sure to add this user manual.

Check the contents:

Check that the carton contains the following items:

- Operating instructions
- Lounge Laser Unit
- 2 keys (for key switch)
- Power Supply

SAFETY INSTRUCTIONS:



CAUTION

RISK OF ELECTRIC SHOCK
DO NOT OPEN



CAUTION: To reduce the risk of electric shock, do not remove the top cover. No user-serviceable parts inside. Refer servicing to qualified service personnel only.



The lightning flash with arrowhead symbol within the equilateral triangle is intended to alert the user or the presence of un-insulated "dangerous voltage" within the product's enclosure that may be of sufficient magnitude to constitute a risk of electric shock.



The exclamation point within the equilateral triangle is intended to alert the user to the presence of important operation and maintenance (servicing) instructions in the literature accompanying this appliance.



This symbol means: indoor use only



This symbol means: Read instructions

This symbol means: Safety Class II appliance



This symbol determines: the minimum distance from lighted objects. The minimum distance between light-output and the illuminated surface must be more than 1 meter

- To protect the environment, please try to recycle the packing material as much as possible.
- To prevent fire or shock hazard, do not expose this appliance to rain or moisture.
- To avoid condensation to be formed inside, allow the unit to adapt to the surrounding temperatures when bringing it into a warm room after transport. Condense sometimes prevents the unit from working at full performance or may even cause damages.
- This unit is for indoor use only.
- Don't place metal objects or spill liquid inside the unit. Electric shock or malfunction may result. If a foreign object enters the unit, immediately disconnect the mains power.
- Don't cover any ventilation openings as this may result in overheating.
- Prevent use in dusty environments and clean the unit regularly.
- Keep the unit away from children.
- Inexperienced persons should not operate this device.
- Maximum save ambient temperature is 40°C. Don't use this unit at higher ambient temperatures.
- Make sure the area below the installation place is free from unwanted persons during rigging, de-rigging and servicing.
- Always unplug the unit when it is not used for a longer time or before to start servicing.
- The electrical installation should be carried out by qualified personal only, according to the regulations for electrical and mechanical safety in your country.
- Check that the available voltage is not higher than the one stated on the rear panel of the unit.
- The power cord should always be in perfect condition. Switch the unit immediately off when the power cord is squashed or damaged. It must be replaced by the manufacturer, its service agent or similarly qualified persons in order to avoid a hazard.
- Never let the power-cord come into contact with other cables!
- In order to avoid a hazard, the unit shall only be used with the AC-adaptor delivered with it. If the AC-adaptor is damaged, a same model adaptor shall be used only.
- Always use an appropriate and certified safety cable when installing the unit.
- In order to prevent electric shock, do not open the cover. There are no user serviceable parts inside.
- **Never** repair a fuse or bypass the fuse holder. **Always** replace a damaged fuse with a fuse of the same type and electrical specifications!
- In the event of serious operating problems, stop using the fixture and contact your dealer immediately.
- The housing and the lenses must be replaced if they are visibly damaged.
- Please use the original packing when the device is to be transported.
- Due to safety reasons it is prohibited to make unauthorized modifications to the unit.

Important: Never look directly into the light source! Don't use the effect in the presence of persons suffering from epilepsy.

LASER SAFETY INSTRUCTIONS:

- According to the EN 60825-1:1994 + A1:2002 + A2:2002 regulations, this laser falls under the classification 3B. Direct eye exposure can be dangerous.



DANGER: LASER RADIATION !

Avoid direct eye exposure! Laser radiation can cause eye damage and/or skin damage. All protective measures for a safe operation of this laser must be applied.

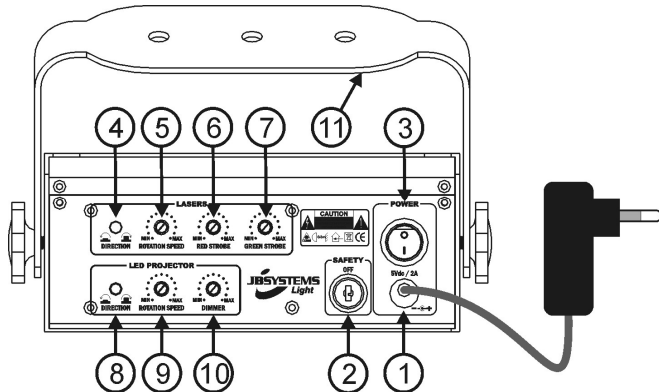


- This product is a so-called show laser, emitting radiation with a wavelength spectrum between 400 and 700 nm and producing lighting effects for shows.
- Due to the construction of this laser, the beam is moved so fast, that it can only hit the eye very short. This is why the use of this laser for a Laser-Light-Show can be regarded as safe.
- Never direct the laser beam to people or animals and never leave this device running unattended.
- This laser may only be used for shows. The operation of a class 3B show laser is only allowed if the operation is controlled by a skilled and well-trained operator.
- Depending on the classification, operating a laser product can produce laser radiation that may cause permanent eye damage and/or skin damage. The legal instructions for using a laser product vary from

country to country. The user must always inform himself on the legal instructions valid in his country and apply them to his situation.

Please note that **JB SYSTEMS** cannot be made liable for damages caused by incorrect installations and unskilled operation!

DESCRIPTION:



1. **MAINS INPUT:** connect the supplied power supply here
2. **KEY ACTIVATED SWITCH:** used to switch the lasers on/off. Use the keys to make sure only a skilled operator is able to switch the laser on.
3. **ON/OFF SWITCH:** used to switch the unit on/off.
4. **LASER ROTATION SWITCH:** used to reverse the rotation of the laser effect
5. **LASER ROTATION SPEED KNOB:** used to set the rotation speed of the laser effect
6. **RED STROBE:** used to adjust the flashing time of the red laser
7. **GREEN STROBE:** used to adjust the flashing time of the green laser
8. **LED EFFECT ROTATION SWITCH:** used to reverse the rotation of the led effect
9. **LED EFFECT ROTATION SPEED KNOB:** used to set the rotation speed of the led effect
10. **DIMMER:** used to adjust the dimming level of the led effect
11. **HANGING BRACKET:** with 2 knobs on the sides to fasten the unit and a mounting hole to fix a mounting hook.

OVERHEAD RIGGING

- **Important:** The installation must be carried out by qualified service personal only. Improper installation can result in serious injuries and/or damage to property. Overhead rigging requires extensive experience! Working load limits should be respected, certified installation materials should be used, the installed device should be inspected regularly for safety.
- Make sure the area below the installation place is free from unwanted persons during rigging, de-rigging and servicing.
- Locate the fixture in a well ventilated spot, far away from any flammable materials and/or liquids. The fixture must be fixed at least 50cm from surrounding walls.
- The device should be installed out of reach of people and outside areas where persons may walk by or be seated.
- Before rigging make sure that the installation area can hold a minimum point load of 10times the device's weight.
- Always use a certified safety cable that can hold 12times the weight of the device when installing the unit. This secondary safety attachment should be installed in a way that no part of the installation can drop more than 20cm if the main attachment fails.
- The device should be well fixed; a free-swinging mounting is dangerous and may not be considered!
- Don't cover any ventilation openings as this may result in overheating.

- The operator has to make sure that the safety-relating and machine-technical installations are approved by an expert before using them for the first time. The installations should be inspected every year by a skilled person to be sure that safety is still optimal.

OPERATING INSTRUCTIONS



CAUTION EYEDAMAGE: Always position the laser in a way that prevents the audience from looking directly into the laser beams. The installation should assure that the beam will not strike the audience.

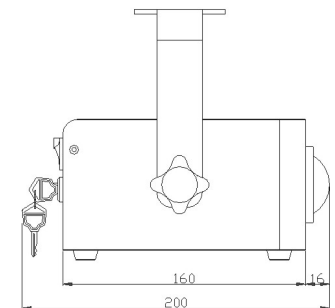
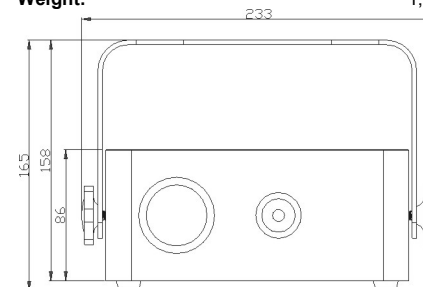
MAINTENANCE

- Make sure the area below the installation place is free from unwanted persons during servicing.
- Switch off the unit, unplug the mains cable and wait until the unit has been cooled down.
- **During inspection the following points should be checked:**
- All screws used for installing the device and any of its parts should be tightly fastened and may not be corroded.
- Housings, fixations and installations spots (ceiling, truss, suspensions) should be totally free from any deformation.
- When an optical lens is visibly damaged due to cracks or deep scratches, it must be replaced.
- The mains cables must be in impeccable condition and should be replaced immediately when even a small problem is detected.
- In order to protect the device from overheat the cooling fans (if any) and ventilation openings should be cleaned monthly.
- The interior of the device should be cleaned annually using a vacuum cleaner or air-jet.
- The cleaning of internal and external optical lenses and/or mirrors must be carried out periodically to optimize light output. Cleaning frequency depends on the environment in which the fixture operates: damp, smoky or particularly dirty surroundings can cause greater accumulation of dirt on the unit's optics.
 - Clean with a soft cloth using normal glass cleaning products.
 - Always dry the parts carefully.
 - Clean the external optics at least once every 30 days.
 - Clean the internal optics at least every 90 days.

Attention: We strongly recommend internal cleaning to be carried out by qualified personnel!

SPECIFICATIONS

Mains Input:	AC/DC Adapter 230Vac → 5V / 2A
Power consumption:	8 Watt
Laser Power:	30mW Green CW laser ($\lambda = 532\text{nm}$) 80mW Red CW laser ($\lambda = 650\text{nm}$)
Laser radiation class:	3B
Laser Safety Standard:	EN60825-1:1994 + A1:2002 + A2:2002 + COTT
LED Power	1W (blue)
Weight:	1,6kg



Every information is subject to change without prior notice
You can download the latest version of this user manual on our website: www.beglec.com

MODE D'EMPLOI

Merci d'avoir choisi ce produit JB Systems®. Pour votre sécurité et pour une utilisation optimale de toutes les possibilités de l'appareil, lisez attentivement cette notice avant utilisation.

EN VOUS INSCRIVANT POUR LA LETTRE D'INFORMATION VOUS SEREZ TOUJOURS TENU AU COURANT DES DERNIERES NOUVELLES CONCERNANT NOS PRODUITS: NOUVEAUTES, ACTIONS SPECIALES, JOURNEES PORTES OUVERTES, ETC.
→ SURFEZ SUR: WWW.BEGLEC.COM ←

CARACTERISTIQUES

Cet appareil ne produit pas d'interférences radio. Il répond aux exigences nationales et européennes. La conformité a été établie et les déclarations et documents correspondants ont été déposés par le fabricant.

- Cet appareil a été conçu pour la production de jeux de lumières décoratifs et est utilisé dans des spectacles lumineux.
- Le meilleur des deux mondes : ce magnifique effet utilise un laser vert de 30mW + un laser rouge de 80mW en combinaison avec un projecteur LED du style water wave!
- Utilisant la technologie spéciale « grating technology », les faisceaux sont éparpillés en beaucoup de faisceaux lasers séparés qui se dirigent dans tous les sens pour créer un incroyable effet qui remplit la pièce.
- Plug & play : pas besoin de contrôleurs onéreux !
- Contrôle de rotation individuel pour chaque laser et l'effet LED
- Contrôle d'intervalle pour chaque laser + gradateur pour l'effet LED
- Parfait pour la projection sur murs et plafonds de bars, clubs, discothèques, hôtels, etc.
- Activation des lasers à l'aide d'une clef pour plus de sécurité
- En accord avec les normes EN/IEC 60825-1 pour la Sécurité Laser

AVANT UTILISATION

- Avant d'utiliser cet appareil, assurez-vous de l'absence de dommages liés au transport. En cas de dommages, n'utilisez pas l'appareil et contactez le vendeur.
- **Important:** Cet appareil a quitté notre usine en parfaite condition et bien emballé. Il est primordial que l'utilisateur suive les instructions de sécurité et avertissements inclus dans ce manuel. La garantie ne s'applique pas en cas de dommage lié à une utilisation incorrecte. Le vendeur ne prend pas la responsabilité des défauts ou de tout problème résultant du fait de n'avoir pas tenu compte des mises en garde de ce manuel.
- Conservez ce manuel dans un endroit sûr pour toute consultation future. Si vous vendez l'appareil, assurez-vous d'y joindre ce manuel également.
- Afin de protéger l'environnement, merci de recycler les emballages autant que possible.

Vérifiez le contenu:

Vérifiez si l'emballage contient bien les articles suivants:

- Le Lounge Laser
- Mode d'emploi
- 2 clés (pour l'interrupteur à clé)
- Câble d'alimentation

INSTRUCTIONS DE SECURITE:



CAUTION
RISK OF ELECTRIC SHOCK
DO NOT OPEN



ATTENTION: afin de réduire le risque d'électrocution, n'enlevez jamais le couvercle de l'appareil. Il n'y a aucune pièce à l'intérieur de l'appareil que vous puissiez remplacer vous-même. Confiez l'entretien uniquement à des techniciens qualifiés.



La flèche dans un triangle met l'utilisateur en garde contre la présence de haute tension sans isolation dans l'appareil, ce qui peut causer un risque d'électrocution.



Un point d'exclamation dans un triangle prévient de la présence d'instructions relatives au fonctionnement et à la maintenance se trouvant dans le manuel fourni avec l'appareil.



Ce symbole signifie: uniquement pour usage à l'intérieur.



Ce symbole signifie : Lire le mode d'emploi.



Ce symbole signifie: appareil construit selon les normes de sécurité classe II

Ce symbole représente la distance de recul minimum à respecter, c'est-à-dire, la distance minimum entre le projecteur et la surface à éclairer. Cette distance doit être de plus de 1 mètre.

- Afin de protéger l'environnement, merci de recycler les emballages autant que possible.
- Afin d'éviter tout risque d'incendie ou de décharge électrique, ne pas exposer cet appareil à la pluie ou à l'humidité.
- Pour éviter la formation de condensation à l'intérieur de l'appareil, patientez quelques minutes pour laisser l'appareil s'adapter à la température ambiante lorsqu'il arrive dans une pièce chauffée après le transport. La condensation empêche l'appareil de fonctionner manière optimale, et elle peut même causer des dommages.
- Cet appareil est destiné à une utilisation à l'intérieur uniquement.
- Ne pas insérer d'objet métallique ou renverser de liquide dans l'appareil. Aucun objet contenant un liquide, tels que des vases, ne peut être placé sur cet appareil. Cela risquerait de provoquer une décharge électrique ou un dysfonctionnement. Si un corps étranger est introduit dans l'appareil, déconnectez immédiatement de la source d'alimentation.
- Aucune source de flamme nue, telle que des bougies allumées, ne peut être placée sur l'appareil.
- Ne pas couvrir les orifices de ventilation, un risque de surchauffe en résulterait.
- Ne pas utiliser l'appareil dans un environnement poussiéreux et le nettoyer régulièrement.
- Ne pas laisser l'appareil à portée des enfants.
- Les personnes non expérimentées ne doivent pas utiliser cet appareil.
- La température ambiante maximale d'utilisation de l'appareil est de 40°C. Ne pas l'utiliser au-delà de cette température.
- Assurez-vous que la zone au-dessous du lieu d'installation ne comporte pas de personnes non concernées pendant le montage, le démontage et les opérations de maintenance.
- Débranchez toujours l'appareil si vous ne l'utilisez pas de manière prolongée avant d'entreprendre des réparations.
- Les installations électriques ne peuvent être faites que par du personnel qualifié et conformément aux règlements de sécurité électrique et mécanique en vigueur dans votre pays.
- Assurez-vous que la tension d'alimentation de la source d'alimentation de la zone dans laquelle vous vous trouvez ne dépasse pas celle indiquée à l'arrière de l'appareil.
- Le cordon d'alimentation doit toujours être en parfait état. Mettez immédiatement l'unité hors tension si le cordon devait être écrasé ou endommagé. Pour éviter tout risque de choc électrique, le cordon doit être remplacé par le constructeur, son agent ou un technicien qualifié.
- Ne laissez jamais le cordon d'alimentation entrer en contact avec d'autres câbles !
- Pour éviter tout risque de choc électrique, cet appareil doit être remplacé uniquement avec l'adaptateur secteur inclus. Si l'adaptateur est défectueux, il sera utilisé seulement par un modèle identique.
- Ne pas connecter l'unité à un variateur de lumière.
- Utilisez toujours des câbles appropriés et certifiés lorsque vous installez l'appareil.
- Pour éviter toute décharge électrique, ne pas ouvrir l'appareil. Il n'y a pas de pièces pouvant être changées par l'utilisateur à l'intérieur.

- **Ne jamais** réparer ou court-circuiter un fusible. Remplacez **systématiquement** un fusible endommagé par un fusible de même type et ayant les mêmes spécifications électriques !
- En cas de problèmes de fonctionnement sérieux, arrêtez toute utilisation de l'appareil et contactez votre revendeur immédiatement.
- La carrosserie et les lentilles doivent être remplacées si elles sont visiblement endommagées.
- Utilisez l'emballage d'origine si l'appareil doit être transporté.
- Pour des raisons de sécurité, il est interdit d'apporter une quelconque modification à l'unité non spécifiquement autorisée par les parties responsables.

Important: Ne jamais fixer directement la source de lumière ! Ne pas utiliser d'effets en présence de personnes souffrant d'épilepsie.

INSTRUCTIONS DE SECURITE LASER:

- Selon la réglementation EN 60825-1:1994 + A1:2002 + A2:2002, ce laser fait partie de la classe 3B. Une exposition directe des yeux au faisceau peut être dangereux.



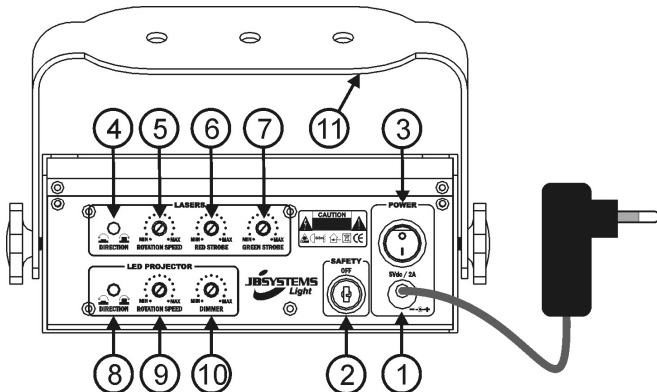
DANGER: RADIATIONS LASER !
Évitez d'exposer les yeux directement au laser! Les radiations Laser peuvent endommager les yeux et/ou la peau. Toutes les mesures de protection doivent être appliqués pour des raisons de sécurité.



- Ce produit est ce qu'on appelle un laser de spectacle, émettant des radiations avec un spectre de longueurs d'ondes situé entre 400 et 700 nm et produit des effets lumière pour les spectacles.
- La construction de ce laser fait que le faisceau bouge tellement vite, qu'il ne peut toucher l'œil qu'un très bref instant. C'est grâce à cela que l'utilisation de ce laser, pour créer un spectacle lumière, peut être considéré comme sûr.
- Ne dirigez jamais le faisceau laser directement sur des personnes ou animaux et ne laissez jamais fonctionner l'appareil sans surveillance.
- Ce laser peut uniquement être utilisé pour des spectacles. L'utilisation de lasers classe 3B est uniquement autorisé si il est manipulé par des opérateurs qualifiés bien entraînés.
- Dépendant de sa catégorie, l'utilisation d'un laser peut produire des radiations qui endommagent de façon permanente les yeux et/ou la peau. Les lois sur l'utilisation d'un produit laser varie d'un pays à l'autre. L'utilisateur doit toujours s'informer et appliquer les législations et les mesures de sécurité en rigueur dans son pays.

JB SYSTEMS ne peut en aucun cas être tenu comme responsable aux dommages causés par des installations incorrectes et/ou par des opérateurs non qualifiés!

DESCRIPTION



1. **ALIMENTATION:** branchez ici l'alimentation qui est fournie avec l'appareil
2. **INTERRUPTEUR A CLE:** est utilisé pour activer/désactiver les lasers. Utilisez les clés pour vous assurer que seulement un opérateur expérimenté pourra allumer le laser.
3. **INTERRUPTEUR ON/OFF:** est utilisé pour éteindre/allumer l'appareil.
4. **INTERRUPTEUR DE ROTATION DU LASER:** peut être utilisé pour inverser le sens de rotation de l'effet laser
5. **LASER ROTATION SPEED:** peut être utilisé pour régler la vitesse de rotation de l'effet laser
6. **RED STROBE:** est utilisé pour régler la durée des flash du laser rouge
7. **GREEN STROBE:** est utilisé pour régler la durée des flash du laser vert
8. **INTERRUPTEUR ROTATION LED:** peut être utilisé pour régler la vitesse de rotation de l'effet LED
9. **LED ROTATION SPEED:** peut être utilisé pour régler la vitesse de rotation de l'effet LED
10. **DIMMER:** est utilisé pour régler le niveau de gradation de l'effet LED
11. **SUPPORT:** avec 2 vis de serrage sur les côtés et un trou de fixation pour fixer un crochet de montage

INSTALLATION EN HAUTEUR

- **Important:** L'installation doit être faite par du personnel qualifié uniquement. Une installation incorrecte peut causer des blessures sévères et/ou endommager l'appareil. L'installation en hauteur exige de l'expérience ! Les limites de charge doivent être scrupuleusement respectées, du matériel d'installation certifié doit être utilisé, et l'appareil installé doit subir des inspections de sécurité régulièrement.
- Assurez-vous que la zone au-dessous du lieu d'installation ne comporte pas de personnes non concernées lors de l'installation, la désinstallation ou la maintenance.
- L'appareil doit être hors de portée du public et en dehors des zones de passage de personnes ou des zones où le public est installé.
- Avant l'installation, assurez-vous que la zone d'installation pourra supporter, en son point de fixation, un minimum de 10 fois le poids de l'appareil.
- Utilisez systématiquement un câble de sécurité qui peut supporter 12 fois le poids de l'appareil lors de l'installation. Ce câble de sécurité secondaire doit être installé de manière à ce qu'aucune partie de l'appareil ne puisse descendre de plus de 20 cm si le support principal tombe.
- L'appareil doit être bien fixé, un montage à balancement est dangereux et ne devrait pas être pris en considération !
- Ne pas couvrir les orifices de ventilation pour éviter tout risque de surchauffe.
- L'utilisateur doit s'assurer que les installations techniques et de sécurité sont bien approuvées par un expert avant la première utilisation. Les installations doivent être inspectées chaque année par du personnel qualifié pour assurer une sécurité optimale.

INSTRUCTIONS D'UTILISATION



PRUDENCE, ENDOMMAGEMENT DES YEUX: Positionnez toujours le laser de telle façon que le public ne peut regarder directement dans le faisceau laser. Assurez vous que le faisceau ne « touchera » pas le public.

MAINTENANCE

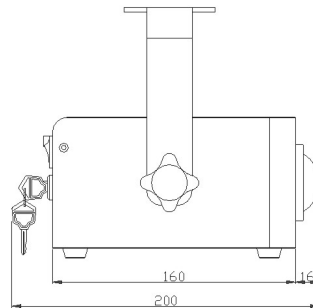
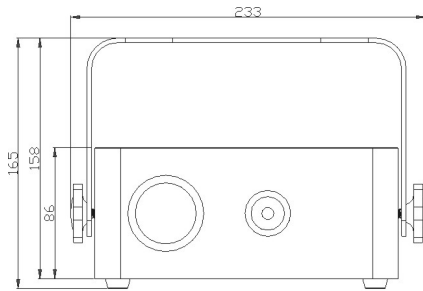
- Assurez-vous que la zone au-dessous du lieu d'installation ne comporte pas de personnes non concernées lors de la maintenance
 - Mettez l'appareil hors tension, débranchez le cordon d'alimentation et attendez que l'appareil ait refroidi.
- Pendant l'inspection, les points suivants doivent être vérifiés :**
- Toutes les vis utilisées pour l'installation de l'appareil ou de chacune de ses pièces doivent être bien fixées et non corrodées.
 - Les niches, fixations et structures de support (plafond, poutres, suspensions) doivent être totalement intactes, sans aucune déformation.
 - Lorsqu'une lentille optique est visiblement endommagée (fissure ou éraflures profondes), elle doit être remplacée.

- Les câbles doivent être en parfait état et doivent être remplacés immédiatement en cas de détection d'un problème, même bénin.
- Pour protéger l'appareil de toute surchauffe, les ventilateurs (le cas échéant) et les orifices de ventilation doivent être nettoyés tous les mois.
- L'intérieur de l'appareil doit être nettoyé chaque année à l'aide d'un aspirateur ou d'un pistolet à air.
- Le nettoyage des lentilles optiques internes et externes et/ou des miroirs doit être effectué périodiquement pour optimiser la production de lumière. La fréquence de nettoyage dépend de l'environnement dans lequel l'appareil fonctionne: des environnements humides, enfumés ou particulièrement sales peuvent entraîner une accumulation de saletés plus importante sur les parties optiques de l'appareil.
 - Nettoyez à l'aide d'un chiffon doux avec des produits de nettoyage pour verres normaux.
 - Séchez toujours les parties soigneusement.
 - Nettoyez les optiques externes au moins une fois tous les 30 jours.
 - Nettoyez les optiques internes au moins une fois tous les 90 jours.

Attention: Nous vous recommandons fortement de faire exécuter le nettoyage interne par du personnel qualifié !

SPECIFICATIONS

Alimentation:	Adaptateur CA/CC 230Vac → 5V / 2A
Consommation :	8 watts
Puissance du Laser:	CW Laser 30mW Vert ($\lambda = 532\text{nm}$) CW Laser 80mW Rouge ($\lambda = 650\text{nm}$)
Laser Classe:	3B
Norme de sécurité Laser:	EN60825-1:1994 + A1:2002 + A2:2002 + COTT
Puissance LED :	1W (bleu)
Poids:	1,6kg



Chacune de ces informations peut être modifiée sans avertissement préalable. Vous pouvez télécharger la dernière version de ce mode d'emploi de notre site Web: www.beglec.com

GEBRUIKSAANWIJZING

Hartelijk dank voor de aankoop van dit JB Systems® product. Om ten volle te kunnen profiteren van alle mogelijkheden en voor uw eigen veiligheid, gelieve de aanwijzingen zeer zorgvuldig te lezen voor U begint het apparaat te gebruiken.

**DOOR U OP ONZE MAILINGLIJST IN TE SCHRIJVEN ONTVANGT U STEEDS DE LAATSTE INFORMATIE OVER ONZE PRODUKTEN: NIEUWIGHEDEN, SPECIALE ACTIES, OPENDEURDAGEN, ENZ.
→ SURF NAAR: WWW.BEGLEC.COM ←**

KARAKTERISTIEKEN

In dit apparaat is radio-interferentie onderdrukt. Dit product voldoet aan de gangbare Europese en nationale voorschriften. Het is vastgesteld dat het apparaat er zich aan houdt en de desbetreffende verklaringen en documenten zijn door de fabrikant afgegeven.

- Het toestel is ontworpen om decoratieve lichteffecten te produceren en kan eventueel worden gebruikt in lichtshows.
- Het beste van twee werelden: dit fantastische effect gebruikt een 30mW groene laser + een 80mW rode laser, in combinatie met een water wave LED projector.
- Door het gebruik van een speciale "grating technologie" worden de laserstralen in een groot aantal afzonderlijke laserstralen opgesplitst. Het resultaat is een prachtig, ruimtevullend effect.
- Plug & play: geen dure controllers nodig!
- Afzonderlijke rotatiecontrole voor de lasers en de LED projector.
- Flitstijd controleknop voor elke laser + dimmer voor de LED projector
- Perfect voor projecties op muren en plafonds in bars, clubs, discotheken, hotels, enz
- Sleutelschakelaar voor extra veiligheid
- Voldoet aan EN/IEC 60825-1 voor Laserveiligheid

VOOR DE IN GEBRUIKNAME

Controleer voor het eerste gebruik van het apparaat of het tijdens het transport beschadigd werd. Mocht er schade zijn, gebruik het dan niet, maar raadpleeg eerst uw dealer.

Belangrijk: Dit apparaat verliet de fabriek in uitstekende staat en goed verpakt. Het is erg belangrijk dat de gebruiker de veiligheidsaanwijzingen en raadgevingen in deze gebruiksaanwijzing uiterst nauwkeurig volgt. Elke schade veroorzaakt door verkeerd gebruik van het apparaat valt niet onder de garantie. De dealer aanvaardt geen verantwoordelijkheid voor mankementen en problemen die komen door het veronachtzamen van deze gebruiksaanwijzing.

Bewaar deze brochure op een veilige plaats om hem in de toekomst nogmaals te kunnen raadplegen. Indien U het apparaat verkoopt, denkt U er wel aan om de gebruiksaanwijzing bij te voegen.

Controleer de inhoud:

Controleer of de doos volgende onderdelen bevat:

- Handleiding
- Lounge Laser
- 2 sleuteltjes voor de sleutelschakelaar
- Voedingsadapter

VEILIGHEIDSVOORSCHRIFTEN:



WAARSCHUWING: Om het risico op elektrocutie zoveel mogelijk te vermijden mag u nooit de behuizing verwijderen. Er bevinden zich geen onderdelen in het toestel die u zelf kan herstellen. Laat de herstellingen enkel uitvoeren door een bevoegde technicus.

De bliksempijl die zich in een gelijkbenige driehoek bevindt is bedoeld om u te wijzen op het gebruik of de aanwezigheid van niet-geïsoleerde onderdelen met een "gevaarlijke spanning" in het toestel die voldoende kracht heeft om een risico van elektrocutie in te houden.

Het uitroepteken binnen de gelijkbenige driehoek is bedoeld om de gebruiker erop te wijzen dat er in de meegeleverde literatuur belangrijke gebruik en onderhoudsinstructies vermeld staan betreffende dit onderdeel.

Dit symbool betekent: het apparaat mag enkel binnenhuis worden gebruikt.

Dit symbool betekent: Lees de handleiding!

Dit symbool betekent: Klasse II apparaten

Dit symbool bepaalt: de minimumafstand van te belichten voorwerpen. De minimumafstand tussen projector en het verlichte voorwerp moet meer dan 1 meter zijn.

- Om het milieu te beschermen, probeer zoveel mogelijk het verpakkingsmateriaal te recyclen.
- Stel dit apparaat niet bloot aan regen of vocht, dit om het risico op brand en elektrische schokken te voorkomen.
- Om de vorming van condensatie binnenin te voorkomen, laat het apparaat aan de omgevingstemperatuur wennen wanneer het, na het transport, naar een warm vertrek is overgebracht. Condensatie kan het toestel soms verhinderen perfect te functioneren. Het kan soms zelfs schade aan het apparaat toebrengen.
- Gebruik dit apparaat uitsluitend binnenshuis.
- Plaats geen stukken metaal en mors geen vocht binnen in het toestel om elektrische schokken of storing te vermijden. Indien een vreemd voorwerp in het apparaat geraakt, moet U het direct van het lichtnet afkoppelen.
- Bedek geen enkele ventilatieopening om oververhitting te vermijden.
- Zorg dat het toestel niet in een stoffige omgeving wordt gebruikt en maak het regelmatig schoon.
- Houd het apparaat uit de buurt van kinderen.
- Dit apparaat mag niet door onervaren personen bediend worden.
- De maximum veilige omgevingstemperatuur is 40°C. Gebruik het apparaat dus niet bij hogere temperaturen.
- Verzekert er U van dat er zich onder de plaats waar het toestel wordt geïnstalleerd geen ongewenste personen bevinden tijdens het bevestigen en losmaken alsook bij het onderhoud.
- Trek altijd de stekker uit wanneer het apparaat gedurende langere tijd niet wordt gebruikt of alvorens te beginnen met de onderhoudsbeurt.
- De elektrische installatie behoort uitsluitend uitgevoerd te worden door bevoegd personeel, volgens de in uw land geldende regels betreffende elektrische en mechanische veiligheid.
- Controleer dat de beschikbare spanning niet hoger is dan die aangegeven op de achterzijde van het toestel.
- De elektrische kabel behoort altijd in uitstekende staat te zijn. Zet het apparaat onmiddellijk af als de elektrische kabel gekneusd of beschadigd is. De kabel moet vervangen worden door de fabrikant zelf, zijn dealer of vergelijkbare bekwaame personen om een brand te voorkomen.
- Laat de elektrische draad nooit in contact komen met andere draden.
- Om een brand te voorkomen, dient het controletestel van de lamp enkel gebruikt te worden met de adapter die bij het toestel geleverd werd. Wanneer de adapter beschadigd is, dient een adapter van hetzelfde model gebruikt te worden.
- Sluit het apparaat niet aan op een elektronische dimmer.
- Gebruik altijd een geschikte en gekeurde veiligheidskabel bij het installeren van het toestel.
- Om elektrische schokken te voorkomen, moet U de behuizing niet openen. Er zitten geen onderdelen in het toestel die door de gebruiker moeten worden onderhouden.

- Repareer **nooit** een zekering en overbrug de zekeringhouder nooit. Vervang een beschadigde zekering **steeds** door een zekering van hetzelfde type en met dezelfde elektrische kenmerken.
- Ingeval van ernstige problemen met het bedienen van het toestel, stopt U onmiddellijk het gebruik ervan. Contacteer uw dealer voor een eventuele reparatie.
- De behuizing en de lenzen moeten vervangen worden als ze zichtbaar beschadigd zijn.
- Gebruik best de originele verpakking als het toestel vervoerd moet worden.
- Om veiligheidsredenen is het verboden om ongeautoriseerde modificaties aan het toestel aan te brengen.

Belangrijk: Kijk nooit rechtstreeks in de lichtbron. Gebruik het lichteffect niet in de tegenwoordigheid van personen die lijden aan epilepsie.

LASER SAFETY INSTRUCTIES:

- Volgens de normen EN 60825-1:1994 + A1:2002 + A2:2002 valt dit apparaat onder de klasse 3B lasers. Direct oogcontact met de laserstraal kan gevaarlijk zijn.



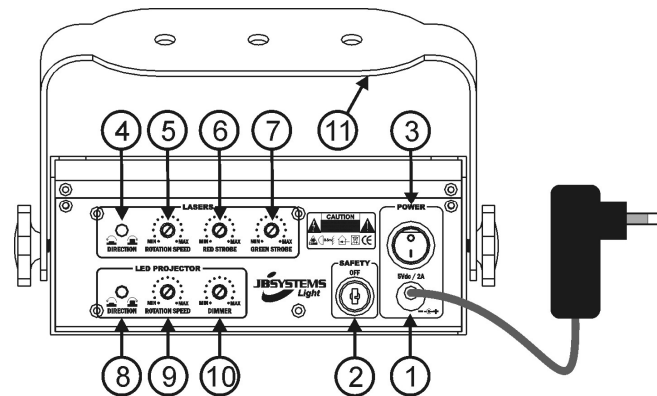
GEVAAR: LASER STRALING !
Vermijd direct oogcontact! Laser straling kan oog en/of huid verbranding veroorzaken. Alle mogelijke maatregelen voor een veilig gebruik van dit apparaat moeten genomen worden.



- Dit product is een zogenaamde showlaser, veroorzaakt straling met een golflengte tussen 400 en 700nm bedoeld om effecten voor lightshows te creëren.
- Door de bouw van deze laser beweegt de laserstraal zo snel dat het oog enkel voor een erg korte tijd aan de laserstraling zal worden blootgesteld. Daarom kan het gebruik van deze laser voor lightshow toepassingen als veilig worden beschouwd.
- Richt de laserstralen nooit op mensen of dieren en laat het apparaat nooit onbemand werken.
- Deze laser mag enkel voor lightshows gebruikt worden. Het gebruik van een klasse 3B laser is enkel toegelaten als deze bediend wordt door een persoon die hiervoor opgeleid is en over de nodige ervaring beschikt.
- Afhankelijk van de laser klasse kan het gebruik van een laser straling voortbrengen die permanente oog en/of huidbeschadiging kan veroorzaken. De wettelijke voorschriften voor het gebruik van lasers kan van land tot land verschillen. De gebruiker zal zich steeds informeren over de wettelijke voorschriften die in zijn land gelden en zich hieraan strikt houden!

JB SYSTEMS kan niet verantwoordelijk gesteld worden voor ongevallen die het gevolg zijn van een verkeerde installatie en/of gebruik van dit product!

BESCHRIJVING:



1. **NETAANSLUITING:** sluit hier de meegeleverde voedingsadapter aan
2. **SLEUTEL SCHAKELAAR:** wordt gebruikt om de lasers aan/uit te zetten. Er worden sleutels gebruikt opdat de laser enkel opgezet kan worden door een bekwame persoon.
3. **ON/OFF SCHAKELAAR:** wordt gebruikt om het toestel aan/uit te zetten.
4. **LASER ROTATION SCHAKELAAR:** wordt gebruikt om de draaizin van het lasereffect om te keren
5. **LASER ROTATION SPEED:** wordt gebruikt om de rotatiesnelheid van het lasereffect in te stellen
6. **RED STROBE:** wordt gebruikt om de flitstijd van de rode laser in te stellen
7. **GREEN STROBE:** wordt gebruikt om de flitstijd van de groene laser in te stellen
8. **LED ROTATION SCHAKELAAR:** wordt gebruikt om de draaizin van het LED effect om te keren
9. **LED ROTATION SPEED:** wordt gebruikt om de rotatiesnelheid van het LED effect in te stellen
10. **DIMMER:** wordt gebruikt om het LED effect te dimmen
11. **OPHANGBEUGEL:** met 2 spanbouten aan de zijkant om het toestel onder de gewenste hoek te bevestigen + gat om een bevestigingshaak aan vast te maken.

OPHANGEN VAN HET APPARAAT

- **Belangrijk:** De installatie van het toestel mag uitsluitend door bekwaam onderhoudspersoneel uitgevoerd worden. Onjuiste plaatsing kan ernstige letsels en/of schade aan eigendommen tot gevolg hebben. Het ophangen vergt veel ervaring. U behoort de grenzen te respecteren aan de werklust; erkende installeringmaterialen moeten worden gebruikt; de veiligheid van het geïnstalleerde toestel moet regelmatig worden gecontroleerd.
- Overtuig U ervan dat het gebied onder installatieplaats vrij is van ongewenste personen tijdens het plaatsen, het weghalen en het onderhoud.
- Het toestel moet worden geïnstalleerd buiten het bereik van iedereen en weg van plaatsen waar men mag lopen en zitten.
- Alvorens tot plaatsen over te gaan, moet men controleren dat de minimum puntbelasting van de installatieplaats 10 keer het gewicht van het toestel bedraagt.
- Gebruik bij het installeren van het toestel altijd een gewaarmerkte veiligheidskabel die 12 keer het gewicht van het toestel kan dragen. Deze bijkomende veiligheidsbevestiging moet worden aangebracht dat geen deel van het toestel meer dan 20 cm vallen kan als de hoofdveiliging faalt.
- Het apparaat moet goed worden vastgezet; aan een vrij zwaaiende montage mag zelfs niet gedacht worden.
- Bedek geen ventilatieopeningen, anders zou dit oververhitting tot gevolg kunnen hebben.
- De gebruiker moet er zich van verzekeren dat de installaties met betrekking tot de veiligheid en de technische mechaniek door een expert zijn goedgekeurd alvorens ze voor de eerste keer te gebruiken. Elk jaar moeten de installaties worden gekeurd door een vakman om te controleren of de veiligheid nog steeds perfect is.

BEDIENINGSVOORSCHRIFTEN



GEVAAR VOOR OOGLETSLS: bij de installatie er altijd voor zorgen dat het publiek nooit rechtstreeks in de laserstralen kan kijken. Bij de installatie moet men ervoor zorgen dat de laserstralen niet rechtstreeks op het publiek gericht worden.

ONDERHOUD

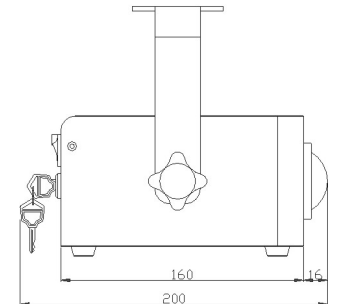
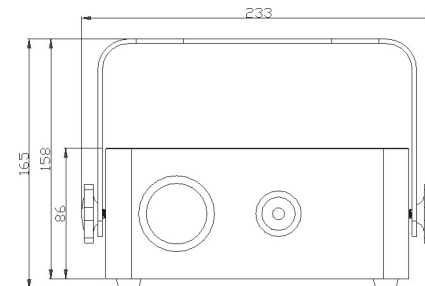
- Overtuig U ervan dat het gebied onder de installatieplaats vrij is van ongewenste personen tijdens het onderhoud.
- **Bij inspectie moeten de volgende punten worden gecontroleerd.**
- Alle schroeven gebruikt om het te toestel te installeren en al zijn onderdelen moeten goed vastgedraaid zijn en mogen niet verroest zijn.
- Behuizingen, vastzetstukken, installeringplaatsen (plafond, spanten, schokbrekers) mogen absoluut niet verwrongen zijn.
- Wanneer een optische lens klaarblijkelijk beschadigd is door barsten of diepe krassen, dan moet deze vervangen worden.
- De stroomkabels moeten in perfecte staat zijn en behoren vervangen te worden, wanneer er zelfs maar een klein probleem ontdekt werd.

- Om het toestel tegen oververhitting te beschermen, behoren de ventilatoren (als die er zijn) en de ventilatieopeningen elke maand gereinigd te worden.
- De binnenkant van het toestel behoort elk jaar gereinigd te worden met een stofzuiger of een luchtspuit.
- Het schoonmaken van inwendige en uitwendige optische lenzen en/of spiegels moet regelmatig worden uitgevoerd om een zo goed mogelijke lichtuitstraling te verkrijgen. Hoe vaak ze schoon moeten worden gemaakt hangt af van de omgeving waar het toestel wordt gebruikt: een klamme, rokerige of bijzonder vuile omgeving kan een grotere opeenhoping van vuil veroorzaken op de optische uitrusting.
 - Reinig met een zachte doek en gebruik normale glasreinigende producten.
 - Droog de onderdelen altijd zorgvuldig af,
 - Reinig de uitwendige optische uitrusting minstens één keer per maand.
 - Reinig de inwendige optische uitrusting minstens om de 3 maanden.

Let op: We bevelen sterk aan dat het schoonmaken van de binnenkant wordt uitgevoerd door vakbekwaam personeel!!

TECHNISCHE KENMERKEN

Netvoeding:	AC/DC Adapter 230Vac → 5V / 2A
Stroomverbruik:	8 Watt
Laser vermogen:	30mW groene CW laser (λ = 532nm) 80mW rode CW laser (λ = 650nm)
Laser klasse:	3B
Laser Safety Standaard:	EN60825-1:1994 + A1:2002 + A2:2002 + COTT
LED vermogen:	1W (blauw)
Gewicht:	1,6 kg



Elke inlichting kan veranderen zonder waarschuwing vooraf

U kan de laatste versie van deze handleiding downloaden via Onze website: www.beglec.com

BEDIENUNGSANLEITUNG

Vielen Dank, dass Sie sich für den Erwerb dieses JBSystems®-Produkt entschieden haben. Bitte lesen Sie diese Bedienungsanleitung sorgfältig vor der Inbetriebnahme durch, zur vollen Ausschöpfung der Möglichkeiten, die dieses Gerät bietet, sowie zu Ihrer eigenen Sicherheit.

EIGENSCHAFTEN

Das Gerät ist funktentstört und erfüllt die Anforderungen der europäischen und nationalen Bestimmungen. Entsprechende Dokumentation liegt beim Hersteller vor.

- Das Gerät ist zur Erzeugung von dekorativem Licht sowie zur Verwendung in Lightshows bestimmt.
- Das Beste aus zwei Welten: dieser fantastische Effekt setzt einen 30mW grünen Laser + 80mW roten Laser kombiniert mit einem schönen Water Wave LED Projektor (Wasserprojektor) ein.
- Durch eine spezielle Rasterungstechnologie werden die Strahlen in eine große Anzahl einzelner Laserstrahlen aufgeteilt, die in alle Richtungen zeigen und so einen verblüffenden, raumfüllenden Effekt erzeugen.
- Plug & Play (Anschließen und Abspielen): keine teuren Steuergeräte (Controllern) erforderlich!
- Getrennte Drehsteuerungen für Laser und LED Projektor.
- Strobe-Steuerung für jeden Laser + Dimmer für den LED-Projektor.
- Ideal für Projektionen auf Wänden und Decken in Bars, Clubs, Diskotheken, Hotels, usw.
- Schlüsselbetätigter An/Aus-Schalter für mehr Sicherheit
- Erfüllt die EN/IEC 60825-1 für Lasersicherheit

VOR DER ERSTBENUTZUNG

- Vor der Erstbenutzung bitte das Gerät zuerst auf Transportschäden überprüfen. Sollte das Gerät einen Schaden aufweisen, Gerät bitte nicht benutzen, sondern setzen Sie sich unverzüglich mit Ihrem Händler in Verbindung.
- **Wichtiger Hinweis:** Das Gerät hat das Werk unbeschädigt und gut verpackt verlassen. Es ist wichtig, dass der Benutzer sich streng an die Sicherheitshinweise und Warnungen in der Bedienungsanleitung hält. Schäden durch unsachgemäße Handhabung sind von der Garantie ausgeschlossen. Der Händler übernimmt keine Verantwortung für Schäden, die durch Nichtbeachtung der Bedienungsanleitung hervorgerufen wurden.
- Die Bedienungsanleitung zum zukünftigen Nachschlagen bitte aufbewahren. Bei Verkauf oder sonstiger Weitergabe des Geräts bitte Bedienungsanleitung beifügen.

Packungsinhalt prüfen:

Bitte überprüfen Sie, dass die Packung folgende Einzelteile enthält:

- Bedienungsanleitung
- Lounge Laser Gerät
- 2 Schlüssel für der Schlüsselschalter
- AC/DC Netzteil

SICHERHEITSHINWEISE



ACHTUNG: Um sich nicht der Gefahr eines elektrischen Schlags auszusetzen, entfernen Sie keines der Gehäuseteile. Im Geräteinneren befinden sich keine vom Benutzer reparierbaren Teile. Überlassen Sie Reparaturen dem qualifizierten Kundendienst.



Das Blitzsymbol im Dreieck weist den Benutzer darauf hin, dass eine Berührung Gefahr nicht isolierten Teilen im Geräteinneren, die eine gefährliche Spannung führen, besteht. Die Spannung ist so hoch, dass hier die Gefahr eines elektrischen Schlags besteht.



Das Ausrufezeichen im Dreieck weist den Benutzer auf wichtige Bedienungs- und Wartungshinweise in den Dokumenten hin, die dem Gerät beiliegen.



Dieses Symbol bedeutet: Nur innerhalb von Räumen verwenden.



Dieses Symbol bedeutet: Achtung! Bedienungsanleitung lesen!



Dieses Symbol bedeutet: Klasse II Klassifizierung



Dieses Symbol gibt an: der minimale Abstand von beleuchteten Gegenständen. Der minimale Abstand zwischen Projektor und dem belichteten Gegenstand muss mehr als 1 Meter betragen.

- Aus Umweltschutzgründen Verpackung bitte wiederverwenden oder richtig trennen.
- Zur Vermeidung von Stromschlag oder Feuer, Gerät bitte nicht Regen oder Feuchtigkeit aussetzen.
- Zur Vermeidung von Kondensation im Inneren des Geräts bitte nach dem Transport in eine warme Umgebung einige Zeit zum Temperatenausgleich ausgeschaltet stehen lassen. Kondensation kann zu Leistungsverlust des Geräts oder gar Beschädigung führen.
- Gerät nicht im Freien und in feuchten Räumen und Umgebungen verwenden.
- Keine Metallgegenstände oder Flüssigkeiten ins Innere des Geräts gelangen lassen, Kurzschluss oder Fehlfunktion können die Folge sein. Falls es doch einmal vorkommen sollte, bitte sofort Netzstecker ziehen und vom Stromkreis trennen.
- Ventilationsöffnungen nicht abdecken, da Überhitzungsgefahr!
- Nicht in staubiger Umgebung verwenden und regelmäßig reinigen.
- Für Kinder unerreichbar aufbewahren.
- Unerfahrene Personen sollen das Gerät nicht bedienen.
- Umgebungstemperatur darf 40°C nicht überschreiten.
- Sicherstellen, dass sich während des Auf- und Abbaus keine unbefugten Personen unterhalb des Geräts befinden.
- Stets Netzstecker ziehen, wenn Gerät für längeren Zeitraum nicht genutzt oder es gewartet wird.
- Elektrische Anschlüsse nur durch qualifiziertes Fachpersonal überprüfen lassen.
- Sicherstellen, dass Netzspannung mit Geräteaufkleber übereinstimmt.
- Gerät nicht mit beschädigtem Netzkabel betreiben. Ist die Zugangsleitung beschädigt, muss diese durch den Hersteller, seinen Vertrieb oder durch eine qualifizierte Person ersetzt werden.
- Netzkabel nicht mit anderen Kabeln in Berührung kommen lassen!
- Um eine Gefahr zu vermeiden, soll das Gerät nur mit dem mitgelieferten Adapter benutzt werden. Ist der Adapter beschädigt, darf nur durch einen gleichen Adapter ersetzt werden.
- Ausschließlich vorschriftsmäßige Kabel zur Installation verwenden.
- Gerät nicht öffnen. Abgesehen vom der Sicherung sind keine zu wartenden Bauteile im Gerät enthalten.
- Sicherung niemals reparieren oder überbrücken, sondern immer durch gleichartige Sicherung ersetzen!
- Bei Fehlfunktion Gerät nicht benutzen und sich mit Händler in Verbindung setzen.
- Bei sichtbaren Beschädigungen müssen Gehäuse und Optik ersetzt werden.
- Bei Transport bitte Originalverpackung verwenden, um Schäden am Gerät zu vermeiden.
- Aus Sicherheitsgründen dürfen an dem Gerät keine unbefugten Veränderungen vorgenommen werden.

Wichtiger Hinweis: Nicht direkt in die Lichtquelle blicken! Gerät nicht verwenden, wenn sich Personen im Raum befinden, die unter Epilepsie leiden.

LASER SICHERHEITS HINWEISE:

- Nach der Klassifizierung auf Grundlage der Sicherheitsnorm EN 60825-1:1994 + A1:2002 + A2:2002 fällt dieser Laser unter die Laserklasse 3B. Bei Lasern dieser Klasse kann ein direkter Blick in den Strahl gefährlich sein.



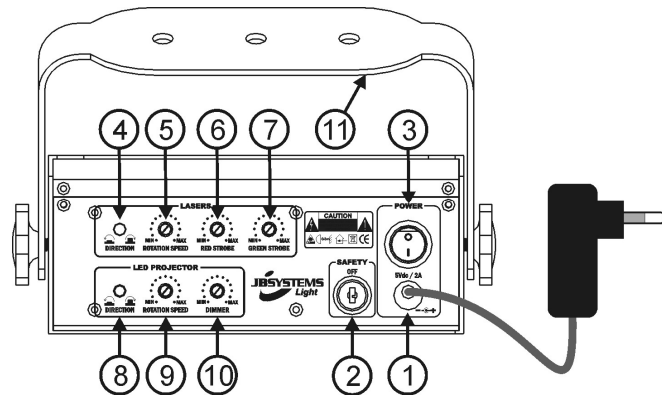
GEFAHR DURCH LASERSTRAHLUNG!
Direkte Bestrahlung der Augen vermeiden!
Laserstrahlung kann zu Augen- und/oder Hautverletzungen führen.
Alle Schutzmaßnahmen für den sicheren Betrieb dieses Lasers müssen unbedingt eingehalten werden!



- Beim vorliegenden Produkt handelt es sich um einen betriebsfertigen Showlaser, dessen sichtbare Strahlung im Wellenlängenbereich von 400 bis 700 nm liegt, und der Lichteffekte für Unterhaltung etc. erzeugt.
- Durch die Bauweise des vorliegenden Lasers wird der Strahl so schnell bewegt, dass er das Auge nur sehr kurzzeitig treffen kann. Dadurch gilt der Einsatz dieses Lasers für die Laser-Light-Show laut BG-Merkblatt "Discolaser" als ungefährlich.
- Laserstrahl niemals auf Personen oder Tiere ausrichten.
- Das Gerät darf niemals unbeaufsichtigt betrieben werden!
- Dieser Laser darf nur für Vorführzwecke eingesetzt werden. Der Betrieb eines Showlaser der Klasse 3B ist nur dann zugelassen, wenn der Laserbetrieb von einem erfahrenen und gut ausgebildeten Bediener gesteuert und überwacht wird.
- Beim Betreiben einer Laser-Einrichtung lässt sich je nach Laserklassifizierung eine Laserstrahlung erzeugen, die zu irreparablen Augen- und/oder Hautschäden führen kann. Die Sicherheitshinweise für den Gebrauch von Laser Produkten können von Land zu Land verschieden sein. Der Benutzer muss sich selbst über die Sicherheitshinweise in seinem Land informieren.

JB SYSTEMS haftet nicht für Schäden, die durch unsachgemäße Installation und nicht bestimmungsgemäßen Betrieb verursacht werden!

BESCHREIBUNG



1. **GLEICHSTROM (DC) EINGANG:** Schließen Sie das mitgelieferte AC/DC-Netzteil an diesen Eingang an
2. **SCHLÜSSELBETÄTIGTER SCHALTER:** Wird verwendet um den Laser-Ausgang an bzw. aus zu schalten. Verwenden sie die Schlüssel um sicherzustellen das nur gewünschte Personen das Gerät einschalten.
3. **AN/AUS SCHALTER:** Wird verwendet um das Gerät an bzw. aus zu schalten.
4. **LASER-DREH-SCHALTER:** zur Drehumkehrung des Lasereffekts
5. **LASER-DREHGESCHWINDIGKEIT-KNOPF:** zur Einstellung der Drehgeschwindigkeit des Lasereffekts
6. **ROTER STROBE:** zum Anpassen der Blinkzeit des roten Lasers
7. **GRÜNER STROBE:** zum Anpassen der Blinkzeit des grünen Lasers
8. **LED EFFEKT-DREH-SCHALTER:** zur Drehumkehrung des LED-Effekts
9. **LED-EFFEKT-DREHGESCHWINDIGKEIT-KNOPF:** zur Einstellung der Drehgeschwindigkeit des LED-Effekts
10. **DIMMER:** zum Anpassen des Abblendniveaus des LED-Effekts
11. **HALTER:** Mit zwei Schrauben auf jeder Seite und einem Montierloch um das Gerät in einer Montagevorrichtung zu bringen.

ÜBERKOPF-MONTAGE

- **Wichtig:** Montage ausschließlich durch qualifiziertes Fachpersonal durchführen lassen. Unvorschriftsmäßiger Einbau kann erhebliche Verletzungen und/oder Schäden verursachen. Überkopf-Montage verlangt entsprechende Erfahrung! Belastungsgrenzen müssen beachtet werden, geeignetes Installationsmaterial muss verwendet werden und das installierte Gerät muss in regelmäßigen Abständen überprüft werden.
- Sicherstellen, dass sich keine unbefugten Personen unterhalb des Geräts befinden, während es installiert oder gewartet wird.
- Gerät außerhalb der Reichweite von Personen und nicht in niedrigen Durchgängen oder in der Nähe von Sitzgelegenheiten installieren.
- Vor Montage sicherstellen, dass die gewählte Position wenigstens das 10-fache Gerätegewicht aufnehmen kann.
- Zur Aufhängung stets geeignetes Befestigungsmaterial verwenden, das das 12-fache Gerätegewicht aushalten kann. Eine zweite Sicherungsaufhängung muss angebracht werden, die ein Absacken des Geräts von mehr als 20 cm verhindert, sollte die Befestigung brechen.
- Gerät gut befestigen. Eine freischwingende Aufhängung ist gefährlich und sollte auf gar keinen Fall in Betracht gezogen werden!
- Ventilationsöffnungen nicht abdecken, da Überhitzungsgefahr!
- Betreiber muss sicherstellen, dass die sicherheitsrelevanten und technischen Installationen vor Erstbetrieb fachmännisch vorgenommen worden sind.
- Installationen sollten jährlich durch qualifiziertes Fachpersonal inspiziert werden, um jederzeit einen sicheren Betrieb zu gewährleisten.

BEDIENUNGSANLEITUNG



ACHTUNG AUGENSCHADEN: Positionieren Sie den Laser immer so, das niemand direkt in den Laserstrahl blicken kann. Die Installation ist so zu wählen das der Laser Strahl nicht direkt ins Publikum strahlt !

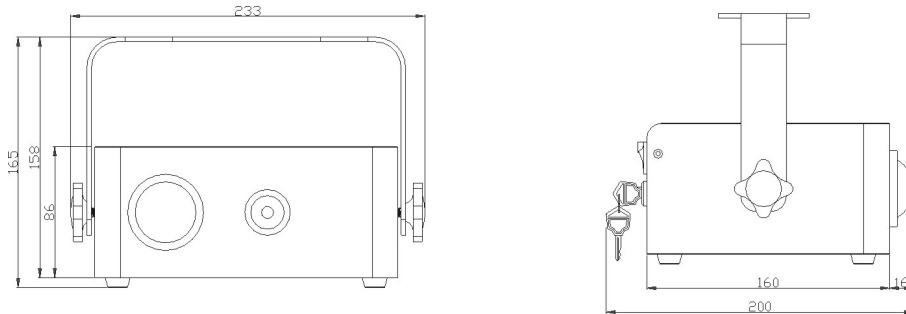
WARTUNG UND INSTANDHALTUNG

- Sicherstellen, dass sich keine unbefugten Personen unterhalb des Geräts befinden, während es gewartet wird.
- Gerät ausschalten, Netzstecker ziehen und warten, bis es sich abgekühlt hat.
- **Während der Wartung sind folgende Punkte ganz besonders zu beachten:**
- Sämtliche Schrauben zur Installation und Befestigung jeglicher Teile müssen fest angezogen und rostfrei sein.
- Gehäuse, Befestigungsmaterialien und Aufhängungen (Decke, Balken, abgehängte Decken) dürfen keine Anzeichen von Verformung aufweisen.
- Ist die Optik sichtbar beschädigt (Sprünge oder tiefe Kratzer), dann müssen die entsprechenden Teile ausgewechselt werden.
- Netzkabel muss stets in einwandfreiem Zustand sein und selbst bei kleinsten Beschädigungen erneuert werden.
- Zur Vermeidung von Überhitzung müssen die Ventilatoren (sofern vorhanden) und Lüftungsschlitze monatlich gereinigt werden.
- Gerät innen mindestens einmal pro Jahr mit Staubsauger oder Airjet reinigen.
- Reinigung der inneren und äußeren optischen Linsen und/oder Spiegel müssen in regelmäßigen Abständen zur Beibehaltung einer optimalen Lichtausbeute vorgenommen werden. Reinigungsintervalle hängen stark von der Umgebung ab: feuchte, verrauchte und besonders verschmutzte Umgebung führen zu größerer Verschmutzung auf den Linsen.
 - Mit weichem Tuch und gewöhnlichem Glasreiniger säubern.
 - Alle Teile stets gut abtrocknen.
 - Äußere Optik mindestens alle 30 Tage säubern.
 - Innere Optik mindestens alle 90 Tage säubern.

Achtung: Wir empfehlen dringend, Reinigung im Innern des Geräts nur von qualifiziertem Personal durchführen zu lassen!

TECHNISCHE EINZELHEITEN

Netzspannung:	AC/DC Adapter 230Vac → 5V / 2A
Leistungsaufnahme:	8 W
Laser Leistung:	30mW Grün CW Laser (Wellenlänge = 532nm) 80mW Rot CW Laser (Wellenlänge = 650nm)
Laser Klasse:	3B
Laser Sicherheits Standard:	EN60825-1:1994 + A1:2002 + A2:2002 + COTT
Led Leistung:	1W (blau)
Gewicht:	1,6kg



Technische Änderungen können auch ohne Vorankündigung vorgenommen werden!
Sie können sich die neueste Version dieses Benutzerhandbuches von unserer Website herunterladen: www.beglec.com

MANUAL DE INSTRUCCIONES

Gracias por la compra de este producto JB Systems®. Para sacar todo el rendimiento de las posibilidades de este aparato y por su propia seguridad, por favor lea este manual de instrucciones con mucho cuidado antes de utilizar esta unidad.

CARACTERÍSTICAS

Esta unidad no interfiere con señales de radio. Este producto cumple las exigencias de las directrices actuales Europeas y nacionales. Se ha establecido conformidad y las declaraciones y documentos relevantes se han depositado por el fabricante.

- Este aparato ha sido diseñado para producir efecto de iluminación decorativa y se usa en sistemas de iluminación de espectáculos.
- Este efecto fantástico utiliza un laser verde de 30mW + un laser rojo de 80mW combinados con un proyector water wave de LED.
- Mediante una tecnología de división especial los rayos se dividen en gran cantidad de rayos láser que apuntan en todas direcciones para crear un impresionante efecto que llena la sala.
- Enchufar y listo: ¡sin controladores caros!
- Control de rotación separado para láseres y proyector de LED.
- Interruptor on/off activado con llave para mas seguridad
- Perfecto para proyecciones sobre paredes y techos en bares, clubs, discotecas, hoteles, etc.
- Control estroboscópico para cada laser + dimmer para el proyector de LED
- Cumple con EN/IEC 60825-1 de seguridad láser

ANTES DEL USO

- Antes de utilizar esta unidad, por favor compruebe que no hay daños causados por el transporte. En caso contrario, no utilice este aparato y consulte a su vendedor.
- **Importante:** Este aparato salio de la empresa en perfecto estado y bien empaquetado. Es absolutamente necesario por parte del usuario seguir estrictamente las instrucciones de seguridad y advertencias de este manual. Cualquier daño causado por manejo inadecuado no estará sujeto a la garantía. El vendedor no aceptará responsabilidad por ningunos defectos o problemas que resulten de ignorar este manual del usuario.
- Mantenga este folleto en un lugar seguro para consultas futuras. Si vende esta instalación, asegúrese de añadir este manual de usuario.
- Para proteger el medio ambiente, por favor intente reciclar el material de empaquetado tanto como sea posible.

Compruebe el contenido:

Compruebe que la caja contiene los siguientes ítems:

- Instrucciones de manejo
- Unidad Lounge Laser
- 2 llaves (por el interruptor con llave)
- Adaptador CA/CC

INSTRUCCIONES DE SEGURIDAD:



CAUTION
RISK OF ELECTRIC SHOCK
DO NOT OPEN



PRECAUCIÓN: Para reducir el riesgo de electrocución, no quite la cubierta superior. Ninguna pieza usable adentro para el utilizador. Dirijase unicamente a personal cualificado.



El simbolo de un rayo en el interior de un triangulo alerta sobre la presencia o el uso de elementos no aislados donde un voltaje peligroso constituye un riesgo grande para causar una eventual electrocución.



El punto de exclamación en el interior de un triángulo alerta al usuario sobre la presencia de importantes instrucciones de operación y de mantenimiento tenidas en cuenta en el manual de uso.



Este símbolo significa : uso para el interior solamente.



Este símbolo significa : Lea las instrucciones.



Este símbolo significa: Aplicaciones de la clase II



Este símbolo se determina: la distancia mínima de objetos iluminado. La distancia mínima entre el proyector y el objeto iluminado debe ser más de 1 metro.

- Afin de evitar todo riesgo de incendio o electrocución, no exponer el aparato a la lluvia o ambiente húmedo.
- Para evitar fuego o riesgos de descargas no exponga este aparato a la lluvia o humedad.
- Para evitar que se forme condensación en el interior, permita que la unidad se adapte a las temperaturas circundantes cuando la lleve a una habitación cálida después de transporte. Condensación algunas veces impide que la unidad funcione a rendimiento pleno o puede incluso causar daños.
- Esta unidad es sólo para uso interior.
- No coloque objetos metálicos o derrame líquidos dentro de la unidad. Podría resultar descarga eléctrica o mal funcionamiento. Si un objeto extraño entrara en la unidad, desconecte inmediatamente la fuente de alimentación.
- No cubra ninguna apertura de ventilación ya que esto podría resultar en sobrecalentamiento.
- Evite su uso en ambientes polvorientos y limpie la unidad regularmente.
- Mantenga la unidad alejada de los niños.
- Personas sin experiencia no deberían manejar este aparato.
- La temperatura máxima de ambiente es 40°C. No use esta unidad a temperaturas más elevadas.
- Asegúrese de que el área por debajo del sitio de instalación está libre de personas ajenas durante el montaje, desmontaje y reparación.
- Siempre desenchufe la unidad cuando no la use por un periodo de tiempo largo o antes comenzar una reparación.
- La instalación eléctrica debería ser llevada a cabo sólo por personal cualificado, acorde a las regulaciones para seguridad eléctrica y mecánica de su país.
- Compruebe que el voltaje disponible no es superior al que aparece en el panel trasero de la unidad.
- El cable de alimentación debería estar siempre en perfectas condiciones: apague el aparato inmediatamente cuando el cable de alimentación esté roto o dañado. Debe ser substituido por el fabricante, su servicio técnico o otra persona cualificada.
- ¡Nunca deje el cable de alimentación entrar en contacto con otros cables!
- Para evitar todo peligro, el aparato debe conectarse a la red mediante el adaptador proporcionado . Si se daña este adaptador de corriente se subsistiera únicamente por otro similar.
- Siempre use un cable de seguridad apropiado y certificado cuando instale la unidad.
- Para prevenir descargas eléctricas, no abra la tapa. No hay partes que puedan ser reparadas por el usuario en su interior.
- **Nunca** repare un fusible o haga un bypass al fusible. **¡Siempre** sustituya el fusible dañado por un fusible del mismo tipo y especificaciones eléctricas!
- En el caso de problemas serios de manejo, deje de usar la instalación y contacte con su vendedor inmediatamente.
- La carcasa y las lentes deben ser cambiadas si hay daño visible.
- Por favor, use el empaquetado original cuando el aparato deba ser transportado.
- Debido a motivos de seguridad está prohibido hacer modificaciones sin autorizar a la unidad.

Importante: ¡Nunca mire directamente a la fuente de luz! No use el efecto en presencia de personas que sufran de epilepsia.

INSTRUCCIONES DE SEGURIDAD LÁSER:

Segun la norma EN 60825-1:1994 + A1:2002 + A2:2002, este aparato de láser corresponde a la categoría 3B. Mirar directamente en el rayo de aparatos láser de esta categoría puede ser peligroso.



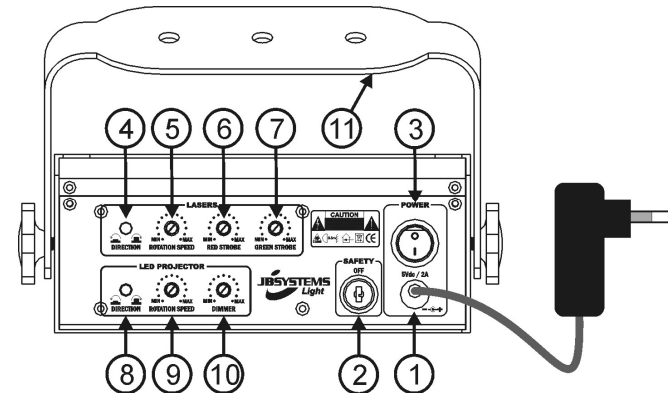
ATENCIÓN RADIACIÓN LÁSER
Evitar una irradiación directa de los ojos. Radiación láser puede causar daños de los ojos o/y de la piel. Todas las provisiones protectoras para una operación segura de este láser deben ser respetados!



- Este producto es un showlaser listo para el uso que emite radiación visible entre 400 y 700 nm y que puede ser utilizado para shows etc.
- Debido a la construcción de este láser, el rayo mueve con una velocidad tan grande que sólo puede alcanzar el ojo muy cortamente. Por eso, la utilización de este láser puede ser clasificado como no peligroso.
- Nunca orientar el rayo láser en personas u animales. Nunca operar el aparato sin observación.
- Este láser debe sólo ser utilizado para producir lasershows. Utilizar un showlaser de la categoría 3B es sólo admitido cuando la operación está controlado y observado por un operador cualificado y educado.
- Según su categoría, la utilización de un laser puede producir radiaciones que dañan definitivamente los ojos y/o la piel. Las leyes sobre el uso de un producto laser cambian de un país a otro. El usuario tiene que informarse y aplicar las legislaciones y medidas de seguridad en vigor dentro de su país.

JB SYSTEMS no es responsable para daños causados por instalaciones con falta de objetividad y operación y manejo de modo diferente.

DESCRIPCION:



1. **ENTRADA DE CC:** conecte el adaptador de CA/CC a esta entrada
2. **INTERRUPTOR ACTIVADO CON LLAVE :** Se utiliza para encender y apagar la salida de láser. Use las llaves para asegurarse de que sólo un operario capacitado pueda encender el láser.
3. **INTERRUPTOR DE ALIMENTACIÓN:** Se utiliza para encender/apagar la unidad.
4. **INTERRUPTOR ROTACIÓN LASER:** para invertir la rotación del efecto de láser
5. **BOTÓN PARA ROTACIÓN DE VELOCIDAD DEL LASER:** para cambiar la velocidad de rotación del láser
6. **ESTROBO ROJO:** utilizado para el ajuste de la frecuencia de los destellos del láser rojo
7. **ESTROBO VERDE:** utilizado para el ajuste de la frecuencia de los destellos del láser verde
8. **INTERRUPTOR ROTACIÓN DEL EFECTO LED :** para invertir la rotación del efecto LED
9. **BOTÓN ROTACIÓN DE LA VELOCIDAD DEL EFECTO LED:** para ajustar la velocidad de rotación del efecto LED
10. **DIMMER:** para ajustar la dimerización del efecto LED
11. **SOPORTE PARA COLGAR:** con 2 rocas a ambos lados para fijar la unidad y un agujero de montaje para ajustar un gancho de montaje

APAREJADO SUPERIOR

- **Importante:** La instalación debe ser llevada a cabo sólo por personal cualificado. Una instalación impropia podría resultar en serias heridas y/o daño a la propiedad. ¡El aparejado superior requiere una larga experiencia! Los límites de las cargas de trabajo deben respetarse, materiales certificados de instalación deben ser usados, el aparato instalado debería ser inspeccionado regularmente por seguridad.
- Asegúrese de que el área por debajo del sitio de instalación está libre de personas ajenas durante el montaje, desmontaje y reparación.
- El aparato debería ser instalado fuera del alcance de la gente y fuera de áreas donde personas puedan caminar o sentarse.
- Antes del aparejado asegúrese de que el área de instalación puede soportar un mínimo punto de carga de 10 veces el peso del aparato.
- Siempre use un cable de seguridad certificado que pueda sostener 12 veces el peso del aparato. Este añadido secundario de seguridad debería ser instalado de una forma que no hubiera parte de la instalación que pudiera caer más de 20cm si el añadido principal falla.
- El aparato debe ser bien fijado, ¡un montaje que se mueva con libertad es peligroso y no debe considerarse!
- No cubra ninguna apertura de ventilación ya que esto podría resultar en sobrecalentamiento.
- El operador tiene que asegurarse de que las instalaciones relativas a seguridad, maquinaria y técnica están aprobadas por un experto antes de usarlas la primera vez. Las instalaciones deberían ser inspeccionadas cada año por una persona con conocimientos para asegurar que la seguridad es todavía óptima.

INSTRUCCIONES DE USO



PRUDENCIA, DAÑA LOS OJOS : Colocar siempre el laser de forma que el publico no pueda mirar directamente el rayo laser. Asegurese que el rayo no « toque » al publico.

MANTENIMIENTO

- Asegúrese de que el área por debajo del por debajo del sitio de instalación está libre de personas ajenas durante la reparación.
- Apague la unidad, desconecte el cable principal y espere hasta que la unidad se haya enfriado.
- **Durante la inspección los siguientes puntos deben ser comprobados:**
- Todos los tornillos usados para la instalación del aparato y cualquiera de sus partes deben ser apretados fuertemente y no pueden estar corroidos.
- Carcasas, fijaciones y puntos de instalación (techos, armaduras, suspensiones) deberán estar totalmente libres de ninguna deformación.
- Cuando una lente óptica esté visiblemente dañada debido a golpes o rayados profundos, debe ser cambiada.
- Los cables principales deben estar en una condición impecable y deben ser cambiados de inmediato cuando incluso un pequeño problema se detecte.
- En orden de proteger al aparato de sobrecalentamiento, los ventiladores de enfriamiento (caso de haberlos) y las aperturas de ventilación deberían ser limpiados mensualmente.
- El interior del aparato debería ser limpiado anualmente usando una aspiradora o máquina de aire.
- La limpieza de lentes y/o espejos internos y externos debe ser llevada a cabo periódicamente para optimizar la salida de luz. La frecuencia de limpieza depende del ambiente en el cual la instalación está funcionando: húmedo, con humo o con alrededores particularmente sucios puede causar una mayor acumulación de polvo en las ópticas de la unidad.
 - Limpie con un trapo suave usando productos limpiadores normales de cristal.
 - Seque siempre las partes cuidadosamente.
 - Limpie las ópticas externas al menos una vez cada 30 días.
 - Limpie las ópticas internas al menos casa 90 días.

Atención: ¡Recomendamos con insistencia que la limpieza interna sea llevada a cabo por personal cualificado!

ESPECIFICACIONES

Alimentación:

Consumo de energía:

Potencia del laser:

Adaptador AC/DC 230Vac → 5V / 2A

8 Vatio

CW Laser 30mW Verde ($\lambda = 532\text{nm}$)

CW Laser 80mW Verde ($\lambda = 650\text{nm}$)

3B

Clase de laser:

Norma de seguridad Laser:

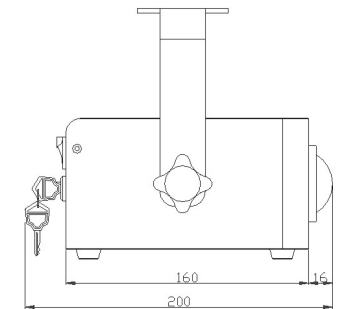
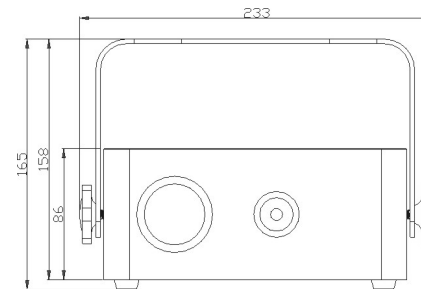
Potencia del led:

Peso:

EN60825-1:1994 + A1:2002 + A2:2002 + COTT

1W (azul)

1,6kg



Toda la información está sujeta a cambios sin previo aviso

Puede descargar la última versión de este manual de usuario en nuestro sitio web: www.beglec.com

MANUAL DO UTILIZADOR

Obrigado por ter adquirido este produto da JB Systems®. De modo a tirar total proveito das possibilidades deste produto, por favor leia este manual com atenção.

CARACTERÍSTICAS

Esta unidade está protegida contra interferências rádio. Este produto cumpre as exigências impostas pelas presentes directivas nacionais e europeias. A conformidade deste produto foi comprovada e as declarações e documentos relevantes foram efectuados pelo fabricante.

- Esta unidade destina-se a produzir efeitos luminosos decorativos e é utilizada em sistemas de espectáculos de luz.
- O melhor de dois mundos: este efeito fantástico utiliza um laser verde de 30mW + um laser vermelho de 80mW em combinação com um projector LED de efeito de água.
- Usando uma tecnologia especial os feixes são separados em muitos feixes apontando em todas as direcções para criar um efeito incrível que enche o espaço.
- Ligar & usar: sem necessidade de controladores caros!
- Controlos separados da rotação dos lasers e do projector LED.
- Controlo de strobe para cada laser + controlo de intensidade para o projector LED.
- Perfeito para projecção em paredes e tectos de bares, clubes, discotecas, hotéis, etc
- Interruptor activado por chave para segurança adicional
- Em conformidade com a norma EN/IEC 60825-1 para segurança laser

ANTES DE UTILIZAR

- Antes de utilizar esta unidade verifique se existem danos provocados durante o transporte. Caso existam danos aparentes, não utilize a unidade e contacte o seu revendedor.
- **Importante:** Esta unidade deixou a nossa fábrica em perfeitas condições e devidamente embalada. É imprescindível que o utilizador siga as instruções de segurança e avisos descritos neste manual. Quaisquer danos provocados por utilização incorrecta não serão cobertos pela garantia. O revendedor não será responsável por quaisquer danos ou problemas causados pelo incumprimento das instruções deste manual.
- Guarde este manual num local seguro para consulta futura. Caso venda esta unidade, forneça este manual.

Verifique o conteúdo:

Certifique-se que a caixa contém os seguintes artigos:

- Manual do utilizador
- Unidade Lounge Laser
- 2 chaves (para interruptor activado por chave)
- Adaptador AC/DC

INSTRUÇÕES DE SEGURANÇA:



CAUTION

RISK OF ELECTRIC SHOCK
DO NOT OPEN



ATENÇÃO: De forma a evitar o risco de choque eléctrico, não remova peças da unidade. Não tente fazer reparações. Contacte pessoal qualificado



O símbolo composto por um triângulo equilátero com um relâmpago no interior alerta para a presença de voltagem perigosa não isolada no interior do produto que poderá constituir risco de choque eléctrico.



O símbolo composto por um triângulo equilátero com um ponto de exclamação alerta o utilizador para a presença de instruções importantes de utilização e manutenção do produto.



Este símbolo significa: utilização unicamente em espaços fechados



Este símbolo significa: Leia instruções



Este símbolo significa: Aparelho Classe II



Este símbolo determina: a distância mínima dos objetos iluminados. A distância mínima entre o projetor e o objeto iluminado deve ser mais de 1 medidor

- Proteja o ambiente. Recicle o material desta embalagem.
- De modo a evitar risco de fogo ou choque eléctrico, não exponha este produto a chuva ou humidade.
- De forma a evitar a formação de condensação no interior da unidade, ao transportá-la para ambiente quente aguarde algum tempo de modo a que haja uma ambientação à temperatura. A condensação poderá afectar o desempenho da unidade ou até danificá-la.
- Esta unidade destina-se unicamente a utilização em espaços fechados.
- Não introduza objectos de metal nem verta líquidos no interior do produto, correrá risco de choque eléctrico ou poderá danificar o produto. Caso algum objecto estranho entre em contacto com o interior da unidade, desligue-a de imediato da corrente.
- Não cubra os orifícios de ventilação ou a unidade poderá sobreaquecer.
- Evite locais com poeiras. Limpe a unidade regularmente.
- Mantenha esta unidade fora do alcance das crianças.
- Esta unidade deverá ser operada unicamente por pessoas experientes.
- Temperatura ambiente de funcionamento máxima é de 40°C. Não utilize esta unidade a temperaturas ambientes mais elevadas.
- Certifique-se de que não irão passar pessoas sob a área de instalação da unidade durante a instalação e manutenção.
- Desligue sempre a unidade da corrente quando não a utilizar durante longos períodos de tempo ou antes de de efectuar manutenção.
- A instalação eléctrica deve ser efectuada unicamente por pessoal qualificado, cumprindo os regulamentos de segurança em instalações eléctricas e mecânicas do seu país.
- Certifique-se que a voltagem a utilizar não é superior à voltagem indicada no painel traseiro da unidade.
- O cabo de alimentação deverá estar sempre em perfeitas condições. Desligue a unidade e substitua imediatamente o cabo caso este apresente algum dano. Deverá ser substituído pelo fabricante, pelo agente autorizado ou pessoal qualificado de modo a evitar um acidente.
- Nunca permita que este cabo entre em contacto com outros cabos!
- De modo a evitar um acidente, a unidade deverá ser usada apenas com o adaptador AC fornecido com ela. Se o adaptador estiver danificado, apenas poderá ser usado outro adaptador do mesmo modelo.
- Utilize sempre um cabo de segurança aprovado ao instalar a unidade.
- De forma a não correr risco de choque eléctrico não abra a cobertura da unidade. Não existem peças que possam ser substituídas pelo utilizador.
- **Nunca** repare um fusível nem tente operar a unidade sem fusível. Substitua **sempre** um fusível danificado por outro com as mesmas características!
- Em caso de problemas sérios de funcionamento, interrompa a utilização da unidade e contacte imediatamente o seu revendedor.
- A cobertura e as lentes deverão ser substituídas caso apresentem danos visíveis.
- Caso seja necessário transportar a unidade utilize a embalagem original.
- Por motivos de segurança, são proibidas quaisquer alterações não autorizadas à unidade.

Importante: Nunca olhe directamente para a luz! Não utilize este efeito luminoso na presença de pessoas epilépticas.

INSTRUÇÕES DE SEGURANÇA LASER:

- De acordo com as normas EN 60825-1:1994 + A1:2002 + A2:2002, este laser enquadra-se na categoria 3B. A exposição directa dos olhos pode ser perigosa.



PERIGO: RADIAÇÃO LASER!

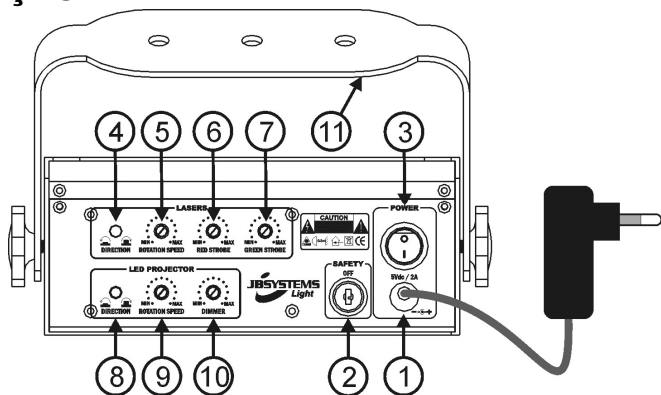
Evite exposição directa dos olhos! A radiação laser pode provocar danos nos olhos e/ou na pele. Devem ser tomadas todas as medidas preventivas para garantir o funcionamento seguro desta unidade laser.



- Este tipo de produto é conhecido por showlaser, emite uma radiação do espectro luminoso compreendida entre 400 e 700nm utilizada para produzir efeitos luminosos em espectáculos de luz.
- Esta unidade laser foi construída de forma a que o feixe se mova tão rapidamente que o contacto com os olhos seja muito breve. Por esta razão a utilização deste laser num espectáculo de laser é considerada como segura.
- Nunca direcione o feixe para pessoas ou animais. O funcionamento desta unidade deverá ser sempre supervisionado.
- Este laser destina-se unicamente a utilização em espectáculos. A utilização de um laser classe 3B só é permitida quando supervisionada por um técnico experiente.
- Dependendo da categoria da unidade, operar um produto laser poderá produzir radiação laser passível de provocar danos permanentes nos olhos ou na pele. As normas legais para utilização de produtos laser variam de país para país. O utilizador deverá informar-se sobre as normas legais vigentes no seu país e aplicá-las.

Tenha em atenção que a **JB SYSTEMS** não poderá ser responsabilizada por danos resultantes de uma instalação incorrecta ou utilização imprudente!

DESCRIÇÃO:



1. **DC INPUT:** Conecte o adaptador AC/DC fornecido a esta entrada
2. **INTERRUPTOR ACTIVADO POR CHAVE:** Permite ligar e desligar a saída laser. Use as chaves para que unicamente pessoas experientes possam ligar o laser.
3. **INTERRUPTOR ON/OFF:** Usado para ligar/desligar a unidade.
4. **INTERRUPTOR LASER DIRECTION:** usado para inverter a direcção do efeito laser
5. **CONTROLO LASER ROTATION SPEED:** usado para definir a velocidade de rotação do efeito laser.
6. **RED STROBE:** usado para ajustar o tempo de flash do laser vermelho.
7. **GREEN STROBE:** usado para ajustar o tempo de flash do laser verde.
8. **INTERRUPTOR LED EFFECT DIRECTION:** usado para inverter a direcção do efeito LED.
9. **CONTROLO LED EFFECT ROTATION:** usado para definir a velocidade de rotação do efeito led.
10. **DIMMER:** usado para ajustar o nível de intensidade do efeito LED.
11. **SUPORTE DE SUSPENSÃO:** Contém 2 parafusos de aperto em ambos os lados para fixar a unidade e um orifício para aplicação de um gancho de montagem

INSTALAÇÃO EM SUSPENSÃO

- **Importante:** A instalação deve ser efectuada unicamente por pessoal qualificado. Uma instalação incorrecta pode resultar em ferimentos graves e/ou danos na sua propriedade. Para efectuar uma instalação em suspensão é necessária muita experiência! Respeite os limites de carga, utilize materiais de instalação aprovados e inspecione a unidade instalada regularmente de forma a assegurar a segurança.
- Certifique-se que sob a área de instalação da unidade não irão passar pessoas durante a instalação e manutenção.
- A unidade deve ser instalada fora do alcance das pessoas; afastada de áreas onde as pessoas possam passar ou sentar-se.
- Antes de proceder à instalação certifique-se que a área seleccionada pode suportar uma carga mínima de 10 vezes o peso da unidade.
- Na instalação, utilize sempre um cabo de segurança aprovado com capacidade para suportar 12 vezes o peso da unidade. Esta medida de segurança secundária deverá ser instalada de forma a que nenhuma parte da instalação possa cair mais de 20cm caso o ponto de apoio principal ceda.
- A unidade deverá ser fixa firmemente. Uma instalação oscilante pode ser perigosa e não deverá ser efectuada!
- Não cubra os orifícios de ventilação ou a unidade poderá sobreaquecer.
- O utilizador da unidade deverá certificar-se que a instalação é aprovada em termos de segurança e em termos técnicos por uma pessoa qualificada antes de efectuar a primeira utilização. A instalação deverá ser inspecionada todos os anos por um técnico qualificado de forma a certificar-se que a segurança está assegurada.
- assegurada.

INSTRUÇÕES DE FUNCIONAMENTO



ATENÇÃO PERIGO PARA OS OLHOS: Posicione sempre o laser de forma a que o público presente não possa olhar directamente para os feixes laser. A instalação deverá assegurar que o feixe não atinge as pessoas.

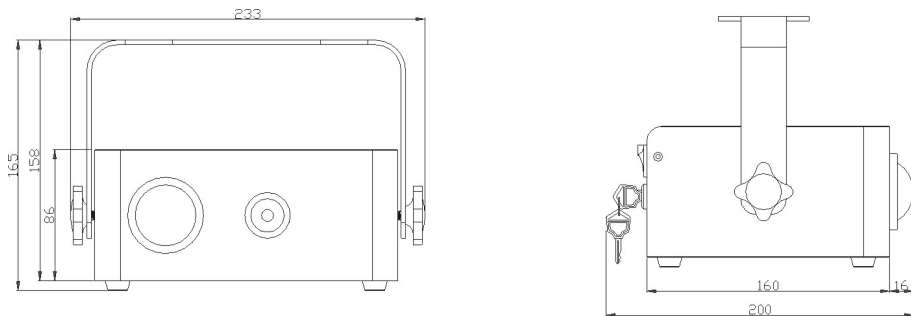
MANUTENÇÃO

- Certifique-se que sob a área de instalação da unidade não irão passar pessoas durante a manutenção.
 - Desligue o cabo de alimentação da corrente e aguarde que a unidade arrefeça.
- Durante a inspeção deverá verificar os seguintes pontos:**
- Todos os parafusos utilizados nas peças da unidade e na instalação deverão estar apertados firmemente e não poderão estar corroídos.
 - A cobertura da unidade, os pontos de fixação e as áreas de instalação (tecto, armação, etc.) não deverão apresentar qualquer deformação.
 - Caso uma lente apresente danos visíveis como fendas ou riscos profundos, deverá ser substituída imediatamente.
 - O cabo de alimentação deverá estar em perfeitas condições e deverá ser substituído assim que for detectado o mais pequeno dano.
 - As ventoinhas de arrefecimento (caso existam) e os orifícios de ventilação deverão ser limpos todos os meses de modo a evitar que unidade sobreaqueça.
 - Utilize um aspirador ou um compressor de ar para limpar o interior da unidade uma vez por ano.
 - De forma a otimizar a projecção de luz, limpe as lentes ópticas internas e externas e/ou espelhos periodicamente. A regularidade das limpezas depende do ambiente em que está instalada a unidade: um ambiente húmido, com fumo ou poeirento dará origem a uma maior acumulação de impurezas nas ópticas da unidade.
 - Utilize um pano macio e um limpa-vidros normal na limpeza da unidade.
 - Seque sempre as peças cuidadosamente.
 - Limpe as ópticas externas pelo menos uma vez em cada 30 dias.
 - Limpe as ópticas internas pelo menos uma vez em cada 90 dias.

Atenção: Recomendamos vivamente que a limpeza do interior da unidade seja efectuada por pessoal qualificado!

ESPECIFICAÇÕES

Fonte de Alimentação:	Adaptador AC/DC 230Vac → 5V / 2A
Consumo de potência:	8 Watt
Potência Laser:	Laser CW Verde 30mW ($\lambda = 532\text{nm}$) Laser CW Vermelho 80mW ($\lambda = 650\text{nm}$)
Categoria Laser:	3B
Normas de segurança Laser:	EN60825-1:1994 + A1:2002 + A2:2002 + COTT
Potência Led	1W (azul)
Peso:	1,6kg



Estas informações estão sujeitas a alterações sem aviso prévio
Pode fazer download da versão mais recente deste manual no nosso site: www.beglec.com