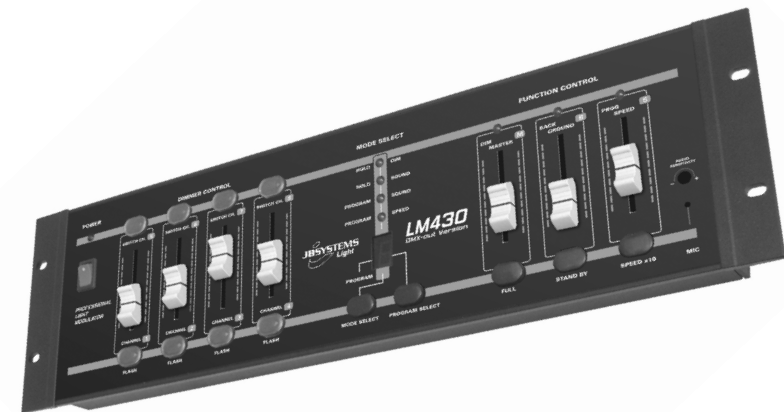
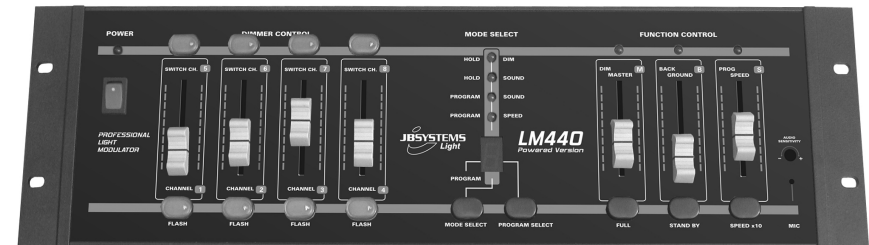


# LM430

DMX-out Version

# LM440

Powered Version  
LM440G = German ~ LM440F = French



Operation Manual EN  
Mode d'emploi FR  
Gebruiksaanwijzing NL  
Bedienungsanleitung DU  
Manual de instrucciones ES  
Manual do utilizador PT

[WWW.BEGLEC.COM](http://WWW.BEGLEC.COM)

Copyright © 2007 by BEGLEC cva.

Reproduction or publication of the content in any manner, without express permission of the publisher, is prohibited.



Version: 1.1





### **EN - DISPOSAL OF THE DEVICE**

Dispose of the unit and used batteries in an environment friendly manner according to your country regulations.

### **FR - DÉCLASSER L'APPAREIL**

Débarrassez-vous de l'appareil et des piles usagées de manière écologique Conformément aux dispositions légales de votre pays.

### **NL - VERWIJDEREN VAN HET APPARAAT**

Verwijder het toestel en de gebruikte batterijen op een milieuvriendelijke manier conform de in uw land geldende voorschriften.

### **DU - ENTSORGUNG DES GERÄTS**

Entsorgen Sie das Gerät und die Batterien auf umweltfreundliche Art und Weise gemäß den Vorschriften Ihres Landes.

### **ES - DESHACERSE DEL APARATO**

Reciclar el aparato y pilas usadas de forma ecologica conforme a las disposiciones legales de su pais.

### **PT - COMO DESFAZER-SE DA UNIDADE**

Tente reciclar a unidade e as pilhas usadas respeitando o ambiente e em conformidade com as normas vigentes no seu país.

# OPERATION MANUAL

Thank you for buying this JB Systems® product. To take full advantage of all possibilities, please read these operating instructions very carefully.

## FEATURES

This unit is radio-interference suppressed. This product meets the requirements of the current European and national guidelines. Conformity has been established and the relevant statements and documents have been deposited by the manufacturer.

- 4 channel DMX light modulator:
  - **LM440G ~ LM440F**: equipped with 4 internal dimmer packs and mains socket outputs (4x 1750W/res – max. total load = 3600W) Suitable for both inductive and resistive loads.
  - **LM430**: no internal dimmer packs, to be used with external DMX power units.
- 4 extra switch channels to switch light effects on/off via optional DMX switch pack (ex. SW416)
- 4 user modes:
  - Individual manual dimming on all 4 channels (stage lighting)
  - 4 Channel light modulator (high, mid, bass, anti-bass)
  - 9 built-in 4channel chaser programs:
    - audio controlled (built-in micro or external cinch audio input)
    - static with user selectable speed on fader
- Individual dimmer faders on each channel, each with flash buttons.
- Master dimmer with overall flash button
- Background level dimmer
- Standby switch (blackout)
- DMX output for extra dimmer- and switch packs:
  - DMX channels 1-4: dimmer channels
  - DMX channels 5-8: on/off switch channels

## BEFORE USE

### Check the contents:

Check that the carton contains the following items:

- LM430 with AC-adaptor or LM440G ~ LM440F
- User manual

### Some important instructions:

- Before you start using this unit, please check if there's no transportation damage. Should there be any, do not use the device and consult your dealer first.
- **Important:** This device left our factory in perfect condition and well packaged. It is absolutely necessary for the user to strictly follow the safety instructions and warnings in this user manual. Any damage caused by mishandling is not subject to warranty. The dealer will not accept responsibility for any resulting defects or problems caused by disregarding this user manual.
- Keep this booklet in a safe place for future consultation. If you sell the fixture, be sure to add this user manual.
- To protect the environment, please try to recycle the packing material as much as possible.

## SAFETY INSTRUCTIONS:



**CAUTION:** To reduce the risk of electric shock, do not remove the top cover. No user-serviceable parts inside. Refer servicing to qualified service personnel only.



The lightning flash with arrowhead symbol within the equilateral triangle is intended to alert the user or the presence of un-insulated "dangerous voltage" within the product's enclosure that may be of sufficient magnitude to constitute a risk of electric shock.



The exclamation point within the equilateral triangle is intended to alert the user to the presence of important operation and maintenance (servicing) instructions in the literature accompanying this appliance.



This symbol means: indoor use only.



This symbol means: Lamp Control Gear



This symbol means: Read instructions.



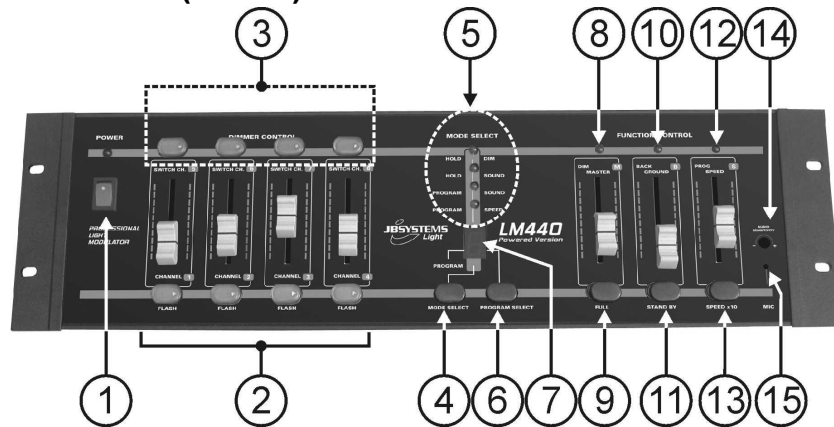
This symbol means: Safety Class II appliance

- To prevent fire or shock hazard, do not expose this appliance to rain or moisture.
- To avoid condensation to be formed inside, allow the unit to adapt to the surrounding temperatures when bringing it into a warm room after transport. Condense sometimes prevents the unit from working at full performance or may even cause damages.
- This unit is for indoor use only.
- Don't place metal objects or spill liquid inside the unit. No objects filled with liquids, such as vases, shall be placed on this appliance. Electric shock or malfunction may result. If a foreign object enters the unit, immediately disconnect the mains power.
- No naked flame sources, such as lighted candles, should be placed on the appliance.
- Don't cover any ventilation openings as this may result in overheating.
- Prevent use in dusty environments and clean the unit regularly.
- Keep the unit away from children.
- Inexperienced persons should not operate this device.
- Maximum save ambient temperature is 40°C. Don't use this unit at higher ambient temperatures.
- Always unplug the unit when it is not used for a longer time or before you start servicing.
- The electrical installation should be carried out by qualified personal only, according to the regulations for electrical and mechanical safety in your country.
- Check that the available voltage is not higher than the one stated on the rear panel of the unit.
- The socket inlet shall remain operable for disconnection from the mains.
- The power cord should always be in perfect condition. Switch the unit immediately off when the power cord is squashed or damaged. It must be replaced by the manufacturer, its service agent or similarly qualified persons in order to avoid a hazard.
- Never let the power-cord come into contact with other cables!
- In order to avoid a hazard, the unit shall only be used with the AC-adaptor delivered with it. If the AC-adaptor is damaged, a same model adaptor shall be used only.
- LM440G ~ LM440F must be earthed to in order comply with safety regulations.
- In order to prevent electric shock, do not open the cover. Apart from the mains fuse there are no user serviceable parts inside.
- **Never** repair a fuse or bypass the fuse holder. **Always** replace a damaged fuse with a fuse of the same type and electrical specifications!
- In the event of serious operating problems, stop using the appliance and contact your dealer immediately.
- Please use the original packing when the device is to be transported.
- Due to safety reasons it is prohibited to make unauthorized modifications to the unit.

## MAINTENANCE

Clean by wiping with a polished cloth slightly dipped with water. Avoid getting water inside the unit. Do not use volatile liquids such as benzene or thinner which will damage the unit.

## FUNCTIONS (FRONT)



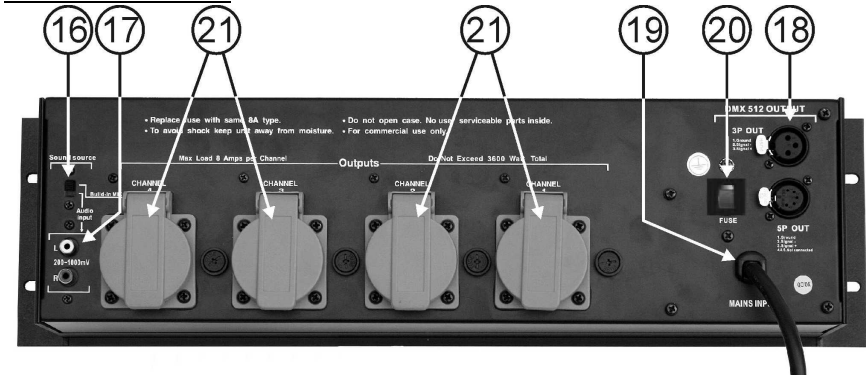
1. **POWER SWITCH:** used to switch the unit ON/OFF.
2. **DIMMER CHANNELS:** these are 4 faders used to set the individual dimming levels of the 4 channels. Below each fader there's a flash button to set the output of the corresponding channel to 100% (full) for as long as the button is pressed. The flash buttons all have backlight so you can easily monitor the output of each channel.
3. **SWITCH CHANNELS:** these buttons are used to switch 4 individual light effects ON/OFF. To be able to use these buttons you must connect a separate switch pack to the DMX-output of the unit. (DMX address on the switch pack must be set to 005)
4. **MODE SELECT:** used to select 1 of the 4 user modes:
  - **HOLD DIM:** This mode can be used to control the dimming levels of projectors on a small stage. The 4 faders (2) can be used to set the dimming level of each channel individually.
  - **HOLD SOUND:** the music is divided into 4 different frequency ranges (bass, middle, high, anti-bass). Each of the four output channels will respond to a different frequency range.
  - **PROGRAM SOUND:** The chaser program selected with the "program select" button (6) will be displayed. The chaser speed is synchronized to the rhythm of the beat.
  - **PROGRAM SPEED:** The chaser program selected with the "program select" button (6) will be displayed. The chaser speed can be adapted with the speed fader (12).
5. **MODE SELECT INDICATOR:** shows which of the 4 modes is currently active.
6. **PROGRAM SELECT:** When you selected 1 of the 2 program modes (4) then you can use the program select button to choose the program you like. Nine different chaser programs (from 1 to 9) can be selected. Program 0 (zero on the display) is a random program.
7. **PROGRAM DISPLAY:** shows which chaser program is currently selected.
8. **MASTER DIMMER:** controls the overall dimming level of the 4 channels.
9. **FULL SWITCH:** use this button to set the output of the 4 channels to 100% (full) for as long as the button is pressed.
10. **BACKGROUND LEVEL:** with this fader you can set the background level (minimum output level) of the 4 dimmer channels. This can "soften" the chaser effects so they become less aggressive.  
**Attention:** don't set this fader to maximum, you will not be able anymore to see the chaser patterns or set proper dimming levels for the 4 individual channels.
11. **STANDBY SWITCH:** used to cutoff (blackout) the output of the 4 dimmer channels. The 4 switch channels are not affected.
12. **PROG SPEED CONTROL:** When the "program speed" mode (4) is selected, you can change the speed of the selected chaser program (6) from slow to fast or very fast (13).
13. **SPEED x10 BUTTON:** Used to multiply/divide by 10 the speed selected with the speed fader (12).
14. **AUDIO SENSITIVITY:** used to adjust the input sensitivity of the internal microphone or external audio inputs. Adjust the level until the sound activated functions work nicely to the rhythm of the music.
15. **INTERNAL MICRO:** the internal microphone is installed behind this opening.

## FUNCTIONS (REAR)

## LM430



## LM440G ~ LM440F



16. **SOUND SOURCE SELECT:** used to select which audio input will be used to synchronize the sound related functions:
  - **BUILT-IN MICRO:** use this function when the music playback level is high enough so the internal microphone can easily capture the sound. This is the easiest way to use the sound functions.
  - **AUDIO INPUT:** use this function when the sound level is rather low. In this case don't forget to connect the audio input connectors (17)!
17. **AUDIO INPUT:** when the sound source selector (16) is set to "AUDIO INPUT" you will have to connect these cinch/RCA connectors to an analog audio signal ranging from 200mV to 1000mV. In most cases a record output or secondary master on your mixer will do.
18. **DMX OUTPUTS:** used to connect the light modulator to DMX power packs. You can use the 5pin XLR or 3pin XLR connectors. Both connectors carry the same signals, they only have a different pinning layout. In most cases however you will use standard XLR-3pin male/female cables. Both the dimmer and switch channels are available on these outputs:
  - **DIMMER CHANNELS:** are assigned to DMX addresses 001 to 004. Please set the starting address of the connected **dimmer pack** to 001.
  - **SWITCH CHANNELS:** are assigned to DMX addresses 005 to 008. Please set the starting address of the connected **switch pack** to 005.

**Hint:** You can connect all kinds of dimmer/switch packs, however for mobile applications we suggest using the JB Systems® PB41/STD powered DMX-bars. You can easily set each channel in switch or dimmer mode. Moreover you can directly fix your projectors and/or light effects to these powered DMX-bars.
19. **POWER INPUT:** this input depends on the model number of the light modulator:
  - **LM430:** low voltage input, connect the supplied AC adapter here. If you should use another adapter, please make sure the output produces 15Vac (>1A) with positive pole (+) in the center of the connector.

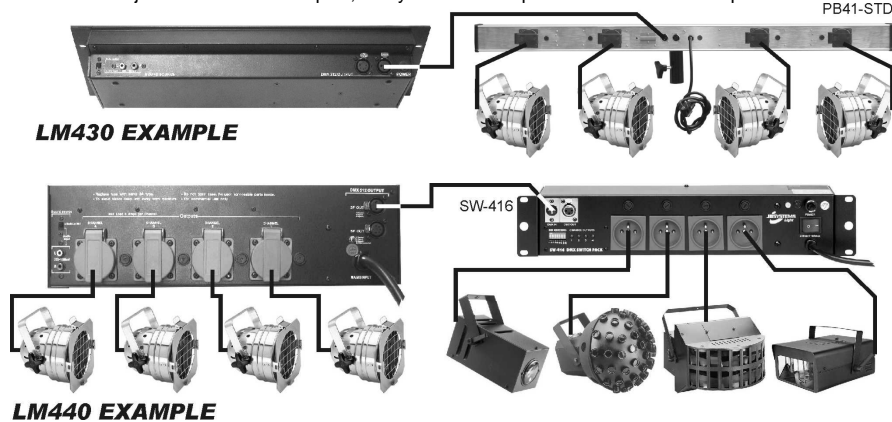
- **LM440G ~ LM440F:** mains input cable, make sure the local voltage is 230Vac and the projectors are properly connected to the channel output sockets (20) before you connect this cable to the mains wall socket. The maximum total load is 16A or 3600Watts.
20. **INPUT FUSE:** This is an automatic circuit breaker. When the fuse is blown, first locate and solve the problem that caused the fuse to blow. When the problem is solved, simply push the button to reset the circuit breaker.
21. **CHANNEL OUTPUTS:** (only on LM440G ~ LM440F) Each channel output has its own output socket to connect any resistive and/or inductive (PAR36) projector(s). Each channel is equipped with a fuse. Always replace a blown fuse with a fuse that has the same characteristics! (250V/8A fast)

**VERY IMPORTANT NOTE!**

It's very important to know that the maximum load for each channel is rated at 8A or 1750Watts.  
However the total load for all 4 channels may not exceed 16A or 3600Watts!

**CONNECTIONS**

These are just some small examples, many different setups and combinations are possible!

**SPECIFICATIONS****LM430:**

**Power Input:** AC 15V 1000mA minimum.  
**AC Poweradapter:** AC 230V, 50Hz → 15Vac / 1000mA (or more)  
**DMX outputs:** 3pin XLR + 5pin XLR  
**Audio input:** internal microphone  
 external audio input on cinch/RCA (200mV → 1000mV)  
**Size:** 48,3 x 13,2 x 6,0 cm (19"/3U)  
**Weight:** 1,9 kg

**LM440G ~ LM440F:**

**Power Input:** 230Vac / 16A maximum (3600Watts)  
**Power outputs:** 4x 230Vac / max. 8A (1750Watts)  
**Fuses (size = 6,35 x 32mm):** channels: 250V/8A (T8AL250V)  
**DMX outputs:** 3pin XLR + 5pin XLR  
**Audio input:** internal microphone  
 external audio input on cinch/RCA (200mV → 1000mV)  
**Size:** 48,3 x 13,2 x 10,5 cm (19"/3U)  
**Weight:** 3,1 kg

Every information is subject to change without prior notice

You can download the latest version of this user manual on our website: [www.beglec.com](http://www.beglec.com)

**MODE D'EMPLOI**

Nous vous remercions d'avoir acheté ce produit JB Systems®. Veuillez lire ce mode d'emploi très attentivement afin de pouvoir exploiter toutes les possibilités de cet appareil.

**EN VOUS INSCRIVANT POUR LA LETTRE D'INFORMATION VOUS SEREZ TOUJOURS TENU AU COURANT DES DERNIERES NOUVELLES CONCERNANT NOS PRODUITS: NOUVEAUTES, ACTIONS SPECIALES, JOURNEES PORTES OUVERTES, ETC.**  
**➔ SURFEZ SUR: [WWW.BEGLEC.COM](http://WWW.BEGLEC.COM) ET INSCRIVEZ VOUS ←**

**CARACTERISTIQUES**

Cet appareil ne produit pas d'interférences radio. Il répond aux exigences nationales et européennes. La conformité a été établie et les déclarations et documents correspondants ont été déposés par le fabricant.

- Modulateur de lumière à 4 canaux DMX :
  - **LM440G ~ LM440F :** équipé de 4 gradateurs internes et de 4 prises de sortie (4x 1750W/res – puissance totale maximale = 3600W). Convient aussi bien pour les charges inductives que résistives.
  - **LM430 :** ne comporte pas de gradateurs internes, doit être utilisé avec des unités de puissance DMX externes.
- 4 canaux supplémentaires pour allumer et éteindre les effets de lumière via un switch pack DMX en option (ex. : SW416).
- 4 modes utilisateur :
  - Réglage manuel individuel sur chacun des 4 canaux (éclairage de scène)
  - Modulateur de lumière à 4 canaux (basses, médiums, aiguës, canal négatif)
  - 9 programmes chenillards intégrés à 4 canaux :
    - contrôlé par source audio (micro intégré ou entrée audio cinch externe)
    - contrôlé par le curseur de vitesse.
- Gradateur individuel (commande par curseur) sur chaque canal, chacun avec bouton flash.
- Gradateur général avec bouton flash général.
- Gradateur pour niveau d'arrière plan.
- Interrupteur temporaire de coupure générale (black out)
- Sortie DMX pour blocs de puissance et switch packs supplémentaires :
  - Canaux DMX 1-4 : canaux commandés par gradateurs.
  - Canaux DMX 5-8 : canaux commandés par interrupteurs.

**AVANT L'UTILISATION****Vérifiez le contenu:**

Vérifiez si la boîte contient les articles suivants :

- LM430 ou LM440G ~ LM440F avec son adaptateur CA.
- Mode d'emploi

**Quelques instructions importantes :**

- Avant d'utiliser cet appareil, assurez-vous de l'absence de dommages liés au transport. Si l'appareil est effectivement endommagé, ne l'utilisez pas et contactez le vendeur.
- **Important :** cet appareil a quitté notre usine en parfaite condition et protégé par un emballage adéquat. Il est primordial que l'utilisateur suive les instructions de sécurité et avertissements inclus dans ce manuel. La garantie ne s'applique pas en cas de dommages liés à une utilisation incorrecte. Le vendeur ne prend pas la responsabilité des dommages ou des problèmes, quels qu'ils soient, s'ils résultent du non respect des mises en garde de ce manuel.
- Conservez ce manuel dans un endroit sûr pour toute consultation ultérieure. Si vous vendez l'appareil, assurez-vous d'y joindre ce manuel également.
- Afin de protéger l'environnement, merci de recycler les emballages autant que possible.

## INSTRUCTIONS DE SECURITE:



**ATTENTION** : afin de réduire le risque d'électrocution, n'enlevez jamais le couvercle de l'appareil. Il n'y a aucune pièce à l'intérieur de l'appareil que vous pouvez remplacer vous-même. Confiez l'entretien uniquement à des techniciens qualifiés.

La flèche dans un triangle met l'utilisateur en garde contre la présence de haute tension sans isolation dans l'appareil, ce qui peut causer un risque d'électrocution.

Un point d'exclamation dans un triangle signale la présence d'instructions de fonctionnement et de maintenance se trouvant dans le manuel fourni avec l'appareil.

Ce symbole signifie : uniquement pour usage à l'intérieur.

Ce symbole signifie: appareil pour contrôler des lampes.

Ce symbole signifie : Lire le mode d'emploi.

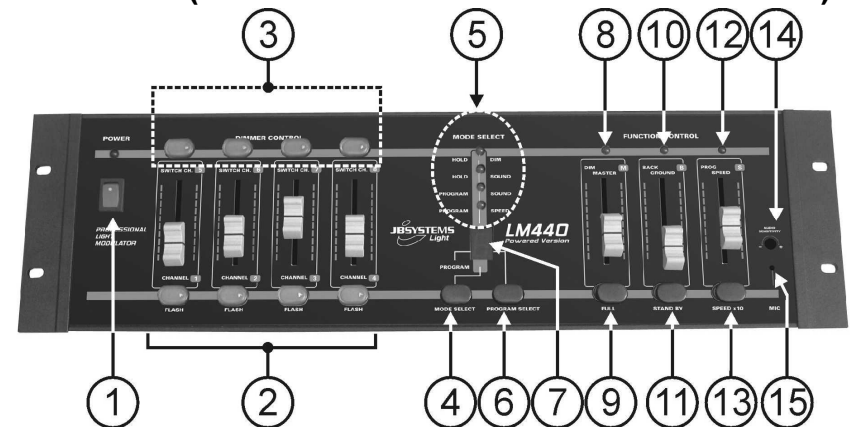
Ce symbole signifie: appareil construit selon les normes de sécurité classe II

- Afin d'éviter tout risque d'incendie ou de choc électrique, ne pas exposer cet appareil à la pluie ou à l'humidité.
- Pour éviter la formation de condensation à l'intérieur de l'appareil, patientez quelques minutes pour laisser l'appareil s'adapter à la température ambiante lorsqu'il arrive dans une pièce chauffée après le transport. La condensation empêche l'unité de fonctionner dans des conditions optimales et peut même causer des dommages.
- Cette unité est destinée à une utilisation à l'intérieur uniquement.
- Ne pas insérer d'objet métallique ou verser de liquide dans l'appareil. Aucun objet rempli de liquides, tels que des vases, ne peut être placé sur cet appareil. Risque de choc électrique ou de dysfonctionnement. Si un corps étranger est introduit dans l'unité, déconnectez-la immédiatement de la source d'alimentation.
- Aucune source de flamme nue, telle que des bougies allumées, ne peut être placée sur l'appareil.
- Ne pas couvrir les ouvertures de ventilation, un risque de surchauffe en résulterait.
- Ne pas utiliser dans un environnement poussiéreux ; nettoyer l'unité régulièrement.
- Ne pas laisser l'unité à portée des enfants.
- Les personnes non expérimentées ne doivent pas utiliser cet appareil.
- La température ambiante maximum d'utilisation de l'appareil est de 40°C. Ne pas l'utiliser au-delà de cette température.
- Débranchez toujours l'appareil si vous ne l'utilisez pas de manière prolongée ou avant d'entreprendre des réparations.
- Les installations électriques ne peuvent être faites que par du personnel qualifié et conformément aux règles de sécurité électrique et mécanique en vigueur dans votre pays.
- Assurez-vous que la tension d'alimentation de la source d'alimentation de la zone dans laquelle vous vous trouvez ne dépasse pas celui indiqué à l'arrière de l'appareil.
- La prise sera toujours accessible pour que le cordon secteur puisse être enlevé rapidement et à tout instant si nécessaire.
- Le cordon d'alimentation doit toujours être en parfait état. Mettez immédiatement l'unité hors tension si le cordon devait être écrasé ou endommagé. Pour éviter tout risque de choc électrique, le cordon doit être remplacé par le constructeur, son agent ou un technicien qualifié.
- Ne laissez jamais le cordon d'alimentation entrer en contact avec d'autres câbles !
- Pour éviter tout risque de choc électrique, cet appareil doit être utilisé uniquement avec l'adaptateur secteur inclus . Si l'adaptateur est défectueux, il sera utilisé seulement par un modèle identique.
- Le LM440G ~ LM440F doit être raccordé à la masse selon les règles de sécurité.
- Utilisez toujours les câbles appropriés et certifiés lorsque vous installez l'unité.
- Pour éviter tout choc électrique, ne pas ouvrir l'appareil. En dehors du fusible principal, il ne contient aucune pièce pouvant être changée par l'utilisateur lui-même.
- **Ne jamais** réparer ou court-circuiter un fusible. Remplacez **systématiquement** un fusible endommagé par un fusible de même type et de mêmes spécifications électriques !
- En cas de problèmes de fonctionnement sérieux, arrêtez toute utilisation de l'appareil et contactez immédiatement votre revendeur.
- Utilisez l'emballage d'origine si l'appareil doit être transporté.
- Pour des raisons de sécurité, il est interdit d'apporter toute modification à l'unité non spécifiquement autorisée par les parties responsables.

## ENTRETIEN

Nettoyez l'appareil à l'aide d'un chiffon doux, légèrement humide. Evitez d'introduire de l'eau à l'intérieur de l'appareil. N'utilisez pas de produits volatils tels que le benzène ou le thinner car ils peuvent endommager l'appareil.

## FONCTIONS (FACE AVANT - LM430 &amp; LM440G ~ LM440F)



1. **INTERRUPTEUR GENERAL** : cet interrupteur sert à mettre l'unité sous et hors tension.
2. **CANAUX GRADATEURS** : il s'agit de 4 curseurs qui servent à fixer le niveau individuel de puissance des 4 canaux. En dessous de chaque curseur, il y a un bouton flash qui fait passer la puissance du canal correspondant à 100 % (full) aussi longtemps que l'on presse le bouton. Les boutons flash sont tous rétro-éclairés de manière à pouvoir visualiser la sortie de chaque canal.
3. **CANAUX ACTIVES PAR UN SWITCH** : ces boutons servent à mettre en et hors service 4 effets de lumière individuels. Pour être en mesure d'utiliser ces boutons, il faut connecter un switch pack séparé à la sortie DMX de l'unité. (L'adresse DMX de ce switch pack doit être réglée sur 5).
4. **MODE SELECT** : sert à sélectionner un des 4 modes utilisateur :
  - **HOLD DIM** : ce mode peut être utilisé pour contrôler le niveau de gradation d'une scène de petite taille. Les 4 curseurs (2) servent à fixer individuellement le niveau de gradation de chaque canal.
  - **HOLD SOUND** : la source musicale est divisée en 4 fréquences séparées (basses, médiums, aiguës, canal négatif). Chacun des 4 canaux de sortie réagira donc à une plage de fréquences différente.
  - **PROGRAM SOUND** : le programme chenillard sélectionné avec le bouton "program select" (6) entrera en fonction. La vitesse du chenillard sera alors synchronisée au rythme de la musique.
  - **PROGRAM SPEED** : le programme chenillard sélectionné avec le bouton "program select" (6) entrera en fonction. La vitesse du chenillard sera alors adaptée par le curseur de vitesse (12).
5. **INDICATEUR MODE SELECT** : ces LED montrent lequel des 4 modes est actif à cet instant.
6. **PROGRAM SELECT** : lorsqu'on a sélectionné l'un des 2 modes 'PROGRAM' (4), on peut alors se servir du bouton de sélection des programmes pour choisir le programme que l'on veut. On peut choisir entre neuf programmes de type chenillard (de 1 à 9). Le programme "0" (un zéro s'affiche à l'écran) est un programme aléatoire.
7. **PROGRAM DISPLAY** : l'écran montre quel est le programme chenillard sélectionné.
8. **GRADATEUR MASTER** : ce curseur contrôle le niveau général de gradation des 4 canaux.
9. **INTERRUPTEUR FULL** : on utilise ce bouton pour faire passer la puissance des 4 canaux à 100 % (full) aussi longtemps que l'on presse le bouton.
10. **NIVEAU DE BACKGROUND** : ce curseur a pour but de fixer le niveau de background (le niveau minimum de sortie) des 4 canaux gradateurs. Cela permet d'adoucir les effets chenillards afin qu'ils soient moins agressifs.

**Attention** : il ne faut pas mettre ce curseur à fond, sinon il n'est plus possible de distinguer les figures des programmes chenillards ou de régler correctement les niveaux minimums de gradation des 4 canaux individuels.

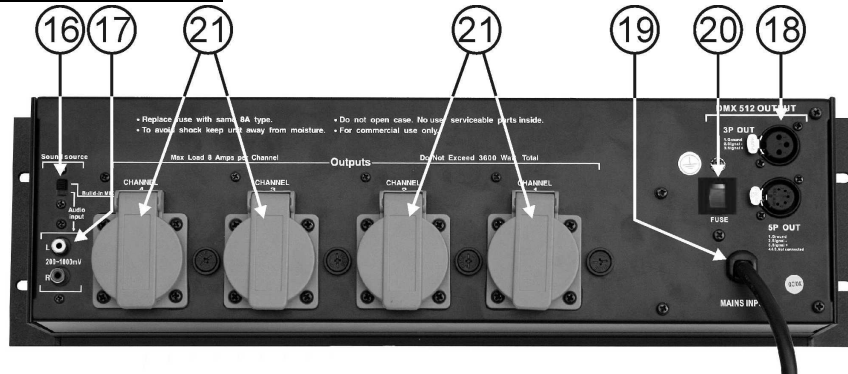
11. **INTERRUPTEUR DE STANDBY** : ce bouton sert à couper la sortie des 4 canaux gradateurs (black out). Les 4 canaux activés par un switch (3) ne sont pas affectés par ce contrôle.
12. **CONTROLE DE PROG SPEED** : quand le mode "program speed" (4) est sélectionné, on peut modifier la vitesse du programme chenillard sélectionné (6) d'un rythme lent à rapide ou très rapide (13).
13. **BOUTON SPEED x 10** : ce bouton sert à augmenter ou diminuer la vitesse sélectionnée par le curseur de vitesse (12).
14. **AUDIO SENSITIVITY**: ce réglage sert à ajuster la sensibilité d'entrée du micro interne ou des entrées audio externes. Il faut ajuster le niveau jusqu'à ce que les fonctions dépendant du son réagissent de façon adéquate au rythme de la musique.
15. **MICRO INTERNE** : le micro interne se trouve derrière cet orifice.

## FONCTIONS (FACE ARRIERE)

### LM430



### LM440G ~ LM440F



16. **SELECTEUR DE SOUND SOURCE** : cet interrupteur sert à sélectionner quelle sera l'entrée audio qui sera utilisée pour synchroniser les fonctions dépendant du son :
  - **MICRO INTEGRE** : cette fonction s'utilise quand le niveau de la diffusion musicale est suffisamment élevé pour que le microphone interne puisse aisément capter le son. C'est la manière la plus facile pour utiliser les fonctions dépendant du son.
  - **ENTREE AUDIO**: on recourt à cette fonction quand le niveau de la diffusion musicale n'est pas très élevé. Dans ce cas, il ne faut pas oublier de raccorder une source sonore aux connecteurs des entrées audio (17) !

17. **AUDIO INPUT** : quand le sélecteur de source sonore (16) est réglé sur "AUDIO INPUT", il faut raccorder ces connecteurs Cinch/RCA à un signal audio analogique allant de 200mV à 1000mV. Dans la plupart des cas, une sortie destinée à l'enregistrement ou un master secondaire (disponibles sur une table de mixage) fera l'affaire.
18. **SORTIES DMX** : elles sont utilisées pour raccorder le modulateur de lumière à des unités de puissance DMX. On peut utiliser des prises XLR à 3 ou à 5 broches. Ces deux connecteurs véhiculent le même signal, la différence se situe uniquement au niveau de la disposition des broches. Cependant, dans la plupart des cas, on utilisera des câbles XLR (standard mâle/femelle) tels que nos câbles 7-0061 → 7-0068 véhiculant les signaux. Les canaux gradateurs, tout comme les canaux activés par un switch, sont disponibles sur ces sorties :
  - **CANAUX GRADATEURS** : ils sont assignés aux adresses DMX 001 à 004. Réglez s'il vous plaît l'adresse de départ du **dimmer pack** connecté sur 001.
  - **CANAUX ACTIVES PAR UN SWITCH** : ils sont assignés aux adresses DMX 005 à 008. Réglez s'il vous plaît l'adresse de départ du **switch pack** connecté sur 005.

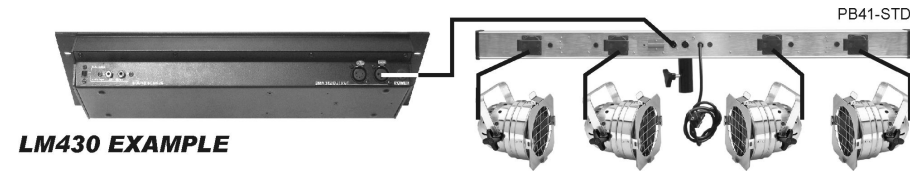
*Tuyau* : on peut connecter toutes sortes de **dimmer et switch packs**, mais cependant, dans le cas d'installations mobiles, nous suggérons l'utilisation de barres d'alimentation DMX JB Systems® PB41/STD. On peut facilement régler chaque canal en mode switch ou en mode gradateur. De plus, on peut directement fixer ses projecteurs et/ou ses effets de lumière à ces barres d'alimentation DMX.
19. **ALIMENTATION** : cette entrée est différente selon le numéro du modèle de jeu de lumière :
  - **LM430** : entrée basse tension, c'est ici qu'il faut raccorder l'adaptateur CA fourni. En cas d'utilisation d'un autre adaptateur, il est impératif de s'assurer que la sortie produit 15V en CA (>1A), avec le pôle positif (+) situé au centre du connecteur.
  - **LM440G ~ LM440F** : câble destiné à l'entrée secteur, il est impératif de s'assurer que la tension de service locale est de 230 V (CA) et que les projecteurs sont correctement raccordés aux prises de sortie des canaux (20) avant de raccorder ce câble à une prise de courant murale. La charge totale maximum est de 16A ou 3600 watts.
20. **FUSIBLE PRINCIPAL** : il s'agit d'un coupe-circuit automatique. Quand le fusible a disjoncté, il faut d'abord localiser le problème et apporter une solution à ce qui a provoqué le déclenchement du fusible. Quand ce problème a trouvé sa solution, poussez simplement sur le bouton pour remettre le coupe-circuit en fonction.
21. **SORTIES DES CANAUX** : (remarque valable uniquement pour le LM440G ~ LM440F) Chaque sortie de canal a sa propre prise de sortie, à laquelle on peut raccorder n'importe quel projecteur, qu'il soit de type inductif et/ou résistif (PAR 36). Chaque canal est équipé d'un fusible. Il faut toujours remplacer un fusible qui a sauté par un fusible qui possède les mêmes caractéristiques ! (250V/8A rapide)

### REMARQUE TRES IMPORTANTE !

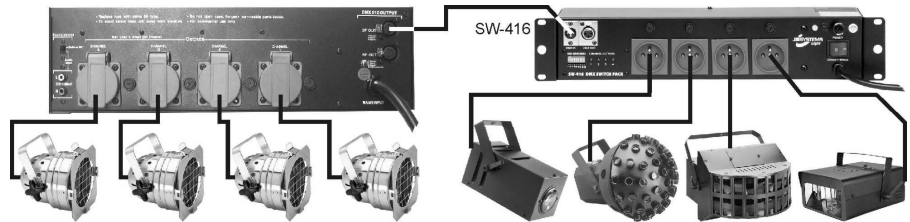
Il est très important de savoir que la charge maximum pour chaque canal est limitée à 8A ou 1750 watts. Cependant, la charge totale pour l'ensemble des 4 canaux ne peut pas dépasser 16A or 3600 watts !

## CONNECTIONS

Voici juste quelques petits exemples, une foule de configurations et de combinaisons sont possibles !



**LM430 EXAMPLE**



**LM440 EXAMPLE**

## SPECIFICATIONS

### LM430 :

**Tension de service :** CA 15V 1000 mA minimum.  
**Adaptateur CA:** CA 230V, 50Hz → 15Vca / 1000 mA (ou plus)  
**Sorties DMX :** 3pin XLR + 5pin XLR  
**Entrée audio :** micro interne  
 entrée audio externe, prise cinch/RCA (200 mV → 1000 mV)  
**Dimensions :** 48,3 x 13,2 x 6,0 cm (19"/3U)  
**Poids :** 1,9 kg

### LM440G ~ LM440F :

**Tension de service :** 230V (CA) / 16A maximum (3600 watts)  
**Sorties de puissance :** 4 x 230V (CA) / max. 8A (1750 watts)  
**Fusibles (6,35 x 32mm) :** canaux :250V/8A (T8AL250V)  
**Sorties DMX :** 3pin XLR + 5pin XLR  
**Entrée audio :** micro interne  
 entrée audio externe, prise cinch/RCA (200 mV → 1000 mV)  
**Dimensions :** 48,3 x 13,2 x 10,5 cm (19"/3U)  
**Poids :** 3,1 kg

Chacune de ces informations peut être modifiée sans avertissement préalable. Vous pouvez télécharger la dernière version de ce mode d'emploi de notre site Web : [www.beglec.com](http://www.beglec.com)

## GEBRUIKSAANWIJZING

Hartelijk dank voor de aankoop van dit JB Systems® product. Om ten volle te kunnen profiteren van alle mogelijkheden en voor uw eigen veiligheid, gelieve de aanwijzingen zeer zorgvuldig te lezen voor U begint het apparaat te gebruiken.

**DOOR U OP ONZE MAILINGLIJST IN TE SCHRIJVEN ONTVANGT U STEEDS DE LAATSTE INFORMATIE OVER ONZE PRODUCTEN: NIEUWIGHEDEN, SPECIALE ACTIES, OPENDEURDAGEN, ENZ.**  
**→ SURF NAAR: [WWW.BEGLEC.COM](http://WWW.BEGLEC.COM) EN SCHRIJF U IN ←**

## KARAKTERISTIEKEN

In dit apparaat is radio-interferentie onderdrukt. Dit product voldoet aan de gangbare Europese en nationale voorschriften. Het is vastgesteld dat het apparaat er zich aan houdt en de desbetreffende verklaringen en documenten zijn door de fabrikant afgegeven.

- 4-kanaals lichtmodulator:
  - **LM440G ~ LM440F:** voorzien van interne dimmerpacks en uitgangen via stopcontacten (4x 1750W/res – max. totaal vermogen = 3600W) Geschikt voor resistieve en inductieve belasting.
  - **LM430:** geen interne dimmerpacks, wordt samen met externe DMX dimmerpacks gebruikt.
- 4 extra aan/uit toetsen om via een externe DMX switchpack (bvb. SW416) kleine lichteffecten te bedienen.
- 4 bedieningsmodi:
  - Individueel manueel dimmen van de 4 kanalen (podiumbelichting)
  - 4-kanaals lichtorgel (high, mid, bass, anti-bass)
  - 9 voorgesprogeprogrammeerde 4-kanaals looplichten:
    - muziekgestuurd (via interne micro of externe cinch audio ingang)
    - statisch waarbij de snelheid via een fader kan worden ingesteld
- Individuele dimmer faders op de 4 kanalen, elk voorzien van flashtoetsen
- Hoofddimmer met algemene flashtoets
- Achtergrondniveau instelbaar
- Standby toets (blackout)
- DMX uitgang voor dimmer- en switchpacks:
  - DMX kanalen 1-4: aansturen van dimmer(s)
  - DMX kanalen 5-8: aansturen van switchpack(s)

## EERSTE INGEBRUIKNAME

### Controleer de inhoud:

Kijk na of de verpakking volgende onderdelen bevat:

- LM430 met AC-adapter of LM440G ~ LM440F
- Gebruiksaanwijzing

### Belangrijke instructies:

- Controleer voor het eerste gebruik van het apparaat of het tijdens het transport beschadigd werd. Mocht er schade zijn, gebruik het dan niet, maar raadpleeg eerst uw dealer.
- **Belangrijk:** Dit apparaat verliet de fabriek in uitstekende staat en goed verpakt. Het is erg belangrijk dat de gebruiker de veiligheidsaanwijzingen en raadgevingen in deze gebruiksaanwijzing uiterst nauwkeurig volgt. Elke schade veroorzaakt door verkeerd gebruik van het apparaat valt niet onder de garantie. De dealer aanvaardt geen verantwoordelijkheid voor mankementen en problemen die komen door het veronachtzamen van deze gebruiksaanwijzing.
- Bewaar deze brochure op een veilige plaats om hem in de toekomst nogmaals te kunnen raadplegen. Indien U het apparaat verkoopt, denkt U er wel aan om de gebruiksaanwijzing bij te voegen.
- Om het milieu te beschermen, probeer zoveel mogelijk het verpakkingsmateriaal te recycleren.



## VEILIGHEIDSVOORSCHRIFTEN:



**WAARSCHUWING:** Om het risico op elektrocutie zoveel mogelijk te vermijden mag u nooit de behuizing verwijderen. Er bevinden zich geen onderdelen in het toestel die u zelf kan herstellen. Laat de herstellingen enkel uitvoeren door een bevoegde technicus.

De bliksempij die zich in een gelijkbenige driehoek bevindt is bedoeld om u te wijzen op het gebruik of de aanwezigheid van niet-geïsoleerde onderdelen met een "gevaarlijke spanning" in het toestel die voldoende kracht heeft om een risico van elektrocutie in te houden.

Het uitroepteken binnen de gelijkbenige driehoek is bedoeld om de gebruiker erop te wijzen dat er in de meegeleverde literatuur belangrijke gebruik en onderhoudsinstructies vermeld staan betreffende dit onderdeel.

Dit symbool betekent: het apparaat mag enkel binnenhuis worden gebruikt.

Dit symbool betekent: Controletoestel voor lamp

Dit symbool betekent: Lees de handleiding!

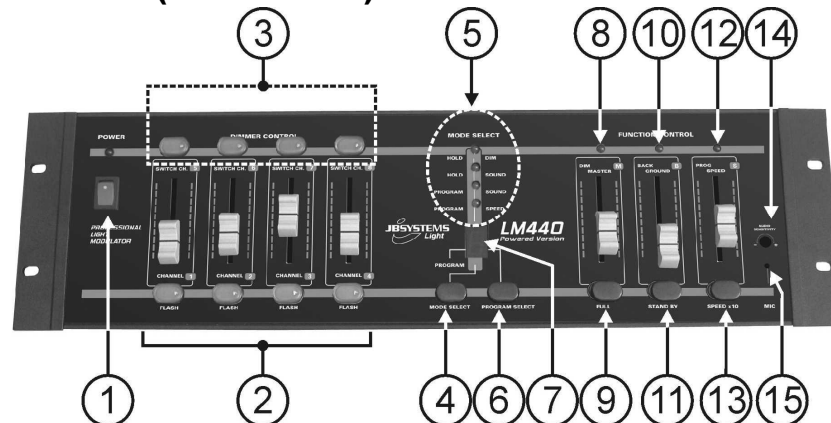
Dit symbool betekent: Klasse II apparaten

- Stel dit apparaat niet bloot aan regen of vocht, dit om het risico op brand en elektrische schokken te voorkomen.
- Om de vorming van condensatie binnenin te voorkomen, laat het apparaat aan de omgevingstemperatuur wennen wanneer het, na het transport, naar een warm vertrek is overgebracht. Condensatie kan het toestel soms verhinderen perfect te functioneren. Het kan soms zelfs schade aan het apparaat toebrengen.
- Gebruik dit apparaat uitsluitend binnenshuis.
- Plaats geen stukken metaal en mors geen vocht binnen in het toestel om elektrische schokken of storing te vermijden. Objecten gevuld met water, zoals vazen, mogen op dit apparaat worden geplaatst. Indien er toch een vreemd voorwerp of water in het apparaat geraakt, moet U het direct van het lichtnet afkoppelen.
- Open vuur, zoals brandende kaarsen, mogen niet op het apparaat geplaatst worden.
- Bedek geen enkele ventilatieopening om oververhitting te vermijden.
- Zorg dat het toestel niet in een stoffige omgeving wordt gebruikt en maak het regelmatig schoon.
- Houd het apparaat uit de buurt van kinderen.
- Dit apparaat mag niet door onervaren personen bediend worden.
- De maximum veilige omgevingstemperatuur is 40°C. Gebruik het apparaat dus niet bij hogere temperaturen.
- Trek altijd de stekker uit wanneer het apparaat gedurende langere tijd niet wordt gebruikt of alvorens met de onderhoudsbeurt te beginnen.
- De elektrische installatie behoort uitsluitend uitgevoerd te worden door bevoegd personeel, volgens de in uw land geldende regels betreffende elektrische en mechanische veiligheid.
- Controleer dat de beschikbare spanning niet hoger is dan die aangegeven op de achterzijde van het toestel.
- Het stopcontact zal steeds vrij toegankelijk blijven zodat de stroomkabel op elk moment kan worden uitgetrokken.
- De elektrische kabel behoort altijd in uitstekende staat te zijn. Zet het apparaat onmiddellijk af als de elektrische kabel gekneusd of beschadigd is. De kabel moet vervangen worden door de fabrikant zelf, zijn dealer of vergelijkbare bekwame personen om een brand te voorkomen.
- Laat de elektrische draad nooit in contact komen met andere draden.
- Om een brand te voorkomen, dient het controletoestel van de lamp enkel gebruikt te worden met de adapter die bij het toestel geleverd werd. Wanneer de adapter beschadigd is, dient een adapter van hetzelfde model gebruikt te worden.
- Volgens de veiligheidsvoorschriften moet de LM440G ~ LM440F installatie geaard worden.
- Om elektrische schokken te voorkomen, moet U de behuizing niet openen. Afgezien van de zekering zitten er geen onderdelen in die door de gebruiker moeten worden onderhouden.
- Repareer nooit een zekering en overbrug de zekeringhouder nooit. Vervang een beschadigde zekering steeds door een zekering van hetzelfde type en met dezelfde elektrische kenmerken.
- Ingeval van ernstige problemen met het bedienen van het toestel, stopt U onmiddellijk het gebruik ervan. Contacteer uw dealer voor een eventuele reparatie.
- Gebruik best de originele verpakking als het toestel vervoerd moet worden.
- Om veiligheidsredenen is het verboden om ongeautoriseerde modificaties aan het toestel aan te brengen.

## ONDERHOUD

Reinig het toestel met een zacht, lichtjes bevochtigd doek. Vermijd water te morsen in het toestel. Gebruik nooit vluchtige producten zoals benzeen of thinner, dit kan het toestel beschadigen.

## FUNCTIES (VOORZIJD)



- NETSCHAKELAAR:** wordt gebruikt om het apparaat aan/uit te schakelen.
- DIMMER KANALEN:** met deze faders stelt U het niveau van de 4 kanalen in. Onder elke fader bevindt zich een flashtoets waarmee U het betreffende kanaal op vol vermogen kan uitsturen zolang deze toets ingedrukt wordt. Iedere flashtoets is bovendien van verlichting voorzien zodat U de toestand van de kanalen perfect kan volgen.
- SWITCH KANALEN:** gebruik deze toetsen voor het aan/uitschakelen van kleine lichteffecten. Om deze toetsen te kunnen gebruiken moet U via de DMX uitgang wel een optionele switchpack aansluiten. (DMX startadres van de switchpack stelt U dan in op 005)
- MODE SELECT:** hiermee kiest U één van de onderstaande gebruiksmodi:
  - **HOLD DIM:** wordt gebruikt om, met behulp van de 4 faders (2) het dimmer niveau van de kanalen afzonderlijk in te stellen. Zo kan U bvb. projectoren, voor het belichten van een klein podium, aansturen.
  - **HOLD SOUND:** de muziek wordt in 4 verschillende frequentiebanden (bass, middle, high, anti-bass) verdeeld. Zo zullen de 4 kanalen elk op een ander deel van het muzieksignaal reageren.
  - **PROGRAM SOUND:** het looplicht, gekozen met de "program select" toets (6), zal worden doorlopen. Het looplicht wordt gesynchroniseerd op het ritme van de muziek.
  - **PROGRAM SPEED:** het looplicht, gekozen met de "program select" toets (6), zal tegen een constante snelheid worden doorlopen. Deze snelheid kan met de speed fader (12) worden ingesteld.
- MODE SELECT INDICATOR:** toont welke van de 4 gebruiksmodi actief is.
- PROGRAM SELECT:** als één van de twee "program" modi (4) geselecteerd werd dan kan U via deze toets een geschikt programma uitkiezen. U hebt de keuze uit negen verschillende looplichten (1 tot 9), programma 0 (zero) op het scherm is een random programma.
- PROGRAMMA DISPLAY:** toont welk van de looplicht programma's gekozen werd.
- MASTER DIMMER:** hiermee kan U het algemene dimmer niveau van de 4 kanalen samen instellen.
- FULL TOETS:** zolang U deze toets indrukt zullen de uitgangen van de 4 dimmerkanalen 100% zijn.
- BACKGROUND LEVEL:** hiermee regelt U de achtergrondbelichting (minimum niveau van de vier kanalen). Zo kan U de looplichten wat minder agressief maken.  
*Opgelet: zet deze fader nooit op maximum, de looplichten zijn dan niet meer zichtbaar, het wordt dan ook onmogelijk om de niveaus van de afzonderlijke kanalen correct in te stellen.*
- STANDBY TOETS:** wordt gebruikt om de uitgangen van de dimmerkanalen af te sluiten (blackout). De 4 switch kanalen worden niet beïnvloed.
- PROG SPEED INSTELLING:** Als de "program speed" modus (4) gekozen werd dan kan U met deze fader de snelheid van het gekozen looplicht instellen van traag tot snel of zelfs heel snel (13).

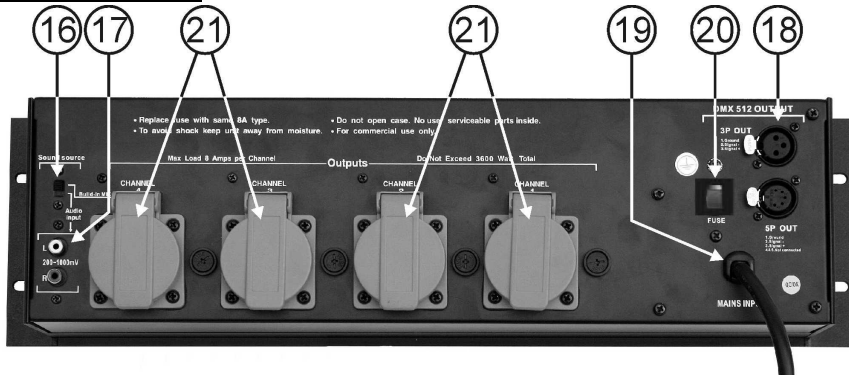
13. **SPEED x10 TOETS:** wordt gebruikt om de ingestelde snelheid (12) met een factor 10 te verhogen/verlagen.
14. **AUDIO SENSITIVITY:** wordt gebruikt om de gevoeligheid van de interne micro of externe audio ingang aan te passen. Regel de gevoeligheid zo af dat de muziekgerelateerde functies optimaal werken.
15. **INTERNE MICRO:** de interne micro bevindt zich achter deze opening.

## FUNCTIES (ACHERZIJDE)

### LM430



### LM440G ~ LM440F



16. **SOUND SOURCE KEUZESCHAKELAAR:** hiermee kiest U via welke muziekangang de looplichten zullen worden gesynchroniseerd:
  - **BUILD-IN MICRO:** gebruik deze stand als het geluidsniveau hoog genoeg is om de interne microfoon te bereiken. Dit is de eenvoudigste manier om de audio functies aan te sturen.
  - **AUDIO INPUT:** gebruik deze stand bij lage geluidsniveaus. Vergeet echter niet om de audio ingangen (17) van een audiokabel te voorzien!
17. **AUDIO INPUT:** als U keuzeschakelaar (16) op "AUDIO INPUT" zet dan moet U de cinch/RCA ingangen met een audio uitgang verbinden (line niveau: tussen 200mV en 1000mV). In de meeste gevallen zal een record uitgang van een 2de master uitgang van een mengtafel voldoen.
18. **DMX UITGANGEN:** via deze uitgang kan de lichtmodulator op DMX dimmers en switchpacks worden aangesloten. U kan de 5pin XLR of 3pin XLR uitgang gebruiken, beide voeren hetzelfde signaal maar hebben een verschillende pen aansluiting. In de meeste gevallen gebruikt U echter reeds voorgeassembleerde XLR-3pin kabels. Zowel de dimmer als switch kanalen zijn op deze uitgang beschikbaar:
  - **DIMMER KANALEN:** worden toegewezen aan DMX adressen 001 tot 004. U stelt het beginadres van de aangesloten **dimmer pack** in op 001.
  - **SWITCH KANALEN:** worden toegewezen aan DMX adressen 005 tot 008. U stelt het beginadres van de aangesloten **switch pack** in op 005.

*Hint: U kan om het even welke DMX dimmer/switch pack aansluiten. Voor mobiele toepassingen kunnen we U echter de JB Systems® PB41/STD DMX-bar warm aanbevelen. Deze heeft de mogelijkheid om elk kanaal afzonderlijk in switch of dimmer modus te schakelen. U kan tevens uw projectoren en/of lichteffecten direct op deze DMX-bar monteren.*

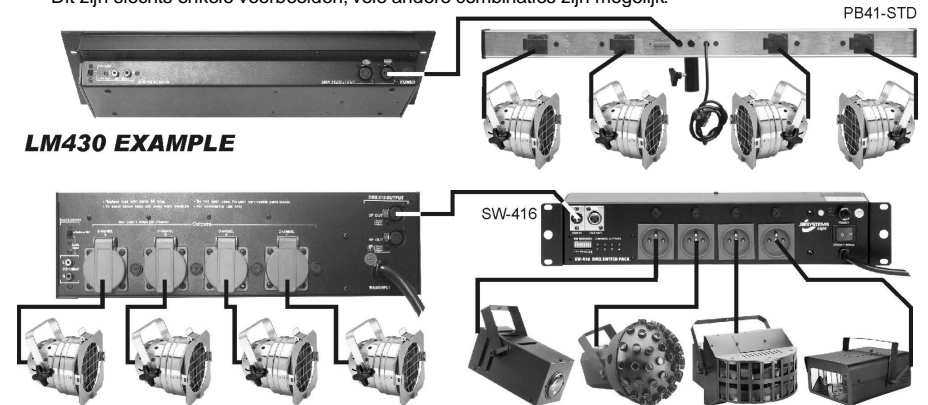
19. **POWER INGANG:** het soort voedingsingang hangt af van het gekozen model:
  - **LM430:** laagspanningsingang, hier kan U de meegeleverde AC adapter aansluiten. Als U een andere adapter gebruikt, gelieve er dan op te letten dat deze 15Vac (>1000mA) levert met de positieve (+) pool in het midden van de connector.
  - **LM440G ~ LM440F:** netsnoer, verzeker U ervan dat het beschikbare stopcontact 230Vac levert en de projectoren correct op de uitgangen werden aangesloten voor U de LM440G ~ LM440F met het net verbindt. Het maximaal toegelaten totale vermogen is 16A of 3600Watt.
20. **HOOFDZEKERING:** Dit is een automatische zekering. Wanneer de zekering is gesprongen, lokaliseer en los dan eerst het probleem op dat ervoor gezorgd heeft dat de zekering gesprongen is. Wanneer het probleem opgelost is, druk dan simpelweg op de knop om de zekering te resetten.
21. **KANAALUITGANGEN:** (enkel op LM440G ~ LM440F) Elk kanaal heeft zijn eigen stopcontact waarop U resistieve of inductieve (PAR36) belastingen kan aansluiten. Elk kanaal heeft tevens zijn eigen zekering. Vervang deze steeds door een exemplaar met dezelfde elektrische eigenschappen! (250V/8A snel)

### ZEER BELANGRIJKE NOTA !

Het is erg belangrijk te weten dat elk kanaal een maximaal vermogen van 8A of 1750W kan leveren. Het totale vermogen van de LM440G ~ LM440F mag 16A of 3600Watts **nooit** overstijgen!

## AANSLUITINGEN

Dit zijn slechts enkele voorbeelden, vele andere combinaties zijn mogelijk!



LM440 EXAMPLE

**SPECIFICATIONS****LM430:**

<b>Voeding:</b>	AC 15V 1000mA minimum.
<b>AC/AC adapter:</b>	AC 230V, 50Hz → 15Vac / 1000mA (or more)
<b>DMX uitgangen:</b>	3pin XLR + 5pin XLR
<b>Audio ingangen:</b>	interne micro externe audio ingang via cinch/RCA (200mV → 1000mV)
<b>Afmetingen:</b>	48,3 x 13,2 x 6,0 cm (19"/3U)
<b>Gewicht:</b>	1,9 kg

**LM440G ~ LM440F:**

<b>Voeding:</b>	230Vac / 16A maximum (3600Watt)
<b>Kanaaluitgangen:</b>	4x 230Vac / max. 8A (1750Watt)
<b>Zekeringen (6,35 x 32mm):</b>	kanalen: 250V/8A (T8AL250V)
<b>DMX uitgangen:</b>	3pin XLR + 5pin XLR
<b>Audio ingangen:</b>	interne micro externe audio ingang via cinch/RCA (200mV → 1000mV)
<b>Afmetingen:</b>	48,3 x 13,2 x 10,5 cm (19"/3U)
<b>Gewicht:</b>	3,1 kg

Elke inlichting kan veranderen zonder waarschuwing vooraf.

U kan de laatste versie van deze handleiding downloaden via onze website: [www.beglec.com](http://www.beglec.com)

**BEDIENUNGSANLEITUNG**

Vielen Dank, dass Sie sich für den Erwerb dieses JBSystems®-Produkt entschieden haben. Bitte lesen sie diese Bedienungsanleitung sorgfältig vor der Inbetriebnahme durch, zur vollen Ausschöpfung der Möglichkeiten, die dieses Gerät bietet sowie, zu Ihrer eigenen Sicherheit.

**EIGENSCHAFTEN**

Das Gerät ist funktentstört und erfüllt die Anforderungen der europäischen und nationalen Bestimmungen. Entsprechende Dokumentation liegt beim Hersteller vor.

- 4-Kanal DMX Lichtmodulator
  - **LM440G ~ LM440F:** mit 4 internen Dimmerpacks und Steckdosenausgängen (4x 1750W/res – max. Belastung = 3600W), geeignet für induktive und ohmsche Belastung.
  - **LM430:** keine internen Dimmerpacks, Benutzung mit externen DMX Geräten.
- 4 zusätzliche Schaltkanäle zum Ein-/Ausschalten der Lichteffekte über wahlweises DMX Switchpack (beispielsweise SW416)
- 4 Anwendermodi:
  - Individuelles manuelles Dimmen aller 4 Kanäle (Bühnenbeleuchtung)
  - 4-Kanal Lichtmodulator (hoch, mittel, Bass, anti-Bass)
  - 9 eingebaute 4-Kanal Chaserprogramme:
    - audio-gesteuert (eingebautes Mikrofon oder externer Cinch Audioeingang)
    - statisch mit wählbarer Geschwindigkeit auf Fader
- Individuelle Dimmer-Fader auf jedem Kanal, jeweils mit Blitztasten.
- Master-Dimmer mit Gesamt-Blitztaste
- Hintergrundpegel-Dimmer
- Stand-by-Schalter (Blackout)
- DMX Ausgang für zusätzliche Dimmer- und Switchpacks:
  - DMX Kanäle 1-4: Dimmerkanäle
  - DMX Kanäle 5-8: Ein/Aus Schaltkanäle

**VOR DER ERSTBENUTZUNG****Überprüfen Sie den Inhalt:**

Folgende Teile müssen sich in der Geräteverpackung befinden:

- LM430 mit Netzteil oder LM440G ~ LM440F
- Bedienungsanleitung

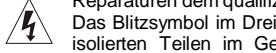
**Wichtige Hinweise:**

- Vor der Erstbenutzung bitte das Gerät zuerst auf Transportschäden überprüfen. Sollte das Gerät einen Schaden aufweisen, Gerät bitte nicht benutzen, sondern unverzüglich mit ihrem Händler in Verbindung setzen.
- **Wichtiger Hinweis:** Das Gerät hat das Werk unbeschädigt und gut verpackt verlassen. Es ist wichtig, dass der Benutzer sich streng an die Sicherheitshinweise und Warnungen in der Bedienungsanleitung hält. Schäden durch unsachgemäße Handhabung sind von der Garantie ausgeschlossen. Der Händler übernimmt keine Verantwortung für Schäden, die durch Nichtbeachtung der Bedienungsanleitung hervorgerufen wurden.
- Die Bedienungsanleitung, für zukünftiges Nachschlagen, bitte aufbewahren. Bei Verkauf oder sonstiger Weitergabe des Gerätes, bitte Bedienungsanleitung beifügen.
- Aus Umweltschutzgründen, Verpackung bitte wiederverwenden, oder richtig trennen.

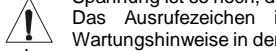
## SICHERHEITSHINWEISE



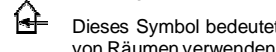
**ACHTUNG:** Um sich nicht der Gefahr eines elektrischen Schlags auszusetzen, entfernen Sie keines der Gehäuseteile. Im Geräte-inneren befinden sich keine vom Benutzer reparierbaren Teile. Überlassen Sie Reparaturen dem qualifizierten Kundendienst.



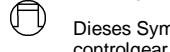
Das Blitzsymbol im Dreieck weist den Benutzer darauf hin, das eine Berührungsgefahr mit nicht isolierten Teilen im Geräteinneren, welche eine gefährliche Spannung führen, besteht. Die Spannung ist so hoch, das hier die Gefahr eines elektrischen Schlages besteht.



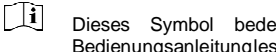
Das Ausrufezeichen im Dreieck weist den Benutzer auf wichtige Bedienungs- und Wartungshinweise in den Dokumenten hin, die dem Gerät beiliegen.



Dieses Symbol bedeutet: Nur innerhalb von Räumen verwenden.



Dieses Symbol bedeutet: Lampe controlgear



Dieses Symbol bedeutet: Achtung! Bedienungsanleitung lesen!



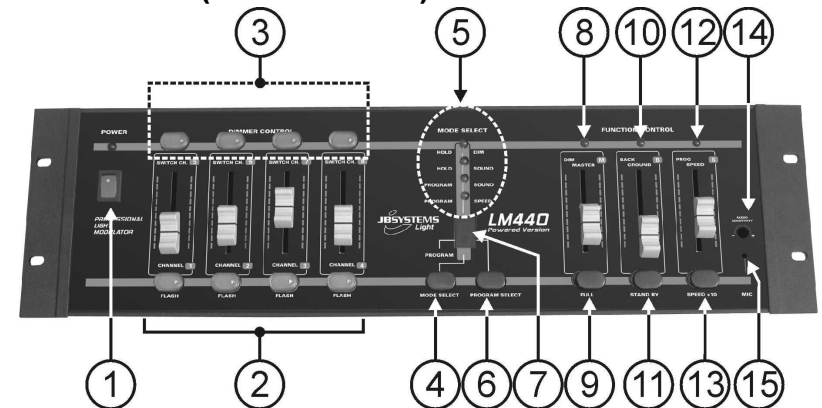
Dieses Symbol bedeutet: Klasse II Klassifizierung

- Zur Vermeidung von Stromschlag oder Feuer, Gerät bitte nicht Regen oder Feuchtigkeit aussetzen.
- Zur Vermeidung von Kondensation im Inneren des Geräts, bitte nach Transport in eine warme Umgebung einige Zeit zum Temperaturausgleich bringen. Kondensation kann zu Leistungsverlust des Gerätes oder gar Beschädigungsführen.
- Gerät nicht im Freien und in feuchten Räumen und Umgebungen verwenden.
- Keine Metallgegenstände oder Flüssigkeiten ins Innere des Geräts gelangen lassen. Keine mit Flüssigkeit gefüllte Gegenstände z.B. Vasen, auf das Gerät stellen. Kurzschluß oder Fehlfunktion können die Folge sein. Falls es doch einmal vorkommen sollte, bitte sofort Netzstecker ziehen und vom Stromkreis trennen.
- Offene Brandquellen, wie z.B. brennende Kerzen, sollten nicht auf das Gerät gestellt werden.
- Ventilationsöffnungen nicht abdecken, da Überhitzungsgefahr!
- Nicht in staubiger Umgebung verwenden und regelmäßig reinigen.
- Für Kinder unerreichbar aufbewahren.
- Unerfahrene Personen sollen das Gerät nicht bedienen.
- Umgebungstemperatur darf 40°C nicht überschreiten.
- Stets Netzstecker ziehen, wenn Gerät für längeren Zeitraum nicht genutzt, oder es gewartet wird.
- Elektrische Anschlüsse nur durch qualifiziertes Fachpersonal überprüfen lassen.
- Sicherstellen, daß Netzspannung mit Geräteaufkleber übereinstimmt.
- Die NetzNetzsteckdose sollte immer gut erreichbar sein um das Gerät vom Netz zu trennen.
- Gerät nicht mit beschädigtem Netzkabel betreiben. Ist die Zugangsleitung beschädigt, muß diese durch den Hersteller, seinen Vertrieb oder durch eine Qualifizierte Person ersetzt werden.
- Netzkabel nicht mit anderen Kabeln in Berührung kommen lassen!
- Um eine Gefahr zu vermeiden, soll das Apparat nur mit dem mitgelieferten Adapter benutzt werden. Ist der Adapter beschädigt, darf nur durch einen gleichen Adapter ersetzt werden.
- Um die Ordnungsgemäße Sicherheitsbestimmungen einzuhalten, muß LM440G ~ LM440F geerdet werden.
- Ausschließlich vorschriftsmäßige Kabel zur Installation verwenden.
- Gerät nicht öffnen. Abgesehen vom Tausch der Sicherung sind keine zu wartenden Bauteile im Gerät enthalten.
- Sicherung **niemals** reparieren oder überbrücken, sondern **immer** mit gleichartiger Sicherung ersetzen!
- Bei Fehlfunktion, Gerät nicht benutzen und mit Händler in Verbindung setzen.
- Bei Transport bitte Originalverpackung verwenden, um Schäden am Gerät zu vermeiden.
- Aus Sicherheitsgründen dürfen an dem Gerät keine unbefugten Veränderungen vorgenommen werden.

## WARTUNG

Die Reinigung der Gerätes erfolgt mit einem leicht mit Wasser angefeuchteten Tuch. Vermeiden Sie, dass Wasser in das Gerätinnere gelangt. Verwenden Sie keine brennbaren Flüssigkeiten wie Benzin oder Verdünnern, welche das Gerät beschädigen würden.

## FUNKTIONEN (VORDERSEITE)



- EIN/AUS-SCHALTER:** Ein- und Ausschalten des Geräts.
- DIMMERKANÄLE:** 4 Fader zum Einstellen der individuellen Dimmregel der 4 Kanäle. Unterhalb jedes Fadens befindet sich eine Blitztaste zur Einstellung des entsprechenden Ausgangs auf 100% (volle Leistung) für den Zeitraum des Tastendrucks. Die Blitztasten sind hintergrundbeleuchtet, damit die Ausgänge pro Kanal jeweils einfach überwacht werden können.
- SCHALTKANÄLE:** Tasten zum Ein- und Ausschalten von 4 individuellen Lichteffekten. Zur Nutzung muss ein separates Switchpack am DMX-Ausgang des Geräts angeschlossen werden (DMX Adresse auf dem Switchpack muss auf 005 eingestellt sein).
- MODE SELECT:** Auswahl eines der 4 Anwendermodi:
  - **HOLD DIM:** Steuerung der Dimmregel von Projektoren auf einer kleinen Bühne. Die 4 Fader (2) können zum Einstellen der Dimmregel der einzelnen Kanäle benutzt werden.
  - **HOLD SOUND:** Die Musik ist in 4 unterschiedliche Frequenzbereiche (Bass, mittel, hoch, anti-Bass) unterteilt. Jeder der vier Ausgangskanäle reagiert auf einen unterschiedlichen Frequenzbereich.
  - **PROGRAM SOUND:** Das mit „PROGRAM SELECT“ (6) ausgewählte Chaserprogramm wird angezeigt. Die Chasergeschwindigkeit ist mit dem Rhythmus synchronisiert.
  - **PROGRAM SPEED:** Das mit „PROGRAM SELECT“ (6) ausgewählte Chaserprogramm wird angezeigt. Die Chasergeschwindigkeit kann mit dem Geschwindigkeits-Fader (12) eingestellt werden.
- MODE SELECT ANZEIGE:** Anzeige, welcher der 4 Modi derzeit aktiviert ist.
- PROGRAM SELECT:** Nach Auswahl eines der 2 Programmmodi (4) kann mit dieser Taste ein gewünschtes Programm ausgewählt werden. Auswahl zwischen neun Chaserprogrammen (von 1 bis 9) ist möglich. Programm 0 (Null im Display) ist ein Zufallsprogramm.
- PROGRAMMANZEIGE:** Anzeige, welches Chaserprogramm derzeit ausgewählt ist.
- MASTER DIMMER:** Steuert den Gesamt-Dimmregel der 4 Kanäle.
- FULL SCHALTER:** Einstellen des Ausgangs der 4 Kanäle auf 100% (volle Leistung) für den Zeitraum des Tastendrucks.
- BACKGROUND PEGEL:** Fader zur Einstellung des Hintergrundpegels (Mindest-Ausgangspegel) der 4 Dimmerkanäle. Hiermit können die Chasereffekte „abgeschwächt“ werden und sind weniger aggressiv. **Bitte beachten:** Fader nicht auf Maximum einstellen, anderenfalls können die Chasermuster nicht mehr erkannt oder entsprechende Dimmregel für die 4 individuellen Kanäle nicht eingestellt werden.
- STANDBY SCHALTER:** Abschalten (Blackout) des Ausgangs der 4 Dimmerkanäle. Die 4 Schaltkanäle sind hiervon nicht betroffen.
- PROG SPEED STEUERUNG:** Bei Auswahl von „PROGRAM SPEED“ Modus (4) kann die Geschwindigkeit der gewählten Chaserprogramme (6) zwischen langsam, schnell und sehr schnell (13) umgeschaltet werden.
- SPEED x10 TASTE:** x10 Beschleunigung/Verlangsamung der mit dem Geschwindigkeits-Fader (12) gewählten Geschwindigkeit.

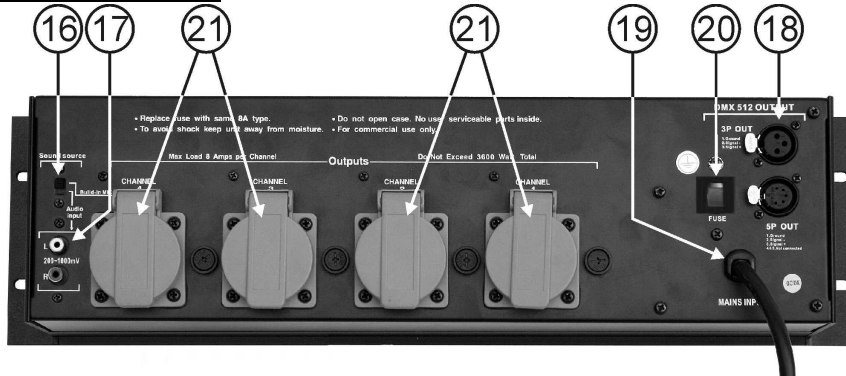
14. **AUDIO SENSITIVITY:** Einstellen der Eingangsempfindlichkeit des eingebauten Mikrofons oder externen Audioeingangs. Einstellen des Pegels, bis die musikgesteuerten Funktionen gut mit dem Rhythmus der Musik zusammenarbeiten.
15. **INGEBAUTES MIKROFON:** Das interne Mikrofon befindet sich hinter dieser Öffnung.

## FUNKTIONEN (GERÄTERÜCKSEITE)

### LM430



### LM440G ~ LM440F



16. **SOUND SOURCE UMSCHALTER:** Umschalten der Audioeingänge zur Synchronisation der Sound-Funktionen:
- **INGEBAUTES MIKROFON (15):** Nutzen Sie dieser Funktion, wenn der Wiedergabepegel hoch genug ist und das eingebaute Mikrofon den Sound aufnehmen kann. Dieses ist die einfache Weise, die Sound-Funktionen zu benutzen.
  - **AUDIO EINGANG (17):** Nutzen Sie diese Funktion, wenn der Soundpegel eher gering ist. In diesem Fall bitte nicht den Anschluss der Audioeingänge (17) vergessen!
17. **AUDIO INPUT:** Bei Einstellung des Sound Source Umschalters (16) auf „AUDIO INPUT“ müssen diese Cinch/RCA Anschlüsse an ein analoges Audiosignal zwischen 200mV und 1000mV angeschlossen sein. In den meisten Fällen ist Anschluss an den Aufnahmeausgang oder zweiten Master des Mixers in Ordnung.
18. **DMX AUSGÄNGE:** Anschluss der Lichtmodulator an DMX Geräte. Sie können den 5-pin XLR oder 3-pin XLR Anschluss benutzen. Beide Anschlüsse haben die gleichen Signale und lediglich eine unterschiedliche Stiftbelegung. In den meisten Fällen werden Sie jedoch Standard XLR-Stecker/Buchse-Kabel wie unsere 7-0061 → 7-0068 Signalkabel benutzen. Sowohl Dimmer- wie auch Schaltkanäle stehen an diesen Ausgängen zur Verfügung:
- **DIMMERKANÄLE:** Zugeordnet zu DMX Adressen 001 bis 004. Bitte stellen Sie die Startadresse desangeschlossenen **Dimmerpacks** auf 001 ein.
  - **SCHALTKANÄLE:** Zugeordnet zu DMX Adressen 005 bis 008. Bitte stellen Sie die Startadresse desangeschlossenen **Switchpacks** auf 005 ein.

**Tipp:** Sie können alle möglichen Dimmer/Switchpacks anschließen, für mobile Nutzung empfehlen wir jedoch die JB Systems® PB41/STD aktiven DMX-Bars. Jeder Kanal kann einfach auf Schalt- oder Dimmermodus eingestellt werden. Weiterhin können Sie Ihre Projektoren und/oder Lichteffekte direkt an diese aktiven DMX-Bars anschließen.

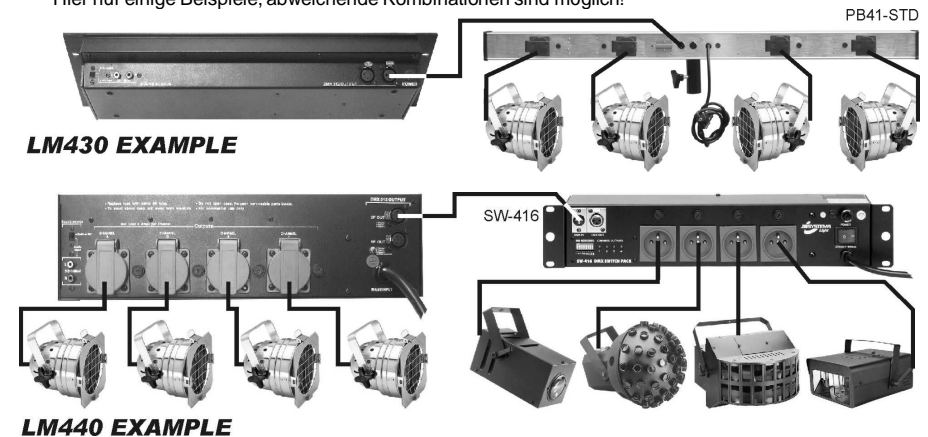
19. **NETZEINGANG:** Eingang ist modellabhängig:
- **LM430:** Niederspannungseingang, hier mitgeliefertes Netzteil anschließen. Bei Benutzung eines anderen Netzteils vergewissern Sie sich davon, dass der Ausgang 15V~ (>1000mA).
  - **LM440G ~ LM440F:** Netzkabel, vergewissern Sie sich davon, dass Ihre Netzspannung 230V~ ist und die Projektoren korrekt an den Kanalausgangsbuchsen (20) angeschlossen sind, bevor Sie den Stecker in die Netzsteckdose stecken. Die Höchstbelastung ist 16A oder 3600 Watt.
20. **EINGANGSSICHERUNG:** Sicherungsautomat. Bei durchgebrannter Sicherung finden Sie bitte zunächst das Problem, das zum Durchbrennen der Sicherung geführt hat. Anschließend drücken Sie den Rückstellknopf des Sicherungsautomaten.
21. **KANALAUSGÄNGE:** (nur LM440G ~ LM440F) Jeder Kanalausgang hat seine eigene Ausgangsbuchse zum Anschluss jeglicher resistiver und/oder induktiver (PAR36) Projektoren. Jeder Kanal ist mit einer Sicherung bestückt. Beim Auswechseln der Sicherung achten Sie bitte darauf, dass sie die gleichen Eigenschaften (250V/8A flink) hat.

### SEHR WICHTIGER HINWEIS!

Es ist von größter Wichtigkeit zu wissen, dass die Höchstbelastung pro Kanal 8A oder 1750 Watt ist. Die Gesamtbelastung aller 4 Kanäle darf jedoch 16A oder 3600 Watt nicht überschreiten!

## ANSCHLÜSSE

Hier nur einige Beispiele, abweichende Kombinationen sind möglich!



## SPEZIFIKATIONEN

### LM430:

<b>Stromversorgung:</b>	AC 15V 1000mA minimum
<b>Netzteil:</b>	230V~ 50Hz → 15Vca~ / 1000mA (oder höher)
<b>DMX Ausgänge:</b>	3-pin XLR + 5-pin XLR
<b>Audio Eingänge:</b>	eingebautes Mikrofon externer Audioeingang über Cinch/RCA (200mV → 1000mV)
<b>Abmessungen:</b>	48,3 x 13,2 x 6,0 cm (19"/3U)
<b>Gewicht:</b>	1,9 kg

### LM440G ~ LM440F:

<b>Stromversorgung:</b>	230V~ / 16A maximum (3600 Watt)
<b>Leistungsausgang:</b>	4 x 230V~ / max. 8A (1750 Watt)
<b>Sicherungen (6,35 x 32mm):</b>	250V/8A (T8AL250V)
<b>DMX Ausgänge:</b>	3-pin XLR + 5-pin XLR
<b>Audio Eingänge:</b>	eingebautes Mikrofon externer Audioeingang über Cinch/RCA (200mV → 1000mV)
<b>Abmessungen:</b>	48,3 x 13,2 x 10,5 cm (19"/3U)
<b>Gewicht:</b>	3,1 kg

Technische Änderungen können auch ohne Vorankündigung vorgenommen werden!  
Sie können sich die neueste Version dieses Benutzerhandbuchs von unserer Website herunterladen: [www.beglec.com](http://www.beglec.com)

## MANUAL DE INSTRUCCIONES

Gracias por la compra de este producto JB Systems®. Para sacar todo el rendimiento de las posibilidades de este aparato y por su propia seguridad, por favor lea este manual de instrucciones con mucho cuidado antes de utilizar este producto.

### CARACTERÍSTICAS

Este producto interfiere con señales de radio. Este aparato cumple las exigencias Europeas y nacionales de las normas actuales. Se ha establecido conformidad y las declaraciones y documentos relevantes se han depositado por el fabricante.

- Modulador de luz de 4 canales:
  - **LM440G ~ LM440F:** equipado de 4 dimmers internos y salidas con enchufes de potencia (4x 1750W/res – carga total máx. = 3600W) previsto para cargas inductivas y resistivas.
  - **LM430:** sin dimmers internos, pasa uso con unidades de potencia DMX externas.
- 4 interruptores adicionales para encender/apagar los efectos de luces mediante un switch pack DMX opcional (ej. SW416)
- 4 modos de usuario:
  - Dimerización manual individual de los 4 canales (iluminación de escenario)
  - Modulador de luz de 4 canales (agudos, medios, bajos, anti bajos)
  - 9 programas de modulación integrados:
    - Controlado por sonido (micrófono integrado o entrada audio externa mediante Cinch)
    - Estático con velocidad seleccionable por el usuario con deslizador
- Deslizador individual por canal, cada uno con botón de flash.
- Deslizador master con botón de flash general
- Deslizador de nivel de fondo
- Interruptor de espera (apagado)
- Salida DMX para dimmer o switch pack adicional:
  - Canales DMX 1-4: canales dimerizables
  - Canales DMX 5-8: canales de encendido/apagado

### ANTES DEL USO

#### Verificar el contenido:

Verificar la presencia de las partes siguientes:

- LM430 con adaptador AC o LM440G ~ LM440F
- Manual de instrucciones

#### Instrucciones importantes:

- Antes de utilizar este producto, por favor compruebe que no hay daños causados por el transporte. En caso contrario, no utilice este aparato y consulte a su vendedor.
- **Importante:** Este aparato salió de la empresa en perfecto estado y bien empaquetado. Es absolutamente necesario por parte del usuario de seguir estrictamente las instrucciones de seguridad y las advertencias de este manual. Cualquier daño causado por manejo inadecuado no estará sujeto a la garantía. El vendedor no aceptará responsabilidad por ningún defecto o problemas causados por negligencia de este manual del usuario.
- Mantenga este librito en un lugar seguro para consultas futuras. Si vende este aparato, asegúrese de añadir este manual de usuario.
- Para proteger el medio ambiente, intente por favor de reciclar el embalaje lo mas posible.

**PRECAUCIONES DE USO**



**PRECAUCIÓN:** Para reducir el riesgo de electrocución, no quite la cubierta superior. Ninguna pieza usable adentro para el utilizador. Diríjase únicamente a personal cualificado.

El símbolo de un rayo en el interior de un triángulo alerta sobre la presencia o el uso de elementos no aislados donde un voltaje peligroso constituye un riesgo grande para causar una eventual electrocución.

El punto de exclamación en el interior de un triángulo alerta al usuario sobre la presencia de importantes instrucciones de operación y de mantenimiento tenidas en cuenta en el manual de uso.

Este símbolo significa : uso para el interior solamente.

Este símbolo significa: aparato controla una lámpara

Este símbolo significa : Lea las instrucciones.

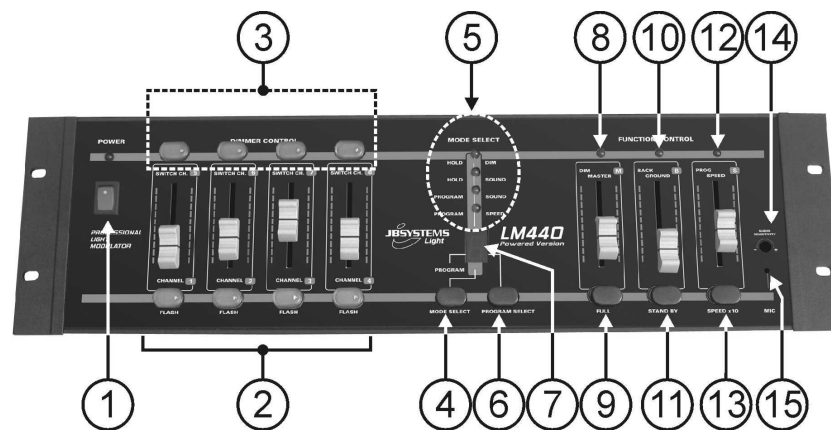
Este símbolo significa: Aplicaciones de la clase II

- Para evitar riesgos de incendio o electrocución, no exponer el aparato a la lluvia o a la humedad.
- Para evitar que se forme condensación en el interior, permita que el aparato se adapte a las temperaturas circundantes cuando lo lleve a una habitación caliente después de transporte. Condensar algunas veces impide que el aparato funcione a rendimiento pleno o incluso puede causar daños.
- Este aparato es sólo para uso interior.
- No coloque objetos metálicos o derrame líquidos dentro del producto. No colocar objetos llenos de líquidos, como jarrones, encima del aparato. Una descarga eléctrica o mal funcionamiento puede resultar. Si un objeto extraño entrara en el aparato, desconecte inmediatamente la alimentación.
- No colocar fuentes desnudas de llamas, como velas encendidas, sobre el aparato.
- No cubra ninguna apertura de ventilación ya que esto podría causar sobrecalentamiento.
- Evite su uso en ambientes polvorientos y limpie la unidad regularmente.
- Mantenga la unidad alejada de los niños.
- Personas sin experiencia no deberían manejar este aparato.
- La temperatura máxima del aparato es 40°C. No use este producto a temperaturas más elevadas.
- Siempre desenchufe el aparato cuando no lo use por un periodo largo o antes de cambiar la bombilla o de comenzar una reparación.
- La instalación eléctrica se debe realizar solamente por personal cualificado, según las regulaciones para la seguridad eléctrica y mecánica en su país.
- Compruebe que el voltaje disponible no es superior al que aparece en el panel trasero del producto.
- El enchufe tiene que estar siempre accesible para desconectar la alimentación.
- El cable de alimentación debería estar siempre en perfectas condiciones: apague el aparato inmediatamente cuando el cable de alimentación esté roto o dañado. Debe ser substituido por el fabricante, su servicio técnico o otra persona cualificada.
- ¡Nunca deje el cable de alimentación entrar en contacto con otros cables!
- Para evitar todo peligro, el aparato debe conectarse a la red mediante el adaptador proporcionado. Si se daña este adaptador de corriente se subsistuirá únicamente por otro similar.
- El LM440G ~ LM440F debe tener toma de tierra para cumplir con las normas de seguridad.
- Para prevenir descargas eléctricas, no abra la tapa. Aparte los fusibles no hay nada que pueda ser reparado por el usuario en el interior el aparato.
- **Nunca** repare un fusible o haga un desvío al fusible. **¡Siempre** sustituya el fusible dañado por un fusible del mismo tipo y con las mismas especificaciones eléctricas!
- En caso de problemas serios de manejo, deje de usar el aparato y contacte su vendedor inmediatamente.
- Por favor, use el embalaje original cuando el aparato deba ser transportado.
- Debido a motivos de seguridad está prohibido de hacer modificaciones al aparato sin autorización.

**MANTENIMIENTO**

Limpiar regularmente el aparato con un trapo ligeramente húmedo. Recomendamos que la limpieza interna sea efectuada por profesionales.

**FUNCIONES (PANEL FRONTAL)**



- INTERRUPTOR DE ENCENDIDO:** enciende y apaga la unidad.
- CANALES DE DIMERIZACIÓN:** 4 deslizantes utilizados para establecer los niveles de graduación individual de los 4 canales. Debajo de cada deslizante hay un botón de flash para dar a la salida del canal correspondiente el 100% (maxima intensidad). Los botones de flash están iluminados, de modo que pueda controlar fácilmente la salida de cada canal.
- CANALES DE INTERRUPCIÓN:** estos botones sirven para encender/apagar los 4 efectos de luz individualmente. Para poder usar estos botones, debe conectar un switch pack independiente a la salida DMX de la unidad. (la dirección DMX del switch pack debe establecerse en 005)
- MODE SELECT:** sirve para seleccionar uno de los 4 modos :
  - **HOLD DIM:** Se puede utilizar para controlar los niveles de graduación de los proyectores en un escenario pequeño. Los 4 deslizantes (2) pueden utilizarse para establecer individualmente los niveles de graduación de cada canal.
  - **HOLD SOUND:** la música se divide en 4 rangos de frecuencia distintos (bajos, medios, agudos, anti-bajos). Cada uno de los cuatro canales de salida responderá a un rango de frecuencia distinto.
  - **PROGRAM SOUND:** Se visualiza el programa de persecución seleccionado con el botón "seleccionar programa" (6). La velocidad de persecución está sincronizado con el ritmo de la música.
  - **PROGRAM SPEED:** Se visualiza el programa de persecución seleccionado con el botón "seleccionar programa" (6). Se adapta la velocidad de persecución con el deslizante de velocidad (12).
- INDICADOR MODE SELECT:** indica cuál de los 4 modos está activo en ese momento.
- PROGRAM SELECT:** Cuando haya seleccionado 1 de los 2 modos de programa (4) puede pulsar el botón "program select" y seleccionar así el programa deseado. Pueden seleccionarse nueve programas de persecución distintos (de 1 a 9). El programa 0 (cero en la pantalla) es un programa aleatorio.
- MOstrar PROGRAMA:** muestra el programa de persecución seleccionado actualmente.
- MASTER DIMMER:** controla los niveles generales de dimerización de los 4 canales.
- INTERRUPTOR FULL:** utilice este botón para establecer la salida de los 4 canales al 100% (intensidad maxima) mientras pulse este botón.
- INTERRUPTOR BACKGROUND:** con este deslizante puede establecer el nivel de fondo (nivel de salida mínimo) de los 4 canales de graduación. Esto puede "atenuar" los efectos de persecución para que sean menos agresivos.
 

**Atención:** no ponga este deslizante al máximo, no podrá ver los pasos del programador ni establecer niveles de graduación adecuados para los 4 canales individuales.
- INTERRUPTOR STAND BY:** sirve para cortar (apagar) la salida de los 4 canales dimerizables. Los 4 interruptores de los canales no se ven afectados.

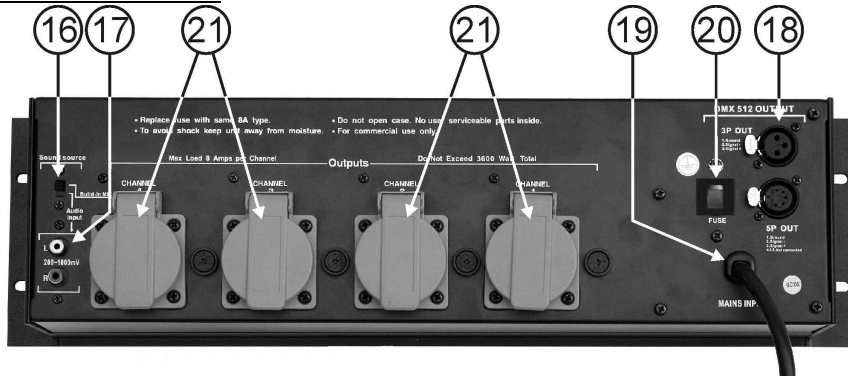
12. **CONTROL PROG SPEED:** Cuando se seleccione el modo "program speed" (4), puede cambiar la velocidad del programa de persecución seleccionado (6) de lento a rápido o muy rápido (13).
13. **BOTÓN SPEEDx10:** sirve para multiplicar/dividir por 10 la velocidad seleccionada con el deslizador de velocidad (12).
14. **AUDIO SENSITIVITY:** sirve para ajustar la sensibilidad de entrada del micrófono interno o las entradas de sonido externas. Ajuste el nivel hasta que las funciones activadas por la música funcionen correctamente al ritmo de la música.
15. **MICRÓFONO INTERNO:** el micrófono interno está instalado tras esta apertura.

**FUNCIONES (PARTE TRASERA)**

**LM430**



**LM440G ~ LM440F**



16. **SELECCIÓN DE FUENTE DE SONIDO:** sirve para seleccionar la entrada de sonido que se utilizará para sincronizar las funciones relacionadas con la música:
  - **MICRÓFONO INTEGRADO:** use esta función cuando el volumen de la música sea lo suficientemente alto para que el micrófono interno lo reciba con facilidad. Es la forma más sencilla de usar las funciones de música.
  - **ENTRADA AUDIO:** use esta función cuando el volumen de la música sea más bien bajo. En este caso, no olvide conectar los conectores de entrada de sonido (17)
17. **ENTRADA AUDIO:** cuando el selector de fuente de sonido (16) esté en "AUDIO INPUT" deberá conectar estos conectores cinch/RCA a una señal de sonido analógica de entre 200mV y 1000mV. En la mayoría de casos una salida de grabación o un master secundario de su mesa bastarán.
18. **SALIDAS DMX:** sirven para conectar el modulador de luz a las etapas de potencia DMX. Puede utilizar conectores XLR de 5 pin o XLR de 3 pin. Ambos conectores llevan las mismas señales, sólo tienen una configuración de patillas distinta. Sin embargo, en la mayoría de los casos se utilizarán cables normales

macho/hembra XLR de 3 pin. Tanto los canales de dimerización como los de interrupción están disponibles con estas salidas:

- **CANALES DIMERIZACIÓN:** asignados a direcciones DMX 001 a 004. Establezca la dirección inicial del **dimmer pack** en 001.
- **CANALES DE INTERRUPCIÓN:** se asignan a las direcciones DMX 005 a 008. Establezca la dirección inicial del **switch pack** en 005.

**Recomendación:** Puede conectar todo tipo de dimmer o switch pack, pero para instalaciones móviles recomendamos las barras DMX alimentadas PB41/STD de JB Systems®. Puede asignar fácilmente cada canal en modo switch o dimmer. Además, puede fijar directamente sus proyectores y/o efectos de luz a estas barras de potencia DMX.

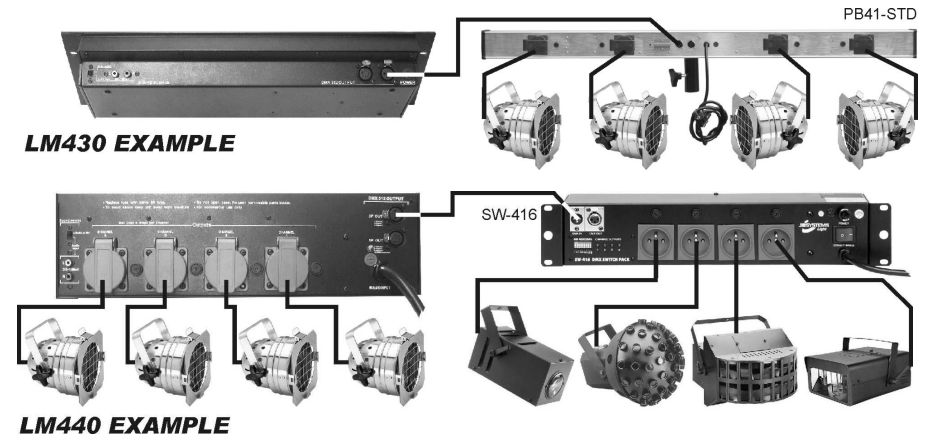
19. **ENTRADA DE CORRIENTE:** esta entrada depende del número de modelo del modulador de luces:
  - **LM430:** entrada de bajo voltaje, conecte el adaptador AC incluido aquí. Si usa otro adaptador, asegúrese de que la salida genere 15VAC (>1A).
  - **LM440G ~ LM440F:** cable de entrada de corriente, asegúrese de que el voltaje local sea 230VAC y los proyectores estén conectados correctamente a los enchufes de salida del canal (20) antes de conectar este cable a la corriente. La carga máxima total es de 16A o 3600 vatios.
20. **FUSIBLE DE ENTRADA:** Se trata de un disyuntor automático. Cuando se funda el fusible, localice y solucione primero el problema que ha provocado que se funda el fusible. Cuando haya solucionado el problema, pulse simplemente el botón para restaurar el disyuntor.
21. **SALIDAS DE CANAL:** (sólo en el LM440G ~ LM440F) Cada salida de canal tiene su propio enchufe de potencia para conectar cualquier proyector (es) resistivo y/o inductivo (PAR36). Cada canal incorpora un fusible. Reemplace siempre los fusibles fundidos con un fusible que tenga las mismas características (250V/8A rápido)

**NOTA MUY IMPORTANTE**

Es muy importante saber que la carga máxima de cada canal se establece en 8A o 1750 vatios. Sin embargo, la carga total de los 4 canales no puede exceder los 16A o 3600 vatios.

**CONEXIONES**

Estos son solamente algunos ejemplos, pueden realizarse muchas configuraciones y combinaciones





**ESPECIFICACIONES****LM430:**

<b>Alimentación:</b>	AC15V 1000mA mínimo.
<b>Adaptador de corriente AC:</b>	AC 230V, 50Hz → 15Vac / 1000mA
<b>Salidas DMX:</b>	XLR 3pin + XLR 5pin
<b>Entrada audio:</b>	micrófono interno
	Entrada audio externa en cinch /RCA (200mV → 1000mV)
<b>Dimensiones:</b>	48,3 x 13,2 x 6,0 cm (19"/3U)
<b>Peso:</b>	1,9 kg

**LM440G ~ LM440F:**

<b>Alimentación:</b>	230Vac / 16A máximo (3600 vatios)
<b>Salida de potencia:</b>	4x 230V ac/ máx. 8A (1750 vatios)
<b>Fusibles (6,35x32mm):</b>	canales: 250V/8A (T8AL250V)
<b>Salidas DMX:</b>	XLR 3pin + XLR 5pin
<b>Entrada audio:</b>	micrófono interno
	entrada audio externa en cinch /RCA (200mV → 1000mV)
<b>Dimensiones:</b>	48,3 x 13,2 x 10,5 cm (19"/3U)
<b>Peso:</b>	3,1 kg

Toda la información está sujeta a cambios sin previo aviso

Puede descargar la última versión de este manual desde nuestro sitio web: [www.beglec.com](http://www.beglec.com)

**MANUAL DO UTILIZADOR**

Obrigado por ter adquirido este produto da JB Systems®. De modo a tirar total proveito das possibilidades deste produto, por favor leia este manual com atenção.

**CARACTERÍSTICAS**

Esta unidade está protegida contra interferências rádio. Este produto cumpre as exigências impostas pelas presentes directivas nacionais e europeias. A conformidade deste produto foi comprovada e as declarações e documentos relevantes foram efectuados pelo fabricante

- Modulador de luz DMX com 4 canais:
  - **LM440G ~ LM440F:** equipado com 4 dimmer packs internos e saídas standard (4x 1750W/res – carga máxima total= 3600W) Adequado para cargas indutivas e resistentes.
  - **LM430:** Sem dimmer packs, para ser usado com unidades de potência externas com DMX.
- 4 canais switch extras para ligar/desligar os efeitos de luz via switch pack DMX (ex. SW416)
- 4 Modos de utilização:
  - Controlo de intensidade manual e individual nos 4 canais (iluminação de palco)
  - Modulador de luz de 4 canais (agudos, médios, graves, anti graves)
  - 9 Sequências de 4 canais pré programadas:
    - Controlado por áudio (micro incorporado ou entrada de áudio externa RCA)
    - Estático com velocidade controlável no canal
- Controlo individual de intensidade em cada canal, cada um com botão flash.
- Controlo de intensidade Master com botão flash geral
- Nível de intensidade Background
- Interruptor standby (blackout)
- Saída DMX para dimmer e switch pack extra:
  - Canais DMX 1-4: Canais dimmer
  - Canais DMX 5-8: Canais switch ligar/desligar

**ANTES DE UTILIZAR**

Certifique-se que a caixa contém os seguintes artigos:

- LM430 com adaptador AC ou LM440G ~ LM440F
- Manual do utilizador

**Algumas instruções importantes:**

- Antes de utilizar esta unidade verifique se existem danos provocados durante o transporte. Caso existam danos aparentes, não utilize a unidade e contacte o seu revendedor.
- **Importante:** Esta unidade deixou a nossa fábrica em perfeitas condições e devidamente embalada. É imprescindível que o utilizador siga as instruções de segurança e avisos descritos neste manual. Quaisquer danos provocados por utilização incorrecta não serão cobertos pela garantia. O revendedor não será responsável por quaisquer danos ou problemas causados pelo incumprimento das instruções deste manual.
- Guarde este manual num local seguro para consulta futura. Caso venda esta unidade, forneça este manual.
- Proteja o ambiente. Recicle o material desta embalagem.

## INSTRUÇÕES DE SEGURANÇA:



**ATENÇÃO:** De forma a evitar o risco de choque eléctrico, não remova peças da unidade. Não tente fazer reparações. Contacte pessoal qualificado.



O símbolo composto por um triângulo equilátero com um relâmpago no interior alerta para a presença de voltagem perigosa não isolada no interior do produto que poderá constituir risco de choque eléctrico.



O símbolo composto por um triângulo equilátero com um ponto de exclamação alerta o utilizador para a presença de instruções importantes de utilização e manutenção do produto.



Este símbolo significa: utilização unicamente em espaços fechados.



Este símbolo significa: Mecanismo de controlo da lâmpada



Este símbolo significa: Leia instruções.



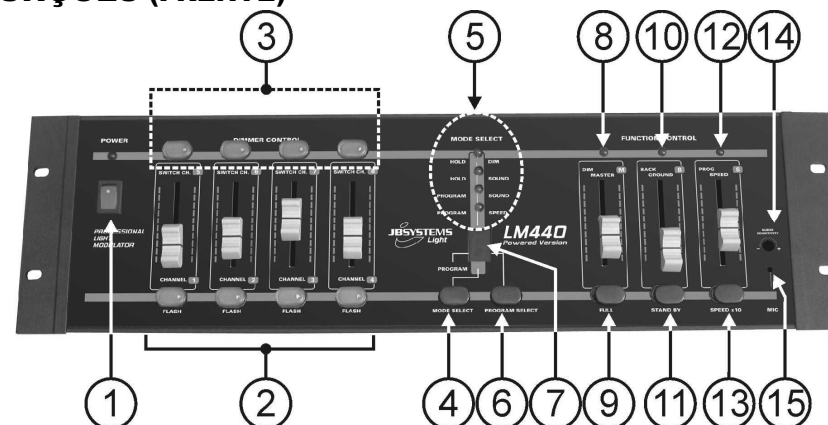
Este símbolo significa: Aparelho Classe II

- De modo a evitar risco de fogo ou choque eléctrico, não exponha este produto a chuva ou humidade.
- De forma a evitar a formação de condensação no interior da unidade, ao transportá-la para ambiente quente aguarde algum tempo de modo a que haja uma ambientação à temperatura. A condensação poderá afectar o desempenho da unidade ou até danificá-la.
- Esta unidade destina-se unicamente a utilização em espaços fechados.
- Não introduza objectos de metal nem verta líquidos no interior do produto, correrá risco de choque eléctrico ou poderá danificar o produto. Caso algum objecto estranho entre em contacto com o interior da unidade, desligue-a de imediato da corrente.
- Não coloque chamas descobertas (tais como velas acesas) sobre a unidade.
- Não cubra os orifícios de ventilação ou a unidade poderá sobreaquecer.
- Evite locais com poeiras. Limpe a unidade regularmente.
- Mantenha esta unidade fora do alcance das crianças.
- Esta unidade deverá ser operada unicamente por pessoas experientes.
- Temperatura ambiente de funcionamento máxima é de 40°C. Não utilize esta unidade a temperaturas ambientes mais elevadas.
- Desligue sempre a unidade da corrente quando não a utilizar durante longos períodos de tempo ou antes de efectuar manutenção.
- A instalação eléctrica deve ser efectuada unicamente por pessoal qualificado, cumprindo os regulamentos de segurança em instalações eléctricas e mecânicas do seu país.
- Certifique-se que a voltagem a utilizar não é superior à voltagem indicada no painel traseiro da unidade.
- A tomada de corrente deverá permanecer acessível para que a unidade possa ser desligada da corrente.
- O cabo de alimentação deverá estar sempre em perfeitas condições. Desligue a unidade e substitua imediatamente o cabo caso este apresente algum dano. Deverá ser substituído pelo fabricante, pelo agente autorizado ou pessoal qualificado de modo a evitar um acidente.
- Nunca permita que este cabo entre em contacto com outros cabos!
- De modo a evitar um acidente, a unidade deverá ser usada apenas com o adaptador AC fornecido com ela. Se o adaptador estiver danificado, apenas poderá ser usado outro adaptador do mesmo modelo.
- O LM440G ~ LM440F deve ser ligado à terra de forma a cumprir com os regulamentos de segurança.
- De forma a não correr risco de choque eléctrico não abra a cobertura da unidade. À excepção do fusível, não existem peças que possam ser substituídas pelo utilizador.
- Nunca** repare um fusível nem tente operar a unidade sem fusível. Substitua **sempre** um fusível danificado por outro com as mesmas características!
- Em caso de problemas sérios de funcionamento, interrompa a utilização da unidade e contacte imediatamente o seu revendedor.
- Caso seja necessário transportar a unidade utilize a embalagem original.
- Por motivos de segurança, são proibidas quaisquer alterações não autorizadas à unidade.

## LIMPEZA DO APARELHO

Utilize um pano limpo ligeiramente humedecido em água. Evite introduzir água dentro da unidade. Não utilize líquidos voláteis como benzeno ou diluente, irá danificar a unidade.

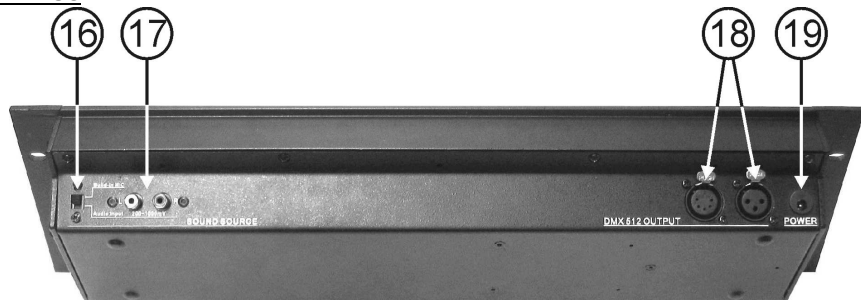
## FUNÇÕES (FRENTE)



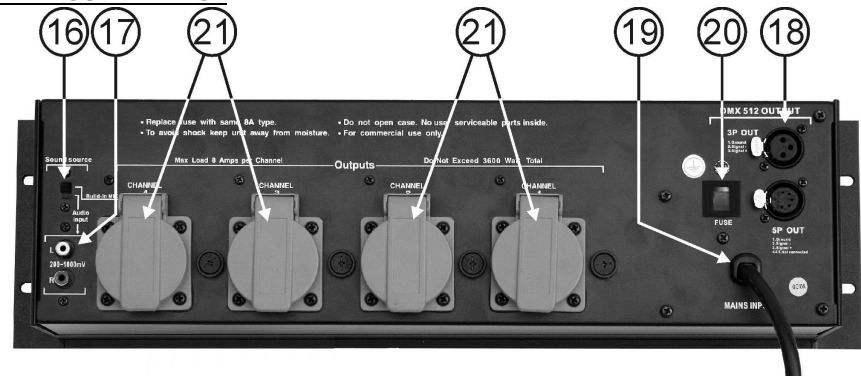
- INTERRUPTOR POTÊNCIA:** Usado para ligar/desligar a unidade.
- CANAIS DIMMER:** Estes 4 controlos são usados para definir o nível de intensidade dos 4 canais.
- Por baixo de cada controlo existe um botão flash para definir a saída do canal correspondente a 100% durante o tempo que o botão é pressionado. Os botões flash têm luz de fundo para facilmente monitorizar a saída de cada canal.
- CANAIS SWITCH:** Estes botões são usados para ligar/desligar 4 efeitos de luz individuais. Para poder usar estes botões tem de conectar um switch pack à saída DMX da unidade. (o endereço DMX no switch pack tem de ser definido para 005)
- MODE SELECT:** Usado para seleccionar 1 dos 4 modos de utilização:
  - HOLD DIM:** Este modo pode ser usado para controlar o nível de intensidade dos projectores num pequeno palco. Os controlos (2) podem ser para definir o nível de intensidade de cada canal indiv.
  - HOLD SOUND:** A música é dividida em 4 níveis de frequência diferentes (agudos, médios, graves, anti graves). Cada um dos 4 canais irá responder a um nível de frequência diferente.
  - PROGRAM SOUND:** A sequência escolhida com o botão "program select" (6) irá ser mostrada. A velocidade da sequência é sincronizada ao ritmo da música.
  - PROGRAM SPEED:** A sequência escolhida com o botão "program select" (6) irá ser mostrada. A velocidade da sequência pode ser ajustada com o controlo "speed" (12).
- INDICADOR MODE SELECT:** Mostra qual dos 4 modos está no momento activo.
- PROGRAM SELECT:** Quando seleccionar 1 dos 2 modos de programa (4) depois pode usar o botão "program select" para escolher o programa que gosta. Podem ser escolhidos nove programas (de 1 a nove). Programa 0 (zero no ecrã) é um programa aleatório.
- DIM MASTER:** Controlo geral do nível de intensidade dos 4 canais.
- INTERRUPTOR FULL:** Use este botão para definir o nível de saída dos 4 canais a 100% durante o tempo que for pressionado o botão.
- NÍVEL BACKGROUND:** Com este controlo pode definir o nível de background (nível de saída mínimo) dos 4 canais dimmer. Isto pode tornar mais "suave" os efeitos das sequências para que fiquem menos agressivos. *Atenção: Não coloque este controlo no máximo, não irá ser capaz de ver os padrões das sequências ou definir os níveis de intensidade para os 4 canais individuais*
- INTERRUPTOR STANDBY:** Usado para anular (blackout) a saída dos 4 canais dimmer. Os 4 canais switch não são afectados.
- CONTROLO PROG SPEED:** Quando o modo "program speed" (4) é seleccionado, pode mudar a velocidade do programa da sequência (6) de lento para rápido ou muito rápido (13).
- BOTÃO SPEED x10:** Usado para multiplicar/dividir por 10 a velocidade seleccionada com o controlo de velocidade (12)
- AUDIO SENSITIVITY:** Usado para ajustar a sensibilidade de entrada do microfone interno ou do sinal áudio externo. Ajuste o nível até que as funções activadas por som funcionem bem ao ritmo da música.
- MICROFONE INTERNO:** O microfone interno está instalado atrás desta abertura.

**FUNÇÕES (TRASEIRA)**

**LM430**



**LM440G ~ LM440F**



**16. SELECÇÃO SOUND SOURCE:** Usado para seleccionar qual a entrada áudio será usada para sincronizar as funções relacionadas com áudio:

- **MICRO INCORPORADO:** Use esta função quando o nível da música for suficiente para que o microfone interno capte facilmente o som. É a maneira mais fácil de usar as funções de som.
- **ENTRADA AUDIO:** Use esta função quando o nível de som for baixo. Neste caso não se esqueça de conectar os conectores de entrada áudio (17)!

**17. AUDIO INPUT:** Quando o selector de origem de som (16) está definido para "AUDIO INPUT" terá de conectar estes conectores RCA a um sinal áudio analógico de 200mV a 1000mV. Na maior parte dos casos uma saída de gravação ou o Master secundário da mesa de mistura será suficiente.

**18. SAÍDAS DMX:** Usadas para conectar o modulador de luz a unidades de potência DMX. Pode utilizar o conector XLR de 3 ou o de 5 pinos. Ambos transportam o mesmo sinal, só têm uma ligação diferente de pinos. Na maior parte dos casos irá usar cabos standard XLR 3 pinos macho/fêmea. Ambos os canais dimmer e switch estão disponíveis nestas saídas:

- **CANAIS DIMMER:** Estão atribuídos aos endereços DMX de 001 até 004. Por favor coloque o endereço inicial do **dimmer pack** conectado em 001.
- **CANAIS SWITCH:** Estão atribuídos aos endereços DMX de 005 até 008. Por favor coloque o endereço inicial do **switch pack** conectado em 005.

**Dica:** Pode conectar todos os tipos de dimmer/switch packs, de qualquer forma para aplicações móveis nós sugerimos o uso das barras JB Systems® PB41/STD. Pode facilmente definir cada canal em modo switch ou dimmer. Para além disto, pode fixar directamente os projectores e/ou os efeitos de luz a estas barras DMX com alimentação.

**19. ENTRADA DE ALIMENTAÇÃO:** Esta entrada depende do modelo de modulador de luz:

**LM430:** Entrada de baixa voltagem, conecte aqui o adaptador AC fornecido. Se necessitar de usar outro adaptador, certifique-se que a saída produz 15Vac (> 1A) com o pólo positivo (+) no centro do conector.

- **LM440G ~ LM440F:** Cabo de alimentação, certifique-se que a voltagem local é de 230Vac e que os projectores estão correctamente ligados às fichas de saída de canal (20) antes de conectar este cabo à ficha de corrente. A carga total máxima é de 16A ou 3600Watts.

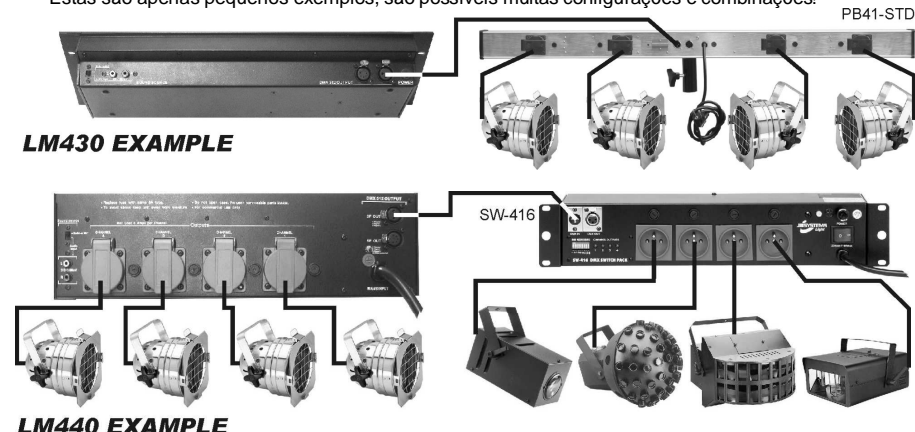
- 20. FÚSIVEL DE ENTRADA:** Substitua sempre este fusível com um fusível com as mesmas características!
- 21. SAÍDAS DE CANAL:** (apenas no LM440G ~ LM440F) Cada saída de canal tem a sua própria ficha de saída para conectar qualquer projector indutivo (PAR36) e/ou resistivo. Cada canal está equipado com um fusível. Substitua sempre um fusível rebentado por um fusível com as mesmas características (250V/8A rápido)

**NOTA MUITO IMPORTANTE!**

É muito importante saber que a carga máxima para cada canal é de 8A ou 1750Watts! De qualquer forma a carga total para os 4 canais não pode exceder 16A ou 3600Watts!

**CONEXÕES:**

Estas são apenas pequenos exemplos, são possíveis muitas configurações e combinações!



**ESPECIFICAÇÕES**

**LM430:**

- Entrada de corrente:** Mínimo AC 15V 1000mA.
- Adaptador corrente AC:** AC 230V, 50Hz → 15Vac / 1000mA (ou mais)
- Saídas DMX:** XLR 3 pinos + XLR 5 pinos
- Entrada Áudio:** Microfone interno  
Entrada áudio externa através de RCA (200mV → 1000mV)
- Tamanho:** 48,3 x 13,2 x 6,0 cm (19"/3U)
- Peso:** 1,9 kg

**LM440G ~ LM440F:**

- Entrada de corrente:** Máximo 230Vac / 16A (3600Watts)
- Saídas de potencia:** 4x 230Vac / max. 8A (1750Watts)
- Fusível (6,35 x 32mm):** canais: 250V/8A (T8AL250V)
- Saídas DMX:** XLR 3 pinos + XLR 3 pinos
- Entrada Áudio:** Microfone interno  
Entrada áudio externa através de RCA (200mV → 1000mV)
- Tamanho:** 48,3 x 13,2 x 10,5 cm (19"/3U)
- Peso:** 3,1 kg

Estas informações estão sujeitas a alterações sem aviso prévio  
Pode fazer download da versão mais recente deste manual no nosso site: [www.beglec.com](http://www.beglec.com)