

Tally[®]

T2240/9

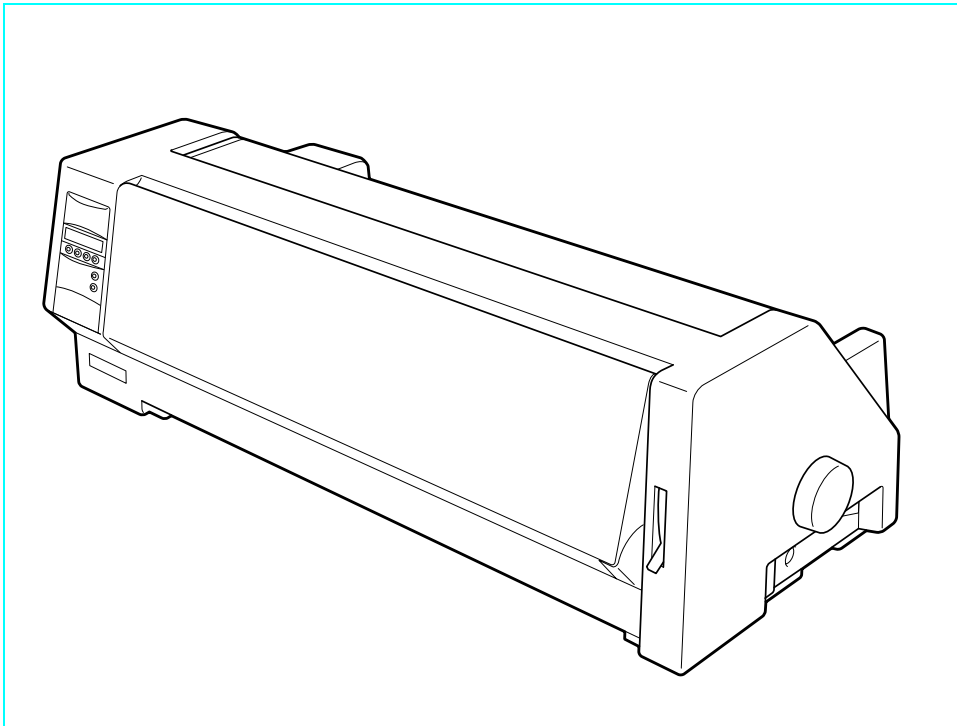
T2240/24

T2340/9

T2340/24

Operator's Manual
Bedienungsanleitung
Manuel d'utilisation
Istruzioni per l'uso
Instrucciones de servicio

Matrix Printer
Matrixdrucker
Imprimante matricielle
Stampante a Matrice
Impresora matricial



Important Information

This equipment generates and uses radio frequency energy and if not installed and used properly, that is, in accordance with the manufacturer's instructions, may cause interference in radio and television reception. It has been type tested and found to comply with the limits for class B computing devices in accordance with the specification in subpart J of part 15 of FCC rules, which are designed to provide reasonable protection against such interference in a residential installation. However, there is no guarantee that interference will not occur in a partial installation. If this equipment does cause interference to radio or television reception, which can be determined by turning the equipment off and on, the user is encouraged to try to correct the interference by one or more of the following measures:

- Reorient the receiving antenna,
- Relocate the peripheral away from the receiver,
- Move the peripheral away from the receiver
- Plug the peripheral into a different outlet, so that the peripheral and receiver are on different branch circuits

If necessary, the user should consult the dealer or an experienced radio/television technician for additional suggestions. The user may find the following booklet, prepared by the Federal Communications Commission, helpful: "How to Identify and Resolve Radio-TV Interference Problems".

This booklet is available from the U.S. Government Printing Office, Washington DC 20402 Stock No. 004.000.00345.4.

WARNING: To comply with FCC regulations on electromagnetic interference for a class B computing device, the printer cable must be shielded. To assure compliance with FCC regulations for a computing device, use a shielded interface cable with a metal shell connector. The use of cables not properly shielded may result in violating FCC regulations.

This digital apparatus does not exceed the class B limits for radio noise emissions from digital apparatus as set out in the radio interference regulations of the Canadian department of communications.

This unit complies with DOC standard C108.8-M 1983

ATTENTION: Le présent appareil numérique n'émet pas de bruits radioélectriques dépassant les limites applicables aux appareils numériques de la classe B prescrites dans le règlement sur le brouillage radio-électrique édicté par le ministère des communications du Canada.

The paper used is made of raw materials treated with a chlorine-free bleaching process.

Das verwendete Papier ist aus chlorfrei gebleichten Rohstoffen hergestellt.

Le papier utilisé est fabriqué à partir de matières premières blanchis sans chlore.

La carta utilizzata è prodotta con materiali sbiancati senza cloro.

El papel utilizado ha sido fabricado con un proceso de blanqueo libre de cloro.

CE This device fulfils the European standards requirements by complying with the Directive of the Commission dated May 3, 1989 (89/336/EEC) relating to electromagnetic compatibility and the Directive dated February 19, 1973 (73/23/EEC) relating to low-voltage electrical equipment. Conformity with the above mentioned Directives is indicated by the CE symbol attached to the device.

Note: Conformity may be affected by:

- using interface cables not complying with the specifications
- non-observance of important instructions in the operator's manual
- installing components not approved for this device by the manufacturer
- unauthorized manipulation

CE Dieses Gerät erfüllt die Anforderungen der Europäischen Normen durch Einhaltung der Richtlinie des Rates vom 3. Mai 1989 (89/336/EWG) bezüglich der Elektromagnetischen Verträglichkeit sowie die Richtlinie vom 19. Februar 1973 (73/23/EWG) bezüglich Elektrischer Betriebsmittel mit Niederspannungen. Die Konformität zu den oben angeführten Richtlinien ist durch das am Gerät angebrachte CE-Zeichen gekennzeichnet.

Hinweis: Die Konformität kann beeinflusst werden durch:

- Benutzung von nicht spezifizierten Schnittstellenkabeln
- Nichtbeachtung wichtiger Hinweise der Bedienungsanleitung
- Ersetzen von Bauteilen, die nicht vom Hersteller für dieses Gerät freigegeben wurden
- Eingriffe durch Unbefugte

CE Cet appareil remplit aux exigences des normes européennes en respectant la directive du Conseil du 3 mai 1989 (89/336/CE) relative à la compatibilité électromagnétique et la directive du 19 février 1973 (73/23/CE) en matière du matériel à basse tension. La conformité aux directives mentionnées ci-dessus est repérée par la marque de conformité de la Communauté Européenne (CE).

Remarque: La conformité peut être influencée par:

- l'utilisation de câbles d'interface non spécifiés
- le non-respect de consignes importantes du manuel d'utilisation
- le remplacement de composants qui n'ont pas été homologués pour cet appareil par le constructeur
- l'intervention de personnes non autorisées

CE Questo apparecchio soddisfa le richieste delle norme europee rispettando la direttiva del consiglio del 3 Maggio 1989 (89/336/CEE) relativa alla compatibilità elettromagnetica nonché la direttiva del 19 Febbraio 1973 (73/23/CEE) relativa a mezzi di produzione elettrici a bassa tensione. La conformità alle direttive sopra citate è contrassegnata con il simbolo CE applicato sull'apparecchio.

Nota: La conformità può essere influenzata tramite:

- Utilizzo di cavi interfaccia non specificati
- Inosservanza di importanti indicazioni delle istruzioni per l'uso
- Sostituzione di componenti per i quali non è stato dato il benestare dal produttore per questo apparecchio
- Interventi tramite persone non autorizzate

CE Este equipo corresponde a lo exigido en las normas europeas a base del cumplimiento de la directriz del Consejo del 3 de mayo de 1989 (89/336/CEE) en lo que se refiere a la compatibilidad electromagnética así como de la directriz del 19 de febrero de 1973 (73/23/CEE) en lo que se refiere a los materiales eléctricos con bajas tensiones. Para señalar la conformidad con las directrices antes mencionadas, el equipo está dotado de la marca CE.

Indicación: La conformidad puede estar influida por:

- la utilización de cables de interface no especificados
- la inobservancia de indicaciones importantes contenidas en el manual de servicio
- la sustitución por componentes, que no han sido homologados por el fabricante para el equipo en cuestión
- intervenciones de personas no autorizadas

WARNING Only trained and qualified personnel may open covers or remove parts that are not explicitly shown and described in the User Guide as being accessible to the operator.

WARNUNG Das Entfernen oder Öffnen von Abdeckungen und Teilen darf nur durch geschultes Fachpersonal vorgenommen werden. Ausgenommen hiervon sind nur solche Abdeckungen und Teile, deren Entfernen bzw. Öffnen in der Bedienungsanleitung ausdrücklich gekennzeichnet und beschrieben sind.

ATTENTION Seul un personnel qualifié et formé est habilité à démonter les sous-ensembles de la machine qui ne sont pas formellement indiqués dans le Manuel d'utilisation même s'ils sont accessibles par l'opérateur.

ATTENZIONE Solo personale qualificato può accedere a parti che non siano esplicitamente descritte nelle Istruzioni per l'operatore come accessibili all'operatore.

ADVERTENCIA Las cubiertas y piezas sólo deberán ser quitadas o abiertas por personal especializado. Se exceptúan de esta regla sólo las cubiertas y piezas cuya retirada y apertura estén indicadas y descritas expresamente en las Instrucciones de uso.

Operator's Manual

QUICK START-UP

Table of contents	
Introduction	2
Symbols used in this manual	2
Important safety instructions	2
Using the online documentation	2
Troubleshooting	2
The printer at a glance	3
Installation	5
Unpacking the printer	5
Positioning your printer	5
Connecting the printer	6
Switching the printer on and off	6
Control panel	7
Online mode	7
Offline mode	7
Setup mode	7
Installing the ribbon cassette	8
Loading paper	10
Cut Sheet paper	10
Printer in fanfold paper mode	12
Changing the paper type	14
Paper path quick selection	14
Paper transport	15
Using	15
Moving paper to the tear position	15
Settings (I)	16
Setting the tear position	16
Setting the first printing line (TOF)	16
Settings (II)	18
Setting the print head gap	18
Changing paper in Setup mode	19
From fanfold paper to single sheet mode	19
From single sheet to fanfold paper mode	20
Selecting a font	21
Setting the character pitch	22
Specifications	23
Printer specifications	23
Paper specifications	23
Accessories	24

Introduction



This Operator's Manual is intended as a quick introduction into working with the printer and is to enable also unexperienced users to handle the device properly. It describes the most important functions of the printer and contains the essential information for your everyday work with the printer. A more detailed description of the printer, its characteristic features and further information is contained in the reference manual on the online CD-ROM which is included at the back of this manual.

► Symbols used in this manual



Important information is highlighted in this manual by two symbols.

CAUTION marks information which must be observed in order to prevent injuries to the user and damage to the printer.



NOTE marks general or additional information about a specific topic

► Important safety instructions

Read the following instructions carefully before putting the printer into operation in order to protect yourself from injury and avoid damage to the printer.

- Keep this Operator's Manual always readily accessible.
- Place the printer on a stable surface so that it cannot fall down to the ground.
- Avoid exposing the printer to high temperature or direct sunlight.
- Keep all liquids away from the printer.
- Do not expose the printer to shock, impact or vibration.
- Never switch on the printer when it is not set to the correct voltage.



Never try to carry out maintenance and repair work yourself; always call a qualified service technician.



When you want to disconnect the printer from the mains power supply, always pull out the mains plug from the wall outlet.



You will find additional safety information at specific places in the text.

► Using the online documentation

First install the Adobe Acrobat Reader on your hard disk unless the program has already been installed. To install it, follow the steps described in the README file in the READER directory. To start the online documentation, call the File Manager (Windows 3.1) or Explorer (Windows 95/Windows 98/Windows NT) and double click on the START.PDF file. Then follow the instructions and menus on the screen.

If your CD-ROM should be defective or missing, please consult your dealer.

The online documentation is also available as a printed manual (for a small fee) and via the internet.

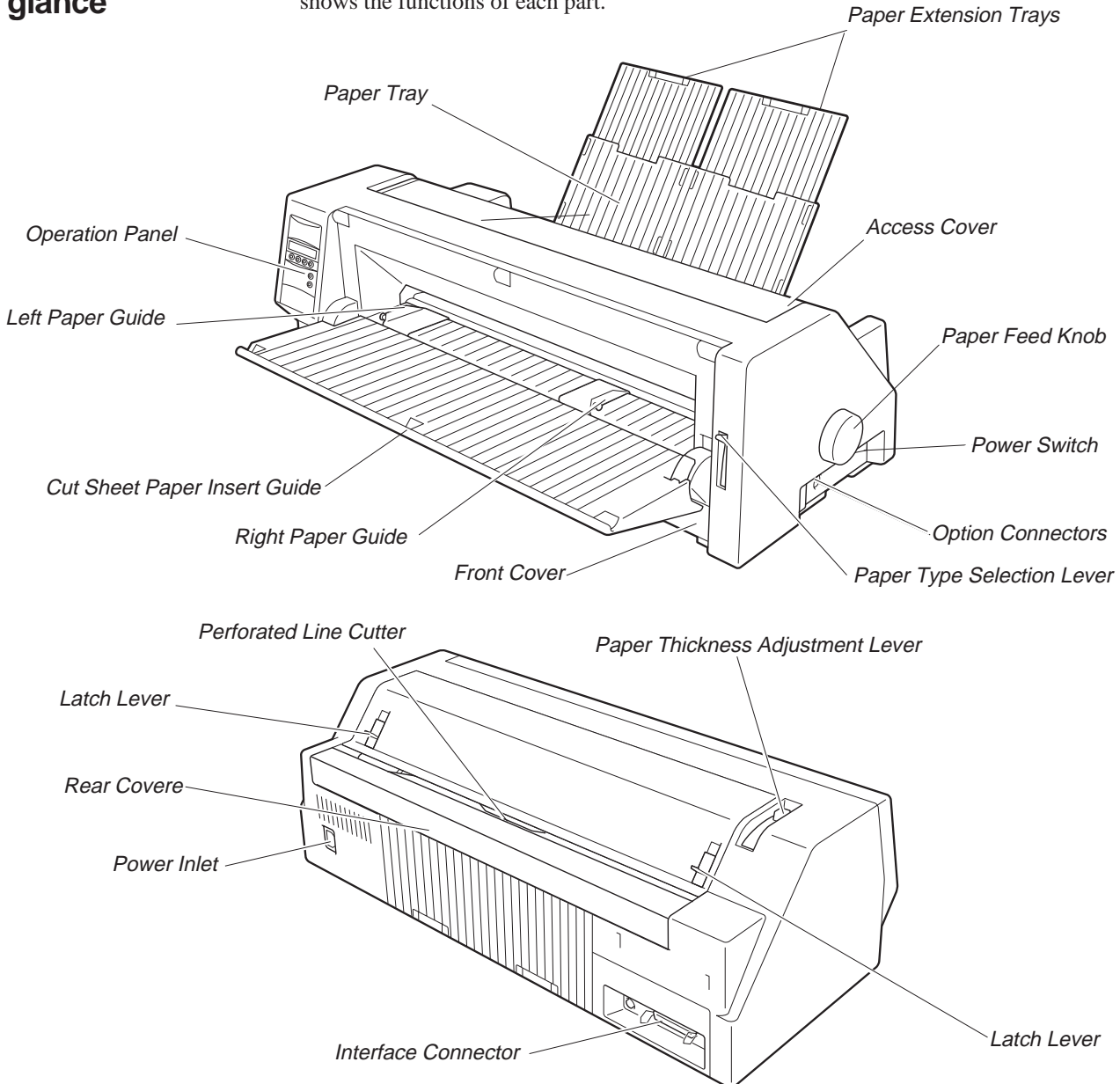
Minimum hardware requirements: PC AT 486, 4 x CD-ROM, 15" monitor, mouse.

► Troubleshooting

The online documentation supplied on the CD-ROM contains detailed information on troubleshooting.

The printer at a glance

The following figures show the name of each printer part, and the table on the following page shows the functions of each part.

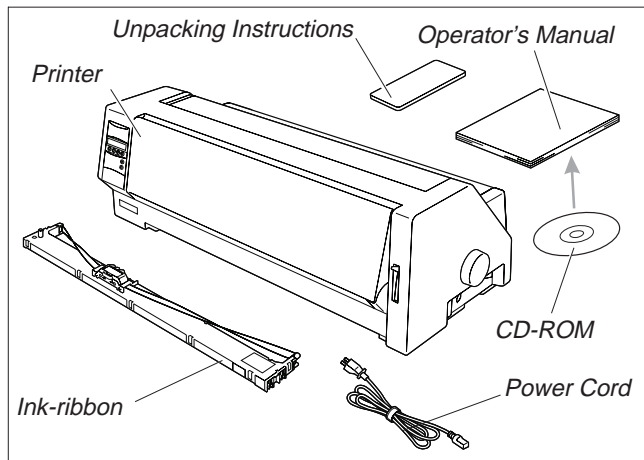


ENGLISH

Name	Functions
Operation Panel	It indicates the printer status, and is used to change various settings.
Paper Tray	It is used as a paper support for cut sheet paper already printed when the option "F-Eject" is set to OFF in the Initial Setting.
Paper Extension Trays	They are used for extending of the Paper Tray.
Access Cover	When the Ink-ribbon Cartridge is to be replaced or paper jams are to be removed, this cover is detached to allow access to the related parts. It also serves to protect operators from the mechanical movements of the printer.
Paper Feed Knob	It is used to manually feed paper forward or backward.
Power Switch	It is used to turn ON or OFF the power of the printer.
Option Connector	It is used to connect an Auto Sheet Feeder (ASF) or the Optional 2nd Tractor.
Paper Type Selection Lever	It is used to select the appropriate type of paper to be used in the printer: Cut Sheet Paper (upper position) Continuous Form Feed Paper (lower position)
Front Cover	It is opened when Continuous Form Feed Paper is to be set. This cover is detached when an Auto Sheet Feeder (ASF) or the Optional 2nd Tractor is to be attached.
Right Paper Guide	By aligning the right edge of the Cut Sheet Paper to this guide, an uneven feed can be prevented.
Cut Sheet Paper Insert Guide	It is opened for inserting Cut Sheet Paper and is used as a paper support. It is also used as a support for post-print Cut Sheet Paper when the option "F-Eject" is set to ASF, Single or ALL in the Initial Setting.
Left Paper Guide	It is used to adjust the left margin of the Cut Sheet Paper.
Latch Lever	By pulling this lever to the front, the latch is released and the Access Cover can be opened.
Perforated Line Cutter	Continuous Form Feed Paper will be cut at this position. By pressing the Tear key after printing, paper feeds up to this position.
Paper Thickness Adjustment Lever	It is used to adjust the paper-pinching strength of the printer in accordance with the thickness of the paper to be used. As for the adjustment ranges, see <i>Paper Thickness Adjustment</i> , page 18.
Interface Connector	It is used to connect the I/O cable to the system unit.
Power Inlet	It connects to the power cord.
Rear Cover	It is used to reduce noise. It must be removed when the paper tray is in upright position.

Installation

- **Unpacking the printer** Please open the printer package and check that all the following items are included.



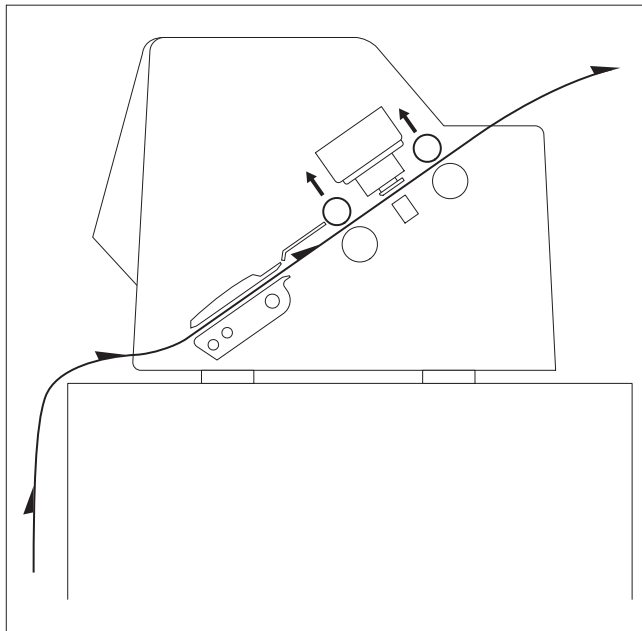
If any item is missing or damaged, please contact the store where the product was purchased.

Remove the transport protection elements as described in the unpacking instructions.

The carton and the packing materials will be necessary for moving or transporting the printer. Please store them in a safe place.

- **Positioning your printer**

Place the printer on a stable, flat and non-slip surface in such a way that it cannot fall down. Ensure easy access to the control panel and the paper feeders and leave sufficient space for the paper ejected.



If frequent forward and return feed movements will be performed with fanfold paper, you should position the printer as illustrated in the figure.

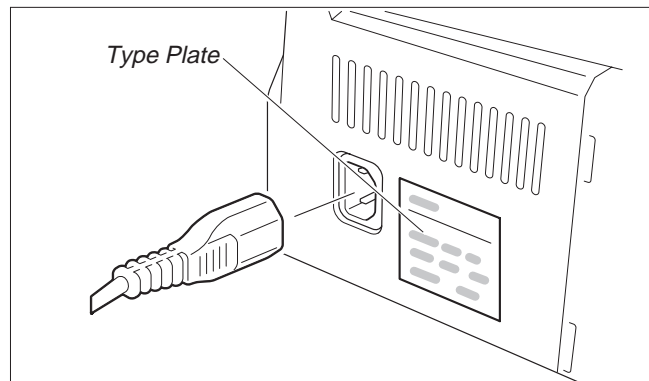
When choosing a suitable place for your printer, you should also observe the following:



Never place the printer near sources of easily inflammable gas or explosive substances.

- Avoid exposing the printer to direct sunlight. If you cannot avoid placing the unit near a window, protect it from sunlight with a curtain.
- Position the printer near the computer to which it will be connected. The distance must not exceed 2 m.
- Ensure sufficient distance from radiators.
- Ensure that the printer is not exposed to extreme variations in temperature or air humidity. Avoid exposure to dust.

► Connecting the printer



Make sure that the unit is set to the correct voltage (i.e. 230 V for Europe, 120 V for the USA). Refer to the type plate beside the power inlet on the rear side of the printer.

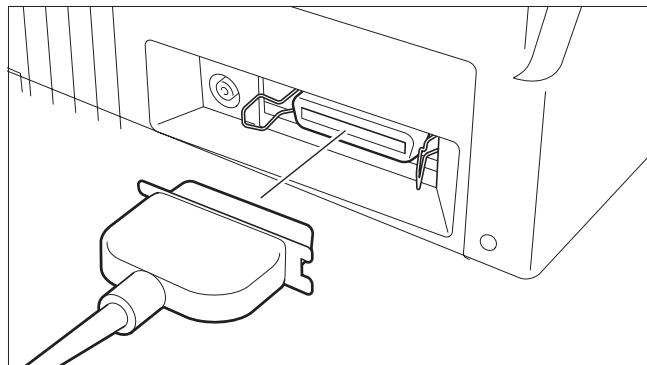
If this is not the case, contact your dealer.

STOP

Never switch on the printer when it is not set to the correct voltage since this could cause severe damage.

Connect the power cable to the printer's power inlet as shown in the figure.

Connect the power cable plug to a wall outlet.



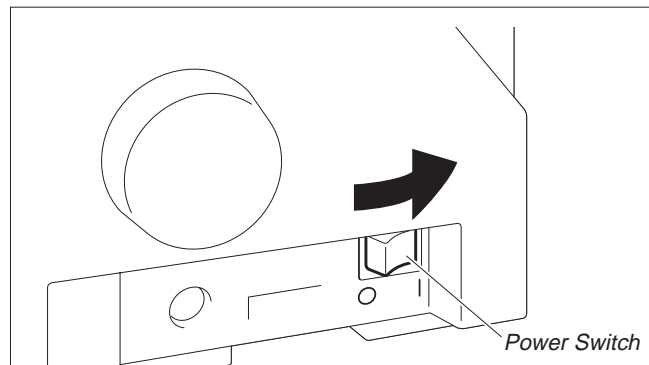
STOP

Make sure that the printer and the computer are switched off.

Connect the printer-end connector of the data cable to the female interface connector and secure it with the spring clips.

Connect the other end of the cable to the computer.

► Switching the printer on and off



The power switch, which is used for switching the printer on and off, is located at the right side of the printer.

Control panel

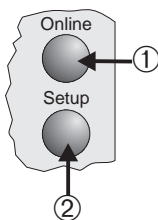
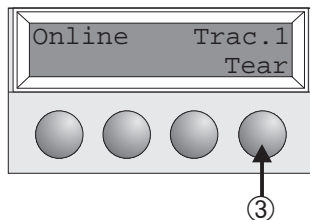


You can control printer operation using the control panel and the keys.

*The first line of the display informs you about whether the printer is in **Online** or in **Offline** mode and about the paper path selected (**Trac.1** or **Single**).*

► Online mode

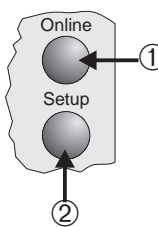
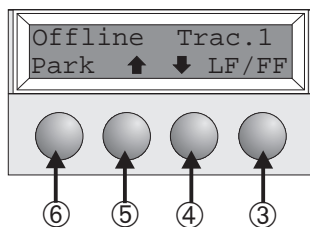
When switching on the printer, it automatically selects Online mode. It can receive data from the computer only in this mode.



- ① Sets the printer to Offline mode.
- ② Sets the printer to Setup mode.
- ③ **Tear** key: Activates the tear function when fanfold paper is loaded (see page 15). If **Load** is displayed above this key, no paper is loaded in the printer; press the key to feed paper to the printing position.

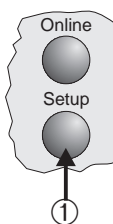
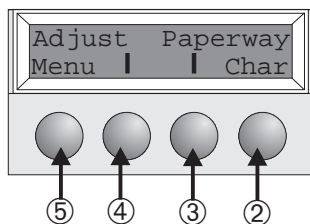
► Offline mode

Step feeds, line feeds and form feeds can be performed via the control panel only in this mode (see page 15).



- ① Sets the printer to Offline mode.
- ② Sets the printer to Setup mode.
- ③ If no paper is loaded: **Load** key (see above). If paper is loaded:
Short keypress: Line feed (**LF**)
Long keypress: Form feed (**FF**)
- ④ Short keypress: Micro-step return
Long keypress: Constant paper feed return
- ⑤ Short keypress: Micro-step forward
Long keypress: Constant paper feed forward
- ⑥ Clears the paper path with paper loaded and activates paper path quick selection (see page 14).

► Setup mode



- ① Sets the printer to Setup mode. In this mode, the following settings are available:
- ② Sets the font and the number of characters per inch (**Char** menu).
- ③ Paper path (**Paperway** menu)
- ④ Tear position and first printing line (**Adjust** menu)
- ⑤ Other menu settings (**Menu**)



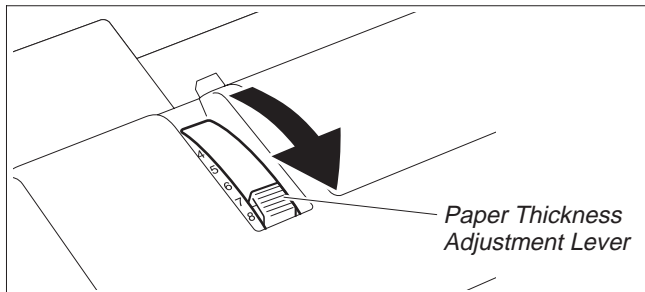
Access to the other menu options is disabled by the manufacturer. For information on how to enable access to these options as well as about the options available, refer to the online documentation on the CD-ROM, chapter 1, Operation (Unlock the menu mode).

Installing the ribbon cassette

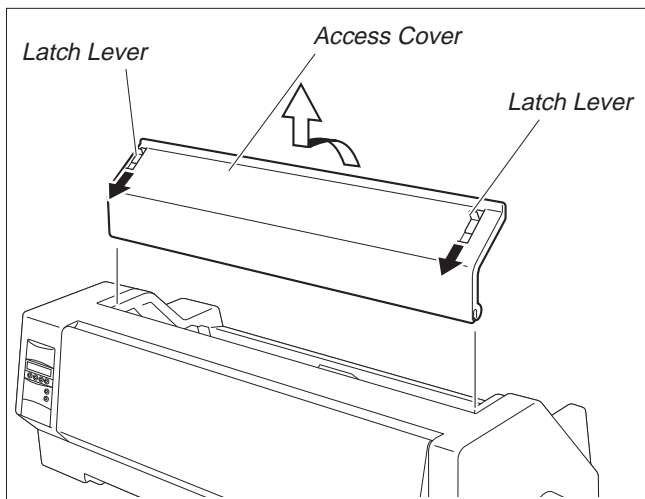
Remove any paper loaded into the printer.



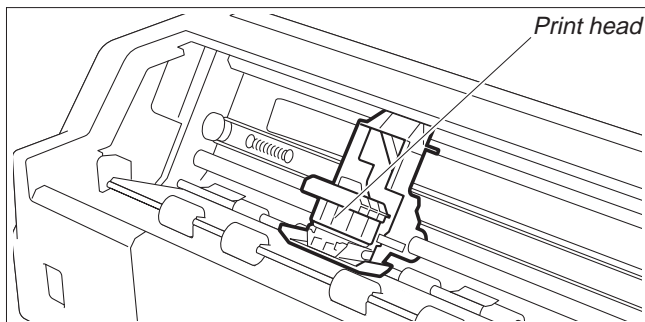
Before opening the cover, make sure that the printer is switched off.



Set the Paper Thickness Adjustment Lever to the “8” position.



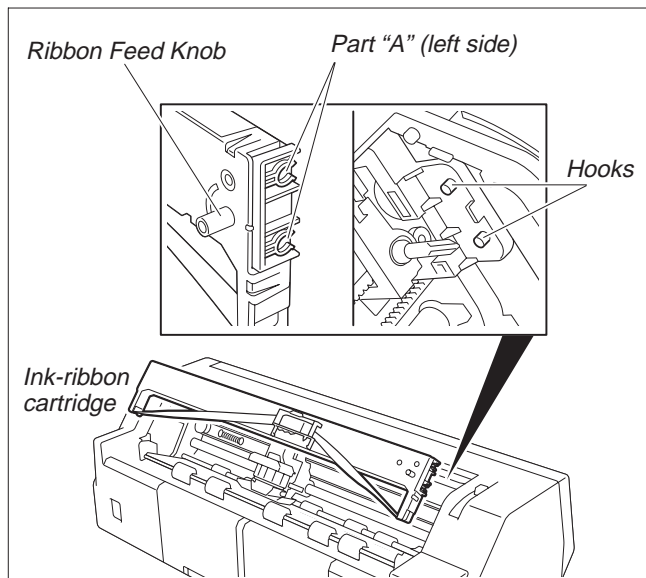
Pull the Latch Levers near the right and left ends on the Access Cover to the front, and detach the entire Access Cover.



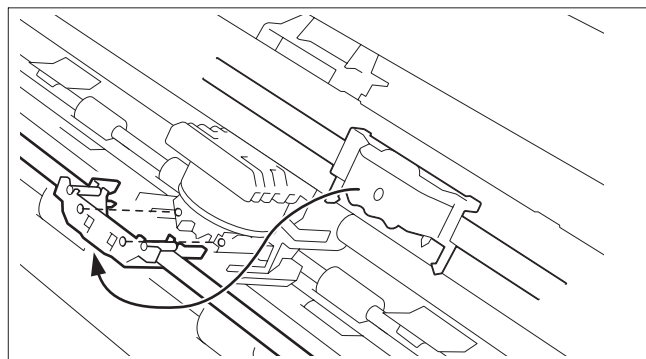
Move the Print head to approximately the center.



The Print Head may be hot. So please be careful not to touch the metal part of the Print Head.



Align the part "A" on the left side of the Ink-ribbon Cartridge to the two hooks of the printer, push the cartridge all the way until it clicks. If there is resistance, push it while turning the Ribbon Feed Knob.



Detach the Ribbon Guide from the Ink-ribbon Cartridge.

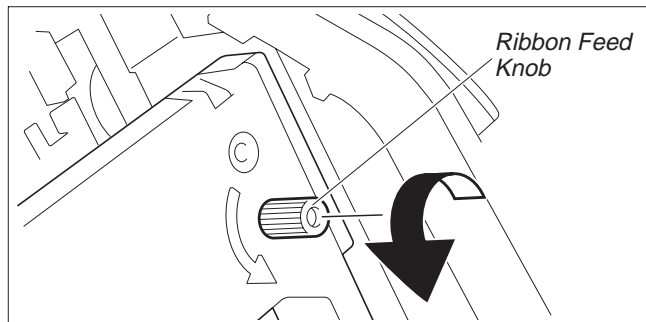


Do not detach the shield that has been attached to the Ribbon Guide; it is necessary to protect the ribbon.

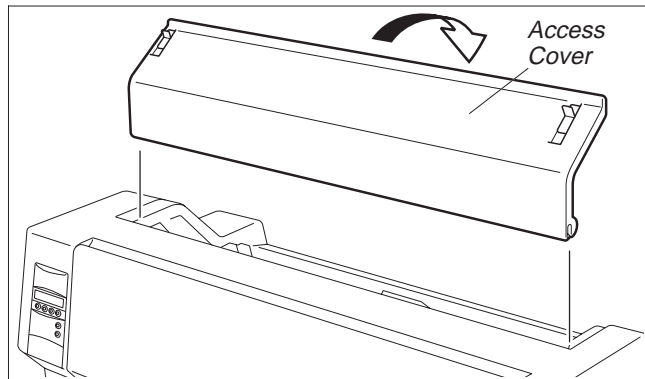
Put the Ribbon Guide between the Print Head and the Platen and push it all the way until it clicks.



When attaching the Ribbon Guide, be careful not to fold the ribbon. Also, pay attention to the shield so that it does not become damaged.



Turn the Ribbon Feed Knob in the direction indicated by the arrow to remove any slack in the ribbon.



When the Ink-ribbon Cartridge setting is complete, attach the Access Cover.

Set the Paper Thickness Adjustment Lever in accordance with the thickness of the paper to be used. Refer to page 18 (*Setting the print head gap*).

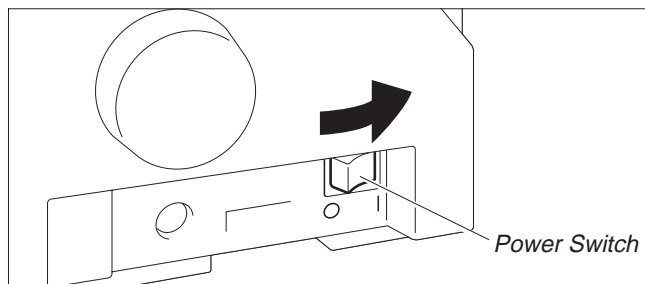
Loading paper



Only use paper which is suitable for this printer. For more information, refer to the online documentation on the CD-ROM, Appendix C (*Specification*).

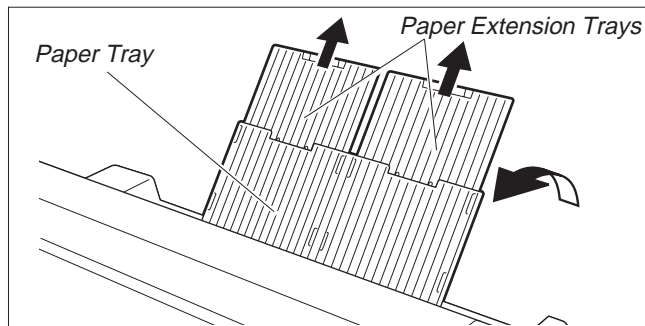
► Cut Sheet paper

Cut Sheet Paper is to be inserted from the front of the printer. The post-print paper can be fed out from the rear or the front. Please refer to the online documentation on the CD-ROM, Chapter 1, *Menu description table*.

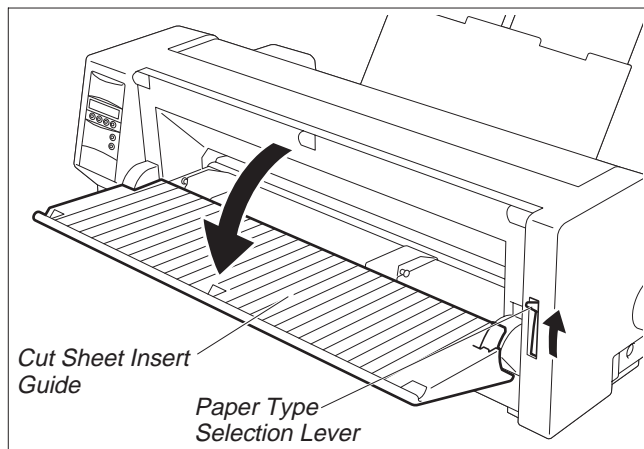


Turn the Power Switch of the printer ON ("I").

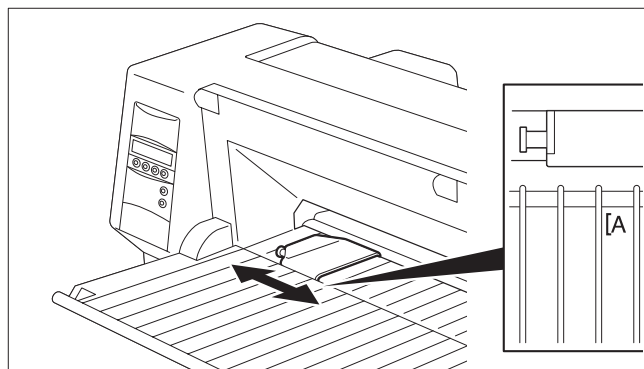
Adjust the Paper Thickness Lever according to the type of paper to be used. Refer to page 18 (*Setting the print head gap*).



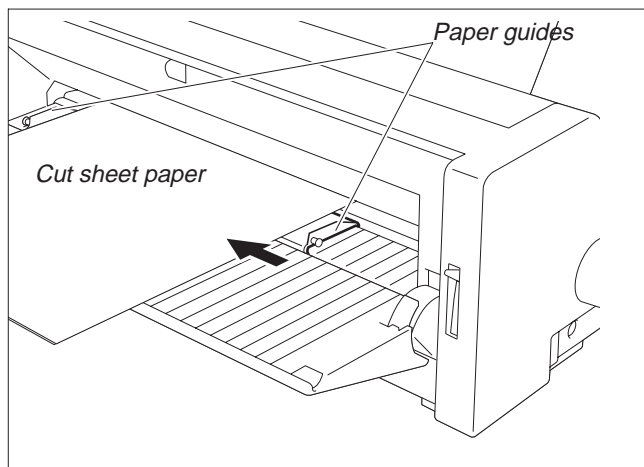
Stand the Paper Tray up in the direction indicated by the arrow. While holding the Paper Tray, pull up the Paper Extension Trays.



Set the Paper Type Selection Lever to Cut Sheet Paper mode. Make sure that the printer is in Single Sheet mode. For how to select Single Sheet mode refer to page 14 (*Paper path quick selection*).



Determine the left margin by moving the Left Paper Guide left or right. (The “[A]” mark indicates the standard print start position.)

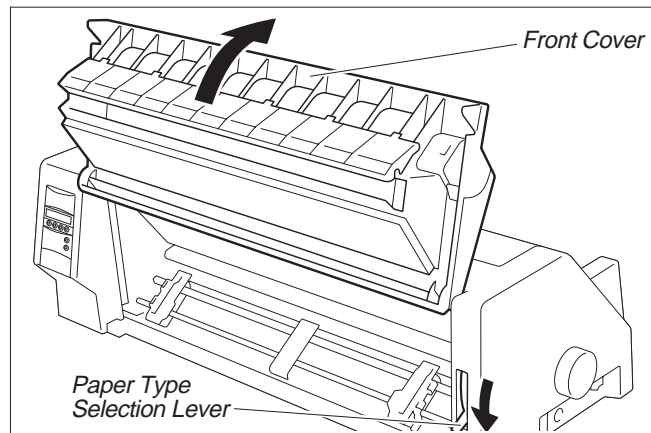


Place a sheet of paper aligned to the Left Paper Guide, and adjust the Right Paper Guide to the right edge of the paper. Insert the paper between the Left and Right Paper Guides. The paper is automatically fed to the print start position and the printer is ready to print.



The paper feed-out capacity is about 30 sheets in case 55Kg-paper (ream) is used and the post-print paper is set to feed out to the rear side. When the post-print paper is set to feed out to the front, the paper must be removed sheet by sheet.

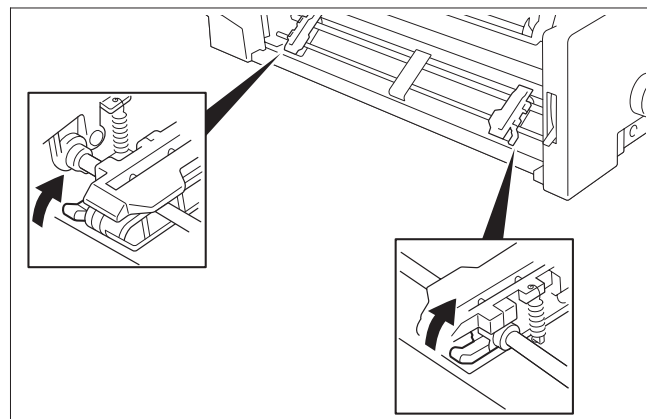
► Printer in fanfold paper mode



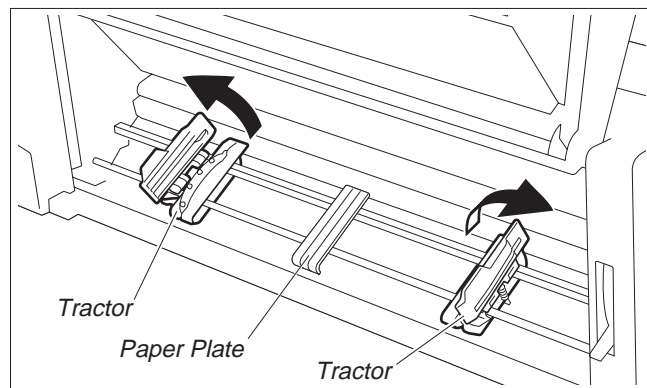
Set the Paper Thickness Adjustment Lever according to the type of paper to be used. Refer to page 18 (*Setting the print head gap*).

Set the Paper Type Selection Lever to Continuous Form Feed Paper mode.

Open the Front Cover to its upright position until it snaps in. This prevents unexpected closing of the cover.



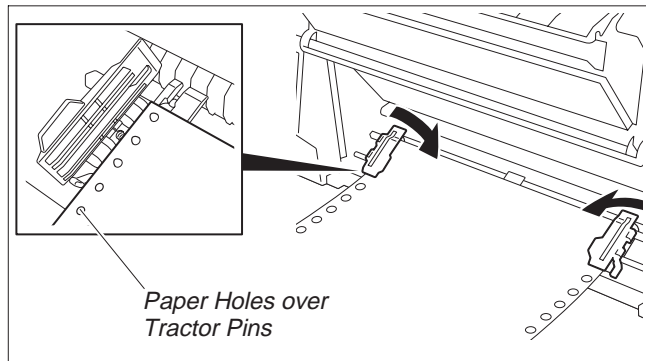
Stand the Left and Right Tractor Fixing Levers up (in the direction indicated by the arrow), and release the locks.



Open the Flaps of the Left and Right Tractors.

Match the Left and Right Tractors to the paper width.

Locate the Paper Plate in the center between the Left and Right Tractors.

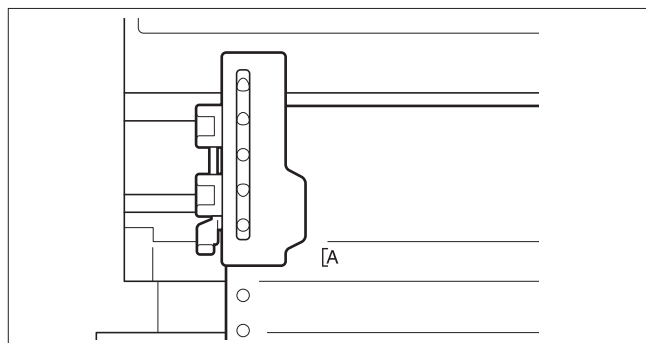


With the printing side of the paper facing up, fit the feeding holes on the left edge of the paper over the Left Tractor pins and close the Paper Flap.

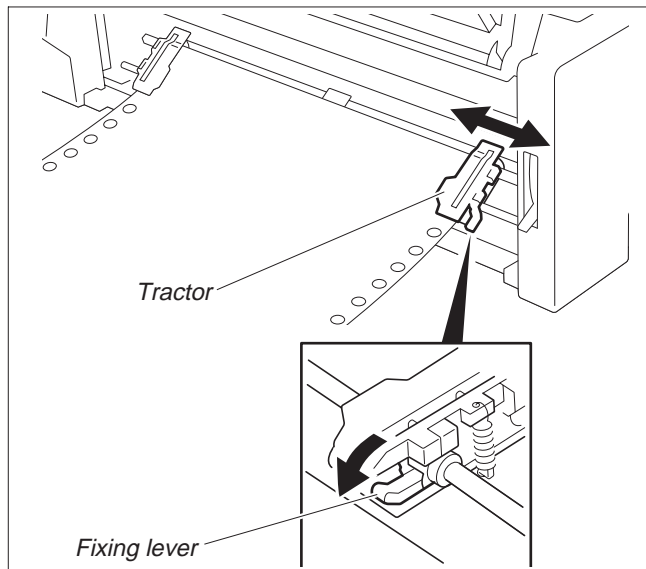
Fit the feeding holes on the right edge of the paper over the Right Tractor pins, and close the Paper Flap.



To avoid paper jams, ensure that the same left and right feeding holes are used, and placed over tractor pins of the same level.



After the paper is set, adjust the left margin by moving the Tractors left or right. The “[A]” mark is the standard print start position.



Push down the Left Tractor Fixing Lever to lock the Left Tractor.

Move the Right Tractor to remove any paper slack, and then push down the Fixing Lever to lock it in place.



If the paper slack cannot be removed by moving the Right Tractor alone, adjust the position of the Left Tractor.

Be careful not to stretch the paper so much that it tears.

Switch on the printer.

The active feeder (**Trac.1**) is displayed.

Paper is automatically fed when the printer is in Online status and receives data from the computer.

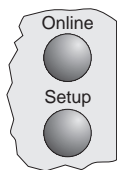
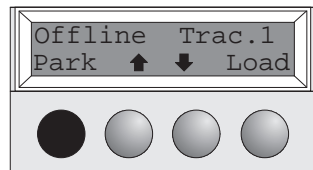
Press the **Load** key to load paper before printing.

Changing the paper type

► Paper path quick selection

You can change the paper type (the paper path) either using the paper path quick selection feature or via the Setup menu.

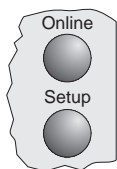
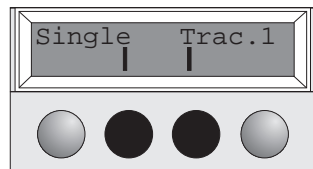
First cut the fed-out portion of a Continuous Form Feed Paper at the perforated line. To do this, proceed as follows.



Make sure that the printer is in Offline status; press the **Online** key, if necessary. Press the **Park** key.

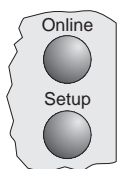
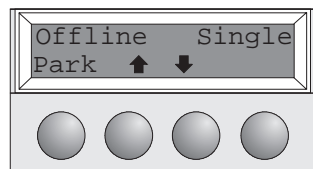
If fanfold paper is in the printer, it is transported to the tear position. “Tear paper off” appears on the display. Press any key.

If a single sheet is loaded in the printer, it is ejected.



Select the desired paper path by pressing one of the **I** keys, in our example **Single**.

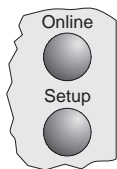
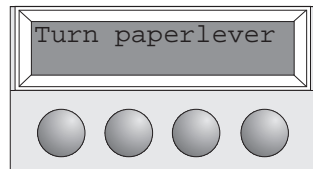
i | If you do not make a selection within 5 seconds, the printer exits the menu.



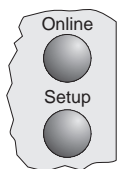
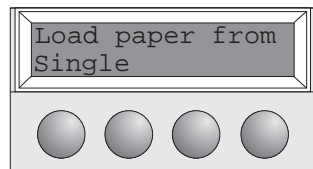
The printer returns to Offline mode.

The display toggles between...

and...

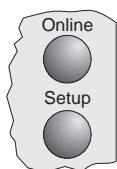
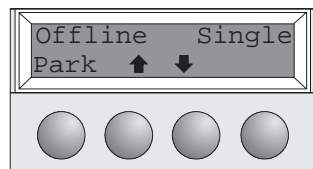


Set the Paper Type Selection Lever to Cut Sheet Paper mode (see page 11 *Loading paper*).



The display toggles between...

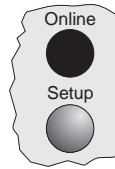
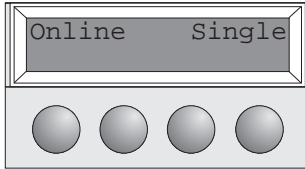
and...



Stand the Paper Tray up in the direction indicated by the arrow. While holding the Paper Tray, pull up the Paper Extension Trays.

Determine the left margin by moving the Left Paper Guide left or right.

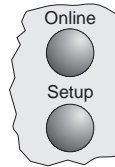
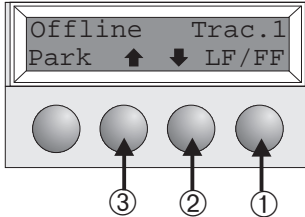
Place a sheet of paper aligned to the Left Paper Guide, and adjust the Right Paper Guide to the right edge of the paper. Insert the paper between the Left and Right Paper Guides. The paper is automatically fed to the print start position (see page 11 *Loading paper*).



Press the **Online** key to make the printer ready for operation.

Paper transport

Loaded paper (fanfold paper/single sheets) can be transported in the printer in different ways.



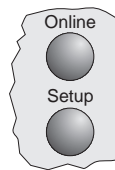
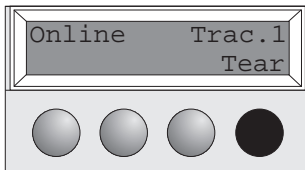
Make sure that the printer is in Offline status; press the **Online** key, if necessary.

- ① Short keypress: Line feed (LF) is initiated
Long keypress: Form feed (FF) is initiated
- ② Short keypress: Paper is transported downwards step by step
Long keypress: Continuous transport down
- ③ Short keypress: Paper is transported upwards step by step
Long keypress: Continuous transport up

Using

► Moving paper to the tear position

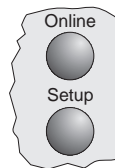
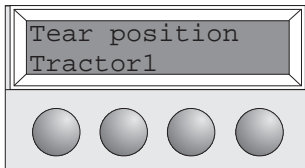
Fanfold paper can be transported to the tear position by pressing the Tear key.



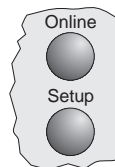
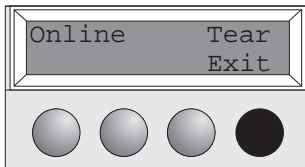
Make sure that the printer is in Online status.

Press the **Tear** key. The printer moves the perforation edge of the fanfold paper to the tear edge.

The display toggles between...



and...

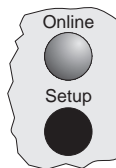
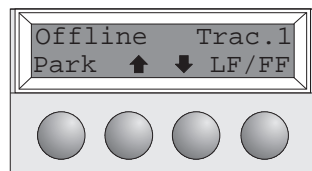


Press the **Exit** key after having torn off the paper. The printer moves the paper back to the first printing position.

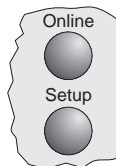
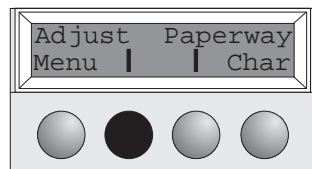
Settings (I)

► Setting the tear position

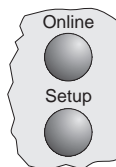
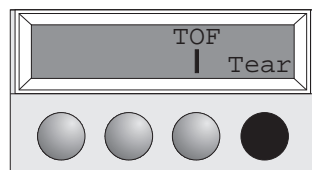
If the tear position of the paper is not aligned with the tear edge of the printer, you can adjust it.



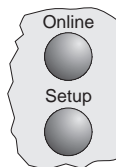
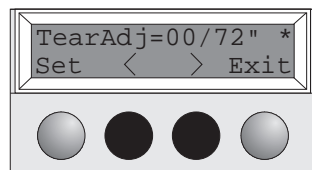
Press the **Setup** key. The printer changes to Setup mode.



Press the **Adjust** key.



Press the **Tear** key.



Press the **<** or **>** key to move the perforation to the appropriate position.
Confirm the setting by pressing the **Set** key. The printer returns to its initial status.



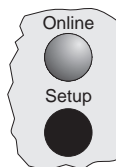
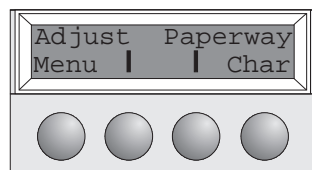
The correction made (a maximum of approx. 2.5 cm [1"] in both directions) will be retained after printer power-off.

► Setting the first printing line (TOF)

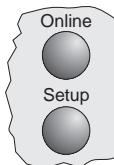
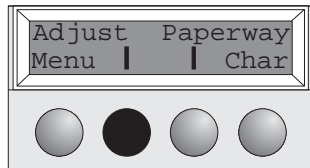
You can use the TOF function to set the position of the topmost printing line individually for each paper source and each menu.



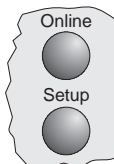
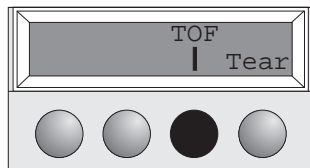
You should adjust the tear position (see above) before using the TOF function (when using fan-fold paper).



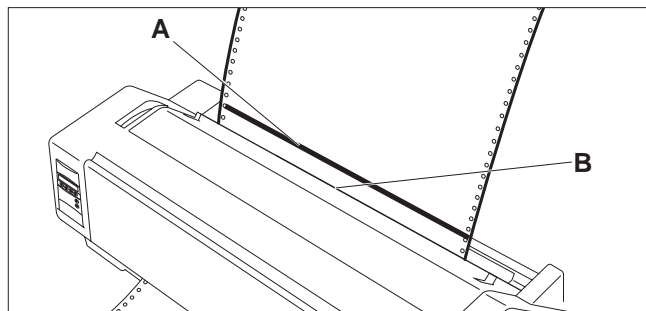
Press the **Setup** key. The printer changes to Setup mode.



Press the **Adjust** key.

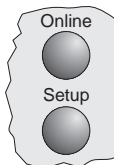
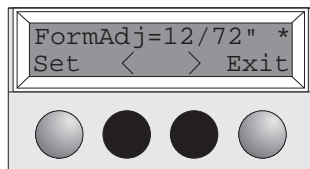


Press the **TOF** key.

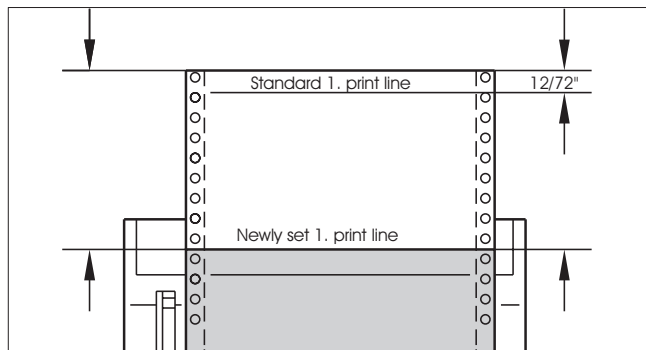


The bottom edge of the currently valid first printing line **A** of the paper is transported to the tear edge **B**.

The factory setting for the first printing position is 12/72".



Press the **<** or **>** key to move the first printing line to the appropriate position. You can set values from 0 to 220/72" for fanfold paper, from 0 to 72/72" for single sheets.



Confirm the setting by pressing the **Set** key.

The printer returns to its initial status.

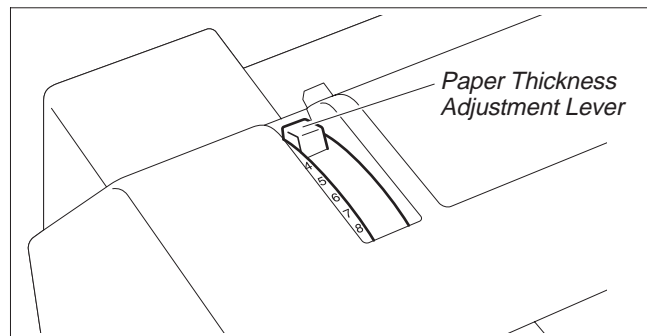


The setting made will be retained after printer power-off. For more detailed information, refer to the online documentation on the CD-ROM, chapter 3 (Mechanical adjustments to the printer).

Settings (II)

► Setting the print head gap

The printer has been provided with a Paper Thickness Adjustment Lever for adjusting the print head gap



To obtain optimum print quality, the gap between the Print Head and the Platen needs to be adjusted according to the thickness of the paper to be used.

The following table shows the adjustable range:

Number of Copies/ Thickness of Paper	Ream (kg)	g/m ²	Lever Position
Original only Thin Normal Thick	45–55 55–77 77–110	50–65 65–90 90–130	1 1–2 2
Original + 1	34/34	40/40	2–3
Original + 2	34/34/34	40/40/40	2–4
Original + 3	34/34/34/34	40/40/40/40	3–4
Original + 4	34/34/34/34/34	40/40/40/40/40	4–5
Original + 5	34/34/34/34/34/34	40/40/40/40/40/40	5–6
Postal Card	110	130	3
Reserved	—	—	7–8



1. “Ream” is a unit of paper thickness, indicating the weight in kg, of 1,000 cut sheets at 788 mm x 1091 mm.
2. When printing the original sheet only, Cut Sheet Paper of 45 kg and thicker or Continuous Form Feed Paper of 50 kg and thicker can be used.
3. When the Paper Thickness Adjustment Lever is set higher than appropriate, the printout will appear scratchy and the print head and ribbon lives will be shortened.

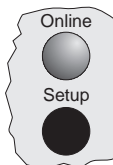
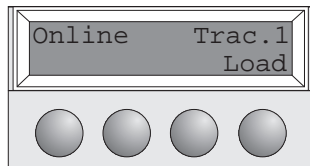
► Changing paper in Setup mode

► From fanfold paper to single sheet mode

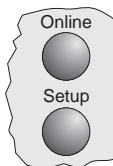
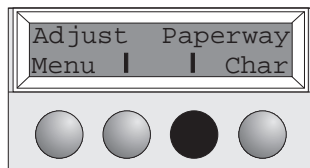
When fanfold paper was in use and you want to change over to single sheet mode, proceed as described below.



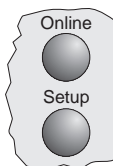
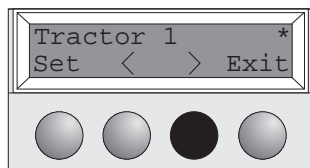
You do not need to remove the fanfold paper.



Cut the fed-out portion of the Continuous Form Feed Paper at the perforated line. To do this, proceed as follows.
Press the **Setup** key. The printer changes to Setup mode.

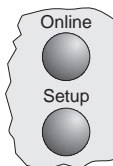
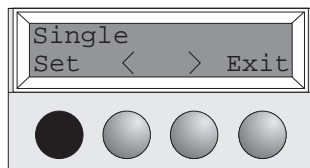


Press the **Paperway** key. The printer changes to the paper path menu.



Press **<** or **>** to change to Single (sheet) operating mode.

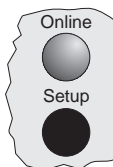
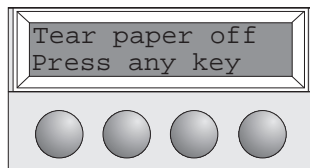
The currently valid setting (**Tractor 1**) is marked by a “*”.



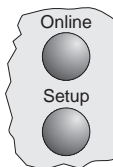
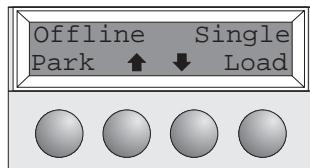
Confirm the setting by pressing the **Set** key.

The input is acknowledged by an acoustic signal and the fanfold paper is transported to the tear position. Cut the fed-out portion of the Continuous Form Feed Paper at the perforated line.

In the display appears...



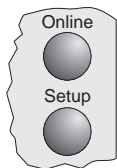
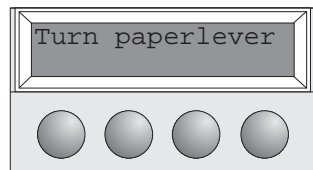
Press any key.



The printer returns to its initial status and the fanfold paper is transported to the park position.

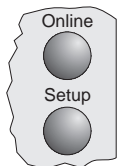
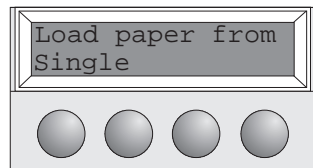
The display toggles between...

and...

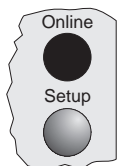
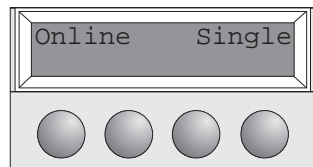


Set the Paper Type Selection Lever to Cut Sheet Paper mode.

In the display appears...



Stand the Paper Tray up and pull up the Paper Extension Trays (see page 10). Place a sheet of paper aligned to the Left Paper Guide, and adjust the Right Paper Guide to the right edge of the paper. Insert the paper between the Left and Right Paper Guides. The paper is automatically fed to the print start position (see page 11).

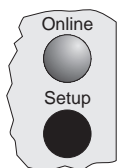
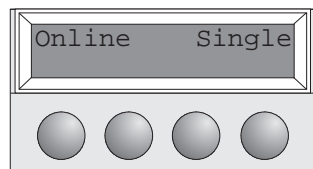


Press the **Online** key to make the printer ready for operation.

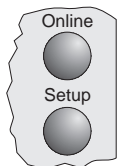
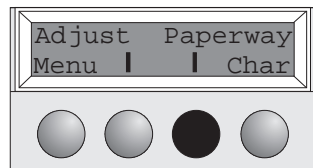
► From single sheet to fanfold paper mode

When single sheets were in use and you want to change over to fanfold paper mode, proceed as described below.

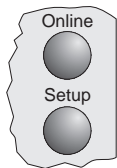
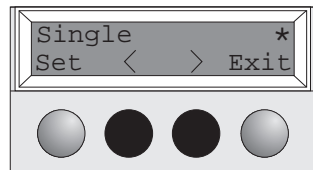
Make sure that fanfold paper is loaded. Refer to page 12 (*Loading Fanfold Paper*) for details.



Pull down the Paper Extension Trays and fold the Paper tray down. Press the **Setup** key. The printer changes to Setup mode.

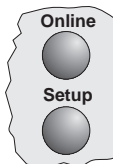
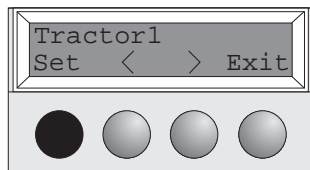


Press the **Paperway** key. The printer changes to the paper path menu.

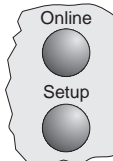
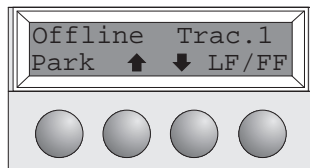


Press **<** or **>** to change to Trac.1 (fanfold paper) mode.

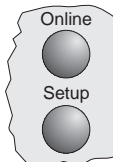
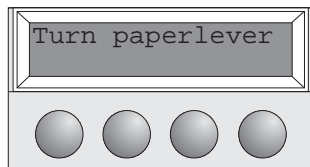
The currently valid setting (**Single**) is marked by a "*****".



Confirm the setting by pressing the **Set** key. An acoustic signal acknowledges the input.



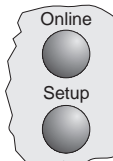
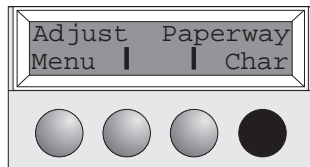
The display toggles between...



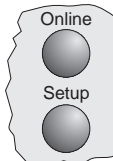
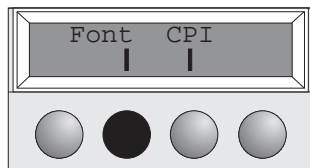
Shift the Paper Type Selection Lever to the position needed.
The printer is now ready for printing fanfold paper.
Press the **Online** key to make the printer ready for operation.

► Selecting a font

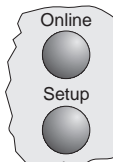
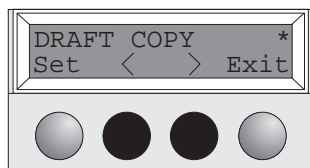
You can use the **Font** key to select fonts in Setup mode.



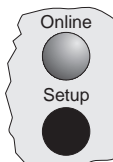
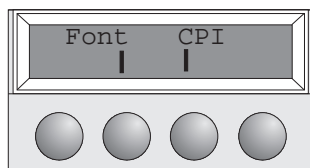
Press the **Setup** key.
Press the **Char** key.



Press the **Font** key.



Press the **<** or **>** key to select the desired font.
Confirm your selection by pressing the **Set** key.



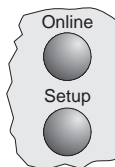
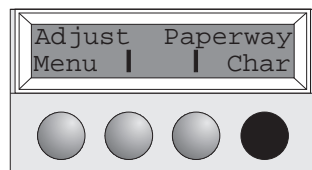
Press the **Setup** key. The printer returns to its initial status.
You can also press the **Online** key. The printer changes directly in Online mode.



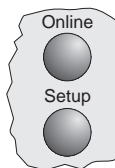
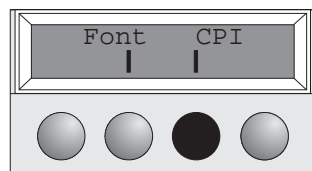
The selection made will not be retained after printer power-off. For information on how to select a font permanently, refer to online documentation on the CD-ROM, chapter 1 (Menu description table).

► Setting the character pitch

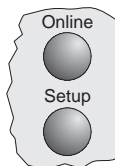
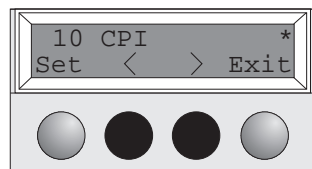
You can use the **CPI** key to set the character pitch in Setup mode.



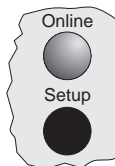
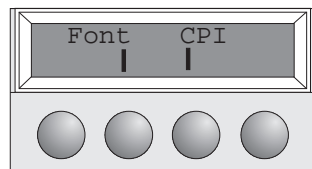
Press the **Setup** key.
Press the **Char** key.



Press the **CPI** key.



Press the **<** or **>** key to select the desired pitch.
Confirm your selection by pressing the **Set** key.



Press the **Setup** key. The printer returns to its initial status.
You can also press the **Online** key. The printer changes directly in Online mode.



The selection made will not be retained after printer power-off. For information on how to select a font permanently, refer to online documentation on the CD-ROM, chapter 1 (Menu description table).

Specifications

► Printer specifications

	9	24
Printing method	serial printing with 9-pin matrix print head	serial printing with 24-pin matrix print head
Print width	narrow printer 80 characters at 10 cpi wide printer 136 characters at 10 cpi	narrow printer 80 characters at 10 cpi wide printer 136 characters at 10 cpi
Print speed (bidirectional)	LN-Draft 413 cps at 10 cpi Draft 310 cps at 10 cpi NLQ 77 cps at 10 cpi	Draft 409 cps at 10 cpi Draft Copy 275 cps at 10 cpi NLQ/LQ 92 cps at 10 cpi
Character densities	5, 6, 7.5, 8.6, 10, 12, 15, 17.1, 20 cpi (HS-Draft: 10, 12 cpi only)	5, 6, 7.5, 8.6, 10, 12, 15, 17.1, 20 cpi
Graphics print density	horizontal 240 dpi / vertical 144 dpi	horizontal 360 dpi / vertical 180 dpi
Ribbon life	4 million char.	4 million char.
Acoustic noise level	ca. 55 dB (A)	ca. 55 dB (A)
Dimensions	narrow printer 485 x 206 x 272 mm (W x H x D) wide printer 625 x 206 x 272 mm (W x H x D)	narrow printer 485 x 206 x 272 mm (W x H x D) wide printer 625 x 206 x 272 mm (W x H x D)
Weight	narrow printer 9 kg / wide printer 11 kg	narrow printer 9 kg / wide printer 11 kg
Power supply	USA/Canada AC 120 V 10% / 60 Hz 3% Europe AC 230 V 10% / 50 Hz 3%	USA/Canada AC 120 V 10% / 60 Hz 3% Europe AC 230 V 10% / 50 Hz 3%
Power consumption	at 100% throughput < 60 VA in the Ready state < 10 VA	at 100% throughput < 60 VA in the Ready state < 10 VA
Operating environment	Temperature 10°C to 40°C Humidity 20% to 80%	Temperature 10°C to 40°C Humidity 20% to 80%
Print head specifications	Number of pins 9 Pin diameters 0,3 mm Number of copies 1 original + 5 copies	Number of pins 24 Pin diameters 0,22 mm Number of copies 1 original + 3 copies
Interface buffer	max. 64 kB	max. 64 kB
Regulations	UL 1950, VDE-GS, CE, FCC Class B, UL/ULc	UL 1950, VDE-GS, CE, FCC Class B, UL/ULc

► Paper specifications

Cut sheets	Paper weight Width Length	60 – 120 g/m ² narrow printer: 76 – 220 mm / wide printer: 76 – 420 mm 76 – 559 mm
Fanfold paper		
Simple forms	Paper weight Width Length	60 – 120 g/m ² narrow printer: 76 – 254 mm / wide printer: 76 – 420 mm 76 – 559 mm
Sets of forms	Paper weight Width/Length Form thickness Number of copies	original: 45 – 65 g/m ² / copy: 45 – 56 g/m ² / last page: 45 – 65 g/m ² see simple forms max. 0,5 mm 1+5 (9 wire) / 1+3 (24 wire)

Bedienungsanleitung DER SCHNELLE EINSTIEG

Inhaltsverzeichnis

Einführung	2
Zu den verwendeten Symbolen	2
Wichtige Sicherheitshinweise	2
Arbeiten mit der Online-Dokumentation	2
Auf einen Blick	3
Installation	5
Drucker auspacken	5
Drucker aufstellen	5
Drucker anschließen	6
Drucker ein- und ausschalten	6
Bedienfeld	7
Online-Modus	7
Offline-Modus	7
Setup-Modus	7
Farbbandkassette auswechseln	8
Papier einlegen	10
Einzelblattpapier	10
Drucker im Endlospapierbetrieb	12
Papierart wechseln	14
Schnellumschaltung Papierweg	14
Papiertransport	15
Handhabung	15
Papier in Abreißposition fahren	15
Einstellungen (I)	16
Abreißpositioneinstellen	16
Erste Druckzeile einstellen (TOF)	16
Einstellungen (II)	18
Druckkopfabstand einstellen	18
Papierwechsel im Setup-Modus	19
Von Endlospapier- in Einzelblattbetrieb	19
Von Einzelblatt- in Endlospapierbetrieb	20
Schriftart wählen	21
Zeichendichte einstellen	22
Technische Daten	23
Druckerspezifikationen	23
Papierspezifikationen	23
Zubehör	24

Einführung



Diese Bedienungsanleitung dient dem schnellen Einstieg in das Arbeiten mit dem Drucker und soll auch dem ungeübten Benutzer den Umgang mit dem Gerät ermöglichen. Sie beschreibt die wichtigsten Funktionen des Druckers und enthält unerläßliche Informationen für die alltägliche Arbeit mit dem Gerät. Eine ausführliche Beschreibung des Druckers, seiner Leistungsmerkmale und weiterführende Informationen enthält das Referenzhandbuch auf der Online-CD-ROM, die Sie auf der vorletzten Seite dieser Bedienungsanleitung finden.

► Zu den verwendeten Symbolen



In der Bedienungsanleitung werden zwei Arten besonderer Hinweise verwendet, um wichtige Informationen hervorzuheben.



VORSICHT enthält Informationen, die beachtet werden müssen, um den Benutzer vor Schaden zu bewahren und Schäden am Drucker zu verhindern.

HINWEIS enthält allgemeine oder zusätzliche Informationen zu einem bestimmten Thema.

► Wichtige Sicherheitshinweise

Lesen Sie die folgenden Hinweise genau durch, bevor Sie den Drucker in Betrieb nehmen. Dadurch schützen Sie sich und vermeiden Schäden an dem Gerät.

- Bewahren Sie diese Bedienungsanleitung an einem jederzeit zugänglichen Ort auf.
- Den Drucker auf stabilem Untergrund so aufstellen, daß er nicht zu Boden fallen kann.
- Den Drucker weder hohen Temperaturen noch direktem Sonnenlicht aussetzen.
- Keine Flüssigkeiten mit dem Drucker in Berührung bringen.
- Den Drucker keinen Erschütterungen, Stößen oder Vibrationen aussetzen.
- Den Drucker nur an eine Steckdose mit der richtigen Wechselspannung anschließen.



Führen Sie Wartungsarbeiten und Reparaturen keinesfalls selbst aus, sondern verständigen Sie immer einen qualifizierten Servicetechniker.



Wenn Sie den Drucker vom Netz trennen wollen, immer den Netzstecker an der Steckdose ziehen.



Weitere Sicherheitshinweise finden Sie an entsprechender Stelle im Text.

► Arbeiten mit der Online-Dokumentation

Installieren Sie zuerst den Adobe Acrobat Reader auf Festplatte, falls dieses Programm nicht schon vorhanden ist. Befolgen Sie zur Installation die in der Readme-Datei im Verzeichnis READER aufgeführten Schritte. Doppelklicken Sie zum Starten der Online-Dokumentation im Datei-Manager (Windows 3.1) oder Explorer (Windows 95/Windows 98/Windows NT) auf die Datei START.PDF. Folgen Sie dann der Bedienerführung.

Für den Fall, daß die CD-ROM fehlerhaft ist oder fehlt, wenden Sie sich bitte an -Ihren Händler. Die Online-Dokumentation ist auch in gedruckter Form (gegen -Gebühr) oder im Internet erhältlich.

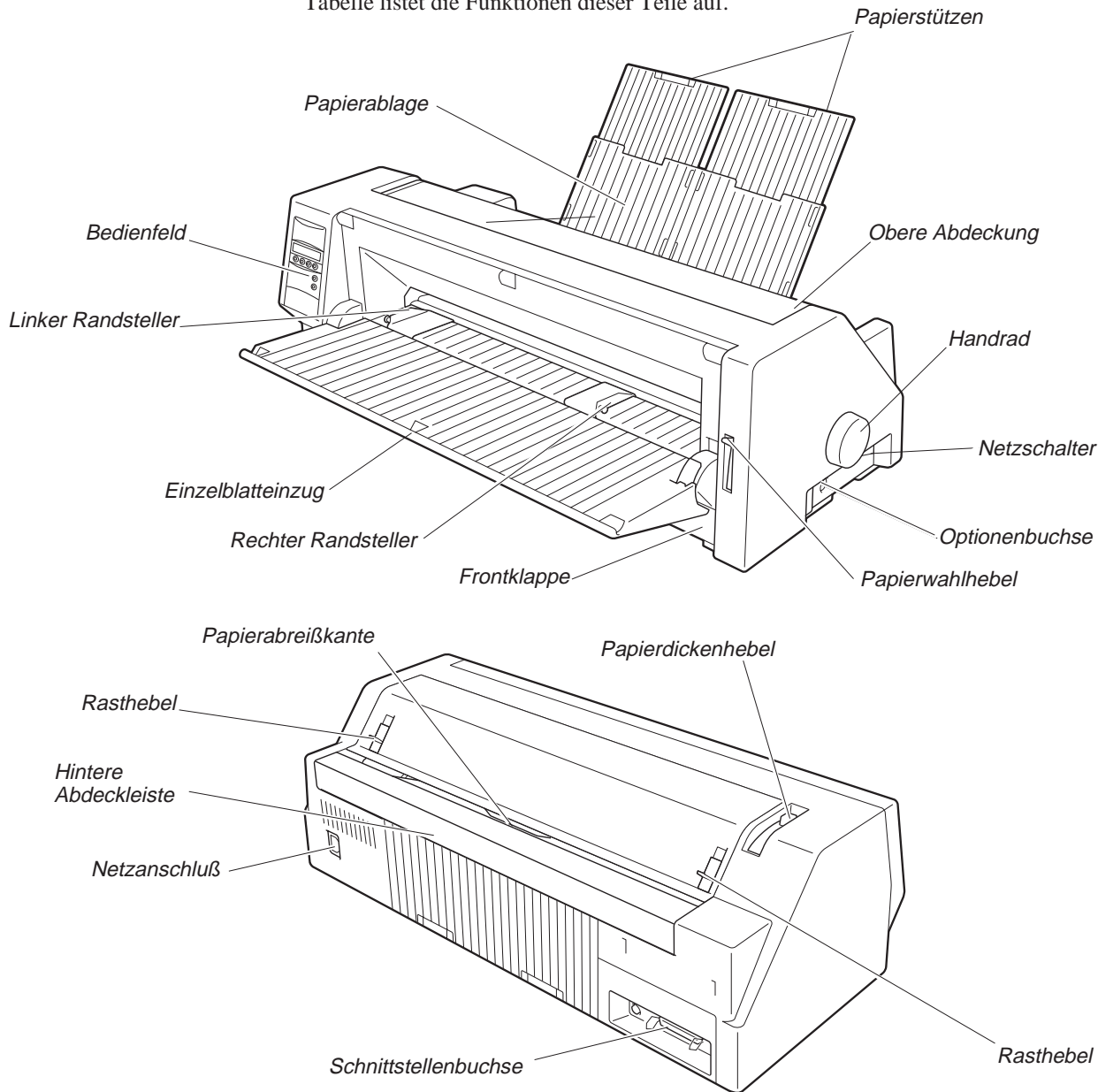
Hardwarevoraussetzungen mindestens: PC AT 486, 4-fach CD-ROM, 15"-Bildschirm, Maus.

► Fehlersuche

Die Online-Dokumentation auf CD-ROM enthält ausführliche Informationen zur Fehlersuche.

Auf einen Blick

In den folgenden Abbildungen sind alle Druckerteile aufgeführt, die sich daran anschließende Tabelle listet die Funktionen dieser Teile auf.

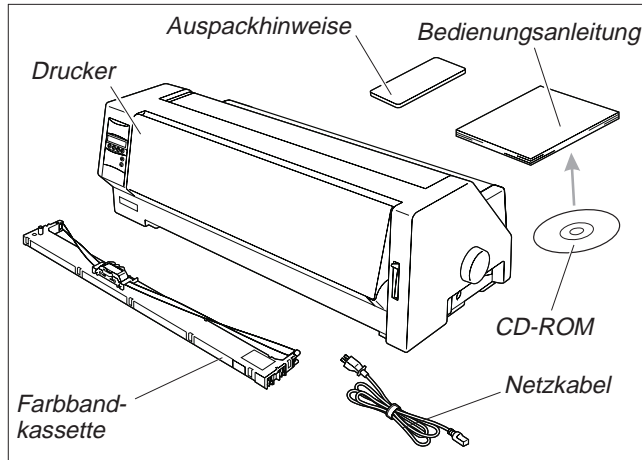


DEUTSCH

Bezeichnung	Funktion
Bedienfeld	Zeigt den Druckerstatus an; wird verwendet, um zahlreiche Einstellungen vorzunehmen.
Papierablage	Wird als Papierablage für schon bedruckte Einzelblätter verwendet, wenn der Parameter „F-Eject“ in den Menüeinstellungen auf AUS gesetzt ist.
Papierstützen	Dienen zur Verlängerung der Papierablage.
Obere Abdeckung	Soll eine Farbbandkassette ersetzt, oder muß ein Papierstau beseitigt werden, kann diese Abdeckung entfernt werden, um Zugang zu den betroffenen Teilen zu erhalten. Dient außerdem dem Schutz des Bedieners vor den mechanischen Bewegungen im Drucker.
Handrad	Wird verwendet, um Papier manuell vor oder zurückzubewegen.
Netzschalter	Schaltet den Drucker EIN oder AUS.
Optionenbuchse	Wird verwendet, um die automatische Einzelblattzuführung (ASF) oder den optionalen zweiten Traktor anzuschließen.
Papierwahlhebel	Wird verwendet, um die vom Drucker zu verarbeitende Papierart zu wählen: Einzelblattpapier (Hebel in oberer Position) Endlospapier (Hebel in unterer Position)
Frontklappe	Wird geöffnet, wenn Endlospapier eingelegt werden soll. Diese Klappe ist abgenommen, wenn die automatische Einzelblattzuführung (ASF) oder der optionale zweite Traktor angebracht ist.
Rechter Randsteller	Durch Ausrichten des rechten Rands eines Einzelblatts an dieser Führung kann ein ungleichmäßiger Papiereinzug verhindert werden.
Einzelblatteinzug	Wird geöffnet, um Einzelblätter einzuführen und dient als Papierstütze. Wird außerdem als Ablage für bedrucktes Papier verwendet, wenn der Parameter „F-Eject“ in den Menüeinstellungen auf ASF, Single oder ALL gesetzt ist.
Linker Randsteller	Dient der Ausrichtung des linken Rands von Einzelblättern.
Rasthebel	Ziehen der Hebel in Richtung Druckervorderseite öffnet die Verriegelung und die obere Abdeckung kann geöffnet werden.
Papierabreißkante	An dieser Stelle wird Endlospapier abgerissen. Drücken der Taste Tear transportiert das Papier bis zu dieser Position.
Papierdickenhebel	Wird verwendet, um den Druckkopfabstand in Übereinstimmung mit der verwendeten Papierdicke einzustellen. Einzelheiten siehe Seite 18, <i>Druckkopfabstand einstellen</i> .
Schnittstellenbuchse	Hier wird das Kabel für den Anschluß an den Computer eingesteckt.
Netzanschlußbuchse	Hier wird das Netzkabel angeschlossen.
Hintere Abdeckleiste	Dient zur Geräuschkämmung am Drucker. Muß abgenommen werden, wenn die Papierablage hochgeklappt wird.

Installation

- **Drucker auspacken** Öffnen Sie bitte den Druckerkarton und überprüfen Sie, ob die folgenden Teile enthalten sind.

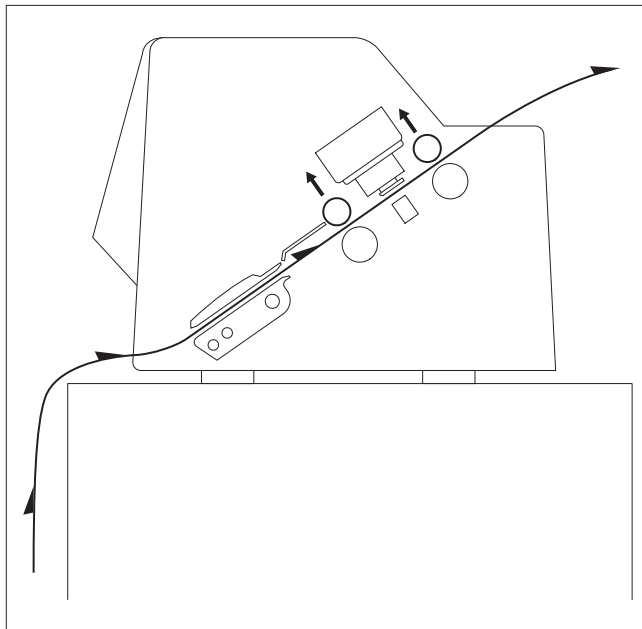


Informieren Sie im Fall von Transportschäden oder fehlendem Zubehör bitte Ihren Händler.

Entfernen Sie die Transportsicherungen wie in den Auspackhinweisen beschrieben

Bewahren Sie den Karton und das Verpackungsmaterial an einem sicheren Platz für den Fall auf, daß der Drucker an einen anderen Ort transportiert werden soll.

- **Drucker aufstellen** Den Drucker auf einer stabilen, ebenen und rutschfesten Oberfläche so aufstellen, daß er nicht herunterfallen kann. Der Zugang zum Bedienfeld und den Papiereinzügen muß gewährleistet und genügend Platz für das ausgeworfene Papier vorhanden sein.



Wird Endlospapier häufig vor- und zurücktransportiert, den Drucker möglichst so aufstellen, wie im Bild dargestellt.

Beachten Sie bei der Wahl des Ortes, an dem Sie den Drucker aufstellen, außerdem folgende Gesichtspunkte:



Stellen Sie den Drucker keinesfalls in der Nähe von leicht entzündlichen Gasen oder explosiven Stoffen auf.

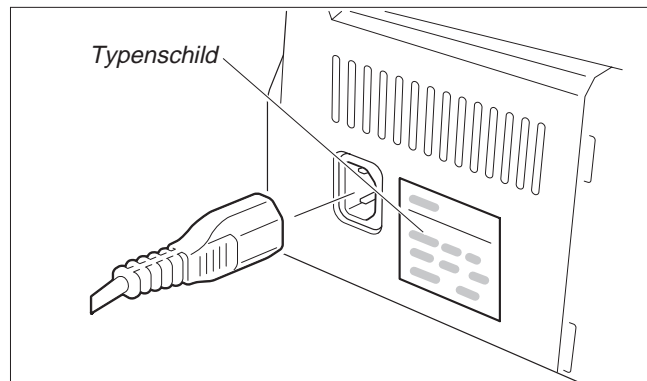
■ Den Drucker keiner direkten Sonneneinstrahlung aussetzen. Läßt es sich nicht vermeiden, daß das Gerät an einem Fenster steht, schützen Sie es mit einem Vorhang vor Sonnenlicht.

■ Den Drucker möglichst in der Nähe des Computers aufstellen, an den er angeschlossen wird. Der Abstand darf 2 Meter nicht überschreiten.

■ Den Drucker in angemessenem Abstand von Heizkörpern aufstellen.

■ Darauf achten, daß der Drucker weder extremen Temperatur- noch Luftfeuchtigkeitsschwankungen ausgesetzt wird. Staubeinwirkung vermeiden.

► Drucker anschließen



Stellen Sie sicher, daß das Gerät auf die richtige Spannung eingestellt ist (z.B. 230 V in Europa, 120 V in den USA). Siehe dazu das Typenschild neben dem Netzanschluß auf der Rückseite des Druckers.

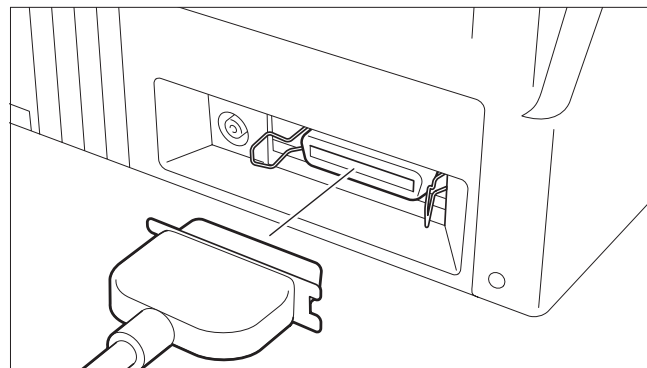
Benachrichtigen Sie Ihren Händler, wenn dies nicht der Fall ist.



Niemals den Drucker einschalten, wenn er nicht auf die richtige Spannung eingestellt ist, da dies zu schweren Schäden führen kann.

Verbinden Sie das Netzkabel wie im Bild gezeigt mit der Anschlußbuchse des Druckers.

Stecken Sie den Stecker des Netzkabels in eine Steckdose.

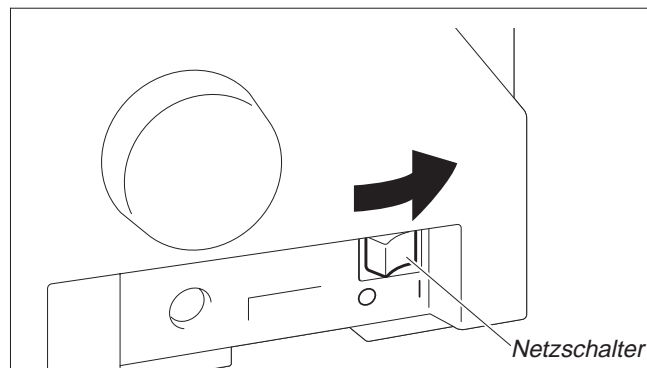


Sicherstellen, daß Drucker und Computer ausgeschaltet sind.

Den druckerseitigen Datenkabelstecker auf die Schnittstellenbuchse stecken und mit den Federklammern arretieren.

Den anderen Stecker an den Computer anschließen.

► Drucker ein- und ausschalten



Der Netzschalter, mit dem der Drucker ein- und ausgeschaltet wird, befindet sich an der rechten Geräteseite, hinten.

Bedienfeld

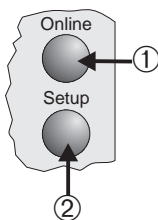
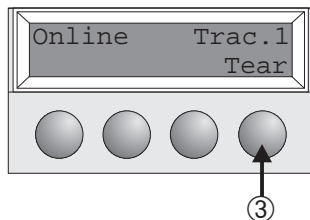
Über das Bedienfeld und seine Tasten steuern Sie die Arbeit mit dem Drucker.



Die obere Zeile der Anzeige gibt Aufschluß darüber, ob der Drucker sich im **Online-** oder im **Offline-Modus** befindet und welcher Papierweg (**Trac.1** oder **Einzel**) gewählt ist.

► Online-Modus

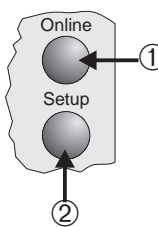
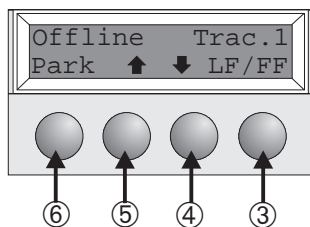
Nach dem Einschalten geht der Drucker automatisch in den Online-Modus. Nur in diesem Modus kann er Daten vom Computer empfangen.



- ① Schaltet Drucker Offline
- ② Schaltet Drucker in den Setup-Modus
- ③ Taste **Tear**: Aktiviert die Abreißfunktion bei eingelegtem Endlospapier (siehe Seite 15). Wenn über dieser Taste **Load** steht, zeigt das an, daß kein Papier im Drucker ist, durch Tastendruck wird Papier in Druckposition transportiert.

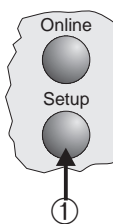
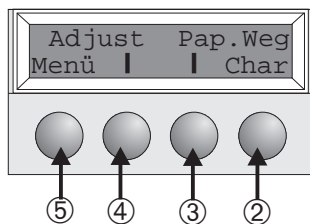
► Offline-Modus

Nur in diesem Modus können Schritt-, Zeilen- oder Formularvorschübe über das Bedienfeld ausgeführt werden (siehe Seite 15).



- ① Schaltet Drucker Online
- ② Schaltet Drucker in den Setup-Modus
- ③ Wenn kein Papier eingelegt ist: Taste **Load** (siehe oben)
Wenn Papier eingelegt ist: Kurzer Tastendruck: Zeilenvorschub (**LF**)
Langer Tastendruck: Seitenvorschub (**FF**)
- ④ Kurzer Tastendruck: Mikroschritt zurück
Langer Tastendruck: dauerhafter Papierrückschub
- ⑤ Kurzer Tastendruck: Mikroschritt vor
Langer Tastendruck: dauerhafter Papiervorschub
- ⑥ Macht Papierweg bei eingelegtem Papier frei und aktiviert Papierweg-Schnellumschaltung (siehe Seite 14).

► Setup-Modus



- ① Setzt den Drucker in den Setup-Modus, in dem folgende Einstellungen gewählt werden können:
- ② Schriftart und Anzahl der Zeichen pro Zoll (Menü **Char**).
- ③ Papierweg (Menü **Pap.Weg**)
- ④ Abreißposition und erste Druckzeile (Menü **Adjust**)
- ⑤ Weitere Menüeinstellungen (**Menü**)



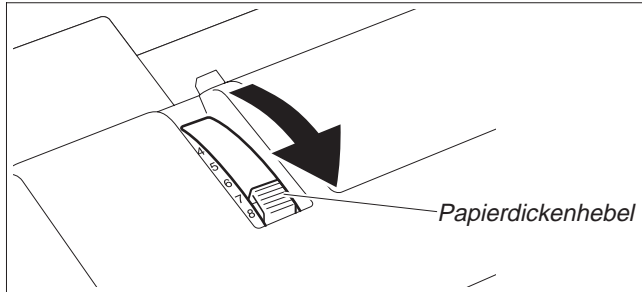
Der Zugang zu den weiteren Menüeinstellungen ist werkseitig gesperrt. Wie diese Sperre aufgehoben werden kann und welche Einstellungen möglich sind, wird in der Online CD-ROM, Kapitel 1, Bedienung (Menü-Modus entsperren) erläutert.

Farbandkassette auswechseln

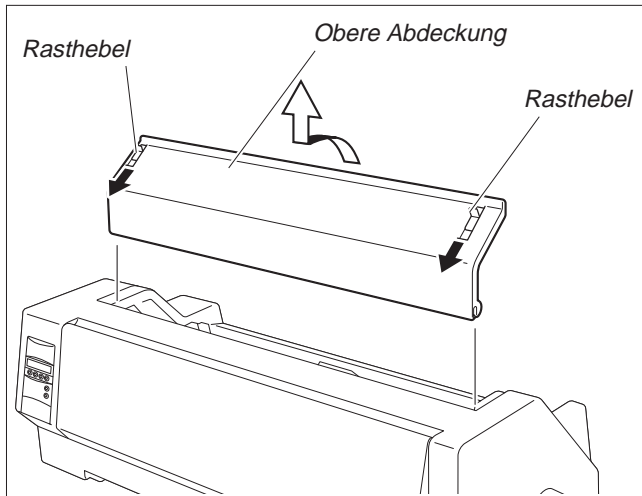
Alles Papier aus dem Drucker entfernen.



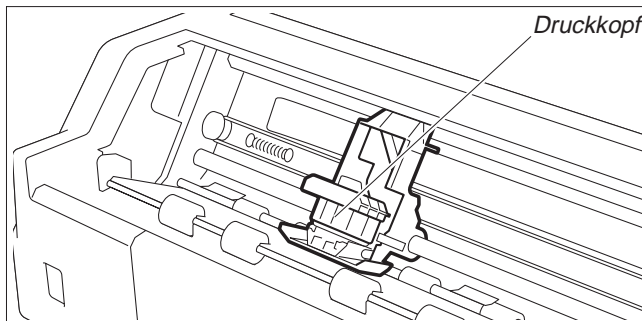
Stellen Sie vor dem Öffnen der Abdeckung sicher, daß der Drucker ausgeschaltet ist.



Den Papierdickenhebel in die Position „8“ bringen.



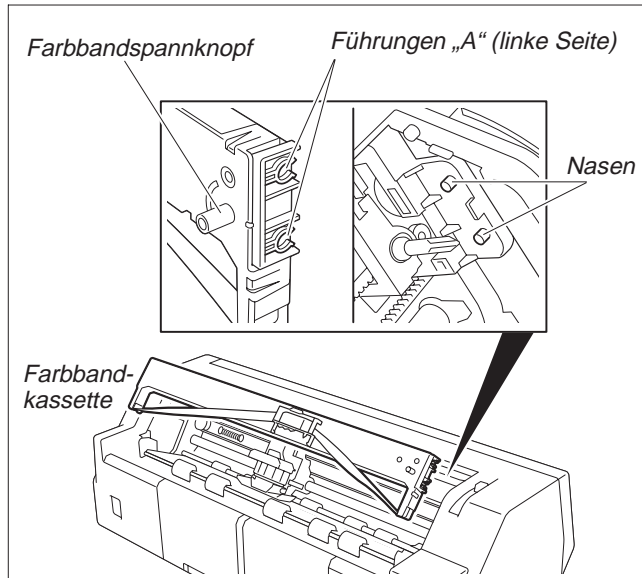
Die Rasthebel der oberen Abdeckung, die auf der rechten und linken Seite angebracht sind, in Richtung Druckervorderseite ziehen und die Abdeckung abnehmen.



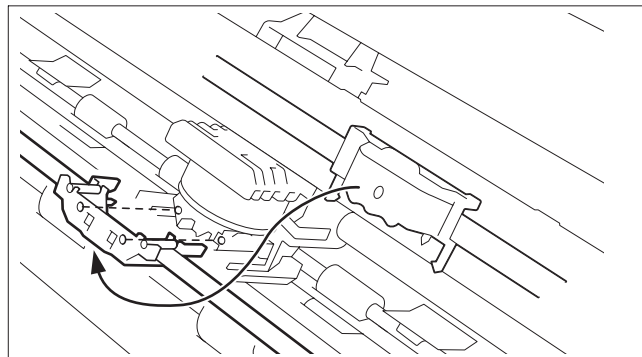
Den Druckkopf etwa in die Mitte bewegen.



Der Druckkopf kann heiß sein. Vermeiden Sie es deshalb, metallische Teile des Druckkopfs zu berühren.



Schieben Sie die beiden Führungen „A“ auf der linken Seite der Farbbandkassette über die Nasen am Drucker und legen Sie die Kassette ein; drücken Sie vorsichtig auf die Kassette bis sie einrastet. Verspüren Sie dabei Widerstand, während des Drückens den Farbbandspannkopf drehen.



Lösen Sie die Farbbandführung von der Farbbandkassette.

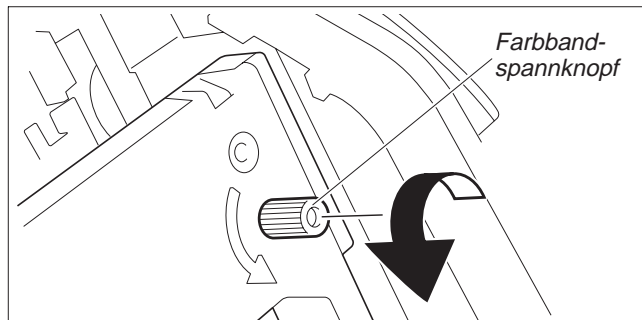


Entfernen Sie keinesfalls die auf der Führung angebrachte Folie, sie dient dem Schutz des Farbbands.

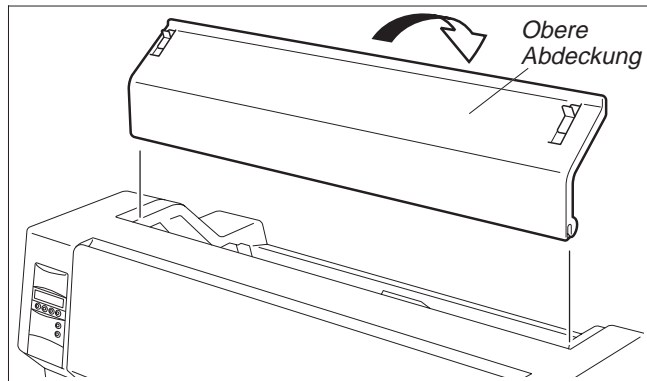
Schieben Sie die Farbbandführung in die dafür vorgesehene Öffnung zwischen Druckkopf und Druckbalken bis sie hörbar einrastet.



Sicherstellen, daß beim Befestigen der Farbbandführung das Band nicht gefaltet wird. Achten Sie außerdem darauf, daß die Schutzfolie nicht zerstört wird.



Den Farbbandspannkopf in Pfeilrichtung drehen, um jede Lose aus dem Farbband zu entfernen.



Nachdem das Einsetzen der Farbbandkassette abgeschlossen ist, die obere Abdeckung wieder anbringen.

Den Papierdickenhebel entsprechend der Dicke des verwendeten Papiers einstellen. Einzelheiten dazu siehe Seite 18 (*Druckkopfabstand einstellen*).

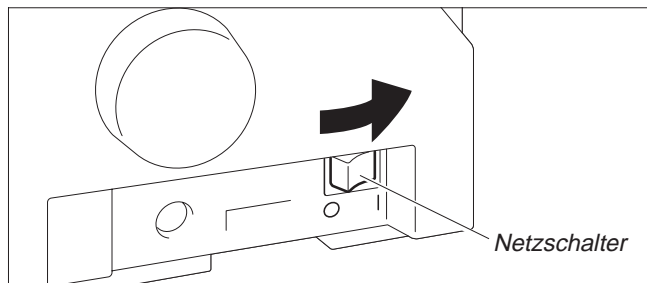
Papier einlegen



Bitte verwenden Sie nur Papier, das für diesen Drucker geeignet ist. Nähere Informationen finden Sie in der Online CD-ROM, Anhang C (Technische Daten).

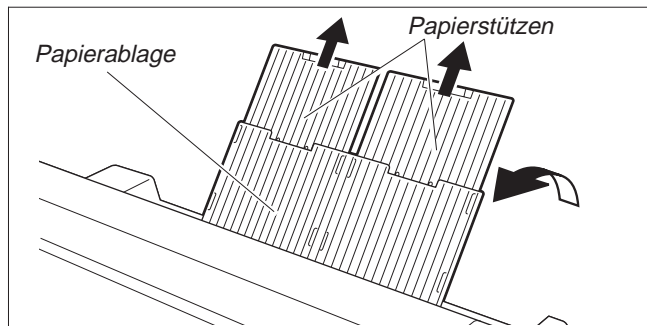
► Einzelblattpapier

Einzelblattpapier wird an der Vorderseite des Druckers eingelegt. Das bedruckte Papier kann auf der Rück- oder der Vorderseite des Druckers ausgegeben werden. Einzelheiten dazu siehe Online CD-ROM, Kapitel 1, *Menübeschreibungstabelle*.



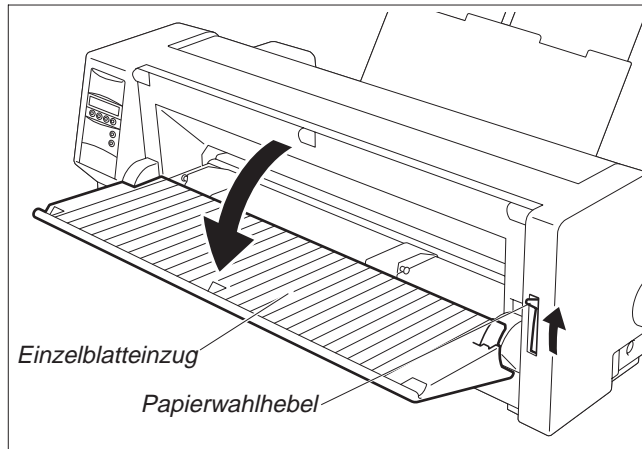
Den Drucker einschalten (Netzschalter auf „I“).

Den Papierdickenhebel entsprechend der Dicke des verwendeten Papiers einstellen. Einzelheiten dazu siehe Seite 18 (*Druckkopfabstand einstellen*).

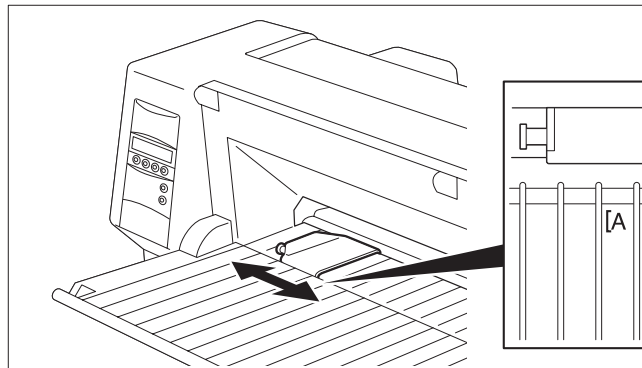


Die Papierablage in Pfeilrichtung nach oben klappen.

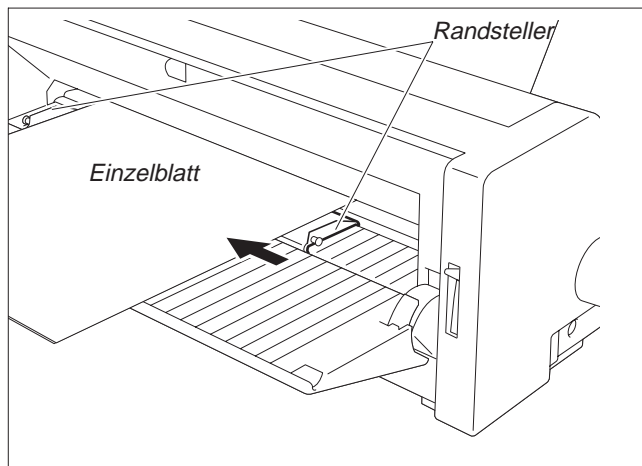
Die Papierablage festhalten und die Papierstützen herausziehen.



Den Papierwahlhebel auf Einzelblattbetrieb stellen. Sicherstellen, daß der Drucker sich im Einzelblattbetrieb befindet. Einzelheiten, wie dieser gewählt werden kann, finden sich auf Seite 14 (*Schnellumschaltung Papierweg*).



Richten Sie den linken Randsteller auf die gewünschte Position des Druckbeginns aus. (Die Marke „A“ zeigt die Standardposition des Druckbeginns an.)



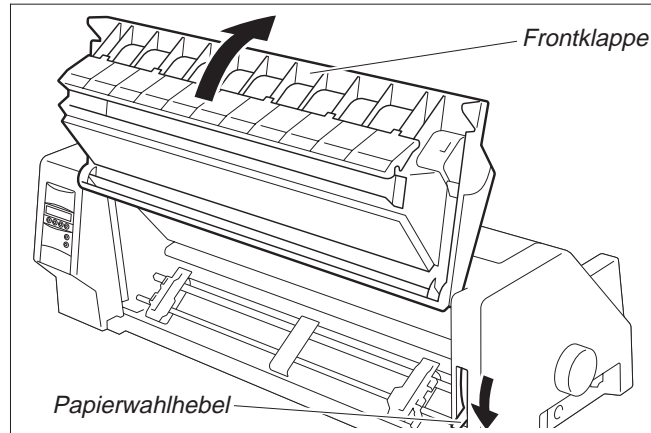
Ein Einzelblatt am linken Randsteller ausrichten und den rechten Randsteller entsprechend der verwendeten Papierbreite einstellen.

Das Blatt zwischen den beiden Randstellern einföhren. Der Drucker zieht es automatisch bis zur Druckposition ein und ist danach druckbereit.



Wenn 55 kg-Papier (Ream) verwendet wird und das bedruckte Papier auf der Rückseite ausgeworfen wird, hat die Papierablage eine Kapazität von ungefähr 30 Blatt. Wird das Papier auf der Vorderseite ausgeworfen, muß jedes einzelne Blatt herausgenommen werden.

► Drucker im Endlospapierbetrieb

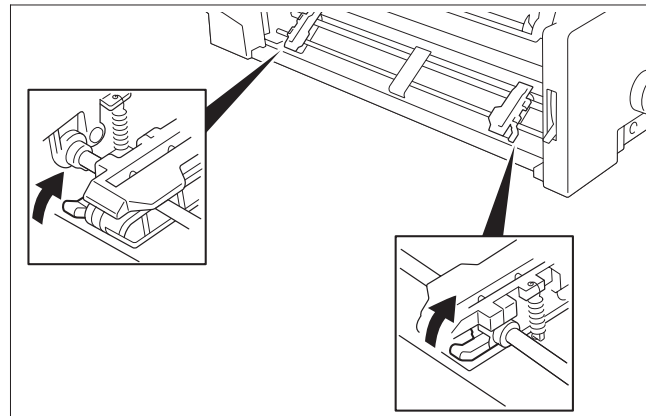


Den Papierdickenhebel entsprechend der Dicke des verwendeten Papiers einstellen. Einzelheiten dazu siehe Seite 18 (*Druckkopfabstand einstellen*).

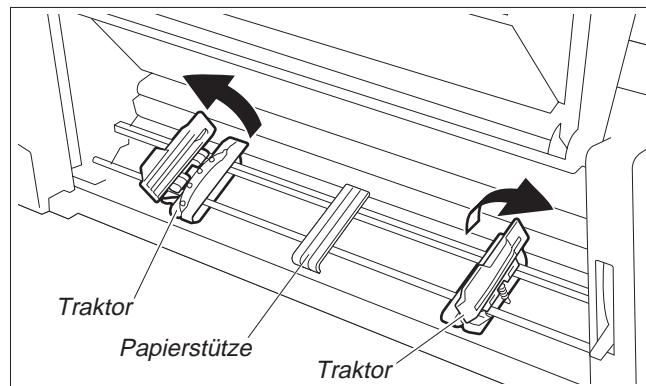
Den Papierwahlhebel auf Endlospapierbetrieb einstellen.

Die Frontklappe hochschwenken und einrasten lassen.

Die Rasterstellung sichert gegen ungewolltes Zufallen der Klappe.



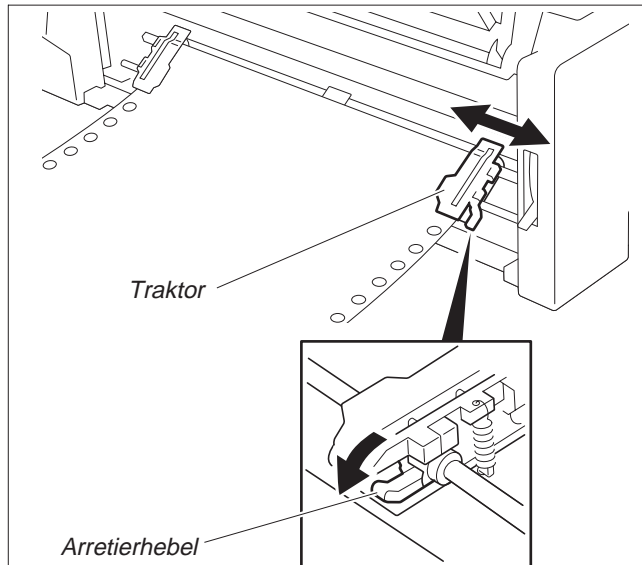
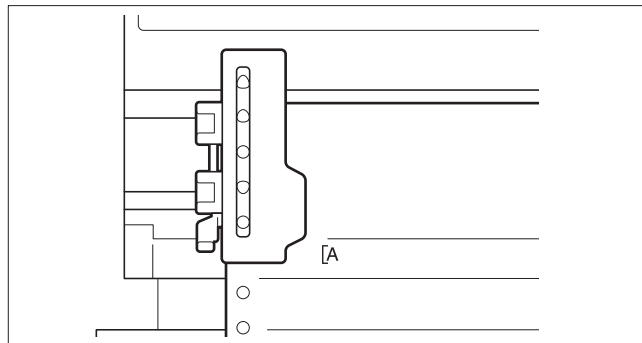
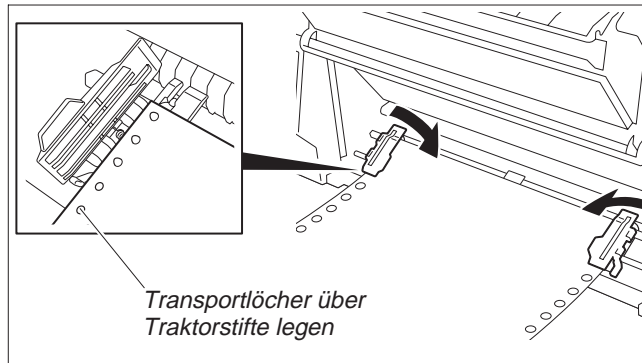
Den linken und rechten Arretierhebel in Pfeilrichtung nach oben bewegen, um die Traktoren zu entriegeln.



Die Traktorklappen öffnen.

Die Traktoren auf die gewünschte Papierbreite ausrichten.

Die Papierstütze in der Mitte zwischen dem linken und dem rechten Traktor plazieren.



Das Papier mit der zu bedruckenden Seite nach oben in den linken Traktor einlegen. Dazu die Transportlöcher am linken Rand des Papiers über die Stifte auf dem Traktor legen und anschließend die Traktorklappe schließen.

Die Transportlöcher am rechten Rand über die Stifte auf dem rechten Traktor legen und die Traktorklappe schließen.



Darauf achten, daß das Papier links und rechts auf gleicher Höhe im Traktor liegt und dieselbe Anzahl von Stiften verwendet wird, da es sonst schief eingezogen wird und ein Papierstau droht.

Nach Einlegen des Papiers kann mit dem linken Randsteller die gewünschte Position des Druckbeginns gewählt werden. Die Marke „A“ zeigt die Standardposition des Druckbeginns an.

Den linken Arretierhebel nach unten drücken, um den Traktor zu fixieren.

Das Papier mit dem rechten Traktor spannen und anschließend mit dem Arretierhebel fixieren.



Kann das Papier nicht vollständig mit dem rechten Traktor gespannt werden, die Position des linken Traktors verändern.

Papier weder zu straff spannen, da sonst Transportlöcher ausreißen können, noch zu locker führen, da es sich in diesem Fall wölbt und Probleme bei der Zuführung auftreten können.

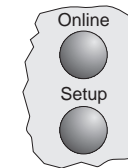
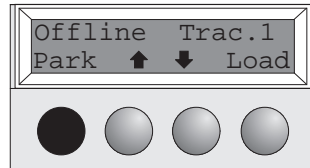
Den Drucker einschalten.

Der aktive Einzugsschacht (**Trac.1**) wird angezeigt. Papier wird automatisch eingezogen, wenn der Drucker im Betriebszustand Online ist und Daten vom Computer erhält.

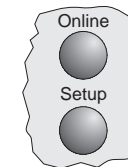
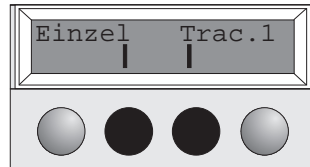
Taste **Load** drücken, um Papier vor Druckbeginn zu laden.

Papierart wechseln

► Schnellumschaltung Papierweg



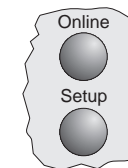
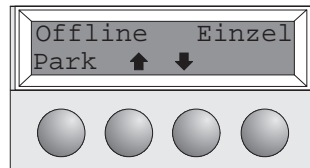
Sicherstellen, daß der Drucker Offline ist, gegebenenfalls Taste **Online** drücken. Taste **Park** drücken.



Befindet sich Endlospapier im Drucker, wird es in Abreißposition transportiert. In der Anzeige erscheint „Papier abreißen“. Dann eine beliebige Taste drücken. Befindet sich ein Einzelblatt im Drucker, wird es ausgeworfen.

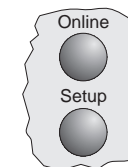
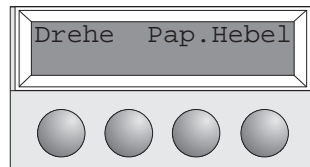
Mit einer der markierten Tasten den gewünschten Papierweg auswählen, in unserem Beispiel **Einzel**.

i | Erfolgt nach fünf Sekunden keine Auswahl, wird das Menü verlassen.

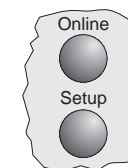
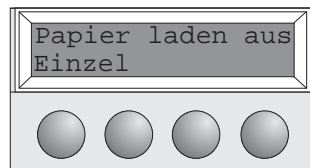


Der Drucker geht in den Offline-Modus zurück. Die Anzeige wechselt zwischen...

und...

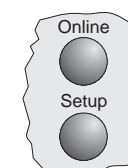
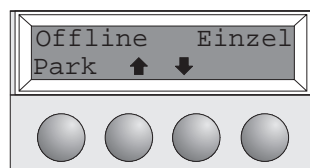


Den Papierwahlhebel auf Einzelblattbetrieb einstellen (siehe Seite 11 *Papier einlegen*).



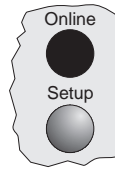
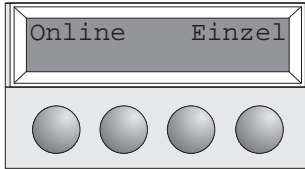
Die Anzeige wechselt zwischen...

und...



Die Papierablage in Pfeilrichtung nach oben klappen. Die Papierablage festhalten und die Papierstützen herausziehen.

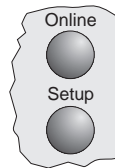
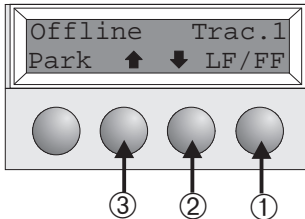
Richten Sie den linken Randsteller auf die gewünschte Position des Druckbeginns aus. Ein Einzelblatt am linken Randsteller ausrichten und den rechten Randsteller entsprechend der verwendeten Papierbreite einstellen. Das Blatt zwischen den beiden Randstellern einführen. Der Drucker zieht es automatisch bis zur Druckposition ein (siehe Seite 11 *Papier einlegen*).



Taste **Online** drücken, um den Drucker betriebsbereit zu machen.

Papiertransport

Eingelegtes Papier (Endlospapier/Einzelblatt) kann auf unterschiedliche Weise im Drucker transportiert werden.



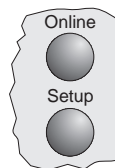
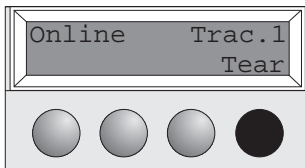
Sicherstellen, daß sich der Drucker im Betriebszustand Offline befindet; gegebenenfalls Taste **Online** drücken.

- ① Kurzer Tastendruck: Zeilenvorschub (LF) wird ausgelöst
Langer Tastendruck: Seitenvorschub (FF) wird ausgelöst
- ② Kurzer Tastendruck: Papier wird schrittweise nach unten bewegt
Langer Tastendruck: Dauertransport nach unten
- ③ Kurzer Tastendruck: Papier wird schrittweise nach oben bewegt
Langer Tastendruck: Dauertransport nach oben

Handhabung

► Papier in Abreißposition fahren

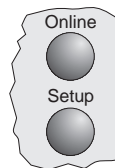
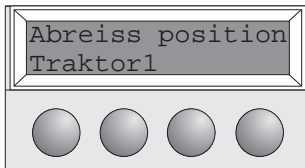
Endlospapier wird mit der Taste **Tear** in Abreißposition gefahren.



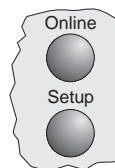
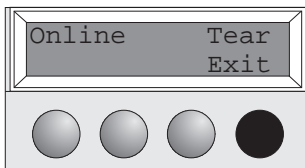
Sicherstellen, daß der Drucker Online ist.

Taste **Tear** drücken. Der Drucker fährt die Perforationskante des Endlospapiers an die Abreißkante.

Die Anzeige wechselt zwischen...



und...

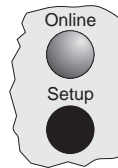
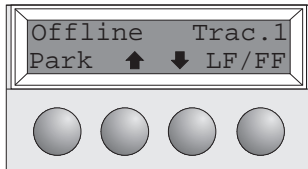


Nach Abreißen des Papiers Taste **Exit** drücken. Der Drucker fährt das Papier zurück in die erste Druckposition.

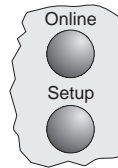
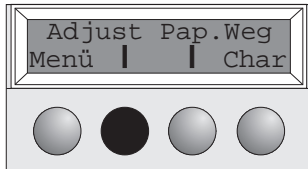
Einstellungen (I)

► Abreißposition einstellen

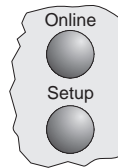
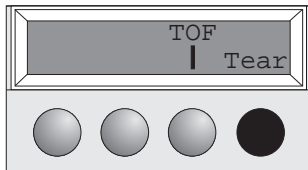
Stimmt die Abreißposition des Papiers nicht mit der Abreißkante des Druckers überein, kann sie eingestellt werden.



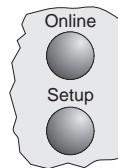
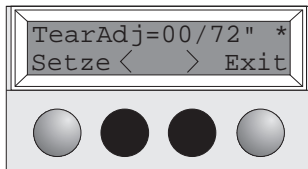
Taste **Setup** drücken. Der Drucker geht in den Setup-Modus.



Taste **Adjust** drücken.



Taste **Tear** drücken.



Durch Drücken der Taste **<** oder **>** die Perforation in die gewünschte Position bewegen.
Eingabe durch Drücken der Taste **Setze** bestätigen. Der Drucker geht in die Grundstellung zurück.



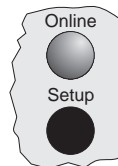
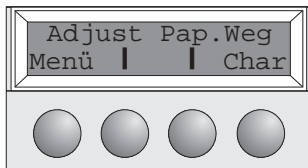
Die vorgenommene Korrektur – maximal ca. 2,5 cm (1") in jede Richtung – bleibt auch nach Ausschalten des Druckers erhalten.

► Erste Druckzeile einstellen (TOF)

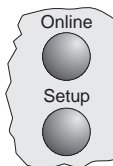
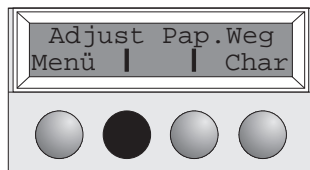
Mit der TOF-Funktion kann für jeden Papiereinzugsschacht und jedes Menü einzeln die Position der obersten Druckzeile eingestellt werden.



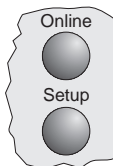
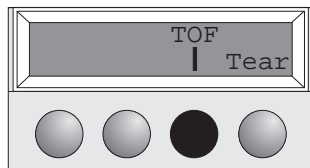
Vor Ausführen der TOF-Funktion sollte (bei Verwendung von Endlospapier) vorher die Abreißposition eingestellt werden (siehe oben).



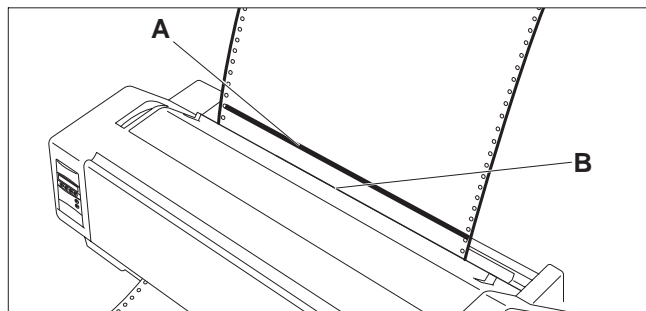
Taste **Setup** drücken. Der Drucker geht in den Setup-Modus.



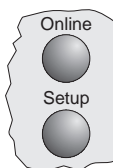
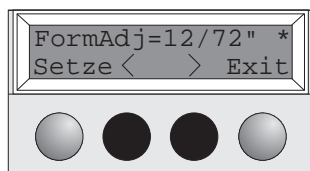
Taste **Adjust** drücken.



Taste **TOF** drücken.

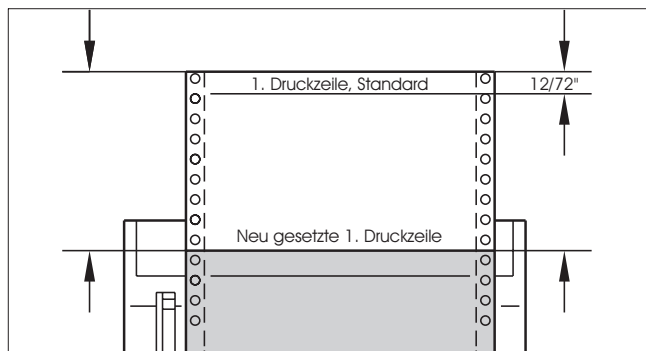


Das Papier wird so weit vortransportiert, bis die Unterkante der ersten Druckzeile **A** auf Höhe der Abreißkante **B** liegt. Werkseitig ist die erste Druckposition auf 12/72" eingestellt.



Durch Drücken der Taste **<** oder **>** die erste Druckzeile in die gewünschte Position bewegen.

Es können Werte von 0 bis 220/72" für Endlospapier und von 0 bis 72/72" für Einzelblätter eingestellt werden.



Eingabe durch Drücken der Taste **Setze** bestätigen. Der Drucker geht in die Grundstellung zurück.

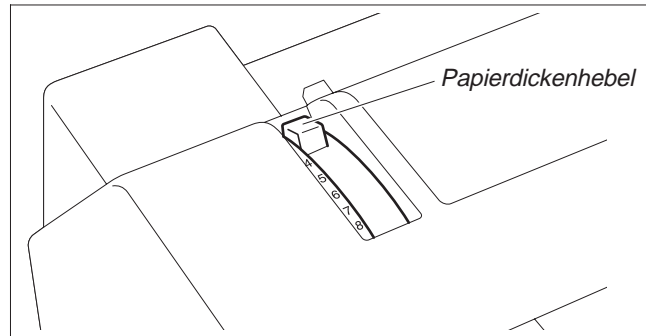


Die vorgenommene Einstellung bleibt auch nach Ausschalten des Druckers erhalten. Weitere Einzelheiten finden sich in der Online CD-ROM, Kapitel 3 (Druckermechanische Einstellungen).

Einstellungen (II)

► Druckkopfabstand einstellen

Der Drucker ist mit einem Papierdickenhebel ausgestattet, der zum Einstellen des Druckkopfabstands dient.



Um eine optimale Druckqualität zu erzielen, muß der Abstand zwischen Druckkopf und Gegenlager entsprechend der Dicke des verwendeten Papiers eingestellt werden.

Die folgende Tabelle zeigt den einstellbaren Bereich:

Durchschläge/Papierdicke	Ream (kg)	g/m ²	Hebelstellung
Nur Original, dünn	45–55	50–65	1
Nur Original, normal	55–77	65–90	1–2
Nur Original, dick	77–110	90–130	2
Original + 1	34/34	40/40	2–3
Original + 2	34/34/34	40/40/40	2–4
Original + 3	34/34/34/34	40/40/40/40	3–4
Original + 4	34/34/34/34/34	40/40/40/40/40	4–5
Original + 5	34/34/34/34/34/34	40/40/40/40/40/40	5–6
Postkarte	110	130	3
Reserviert	—	—	7–8



1. „Ream“ ist eine Einheit, die das Papiergewicht anzeigt. Gemessen wird dazu das Gewicht von 1000 Einzelblättern im Format 788 mm x 1091 mm in Kilogramm.
2. Wird nur ein Original bedruckt, können Einzelblätter von 45 kg Ream und mehr oder Endlospapier von 50 kg Ream und mehr verwendet werden.
3. Wird der Papierdickenhebel auf einen höheren Wert als nötig eingestellt, werden die Ausdrücke ungleichmäßig und die Lebensdauer von Druckkopf und Farbband verkürzt sich.

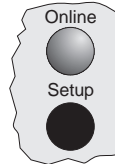
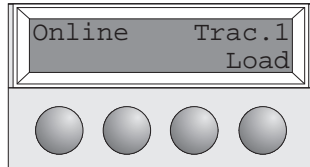
➤ **Papierwechsel im Setup-Modus**

➤ **Von Endlospapier- in Einzelblattbetrieb**

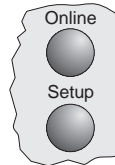
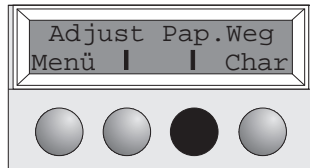
Der Drucker hat bisher Endlospapier verarbeitet und soll jetzt auf Einzelblattbetrieb umgestellt werden.



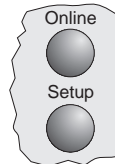
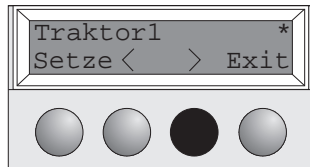
Das Endlospapier muß nicht entfernt werden.



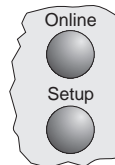
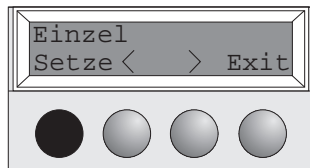
Das ausgegebene Endlospapier an der Papierabreißkante abreißen. Dazu vorgehen wie folgt.
Taste **Setup** drücken. Der Drucker geht in den Setup-Modus.



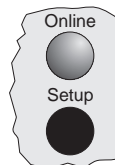
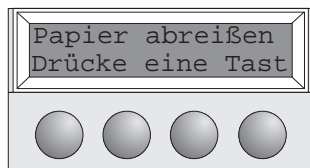
Taste **Pap.Weg** drücken. Der Drucker geht in das Menü Papierweg.



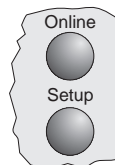
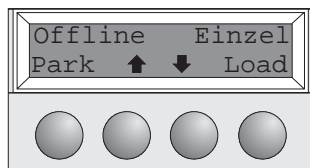
Durch Drücken von Taste **<** oder **>** in die Betriebsart **Einzel** (Einzelblattbetrieb) wechseln.
Die gegenwärtig aktive Einstellung (**Trac.1**) ist durch einen „*“ gekennzeichnet.



Durch Drücken von Taste **Setze** bestätigen.
Ein akustisches Signal bestätigt die Eingabe; das Endlospapier wird auf Abreißposition transportiert. Endlospapier an der Abreißkante abreißen.



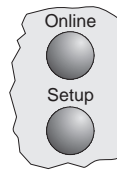
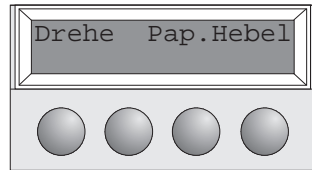
In der Anzeige erscheint...
Eine beliebige Taste drücken.



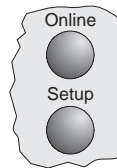
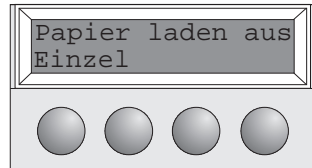
Der Drucker geht in den Grundzustand zurück; das Endlospapier wird in Parkposition transportiert. Die Anzeige wechselt zwischen...

und...

DEUTSCH



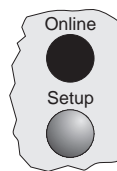
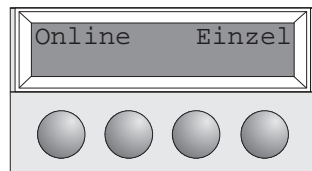
Den Papierwahlhebel auf Einzelblattbetrieb einstellen.



In der Anzeige erscheint...

Die Papierablage in Pfeilrichtung nach oben klappen. Die Papierablage festhalten und die Papierstützen herausziehen (siehe Seite 10).

Ein Einzelblatt am linken Randsteller ausrichten und den rechten Randsteller entsprechend der verwendeten Papierbreite einstellen. Das Blatt zwischen den beiden Randstellern einführen. Der Drucker zieht es automatisch bis zur Druckposition ein (siehe Seite 11).

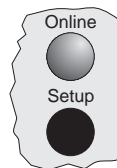
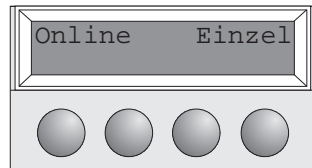


Taste **Online** drücken, um den Drucker betriebsbereit zu machen.

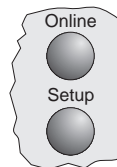
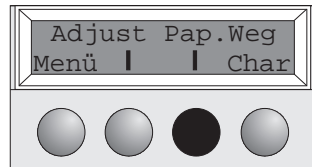
► Von Einzelblatt- in Endlospapierbetrieb

Drucker hat bisher Einzelblätter verarbeitet und soll jetzt auf Endlospapierbetrieb umgestellt werden.

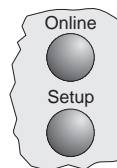
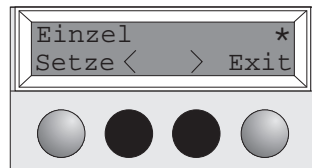
Sicherstellen, daß Endlospapier eingelegt ist. Einzelheiten dazu siehe auf Seite 12 (*Drucker im Endlospapierbetrieb*).



Die Papierstütze in die Papierablage schieben und diese nach unten klappen. Taste **Setup** drücken. Der Drucker geht in den Setup-Modus.

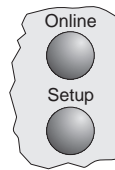


Taste **Pap.Weg** drücken. Der Drucker geht in das Menü Papierweg.

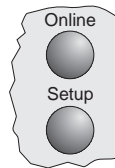
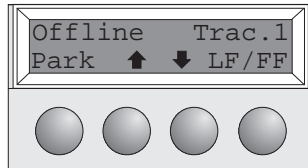


Durch Drücken von Taste **<** oder **>** in die Betriebsart Traktor 1 (Endlospapierbetrieb) wechseln.

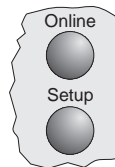
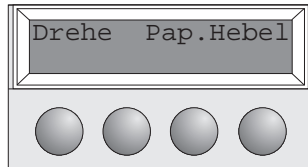
Die gegenwärtig aktive Einstellung (**Einzel**) ist durch einen „*“ gekennzeichnet.



Durch Drücken von Taste **Setze** bestätigen. Ein akustisches Signal bestätigt die Eingabe.



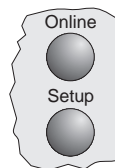
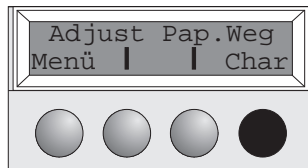
Die Anzeige wechselt zwischen...



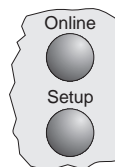
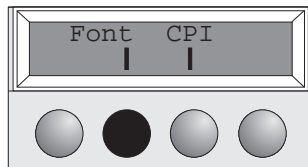
und...
Den Papierwahlhebel in die entsprechende Stellung bringen
Jetzt kann der Drucker Endlospapier verarbeiten.
Taste **Online** drücken, um den Drucker betriebsbereit zu machen.

► Schriftart wählen

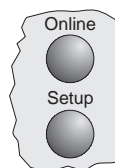
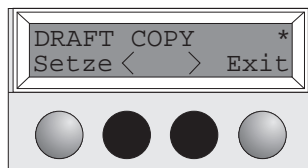
Mit der Taste **Font** können Schriftarten im Setup-Modus ausgewählt werden.



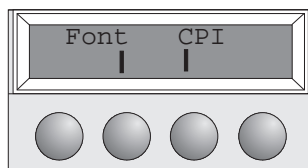
Taste **Setup** drücken.
Taste **Char** drücken.



Taste **Font** drücken.



Mit Taste **<** oder **>** die gewünschte Schriftart auswählen.
Die Auswahl durch Drücken der Taste **Setze** bestätigen.



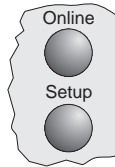
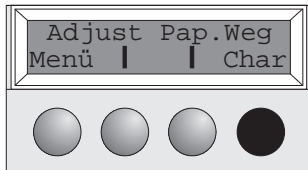
Taste **Setup** drücken. Der Drucker geht in die Grundstellung zurück.
Es ist auch möglich, die Taste **Online** zu drücken. Der Drucker wechselt daraufhin direkt in den Online-Modus.



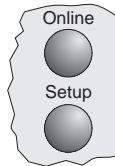
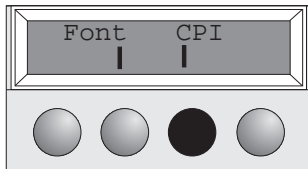
Die getroffene Auswahl bleibt nach dem Ausschalten des Druckers nicht erhalten. Einzelheiten über die dauerhafte Auswahl von Schriftarten siehe Online CD-ROM, Kapitel 1 (Menübeschreibungstabelle).

► Zeichendichte einstellen

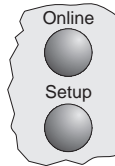
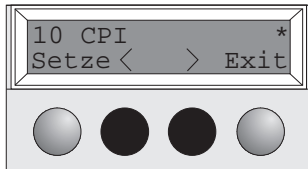
Mit der Taste **CPI** kann im Setup-Modus die Anzahl der Zeichen, die pro Zoll ausgedruckt werden, eingestellt werden.



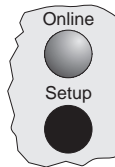
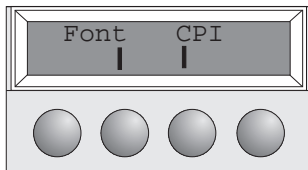
Taste **Setup** drücken.
Taste **Char** drücken.



Taste **CPI** drücken.



Mit Taste **<** oder **>** die gewünschte Zeichendichte auswählen.
Die Auswahl durch Drücken der Taste **Setze** bestätigen.



Taste **Setup** drücken. Der Drucker geht in die Grundstellung zurück.
Es ist auch möglich, die Taste **Online** zu drücken. Der Drucker wechselt daraufhin direkt in den Online-Modus.



Die getroffene Auswahl bleibt nach dem Ausschalten des Druckers nicht erhalten. Einzelheiten über die dauerhafte Auswahl der Zeichendichte siehe Online CD-ROM, Kapitel 1 (Menübeschreibungstabelle).

Technische Daten

► Druckerspezifikationen

	9	24
Druckprinzip	seriell mit 9-Nadel Druckkopf	seriell mit 24-Nadel Druckkopf
Druckbreite	schmaler Drucker 80 Zeichen bei 10 cpi breiter Drucker 136 Zeichen bei 10 cpi	schmaler Drucker 80 Zeichen bei 10 cpi breiter Drucker 136 Zeichen bei 10 cpi
Druckgeschwindigkeit (bidirektional)	LN-Draft 413 cps bei 10 cpi Draft 310 cps bei 10 cpi NLQ 77 cps bei 10 cpi	Draft 409 cps bei 10 cpi Draft Copy 275 cps bei 10 cpi NLQ/LQ 92 cps bei 10 cpi
Zeichendichten	5, 6, 7.5, 8.6, 10, 12, 15, 17.1, 20 cpi (HS-Draft: nur 10, 12 cpi)	5, 6, 7.5, 8.6, 10, 12, 15, 17.1, 20 cpi
Grafikauflösung	horizontal 240 dpi / vertikal 144 dpi	horizontal 360 dpi / vertikal 180 dpi
Lebensdauer Farbband	4 Millionen Zeichen	4 Millionen Zeichen
Geräuschpegel	ca. 55 dB (A)	ca. 55 dB (A)
Abmessungen	schmaler Drucker 485 x 206 x 272 mm (W x H x D) breiter Drucker 625 x 206 x 272 mm (W x H x D)	schmaler Drucker 485 x 206 x 272 mm (W x H x D) breiter Drucker 625 x 206 x 272 mm (W x H x D)
Gewicht	schmaler Drucker 9 kg / breiter Drucker 11 kg	schmaler Drucker 9 kg / breiter Drucker 11 kg
Stromversorgung	USA/Canada AC 120 V 10% / 60 Hz 3% Europa AC 230 V 10% / 50 Hz 3%	USA/Canada AC 120 V 10% / 60 Hz 3% Europa AC 230 V 10% / 50 Hz 3%
Stromverbrauch	bei 100% Durchsatz < 60 VA im Leerlauf < 10 VA	bei 100% Durchsatz < 60 VA im Leerlauf < 10 VA
Umgebungsbedingungen	Temperatur 10°C bis 40°C Luftfeuchtigkeit 20% bis 80%	Temperatur 10°C bis 40°C Luftfeuchtigkeit 20% bis 80%
Technische Daten Druckkopf	Anzahl Nadeln 9 Nadeldurchmesser 0,3 mm Anzahl Kopien 1 Original + 5 Kopien	Anzahl Nadeln 24 Nadeldurchmesser 0,22 mm Anzahl Kopien 1 Original + 3 Kopien
Schnittstellenpuffer	max. 64 kB	max. 64 kB
Zulassungen	UL 1950, VDE-GS, CE, FCC Class B, UL/ULc	UL 1950, VDE-GS, CE, FCC Class B, UL/ULc

► Papierspezifikationen

Einzelblätter	Papiergewicht Breite Länge	60 – 120 g/m ² schmaler Drucker: 76 – 220 mm / breiter Drucker: 76 – 420 mm 76 – 559 mm
Endlospapier		
Einfachformat	Papiergewicht Breite Länge	60 – 120 g/m ² schmaler Drucker: 76 – 254 mm / breiter Drucker: 76 – 420 mm 76 – 559 mm
Formularsatz	Papiergewicht Breite/Länge Formularsatzdicke Zahl der Durchschläge	Original: 45 – 65 g/m ² / Kopie: 45 – 56 g/m ² / Letzte Seite: 45 – 65 g/m ² siehe Einfachformat max. 0,5 mm 1+5 (9-Nadeldrucker) / 1+3 (24-Nadeldrucker)

Manuel d'utilisation

INITIATION RAPIDE

Tables des matières

Introduction	2
Symboles utilisés	2
Consignes importantes de sécurité	2
Utilisation de la documentation Online	2
Vue d'ensemble	3
Installation	5
Déballage de l'imprimante	5
Mise en place de l'imprimante	5
Connexion de l'imprimante	6
Mise sous tension et hors tension de l'imprimante	6
Panneau de commande	7
Mode Online	7
Mode Offline	7
Mode Setup	7
Remplacement de la cartouche du ruban encreur	8
Chargement du papier	10
Papier feuille à feuille	10
Imprimante en mode de papier continu	12
Changement de type de papier	14
Sélection rapide de la fonction papier	14
Transport du papier	15
Utilisation	15
Déplacement du papier en position de séparation	15
Réglages (I)	16
Réglage de la position de séparation	16
Réglage de la première ligne d'impression (TOF)	16
Réglages (II)	18
Réglage de l'écart de la tête d'impression	18
Du mode page seule en mode papier en continu	20
Sélection d'une police de caractères	21
Réglage de l'espacement des caractères	22
Spécifications	23
Données techniques de l'imprimante	23
Spécifications du papier	23
Accessoires	24

Introduction



Ce manuel d'utilisation est une initiation rapide sur la manière d'utiliser l'imprimante et permet également aux utilisateurs inexpérimentés de se servir de l'imprimante. Il décrit les fonctions principales de l'imprimante et contient des informations indispensables à connaître pour le travail quotidien avec l'imprimante. Vous trouverez une description détaillée de l'imprimante, de ses caractéristiques et des informations supplémentaires dans le manuel de référence sur la Online CD-ROM, à l'avant-dernière page de ce manuel.

► Symboles utilisés



Deux symboles permettent de faire ressortir les informations importantes contenues dans ce manuel.



Le symbole ATTENTION signale les informations à observer pour éviter que l'utilisateur ne se blesse ou que l'imprimante ne soit endommagée.

Le symbole NOTE contient des informations générales ou supplémentaires sur un sujet précis.

► Consignes importantes de sécurité

Lire attentivement les instructions suivantes avant de mettre l'imprimante en service pour éviter de vous blesser et d'endommager l'imprimante.

- Veiller à ce que le présent manuel soit toujours parfaitement accessible.
- Placer l'imprimante sur un support stable de façon à ce qu'elle ne puisse pas tomber.
- Ne pas exposer l'imprimante à des températures élevées ou à la lumière directe du soleil.
- Ne pas mettre l'imprimante en contact avec des liquides.
- Ne pas exposer l'imprimante à des chocs, impacts ou vibrations.
- Ne jamais mettre l'imprimante sous tension quand celle-ci n'est pas correcte.



N'essayer jamais d'effectuer des travaux d'entretien et des réparations vous-mêmes. Contacter toujours un dépanneur qualifié.



Pour déconnecter l'imprimante de l'alimentation principale, toujours débrancher le connecteur secteur de la prise murale.



Vous trouverez d'autres consignes de sécurité aux endroits appropriés dans le texte.

► Utilisation de la documentation Online

Installer tout d'abord l'Adobe Acrobat Reader sur le disque dur dans la mesure où ce programme n'est pas déjà disponible. Pour l'installation, suivre les opérations détaillées dans le fichier Readme du répertoire READER. Pour démarrer la -documentation Online dans le gestionnaire de fichiers (Windows 3.1) ou Explorer (Windows 95/Windows 98/Windows NT), double-cliquer sur le fichier START.PDF. Suivre ensuite le guide utilisateur.

Si le CD-ROM est défectueux ou manque, contacter votre revendeur.

La documentation Online est également disponible sur papier (moyennant une participation) ou sur Internet.

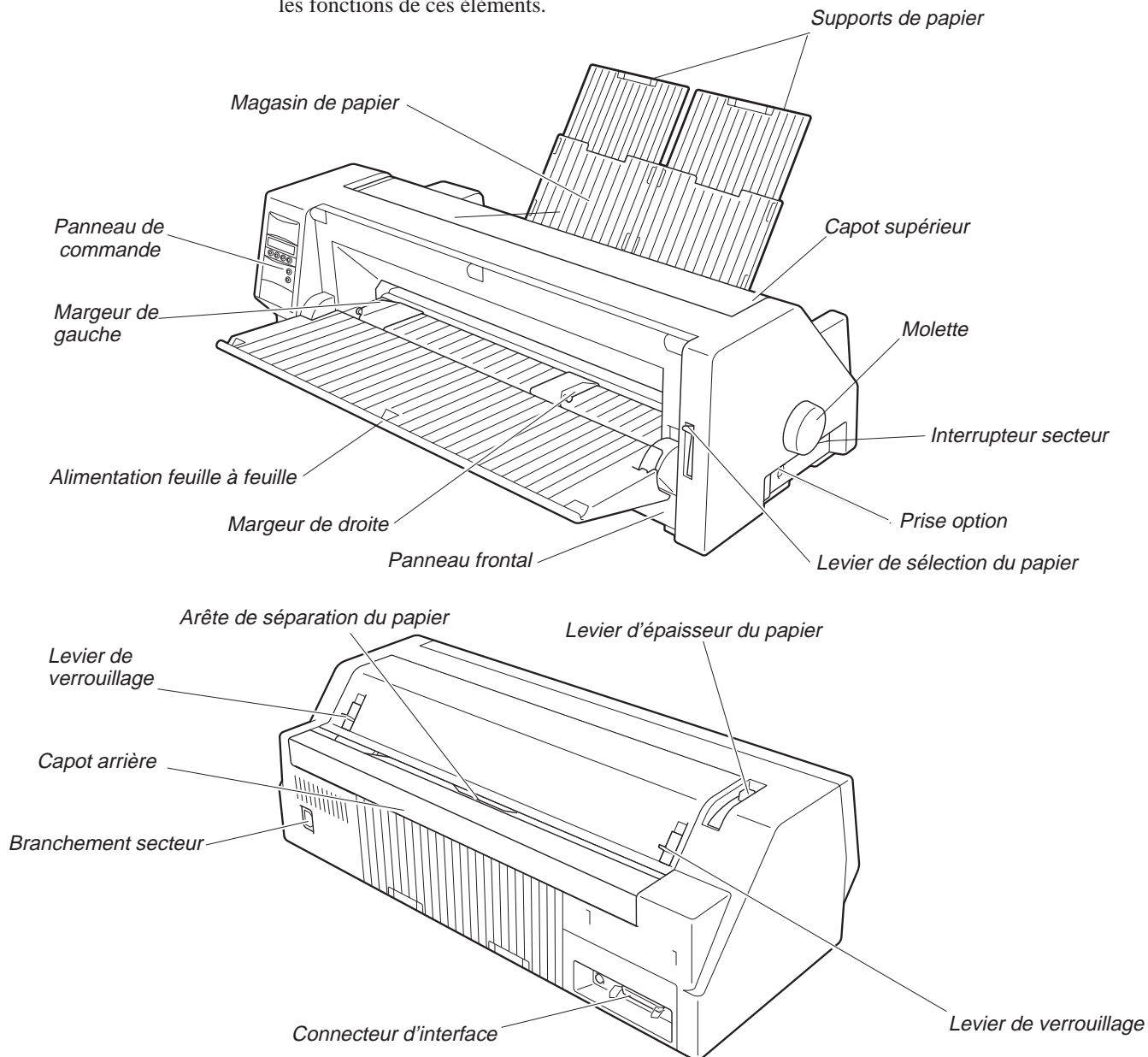
Matériel requis au minimum: PC AT 486, lecteur CD-ROM x 4, écran 15", souris.

► Recherche des pannes

La documentation Online sur CD-ROM contient des informations détaillées sur la recherche des pannes.

Vue d'ensemble

Aux figures suivantes sont indiqués tous les éléments de l'imprimante; le tableau qui suit liste les fonctions de ces éléments.

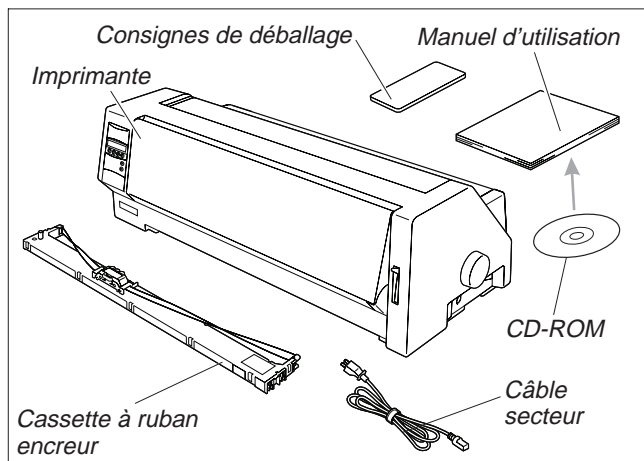


Désignation	Fonction
Panneau de commande	Indique l'état de l'imprimante; est utilisé pour procéder à de nombreux réglages.
Magasin de papier	Sert de magasin à papier pour les feuilles déjà imprimées quand le paramètre "F-Eject" est inactif dans les réglages du menu.
Supports de papier	Servent à prolonger le magasin de papier.
Capot supérieur	Si une cassette à ruban encreur doit être remplacée ou pour éliminer un bourrage de papier, ce capot peut être enlevé afin de permettre l'accès aux pièces concernées. Il sert en outre à protéger l'utilisateur contre les mouvements mécaniques dans l'imprimante.
Molette	Est utilisée pour faire avancer ou reculer manuellement le papier.
Interrupteur secteur	Met l'imprimante sous ou hors tension.
Prise option	Est utilisée pour raccorder le dispositif d'alimentation feuille à feuille automatique (ASF) ou le second tracteur optionnel.
Levier de sélection du papier	Est utilisé pour sélectionner le type de papier traité par l'imprimante: – Alimentation feuille à feuille (levier en position haute) – Alimentation en continu (levier en position basse)
Panneau frontal	Est ouvert quand du papier à alimentation en continu doit être mis en place. Ce panneau est enlevé quand le dispositif d'alimentation feuille à feuille automatique (ASF) ou le second tracteur optionnel sont installés.
Margeur de droite	L'alignement de la bordure de droite d'une feuille simple sur ce guide permet d'éviter une introduction irrégulière du papier.
Alimentation feuille à feuille	Est ouverte pour charger des feuilles individuelles et sert de support de papier. Est également utilisée comme magasin pour le papier imprimé quand le paramètre "F-Eject" est réglé sur ASF, Single ou ALL dans les réglages du menu.
Margeur de gauche	Sert à aligner la bordure de droite de feuilles simples.
Levier de verrouillage	Le tirage des leviers vers l'avant de l'imprimante ouvre le verrouillage et le capot supérieur peut être enlevé.
Arête de séparation du papier	C'est à cet endroit que le papier à alimentation en continu est coupé. L'appui sur la touche Coupe transporte le papier sur cette position.
Levier d'épaisseur du papier	Est utilisé pour régler l'écart de la tête d'impression suivant l'épaisseur du papier utilisé. Pour plus amples informations, voir p. 18, <i>Réglage de l'écart de la tête d'impression</i> .
Connecteur d'interface	Câble de raccordement avec l'ordinateur.
Branchement secteur	Le câble secteur est connecté à cet endroit.
Capot arrière	Sert à insonoriser l'imprimante. Doit être retiré lorsque le magasin de papier est relevé.

Installation

► Déballage de l'imprimante

Ouvrez le carton de l'imprimante et vérifiez que les articles suivants s'y trouvent bien.



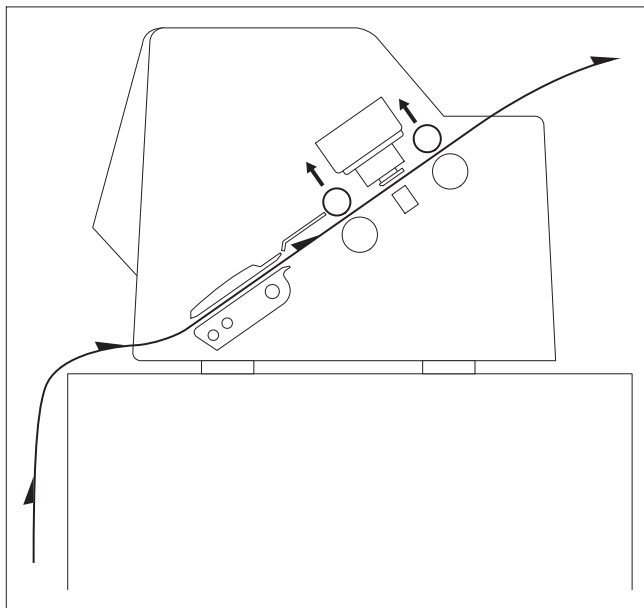
Si des articles manquent ou sont endommagés, n'hésitez pas à contacter le magasin où le produit a été acheté.

Enlever les protections pour le transport comme décrit dans les consignes de déballage.

Conservez soigneusement le carton et les matériaux d'emballage pour le transport éventuel de l'imprimante dans un autre endroit.

► Mise en place de l'imprimante

Placer l'imprimante sur un support stable, plan et non-glissant de façon à ce qu'elle ne puisse pas tomber. Veiller à ce que le panneau de commandes et les magasins d'alimentation du papier soient aisément accessibles et à ce qu'il y ait suffisamment de place pour l'éjection du papier.



En cas de mouvements d'avance et recul fréquents avec du papier en continu, l'imprimante doit être placée comme illustré à la figure ci-contre.

Quand on choisit un endroit approprié pour l'imprimante, observer ce qui suit:



Ne jamais placer l'imprimante à proximité de sources de gaz aisément inflammables ou de substances explosives.

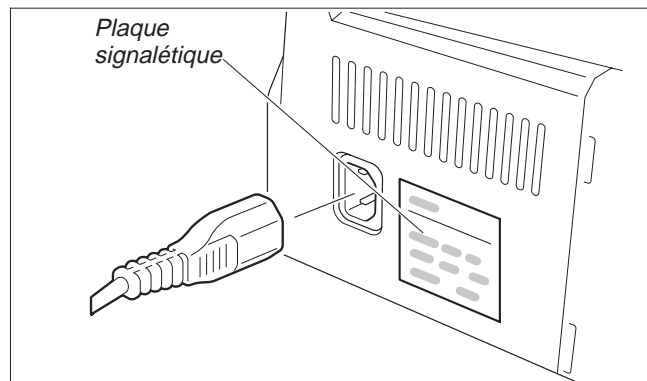
■ Eviter d'exposer l'imprimante à la lumière directe du soleil. S'il n'est pas possible de placer l'imprimante autre part que près d'une fenêtre, la protéger des rayons du soleil par un rideau.

■ Placer l'imprimante près de l'ordinateur auquel elle doit être raccordée. L'écart ne doit pas excéder 2,0 m.

■ Veiller à ce que l'écart par rapport aux radiateurs soit suffisant.

■ Veiller à ce que l'imprimante ne soit pas soumise à de fortes variations de température ou d'humidité de l'air. Eviter la poussière.

► Connexion del'imprimante



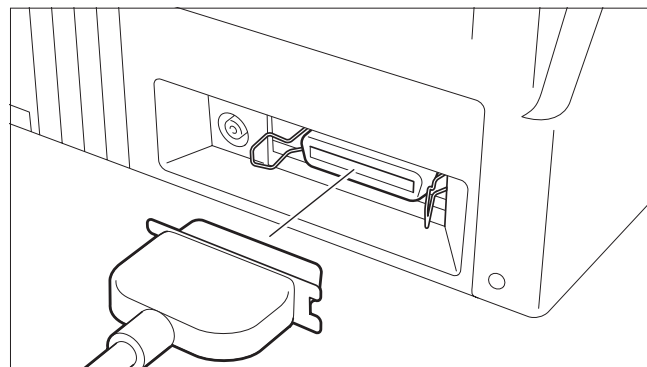
S'assurer que l'imprimante est réglée à la tension appropriée (p. ex. 230 V pour l'Europe, 110 V pour les USA). Voir la plaque signalétique près de la prise d'alimentation à l'arrière de l'imprimante.

Si ce n'est pas le cas, contacter le vendeur.



Ne jamais mettre l'imprimante sous tension quand celle-ci n'est pas la tension correcte car ceci pourrait entraîner de graves endommagements.

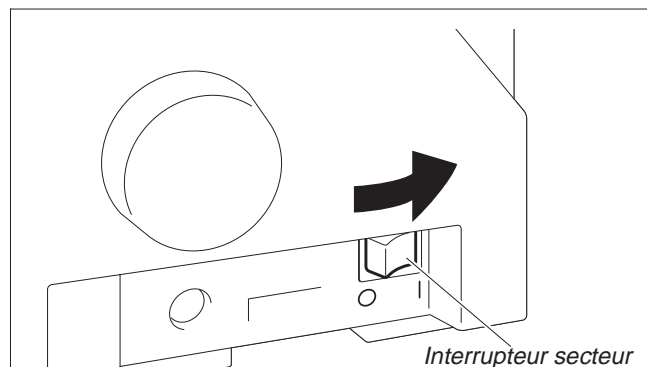
Raccorder le câble d'alimentation à la prise d'entrée de l'imprimante comme illustré à la figure. Raccorder le connecteur de câble d'alimentation à une prise murale.



S'assurer que l'imprimante et l'ordinateur sont hors tension.

Raccorder le connecteur d'imprimante du câble de transmission de données à la prise d'interface femelle et le verrouiller avec les pinces à ressort. Raccorder l'autre extrémité du câble à l'ordinateur.

► Mise sous tension et hors tension de l'imprimante



L'interrupteur principal, qui sert à la mise sous tension et hors tension de l'imprimante, se trouve à droite de l'imprimante, à l'arrière.

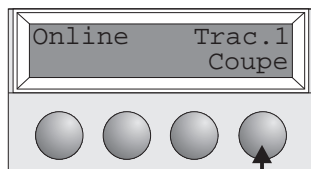
Panneau de commande



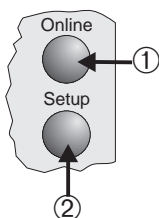
Le fonctionnement de l'imprimante peut être contrôlé avec le panneau de commande et les touches.

La première ligne sur l'afficheur indique si l'imprimante est **Online** ou **Offline** et la fonction papier sélectionnée **Trac.1** ou **Insert**.

► Mode Online

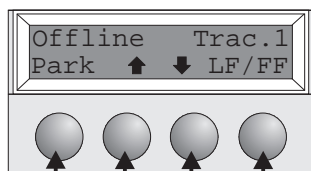


③



- ① Règle l'imprimante en mode Offline.
- ② Règle l'imprimante en mode Setup.
- ③ Touche **Coupe**: Active la fonction séparation quand du papier en continu est chargé (voir p. 15). Si **Load** s'affiche au-dessus de cette touche, c'est qu'il n'y a pas de papier dans l'imprimante. Appuyer sur cette touche pour transporter le papier en position d'impression.

► Mode Offline

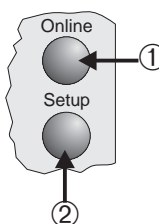


⑥

⑤

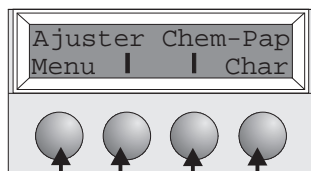
④

③



- ① Règle l'imprimante en mode Online.
- ② Règle l'imprimante en mode Setup.
- ③ Si aucun papier n'est chargé: touche Load (voir plus haut)
Si du papier est chargé: bref appui sur la touche: changement de ligne (**LF**)
Appui prolongé: changement de page (**FF**)
- ④ Bref appui sur la touche: micropas vers l'arrière
Appui prolongé: Retour constante du papier
- ⑤ Bref appui sur la touche: micropas vers l'avant
Appui prolongé: alimentation constante du papier
- ⑥ Annule la fonction papier quand le papier est chargé et active la sélection rapide de la fonction papier (voir page 14).

► Mode Setup

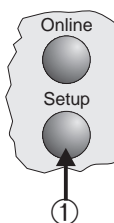


⑤

④

③

②



- ① Règle l'imprimante en mode Setup. Dans ce mode, les paramètres suivants sont disponibles:
- ② Règle la police et le nombre de caractères par pouce (menu **Char**).
- ③ Fonction papier (menu **Chem-Pap**)
- ④ Position séparation, intervalle première ligne d'impression et en-tête (menu **Ajuster**)
- ⑤ Autres paramètres (**Menu**)



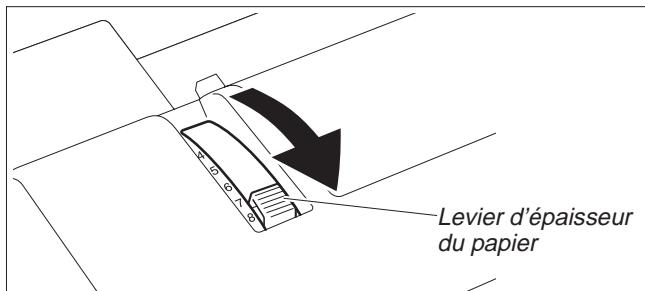
L'accès aux autres options de menu est verrouillé par le constructeur. Pour des informations sur la manière d'accéder à ces options et sur les options disponibles, voir la Online CD-ROM chapitre 1, Maniement et réglages (Déverrouiller le mode Menu).

Remplacement de la cartouche du ruban encreur

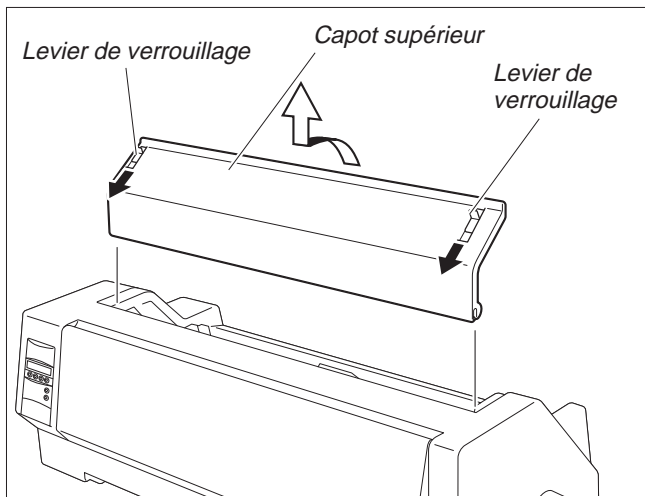
Enlever tout le papier de l'imprimante.



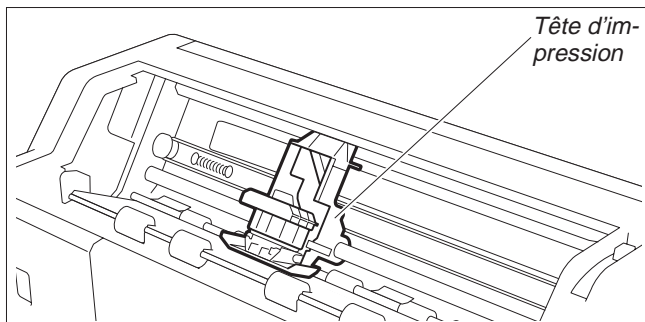
Avant d'ouvrir le capot, assurez-vous que l'imprimante est hors tension.



Amener le levier d'épaisseur du papier en position "8".



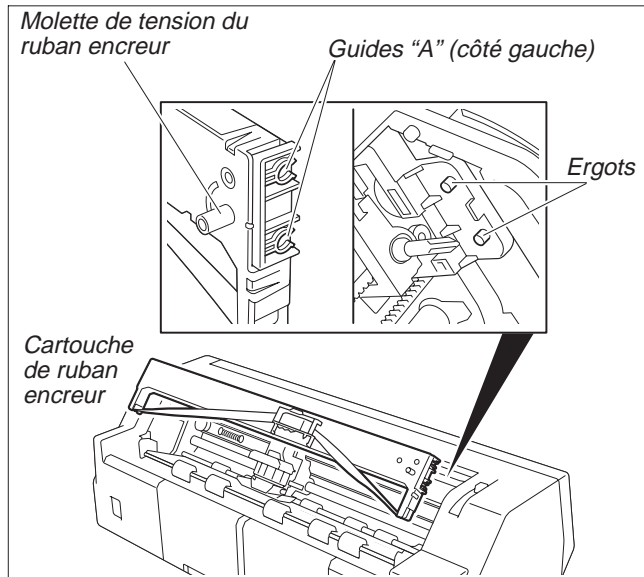
Tirer les leviers de verrouillage du capot supérieur se trouvant du côté gauche et du côté droit vers l'avant de l'imprimante et enlever le capot.



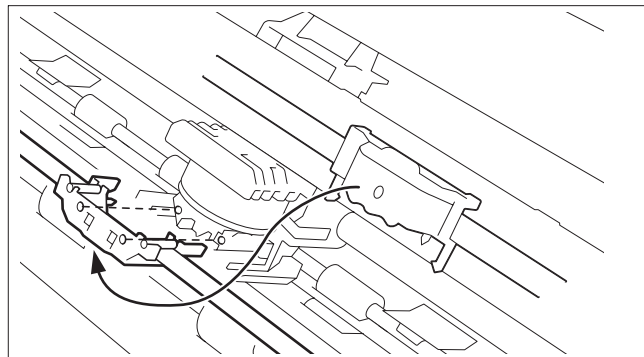
Déplacer la tête d'impression à peu près au milieu.



La tête d'impression peut être chaude. Veillez donc à ne pas toucher les parties métalliques de la tête d'impression.



Poussez les deux guides “A” sur le côté gauche de la cartouche de ruban encreur sur les ergots de l’imprimante et introduisez la cartouche; appuyez avec précautions sur la cartouche jusqu’à ce qu’elle s’encrante. Si vous percevez une résistance, tournez la molette de tension du ruban encreur pendant que vous poussez.

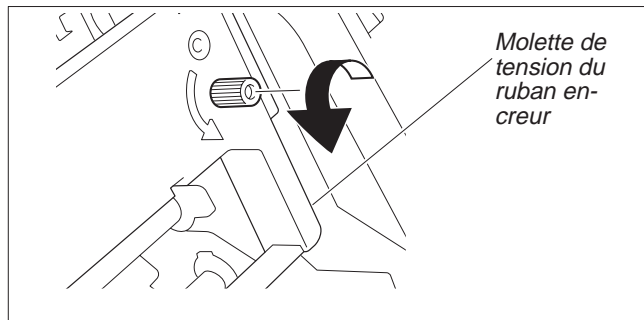


Desserrez le guide de ruban de la cartouche.

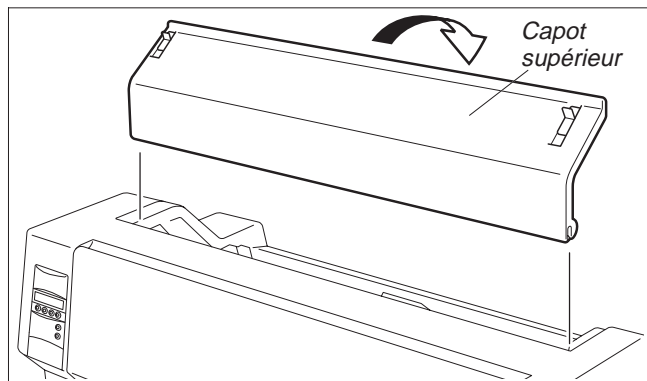
i N'enlevez en aucun cas la feuille de plastique se trouvant sur le guide; elle sert à protéger le ruban encreur.

Poussez le guide de ruban dans l'ouverture prévue à cet effet entre la tête d'impression et la barre d'impression jusqu'à ce qu'il s'encrante de façon audible..

i Assurez-vous, à la fixation du guide de ruban encreur, que celui-ci n'est pas plié. Veillez en outre à ne pas endommager la feuille de plastique.



Tourner la molette de tension du ruban encreur dans le sens de la flèche pour éliminer le mou du ruban.



Après mise en place de la cartouche de ruban encreur, remplacez le capot supérieur.

Réglez le levier d'épaisseur du papier selon l'épaisseur du papier utilisé. Pour plus de détails à ce propos, voir la page 18 (*Réglage de l'écart de la tête d'impression*).

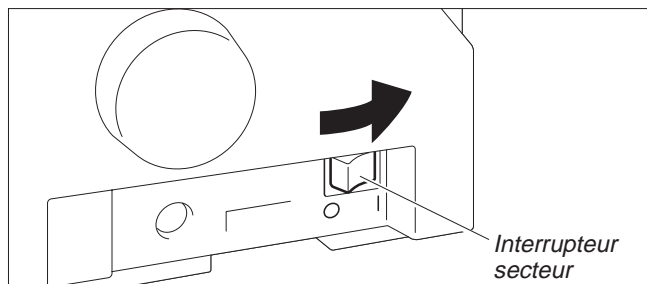
Chargement du papier



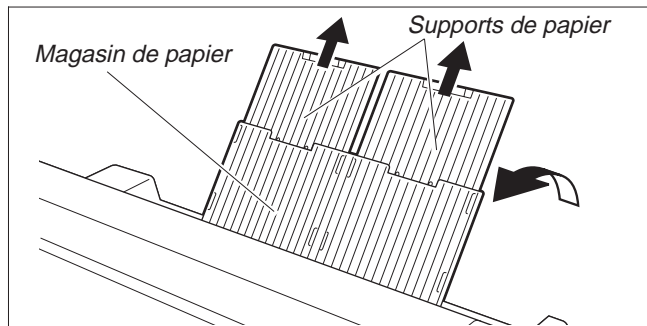
N'utiliser que du papier approprié pour cette imprimante. Pour plus amples informations, voir Online CD-ROM, annexe C (Spécifications).

► Papier feuille à feuille

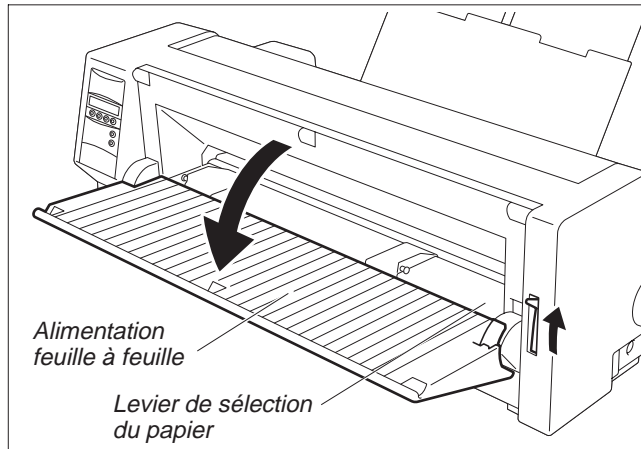
Le papier chargé feuille à feuille est placé à l'avant de l'imprimante. Le papier imprimé peut être éjecté à l'arrière ou à l'avant de l'imprimante. Pour plus amples informations à ce propos, voir Online CD-ROM, chapitre 1 (*Table d'explication des menus*).



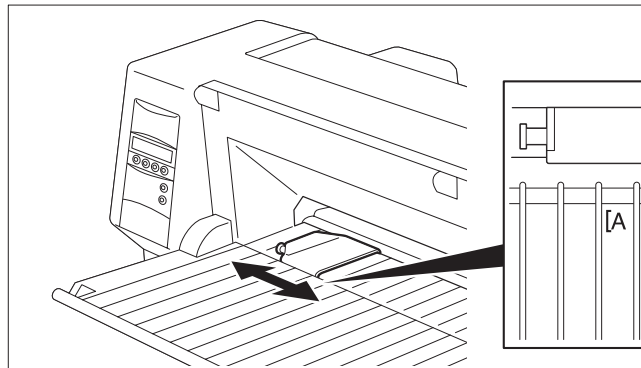
Mettez l'imprimante sous tension (interrupteur secteur sur "I"). Réglez le levier d'épaisseur du papier selon l'épaisseur du papier utilisé. Pour plus de détails à ce propos, voir la page 18 (*Réglage de l'écart de la tête d'impression*).



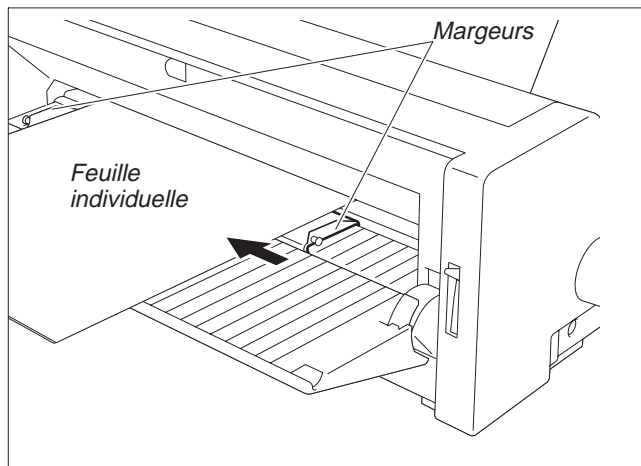
Rabattez le bac à papier vers le haut dans le sens de la flèche. Tenez le bac à papier et sortez les supports de papier.



Réglez le levier de sélection du papier sur mode feuille à feuille. Assurez-vous que l'imprimante est en mode feuille à feuille. Pour plus amples informations sur la manière de sélectionner ce mode, voir la page 14 (*Sélection rapide de la fonction papier*).



Positionnez le margeur de gauche sur la position de début d'impression souhaitée (la marque "[A]" indique la position par défaut du début de l'impression).

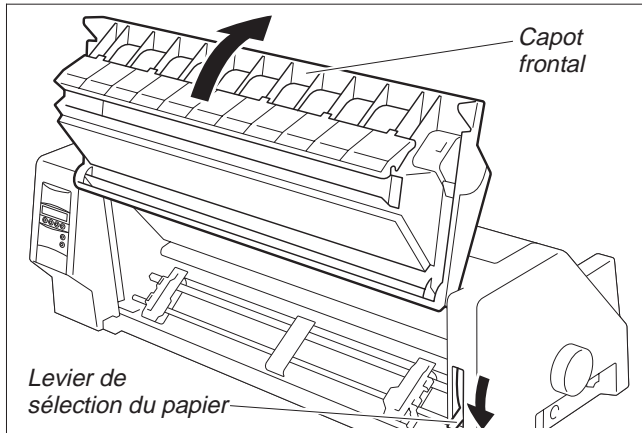


Positionnez une feuille individuelle sur le margeur de gauche et réglez le margeur de droite selon la largeur du papier utilisé. Insérez la feuille entre les deux margeurs. L'imprimante la tire automatiquement jusqu'à la position d'impression et est ensuite prête pour l'impression.



Quand du papier d'un grammage de 63 grammes est utilisé et si le papier imprimé est éjecté à l'arrière, le bac à papier a une capacité d'environ 30 feuilles. Si le papier est éjecté à l'avant, chaque feuille doit être prélevée individuellement.

► Imprimante en mode de papier continu

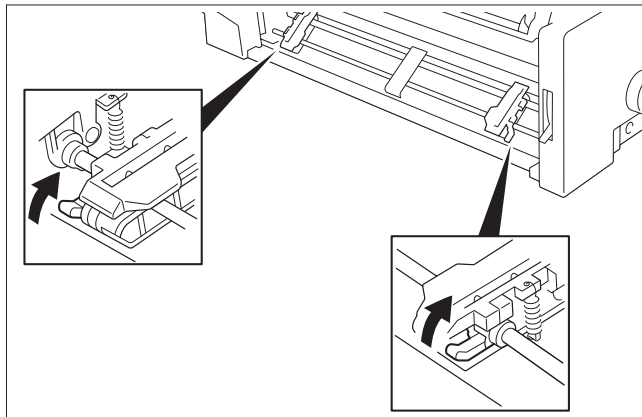


Réglez le levier d'épaisseur du papier selon l'épaisseur du papier utilisé. Pour plus de détails à ce propos, voir la page 18 (*Réglage de l'écart de la tête d'impression*).

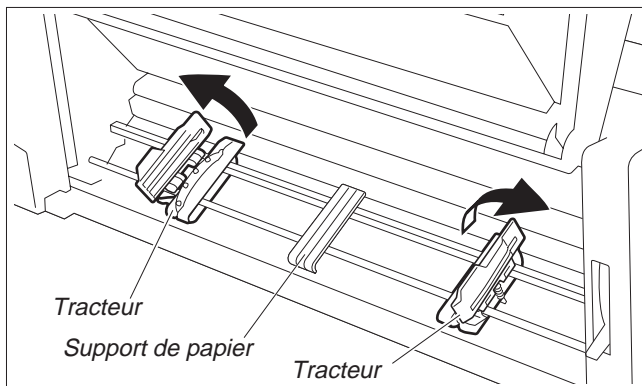
Réglez le levier de sélection du papier sur le mode continu.

Relever le capot frontal et l'encraner.

Ceci empêche que le panneau ne retombe involontairement.



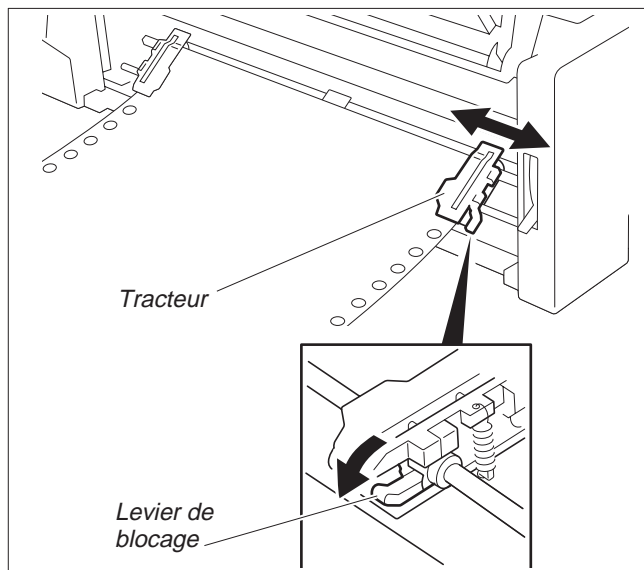
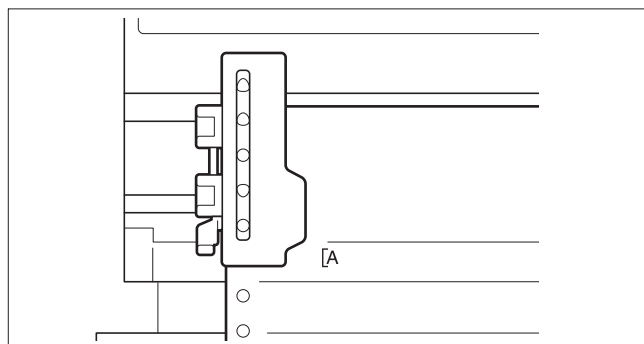
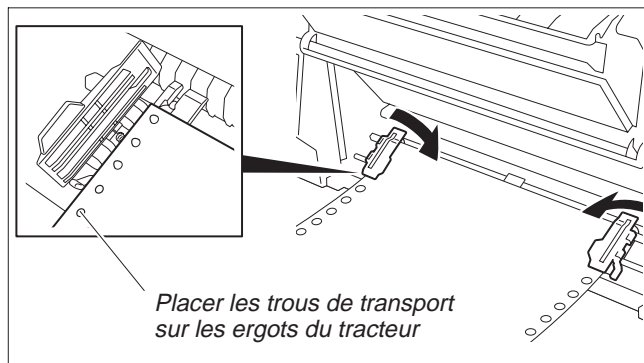
Déplacez les leviers de blocage de gauche et de droite vers le haut dans le sens de la flèche pour déverrouiller les tracteurs.



Ouvrez les volets des tracteurs.

Alignez les tracteurs sur la largeur de papier souhaitée.

Placez le support de papier au centre du tracteur de gauche et de droite.



Chargez le papier avec le côté à imprimer vers le haut sur le tracteur de gauche. Pour ce faire, placez les trous de transport de la bordure de gauche du papier sur les ergots du tracteur et fermez ensuite le volet.

Placez les trous de transport de la bordure de droite du papier sur les ergots du tracteur de droite et fermez ensuite le volet d'entraîneur.



Veillez à ce que le papier soit à la même hauteur à droite et à gauche sur les tracteurs et que le même nombre d'ergots soit utilisé pour que le papier ne soit pas entraîné de travers, risquant ainsi un bourrage.

Après mise en place du papier, la position du début d'impression souhaitée peut être sélectionnée avec le margeur de gauche (la marque "[A]" indique la position par défaut du début de l'impression).

Poussez le levier de blocage de gauche vers le bas pour fixer l'entraîneur.

Tendez le papier avec le tracteur de droite et fixez-le ensuite avec le levier de blocage.



Si le papier ne peut pas être entièrement tendu avec le tracteur de droite, modifiez la position du tracteur de gauche.

Ne tendez pas trop le papier pour éviter la déchirure des trous de transport, mais suffisamment pour éviter que le papier ne se gondole avec pour conséquence des problèmes au chargement.

Mettez l'imprimante sous tension.

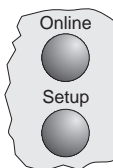
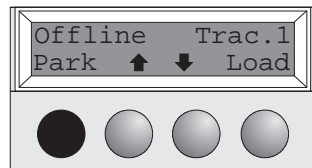
Le bac de chargement actif (**Trac.1**) est affiché. Le papier est automatiquement chargé quand l'imprimante est en mode Online et lorsqu'elle reçoit des données de l'ordinateur. Appuyez sur la touche **Load** pour amener le papier au début de l'impression.

Changement de type de papier

► Sélection rapide de la fonction papier

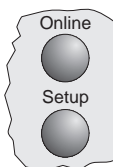
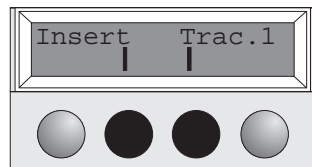
On peut changer de type de papier (fonction papier) soit avec la sélection rapide du papier, soit via le menu **Setup**.

Déchirez tout d'abord un papier à alimentation continue éjecté à l'arête de séparation. Pour ce faire, procédez comme suit.



Assurez-vous que l'imprimante est à l'état **Offline**; appuyez sur la touche **Online** si nécessaire.

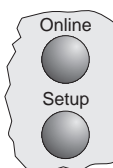
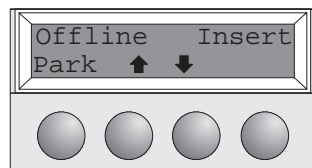
Appuyez sur la touche **Park**. Si du papier à alimentation continue est chargé dans l'imprimante "Tear paper off" s'affiche. Appuyez sur une touche. Si une feuille est chargée dans l'imprimante, elle est alors éjectée.



Sélectionnez le chemin de papier désiré en appuyant sur l'une des touches indiquées, **Insert** par exemple.

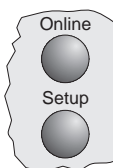
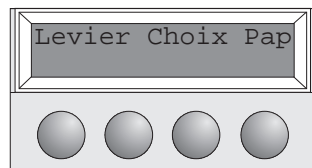


Si vous n'avez pas effectué votre sélection au bout de 5 secondes, l'imprimante quitte le menu.

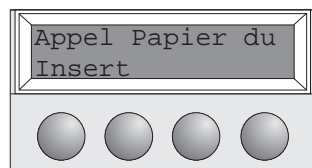


L'imprimante revient en mode **Offline**. L'afficheur commute entre...

et...

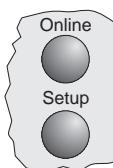
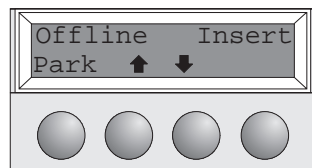


Réglez le levier de sélection du papier sur le mode feuille à feuille. (voir page 11 *Chargement du papier*).



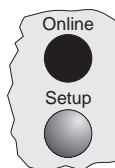
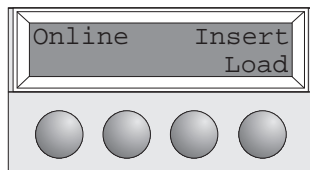
L'afficheur commute entre...

et...



Rabattez le bac à papier vers le haut dans le sens de la flèche. Tenez le bac à papier et sortez les supports de papier.

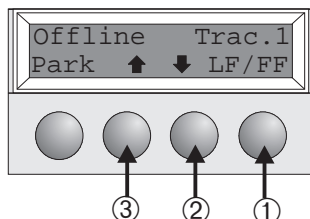
Positionnez le margeur de gauche sur la position de début d'impression souhaitée. Positionnez une feuille individuelle sur le margeur de gauche et réglez le margeur de droite selon la largeur du papier utilisé. Insérez la feuille entre les deux margeurs. L'imprimante la tire automatiquement jusqu'à la position d'impression. (voir page 11 *Chargement du papier*).



Appuyer sur la touche **Online** pour mettre l'imprimante en état d'attente, prête à utiliser.

Transport du papier

Le papier chargé (papier en continu/pages simples) peut être transporté de différentes façons dans l'imprimante.

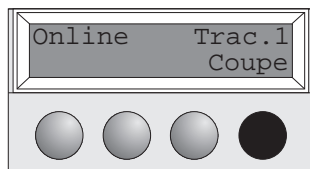


S'assurer que l'imprimante est en mode Offline; appuyer sur la touche **Online**, si nécessaire.

- ① Bref appui sur la touche: Line feed (LF) activé
Appui prolongé sur la touche: Form feed (FF) est activé
- ② Bref appui sur la touche: le papier est transporté progressivement vers le bas
Appui prolongé sur la touche: transport continu vers le bas
- ③ Bref appui sur la touche: le papier est transporté progressivement vers le haut
Appui prolongé sur la touche: transport continu vers le haut

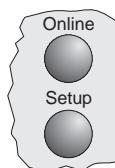
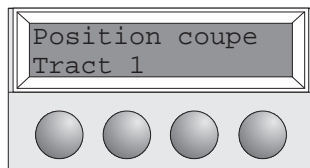
Utilisation

- **Déplacement du papier en position de séparation** Le papier en continu peut être transporté en position de séparation en appuyant sur la touche **Coupe**.

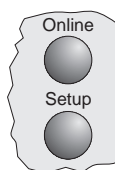
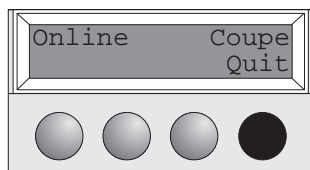


S'assurer que l'imprimante est en mode Online. Appuyer sur la touche **Coupe**. L'imprimante amène la perforation du papier sur l'arête de séparation.

L'affichage commute entre...



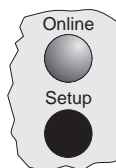
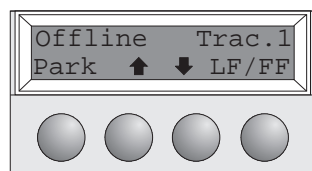
et...



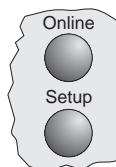
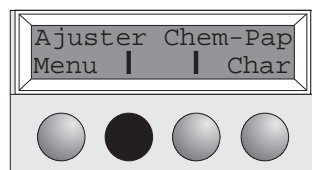
Appuyer sur la touche **Quit** après avoir déchiré le papier. L'imprimante ramène le papier à la première position d'impression.

Réglages (I)

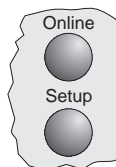
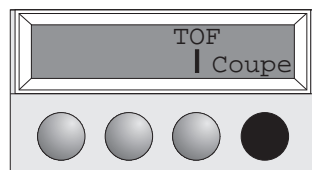
- **Réglage de la position de séparation** Quand la position de séparation n'est pas alignée sur l'arête de séparation, on peut la régler.



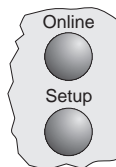
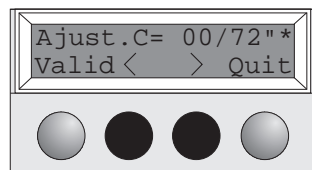
Appuyer sur la touche **Setup**. L'imprimante passe en mode Setup.



Appuyer sur la touche **Ajuster**.



Appuyer sur la touche **Coupe**.



Appuyer sur la touche **<** ou **>** pour amener la perforation dans la position appropriée.
Confirmer le réglage en appuyant sur la touche **Valid**.
L'imprimante revient dans son mode initial.

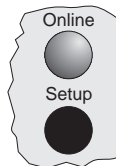
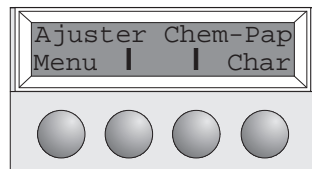


La correction effectuée (au maximum environ. 2,5 cm [1"] dans les deux sens) est enregistrée après arrêt de l'imprimante.

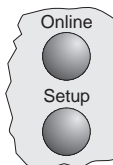
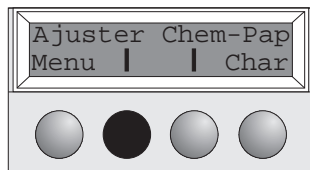
- **Réglage de la première ligne d'impression (TOF)** On peut utiliser la fonction TOF pour régler la position de la ligne supérieure d'impression pour chaque type de papier et pour chaque menu.



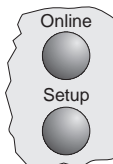
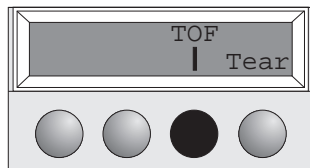
Il est conseillé d'aligner la position de séparation (voir plus haut) avant d'utiliser la fonction TOF (papier en continu).



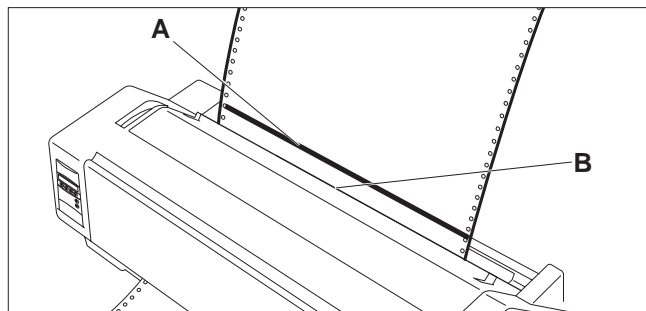
Appuyer sur la touche **Setup**. L'imprimante passe en mode Setup.



Appuyer sur la touche **Ajuster**.

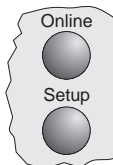
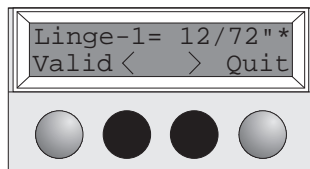


Appuyer sur la touche **TOF**.



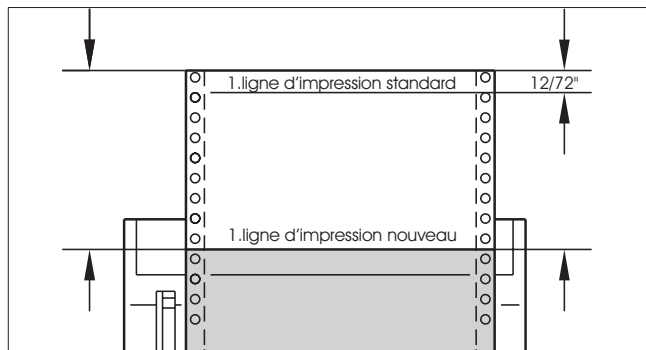
Le papier est transporté jusqu'à ce que l'arête inférieure de la première ligne d'impression **A** se trouve à la hauteur de l'arête de séparation **B**.

Le réglage d'usine pour la première position d'impression est 12/72".



Appuyer sur la touche **<** ou **>** pour amener la première ligne d'impression dans la position appropriée.

On peut régler des valeurs entre 0 et 220/72" pour le papier en continu, entre 0 et 72/72" pour les pages simples.



Confirmer le réglage en appuyant sur la touche **Valid**.

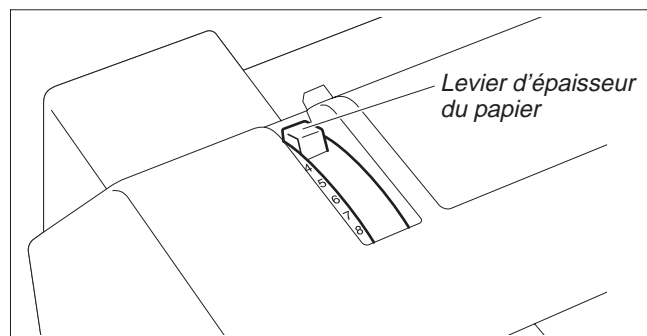
L'imprimante revient dans son mode initial.



Les réglages effectués sont enregistrés après arrêt de l'imprimante. Pour plus amples informations, voir Online CD-ROM, chapitre 3 (Réglages mécaniques de l'imprimante).

Réglages (II)

- **Réglage de l'écart de la tête d'impression** L'imprimante est équipée d'un levier d'épaisseur de papier servant à régler l'écart de la tête d'impression.



Pour obtenir une qualité d'impression optimale, l'écart entre la tête d'impression et le contre-appui doit être réglé selon l'épaisseur du papier utilisé.

Le tableau ci-dessous montre la plage réglable:

Nombre de copies/ épaisseur du papier	Rame (kg)	g/m ²	Position du levier
Original seul, mince	45–55	50–65	1
Original seul, normal	55–77	65–90	1–2
Original seul, épais	77–110	90–130	2
Original + 1	34/34	40/40	2–3
Original + 2	34/34/34	40/40/40	2–4
Original + 3	34/34/34/34	40/40/40/40	3–4
Original + 4	34/34/34/34/34	40/40/40/40/40	4–5
Original + 5	34/34/34/34/34/34	40/40/40/40/40/40	5–6
Carte postale	110	130	3
Réservé	—	—	7–8



1. "Rame" est une unité indiquant le poids du papier. Le poids de 1000 feuilles individuelles format 788 mm x 1091 mm est mesuré en kilogramme.
2. Si un seul original est imprimé, il est possible d'utiliser des feuilles individuelles de rame 45 kg et plus ou du papier en continu de rame 50 kg et plus.
3. Si le levier d'épaisseur du papier est réglé sur une valeur supérieure à celle requise, les impressions seront irrégulières et la durée de vie de la tête d'impression et du ruban encreur pourra en souffrir.

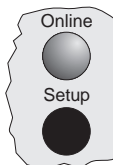
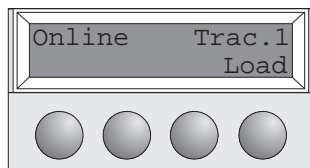
➤ Changement du papier en mode Setup

➤ Du mode papier en continu au mode page seule

Quand on a utilisé jusqu'ici du papier en continu et qu'on veut passer en mode page seule, procéder comme suit.

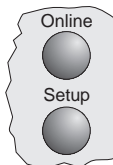
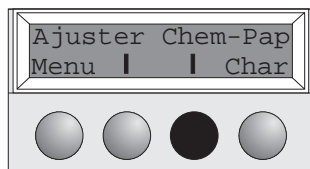


Il n'est pas nécessaire d'enlever le papier en continu.

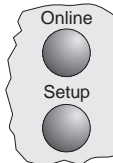
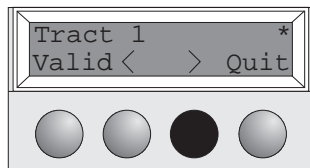


Déchirez le papier à alimentation continue éjecté sur l'arête de séparation. Pour ce faire, procédez comme suit.

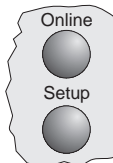
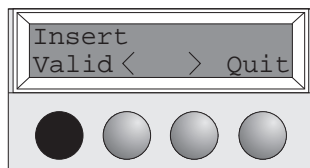
Appuyez sur la touche **Setup**. L'imprimante passe en mode Setup.



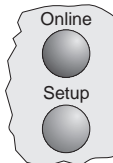
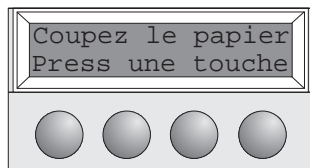
Appuyer sur la touche **Chem-Pap**. L'imprimante passe au menu de fonction papier.



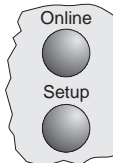
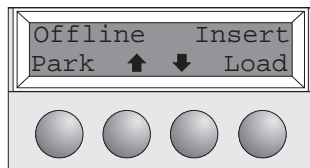
Appuyer sur **<** ou **>** pour passer en mode **Insert** (page). Le réglage momentanément (**Trac.1**) est marqué par le signe “*”.



Confirmer le réglage en appuyant sur la touche **Valid**. L'entrée est confirmée par un signal acoustique et le papier en continu est transporté à la position de séparation. Déchirer le papier et appuyer sur une touche.

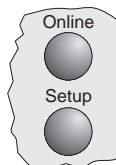
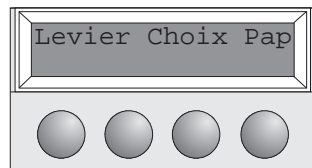


Vous voyez apparaître à l'écran... Appuyez sur une touche.

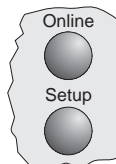
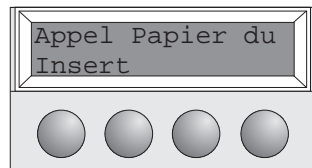


L'imprimante revient dans sa position initiale et le papier en continu est transporté en position de parking. L'affichage commute entre...

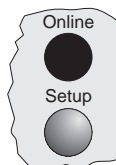
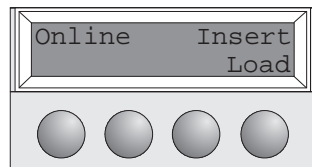
et...



Réglez le levier de sélection du papier sur le mode feuille à feuille.
Vous voyez apparaître à l'écran...



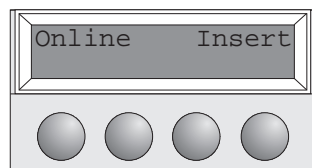
Rabattez le bac à papier vers le haut dans le sens de la flèche. Tenez le bac à papier et sortez les supports de papier (voir page 10). Positionnez une feuille individuelle sur le margeur de gauche et réglez le margeur de droite selon la largeur du papier utilisé. Insérez la feuille entre les deux margeurs. L'imprimante la tire automatiquement jusqu'à la position d'impression (voir page 11).



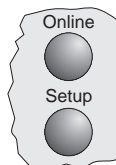
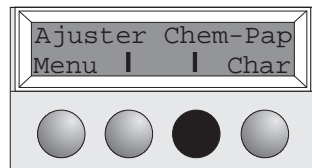
Appuyez sur **Online** pour mettre l'imprimante en disponibilité.

► Du mode page seule en mode papier en continu

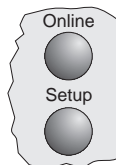
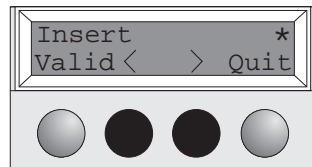
Quand on a utilisé jusqu'ici des pages seules et qu'on veut passer en mode papier en continu, procéder comme suit.
S'assurer que le papier en continu est chargé (pour plus amples informations, voir la page 12 *Papier en continu*).



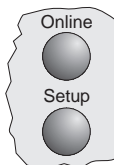
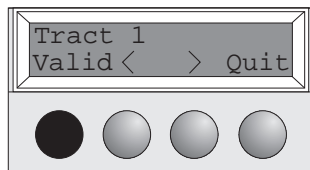
Enfoncer le support de papier dans le magasin de papier et abaisser le tout.
Appuyer sur la touche **Setup**. L'imprimante passe en mode Setup.



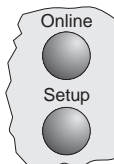
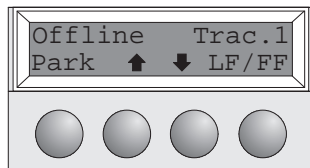
Appuyer sur la touche **Chem-Pap**. L'imprimante passe au menu de fonction papier.



Appuyer sur < ou > pour passer en mode Tract 1 (papier en continu).
Le réglage momentanément (**Insert**) est marqué par le signe “*”.

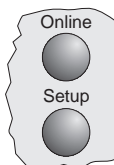
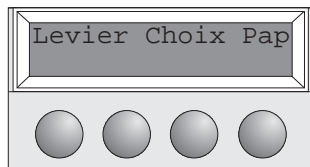


Confirmer le réglage en appuyant sur la touche **Valid**. Un signal acoustique confirme l'entrée.



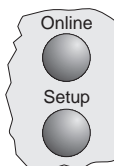
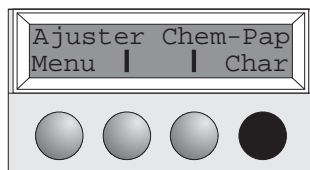
L'écran alterne entre...

et...

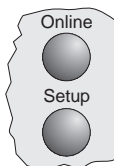
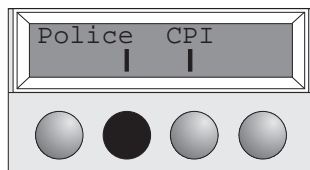


Amenez le levier de choix du papier dans la position correspondante. L'imprimante est maintenant prête pour l'impression sur papier en continu. Appuyer sur la touche **Online** pour mettre l'imprimante en attente, prête à utiliser.

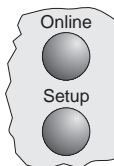
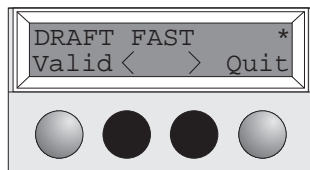
➤ **Sélection d'une police de caractères** La touche Police permet de sélectionner des polices de caractères en mode Setup.



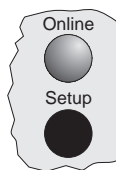
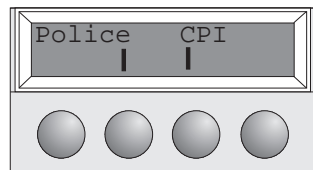
Appuyer sur la touche **Setup**.
Appuyer sur la touche **Char**.



Appuyer sur la touche **Police**.



Appuyer sur la touche **<** ou **>** pour sélectionner la police de caractères souhaitée. Confirmer la sélection en appuyant sur la touche **Valid**.



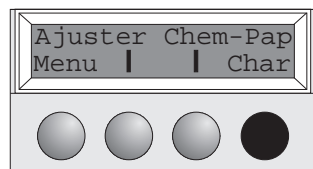
Appuyer sur la touche **Setup**. L'imprimante revient dans son état initial.
On peut également appuyer sur la touche **Online**. L'imprimante passe directement en mode Online.



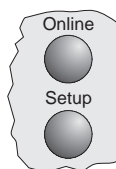
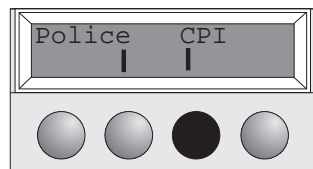
La sélection n'est pas conservée après arrêt de l'imprimante. Pour des informations sur la manière de sélectionner une police de caractères permanente, voir la Online CD-ROM, chapitre 1 (Table d'explication des menus).

➤ Réglage de l'espacement des caractères

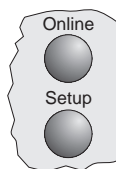
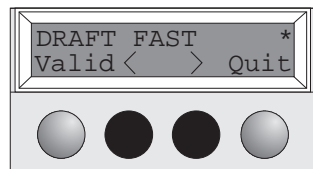
La touche **CPI** permet de régler le nombre de caractères imprimés par pouce en mode Setup.



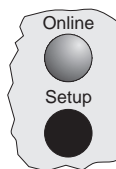
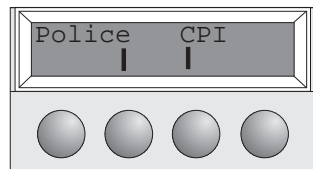
Appuyer sur la touche **Setup**.
Appuyer sur la touche **Char**.



Appuyer sur la touche **CPI**.



Appuyer sur la touche **<** ou **>** pour sélectionner l'espacement des caractères souhaité.
Confirmer la sélection en appuyant sur la touche **Valid**.



Appuyer sur la touche **Setup**. L'imprimante revient dans son état initial.
On peut également appuyer sur la touche **Online**. L'imprimante passe directement en mode Online.



La sélection n'est pas conservée après arrêt de l'imprimante. Pour des informations sur la manière de sélectionner une réglage de l'espacement des caractères permanente, voir la Online CD-ROM, chapitre 1 (Table d'explication des menus).

Spécifications

► Données techniques de l'imprimante

	9	24
Méthode d'impression	série avec tête matricielle à 9 aiguilles	série avec tête matricielle à 24 aiguilles
Largeur d'impression	version étroites 80 caractères pour 10 cpi version larges 136 caractères pour 10 cpi	version étroites 80 caractères pour 10 cpi version larges 136 caractères pour 10 cpi
Vitesse d'impression (bidirectionnelle)	LN-Draft 413 cps pour 10 cpi Draft 310 cps pour 10 cpi NLQ 77 cps pour 10 cpi	Draft 409 cps pour 10 cpi Draft Copy 275 cps pour 10 cpi NLQ/LQ 92 cps pour 10 cpi
Densités des caractères	5, 6, 7.5, 8.6, 10, 12, 15, 17.1, 20 cpi (HS-Draft: seulement 10, 12 cpi)	5, 6, 7.5, 8.6, 10, 12, 15, 17.1, 20 cpi
Densité de l'impression graphique	horizontale 240 dpi / verticale 144 dpi	horizontale 360 dpi / verticale 180 dpi
Durée de vie du ruban	4 millions de caractères	4 millions de caractères
Niveau sonore	ca. 55 dB (A)	ca. 55 dB (A)
Dimensions	version étroites 485 x 206 x 272 mm (W x H x D) version larges 625 x 206 x 272 mm (W x H x D)	version étroites 485 x 206 x 272 mm (W x H x D) version larges 625 x 206 x 272 mm (W x H x D)
Poids	version étroites 9 kg / version larges 11 kg	version étroites 9 kg / version larges 11 kg
Alimentation	USA/Canada AC 120 V 10% / 60 Hz 3% Europa AC 230 V 10% / 50 Hz 3%	USA/Canada AC 120 V 10% / 60 Hz 3% Europa AC 230 V 10% / 50 Hz 3%
Puissance absorbée	au débit 100% < 60 VA à vide < 10 VA	au débit 100% < 60 VA à vide < 10 VA
Conditions de fonctionnement	Température 10C à 40C Humidité ambiante 20% à 80%	Température 10C à 40C Humidité ambiante 20% à 80%
Spécifications de la tête d'impression	Nombre d'aiguilles 9 Diamètre des aiguilles 0,3 mm Nombre de copies 1 original + 5 copies	Nombre d'aiguilles 24 Diamètre des aiguilles 0,22 mm Nombre de copies 1 original + 3 copies
Mémoire d'interface	max. 64 kB	max. 64 kB
Homologations	UL 1950, VDE-GS, CE, FCC Class B, UL/ULc	UL 1950, VDE-GS, CE, FCC Class B, UL/ULc

► Spécifications du papier

Feuilles séparées	Grammage Largeur Longueur	60 – 120 g/m ² version étroites: 76 – 220 mm / version larges: 76 – 420 mm 76 – 559 mm
Papier en continu Formulaire simple paravent	Grammage Largeur Longueur	60 – 120 g/m ² version étroites: 76 – 254 mm / version larges: 76 – 420 mm 76 – 559 mm
Liasse de formulaire paravent	Grammage Largeur/Longueur Épaisseur du formulaire Nombre de copies	Original: 45 – 65 g/m ² / copie: 45 – 56 g/m ² / dernière feuille: 45 – 65 g/m ² voir formulaire simple max. 0,5 mm 1+5 (9 aiguilles) / 1+3 (24 aiguilles)

Manuale Utente

GUIDA ALL'

AVVIAMENTO RAPIDO

Indice

Introduzione	2
Simboli utilizzati	2
Norme di sicurezza importanti	2
Lavoro con la documentazione on-line	2
Ricerca guasti	2
Vista d'insieme della stampante	3
Installazione	5
Apertura dell'imballo	5
Posizionamento della stampante	5
Collegamento della stampante	6
Accensione/spegnimento della stampante	6
Pannello di controllo	7
Modo Online	7
Modo Offline	7
Modo Setup	7
Sostituzione della cartuccia nastro	8
Caricamento della carta	10
Inserimento di fogli singoli	10
Carta a moduli continui	12
Cambio del tipo di carta	14
Selezione rapida del percorso carta	14
Trasporto carta	15
Modalità d'uso	15
Avanzamento della carta fino alla posizione di strappo	15
Impostazioni (I)	16
Impostazione della posizione di strappo	16
Impostazione della posizione della prima riga di stampa (TOF)	16
Impostazioni (II)	18
Impostazione della distanza della testina di stampa	18
Cambio della carta nel modo Setup	19
Da moduli continui iu fogli singoli	19
Dai fogli singoli ai moduli continui	20
Selezione di un font	21
Impostazione del passo dei caratteri	22
Specifiche tecniche	23
Stampante	23
Caratteristiche della carta	23
Accessori	24

Introduzione



Le presenti istruzioni per l'uso consentono di cominciare subito a utilizzare la stampante, anche agli utenti senza esperienza. Queste istruzioni descrivono le principali funzioni della stampante e contengono informazioni essenziali per il lavoro quotidiano con la stessa. Una descrizione dettagliata della stampante e delle sue caratteristiche, unitamente ad altre informazioni dettagliate, è contenuta nel manuale d'uso su CD-ROM on-line, inserito nella penultima pagina della presente documentazione.

► Simboli utilizzati



Per evidenziare le informazioni più importanti, nel presente manuale vengono utilizzati due tipi di simboli.

Il simbolo **ATTENZIONE** mette in evidenza le informazioni che devono essere osservate per evitare rischi per l'incolumità personale dell'utilizzatore e danni alla stampante.



Il simbolo **NOTA** contrassegna informazioni generiche o aggiuntive in merito a un determinato argomento.

► Norme di sicurezza importanti

Prima di mettere in funzione la stampante, leggere attentamente le seguenti istruzioni per evitare lesioni personali e danni alla stampante.

- Tenere sempre le presentè istruzioni per l'uso a portata di mano.
- Collocare la stampante su una superficie stabile per evitare che cada a terra.
- Non esporre la stampante a temperature elevate o alla luce solare diretta.
- Evitare il contatto di liquidi con la stampante.
- Non esporre la stampante a urti violenti o vibrazioni.

Prima di accendere la stampante, verificare sempre che sia impostata su un valore di tensione corretto.



Non tentare mai di effettuare interventi di manutenzione o riparazione da sè; rivolgersi sempre a un tecnico dell'assistenza debitamente qualificato.



Per scollegare la stampante dalla rete di alimentazione, estrarre sempre la spina dalla presa.



Altre informazioni di sicurezza sono riportate nelle pagine seguenti del manuale.

► Lavoro con la documentazione on-line

Installare dapprima Adobe Acrobat Reader sull'hard disk (se questo programma non è già presente). Per l'installazione, attenersi alle istruzioni fornite nel file Readme, posto nella directory READER. Per lanciare la documentazione on-line, in File Manager (Windows 3.1) o in Explorer (Windows 95/Windows 98/Windows NT), cliccare due volte sul file START.PDF. Attenersi quindi alla guida utente.

Se il CD-ROM non fosse compreso nella dotazione della stampante o fosse difettoso, rivolgersi al proprio rivenditore.

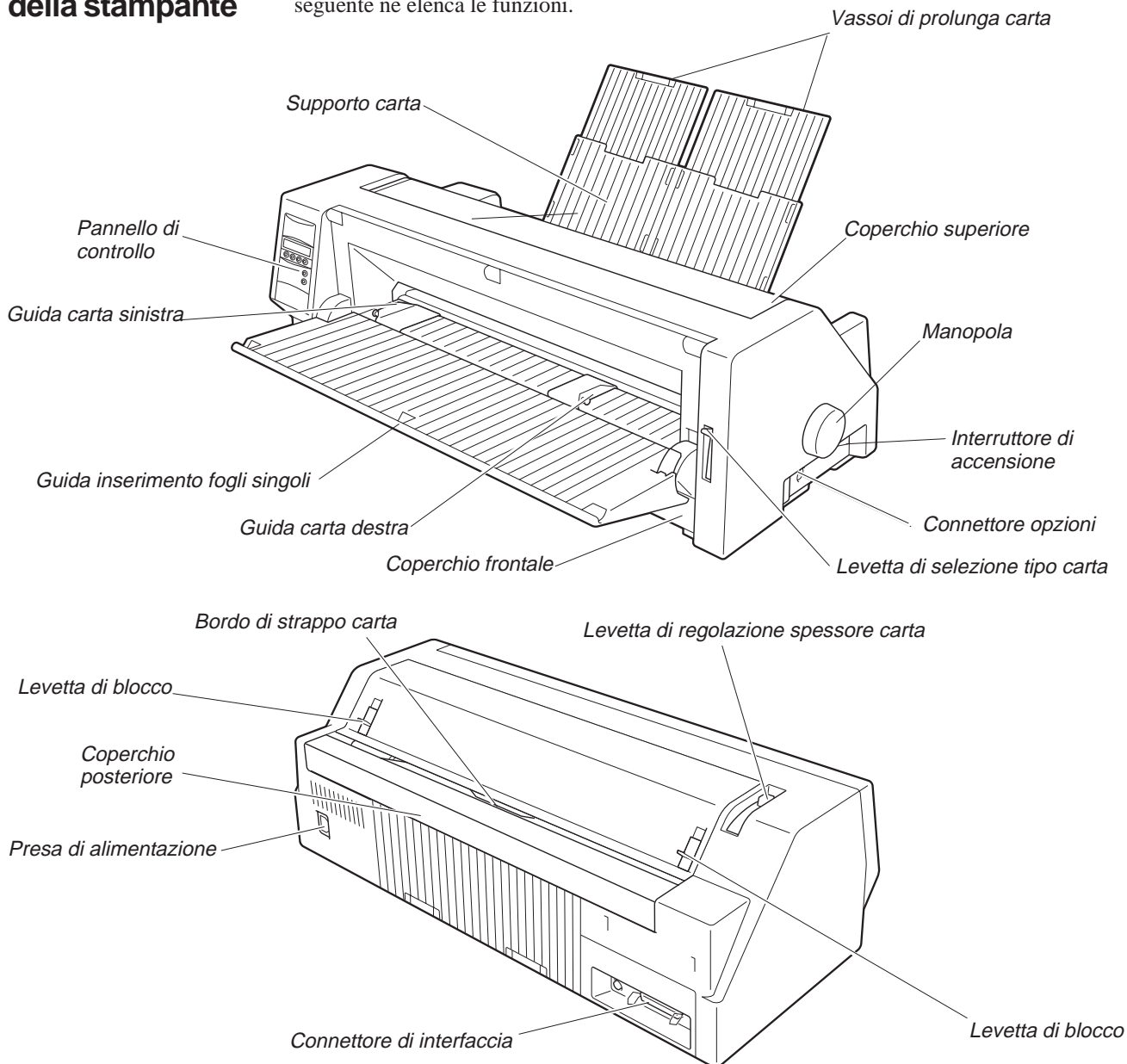
La documentazione on-line è anche disponibile in formato cartaceo (a pagamento) o in Internet. Requisiti hardware minimi: PC AT 486, CD-ROM 4x, schermo da 15", mouse.

► Ricerca guasti

La documentazione on-line su CD-ROM contiene informazioni dettagliate per la ricerca guasti.

Vista d'insieme della stampante

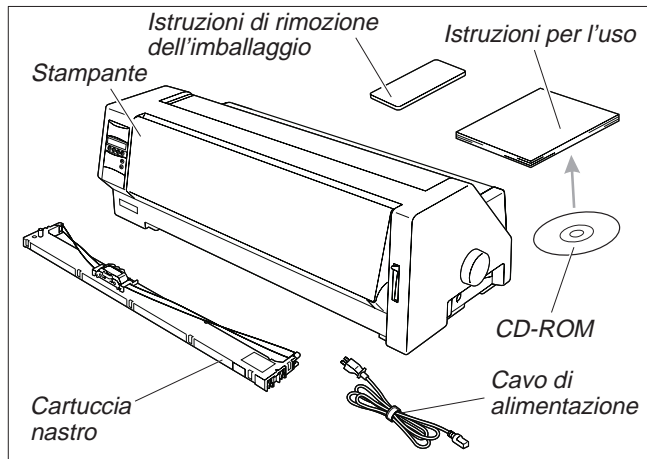
Nelle seguenti figure sono riportate tutte le parti della stampante, mentre la tabella alla pagina seguente ne elenca le funzioni.



Nome del componente	Funzione
Pannello di controllo	Indica lo stato della stampante e consente di eseguire numerose impostazioni.
Supporto carta	Ha la funzione di raccogliere i fogli singoli già stampati quando il parametro "F-Eject" nelle impostazioni di menu è impostato su OFF.
Vassoi di prolunga carta	Consentono di prolungare il supporto carta.
Coperchio superiore	In caso di sostituzione della cartuccia toner o di eliminazione di un inceppamento carta, è possibile rimuovere questo coperchio per avere accesso alle parti interessate. Ha inoltre la funzione di proteggere l'utente dai movimenti meccanici interni alla stampante.
Manopola	Viene utilizzato, per avanzamento o retrocessione manuale della carta.
Interruttore di accensione	Accende e spegne la stampante.
Connettore opzioni	Per il collegamento del cassetto di alimentazione automatica fogli singoli (ASF) o del secondo trascinamoduli opzionale.
Levetta di selezione carta	Consente di selezionare il tipo di carta da utilizzare nella stampante: fogli singoli (levetta in posizione superiore) carta a moduli continui (levetta in posizione inferiore).
Coperchio frontale	Viene aperto per caricare la carta a moduli continui. Viene invece rimosso per l'installazione del cassetto di alimentazione automatica fogli singoli (ASF) o del trascinamoduli opzionale.
Guida carta destra	Allineando il bordo destro del foglio singolo con questa guida si evita che la carta venga alimentata in obliquo.
Guida inserimento fogli singoli	Viene aperta per inserire i fogli singoli e funge anche da supporto carta. Viene inoltre utilizzata come vassoio di raccolta dei fogli stampati quando il parametro "F-Eject" nelle impostazioni di menu è impostato su ASF, Single o ALL.
Guida carta sinistra	Consente di allineare il bordo sinistro dei fogli singoli.
Levetta di blocco	Tirandola in direzione del lato anteriore della stampante, questa levetta si sblocca e consente di aprire il coperchio superiore.
Bordo di strappo carta	Per strappare la carta a moduli continui. Premendo il tasto Stp. la carta viene trasportata in questa posizione.
Levetta di regolazione spessore carta	Consente di regolare la distanza della testina di stampa in funzione della grammatura della carta utilizzata. Per i dettagli, vedere pagina 18, <i>Impostazione della distanza della testina di stampa.</i>
Connettore di interfaccia	Per inserire il cavo di collegamento al computer.
Presa di alimentazione	Per il collegamento del cavo di alimentazione.
Coperchio posteriore	Serve a ridurre la rumorosità della stampante. Va rimosso al ribaltamento del cassetto carta.

Installazione

- **Apertura dell'imballo** Aprire il cartone contenente la stampante e controllare che siano presenti tutte le seguenti parti.

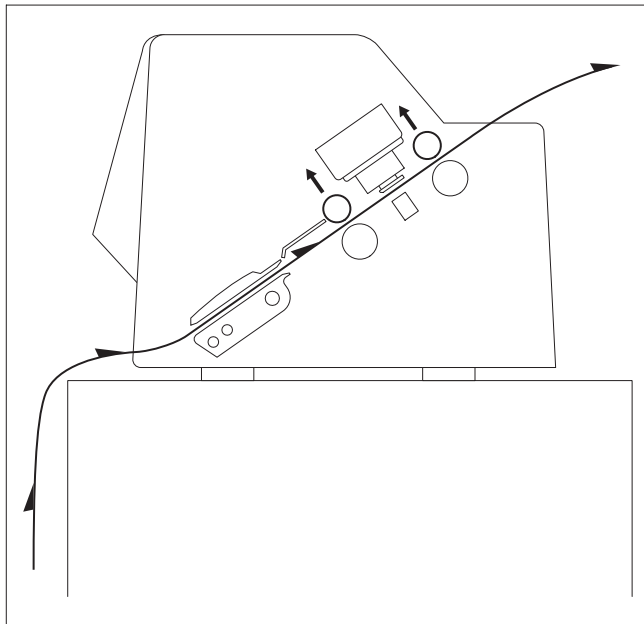


Se si riscontrano danni dovuti al trasporto o in caso di accessori mancanti, contattare immediatamente il rivenditore.

Rimuovere i fermi per il trasporto come descritto nelle istruzioni di rimozione dell'imballaggio.

Conservare il cartone e il materiale di imballo per un eventuale trasporto futuro della stampante.

- **Posizionamento della stampante** Collocare la stampante su una superficie stabile, piana e non scivolosa, in modo da evitare che cada a terra. Verificare che il pannello di controllo e gli alimentatori carta risultino facilmente accessibili, e lasciare uno spazio sufficiente per la fuoriuscita della carta.



Se si prevede di utilizzare spesso i comandi di avanzamento e retrocessione della carta a moduli continui, posizionare la stampante come mostrato nella figura.

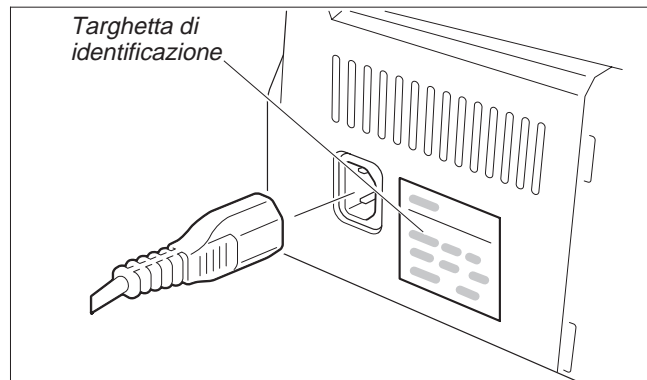
Nella scelta del luogo di installazione della stampante, tenere presente anche la seguente indicazione:



Non collocare mai la stampante nelle vicinanze di gas facilmente infiammabili o di sostanze esplosive.

- Evitare di esporre la stampante alla luce solare diretta. Se non si può fare a meno di installare la stampante vicino a una finestra, proteggerla dalla luce con una tenda.
- Posizionare la stampante vicino al computer cui deve essere collegata. La distanza non deve essere superiore a 2,0 metri.
- Verificare che la stampante sia posta ad una distanza sufficiente dai caloriferi.
- Verificare che la stampante non risulti esposta a variazioni estreme di temperatura o di umidità nell'aria. Evitare di esporla alla polvere.

► Collegamento della stampante



Verificare che la stampante sia impostata per una tensione corretta (cioè 230 V per l'Europa, e 120 V per gli USA). Vedere a questo proposito la targhetta identificativa posta vicino alla presa di alimentazione sul retro della stampante.

Se il valore di tensione non è corretto, contattare il rivenditore.



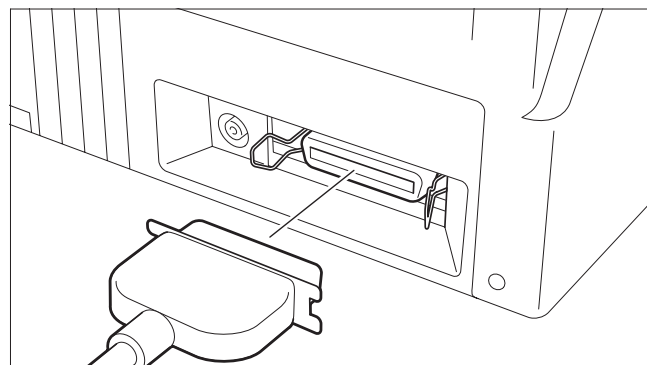
Non accendere mai la stampante se non è impostata sul valore di tensione corretto poiché questo potrebbe danneggiare seriamente la macchina.

Collegare il cavo di alimentazione all'apposita presa della stampante, come mostrato nella figura.

Inserire la spina del cavo di alimentazione in una presa.



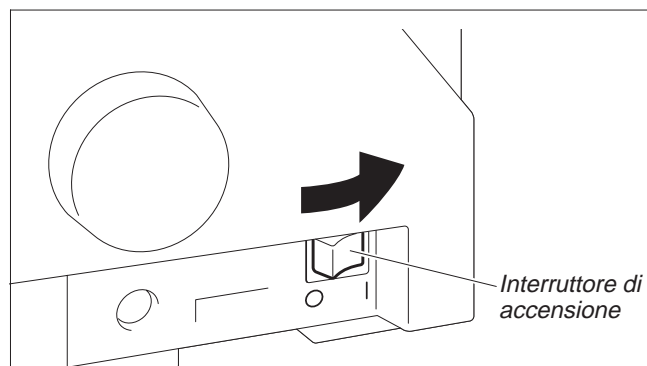
Verificare che la stampante e il computer siano spenti.



Collegare il connettore del cavo di trasmissione dei dati (lato stampante) al connettore di interfaccia femmina e fissarlo con le apposite clip a molla.

Collegare l'altra estremità del cavo al computer.

► Accensione/spegnimento della stampante



L'interruttore di accensione, che consente di accendere e spegnere la stampante, è posto sul retro della stampante.

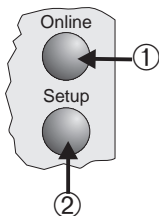
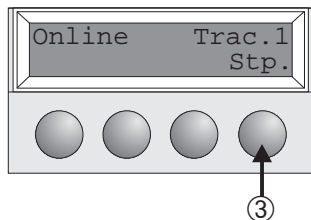
Pannello di controllo



Il funzionamento della stampante può essere controllato con il pannello di controllo e con gli appositi tasti.

La prima riga del display mostra se la stampante è nel modo **Online** o **Offline**, oltre che il percorso carta selezionato (**Trac.1** o **Foglio**).

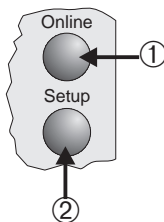
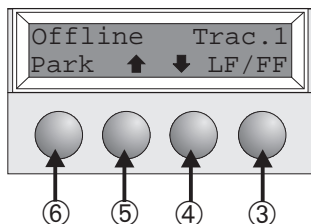
► Modo Online



- ① Commuta la stampante nel modo Offline.
- ② Commuta la stampante nel modo Setup.
- ③ Tasto **Stp.**: Attiva la funzione di strappo se è caricata carta a moduli continui (vedere pagina 15). Se al di sopra di questo tasto compare la dicitura **Load** (caricare), significa che la carta è esaurita e che premendo questo tasto si porta la carta nella posizione di stampa.

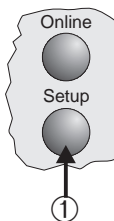
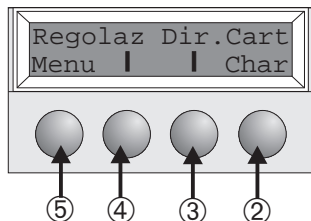
► Modo Offline

L'avanzamento graduale, l'avanzamento linea per linea e l'avanzamento modulo per modulo può essere effettuato tramite il pannello di controllo solo in questa modalità operativa (vedere pagina 15).



- ① Commuta la stampante nel modo Online.
- ② Commuta la stampante nel modo Setup.
- ③ Se nella stampante non c'è carta: tasto **Load** (vedere sopra). Se nella stampante c'è della carta: Prem. il tasto brev.: avanzamento di una linea (Line feed, **LF**). Premendo il tasto più a lungo: avanzamento di un modulo (Form Feed, **FF**)
- ④ Prem. il tasto brev.: ritorno di una piccola distanza. Prem. il tasto più a lungo: ritorno continuo della carta
- ⑤ Prem. il tasto brev.: avanzam. di una piccola dist. Prem. il tasto più a lungo: avanzam. continuo della carta
- ⑥ Annulla la selezione del percorso in cui è caricata la carta e attiva la selezione rapida del percorso carta (vedere pagina 14).

► Modo Setup



- ① Commuta la stampante nel modo Setup. In questo modo operativo, si possono effettuare le seguenti impostazioni:
- ② Imposta il font e il numero di caratteri per pollice (menu **Char**).
- ③ Percorso carta (menu **Dir.Cart**)
- ④ Posizione di strappo e prima linea da stampare (menu **Regolaz**)
- ⑤ Altre impostazioni da menu (**Menu**)



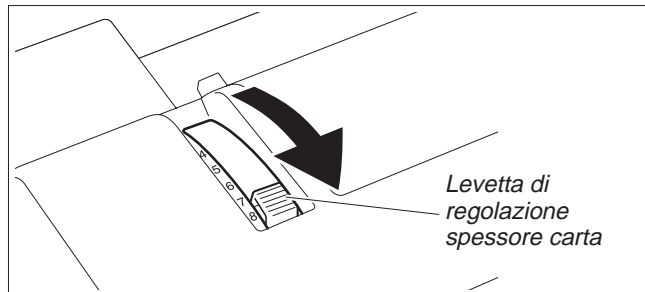
L'accesso ad altre opzioni del menu è disabilitato dal produttore della stampante. Per informazioni su come abilitare l'accesso a queste opzioni, oltre che sulle opzioni disponibili, vedere l'uso on-line del CD-ROM, Capitolo 1, Funzioni e impostazioni (Sbloccare la modalità menu).

Sostituzione della cartuccia nastro

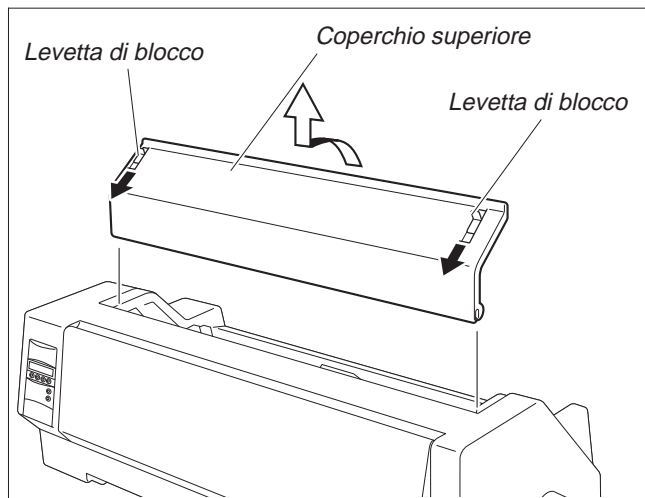
Rimuovere la carta dalla stampante.



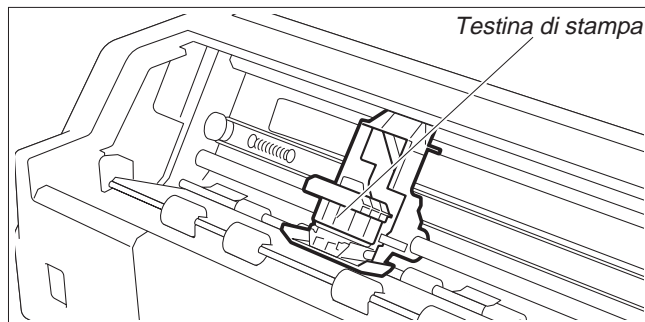
Prima di aprire il coperchio, accertarsi che la stampante sia spenta.



Portare la levetta di regolazione spessore carta nella posizione "8".



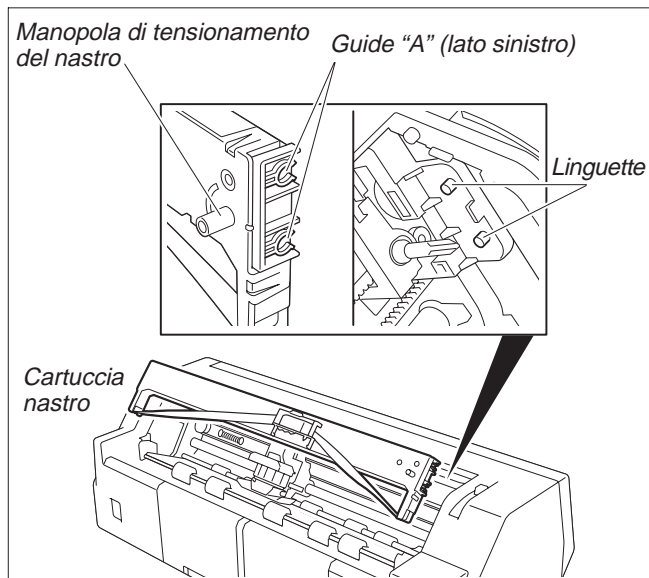
Tirare le levette di blocco del coperchio superiore, sui lati sinistro e destro, in direzione del lato anteriore della stampante e rimuovere il coperchio.



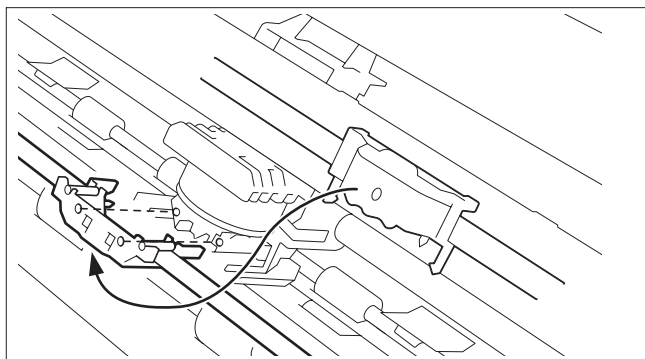
Muovere in posizione centrale la testina di stampa.



Durante la stampa, la testina tende a surriscaldarsi. Evitare quindi di toccarne le parti metalliche.



Fare scorrere le due guide "A" sul lato sinistro della cartuccia nastro oltre le linguette presenti sulla stampante e inserire la cartuccia. Spingerla con cura fino a che non si innesta. Se si avverte resistenza, ruotare la manopola di tensionamento del nastro mentre si esercita pressione.



Staccare la guida nastro dalla cartuccia.

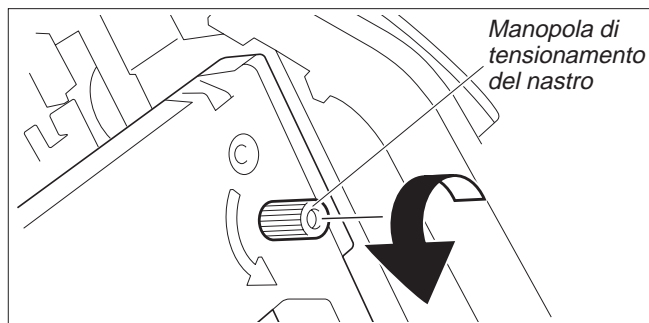


Non rimuovere mai la pellicola dalla guida poiché ha la funzione di proteggere il nastro.

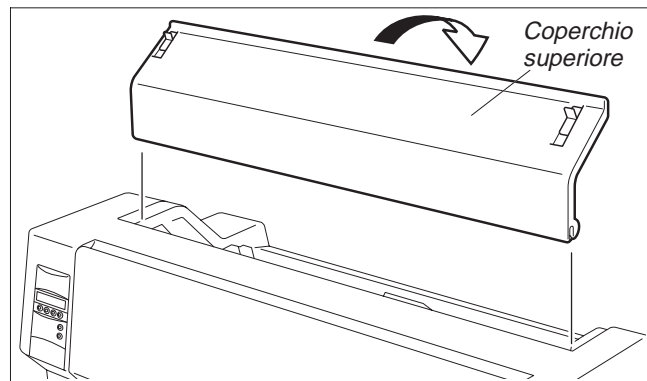
Fare scorrere la guida nastro nell'apposita apertura tra la testina di stampa e la barra di stampa finché non si innesta con uno scatto.



Accertarsi che, nel fissare la guida nastro, non si creino pieghe nel nastro. Fare inoltre attenzione a non danneggiare la pellicola di protezione.



Ruotare, in direzione della freccia, la manopola di tensionamento del nastro per eliminare l'eventuale lasco.



Una volta terminato il caricamento della cartuccia nastro, riapplicare il coperchio superiore.

Impostare la levetta di regolazione spessore carta in funzione della grammatura della carta utilizzata. Per i dettagli sulla carta, vedere a pagina 18, *Impostazione della distanza della testina di stampa*.

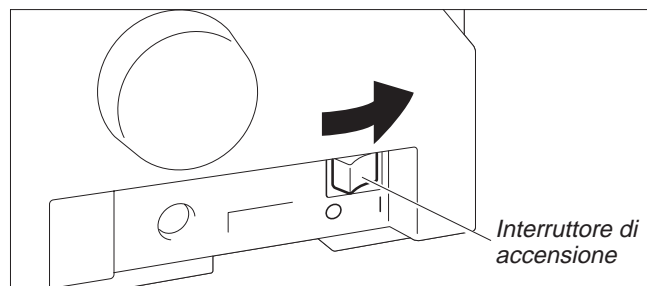
Caricamento della carta



Utilizzare esclusivamente carta di tipo idoneo per questa stampante. Per maggiori informazioni, vedere l'uso on-line del CD-ROM, Appendice C (*Specifiche tecniche*).

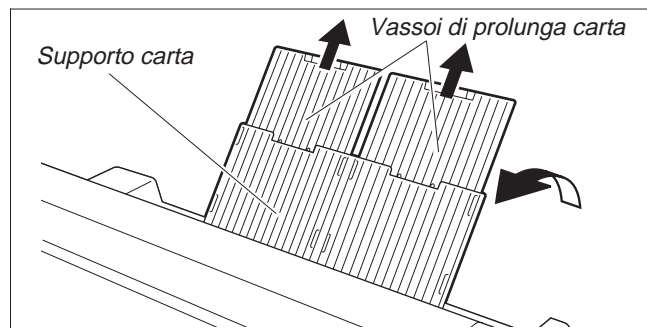
► Inserimento di fogli singoli

I fogli singoli vengono caricati dal lato anteriore della stampante. I fogli stampati possono fuoriuscire dal lato posteriore o da quello anteriore della stampante: per ulteriori dettagli vedere l'uso on-line del CD-ROM, Capitolo 1, *Descrizione Tabella-Menu*.



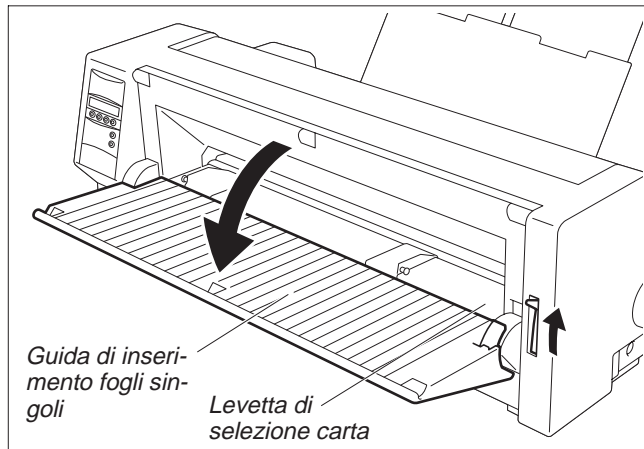
Accendere la stampante (posizione "I").

Impostare la levetta di regolazione spessore carta in funzione della grammatura della carta utilizzata. Per ulteriori dettagli, vedere pagina 18, *Impostazione della distanza della testina di stampa*.

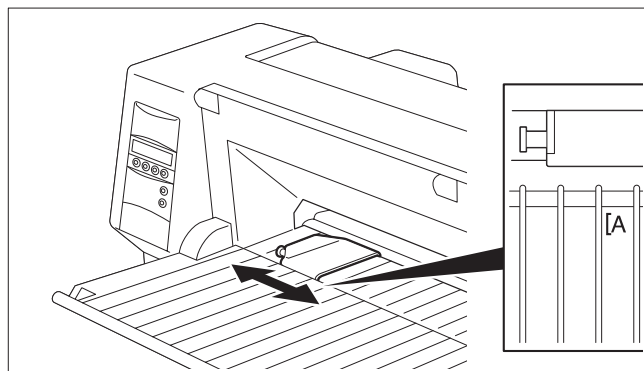


Ribaltare il supporto carta, nella direzione della freccia.

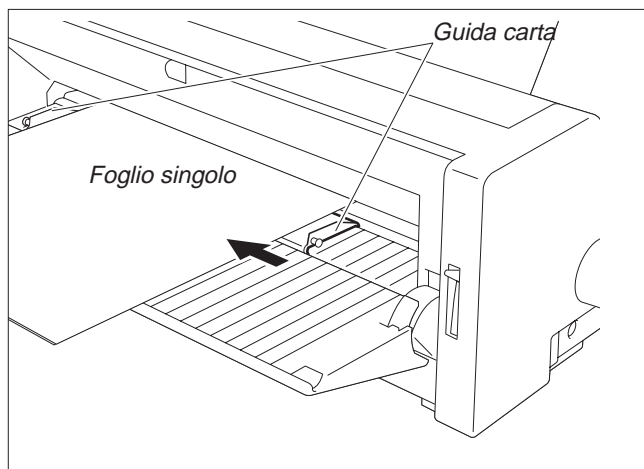
Tenere con la mano il supporto carta e staccare i vassoi di prolunga.



Impostare la levetta di selezione carta nel modo fogli singoli. Accertarsi che la stampante sia nel modo fogli singoli. Per i dettagli sulla selezione, vedere pagina 14, *Selezione rapida del percorso carta*.



Allineare la guida carta sinistra nella posizione desiderata di inizio stampa (il contrassegno “[A]” indica la posizione di inizio stampa standard).

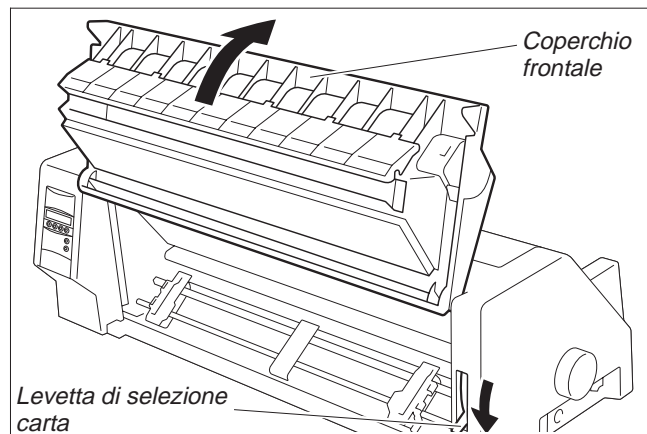


Allineare il foglio singolo sulla guida carta sinistra e regolare la guida carta destra in funzione della larghezza della carta. Posizionare il foglio tra le guide carta sinistra e destra. La stampante alimenta automaticamente il foglio fino alla posizione di stampa e si prepara quindi al funzionamento.



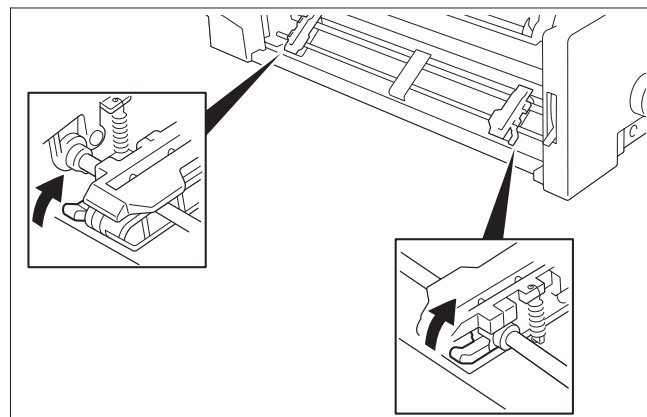
Se si utilizza carta da 55 kg ream e i fogli stampati fuoriescono dal lato posteriore, la capacità di raccolta carta è di circa 30 fogli. Se la carta fuoriesce dal lato anteriore, occorre rimuovere i fogli uno per volta.

► Carta a moduli continui

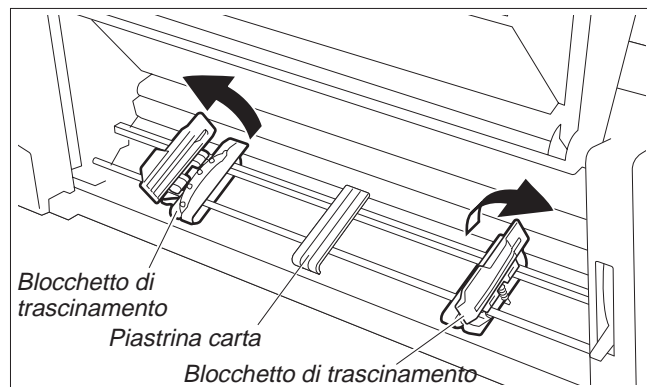


Impostare la levetta di selezione spessore carta in funzione della grammatura della carta utilizzata. Per ulteriori dettagli, vedere pagina 18, *Impostazione della distanza della testina di stampa*. Impostare la levetta di selezione carta nel modo moduli continui.

Sollevare il coperchio frontale e farlo scattare in posizione. Il bloccaggio protegge da un'involontaria chiusura del coperchio.



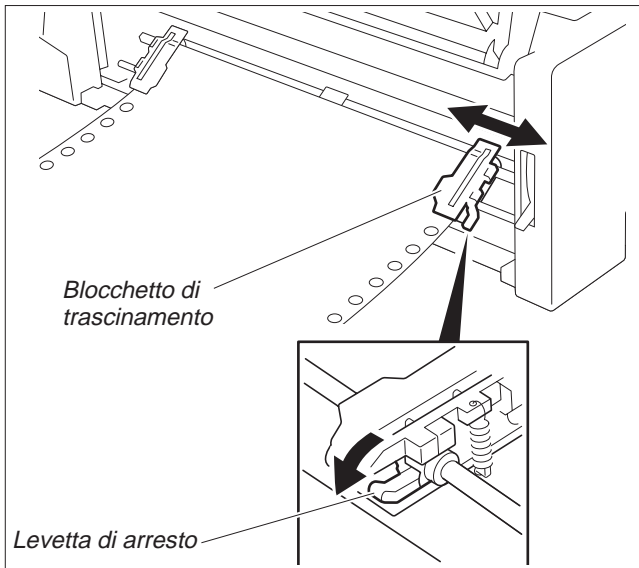
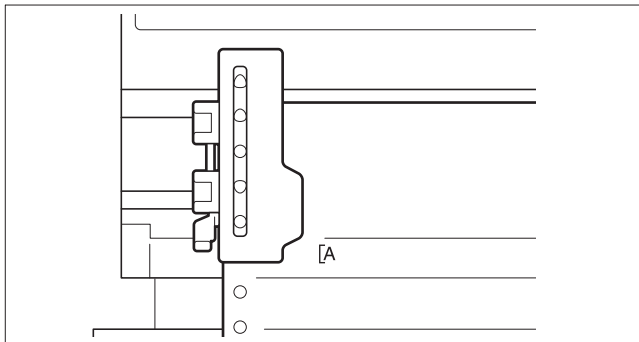
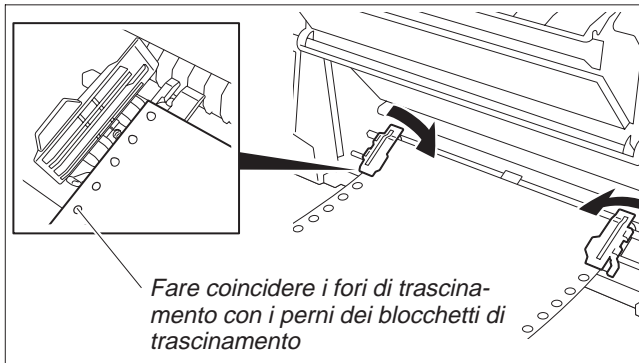
Sollevare le levette di arresto destra e sinistra nella direzione della freccia per rilasciare i blocchetti di trascinamento.



Aprire i pressacarta dei blocchetti di trascinamento.

Regolare i blocchetti di trascinamento in funzione della larghezza carta desiderata.

Posizionare la piastrina carta al centro tra i blocchetti di trascinamento sinistro e destro.



Con il lato di stampa rivolto verso l'alto, inserire la carta nel blocchetto di trascinamento sinistro facendo coincidere i fori di trascinamento sul bordo sinistro della carta con i perni del blocchetto di trascinamento, quindi chiudere il pressacarta. Fare coincidere i fori di trascinamento sul bordo destro della carta con i perni del blocchetto di trascinamento destro e chiudere il pressacarta.



Per evitare inceppamenti, accertarsi che sia utilizzato lo stesso numero di fori di trascinamento a sinistra e a destra, in corrispondenza degli stessi perni dei blocchetti di trascinamento.

Una volta terminato il caricamento della carta, è possibile selezionare con la guida carta sinistra la posizione desiderata di inizio stampa. Il contrassegno "[A]" indica la posizione di inizio stampa standard.

Spingere in basso la levetta di arresto sinistra per fissare il blocchetto di trascinamento.

Per togliere il lasco dalla carta, muovere il blocchetti di trascinamento destro, quindi fissare quest'ultimo con la levetta di arresto.



Se non si riesce a tendere perfettamente la carta con il blocchetto di trascinamento destro, modificare la posizione di quello sinistro.

Non tendere eccessivamente la carta poiché si potrebbero rompere i fori di trascinamento, né lasciarla troppo lasca, poiché si rischia di farla incurvare e provocare inceppamenti.

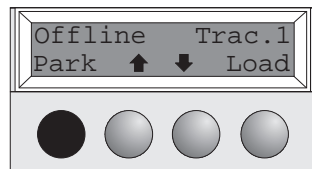
Accendere la stampante.

Viene visualizzato il cassetto di alimentazione attivo (**Trac.1**). La carta viene alimentata automaticamente se la stampante è Online e riceve i dati dal computer.

Premere il tasto **Load** per caricare la carta prima dell'inizio della stampa.

Cambio del tipo di carta

► Selezione rapida del percorso carta



Si può cambiare il tipo di carta (il percorso carta) utilizzando la funzione di selezione rapida del percorso carta oppure il menu Setup.

Strappare innanzitutto l'eventuale carta a moduli continui fuoriuscita dalla stampante in corrispondenza del bordo di strappo carta, procedendo come segue.

Verificare che la stampante sia nello stato Offline; se necessario, premere il tasto **Online**.

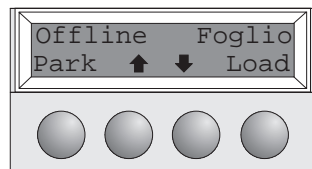
Premere il tasto **Park**. Se nella stampante è caricata carta a moduli continui, questa viene fatta avanzare nella posizione di strappo. Sul display compare il messaggio "Tagliare la carta". Premere un tasto a piacere.

Se nella stampante è caricato un foglio singolo, questo viene espulso.



Selezionare il percorso carta desiderato premendo uno dei tasti contrassegnati, nel nostro esempio **Foglio**.

i Se non si effettua alcuna selezione entro i 5 secondi che seguono, la stampante esce automaticamente da questo menu.



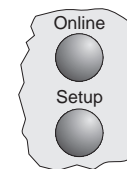
La stampante torna nello stato Offline.

Il display mostra alternatamente questo messaggio

e questo messaggio

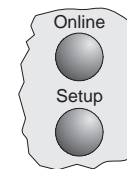
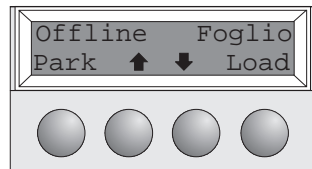


Impostare la levetta di selezione carta nel modo fogli singoli (vedere pagina 11 *Caricamento della carta*).



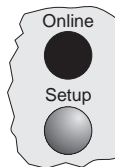
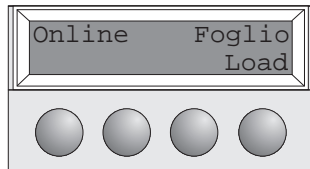
Il display mostra alternatamente questo messaggio...

e questo messaggio...



Ribaltare il supporto carta nella direzione della freccia. Tenere fermo il supporto carta e staccare i vassoi di prolunga.

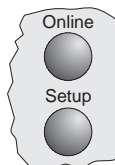
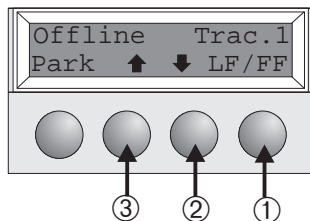
Allineare un foglio singolo con la guida carta sinistra e impostare la guida carta destra in funzione della larghezza della carta. Posizionare la guida carta sinistra nella posizione desiderata di inizio stampa. Posizionare il foglio tra le guide carta sinistra e destra. La stampante lo alimenta automaticamente fino alla posizione di stampa e si prepara quindi al funzionamento (vedere pagina 11, *Caricamento della carta*).



Premere il tasto **Online** per predisporre la stampante per il funzionamento.

Trasporto carta

La carta caricata nella stampante (moduli continui/fogli singoli) può essere trasportata all'interno della macchina in vari modi.



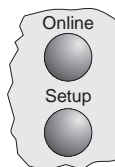
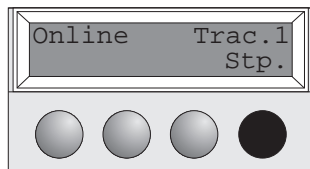
Verificare che la stampante sia nello stato Offline; se necessario, premere il tasto **Online**.

- ① Premendo il tasto brevemente: avanzamento di una linea (Line Feed, LF)
Premendo il tasto più a lungo: avanzamento di un modulo (Form Feed, FF)
- ② Premendo il tasto brevemente: ritorno della carta passo-passo
Premendo il tasto più a lungo: ritorno continuo
- ③ Premendo il tasto brevemente: avanzamento della carta, passo-passo
Premendo il tasto più a lungo: avanzamento della carta in continuo

Modalità d'uso

► Avanzamento della carta fino alla posizione di strappo

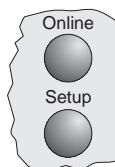
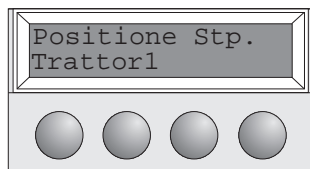
Per far avanzare i moduli continui nella posizione di strappo, premere il tasto **Stp.**



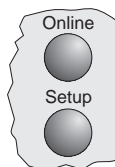
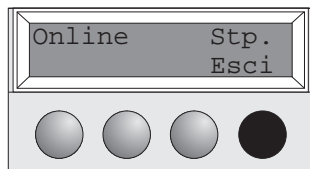
Verificare che la stampante sia nello stato Online.

Premere il tasto **Stp.** La stampante fa avanzare il bordo perforato dei moduli continui fino al bordo di strappo.

Sul display compaiono alternatamente questo messaggio...



e questo messaggio...

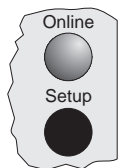
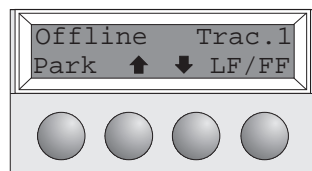


Dopo aver strappato la carta, premere il tasto **Esci**. La stampante riporta la carta nella posizione di inizio stampa.

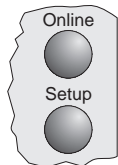
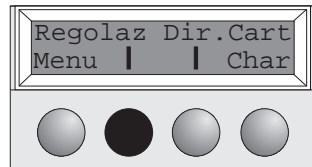
Impostazioni (I)

► Impostazione della posizione di strappo

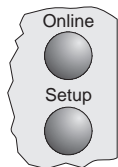
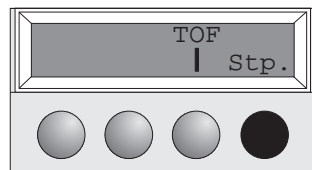
Se la posizione di strappo della carta non è allineata con il bordo di strappo della stampante, la si può regolare.



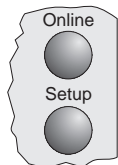
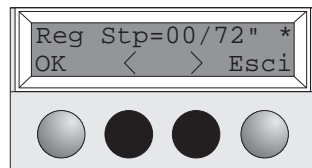
Premere il tasto **Setup**. La stampante si commuta nel modo Setup.



Premere il tasto **Regolaz.**



Premere il tasto **Stp.**



Premere il tasto **< o >** per spostare la perforazione nella posizione appropriata. Confermare l'impostazione premendo il tasto **OK**. La stampante torna nello stato iniziale.



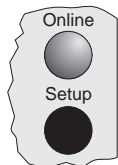
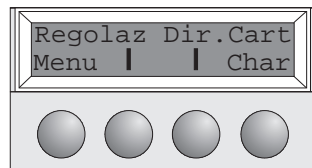
La correzione apportata (massimo circa 2,5 cm [1"] in entrambe le direzioni) resta in memoria anche se si spegne la stampante.

► Impostazione della posizione della prima riga di stampa (TOF)

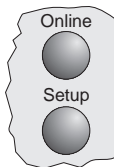
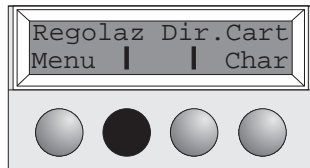
La funzione TOF consente di impostare la posizione della prima riga di stampa in maniera specifica per ogni sorgente carta e per ciascun menu.



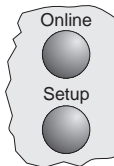
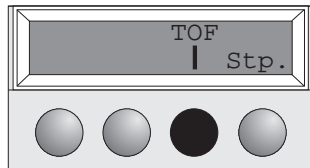
Prima di utilizzare la funzione TOF, è necessario impostare la posizione di strappo (vedere sopra) (se si utilizzano moduli continui).



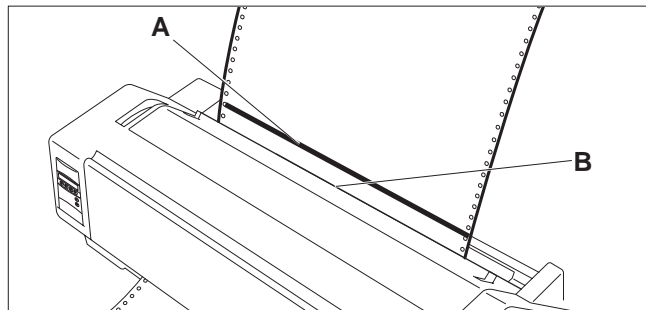
Premere il tasto **Setup**. La stampante si commuta nel modo Setup.



Premere il tasto **Regolaz.**

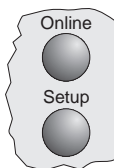
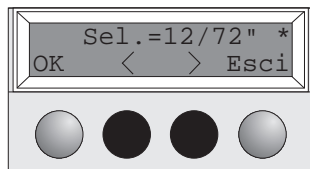


Premere il tasto **TOF.**



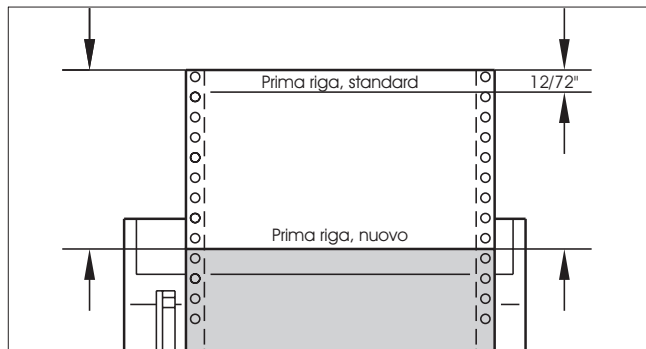
La carta viene fatta avanzare finché il bordo inferiore della prima riga di stampa **A** non si posiziona in corrispondenza del bordo di strappo **B**.

La prima posizione di inizio stampa è impostata dalla fabbrica a 12/72".



Premere il tasto **< o >** per spostare la prima riga di stampa nella posizione appropriata.

Si possono impostare valori compresi fra 0 e 220/72" per i moduli continui e fra 0 e 72/72" per i fogli singoli.



Confermare l'impostazione premendo il tasto **OK**.

La stampante torna nello stato iniziale.

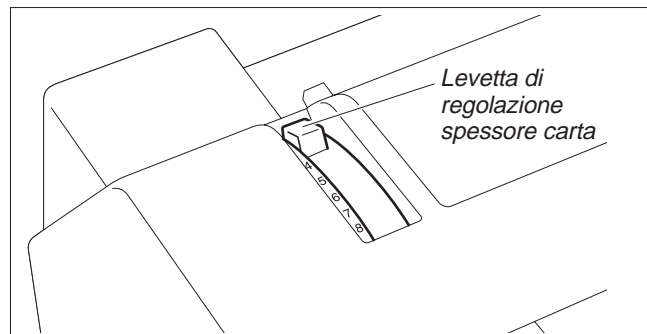


L'impostazione così specificata viene conservata in memoria anche se si spegne la stampante. Per informazioni più dettagliate, vedere la documentazione on-line su CD-ROM, Capitolo 3 (Regolazione meccanica della stampante).

Impostazioni (II)

► Impostazione della distanza della testina di stampa

La stampante è dotata di una levetta di regolazione spessore carta che consente di impostare la distanza della testina di stampa.



Per ottenere la massima qualità di stampa, occorre regolare la distanza tra la testina e il supporto esterno in funzione dello spessore (grammatura) della carta utilizzata.

La seguente tabella riporta i valori impostabili:

Numero di copie/grammatura carta	Ream (kg)	Regolazione della levetta
Solo originale, sottile	45–55	1
Solo originale, normale	55–77	1–2
Solo originale, spesso	77–110	2
Originale + 1	34/34	2–3
Originale + 2	34/34/34	2–4
Originale + 3	34/34/34/34	3–4
Originale + 4	34/34/34/34/34	4–5
Originale + 5	34/34/34/34/34/34	5–6
Cartolina	110	3
Riservato	—	6–8



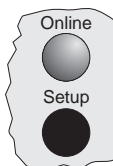
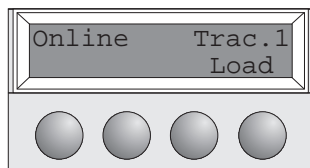
1. “Ream” è l’unità che indica la grammatura della carta. Consente di misurare in kg il peso di 1000 fogli singoli nel formato 788 mm x 1091 mm.
2. Se si stampa solo un originale, si possono utilizzare fogli singoli di 45 kg ream o più oppure moduli continui da 50 kg ream o più.
3. Se si imposta la levetta di regolazione spessore carta su un valore più alto del necessario, la stampa risulta poco uniforme e si riduce la durata della testina di stampa e della cartuccia nastro.

► Cambio della carta nel modo Setup

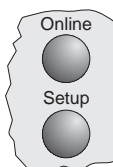
- **Da moduli continui in fogli singoli** Per passare dalla carta a moduli continui alla stampa su fogli singoli, procedere come descritto qui di seguito.



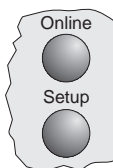
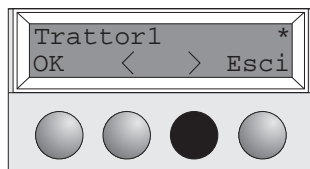
Non occorre rimuovere dalla stampante la carta a moduli continui.



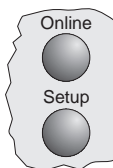
Strappare il modulo di carta continua fuoriuscito dalla stampante in corrispondenza del bordo di strappo, procedendo come segue.
Premere il tasto **Setup**. La stampante si predispose nel modo Setup.



Premere il tasto **Dir.Cart**. La stampante attiva il menu del percorso carta.

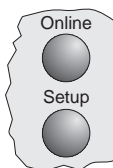
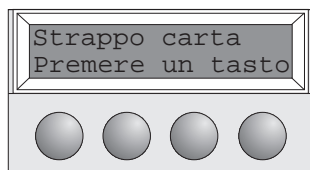


Premere il tasto **< o >** per passare al modo Foglio (fogli singoli).
L'impostazione valida (**Trattor1**) è contrassegnata dal simbolo “*”

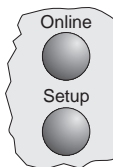
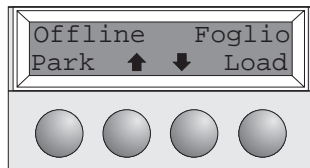


Confermare l'impostazione premendo il tasto **OK**.

Il comando viene confermato dall'emissione di un segnale acustico, dopodiché la carta a moduli continui viene trasportata nella posizione di strappo. Strappare la carta in corrispondenza del bordo di strappo.

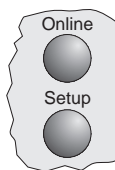


Su display compare...
Premere un tasto qualsiasi.

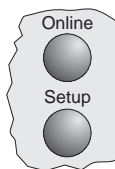


La stampante torna nello stato iniziale e la carta a moduli continui viene trasportata nella posizione di parcheggio. Sul display compare questo messaggio...

in alternanza con questo messaggio...



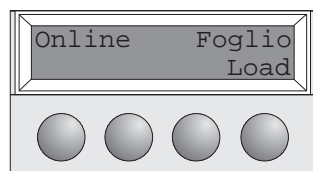
Impostare la levetta di selezione carta nel modo fogli singoli.



Sul display compare il messaggio...

Ribaltare il supporto carta in direzione della freccia. Tenere fermo il supporto e staccarne i vassoi di prolunga (vedere pagina 10).

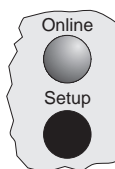
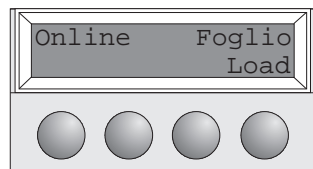
Allineare un foglio singolo con la guida carta sinistra e impostare la guida carta destra in funzione della larghezza della carta utilizzata. Posizionare quindi il foglio tra le due guide carta sinistra e destra. La stampante lo alimenta automaticamente fino alla posizione di stampa e poi si predispone al funzionamento (vedere pagina 11).



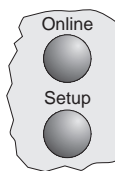
Premere il tasto **Online** per predisporre la stampante per il funzionamento.

► **Dai fogli singoli ai moduli continui**

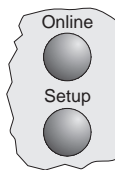
Per passare dai fogli singoli ai moduli continui, procedere come segue. Verificare che nella stampante sia caricata carta a moduli continui. (Vedere pagina 12 *Carta a moduli continui*).



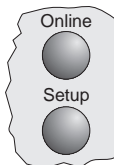
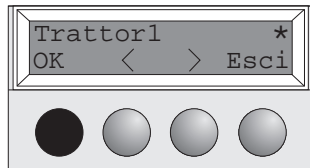
Inserire i vassoi di prolunge nel supporto carta e ribaltare lo stesso verso il basso. Premere il tasto **Setup**. La stampante si commuta nel modo Setup.



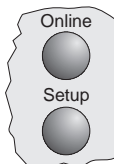
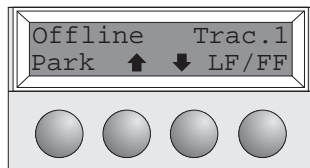
Premere il tasto **Dir.Cart**. La stampante attiva il menu del percorso carta.



Premere il tasto **< o >** per attivare il modo Trac.1 (moduli continui). L'impostazione valida (**Foglio**) è contrassegnata dal simbolo “*”.

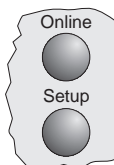
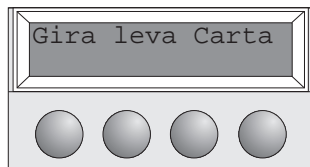


Confermare l'impostazione premendo il tasto **OK**. Il comando viene confermato dall'emissione di un segnale acustico.



Il display visualizza alternativamente...

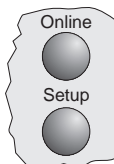
e...



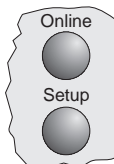
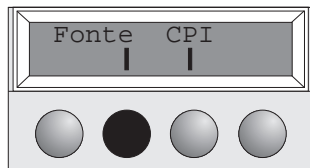
Portare la levetta di selezione carta nella posizione corrispondente. A questo punto, la stampante è pronta per la stampa su moduli continui. Premere il tasto **Online** per predisporre la stampante per il funzionamento.

► Selezione di un font

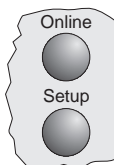
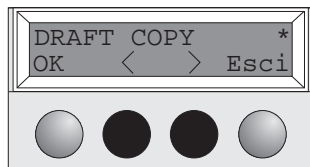
Il tasto **Fonte** consente di selezionare i font nel modo Setup.



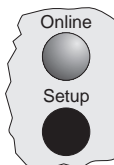
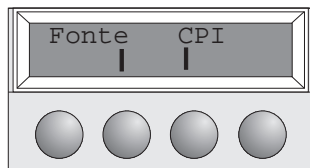
Premere il tasto **Setup**.
Premere il tasto **Char**.



Premere il tasto **Fonte**.



Premere il tasto **< o >** per selezionare il font desiderato. Confermare la selezione premendo il tasto **OK**.



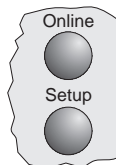
Premere il tasto **Setup**. La stampante torna nello stato iniziale. Si può anche premere il tasto **Online**. La stampante si commuta direttamente nel modo Online.



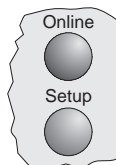
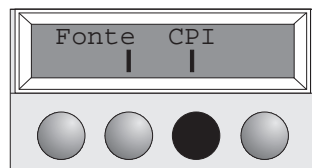
La selezione effettuata non viene conservata in memoria se si spegne la stampante. Per le informazioni relative alla procedura di selezione permanente di un font, vedere la documentazione on-line su CD-ROM, Capitolo 1 (Descrizione Tabella-Menu).

► Impostazione del passo dei caratteri

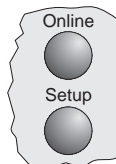
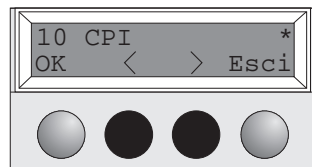
Il tasto **CPI** consente di impostare il numero dei caratteri nel modo Setup che devono essere stampati per pollice.



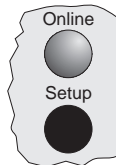
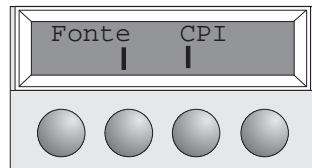
Premere il tasto **Setup**.
Premere il tasto **Char**.



Premere il tasto **CPI**.



Premere il tasto **< o >** per selezionare il passo dei caratteri desiderato.
Confermare la selezione premendo il tasto **OK**.



Premere il tasto **Setup**. La stampante torna nello stato iniziale.
Si può anche premere il tasto **Online**. La stampante si commuta direttamente nel modo Online.



La selezione effettuata non viene conservata in memoria se si spegne la stampante. Per le informazioni relative alla procedura di impostazione del passo dei caratteri, vedere la documentazione on-line su CD-ROM, Capitolo 1 (Descrizione Tabella-Menu).

Specifiche tecniche

► Stampante

	9	24
Tipo di stampa	seriale con testina di stampa a 9 aghi	seriale con testina di stampa a 24 aghi
Larghezza di stampa	stretto 80 caratteri con 10 cpi largo 136 caratteri con 10 cpi	stretto 80 caratteri con 10 cpi largo 136 caratteri con 10 cpi
Velocità di stampa (bidirezionale)	LN-Draft 413 cps con 10 cpi Draft 10 cps con 10 cpi NLQ 77 cps con 10 cpi	Draft 409 cps con 10 cpi Draft Copy 275 cps con 10 cpi NLQ/LQ 92 cps con 10 cpi
Densità di caratteri	5, 6, 7.5, 8.6, 10, 12, 15, 17.1, 20 cpi (HS-Draft: soltanto 10, 12 cpi)	5, 6, 7.5, 8.6, 10, 12, 15, 17.1, 20 cpi
Densità di stampa grafica	orizzontale 240 dpi / verticale 144 dpi	orizzontale 360 dpi / verticale 180 dpi
Durata nastro	4 milioni di caratteri	4 milioni di caratteri
Rumorosità	ca. 55 dB (A)	ca. 55 dB (A)
Dimensioni	stretto 485 x 206 x 272 mm (W x H x D) largo 625 x 206 x 272 mm (W x H x D)	stretto 485 x 206 x 272 mm (W x H x D) largo 625 x 206 x 272 mm (W x H x D)
Peso	stretto 9 kg / largo 11 kg	stretto 9 kg / largo 11 kg
Alimentazione di corrente	USA/Canada AC 120 V 10% / 60 Hz 3% Europa AC 230 V 10% / 50 Hz 3%	USA/Canada AC 120 V 10% / 60 Hz 3% Europa AC 230 V 10% / 50 Hz 3%
Potenza assorbita	al 100% < 60 VA standby < 10 VA	al 100% < 60 VA standby < 10 VA
Condizione d'ambiente per il funzionamento	temperatura 10°C a 40°C umidità 20% a 80%	temperatura 10°C a 40°C umidità 20% a 80%
Caratteristiche della testina di stampa	Numero degli aghi 9 Diametro degli aghi 0,3 mm Numero di copie 1 originale + 5 copie	Numero degli aghi 24 Diametro degli aghi 0,22 mm Numero di copie 1 originale + 3 copie
Buffer di interfaccia	mass. 64 kB	mass. 64 kB
Omologazioni	UL 1950, VDE-GS, CE, FCC Class B, UL/ULc	UL 1950, VDE-GS, CE, FCC Class B, UL/ULc

► Caratteristiche della carta

Foglio singolo	Peso della carta Larghezza Lunghezza	60 – 120 g/m ² stretto: 76 – 220 mm / largo: 76 – 420 mm 76 – 559 mm
Modulo continuo Modulo continuo semplice	Peso della carta Larghezza Lunghezza	60 – 120 g/m ² stretto: 76 – 254 mm / largo: 76 – 420 mm 76 – 559 mm
Set di modulo continuo	Peso della carta Larghezza/Lunghezza Spessore modulo mass. Numero di copie	originale: 45 – 65 g/m ² / copie: 45 – 56 g/m ² / ultimo foglio: 45 – 65 g/m ² vedi Modulo continuo semplice mass. 0,5 mm 1+5 (9 aghi) / 1+3 (24 aghi)

Instrucciones de servicio

INTRODUCCION

RAPIDA

Contenido

Introducción	2
Símbolos convencionales	2
Instrucciones de seguridad importantes	2
Utilizar la documentación en línea	2
Detección de errores	2
Vista de conjunto	3
Instalación	5
Desembalar la impresora	5
Colocar la impresora	5
Conectar la impresora	6
Encender y apagar la impresora	6
Panel de mando	7
Modo Online	7
Modo Offline	7
Modo Setup	7
Recambiar la cinta	8
Cargar papel	10
Hojas sueltas	10
Papel continuo	12
Cambiar el tipo de papel	14
Selección rápida del origen de papel	14
Transporte de papel	15
Manejo	15
Transportar papel a la posición de corte	15
Ajustes (I)	16
Ajustar la posición de corte	16
Ajustar la primera línea de impresión (TOF)	16
Ajustes (II)	18
Ajustar la distancia de cabeza	18
Cambiar el papel en el modo Setup	19
Cambiar de papel continuo a sueltas	19
Cambiar de sueltas a papel continuo	20
Seleccionar la fuente	21
Ajustar la densidad	22
Datos técnicos	23
Especificaciones de la impresora	23
Especificaciones del papel	24
Accesorios	24

Introducción



Las presentes instrucciones de servicio sirven como introducción rápida al uso de la impresora y para poner en condiciones de manejar el equipo incluso al usuario inexperienced. Comprenden una descripción de las funciones esenciales de la impresora e incluyen las informaciones indispensables para el trabajo diario con el equipo. Una descripción detallada de la impresora, sus características de rendimiento y más amplias informaciones están contenidas en el manual de referencia que se encuentra en la documentación en línea en el disco CD-ROM adjunto en la página penúltima de este manual.

► Símbolos convencionales



Se han utilizado dos símbolos convencionales para resaltar informaciones importantes en las presentes instrucciones de servicio.

ATENCION resalta las informaciones que hay que observar para proteger al usuario y evitar daño en la impresora.



NOTA marca las informaciones relativas a un tema particular, de carácter general o adicional.

► Instrucciones de seguridad importantes

Lea las siguientes instrucciones con esmero antes de poner la impresora en servicio. Con esto se protege Ud. a si mismo y evita dañar el equipo.

- Guarde las presentes instrucciones de servicio en un lugar de fácil acceso en cualquier momento.
- Ponga la impresora sobre una base estable de manera que no pueda caer al suelo.
- No exponga la impresora ni a temperaturas altas ni a la luz solar directa.
- No ponga la impresora en contacto con fluidos.
- Nunca exponga la impresora a sacudidas, choques o vibraciones.
- Asegure conectar la impresora sólo a un enchufe con la tensión eléctrica correcta.



Nunca lleve a cabo trabajos de mantenimiento o reparación Ud. mismo, sino consulte a un técnico de servicio calificado.



Cuando quiera desconectar la impresora de la alimentación red, siempre tire la clavija de alimentación del enchufe.



Instrucciones adicionales de seguridad se encuentran en el texto en los lugares correspondientes.

► Utilizar la documentación en línea

Empiece con la instalación del Adobe Acrobat Reader en el disco duro si no se ha instalado ya. Para instalar siga las instrucciones contenidas en el archivo README en el directorio READER. Para entrar en la documentación en línea, active el Administrador de Archivos (Windows 3.1) o el Explorer (Windows 95/98, Windows NT) y haga doble clic sobre el archivo START.PDF. Entonces siga el guía del usuario.

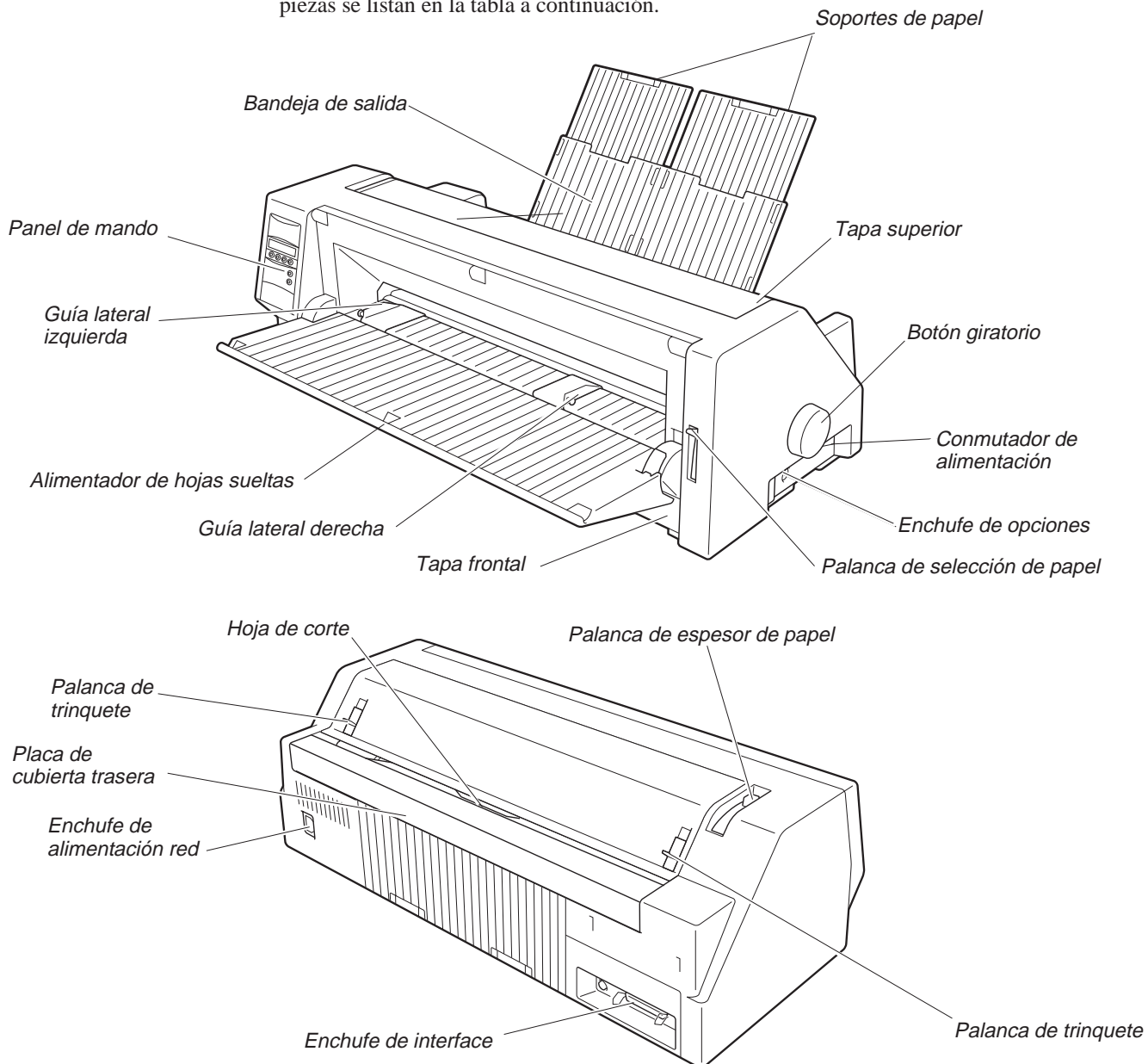
En el caso de que el disco CD-ROM esté defecto o no incluido, consulte su agente de ventas. Se ofrece la documentación en línea también en forma impresa (contra pago) o en el Internet. Condiciones mínimas de hardware: PC AT 486, CD-ROM cuádruplo, monitor de 15", ratón.

► Detección de errores

La documentación en línea en el disco CD-ROM contiene informaciones detalladas para la detección de errores.

Vista de conjunto

Se muestran todas las piezas de la impresora en las figuras siguientes, y las funciones de dichas piezas se listan en la tabla a continuación.

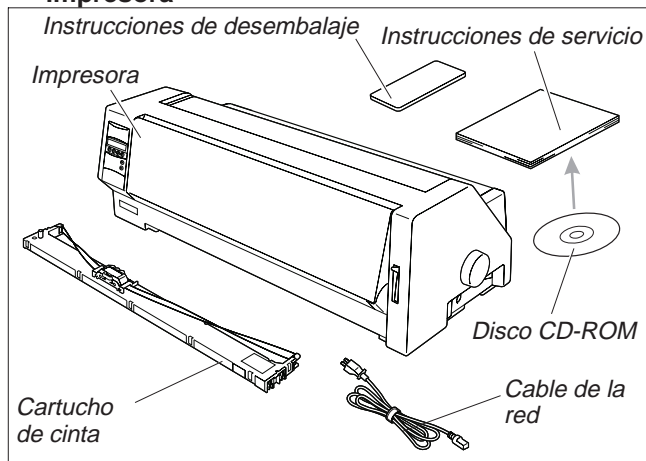


Denominación	Función
Panel de mando	Indica el estado de la impresora. Se lo utiliza para poner muchos de los ajustes de la impresora.
Bandeja de salida	Se la utiliza para la salida de hojas sueltas impresas si el parámetro "F-Eject" en el menú ha sido desactivado.
Soportes de papel	Sirven como extensión de la bandeja de salida.
Tapa superior	Cuando es necesario recambiar una cinta o eliminar un atasco de papel, puede quitarse esta tapa para obtener acceso a las piezas correspondientes. Además sirve para la protección del usuario contra los movimientos mecánicos en el interior de la impresora.
Botón giratorio	Se lo utiliza para transportar el papel hacia delante o atrás a mano.
Conmutador de alimentación	Para encender o apagar la impresora.
Enchufe de opciones	Sirve para conectar el dispositivo de alimentación automática de hojas sueltas (ASF) o el tractor segundo opcional.
Palanca de selección de papel	Se la utiliza para seleccionar el tipo de papel a procesar por la impresora: Hojas sueltas (palanca en posición superior) Papel continuo (palanca en posición inferior)
Tapa frontal	Se la abre para cargar papel continuo. Se la quita completamente cuando se instala el dispositivo de alimentación automática de hojas sueltas (ASF) o el tractor segundo opcional.
Guía lateral derecha	Se evita la entrada incorrecta del papel
Alimentador de hojas sueltas	Se lo abre para alimentar hojas sueltas y sirve como soporte de papel. Además se lo utiliza como bandeja de salida para papel impreso si el parámetro "F-Eject" en el menú está puesto a ASF, Seltas o Todos.
Guía lateral izquierda	Sirve para ajustar el borde izquierdo de hojas sueltas.
Palancas de trinquete	Cuando se tira las palancas hacia el frente de la impresora, se abre el enclavamiento y puede abrirse la tapa superior.
Hoja de corte	Para cortar el papel continuo a mano. Se transporta el papel a esta posición presionando el pulsador Tirar .
Palanca de espesor de papel	Se la utiliza para ajustar la distancia de cabeza de impresión al espesor del papel utilizado. Para más detalles, véase la página 18, <i>Ajustar la distancia de cabeza</i> .
Enchufe de interface	Para conectar el cable de datos del ordenador.
Enchufe de alimentación red	Para conectar el cable de alimentación eléctrica.
Placa de cubierta trasera	Sirve para la insonorización de la impresora. Debe quitarse cuando se levanta la bandeja de salida.

Instalación

► Desembalar la impresora

Abra el embalaje y compruebe que están contenidos los artículos siguientes:



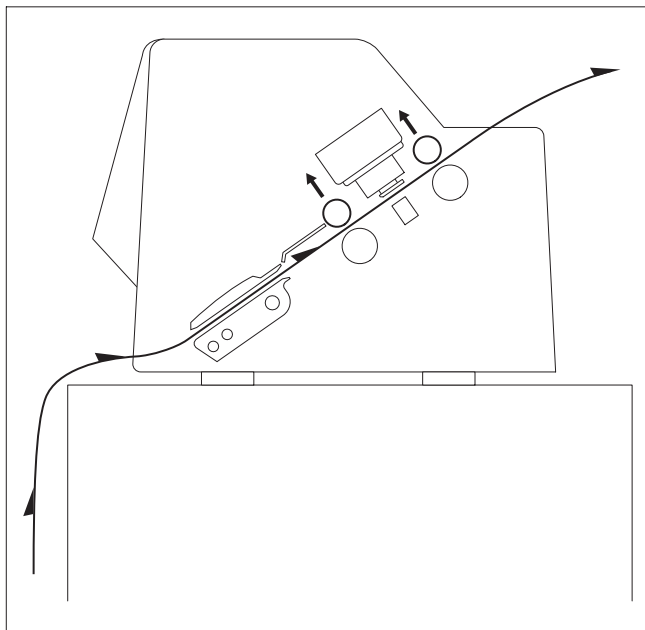
En caso de daños de transporte o falta de accesorios, informe a su agente de ventas.

Quite los elementos protectores de transporte como se describe en las instrucciones de desembalaje.

Guarde el cartón y el material de embalaje en un lugar apropiado para que pueda reutilizarlo en caso de transporte posterior.

► Colocar la impresora

Coloque la impresora sobre una base estable, plana y antideslizante, de manera que no pueda caer al suelo. Hay que asegurar el acceso al panel de mando y los mecanismos de alimentación de papel, y hay que proveer espacio suficiente para el papel expulsado.



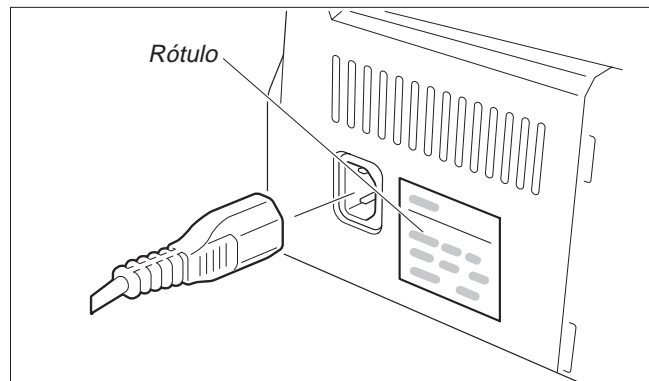
Si el papel continuo se arrastra con frecuencia hacia delante y atrás, intente colocar la impresora según se muestra en la figura. En cuanto a la ubicación de la impresora, preste también atención en los siguientes puntos:



Nunca coloque la impresora en la vecindad de gases de fácil inflamabilidad o sustancias explosivas.

- No exponga la impresora a radiación solar directa. Si no es posible evitar colocar el equipo cerca de una ventana, protéjalo con una cortina contra la luz solar.
- Coloque la impresora cerca del ordenador al cual se la conecta. La distancia máxima es de 2 metros.
- Coloque la impresora a una distancia adecuada de radiadores de calefacción.
- Cuide que no se exponga la impresora a variaciones extremas de temperatura o humedad de aire. Evite exponer la impresora al polvo.

► Conectar la impresora



Asegúrese de que el equipo ha sido ajustado para la tensión correcta de la red (p. ej. 230 V en Europa, 120 V en los EE. UU.). Véase el rótulo al lado del enchufe de alimentación eléctrica en la parte trasera de la impresora.

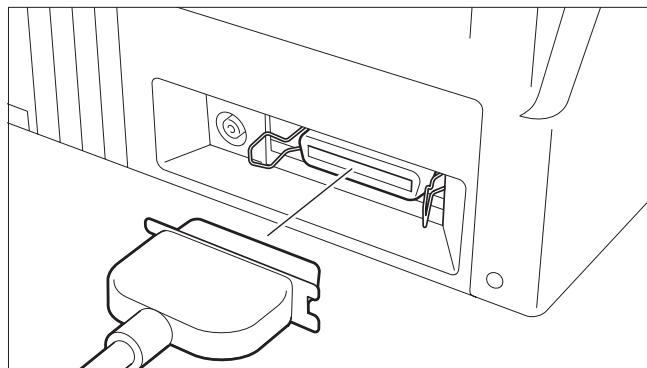
Si ésto no es el caso, consulte a su agente de ventas.



Nunca encienda la impresora si el ajuste de tensión de la red está incorrecto porque esto podría causar daños graves.

Conecte el cable de la red al enchufe de alimentación red de la impresora según la figura.

Conecte la clavija del cable de la red a un enchufe.

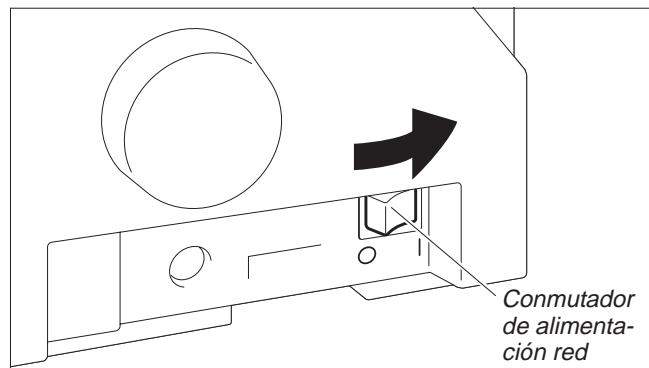


Asegúrese de que estén apagados la impresora y el ordenador.

Conecte el conector apropiado del cable de datos al enchufe de interface en la impresora y fíjalo por medio de las abrazaderas.

Conecte el otro extremo del cable al ordenador.

► Encender y apagar la impresora



El conmutador de alimentación, con el que se enciende y apaga la impresora, se encuentra a la derecha del equipo en el lado trasero.

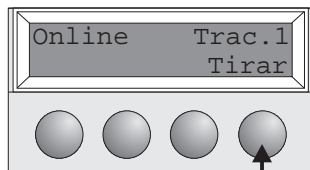
Panel de mando

A través del panel de mando y los pulsadores correspondientes se controlan las operaciones.

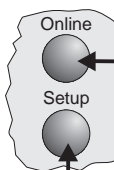


La línea de arriba del visualizador indica si la impresora está en modo **Online** (en línea) o en modo **Offline** (fuera de línea) y el origen de papel seleccionado (**Trac.1** o **Sueltas**).

► Modo Online



③

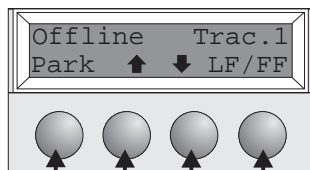


②

- ① Pone la impresora al modo Offline
- ② Pone la impresora al modo Setup
- ③ Pulsador **Tirar**: Activa la función de corte con el papel continuo cargado (véase página 15). Si se indica **Load** encima de este pulsador, significa que no hay papel en la impresora; presione el pulsador para transportar papel a la posición de impresión.

► Modo Offline

Sólo en este modo pueden efectuarse avances de paso, línea o formularios mediante el panel de mando (véase página 15).



⑥

⑤

④

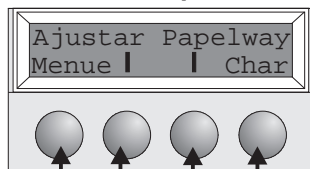
③



②

- ① Pone la impresora al modo Online
- ② Pone la impresora al modo Setup
- ③ Si no se ha cargado el papel: Pulsador **Load** (véase arriba)
Si el papel está cargado: Pulsación breve del pulsador: Avance de línea (**LF**). Pulsación larga del pulsador: Avance de página (**FF**)
- ④ Pulsación breve del pulsador: Micropaso hacia atrás
Pulsación larga del pulsador: Retroceso continuo del papel
- ⑤ Pulsación breve del pulsador: Micropaso de avance
Pulsación larga del pulsador: Avance continuo del papel
- ⑥ Libera el camino del papel si está cargado papel, y activa la función de selección rápida del origen de papel (véase página 14).

► Modo Setup

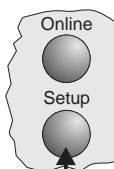


⑤

④

③

②



①

- ① Pone la impresora en el modo Setup, en el cual pueden seleccionarse los ajustes siguientes:
- ② Fuente y número de caracteres por pulgada (menú **Char**).
- ③ Origen de papel (menú **Papelway**)
- ④ Posición de corte y primera línea de impresión (menú **Ajustar**)
- ⑤ Opciones adicionales (**Menue**)



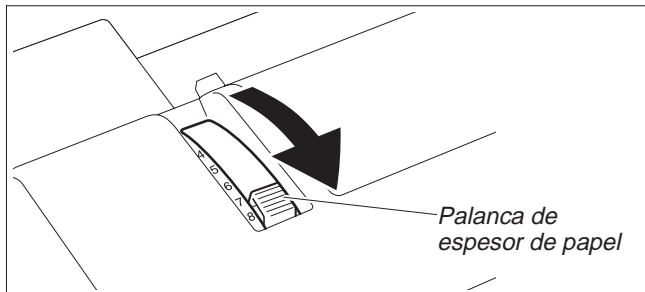
Se ha bloqueado en fábrica el acceso a las opciones adicionales. En el manual de referencia contenido en el disco CD-ROM en línea se describe cómo se puede desbloquear el acceso y se detallan las opciones ajustables (capítulo 1, Manejo, Desbloquear el modo Menú).

Recambiar la cinta

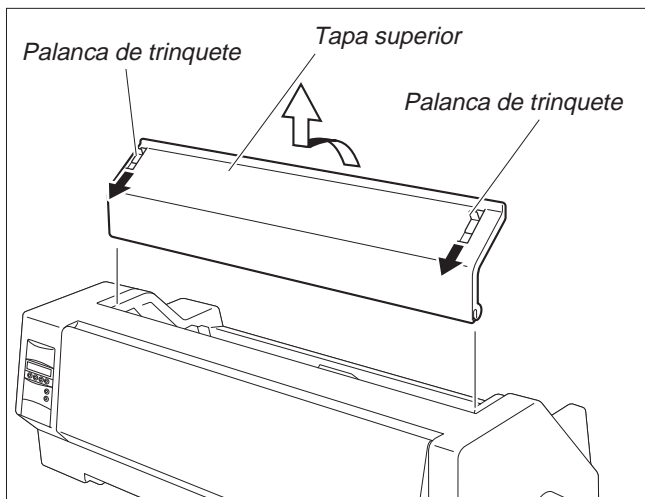
Quite todo el papel de la impresora.



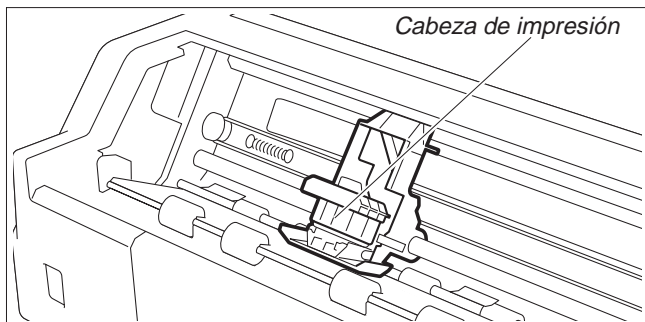
Asegúrese de que la impresora esté apagada antes de abrir la tapa.



Ponga la palanca de espesor de papel a la posición "8".



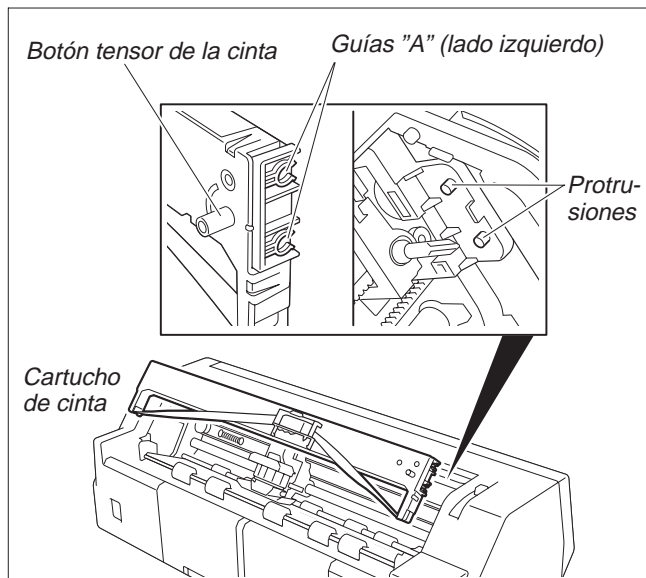
Tire las palancas de trinquete de la tapa superior, a la derecha e izquierda de la impresora, hacia el frente y quite la tapa.



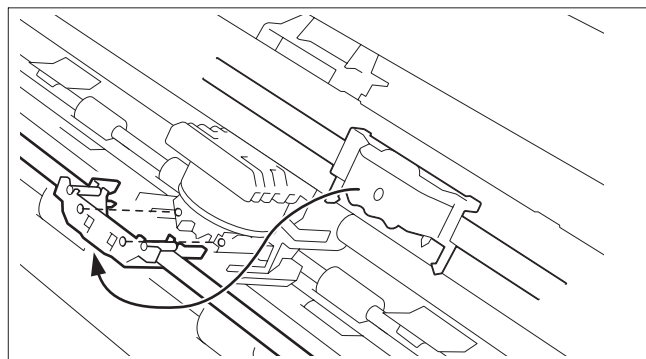
Deslice la cabeza de impresión al centro, aproximadamente.



La cabeza de impresión puede estar muy caliente. Por lo tanto, evite tocar las partes metálicas de la cabeza.



Deslice las dos guías "A", provistas a la izquierda del cartucho de cinta, por las protrusiones en la impresora e inserte el cartucho; presione el cartucho hacia abajo con cuidado hasta que se engatille. Si se puede sentir resistencia, gire el botón tensor de la cinta.



Quite la guía de cinta del cartucho.

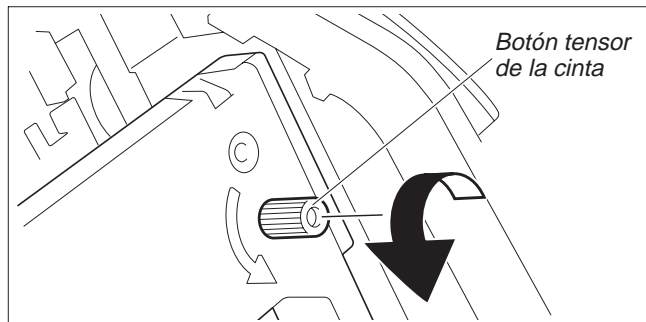


Nunca quite la película que se encuentra sobre la guía. Sirve para la protección de la cinta.

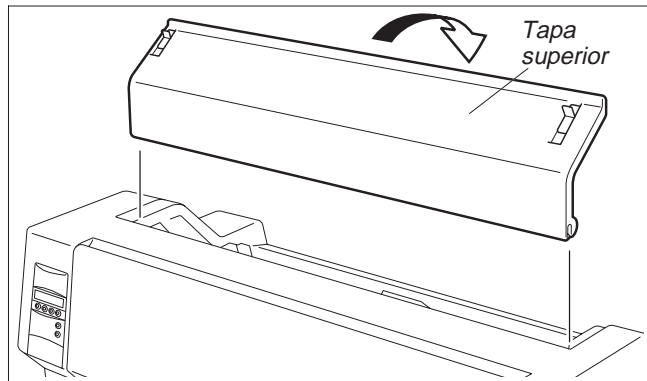
Inserte la guía de cinta en la abertura provista entre la cabeza de impresión y la barra de impresión hasta que se engatille de manera perceptible.



Cuide que no se pliegue la cinta al fijar la guía de cinta. Además cuide que no se dañe la película de protección.



Gire el botón tensor de la cinta en el sentido de la flecha para tensar la cinta.



Una vez cumplido la inserción del cartucho de cinta, reinstale la tapa superior.

Ajuste la palanca de espesor de papel al espesor del papel utilizado. Para más detalles, véase página 18 (*Ajustar la distancia de cabeza*).

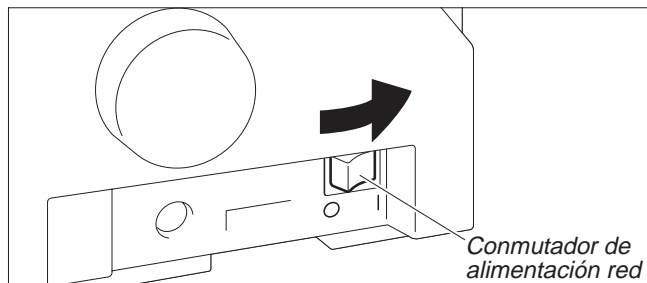
Cargar papel



Se ruega que utilice sólo los tipos de papel adecuados para esta impresora. Para más informaciones, véase el disco CD-ROM en línea, anexo C (Datos técnicos).

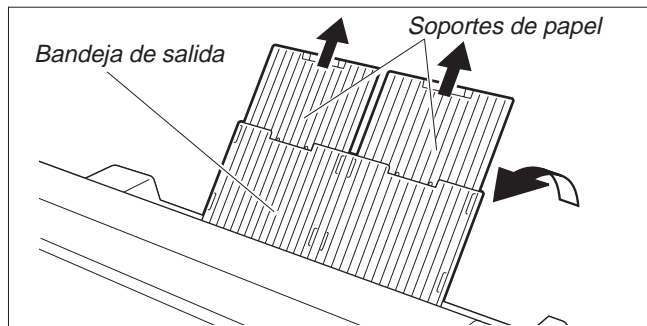
► Hojas sueltas

Las hojas sueltas se cargan por el frente de la impresora. La salida del papel impreso puede efectuarse o por el lado frontal o por el lado trasero de la impresora. Para más detalles, véase el disco CD-ROM en línea, capítulo 1, Tabla de descripción del menú.

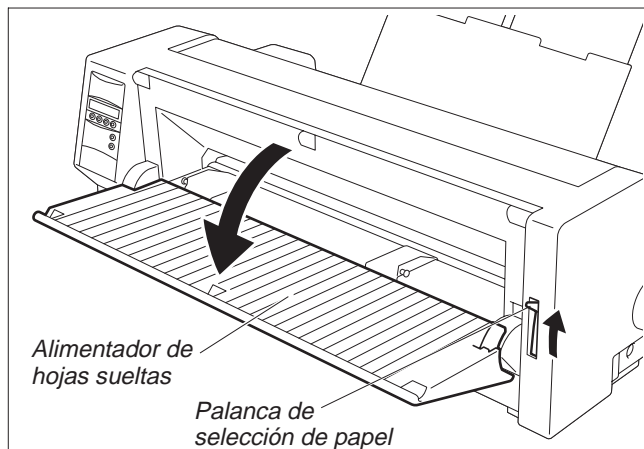


Encienda la impresora (ponga el conmutador de alimentación red a la posición "I").

Ajuste la palanca de espesor de papel al espesor del papel utilizado. Para más detalles, véase página 18 (*Ajustar la distancia de cabeza*).

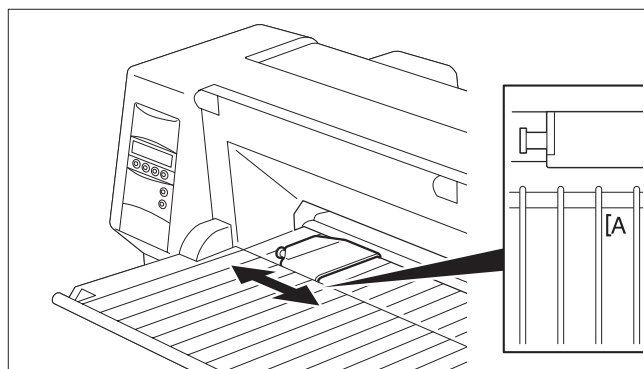


Abra la bandeja de salida levantándola en el sentido de la flecha. Detenga la bandeja de salida y retire los soportes de papel.

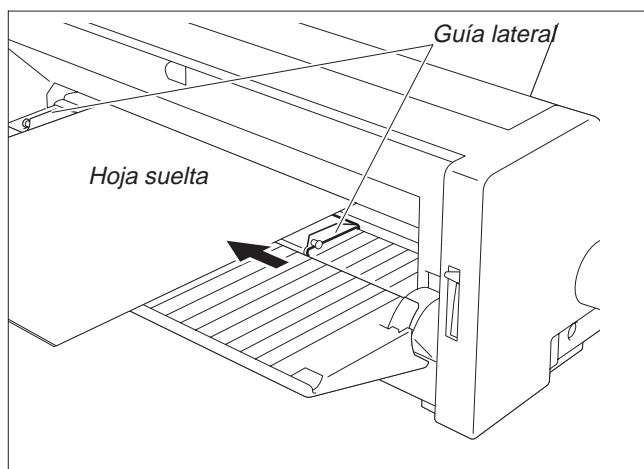


Ponga la palanca de selección de papel a la posición para hojas sueltas.

Asegúrese de que la impresora esté en modo de hojas sueltas. Para más informaciones sobre la selección de este modo, véase página 14 (*Selección rápida del origen de papel*).



Ajuste la guía lateral izquierda para alinearla a la posición inicial de impresión deseada. (La marca "[A]" indica la posición inicial de impresión estándar.)



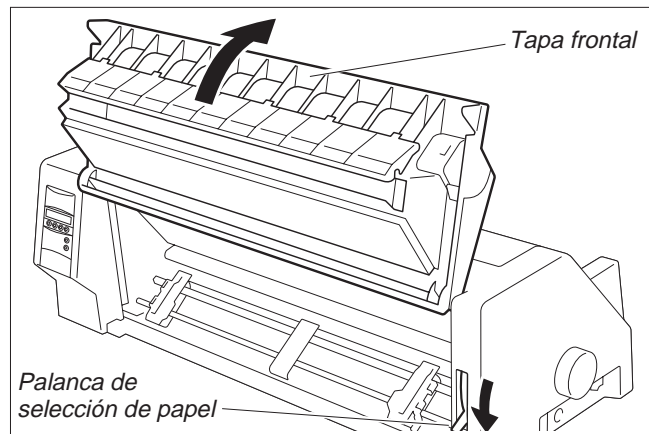
Alinee una hoja suelta con la guía lateral izquierda y ajuste la guía lateral derecha a la anchura del papel utilizado.

Inserte la hoja entre las dos guías laterales. La impresora va a cargarla automáticamente hasta la posición de impresión y se pone al estado listo para la impresión.



Cuando se utiliza papel de 55 kg (ream) y se expulsa el papel impreso por el lado trasero, la bandeja de salida tiene una capacidad de 30 hojas, aprox. Si se expulsa el papel por el lado frontal, hay que quitar a mano cada hoja individual.

► Papel continuo

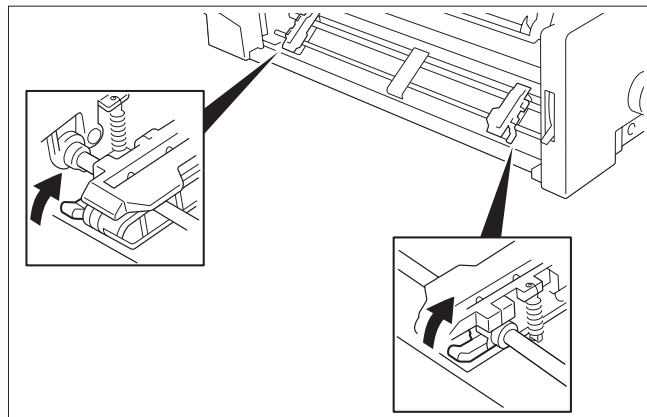


Ajuste la palanca de espesor de papel al espesor del papel utilizado. Para más detalles, véase página 18 (*Ajustar la distancia de cabeza*).

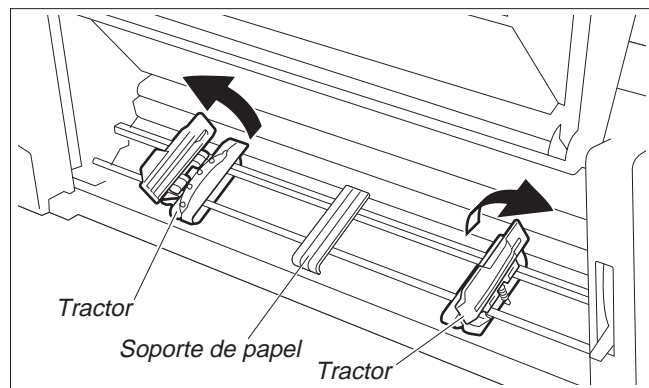
Ponga la palanca de selección de papel a la posición para papel continuo.

Levante la tapa frontal hasta que se enganche.

La posición de enganche evita que se puede cerrar la tapa inadvertidamente.



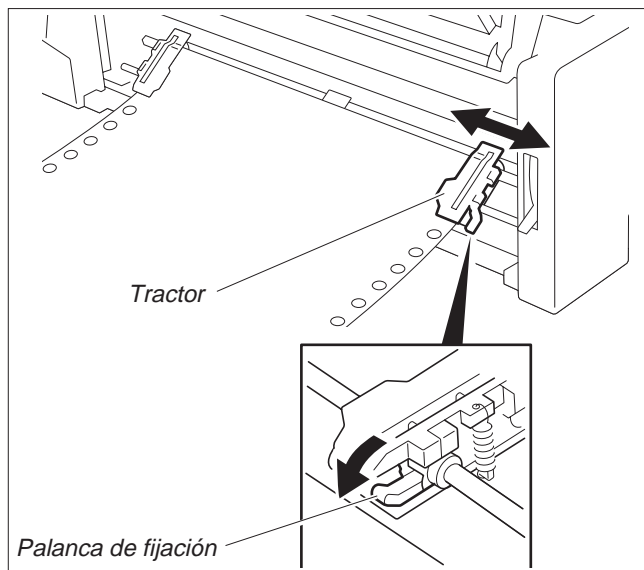
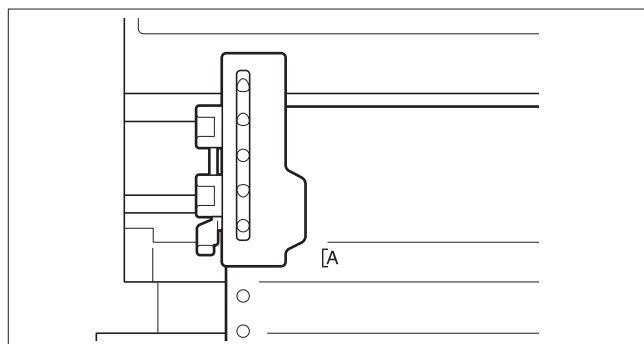
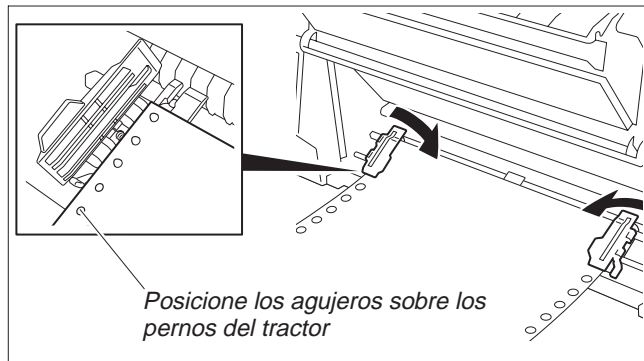
Levante las palancas de fijación izquierda y derecha hacia arriba en el sentido de la flecha para desbloquear los tractores.



Abra las abrazaderas de los tractores.

Ajuste los tractores a la anchura del papel.

Posicione el soporte de papel en el centro entre los tractores izquierdo y derecho.



Coloque el papel en el tractor izquierdo con la cara a imprimir hacia arriba. Para ello, posicione los agujeros de transporte del borde izquierdo del papel sobre los pernos del tractor y cierre la abrazadera.

Posicione los agujeros de transporte del borde derecho del papel sobre los pernos del tractor derecho y cierre la abrazadera.



Asegúrese de que el papel esté posicionado igualmente en los tractores a la izquierda y derecha y que se utiliza un número igual de pernos en ambos lados para evitar que se cargue el papel de forma oblicua, lo que puede causar un atasco de papel.

Tras colocación del papel se puede seleccionar la posición inicial de impresión deseada por medio de la guía lateral izquierda. La marca "A" indica la posición inicial de impresión estándar.

Presione hacia abajo la palanca de fijación izquierda para fijar el tractor.

Tense el papel con el tractor derecho y fíjelo por medio de la palanca de fijación.



Si no sea posible tensar el papel correctamente con el tractor derecho solo, modifique la posición del tractor izquierdo.

No tense el papel excesivamente porque los agujeros de transporte pueden rasgarse, ni lo deje flojo porque en este caso puede ir ondulándose, causando problemas de alimentación.

Encienda la impresora. Se visualiza el origen de papel activo (**Trac.1**). La impresora cargará el papel automáticamente cuando está en modo Online y recibe datos del ordenador.

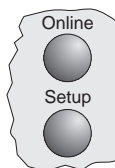
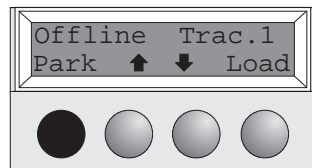
Para cargar el papel antes del inicio de impresión, presione el pulsador **Load**.

Cambiar el tipo de papel

Puede cambiarse el tipo de papel (el origen de papel) o por la función de selección rápida del origen de papel o mediante el menú Setup.

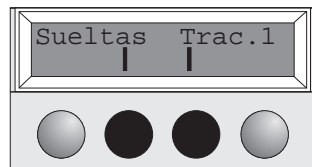
► Selección rápida del origen de papel

Si ha salido ya una hoja de papel continuo, córtela por medio de la hoja de corte. Para ello, proceda como sigue:



Asegúrese de que la impresora esté en modo Offline. Si fuese necesario, presione el pulsador **Online**. Presione el pulsador Park.

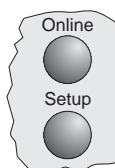
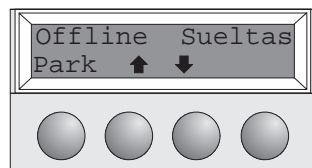
Si se encuentra papel continuo en la impresora, se lo transporta a la posición de corte. Aparece "Corte desactivad" en el visualizador. Luego, presione cualquier pulsador. Si se encuentra una hoja suelta en la impresora, se la expulsa.



Seleccione el origen de papel deseado con uno de los pulsadores marcados, en nuestro ejemplo, **Sueatas**.



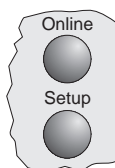
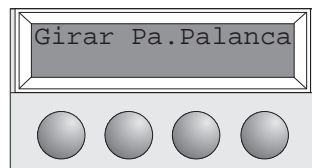
Si la selección no se realiza dentro de 5 segundos, la impresora sale del menú.



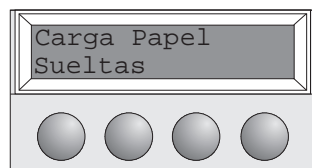
La impresora vuelve al modo Offline.

El visualizador alterna entre ...

y...

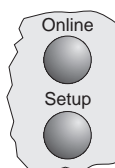
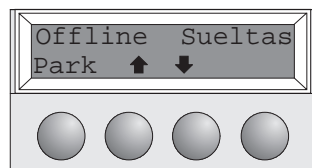


Ponga la palanca de selección de papel a la posición para hojas sueltas (véase página 11, *Cargar papel*).



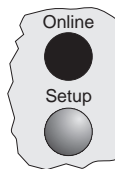
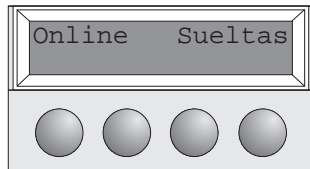
El visualizador alterna entre...

y...



Abra la bandeja de salida levantándola en el sentido de la flecha. Detenga la bandeja de salida y retire los soportes de papel.

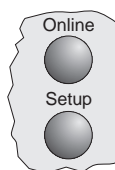
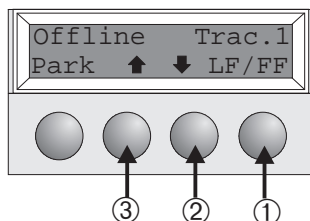
Ajuste la guía lateral izquierda a la posición inicial de impresión deseada. Alinee una hoja suelta con la guía lateral izquierda y ajuste la guía lateral derecha a la anchura del papel utilizado. Inserte la hoja entre las dos guías laterales. La impresora va a cargarla automáticamente hasta la posición de impresión (véase página 11, *Cargar papel*).



Presione el pulsador **Online** para poner la impresora al estado listo para el servicio.

Transporte de papel

El papel colocado (papel continuo/hojas sueltas) puede transportarse de varias maneras en la impresora.



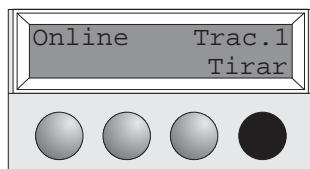
Asegúrese de que la impresora esté en modo Offline. Si fuese necesario, presione el pulsador **Online**.

- ① Pulsación breve del pulsador: Se inicia un avance de línea (LF)
Pulsación larga del pulsador: Se inicia un avance de página (FF)
- ② Pulsación breve del pulsador: Se transporta el papel hacia abajo por pasos
Pulsación larga del pulsador: Transporte continuo hacia abajo
- ③ Pulsación breve del pulsador: Se transporta el papel hacia arriba por pasos
Pulsación larga del pulsador: Transporte continuo hacia arriba

Manejo

► Transportar papel a la posición de corte

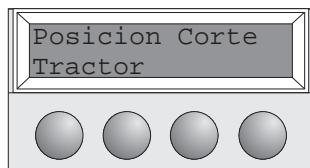
Se transporta el papel continuo a la posición de corte con el pulsador **Tirar**.



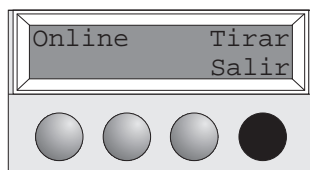
Asegúrese de que la impresora esté en modo Online.

Presione el pulsador **Tirar**. La impresora posiciona la línea de perforación del papel continuo a la hoja de corte.

La visualización alterna entre...



y...

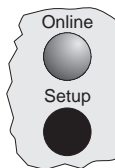
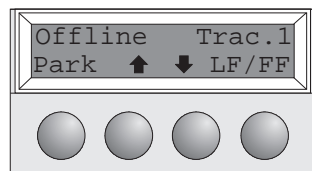


Después de cortar el papel presione el pulsador **Salir**. La impresora reposiciona el papel a la primera posición de impresión.

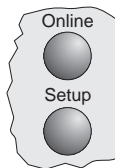
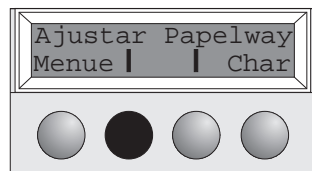
Ajustes (I)

► Ajustar la posición de corte

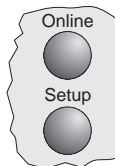
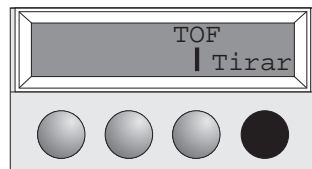
Si la posición de corte del papel no coincide con la hoja de corte de la impresora, puede ajustarla.



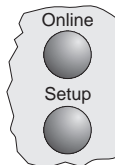
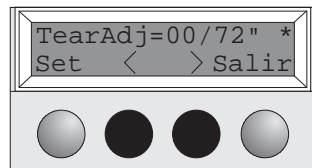
Presione el pulsador **Setup**. La impresora cambia al modo Setup.



Presione el pulsador **Ajustar**.



Presione el pulsador **Tirar**.



Por medio del pulsador < o > ponga la perforación a la posición deseada. Confirme la entrada presionando el pulsador **Set**. La impresora vuelve al estado inicial.



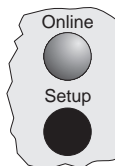
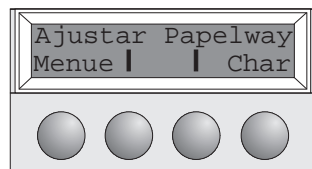
La corrección realizada – máximo 2,5 cm, aprox., (1") en cada dirección – permanece también después de desconectar la impresora.

► Ajustar la primera línea de impresión

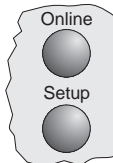
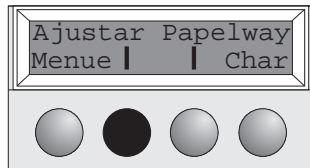
Con la función TOF se puede ajustar la posición de la primera línea de impresión separadamente para cada origen de papel y para cada menú.



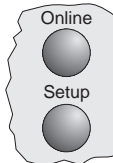
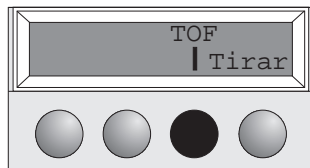
Antes de iniciar la función TOF – y cuando se utiliza papel continuo – debería ajustar la posición de corte (descrito anteriormente).



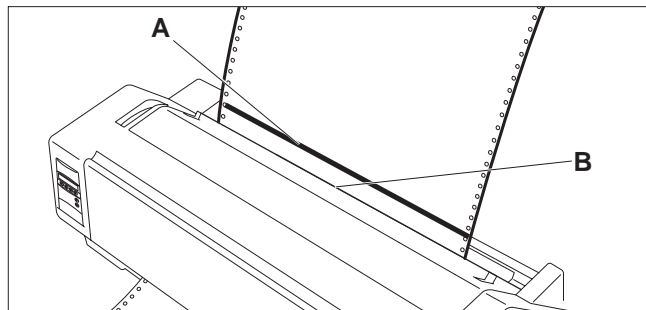
Presione el pulsador **Setup**. La impresora cambia al modo Setup.



Presione el pulsador **Ajustar**.

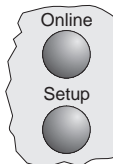
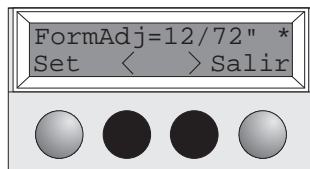


Presione el pulsador **TOF**.



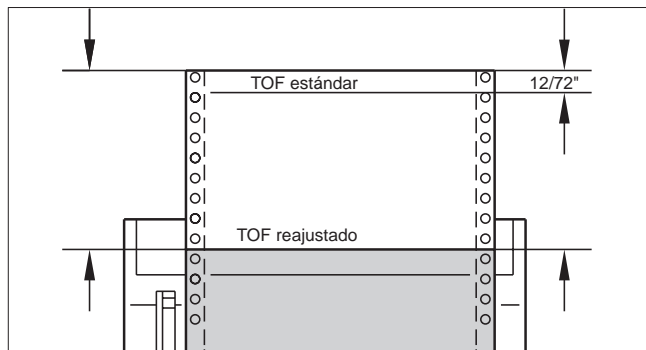
Se avanza el papel hasta que el borde inferior de la primera línea de impresión **A** esté alineado con la hoja de corte **B**.

Se ha ajustado la primera posición de impresión a 12/72" en fábrica.



Por medio del pulsador < o > ajuste la primera línea de impresión a la posición deseada.

Se pueden ajustar valores entre 0 y 220/72" para papel continuo y entre 0 y 72/72" para hojas sueltas.



Confirme la entrada presionando el pulsador **Set**.

La impresora vuelve al estado inicial.

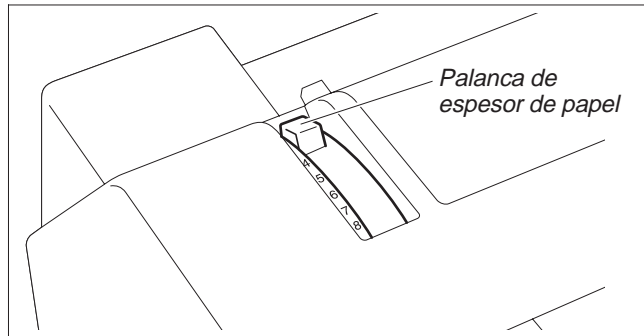


La selección realizada permanece también después de desconectar la impresora. Para más detalles, véase el disco CD-ROM en línea, capítulo 3 (Ajustes mecánicos de la impresora).

Ajustes (II)

► Ajustar la distancia de cabeza

La impresora está provista de una palanca de espesor de papel, la cual sirve para ajustar la distancia de la cabeza de impresión.



Para obtener una calidad óptima de impresión, hay que ajustar la distancia entre la cabeza de impresión y el contrasoposte de acuerdo con el espesor del papel utilizado.

La tabla siguiente muestra la gama de ajuste:

Copias/espesor de papel	Ream (kg)	g/m ²	Posición de palanca
Original solo, delgado	45–55	50–65	1
Original solo, regular	55–77	65–90	1–2
Original solo, grueso	77–110	90–130	2
Original + 1	34/34	40/40	2–3
Original + 2	34/34/34	40/40/40	2–4
Original + 3	34/34/34/34	40/40/40/40	3–4
Original + 4	34/34/34/34/34	40/40/40/40/40	4–5
Original + 5	34/34/34/34/34/34	40/40/40/40/40/40	5–6
Tarjeta postal	110	130	3
Reservado	—	—	7–8



1. "Ream" es una unidad de medida para el peso del papel. Se mide el peso de 1000 hojas sueltas del tamaño 788 mm x 1091 mm en kilogramas.
2. Si se imprime un original solo, pueden utilizarse hojas sueltas de Ream 45 kg o más o papel continuo de Ream 50 kg o más.
3. Si se pone la palanca de espesor de papel a un valor que exceda lo necesario, resultarán impresos irregulares y se reduce la vida útil de la cabeza de impresión y la cinta.

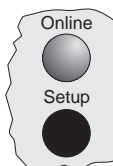
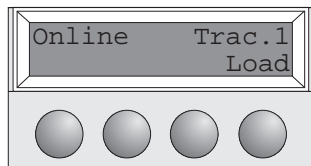
➤ **Cambiar el papel en el modo Setup**

➤ **Cambiar de papel continuo a sueltas**

La impresora ha sido procesando papel continuo y se intenta cambiarla al modo de hojas sueltas.

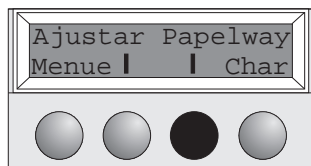


No es necesario quitar el papel continuo.

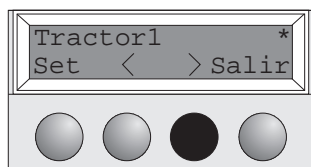


Corte el papel continuo salido por medio de la hoja de corte. Para ello, proceda como sigue:

Presione el pulsador **Setup**. La impresora cambia al modo Setup.



Presione el pulsador **Papelway**. La impresora visualiza el menú Papelway, es decir, origen de papel.



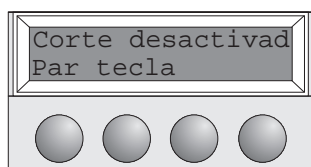
Por medio del pulsador < o > cambie al modo Seltas (hojas sueltas).

El ajuste actualmente activo (**Trac.1**) se marca por un asterisco ”*”.



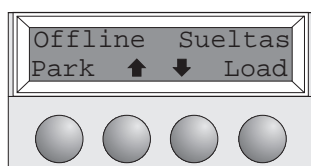
Confirme la entrada presionando el pulsador **Set**.

Una señal acústica acusa recibo de la entrada; se transporta el papel continuo a la posición de corte. Separe el papel continuo en la hoja de corte.



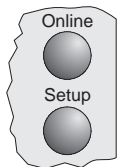
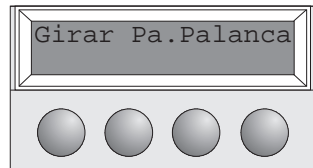
Aparece en el visualizador...

Presione cualquier pulsador.



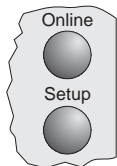
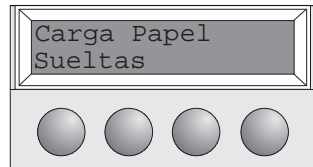
La impresora vuelve al estado inicial y se transporta el papel continuo a la posición de aparcamiento. El visualizador alterna entre...

y...

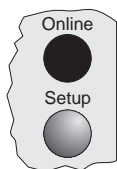
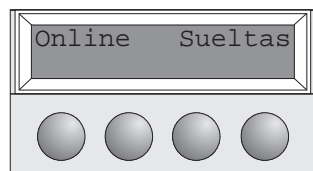


Ponga la palanca de selección de papel a la posición para hojas sueltas.

Aparece en el visualizador...



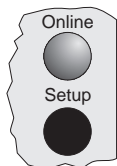
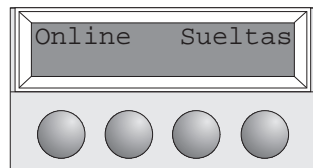
Abra la bandeja de salida levantándola en el sentido de la flecha. Detenga la bandeja de salida y retire los soportes de papel (véase página 10). Alinee una hoja suelta con la guía lateral izquierda y ajuste la guía lateral derecha a la anchura del papel utilizado. Inserte la hoja entre las dos guías laterales. La impresora va a cargarla automáticamente hasta la posición de impresión (véase página 11).



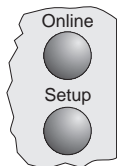
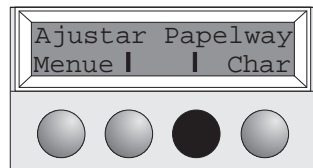
Presione el pulsador **Online** para poner la impresora en el estado listo para el servicio.

► Cambiar de sueltas a papel continuo

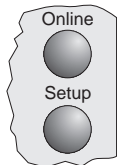
La impresora ha sido procesando hojas sueltas y se intenta cambiarla al modo de papel continuo. Asegúrese de que está cargado papel continuo. Para más detalles, véase página 12 (*Papel continuo*).



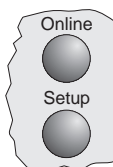
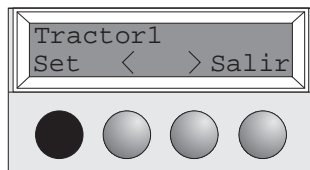
Empuje el soporte de papel adentro en la bandeja de salida y gire ésta abajo. Presione el pulsador **Setup**. La impresora cambia al modo Setup.



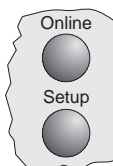
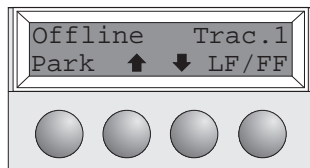
Presione el pulsador **Papelway**. La impresora visualiza el menú Papelway, es decir, origen de papel.



Por medio del pulsador < o > cambie al modo Tractor 1 (modo papel continuo). El ajuste actualmente activo (**Seltas**) se marca por un asterisco "★".

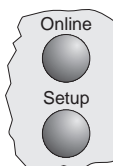
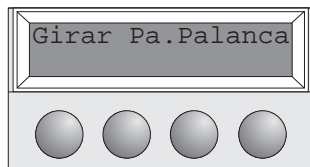


Confirme la entrada presionando el pulsador **Set**. Una señal acústica acusa recibo de la entrada.



El visualizador alterna entre...

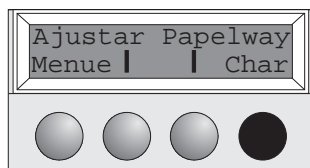
y...



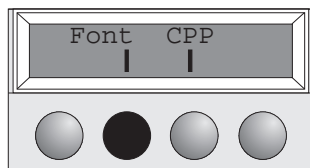
Ponga la palanca de selección de papel a la posición apropiada. Ahora la impresora puede procesar el papel continuo. Presione el pulsador **Online** para poner la impresora al estado listo para el servicio.

► Seleccionar la fuente

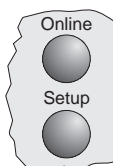
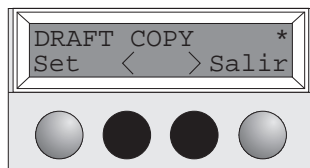
Con el pulsador **Font** pueden seleccionarse fuentes en el modo Setup.



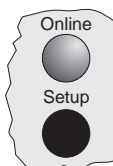
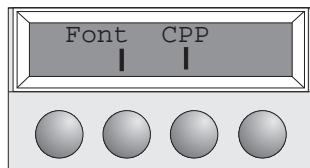
Presione el pulsador **Setup**.
Presione el pulsador **Char**.



Presione el pulsador **Font**.



Por medio del pulsador < o > seleccione la fuente deseada. Confirme la selección presionando el pulsador **Set**.



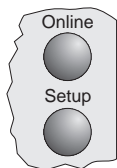
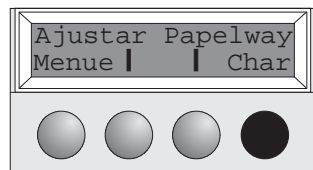
Presione el pulsador **Setup**. La impresora vuelve al estado inicial. Alternativamente puede presionar el pulsador **Online**. Entonces la impresora cambia al modo Online directamente.



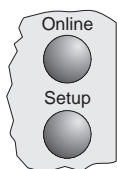
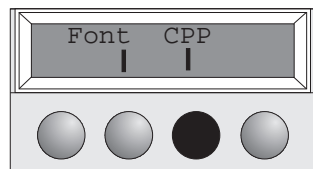
La selección realizada no permanece después de desconectar la impresora. Para informaciones detalladas sobre la selección permanente de fuentes, véase el disco CD-ROM en línea, capítulo 1 (Tabla de descripción del menú).

► Ajustar la densidad

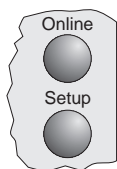
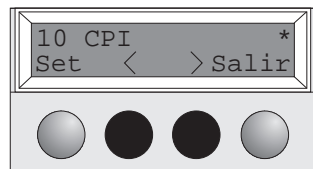
Con el pulsador CPP se puede ajustar en el modo Setup el número de caracteres por pulgada para la impresión.



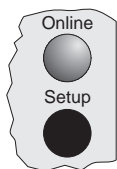
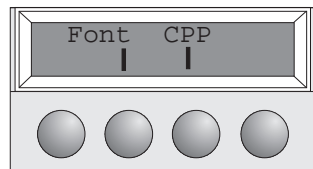
Presione el pulsador **Setup**.
Presione el pulsador **Char**.



Presione el pulsador **CPP**.



Por medio del pulsador < o > seleccione la densidad de caracteres deseada.
Confirme la selección presionando el pulsador **Set**.



Presione el pulsador **Setup**. La impresora vuelve al estado inicial.
Alternativamente puede presionar el pulsador **Online**. Entonces la impresora cambia al modo Online directamente.



La selección realizada no permanece después de desconectar la impresora. Para informaciones detalladas sobre la selección permanente de la densidad de caracteres, véase el disco CD-ROM en línea, capítulo 1 (Tabla de descripción del menú).

Datos técnicos

► Especificaciones de la impresora

	9	24
Tecnología de impresión	En serie con cabeza de impresión de 9 agujas	En serie con cabeza de impresión de 24 agujas
Anchura de impresión	Impresora estrecha 80 caracteres en modo 10 cpp Impresora ancha 136 caracteres en modo 10 cpp	Impresora estrecha 80 caracteres en modo 10 cpp Impresora ancha 136 caracteres en modo 10 cpp
Velocidad de impresión (bidireccional)	LN-Draft 413 cps en modo 10 cpp Draft 10 cps en modo 10 cpp NLQ 77 cps en modo 10 cpp	Draft 409 cps en modo 10 cpp Draft Copy 275 cps en modo 10 cpp NLQ/LQ 92 cps en modo 10 cpp
Densidad de caracteres	5, 6, 7.5, 8.6, 10, 12, 15, 17.1, 20 cpp (HS-Draft: sólo 10, 12 cpp)	5, 6, 7.5, 8.6, 10, 12, 15, 17.1, 20 cpp
Resolución gráfica	horizontal 240 ppp / vertical 144 ppp	horizontal 360 ppp / vertical 180 ppp
Vida útil de la cinta	4 millones de caracteres	4 millones de caracteres
Nivel de ruido	55 dB (A), aprox.	55 dB (A), aprox.
Dimensiones	Impresora estrecha 485 x 206 x 272 mm (W x H x D) Impresora ancha 625 x 206 x 272 mm (W x H x D)	Impresora estrecha 485 x 206 x 272 mm (W x H x D) Impresora ancha 625 x 206 x 272 mm (W x H x D)
Peso	Impresora estrecha 9 kg / Impresora ancha 11 kg	Impresora estrecha 9 kg / Impresora ancha 11 kg
Alimentación eléctrica	EE.UU./Canadá AC 120 V 10% / 60 Hz 3% Europa AC 230 V 10% / 50 Hz 3%	EE.UU./Canadá AC 120 V 10% / 60 Hz 3% Europa AC 230 V 10% / 50 Hz 3%
Potencia consumida	a rendimiento de 100% < 60 VA marcha en vacío < 10 VA	a rendimiento de 100% < 60 VA marcha en vacío < 10 VA
Condiciones ambientales	Temperatura 10°C a 40°C Humedad del aire 20% a 80%	Temperatura 10°C a 40°C Humedad del aire 20% a 80%
Cabeza de impresión	Número de agujas 9 Diámetro de agujas 0,3 mm Número de copias 1 original + 5 copias	Número de agujas 24 Diámetro de agujas 0,22 mm Número de copias 1 original + 3 copias
Búfer de interface	64 kB máx.	64 kB máx.
Aprobaciones	UL 1950, VDE-GS, CE, FCC Class B, UL/ULc	UL 1950, VDE-GS, CE, FCC Class B, UL/ULc

► Especificaciones del papel

Hojas sueltas	Peso de papel Ancho Largo	60 – 120 g/m ² Impresora estrecha: 76 – 220 mm / Impresora ancha: 76 – 420 mm 76 – 559 mm
Papel continuo Papel simple	Peso de papel Ancho Largo	60 – 120 g/m ² Impresora estrecha: 76 – 254 mm / Impresora ancha: 76 – 420 mm 76 – 559 mm
Formularios en copias múltiples	Peso de papel Ancho/Largo Espesor de copias múltiples Número de copias	Original: 45 – 65 g/m ² / Copia: 45 – 56 g/m ² / Última hoja: 45 – 65 g/m ² Véase papel simple 0,5 mm máx. 1+5 (9 agujas) / 1+3 (24 agujas)

"All rights reserved. Translations, reprinting or copying by any means of this manual complete or in part or in any different form requires our explicit approval. We reserve the right to make changes to this manual without notice. All care has been taken to ensure accuracy of information contained in this manual. However, we cannot accept responsibility for any errors or damages resulting from errors or inaccuracies of information herein."

„ Alle Rechte vorbehalten. Übersetzungen, Nachdruck und sonstige Vervielfältigungen dieses Handbuchs, auch in Teilen und gleichgültig in welcher Form, bedürfen unserer ausdrücklichen schriftlichen Erlaubnis. Inhaltliche Änderungen dieses Handbuchs behalten wir uns ohne Ankündigung vor. Dieses Handbuch wurde mit Sorgfalt erstellt; wir können jedoch für etwaige Fehler und Mängel dieses Handbuchs sowie für daraus sich ergebende Folgeschäden keine Haftung übernehmen.“

"Tous droits réservés. Toute reproduction ou traduction de ce manuel, qu'elle soit complète, partielle ou sous une forme différente est interdite sans notre accord formel. Nous nous réservons le droit de modifier ce manuel sans préavis. Toutes les précautions ont été prises afin d'assurer l'exactitude des informations contenues dans ce manuel. Cependant, nous déclinons toute responsabilité pour les fautes ou dégâts provenant d'erreurs ou d'inexactitudes qui seraient restées dans ce manuel."

„ Tutti i diritti sono riservati. Traduzione, ristampa o copia di contenuti in parte, totalmente o in qualsiasi differente forma richiede la nostra esplicita approvazione. Noi ci si riserviamo il diritto di variare questo manuale senza preavviso. Tutte le precauzioni sono state prese per assicurare la precisione delle informazioni contenute in questo manuale. Comunque, noi non possiamo accettare responsabilità per errori o danni provocati da errori o inesattezze contenuti nel manuale.“

"Todos los derechos reservados. Para traducciones, la reimpresión y otras reproducciones de este manual, incluso parciales y en cualquier forma, será necesaria nuestra autorización expresa, por escrito. Nos reservamos el derecho de modificar el contenido de este manual sin previo aviso. Este manual fue elaborado con cuidado, pero no podemos responsabilizarnos por eventuales errores e imperfecciones del presente manual, ni por daños consiguientes que resulten de ellos."

TRADEMARK ACKNOWLEDGEMENTS

"CENTRONICS" is a trademark of Centronics Data Computer Corporation.

"EPSON" is a trademark of Epson America Incorporated.

"IBM" is a trademark of International Business Machines Corporation.

"MS-DOS" is a trademark of Microsoft Corporation.

"Windows", "Windows 95", "Windows 98" and "Windows NT" are trademarks of Microsoft Corporation.

WARENZEICHEN

„CENTRONICS" ist ein Warenzeichen der Centronics Data Computer Corporation.

„EPSON" ist ein Warenzeichen der Epson America Incorporated.

„IBM" ist ein Warenzeichen der International Business Machines Corporation.

„MS-DOS" ist ein Warenzeichen der Microsoft Corporation.

„Windows", „Windows 95", „Windows 98" und „Windows NT" sind Warenzeichen der Microsoft Corporation.

MARQUES DÉPOSÉES

"CENTRONICS" est une marque déposée Centronics Data Computer Corporation.

"EPSON" est une marque déposée Epson America Incorporated.

"IBM" est une marque déposée International Business Machines Corporation.

"MS-DOS" est une marque déposée Microsoft Corporation.

"Windows", "Windows 95", "Windows 98" et "Windows NT" sont des marques déposées Microsoft Corporation.

MARCHI REGISTRATI

"CENTRONICS" è un marchio registrato della Centronics Data Computer Corporation.

"EPSON" è un marchio registrato della Epson America Incorporated.

"IBM" è un marchio registrato della International Business Machines Corporation.

"MS-DOS" è un marchio registrato della Microsoft Corporation.

"Windows", "Windows 95", "Windows 98" e "Windows NT" e sono marchi registrati della Microsoft Corporation.

MARCAS REGISTRADAS

"CENTRONICS" es una marca registrada de la Centronics Data Computer Corporation.

"EPSON" es una marca registrada de la Epson America Incorporated

"IBM" es una marca registrada de la International Business Machines Corporation.

"MS-DOS" es una marca registrada de la Microsoft Corporation.

"Windows"/"Windows 95"/"Windows 98"/"Windows NT" son marca registrada de la Microsoft Corporation.

TALLY REPRESENTATIVES

GERMANY

Tally Computerdrucker GmbH
Postfach 2969
D-89019 Ulm
Deutschland
Tel.: +49 7308 80 0
Fax: +49 7308 5903
<http://www.Tally.de>

ITALY

Tally S.R.L.
Via Borsini 6
I-20094 Corsico (MI)
Italia
Tel.: +39 02 48608 1
Fax: +39 02 48601 141
<http://www.Tally.it>

SPAIN

Tally SRL
Joaquin Lorenzo 4, Local
28033 Madrid
España
Phone: +34 902 196 183
Fax: +34 913 739 943
<http://www.Tally.es>

SINGAPORE

Tally AMT Printers Pte. Ltd
63 Hillview Avenue
#08-22, Lam Soon Industrial Building
Singapore 669569
Phone: +65 6760 8833
Fax: +65 6760 1066
<http://www.Tally.com.sg>

U.S.A.

Tally Corp.
P.O.Box 97018
8301 South, 180th Street
Kent, WA 98032
U.S.A.
Phone: +1 425 25155 00
Fax: +1 425 25155 20
<http://www.Tally.com>

UNITED KINGDOM

Tally Limited
Rutherford Road
Basingstoke, Hampshire
RG24 8PD
England, U.K.
Phone: +44 870 872 2888
Fax: +44 870 872 2889
<http://www.Tally.co.uk>

CANADA

Tally Corp.
125 Traders Boulevard, 9
Mississauga, Ontario L4Z 2E5
Canada
Phone: +1 905 8904646
Fax: +1 905 8904567
<http://www.Tally.com>

FRANCE

Tally S.A.
19 avenue de L'île Saint Martin
F-92237 Nanterre Cedex
France
Tél.: +33 1 41 30 11 00
Fax: +33 1 41 30 11 10
<http://www.Tally.fr>

AUSTRIA

Tally Ges.m.b.H.
Eduard-Kittenberger-Gasse 95 B
A-1232 Wien
Austria
Tel.: +43 1 863 40 0
Fax: +43 1 863 40 240
<http://www.Tally.co.at>

Russian Federation and C.I.S.

Tally Representative
Park Place Moscow
Office D-206
Leninsky Prospekt 113/1
117198 Moscow
Russian Federation
Phone: +7 095 956 56 40
Fax: +7 095 956 55 41
<http://www.Tally.ru>

255071-001A