

Note!  
Bemærk!  
Achtung!

A noter  
Attentie!  
Obs!

¡Atención!  
Attenzione!  
Atenção!

Huomaa!  
注意!  
Προσοχή!

Внимание!  
Megjegyzés!  
Uwaga!

Dikkat!  
Upozornění!  
Pozor!

Opomba!  
注意!



Wrong  
Forkert  
Falsch!

Faux  
Fout!  
Fel!

¡Incorrecto!  
Sbagliato!  
Errado!

Väärin!  
啾、!  
Λάθος!

Неправильно!  
Hibás!  
Nieprawidłowo!

Yanlış!  
Špatně!  
Nesprávne!

Napačno!  
間違い!



Correct  
Korrekt  
Richtig!

Vrai  
Goed!  
Rätt!

¡Correcto!  
Giusto!  
Correto!

Oikein!  
正确!  
Σωστό!

Правильно!  
Megfelelő!  
Prawidłowo!

Doğru!  
Správně!  
Správne!

Pravilno!  
正しい!



Listen  
Lyt  
Hören!

Ecoutez!  
Luister!  
Lyssna!

¡Escuche!  
Ascoltare!  
Ouça!

Kuuntele!  
倾听!  
Ακούστε!

Слушайте!  
Hallgassa meg!  
Sluchaj!

Dinle!  
Poslouchajte!  
Počúvajte!

Poslušajte!  
聴取!

## Declaration of Conformity

We, Jamo A/S  
Elmevej 8  
7870 Glyngøre  
Denmark



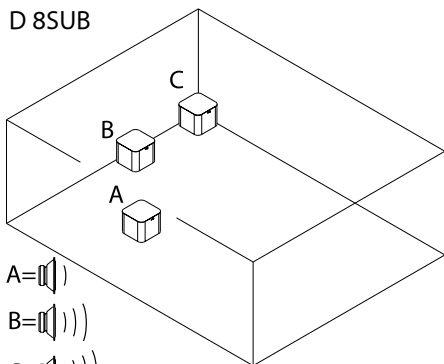
Glyngøre, Denmark

Declare in own responsibility, that the Jamo product described in this instruction manual is in compliance with the corresponding technical standards such as EN60065, EN55013 and EN61000-3-2

*Esbén I. Noesgaard*  
Esbén I. Noesgaard

**1**

D 8SUB

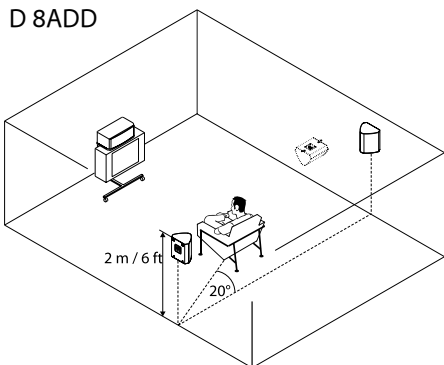


A=

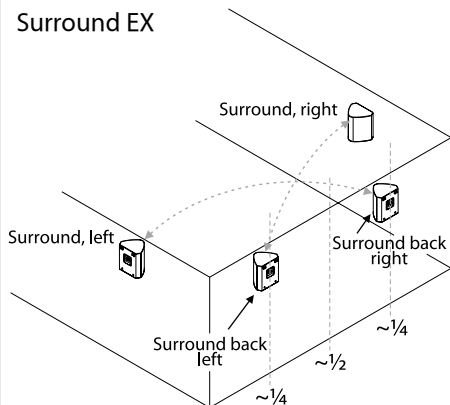
B=

C=

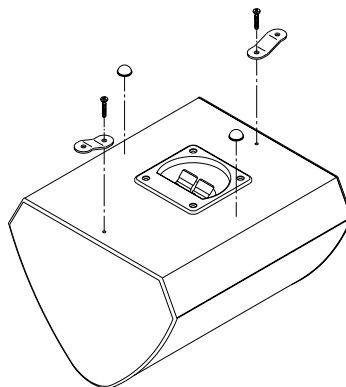
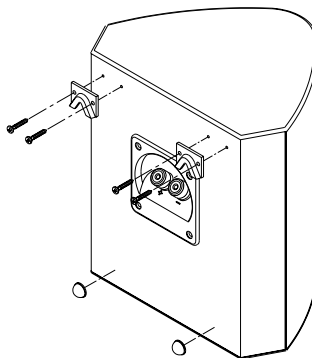
D 8ADD



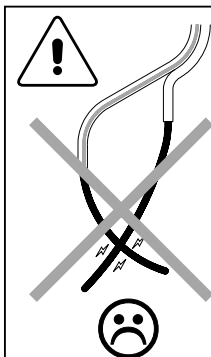
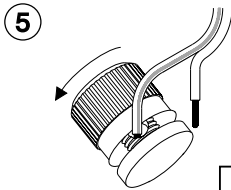
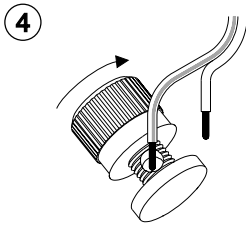
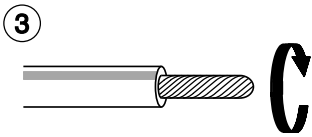
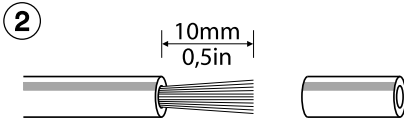
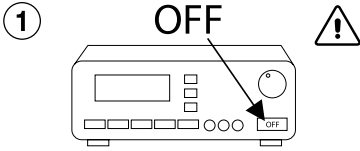
Surround EX

**2**

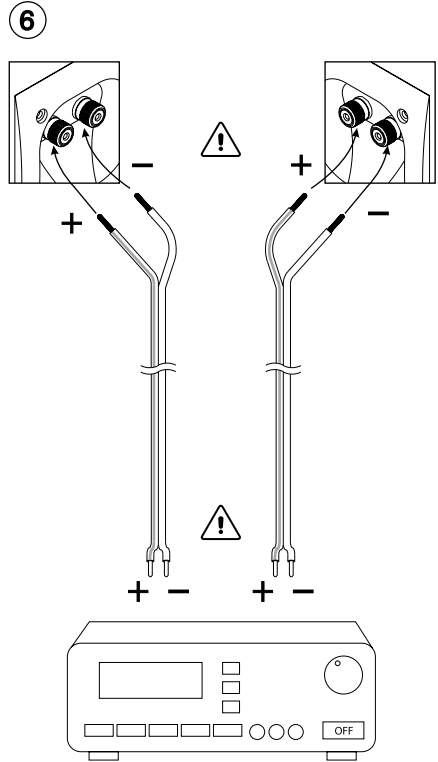
D 8SUR



# 3

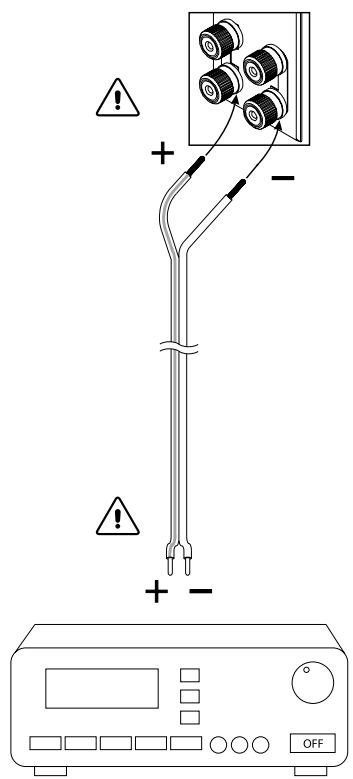


# D 8SUR

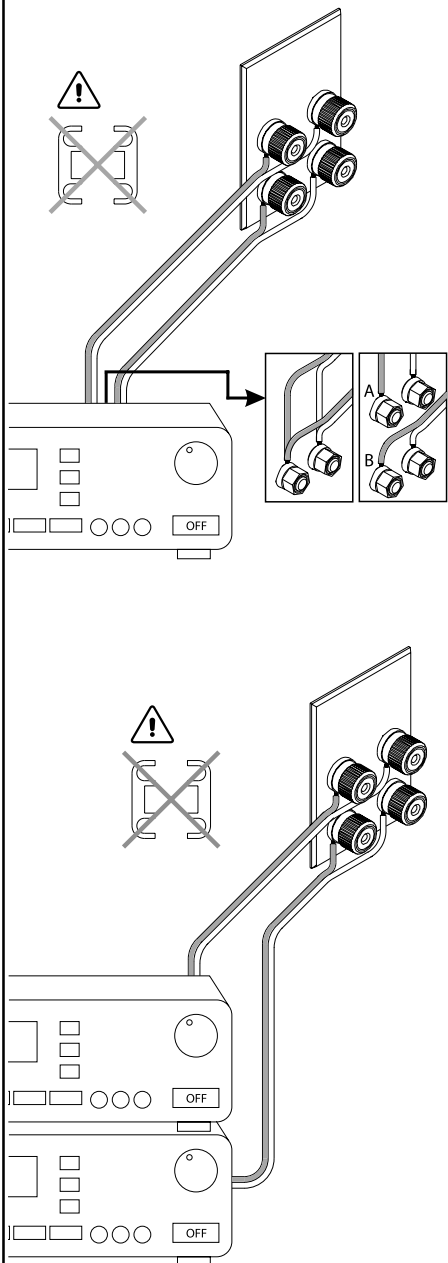


## D 8CEN - a

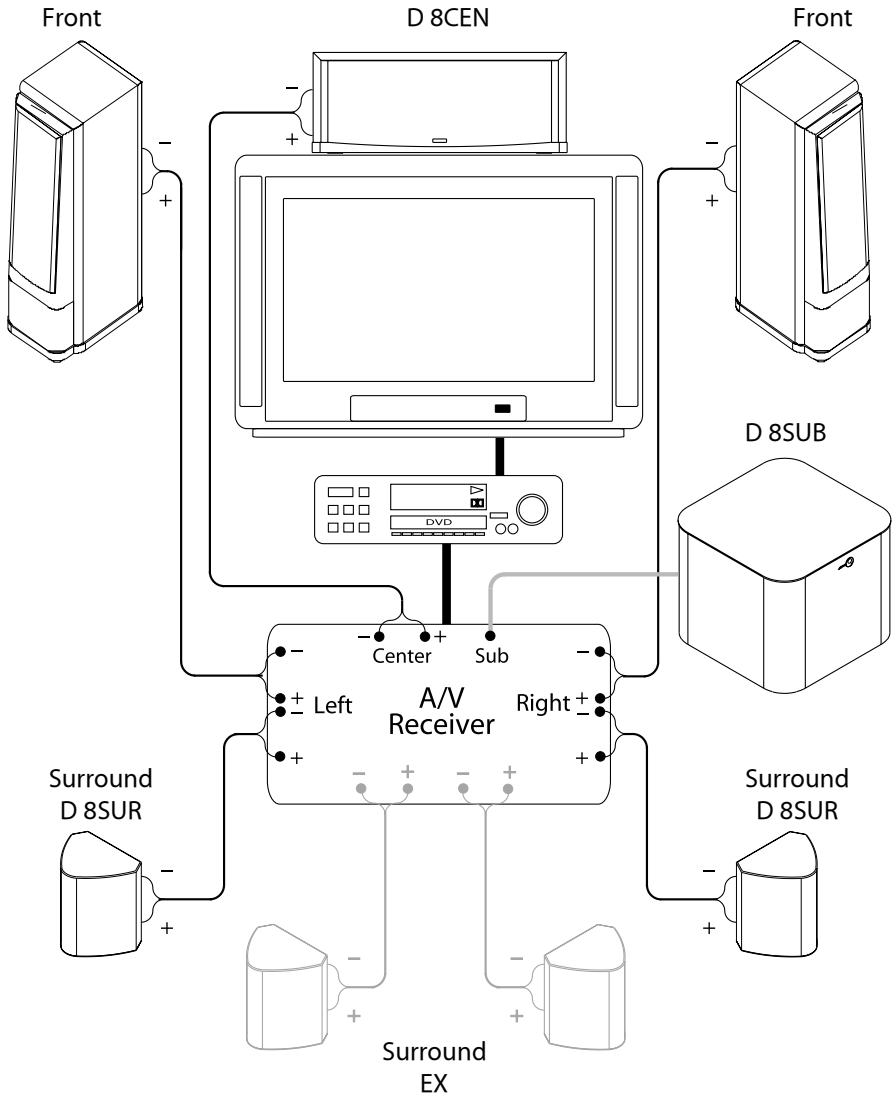
6



## D 8CEN - b



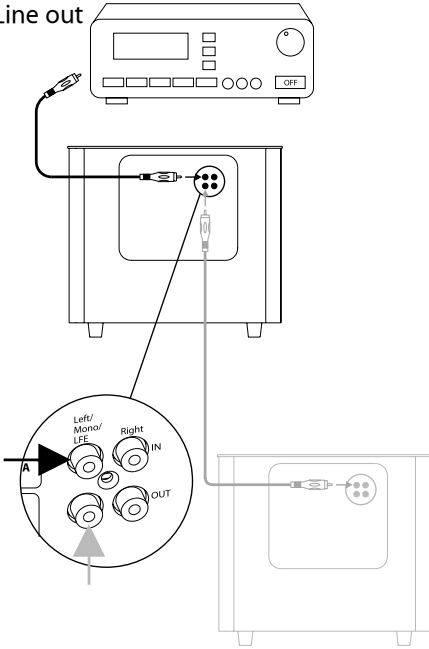
4



# 5

## D 8SUB

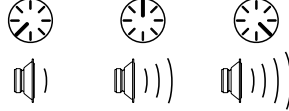
Sub  
Line out



# 6

## D 8SUB

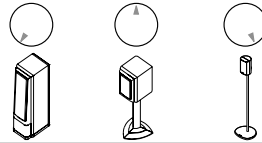
Level



Cut off  
Frequency



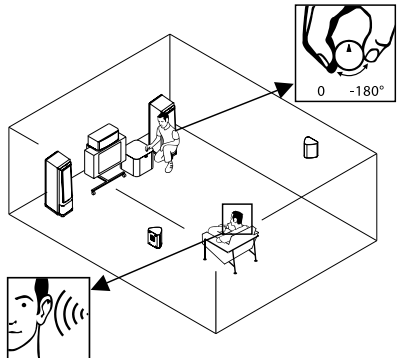
40Hz 150Hz



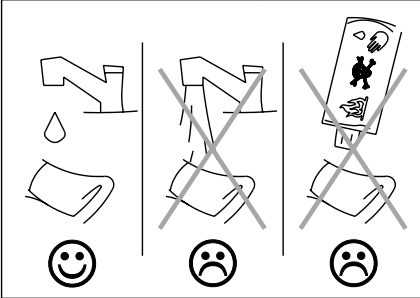
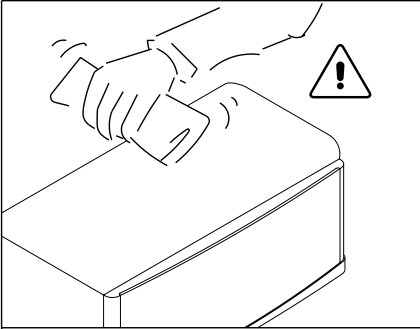
Phase



0 -180°



7



8



[www.jamospeakers.com](http://www.jamospeakers.com)

# 9

**Type**.....**D 8SUR**  
**System**.....2 Way Bipole/Dipole  
**Woofers**.....2 x 5¼" / 133 mm  
**Tweeter**.....2 x 1" / 25 mm  
**Power handling\***.....150W / 200W  
**Frequency range**.....50 - 20.000 Hz  
**Impedance**.....6 Ohm  
**Dimensions**.....272x256x194mm  
10,7x10,1x7,6in  
**Weight**.....5,4 kg / 11,9 lb

**Type**.....**D 8CEN**  
**System**.....3 Way Aperiodic Chamber  
**Woofers**.....2 x 6½" / 165 mm  
**Midrange**.....1½" / 38 mm  
**Tweeter**.....1" / 25 mm  
**Power handling\***.....110W / 150W  
**Frequency range**.....65 - 20.000 Hz  
**Impedance**.....4 Ohm  
**Dimensions**.....217x555x285mm  
8,5x21,9x11,2in  
**Weight**.....10,8 kg / 23,8 lb

**Type**.....**D 8SUB**  
**System**.....Active subwoofer  
**Woofers**.....12" / 305 mm  
**Amp. Rated output**.....400W  
**Frequency range**.....28 - 120 Hz  
**Upper cutoff frequency**.....Adj. 40 - 120 Hz  
**Maximum SPL**.....107 dB  
**Phase**.....Adjustable 0 - 180°  
**Dimensions**.....407x454x454mm  
16,0x17,9x17,9in  
**Weight**.....20,1 kg / 44,3 lb

Specifications subject to technical changes.  
\*Long / Short term power, According to IEC 268-5.



# D 8ADD

---

## Advanced Owner's Manual

**Jamo**<sup>®</sup>  
*Let's get personal*

## Introduction

Congratulations on your choice of Jamo D 8. By choosing this high-end loudspeaker, you are ensured a first-rate natural sound reproduction - that is, of course, if the rest of your system can match the loudspeakers. For you will also be able to mercilessly reveal any possible shortcomings in the rest of the music chain as well as the music material used.

In order to get the maximum benefit it is therefore important to go through these instructions which offer good advice about installing/connecting the units and about the acoustics of the listening room. We also tell you a little about the techniques we have used and the decisions we have made to reach the goal - to present what it is all about - MUSIC!

### A few comments on quality

To us at Jamo it is of fundamental importance that no Jamo loudspeaker is found to deviate from the reference model, irrespective of production time.

In order to meet this requirement, all components and units must be approved within very narrow tolerances even at entry level. A continuous quality control is performed on all semi-manufactures, and in the end all Jamo loudspeakers are put through a compulsory final quality control before leaving the factory.

Jamos consistent high levels of quality and workmanship, and thus the uniform quality in production, are based on several factors, notably the experience and expertise which have accumulated at Jamo since the company's start in 1968, as well as the fact that Jamo was the first loudspeaker manufacturer in the world to obtain certification according to the strict ISO 9001 quality norm in 1992.

### Unpacking

When you unpack your new loudspeakers, you might think that the "glow" of the cabinets and/or the colour play of the veneer do not completely match the demonstration models that you may have seen at your Jamo dealer's. However, this is just a result of the fact that each piece of genuine veneer will have its own individual features, and since it is a natural material, you will find that the colour play and the "glow" change as the loudspeakers are exposed to light and air. So in time they will look even better and have even more "soul"! Remember also that loudspeakers should be "broken in", that is play for some time, before they can perform at their best! If you do not want to do this when you are at home, set your tuner between two stations, so that a hissing sound is heard from the loudspeakers. Then leave the loud-speakers to play for a few hours at a medium sound level.

After this, the rest is up to you - we are sure that you will get many hours of fine entertainment.

Enjoy yourself!

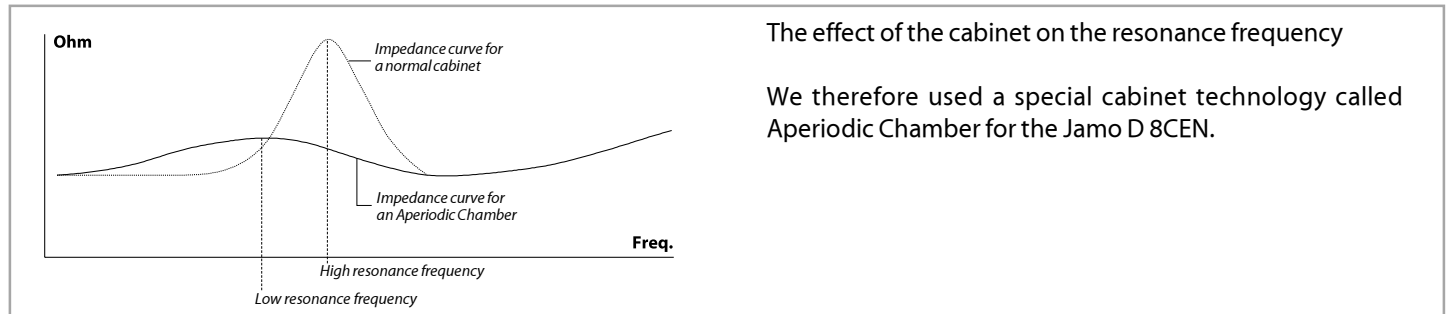
*Preben **J**akobsen    Julius **M**ortensen*

## Design, D 8CEN

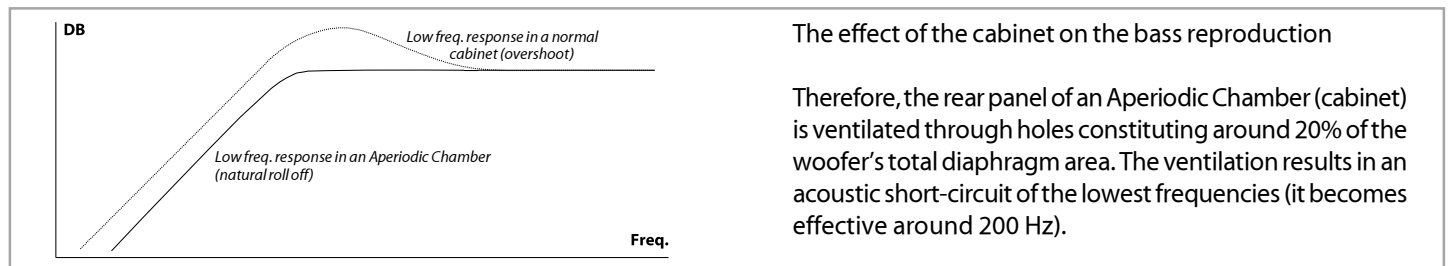
Jamo D 8CEN was developed especially for the enthusiast who makes equally heavy demands on supreme and uncompromising reproduction of surround sound as for hi-fi listening. As the main job of the centre speaker is to reproduce the dialogue and the action taking place at the centre of the screen, we have given a high priority to obtaining optimum intelligibility of speech as well as powerful reproduction of the full frequency range in the Jamo D 8CEN. This means that all the sound reproduced by the centre loudspeaker will be clear and easy to understand - even at high sound pressures and when the dialogue is accompanied by loud explosions and other impressive sound effects in the film sound track.

### Cabinet

To obtain a "dry" reproduction of dialogue, a low resonance frequency is required - and usually a loudspeaker cabinet will do just the opposite - which is to increase the resonance frequency!



Other than the "dry" reproduction, this technology also permits using large woofers in a relative small cabinet, resulting in the desired authoritative sound. Normally, using large woofers in small cabinets will result in a frequency overshoot immediately before the woofers' low-frequency roll-off point. The consequence of this overshoot is very often perceived as a rumbling bass reproduction.



Ventilating the cabinet dampens the overshoot, partly because of the acoustical short-circuit, and partly because of the mechanical dampening applied to the woofers.

In an Aperiodic Chamber, the diaphragm displacement will increase in the area below the resonance frequency - this means that although there is a "low frequency short-circuit" the frequency response will extend way below what is required of a centre loudspeaker. Of course the larger diaphragm displacement calls for customised woofers with well-controlled limits of displacement.

Controlling the ventilation of an Aperiodic Chamber requires critical dampening with a large amount of acoustic absorption foam. This in combination with the reduced rear panel area minimises the formation of standing sound waves and thereby eliminates coloration/distortion of the sound reproduction.

The cabinet for the Jamo D 8CEN is manufactured in 25 mm MDF board with genuine veneer. The front baffle is a sandwich construction consisting of a strong die-cast synthetic shell and 22 mm MDF board.

### Tweeter and Midrange

For the Jamo D 8CEN we have chosen a 1" and a 1½" soft dome to reproduce the treble and midrange areas, respectively. Both units are equipped with coated textile diaphragms and highly efficient neodymium magnets. The advantage of the compact size of the extremely powerful neodymium magnets is that they can be placed inside the voice coil. This ensures that a highly concentrated magnetic field is created exactly where it is needed. An additional advantage of this design is that the magnetic stray field is minimal, which eliminates the need for further magnetic shielding of these units.

The special 1½" midrange dome has been chosen to obtain a sufficiently low crossover frequency between the bass and midrange areas in order to ensure wide horizontal dispersion.

This is important to enable the centre loudspeaker to cover a "broad" listening position, when several persons are listening.

With a low crossover frequency, out of phase problems between the two woofers are avoided, allowing the required dispersion to be realised.

In order to ensure perfect transition to the woofer, the midrange unit is fitted in a specially designed horn, which has been tuned to just below the resonant frequency of the unit.

The horn provides a better coupling between the diaphragm and the surrounding air, which results in a linear reproduction and higher efficiency in the lower midrange area.

### Woofer

The diaphragms of the two woofers are manufactured in fibre glass, which is a rigid and quite heavy material. The relatively heavy moving mass and the resulting low resonance frequency have been chosen partly to achieve optimum harmony with the Aperiodic Chamber and partly to obtain the desired powerful and precise reproduction of the bass area below 1000 Hz.

The woofer's frame is made in die-cast plastic. This ensures that the magnetic force stays concentrated around the voice coil instead of spreading out into the basket. Also the magnetic strayfield is perfectly controlled, so that the loudspeaker can be placed directly on top of a TV set without causing discoloration of the picture.

## Design D 8SUR

### Cabinet

The most conspicuous feature about the Jamo D 8SUR loudspeaker set is the design. The unique design was developed not only to please the eye, but equally to satisfy the ear. Jamo D 8SUR is manufactured in 16 mm MDF board and accurately dampened with acoustic foam. The surface of the foam is shaped in a "honeycomb" pattern to obtain the largest possible surface area and thus maximum dampening of the sound radiating from the rear of the units.

To achieve optimum sound reproduction, the designs of the two loudspeakers in a pair are laterally reversed and therefore they are available only in sets of a left and right loudspeaker (see the marking on the back of the loudspeakers).

### Drive units

The treble is a soft dome tweeter.

The unit is oil cooled and has a voice coil wound of thermosetting wire on an aluminium voice coil former, for high power handling.

The woofer units have a specially woven fibre glass diaphragm. Other than the exclusive design, the special weave ensures a uniform material thickness over the entire diaphragm.

A loudspeaker diaphragm can be compared to a piston, and to comply with the heavy demands on the diaphragm material's stretch and compression properties, the composite fibre material is composed of four different types of glass and treated with a tough-hardening resin. This results in a light and rigid cone with good internal damping. Combined with the natural rubber suspension, which effectively prevents vibrations from travelling back to the diaphragm, the result is a very well-controlled diaphragm that operates without break-ups in its working range.

The unit's basket is made from injection moulded carbon fibre reinforced ABS. Using a non-magnetic material such as ABS ensures that the magnetic force stays concentrated around the voice coil instead of spreading out into the basket.

As a result, the efficiency of the unit is increased, and the loudspeaker may be placed closer to a TV set without risk of discolouring the image. Compared to a conventional metal basket, the acoustic properties are significantly improved, as the ABS material has a much higher internal damping.

The unit has a large magnet and a heavy voice coil with a diameter of 25mm.

All these properties lead to an open and precise sound reproduction with unsurpassed attack.

Jamo D 8SUR is designed to enable a diffuse sound reproduction giving the listener the feeling of being enveloped in sound. In conventional loudspeakers, this type of design will usually lead to a lack of efficiency in the deep bass area.

However, in order to meet the demands of digital 5.1 sound, Jamo D 8SUR is equipped with a filter to significantly improve the bass reproduction: at low frequencies, the loudspeaker acts as a traditional box with two woofer units working in phase, giving a bipolar characteristic.

At high frequencies, the phase of the reproduction will gradually shift to give the loudspeaker a dipole characteristic. In other words, Jamo D 8SUR combines the best of these two principles.

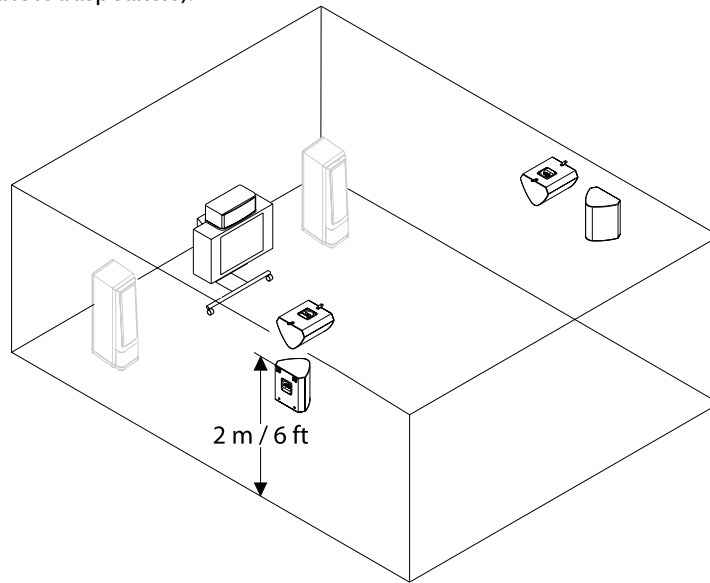
## Installation

### Placing

Jamo D 8CEN should be placed immediately above or below the TV set. This position ensures perfect integration between picture and sound, and thus the optimum and most realistic experience.

NOTE! Because of its physical size, always make sure that the D 8CEN can be placed reliably and safely on the TV set or wherever you intend to place it.

Mount the Jamo D 8SUR in line with the listening position, either on the side walls - approx. 2 m above the floor - or on the ceiling. When mounting the loudspeakers on the ceiling, make sure that the top of each speaker faces the listening position. For mounting on the ceiling, the recommended maximum ceiling height is 3 m. Be careful to place the loudspeakers at the correct side (check the "LEFT" / "RIGHT" indication at the back of the loudspeakers).



①

②

- ① Use the supplied wall brackets for wall mounting.
- ② Use the supplied ceiling brackets for mounting on the ceiling.

To obtain full benefit from the loudspeakers' dipole characteristic, it is important to ensure a minimum clearance of 0.5 m at both sides of the loudspeakers to allow the sound to travel freely along the wall/ceiling.

**NOTE:**  
When mounting the loudspeakers on the wall/ceiling it is important to use screws and rawplugs which are appropriate for the wall/ceiling material to ensure that the loudspeakers are securely mounted.

## Connecting

Jamo D 8 is equipped with gold-plated terminals which will accept heavy stripped cables. Your local Jamo dealer can advise you on which cables to buy. In general, the longer the cable, the higher quality should be used to avoid signal loss in the cable itself. In terms of sound quality it is therefore an advantage not to use cables which are longer than required, although the cables used to connect each of the speakers should be roughly the same length.

If you wish to use cables with stripped ends, proceed as follows

1. Turn off the amplifier.
2. Gently strip off approximately 15 mm of the insulation on the cable ends - be careful not to damage the cable wires.
3. Twist the wires.
4. Turn the terminal screws counterclockwise until the twisted wires can easily be inserted into the holes.
5. Turn the terminal screws clockwise to secure the cables in the terminals.

**NOTE:**  
Verify that the wires from the + and - cables do not touch each other, as a short-circuit could damage the amplifier's output stage.

## Single wiring / Bi-wiring (D 8CEN)

- ① If you wish to connect each speaker with a single cable, the supplied "bridges" should remain fitted between the two sets of terminals. The loudspeaker comes from Jamo with the "bridges" fitted for single-wiring.
- ② If you are using bi-wiring, remove the "bridges" between the two sets of terminals. You can connect the cables together to one set of output terminals on the amplifier, or, if the amplifier has two sets of output terminals, connect one cable to terminal set "A" and the other cable to terminal set "B".

## Bi-amping (D 8CEN)

In bi-amping the loudspeakers are connected to two power amplifiers.

Here you have two options:

1. Connect amplifier "1" to the tweeter/midrange.  
Connect amplifier "2" to the woofer.  
(When different amplifiers are used).

- or -

2. The two amplifiers are used for the left and right channels, respectively, i.e. the tweeter/midrange units are connected to one channel on the amplifier, and the woofer is connected to the other. (Typically when identical amplifiers are used)

Consult your Jamo dealer for further information.

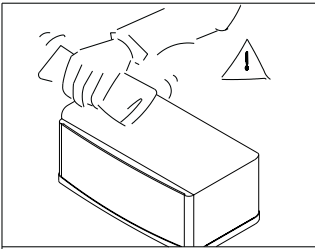
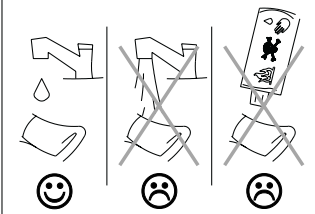
## Always make sure that the loudspeakers are in proper phase;

The + terminal on the loudspeaker is connected to the + terminal on the amplifier.

The - terminal on the loudspeaker is connected to the - terminal on the amplifier.

Loudspeaker cable is usually marked on one cord; this cord is normally used to connect the + terminals, this way it is easy to ensure that the loudspeakers are in correct phase.

## Maintenance

	<p>All Jamo loudspeakers are manufactured in modern and thoroughly tested materials, which normally do not require any maintenance other than vacuum cleaning or using a soft, dry cloth to remove dirt. If the loudspeakers have become greasy, you can clean them by moistening the cloth with water or perhaps using a mild detergent.</p>
	<p><b>Note:</b> Never use scouring powder, petrol, ethyl alcohol or solvents to clean the loudspeakers.</p>

## The scope of the warranty

The warranty period will come into force as from the purchase date stated on the invoice. The warranty will apply for the following period of time:

- 2 years for electronics (power supply, amplifier, etc.)
- 7 years for other parts (cabinet, speaker units, etc.)

In case of warranty inquiries, please contact your dealer.

In case of request for service under warranty, please enclose your original receipt.

Defects covered by the warranty:

Except for the defects stated below, the warranty covers any production and material defects of the product.

Defects not covered by the warranty:

- Defects arising from accidents, misuse, normal wear and tear, mis-maintenance, voltage variation, overloading, stroke of lightning, and other force majeure events
- Defects arising from incorrect installation or operation
- Defects arising from modification/repair/attempt of repair by a non-authorized service centre
- Defects arising from the use of non-original spare parts
- Defects on products with altered or lacking series number
- Other defects due to conditions or circumstances beyond the supplier's control

Transportation costs for servicing are not covered by the warranty.

The supplier is liable only to repair or replace defective parts or products. A replacement cannot exceed the value of the product under warranty.