



**Holmes Products (Europe) Ltd.**  
**1 Francis Grove**  
**London SW19 4DT**  
**England**

**Fax: +44 (0)20 8947 8272**

**Email: enquiriesEurope@jardencs.com**

**Website address: www.bionaire.com**

**UK - Free phone Customer Service Helpline - 0800 052 3615**

**Holmes Products France**  
**1015, Rue du Maréchal Juin**  
**Z.I Vaux - Le - Pénil**  
**77000 Melun - France**  
**Phone: +33 1 64 10 45 80**  
**Fax: +33 1 64 10 02 32**

**FRANCE - SERVICE CONSOMMATEURS**

**N° Indigo 0 825 85 85 82**

<b>Belgium:</b>	<b>+32 38 70 86 86</b>
<b>Czech Republic:</b>	<b>+420 48 513 03 03</b>
<b>Finland:</b>	<b>+358 98 70 870</b>
<b>Germany:</b>	<b>+49 89 5480195-0</b>
<b>Hungary:</b>	<b>+36 1 37 17 970</b>
<b>Latvia</b>	<b>+371 7514081</b>
<b>Lithuania</b>	<b>+370 (52) 772388</b>
<b>Netherlands:</b>	<b>+31 793 41 77 71</b>
<b>Poland:</b>	<b>+48 22 847 8968</b>
<b>Russia:</b>	<b>+7 095 334 82 21</b>
<b>Slovakia:</b>	<b>+421 41 723 47 09</b>
<b>Spain:</b>	<b>+34 902 051 045</b>



© 2009 Sunbeam Products, Inc. doing business as Jarden Consumer Solutions. All rights reserved. Distributed by Holmes Products (Europe) Ltd., 1 Francis Grove, London SW19 4DT, United Kingdom. Printed in PRC

© 2009 Sunbeam Products, Inc. faisant affaires sous le nom de Jarden Consumer Solutions. Tous droits réservés. Distribué par Holmes Products (Europe) Ltd., 1 Francis Grove, London SW19 4DT, United Kingdom. Imprimé en RPC

SPR-043009

P/N: 132926

**BIONAIRE™**  
 pure indoor living



## PANEL HEATERS

MODELS# BPH1414, BPH1520

**INSTRUCTION MANUAL**  
**MANUEL D'UTILISATION**  
**BENUTZERHANDBUCH**  
**MANUAL DE INSTRUCCIONES**  
**INSTRUCTIEHANDLEIDING**  
**BRUKSANVISNING**  
**KÄYTTÄJÄN OHJEKIRJA**  
**BRUKERHÅNDBOK**

**INSTRUKCJA OBSŁUGI**  
**ΕΓΧΕΙΡΙΔΙΟ ΟΔΗΓΙΩΝ ΧΡΗΣΗΣ**  
**ΡΥΚΟΒΟΔΣΤΒΟ ΠΟ ΕΚΣΠΛΥΑΤΑЦИИ**  
**NÁVOD K OBSLUZE**  
**MANUAL DE INSTRUÇÕES**  
**HASZNÁLATI UTASÍTÁS**  
**MANUALE DI ISTRUZIONI**  
**BRUGERVEJLEDNING**

English	2
Français/French	5
Deutsch/German	8
Español/Spanish	12
Svenska/Swedish	15
Nederlands/Dutch	18
Suomi/Finnish	21
Norsk/Norwegian	24
Polski/Polish	27
ΕΛΛΗΝΙΚΑ/Greek	31
РУССКИЙ/Russian	34
Česky/Czech	38
Português/Portugese	41
Magyar/Hungarian	44
Italiano/Italian	48
Dansk/Danish	51

# BPH1414, BPH1520

Fig. 1

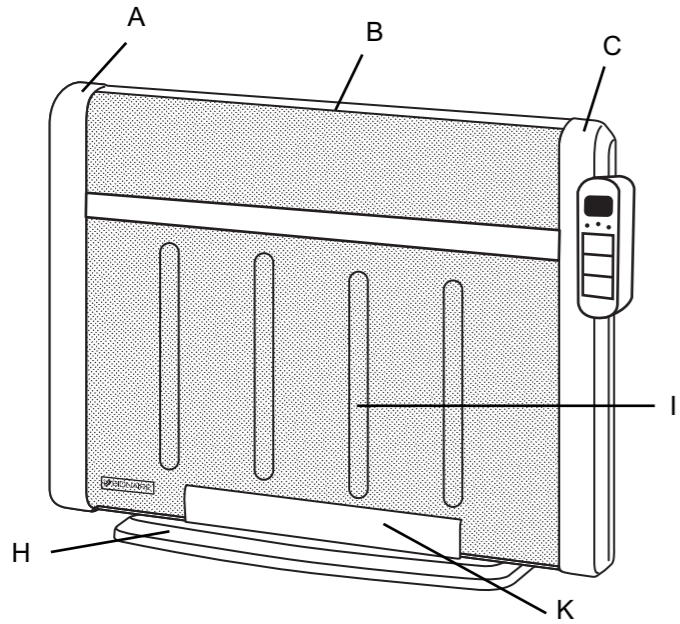
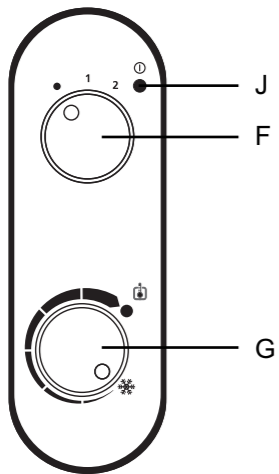


Fig. 2

BPH1414



BPH1520

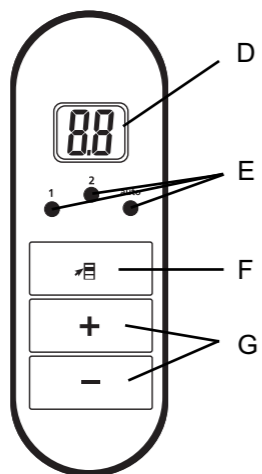


Fig. 3

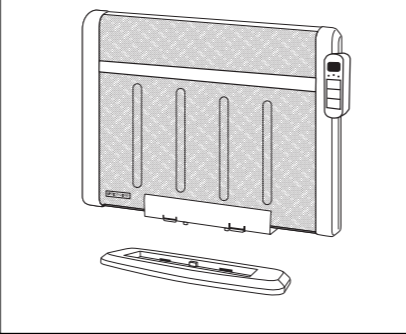


Fig. 4

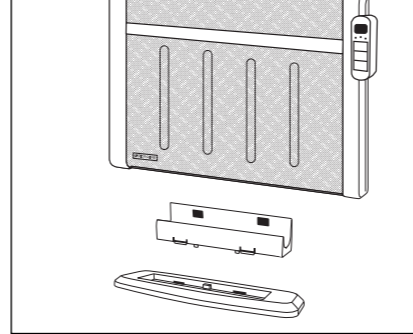


Fig. 5

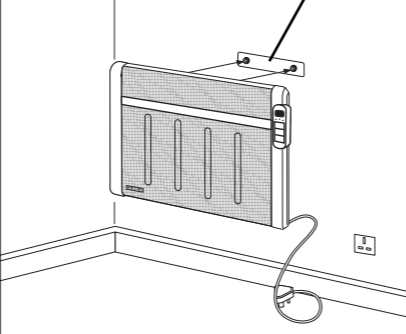


Fig. 6

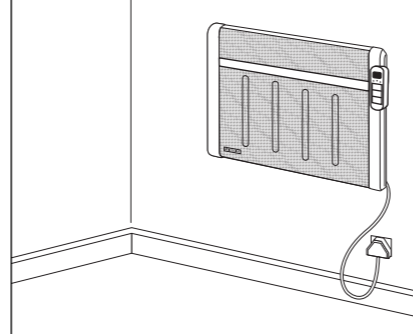
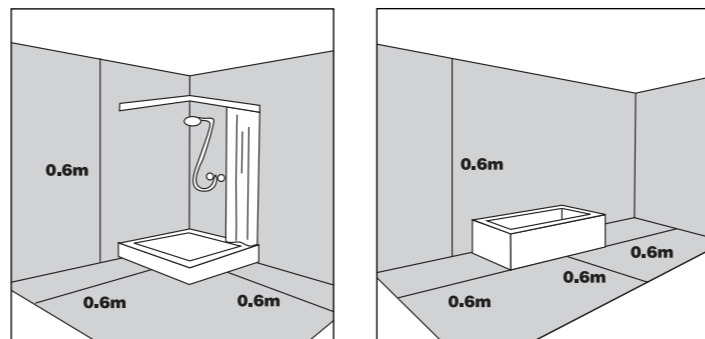


Fig. 7



**NOTE:** Not suitable for bathroom use in the UK.

## ENGLISH

### RETAIN THE FOLLOWING FOR FUTURE REFERENCE.

#### DESCRIPTIONS (See Fig.1 & 2)

- A. Left End Cap
- B. Rear Housing
- C. Right End Cap
- D. Display
- E. Mode Indicator Lights
- F. Mode Button/Adjustment
- G. Thermostat Adjustment
- H. Base
- I. Grill
- J. Power light
- K. Base Mount
- L. Mounting Bracket (Figure 5)

### PLEASE READ AND SAVE THESE IMPORTANT INSTRUCTIONS

When using electrical appliances, basic safety precautions should always be taken including the following:

1. Before connecting the heater, check that the voltage indicated on the rating plate corresponds to the main voltage in your home/office.
2. **WARNING:** In order to avoid overheating, do not cover the heater (⊘).
3. DO NOT position the heater directly under a power socket.
4. Do not use this heater in the immediate surroundings of a bath, a shower or a swimming pool.
5. If the supply cord or plug is damaged, it must be replaced by the manufacturer or its service agent or similarly qualified person in order to avoid hazard. The heater contains no user serviceable parts. Should the product suffer damage or breakdown, it must be returned to the manufacturer or their service agent.
6. Under the environment with electrical fast transient, the product may malfunction and require user to reset the product.
7. Do not use this heater with a programmer, timer or any other device that switches the heater on automatically, since a fire risk exists if the heater is covered or positioned incorrectly.
8. Only touch the heater with dry hands.
9. DO NOT use this heater outdoors.
10. DO NOT position where it can be touched by children, especially the very young.
11. Allow a safe area around the heater away from furniture or other objects; at least 50 cm from the top and sides and 200 cm at the front.
12. Do not use this heater when it is lying on its side.

13. DO NOT use the heater in rooms with explosive gas (e.g. petrol) or while using inflammable glue or solvent (e.g. when gluing or varnishing parquet floors, PVC etc.)
14. DO NOT insert any objects into the heater.
15. Keep the mains cord at a safe distance from the main body of the heater.
16. If overheating should occur, the built-in overheating safety device will switch off the heater.
17. Do not place the cord under a rug.
18. The heater is to be installed so that switches and other controls cannot be touched by a person in the bath.
19. Heater must be installed at least 0.6 m above the floor.
20. The heater cannot be used adjacent to curtains or combustible material. Curtains or combustible material may be burned if the heater was installed incorrectly.
21. This appliance is not intended for use by persons (including children) with reduced physical, sensory or mental capabilities, or lack of experience and knowledge, unless they have been given supervision or instruction concerning use of the appliance by a person responsible for their safety. Children should be supervised to ensure that they do not play with the appliance.
22. **WARNING:** Risk of Fire. Discontinue use if the outlet or plug become hot to the touch. Overheating may indicate a worn or damaged outlet. Consult a qualified electrician for outlet replacement.
23. **CAUTION:** In order to avoid a hazard due to inadvertent resetting of the thermal cut-out, this appliance must not be supplied through an external switching device, such as a timer, or connected to a circuit that is regularly switched on and off by the utility.

#### BASE ASSEMBLY (See Fig. 3)

1. Insert base (H) into the bottom of the base mount (K) which is attached to the bottom of the Grill (I).

#### WALL MOUNTING ASSEMBLY (See Fig. 4 – Fig. 6)

**IMPORTANT:** Before drilling into any wall ensure no electrical cables are present in the area.

**NOTE:** Due to the multitude of potential mounting surfaces, mounting screws are not included with this product. Please seek professional assistance or visit your local hardware store to determine which type of screw is best for your particular wall.

1. Remove Base (H) from the bottom of the Base Mount (K).
2. Remove Base Mount from the bottom of the Grill (I) by removing the two securing screws.

3. Secure the Mounting Bracket (L) to the wall.
4. Hang the main body on the Mounting Bracket.

#### Turning the unit on/off and setting the Digital Thermostat (BPH1520 Only)

1. Plug unit into wall socket.
2. Locate on/off switch on the bottom of the right end cap and switch to the on position.
3. Press (⊞) Mode button (F):
  - 1<sup>st</sup> = LO; runs continuously on Low.
  - 2<sup>nd</sup> = HI; runs continuously on High.
  - 3<sup>rd</sup> = Auto Low (AL); press (+) or (-) to set desired temperature.
  - 4<sup>th</sup> = Auto HI (AH); press (+) or (-) to set desired temperature.
4. Once you have selected the mode and temperature, the display returns to the current room temperature and gradually increases as the room warms.
5. If you selected an Auto mode and the heater does not start, make sure the set temperature is higher than the current room temperature.
6. To turn the unit off keep pressing the mode button (F) until all mode indicator lights (E) are not illuminated.
7. Switch off the on/off switch located on the bottom of the right end cap.

**NOTE: The mode Indicator Light (E) will flash in the AUTO mode if the set temperature is lower than the current room temperature displayed on the Display, this is also the same if the unit has reached the required set temperature.**

**NOTE: In Auto mode, it is normal for the heater to cycle ON and OFF as it maintains the programmed temperature. To prevent the unit from cycling, raise the thermostat setting.**

**The Digital Thermostat remembers the previous temperature setting after the unit is turned off. However, if the unit is unplugged, the digital thermostat resets and no longer remembers the previous temperature setting.**

#### Turning the unit on/off and setting the thermostat (BPH1414 Only)

1. Plug unit into wall socket.
2. Rotate the mode adjustment knob clockwise from the (0) position to either 1 (Low setting) or 2 (High setting) to get a constant heat output.
3. To find the ideal thermostat setting, turn the thermostat adjustment knob clockwise to "max".
4. When the desired temperature is reached slowly turn the thermostat knob anti-clockwise until the heater turns off.

5. The heater will now automatically retain the temperature at the required level.
6. To turn the unit off rotate the mode adjustment knob anti-clockwise to the (0) position.

#### PROGRAMMABLE TIMER (BPH1520 Only)

You can program your heater to turn on at a preset time or turn off after a set amount of time.

##### Setting the On Timer:

1. With the heater off, press and hold (+) and (-) simultaneously until the display flashes and display the number "0".
2. Press (+) or (-) to select the amount of time you would like to pass before the heater turns on.
3. After setting the timer, the display shows a red dot next to the current room temperature on the display to indicate that the timer is activated.
4. After the programmed length of time has passed, the heater automatically turns on Auto HI at 24°C (75°F) for 2 hours.

##### Setting the Off Timer:

1. Select the desired mode and/or temperature.
2. With the heater running, press and hold (+) and (-) simultaneously until the display flashes.
3. Press (+) or (-) to select the amount of time you would like the heater to run.
4. After setting the timer, the display shows a RED dot next to current room temperature on the display to indicate that the timer is activated.
5. The heater automatically shuts off after the programmed length of time has passed.

#### FROST GUARD (BPH1520)

Press the (⊞) Mode button 5 consecutive times for Anti Frost setting (AF will show in the digital display). This special setting is automatically activated when the (AF) mode is selected. In this mode, the heater is off until the room's temperature reaches freezing and the heater automatically turns on HI power. The heater will cycle ON and OFF as it maintains the temperature between 5-8 °C.

#### FROST GUARD (BPH1414)

Keep unit in 1 (low setting) or 2 (high setting) rotate thermostat adjustment knob to beginning position (⊞). Unit will stop working. This special setting is automatically activated. In this mode, the heater is off until the room's temperature reaches freezing and the heater automatically turns on HI power. The heater will cycle ON and OFF as it maintains the temperature between 5-8 °C.

#### AUTO SAFETY SHUT OFF

The heater has a built in safety device which will switch off the heater automatically in case of accidental overheating. It can only resume operation when the user has reset the unit. For the BPH1520 (OH) will display in an overheat situation.

**To reset the heater:**

1. Unplug the heater and wait for 30 minutes for the heater to cool down.
2. After the 30 minutes, plug the heater in again and operate normally.

**SAFETY BACK-UP FUSE**

In the unlikely case the heater does not respond to an overheat situation, the safety back-up fuse will engage. In this case, the heater will not reset. Please contact your local service number for advice. **TIP OVER PROTECTION**

When the unit is accidentally knocked over, it will instantly shut off. To reset, simply place the heater in an upright position.

**BATHROOM USE****UK ONLY:**

- Regulations prevent the use of this heater in the bathroom.

**IN OTHER COUNTRIES**

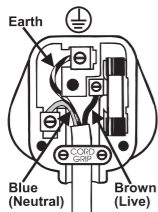
- If you are unsure about the installation of this heater in the bathroom we recommend that you seek advice from a professional electrician/installer.
- If this heater is going to be used in a bathroom, or similar room, it must be installed:
  - a. In such a way that the switches and other controls cannot be touched by the person in the bath or shower.
  - b. Outside the grey shaded areas (Fig.7).

**CLEANING AND MAINTENANCE**

- Turn off the unit.
- Remove the plug from the wall socket.
- Wait for the heater to cool down sufficiently.
- You may clean the outside of the heater with a damp cloth. DO NOT allow water to come into the appliance. DO NOT use soap or chemicals, which may damage the housing. Allow sufficient time to dry before plugging the unit back in the socket.
- Clean the air inlet and outlet openings regularly (with normal use at least twice a year) with a vacuum cleaner.

**FOR U.K. AND IRELAND ONLY**

If the plug is not suitable for the socket outlets in your home, it can be removed and replaced by a plug of the correct type. Please refer to



"Installation of a plug" below.

**Installation of a plug applicable to U.K. and Ireland**

**NOTE:** If the terminals in the plug are not marked or if you are unsure or in doubt about the installation of the plug please contact a qualified electrician.


If a 13A 3-pin plug is fitted, it must be an ASTA approved plug, conforming to BS1363 standard. Replacement 13A fuses must be BSI or ASTA BS1362 approved.

**WARNING – THIS APPLIANCE MUST BE EARTHED**

The wires in the mains lead are coloured as such:  
 GREEN AND YELLOW - EARTH  
 BROWN - LIVE  
 BLUE - NEUTRAL

Please note that the colour of these mains wires may not correspond with the colour markings that identify the terminals in your plug.

Please proceed as follows:

The wire which is coloured GREEN AND YELLOW must be connected to the terminal which is marked with the letter "E" or by the earth symbol  or GREEN AND YELLOW. The BROWN coloured wire must be connected to the terminal, which is marked with the letter "L" or is coloured RED. The BLUE coloured wire must be connected to the terminal, which is marked with the letter "N" or is coloured BLACK.

**GUARANTEE**

Please keep your receipt as this will be required for any claims under this guarantee.

This appliance is guaranteed for 3 years after your purchase as described in this document. During this guaranteed period, if in the unlikely event the appliance no longer functions due to a design or manufacturing fault, please take it back to the place of purchase, with your till receipt and a copy of this guarantee.

The rights and benefits under this guarantee are additional to your statutory rights, which are not affected by this guarantee. Only Holmes Products (Europe) Ltd. ("Holmes") has the right to change these terms.

Holmes undertakes within the guarantee period to repair or replace the appliance, or any part of appliance found to be not working properly free of charge provided that:

- you promptly notify the place of purchase or Holmes of the problem; and
- the appliance has not been altered in any way or subjected to damage, misuse, abuse, repair or alteration by a person other than a person authorised by Holmes.

Faults that occur through, improper use, damage, abuse, use with incorrect voltage, acts of nature, events beyond the control of Holmes, repair or alteration by a person other than a

person authorised by Holmes or failure to follow instructions for use are not covered by this guarantee. Additionally, normal wear and tear, including, but not limited to, minor discoloration and scratches are not covered by this guarantee. The rights under this guarantee shall only apply to the original purchaser and shall not extend to commercial or communal use.

If your appliance includes a country-specific guarantee or warranty insert please refer to the terms and conditions of such guarantee or warranty in place of this guarantee or contact your local authorized dealer for more information. Waste electrical products should not be disposed of with Household waste. Please recycle where facilities exist. E-mail us at enquiriesEurope@jardencs.com for further recycling and WEEE information.


Holmes Products (Europe) Limited  
 1 Francis Grove  
 London  
 SW19 4DT  
 UK

**FRANÇAIS****VEUILLEZ LIRE ET CONSERVER CE MODE D'EMPLOI.****DESCRIPTIONS (voir Fig. 1 & 2)**

- A. Cache extrémité gauche
- B. Arrière du corps de chauffe
- C. Cache extrémité droite
- D. Affichage
- E. Voyants de mode
- F. Mode Bouton/Ajustement
- G. Ajustement du thermostat
- H. Base
- I. Grille
- J. Lumière témoin de l'allumage
- K. Pied de la base
- L. Pince de montage (Figure 5)

**PRIERE DE LIRE ET DE CONSERVER CES INSTRUCTIONS IMPORTANTES**

Lorsque vous utilisez des appareils électriques, prenez toujours des précautions de sécurité de base, en particulier les suivantes :

1. Avant de brancher le radiateur, s'assurer que la tension indiquée sur la plaque signalétique correspond à la tension secteur de l'habitat ou du bureau.
2. **AVERTISSEMENT:** Pour éviter toute surchauffe, NE PAS couvrir le radiateur ().
3. NE PAS mettre le radiateur directement sous une prise d'alimentation.
4. N'utilisez pas ce radiateur à proximité d'une

5. baignoire, d'une douche ou d'une piscine.
5. En cas de détérioration du cordon ou de la prise d'alimentation, seul le fabricant, un représentant du service après-vente ou une personne agréée sont habilités à remplacer la pièce endommagée pour éviter tout danger. Le radiateur ne contient aucune pièce réparable par l'utilisateur. En cas de panne ou de détérioration, il doit être renvoyé au fabricant ou à son service après-vente.
6. Dans un environnement de changement de régime électrique rapide, l'appareil pourrait mal fonctionner. L'utilisateur doit alors le réinitialiser.
7. N'utilisez pas ce radiateur avec un programmeur, un minuteur ou tout autre instrument qui allumerait le radiateur automatiquement en raison des risques d'incendie si l'appareil est couvert ou mal positionné.
8. Ne touchez le radiateur qu'avec des mains sèches.
9. NE METTEZ PAS le radiateur à portée des enfants, surtout très jeunes.
10. NE PAS utiliser ce radiateur en plein air.
11. Prévoir une marge de sécurité autour du radiateur, à l'écart des meubles ou d'autres objets ; au moins 50 cm en haut et sur les côtés et 2 mètres devant.
12. Ne pas utiliser ce radiateur lorsqu'il repose sur le côté.
13. NE PAS utiliser le radiateur dans des locaux contenant du gaz explosif (par exemple de l'essence) ou bien dans lesquelles on utilise de la colle ou un solvant inflammables (par exemple, pour coller ou vernir des planches de parquet, PVC, etc.).
14. NE PAS insérer des objets dans le radiateur.
15. Le cordon électrique doit rester à une bonne distance de la partie principale du radiateur.
16. En cas de surchauffe, le dispositif de sécurité anti-surchauffe intégré arrêterait l'appareil.
17. Ne pas mettre le cordon électrique sous un tapis.
18. Le radiateur doit être installé de telle façon que les interrupteurs et autres contrôles soient hors d'atteinte de toute personne prenant un bain.
19. Le radiateur doit être installé à au moins 60 cm du sol.
20. Le radiateur ne doit pas être utilisé à côté de rideaux ou de matériau combustible. Ceux-ci peuvent prendre feu si le radiateur n'a pas été installé correctement.
21. Cet appareil n'est pas conçu pour être utilisé par des personnes (y compris des enfants) aux capacités physiques, sensorielles ou mentales réduites, ou dépourvues de l'expérience et du savoir nécessaires, à

moins qu'elles ne soient encadrées par une personne responsable de leur sécurité qui leur explique comment utiliser l'appareil. Les enfants devraient être surveillés pour éviter qu'ils ne jouent avec l'appareil

22. **AVERTISSEMENT:** Risque d'incendie. Arrêtez l'appareil si la prise ou la fiche deviennent chaudes au toucher. Une surchauffe peut être le signe d'une prise murale usée ou détériorée. Consultez un électricien qualifié pour remplacer la prise murale.

23. **AVERTISSEMENT :** Pour éviter tout danger en raison de la réinitialisation non souhaitée de l'extinction thermique, cet appareil ne doit pas être alimenté par un dispositif de commutation externe, comme un minuteur, ou connecté à un circuit qui est régulièrement allumé et éteint par le réseau.

#### L'ASSEMBLAGE DE LA BASE (Voir Fig. 3)

1. Insérez la base (H) au bas du Pied de la Base (K) qui est joint au bas de la grille (I).

#### FIXATION MURALE ( Voir Fig. 4 – Fig. 6)

**IMPORTANT:** Avant de percer dans un mur, assurez-vous qu'aucun câble électrique n'est encastré à cet endroit.

**REMARQUE:** En raison de la diversité des surfaces de montage possibles, les vis de montage ne sont pas fournies avec l'appareil. Nous vous recommandons de vous adresser à un installateur professionnel ou d'aller à la quincaillerie locale la plus proche pour identifier le type de vis convenant le mieux à votre mur.

1. Enlevez la base (H) du bas du Pied de la Base (K).
2. Enlever le pied de la base du bas de la grille (I) en enlevant les deux vis de sécurité.
3. Fixez le support de montage sur le mur.
4. Accrochez la partie principale au support de montage.

#### Allumage/Extinction de l'appareil et initialisation du thermostat Digital (BPH1520 Seulement)

1. Branchez l'appareil sur une prise électrique murale
2. Localisez le bouton "Marche/Arrêt" au fond de l'extrémité droite et placez le commutateur sur la position « Marche ».
3. Appuyez sur le bouton Mode (☞)(F) :
  - 1 = LO ; fonctionne continuellement en réglage Bas.
  - 2 = HI ; fonctionne continuellement en réglage Haut.
  - 3 = Auto LO (Automatique Bas) ; appuyez sur (+) ou (-) pour régler la température voulue.
  - 4 = Auto HI (Automatique Haut) ; appuyez sur (+) ou (-) pour régler la température voulue.

4. Une fois le mode et la température sélectionnés, l'affichage revient à la température ambiante de la pièce et monte graduellement à mesure que celle-ci s'élève.
5. Si vous avez choisi le mode Auto et que l'appareil de chauffage ne s'allume pas, assurez-vous que la température de l'appareil est plus élevée que la température ambiante actuelle.
6. Pour éteindre l'appareil, continuez à appuyer sur le bouton mode (F) jusqu'à ce que toutes les lampes-témoins mode (E) soient éteintes.
7. Éteignez le commutateur "Marche/Arrêt" placé au bout de l'extrémité droite de l'appareil.

**NOTE: La Lumière témoin de l'allumage (E) va s'allumer en mode AUTO si la température demandée est inférieure à la température actuelle de la pièce affichée sur l'Écran d'affichage, la Lumière fera de même si l'appareil a atteint la température demandée.**

**REMARQUE: en mode automatique, il est normal que le radiateur s'allume et s'éteigne périodiquement pour conserver la température qui a été programmée. Pour éviter cela, remontez la température sur le au thermostat. Le Digital thermostat mémorise la température sur lequel il était réglé lorsque l'appareil a été arrêté. Cependant, si l'appareil est débranché, le thermostat numérique est réinitialisé et n'aura pas mémorisé la température réglée précédemment.**

#### Allumage/extinction de l'appareil et réglage due thermostat (BPH1414 Seulement)

1. Branchez l'appareil sur une prise électrique murale
2. Faites tourner le bouton d'ajustement de mode dans le sens des aiguilles d'une montre depuis la position (0) vers 1 (Bas) ou 2 (Haut) pour obtenir une production de chaleur constante.
3. Pour trouver le réglage idéal du thermostat, tournez le bouton d'ajustement du thermostat dans le sens des aiguilles d'une montre jusqu'à " Max".
4. Quand la température désirable est atteinte, tournez lentement le bouton du thermostat en sens inverse des aiguilles d'une montre jusqu'à ce que l'appareil de chauffage s'éteigne.
5. L'appareil de chauffage conservera maintenant automatiquement la température à la température fixée.
6. Pour éteindre l'appareil, tournez le bouton d'ajustement de mode en sens inverse des aiguilles d'une montre jusqu'à la position(0).

#### MINUTERIE PROGRAMMABLE (BPH1520 Seulement)

Vous pouvez programmer le précise pour qu'il se mette en marche à une heure précise d'avance ou s'éteigne après un certain temps.

#### Réglage de la programmation de démarrage automatique

1. Quand le chauffage est éteint, appuyez sur (+) et (-) simultanément pour que l'écran d'affichage clignote et affiche le chiffre "0".
2. Appuyez sur (+) or (-) pour sélectionner le temps qui doit s'écouler avant que le radiateur ne s'allume.
3. Une fois la minuterie réglée, l'écran d'affichage montre un point rouge à côté de la température ambiante pour indiquer que la minuterie est activée.
4. Une fois le délai programmé écoulé, le radiateur se règle automatiquement sur Auto HI (Automatique Haut) à 24°C (75°F) pour 2 heures.

#### Réglage de la programmation d'arrêt automatique

1. Sélectionnez le mode et/ou la température voulus.
2. Le radiateur étant en marche, appuyez sur les boutons haut (+) et bas (-) simultanément et maintenez-les enfoncés jusqu'à ce que l'affichage clignote.
3. Appuyez sur (+) or (-) pour sélectionner la durée pendant laquelle le radiateur doit fonctionner.
4. Une fois la minuterie réglée, l'écran d'affichage montre un point ROUGE à côté de la température ambiante pour indiquer que la minuterie est activée.
5. Le radiateur s'éteint automatiquement une fois la durée de chauffage programmée écoulée.

#### PROTECTION HORS GEL (BPH1520)

Appuyez 5 fois de suite sur le bouton Mode (☞) pour régler sur hors gel (l'écran numérique affichera AF). Ce réglage spécial est activé automatiquement quand le mode (AF) est sélectionné. Dans ce mode, le radiateur reste éteint jusqu'à ce que la température atteigne 0° C; il s'allume alors automatiquement en réglage HI (Haut). Le radiateur s'allume et s'éteint périodiquement (ON et OFF) et maintient la température entre 5 et 8° C.

#### SYSTEME ANTIGEL (BPH1414).

Conservez l'appareil sur 1 (bas) ou 2 (haut), faites tourner le bouton d'ajustement du thermostat jusqu'à la position de démarrage (☞). L'appareil arrêtera de fonctionner. Ce réglage spécial est automatiquement activé. Dans ce mode, l'appareil de chauffage est éteint de jusqu'à ce que la température de la pièce

soit glaciale, dans ce cas, l'appareil de chauffage s'allumera automatiquement.

L'appareil de chauffage fera des cycles entre Extinction et Allumage pour maintenir la température entre 5 et 8 °C

#### ARRET DE SECURITE AUTOMATIQUE

Le radiateur est muni d'un système de sécurité intégré qui arrêtera automatiquement le radiateur en cas de surchauffe accidentelle. Réinitialisez l'appareil avant de le remettre en marche. Le voyant OH s'affiche en cas de surchauffe de l'appareil.

#### Pour réinitialiser le radiateur

1. Débranchez le radiateur et laissez-le refroidir pendant 30 minutes.
2. Au bout de ces 30 minutes, rebranchez l'appareil et faites-le fonctionner normalement.

#### FUSIBLE DE SECOURS DE SÉCURITÉ

Si le radiateur ne réagit pas à une situation de surchauffe, le fusible de secours de sécurité entre en action. Dans ce cas, vous ne pourrez pas réinitialiser le radiateur. Veuillez contacter votre service après-vente local pour obtenir des instructions

#### PROTECTION CONTRE LE RENVERSEMENT

Si l'appareil est renversé accidentellement, il s'éteint immédiatement. Pour le réinitialiser, il suffit de le redresser et de le remettre en marche normalement.

#### UTILISATION EN SALLE DE BAINS

- Si cet appareil de chauffage est prévu pour fonctionner dans une salle de bains ou une pièce similaire, il doit être installé:
  - a. de telle manière que les interrupteurs et autres commandes ne puissent être accessibles par la personne prenant un bain ou une douche.
  - b. hors des surfaces grisés (Fig. 7).
- En cas de doute concernant l'installation de cet appareil de chauffage dans la salle de bains, nous vous recommandons de consulter un électricien/installateur professionnel.

#### NETTOYAGE ET MAINTENANCE

- Éteindre l'appareil.
- Enlevez la prise de la prise murale.
- Attendez que l'appareil de chauffage refroidisse suffisamment.
- Vous pouvez nettoyer l'extérieur de l'appareil de chauffage avec un tissu humide. Ne laissez PAS l'eau entrer dans l'appareil. N'utilisez PAS de savon ou des produits chimiques, qui peuvent endommager le boîtier. Laissez un temps suffisant pour que l'appareil sèche, avant de rebrancher l'appareil.

- Nettoyez les ventilateurs et les ouvertures de sortie régulièrement (pour une utilisation normale au

## GARANTIE

Veuillez conserver votre ticket de caisse, il vous sera demandé lors de toute réclamation sous garantie.

Cet appareil est garanti 3 ans à partir de la date d'achat, comme indiqué dans le présent document. Dans le cas peu probable d'une panne résultant d'un défaut de conception ou de fabrication au cours de la période de garantie, veuillez rapporter l'appareil au magasin où vous l'avez acheté avec votre ticket de caisse et une copie de cette garantie. Vos droits statutaires ne sont aucunement affectés par cette garantie. Seul Holmes Products (Europe) Ltd. (« Holmes ») peut modifier ces dispositions.

Holmes s'engage à réparer ou remplacer gratuitement, pendant la période de garantie, toute pièce de l'appareil qui se révèle défectueuse sous réserve que :

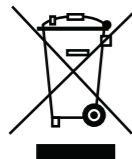
- vous avertissiez rapidement le magasin ou Holmes du problème ; et
- l'appareil n'ait pas été altéré de quelque manière que ce soit ou endommagé, utilisé incorrectement ou abusivement, ou bien réparé ou altéré par une personne autre qu'une personne agréée par Holmes Products Europe.

Cette garantie ne couvre pas les défauts liés à une utilisation incorrecte, un dommage, une utilisation abusive, l'emploi d'une tension incorrecte, les catastrophes naturelles, les événements hors du contrôle de Holmes, une réparation ou une altération par une personne autre qu'une personne agréée par Holmes ou le non-respect des instructions d'utilisation. De plus, cette garantie ne couvre pas non plus l'usure normale, y compris, mais sans limitation, les petites décolorations et éraflures. Cette garantie s'applique uniquement à l'acheteur d'origine et elle n'étend aucun droit à toute personne acquérant l'appareil pour un usage commercial ou communal.

Si votre appareil est accompagné d'une garantie locale ou d'une carte de garantie, veuillez en consulter les dispositions et conditions en vigueur, ou vous adresser à votre revendeur local pour en savoir plus.

Les déchets d'équipement électrique ne doivent pas être mélangés aux ordures ménagères. Veuillez recycler si vous en avez la possibilité. Envoyez-nous un email à [enquiriesEurope@jardencs.com](mailto:enquiriesEurope@jardencs.com) pour plus d'informations sur le recyclage et la directive WEEE.

Holmes Products (Europe) Limited  
1 Francis Grove  
London  
SW19 4DT  
UK



## DEUTSCH

### ACHFOLGENDES BITTE DURCHLESEN UND FÜR SPÄTERE NACHSCHLAGEZWECKE GUT AUFBEWAHREN.BESCHREIBUNGEN (SIEHE ABB. 1 & 2)

- Linke Abdeckkappe
- Hinteres Gehäuse
- Rechte Abdeckkappe
- Display
- Moduskontrollleuchten
- Wahlschalter/Einstellung
- Thermostateinstellung
- Sockel
- Luftgitter
- Netzanzeige
- Fußständer
- Montagehalter (Abbildung 5)

### LESEN SIE DIESE WICHTIGEN ANWEISUNGEN AUFMERKSAM DURCH UND BEWAHREN SIE SIE AUF.

Bei der Verwendung von Elektrogeräten sind immer einige grundlegende Sicherheitshinweise zu beachten, unter anderem:

- Stellen Sie vor dem Anschluss des Heizgeräts sicher, dass die auf dem Leistungsschild angegebene Spannung mit der Netzspannung in Ihrem Haus oder Büro übereinstimmt.
- WARNHINWEIS:** Decken Sie das Heizgerät NICHT ab, um Überhitzung zu vermeiden (⚠).
- Stellen Sie das Heizgerät NICHT direkt unter einer Steckdose auf.
- Stellen Sie das Gerät nicht in unmittelbarer Nähe einer Badewanne, Dusche oder eines Schwimmbades auf.
- Bei Beschädigungen des Netzkabels oder Steckers ist dieses vom Hersteller, seinem Kundendienst oder einer entsprechend qualifizierten Person auszutauschen, um Risiken zu vermeiden. Das Gerät enthält keinerlei Teile, die vom Benutzer selbst repariert werden können. Im Falle eines Defekts oder Ausfalls ist das Gerät beim Hersteller oder seinem Kundendienst abzugeben.
- Durch transiente Stromschwankungen können u. U. Funktionsstörungen auftreten und eine Neueinstellung des Produkts erforderlich machen.
- Bitte gebrauchen Sie die Heizung nicht mit ein programmierbarer Kontroll oder timer oder ein anderes gerät dass dieses produkt automatisch einschalten kann, weil solch ein Kontroll die Heizung ein schalten kann wenn feuer Gefahr da ist.
- Fassen Sie das Gerät nur mit trockenen Händen an.

- Stellen Sie das Gerät für Kinder UNZUGÄNGLICH auf, besonders bei Kleinkindern.
- Verwenden Sie dieses Heizgerät NICHT im Freien.
- Halten Sie zwischen dem Heizgerät und Möbeln oder anderen Gegenständen einen Sicherheitsabstand ein. Dieser sollte nach oben und zu den Seiten mindestens 50 cm und nach vorne mindestens 200 cm betragen.
- Nehmen Sie das Heizgerät nicht in Betrieb, wenn es auf der Seite liegt.
- Setzen Sie das Heizgerät NICHT in Räumen mit explosiven Gasen (z. B. Benzin) oder während der Arbeit mit entflammbarem Klebstoff oder Lösungsmitteln ein (z. B. beim Verkleben oder Lackieren von Parkett, PVC usw.).
- Führen Sie NIEMALS Objekte in das Heizgerät ein.
- Achten Sie auf einen angemessenen Sicherheitsabstand zwischen Netzkabel und Gehäuse des Heizgeräts.
- Im Falle einer Überhitzung schaltet die eingebaute Sicherheitsvorrichtung das Heizgerät aus.
- Verlegen Sie das Stromkabel nicht unter einem Teppich.
- Das Gerät muss in einem ausreichenden Abstand von Badewanne oder Dusche aufgestellt werden, so dass die Schalter und Regler des Geräts nicht von der Badewanne oder der Dusche aus betätigt werden können.
- Bei der Montage des Heizgeräts sind mindestens 0,6 m Abstand zum Boden einzuhalten.
- Das Heizgerät darf nicht in der Nähe von Gardinen oder brennbaren Materialien verwendet werden. Gardinen oder andere brennbare Materialien können in Brand geraten, wenn das Heizgerät nicht richtig installiert ist.
- Personen (einschließlich Kinder), die aufgrund ihrer physischen, sensorischen oder geistigen Fähigkeiten oder ihrer Unerfahrenheit oder Unkenntnis nicht in der Lage sind, das Gerät sicher zu benutzen, sollten zu ihrer eigenen Sicherheit dieses Gerät nicht ohne Aufsicht oder Anweisung durch eine verantwortliche Person benutzen. Kinder sollten beaufsichtigt werden, um sicherzustellen, dass sie nicht mit dem Gerät spielen.
- WARNHINWEIS:** Brandgefahr. Stellen Sie den Betrieb sofort ein, und ziehen Sie den Netzstecker, wenn Sie feststellen, dass Stecker oder Steckdose heiß werden. Überhitzung kann auf eine beschädigte Steckdose hinweisen. Lassen Sie die Steckdose von einem geprüften Elektriker austauschen.
- VORSICHT:** Um Gefahren durch versehentliches Zurücksetzen des Sicherungsautomaten zu vermeiden, darf dieses Gerät nicht durch ein externes Schaltgerät, wie z. B. einen Timer, mit Strom versorgt oder an einen Stromkreis angeschlossen werden, der durch den Betrieb regelmäßig ein- und ausgeschaltet wird.

### FUSSBAUGRUPPE (Siehe Abb. 3)

- Setzen Sie den Fuß (H) in den Boden des Fußständers (K) ein, der am Boden des Gitters befestigt ist (I).

### WANDMONTAGE (Siehe Abb. 4 - Abb. 6)

**WICHTIGER HINWEIS:** Stellen Sie vor dem Bohren in die Wand sicher, dass keine elektrischen Leitungen an dieser Stelle verlegt sind.

**HINWEIS:** Aufgrund der Vielzahl möglicher Befestigungsflächen sind im Lieferumfang dieses Geräts keine Befestigungsschrauben enthalten. Nehmen Sie die Dienste eines entsprechenden Handwerkbetriebs in Anspruch oder wenden Sie sich an den örtlichen Fachhandel, um den geeigneten Schraubentyp für Ihre Wand zu ermitteln!

- Nehmen Sie den Fuß (H) unten am Fußständer (K) ab.
- Nehmen Sie den Fußständer unten am Gitter (I) ab, indem Sie die beiden Halteschrauben lösen
- Befestigen Sie die Wandhalterung an der Wand!
- Hängen Sie das Gehäuse des Geräts in die Wandhalterung ein.

### Gerät ein-/ausschalten und das digitale Thermostat einstellen (nur BPH1520).

- Verbinden Sie sie mit der Steckdose.
- Schalten Sie den Netzschalter unter der rechten Endkappe in die Stellung Ein (On).
- Drücken Sie (↔) den Betriebsschalter (F):
  - Einmal = Niedrigste Einstellung (LO); Gerät läuft konstant auf der niedrigsten Stufe.
  - Zweimal = Höchste Einstellung (HI); Gerätläuft konstant auf der höchsten Stufe.
  - Dreimal = Auto-Modus (AL) Niedrigste Stufe; drücken Sie (+) oder (-), um die gewünschte Temperatur einzustellen.
  - Viermal = Auto-Modus (AH) Höchste Stufe; drücken Sie (+) oder (-), um die gewünschte Temperatur einzustellen.
- Nach der Auswahl von Modus und Temperatur wird im Display wieder die aktuelle Raumtemperatur angezeigt. Mit Erwärmung des Raums steigt auch die im Display angezeigte Temperatur allmählich an.
- Wenn Sie einen Automatikmodus gewählt haben und die Heizung nicht startet, vergewissern Sie sich, dass die eingestellte Temperatur die aktuelle Raumtemperatur überschreitet.

- Um das Gerät abzuschalten, halten Sie den Wahlschalter (F) gedrückt, bis keine Meldeleuchte (E) mehr leuchtet.
- Schalten Sie den Netzschalter unter der rechten Endkappe aus.

**NOTE: Die Modusanzeige (E) blinkt im Modus AUTO, wenn die eingestellte Temperatur die aktuelle Raumtemperatur unterschreitet, die am Display angezeigt wird; das ist auch dann der Fall, wenn das Gerät die eingestellte Temperatur erreicht hat.**

**HINWEIS: Im Auto-Modus ist es normal, dass sich das Gerät immer wieder ein- und ausschaltet, da es die programmierte Temperatur beibehält. Wenn Sie das wiederholte Ein-/Ausschalten vermeiden möchten, müssen Sie die Thermostateinstellung erhöhen. Das digitale Thermostat speichert nach dem Abschalten des Geräts die vorherige Temperatureinstellung. Wenn Sie den Netzstecker ziehen, wird der digitale Thermostat jedoch zurückgesetzt. Die letzte Temperatureinstellung ist nicht mehr gespeichert.**

**Gerät ein-/ausschalten und das digitale Thermostat einstellen (Nur BPH1414).**

- Verbinden Sie sie mit der Steckdose
- Drehen Sie den Wahlschalter im Uhrzeigersinn von der (0) Stellung auf 1 (niedrige Einstellung) oder 2 (hohe Einstellung), damit die Heizungsleistung konstant bleibt.
- Die ideale Thermostateinstellung finden Sie, indem Sie den Thermostateinstellknopf im Uhrzeigersinn auf "max" drehen.
- Sobald die gewünschte Temperatur erreicht ist, drehen Sie den Thermostatkopf langsam gegen den Uhrzeigersinn bis die Heizung abschaltet.
- Die Heizung erhält nun automatisch die gewünschte Temperatur.
- Um das Gerät abzuschalten, drehen Sie den Wahlschalter gegen den Uhrzeigersinn in die entsprechende Stellung.

**PROGRAMMIERBARER TIMER (Nur BPH1520)**

Sie können das Heizgerät so programmieren, dass es sich zu einer bestimmten Zeit ein- oder nach Ablauf einer bestimmten Zeitspanne ausschaltet.

**Einstellen des ON-Timers**

- Halten Sie bei abgeschalteter Heizung gleichzeitig (+) und (-) gedrückt, bis die Anzeige blinkt und die Zahl "0" angezeigt wird.
- Drücken Sie (+) oder (-), um die Zeitspanne zu wählen, nach deren Ablauf sich das Heizgerät einschalten soll.

- Nach der Einstellung des Timers wird im Display neben der aktuellen Raumtemperatur ein roter Punkt angezeigt, der darauf hinweist, dass der Timer aktiviert wurde.
- Nach Ablauf der programmierten Zeitspanne schaltet sich das Gerät automatisch für zwei Stunden auf der höchsten Stufe des Auto-Modus ein, und zwar mit einer Temperatur von 24 °C (75 °F).

**Einstellung des OFF-Timers**

- Wählen Sie den gewünschten Modus und/oder die Temperatur.
- Drücken Sie bei eingeschaltetem Gerät (+) und (-) gleichzeitig, und halten Sie die Tasten gedrückt, bis die Displayanzeige blinkt.
- Drücken Sie (+) oder (-), um die Zeitspanne zu wählen, die das Gerät in Betrieb bleiben soll.
- Nach der Einstellung des Timers wird im Display neben der aktuellen Raumtemperatur ein roter Punkt angezeigt, der darauf hinweist, dass der Timer aktiviert wurde.
- Das Heizgerät schaltet nach Ablauf der programmierten Zeitspanne automatisch ab.

**FROSTSCHUTZ (BPH1520)**

Drücken Sie zur Einstellung des Frostschutzes den ( ) Mode-Betriebswahlschalter 5-mal hintereinander (auf der Digitalanzeige erscheint „AF“). Diese spezielle Funktion wird automatisch aktiviert, wenn der Modus (AF) ausgewählt ist. In diesem Modus bleibt das Gerät ausgeschaltet, bis die Raumtemperatur sich dem Gefrierpunkt nähert. Dann wird das Heizgerät automatisch auf höchster Heizleistung (HI) eingeschaltet. Das Gerät schaltet sich immer wieder ein und aus, da es die Temperatur zwischen 5 °C und 8 °C hält.

**FROSTWÄCHTER (BPH1414)**

Die Stellung 1 (niedrige Einstellung) oder 2 (hohe Einstellung) behalten Sie bei, indem Sie den Thermostateinstellknopf in die Anfangsposition drehen ( ). Das Gerät schaltet ab. Diese Spezialeinstellung wird automatisch aktiviert. In dieser Betriebsart ist die Heizung abgeschaltet bis die Raumtemperatur den Gefrierpunkt erreicht, dann schaltet die Heizung automatisch in die Leistungsstufe HI. Die Heizung schaltet sich EIN und AUS, während die Temperatur bei 5 bis 8° C gehalten wird.

**AUTOMATISCHE SICHERHEITSABSCHALTUNG**

Der Heizlüfter ist mit einem hochmodernen, patentierten Sicherheitssystem ausgestattet. Dieses System schaltet den Heizlüfter automatisch aus, sollte dieser überhitzen. Das Gerät läuft erst weiter, wenn es zurückgeschaltet wurde. Im Falle einer Überhitzung wird (OH) angezeigt.

**Rückschaltung des Heizlüfters**

- Den Stecker aus der Steckdose ziehen und 30 Minuten lang warten, bis das Gerät abgekühlt ist.
- Nach diesen 30 Minuten den Stecker des Geräts wieder in die Steckdose stecken und den Heizlüfter wie gewohnt bedienen.

**SCHUTZSICHERUNG**

In dem unwahrscheinlichen Fall, dass das Gerät nicht auf eine Überhitzung reagiert, greift die Schutzsicherung. In diesem Fall wird das Gerät nicht zurückgesetzt. Wenden Sie sich an Ihren Kundendienst vor Ort. **UMKIPPSCHUTZ**

Wird das Gerät versehentlich umgestoßen, schaltet es sich sofort ab. Stellen Sie es zur Wiederinbetriebnahme einfach wieder auf.

**VERWENDUNG IM BADEZIMMER**

- Zur Verwendung dieses Heizgeräts im Badezimmer oder einem ähnlich gearteten Raum muss es folgendermaßen installiert werden:
  - Die Schalter und sonstigen Bedienelemente dürfen nicht von der Person berührt werden können, die sich im Bad oder unter der Dusche befindet.
  - Außerhalb der grau schattierten Bereiche (Abb. 7).
- Bei Fragen zur Montage des Heizgeräts im Badezimmer lassen Sie sich bitte von einem qualifizierten Elektriker/Installateur beraten.

**REINIGUNG UND PFLEGE**

- Schalten Sie das Gerät ab.
- Ziehen Sie den Stecker aus der Steckdose.
- Warten Sie bis die Heizung ausreichend abgekühlt ist.
- Sie können die Außenfläche der Heizung mit einem feuchten Tuch reinigen. Es darf KEIN Wasser in das Gerät eindringen. Verwenden Sie WEDER Seife NOCH Chemikalien; das Gehäuse könnte beschädigt werden.
- Lassen Sie das Gerät ausreichend trocknen, bevor Sie es wieder anschließen.
- Reinigen Sie den Lufteinlass und die Auslassöffnungen regelmäßig (bei normaler Verwendung mindestens zweimal jährlich) mit einem Staubsauger.

**GARANTIE**

Bewahren Sie bitte unbedingt den Kaufbeleg auf. Dieser für die Geltendmachung von Garantieansprüchen zwingend erforderlich. Die in diesem Dokument beschriebene Gerätegarantie gilt für einen Zeitraum von 3 Jahren ab Kaufdatum. Sollte das Gerät entgegen aller Erwartungen innerhalb dieses Zeitraums aufgrund eines Konzeptions- oder Herstellungsfehlers nicht mehr einwandfrei funktionieren, können Sie es

zusammen mit dem Kaufbeleg und einer Kopie dieses Garantiebelegs am Kaufort abgeben. Die aus dieser Garantie erwachsenden Ansprüche und Leistungen sind als Ergänzung zu Ihren gesetzlichen Ansprüchen anzusehen. Diese werden von dieser Garantie nicht beeinträchtigt. Diese Bedingungen können ausschließlich durch Holmes Products (Europe) Ltd. ("Holmes") geändert werden. Holmes verpflichtet sich innerhalb der Garantiedauer zur kostenlosen Reparatur oder zum kostenlosen Austausch des Geräts bzw. von Geräteteilen, die nachweislich nicht ordnungsgemäß funktionieren. Es gelten jedoch folgende Voraussetzungen:

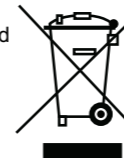
- Sie müssen den Händler oder Holmes unverzüglich über das Problem informieren.
- An dem Gerät wurden keinerlei Änderungen vorgenommen, es wurde nur bestimmungsgemäß eingesetzt, nicht beschädigt und nicht von Personen repariert, die von Holmes nicht autorisiert wurden.

Mängel, die auf unsachgemäße Nutzung, Beschädigung, nicht zugelassene elektrische Spannung, Naturgewalten, Ereignisse außerhalb der Kontrolle durch Holmes, Reparaturen oder Änderungen durch Personen, die von Holmes nicht autorisiert wurden, oder Nichtbeachtung der Nutzungsanweisungen zurückzuführen sind, werden von dieser Garantie nicht abgedeckt. Außerdem sind durch normale Gebrauchsabnutzung entstandene Mängel, wie beispielsweise geringfügige Verfärbungen und Kratzer, von dieser Garantie ausgenommen.

Die im Rahmen dieser Garantie eingeräumten Rechte gelten ausschließlich für den ursprünglichen Käufer und dürfen nicht auf die kommerzielle oder kommunale Nutzung ausgedehnt werden.

Falls Ihr Gerät mit einer länderspezifischen Garantie- oder Gewährleistung geliefert wurde, sollten Sie sich nach deren Bedingungen und nicht nach dieser Garantie richten. Nötigenfalls kann Ihnen der örtliche Vertragshändler weitere Informationen geben.

Elektrische Altgeräte dürfen nicht über den Hausmüll entsorgt werden. Geben Sie, falls möglich, diese Geräte bei geeigneten Rücknahmestellen ab. Wenn Sie weitere Informationen zur Rücknahme und Entsorgung von Elektrogeräten erhalten möchten, senden Sie bitte eine E-Mail an die Adresse [enquiriesEurope@jardencs.com](mailto:enquiriesEurope@jardencs.com) Holmes Products (Europe) Limited 1 Francis Grove London SW19 4DT Großbritannien



## ESPAÑOL

### DESCRIPCIONES (Ver Fig. 1 & 2)

- A. apa lateral izquierda
- B. Carcasa posterior
- C. Tapa lateral derecha
- D. Pantalla
- E. Indicadores luminosos de modo
- F. Ajuste / Botón de Modo
- G. Ajuste del Termostato
- H. Base
- I. Rejilla
- J. Luz de encendido
- K. Soporte de Base
- L. Soporte de Montaje (Figura 5)

### LEA Y GUARDE ESTAS INSTRUCCIONES IMPORTANTES

Cuando se utilizan aparatos eléctricos es importante seguir siempre todas las instrucciones básicas de seguridad, incluidas las siguientes:

1. Antes de conectar el calefactor, compruebe que el voltaje indicado en la placa de características se corresponde con el voltaje de la red de su casa u oficina.
2. **ADVERTENCIA:** Para evitar que se produzca un sobrecalentamiento, NO cubra el calefactor (☹).
3. NO coloque el calefactor directamente debajo de una toma de corriente.
4. No use este calefactor cerca de un baño, ducha o piscina.
5. Si el cable de suministro eléctrico o la clavija están dañados, deberá sustituirlos el fabricante o el agente de servicio correspondiente, o bien una persona cualificada para este trabajo. De esta forma se evitarán riesgos. El calefactor no contiene ninguna pieza que pueda ser reparada por el usuario. En caso de que el producto se estropee o se averíe, debe ser devuelto al fabricante o a su agente de servicio.
6. En un entorno de oscilación eléctrica momentánea, es posible que el producto funcione mal y sea necesario que el usuario lo restablezca.
7. No utilice este calefactor con ningún programador, temporizador o cualquier otro dispositivo que encienda el calefactor automáticamente, ya que se puede producir un incendio si el calefactor está cubierto o está colocado incorrectamente.
8. Únicamente toque el calefactor con las manos secas.
9. NO lo coloque donde los niños, en especial los más pequeños, puedan tocarlo.
10. NO use este calefactor al aire libre.

11. Deje una zona segura alrededor del calefactor, lejos de muebles u otros objetos; por lo menos 50 cm en la parte superior y en los laterales y 200 cm en la parte delantera.
12. No use este calefactor apoyado sobre sus laterales.
13. NO use el calefactor en habitaciones con gases explosivos (por ejemplo, gasolina) ni mientras esté usando colas o disolventes inflamables (por ejemplo, cuando encole o barnice suelos de parquet, PVC, etc.)
14. NO inserte ningún objeto en el calefactor.
15. Mantenga el cable de red a una distancia segura de la parte principal del calefactor.
16. Si se produce un sobrecalentamiento, el dispositivo de seguridad contra sobrecalentamiento incorporado desconectará el calefactor.
17. No coloque el cable debajo de una alfombra.
18. El calefactor se debe instalar de manera que los interruptores y otros controles queden fuera del alcance de la persona que se encuentra en la bañera.
19. El calefactor debe instalarse como mínimo a 0,6 m por encima del suelo.
20. El calefactor no se puede utilizar. Las cortinas y el material inflamable pueden arder si el calefactor no se ha instalado correctamente.
21. Este aparato no debe ser utilizado por personas (incluidos niños) con capacidades físicas, sensoriales o mentales reducidas, o que carezcan de la experiencia o los conocimientos necesarios para ello, a no ser que hayan sido supervisados o hayan recibido instrucciones relativas al uso del aparato por una persona responsable de su seguridad. Vigile a los niños y no permita que jueguen con el aparato.
22. **ADVERTENCIA:** Riesgo de incendio. Deje de usar el aparato si la toma de corriente o el enchufe están calientes. Si se produce un sobrecalentamiento es posible que la toma de corriente esté deteriorada o estropeada. Consulte a un electricista cualificado para cambiar el receptáculo de la toma de corriente.
23. **CAUIDADO:** Para evitar peligros ocasionados por un reajuste accidental del cortocircuito térmico, este aparato no debe alimentarse a través de un dispositivo de conexión externo como, por ejemplo, un temporizador, o conectado a un circuito que se encienda y apague regularmente por la compañía de electricidad.

### INSTALACIÓN DE BASE (Vea la Fig. 3)

1. Coloque la base (H) en la parte inferior del Soporte de Base (K) que está unido a la parte inferior de la Rejilla (I).

### INSTALACIÓN EN LA PARED (Vea las Fig. 4 - 6)

**IMPORTANTE:** Antes de taladrar en cualquier pared, compruebe que no se encuentra en el área ningún cable eléctrico.

**NOTA:** Los tornillos de montaje no se incluyen con este producto, debido al gran número de posibles superficies de montaje. Recorra a un profesional o bien visite nuestro almacén local de ferretería para determinar qué tipo de tornillo es el idóneo para su pared.

1. Retire la Base (H) de la parte inferior del Soporte de Base (K).
2. Retire el Soporte de Base de la parte inferior de la Rejilla (I) retirando los dos tornillos de seguridad.
3. Fije el soporte de montaje en la pared.
4. Cuelgue el cuerpo principal en el soporte de montaje.

### Encendido / apagado de la unidad y configuración del Termostato digital (Solo BPH1520)

1. Enchufe la unidad en la toma de corriente.
2. Coloque en la posición de encendido el interruptor de encendido/apagado ubicado en la parte inferior de la cubierta lateral derecha.
3. Pulse el botón (☞) de modo (F):
  - 1º = LO; funciona continuamente en modo bajo.
  - 2º = HI; funciona continuamente en modo alto.
  - 3º = Auto Low (AL); pulse (+) o (-) para ajustar la temperatura deseada.
  - 4º = Auto HI (AH); pulse (+) o (-) para ajustar la temperatura deseada.
4. Una vez seleccionados el modo y la temperatura, en la pantalla se vuelve a ver la temperatura ambiente actual, que se incrementa gradualmente a medida que se calienta la sala.
5. Si seleccionó el modo Automático y el calefactor no comienza a funcionar, asegúrese de que la temperatura preconfigurada sea superior a la temperatura ambiente actual.
6. Para apagar la unidad, mantenga presionado el botón de modo (F) hasta que todas las luces de indicación de modo (E) estén apagadas.
7. Apague el interruptor de encendido/apagado ubicado en la parte inferior de la cubierta lateral derecha.

**NOTA: La Luz Indicadora de Modo (E) parpadeará en el modo AUTOMÁTICO si la temperatura configurada es inferior a la temperatura ambiente actual indicada en la Pantalla. Esto también sucede si la unidad ha alcanzado la temperatura configurada requerida.**

**NOTA: En modo Auto, es normal que el calefactor se encienda y se apague periódicamente para mantener la temperatura programada. Para evitar que la unidad se encienda y se apague periódicamente, eleve el valor del termostato.**

**El Digital termostato recordará el valor de la temperatura anterior después de que la unidad se haya apagado. Sin embargo, si la unidad se desenchufa, el termostato digital se restablecerá y ya no recordará el valor de la temperatura anterior.**

### Encendido / apagado de la unidad y configuración del termostato (Solo BPH1414)

1. Enchufe la unidad en la toma de corriente.
2. Gire la perilla de ajuste de modo en sentido horario desde la posición (0) a la posición 1 (Ajuste bajo) o 2 (Ajuste alto) para obtener una salida de calor constante.
3. Para determinar la configuración ideal del termostato, gire la perilla de ajuste del termostato en sentido horario a la posición "máx".
4. Cuando se haya alcanzado la temperatura deseada, gire la perilla del termostato lentamente en sentido anti-horario hasta que el calefactor se apague.
5. Ahora, el calefactor mantendrá automáticamente la temperatura en el nivel deseado.
6. Para apagar la unidad, gire la perilla de ajuste de modo en sentido anti-horario a la posición (0).

### TEMPORIZADOR PROGRAMABLE (Solo BPH1520)

Se puede programar el calefactor para que se encienda a la hora preestablecida o para que se apague tras el tiempo establecido.

#### Ajuste de ENCENDIDO del minuterero

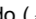
1. Con el calefactor apagado, presione y mantenga presionados los botones (+) y (-) simultáneamente hasta que la pantalla parpadee e indique "0".
2. Pulse (+) o (-) para seleccionar el tiempo que desea que pase antes de que el calefactor se encienda.
3. Tras ajustar el temporizador, la pantalla mostrará un punto rojo junto a la temperatura ambiente actual para indicar que el temporizador se ha activado.
4. Cuando haya transcurrido el intervalo de tiempo programado, el calefactor se encenderá automáticamente en Auto HI a 24°C (75°F) durante 2 horas.



**Ajuste de APAGADO del minuterio**

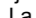
1. Seleccione el modo y/o la temperatura que desee.
2. Con el calefactor en marcha, mantenga pulsados (+) y (-) simultáneamente hasta que la pantalla parpadee.
3. Pulse (+) o (-) para seleccionar el tiempo que desea que el calefactor funcione.
4. Tras ajustar el temporizador, la pantalla mostrará un punto ROJO junto a la temperatura ambiente actual para indicar que el temporizador se ha activado.
5. El calefactor se apagará automáticamente una vez transcurrido el intervalo de tiempo programado.

**PROTECCION ANTI HIELO (BPH1520)**

Pulse el botón de Modo (  ) 5 veces consecutivas para activar el ajuste Anti Hielo (AF aparece en la pantalla digital).

Esta posición especial se activa automáticamente cuando se selecciona el modo (AF). En este módulo, el calefactor está desactivado hasta que la temperatura alcance el punto de congelación y el calefactor. El calefactor oscilará entre ON y OFF para mantener la temperatura entre 5 y 8 °C.

**PROTECCIÓN ANTI-CONGELAMIENTO (BPH1414)**

Mantenga la unidad en 1 (ajuste bajo) o 2 (ajuste alto) y gire la perilla de ajuste del termostato a la posición de inicio (  ). La unidad se detendrá. Este ajuste especial se activa automáticamente. En este modo, el calefactor está apagado hasta que la temperatura ambiente alcanza el punto de congelamiento y se enciende automáticamente en HI. El calefactor alternará entre ON (encendido) y OFF (apagado) para mantener la temperatura entre 5-8 °C.

**DESCONEXIÓN AUTOMÁTICA DE SEGURIDAD**

El calefactor tiene un dispositivo de seguridad integrado que desconectará el calefactor inmediatamente en caso de sobrecalentamiento accidental. El funcionamiento sólo puede reanudarse cuando el usuario ha reinicializado la unidad. Si se produce un sobrecalentamiento, en la pantalla se mostrará (OH).

**Para reiniciar el calefactor:**

1. Desenchufe el calefactor y espere 30 minutos para que la unidad se enfríe.
2. Pasados 30 minutos, enchufe la unidad y hágala funcionar normalmente.

**FUSIBLE DE SEGURIDAD DE RESERVA**

En el caso improbable de que el calefactor no responda a una situación de sobrecalentamiento, el fusible de seguridad de reserva se activará. En este caso, el calefactor no se restablecerá.

Póngase en contacto con el número de servicio local para obtener ayuda.

**PROTECCIÓN EN CASO DE QUE EL APARATO VUELQUE**

Si la unidad se vuelca de manera accidental, se apagará de manera instantánea. Para restablecer la unidad, simplemente coloque el calefactor en posición vertical y utilícela normalmente.

**USO EN EL BAÑO**

- Si este calentador se va a usar en un baño, o habitación similar, se debe instalar:
  - a. De forma que no se puedan tocar los interruptores y otros controles dentro del baño o ducha.
  - b. Fuera de las zonas sombreadas en gris (fig. 7).
- Si no está seguro de la instalación de este calentador en el baño, recomendamos que lo haga un electricista/instalador profesional.

**LIMPIEZA Y MANTENIMIENTO**

- Apague la unidad.
- Retire el enchufe de la toma de corriente.
- Espere hasta que el calefactor se enfríe lo suficiente.
- El exterior del calefactor puede limpiarse con un paño húmedo. NO deje que ingrese agua en el aparato. NO utilice jabón o productos químicos que puedan dañar la carcasa. Deje secar la unidad por suficiente tiempo antes de enchufarla nuevamente en la toma de corriente.
- Limpie la entrada de aire y los orificios de salida periódicamente (con un uso normal, al menos dos veces por año) con una aspiradora.

**GARANTIA**

Guarde este recibo ya que lo necesitará para cualquier reclamación dentro de esta garantía. Este producto tiene una garantía de 3 años desde la fecha de compra tal como se describe en este documento.

Durante este período de garantía, en el improbable caso de que el aparato ya no funcione debido a un fallo de diseño o fabricación, devuélvalo al lugar donde lo compró con su recibo de caja y una copia de esta garantía.

Los derechos y ventajas de esta garantía son adicionales a sus derechos estatutarios, que no se verán afectados por esta garantía. Sólo Holmes Products (Europe) Ltd. ("Holmes") tiene derecho a cambiar estos términos.

Holmes se compromete, durante el período de garantía, a reparar o cambiar el aparato, o cualquier parte del aparato que no funcione correctamente, de manera gratuita siempre que:

- Informe inmediatamente al establecimiento de compra o a Holmes del problema; y

- No se haya modificado el aparato de ninguna forma ni se haya sometido a daños, uso indebido, mal uso o reparación por cualquier otra persona no autorizada por Holmes.

Los fallos que se produzcan por uso indebido, daños, mal uso, uso con un voltaje incorrecto, desastres naturales, acontecimientos que escapen al control de Holmes, reparaciones o modificaciones realizadas por una persona no autorizada por Holmes o por no seguir las instrucciones de uso no están cubiertas por esta garantía. Además, el desgaste o deterioro debidos al uso normal, incluidos, sin limitación, los arañazos y las pequeñas decoloraciones no están cubiertos por esta garantía.

Los derechos de esta garantía sólo se aplicarán al comprador original y no se cubrirán el uso comercial o comunitario.

Si el aparato incluye una garantía específica de algún país, consulte los términos y condiciones de dicha garantía en sustitución de la presente garantía, o póngase en contacto con el comerciante autorizado de su localidad para obtener más información.


Los productos eléctricos desechados no se deben eliminar con la basura doméstica. Recícelos donde existan instalaciones para tal fin. Envíenos un mensaje de correo electrónico a [enquiriesEurope@jardencs.com](mailto:enquiriesEurope@jardencs.com) para obtener más información sobre WEEE y el reciclaje. Holmes Products (Europe) Limited  
1 Francis Grove  
London  
SW19 4DT  
Reino Unido

**SVENSKA****LÄS OCH SPAR FÖLJANDE FÖR FRAMTIDA BRUK.****BESKRIVNING (SE BILD 1 & 2)**

- A. Lock, vänster sida
- B. Baksidesskydd
- C. Lock, höger sida
- D. Teckenfönster
- E. Lysdioder lägesvisning
- F. Lägesväljare/Inställning
- G. Termostatinställning
- H. Fot
- I. Galler
- J. Nätdikator
- K. Fäste för basen
- L. Väggfäste (se bild 5)

**LÄS OCH SPARA DESSA VIKTIGA INSTRUKTIONER**

Grundläggande försiktighetsåtgärder måste alltid vidtagas vid bruk av elektriska apparater, vilket innefattar följande:

1. Kontrollera att spänningen som anges på märkskylten överensstämmer med nätspänningen i hemmet/kontoret innan du ansluter värmeelementet.
2. **WARNING:** Täck INTE över värmeelementet för att undvika överhettning (  ).
3. Placera INTE värmeelementet direkt under ett vägguttag.
4. Använd inte värmeelementet i närheten av badkar, dusch eller pool.
5. Om nätsladden eller kontakten skadats, måste den bytas ut av tillverkaren eller dess auktoriserade reparatör eller en person med liknande kompetens för att undvika faror. Värmeelementet innehåller inga delar som användaren själv kan utföra underhållsarbete på. Om produkten skadats eller gått sönder måste den återlämnas till tillverkaren eller deras serviceagent.
6. I miljöer med snabba elektriska transienter kan det uppstå funktionsstörningar och enheten måste då återställas.
7. Använd inte detta värmeelement med en programmerbar timer, klocka eller annan enhet som slår på värmeelementet automatiskt. Brand kan uppstå om värmeelementet är övertäckt eller felplacerat.
8. Vidrör endast värmeelementet med torra händer.
9. Placera INTE värmeelementet där det är åtkomligt för barn, särskilt inte småbarn.
10. Använd INTE detta värmeelement utomhus.
11. Se till att värmeelementet placeras på säkert avstånd från möbler och andra föremål; inte närmare än 50 cm ovanför värmeelementet och sidorna och 200 cm från dess framsida.
12. Använd inte värmeelementet när det ligger på sidan.
13. Använd INTE värmeelementet i rum med explosiv gas (t.ex. bensin) eller medan du använder lättantändligt lim eller lösningsmedel (dvs. när du limmar eller lackar trägolv, PVC osv.)
14. Stick INTE in några föremål i värmeelementet.
15. Håll nätsladden på säkert avstånd från värmeelementets huvuddel.
16. Om överhettning skulle inträffa kommer den inbyggda skyddsanordningen mot överhettning att stänga av värmeelementet.
17. Placera inte nätsladden under mattor.
18. Värmeelementet måste installeras så att lägesväljare och andra reglage inte kan vidröras av en person som badar i badkar.
19. Värmeelementet måste installeras minst 0,6 m över golvet.

20. Värmeelementet får ej användas i närheten av gardiner eller antändbara material. Gardiner eller andra antändbara material kan fatta eld om värmeelementet inte installerats på rätt sätt.
21. Denna apparat är inte avsedd att användas av personer (inklusive barn) med begränsad fysisk, sensorisk eller mental förmåga eller personer som saknar erfarenhet eller kunskaper, såvida de inte övervakas eller har fått anvisningar om hur apparaten ska användas av en person som ansvarar för deras säkerhet. Barn måste övervakas så att de inte leker med apparaten.
22. **VARNING:** Brandrisk. Avbryt användningen om eluttaget eller kontakten känns varma vid beröring. Överhettning kan tyda på att eluttaget är slitet eller skadat. Rådfråga en utbildad elektriker om byte av eluttag.
23. **OBSERVERA:** För att undvika risker med oavsiktlig återställning av termosäkringen får denna enhet inte strömförsörjas via en yttre kontrollenhet såsom en timer eller anslutas till ett uttag som regelbundet slås på och stängs av.

#### MONTERING AV FOTEN (Se Fig. 3)

- För in basen (H) i öppningen i basfästets (K) underdel. Fästet är monterat på gallrets (I) nedre del.

#### VÄGGMONTERING (Se Fig. 4 - Fig. 6)

**OBS!** Se till att det inte finns några el-kablar i området, innan du borrar in i väggen.

**OBS!** Eftersom det finns många möjliga monteringsytor för produkten, är fästskruvarna inte inkluderade. Rådfråga en fackman eller besök en järnhandel för att ta reda på vilken typ av skruv som lämpar sig bäst för din vägg.

- Ta av basen (H) från basfästets (K) nedre del.
- Ta av basfästet från gallrets (I) nedre del genom att skruva ur de två fästskruvarna.
- Fäst väggkonsolen på väggen.
- Häng huvuddelen på väggkonsolen.

#### Slå på och av enheten och inställning av den digitala termostaten (Endast BPH1520)

- Sätt enhetens stickkontakt i vägguttaget.
- Slå på strömbrytaren på elementets högra sida.
- Tryck på ( ) Lagesväljaren (F):
  - LO (LÅG); går oavbrutet på låg effekt.
  - 2:a = 1:a = HI (HÖG); går oavbrutet på hög effekt.
  - 3:e = Auto Low (Auto Låg); tryck på (+) eller (-) för att ställa in önskad temperatur.
  - 4:e = Auto HI (Auto Hög); tryck på (+) eller (-) för att ställa in önskad temperatur.
- När du har valt läge och temperatur, återgår teckenfönstret till att visa gällande rumstemperatur som gradvis ökar när rummets temperatur stiger.

- Om Du valt ett Auto-läge och värmaren inte startar skall Du kontrollera att den inställda temperaturen är högre än rumstemperaturen.
- Enheten stängs av genom att trycka på lagesväljaren (F) tills samtliga indikatorlampor (E) släcks.
- Slå av strömbrytaren på elementets högra sida.

**OBSERVERA: Lagesindikatorn (E) blinkar i läge AUTO om den inställda temperaturen är lägre än den aktuella rumstemperaturen som visas på displayen. Samma förhållande gäller om enheten har uppnått den inställda temperaturen.**

**OBS! I autolägena är det normalt att värmeelementet växlar mellan PÅ och AV så att den förprogrammerade temperaturen kan upprätthållas. Om du vill undvika att enheten växlar mellan de två lägena, ska du höja termostatinställningen. Den digitala Termostaten minns den senaste temperaturinställningen när enheten stängs av. Om enheten däremot har kopplats bort från elnätet, återställs den digitala termostaten och den senaste temperaturinställningen försvinner ur termostatens minne.**

#### Slå på/av enheten och inställning av termostaten (Endast BPH1414)

- Sätt enhetens stickkontakt i vägguttaget
- Vrid lagesväljaren medurs från läge (0) till antingen 1 (Låg) eller 2 (Hög) för att erhålla jämn värme.
- För att hitta bästa inställning skall Du först vrida termostaten till max-läget.
- När önskad temperatur uppnåtts vrider Du så termostaten sakta moturs till elementet slås ifrån.
- Elementet håller nu automatiskt den inställda temperaturen.
- Elementet stängs av genom att vrida lagesväljaren moturs till läge (0)

#### PROGRAMMERBAR KLOCKA (Endast BPH1520)

Du kan programmera ditt värmeelement så att det startar vid en angiven tid eller stängs av efter ett visst tidsintervall.

#### Inställning av påslagnings- (ON) timern

- När värmaren är avstängd, tryck in och håll knapparna (+) och (-) intryckta samtidigt tills displayen blinkar och visar siffran "0".
- Tryck på (+) eller (-) för att välja hur länge du vill att värmeelementet ska vara avstängt innan det startar igen.
- När du har ställt in klockan visar teckenfönstret en röd prick bredvid den

gällande rumstemperaturen, vilket anger att klockan är aktiverad.

- När den programmerade tiden har gått startar värmeelementet automatiskt i läget Auto HI (HÖG) på 24°C (75°F).

#### Inställning av avslagnings- (OFF) timern

- Välj önskad inställning och/eller temperatur.
- Tryck och håll nere knapparna (+) och (-) samtidigt tills teckenfönstret blinkar.
- Tryck på (+) eller (-) för att välja hur länge du vill att värmeelementet ska vara på.
- När du har ställt in klockan visar teckenfönstret en RÖD prick bredvid den gällande rumstemperaturen, vilket anger att klockan är aktiverad.
- Värmeelementet stängs av automatiskt när det programmerade tidsintervallet har passerat.

#### FROSTSKYDD (BPH1520)

Tryck på regleringsknappen Mode ( ) 5 gånger i rad för Anti Frost inställning (AF syns på digital-displayen). Denna speciella inställning aktiveras automatiskt när du väljer läget (AF). I detta läge, är värmen avstängd tills dess att temperaturen når fryspunkten, då värmeelementet automatiskt startar i HÖGT läge. Värmeelementet växlar mellan PÅ och AV medan det bibehåller en temperatur på mellan 5-8 °C.

#### FROSTSKYDD (BPH1414)

Välj läge 1 (Låg) eller 2 (Hög) och vrid termostaten helt moturs till läge ( ) varvid elementen slås ifrån. Frostskyddsläget är nu aktiverat. När temperaturen i rummet faller till nära noll grader startar elementet automatiskt i läge Hög och håller temperaturen mellan 5-8°C.

#### AUTOMATISK SÄKERHETSANORDNING

Värmaren har en inbyggd säkerhetsanordning som stänger av värmaren automatiskt i händelse av överhettning. Den kan endast återuppta driften när användaren nollställt apparaten. (OH) (Överhettning) visas vid överhettning.

#### För att nollställa värmaren

- Koppla bort värmaren och vänta i 30 minuter på att apparaten ska svalna.
- Efter 30 minuter, anslut apparaten igen och använd som vanligt.

#### RESERVSÄKRING FÖR EXTRA SÄKERHET

Om värmeelementet mot förmodan inte reagerar i en överhettningssituation, kommer reservsäkringen att aktiveras. I detta fall kommer värmeelementet inte att återställas. Kontakta ditt lokala servicecenter för att få hjälp.

#### VÄLTSKYDD

Om enheten råkar välta stängs den omedelbart av automatiskt. Återställ den genom att placera

värmeelementet i upprätt läge och använd den sedan som vanligt.

#### BADRUMSBRUK

- Om detta element ska brukas i ett badrum eller liknande rum måste det installeras:
  - på sådant sätt att strömbrytare och andra regulatorer inte kan vidröras av personen i badet eller duschen.
  - Utanför de grå skuggade områdena (bild 5 och 6).
- Om du är osäker angående installationen av det här element i badrummet, rekommenderar vi att du rådfrågar en yrkeselektriker/ installatör.

#### RENGÖRING OCH UNDERHÅLL

- Stäng av enheten.
- Dra stickkontakten ur vägguttaget.
- Låt enheten kallna.
- Torka av utsidan med en fuktig trasa. Låt INTE vatten tränga in i apparaten. Använd INTE tvättmedel eller kemikalier som kan skada höljet. Låt enheten torka helt innan stickkontakten sätts tillbaka i vägguttaget.
- Rensa luftintag och luftutlopp regelbundet med dammsugare (minst två gånger om året vid normal användning).

#### GARANTI

Spara ditt kvitto, vilket krävs vid reklamation under garantitiden. Den här produkten garanteras i 3 år efter ditt inköp enligt beskrivningen i det här dokumentet. Om det osannolika skulle inträffa under garantiperioden, att apparaten slutar fungera på grund av konstruktions- eller tillverkningsfel, ska du ta den med till inköpsplatsen tillsammans med kvittot och en kopia av garantin. Rättigheter och förmåner i den här garantin gäller utöver dina lagstiftade rättigheter, som inte påverkas av garantin. Endast Holmes Products (Europe) Ltd. ("Holmes") har rätt att ändra villkoren.

Holmes åtar sig att utan kostnad reparera eller byta ut apparaten eller en del av apparaten som inte fungerar ordentligt under garantiperioden, under förutsättning att:

- du omedelbart meddelar inköpsstället eller Holmes om problemet.
  - Apparaten inte har ändrats på något sätt eller har utsatts för skador, missbruk, felaktig användning, reparation eller modifieringar av en person annat än en person som är auktoriserad av Holmes.
- Garantin täcker inte fel som inträffar på grund av felaktig användning, skador, missbruk, användning med felaktigt spänning, naturfenomen, händelser som Holmes inte kan kontrollera, reparation eller ändringar av person annat än en person som är auktoriserad av Holmes eller försummelse att följa bruksanvisningen. Slitage vid normal användning täcks inte heller av garantin,

inklusive, men inte begränsat till, mindre missfärgningar och repor. Rättigheterna i den här garantin gäller endast den ursprungliga köparen och avser inte kommersiellt eller offentligt bruk.

Om din apparat innefattar en landsspecifik garanti eller garantibilaga, ska du läsa villkoren i den garantin i stället för den här garantin eller kontakta din lokala auktoriserade försäljare för mer information.

Uttjänta elektriska produkter får inte slängas i hushållsavfallet. Återvinna om så är möjligt. Skicka ett e-postmeddelande till oss på enquiriesEurope@jardencs.com för ytterligare information om återvinning.

Holmes Products (Europe) Limited  
1 Francis Grove  
London  
SW19 4DT  
UK



## NEDERLANDS

### LEES EN BEWAAR DEZE AANWIJZINGEN ZORGVULDIG VOOR TOEKOMSTIG GEBRUIK.

#### BESCHRIJVING (Zie fig. 1 & 2)

- A. Linker kap
- B. Achterste behuizing
- C. Rechter kap
- D. Display
- E. Modusindicatorlampjes
- F. Modusknop
- G. Thermostaatknop
- H. Voetstuk
- I. Rooster
- J. Aan/uit-lampje
- K. Voetstukbevestiging
- L. Bevestigingshaak (Zie afb. 5)

### LEES EN BEWAAR DEZE BELANGRIJKE GEBRUIKSAANWIJZING ZORGVULDIG

Bij gebruik van elektrische apparaten moeten elementaire veiligheidsvoorzorgen getroffen worden, waaronder de volgende:

1. Voordat u de kachel aansluit, dient u te controleren of de spanning op het specificatieplaatje overeenkomt met de netspanning bij u thuis of op kantoor.
2. **WAARSCHUWING:** dek de kachel NIET af om oververhitting te voorkomen (☹).
3. Plaats de kachel NIET direct onder een stopcontact.
4. Gebruik de verwarming niet in de onmiddellijke omgeving van een bad, douche of zwembad.
5. Als het netsnoer of de stekker is beschadigd, moet u deze om risico's te voorkomen laten vervangen door de fabrikant,

de reparatiedienst of een andere, officieel gemachtigde persoon. De verwarming bevat geen onderdelen die u zelf kunt repareren.

Als het product beschadigd is of niet meer werkt, moet u het naar de fabrikant of reparatiedienst retourneren.

6. In een omgeving waar stroomstoten kunnen optreden, kan het product slecht functioneren en moet de gebruiker het product mogelijk opnieuw instellen.
7. Gebruik de kachel niet met een programmeerapparaat, timer of ander apparaat om de kachel automatisch in te schakelen, omdat er brand kan ontstaan als de kachel is afgedekt of onjuist is geplaatst.
8. Raak de verwarming alleen met droge handen aan.
9. Zet de verwarming NIET op een plaats waar kinderen (vooral erg jonge kinderen) hem kunnen aanraken.
10. Gebruik de kachel NIET buiten.
11. Houd een veilige ruimte rond de kachel vrij van meubels en andere voorwerpen. Houd aan de boven- en zijkant een gebied vrij van ten minste 50 cm en aan de voorkant van ten minste 200 cm.
12. Leg de kachel tijdens het gebruik niet op de zijkant.
13. Gebruik de kachel NIET in vertrekken met ontplofbare stoffen (zoals benzine) of tijdens het gebruik van ontbrandbare lijm of oplosmiddelen (zoals tijdens het lijmen of vernissen van parketvloeren, PVC enzovoort).
14. Steek GEEN voorwerpen in de kachel.
15. Houd het netsnoer op veilige afstand van de romp van de kachel.
16. Als de kachel oververhit raakt, wordt de kachel met een ingebouwde beveiliging tegen oververhitting uitgeschakeld.
17. Plaats het netsnoer niet onder een tapijt.
18. Installeer de verwarming zodanig dat de schakelaars en andere regelaars niet door iemand in een bad kunnen worden aangeraakt.
19. De kachel moet op ten minste 0,6 m boven de vloer worden aangebracht.
20. Gebruik de kachel niet in de buurt van gordijnen of brandbaar materiaal. Gordijnen of brandbaar materiaal kunnen in brand vliegen wanneer de kachel onjuist is geïnstalleerd.
21. Deze toepassing is niet bedoeld om gebruikt te worden door personen (met inbegrip van kinderen) met verminderde fysieke, sensorische of mentale vaardigheden of gebrek aan ervaring en kennis, tenzij dat ze supervisie krijgen of instructies hebben gekregen over het gebruik van de toepassing door een persoon die verantwoordelijk is voor hun veiligheid. Kinderen moeten onder supervisie staan om

er voor te zorgen dat ze niet met de toepassing gaan spelen.

22. **WAARSCHUWING:** Brandgevaar. Stop het gebruik van de kachel als het stopcontact of de stekker te warm zijn om aan te raken. Oververhitting kan wijzen op een versleten of beschadigd stopcontact. Laat het stopcontact door een erkende elektricien vervangen.
23. **WAARSCHUWING:** Om gevaren verbonden aan het onopzettelijk opnieuw instellen van de thermische beveiliging te vermijden, mag dit apparaat nooit worden gevoed via een extern schakelmechanisme zoals een timer, of worden aangesloten op een circuit dat geregeld aan- of uitgeschakeld wordt door het nutsbedrijf.

### MONTAGE VAN HET VOETSTUK (Zie afb. 3)

1. Plaats het voetstuk (H) in de onderzijde van de voetstukbevestiging (K) aan de onderzijde van het rooster (I).

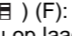
### WANDBEVESTIGING (Zie afb. 4 - afb. 6)

**BELANGRIJK:** alvorens in de muur te boren controleren of er geen elektriciteitskabels in de omgeving zitten.

**OPMERKING:** gezien het grote aantal verschillende bevestigingsoppervlakken worden er geen bevestigingsschroeven bijgeleverd. Vraag om professionele hulp of bezoek een plaatselijke ijzerwinkel om te bepalen welke soort schroef het best geschikt voor uw muur.

1. Verwijder het voetstuk (H) van de onderzijde van de voetstukbevestiging (K).
2. Ontkoppel de voetstukbevestiging (K) van de onderzijde van het rooster (I) door de twee bevestigingsschroeven te verwijderen.
3. Breng de bevestigingshaak op de muur aan.
4. Hang de romp aan de bevestigingshaak.

### De kachel aan/uitzetten en de digitale thermostaat instellen (Alleen BPH1520).

1. Steek de stekker van het apparaat in het stopcontact.
2. Vindt de aan/uit-schakelaar aan de onderzijde van de rechterkap en stel deze schakelaar in op de stand Aan.
3. Druk op de modusknop (  ) (F):
  - 1x = LAAG: werkt continu op laag.
  - 2x = HOOG: werkt continu op hoog.
  - 3x = Automatisch LAAG: druk op (+) of op (-) om de gewenste temperatuur in te stellen.
  - 4x = Automatisch HOOG: druk op (+) of op (-) om de gewenste temperatuur in te stellen.
4. Wanneer u de gewenste modus en temperatuur hebt geselecteerd, wordt de huidige kamertemperatuur op de

display weergegeven en warmt de kamer geleidelijk op.

5. Indien u een automatische modus heeft geselecteerd en de kachel niet start, controleer dan of de ingestelde temperatuur niet hoger is dan de huidige kamertemperatuur.
6. Om de kachel uit te schakelen, blijf op de modus knop (F) drukken totdat alle modusindicatorlampjes (E) uit zijn.
7. Stel de aan/uit-schakelaar aan de onderzijde van de rechterkap in op de stand Uit.

**OPMERKING: Het modusindicatorlampje (E) zal knipperen in de automatische modus indien de ingestelde temperatuur lager is dan de huidige kamertemperatuur weergegeven op het display. Hetzelfde doet zich voor wanneer het apparaat de ingestelde temperatuur heeft bereikt.**

**OPMERKING: in de automatische modus is het normaal dat de kachel wordt in- en uitgeschakeld om de geprogrammeerde temperatuur te handhaven. Zet de thermostaat hoger als u in- en uitschakelen wilt voorkomen. Wanneer u de digitale thermostaat uitschakelt, wordt de laatste temperatuurinstelling in het geheugen van de digitale thermostaat opgeslagen. Als u echter de stekker uit het stopcontact trekt, wordt de digitale thermostaat opnieuw ingesteld en gaat de eerdere temperatuurinstelling verloren.**

### De kachel aan/uitzetten en de thermostaat instellen (Alleen BPH1414).

1. Steek de stekker van het apparaat in het stopcontact.
2. Draai de modusknop rechtsom vanuit stand (0) naar stand 1 (Laag) of stand 2 (Hoog) om een constante warmteafgifte te verkrijgen.
3. Draai de thermostaatknop rechtsom naar "max" om de ideale thermostaatinstelling te vinden.
4. Eens de gewenste temperatuur wordt bereikt, draai dan de thermostaatknop langzaam linksom totdat de kachel uitschakelt.
5. De kachel zal dan automatisch de gewenste temperatuur behouden.
6. Om de kachel uit te schakelen, draai de modusknop linksom naar de stand (0).

### PROGRAMMEERBARE TIMER (Alleen BPH1520)

U kunt de kachel zodanig programmeren dat deze op een vooraf ingestelde tijd wordt ingeschakeld of na een bepaalde periode wordt uitgeschakeld.

**Instellen van de AAN timer**

1. Terwijl de kachel uitstaat, druk gelijktijdig op (+) en (-) en houd deze ingedrukt totdat het display knippert en het nummer "0" weergeeft.
2. Druk op (+) of (-) om te selecteren hoe lang u wilt wachten voordat de kachel wordt ingeschakeld.
3. Nadat u de timer hebt ingesteld, wordt er op de display een rode stip naast de huidige kamertemperatuur weergegeven om aan te geven dat de timer is geactiveerd.
4. Wanneer de geprogrammeerde periode is verstreken, wordt de kachel gedurende twee uur op Automatisch HOOG bij een temperatuur van 24°C gezet.

**Instellen van de UIT timer**

1. Selecteer de gewenste modus en/of temperatuur.
2. Terwijl de kachel is ingeschakeld, houdt u de (+) en (-) gelijktijdig ingedrukt totdat de display gaat knipperen.
3. Druk op (+) of (-) om te selecteren hoe lang u de kachel ingeschakeld wilt laten.
4. Nadat u de timer hebt ingesteld, wordt er op de display een RODE stip naast de huidige kamertemperatuur weergegeven om aan te geven dat de timer is geactiveerd.
5. De kachel wordt na afloop van de geprogrammeerde periode automatisch afgesloten.

**VORSTBESCHERMING (BPH1520)**

Druk 5 keer achter elkaar op Mode ( ) om de vorstbescherming in te schakelen (de digitale display toont AF). Deze speciale instelling wordt automatisch geactiveerd wanneer u de modus (AF) selecteert. In deze modus blijft de verwarming uit totdat de kamertemperatuur tot het vriespunt is gedaald. Vervolgens wordt de verwarming automatisch op Hoog gezet. De verwarming wordt in- en uitgeschakeld om de temperatuur tussen 5-8 °C te handhaven.

**VORSTBESCHERMING (BPH1414)**

Laat de modusknop in stand 1 (Laag) of stand 2 (Hoog) en draai de thermostaatknop naar de beginstand ( ). De kachel zal uitschakelen. Deze speciale instelling wordt automatisch geactiveerd. In deze modus blijft de kachel uit totdat de kamertemperatuur het vriespunt bereikt. Op dat moment schakelt de kachel automatisch de stand Hoog aan. De kachel zal afwisselen tussen AAN en UIT om de temperatuur tussen 5 °C en 8 °C te houden.

**AUTOMATISCHE UITSCHAKELING**

De verwarmingstoestel heeft een ingebouwd veiligheidsmechanisme dat de kachel bij oververhitting automatisch uitschakelt. De kachel zal pas weer gaan werken wanneer de gebruiker

de unit opnieuw instelt. Als er sprake is van oververhitting, wordt er (OH) weergegeven.

**Zo stelt u het verwarmingstoestel opnieuw in.**

1. Neem de stekker uit het stopcontact en wacht 30 minuten totdat de unit is afgekoeld.
2. Na 30 minuten schakelt u de unit weer in en bedient u deze als normaal.

**VEILIGHEIDSZEKERING**

In het onwaarschijnlijke geval dat de verwarming niet op oververhitting reageert, wordt de veiligheidszekering geactiveerd. In dat geval wordt de verwarming niet opnieuw ingesteld. Bel naar het lokale servicenummer voor advies.

**BESCHERMING BIJ VOOROVER VALLEN**

De kachel wordt onmiddellijk uitgeschakeld wanneer deze voorover valt. Zet de kachel recht op het normale gebruik te hervatten.

**GEBRUIK IN BADKAMER**

- Indien deze kachel wordt gebruikt in een badkamer of soortgelijke ruimte, dient installatie als volgt plaats te vinden:
  - a. Op zodanige wijze dat de schakelaars of andere bediening niet door de persoon in het bad of de douche kan worden aangeraakt.
  - b. Buiten de grijze gebieden (fig. 7).
- Als u niet zeker bent over installatie van deze kachel in de badkamer, adviseren wij om een professionele electricien/installateur te raadplegen.

**REINIGING EN ONDERHOUD**

- Schakel de kachel uit.
- Verwijder de stekker uit het stopcontact.
- Wacht totdat de kachel voldoende afgekoeld is.
- De buitenkant van de kachel kan met een vochtig doek worden gereinigd. LAAT NOOIT water tot in het apparaat doordringen. GEBRUIK NOOIT zeep of chemicaliën, daar deze de behuizing kunnen beschadigen. Laat de kachel lang genoeg drogen vooraleer de stekker van de kachel terug in het stopcontact te steken.
- Reinig de luchtinlaat- en uitlaatopeningen regelmatig (bij normaal gebruik, ten minste tweemaal per jaar) met een stofzuiger.

**GARANTIE**

Bewaar uw reçu omdat u dit nodig hebt wanneer u een garantiereclaim wilt indienen. Het product wordt tot 3 jaar na de aanschafdatum gegarandeerd, zoals beschreven in dit document.

In het onwaarschijnlijke geval dat het apparaat tijdens de garantieperiode defect raakt door een ontwerp- of fabricagefout, brengt u het samen

met uw reçu en een kopie van deze garantie terug naar de plaats van aanschaf.

Uw rechten en voordelen onder deze garantie staan los van uw wettelijke rechten, waarop deze garantie geen invloed heeft. Alleen Holmes Products (Europa) Ltd. ("Holmes") is gerechtigd deze voorwaarden te wijzigen.

Holmes verplicht zich ertoe binnen de garantieperiode het apparaat of ieder onderdeel van het apparaat dat niet juist werkt, gratis te repareren of vervangen op voorwaarde dat:

- U het probleem onmiddellijk meldt bij de plaats van aankoop of bij Holmes, en dat
- het apparaat niet gewijzigd, beschadigd, onjuist gebruikt, misbruikt of gerepareerd is door een persoon die daartoe niet door Holmes is gemachtigd.

Defecten veroorzaakt door onjuist gebruik, beschadiging, misbruik, gebruik met een onjuiste netspanning, natuurrampen, gebeurtenissen waarop Holmes geen invloed heeft, reparatie of wijziging door een persoon die daartoe niet door Holmes is gemachtigd of het niet naleven van de handleiding, worden niet door deze garantie gedekt. Verder wordt gewone slijtage, met inbegrip van maar niet beperkt tot geringe verkleuring en krassen, niet door deze garantie gedekt.

De rechten onder deze garantie gelden alleen voor de oorspronkelijke aankoper en zijn niet van toepassing op commercieel of gemeenschappelijk gebruik.

Als u bij uw apparaat een landspecifieke garantie hebt ontvangen, raadpleegt u de bepalingen van die landspecifieke garantie in plaats van deze garantie of neemt u voor meer informatie contact op met uw plaatselijke gemachtigde dealer.

Elektrische afvalproducten mogen niet samen met huishoudelijk afval worden weggeworpen. Recycleer deze producten op de voorgeschreven wijze. Stuur ons een e-mail op enquiriesEurope@jardencs.com voor verdere informatie over recycling en de AEEA-richtlijn. Holmes Products (Europa) Limited  
1 Francis Grove  
Londen  
SW19 4DT  
Groot-Brittannië

**SUOMI****LUE SEURAAVA TEKSTI JA SÄILYTÄ SE VASTAISUUDEN VARALTA.****KUVAUKSET (KUVA 1 & 2)**

- A. Vasen päänsuojaus
- B. Takakotelo
- C. Oikea päänsuojaus
- D. Näyttö
- E. Tilan merkkivalot
- F. Toimintopainike/Säätö
- G. Termostaatin säätö
- H. Jalusta
- I. Ristikko
- J. Virtavalo
- K. Jalustan kiinnike
- L. Kiinnityslevy (kuva 5)

**LUE NÄMÄ TÄRKEÄT OHJEET JA SÄILYTÄ NE.**

Sähkölaitteiden käytössä on aina kiinnitettävä huomiota muun muassa seuraaviin turvallisuuteen liittyviin asioihin:

1. Ennen kuin teet lämmittimen kytkennät, tarkista, että luokituskytissä oleva jännite vastaa käyttämäsi verkkovirtajännitettä.
2. **VAROITUS:** ÄLÄ peitä lämmittintä, jotta se ei kuumene liikaa ( ).
3. ÄLÄ aseta lämmittintä suoraan verkkovirtapistokkeen alle.
4. Lämmittintä ei saa käyttää vesilähteen, kuten suihkun tai uima-altaan, lähellä.
5. Jos virtajohto tai pistoke on vahingoittunut, valmistajan, valmistajan huoltohenkilökunnan tai jonkin muun tarvittavan pätevyiden omaavan henkilön on korvattava se vaaratilanteen välttämiseksi. Lämmittimessä ei ole käyttäjän huollettavia osia. Jos tuote vaurioituu tai hajoaa, se tulee palauttaa valmistajalle tai toimittaa valmistajan valtuuttamaan huoltoon.
6. Sähköhäiriöt ja -katkokset voivat aiheuttaa toimintahäiriöitä laitteeseen, jolloin käyttäjän on käynnistettävä laite uudelleen.
7. Älä käytä tätä lämmityslaitetta ohjelmointilaitteen, ajastimen tai minkään muun sellaisen laitteen kanssa, joka käynnistää lämmittimen automaattisesti. Laite voi tällä tavalla käynnistettäessä aiheuttaa tulipalon, jos se on peitetty tai sijoitettu virheellisesti.
8. Lämmittimeen saa koskea vain kuivilla käsillä.
9. ÄLÄ aseta lämmittintä paikkaan, jossa pienet lapset voivat käsitellä sitä.
10. ÄLÄ käytä tätä lämmittintä ulkona.
11. Jätä lämmittimen ympärille turva-alue, jossa ei ole huonekaluja tai muita esineitä.

Lämmittimen päälle ja sivuille on jätettävä tilaa vähintään 50 cm ja eteen 200 cm.

- Älä käytä lämmitintä, jos se on asetettu maahan kylkipuoli alaspäin.
- ÄLÄ käytä lämmitintä huoneissa, joissa on räjähdysvaaran aiheuttavia aineita (esim. paloöljyä), tai kun käytät herkästi syttyviä aineita (esim. liimaa tai lakkaa).
- ÄLÄ aseta lämmittimeen mitään esineitä.
- Pidä verkkovirtajohto riittävän etäällä lämmittimen rungosta.
- Jos lämmitin ylikuumenee, sisäänrakennettu turvalaite sammuttaa lämmittimen.
- Älä aseta sähköjohtoa maton alle.
- Lämmitin on asennettava siten, että kylvyssä oleva henkilö ei pysty koskemaan kytkimiin ja muihin säätimiin.
- Lämmitin on asennettava vähintään 0,6 m lattiatason yläpuolelle.
- Lämmitintä ei tule käyttää verhojen tai muiden helposti syttyvien materiaalien läheisyydessä. Tällaiset materiaalit voivat syttyä palamaan, jos lämmitin asennetaan ohjeiden vastaisesti niiden läheisyyteen.
- Tämä laite ei ole tarkoitettu sellaisten henkilöiden (mukaan lukien lasten) käyttöön, joiden fyysiset tai henkiset kyvyt tai näkö tai kuulo ovat jostakin syystä heikentyneet tai joilla ei ole laitteen käyttämiseen tarvittavaa kokemusta tai tietoutta, ellei kyseisestä henkilöstä vastuussa oleva henkilö ole antanut heille asianmukaisia ohjeita tai valvo heitä laitteen käytön aikana. Lapsia tulee valvoa, jotta he eivät leiki laitteen kanssa.
- VAROITUS:** Tulipalovaara. Keskeytä käyttö, jos pistorasia tai pistoke kuumenee niin paljon, ettei siihen voi koskea. Ylikuumentuminen on merkki kuluneesta tai viallisesta pistorasiasta. Pyydä valtuutettua sähkömiehistä vaihtamaan pistorasiat.
- VAROITUS:** Vältäaksesi vahinkoa, joka syntyy huomaamattomasta lämmönkatkaisusta, tätä laitetta ei saa kytkeä ulkoisen katkaisijan kautta, kuten ajastimen, tai yhdistää sitä piiriin, joka säännöllisesti kytkee laitteen päälle ja pois.

#### JALUSTAN KIINNITTÄMINEN (Katso kuva 3)

- Kiinnitä jalusta (H) jalustan kiinnikkeen pohjaan (K). Jalustan kiinnike on kiinnitetty ristikon pohjaan (I).

#### SEINÄKIINNITYS (Katso kuvat 4 - 6)

**TÄRKEÄÄ:** Varmista aina ennen seinien poraamista, ettei porausalueella ole sähköjohtoja.

**HUOMAUTUS:** Koska mahdollisia kiinnityspintoja on useita erilaisia, tämän tuotteen mukana ei toimiteta kiinnitysruuveja. Kysy neuvoa ammattilaiselta tai paikallisesta

rautakaupasta, jos et tiedä, millainen ruuvi sopii parhaiten seinään, johon aiot tuotteen kiinnittää.

- Irrota jalusta (H) jalustan kiinnikkeen (K) pohjasta.
- Irrota jalustan kiinnike ristikon (I) pohjasta irrottamalla kaksi kiinnitysruuvia.
- Kiinnitä seinäkiinnitin seinään.
- Ripusta runko seinäkiinnittimeen.

#### Laitteen virran päälle/pois kytkeminen ja digitaalisen termostaatin (Vain Mallissa BPH1520) säätäminen

- Kytke laite pistorasiaan.
- Paikallista virtakytkin oikean päänsuojuksen pohjassa ja käännä se päälle-asentoon.
- Paina (☞) tilapainiketta (F):
  - 1. = LO-tila, lämmitintä käytetään LO asetuksella.
  - 2. = HI-tila, lämmitintä käytetään HI asetuksella.
  - 3. = AL (Auto LO) -tila, voit määrittää haluamasi lämpötilan painamalla painikkeita (+) ja (-).
  - 4. = AH (Auto HI) -tila, voit määrittää haluamasi lämpötilan painamalla painikkeita (+) ja (-).
- Kun olet valinnut tilan ja lämpötilan, laite palautuu nykyiseen huonelämpötilaan ja lisää lämpöä vähitellen, kunnes huone lämpenee.
- Jos olet valinnut Automaattisen toiminnon ja lämmitin ei ala toimia varmista, että asettamasi lämpötila on korkeampi kuin huoneessa vallitseva lämpötila.
- Jos haluat kytkeä laitteen pois päältä paina toimintonäppäintä (F) kunnes kaikki merkkivalot (E) ovat sammuneet.
- Kytke virta pois päältä virtakytkimestä, joka sijaitsee oikean päänsuojuksen pohjassa.

**HUOMIO: Tilan merkkivalo (E) vilkkuu AUTO-tilassa, jos asetettu lämpötila on alhaisempi kuin nykyinen huonelämpötila näytöllä. Sama tapahtuu, jos laite on saavuttanut halutun ja asetetun lämpötilan**

**HUOMAUTUS: Lämmittimen käynnistyminen ja sammuminen ohjelmoitua lämpötilaa ylläpidettäessä on normaalia automaattisessa tilassa. Jos haluat estää laitetta toimimasta näin, suurena termostaatin asetusta. Tieto edellisestä lämpöasetuksesta säilyy Digitaalisessa termostaatisessa senkin jälkeen, kun laitteen virta on katkaistu. Jos laite irrotetaan verkkovirrasta, digitaalisen termostaatin asetukset nollautuvat, eikä laite enää muista lämpötila-asetusta.**

#### Laitteen virran päälle/pois kytkeminen ja digitaalisen termostaatin (Vain Mallissa BPH1414) säätäminen

- Kytke laite pistorasiaan
- Käännä säätönuppia myötöpäivään asennosta (O) joko asentoon 1 (matala asetus) tai 2 (korkea asetus)
- Löytääksesi ihanteellisen termostaattiasennon käännä termostaatin säädin myötöpäivään asentoon "max".
- Kun haluttu lämpötila on saavutettu, käännä termostaatin säädin takaisin, kunnes lämmitin lakkaa toimimasta.
- Lämmitin ylläpitää nyt lämpötilan halutulla tasolla automaattisesti.
- Kytkeäksesi laitteen pois päältä käännä säätönuppia vastapäivään asentoon (O)

#### OHJELMOITAVA AJASTIN (Ainoastaan Mallissa BPH1520)

Käyttäjä voi ohjelmoida lämmittimen käynnistymään tai sammumaan ennalta määritettynä aikana.

#### ON-ajastimen asetus

- Lämmitin poiskytkettyä, paina ja pidä alhaalla (+) ja (-) painikkeita samanaikaisesti, kunnes näyttö vilkkuu ja siinä näkyy numero "0".
- Valitse painikkeilla (+) ja (-) aika, jonka haluat kuluvan, ennen kuin lämmitin käynnistetään.
- Kun olet määrittänyt ajastimen asetukset, näyttöön tulee punainen piste nykyisen huonelämpötilan viereen, mikä ilmaisee, että ajastin on aktivoitu.
- Kun ohjelmoitu aika on kulunut, lämmitin ottaa automaattisesti Auto HI -tilan käyttöön 24 °C:n lämpötilassa kahden tunnin ajaksi.

#### OFF-ajastimen asetus

- Valitse haluamasi tila ja/tai lämpötila.
- Kun lämmitin on käynnistetty, paina painikkeita (+) ja (-) samaan aikaan yhtäjaksoisesti, kunnes näyttö alkaa vilkkuu.
- Valitse painikkeilla (+) ja (-) aika, jonka haluat lämmittimen olevan käynnissä.
- Kun olet määrittänyt ajastimen asetukset, näyttöön tulee PUNAINEN piste nykyisen huonelämpötilan viereen, mikä ilmaisee, että ajastin on aktivoitu.
- Lämmitin sammuu automaattisesti, kun ohjelmoitu aika on kulunut.

#### PAKKASSUOJUS (BPH1520)

Paina toimintopainiketta Mode (☞) viisi kertaa peräkkäin, jolloin pakkasestoasetus tulee käyttöön (digitaalisessa näytössä näkyy AF). Tämä erityisasetus aktivoituu automaattisesti, kun tilaksi on valittu (AF). Tässä tilassa lämmitin on sammutettuna, kunnes huoneen lämpötila laskee nollan alle, ja lämmitin käynnistää HI-tilan automaattisesti. Lämmitin käynnistyy ja sammuu 5 - 8 °C:n lämpötilaa ylläpidettäessä.

#### PAKKASSUOJUS (BPH1414)

Pidä laite asennossa 1 (matala asetus) tai 2 (korkea asetus), käännä termostaatin säätönuppi alkuasettoon (☞). Tämä erityisasetus aktivoituu automaattisesti. Tässä tilassa lämmitin on sammutettuna, kunnes huoneen lämpötila laskee alle nollan ja lämmitin käynnistää H1-tilan automaattisesti. Lämmitin käynnistyy ja sammuu 5-8 °C lämpötilaa ylläpidettäessä.

#### AUTOMAATTINEN SUOJAKATKAISIN

Lämmittimeen on rakennettu sisään suojalaite, joka kytkee automaattisesti lämmittimen pois päältä, jos se vahingossa ylikuumenee. Lämmitin voi toimia uudelleen vasta, kun käyttäjä on asettanut laitteen uudelleen. Jos lämmitin on ylikuumentumassa, näytössä näkyy teksti (OH).

#### Lämmittimen uudelleen asetus

- Irrota pistoke seinäpistorasiasta ja odota 30 minuuttia, jotta laite jäähtyisi.
- Kytke laite takaisin seinäpistorasiaan 30 minuutin päästä ja käytä sitä normaaliin tapaan.

#### VARASULAKE

Jos lämmitin ei jostain syystä tunnista oikein ylikuumentumistilaa, varasulake kytketty käyttöön. Tämän jälkeen lämmittimen palauttaminen käyttöön ei enää onnistu. Ota tässä tapauksessa yhteys paikalliseen huoltoonumeron ja pyydä neuvoja jatkotoimista.

#### KAATUMISEN SUOJAUS

Jos laite kaadetaan vahingossa tai kaatuu muusta syystä, sen virta katkaistaan automaattisesti heti. Voit palauttaa virran lämmittimeen nostamalla sen pystyyn ja käyttämällä sitä normaalilla tavalla.

#### KÄYTTÖ KYLPYHUONEESSA

- lämmitintä halutaan käyttää kylpyhuoneessa tai muussa vastaavassa huoneessa, se on asennettava:
  - siten, ettei kylvyssä tai suihkussa oleva henkilö pysty koskettamaan sen kytkimiä eikä muita säätöjä.
  - harmaiden alueiden ulkopuolelle (kuvat 7).
- Jos olet epävarma tämän lämmittimen asentamisesta kylpyhuoneeseen, kysy neuvoa päteveltä sähkömieheltä/asentajalta.

#### PUHDISTAMINEN JA HOITO

- Sammuta virta laitteesta.
- Irrota pistoke seinärasiasista.
- Odota kunnes lämmitin on jäähtynyt tarpeeksi.
- Voit pyyhkiä lämmittimen ulkopinnat kostutetulla liinalla. ÄLÄ päästä vettä laitteen sisään. ÄLÄ käytä saippuaa tai muita kemikaaleja, jotka voivat vahingoittaa päällyspintaa. Anna laitteen kuivua, ennen kuin kiinnität pistokkeen takaisin seinärasiaan.
- Puhdista ilmanvaihtoaukot säännöllisesti (normaalikäytössä vähintään kaksi kertaa vuodessa) pölynimurilla.

**TAKUU**

Säilytä kuitti, koska tarvitset sitä mahdollisia takuuvaahteita varten.

Tuotteella on 3 vuoden takuu. Takuuajan lasketaan alkavan ostohetkellä.

Jos laite ei tämän takuuajan jälkeen enää toimi suunnittelu- tai valmistusvirheen johdosta, palauta se ostopaikkaan kuitin ja takuudistuksen kopion kanssa.

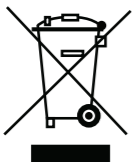
Tämän takuun myöntämät oikeudet ja edut myönnetään lakisääteisten oikeuksiesi lisäksi, eikä takuu vaikuta kyseisiin lakisääteisiin oikeuksiin. Vain Holmes Products (Europe) Ltd. ("Holmes") -yrityksellä on oikeus muuttaa näitä takuuehtoja. Holmes sitoutuu määrittettynä takuuajanjaksona korjaamaan tai vaihtamaan uuteen laitteeseen veloituksetta minkä tahansa viallisen laitteen osan seuraavien ehtojen täytyessä:

- Ostopaikalle tai Holmesille ilmoitetaan ongelmasta heti; ja
- Laitetta ei ole muutettu mitenkään tai kohdeltu kaltoin tai vahingoitettu eikä sen korjaukseen tai muutostöihin ole osallistunut muita kuin Holmesin valtuuttamia henkilöitä.

Takuu ei kata virheellisestä käytöstä, vahingoittumisesta, laitteen kohtelemisesta väärin, laitteen väärällä jännitteellä käyttämisestä, luonnonmullistuksista, muista asioista, joihin Holmesilla ei ole vaikutusvaltaa, muun kuin Holmesin valtuuttaman henkilön tekemistä korjaus- tai muutostöistä tai ohjeiden noudattamatta jättämisestä aiheutuvia ongelmia. Lisäksi takuu ei kata tavallista kulumista, muun muassa pieniä värin muutoksia tai naarmuja. Tässä takuussa myönnetty oikeudet koskevat vain alkuperäistä ostajaa eivätkä ne ulotu kaupalliseen tai yhteisölliseen käyttöön. Jos laitteella on maakohtainen takuu, käytä kyseisen takuun ehtoja tämän takuun sijasta tai pyydä lisätietoja paikalliselta valtuutetulta jälleenmyyjältä.

Sähkölaitteita ei tulisi hävittää tavallisen kotitalousjätteen mukana. Toimita laitteet kierrätykseen. Lähetä meille sähköpostia osoitteeseen enquiries@jardencs.com, jos haluat lisätietoja kierrätyksestä ja muita WEEE-tietoja.

Holmes Products (Europe) Limited  
1 Francis Grove  
London  
SW19 4DT  
UK

**NORSK****LES DISSE INSTRUKSJONENE, OG BRUK DEM DERETTER SOM REFERANSE.****BESKRIVELSER (SE FIG. 1 & 2)**

- Venstre endedeksel
- Bakre deksel
- Høyre endedeksel
- Skjerm
- Indikatorlamper for modus
- Modusknapp/justering
- Termostatjustering
- Base
- Rist
- Strømløst
- Basemontering
- Monteringsbrakett (Figur 5)

**VENNLIGST LES OG TA VARE PÅ DISSE VIKTIGE INSTRUKSJONENE**

Ved bruk av elektriske apparater skal grunnleggende sikkerhetsforholdsregler alltid etterfølges, inkludert følgende:

1. Før du kobler til ovnen, må du kontrollere at den spenningen som er angitt på merkeplaten, samsvarer med nettspenningen på det stedet der ovnen skal brukes (hjem/kontor).
2. **ADVARSEL:** For å unngå overoppheting, skal ovnen IKKE tildekkes (☹).
3. IKKE plasser ovnen rett under en stikkontakt.
4. Ovnen skal ikke brukes i umiddelbar nærhet av badekar, dusj eller svømmebasseng.
5. Hvis strømledningen eller kontakten er skadet, må den skiftes ut av produsenten, dennes servicerepresentant eller annen tilsvarende kvalifisert person for å unngå sikkerhetsrisiko. Ovnen inneholder ingen deler som kan vedlikeholdes av brukeren. Hvis produktet blir skadet eller svikter, skal det returneres til produsenten eller dennes servicerepresentant.
6. I et elektrisk miljø med raske transienter kan produktet svikte, noe som medfører at brukeren må stille det inn på nytt.
7. Dette apparatet skal ikke brukes med programmerer, tidsbryter eller noen annen innretning som slår enheten på automatisk, da det kan oppstå brannfarlige situasjoner hvis enheten er tildekket eller feilplassert.
8. Ovnen skal bare berøres med tørre hender.
9. Ovnen skal IKKE plasseres på steder der den kan bli berørt av barn, spesielt småbarn.
10. IKKE bruk denne ovnen utendørs.
11. Gjør plass til et sikkert område rundt ovnen i god avstand fra møbler og andre gjenstander; minst 50 cm rundt topp og sider og 200 cm foran.
12. Ikke bruk ovnen når den ligger på siden.

13. IKKE bruk ovnen i rom med eksplosive gasser (f.eks. bensindamp) eller når du bruker lettantennelige lim eller løsemidler (f.eks. ved liming eller lakkering av parkettgulv, PVC ol.)

14. IKKE stikk gjenstander inn i ovnen.
15. Pass på at strømkabelen plasseres i sikker avstand fra selve ovnen.
16. Hvis ovnen skulle bli overopphetet, vil den innebygde sikkerhetsfunksjonen for overoppheting slå av ovnen.
17. Ledningen skal ikke plasseres under teppe.
18. Ovnen skal plasseres slik at brytere og andre kontrollere ikke kan berøres av en person i badekar.
19. Ovnen må monteres minst 0,6 meter over gulvet.
20. Enheten skal ikke brukes i nærheten av gardiner eller brennbar materiale. Gardiner eller brennbar materiale kan ta fyr hvis ovnen monteres på feil måte.
21. Denne enheten skal ikke brukes av personer (inkludert barn) med nedsatte fysiske, mentale eller sanseevner eller manglende erfaring og kunnskap, med mindre de er under oppsyn eller er blitt opplært i bruken av apparatet av en person som er ansvarlig for deres sikkerhet. Barn skal holdes under oppsyn for å sikre at de ikke leker med apparatet.
22. **ADVARSEL:** Brannfare. Stans bruk av apparatet hvis stikkkontakten eller støpslet føles varme ved berøring. Overoppheting kan bety at tattaket er slitt eller skadd. Ta kontakt med en kvalifisert elektriker for å få tattaket skiftet ut.
23. **ADVARSEL:** For å kunne unngå en fare på grunn av utilsiktet tilbakestilling av den termiske utstansingen må ikke denne innretningen strømføres gjennom en ekstern omkoplingsenhet, slik som en tidtaker, eller kopling til en krets som er slått av og på jevnlig.

**BASEMONTERING (Se fig.3)**

1. Sett inn basen (H) på bunnen av basemonteringen (K) som er festet til bunnen av grillen (I).

**VEGGMONTERING (Se fig. 4- Fig.6)**

**VIKTIG:** Før man borer inn i veggen påse at ingen elektriske kabler er montert der.  
**MERK:** Fordi det finnes så mange mulige festeflater, følger det ikke festeskruer med produktet. Forhør deg med en fagperson eller gå til den lokale jernvarehandelen for å fastslå hvilken skruetype som passer best til den aktuelle veggen.

1. Fjern basen (H) fra bunnen av basemonteringen (K).

2. Fjern basemonteringen fra bunnen av grillen (I) ved å fjerne de to sikringskruene.
3. Fest monteringsbraketten til veggen.
4. Heng hovedhuset på festebraketten.

**Slå enheten på/av og innstilling av digitalt termometer (Kun BHP1520)**

1. Plugg inn enheten i et veggstøpsel.
2. Finn på/av bryteren på bunnen av det høyre endedekselet og skru til på posisjon.
3. Trykk på (☹) modusknappen (F):
  - 1. = LAV; ovnen går kontinuerlig på lav.
  - 2. = HØY; ovnen går kontinuerlig på høy.
  - 3. = Automatisk lav; trykk (+) eller (-) for å stille inn ønsket temperatur.
  - 4. = Automatisk høy; trykk (+) eller (-) for å stille inn ønsket temperatur.
4. Når du har valgt modus og temperatur, viser skjermen igjen gjeldende romtemperatur, som gradvis vil stige etter hvert som rommet varmes opp.
5. Om du valgte Auto modus og varmeren ikke starter, påse at den innstilte temperaturen er høyere enn den nåværende romtemperaturen.
6. For å slå enheten av, hold nede modusknappen (F) til alle indikatorlys for modus (E) ikke er opplyst lengre.
7. Slå av på/av bryteren som finnes på bunnen av det høyre endedekselet.

**MERK: Modusindikatorlyset (E) vil blinke i AUTO modus om den innstilte temperaturen er lavere enn den nåværende romtemperaturen vist på displayet. Dette gjelder også om enheten har nådd den krevde innstilte temperaturen.**

**MERK: I automodus er det normalt at ovnen slår seg AV og PÅ for å opprettholde den innstilte temperaturen. Hvis du ikke vil at apparatet skal veksle mellom av og på, sett termostaten opp. Digital Termostaten husker den forrige temperaturinnstillingen etter at enheten er slått av. Men hvis enheten frakobles strømmettet, tilbakestilles den digitale termostaten, og den forrige temperaturinnstillingen slettes fra minnet.**

**Slå enheten på/av og innstilling av termostat (Kun BHP1414)**

1. Plugg inn enheten i et veggstøpsel
2. Roter knappen for modusjustering med solen fra (0) posisjon til enten 1 (Lav innstilling), eller 2 (Høy innstilling) for å få en konstant varmeeffekt.
3. For å finne den ideelle termostatinnstillingen, slå termostatjusteringsknappen med solen til "maks".

- Når den ønskede temperaturen er nådd, sakte skru termostatknappen mot solen til varmeren slås av.
- Varmeren vil nå automatisk opprettholde temperaturen ved det krevde nivået.
- For å slå enheten av, roter modusjusteringsknappen mot solen til (0) posisjon.

#### PROGRAMMERBART TIDSUR (Kun BHP1520)

Du kan programmere ovnen til å slå seg på på et forhåndsinnstilt tidspunkt eller til å slå seg av etter et bestemt tidsrom.

#### Innstilling av PÅ-tidsuret.

- Med ovnen av, trykk og hold nede (+) og (-) samtidig til displayet blinker og viser tallet "0".
- Trykk på (+) eller (-) for å velge tidsrommet som skal forløpe før ovnen slår seg på.
- Når tidsuret er innstilt, vises en rød prikk ved siden av gjeldende romtemperatur på skjermen for å angi at tidsuret er aktivert.
- Når det programmerte tidsrommet er omme, slås ovnen automatisk på Auto-HØY på 24 °C i to timer.

#### Innstilling av AV-tidsuret.

- Velg ønsket modus og/eller temperatur.
- Når ovnen er på, skal du trykke på og holde nede (+) og (-) samtidig, til skjermen begynner å blinke.
- Trykk på (+) eller (-) for å velge tidsrommet ovnen skal være på i.
- Når tidsuret er innstilt, vises en RØD prikk ved siden av gjeldende romtemperatur på skjermen for å angi at tidsuret er aktivert.
- Ovnen slås automatisk av etter at det programmerte tidsrommet er omme.

#### FROSTBESKYTTELSE (BPH1520)

Trykk modusknappen (☄) 5 flere ganger for anti-frostinnstilling (AF vises på digitaldisplayet). Denne spesielle innstillingen aktiveres automatisk når (AF)-modus er valgt. I denne modusen er ovnen avslått til romtemperaturen når frysepunktet, hvorefter den automatisk settes på HØY. Ovnen slås automatisk AV og PÅ for å opprettholde temperaturen mellom 5–8 °C.

#### FROSTBESKYTTER (BHP1414)

Hold enheten i 1 (Lav innstilling) eller 2 (Høy innstilling), roter termostatjusteringsknappen til begynnende posisjon (☄). Enheten vil stoppe å fungere. Denne spesielle innstillingen er automatisk aktivert. I denne modusen er varmeren av til romtemperaturen når frysepunktet og varmeren slås automatisk på HØY strøm. Varmeren vil sykle PÅ og AV idet den opprettholder temperaturer mellom 5-8°C.

#### SIKKERHETSSYSTEM FOR AUTOMATISK AVSTENGNING

Vifteovnen har et innebygd sikkerhetssystem som vil slå av ovnen automatisk ved tilfeller av overoppheting. Deretter kan ovnen først tas i bruk etter at brukeren har nullstilt enheten. Ved overoppheting vises skjermmeldingen (OH).

#### SLIK NULLSTILLER DU OVNE ETTER AT SIKKERHETSSYSTEMET ER UTLØST:

- Koble fra vifteovnen og vent i 30 minutter slik at enheten avkjøles.
- Etter 30 minutter kobler du enheten til igjen og bruker den som normalt.

#### RESERVE SIKKERHETSSIKRING

Skulle ovnen mot formodning ikke reagere på en overopphetingssituasjon, aktiveres den reserve sikkerhetssikringen. I dette tilfellet kan ovnen ikke tilbakestilles. Ring det lokale kundeservicenummeret for assistanse.

#### VELTEVERN

Hvis enheten veltes ved et uhell, vil den automatisk stanse. Når du retter den opp igjen, tilbakestilles ovnen og fungerer som normalt.

#### BADEROMSBRUK

- Dersom dette varmeapparat skal brukes på badrom eller lignende rom, skal det installeres:
  - På en slik måte at bryterne og andre kontrollknapper ikke kan nås av personen i badekaret eller dusjen.
  - Utenfor de grå skraverte feltene (fig 5 og 6).
- Dersom du er usikker angående installeringen av dette varmeapparatet på badet anbefaler vi at du søker råd hos en profesjonell elektriker/installatør.

#### RENGJØRING OG VEDLIKEHOLD

- Slå av enheten
- Fjern kontakten fra veggstøpselet.
- Vent til ovnen er avkjølt tilstrekkelig.
- Du kan rengjøre utsiden av ovnen med en fuktig klut. IKKE la vann komme inn i innretningen. IKKE bruk såpe eller kjemikalier, som kan skade kabinettet. Tillat tilstrekkelig tid for tørking før du setter inn kontakten i støpselet.
- Rengjør luftinntaket og utløpsåpningene regelmessig (ved normalt bruk, minst to ganger i året) med en støvsuger.

#### GARANTI

Vennligst behold kvitteringen, som kreves for eventuelle hevdelser under garantien. Dette produktet garanteres i 3 år etter salgsdato, i samsvar med betingelser som gjengis i dette dokumentet. Under garantiperioden, hvis enheten usannsynligvis slutter å fungere grunnet en

design- eller fabrikkfeil, skal den leveres tilbake til innkjøpsstedet sammen med kvittering og kopi av garantien.

Rettigheter og fordeler som gis under garantien, kommer i tillegg til lovmessige rettigheter, som ikke berøres av garantien. Kun Holmes Products (Europe) Ltd. ("Holmes") har rett til å endre disse betingelsene.

Holmes påtar seg, innen garantiperioden å gratis reparere eller erstatte enheten, eller enhver defekt del av enheten, forutsatt at:

- Du umiddelbart gir beskjed til innkjøpsstedet eller Holmes om problemet; og
- at enheten ikke er modifisert på noe vis, eller utsatt for skade, feilbruk, misbruk, reparasjon eller modifikasjon av noen som ikke er autorisert av Holmes.

Feil som oppstår fra feilaktig bruk, skade, misbruk, bruk med feil strømspenning, naturfenomener, hendelser utenom Holmes kontroll, reparasjon eller modifikasjon av en person utenom Holmes-autorisert servicepersonell, eller unnlatelse i å følge disse bruksanvisninger, dekkes ikke av denne garantien. I tillegg vil alminnelig brukslitasje, inkludert, men ikke begrenset til, mindre misfarging og riper, ikke bli garantidekket.

Rettigheter som dekkes av denne garantien skal kun gjelde for originalkunden, og kan ikke videreføres til kommersielt eller felles bruk. Hvis din enhet omfattes av landsspesifikk garanti eller garantivedlegg, henvises det til vilkårene som gjelder for slike garantier framfor det som framgår nedenfor. Du kan også henvende deg til din lokale autoriserte representant for mer informasjon. Oppbrukte elektroniske produkter skal ikke kastes sammen med alminnelig avfall. Vennligst benytt muligheter til økologisk gjenvinning. E-post meldinger kan sendes til oss ved enquiriesEurope@jardencs.com for ytterligere informasjon om gjenvinning og WEEE. Holmes Products (Europe) Limited  
1 Francis Grove  
London  
SW19 4DT  
UK



## POLSKI

### PROSIMY ZACHOWAĆ NINIEJSZĄ INSTRUKCJĘ DO KORZYSTANIA W PRZYSZŁOŚCI

#### OPIS OGÓLNY (ZOB. RYS. 1& 2)

- pokrywka lewego końca
- obudowa tylna
- pokrywka prawego końca
- Wyświetlacz
- Lampki wskaźnikowe trybu pracy
- Przycisk trybu / regulacji
- Regulacja termostatu
- Podstawa
- kratka
- Światło zasilania
- Oprawa Podstawy
- Wspornik montażowy (Rysunek 5)

### PROSIMY PRZECZYTAĆ I ZACHOWAĆ NINIEJSZĄ INSTRUKCJĘ

Przy korzystaniu z urządzeń elektrycznych należy przestrzegać podstawowych zasad bezpieczeństwa, w tym następujących środków ostrożności:

- Przed podłączeniem grzejnika należy sprawdzić zgodność napięcia instalacji elektrycznej w domu lub w biurze z napięciem podanym na tabliczce znamionowej.
- UWAGA!** Aby uniknąć przegrzania, NIE WOLNO przykrywać grzejnika (☄).
- NIE ustawiać grzejnika bezpośrednio pod gniazdem zasilania.
- Zabrania się używania grzejnika w bezpośrednim sąsiedztwie wanny, prysznicza lub basenu.
- Ze względów bezpieczeństwa, wymiany uszkodzonego przewodu lub wtyczki dokonywać może wyłącznie producent, autoryzowany punkt serwisowy lub inna odpowiednio wykwalifikowana osoba. Grzejnik nie zawiera żadnych elementów możliwych do naprawienia przez użytkownika. W przypadku uszkodzenia lub awarii urządzenie należy zwrócić do producenta lub autoryzowanego punktu serwisowego.
- W warunkach szybkozmiennych stanów nieustalonych sieci elektrycznej urządzenie może pracować nieprawidłowo i wymagać zresetowania przez użytkownika.
- Zabrania się używania grzejnika łącznie z programatorem, czasomierzem i jakimikolwiek innymi urządzeniami, które automatycznie włączają grzejnik, gdyż istnieje ryzyko powstania pożaru w przypadku przykrycia lub nieprawidłowego ustawienia grzejnika.

8. Grzejnik należy dotykać tylko suchymi dłońmi.
9. **ZABRANIA SIĘ** ustawiania grzejnika w pomieszczeniach, w których mogłyby dotykać go dzieci, zwłaszcza małe.
10. Grzejnika **NIE WOLNO** używać poza pomieszczeniami zamkniętymi.
11. Wokół grzejnika należy zapewnić wolną przestrzeń, ustawiając go z dala od mebli i innych przedmiotów - w odległości co najmniej 50 cm od górnej powierzchni i boków grzejnika oraz 200 cm od jego frontu.
12. Zabrania się używania niniejszego grzejnika w pozycji na boku.
13. Grzejnika **NIE WOLNO** używać w pomieszczeniach, w których znajdują się gazy wybuchowe (np. benzyna) lub podczas stosowania palnych klejów lub rozpuszczalników (np. podczas klejenia lub lakierowania parkietów, powierzchni z PCV itd.).
14. Do grzejnika **NIE WOLNO** wkładać żadnych przedmiotów.
15. Przewód zasilania powinien znajdować się w bezpiecznej odległości od korpusu urządzenia.
16. W przypadku przegrzania się grzejnika wbudowany wyłącznik bezpieczeństwa automatycznie go wyłączy.
17. Nie umieszczać przewodu pod dywanem.
18. Grzejnik należy instalować w taki sposób, aby osoba znajdująca się w wannie nie mogła dotknąć wyłączników i pokręteł.
19. Grzejnik musi być zainstalowany na wysokości co najmniej 0,6 m nad podłogą.
20. Zabrania się używania grzejnika w pobliżu zasłon i materiałów palnych. Nieprawidłowa instalacja grzejnika może doprowadzić do zapalenia zasłon i materiałów palnych.
21. Omawiane urządzenie nie jest przeznaczone do użycia przez osoby (w tym dzieci) o ograniczonych zdolnościach postrzegania lub umysłowych, bądź nie posiadających wiedzy i doświadczenia, chyba że pod nadzorem lub po poinstruowaniu odnośnie sposobu użycia urządzenia przez osobę odpowiedzialną za ich bezpieczeństwo. Dzieci należy nadzorować, aby nie bawiły się urządzeniem.
22. **OSTRZEŻENIE!** Niebezpieczeństwo pożaru. Jeżeli gniazdko lub wtyczka stają się gorące w dotyku, należy zaprzestać używania urządzenia. Przegrzanie może wskazywać na zniszczone lub uszkodzone gniazdko. Należy skontaktować się z wykwalifikowanym elektrykiem i zlecić wymianę gniazodka.
23. **OSTROŻNIE:** W celu uniknięcia zagrożenia na skutek nieumyślnego zresetowania zabezpieczenia termicznego, urządzenie to

nie powinno być zasilane poprzez zewnętrzne urządzenie włączające, takie jak przełącznik czasowy, ani podłączone do obwodu, który jest regularnie włączany i wyłączany przez zakład energetyczny.

#### **MONTAŻ PODSTAWY (Patrz Rys. 3)**

1. Włożyć podstawę (H) w dno oprawy podstawy (K), która jest przymocowana do dna siatki (I).

#### **MOCOWANIE NA ŚCIANIE (Patrz Rys. 4 – Rys. 6)**

**UWAGA:** przed przystąpieniem do wiercenia otworów w ścianie należy się upewnić, że w danym miejscu nie przebiegają przewody elektryczne.

**UWAGA:** Ze względu na możliwość montażu na wielu różnych powierzchniach, zestaw nie zawiera wkrętów mocujących. Aby ustalić rodzaj wkręta najbardziej odpowiedni dla konkretnej ściany, należy zasięgnąć porady fachowca lub udać się do sklepu z artykułami metalowymi.

1. Wyjąć podstawę (H) z dna oprawy podstawy (K).
2. Zdjąć oprawę podstawy z dna siatki (I) przez wyjęcie dwóch śrub mocujących
3. Przymocować wspornik montażowy do ściany.
4. Zawiesić korpus główny na wsporniku montażowym.

#### **Włączanie i wyłączanie aparatu i nastawianie termostatu cyfrowego (Tylko w BPH1520)**

1. Włączyć aparat do gniazda ściennego.
2. Zlokalizować włącznik/wyłącznik na dnie prawego końca kołpaka i ustawić go w położeniu włączonym.
3. Nacisnąć przycisk trybu pracy (☰) (F):
  - 1 = LO; praca ciągła w trybie niskiej mocy.
  - 2 = HI; praca ciągła w trybie wysokiej mocy.
  - 3 = Auto Low; należy nacisnąć (+) lub (-), aby ustawić żadaną temperaturę
  - 4 = Auto HI; należy nacisnąć (+) lub (-), aby ustawić żadaną temperaturę.
4. Po wybraniu żadanego trybu pracy i temperatury, na wyświetlaczu pojawi się ponownie temperatura panująca w pomieszczeniu, która będzie stopniowo rosła w miarę jego nagrzewania.
5. Jeśli wybrany został tryb Auto i grzejnik nie uruchamia się, należy sprawdzić, czy nastawiona temperatura jest wyższa niż aktualna temperatura w pomieszczeniu.
6. Aby wyłączyć aparat, należy wcisnąć przycisk (F), aż wszystkie światełka wskaźnikowe trybu (E) przestaną się świecić.
7. Przesłać włącznik / wyłącznik znajdujący się na dnie prawego końca kołpaka w położenie wyłączony

**UWAGA: Lampka wskaźnikowa trybu (E) będzie migać w trybie AUTO, jeśli nastawiona temperatura jest niższa od aktualnej temperatury pokojowej pokazywanej na wyświetlaczu, tak samo dzieje się, gdy aparat osiągnął żadaną nastawioną temperaturę**

**UWAGA: Podczas pracy w trybie Auto, cykliczne włączanie i wyłączanie grzejnika jest stanem normalnym, mającym na celu utrzymanie wcześniej zaprogramowanej temperatury. Aby zapobiec cyklicznej pracy urządzenia, należy podwyższyć ustawienie termostatu.**

**Po wyłączeniu urządzenia, Cyfrowy termostat pamięta ostatnie ustawienie temperatury. Jeżeli jednak wtyczka urządzenia zostanie wyjęta z gniazda, termostat cyfrowy zostanie zresetowany i nie będzie pamiętał ostatnio nastawionej temperatury.**

#### **Włączanie i wyłączanie aparatu i nastawianie termostatu (Tylko w BPH1414)**

1. Włączyć aparat do gniazda ściennego.
2. Obrócić pokrętkę regulacji trybu zgodnie z ruchem wskazówek zegara z położenia (0) na albo 1 (Niskie nastawienie) albo 2 (Wysokie nastawienie), aby uzyskać stałą wydajność cieplną.
3. Aby znaleźć idealne nastawienie termostatu, obrócić pokrętkę regulacji termostatu zgodnie z ruchem wskazówek zegara na „max”.
4. Po osiągnięciu żądanej temperatury, powoli obrócić pokrętkę termostatu w kierunku przeciwnym do ruchu wskazówek zegara, aż grzejnik wyłączy się.
5. Grzejnik będzie teraz automatycznie utrzymywał temperaturę na żądanym poziomie.
6. Aby wyłączyć aparat, należy obrócić pokrętkę regulacji trybu w kierunku przeciwnym do ruchu wskazówek zegara i ustawić je w położeniu (0).

#### **CZASOMIERZ PROGRAMOWANY (Tylko dla BPH1520)**

Istnieje możliwość zaprogramowania włączenia grzejnika o ustalonej godzinie lub jego wyłączenia po upływie ustawionego czasu.

#### **Jak ustawić włączanie:**

1. Przy wyłączonym grzejniku, wcisnąć i przytrzymać (+) oraz (-) jednocześnie, aż wyświetlenie zacznie migać i pokaże liczbę "0".
2. Nacisnąć (+) lub (-), aby wybrać ilość czasu, jaki ma upłynąć przed włączeniem grzejnika.
3. Po ustawieniu czasomierza, na wyświetlaczu pojawi się czerwona kropka obok aktualnej temperatury pomieszczenia, oznaczająca uaktywnienie czasomierza.

4. Po upływie zaprogramowanego czasu, grzejnik załączy się automatycznie w trybie Auto HI z temperaturą 24°C (75°F), na okres 2 godzin.

#### **Jak ustawić wyłączenie**

1. Wybrać żądany tryb pracy i/lub temperaturę.
2. Gdy grzejnik jest włączony, należy jednocześnie nacisnąć przyciski (+) oraz (-), przytrzymując je, aż wyświetlacz zacznie migać.
3. Nacisnąć (+) lub (-), aby wybrać czas, przez jaki grzejnik ma pracować.
4. Po ustawieniu czasomierza, na wyświetlaczu pojawi się CZERWONA kropka obok aktualnej temperatury pomieszczenia, oznaczająca uaktywnienie czasomierza.
5. Grzejnik wyłączy się automatycznie po upływie zaprogramowanego czasu.

#### **ZABEZPIECZENIE PRZED MROZEM (BPH1520)**

Aby wybrać ustawienie „Anti Frost” należy nacisnąć przycisk trybu Mode (☰) 5 razy (na wyświetlaczu pokaże się AF). To ustawienie specjalne jest uaktywniane automatycznie gdy wybrany zostanie tryb (AF). W tym trybie pracy grzejnik jest wyłączony do czasu, gdy temperatura w pomieszczeniu spadnie do zera, a następnie grzejnik jest włączany automatycznie w trybie wysokiej mocy ogrzewania (HI). Grzejnik będzie włączany i wyłączany cyklicznie w celu utrzymania temperatury w zakresie od 5 do 8 °C.

#### **OCHRONA PRZED ZAMARZANIEM (BPH1414)**

Przy aparacie nastawionym na 1 (Niskie nastawienie) lub 2 (wysokie nastawienie) obrócić pokrętkę regulacji termostatu do położenia początkowego (☰). Aparat przestanie pracować. To specjalne ustawienie jest aktywowane automatycznie. W tym trybie grzejnik jest wyłączony, dopóki temperatura w pomieszczeniu nie ochłodzi się i grzejnik automatycznie przestawi się na zasilanie HI. Grzejnik będzie cyklicznie przestawiał się na ON i OFF, gdy osiągnie temperaturę 5-8oC.

#### **AUTOMATYCZNY WYŁĄCZNIK BEZPIECZEŃSTWA**

Grzejnik wyposażony jest w integralny wyłącznik bezpieczeństwa, który automatycznie wyłącza urządzenie w razie przypadkowego przegrzania. Grzejnik wznowia pracę jedynie po ponownym wyzerowaniu systemu przez użytkownika. W sytuacji przegrzania, na wyświetlaczu pojawi się symbol (OH).

#### **Aby wyzerować grzejnik należy:**

1. Wyjąć przewód z gniazodka i odczekać 30 minut, aż grzejnik ostygnie.



2. Po 30 minutach włożyć przewód do gniazdka i normalnie używać grzejnika.

#### ZAPASOWY BEZPIECZNIK TOPIKOWY

W mało prawdopodobnym przypadku braku reakcji grzejnika na sytuację przegrzania, zadziała zapasowy bezpiecznik topikowy. W takiej sytuacji zresetowanie grzejnika nie będzie możliwe.

W celu uzyskania pomocy, prosimy skontaktować się telefonicznie z lokalnym punktem serwisowym.

#### ZABEZPIECZENIE PRZEWROCENIOWE

Jeżeli urządzenie zostanie przypadkowo przewrócone, nastąpi jego natychmiastowe wyłączenie. Aby je ponownie włączyć, wystarczy ustawić grzejnik w pozycji pionowej i użytkować normalnie.

#### UŻYTKOWANIE W ŁAZIENCIE WLK

- Jeżeli grzejnik będzie użytkowany w łazience lub innym tego typu pomieszczeniu należy go zainstalować:
  - a. w taki sposób, aby osoba znajdująca się w wannie lub pod prysznicem nie mogła dotknąć wyłączników i pokręteł;
  - b. poza zacienionymi obszarami (rys. 7).
- w razie wątpliwości należy zasięgnąć rady fachowca (elektryka lub instalatora).

#### CZYSZCZENIE I KONSERWACJA

- Wyłączyć aparat.
- Wyjąć wtyczkę z gniazda ściennego.
- Odczekać, aż grzejnik dostatecznie się schłodzi.
- Teraz można wyczyścić grzejnik z zewnątrz za pomocą wilgotnej ściereczki. NIE pozwolić, aby woda dostała się do wnętrza urządzenia. NIE stosować mydła ani chemikaliów, które mogłyby uszkodzić obudowę. Odczekać przez czas odpowiedni dla wyschnięcia, przed ponownym włączeniem wtyczki do gniazdka.
- Czyścić regularnie wlot i wylot otworów (przy normalnym użytkowaniu co najmniej dwa razy do roku) za pomocą odkurzacza.

#### GWARANCJA

Prosimy o zachowanie rachunku, ponieważ jego okazanie będzie konieczne w przypadku jakichkolwiek roszczeń gwarancyjnych. Niniejszy produkt objęty gwarancją obowiązującą przez okres 3 lat od daty zakupu produktu, zgodnie z warunkami określonymi w tym dokumencie.

Jeżeli w okresie gwarancyjnym urządzenie przestanie prawidłowo funkcjonować (co jest mało prawdopodobne) z powodu wad konstrukcyjnych lub wykonawczych, należy dokonać jego zwrotu w punkcie zakupu, załączając rachunek i kopię niniejszej gwarancji. Prawa i świadczenia z tytułu niniejszej gwarancji uzupełniają prawa określone w przepisach, na które niniejsza gwarancja nie ma wpływu. Zmiany

niniejszych warunków może dokonać tylko firma Holmes Products (Europe) Ltd. („Holmes”). Firma Holmes zobowiązuje się w okresie gwarancyjnym do przeprowadzenia bezpłatnej naprawy lub wymiany urządzenia lub dowolnej jego części, która funkcjonuje nieprawidłowo, pod warunkiem, że:

- Użytkownik powinien natychmiast poinformować o zaistniałym problemie punkt sprzedaży lub firmę Holmes; oraz
- Urządzenie nie było w żaden sposób modyfikowane, uszkodzone lub eksploatowane w niewłaściwy sposób ani naprawiane przez osobę nie posiadającą upoważnienia ze strony firmy Holmes.

Gwarancją nie będą objęte uszkodzenia będące wynikiem niewłaściwego używania, zniszczenia, użytkowania przy nieprawidłowym napięciu, działania sił natury lub zdarzeń, na które firma Holmes nie ma wpływu, napraw dokonywanych przez osoby nie posiadające upoważnienia ze strony firmy Holmes lub postępowania niezgodnego z zasadami określonymi w instrukcji użytkownika. Ponadto, niniejsza gwarancja nie obejmuje normalnego zużycia i zniszczenia, w tym między innymi, drobnych odbarwień i zadrapań.

Prawa określone w tej gwarancji dotyczą tylko pierwotnego nabywcę produktu i nie obejmują użytkownika o charakterze komercyjnym i komunalnym.

Jeżeli do urządzenia załączona jest ulotka gwarancyjna przeznaczona dla danego kraju, prosimy odwołać się do warunków określonych w tej gwarancji, która zastępuje niniejszą gwarancję, lub skontaktować się z lokalnym autoryzowanym dealerem w sprawie uzyskania dokładniejszych informacji.

Odpadów elektrycznych nie należy mieszać razem z odpadami pochodzącymi z gospodarstw domowych. Tam, gdzie istnieją odpowiednie obiekty, urządzenia należy poddać recyklingowi. Aby uzyskać dodatkowe informacje dotyczące recyklingu i WEE należy skontaktować się pod adresem [enquiriesEurope@jardencs.com](mailto:enquiriesEurope@jardencs.com) aby uzyskać dalsze informacje dotyczące recyklingu oraz WEEE (postępowania z zużytym sprzętem elektronicznym i elektrycznym) Holmes Products (Europe) Limited  
1 Francis Grove  
London  
SW19 4DT  
Wielka Brytania



## ΕΛΛΗΝΙΚΑ

#### ΑΝΑΦΟΡΑ

#### ΠΕΡΙΓΡΑΦΕΣ (Βλ. Σχ. 1 & 2)

- A. Αριστερή τάπα
- B. Πίσω περιβλήμα
- C. Δεξιά τάπα
- D. Οθόνη
- E. Λυχνίες ένδειξης λειτουργίας
- F. Κουμπί λειτουργίας/Ρύθμιση
- G. Ρύθμιση θερμοστάτη
- H. Βάση
- I. Σχήρα
- J. Λυχνία ισχύος
- K. Ανάρτηση βάσης
- L. Υποστήριγμα ανάρτησης (Σχήμα 5)

#### ΔΙΑΒΑΣΤΕ ΠΡΟΣΕΚΤΙΚΑ ΚΑΙ ΦΥΛΑΞΤΕ ΑΥΤΕΣ ΤΙΣ ΣΗΜΑΝΤΙΚΕΣ ΟΔΗΓΙΕΣ

Κατά τη χρήση ηλεκτρικών συσκευών, θα πρέπει να λαμβάνονται κάποιες βασικές προφυλάξεις ασφαλείας, συμπεριλαμβανομένων των παρακάτω:

1. Πριν συνδέσετε το θερμαντικό σώμα, βεβαιωθείτε ότι η τάση που αναφέρεται στη σχετική πλάκα αντιστοιχεί στην τάση του σπιτιού ή γραφείου σας.
2. **ΠΡΟΕΙΔΟΠΟΙΗΣΗ:** Για να αποφύγετε την υπερθέρμανση, ΜΗΝ καλύπτετε το θερμαντικό σώμα (☹).
3. ΜΗΝ τοποθετείτε το θερμαντικό σώμα κάτω από πρίζα.
4. Μην χρησιμοποιείτε το θερμαντικό σώμα κοντά σε μανιέρα, ντους ή πισίνα.
5. Αν το καλώδιο τροφοδοσίας ή το βύσμα υποστεί ζημία, θα πρέπει να αντικατασταθούν από τον κατασκευαστή ή τον αντιπρόσωπο σέρβις του κατασκευαστή ή από άλλο εξουσιοδοτημένο άτομο για να αποφευχθούν τυχόν κίνδυνοι. Το θερμαντικό σώμα δεν αποτελείται από εξαρτήματα που μπορούν να επισκευαστούν από το χρήστη. Σε περίπτωση ζημίας ή βλάβης πρέπει να επιστρέφεται στον κατασκευαστή ή στον αντιπρόσωπο σέρβις του κατασκευαστή.
6. Στην περίπτωση στιγμιαίου προβλήματος με το ρεύμα, το προϊόν μπορεί να παρουσιάσει δυσλειτουργία και να χρειάζεται επαναφορά (reset) από το χρήστη.
7. Μη χρησιμοποιείτε το θερμαντικό σώμα με προγραμματισμό, χρονοδιακόπτη ή άλλη συσκευή που ενεργοποιεί αυτόματα το σώμα, καθώς μπορεί να προκληθεί φωτιά εάν το σώμα είναι καλυμμένο ή δεν έχει τοποθετηθεί σωστά.
8. Αγγίζετε το θερμαντικό σώμα μόνο με στεγνά χέρια.
9. ΜΗΝ το τοποθετείτε σε σημεία που μπορούν να το αγγίξουν παιδιά, ειδικά μικρής ηλικίας.
10. ΜΗΝ χρησιμοποιείτε αυτό το θερμαντικό σώμα σε εξωτερικό χώρο.
11. Αφήστε αρκετό χώρο μεταξύ του θερμαντικού σώματος και επίπλων ή άλλων αντικειμένων. Τουλάχιστον 50 εκατοστά από την πάνω πλευρά και το πλάι και 200 εκατοστά από τα εμπρός μέρος.
12. Μην χρησιμοποιείτε το θερμαντικό σώμα ακουμπισμένο στο πλάι.
13. ΜΗΝ χρησιμοποιείτε το αερόθερμο σε δωμάτια με εκρηκτικά (π.χ. βενζίνη) ή κατά τη χρήση εύφλεκτης κόλλας ή διαλύματος (π.χ. όταν κολλάτε ή γυαλίζετε πατώματα, PVC, κλπ.)
14. ΜΗΝ εισάγετε αντικείμενα στο θερμαντικό σώμα.
15. Διατηρείτε το καλώδιο τροφοδοσίας ασφαλή απόσταση από το κυρίως σώμα της συσκευής.
16. ε περίπτωση υπερθέρμανσης, η ενσωματωμένη ασφάλεια υπερθέρμανσης θα απενεργοποιήσει θερμαντικό σώμα.
17. Μην βάζετε τα καλώδια κάτω από χαλί.
18. Η τοποθέτηση του θερμαντικού σώματος δεν πρέπει να επιτρέπει το άγγιγμα των διακοπών και άλλων κουμπιών ελέγχου από το χρήστη ενώ βρίσκεται στο μπάνιο.
19. Το σώμα πρέπει να είναι τοποθετημένο τουλάχιστον 0,6 m πάνω από το δάπεδο.
20. Το θερμαντικό σώμα δεν πρέπει να χρησιμοποιείται κοντά σε κουρτίνες ή εύφλεκτο υλικό. Οι κουρτίνες ή το εύφλεκτο υλικό μπορεί να πάρουν φωτιά, εάν το θερμαντικό σώμα δεν τοποθετηθεί σωστά.
21. Η συσκευή δεν πρέπει να χρησιμοποιείται από άτομα (συμπεριλαμβανομένων των παιδιών) με μειωμένες σωματικές, αισθητήριες ή νοητικές ικανότητες ή από άτομα που δεν έχουν εμπειρία και γνώση, παρά μόνο εάν επιτηρούνται ή τους έχουν δοθεί οδηγίες σχετικά με τη χρήση της συσκευής από άτομο υπεύθυνο για την ασφάλειά τους. Τα παιδιά πρέπει να επιτηρούνται προκειμένου να διασφαλιστεί ότι δεν παίζουν με τη συσκευή.
22. **ΠΡΟΕΙΔΟΠΟΙΗΣΗ:** Κίνδυνος πυρκαγιάς. Σταματήστε τη χρήση εάν η πρίζα ή το βύσμα είναι αρκετά θερμά για να τα αγγίξετε. Η υπερθέρμανση μπορεί να είναι ένδειξη φθαρμένης ή κατεστραμμένης πρίζας. Επικοινωνήστε με έναν εγκεκριμένο τεχνικό για την αντικατάσταση της πρίζας.

23. **ΠΡΟΣΟΧΗ:** Για να αποφευχθεί ο κίνδυνος λόγω της ακούσιας επαναφοράς της θερμικής διακοπής, η συσκευή δεν πρέπει να τροφοδοτείται από εξωτερική διακοπτική διάταξη, όπως χρονοδιακόπτη, ούτε να συνδέεται σε κύκλωμα που ανοίγει και κλείνει τακτικά από το δίκτυο διανομής.

#### **ΣΥΝΑΡΜΟΛΟΓΗΣΗ ΒΑΣΗΣ (Βλ. Σχ. 3)**

1. Τοποθετήστε τη βάση (H) στο κάτω μέρος της ανάρτησης βάσης (K), η οποία είναι προσαρτημένη στο κάτω μέρος της σχάρας (I).

#### **ΕΠΙΤΟΙΧΗ ΔΙΑΤΑΞΗ ΑΝΑΡΤΗΣΗΣ**

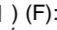
##### **(Βλ. Σχ. 4 - Σχ. 6)**

**ΣΗΜΑΝΤΙΚΟ:** Πριν τρυπήσετε τον τοίχο, βεβαιωθείτε ότι δεν υπάρχουν ηλεκτρικά καλώδια στην περιοχή.

**ΣΗΜΕΙΩΣΗ:** Λόγω της ποικιλίας των πιθανών επιφανειών τοποθέτησης, οι βίδες στερέωσης δεν περιλαμβάνονται σε αυτό το προϊόν. Για βοήθεια, απευθυνθείτε σε έναν έμπειρο τεχνικό ή στο κατάστημα της περιοχής σας για να προσδιορίσετε τον τύπο των βιδών που ταιριάζουν καλύτερα στο δικό σας τοίχο.

1. Αφαιρέστε τη βάση (H) από το κάτω μέρος της ανάρτησης βάσης (K).
2. Αφαιρέστε την ανάρτηση βάσης από το κάτω μέρος της σχάρας (I) αφαιρώντας τις δύο βίδες στερέωσης.
3. Ασφαλίστε το επίτοιχο στήριγμα στον τοίχο.
4. Αναρτήστε το κυρίως σώμα στο επίτοιχο στήριγμα.

#### **Ενεργοποίηση/Απενεργοποίηση της συσκευής και ρύθμιση του ψηφιακού θερμοστάτη (Μόνο για τα μοντέλα BPH1520)**

1. Συνδέστε τη συσκευή στην επίτοιχη τρίτσα.
2. Εντοπίστε το διακόπτη λειτουργίας στο κάτω τμήμα της δεξιάς τάπας και ανοίξτε τον στη θέση ενεργοποίησης.
3. Πατήστε το κουμπί λειτουργίας (  ) (F):
  - 1ο πάτημα = LO. Λειτουργεί συνεχώς σε χαμηλή θερμοκρασία.
  - 2ο πάτημα = HI. Λειτουργεί συνεχώς σε υψηλή θερμοκρασία.
  - 3ο πάτημα = Auto Low (AL). Πατήστε (+) ή (-) για να ρυθμίσετε την επιθυμητή θερμοκρασία.
  - 4ο πάτημα = Auto HI (AH). Πατήστε (+) ή (-) για να ρυθμίσετε την επιθυμητή θερμοκρασία.
4. Μόλις επλέξετε λειτουργία και θερμοκρασία, η οθόνη επιστρέφει στην τρέχουσα θερμοκρασία δωματίου, η

οποία σταδιακά αυξάνεται, με την αύξηση της θερμοκρασίας στο δωμάτιο.

5. Αν επλέξατε τη λειτουργία Auto και δεν γίνεται εκκίνηση της λειτουργίας του θερμαντικού σώματος, βεβαιωθείτε ότι η θερμοκρασία ρύθμισης είναι υψηλότερη από την τρέχουσα θερμοκρασία δωματίου.
6. Για να απενεργοποιήσετε τη μονάδα, πατήστε το πλήκτρο λειτουργίας (F) μέχρι να ανάψουν όλες οι λυχνίες ένδειξης λειτουργίας (E).
7. Κλείστε το διακόπτη λειτουργίας που βρίσκεται στο κάτω τμήμα της δεξιάς τάπας.

**ΣΗΜΕΙΩΣΗ: Η λυχνία ένδειξης λειτουργίας (E) θα αναβοσβήσει σε λειτουργία ΑΥΤΟ, αν η ρυθμισμένη θερμοκρασία είναι μικρότερη από τη θερμοκρασία δωματίου που εμφανίζεται στην οθόνη. Το ίδιο ισχύει και στην περίπτωση που η απαιτούμενη ρυθμισμένη θερμοκρασία της συσκευής έχει επιτευχθεί.**

**ΣΗΜΕΙΩΣΗ: Στην αυτόματη λειτουργία, η ενεργοποίηση και απενεργοποίηση του θερμαντικού σώματος είναι φυσιολογική, καθώς διατηρεί την προκαθορισμένη θερμοκρασία. Για να αποτρέψετε τη συνεχή ενεργοποίηση/απενεργοποίηση, αυξήστε τη ρύθμιση του θερμοστάτη.**

**Ο Ψηφιακός Θερμοστάτης θυμάται την προηγούμενη ρύθμιση θερμοκρασίας όταν απενεργοποιήσετε τη μονάδα. Ωστόσο, εάν η μονάδα αποσυνδεθεί από το ρεύμα, ο ψηφιακός θερμοστάτης επαναφέρεται, μη διατηρώντας την τελευταία ρύθμιση θερμοκρασίας.**

#### **Ενεργοποίηση/Απενεργοποίηση της συσκευής και ρύθμιση του θερμοστάτη (Μόνο για τα μοντέλα BPH1414)**

1. Συνδέστε τη συσκευή στην επίτοιχη τρίτσα.
2. Περιστρέψτε το κουμπί ρύθμισης λειτουργίας αριστερόστροφα από τη θέση (0) στη θέση 1 (χαμηλή ρύθμιση) ή 2 (υψηλή ρύθμιση) για συνεχή εκπομπή θερμότητας.
3. Για να βρείτε την ιδανική ρύθμιση θερμοστάτη, περιστρέψτε το κουμπί ρύθμισης θερμοστάτη αριστερόστροφα στη θέση "max" (μέγιστη).
4. Όταν επιτευχθεί αργά η επιθυμητή θερμοκρασία, περιστρέψτε το κουμπί θερμοστάτη δεξιόστροφα μέχρι να απενεργοποιηθεί το θερμαντικό σώμα.
5. Το θερμαντικό σώμα θα διατηρήσει τώρα αυτόματα τη θερμοκρασία στο απαιτούμενο επίπεδο.
6. Για να απενεργοποιήσετε τη συσκευή, περιστρέψτε το κουμπί ρύθμισης λειτουργίας δεξιόστροφα στη θέση (0).

#### **ΠΡΟΓΡΑΜΜΑΤΙΖΟΜΕΝΟΣ ΧΡΟΝΟΔΙΑΚΟΠΤΗΣ (Μόνο για τα μοντέλα BPH1520)**

Μπορείτε να προγραμματίσετε το θερμαντικό σώμα να ενεργοποιηθεί σε μια συγκεκριμένη ώρα και να απενεργοποιηθεί μετά από ένα συγκεκριμένο χρονικό διάστημα.

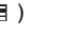
#### **Ρύθμιση του χρονοδιακόπτη ενεργοποίησης:**

1. Με απενεργοποιημένο το θερμαντικό σώμα, πατήστε και κρατήστε πατημένα ταυτόχρονα τα (+) και (-) μέχρι η οθόνη να αναβοσβήσει και να εμφανιστεί ο αριθμός «0».
2. Πατήστε το κουμπί (+) ή (-) για να επλέξετε το χρονικό διάστημα που θέλετε να παρέλθει μέχρι να ενεργοποιηθεί το θερμαντικό σώμα.
3. Αφού ρυθμίσετε το χρονοδιακόπτη, στην οθόνη εμφανίζεται μια κόκκινη τελεία δίπλα στην τρέχουσα θερμοκρασία, υποδεικνύοντας ότι ο χρονοδιακόπτης είναι ενεργοποιημένος.
4. Μετά το πέρας του προγραμματισμένου χρονικού διαστήματος, το σώμα ενεργοποιείται αυτόματα στη λειτουργία Auto HI στους 24 °C (75 °F) για 2 ώρες.

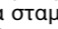
#### **Ρύθμιση του χρονοδιακόπτη απενεργοποίησης:**

1. Επλέξτε τη λειτουργία ή/και τη θερμοκρασία που θέλετε.
2. Με το σώμα σε λειτουργία, πατήστε και κρατήστε πατημένα ταυτόχρονα τα κουμπιά (+) και (-) μέχρι η οθόνη να αρχίσει να αναβοσβήνει.
3. Πατήστε το (+) ή (-) για να επλέξετε το χρονικό διάστημα που θέλετε να λειτουργήσει το θερμαντικό σώμα.
4. Αφού ρυθμίσετε το χρονοδιακόπτη, στην οθόνη εμφανίζεται μια ΚΟΚΚΙΝΗ τελεία δίπλα στην τρέχουσα θερμοκρασία, υποδεικνύοντας ότι ο χρονοδιακόπτης είναι ενεργοποιημένος.
5. Το σώμα απενεργοποιείται αυτόματα μετά το πέρας του προγραμματισμένου χρονικού διαστήματος.

#### **ΠΡΟΣΤΑΣΙΑ ΑΠΟ ΠΑΓΕΤΟ (BPH1520)**

Πιέστε το κουμπί λειτουργίας (  ) 5 συνεχείς φορές για τη ρύθμιση προστασίας από παγετό Anti Frost (το AF θα εμφανιστεί στην ψηφιακή οθόνη). Αυτή η ειδική ρύθμιση ενεργοποιείται αυτόματα όταν επλεγεί η λειτουργία (AF). Σε αυτή τη λειτουργία, το θερμαντικό σώμα είναι απενεργοποιημένο μέχρι η θερμοκρασία δωματίου να φτάσει στο μηδέν (θερμοκρασία παγετού) και το θερμαντικό σώμα θα ενεργοποιηθεί αυτόματα σε λειτουργία HI. Το θερμαντικό σώμα θα ενεργοποιείται και απενεργοποιείται (κύκλος λειτουργίας) καθώς θα διατηρεί τη θερμοκρασία μεταξύ 5-8 °C.

#### **ΠΡΟΣΤΑΣΙΑ ΑΠΟ ΠΑΓΕΤΟ (BPH1414)**

Διατηρήστε τη συσκευή στη θέση 1 (χαμηλή ρύθμιση) ή 2 (υψηλή ρύθμιση) και περιστρέψτε το διακόπτη ρύθμισης θερμοστάτη στην αρχική θέση (  ). Η συσκευή θα σταματήσει να λειτουργεί. Αυτή η ειδική ρύθμιση ενεργοποιείται αυτόματα.

Σε αυτή τη λειτουργία, το θερμαντικό σώμα είναι απενεργοποιημένο μέχρι η θερμοκρασία δωματίου να φτάσει στο μηδέν (θερμοκρασία παγετού) και το θερμαντικό σώμα θα ενεργοποιηθεί αυτόματα σε λειτουργία HI. Το θερμαντικό σώμα θα ενεργοποιείται και απενεργοποιείται εναλλάξ καθώς θα διατηρεί τη θερμοκρασία μεταξύ 5-8 °C.

#### **ΑΥΤΟΜΑΤΗ ΑΠΕΝΕΡΓΟΠΟΙΗΣΗ ΑΣΦΑΛΕΙΑΣ**

Το θερμαντικό σώμα διαθέτει ενσωματωμένη συσκευή ασφαλείας που θα το απενεργοποιήσει αυτόματα στην περίπτωση υπερθέρμανσης. Σε περίπτωση υπερθέρμανσης (overheating), εμφανίζεται η ένδειξη (OH). Θα συνεχίσει τη λειτουργία μόνο όταν ο χρήστης επαναφέρει τη μονάδα.

#### **Για να επαναφέρετε το θερμαντικό σώμα**

1. Αποσυνδέστε το θερμαντικό σώμα και περιμένετε 30 λεπτά για να κρυώσει.
2. Μετά από 30 λεπτά, συνδέστε το θερμαντικό σώμα και λειτουργήστε το κανονικά.

#### **ΕΦΕΔΡΙΚΗ ΑΣΦΑΛΕΙΑ**

Στην περίπτωση που το θερμαντικό σώμα δεν ανταποκρίνεται σε κατάσταση υπερθέρμανσης, θα ενεργοποιηθεί η εφεδρική ασφάλεια. Σε αυτή την περίπτωση, δεν θα γίνει επαναφορά των ρυθμίσεων του θερμαντικού σώματος. Επικοινωνήστε με τον αριθμό τοπικής εξυπηρέτησης για συμβουλές.

#### **ΠΡΟΣΤΑΣΙΑ ΑΠΟ ΠΕΣΙΜΟ**

Εάν η μονάδα χτυπηθεί και πέσει κατά λάθος, θα απενεργοποιηθεί αυτόματα. Για να την επαναφέρετε, τοποθετήστε την και πάλι σε ίσια θέση και θέστε τη κανονικά σε λειτουργία.

#### **ΧΡΗΣΗ ΣΤΟ ΜΠΑΝΙΟ**

- Εάν αυτό το θερμαντικό σώμα πρόκειται να χρησιμοποιηθεί σε μπάνιο, ή παρόμοιο χώρο, πρέπει να τοποθετηθεί:
  - α. Με τέτοιο τρόπο ώστε το άτομο που είναι στη μπανιέρα ή το ντους να μη μπορεί να αγγίξει τους διακόπτες και τα άλλα στοιχεία ελέγχου.
  - β. Έξω από τις περιοχές με γκρι σκίαση (Σχ. 7).
- Εάν δεν είστε βέβαιοι για την τοποθέτηση αυτού του θερμαντικού σώματος στο μπάνιο, σας συνιστούμε να ζητήσετε τη συμβουλή επαγγελματία ηλεκτρολόγου/τεχνικού εγκατάστασης.

**ΚΑΘΑΡΙΣΜΟΣ ΚΑΙ ΣΥΝΤΗΡΗΣΗ**

- Απενεργοποιήστε τη συσκευή.
- Αφαιρέστε το φιλ από την επίτοιχη πρίζα.
- Περιμένετε μέχρι να κρυώσει επαρκώς το θερμαντικό σώμα.
- Μπορείτε να καθαρίσετε το εξωτερικό του θερμαντικού σώματος με υγρό πανί. ΜΗΝ επιτρέπετε σε νερό να διαπεράσει τη συσκευή. ΜΗΝ χρησιμοποιείτε σαπούνι ή χημικά, τα οποία ενδεχομένως να καταστρέψουν το περίβλημα. Αφήστε να περάσει αρκετός χρόνος πριν συνδέσετε τη συσκευή στο ρεύμα.
- Να καθαρίζετε τις οπές εισόδου και εξόδου αέρα τακτικά (με συνήθη χρήση τουλάχιστον δύο φορές το χρόνο) με ηλεκτρική σκούπα.

**ΕΓΓΥΗΣΗ**

Φυλάξτε την απόδειξή σας διότι θα χρειαστεί για οποιοδήποτε αξιώσεις υποβληθούν στο πλαίσιο της παρούσας εγγύησης.

Το προϊόν διαθέτει εγγύηση 2 ετών από την ημερομηνία αγοράς με τον τρόπο που περιγράφεται στο παρόν έγγραφο. Στην εξαιρετική περίπτωση που κατά τη διάρκεια της εγγυητικής αυτής περιόδου διακοπεί η λειτουργία της συσκευής εξαιτίας σφάλματος σχεδιασμού ή κατασκευής, παρακαλείστε να την επιτρέψετε στο κατάστημα αγοράς μαζί με την ταμειακή απόδειξη και ένα αντίγραφο της παρούσας εγγύησης.

Τα δικαιώματα και οφέλη στο πλαίσιο αυτής της εγγύησης είναι επιπρόσθετα των νομίμων δικαιωμάτων σας, τα οποία δεν επηρεάζονται από την παρούσα εγγύηση. Μόνο η εταιρεία Holmes Products (Europe) Ltd. (εφεξής «Holmes») έχει δικαίωμα να προβαίνει σε αλλαγές των όρων αυτών. Η εταιρεία Holmes αναλαμβάνει εντός της εγγυητικής περιόδου να επισκευάσει ή αντικαταστήσει τη συσκευή, οποιοδήποτε εξάρτημά της διαπιστωθεί ότι δεν λειτουργεί σωστά, χωρίς χρέωση, υπό τον όρο ότι:

- Θα ενημερώσετε άμεσα τον αρμόδιο στο κατάστημα αγοράς ή στην εταιρεία Holmes σχετικά με το πρόβλημα και
- η συσκευή δεν έχει τροποποιηθεί με κανένα τρόπο ή δεν έχει υποστεί βλάβη, κακή χρήση, κατάχρηση, επισκευή ή τροποποίηση από άτομο που δεν είναι εξουσιοδοτημένο από την εταιρεία Holmes.

Βλάβες που οφείλονται σε ακατάλληλη χρήση, ζημιά, κατάχρηση, χρήση με ακατάλληλη τάση ρεύματος, φυσικά φαινόμενα, γεγονότα που υπερβαίνουν τον

έλεγχο της εταιρείας Holmes, επισκευή ή τροποποίηση από άτομο που δεν είναι εξουσιοδοτημένο από την εταιρεία Holmes ή αδυναμία τήρησης των οδηγιών χρήσης δεν καλύπτονται από την παρούσα εγγύηση. Επιπλέον, η φυσιολογική φθορά, συμπεριλαμβανοντας χωρίς περιορισμό, ελάχιστες αλλοιώσεις χρωμάτων ή αμυχές, δεν καλύπτεται από την παρούσα εγγύηση. Τα δικαιώματα στο πλαίσιο της παρούσας εγγύησης θα ισχύουν μόνο για τον αρχικό αγοραστή και δεν μπορούν να επεκταθούν για εμπορική ή δημόσια χρήση. Εάν η συσκευή σας περιλαμβάνει εγγύηση ή προσθήκη εγγύησης ειδικά για κάθε χώρα, ανατρέξτε στους όρους και τις προϋποθέσεις αυτής της εγγύησης αντί της παρούσας ή επικοινωνήστε με τον τοπικό εξουσιοδοτημένο μεταπωλητή για περισσότερες πληροφορίες.

Τα άχρηστα ηλεκτρικά προϊόντα δεν πρέπει να απορρίπτονται μαζί με τα οικιακά απορρίμματα. Να προβαίνετε σε ανακύκλωση όπου υπάρχουν σχετικές εγκαταστάσεις. Επικοινωνήστε μαζί μας μέσω e-mail στο [enquiriesEurope@jardencs.com](mailto:enquiriesEurope@jardencs.com) για περισσότερες πληροφορίες σχετικά με τη ανακύκλωση και τα WEEE (Απορρίμματα ηλεκτρικού και ηλεκτρονικού εξοπλισμού). Holmes Products (Europe) Limited  
1 Francis Grove  
London  
SW 19 4DT

**РУССКИЙ****ΠΡΟΧΑΙΤΕ ΚΑΙ ΣΟΧΡΑΝΙΤΕ ΕΤΙ ΙΝΣΤΡΥΚΤΙΟΝ ΓΥΑ ΔΑΛΥΕΙΣΗΓΟ ΙΣΠΟΛΥΖΟΒΑΝΙΑ.****ΟΠΙΣΑΝΙΕ (σμ. ΡΙΣ. 1 & 2)**

- A. Λεβάη κρύσηκα
- B. Ζαδνίη κορπυς
- C. Πραβάη κρύσηκα
- D. Δίςπλεη
- E. Σβετωβύη ίνδίκατορύ ρεζίμοβ
- F. Κνυοκα περεκλυοχενίη/ρεγυλίρωκνίη ρεζίμοβ
- G. Κνυοκα ρεγυλίρωκνίη θερμωσάα
- H. Οσνωανίη
- I. Ρεσηέκα
- J. Κονέρωλνύη λαμπωοκα πίαανίη
- K. Κρεπλενίη οσνωανίη
- L. Μονάηνύη κρονשάην (См. ρίς.5)

**ВΝΙΜΑΤΕΛΝΟ ΠΡΟΧΑΙΤΕ ΚΑΙ ΣΟΧΡΑΝΙΤΕ ΕΤΙ ΒΑΖΗΝΥΕ ΙΝΣΤΡΥΚΤΙΟΝ**

Πρί ίσπολυζοβανίη ηλεκτρίοηεσ κνυοβωρωβ ωσέγδα σλεδυοέα υπολυογνύη σλεδυοέα οσνωανίη μερý προδωστωρνωκνίη:

1. Πεред подклученіем тепловентілятора убедітес, что напρяженіе электросеті соответствует напρяженію, указанному на табличке с техническими характеристиками прибора.
2. **ВНІМАНІЕ.** Во избежаніе перегрева НЕ накрывайте тепловентілятор (☹).
3. НЕ устанавливайте тепловентілятор непосредственно под розеткой.
4. Не используйте этот нагреватель в непосредственной близости от ванной, душа или бассейна.
5. Если кабель питания или штепсельная вилка повреждены, в целях безопасности их необходимо заменить у производителя или сотрудника сервисной службы. Тепловентілятор не содержит деталей, обслуживание которых может производиться пользователем. В случае повреждения или поломки прибор следует вернуть производителю или сотруднику сервисной службы.
6. В случае нарушения электрического режима изделие может дать сбой, и тогда потребуется сбросить установки изделия.
7. Не используйте данный обогреватель совместно с программным механизмом, таймером или другим устройством, которое может включить обогреватель автоматически, поскольку если обогреватель будет чем-либо накрыт или неправильно установлен, это может привести к возгоранию.
8. Не прикасайтесь к тепловентілятору влажными руками.
9. Прибор НЕ должен находиться в местах, доступных для маленьких детей.
10. НЕ используйте тепловентілятор вне помещения.
11. Устанавливайте тепловентілятор в безопасном месте, не располагайте его близко к мебели и другим объектам. Расстояние от верхней и боковых частей корпуса тепловентілятора до других объектов должно быть не менее 50 см, от передней части корпуса до других объектов - не менее 200 см.
12. Не используйте тепловентілятор, если он находится в горизонтальном положении.
13. НЕ используйте тепловентілятор в помещениях, где возможно скопление взрывоопасного газа (например, паров бензина), а также в помещениях, где проводились работы с применением горючих клеев или растворителей (укладка или полировка паркета, ПВХ и др.).
14. НЕ вставляйте посторонние объекты в тепловентілятор.
15. Сетевой шнур должен находиться на безопасном расстоянии от корпуса тепловентілятора.
16. В случае перегрева встроенное устройство защиты выключит тепловентілятор.
17. Не прокладывайте кабель под ковром.
18. Устанавливайте обогреватель так, чтобы человек, пользующийся ванной или душем, не мог прикоснуться к кнопкам и переключателям прибора.
19. Обогреватель необходимо устанавливать на расстоянии не менее чем 0,6 м от пола.
20. Нельзя устанавливать обогреватель рядом со шторами или воспламеняющимися материалами При неправильной установке обогревателя возможно возгорание штор или воспламеняющихся материалов.
21. Данный прибор не предназначен для использования людьми (включая детей) с ограниченными физическими, чувствительными и умственными способностями, а также теми, у кого нет опыта и знаний. Им необходимо получить инструкции по использованию данного прибора и пользоваться им под строгим надзором. Следует следить за детьми во избежаніе игры с прибором
22. **ВНІМАНІЕ!** Опасность возгорания. Если вилка или розетка становятся горячими на ощупь, прекратите использовать прибор. Перегрев прибора может указывать на неисправность или повреждение розетки. Замена розетки должна производиться квалифицированным электриком.
23. **ВНІМАНІЕ:** Во избежаніе произвольного сбрасывания значений выключателя термостата, питание прибора должно обеспечиваться от внешнего переключателя, такого как, например, таймер, или подключено к цепи с постоянным режимом включения и выключения на самом объекте.

**ΣΒΟΡΚΑ ΟΣΝΩΒΑΝΙΑ (См. Ρίς. 3)**

1. Поместите основание (Н) на нижнюю часть Крепления основания (К), которое прикреплено к нижней части Решетки (I).

**Κρεπλενίη на стене (См. Ρίς . 4 – Ρίς. 6)**

Важно. Перед тем, как сверлить стену, убедитесь, что в этом месте не проложено никаких электрических кабелей.

**ΠΡΙΜΕΧΑΝІЕ:** Из-за большого количества потенциальных посадочных поверхностей крепежные винты не входят в комплект поставки данного изделия. Воспользуйтесь услугами специалиста или обратитесь в соответствующий магазин, чтобы определить подходящий тип винто.

1. Снимите Основание (Н) с нижней части Крепления основания (К)
2. Отверните два винта крепления и снимите Крепление основания с нижней части Решетки (I).
3. Закрепите на стене монтажный кронштейн.
4. Поместите корпус на монтажный кронштейн.

#### Включение и выключение прибора и установка параметров цифрового термостата ( только модель BRH1520)

1. Включите прибор в розетку.
2. Поместите переключатель включения/выключения в нижней части правой крышки и переведите в положение ВКЛ.
3. Нажмите кнопку переключения режимов (≠) (F):
  - 1-й = LO; работа в режиме малой мощности.
  - 2-й = HI; работа в режиме высокой мощности.
  - 3-й = автоматический режим малой мощности; необходимую температуру можно настроить с помощью кнопки увеличения (+) или уменьшения (-) значения.
  - 4-й = автоматический режим высокой мощности; необходимую температуру можно настроить с помощью кнопки увеличения (+) или уменьшения (-) значения.
4. После выбора режима и температуры на дисплее снова будет отображаться текущая температура в помещении с фиксацией постепенного увеличения по мере нагревания воздуха.
5. Если выбран автоматический режим и обогреватель не запускается, убедитесь, что установленная температура выше текущей температуры в помещении.
6. Для того, чтобы произвести выключение обогревателя, повторно нажимайте кнопку переключения режимов (F) до тех пор, пока световые индикаторы режимов (E) не погаснут.
7. Выключите переключатель ВКЛ./ВЫКЛ., расположенный в нижней части правой крышки.

**ВНИМАНИЕ:** Световой индикатор режимов (E) начинает мигать в автоматическом режиме, если установленная температура ниже текущей комнатной температуры, отображаемой на Дисплее, а также если достигнута необходимая заданная температура.

**ПРИМЕЧАНИЕ:** В автоматическом режиме обогреватель может включаться и отключаться для поддержки заданной температуры. Во избежание циклической работы прибора необходимо повысить температуру с помощью термостата. Цифровой термостат запоминает предыдущие настройки температуры после отключения обогревателя. Однако если прибор отключен от электросети, настройка цифрового термостата будет сброшена, а предыдущая настройка температуры не будет сохранена.

#### Выключение и включение термостата и установка параметров термостата (только модель BRH1414)

1. Включите прибор в розетку.
2. Вращайте регулятор термостата в направлении по часовой стрелке с позиции (0) до либо позиции 1 (Малая мощность) либо позиции 2 (Высокая мощность) для достижения постоянной теплоотдачи.
3. Для установления идеальной температуры, поверните регулятор термостата в направлении по часовой стрелке до отметки «макс».
4. По достижении желаемой температуры, медленно вращайте регулятор термостата против часовой стрелки до тех пор, пока не произойдет выключение обогревателя.
5. Теперь обогреватель будет поддерживать температуру на заданном уровне.
6. Для выключения устройства, вращайте регулятор режимов против часовой стрелки до позиции (0).

#### ПРОГРАММИРУЕМЫЙ ТАЙМЕР (Только модель BRH1520)

Можно запрограммировать обогреватель для включения в установленное время или отключения через определенный промежуток времени.

#### Установка таймера на включение

1. В выключенном режиме, одновременно нажмите и удерживайте кнопки (+) и (-) до тех пор, пока на дисплее не загорится "0".
2. Нажмите кнопку (+) или (-) для указания значения времени до включения обогревателя.
3. После настройки таймера на дисплее отображается красная точка рядом со значением текущей температуры в помещении, которая показывает, что таймер включен.
4. По истечении заданного времени обогреватель включается в автоматическом режиме высокой мощности при температуре 24°C на 2 часа.

#### Установка таймера на выключение

1. Выберите необходимый режим и/или температуру.
2. Во время работы обогревателя одновременно нажмите и удерживайте кнопки (+) и (-), пока не замигает дисплей.
3. Нажимайте кнопку (+) или (-) для выбора времени, в течение которого обогреватель должен работать.
4. После настройки таймера на дисплее отображается КРАСНАЯ точка рядом со значением текущей температуры в помещении, которая показывает, что таймер включен.
5. Обогреватель автоматически отключается через заданный промежуток времени.

#### ЗАЩИТА ОТ МОРОЗА (BRH1520)

Нажмите кнопку Mode (≠) (Режим работы) последовательно 5 раз для установки Anti Frost (Противоморозная установка) (на цифровом дисплее появятся буквы AF). Эта специальная настройка активируется автоматически при выборе режима (AF). В этом режиме обогреватель остается выключенным до тех пор, пока температура в помещении не достигнет точки замерзания, и затем он автоматически переключается в режим повышенной мощности (HI). Обогреватель периодически включается и выключается для поддержания температуры в диапазоне от 5 до 8 °C.

#### ЗАЩИТА ОТ МОРОЗА (BRH1414)

Поддерживайте прибор в позиции 1 (Малая мощность) или 2 (Высокая мощность). Поверните регулятор термостата в начальную позицию (≠). Прибор закончит работу. Эта специальная настройка активируется автоматически. В данном режиме обогреватель остается выключенным до тех пор, пока комнатная температура не достигнет точки замерзания и обогреватель не включится автоматически в режиме Высокой мощности. Обогреватель периодически включается и выключается для поддержания температуры в диапазоне от 5 до 8 °C.

#### АВТОМАТИЧЕСКОЕ ЗАЩИТНОЕ ВЫКЛЮЧЕНИЕ

Обогреватель имеет встроенное защитное устройство, которое автоматически выключит обогреватель в случае случайного перегрева. Обогреватель может возобновить работу только тогда, когда пользователь установит прибор в исходное состояние. При перегреве обогревателя будет отображаться индикация (OH).

#### Чтобы установить обогреватель в исходное состояние:

1. Отсоедините обогреватель от розетки и подождите 30 минут, пока он остынет.
2. Через 30 минут снова включите прибор в розетку и используйте обычным образом.

#### Аварийный предохранитель

В редком случае, если обогреватель не среагирует на перегрев, сработает аварийный предохранитель. В этом случае обогреватель не будет сброшен. Обратитесь за помощью в местный сервисный центр.

#### Защита от опрокидывания

Если устройство случайно упадет, то питание будет немедленно отключено. Для повторного включения обогревателя просто установите его вертикально и включите обычным образом.

#### ИСПОЛЬЗОВАНИЕ В ВАННОЙ КОМНАТЕ

- Если этот обогреватель будет использоваться в ванной комнате или подобных помещениях, он должен быть установлен:
  - a. Таким образом, чтобы человек в ванне или под душем не мог дотронуться до переключателей и других регулировочных ручек.
  - b. Вне поверхностей, затененных серым цветом (Рис.7)
- Если у Вас есть сомнения по поводу установки этого обогревателя в ванной комнате, мы рекомендуем Вам посоветоваться с профессиональным электриком.

#### ОЧИСТКА И ОБСЛУЖИВАНИЕ

- Выключите прибор.
- Отключите обогреватель от электросети.
- Убедитесь, что прибор полностью остыл.
- Разрешается чистить внешние поверхности прибора влажной тканью. НЕ ДОПУСКАЕТСЯ попадание воды внутрь обогревателя. НЕ ДОПУСКАЕТСЯ использование мыла или химических очистителей, которые могут повредить корпус прибора. Необходимо дать прибору просохнуть, прежде чем подключить обогреватель к питанию.
- Регулярно прочищайте отверстия выводы и ввода воздуха с помощью пылесоса (при использовании прибора по меньшей мере два раза в год)

#### ГАРАНТИЯ

Сохраняйте квитанцию о покупке, так как она может потребоваться в случае возникновения претензий, предъявляемых в соответствии с условиями данной гарантии.

На данное устройство предоставляется

гарантия на 3 года после покупки, как описано в настоящем документе. Если в течение данного гарантийного периода устройство перестанет работать вследствие дефекта конструкции или неправильного изготовления, верните его по месту покупки вместе с квитанцией о покупке и копией этой гарантии.

Права и привилегии, которыми наделяет эта гарантия, дополняют законные права потребителя, не отраженные в этой гарантии. Правом на изменение этих условий обладает только Holmes Products (Europe) Ltd. ("Holmes").

Holmes обязуется в течение установленного гарантийного периода бесплатно отремонтировать или заменить устройство или любую неисправную деталь прибора в случае дефекта при условии, что:

- Вы своевременно сообщили о проблеме по месту покупки или в компанию Holmes; и
- прибор не подвергался каким-либо изменениям любым из существующих способов, а также не был приведен в негодность или в состояние, требующее ремонта, вследствие повреждения, неправильно обращения или ремонта каким-либо лицом, не уполномоченным компанией Holmes;

Настоящая гарантия не распространяется на неисправности, возникшие вследствие неправильного обращения, повреждения, подключения к источнику питания с несоответствующим напряжением, стихийного бедствия, событий, неконтролируемых компанией Holmes, ремонтом или модификацией лицом, не являющимся уполномоченным специалистом Holmes, а также несоблюдением указаний в инструкциях по эксплуатации. Кроме того, данная гарантия не распространяется на нормальный износ, включая помимо всего прочего мелкие изменения окраски и царапины.

Правами на получение данной гарантии обладает только первоначальный покупатель. Она не распространяется на использование в коммерческих или коммунальных целях. Если для устройства прилагается гарантия для конкретной страны или гарантийный вкладыш, см. условия прилагаемой гарантии вместо настоящей гарантии или обратитесь к уполномоченному дилеру для получения дополнительных сведений.

Утилизируемое электрическое оборудование нельзя выбрасывать вместе с бытовыми отходами. Сдавайте такое оборудование на переработку в соответствующие центры. Для получения дополнительной информации о переработке и WEEE отправьте сообщение

по электронной почте по адресу: enquiries@jardencs.com.  
Holmes Products (Europe) Limited  
1 Francis Grove  
London  
SW19 4DT  
UK



## ČESKY

### PŘEČTĚTE SI TENTO NÁVOD K POUŽITÍ. PO PŘEČTENÍ HO PEČLIVĚ USCHOVEJTE.

#### POPIS (viz obr. 1 & 2)

- A. Levý koncový kryt
- B. Zadní plášť
- C. Pravý koncový kryt
- D. Displej
- E. Světla indikátorů režimu
- F. Tlačítko režim/nastavení
- G. Nastavení termostatu
- H. Základna
- I. Mřížka
- J. Kontrolka napájení
- K. Držák základny
- L. Montážní konzola (obrázek 5)

#### PO PŘEČTENÍ JE PEČLIVĚ USCHOVEJTE

Při použití elektrických zařízení je třeba dodržovat následující základní bezpečnostní opatření:

1. Před zapojením ohřívače zkontrolujte, zda napětí uvedené na štítku přístroje odpovídá napětí elektrické sítě ve vaší domácnosti či kanceláři.
2. **POZOR!** Abyste zabránili přehřátí ohřívače, NIKDY jej nezakrývejte (⊘).
3. Ohřívač NEUMISŤUJTE přímo pod zásuvku.
4. Tento ohřívač nikdy nepoužívejte v blízkém okolí vany, sprchy nebo plaveckého bazénu.
5. Aby se předešlo možným rizikům, výměnu poškozené napájecí šňůry musí provádět výrobce, servisní středisko nebo odpovídajícím způsobem kvalifikovaná osoba. Tento ohřívač neobsahuje žádné uživatelem opravitelné části. V případě poškození nebo poruchy výrobku se vždy obraťte na výrobce nebo příslušné servisní středisko.
6. V elektrické síti s rychlými přechodovými jevy může dojít k chybné funkci výrobku vyžadující jeho resetování uživatelem.
7. Nepoužívejte tento ohřívač s programátorem, časovačem nebo jiným zařízením, které automaticky zapíná ohřívač, protože pokud je ohřívač zakryt nebo nesprávně umístěn, může dojít k požáru.
8. Ohřívače se dotýkejte pouze suchýma rukama.
9. NIKDY jej neumísťujte tak, aby mohl být v dosahu dětí – zejména velmi malých.

10. NEPOUŽÍVEJTE tento ohřívač venku.  
11. Ohřívač umístěte v bezpečné vzdálenosti od nábytku či jiných předmětů a nechte alespoň 50 cm prostor nad ním i po stranách a 200 cm vpředu.

12. Nepoužívejte ohřívač, když leží na boční straně.
13. Ohřívač NEPOUŽÍVEJTE v místnostech s výbušnými plyny (např. benzín) anebo pokud používáte hořlavé lepidlo nebo rozpouštědlo (např. při lepení nebo lakování parket, PVC apod.)
14. Do ohřívače NEVKLÁDEJTE žádné předměty.
15. Udržujte bezpečnou vzdálenost mezi napájecí šňůrou a tělem ohřívače.
16. Pokud hrozí přehřátí, integrované bezpečnostní zařízení ohřívače vypne.
17. Nezasouvejte šňůru pod koberec.
18. Ohřívač musí být nainstalován tak, aby se spínačů a dalších ovládacích prvků nemohla dotknout osoba ve vaně.
19. Ohřívač musí být nainstalován alespoň 0,6 m nad podlahou.
20. Nepoužívejte ohřívač v blízkosti záclon nebo hořlavých materiálů. Pokud je ohřívač nesprávně nainstalován, může dojít k jejich vznícení.

21. Tento přístroj není určen pro použití osobami (včetně dětí) s omezenými fyzickými, smyslovými či mentálními schopnostmi nebo bez zkušeností a znalostí, pokud jim nebyl zajištěn dohled nebo školení týkající se použití přístroje osobou zodpovědnou za jejich bezpečnost. Na děti by se mělo dohlížet a zajistit, aby si s tímto přístrojem nehrály.
22. **VAROVÁNÍ:** Nebezpečí požáru. Pokud budou zásuvka nebo zástrčka na dotyk horké, přestaňte přístroj používat. Přehřátí může být znakem opotřebení či poškození zásuvky. S výměnou zásuvky se obraťte na kvalifikovaného elektrotechnika.
23. **VÝSTRAHA:** Abyste zabránili riziku při neúmyslném resetování tepelné pojistky, toto zařízení nesmí být napájeno přes externí spínací zařízení, jako např. časovač, nebo připojeno k okruhu, který je takovouto funkcí pravidelně zapínán a vypínán.

#### MONTÁŽ ZÁKLADNY (Viz obr. 3)

1. Základnu (H) vložte do spodní části držáku základny (K), který je připevněn ke spodní části mřížky (I).

#### MONTÁŽ NA ZEĎ (Viz obr. 4 - 6)

**Důležité:** Než začnete vrtat do zdi, ujistěte se, že v oblasti nejsou elektrické kabely.

**POZNÁMKA:** Kvůli velkému počtu možných montážních povrchů nejsou s tímto výrobkem

dodávány montážní šrouby. Chcete-li stanovit, který typ šroubu je pro určitou zeď nejvhodnější, vyhledejte odbornou asistenci nebo navštivte místní železářství.

1. Základnu (H) vyjměte ze spodní části držáku základny (K).
2. Držák základny odstraňte ze spodní části mřížky (I) odšroubováním dvou šroubů
3. Upevněte montážní přípravek na zeď.
4. Zavěste vlastní přístroj na montážní přípravek.

#### Zapnutí/vypnutí přístroje a nastavení digitálního termostatu (pouze model BPH1520)

1. Zástrčku zapojte do zásuvky.
2. Vyhledejte spínač zapnuto/vypnuto na spodní části pravého koncového krytu a přepněte ho do polohy zapnuto.
3. Stiskněte (⊞) přepínač režimu (F):
  - druhý = LO; poběží neustále na nízký výkon.
  - první = HI; poběží neustále na vysoký výkon.
  - čtvrtý = Auto Low; stisknutím (+) nebo (-) nastavte požadovanou teplotu.
  - třetí = Auto HI; stisknutím (+) nebo (-) nastavte požadovanou teplotu.
4. Po nastavení požadovaného režimu a teploty displej opět zobrazí aktuální pokojovou teplotu a postupně zvyšuje její hodnotu zároveň s oteplováním místnosti.
5. Pokud zvolíte Automatický režim a radiátor se nespustí, zkontrolujte, zda je nastavená teplota vyšší, než je aktuální teplota v místnosti.
6. Pro vypnutí přístroje držte tlačítko režim (F) stisknuté, dokud se ne vypnou světla indikátorů všech režimů (E).
7. Spínač zapnuto/vypnuto umístěný na spodní části pravého koncového krytu přepněte do polohy vypnuto.

**POZNÁMKA: Světlo indikátoru režimu (E) bude v Automatickém režimu blikat, pokud bude nastavená teplota nižší, než aktuální teplota v místnosti zobrazená na displeji. Ke stejné situaci dojde, když jednotka dosáhne požadované nastavené teploty.**

**POZNÁMKA: V režimu Auto je běžné, že se ohřívač střídavě zapíná a vypíná: udržuje totiž naprogramovanou teplotu. Pokud si to nepřejete, zvýšte nastavení termostatu.**

**Digitální termostat si po vypnutí přístroje zapamatuje poslední nastavení teploty. Nicméně? pokud jednotku odpojíte ze zásuvky, digitální termostat se vynuluje a poslední nastavení teploty již nebude v jeho paměti.**

#### Zapnutí/vypnutí přístroje a nastavení termostatu (Pouze Model BPH1414)

1. Zástrčku zapojte do zásuvky.
2. Knoflíkem nastavení režimu otočte po směru chodu hodinových ručiček z polohy (0) buď

- do polohy 1 (nízké nastavení) nebo 2 (vysoké nastavení) a spustí se konstantní topný výkon.
- Abyste našli ideální nastavení termostatu, otáčejte chodu hodinových ručiček k ukazateli „max“.
  - Jakmile je dosaženo požadované teploty, pomalu otáčejte knoflíkem termostatu proti směru chodu hodinových ručiček, dokud se radiátor nevypne.
  - Radiátor bude nyní automaticky udržovat teplotu na požadované úrovni.
  - Přístroj vypnete otočením knoflíku nastavení režimu proti směru chodu hodinových ručiček do polohy (0).

#### PROGRAMOVATELNÝ ČASOVÝ SPÍNAČ (Pouze Model BPH1520)

Ohříváč lze naprogramovat a v nastaveném čase jej zapnout nebo po určené době vypnout.

#### Nastavení časového spínače ZAPNUTÍ

- Když je topení vypnuto, stiskněte a přidržte zároveň (+) a (-), dokud displej bliká a nezobrazí se číslo „0“.
- Stisknutím (+) nebo (-) zadejte délku intervalu do okamžiku, kdy chcete ohříváč zapnout.
- Po nastavení časového spínače se na displeji u aktuální teploty místnosti zobrazí červená tečka, která označuje aktivaci časového spínače.
- Po vypršení naprogramovaného intervalu se ohříváč automaticky zapne v režimu Auto HI na 24 °C (75 °F) na 2 hodiny.

#### Nastavení časového spínače VYPNUTÍ

- Zvolte požadovaný režim nebo teplotu.
- Při zapnutém ohříváči současně stiskněte a přidržte tlačítka (+) a (-), až display začne blikat.
- Stisknutím (+) nebo (-) zadejte délku intervalu, po kterou má být ohříváč spuštěn.
- Po nastavení časového spínače se na displeji u aktuální teploty místnosti zobrazí ČERVENÁ tečka, která označuje aktivaci časového spínače.
- Po vypršení naprogramovaného intervalu se ohříváč automaticky vypne.

#### OCHRANA PŘED MRAZEM (BPH1520)

Stisknutím tlačítka režimu (☞) pětkrát po sobě se nastaví ochrana proti mrazu (AF se zobrazí na digitálním displeji). Toto speciální nastavení se automaticky aktivuje, když je zvolen režim (AF). V tomto režimu je ohříváč vypnutý do doby, kdy teplota v místnosti dosáhne bodu mrazu a ohříváč se automaticky zapne max. výkon (HI). Ohříváč se pak bude střídavě zapínat a vypínat, aby udržel teplotu v rozsahu 5-8 °C.

#### OCHRANA PROTI MRZNUTÍ (BPH1414)

Přístroj nastavte do polohy 1 (nízké nastavení) nebo 2 (vysoké nastavení), tlačítkem nastavení termostatu otočte do počáteční pozice (☼). Přístroj přestane pracovat. Toto speciální nastavení se aktivuje automaticky. V tomto režimu je radiátor vypnutý, dokud teplota v pokoji neklesne k bodu mrazu, pak se radiátor automaticky zapne. Radiátor bude přepínat mezi ZAPNUTO a VYPNUTO a udržovat teplotu mezi 5 - 8 °C.

#### AUTOMATICKÉ BEZPEČNOSTNÍ VYPÍNÁNÍ

Ohríváč má zabudované bezpečnostní zařízení, které ohríváč automaticky vypne v případě náhodného prehrátí. Ohríváč může začít znovu pracovat po jeho vynulování uživatelem. Při přehřátí se zobrazí (OH) (overheat).

#### Nulování ohříváče

- Odpojte ohríváč ze zásuvky a vyčkejte 30 minut, než vychladne.
- Po 30 minutách ohríváč zapojte opět do zásuvky a spusťte běžným způsobem.

#### BEZPEČNOSTNÍ ZÁLOŽNÍ POJISTKA

Ve velmi nepravděpodobném případě, pokud by ohříváč nereagoval na přehřátí, dojde k aktivaci bezpečnostní záložní pojistky. V takovém případě nelze ohříváč resetovat. Zavolejte na číslo místního servisu a požádejte o radu.

#### OCHRANA PROTI PŘEVŘZENÍ

Dojde-li k nechtěnému převržení přístroje, bude ihned vypnut. Chcete-li ohříváč znovu uvést do provozu, stačí jej postavit do svislé polohy a zapnout. Stiskněte jedenkrát tlačítko "MODE" ("REŽIM").

#### POUŽITÍ V KOUPELNĚ

- Pokud bude ohříváč používán v koupelně nebo podobné místnosti, musí být instalován:
  - Tak, aby se spínačů a dalších ovládacích prvků nemohly dotknout osoby ve vaně nebo sprše.
  - Mimo šedé oblasti (obr. 5 a 6).
- Pokud si nejste jisti instalací ohříváče v koupelně, doporučujeme, abyste se poradili s profesionálním elektrikářem/instalátérem.

#### ČIŠTĚNÍ A ÚDRŽBA

- Přístroj vypněte.
- Zástrčku odpojte ze zásuvky.
- Vyčkejte, než radiátor dostatečně vychladne.
- Vnější stranu radiátoru můžete vyčistit vlhkým hadříkem. Do přístroje se NESMÍ dostat voda. NEPOUŽÍVEJTE mýdlo ani chemické čisticí prostředky, mohly by poškodit plášť přístroje. Než přístroj znovu zapnete do zásuvky, vyčkejte dostatečně dlouho, aby byl suchý.
- Pravidelně čistěte otvory pro vstup a výstup vzduchu (při běžném používání alespoň dvakrát ročně) pomocí vysavače.

#### ZÁRUKA

Doklad o koupi přístroje pečlivě uschovejte. Je potřeba při reklamaci v rámci této záruky. Tento výrobek podléhá 3 leté záruční době od data zakoupení, jak je uvedeno dále v dokumentu. Pokud během záruční doby dojde k nepravděpodobné situaci, že přístroj přestane fungovat kvůli konstrukční či výrobní závadě, dopravte ho do prodejny, kde jste jej zakoupili, včetně dokladu o koupi a tohoto záručního listu. Práva a výhody v rámci této záruky doplňují vaše zákonná práva, která nejsou touto zárukou dotčena. Pouze Holmes Products (Europe) Ltd. (dále jen „Holmes“) má právo měnit tyto podmínky. Holmes se během záruční doby zavazuje k bezúplatné opravě či náhradě přístroje nebo jakékoli součásti, která řádně nefunguje, za těchto podmínek:

- na daný problém neprodleně upozorníte příslušnou prodejnu nebo Holmes, a
- na zařízení nebyly provedeny žádné změny, zařízení nebylo poškozeno ani používáno nesprávným způsobem nebo opraveno osobou, která nemá oprávnění Holmes.

Tato záruka se nevztahuje na závady, k nimž dojde nesprávným užitím, poškozením, zneužitím, zavedením nesprávného napětí, vyšší mocí či událostmi, nad nimiž Holmes nemá kontrolu, opravou či úpravou někoho jiného než osoby, která má oprávnění Holmes, nebo kvůli jiným postupům než jsou popsány v návodu k obsluze. Tato záruka se navíc nevztahuje na běžné opotřebení včetně – ale bez omezení jen na ně – menších barevných změn a poškrábání povrchu. Práva v rámci této záruky se týkají pouze osoby, která zařízení původně zakoupila, a nelze je rozšířit na komerční ani komunální využití. Pokud se na vaše zařízení vztahuje záruka specifická pro konkrétní stát nebo pokud byl k zařízení přiložen záruční list, najdete další informace v podmínkách dané záruky nebo je získáte od místního autorizovaného prodejce. Vysloužilé elektrické výrobky by neměly být vyhozeny s domácím odpadem. Recyklujte je v místech s příslušným zařízením. Další informace o recyklaci a WEEE lze vyžádat e-mailem: [enquiriesEurope@jardencs.com](mailto:enquiriesEurope@jardencs.com). Holmes Products (Europe) Limited  
1 Francis Grove  
London  
SW19 4DT  
UK



## PORTUGUÊS

### GUARDE AS INSTRUÇÕES SEGUINTES PARA CONSULTA POSTERIOR.

#### DESCRIÇÕES (VER FIG. 1 E 2)

- Tampa Esquerda da Extremidade
- Invólucro Posterior
- Tampa Direita da Extremidade
- Visor
- Luz Indicadora de Modo
- F. Botão de Modo / Ajuste
- Ajuste do Termostato
- Base
- Grelha
- Luz de Energia
- Base de Montagem
- Suporte de Montagem (Figura 5)

### LEIA E GUARDE ESTAS INSTRUÇÕES IMPORTANTES

Quando utilizar aparelhos eléctricos, deve respeitar sempre as precauções básicas de segurança, incluindo o seguinte:

- Antes de ligar o termoventilador à corrente eléctrica, verifique se a voltagem indicada na placa de características corresponde à voltagem da corrente eléctrica da sua casa ou escritório.
- AVISO:** Para evitar o sobreaquecimento, NÃO cubra o termoventilador (☹).
- NÃO coloque o termoventilador por baixo de uma tomada de corrente.
- Não use este aquecedor na proximidade imediata de uma banheira, um chuveiro ou uma piscina.
- Se o cabo de alimentação ou a ficha ficarem danificados, terão de ser substituídos pelo fabricante, por um agente da assistência técnica do fabricante ou por uma pessoa habilitada, a fim de evitar riscos. O aquecedor não contém peças reparáveis pelo utilizador. Se o produto sofrer danos ou avarias, deve ser devolvido ao fabricante ou ao agente de assistência deste.
- Em caso de funcionamento anómalo devido a oscilações eléctricas, poderá ser necessário reiniciar o equipamento.
- Não utilize o termoventilador com programadores, temporizadores ou quaisquer outros dispositivos que liguem automaticamente o termoventilador, pois existe o risco de ocorrência de incêndios se o termoventilador estiver coberto ou incorrectamente posicionado.
- Só deve tocar no aquecedor com as mãos secas.
- NÃO o posicione em locais acessíveis a crianças, especialmente muito pequenas.
- NÃO utilize o termoventilador no exterior.

11. O termoventilador deve ter um perímetro de segurança, longe de mobília ou outros objectos, pelo menos a 50 cm da parte superior a das laterais e a 200 cm da frente.
12. Não utilize o termoventilador deitado de lado.
13. NÃO utilize o termoventilador em salas onde exista gás explosivo (por ex., petróleo) ou enquanto usar cola inflamável ou solvente (por ex., ao colar ou envernizar pavimentos em parquet, PVC, etc.)
14. NÃO introduza objectos no termoventilador.
15. Mantenha o cabo de alimentação a uma distância segura do corpo principal do termoventilador.
16. Em caso de sobreaquecimento, o dispositivo de segurança contra sobreaquecimento, integrado, desliga o termoventilador.
17. Não coloque o cabo de alimentação debaixo de um tapete.
18. O aquecedor deve ser instalado de forma a que os interruptores e outros comandos não possam ser tocados por uma pessoa no banho.
19. O termoventilador deve estar instalado a, pelo menos, 0,6 m acima do chão.
20. Não utilize o termoventilador perto de cortinados ou matérias combustíveis. Se o termoventilador não for correctamente instalado, pode incendiar cortinados ou matérias combustíveis.
21. Este dispositivo não deve ser utilizado por adultos (ou crianças) com capacidades físicas, sensoriais ou mentais reduzidas ou por quem não tenha experiência ou conhecimentos suficientes, a menos que sejam supervisionados ou lhes tenham sido fornecidas instruções relativas à utilização do dispositivo pelo encarregado da sua segurança. As crianças não devem brincar com o dispositivo.
22. **AVISO:** Risco de incêndio. Se a tomada ou a ficha se tomarem quentes ao toque, desligue o aparelho e não o utilize. Sobreaquecimento pode indicar que a tomada está gasta ou danificada. Contacte um electricista qualificado para substituir a tomada.
23. **CUIDADO:** Para que se evite o perigo de um reiniciamento automático inesperado do auto-desligue térmico, este aparelho não deve ser alimentado através de qualquer aparelho externo, tal como cronograma, ou estar conectado a um circuito que regularmente ligue e desligue esse aparelho.

#### **MONTAGEM DA BASE (Veja Figura 3)**

1. Insira a base (H) na parte inferior da Base de Montagem (K), que está junto com a parte inferior do Grill (I).

#### **MONTAGEM NA PAREDE (Veja Figura 4 – Figura 6)**

**IMPORTANTE:** Antes de perfurar qualquer parede, certifique-se de que não estão presentes cabos eléctricos na área.

**NOTA:** Devido à multiplicidade de superfícies potenciais de montagem, os parafusos de montagem não estão incluídos neste produto. Por favor, procure assistência profissional ou visite a sua loja de ferragens local para determinar que tipo de parafuso é o melhor para a sua parede em particular.

1. Remova a Base (H) da parte inferior da Base de Montagem (K).
2. Remova a Base de Montagem da parte inferior do Grill (I) desparafusando os dois parafusos de apoio.
3. Fixe o Suporte de Montagem à parede.
4. Segure no corpo principal do Suporte de Montagem.

#### **Como ligar e desligar a unidade e configurar o termostato Digital (Somente para BPH1520)**

1. Ligue a unidade à tomada.
2. Localize o interruptor liga/desliga na superfície inferior do canto direito e vire-o para a posição ligar ON.
3. Prima o botão (☰) Mode (F):
  - 1º = LO; anda continuamente para baixo.
  - 2º = HI; anda continuamente para cima.
  - 3º = Auto Low; prima (+) ou (-) para acertar a temperatura desejada.
  - 4º = Auto Hi; prima (+) ou (-) para acertar a temperatura desejada.
4. Quando tiver seleccionado o modo e a temperatura, o visor volta à temperatura ambiente actual e aumenta gradualmente à medida que o quarto aquece.
5. Se um dos modos Automáticos estiver sido configurado e mesmo assim o aquecedor não se inicie, certifique-se de que a temperatura seleccionada esteja maior do que a temperatura ambiente no momento do uso.
6. Para se desligar a unidade, continue pressionando a botão de modo (F) até que todas as luzes indicadores (E) não estejam mais iluminadas.
7. Desligue o interruptor liga/desliga localizado na superfície inferior do canto direito.

**NOTA: A Luz Indicadora de Modo (E) ficará piscando no modo AUTO caso a temperatura configurada esteja menor do que a temperatura ambiente mostrada na Tela. A mesma coisa acontecerá quando a unidade atingir a temperatura configurada requerida.**

**NOTA: No modo Auto, é normal o termoventilador ligar e desligar para manter a temperatura programada. Para evitar que a unidade desligue, aumente a regulação do termostato. O Digital Termóstato memorizará a regulação de temperatura anterior depois de desligar a unidade. No entanto, se a unidade for desligada da corrente, o termostato digital é reiniciado e deixa de memorizar a regulação de temperatura anterior.**

#### **Como Ligar e desligar a unidade e configurar o termostato (Somente para BPH1414)**

1. Ligue a unidade à tomada.
2. Gire o botão de ajuste de modo no sentido horário da posição (0) para 1 (Configuração baixa) ou 2 (Configuração alta) para se obter uma produção contínua de ar quente.
3. Para se conseguir a configuração ideal do termostato, gire o botão de ajuste de modo no sentido horário para posição "max".
4. Quando a temperatura desejada estiver sido alcançada, lentamente gire o botão do termostato no sentido anti-horário até que aquecedor se desligue.
5. O aquecedor agora manterá automaticamente a temperatura no nível desejado.
6. Para desligar a unidade, gire o botão de ajuste de modo no sentido anti-horário até a posição (0).

#### **TEMPORIZADOR PROGRAMÁVEL (Somente para BPH1520)**

Pode programar o seu termoventilador para ligar a uma hora predefinida ou para desligar após um determinado período de tempo.

##### **Regular Ligar temporizador:**

1. Com o aquecedor desligado, aperte e segure (+) e (-) simultaneamente até que a tela pisque e mostra o número "0".
2. Prima (+) ou (-) para seleccionar a quantidade de tempo que deseja deixar passar antes do termoventilador acender.
3. Após definir o temporizador, o visor apresenta um ponto vermelho junto da temperatura ambiente actual no visor, para indicar que o temporizador está activado.
4. Após ter passado o período de tempo programado, o termoventilador passa automaticamente para Auto HI a 24°C (75°F) durante 2 horas.

##### **Regular Desligar temporizador:**

1. Selecciono o modo desejado e/ou a temperatura.
2. Com o termoventilador em funcionamento, prima e mantenha premido (+) e (-) simultaneamente até o visor piscar.

3. Prima (+) ou (-) para seleccionar a quantidade de tempo que deseja ter o termoventilador a funcionar.
4. Após acertar o temporizador, o visor apresenta um ponto VERMELHO junto da temperatura ambiente actual no visor, para indicar que o temporizador está activado.
5. O termoventilador desliga-se automaticamente após o período de tempo programado ter decorrido.

#### **PROTECÇÃO CONTRA CONGELAÇÃO (BPH1520)**

Pressione o botão Mode (☰) 5 vezes consecutivas para configuração anti-congelamento (a indicação AF aparecerá no visor digital). Esta definição especial é automaticamente activada quando o modo (AF) é seleccionado. Neste modo, aquecedor fica desligado até a temperatura ambiente atingir o congelamento e o aquecedor ligar automaticamente a corrente HI. O aquecedor vai ligar e desligar, para manter a temperatura entre 5-8 °C.

#### **PROTECÇÃO CONTRA GEADA (BPH1414)**

Mantenha a unidade em 1 (configuração baixa) ou 2 (configuração alta) e gire o botão de ajuste do termostato para a posição inicial (☼). A unidade irá parar de funcionar. Esta configuração especial será ativada automaticamente. Neste modo, o aquecedor ficará desligado até que a temperatura da sala chegue ao ponto de congelamento, e então o aquecedor se ligará automaticamente no nível ALTO. O aquecedor oscilará entre LIGA e DESLIGA, mantendo a temperatura entre 5 e 8 °C.

#### **DESLIGAR AUTOMÁTICO DE SEGURANÇA**

O termoventilador possui um dispositivo de segurança integrado que o desliga automaticamente, em caso de sobreaquecimento acidental. Só poderá voltar a funcionar depois de o utilizador reiniciar a unidade.

#### **Para reiniciar o termoventilador**

1. Desligue o termoventilador da corrente eléctrica e espere 30 minutos até que o aparelho arrefeça.
2. Passados os 30 minutos, ligue novamente o termoventilador à tomada e utilize-o normalmente.

#### **FUSÍVEL DE PROTECÇÃO DE SEGURANÇA**

Na situação improvável do aquecedor não responder a uma situação de sobreaquecimento, o fusível de protecção de segurança é accionado. Neste caso, o aquecedor não é reiniciado. Por favor, contacte o seu número de assistência local para aconselhamento.

**PROTECÇÃO CONTRA DESACTIVAÇÃO**

Quando a unidade for acidentalmente deitada abaixo, será imediatamente desligada. Para voltar a funcionar, basta colocar novamente o termoventilador na posição vertical e utilizá-lo normalmente.

**UTILIZAÇÃO NA CASA-DE-BANHO**

- Se este termoventilador se destinar a ser utilizado numa casa-de-banho, ou divisão similar, deve ser instalado:
  - a. De forma a que os interruptores e outros comandos não possam ser tocados pela pessoa que estiver no banho ou chuveiro.
  - b. Fora das áreas sombreadas a cinzento (Fig.7).
- Se estiver inseguro quanto à instalação deste aquecedor na casa-de-banho, recomendamos que procure o conselho de um electricista/instalador profissional.

**LIMPEZA E MANUTENÇÃO**

- Desligue a unidade.
- Retire o plugue da tomada.
- Espere o aquecedor esfriar o suficiente.
- Pode-se limpar o exterior do aquecedor com um pano úmido. NÃO deixe água entrar no aparelho. NÃO utilize sabão ou químicos, que podem danificar o exterior. Espere um tempo suficiente até que ele seque completamente antes de ligá-lo novamente na tomada.
- Limpe as aberturas para a entrada e saída de ar com regularidade (com o uso normal de pelo menos duas vezes por ano) com um aspirador de pó.

**GARANTIA**

Guarde o seu recibo, já que ele será necessário para quaisquer reclamações ao abrigo desta garantia.

Este produto tem uma garantia de 3 anos após a compra, conforme o descrito neste documento.

Durante este período de garantia, no caso improvável de o aparelho deixar de funcionar devido a um defeito de concepção ou fabrico, devolva-o ao local da compra, acompanhado do recibo e de uma cópia desta garantia.

Os direitos e benefícios adquiridos ao abrigo desta garantia complementam e não afectam os seus direitos legais. Apenas a Holmes Products (Europe) Ltd. ("Holmes") tem o direito de alterar estes termos.

A Holmes compromete-se, durante o período da garantia, a reparar ou substituir o aparelho ou qualquer peça do mesmo que não funcione devidamente, sem encargos, desde que:

- Comunique prontamente ao local de compra ou à Holmes o problema; e
- o aparelho não tenha sofrido qualquer alteração, nem tenha sido sujeito a danos, uso indevido, abuso, reparação ou alteração por alguém não autorizado pela Holmes.

Esta garantia não cobre as avarias resultantes de uso indevido, danos, abuso, uso de voltagem incorrecta, actos da natureza, eventos fora do controlo da Holmes, reparações ou alterações por alguém não autorizado pela Holmes ou incumprimento das instruções de utilização. A garantia não cobre igualmente o desgaste normal, incluindo, entre outros, ligeira descoloração e riscos.

Os direitos adquiridos ao abrigo desta garantia aplicam-se apenas ao comprador original e não são extensíveis a uma utilização comercial ou colectiva.

Se o seu aparelho incluir uma garantia ou um certificado específico para o país, por favor consulte os termos e as condições dessa garantia ou certificado em vez desta, ou contacte o seu revendedor local autorizado para mais informações.

Os resíduos de equipamentos eléctricos não devem ser eliminados juntamente com o lixo doméstico. Recorra a instalações de reciclagem, caso existam. Contacte-nos por correio electrónico para enquiresEurope@jardencs.com para obter mais informações sobre reciclagem e REEE.

Holmes Products (Europe) Limited  
1 Francis Grove  
London  
SW19 4DT  
UK

**MAGYAR****OLVASSA EL ÉS ORIZZE MEG A KÖVETKEZŐKET KÉSŐBBI FELHASZNÁLÁS CÉLJÁRA!****LEÍRÁS (esetében lásd az 1. & 2 ábrát)**

- A. Bal szélső zárósapka
- B. Hátsó ház
- C. jobb szélső zárósapka
- D. Kijelző
- E. Üzem mód jelzőfények
- F. Üzem mód gomb/Beállítás
- G. Termosztát beállítás
- H. Talp
- I. Rács
- J. Bekapcsolt állapotot jelző lámpa
- K. Talp foglalat
- L. Felszerelő konzol (5. ábra)

**KÉRJÜK, OLVASSA EL ÉS ŐRIZZE MEG EZEKET A FONTOS UTASÍTÁSOKAT.**

Elektromos készülékek használatakor mindig követni kell az alapvető biztonsági rendszabályokat, többek között az alábbiakat is:

1. A fűtőtest csatlakoztatása előtt ellenőrizze, hogy a termék adatcímkéjén feltüntetett

feszültség egyezik-e az Ön otthonában vagy munkahelyén biztosított hálózati feszültséggel.

2. **FIGYELMEZTETÉS:** A túlmelegedés elkerülése érdekében NE takarja le a fűtőtestet (⚠).
3. NE helyezze a fűtőtestet közvetlenül a hálózati aljzat alá.
4. Ne használja a fűtőtestet fürdőkád, zuhanyozó vagy úszómedence közvetlen közelében.
5. Ha a hálózati tápkábel vagy a dugasz sérült, cseréjét csak a gyártó, az általa megbízott szerviz vagy hasonlóan képzett személy végezheti el a kockázatok elkerülése érdekében. A fűtőtest belsejében nincsenek a felhasználó által javítható alkatrészek. Ha a termék megsérül vagy elromlik, azt a gyártónak vagy megbízott szervízének kell visszaküldeni.
6. Gyors elektromos transziensek esetén előfordulhat a termék hibás működése, és alaphelyzetbe állításra lehet szükség.
7. Ne használja a fűtőtestet programozóval, időzítővel vagy bármilyen más eszközzel, amely automatikusan bekapcsolja a fűtőtestet, mert a helytelenül elhelyezett vagy letakart fűtőtest esetén ez tűzveszélyt jelent.
8. A fűtőtestet csak száraz kézzel szabad megérinteni.
9. NE helyezze el oda, ahol gyerekek, különösen kisgyermek, megérinthetik.
10. NE használja a fűtőtestet a szabadban.
11. A fűtőtest és a bútorok, illetve más tárgyak között hagyjon biztonságos távolságot; a tetején és oldalt legalább 50 cm-t és elöl legalább 200 cm-t.
12. Ne használja a fűtőtestet az oldalára fektetve.
13. NE használja a fűtőtestet olyan helységben, ahol robbanékony gáz (pl. benzin) van, vagy miközben tűzveszélyes ragasztót vagy oldószert használ (pl. PVC-padló vagy parketta ragasztása vagy lakkozása közben).
14. NE helyezzen semmilyen tárgyat a fűtőtestbe.
15. Tartsa a tápkábelt biztonságos távolságban a fűtőtesttől.
16. Ha túlmelegedés következik be, a beépített túlmelegedés-gátló berendezés ki fogja kapcsolni a fűtőtestet.
17. Ne vezesse a kábelt szőnyeg alatt.
18. A fűtőtestet olyan módon kell üzembe helyezni, hogy a kádban lévő személy ne érhesen a csatlakozókhoz vagy kezelőgombokhoz.
19. A fűtőtestet legalább 0,6 m-re a padló fölé kell felszerelni.
20. A fűtőtestet tilos függöny vagy más éghető anyag közelében használni. Ha helytelenül

helyezik üzembe a fűtőtestet, a függöny vagy más éghető anyag meggyulladhat.

21. Fizikai, érzékelési vagy mentális képességeikben korlátozott személyek (ideértve a kisgyerekeket is), illetve kellő tapasztalattal vagy ismerettel nem rendelkező személyek nem használhatják a készüléket felügyelet nélkül, vagy anélkül, hogy a készülék helyes használatára a biztonságukért felelős személy ki nem oktatta volna őket. Ügyelni kell arra, hogy a gyerekek ne játszhassanak a készülékkel.
22. **FIGYELMEZTETÉS:** Tűzveszély. Ne használja tovább, ha az elektromos hálózati aljzat vagy dugasz érintésre forró. A túlmelegedés kopott vagy meghibásodott aljzatra utal. Az aljzat kicserélése érdekében forduljon képesített villanyszerelőhöz.
23. **VIGYÁZAT:** annak érdekében, hogy elkerülje a túlhevülés esetén működésbe lépő megszakító nem szándékos visszaállítása miatt fellépő veszélyt, a készüléket tilos táplálni külső kapcsolóeszközön, pl. időzítőn keresztül, illetve olyan áramkörhöz csatlakoztatni, amelyet rendszeresen be- és kikapcsol a közműszolgáltató.

**A TALP ÖSSZESZERELÉSE (Lásd a 3. ábrát)**

1. Illessze a talpat (H) a talp foglalatába (K), amely a rács (I) aljához van rögzítve.

**Falba szerelés (Lásd: 4 – 6. ábra)**

**Fontos:** A falba fúrás előtt ügyeljen rá, hogy ne legyen semmilyen elektromos kábel az adott területen!

**MEGJEGYZÉS:** A szereléshez szükséges csavarokat nem mellékeljük ehhez a termékhez, tekintettel arra, hogy sokféle felszínre lehet felszerelni a készüléket. Kérjük, vegye igénybe egy szakember segítségét, vagy látogassa meg a helyi lakásfelszerelési üzletet annak érdekében, hogy az adott falhoz illő csavart beszeresse.

1. Távolítsa el a talpat (H) a talp foglalatának (K) aljáról.
2. Távolítsa el a talp foglalatát a rács (I) aljáról a két csavar eltávolításával.
3. Erősítse a tartókart a falhoz.
4. Függeszse fel a készüléket a tartókarrá.

**A készülék be-/kikapcsolása és a digitális termosztát beállítása (Csak BPH1520)**

1. Dugja a készülék tápcsatlakozó dugóját egy fali konnektorba.
2. Keresse meg az üzemkapcsoló gombot a jobb oldali zárósapka alján és állítsa „on” azaz bekapcsolt helyzetbe.
3. Nyomja le a (↔) mód gombot (F):
  - Első = ALACSONY; folyamatosan alacsony hőmérsékleten fut.
  - Második = MAGAS; folyamatosan magas hőmérsékleten fut.



- Harmadik = Automatikus ALACSONY; a kívánt hőmérséklet beállításához nyomja meg a (+) vagy (-) gombot.
  - Negyedik = Automatikus MAGAS; a kívánt hőmérséklet beállításához nyomja meg a (+) vagy (-) gombot.
4. Ha beállította a kívánt üzemmódot és hőmérsékletet, a kijelzés visszaáll az aktuális szobahőmérsékletre, majd fokozatosan nő, amint a szobahőmérséklet eléri a beállított hőfokot.
  5. Ha Automata módot választott és a fűtést nem kapcsolódik be, győződjön meg arról, hogy a beállított hőmérséklet nagyobb mint a helyiség pillanatnyi hőmérséklete.
  6. A készülék kikapcsolásához addig tartsa lenyomva az üzemmód gombot (F), amíg az összes jelzőfény (E) ki nem alszik.
  7. Állítsa a jobb oldali zárósapka alján lévő üzemmód gombot „off” azaz kikapcsolt helyzetbe.

**MEGJEGYZÉS: az üzemmód lámpa (E) villogni fog AUTO módban, ha a beállított hőmérséklet alacsonyabb, mint a kijelzőn látható aktuális szobahőmérséklet. Ugyanez érvényes, ha a készülék eléri a kívánt beállított hőmérsékletet.**

**MEGJEGYZÉS: Automatikus üzemmódban normális, hogy a fűtést be- és kikapcsol az előre beállított hőfok megtartása érdekében. Az egység be- és kikapcsolásának megakadályozásához növelje meg a termosztát beállítását.**

**Az Digitális termosztát mindig emlékszik az előző hőmérséklet-beállításra akkor is, ha az egység közben ki volt kapcsolva. Ha az egység ki volt húzva a hálózati aljzatból, a digitális termosztát alaphelyzetbe fog állni, és nem emlékszik az előző hőmérséklet-beállításra.**

**A készülék be-/kikapcsolása és a termosztát beállítása (Csak BPH1414)**

1. Dugja a készülék tápcsatlakozó dugóját egy fali konnektorba.
2. Forgassa az üzemmód választó gombot az óramutató járásával megegyező irányba 1 (alacsony beállítás) vagy 2 (magas beállítás) értékre, hogy állandó fűtési teljesítményt érjen el.
3. A termosztát ideális beállításához forgassa el a termosztát beállító gombját az óramutató járásával megegyező irányba, „max” értékre.
4. Amikor eléri a kívánt hőmérsékletet, lassan forgassa el a termosztát beállító gombját az óramutató járásával ellentétes irányba, amíg ki nem kapcsolódik a fűtést.
5. A fűtést automatikusan a kívánt szinten fogja tartani a hőmérsékletet.

6. A készülék kikapcsolásához forgassa el az üzemmód beállító gombot az óramutató járásával ellentétes irányba, (0) helyzetbe.

**PROGRAMOZHATÓ IDŐKAPCSOLÓ (Csak BPH1520)**

A digitális termosztát lehetővé teszi, hogy a felhasználó beprogramozza a fűtést bekapcsolását előre beállított időpontban, vagy annak kikapcsolását a beállított idő elteltével.

**Az ON beállítása az idokapcsolón**

1. A kikapcsolt fűtőkészüléken nyomja meg és tartsa lenyomva egyszerre a (+) és (-) gombot, amíg a kijelző villogni nem kezd és megjelenik rajta a „0” számjegy
2. A fel (+) vagy le (-) gombok lenyomásával állítsa be azt az időt, amelynek elteltével szeretné, hogy a fűtést bekapcsoljon.
3. Az időkapcsoló beállítása után a kijelzőn egy piros pont jelenik meg a jelenlegi szobahőmérséklet mellett, jelezve, hogy az időkapcsoló aktíválva van.
4. Miután a beállított időtartam letelt, a fűtést automatikusan bekapcsol az automatikus MAGAS üzemmódban 24 °C-on 2 óráig.

**Az idokapcsoló kikapcsolása**

1. Válassza ki a kívánt üzemmódot és/vagy hőfokot.
2. Bekapcsolt fűtést mellett egyidejűleg nyomja le és tartsa lenyomva a fel (+) és le (-) gombokat, amíg a kijelző villogni kezd.
3. A fel (+) vagy le (-) gombok lenyomásával állítsa be azt az időt, amelynek elteltével szeretné, hogy a fűtést fűtsön.
4. Az időkapcsoló beállítása után a kijelzőn egy PIROS pont jelenik meg a jelenlegi szobahőmérséklet mellett, jelezve, hogy az időkapcsoló aktíválva van.
5. Miután az előre meghatározott időtartam letelt, a fűtést automatikusan kikapcsol.

**FAGYVÉDELEM (BPH1520)**

Nyomja le a Mode (☐) gombot 5-ször egymás után a Fagyvédelem beállítása céljából (AF jelenik meg a digitális kijelzőn). Ez a speciális beállítás automatikusan érvénybe lép, ha az AF mód van kiválasztva. Ebben az üzemmódban a fűtést ki van kapcsolva addig, amíg a szobahőmérséklet el nem éri a fagypontot, és akkor a fűtést automatikusan bekapcsol maximális hőmérsékletre. A fűtést be- és kikapcsol az 5-8 °C-os hőmérséklet fenntartása érdekében.

**FAGYÁSGÁTLÓ ESZKÖZ (BPH1414)**

Tartsa a készüléket 1 (alacsony beállítás) vagy 2 (magas beállítás) értéken és forgassa a termosztát beállító gombot a kezdőpontra (☐). A készülék működése megszűnik. Ez a különleges beállítás automatikusan aktiválódik. Ebben az üzemmódban a fűtést kikapcsolva

marad, amíg a helyiség hőmérséklete el nem éri a fagypontot, amikor is automatikusan „HI”, azaz nagy teljesítményre kapcsol. A fűtést BE-, illetve KIKAPCSOLÓDIK, mivel így tarja fenn az 5 és 8°C közötti hőmérsékletet.

**AUTOMATIKUS BIZTONSÁGI KIKAPCSOLÁS**

A futókészülékben van egy biztonsági eszköz, amely automatikusan kikapcsolja a futókészüléket véletlen túlmelegedés esetén. Csak akkor lép újra működésbe, ha a felhasználó alaphelyzetbe állította a készüléket. Túlfűtés esetén a kijelzőn megjelenik az (OH).

**A fűtőkészülék alaphelyzetbe állítása**

1. Húzza ki a futókészülék dugaszoló csatlakozóját és várjon 30 percet, hogy a készülék lehűljön.
2. 30 perc múlva dugaszolja be ismét, és rendeltetésszerűen működik.

**BIZTONSÁGI TARTALÉKBIZTOSÍTÉK**

Abban a valószínűtlen helyzetben, ha a fűtést nem reagál a túlmelegedésre, működésbe lép egy biztonsági tartalékbiztosíték. Ebben az esetben a fűtést nem kapcsol vissza. Kérjük, tanácsért hívja fel a helyi szervizt.

**FELBORULÁS ELLENI VÉDELEM**

Ha a berendezést véletlenül felborítják, akkor az azonnal kikapcsol. Alaphelyzetbe állításhoz egyszerűen helyezze vissza a fűtéstet függőleges helyzetbe és használja a szokásos módon.

**FÜRDŐSZOBI HASZNÁLAT**

- Ha a fűtőkészüléket fürdőszobában vagy hasonló helyiségben kívánja használni, a következők szerint kell felszerelni:
  - a. Olyan módon, hogy a kapcsolóhoz és más kezelőszervekhez ne érhesse a fürdőszobában vagy a zuhany alatt tartózkodó személy.
  - b. A szűrővel árnyékolva (ld. az 5. és 6. ábrát) területen kívül.
- Ha nem biztos benne, hogy hogyan kell felszerelni a fűtőkészüléket fürdőszobában, ajánljuk, hogy hívjon villanyszerelőt.

**TISZTÍTÁS ÉS KARBANTARTÁS**

- Kapcsolja ki a készüléket.
- Húzza ki a dugót a konnektorból.
- Várja meg, amíg a fűtést lehűl.
- A fűtést külső burkolatát nedves törölkendővel meg lehet tisztítani. NE hagyja, hogy a készülékbe víz jusson. NE használjon szappant vagy vegyszert, ami a burkolatot megrongálhatja. Hagyjon elegendő időt a készülék megszáradásához, mielőtt visszadugná a tápkábel dugóját a konnektorba.
- Rendszeresen tisztítsa meg a légbeömlő és kimeneti nyílásokat (rendes használat mellett évente legalább kétszer) egy porszívó segítségével.

**GARANCIA**

Kérjük, őrizze meg nyugtáját, mivel a jelen jótállás érvényesítéséhez szüksége lesz rá. A termékre a jelen dokumentumban leírtak szerint a vásárlás dátumától számított 2 évre jótállást nyújtunk. Amennyiben a jótállási időszak alatt készüléke esetleg konstrukciós vagy gyártási hiba miatt meghibásodna, kérjük, hogy a pénztári nyugtával és a jelen jótállással együtt vigye vissza az üzletbe, ahol vásárolta. A jelen jótállás szerinti jogok és előnyök kiegészítik az Ön törvény szerinti jogait, és azokat a jelen jótállás nem befolyásolja. A jelen feltételek változtatására kizárólag a Holmes Products (Europe) Ltd. („Holmes”) jogosult. A Holmes vállalja, hogy a jótállási időszak alatt a készüléket vagy annak bármely helytelen működésű részét megjavítja vagy kicseréli, feltéve, hogy:

- Ön azonnal értesíti a problémáról a vásárlás helyét vagy a Holmes-t, és
- a készüléket a Holmes által meghatalmazott személyen kívül senki semmilyen módon nem változtatta meg, nem használta rendellenes vagy nem üzemszerű módon, nem javította és nem módosította.

A jelen jótállás nem vonatkozik olyan hibákra, amelyek oka helytelen vagy nem üzemszerű használat, sérülés, helytelen tápfeszültség, természeti ok, a Holmes hatókörén kívüli esemény, nem a Holmes meghatalmazottja általi javítás vagy módosítás, vagy a használati utasítások be nem tartása. Ezenfelül a jelen jótállás nem vonatkozik a szokásos elhasználódásra, többek között a kismértékű elszíneződésre és karcolásokra sem.

A jelen jótállás szerinti jogok kizárólag az eredeti vásárlót illetik meg, és nem terjednek ki a kereskedelmi célú vagy közösségi használatra. Ha készülékéhez országspecifikus garancia- vagy szavatossági dokumentum van mellékelve, akkor annak feltételeit tekintse érvényesnek a jelen garancia feltételei helyett, vagy kérjen további tájékoztatást a meghatalmazott helyi kereskedőtől. A leselejtezett elektromos készülékeket ne háztartási szemétként kezelje. Kérjük, megfelelő gyűjtőhelyen adja le. Az újrahasznosításról és a WEEE irányelvekről további információkat kaphat, ha ír az enquiriesEurope@jardencs.com címre. Holmes Products (Europe) Limited  
1 Francis Grove  
London  
SW19 4DT  
UK



## ITALIANO

### CONSERVARE QUESTE ISTRUZIONI PER USO FUTURO.

#### DESCRIZIONI (Vedere Figg. 1 e 2)

- A. Cappuccio di sinistra
- B. Alloggiamento postero
- C. Cappuccio di destra
- D. Display
- E. Spie del modo
- F. Pulsante modalità / regolazione
- G. Regolazione termostato
- H. Base
- I. Griglia
- J. Spia luminosa alimentazione
- K. Montaggio della base
- L. Staffa di montaggio (figura 5)

#### ISTRUZIONI IMPORTANTI

Quando si usano apparecchiature elettriche è importante rispettare alcune precauzioni fondamentali fra cui le seguenti:

1. Prima di collegare il riscaldatore, verificare che la tensione indicata sulla targhetta dei dati di funzionamento corrisponda alla tensione di rete della propria abitazione o ufficio.
2. **AVVERTENZA** - NON coprire l'apparecchio onde evitarne il surriscaldamento (☹).
3. NON posizionare il riscaldatore immediatamente sotto una presa di corrente.
4. Non utilizzare il riscaldatore nelle immediate vicinanze di una vasca da bagno, una doccia o una piscina.
5. Al fine di evitare rischi, qualora il cavo di alimentazione e/o la spina fossero danneggiati, questi devono essere riparati dalla casa produttrice, da un tecnico autorizzato o da una persona con simili qualifiche. Il riscaldatore non contiene componenti che l'utente possa riparare personalmente e pertanto in caso di danni deve essere restituito alla casa produttrice o ad un suo agente.
6. In un ambiente soggetto a repentini picchi di corrente transitori, l'apparecchiatura potrebbe manifestare un malfunzionamento e dovrà essere spenta e riaccesa manualmente.
7. Non utilizzare questo riscaldatore con un programmatore, un timer o un altro dispositivo di accensione automatica, dal momento che sussiste pericolo di incendio se il riscaldatore è coperto o in posizione inadeguata.
8. Toccare il riscaldatore unicamente con le mani asciutte.
9. NON posizionare il riscaldatore ove possa entrare a contatto con bambini, soprattutto i più piccoli.
10. NON utilizzare il riscaldatore all'aperto.
11. Per maggior sicurezza, considerare attorno al riscaldatore un'area sgombra da mobili o altri

oggetti pari a 50 cm dal lato superiore e dai fianchi ed a 200 cm dal pannello frontale.

12. Non azionare il riscaldatore se poggiato su un fianco.
13. NON usare il riscaldatore in ambienti ove siano presenti gas esplosivi (per es. benzina) o dove si usino colle o solventi infiammabili (per es. utilizzate per incollare o verniciare pavimenti a parquet, di PVC, ecc.).
14. NON inserire alcun oggetto nel riscaldatore.
15. Mantenere il cavo di rete a distanza di sicurezza dalla struttura principale del riscaldatore.
16. Se l'apparecchio si surriscalda, il dispositivo integrato di sicurezza da surriscaldamento lo arresta immediatamente.
17. Non posizionare il cavo sotto tappeti o moquette.
18. Installare il riscaldatore in modo che gli interruttori ed i comandi non siano a portata di mano di una persona sotto la doccia o mentre fa un bagno in vasca.
19. Il riscaldatore deve essere installato ad un'altezza minima di 0,6 m dal pavimento.
20. Non collocare il riscaldatore in prossimità di tendaggi o materiali combustibili, che potrebbero incendiarsi qualora il riscaldatore non fosse installato correttamente.
21. Questa unità non è intesa per l'uso da parte di persone (bambini compresi) aventi ridotte capacità fisiche, sensoriali o mentali, inesperte o incompetenti, tranne nei casi in cui abbiano ricevuto istruzioni o formazione in merito all'uso dell'unità da parte di una persona responsabile della loro incolumità. Sorvegliare i bambini per assicurarsi che non giochino con questa unità.
22. **AVVERTENZA:** pericolo di incendio. Interrompere l'uso se la presa o la spina sono surriscaldate. Il surriscaldamento è sintomatico di una presa usurata o danneggiata. Per sostituire la presa, rivolgersi ad un elettricista qualificato.
23. **ATTENZIONE:** al fine di evitare pericoli dovuti al reset involontario del disgiuntore termico, alimentare l'apparecchio mediante un dispositivo di commutazione esterno, ad es. Un timer, o collegato a un circuito regolarmente attivato / disattivato dall'utility

#### ASSEMBLAGGIO DELLA BASE (Vedere Fig. 3)

1. Inserire la base (H) nella parte inferiore del supporto della base (K) collegato alla parte inferiore della griglia (I).

#### GRUPPO PER IL MONTAGGIO A PARETE (Vedere Figg. 4 e 6)

**IMPORTANTE:** prima di praticare fori in una parete, verificare che nell'area non siano presenti cavi elettrici.

**NOTA** - : Vista la moltitudine delle opzioni e delle superfici di montaggio possibili, non sono fornite viti di montaggio con il prodotto. Chiedete assistenza ad un tecnico oppure recarsi al negozio di ferramenta per scegliere il tipo di vite adatta alla parete di montaggio.

1. Rimuovere la Base (H) dalla parte inferiore del supporto della base (K).
2. Rimuovere il supporto della base dalla parte inferiore della griglia (I) rimuovendo le due viti di fissaggio
3. Fissare la staffa di montaggio alla parete.
4. Agganciare la struttura principale alla staffa di montaggio.

#### Accensione/spengimento dell'unità e regolazione del termostato digitale (solo BPH1520)

1. Inserire l'unità nella presa a parete.
2. Localizzare l'interruttore on/off nella parte inferiore del tappo d'estremità destro e spostarlo su ON.
3. Premere (☞) sul tasto Modo (F):
  - 1° = LO; per il funzionamento costante ad bassa temperatura.
  - 2° = HI; per il funzionamento costante ad alta temperatura.
  - 3° = Auto Low; premere (+) o (-) per impostare la temperatura desiderata.
  - 4° = Auto HI; premere (+) o (-) per impostare la temperatura desiderata.
4. Non appena impostati il modo e la temperatura, il display torna a visualizzare la temperatura ambientale corrente e la aumenta gradualmente via via che l'ambiente si scalda.
5. Qualora sia stata selezionata una modalità Automatica e il riscaldatore non si accenda, verificare che la temperatura impostata sia superiore alla temperatura ambiente.
6. Per spegnere l'apparecchio, premere il pulsante modalità (F) finché tutte le spie luminose d'indicazione modalità (E) si spengano.
7. Disattivare l'interruttore on/off ubicato nella parte inferiore del tappo d'estremità destro.

**NOTA: Il LED d'indicazione della modalità (E) lampeggerà in modalità AUTO qualora la temperatura impostata sia inferiore alla temperatura ambiente visualizzata sul display e qualora l'unità abbia raggiunto la temperatura impostata richiesta.**

**NOTA - : Nel modo Automatico, è normale che il riscaldatore si accenda e si spenga ripetutamente per mantenere la temperatura prestabilita. Per impedire che ciò avvenga, aumentare la temperatura impostata sul termostato.**

**Il termostato digitale è in grado di ricordare l'impostazione della temperatura immediatamente precedente allo spegnimento dell'apparecchio. Tuttavia, se l'unità viene scollegata dall'alimentazione, il termostato digitale si azzerà e non ricorda più l'ultimo valore impostato della temperatura.**

#### Accensione/spengimento dell'apparecchio e regolazione del termostato (solo BPH1414)

1. Inserire l'unità nella presa a parete
2. Ruotare la manopola di regolazione modalità in senso orario dalla posizione (0) alla posizione 1 (regolazione bassa) o 2 (regolazione alta) fino a ottenere un'erogazione di calore costante.
3. Per rilevare l'impostazione ideale del termostato, ruotare la manopola di regolazione del termostato in senso orario fino alla tacca „max“.
4. Una volta raggiunta la temperatura desiderata, ruotare lentamente la manopola di regolazione termostato in senso antiorario fino a disattivare il riscaldatore.
5. Il riscaldatore manterrà automaticamente la temperatura al livello richiesto.
6. Per spegnere l'apparecchio, ruotare la manopola di regolazione modalità in senso antiorario fino a raggiungere la posizione (0).

#### TIMER PROGRAMMABILE (Solo BPH1520)

È possibile programmare il riscaldatore affinché si accenda ad un'ora prestabilita o si spenga dopo un determinato periodo.

#### Impostazione del timer per l'accensione dell'apparecchio:

1. A riscaldatore spento, tenere contemporaneamente premuti i tasti (+) e (-) finché il display lampeggi, visualizzando il numero "0".
2. Premere (+) o (-) per selezionare il tempo che deve trascorrere prima che il riscaldatore si accenda.
3. Una volta impostato il timer, il display visualizza un punto rosso accanto alla temperatura ambiente attuale per indicare che il timer è attivato.
4. Trascorso il tempo programmato, il riscaldatore si accende automaticamente in Auto HI (temperatura 24 °C) per due ore.

#### Impostazione del timer per lo spegnimento dell'apparecchio:

1. Selezionare il modo e/o la temperatura.
2. Mentre il riscaldatore è in funzione, tenere premuti contemporaneamente i due tasti (+) e (-) per far lampeggiare il display.

3. Premere (+) o (-) per selezionare la durata di funzionamento del riscaldatore.
4. Una volta impostato il timer, il display visualizza un punto ROSSO accanto alla temperatura ambiente attuale per indicare che il timer è attivato.
5. Trascorso il tempo programmato, il riscaldatore si spegne automaticamente.

#### ANTIGELO (BPH1520)

Premere ( ) il pulsante Mode 5 volte consecutive per le impostazioni antigelo (sul display digitale verrà visualizzato AF). Questa impostazione speciale si attiva automaticamente quando si seleziona il modo (AF). In questo modo, il riscaldatore rimane spento finché la temperatura dell'ambiente non raggiunge 0 °C (punto di congelamento), quindi si accende automaticamente con impostazione HI. Il riscaldatore si accende e spegne ripetutamente per mantenere la temperatura tra 5 e 8 °C.

#### PROTEZIONE ANTIGELO (BPH1414)

Mantenere l'unità su 1 (regolazione bassa) o 2 (regolazione alta), ruotare la manopola di regolazione del termostato sulla posizione iniziale ( ). L'apparecchio si disattiverà automaticamente. Questa impostazione speciale si attiva automaticamente. In questa modalità, il riscaldatore rimane spento finché la temperatura ambiente raggiunge il punto di congelamento, quindi si attiva automaticamente con impostazione HI. Il riscaldatore si ACCENDERÀ e SPEGNERÀ come necessario per mantenere la temperatura tra 5-8°C.

#### SPEGNIMENTO DI SICUREZZA AUTOMATICO

Il riscaldatore dispone di un dispositivo integrato di sicurezza che spegne automaticamente il riscaldatore in caso di surriscaldamento accidentale. In condizioni di surriscaldamento, si visualizza la dicitura (OH). Il riscaldatore può riprendere il normale funzionamento solo dopo che si reimposta il sistema.

#### PER AZZERARE L'UNITÀ:

1. Scollegare il riscaldatore e attendere per 30 minuti che il riscaldatore si raffreddi.
2. Trascorsi i 30 minuti, ricollegare l'unità perché riprenda il funzionamento normale.

#### FUSIBILE DI SICUREZZA

Il riscaldatore dispone di un fusibile di sicurezza che lo spegne automaticamente qualora non dovesse reagire ad una situazione di surriscaldamento. In tale evenienza, il riscaldatore non si reimposta. Rivolgarsi al centro di riparazione, chiamando il numero locale.

#### PROTEZIONE ANTIROVESCIMENTO

Se urtata involontariamente, l'unità si spegne immediatamente. Per reimpostarla, riportare il riscaldatore in posizione verticale e azionarlo nel modo consueto.

#### USO IN BAGNO

- Se si prevede di utilizzare il riscaldatore in bagno o in un ambiente analogo, installarlo secondo i seguenti criteri:
  - a. Installare il riscaldatore in modo che gli interruttori ed i comandi non siano a portata di mano di una persona sotto la doccia o mentre fa un bagno in vasca o nella doccia.
  - b. Installarlo al di fuori delle aree ombreggiate in grigio (figura 7).
- In caso di dubbi in merito all'installazione del riscaldatore in bagno, si consiglia di consultare un elettricista/installatore competente.

#### PULIZIA E MANUTENZIONE

- Spegnere l'apparecchio.
- Togliere la spina dalla presa a muro.
- Attendere che il riscaldatore si raffreddi sufficientemente.
- Pulire la parte esterna del riscaldatore con un panno umido. PRESTARE ATTENZIONE affinché l'acqua non penetri nell'apparecchio. NON utilizzare sapone o sostanze chimiche che potrebbero danneggiare la struttura. Prima di riattivare l'alimentazione, lasciare raffreddare l'apparecchio.
- Pulire le bocchette d'ingresso e d'uscita dell'aria a cadenza regolare (per un utilizzo normale, almeno due volte l'anno) con un aspirapolvere.

#### GARANZIA

Conservare lo scontrino d'acquisto poiché esso sarà necessario per qualsiasi reclamo esposto in base alle condizioni di questo certificato di garanzia.

Questo prodotto è garantito per 3 anni dall'acquisto, secondo le modalità descritte nel presente documento.

Durante il decorso della garanzia, nell'improbabile eventualità che l'apparecchiatura si guasti a causa di un problema tecnico o di fabbricazione, riportarla al punto d'acquisto insieme allo scontrino fiscale e ad una copia di questo certificato di garanzia.

I diritti spettanti all'acquirente in base alle condizioni di questo certificato di garanzia sono in aggiunta a quelli previsti dalla legge che non risultano alterati dalle condizioni di questo certificato. Solo Holmes Products (Europe) Ltd. ("Holmes") ha l'autorità di modificare queste condizioni.

Holmes si impegna a riparare o a sostituire gratuitamente nell'arco del periodo di garanzia qualsiasi parte dell'apparecchiatura dovesse risultare difettosa, a condizione che:

- Si segnali tempestivamente il problema al punto d'acquisto o a Holmes; e
- l'apparecchiatura non sia stata modificata in alcun modo né soggetta a danni, uso improprio o abuso, a riparazione o alterazione per opera di un tecnico non autorizzato da Holmes.

I guasti intervenuti durante l'uso normale, per uso improprio, danno, abuso, tensione incorretta, cause naturali, eventi non determinati da Holmes, riparazione o alterazione per opera di un tecnico non autorizzato da Holmes o la mancata ottemperanza alle istruzioni d'uso sono esclusi dalla presente garanzia. Inoltre, l'uso normale compreso, a titolo di esempio, una lieve alterazione del colore (sbiadimento) e i graffi, non sono coperti dalla presente garanzia. I diritti spettante all'utente ai sensi della presente garanzia si applicano unicamente all'acquirente originale e non si estendono all'uso commerciale o comunitario.

Se l'apparecchiatura è fornita con un accordo specifico per il paese o una cartolina di garanzia, consultare le condizioni di tale accordo, che prevalgono su quelle esposte in questa sede oppure rivolgersi a un rivenditore autorizzato per ulteriori informazioni.

I prodotti elettrici vanno smaltiti separatamente dai rifiuti domestici. Consegnarli ad un centro di riciclaggio, se disponibile. Scrivere a enquiriesEurope@jardencs.com per istruzioni sul riciclaggio e informazioni sulla direttiva RAEE.

Holmes Products (Europe) Limited  
1 Francis Grove  
Londra  
SW19 4DT  
UK



## DANSK

### BEVAR FØLGENDE TIL SENERE BRUG.

#### BESKRIVELSER (Se Fig. 1 & 2)

- A. Venstre låg
- B. Enhedens bagside
- C. Højre låg
- D. Display
- E. Modusindikatorlamper
- F. Modusknap/Justering
- G. Termostatjustering
- H. Base
- I. Gitter
- J. Strømlampe
- K. Sokkelmontering
- L. Monteringsbeslag (Figur 5)

#### LÆS OG GEM DISSE VIGTIGE INSTRUKTIONER

Ved brug af elektriske apparater bør de almindelige sikkerhedsforanstaltninger altid træffes, inklusive følgende:

1. Kontrollér, at spændingen, der er angivet på mærkepladen, svarer til netspændingen i dit hjem / kontor, før varmeapparatet tilsluttes.
2. **ADVARSEL:** Tildæk ikke varmeapparatet ( ) for at undgå overophedning.
3. Anbring IKKE varmeapparatet direkte under en elkontakt.
4. Dette varmeapparat må ikke anvendes i umiddelbar nærhed af et badekar, en brusekabine eller en swimmingpool.
5. Hvis strømkablet eller stikket er i stykker, skal de udskiftes af producenten eller dennes serviceagent eller af en person, der er tilsvarende kvalificeret, for at undgå risiko. Ingen af varmeapparatets komponenter kan repareres af brugeren. Hvis apparatet lider skade eller bryder sammen, skal det returneres til producenten eller dennes serviceagent.
6. I miljøer med hurtige elektriske overgange vil produktet måske fejlfungere, og det kan være nødvendigt, at brugeren nulstiller det.
7. Dette varmeapparat må ikke anvendes sammen med en programmeret enhed, en timer eller en anordning, der tænder varmeapparatet automatisk, da der er risiko for brand, hvis varmeapparatet er tildækket eller placeret forkert.
8. Berør kun varmeapparatet med tørre hænder.
9. Dette varmeapparat må IKKE anvendes udendørs.
10. Anbring IKKE varmeapparatet, hvor det kan nås af børn, især ikke meget små børn.

11. Området omkring varmeapparatet skal være på sikker afstand af møbler og andre genstande - mindst en halv meter fra top og sider og 2 meter fra forsiden.
12. Anvend ikke varmeapparatet, når det ligger på siden.
13. Anvend IKKE varmeapparatet i rum med eksplosive luftarter (f.eks. benzin) eller under brug af brandbar lim eller opløsningsmidler (f.eks. ved lakering eller fernisering af parketgulve, PVC etc.)
14. Indsæt IKKE genstande i varmeapparatet.
15. Hold netledningen på sikker afstand af selve varmeapparatet.
16. Hvis overophedning skulle forekomme, afbryder den indbyggede sikkerhedsanordning til overophedning varmeapparatet.
17. Anbring ikke ledningen under et tæppe.
18. Varmeapparatet skal installeres, så afbrydere og andre betjeningsknapper ikke kan berøres af en person i badet.
19. Varmeapparatet skal være installeret mindst 0,6 m over gulvet.
20. Varmeapparatet må ikke anvendes i nærheden af gardiner eller brændbart materiale. Gardiner eller brændbart materiale kan brænde, hvis varmeapparatet er installeret forkert.
21. Dette apparat er ikke beregnet til at blive brugt af personer (inklusive børn) med fysiske, sensoriske eller mentale handicap eller manglende erfaring og viden, medmindre de er blevet overvåget eller instrueret vedrørende brugen af apparatet er en person, der er ansvarlig for deres sikkerhed. Børn skal overvåges for at sikre, at de ikke leger med apparatet.
22. **ADVARSEL:** Risiko for brand. Indstil brugen, hvis kontakten eller stikket føles varme. Overophedning kan indikere en slidt eller beskadiget kontakt. Konsultér en kvalificeret elektriker for at få kontakten udskiftet.
23. **FORSIGTIG:** For at undgå faren som følge af utilsigtet nulstilling af den termiske afbryder, må dette apparat ikke forsynes gennem en ekstern afbryderanordning, som f.eks. en timer, eller tilsluttes til et kredsløb, som slås regelmæssigt til og fra af forsyningen.

#### MONTERING AF BASE (Se Fig. 3)

1. Indsæt soklen (H) i bunden af sokkelmonteringen (K), som er fastgjort til bunden af gitteret (I).

#### VÆGMONTERING (Se Fig. 4 - Fig. 6)

**Vigtigt:** Før der bores i en væg, skal det altid sikres, at der ikke er nogen elektriske kabler i det pågældende område.

**BEMÆRK:** På grund af de mange mulige monteringsflader følger der ikke monteringskræver med dette produkt. Søg professionel hjælp eller besøg den lokale isenkræmmer for at finde ud af hvilken skruestype, der egner sig bedst til din væg.

1. Fjern soklen (H) fra bunden af sokkelmonteringen (K).
2. Fjern sokkelmonteringen fra bunden af gitteret (I) ved at fjerne de to sikringskruer.
3. Fastgør monteringsbeslaget på væggen.
4. Hæng hoveddelen på monteringsbeslaget.

#### Slå enheden til/fra og indstilling den digitale termostat (kun BPH1520)

1. Slut apparatet til vægkontakten
2. Find tænd/sluk-knappen på bunden af den højre endekappe, og sæt den i tændt position.
3. Tryk på (☞) modusknappen (F):
  - 1. = LO; kører vedvarende på lav
  - 2. = HI; kører vedvarende på høj.
  - 3. = Auto Low; tryk på (+) eller (-) for at indstille den ønskede temperatur.
  - 4. = Auto HI; tryk på (+) eller (-) for at indstille den ønskede temperatur.
4. Når du har valgt modus og temperatur, vender displayet tilbage til den aktuelle stuetemperatur og stiger gradvist, efterhånden som rummet bliver varmere.
5. Hvis du har valgt et auto-modus, og varmeapparatet ikke starter, kontrollér da at den indstillede temperatur er højere end den nuværende stuetemperatur.
6. For at slå enheden fra, trykkes vedvarende på modusknappen (F), indtil alle modusindikatorlamper (E) er slukkede.
7. Slå tænd/sluk-knappen, som er placeret på bunden af den højre endekappe, fra.

**BEMÆRK: Modusindikatorlyset (E) vil blinke i modussen AUTO, hvis den indstillede temperatur er lavere end den aktuelle stuetemperatur, der vises på displayet. Dette er også tilfældet, hvis apparatet har nået den påkrævede indstillede temperatur.**

**BEMÆRK: I automatisk modus er det normalt for varmeapparatet skiftevis at tænde og slukke for at bevare den programmerede temperatur. Hvis du vil undgå, at apparatet afbryder, skal du hæve termostatindstillingen. Digitaltermostaten husker den seneste temperaturindstilling, efter apparatet er slukket. Hvis apparatet ikke er sat til, nulstilles digitaltermostaten imidlertid og husker ikke længere den seneste temperaturindstilling.**

#### Slå enheden til/fra og indstilling den digitale termostat (kun BPH1414)

1. Slut apparatet til vægkontakten
2. Drej modus-justeringsknappen med uret, fra (0) positionen til enten 1 (lav indstilling) eller 2 (høj indstilling), for at få en konstant varmemængde.
3. For at finde den ideelle termostatindstilling, drejes termostatens justeringsknap med uret til "max".
4. Når de ønskede temperatur er nået, drejes termostatknappen langsomt mod uret, indtil varmeapparatet slår fra.
5. Varmeapparatet vil nu automatisk holde temperaturen på det ønskede niveau.
6. Enheden slås fra, ved at dreje modus-justeringsknappen mod uret, til (0) positionen.

#### PROGRAMMERBAR TIMER (kun BPH1520)

Du kan programmere varmeapparatet til at tænde på et forudindstillet klokkeslæt eller slukke efter en indstillet tidsperiode.

#### Indstilling af ON timer

1. Mens varmeapparatet er slukket, skal du trykke og holde på (+) og (-) på samme tid, indtil displayet blinker og viser tallet "0".
2. Tryk på (+) eller (-) for at vælge det stykke tid, der skal gå, før varmeapparatet tænder.
3. Når timeren er indstillet, viser displayet en rød prik ud for den aktuelle stuetemperatur på displayet for at angive, at timeren er aktiveret.
4. Når det programmerede stykke tid er gået, tænder varmeapparatet automatisk Auto HI ved 24° C i 2 timer.

#### Indstilling af OFF timer

1. Vælg den ønskede modus og/eller temperatur.
2. Mens varmeapparatet er tændt, skal du trykke og holde på (+) og (-) på samme tid, indtil displayet blinker.
3. Tryk på (+) eller (-) for at vælge det stykke tid, varmeapparatet skal være tændt.
4. Når timeren er indstillet, viser displayet en RØD prik ud for den aktuelle stuetemperatur på displayet for at angive, at timeren er aktiveret.
5. Varmeapparatet slukker automatisk, når det programmerede stykke tid er gået.

#### FROSTSIKRING (BPH1520)

Tryk på Mode (☞) - (indstillings-) knappen 5 gange lige efter hinanden for Anti Frost-indstilling ("AF" vil blive vist på det digitale display). Denne specialindstilling bliver automatisk aktiveret, når indstillingen (AF) er valgt. I dette modus er varmeapparatet slukket indtil stuetemperaturen synker under frysepunktet og varmeapparatet automatisk tænder for

HI-effekten. Varmeapparatet vil da periodevis tændes og slukkes (ON/OFF), mens det opretholder en temperatur på mellem 5-8 °C.

#### FROSTSIKRING (BPH1414)

Hold enheden på 1 (lav indstilling) eller 2 (høj indstilling), og drej termostatens justeringsknap til startpositionen (☞). Enheden vil holde op med at fungere. Denne særlige indstilling aktiveres automatisk. I denne tilstand, er varmeapparatet slået fra, indtil rummets temperatur når frysepunktet, og varmeapparatet slår automatisk HØJ strøm til. Varmeapparatet vil skifte mellem TÆNDT og SLUKKET, imens den holder temperaturen mellem 5-8 °C.

#### AUTOMATISK SIKKERHEDSSLUKNING

Dette varmeapparat er udstyret med et patenteret, teknologisk avanceret sikkerhedssystem, som kræver, at brugeren nulstiller varmeapparatet, hvis der forekommer en potentiel overophednings-situation. Hvis en potentiel overophednings-situation opstår (hvis fx varmeapparatet ved et uheld er blevet tildækket), vil systemet automatisk slukke for varmeapparatet. Driften kan kun genoptages, hvis brugeren nulstiller varmeapparatet, som beskrevet nedenfor. (OH) vises i tilfælde af overopvarmning.

#### SÅDAN NULSTILLES VARMEAPPARATET

1. Træk netstikket ud og lad varmeapparatet køle af i 30 minutter.
2. Efter 30 minutter sættes netstikket i stikkontakten, og lad varmeapparatet varme normalt.

#### RESERVESIKRING

Hvis det usandsynlige skulle ske, at varmeapparatet ikke reagerer på en overopvarmningssituation, aktiveres reservesikringen. I dette tilfælde nulstilles varmeapparatet ikke. Ring på dit lokale servicenummer for at få råd.

#### SIKRING MOD TIPNING

Hvis apparatet væltes ved et uheld, slår det omgående fra. Sæt blot varmeapparatet op igen for at få det til at fungere.

#### BRUG I BADEVÆRELSER

- Hvis denne panelradiator skal anvendes i et badeværelse, eller et lignende rum, skal den installeres:
  - a. På en sådan måde at tænd/sluk-knappen og andre betjeningsknapper ikke kan berøres af en person, som opholder sig i badekarret eller brusekabinen.
  - b. Udenfor de grå skraverede områder (Fig. 7).
- Hvis du har tvivl mht. installationen af denne panelradiator i badeværelset, anbefaler vi, at du rådfører dig med en autoriseret elektriker/installatør.

**RENGØRING OG VEDLIGEHOLDELSE**

- Slå enheden fra.
- Tag stikproppen ud af vægkontakten.
- Vent indtil varmeapparatet er tilstrækkeligt afkølet.
- Du kan rengøre ydersiden af varmeapparatet med en fugtig klud. Der må IKKE komme vand ind i apparatet. Brug IKKE sæbe eller kemikalier, som kan beskadige kabinettet. Lad den tørre i tilstrækkelig lang tid, inden enhedens stikprop sættes tilbage i vægkontakten.
- Rengør ind- og udgangsåbningerne for luft regelmæssigt (mindst en gang om året ved normalt brug) med en støvsuger.

**GARANTI**

Gem kvitteringen. Den skal forevises ved enhver klage under denne garanti.

Der er 3 års garanti på dette apparat efter dit køb som beskrevet i dette dokument.

Hvis det usandsynlige skulle ske i denne garantiperiode, at apparatet ikke længere fungerer på grund af en design- eller fabrikationsfejl, bedes du returnere det til købsstedet sammen med kvitteringen og en kopi af denne garanti.

Rettighederne og fordelene ved denne garanti ligger ud over dine lovbestemte rettigheder, som ikke er påvirket af denne garanti. Det er kun Holmes Products (Europe) Ltd. ("Holmes"), der må ændre disse betingelser.

Holmes påtager sig inden for garantiperioden gratis at reparere eller udskifte apparatet og enhver del af apparatet, der er konstateret ikke at fungere korrekt, forudsat at:

- Du omgående underretter købsstedet eller Holmes om problemet; og
- Apparatet ikke er ikke blevet ændret på nogen måde eller udsat for beskadigelse, forkert brug, misbrug, reparation eller ændring af en person, der ikke er autoriseret af Holmes.

Fejl, der sker på grund af forkert brug, beskadigelse, misbrug, brug med forkert spænding, force majeure, hændelser, som Holmes ikke har indflydelse på, reparation eller ændring af en person, der ikke er autoriseret af Holmes, eller manglende overholdelse af brugsanvisningen, er ikke dækket af denne garanti. Desuden er normal slitage, herunder, men ikke begrænset til, mindre misfarvning og skrammer, ikke dækket af denne garanti.

Rettighederne under denne garanti skal kun gælde for den oprindelige køber og skal ikke udvides til kommerciel eller kollektiv brug.

Hvis der med dit apparat fulgte en landespecifik erklæring eller garanti, gælder de vilkår og betingelser, der er angivet i det pågældende dokument forud for bestemmelserne i

nærværende garanti. I modsat fald bedes du kontakte din lokale autoriserede forhandler for at få flere oplysninger. Affald fra elektriske produkter må ikke bortskaffes sammen med husholdningsaffald. Bortskaffes i genbrugscontainere. Send en e-mail til os på [enquiriesEurope@jardencs.com](mailto:enquiriesEurope@jardencs.com) med henblik på yderligere information om genbrug og affald fra elektrisk og elektronisk udstyr (WEEE).

Holmes Products (Europe) Limited

1 Francis Grove

London

SW19 4DT

UK

