

## DH300

Einbau-Anleitung • Installation Instructions  
Instructions de montage • Istruzioni di montaggio

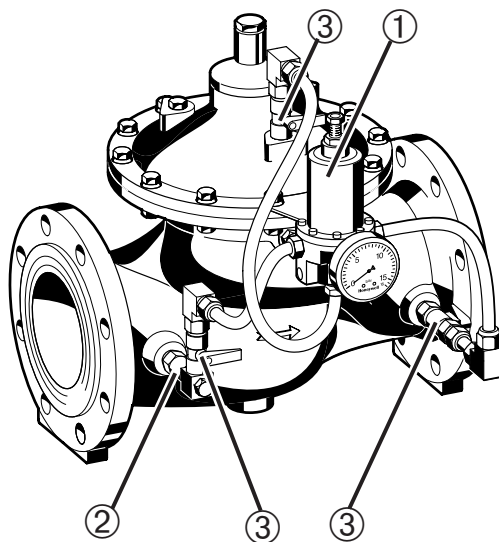
### E1

Bauteile • Components • Pièces • Componenti

① = Pilotventil  
Pilot valve  
Vanne pilote  
Valvola pilota

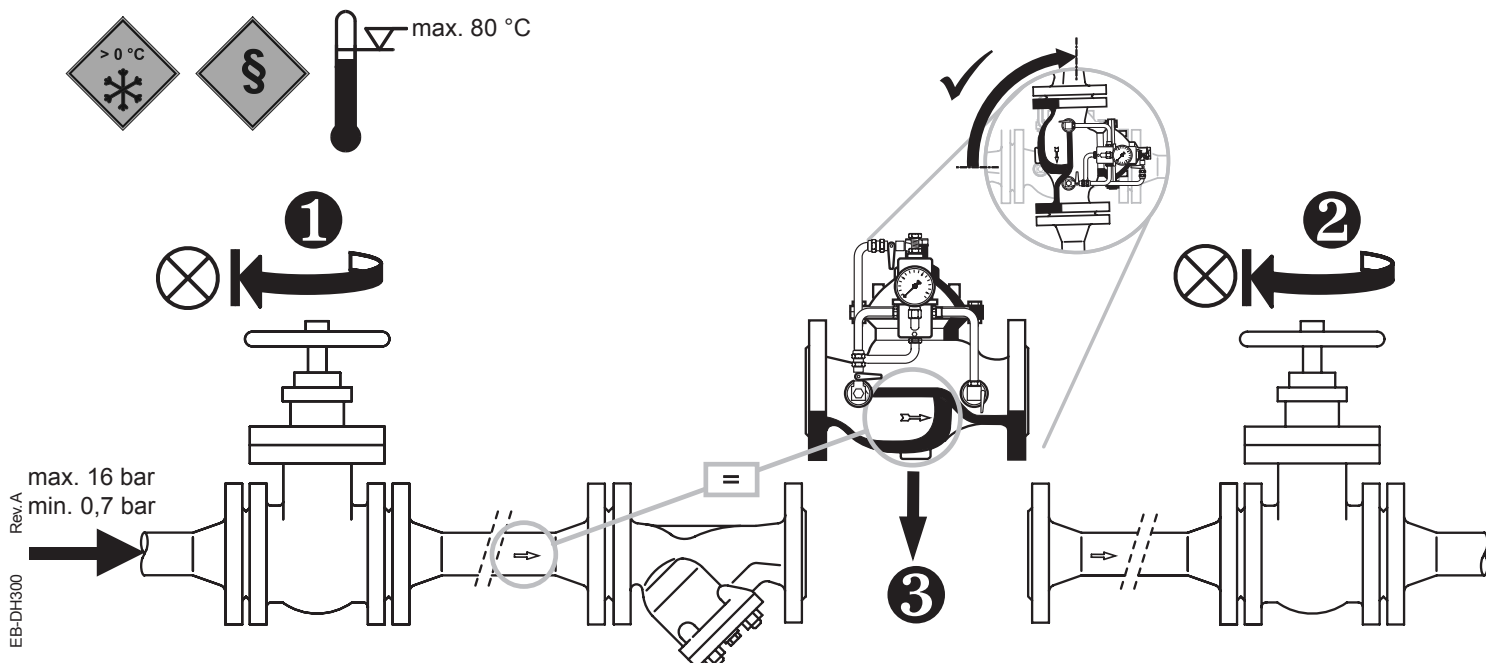
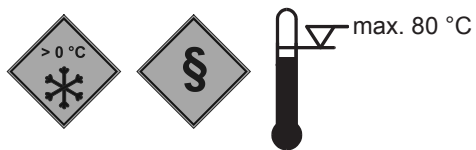
② = Filtereinsatz  
Filter insert  
Garniture de filtration  
Inserto filtro

③ = Absperr-Kugelhahn  
Manual ball valve  
Clapet à bille  
Valvola di intercettazione a sfera



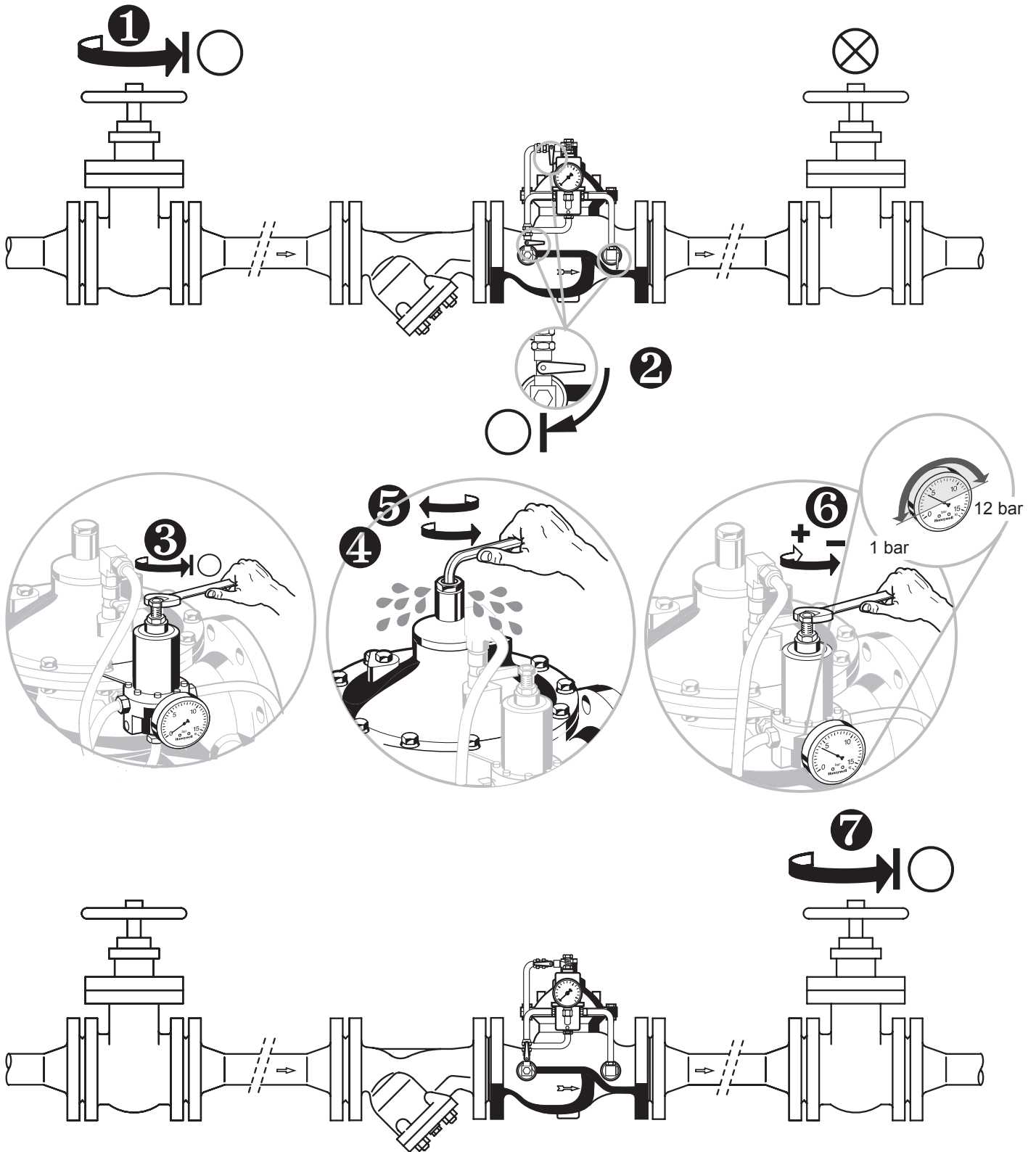
### E2

Einbau • Installation • Installation • Installazione



# E3

Inbetriebnahme • Commissioning • Mise en service  
Messa in servizio



## Automation and Control Solutions

Honeywell GmbH  
Hardhofweg  
74821 Mosbach  
Phone: (49) 6261 810  
Fax: (49) 6261 81309  
www.honeywell.com

Manufactured for and on behalf of the Environmental and Combustion Controls Division of Honeywell Technologies Sàrl, Ecublens, Route du Bois 37, Switzerland by its Authorised Representative Honeywell GmbH

MU1H-1331GE23 R0207  
Subject to change without notice  
© 2007 Honeywell GmbH

# Honeywell