

# DENON

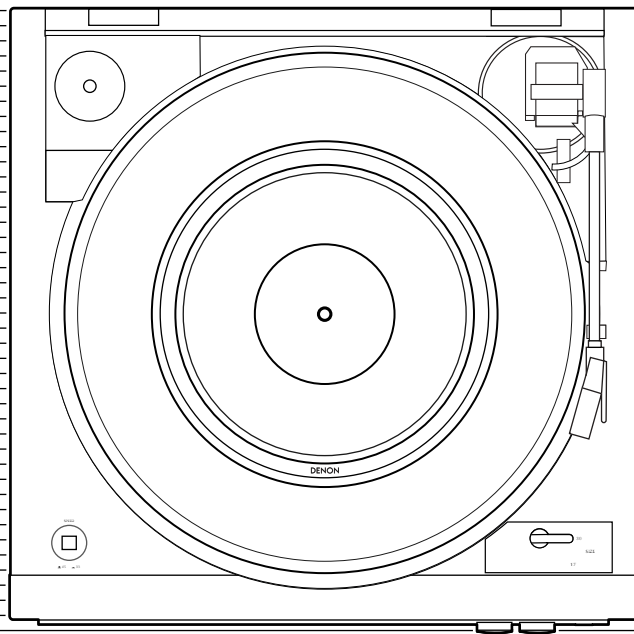
FULLY AUTOMATIC TURNTABLE SYSTEM

## DP-29F

OPERATING INSTRUCTIONS

MODE D'EMPLOI

INSTRUCCIONES DE OPERACION



FOR ENGLISH READERS  
POUR LES LECTEURS FRANCAIS  
PARA LECTORES DE ESPAÑOL

PAGE 5 ~ PAGE 10  
PAGE 11 ~ PAGE 16  
PAGINA 17 ~ PAGINA 22

## IMPORTANT TO SAFETY

### WARNING:

**TO PREVENT FIRE OR SHOCK HAZARD, DO NOT EXPOSE THIS APPLIANCE TO RAIN OR MOISTURE.**

### CAUTION:

#### 1. Handle the power supply cord carefully

Do not damage or deform the power supply cord. If it is damaged or deformed, it may cause electric shock or malfunction when used. When removing from wall outlet, be sure to remove by holding the plug attachment and not by pulling the cord.

#### 2. Do not open the bottom cover

In order to prevent electric shock, do not open the bottom cover. If problems occur, contact your DENON dealer.

#### 3. Do not place anything inside

Do not place metal objects or spill liquid inside the turntable system. Electric shock or malfunction may result.

Please, record and retain the Model name and serial number of your set shown on the rating label.

Model No. DP-29F

Serial No. \_\_\_\_\_

#### • CAUTION:

Whenever the turntable is in the "STOP" position, the unit is still connected on AC line voltage.

Please be sure to unplug the cord when you leave home for, say, a vacation.

#### • PRECAUTION:

Quand le tourne-disque est en mode "STOP", l'appareil est encore connecté à la tension de ligne secteur.

Prière de s'assurer de débrancher le cordon en quittant la maison par exemple lors d'un départ en vacances.

#### • PRECAUZIONI:

Anche quando il giradischi é nella posizione "STOP", é sempre collegato al voltaggio AC.

Asegúrese de desconectar el cable de alimentación cuando vaya a ausentarse de casa (por ejemplo, durante las vacaciones).

### NOTE:

This unit may cause interference to radio and television reception if you do not operate it in strict accordance with this OPERATING INSTRUCTIONS.

This unit complies with Class B computing device rules in accordance with the specifications in Sub-part J or Part 15 of the FCC Rules, which are designed to provide reasonable protection against such interference in a residential installation. If the unit does cause interference to any radio or television reception, try to reduce it by one or more of the following means:

- Turn the other unit to improve reception
- Move this unit
- Move this unit away from others
- Plug this unit respectively into a different AC outlet

**\* This is note in accordance with Section 15.838 of the FCC Rules.**

#### • FOR U.S.A. & CANADA MODEL ONLY

### CAUTION

TO PREVENT ELECTRIC SHOCK, MATCH WIDE BLADE OF PLUG TO WIDE SLOT, FULLY INSERT.

#### • POUR LES MODELES AMERICAINS ET CANADIENS UNIQUEMENT

### ATTENTION

POUR ÉVITER LES CHOCS ÉLECTRIQUES, INTERODUIRE LA LAME LA PLUS LARGE DE LA FICHE DANS LA BORNE CORRESPONDANTE DE LA PRISE ET POUSSER JUSQU' AU FOND.

#### FOR EUROPEAN MODELS ONLY

#### • DECLARATION OF CONFORMITY

We declare under our sole responsibility that this product, to which this declaration relates, is in conformity with the following standards: EN60065, EN55013, EN55020, EN61000-3-2 and EN61000-3-3. Following the provisions of 73/23/EEC, 89/336/EEC and 93/68/EEC Directive.

#### • DECLARATION DE CONFORMITE

Nous déclarons sous notre seule responsabilité que l'appareil, auquel se réfère cette déclaration, est conforme aux standards suivants: EN60065, EN55013, EN55020, EN61000-3-2 et EN61000-3-3. D'après les dispositions de la Directive 73/23/EEC, 89/336/EEC et 93/68/EEC.

#### • DECLARACIÓN DE CONFORMIDAD

Declaramos bajo nuestra exclusiva responsabilidad que este producto al que hace referencia esta declaración, está conforme con los siguientes estándares: EN60065, EN55013, EN55020, EN61000-3-2 y EN61000-3-3. Siguiendo las provisiones de las Directivas 73/23/EEC, 89/336/EEC y 93/68/EEC.



**CAUTION**  
**RISK OF ELECTRIC SHOCK**  
**DO NOT OPEN**



**CAUTION: TO REDUCE THE RISK OF ELECTRIC SHOCK, DO NOT REMOVE COVER (OR BACK). NO USER-SERVICEABLE PARTS INSIDE. REFER SERVICING TO QUALIFIED SERVICE PERSONNEL.**



The lightning flash with arrowhead symbol, within an equilateral triangle, is intended to alert the user to the presence of uninsulated "dangerous voltage" within the product's enclosure that may be of sufficient magnitude to constitute a risk of electric shock to persons.



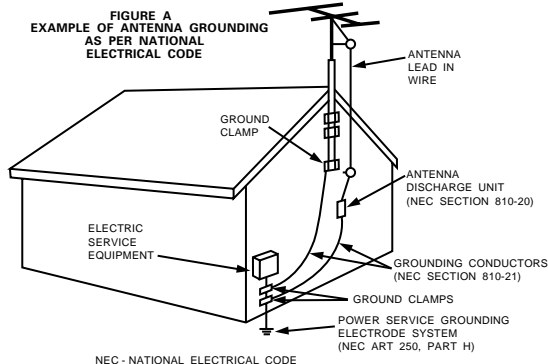
The exclamation point within an equilateral triangle is intended to alert the user to the presence of important operating and maintenance (servicing) instructions in the literature accompanying the appliance.

# SAFETY INSTRUCTIONS

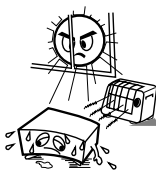
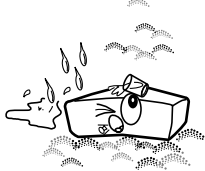

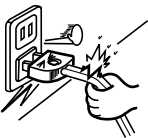
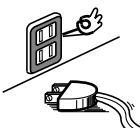



1. Read Instructions – All the safety and operating instructions should be read before the product is operated.
2. Retain Instructions – The safety and operating instructions should be retained for future reference.
3. Heed Warnings – All warnings on the product and in the operating instructions should be adhered to.
4. Follow Instructions – All operating and use instructions should be followed.
5. Cleaning – Unplug this product from the wall outlet before cleaning. Do not use liquid cleaners or aerosol cleaners.
6. Attachments – Do not use attachments not recommended by the product manufacturer as they may cause hazards.
7. Water and Moisture – Do not use this product near water – for example, near a bath tub, wash bowl, kitchen sink, or laundry tub; in a wet basement; or near a swimming pool; and the like.
8. Accessories – Do not place this product on an unstable cart, stand, tripod, bracket, or table. The product may fall, causing serious injury to a child or adult, and serious damage to the product. Use only with a cart, stand, tripod, bracket, or table recommended by the manufacturer, or sold with the product. Any mounting of the product should follow the manufacturer's instructions, and should use a mounting accessory recommended by the manufacturer.
9. A product and cart combination should be moved with care. Quick stops, excessive force, and uneven surfaces may cause the product and cart combination to overturn.
10. Ventilation – Slots and openings in the cabinet are provided for ventilation and to ensure reliable operation of the product and to protect it from overheating, and these openings must not be blocked or covered. The openings should never be blocked by placing the product on a bed, sofa, rug, or other similar surface. This product should not be placed in a built-in installation such as a bookcase or rack unless proper ventilation is provided or the manufacturer's instructions have been adhered to.
11. Power Sources – This product should be operated only from the type of power source indicated on the marking label. If you are not sure of the type of power supply to your home, consult your product dealer or local power company. For products intended to operate from battery power, or other sources, refer to the operating instructions.
12. Grounding or Polarization – This product may be equipped with a polarized alternating-current line plug (a plug having one blade wider than the other). This plug will fit into the power outlet only one way. This is a safety feature. If you are unable to insert the plug fully into the outlet, try reversing the plug. If the plug should still fail to fit, contact your electrician to replace your obsolete outlet. Do not defeat the safety purpose of the polarized plug.



13. Power-Cord Protection – Power-supply cords should be routed so that they are not likely to be walked on or pinched by items placed upon or against them, paying particular attention to cords at plugs, convenience receptacles, and the point where they exit from the product.
15. Outdoor Antenna Grounding – If an outside antenna or cable system is connected to the product, be sure the antenna or cable system is grounded so as to provide some protection against voltage surges and built-up static charges. Article 810 of the National Electrical Code, ANSI/NFPA 70, provides information with regard to proper grounding of the mast and supporting structure, grounding of the lead-in wire to an antenna discharge unit, size of grounding conductors, location of antenna-discharge unit, connection to grounding electrodes, and requirements for the grounding electrode. See Figure A.
16. Lightning – For added protection for this product during a lightning storm, or when it is left unattended and unused for long periods of time, unplug it from the wall outlet and disconnect the antenna or cable system. This will prevent damage to the product due to lightning and power-line surges.
17. Power Lines – An outside antenna system should not be located in the vicinity of overhead power lines or other electric light or power circuits, or where it can fall into such power lines or circuits. When installing an outside antenna system, extreme care should be taken to keep from touching such power lines or circuits as contact with them might be fatal.
18. Overloading – Do not overload wall outlets, extension cords, or integral convenience receptacles as this can result in a risk of fire or electric shock.
19. Object and Liquid Entry – Never push objects of any kind into this product through openings as they may touch dangerous voltage points or short-out parts that could result in a fire or electric shock. Never spill liquid of any kind on the product.
20. Servicing – Do not attempt to service this product yourself as opening or removing covers may expose you to dangerous voltage or other hazards. Refer all servicing to qualified service personnel.
21. Damage Requiring Service – Unplug this product from the wall outlet and refer servicing to qualified service personnel under the following conditions:
  - a) When the power-supply cord or plug is damaged,
  - b) If liquid has been spilled, or objects have fallen into the product,
  - c) If the product has been exposed to rain or water,
  - d) If the product does not operate normally by following the operating instructions. Adjust only those controls that are covered by the operating instructions as an improper adjustment of other controls may result in damage and will often require extensive work by a qualified technician to restore the product to its normal operation,
  - e) If the product has been dropped or damaged in any way, and
  - f) When the product exhibits a distinct change in performance – this indicates a need for service.
22. Replacement Parts – When replacement parts are required, be sure the service technician has used replacement parts specified by the manufacturer or have the same characteristics as the original part. Unauthorized substitutions may result in fire, electric shock, or other hazards.
23. Safety Check – Upon completion of any service or repairs to this product, ask the service technician to perform safety checks to determine that the product is in proper operating condition.
24. Wall or Ceiling Mounting – The product should be mounted to a wall or ceiling only as recommended by the manufacturer.
25. Heat – The product should be situated away from heat sources such as radiators, heat registers, stoves, or other products (including amplifiers) that produce heat.



**NOTE ON USE / OBSERVATIONS RELATIVES A L'UTILISATION / NOTAS SOBRE EL USO**

 <ul style="list-style-type: none"> <li>• Avoid high temperatures. Allow for sufficient heat dispersion when installed on a rack.</li> <li>• Eviter des températures élevées. Tenir compte d'une dispersion de chaleur suffisante lors de l'installation sur une étagère.</li> <li>• Evite altas temperaturas. Permite la suficiente dispersión del calor cuando está instalado en la consola.</li> </ul>	 <ul style="list-style-type: none"> <li>• Keep the set free from moisture, water, and dust.</li> <li>• Protéger l'appareil contre l'humidité, l'eau et la poussière.</li> <li>• Mantenga el equipo libre de humedad, agua y polvo.</li> </ul>	 <ul style="list-style-type: none"> <li>• Do not let foreign objects in the set.</li> <li>• Ne pas laisser des objets étrangers dans l'appareil.</li> <li>• No deje objetos extraños dentro del equipo.</li> </ul>
 <ul style="list-style-type: none"> <li>• Handle the power cord carefully. Hold the plug when unplugging the cord.</li> <li>• Manipuler le cordon d'alimentation avec précaution. Tenir la prise lors du débranchement du cordon.</li> <li>• Maneje el cordón de energía con cuidado. Sostenga el enchufe cuando desconecte el cordón d energía.</li> </ul>	 <ul style="list-style-type: none"> <li>• Unplug the power cord when not using the set for long periods of time.</li> <li>• Débrancher le cordon d'alimentation lorsque l'appareil n'est pas utilisé pendant de longues périodes.</li> <li>• Desconecte el cordón de energía cuando no utilice el equipo por mucho tiempo.</li> </ul>	 <ul style="list-style-type: none"> <li>• Do not let insecticides, benzene, and thinner come in contact with the set.</li> <li>• Ne pas mettre en contact des insecticides, du benzène et un diluant avec l'appareil.</li> <li>• No permita el contacto de insecticidas, gasolina y diluyentes con el equipo.</li> </ul>
	 <p>* (For sets with ventilation holes)</p> <ul style="list-style-type: none"> <li>• Do not obstruct the ventilation holes.</li> <li>• Ne pas obstruer les trous d'aération.</li> <li>• No obstruya los orificios de ventilación.</li> </ul>	 <ul style="list-style-type: none"> <li>• Never disassemble or modify the set in any way.</li> <li>• Ne jamais démonter ou modifier l'appareil d'une manière ou d'une autre.</li> <li>• Nunca desarme o modifique el equipo de ninguna manera.</li> </ul>

**CAUTION**

- The ventilation should not be impeded by covering the ventilation openings with items, such as newspapers, table-cloths, curtains, etc.
- No naked flame sources, such as lighted candles, should be placed on the apparatus.
- Please be care the environmental aspects of battery disposal.
- The apparatus shall not be exposed to dripping or splashing for use.
- No objects filled with liquids, such as vases, shall be placed on the apparatus.

Thank you very much for purchasing the DENON fully automatic turntable system.

Please read the operating instructions thoroughly in order to acquaint yourself with the turntable system and achieve maximum satisfaction from it.

**– TABLE OF CONTENTS –**

1 Precautions .....5  
 2 Before using the turntable .....6  
 3 Connections .....7  
 4 Controls .....8  
 5 Record playback .....8, 9  
 6 Operation details .....9  
 7 Troubleshooting .....10  
 8 Specifications .....10

**Please check to make sure the following items are included with the main unit in the carton:**

- (1) Operating instructions (these instructions) .....1
- (2) Service station list .....1
- (3) Platter .....1
- (4) Rubber mat .....1
- (5) 45 rpm adaptor .....1

**1 PRECAUTIONS**

**Power requirements**

Power requirements for electrical equipment differ from area to area. Please ensure that your machine meets the power requirements in your area.  
 If it doubt, consult a qualified electrician.

**About the power switch**

This turntable is not equipped with a primary power switch. The power switch is incorporated in the tone arm of the turntable. The power to the turntable is cut when the tone arm returns to the tone arm rest. Note however, that the power is not completely turned off in this case. If you wish to completely turn the power off, disconnect the power cord from the household AC outlet.

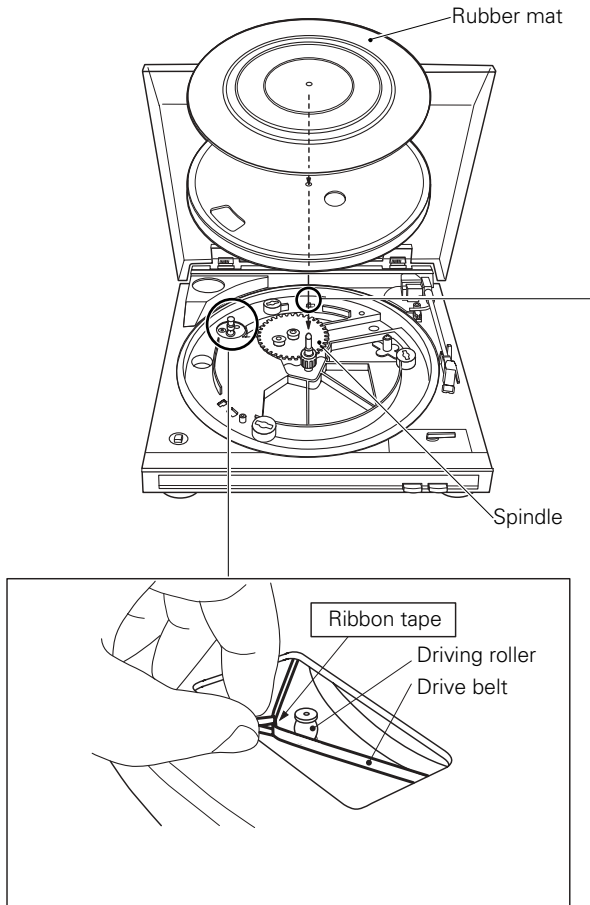
**What you should know to protect yourself**

- Never touch the plug with wet hands.
- Always pull out by the plug and never the cord.
- Only let a qualified professional repair or reassemble the turntable. An unauthorized person might touch the internal parts and receive a serious electric shock.
- Never allow a child to put anything, especially metal, into the turntable.

**Protect the turntable too**

- Use only a household AC power source. Never use a DC power source.
- If water is spilled on the turntable, disconnect it and call your dealer.
- Make sure that the turntable is well ventilated and away from direct sunlight.
- To avoid damage to the internal circuits and the external surface, keep it away from heat (stoves, etc.).
- Avoid using spray type insecticide near the turntable it can damage the finish and might ignite suddenly.
- To avoid damaging the finish, never use paint thinner or other similar chemicals to clean the turntable.
- Place the turntable on a flat and solid surface.
- If you don't plan to use the turntable for a long period of time, disconnect the power cord.
- To protect the insulators, always lift the turntable when you move it. And before moving the turntable, disconnect all the connecting cables.
- When transporting the turntable over a long distance, place it in its original box wrapped in protective wrappers.

## 2 BEFORE USING THE TURNTABLE



- **The drive belt is fitted under the platter.** When assembling the player, please handle the drive belt with care.
- Remove all packing materials attached to the tone arm, except that on the stylus, and then open the dust cover and assemble. Remove the stylus cover after assembling.

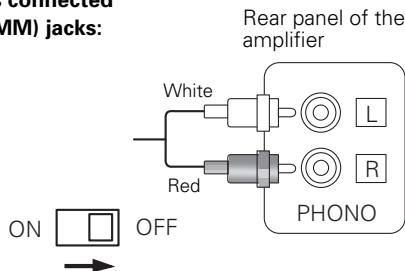
<b>1</b>	<p><b>Hold the platter by the holes at its outer surface, and then carefully lower the platter so that the center spindle enters the center hole.</b></p> <p><b>Rotate the platter until one of its outer openings is aligned with the driving roller. (Refer to illustration.)</b></p>
<b>2</b>	<p><b>Gently grasp and pull at the ribbon tape of the drive belt that is wound under the turntable, and then extend the belt around the driving roller. (After attaching, remove the ribbon tape.)</b></p> <p><b>In order to make sure that the drive belt has been correctly fitted, slowly rotate the platter 3 or 4 turns.</b></p>
<b>3</b>	<p><b>Place the rubber mat on the platter.</b></p>

**IMPORTANT! Please Check.**  
 Check that the drive belt and ribbon tape have been attached under the platter. Grasp the ribbon tape as shown in the illustration to the left, and extend it onto the driving roller.

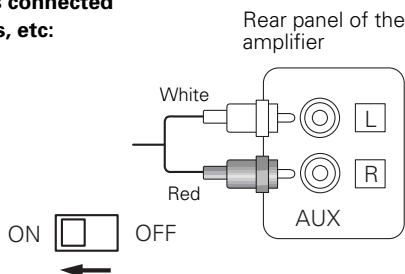
### Equalizer Amplifier switch

This unit has built-in RIAA equalizer amplifier, so it can be connected to an amplifier without PHONO (turntable) input jack. According to the amplifier, set the EQUALIZER AMPLIFIER SWITCH.

**When the unit is connected to the PHONO (MM) jacks:**



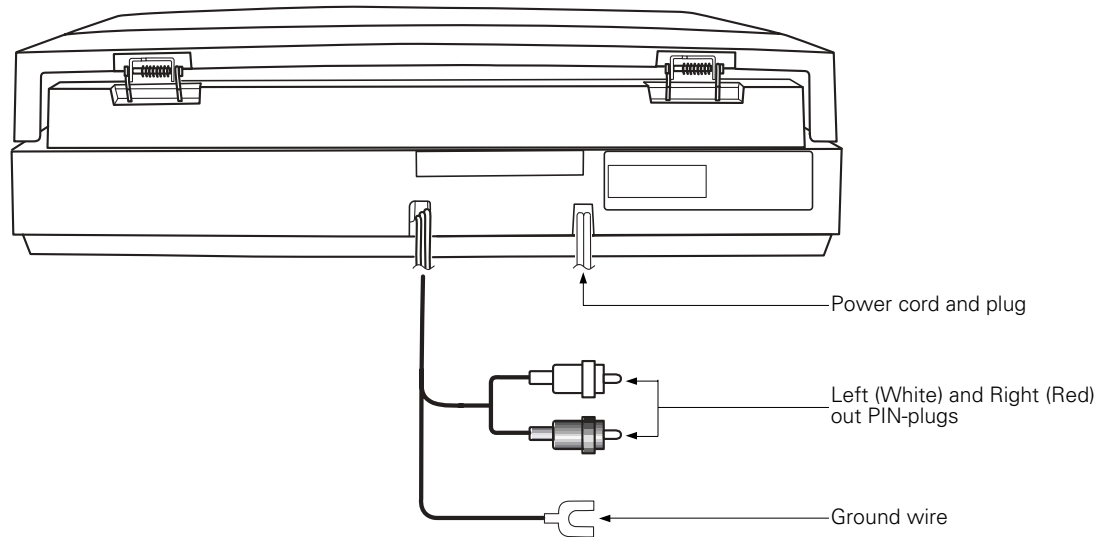
**When the unit is connected to the AUX jacks, etc:**



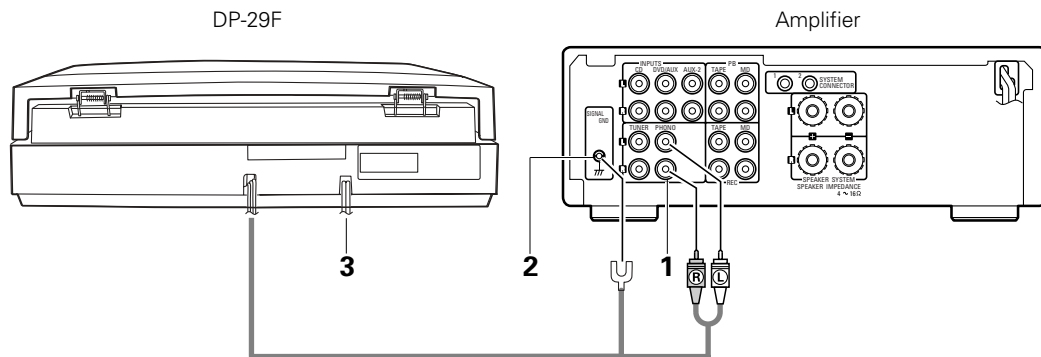
### 3 CONNECTIONS

**Before beginning**

- Turn off components.
- Connect the power cord last.
- Connect everything securely. Loose connections can lead to distortion.
- To prevent damage to cords, connect and disconnect by holding the plug, not the cord.
- Make sure that you connect the white PIN-plug to the left (L-white) jack and the red PIN-plug to the right (R-red) jack.



**Connections**

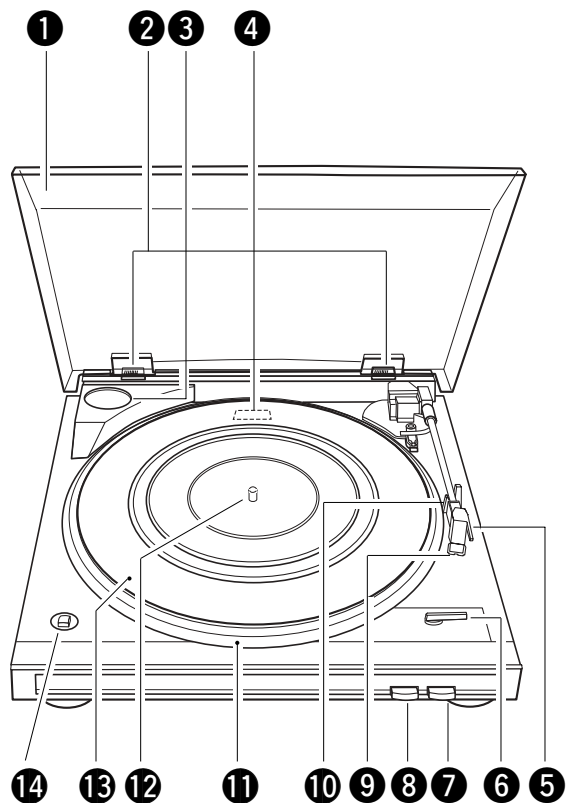



<b>1</b>	<b>Connect the Left and Right PIN-plugs of the turntable's output cord to your amplifier's PHONO jacks etc.</b>
<b>2</b>	<b>Connect the ground wire of the turntable to your amplifier's SIGNAL GND (Ground) terminal securely.</b>
<b>3</b>	<p><b>After all connections have been made.</b></p> <ul style="list-style-type: none"> <li>• Connect the turntable's power cord to the AC OUTLET of your stereo amplifier, optional audio timer or directly to a household AC outlet.</li> </ul>

**NOTE:**

- If the platter starts rotating when the power cord is connected, press the STOP button once.

## 4 CONTROLS

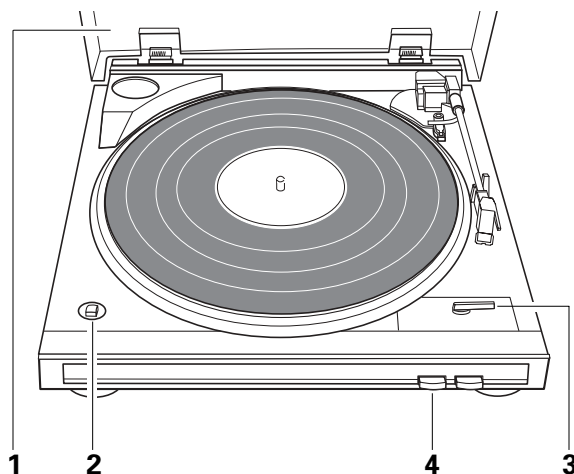


- 1 Dust cover
- 2 Dust cover hinge
- 3 45 rpm adaptor and holder
- 4 Equalizer amplifier switch
- 5 Finger lever
- 6 Size select lever
- 7 **STOP button**
  - To stop playback.
- 8 **START button**
  - To start playback.
- 9 Cartridge
- 10 Tone arm rest
  - Holds the tone arm.
- 11 Platter
- 12 Spindle
- 13 Rubber mat
- 14 **SPEED button (33  / 45  )**
  - To select the playback speed.



## 5 RECORD PLAYBACK

### Before beginning

- Turn on all the components.
- Set your amplifier's input selector to PHONO or AUX.
- Remove the stylus cover before playback.
- Use the provided 45 rpm adaptor when playing back 17 cm records (provided the center hole is a large one).





<b>1</b>	<b>Open the dust cover and place the record you wish to playback on the platter.</b>
<b>2</b>	<b>Set the SPEED button according to the record playback speed.</b> <ul style="list-style-type: none"> <li>• 33-1/3 rpm record.....Set to 33 </li> <li>• 45 rpm record.....Set to 45 </li> </ul>
<b>3</b>	<b>Set the selector lever according to the record size.</b>
<b>4</b>	<b>Press the START button firmly for at least 1 second.</b> <ul style="list-style-type: none"> <li>• The platter will start rotating, and playback will start automatically.</li> </ul>
<p>After the full record has been played, the tone arm will return to the tone arm rest and the platter stops rotating automatically.</p>	

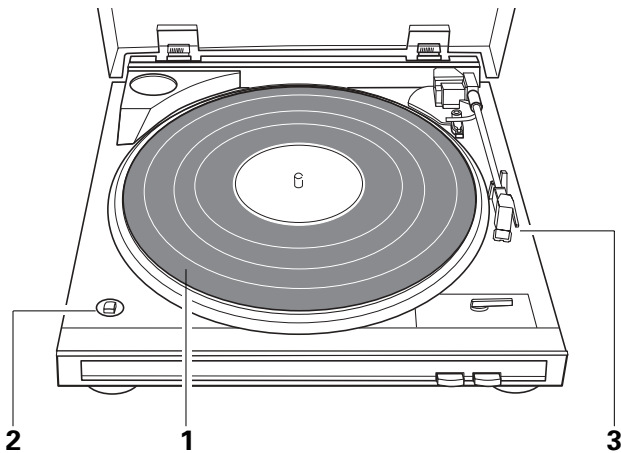
**To stop playback**  
 Press the STOP button.  
 Playback will stop and the tone arm will return to the tone arm rest.

**On the automatic playback system**

- Do not touch the tone arm and platter or turn off the power during playback.
- The auto return system is set to return the tone arm at a specific point on the record. There should be no problem with regular sized records, but with some record types which contain music grooves past this set point, playback will be interrupted.
- 25 cm records cannot be used with the automatic playback system. Playback these records manually. If the auto return system does not engage after playback is finished, press the STOP button.

**6 OPERATION DETAILS**

**Manual playback**



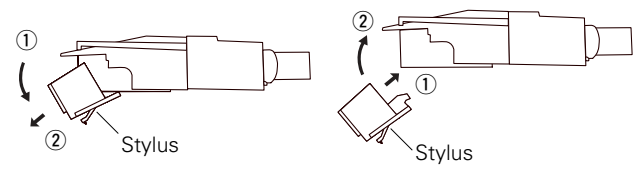
<b>1</b>	<b>Place the record you wish to play back on the platter.</b>
<b>2</b>	<b>Set the SPEED button according to the record.</b>
<b>3</b>	<b>Take hold of the finger lever, and move the tone arm to a point just above the beginning of the track you wish to play.</b> <ul style="list-style-type: none"> <li>• The platter will start to rotate.</li> </ul>

**Stylus replacement**

To provided stylus should be changed after approximately 400 hours of record playback. Grasp the cartridge firmly with one hand, and gently pull the stylus free from the cartridge with the other hand. Replace the stylus with the DSN-82.

**Before replacing the stylus**

Turn off the turntable and your amplifier.



## 7 TROUBLESHOOTING

### No power.

#### Platter is not turning.

- Power cord is not connected properly. Check the power cord connection.
- The drive belt is not fitted to pulley. Check the drive belt.

### No sound.

- The output cords are not connected properly. Connect them securely to your amplifier's PHONO or AUX jacks.
- The input selector on your amplifier is not set to PHONO or AUX. Set to PHONO or AUX.

### Scratching noise.

#### Stylus jumps.

#### Distorted sound.

- Dirty stylus or record. Clean both the stylus and record before playback.
- Worn out stylus or record. Replace stylus or record.

### Howling.

- The turntable is too close to the speaker system. Move it away from the speaker system.
- The turntable is placed in an unstable location. Place it on a flat and solid surface.
- The playback volume is too high. Turn down the volume control of your amplifier.

### Humming noise.

- The ground wire is not connected to the SIGNAL GND (Ground) terminal of your amplifier. Connect it to the SIGNAL GND (Ground) terminal securely.

### The tone arm will not move when pressing the START button.

- The tone arm is locked to the tone arm rest. Remove the tone arm lock before playback.

Should a problem persist, write down the model and serial number and all pertinent data regarding warranty coverage as well as clear description of the existing trouble. Then contact your nearest authorized DENON service station.

## 8 SPECIFICATIONS

<b>Drive system:</b>	Belt drive	<b>Output voltage:</b>	2.5 mV
<b>Motor:</b>	DC servo motor	<b>Optimal stylus pressure:</b>	3.5 g
<b>Speed:</b>	33-1/3 and 45 rpm	<b>Power supply:</b>	AC 120 V, 60 Hz (U.S.A. & Canada) AC 230 V, 50 Hz (Europe)
<b>Wow &amp; flutter:</b>	0.15% WRMS	<b>Power consumption:</b>	2 W
<b>Tone arm:</b>	Dynamic balanced type	<b>Dimensions:</b>	360 (W) x 97 (H) x 357 (D) mm 14-3/16(W) x 3-13/16(H) x 14-1/16(D) in
<b>Effective arm length:</b>	195 mm	<b>Mass:</b>	2.8 kg (6.2 lbs)
<b>Stylus pressure adjustment range:</b>	3.5 g (fixed)		
<b>Cartridge:</b>	DSN-82		

For improvement purposes, specifications and design are subject to change without notice.

Nous vous remercions d'avoir acheté ce système de tourne-disque entièrement automatique DENON.

Lire attentivement ce mode d'emploi afin de vous familiariser avec la platine-disque et d'obtenir un maximum de satisfaction.

## – TABLE DES MATIERES –

1	Précautions .....	11
2	Avant d'utiliser la table de lecture .....	12
3	Connexions .....	13
4	Commandes .....	14
5	Reproduction d'un disque .....	14, 15
6	Détails de fonctionnement .....	15
7	Remèdes aux incidents .....	16
8	Spécifications .....	16

**Prière de vérifier pour s'assurer que les articles suivants sont inclus dans le carton avec l'unité principale.**

(1)	Mode d'emploi (cette notice) .....	1
(2)	Liste des stations techniques agréées .....	1
(3)	Plateau .....	1
(4)	Tapis en caoutchouc .....	1
(5)	Adaptateur 45 tours .....	1

## 1 PRECAUTIONS

### MISE EN GARDE

Pour éviter tout risque d'incendie ou de décharge électrique, ne pas exposer cet appareil aux intempéries ou à l'humidité.

### Puissance d'alimentation

La puissance d'alimentation des appareils électriques varie selon les pays. Veuillez vous assurer que votre appareil est conforme à la puissance d'alimentation de votre région. En cas de doute, consultez un électricien qualifié.

### Sur l'interrupteur d'alimentation

Cette table de lecture est équipée d'un interrupteur de courant primaire. L'interrupteur d'alimentation est incorporé au bras acoustique de la table de lecture. Le courant de la table de lecture est coupé lorsque le bras acoustique retourne à la position de repos. Remarquez toutefois que le courant n'est pas complètement débranché dans ce cas. Si vous souhaitez mettre l'appareil hors circuit complètement, déconnectez le cordon secteur de la sortie secteur murale.

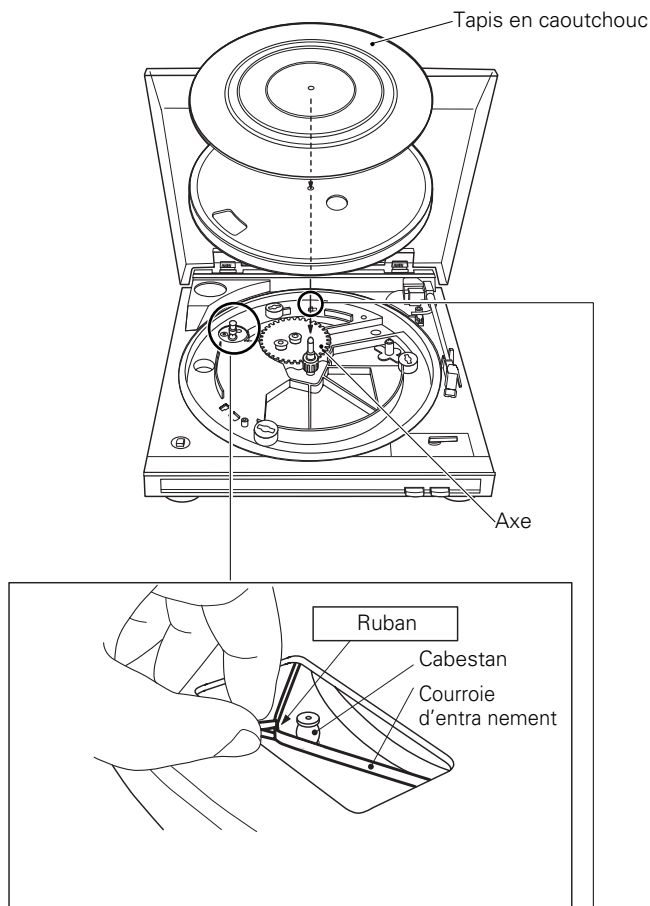
### Ce que vous devez savoir pour vous protéger

- Ne touchez jamais la prise avec mains humides.
- Débranchez l'appareil en tenant la prise elle-même et non pas le cordon.
- Ne faites réparer ou remonter la table de lecture que par un technicien de service. Une personne non qualifiée pourrait toucher des pièces internes et recevoir une décharge électrique dangereuse.
- Ne jamais laisser un enfant mettre quelque chose, en particulier en métal, dans la table de lecture.

### Protéges également la table de lecture

- N'utilisez que des sources de courant secteur. N'utilisez jamais de sources d'alimentation CC.
- Au cas où de l'eau est renversée sur la table de lecture, déconnectez-la et prenez contact avec votre concessionnaire.
- Assurez-vous que la table de lecture est bien aérée et hors d'atteinte des rayons directs du soleil.
- Gardez l'appareil à l'écart des sources de chaleur (fours, etc.) pour éviter d'endommager la surface extérieure ou les circuits internes.
- Evitez d'utiliser des insecticides de type aérosol près de la platine tourne-disque. Ils pourraient endommager la finition et s'enflammer soudainement.
- Afin d'éviter d'endommager la finition, n'utilisez jamais d'alcool, de diluants ou autres produits chimiques similaires pour nettoyer la table de lecture.
- Placez la table de lecture sur une surface plane et solide.
- Si vous pensez ne pas utiliser la table de lecture pendant longtemps, déconnectez le cordon secteur.
- Pour protéger les isolants, soulevez toujours la table de lecture lorsque vous la déplacez. Et avant de la déplacer, déconnectez tous les câbles de connexion.
- En transportant la table de lecture sur de longues distances, placez-la dans coffret d'origine emballée dans l'emballage de protection.

## 2 AVANT D'UTILISER LA TABLE DE LECTURE



- **La courroie d'entraînement se trouve sous le plateau.** Quand vous assemblez la platine, veuillez manipuler la courroie d'entraînement avec précaution.
- Enlevez les matériaux d'emballage qui protègent le bras de lecture, sauf ceux qui protègent la tête, puis ouvrez le couvercle et assemblez le tout. Enlevez la protection de la tête de lecture quand l'assemblage est terminé.

<b>1</b>	<b>Saisissez le plateau par les orifices sur le pourtour et posez-le avec précaution en insérant l'axe dans l'orifice central. Tournez le plateau jusqu'à ce qu'une des ouvertures soit au-dessus du cabestan. (Voir l'illustration.)</b>
<b>2</b>	<b>Saisissez doucement et tirez sur le ruban de la courroie d'entraînement qui se trouve sous le plateau, et faites passer la courroie derrière le cabestan. (Une fois fixée, vous pouvez enlever le ruban.) Pour vous assurer que la courroie est bien en place, tournez lentement le plateau trois ou quatre fois.</b>
<b>3</b>	<b>Posez le tapis en caoutchouc sur le plateau.</b>

### IMPORTANT! A vérifier.

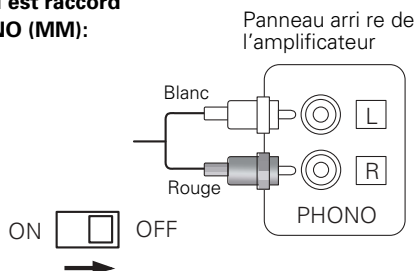
Vérifiez que la courroie d'entraînement et le ruban se trouvent bien sous le plateau. Saisissez le ruban comme indiqué sur l'illustration de droite et tirez dessus pour faire passer la courroie derrière le cabestan.

### Commutateur d'ampli-galiseur

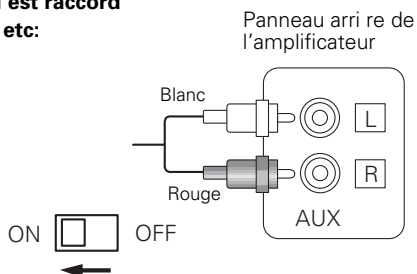
Cet appareil contient un ampli-égaliseur RIAA et il peut être raccordé à un amplificateur sans prise d'entrée PHONO (tourne-disque).

Réglez le commutateur d'ampli-égaliseur qui se trouve à côté en fonction des prises de l'amplificateur.

#### Quand l'appareil est raccordé aux prises PHONO (MM):



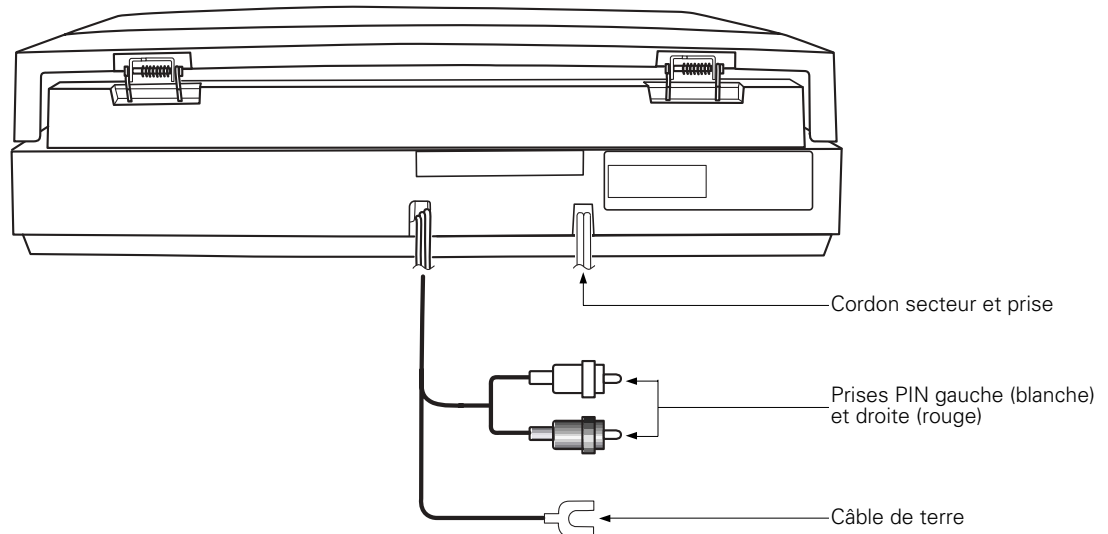
#### Quand l'appareil est raccordé aux prises AUX, etc:



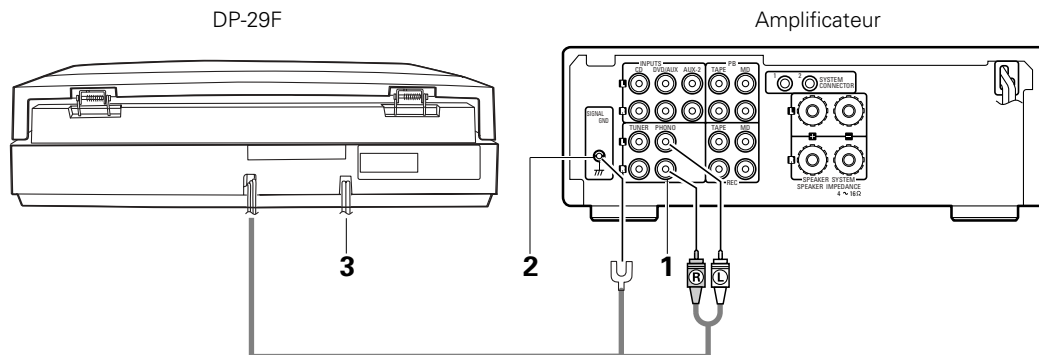
## 3 CONNEXIONS

### Avant de connecter

- Mettez tous les éléments hors circuit.
- Connectez le cordon secteur en dernier.
- Connectez tous les éléments de façon ferme. Des connexions lâches peuvent entraîner des distorsions.
- Pour éviter d'endommager les cordons, connectez et déconnectez-les en tenant la prise et non pas le cordon.
- Assurez-vous de connecter la prise PIN blanche au jack gauche (L) et la prise PIN rouge à au jack droit (R).



### Connexions

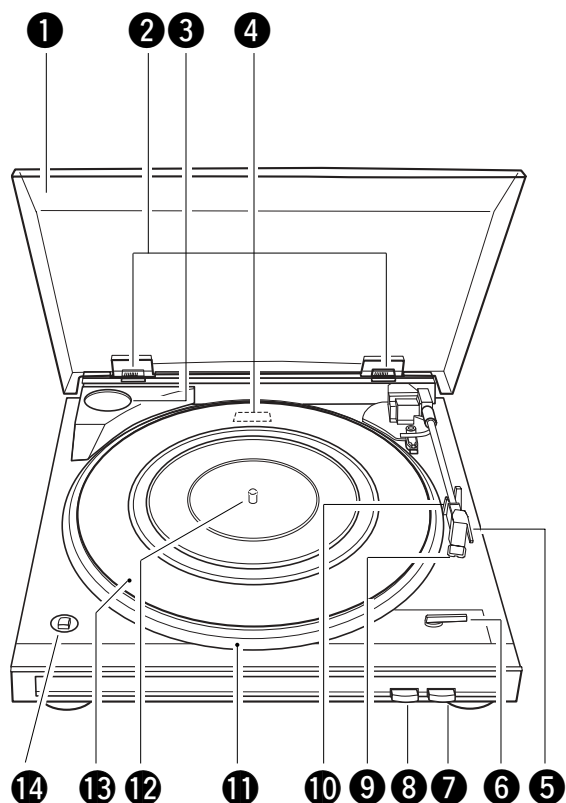




<b>1</b>	<b>Connectez les prises PIN gauche et droite du cordon de la table de lecture aux jacks PHONO ou AUX de votre amplificateur.</b>
<b>2</b>	<b>Connectez le câble de terre de votre de lecture à la borne de masse SIGNAL GND de votre amplificateur de façon sûre.</b>
<b>3</b>	<b>Après avoir tout connecté</b> <ul style="list-style-type: none"> <li>• Connectez le cordon secteur de la table de lecture à la sortie secteur de votre amplificateur stéréo, votre minuterie audio ou directement à une sortie secteur murale.</li> </ul>

#### REMARQUE:

- Si le plateau commence à tourner lorsque le cordon secteur est connecté, appuyez sur la touche de démarrage/interruption STOP encore une fois.

## 4 COMMANDES

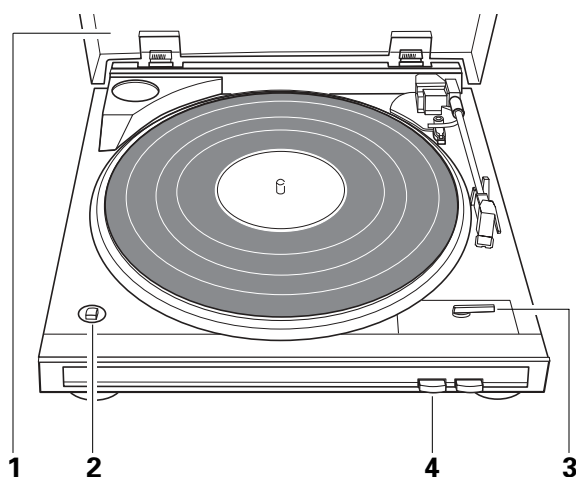


- ❶ Pare-poussière
- ❷ Charnière de pare-poussière
- ❸ Adaptateur de 45 tours et réceptacle
- ❹ Commutateur d'ampli-égaliseur
- ❺ Levier à doigt
- ❻ Levier de sélection de taille
- ❼ Touche Arrêt
  - Pour arrêter la reproduction.
- ❽ Touche de démarrage (START)
  - Pour engager la reproduction.
- ❾ Cellule
- ❿ Soutien du bras acoustique
  - Soutient le bras acoustique.
- ⓫ Plateau
- ⓬ Axe
- ⓭ Tapis en caoutchouc
- ⓮ Touche de vitesse (SPEED 33  / 45  )
  - Pour sélectionner la vitesse de reproduction.

## 5 REPRODUCTION D'UN DISQUE

### Avant de commencer

- Mettez tous les éléments sous tension.
- Réglez le sélecteur d'entrée de votre amplificateur sur PHONO ou AUX.
- Enlevez le couvercle de la pointe de lecture avant de reproduire.
- Utilisez l'adaptateur de 45 tours en reproduisant des disques de 17 cm (pourvu que le trou du centre est grand).



<b>1</b>	<b>Ouvrez le pare-poussière et placez le disque que vous voulez reproduire sur le plateau.</b>
<b>2</b>	<b>Réglez le sélecteur de vitesse (SPEED) selon le type de disque que vous voulez reproduire.</b> <ul style="list-style-type: none"> <li>Disques de 33-1/3 tr/mn.....Réglez sur 33 ■</li> <li>Disques de 45 tr/mn.....Réglez sur 45 ■</li> </ul>
<b>3</b>	<b>Placer le levier de sélection de taille selon la taille du disque.</b>
<b>4</b>	<b>Gardez la touche de démarrage/interruption START fermement enfoncée pendant au moins 1 seconde.</b> <ul style="list-style-type: none"> <li>Le plateau commencera de tourner, et la reproduction commencera automatiquement.</li> </ul>

Après la reproduction complète du disque, le bras de lecture retournera à sa position de repos et le plateau s'arrêtera de tourner automatiquement.

### Pour arrêter la reproduction

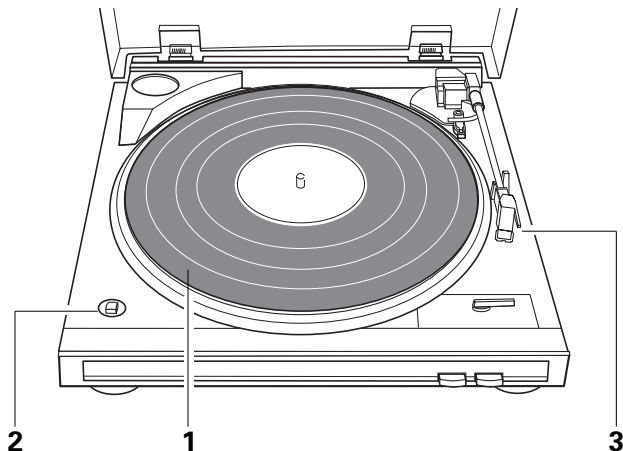
Appuyez sur la touche de démarrage/interruption STOP.  
La reproduction s'arrêtera et le bras acoustique retournera à la position de repos.

### Système de reproduction automatique

- Ne touchez pas le bras acoustique et le plateau et n'enlevez jamais le courant pendant la reproduction.
- Le système de retour automatique est réglé de façon à faire revenir le bras acoustique en un point donné du disque. Il ne devrait pas y avoir de problèmes avec des disques de dimensions normales, mais pour certaines catégories de disques qui contiennent un nombre de sillons de musique qui dépasse la quantité permise par le réglage, la reproduction sera interrompue.
- Des disques de 25 cm suivants ne peuvent pas être utilisés avec le système de reproduction automatique.  
Reproduisez ces disques de façon manuelle. Si le système de retour automatique ne se remet pas en marche après la fin de la reproduction, appuyez sur la touche de démarrage/interruption STOP.

## 6 DETAILS DE FONCTIONNEMENT

### Reproduction manuelle



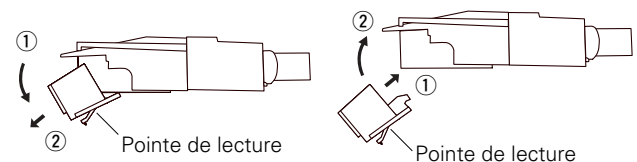
<b>1</b>	<b>Placez le disque que vous voulez z reproduire sur le plateau.</b>
<b>2</b>	<b>Réglez l'interrupteur de vitesse (SPEED) selon le type de disque utilisé.</b>
<b>3</b>	<b>Saisissez le levier à doigt, puis déplacez le bras de lecture en un point juste au-dessus du commencement du morceau que vous voulez reproduire.</b> <ul style="list-style-type: none"> <li>Le plateau de lecture se mettra à tourner.</li> </ul>

### Remplacement de la pointe de lecture

La pointe de lecture fournie doit être changée au bout d'approximativement 400 heures de reproduction de disque. Saisissez la cellule fermement avec und main, puis libérez la pointe de lecture en tiarnt doucement sur celle-ci avec l'autre main de façon à la libérer de la cellule. Remplacez la pointe par und pointe DSN-82.

### Avant de remplacer la pointe

Mettez la table de lecture et l'amplificateur hors circuit.



## 7 REMEDES AUX INCIDENTS

### Absence d'alimentation.

#### Le plateau ne tourne pas.

- Le cordon secteur n'est pas bien connecté. Vérifiez la connexion du cordon secteur.
- La courroie d'entraînement n'est pas bien attachée autour du cabestan. Vérifiez la courroie d'entraînement.

### Pas de son.

- Les cordons de sortie ne sont pas branchés correctement. Branchez-les à foud sur les prises PHONO or AUX de l'amplificateur.
- Le sélecteur d'entrée de l'amplificateur n'est pas réglé sur PHONO ou AUX. Réglez-le sur PHONO ou AUX.

### Bruit de grattement.

#### La pointe de lecture saute.

#### Distorsion du son.

- La pointe de lecture ou le disque est sale. Nettoyez la pointe de lecture et le disque avant la reproduction.
- Usure de la pointe de lecture ou du disque. Remplacez la pointe de lecture ou disque.

### Ronflement.

- La table de lecture est trop proche du système d'enceintes. Eloignez-la du système d'enceintes.
- La table de lecture est placée dans un endroit instable. Placez-la sur une surface solide.
- Le niveau volume de la reproduction est trop élevé. Baissez le volume en tournant sur la commande du volume de votre amplificateur.

### Bruit de bourdonnement.

- Le câble de terre n'est pas connecté à la brone de terre de signal de votre amplificateur. Connectez-le à la borne de terre de signal fermement.

### Le bras acoustique ne se déplacera pas lorsque vous appuyez sur la touche de démarrage/interruption (START).

- Le bras acoustique est verrouille dans la position de repos. Enlevez le bres acoustique avant la reproduction.

En cas de problém, notez le nom du modèle, le numéro de série et toutes les données perinentes concernant l'étendue de la garantie ainsi qu'une description claire des défaillances techniques. Prenez ensuite contact avec la Station Service DENON la plus proche.

## 8 SPECIFICATIONS

<b>Système d'entraînement:</b>	à courroie	<b>Tension de sortie:</b>	2,5 mV
<b>Moteur:</b>	servo DC	<b>Pression optimale de la pointe de lecture:</b>	3,5 g
<b>Vitesse:</b>	33-1/3 et 45 tr/mn	<b>Alimentation:</b>	CA 120 V, 50 Hz (Etats-Unis & Canada) CA 230 V, 60 Hz (Europe)
<b>Pleurage et scintillement:</b>	0,15% (WRMS)	<b>Consommation:</b>	2 W
<b>Bras acoustique:</b>	type à équilibrage dynamique	<b>Dimensions:</b>	360(L) x 97(H) x 357(P) mm
<b>Longueur effective du bras:</b>	195 mm	<b>Poids:</b>	2,8 kg
<b>Gamme de réglage de la pression de la pointe de lecture:</b>	3,5 g (fixe)		
<b>Cellule:</b>	DSN-82		

Les spécifications et la présentation sont successibles de modification sans préavis dans un but d'amélioration.



Gracias por haber adquirido el sistema de placa giratoria completamente automática de DENON.

Rogamos lea atentamente las instrucciones de funcionamiento para familiarizarse con el tocadiscos y lograr la máxima satisfacción.

**- TABLA DE CONTENIDOS -**

1 Precauciones .....17  
 2 Antes de usar el giradiscos .....18  
 3 Conexiones .....19  
 4 Controles .....20  
 5 Reproducción de discos .....20, 21  
 6 Detalles de funcionamiento .....21  
 7 Guía para la localización de averías .....22  
 8 Especificaciones .....22

**Compruebe para asegurarse de que los siguientes ítems van incluidos con la unidad principal en el cartón:**

- (1) Instrucciones de funcionamiento (estas instrucciones) .....1
- (2) Lista de estaciones de servicio .....1
- (3) Plato .....1
- (4) Esterilla protectora de goma.....1
- (5) Adaptador de 45 rpm .....1

**1 PRECAUCIONES**

**REQUERIMIENTOS DE POTENCIA**

Los requerimientos de potencia para equipos eléctricos difieren de un área a otra. Por favor, asegúrese de que la potencia que necesita su aparato es la misma que su área requiere.

En caso de duda, consulte con un electricista cualificado.

**ACERCA DEL INTERRUPTOR DE POTENCIA**

Este plato giratorio no va equipado con un interruptor de energía primaria. El interruptor de energía va incorporado al brazo fonocaptor del giradiscos. La energía del giradiscos se corta cuando el brazo fonocaptor vuelve a su lugar de apoyo.

Tomar nota, sin embargo, que la corriente no se habrá quitado completamente en este caso. Si usted desea quitar completamente la corriente, deberá desconectar el cable de la salida de corriente AC del enchufe de la pared de casa.

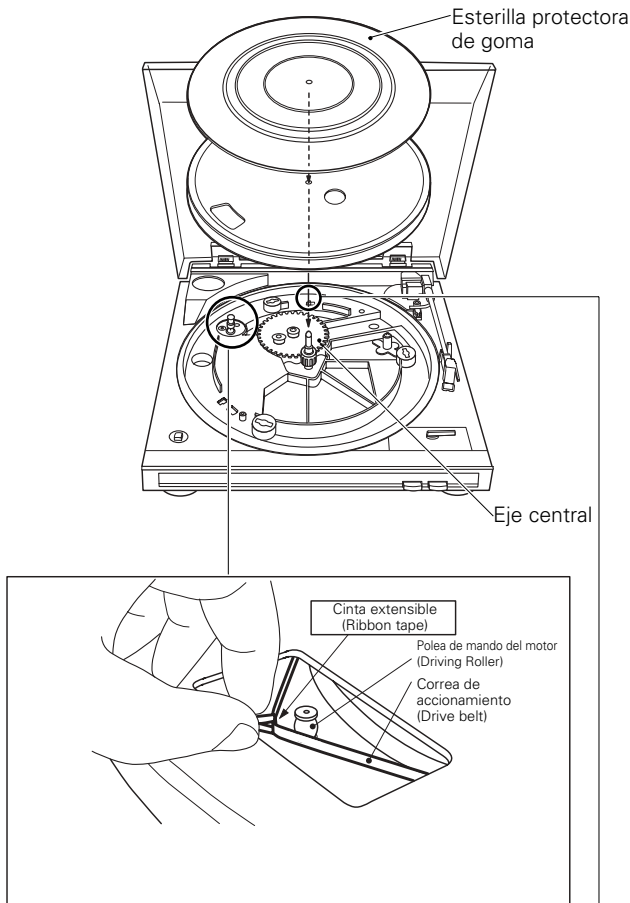
**LO QUE DEBE SABER PARA PROTEGERSE USTED MISMO**

- No tocar nunca la clavija con las manos húmedas.
- Tirar siempre de la clavija y nunca del cable.
- Las reparaciones o reajustes del giradiscos las deberá hacer siempre un profesional cualificado. Una persona no autorizada podría tocar las piezas internas y recibir una importante descarga eléctrica.
- No permita nunca que un niño ponga cualquier cosa, especialmente metálica, dentro del giradiscos.

**PROTECCION DEL GIRADISCOS TAMBIÉN**

- Use solamente una fuente de energía AC de casa. No use nunca una fuente de energía DC.
- Si se derrama agua sobre el giradiscos, desconéctelo y llame a su distribuidor.
- Asegúrese de que el giradiscos está bien ventilado y fuera de la luz solar directa.
- Para evitar daños en los circuitos internos y a la superficie externa, mantenerlo lejos de fuentes de calor, (estufas, etc.).
- Evitar el uso de tipos de sprays de insecticidas cerca del giradiscos ya que pueden dañar su superficie y podrían producir un incendio repentino.
- Para evitar daños en la superficie, no emplear nunca disolventes o productos químicos similares para limpiar el giradiscos.
- Colocar el giradiscos en una superficie plana y sólida.
- Si no va a utilizar el giradiscos durante un largo período de tiempo, desconecte el cable de toma de energía.
- Para proteger los aislantes, levante siempre el giradiscos cuando vaya a moverlo. Y antes de mover el giradiscos, desconecte todos los cables de conexión.
- Cuando se vaya a transportar el giradiscos a una gran distancia, colocarlo dentro de su caja original envuelto en sus rellenos protectores.

## 2 ANTES DE USAR EL GIRADISCOS



- **La polea del mando del motor está situada bajo el plato giratorio.** Cuando se monte el equipo reproductor, manipular con cuidado la polea del mando del motor.
- Retirar todos los materiales de embalaje alrededor del brazo fonocaptor, excepto los de la aguja, y después abrir la cubierta protectora de polvo y a continuación realizar el ensamblaje. Quitar la cubierta de la aguja después del ensamblaje.

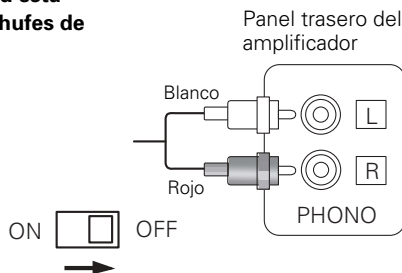
<b>1</b>	<p><b>Sujetar el plato giratorio por los orificios situados en la superficie exterior y después bajar con cuidado el plato de tal manera que el eje central entre en el agujero central.</b></p> <p><b>Hacer girar el plato hasta que una de sus aberturas exteriores quede alineada con la polea de mando del motor. (Ver la ilustración).</b></p>
<b>2</b>	<p><b>Sujetar y tirar de la cinta extensible de la correa de accionamiento suavemente para enrollarla bajo el plato giratorio y a continuación extender la correa alrededor de la polea de mando del motor. (Después de sujeta, quitar la cinta extensible). Con el fin de asegurarse de que la correa de accionamiento ha sido correctamente colocada, hacer girar lentamente el plato 3 o 4 vueltas.</b></p>
<b>3</b>	<p><b>Colocar la esterilla de goma sobre el plato.</b></p>

**¡IMPORTANTE! Por favor compruebe.**  
 Comprobar que la correa de accionamiento y la cinta extensible han quedado sujetas bajo el plato. Tirar de la cinta extensible según se muestra en la ilustración de la izquierda y extenderla hasta la polea de mando del motor.

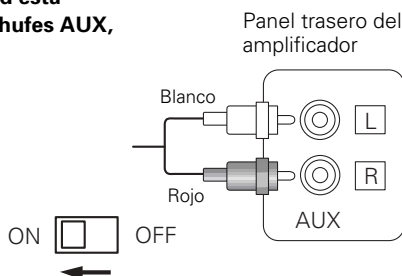
### Conexión a un Amplificador ecualizador

Este equipo lleva incorporado un amplificador ecualizador RIAA por lo que puede ser conectado a un amplificador sin un enchufe de toma PHONO (giradiscos). De acuerdo con el amplificador, ajustar el INTERRUPTOR AMPLIFICADOR ECUALIZADOR.

**Cuando la unidad está conectada a enchufes de PHONO (MM):**



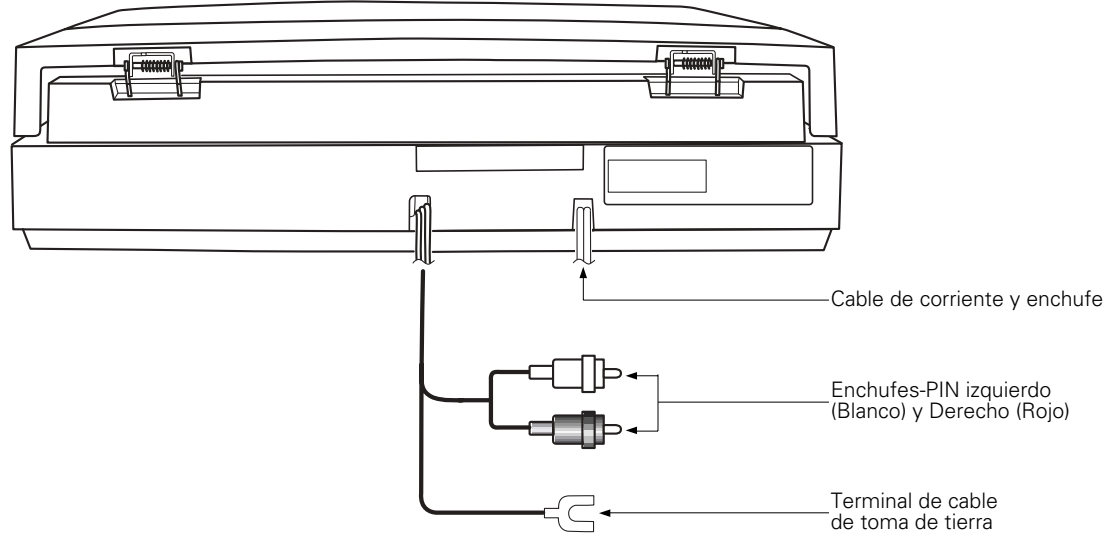
**Cuando la unidad está conectada a enchufes AUX, etc.:**



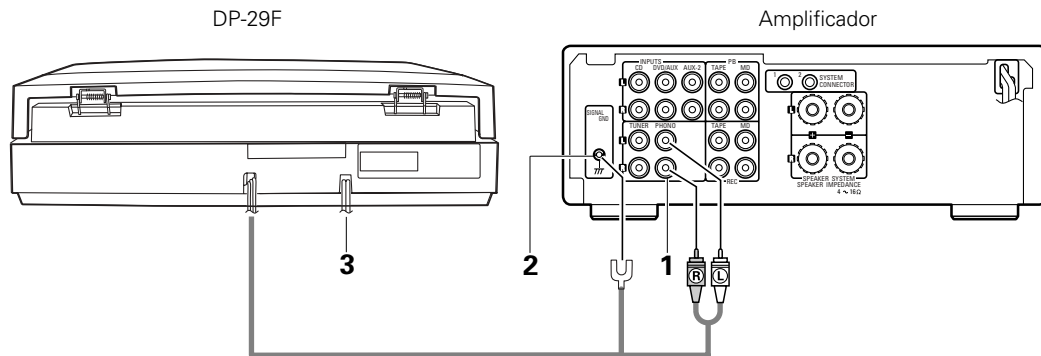
### 3 CONEXIONES

#### Antes de comenzar

- Desconectar todos los componentes.
- Conectar el cable de potencia.
- Todas las conexiones deben quedar bien fijadas. Las conexiones que quedan flojas pueden causar distorsión.
- Para evitar daños en los cables, hacer las conexiones y desconexiones sujetando los enchufes, no los cables.
- Asegúrese de que conecta el enchufe-PIN blanco al conector izquierdo blanco (L-blanco) y el enchufe-PIN rojo al conector derecho (R-rojo).



#### Conexiones

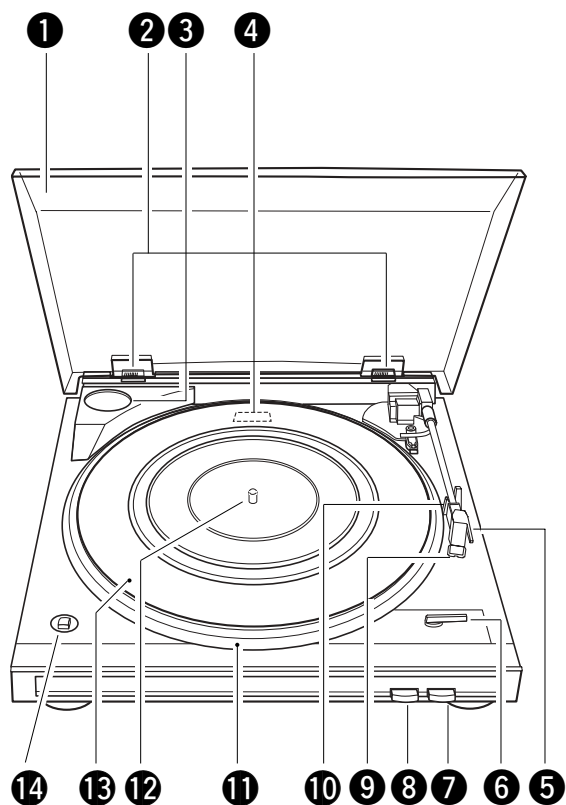


<b>1</b>	<b>Conectar los enchufes-PIN izquierdo y Derecho del cable de salida de su giradiscos a la toma PHONO de su amplificador, etc.</b>
<b>2</b>	<b>Conectar firmemente el cable de conexión a tierra de su giradiscos al terminal de toma de tierra (SIGNAL GND) de su amplificador.</b>
<b>3</b>	<b>Después de que se hayan hecho todas las conexiones.</b> <ul style="list-style-type: none"> <li>• Conectar el cable de corriente del giradiscos a la toma de corriente de su amplificador estéreo, al temporizador de audio opcional o directamente a la toma de corriente de la pared.</li> </ul>

**NOTA:**

- Si el plato comienza a girar cuando se conecta el cable de corriente, pulsar inmediatamente el botón de STOP.

## 4 CONTROLES

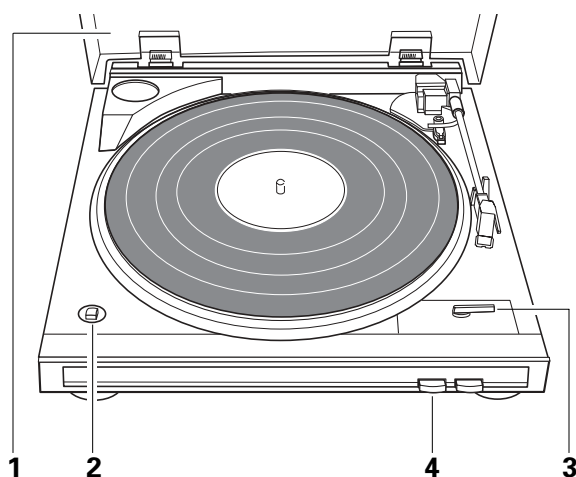


- 1 Cubierta protectora contra el polvo
- 2 Bisagra de la cubierta contra el polvo
- 3 Adaptador y soporte de 45 rpm
- 4 Interruptor de amplificador ecualizador
- 5 Gancho para el dedo
- 6 Palanca de selección de tamaño
- 7 Botón STOP (Detener)
  - Para detener la reproducción.
- 8 Botón START (Arranque)
  - Para comenzar la reproducción.
- 9 Cápsula fonocaptora
- 10 Soporte del brazo fonocaptor
  - Sujeta el brazo fonocaptor.
- 11 Plato giratorio
- 12 Eje central
- 13 Esterilla de goma
- 14 Botón de SPEED (velocidad) (33 / 45 )
  - Para seleccionar la velocidad de reproducción.

## 5 REPRODUCCIÓN DE DISCOS

### Antes de comenzar la reproducción

- Enchufar todos los componentes.
- Situar el selector de entrada de su amplificador en PHONO o AUX.
- Retirar la cubierta protectora de la aguja antes de comenzar la reproducción.
- Usar el adaptador de 45 rpm que se proporciona cuando se vayan a escuchar discos de 17 cm. (siempre que el orificio central sea uno grande).



<b>1</b>	<b>Levantar la cubierta protectora contra el polvo y colocar sobre el plato el disco que se desee escuchar.</b>
<b>2</b>	<b>Ajustar el botón de velocidad "SPEED" de acuerdo con la velocidad del disco que se va a reproducir.</b> <ul style="list-style-type: none"> <li>• disco de 33-1/3 rpm.....ajustarlo a 33 ■</li> <li>• disco de 45 rpm.....ajustarlo a 45 ■</li> </ul>
<b>3</b>	<b>Ajuste la palanca selectora de acuerdo al tamaño del disco.</b>
<b>4</b>	<b>Presionar el botón START con firmeza, al menos durante 1 segundo.</b> <ul style="list-style-type: none"> <li>• El plato empezará a girar y la reproducción dará comienzo automáticamente.</li> </ul>

Después de que se haya escuchado el disco totalmente, el brazo fonocaptor volverá a su punto de apoyo y el plato dejará de girar automáticamente.

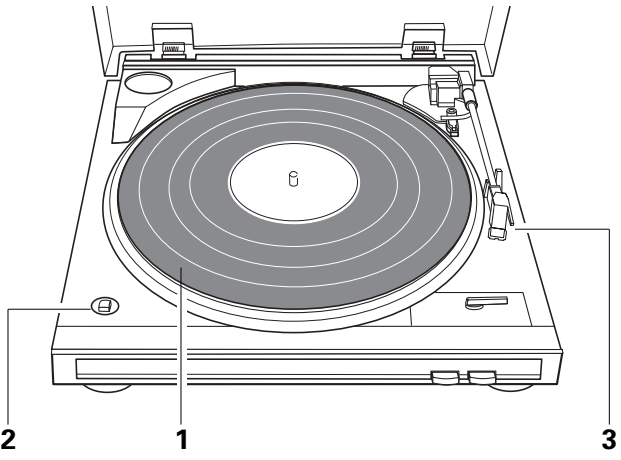
**PARA FINALIZAR LA REPRODUCCIÓN**  
 Presionar el botón STOP.  
 La reproducción se parará y el brazo fonocaptor volverá a su largo de apoyo.

**EN SISTEMA DE REPRODUCCIÓN AUTOMÁTICA**

- No tocar el brazo fonocaptor ni el plato ni tampoco quitar la corriente durante la reproducción.
- El sistema de auto retorno está ajustado para que vuelva el brazo fonocaptor en un punto específico del disco. Esto no sería problema con discos de tamaño normal pero con algunos tipos de discos que contienen surcos musicales, pasado este punto de ajuste, la reproducción quedará interrumpida.
- Discos de 25 cm no pueden ser usados con el sistema de reproducción automática. Estos discos tendrán que reproducirse de forma manual. Si el sistema de retorno automático no engancha después de haber terminado la reproducción, presionar el botón de STOP.

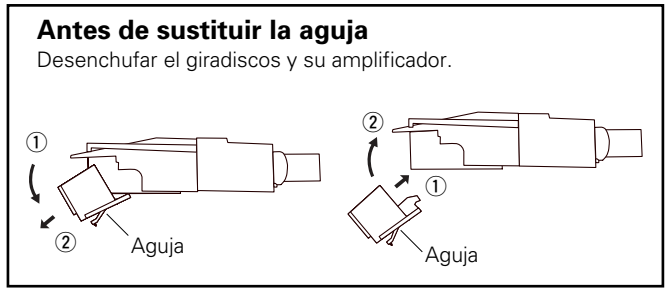
**6 DETALLES DE FUNCIONAMIENTO**

**REPRODUCCIÓN MANUAL**



<b>1</b>	<b>Colocar en el plato el disco que se desea escuchar.</b>
<b>2</b>	<b>Ajustar el botón de SPEED (velocidad) con el disco.</b>
<b>3</b>	<b>Coger y mantener el gancho para el dedo y mover el brazo fonocaptor justo hasta encima del punto de comienzo de la pista que se desea escuchar.</b> <ul style="list-style-type: none"> <li>• El plato empezará a girar.</li> </ul>

**Sustitución de la aguja**  
 La aguja que se proporciona con el equipo deberá ser cambiada después de aproximadamente 400 horas de reproducción de discos. Sujetar la cápsula firmemente con una mano y con la otra mano tirar con suavidad de la aguja hasta que salga de la cápsula fonocaptora. Sustituir la aguja con otra DSN-82.



## 7 GUÍA PARA LA LOCALIZACIÓN DE AVERÍAS

### No hay energía.

#### El plato no está girando.

- El cable de corriente no está conectado adecuadamente. Comprobar la conexión del cable de energía.
- La correa no está sujeta a la polea de mando del motor. Comprobar la correa.

### No hay sonido.

- Los cables de salida no están conectados adecuadamente. Conectarlo firmemente a sus tomas PHONO o AUX de su amplificador.
- El selector de entrada de su amplificador no está situado en posición PHONO o AUX. Colóquelo en posición PHONO o AUX.

### Ruido de arañazos.

#### La aguja salta.

#### Sonido distorsionado.

- La aguja o el disco están sucios. Antes de la reproducción limpiar tanto la aguja como el disco.
- La aguja o el disco están desgastados. Sustituir la aguja o el disco.

### Los sonidos se escuchan con chillidos.

- El giradiscos está situado demasiado cerca del sistema de altavoces. Alejarlo del sistema de altavoces.
- El giradiscos está colocado en una posición inestable. Colocarlo en una superficie plana y sólida.
- El volumen de reproducción está demasiado alto. Bajar el control de volumen de su amplificador.

### Ruido de murmullo.

- El cable de conexión a tierra no está conectado al terminal de tierra (SIGNAL GND) de su amplificador. Conectarlo firmemente a la terminal SIGNAL GND (tierra).

### El brazo fonocaptor no se mueve cuando se presiona el botón de START.

- El brazo fonocaptor está sujeto con el cierre en su lugar de apoyo. Retirar el cierre del apoyo del brazo antes de comenzar con la reproducción.

Caso de que el problema persistiera, escriba el modelo y número de serie, todos los datos pertinentes relativos a la cobertura de la garantía así como una clara descripción del problema existente. Después contacte con el punto de servicio autorizado DENON más cercano.

## 8 ESPECIFICACIONES

<b>Sistema de accionamiento:</b>	Correa de mando
<b>Motor:</b>	Servo motor DC
<b>Velocidad:</b>	33-1/3 y 45 rpm
<b>Lloro y trémolo (Wow &amp; flutter):</b>	0,15% WRMS
<b>Brazo fonocaptor:</b>	Tipo balanceado din.mico
<b>Largo real del brazo:</b>	195 mm
<b>Gama ajuste de presión aguja:</b>	3,5 g (fijado)
<b>Cartilago:</b>	DSN-82

<b>Voltaje de salida:</b>	2,5 mV
<b>Presión óptima de la aguja:</b>	3,5 g
<b>Necesidad de energía:</b>	CA 120 V, 60 Hz (EE.UU. y Canada) CA 230 V, 50 Hz (Europa)
<b>Consumo:</b>	2 W
<b>Dimensiones:</b>	360(ancho) x 97(alto) x 357(profund) mm
<b>Peso:</b>	2,8 kg

A los efectos de un continuo perfeccionamiento, las especificaciones y los diseños están sujetos a cambios sin previo aviso.

**DENON**  
TOKYO, JAPAN  
[www.denon.com](http://www.denon.com)

Denon Brand Company, D&M Holdings Inc.  
Printed in China 00D 511 3872 104