

Operating Instructions

FRIDGE

GB

GB

English, 1

F

Français, 9

D

Deutsch, 17

BTS 1620 EU

Contents

Installation, 2

Positioning and connection

Description of the appliance, 3

Overall view

Start-up and use, 4

Starting the appliance

Using the refrigerator to its full potential

Maintenance and care, 5

Switching the appliance off

Cleaning the appliance

Avoiding mould and unpleasant odours

Defrosting the appliance

Replacing the light bulb

Precautions and tips, 6

General safety

Disposal

Respecting and conserving the environment

Troubleshooting, 7

Assistance, 8



ARISTON



Installation

GB

! Before placing your new appliance into operation please read these operating instructions carefully. They contain important information for safe use, for installation and for care of the appliance.

! Please keep these operating instructions for future reference. Pass them on to possible new owners of the appliance.

Positioning and connection

Positioning

1. Place the appliance in a well-ventilated humidity-free room.
2. Do not obstruct the rear fan grills. The compressor and condenser give off heat and require good ventilation to operate correctly and save energy.
3. Ensure the appliance is away from any sources of heat (direct sunlight, electric stove, etc.).

Electrical connections

After the appliance has been transported, carefully place it vertically and wait at least 3 hours before connecting it to the electricity mains. Before inserting the plug into the electrical socket ensure the following:

- The appliance is earthed and the plug is compliant with the law.
- The socket can withstand the maximum power of the appliance, which is indicated on the data plate located on the bottom left side of the fridge (e.g. 150 W).
- The voltage must be in the range between the values indicated on the data plate located on the bottom left side (e.g. 220-240V).
- The socket is compatible with the plug of the appliance. If the socket is incompatible with the plug, ask an authorised technician to replace it (*see Assistance*). Do not use extension cords or multiple sockets.

! Once the appliance has been installed, the power supply cable and the electrical socket must be easily accessible.

! The cable must not be bent or compressed.

! The cable must be checked regularly and replaced by authorised technicians only (*see Assistance*).

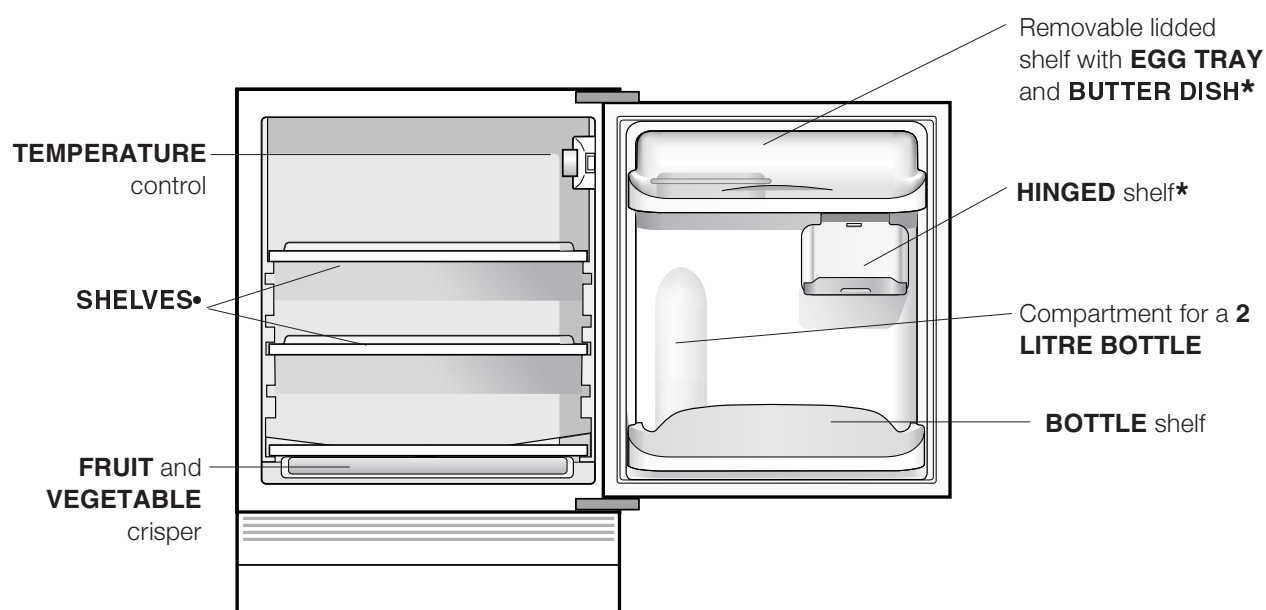
! The manufacturer declines any liability should these safety measures not be observed.

Description of the appliance

Overall view

GB

The instructions contained in this manual are applicable to different model refrigerators. The diagrams may not directly represent the appliance purchased. For more complex features, consult the following pages.



• Varies by number and/or position.

* Available only on certain models.

Start-up and use

GB

Starting the appliance

! Before starting the appliance, follow the installation instructions (see *Installation*).

! Before connecting the appliance, clean the compartments and accessories well with lukewarm water and bicarbonate.

1. Insert the plug into the socket and ensure that the internal light illuminates.
2. Turn the TEMPERATURE ADJUSTMENT knob to an average value. After a few hours you will be able to put food in the refrigerator.

Using the refrigerator to its full potential

The temperature inside the refrigerator compartment automatically adjusts itself according to the position of the thermostat knob.

1 = warmest **5** = coldest

We recommend, however, a medium position.

The cooling section of the refrigerator is located inside the back wall of the refrigerator compartment for increased space and improved aesthetics. During operation, the back wall will be covered in frost or water droplets depending on whether the compressor is operating or paused. Do not worry, the refrigerator is functioning normally.

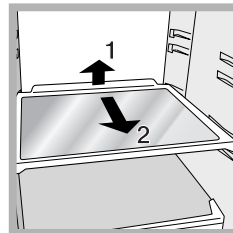
If the TEMPERATURE ADJUSTMENT knob has been set on high values with large quantities of food and with a high ambient temperature, the appliance can operate continuously, resulting in excessive frost formation and excessive energy consumption: compensate for this by shifting the knob towards lower values (defrosting will occur automatically).

In static appliances, the air circulates in a natural way: the colder air tends to move downwards as it is heavier. The food should be stored as follows:

Food	Arrangement inside the refrigerator
Fresh fish and meat	Above the fruit and vegetable bins
Fresh cheese	Above the fruit and vegetable bins
Cooked food	On any shelf
Salami, bread loaf, chocolate	On any shelf
Fruit and vegetables	In the fruit and vegetable bins
Eggs	On the shelf provided
Butter and margarine	On the shelf provided
Bottles, drinks, milk	On the shelf provided

- Place only cold or lukewarm foods in the compartment, not hot foods (see *Precautions and tips*).

- Remember that cooked foods do not last longer than raw foods.
- Do not store liquids in open containers. They will increase humidity in the refrigerator and cause condensation to form.



SHELVES: with or without grill. Due to the special guides the shelves are removable and the height is adjustable (see *diagram*), allowing easy storage of large containers and food. Height can be adjusted without complete removal of the shelf.

TEMPERATURE Indicator light: to identify the coldest area in the refrigerator.

1. Check that OK appears clearly on the indicator light (see *diagram*).



2. If the word "OK" does not appear it means that the temperature is too high: adjust the REFRIGERATOR OPERATION knob to a higher position (colder) and wait approximately 10 hours until the temperature has been stabilised.
3. Check the indicator light again: if necessary, readjust it following the initial process. If large quantities of food have been added or if the refrigerator door has been opened frequently, it is normal for the indicator not to show OK. Wait at least 10 hours before adjusting the REFRIGERATOR OPERATION knob to a higher setting.

Food hygiene

1. Once you have bought your food, remove all external packaging made of paper/cardboard or other wrappers, which could introduce bacteria or dirt inside your refrigerator.
2. Protect the food, (especially easily perishable items and those that have a strong smell), in order to avoid contact between them, thereby removing both the possibility of germ/bacteria contamination as well as the diffusion of strong odours inside the fridge.
3. Store all food in such a way as to ensure air can circulate freely between different items.
4. Keep the inside of your fridge clean, taking care not to use oxidiser or abrasive products.
5. Remove all food past its expiry date from the refrigerator.
6. For the correct preservation of food, all easily perishable items (soft cheeses, raw fish, meat, etc.) should be stored in the coldest zone of the fridge compartment, i.e. just above the salad crisper where the temperature indicator is situated.

Switching the appliance off

During cleaning and maintenance it is necessary to disconnect the appliance from the electricity supply: It is not sufficient to set the temperature adjustment knobs on ● (appliance off) to eliminate all electrical contact.

Cleaning the appliance

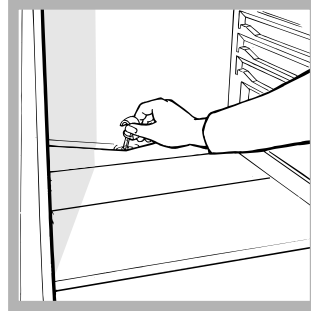
- The external and internal parts, as well as the rubber seals may be cleaned using a sponge that has been soaked in lukewarm water and bicarbonate of soda or neutral soap. Do not use solvents, abrasive products, bleach or ammonia.
- The removable accessories may be soaked in warm water and soap or dishwashing liquid. Rinse and dry them carefully.
- The back of the appliance may collect dust which can be removed by delicately using the hose of a vacuum cleaner set on medium power. The appliance must be switched off and the plug must be pulled out before cleaning the appliance.

Avoiding mould and unpleasant odours

- The appliance is manufactured with hygienic materials which are odour free. In order to maintain an odour free refrigerator and to prevent the formation of stains, food must always be covered or sealed properly.
- If you want to switch the appliance off for an extended period of time, clean the inside and leave the doors open.

Defrosting the appliance

! Follow the instructions below.

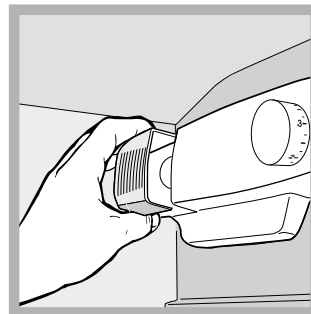


hole regularly so that the water can flow out easily.

The refrigerator has an automatic defrosting function: water is ducted to the back of the appliance by a special discharge outlet (see *diagram*) where the heat produced by the compressor causes it to evaporate. It is necessary to clean the discharge

Replacing the light bulb

To replace the light bulb in the refrigerator compartment, pull out the plug from the electrical socket. Follow the instructions below.



Access the light bulb by removing the cover as indicated in the diagram. Replace it with a similar light bulb within the power range indicated on the cover (15W or 25W).

Precautions and tips

GB

! The appliance was designed and manufactured in compliance with international safety standards. The following warnings are provided for safety reasons and must be read carefully.



This appliance complies with the following Community Directives:

- 73/23/EEC of 19/02/73 (Low Voltage) and subsequent amendments;



- 89/336/EEC of 03.05.89 (Electromagnetic Compatibility) and subsequent amendments;
- 2002/96/CE..

General safety

- The appliance was designed for domestic use inside the home and is not intended for commercial or industrial use.
- The appliance must be used to store and freeze food products by adults only and according to the instructions in this manual.
- The appliance must not be installed outdoors, even in covered areas. It is extremely dangerous to leave the appliance exposed to rain and storms.
- Do not touch the appliance with bare feet or with wet or moist hands and feet.
- Do not touch the internal cooling elements: this could cause skin abrasions or frost/freezer burns.
- When unplugging the appliance always pull the plug from the mains socket, do not pull on the cable.
- Before cleaning and maintenance, always switch off the appliance and disconnect it from the electrical supply. It is not sufficient to set the temperature adjustment knobs on ● (appliance off) to eliminate all electrical contact.
- In the case of a malfunction, under no circumstances should you attempt to repair the appliance yourself. Repairs carried out by inexperienced persons may cause injury or further malfunctioning of the appliance.
- Do not use any sharp or pointed utensils or electrical equipment - other than the type recommended by the manufacturer - inside the frozen food storage compartments.
- Do not put ice cubes taken directly from the freezer into your mouth.
- Do not allow children to tamper with the controls or play with the appliance. Under no circumstance should they be allowed to sit on the bins or to hang from the door.
- Keep packaging material out of the reach of children! It can become a choking or suffocation hazard.

Disposal

- Observe local environmental standards when disposing packaging material for recycling purposes.
- The European Directive 2002/96/EC on Waste Electrical and Electronic Equipment (WEEE), requires that old household electrical appliances must not be disposed of in the normal unsorted municipal waste stream. Old appliances must be collected separately in order to optimise the recovery and recycling of the materials they contain and reduce the impact on human health and the environment. The crossed out “wheeled bin” symbol on the product reminds you of your obligation, that when you dispose of the appliance it must be separately collected. Consumers should contact their local authority or retailer for information concerning the correct disposal of their old appliance.

Respecting and conserving the environment

- Install the appliance in a fresh and well-ventilated room. Ensure that it is protected from direct sunlight and do not place it near heat sources.
- Try to avoid keeping the door open for long periods or opening the door too frequently in order to conserve energy.
- Do not fill the appliance with too much food: cold air must circulate freely for food to be preserved properly. If circulation is impeded, the compressor will work continuously.
- Do not place hot food directly into the refrigerator. The internal temperature will increase and force the compressor to work harder and will consume more energy.
- Defrost the appliance if ice forms (*see Maintenance*). A thick layer of ice makes cold transference to food products more difficult and results in increased energy consumption.
- Regularly check the door seals and wipe clean to ensure they are free of debris and to prevent cold air from escaping (*see Maintenance*).

If the appliance does not work, before calling for Assistance (see *Assistance*), check for a solution from the following list.

GB

Malfunctions:

The internal light does not illuminate.

The refrigerator do not cool well.

The food inside the refrigerator is beginning to freeze.

The motor runs continuously.

The appliance makes a lot of noise.

The back wall of the refrigerator unit is covered in frost or droplets of water.

There is water at the bottom of the refrigerator.

Possible causes / Solutions:

- The plug has not been inserted into the electrical socket, or not far enough to make contact, or there is no power in the house.
- The door do not close properly or the seals are damaged.
- The door are opened too frequently.
- The TEMPERATURE ADJUSTMENT knob is not in the correct position
- The refrigerator or the freezer have been over-filled.
- The TEMPERATURE ADJUSTMENT knob is not in the correct position.
- The food is in contact with the back inside wall of the refrigerator.
- The door is not closed properly or is continuously opened.
- The outside ambient temperature is very high.
- The appliance has not been installed on a level surface (see *Installation*).
- The appliance has been installed between cabinets that vibrate and make noise.
- The internal refrigerant makes a slight noise even when the compressor is off. This is not a defect, it is normal.
- This shows the appliance is operating normally.
- The water discharge hole is blocked (see *Maintenance*).

Before calling for Assistance:

- Check if the malfunction can be solved on your own (see *Troubleshooting*).
- If after all the checks, the appliance still does not operate or the problem persists, call the nearest Service Centre

Communicating:

- type of malfunction
- appliance model (Mod.)
- serial number (S/N)

This information can be found on the data plate located on the bottom left side of the refrigerator compartment.

model serial number

Mod. RG 2330		TI	Cod. 93139180000	S/N 704211801		
240 V-	Hz	150 W	W	Fuse	A	Max 15
Total	340	75			Freez. Capac	Class
Gross Bruto		Gross Bruto		Net Util Utile		Class N
				Gross Bruto	Poder de Cong	Classe
					kg/24 h 4,0	
Compr. Syst.	R 134 a	Test Pressure	HIGH-235	Barcode		
Kompr.	kg 0,090	P.S-I.	LOW 140			
Made in Italy	13918					

Never call on unauthorized technicians and always refuse spare parts which are not originals.

GB

English, 1

F

Français, 9

D

Deutsch, 17

BTS 1620 EU

Sommaire

F

Installation, 10

Mise en place et raccordement

Description de l'appareil, 11

Vue d'ensemble

Mise en marche et utilisation, 12

Mise en service de l'appareil

Pour profiter à plein de votre réfrigérateur

Entretien et soins, 13

Mise hors tension

Nettoyage de l'appareil

Contre la formation de moisissures et de mauvaises odeurs

Dégivrage de l'appareil

Remplacement de l'ampoule d'éclairage

Précautions et conseils, 14

Sécurité générale

Mise au rebut

Economies et respect de l'environnement

Anomalies et remèdes, 15

Assistance, 16



ARISTON



Installation

F

! Conservez ce mode d'emploi pour pouvoir le consulter à tout moment. En cas de vente, de cession ou de déménagement, veillez à ce qu'il suive l'appareil pour informer le nouveau propriétaire sur son fonctionnement et lui fournir les conseils correspondants.

! Lisez attentivement les instructions : elles contiennent des conseils importants sur l'installation, l'utilisation et la sécurité de votre appareil.

Mise en place et raccordement

Mise en place

1. Placez l'appareil dans une pièce bien aérée et non humide.
2. Ne bouchez pas les grilles d'aération arrière : le compresseur et le condensateur produisent de la chaleur et exigent une bonne aération pour bien fonctionner et réduire la consommation d'électricité.
3. Installez l'appareil loin de sources de chaleur (rayons directs du soleil, cuisinière électrique).

Raccordement électrique

Après le transport, placez l'appareil à la verticale et attendez au moins 3 heures avant de le raccorder à l'installation électrique. Avant de brancher la fiche dans la prise de courant, assurez-vous que :

- la prise est bien munie d'une terre conforme à la loi;
- la prise est bien apte à supporter la puissance maximale de l'appareil, indiquée sur la plaquette signalétique placée à l'intérieur du compartiment réfrigérateur en bas à gauche (ex. 150 W);
- la tension d'alimentation est bien comprise entre les valeurs indiquées sur la plaquette signalétique, placée en bas à gauche (ex. 220-240 V);
- la prise est bien compatible avec la fiche de l'appareil. En cas d'incompatibilité, faites remplacer la fiche par un technicien agréé (*voir Assistance*); n'utilisez ni rallonges ni prises multiples.

! Après installation de l'appareil, le câble électrique et la prise de courant doivent être facilement accessibles.

! Le câble ne doit être ni plié ni excessivement écrasé.

! Il doit être contrôlé périodiquement et ne peut être remplacé que par un technicien agréé (*voir Assistance*).

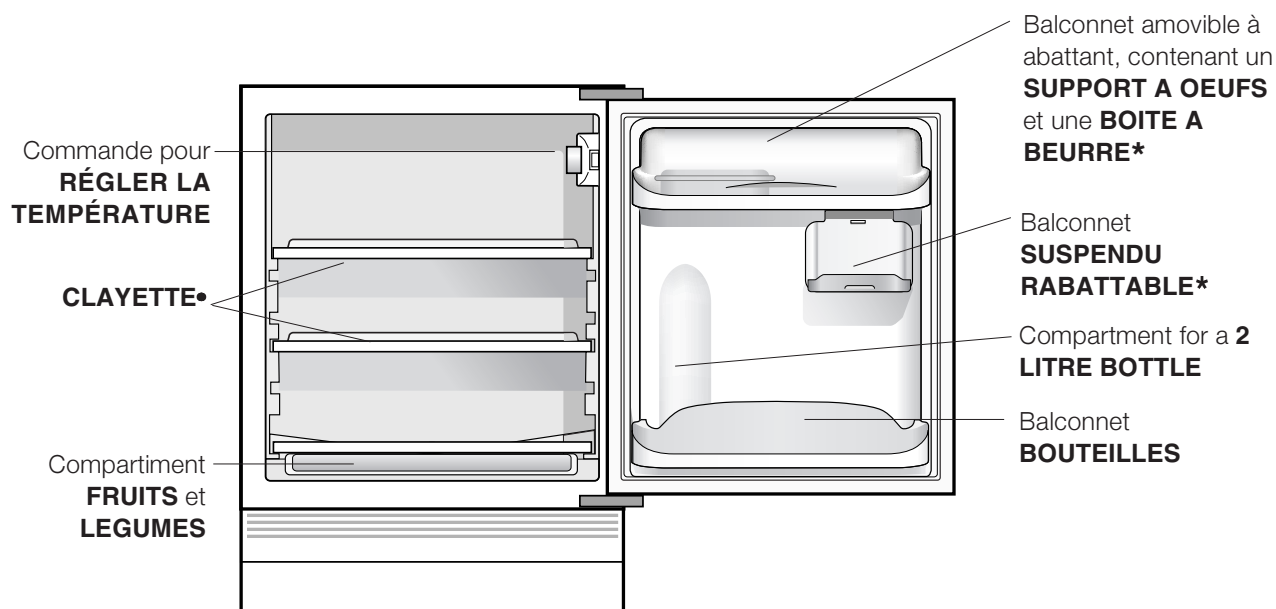
! Nous déclinons toute responsabilité en cas de non respect des normes énumérées ci-dessus.

Description de l'appareil

Vue d'ensemble

F

Ces instructions d'utilisation s'appliquent à plusieurs modèles, il se peut donc que les composants illustrés présentent des différences par rapport à ceux de l'appareil que vous avez acheté. Vous trouverez dans les pages suivantes la description des objets plus complexes.



• Leur nombre et/ou leur emplacement peut varier.

* N'existe que sur certains modèles.

Mise en marche et utilisation

F

Mise en service de l'appareil

! Avant de mettre l'appareil en service, suivez bien les instructions sur l'installation (voir *Installation*).

! Avant de brancher votre appareil, nettoyez bien les compartiments et les accessoires à l'eau tiède additionnée de bicarbonate.

1. Branchez la fiche dans la prise de courant et assurez-vous que l'éclairage intérieur s'allume.
2. Amenez le bouton de REGLAGE DE LA TEMPERATURE sur une valeur intermédiaire. Au bout de quelques heures, vous pourrez commencer à stocker des aliments dans le réfrigérateur.

Pour profiter à plein de votre réfrigérateur

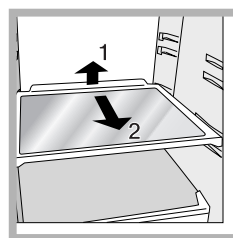
Le réglage de la température à l'intérieur du compartiment réfrigérateur est automatique en fonction de la position du bouton du thermostat.

1 = moins froid **5** = plus froid

Nous conseillons toutefois une position intermédiaire. Pour augmenter la place disponible, simplifier le rangement et améliorer l'aspect esthétique, cet appareil loge sa "partie refroidissante" à l'intérieur de la paroi arrière du compartiment réfrigérateur. Pendant le fonctionnement de l'appareil, cette paroi est tour à tour couverte de givre ou de gouttelettes d'eau selon que le compresseur est en marche ou à l'arrêt. Ne vous inquiétez pas ! Votre réfrigérateur fonctionne normalement. Si vous amenez le bouton de REGLAGE DE LA TEMPERATURE sur des valeurs plus élevées, que vous stockez de grandes quantités d'aliments et que la température ambiante est élevée, votre appareil peut fonctionner de façon continue, ce qui entraîne une formation abondante de givre et une consommation d'électricité excessive : amenez alors le bouton sur des valeurs plus basses (un dégivrage automatique sera lancé). A l'intérieur des appareils statiques l'air circule de façon naturelle: l'air plus froid a tendance à descendre car il est plus lourd. Quelques exemples de rangement des aliments:

Aliments	Rangement à l'intérieur du réfrigérateur
Viande et poisson éviscéré	Au-dessus des bacs à fruits et légumes
Fromages frais	Au-dessus des bacs à fruits et légumes
Aliments cuits	Sur n'importe quelle clayette
Saucissons, pain de mie, chocolat	Sur n'importe quelle clayette
Fruits et légumes	Dans les bacs à fruits et à légumes
Œufs	Dans le balconnet prévu
Beurre et margarine	Dans le balconnet prévu
Bouteilles, boissons, lait	Dans le balconnet prévu

- N'introduisez que des aliments froids ou à peine tièdes, jamais chauds (voir *Précautions et conseils*).
- Les aliments cuits contrairement à ce que l'on croit ne se conservent pas plus longtemps que les aliments crus.
- N'introduisez pas de récipients non fermés contenant des liquides: ces derniers entraîneraient une augmentation de l'humidité et la formation d'eau condensée.



CLAYETTES: pleines ou grillagées. Elles sont amovibles et réglables en hauteur grâce à des glissières spéciales (voir *figure*), pour le rangement de récipients ou d'aliments de grande dimension. Pour régler la hauteur, pas besoin de sortir la clayette complètement.

Indicateur de **TEMPERATURE:** pour repérer la zone la plus froide à l'intérieur du réfrigérateur.

1. Contrôler que l'indicateur affiche bien OK (voir *figure*).



2. Si le message OK n'est pas affiché, c'est que la température est trop élevée : régler le bouton FONCTIONNEMENT REFRIGERATEUR sur un numéro plus élevé (plus froid) et attendre environ 10 h jusqu'à ce que la température se stabilise.
3. Contrôler l'indicateur une nouvelle fois : si nécessaire, procéder à un nouveau réglage. Si de grosses quantités d'aliments ont été stockées ou si la porte du réfrigérateur est ouverte très souvent, il est normal que l'indicateur n'indique pas OK. Attendre au moins 10 h avant de régler le bouton FONCTIONNEMENT REFRIGERATEUR sur un chiffre plus élevé.

L'hygiène alimentaire

1. Après achat, les aliments doivent être débarrassés de leur emballage extérieur en papier/carton ou autre qui pourrait véhiculer des bactéries ou des saletés à l'intérieur du réfrigérateur.
2. Protégez les aliments (notamment ceux qui se détériorent rapidement et ceux qui dégagent une forte odeur) pour éviter tout contact entre eux et éliminer ainsi toute possibilité de contamination de germes/bactéries et la diffusion d'odeurs particulières à l'intérieur du réfrigérateur.
3. Rangez les aliments de manière à ce que l'air puisse circuler librement entre eux.
4. Veillez à ce que l'intérieur du réfrigérateur soit toujours propre. Attention : ne pas utiliser de produits oxydants ou abrasifs pour son nettoyage.
5. Sortez les aliments du réfrigérateur dès qu'ils dépassent leur durée limite de conservation.
6. Pour une bonne conservation, les aliments facilement périssables (fromages à pâte molle, poisson cru, viande, etc.) doivent être placés dans la zone plus froide où est situé l'indicateur de température.

Mise hors tension

Pendant les opérations de nettoyage et d'entretien, mettez l'appareil hors tension en débranchant la fiche de l'appareil de la prise de courant. Il ne suffit pas de placer le bouton de réglage de la température sur ● (appareil éteint) pour éliminer tout contact électrique.

Nettoyage de l'appareil

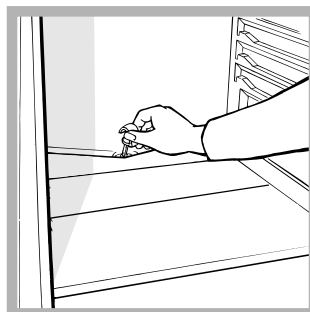
- Nettoyez l'extérieur, l'intérieur et les joints en caoutchouc à l'aide d'une éponge imbibée d'eau tiède additionnée de bicarbonate de soude ou de savon neutre. N'utilisez pas de solvants, de produits abrasifs, d'eau de Javel ou d'ammoniaque.
- mettez tremper les accessoires amovibles dans de l'eau chaude additionnée de savon ou de liquide vaisselle. Rincez-les et essuyez-les soigneusement.
- Le dos de l'appareil a tendance à s'empoussiérer, pour éliminer la poussière avec délicatesse, après avoir éteint l'appareil et débranché la fiche, servez-vous d'un aspirateur montant un accessoire adéquat et réglé sur une puissance intermédiaire.

Contre la formation de moisissures et de mauvaises odeurs

- Cet appareil est fabriqué dans des matériaux hygiéniques qui ne transmettent pas d'odeur. Pour sauvegarder cette caractéristique, veillez à bien emballer et couvrir vos aliments. Vous éviterez par la même occasion la formation de taches.
- Si vous devez laisser votre appareil éteint pendant une période de temps prolongée, nettoyez-le bien l'intérieur et laissez les portes ouvertes.

Dégivrage de l'appareil

! Conformez-vous aux instructions suivantes.

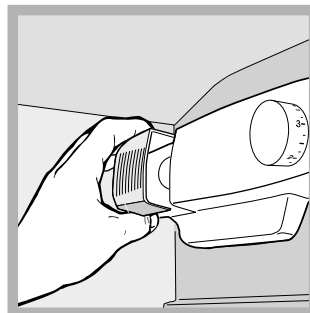


Le réfrigérateur est muni d'un système de dégivrage automatique : l'eau est acheminée vers la paroi arrière par un trou d'évacuation (voir figure) où la chaleur produite par le compresseur la fait évaporer. Il vous suffit de nettoyer périodiquement le trou d'évacuation pour

permettre à l'eau de s'écouler normalement.

Remplacement de l'ampoule d'éclairage

Pour remplacer l'ampoule d'éclairage du compartiment réfrigérateur, débranchez la fiche de la prise de courant. Suivez les indications fournies ci-dessous.



Pour pouvoir remplacer l'ampoule, démontez le couvercle de protection comme illustré (voir figure). Remplacez-la par une ampoule semblable dont la puissance doit correspondre à celle indiquée sur le couvercle de protection (15 W ou 25 W).

Précautions et conseils

F

! L'appareil a été conçu et fabriqué conformément aux normes internationales de sécurité. Ces conseils sont fournis pour des raisons de sécurité et doivent être lus attentivement.



Cet appareil est conforme aux Directives Communautaires suivantes :
- 73/23/CEE du 19/02/73 (Basse Tension) et modifications suivantes;
- 89/336/CEE du 03/05/89 (Compatibilité Electromagnétique) et modifications suivantes;
- 2002/96/CE.



Sécurité générale

- Cet appareil a été conçu pour un usage familial, de type non professionnel.
- Cet appareil qui sert à conserver et à congeler des aliments ne doit être utilisé que par des adultes conformément aux instructions du mode d'emploi.
- Cet appareil ne doit pas être installé en extérieur, même dans un endroit à l'abri, il est en effet très dangereux de le laisser exposé à la pluie et aux orages.
- Ne touchez pas à l'appareil pieds nus ou si vos mains ou pieds sont mouillés ou humides.
- Ne touchez pas aux parties refroidissantes : vous pourriez vous brûler ou vous blesser.
- Pour débrancher la fiche de la prise de courant, sortez la fiche, ne tirez surtout pas sur le câble.
- Avant d'effectuer toute opération de nettoyage ou d'entretien, débranchez la fiche de la prise de courant. Il ne suffit pas de placer le bouton de REGLAGE DE LA TEMPERATURE sur ● (appareil éteint) pour éliminer tout contact électrique.
- En cas de panne, n'essayez en aucun cas d'accéder aux mécanismes internes pour tenter de réparer l'appareil.
- Ne pas utiliser, à l'intérieur des compartiments de conservation pour aliments congelés, d'ustensiles pointus et coupants ou d'appareils électriques d'un type autre que celui recommandé par le fabricant.
- Ne pas porter à la bouche des glaçons à peine sortis du congélateur.
- Ne permettez pas aux enfants de jouer avec l'appareil. Il ne faut en aucun cas qu'ils s'asseyent sur les tiroirs ou qu'ils s'accrochent à la porte.
- Les emballages ne sont pas des jouets pour enfants.

Mise au rebut

- Mise au rebut du matériel d'emballage : conformez-vous aux réglementations locales, les emballages pourront ainsi être recyclés.
- La Directive Européenne 2002/96/EC sur les Déchets des Equipements Electriques et Electroniques (DEEE), exige que les appareils ménagers usagés ne soient pas jetés dans le flux normal des déchets municipaux. Les appareils usagés doivent être collectés séparément afin d'optimiser le taux de récupération et le recyclage des matériaux qui les composent et réduire l'impact sur la santé humaine et l'environnement. Le symbole de la "poubelle barrée" est apposée sur tous les produits pour rappeler les obligations de collecte séparée. Les consommateurs devront contacter les autorités locales ou leur revendeur concernant la démarche à suivre pour l'enlèvement de leur vieil appareil.

Economies et respect de l'environnement

- Installez votre appareil dans un endroit frais et bien aéré, protégez-le contre l'exposition directe aux rayons du soleil et ne le placez pas près de sources de chaleur.
- Pour introduire ou sortir les aliments, n'ouvrez les portes de l'appareil que le temps strictement nécessaire.
Chaque ouverture de porte cause une considérable dépense d'énergie.
- Ne chargez pas trop votre appareil :
pour une bonne conservation des aliments, le froid doit pouvoir circuler librement. Si la circulation est entravée, le compresseur travaillera en permanence.
- N'introduisez pas d'aliments chauds : ces derniers font monter la température intérieure ce qui oblige le compresseur à travailler beaucoup plus en gaspillant un tas d'électricité.
- Dégivrez l'appareil dès que de la glace se dépose (*voir Entretien*); une couche de glace trop épaisse gêne considérablement la cession de froid aux aliments et augmente la consommation d'électricité.
- Gardez toujours les joints propres et en bon état pour qu'ils adhèrent bien aux portes et ne laissent pas le froid s'échapper (*voir Entretien*).

Il peut arriver que l'appareil ne fonctionne pas. Avant de téléphoner au service de dépannage (*voir Assistance*), contrôlez s'il ne s'agit pas d'un problème facile à résoudre à l'aide de la liste suivante.

Anomalies:

L'éclairage intérieur ne s'allume pas.

Le réfrigérateur refroidissent peu.

Les aliments gèlent à l'intérieur du réfrigérateur.

Le moteur est branché en permanence.

L'appareil est très bruyant.

Formation de givre ou de gouttelettes d'eau sur la paroi arrière du compartiment réfrigérateur .

Il y a de l'eau dans le fond du réfrigérateur.

Causes / Solution possibles:

- La fiche n'est pas branchée dans la prise de courant ou pas assez enfoncée pour qu'il y ait contact ou bien il y a une coupure de courant.
- La porte ne ferment pas bien ou les joints sont abîmés.
- Ouverture trop fréquente des portes.
- La position du bouton de REGLAGE DE LA TEMPERATURE n'est pas correcte
- Le réfrigérateur et le congélateur sont excessivement remplis.
- La température ambiante de travail du produit est inférieure à 14°C.
- La position du bouton de REGLAGE DE LA TEMPERATURE n'est pas correcte
- Les aliments touchent à la paroi arrière.
- La porte n'est pas bien fermée ou trop souvent ouverte.
- La température à l'extérieur est très élevée.
- L'appareil n'a pas été installé bien à plat (*voir Installation*).
- L'appareil est installé entre des meubles ou des objets qui vibrent et font du bruit.
- Le gaz réfrigérant interne produit un léger bruit même quand le compresseur est à l'arrêt : il ne s'agit pas d'un défaut, c'est tout à fait normal.
- Il s'agit du fonctionnement normal du produit.
- Le trou d'évacuation de l'eau est bouché (*voir Entretien*).

F


Avant de contacter le centre d'Assistance :

- Vérifiez si vous pouvez résoudre l'anomalie vous-même (*voir Anomalies et Remèdes*).
- Si, malgré tous ces contrôles, l'appareil ne fonctionne toujours pas et l'inconvénient persiste, faites appel au service après-vente le plus proche de chez vous.

Signalez :

- le type d'anomalie
- le modèle de l'appareil (Mod.)
- le numéro de série (S/N)

Vous trouverez tous ces renseignements sur l'étiquette signalétique placée dans le compartiment réfrigérateur en bas à gauche.

modèle				numéro de série			
Mod. RG 2330		TI	Cod. 93139180000		S/N 704211801		
240 V-	Hz	150 W	W	Fuse	A	Max 15	
Total	340	75		Freez.	Capac	Class	
Gross Bruto Brut		Gross Bruto Brut	Net Util Utile	Gross Bruto Brut	Poder de Cong kg/24 h	Classe N	
Compr. Syst.	R 134 a	Test	Pressure HIGH-235				
Kompr.	kg 0.090	P.S.-I.	LOW 140				
Made in Italy 13918							

Ne faites jamais appel à des techniciens non agréés et refusez toujours des pièces détachées non originales.



English, 1



Français, 9



Deutsch, 17

BTS 1620 EU

Inhaltsverzeichnis

Installation, 18

Aufstellort und elektrischer Anschluss

Beschreibung Ihres Gerätes, 19

Geräteansicht

Inbetriebsetzung und Gebrauch, 20

Einschalten Ihres Gerätes

Optimaler Gebrauch des Kühlschranks

Wartung und Pflege, 21

Abschalten Ihres Gerätes vom Stromnetz

Reinigung Ihres Gerätes

Vermeidung von Schimmelpilz- und Geruchsbildung

Abtauen Ihres Gerätes

Lampenaustausch

Vorsichtsmaßnahmen und Hinweise, 22

Allgemeine Sicherheit

Entsorgung

Energie sparen und Umwelt schonen

Störungen und Abhilfe, 23

Kundendienst, 24



ARISTON



Installation

DE

! Es ist äußerst wichtig, diese Bedienungsanleitung sorgfältig aufzubewahren, um sie jederzeit zu Rate ziehen zu können. Sorgen Sie dafür, dass sie im Falle eines Umzugs oder Übergabe an einen anderen Benutzer das Gerät stets begleitet, damit auch der Nachbesitzer die Möglichkeit hat, diese zu Rate zu ziehen.

! Lesen Sie bitte folgende Hinweise aufmerksam durch, sie liefern wichtige Informationen hinsichtlich der Installation, dem Gebrauch und der Sicherheit.

Aufstellort und elektrischer Anschluss

Aufstellort

1. Stellen Sie das Gerät in einem gut belüfteten und trockenen Raum auf.
2. Die hinteren Belüftungsöffnungen dürfen nicht zugestellt bzw. abgedeckt werden: Kompressor und Kondensator geben Wärme ab und benötigen eine gute Belüftung um optimal zu arbeiten und den Stromverbrauch nicht unnötig zu erhöhen
3. Stellen Sie das Gerät fern von Wärmequellen auf (Sonnenlicht, Elektroherd).

Elektrischer Anschluss

Warten Sie nach dem Transport etwa 3 Stunden, bevor Sie das Gerät an das Elektronetz anschließen. Vor Einfügen des Steckers in die Steckdose ist sicherzustellen, dass

- die Steckdose über eine normgerechte Erdung verfügt;
- die Steckdose die auf dem Typenschild (befindlich im Kühlschrank unten links) angegebene max. Leistungsaufnahme des Gerätes trägt (z.B. 150 W);
- die Netzspannung den auf dem Typenschild (befindlich in der Kühlzone unten links) angegebenen Werten entspricht z.B. 220-240 V);
- die Steckdose mit dem Netzstecker übereinstimmt. Sollte dies nicht der Fall sein, dann lassen Sie den Stecker durch autorisiertes Fachpersonal (*siehe Kundendienst*) austauschen; verwenden Sie auf keinen Fall Verlängerungen oder Vielfachsteckdosen.

! Netzkabel und Stecker müssen bei installiertem Gerät leicht zugänglich sein.

! Das Netzkabel darf nicht gebogen bzw. eingeklemmt werden.

! Das Kabel muss regelmäßig kontrolliert werden und darf nur durch autorisiertes Fachpersonal ausgetauscht werden (siehe Kundendienst).

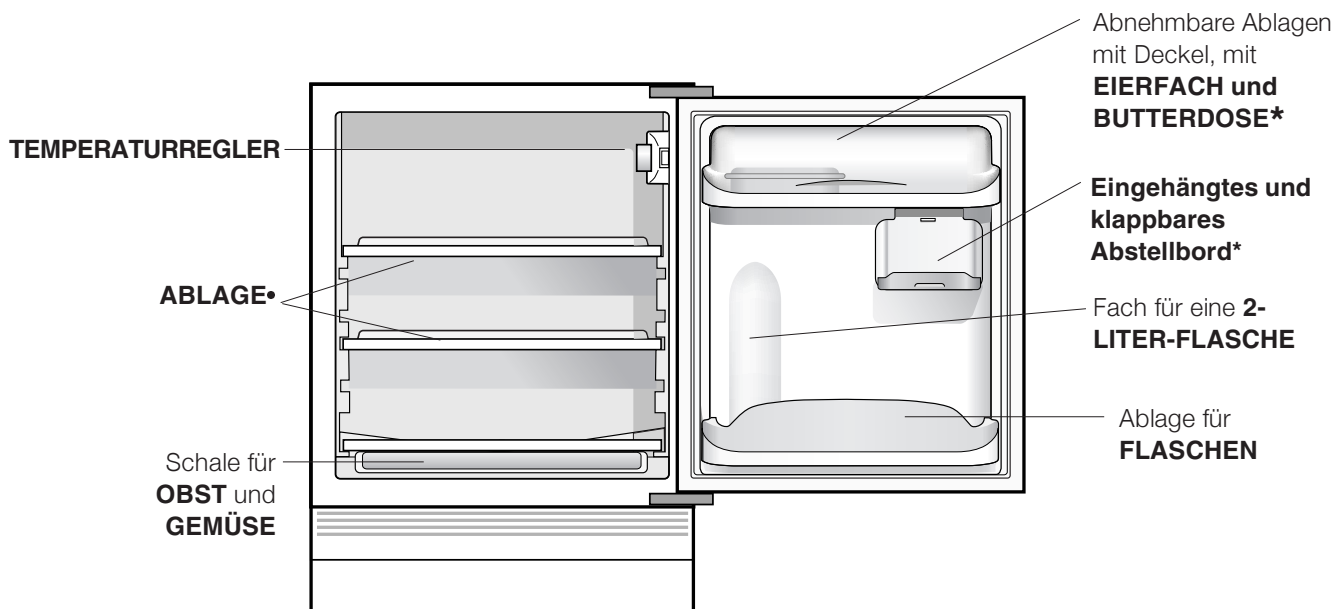
! Der Hersteller lehnt jede Verantwortung ab, falls diese Vorschriften nicht eingehalten werden sollten.

Beschreibung Ihres Gerätes

Geräteansicht

DE

Die Gebrauchsanleitungen gelten für mehrere Gerätemodelle. Demnach ist es möglich, dass die Abbildung Details enthält, über die Ihr Gerät nicht verfügt. Die Beschreibung weiterer Komponenten ersehen Sie auf nachfolgender Seite.



• Unterschiedliche Anzahl und Platzierung.

* Nicht bei allen Modellen.

Inbetriebsetzung und Gebrauch

DE

Einschalten Ihres Gerätes

! Bevor Sie Ihr Gerät in Betrieb setzen, beachten Sie bitte aufmerksam die Installationshinweise (*siehe Installation*).

! Bevor Sie das Gerät anschließen, müssen die Fächer und das Zubehör gründlich mit lauwarmem Wasser und Bikarbonat gereinigt werden.

1. Stecken Sie den Netzstecker in die Steckdose und stellen Sie sicher, dass sich die Innenbeleuchtung einschaltet.
2. Drehen Sie den TEMPERATURSCHALTER auf einen mittleren Wert. Nach einigen Stunden können die Lebensmittel in den Kühlschrank eingeräumt werden.

Optimaler Gebrauch des Kühlschranks

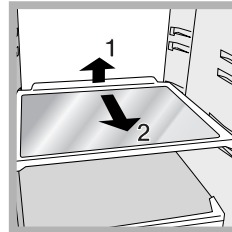
Die Innentemperatur des Kühlschranks wird automatisch geregelt, je nach Einstellung des Thermostatenschalters.

1 = höchste Temperatur **5** = kälteste Temperatur
Es empfiehlt sich, einen mittleren Wert einzustellen. Zur Verbesserung der Ästhetik sowie zur Erhöhung des Nutzvolumens, ist in der Rückwand des Kühlteils ein Rückwandverdampfer integriert. Dieser ist daher abwechselnd mit Reif oder Wassertropfen bedeckt, je nach dem ob der Kompressor in Funktion ist oder nicht. Keine Sorge! Der Kühlschrank arbeitet völlig normal. Beides ist ganz normal. Wird der TEMPERATURSCHALTER auf hohe Werte eingestellt, und werden bei hohen Umgebungstemperaturen große Lebensmittelmengen gelagert, ist es möglich, dass der Kompressor laufend arbeitet und demnach die Reifbildung und der Energieverbrauch ansteigt. Um dies zu vermeiden, drehen Sie den Schalter auf niedrigere Werte (es wird automatisch abgetaut). Bei den statischen Geräten zirkuliert die Luft auf natürliche Weise: Die Kaltluft sinkt nach unten, da sie schwerer ist. So werden die Lebensmittel korrekt gelagert:

Lebensmittel	Lagerplatz im Kühlschrank
Fleisch und gesäuerter Fisch	Im Fach oberhalb der Obst- und Gemüseschale
Frischkäse	Im Fach oberhalb der Obst- und Gemüseschale
Gekochte Speisen	In jedem beliebigen Fach
Salami, Toastbrot, Schokolade	In jedem beliebigen Fach
Obst und Gemüse	In der Obst- und Gemüseschale
Eier	Im entsprechenden Türbord
Butter und Margarine	Im entsprechenden Türbord
Flaschen, Getränke, Milch	Im entsprechenden Türbord

- Legen Sie nur abgekühlte, höchstensfalls lauwarme, niemals heiße Speisen ein (*siehe Vorsichtsmaßregeln und Hinweise*).

- Bitte beachten Sie, dass gekochte Speisen nicht länger halten als rohe Speisen.
- Bewahren Sie keine Flüssigkeiten in offenen Behältern auf: sie würden die Feuchtigkeit erhöhen und demzufolge Kondensbildung verursachen.



ABLAGE: glattflächig oder in Gitterform.

Sie können herausgezogen und dank entsprechender Führungen (*siehe Abbildung*), höhenverstellt werden, um auch große Behältnisse unterbringen zu können. Zur Höhenverstellung ist es nicht erforderlich, die Ablage ganz

herauszuziehen.

Käsethermometer: zur Ermittlung des kältesten Bereichs des Kühlschranks speziell für Weichkäse (Symbol OK bei ca. +5 °C ersichtlich).

1. Vergewissern Sie sich, dass auf der Anzeige die Aufschrift OK klar und deutlich zu sehen ist (*siehe Abbildung*).



2. Erscheint die Anzeige OK nicht, ist die Temperatur zu hoch. Stellen Sie anhand des Schalters KÜHLSCHRANK eine höhere Stufe (kälter) ein und warten sie ca. 10 Std. bis die Temperatur konstant bleibt.
3. Kontrollieren Sie den Käsethermometer erneut, und regulieren Sie ggf. die Temperatur noch einmal nach. Wurden zu große Lebensmittelmengen gelagert, oder die Gerätetür zu oft geöffnet, dann ist es ganz normal, dass das Käsethermometer kein OK anzeigt. Warten Sie mindestens 10 Std., bevor die den Schalter KÜHLSCHRANK auf eine höhere Stufe drehen.

Lebensmittelhygiene

1. Entfernen Sie nach dem Erwerb der Nahrungsmittel jedwede äußere Verpackung aus Papier/Karton oder andere äußere Umhüllungen, durch die Bakterien oder Schmutz in den Kühlschrank gelangen könnten.
2. Sorgen Sie dafür, dass die Nahrungsmittel (insbesondere die leicht verderblichen und diejenigen mit starkem Eigengeruch/ Eigengeschmack) nicht direkt untereinander in Kontakt kommen. Auf diese Weise verringert sich das Risiko der Verbreitung von Keimen/Bakterien oder der Verbreitung von starkem Eigengeruch bzw. Eigengeschmack im Inneren des Kühlschranks.
3. Ordnen Sie die Nahrungsmittel nicht zu dicht aneinander an, sodass die Luft im Inneren des Geräts frei zirkulieren kann.
4. Reinigen Sie das Innere des Kühlschranks regelmäßig. Verwenden Sie dazu keine Oxidations- oder Scheuermittel.
5. Nehmen Sie die Nahrungsmittel, deren max. Haltbarkeitsdatum verstrichen ist, aus dem Kühlschrank.
6. Bewahren Sie leicht verderbliche Nahrungsmittel (Weichkäse, roher Fisch, Fleisch etc.) im kältesten Bereich des Kühlschranks auf, das heißt also über den Gemüseschalen, wo sich die Temperaturanzeige befindet.

Abschalten Ihres Gerätes vom Stromnetz

Bei Reinigungs- und Wartungsmaßnahmen muss das Gerät durch Herausziehen des Netzsteckers vom Stromnetz getrennt werden.

Es genügt nicht, den Temperaturschalter auf Position ● (Gerät ausgeschaltet) zu drehen, um jeglichen Stromkontakt auszuschließen.

Reinigung Ihres Gerätes

- Das Gehäuse des Gerätes, außen und innen, sowie die Türdichtungen können mit einem mit Wasser und Bikarbonat oder einer milden Spüllauge getränkten Schwamm gereinigt werden. Vermeiden Sie Löse-, Scheuer-, Bleichmittel oder Ammoniak.
- Das Zubehör kann herausgenommen und in einer warmen Spüllauge gereinigt werden. Anschließend sorgfältig klarspülen und trockenreiben.

Vermeidung von Schimmelpilz- und Geruchsbildung

- Das Gerät wurde mit hygienischen Materialien gefertigt, die keine Gerüche übertragen. Um diese Eigenschaft nicht zu verlieren, sind die Lebensmittel stets gut verschlossen bzw. verpackt zu lagern. Hierdurch wird auch die Bildung von Flecken vermieden.
- Soll das Gerät für längere Zeit stillgelegt werden, reinigen Sie den Innenraum und lassen Sie die Gerätetür offenstehen.

Abtauen Ihres Gerätes

! Verfahren Sie hierzu wie nachstehend beschrieben.

Der Kühlschrank taut automatisch ab: Das Tauwasser wird nach hinten durch eine kleine Ablauföffnung (*siehe*

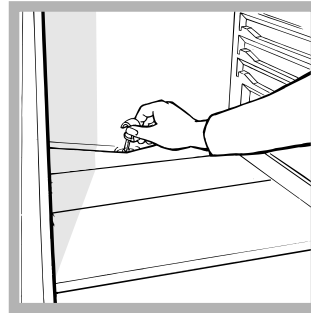
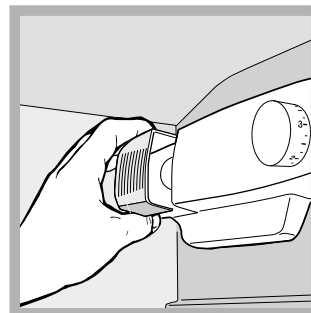


Abbildung) abgeleitet, wo es dank der vom Kompressor erzeugten Wärme verdampft.

Diese kleine Öffnung sollte jedoch regelmäßig gereinigt werden, damit das Tauwasser unbehindert ablaufen kann.

Lampenaustausch

Zum Austausch der Lampe der Kühlschrankbeleuchtung muss der Netzstecker aus der Steckdose gezogen werden. Verfahren Sie wie nachfolgend beschrieben.



Öffnen Sie die Lampenabdeckung wie auf der Abbildung veranschaulicht. Ersetzen Sie die Lampe durch eine neue derselben Leistung und Bauform (auf der Schutzabdeckung angegeben)(15 W oder 25 W).

Vorsichtsmaßnahmen und Hinweise

DE

! Das Gerät wurde nach den strengsten internationalen Sicherheitsvorschriften entworfen und gebaut. Nachstehende Hinweise werden aus Sicherheitsgründen geliefert und sollten aufmerksam gelesen werden.



Dieses Gerät entspricht den folgenden EG-Richtlinien:

- 73/23/EWG vom 19.02.73 (Niederspannung) und nachfolgenden Änderungen.



- 89/336/EWG vom 03.05.89 (elektromagnetische Verträglichkeit) und nachfolgenden Änderungen.

- 2002/96/CE..

Allgemeine Sicherheit

- Dieses Gerät ist für den nicht professionellen Einsatz im privaten Haushalt bestimmt.
- Das Gerät ist zum Kühlen und Einfrieren von Lebensmitteln zu verwenden, und nur von Erwachsenen gemäß den Hinweisen der vorliegenden Gebrauchsanweisung zu benutzen.
- Der Kühl-/ und Gefrierkombi darf nicht im Freien aufgestellt werden, auch nicht, wenn es sich um einen geschützten Platz handelt. Es ist gefährlich, das Gerät Gewittern und Unwettern auszusetzen.
- Berühren Sie das Gerät nicht, wenn Sie barfuß sind, und auch nicht mit nassen oder feuchten Händen oder Füßen.
- Berühren Sie nicht den Rückwandverdampfer: es besteht Verletzungsgefahr.
- Ziehen Sie den Gerätestecker nicht am Netzkabel aus der Steckdose, sondern nur am Stecker selbst.
- Vor allen Reinigungs- und Wartungsmaßnahmen muss der Netzstecker gezogen werden. Es genügt nicht, den TEMPERATURSCHALTER auf Position ● (Gerät ausgeschaltet) zu drehen, um jeglichen Stromkontakt auszuschließen.
- Bei etwaigen Störungen versuchen Sie bitte nicht, das Gerät selbst zu reparieren.
- Verwenden Sie im Innern der Gefriergutlagerfächer bitte keine scharfen oder spitzen Gegenstände oder Elektrogeräte, sondern nur die vom Hersteller erlaubten Hilfsmittel.
- Eiswürfel nicht sofort in den Mund nehmen.
- Erlauben Sie Kindern nicht, mit dem Gerät zu spielen. Auf keinen Fall dürfen sie sich auf die Gefrierzonenschalen setzen, oder sich an die Tür hängen.
- Verpackungsmaterial ist kein Spielzeug für Kinder.

Entsorgung

- Entsorgung des Verpackungsmaterials: Befolgen Sie die lokalen Vorschriften, Verpackungsmaterial kann wiederverwertet werden.
- Gemäß der Europäischen Richtlinie 2002/96/EC über Elektro- und Elektronik-Altgeräte (WEEE) dürfen Elektrohaushalts-Altgeräte nicht über den herkömmlichen Haushaltsmüllkreislauf entsorgt werden. Altgeräte müssen separat gesammelt werden, um die Wiederverwertung und das Recycling der beinhalteten Materialien zu optimieren und die Einflüsse auf die Umwelt und die Gesundheit zu reduzieren. Das Symbol „durchgestrichene Mülltonne“ auf jedem Produkt erinnert Sie an Ihre Verpflichtung, dass Elektrohaushaltsgeräte gesondert entsorgt werden müssen. Endverbraucher können sich an Abfallämter der Gemeinden wenden, um mehr Informationen über die korrekte Entsorgung ihrer Elektrohaushaltsgeräte zu erhalten.

Energie sparen und Umwelt schonen

- Stellen Sie das Gerät in einem trockenen, gut belüftbaren Raum auf, nicht direkt in der Sonne oder in der Nähe von Wärmequellen.
- Öffnen Sie die Gerätetür so kurz wie möglich, wenn Sie Lebensmittel lagern oder herausnehmen. Bei jeder Türöffnung geht wertvolle Energie verloren.
- Das Gerät sollte nicht überladen werden: Zur Haltbarkeit der Lebensmittel muss die Kälte frei zirkulieren können. Die Behinderung der Zirkulation hat zur Folge, dass der Kompressor ständig arbeitet.
- Stellen Sie keine warmen Speisen in das Gerät, sie würden die Temperatur erheblich erhöhen und den Kompressor zu einer höheren Leistung zwingen, was eine unnötige Verschwendung an Energie bedeutet.
- Halten Sie die Dichtungen stets effizient und sauber, damit sie ordnungsgemäß an den Türen anhaften und die Kälte nicht entweichen lassen (*siehe Wartung*).

Gerätestörung: Bevor Sie sich an den Technischen Kundendienst wenden (*siehe Kundendienst*), vergewissern Sie sich bitte zuerst, ob es sich um eine Kleinigkeit handelt, die Sie selbst beheben können. Ziehen Sie hierzu nachstehendes Verzeichnis zu Rate.

Störungen:

Die Innenbeleuchtung schaltet nicht ein.

Die Kühlleistung des Kühlschranks ist zu gering.

Der Kühlschrank kühlt zu stark, das Kühlgut gefriert.

Der Motor läuft ununterbrochen.

Das Betriebsgeräusch ist zu stark.

An der Kühlzonen-Rückwand bildet sich Reif oder Wassertropfen.

Auf dem Boden des Kühlschranks steht Wasser.

Mögliche Ursachen / Abhilfe:

- Der Netzstecker steckt nicht in der Steckdose, oder er sitzt nicht fest, so dass kein Kontakt hergestellt wird; oder es besteht ein Stromausfall.
- Die Türen schließen nicht gut bzw. die Dichtungen sind verschlissen.
- Die Türen werden zu oft geöffnet.
- Der TEMPERATURSCHALTER ist nicht richtig eingestellt.
- Der Kühlschrank oder das Gefrierfach wurde zu sehr beladen.
- Die Geräte-Betriebsraumtemperatur liegt unter 14°C.
- Der TEMPERATURSCHALTER ist nicht richtig eingestellt.
- Das Kühlgut kommt mit der Rückwand in Berührung.
- Die Tür ist nicht richtig geschlossen oder wird zu häufig geöffnet.
- Die Umgebungstemperatur ist sehr hoch.
- Das Gerät wurde nicht eben aufgestellt (*siehe Installation*).
- Das Gerät wurde zwischen Möbelteilen oder Gegenständen aufgestellt, die vibrieren und daher zur Geräuschbildung Ihres Gerätes beitragen.
- Das Kühlmittel verursacht ein leises Geräusch auch wenn der Kompressor nicht arbeitet: dies ist kein Fehler sondern ganz normal.
- Es handelt es sich um die normale Funktionsweise des Produkts.
- Die Tauwasserablauföffnung ist verstopft (*siehe Wartung*).


Bevor Sie sich an den Kundendienst wenden:

- Prüfen Sie bitte, ob die Störung nicht selbst behoben werden kann (*siehe Störungen und Abhilfe*).
- Sollte trotz aller Kontrollen das Gerät nicht funktionieren, bzw. die Störung weiter bestehen bleiben, kontaktieren Sie bitte die nächstgelegene technische Kundendienststelle.

Geben Sie bitte Folgendes an:

- die Art der Störung
- das Gerätemodell (Mod.)
- die Modellnummer (S/N).

Entnehmen Sie diese Daten bitte dem Typenschild (befindlich in der Kühlzone unten links).

Modell				Modellnummer			
Mod. RG 2330				TI	Cod. 93139180000		S/N 704211801
240 V-	Hz	150 W	W	Fuse	A	mm	Max 15
Total	340	75				Freez. Capac	Class
Gross Bruto Brut		Gross Bruto Brut	Net Util Utile	Gross Bruto Brut		Poder de Cong kg/24 h	Clase N Classe
Compr. Syst.	R 134 a	Test P.S-I.	Pressure HIGH-235				
Kompr.	kg 0,090		LOW 140				
Made in Italy 13918							

Wenden Sie sich auf keinen Fall an nicht autorisierte Techniker und lassen Sie ausschließlich Original-Ersatzteile einbauen.