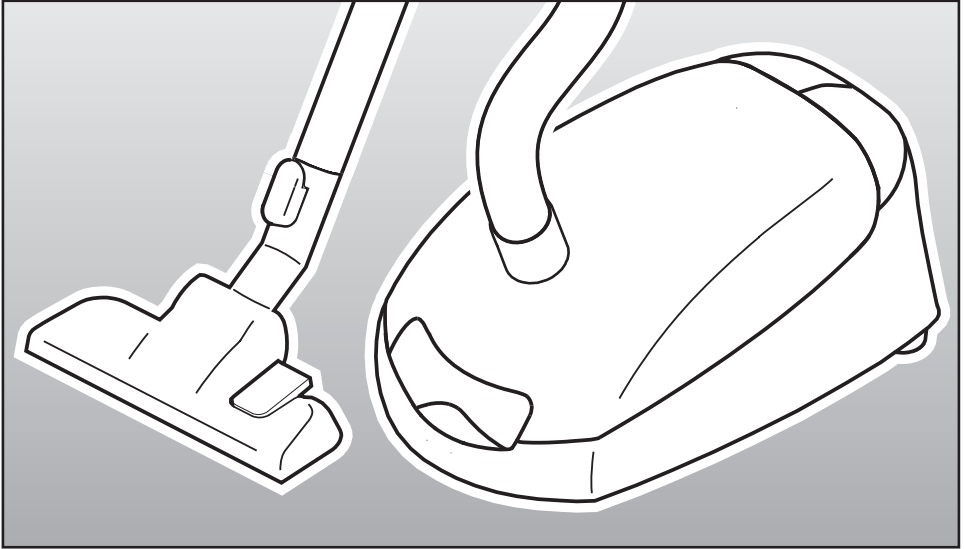


# Miele

## Operating Instructions



## Vacuum Cleaner S 2000

To prevent accidents  
and machine damage,  
read these instructions  
**before**  
installation and use.

**HS12**

en, fr - US, CA

M.-Nr. 07 821 160



<b>IMPORTANT SAFETY INSTRUCTIONS</b> . . . . .	4
<b>Guide to the vacuum cleaner</b> . . . . .	8
<b>Before using the vacuum cleaner</b> . . . . .	10
<b>Included accessories</b> . . . . .	13
<b>Use</b> . . . . .	14
Power cord . . . . .	14
Turning the vacuum On/Off . . . . .	16
Adjusting the suction . . . . .	16
Turning the Powerbrush On/Off . . . . .	17
<b>Transport and storage</b> . . . . .	18
<b>Maintenance and care</b> . . . . .	19
Purchasing new dustbags and filters . . . . .	19
Which dustbags and filters are the right ones? . . . . .	19
When to change the dustbag . . . . .	20
Replacing the dustbag . . . . .	21
When to change the dust compartment filter (Pre-motor filter) . . . . .	22
Replacing the dust compartment filter (Pre-motor filter) . . . . .	22
When to replace the Air Clean exhaust filter . . . . .	22
Replacing the Air Clean filter . . . . .	22
Exchanging exhaust filters . . . . .	23
When to change the Active HEPA exhaust filter . . . . .	23
Replacing the Active HEPA exhaust filter . . . . .	23
When to change the thread catcher on the standard floor brush . . . . .	24
Changing the thread catcher . . . . .	24
<b>Cleaning and care</b> . . . . .	25
<b>Frequently asked questions</b> . . . . .	26
<b>Optional accessories</b> . . . . .	27
<b>Technical Service</b> . . . . .	28
<b>Caring for the environment</b> . . . . .	29

# IMPORTANT SAFETY INSTRUCTIONS

---

When using an electrical appliance, basic precautions should always be followed, including the following:

## READ ALL INSTRUCTIONS BEFORE USING THIS APPLIANCE

### **WARNING-**

**To reduce the risk of fire, electric shock or injury:**

#### **Before Using**

▶ Check the voltage rating of the vacuum cleaner before connecting the power cord to an electrical outlet. Your power source should correspond with the voltage rating plate located on the underside of the vacuum. Use only household AC outlets. Never use DC power sources. If you are not sure of your home's voltage supply, consult a qualified electrician. Connecting the vacuum cleaner to a higher voltage may result in damage to the vacuum cleaner or injury.

▶ To reduce the risk of electric shock, this appliance has a polarized plug (one blade is wider than the other.) This plug will fit in a polarized outlet only one way. If the plug does not fit fully in the outlet, reverse the plug. If it still does not fit, contact a qualified electrician to install the proper outlet. Do not alter the plug in any way.

▶ A damaged vacuum cleaner can be dangerous. Check the packaging, vacuum cleaner and accessories for any signs of damage. Do not use a damaged appliance.

▶ Do not use with a damaged cord or plug. If the appliance is not working as it should, has been dropped, damaged, left outdoors or submerged in water, bring it to a service center.

▶ The electrical outlet must be fitted with a 15 A fuse.

# IMPORTANT SAFETY INSTRUCTIONS

---

## Use

- ▶ Do not use on people or animals.
- ▶ Do not use outdoors or on wet surfaces. Only **dry** surfaces should be vacuumed.
- ▶ Use only as described in this manual. Use only Miele recommended accessories described in this manual.
- ▶ This appliance is intended strictly for household use only.
- ▶ Do not allow the vacuum cleaner to be used as a toy. Close attention is necessary when used near children.
- ▶ Never use the vacuum cleaner without the dustbag or filters in place. Otherwise, it could be damaged.
- ▶ If the dustbag is not inserted, the dust compartment lid will not close. Do not force it shut.
- ▶ Do not leave the vacuum plugged in. Unplug it from the outlet when not in use and before servicing.
- ▶ On the underside of the vacuum hand piece is a metal insert designed to absorb static electricity. Please make certain that your hand remains around this metal insert when vacuuming.
- ▶ Persons who lack physical, sensory, or mental capabilities or experience with the machine should not use it without supervision or instruction by a responsible person.
- ▶ Unwind the cord completely to aid the vacuum in dissipating heat.
- ▶ This vacuum should not be used to entrap or retain any hazardous materials.
- ▶ Do not use the vacuum cleaner to pick up liquids or damp dirt. This could impair the electrical safety of the vacuum cleaner. Wait for freshly shampooed carpets to dry.
- ▶ Do not vacuum anything that is burning or smoking such as cigarettes, matches or hot ashes. The vacuum could catch fire.
- ▶ Do not vacuum toner dust. Toner, such as that used in printers and photocopiers can conduct electricity.
- ▶ Do not use the vacuum to pick up any flammable or combustible liquids such as gasoline or use in areas where they may be present.
- ▶ Do not vacuum up items which are heavy, hard or have sharp edges. They could cause a blockage and damage the appliance.
- ▶ Do not pull or carry by the cord, use the cord as a handle, close a door on the cord, or pull the cord around sharp edges or corners. Do not run the appliance over the cord. Keep the cord away from heated surfaces.
- ▶ Do not unplug by pulling the cord. To unplug grasp the plug, not the cord.
- ▶ Do not handle the plug or vacuum with wet hands.

# IMPORTANT SAFETY INSTRUCTIONS

---

- ▶ Keep hair, loose clothing, fingers, and all parts of body away from openings and moving parts.
- ▶ To avoid risk of injury while vacuuming, do not reach into the moving beater bar of the Powerbrush. Danger of injury.
- ▶ Do not place anything into the openings of the vacuum. Do not use if any openings are blocked; keep them free of dust, lint, hair or anything that may reduce air flow.
- ▶ This appliance is equipped with a power cord reel. Hold the plug when rewinding onto cord reel. Do not allow plug to whip when rewinding.
- ▶ Turn off all controls before unplugging.
- ▶ Use caution when vacuuming on stairs.
- ▶ Floor attachments, accessories and wands must not be used at head level to avoid injuries to the eyes and ears.

## Using accessories

- ▶ The hose and telescopic wand contain electrical wires. Do not use the vacuum cleaner if these parts are damaged, cut or punctured. Avoid picking up sharp objects. There is the risk of electric shock.
- ▶ Unplug the vacuum when changing accessories, especially when using the Powerbrush.
- ▶ The socket on the vacuum cleaner is only to be used for the Miele Powerbrush.
- ▶ The Miele Powerbrush is a motor-driven accessory for use only with Miele vacuum cleaners. The vacuum must not be used with another manufacturer's Powerbrush.
- ▶ Do not use the vacuum without an accessory attached. The rim could be damaged and injuries could result from sharp edges.
- ▶ Miele dustbags are disposable and intended to be used only once. Do not attempt to reuse them. An over stuffed dustbag will reduce the efficiency of the vacuum cleaner.
- ▶ Only use genuine Miele dustbags with the Miele quality signet and original Miele filters and accessories. Only then will the manufacturer guarantee its safety.
- ▶ Always turn off this appliance before connecting or disconnecting either hose or motorized nozzle.

# IMPORTANT SAFETY INSTRUCTIONS

---

## Cleaning, maintenance and repairs

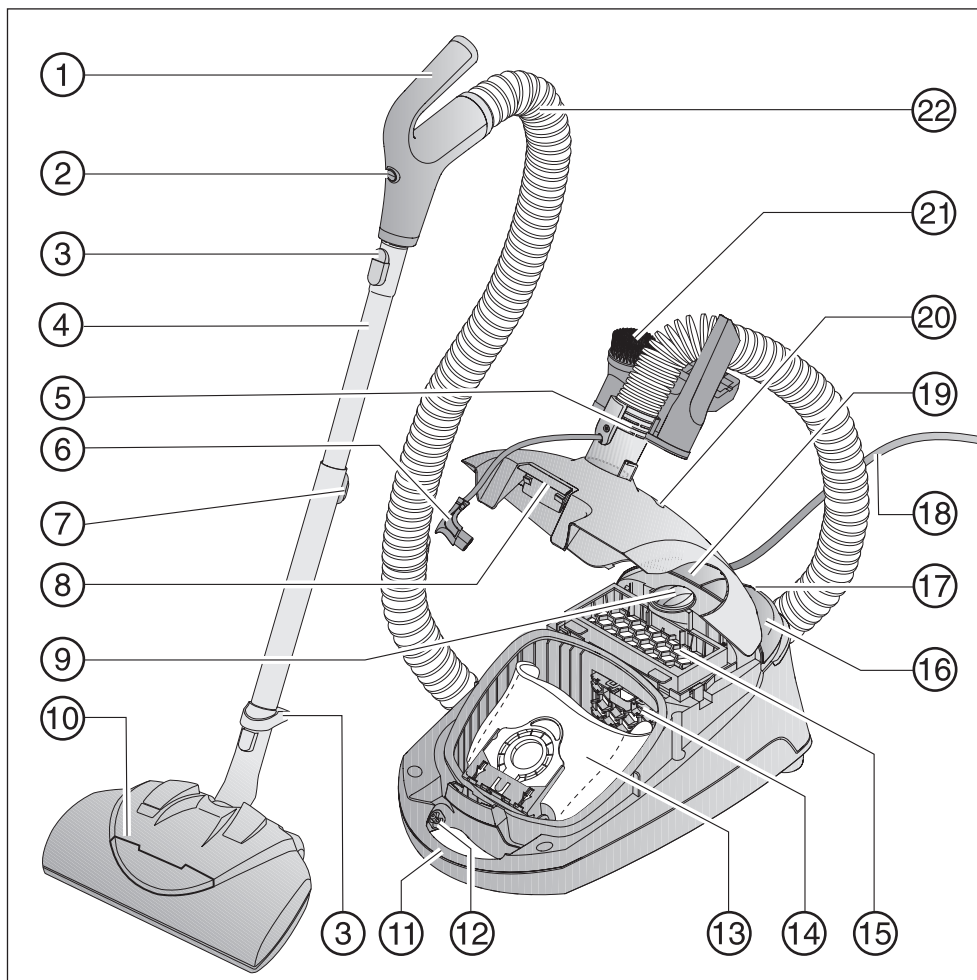
- ▶ Turn the vacuum cleaner off after each use and before every cleaning / maintenance. Pull the plug from the outlet.
- ▶ Never submerge the vacuum cleaner in water. Clean only with a dry cloth or slightly damp cloth when disconnected from the mains supply. If moisture gets into the appliance there is a risk of electrical shock.
- ▶ Monitor the dustbag change indicator and inspect all filters regularly. For best performance, the dustbag and filters should be replaced when necessary. A full bag or blocked filter will reduce the vacuum cleaners' suction power. A temperature limiter automatically switches the vacuum cleaner off if it gets too hot, see "Frequently asked questions".
- ▶ The hose and telescopic wand contain electrical wires. They should not come in contact with water. These items may only be cleaned with a dry cloth. Danger of electric shock.
- ▶ Repairs during the warranty period should only be performed by an authorized service agent in accordance with national and local safety regulations. Unauthorized repairs could cause injury or machine damage and may void the warranty.

## Disposing of an old appliance

- ▶ Before discarding an old vacuum cleaner, please cut off the power cord, and render the plug useless. Ensure the appliance presents no danger to children while being stored for disposal

## SAVE THESE INSTRUCTIONS

# Guide to the vacuum cleaner





- ① Hand piece
- ② On/Off switch for the Powerbrush
- ③ Lock release button
- ④ Electro Telescopic wand SET 220
- ⑤ Elbow
- ⑥ Plug for Electro-accessories
- ⑦ Electro Telescopic wand release button
- ⑧ Dust compartment lid release
- ⑨ Suction power selector
- ⑩ Powerbrush SEB 217-3/EB02 (not shown in these Operating Instructions) / SEB 228/EB03

A separate Operating manual for the respective accessory is supplied with the vacuum.

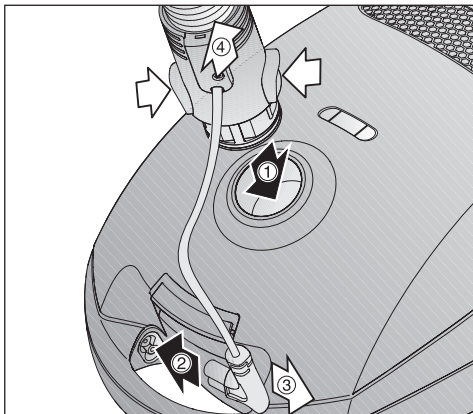
- ⑪ Carrying handle
- ⑫ Socket for Electro-accessories
- ⑬ Dustbag
- ⑭ Dust compartment filter (pre-motor filter)
- ⑮ Exhaust filter
- ⑯ On/Off Ⓛ foot switch
- ⑰ Park-system
- ⑱ Power cord
- ⑲ Cord rewind switch
- ⑳ Airflow indicator
- ㉑ Accessory clip with three tools
- ㉒ Suction hose SES 116

Optional accessories are available from your Miele dealer or [Miele.com](http://Miele.com)

## Before using the vacuum cleaner

### Connecting the Electro hose

- ① Insert the elbow into the suction socket until it clicks into place.
- ② Insert the plug into the socket on the inside of the carrying handle.

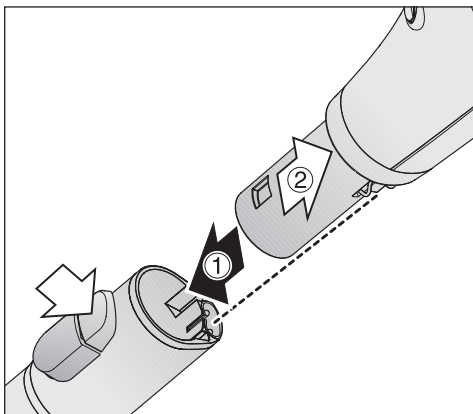


### Disconnecting the Electro hose

- ③ Remove the plug from the socket.
- ④ Press the two release buttons at the sides of the elbow and lift the hose from the socket.

### Connecting the hand piece and the Electro Telescopic wand

- Insert ① the hand piece into the electro telescopic wand until it clicks into place. Use the inlet guides to direct insertion.
- To release the hand piece from the telescopic wand press the locking button (see arrow) and pull ② the hand piece away from the telescopic wand.



## Using the Powerbrush

Observe the cleaning instructions of the floor manufacturer.

The Powerbrush is particularly suitable for cleaning and restoring crushed carpet pile of wall to wall carpeting and floor coverings subject to hard wear, especially in high traffic areas. The Powerbrush can also be used on smooth floor surfaces.

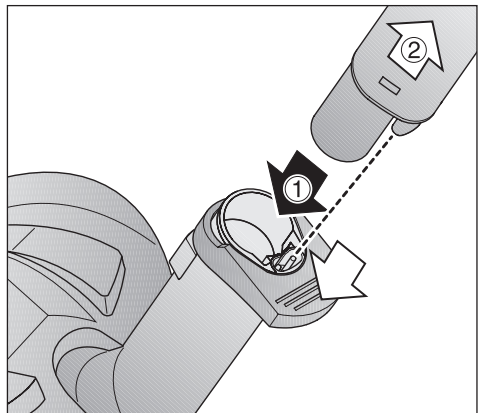
### Do not use the powerbrush on:

- (SEB 217-3/EB02 only) Floors with a variable or uneven surface. The brush could come into contact with the floor and cause damage.
- High quality, hand knotted rugs, for example Berber or Persian rugs, as well as extremely long piled area rugs and carpets. There is a danger of the threads being pulled out. Turn the Powerbrush off to vacuum these types of floor coverings and use only suction.

## Connecting the Powerbrush to the Electro Telescopic wand

- Insert ① the Electro Telescopic wand into the Powerbrush until it clicks into place.
- To release the parts, press the lock release button and pull the wand up and out ②.

For more information on use and care please refer to the instructions supplied with the Powerbrush.



# Before using the vacuum cleaner

## Using the standard floor brush

(depending on model)

Observe the cleaning instructions of the floor manufacturer.

The floor brush is suitable for cleaning carpets, rugs, carpeted stairs and hard surfaces that are not susceptible to scratching.

## Connecting the floor brush

- Place the floor brush into ① the suction hose and twist until it clicks into place.
- To separate the parts ②, press the locking button.

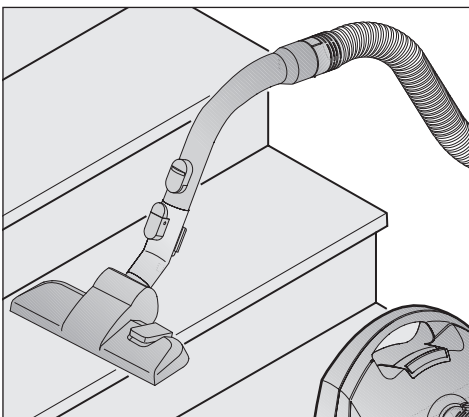
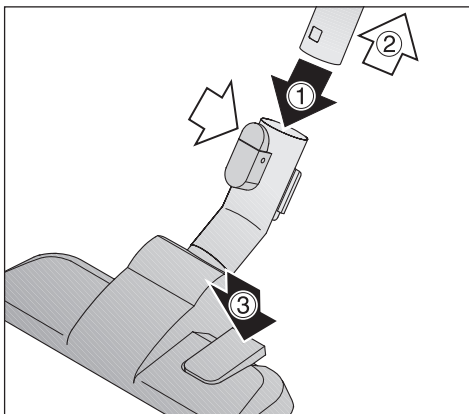
## Adjusting the floor brush ③

For vacuuming carpets and rugs, lower the tool by:

- pressing the foot switch marked .

For cleaning smooth floors, raise the tool by:

- pressing the foot switch marked .



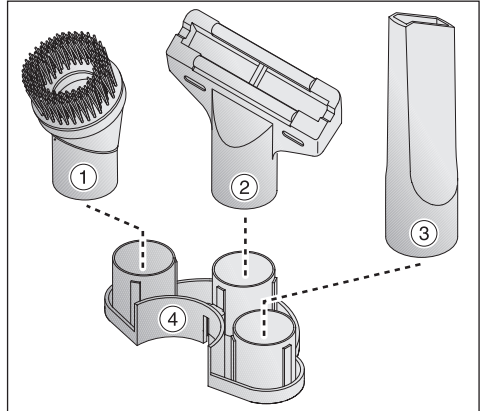
For safety, when vacuuming stairs it is best to start at the bottom and move upwards.

## Included accessories

The following accessories are included:

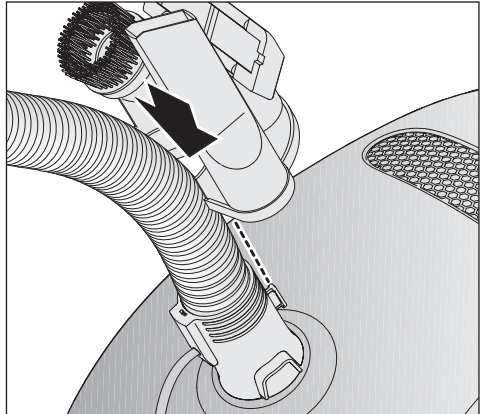
- ① Dust brush with natural bristles
- ② Upholstery tool
- ③ Crevice nozzle
- ④ Accessory clip for the included accessories

Position the accessories as indicated.



### Accessory clip

- Press onto the elbow until it clicks into place.



### Floor brush Parquet-3

(depending on model)


Special brush with natural bristles intended for cleaning parquet and laminate floors, especially those susceptible to scratching.

The parquet floor brush can be cleaned with the vacuum cleaner using the crevice nozzle if necessary.



# Use

## Power cord

 Unwind the cord completely to aid the vacuum in dissipating heat.


Do not pull or carry by the cord, use the cord as a handle, close a door on the cord, or pull the cord around sharp edges or corners. Do not run the appliance over the cord. Keep the cord away from heated surfaces.

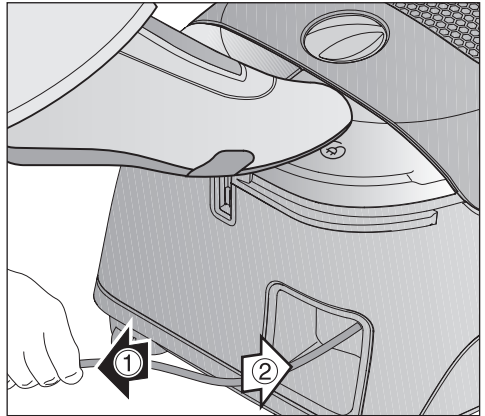
Do not unplug by pulling the cord. To unplug grasp the plug, not the cord.

This appliance is equipped with a power cord reel. Hold the plug when rewinding onto cord reel. Do not allow plug to whip when rewinding.

## Unwinding

- Hold the plug and pull ① out the power cord.

 To reduce the risk of electric shock, the vacuum has a polarized plug (one blade is wider than the other). This plug will fit in a polarized outlet only one way. If the plug does not fit fully in the outlet, contact a qualified electrician. Do not alter the plug in any way.  
Danger of overheating and damage.



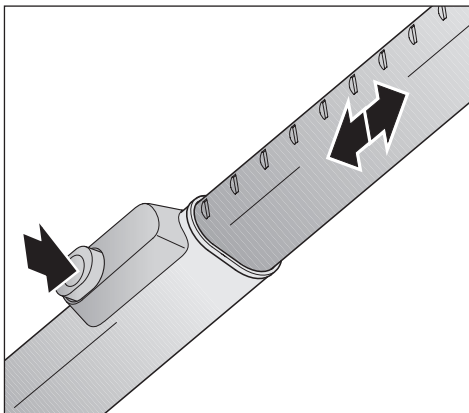
## Rewinding

- Unplug the vacuum from the outlet.
- Press the rewind switch - the power cord will rewind automatically ②.  
Hold the plug so that it does not whip around when rewinding.

## Adjusting the Electro Telescopic suction wand

One part of the electro telescopic wand is fitted inside the other and can be adjusted to your height for comfortable vacuum cleaning.

- Press the telescopic wand release button to release the tubes and adjust to the desired height.



# Use







## Turning the vacuum On/Off

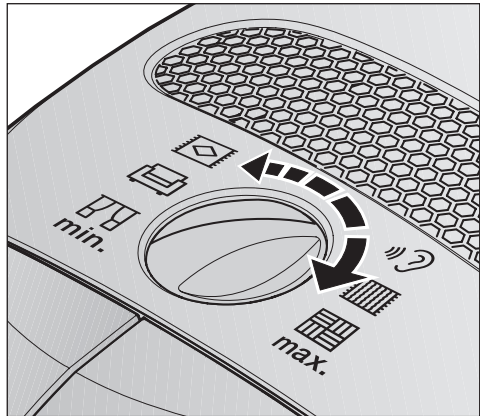
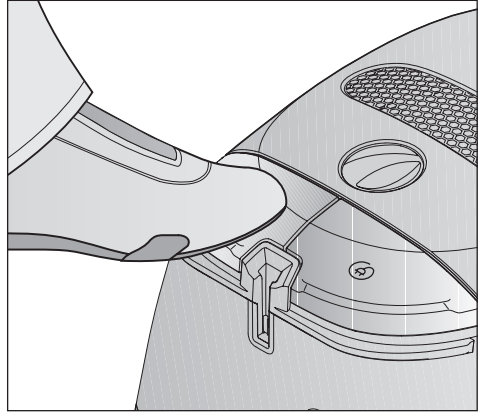
- Press the On/Off foot switch ①.


## Adjusting the suction

You can adjust the suction power to suit the type of flooring. By reducing the suction power the floor brush can be pushed easier.

The symbols on the controls indicate the type of use the settings are suitable for.

-  curtains, lightweight fabrics
  -  upholstery, cushions
  -  thick pile carpets, rugs and runners
  -  energy saving, daily vacuuming with low noise level
  -  lightly soiled textured carpets
  -  textured hard flooring, and for intensive cleaning of carpets
- Turn the suction power selector to the desired setting.



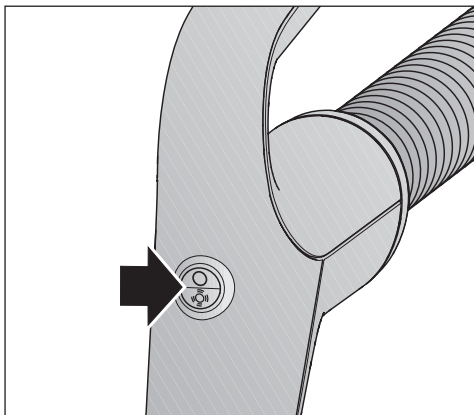
 To prevent static electricity your hand must touch the metal inlay on the underside of the vacuum hand piece. Be certain to continuously touch this inlay when vacuuming fine dust, flour or sawdust as these materials are more likely to create a static discharge. To further prevent static discharge while vacuuming, pull the vacuum along by the hose with one hand while continuing to hold the hand piece in the other hand.



## Turning the Powerbrush On/Off

The Powerbrush is turned on and off separately from the vacuum using the hand piece.

The button allows you to turn off the Powerbrush, e.g. when moving from wall-to-wall carpeting to a persian rug.



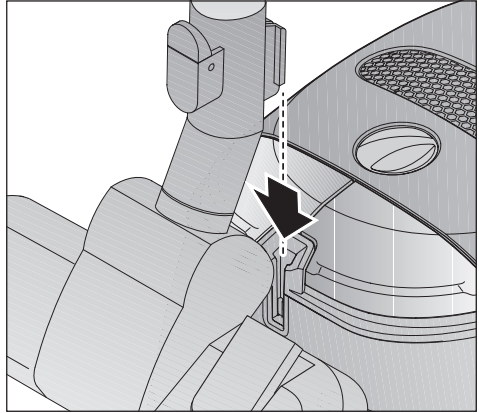
# Transport and storage

## Park system

(unable to be used with the Powerbrush SEB 228/EB03)

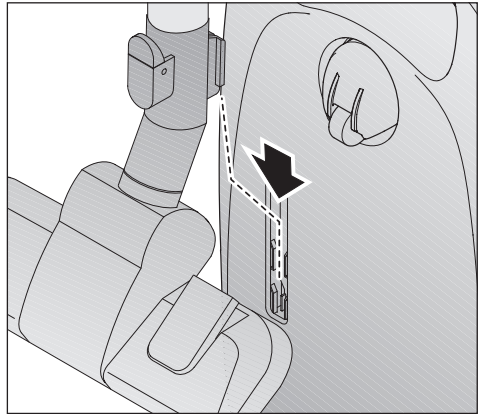
The Park system allows you to conveniently park the telescopic wand on the vacuum cleaner during brief pauses.


- A special parking attachment is fitted to all floor brushes. Insert the lower clip on the floor brush into the slot on the end of the vacuum cleaner from above.



## Transport and storage

- For easier transportation and storage stand the vacuum cleaner vertically.
- Insert the parking clip attachment on the floor tool or floor brush into the parking slot from above (does not apply to Powerbrush SEB 228/EB03).
- To save space, completely collapse the tubes in the telescopic wand.




 Turn off and unplug the vacuum cleaner before performing any maintenance work.

The Miele filter system consists of the following three components.

- Dustbag
- Exhaust filter
- Dust compartment filter

Each of these components must be changed periodically to maintain the vacuum cleaner's efficiency.

Only use Miele dustbags, filters and accessories with the "Original Miele" logo. Only then can the suction power of the vacuum cleaner reach its optimum potential creating the best possible cleaning results.

 The use of dustbags made of paper or a similar material, or dustbags with a cardboard retaining plate can lead to serious damage to the vacuum cleaner and possibly voiding the warranty, just as with the use of dustbags without the "Original Miele" logo.

### Purchasing new dustbags and filters

Original Miele dustbags and filters can be purchased from an authorized Miele vacuum dealer or by visiting the Miele store at <http://store.miele.com>.

### Which dustbags and filters are the right ones?

This vacuum cleaner uses Original Miele dustbags Type **G/N** and an Original Miele filters, the "Original Miele" Logo will appear on the packaging or directly on the dustbag.



An "Air clean" exhaust filter and a dust compartment filter are supplied with every box of Miele dustbags. If you would like to purchase additional Miele filters separately, contact your vacuum dealer or Miele, please quote the model number of your Miele vacuum cleaner to ensure correct parts are ordered. These parts are also available to order from the online Miele store.

The exhaust filter supplied with the vacuum cleaner can be exchanged with another type of Original Miele filter (see "Exchanging exhaust filters").

## Maintenance and care

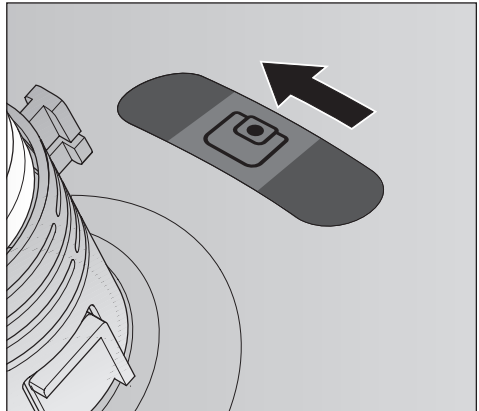
### When to change the dustbag

Change the dustbag when the colored marker in the airflow indicator fills the display.

Miele dustbags are disposable and made to be used only once. Do not attempt to reuse.

### Checking the airflow indicator

- Attach the standard floor brush (depending on model) to the vacuum cleaner. Perform this test with the floor brush only, other attachments can affect the function of the airflow indicator.
- Turn the vacuum cleaner on and select the highest power setting.
- Lift the floor brush slightly off the floor. If the marker completely fills the indicator window, the dustbag needs to be changed.



### How the airflow indicator works

The airflow indicator is designed to show when the bag is full of common household dust and measures the amount of air flow through the dustbag. Normal household dust is a mixture of dust, hair, carpet fluff, threads, sand, etc.

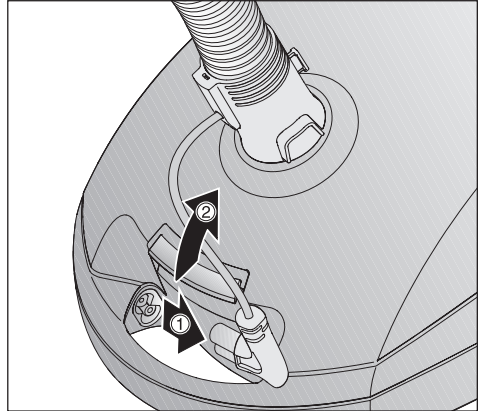
However, if fine dust, such as drill dust, sand, plaster or flour is vacuumed, the pores of the dustbag may become blocked. The marker will indicate that the bag is "full" even when it is not. The dustbag should be changed as the suction power is greatly reduced.

If the bag is bulging with pet fur, hair, carpet fluff, etc. the indicator may not register "full". This is because the air flow of the dustbag may still be high enough not to activate the marker to show maximum. The dustbag should still be changed.

## Replacing the dustbag

- Pull ① the plug from the socket.
- Open ② the dust compartment lid and raise until it clicks into place.

The dustbag has a closing flap which closes automatically when the dust compartment lid is raised to prevent any dust from escaping.

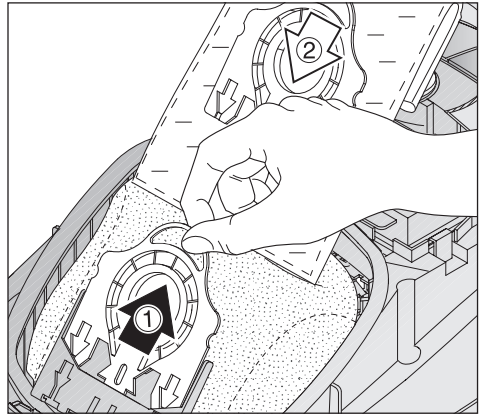



- Grasp the finger grip and pull ① the dustbag out of the holder.

- Insert ② the new dustbag as far as it will go into the dustbag holder. Do not unfold the dustbag when taking it out of the box.

- Unfold the dustbag in the dust compartment.

- Close the dust compartment lid until it clicks into place. Take care not to jam the dustbag in the lid.



 An empty-operation-barrier blocks the dust compartment lid from closing if no dustbag is inserted. Do not force it closed.

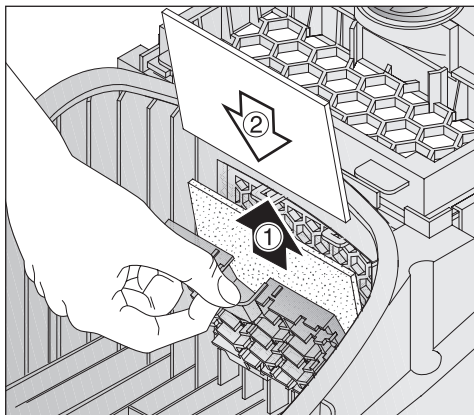
## Maintenance and care

### When to change the dust compartment filter (Pre-motor filter)

Change the filter each time you open a new box of genuine Miele dustbags. A dust compartment filter is supplied with each box.

### Replacing the dust compartment filter (Pre-motor filter)

- Open the dust compartment lid.
- Open the filter frame, remove the old filter, and insert a new filter.
- Close the filter frame.
- Close the dust compartment lid.



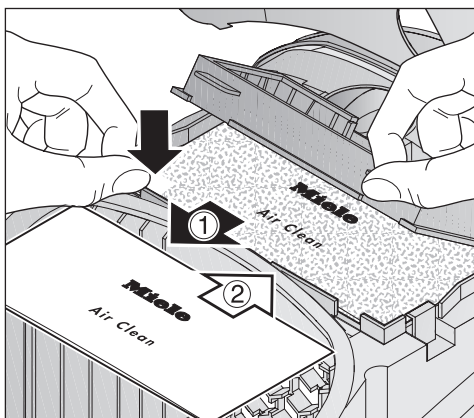
### When to replace the Air Clean exhaust filter

Each time a new box of Miele dustbags is opened, this filter should be changed. A new Air Clean exhaust filter is included in every box of Miele dustbags.

### Replacing the Air Clean filter

Do not use more than one filter at a time.

- Open the dust compartment lid.
- Open the filter frame until it clicks, grasp the clean corner (see arrow) and remove the used filter ①.
- Insert the new filter ②.
- Close the filter frame.
- Close the dust compartment lid.



## Exchanging exhaust filters

Depending on the model, there may also be an Active HEPA exhaust filter included which can be used instead of the standard Air Clean exhaust filter.

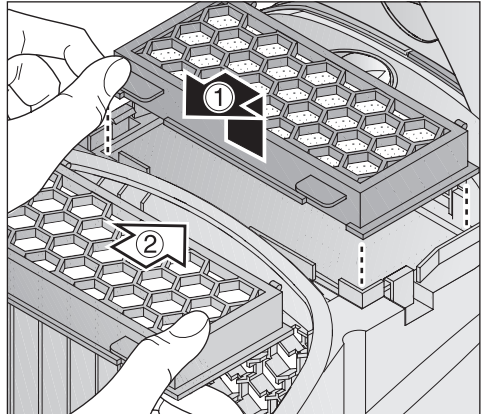
In order to use the Active HEPA filter the Air Clean filter and filter frame must be removed.

## When to change the Active HEPA exhaust filter

Change this filter approximately once a year. You can make a note of the date directly on the exhaust filter.

## Replacing the Active HEPA exhaust filter

- Open the dust compartment lid.
- Remove the used exhaust filter ①.
- Insert a new filter ②.
- Close the dust compartment lid.



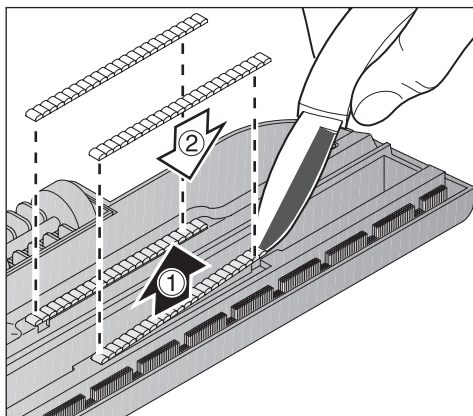
## Maintenance and care

### When to change the thread catcher on the standard floor brush

The thread catcher on the floor brush should be replaced as soon as they appear worn.


### Changing the thread catcher

- Using a knife or similar object, lift the thread catcher out of the slot by the red marking on the side ①.
- Insert a new thread catcher into the slots ②.




New thread catcher pads can be purchased from any authorized Miele vacuum dealer or Miele.



 Turn off the vacuum and unplug it from the outlet before performing any maintenance work.

### Vacuum cleaner and accessories


The vacuum cleaner and other plastic accessories can be cleaned with a damp cloth or a cleaner suitable for plastics.

 Do not use abrasive, glass or all purpose cleaners! They will damage the surface.

### Dust compartment


The dust compartment can, if necessary, be cleaned using a **dry** cloth, dusting brush or a second vacuum to remove any dust.

Monitor the airflow indicator and inspect all filters regularly. Clean or replace them when necessary according to these Operating Instructions.

 Do not submerge the vacuum in water. If moisture gets into the appliance there is the risk of an electric shock.

## Frequently asked questions

---

 Turn off and unplug the vacuum cleaner before performing any maintenance work.

### **What if the vacuum turns off automatically?**

The vacuum has overheated. The temperature limiter automatically turns the vacuum off.

This can occur if, for instance, large articles block the suction tube or when the filter bag is full or contains particles of fine dust. A heavily soiled exhaust or dust compartment filter can also be the cause of overheating. Turn the vacuum off and pull the plug from the outlet.

Check for any blockages and allow the vacuum to cool for 30 minutes.

### **Turbobrush Turbo Comfort - 3**

The Turbobrush is intended for cleaning short to medium pile carpeting. It is mechanically driven by the suction power of the vacuum. In addition to dust particles it also removes stubbornly adhered threads, hairs, fluff, etc.

Observe the cleaning instructions of the floor manufacturer.

### **Hand Turbobrush Turbo Mini**

The Hand Turbobrush is intended for vacuuming upholstery, mattresses, car seats, carpeted stairs and other areas inaccessible with the standard Turbobrush.

### **Floor brush Hardfloor - 3**

To vacuum sturdy hard floors, e.g. tiles and stone floors.

### **Floor brush Parquet - 3**

Special brush with natural bristles intended for cleaning parquet and laminate floors, especially those susceptible to scratching.

The parquet floor brush can be cleaned with the vacuum cleaner using the crevice nozzle if necessary.

### **Floor brush Parquet Twister**

For cleaning all hard flooring, e.g. parquet and tiles. Especially suitable for vacuuming niches and tight spaces.

### **Floor brush Parquet Twister XL**

This floorbrush is 3 ½" (90 mm) wider than the **Parquet Twister** floor brush and has a swivel joint making it ideal for cleaning larger floor areas.

# Technical Service

---

## After sales service

In the event of a fault which you cannot fix yourself please contact the Miele Service Department at the phone number listed on the back of this booklet.

- Please quote the model type of your appliance.

This can be found on the data plate on the bottom of the vacuum.

### **Disposal of packing materials**

The cardboard box and packing materials protect the appliance during shipping.

Ensure that any plastic wrappings, bags, etc. are disposed of safely and kept out of the reach of children. These items pose a danger of suffocation.

### **Disposing of the dustbag and filters**

These are made from environmentally friendly materials and can be placed in the regular household garbage. However, if the dustbag contains prohibited waste, contact your local waste collection center for disposal instructions.





**Please have the model and serial number of your appliance available before contacting Technical Service.**

---



**U.S.A.  
Miele, Inc.**

**National Headquarters**

9 Independence Way  
Princeton, NJ 08540  
Phone: 800-843-7231  
609-419-9898  
Fax: 609-419-4298  
[www.miele.com](http://www.miele.com)

**Technical Service & Support  
Nationwide**

Phone: 800-999-1360  
Fax: 888-586-8056

[TechnicalService@mieleusa.com](mailto:TechnicalService@mieleusa.com)

**Canada  
Miele Limited**

**Headquarters and Showroom**

161 Four Valley Drive  
Vaughan, ON L4K 4V8  
Phone: 800-643-5381  
905-660-9936  
Fax: 905-532-2290  
[www.miele.ca](http://www.miele.ca)  
[professional@miele.ca](mailto:professional@miele.ca)  
(commercial enquiries)

**MieleCare National Service**

Phone: 800-565-6435  
905-532-2272  
Fax: 905-532-2292  
[customercare@miele.ca](mailto:customercare@miele.ca)  
(general and technical enquiries)

**Germany**

Miele & Cie. KG  
Carl-Miele-Straße 29  
33332 Gütersloh

---

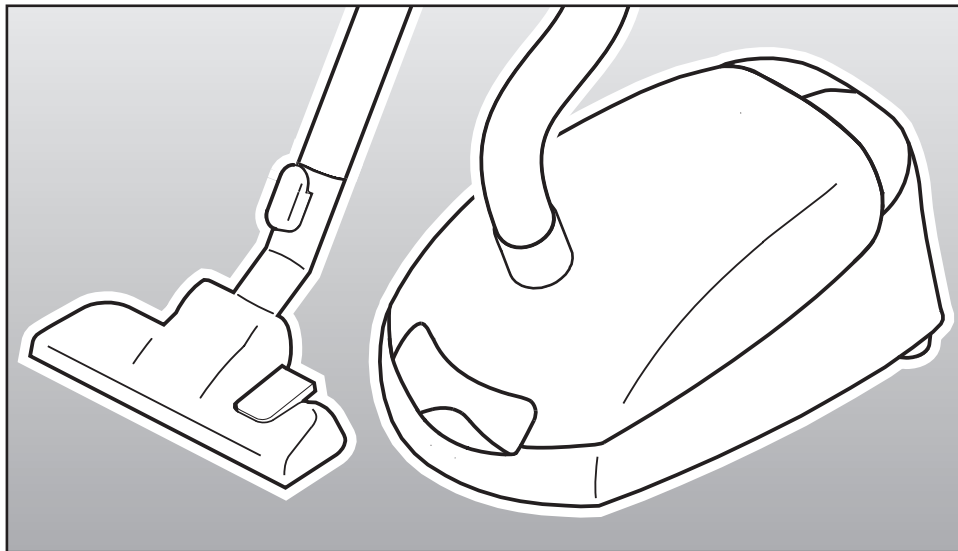
Alteration rights reserved / S2 with electro accessories / 1610



INFORMATION IS SUBJECT TO CHANGE. PLEASE REFER TO OUR WEBSITE TO OBTAIN THE MOST CURRENT PRODUCT SPECIFICATIONS, TECHNICAL & WARRANTY INFORMATION.



## Instructions d'utilisation



## Aspirateur S 2000

Afin de prévenir les accidents et d'éviter d'endommager l'appareil, veuillez lire attentivement les instructions **avant** l'installation et l'utilisation.

**HS12**

fr - CA



<b>INSTRUCTIONS IMPORTANTES DE SÉCURITÉ</b> .....	4
<b>Guide de l'appareil</b> .....	8
<b>Avant d'utiliser l'aspirateur</b> .....	10
<b>Accessoires fournis</b> .....	14
<b>Utilisation</b> .....	15
Cordon d'alimentation .....	15
Mise en marche et arrêt de l'aspirateur .....	16
Réglage de la puissance d'aspiration .....	17
Mise en marche et arrêt de l'électrobrosse .....	18
<b>Transport et rangement</b> .....	19
<b>Entretien</b> .....	20
Achat de nouveaux sacs à poussière et de filtres .....	20
Les sacs à poussière et les filtres convenant à votre appareil .....	20
À quel moment remplacer le sac à poussière? .....	21
Remplacement du sac à poussière .....	22
À quel moment remplacer le filtre du réservoir à poussière (filtre situé devant le moteur)? .....	23
Remplacement du filtre du réservoir à poussière (filtre situé devant le moteur) ..	23
À quel moment remplacer le filtre d'évacuation Air Clean? .....	24
Remplacement du filtre Air Clean .....	24
Interchangement des filtres d'évacuation .....	25
À quel moment remplacer le filtre d'évacuation Active HEPA? .....	25
Remplacement du filtre Active HEPA .....	25
À quel moment remplacer les capteurs de fils? .....	26
Remplacement des capteurs de fils .....	26
<b>Questions fréquemment posées</b> .....	27
<b>Nettoyage et entretien</b> .....	28
<b>Accessoires offerts en option</b> .....	29
<b>Service technique</b> .....	30
<b>Protection de l'environnement</b> .....	31

# INSTRUCTIONS IMPORTANTES DE SÉCURITÉ

---

Lorsque vous utilisez un appareil électrique, respectez toujours les consignes de sécurité élémentaires :

## LISEZ ATTENTIVEMENT TOUTES LES INSTRUCTIONS AVANT D'UTILISER L'APPAREIL

### **AVERTISSEMENT - Pour diminuer le risque d'incendie, de choc électrique ou de blessure, respectez les instructions suivantes :**

#### **Avant la première utilisation**

► Vérifiez la capacité en voltage de l'aspirateur avant de brancher le cordon d'alimentation dans une prise électrique. La tension de votre source d'alimentation doit correspondre à la capacité en voltage indiquée sur la plaque signalétique située sous l'aspirateur. Utilisez uniquement des prises de courant alternatif. N'utilisez jamais des prises de courant continu. Consultez un électricien qualifié si vous n'êtes pas sûr de connaître la capacité en voltage de votre système électrique. Si vous branchez votre aspirateur à une source d'alimentation de tension supérieure, vous pourriez vous blesser ou endommager l'appareil.

► Pour réduire le risque de choc électrique, l'aspirateur est muni d'une fiche polarisée (l'une des broches est plus large que l'autre). Cette fiche peut être insérée dans une prise polarisée d'une seule manière. Si la fiche ne peut être entièrement insérée dans la prise, retournez-la. S'il est encore impossible de l'insérer, faites appel à un électricien qualifié qui peut installer une prise appropriée. Ne modifiez aucunement la fiche.

► Un appareil endommagé présente des risques. Vérifiez l'emballage, l'appareil et ses accessoires afin de détecter tout signe de dommages. N'utilisez pas un appareil endommagé.

► N'utilisez pas l'appareil avec un cordon ou une prise endommagé. Si l'appareil ne fonctionne pas correctement, s'il est tombé, endommagé, a été laissé à l'extérieur ou immergé dans l'eau, apportez-le à un centre de services.

► La prise électrique doit être équipée d'un fusible de 15 ampères.

# INSTRUCTIONS IMPORTANTES DE SÉCURITÉ

---

## Utilisation

▶ N'utilisez pas cette brosse pour nettoyer des personnes ou des animaux.

▶ N'utilisez pas l'appareil à l'extérieur ou sur des surfaces humides. Ne nettoyez que des surfaces **sèches**.

▶ Utilisez l'appareil conformément aux instructions du présent manuel. Utilisez uniquement les accessoires recommandés par Miele décrits dans le présent manuel.

▶ Cet appareil est destiné uniquement à un usage domestique.

▶ Cet aspirateur n'est pas un jouet. Il est nécessaire d'être vigilant lorsqu'il est utilisé à proximité d'enfants.

▶ N'utilisez jamais l'aspirateur si le sac à poussière ou les filtres ne sont pas en place. Vous pourriez endommager l'appareil.

▶ Le couvercle du réservoir à poussière ne se ferme pas si le sac à poussière n'est pas en place. Ne forcez pas le couvercle pour qu'il ferme.

▶ Ne laissez pas l'aspirateur branché. Débranchez-le lorsqu'il n'est pas utilisé ou avant de procéder à l'entretien.

▶ Une plaque de métal conçue pour absorber l'électricité statique est placée sous la poignée. Assurez-vous que votre main reste en contact avec cette plaque lorsque vous utilisez l'appareil.

▶ Les personnes qui, en raison de capacités physiques, sensorielles ou mentales réduites, ou d'un manque d'expérience, ne sont pas en mesure d'utiliser cet appareil doivent être supervisées ou formées par une personne responsable.

▶ Déroulez complètement le cordon afin de favoriser l'évacuation de la chaleur.

▶ N'utilisez pas cet aspirateur pour ramasser ou conserver des matières dangereuses.

▶ N'aspirez pas de liquides ou de poussières humides. Cela pourrait nuire à la sécurité électrique de l'appareil. Si des moquettes ont été fraîchement lavées, attendez qu'elles soient complètement sèches avant de passer l'aspirateur.

▶ N'aspirez aucun élément brûlant ou fumant comme des cigarettes, des allumettes ou des cendres chaudes. L'aspirateur pourrait prendre feu.

▶ N'aspirez pas de poudre imprimante. Cette poudre, utilisée pour les imprimantes et les photocopieurs, peut être conductrice.

▶ N'aspirez pas de liquides inflammables ou combustibles comme de l'essence et n'utilisez pas l'appareil dans des zones où ces matières pourraient être présentes.

▶ N'aspirez pas d'éléments lourds, durs ou ayant des bords coupants. Ils pourraient boucher et endommager l'appareil.

# INSTRUCTIONS IMPORTANTES DE SÉCURITÉ

---

► Ne tirez pas sur le cordon, ne vous en servez pas comme une poignée, ne le coincez pas dans une porte et ne le laissez pas en contact avec des extrémités ou des coins tranchants. Ne faites pas passer l'appareil sur le cordon. Veillez à ce que le cordon n'entre pas en contact avec des surfaces chaudes.

► Ne débranchez pas l'appareil en tirant sur le cordon. Tirez sur la fiche et non sur le cordon.

► Ne manipulez pas la fiche ou le cordon avec les mains mouillées.

► Veillez à maintenir vos cheveux, vos vêtements amples, vos doigts ou toute autre partie de votre corps ainsi que le cordon à distance des ouvertures et des parties mobiles de l'appareil.

► Afin d'éviter tout risque de blessure lorsque vous utilisez votre aspirateur, ne touchez pas à la brosse rotative de l'électrobrosse. Sinon, vous risquez de vous blesser.

► Ne placez aucun objet dans les ouvertures de l'aspirateur. N'utilisez pas l'appareil si l'une des ouvertures est obstruée; gardez les ouvertures libres de toute poussière, charpie, cheveu ou de tout élément qui pourrait limiter la circulation d'air.

► Cet appareil est muni d'un enrouleur du cordon d'alimentation. Maintenez la fiche lorsque vous enroulez le cordon de l'appareil. Ne laissez pas la fiche vivrevolter lorsque vous enroulez le cordon.

► Éteignez toutes les commandes avant de débrancher l'appareil.

► Soyez prudent lorsque vous nettoyez un escalier.

► Les accessoires et les tubes ne doivent pas être utilisés à la hauteur de la tête afin d'éviter tout risque de blessure aux yeux et aux oreilles.

## Accessoires

► Le tuyau et le tube télescopique comportent des fils électriques. N'utilisez pas l'appareil si ces éléments sont endommagés, déchirés ou percés. Évitez d'aspirer des objets pointus. Vous risquez de subir un choc électrique.

► Débranchez l'aspirateur avant de changer les accessoires, particulièrement l'électrobrosse.

► Le raccord de l'aspirateur doit être uniquement utilisé avec l'électrobrosse Miele.

► L'électrobrosse Miele est un accessoire actionné par un moteur, prévu pour être utilisé uniquement avec les aspirateurs Miele. L'aspirateur ne doit pas être utilisé avec une électrobrosse d'une autre marque.

► N'utilisez pas l'appareil sans la présence d'un accessoire placé à l'extrémité du tuyau ou du tube télescopique. Le rebord du tube pourrait être endommagé et les angles vifs pourraient causer des blessures.

► Les sacs à poussière Miele sont jetables. Ne les réutilisez pas. Un sac trop plein diminuera l'efficacité de l'aspirateur.

# INSTRUCTIONS IMPORTANTES DE SÉCURITÉ

---

► Utilisez seulement des sacs à poussière portant le sceau de qualité Miele et des filtres et accessoires Miele d'origine. Ce sont les seuls qui sont garantis par le fabricant.

► Éteignez toujours cet appareil avant de brancher ou de débrancher le tuyau ou la buse motorisée.

## Nettoyage, entretien et réparations

► Éteignez l'aspirateur après chaque utilisation et avant d'effectuer l'entretien. Retirez la fiche de la prise de courant.

► Ne plongez jamais l'aspirateur dans l'eau. Utilisez uniquement un chiffon sec ou légèrement humide pour nettoyer l'appareil une fois qu'il est débranché. Si l'humidité pénètre dans l'appareil, vous risquez de subir un choc électrique.

► Surveillez le voyant de remplacement du sac à poussière et vérifiez régulièrement les filtres. Pour obtenir un rendement optimal, le sac à poussière et les filtres doivent être remplacés fréquemment. Un sac plein ou un filtre obstrué réduit la puissance d'aspiration de l'appareil. Un limiteur de température éteint automatiquement l'aspirateur si ce dernier surchauffe, voir la section "Foire aux questions".

► Le tuyau et le tube télescopique comportent des fils électriques. Ils ne doivent pas entrer en contact avec de l'eau. Pour nettoyer ces pièces, utilisez un linge sec. Autrement, vous risqueriez de subir un choc électrique.

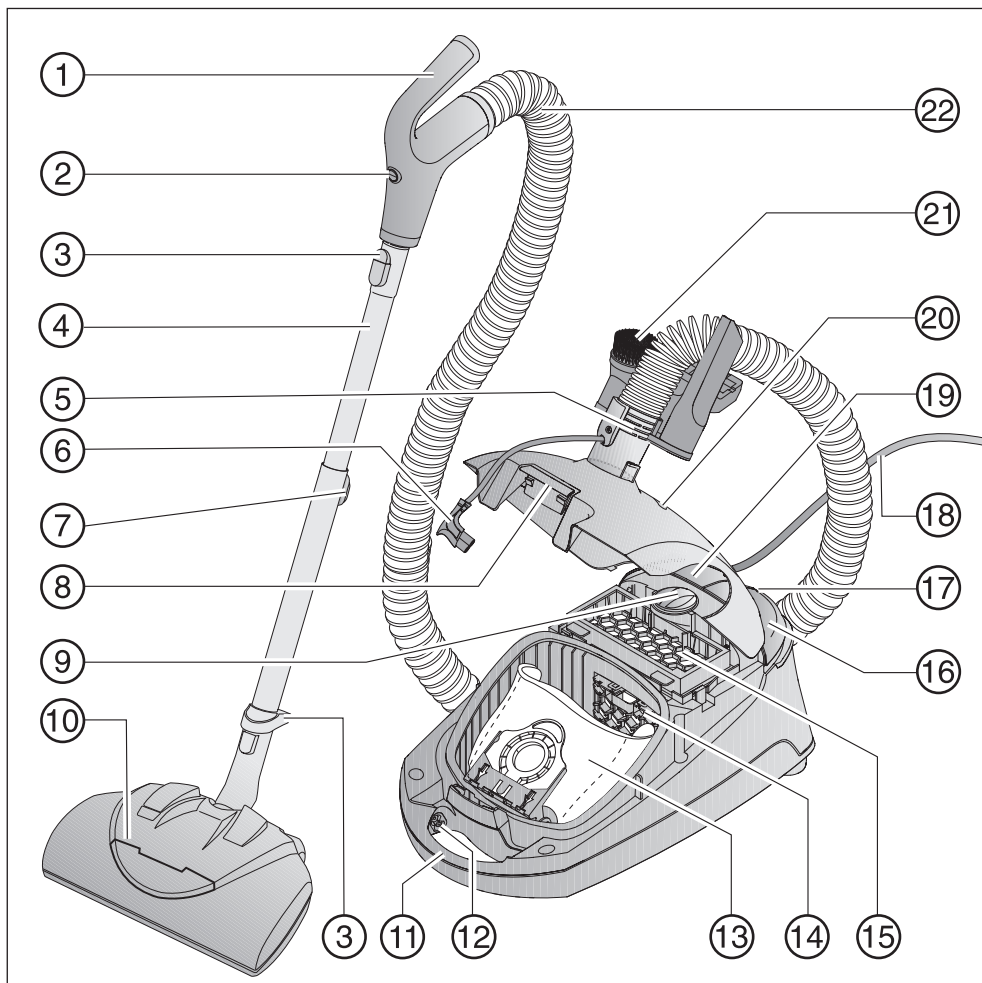
► Les réparations doivent être effectuées uniquement par un technicien autorisé, conformément aux normes de sécurité nationales et locales. Les réparations effectuées par des personnes non qualifiées pourraient causer des blessures ou endommager l'appareil et pourraient invalider la garantie.

## Mise au rebut d'un ancien appareil

► Avant de mettre au rebut votre ancien appareil, coupez le cordon d'alimentation et rendez la fiche inutilisable. Assurez-vous que votre appareil ne présente aucun danger pour les enfants jusqu'à ce qu'il soit mis au rebut.

## CONSERVEZ CES INSTRUCTIONS

# Guide de l'appareil





- ① Poignée
- ② Bouton Marche/Arrêt de l'électrobrosse
- ③ Bouton de dégagement
- ④ Tube télescopique Electro SET 220
- ⑤ Coude
- ⑥ Fiche d'alimentation pour les accessoires
- ⑦ Bouton de dégagement du tube télescopique Electro
- ⑧ Bouton d'ouverture du réservoir à poussière
- ⑨ Sélecteur de puissance d'aspiration
- ⑩ Électrobrosse SEB 217-3/EB02 (ne figure pas dans ce guide d'utilisation) / SEB 228/EB03

Un autre guide d'utilisation portant sur l'accessoire en question est fourni avec l'aspirateur.

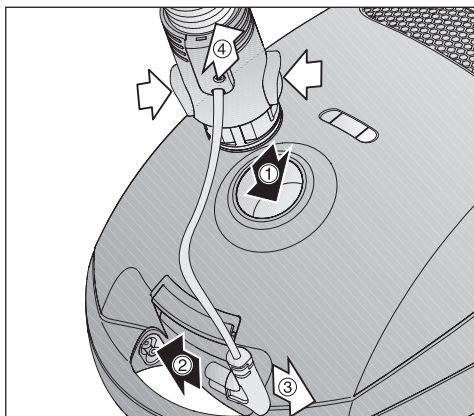
- ⑪ Poignée de transport
- ⑫ Prise pour les accessoires électriques
- ⑬ Sac à poussière
- ⑭ Filtre du réservoir à poussière (filtre situé devant le moteur)
- ⑮ Filtre d'évacuation
- ⑯ Interrupteur ① au pied
- ⑰ Système d'immobilisation
- ⑱ Cordon d'alimentation
- ⑲ Interrupteur pour réenrouler le cordon
- ⑳ Indicateur de circulation d'air
- ㉑ Attache pour accessoires avec trois outils
- ㉒ Tuyau d'aspiration SES 116.

Vous pouvez vous procurer des accessoires optionnels auprès de votre détaillant Miele ou sur le site de Miele à l'adresse [www.miele.com](http://www.miele.com).

# Avant d'utiliser l'aspirateur

## Raccordement du tuyau Electro

- ① Insérez le coude dans la prise d'aspiration jusqu'à ce qu'il s'enclenche avec un déclic.
- ② Branchez le cordon d'alimentation dans la prise de courant à l'intérieur de la poignée de transport.

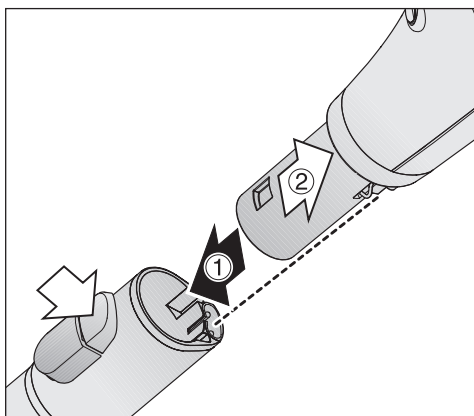


## Retrait du tuyau Electro

- ③ Retirez la fiche de la prise de courant.
- ④ Appuyez sur les deux boutons de dégagement placés sur les côtés du coude et soulevez le tuyau du raccord.

## Raccordement de la poignée et du tube télescopique Electro

- Insérez ① la poignée dans le tube télescopique Electro jusqu'à ce que vous entendiez un déclic. Pour ce faire, guidez-vous sur les aubes d'entrée.
- Pour dégager la poignée du tube télescopique, appuyez sur le bouton de verrouillage (voir la flèche) et séparez ② les deux pièces.



## Utilisation de l'électrobrosse

Respectez les instructions de nettoyage du fabricant du revêtement de sol.

L'électrobrosse convient particulièrement pour nettoyer et remettre en état les poils écrasés de la moquette ou les revêtements de sol susceptibles de s'user davantage, surtout dans les endroits plus passants.

L'électrobrosse peut aussi être utilisée sur les surfaces lisses.

### **N'utilisez pas l'électrobrosse pour nettoyer les endroits suivants :**

- (SEB 217-3/EB02 seulement) Les planchers dont la surface est inégale. La brosse pourrait endommager le plancher.
- Les tapis noués à la main de qualité supérieure, comme les tapis berbères ou de style oriental, ainsi que les petits tapis et les moquettes à poils très longs. L'électrobrosse pourrait arracher les fils de ces tapis. Pour nettoyer ces surfaces, éteignez l'électrobrosse et utilisez seulement la puissance d'aspiration normale de votre appareil.

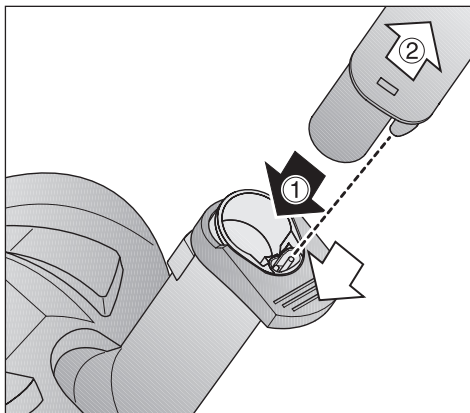
## Avant d'utiliser l'aspirateur

---

### Raccordement de l'électrobrosse au tube télescopique Electro

- Insérez ① le tube télescopique Electro dans l'électrobrosse jusqu'à ce que vous entendiez un déclic.
- Pour séparer les deux pièces, appuyez sur le bouton de dégagement et retirez le tube en tirant vers le haut ②.

Veillez vous reporter aux instructions fournies avec l'électrobrosse pour en savoir davantage sur son fonctionnement et son entretien.



## Utilisation de la brosse à plancher standard

(selon le modèle)

Respectez les instructions de nettoyage du fabricant du revêtement de sol.

La brosse à plancher convient au nettoyage de la moquette, des tapis, des tapis d'escalier et des surfaces dures qui ne sont pas susceptibles d'être rayées.

## Raccordement de la brosse à plancher

- Placez la brosse à plancher dans ① le tuyau d'aspiration et tournez la jusqu'à ce quelle s'enclenche.
- Pour séparer les deux pièces ②, appuyez sur le bouton de dégagement.

## Ajustement de la brosse à plancher ③

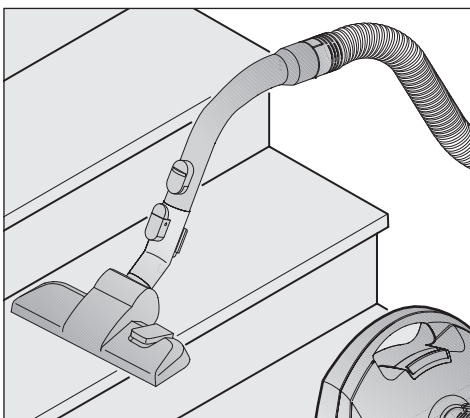
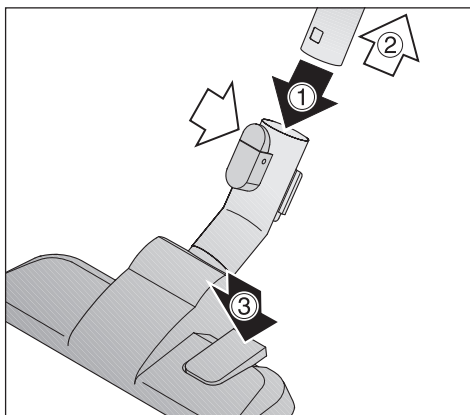
Pour nettoyer la moquette et les tapis, abaissez l'outil comme suit :

- Basculez l'interrupteur au pied à la position .

Pour nettoyer les planchers lisses, relevez l'outil comme suit :

- Basculez l'interrupteur au pied à la position .

Par mesure de sécurité, il est préférable de nettoyer l'escalier de bas en haut.

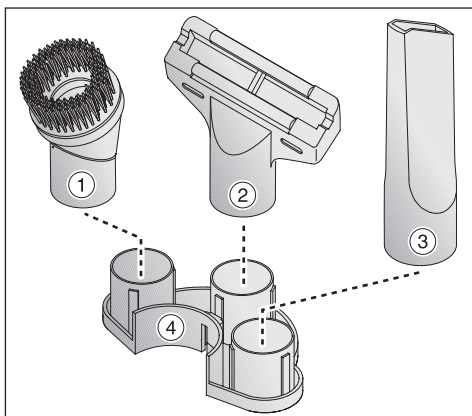


## Accessoires fournis

Les accessoires suivants sont fournis :

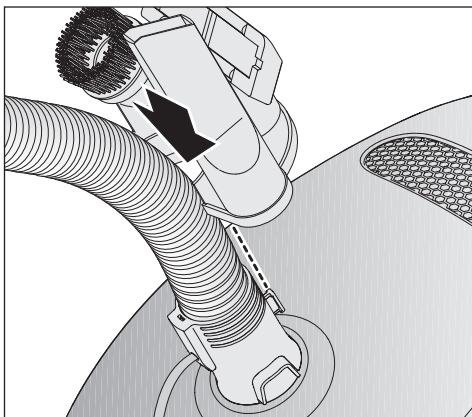
- ① Brosse à épousseter munie de poils naturels
- ② Embout pour meubles rembourrés
- ③ Suceur plat
- ④ Attache pour les accessoires inclus

Placez les accessoires de la façon indiquée.



### Attache pour accessoires

- Appuyez sur le coude jusqu'à ce qu'il s'enclenche.



### Brosse à parquet - 3


(selon le modèle)

Brosse spéciale munie de poils naturels servant à nettoyer des parquets et des planchers lamellés, plus particulièrement des parquets et des revêtements de sol susceptibles d'être rayés.

Il est possible de nettoyer la brosse à parquet avec l'aspirateur, à l'aide du suceur plat, au besoin.



## Cordon d'alimentation

 Déroulez complètement le cordon afin de favoriser l'évacuation de la chaleur.

Ne tirez pas sur le cordon, ne vous en servez pas comme une poignée, ne le coincez pas dans une porte et ne le laissez pas en contact avec des extrémités ou des coins tranchants. Ne faites pas passer l'appareil sur le cordon. Veillez à ce que le cordon n'entre pas en contact avec des surfaces chaudes.

Ne débranchez pas l'appareil en tirant sur le cordon. Tirez sur la fiche et non sur le cordon.

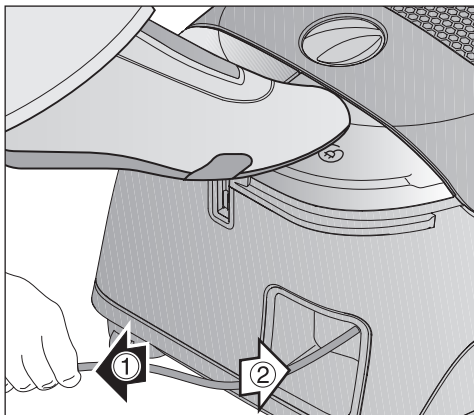
Cet appareil est muni d'un enrouleur du cordon d'alimentation. Maintenez la fiche lorsque vous enroulez le cordon de l'appareil. Ne laissez pas la fiche virevolter lorsque vous enroulez le cordon.

# Utilisation

## Dérroulement du cordon

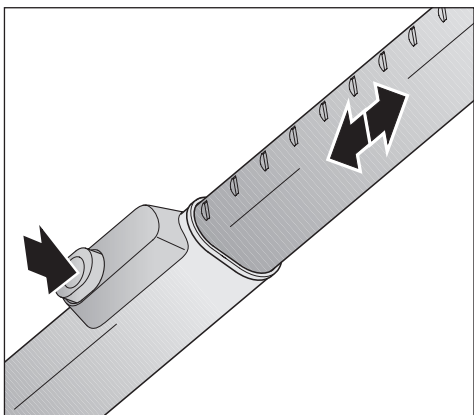
- Déroulez le cordon d'alimentation ① en tirant sur la fiche.

⚠ Pour réduire le risque de choc électrique, l'aspirateur est muni d'une fiche polarisée (l'une des broches est plus large que l'autre). Cette fiche peut être insérée dans une prise polarisée d'une seule manière. Si la fiche ne peut être entièrement insérée dans la prise, consultez un électricien qualifié. Ne modifiez aucunement la fiche. Risque de surchauffe et de dommage.



## Réenroulement du cordon

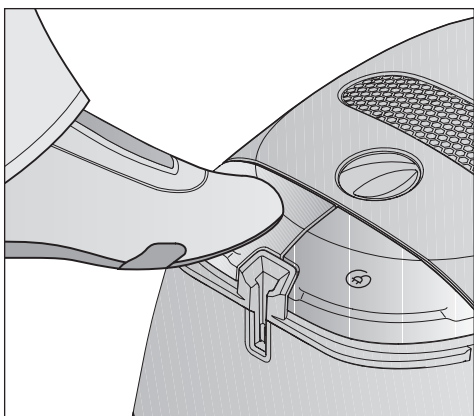
- Débranchez l'aspirateur de la prise de courant.
- Appuyez sur l'interrupteur au pied. Le cordon d'alimentation se réenroulera automatiquement ②. Tenez la fiche de façon à ce que le cordon ne virevolte pas lorsqu'il s'enroule.



## Réglage de la longueur du tube télescopique Electro

Les deux parties du tube télescopique Electro s'emboîtent, ce qui vous permet de le régler à votre taille pour une utilisation tout en confort.

- Appuyez sur le bouton de dégagement du tube télescopique afin de dégager les deux tubes et en régler la longueur.



## Mise en marche et arrêt de l'aspirateur







- Appuyez sur l'interrupteur ①.



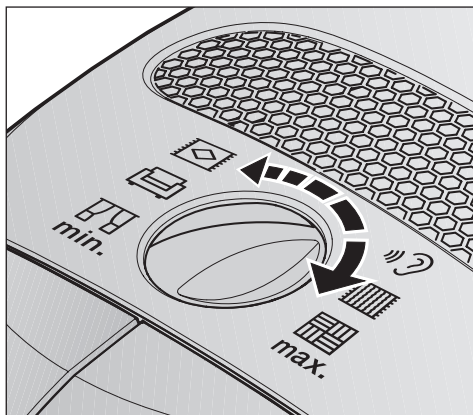
## Réglage de la puissance d'aspiration


Vous pouvez régler la puissance d'aspiration en fonction du type de surface à nettoyer. Lorsque la puissance d'aspiration est réduite, il est plus facile de manier la brosse à plancher.

Les symboles du sélecteur indiquent les types d'utilisation convenant aux différents réglages.

-  rideaux, tissus légers
-  meubles rembourrés, coussins
-  moquettes à poils longs, tapis et tapis de passage
-  utilisation quotidienne à faible consommation d'énergie et à faible niveau de bruit
-  tapis texturés légèrement sales
-  sols durs texturés et nettoyage en profondeur des tapis

- Tournez le sélecteur de puissance d'aspiration pour le mettre au niveau souhaité.



 Pour éviter la charge électrostatique, votre main doit rester en contact avec la pièce métallique placée sous la poignée. Assurez-vous que votre main enveloppe bien cette pièce lorsque vous nettoyez de la poussière fine, de la farine ou de la sciure, car ce sont les substances les plus susceptibles de causer une charge électrostatique. Pour prévenir encore davantage la charge électrostatique pendant le nettoyage, tirez l'aspirateur en le tenant par le tuyau d'une main tout en enveloppant la poignée de l'autre main.

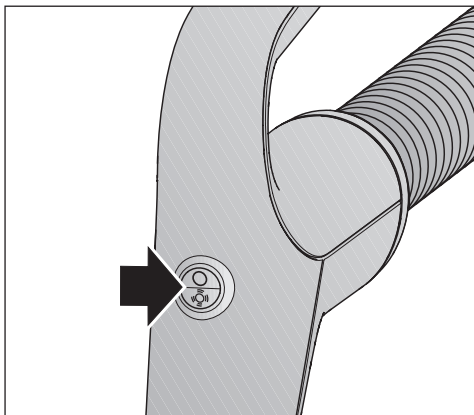
## Utilisation

---

### Mise en marche et arrêt de l'électrobrosse

L'électrobrosse peut être allumée et éteinte à l'aide du commutateur situé sur la poignée, indépendamment de l'aspirateur.

Ce bouton vous permet aussi d'éteindre temporairement l'électrobrosse (p. ex., pour passer de la moquette à un tapis de style oriental).

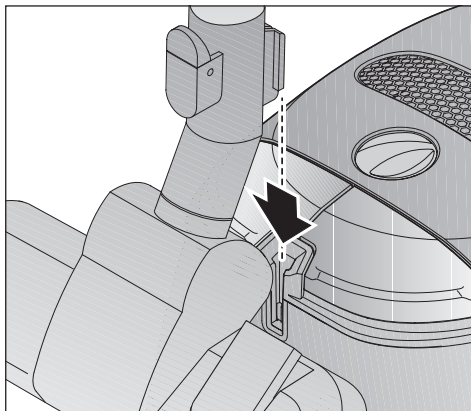


## Système d'immobilisation

(ne peut être utilisé avec l'électrobrosse SEB 228/EB03)

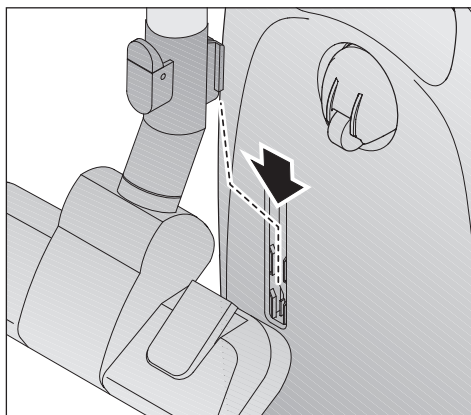
Le système d'immobilisation vous permet d'immobiliser le tube télescopique sur l'aspirateur pendant de brèves pauses.


- Toutes les brosses sont munies d'un accessoire d'immobilisation. Insérez par le haut l'attache inférieure se trouvant sur la brosse dans la fente située à l'extrémité de l'aspirateur.



## Transport et rangement

- Pour faciliter le transport et le rangement, mettez l'aspirateur debout.
- Insérez par le haut l'attache de l'accessoire d'immobilisation sur la brosse à plancher dans la fente prévue à cet effet (ne s'applique pas à l'électrobrosse SEB 228/EB03).
- Afin d'économiser de l'espace, insérez complètement les tubes dans le tube télescopique.




 Éteignez et débranchez l'aspirateur avant d'effectuer des travaux d'entretien.

Le système de filtrage Miele comprend les trois composantes suivantes :

- Sac à poussière
- Filtre d'évacuation
- Filtre du réservoir à poussière (pour protéger le moteur)

Afin que l'aspirateur demeure efficace, chacune de ces composantes doit être changée périodiquement.

Utilisez uniquement des sacs à poussière portant le sceau de qualité Miele et des filtres Miele pour obtenir une puissance d'aspiration maximale et vous assurer que le sac est utilisé à pleine capacité.

 Le fait d'utiliser des sacs à poussière d'une autre marque pourrait endommager l'aspirateur et invalider la garantie.

### Achat de nouveaux sacs à poussière et de filtres

Vous pouvez vous procurer des sacs à poussière et des filtres auprès d'un détaillant autorisé d'aspirateurs Miele ou en visitant la boutique Miele en ligne à l'adresse :

<http://www.miele.ca/miele/canada/boutique.asp>

### Les sacs à poussière et les filtres convenant à votre appareil

Les sacs à poussière Miele d'origine, munis d'une poignée bleue, portant les lettres **G/N** et le sceau de qualité Miele conviennent à votre appareil.

**ORIGINAL**  
**Miele**



Un filtre Air Clean et un filtre du réservoir à poussière (filtre situé devant le moteur) sont compris dans chaque boîte de sacs à poussière. Vous pouvez vous procurer d'autres filtres auprès d'un détaillant Miele autorisé ou en visitant le magasin Miele en ligne.

## À quel moment remplacer le sac à poussière?

Remplacez le sac à poussière lorsque l'indicateur de couleur remplit la fenêtre de l'indicateur de circulation d'air.

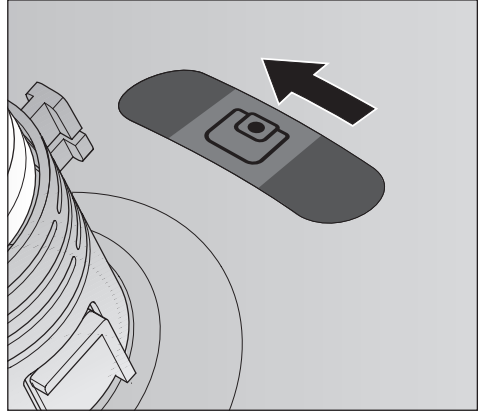
Les sacs à poussière Miele sont jetables. Ne les réutilisez pas.

### Vérification de l'indicateur de circulation d'air

- Fixez la brosse à plancher standard (selon le modèle) à l'aspirateur. Faites l'essai uniquement avec la brosse à plancher, car les autres accessoires peuvent nuire au fonctionnement de l'indicateur de circulation d'air.
- Mettez en marche l'aspirateur et sélectionnez le niveau de puissance maximale.
- Soulevez légèrement la brosse à plancher du sol. Si l'indicateur remplit la fenêtre, il faut remplacer le sac à poussière.

### Fonctionnement de l'indicateur de circulation d'air

L'indicateur de circulation d'air indique à quel moment le sac est rempli de poussière usuelle et fonctionne en mesurant la perméabilité à l'air du sac. La poussière que l'on trouve habituellement dans une résidence est un mélange de poussières, de cheveux, de peluches, de fils, de grains de poussière, etc.



Cependant, si vous aspirez une certaine quantité de poussière fine, tel que de la poussière de forage, du sable, du plâtre ou de la farine, le matériau poreux du sac à poussière se bouche. La fenêtre de l'indicateur affiche alors que le sac est plein, même s'il ne l'est pas. Il faut tout de même remplacer le sac à poussière, car la puissance d'aspiration est réduite.

Si vous aspirez une grande quantité de poils d'animaux, de cheveux, de peluches, etc. et que le sac en est gonflé, il est possible que la fenêtre de l'indicateur n'affiche pas que le sac est plein. Cela est dû au fait que le sac à poussière est encore suffisamment perméable à l'air pour que la fenêtre de l'indicateur ne se remplisse pas. Cependant, le sac à poussière doit être changé.

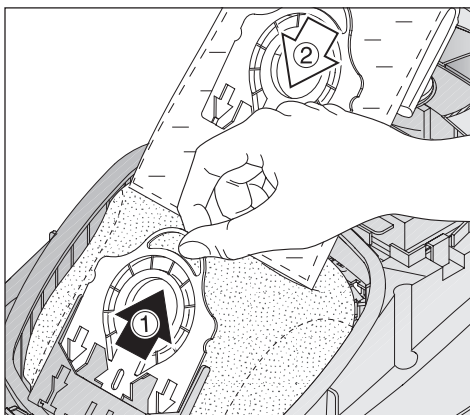
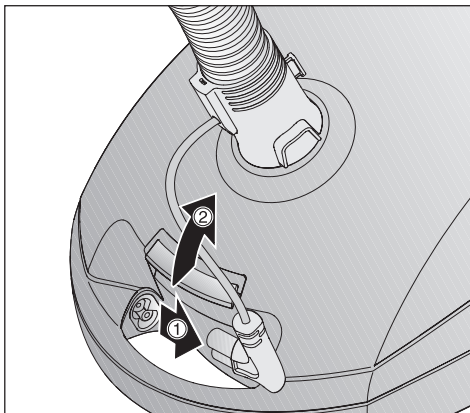
# Entretien


## Remplacement du sac à poussière

- Retirez ① la fiche de la prise de courant.
- Ouvrez ② le couvercle du réservoir à poussière et relevez-le jusqu'à ce que vous entendiez un déclic.

Le sac à poussière est muni d'un rabat qui se ferme automatiquement lorsque le couvercle du réservoir à poussière est ouvert pour éviter que la poussière ne s'échappe.

- Tirez sur la poignée ① afin de retirer le sac à poussière de son support.
- Insérez ② un nouveau sac à poussière et enfoncez-le le plus possible dans son support. Ne déployez pas le sac à poussière lorsque vous le retirez de la boîte.
- Déployez le sac à poussière dans le réservoir.
- Refermez bien le couvercle. Poussez jusqu'à ce qu'il s'enclenche. Faites attention que le sac à poussière ne reste pas coincé dans le couvercle.



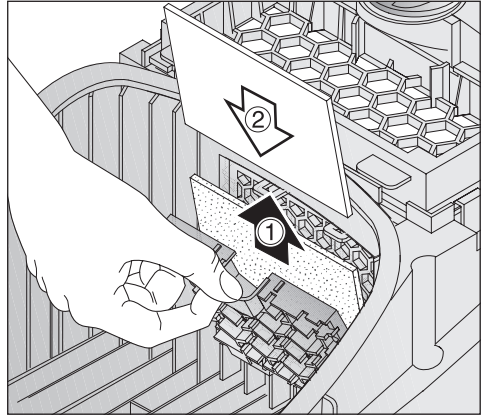
 Un dispositif spécifique empêche le couvercle du réservoir à poussière de se refermer si aucun sac à poussière n'est inséré. Ne forcez pas le couvercle pour qu'il ferme.

## À quel moment remplacer le filtre du réservoir à poussière (filtre situé devant le moteur)?

Remplacez le filtre chaque fois que vous ouvrez une nouvelle boîte de sacs à poussière Miele. Chaque boîte contient un filtre de réservoir à poussière.

## Remplacement du filtre du réservoir à poussière (filtre situé devant le moteur)

- Ouvrez le couvercle du réservoir à poussière.
- Soulevez la grille du filtre, retirez l'ancien filtre et remplacez-le par un nouveau.
- Rabaissez la grille du filtre.
- Refermez le couvercle.



# Entretien

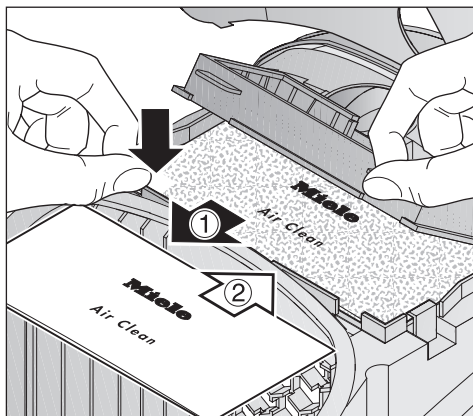
## À quel moment remplacer le filtre d'évacuation Air Clean?

Chaque fois que vous ouvrez une nouvelle boîte de sacs à poussière Miele, vous devez changer ce filtre. Chaque boîte de sacs à poussière Miele contient un filtre d'évacuation Air Clean.

## Remplacement du filtre Air Clean

N'utilisez pas plus d'un filtre à la fois.

- Ouvrez le couvercle du réservoir à poussière.
- Relevez la grille du filtre jusqu'à ce qu'un déclic se fasse entendre, et retirez le filtre ① en le prenant par le coin propre (voir la flèche)
- Insérez le nouveau filtre ②.
- Rabaissez la grille du filtre.
- Refermez le couvercle.





## Interchangement des filtres d'évacuation

Selon le modèle, votre appareil peut également comporter un filtre Active HEPA que vous pouvez utiliser à la place du filtre d'évacuation Air Clean standard.

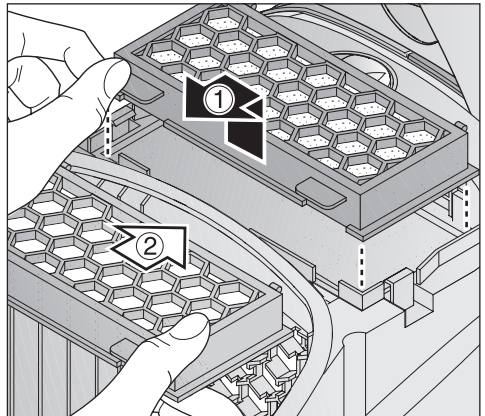
Afin d'utiliser le filtre Active HEPA, vous devez retirer le filtre Air Clean ainsi que sa grille.

## À quel moment remplacer le filtre d'évacuation Active HEPA?

Changez ce filtre environ une fois par année. Vous pouvez inscrire la date de remplacement directement sur le filtre d'évacuation.

## Remplacement du filtre Active HEPA

- Ouvrez le couvercle du réservoir à poussière.
- Retirez le filtre d'évacuation usagé ①.
- Insérez le nouveau filtre ②.
- Refermez le couvercle.



## Entretien

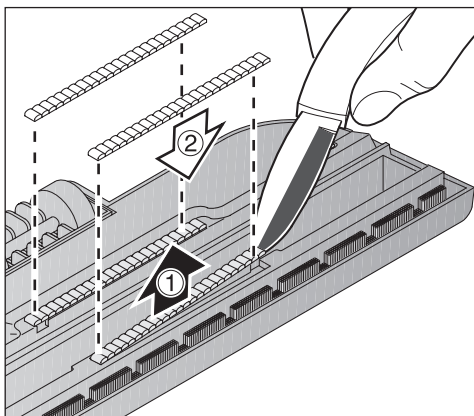
### À quel moment remplacer les capteurs de fils sur la brosse à plancher standard ?


Les capteurs de fils sur la brosse à plancher standard doivent être remplacés dès qu'ils semblent usés.

### Remplacement des capteurs de fils

- À l'aide d'un couteau ou d'un objet semblable, retirez les capteurs de fils de la fente près du repère rouge sur le côté ①.
- Insérez les nouveaux capteurs de fils dans les fentes ②.

Vous pouvez vous procurer des coussinets de capteurs de fils auprès d'un détaillant Miele autorisé ou directement auprès de Miele.



 Éteignez et débranchez l'aspirateur avant d'effectuer des travaux d'entretien.

### **L'aspirateur s'éteint automatiquement.**


L'aspirateur a surchauffé. Le limiteur de température éteint automatiquement l'appareil.

Cela peut se produire, par exemple, lorsque de gros éléments aspirés bloquent le tuyau d'aspiration ou lorsque le sac à poussière est plein, ou encore si celui-ci contient des particules de poussière fine. Si le filtre d'évacuation ou le filtre du réservoir à poussière est très sale, l'aspirateur peut également surchauffer. Éteignez l'aspirateur et débranchez-le de la prise.

Vérifiez si des pièces sont obstruées et laissez l'aspirateur refroidir pendant 30 minutes.


# Nettoyage et entretien

---

 Éteignez l'aspirateur et débranchez-le de la prise avant d'effectuer des travaux d'entretien.

## L'aspirateur et ses accessoires


L'aspirateur et les autres accessoires de plastique peuvent être nettoyés à l'aide d'un linge humide ou d'un nettoyant spécialement conçu pour le plastique.

 N'utilisez pas de nettoyants abrasifs, de produits pour vitres ni de nettoyants tout usage. Ces produits endommagent la surface de l'appareil.

## Réservoir à poussière

Le réservoir à poussière peut être nettoyé, si nécessaire, avec un linge **sec**, une brosse à épousseter ou un autre aspirateur.

Surveillez l'indicateur de circulation d'air et vérifiez régulièrement les filtres. Nettoyez-les ou remplacez-les lorsque nécessaire, conformément aux instructions d'utilisation.

 Ne plongez pas l'aspirateur dans l'eau. Si l'humidité pénètre dans l'appareil, vous risquez de subir un choc électrique.

### Turbobrosse Turbo Comfort - 3

La turbobrosse sert à nettoyer la moquette à poils courts et moyens. Elle est entraînée par la puissance d'aspiration de l'aspirateur. En plus d'aspirer les particules de poussière, la turbobrosse enlève les fils, les cheveux et les peluches qui adhèrent obstinément à la moquette.

Respectez les instructions de nettoyage du fabricant du revêtement de sol.

### Mini turbobrosse

La mini-turbobrosse sert à nettoyer les articles rembourrés, les matelas, les sièges de voiture, les escaliers recouverts de tapis et autres endroits qui sont inaccessibles avec la turbobrosse.

### Brosse à sol dur - 3

Pour nettoyer des sols durs, dont les sols en pierre ou carrelés.

### Brosse à parquet - 3

Brosse spéciale munie de poils naturels servant à nettoyer des parquets et des planchers lamellés, plus particulièrement des planchers et des revêtements de sol susceptibles d'être rayés.

Il est possible de nettoyer la brosse à parquet avec l'aspirateur, à l'aide du suceur plat, au besoin.

### Brosse à parquet Twister

Pour nettoyer tous les revêtements de sol durs, p. ex. les parquets et les sols carrelés. Convient particulièrement pour nettoyer les niches et les espaces étroits.

### Brosse à parquet Twister XL

En largeur, cette brosse mesure 3 ½ po (90 mm) de plus que la brosse à **parquet Twister** et est dotée d'un coude pivotant qui s'avère très pratique pour nettoyer de grandes surfaces.

# Service technique

---

## Service après-vente

Si vous ne pouvez résoudre certains problèmes, veuillez communiquer avec le Service technique Miele au numéro indiqué au verso de la présente brochure.

- Veuillez préciser le modèle de votre appareil.

Ce renseignement figure sur la plaque signalétique située en-dessous de l'aspirateur.

### **Élimination des produits d'emballage**

La boîte de carton et les produits d'emballage protègent l'appareil durant le transport. Ces matériaux sont biodégradables et recyclables.

Débarrassez-vous des emballages, sacs et autres produits en plastique en toute sécurité et gardez-les hors de la portée des enfants. Ces éléments présentent un risque de suffocation.

### **Élimination des sacs à poussière et des filtres**

Les sacs à poussière et les filtres Miele portant le sceau de qualité Miele sont fabriqués avec des matériaux écologiques. Vous pouvez les jeter avec vos ordures ménagères à condition qu'ils ne contiennent pas de substances toxiques ou dangereuses.



## **Miele Limitée**

### **Siège social au Canada**

161 Four Valley Drive

Vaughan, ON L4K 4V8

Téléphone : (800) 643-5381

(905) 660-9936

Télécopieur : (905) 532-2290

[www.miele.ca](http://www.miele.ca)

[professional@miele.ca](mailto:professional@miele.ca) (questions commerciales)

### **Service à la clientèle – Mielecare (Canada)**

Téléphone : (800) 565-6435

(905) 532-2272

Télécopieur : (905) 532-2292

[customer-care@miele.ca](mailto:customer-care@miele.ca) (questions générales et Service technique)

## **Allemagne**

Miele & Cie. KG

Carl-Miele-Straße 29

33332 Gütersloh

---

Sous réserve de modifications/ S2 avec accessoires électriques / 1610

M.-Nr. 07 821 160 / 00



Pour obtenir la version la plus récente du guide, consultez le site Web de Miele.