

LED MANAGER

DMX COMPATIBLE
300Watt LED POWER SUPPLY

Operation Manual EN
Mode d'emploi FR
Gebruiksaanwijzing NL
Bedienungsanleitung DU
Manual de instrucciones ES
Manual do utilizador PT

WWW.BEGLEC.COM

Copyright © 2006 - 2007 by BEGLEC cva.

Reproduction or publication of the content in any manner, without express permission of the publisher, is prohibited.



Version: 1.2





EN - DISPOSAL OF THE DEVICE

Dispose of the unit and used batteries in an environment friendly manner according to your country regulations.

FR - DÉCLASSER L'APPAREIL

Débarrassez-vous de l'appareil et des piles usagées de manière écologique Conformément aux dispositions légales de votre pays.

NL - VERWIJDEREN VAN HET APPARAAT

Verwijder het toestel en de gebruikte batterijen op een milieuvriendelijke manier conform de in uw land geldende voorschriften.

DU - ENTSORGUNG DES GERÄTS

Entsorgen Sie das Gerät und die Batterien auf umweltfreundliche Art und Weise gemäß den Vorschriften Ihres Landes.

ES - DESHACERSE DEL APARATO

Reciclar el aparato y pilas usadas de forma ecologica conforme a las disposiciones legales de su pais.

PT - COMO DESFAZER-SE DA UNIDADE

Tente reciclar a unidade e as pilhas usadas respeitando o ambiente e em conformidade com as normas vigentes no seu país.

OPERATION MANUAL

Thank you for buying this JB Systems product. To take full advantage of all possibilities, please read these operating instructions very carefully.

FEATURES

This unit is radio-interference suppressed. This product meets the requirements of the current European and national guidelines. Conformity has been established and the relevant statements and documents have been deposited by the manufacturer.

- Extremely versatile power supply for all kinds of passive RGB LED-projectors.
- Different standalone working modes:
 - Fixed color mode: Instant access to 9 pre-programmed colors
 - Static chase mode: 12 different color chases with manual speed control
 - Sound chase mode: 12 different color chases with audio triggering
 - Spectrum mix: 32 different spectrum mix colors, including nice color fades
- Adjustable speed and dimming with faders
- Slow color fades with adjustable fade time
- Blackout and "Full on" function
- All functions can be controlled directly on the on the LED-Manager or by the optional LEDCON-01 remote.
- Several LED-Managers can be used in Master/slave mode to create high power, fully synchronized setups.
- 300Watt power: 2x 150W 24Vdc outputs. (R+G+B) with short-circuit protections
- Built-in Clock with battery backup and NiMH battery charger (batteries not included)
- 3 independent programmable on/off timers. (start/stop 3 different color chases at 3 different times!)
- Can be controlled by any standard DMX controller!
- 4 DMX channels needed: Ch1=red, Ch2=green, Ch3=Blue, Ch4=Dimmer/strobe.
- Enclosure prepared for easy installing against the wall.
- Fan cooling for extra reliability.

BEFORE USE

Check the contents:

Check that the carton contains the following items:

- LED-Manager
- Mains cable
- User manual

Some important instructions:

- Before you start using this unit, please check if there's no transportation damage. Should there be any, do not use the device and consult your dealer first.
- **Important:** This device left our factory in perfect condition and well packaged. It is absolutely necessary for the user to strictly follow the safety instructions and warnings in this user manual. Any damage caused by mishandling is not subject to warranty. The dealer will not accept responsibility for any resulting defects or problems caused by disregarding this user manual.
- Keep this booklet in a safe place for future consultation. If you sell the fixture, be sure to add this user manual.
- To protect the environment, please try to recycle the packing material as much as possible.

SAFETY INSTRUCTIONS:



CAUTION: To reduce the risk of electric shock, do not remove the top cover. No user-serviceable parts inside. Refer servicing to qualified service personnel only.



The lightning flash with arrowhead symbol within the equilateral triangle is intended to alert the user or the presence of un-insulated "dangerous voltage" within the product's enclosure that may be of sufficient magnitude to constitute a risk of electric shock.



The exclamation point within the equilateral triangle is intended to alert the user to the presence of important operation and maintenance (servicing) instructions in the literature accompanying this appliance.



This symbol means: indoor use only.

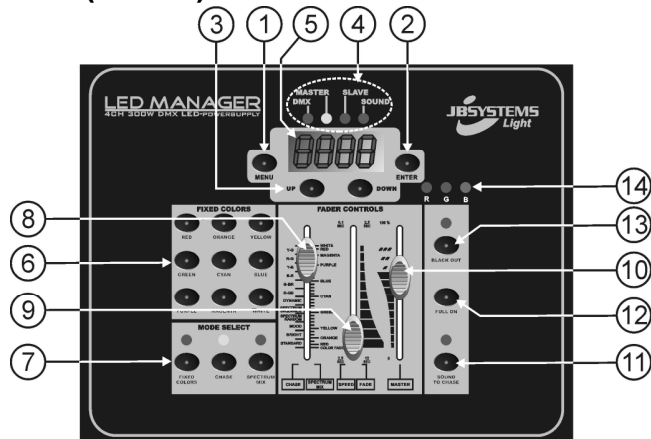
- To prevent fire or shock hazard, do not expose this appliance to rain or moisture.
- To avoid condensation to be formed inside, allow the unit to adapt to the surrounding temperatures when bringing it into a warm room after transport. Condense sometimes prevents the unit from working at full performance or may even cause damages.
- This unit is for indoor use only.
- Don't place metal objects or spill liquid inside the unit. No objects filled with liquids, such as vases, shall be placed on this appliance. Electric shock or malfunction may result. If a foreign object enters the unit, immediately disconnect the mains power.
- No naked flame sources, such as lighted candles, should be placed on the appliance.
- Don't cover any ventilation openings as this may result in overheating.
- Prevent use in dusty environments and clean the unit regularly.
- Keep the unit away from children.
- Inexperienced persons should not operate this device.
- Maximum save ambient temperature is 45°C. Don't use this unit at higher ambient temperatures.
- Always unplug the unit when it is not used for a longer time or before you start servicing.
- The electrical installation should be carried out by qualified personal only, according to the regulations for electrical and mechanical safety in your country.
- Check that the available voltage is not higher than the one stated on the rear panel of the unit.
- The socket inlet shall remain operable for disconnection from the mains.
- The power cord should always be in perfect condition: switch the unit immediately off when the power cord is squashed or damaged.
- Never let the power-cord come into contact with other cables!
- In order to prevent electric shock, do not open the cover. Apart from the mains fuse there are no user serviceable parts inside.
- **Never** repair a fuse or bypass the fuse holder. **Always** replace a damaged fuse with a fuse of the same type and electrical specifications!
- In the event of serious operating problems, stop using the appliance and contact your dealer immediately.
- Please use the original packing when the device is to be transported.
- Due to safety reasons it is prohibited to make unauthorized modifications to the unit.

MAINTENANCE

- Clean by wiping with a polished cloth slightly dipped with water. Avoid getting water inside the unit. Do not use volatile liquids such as benzene or thinner which will damage the unit.
- Since this unit uses a cooling fan, the interior of the device should be cleaned annually using a vacuum cleaner or air-jet.

Attention: We strongly recommend internal cleaning to be carried out by qualified personnel!

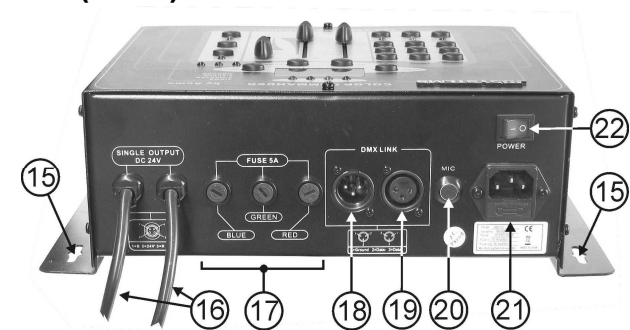
FUNCTIONS (FRONT)



1. **MENU BUTTON:** used to enter/leave the main menu. To return from the main menu to clock display just press the menu button for 1second.
2. **ENTER BUTTON:** used to confirm your choice in the menu.
3. **UP/DOWN BUTTONS:** used to browse through the main menu and adapt the values of a function.
4. **STATUS MONITOR:** indicates some important working conditions:
 - **DMX-LED:** indicates that the unit is working in DMX mode. (a DMX-signal is detected)
 - **MASTER LED:** indicates that the unit is working in master mode.
 - **SLAVE LED:** indicates that the unit is working in slave mode.
 - **SOUND LED:** indicates that a music signal is picked up by the internal microphone.
5. **DISPLAY:** 4digit LED display shows different menu options and real-time clock.
6. **FIXED COLOR BUTTONS:** 9 buttons each with a preset color.
7. **MODE SELECT BUTTONS:** 3 buttons used to set the controller in different working modes:
 - **FIXED COLORS:** select this mode if you want to use the "fixed color" buttons (6).
 - **CHASE MODE:** select this mode if you want to select one of the 12 color chases using the "chase/color" fader (8).
 - **SPECTRUM MIX:** select this mode if you want to select one of the 32 different colors using the "chase/color" fader (8).
8. **CHASE/COLOR FADER:** used to select one of the available color chases:
 - Left side of the fader indicates the different chases.
 - Right side of the fader indicates the different colors.

Important remark: There's also a function called "color fade" which is very nice for "background lighting" applications. Select this function to fade gently from one color to another. You can adjust the fade-over time with the speed/fade fader(9).
9. **SPEED/FADE FADER:** used to select the chase speed or color fade time:
 - Left side of the fader indicates the chase speed, ranging from 2,5s to 0,1s.
 - Right side of the fader indicates the color fade time, ranging from 12s to 2,5s.
10. **MASTER FADER:** used to control the overall dimming of the LEDs and overall strobe speed.
11. **SOUND BUTTON:** used to toggle the chase mode between sound and static mode.
12. **FULL ON BUTTON:** used to set the 3 colors (R+G+B) at maximum level.
13. **BLACKOUT BUTTON:** used to set the 3 colors (R+G+B) at zero level.
14. **OUTPUT MONITOR:** indicates the output levels for the 3 colors (R+G+B)

FUNCTIONS (REAR)



15. **FIXING HOLES:** used to fix the unit on a wall or other flat surface.
16. **OUTPUT CABLES:** used to connect different 24Vdc common anode LED projectors. (max. load: 300W) Each cable uses a special 4pin female connector.
17. **OUTPUT FUSES:** 6,3A fuses on each of the 3 color outputs.
18. **DMX INPUT:** 3pin male XLR-connector used to connect universal DMX-cables. This input receives instructions from a DMX-controller or from another LED-Manager when used in master/slave mode.
19. **DMX OUTPUT:** 3pin female XLR-connector used to connect the LED-Manager with the next DMX appliance in the chain or with another LED-Manager when used in master/slave mode.
20. **INTERNAL MICRO:** used for sound activated chases.
21. **MAINS INPUT:** with IEC socket and integrated fuse holder, connect the supplied mains cable here.
22. **ON/OFF SWITCH:** used to switch the unit on/off.

ELECTRICAL INSTALLATION

! The electrical installation should be carried out by qualified personal only, according to the regulations for electrical and mechanical safety in your country.

How to connect the LED-projectors to the outputs of the unit:

Important: Switch the LED-manager OFF before you install the LED-projectors! The maximum total load of the LED Manager is 300W, spread over 3 colors: each of the 3 colors has a max. load of 100W! The total load is distributed over the 2 output cables. This means that each output cable supports 150W (max. 50W for each color!) to have a total maximum load of 300Watt. Make sure not to overload one of the output cables!

The 2 output cables (16) use a special 4pin connector. Two different types of passive LED projectors can be connected:

A. LED Projectors with a special 4pin connector (ex. LED STRIP):

This is the easiest way to make the connections. Fix all projectors properly and daisy chain their in/output cables until you reach the maximum allowed load. Make sure to fasten the plastic ring of the connector.

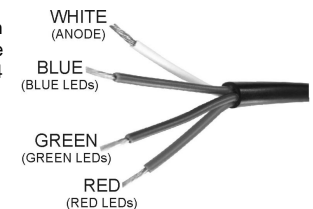


Example: you can connect up to fifteen "1m LED STRIP" on each output cable (total = 30m!)

B. LED Projectors with open wires (ex. LED GROUND LIGHT):

In this case we suggest to take a 1m extension cable (with special male/female 4pin connectors) and to cut the female connector. Now you can easily strip the cable. You will find 4 colored wires inside:

- **White wire:** This is the common wire (anode)
- **Red wire:** This the power for the red LEDs (max. 50W)
- **Green wire:** This the power for the green LEDs (max. 50W)



- **Blue wire:** This the power for the blue LEDs (max. 50W)
Just connect these 4 wires to the corresponding 4 wires of the projector. (in most cases the colors of the wires match with the LED colors) Make sure not to exceed the maximum allowed load!
Example: you can connect up to 50 "GROUND LIGHT" on each output cable (total = 100pcs!)

Electrical installation in Master/slave-mode:

- You need to "daisy chain" the DMX in/outputs of 2 or more units with a good quality balanced cable (ex. JB Systems ref. 7-0063).



- The unit with a free DMX-input connector automatically becomes the master (master LED is lit), the other units are automatically switched as slaves (slave LED is lit). The controls on the slave units are disabled.

Electrical installation in Master/slave-mode with the LEDCON-01 remote:

- You need to "daisy chain" the DMX in/outputs of 1 or more units with the output of the LEDCON-01 remote using a good quality balanced cable (ex. JB Systems ref. 7-0063).



- The LEDCON-01 remote will be used to control all connected slaves. The LED Managers are automatically switched as slaves (slave LED is lit). The controls on the slave units are disabled.

Electrical installation in DMX-mode:

- The DMX-protocol is a widely used high speed signal to control intelligent light equipment. You need to "daisy chain" your DMX controller and all the connected units with a good quality balanced cable (ex. JB Systems ref. 7-0063).



- To prevent strange behavior of the light effects, due to interferences, you must use a 90Ω to 120Ω terminator at the end of the chain. Never use Y-splitter cables, this simply won't work!
- Each unit in the chain needs its proper start address so it knows which commands from the DMX-controller it has to decode. When you need a lot of power you can use several LED managers and give them the same start address. In the next chapter you will learn how to set the DMX addresses.

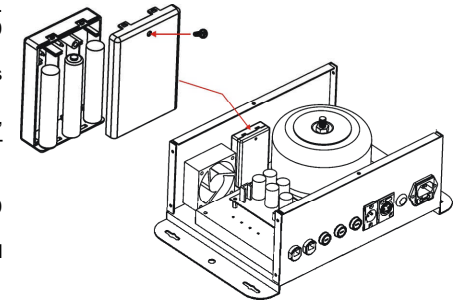


Changing the internal batteries:

VERY IMPORTANT: ONLY rechargeable batteries are allowed, do NOT use normal batteries!!!

The LED Manager has an internal real-time 24H clock with 3 individual timers and battery backup. To use the battery backup feature you must install 3 optional AA-type NiMH rechargeable batteries. Once these batteries are installed they will be recharged automatically, no need to replace them anymore!

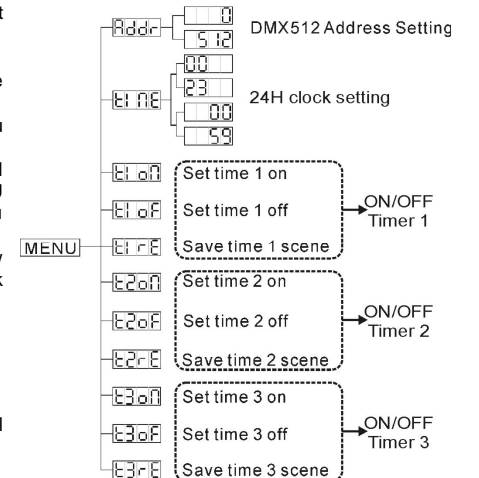
- Switch the unit off and disconnect the mains cable.
- Use an appropriate screwdriver to unscrew the 10 screws of the enclosure.
- Gently remove the top cover (careful for the cables inside!)
- On the inside you will find a battery compartment, next to the fan. Open it gently and install the 3 AA-type NiMH rechargeable batteries as indicated.
- Close the battery compartment
- Put the top cover back in place and fasten the 10 screws.
- Connect the unit to the mains: the batteries will charge automatically.
- Done!



SETUP MENUS + DMX ADDRESSING

During normal operation the display shows the current time of the internal 24H clock.

- Press the MENU button to enter menu mode:
- With the UP and DOWN buttons you can browse through the different options of the main menu.
- Press the ENTER button to select and edit a menu option.
- Adapt the values with the UP & DOWN buttons and confirm with the ENTER button or press the MENU button again if you want to return to the main menu without saving the changes you just made.
- After some time the display will automatically show the internal clock. You can also switch to the clock display by pressing the MENU button for about 1 second.



Addr DMX start address setting

Used to set the start address of the LED Manager.

- Press the MENU button and UP/DOWN buttons until the display shows "Addr"
- Press the ENTER button: the display starts blinking.
- Use the DOWN and UP buttons to change the DMX address.
- Once the correct address is shown on the display, press the ENTER button to save it.

Remarks: You can abort the setting procedure and go back without saving the changes by shortly pressing the MENU button. When the setup is done and changes are saved, you can return to the clock display by pressing the MENU button for more than 1 second.

TIME Internal 24H clock setting

Used to set the time of the internal 24H clock.

- Press the MENU button and UP/DOWN buttons until the display shows "time"
- Press the ENTER button, the HOUR-display starts blinking.
- Use the DOWN and UP buttons to set the correct hours (00 to 23).
- Press the ENTER button, the MINUTE-display starts blinking.
- Use the DOWN and UP buttons to set the correct minutes (00 to 59).

- Once the correct time is shown, press the ENTER button. The new clock settings are saved while the display shows "time"
- Remarks:** You can abort the setting procedure and go back without saving the changes by shortly pressing the MENU button. When the setup is done and changes are saved, you can return to the clock display by pressing the MENU button for more than 1 second.

ON/OFF Timers "START-time" setting

The LED Manager has 3 individual ON/OFF timers. So you are able to switch the output on/off at 3 different parts of the day, each time with a different color or color chase. Below we explain how to set the start-time for "ON/OFF timer1". The settings for the other 2 timers are identical.

- Press the MENU button and UP/DOWN buttons until the display shows "t1on"
- Press the ENTER button, the HOUR-display starts blinking.
- Use the DOWN and UP buttons to set the correct hours (00 to 23).
- Press the ENTER button, the MINUTE-display starts blinking.
- Use the DOWN and UP buttons to set the correct minutes (00 to 59).
- Once the correct start time is shown, press the ENTER button. The new start time is saved while the display shows "t1on"

Remarks: You can abort the setting procedure and go back without saving the changes by shortly pressing the MENU button. When the setup is done and changes are saved, you can return to the clock display by pressing the MENU button for more than 1 second.

ON/OFF Timer "STOP-time" setting

Below we explain how to set the stop-time for "ON/OFF timer1". The settings for the other 2 timers are identical.

- Press the MENU button and UP/DOWN buttons until the display shows "t1oF"
- Press the ENTER button, the HOUR-display starts blinking.
- Use the DOWN and UP buttons to set the correct hours (00 to 23).
- Press the ENTER button, the MINUTE-display starts blinking.
- Use the DOWN and UP buttons to set the correct minutes (00 to 59).
- Once the correct stop time is shown, press the ENTER button. The new stop time is saved while the display shows "t1oF"

Remarks: You can abort the setting procedure and go back without saving the changes by shortly pressing the MENU button. When the setup is done and changes are saved, you can return to the clock display by pressing the MENU button for more than 1 second.

ON/OFF Timer "SCENE" setting

Below we explain how to select the scene (color or color chase) for "ON/OFF timer1". The settings for the other 2 timers are identical.

- Press the MENU button and UP/DOWN buttons until the display shows "t1rE"
- Press the ENTER button, the display starts blinking.
- Now you have the time to set the scene that you would like to reproduce when the timer is activated.
- When the scene is OK (don't forget to switch the blackout function off!) just press the ENTER button again. The display stops blinking and the scene is saved.

Remarks: You can abort the setting procedure and go back without saving the changes by shortly pressing the MENU button. When the setup is done and changes are saved, you can return to the clock display by pressing the MENU button for more than 1 second.

OPERATING INSTRUCTIONS

A. Standalone 1unit:

- Connect the LED projectors to the LED Manager as indicated in the previous chapters. (no need to set a DMX address!)
- Switch the unit on and refer to the chapter "Functions" to make yourself familiar with the various functions of the faders and buttons.

In this mode you can also set the clock and use the 3 on/off timers as described in the previous chapter.

Remark: When a timer is active, you can deactivate it by pressing the blackout button.

B. Two or more units in master/slave setup:

- Connect the LED projectors to the LED Managers as indicated in the previous chapters.
- Connect the units with each other as explained in the chapter about electrical installations. (no need to set a DMX address!)
- Switch the LED Managers on. You can only use the controls on the master unit, the controls on the slaves are disabled. Refer to the chapter "Functions" to make yourself familiar with the various functions of the faders and buttons on the master unit.

In this mode you can also set the clock and use the 3 on/off timers on the master as described in the previous chapter.

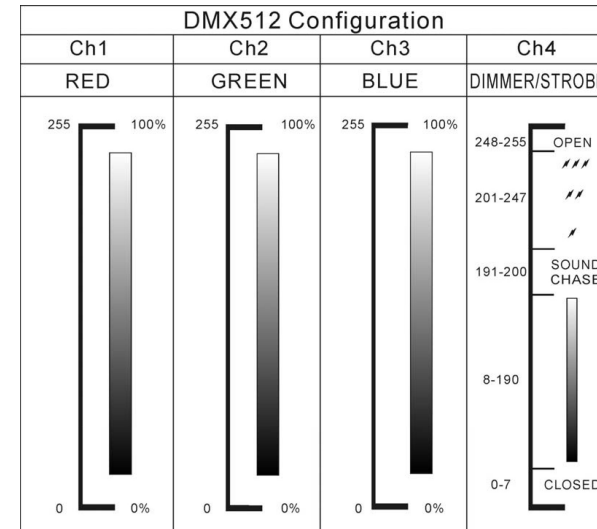
Remark: When a timer is active, you can deactivate it by pressing the blackout button.

C. Connect the optional LEDCON-01 controller for remote control:

In most cases the LED MANAGER will be installed on a wall, close to the LED-projectors. If you want to have easy access to its functions, you can connect the LEDCON-01 remote controller to the (first) LED Manager. The other connections are identical to those of the standalone or master/slave setups. Except for the display, internal 24H clock and the 3 on/off timers, the controls on the remote are identical to that of the LED Manager. So please refer to the chapter "Functions" to make yourself familiar with the various functions of the faders and buttons.

D. Controlled by universal DMX-controller:

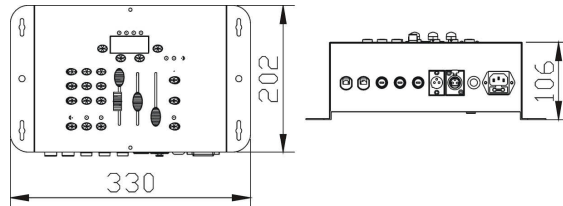
- Connect the LED projectors to the LED Manager(s) as indicated in the previous chapters.
- Connect the LED Manager(s) with all other DMX-appliances in the DMX-chain.
- Switch all units on and set the proper DMX-addresses. (DMX-LED on the LED Manager is lit)
- Switch your universal DMX-controller on and refer to the DMX chart below to control the connected LED managers:



All controls (buttons and faders) on the LED Manager(s) are disabled, except the buttons needed to set the DMX-address.

SPECIFICATIONS

| | |
|--------------------------------|--|
| Power Input: | AC 230V~ 50Hz |
| Fuse: | 6,3A slow blow (20mm glass) |
| Backup batteries: | 3x 1,2V AA-type NiMH rechargeable batteries (optional) |
| Output voltage to LEDs: | DC 24V common anode |
| Output power to LEDs: | 2x 150W max. (Total = 300W max.) <ul style="list-style-type: none"> o Red: 2x 50W max. (Total = 100W max.) o Green: 2x 50W max. (Total = 100W max.) o Blue: 2x 50W max. (Total = 100W max.) |
| DMX connections: | 3pin XLR (DMX-512 standard) |
| DMX channels: | 4 (CH1: red, CH2: green, CH3: blue, CH4: dimmer/strobe) |
| Audio input: | None, internal microphone |
| Size: | 330 x 202 x 106cm (see drawing below) |
| Weight: | 6,6kg |



Every information is subject to change without prior notice

You can download the latest version of this user manual on our website: www.beglec.com

MODE D'EMPLOI

Nous vous remercions d'avoir acheté ce produit JB Systems. Veuillez lire ce mode d'emploi très attentivement afin de pouvoir exploiter toutes les possibilités de cet appareil.

CARACTERISTIQUES

Cet appareil ne produit pas d'interférences radio. Il répond aux exigences nationales et européennes. La conformité a été établie et les déclarations et documents correspondants ont été déposés par le fabricant.

- Alimentation polyvalente pour toutes sortes de projecteurs RVB LED passifs
- Différents modes de fonctionnement isolés:
 - Fixed colors mode: accès immédiat aux 9 couleurs préprogrammées
 - Static chase mode : 12 différents défilements de couleurs avec contrôle manuel de vitesse
 - Sound chase mode : 12 différents défilements de couleurs avec déclenchement de signal audio
 - Spectrum mix : 32 différentes couleurs spectrum mix, inclus des jolies transitions
- Vitesse et éclairage réglables avec curseur
- Transition de couleur lente réglable avec curseur
- Fonctions 'Black-out' et 'full on'
- Toutes les fonctions peuvent être contrôlées par le LED MANAGER ou par le LEDCON-01 facultatif.
- Plusieurs LED MANAGERS peuvent être utilisés ensemble en mode Maître/esclave pour obtenir une puissance élevée et entièrement synchronisé
- Capacité de 300Watt : 2 sorties 150W 24Vdc. (protection court-circuit R+V+B)
- Horloge incorporée avec backup par pile et chargeur de pile NiMH (piles pas jointes)
- 3 minuteries programmable on/off.
- Peut être contrôlé par chaque contrôleur DMX standard!
- 4 canaux DMX nécessaires: Ch1=rouge; Ch2=vert; Ch3=bleu; Ch4=Dimmer/stroboscope
- Le boîtier est préparé pour une l'installation facile contre le mur
- Ventilateur pour une fiabilité supplémentaire

AVANT L'UTILISATION

Vérifiez le contenu:

Vérifiez si la boîte contient les articles suivants :

- LED MANAGER
- Câble d'alimentation
- Mode d'emploi

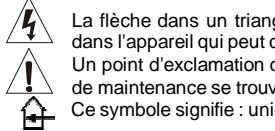
Quelques instructions importantes:

- Avant d'utiliser cet appareil, assurez-vous de l'absence de dommage lié au transport. En cas d'endommagement, n'utilisez pas l'appareil et contactez le vendeur.
- **Important:** Cet appareil a quitté notre usine en parfaite condition et bien emballé. Il est primordial que l'utilisateur suive les instructions de sécurité et avertissements inclus dans ce manuel. La garantie ne s'applique pas en cas de dommage lié à une utilisation incorrecte. Le vendeur ne prend pas la responsabilité des défauts ou de tout problème résultant du fait de n'avoir pas tenu compte des mises en garde de ce manuel.
- Conservez ce manuel dans un endroit sûr pour toute consultation future. Si vous vendez l'appareil, assurez-vous d'y joindre ce manuel également.
- Afin de protéger l'environnement, merci de recycler les emballages autant que possible.

INSTRUCTIONS DE SECURITE:



ATTENTION: afin de réduire le risque d'électrocution, n'enlevez jamais le couvercle de l'appareil. Il n'y a aucune pièce à l'intérieur de l'appareil que vous pouvez remplacer vous-même. Confiez l'entretien uniquement aux techniciens qualifiés.



La flèche dans un triangle met l'utilisateur en garde de la présence de haut voltage sans isolation dans l'appareil qui peut causer un risque d'électrocution.

Un point d'exclamation dans un triangle prévient de la présence d'instructions de fonctionnement et de maintenance se trouvant dans le manuel, fourni avec l'appareil.

Ce symbole signifie : uniquement pour usage à l'intérieur

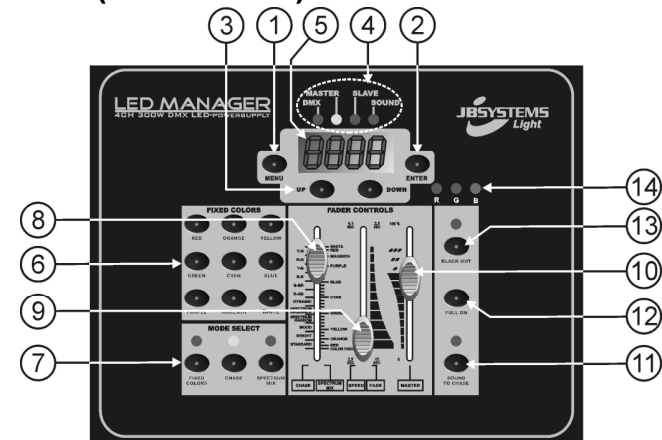
- Afin d'éviter tout risque d'incendie ou de choc électrique, ne pas exposer cet appareil à la pluie ou l'humidité.
- Pour éviter la formation de condensation à l'intérieur de l'appareil, patientez quelques minutes pour laisser l'appareil s'adapter à la température ambiante lorsqu'il arrive dans une pièce chauffée après le transport. La condensation empêche l'unité de fonctionner en performance optimale et peut même causer des dommages.
- Cette unité est destinée à une utilisation à l'intérieur uniquement.
- Ne pas insérer d'objet métallique ou verser un liquide dans l'appareil. Aucun objet rempli de liquides, tels que des vases, ne sera placé sur cet appareil. Risque de choc électrique ou de dysfonctionnement. Si un corps étranger est introduit dans l'unité, déconnectez immédiatement de la source d'alimentation.
- Aucune source de flamme nue, telle que les bougies allumées, ne devrait être placée sur l'appareil.
- Ne pas couvrir les ouvertures de ventilation, un risque de surchauffe en résulterait.
- Ne pas utiliser dans un environnement poussiéreux et nettoyez l'unité régulièrement.
- Ne pas laisser l'unité à portée des enfants.
- Les personnes non expérimentées ne doivent pas utiliser cet appareil.
- La température ambiante maximum d'utilisation de l'appareil est de 45°C. Ne pas l'utiliser au-delà de cette température.
- Débranchez toujours l'appareil si vous ne l'utilisez pas de manière prolongée ou avant d'entreprendre des réparations.
- Les installations électriques ne peuvent être faites que par du personnel qualifié et conformément aux réglementations de sécurité électrique et mécanique en vigueur dans votre pays.
- Assurez-vous que le voltage de la source d'alimentation de la zone dans laquelle vous vous trouvez ne dépasse pas celui indiqué à l'arrière de l'appareil.
- La prise sera toujours accessible pour que le cordon secteur puisse être enlevé à chaque moment.
- Le cordon d'alimentation doit toujours être en condition parfaite. Mettez immédiatement l'unité hors tension si le cordon est écrasé ou endommagé.
- Ne laissez jamais le cordon d'alimentation entrer en contact avec d'autres câbles !
- Utilisez toujours les câbles appropriés et certifiés lorsque vous installez l'unité.
- Pour éviter tout choc électrique, ne pas ouvrir l'appareil. En dehors du fusible principal, il n'y a pas de pièces pouvant être changées par l'utilisateur à l'intérieur.
- **Ne jamais** réparer ou court-circuiter un fusible. Remplacez **systématiquement** un fusible endommagé par un fusible de même type et spécifications électriques !
- En cas de problèmes de fonctionnement sérieux, arrêtez toute utilisation de l'appareil et contactez votre revendeur immédiatement.
- Utilisez l'emballage d'origine si l'appareil doit être transporté.
- Pour des raisons de sécurité, il est interdit d'apporter toute modification à l'unité non spécifiquement autorisée par les parties responsables.

ENTRETIEN

- Nettoyez l'appareil à l'aide d'un chiffon doux, légèrement humide. Evitez d'introduire de l'eau à l'intérieur de l'appareil. N'utilisez pas de produits volatiles tels le benzène ou le thinner qui peuvent endommager l'appareil.
- Étant donné que cet appareil utilise un ventilateur, l'intérieur de l'appareil doit être nettoyé annuellement à l'aide d'un aspirateur ou d'air sous pression.

Attention: Nous conseillons que le nettoyage interne se fasse par une personne qualifiée.

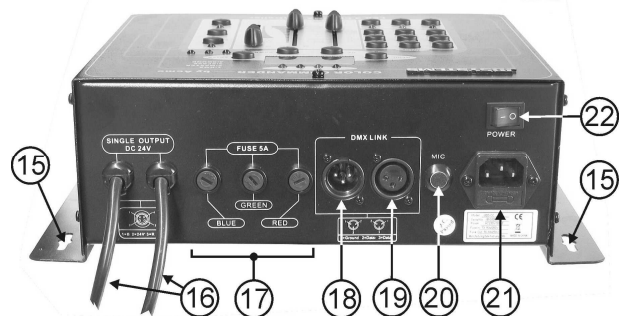
FONCTIONS (FACE AVANT)



1. **BOUTON MENU:** Utilisé pour consulter ou quitter le menu principal. Pour retourner du menu principal à l'affichage de l'horloge appuyez 1 seconde sur le bouton menu.
2. **BOUTON ENTER:** Pour confirmer la fonction sélectionnée.
3. **BOUTON UP/DOWN:** Pour feuilleter dans le menu principal et sélectionner les valeurs d'une fonction.
4. **MONITEUR STATUS:** Indique quelques fonctions importantes:
 - **LED DMX:** Indique que l'appareil fonctionne en mode DMX. (un signal DMX est détecté).
 - **LED MASTER:** Indique que l'appareil fonctionne en mode maître.
 - **LED SLAVE:** Indique que l'appareil fonctionne en mode esclave.
 - **LED SOUND:** Clignote au rythme de la musique, détecté par le micro intégré.
5. **ÉCRAN:** écran 4digit LED, affiche les différentes options menu.
6. **BOUTONS FIXED COLOR:** 9 boutons, chacun avec une couleur préprogrammé.
7. **BOUTONS MODE SELECT:** 3 boutons pour placer le contrôleur sur différentes méthodes de fonctionnement:
 - **FIXED COLORS:** Sélectionnez ce mode, si vous voulez utiliser les boutons 'fixed color'.
 - **CHASE MODE:** Sélectionnez ce mode, si vous voulez utiliser un des 12 défilement de couleur en utilisant le curseur 'chase/color' (8).
 - **SPECTRUM MIX:** Sélectionnez ce mode, si vous voulez utiliser une des 32 couleurs différentes en utilisant le curseur 'chase/color' (8).
8. **CURSEURCHASE/COLOR:** Utilisé pour sélectionner un des défilement de couleur disponible:
 - Le côté gauche du curseur indique les différents défilements.
 - Le côté droits du curseur indique les différentes couleurs.

Remarque importante: Il y a une fonction 'color fade' qui est très joli pour un éclairage d'arrière plan. Sélectionnez cette fonction pour passer progressivement d'une couleur vers une autre. Vous pouvez adapter la période de transition avec le curseur 'speed'(9).
9. **CURSEUR SPEED/FADE:** Utilisé pour sélectionné la vitesse de transition ou le temps color fade.
 - Le côté gauche du curseur indique la vitesse de transition, de 2,5s à 0,1s.
 - Le côté droits du curseur indique le temps color fade, de 12s à 2,5s.
10. **CURSEUR MASTER:** Utilisé pour régler la puissance de sortie vers les projecteurs LED et pour contrôler la vitesse du stroboscope.
11. **BOUTON SOUND:** Pour inverser le mode chase entre sound et static mode.
12. **BOUTON FULL ON:** Pour placer les 3 couleurs (R+G+B) au niveau max.
13. **BOUTON BLACKOUT:** Pour placer les 3 couleurs (R+G+B) au niveau zéro.
14. **SORTIE MONITEUR:** Indique le niveau sortie des 3 couleurs (R+G+B).

FONCTIONS (arrière)



15. **TROUS DE FIXATION:** Pour fixer l'appareil sur un mur ou sur une autre surface plate.
16. **CABLES DE SORTIE:** Les câbles d'alimentation pour les projecteurs LED.
Chaque câble utilise un connecteur femelle 4pin.
17. **FUSIBLES:** Fusibles 6,3A sur les 3 sorties couleur.
18. **ENTRÉE DMX:** Connecteur XLR 3pin mâle permet de connecter des câbles DMX. Cette entrée reçoit des instructions provenant d'un contrôleur DMX ou, en mode master/slave, d'un autre LED MANAGER.
19. **SORTIE DMX:** Connecteur XLR 3pin femelle permet de connecter le LED MANAGER à l'unité suivante de la chaîne DMX ou à un autre LED MANAGER en mode master/slave.
20. **MICROPHONE INTERNE:** micro intégré.
21. **ALIMENTATION SECTEUR D' ENTRÉE:** avec une prise IEC avec fusible incorporé, connectez les câbles d'alimentations fournis dans cette prise.
22. **INTERRUPTEUR ON/OFF:** utilisé pour allumer/éteindre l'appareil.

INSTALLATION ÉLECTRIQUE

L'installation électrique doit être faite uniquement par une personne qualifiée et selon les règlements pour la sécurité électrique et mécanique dans votre pays.

Comment relier les projecteurs LED aux sorties de l'appareil:

Important: Coupez le LED MANAGER avant d'installer les projecteurs LED! La charge maximale du LED MANAGER est 300W, répartie en 3 couleurs: chacune des 3 couleurs a une charge maximale de 100W! Toute la charge est répartie sur les 2 câbles de sortie. Ceci signifie que chaque câble supporte 150W (max. 50W pour chaque couleur!) pour avoir la charge totale maximale de 300Watt! Veuillez ne pas surcharger un des câbles de sortie.

Les 2 câbles de sortie (16) utilisent un connecteur spécial 4pin. Deux types de projecteurs passifs LED peuvent être reliés:

A. Projecteurs LED avec connecteur spécial 4pin (ex. LED STRIP):

C'est la manière la plus facile d'établir les connections. Fixez correctement tous les projecteurs en reliant les câbles d'entrée/sortie de chaque appareil jusqu'à ce que vous atteignez la charge maximale permise. Veuillez à attacher l'anneau en plastique aux connecteur.

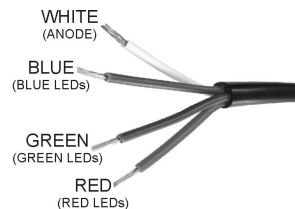
Exemple: Vous pouvez relier jusqu'à quinze '1m LED STRIP' sur chaque câble de sortie (total = 30m!).



B. Projecteurs avec fils ouverts:

Dans ce cas-ci, nous suggérons de prendre une rallonge de 1m (avec connecteur 4pin mâle/femelles) et d'enlever le connecteur femelle. Maintenant vous pouvez facilement dénuder le câble. Vous trouverez 4 fils colorés à l'intérieur:

- **Fil blanc:** Le fil commun (l'anode)
- **Fil rouge:** La puissance pour les LED rouges (max. 50W)



- **Fil vert:** La puissance pour les LED verts (max. 50W)
 - **Fil bleu:** La puissance pour les LED bleus (max. 50W)
- Reliez juste ses 4 fils aux 4 fils correspondants du projecteur. (dans la plupart des cas les couleurs des fils correspondent aux couleurs des LED) veuillez ne pas dépasser la charge maximale permise!
Exemple: Vous pouvez relier jusqu'à 50 'GROUND LIGHT' sur chaque câble de sortie (total = 100pcs!)

Installation électrique en mode maître/esclave:

- Vous devez relier les entrées/sorties DMX de 2 ou plusieurs appareils avec un bon câble symétrique (ex. JB Systems réf. 7-0063).



- L'appareil avec une entrée DMX libre devient automatiquement le maître (le LED master est allumé), les autres appareils deviennent automatiquement esclave (le LED slave est allumé). Les commandes sur l'appareil esclave sont hors service.

Installation électrique en mode maître/esclave avec commande à distance LEDCON-01:

- Vous devez relier les entrées/sorties DMX d'un ou plusieurs appareils avec la sortie du LEDCON-01 avec un bon câble symétrique (ex. JB Systems réf. 7-0063).



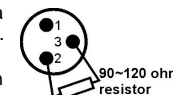
- La commande à distance LEDCON-01 sera utilisée pour commander tout les esclaves reliés. Les LED MANAGERS sont automatiquement mis en mode esclaves (le slave LED est allumé). Les commandes sur les appareils esclave sont hors service.

Installation électrique en mode DMX:

- Le protocole DMX est largement employé, c'est un signal à grande vitesse pour commander l'équipement lumière. Vous devez relier votre contrôleur DMX et tous les appareils, avec un bon câble symétrique (ex. réf. Systèmes 7-0063).



- Afin d'éviter que vos effets de lumière se comportent de manière étrange, à cause d'interférences, utilisez des bouchons de 90Ω à 120Ω en fin de chaîne. N'utilisez jamais des câbles de dérivation, ceci ne fonctionne pas!
- Chaque appareil dans la chaîne nécessite sa propre adresse de démarrage afin de savoir quelles commandes du contrôleur DMX il doit décoder. Si vous avez besoin de beaucoup de puissance, vous pouvez employer plusieurs LED MANAGERS et leur donner la même adresse de démarrage. Dans le prochain chapitre, vous apprendrez comment installer les adresses DMX.

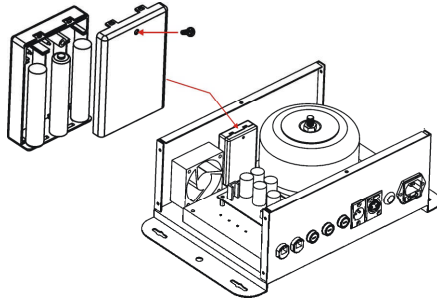


Changer les piles internes:

TRÈS IMPORTANT: SEULEMENT des piles rechargeables sont permises, n'utiliser pas des piles normales!!!

Le LED MANAGER possède une horloge 24H interne avec 3 minuteries individuelles et une pile de sauvegarde. Pour employer la pile de sauvegarde vous devez installer 3 piles rechargeables de type AA NiMH. Une fois les piles installées elles seront rechargées automatiquement, aucun besoin de les remplacer!

- Coupez l'appareil et débranchez le câble d'alimentation.
- Utilisez un tournevis approprié pour dévisser les 10 vis du boîtier.
- Enlevez doucement la couverture supérieure (soyez prudent pour les câbles à l'intérieur!).
- À l'intérieur, à côté du ventilateur, vous trouverez le compartiment de piles.
- Ouvrez-le doucement et installez les piles rechargeables type AA NiMH comme indiqué.
- Fermez le compartiment de pile.
- Remettez la couverture supérieure en place et attachez les 10 vis.
- Branchez l'appareil sur une prise: les piles se chargeront automatiquement.
- Fini!

**INSTALLATION DES MENUS + ADRESSAGE DMX**

Pendant l'opération l'écran montre le temps de l'horloge interne 24H.

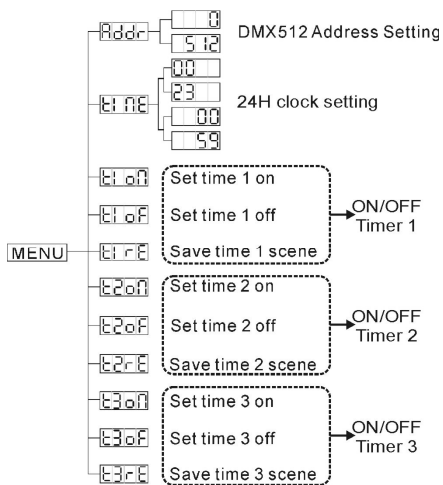
- Appuyez sur le bouton MENU pour entrer dans le mode menu:
- Avec les boutons UP/DOWN vous pouvez chercher dans les différentes options du menu principal.
- Appuyez sur le bouton ENTER pour sélectionner et éditer une option du menu.
- Adaptez les valeurs avec les boutons UP & DOWN et confirmez avec le bouton ENTER. Appuyez sur le bouton MENU si vous souhaitez retourner au menu principal sans sauvegarder les changements.
- Après un certain temps, l'écran montrera automatiquement l'horloge interne. Vous pouvez également retourner vers l'écran de l'horloge en appuyant sur le bouton MENU pendant 1 seconde.

Addr Ajustement de l'adresse DMX

Utilisé pour ajuster l'adresse de démarrage du LED MANAGER.

- Appuyez sur les touches MENU et UP/DOWN jusqu'à ce que 'Addr' soit affiché à l'écran.
- Appuyez sur la touche ENTER, l'écran commence à clignoter.
- Utilisez les touches UP et DOWN pour changer l'adresse DMX.
- Quand l'adresse désirée est affichée à l'écran, appuyez sur la touche ENTER pour confirmer votre choix.

REMARQUES: Vous pouvez interrompre la procédure et retourner aux fonctions sans effectuer de changements, en appuyant à nouveau brièvement la touche MENU. Quand l'installation est faite et les changements sont sauvés, vous pouvez retourner à l'écran de l'horloge en appuyant sur la touche MENU pendant plus d'une seconde.

**time Réglage horloge interne 24H**

Utilise pour régler le temps de l'horloge interne 24H

- Appuyez sur les touches MENU et UP/DOWN jusqu'à ce que 'time' soit affiché à l'écran.
- Appuyez sur la touche ENTER, l'écran HEURE commence à clignoter.
- Utilisez les touches UP et DOWN pour introduire l'heure exacte (00 à 23).
- Appuyez sur la touche ENTER, l'écran MINUTE commence à clignoter.
- Utilisez les touches UP et DOWN pour introduire les minutes exactes (00 à 59).
- Une fois le temps correct affiché, appuyez sur la touche ENTER. Les nouveaux réglages d'horloge sont sauvés et que l'écran affiche 'time'.

REMARQUES: Vous pouvez interrompre la procédure et retourner aux fonctions sans effectuer de changements, en appuyant à nouveau brièvement la touche MENU. Quand l'installation est faite et les changements sont sauvés, vous pouvez retourner à l'écran de l'horloge en appuyant sur la touche MENU pendant plus d'une seconde.

time Réglage Minuterie ON/OFF "temps de démarrage"

Le LED MANAGER possède 3 minuteries individuelles ON/OFF. Vous pouvez allumer/éteindre les sorties à 3 moments de la journée, chaque fois avec une couleur ou un défilement de couleur différent. Au-dessous nous vous expliquons comment mettre le temps de démarrage pour la 'minuterie1 ON/OFF'. Les réglages pour les 2 autres minuteries sont identiques.

- Appuyez sur les touches MENU et UP/DOWN jusqu'à ce que 't1on' soit affiché à l'écran.
- Appuyez sur la touche ENTER, l'écran HEURE commence à clignoter.
- Utilisez les touches UP et DOWN pour introduire l'heure exacte (00 à 23).
- Appuyez sur la touche ENTER, l'écran MINUTE commence à clignoter.
- Utilisez les touches UP et DOWN pour introduire les minutes exactes (00 à 59).
- Une fois que le temps de démarrage correct est affiché, appuyez sur la touche ENTER. Le nouveaux temps de démarrage est sauvé pendant que l'écran affiche 't1on'.

REMARQUES: Vous pouvez interrompre la procédure et retourner aux fonctions sans effectuer de changements, en appuyant à nouveau brièvement la touche MENU. Quand l'installation est faite et les changements sont sauvés, vous pouvez retourner à l'écran de l'horloge en appuyant sur la touche MENU pendant plus d'une seconde.

time Réglage minuterie ON/OFF "temps d'arrêt"

Ci-dessous, nous vous expliquons comment mettre le temps d'arrêt pour la 'minuterie1 ON/OFF'. Les réglages pour les 2 autres minuteries sont identiques.

- Appuyez sur les touches MENU et UP/DOWN jusqu'à ce que 't1oF' soit affiché à l'écran.
- Appuyez sur la touche ENTER, l'écran HEURE commence à clignoter.
- Utilisez les touches UP et DOWN pour introduire l'heure exacte (00 à 23).
- Appuyez sur la touche ENTER, l'écran MINUTE commence à clignoter.
- Utilisez les touches UP et DOWN pour introduire les minutes exactes (00 à 59).
- Une fois que le temps correct d'arrêt est affiché, appuyez sur la touche ENTER. Le nouveau temps d'arrêt est sauvé pendant que l'écran affiche 't1oF'.

REMARQUES: Vous pouvez interrompre la procédure et retourner aux fonctions sans effectuer de changements, en appuyant à nouveau brièvement la touche MENU. Quand l'installation est faite et les changements sont sauvés, vous pouvez retourner à l'écran de l'horloge en appuyant sur la touche MENU pendant plus d'une seconde.

time Réglage minuterie ON/OFF "SCÈNE"

Ci-dessous, nous vous expliquons comment sélectionner les scènes (couleurs ou défilement des couleurs) pour la 'minuterie1 ON/OFF'. Les réglages pour les 2 autres minuteries sont identiques.

- Appuyez sur les touches MENU et UP/DOWN jusqu'à ce que 't1rE' soit affiché à l'écran.
- Appuyez sur la touche ENTER, l'écran commence à clignoter.
- Maintenant vous pouvez choisir la scène que vous voudriez reproduire quand la minuterie est activée.
- Quand la scène est OK (n'oubliez pas de couper la fonction blackout!) appuyez encore une fois sur la touche ENTER. L'écran cesse de clignoter et la scène est sauvée.

REMARQUES: Vous pouvez interrompre la procédure et retourner aux fonctions sans effectuer de changements, en appuyant à nouveau brièvement la touche MENU. Quand l'installation est faite et les changements sont sauvés, vous pouvez retourner à l'écran de l'horloge en appuyant sur la touche MENU pendant plus d'une seconde.

CONSIGNES D'UTILISATION

A. 1 appareil autonome:

- Reliez les projecteurs LED aux LED MANAGER comme indiqué dans les chapitres précédents. (pas besoin d'installer une adresse DMX!)
- Branchez l'appareil et consultez le chapitre 'Fonctions' pour se familiariser avec les diverses fonctions des curseurs et des touches.

Dans ce mode vous pouvez également régler l'horloge et employer les 3 minuteries 'on/off' comme décrit dans le chapitre précédent.

Remarque: Quand une minuterie est active, vous pouvez la désactiver en appuyant sur le bouton 'blackout'.

B. Installation de 2 ou plus d'appareils en mode maître/esclave:

- Reliez les projecteurs LED aux LED MANAGERS comme indiqué dans les chapitres précédents.
- Reliez les appareils les uns aux autres comme expliqué dans le chapitre installation électrique. (pas besoin d'installée une adresse DMX!)
- Branchez les LED MANAGERS. Vous savez seulement employer les commandes de l'appareil maître, les commandes sur les esclaves sont désactivées. Consultez le chapitre 'Fonctions' pour se familiariser avec les diverses fonctions des curseurs et des touches, de l'appareil maître.

Dans ce mode vous pouvez également régler l'horloge et employer les 3 minuteries 'on/off' sur l'appareil maître comme décrit dans le chapitre précédent.

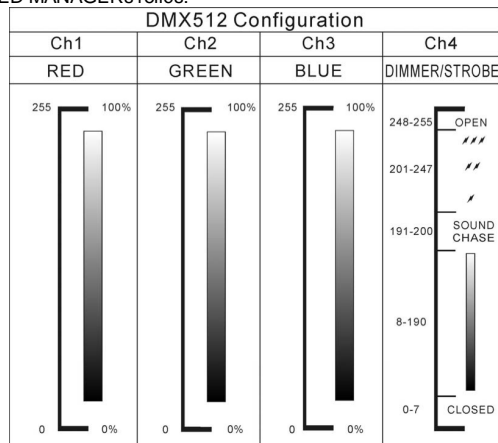
Remarque: Quand une minuterie est active, vous pouvez la désactiver en appuyant sur le bouton 'blackout'.

C. Reliez le contrôleur avec la commande à distance LEDCON-01:

Dans la plupart des cas, le LED MANAGER sera installé sur un mur, près des projecteurs LED. Si vous voulez avoir un accès facile à ses fonctions, vous pouvez relier le contrôleur avec la commande à distance LEDCON-01 sur le premier LED MANAGER. Les autres raccordements sont identiques à l'installation autonome ou l'installation 'maître/esclave'. Excepté l'écran, l'horloge interne 24H et les 3 minuteries on/off, les touches sur la commande à distance sont identiques à celle du LED MANAGER. Veuillez consulter le chapitre 'Fonctions' pour se familiariser avec les diverses fonctions des curseurs et des touches.

D. Contrôle par le contrôleur DMX universel:

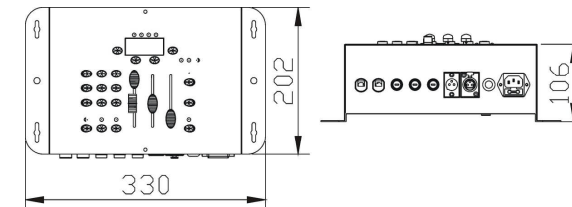
- Reliez les projecteurs LED aux LED MANAGER(s) comme indiqué dans les chapitres précédents.
- Reliez les LED MANAGER(s) avec tous les autres appareils DMX dans la chaîne DMX.
- Branchez tout les appareils et installez l'adresse DMX correcte. (le LED « DMX » sur le LED MANAGER est allumé).
- Branchez votre contrôleur DMX universel et référez-vous au diagramme DMX ci-dessous pour commander les LED MANAGERS reliés:



Toutes les commandes (touches et curseurs) sur le(s) LED MANAGER(s) sont désactivée(s), excepté les boutons dont vous avez besoin pour installer l'adresse DMX.

SPÉCIFICATIONS

| | |
|------------------------------------|---|
| Alimentation: | AC 230V, 50Hz |
| Fusibles: | 6,3A lent (20mm verre) |
| Pile de sauvegarde: | 3x 1,2V type AA NiMH piles rechargeables (optionnel) |
| Tension des sorties LEDs: | DC 24V ANODE COMMUNE |
| Puissance des sorties LEDs: | 2x 150W max. (Total = 300W max.) <ul style="list-style-type: none"> o Rouge: 2x 50W max. (Total = 100W max.) o Vert: 2x 50W max. (Total = 100W max.) o Bleu: 2x 50W max. (Total = 100W max.) |
| Connexion DMX: | 3pin XLR (standard DMX-512) |
| Canaux DMX: | 4 (CH1: rouge, CH2:Vert; CH3: Bleu, CH4 : stroboscope/dimmer) |
| Entrée Audio: | aucune, micro interne |
| Dimensions: | 330 x 202 x 106 cm (voyez le dessin ci-dessous) |
| Poids: | 6,6 kg |



Chacune de ces informations peut être modifiée sans avertissement préalable. Vous pouvez télécharger la dernière version de ce mode d'emploi de notre site Web: www.beglec.com

GEBRUIKSAANWIJZING

Hartelijk dank voor de aankoop van dit JB Systems product. Om ten volle te kunnen profiteren van alle mogelijkheden en voor uw eigen veiligheid, gelieve de aanwijzingen zeer zorgvuldig te lezen voor U begint het apparaat te gebruiken.

KARAKTERISTIEKEN

In dit apparaat is radio-interferentie onderdrukt. Dit product voldoet aan de gangbare Europese en nationale voorschriften. Het is vastgesteld dat het apparaat er zich aan houdt en de desbetreffende verklaringen en documenten zijn door de fabrikant afgegeven.

Het toestel is ontworpen om decoratieve lichteffecten te produceren en kan eventueel worden gebruikt in lichtshows.

- Erg veelzijdige voeding voor allerlei passieve RGB LED-projectors.
- Verschillende zelfstandige werkmodi:
 - Fixed color mode: Onmiddellijke toegang tot 9 voorgeprogrammeerde kleuren
 - Static chase mode: 12 verschillende color chases met handmatige snelheidscontrole
 - Sound chase mode: 12 verschillende color chases met audio sturing
 - Spectrum mix: 32 verschillende spectrum mix kleuren, inclusief mooie kleurovergangen
- Snelheid en dimming regelbaar met faders
- Langzame kleurovergangen met regelbare fade tijd
- "Blackout" en "Full on" functie
- Alle functies kunnen onmiddellijk gecontroleerd worden met de LED Manager of met de facultatieve LEDCON-01
- Verscheidene LED Managers kunnen samen gebruikt worden in Master/slave mode om hoge vermogens te bekomen, volledig gesynchroniseerde setups.
- 300Watt vermogen: 2x 150W 24Vdc uitgangen. (R+G+B) met kortsluiting bescherming
- Ingebouwde klok met batterij backup en NiMH batterijlader (batterijen niet inbegrepen)
- 3 onafhankelijke programmeerbare on/off timers. (start/stop 3 verschillende color chases op 3 verschillende tijden!)
- Kan gecontroleerd worden door elke standaard DMX controller!
- 4 DMX kanalen nodig: Ch1=rood, Ch2=groen, Ch3=blauw, Ch4=Dimmer/stroboscoop
- Behuizing klaar voor gemakkelijke installatie tegen een muur
- Ventilatorcooling voor extra betrouwbaarheid

EERSTE INGEBRUIKNAME

Controleer de inhoud:

Kijk na of de verpakking volgende onderdelen bevat:

- LED Manager
- Gebruiksaanwijzing
- Netsnoer

Belangrijke instructies:

- Controleer voor het eerste gebruik van het apparaat of het tijdens het transport beschadigd werd. Mocht er schade zijn, gebruik het dan niet, maar raadpleeg eerst uw dealer.
- **Belangrijk:** Dit apparaat verliet de fabriek in uitstekende staat en goed verpakt. Het is erg belangrijk dat de gebruiker de veiligheidsaanwijzingen en raadgevingen in deze gebruiksaanwijzing uiterst nauwkeurig volgt. Elke schade veroorzaakt door verkeerd gebruik van het apparaat valt niet onder de garantie. De dealer aanvaardt geen verantwoordelijkheid voor mankementen en problemen die komen door het veronachtzamen van deze gebruiksaanwijzing.
- Bewaar deze brochure op een veilige plaats om hem in de toekomst nogmaals te kunnen raadplegen. Indien U het apparaat verkoopt, denkt U er wel aan om de gebruiksaanwijzing bij te voegen.
- Om het milieu te beschermen, probeer zoveel mogelijk het verpakkingsmateriaal te recycleren.

VEILIGHEIDSVOORSCHRIFTEN:



WAARSCHUWING: Om het risico op elektrocutie zoveel mogelijk te vermijden mag u nooit de behuizing verwijderen. Er bevinden zich geen onderdelen in het toestel die u zelf kan herstellen. Laat de herstellingen enkel uitvoeren door een bevoegde technicus.



De bliksempijl die zich in een gelijkbenige driehoek bevindt is bedoeld om u te wijzen op het gebruik of de aanwezigheid van niet-geïsoleerde onderdelen met een "gevaarlijke spanning" in het toestel die voldoende kracht heeft om een risico van elektrocutie in te houden.



Het uitroepteken binnen de gelijkbenige driehoek is bedoeld om de gebruiker erop te wijzen dat er in de meegeleverde literatuur belangrijke gebruik en onderhoudsinstructies vermeld staan betreffende dit onderdeel.



Dit symbool betekent: het apparaat mag enkel binnenhuis worden gebruikt.

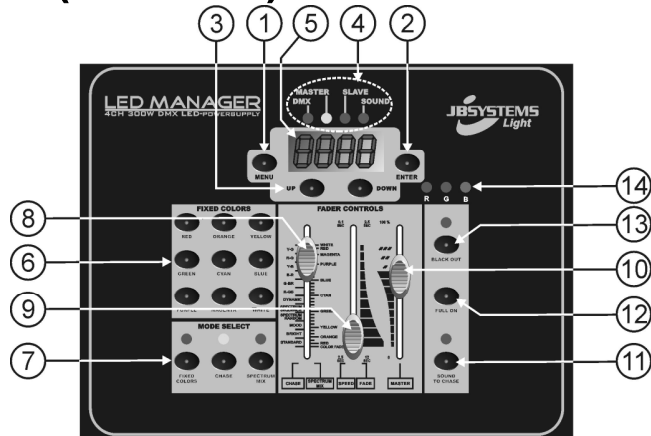
- Stel dit apparaat niet bloot aan regen of vocht, dit om het risico op brand en elektrische schokken te voorkomen.
- Om de vorming van condensatie binnenin te voorkomen, laat het apparaat aan de omgevingstemperatuur wennen wanneer het, na het transport, naar een warm vertrek is overgebracht. Condensatie kan het toestel soms verhinderen perfect te functioneren. Het kan soms zelfs schade aan het apparaat toebrengen.
- Gebruik dit apparaat uitsluitend binnenshuis.
- Plaats geen stukken metaal en mors geen vocht binnen in het toestel om elektrische schokken of storing te vermijden. Objecten gevuld met water, zoals bvb. vazen, mogen op dit apparaat niet worden geplaatst. Indien er toch een vreemd voorwerp of water in het apparaat geraakt, moet U het direct van het lichtnet afkoppelen.
- Open vuur, zoals brandende kaarsen, mogen niet op het apparaat geplaatst worden.
- Bedek geen enkele ventilatieopening om oververhitting te vermijden.
- Zorg dat het toestel niet in een stoffige omgeving wordt gebruikt en maak het regelmatig schoon.
- Houd het apparaat uit de buurt van kinderen.
- Dit apparaat mag niet door onervaren personen bediend worden.
- De maximum veilige omgevingstemperatuur is 45°C. Gebruik het apparaat dus niet bij hogere temperaturen.
- Trek altijd de stekker uit wanneer het apparaat gedurende langere tijd niet wordt gebruikt of alvorens met de onderhoudsbeurt te beginnen.
- De elektrische installatie behoort uitsluitend uitgevoerd te worden door bevoegd personeel, volgens de in uw land geldende regels betreffende elektrische en mechanische veiligheid.
- Controleer dat de beschikbare spanning niet hoger is dan die aangegeven op de achterzijde van het toestel.
- Het stopcontact zal steeds vrij toegankelijk blijven zodat de stroomkabel op elk moment kan worden uitgetrokken.
- De elektrische kabel behoort altijd in uitstekende staat te zijn. Zet het apparaat onmiddellijk af als de elektrische kabel gekneusd of beschadigd is.
- Laat de elektrische draad nooit in contact komen met andere draden.
- Om elektrische schokken te voorkomen, moet U de behuizing niet openen. Afgezien van de zekering zitten er geen onderdelen in die door de gebruiker moeten worden onderhouden.
- Repareer nooit een zekering en overbrug de zekeringhouder nooit. Vervang een beschadigde zekering steeds door een zekering van hetzelfde type en met dezelfde elektrische kenmerken.
- Ingeval van ernstige problemen met het bedienen van het toestel, stopt U onmiddellijk het gebruik ervan. Contacteer uw dealer voor een eventuele reparatie.
- Gebruik best de originele verpakking als het toestel vervoerd moet worden.
- Om veiligheidsredenen is het verboden om ongeautoriseerde modificaties aan het toestel aan te brengen.

ONDERHOUD

- Reinig het toestel met een zacht, lichtjes bevochtigd doek. Vermijd water te morsen in het toestel. Gebruik nooit vluchtige producten zoals benzene of thinner, dit kan het toestel beschadigen.
- Aangezien dit apparaat een koelventilator gebruikt moet de binnenkant van het apparaat jaarlijks schoongemaakt worden met behulp van een stofzuiger of perslucht.

Aandacht: Wij adviseren dat het interne schoonmaken door een gekwalificeerde persoon wordt uitgevoerd.

FUNCTIES (VOORZIJDE)

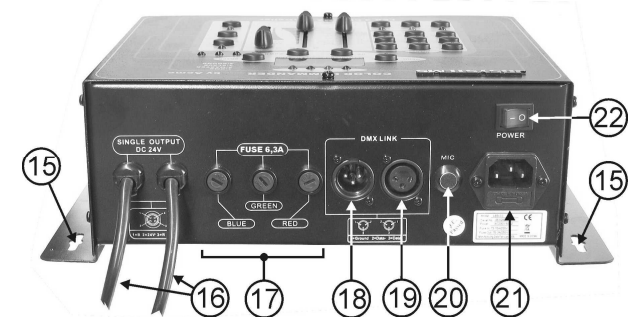


- MENU TOETS:** gebruikt om in het hoofdmenu te openen of te verlaten. Om van het hoofdmenu terug te keren naar de klokdisplay druk 1 seconde op de menu toets.
- ENTER TOETS:** gebruikt om uw keuze in het menu te bevestigen.
- UP/DOWN TOETS:** gebruikt om het hoofdmenu te doorbladeren en de waarden van een functie aan te passen.
- STATUS MONITOR:** duidt enkele belangrijke werkmodi aan:
 - **DMX-LED:** is aan als het apparaat in DMX mode werkt. (Een DMX-sigitaal is gedetecteerd)
 - **MASTER LED:** is aan als het apparaat als master werkt.
 - **SLAVE LED:** is aan als het apparaat als slave werkt.
 - **SOUND LED:** knippert in het ritme van de muziek als deze gedetecteerd wordt.
- DISPLAY:** 4digit LED display toont de verschillende menuopties en de real-time klok.
- FIXED COLOR TOETSSEN:** 9 knoppen elk met een vooraf ingestelde kleur.
- MODE SELECT TOETSSEN:** 3 knoppen om de controller in verschillende werkmodi te plaatsen:
 - **FIXED COLORS:** selecteer deze mode als u de "fixed color" knoppen wilt gebruiken (6).
 - **CHASE MODE:** selecteer deze mode als u één van de 12 color chases wilt gebruiken door de "chase/color" fader te gebruiken (8).
 - **SPECTRUM MIX:** selecteer deze mode als u één van de 32 verschillende kleuren wilt gebruiken door de "chase/color" fader te gebruiken (8).
- CHASE/COLOR FADER:** gebruikt om één van de beschikbare color chases te selecteren:
 - De linkse kant van de fader wijst naar de verschillende chases.
 - De rechtse kant van de fader wijst naar de verschillende kleuren.

Bijlangrijke opmerking: Er is ook een functie "color fade" die heel mooi is voor achtergrondverlichting. Selecteer deze functie om zachtjes van één kleur naar een andere over te gaan. U kan de overgangstijd aanpassen met de "speed/fade" fader (9).


- SPEED/FADE FADER:** gebruikt om de overgangssnelheid of de color fade tijd te selecteren.
 - De linkse kant van de fader wijst naar de overgangssnelheid, van 2,5s tot 0,1s.
 - De rechtse kant van de fader wijst naar de color fade tijd, van 12s tot 2,5s.
- MASTER FADER:** gebruikt voor het dimmen van de LEDs en de algemene stroboscoopsnelheid te controleren.
- SOUND TOETS:** gebruikt om te schakelen tussen de LED mode en de static mode.
- FULL ON TOETS:** gebruikt om de 3 kleuren (R+G+B) op hun max. niveau te plaatsen.
- BLACKOUT TOETS:** gebruikt om de 3 kleuren (R+G+B) op niveau nul te plaatsen.
- OUTPUT MONITOR:** Toont het uitgangsniveau van de 3 kleuren (R+G+B)

FUNCTIES (ACHTERZIJDE)



- BEVESTIGINGSGATEN:** gebruikt om het apparaat op een muur of andere vlakke oppervlakte te bevestigen.
- OUTPUT KABELS:** gebruikt om verschillende 24Vdc LED projectors met gemeenschappelijke anode aan te sluiten. (max. lading 300W) Elke kabel gebruikt een speciale vrouwelijke 4 pins connector.
- ZEKERINGEN:** 6,3A zekeringen op elk van de 3 color outputs.
- DMX INPUT:** mannelijke 3 pinnen XLR-connector die wordt gebruikt om universele DMX-kabels aan te sluiten. Deze input ontvangt instructies van een DMX-controller of van een andere LED-Manager wanneer deze gebruikt worden in master/slave mode.
- DMX OUTPUT:** vrouwelijke 3 pinnen XLR-connector die wordt gebruikt om de LED-Manager met een ander DMX-toestel in de kring te verbinden of met een andere LED-Manager wanneer deze gebruikt wordt in master/slave mode.
- INTERNE MICROFOON:** gebruikt voor geluidsgestuurde chases.
- NETAANSLUITING:** IEC connector met geïntegreerde zekeringhouder, sluit de bijgeleverde netkabel hier aan.
- AAN/UIT SLEUTELSCHAKELAAR:** gebruikt om het toestel aan en uit te zetten.

ELEKTRISCHE INSTALLATIE

 De elektrische installatie mag alleen door een gekwalificeerde persoon worden uitgevoerd, die aan de normen voldoet in uw land voor de verordening van elektrische en mechanische veiligheid.

Hoe de LED projectors aan de uitgangen van het toestel aansluiten:

Belangrijk:

Zet de LED Manager AF alvorens u de LED projectors installeert! De max. totale belasting van de LED Manager is 300W, verdeeld over 3 kleuren: elk van de 3 kleuren heeft een max. belasting van 100W! De totale belasting wordt verdeeld over de 2 outputkabels. Dit betekent dat de steun van elke outputkabel 150W is (max. 50W voor elke kleur!) om een totale maximum belasting van 300Watt te bekomen. Zorg ervoor dat de outputkabels niet worden overbelast.

De 2 outputkabels (16) gebruiken een speciale 4 pins connector. Twee verschillende types passieve LED projectors kunnen worden aangesloten:

A. LED Projectors met een speciale 4 pins connector (Vb. LED STRIP):

Dit is de gemakkelijkste manier om de verbindingen te maken. Bevestig behoorlijk alle projectors en verbind in/output van alle kabels tot u de maximale toegestane belasting bereikt. Zorg ervoor dat u de plasticen ring van de schakelaar vast maakt.

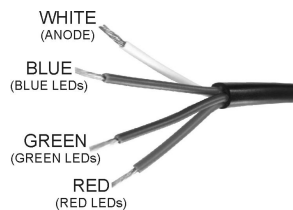


Voorbeeld: u kan tot vijftien "1m LED STRIP" op elke outputkabel aansluiten (totaal = 30m!)

B. LED Projectors met open draad (Vb. LED GROUND LIGHT):

In dit geval stellen wij voor om een 1m verlengkabel (met speciale mannelijke/vrouwelijke 4 pins connector) te nemen en de vrouwelijke connector af te knippen. Nu kunt u gemakkelijk de kabel ontmantelen. U zult 4 gekleurde draden aan de binnenkant vinden:

- **Witte draad:** Dit is de gemeenschappelijke draad (anode)
- **Rode draad:** Dit het vermogen voor rode LEDs (max. 50W)
- **Groene draad:** Dit is het vermogen voor de groene LEDs (max. 50W)
- **Blauwe draad:** Dit is het vermogen voor de blauwe LEDs (max. 50W)



Verbind deze 4 draden met de overeenkomstige 4 draden van de projector. (in de meeste gevallen passen de kleuren van de draden met de LED kleuren). Zorg dat het max. toegestane vermogen niet overschreden wordt!

Voorbeeld: u kan tot 50 "GROUND LIGHT" op elke outputkabel verbinden (totaal= 100stuks!)

Elektrische installatie in Master/slave-mode:

- U moet de DMX in/outputs van 2 of meer eenheden met een goede symmetrische kwaliteitskabel doorlinken (Vb. JB Systems ref. 7-0063).



- De eenheid met een vrije DMX-input connector wordt automatisch master (de Master LED is aan) de andere apparaten worden automatisch geschakeld als slaves (slave LED is aan). De toetsen op de slave eenheid zijn buiten gebruik.

Elektrische installatie in Master/slave-mode met de LEDCON-01 remote:

- U moet de DMX in/outputs van 1 of meer eenheden met de output van de LEDCON-01 doorlinken met een goede symmetrische kwaliteitskabel. (Vb. JB Systems ref. 7-0063).



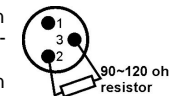
- De LEDCON-01 wordt gebruikt om alle verbonden slaves te controleren. De LED Managers worden automatisch geschakeld als slaves (slave LED is aan). De toetsen op de slave eenheid zijn buiten gebruik.

Elektrische installatie in DMX-mode:

- Het DMX-protocol is een veel gebruikt hogesnelheidssignaal om intelligent licht te controleren. U moet uw DMX controller en alle aangesloten eenheden doorlinken met een goede symmetrische kwaliteitskabel. (Vb. JB Systems ref. 7-0063).



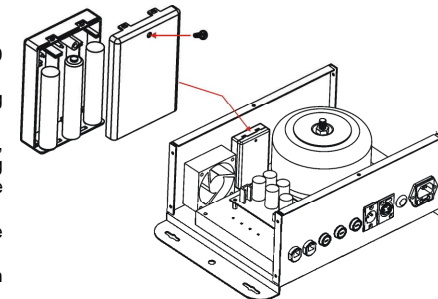
- Om vreemd gedrag van de lichteffecten door stringen te verhinderen, moet u een 90Ω tot 120Ω weerstand aan het eind van de kabel gebruiken. Gebruik nooit Y-splitter kabels, dit zal niet werken!
- Elke eenheid in de ring heeft zijn eigen beginadres zodat het weet welke bevelen het van de DMX-controller moet decoderen. Wanneer U heel wat vermogen nodig heeft kan U verscheidene LED Managers gebruiken en hen hetzelfde beginadres geven. In het volgende hoofdstuk zal U leren hoe U DMX adressen moet programmeren.



Het veranderen van de interne batterijen:

ERG BELANGRIJK: ALLEEN oplaadbare batterijen zijn toegestaan, gebruik geen normale batterijen!!! De LED Manager heeft een interne real-time 24H klok met 3 individuele timers en batterij backup. Om de batterij backup functie te gebruiken moet u 3 optimale AA-type oplaadbare NiMH batterijen installeren. Zodra deze batterijen worden geïnstalleerd zullen zij automatisch worden opgeladen, niet nodig om deze nog te vervangen!

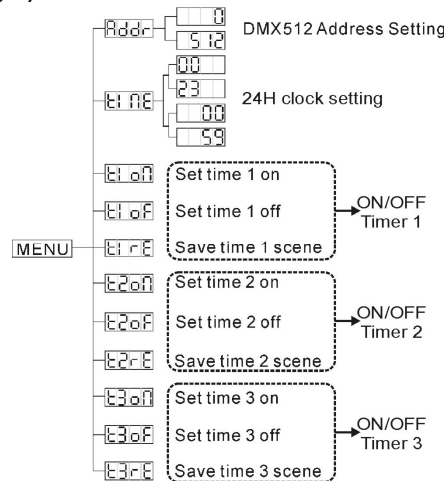
- Zet de eenheid af en maak het netsnoer los.
- Gebruik een geschikte schroevendraaier om de 10 schroeven los te schroeven.
- Verwijder voorzichtig de boven plaat (voorzichtig voor de kabels binnen!)
- Aan de binnenkant zal u een batterijcompartiment, naast de ventilator vinden. Open het voorzichtig en installeer de 3 AA-type NiMH oplaadbare batterijen zoals vermeld.
- Zet de afdekplaat terug op zijn plaats en maak de 10 schroeven vast.
- Verbind de eenheid met het net: de batterijen zullen automatisch laden.
- Gedaan!



SETUP MENU'S + DMX ADRESSERING

Tijdens normale verrichtingen toont de display de huidige tijd van de interne 24H klok.

- Druk op de MENU toets om in menu Mode te gaan.
- Met de UP en DOWN toetsen kan u de verschillende opties van het hoofdmenu doorbladeren.
- Druk op de ENTER toets om een menuoptie te selecteren en aan te passen.
- Pas de waarden aan met de UP en DOWN toetsen en bevestig met de ENTER knop of druk de MENU toets als u naar de hoofdmenu wilt terugkeren zonder de veranderingen te bewaren die u juist aanbracht.
- Na enige tijd zal de display automatisch de interne klok tonen. U kan ook naar de klokdisplay overschakelen door de toets MENU ongeveer 1 seconde te drukken.



Addr Plaatsen van de DMX beginadres

Gebruikt om het beginadres van de LED Manager in te geven.

- Druk op de MENU en UP/DOWN toetsen tot „Addr“ verschijnt.
- Druk op de ENTER toets: de display begint te knipperen.
- Gebruik de UP en DOWN toetsen om het DMX adres te veranderen.
- Zodra de display het correcte adres aangeeft, druk op de ENTER toets om dit te bewaren.

Opmerkingen: U kan de ingegeven procedure annuleren en teruggaan zonder de veranderingen te bewaren door de MENU toets kort in te drukken. Na het uitvoeren van de setup en het bewaren van de nieuwe waarden kan u naar de klok display terugkeren door de MENU toets 1 seconde in te drukken.

time Interne 24H klok juist zetten

Gebruikt om de tijd van de interne 24H klok in te geven.

- Druk op de MENU en UP/DOWN toetsen tot de display “time” toont.
- Druk op de ENTER toets, tot de UUR display begint te knipperen.
- Gebruik de UP en DOWN toetsen om het correcte uur in te geven (00 tot 23).
- Druk op de ENTER toets, tot de MINUUT display begint te knipperen.
- Gebruik de UP en DOWN toetsen om de correcte minuten in te geven (00 tot 59).
- Zodra de correcte tijd wordt weergegeven, druk op ENTER. De nieuwe tijd wordt bewaard terwijl de display “time” toont.

Opmerkingen: U kan de ingegeven procedure annuleren en teruggaan zonder de veranderingen te bewaren door de MENU toets kort in te drukken. Na het uitvoeren van de setup en het bewaren van de nieuwe waarden kan u naar de klok display terugkeren door de MENU toets 1 seconde in te drukken.

t1on t2on t3on ON/OFF Timers “START-time” instelling

De LED Manager bezit 3 individuele ON/OFF timers. Zo kan u de uitgangen aan/uit schakelen op 3 verschillende tijdstippen van de dag, elke keer met een verschillende kleur of color chase. Hieronder verduidelijken wij u, hoe u de start-time “ON/OFF timer1” moet instellen. De werkwijze is identiek voor de andere 2 timers.

- Druk op de MENU en UP/DOWN toetsen tot de display “t1on” toont.
- Druk op de ENTER toets, tot de UUR display begint te knipperen.
- Gebruik de UP en DOWN toetsen om het correcte uur in te geven (00 tot 23)
- Druk op de ENTER toets, de MINUUT display begint te knipperen.
- Gebruik de UP en DOWN toetsen om de correcte minuten in te geven (00 tot 59)
- Zodra de correcte tijd wordt weergegeven, druk op ENTER. De nieuwe starttijd wordt bewaard terwijl de display “t1on” toont.

Opmerkingen: U kan de ingegeven procedure annuleren en teruggaan zonder de veranderingen te bewaren door de MENU toets kort in te drukken. Na het uitvoeren van de setup en het bewaren van de nieuwe waarden kan u naar de klok display terugkeren door de MENU toets 1 seconde in te drukken.

t1of t2of t3of ON/OFF Timer “STOP-tijd” instelling

Hieronder verduidelijken wij u, hoe u de stop-time “ON/OFF timer1” moet instellen. De werkwijze is identiek voor de andere 2 timers

- Druk op de MENU en UP/DOWN toetsen tot de display “t1of” toont.
- Druk op de ENTER toets, tot de UUR display begint te knipperen.
- Gebruik de UP en DOWN toetsen om het correcte uur in te geven (00 tot 23)
- Druk op de ENTER toets, de MINUUT display begint te knipperen.
- Gebruik de UP en DOWN toetsen om de correcte minuten in te geven (00 tot 59)
- Zodra de correcte tijd wordt weergegeven, druk op ENTER. De nieuwe stoptijd wordt bewaard terwijl de display “t1of” toont.

Opmerkingen: U kan de ingegeven procedure annuleren en teruggaan zonder de veranderingen te bewaren door de MENU toets kort in te drukken. Na het uitvoeren van de setup en het bewaren van de nieuwe waarden kan u naar de klok display terugkeren door de MENU toets 1 seconde in te drukken.

t1re t2re t3re ON/OFF Timer “SCENE” instelling

Hieronder verduidelijken wij u, hoe u de Scene (color of color chase) voor “ON/OFF timer1” moet selecteren. De werkwijze is identiek voor de andere 2 timers.

- Druk op de MENU en UP/DOWN toetsen tot de display “t1re” toont.
- Druk op de ENTER toets, de display begint te knipperen.
- Nu heeft u de tijd om de Scene in te stellen die u zou willen reproduceren wanneer de timer wordt geactiveerd.
- Wanneer de Scene klaar is (vergeet niet om de Blackout functie af te zetten!) druk opnieuw op ENTER. De display houdt op met knipperen en de Scene wordt bewaard.

Opmerkingen: U kan de ingegeven procedure annuleren en teruggaan zonder de veranderingen te bewaren door de MENU toets kort in te drukken. Na het uitvoeren van de setup en het bewaren van de nieuwe waarden kan u naar de klok display terugkeren door de MENU toets 1 seconde in te drukken.

BEDIENINGSVOORSCHRIFTEN

A. Zelfstandige eenheid:

- Sluit de LED projectors aan de LED Manager aan zoals in de vorige hoofdstukken wordt vermeld. (een DMX adres instellen is niet nodig!)
- Zet het toestel aan en neem een kijkje in het hoofdstuk “Functies” om met de diverse functies van de faders en knoppen vertrouwd te raken.

In deze mode kan u de klok ook instellen en de 3 on/off timers gebruiken zoals dit in het vorige hoofdstuk wordt beschreven.

Opmerking: Wanneer een timer actief is, kan u deze deactiveren door de blackout knop in te drukken.

B. Twee of meer eenheden in master/slave opstelling:

- Sluit de LED projectors aan de LED Manager aan zoals in de vorige hoofdstukken wordt vermeld.
- Verbind de apparaten aan elkaar aan zoals vermeld in het hoofdstuk elektrische installaties. (een DMX adres instellen is niet nodig!)
- Zet de LED Managers aan. U kan enkel de master controleren, de bedieningen op de slaves zijn buiten gebruik. Neem een kijkje in het hoofdstuk “Functies” om met de diverse functies van de faders en knoppen vertrouwd te raken.

In deze mode kan u de klok ook instellen en de 3 on/off timers gebruiken zoals die in het vorige hoofdstuk wordt beschreven.

Opmerking: Wanneer een timer actief is, kan u deze deactiveren door de blackout knop in te drukken.

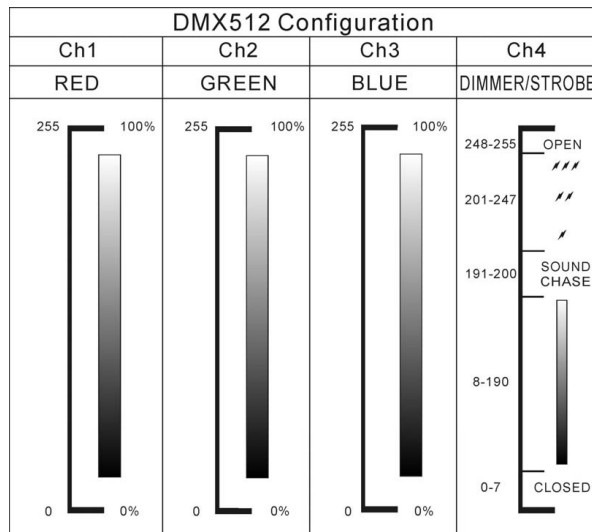
C. Sluit de facultatieve LEDCON-01 controller aan als afstandsbediening:

In de meeste gevallen zal de LED MANAGER op een muur geïnstalleerd worden, dicht bij de LED projectors. Als u gemakkelijke toegang tot zijn functies wilt hebben, kan u de LEDCON-01 controller op de (eerste) LED Manager aansluiten.

De andere verbindingen zijn identiek als die van de zelfstandige of master/slave instellingen. Behalve voor de display, interne 24H klok en de 3 on/off timers, de toetsen op de remote zijn identiek aan die van de LED Manager. Neem een kijkje in het hoofdstuk "Functies" om met de diverse functies van de faders en knoppen vertrouwd te geraken.

D. Gecontroleerd door de universele DMX-controller:

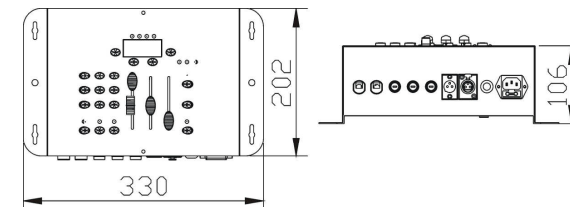
- Sluit de LED projectors aan de LED Manager aan zoals in de vorige hoofdstukken wordt vermeld.
- Verbind de LED Manager(s) met alle andere DMX apparaten in de DMX kring.
- Zet alle eenheden aan en geef het juiste DMX adres in. (de DMX-LED op de LED Manager is aan)
- Zet uw universele DMX-controller aan en neem een kijkje op de DMX-grafiek hieronder om de verbonden LED Managers te controleren:



Alle bedieningen (knoppen en faders) op de LED Manager(s) zijn buiten werking, behalve de knoppen die u nodig heeft Om het DMX-adres in te stellen.

TECHNISCHE KENMERKEN:

- Netvoeding:** wisselstroom 230V, 50Hz
- Zekering:** 6,3A trage zekering (20mm glas)
- Backup batterij:** 3x 1,2V AA-type NiMH herlaadbare batterij (optie)
- Output voltage voor de LEDs:** DC 24V gemeenschappelijke anode
- Opuit kracht voor de LEDs:** 2x 150W max; (Totaal = 300W max.)
 - o Rood: 2x 50W max. (Totaal = 100W max.)
 - o Groen: 2x 50W max. (Totaal = 100W max.)
 - o Blauw: 2x 50W max. (Totaal = 100W max.)
- DMX connecties:** 3 pinnen XLR (DMX-512 standaard)
- DMX kanalen:** 4 (kanaal1: rood, kanaal2: groen, kanaal3: blauw, kanaal4: dimmer/stroboscoop)
- Audio ingang:** geen, interne microfoon
- Afmetingen:** 330x 202 x 106cm (zie tekening hieronder)
- Gewicht:** 6,6kg



Elke inlichting kan veranderen zonder waarschuwing vooraf
 U kan de recentste versie van deze handleiding op onze website downloaden: www.beglec.com

BEDIENUNGSANLEITUNG

Vielen Dank, dass Sie sich für den Erwerb dieses JBSystems-Produkt entschieden haben. Bitte lesen sie diese Bedienungsanleitung sorgfältig vor der Inbetriebnahme durch, zur vollen Ausschöpfung der Möglichkeiten, die dieses Gerät bietet sowie, zu Ihrer eigenen Sicherheit.

EIGENSCHAFTEN

Das Gerät ist funktentstört und erfüllt die Anforderungen der europäischen und nationalen Bestimmungen. Entsprechende Dokumentation liegt beim Hersteller vor.

- Äußerst universell einsetzbare Stromversorgung für alle Arten passiver RGB LED-Scheinwerfer.
- Verschiedene unabhängige Arbeitsmodi:
 - Feste Farben: Sofortiger Zugriff auf 9 vorprogrammierten Farben
 - Statischer Chaser: 12 unterschiedlichen Farbchasern mit manueller Geschwindigkeitskontrolle
 - Audio Chaser: 12 unterschiedlichen Farbchasern mit Musiksteuerung
 - Spektrum-Mischung: 32 unterschiedliche Farben für die Spektrum-Mischung einschließlich den Farbfades
- Einstellbare Geschwindigkeit und Dimmen mit den Fadern
- Langsame Farbenfades mit einstellbarer Fadezeit
- Blackout- und "Full on"-Funktion
- Alle Funktionen können direkt mit dem LED-Manager oder mit einer optionalen LEDCON-01 Fernsteuerung gesteuert werden.
- Mehrere LED-Manager können im Master/Slavemodus eingesetzt werden, um vollständige synchrone Konfigurationen mit einer höheren Leistung zu erhalten.
- Leistung 300Watt: 2x 150W, 24V DC Ausgänge. (R+ G+B) mit Kurzschlusschutz
- Eingebaute Uhr mit Batteriebackup und NiMH-Ladegerät (Batterien nicht mitgeliefert)
- 3 unabhängige und programmierbare EIN/AUS-Timer. (Start/Stop von 3 unterschiedlichen Farbchasern zu 3 unterschiedlichen Zeiten!)
- Kann von jedem Standard-DMX-Controller gesteuert werden!
- 4 DMX Kanäle werden benötigt: Ch1=rot, Ch2=grün, Ch3=Blau, Ch4=Dimmer/Strobe.
- Das Gehäuse ist für die einfache Wandmontage vorbereitet.
- Lüfterkühlung für größere Zuverlässigkeit.

VOR DER ERSTBENUTZUNG

Überprüfen Sie den Inhalt:

Folgende Teile müssen sich in der Geräteverpackung befinden:

- LED-Manager
- Netzkabel
- Bedienungsanleitung

Wichtige Hinweise:

- Vor der Erstbenutzung bitte das Gerät zuerst auf Transportschäden überprüfen. Sollte das Gerät einen Schaden aufweisen, Gerät bitte nicht benutzen, sondern unverzüglich mit ihrem Händler in Verbindung setzen.
- **Wichtiger Hinweis:** Das Gerät hat das Werk unbeschädigt und gut verpackt verlassen. Es ist wichtig, dass der Benutzer sich streng an die Sicherheitshinweise und Warnungen in der Bedienungsanleitung hält. Schäden durch unsachgemäße Handhabung sind von der Garantie ausgeschlossen. Der Händler übernimmt keine Verantwortung für Schäden, die durch Nichtbeachtung der Bedienungsanleitung hervorgerufen wurden.
- Die Bedienungsanleitung, für zukünftiges Nachschlagen, bitte aufbewahren. Bei Verkauf oder sonstiger Weitergabe des Gerätes, bitte Bedienungsanleitung beifügen.
- Aus Umweltschutzgründen, Verpackung bitte wiederverwenden, oder richtig trennen.

SICHERHEITSHINWEISE



ACHTUNG: Um sich nicht der Gefahr eines elektrischen Schlags auszusetzen, entfernen Sie keines der Gehäuseteile. Im Geräte-inneren befinden sich keine vom Benutzer reparierbaren Teile. Überlassen



Sie Reparaturen dem qualifizierten Kundendienst.

Das Blitzsymbol im Dreieck weist den Benutzer darauf hin, das eine Berührungsgefahr mit nicht isolierten Teilen im Geräteinneren, welche eine gefährliche Spannung führen, besteht. Die Spannung ist so hoch, das hier die Gefahr eines elektrischen Schlages besteht.



Das Ausrufezeichen im Dreieck weist den Benutzer auf wichtige Bedienungs- und Wartungshinweise in den Dokumenten hin, die dem Gerät beiliegen.



Dieses Symbol bedeutet: Nur innerhalb von Räumen verwenden.

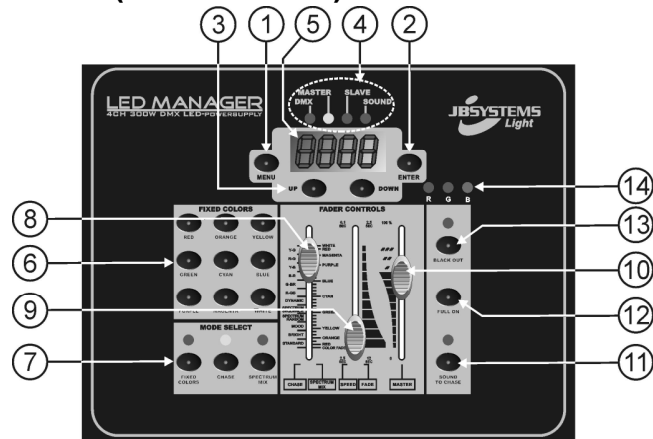
- Zur Vermeidung von Stromschlag oder Feuer, Gerät bitte nicht Regen oder Feuchtigkeit aussetzen.
- Zur Vermeidung von Kondensation im Inneren des Geräts, bitte nach Transport in eine warme Umgebung einige Zeit zum Temperaturengleich bringen. Kondensation kann zu Leistungsverlust des Gerätes oder gar Beschädigung führen.
- Gerät nicht im Freien und in feuchten Räumen und Umgebungen verwenden.
- Keine Metallgegenstände oder Flüssigkeiten ins Innere des Geräts gelangen lassen. Keine mit Flüssigkeit gefüllte Gegenstände z.B. Vasen, auf das Gerät stellen. Kurzschluß oder Fehlfunktion können die Folge sein. Falls es doch einmal vorkommen sollte, bitte sofort Netzstecker ziehen und vom Stromkreis trennen.
- Offene Brandquellen, wie z.B. brennende Kerzen, sollten nicht auf das Gerät gestellt werden.
- Ventilationsöffnungen nicht abdecken, da Überhitzungsgefahr!
- Nicht in staubiger Umgebung verwenden und regelmäßig reinigen.
- Für Kinder unerreichbar aufbewahren.
- Unerfahrene Personen sollen das Gerät nicht bedienen.
- Umgebungstemperatur darf 45°C nicht überschreiten.
- Stets Netzstecker ziehen, wenn Gerät für längeren Zeitraum nicht genutzt, oder es gewartet wird.
- Elektrische Anschlüsse nur durch qualifiziertes Fachpersonal überprüfen lassen.
- Sicherstellen, daß Netzspannung mit Geräteaufkleber übereinstimmt.
- Die Netzsteckdose sollte immer gut erreichbar sein um das Gerät vom Netz zu trennen.
- Gerät nicht mit beschädigtem Netzkabel betreiben.
- Netzkabel nicht mit anderen Kabeln in Berührung kommen lassen!
- Um die Ordnungsgemäße Sicherheitsbestimmungen einzuhalten, muß dieses Gerät geerdet werden.
- Ausschließlich vorschriftsmäßige Kabel zur Installation verwenden.
- Gerät nicht öffnen. Abgesehen vom Tausch der Sicherung sind keine zu wartenden Bauteile im Gerät enthalten.
- Sicherung **niemals** reparieren oder überbrücken, sondern **immer** mit gleichartiger Sicherung ersetzen!
- Bei Fehlfunktion, Gerät nicht benutzen und mit Händler in Verbindung setzen.
- Bei Transport bitte Originalverpackung verwenden, um Schäden am Gerät zu vermeiden.
- Aus Sicherheitsgründen dürfen an dem Gerät keine unbefugten Veränderungen vorgenommen werden.

WARTUNG

- Die Reinigung der Gerätes erfolgt mit einem leicht mit Wasser angefeuchteten Tuch. Vermeiden Sie, dass Wasser in das Gerätinnere gelangt. Verwenden Sie keine brennbaren Flüssigkeiten wie Benzin oder Verdüner, welche das Gerät beschädigen würden.
- Da dieses Gerät einen Kühlventilator verwendet, sollte das Innere des Geräts jährlich mit einem Staubsauger oder einem Luftstrahl gesäubert werden.

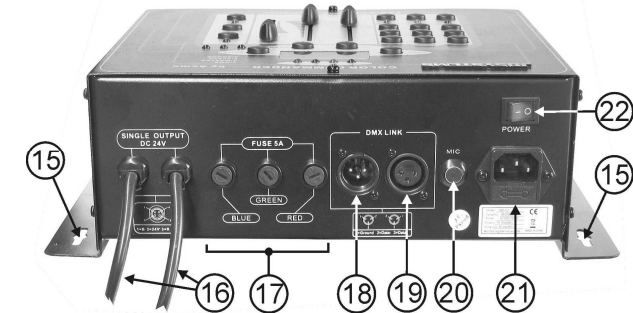
Achtung: Wir raten dringend, die Reinigung des Gehäuseinneren von qualifizierten Personen durchführen zu lassen!

FUNKTIONEN (VORDERSEITE)



1. **MENU-TASTE:** Aufruf/Verlassen des Hauptmenüs. Rückkehr vom Hauptmenü zur Uhrzeitanzeige durch 1 Sekunde langes Drücken der Menütaste.
2. **ENTER-TASTE:** Bestätigung der Menüauswahl.
3. **UP/DOWN-TASTEN:** Blättern im Menü und Ändern der Werte einer Funktion.
4. **STATUS-MONITOR:** Zeigt einige wichtige Betriebszustände an:
 - **DMX-LED:** Das Gerät arbeitet im DMX-Modus (ein DMX-Signal wurde erkannt).
 - **MASTER-LED:** Das Gerät befindet sich im Mastermodus.
 - **SLAVE-LED:** Das Gerät befindet sich im Slavemodus.
 - **SOUND LED:** Ein Musiksignal wird vom internen Mikrofon aufgenommen.
5. **DISPLAY:** Die 4-stellige LED-Anzeige zeigt die unterschiedliche Menüoptionen und die Echtzeit-Uhr an.
6. **FIXED COLOR TASTEN:** 9 Tasten mit jeweils einer voreingestellten Farbe.
7. **MODE SELECT TASTEN:** 3 Tasten zum Einstellen des Controllers in die unterschiedlichen Arbeitsmodi
 - **FIXED COLORS:** Verwendung der „Feste Farbe“-Tasten (6).
 - **CHASER:** Auswahl eines der 12 Farben-Chasers mit dem „Chase/Farbe“-Fader (8).
 - **SPECTRUM MIX:** Auswahl einer der 32 unterschiedlichen Farben zur Benutzung mit dem „Chase-/Farbe“-Fader (8).
8. **CHASER/COLOR FADER:** Auswahl eines vorhandenen Farbchasers:
 - Links vom Fader werden die unterschiedlichen Chaser angezeigt.
 - Rechts vom Fader werden die unterschiedlichen Farben angezeigt.
 - Wichtige Anmerkung:** Es gibt auch eine Funktion, die „Farbfade“ genannt wird, die für „Hintergrundbeleuchtungs“-Anwendungen sehr gut geeignet ist. Wählen Sie diese Funktion zum sanften Fade von einer Farbe zur anderen. Sie können die Zeit zum Überblenden mit dem Farbfade-Fader einstellen (9).
9. **SPEED/FADE DIMMER:** Auswählen der Chasergeschwindigkeit oder der Farbfadezeit:
 - Links vom Fader wird die Chasergeschwindigkeit angezeigt. Der Bereich reicht von 2,5 Sek. bis 0,1 Sek.
 - Rechts vom Fader wird die Farbfadezeit angezeigt. Der Bereich reicht von 12 Sek. bis 2,5 Sek.
10. **MASTER-FADER:** Steuerung des Dimmens aller LED und der gesamten Strobogeschwindigkeit.
11. **SOUND-TASTE:** Umschalten des Chasermodus zwischen Musik und statisch.
12. **FULL ON-TASTE:** Schaltet alle drei Farben (R+ G + B) auf max. Helligkeit.
13. **BLACKOUT-TASTE:** Schaltet alle drei Farben (R+ G + B) aus.
14. **OUTPUT-MONITOR:** Zeigt die Ausgangspegel der 3 Farben an (R+G+B)

FUNKTIONEN (RÜCKSEITE)



15. **MONTAGELÖCHER:** Befestigung des Geräts an einer Wand oder einer anderen ebenen Oberfläche.
16. **AUSGANGS-KABEL:** Anschluss der unterschiedlicher 24V DC LED-Scheinwerfer mit gemeinsamer Anode. (max. Last: 300 W). Jedes Kabel verwendet eine spezielle 4-polige Buchse.
17. **AUSGANGS-SICHERUNGEN:** 6,3 A Sicherungen für jeden Ausgang der 3 Farben.
18. **DMX-EINGANG:** Männlicher 3-poliger XLR-Stecker zum Anschluss eines universellen DMX-Kabels. Dieser Eingang empfängt Steuersignale von einem DMX-Controller oder einem anderen LED-Manager, im Master/Slavemodus.
19. **DMX-AUSGANG:** Weiblicher 3-poliger XLR-Stecker zum Anschließen des LED-Manager an das nächste DMX Gerät in der Kette oder an einen anderen LED-Manager, im Master/Slavemodus.
20. **INTERNES MIKRO:** Für musikaktivierte Chasern.
21. **HAUPTINGANG:** Mit IEC-Sockel und integriertem Sicherungshalter. Schließen Sie hier das mitgelieferte Netzkabel an.
22. **EIN/AUS SCHALTER:** EIN/AUS Schalten des Geräts.

ELEKTRISCHE INSTALLATION

⚠ Die elektrische Installation sollte nur von qualifiziertem Personal durchgeführt werden, entsprechend den Vorschriften zur elektrischen und mechanischen Sicherheit in Ihrem Land.

Anschluss der LED-Scheinwerfer an die Ausgänge des Geräts:

Wichtig: Schalten Sie den LED-Manager aus, bevor Sie die LED-Scheinwerfer anschließen! Die maximale Gesamtlast des LED-Managers beträgt 300W, verteilt auf 3 Farben: Jede der 3 Farben hat eine max. Last von 100W! Die Gesamtlast wird über die 2 Ausgangskabel verteilt. D.h., jedes Ausgangskabel kann 150W (maximal 50W für jede Farbe!) bei einer gesamten Maximallast von 300Watt liefern. Stellen Sie sicher, dass keines der Ausgangskabel überbelastet wird!

Die 2 Ausgangskabel (16) verwenden einen speziellen 4-poligen Stecker. Zwei unterschiedliche passive LED-Scheinwerferarten können angeschlossen werden:

A. LED-Scheinwerfer mit einem speziellen 4-poligen Stecker (z.B. LED-STRIP):

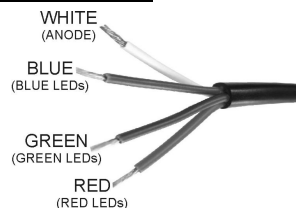
Dieses ist die einfachste Art einer Verbindung. Schließen Sie alle Scheinwerfer richtig an und verkettete ihre Ein-/Ausgangskabel, bis die maximale erlaubte Leistung erreicht ist. Vergewissern Sie sich, dass der Plastikring des Steckers geschlossen wurde.

Beispiel: Sie können bis zu fünfzehn „1m LED STRIP“ an jedem Ausgangskabel (Gesamtlänge = 30m!) anschließen



B. LED-Scheinwerfer mit offenen Leitungen (z.B. LED BODENSCHLEINWERFER):

Für diese Installation empfiehlt es sich ein 1m Verlängerungskabel zu benutzen (mit speziellen männlichen/weiblichen 4-poligen Steckern) und den weiblichen Stecker abzuschneiden. Jetzt können Sie das Kabel leicht absolieren. Sie finden im Inneren des Kabels 4 farbige Litzen:



- **Weißle Leitung:** gemeinsame Leitung (Anode)
- **Rote Leitung:** Stromversorgung für die roten LED (Maximal 50W)
- **Grüne Leitung:** Stromversorgung für die grünen LED (Maximal 50W)
- **Blaue Leitung:** Stromversorgung für die blauen LED (Maximal 50W)

Schließen Sie einfach diese 4 Leitungen an die entsprechenden 4 Leitungen des Scheinwerfers an. (In den meisten Fällen stimmen die Farben der Leitungen mit den LED-Leitungen überein). Stellen Sie sicher, dass die maximal erlaubte Last nicht überschritten wird!

Beispiel: Sie können bis zu 50 „BODEN-SCHLEINWERFER“ an jedem Ausgangskabel anschließen (Gesamtanzahl = 100 Stück!)

Elektrische Installation im Master/Slave-Modus:

- Sie müssen die DMX-Ein/Ausgänge von 2 oder mehr Geräten mit einem hochwertigen, abgeschirmten Kabel „verketteten“ (z.B. JB Systems ref. 7-0063).



- Das Gerät mit einem freien DMX-Eingangstecker wird automatisch der Master (die Master-LED leuchtet auf). Die anderen Geräte werden automatisch zu Slaves (die Slave-LED leuchtet auf). Die Bedienelemente auf den Slavegeräten sind ohne Funktion.

Elektrische Installation im Master/Slave-Modus mit der Fernsteuerung LEDCON-01:

- Sie müssen die DMX-Ein/Ausgänge von 2 oder mehr Geräten mit einem hochwertigen, abgeschirmten Kabel „verketteten“ (z.B. JB Systems ref. 7-0063).



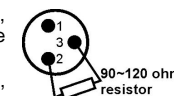
- Die Fernsteuerung LEDCON-01 wird zum Steuern aller verbundenen Slaves benutzt. Die LED-Manager werden automatisch zu Slaves (die Slave-LED beleuchtet auf). Die Bedienelemente auf den Slavegeräten sind ohne Funktion.

Elektrische Installation im DMX-Modus:

- Das DMX-Protokoll ist die am meisten benutzte Hochgeschwindigkeits-Signalübertragung zum Steuern von intelligenten Lichtanlagen. Sie müssen Ihren DMX-Controller und alle angeschlossenen Geräte mit einem hochwertigen, abgeschirmten Kabel „verketteten“ (z.B. JB Systems ref. 7-0063).



- Um ein merkwürdiges Verhalten der Lichteffekte durch Störungen zu verhindern, müssen Sie die Kette mit einem 90Ω bis 120Ω Abschlusswiderstand am Ende abschließen. Benutzen Sie nie ein Y-Kabel!
- Jedes Gerät in der Kette benötigt eine korrekte Startadresse, damit es weiß, welche Befehle es vom DMX-Controller decodieren muss. Wenn Sie eine große Ausgangsleistung benötigen, können Sie mehrere LED Manager verwenden und ihnen die gleiche Startadresse geben. Im folgenden Abschnitt erfahren Sie, wie man die DMX-Adressen einstellt.

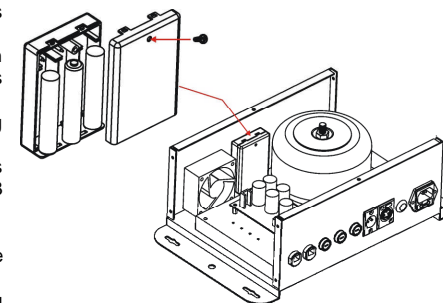


Auswechseln der internen Batterien:

SEHR WICHTIG: NUR wiederaufladbare Batterien sind zugelassen, KEINE normalen Batterien verwenden!!!

Der LED-Manager besitzt eine interne 24Std. Echtzeit-Uhr mit 3 getrennten Timern und Batteriebackup. Um die Batteriebackup-Funktion zu verwenden, müssen Sie 3 optionale wiederaufladbare AA-NiMH-Batterien einlegen. Diese werden automatisch aufgeladen und müssen nicht mehr ausgetauscht werden!

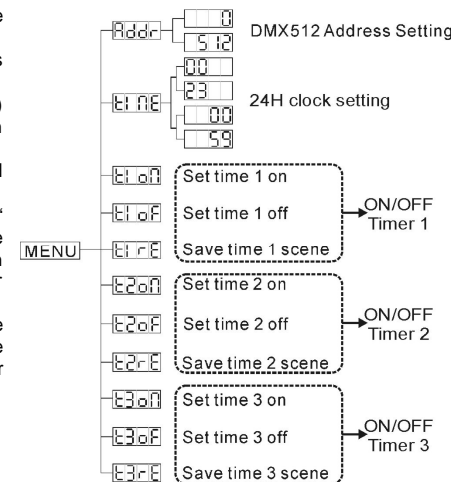
- Schalten Sie das Gerät aus und stecken das Netzkabel ab.
- Schrauben Sie mit einem passenden Schraubenzieher die 10 Schrauben des Gehäuses auf.
- Entfernen Sie vorsichtig die obere Abdeckung (Vorsicht, innen befinden sich Kabel!)
- Im Inneren befindet sich nahe dem Lüfter das Batteriefach. Öffnen Sie es vorsichtig und legen 3 wiederaufladbare AA-NiMH-Batterien ein, s. Abb.
- Schließen Sie das Batteriefach
- Setzen Sie die obere Abdeckung wieder an die richtige Position und setzen die 10 Schrauben ein.
- Schließen Sie das Gerät an die Stromversorgung an: Die Batterien laden sich automatisch auf.
- Fertig!



SETUP MENÜS + DMX-ADRESSIERUNG

Während des Normalbetriebs zeigt die Anzeige die aktuelle Uhrzeit (24 Std. Anzeige).

- Drücken Sie die MENU-Taste zum Aufrufen des Menümodus:
- Mit den „UP“ (Aufwärts) und „DOWN“ (Abwärts) Tasten können Sie durch die verschiedenen Optionen des Hauptmenüs blättern.
- Drücken Sie die ENTER-Taste zum Auswählen und Bearbeiten einer Menüoption.
- Stellen Sie die Werte mit dem „UP“ und „DOWN“ Tasten ein und bestätigen mit der ENTER-Taste oder drücken noch einmal die MENU-Taste, wenn Sie zum Hauptmenü, ohne Speicherung der Änderungen, zurückkehren möchten.
- Nach einiger Zeit zeigt die Anzeige automatisch die Uhrzeit an. Sie können auch zur Uhrzeitanzeige umschalten, indem Sie die MENU-Taste für ungefähr 1 Sekunde drücken.



Addr Einstellen der DMX-Startadresse

- Einstellen der Startadresse des LED-Managers.
- Drücken Sie die MENU-Taste und anschließend die UP/DOWN Tasten, bis in der Anzeige „Addr“ erscheint.
- Drücken Sie die ENTER-Taste: Die Anzeige fängt an zu blinken.
- Drücken Sie die DOWN- oder UP-Taste zum Ändern der DMX-Adresse.

- Erst wenn die richtige Adresse in der Anzeige erscheint, betätigen Sie die ENTER-Taste zum Speichern der Adresse.

Anmerkungen: Durch einen kurzen Tastendruck auf die MENU-Taste kann das Einstellen, ohne Speichern der Änderungen, abgebrochen werden. Wenn die Einstellung gemacht wurde und die Änderungen gespeichert sind, gelangen Sie durch einen Tastendruck von mehr als 1 Sekunde auf die MENU-Taste zur Uhrzeitanzeige zurück.

Einstellung der internen 24 Std. Uhr

Einstellen der Uhrzeit der internen 24 Std. Uhr.

- Drücken Sie die MENU-Taste und die UP-/DOWN-Tasten, bis auf der Anzeige „time“ erscheint.
- Drücken Sie die ENTER-Taste, die STUNDEN-Anzeige fängt an zu blinken.
- Drücken Sie die DOWN- und UP-Tasten zum Einstellen der Stunden (00 bis 23).
- Drücken Sie die ENTER-Taste, die MINUTEN-Anzeige fängt an zu blinken.
- Drücken Sie die DOWN- und UP-Tasten zum Einstellen der Minuten (00 bis 59).
- Sobald die richtige Zeit angezeigt wird, drücken Sie die ENTER-Taste. Die neue Uhrzeit-Einstellung wird gespeichert, während die Anzeige „time“ anzeigt.

Anmerkungen: Durch einen kurzen Tastendruck auf die MENU-Taste kann das Einstellen, ohne Speichern der Änderungen, abgebrochen werden. Wenn die Einstellung gemacht wurde und die Änderungen gespeichert sind, gelangen Sie durch einen Tastendruck von mehr als 1 Sekunde auf die MENU-Taste zur Uhrzeitanzeige zurück.

EIN/AUS-Timer, Einstellen der Start-Zeit“

Der LED-Manager hat 3 einzelne EIN/AUS-Timer. Damit sind Sie in der Lage den Ausgang zu 3 verschiedenen Zeiten ein-/auszuschalten, jedes Mal mit einer anderen Farbe oder einem anderen FarbChaser. Weiter unten wird erklärt, wie man die Start-Zeit für den „EIN/AUS Timer1“ einstellt. Die Einstellungen sind für die anderen 2 Timer identisch.

- Drücken Sie die MENU-Taste und die UP-/DOWN-Tasten, bis die Anzeige „t1 anzeigt“
- Drücken Sie die ENTER-Taste, die STUNDEN-Anzeige anfängt zu blinken.
- Drücken Sie die DOWN- und UP-Tasten zum Einstellen der Stunden (00 bis 23).
- Drücken Sie die ENTER-Taste, die MINUTEN-Anzeige fängt an zu blinken.
- Drücken Sie die DOWN- und UP-Tasten zum Einstellen der Minuten (00 bis 59).
- Sobald die richtige Startzeit angezeigt wird, drücken Sie die ENTER-Taste. Die neue Startzeit wird gespeichert, während die Anzeige „t1“ anzeigt.

Anmerkungen: Durch einen kurzen Tastendruck auf die MENU-Taste kann das Einstellen, ohne Speichern der Änderungen, abgebrochen werden. Wenn die Einstellung gemacht wurde und die Änderungen gespeichert sind, gelangen Sie durch einen Tastendruck von mehr als 1 Sekunde auf die MENU-Taste zur Uhrzeitanzeige zurück.

EIN/AUS-Timer, Einstellen der „STOP-Zeit“

Weiter unten wird erklärt, wie man die Stopzeit für den „EIN/AUS Timer1“ einstellt. Die Einstellungen sind für die anderen 2 Timer identisch.

- Drücken Sie die MENU-Taste und die UP-/DOWN-Tasten, bis die Anzeige „t1 anzeigt“
- Drücken Sie die ENTER-Taste, die STUNDEN-Anzeige anfängt zu blinken.
- Drücken Sie die DOWN- und UP-Tasten zum Einstellen der Stunden (00 bis 23).
- Drücken Sie die ENTER-Taste, die MINUTEN-Anzeige fängt an zu blinken.
- Drücken Sie die DOWN- und UP-Tasten zum Einstellen der Minuten (00 bis 59).
- Sobald die richtige Stopzeit angezeigt wird, drücken Sie die ENTER-Taste. Die neue Stopzeit wird gespeichert, während die Anzeige „t1“ anzeigt.

Anmerkungen: Durch einen kurzen Tastendruck auf die MENU-Taste kann das Einstellen, ohne Speichern der Änderungen, abgebrochen werden. Wenn die Einstellung gemacht wurde und die Änderungen gespeichert sind, gelangen Sie durch einen Tastendruck von mehr als 1 Sekunde auf die MENU-Taste zur Uhrzeitanzeige zurück.

EIN/AUS-Timer, Einstellen einer „SZENE“

Weiter unten wird erklärt, wie man eine Szene (Farbe oder Farbchaser) für den „EIN/AUS Timer1“ einstellt. Die Einstellungen sind für die anderen 2 Timer identisch.

- Drücken Sie die MENU-Taste und die UP-/DOWN-Tasten, bis die Anzeige „t1 re“ anzeigt.
- Drücken Sie die ENTER-Taste, die Anzeige fängt an zu blinken.
- Jetzt müssen Sie die Szene einstellen, die Sie wiedergeben möchten, wenn der Timer aktiviert wird.
- Wenn die Szene in Ordnung ist (Vergessen Sie nicht, die Blackout-Funktion auszuschalten!), drücken Sie noch einmal die ENTER-Taste. Die Anzeige hört auf zu blinken und die Szene wird gespeichert.

Anmerkungen: Durch einen kurzen Tastendruck auf die MENU-Taste kann das Einstellen, ohne Speichern der Änderungen, abgebrochen werden. Wenn die Einstellung gemacht wurde und die Änderungen gespeichert sind, gelangen Sie durch einen Tastendruck von mehr als 1 Sekunde auf die MENU-Taste zur Uhrzeitanzeige zurück.

BEDIENUNGSANLEITUNG

A. Allein stehendes Gerät:

- Schließen Sie die LED Scheinwerfer an den LED-Manager an, beschrieben in den vorhergehenden Abschnitten. (Es ist nicht notwendig eine DMX-Adresse einzustellen!)
- Schalten Sie das Gerät ein und lesen den Abschnitt „Funktionen“, um sich mit den verschiedenen Funktionen der Fader und den Tasten vertraut zu machen.

In diesem Modus können Sie auch die Uhr einstellen und die 3 EIN/AUS-Timer benutzen, beschrieben im vorhergehenden Abschnitt.

Anmerkung: Wenn ein Timer aktiv ist, kann er durch einen Tastendruck auf die Blackout-Taste deaktiviert werden.

B. Zwei oder mehrere Geräte in der Master/Slaveeinstellung:

- Schließen Sie die LED Scheinwerfer an den LED-Manager an, beschrieben in den vorhergehenden Abschnitten.
- Schließen Sie die Geräte untereinander an, wie im Kapitel über elektrische Installationen erklärt. (Es ist nicht notwendig eine DMX-Adresse einzustellen!)
- Schalten Sie den LED-Manager ein. Sie können nur die Bedienelemente auf dem Master-Gerät verwenden, die Bedienelemente auf den Slave-Geräten sind ohne Funktion. Lesen Sie das Kapitel „Funktionen“, um sich mit den verschiedenen Funktionen der Fader und der Tasten auf dem Master-Gerät vertraut zu machen.

In diesem Modus können Sie auch die Uhr einstellen und die 3 EIN/AUS-Timer benutzen, beschrieben im vorhergehenden Abschnitt.

Anmerkung: Wenn ein Timer aktiv ist, kann er durch einen Tastendruck auf die Blackout-Taste deaktiviert werden.

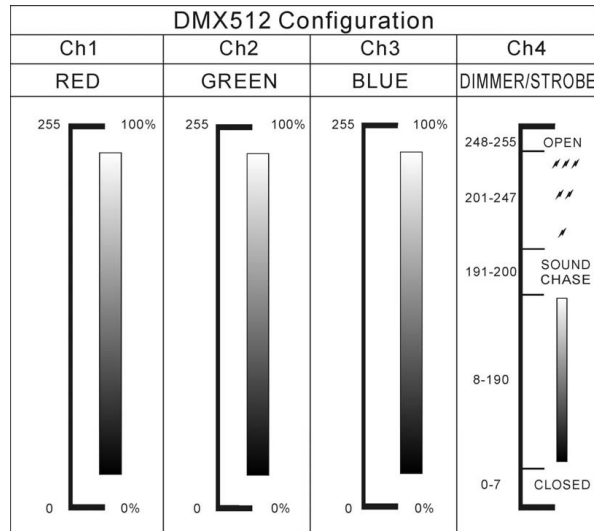
C. Anschließen des optionalen LEDCON-01 Controller als Fernsteuerung:

In den meisten Fällen wird der LED-MANAGER an einer Wand, in der Nähe der LED-Scheinwerfer montiert. Wenn Sie einen einfachen Zugriff auf seinen Funktionen haben möchten, können Sie die Fernsteuerung LEDCON-01 am (ersten) LED-Manager anschließen. Die anderen Anschlüsse sind mit den unabhängigen oder Master/Slave-Installationen identisch.

Außer dem Display, der internen 24Std.-Uhr und den 3 EIN/AUS-Timern sind die Bedienelemente auf der Fernbedienung mit denen des LED-Managers identisch. Bitte lesen Sie den Abschnitt „Funktionen“, um sich mit den verschiedenen Funktionen der Fader und der Tasten vertraut zu machen.

D. Steuerung mit einem universellen DMX-Controller:

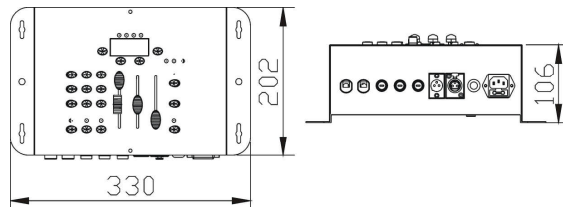
- Schließen Sie die LED-Scheinwerfer an den LED-Manager(s) an, beschrieben in den vorhergehenden Abschnitten.
- Schließen Sie den LED-Manager(s) an alle weiteren DMX-Geräte in der DMX-Kette an.
- Schalten Sie alle Geräte ein und stellen Sie die richtigen DMX-Adressen ein. (Die DMX-LED auf dem LED-Manager leuchtet auf)
- Schalten Sie Ihren universellen DMX-Controller ein und beziehen sich auf das unten dargestellte DMX-Diagramm, um die angeschlossenen LED-Manager zu steuern:



Alle Bedienelemente (Tasten und Fader) auf dem LED-Manager sind deaktiviert, mit Ausnahme der Tasten zum Einstellen der DMX-Adresse.

SPEZIFIKATIONEN

| | |
|--------------------------------------|---|
| Stromversorgung: | AC 230V~ 50Hz |
| Sicherung: | 6,3A träge (20mm Glas) |
| Backup-Batterien: | 3x 1,2V AA-NiMH wiederaufladbare Batterien (optional) |
| Ausgangsspannung für die LED: | DC 24V, gemeinsame Anode |
| Ausgangsleistung für die LED: | 2x 150W max. (Gesamt = max. 300W) <ul style="list-style-type: none"> o Rot: 2x 50W max. (Gesamt = max. 100W) o Grün: 2x 50W max. (Gesamt = max. 100W) o Blau: 2x 50W max. (Gesamt = max. 100W) |
| DMX-Anschlüsse: | 3-poliger XLR (DMX-512 Standard) |
| DMX-Kanäle: | 4 (CH1: Rot, CH2: Grün, CH3: Blau, CH4: Dimmer/Strobe) |
| Audioeingang: | Keiner, internes Mikrofon |
| Abmessungen: | 330 x 202 x 106cm (s. Abb. unten) |
| Gewicht: | 6,6kg |



Technische Änderungen können auch ohne Vorankündigung vorgenommen werden!
Sie können sich die neueste Version dieses Benutzerhandbuchs von unserer Website herunterladen: www.beglec.com

MANUAL DE INSTRUCCIONES

Gracias por la compra de este producto JB Systems. Para sacar todo el rendimiento de las posibilidades de este aparato y por su propia seguridad, por favor lea este manual de instrucciones con mucho cuidado antes de utilizar este producto.

CARACTERÍSTICAS

Este producto interfiere con señales de radio. Este aparato cumple las exigencias Europeas y nacionales de las normas actuales. Se ha establecido conformidad y las declaraciones y documentos relevantes se han depositado por el fabricante.

- La fuente de alimentación es extremadamente versátil para todas las clases de proyectores pasivos RGB LED.
- Diversos modos autónomos:
 - Modo Fixed colors: acceso inmediato a 9 colores preprogramados
 - Modo Static chase: 12 diversas persecuciones de color con control manual de la velocidad
 - Modo Sound chase: 12 diversas persecuciones de color con accionar audio
 - Spectrum mix: 32 diversos colores spectrum mix, incluyendo hermosas transiciones de color
- Velocidad y amortigue ajustable con los atenuadores
- Transition de color lento con transition de tiempo ajustable
- Funciones 'Blackout' y 'Full on'
- Todas las funciones se pueden controlar directamente con el LED Manager o con la comanda a distancia opcional LEDCON-01
- Varios LED Managers pueden ser utilizados en modo maestro/esclavo para crear alta energía, disposiciones completamente sincronizadas.
- Energía 300Watt: salidas de 2x 150W 24Vdc. (R+G+B) con protecciones de cortocircuito
- Reloj incorporado con baterías de reserva y cargado de batería NiMH (baterías no incluidas)
- 3 contadores de tiempo programables on/off. (iniciar/terminar 3 diversas transiciones de color en 3 momentos diferentes!)
- ¡Puede ser controlado por cualquier regulador estándar de DMX!
- Necesita 4 canales de DMX: Ch1=rojo, Ch2=verde, Ch3=azul, Ch4=amortiguador/estroboscópico
- El recinto esta preparado para instalación fácil contra la pared
- Ventilador para refrescar el aparato para una confiabilidad adicional.

ANTES DEL USO

Verificar el contenido:

Verificar la presencia de las partes siguientes:

- LED Manager
- Cable de alimentación
- Manual de instrucciones

Instrucciones importantes:

- Antes de utilizar este producto, por favor compruebe que no hay daños causados por el transporte. En caso contrario, no utilice este aparato y consulte a su vendedor.
- **Importante:** Este aparato salio de la empresa en perfecto estado y bien empaquetado. Es absolutamente necesario por parte del usuario de seguir estrictamente las instrucciones de seguridad y las advertencias de este manual. Cualquier daño causado por manejo inadecuado no estará sujeto a la garantía. El vendedor no aceptará responsabilidad por ningun defecto o problemas causados por negligencia de este manual del usuario.
- Mantenga este librito en un lugar seguro para consultas futuras. Si vende este aparato, asegúrese de añadir este manual de usuario.
- Para proteger el medio ambiente, intente por favor de reciclar el embalaje lo mas posible.

PRECAUCIONES DE USO



PRECAUCIÓN: Para reducir el riesgo de electrocución, no quite la cubierta superior. Ninguna pieza usable adentro para el utilizador. Dirijase únicamente a personal cualificado.

El símbolo de un rayo en el interior de un triángulo alerta sobre la presencia o el uso de elementos no aislados donde un voltaje peligroso constituye un riesgo grande para causar una eventual electrocución.

El punto de exclamación en el interior de un triángulo alerta al usuario sobre la presencia de importantes instrucciones de operación y de mantenimiento tenidas en cuenta en el manual de uso.

Este símbolo significa : uso para el interior solamente.

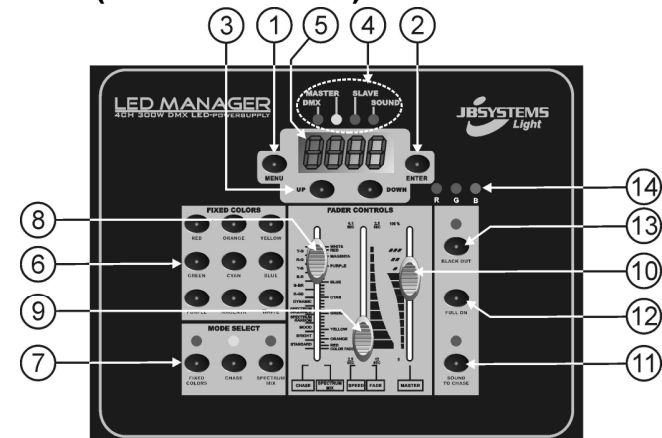
- Para evitar riesgos de incendio o electrocución, no exponer el aparato a la lluvia o a la humedad.
- Para evitar que se forme condensación en el interior, permita que el aparato se adapte a las temperaturas circundantes cuando lo lleve a una habitación caliente después de transporte. Condensar algunas veces impide que el aparato funcione a rendimiento pleno o incluso puede causar daños.
- Este aparato es sólo para uso interior.
- No coloque objetos metálicos o derrame líquidos dentro del producto. No colocar objetos llenos de líquidos, como jarrones, encima del aparato. Una descarga eléctrica o mal funcionamiento puede resultar. Si un objeto extraño entrara en el aparato, desconecte inmediatamente la alimentación.
- No colocar fuentes desnudas de llamas, como velas encendidas, sobre el aparato.
- No cubra ninguna apertura de ventilación ya que esto podría causar sobrecalentamiento.
- Evite su uso en ambientes polvorientos y limpie la unidad regularmente.
- Mantenga la unidad alejada de los niños.
- Personas sin experiencia no deberían manejar este aparato.
- La temperatura máxima del aparato es 45°C. No use este producto a temperaturas más elevadas.
- Siempre desenchufe el aparato cuando no lo use por un periodo largo o antes de cambiar la bombilla o de comenzar una reparación.
- La instalación eléctrica se debe realizar solamente por personal cualificado, según las regulaciones para la seguridad eléctrica y mecánica en su país.
- Compruebe que el voltaje disponible no es superior al que aparece en el panel trasero del producto.
- El enchufe tiene que estar siempre accesible para desconectar la alimentación.
- El cable de alimentación debería estar siempre en perfectas condiciones: apague el aparato inmediatamente cuando el cable de alimentación esté roto o dañado.
- ¡Nunca deje el cable de alimentación entrar en contacto con otros cables!
- Para prevenir descargas eléctricas, no abra la tapa. Aparte los fusibles no hay nada que pueda ser reparado por el usuario en el interior el aparato.
- **Nunca** repare un fusible o haga un desvío al fusible. ¡Siempre sustituya el fusible dañado por un fusible del mismo tipo y con las mismas especificaciones eléctricas!
- En caso de problemas serios de manejo, deje de usar el aparato y contacte su vendedor inmediatamente.
- Por favor, use el embalaje original cuando el aparato deba ser transportado.
- Debido a motivos de seguridad está prohibido de hacer modificaciones al aparato sin autorización.

MANTENIMIENTO

- Limpiar regularmente el aparato con un trapo ligeramente humedo. Recomendamos que la limpieza interna sea efectuada por profesionales.
- Puesto que este aparato utiliza un ventilador, el interior se debe limpiar anualmente usando un aspirador o con presión de aire.

Atencion: ¡Recomendamos que la limpieza interna se haga por personal cualificado.

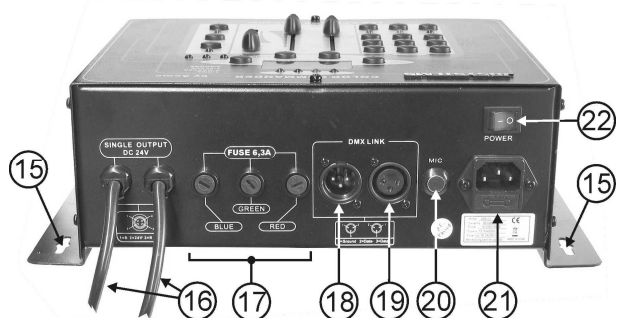
FUNCIONES (PANEL FRONTAL)



1. **BOTON MENU:** Para entrar/salir del menú principal. Para volver del menú principal a la pantalla del reloj empuje sobre el botón menu 1 segundo.
2. **BOTÓN ENTER:** Para confirmar su opción en el menú.
3. **BOTÓN UP/DOWN (ARRIBA/ABAJO):** Para hojear a través del menú principal y seleccionar las valores de una función.
4. **MONITOR STATUS:** Indica algunas condiciones de funcionamiento importantes:
 - **Indicador DMX:** Indica que el aparato esta encendido en modo Dmx (se detecta un señal DMX).
 - **Indicador Master:** Indica que el aparato esta encendido en modo Master.
 - **Indicador Slave:** Indica que el aparato esta encendido en modo Slave.
 - **Indicador Sound:** Indica que una señal musical es tomada por el micrófono interno.
5. **PANTALLA:** pantalla 4digit LED, muestra los diversos menús y funciones y el reloj real-time.
6. **BOTONES FIXED COLOR:** 9 botones cada uno con un color preprogramado.
7. **BOTONES MODE SELECT:** 3 botones para poner el regulador en diversos modos de funcionamiento:
 - **FIXED COLORS:** Seleccione este modo si usted desea utilizar los botones 'fixed color' (6).
 - **CHASE MODE:** Seleccione este modo si usted desea seleccionar una de las 12 transiciones de color usando el atenuador "transition/color"(8).
 - **SPECTRUM MIX:** Seleccione este modo si usted desea seleccionar uno de los 32 diversos colores usando el atenuador "transition/color" (8).
8. **ATENUADOR CHASE/COLOR:** Para seleccionar una de las transiciones de color disponibles:
 - El lado izquierdo del atenuador indica las diversas transitions.
 - El lado derecho del atenuador indica los diversos colores.

Comentario importante: Hay también una función llamada "color fade" que es muy hermosa para usos de iluminación de fondo". Seleccione esta función para pasar suavemente de un color a otro. Usted puede ajustar el tiempo de transition con el atenuador color(8).
9. **ATENUADOR SPEED/FADE:** Para seleccionar la velocidad de transición o el tiempo para pasar de un color a otro:
 - El lado izquierdo del atenuador indica la velocidad de la transition, extendiéndose de 2,5s a 0,1s.
 - El lado derecho del atenuador indica el tiempo para pasar de un color a otro, extendiéndose de 12s a 2,5s.
10. **ATENUADOR MASTER:** Para controlar el amortigue de los LEDs y la velocidad del estroboscópico.
11. **BOTÓN SOUND:** Para pasar del modo transition(chase) al modo sound y static.
12. **BOTÓN FULL ON:** Para poner los 3 colores (R+G+B) en el nivel máximo.
13. **BOTÓN BLACKOUT:** Para poner los 3 colores (R+G+B) en el nivel cero.
14. **MONITOR DE SALIDA:** Indica los niveles de salida para los 3 colores (R+G+B).

FUNCIONES (PARTE TRASERA)



- 15. **AGUJEROS PARA FIJAR EL APARATO:** Para fijar el aparato en la pared o en otra superficie plana.
- 16. **CABLES DE SALIDA:** Para conectar diversos proyectores comunes LED ánodos 24Vdc (carga máxica: 300W). Cada cable utiliza un conector especial hembra 4pin.
- 17. **FUSIBLES DE SALIDA:** fusibles 6,3A en cada una de las 3 salidas de color.
- 18. **ENTRADA DMX:** Conector XLR macho de 3pin usado para conectar el cable XLR universal. Esta entrada recibe instrucciones de un controlador DMX o de un LED Manager cuando es usado en modo master/slave.
- 19. **SALIDA DMX:** Conector XLR hembra de 3pin usado para conectar el LED Manager con el siguiente aparato en la cadena DMX o con otro LED Manager cuando es usado en modo master/slave.
- 20. **MICRÓFONO INTERNO:** Utilizado para las transiciones de sonido activó.
- 21. **ENTRADA DE CORRIENTE:** con toma IEC y soporte de fusible integrad, conecte aqui el cable de alimentación.
- 22. **INTERRUPTOR ON/OFF:** Usado para encender y apagar el aparato.

INSTALACIÓN ELÉCTRICA

⚠ La instalación eléctrica se debe realizar solamente por personal cualificado, según las regulaciones para la seguridad eléctrica y mecánica en su país.

Cómo conectar los proyectores LED con las salidas del aparato:

Importante: ¡Apague el LED Manager antes de que usted instale los proyectores LED! La carga total máxima del LED Manager es 300W, extendido en los 3 colores: ¡cada uno de los 3 colores tiene una carga máxima de 100W! La carga total se distribuye sobre los 2 cables de salida. Esto significa que cada cable de la salida suporta 150W (máximo 50W para cada color!) para tener una carga máxima total de 300Watt. ¡No sobrecarge uno de los cables de la salida!

Los 2 cables de salida (16) utilizan un conector especial 4pin. Dos diversos tipos de proyectores pasivos LED pueden ser conectados:

A. Proyectores LED con un conector especial 4pin (ej. 'LED STRIP'):

Ésta es la manera la más fácil de hacer las conexiones. Fije todos los proyectores correctamente y encadena sus cables in/output hasta que usted alcanza la carga máxima permitida. Sujete el anillo de plástico al conector.

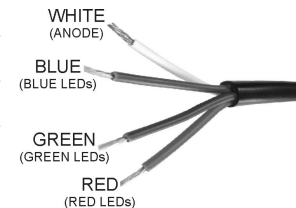
Ejemplo: usted puede conectar la hastaquince '1m LED STRIP' en cada cable de la salida (total los = 30m!)



B. Proyectores LED con los alambres abiertos (ej. LED GROUND LIGHT):

En este caso sugerimos que tome un cable extensión de 1m (con los conectadores masculinos/femeninos especiales 4pin) y que corte el conector femenino. Ahora usted puede desnudar fácilmente el cable. Usted encontrará en el interior 4 alambres coloreados:

- **Alambre blanco:** Éste es el alambre común (el ánodo)
- **Alambre rojo:** Éste es la energía para los LEDs rojos (máximo 50W)
- **Alambre verde:** Éste es la energía para los LED verdes (máximo 50W)
- **Alambre azul:** Éste es la energía para los LED azules (máximo 50W)



Conecta estos 4 alambres con los 4 alambres correspondientes del proyector. (en la mayoría de los casos los colores de los alambres emparejan con los colores del LED) no exceda la carga maxima permitida.

Ejemplo: usted puede conectar hasta 50 "GROUND LIGHT" en cada cable de la salida (total= 100pcs!)

Instalación eléctrica modo master/slave:

- Encadena las entradas/salidas DMX con 2 o más aparatos con cables balanceados de buena calidad (por ejemplo. JB Systems ref. 7-0063).



- El aparato con una entrada DMX libre se convierte automáticamente el amo (se enciende el indicador master), las otras unidades se convierten automáticamente en esclavos (se enciende el indicador slave). Los botones de mando en los aparatos esclavos son incapacitados.

Instalación eléctrica en modo master/slave con la comanda a distancia LEDCON-01

- Encadena las entradas/salidas DMX con 1 o más aparatos con la salida de la comanda a distancia LEDCON-01 con cables balanceados de buena (por ejemplo. JB Systems ref. 7-0063).



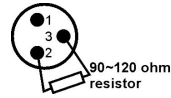
- La comanda a distancia LEDCON-01 será utilizada para controlar todos los esclavos conectados. Los LED Managers se convierten automáticamente en esclavos (se enciende el indicador slave). Los botones de mando en los aparatos esclavos son incapacitados.

Instalación eléctrica en modo DMX:

- El famoso protocolo DMX consiste en una señal muy rápida que permite controlar equipos de iluminación. Resulta impertivo conectar el controlador DMX y los diferentes elementos de la cadena con cables balanceados de buena calidad (por ejemplo. JB Systems ref. 7-0063)



- Para evitar que los efectos se comporten de manera anormal, por culpa de interferencias, utilice terminales de 90Ω a 120Ω en fin de cadena. No se deben utilizar cables en 'Y', no funcionan.
- Cada aparato de la cadena necesita su propia dirección de arranque para saber cuales informaciones, mandadas por el controlador DMX, tiene que decodificar. Cuando usted necesita mucha energía puede utilizar varios LED Managers y darles la misma dirección de arranque. En el capítulo siguiente usted aprenderá cómo instalar las direcciones DMX.

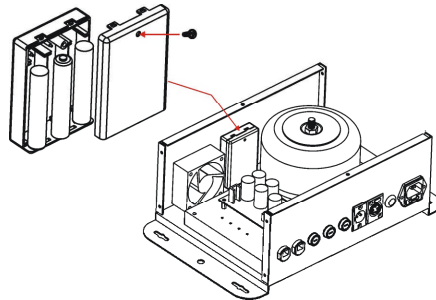


Cambiar las baterías internas:

MUY IMPORTANTE: ¡SOLAMENTE las baterías recargables se permiten, no utilice baterías normales!

El LED Manager tiene un reloj interno real-time 24H con 3 contadores de tiempo y reservas individuales de la batería. Para utilizar la característica de reserva de la batería usted debe instalar 3 baterías recargables opcionales tipo AA de NiMH. ¡Una vez que estas baterías estén instaladas serán recargadas automáticamente, ninguna necesidad de sustituirlas más!

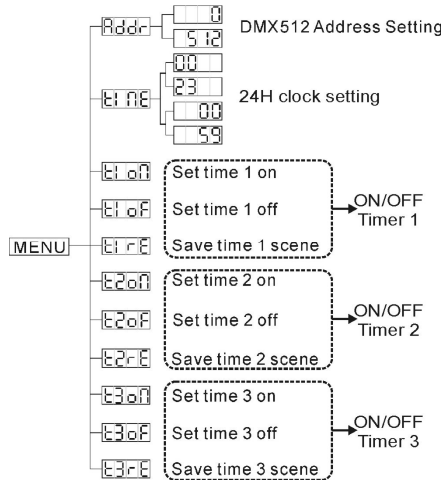
- Apague el aparato y desconecte el cable de alimentación.
- Utilice un destornillador apropiado para desatornillar los 10 tornillos.
- Quite suavemente la cubierta superior (con cuidado para los cables de adentro!)
- En el interior usted encontrará un compartimiento de batería, al lado del ventilador. Ábralo suavemente e instale las 3 baterías recargables tipo AA NiMH como indicado.
- Cierre el compartimiento de batería.
- Ponga la cubierta superior en su lugar y sujete los 10 tornillos.
- Conecte la unidad a una prisa: las baterías cargarán automáticamente.
- ¡Hecho!



MENÚS DE ONFIGURACIÓN + DIRECCIÓN DMX

Durante el uso normal la pantalla muestra la hora actual del reloj 24H interno.

- Pulse MENU para acceder al modo menú:
- Con los botones UP o DOWN puede pasar por las distintas opciones del menú principal.
- Pulse ENTER para seleccionar y editar una opción de menú.
- Adapte los valores con UP y DOWN y confirme con ENTER o pulse MENU de nuevo si desea volver al menú principal sin guardar los cambios realizados.
- Tras cierto tiempo la pantalla mostrará automáticamente el reloj interno. También puede cambiar a la pantalla de reloj pulsando MENU durante aprox. 1 segundo.



Addr Configurar dirección DMX de inicio

Usado para establecer la dirección de inicio del LED Manager.

- Pulse MENU y UP/DOWN hasta que la pantalla muestre "Addr"
- Pulse ENTER: la pantalla empezará a parpadear.
- Use DOWN y UP para cambiar la dirección DMX.
- Cuando se muestre la dirección correcta en la pantalla, pulse ENTER para guardarla.

Observaciones: Puede abortar el proceso de configuración y volver atrás sin guardar los cambios pulsando MENU. Cuando se realice la configuración y se guarden los cambios, puede volver a la pantalla del reloj pulsando MENU más de 1 segundo.

ENE Configuración del reloj interno 24H

Usado para establecer la hora del reloj interno 24H.

- Pulse MENU y UP/DOWN hasta que la pantalla muestre "time"
- Pulse ENTER, el indicador HORA empezará a parpadear.
- Use DOWN y UP para establecer la hora correcta (00 a 23).
- Pulse ENTER, el indicador MINUTOS empezará a parpadear.
- Use DOWN y UP para establecer los minutos correctos (00 a 59).
- Cuando se muestre el tiempo correcto, pulse ENTER. La nueva configuración de reloj se guardará y la pantalla mostrará "time"

Observaciones: Puede abortar el proceso de configuración y volver sin guardar pulsando MENU. Cuando termine la configuración y se guarden los cambios, puede volver a la pantalla de reloj pulsando MENU más de 1 segundo.

E1on E2on E3on Establecer "tiempo de inicio" de temporizadores de encendido/apagado

El LED Manager tiene 3 temporizadores de encendido/apagado separados. De este modo, puede encender/apagar la salida en 3 momentos distintos del día, cada vez con un color o seguimiento de color distinto. Debajo explicamos cómo configurar el tiempo de inicio del "temporizador 1 de encendido/apagado". La configuración de los otros 2 temporizadores es idéntica.

- Pulse MENU y UP/DOWN hasta que la pantalla muestre "t1on"
- Pulse ENTER, el indicador HORA empezará a parpadear.
- Use DOWN y UP para establecer la hora (00 a 23).
- Pulse ENTER, el indicador MINUTOS empezará a parpadear.
- Use DOWN y UP para establecer los minutos correctos (00 a 59).
- Cuando se muestre el tiempo de inicio correcto, pulse ENTER. Se guardará el nuevo tiempo de inicio y la pantalla mostrará "t1on"

Observaciones: Puede abortar el proceso de configuración y volver sin guardar pulsando MENU. Cuando termine la configuración y se guarden los cambios, puede volver a la pantalla de reloj pulsando MENU más de 1 segundo.

E1of E2of E3of Establecer "tiempo de detención" de temporizadores de encendido/apagado

Debajo explicamos cómo establecer el tiempo de detención para el "temporizador1 de encendido/apagado". La configuración de los otros 2 temporizadores es idéntica.

- Pulse MENU y UP/DOWN hasta que la pantalla muestre "t1of"
- Pulse ENTER, el indicador HORA empezará a parpadear.
- Use DOWN y UP para establecer la hora (00 a 23).
- Pulse ENTER, el indicador MINUTOS empezará a parpadear.
- Use DOWN y UP para establecer los minutos correctos (00 a 59).
- Cuando se muestre el tiempo de detención correcto, pulse ENTER. Se guardará el nuevo tiempo de detención y la pantalla mostrará "t1of"

Observaciones: Puede abortar el proceso de configuración y volver sin guardar pulsando MENU. Cuando termine la configuración y se guarden los cambios, puede volver a la pantalla de reloj pulsando MENU más de 1 segundo.

E1rE E2rE E3rE Establecer el temporizador de encendido/apagado "ESCENA"

Debajo explicamos cómo seleccionar la escena (color o seguimiento de color) para el "temporizador1 de encendido/apagado". La configuración de los otros 2 temporizadores es idéntica.

- Pulse MENU y UP/DOWN hasta que la pantalla muestre "t1rE"
- Pulse ENTER, la pantalla empezará a parpadear.
- Ahora puede configurar la escena que desee reproducir cuando se active el temporizador.
- Cuando la escena sea correcta (no olvide desactivar la función de apagado) pulse ENTER de nuevo. La pantalla dejará de parpadear y se guardará la escena.

Observaciones: Puede abortar el proceso de configuración y volver sin guardar pulsando MENU. Cuando termine la configuración y se guarden los cambios, puede volver a la pantalla de reloj pulsando MENU más de 1 segundo.

INSTRUCCIONES DE USO

A. 1 unidad independiente:

- Conecte los proyectores LED al LED Manager como se indica en los capítulos anteriores. (no es necesario establecer una dirección DMX)
- Encienda la unidad y consulte el capítulo "Funciones" para familiarizarse con las diversas funciones de los controles y botones.

En este modo también puede configurar el reloj y usar los 3 temporizadores de encendido/apagado como se describe en el capítulo anterior.

Observación: Cuando esté activo un temporizador, puede desactivarlo pulsando el botón de apagado.

B. Dos o más unidades en configuración maestro/esclavo:

- Conecte los proyectores LED a los LED Managers como se indica en los capítulos anteriores.
- Conecte las unidades entre sí como se explica en el capítulo sobre instalaciones eléctricas. (no es necesario establecer una dirección DMX)
- Encienda los LED Managers. Sólo puede usar los controles en la unidad maestra, los controles de las unidades esclavas están desactivados. Consulte el capítulo "Funciones" para familiarizarse con las diversas funciones de los controles y botones de la unidad maestra.

En este modo también puede configurar el reloj y usar los 3 temporizadores de encendido/apagado como se explica en el capítulo anterior.

Observación: Cuando esté activo un temporizador, puede desactivarlo pulsando el botón de apagado.

C. Conecte el controlador opcional LEDCON-01 para control remoto:

En la mayoría de casos el LED Manager se instalará en una pared, cerca de los proyectores LED. Si desea acceder fácilmente a sus funciones, puede conectar el controlador remoto LEDCON-01 al (primer) LED Manager. Las demás conexiones son idénticas a las de las configuraciones independientes o maestro/esclavo.

Excepto por la pantalla, el reloj 24H interno y los 3 temporizadores de encendido/apagado, los controles del mando a distancia son idénticos a los del LED Manager. Consulte el capítulo "Funciones" para familiarizarse con las diversas funciones de los controles y botones.

D. Controlado por controlador DMX universal:

- Conecte los proyectores LED al (a los) LED Manager(s) como se indica en capítulos anteriores.
- Conecte el (los) LED Manager(s) con todos los demás aparato DMX en la cadena DMX.
- Encienda todas las unidades y establezca las direcciones DMX correctas. (DMX-LED en el LED Manager se enciende)
- Encienda su controlador DMX universal y consulte la tabla DMX siguiente para controlar los LED Managers conectados:

| DMX512 Configuration | | | |
|----------------------|-------|------|---------------|
| Ch1 | Ch2 | Ch3 | Ch4 |
| RED | GREEN | BLUE | DIMMER/STROBE |
| | | | |

Todos los controles (botones y controles) del (de los) LED Manager(s) están desactivados, excepto los botones necesarios para establecer la dirección DMX.

ESPECIFICACIONES

Alimentación:

CA 230V~ 50Hz

Fusible:

6,3A fundido lento (cristal 20mm)

Baterías de reserva:

3 baterías recargables NiMH tipo AA de 1,2V (opcional)

Voltaje de salida a los LED:

ánodo normal CD 24V

Potencia de salida a los LED:

2x 150W máx. (Total = 300W máx.)

o Rojo: 2x 50W máx. (Total = 100W máx.)

o Verde: 2x 50W máx. (Total = 100W máx.)

o Azul: 2x 50W máx. (Total = 100W máx.)

Conexiones DMX:

3pin XLR (DMX-512 estándar)

Canales DMX:

4 (CH1: rojo, CH2: verde, CH3: azul, CH4: suavizado/estroboscopia)

Entrada audio:

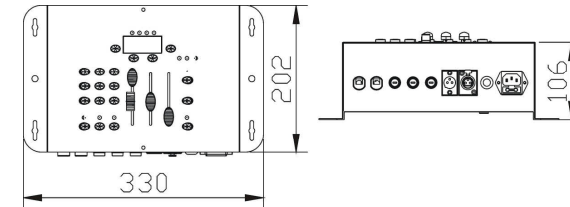
Ninguna, micrófono interno

Tamaño:

330 x 202 x 106cm (ver imagen inferior)

Peso:

6,6kg



Toda la información está sujeta a cambios sin previo aviso

Puede descargar la última versión de este manual de usuario en nuestro sitio web: www.beglec.com

MANUAL DO UTILIZADOR

Obrigado por ter adquirido este produto da JB Systems. De modo a tirar total proveito das possibilidades deste produto, por favor leia este manual com atenção.

CARACTERÍSTICAS

Esta unidade está protegida contra interferências rádio. Este produto cumpre as exigências impostas pelas presentes directivas nacionais e europeias. A conformidade deste produto foi comprovada e as declarações e documentos relevantes foram efectuados pelo fabricante

- Fonte de alimentação extremamente versátil para todos os tipos de projectores passivos RGB LED.
- Diferentes modos de funcionamento autónomo:
 - Modo Fixed color: Acesso instantâneo a 9 cores predefinidas
 - Modo Static chase: 12 sequências de cores diferentes com controlo manual de velocidade
 - Modo Sound chase: 12 sequências de cores diferentes activadas por áudio
 - Spectrum mix: 32 cores diferentes de mistura de spectrum, incluindo transições de cores
- Velocidade e intensidade ajustáveis com faders
- Transição suave de cores com tempo de transição ajustável
- Funções Blackout e "Full on"
- Todas as funções podem ser controladas directamente no LED-manager ou através de controlo remoto opcional LEDCON-01.
- Vários LED-Managers podem ser utilizados em modo Master/slave para criar configurações muito potentes e altamente sincronizadas.
- 300Watt de potência: 2x saídas de 150W 24Vdc. (R+G+B) com protecção de curto-circuitos.
- Relógio incorporado com pilha de segurança e carregador de pilhas NiMH (pilhas não incluídas)
- 3 Temporizadores independentes programáveis para ligar/desligar (ligar/desligar 3 diferentes sequências de cor em 3 tempos diferentes!)
- Pode ser controlado por qualquer controlador DMX standard!
- Necessários 4 canais DMX: Ch1=Vermelho, Ch2=Verde, Ch3=Azul, Ch4=Dimmer/strobe.
- Estrutura preparada para instalação fácil em parede.
- Ventoinha de arrefecimento para fiabilidade extra.

ANTES DE UTILIZAR

Certifique-se que a caixa contém os seguintes artigos:

- LED-Manager
- Cabo de alimentação
- Manual do utilizador

Algumas instruções importantes:

- Antes de utilizar esta unidade verifique se existem danos provocados durante o transporte. Caso existam danos aparentes, não utilize a unidade e contacte o seu revendedor.
- **Importante:** Esta unidade deixou a nossa fábrica em perfeitas condições e devidamente embalada. É imprescindível que o utilizador siga as instruções de segurança e avisos descritos neste manual. Quaisquer danos provocados por utilização incorrecta não serão cobertos pela garantia. O revendedor não será responsável por quaisquer danos ou problemas causados pelo incumprimento das instruções deste manual.
- Guarde este manual num local seguro para consulta futura. Caso venda esta unidade, forneça este manual.
- Proteja o ambiente. Recicle o material desta embalagem.

INSTRUÇÕES DE SEGURANÇA:



ATENÇÃO: De forma a evitar o risco de choque eléctrico, não remova peças da unidade. Não tente fazer reparações. Contacte pessoal qualificado.



O símbolo composto por um triângulo equilátero com um relâmpago no interior alerta para a presença de voltagem perigosa não isolada no interior do produto que poderá constituir risco de choque eléctrico.



O símbolo composto por um triângulo equilátero com um ponto de exclamação alerta o utilizador para a presença de instruções importantes de utilização e manutenção do produto.



Este símbolo significa: utilização unicamente em espaços fechados.

Este símbolo significa: Leia instruções.

- De modo a evitar risco de fogo ou choque eléctrico, não exponha este produto a chuva ou humidade.
- De forma a evitar a formação de condensação no interior da unidade, ao transportá-la para ambiente quente aguarde algum tempo de modo a que haja uma ambientação à temperatura. A condensação poderá afectar o desempenho da unidade ou até danificá-la.
- Esta unidade destina-se unicamente a utilização em espaços fechados.
- Não introduza objectos de metal nem verta líquidos no interior do produto, correrá risco de choque eléctrico ou poderá danificar o produto. Caso algum objecto estranho entre em contacto com o interior da unidade, desligue-a de imediato da corrente.
- Não coloque chamas descobertas (tais como velas acesas) sobre a unidade.
- Não cubra os orifícios de ventilação ou a unidade poderá sobreaquecer.
- Evite locais com poeiras. Limpe a unidade regularmente.
- Mantenha esta unidade fora do alcance das crianças.
- Esta unidade deverá ser operada unicamente por pessoas experientes.
- Temperatura ambiente de funcionamento máxima é de 45°C. Não utilize esta unidade a temperaturas ambientes mais elevadas.
- Desligue sempre a unidade da corrente quando não a utilizar durante longos períodos de tempo ou antes de efectuar manutenção.
- A instalação eléctrica deve ser efectuada unicamente por pessoal qualificado, cumprindo os regulamentos de segurança em instalações eléctricas e mecânicas do seu país.
- Certifique-se que a voltagem a utilizar não é superior à voltagem indicada no painel traseiro da unidade.
- A tomada de corrente deverá permanecer acessível para que a unidade possa ser desligada da corrente.
- O cabo de alimentação deverá estar sempre em perfeitas condições: desligue a unidade e substitua imediatamente o cabo caso este apresente algum dano.
- Nunca permita que este cabo entre em contacto com outros cabos!
- O Led Manager deve ser ligado à terra de forma a cumprir com os regulamentos de segurança.
- De forma a não correr risco de choque eléctrico não abra a cobertura da unidade. À excepção do fusível, não existem peças que possam ser substituídas pelo utilizador.
- **Nunca** repare um fusível nem tente operar a unidade sem fusível. Substitua **sempre** um fusível danificado por outro com as mesmas características!
- Em caso de problemas sérios de funcionamento, interrompa a utilização da unidade e contacte imediatamente o seu revendedor.
- Caso seja necessário transportar a unidade utilize a embalagem original.
- Por motivos de segurança, são proibidas quaisquer alterações não autorizadas à unidade.

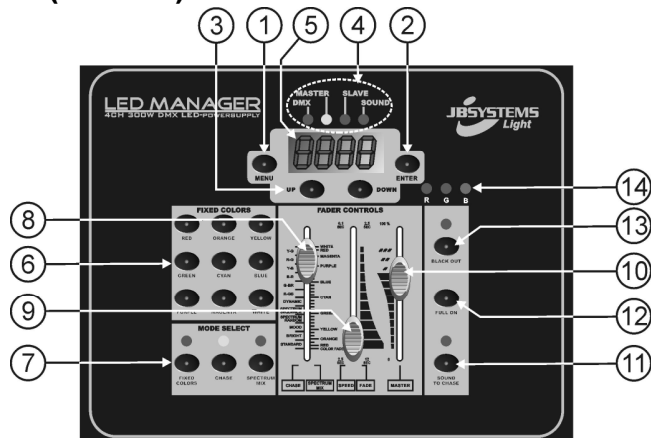
LIMPEZA DO APARELHO

Utilize um pano limpo ligeiramente humedecido em água. Evite introduzir água dentro da unidade. Não utilize líquidos voláteis como benzeno ou diluente, irá danificar a unidade.

- Uma vez que esta unidade utilize uma ventoinha, o seu interior deverá ser limpo anualmente utilizando-se um aparelho de limpeza a vácuo ou um compressor.

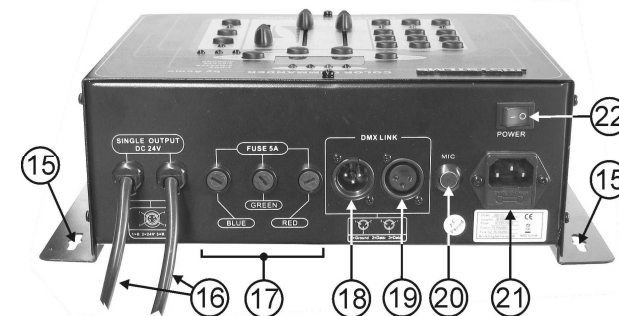
Atenção: Aconselhamos vivamente que a limpeza interna seja executada por pessoal qualificado!

FUNÇÕES (FRENTE)



- BOTÃO MENU:** utilizado para entrar/sair do menu principal. Para ir do menu principal para o visor do relógio pressione o botão menu durante 1 segundo.
- BOTÃO ENTER:** utilizado para confirmar a sua escolha no menu.
- BOTÕES UP/DOWN:** utilizados para navegar através do menu principal e para ajustar os valores de uma função.
- MONITOR DE ESTADO:** indica alguns modos de funcionamento importantes:
 - **LED DMX:** indica se a unidade está a funcionar em modo DMX. (sinais DMX são detectados)
 - **LED MASTER:** indica se a unidade está a funcionar em modo Master.
 - **LED SLAVE:** indica se a unidade está a funcionar em modo Slave.
 - **LED SOM:** indica se o microfone interno detecta algum sinal de música.
- VISOR:** Visor de LED com 4 dígitos, mostra as diferentes opções do menu e o relógio.
- BOTÕES DE COR FIXA:** 9 botões, cada um com uma cor predefinida.
- BOTÕES DE SELECÇÃO DE MODO:** 3 botões utilizados para colocar o controlador em diferentes modos de funcionamento:
 - **FIXED COLORS:** seleccione este modo se quiser utilizar os botões de cores fixas (6).
 - **MODO CHASE:** seleccione este modo se deseja seleccionar uma das 12 sequências usando o fader (8) "chase/color".
 - **SPECTRUM MIX:** seleccione este modo se deseja seleccionar uma das 32 diferentes cores usando o fader (8) "chase/color".
- FADER CHASE/COLOR:** Usado para seleccionar uma das sequências de cores disponíveis:
 - Lado esquerdo do fader indica as diferentes sequências.
 - Lado direito do fader indica as diferentes cores.
 - Nota importante:** Existe também uma função chamada "color fader" que é muito agradável para aplicações de iluminação de fundo. Seleccione esta função para alternar suavemente de uma cor para outra. Pode ajustar o tempo de transição com o fader speed/fade (9)
- FADER SPEED/FADE:** Usado para seleccionar a velocidade da sequência ou o tempo de transição da cor:
 - O lado esquerdo do fader indica a velocidade da sequência, desde 2,5s até 0,1s.
 - O lado direito do fader indica o tempo de transição das cores, desde 12s até 2,5s
- FADER MASTER:** Usado para controlar a intensidade geral dos LEDs e velocidade de strobe geral.
- BOTÃO SOUND:** Usado para alternar o modo chase entre modo sound e static.
- BOTÃO FULL ON:** utilizado para colocar as 3 cores (R+G+B) ao nível máximo.
- BOTÃO BLACKOUT:** utilizado para colocar as 3 cores (R+G+B) a nível zero.
- MONITOR DE SAÍDA:** Indica os níveis de saída das 3 cores (R+G+B)

FUNÇÕES (TRASEIRA)



- BURACOS DE FIXAÇÃO:** utilizados para fixar a unidade numa parede ou noutra superfície lisa.
- CABOS DE SAÍDA:** Usados para conectar diferentes projectores de LED de 24Vdc. (carga máxima: 300W). Cada cabo usa um conector especial fêmea de 4 pinos.
- FUSÍVEIS DE SAÍDA:** Fusíveis de 6,3A em cada uma das 3 saídas de cor.
- ENTRADA DMX:** Conector XLR macho de 3 pin utilizado para ligar cabos DMX universais. Esta entrada recebe instruções de um controlador DMX ou de outro Led Manager quando utilizado do modo master/slave.
- SAÍDA DMX:** Conector XLR fêmea de 3 pinos usado para conectar o LED-Manager com o próximo dispositivo DMX na corrente ou com outro LED-Manager quando usado em modo master/slave.
- MICROFONE INTERNO:** usado para sequências activadas pelo som.
- ALIMENTAÇÃO:** com ficha IEC e suporte fusível integrado, conecte o cabo de alimentação aqui.
- INTERRUPTOR ON/OFF:** utilizado para ligar/desligar a unidade.

INSTALAÇÃO ELÉCTRICA

⚠ A instalação eléctrica deverá ser executada apenas por pessoal qualificado e de acordo com as regulamentações de segurança eléctrica e mecânica do seu país.

Como conectar projectores LED às saídas da unidade:

Importante: Desligue o Led Manager antes de instalar os projectores LED! A carga total máxima do Led Manager é de 300W, distribuídos pelas 3 cores: cada uma das 3 cores tem uma carga máxima de 100W! A carga total está distribuída por 2 cabos de saída. Isto significa que cada cabo de saída suporta 150W (dá um máx. de 50W por cor!). Assegure-se que não sobrecarrega nenhum dos cabos de saída!

Os 2 cabos de saída (16) usam um conector especial de 4 pin. Podem-se ligar 2 tipos diferentes de projectores LED passivos:

C. Projectores LED com conector especial de 4 pinos (ex. LED STRIP):

Esta é a maneira mais fácil de fazer as ligações. Fixe todos os projectores correctamente e ligue-os em cadeia através dos cabos de entrada/saída até que atinja a carga máxima permitida. Certifique-se de apertar o anel de plástico do conector.



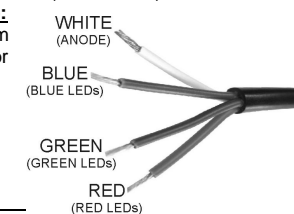
WELL CONNECTED

D. Projectores LED com fios abertos (ex. LED GROUND LIGHT):

Neste caso sugerimos a usar um cabo extensão 1mt (com conector especial macho/fêmea 4 pinos) e cortar o conector fêmea. Agora pode facilmente descarnar o cabo, conector.

Encontrará 4 fios coloridos no seu interior:

- **Fio branco:** Este é o cabo terra (anodo)



- **Fio vermelho:** Este é a potência para os LEDs vermelhos (max. 50W)
- **Fio verde:** Este é a potência para os LEDs verdes (max. 50W)
- **Fio azul:** Este é a potência para os LEDs azuis (max. 50W)

Ligue estes 4 fios aos 4 fios correspondentes do projector. (na maior parte dos casos as cores dos fios coincidem com as cores dos LEDs). Assegure-se que não excede a carga máxima permitida!

Exemplo: Pode ligar até 50 "GROUND LIGHT" em cada cabo de saída (total = 100pcs!)

Instalação eléctrica em modo Master/slave:

- Terá que ligar em cadeia as entradas/saídas DMX de 2 ou mais unidades com um cabo balanceado de boa qualidade (ex. JB Systems ref 7-0063).



- A unidade com um conector de entrada DMX livre automaticamente torna-se o master (LED master está aceso), as outras unidades são automaticamente ligadas como slaves (LED slave está aceso). Os controlos nas unidades slave estão desactivados.

Instalação eléctrica em modo Master/slave com controlo remoto LEDCON-01:

- Terá que ligar em cadeia as entradas/saídas DMX de 1 ou mais unidades com a saída do controlo remoto LEDCON-01 usando um cabo balanceado de boa qualidade (ex. JB Systems ref. 7-0063).



- O controlador remoto LEDCON-01 será utilizado para controlar todos os slaves. Os LED Managers entram automaticamente em modo slave (o LED slave acende). Os controlos nas unidades slave ficam desactivados.

Instalação eléctrica em modo DMX:

- O protocolo DMX é um sinal de alta velocidade usado para controlar equipamento inteligente de iluminação. Terá de ligar em cadeia o seu controlador DMX e todas as unidades conectadas com um cabo balanceado de boa qualidade (ex. JB Systems ref. 7-0063).



- Para prevenir comportamento estranho dos efeitos de luz, devido a interferências, tem de usar um finalizador de 90Ω a 120Ω no final da cadeia. Nunca use cabos divididos em Y, simplesmente não funcionam!
- Cada unidade na cadeia necessita do seu próprio endereço inicial para que saiba quais os comandos que tem de decodificar. Quando precisar de muita potência pode usar vários Led Managers e dar-lhes o mesmo endereço inicial. No próximo capítulo irá aprender como definir o endereço DMX.



Mudança das pilhas internas:

MUITO IMPORTANTE: APENAS pilhas recarregáveis são permitidas, NÃO use pilhas normais!!!

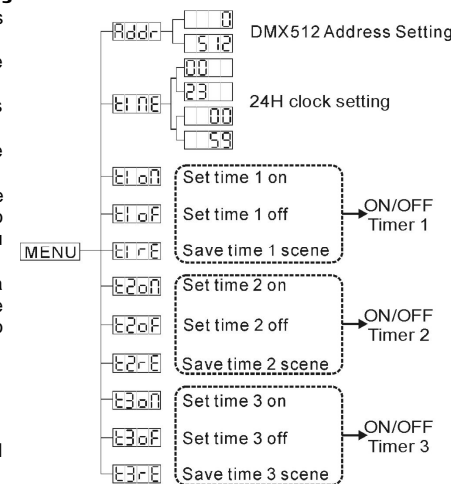
O LED Manager tem um relógio interno de tempo real de 24H com 3 temporizadores individuais e bateria de apoio. Para usar a função de bateria de apoio tem de instalar 3 pilhas recarregáveis AA NiMH opcionais. Assim que estas pilhas estiverem instaladas irão ser recarregadas automaticamente, não precisa de voltar a substituir!

- Desligue a unidade e retire o cabo de alimentação.
- Utilize uma chave de parafusos apropriada para desaparafusar os 10 parafusos da estrutura.
- Retire com cuidado a tampa superior (cuidado com os cabos no interior!)
- No interior encontrará junto à ventoinha o compartimento das pilhas. Abra-o gentilmente e instale, como indicado, 3 pilhas AA NiMH recarregáveis.
- Feche o compartimento das pilhas
- Coloque a tampa superior de novo no sítio e aperte os 10 parafusos.
- Ligue a unidade à corrente: as pilhas irão recarregar-se automaticamente.
- Concluído!

MENUS CONFIG. + ENDEREÇO DMX

Durante o uso normal o visor mostra as horas actuais do relógio interno.

- Pressione o botão MENU para entrar no modo de menu:
- Com os botões UP e DOWN pode navegar através das várias opções do menu principal.
- Pressione o botão ENTER para seleccionar e modificar uma opção do menu
- Altere os valores com os botões UP e DOWN e confirme com o botão ENTER ou pressione o botão MENU novamente se pretender voltar ao menu principal sem guardar as alterações feitas.
- Após algum tempo o visor mostrará automaticamente as horas do relógio interno. Pode também mudar para o visor do relógio premindo o botão MENU mais de 1 segundo.



Addr Configuração endereço DMX inicial

Usado para definir o endereço inicial do LED Manager

- Pressione o botão MENU e os botões UP/DOWN até que o visor mostre "Addr"
- Pressione o botão ENTER: o visor começa a piscar.
- Utilize os botões UP e DOWN para alterar o endereço DMX.
- Quando o endereço correcto aparecer no visor pressione o ENTER para o guardar.

Notas: Pode abortar o procedimento e voltar atrás sem guardar as alterações premindo o botão MENU levemente. Quando a configuração estiver concluída e as alterações estiverem guardadas, pode voltar ao visor do relógio pressionando o botão MENU mais de 1 segundo.

time Configuração do relógio de 24H interno

Usado para definir o tempo do relógio interno de 24H

- Pressione o botão MENU e os botões UP/DOWN até que o visor mostre "time"
- Pressione o botão ENTER: o visor das horas começa a piscar.
- Utilize os botões UP e DOWN para seleccionar a hora correcta (00 a 23).
- Pressione o botão ENTER: o visor dos minutos começa a piscar.
- Utilize os botões UP e DOWN para seleccionar os minutos correctos (00 a 59).
- Quando o relógio estiver certo, pressione o botão ENTER. As novas configurações do relógio são guardadas enquanto o visor mostra "time"

Notas: Pode abortar o procedimento e voltar atrás sem guardar as alterações premindo o botão MENU levemente. Quando a configuração estiver concluída e as alterações estiverem guardadas, pode voltar ao visor do relógio pressionando o botão MENU mais de 1 segundo.

t1on t2on t3on Configuração do “tempo de início” dos temporizadores

O Led Manager possui 3 temporizadores individuais ON/OFF. Portanto, poderá ligar/desligar a saída de potência em 3 diferentes partes do dia, cada vez com uma diferente cor ou sequência. Em baixo explicamos como definir o tempo de início para o “timer1 ON/OFF”. As configurações para os outros 2 são idênticas.

- Pressione o botão MENU e os botões UP/DOWN até que o visor mostre “t1on”
- Pressione o botão ENTER: o visor das horas começa a piscar.
- Utilize os botões UP e DOWN para seleccionar a hora correcta (00 a 23).
- Pressione o botão ENTER: o visor dos minutos começa a piscar.
- Utilize os botões UP e DOWN para seleccionar os minutos correctos (00 a 59).
- Quando o tempo de início correcto aparecer, pressione o botão ENTER. O novo tempo de início é guardado enquanto o visor mostra “t1on”

Notas: Pode abortar o procedimento e voltar atrás sem guardar as alterações premindo o botão MENU levemente. Quando a configuração estiver concluída e as alterações estiverem guardadas, pode voltar ao visor do relógio pressionando o botão MENU mais de 1 segundo.

t1of t2of t3of Configuração do “tempo de paragem” dos temporizadores

Em baixo explicamos como definir o tempo de paragem para o “timer1 ON/OFF”. As configurações para os outros 2 são idênticas.

- Pressione o botão MENU e os botões UP/DOWN até que o visor mostre “t1of”
- Pressione o botão ENTER: o visor das horas começa a piscar.
- Utilize os botões UP e DOWN para seleccionar a hora correcta (00 a 23).
- Pressione o botão ENTER: o visor dos minutos começa a piscar.
- Utilize os botões UP e DOWN para seleccionar os minutos correctos (00 a 59).
- Quando o tempo de paragem correcto aparecer, pressione o botão ENTER. O novo tempo de paragem é guardado enquanto o visor mostra “t1of”

Notas: Pode abortar o procedimento e voltar atrás sem guardar as alterações premindo o botão MENU levemente. Quando a configuração estiver concluída e as alterações estiverem guardadas, pode voltar ao visor do relógio pressionando o botão MENU mais de 1 segundo.

t1re t2re t3re Configuração da “SCENE” dos temporizadores

Em baixo explicamos como definir a scene (cor ou sequência de cor) o “timer1 ON/OFF”. As configurações para os outros 2 são idênticas.

- Pressione o botão MENU e os botões UP/DOWN até que o visor mostre “t1re”
- Pressione o botão ENTER: o visor começa a piscar.
- Agora terá o tempo para definir a scene que gostaria de reproduzir quando o temporizador é activado.
- Agora que a scene está OK (não se esqueça de desligar a função blackout!) pressione apenas o botão ENTER outra vez. O ecrã para de piscar e a scene é gravada.

Notas: Pode abortar o procedimento e voltar atrás sem guardar as alterações premindo o botão MENU levemente. Quando a configuração estiver concluída e as alterações estiverem guardadas, pode voltar ao visor do relógio pressionando o botão MENU mais de 1 segundo.

INSTRUÇÕES DE UTILIZAÇÃO

E. Uma unidade em modo Autónomo:

- Ligue os projectores LED ao LED MANAGER como indicado nas secções anteriores. (não é necessário configurar um endereço DMX!)
- Ligue a unidade e veja a secção “Funções” para se familiarizar com as várias funções dos botões e faders.

Neste modo também pode configurar o relógio e utilizar os 3 temporizadores on/off como descrito na secção anterior.

Nota: Quando um temporizador está activo pode desactivá-lo pressionando o botão blackout.

F. Duas ou mais unidades em modo master/slave:

- Ligue os projectores LED ao LED MANAGER como indicado nas secções anteriores.
- Ligue as unidades entre si tal como explicado na secção sobre instalação eléctrica. (não é necessário configurar um endereço DMX!)
- Ligue os LED Managers. Apenas poderá utilizar os controlos da unidade Master, os controlos das restantes estão desactivados veja a secção “Funções” para se familiarizar com as várias funções dos botões e faders da unidade Master.

Neste modo também pode configurar o relógio e utilizar os 3 temporizadores on/off como descrito na secção anterior.

Nota: Quando um temporizador está activo pode desactivá-lo pressionando o botão blackout.

G. Ligado ao controlador opcional LEDCON-01 para controlo remoto:

Na maior parte dos casos o LED MANAGER será instalado numa parede, junto aos projectores LED. Se desejar ter acesso fácil às suas funções, pode ligar o controlador remoto LEDCON-01 ao (primeiro) LED MANAGER. As outras ligações são idênticas às das configurações de autónomo e de master/slave.

Com excepção para o visor, relógio interno e os 3 temporizadores on/off, os controlos do controlador remoto são idênticos aos do LED Manager. Por isso veja a secção “Funções” para se familiarizar com as várias funções dos botões e faders.

H. Controlado através de um controlador DMX universal:

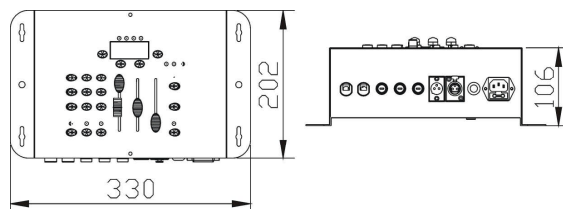
- Ligue os projectores LED ao LED MANAGER como indicado nas secções anteriores.
- Conecte o(s) LED Manager(s) com todas as outros dispositivos DMX na cadeia DMX.
- Ligue todas as unidades e configure os endereços DMX apropriados (o LED DMX no LED Manager acende-se)
- Ligue o seu controlador DMX universal e veja a tabela DMX abaixo indicada para controlar os LED Managers conectados:

| DMX512 Configuration | | | |
|----------------------|-------------|-------------|------------------------|
| Ch1 | Ch2 | Ch3 | Ch4 |
| RED | GREEN | BLUE | DIMMER/STROBE |
| 255 100% | 255 100% | 255 100% | 248-255 OPEN |
| 0 0% | 0 0% | 0 0% | 201-247 /// |
| | | | 191-200 SOUND CHASE |
| | | | 8-190 |
| | | | 0-7 CLOSED |

Todos os controlos (botões e faders) no(s) LED Manager(s) estão desactivados, com excepção para os botões necessários para configurar o endereço DMX.

ESPECIFICAÇÕES

| | |
|-------------------------------------|---|
| Entrada de alimentação: | AC 230V~ 50Hz |
| Fusível: | 6,3A fusão lenta (vidro 20mm) |
| Pilhas de segurança: | 3x pilha AA de 1,2V NiMH (opcional) |
| Voltagem de saída para LEDs: | DC 24V ânodo comum |
| Potência de saída para LEDs: | 2x 150W max. (Total = 300W max.) <ul style="list-style-type: none">o Vermelho: 2x 50W max. (Total = 100W max.)o Verde: 2x 50W max. (Total = 100W max.)o Azul: 2x 50W max. (Total = 100W max.) |
| Ligações DMX: | XLR 3 pinos (DMX-512 standard) |
| Canais DMX: | 4 (CH1: vermelho, CH2: verde, CH3: azul, CH4: dimmer/strobe) |
| Entrada Áudio: | Nenhuma, microfone interno |
| Tamanho: | 330 x 202 x 106cm (ver desenho abaixo) |
| Peso: | 6,6kg |



Estas informações estão sujeitas a alterações sem aviso prévio

Pode fazer download da versão mais recente deste manual no nosso site: www.beglec.com