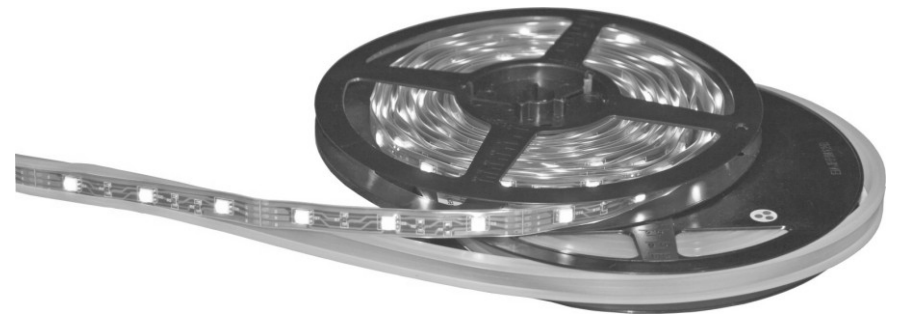


Flexi LED



Operation Manual EN
Mode d'emploi FR
Gebruiksaanwijzing NL
Bedienungsanleitung DE
Manual de instrucciones ES
Manual do utilizador PT

WWW.BEGLEC.COM

Copyright © 2009 by BEGLEC NV
*t Hofveld 2 ~ B1702 Groot-Bijgaarden ~ Belgium

Reproduction or publication of the content in any manner, without express permission of the publisher, is prohibited.



Version: 1.0





EN - DISPOSAL OF THE DEVICE

Dispose of the unit and used batteries in an environment friendly manner according to your country regulations.

FR - DÉCLASSER L'APPAREIL

Débarrassez-vous de l'appareil et des piles usagées de manière écologique Conformément aux dispositions légales de votre pays.

NL - VERWIJDEREN VAN HET APPARAAT

Verwijder het toestel en de gebruikte batterijen op een milieuvriendelijke manier conform de in uw land geldende voorschriften.

DU - ENTSORGUNG DES GERÄTS

Entsorgen Sie das Gerät und die Batterien auf umweltfreundliche Art und Weise gemäß den Vorschriften Ihres Landes.

ES - DESHACERSE DEL APARATO

Reciclar el aparato y pilas usadas de forma ecologica conforme a las disposiciones legales de su pais.

PT - COMO DESFAZER-SE DA UNIDADE

Tente reciclar a unidade e as pilhas usadas respeitando o ambiente e em conformidade com as normas vigentes no seu país.

OPERATION MANUAL

Thank you for buying this JB Systems® product. To take full advantage of all possibilities and for your own safety, please read these operating instructions very carefully before you start using this unit.

FEATURES

This unit is radio-interference suppressed. This product meets the requirements of the current European and national guidelines. Conformity has been established and the relevant statements and documents have been deposited by the manufacturer.

- This device has been designed to produce decorative effect lighting and is used in light show systems.
- Multicolor flexible strips with RGB LEDs, used to change the color of walls, ceilings, etc. in all kinds of venues: bars, discotheques, taverns, shops, ...
- Infinite applications possible: fix the strips in cabinets, behind translucent plexi panels to create slowly changing colored surfaces, ceilings and walls, ...
- This flexible version of the normal LED strips has nothing but advantages:
 - The 5m long strip can be easily cut to size on the markings (every 10cm)
 - Can be easily bended to follow the curves of any surface
 - The PU-jacket makes it IP65 rated
 - Uses a double silicon jacket for easy installation on any surface: can be fixed with small nails, staples or double sided tape.
- RGB-version specific features:
 - To be used with our 100% compatible range of LED Managers
 - Perfect color mixing and big light output thanks to 3in1 RGB LEDs (5050 SMD-type)
- Single color version specific features:
 - To be used with our "LED PSU 50W/24Vdc" to obtain an economical solution.
 - To be used with our 100% compatible range of LED Managers when dimming is important
 - Big light output (up to 3x more than RGB-version) thanks to the use of 5050 size LEDs
- Elegant "slim line" design!
- Long life LED Technology!

BEFORE USE

- Before you start using this unit, please check if there's no transportation damage. Should there be any, do not use the device and consult your dealer first.
- **Important:** This device left our factory in perfect condition and well packaged. It is absolutely necessary for the user to strictly follow the safety instructions and warnings in this user manual. Any damage caused by mishandling is not subject to warranty. The dealer will not accept responsibility for any resulting defects or problems caused by disregarding this user manual.
- Keep this booklet in a safe place for future consultation. If you sell the fixture, be sure to add this user manual.

Check the contents:

Check that the carton contains the following items:

- Operating instructions
- FLEXILED™, 5m (RGB, or single color)
- Silicon installation jacket, 5m

SAFETY INSTRUCTIONS:



This symbol means: indoor use only.



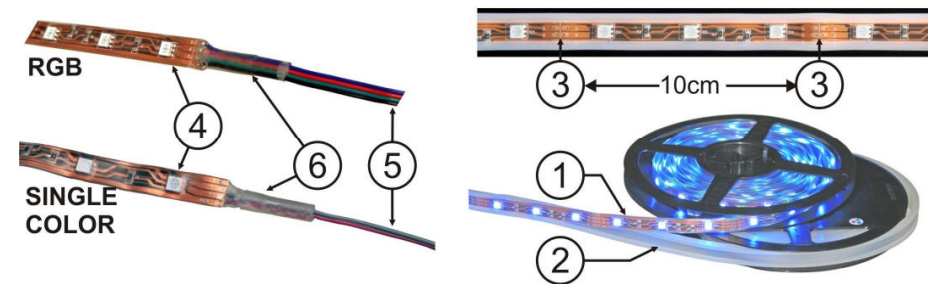
This symbol means: Read instructions.

- To protect the environment, please try to recycle the packing material as much as possible.
- Do not expose this appliance to rain or moisture.

- To avoid condensation to be formed inside, allow the unit to adapt to the surrounding temperatures when bringing it into a warm room after transport. Condense sometimes prevents the unit from working at full performance or may even cause damages.
- This unit is for indoor use only.
- Don't place metal objects or spill liquid inside the unit. If a foreign object enters the unit, immediately disconnect the installation setup from the mains power.
- Prevent use in dusty environments and clean the unit regularly.
- Keep the unit away from children.
- Inexperienced persons should not operate this device.
- Maximum save ambient temperature is 40°C. Don't use this unit at higher ambient temperatures.
- Make sure the area below the installation place is free from unwanted persons during rigging, de-rigging and servicing.
- The electrical installation should be carried out by qualified personal only, according to the regulations for electrical and mechanical safety in your country.
- The cables should always be in perfect condition: switch the LED Manager immediately off when the cables are squashed or damaged.
- This appliance must be used with the LED Manager: don't connect the unit to any dimmer pack or other power supply.
- In the event of serious operating problems, stop using the fixture and contact your dealer immediately.
- The housing must be replaced if it is visibly damaged.
- Please use the original packing when the device is to be transported.
- **Due to safety reasons it is prohibited to make unauthorized modifications to the unit.**

Important: Don't use the effect in the presence of persons suffering from epilepsy.

DESCRIPTION:



1. **FLEXILED™:** 5m flexible LED-strip that can be bended to follow the curves of the surface it is fixed on. Sealed with a PU-jacket to make it IP65 protected.
2. **SILICON INSTALLATION JACKET:** used to easily fix the Flexiled™ against any surface.
3. **CUTTING LINES:** every 10cm the Flexiled™ can be cut with a sharp knife.
4. **LEDs:** every 10cm three 5050 SMD-LEDs are fitted.
5. **CONNECTION WIRES:** used to connect the Flexiled™ to a LED power supply:
 - **SINGLE COLOR VERSION:** only 2 wires are used. If you don't want to dim the Flexiled™, you can connect these 2 wires to the LED PSU-50W/24V (order code: 4935). If you want to dim the Flexiled™, you can connect the wires to one of our LED Managers (different models, see later to learn about how to make the connections)
 - **RGB VERSION:** uses 4 wires to connect one of our LED Managers (different models, see later to learn about how to make the connections)
6. **IP65 SEALING:** Flexiled™ comes with sealed wires, if you want to add wires yourself and the Flexiled™ is used in a humid environment than you should add heat shrink (see chapter "electrical installation")

MECHANICAL INSTALLATION

Thanks to the special silicon installation jacket, the Flexiled™ can be mounted in different ways.

Mounting with double sided adhesive tape:

Used to install the Flexiled™ on smooth surfaces where you are not allowed to make holes: mirrors, glass, etc.

Thanks to the silicon jacket the glue of the double sided adhesive tape will not warm up and become sticky, as a result you will get good long-term results.

- Just take good quality double sided adhesive tape (optional, not included) and cut it to size.
- Put it on the bottom of the silicon installation jacket and fix the jacket to the surface.
- When the jacket is in place, you can install the Flexiled™ easily inside the jacket. Make sure the Flexiled™ is never squashed by hard objects.!



Mounting with small screws or staples:

Used to install the Flexiled™ on any surface where you are allowed to make holes: walls, wooden furniture, etc. Thanks to the silicon jacket you can use small screws, nails or even staples to fix the silicon installation jacket.

- Just take the silicon installation jacket and fix it to the surface with nails, staples, etc.
- When the jacket is in place, you can install the Flexiled™ easily inside the jacket. Make sure the Flexiled™ is never squashed by hard objects.!

Hint: You can install the Flexiled™ also behind translucent plastic panels to create color changing walls and ceilings or in a bar you can install the strips under a translucent shelf to light up bottles and drinking glasses from the bottom.

ELECTRICAL INSTALLATION

! The electrical installation should be carried out by qualified personal only, according to the regulations for electrical and mechanical safety in your country.

VERY IMPORTANT: Check the user manual of the LED Manager for the maximum allowed power on its outputs! One length of Flexiled™ may NEVER exceed 5m otherwise it will be destroyed by excessive current. So never put 2 Flexiled™s in series to become a total length over 5m! If you need lengths over 5m, please use several units and put them in parallel. Take in account that 1m consumes 6,5W, for longer cables (>10m) always add around 10% margin to your calculations for possible losses in longer connection cables: so 6,5W/m becomes +/-7,2W/meter.

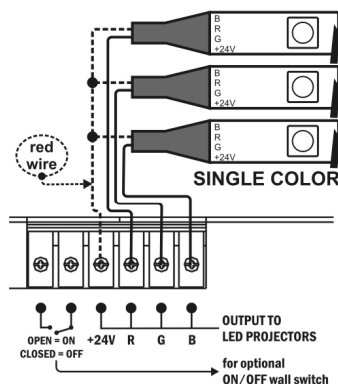
Connecting Flexiled™ single color to a LED Manager:

If the Flexiled™ should be dimmed or controlled by an external (DMX) controller, than this is the best solution.

Strip the 2 wires of the Flexiled™ and connect the red wire to the +24V output of the LED Manager. The other wire can be connected to one of the other outputs: R, G or B:

- When you connect the wire to the R output, you will be able to control the Flexiled™ by controlling the color "red" on the LED Manager.
- When you connect the wire to the G output, you will be able to control the Flexiled™ by controlling the color "green" on the LED Manager.
- When you connect the wire to the B output, you will be able to control the Flexiled™ by controlling the color "blue" on the LED Manager.

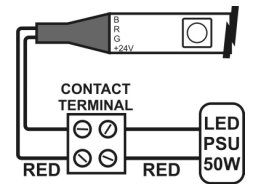
Important: This means that you can control 3 different single color Flexiled™s with only one LED Manager. However don't forget the single color Flexiled™ consumes about 6,5W/meter (+/-



33W/5meter) for one color(!) so when you install 3 single color Flexiled™s (5m each) to a LED Manager, they will consume 3 times more than 1 Flexiled™ RGB: 3x 33W = 99W. With longer connection cables you even have to add around 10% (99W becomes 109W!) to cover eventual losses. → Very important while choosing the right LED Manager to do the job!

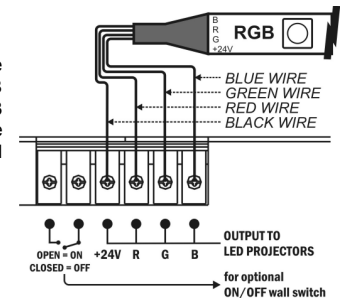
Connecting Flexiled™ single color to a LED PSU 50W/24V:

If you don't need to dim the Flexiled™ single color, this is definitely the best and most economical solution. Just connect the 2 wires of the Flexiled™ to the contact terminals of the LED PSU 50W/24V. Take care that the red wire of the Flexiled™ is connected to the red wire of the LED PSU. Always check if the power consumption of the Flexiled™ is lower than the maximum power of the LED PSU.



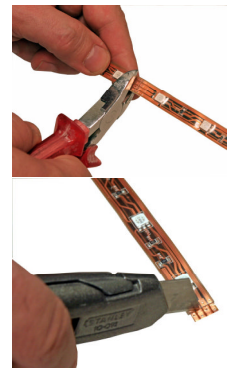
Connecting Flexiled™ RGB to a LED Manager:

Strip the 4 colored wires of the Flexiled™ and connect them to the corresponding outputs of the LED Manager. Flexiled™ RGB consumes about 6,5W/meter (33W/5meter), distributed over the 3 colors. When you install more than 1 Flexiled™, please check the maximum output power of the LED Manager. Don't forget to add 10% to cover the losses while using longer connection cables...



Cutting a Flexiled™ to size:

You don't always need the maximum length of the Flexiled™: no problem, you can easily cut it to the desired length! Every 10cm you will see a white line where you can cut the Flexiled™ using a very sharp hobby cutter or diagonal cutting pliers (picture).



Connecting Flexiled™ using soldered wires:

You can connect one or more pieces of Flexiled™ together by soldering small wires (to be carried out by skilled electricians only):

- First cut the Flexiled™ at one of the cutting lines (see previous point).
- To free the soldering contacts, gently remove the PU-jacket using a sharp cutter. **Be careful:** make sure not to damage the copper layers of the Flexiled™.
- Once the soldering contacts are free, you can solder the wires. Please use adapted soldering equipment, overheating can destroy the Flexiled™!:

- **Flexiled™ RGB:** just solder 4 wires to the different contacts, preferable in the corresponding colors to exclude polarity errors.



- **Flexiled™ single color:** The contacts named R, G & B should be connected together, a black wire can be soldered. The 4th contact is +24V, a red wire should be soldered here.



Important: if the installation is used outside or in a humid environment, the connections should be sealed with a combination of shrink sleeve and silicon glue. Again this is something only skilled electricians can do.

OPERATING INSTRUCTIONS

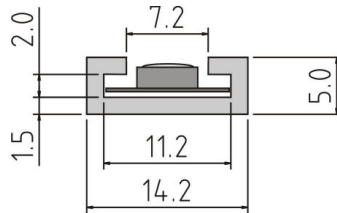
Since the Flexiled™ is controlled by the LED Manager, we strongly advice to read the operation instructions in the LED Manager user manual.

MAINTENANCE

- Switch off the LED Manager and unplug the mains cable before you start servicing.
- The cables must be in impeccable condition and should be replaced immediately when even a small problem is detected.
- The cleaning of the plastic enclosure must be carried out periodically to optimize light output. Cleaning frequency depends on the environment in which the fixture operates: damp, smoky or particularly dirty surroundings can cause greater accumulation of dirt on the unit's optics.
 - Clean with a soft cloth using normal glass cleaning products.
 - Always dry the parts carefully.

SPECIFICATIONS

Connections:	simple connection wires, soldered to the Flexiled™.
Operation voltage :	24Vdc common anode
Power consumption (cable losses not included):	RGB-type: 6,5W/m (2,2W/m for separate colors) SINGLE COLOR-type: 6,5W/m
Weight:	400g / 5m
Size:	length = 5m, see drawing for other dimensions



Every information is subject to change without prior notice
You can download the latest version of this user manual on our website: www.beglec.com

MODE D'EMPLOI

Merci d'avoir choisi ce produit JB Systems®. Pour votre sécurité et pour une utilisation optimale de toutes les possibilités de l'appareil, lisez attentivement cette notice avant utilisation.

EN VOUS INSCRIVANT POUR LA LETTRE D'INFORMATION VOUS SEREZ TOUJOURS TENU AU COURANT DES DERNIERES NOUVELLES CONCERNANT NOS PRODUITS: NOUVEAUTES, ACTIONS SPECIALES, JOURNEES PORTES OUVERTES, ETC.
→ SURFEZ SUR: WWW.BEGLEC.COM ←

CARACTERISTIQUES

Cet appareil ne produit pas d'interférences radio. Il répond aux exigences nationales et européennes. La conformité a été établie et les déclarations et documents correspondants ont été déposés par le fabricant.

- Cet appareil a été conçu pour la production d'effets lumière décoratifs et est utilisé dans des spectacles lumineux.
- Strips (guirlandes) flexibles multicolores en plastique contenant des LED RGB, utilisées pour changer les couleurs des murs et des plafonds dans tous les types de lieux festifs : bars, discothèques, tavernes, magasins, ...
- Plusieurs applications sont possibles : fixez les LED strips dans des meubles, derrière des panneaux plexi translucides pour créer des changements de couleurs des surfaces, murs et plafonds.
- Cette version flexible des strips à LED normaux ne présente que des avantages :
 - Le strip, long de 5 mètres, peut aisément être sectionné à mesure sur les repères (présents tous les 10 cm) ;
 - Il peut être facilement plié afin de suivre les courbes de n'importe quelle surface ;
 - Grâce à son revêtement PU, il répond à la norme IP65 ;
 - Il possède un double revêtement en silicone, ce qui permet une installation aisée sur n'importe quelle surface ; il peut être fixé avec de petits clous, des agrafes ou du papier collant à double face.
- Caractéristiques spécifiques à la version RGB (couleurs) :
 - Cette version peut être utilisée avec notre gamme complète et 100 % compatible de LED Managers ;
 - Le mélange des couleurs est parfait, et la puissance lumineuse est imposante grâce aux LED RGB "trois en une" (de type 5050 SMD).
- Caractéristiques spécifiques à la version à couleur unique :
 - Cette version doit être utilisée avec notre "LED PSU 50 W/24V CC" pour répondre à une solution économique ;
 - Cette version peut être utilisée avec notre gamme complète et 100 % compatible de LED Managers quand la fonction de gradation (dimming) est importante ;
 - La puissance lumineuse est imposante (jusqu'à 3 fois plus que la version RGB) grâce aux LED de modèle 5050.
- Esthétique très réussie, de type 'slim line'.
- La technologie utilisée garantit une très longue durée de vie aux LED !

AVANT UTILISATION

- Avant d'utiliser cet appareil, assurez-vous de l'absence de dommage lié au transport. En cas d'endommagement, n'utilisez pas l'appareil et contactez le vendeur.
- **Important:** Cet appareil a quitté notre usine en parfaite condition et bien emballé. Il est primordial que l'utilisateur suive les instructions de sécurité et avertissements inclus dans ce manuel. La garantie ne s'applique pas en cas de dommage lié à une utilisation incorrecte. Le vendeur ne prend pas la responsabilité des défauts ou de tout problème résultant du fait de n'avoir pas tenu compte des mises en garde de ce manuel.
- Conservez ce manuel dans un endroit sûr pour toute consultation future. Si vous vendez l'appareil, assurez-vous d'y joindre ce manuel également.

Vérifiez le contenu:

Vérifiez si l'emballage contient les articles suivants:

- Mode d'emploi
- FLEXILED™, 5m (RGB, ou à une seule couleur).
- Revêtement d'installation en silicone, 5m.

INSTRUCTIONS DE SECURITE:

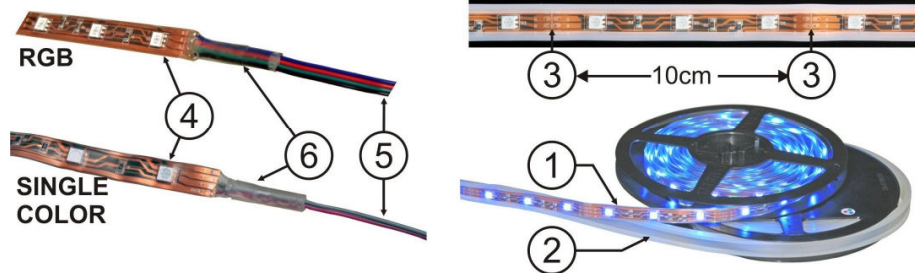
Ce symbole signifie: uniquement pour usage à l'intérieur.



Ce symbole signifie : Lire le mode d'emploi.

- Afin de protéger l'environnement, merci de recycler les emballages autant que possible.
- Ne pas exposer cet appareil à la pluie ou l'humidité.
- Pour éviter la formation de condensation à l'intérieur de l'appareil, patientez quelques minutes pour laisser l'appareil s'adapter à la température ambiante lorsqu'il arrive dans une pièce chauffée après le transport. La condensation empêche l'unité de fonctionner en performance optimale et peut même causer des dommages.
- Cette unité est destinée à une utilisation à l'intérieur uniquement.
- Ne placez pas d'objets en métal ou ne renversez pas de liquide à l'intérieur de l'appareil. Si un corps étranger entre dans l'appareil, débranchez immédiatement la configuration de l'alimentation secteur.
- Ne pas utiliser dans un environnement poussiéreux et nettoyez l'unité régulièrement.
- Ne pas laisser l'unité à portée des enfants.
- Les personnes non expérimentées ne doivent pas utiliser cet appareil.
- La température ambiante maximum d'utilisation de l'appareil est de 40°C. Ne pas l'utiliser au-delà de cette température.
- Assurez-vous que la zone au-dessous du lieu d'installation ne comporte pas de personnes indésirables pendant le montage, le démontage et les opérations de maintenance.
- Les installations électriques ne peuvent être faites que par du personnel qualifié et conformément aux réglementations de sécurité électrique et mécanique en vigueur dans votre pays.
- Les câbles doivent toujours être en parfaite condition: allumez le LED MANAGER immédiatement si les câbles sont écrasés ou endommagés.
- Cet appareil doit être utilisé avec le LED MANAGER : ne branchez pas l'appareil sur un variateur (dimmer) normal ou sur une autre alimentation secteur.
- En cas de problèmes de fonctionnement sérieux, arrêtez toute utilisation de l'appareil et contactez votre revendeur immédiatement.
- Le boîtier doit être remplacé s'il est visiblement endommagé.
- Utilisez l'emballage d'origine si l'appareil doit être transporté.
- Pour des raisons de sécurité, il est interdit d'apporter toute modification à l'unité non spécifiquement autorisée par les parties responsables.

Important: Ne pas utiliser d'effets en présence de personnes souffrant d'épilepsie.

DESCRIPTION:

1. **FLEXILED™** : le LED strip de 5 mètres est flexible ; de ce fait, il peut être plié à volonté afin de suivre les courbes de la surface sur laquelle il est fixé. Il est protégé par un revêtement PU, de manière à ce que cette protection réponde à la norme IP 65.
2. **REVÊTEMENT D'INSTALLATION EN SILICONE** : il est utilisé pour fixer sans difficulté le Flexiled™ sur n'importe quelle surface.
3. **LIGNES (REPERES) DE COUPURE**: tous les 10 cm, le Flexiled™ peut être coupé avec un couteau tranchant.
4. **LED** : tous les 10 cm, trois LED de type 5050 SMD sont présentes.
5. **FILS DE CONNEXION** : ils sont utilisés pour connecter le Flexiled™ à un bloc d'alimentation pour LED :
 - **VERSION A UNE SEULE COULEUR** : on doit utiliser seulement 2 fils. Si vous ne désirez pas utiliser la fonction de gradation (dimming) sur votre Flexiled™, vous pouvez connecter ces 2 fils au LED PSU-50W/24V (référence de commande : 4935). Par contre, si vous désirez utiliser la fonction de gradation (dimming) sur votre Flexiled™, vous pouvez alors connecter les fils à l'un de nos LED Managers, dont il existe différents modèles. Prière de se reporter plus loin pour connaître la manière de réaliser les connexions correctement.
 - **VERSION RGB** : cette version a recours aux 4 fils qui doivent être connectés à un de nos LED Managers, dont il existe différents modèles. Prière de se reporter plus loin pour connaître la manière de réaliser les connexions correctement.
6. **REVÊTEMENT IP 65** : le Flexiled™ est livré avec des fils isolés ; si vous désirez ajouter des fils vous-même et/ou si le Flexiled™ est utilisé dans un environnement humide, il faut alors avoir recours à des pochettes thermorétractables (prière de se reporter au chapitre sur l'installation électrique).

INSTALLATION MECANIQUE

Grâce au revêtement d'installation spécial en silicone, le Flexiled™ peut être monté de différentes manières.

Montage utilisant du papier adhésif double face :

Ce système est plus indiqué pour installer le Flexiled™ sur des surfaces délicates, sur lesquelles il n'est pas permis de faire des trous : les miroirs, les surfaces en verre, etc ...

Grâce au revêtement en silicone, la colle du papier adhésif à double face n'aura pas tendance à chauffer et à se liquéfier. En conséquence, vous obtiendrez donc de bons résultats à long terme.

- Veillez en tout cas à opter pour un papier adhésif à double face (en option, donc, non inclus) de très bonne qualité, et coupez-le à la longueur voulue.
- Apposez-le sur le côté arrière du revêtement d'installation en silicone, et fixez le revêtement sur la surface choisie.
- Quand le revêtement est mis en place, vous pouvez alors installer le Flexiled™ à l'intérieur du revêtement. Il y a lieu de s'assurer que le Flexiled™ ne sera jamais heurté par des objets durs!



le Flexiled™ à l'intérieur du

**Montage utilisant de petites vis ou des agrafes:**

Ce système est plus indiqué pour installer le Flexiled™ sur toutes les surfaces sur lesquelles il est permis de faire des trous : des murs, des parois en bois, etc ... Grâce au revêtement en silicone, il est possible d'utiliser de petites vis, des clous, ou même des agrafes sans que le Flexiled™ ne risque d'être abîmé.

- Il suffit de déployer le revêtement d'installation en silicone et de le fixer sur la surface choisie à l'aide de petits clous, d'agrafes, etc.
- Quand le revêtement est mis en place, vous pouvez alors installer le Flexiled™ à l'intérieur du revêtement. Il y a lieu de s'assurer que le Flexiled™ ne sera jamais heurté par des objets durs!

Astuce: vous pouvez installer les Flexiled™ derrière des panneaux plexi translucides pour créer des changements de couleurs des murs et plafonds ou dans un bar, vous pouvez installer les bandes LEDs sous une étagère translucide pour illuminer les bouteilles et les verres par le dessous.

INSTALLATION ELECTRIQUE



L'installation électrique doit uniquement être effectuée par du personnel qualifié, selon la législation concernant les mesures de sécurité électrique et mécanique en vigueur dans votre pays.

TRES IMPORTANT: Vérifiez le manuel de l'utilisateur du LED MANAGER pour voir la charge maximale permise sur les sorties! Le Flexiled™ ne peut jamais dépasser une longueur 5 mètres, sinon, il serait détruit par un excès de courant. Par conséquent, ne combinez jamais deux Flexiled™ en série de sorte qu'ils dépassent une longueur totale de 5 mètres ! Si vous avez besoin de longueurs supérieures à 5 mètres, vous pouvez utiliser plusieurs éléments, mais surtout, branchez-les en parallèle. Tenez compte du fait qu'un mètre consomme 6,5 watts, et pour des câbles plus longs (> 10 m), ajoutez toujours une marge de 10 % à vos calculs, car des pertes sont possibles quand on connecte de plus longs câbles : et donc, 6,5 W/m devient +/- 7,2 W/m

Pour connecter un Flexiled™ à une seule couleur à un LED Manager :

Si le Flexiled™ doit passer par un gradateur (dimmer) ou doit être contrôlé par un contrôleur (DMX) externe, cette solution est alors la meilleure.

Dénudez les deux fils du Flexiled™ et raccordez le fil rouge à la sortie + 24V du LED Manager. L'autre fil peut être connecté à l'une des autres sorties, **R, G ou B** :

- si vous connectez le fil à la sortie R, vous serez en mesure de contrôler le Flexiled™ en contrôlant la couleur "rouge" sur le LED Manager ;
- si vous connectez le fil à la sortie G, vous serez en mesure de contrôler le Flexiled™ en contrôlant la couleur "verte" sur le LED Manager ;
- si vous connectez le fil à la sortie B, vous serez en mesure de contrôler le Flexiled™ en contrôlant la couleur "bleue" sur le LED Manager.

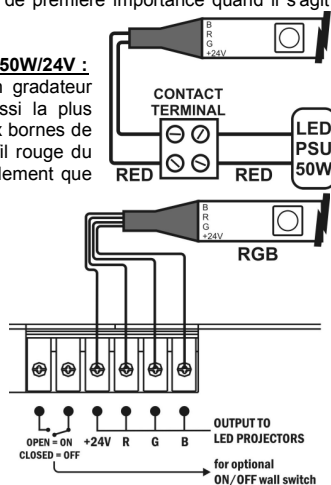
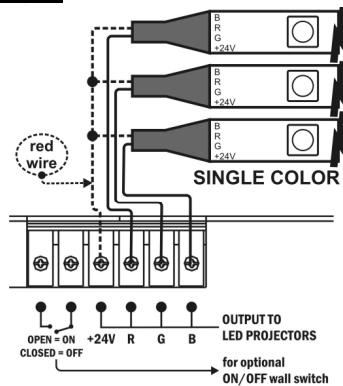
Important : cela veut dire que vous pouvez contrôler 3 Flexiled™ à une seule couleur différents avec un seul et même LED Manager. Cependant, il ne faut pas oublier qu'un Flexiled™ à une seule couleur consomme environ 6,5W/m (donc environ 33W pour 5 mètres, et ce, pour une seule couleur ! Par conséquent, quand vous installez 3 Flexiled™ à une seule couleur de 5 mètres chacun à un LED Manager, ils vont consommer trois fois plus qu'un Flexiled™ RGB : 3x 33W = 99W. Dans le cas où les connexions sont plus longues, il faut même ajouter 10 % (99W devient donc 109W !) afin de compenser des pertes éventuelles. → Tout cela est de première importance quand il s'agit de choisir le LED Manager qui convient !

Pour connecter un Flexiled™ à une seule couleur à un LED PSU 50W/24V :

Si votre Flexiled™ à une seule couleur ne doit pas passer par un gradateur (dimmer), il s'agit clairement de la meilleure solution, et c'est aussi la plus économique. Il vous suffit de connecter les deux fils du Flexiled™ aux bornes de contact du LED PSU 50W/24V. Il convient de vous assurer que le fil rouge du Flexiled™ soit bien connecté au fil rouge du LED PSU. Vérifiez également que la consommation de courant du Flexiled™ soit inférieure à la puissance maximale du LED PSU.

Pour connecter un Flexiled™ RGB à un LED Manager :

Dénudez les quatre fils du Flexiled™ et raccordez-les aux sorties correspondantes du LED Manager. Le Flexiled™ RGB consomme environ 6,5W/m, soit environ 33W pour 5 mètres répartis en trois couleurs. Quand vous installez plus d'un Flexiled™, veuillez s'il vous plaît vérifier la puissance maximale du LED Manager employé. Et n'oubliez pas d'ajouter 10 % pour couvrir les pertes éventuelles si vous êtes amené à utiliser des longueurs de câbles supérieures ...



Pour couper un Flexiled™ à mesure :

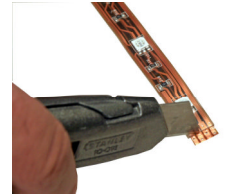
Il y a des cas où l'on n'a pas besoin de toute la longueur d'un Flexiled™ : mais ce n'est pas un problème puisque l'on peut le couper très facilement à la longueur désirée ! En effet, tous les 10 cm, vous verrez une petite ligne blanche où vous pourrez couper le Flexiled™ à l'aide d'un couteau bien aiguisé ou d'un cutter (voir la figure ci-contre).



Pour connecter le Flexiled™ en utilisant des fils soudés :

Vous pouvez connecter plusieurs éléments de Flexiled™ en soudant leurs fils ensemble. Attention, cette tâche doit être exécutée uniquement par des électriciens de métier :

- Tout d'abord, coupez le Flexiled™ en suivant l'une des lignes de repère (prière de se reporter au point précédent).
- Pour dénuder les contacts à souder, enlever délicatement l'enveloppe PU avec un cutter. Faites bien attention : il faut être sûr de ne pas abîmer les petits brins de cuivre des fils du Flexiled™ !
- Une fois que les contacts à souder sont dénudés, vous pouvez souder les fils ensemble. Veillez bien à n'utiliser que du matériel de soudure adéquat, car une surchauffe pourrait détruire le Flexiled™ !



- **Flexiled™ RGB :** il suffit de souder les quatre fils sur les différents contacts, idéalement en respectant les codes couleurs afin d'éviter toute erreur de polarité.



- **Flexiled™ à une seule couleur :** Les contacts appelés R, G et B doivent être connectés tous ensemble, et un câble noir peut y être soudé. Le 4ème contact est le + 24V, c'est un fil rouge qui devrait être soudé ici.



Important : si l'installation est utilisée à l'extérieur ou dans un environnement humide, les connexions devraient être scellées grâce à une combinaison de deux techniques : une pochette thermorétractable et un gel de silicone. Une fois de plus, ce genre de travail ne peut être effectué que par des électriciens de métier.

INSTRUCTIONS D'UTILISATION

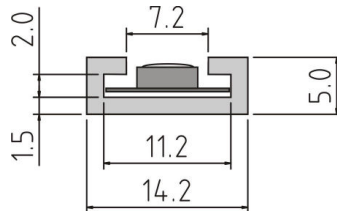
Etant donné que le Flexiled™ est contrôlé par le LED MANAGER, nous vous recommandons fortement de lire les instructions de fonctionnement dans le mode d'emploi du LED MANAGER.

MAINTENANCE

- Mettez le LED Manager hors tension et enlevez le cordon secteur de sa prise avant de vous livrer à un entretien.
- Les câbles doivent être en parfaite condition et doivent être remplacés immédiatement en cas de détection d'un problème, même bénin.
- Le nettoyage doit être effectué périodiquement pour optimiser la production de lumière. La fréquence de nettoyage dépend de l'environnement dans lequel l'appareil fonctionne: des environnements humides, enfumés ou particulièrement sales peuvent entraîner une accumulation de saleté plus importantes sur les optiques de l'appareil.
 - Nettoyez à l'aide d'un chiffon doux avec des produits de nettoyage pour verres normaux.
 - Séchez toujours les parties soigneusement.

SPECIFICATIONS

Connexions :	simples connexions des fils soudés sur le Flexiled™.
Tension de service :	24V, CC, anode commune
Consommation (pertes de courant non comprises) :	Type RGB : 6,5 W/m (2,2 W/m pour chaque couleur) Type à une seule couleur : 6,5 W/m
Poids :	400 g / 5 m
Dimensions :	longueur = 5m voir ci-dessous pour d'autres dimensions.



Toute information est sujette aux changements sans notice préalable
 Vous pouvez télécharger la dernière version de mode d'emploi sur notre site web: www.beglec.com

GEBRUIKSAANWIJZING

Hartelijk dank voor de aankoop van dit JB Systems® product. Om ten volle te kunnen profiteren van alle mogelijkheden en voor uw eigen veiligheid, gelieve de aanwijzingen zeer zorgvuldig te lezen voor U begint het apparaat te gebruiken.

DOOR U OP ONZE MAILINGLIJST IN TE SCHRIJVEN ONTVANGT U STEEDS DE LAATSTE INFORMATIE OVER ONZE PRODUCTEN: NIEUWIGHEDEN, SPECIALE ACTIES, OPENDEURDAGEN, ENZ.
→ SURF NAAR: WWW.BEGLEC.COM ←

KARAKTERISTIEKEN

In dit apparaat is radio-interferentie onderdrukt. Dit product voldoet aan de gangbare Europese en nationale voorschriften. Het is vastgesteld dat het apparaat er zich aan houdt en de desbetreffende verklaringen en documenten zijn door de fabrikant afgegeven.

- Het toestel is ontworpen om decoratieve lichteffecten te produceren en kan eventueel worden gebruikt in lichtshows.
- Meerkleuren flexibele strips met RGB LED's. Ze worden gebruikt om de kleur van muren, plafonds, etc. te veranderen in allerlei toepassingen: bars, discotheken, cafés, winkels, ...
- Oneindig veel toepassingen mogelijk: bevestig de strips in kasten, achter transparante plexiglaspanelen om langzaam veranderende gekleurde oppervlakken te creëren, belicht plafonds en muren ...
- Deze buigbare versie van de klassieke LED strips kent alleen maar voordelen:
 - De 5m lange strip kan gemakkelijk op maat gesneden worden op de aangeduide plaatsen (om de 10cm)
 - Kan gemakkelijk geplooid worden om de golven van om het even welk oppervlak te volgen.
 - Dank zij de PU-beschermhuls is deze flexibele strip IP65 gekeurd
 - Dank zij het dubbele stripsysteem met de montagestrip uit silicone kan het geheel bevestigd worden op om het even welke manier op om het even welk oppervlak: met behulp van nagels, nietjes, dubbelzijdige tape.
- Specifieke eigenschappen van de RGB versie:
 - Kan gebruikt worden met ons 100% compatibele gamma van LED Managers
 - Perfecte kleurenmixing en hoge lichtopbrengst dank zij de 3in1 RGB LEDs (5050 SMD-type)
- Specifieke eigenschappen van de strips met één enkele kleur:
 - Kan gebruikt worden met onze "LED PSU 50W/24Vdc", dit is zeker de voordeligste oplossing.
 - Kan gebruikt worden met ons 100% compatibele gamma van LED Managers wanneer de mogelijkheid tot dimmen vereist is
 - Zeer hoge lichtopbrengst (tot 3x meer dan de RGB versie) dank zij de 5050 size LEDs
- Elegant "slim line" design
- LED Technologie voor een lange levensduur!

VOOR DE IN GEBRUIKNAME

Controleer voor het eerste gebruik van het apparaat of het tijdens het transport beschadigd werd. Mocht er schade zijn, gebruik het dan niet, maar raadpleeg eerst uw dealer.

Belangrijk: Dit apparaat verliet de fabriek in uitstekende staat en goed verpakt. Het is erg belangrijk dat de gebruiker de veiligheidsaanwijzingen en raadgevingen in deze gebruiksaanwijzing uiterst nauwkeurig volgt. Elke schade veroorzaakt door verkeerd gebruik van het apparaat valt niet onder de garantie. De dealer aanvaardt geen verantwoordelijkheid voor mankementen en problemen die komen door het veronachtzamen van deze gebruiksaanwijzing.


Bewaar deze brochure op een veilige plaats om hem in de toekomst nogmaals te kunnen raadplegen. Indien U het apparaat verkoopt, denkt U er wel aan om de gebruiksaanwijzing bij te voegen.

Controleer de inhoud:

Controleer of de doos volgende onderdelen bevat:

- Handleiding
- FLEXILED™, 5m (RGB, of enkele kleur)
- Installatiestrip uit silicone, 5m

VEILIGHEIDSVOORSCHRIFTEN:

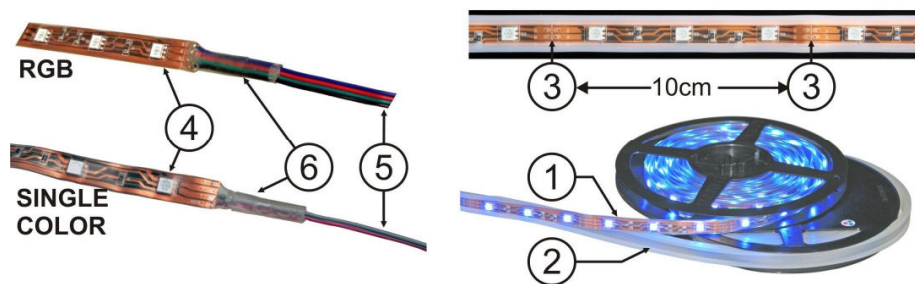
 Dit symbool betekent: het apparaat mag enkel binnenhuis worden gebruikt.

 Dit symbool betekent: Lees de handleiding!

- Om het milieu te beschermen, probeer zoveel mogelijk het verpakkingsmateriaal te recycleren.
- Stel dit apparaat niet bloot aan regen of vocht.
- Om de vorming van condensatie binnenin te voorkomen, laat het apparaat aan de omgevingstemperatuur wennen wanneer het, na het transport, naar een warm vertrek is overgebracht. Condensatie kan het toestel soms verhinderen perfect te functioneren. Het kan soms zelfs schade aan het apparaat toebrengen.
- Gebruik dit apparaat uitsluitend binnenshuis.
- Plaats geen metalen voorwerpen binnenin de unit. Mors ook geen vloeistof binnenin de unit. Haal direct de stekker van de installatie uit het stopcontact als een vreemd voorwerp de unit binnengaat.
- Zorg dat het toestel niet in een stoffige omgeving wordt gebruikt en maak het regelmatig schoon.
- Houd het apparaat uit de buurt van kinderen.
- Dit apparaat mag niet door onervaren personen bediend worden.
- De maximum veilige omgevingstemperatuur is 40°C. Gebruik het apparaat dus niet bij hogere temperaturen.
- Verzeker er U van dat er zich onder de plaats waar het toestel wordt geïnstalleerd geen ongewenste personen bevinden tijdens het bevestigen en losmaken alsook bij het onderhoud.
- De elektrische installatie behoort uitsluitend uitgevoerd te worden door bevoegd personeel, volgens de in uw land geldende regels betreffende elektrische en mechanische veiligheid.
- De kabels moeten altijd in perfecte conditie zijn: schakel de LED MANAGER direct uit als de kabels gekneusd of beschadigd zijn.
- Dit apparaat moet met de LED MANAGER worden gebruikt: sluit de unit niet op een gewone dimmer pack of een andere vermogenvoorziening aan.
- Ingeval van ernstige problemen met het bedienen van het toestel, stopt U onmiddellijk het gebruik ervan. Contacteer uw dealer voor een eventuele reparatie.
- De behuizing moet vervangen worden als ze zichtbaar beschadigd is.
- Gebruik best de originele verpakking als het toestel vervoerd moet worden.
- Om veiligheidsredenen is het verboden om ongeautoriseerde modificaties aan het toestel aan te brengen.

Belangrijk: Gebruik het lichteffect niet in de tegenwoordigheid van personen die lijden aan epilepsie.

BESCHRIJVING:



1. FLEXILED™: 5m flexibele LED strip welke gebogen kan worden om de curven van het installatieoppervlak te volgen. Dank zij de PU-beschermhoes is het geheel IP65 gekeurd.

2. **INSTALLATIESTRIP UIT SILICONE:** wordt gebruikt om de Flexiled™ te bevestigen op om het even welk oppervlak.
3. **KNIPLIJNEN:** om de 10cm kan de Flexiled™ met een scherp mes doorgesneden worden op de aangegeven plaatsen.
4. **LEDs:** om de 10cm vindt u drie 5050 SMD-LEDs.
5. **AANSLUITDRADEN:** worden gebruikt om de Flexiled™ op een LED voeding aan te sluiten:
 - EENKLEURIGE VERSIE: hier worden slechts 2 draden gebruikt. Als u de Flexiled™ niet wilt dimmen, dan kunt u deze 2 draden aansluiten op de LED PSU-50W/24V (order code: 4935). Als u de Flexiled™ wilt dimmen, dan kunt u de draden aansluiten op één van onze LED Managers (er zijn verschillende modellen, zie verder hoe u de aansluiting kunt maken)
 - RGB VERSIE: gebruikt 4 draden die u kunt aansluiten op één van onze LED Managers (er zijn verschillende modellen, zie verder hoe u de aansluiting kunt maken)
6. **IP65 BESCHERMING:** de draden van de Flexiled™ zijn beschermd, indien u zelf draden aanbrengt op de Flexiled™ en u deze in een vochtige omgeving wilt gebruiken, dan moet u silicone en een krimphuls gebruiken (zie hoofdstuk "elektrische installatie")

MECHANISCHE INSTALLATIE

Dank zij de speciale installatiestrip uit silicone kan de Flexiled™ op verschillende manieren bevestigd worden.

Bevestiging met de dubbelzijdig klevende tape:

Gebruik deze methode om de Flexiled™ te bevestigen op gladde oppervlakken waar u geen gaten kunt maken, zoals bvb spiegels, glas, enz. Dankzij de isolerende werking van de montagestrip uit silicone zal de lijm van de dubbelzijdige klevende tape niet opwarmen, wat zal bijdragen tot een beter langdurig resultaat.

- Gebruik dubbelzijdige bevestigingstape van goede kwaliteit (niet meegeleverd) en snijd deze af op lengte.
- Plaats deze op de bodem van de installatiestrip uit silicone, en druk daarna deze strip op het bevestigingsoppervlak.
- wanneer deze installatiestrip bevestigd is, dan kunt u de Flexiled™ gemakkelijk in de installatiestrip duwen. Let er op dat de Flexiled™ nooit door harde voorwerpen gestoten wordt.!




Bevestiging met kleine schroeven of nietjes:

Gebruik deze methode om de Flexiled™ te bevestigen op oppervlakken waar u gaten kunt maken: muren, houten meubels, enz. Dankzij de montagestrip uit silicone kunt u kleine schroeven, nagels of zelfs nietjes gebruiken om de montagestrip uit silicone te bevestigen.

- Bevestig gewoon de montagestrip uit silicone met nagels, nietjes, enz.
- wanneer deze installatiestrip bevestigd is, dan kunt u de Flexiled™ gemakkelijk in de installatiestrip duwen. Let er op dat de Flexiled™ nooit door harde voorwerpen gestoten wordt.!

Hint: u kan de Flexiled™ ook achter transparante plastic panelen installeren om kleurveranderende muren en plafonds te creëren. In een bar kan u de strips onder een transparante legplank installeren om flessen en drinkglazen vanaf de bodem te verlichten.

ELEKTRISCHE INSTALLATIE

 De elektrische installatie zou alleen moeten worden uitgevoerd door een bekwaam persoon, overeenkomstig met de voorschriften voor elektrische en mechanische veiligheid in uw land.

ERG BELANGRIJK: Controleer de gebruikershandleiding van de LED MANAGER voor het maximale toegestane vermogen op z'n uitgangen! Een lengte van de Flexiled™ mag NOOIT meer dan 5m bedragen, zo niet zal deze vernietigd worden door de overdreven stroom. Sluit dus nooit 2 Flexiled™s in serie aan om lengtes van meer dan 5m te bekomen! Indien u lengtes van meer dan 5m nodig heeft, gelieve dan verschillende units in parallel aan te sluiten. Hou er rekening mee dat 1meter 6,5W verbruikt, voor langere kabels (>10m) moet u steeds een marge van ongeveer 10% bijvoegen voor mogelijke verliezen door de lange aansluitkabels: 6,5W/m wordt dus +/-7,2W/meter!

De eenkleurige Flexiled™ aansluiten op de LED Manager:

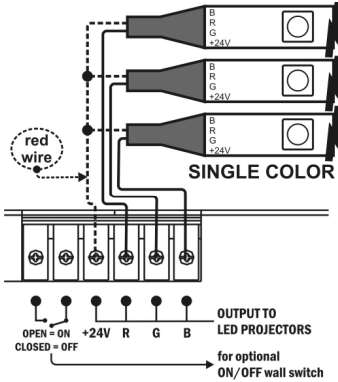
Als de Flexiled™ gedimd of gecontroleerd moet worden via een externe (DMX) controller, dan is dit de beste oplossing.

Strip de 2 draden van de Flexiled™ en verbind de rode draad met de +24V uitgang van de LED Manager. De andere draad kan aangesloten worden op een van de andere uitgangen: R, G of B:

- Wanneer u de draad aansluit op de R uitgang, dan kunt u de Flexiled™ controleren via de "rode kleur" op de LED Manager.
- Wanneer u de draad aansluit op de G uitgang, dan kunt u de Flexiled™ controleren via de "groene kleur" op de LED Manager.
- Wanneer u de draad aansluit op de B uitgang, dan kunt u de Flexiled™ controleren via de "blauwe kleur" op de LED Manager.

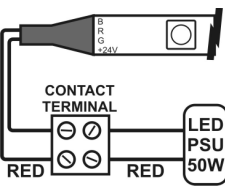
Belangrijk: dit betekent dat u 3 verschillende eenkleurige Flexiled™s kunt aansturen met slechts één LED Manager.

Vergeet echter niet dat een eenkleurige Flexiled™ ongeveer 6,5W/meter (+/-33W/5meter) verbruikt per kleur(!). Wanneer u dus 3 eenkleurige Flexiled™s (van elk 5m) aansluit op een LED Manager, dan zullen deze 3 keer zo veel verbruiken als 1 Flexiled™ RGB: 3x 33W = 99W. met langere aansluitkabels moet u ongeveer 10% (99W becomes 109W!) toevoegen om het verlies op de kabels te overbruggen. → dit is zeer belangrijk wanneer u de juiste LED Manager moet kiezen om het geheel aan te sturen!



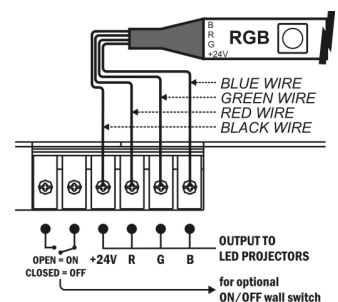
De eenkleurige Flexiled™ aansluiten op de LED PSU 50W/24V:

Als u de Flexiled™ met enkele kleur niet moet dimmen, dan is dit zeker de goedkoopste oplossing. Sluit gewoon de 2 draden van de Flexiled™ aan op de aansluitklem van de LED PSU 50W/24V. Let er zeker op dat de rode draad van de Flexiled™ verbonden is met de rode draad van de LED PSU. Controleer steeds of het verbruik van de Flexiled™ wel degelijk lager is dan het maximum vermogen van de LED PSU.



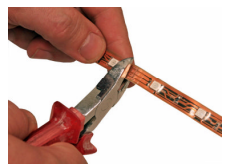
De Flexiled™ RGB aansluiten op een LED Manager:

Strip de 4 gekleurde draden van de Flexiled™ en sluit ze aan op de overeenstemmende uitgangen van de LED Manager. De Flexiled™ RGB verbruikt ongeveer 6,5W/meter (33W/5meter), verdeeld over de 3 kleuren. Wanneer u meer dan 1 Flexiled™ installeert, gelieve dan eerst het maximum uitgangsvermogen van de LED Manager te controleren. Vergeet niet van ongeveer 10% bij te voegen om de verliezen op te te vangen bij het gebruik van langere aansluitdraden...



De Flexiled™ op maat knippen:

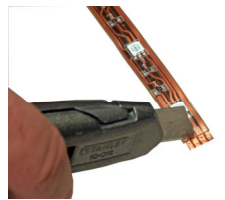
Heeft u niet de volledige lengte van de Flexiled™ nodig?: geen probleem, u kunt hem gemakkelijk op de gewenste lengte knippen! Om de 10cm zult u een witte lijn zien waar u de Flexiled™ mag doorknippen met kniptang of een zeer scherpe cutter.



De Flexiled™ aansluiten door middel van gesoldeerde draden:

U kunt één of meerdere stukken Flexiled™ samenvoegen door kleine draden op de strips te solderen (alleen uit te voeren door ervaren elektriciens):

- Knip eerst de Flexiled™ door op een van de knipstrepen (zie vorig onderwerp).
- Om de contacten vrij te maken moet u voorzichtig de PU-beschermlaag verwijderen door middel van een scherpe cutter. **Opgelet:** ga voorzichtig te werk zodat u de koperen geleiderlagen van de Flexiled™ niet beschadigt.
- Eenmaal de contacten vrij zijn kunt u de draden solderen. Gelieve hiervoor



gepast soldeermateriaal te gebruiken, oververhitting kan de Flexiled™ onherroepelijk beschadigen!:

- **Flexiled™ RGB:** soldeer 4 draden aan de verschillende contacten, bij voorkeur met overeenstemmende kleuren om vergissingen met de polariteit te vermijden.



- **Flexiled™ enkele kleur:** de contacten R, G & B zouden met elkaar verbonden moeten worden, u kunt er een zwarte draad aan solderen. Aan het vierde contact (+24V) kunt u een rode draad solderen.



Belangrijk: wanneer de installatie buiten of in vochtige omgevingen gebruikt wordt moeten de verbindingen geïsoleerd worden door middel van silicone lijm en een krimphuls. Ook hier weer zou dit enkel moeten uitgevoerd worden door een ervaren electricien.

BEDIENINGSVOORSCHRIFTEN

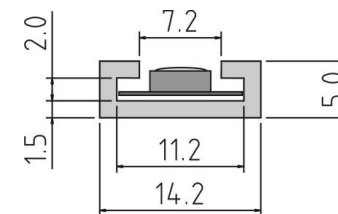
Omdat de Flexiled™ bediend wordt door de LED MANAGER, adviseren we u om de gebruiksinstructies in de gebruikershandleiding van de LED MANAGER te lezen.

ONDERHOUD

- Zet de LED Manager uit en trek de stekker uit het stopcontact alvorens tot de onderhoud over te gaan.
- De kabels moeten in perfecte staat zijn en behoren vervangen te worden, wanneer er zelfs maar een klein probleem ontdekt werd.
- Het schoonmaken moet regelmatig worden uitgevoerd om een zo goed mogelijke lichtuitstraling te verkrijgen. Hoe vaak ze schoon moeten worden gemaakt hangt af van de omgeving waar het toestel wordt gebruikt: een klamme, rokerige of bijzonder vuile omgeving kan een grotere opeenhoping van vuil veroorzaken op de optische uitrusting.
 - Reinig met een zachte doek en gebruik normale glasreinigende producten.
 - Droog de onderdelen altijd zorgvuldig af,

TECHNISCHE KENMERKEN

Aansluitingen:	gewone aansluitdraden, gesoldeerd op de Flexiled™.
Werkingsvoltage :	24Vdc gemeenschappelijke anode
Verbruik (kabelverliezen niet inbegrepen):	RGB model: 6,5W/m (2,2W/m per afzonderlijke kleur) Model met ENKELE KLEUR: 6,5W/m
Gewicht:	400g / 5m
Afmetingen:	lengte = 5m, zie afbeelding voor andere afmetingen



Elke inlichting kan veranderen zonder waarschuwing vooraf
U kan de laatste versie van deze handleiding downloaden via Onze website: www.beglec.com

BEDIENUNGSANLEITUNG

Vielen Dank, dass Sie sich für den Erwerb dieses JBSystems®-Produkts entschieden haben. Bitte lesen Sie diese Bedienungsanleitung sorgfältig vor der Inbetriebnahme durch, zur vollen Ausschöpfung der Möglichkeiten, die dieses Gerät bietet sowie, zu Ihrer eigenen Sicherheit.

EIGENSCHAFTEN

Das Gerät ist funktentstört und erfüllt die Anforderungen der europäischen und nationalen Bestimmungen. Entsprechende Dokumentation liegt beim Hersteller vor.

- Das Gerät ist zur Erzeugung von dekorativem Licht sowie der Benutzung in Lightshows bestimmt.
- Mehrfarbige flexible Strips (Streifen) mit RGB-LEDs, zum Verändern der Farbe von Wänden, Decken, usw. an Orten wie z.B.: Bars, Diskotheken, Gaststätten, Geschäfte, usw.
- Unzählige Anwendungen sind möglich: Befestigen Sie die Leisten (Strips) in Schränken, hinter lichtdurchlässigen Plexiglas-Verkleidungen um die Farbe von Oberflächen, Decken und Wände langsam zu verändern.
- Diese flexible Ausführung der herkömmlichen LED-Streifen hat nur Vorteile:
 - Der 5 m lange Streifen kann an den Markierungen (alle 10 cm) einfach auf Maß abgeschnitten werden.
 - Lässt sich leicht biegen, um sich gleich welchen gebogenen Oberflächen anzupassen
 - Durch PU-Ummantelung entspricht es der IP65-Norm
 - Mit doppelter Einbauschiene für eine einfache Anbringung an gleich welcher Oberfläche: kann mit kleinen Nägeln, Klammern oder doppelseitigem Klebeband befestigt werden.
- Besondere Merkmale der RGB-Version:
 - Geeignet zum Einsatz mit unserem 100% kompatiblen Sortiment von LED-Managern
 - Perfekte Farbmischung und große Lichtausbeute dank 3in1 RGB LEDs (5050 SMD-Typ)
- Besondere Merkmale der einfarbigen Version:
 - Geeignet zum Einsatz mit unserem "LED PSU (Netzteil) 50W/24Vdc (Gleichstrom), um eine kostengünstige Lösung zu erhalten.
 - Geeignet zum Einsatz mit unserem 100% kompatiblen Sortiment von LED-Managern wenn Dimmen wichtig ist
 - Große Lichtausbeute (bis zu 3x höher als RGB-Version) dank dem Einsatz von 5050 LEDs
- Elegantes "Slim Line" Design!
- Langlebige LED Technologie!

VOR DER ERSTBENUTZUNG

- Vor der Erstbenutzung bitte das Gerät zuerst auf Transportschäden überprüfen. Sollte das Gerät einen Schaden aufweisen, Gerät bitte nicht benutzen, sondern unverzüglich mit ihrem Händler in Verbindung setzen.
- **Wichtiger Hinweis:** Das Gerät hat das Werk unbeschädigt und gut verpackt verlassen. Es ist wichtig, dass der Benutzer sich streng an die Sicherheitshinweise und Warnungen in der Bedienungsanleitung hält. Schäden durch unsachgemäße Handhabung sind von der Garantie ausgeschlossen. Der Händler übernimmt keine Verantwortung für Schäden, die durch Nichtbeachtung der Bedienungsanleitung hervorgerufen wurden.
- Die Bedienungsanleitung, für zukünftiges Nachschlagen, bitte aufbewahren. Bei Verkauf oder sonstiger Weitergabe des Gerätes, bitte Bedienungsanleitung beifügen.

Packungsinhalt prüfen:

Bitte überprüfen Sie, dass die Packung folgende Einzelteile enthält:

- Bedienungsanleitung
- FLEXILED™, 5 m (RGB, oder einfarbig)
- Silikon-Einbauschiene, 5 m

SICHERHEITSHINWEISE



Dieses Symbol bedeutet: Nur innerhalb von Räumen verwenden.

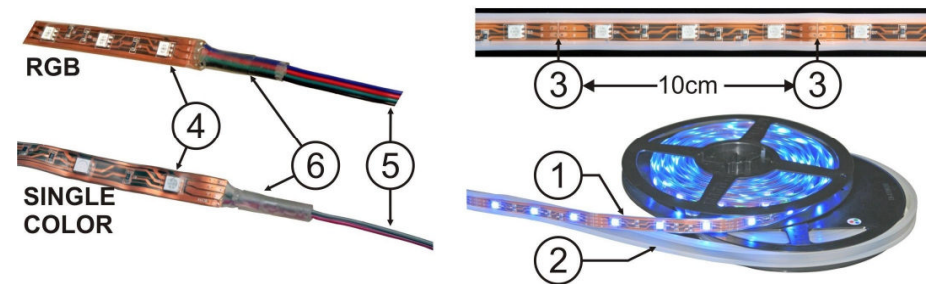


Dieses Symbol bedeutet: Achtung! Bedienungsanleitung lesen!

- Aus Umweltschutzgründen, Verpackung bitte wiederverwenden, oder richtig trennen.
- Gerät bitte nicht in Regen oder Feuchtigkeit aussetzen.
- Zur Vermeidung von Kondensation im Inneren des Geräts, bitte nach Transport in eine warme Umgebung einige Zeit zum Temperatureausgleich bringen. Kondensation kann zu Leistungsverlust des Gerätes oder gar Beschädigung führen.
- Gerät nicht im Freien und in feuchten Räumen und Umgebungen verwenden.
- Keine Metallgegenstände oder Flüssigkeiten ins Innere des Geräts gelangen lassen, Kurzschluss oder Fehlfunktion können die Folge sein. Falls es doch einmal vorkommen sollte, bitte sofort Netzstecker ziehen.
- Nicht in staubiger Umgebung verwenden und regelmäßig reinigen.
- Für Kinder unerreichbar aufbewahren.
- Unerfahrene Personen sollen das Gerät nicht bedienen.
- Umgebungstemperatur darf 40°C nicht überschreiten.
- Sicherstellen, dass sich während des Auf- und Abbaus keine unbefugten Personen unterhalb des Geräts befinden.
- Die Kabel sollten sich in gutem Zustand befinden: Schalten Sie den LED-MANAGER sofort aus, wenn die Kabel gequetscht oder beschädigt wurden.
- Dieses Gerät muss mit dem LED-MANAGER benutzt werden: Schließen Sie das Gerät nicht an andere Dimmer oder Netzteile an.
- Elektrische Anschlüsse nur durch qualifiziertes Fachpersonal überprüfen lassen.
- Bei Fehlfunktion, Gerät nicht benutzen und mit Händler in Verbindung setzen.
- Das Gehäuse muss ersetzt werden, wenn es sichtbar beschädigt wurde.
- Bei Transport bitte Originalverpackung verwenden, um Schäden am Gerät zu vermeiden.
- Aus Sicherheitsgründen dürfen an dem Gerät keine unbefugten Veränderungen vorgenommen werden.

Wichtiger Hinweis: Gerät nicht verwenden, wenn sich Personen im Raum befinden, die unter Epilepsie leiden.

BESCHREIBUNG



1. **FLEXILED™:** 5 m langer flexibler LED-Strip, der sich gleich welchen gebogenen Oberflächen anpassen lässt. Mit PU-Ummantelung, um der IP65-Schutzklasse zu entsprechen.
2. **SILIKON-EINBAUSCHIENE:** zur einfachen Befestigung des Flexiled™ an gleich welcher Oberfläche.
3. **SCHNEIDEMARKEN:** alle 10 cm kann der Flexiled™ mit Hilfe eines scharfen Messers durchtrennt werden.
4. **LEDs:** alle 10 cm sind drei 5050 SMD-LEDs eingebaut.
5. **VERBINDUNGSDRÄHTE:** zum Anschließen des Flexiled™ an ein LED-Netzteil:
 - **EINFARBIGE VERSION:** nur 2 Drähte kommen zum Einsatz. Wenn sie den Flexiled™ nicht dimmen möchten, können Sie diese 2 Drähte an das LED-Netzteil 50W/24V anschließen (Bestellnummer:

4935). Wenn Sie den Flexiled™ dimmen möchten, können Sie die Drähte an einen unserer LED-Manager anschließen (verschiedene Modelle, die Vorgehensweise beim Anschließen wird im Nachfolgenden erläutert)

- RGB-VERSION: benötigt 4 Drähte, um einen unserer LED-Manager anzuschließen (verschiedene Modelle, die Vorgehensweise beim Anschließen wird im Nachfolgenden erläutert)

6. **IP65-UMMANTELUNG:** Flexiled™ wird mit ummantelten Drähten geliefert. Sollten Sie Drähte hinzufügen wollen und den Flexiled™ in einer feuchten Umgebung einsetzen müssen Sie einen Schrumpfmantel anbringen (siehe das Kapitel "Elektroinstallation")

MECHANISCHE INSTALLATION

Dank der speziellen Silikon-Einbauschiene kann der Flexiled™ auf mehrere Art und Weisen montiert werden.

Installation mit doppelseitigem Klebeband:

Zur Anbringung von Flexiled™ auf glatten Oberflächen, in die Sie keine Löcher bohren dürfen: Spiegel, Glas, usw.

Dank der Silikon-Schiene wird sich das doppelseitige Klebeband nicht erwärmen und an Klebkraft verlieren. Somit erhalten Sie langfristig gute Ergebnisse.

- Nehmen Sie einfach qualitativ hochwertiges doppelseitiges Klebeband (Zubehör, nicht im Lieferumfang enthalten) und schneiden Sie es auf die gewünschte Länge.
- Bringen Sie es an der Rückseite der Einbauschiene an und kleben Sie die Schiene auf die Oberfläche.
- Wenn die Schiene angebracht ist, können Sie den Flexiled™ ganz leicht in der Schiene anbringen. Achten Sie darauf, dass der Flexiled™ nie von harten Gegenständen gequetscht wird!



Montage mit kleinen Schrauben oder Klammern:

Zur Anbringung von Flexiled™ auf jeglichen Oberflächen, in die Sie Löcher bohren dürfen: Wände, Holzmöbel, usw. Dank der Silikon-Schiene können Sie kleine Schrauben, Nägel oder sogar Klammern zur Befestigung der Silikon-Einbauschiene verwenden.

- Nehmen Sie einfach die Silikon-Einbauschiene und befestigen Sie sie mit Nägeln, Klammern, usw. an der gewünschten Fläche.
- Wenn die Schiene angebracht ist, können Sie den Flexiled™ ganz leicht in der Schiene anbringen. Achten Sie darauf, dass der Flexiled™ nie von harten Gegenständen gequetscht wird!

Tipp: Sie können die LED-STRIPS auch hinter lichtdurchlässige Kunststoffverkleidungen anbringen und damit die Farben von Wänden und Decken ändern. In einer Bar können Sie die Strips unter einem lichtdurchlässiges Regal anbringen und damit Flaschen und Gläser von unten beleuchten.

ELEKTRISCHE INSTALLATION

Wichtig: Die elektrische Installation sollte nur von qualifiziertem Personal durchgeführt werden, entsprechend den Vorschriften zur elektrischen und mechanischen Sicherheit in Ihrem Land.

SEHR WICHTIG: Überprüfen Sie anhand des Benutzerhandbuchs des LED-Managers die maximal erlaubte Leistung an seinen Ausgängen! Eine Länge von Flexiled™ darf NIE 5 m übersteigen, da er ansonsten von Überstrom zerstört wird. Sie dürfen somit nie 2 Flexiled™s hintereinander schalten, um eine Gesamtlänge von über 5 m zu erzielen! Wenn Sie Längen über 5 m benötigen, verwenden Sie bitte mehrere Einheiten und schalten Sie sie parallel. Beachten Sie, dass 1 m 6,5W verbraucht, für längere Kabel (>10m) immer ungefähr eine Sicherheitsspanne von 10% zu Ihren Berechnungen hinzufügen für eventuelle Verluste in längeren Verbindungskabeln: somit wird 6,5W/m zu +/- 7,2W/Meter

Anschließen des einfarbigen Flexiled™ an einen LED-Manager:

Wenn der Flexiled™ von einem externen (DMX) Controller gedimmt oder gesteuert werden soll, ist dies die beste Lösung.

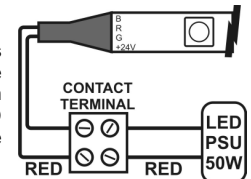
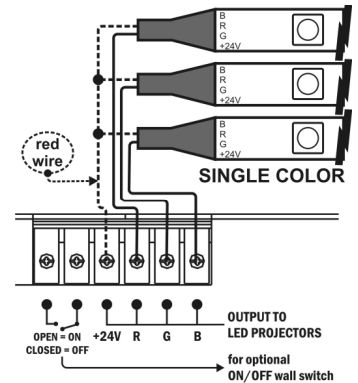
Isolieren Sie die Drähte des Flexiled™ ab und schließen Sie den roten Draht an den +24 V Ausgang des LED-Managers an. Der andere Draht kann an einen der anderen Ausgänge angeschlossen werden: R, G oder B:

- Wenn Sie den Draht an den R-Ausgang anschließen, werden Sie den Flexiled™ durch die Steuerung der Farbe „rot“ auf dem LED-Manager steuern können.
- Wenn Sie den Draht an den G-Ausgang anschließen, werden Sie den Flexiled™ durch die Steuerung der Farbe „grün“ auf dem LED-Manager steuern können.
- Wenn Sie den Draht an den B-Ausgang anschließen, werden Sie den Flexiled™ durch die Steuerung der Farbe „blau“ auf dem LED-Manager steuern können.

Wichtig: Dies bedeutet, dass Sie 3 verschiedene einfarbige Flexiled™s mit nur einem LED-Manager steuern können. Vergessen Sie aber nicht, dass der einfarbige Flexiled™ ungefähr 6,5 W/Meter (+/- 33 W/5 Meter) für eine Farbe(!) verbraucht. Wenn Sie also 3 einfarbige Flexiled™ (von jeweils 5 m) an einem LED-Manager anschließen, werden Sie 3 Mal mehr verbrauchen als 1 Flexiled™ RGB: 3x 33W = 99W. Mit längeren Verbindungskabeln müssen Sie sogar um die 10% hinzurechnen (99 W wird zu 109 W!), um eventuelle Verluste auszugleichen. → Sehr wichtig bei der Auswahl des geeigneten LED-Managers!

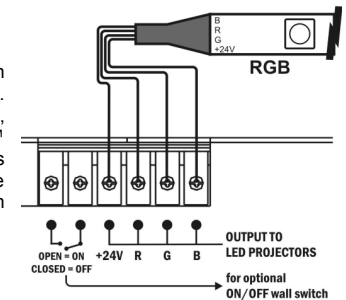
Anschließen des einfarbigen Flexiled™ an ein LED Netzteil 50 W/24 V:

Wenn der einfarbige Flexiled™ nicht gedimmt zu werden braucht, ist dies definitiv die beste und kostengünstigste Lösung. Schließen Sie die 2 Drähte des Flexiled™ an die Kontaktklemmen des LED Netzteils 50 W/24 V. Achten Sie darauf, dass der rote Draht des Flexiled™ an den roten Draht des LED Netzteils angeschlossen ist. Überprüfen Sie stets, ob die Leistungsaufnahme des Flexiled™ unter der Maximalleistung des LED-Netzteils liegt.



Anschließen des RGB Flexiled™ an einen LED-Manager:

Isolieren Sie die 4 farbigen Drähte des Flexiled™ ab und schließen Sie sie an die entsprechenden Ausgänge des LED-Managers. Flexiled™ RGB verbraucht ungefähr 6,5 W/Meter (33 W/5 Meter), verteilt über die 3 Farben. Wenn Sie mehr als 1 Flexiled™ installieren, überprüfen Sie bitte die maximale Ausgangsleistung des LED-Managers. Vergessen Sie nicht, 10% hinzuzufügen, um die Verluste bei der Verwendung von längeren Verbindungskabeln auszugleichen...



Ablängen eines Flexiled™:

Sie benötigen nicht immer die maximale Länge des Flexiled™: Kein Problem, Sie können ihn leicht auf die gewünschte Länge schneiden! Alle 10 cm finden Sie eine weiße Linie, wo Sie den Flexiled™ mit Hilfe eines scharfen Hobbycutters oder eines Seitenschneiders (Abbildung) durchtrennen können.

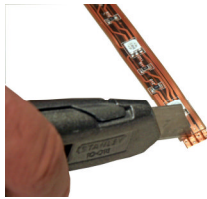


Anschließen des Flexiled™ mit gelöteten Drähten:

Sie können ein oder mehrere Teile eines Flexiled™ miteinander verbinden, indem Sie dünne Drähte verlöten (muss von erfahrenen Elektrikern ausgeführt werden):

- Trennen Sie zunächst das Flexiled™ an einer der Schneidmarken (siehe weiter oben) durch.

- Um die Lötkontakte freizulegen, entfernen Sie vorsichtig die PU-Ummantelung mit einem scharfen Messer. **Vorsicht:** Achten Sie darauf, die Kupferschichten des Flexiled™ nicht zu beschädigen.
- Sobald die Lötkontakte freigelegt sind, können Sie die Drähte verlöten. Verwenden Sie bitte eine angepasste Lötäusrüstung, Überhitzung kann den Flexiled™ zerstören!



- Flexiled™ RGB:** löten Sie einfach 4 Drähte an die verschiedenen Kontakte, vorzugsweise unter Beachtung der Farbentsprechung, um Polaritätsfehler zu vermeiden.



- Flexiled™ einfarbig:** Die Kontakte mit der Bezeichnung R, G & B sollten miteinander verbunden werden, ein schwarzer Draht kann angelötet werden. Der 4. Kontakt ist +24 V, ein roter Draht sollte hier angelötet werden.



Wichtig: wenn die Installation im Außenbereich oder in einer feuchten Umgebung eingesetzt werden soll, müssen die Verbindungen mit einer Kombination aus Schrumpfmantel und Silikonkleber abgedichtet werden. Dies ist wiederum eine Aufgabe für einen erfahrenen Elektriker.

BEDIENUNGSANLEITUNG

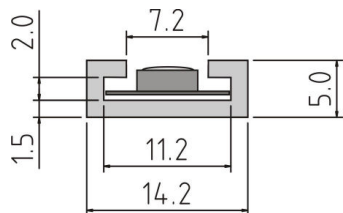
Da die Flexiled™ vom LED-Manager gesteuert werden, empfehlen wir sehr, die Bedienungsanleitungen im LED Manager Bedienungshandbuch zu lesen.

WARTUNG UND INSTANDHALTUNG

- Schalten Sie den LED-Manager aus und ziehen Sie das Netzkabel aus dem Stecker, bevor Sie mit Wartungsarbeiten beginnen.
- Kabel müssen stets in einwandfreiem Zustand sein und selbst bei kleinsten Beschädigungen erneuert werden.
- Reinigung müssen in regelmäßigen Abständen zur Beibehaltung einer optimalen Lichtausbeute vorgenommen werden. Reinigungsintervalle hängen stark von der Umgebung ab: feuchte, verrauchte und besonders verschmutzte Umgebung führen zu größerer Verschmutzung auf den Linsen.
 - Mit weichem Tuch und gewöhnlichem Glasreiniger säubern.
 - Alle Teile stets gut abtrocknen.

SPEZIFIKATIONEN

Anschlüsse:	einfache mit dem Flexiled™ verlötete Verbindungsdrähte.
Betriebsspannung :	24 V dc (Gleichspannung) gemeinsame Anode
Leistungsaufnahme (Kabelverluste nicht eingeschlossen):	RGB-Typ: 6,5 W/m (2,2 W/m für getrennte Farben) EINFARBEN-Typ: 6,5 W/m
Gewicht:	400 g / 5 m
Abmessungen:	Länge = 5 m, siehe Zeichnung für andere Abmessungen



Technische Änderungen können auch ohne Vorankündigung vorgenommen werden!
Sie können sich die neueste Version dieses Benutzerhandbuches von unserer Website herunterladen:
www.beglec.com

MANUAL DE FUNCIONAMIENTO

Gracias por comprar este producto JB Systems®. Para sacar el máximo rendimiento a sus posibilidades y por su propia seguridad, lea estas instrucciones de funcionamiento detenidamente antes de comenzar a utilizar esta unidad.

CARACTERÍSTICAS

Esta unidad está a prueba de interferencias de radio. Este producto cumple los requisitos de las directrices nacionales y europeas actuales. Se ha establecido la conformidad y las instrucciones y documentos correspondientes han sido depositados por el fabricante.

- Este dispositivo ha sido diseñado para producir efectos luminosos decorativos y se utiliza en sistemas de espectáculos de luces.
- Tiras flexibles multicolor con LEDs RGB, utilizadas para cambiar el color de muros, techos, etc. en todo tipo de lugares: bares, discotecas, tabernas, tiendas, ...
- Infinidad de posibles aplicaciones: fije las tiras en armarios, atrás de los paneles plexi translúcidos para crear cambios cromáticos lentamente en las superficies, techos y muros.
- Esta versión flexible de las tiras de LED normales sólo tiene ventajas:
 - La tira de 5 m de longitud se puede cortar fácilmente para obtener el tamaño deseado (cada 10 cm)
 - Se puede doblar fácilmente para seguir las curvas de cualquier superficie
 - La cubierta PU hace que el IP65 sea clasificado
 - Usa una cubierta doble de silicona para instalarse fácilmente sobre cualquier superficie: se puede fijar con clavos pequeños, grapas o con cinta adhesiva doble.
- Funciones específicas de la versión RGB:
 - Se usa con nuestra gama 100% compatible con los LED Managers
 - Gran emisión de luz y mezcla perfecta de color gracias a los LEDs RGB 3 en 1 (tipo SMD 5050).
- Funciones específicas de la versión de un solo color:
 - Para usarse con nuestro "LED PSU 50W/24Vdc" para obtener una solución económica.
 - Se usa con nuestra gama 100% compatible de los LED Managers cuando la atenuación es importante
 - Gran emisión de luz (hasta 3 veces más que la versión RGB) gracias al uso de LEDs de tamaño 5050.
- ¡Diseño elegante tipo "línea delgada"!
- ¡Tecnología LED de larga duración!

ANTES DE UTILIZAR EL APARATO

- Antes de comenzar a utilizar esta unidad, compruebe que no haya habido daños durante el transporte. Si observa algún daño, no utilice el dispositivo y consulte primero a su distribuidor.
- Importante:** Este dispositivo ha salido de nuestras instalaciones en perfecto estado y bien embalado. Es absolutamente necesario que el usuario siga estrictamente estas instrucciones y advertencias de seguridad que aparecen en este manual de usuario. Cualquier daño producido por un manejo innecesario queda excluido de la garantía. El distribuidor no asumirá ninguna responsabilidad por cualquier defecto o problema que surja por no haber seguido el manual de usuario.
- Guarde este folleto en un lugar seguro para consultarlo en el futuro. Si vende este aparato más adelante, asegúrese de incluir este manual de usuario.

Compruebe el contenido:

Compruebe que la caja contiene los siguientes elementos:

- Instrucciones de funcionamiento
- FLEXILED™, 5 m (RGB, o un solo color)
- Cubierta de instalación de silicona, 5 m

INSTRUCCIONES DE SEGURIDAD:



Este símbolo indica: Usar sólo en el interior.

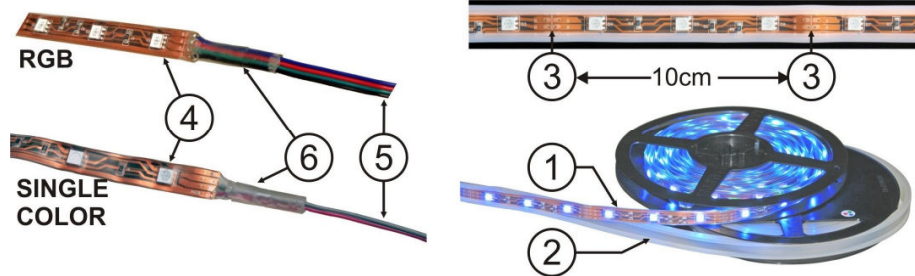


Este símbolo indica: Leer las instrucciones.

- Para proteger el medio ambiente, recicle el material de embalaje en la medida de lo posible.
- No exponga este aparato a la lluvia o a la humedad.
- Para evitar que se forme condensación en el interior, deje que la unidad se adapte a la temperatura exterior cuando la lleve a una habitación cálida después del transporte. A veces la condensación impide que la unidad funcione a pleno rendimiento y puede incluso provocar daños.
- Esta unidad sólo se puede usar en el interior.
- No coloque objetos metálicos ni derrame líquidos dentro del reproductor de la unidad. Si algún objeto extraño entra en la unidad, desconecte inmediatamente el montaje de instalación del suministro eléctrico.
- Evite el uso en ambientes con polvo y limpie la unidad regularmente.
- Mantenga la unidad lejos de los niños.
- Las personas sin experiencia no deben utilizar este aparato.
- La máxima temperatura ambiente para un funcionamiento seguro es de 40°C. No utilice la unidad a temperaturas ambiente superiores.
- Asegúrese de que debajo del área del lugar de instalación no hay personas durante el montaje, desmontaje o mantenimiento.
- La instalación eléctrica sólo debe ser llevada a cabo por personal cualificado, de acuerdo con la regulaciones sobre seguridad eléctrica y mecánica de su país.
- Los cables siempre deben estar en perfecto estado: apague el LED Manager inmediatamente cuando observe daños o desperfectos en los cables.
- Este aparato debe utilizarse con el LED Manager: no conecte la unidad a ningún regulador de voltaje o a otro suministro eléctrico.
- En caso de que ocurran problemas de funcionamiento serios, deje de utilizar el aparato y póngase en contacto con su distribuidor inmediatamente.
- La carcasa deberá reemplazarse si está visiblemente dañada.
- Utilice el embalaje original cuando tenga que transportar el dispositivo.
- Por razones de seguridad se prohíbe realizar modificaciones no autorizadas en la unidad.

Importante: No utilice el efecto en presencia de personas epilépticas.

DESCRIPCIÓN:



1. **FLEXILED™:** tira LED flexible de 5 m la cual se puede doblar para seguir las curvas de la superficie en la cual se va a fijar. Sellada con una cubierta PU para que el IP65 esté protegido.
2. **CUBIERTA DE INSTALACIÓN DE SILICONA:** se usa para fijar fácilmente el Flexiled™ en cualquier superficie.
3. **LÍNEAS DE CORTE:** el Flexiled™ se puede cortar cada 10 cm con un cuchillo filoso.
4. **LEDs:** cada 10 cm se colocan tres LEDs SMD 5050.
5. **CABLES DE CONEXIÓN:** se usan para conectar el Flexiled™ a un suministro de alimentación LED:
 - VERSIÓN DE UN SOLO COLOR: solamente se usan 2 cables. Si no desea oscurecer el Flexiled™, puede conectar estos 2 cables en el LED PSU-50W/24V (código de pedido: 4935). Si desea

oscurecer el Flexiled™, puede conectar los cables a uno de nuestros LED Managers (para los modelos diferentes, consulte la información presentada más adelante para saber cómo realizar las conexiones)

- **VERSIÓN RGB:** usa 4 cables para conectar uno de nuestros LED Managers (para los modelos diferentes, consulte la información presentada más adelante para saber cómo realizar las conexiones)
6. **SELLADO IP65:** el Flexiled™ viene con cables sellados, si desea agregar cables por su cuenta y si utiliza el Flexiled™ en un entorno húmedo entonces debe agregar un tubo termoencogible (consulte el siguiente capítulo)

INSTALACIÓN MECÁNICA

Gracias a la cubierta de instalación de silicona especial, el Flexiled™ se puede montar en diferentes modos.

Montaje con la cinta adhesiva doble:

Se usa para instalar el Flexiled™ en superficies lisas donde no puede realizar orificios: espejos, vidrio, etc.

Gracias a la cubierta de silicona el pegamento de la cinta adhesiva doble no se calentará y no se volverá pegajosa, como resultado obtendrá buenos resultados durante mucho tiempo.

- Sólo utilice cinta adhesiva doble de buena calidad (opcional, no incluida) y corte en el tamaño deseado.
- Colóquela en la parte inferior de la cubierta de instalación de silicona y fije la cubierta en la superficie.
- Cuando la cubierta se encuentre en su lugar, puede instalar el Flexiled™ fácilmente en el interior de la misma. ¡Asegúrese de que el Flexiled™ nunca sea aplastado por objetos pesados!



Montaje con pequeños tornillos, clavos o grapas:

Se usa para instalar el Flexiled™ sobre cualquier superficie donde se puedan realizar orificios: muros, muebles de madera, etc. Gracias a la cubierta de silicona puede usar tornillos pequeños, clavos o incluso grapas para fijar la cubierta de instalación de silicona.

- Solo use la cubierta de instalación de silicona y fijela en la superficie con clavos, grapas, etc.
- Cuando la cubierta se encuentre en su lugar, puede instalar el Flexiled™ fácilmente en el interior de la cubierta. ¡Asegúrese de que el Flexiled™ nunca sea aplastado por objetos pesados!



Sugerencia: puede instalar el Flexiled™ también atrás de paneles translúcidos para crear cambios de color en muros y techos o en un bar puede instalar las tiras abajo de las repisas translúcidas para iluminar las botellas y los vasos desde abajo.

INSTALACIÓN ELÉCTRICA

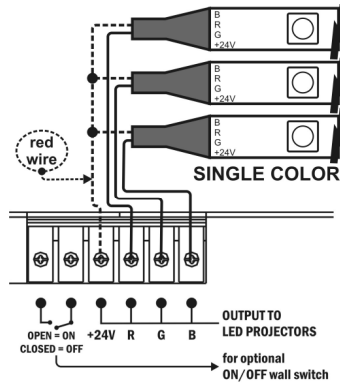
⚠ La instalación eléctrica sólo debe ser llevada a cabo por personal cualificado, de acuerdo con la regulaciones sobre seguridad eléctrica y mecánica de su país.

MUY IMPORTANTE: ¡Verifique el manual del usuario del LED Manager para la energía máxima permitida en sus salidas! Una longitud de Flexiled™ JAMÁS debe exceder los 5 m, de lo contrario será destruida por la corriente en exceso. ¡Por lo tanto nunca coloque 2 Flexiled™ en serie de modo que la longitud total sea superior a 5 m! Si requiere que la longitud sea superior a 5 m, use varias unidades y colóquelas en paralelo. Tenga en cuenta que 1 m consume 6,5 W, para cables mayores (>10 m) siempre agregue alrededor de un 10% de margen en sus cálculos por las posibles pérdidas en los cables de conexión más largos: por lo tanto estos 6,5 W/m serán +/- 7,2 W/metro

Conexión del Flexiled™ de un solo color en un LED Manager:

Si desea oscurecer o controlar el Flexiled™ por medio de un controlador externo (DMX), entonces esta es la mejor solución. Quite los 2 cables del Flexiled™ y conecte el cable rojo en la salida de +24 V del LED Manager. El otro cable se puede conectar en una de las otras salidas: R, G o B:

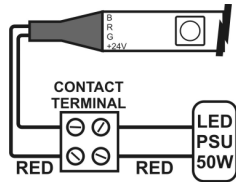
- Cuando conecte el cable a la salida R, podrá controlar el Flexiled™ controlando el color "rojo" en el LED Manager.
- Cuando conecte el cable a la salida G, podrá controlar el Flexiled™ controlando el color "verde" en el LED Manager.
- Cuando conecte el cable a la salida B, podrá controlar el Flexiled™ controlando el color "azul" en el LED Manager.



Importante: esto significa que puede controlar 3 diferentes Flexiled™ de un solo color con solamente un LED Manager. Sin embargo no olvide que el Flexiled™ de un solo color consume alrededor de 6,5 W/metro (+/- 33 W/5 metros) ¡por color!; así que cuando instale 3 Flexiled™ de un solo color (5 m cada uno) en un LED Manager, consumirán 3 veces más que 1 Flexiled™ RGB: 3 x 33 W = 99 W. Con cables de conexión más largos tiene incluso que agregar alrededor del 10% (¡99 W llegan a ser 109 W!) para cubrir las eventuales pérdidas. → ¡Muy importante al elegir el LED Manager que sea correcto para realizar el trabajo!

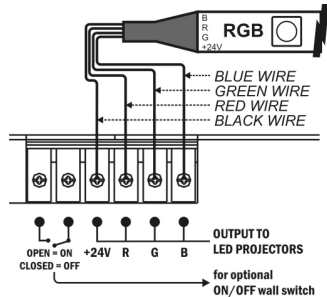
Conexión del Flexiled™ de un solo color en un LED PSU 50W/24V:

Si no requiere oscurecer el Flexiled™ de un solo color, ésta es definitivamente la mejor solución y la más económica. Solo conecte los 2 cables del Flexiled™ en los terminales de contacto del LED PSU 50 W/24V. Asegúrese de que el cable rojo del Flexiled™ esté conectado a el cable rojo del LED PSU. Siempre verifique que el consumo de energía del Flexiled™ sea menor que la energía máxima del LED PSU.



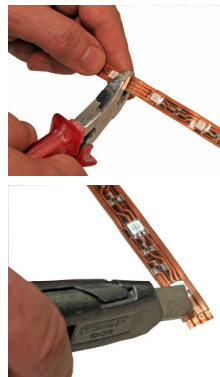
Conexión del Flexiled™ RGB a un LED Manager:

Quite los 4 cables de colores del Flexiled™ y conéctelos en las salidas correspondientes del LED Manager. El Flexiled™ RGB consume cerca de 6,5 W/metro (33 W/5 metros), distribuidos en los 3 colores. Cuando instale más de 1 Flexiled™, inspeccione la potencia de salida máxima del LED Manager. No olvide agregar 10% para cubrir las pérdidas al usar cables de conexión más largos...



Corte del Flexiled™ en el tamaño deseado:

No siempre se requiere la longitud máxima del Flexiled™: ¡esto no es ningún problema, puede cortar fácilmente la longitud deseada! Cada 10 cm verá una línea blanca en donde puede cortar el Flexiled™ usando un cortador muy filoso o pinzas de corte en diagonal (imagen).



Conexión del Flexiled™ usando cables soldados:

Puede conectar una o más piezas de Flexiled™ juntas soldando pequeños cables (realizado solamente por electricistas cualificados):

- Primero corte el Flexiled™ en una de las líneas de corte (vea el punto anterior).
- Para liberar los contactos de soldadura, suavemente quite la cubierta PU usando un cortador filoso. **Tenga cuidado:** asegúrese de no dañar las capas de cobre del Flexiled™.

Una vez que estén libres los contactos de soldadura, puede soldar los cables. ¡Use equipo de soldadura adaptado, sobrecalentar puede destruir el Flexiled™!

- **Flexiled™ RGB:** solo debe soldar 4 cables en los diferentes contactos, de preferencia en los colores correspondientes para excluir errores de polaridad.



- **Flexiled™ de un solo color:** los contactos nombrados como R, G y B deben conectarse juntos, puede soldarse un cable negro. El 4º contacto es de +24 V, el cable rojo debe soldarse aquí.



Importante: si la instalación se usa en exteriores o en un entorno húmedo, las conexiones deben sellarse con una combinación de manga encogible y pegamento de silicona. De nuevo, esto debe realizarse solamente por electricistas cualificados.

INSTRUCCIONES DE FUNCIONAMIENTO

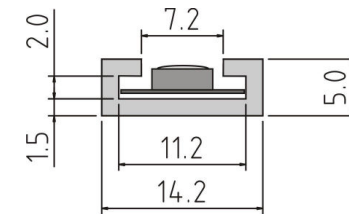
Debido a que el Flexiled™ es controlado por medio del LED Manager, le aconsejamos que lea las instrucciones de funcionamiento del manual de usuario del LED Manager.

MANTENIMIENTO

- Apague el LED Manager y desconecte el cable de corriente antes de iniciar el servicio.
- Los cables deberán estar en perfecto estado y deberán reemplazarse inmediatamente incluso si el problema detectado es pequeño.
- La limpieza del recinto de plástico deberá realizarse periódicamente para optimizar la emisión luminosa. La frecuencia de limpieza depende del entorno en el que funcione el aparato: los ambientes húmedos, con humo o especialmente sucios pueden provocar una mayor acumulación de suciedad en los elementos ópticos del aparato.
 - Limpie con un paño suave utilizando productos de limpieza de cristales normales.
 - Seque siempre las piezas con cuidado.

ESPECIFICACIONES

Conexiones: cables de conexión simples, soldados en el Flexiled™.
Voltaje de operación: ánodo común de 24 V CC
Consumo de alimentación (pérdidas de cable no incluidas): tipo RGB: 6,5 W/m (2,2 W/m para colores separados)
 Modelo de UN SOLO COLOR: 6,5 W/m
 +/- 400 g/5 m
Peso: longitud = 5 m, vea el diagrama para otras dimensiones
Tamaño:



Toda la información está sujeta a cambios sin previo aviso
 Puede descargar la última versión de este manual de usuario en nuestra página Web:
www.beglec.com

MANUAL DO UTILIZADOR

Obrigado por ter adquirido este produto da JB Systems®. De modo a tirar total proveito das possibilidades deste produto, por favor leia este manual com atenção.

CARACTERÍSTICAS

Esta unidade está protegida contra interferências rádio. Este produto cumpre as exigências impostas pelas presentes directivas nacionais e europeias. A conformidade deste produto foi comprovada e as declarações e documentos relevantes foram efectuados pelo fabricante.

- Esta unidade destina-se a produzir efeitos luminosos decorativos e é utilizada em sistemas de espectáculos de luz.
- Tira multicolor flexível com LEDs RGB, utilizada para alterar a cor das paredes, tectos, etc, em todos os tipos de estabelecimentos: bares, discotecas, bares, lojas,...
- Aplicações infinitas: fixar as tiras em armários, atrás de painéis translúcidos para criar superfícies coloridas como tectos e paredes que vão mudando lentamente de cor
- Esta versão flexível das tiras normais só traz vantagens:
 - A tira de 5m de comprimento pode ser facilmente cortada nas marcações (a cada 10cm)
 - Pode ser facilmente dobrada para acompanhar as curvas de qualquer superfície
 - A calha de silicone fornece protecção IP65
 - Utiliza um revestimento de silicone duplo para fácil instalação em qualquer superfície: pode ser fixado com pequenos pregos, grampos ou fita dupla face.
- Características específicas da versão RGB:
 - Para ser utilizada com a nossa gama de LED Managers 100% compatível
 - Mistura de cores perfeita e grande saída de luz graças aos LEDs RGB 3 em 1 (tipo SMD 5050)
- Características específicas da versão de cor simples:
 - Para ser usada com o nosso "LED PSU 50W/24Vdc" para obter uma solução económica.
 - Para ser utilizada com a nossa gama de LED Managers 100% compatível quando o dimming é importante
 - Elevada saída de luz (até 3x mais que a versão RGB) graças ao uso de LEDs tamanho 5050
- Design elegante linha "slim"!
- Tecnologia LED de longa duração!

ANTES DE UTILIZAR

- Antes de utilizar esta unidade verifique se existem danos provocados durante o transporte. Caso existam danos aparentes, não utilize a unidade e contacte o seu revendedor.
- **Importante:** Esta unidade deixou a nossa fábrica em perfeitas condições e devidamente embalada. É imprescindível que o utilizador siga as instruções de segurança e avisos descritos neste manual. Quaisquer danos provocados por utilização incorrecta não serão cobertos pela garantia. O revendedor não será responsável por quaisquer danos ou problemas causados pelo incumprimento das instruções deste manual.
- Guarde este manual num local seguro para consulta futura. Caso venda esta unidade, forneça este manual.

Verifique o conteúdo:

Certifique-se que a caixa contém os seguintes artigos:

- Manual do utilizador
- FLEXILED™, 5m (RGB, ou cor simples)
- Calha em silicone para fácil instalação, 5m

INSTRUÇÕES DE SEGURANÇA:



Este símbolo significa: utilização unicamente em espaços fechados.



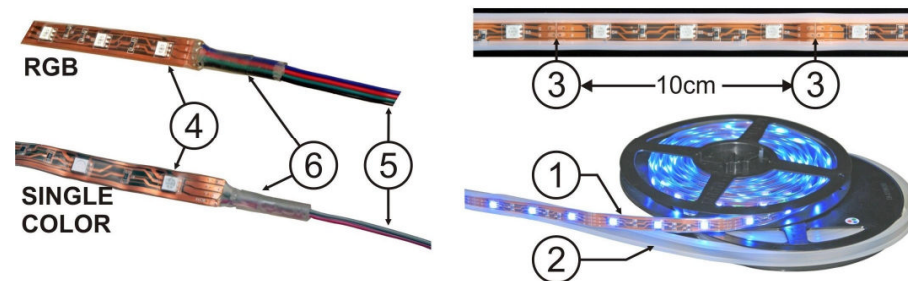
Este símbolo significa: Leia instruções.

- Proteja o ambiente. Recicle o material desta embalagem.

- De modo a evitar risco de fogo ou choque eléctrico, não exponha este produto a chuva ou humidade.
- De forma a evitar a formação de condensação no interior da unidade, ao transportá-la para ambiente quente aguarde algum tempo de modo a que haja uma ambientação à temperatura. A condensação poderá afectar o desempenho da unidade ou até danificá-la.
- Esta unidade destina-se unicamente a utilização em espaços fechados.
- Não introduza objectos de metal nem verta líquidos no interior do produto, correrá risco de choque eléctrico ou poderá danificar o produto. Caso algum objecto estranho entre em contacto com o interior da unidade, desligue-a de imediato da corrente.
- Evite locais com poeiras. Limpe a unidade regularmente.
- Mantenha esta unidade fora do alcance das crianças.
- Esta unidade deverá ser operada unicamente por pessoas experientes.
- Temperatura ambiente de funcionamento máxima é de 40°C. Não utilize esta unidade a temperaturas ambientes mais elevadas.
- Certifique-se de que não irão passar pessoas sob a área de instalação da unidade durante a instalação e manutenção.
- A instalação eléctrica deve ser efectuada unicamente por pessoal qualificado, cumprindo os regulamentos de segurança em instalações eléctricas e mecânicas do seu país.
- O cabo de alimentação deverá estar sempre em perfeitas condições. Desligue a unidade e substitua imediatamente o cabo caso este apresente algum dano. Deverá ser substituído pelo fabricante, pelo agente autorizado ou pessoal qualificado de modo a evitar um acidente.
- Os cabos devem estar sempre em perfeitas condições: desligue o LED Manager imediatamente quando os cabos estão amassados ou danificados.
- Este aparelho deve ser usado com o LED Manager: não ligue o aparelho com qualquer pacote dimmer ou outra fonte de alimentação.
- Em caso de problemas sérios de funcionamento, interrompa a utilização da unidade e contacte imediatamente o seu revendedor.
- A cobertura e as lentes deverão ser substituídas caso apresentem danos visíveis.
- Caso seja necessário transportar a unidade utilize a embalagem original.
- Por motivos de segurança, são proibidas quaisquer alterações não autorizadas à unidade.

Importante: Nunca olhe directamente para a luz! Não utilize este efeito luminoso na presença de pessoas epilépticas.

DESCRIÇÃO:



1. **FLEXILED™:** 5m tira flexível LED que pode ser dobrada para acompanhar as curvas da superfície e fixada. Selada com uma calha irá torná-la protegida com IP65.
2. **CALHA DE INSTALAÇÃO EM SILICONE:** usada para fixar facilmente o FLEXILED™ contra qualquer superfície.
3. **LINHAS DE CORTE:** a cada 10 centímetros o Flexiled pode ser cortado com uma faca afiada.
4. **LEDs:** a cada 10 centímetros três LEDs SMD 5050 são montados
5. **FIOS DE LIGAÇÃO:** utilizados para conectar o Flexiled™ a uma fonte de alimentação LED:
 - **VERSÃO COR SIMPLES:** apenas 2 fios são usados. Se não quiser diminuir a intensidade da Flexiled™, pode conectar estes 2 fios à fonte PSU-50W/24V LED (código de ordem: 4935). Se

quiser controlar a intensidade do Flexiled™, deverá conectar a um LED Manager (modelos diferentes, mais adiante iremos explicar como fazer as ligações)

- SELAGEM IP65:** O Flexiled™ vem com os fios selados, se desejar pode acrescentar fios ao Flexiled™, se é para ser utilizado em ambiente húmido deve adicionar uma manga termo retráctil (ver capítulo "instalação eléctrica")

INSTALAÇÃO MECÂNICA

Graças ao revestimento especial de silicone, o Flexiled™ pode ser montado de diferentes maneiras.

Montagem com fita adesiva de dupla face:

Utilizado para instalar o Flexiled™ em superfícies lisas onde não é possível fazer buracos: espelhos, vidro, etc

Graças ao revestimento de silicone a cola da fita adesiva de dupla face não irá aquecer e tornar-se pegajosa, como resultado irá obter bons resultados a longo prazo.

- Basta ter fita adesiva de dupla face de boa qualidade (opcional, não incluída) e cortá-la ao tamanho.
- Coloque na parte inferior da jaqueta instalação de silício e corrigir o casaco para a superfície.
- Quando a calha estiver no lugar, você pode instalar o Flexiled™ facilmente dentro da calha. Verifique se o Flexiled™ nunca é esmagado por objectos duros!



Montagem com pequenos parafusos ou grampus:

Utilizados para instalar o Flexiled™ em qualquer superfície em que é possível fazer buracos: paredes móveis, madeira, etc. Graças ao revestimento de silicone é possível usar pequenos parafusos, pregos ou até mesmo grampos para fixar a calha de instalação em silicone.

- Retire a calha de instalação de silicone e fixe-o à superfície com pregos, grampos, etc
- Quando a calha estiver no lugar, pode agora instalar o Flexiled™ facilmente dentro da calha. Verifique se o Flexiled™ nunca é esmagado por objectos duros!

Dica: Você pode instalar o Flexiled™ também atrás de painéis de plástico translúcido para criar mudança da cor das paredes e tectos ou pode instalar num bar as tiras em uma prateleira translúcida para iluminar garrafas e copos a partir da parte de baixo.

INSTALAÇÃO ELÉCTRICA

Importante: A instalação eléctrica deve ser feita apenas por pessoal qualificado, de acordo com os regulamentos para segurança eléctrica e mecânica no vosso país.

MUITO IMPORTANTE: Consulte o manual do utilizador do LED Manager para o máximo permitido de energia nas saídas! O comprimento do Flexiled™ nunca pode exceder 5m caso contrário, será destruído por corrente excessiva. Então nunca coloque 2 Flexileds™ em série para se tornar um comprimento total de mais de 5m! Se precisa de comprimentos superiores a 5m, por favor, use várias unidades e coloque-os em paralelo. Leve em consideração que 1m consome 6,5 W, para cabos mais longos (> 10m) adicione cerca de 10% de margem aos seus cálculos para possíveis perdas em cabos de ligação mais longos: para 6,5 W / m torna + / -7,2 W / metro

Conectar o Flexiled™ de cor única a um LED Manager:

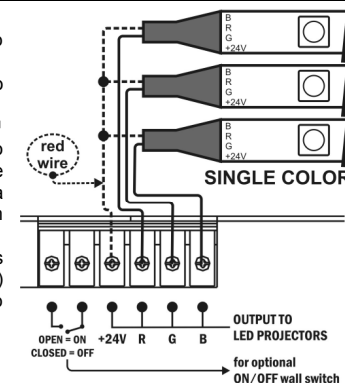
Se o Flexiled™ tiver de ser regulado ou controlado por um controlador (DMX) externo, então está é a melhor solução.

Descarne os 2 fios do Flexiled™ e ligue o fio vermelho na saída de +24 V do LED Manager. O outro fio pode ser ligado a uma das outras saídas: R, G ou B:

- Quando conectar o fio na saída R, será capaz de controlar o Flexiled através do controlo da cor "vermelho" no LED Manager.

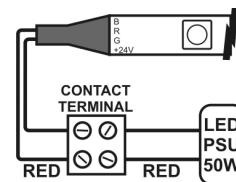
- Quando conectar o fio na saída G, será capaz de controlar o Flexiled através do controlo da cor "verde" no LED Manager.
- Quando conectar o fio na saída B, será capaz de controlar o Flexiled através do controlo da cor "azul" no LED Manager.

Importante: Isto significa que você pode controlar 3 Flexileds™ diferentes de cor única com apenas um LED Manager. No entanto, não esquecer que o Flexiled™ de cor única consome cerca de 6,5 W / metro (+ / -33W/5metro) para uma cor (!) Desta forma quando você instalar 3 Flexiled de cor única (5m cada) num LED Manager, eles vão consumir 3 vezes mais do que 1 Flexiled™ RGB: 3x 33W = 99W. Com cabos de ligação mais longos terá de acrescentar cerca de 10% (99W tornam-se 109W) para suportar eventuais perdas → muito importante quando estiver a escolher o LED Manager mais indicado para o trabalho!



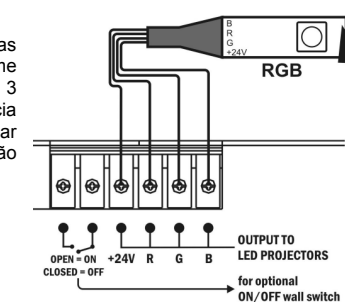
Conectar o Flexiled™ de cor única a um LED PSU 50W/24V:

Se não é necessário controlar a intensidade da cor do Flexiled de cor única, esta é definitivamente a solução melhor e mais económica. Basta ligar os 2 fios do Flexiled™ aos terminais de contacto do PSU LED 50W/24V. Tenha cuidado para que o fio vermelho do Flexiled™ fique ligado ao fio vermelho do PSU LED. Verifique sempre se o consumo de energia do Flexiled é inferior à potência máxima do PSU LED.



Conectar o Flexiled™ RGB a um LED Manager:

Descarne os 4 fios coloridos do Flexiled e conecte-os às saídas correspondentes do LED Manager. O Flexiled™ RGB consome cerca de 6,5 W / metro (33W/5metro), distribuídos ao longo das 3 cores. Quando instalar mais de 1 Flexiled, verifique a potência máxima de saída do LED Manager. Não se esqueça de adicionar 10% para cobrir as perdas durante a utilização de cabos de ligação mais longos...



Como cortar o Flexiled™ no tamanho desejado:

Nem sempre precisa de usar o comprimento máximo do Flexiled™: não há problema, pode facilmente cortá-lo no tamanho desejado! A cada 10 centímetros, verá uma linha em branco onde você pode cortar o Flexiled usando um xizato muito afiado ou um alicate de corte diagonal (foto).



Como conectar o Flexiled™ através de fios soldados:

Pode conectar uma ou mais peças do Flexiled™ em conjunto soldando pequenos fios (para ser feito apenas por electricistas experientes):

- Primeiro corte o Flexiled numas das linhas de corte (ver ponto anterior)
- Para libertar os contactos de soldadura, remova a calha de silicone usando um cortador afiado. **Tenha cuidado:** certifique-se que não danifica as camadas de cobre do Flexiled.
- Assim que os contactos de solda estiverem livres, pode soldar os fios. Por favor use equipamento adaptado de solda, o sobreaquecimento pode destruir o Flexiled!



- **Flexiled™ RGB:** Simplesmente solda os 4 fios aos diferentes contactos, de preferência nas cores correspondentes para excluir erros de polaridade.



- **Flexiled™ de cor única:** Os contactos identificados como R, G & B deverão ser conectados juntos, um fio preto pode ser também soldado. O 4º contacto é de +24V, um fio vermelho deverá ser aqui ligado.



Importante: Se a instalação é usada no exterior ou num ambiente húmido, as ligações deverão ser seladas com uma combinação de manga retráctil ou cola de silicone. Mais uma vez, este trabalho deverá ser feito apenas por electricistas experientes.

INSTRUÇÕES DE FUNCIONAMENTO

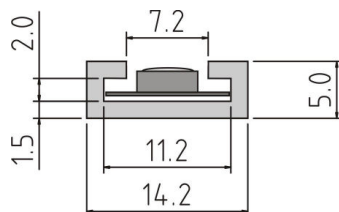
Tendo em conta que o Flexiled™ é controlado pelo LED Manager, nós recomendamos seriamente ler as instruções de operação no manual do utilizador do Led Manager

MANUTENÇÃO

- Desligue o Led Manager e desligue o cabo de alimentação antes de efectuar uma reparação.
- O cabo de alimentação deverá estar em perfeitas condições e deverá ser substituído assim que for detectado o mais pequeno dano.
- De forma a otimizar a projecção de luz, limpe as lentes ópticas internas e externas e/ou espelhos periodicamente. A regularidade das limpezas depende do ambiente em que está instalada a unidade: um ambiente húmido, com fumo ou poeirento dará origem a uma maior acumulação de impurezas nas ópticas da unidade.
 - Utilize um pano macio e um limpa-vidros normal na limpeza da unidade.
 - Seque sempre as peças cuidadosamente.

ESPECIFICAÇÕES

Ligações:	fios ligação simples, soldados ao Flexiled™.
Voltagem de operação:	ânodo comum 24Vdc
Consumo de potência (perdas não incluídas):	Tipo RGB: 6,5W/m (2,2W/m para cores separadas) Tipo COR ÚNICA: 6,5W/m
Peso:	400g / 5m
Dimensões:	Comprimento = 5m, ver imagem para outras medidas



Estas informações estão sujeitas a alterações sem aviso prévio

Pode fazer download da versão mais recente deste manual no nosso site: www.beglec.com