

USER MANUAL
MANUEL DE L'UTILISATEUR
BENUTZERHANDBUCH
HANDLEIDING
MANUALE D'USO
MANUAL DEL USUARIO
MANUAL DO UTILIZADOR

THRUSTMASTER®

Ferrari GT

2 in 1 Rumble Force Racing Wheel

For use with / Für / Pour 

Playstation® 2

PC

Ferrari GT

2 in 1 Rumble Force Racing Wheel

For use with / Für / Pour



Playstation 2

PC

ENGLISH

FRANÇAIS

DEUTSCH

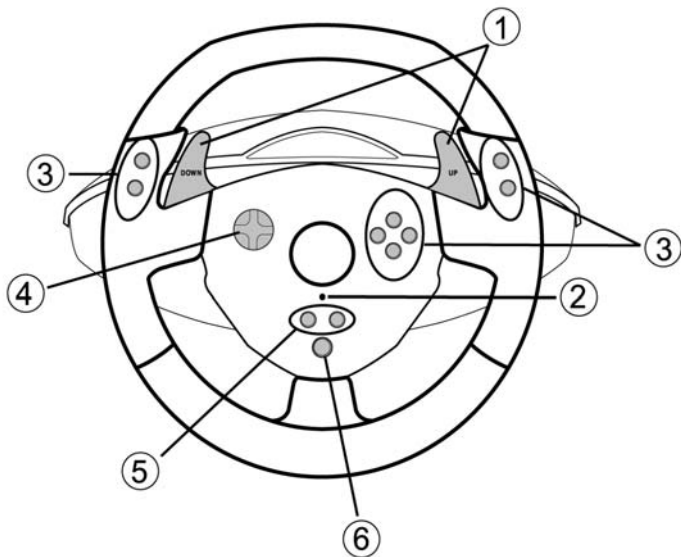
NEDERLANDS

ITALIANO

ESPAÑOL

PORTUGUÊS

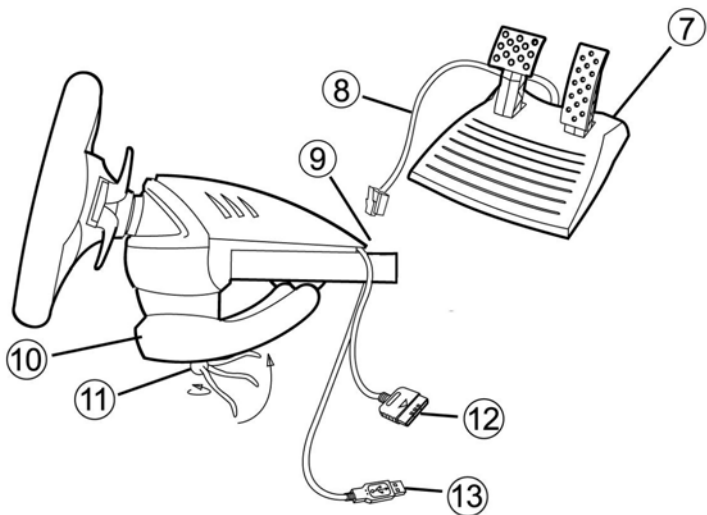
User Manual



TECHNICAL FEATURES

- 1 2 digital gearshift levers
- 2 Mode led
- 3 Action buttons

- 4 D-pad
- 5 Select and Start buttons
- 6 Force button



7 Analog pedal set

8 Pedal cable

9 Pedal connector

10 Table clamp

11 Clamp screw

12 GAMEPORT connector (for PlayStation2)

13 USB connector (for PC)

INSTALLING THE WHEEL

Fixing the wheel in place

1. Place the wheel on a table or other flat surface.
2. Place the clamp screw (11) in the table clamp (10) and then screw the clamping unit into the hole on the underside of the wheel until firmly fixed in place. Do not turn the screw too tightly, as you risk damaging the clamping unit and/or the table.

Connecting the pedal set

1. Connect the pedal connector (8) to the pedal receptor (9).

INSTALLATION FOR PC

System requirements: PC (Windows 98 SE, Me, 2000, XP) equipped with USB port.

The CD-ROM included with this product allows you to install the Vibrations Feedback drivers.

1. Insert the installation CD-ROM into your CD-ROM drive. Follow the on-screen instructions to install the Vibrations Feedback drivers. Once the installation is complete, click **Finish** and restart your computer.
2. Once your computer has restarted, connect the USB connector **(10)** to one of your computer's USB ports. Windows 98/Me/2000/XP will automatically detect the new device. (If you are connecting a USB device for the first time, Windows may ask you to insert the Windows CD-ROM during the installation procedure in order to install the required system files.)
3. Driver installation:
Windows 98: the **Add New Hardware Wizard** will search for the appropriate drivers. Click **Next**. Follow the on-screen instructions to complete the installation.
Windows Me/2000/XP: the drivers are installed automatically.
4. Select **Start/All Programs/Thrustmaster/Force Feedback driver/Control Panel**. The **Game Controllers** dialog box displays the gamepad's name with **OK** status.
5. In the **Control Panel**, click **Properties** to configure your gamepad:
 - **Test device:** to test and visualize the buttons, D-pad and 3 axes (wheel, brake and gas pedals).
 - **Test forces:** to test 8 Force effects and configure the Vibrations Feedback settings (2 possible settings: from 0 to 150 % : Forces Main and Static).

ADVANCED FUNCTIONS ON PC

Selecting "Separate" (3-axis) OR "Combined" (2-axis) acceleration/braking mode

By default, the wheel's acceleration/braking controls operate in "separate" 3-axis mode, i.e. with brake and gas pedals operating on independent axes.

3-axis support considerably improves driving precision in races.

If the 3-axis mode is not supported by your game, the wheel's gas pedals will not work properly. Please exit the game and select the "combined" 2-axis mode.

To activate this mode, press simultaneously the acceleration/braking controls **(7)** and the *Force button* **(6)**.

To revert to the "separate" 3-axis mode, repeat the same procedure.

Note:

- When you select the **"combined" (2-axis)** mode, the led **flashes red for a few seconds** (Wheel = "X" axis, Accelerator and Brake = "RZ" axis).
- When you select the **"separate" (3-axis)** mode, the led **flashes green for a few seconds** (Wheel = "X" axis, Accelerator = "RZ" axis and Brake = "Y" axis).

Configuring and setting "Vibrations Feedback" effects on PC

In contrast with other vibrating wheels that exist for PCs, your wheel will be recognized in games as a genuine "ForceFeedback" wheel.

You can thus enjoy all the possible force settings and effects (calibration, sensitivity, force intensity, etc.). However, the "Vibrations Feedback" effects cannot emulate recentering effects, if your game features this option, it is advisable to disable it.

Setting the control panel and options of your games will allow you to get the best from your wheel.

INSTALLATION FOR PLAYSTATION 2

CONNECTING THE WHEEL

1. Switch off your console before connecting the wheel.
2. Connect the console connector (12) to port 1 of your console.
3. Switch your console back on.
4. The led (2) is red to indicate that the Vibration mode is activated.

You are now ready to play!

ADVANCED FUNCTIONS ON PLAYSTATION 2

Configuring the wheel

On PlayStation 2, the wheel's acceleration/braking controls operate in "separate" 3-axis mode: Wheel = "Left Horizontal Joystick" axis, Accelerator = "Cross" and Brake "Square.

To change the configuration of the other buttons, go to the "gamepad control options" of your game.

Precision Drive mode

Precision Drive mode has been specially developed with a view to enhancing performance.

Depending on the game, it may help you to beat your best times (and those of your opponents) or make it easier to successfully complete the different driving events.

This new exclusive mode calculates and redistributes your wheel's various analogy points without generating any dead zones (as may be the case with other wheels which allow you to adjust their sensitivity).

How appropriate and effective this mode will be depends on the game you are playing and the course you are racing on. In this mode, the wheel is more sensitive and will allow you to powerslide more easily and thus avoid an excessive loss of speed, in courses with hairpin turns for example.

In games where the wheel's reactions are very sensitive (such as F1 racing, for example), you will therefore probably want to avoid using this mode.

We recommend that you use this mode with an interior view for maximum effectiveness.

To go into **Precision Drive** mode, simultaneously press the 2 *gearshift levers* (1) and the *D-pad* (4). Proceed in the same way to return to normal driving mode.

Note:

- When the **Precision Drive** mode is **enabled**, the led **flashes** continuously.
- When the **Precision Drive** mode is **disabled**, the led **does not flash**.

ADVANCED FUNCTIONS ON PC AND PLAYSTATION 2

Enabling/disabling the Vibrations Feedback effects directly on the wheel

To disable or re-enable the Vibrations Feedback effects, press the *Force button (6)*.

This operation can be carried out while playing the game.

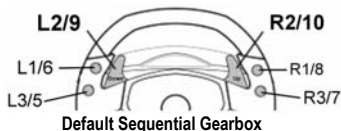
Note:

- When **Vibrations Feedback effects** are enabled, the led is **Red**.
- When **Vibrations Feedback effects** are disabled, the led is **Green**.

“Sequential gearbox mapping” function

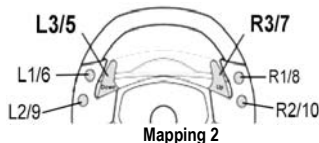
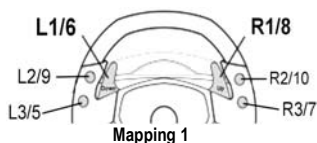
The “Sequential gearbox mapping” function allows you to assign gear shifting directly to the 2 digital gearshift levers (1) in 100% of games.

Follow the same steps to return to “normal” mode.



Note:

- To enable **Mapping 1**, simultaneously press L1/6, R1/8 and the 2 levers.
- To enable **Mapping 2**, simultaneously press L3/5, R3/7 and the 2 levers.



Note:

- When you select « **Mapping 1 or 2** », the led **flashes red** for a few seconds.
- When you revert to the **Default Sequential Gearbox**, the led **flashes green** for a few seconds.

TROUBLESHOOTING

- **My wheel doesn't work correctly or appears to be incorrectly calibrated.** Switch off your PC or your console, then disconnect your wheel, reconnect all the cables (with pedals), switch back on and restart the game.
- **My wheel moves by itself during the game.** This is normal and is the recentering function featuring in some games. To stop these movements, just place your hands on the wheel or reduce the ForceFeedback intensity.
- **My wheel stays turned to one side (left or right) after auto-calibration.** This is normal in some games. The wheel will recenter itself once you have identified it as a wheel in the game's setup options.
- **On PC, my wheel is detected by my computer but doesn't work in the game.** Access your game's options to configure your wheel. Please refer to your game's manual for further information.
- **On PC, my pedal set does not work correctly.** Display your game's option management interface to reconfigure the wheel. If the problem persists, exit the game and switch the pedal set to the "combined" (2-axis) mode. Then return to the game to reconfigure the wheel with the new axes.

SAFETY RECOMMENDATIONS AND INFORMATION

- **When connecting the wheel on PC or PLAYSTATION:** to prevent any incorrect calibration, never turn the wheel, press the pedals or buttons.

TECHNICAL SUPPORT

If you encounter a problem with your product, please go to <http://ts.thrustmaster.com> and click **Technical Support**. From there you will be able to access various utilities (Frequently Asked Questions (FAQ), the latest versions of drivers and software) that may help to resolve your problem. If the problem persists, you can contact the Thrustmaster products technical support service ("Technical Support"):

By email:

In order to take advantage of technical support by email, you must first register online. The information you provide will help the agents to resolve your problem more quickly. Click **Registration** on the left-hand side of the Technical Support page and follow the on-screen instructions. If you have already registered, fill in the **Username** and **Password** fields and then click **Login**.

By telephone:

United Kingdom	020 7216 0047	price of a national phone call, Monday to Friday, from 12PM to 10PM
United States / Canada	514-279-9911	price of a long distance phone call, Monday to Friday, from 7AM to 5PM (Eastern time)
Australia	1902 262 514	\$1.98/min, Monday to Friday from 9AM to 6PM
Denmark	82 33 28 58	price of a national phone call, Monday to Friday from 1PM to 10PM
Finland	09 81 71 01 54	price of a national phone call, Monday to Friday from 2PM to 11PM
Norway	23 50 01 16	price of a national phone call, Monday to Friday from 1PM to 10PM
Sweden	08-51992032	price of a national phone call, Monday to Friday from 1PM to 11PM

WARRANTY INFORMATION

Worldwide, Guillemot Corporation S.A. ("Guillemot") warrants to the consumer that this Thrustmaster product will be free from material defects and manufacturing flaws for a period of two (2) years from the original date of purchase. Should the product appear to be defective during the warranty period, immediately contact Technical Support, who will indicate the procedure to follow. If the defect is confirmed, the product must be returned to its place of purchase (or any other location indicated by Technical Support).

Within the context of this warranty, the consumer's defective product will, at Technical Support's option, be either repaired or replaced. Where authorized by applicable law, the full liability of Guillemot and its subsidiaries (including for indirect damages) is limited to the repair or replacement of the Thrustmaster product. The consumer's legal rights with respect to legislation applicable to the sale of consumer goods are not affected by this warranty.

This warranty shall not apply: (1) if the product has been modified, opened, altered, or has suffered damage as a result of inappropriate or abusive use, negligence, an accident, normal wear, or any other cause not related to a material defect or manufacturing flaw; (2) in the event of failure to comply with the instructions provided by Technical Support; (3) to software not published by Guillemot, said software being subject to a specific warranty provided by its publisher.

Additional warranty provisions

In the United States of America and in Canada, this warranty is limited to the product's internal mechanism and external housing. Any applicable implied warranties, including warranties of merchantability and fitness for a particular purpose, are hereby limited to two (2) years from the date of purchase and are subject to the conditions set forth in this limited warranty. In no event shall Guillemot Corporation S.A. or its affiliates be liable for consequential or incidental damage resulting from the breach of any express or implied warranties. Some States/Provinces do not allow limitation on how long an implied warranty lasts or exclusion or limitation of incidental/consequential damages, so the above limitation may not apply to you. This warranty gives you specific legal rights, and you may also have other legal rights which vary from State to State or Province to Province.

COPYRIGHT

© 2005 Guillemot Corporation S.A. All rights reserved. Thrustmaster® is a registered trademark of Guillemot Corporation S.A. Microsoft® Windows® is a registered trademark of Microsoft Corporation in the United States and/or other countries. PlayStation® is a registered trademark of Sony Computer Entertainment Inc. All other trademarks and brand names are hereby acknowledged and are property of their respective owners. Illustrations not binding. Contents, designs and specifications are subject to change without notice and may vary from one country to another.

ENVIRONMENTAL PROTECTION RECOMMENDATION

At the end of its working life, this product should not be disposed of with standard household waste, but rather dropped off at a collection point for the disposal of Waste Electrical and Electronic Equipment (WEEE) for recycling.

This is confirmed by the symbol found on the product, user manual or packaging. Depending on their characteristics, the materials may be recycled. Through recycling and other forms of processing Waste Electrical and Electronic Equipment, you can make a significant contribution towards helping to protect the environment.

Please contact your local authorities for information on the collection point nearest you.



FAQs, tips and drivers available at www.thrustmaster.com

Ferrari GT

2 in 1 Rumble Force Racing Wheel

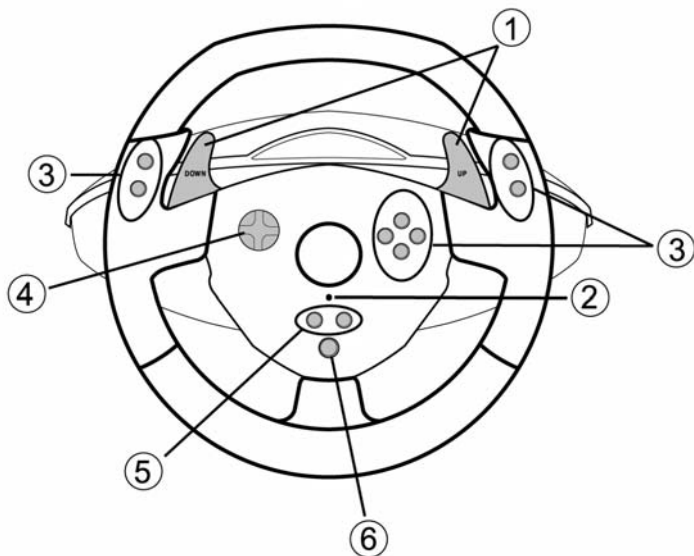
For use with / Für / Pour



Playstation 2

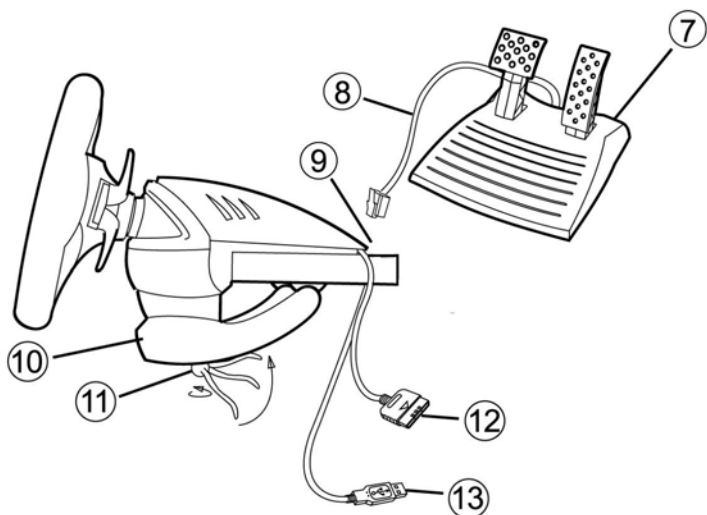
PC

Manuel de l'utilisateur



CARACTÉRISTIQUES TECHNIQUES

- | | |
|---|------------------------------------|
| 1 2 leviers numériques de changement de vitesse | 4 Croix multidirectionnelle |
| 2 Voyant lumineux Mode | 5 Boutons d'action Select et Start |
| 3 Boutons d'action | 6 Bouton Force |



- | | |
|------------------------------------|--|
| 7 Pédalier analogique | 11 Vis de fixation |
| 8 Câble du pédalier | 12 Connecteur GAMEPORT (pour PlayStation2) |
| 9 Connecteur RJ45 pour le pédalier | 13 Connecteur USB (pour PC) |
| 10 Système de fixation à la table | |

INSTALLATION DU VOLANT

Fixer le volant

1. Placez le volant sur une table ou autre surface plane.
2. Placez la vis de serrage (11) dans le système de fixation (10) puis vissez l'ensemble dans l'emplacement prévu, sous le volant, jusqu'à ce que ce dernier soit parfaitement stable. Ne serrez pas trop fort la vis car vous risquez d'endommager le système de fixation ou la table.

Relier le pédalier

1. Reliez le câble du pédalier (8) au connecteur RJ45 du volant (9).

INSTALLATION SUR PC

Configuration requise : PC (Windows 98 SE, Me, 2000 et XP) équipé d'un port USB.

INSTALLATION DES PILOTES

Le CD-ROM fourni avec ce produit permet d'installer les pilotes Vibrations Feedback.

1. Insérez le CD-ROM d'installation dans votre lecteur de CD-ROM. Suivez les instructions affichées à l'écran pour installer les pilotes Vibrations Feedback. Une fois l'installation terminée, cliquez sur **Terminer** et redémarrez votre ordinateur.
2. Au redémarrage de l'ordinateur, reliez le connecteur USB (13) à l'un des ports USB de votre unité centrale. Windows 98/Me/2000/XP détectera automatiquement le nouveau périphérique. (Si vous branchez un périphérique USB pour la première fois, il est possible que, pendant l'installation, Windows vous demande d'insérer le CD-ROM Windows afin d'installer les fichiers système nécessaires.)
3. Installation des pilotes :
Windows 98 : l'**Assistant Ajout de nouveau matériel** se charge de rechercher pour vous les pilotes appropriés. Cliquez sur **Suivant**. Suivez les instructions affichées à l'écran pour terminer l'installation.
Windows Me/2000/XP : l'installation des pilotes est automatique.
4. Sélectionnez **Démarrer/Tous les programmes/Thrustmaster/Force Feedback driver/Control Panel**
*La boîte de dialogue **Contrôleurs de jeu** affichera le nom du volant avec l'état **OK**.*
5. Dans le **Control Panel**, cliquez sur « Propriétés » pour configurer votre volant :
 - **Test du périphérique** : vous permet de tester et visualiser les boutons, la croix multidirectionnelle et les 3 axes (volant, pédale de frein et pédale d'accélération).
 - **Tester les forces** : vous permet de tester 8 effets de Force et de configurer le réglage des effets de Vibrations Feedback (2 réglages possibles de 0 à 150 % : Forces Principal et Forces Statique).

FONCTIONS AVANCÉES SUR PC

Sélection du mode d'Accélération / Freinage « Séparé » (3 AXES) ou « Combiné » (2 AXES)

Par défaut, les commandes d'accélérateur et de freins de votre volant fonctionnent en mode « séparés » (3 axes), ce qui signifie que les pédales fonctionnent sur des axes indépendants.

Le mode 3 axes permet d'améliorer considérablement la précision de votre pilotage.

Si votre jeu ne supporte pas le mode 3 axes, le pédalier de votre volant ne fonctionnera pas correctement.

Vous devez alors quitter le jeu et sélectionner le mode « combiné » (2 axes).

Pour activer ce mode, appuyez simultanément sur les 2 pédales (7) et sur le bouton Force (6).

Pour revenir en mode « séparés » (3 axes), effectuez la même opération.

Remarque :

- Lorsque vous sélectionnez le mode « **combiné** » (2 axes), le voyant lumineux **clignote en rouge quelques secondes** (Volant = axe « X », Accélérateur et Frein = axe « RZ »).
- Lorsque vous sélectionnez le mode « **séparé** » (3 axes), le voyant lumineux **clignote en vert quelques secondes** (Volant = axe « X », Accélérateur = axe « RZ » et Frein = axe « Y »).

Configuration et Réglage des effets « Vibrations Feedback » sur PC

Contrairement aux autres volants vibrants existant sur PC, votre volant sera reconnu dans les jeux comme un véritable volant « ForceFeedback ».

Vous profiterez ainsi de tous les réglages et effets de force possibles (calibration, sensibilité, intensité des forces, etc...).

En revanche, les effets « Vibrations Feedback » ne pouvant pas émuler les effets de « retour au centre », si votre jeu vous propose cette option, il est préférable de la désactiver.

Un bon réglage dans le control panel et dans les options des jeux vous permettra donc d'optimiser au mieux votre accessoire.

INSTALLATION SUR PLAYSTATION 2

CONNECTER LE VOLANT

1. Éteignez votre console avant de brancher le volant.
2. Branchez le connecteur gameport (12) sur le port n° 1 de votre console.
3. Rallumez votre console.
4. Le voyant lumineux (2) s'allume en rouge pour indiquer que le mode Vibration est activé.
Vous êtes maintenant prêt à jouer !

FONCTIONS AVANCÉES SUR PLAYSTATION 2

Configuration du volant

Sur PlayStation 2, les commandes d'accélérateur et de freins de votre volant fonctionnent en mode « séparé » (3 axes) : Volant = axe « Joystick Gauche Horizontal », Accélérateur = « Croix » et Frein « Carré ».

Pour modifier la configuration des autres touches, allez dans les « options de commandes manettes » de votre jeu.

Mode Precision Drive

Le mode Precision Drive a été spécialement élaboré dans un esprit d'amélioration des performances.

Il pourra vous permettre, selon les jeux, de battre vos meilleurs temps (et ceux de vos adversaires) ou de passer plus facilement les différentes épreuves de conduite.

Ce nouveau mode exclusif calcule et redistribue les différents points d'analogie de la roue du volant sans pour autant engendrer de zones mortes (comme cela peut être le cas sur d'autres volants pour lesquels un réglage de la sensibilité est possible).

La pertinence et l'efficacité de ce mode dépendront du jeu utilisé ainsi que du circuit. En effet dans ce mode, le volant est plus sensible et vous permettra, dans les circuits comportant des virages en épi par exemple, de dériver plus facilement et éviter ainsi une perte de vitesse excessive.

Dans les jeux où les réactions du volant sont très sensibles (telles les courses de F1), l'utilisation de ce mode sera donc plutôt à éviter.

Nous vous recommandons d'utiliser ce mode en vue intérieure pour plus d'efficacité.

Pour passer en mode **Precision Drive**, appuyez simultanément sur les *deux leviers de vitesses* (1) et sur la *Croix multidirectionnelle* (4). Procédez de la même manière pour revenir en mode de conduite normal.

Remarque :

- Lorsque le mode **Precision Drive** est **activé**, le voyant lumineux **clignote** en continu.
- Lorsque le mode **Precision Drive** est **désactivé**, le voyant lumineux **ne clignote pas**.

FONCTIONS AVANCÉES SUR PC ET SUR PLAYSTATION 2**Activer/Désactiver les Effets de Vibration directement sur le volant**

Pour désactiver ou réactiver les Effets de Vibration, appuyez sur le *bouton Force* (6).

Cette manipulation peut-être effectuée en cours de jeu.

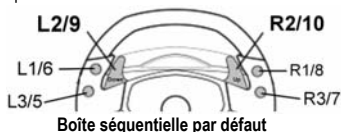
Remarque :

- Lorsque les **Effets de Vibration** sont **Activés**, le voyant lumineux est **Rouge**.
- Lorsque les **Effets de Vibration** sont **Désactivés**, le voyant lumineux est **Vert**.

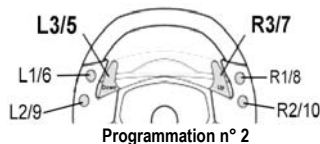
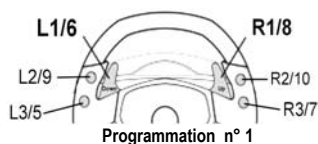
Fonction « Programmation de la boîte séquentielle »

La fonction « Programmation de la boîte séquentielle » vous permet d'affecter dans 100 % des jeux le changement de vitesse directement aux leviers numériques Up et Down (1).

Procédez de la même manière pour revenir en mode de conduite normal.

**Remarque :**

- Pour activer la **Programmation n° 1**, appuyez simultanément sur « **L1/6** », « **R1/8** » et sur les « **2 leviers** ».
- Pour activer la **Programmation n° 2**, appuyez simultanément sur « **L3/5** », « **R3/7** » et sur les « **2 leviers** ».

**Remarque :**

- Lorsque vous sélectionnez la « **Programmation n° 1 ou 2** », le voyant lumineux **clignote en rouge** pendant quelques secondes.
- Lorsque vous revenez à la **Boîte séquentielle par défaut**, le voyant lumineux **clignote en vert** pendant quelques secondes.

DEPANNAGE

- **Mon volant ne fonctionne pas correctement ou semble mal calibré.** Eteignez votre ordinateur ou votre console, déconnectez entièrement votre volant, reconnectez tous les câbles (avec le pédalier), redémarrez et relancez votre jeu.

- **Sur PC, mon volant est détecté par mon ordinateur, mais ne fonctionne pas avec mon jeu.** Ouvrez l'interface de gestion des options de votre jeu pour configurer votre volant. Reportez-vous au manuel de l'utilisateur ou à l'aide en ligne de votre jeu pour plus d'informations.

- **Sur PC, mon pédalier ne fonctionne pas correctement.** Ouvrez l'interface de gestion des options de votre jeu pour reconfigurer votre volant. Si le problème persiste, quittez le jeu et basculez le pédalier en mode « combiné » (2 axes). Retournez ensuite dans votre jeu pour reconfigurer le volant avec les nouveaux axes.

PRÉCONISATIONS ET INFORMATIONS RELATIVES À LA SÉCURITÉ

- **Lors de la connexion de votre volant sur PC ou sur PLAYSTATION2 :** pour éviter toute mauvaise calibration, ne tournez jamais le volant, n'appuyez pas sur les pédales ou sur les boutons.

Support technique

Si vous rencontrez un problème avec votre produit, rendez-vous sur le site <http://ts.thrustmaster.com> et cliquez sur **Support Technique**. Vous aurez alors accès à différents services (Foire Aux Questions (FAQ), dernières versions des pilotes et logiciels) susceptibles de résoudre votre problème. Si le problème persiste, vous pouvez contacter le support technique des produits Thrustmaster (« Support Technique ») :

Par e-mail :

Pour bénéficier du support technique par e-mail, vous devez d'abord vous enregistrer en ligne. Les informations fournies vont permettre aux techniciens de résoudre plus rapidement votre problème. Cliquez sur **Enregistrement** à gauche de la page Support technique et suivez les instructions à l'écran. Si vous êtes déjà enregistré, renseignez les champs **Nom d'utilisateur** et **Mot de passe** puis cliquez sur **Connexion**.

Par téléphone :

France	0892 690 024	0,34 €/min, du lundi au vendredi de 13h à 17h et de 18h à 22h
Belgique	02 / 732 55 77	prix d'un appel national, du lundi au vendredi de 9h à 12h30 et de 14h à 17h30
Suisse	22 567 51 20	prix d'un appel national, du lundi au vendredi de 13h à 22h
Canada	514-279-9911	prix d'un appel longue distance, du lundi au vendredi de 7h à 17h (heure de l'Est)

Informations relatives à la garantie

Dans le monde entier, Guillemot Corporation S.A. (« Guillemot ») garantit au consommateur que le présent produit Thrustmaster est exempt de défauts matériels et de vices de fabrication, et ce, pour une période de deux (2) ans à compter de la date d'achat d'origine. Si, au cours de la période de garantie, le produit semble défectueux, contactez immédiatement le Support Technique qui vous indiquera la procédure à suivre. Si le défaut est confirmé, le produit devra être retourné à son lieu d'achat (ou tout autre lieu indiqué par le Support Technique).

Dans le cadre de la garantie, le consommateur bénéficiera, au choix du Support Technique, du remplacement ou de la réparation du produit défectueux. Lorsque la loi applicable l'autorise, toute responsabilité de Guillemot et ses filiales (y compris pour les dommages indirects) se limite à la réparation ou au remplacement du produit Thrustmaster. Les droits légaux du consommateur au titre de la législation applicable à la vente de biens de consommation ne sont pas affectés par la présente garantie.

Cette garantie ne s'appliquera pas : (1) si le produit a été modifié, ouvert, altéré, ou a subi des dommages résultant d'une utilisation inappropriée ou abusive, d'une négligence, d'un accident, de l'usure normale, ou de toute autre cause non liée à un défaut matériel ou à un vice de fabrication ; (2) en cas de non-respect des instructions du Support Technique ; (3) aux logiciels non-édités par Guillemot, lesdits logiciels faisant l'objet d'une garantie spécifique accordée par leurs éditeurs.

Stipulations additionnelles à la garantie

Aux États-Unis d'Amérique et au Canada, cette garantie est limitée au mécanisme interne et au boîtier externe du produit. Toute garantie implicite applicable, incluant les garanties de qualité marchande ou d'adaptation à un usage particulier, est limitée à deux (2) ans à compter de la date d'achat et soumise aux conditions de la présente garantie limitée. En aucun cas, Guillemot Corporation S.A. ou ses sociétés affiliées ne sauraient être tenues responsables envers qui que ce soit de tous dommages indirects ou dommages accessoires résultant du non-respect des garanties expresses ou implicites. Certains États/Provinces n'autorisent pas la limitation sur la durée d'une garantie implicite, ou l'exclusion ou la limitation de responsabilité pour les dommages indirects ou accessoires, de sorte que les limitations ou exclusions ci-dessus peuvent ne pas vous être applicables. Cette garantie vous confère des droits spécifiques ; vous pouvez également bénéficier d'autres droits qui peuvent différer d'un État/Province à l'autre.

COPYRIGHT

© 2005 Guillemot Corporation S.A. Tous droits réservés. Thrustmaster® est une marque déposée de Guillemot Corporation S.A. PlayStation® est une marque déposée de Sony Computer Entertainment Inc. Microsoft® Windows® est une marque déposée de Microsoft Corporation aux États-Unis et/ou dans d'autres pays. Toutes les autres marques déposées et noms commerciaux sont reconnus par les présentes et sont la propriété de leurs propriétaires respectifs. Illustrations non contractuelles. Le contenu, la conception et les spécifications sont susceptibles de changer sans préavis et de varier selon les pays.

RECOMMANDATION RELATIVE À LA PROTECTION DE L'ENVIRONNEMENT



En fin de vie, ce produit ne doit pas être éliminé avec les déchets ménagers normaux mais déposé à un point de collecte des déchets d'équipements électriques et électroniques en vue de son recyclage.

Ceci est confirmé par le symbole figurant sur le produit, le manuel utilisateur ou l'emballage.

En fonction de leurs caractéristiques, les matériaux peuvent être recyclés. Par le recyclage et par les autres formes de valorisation des déchets d'équipements électriques et électroniques, vous contribuez de manière significative à la protection de l'environnement.

Veuillez consulter les autorités locales qui vous indiqueront le point de collecte concerné.

FAQ, astuces et pilotes sur www.thrustmaster.com

Ferrari GT

2 in 1 Rumble Force Racing Wheel

For use with / Für / Pour



Playstation 2

PC

ENGLISH

FRANÇAIS

DEUTSCH

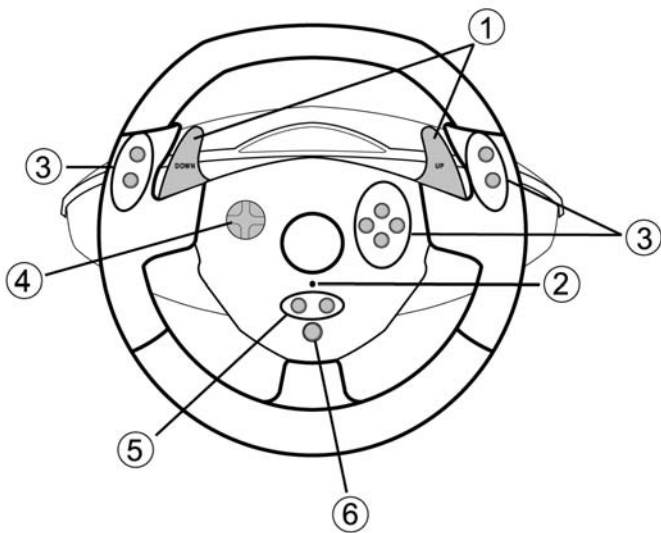
NEDERLANDS

ITALIANO

ESPAÑOL

PORTUGUÊS

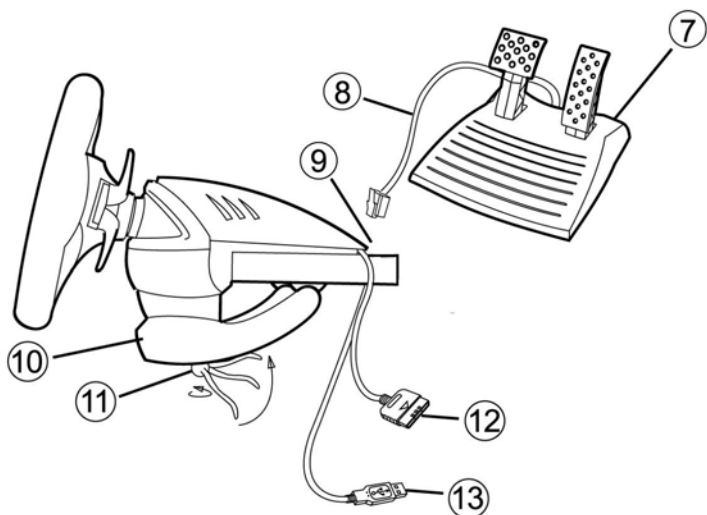
Benutzerhandbuch



TECHNISCHE FEATURES

- 1 2 digitale Schalthebel
- 2 Modus-LED
- 3 Action Buttons

- 4 D-Pad
- 5 Auswahl- und Start-Buttons
- 6 Force-Button



- | | | | |
|----|-------------------|----|---------------------------------------|
| 7 | Analoges Pedalset | 11 | Befestigungsschraube |
| 8 | Pedalkabel | 12 | GAMEPORT-Anschluss (für PlayStation2) |
| 9 | Pedalanschluss | 13 | USB-Anschluss (für PC) |
| 10 | Halteklemme | | |

INSTALLATION DES LENKRADS

Befestigung des Lenkrads

1. Platzieren Sie das Lenkrad auf einem Tisch oder einem anderen ebenen Gegenstand.
2. Setzen Sie die Befestigungsschraube (11) in die Halteklemme (10) und schrauben die Klemme mit der Schraube in das an der Unterseite befindliche Schraubloch des Lenkradssockels bis dieses fest sitzt. Ziehen Sie die Schraube nie zu fest an, da dies zu einer Beschädigung der Mechanik und/oder des Tisches führen könnte.

Anschluß des Pedalsets

1. Das Pedalkabel (8) mit dem Pedalanschluss verbinden (9).

INSTALLATION FÜR PC

Systemanforderungen: PC (Windows 98 SE, Me, 2000, XP) ausgestattet mit USB Port.

Mittels der beigelegten CD-ROM können die Vibration Feedback-Treiber installiert werden.

1. Die Installations-CD-ROM in das CD-ROM Laufwerk einlegen. Befolgen Sie die Bildschirmanweisungen, um die Treiber zu installieren. Nach Beendigung der Installation **FERTIG** klicken und den Computer neu starten.
2. Nach dem Neustart das USB-Kabel (**10**) in einen freien USB Port stecken. Windows 98/Me/2000/XP erkennt die neue Hardware automatisch (Sollten Sie zum ersten Mal ein USB Gerät installieren, wird Windows eventuell nach der Betriebssystem CD-ROM fragen, um die erforderlichen Systemdateien zu installieren).
3. Treiberinstallation:
 Windows 98: Der **Hardwareassistent** sucht nach den entsprechenden Treibern. **Nächste** klicken. Befolgen Sie die Bildschirmanweisungen, um die Installation fortzusetzen
 Windows Me/2000/XP: Treiber werden automatisch installiert.
4. Auswählen: **Start/Programme/Thrustmaster/Force Feedback Driver/Control Panel**. Die **Game Controller** Dialogbox zeigt den Namen des Lenkrades mit dem Staus **OK** an.
5. Im **Control Panel Eigenschaften** auswählen, um das Lenkrad zu konfigurieren:
 - **Gerätetest:** Zum testen und visualisieren der Buttons, D-Pad und der 3 Bewegungsachsen (Lenken, Bremse und Gaspedal).
 - **Test Force-Effekte:** Testen der 8 Force-Effekte und zum konfigurieren der Vibrationseinstellungen (zwei mögliche Einstellungen: 0 bis 150 %; Force-Effekte: Vollständige Kräfte und statisch).

FORTGESCHRITTENE FUNKTIONEN AUF PC

Auswahl "Einzel" (Dreiaxsig) ODER "Kombiniert" (Zweiaxsig) Beschleunigung-/Bremsmodus

Voreingestellt ist der "Einzel" dreiachsige Modus für Bremsen und Beschleunigen. Das heißt, das Gas- und Bremspedal auf jeweils unabhängigen Bewegungsachsen operieren und damit höchste Präzision in Rennspielen unterstützen.

Fall der dreiachsige Modus von Ihrem Spiel nicht unterstützt wird, funktionieren die Gaspedale nicht richtig. Dann bitte das Spiel beenden und den "Kombinationsmodus" (Zweiaxsig) auswählen.

Um diesen Modus zu aktivieren, gleichzeitig die Beschleunigungs-/Brems-Kontrollen (**7**) und den *Force Button* (**6**) drücken.

Um in den dreiachsigen Modus ("Einzel") zurückzukehren, wiederholen der gleichen Prozedur.

Achtung:

- wenn Sie den "**Kombinationsmodus**" (**Zweiaxsig**) auswählen, wird die LED für einige Sekunden rot blinken (Lenker = "X" Achse, Beschleunigung und Bremse = "RZ" Achse).
- Wenn Sie den "**Einzelmodus**" (**Dreiaxsig**) auswählen wird die LED für einige Sekunden grün blinken (Lenker = "X" Achse, Beschleunigung = "RZ" Achse und Bremse = "Y" Achse).

Konfiguration und Einstellen der "Vibration Feedback" Effekte am PC

Im Gegensatz zu anderen Vibrationslenkrädern, die für PC existieren, wird dieses Lenkrad in Spielen als echtes "Force Feedback" Gerät erkannt.

Dadurch können Sie alle möglichen Force-Einstellungen (Kalibrierung, Sensitivität, Stärkeintensität, etc.) nutzen.

Dennoch können die "Vibration Feedback" Effekte keine Zentrierungseffekte emulieren. Falls Ihr Spiel diese Effekte unterstützt, ist es besser diese auszuschalten.

Einstellungen im Control Panel und in den Optionen eines jeweiligen Spieles erlauben Ihnen das Beste aus Ihrem Lenker herauszuholen.

INSTALLATION FÜR PLAYSTATION 2

Anschluß des Lenkers

1. Schalten Sie die Konsole aus bevor Sie das Lenkrad anschließen.
2. Konsolenstecker (12) mit Port 1 der Konsole verbinden.
3. Konsole einschalten.
4. Die LED(2) ist rot und zeigt an, daß der Vibrationsmodus aktiviert ist.

Und schon können Sie loslegen!

FORTGESCHRITTENE FUNKTIONEN AUF DER PLAYSTATION 2

Konfigurieren des Lenkrads

Auf der PlayStation 2 arbeiten die Beschleunigungs- und Brems-Kontrollen im Dreiachsenmodus ("Einzel"): Lenkrad = "Linke horizontale Joystick" Achse, Beschleunigung = "Kreuz" und Bremse = "Quadrat".

Um die Konfiguration der anderen Buttons zu verändern, gehen Sie bitte in die "Gamepad Kontrolloptionen" in Ihrem Spiel.

Precision Drive-Modus

Der Precision Drive-Modus (präzises Fahren) wurde im Hinblick auf die Verbesserung Ihrer Leistung im Spiel entwickelt.

Je nach Spiel hilft Ihnen dieser Modus Ihre Bestzeiten zu schlagen (und die Ihrer Mitspieler) oder auch die kompliziertesten Kurse erfolgreich zu meistern.

Dieser neue Exklusivmodus berechnet und verteilt die verschiedenen Vergleichspunkte, welche einen Lenkeinschlag im Spiel bestimmen, neu, ohne dabei tote Winkel zu erzeugen (wie es vielleicht andere Lenkräder mit Empfindlichkeitseinstellung machen).

Wie effektiv und entsprechend dieser Modus ist, hängt von dem Spiel und dem Rennkurs ab. In diesem Modus ist das Lenkrad sehr sensibel und erlaubt Ihnen leichtere Powerslides ohne dabei an Geschwindigkeit zu verlieren – zum Beispiel in Rallyes mit Haarnadelkurven.

In Spielen, in denen die Lenkradreaktionen sehr feinfühlig zu handhaben sind (z. B. F1 Racing) werden Sie ebenfalls mit Vergnügen auf diesen Modus zurückgreifen.

Wir empfehlen die Nutzung dieses Modus im Hinblick auf maximale Effektivität.

Um in den Precision Drive-Modus zu gelangen, drücken Sie gleichzeitig die zwei **Schalthebel (1)** und das **D-Pad (4)**. Den gleichen Vorgang wiederholen, um in den normalen Fahrmodus zurückzukehren.

Achtung:

- Wenn der **Precision Drive-Modus** aktiv ist, blinkt die LED kontinuierlich.
- Bei inaktiven **Precision Drive-Modus** blinkt die LED nicht.

FORTGESCHRITTENE FUNKTIONEN AUF PC UND PLAYSTATION 2

Aktivieren/Deaktivieren der Vibration Feedback Effekte direkt am Lenkrad:

Um die Vibration Feedback Effekte zu aktivieren/deaktivieren, den Force-Button (**6**) drücken. Dies Aktion kann auch im laufenden Spiel durchgeführt werden.

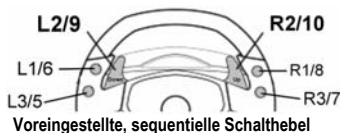
Achtung:

- **Vibration Feedback Effekte** aktiviert: LED leuchtet rot.
- **Vibration Feedback Effekte** deaktiviert: LED leuchtet grün.

“Sequentielle Schalthebel-Mapping” Funktion

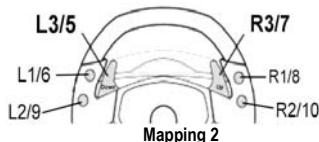
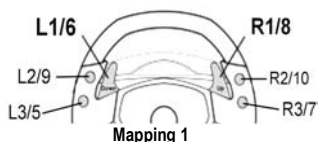
Die “**Sequentielle Schalthebel-Mapping**” Funktion erlaubt Ihnen eine Zuweisung direkt auf die beiden digitalen Schalthebel (**1**) in 100% der Spiele.

Folgen Sie den gleichen Schritten um in den „normalen“ Modus zurückzukehren.



Achtung:

- Um **Mapping 1** zu aktivieren, gleichzeitig **L1/6, R1/8** und die **beiden Hebel** drücken.
- Um **Mapping 2** zu aktivieren, gleichzeitig **L3/5, R3/7** und die **beiden Hebel** drücken.



Achtung:

- **Mapping 1** oder **2** ist ausgewählt: Die LED blinkt für einige Sekunden rot.
- **Voreingestellte, sequentielle Schalthebel** ist ausgewählt: Die LED blinkt für einige Sekunden grün.

TROUBLESHOOTING

- **Mein Lenkrad funktioniert nicht richtig oder scheint nicht richtig kalibriert zu sein.** Konsole oder PC ausschalten. Dann Lenker abklemmen und alle Kabel (inkl. Pedale) erneut verbinden. Gerät wieder einschalten und das Spiel erneut starten.
- **Der Lenkrad bewegt sich von selbst im Spiel.** Dies ist die normale Zentrierungs-Funktion in manchen Spielen. Um die Bewegungen zu stoppen, die Hände am Lenkrad lassen oder die Force-Intensität zurücknehmen.
- **Mein Lenkrad wendet sich nach der Autokalibrierung nach einer Seite (Links oder Rechts).** Dies ist in einigen Spielen normal. Das Lenkrad wird sich von selbst re-zentrieren, wenn Sie ihn in den Setup-Optionen des Spiels als Lenker angemeldet haben.
- **Auf dem PC: Das Lenkrad wird als solches erkannt, doch funktioniert nicht im Spiel.** Bitte Spieloptionen aufrufen, um das Lenkrad zu konfigurieren. Lesen Sie das Benutzerhandbuch des Spiels für weiterführende Information.
- **Auf dem PC: Das Pedalset funktioniert nicht korrekt.** Gameoptionen aufrufen und im Konfigurationsmanagement das Lenkrad rekonfigurieren. Falls das Problem weiter besteht, das Spiel verlassen und das Pedalset auf den „Kombinationsmodus“ (Zweiachsig) schalten. Dann das Spiel erneut starten und das Lenkrad als Zweiachsig rekonfigurieren.

SICHERHEITSEMPFEHLUNG UND INFORMATION

- **Während des Verbindens des Lenkrads mit dem PC oder der PLAYSTATION:** Um inkorrekt kalibrierung vorzubeugen, niemals am Lenkrad drehen oder die Buttons und Pedale drücken.

TECHNISCHER SUPPORT

Sollten Sie mit Ihrem Produkt ein Problem haben, besuchen Sie bitte die Seite <http://ts.thrustmaster.com> und klicken Sie auf **Technischer Support**. Von dort aus können Sie auf verschiedene Hilfen zugreifen (Fragen und Antworten (FAQ), die neuesten Versionen von Treibern und Software), die Ihnen bei der Lösung Ihres Problems helfen könnten. Falls das Problem weiterhin besteht, können Sie mit dem technischen Support für Thrustmaster Produkte in Kontakt treten („Technischer Support“):

Per Email:

Um den technischen Supports per Email in Anspruch nehmen zu können, müssen Sie sich zunächst online registrieren. Mit den Informationen, die Sie uns so zukommen lassen, können die Mitarbeiter Ihr Problem schneller lösen. Klicken Sie bitte auf **Registrierung** links auf der Seite des technischen Supports und folgen Sie den Anweisungen auf dem Bildschirm. Falls Sie bereits registriert sind, füllen Sie die Textfelder **Anwendername** und **Paßwort** aus und klicken dann auf **Login**.

Per Telefon:

Deutschland	0180/5824763	0,12 €/Minute, Montag bis Freitag von 15 bis 18 Uhr und 19 bis 22 Uhr
Schweiz	22 567 51 20	Zum Preis eines landesweiten Telefongesprächs, Montag bis Freitag von 13 bis 22 Uhr

GEWÄHRLEISTUNGSINFORMATION

Guillemot Corporation S.A. („Guillemot“) bietet dem Kunden ab dem Kaufdatum weltweit eine 2-jährige Garantie auf Materialschäden und Herstellungsmängel. Sollte das Produkt dennoch während dieser zwei Jahre Schäden oder Mängel aufweisen, kontaktieren Sie bitte unverzüglich den technischen Support, der Ihnen die weitere Verfahrensweise mitteilen wird. Im Falle eines technischen Defektes können Sie da Produkt dort, wo Sie es gekauft haben, zurückgeben (oder an die vom Technischen Support angegebene Adresse).

Im Rahmen dieser Garantie wird das defekte Produkt nach Ermessen des technischen Supports entweder repariert oder ersetzt. Überall wo es geltendes Recht zulässt, wird die Haftung von Guillemot und seinen Niederlassungen für das jeweilige Produkt(einschließlich für indirekte Beschädigungen), nur soweit übernommen, als das eine Reparatur durchgeführt wird oder Ersatz geleistet wird. Die Rechte des Käufers gemäß dem geltenden Recht des jeweiligen Landes werden durch diese Garantie nicht beeinflusst.

Diese Garantie tritt unter folgenden Umständen nicht in Kraft :

- (1) Falls am Produkt etwas verändert wurde oder es geöffnet wurde, ein Schaden durch unangebrachte Nutzung, Fahrlässigkeit, einen Unfall, Verschleiß oder irgendeinen anderen Grund verursacht wurde, der nicht im Zusammenhang mit einem Materialdefekt oder Herstellungsmangel aufgetreten ist.
- (2) Im Falle der Nichtbeachtung der durch den technischen Support erteilten Anweisungen.
- (3) Software, die nicht von Guillemot herausgegeben wurde, unterliegt der speziellen Garantie des jeweiligen Softwareherstellers.

COPYRIGHT

© 2005 Guillemot Corporation S.A. Alle Rechte vorbehalten. Thrustmaster® ist ein eingetragenes Warenzeichen der Guillemot Corporation S.A. PlayStation® ist ein eingetragenes Warenzeichen der Sony Computer Entertainment Inc. Microsoft® Windows® 98, 2000, Me und XP sind eingetragene Warenzeichen der Microsoft Corporation in den Vereinigten Staaten von Amerika und/oder anderen Ländern. Alle anderen Warenzeichen und Markennamen werden hiermit anerkannt und sind Eigentum ihrer jeweiligen Eigentümer. Fotos und Abbildungen nicht bindend. Inhalt, Design und Eigenschaften des Produkts können ohne Bekanntmachung geändert werden und variieren von Land zu Land.

Hinweise zum Umweltschutz



Dieses Produkt darf am Ende seiner Lebensdauer nicht über den normalen Haushaltsabfall entsorgt werden, sondern muss an einem Sammelpunkt für das Recycling von elektrischen und elektronischen Geräten abgegeben werden.

Das Symbol auf dem Produkt, der Gebrauchsanleitung oder der Verpackung weist darauf hin.

Die Werkstoffe sind gemäß ihrer Kennzeichnung wiederverwertbar. Mit der Wiederverwendung, der stofflichen Verwertung oder anderen Formen der Verwertung von Altgeräten leisten Sie einen wichtigen Beitrag zum Schutze unserer Umwelt.

Bitte erfragen Sie bei der Gemeindeverwaltung die zuständige Entsorgungsstelle.

FAQs, Tipps und Treiber erhalten Sie auf www.thrustmaster.com

Ferrari GT

2 in 1 Rumble Force Racing Wheel

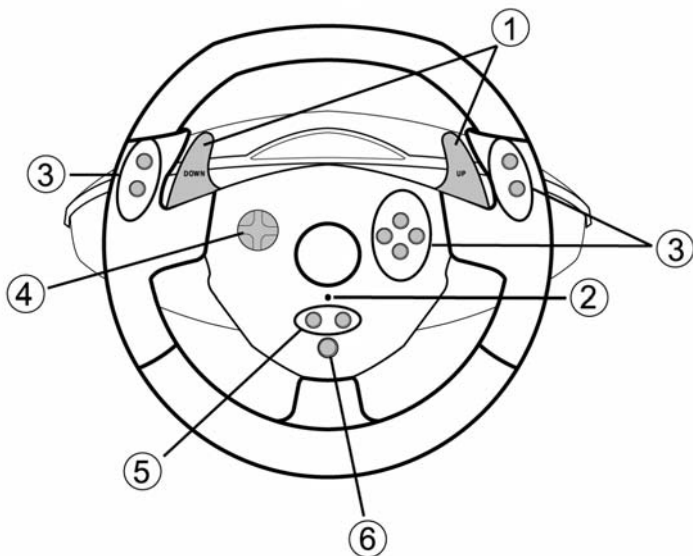
For use with / Für / Pour



Playstation® 2

PC

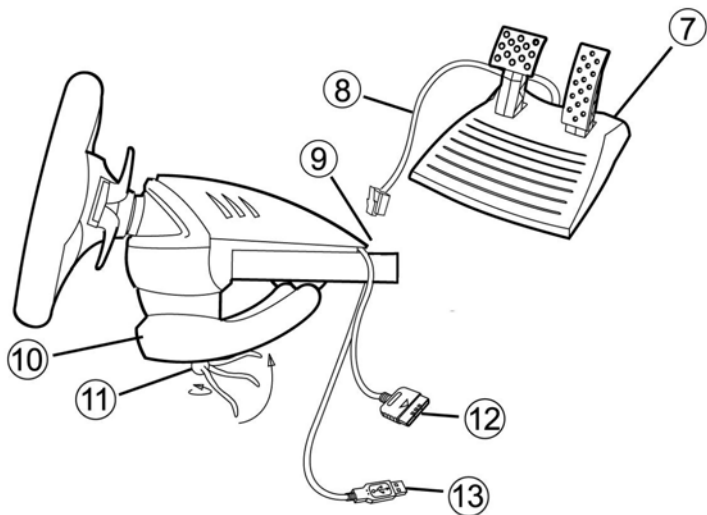
Handleiding



TECHNISCHE KENMERKEN

- 1 2 digitale schakelflippers
- 2 Modus-LED
- 3 Actieknoppen

- 4 D-pad
- 5 Selectie- en Startknoppen
- 6 Force-knop



- | | | | |
|----|-------------------------------------|----|--|
| 7 | Analoge pedalen | 11 | Klemschroef |
| 8 | Kabel voor pedalen | 12 | GAMEPORT-aansluiting (voor PlayStation2) |
| 9 | Connector voor pedalen (stuurzijde) | 13 | USB-connector (voor PC) |
| 10 | Tafelklem | | |

HET STUUR INSTALLEREN

Het stuur vastzetten

1. Zet het stuur op een tafel of een ander vlak oppervlak.
2. Stop de klenschroef (11) in de klem (10) en schroef de klembeugel goed vast in het gat aan de onderzijde van het racestuur. Draai de schroef niet al te vast aan, want dat zou de klem of de tafel kunnen beschadigen.

De pedalen aansluiten

1. Sluit de beide connectoren voor de pedalen op elkaar aan: stuurzijde (8) en pedaalzijde (9).

INSTALLATIE VOOR PC

Systeemvereisten: PC met Windows 98SE, Me, 2000 of XP en een USB-poort.

Met behulp van de meegeleverde CD-ROM kun je de drivers installeren die nodig zijn voor Vibrations Feedback.

1. Plaats de installatie-CD in de CD-ROM-drive. Volg de instructies op het scherm om de Vibrations Feedback-stuurprogramma's te installeren. Klik, als de installatieprocedure is afgerond, op **Voltooiën** om de computer opnieuw te starten.
2. Als de computer opnieuw is gestart, sluit je de USB-connector (**10**) aan op een van de USB-poorten van je computer. Windows 98/Me/2000/XP zal het nieuwe apparaat automatisch herkennen. (Als een nieuw USB-apparaat voor het eerst op de computer wordt aangesloten, kan bij het installeren gevraagd worden de Windows CD-ROM te plaatsen zodat de benodigde systeembestanden kunnen worden geïnstalleerd).
3. Installatie van de driver:
 - Onder Windows 98: de **Wizard Nieuwe hardware** zoekt de benodigde drivers. Klik op **Volgende**. Volg de aanwijzingen op het scherm op om de installatie te voltooien.
 - Windows 2000/Me/XP: de drivers worden automatisch geïnstalleerd.
4. Selecteer **Start/Programma's/Thrustmaster/Force Feedback driver/Control Panel**. In het dialoogvenster **Game Controllers** (of **Spelbesturingen**, afhankelijk van het besturingssysteem), staat de naam van de gamepad met als status **OK**.
5. Klik op **Eigenschappen** in het **Configuratiescherm** om de gamepad te configureren.
 - **Test device:** hiermee kun je de knoppen, de D-Pad en de 3 assen (stuur, rem en gaspedaal) bekijken en testen.
 - **Test forces:** hiermee kun je de 8 beschikbare Force effecten testen en de instellingen voor Vibrations Feedback kiezen. (Er zijn 2 mogelijke instellingen, van 0 tot 150 % : Forces Main en Static).

GEAVANCEERDE FUNCTIES VOOR DE PC

Modus "Separate" (Afzonderlijk, 3 assen) of "Combined" (Gecombineerd, 2 assen) selecteren voor gas geven / remmen

Gas geven en remmen gebeurt standaard in de modus "Separate", waarbij 3 assen worden gebruikt. Rem en gaspedaal functioneren daarbij elk op een eigen as. (De derde is voor het stuur.)

Het gebruik van 3 assen geeft een aanzienlijk grotere precisie tijdens het racen.

Deze modus voor 3 assen moet dan wel door de game worden ondersteund, want anders werkt het gaspedaal niet correct. In dat geval moet je de game afsluiten en de modus "Combined" selecteren (2 assen).

Om deze modus te activeren, druk je gelijktijdig het gas- en rempedaal in (**7**) terwijl je de Force-knop (**6**) ingedrukt houdt.

Op dezelfde manier kun je ook weer terugschakelen naar de modus "Separate" voor 3 assen.

Opmerking:

- Als je de modus "**Combined**" (**2 assen**) selecteert, knippert het LED-lampje een paar seconden met rood licht (stuur = "X", gaspedaal/rem = "RZ").
- Als je de modus "**Separate**" (**3 assen**) selecteert, knippert het LED-lampje een paar seconden met groen licht (stuur = "X", gaspedaal = "RZ", rem = "Y").

"Vibrations Feedback" effecten configureren en instellen op de PC

In tegenstelling tot diverse andere racesturen met trileffect, wordt dit stuur in de games herkend als een volwaardig "ForceFeedback" stuur.

Je kunt dus gebruikmaken van alle mogelijke instellingen en je beschikt over het volledige scala van mogelijke effecten. Je kunt het stuur laten kalibreren, je kunt de gevoeligheid instellen, intensiteit kiezen, enzovoort.

Alleen emulatie van automatische centreerfuncties is met "Vibrations Feedback" niet mogelijk is. Als je dus een game gebruikt die daarvan gebruikmaakt, kun je die functie beter uitschakelen.

Met een juiste instelling van bediening en game-opties haal je alles uit het stuur wat erin zit.

INSTALLATIE VOOR PLAYSTATION 2

HET STUUR AANSLUITEN

1. Zet de game console uit voordat je het stuur aansluit.
2. Sluit de connector voor console (12) aan op poort 1 van de console.
3. Zet de gameconsole weer aan.
4. Het rood brandende LED-lampje (2) geeft aan dat de modus Vibration mode is geactiveerd.

Nu kan er gespeeld worden!

GEAVANCEERDE FUNCTIES VOOR PLAYSTATION 2

Het stuur configureren

Gebruik je het stuur in combinatie met de PlayStation 2, dan werkt gas geven en remmen in de modus "Separate", met 3 assen: stuur = "linker joystick", gas = "Kruis", rem = "Vierkantje".

Aanpassing van de configuratie van andere knoppen doe je in de game zelf. Je vindt daar meestal een functie als "gamepad control options".

De modus Precision Drive

De modus Precision Drive is speciaal ontwikkeld om de prestaties te verbeteren.

Afhankelijk van de game kan deze modus worden gebruikt om je tijden te verbeteren (en tijden van tegenstanders te kloppen) of om bepaalde uitdagingen eenvoudiger tot een goed einde te brengen.

Deze nieuwe en exclusieve modus berekent de verschillende analogiepunten van het stuur en stelt ze opnieuw in zonder dode zones te veroorzaken (hetgeen nogal eens het geval is bij andere sturen waarvan de gevoeligheid kan worden aangepast).

Hoe handig en effectief deze modus is, hangt af van de game en het circuit of parcours dat je moet rijden. In deze modus luistert het stuur zeer nauwkeurig waardoor je uitstekend kunt driften en dus niet al te veel snelheid verliest. Dit is uiterst effectief op circuits met bijvoorbeeld veel haarspeldbochten.

In games met een hele korte stuuruitslag zoals F1-games is het weer niet handig om deze modus te gebruiken.

Wij adviseren deze modus niet zonder nadenken in te zetten.

Om de modus **Precision Drive** te activeren, druk je gelijktijdig de 2 *schakelknoppen* (1) en het *D-pad* (4) in. Met dezelfde procedure kun je ook weer terugschakelen naar de normale modus.

Opmerking:

- Als de modus **Precision Drive** is **ingeschakeld**, blijft het LED-lampje **knipperen**.
- Als de modus **Precision Drive** is **uitgeschakeld**, knippert het LED-lampje **niet**.

GEAVANCEERDE FUNCTIES VOOR PC EN PLAYSTATION 2

De Vibrations Feedback effecten in- en uitschakelen op het stuur zelf

Je kunt de Vibrations Feedback effecten direct op het stuur zelf in - en uitschakelen door op de Force-knop (6) te drukken.

Dit is ook mogelijk tijdens het spelen van een game.

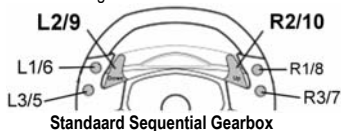
Opmerking:

- Rood LED-lampje: Vibrations Feedback effecten ingeschakeld.
- Groen LED-lampje: Vibrations Feedback effecten uitgeschakeld.

De functie "Sequential gearbox mapping"

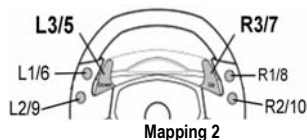
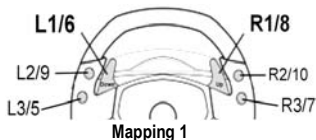
Met de functie "Sequential gearbox mapping" kan het bedienen van de versnellingsbak worden toegekend aan de 2 digitale schakelknoppen (1).

Met dezelfde procedure ga je ook weer terug naar de modus "Normal".



Opmerking:

- Om Mapping 1 te activeren, druk je gelijktijdig op L1/6, R1/8 en de 2 schakelknoppen.
- Om Mapping 2 te activeren, druk je gelijktijdig op L3/5, R3/7 en de 2 schakelknoppen.



Opmerking:

- Als de "Mapping 1 of 2" is geselecteerd, knippert het LED-lampje een paar seconden met rood licht.
- Als je terugschakelt naar "Standaard Sequential Gearbox", knippert het LED-lampje een paar seconden met groen licht.

VERHELPELEN VAN STORINGEN

- **Mijn stuur werkt niet goed of het lijkt er op dat het stuur niet goed gekalibreerd is.** Schakel PC of console uit, haal de aansluitingen van het stuur los, sluit alle kabels opnieuw aan (inclusief die van de pedalen), schakel PC of console weer in en start de game opnieuw.

- **Het stuur beweegt zonder dat ik iets doe.** Dit heeft te maken met de functie voor automatisch centreren die in sommige games wordt gebruikt. Het is dus een normaal verschijnsel. Wil je die bewegingen stoppen, dan leg je gewoon je handen op het stuur of je kiest voor een minder intensieve ForceFeedback-instelling.

- **Mijn stuur blijft helemaal naar links of rechts staan nadat het automatisch is gekalibreerd.** Dit is normaal bij sommige games. Het stuur komt vanzelf terug in de middenpositie zodra je het in de setup-opties van de game hebt aangemeld als een stuur.

- **Het stuur wordt door de computer (PC) herkend, maar het werkt niet in de game.** Ga in de game naar de Opties en configureer het stuur. Raadpleeg de handleiding bij de game voor meer informatie.

De pedalen werken niet correct (PC). Ga in de game naar de Opties en configureer het stuur. Als het probleem blijft optreden, sluit je de game af en activeer je de modus "Combined" (2 assen). Vervolgens start je de game opnieuw en configureer je het stuur voor de nieuwe instelling.

VEILIGHEIDSINFORMATIE EN -AANBEVELINGEN

- **Bij het aansluiten van het stuur op PC of PLAYSTATION:** Niet aan het stuur draaien en knoppen of pedalen niet indrukken. Dit zou het proces van kalibreren kunnen verstoren.

TECHNICAL SUPPORT

Als u problemen hebt met uw product, gaat u naar <http://ts.thrustmaster.com> en klikt u op **Technical Support**. Vanaf hier hebt u toegang tot verschillende onderwerpen zoals hulpprogramma's, de FAQ (veelgestelde vragen) en de meest recente drivers en software die u helpen bij het vinden van oplossingen. Als het probleem zich blijft voordoen, neem dan contact op met de Thrustmaster product technical support service ("Technical Support"):

Per e-mail:

Voordat u gebruik kunt maken van technisch ondersteuning per e-mail dient u zich eerst online te registreren. Met de door u verstrekte informatie kan uw probleem sneller en beter worden opgelost. Klik op **Registration** aan de linkerkant van de pagina Technical Support en volg de aanwijzingen op het scherm. Indien u reeds geregistreerd bent, vult u de velden **Username** en **Password** in en klikt u op **Login**.

Per telefoon:

België

02 / 732 55 77

kosten van interlokaal gesprek, maandag t/m vrijdag
van 09:00 tot 12:30 en van 14:00 tot 17:30

GARANTIE INFORMATIE

Wereldwijd garandeert Guillemot Corporation S.A. ("Guillemot") de consument dat dit Thrustmaster-product gedurende een periode van twee (2) jaar vanaf de oorspronkelijke aankoopdatum vrij zal zijn van materiaal- en fabricagefouten. Indien u in de garantieperiode een defect meent te constateren aan dit product, neem dan onmiddellijk contact op met de Technical Support die u zal informeren over de te volgen procedure. Als het defect wordt bevestigd, dan dient het product te worden geretourneerd naar de plaats van aankoop (of een andere locatie die wordt opgegeven door Technical Support).

Binnen het gestelde van deze garantie wordt het defecte product van de consument gerepareerd of vervangen, zulks ter beoordeling van Technical Support. Indien toegestaan door van kracht zijnde wetgeving, beperkt de volledige aansprakelijkheid van Guillemot en haar dochterondernemingen (inclusief de aansprakelijkheid voor indirecte schade) zich tot het repareren of vervangen van het Thrustmaster product. De wettelijke rechten van de klant volgens de wetgeving van toepassing op de verkoop van consumentproducten worden op generlei wijze beperkt door deze garantie.

Deze garantie is niet van kracht: (1) indien het product gemodificeerd, geopend of gewijzigd is, of beschadigd ten gevolge van oneigenlijk of onvoorzichtig gebruik, verwaarlozing, een ongeluk, normale slijtage, of enig andere oorzaak niet gerelateerd aan een materiaal- of fabricagefout; (2) indien u zich niet houdt aan de instructies zoals verstrekt door Technical Support; (3) op software die niet is gepubliceerd door Guillemot en daardoor onder de specifieke garantie valt zoals verstrekt door degenen die deze software publiceert.

COPYRIGHT

© Guillemot Corporation 2005. Alle rechten voorbehouden. Thrustmaster® is een geregistreerd handelsmerk van Guillemot Corporation S.A. PlayStation® is een geregistreerd handelsmerk van Sony Computer Entertainment Inc. Microsoft® Windows® 98, 2000, Me en XP zijn geregistreerde handelsmerken van Microsoft Corporation in de Verenigde Staten en/of andere landen. Alle andere handelsmerken en merknamen zijn hierbij erkend en zijn het eigendom van de desbetreffende eigenaren. Illustraties zijn niet bindend. Inhoud, ontwerpen en specificaties kunnen zonder voorafgaande kennisgeving gewijzigd worden en afwijken in verschillende landen.

Aanbevelingen voor de bescherming van het milieu



Gooi dit product na het einde van de levensduur niet weg met het normale afval, maar breng het naar het door uw gemeente aangewezen inzamelpunt voor elektrische en/of computerapparatuur.

Ter herinnering is hiertoe op het product, de gebruikshandleiding of de verpakking een symbool aangebracht. De meeste materialen kunnen worden gerecycled. Dankzij recycling en andere methodes voor het verwerken van afgedankte elektrische en elektronische apparaten kunt u een belangrijke bijdrage leveren aan de bescherming van het milieu.

Neem contact op met uw gemeente voor informatie over een inzamelpunt bij u in de buurt.

Veelgestelde vragen, tips en drivers vindt u op www.thrustmaster.com

Ferrari GT

2 in 1 Rumble Force Racing Wheel

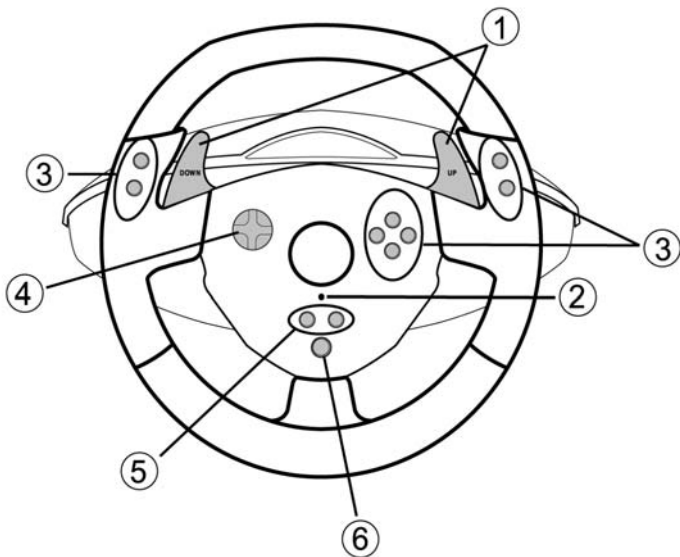
For use with / Für / Pour



Playstation 2

PC

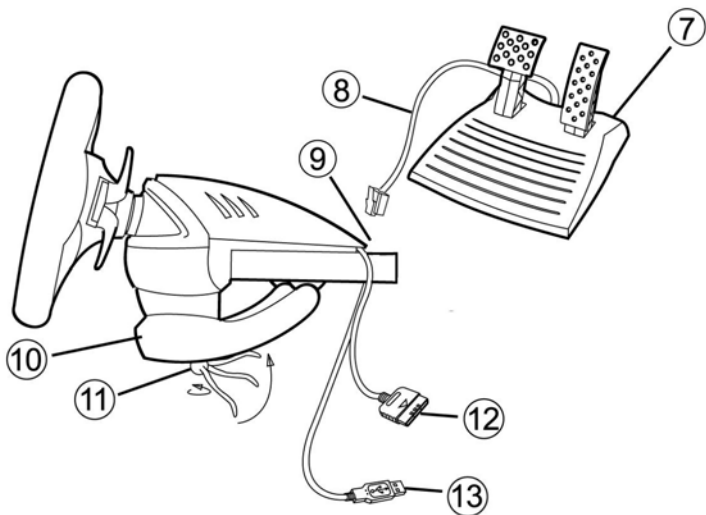
Manuale d'uso



CARATTERISTICHE TECNICHE

- 1 2 leve del cambio digitali
- 2 Led Mode
- 3 Pulsanti azione

- 4 D-pad
- 5 Pulsanti Select e Start
- 6 Pulsante Force



- 7 Pedaliera analogica
- 8 Cavo della pedaliera
- 9 Connettore della pedaliera
- 10 Morsa per fissaggio al tavolo

- 11 Vite della morsa
- 12 Connettore GAMEPORT (per PlayStation2)
- 13 Connettore USB (per PC)

INSTALLAZIONE DEL VOLANTE

Fissare il volante in posizione

1. Posiziona il volante su un tavolo o un'altra superficie piana.
2. Inserisci la vite della morsa (11) nella morsa stessa (10), quindi avvita la morsa all'apposito foro posto sotto il volante, finché non risulta saldamente fissata. Non stringere troppo la vite: rischiaresti di danneggiare la morsa e/o il tavolo.

Collegamento della pedaliera

1. Inserisci il connettore della pedaliera (8) nell'apposito ricettore (9).

INSTALLAZIONE PER PC

Requisiti di sistema: PC (Windows 98 SE, Me, 2000, XP) dotato di porta USB.

Il CD-ROM accluso a questo prodotto ti permette di installare i driver Vibrations Feedback.

1. Inserisci il CD-ROM di installazione nell'apposito lettore. Installa i driver Force Feedback seguendo le istruzioni che compaiono sullo schermo. Una volta terminate l'installazione, clicca su **Fine** e riavvia il computer.
2. Una volta riavviato il computer, collega il connettore USB **(10)** ad una delle porte USB del tuo computer. Windows 98/Me/2000/XP identificherà automaticamente la nuova periferica. (Se è la prima volta che colleghi una periferica USB, durante la procedura di installazione potrebbe esserti richiesto di inserire il CD-ROM di Windows per installare i necessari file di sistema.)
3. Installazione dei driver:
Windows 98: la procedura di **Installazione guidata nuova periferica** cercherà i driver più appropriati. Clicca su **Avanti**. Segui le istruzioni sullo schermo per completare l'installazione.
Windows Me/2000/XP: i driver vengono installati automaticamente.
4. Clicca su **Start/Tutti i programmi/Thrustmaster/Force Feedback driver/Pannello di controllo**. La finestra di dialogo **Periferiche di gioco** visualizzerà il nome del gamepad con **OK** come "stato".
5. Per configurare il tuo gamepad, nel **Pannello di controllo** clicca su **Proprietà**:
 - **Test periferica:** per testare e visualizzare i vari pulsanti, il D-pad e i 3 assi di movimento (volante, pedali di acceleratore e freno).
 - **Test forze:** per testare gli 8 effetti di ritorno di forza e configurarne le impostazioni (3 impostazioni possibili: da 0 a 150 % : Forces Main, Static e Dynamic).

FUNZIONI AVANZATE PER PC

Selezione della modalità di accelerazione/frenata "Separata" (3-assi) OPPURE "Combinata" (2-assi)

Per default, i controlli del volante per acceleratore e freno operano in modalità "separata" a 3-assi: acceleratore e freno operano su assi indipendenti.

Il supporto a 3 assi aumenta considerevolmente la precisione della guida in tutti i giochi di corse.

Se il tuo gioco non supporta la modalità a 3 assi, i pedali del gas non funzioneranno correttamente. In questo caso, esci dal gioco e seleziona la modalità "combinata" a 2 assi.

Per attivare questa modalità, premi contemporaneamente i controlli di acceleratore/freno **(7)** ed il pulsante **Force (6)**.

Per ritornare alla modalità "separata" a 3 assi, ripeti la medesima procedura.

Nota:

- Quando selezioni la modalità **"combinata" (2 assi)**, il led lampeggerà di rosso per alcuni secondi (Volante = asse "X", Acceleratore e Freno = asse "RZ").
- Quando selezioni la modalità **"separata" (3 assi)**, il led lampeggerà di verde per alcuni secondi (Volante = asse "X", Acceleratore = asse "RZ" e Freno = asse "Y").

Configurazione e regolazione degli effetti "Vibrations Feedback" su PC

Al contrario di quanto avviene per gli altri volanti con effetti di vibrazione per PC, in tutti i giochi il tuo volante verrà riconosciuto come un autentico volante "ForceFeedback".

Pertanto, potrai sfruttare tutti i possibili effetti di forza con le relative impostazioni (calibrazione, sensibilità, intensità della forza, ecc.).

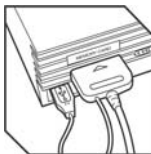
Tuttavia, gli effetti "Vibrations Feedback" non sono in grado di emulare la funzione di ricentraggio: se il tuo gioco supporta tale funzione, ti consigliamo di disattivarla.

Attraverso le impostazioni del pannello di controllo e le opzioni dei tuoi giochi, otterrai il Massimo dal tuo volante.

INSTALLAZIONE PER PLAYSTATION 2

CONNESSIONE DEL VOLANTE

1. Prima di collegare il volante, spegni la tua console.
2. Collega il connettore per console (12) alla porta 1 della tua console.
3. Riaccendi la tua console.
4. Il led (2) si illumina di rosso, indicando che la modalità Vibrazione è attivata.



Ora sei pronto a giocare!

FUNZIONI AVANZATE PER PLAYSTATION 2

Configurazione del volante

Su PlayStation 2, i controlli di accelerazione/frenata del volante operano in modalità "separata" a 3 assi: Volante = asse " Joystick Sinistro Orizzontale", Acceleratore = "Croce" e Freno = "Quadrato".

Per cambiare la configurazione degli altri pulsanti, accedi alle "opzioni di controllo del gamepad" del tuo gioco.

Modalità Precision Drive

La modalità Precision Drive è stata appositamente sviluppata per aumentare le prestazioni.

A seconda del gioco, questa modalità potrebbe aiutarti a migliorare i tuoi migliori tempi (e quelli dei tuoi amici/avversari) o a portare a termine più facilmente le varie sessioni di guida.

Questa nuova ed esclusiva modalità calcola e ridistribuisce i vari punti di movimento del tuo volante, eliminando definitivamente il problema delle "zone morte" (problema nel quale potresti imbatterti utilizzando altri volanti, di cui saresti costretto a regolarne la sensibilità).

Quanto preciso ed efficace questa modalità possa risultare, dipende dal gioco che stai utilizzando e dal tipo di corsa nella quale ti stai cimentando. In questa modalità, il volante è più sensibile e ti permetterà di sterzare più facilmente, consentendoti di perdere meno velocità, ad esempio nelle gare di sbandate controllate.

Nei giochi in cui l'effetto di sterzata del volante è molto sensibile (come i giochi di F1, ad esempio), potresti pertanto voler disattivare questa modalità.

Per ottenere la massima efficacia, ti consigliamo di utilizzare questa modalità con una visuale in soggettiva.

Per attivare la modalità **Precision Drive**, premi simultaneamente le 2 leve del cambio (1) ed il D-pad (4). Per ritornare alla modalità di guida normale, ripeti la medesima procedura.

Nota:

- Quando la modalità **Precision Drive** è attivata, il led lampeggia continuamente.
- Quando la modalità **Precision Drive** è disattivata, il led non lampeggia.

FUNZIONI AVANZATE PER PC E PLAYSTATION 2

Attivazione/disattivazione diretta degli effetti Vibrations Feedback sul volante

Per attivare o disattivare gli effetti Vibrations Feedback, premi il pulsante Force (6). Questa operazione può essere eseguita anche durante la fase di gioco.

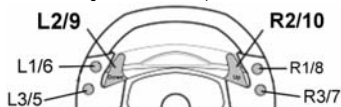
Nota:

- Quando gli effetti di Vibrations Feedback sono attivati, il led è Rosso.
- Quando gli effetti di Vibrations Feedback sono disattivati, il led è Verde.

Funzione di "Mappatura del cambio sequenziale"

La funzione di "Mappatura del cambio sequenziale" ti permette di assegnare il controllo del cambio della marcia direttamente alle 2 leve digitali (1), in tutti i giochi.

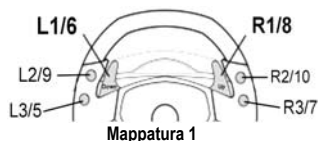
Per ritornare alla modalità "normale", riesegui la medesima procedura.



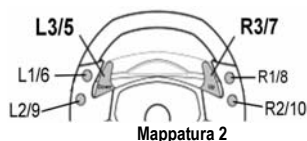
Cambio sequenziale di default

Nota:

- Per attivare la **Mappatura 1**, premi simultaneamente L1/6, R1/8 e le 2 leve.
- Per attivare la **Mappatura 2**, premi simultaneamente L3/5, R3/7 e le 2 leve.



Mappatura 1



Mappatura 2

Nota:

- Quando selezioni la « Mappatura 1 o 2 », il led lampeggia di rosso per alcuni secondi.
- Quando ritorni alla modalità **Cambio sequenziale di default**, il led lampeggia di verde per alcuni secondi.

RISOLUZIONE DEI PROBLEMI

- **Il mio volante non funziona correttamente o sembra non essere ben calibrato.** Spegni il tuo PC o la tua console, scollega il tuo volante, quindi ricollega tutti i cavi (compresi alimentatore e pedaliera), riavvia il sistema e lancia il gioco.
- **Durante il gioco, il mio volante si muove da solo.** Questo è normale: si tratta della funzione di ricentraggio attiva in alcuni giochi. Per arrestare questi movimenti, impugnare il volante oppure ridurre l'intensità del ForceFeedback.
- **Dopo l'auto-calibrazione, il mio volante rimane girato in una direzione (destra o sinistra).** In alcuni giochi questo è normale. Il volante si centra automaticamente non appena il tuo controller viene identificato come volante nelle opzioni di configurazione del tuo gioco.
- **Su PC, il mio computer riconosce il volante ma quest'ultimo non funziona nel gioco.** Accedi alle opzioni del gioco per configurare il tuo volante. Per ulteriori informazioni, fai riferimento al manuale del tuo gioco.
- **Su PC, la mia pedaliera non funziona correttamente.** Riconfigura il volante tramite l'interfaccia delle opzioni del tuo gioco. Se il problema persiste, esci dal gioco ed imposta la modalità "combinata" (2 assi) per la tua pedaliera. Ritorna quindi al gioco e riconfigura il volante con i nuovi assi di movimento.

INFORMAZIONI E CONSIGLI SULLA SICUREZZA

- **Quando colleghi il volante al PC o alla PLAYSTATION:** per ottenere una calibrazione corretta, non girare mai il volante e non premere alcun pulsante/pedale.

ASSISTENZA TECNICA

Se hai avuto problemi con il tuo prodotto, visita il sito <http://ts.thrustmaster.com> e clicca su **Technical Support**. Da lì potrai accedere a vari servizi (domande più frequenti (FAQ), driver e software più recenti) che potranno aiutarti a risolvere il problema riscontrato. Qualora il problema dovesse persistere, puoi contattare il servizio di assistenza tecnica dei prodotti Thrustmaster ("Assistenza Tecnica"):

Tramite email:

Per poter godere di assistenza tecnica tramite email, dovrai prima effettuare la registrazione online. Le informazioni che fornirai aiuteranno gli esperti a risolvere rapidamente il tuo problema. Nella parte sinistra della pagina "Technical Support", clicca su **Registration** e segui le istruzioni che appariranno sullo schermo. Se sei già registrato, riempi i campi **Username** e **Password** e clicca quindi su **Login**.

INFORMAZIONI SULLA GARANZIA

Internazionalmente, Guillemot Corporation S.A. ("Guillemot") garantisce l'acquirente che questo prodotto Thrustmaster è privo di vizi produttivi o difetti di materiale per un periodo di due (2) anni dalla data di acquisto. Nel caso il prodotto si riveli difettoso durante il periodo di garanzia, contattare immediatamente l'Assistenza Tecnica, che indicherà la procedura da seguire. Qualora il difetto venga confermato, il prodotto dovrà essere riconsegnato al luogo di acquisto (o in qualsiasi altro luogo specificato dall'Assistenza Tecnica).

Nel contesto della garanzia, il prodotto difettoso dell'acquirente verrà riparato oppure sostituito, a seconda della scelta operata dall'Assistenza Tecnica. Dove autorizzato dalla legge vigente, la responsabilità di Guillemot e le sue filiali (inclusendo qualsiasi danno indiretto) è limitata alla riparazione o alla sostituzione del prodotto Thrustmaster. I diritti dell'acquirente nel rispetto della legislazione vigente applicabile alla vendita di beni al consumatore non sono annullati dalla presente garanzia.

Questa garanzia perde di validità: (1) se il prodotto è stato modificato, aperto, alterato, o ha subito un danno come risultato da uso inappropriato, negligenza, danni accidentali, normale usura o qualsiasi altra causa non direttamente collegata con un difetto di materiale o un vizio di produzione; (2) nel caso di mancato adempimento nell'esecuzione delle procedure indicate dall'Assistenza Tecnica; (3) per il software non prodotto da Guillemot, poiché per questo caso è valida la garanzia fornita dal suo produttore.

COPYRIGHT

© 2005 Guillemot Corporation S.A. Tutti i diritti riservati. Thrustmaster® è un marchio registrato da Guillemot Corporation S.A. PlayStation® è un marchio registrato da Sony Computer Entertainment Inc. Microsoft® Windows® 98 SE, Me, 2000, XP e DirectX® sono marchi registrati o marchi da Microsoft Corporation negli Stati Uniti e/o in altri paesi. Tutti gli altri marchi sono qui riconosciuti e registrati ai rispettivi proprietari. Foto escluse. I contenuti, il design e le caratteristiche possono essere oggetto di modifiche senza preavviso e possono variare da un paese all'altro.

Norme per la salvaguardia dell'ambiente



Al termine della sua vita operativa, questo prodotto non deve essere gettato come un rifiuto comune, ma deve essere gettato in un apposito contenitore per il riciclaggio del Materiale Elettrico ed Elettronico

Ciò è confermato dal simbolo riportato sul prodotto, sul manuale o sulla confezione.

A seconda delle proprie caratteristiche intrinseche, i materiali potrebbero essere riciclabili.

Attraverso il riciclaggio dei rifiuti ed altre forme di gestione del Materiale Elettrico ed Elettronico, puoi dare un significativo contributo alla conservazione e alla salvaguardia dell'ambiente. Per ottenere informazioni sul Punto di raccolta a te più vicino, contatta gli enti competenti.

FAQ, consigli e driver sono disponibili al sito www.thrustmaster.com

Ferrari GT

2 in 1 Rumble Force Racing Wheel

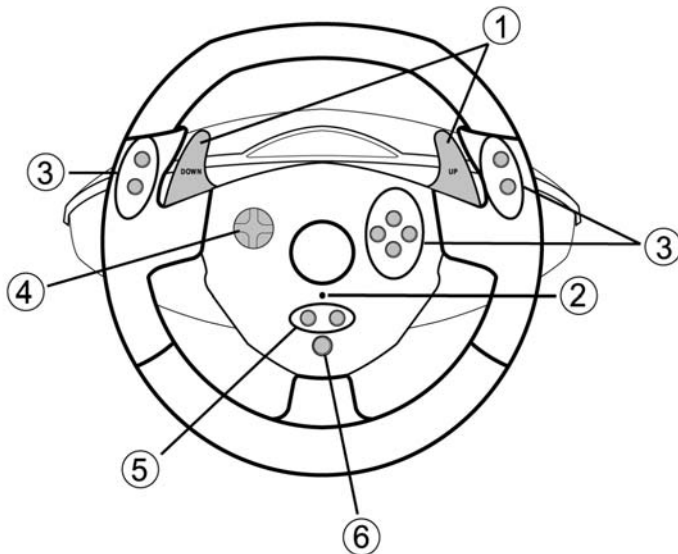
For use with / Für / Pour



Playstation 2

PC

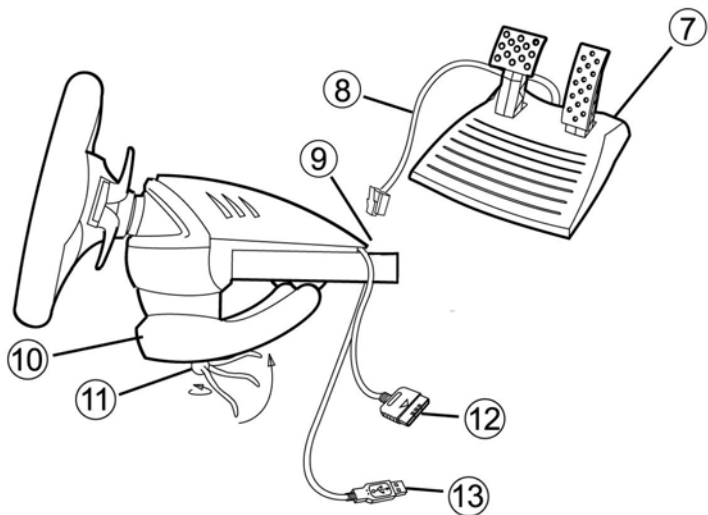
Manual del usuario



CARACTERÍSTICAS TÉCNICAS

- 1 2 palancas digitales de cambio de marchas
- 2 LED Mode
- 3 Botones de acción

- 4 D-pad
- 5 Botones *Select* y *Start*
- 6 Botón *Force*



- | | |
|---------------------------|--|
| 7 Pedales analógicos | 11 Tornillo de anclaje |
| 8 Cable de los pedales | 12 Conector GAMEPORT (para PlayStation2) |
| 9 Conector de los pedales | 13 Conector USB (para PC) |
| 10 Anclaje para la mesa | |

INSTALACIÓN DEL VOLANTE

Fijación del volante en su sitio

- Coloca el volante en una mesa u otra superficie plana.
- Coloca el tornillo de anclaje (11) en el anclaje para la mesa (10) y luego atornilla la unidad de anclaje en el agujero en la parte inferior del volante hasta que quede firmemente sujeto. No aprietes el tornillo demasiado fuerte, pues te arriesgas a dañar la unidad de anclaje y/o la mesa.

Conexión de los pedales

- Enchufa el conector de los pedales (8) en el receptor de los pedales (9).

INSTALACIÓN PARA PC

Requisitos del sistema: PC (Windows 98 SE, Me, 2000, XP) equipado con un puerto USB.

El CD-ROM incluido con este producto te permite instalar los controladores de Vibrations Feedback.

1. Inserta el CD-ROM de instalación en la unidad de CD-ROM. Sigue las instrucciones en pantalla para instalar los controladores de Vibrations Feedback. Cuando la instalación haya terminado, haz clic en **Finalizar** y reinicia el ordenador.
2. Cuando el ordenador se haya reiniciado, enchufa el conector USB **(10)** en uno de los puertos USB del ordenador. Windows 98/Me/2000/XP detectará automáticamente el nuevo dispositivo. (Si estás conectando un dispositivo USB por primera vez, Windows puede pedirte que insertes el CD-ROM de Windows durante el procedimiento de instalación para instalar los archivos de sistema requeridos.)
3. Instalación de controladores:
Windows 98: el **Asistente para agregar nuevo hardware** buscará los controladores apropiados. Haz clic en **Siguiente**. Sigue las instrucciones en pantalla para completar la instalación.
Windows Me/2000/XP: los controladores se instalan de forma automática.
4. Selecciona **Inicio/Todos los programas/Thrustmaster/Force Feedback driver/Control Panel**. El cuadro de dialogo **Game Controllers** muestra el nombre del gamepad con el estado **OK**.
5. En el **Control Panel**, haz clic en **Properties** para configurar el gamepad:
 - **Test device:** para probar y visualizar los botones, el D-pad y los 3 ejes (volante, pedales de freno y acelerador).
 - **Test forces:** para probar los 8 efectos Force y configurar los ajustes de Vibrations Feedback (3 ajustes posibles de 0 al 150 %: fuerzas principales y estático).

FUNCIONES AVANZADAS EN PC

Selección del modo de aceleración/frenado "Separado" (3 ejes) O "Combinado" (2 ejes)

De forma predeterminada, los controles de aceleración/frenado del volante funcionan en modo "separado" de 3 ejes, es decir, con los pedales de frenado y aceleración funcionando en ejes independientes.

Los 3 ejes mejoran considerablemente la precisión de conducción en las carreras.

Si el juego no es compatible con el modo de 3 ejes, el pedal de aceleración del volante no funcionará correctamente. Sal del juego y selecciona el modo "combinado" de 2 ejes.

Para activar este modo, pulsa a la vez los controles de aceleración/frenado **(7)** y el botón **Force (6)**.

Para volver al modo "separado" de 3 ejes, repite el mismo procedimiento.

Nota:

- Cuando seleccionas el modo "**combinado**" (2 ejes), el LED parpadea en rojo durante unos **segundos** (volante = eje "X", acelerador y freno = eje "RZ").
- Cuando seleccionas el modo "**separado**" (3 ejes), el LED parpadea en verde durante unos **segundos** (volante = eje "X", acelerador = eje "RZ" y freno = eje "Y").

Configuración y ajuste de los efectos "Vibrations Feedback" en PC

A diferencia de otros volantes con vibración que existen para PC, los juegos reconocerán a tu volante como un volante genuino "Force Feedback".

De este modo puedes disfrutar de todos los efectos y todas las configuraciones posibles (calibración, sensibilidad, intensidad de la fuerza, etc.).

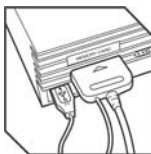
Sin embargo, los efectos de "Vibrations Feedback" no pueden emular efectos de recentrado, y si el juego incluye esta opción, te recomendamos que la desactives.

Configurando el panel de control y las opciones de los juegos conseguirás aprovechar al máximo el volante.

INSTALACIÓN PARA PLAYSTATION 2

CONEXIÓN DEL VOLANTE

1. Apaga la consola antes de conectar el volante.
2. Enchufa el conector de la consola (12) en el puerto 1 de la consola.
3. Vuelve a encender la consola.
4. El LED (2) está en rojo para indicar que el modo Vibración está activado.
¡Ya estás preparado para jugar!



FUNCIONES AVANZADAS EN PLAYSTATION 2

Configuración del volante

En PlayStation 2, los controles de aceleración/frenado del volante funcionan en el modo "separado" de 3 ejes: volante = eje "joystick horizontal izquierdo", acelerador = "cruz" y freno "cuadrado".

Para cambiar la configuración de los otros botones, vete a "opciones de control del gamepad" del juego.

Modo Precision Drive

El modo Precision Drive ha sido desarrollado especialmente con miras a mejorar el rendimiento.

Dependiendo del juego, puede ayudarte a superar tus mejores tiempos (y los de tus oponentes) o hacer más fácil completar con éxito los distintos eventos de conducción.

Este nuevo modo exclusivo calcula y redistribuye los distintos puntos analógicos del volante sin generar zonas muertas (como puede ser el caso de otros volantes que te permiten ajustar su sensibilidad).

Cómo de apropiado y de efectivo sea este modo dependerá del juego al que estés jugando y del circuito en el que corras. En este modo, el volante es más sensible y te permitirá derrapar más fácilmente y de este modo evitar una pérdida excesiva de velocidad, en circuitos con giros en horquilla, por ejemplo.

En juegos donde las reacciones del volante sean muy sensibles (como las carreras de F1, por ejemplo), probablemente querrás evitar la utilización de este modo.

Te recomendamos que utilices este modo con una vista interior para lograr la máxima efectividad.

Para pasar al modo **Precision Drive**, pulsa simultáneamente las 2 palancas de cambio de marcha (1) y el *D-pad* (4). Procede de la misma forma para volver al modo de conducción normal.

Nota:

- Cuando el modo **Precision Drive** está **activado**, el LED **parpadea** continuamente.
- Cuando el modo **Precision Drive** está **desactivado**, el LED **no parpadea**.

FUNCIONES AVANZADAS EN PC Y EN PLAYSTATION 2

Activado/desactivado de los efectos de Vibrations Feedback directamente en el volante

Para desactivar o volver a activar los efectos de Vibrations Feedback, pulsa el botón Force (6). Esta operación puede llevarse a cabo mientras utilizas el juego.

Nota:

- Cuando los efectos de Vibrations Feedback están **activados**, el LED está en **rojo**.
- Cuando los efectos de Vibrations Feedback están **desactivados**, el LED está en **verde**.

Función "mapeado de caja de cambios secuencial"

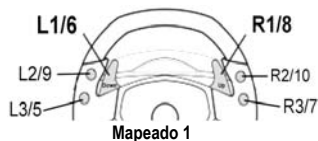
La función "mapeado de caja de cambios secuencial" te permite asignar el cambio de marchas directamente a las 2 palancas digitales de cambio de marchas (1) en el 100% de los juegos.

Sigue los mismos pasos para volver al modo "normal".



Nota:

- Para activar el **mapeado 1**, pulsa simultáneamente L1/6, R1/8 y las 2 palancas.
- Para activar el **mapeado 2**, pulsa simultáneamente L3/5, R3/7 y las 2 palancas.



Mapeado 1



Mapeado 2

Nota:

- Cuando seleccionas "Mapeado 1 o 2", el LED **parpadea en rojo** durante unos segundos.
- Cuando vuelves a la **caja de cambios secuencial predeterminada**, el LED **parpadea en verde** durante unos segundos.

RESOLUCIÓN DE PROBLEMAS

- **El volante no funciona correctamente o parece estar calibrado incorrectamente.** Apaga tu PC o consola, luego desconecta el volante, vuelve a conectar todos los cables (incluidos los pedales), enciende de nuevo y reinicia el juego.
- **El volante se mueve solo durante el juego.** Esto es normal, ya que se trata de la función de recentrado que incorporan algunos juegos. Para detener esos movimientos, basta con que coloques las manos sobre el volante o reduzcas la intensidad de Force Feedback.
- **El volante permanece girado a un lado (izquierda o derecha) después de la calibración automática.** Esto es normal en algunos juegos. El volante se recentrará solo una vez que lo hayas identificado como un volante en las opciones de configuración del juego.
- **En PC, el ordenador detecta el volante, pero no parece funcionar en el juego.** Accede a las opciones del juego para configurar el volante. Consulta el manual del juego para más información.
- **En PC, los pedales no parecen funcionar correctamente.** Muestra la interfaz de gestión de opciones del juego para volver a configurar el volante. Si el problema persiste, sal del juego y cambia los pedales al modo "combinado" (2 ejes). Luego vuelve al juego para volver a configurar el volante con los nuevos ejes.

INFORMACIÓN Y RECOMENDACIONES DE SEGURIDAD

- **Cuando conectas el volante en PC o en PLAYSTATION:** para evitar una calibración incorrecta, nunca gires el volante, ni pises los pedales o pulses los botones.

SOPORTE TÉCNICO

Si encuentras un problema con tu producto, visita <http://ts.thrustmaster.com> y haz clic en **Technical Support**. Desde allí podrás acceder a distintas utilidades (preguntas frecuentes (Frequently Asked Questions, FAQ), las últimas versiones de controladores y software) que pueden ayudarte a resolver tu problema. Si el problema persiste, puedes contactar con el servicio de soporte técnico de los productos de Thrustmaster (“Soporte Técnico”):

Por correo electrónico:

Para utilizar el soporte técnico por correo electrónico, primero debes registrarte online. La información que proporcionas ayudará a los agentes a resolver más rápidamente tu problema. Haz clic en **Registration** en la parte izquierda de la página de Soporte técnico y sigue las instrucciones en pantalla. Si ya te has registrado, rellena los campos **Username** y **Password** y después haz clic en **Login**.

Por teléfono:

España	917 54 70 63	precio de una llamada telefónica nacional, de lunes a viernes de 18:00 a 22:00
---------------	--------------	---

INFORMACIÓN DE GARANTÍA

En todo el mundo, Guillemot Corporation S.A. (“Guillemot”) garantiza al consumidor que este producto de Thrustmaster estará libre de defectos materiales y fallos de fabricación por un periodo de dos (2) años a partir de la fecha de compra original. Si el producto pareciera estar defectuoso durante el periodo de garantía, contacte inmediatamente con el Soporte Técnico, que le indicará el procedimiento a seguir. Si el defecto se confirma, el producto debe devolverse a su lugar de compra (o a cualquier otro lugar indicado por el Soporte Técnico).

Dentro del contexto de esta garantía, el producto defectuoso del consumidor será reparado o reemplazado, a elección del Soporte Técnico. En los casos que lo autorice la ley aplicable, toda la responsabilidad de Guillemot y de sus filiales (incluyendo sobre daños indirectos) está limitada a la reparación o sustitución del producto de Thrustmaster. Los derechos legales del consumidor con respecto a la legislación aplicable a la venta de bienes de consumo no se ven afectados por esta garantía.

Esta garantía no se aplicará: (1) si el producto ha sido modificado, abierto, alterado, o ha sufrido daños como resultado de una utilización inapropiada u ofensiva, negligencia, accidente, desgaste normal, o cualquier otra causa no relacionada con un defecto material o fallo de fabricación; (2) en caso de no cumplimiento de las instrucciones proporcionadas por el Soporte Técnico; (3) a software no publicado por Guillemot, o sea, a software que está sujeto a una garantía específica proporcionada por su fabricante.

COPYRIGHT

© Guillemot Corporation 2005. Guillemot™ y Thrustmaster® son marcas comerciales y/o marcas comerciales registradas de Guillemot Corporation S.A. Microsoft®, Windows® 98, Me, 2000 y XP son marcas comerciales registradas de Microsoft Corporation en los Estados Unidos y/o otros países. Todas las demás marcas comerciales y nombres de marca se reconocen aquí y son propiedad de sus respectivos dueños. Ilustraciones no definitivas. Los contenidos, diseños y especificaciones están sujetos a cambios sin previo aviso y pueden variar de un país a otro.

RECOMENDACIÓN DE PROTECCIÓN AMBIENTAL



Al terminar su vida útil, este producto no debe tirarse en un contenedor de basuras estándar, sino que debe dejarse en un punto de recogida de desechos eléctricos y equipamiento electrónico para ser reciclado.

Esto viene confirmado por el símbolo que se encuentra en el producto, manual del usuario o embalaje.

Dependiendo de sus características, los materiales pueden reciclarse. Mediante el reciclaje y otras formas de procesamiento de los desechos eléctricos y el equipamiento electrónico puedes contribuir de forma significativa a ayudar a proteger el medio ambiente.

Contacta con las autoridades locales para más información sobre el punto de recogida más cercano.

FAQs, tips and drivers available at www.thrustmaster.com

Ferrari GT

2 in 1 Rumble Force Racing Wheel

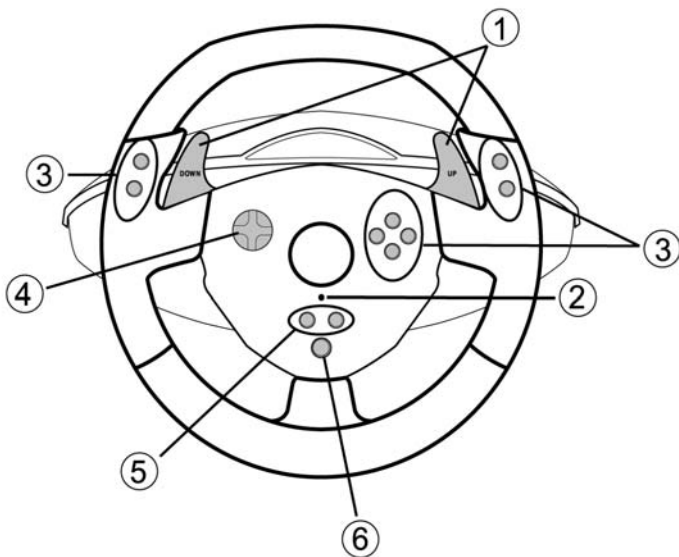
For use with / Für / Pour



Playstation® 2

PC

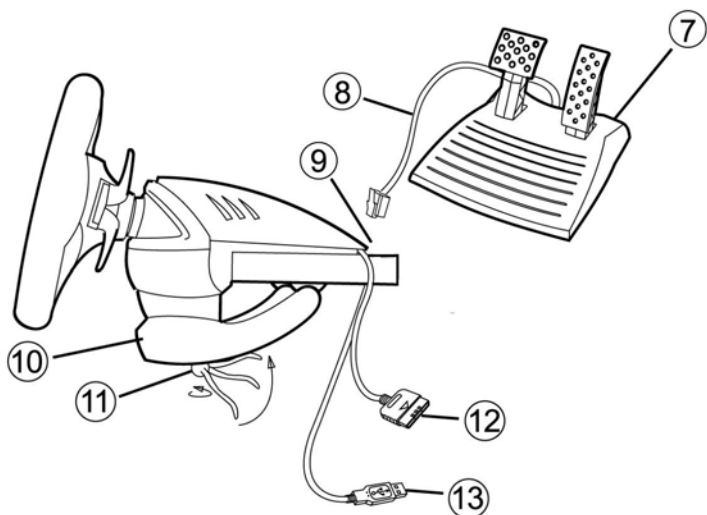
Guia do Utilizador



CARACTERÍSTICAS TÉCNICAS

- 1 2 alavancas de velocidades digitais
- 2 LED Mode
- 3 Botões de acção

- 4 Almofada de direcção
- 5 Botões Select e Start
- 6 Botão Force



- | | | | |
|----|-------------------------------|----|---------------------------------------|
| 7 | Conjunto de pedais analógicos | 11 | Parafuso do grampo |
| 8 | Cabo dos pedais | 12 | Conector GAMEPORT (para PlayStation2) |
| 9 | Conector dos pedais | 13 | Conector USB (para PC) |
| 10 | Grampo de fixação à mesa | | |

INSTALAR O VOLANTE

Fixar o volante

1. Coloque o volante numa mesa ou noutra superfície plana.
2. Coloque o parafuso (11) no grampo de fixação à mesa (10), e em seguida aparafuse a unidade de fixação no orifício situado na parte inferior do volante até ficar firmemente seguro. Não aperte demasiado o parafuso, pois corre o risco de danificar a unidade de fixação e/ou a mesa.

Conectar o conjunto de pedais

1. Ligue o conector dos pedais (8) ao receptor respectivo (9).

INSTALAÇÃO PARA PC

Requisitos do sistema: PC (Windows 98 SE, Me, 2000 & XP) equipado com uma porta USB.

O CD-ROM fornecido com este produto permite instalar o controlador dos efeitos de retorno de vibração.

1. Insira o CD-ROM de instalação na respectiva unidade. Siga as instruções que surgirem no ecrã para instalar os controladores dos efeitos de retorno de vibração. Quando a instalação tiver terminado, clique em **Concluir** e reinicie o computador.
2. Depois de reiniciar o computador, ligue o conector USB (10) a uma das portas USB do seu computador. Os Windows 98/Me/2000/XP detectarão automaticamente o novo dispositivo. (No caso de estar a conectar um dispositivo USB pela primeira vez, o Windows poderá pedir-lhe que insira o CD-ROM do Windows durante o processo de instalação a fim de instalar os ficheiros de sistema necessários.)
3. Instalação do controlador:
Windows 98: o **Assistente Adicionar novo hardware** irá procurar o controlador apropriado. Clique em **Seguinte**. Siga as instruções que surgirem no ecrã para concluir a instalação.
Windows Me/2000/XP: o controlador é instalado automaticamente.
4. Seleccione **Iniciar/Todos os programas/Thrustmaster/Force Feedback driver/Control Panel**. A caixa de diálogo **Controladores de jogos** exhibe o nome do gamepad com o estado **OK**.
5. No **Painel de controlo**, clique em **Propriedades** para configurar o seu gamepad:
 - **Testar dispositivo:** para testar e visualizar os botões, a almofada de direcção e os três eixos (volante e pedais do travão e acelerador).
 - **Testar forças:** para testar oito efeitos de retorno de força e configurar as respectivas definições (duas posições possíveis: de 0 a 150%: Forces Main e Static).

FUNÇÕES AVANÇADAS EM PC

Seleccionar modo de aceleração/travagem "Separado" (três eixos) OU "Combinado" (dois eixos)

Por pré-definição, os controlos de aceleração/travagem do volante operam num modo de três eixos "separados", isto é, os pedais do travão e do acelerador funcionam em eixos independentes.

O suporte de três eixos melhora de forma considerável a precisão da condução nas corridas.

Se o modo de três eixos não for suportado pelo seu jogo, o pedal de aceleração do volante não funcionará convenientemente. Por favor saia do jogo e seleccione o modo de dois eixos "combinados".

Para activar este modo, prima em simultâneo os controlos de aceleração/travagem (7) e o botão **Force (6)**. Repita o mesmo procedimento para regressar ao modo de três eixos "separados".

Nota:

- Quando selecciona o modo "combinado" (dois eixos), o LED pisca a vermelho durante alguns segundos (volante = eixo "X", acelerador e travão = eixo "RZ").
- Quando selecciona o modo "separado" (três eixos), o LED pisca a verde durante alguns segundos (volante = eixo "X", acelerador = eixo "RZ", e travão = eixo "Y").

Configurar e definir os efeitos de retorno de vibração em PC

Ao contrário doutros volantes vibratórios que existem para PC, o seu será reconhecido como um genuíno volante de efeitos de retorno de força.

Deste modo, pode desfrutar de todas as definições e efeitos de força possíveis (calibragem, sensibilidade, intensidade da força, etc.).

Os efeitos de retorno de vibração, no entanto, não conseguem igualar os efeitos de recentragem; se o seu jogo dispõe desta opção, é aconselhável desactivá-la.

Ajuste o painel de controlo e as opções dos jogos a fim de tirar o máximo partido do seu volante.

INSTALAÇÃO PARA PLAYSTATION 2

CONECTAR O VOLANTE

1. Desligue a consola antes de conectar o volante.
2. Ligue o conector da consola (12) à porta 1 respectiva.
3. Volte a ligar a consola.
4. O LED (2) fica vermelho para indicar que o modo Vibration se encontra activado..

Está pronto para começar a jogar!

FUNÇÕES AVANÇADAS NA PLAYSTATION 2

Configurar o volante

Na PlayStation 2, os controlos de aceleração/travagem do volante operam num modo de três eixos "separados": volante = eixo do "joystick horizontal esquerdo", acelerador = "cruz", e travão = "quadrado".

Para mudar a configuração dos outros botões, aceda às "opções de controlo do gamepad" do seu jogo.

Modo Precision Drive

O modo Precision Drive ("condução de precisão") foi especialmente desenvolvido com vista a melhorar o desempenho.

Em função do jogo, pode ajudá-lo a bater os seus melhores tempos (e os dos adversários) ou tornar mais fácil completar com êxito os diferentes eventos da condução.

Este novo modo exclusivo calcula e redistribui os vários pontos analógicos do seu volante sem gerar zonas mortas (como pode ser o caso com outros volantes que permitem ajustar a respectiva sensibilidade).

O grau de adequação e eficácia deste modo dependerá do jogo que estiver a jogar e da pista onde corre. Neste modo, o volante é mais sensível, possibilitando assim fazer derrapagens mais facilmente e evitar uma perda de velocidade excessiva, como em pistas com curvas muito apertadas, por exemplo.

Nos jogos em que as reacções do volante são muito sensíveis (como nas corridas de F1, por exemplo), provavelmente não vai querer por essa razão usar este modo.

Recomendamos que o utilize com uma vista interior para máxima eficácia.

Para passar para o modo **Precision Drive**, prima simultaneamente as duas *alavancas de velocidades* (1) e a *almofada de direcção* (4). Proceda da mesma maneira para regressar ao modo de condução normal.

Nota:

- Quando o modo **Precision Drive** está **activado**, o LED **pisca** continuamente.
- Quando o modo **Precision Drive** está **desactivado**, o LED **não pisca**.

FUNÇÕES AVANÇADAS EM PC E PLAYSTATION 2

Activar/desactivar os efeitos de retorno de vibração directamente no volante

Para desactivar ou reactivar os efeitos de retorno de vibração, prima o *botão Force (6)*. Esta operação pode ser efectuada enquanto joga.

Nota:

- Quando os **efeitos de retorno de vibração** estão **activados**, o LED fica **vermelho**.
- Quando os **efeitos de retorno de vibração** estão **desactivados**, o LED fica **verde**.

Função de "mapeamento da caixa de velocidades sequencial"

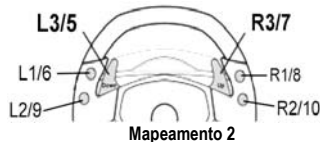
A função de "mapeamento da caixa de velocidades sequencial" permite atribuir as mudanças de velocidades directamente às duas alavancas digitais de mudança de velocidades (1) na totalidade dos jogos.

Siga os passos acima para regressar ao modo "normal".



Nota:

- Para activar o **Mapeamento 1**, prima simultaneamente **L1/6, R1/8** e as **duas alavancas**.
- Para activar o **Mapeamento 2**, prima simultaneamente **L3/5, R3/7** e as **duas alavancas**.



Nota:

- Quando selecciona "**Mapeamento 1 ou 2**", o LED **pisca a vermelho** durante alguns segundos.
- Quando regressa à **Caixa de Velocidades Sequencial Pré-Definida**, o LED **pisca a verde** durante alguns segundos.

RESOLUÇÃO DE PROBLEMAS

- **O meu volante não funciona de forma correcta ou parece estar calibrado incorrectamente.** Desligue o PC ou a consola, em seguida desconecte o volante, volte a conectar todos os cabos (com pedais), ligue novamente o PC ou a consola e reinicie o jogo.

- **O meu volante move-se sozinho durante o jogo.** Isto é normal e trata-se da função de recentragem disponível em vários jogos. Para parar estes movimentos, basta que coloque as mãos no volante ou reduza a intensidade dos efeitos de retorno de força.

- **O meu volante mantém-se virado para um dos lados (esquerdo ou direito) depois da calibragem automática.** Isto é normal em vários jogos. O volante irá recentrar-se assim que o identificar como tal nas opções de configuração do jogo.

- **No PC, o meu volante é detectado pelo computador, mas não funciona no jogo.** Aceda às opções do jogo para configurar o volante. Por favor consulte o manual do jogo para mais informações.

- **No PC, o conjunto de pedais não parece funcionar correctamente.** Aceda à interface de gestão das opções do jogo para reconfigurar o volante. Se o problema persistir, saia do jogo e regule o conjunto de pedais para o modo "combinado" (dois eixos). Em seguida regresse ao jogo para reconfigurar o volante com os novos eixos.

RECOMENDAÇÕES DE SEGURANÇA E INFORMAÇÕES

- **Quando conectar o volante no PC ou na PLAYSTATION:** de modo a impedir uma calibragem incorrecta, nunca rode o volante nem prima os pedais ou botões.

SUPOORTE TÉCNICO

Se tiver algum problema com o seu produto, por favor visite o sítio <http://ts.thrustmaster.com> e clique em **Technical Support**. A partir daqui poderá aceder a vários utilitários (perguntas mais frequentes (FAQ) e versões mais recentes de controladores e software) capazes de ajudá-lo a resolver o seu problema. Se este persistir, pode contactar o serviço de suporte técnico para produtos Thrustmaster ("Suporte Técnico"):

Por correio electrónico:

De forma a tirar partido do suporte técnico por correio electrónico, primeiro terá de se registar online. As informações que fornecer ajudarão os agentes a resolver mais rapidamente o seu problema. Clique em **Registration** no lado esquerdo da página Technical Support e siga as instruções que surgirem no ecrã. Caso já tenha feito o seu registo, preencha os campos **Username** e **Password** e depois clique em **Login**.

Por telefone:

Estados Unidos	514-279-9911	preço duma chamada telefónica de longa distância, de segunda a sexta-feira, das 7h00 às 17h00 (hora da Costa Leste)
-----------------------	--------------	---

INFORMAÇÃO DE GARANTIA

A Guillemot Corporation S.A. ("Guillemot") garante ao consumidor, a nível mundial, que este produto Thrustmaster está isento de defeitos de material e de fabrico durante um período de dois (2) anos a partir da data de compra original. No caso de o produto se revelar defeituoso durante o período da garantia, contacte imediatamente o Suporte Técnico, que indicará o procedimento a seguir. Se se confirmar o defeito, o produto terá de ser devolvido ao respetivo local de compra (ou qualquer outro local indicado pelo Suporte Técnico).

Dentro do contexto desta garantia, e por opção do Suporte Técnico, o produto defeituoso do consumidor será reparado ou substituído. Sempre que a lei em vigor o permitir, a responsabilidade total da Guillemot e das suas filiais (incluindo para danos indirectos) estará limitada à reparação ou substituição do produto Thrustmaster. Os direitos legais do consumidor em relação à legislação aplicável à venda de bens de consumo não são afectados por esta garantia.

Esta garantia não será aplicada: (1) se o produto tiver sido modificado, aberto, alterado ou caso tenha sofrido danos em resultado de uso inadequado ou abusivo, negligência, acidente, desgaste normal ou qualquer outra causa não relacionada com um defeito de material ou de fabrico; (2) em caso de desrespeito pelas instruções fornecidas pelo Suporte Técnico; (3) a software não publicado pela Guillemot, o qual estará sujeito a uma garantia específica fornecida pela respectiva editora.

Provisões adicionais de garantia

Nos Estados Unidos da América e no Canadá, esta garantia encontra-se limitada ao mecanismo interno e invólucro externo do produto. Quaisquer garantias implícitas aplicáveis, incluindo garantias de comercialização e adequação a um fim específico, estão limitadas pela presente a dois (2) anos a partir da data de compra e encontram-se sujeitas às condições expostas nesta garantia limitada. A Guillemot Corporation S.A. ou as suas filiais não serão em nenhuma circunstância consideradas responsáveis por danos consequentes ou acidentais resultantes da violação de quaisquer garantias expressas ou implícitas. Alguns estados/províncias não permitem limitações na duração duma garantia implícita ou a exclusão ou limitação de danos acidentais/consequentes, por isso a limitação supracitada pode não se aplicar a si. Esta garantia confere-lhe direitos legais específicos, e também pode ter outros direitos legais, os quais variam de estado para estado ou de província para província.

DIREITOS DE AUTOR

© 2005 Guillemot Corporation S.A. Reservados todos os direitos. Thrustmaster® é uma marca registada da Guillemot Corporation. PlayStation® é uma marca registada da Sony Computer Entertainment Inc. Microsoft® Windows® é uma marca registada da Microsoft Corporation nos Estados Unidos e/ou noutros países. Todas as outras marcas comerciais e nomes de marcas são por este meio reconhecidas e pertencem aos seus proprietários respectivos. As ilustrações não são vinculativas. Os conteúdos, desenhos e especificações estão sujeitos a alteração sem aviso prévio e podem variar de país para país.

RECOMENDAÇÃO DE PROTECÇÃO AMBIENTAL



Quando chegar ao fim da sua vida útil, este produto não deve ser deitado fora juntamente com o lixo doméstico normal, mas sim deixado num ponto de recolha de equipamento eléctrico e electrónico inútil para reciclagem.

Isto é confirmado pelo símbolo visível no produto, manual de utilizador ou embalagem.

De acordo com as suas características, os materiais podem ser reciclados. Através da reciclagem e outras formas de processar equipamento eléctrico e electrónico inútil, pode dar um contributo importante no sentido de ajudar a proteger o ambiente.

Por favor contacte as suas autoridades locais para saber onde fica o ponto de recolha mais próximo de si.