

70-610

Einbau-Anleitung • Installation Instructions Instructions de montage • Istruzioni di montaggio

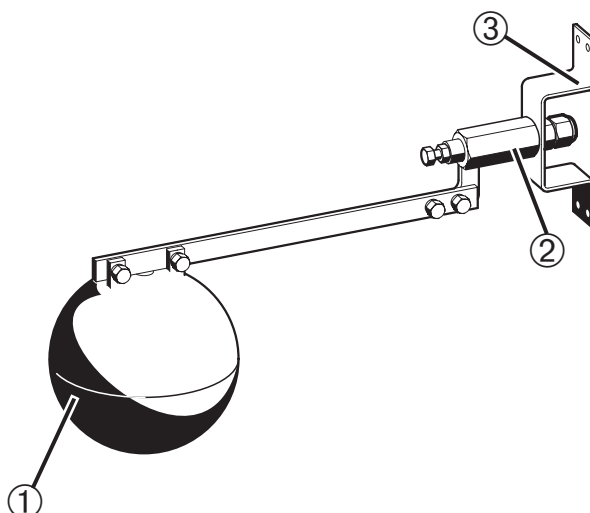
E1

Bauteile • Components • Pièces • Componenti

- ① = Schwimmer
Float
Nageur
Galleggiante

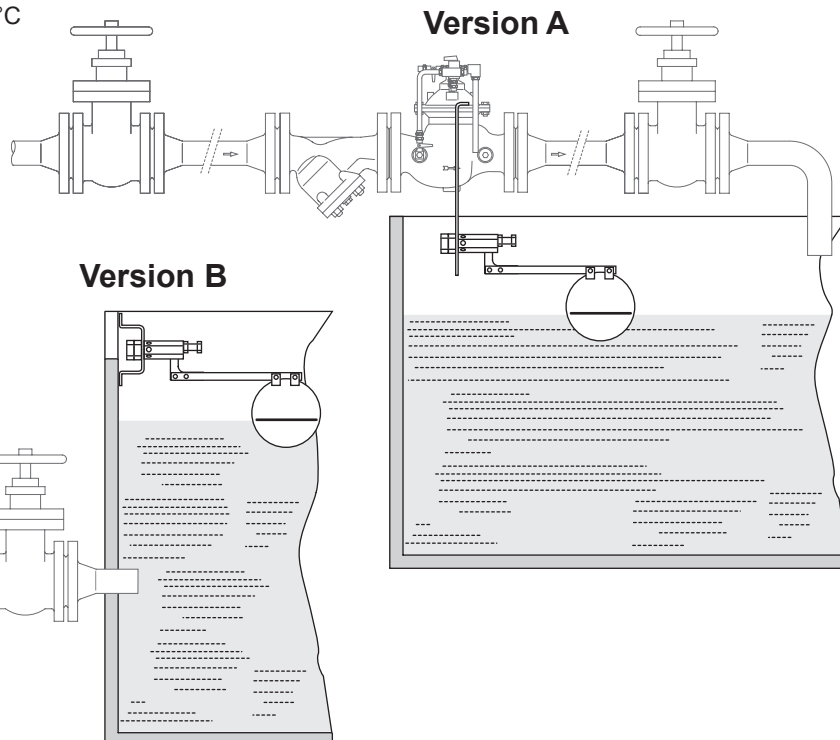
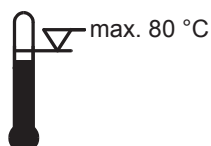
- ② = Pilotventil
Pilot valve
Vanne pilote
Valvola pilota

- ③ = Trägerplatte
Suspension plate
Porteur
Piastra di supporto



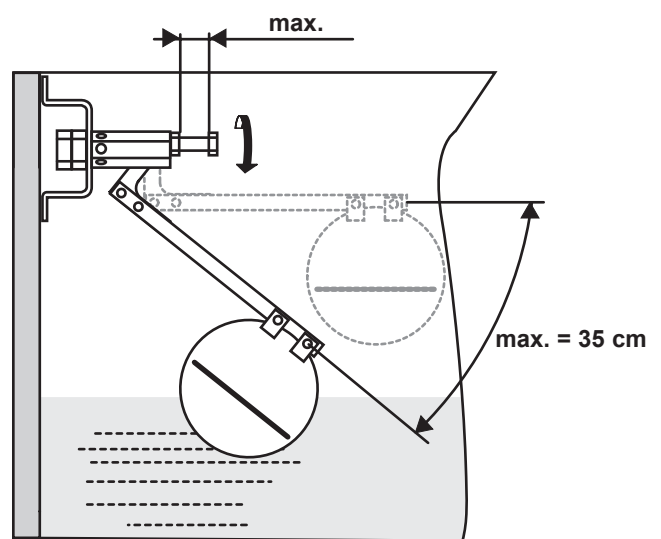
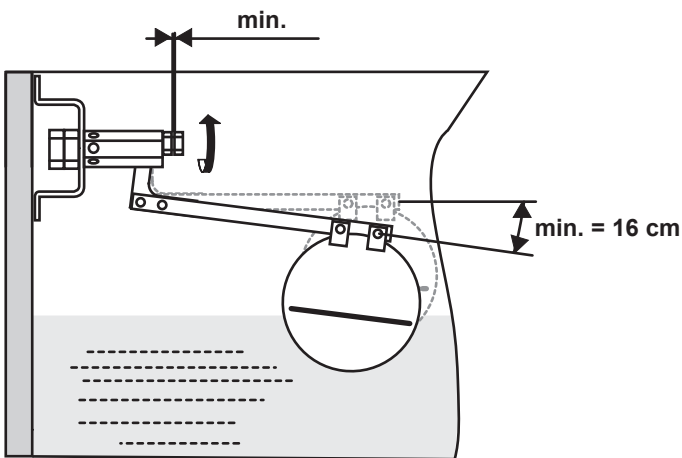
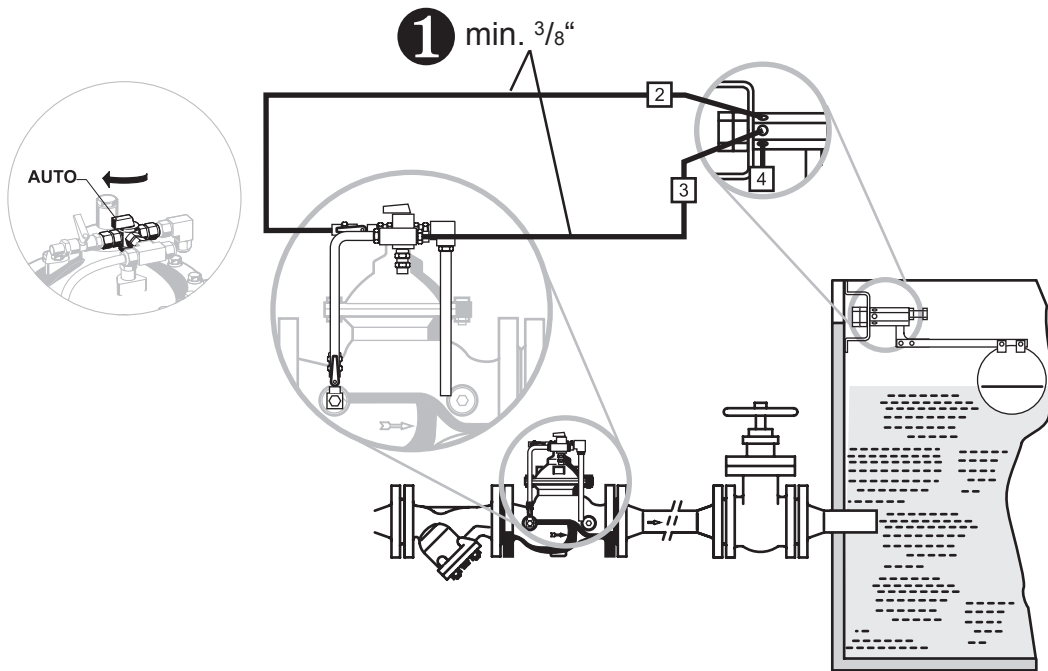
E2

Einbau • Installation • Installation • Installazione



E3

Inbetriebnahme • Commissioning • Mise en service
Messa in servizio



Automation and Control Solutions

Honeywell GmbH
Hardhofweg
74821 Mosbach
Phone: (49) 6261 810
Fax: (49) 6261 81309
www.honeywell.com

Manufactured for and on behalf of the Environmental
and Combustion Controls Division of Honeywell
Technologies Sàrl, Ecublens, Route du Bois 37,
Switzerland by its Authorised Representative
Honeywell GmbH

MU1H-1340GE23 R0207
Subject to change without notice
© 2007 Honeywell GmbH

Honeywell