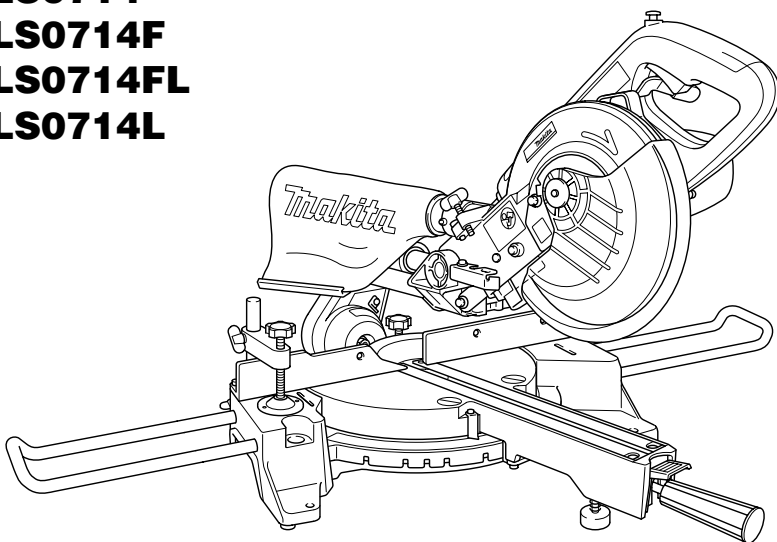
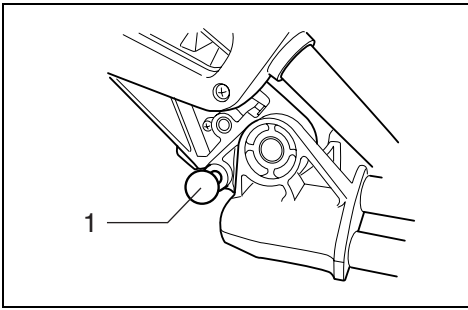


Makita®

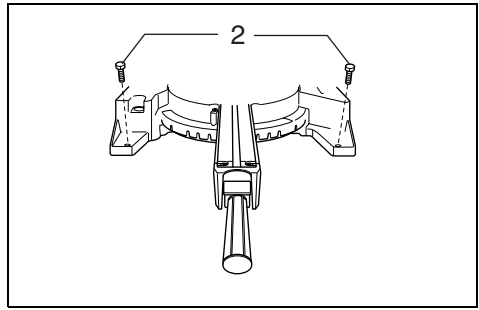
GB	Slide Compound Saw	Instruction Manual
F	Scie radiale	Manuel d'instructions
D	Verbund-Tischkreissäge	Betriebsanleitung
I	Sega composita a slitta	Istruzioni per l'uso
NL	Radiaal-/afkortzaag	Gebruiksaanwijzing
E	Sierra mixta deslizable	Manual de instrucciones
P	Serra de esquadria telescópica	Manual de instruções
DK	Kombineret afkorter-geringssav	Brugsanvisning
S	Kap-och geringssåg	Bruksanvisning
N	Skyvbar kombinasjonssag	Bruksanvisning
SF	Ristikelkkasaha	Käyttöohje
GR	Ολισθαίνοντα σύνθετο πριόνι	Οδηγίες χρήσεως

LS0714
LS0714F
LS0714FL
LS0714L

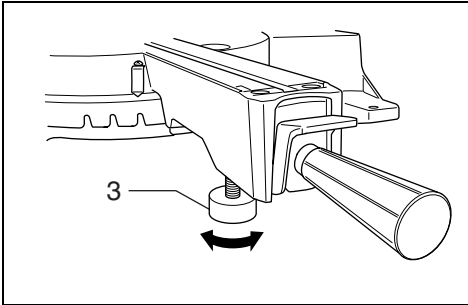




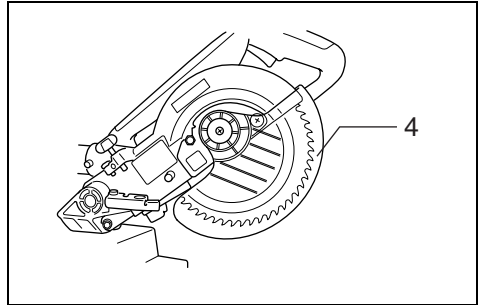
1



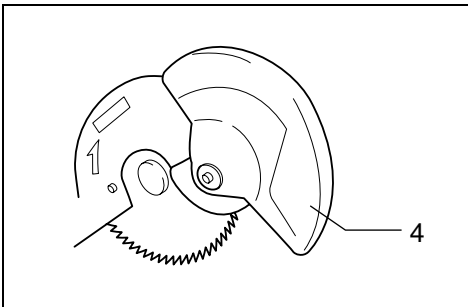
2



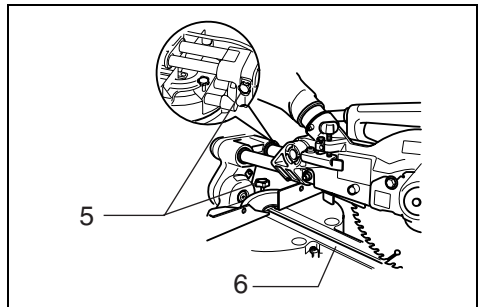
3



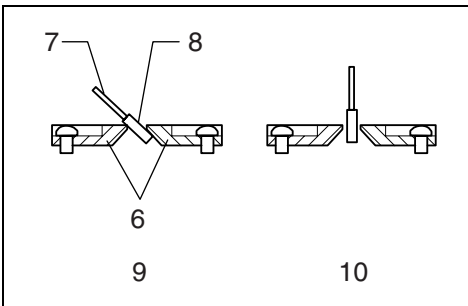
4



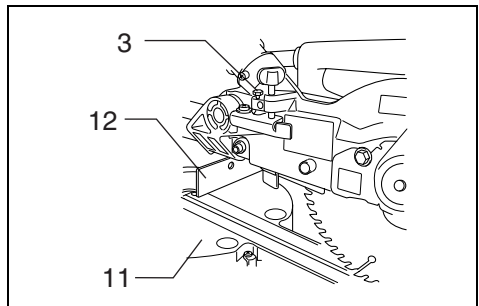
5



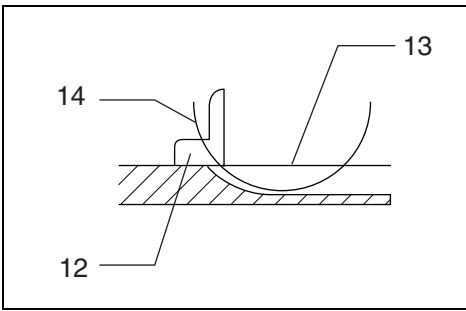
6



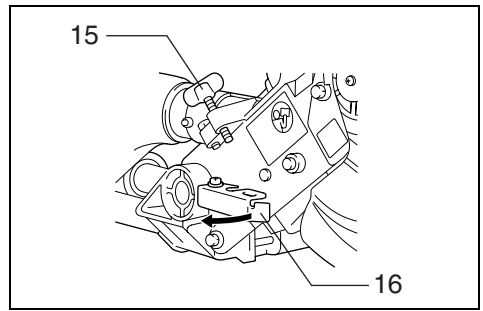
7



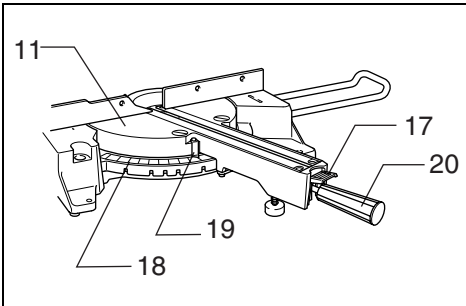
8



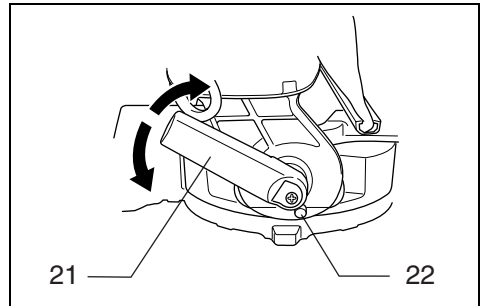
9



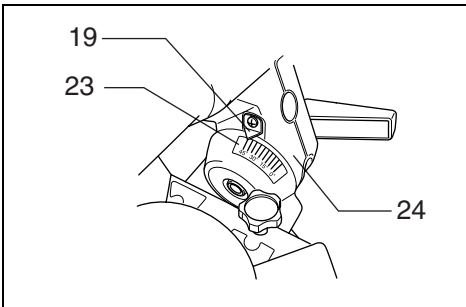
10



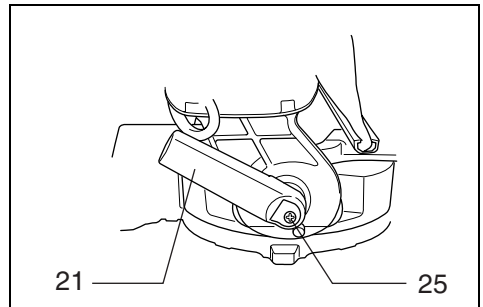
11



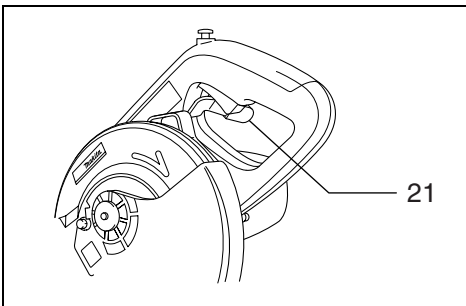
12



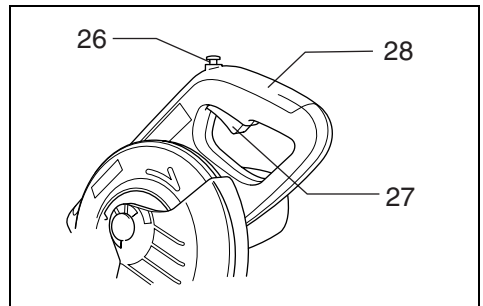
13



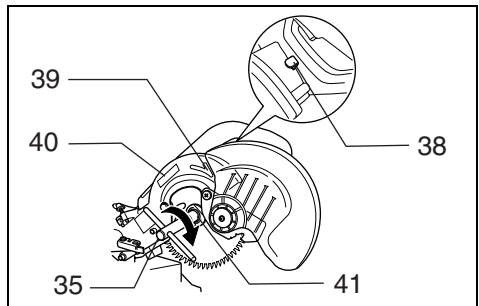
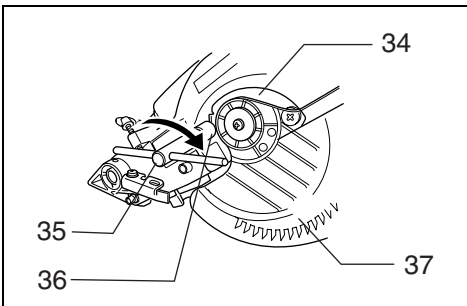
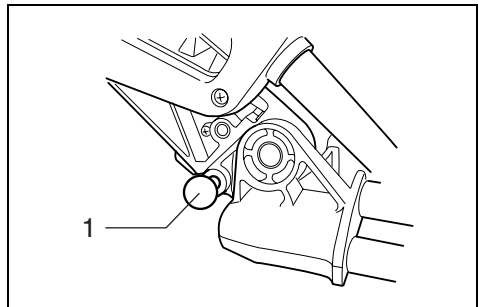
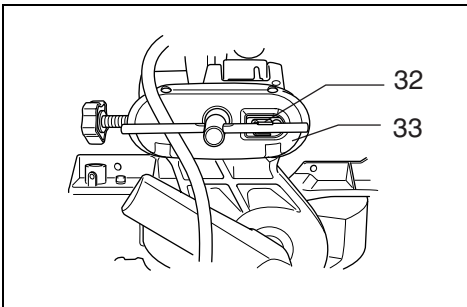
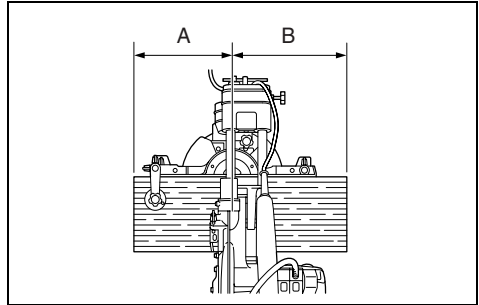
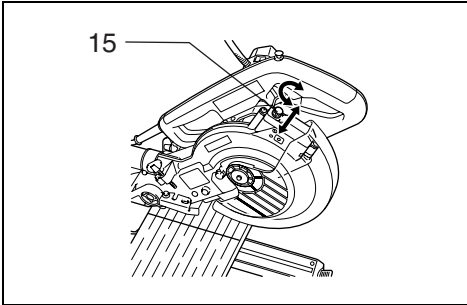
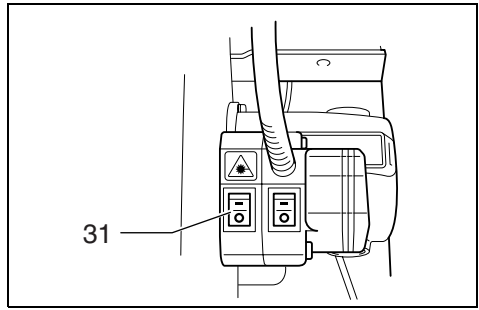
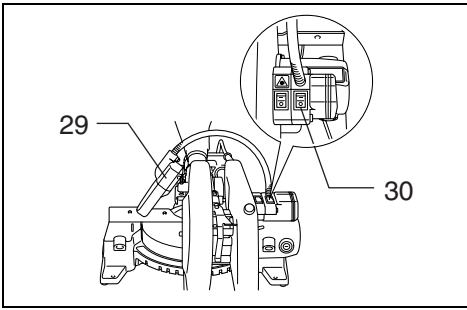
14



15

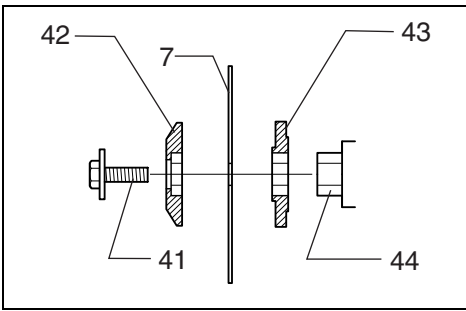


16

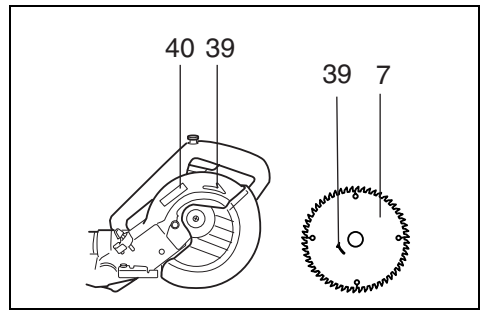


23

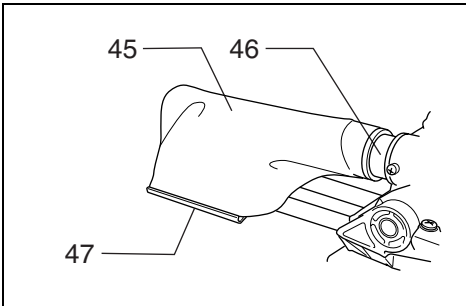
24



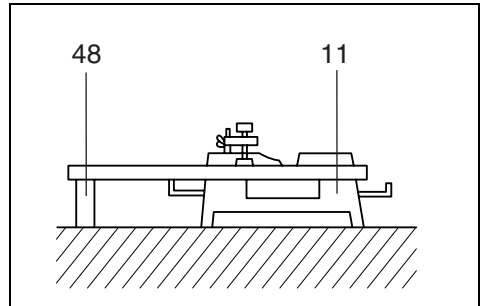
25



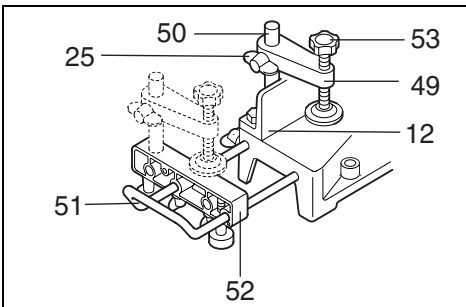
26



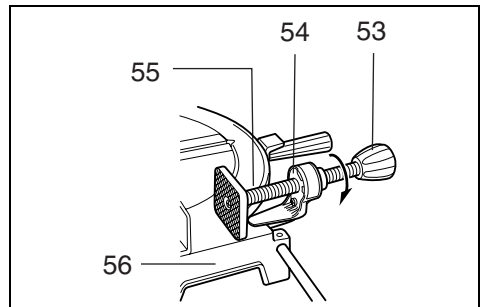
27



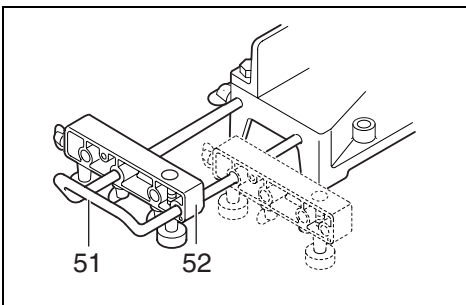
28



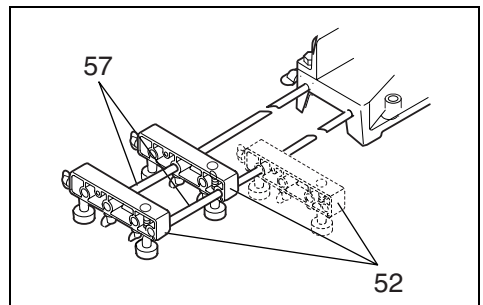
29



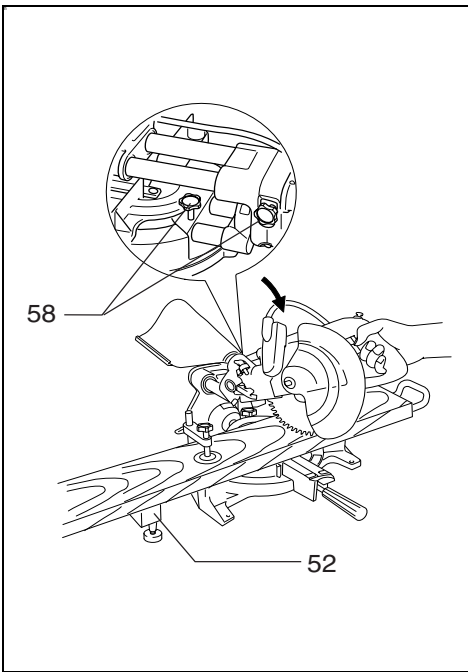
30



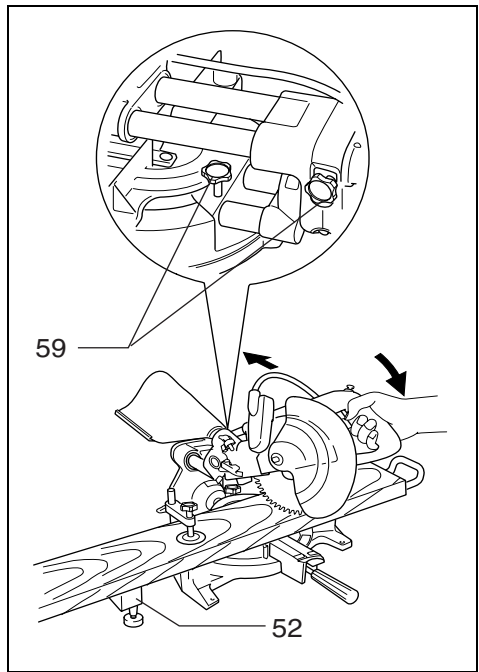
31



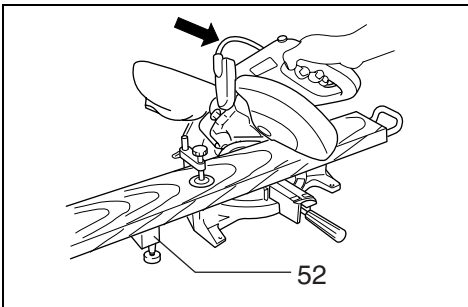
32



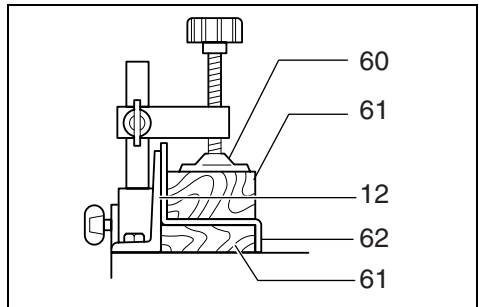
33



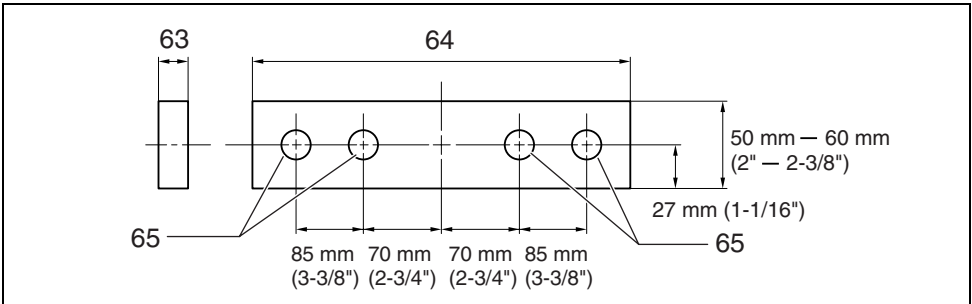
34



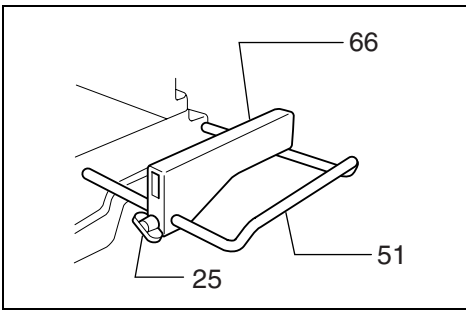
35



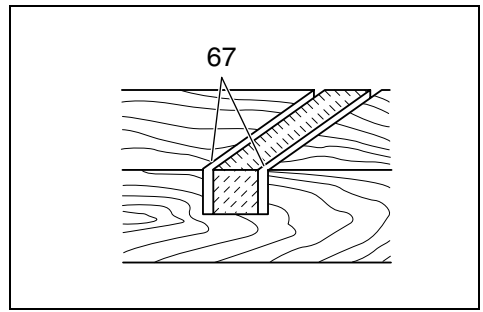
36



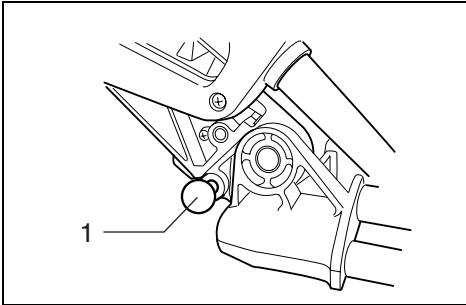
37



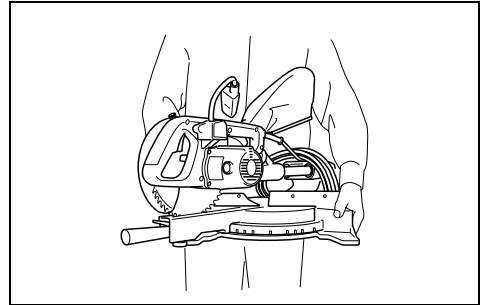
38



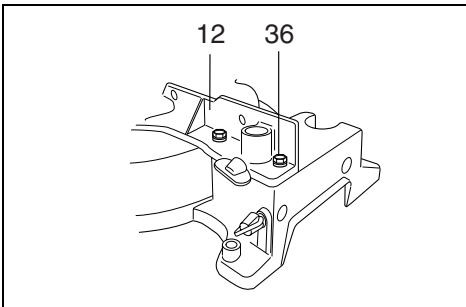
39



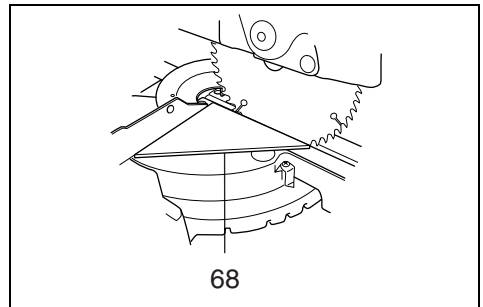
40



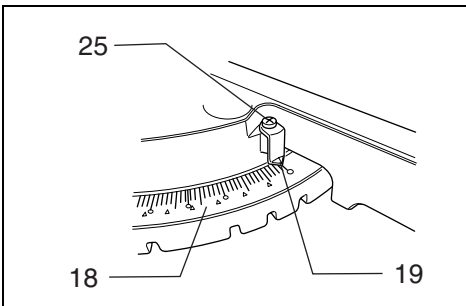
41



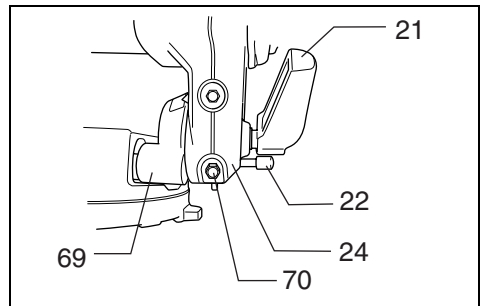
42



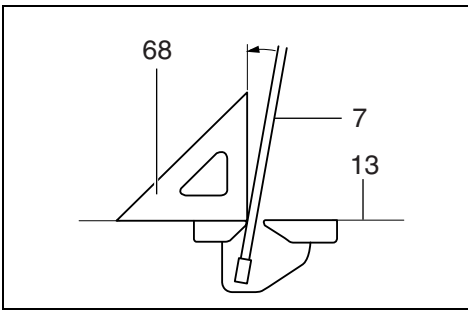
43



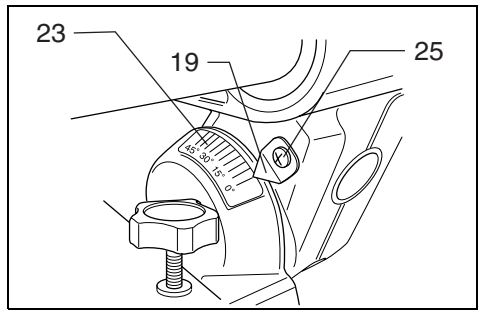
44



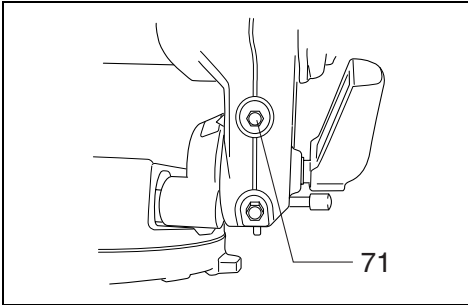
45



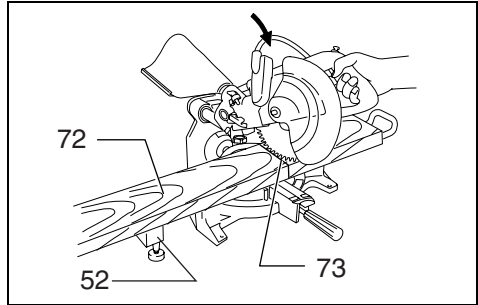
46



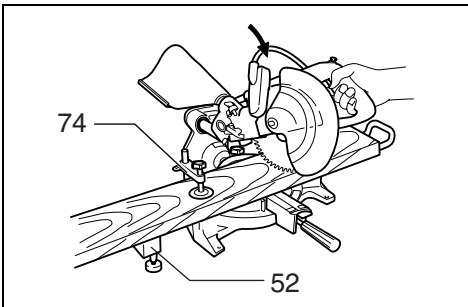
47



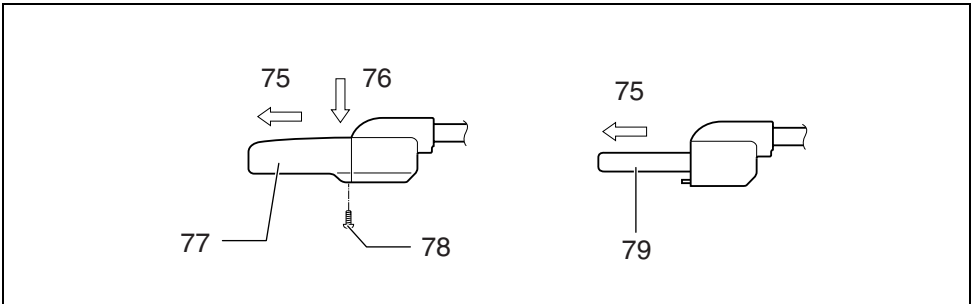
48



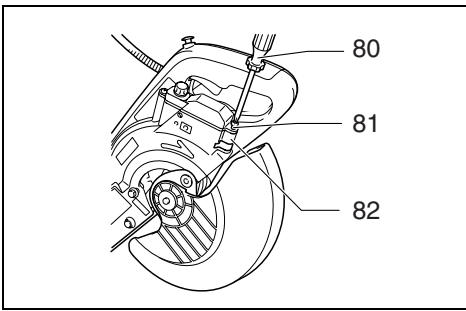
49



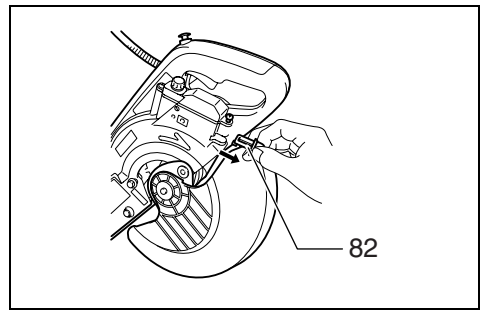
50



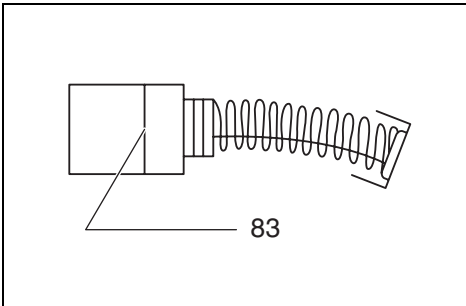
51



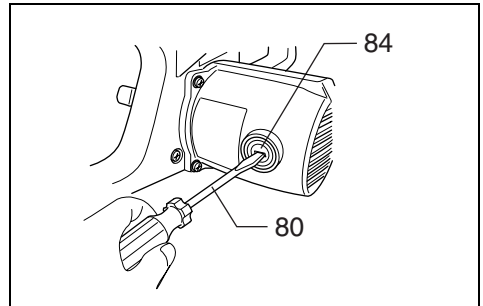
52



53



54



55

Symbols

The followings show the symbols used for the tool. Be sure that you understand their meaning before use.

Symboles

Nous donnons ci-dessous les symboles utilisés pour l'outil. Assurez-vous que vous en avez bien compris la signification avant d'utiliser l'outil.

Simbole

Die folgenden Symbole werden für die Maschine verwendet. Machen Sie sich vor der Benutzung unbedingt mit ihrer Bedeutung vertraut.

Simboli

Per questo utensile vengono usati i simboli seguenti. Bisogna capire il loro significato prima di usare l'utensile.

Symbolen

Voor dit gereedschap worden de volgende symbolen gebruikt. Zorg ervoor dat u de betekenis van deze symbolen begrijpt alvorens het gereedschap te gebruiken.

Símbolos

A continuación se muestran los símbolos utilizados con esta herramienta. Asegúrese de que entienda su significado antes de usarla.

Símbolos

O seguinte mostra os símbolos utilizados para a ferramenta. Certifique-se de que compreende o seu significado antes da utilização.

Symboler

Nedenstående symboler er anvendt i forbindelse med denne maskine. Vær sikker på, at De har forstået symbolernes betydning, før maskinen anvendes.

Symboler

Det följande visar de symboler som används för den här maskinen. Se noga till att du förstår deras innebörd innan maskinen används.

Symbolene

Følgende viser de symbolene som brukes for maskinen. Det er viktig å forstå betydningen av disse før maskinen tas i bruk.

Symbolit

Alla on esitetty koneessa käytetyt symbolit. Opettele näiden merkityks, ennen kuin käytät konetta.

Σύμβολα

Τα ακόλουθα δείχνουν τα σύμβολα που χρησιμοποιούνται για το μηχάνημα. Βεβαιωθείτε ότι καταλαβαίνετε τη σημασία τους πριν από τη χρήση.



- | | |
|--|---|
| <input type="checkbox"/> Read instruction manual. | <input type="checkbox"/> Leia o manual de instruções. |
| <input type="checkbox"/> Lire le mode d'emploi. | <input type="checkbox"/> Læs brugsanvisningen. |
| <input type="checkbox"/> Bitte Bedienungsanleitung lesen. | <input type="checkbox"/> Läs bruksanvisningen. |
| <input type="checkbox"/> Leggete il manuale di istruzioni. | <input type="checkbox"/> Les bruksanvisningen. |
| <input type="checkbox"/> Lees de gebruiksaanwijzing. | <input type="checkbox"/> Katso käyttöohjeita. |
| <input type="checkbox"/> Lea el manual de instrucciones. | <input type="checkbox"/> Διαβάστε τις οδηγίες χρήσης. |



- | | |
|---|--|
| <input type="checkbox"/> DOUBLE INSULATION | <input type="checkbox"/> DUPLO ISOLAMENTO |
| <input type="checkbox"/> DOUBLE ISOLATION | <input type="checkbox"/> DOBBELT ISOLERET |
| <input type="checkbox"/> DOPPELT SCHUTZISOLIERT | <input type="checkbox"/> DUBBEL ISOLERING |
| <input type="checkbox"/> DOPPIO ISOLAMENTO | <input type="checkbox"/> DOBBEL ISOLERING |
| <input type="checkbox"/> DUBBELE ISOLATIE | <input type="checkbox"/> KAKSINKERTAINEN ERISTYS |
| <input type="checkbox"/> DOBLE AISLAMIENTO | <input type="checkbox"/> ΔΙΠΛΗ ΜΟΝΩΣΗ |



- To avoid injury from flying debris, keep holding the saw head down, after making cuts, until the blade has come to a complete stop.
- Pour éviter les blessures causées par les objets projetés, maintenez la tête de la scie en position basse une fois la coupe terminée, jusqu'à ce que la lame soit complètement arrêtée.
- Um Verletzungen durch herausgeschleuderte Teile zu vermeiden, halten Sie den Sägekopf nach Ausföhrung von Schnitten abgesenkt, bis das Sägeblatt völlig zum Stillstand gekommen ist.
- Per evitare lesioni dalle schegge volanti, dopo aver eseguito il taglio tenere abbassata la testa sega finché la lama non si è arrestata completamente.
- Om verwonding door weggeslingerd zaagafval te voorkomen, dient u na het voltooiën van een snede de zaagkop omlaag te houden totdat het zaagblad volledig tot stilstand is gekomen.
- Para evitar sufrir heridas a causa de restos que salen despedidos, siga sujetando la cabeza de la sierra hacia abajo, al terminar los cortes, hasta que el disco se haya parado completamente.
- Para evitar danos causados por aparas que saltem, mantenha a cabeça da serra para baixo, depois de terminar os cortes, até que a lâmina esteja completamente parada.
- For at undgå at komme til skade på grund af flyvende affald, skal man holde savhovedet nede efter skæring, indtil savklingen står helt stille.
- För att inte skadas av kringflygande flis efter genomförd sågning ska såghuvudet hållas nere tills klingan har stannat helt.
- For å unngå skader som følge av flygende flis, må du holde saghodet nede etter at sagingen er avsluttet, helt til bladet har stoppet helt.
- Pidā sahan pāā sahauxsen jālkeen alhaalla, kunnes saha on kokonaan pysähtynyt välttääksesi lentävien roskien aiheuttaman loukkaantumisen.
- Για να αποφεύγετε τραυματισμό από ιπτάμενα τεμαχίδια, κρατάτε το πριόνι με το κεφάλι προς τα κάτω, αφού κάνετε κοπές, μέχρι η λάμα να σταματήσει τελείως.



- When performing slide cut, first pull carriage fully and press down handle, then push carriage toward the guide fence.
- Lorsque vous effectuez une coupe en glissière, tirez d'abord complètement le chariot et abaissez la poignée, puis poussez le chariot vers le guide.
- Ziehen Sie den Schlitten zur Ausföhrung von Schiebeschnitten zunächst ganz vor, drücken Sie den Griff nach unten, und schieben Sie dann den Schlitten zum Gehrungsansschlag.
- Per eseguire un taglio di scorrimento, tirare prima completamente il carrello, premere giù il manico e spingere poi il carrello verso la guida pezzo.
- Bij drukkend (glijdend) zagen, dient u eerst de slede volledig naar u toe te trekken en het handvat omlaag te drukken. Duw daarna de slede naar de geleider toe.
- Cuando haga cortes de deslizamiento, primero tire del carro completamente y presione hacia abajo la empuñadura, después empuje el carro hacia la guía lateral.
- Quando executa corte corrediço, puxe primeiro o carreto completamente e empurre a pega para baixo e em seguida empurre o carreto na direcção da placa guia.
- Når man udfører savning ved gliden, skal man først trække slæden helt og trykke håndtaget ned og derefter trykke slæden mod anslaget.
- Vid bakåtriktad sågning dras först löpvagnen ut så långt som möjligt och sedan trycks handtaget ner. Därefter trycks löpvagnen mot anhållet.
- Når du bruker uttrekksfunksjonen til å kappe et arbeidsstykke, må du først trekke vognen helt til deg og deretter skyve den mot føringsvernet.
- Kun työntösahaat, vedä kelkka ensin kokonaan taakse ja paina kahva alas. Työnnä sitten kelkkaa ohjainta kohti.
- Όταν εκτελείτε ολισθητική κοπή, πρώτα τραβήχτε την κινητή βάση πλήρως και πατήστε την λαβή κάτω, μετά σπρώχτε την κινητή βάση προς τον φράχτη οδηγό.



- For your safety, remove chips, small pieces, etc. from the table top before operation.
- Pour votre sécurité, retirez les copeaux et autres petites pièces présentes sur la table avant de commencer le travail.
- Zur Sicherheit sollte die Tischplatte vor dem Betrieb von Spänen, Kleinteilen usw. gesäubert werden.
- Per la propria sicurezza, togliere i trucioli, frammenti, ecc., dalla superficie superiore del piano di taglio prima di procedere.
- Verwijder voor uw eigen veiligheid zaagafval, stukjes hout e.d. van de werktafel alvorens te gaan zagen.
- Por su propia seguridad, retire las virutas, trozos pequeños, etc., de encima de la mesa de trabajo antes de iniciar la tarea.
- Para sua segurança, retire aparas, peças pequenas, etc., de cima da bancada antes da operação.
- Af sikkerhedsårsager skal spåner, små stykker etc. fjernes fra bordtoppen inden anvendelsen.
- Av säkerhetsskäl bör flisor och småbitar avlägsnas från bordet före användningen.
- For din egen sikkerheds skyld må du fjerne trebiter, flis osv. fra sagbordet før du begynder å bruke maskinen.
- Poista turvallisuuuden vuoksi lastut, pienet palaset yms. pöydältä ennen työskentelyä.
- Για την ασφάλειά σας, αφαιρέστε τα αποκοπίδια, μικρά κομμάτια, κλπ. από το τραπέζι πριν από την λειτουργία.



- Do not place hand or fingers close to the blade.
- Ne pas placer les mains ou les doigts près de la lame.
- Halten Sie Hände oder Finger vom Sägeblatt fern.
- Non avvicinare le mani o le dita alla lama.
- Kom met uw handen of vingers niet te dicht bij het zaagblad.
- No ponga la mano ni los dedos cerca del disco.
- Não coloque a sua mão ou dedos perto da lâmina.
- Hold hænder og fingre på god afstand af klingen.
- Håll inte händer eller fingrar i närheten av klingan.
- Ikke plasser hånd eller fingre i nærheten av bladet.
- Älä sijoita käsiä äläkä sormia terän lähelle.
- Μη βάζετε το χέρι ή τα δάκτυλα κοντά στην λάμα.



- Never look into the laser beam. Direct laser beam may injure your eyes.
- Ne jamais regarder directement la source du faisceau laser. L'exposition directe au faisceau laser comporte un risque de blessure aux yeux.
- Blicken Sie auf keinen Fall in den Laserstrahl. Der direkte Laserstrahl kann Ihre Augen verletzen.
- Mai guardare direttamente il raggio laser. Il raggio laser può danneggiare gli occhi.
- Kijk nooit in de laserstraal. Een directe laserstraal kan oogletsel veroorzaken.
- No mire nunca directamente al rayo láser. El rayo láser directo puede dañar sus ojos.
- Nunca olhe para o raio laser. Se olhar directamente para o raio laser pode ferir os seus olhos.
- Se aldrig ind i laserstrålen. Direkte udsættelse for laserstråling kan skade dit syn.
- Titta aldrig in i laserstrålen. Direkt laserljus kan skada ögonen.
- Se aldri inn i laserstrålen. En direkte laserstråle kan skade øynene dine.
- Älä koskaan katso lasersäteeseen. Suora lasersäde voi vahingoittaa silmiä.
- Ποτέ μη κυττάτε απευθείας την ακτίνα λέιζερ. Η απευθείας ακτίνα λέιζερ μπορεί να προκαλέσει τραυματισμό στα μάτια σας.

ENGLISH

Explanation of general view

1 Stopper pin	31 Switch for laser	59 Two clamping screws which secure the slide pole
2 Bolt	32 Wrench holder	60 Vise
3 Adjusting bolt	33 Pipe holder	61 Spacer block
4 Blade guard	34 Center cover	62 Aluminum extrusion
5 Thumb screw	35 Socket wrench	63 Over 15 mm
6 Kerf board	36 Hex bolt	64 Over 420 mm
7 Saw blade	37 Safety cover	65 Holes
8 Blade teeth	38 Shaft lock	66 Set plate
9 Left bevel cut	39 Arrow	67 Cut grooves with blade
10 Straight cut	40 Blade case	68 Triangular rule
11 Turn base	41 Hex bolt (left-handed)	69 Arm holder
12 Guide fence	42 Outer flange	70 0 degree bevel angle adjusting bolt
13 Top surface of turn table	43 Inner flange	71 Left 45 degrees bevel angle adjusting bolt
14 Periphery of blade	44 Spindle	72 Work piece
15 Adjusting screw	45 Dust bag	73 Cutting line
16 Stopper arm	46 Dust nozzle	74 Vertical vise
17 Lock lever	47 Fastener	75 Pull out
18 Miter scale	48 Support	76 Push
19 Pointer	49 Vise arm	77 Lamp box
20 Grip	50 Vise rod	78 Screws
21 Lever	51 Holder	79 Fluorescent tube
22 Release button	52 Holder assembly (optional accessory)	80 Screwdriver
23 Bevel scale	53 Vise knob	81 Screw (one piece only)
24 Arm	54 Projection	82 Lens for the laser light
25 Screw	55 Vise shaft	83 Limit mark
26 Lock-off button	56 Base	84 Brush holder cap
27 Switch trigger	57 Rod 12	
28 Handle	58 Two clamping screws which secure the slide pole	
29 Light		
30 Light switch		

SPECIFICATIONS

Model	LS0714/LS0714F/LS0714FL/LS0714L
Blade diameter	190 mm
Hole (arbor) diameter	20 mm
Max. Miter angle	Left 47°, Right 57°
Max. Bevel angle	Left 45°, Right 5°
Max. Cutting capacities (H x W) with blade 190 mm in diameter.	

Miter angle	Bevel angle		
	45° (left)	0°	45° (right)
0°	*45 mm x 265 mm (Note 1)	*60 mm x 265 mm (Note 1)	—
	40 mm x 300 mm	52 mm x 300 mm	40 mm x 300 mm
45° (left and right)	*45 mm x 185 mm (Note 2)	*60 mm x 185 mm (Note 2)	—
	40 mm x 212 mm	52 mm x 212 mm	—
57° (right)	—	*60 mm x 145 mm (Note 3)	—
		52 mm x 163 mm	

(Note)

* mark indicates that a wood facing with the following thickness is used.

1: When using a wood facing 20 mm thick.

2: When using a wood facing 15 mm thick.

3: When using a wood facing 10 mm thick.

No load speed (min⁻¹) 6,000

Laser Type (LS0714FL/L) Red Laser 650 nm, <1mW (Laser Class 2)

Dimensions (L x W x H) 670 mm x 430 mm x 458 mm

Net weight LS0714: 12.5 kg, LS0714F: 12.8 kg, LS0714FL: 13.1 kg, LS0714L: 13.0 kg

- Due to our continuing program of research and development, the specifications herein are subject to change without notice.
- Note: Specifications may differ from country to country.

Intended use

The tool is intended for accurate straight and miter cutting in wood. With appropriate saw blades, aluminum can also be sawed.

Power supply

The tool should be connected only to a power supply of the same voltage as indicated on the nameplate, and can only be operated on single-phase AC supply. They are double-insulated in accordance with European Standard and can, therefore, also be used from sockets without earth wire.

Safety hints

For your own safety, please refer to the enclosed safety instructions.

ADDITIONAL SAFETY RULES FOR TOOL

ENB034-3

1. **Wear eye protection.**
2. **Keep hands out of path of saw blade.** Avoid contact with any coasting blade. It can still cause severe injury.
3. **Do not operate saw without guards in place. Check blade guard for proper closing before each use. Do not operate saw if blade guard does not move freely and close instantly. Never clamp or tie the blade guard into the open position.**
4. **Do not perform any operation freehand.** The workpiece must be secured firmly against the turn base and guide fence with the vise during all operations. Never use your hand to secure the workpiece.
5. **Never reach around saw blade.**
6. **Turn off tool and wait for saw blade to stop before moving workpiece or changing settings.**
7. **Unplug tool before changing blade or servicing.**
8. **Always secure all moving portions before carrying the tool.**
9. **Stopper pin which locks the cutter head down is for carrying and storage purposes only and not for any cutting operations.**
10. Don't use the tool in the presence of flammable liquids or gases.
11. Check the blade carefully for cracks or damage before operation.
Replace cracked or damaged blade immediately.
12. Use only flanges specified for this tool.
13. Be careful not to damage the arbor, flanges (especially the installing surface) or bolt. Damage to these parts could result in blade breakage.
14. Make sure that the turn base is properly secured so it will not move during operation.
15. For your safety, remove the chips, small pieces, etc. from the table top before operation.
16. Avoid cutting nails. Inspect for and remove all nails from the workpiece before operation.
17. Make sure the shaft lock is released before the switch is turned on.
18. Be sure that the blade does not contact the turn base in the lowest position.
19. Hold the handle firmly. Be aware that the saw moves up or down slightly during start-up and stopping.

20. Make sure the blade is not contacting the workpiece before the switch is turned on.
21. Before using the tool on an actual workpiece, let it run for a while. Watch for vibration or wobbling that could indicate poor installation or a poorly balanced blade.
22. Wait until the blade attains full speed before cutting.
23. Stop operation immediately if you notice anything abnormal.
24. Do not attempt to lock the trigger in the on position.
25. Be alert at all times, especially during repetitive, monotonous operations. Don't be lulled into a false sense of security. Blades are extremely unforgiving.
26. Always use accessories recommended in this manual. Use of improper accessories such as abrasive wheels may cause an injury.
27. **Do not use the saw to cut other than aluminum, wood or similar materials.**
28. **Connect miter saws to a dust collecting device when sawing.**
29. **Select saw blades in relation to the material to be cut.**
30. **Take care when slotting.**
31. **Replace the kerf board when worn.**
32. **Do not use saw blades manufactured from high speed steel.**
33. Some dust created from operation contains chemicals known to cause cancer, birth defects or other reproductive harm. Some examples of these chemicals are:
 - lead from lead-based-painted material and,
 - arsenic and chromium from chemically-treated lumber.

Your risk from these exposures varies, depending on how often you do this type of work. To reduce your exposure to these chemicals: work in a well ventilated area and work with approved safety equipment, such as those dust masks that are specially designed to filter out microscopic particles.
34. **To reduce the emitted noise, always be sure that the blade is sharp and clean.**
35. **The operator is adequately trained in the use, adjustment and operation of the machine.**
36. **Use correctly sharpened saw blades. Observe the maximum speed marked on the saw blade.**
37. **Refrain from removing any cut-offs or other parts of the workpiece from the cutting area whilst the machine is running and the saw head is not in the rest position.**

SAVE THESE INSTRUCTIONS.

INSTALLATION

Bench mounting

When the tool is shipped, the handle is locked in the lowered position by the stopper pin. Release the stopper pin by lowering the handle slightly and pulling the stopper pin. (Fig. 1)

This tool should be bolted with two bolts to a level and stable surface using the bolt holes provided in the tool's base. This will help prevent tipping and possible injury. (Fig. 2)

Turn the adjusting bolt clockwise or counterclockwise so that it comes into a contact with the floor surface to keep the tool stable. (Fig. 3)

FUNCTIONAL DESCRIPTION

CAUTION:

- Always be sure that the tool is switched off and unplugged before adjusting or checking function on the tool.

Blade guard (Fig. 4 & 5)

When lowering the handle, the blade guard rises automatically. The guard is spring loaded so it returns to its original position when the cut is completed and the handle is raised. NEVER DEFEAT OR REMOVE THE BLADE GUARD OR THE SPRING WHICH ATTACHES TO THE GUARD.

In the interest of your personal safety, always maintain the blade guard in good condition. Any irregular operation of the blade guard should be corrected immediately. Check to assure spring loaded return action of guard. NEVER USE THE TOOL IF THE BLADE GUARD OR SPRING ARE DAMAGED, FAULTY OR REMOVED. DOING SO IS HIGHLY DANGEROUS AND CAN CAUSE SERIOUS PERSONAL INJURY.

If the see-through blade guard becomes dirty, or sawdust adheres to it in such a way that the blade is no longer easily visible, unplug the saw and clean the guard carefully with a damp cloth. Do not use solvents or any petroleum-based cleaners on the plastic guard.

If the blade guard is especially dirty and vision through the guard is impaired, use the supplied socket wrench to loosen the hex bolt holding the center cover. Loosen the hex bolt by turning it counterclockwise and raise the blade guard and center cover. With the blade guard so positioned, cleaning can be more completely and efficiently accomplished. When cleaning is complete, reverse procedure above and secure bolt. Do not remove spring holding blade guard. If guard becomes discolored through age or UV light exposure, contact a Makita service center for a new guard. DO NOT DEFEAT OR REMOVE GUARD.

Positioning kerf board (Fig. 6 & 7)

This tool is provided with the kerf boards in the turn base to minimize tearing on the exit side of a cut. The kerf boards are factory adjusted so that the saw blade does not contact the kerf boards. Before use, adjust the kerf boards as follows:

First, unplug the tool. Loosen all the screws (2 each on left and right) securing the kerf boards. Re-tighten them only to the extent that the kerf boards can still be easily moved by hand. Lower the handle fully and push in the stopper pin to lock the handle in the lowered position. Loosen two clamp screws which secure the slide poles. Pull the carriage toward you fully. Adjust the kerf boards so that the kerf boards just contact the sides of the blade teeth. Tighten the front screws (do not tighten firmly). Push the carriage toward the guide fence fully and adjust the kerf boards so that the kerf boards just contact the sides of blade teeth. Tighten the rear screws (do not tighten firmly).

After adjusting the kerf boards, release the stopper pin and raise the handle. Then tighten all the screws securely.

CAUTION:

- Before and after changing the bevel angle, always adjust the kerf boards as described above.

Maintaining maximum cutting capacity (Fig. 8 & 9)

This tool is factory adjusted to provide the maximum cutting capacity for a 190 mm saw blade.

When installing a new blade, always check the lower limit position of the blade and if necessary, adjust it as follows: First, unplug the tool. Push the carriage toward the guide fence fully and lower the handle completely. Use the socket wrench to turn the adjusting bolt until the periphery of the blade extends slightly below the top surface of the turn base at the point where the front face of the guide fence meets the top surface of the turn base.

With the tool unplugged, rotate the blade by hand while holding the handle all the way down to be sure that the blade does not contact any part of the lower base. Re-adjust slightly, if necessary.

CAUTION:

- After installing a new blade, always be sure that the blade does not contact any part of the lower base when the handle is lowered completely. Always do this with the tool unplugged.

Stopper arm (Fig. 10)

The lower limit position of the blade can be easily adjusted with the stopper arm. To adjust it, move the stopper arm in the direction of the arrow as shown in the figure. Adjust the adjusting screw so that the blade stops at the desired position when lowering the handle fully.

Adjusting the miter angle (Fig. 11)

Loosen the grip by turning counterclockwise. Turn the turn base while pressing down the lock lever. When you have moved the grip to the position where the pointer points to the desired angle on the miter scale, securely tighten the grip clockwise.

CAUTION:

- When turning the turn base, be sure to raise the handle fully.
- After changing the miter angle, always secure the turn base by tightening the grip firmly.

Adjusting the bevel angle (Fig. 12 & 13)

To adjust the bevel angle, loosen the lever at the rear of the tool counterclockwise.

Push the handle to the left to tilt the saw blade until the pointer points to the desired angle on the bevel scale. Then tighten the lever clockwise firmly to secure the arm. To tilt the blade to the right, push the release button at the rear of the tool while tilting the blade slightly to the left after loosening the lever. With the release button depressed, tilt the saw blade to the right.

CAUTION:

- When tilting the saw blade, be sure to raise the handle fully.
- After changing the bevel angle, always secure the arm by tightening the lever clockwise.
- When changing bevel angles, be sure to position the kerf boards appropriately as explained in the "Positioning kerf board" section.

Adjusting the lever position (Fig. 14)

The lever can be repositioned at every angle 30° when the lever does not provide full tightening.

Loosen and remove the screw that secures the lever at the rear of the tool. Remove the lever and install it again so that it is slightly above the level. Secure the lever with the screw firmly.

Switch action

CAUTION:

- Before plugging in the tool, always check to see that the switch trigger actuates properly and returns to the "OFF" position when released.
- When not using the tool, remove the lock-off button and store it in a secure place. This prevents unauthorized operation.
- Do not pull the switch trigger hard without pressing in the lock-off button. This can cause switch breakage.

For European countries (Fig. 15)

To prevent the switch trigger from being accidentally pulled, a lock-off button is provided. To start the tool, push the lever to the left, press in the lock-off button and then pull the switch trigger. Release the switch trigger to stop.

For all countries other than European countries

(Fig. 16)

To prevent the switch trigger from being accidentally pulled, a lock-off button is provided. To start the tool, press in the lock-off button and pull the switch trigger. Release the switch trigger to stop.

WARNING:

- NEVER use tool without a fully operative switch trigger. Any tool with an inoperative switch is HIGHLY DANGEROUS and must be repaired before further usage.
- For your safety, this tool is equipped with a lock-off button which prevents the tool from unintended starting. NEVER use the tool if it runs when you simply pull the switch trigger without pressing the lock-off button. Return tool to a Makita service center for proper repairs BEFORE further usage.
- NEVER tape down or defeat purpose and function of lock-off button.

Lighting up the lamps (Fig. 17)

For model LS0714F, LS0714FL

CAUTION:

- This is not a rainproof light. Do not wash the light in water or use it in a rain or a wet area. Such a conduct can cause an electric shock and fume.
- Do not touch the lens of the light, as it is very hot while it is lighted or shortly after it is turned off. This may cause a burn to a human body.
- Do not apply impact to the light, which may cause damage or shorted service time to it.
- Do not keep casting the beam of the light to your eyes. This can cause your eyes to be hurt.
- Do not cover the light with clothes, carton, cardboard or similar objects while it is lighted, which can cause a fire or an ignition.

Push the upper position of the switch for turning on the light and the lower position for off.

Move the light to shift an area of lighting.

NOTE:

- Use a dry cloth to wipe the dirt off the lens of lamp. Be careful not to scratch the lens of light, or it may lower the illumination.

Laser beam action (Fig. 18 & 19)

For model LS0714FL, LS0714L

CAUTION:

- Never look into the laser beam. Direct laser beam may injure your eyes.

To turn on the laser beam, press the upper position (I) of the switch. Press the lower position (O) to turn off.

Laser line can be shifted to either the left or right side of the saw blade by adjusting the adjusting screw as follows.

1. Loosen the adjusting screw by turning it counterclockwise.
2. With the adjusting screw loosened, slide the adjusting screw to the right or left as far as it goes.
3. Tighten the adjusting screw firmly at the position where it stops sliding.

Laser line is factory adjusted so that it is positioned within 1 mm from the side surface of the blade (cutting position).

NOTE:

- When laser line is dim and almost or entirely invisible because of the direct sunlight in the indoor or outdoor window-by work, relocate the work area to a place not exposed to the direct sunlight.

Aligning the laser line (Fig. 20)

Laser line can be shifted to either the left or right side of the blade according to the applications of cutting. Refer to explanation titled "Laser beam action" regarding its shifting method.

NOTE:

- Use wood facing against the guide fence when aligning the cutting line with the laser line at the side of guide fence in compound cutting (bevel angle 45 degrees and miter angle right 45 degrees).
- A) When you obtain correct size on the left side of workpiece
- Shift the laser line to the left of the blade.
- B) When you obtain correct size on the right side of workpiece
- Shift the laser line to the right of the blade.

Align the cutting line on your workpiece with the laser line.

ASSEMBLY

CAUTION:

- Always be sure that the tool is switched off and unplugged before carrying out any work on the tool.

Socket wrench storage (Fig. 21)

The socket wrench is stored as shown in the figure. When using the socket wrench, pull it out of the wrench holder. After using the socket wrench, return it to the wrench holder.

Installing or removing saw blade

CAUTION:

- Always be sure that the tool is switched off and unplugged before installing or removing the blade.
- Use only the Makita socket wrench provided to install or remove the blade. Failure to do so may result in overtightening or insufficient tightening of the hex bolt. This could cause an injury.

Lock the handle in the raised position by pushing in the stopper pin. (Fig. 22)

To remove the blade, use the socket wrench to loosen the hex bolt holding the center cover by turning it counterclockwise. Raise the blade guard and center cover. (Fig. 23)

Press the shaft lock to lock the spindle and use the socket wrench to loosen the hex bolt clockwise. Then remove the hex bolt, outer flange and blade. (Fig. 24)

To install the blade, mount it carefully onto the spindle, making sure that the direction of the arrow on the surface of the blade matches the direction of the arrow on the blade case. Install the outer flange and hex bolt, and then use the socket wrench to tighten the hex bolt (left-handed) securely counterclockwise while pressing the shaft lock.

Return the blade guard and center cover to its original position. Then tighten the hex bolt clockwise to secure the center cover. Release the handle from the raised position by pulling the stopper pin. Lower the handle to make sure that the blade guard moves properly. Make sure shaft lock has released spindle before making cut.

(Fig. 25 & 26)

Dust bag (Fig. 27)

The use of the dust bag makes cutting operations clean and dust collection easy. To attach the dust bag, fit it onto the dust nozzle.

When the dust bag is about half full, remove the dust bag from the tool and pull the fastener out. Empty the dust bag of its contents, tapping it lightly so as to remove particles adhering to the insides which might hamper further collection.

NOTE:

If you connect a Makita vacuum cleaner to your saw, more efficient and cleaner operations can be performed.

Securing workpiece (Fig. 28)

WARNING:

- It is extremely important to always secure the workpiece properly and tightly with the vise. Failure to do so can cause the tool to be damaged and/or the workpiece to be destroyed. PERSONAL INJURY MAY ALSO RESULT. Also, after a cutting operation, DO NOT raise the blade until the blade has come to a complete stop.

CAUTION:

- When cutting long workpieces, use supports that are as high as the top surface level of the turn base. Do not rely solely on the vertical vise and/or horizontal vise to secure the workpiece.

Thin material tends to sag. Support workpiece over its entire length to avoid blade pinch and possible KICK-BACK.

Vertical vise (Fig. 29)

The vertical vise can be installed in two positions on either the left or right side of the guide fence or the holder assembly (optional accessory). Insert the vise rod into the hole in the guide fence or the holder assembly and tighten the screw to secure the vise rod.

Position the vise arm according to the thickness and shape of the workpiece and secure the vise arm by tightening the screw. If the screw to secure the vise arm contacts the guide fence, install the screw on the opposite side of vise arm. Make sure that no part of the tool contacts the vise when lowering the handle fully and pulling or pushing the carriage all the way. If some part contacts the vise, re-position the vise.

Press the workpiece flat against the guide fence and the turn base. Position the workpiece at the desired cutting position and secure it firmly by tightening the vise knob.

CAUTION:

- The workpiece must be secured firmly against the turn base and guide fence with the vise during all operations.

Horizontal vise (optional accessory) (Fig. 30)

The horizontal vise can be installed on the left side of the base. By turning the vise knob counterclockwise, the screw is released and the vise shaft can be moved rapidly in and out. By turning the vise knob clockwise, the screw remains secured. To grip the workpiece, turn the vise knob gently clockwise until the projection reaches its topmost position, then fasten securely. If the vise knob is forced in or pulled out while being turned clockwise, the projection may stop at an angle. In this case, turn the vise knob back counterclockwise until the screw is released, before turning again gently clockwise.

The maximum width of the workpiece which can be secured by the horizontal vise is 120 mm.

CAUTION:

- Grip the workpiece only when the projection is at the topmost position. Failure to do so may result in insufficient securing of the workpiece. This could cause the workpiece to be thrown, cause damage to the blade or cause the loss of control, which can result in **PERSONAL INJURY**.

Holders and holder assembly (optional accessories) (Fig. 31 & 32)

The holders and the holder assembly can be installed on either side as a convenient means of supporting workpieces horizontally. Install them as shown in the figure. Then tighten the screws firmly to secure the holders and the holder assembly.

When cutting long workpieces, use the holder-rod assembly (optional accessory). It consists of two holder assemblies and two rods 12.

CAUTION:

- Always support long workpieces level with the top surface of the turn base for accurate cuts and to prevent dangerous loss of control of the tool.

OPERATION

CAUTION:

- Before use, be sure to release the handle from the lowered position by pulling the stopper pin.
- Make sure the blade is not contacting the workpiece, etc. before the switch is turned on.
- Do not apply excessive pressure on the handle when cutting. Too much force may result in overload of the motor and/or decreased cutting efficiency. Push down handle with only as much force as is necessary for smooth cutting and without significant decrease in blade speed.
- Gently press down the handle to perform the cut. If the handle is pressed down with force or if lateral force is applied, the blade will vibrate and leave a mark (saw mark) in the workpiece and the precision of the cut will be impaired.
- During a slide cut, gently push the carriage toward the guide fence without stopping. If the carriage movement is stopped during the cut, a mark will be left in the workpiece and the precision of the cut will be impaired.

1. Press cutting (cutting small workpieces) (Fig. 33)

Workpieces up to 50 mm high and 97 mm wide can be cut in the following way.

Push the carriage toward the guide fence fully and tighten two clamp screws which secure the slide poles clockwise to secure the carriage. Secure the workpiece with the vise. Switch on the tool without the blade making any contact and wait until the blade attains full speed before lowering. Then gently lower the handle to the fully lowered position to cut the workpiece. When the cut is completed, switch off the tool and **WAIT UNTIL THE BLADE HAS COME TO A COMPLETE STOP** before returning the blade to its fully elevated position.

CAUTION:

- Firmly tighten two clamping screws which secure the slide poles clockwise so that the carriage will not move during operation. Insufficient tightening may cause unexpected kickback of the blade. Possible serious **PERSONAL INJURY** may result.

2. Slide (push) cutting (cutting wide workpieces) (Fig. 34)

Loosen two clamp screws which secure the slide poles counterclockwise so that the carriage can slide freely. Secure the workpiece with the vise. Pull the carriage toward you fully. Switch on the tool without the blade making any contact and wait until the blade attains full speed. Press down the handle and **PUSH THE CARRIAGE TOWARD THE GUIDE FENCE AND THROUGH THE WORKPIECE**. When the cut is completed, switch off the tool and **WAIT UNTIL THE BLADE HAS COME TO A COMPLETE STOP** before returning the blade to its fully elevated position.

CAUTION:

- Whenever performing the slide cut, **FIRST PULL THE CARRIAGE TOWARD YOU FULLY** and press down the handle to the fully lowered position, then **PUSH THE CARRIAGE TOWARD THE GUIDE FENCE. NEVER START THE CUT WITH THE CARRIAGE NOT FULLY PULLED TOWARD YOU**. If you perform the slide cut without pulling the carriage fully or if you perform the slide cut toward your direction, the blade may kickback unexpectedly with the potential to cause serious **PERSONAL INJURY**.
- Never perform the slide cut with the handle locked in the lowered position by pressing the stopper pin.
- Never loosen the clamp screw which secures the carriage while the blade is rotating. This may cause serious injury.

3. Miter cutting

Refer to the previously covered "Adjusting the miter angle".

4. Bevel cut (Fig. 35)

Loosen the lever and tilt the saw blade to set the bevel angle (Refer to the previously covered "Adjusting the bevel angle"). Be sure to retighten the lever firmly to secure the selected bevel angle safely. Secure the workpiece with a vise. Make sure the carriage is pulled all the way back toward the operator. Switch on the tool without the blade making any contact and wait until the blade attains full speed. Then gently lower the handle to the fully lowered position while applying pressure in parallel with the blade and PUSH THE CARRIAGE TOWARD THE GUIDE FENCE TO CUT THE WORKPIECE. When the cut is completed, switch off the tool and WAIT UNTIL THE BLADE HAS COME TO A COMPLETE STOP before returning the blade to its fully elevated position.

CAUTION:

- Always be sure that the blade will move down to bevel direction during a bevel cut. Keep hands out of path of saw blade.
- During a bevel cut, it may create a condition whereby the piece cut off will come to rest against the side of the blade. If the blade is raised while the blade is still rotating, this piece may be caught by the blade, causing fragments to be scattered which is dangerous. The blade should be raised ONLY after the blade has come to a complete stop.
- When pressing the handle down, apply pressure parallel to the blade. If the pressure is not parallel to the blade during a cut, the angle of the blade might be shifted and the precision of the cut will be impaired.

5. Compound cutting

Compound cutting is the process in which a bevel angle is made at the same time in which a miter angle is being cut on a workpiece. Compound cutting can be performed at angle shown in the table.

Miter angle	Bevel angle
Left and Right 45°	Left 0° – 45°
Right 50°	Left 0° – 40°
Right 55°	Left 0° – 30°
Right 57°	Left 0° – 25°

When performing compound cutting, refer to "Press cutting", "Slide cutting", "Miter cutting" and "Bevel cut" explanations.

6. Cutting aluminum extrusion (Fig. 36)

When securing aluminum extrusions, use spacer blocks or pieces of scrap as shown in the figure to prevent deformation of the aluminum. Use a cutting lubricant when cutting the aluminum extrusion to prevent buildup of the aluminum material on the blade.

CAUTION:

- Never attempt to cut thick or round aluminum extrusions. Thick aluminum extrusions may come loose during operation and round aluminum extrusions cannot be secured firmly with this tool.

7. Wood facing (Fig. 37)

Use of wood facing helps to assure splinter-free cuts in workpieces. Attach a wood facing to the guide fence using the holes in the guide fence.

See the figure concerning the dimensions for a suggested wood facing.

CAUTION:

- Use straight wood of even thickness as the wood facing.
- Use screws to attach the wood facing to the guide fence. The screws should be installed so that the screw heads are below the surface of the wood facing.
- When the wood facing is attached, do not turn the turn base with the handle lowered. The blade and/or the wood facing will be damaged.

8. Cutting repetitive lengths (Fig. 38)

When cutting several pieces of stock to the same length, ranging from 220 mm to 385 mm, use of the set plate (optional accessory) will facilitate more efficient operation. Install the set plate on the holder (optional accessory) as shown in the figure.

Align the cutting line on your workpiece with either the left or right side of the groove in the kerf board, and while holding the workpiece from moving, move the set plate flush against the end of the workpiece. Then secure the set plate with the screw. When the set plate is not used, loosen the screw and turn the set plate out of the way.

NOTE:

- Use of the holder-rod assembly (optional accessory) allows cutting repetitive lengths up to 2,200 mm approximately.

9. Groove cutting (Fig. 39)

A dado type cut can be made by proceeding as follows: Adjust the lower limit position of the blade using the adjusting screw and the stopper arm to limit the cutting depth of the blade. Refer to "Stopper arm" section described on previously.

After adjusting the lower limit position of the blade, cut parallel grooves across the width of the workpiece using a slide (push) cut as shown in the figure. Then remove the workpiece material between the grooves with a chisel. Do not attempt to perform this type of cut using wide (thick) blades or with a dado blade. Possible loss of control and injury may result.

CAUTION:

- Be sure to return the stopper arm to the original position when performing other than groove cutting.

Carrying tool (Fig. 40 & 41)

Make sure that the tool is unplugged. Secure the blade at 0° bevel angle and the turn base at right miter angle fully. Secure the slide poles after pulling the carriage toward the guide fence fully. Lower the handle fully and lock it in the lowered position by pushing in the stopper pin.

Carry the tool by holding both sides of the tool base as shown in the figure. If you remove the holders, dust bag, etc., you can carry the tool more easily.

CAUTION:

- Always secure all moving portions before carrying the tool.
- Stopper pin is for carrying and storage purposes only and not for any cutting operations.

MAINTENANCE

CAUTION:

- Always be sure that the tool is switched off and unplugged before attempting to perform inspection or maintenance.

WARNING:

- Always be sure that the blade is sharp and clean for the best and safest performance.

Adjusting the cutting angle

This tool is carefully adjusted and aligned at the factory, but rough handling may have affected the alignment. If your tool is not aligned properly, perform the following:

1. Miter angle

Push the carriage toward the guide fence and tighten two clamp screws to secure the carriage.

Loosen the grip which secures the turn base. Turn the turn base so that the pointer points to 0° on the miter scale. Then turn the turn base slightly clockwise and counterclockwise to seat the turn base in the 0° miter notch. (Leave as it is if the pointer does not point to 0°.) Loosen the hex bolts securing the guide fence using the socket wrench. (Fig. 42)

Lower the handle fully and lock it in the lowered position by pushing in the stopper pin. Square the side of the blade with the face of the guide fence using a triangular rule, try-square, etc. Then securely tighten the hex bolts on the guide fence in the order from the right side. (Fig. 43)

Make sure that the pointer points to 0° on the miter scale. If the pointer does not point to 0°, loosen the screw which secures the pointer and adjust the pointer so that it will point to 0°. (Fig. 44)

2. Bevel angle

1. 0° bevel angle

Push the carriage toward the guide fence and tighten two clamp screws to secure the carriage. Lower the handle fully and lock it in the lowered position by pushing in the stopper pin. Loosen the lever at the rear of the tool.

Turn the 0° bevel angle adjusting bolt (lower bolt) on the right side of the arm two or three revolutions counterclockwise to tilt the blade to the right. (Fig. 45)

Carefully square the side of the blade with the top surface of the turn base using the triangular rule, try-square, etc. by turning the 0° bevel angle adjusting bolt clockwise. Then tighten the lever securely. (Fig. 46)

Make sure that the pointer on the arm point to 0° on the bevel scale on the arm holder. If it does not point to 0°, loosen the screw which secures the pointer and adjust the pointer so that it will point to 0°. (Fig. 47)

2. 45° bevel angle

Adjust the 45° bevel angle only after performing 0° bevel angle adjustment. To adjust left 45° bevel angle, loosen the lever and tilt the blade to the left fully. Make sure that the pointer on the arm points to 45° on the bevel scale on the arm holder. If the pointer does not point to 45°, turn the 45° bevel angle adjusting bolt (upper bolt) on the right side of the arm until the pointer points to 45°. (Fig. 48)

Adjusting the position of laser line (Fig. 49 & 50)

For model LS0714FL, LS0714L

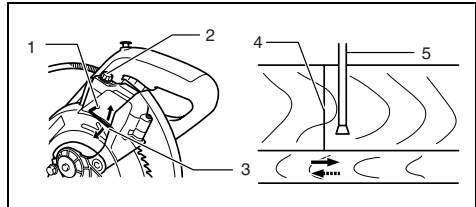
WARNING:

- As the tool is plugged when adjusting the position of laser line, take a full caution especially at switch action. Pulling the switch trigger accidentally cause an accidental start of the tool and personal injury.

CAUTION:

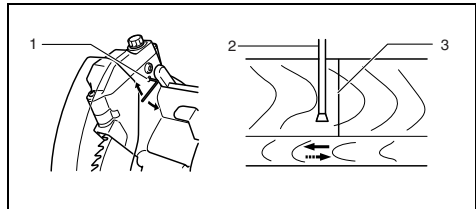
- Never look into the laser beam directly. Direct laser beam causes damage to your eyes.
- Never apply a blow or impact to the tool. A blow or impact causes the incorrect position of laser line, damage to the laser beam emitting part or a short life of the tool.

When adjusting the laser line appears on the left side of the saw blade



- 1 Screw to change the movable range of the adjusting screw
- 2 Adjusting screw
- 3 Hex wrench
- 4 Laser line
- 5 Saw blade

When adjusting the laser line appears on the right side of the saw blade



- 1 Screw to change the movable range of the adjusting screw
- 2 Saw blade
- 3 Laser line

For both adjustments, do as follows.

1. Make sure that the tool is unplugged.
2. Draw the cutting line on the workpiece and place it on the turn table. At this time, do not secure the workpiece with a vise or similar securing device.
3. Lower the blade by lowering the handle and just check to see where the cutting line and the position of the saw blade is. (Decide which position to cut on the line of cut.)
4. After decision the position to be cut, return the handle to the original position. Secure the workpiece with the vertical vise without shifting the workpiece from the pre-checked position.
5. Plug the tool and turn on the laser switch.
6. Adjust the position of laser line as follows.

The position of laser line can be changed as the movable range of the adjusting screw for the laser is changed by turning two screws with a hex wrench. (The movable range of laser line is factory adjusted within 1 mm from the side surface of blade.)

To shift the laser line movable range further away from the side surface of blade, turn the two screws counter-clockwise after loosening the adjusting screw. Turn these two screws clockwise to shift it closer to the side surface of the blade after loosening the adjusting screw.

Refer to the section titled "Laser beam action" and adjust the adjusting screw so that the cutting line on your workpiece is aligned with the laser line.

NOTE:

- Check the position of laser line regularly for accuracy .
- Have the tool repaired by Makita authorized service center for any failure on the laser unit.

Replacing fluorescent tube (Fig. 51)

For model LS0714F, LS0714FL

CAUTION:

- Always be sure that the tool is switched off and unplugged before replacing the fluorescent tube.
- Do not apply force, impact or scratch to a fluorescent tube, which can cause a glass of the fluorescent tube to be broken resulting in a injury to you or your bystanders.
- Leave the florescent tube for a while immediately after a use of it and then replace it. If not, you may burn yourself.

Remove screws, which secure Lamp Box for the light.

Pull out the Lamp Box keeping pushing lightly the upper position of it as shown in the figure.

Pull out the fluorescent tube and then replace it with Makita original new one.

Cleaning of the lens for the laser light (Fig. 52 & 53)

For model LS0714FL, LS0714L

If the lens for the laser light becomes dirty, or sawdust adheres to it in such a way that the laser line is no longer easily visible, unplug the saw and remove and clean the lens for the laser light carefully with a damp, soft cloth. Do not use solvents or any petroleum-based cleaners on the lens.

To remove the lens for the laser light, remove the saw blade before removing the lens according to the instructions in the section titled "Installing or removing saw blade".

Loosen but do not remove the screw which secures the lens using a screwdriver.

Pull out the lens as shown in the figure.

NOTE:

- If the lens does not come out, loosen the screw further and pull out the lens again without removing the screw.

Replacing carbon brushes (Fig. 54 & 55)

Remove and check the carbon brushes regularly. Replace when they wear down to the limit mark. Keep the carbon brushes clean and free to slip in the holders. Both carbon brushes should be replaced at the same time. Use only identical carbon brushes.

Use a screwdriver to remove the brush holder caps. Take out the worn carbon brushes, insert the new ones and secure the brush holder caps.

After use

- After use, wipe off chips and dust adhering to the tool with a cloth or the like. Keep the blade guard clean according to the directions in the previously covered section titled "Blade guard". Lubricate the sliding portions with tool oil to prevent rust.
- When storing the tool, pull the carriage toward you fully so that the slide pole is thoroughly inserted into the turn base.

To maintain product SAFETY and RELIABILITY, repairs, any other maintenance or adjustment should be performed by Makita Authorized Service Centers, always using Makita replacement parts.

ACCESSORIES

CAUTION:

- These accessories or attachments are recommended for use with your Makita tool specified in this manual. The use of any other accessories or attachments might present a risk of injury to persons. Only use accessory or attachment for its stated purpose.

If you need any assistance for more details regarding these accessories, ask your local Makita service center.

- Carbide-tipped saw blades
- Vise assembly (Horizontal vise)
- Vertical vise
- Socket wrench 10
- Holder set
- Holder assembly
- Holder rod assembly
- Set plate
- Dust bag
- Triangular rule
- Lock-off button (2 pcs.)
- Fluorescent tube
- Hex wrench

Descriptif

1 Broche d'arrêt	31 Interrupteur du laser	59 Les deux vis de serrage qui retiennent la tige de glissement
2 Boulon	32 Support à clé	60 Étau
3 Boulon de réglage	33 Porte-tuyau	61 Cale d'écartement
4 Protecteur de lame	34 Capot central	62 Profilé d'aluminium
5 Vis à oreilles	35 Clé à douille	63 Plus de 15 mm
6 Plateau de découpe	36 Boulon hexagonal	64 Plus de 420 mm
7 Lame	37 Capot de sécurité	65 Orifices
8 Dents de lame	38 Blocage de l'arbre	66 Plaque de fixation
9 Coupe en biseau sur la gauche	39 Flèche	67 Couper des rainures avec la lame
10 Coupe rectiligne	40 Porte-lame	68 Règle triangulaire
11 Socle rotatif	41 Boulon hexagonal (filetage à gauche)	69 Support du bras
12 Guide	42 Flasque extérieur	70 Boulon de réglage d'angle de biseau de 0 degrés
13 Face supérieure du plateau tournant	43 Flasque intérieur	71 Boulon de réglage d'angle de biseau de 45 degrés sur la gauche
14 Périphérie de la lame	44 Axe	72 Pièce à travailler
15 Vis de réglage	45 Sac à poussière	73 Ligne de coupe
16 Bras de blocage	46 Raccord à poussières	74 Étau vertical
17 Levier de verrouillage	47 Agrafe	75 Tirer
18 Secteur	48 Cale	76 Pousser
19 Index	49 Bras de l'étau	77 Boîtier à lampe
20 Manche	50 Tige de l'étau	78 Vis
21 Levier	51 Servante	79 Tube fluorescent
22 Bouton de libération	52 Butée (accessoire en option)	80 Tournevis
23 Échelle	53 Poignée de l'étau	81 Vis (une pièce seulement)
24 Bras	54 Ergot	82 Lentille du laser
25 Vis	55 Axe de l'étau	83 Repère d'usure
26 Bouton de sécurité	56 Socle	84 Bouchon de porte-charbon
27 Gâchette	57 Tige 12	
28 Poignée	58 Les deux vis de serrage qui retiennent la tige de glissement	
29 Lampe		
30 Interrupteur de la lampe		

SPECIFICATIONS

Modèle

LS0714/LS0714F/LS0714FL/LS0714L

Diamètre de la lame	190 mm
Diamètre de l'orifice (alésage)	20 mm
Angle d'onglet max	47° à gauche, 57° à droite
Angle de biseau max	45° à gauche, 5° à droite
Capacités de coupe maximales (Hauteur x Largeur) avec une lame à diamètre de 190 mm.	

Angle d'onglet	Angle de biseau		
	45° (gauche)	0°	45° (droite)
0°	*45 mm x 265 mm (Note 1)	*60 mm x 265 mm (Note 1)	—
	40 mm x 300 mm	52 mm x 300 mm	40 mm x 300 mm
45° (gauche et droite)	*45 mm x 185 mm (Note 2)	*60 mm x 185 mm (Note 2)	—
	40 mm x 212 mm	52 mm x 212 mm	—
57° (droite)	—	*60 mm x 145 mm (Note 3)	—
		52 mm x 163 mm	

(Note)

* indique l'utilisation d'un parement de bois de l'épaisseur suivante.

1: Avec un parement de bois de 20 mm d'épaisseur.	
2: Avec un parement de bois de 15 mm d'épaisseur.	
3: Avec un parement de bois de 10 mm d'épaisseur.	
Vitesse à vide (min ⁻¹).....	6 000
Type de laser (LS0714FL/L).....	Laser rouge 650 nm, <1mW (Laser de classe 2)
Dimensions (L x l x H)	670 mm x 430 mm x 458 mm
Poids net.....	LS0714: 12,5 kg, LS0714F: 12,8 kg, LS0714FL: 13,1 kg, LS0714L: 13,0 kg

- Etant donné l'évolution constante de notre programme de recherche et de développement, les spécifications contenues dans ce manuel sont sujettes à modification sans préavis.
- Note : Les spécifications peuvent varier suivant les pays.

Utilisations

L'outil est conçu pour effectuer des coupes de bois rectilignes et des coupes d'onglet, avec précision. Avec des lames appropriées, il permet également de couper l'aluminium.

Alimentation

L'outil ne devra être raccordé qu'à une alimentation de la même tension que celle qui figure sur la plaque signalétique, et il ne pourra fonctionner que sur un courant secteur monophasé. Réalisé avec une double isolation, il est conforme à la réglementation européenne et peut de ce fait être alimenté sans mise à la terre.

Consignes de sécurité

Pour votre propre sécurité, reportez-vous aux consignes de sécurité qui accompagnent l'outil.

PRECAUTIONS SUPPLEMENTAIRES POUR L'OUTIL

1. **Portez une protection oculaire.**
2. **Gardez bien les mains à l'écart de la lame.** Évitez tout contact avec une lame "en roue libre". Vous pourriez vous blesser gravement.
3. **N'utilisez jamais la scie sans les protections en place.**
Vérifiez le bon fonctionnement du protecteur de lame avant chaque utilisation. N'utilisez pas la scie si le protecteur de lame ne se déplace pas librement et ne recouvre pas la lame instantanément. N'immobilisez jamais le protecteur de lame en position ouverte.
4. **Ne sciez jamais à la volée.** Le matériau doit être assuré fermement contre le plateau tournant et le guide au moyen de l'état durant tous les types de sciage. Ne maintenez jamais la pièce avec la main.
5. **Gardez bien les mains à l'écart de la lame.**
6. **Coupez le contact et attendez l'arrêt de la lame avant de déplacer la pièce ou de modifier les réglages.**
7. **Débranchez l'outil avant de procéder à un changement de lame ou à une réparation.**
8. **Avant de transporter l'outil, immobilisez d'abord toutes ses pièces mobiles.**
9. **La broche d'arrêt qui verrouille en position basse la tête de fraisage sert à des fins de transport et de rangement uniquement et pas pour les opérations de coupe.**
10. Ne vous servez pas de votre outil en présence de gaz ou de liquides inflammables.
11. Avant de scier, vérifiez attentivement que la lame n'est ni endommagée, ni fendue. Si tel est le cas, changez-la immédiatement.

12. N'utilisez que les flasques spécifiés pour cet outil.
13. Prenez garde d'endommager l'alésage, les flasques (tout particulièrement leur surface d'installation) ou le boulon. L'endommagement de ces pièces peut causer une cassure de la lame.
14. Assurez-vous que le plateau tournant est bien immobilisé, afin qu'il ne risque pas de se déplacer pendant le sciage.
15. Pour votre sécurité, retirez copeaux ou autres fragments de la surface du plateau avant la mise en route.
16. Évitez les clous. Avant de travailler votre pièce, inspectez-la et retirez-en tous les clous.
17. Assurez-vous que le blocage de l'arbre est relâché avant de mettre le contact.
18. Assurez-vous que la lame ne touche pas le plateau tournant quand elle est abaissée au maximum.
19. Tenez la poignée fermement. N'oubliez pas que la scie se déplace légèrement de haut en bas au démarrage et à l'arrêt.
20. Assurez-vous que la lame ne touche pas la pièce à scier avant de mettre le contact.
21. Avant de scier la pièce, faites tourner l'outil un instant à vide. Vérifiez que la lame ne présente ni balourd ni shimmy qui pourraient résulter d'un montage incorrect ou d'une usure irrégulière.
22. Avant de scier, attendez que la lame ait atteint sa pleine vitesse.
23. Arrêtez immédiatement le sciage si vous remarquez quoi que ce soit d'anormal.
24. Ne tentez pas de maintenir la gâchette en position ON.
25. Restez vigilant, surtout durant les sciages répétés et monotones. Ne vous laissez jamais prendre par un sentiment trompeur de sécurité. Les lames de scie ne pardonnent pas.
26. N'utilisez que les accessoires recommandés dans ce manuel. L'utilisation d'accessoires différents, disques à tronçonner notamment, peut entraîner une blessure.
27. **N'utilisez pas la scie pour couper autre chose que de l'aluminium, du bois ou des matériaux similaires.**
28. **Raccordez les scies à coupe d'onglet à un dispositif de ramassage de la poussière quand vous effectuez un sciage.**
29. **Sélectionnez les lames en fonction du matériau à couper.**
30. **Faites attention lorsque vous taillez des encoches.**
31. **Remplacez le plateau de découpe quand il est usé.**
32. **Ne pas utiliser de lames fabriquées en acier à coupe rapide.**

33. Les poussières dégagées lors de l'utilisation de l'outil peuvent contenir certains produits chimiques reconnus comme pouvant causer le cancer, des anomalies congénitales ou autres problèmes de reproduction. Parmi ces produits chimiques figurent notamment :
- le plomb que contient les matériaux recouverts de peinture à base de plomb ;
 - l'arsenic et le chrome que contient le bois de construction traité chimiquement.

Les risques encourus varient suivant la fréquence d'exposition qu'implique votre travail. Pour réduire votre degré d'exposition à ces produits chimiques : travaillez dans une aire de travail bien aérée et en utilisant des dispositifs de sécurité approuvés, tels que des masques à poussière spécialement conçus pour filtrer les particules microscopiques.

34. Pour réduire le bruit émis par la lame, assurez-vous toujours qu'elle est bien affûtée et propre.
35. L'utilisateur doit avoir reçu une formation adéquate concernant l'utilisation, le réglage et le fonctionnement de l'outil.
36. Utilisez des lames bien affûtées. Respectez la vitesse maximale indiquée sur la lame.
37. Évitez de retirer de la zone de coupe les coupures et autres bouts détachés de la pièce à couper pendant que l'outil tourne encore et que la tête de la lame n'est pas en position de repos.

CONSERVEZ CES INSTRUCTIONS.

INSTALLATION

Montage du banc

À sa sortie d'usine, la poignée de cet outil est verrouillée en position abaissée au moyen de la broche d'arrêt. Pour dégager la broche d'arrêt, abaissez légèrement la poignée et tirez sur la broche. (Fig. 1)

Boulonnez l'outil à l'aide de deux boulons sur une surface stable et de niveau, en utilisant les orifices à boulon prévus sur le socle de l'outil. Ceci empêchera tout risque de renversement et de blessure. (Fig. 2)

Tournez le boulon de réglage vers la droite ou la gauche de sorte qu'il entre en contact avec la surface du plancher pour assurer la stabilité de l'outil. (Fig. 3)

DESCRIPTION DU FONCTIONNEMENT

ATTENTION :

- Assurez-vous toujours que l'outil est hors tension et débranché avant de l'ajuster ou de vérifier son fonctionnement.

Protecteur de lame (Fig. 4 et 5)

Le protecteur de lame s'élève automatiquement lorsque vous abaissez la poignée. Le protecteur étant équipé d'un ressort de rappel, il revient à sa position d'origine une fois la coupe terminée et la poignée relevée. NE JAMAIS MODIFIER OU RETIRER LE PROTECTEUR DE LAME OU SON RESSORT.

Pour votre propre sécurité, maintenez toujours le protecteur de lame en bonne condition. Tout fonctionnement irrégulier du protecteur de lame doit être corrigé immédiatement. Vérifiez que le mécanisme de rappel du protecteur fonctionne correctement. NE JAMAIS UTILISER L'OUTIL SI LE PROTECTEUR DE LAME OU LE RESSORT EST ENDOMMAGÉ, DÉFECTUEUX OU RETIRÉ. CELA EST EXTRÊMEMENT DANGEREUX ET PEUT CAUSER UNE GRAVE BLESSURE.

Si le protecteur de lame transparent devient sale ou si la sciure de bois y adhère au point que la lame ne soit plus bien visible, débranchez la scie et nettoyez soigneusement le protecteur avec un chiffon humide. N'utilisez pas de solvants ni de détergents à base d'essence pour nettoyer ce protecteur en plastique.

Lorsque le protecteur de lame est très sale et qu'il n'est plus possible de voir à travers, utilisez la clé à douille fournie pour desserrer le boulon hexagonal qui retient le capot central. Desserrez le boulon hexagonal en le faisant tourner vers la gauche, puis soulevez le protecteur de lame et le capot central. Le nettoyage du protecteur de lame peut être effectué de manière plus complète et efficace lorsqu'il se trouve dans cette position. Une fois le nettoyage terminé, effectuez la procédure ci-dessus en sens inverse et fixez le boulon. Ne retirez pas le ressort du protecteur de lame. Si le protecteur se décolore avec le temps ou sous l'effet des rayons ultraviolets, contactez un Centre d'Entretien Makita pour vous procurer un nouveau protecteur. NE PAS MODIFIER OU RETIRER LE PROTECTEUR.

Positionnement des plateaux de découpe (Fig. 6 et 7)

Le socle rotatif de cet outil est équipé de plateaux de découpe pour minimiser la déchirure du côté de sortie de la coupe. Les plateaux de découpe sont réglés en usine de sorte qu'ils n'entrent pas en contact avec la lame. Avant l'utilisation, ajustez les plateaux de découpe comme suit :

Débranchez d'abord l'outil. Desserrez toutes les vis qui retiennent les plateaux de découpe (2 à droite et 2 à gauche). Ne les resserrez que partiellement, de sorte qu'il soit facile de déplacer manuellement les plateaux de découpe. Abaissez complètement la poignée et enfoncez la broche d'arrêt pour verrouiller la poignée en position abaissée. Desserrez les deux vis de serrage qui retiennent les tiges de glissement. Tirez complètement le chariot vers vous. Ajustez les plateaux de découpe de sorte qu'ils touchent très légèrement les côtés des dents de la lame. Serrez légèrement les vis à l'avant. Poussez complètement le chariot vers le guide et ajustez les plateaux de découpe de sorte qu'ils touchent très légèrement les côtés des dents de la lame. Serrez légèrement les vis à l'arrière.

Après avoir ajusté les plateaux de découpe, dégagez la broche d'arrêt et levez la poignée. Serrez ensuite toutes les vis fermement.

ATTENTION :

- Avant et après la modification de l'angle de coupe en biseau, ajustez toujours les plateaux de découpe en procédant comme indiqué ci-dessus.

Maintien de la capacité de coupe maximale (Fig. 8 et 9)

Cet outil est réglé en usine pour offrir une capacité de coupe maximale avec une lame de 190 mm.

Lorsque vous installez une nouvelle lame, vérifiez toujours la position limite inférieure de la lame, et réglez-la comme suit si nécessaire :

Débranchez d'abord l'outil. Poussez le chariot à fond vers le guide et abaissez complètement la poignée. Utilisez la clé à douille pour tourner le boulon de réglage jusqu'à ce que la périphérie de la lame se trouve légèrement sous la face supérieure du socle rotatif, au point de rencontre entre la face avant du guide et la face supérieure du socle rotatif.

Débranchez l'outil et faites tourner la lame manuellement en maintenant la poignée en position complètement abaissée, afin d'être certain que la lame n'entre en contact avec aucune partie du plateau inférieur. Au besoin, effectuez un léger réajustement.

ATTENTION :

- Après avoir installé une nouvelle lame, assurez-vous toujours qu'elle n'entre en contact avec aucune partie du plateau inférieur lorsque la poignée est complètement abaissée. Débranchez toujours l'outil avant d'effectuer cette opération.

Bras de blocage (Fig. 10)

Le bras de blocage permet de régler facilement la position limite inférieure de la lame. Pour l'ajuster, déplacez le bras de blocage dans le sens de la flèche, tel qu'indiqué sur l'illustration. Ajustez la vis de réglage de sorte que la lame s'arrête à la position désirée lorsque la poignée est complètement abaissée.

Réglage de l'angle de coupe d'onglet (Fig. 11)

Desserrez le manche en le tournant vers la gauche. Faites tourner le socle rotatif tout en abaissant le levier de verrouillage. Lorsque le manche est arrivé au point où l'index indique la valeur angulaire désirée sur le secteur, serrez le manche à fond en le tournant vers la droite.

ATTENTION :

- Vous devez soulever complètement la poignée lorsque vous faites tourner le socle rotatif.
- Après avoir modifié l'angle de coupe d'onglet, fixez toujours le socle rotatif en serrant le manche à fond.

Réglage de l'angle de coupe en biseau (Fig. 12 et 13)

Pour ajuster l'angle de coupe en biseau, desserrez le levier à l'arrière de l'outil en le tournant vers la gauche.

Poussez la poignée vers la gauche pour incliner la lame jusqu'à ce que l'index indique la valeur angulaire désirée sur l'échelle. Resserrez ensuite le levier à fond en le tournant vers la droite pour fixer le bras.

Pour incliner la lame vers la droite, appuyez sur le bouton de libération à l'arrière de l'outil tout en inclinant la lame légèrement vers la gauche après avoir desserré le levier. En maintenant le bouton de libération enfoncé, inclinez la lame vers la droite.

ATTENTION :

- Vous devez soulever complètement la poignée lorsque vous inclinez la lame.
- Après avoir modifié l'angle de coupe en biseau, fixez toujours le bras en serrant le levier vers la droite.
- Lorsque vous modifiez l'angle de coupe en biseau, vous devez placer les plateaux de découpe en position adéquate, tel que décrit dans la section "Positionnement des plateaux de découpe".

Réglage de la position du levier (Fig. 14)

Si le levier n'assure pas un serrage parfait, vous pouvez l'installer sur l'une ou l'autre des positions de serrage distantes de 30°.

Desserrez et retirez la vis qui retient le levier à l'arrière de l'outil. Retirez le levier et réinstallez-le de sorte qu'il soit légèrement au-dessus du niveau.

Serrez le levier fermement avec la vis.

Interrupteur

ATTENTION :

- Avant de brancher l'outil, vérifiez toujours que la gâchette fonctionne bien et revient en position d'arrêt lorsque relâchée.
- Lorsque vous avez terminé d'utiliser l'outil, retirez le bouton de sécurité et rangez-le dans un endroit sûr. Cela évitera l'utilisation de l'outil sans autorisation.
- N'appuyez pas fortement sur la gâchette sans avoir d'abord enfoncé le bouton de sécurité. Vous risqueriez de briser la gâchette.

Pour l'Europe (Fig. 15)

Pour éviter tout déclenchement accidentel de la gâchette, l'outil est muni d'un bouton de sécurité. Pour faire démarrer l'outil, poussez le levier vers la gauche, enfoncez le bouton de sécurité puis appuyez sur la gâchette. Pour l'arrêter, relâchez la gâchette.

Pour tous les pays à l'exception de l'Europe (Fig. 16)

Pour éviter tout déclenchement accidentel de la gâchette, l'outil est muni d'un bouton de sécurité. Pour faire démarrer l'outil, enfoncez le bouton de sécurité puis appuyez sur la gâchette. Pour l'arrêter, relâchez la gâchette.

AVERTISSEMENT :

- NE JAMAIS utiliser un outil dont la gâchette ne fonctionne pas parfaitement. Tout outil dont la gâchette est défectueuse est **EXTRÊMEMENT DANGEREUX** et doit être réparé avant d'être à nouveau utilisé.
- Pour assurer votre sécurité, cet outil est équipé d'un bouton de sécurité qui prévient le démarrage accidentel de l'outil. NE JAMAIS utiliser l'outil s'il se met en marche lorsque vous appuyez simplement sur la gâchette sans avoir enfoncé le bouton de sécurité. Retournez alors l'outil à un centre de service après-vente Makita pour le faire réparer AVANT de poursuivre l'utilisation.
- Le bouton de sécurité ne doit JAMAIS être immobilisé avec du ruban adhésif, ni modifié.

Allumage des lampes (Fig. 17)

Pour les modèles LS0714F et LS0714FL

ATTENTION :

- Cette lampe n'est pas étanche à la pluie. Ne nettoyez pas la lampe avec de l'eau et évitez de l'utiliser sous la pluie ou dans un endroit humide. Cela risquerait de causer un choc électrique entraînant des émanations de fumée.
- Ne touchez pas la lentille de la lampe alors que cette dernière est allumée ou vient tout juste d'être éteinte et est encore très chaude. Il y a risque de brûlure.
- Évitez de faire subir tout choc à la lampe. Cela risquerait de l'endommager ou de réduire sa durée de service.
- Ne pointez pas le rayon lumineux de la lampe vers vos yeux. Il y a risque de blessure oculaire.
- Ne recouvrez pas la lampe de chiffons, de carton ou d'objets similaires alors qu'elle est allumée. Elle risquerait de prendre feu et de causer un incendie.

Appuyez sur la position supérieure de l'interrupteur pour allumer la lampe et sur la position inférieure pour l'éteindre.

Déplacez la lampe pour éclairer une autre zone.

NOTE :

- Utilisez un chiffon sec pour essuyer les saletés qui recouvrent la lentille de la lampe. Prenez garde de rayer la lentille de la lampe, sinon sa capacité d'éclairage sera affectée.

Utilisation du faisceau laser (Fig. 18 et 19)

Pour les modèles LS0714FL et LS0714L

ATTENTION :

- Ne jamais regarder directement la source du faisceau laser. L'exposition directe au faisceau laser comporte un risque de blessure aux yeux.

Pour allumer le faisceau laser, appuyez sur la position supérieure (I) de l'interrupteur. Appuyez sur sa position inférieure (O) pour éteindre.

En ajustant la vis de réglage comme suit, vous pouvez déplacer la ligne laser du côté gauche ou droite de la lame.

1. Desserrez la vis de réglage en la tournant vers la gauche.
2. Une fois la vis de réglage desserrée, glissez-la complètement vers la droite ou la gauche.
3. Serrez fermement la vis de réglage sur la position où elle cesse de glisser.

La ligne laser est ajustée en usine pour se trouver à moins de 1 mm de la surface latérale de la lame (position de coupe).

NOTE :

- Si la ligne de coupe est trop pâle et presque imperceptible parce que vous travaillez dans un endroit exposé directement aux rayons du soleil ou près d'une fenêtre intérieure ou extérieure, changez de zone de travail pour ne plus être exposé directement aux rayons du soleil.

Alignement de la ligne laser (Fig. 20)

Suivant le type de coupe à effectuer, vous pouvez déplacer la ligne laser d'un côté ou de l'autre de la lame. Reportez-vous à la section intitulée "Utilisation du faisceau laser" concernant la façon de le déplacer.

NOTE :

- Placez un parement de bois contre le guide lorsque vous alignez la ligne de coupe sur la ligne laser à côté du guide pour effectuer une coupe mixte (coupe en biseau de 45 degrés et coupe d'onglet de 45 degrés sur la droite).
- A) Pour obtenir la taille désirée du côté gauche de la pièce à travailler
 - Placez la ligne laser du côté gauche de la lame.
 - B) Pour obtenir la taille désirée du côté droit de la pièce à travailler
 - Placez la ligne laser du côté droit de la lame.
- Alignez votre ligne de coupe avec la ligne laser sur la pièce à travailler.

ASSEMBLAGE

ATTENTION :

- Avant d'effectuer toute intervention sur l'outil, assurez-vous toujours qu'il est hors tension et débranché.

Rangement de la clé à douille (Fig. 21)

Le rangement de la clé à douille s'effectue de la façon indiquée sur l'illustration. Pour utiliser la clé à douille, retirez-la du support à clé. Après avoir utilisé la clé à douille, remettez-la dans le support à clé.

Pose et dépose de la lame

ATTENTION :

- Assurez-vous toujours que l'outil est hors tension et débranché avant d'installer ou de retirer la lame.
- Utilisez exclusivement la clé à douille Makita fournie pour installer ou retirer la lame. Sinon, le boulon hexagonal risque d'être trop ou pas assez serré. Cela peut entraîner une blessure.

Verrouillez la poignée en position élevée en y poussant la broche d'arrêt. (Fig. 22)

Pour retirer la lame, desserrez le boulon hexagonal de fixation du capot central à l'aide de la clé hexagonale, en tournant vers la gauche. Soulevez le protecteur de lame et le capot central. (Fig. 23)

Appuyez sur le blocage de l'arbre pour verrouiller l'axe et desserrez le boulon hexagonal à l'aide de la clé à douille, en tournant vers la droite. Retirez ensuite le boulon hexagonal, le flasque extérieur et la lame. (Fig. 24)

Pour installer la lame, montez-la soigneusement sur l'axe en vous assurant que le sens indiqué par la flèche sur la surface de la lame correspond à celui de la flèche du porte-lame. Installez le flasque extérieur et le boulon hexagonal, puis, à l'aide de la clé à douille, serrez à fond le boulon hexagonal (filetage à gauche), en tournant vers la gauche, tout en appuyant sur le blocage de l'arbre.

Remettez le protecteur de lame et le capot central en position initiale. Vissez ensuite le boulon hexagonal en le tournant vers la droite pour fixer le capot central. Tirez sur la broche d'arrêt pour dégager la poignée de la position élevée. Abaissez la poignée pour vous assurer que le protecteur de lame se déplace adéquatement. Avant de passer à la coupe, vérifiez que le blocage de l'arbre n'est pas engagé sur l'axe. (Fig. 25 et 26)

Sac à poussière (Fig. 27)

L'utilisation du sac à poussière permet d'effectuer des coupes en toute propreté et facilite la collecte de la poussière. Pour fixer le sac à poussière, insérez-le dans le raccord à poussières.

Lorsque le sac à poussière est environ à moitié plein, retirez-le de l'outil et tirez la fermeture. Videz le sac à poussière en le tapant légèrement pour retirer les particules qui adhèrent à sa surface intérieure et risqueraient de faire obstacle à la collecte de la poussière par la suite.

NOTE :

Vous pouvez effectuer un travail plus efficace et plus propre en raccordant un aspirateur Makita à votre scie.

Immobilisation de la pièce (Fig. 28)

AVERTISSEMENT :

- Il est très important de toujours immobiliser la pièce de manière adéquate et ferme avec l'étau. Faute de cette précaution, vous risquez d'endommager votre scie et/ou la pièce. VOUS RISQUEZ AUSSI DE VOUS BLESSEZ. Après avoir terminé votre coupe, NE RELEVEZ PAS LA LAME tant qu'elle n'est pas arrivée à un arrêt complet.

ATTENTION :

- Lorsque vous coupez des pièces longues, utilisez des cales aussi hautes que le niveau de la surface supérieure du socle rotatif. Ne vous fiez pas uniquement à un étau vertical et/ou un étau horizontal pour immobiliser la pièce.

Les matériaux minces ont tendance à s'affaisser. Soutenez la pièce sur toute sa longueur, pour éviter que la lame ne se coince et provoque un éventuel CHOC EN RETOUR.

Étau vertical (Fig. 29)

Vous pouvez installer l'étau vertical sur l'une ou l'autre de deux positions, du côté gauche ou droit du guide ou de la butée (accessoire en option). Engagez la tige de l'étau dans l'orifice du guide ou de la butée, et serrez la vis pour fixer la tige de l'étau.

Placez le bras de l'étau en fonction de l'épaisseur et de la forme de la pièce à travailler, et fixez le bras de l'étau en serrant la vis. Si la vis de fixation du bras de l'étau entre en contact avec le guide, installez-la de l'autre côté du bras de l'étau. Assurez-vous qu'aucune partie de l'outil n'entre en contact avec l'étau lorsque vous abaissez complètement la poignée et tirez ou poussez le chariot jusqu'au bout. Si une quelconque partie de l'outil entre en contact avec l'étau, modifiez son emplacement. Appuyez la pièce à plat contre le guide et le socle rotatif. Placez la pièce sur la position de coupe désirée et serrez à fond la poignée de l'étau.

ATTENTION :

- Le matériau doit être fermement assuré contre le socle rotatif et le guide au moyen de l'étau pendant toutes les opérations de sciage.

Étau horizontal (accessoire en option) (Fig. 30)

L'étau horizontal peut être installé du côté gauche du socle. Quand vous tournez la poignée de l'étau vers la gauche, la vis se libère et la tige de l'étau peut être déplacée rapidement d'avant en arrière. La vis s'immobilise en tournant la poignée de l'étau vers la droite. Pour serrer la pièce, tournez doucement la poignée de l'étau vers la droite jusqu'à ce que l'ergot atteigne sa position supérieure, puis serrez à fond. Si vous tournez la poignée de l'étau en force ou tirez dessus pendant que vous la tournez vers la droite, vous risquez que l'ergot s'arrête à mi-course. Dans ce cas, ramenez la poignée de l'étau vers la gauche jusqu'à ce que la vis soit libérée, et recommencez en tournant doucement la poignée vers la droite.

L'épaisseur maximale des pièces que permet d'assurer l'étau horizontal est de 120 mm.

ATTENTION :

- Pour bien serrer la pièce il faut que l'ergot se trouve sur sa position la plus élevée. Faute de cette précaution, la pièce risque de ne pas être suffisamment serrée. Il peut en résulter la projection de la pièce, des dommages à la lame ou une perte de contrôle causant une GRAVE BLESSURE.

Servantes et butée (accessoires en option) (Fig. 31 et 32)

Les servantes et la butée s'installent soit à gauche soit à droite, comme moyen pratique de soutenir les pièces horizontalement. Installez-les de la façon indiquée sur l'illustration. Serrez ensuite les vis fermement pour immobiliser les servantes et la butée.

Pour couper des pièces de grande longueur, utilisez l'ensemble de butées (accessoire en option). Il se compose de deux butées et de deux tiges numéro 12.

ATTENTION :

- Maintenez toujours les pièces de grande longueur parallèles à la surface supérieure du socle rotatif pour pouvoir effectuer des coupes précises et éviter toute perte de contrôle dangereuse de l'outil.

UTILISATION

ATTENTION :

- Avant l'utilisation, assurez-vous d'avoir dégagé la poignée de la position abaissée en tirant sur la broche d'arrêt.
- Assurez-vous que la lame n'entre pas en contact avec la pièce ou tout autre objet avant de mettre le contact.
- Pendant la coupe, n'appliquez pas une pression excessive sur la poignée. Vous risqueriez de provoquer une surcharge du moteur et/ou une diminution de la capacité de coupe. Abaissez la poignée en appliquant uniquement la force nécessaire pour obtenir une coupe en douceur sans diminuer de façon significative la vitesse de la lame.
- Abaissez doucement la poignée pour effectuer la coupe. Si vous appuyez trop fort sur la poignée ou appuyez latéralement, la lame vibrera et elle laissera une marque (marque de sciage) sur la pièce ; la précision de coupe sera également affectée.
- Lors d'une coupe en glissière, poussez doucement le chariot vers le guide, sans arrêter. Si le mouvement du chariot est interrompu pendant la coupe, cela laissera une marque sur la pièce et la précision de la coupe sera affectée.

1. Coupe sous presse (coupe de petites pièces) (Fig. 33)

Vous pouvez couper des pièces pouvant atteindre 50 mm de haut et 97 mm de large, en procédant comme suit. Poussez le chariot complètement vers le guide, puis serrez vers la droite les deux vis de serrage qui retiennent les tiges de glissement pour fixer le chariot. Assurez la pièce avec l'étau. Mettez l'outil en marche alors que la lame ne touche à rien et attendez qu'elle ait atteint sa pleine vitesse avant de l'abaisser. Abaissez ensuite doucement la poignée au maximum pour couper la pièce. Lorsque la coupe est terminée, coupez le contact de l'outil et ATTENDEZ QUE LA LAME SE SOIT COMPLÈTEMENT ARRÊTÉE avant de ramener la lame en position complètement relevée.

ATTENTION :

- Serrez fermement vers la droite les deux vis de serrage qui retiennent les tiges de glissement pour que le chariot ne bouge pas pendant l'opération. Si vous ne serrez pas assez, il y a risque de choc en retour soudain. Il peut en résulter une grave BLESSURE.

2. Coupe en glissière (poussée) (coupe de grandes pièces) (Fig. 34)

Desserrez, en tournant vers la gauche, les deux vis de serrage qui retiennent les tiges de glissement, de sorte que le chariot puisse glisser librement. Assurez la pièce avec l'étau. Tirez complètement le chariot vers vous. Mettez l'outil en marche alors que la lame ne touche à rien et attendez qu'elle ait atteint sa pleine vitesse. Abaissez la poignée et PUSSEZ LE CHARIOT VERS LE GUIDE ET TOUT AU LONG DE LA PIÈCE. Lorsque la coupe est terminée, coupez le contact de l'outil et ATTENDEZ QUE LA LAME SE SOIT COMPLÈTEMENT ARRÊTÉE avant de ramener la lame en position complètement relevée.

ATTENTION :

- Chaque fois que vous effectuez une coupe en glissière, TIREZ D'ABORD LE CHARIOT COMPLÈTEMENT VERS VOUS et abaissez la poignée sur sa position la plus basse, puis PUSSEZ LE CHARIOT VERS LE GUIDE. NE COMMENCEZ JAMAIS LA COUPE ALORS QUE LE CHARIOT N'EST PAS COMPLÈTEMENT TIRÉ VERS VOUS. Si vous effectuez une coupe en glissière sans avoir tiré complètement le chariot ou si vous effectuez la coupe dans votre propre direction, il se peut que la lame effectue un soudain choc en retour, risquant ainsi de causer une grave BLESSURE.
- N'effectuez jamais une coupe en glissière alors que la poignée a été verrouillée en position abaissée en appuyant sur la broche d'arrêt.
- Ne desserrez jamais la vis de serrage qui retient le chariot pendant que la lame tourne. Cela peut entraîner une grave blessure.

3. Coupe d'onglet

Voyez la section précédente "Réglage de l'angle de coupe d'onglet".

4. Coupe en biseau (Fig. 35)

Desserrez le levier et inclinez la lame pour régler l'angle de coupe en biseau (voir la section précédente "Réglage de l'angle de coupe en biseau"). N'oubliez pas de resserrer le levier fermement de façon à bien assurer l'angle de biseau sélectionné. Assurez la pièce avec un étai. Assurez-vous que le chariot est complètement ramené vers vous. Mettez l'outil en marche alors que la lame ne touche à rien et attendez qu'elle ait atteint sa pleine vitesse. Abaissez ensuite doucement la poignée sur la position la plus basse tout en appliquant une pression parallèle à la lame et **POUSSEZ LE CHARIOT VERS LE GUIDE POUR COUPER LA PIÈCE**. Lorsque la coupe est terminée, coupez le contact de l'outil et **ATTENDEZ QUE LA LAME SE SOIT COMPLÈTEMENT ARRÊTÉE** avant de ramener la lame en position complètement relevée.

ATTENTION :

- Assurez-vous toujours que la lame s'abaisse dans le sens du biseau lors d'une coupe en biseau. Gardez bien les mains à l'écart de la lame.
- Lors d'une coupe en biseau, il peut arriver que la pièce coupée vienne s'appuyer contre le côté de la lame. Si vous soulevez la lame alors qu'elle tourne encore, ce morceau risque d'être happé par la lame et ses fragments s'éparpillent, ce qui est dangereux. La lame doit être relevée **UNIQUEMENT** après être arrivée à un arrêt complet.
- Lorsque vous abaissez la poignée, appliquez une pression parallèle à la lame. Si la pression n'est pas parallèle à la lame pendant la coupe, cela risque de modifier l'angle de la lame et d'affecter la précision de la coupe.

5. Coupe mixte

La coupe mixte consiste à appliquer un angle de biseau tout en effectuant une coupe d'onglet sur une pièce. La coupe mixte est possible à l'angle indiqué dans le tableau.

Angle d'onglet	Angle de biseau
Gauche et Droite 45°	Gauche 0° – 45°
Droite 50°	Gauche 0° – 40°
Droite 55°	Gauche 0° – 30°
Droite 57°	Gauche 0° – 25°

Pour effectuer une coupe mixte, référez-vous aux explications des sections "Coupe sous presse", "Coupe en glissière", "Coupe d'onglet" et "Coupe en biseau".

6. Coupe de profilés d'aluminium (Fig. 36)

Lorsque vous immobilisez des profilés d'aluminium, utilisez des cales d'espacement ou des bouts de ferraille, tel qu'indiqué sur l'illustration, pour prévenir la déformation de l'aluminium. Utilisez aussi un lubrifiant de coupe lorsque vous sciez des profilés d'aluminium afin d'empêcher l'accumulation de particules d'aluminium sur la lame.

ATTENTION :

- N'essayez jamais de couper des profilés d'aluminium épais ou ronds. Les profilés d'aluminium épais risquent de se décaler durant l'opération, et les profilés d'aluminium ronds ne pourront pas être immobilisés de façon satisfaisante avec ce type d'étai.

7. Parement de bois (Fig. 37)

L'utilisation de parements de bois permet d'effectuer des coupes sans éclats. Fixez un parement de bois sur le guide en utilisant les orifices du guide.

Pour les dimensions recommandées du parement de bois, voir l'illustration.

ATTENTION :

- Comme parement de bois, utilisez un morceau de bois droit d'épaisseur régulière.
- Utilisez des vis pour fixer le parement de bois au guide. Vous devez placer les vis de telle sorte que leurs têtes ne dépassent pas à la surface du parement de bois.
- Une fois le parement de bois fixé, ne tournez pas le socle rotatif avec le bras abaissé. Vous risqueriez d'endommager la lame et/ou le parement de bois.

8. Coupes répétées de longueur identique (Fig. 38)

Pour couper plusieurs morceaux de matériau à la même longueur, qui peut être comprise entre 220 mm et 385 mm, utilisez la plaque de fixation (accessoire en option) pour faciliter et rationaliser le travail. Installez la plaque de fixation sur son support (accessoire en option), de la façon indiquée sur l'illustration.

Alignez la ligne de coupe de la pièce sur le côté gauche ou droit de la rainure du plateau de découpe tout en tenant immobilisant fermement la pièce, et placez la plaque de fixation contre l'extrémité de la pièce. Fixez ensuite la plaque de fixation avec la vis. Quand vous ne vous servez pas de la plaque de fixation, desserrez la vis et tournez la plaque de fixation pour la dégager.

NOTE :

- L'utilisation de l'ensemble de butées et tiges (accessoire en option) permet des coupes répétées d'une longueur identique pouvant aller jusqu'à environ 2 200 mm.

9. Rainurage (Fig. 39)

Des rainures peuvent être effectuées en procédant comme suit :

Ajustez la position limite inférieure de la lame au moyen de la vis de réglage et du bras de blocage pour limiter la profondeur de coupe de la lame. Référez-vous à la section "Bras de blocage" ci-dessus.

Après avoir ajusté la position limite inférieure de la lame, coupez des rainures parallèles sur la largeur de la pièce, en procédant par coupe en glissière (poussée), tel qu'indiqué sur l'illustration. Retirez ensuite le matériau de la pièce entre les rainures, au moyen d'un ciseau. Ne tentez pas d'effectuer ce type de coupe au moyen d'une lame large (épaisse) ou d'une lame à rainer. Cela comporte un risque de perte de contrôle de l'outil et de blessure.

ATTENTION :

- Assurez-vous d'avoir remis le bras de blocage en position initiale avant d'effectuer un autre type de coupe que le rainurage.

Transport de l'outil (Fig. 40 et 41)

Vérifiez que l'outil est débranché. Fixez la lame sur un angle de coupe en biseau de 0° et le socle rotatif sur l'angle de coupe d'onglet maximal vers la droite. Fixez les tiges de glissement après avoir tiré complètement le chariot vers le guide. Abaissez complètement la poignée et verrouillez-la en position inférieure en enfonçant la broche d'arrêt.

Saisissez l'outil par les deux côtés du socle pour le transporter, tel qu'indiqué sur l'illustration. L'outil sera plus facile à transporter si vous retirez les servantes, le sac à poussière, etc.

ATTENTION :

- Avant de transporter l'outil, immobilisez d'abord toutes ses pièces mobiles.
- La broche d'arrêt est conçue exclusivement pour le transport et le rangement de l'outil, et ne doit être utilisée pour aucun travail de coupe.

ENTRETIEN

ATTENTION :

- Assurez-vous toujours que l'outil est hors tension et débranché avant d'y effectuer tout travail d'inspection ou d'entretien.

AVERTISSEMENT :

- Assurez-vous toujours que la lame est bien affûtée et propre pour assurer un rendement optimal et une sécurité maximale.

Réglage de l'angle de coupe

L'outil a été soigneusement réglé et aligné en usine, mais une manipulation maladroite a pu dérégler l'alignement. Si l'outil n'est pas aligné correctement, effectuez les opérations suivantes:

1. Angle de coupe d'onglet

Poussez le chariot vers le guide, puis serrez les deux vis de serrage pour fixer le chariot.

Desserrez le manche qui retient le socle rotatif. Faites pivoter le socle rotatif de sorte que l'index pointe vers 0° sur le secteur. Tournez ensuite le socle rotatif légèrement vers la droite et la gauche pour le caler dans l'entaille d'onglet de 0°. (Laissez-le tel quel si l'index n'indique pas 0°.) Avec la clé à douille, desserrez les boulons hexagonaux qui retiennent le guide. (Fig. 42)

Abaissez complètement la poignée et verrouillez-la en position inférieure en enfonçant la broche d'arrêt. Placez le côté de la lame à angle droit par rapport à la surface du guide à l'aide d'une règle triangulaire, d'une équerre de menuisier, etc. Vissez ensuite les boulons hexagonaux du guide à fond, dans l'ordre, en commençant du côté droit. (Fig. 43)

Assurez-vous que l'index indique 0° sur l'échelle de coupe d'onglet. Si l'index n'indique pas 0°, desserrez la vis qui retient l'index et réglez ce dernier de sorte qu'il indique 0°. (Fig. 44)

2. Angle de biseau

1. Angle de coupe en biseau 0°

Poussez le chariot vers le guide, puis serrez les deux vis de serrage pour fixer le chariot. Abaissez complètement la poignée et verrouillez-la en position inférieure en enfonçant la broche d'arrêt. Desserrez le levier à l'arrière de l'outil.

Pour incliner la lame vers la droite, tournez de deux ou trois tours vers la gauche le boulon de réglage de l'angle de coupe en biseau 0° (boulon inférieur) du côté droit du bras. (Fig. 45)

Placez soigneusement le côté de la lame à angle droit par rapport à la surface supérieure du socle rotatif au moyen d'une règle triangulaire, d'une équerre de menuisier, etc., en tournant vers la droite le boulon de réglage de l'angle de coupe en biseau 0°. Serrez ensuite le levier fermement. (Fig. 46)

Assurez-vous que l'index du bras indique 0° sur l'échelle de coupe en biseau du support du bras. S'il n'indique pas 0°, desserrez la vis qui retient l'index et ajustez ce dernier de telle sorte qu'il indique 0°. (Fig. 47)

2. Angle de coupe en biseau 45°

Réglez l'angle de biseau de 45° uniquement après avoir réglé l'angle de biseau de 0°. Pour régler l'angle de biseau de 45°, desserrez le levier et inclinez complètement la lame sur la gauche. Vérifiez que l'index du bras indique 45° sur l'échelle du support du bras. Si le pointeur n'indique pas 45°, tournez le boulon de réglage de l'angle de coupe en biseau 45° (boulon supérieur) du côté droit du bras jusqu'à ce que le pointeur indique 45°. (Fig. 48)

Réglage de la position de la ligne laser

(Fig. 49 et 50)

Pour les modèles LS0714FL et LS0714L

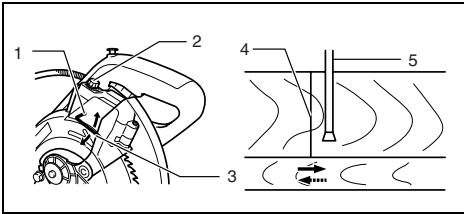
AVERTISSEMENT :

- L'outil étant branché au moment du réglage de la position de la ligne laser, veuillez prendre tout particulièrement garde à la gâchette. L'outil risque de démarrer et de vous blesser si vous appuyez accidentellement sur la gâchette.

ATTENTION :

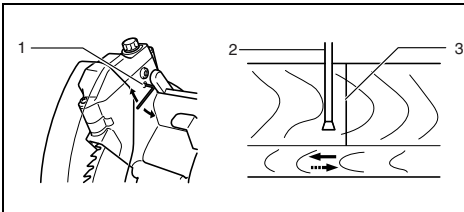
- Ne jamais regarder directement le faisceau laser. L'exposition directe au faisceau laser entraînerait des blessures aux yeux.
- Ne faites subir aucun choc ou impact à l'outil. Un choc ou impact peut fausser la ligne laser, endommager l'émetteur de faisceau laser ou réduire la durée de service de l'outil.

Pour ajuster la ligne laser du côté gauche de la lame



- 1 Vis de modification de la plage de déplacement de la vis de réglage
- 2 Vis de réglage
- 3 Clé hexagonale
- 4 Ligne laser
- 5 Lame

Pour ajuster la ligne laser du côté droit de la lame



- 1 Vis de modification de la plage de déplacement de la vis de réglage
- 2 Lame
- 3 Ligne laser

Dans un cas comme dans l'autre, procédez comme suit.

1. Vérifiez que l'outil est débranché.
2. Tracez votre ligne de coupe sur la pièce à travailler et placez cette dernière sur le socle rotatif. Ne fixez pas immédiatement la pièce à travailler avec un étau ou un dispositif de sécurité similaire.
3. Abaissez la lame en baissant la poignée, et vérifiez simplement la position respective de la ligne de coupe et de la lame. (Choisissez la position à couper sur la ligne de coupe.)
4. Après avoir choisi la position à couper, remettez la poignée sur sa position initiale. Fixez la pièce à travailler avec l'étau vertical, en prenant soin qu'elle reste dans la position où elle se trouvait avant la vérification.
5. Branchez l'outil et mettez l'interrupteur du laser en position de marche.
6. Procédez comme suit pour ajuster la position de la ligne laser.

La position de la ligne laser peut être modifiée sur la plage permise par la vis de réglage, en tournant deux vis avec une clé hexagonale. (En usine la plage de déplacement de la ligne laser est réglée à moins de 1 mm de la surface latérale de la lame.)

Pour que la plage de déplacement de la ligne laser se trouve à une plus grande distance de la surface latérale de la lame, tournez les deux vis vers la gauche après avoir desserré la vis de réglage. Pour la rapprocher de la surface latérale de la lame, tournez ces deux vis vers la droite après avoir desserré la vis de réglage.

Reportez-vous à la section intitulée "Utilisation du faisceau laser" et ajustez la vis de réglage de sorte que la ligne de coupe tracée sur la pièce à travailler soit alignée sur la ligne laser.

NOTE :

- Pour assurer la précision du travail de coupe, vérifiez régulièrement la position de la ligne laser.
- En cas de défaillance du dispositif laser, faites réparer l'outil par un centre de service après-vente agréé Makita.

Remplacement du tube fluorescent (Fig. 51)

Pour les modèles LS0714F et LS0714FL

ATTENTION :

- Assurez-vous toujours que l'outil est hors tension et débranché avant de remplacer le tube fluorescent.
- Évitez d'appliquer une force sur le tube fluorescent, de le heurter ou de l'érafler, car ce dernier risque de se casser et de causer des blessures aux personnes présentes.
- Avant de remplacer un tube fluorescent qui vient tout juste d'être utilisé, laissez-le refroidir un instant. Autrement, vous risquez de vous brûler.

Retirez les vis qui retiennent le boîtier à lampe.

Tirez sur le boîtier à lampe tout en maintenant une légère pression sur sa position supérieure, tel qu'indiqué sur l'illustration.

Retirez le tube fluorescent et remplacez-le par un tube neuf Makita.

Nettoyage de la lentille de lumière laser (Fig. 52 et 53)

Pour les modèles LS0714FL et LS0714L

Lorsque la lentille de lumière laser est sale ou que la poussière rend la ligne laser peu visible, débranchez la scie puis retirez et nettoyez doucement la lentille du laser avec un linge doux et humide. N'utilisez pas de solvants ni de détergents à base d'essence pour nettoyer la lentille.

Avant de retirer la lentille de lumière laser, retirez d'abord la lame en suivant les instructions de la section "Pose et dépose de la lame".

Avec un tournevis, desserrez, sans la retirer, la vis qui retient la lentille. Tirez sur la lentille pour la retirer, tel qu'indiqué sur l'illustration.

NOTE :

- Si la lentille ne sort pas, desserrez davantage la vis et tirez à nouveau sur la lentille, sans toutefois retirer la vis.

Remplacement des charbons (Fig. 54 et 55)

Retirez et vérifiez les charbons régulièrement. Remplacez-les lorsqu'ils atteignent le repère d'usure. Gardez les charbons propres et libres de glisser dans les porte-charbons. Les deux charbons doivent être remplacés simultanément. Utilisez uniquement des charbons identiques.

Retirez les bouchons de porte-charbon à l'aide d'un tournevis. Enlevez les charbons usés, insérez les neufs et remettez en place les bouchons.

Après l'utilisation

- Après l'utilisation essuyez les copeaux et poussières qui adhèrent à l'outil à l'aide d'un chiffon ou d'un objet similaire. Gardez le protecteur de lame propre, conformément aux instructions fournies dans la section précédente intitulée "Protecteur de lame". Lubrifiez les parties coulissantes avec de l'huile à machine pour prévenir la formation de rouille.
- Pour ranger l'outil, tirez le chariot complètement vers vous de façon que les coulisses disparaissent complètement dans le socle rotatif.

Pour assurer la SECURITE et la FIABILITE du produit, toute réparation et tout travail d'entretien ou de réglage doivent être effectués par un Centre d'Entretien autorisé Makita, avec des pièces de rechange Makita.

ACCESSOIRES

ATTENTION :

- Les accessoires ou pièces supplémentaires qui suivent sont recommandés pour l'utilisation avec l'outil Makita spécifié dans ce manuel. L'utilisation de tout autre accessoire ou pièce supplémentaire peut comporter un risque de blessure. Utilisez uniquement l'accessoire ou la pièce supplémentaire dans le but spécifié.

Pour obtenir plus de détails sur ces accessoires, contactez votre Centre d'Entretien local Makita.

- Lames à dents de carbure de tungstène
- Ensemble d'étau (étau horizontal)
- Étau vertical
- Clé à douille 10
- Jeu de servantes
- Butée
- Ensemble de butées et tiges
- Plaque de fixation
- Sac à poussière
- Règle triangulaire
- Bouton de sécurité (2 pièces)
- Tube fluorescent
- Clé hexagonale

Übersicht

1	Anschlagstift	31	Laserschalter	59	Zwei Klemmschrauben zur Sicherung der Gleitstange
2	Schraube	32	Steckschlüsselhalter	60	Schraubstock
3	Einstellschraube	33	Rohrhalter	61	Distanzblock
4	Schutzhaube	34	Mittenabdeckung	62	Aluminium-Werkstoff
5	Rändelschraube	35	Steckschlüssel	63	Über 15 mm
6	Schlitzplatte	36	Sechskantschraube	64	Über 420 mm
7	Sägeblatt	37	Sicherheitsabdeckung	65	Löcher
8	Sägeblattzähne	38	Spindelarreterierung	66	Halteplatte
9	Linksseitiger Neigungsschnitt	39	Pfeil	67	Nuten mit dem Sägeblatt schneiden
10	Geradschnitt	40	Schutzhaube	68	Einsteldreieck
11	Drehteller	41	Sechskantschraube (Linksgevinde)	69	Armhalter
12	Gehrungsanschlag	42	Außenflansch	70	0-Grad-Neigungswinkel-Einstellschraube
13	Drehteller-Oberfläche	43	Innenflansch	71	Einstellschraube für linksseitigen 45-Grad-Neigungswinkel
14	Sägeblattumfang	44	Spindel	72	Werkstück
15	Einstellschraube	45	Staubstuck	73	Schnittlinie
16	Anschlagarm	46	Absaugstutzen	74	Vertikal-Schraubstock
17	Verriegelungshebel	47	Verschluss	75	Herausziehen
18	Gehrungswinkelskala	48	Stütze	76	Drücken
19	Zeiger	49	Schraubstockarm	77	Lampengehäuse
20	Griff	50	Schraubstockstange	78	Schrauben
21	Hebel	51	Auflagebügel	79	Leuchtstoffröhre
22	Entriegelungsknopf	52	Auflageplatte (Sonderzubehör)	80	Schraubendreher
23	Neigungswinkelskala	53	Schraubstockknopf	81	Schraube (nur ein Teil)
24	Arm	54	Vorsprung	82	Linse für Laserlicht
25	Schraube	55	Schraubstockspindel	83	Verschleißgrenze
26	Einschaltsperrenknopf	56	Grundplatte	84	Bürstenhalterkappe
27	Ein-Aus-Schalter	57	Stange 12		
28	Handgriff	58	Zwei Klemmschrauben zur Sicherung der Gleitstange		
29	Leuchte				
30	Lichtschalter				

TECHNISCHE DATEN

Modell	LS0714/LS0714F/LS0714FL/LS0714L
Sägeblattdurchmesser	190 mm
Bohrungs-(Spindel)-durchmesser.....	20 mm
Max. Gehrungswinkel	Links 47°, Rechts 57°
Max. Neigungswinkel	Links 45°, Rechts 5°
Max. Schnitttiefen (H x B) mit Sägeblatt von 190 mm Durchmesser.	

Gehrungswinkel	Neigungswinkel		
	45° (links)	0°	45° (rechts)
0°	*45 mm x 265 mm (Hinweis 1)	*60 mm x 265 mm (Hinweis 1)	—
	40 mm x 300 mm	52 mm x 300 mm	40 mm x 300 mm
45° (links und rechts)	*45 mm x 185 mm (Hinweis 2)	*60 mm x 185 mm (Hinweis 2)	—
	40 mm x 212 mm	52 mm x 212 mm	—
57° (rechts)	—	*60 mm x 145 mm (Hinweis 3)	—
		52 mm x 163 mm	

(Hinweis)

Das Zeichen * gibt an, dass ein Zwischenbrett der folgenden Dicke verwendet wird.

1: Bei Verwendung eines Zwischenbretts von 20 mm Dicke.

2: Bei Verwendung eines Zwischenbretts von 15 mm Dicke.

3: Bei Verwendung eines Zwischenbretts von 10 mm Dicke.

Leerlaufdrehzahl (min ⁻¹)	6 000
Lasertyp (LS0714FL/L)	Roter Laser 650 nm, <1 mW (Laserklasse 2)
Abmessungen (L × B × H)	670 mm × 430 mm × 458 mm
Nettogewicht	LS0714: 12,5 kg, LS0714F: 12,8 kg, LS0714FL: 13,1 kg, LS0714L: 13,0 kg

- Wir behalten uns vor, Änderungen im Zuge der Entwicklung und des technischen Fortschritts ohne vorherige Ankündigung vorzunehmen.
- Hinweis: Die technischen Daten können von Land zu Land abweichen.

Vorgesehene Verwendung

Die Maschine ist für genaue Gerad- und Gehrungsschnitte in Holz vorgesehen. Mit entsprechenden Sägeblättern kann auch Aluminium gesägt werden.

Stromversorgung

Die Maschine darf nur an die auf dem Typenschild angegebene Spannung angeschlossen werden und arbeitet nur mit Einphasen-Wechselspannung. Sie ist entsprechend den Europäischen Richtlinien doppelt schutzisoliert und kann daher auch an Steckdosen ohne Erdungskabel angeschlossen werden.

Sicherheitshinweise

Lesen und beachten Sie diese Hinweise, bevor Sie das Gerät benutzen.

ZUSÄTZLICHE SICHERHEITSGESETZE FÜR DIE MASCHINE

1. **Tragen Sie stets eine Schutzbrille.**
2. **Halten Sie Ihre Hände von der Schnittlinie des Sägeblatts fern.** Vermeiden Sie die Berührung eines auslaufenden Sägeblatts. Es kann auch in diesem Zustand noch schwere Verletzungen verursachen.
3. **Betreiben Sie die Säge nicht ohne Schutzvorrichtungen. Überprüfen Sie die Schutzhaube vor jeder Benutzung auf einwandfreies Schließen. Betreiben Sie die Säge nicht, wenn sich die Schutzhaube nicht ungehindert bewegt und sich nicht sofort schließt. Die Schutzhaube darf auf keinen Fall in der geöffneten Stellung festgeklemmt oder festgebunden werden.**
4. **Führen Sie keine freihändigen Arbeiten aus.** Das Werkstück muss bei allen Operationen mit der Schraubzwinde fest gegen Drehteller und Gehrungsanschlag gesichert werden. Halten Sie Werkstücke niemals nur mit der Hand.
5. **Fassen Sie niemals um das Sägeblatt.**
6. **Schalten Sie die Maschine aus und lassen Sie das Sägeblatt zum Stillstand kommen, bevor Sie das Werkstück bewegen oder Einstellungen ändern.**
7. **Trennen Sie die Maschine vom Stromnetz, bevor Sie das Sägeblatt wechseln oder die Maschine warten.**
8. **Sichern Sie stets alle beweglichen Teile, bevor Sie die Maschine tragen.**
9. **Der Anschlagstift, der den Schneidkopf verriegelt, ist nur zum Tragen und zur Lagerung, nicht für irgendwelche Schneidarbeiten, vorgesehen.**
10. **Betreiben Sie die Maschine nicht in Gegenwart von brennbaren Flüssigkeiten oder Gasen.**
11. **Überprüfen Sie das Sägeblatt vor dem Betrieb sorgfältig auf Risse oder Beschädigung. Wechseln Sie ein gerissenes oder beschädigtes Sägeblatt unverzüglich aus.**

12. **Verwenden Sie nur die für diese Maschine vorgeschriebenen Flansche.**
13. **Achten Sie sorgfältig darauf, dass Achse, Flansche (insbesondere die Ansatzfläche) und Schraube nicht beschädigt werden. Eine Beschädigung dieser Teile kann zu einem Sägeblattbruch führen.**
14. **Vergewissern Sie sich, dass der Drehteller einwandfrei gesichert ist, damit er sich während des Betriebs nicht bewegt.**
15. **Zur Sicherheit sollte die Tischplatte vor dem Betrieb von Spänen, Kleinteilen usw. gesäubert werden.**
16. **Schneiden Sie keine Nägel durch. Untersuchen Sie das Werkstück sorgfältig auf Nägel, und entfernen Sie diese vor der Bearbeitung.**
17. **Vergewissern Sie sich vor dem Einschalten der Maschine, dass die Spindelarretierung freigegeben ist.**
18. **Vergewissern Sie sich, dass das Sägeblatt in der Tiefstellung nicht mit dem Drehteller in Berührung kommt.**
19. **Halten Sie den Handgriff sicher fest. Beachten Sie, dass sich die Säge beim Anlaufen und Abstellen geringfügig nach oben oder unten bewegt.**
20. **Vergewissern Sie sich vor dem Einschalten der Maschine, dass das Sägeblatt nicht das Werkstück berührt.**
21. **Lassen Sie die Maschine vor dem eigentlichen Schneiden eines Werkstücks eine Weile laufen. Achten Sie auf Vibrationen oder Taumelbewegungen, die Anzeichen für schlechte Montage oder ein schlecht ausgewuchtetes Sägeblatt sein können.**
22. **Warten Sie, bis das Sägeblatt die volle Drehzahl erreicht hat, bevor Sie mit dem Schneiden beginnen.**
23. **Brechen Sie sofort den Betrieb ab, wenn Sie irgend etwas Ungewöhnliches bemerken.**
24. **Versuchen Sie nicht, den Schalter in der Einschaltstellung zu arretieren.**
25. **Seien Sie stets wachsam, besonders bei sich dauernd wiederholenden, eintönigen Arbeiten. Lassen Sie sich nicht in trügerische Sicherheit wiegen. Sägeblätter kennen kein Erbarmen.**
26. **Verwenden Sie stets das in dieser Anleitung empfohlene Zubehör. Der Gebrauch ungeeigneten Zubehörs, wie z.B. Schleifscheiben, kann Verletzungen zur Folge haben.**
27. **Benutzen Sie die Säge nur zum Schneiden von Aluminium, Holz oder ähnlichem Material.**
28. **Schließen Sie Gehrungs- und Kappsägen beim Betrieb an eine Staubsammelvorrichtung an.**
29. **Wählen Sie die Sägeblätter unter Berücksichtigung des zu schneidenden Materials aus.**
30. **Lassen Sie beim Nutenschneiden Vorsicht walten.**
31. **Wechseln Sie die Schlitzplatte bei Verschleiß aus.**
32. **Verwenden Sie keine Sägeblätter aus Schnellstahl.**

33. Bei manchen Werkstoffen kann der beim Sägen erzeugte Staub Chemikalien enthalten, die erwiesenermaßen Krebs, Geburtsfehler oder Schädigen an Fortpflanzungsorganen verursachen. Beispiele dieser Chemikalien sind wie folgt:
- Blei in Lack mit Bleizusatz
 - Arsen und Chrom in chemisch behandeltem Bauholz.
- Ihre Gefährdung durch den Umgang mit solchen Chemikalien hängt davon ab, wie oft Sie diese Arbeiten verrichten. Um Ihre Aussetzung zu diesen Chemikalien zu reduzieren: Arbeiten Sie in gut belüfteter Umgebung, und verwenden Sie geprüfte Sicherheitsvorrichtungen, wie z.B. Staubmasken, die mikroskopische Teilchen herausfiltern.
34. Um den erzeugten Geräuschpegel zu reduzieren, achten Sie stets darauf, dass das Sägeblatt scharf und sauber ist.
35. Die Bedienungsperson sollte in der Handhabung, Einstellung und Bedienung der Maschine hinreichend geschult sein.
36. Verwenden Sie korrekt geschärfte Sägeblätter. Halten Sie die auf dem Sägeblatt angegebene Maximaldrehzahl ein.
37. Unterlassen Sie das Entfernen von Bruchstücken oder anderen Teilen des Werkstücks vom Schnittbereich, während die Maschine läuft und das Sägeblatt sich nicht in der Ruhestellung befindet.

BEWAHREN SIE DIESE HINWEISE SORGFÄLTIG AUF.

INSTALLATION

Werkbankmontage

Der Handgriff wurde werksseitig vor dem Versand mit dem Anschlagstift in der Tiefstellung verriegelt. Lösen Sie die Verriegelung, indem Sie den Handgriff etwas herunterdrücken und den Anschlagstift herausziehen. (Abb. 1)

Diese Maschine sollte unter Verwendung der Schraubenbohrungen in der Grundplatte mit zwei Schrauben auf einer ebenen und stabilen Oberfläche befestigt werden. Dadurch werden Umkippen und mögliche Verletzungen vermieden. (Abb. 2)

Drehen Sie die Einstellschraube im oder entgegen dem Uhrzeigersinn, so dass sie mit der Bodenfläche in Berührung kommt, um die Maschine stabil zu halten. (Abb. 3)

FUNKTIONSBESCHREIBUNG

VORSICHT:

- Vergewissern Sie sich vor jeder Einstellung oder Funktionsprüfung der Maschine stets, dass sie ausgeschaltet und vom Stromnetz getrennt ist.

Schutzhaube (Abb. 4 und 5)

Wird der Handgriff abgesenkt, hebt sich die Schutzhaube automatisch. Die Schutzhaube ist gefedert, so dass sie in ihre Ausgangsstellung zurückkehrt, wenn der Schnitt vollendet ist und der Handgriff angehoben wird. DIE SCHUTZHAUBE ODER DIE DARAN ANGEBRACHTE FEDER DARF AUF KEINEN FALL FUNKTIONSunFÄHIG GEMACHT ODER ENTFERNT WERDEN.

Im Interesse Ihrer eigenen Sicherheit sollten Sie die Schutzhaube stets in ordnungsgemäßem Zustand halten. Funktionsstörungen der Schutzhaube müssen sofort behoben werden. Überprüfen Sie die gefederte Rückkehrbewegung der Schutzhaube. BENUTZEN SIE DIE MASCHINE NIEMALS MIT BESCHÄDIGTER, DEFEKTER ODER FEHLENDER SCHUTZHAUBE ODER FEDER. DIES IST ÄUSSERST GEFÄHRLICH UND KANN SCHWERE VERLETZUNGEN VERURSACHEN. Wenn die transparente Schutzhaube schmutzig wird oder soviel Sägemehl an ihr haftet, dass das Sägeblatt nicht mehr ohne weiteres sichtbar ist, sollten Sie die Säge vom Stromnetz trennen und die Schutzhaube mit einem feuchten Tuch sorgfältig reinigen. Verwenden Sie keine Lösungsmittel oder Reinigungsmittel auf Petroleumbasis zum Reinigen der Kunststoff-Schutzhaube. Wenn bei besonders starker Verschmutzung der Schutzhaube die Sicht durch die Schutzhaube behindert ist, lösen Sie die Sechskantschraube, mit der die Mittenabdeckung befestigt ist, mit dem mitgelieferten Steckschlüssel. Lösen Sie die Sechskantschraube durch Drehen entgegen dem Uhrzeigersinn, und heben Sie die Schutzhaube und die Mittenabdeckung an. In dieser Stellung der Schutzhaube kann die Reinigung gründlicher und effizienter durchgeführt werden. Wenden Sie nach der Reinigung das obige Demontageverfahren umgekehrt an, und ziehen Sie die Schraube an. Entfernen Sie nicht die Feder, welche die Schutzhaube hält. Falls sich die Schutzhaube durch Alterung oder UV-Strahlung verfärbt, bestellen Sie eine neue Schutzhaube bei einer Makita-Kundendienststelle. DIE SCHUTZHAUBE DARF NICHT FUNKTIONSunFÄHIG GEMACHT ODER ENTFERNT WERDEN.

Positionieren der Schlitzplatte (Abb. 6 und 7)

Diese Maschine ist mit Schlitzplatten im Drehteller versehen, um Reißen am Austrittsende eines Schnitts auf ein Minimum zu reduzieren. Die Schlitzplatten sind werksseitig so eingestellt, dass das Sägeblatt nicht mit ihnen in Berührung kommt. Stellen Sie die Schlitzplatten vor dem Gebrauch wie folgt ein:

Ziehen Sie zuerst den Netzstecker ab. Drehen Sie alle Befestigungsschrauben der Schlitzplatten (je 2 auf der linken und rechten Seite) heraus. Ziehen Sie die Schrauben nur so weit an, dass sich die Schlitzplatten noch leicht von Hand bewegen lassen. Senken Sie den Handgriff völlig ab, und schieben Sie den Anschlagstift hinein, um den Handgriff in der Tiefstellung zu verriegeln. Lösen Sie die zwei Klemmschrauben, mit denen die Gleitstangen gesichert sind. Ziehen Sie den Schlitten ganz auf sich zu. Stellen Sie die Schlitzplatten so ein, dass sie die Seiten der Sägeblattzähne nur leicht berühren. Ziehen Sie die vorderen Schrauben an (nicht fest anziehen). Schieben Sie den Schlitten ganz zum Gehrungsanschlag, und stellen Sie die Schlitzplatten so ein, dass sie die Seiten der Sägeblattzähne nur leicht berühren. Ziehen Sie die hinteren Schrauben an (nicht fest anziehen). Ziehen Sie den Anschlagstift nach der Einstellung der Schlitzplatten wieder heraus, und heben Sie den Handgriff an. Ziehen Sie dann alle Schrauben fest an.

VORSICHT:

- Die Schlitzplatten müssen vor und nach jeder Änderung des Neigungswinkels wie oben beschrieben eingestellt werden.

Aufrechterhaltung der maximalen Schnittleistung (Abb. 8 und 9)

Diese Maschine wurde werkseitig so eingestellt, dass die maximale Schnittleistung mit einem Sägeblatt von 190 mm Durchmesser erreicht wird.

Wenn Sie ein neues Sägeblatt montieren, überprüfen Sie immer die untere Grenzposition des Sägeblatts, und nehmen Sie nötigenfalls eine Einstellung vor, wie folgt:

Ziehen Sie zuerst den Netzstecker ab. Schieben Sie den Schlitten ganz bis zum Gehrgungsanschlag, und senken Sie den Handgriff vollkommen ab. Drehen Sie die Einstellschraube mit dem Steckschlüssel, bis der Sägeblattumfang am Berührungspunkt von Gehrgungsanschlag-Vorderseite und Drehteller-Oberfläche geringfügig unterhalb der Drehteller-Oberfläche liegt.

Drehen Sie das Sägeblatt bei vom Stromnetz getrennter Maschine von Hand, während Sie den Handgriff in der Tiefstellung halten, um sicherzugehen, dass das Sägeblatt keinen Teil des Auflagetisches berührt. Nötigenfalls ist eine Nachjustierung vorzunehmen.

VORSICHT:

- Vergewissern Sie sich nach der Montage eines neuen Sägeblatts stets, dass das Sägeblatt in der Tiefstellung des Handgriffs keinen Teil des Auflagetisches berührt. Führen Sie diese Überprüfung immer bei abgezogenem Netzstecker durch.

Anschlagarm (Abb. 10)

Die untere Grenzposition des Sägeblatts kann mit dem Anschlagarm leicht eingestellt werden. Schwenken Sie den Anschlagarm zum Einstellen in Pfeilrichtung, wie in der Abbildung gezeigt. Stellen Sie die Einstellschraube so ein, dass das Sägeblatt an der gewünschten Position anhält, wenn der Handgriff ganz abgesenkt wird.

Einstellen des Gehrgungswinkels (Abb. 11)

Lösen Sie den Griff durch Linksdrehung. Drehen Sie den Drehteller, während Sie den Verriegelungshebel niederdrücken. Bewegen Sie den Griff, bis der Zeiger auf den gewünschten Winkel der Gehrgungswinkelskala zeigt, und ziehen Sie dann den Griff durch Rechtsdrehung fest.

VORSICHT:

- Bringen Sie den Handgriff in die Hochstellung, bevor Sie den Drehteller drehen.
- Sichern Sie den Drehteller nach jeder Änderung des Gehrgungswinkels stets durch Anziehen des Griffs gegen Verdrehen.

Einstellen des Neigungswinkels (Abb. 12 und 13)

Um den Neigungswinkel einzustellen, lösen Sie den Hebel auf der Rückseite der Maschine durch Linksdrehen.

Schwenken Sie den Handgriff nach links, um den Sägekopf zu neigen, bis der Zeiger auf den gewünschten Winkel der Neigungswinkelskala zeigt. Ziehen Sie dann den Verriegelungshebel durch Rechtsdrehen fest, um den Arm einwandfrei zu sichern.

Neigen Sie das Sägeblatt nach rechts, und drücken Sie den Entriegelungsknopf auf der Rückseite der Maschine, während Sie das Sägeblatt nach dem Lösen des Hebels etwas nach links neigen. Neigen Sie das Sägeblatt bei gedrücktem Entriegelungsknopf nach rechts.

VORSICHT:

- Bringen Sie den Handgriff in die Hochstellung, bevor Sie das Sägeblatt neigen.
- Sichern Sie den Arm nach jeder Änderung des Neigungswinkels stets durch Anziehen des Hebels im Uhrzeigersinn.
- Wenn der Neigungswinkel geändert wird, müssen die Schlitzplatten gemäß der Beschreibung im Abschnitt "Positionieren der Schlitzplatte" entsprechend eingestellt werden.

Einstellen der Hebelposition (Abb. 14)

Der Hebel kann um jeweils 30° versetzt werden, wenn kein vollständiges Anziehen erreicht wird.

Lösen und entfernen Sie die Schraube, die den Hebel auf der Rückseite der Maschine sichert. Nehmen Sie den Hebel ab, und bringen Sie ihn etwas über der Waage-rechten wieder an. Ziehen Sie den Hebel mit der Schraube wieder fest an.

Schaltefunktion

VORSICHT:

- Vergewissern Sie sich vor dem Anschließen der Maschine an das Stromnetz stets, dass der Ein-Aus-Schalter ordnungsgemäß funktioniert und beim Loslassen in die AUS-Stellung zurückkehrt.
- Wenn Sie die Maschine nicht benutzen, entfernen Sie die Einschaltsperrle (Schaltersicherung), und bewahren Sie sie an einem sicheren Ort auf. Dadurch wird unbelegter Betrieb verhindert.
- Betätigen Sie den Ein-Aus-Schalter nicht gewaltsam, ohne die Einschaltsperrle hineinzudrücken. Dies kann zu Beschädigung des Schalters führen.

Für europäische Länder (Abb. 15)

Um versehentliche Betätigung des Ein-Aus-Schalters zu verhüten, ist die Maschine mit einem Einschaltsperrknopf ausgestattet. Zum Einschalten der Maschine den Hebel nach links schieben, den Einschaltsperrknopf hineindrücken, und dann den Ein-Aus-Schalter betätigen. Lassen Sie zum Ausschalten den Ein-Aus-Schalter los.

Für alle Länder außerhalb Europas (Abb. 16)

Um versehentliche Betätigung des Ein-Aus-Schalters zu verhüten, ist die Maschine mit einem Einschaltsperrknopf ausgestattet. Betätigen Sie zum Starten der Maschine den Ein-Aus-Schalter bei gedrücktem Einschaltsperrknopf. Lassen Sie zum Ausschalten den Ein-Aus-Schalter los.

WARNUNG:

- Benutzen Sie die Maschine NIEMALS, wenn der Ein-Aus-Schalter nicht voll funktionsfähig ist. Eine Maschine mit defektem Ein-Aus-Schalter ist ÄUSSERST GEFÄHRLICH und muss vor weiterem Gebrauch repariert werden.
- Aus Sicherheitsgründen ist diese Maschine mit einer Einschaltsperrle ausgestattet, die versehentliches Einschalten der Maschine verhütet. Betreiben Sie die Maschine NIEMALS, wenn sie durch einfache Betätigung des Ein-Aus-Schalters eingeschaltet werden kann, ohne die Einschaltsperrle zu drücken. Lassen Sie die Maschine von einer Makita-Kundendienststelle ordnungsgemäß reparieren, BEVOR Sie sie weiter benutzen.
- Die Einschaltsperrle darf NIEMALS festgeklebt oder funktionsunfähig gemacht werden.

Ein- und Ausschalten der Lampen (Abb. 17)

Für Modell LS0714F, LS0714FL

VORSICHT:

- Diese Lampe ist nicht regengeschützt. Waschen Sie die Lampe nicht mit Wasser, und benutzen Sie sie auch nicht bei Regen oder in nasser Umgebung. Anderenfalls kann es zu einem elektrischen Schlag oder Rauchentwicklung kommen.
- Berühren Sie nicht die Linse der Lampe, da sie während des Betriebs oder unmittelbar nach dem Ausschalten sehr heiß ist. Es könnte sonst zu Hautverbrennungen kommen.
- Setzen Sie die Lampe keinen Erschütterungen aus, weil sie sonst beschädigt werden oder ihre Lebensdauer sich verkürzen kann.
- Richten Sie den Lichtstrahl nicht auf Ihre Augen. Dies kann zu Sehschäden führen.
- Decken Sie die Lampe während des Betriebs nicht mit Tüchern, Karton, Pappe oder ähnlichen Objekten ab, weil es sonst zu einem Brand oder einer Entzündung kommen kann.

Drücken Sie den Schalter zum Einschalten der Lampe nach oben, und zum Ausschalten nach unten.

Verstellen Sie die Lampe, um den Beleuchtungsbereich zu ändern.

HINWEIS:

- Wischen Sie Schmutz auf der Lampenlinse mit einem trockenen Tuch ab. Achten Sie sorgfältig darauf, dass Sie die Lampenlinse nicht verkratzen, weil sich sonst die Lichtstärke verringert.

Laserstrahlbenutzung (Abb. 18 und 19)

Für Modell LS0714FL, LS0714L

VORSICHT:

- Blicken Sie auf keinen Fall in den Laserstrahl. Der direkte Laserstrahl kann Ihre Augen verletzen.

Um den Laserstrahl einzuschalten, drücken Sie den oberen Teil (I) des Schalters. Um ihn auszuschalten, drücken Sie den unteren Teil (O).

Sie können die Laserlinie entweder zur rechten oder linken Seite des Sägeblatts verschieben, indem Sie die Einstellschraube wie folgt einstellen.

1. Lösen Sie die Einstellschraube durch Linksdrehen.
2. Schieben Sie die gelöste Einstellschraube bis zum Anschlag nach rechts oder links.
3. Ziehen Sie die Einstellschraube an der Anschlagposition fest an.

Die Laserlinie ist werksseitig so eingestellt, dass sie innerhalb 1 mm von der Seitenfläche des Sägeblatts (Schnittposition) liegt.

HINWEIS:

- Falls die Laserlinie beim Arbeiten in Innenräumen in Fensternähe oder im Freien wegen direkten Sonnenlichts verblasst und teilweise oder gänzlich unsichtbar ist, verlegen Sie den Arbeitsplatz an einen Ort, der keinem direkten Sonnenlicht ausgesetzt ist.

Ausrichten der Laserlinie (Abb. 20)

Die Laserlinie kann je nach den Schneidarbeiten entweder zur linken oder rechten Seite des Sägeblatts verschoben werden. Angaben zur Verschiebungsmethode finden Sie im Abschnitt "Laserstrahlbenutzung".

HINWEIS:

- Legen Sie ein Zwischenbrett an den Gehrungsanschlag an, wenn Sie die Schnittlinie bei Compound-schnitten auf die Laserlinie auf der Seite des Gehrungsanschlags ausrichten (Neigungswinkel von 45° und rechter Gehrungswinkel von 45°).

A) Bei Erhalten der korrekten Größe auf der linken Seite des Werkstücks

- Verschieben Sie die Laserlinie zur linken Seite des Sägeblatts.

B) Bei Erhalten der korrekten Größe auf der rechten Seite des Werkstücks

- Verschieben Sie die Laserlinie zur rechten Seite des Sägeblatts.

Richten Sie die Schnittlinie am Werkstück auf die Laserlinie aus.

MONTAGE

VORSICHT:

- Vergewissern Sie sich vor der Ausführung von Arbeiten an der Maschine stets, dass sie ausgeschaltet und vom Stromnetz getrennt ist.

Steckschlüssel-Aufbewahrung (Abb. 21)

Der Steckschlüssel wird gemäß der Abbildung aufbewahrt. Ziehen Sie den Steckschlüssel zum Gebrauch aus dem Steckschlüsselhalter heraus. Setzen Sie den Steckschlüssel nach dem Gebrauch wieder in den Steckschlüsselhalter ein.

Montieren und Demontieren des Sägeblatts

VORSICHT:

- Vergewissern Sie sich vor der Montage oder Demontage des Sägeblatts stets, dass die Maschine ausgeschaltet und vom Stromnetz getrennt ist.
- Verwenden Sie nur den mitgelieferten Makita-Steckschlüssel zum Montieren und Demontieren des Sägeblatts. Anderenfalls besteht die Gefahr, dass die Sechskantschraube zu fest oder unzureichend angezogen wird. Dies könnte zu einer Verletzung führen.

Arretieren Sie den Handgriff durch Hineinschieben des Anschlagstifts in der Hochstellung. (Abb. 22)

Zum Demontieren des Sägeblatts lösen Sie zunächst die Sechskantschraube, mit der die Mittenabdeckung befestigt ist, durch Linksdrehung mit dem Steckschlüssel. Heben Sie die Schutzhaube und die Mittenabdeckung an. (Abb. 23)

Blockieren Sie die Spindel durch Drücken der Spindelarretierung, und lösen Sie die Sechskantschraube (linksgängig) durch Rechtsdrehung des Steckschlüssels. Entfernen Sie dann Sechskantschraube, Außenflansch und Sägeblatt. (Abb. 24)

Zum Montieren schieben Sie das Sägeblatt vorsichtig auf die Spindel, wobei Sie darauf achten, dass der Pfeil auf dem Sägeblatt in dieselbe Richtung zeigt wie der Pfeil auf der Schutzhaube. Bringen Sie Außenflansch und Sechskantschraube an, und ziehen Sie dann die Sechskantschraube (linksgängig) bei gedrückter Spindelarretierung durch Linksdrehung des Steckschlüssels fest.

Bringen Sie Schutzhaube und Mittenabdeckung wieder in ihre Ausgangsstellung. Ziehen Sie dann die Sechskantschraube zur Sicherung der Mittenabdeckung im Uhrzeigersinn an. Lösen Sie den Handgriff durch Herausziehen des Anschlagstifts aus der Hochstellung. Senken Sie den Handgriff ab, um zu prüfen, ob sich die Schutzhaube einwandfrei bewegt. Vergewissern Sie sich vor der Benutzung der Maschine, dass die Spindelarreterung gelöst ist. **(Abb. 25 und 26)**

Staubsaack (Abb. 27)

Der Staubsaack ermöglicht sauberes Arbeiten und einfaches Staubsammeln. Zum Anbringen wird der Staubsaack auf den Absaugstutzen geschoben.

Wenn der Staubsaack etwa halb voll ist, nehmen Sie ihn von der Maschine ab und ziehen den Verschluss heraus. Entleeren Sie den Staubsaack, indem Sie ihn leicht abklappen, um die an den Innenflächen haftenden Staubpartikel, die den Durchlass behindern können, zu lösen.

HINWEIS:

Wenn Sie einen Makita-Staubsauger an Ihre Säge anschließen, können Sie noch effizienter und sauberer arbeiten.

Sicherung von Werkstücken (Abb. 28)

WARNUNG:

- Die einwandfreie Sicherung des Werkstücks mit dem Schraubstock ist äußerst wichtig. Nachlässigkeit in diesem Punkt kann zu einer Beschädigung der Maschine und/oder Zerstörung des Werkstücks führen. AUSSERDEM BESTEHT VERLETZUNGSGEFAHR. Außerdem sollte der Sägekopf nach erfolgtem Schnitt erst nach völligem Stillstand des Sägeblatts angehoben werden.

VORSICHT:

- Wenn Sie lange Werkstücke schneiden, verwenden Sie Stützen, die ebenso hoch sind wie die Oberseite des Drehtellers. Verlassen Sie sich nicht nur auf den Vertikal- und/oder Horizontalschraubstock zur Sicherung des Werkstücks.

Dünnere Material neigt zum Durchhängen. Stützen Sie das Werkstück auf seiner gesamten Länge ab, um Klemmen des Sägeblatts und möglichen RÜCKSCHLAG zu vermeiden.

Vertikal-Schraubstock (Abb. 29)

Der Vertikal-Schraubstock kann an zwei Positionen entweder auf der linken oder rechten Seite des Gehrungsanschlages oder der Auflageplatte (Sonderzubehör) montiert werden. Setzen Sie den Stehbolzen in die Bohrung des Gehrungsanschlages oder der Auflageplatte ein, und sichern Sie ihn durch Anziehen der Schraube.

Stellen Sie den Schraubstockarm auf die Abmessungen des Werkstücks ein, und sichern Sie ihn durch Anziehen der Schraube. Falls die Befestigungsschraube des Schraubstockarms mit dem Gehrungsanschlag in Berührung kommt, installieren Sie die Schraube auf der entgegengesetzten Seite des Schraubstockarms. Vergewissern Sie sich, dass kein Teil der Maschine mit dem Schraubstock in Berührung kommt, wenn der Handgriff ganz abgelenkt und der Schlitten bis zum Anschlag gezogen oder geschoben wird. Falls irgendwelche Teile mit dem Schraubstock in Berührung kommen, ist der Schraubstock zu versetzen.

Drücken Sie das Werkstück flach gegen Gehrungsanschlag und Drehteller. Bringen Sie das Werkstück in die gewünschte Schnittposition, und sichern Sie es einwandfrei durch Anziehen des Schraubstockknopfes.

VORSICHT:

- Das Werkstück muss bei allen Operationen mit dem Schraubstock fest gegen Drehteller und Gehrungsanschlag gesichert werden.

Horizontal-Schraubstock (Sonderzubehör)

(Abb. 30)

Der Horizontal-Schraubstock kann auf der linken Seite des Auflagetisches montiert werden. Durch Linksdrehung des Schraubstockknopfes wird die Schraube gelöst, so dass der Schraubstockschaff schnell vor- und zurückgeschoben werden kann. Durch Rechtsdrehen des Schraubstockknopfes bleibt die Schraube gesichert. Drehen Sie den Schraubstockknopf zum Einspannen von Werkstücken sachte im Uhrzeigersinn, bis der Vorsprung seine Höchstposition erreicht, und ziehen Sie ihn dann fest. Wird der Schraubstockknopf während der Rechtsdrehung hineingedrückt oder herausgezogen, bleibt der Vorsprung eventuell schräg stehen. Drehen Sie den Schraubstockknopf in diesem Fall entgegen dem Uhrzeigersinn zurück, bis sich die Schraube löst, bevor Sie ihn wieder sachte im Uhrzeigersinn drehen. Werkstücke von maximal 120 mm Breite können mit dem Horizontal-Schraubstock eingespannt werden.

VORSICHT:

- Spannen Sie das Werkstück nur ein, wenn sich der Vorsprung an der obersten Position befindet. Andernfalls wird das Werkstück möglicherweise nicht ausreichend gesichert, so dass die Gefahr besteht, dass es herausgeschleudert, das Sägeblatt beschädigt oder Verlust der Kontrolle verursacht wird, was zu VERLETZUNGEN führen kann.

Auflagebügel und Auflageplatte (Sonderzubehör)

(Abb. 31 und 32)

Die Auflagebügel und die Auflageplatte können zur zusätzlichen horizontalen Abstützung von Werkstücken auf beiden Seiten montiert werden. Montieren Sie die Teile, wie in der Abbildung gezeigt. Ziehen Sie dann die Schrauben fest, um Auflagebügel und Auflageplatte zu sichern.

Wenn Sie lange Werkstücke sägen, verwenden Sie den Auflageverlängerungssatz (Sonderzubehör). Dieser besteht aus zwei Auflageplatten und zwei Stangen 12.

VORSICHT:

- Lange Werkstücke müssen stets auf gleicher Höhe mit der Drehteller-Oberfläche abgestützt werden, um genaue Schnitte auszuführen und gefährlichen Verlust der Kontrolle über die Maschine zu vermeiden.

BETRIEB

VORSICHT:

- Lösen Sie den Handgriff vor der Benutzung unbedingt aus der Tiefstellung, indem Sie den Anschlagstift herausziehen.
- Vergewissern Sie sich vor dem Einschalten der Maschine, dass das Sägeblatt nicht das Werkstück usw. berührt.
- Üben Sie beim Schneiden keinen übermäßigen Druck auf den Handgriff aus. Zu starker Druck kann zu Überlastung des Motors und/oder verminderter Schnittleistung führen. Drücken Sie den Handgriff nur mit so viel Kraft nieder, wie für reibungslosen Sägebetrieb notwendig ist, ohne einen beträchtlichen Abfall der Sägeblattzahl zu verursachen.

- Drücken Sie den Handgriff zur Ausführung des Schnitts sachte nieder. Bei zu großer oder seitlicher Kraftausübung kann das Sägeblatt in Schwingung versetzt werden, wodurch zusätzliche Sägespuren im Werkstück erzeugt werden und die Schnittgenauigkeit beeinträchtigt wird.
- Schieben Sie den Schlitten bei Schiebesschnitten sachte und ohne anzuhalten zum Gehrungsanschlag. Wird die Schlittenbewegung während des Schnitts unterbrochen, hinterlässt das Sägeblatt eine Markierung im Werkstück, und die Schnittgenauigkeit wird beeinträchtigt.
- Führen Sie niemals einen Schiebesschnitt aus, wenn der Handgriff durch Drücken des Anschlagstifts in der Tiefstellung verriegelt ist.
- Lösen Sie niemals die Klemmschraube des Schlittens bei rotierendem Sägeblatt. Es kann sonst zu schweren Verletzungen kommen.

3. Gehrungsschnitt

Nehmen Sie auf den vorherigen Abschnitt "Einstellen des Gehrungswinkels" Bezug.

4. Neigungsschnitt (Abb. 35)

Lösen Sie den Hebel, und neigen Sie das Sägeblatt auf den gewünschten Neigungswinkel (siehe den obigen Abschnitt "Einstellen des Neigungswinkels"). Ziehen Sie den Hebel unbedingt fest an, um den eingestellten Neigungswinkel einwandfrei zu sichern. Spannen Sie das Werkstück mit einem Schraubstock ein. Vergewissern Sie sich, dass der Schlitten ganz in Richtung der Bedienungsperson zurückgezogen ist. Schalten Sie die Maschine ein, ohne dass das Sägeblatt Kontakt hat, und warten Sie, bis es seine volle Drehzahl erreicht. Senken Sie dann den Handgriff unter Druckausübung in Richtung des Sägeblatts sachte bis zur Tiefstellung ab, und SCHIEBEN SIE DEN SCHLITTEN AUF DEN GEHRUNGSANSCHLAG ZU, UM DAS WERKSTÜCK ZU SCHNEIDEN. Sobald der Schnitt beendet ist, schalten Sie die Maschine aus, und WARTEN SIE, BIS DAS SÄGEBLATT ZUM VÖLLIGEN STILLSTAND GEKOMMEN IST, bevor Sie den Sägekopf wieder ganz anheben.

VORSICHT:

- Vergewissern Sie sich stets, dass sich das Sägeblatt während eines Neigungsschnitts in Schrägrichtung senkt. Halten Sie Ihre Hände von der Schnittlinie des Sägeblatts fern.
- Bei Neigungsschnitten kann es vorkommen, dass das abgeschnittene Stück an der Seitenfläche des Sägeblatts aufliegt. Durch Anheben des Sägekopfes bei noch laufender Maschine kann das Werkstück vom Sägeblatt erfasst werden, was zu gefährlichem Heraus-schleudern von Bruchstücken führen kann. Der Sägekopf darf erst angehoben werden, nachdem das Sägeblatt zum völligen Stillstand gekommen ist.
- Üben Sie den Druck auf den Handgriff immer nur parallel zum Sägeblatt aus. Verläuft die Druckrichtung während eines Schnitts nicht parallel zum Sägeblatt, kann sich der Winkel des Sägeblatts verändern, wodurch die Schnittgenauigkeit beeinträchtigt wird.

5. Compoundsschnitt

Unter Compoundsschnitt versteht man das Schneiden eines Werkstücks mit gleichzeitiger Gehrungs- und Neigungswinkeleinstellung. Die Kombinationsmöglichkeiten entnehmen Sie bitte der nachstehenden Tabelle.

Gehrungswinkel	Neigungswinkel
Links und Rechts 45°	Links 0° – 45°
Rechts 50°	Links 0° – 40°
Rechts 55°	Links 0° – 30°
Rechts 57°	Links 0° – 25°

Nehmen Sie zur Durchführung von Compoundsschnitten auf die Erläuterungen unter "Kappschnitt", "Schiebeschnitt", "Gehrungsschnitt" und "Neigungsschnitt" Bezug.

1. Kappschnitt (Schneiden kleiner Werkstücke) (Abb. 33)

Werkstücke bis zu 50 mm Höhe und 97 mm Breite können folgendermaßen geschnitten werden.

Schieben Sie den Schlitten ganz bis zum Gehrungsanschlag, und ziehen Sie die zwei Klemmschrauben der Gleitstangen durch Rechtsdrehen an, um den Schlitten zu sichern. Spannen Sie das Werkstück mit dem Schraubstock ein. Schalten Sie die Maschine ein, ohne dass das Sägeblatt Kontakt hat, und warten Sie, bis es seine volle Drehzahl erreicht, bevor Sie es absenken. Senken Sie dann den Handgriff zum Schneiden des Werkstücks sachte bis auf die Tiefstellung ab. Sobald der Schnitt beendet ist, schalten Sie die Maschine aus, und WARTEN SIE, BIS DAS SÄGEBLATT ZUM VÖLLIGEN STILLSTAND GEKOMMEN IST, bevor Sie den Sägekopf wieder ganz anheben.

VORSICHT:

- Ziehen Sie die zwei Klemmschrauben der Gleitstangen fest im Uhrzeigersinn an, damit sich der Schlitten während des Schnitts nicht bewegt. Unzulängliches Festziehen kann unerwarteten Rückschlag des Sägeblatts verursachen. Es kann zu SCHWEREN VERLETZUNGEN kommen.

2. Schiebesschnitt (Schneiden breiter Werkstücke) (Abb. 34)

Lösen Sie die zwei Klemmschrauben der Gleitstangen entgegen dem Uhrzeigersinn, so dass der Schlitten frei gleiten kann. Spannen Sie das Werkstück mit dem Schraubstock ein. Ziehen Sie den Schlitten ganz auf sich zu. Schalten Sie die Maschine ein, ohne dass das Sägeblatt Kontakt hat, und warten Sie, bis es seine volle Drehzahl erreicht. Drücken Sie den Handgriff nach unten, und SCHIEBEN SIE DEN SCHLITTEN AUF DEN GEHRUNGSANSCHLAG ZU UND DURCH DAS WERKSTÜCK. Sobald der Schnitt beendet ist, schalten Sie die Maschine aus, und WARTEN SIE, BIS DAS SÄGEBLATT ZUM VÖLLIGEN STILLSTAND GEKOMMEN IST, bevor Sie den Sägekopf wieder ganz anheben.

VORSICHT:

- Zur Ausführung eines Schiebesschnitts: DEN SCHLITTEN ZUNÄCHST GANZ NACH VORNE ZIEHEN, den Handgriff ganz absenken, dann DEN SCHLITTEN AUF DEN GEHRUNGSANSCHLAG ZU SCHIEBEN. STARTEN SIE DEN SCHNITT NIEMALS, OHNE DASS DER SCHLITTEN GANZ NACH VORNE GEZOGEN IST. Falls Sie den Schiebesschnitt ausführen, ohne den Schlitten ganz nach vorne zu ziehen, oder den Schlitten während des Schneidens auf sich zu ziehen, kann es zu unerwartetem Rückschlag des Sägeblatts kommen, was schwere VERLETZUNGEN zur Folge haben kann.

6. Schneiden von Aluminium-Strangpressprofilen (Abb. 36)

Verwenden Sie zum Einspannen von Aluminium-Strangpressprofilen Distanzblöcke oder Abfallholzstücke, wie in der Abbildung gezeigt, um eine Verformung des Aluminiums zu vermeiden. Verwenden Sie Schneidflüssigkeit zum Schneiden von Aluminium-Strangpressprofilen, um die Ablagerung von Aluminium-Rückständen am Sägeblatt zu verhüten.

VORSICHT:

- Versuchen Sie niemals, dickes oder rundes Aluminium-Strangpressmaterial zu schneiden. Dicke Aluminium-Strangpressprofile können sich während der Arbeit lösen, und runde Aluminium-Strangpressprofile lassen sich mit dieser Maschine nicht einwandfrei einspannen.

7. Zwischenbrett (Abb. 37)

Durch die Verwendung eines Zwischenbretts lassen sich Werkstücke splitterfrei sägen. Die Bohrungen im Gehrungsanschlag dienen als Befestigungshilfe für ein Zwischenbrett.

Die Maße für ein vorgeschlagenes Zwischenbrett sind aus der Abbildung ersichtlich.

VORSICHT:

- Verwenden Sie glatt gehobeltes Holz von gleichmäßiger Dicke als Zwischenbrett.
- Befestigen Sie das Zwischenbrett mit Schrauben am Gehrungsanschlag. Die Schrauben sind so zu installieren, dass die Schraubenköpfe im Zwischenbrett versenkt sind.
- Drehen Sie den Drehteller bei montiertem Zwischenbrett nicht mit abgesetztem Handgriff. Anderenfalls kommt es zu einer Beschädigung des Sägeblatts und/oder des Zwischenbretts.

8. Wiederholtes Schneiden auf gleiche Länge (Abb. 38)

Wenn Sie mehrere Werkstücke innerhalb des Bereichs von 220 mm bis 385 mm auf die gleiche Länge schneiden, ist die Verwendung der Anschlagplatte (Sonderzubehör) zu empfehlen, um rationeller zu arbeiten. Montieren Sie die Anschlagplatte am Auflagebügel (Sonderzubehör), wie in der Abbildung gezeigt.

Richten Sie die Schnittlinie des Werkstücks entweder auf die linke oder rechte Kante der Nut in der Schlitzplatte aus, und schieben Sie die Anschlagplatte bündig gegen das Ende des Werkstücks, während Sie das Werkstück am Verrutschen hindern. Sichern Sie dann die Anschlagplatte mit der Flügelschraube. Wenn Sie die Anschlagplatte nicht benutzen, lösen Sie die Flügelschraube, um die Anschlagplatte zur Seite zu schieben.

HINWEIS:

- Der Auflageverlängerungssatz (Sonderzubehör) ermöglicht das wiederholte Schneiden auf gleiche Längen von bis zu etwa 2 200 mm.

9. Nutenschneiden (Abb. 39)

Ein Dado-Schnitt kann folgendermaßen ausgeführt werden:

Stellen Sie die untere Grenzposition des Sägeblatts mit der Einstellschraube und dem Anschlagarm ein, um die Schnitttiefe des Sägeblatts zu begrenzen. Nehmen Sie auf den obigen Abschnitt "Anschlagarm" Bezug.

Nachdem Sie die untere Grenzposition des Sägeblatts eingestellt haben, schneiden Sie mittels Schiebeschnitt parallele Nuten über die Breite des Werkstücks, wie in der Abbildung gezeigt. Heben Sie dann das Werkstückmaterial zwischen den Nuten mit einem Stemmeisen aus. Versuchen Sie nicht, derartige Schnitte mit einem breiten (dicken) Sägeblatt oder einem Dado-Sägeblatt auszuführen. Es kann sonst zu möglichem Verlust der Kontrolle und zu Verletzungen kommen.

VORSICHT:

- Stellen Sie den Anschlagarm unbedingt wieder auf die Ausgangsstellung zurück, wenn Sie andere Schnitte als Nutenschnitte ausführen.

Tragen der Maschine (Abb. 40 und 41)

Vergewissern Sie sich, dass der Netzstecker abgezogen ist. Sichern Sie den Sägekopf in der 0°-Neigungswinkelstellung und den Drehteller ganz in der rechten Gehrungsinkelstellung. Sichern Sie die Gleitstangen, nachdem Sie den Schlitten ganz zum Gehrungsanschlag geschoben haben. Senken Sie den Handgriff ganz ab, und arretieren Sie ihn in der Tiefstellung durch Einschieben des Anschlagstifts.

Tragen Sie die Maschine, indem Sie die Grundplatte auf beiden Seiten halten, wie in der Abbildung gezeigt. Die Maschine lässt sich bequemer tragen, wenn Auflagebügel, Staubsack usw. entfernt werden.

VORSICHT:

- Sichern Sie stets alle beweglichen Teile, bevor Sie die Maschine tragen.
- Der Anschlagstift ist nur zum Tragen und zur Lagerung, nicht für irgendwelche Schneidarbeiten, vorgesehen.

WARTUNG

VORSICHT:

- Denken Sie vor der Durchführung von Überprüfungen oder Wartungsarbeiten stets daran, die Maschine auszuschalten und vom Stromnetz zu trennen.

WARNUNG:

- Achten Sie stets darauf, dass das Sägeblatt scharf und sauber ist, um die bestmögliche und sicherste Leistung zu erzielen.

Einstellen des Schnittwinkels

Diese Maschine wurde werksseitig sorgfältig eingestellt und justiert, doch grobe Behandlung kann die Justierung beeinträchtigen. Sollte Ihre Maschine einer Nachjustierung bedürfen, gehen Sie folgendermaßen vor:

1. Gehrungswinkel

Schieben Sie den Schlitten zum Gehrungsanschlag, und sichern Sie ihn durch Anziehen der zwei Klemmschrauben.

Lösen Sie den Spanngriff, mit dem der Drehteller gesichert wird. Drehen Sie dann den Drehteller, so dass der Zeiger auf 0° auf der Gehrungswinkelskala zeigt. Bewegen Sie dann den Drehteller geringfügig nach links und rechts, bis er einwandfrei in der 0°-Gehrungswinklraste sitzt. (Lassen Sie den Drehteller unverändert, falls der Zeiger nicht auf 0° zeigt.) Lösen Sie die Sechskantschrauben, die den Gehrungsanschlag halten, mit dem Steckschlüssel. (Abb. 42)

Senken Sie den Handgriff ganz ab, und arretieren Sie ihn in der Tiefstellung durch Einschieben des Anschlagstifts. Bringen Sie die Seitenfläche des Sägeblatts mit Hilfe eines Einstelldreiecks, Anschlagwinkels usw. in den rechten Winkel mit der Fläche des Gehrungsanschlages. Ziehen Sie dann die Sechskantschrauben des Gehrungsanschlages von rechts der Reihe nach fest. (Abb. 43)

Vergewissern Sie sich, dass der Zeiger auf 0° auf der Gehrungswinkelskala zeigt. Falls der Zeiger nicht auf 0° zeigt, lösen Sie die Halteschraube des Zeigers, und stellen Sie den Zeiger so ein, dass er auf 0° zeigt. (Abb. 44)

2. Neigungswinkel

1. 0°-Neigungswinkel

Schieben Sie den Schlitten zum Gehrungsanschlag, und sichern Sie ihn durch Anziehen der zwei Klemmschrauben. Senken Sie den Handgriff ganz ab, und arretieren Sie ihn in der Tiefstellung durch Einschieben des Anschlagstifts. Lösen Sie den Hebel auf der Rückseite der Maschine.

Drehen Sie die 0°-Neigungswinkel-Einstellschraube (untere Schraube) auf der rechten Seite des Arms um zwei bis drei Umdrehungen entgegen dem Uhrzeigersinn, um das Sägeblatt nach rechts zu neigen. (Abb. 45)

Bringen Sie die Seitenfläche des Sägeblatts mit Hilfe eines Einstelldreiecks, Anschlagwinkels usw. in den rechten Winkel mit der Drehteller-Oberfläche, indem Sie die 0°-Neigungswinkel-Einstellschraube im Uhrzeigersinn drehen. Ziehen Sie dann den Hebel fest an. (Abb. 46)

Vergewissern Sie sich, dass der Zeiger am Arm auf 0° der Neigungswinkelskala am Armhalter zeigt. Falls der Zeiger nicht auf 0° zeigt, lösen Sie die Halteschraube des Zeigers, und stellen Sie den Zeiger so ein, dass er auf 0° zeigt. (Abb. 47)

2. 45°-Neigungswinkel

Diese Einstellung kann erst nach erfolgter Einstellung des 0°-Neigungswinkels durchgeführt werden. Zum Einstellen des linksseitigen 45°-Neigungswinkels lösen Sie den Hebel und neigen das Sägeblatt ganz nach links. Vergewissern Sie sich, dass der Zeiger am Hilfsarm auf 45° der Neigungswinkelskala am Armhalter zeigt. Falls der Zeiger nicht auf 45° zeigt, drehen Sie die 45°-Neigungswinkel-Einstellschraube (obere Schraube) auf der rechten Seite des Arms, bis der Zeiger auf 45° zeigt. (Abb. 48)

Einstellen der Position der Laserlinie (Abb. 49 und 50)

Für Modell LS0714FL, LS0714L

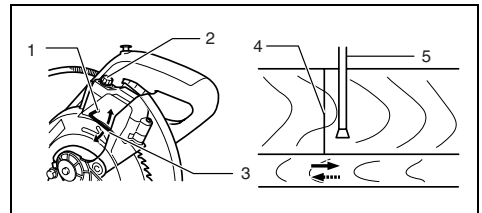
WARNUNG:

- Da die Maschine beim Einstellen der Laserlinienposition am Stromnetz angeschlossen ist, lassen Sie äußerste Vorsicht walten, besonders bei Schalterbetätigung. Durch versehentliche Betätigung des Ein-/Aus-Schalters kann die Maschine ungewollt eingeschaltet werden, was Verletzungen zur Folge haben kann.

VORSICHT:

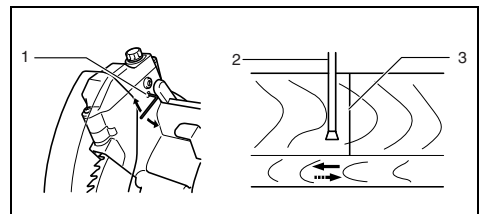
- Blicken Sie auf keinen Fall direkt in den Laserstrahl. Der direkte Laserstrahl verursacht Sehschäden.
- Setzen Sie die Maschine keinen Schlägen oder Stößen aus. Ein Schlag oder Stoß kann eine Verstellung der Laserlinie, eine Beschädigung der Laseroptik oder eine Verkürzung der Lebensdauer der Maschine zur Folge haben.

Verschieben der Laserlinie zur linken Seite des Sägeblatts



- 1 Schraube zum Verstellen des Einstellschrauben-Bewegungsbereichs
- 2 Einstellschraube
- 3 Inbusschlüssel
- 4 Laserlinie
- 5 Sägeblatt

Verschieben der Laserlinie zur rechten Seite des Sägeblatts



- 1 Schraube zum Verstellen des Einstellschrauben-Bewegungsbereichs
- 2 Sägeblatt
- 3 Laserlinie

Gehen Sie für beide Einstellungen folgendermaßen vor.

1. Vergewissern Sie sich, dass der Netzstecker abgezogen ist.
2. Zeichnen Sie die Schnittlinie auf dem Werkstück an, und legen Sie das Werkstück auf den Drehteller. Spannen Sie dabei das Werkstück nicht mit einem Schraubstock oder einer ähnlichen Klemmvorrichtung ein.

3. Senken Sie das Sägeblatt durch Niederdrücken des Handgriffs ab, um lediglich die Lage der Schnittlinie und die Position des Sägeblatts zu überprüfen. (Legen Sie die Schnittposition auf der Schnittlinie fest.)
4. Nachdem Sie die Schnittposition festgelegt haben, bringen Sie den Handgriff wieder in seine Ausgangsstellung. Sichern Sie das Werkstück mit dem Vertikal-Schraubstock, ohne es aus der vorgeprüften Position zu bringen.
5. Schließen Sie die Maschine an das Stromnetz an, und schalten Sie den Laserschalter ein.
6. Stellen Sie die Position der Laserlinie wie folgt ein.

Die Position der Laserlinie kann innerhalb des Verstellbereichs der Laser-Einstellschraube verschoben werden, indem zwei Schrauben mit einem Inbusschlüssel gedreht werden. (Der Verstellbereich der Laserlinie wurde werkseitig auf 1 mm von der Seitenfläche des Sägeblatts eingestellt.)

Um den Verstellbereich der Laserlinie weiter von der Seitenfläche des Sägeblatts zu verlagern, drehen Sie die zwei Schrauben entgegen dem Uhrzeigersinn, nachdem Sie die Einstellschraube gelöst haben. Drehen Sie diese beiden Schrauben im Uhrzeigersinn, um die Laserlinie näher an die Seitenfläche des Sägeblatts heranzubringen, nachdem Sie die Einstellschraube gelöst haben. Nehmen Sie auf den Abschnitt "Laserstrahlbenutzung" Bezug, und stellen Sie die Einstellschraube so ein, dass sich die Schnittlinie auf Ihrem Werkstück mit der Laserlinie deckt.

HINWEIS:

- Überprüfen Sie die Genauigkeit der Laserlinienposition regelmäßig.
- Lassen Sie die Maschine von einer autorisierten Makita-Kundendienststelle reparieren, falls eine Störung der Lasereinheit vorliegt.

Auswechseln der Leuchtstoffröhre (Abb. 51)

Für Modell LS0714F, LS0714FL

VORSICHT:

- Vergewissern Sie sich vor dem Auswechseln der Leuchtstoffröhre stets, dass die Maschine ausgeschaltet und vom Stromnetz getrennt ist.
- Schützen Sie die Leuchtstoffröhre vor Druck, Stößen oder Kratzern, die das Glas der Leuchtstoffröhre zum Zerbrechen bringen können, wodurch Sie oder Umstehende verletzt werden können.
- Da die Leuchtstoffröhre unmittelbar nach dem Betrieb noch heiß ist, lassen Sie sie eine Zeitlang abkühlen, bevor Sie sie auswechseln. Anderenfalls können Sie sich verbrennen.

Entfernen Sie die Schrauben, mit denen das Lampengehäuse gesichert ist.

Ziehen Sie das Lampengehäuse heraus, während Sie leichten Druck auf die Oberseite ausüben, wie in der Abbildung gezeigt.

Ziehen Sie die Leuchtstofflampe heraus, und ersetzen Sie sie durch ein neues Makita-Originalteil.

Reinigen der Laserlinse (Abb. 52 und 53)

Für Modell LS0714FL, LS0714L

Falls die Laserlinse schmutzig wird oder Sägemehl an ihr haftet, so dass die Laserlinie schlecht erkennbar ist, trennen Sie die Säge vom Stromnetz, entfernen Sie die Laserlinse, und reinigen Sie sie sorgfältig mit einem feuchten, weichen Tuch. Verwenden Sie keine Lösungsmittel oder Reinigungsmittel auf Petroleumbasis zum Reinigen der Linse.

Um die Laserlinse zu entfernen, muss zuvor das Sägeblatt gemäß den Anweisungen im Abschnitt "Montieren und Demontieren des Sägeblatts" demontiert werden.

Lösen Sie die Halteschraube der Linse mit einem Schraubenzieher, ohne sie ganz zu entfernen.

Ziehen Sie die Linse heraus, wie in der Abbildung gezeigt.

HINWEIS:

- Falls sich die Linse nicht abnehmen lässt, lösen Sie die Schraube etwas mehr, und versuchen Sie erneut, die Linse herauszuziehen, ohne die Schraube zu entfernen.

Auswechseln der Kohlebürsten (Abb. 54 und 55)

Die Kohlebürsten müssen regelmäßig entfernt und überprüft werden. Wenn sie bis zur Verschleißgrenze abgenutzt sind, müssen sie erneuert werden. Halten Sie die Kohlebürsten stets sauber, damit sie ungehindert in den Haltern gleiten können. Beide Kohlebürsten sollten gleichzeitig erneuert werden. Verwenden Sie nur identische Kohlebürsten.

Drehen Sie die Bürstenhalterkappen mit einem Schraubendreher heraus. Nehmen Sie die abgenutzten Kohlebürsten heraus, setzen Sie die neuen ein, und drehen Sie dann die Bürstenhalterkappen wieder ein.

Nach dem Gebrauch

- Wischen Sie nach dem Gebrauch an der Maschine haftende Späne und Staub mit einem Tuch oder dergleichen ab. Halten Sie die "Schutzhaube" gemäß den Anweisungen im vorhergehenden Abschnitt "Schutzhaube" sauber. Schmieren Sie die Gleiteile der Maschine mit Öl, um Rostbildung zu verhindern.
- Den Sägekopf zur Lagerung der Maschine nach vorne ziehen, um die Linearführungen im Drehteller zu schützen.

Um die SICHERHEIT und ZUVERLÄSSIGKEIT dieses Produkts zu gewährleisten, sollten Reparaturen und andere Wartungs- oder Einstellarbeiten nur von Makita-Vertragswerkstätten oder Makita-Kundendienstzentren unter ausschließlicher Verwendung von Makita-Originalersatzteilen ausgeführt werden.

ZUBEHÖR

VORSICHT:

- Die folgenden Zubehörteile oder Vorrichtungen werden für den Einsatz mit der in dieser Anleitung beschriebenen Makita-Maschine empfohlen. Die Verwendung anderer Zubehörteile oder Vorrichtungen kann eine Verletzungsgefahr darstellen. Verwenden Sie Zubehörteile oder Vorrichtungen nur für ihren vorgesehenen Zweck.

Wenn Sie weitere Einzelheiten bezüglich dieser Zubehörteile benötigen, wenden Sie sich bitte an Ihre Makita-Kundendienststelle.

- Hartmetallbestückte Sägeblätter
- Schraubstockeinheit (Horizontal-Schraubstock)
- Vertikal-Schraubstock
- Steckschlüssel 10
- Haltersatz
- Auflageplatte
- Auflageverlängerungssatz
- Halteplatte
- Staubsack
- Einstelldreieck
- Einschaltsperrknopf (2 Stück)
- Leuchtstoffröhre
- Inbusschlüssel

Visione generale

1 Perno di fermo	31 Interruttore laser	59 Due viti di fermo che fissano il polo di scorrimento
2 Bullone	32 Portachiave	60 Morsa
3 Bullone di regolazione	33 Supporto tubo	61 Blocco distanziatore
4 Protezione lama	34 Coperchio centrale	62 Estrusione di alluminio
5 Vite con testa ad alette	35 Chiave a bussola	63 Oltre 15 mm
6 Piano di taglio	36 Bullone esagonale	64 Oltre 420 mm
7 Lama	37 Coperchio di sicurezza	65 Fori
8 Denti lama	38 Blocco albero	66 Piastra di fissaggio
9 Taglio a unghia sinistro	39 Freccia	67 Scanalature tagliate con lama
10 Taglio diritto	40 Cassa lama	68 Righello triangolare
11 Base girevole	41 Bullone esagonale (sinistrorso)	69 Supporto braccio
12 Guida pezzo	42 Flangia esterna	70 Bullone di regolazione angolo a unghia 0 gradi
13 Superficie superiore base girevole	43 Flangia interna	71 Bullone di regolazione angolo a unghia 45 gradi sinistro
14 Periferia lama	44 Mandrino	72 Pezzo
15 Vite di regolazione	45 Sacchetto segatura	73 Linea di taglio
16 Braccio di fermo	46 Bocchettone segatura	74 Morsa verticale
17 Leva di blocco	47 Chiusura	75 Tirare fuori
18 Squadra a 45°	48 Sostegno	76 Spingere
19 Indice	49 Braccio morsa	77 Scatola lampadina
20 Impugnatura	50 Asta morsa	78 Viti
21 Leva	51 Supporto	79 Tubo fluorescente
22 Bottone di rilascio	52 Gruppo supporto (accessorio opzionale)	80 Cacciavite
23 Squadra falsa	53 Manopola morsa	81 Vite (un pezzo soltanto)
24 Braccio	54 Sporgenza	82 Lente lampadina laser
25 Vite	55 Albero morsa	83 Segno di limite
26 Bottone di sblocco	56 Base	84 Tappo portaspazzole
27 Interruttore	57 Barra 12	
28 Manico	58 Due viti di fermo che fissano il polo di scorrimento	
29 Lampadina		
30 Interruttore luce		

DATI TECNICI

Modello

LS0714/LS0714F/LS0714FL/LS0714L

Diametro lama.....	190 mm
Diametro foro (asse).....	20 mm
Angolo di taglio obliquo max.	Sinistro 47°, destro 57°
Angolo di taglio a unghia max.....	Sinistro 45°, destro 5°
Capacità massima di taglio (A x L) con lama diametro 190 mm.	

Angolo di taglio obliquo	Angolo di taglio a unghia		
	45° (sinistro)	0°	45° (destro)
0°	*45 mm x 265 mm (Nota 1)	*60 mm x 265 mm (Nota 1)	—
	40 mm x 300 mm	52 mm x 300 mm	40 mm x 300 mm
45° (sinistro e destro)	*45 mm x 185 mm (Nota 2)	*60 mm x 185 mm (Nota 2)	—
	40 mm x 212 mm	52 mm x 212 mm	—
57° (destro)	—	*60 mm x 145 mm (Nota 3)	—
		52 mm x 163 mm	

(Nota) Il segno * indica che viene usato uno spessore di legno dello spessore seguente.

1: Usando uno spessore di legno di 20 mm di spessore.

2: Usando uno spessore di legno di 15 mm di spessore.

3: Usando uno spessore di legno di 10 mm di spessore.

Velocità senza carico (min⁻¹) 6.000

Tipo laser (LS0714FL/L)..... Laser rosso 650 nm, <1mW (Classe laser 2)

Dimensioni (L x A x P)..... 670 mm x 430 mm x 458 mm

Peso netto LS0714: 12,5 kg, LS0714F: 12,8 kg, LS0714FL: 13,1 kg, LS0714L: 13,0 kg

- Per il nostro programma di ricerca e sviluppo continui, i dati tecnici sono soggetti a modifiche senza avviso.
- Nota: I dati tecnici potrebbero differire a seconda del Paese di destinazione del modello.

Utilizzo previsto

Questo utensile serve ai tagli diritti e a quartabuono di precisione del legno. Usando le lame appropriate, si può anche tagliare l'alluminio.

Alimentazione

L'utensile deve essere collegato a una presa di corrente con la stessa tensione indicata sulla targhetta del nome, e può funzionare soltanto con la corrente alternata monofase. Esso ha un doppio isolamento conforme alle norme europee, e può perciò essere collegato alle prese di corrente sprovviste della messa a terra.

Consigli per la sicurezza

Per la vostra sicurezza, riferitevi alle accluse istruzioni per la sicurezza.

REGOLE ADDIZIONALI DI SICUREZZA

- 1. Portare gli occhiali di protezione.**
- 2. Tenere le mani fuori dal percorso della lama.** Evitare il contatto con la lama durante il moto inerziale, perché può ancora causare lesioni gravi.
- 3. Non usare la lama senza le protezioni in posizione.**
Controllare che la protezione della lama si chiuda correttamente ogni volta prima di usare l'utensile. Non usare la sega se la protezione non si muove liberamente e non si chiude istantaneamente. Mai bloccare la protezione della lama in posizione di apertura.
- 4. Non eseguire alcuna operazione senza tenere saldamente l'utensile.** Il pezzo deve essere fissato saldamente contro la base girevole e la guida pezzo mediante la morsa durante tutte le operazioni. Mai tenerlo fermo con la mano.
- 5. Mai avvicinare le mani alla lama in movimento.**
- 6. Spegnerne l'utensile e aspettare che la lama si sia fermata prima di spostare il pezzo o di cambiare le regolazioni.**
- 7. Staccare il cavo di alimentazione dalla presa di corrente prima di cambiare lama o di un intervento di manutenzione.**
- 8. Fissare sempre tutte le parti mobili prima di trasportare l'utensile.**
- 9. Il perno di fermo che blocca giù la testa troncatrice serve al trasporto e deposito soltanto, e non per le operazioni di taglio.**
- 10. Non usare l'utensile dove ci sono liquidi o gas infiammabili.**
- 11. Controllare con cura che sulla lama non ci siano crepe od altri danni prima di cominciare il lavoro.** Sostituire immediatamente la lama se ci sono crepe od altri danni.
- 12. Usare esclusivamente le flange specificate per questo utensile.**
- 13. Fare attenzione a non danneggiare l'albero, le flange (soprattutto la superficie di installazione) o il bullone.** Se queste parti sono danneggiate, la lama potrebbe rompersi.
- 14. Accertarsi che la base giravole sia fissata saldamente in modo che non si muova durante il lavoro.**
- 15. Per motivi di sicurezza, rimuovere dalla superficie superiore della tavola i trucioli, pezzetti di materiale, ecc., prima di cominciare il lavoro.**

- 16. Evitare di tagliare chiodi.** Prima di cominciare il lavoro, controllare e togliere i chiodi dal pezzo.
- 17. Prima di accendere l'utensile, accertarsi di aver rilasciato il fermo dell'albero.**
- 18. Accertarsi che la lama non faccia contatto con la base girevole nella posizione più bassa.**
- 19. Tenere saldamente l'utensile per il manico.** Tenere presente che esso si muove leggermente in su o in giù durante l'avviamento o l'arresto.
- 20. Accertarsi che la lama non sia a contatto con il pezzo prima di accendere l'utensile.**
- 21. Prima di usare l'utensile, lasciarlo girare per qualche momento.** Accertarsi che non ci siano vibrazioni o movimenti strani che potrebbero indicare il montaggio o bilanciamento imperfetto della lama.
- 22. Aspettare che la lama abbia raggiunto la velocità massima prima di cominciare a tagliare.**
- 23. Interrompere immediatamente il lavoro se si nota qualcosa di anormale.**
- 24. Non cercare di bloccare l'interruttore nella posizione di accensione.**
- 25. Stare sempre all'erta, soprattutto durante le operazioni ripetitive e monotone.** Non lasciarsi mai indurre a un falso senso di sicurezza. Le lame non perdono.
- 26. Usare sempre gli accessori raccomandati in questo manuale.** L'uso di accessori inadatti, come le ruote abrasive, potrebbe causare lesioni.
- 27. Non usare l'utensile per tagliare materiali che non siano il legno, l'alluminio ed altri simili.**
- 28. Prima di usare la sega a quartabuono, collegarla a un dispositivo di raccolta della segatura.**
- 29. Selezionare le lame adatte al materiale da tagliare.**
- 30. Fare attenzione quando si eseguono stozzature.**
- 31. Sostituire il piano di taglio se usurato.**
- 32. Non usare lame fabbricate con acciaio ad alta velocità.**
- 33. La polvere causata dall'utilizzo contiene sostanze chimiche che possono causare il cancro, difetti di nascita od altri danni agli organi di riproduzione.** Alcuni tipi di questi materiali sono:
 - piombo da pittura a base di piombo
 - arsenico e cromo da legname trattato chimicamente.
 Il rischio dall'esposizione a queste sostanze varia secondo la frequenza di questo tipo di lavoro. Per ridurre l'esposizione a queste sostanze chimiche: lavorare in un ambiente ben ventilato con l'attrezzatura di sicurezza specificata, come le mascherine antipolvere progettate specialmente per il filtraggio delle particelle microscopiche.
- 34. Per ridurre il rumore emesso, accertarsi sempre che le lame usate siano affilate e pulite.**
- 35. L'operatore deve essere adeguatamente addestrato all'utilizzo, regolazione e funzionamento dell'utensile.**
- 36. Usare correttamente le lame affilate.** Rispettare la velocità massima indicata sulle lame stesse.
- 37. Non rimuovere le parti tagliate od altre parti del pezzo dall'area di taglio mentre l'utensile sta funzionando e la testa della sega non si trova sulla posizione di riposo.**

CONSERVARE QUESTE ISTRUZIONI.

INSTALLAZIONE

Montaggio su banco

Al momento della spedizione dell'utensile, il manico viene bloccato in posizione abbassata con un perno di fermo. Rilasciare il perno di fermo abbassando leggermente il manico e tirando il perno di fermo. (Fig. 1)

L'utensile deve essere fissato con due bulloni a una superficie piana e stabile usando i fori per bulloni che si trovano sulla base. Ciò impedisce il rovesciamento dell'utensile con pericolo di lesioni. (Fig. 2)

Girare il bullone di regolazione in senso orario o antiorario in modo che faccia contatto con la superficie del pavimento, per mantenere stabile l'utensile. (Fig. 3)

DESCRIZIONE DELLE FUNZIONI

ATTENZIONE:

- Accertarsi sempre che l'utensile sia spento e staccato dalla presa di corrente prima di regolare o di controllare il suo funzionamento.

Protezione lama (Figg. 4 e 5)

La lama si solleva automaticamente quando si abbassa il manico. La protezione è azionata da una molla, di modo che torna sulla sua posizione originale al completamento del taglio quando si rialza il manico. **MAI RENDERE INUTILIZZABILE O RIMUOVERE LA PROTEZIONE LAMA O LA MOLLA ATTACCATTA ALLA PROTEZIONE.**

Per la propria sicurezza, mantenere sempre la protezione lama in buone condizioni. Qualsiasi irregolarità nel funzionamento della protezione deve essere corretta immediatamente. Accertarsi che l'azione della carica della molla faccia tornare la protezione in posizione. **MAI USARE L'UTENSILE SE LA PROTEZIONE O LA MOLLA SONO DANNEGGIATE, DIFETTOSE O RIMOSSE. CIÒ È MOLTO PERICOLOSO E PUÒ CAUSARE SERIE LESIONI PERSONALI.**

Se la protezione trasparente della lama diventa sporca, oppure se la segatura vi rimane attaccata in modo che la lama non è più visibile, staccare l'utensile dalla presa di corrente e pulire accuratamente la protezione con un panno bagnato. Non usare solventi o pulitori a base di petrolio per pulire la protezione di plastica.

Se la protezione lama è particolarmente sporca e impedisce la visione attraverso di essa, usare la chiave a bussola in dotazione per allentare il bullone esagonale che fissa il coperchio centrale. Allentare il bullone esagonale girandolo in senso antiorario e sollevare la protezione lama e il coperchio centrale. Con la protezione lama posizionata in questo modo, la pulizia può essere fatta più completamente ed efficientemente. Al completamento della pulizia, invertire il procedimento sopra e fissare il bullone. Non rimuovere la molla che fissa la protezione lama. Se la protezione si discolora con il tempo o per l'esposizione agli ultravioletti, rivolgersi al centro di assistenza Makita per sostituirla. **NON RENDERE INUTILIZZABILE O RIMUOVERE LA PROTEZIONE.**

Posizionamento dei piani di taglio (Figg. 6 e 7)

Questo utensile è dotato di piani di taglio nella base girevole, per minimizzare la frammentazione sul lato d'uscita del taglio. I piani di taglio sono stati regolati in fabbrica in modo che la lama non faccia contatto con essi. Prima di procedere, regolare i piani di taglio come segue:

Staccare per prima cosa l'utensile dalla presa di corrente. Allentare tutte le viti (2 su ciascun lato destro e sinistro) che fissano i piani di taglio. Stringerle di nuovo soltanto in modo che i piani di taglio possano essere facilmente mossi a mano. Abbassare completamente il manico e spingere dentro il perno di fermo per bloccarlo nella posizione abbassata. Allentare le due viti di fermo che fissano i poli di scorrimento. Tirare completamente il carrello verso di sé. Regolare i piani di taglio in modo che facciano appena contatto con i fianchi dei denti della lama. Stringere le viti anteriori (non stringerle saldamente). Spingere completamente il carrello verso la guida pezzo e regolare i piani di taglio in modo che facciano appena contatto con i fianchi dei denti della lama. Stringere le viti posteriori (non stringerle saldamente). Dopo aver regolato i piani di taglio, rilasciare il perno di fermo e sollevare il manico. Stringere poi saldamente tutte le viti.

ATTENZIONE:

- Prima e dopo aver cambiato l'angolo di taglio a unghia, regolare sempre i piani di taglio come descritto sopra.

Per mantenere sempre la capacità massima di taglio (Figg. 8 e 9)

Questo utensile è stato regolato in fabbrica in modo da fornire la capacità massima di taglio con le lame di 190 mm.

Installando una nuova lama, controllare sempre la posizione del limite inferiore della lama e, se necessario, regolarla come segue:

Staccare per prima cosa l'utensile dalla presa di corrente. Spingere completamente il carrello verso la guida pezzo e abbassare del tutto il manico. Usare la chiave a bussola per girare il bullone di regolazione finché la periferia della lama si estende leggermente sotto la superficie superiore della base girevole sul punto in cui la faccia frontale della guida pezzo incontra la superficie superiore della base girevole.

Con l'utensile staccato dalla presa di corrente, girare la lama a mano tenendo il manico completamente abbassato per assicurarsi che la lama non faccia contatto con una parte qualsiasi della base inferiore. Regolare di nuovo leggermente, se necessario.

ATTENZIONE:

- Dopo l'installazione della nuova lama, accertarsi che non faccia contatto con una parte qualsiasi della base inferiore quando si abbassa completamente il manico. Ciò va sempre fatto con l'utensile staccato dalla presa di corrente.

Braccio di fermo (Fig. 10)

La posizione del limite inferiore della lama può essere regolata facilmente con il braccio di fermo. Per regolarla, spostare il braccio di fermo nella direzione della freccia come mostrato in figura. Regolare la vite di regolazione in modo che la lama si fermi sulla posizione desiderata quando si abbassa completamente il manico.

Regolazione dell'angolo di taglio obliquo (Fig. 11)

Allentare l'impugnatura girandola in senso antiorario. Girare la base girevole premendo giù allo stesso tempo la leva di blocco. Dopo aver spostato l'impugnatura sulla posizione in cui l'indice indica l'angolo desiderato sulla squadra a 45°, stringere saldamente l'impugnatura girandola in senso orario.

ATTENZIONE:

- Girando la base girevole, sollevare completamente il manico.
- Dopo aver cambiato l'angolo di taglio obliquo, fissare sempre la base girevole stringendo saldamente l'impugnatura.

Regolazione dell'angolo di taglio a unghia

(Figg. 12 e 13)

Per regolare l'angolo di taglio a unghia, allentare la leva sulla parte posteriore dell'utensile girandola in senso antiorario.

Spingere il manico a sinistra per inclinare la lama finché l'indice indica l'angolo desiderato sulla squadra falsa. Stringere poi saldamente la leva girandola in senso orario per fissare il braccio.

Per inclinare la leva a destra, spingere il bottone di rilascio sulla parte posteriore dell'utensile inclinando allo stesso tempo leggermente la lama a sinistra dopo aver allentato la leva. Con il bottone di rilascio inserito, inclinare la lama a destra.

ATTENZIONE:

- Inclinando la lama, sollevare completamente il manico.
- Dopo aver cambiato l'angolo di taglio a unghia, fissare sempre il braccio stringendo la leva in senso orario.
- Cambiando gli angoli di taglio a unghia, posizionare in modo appropriato i piani di taglio come spiegato nella sezione "Posizionamento dei piani di taglio".

Regolazione della posizione della leva (Fig. 14)

La leva può essere ripositionata ad ogni angolo di 30° quando non permette il serraggio completo.

Allentare e rimuovere la vite che fissa la leva sulla parte posteriore dell'utensile. Rimuovere la leva e installarla di nuovo in modo che sia leggermente sopra il livello. Fissare saldamente la leva con la vite.

Utilizzo dell'interruttore

ATTENZIONE:

- Prima di collegare l'utensile alla presa di corrente, controllare sempre che l'interruttore funzioni correttamente e che torni sulla posizione "OFF" quando viene rilasciato.
- Quando non si usa l'utensile, rimuovere il bottone di sblocco e conservarlo in un posto sicuro. Ciò impedisce l'utilizzo non autorizzato dell'utensile.
- Non schiacciare con forza l'interruttore senza premere dentro il bottone di sblocco. Ciò può causare la rottura dell'interruttore.

Modello per l'europa (Fig. 15)

L'utensile è dotato di un bottone di sblocco, per evitare che l'interruttore venga schiacciato accidentalmente. Per avviare l'utensile, spingere la leva a sinistra, premere dentro il bottone di sblocco e schiacciare l'interruttore. Rilasciare l'interruttore per fermarlo.

Modello per tutti i Paesi extrae (Fig. 16)

L'utensile è dotato di un bottone di sblocco, per evitare che l'interruttore venga schiacciato accidentalmente. Per avviare l'utensile, premere dentro il bottone di sblocco e schiacciare l'interruttore. Rilasciare l'interruttore per fermarlo.

AVVERTIMENTO:

- MAI usare l'utensile se l'interruttore non funziona perfettamente. Gli utensili con l'interruttore guasto sono MOLTO PERICOLOSI, per cui devono essere riparati prima di continuare ad usarli.
- Per la propria sicurezza, questo utensile è dotato di un bottone di sblocco che impedisce il suo avviamento accidentale. MAI usare l'utensile se funziona quando si schiaccia semplicemente l'interruttore senza spingere dentro il bottone di sblocco. Riportare l'utensile al centro di assistenza Makita per la riparazione PRIMA di continuare a usarlo.
- MAI bloccare con nastro adesivo il bottone di sblocco premuto dentro, o renderne inutile lo scopo e la funzione.

Accensione della lampadina (Fig. 17)

Modelli LS0714F, LS0714FL

ATTENZIONE:

- Questa lampadina non è impermeabile. Non lavarla con acqua o usarla sotto la pioggia o dove c'è bagnato. Ciò può causare una scossa elettrica e fumo.
- Non toccare la lente della lampadina, perché è molto calda quando è accesa o subito dopo che viene spenta. Ciò può causare bruciature sulla pelle.
- Fare attenzione a non urtare la lampadina, perché si potrebbe danneggiarla o ridurne la vita di servizio.
- Non puntare il raggio della lampadina sugli occhi. Ciò può danneggiarli.
- Non coprire la lampadina con panni, carta, cartone od altri oggetti simili, perché ciò può causare la loro accensione e un incendio.

Per accendere la lampadina, spingere la parte superiore dell'interruttore, e la parte inferiore per spegnerla.

Muovere la lampadina per spostare l'area di illuminazione.

NOTA:

- Usare un panno asciutto per togliere lo sporco dalla lente della lampadina. Fare attenzione a non graffiare la lente, perché altrimenti l'illuminazione potrebbe ridursi.

Utilizzo del raggio laser (Figg. 18 e 19)

Modelli LS0714FL, LS0714L

ATTENZIONE:

- Mai guardare direttamente il raggio laser. Il raggio laser può danneggiare gli occhi.

Per accendere il raggio laser, premere la parte superiore (I) dell'interruttore. Premere la parte inferiore (O) per spegnerlo.

La linea laser può essere spostata a destra o a sinistra della lama regolando la vite di regolazione come segue.

1. Allentare la vite di regolazione girandola in senso antiorario.
2. Con la vite di regolazione allentata, spingerla completamente a destra o a sinistra.
3. Stringere saldamente la vite di regolazione sulla posizione dove smette di scorrere.

La linea laser è stata regolata in fabbrica in modo da essere posizionata entro 1 mm dalla superficie laterale della lama (posizione di taglio).

NOTA:

- Se la linea laser è fioca ed è appena visibile o non si vede a causa della luce diretta del sole lavorando all'interno o all'esterno delle finestre, cambiare l'area di lavoro dove non sia esposta alla luce diretta del sole.

Allineamento della linea laser (Fig. 20)

La linea laser può essere spostata a destra o a sinistra della lama secondo le applicazioni di taglio. Per il modo di spostarla, riferirsi alla spiegazione "Utilizzo del raggio laser."

NOTA:

- Usare uno spessore di legno contro la guida pezzo per allineare la linea di taglio con la linea laser sul lato della guida pezzo nei tagli compositi (angolo di taglio a unghia di 45 gradi e angolo di taglio obliquo destro di 45 gradi).

- A) Per ottenere le dimensioni corrette sul lato sinistro del pezzo
 - Spostare la linea laser a sinistra della lama.
- B) Per ottenere le dimensioni corrette sul lato destro del pezzo
 - Spostare la linea laser a destra della lama.

Allineare la linea di taglio sul pezzo con la linea laser.

MONTAGGIO

ATTENZIONE:

- Accertarsi sempre che l'utensile sia spento e staccato dalla presa di corrente prima di qualsiasi intervento su di esso.

Conservazione della chiave a bussola (Fig. 21)

La chiave a bussola va riposta come mostrato in figura. Per usare la chiave a bussola, tirarla fuori dal portachiave. Dopo aver usato la chiave a bussola, rimetterla nel portachiave.

Installazione o rimozione della lama

ATTENZIONE:

- Accertarsi sempre che l'utensile sia spento e staccato dalla presa di corrente prima di installare o di rimuovere la lama.
- Per installare o rimuovere la lama, usare soltanto la chiave a bussola Makita in dotazione. In caso contrario, si potrebbe causare il serraggio eccessivo o insufficiente del bullone esagonale. Ciò può causare lesioni.

Bloccare il manico in posizione sollevata spingendo dentro il perno di fermo. (Fig. 22)

Per rimuovere la lama, usare la chiave a bussola per allentare il bullone esagonale che fissa il coperchio centrale grandolando in senso antiorario. Sollevare la protezione lama e il coperchio centrale. (Fig. 23)

Premere il blocco albero per bloccare il mandrino, e usare la chiave a bussola per allentare il bullone esagonale in senso orario. Rimuovere poi il bullone esagonale, la flangia esterna e la lama. (Fig. 24)

Per installare la lama, montarla con cura sul mandrino controllando che la direzione della freccia della lama sia rivolta nella stessa direzione della freccia sulla cassa della lama. Installare la flangia esterna e il bullone esagonale, e usare poi la chiave a bussola per stringere saldamente il bullone esagonale (sinistrorso) in senso antiorario premendo allo stesso tempo il blocco albero.

Rimettere la protezione e il coperchio centrale sulla loro posizione originale. Stringere poi il bullone esagonale in senso orario per fissare il coperchio centrale. Rilasciare il manico dalla posizione sollevata tirando il perno di fermo. Abbassare il manico per controllare che la protezione lama si muova correttamente. Accertarsi che il blocco albero abbia rilasciato il mandrino prima di eseguire il taglio. (Fig. 25 e 26)

Sacchetto segatura (Fig. 27)

L'impiego del sacchetto segatura rende pulite le operazioni di taglio e facilita la raccolta della segatura. Per attaccare il sacchetto segatura, montarlo sul bocchettone segatura.

Quando il sacchetto segatura è quasi pieno a metà, rimuoverlo dall'utensile e tirar fuori la chiusura. Svuotare il sacchetto segatura dandogli dei leggeri colpetti, in modo da rimuovere le particelle attaccate all'interno che potrebbero ostacolare la raccolta ulteriore della segatura.

NOTA:

Collegando un aspiratore alla sega, si possono eseguire operazioni di taglio più efficienti e pulite.

Fissaggio del pezzo (Fig. 28)

AVVERTIMENTO:

- È estremamente importante fissare correttamente e saldamente il pezzo con la morsa. In caso contrario, si potrebbe danneggiare l'utensile e/o distruggere il pezzo. C'È ANCHE PERICOLO DI LESIONI PERSONALI. Inoltre, dopo l'operazione di taglio, NON sollevare la lama finché non si è fermata completamente.

ATTENZIONE:

- Per tagliare i pezzi lunghi, usare sostegni alti quanto il livello della superficie superiore della base girevole. Per fissare il pezzo, non fare affidamento soltanto sulla morsa verticale e/o alla morsa orizzontale.

I materiali sottili tendono a incurvarsi al centro. Supportare il pezzo sull'intera sua lunghezza, per evitare che la lama resti incastrata e possibili CONTRACCOLPI.

Morsa verticale (Fig. 29)

La morsa verticale può essere installata in due posizioni, sul lato destro o sinistro della guida pezzo o del gruppo supporto (accessorio opzionale). Inserire l'asta morsa nel foro della guida pezzo o del gruppo supporto, e stringere la vite per fissare l'asta morsa.

Posizionare il braccio morsa secondo lo spessore e la forma del pezzo, e fissare il braccio morsa stringendo la vite. Se la vite per fissare il braccio morsa fa contatto con la guida pezzo, installare la vite sul lato opposto del braccio morsa. Accertarsi che nessuna parte dell'utensile faccia contatto con la morsa quando si abbassa completamente il manico e tirando o spingendo del tutto il carrello. Se una qualche parte fa contatto con la morsa, riposizionare la morsa.

Premere il pezzo piatto contro la guida pezzo e la base girevole. Posizionare il pezzo sulla posizione di taglio desiderata e fissarlo saldamente stringendo la manopola morsa.

ATTENZIONE:

- Il pezzo deve essere fissato saldamente con la morsa contro la base girevole e la guida pezzo durante tutte le operazioni.

Morsa orizzontale (accessorio opzionale) (Fig. 30)

La morsa orizzontale può essere installata sul lato sinistro della base. Girando la manopola morsa in senso antiorario si rilascia la vite e l'albero morsa può essere spostato rapidamente dentro o fuori. Quando si gira la manopola morsa in senso orario, la vite rimane fissata. Per stringere il pezzo, girare delicatamente la manopola morsa in senso orario finché la sporgenza raggiunge la sua posizione più alta, e stringere poi saldamente. Se si forza dentro la manopola morsa o la si tira fuori mentre viene girata in senso orario, la sporgenza potrebbe arrestarsi inclinata. In tal caso, girare la manopola morsa indietro in senso antiorario finché la vite viene rilasciata prima di girarla di nuovo delicatamente in senso orario. La larghezza massima del pezzo che può essere fissato con la morsa orizzontale è di 120 mm.

ATTENZIONE:

- Stringere il pezzo soltanto quando la sporgenza si trova sulla sua posizione più alta. In caso contrario, il pezzo potrebbe venire stretto insufficientemente. Ciò potrebbe causare l'espulsione del pezzo, danneggiare la lama o causare una perdita di controllo con pericolo di LESIONI PERSONALI.

Supporti e gruppo supporti (accessori opzionali) (Figg. 31 e 32)

I supporti e il gruppo supporti possono essere installati su entrambi i lati, come comodo modo di supportare orizzontalmente i pezzi. Installarli come mostrato in figura. Stringere poi saldamente le viti per fissare i supporti e il gruppo supporti.

Per tagliare i pezzi lunghi, usare il gruppo supporti-barre (accessorio opzionale). Esso consiste di due gruppi supporti e di due barre 12.

ATTENZIONE:

- Supportare sempre i pezzi lunghi a livello della superficie della base girevole, per dei tagli accurati e per evitare pericolose perdite di controllo dell'utensile.

UTILIZZO DELL'UTENSILE

ATTENZIONE:

- Prima dell'uso, rilasciare il manico dalla posizione abbassata tirando il perno di fermo.
- Accertarsi che la lama non faccia contatto con il pezzo, ecc., prima di accendere l'utensile.
- Non esercitare una pressione eccessiva sul manico durante il taglio. La forza eccessiva può causare il sovraccarico del motore e/o una diminuzione dell'efficienza di taglio. Spingere giù il manico soltanto con la forza necessaria a un taglio scorrevole senza notevole riduzione della velocità della lama.
- Premere giù delicatamente il manico per eseguire il taglio. Se si preme giù con forza il manico o si applica una pressione laterale, la lama vibra lasciando un segno sul pezzo (segno della lama), e la precisione del taglio viene compromessa.
- Durante un taglio a scorrimento, spingere il carrello verso la guida pezzo senza fermarsi. Se il movimento del carrello si interrompe durante il taglio, sul pezzo viene lasciato un segno e la precisione del taglio viene compromessa.

1. Taglio con pressione (taglio dei pezzi piccoli) (Fig. 33)

I pezzi fino a 50 mm di altezza e 97 mm di larghezza possono essere tagliati nel modo seguente.

Spingere completamente il carrello verso la guida pezzo, e stringere in senso orario le due viti di fermo che fissano i poli di scorrimento per bloccare il carrello. Fissare il pezzo con la morsa. Accendere l'utensile senza che la lama faccia contatto con il pezzo, e aspettare finché raggiunge la velocità massima prima di abbassarla. Abbassare poi delicatamente il manico sulla posizione completamente abbassata per tagliare il pezzo. Al completamento del taglio, spegnere l'utensile e ASPETTARE CHE LA LAMA SI SIA COMPLETAMENTE ARRESTATATA prima di rimetterla sulla sua posizione di elevazione massima.

ATTENZIONE:

- Stringere saldamente in senso orario le due viti di fermo che fissano i poli di scorrimento, in modo che il carrello non si muova durante il taglio. Il serraggio insufficiente potrebbe causare un contraccolpo inaspettato della lama. C'è pericolo di LESIONI PERSONALI.

2. Taglio a scorrimento (spinta) (taglio di pezzi larghi) (Fig. 34)

Allentare in senso antiorario le due viti di fermo che fissano i poli di scorrimento, in modo che il carrello possa scorrere liberamente. Fissare il pezzo con la morsa. Tirare completamente il carrello verso di sé. Accendere l'utensile senza che la lama faccia contatto con il pezzo, e aspettare finché raggiunge la massima velocità. Premere giù il manico e SPINGERE IL CARRELLO VERSO LA GUIDA PEZZO E ATTRAVERSO IL PEZZO. Al completamento del taglio, spegnere l'utensile e ASPETTARE CHE LA LAMA SI SIA COMPLETAMENTE ARRESTATATA prima di rimetterla sulla sua posizione di elevazione massima.

ATTENZIONE:

- Ogni volta che si esegue un taglio a scorrimento, TIRARE PRIMA COMPLETAMENTE IL CARRELLO VERSO DI SÉ, premere giù il manico sulla posizione completamente abbassata e poi SPINGERE IL CARRELLO VERSO LA GUIDA PEZZO. MAI COMINCIARE IL TAGLIO CON IL CARRELLO NON TIRATO COMPLETAMENTE VERSO DI SÉ. Se si esegue il taglio a scorrimento senza aver tirato il carrello completamente verso di sé, o se si esegue il taglio a scorrimento verso di sé, si potrebbe verificare un inaspettato contraccolpo della lama con pericolo di serie LESIONI PERSONALI.
- Mai eseguire il taglio a scorrimento con il manico bloccato nella posizione abbassata premendo il perno di fermo.
- Mai allentare la vite di fermo che fissa il carrello mentre la lama gira. Ciò potrebbe causare lesioni serie.

3. Taglio obliquo

Riferirsi alla sezione "Regolazione dell'angolo di taglio obliquo" più indietro nel testo.

4. Taglio a unghia (Fig. 35)

Allentare la leva e inclinare la lama per regolare l'angolo di taglio a unghia. (Riferirsi alla sezione "Regolazione dell'angolo di taglio a unghia" più indietro nel testo.) Stringere di nuovo saldamente la leva per fissare l'angolo di taglio a unghia selezionato. Fissare il pezzo con una morsa. Accertarsi che il carrello sia tirato completamente indietro verso di sé. Accendere l'utensile senza che la lama faccia contatto con il pezzo, e aspettare finché raggiunge la velocità massima. Abbassare poi delicatamente il manico sulla posizione completamente abbassata esercitando una pressione parallelamente alla lama, e SPINGERE IL CARRELLO VERSO LA GUIDA PEZZO PER TAGLIARE IL PEZZO. Al completamento del taglio spegnere l'utensile e ASPETTARE CHE LA LAMA SI SIA FERMATA COMPLETAMENTE prima di rimetterla sulla sua posizione di elevazione massima.

ATTENZIONE:

- Accertarsi sempre che la lama si muova giù nella direzione dell'angolo di taglio a unghia durante il taglio a unghia. Tenere le mani fuori del percorso della lama.
- Durante un taglio a unghia, si potrebbe verificare una situazione in cui il pezzo tagliato viene ad appoggiarsi al fianco della lama. Se si solleva la lama mentre sta girando, il pezzo potrebbe rimanere attaccato alla lama causando una pericolosa espulsione di frammenti. La lama deve essere sollevata SOLTANTO dopo che si è fermata completamente.
- Premendo giù il manico, esercitare una pressione parallelamente alla lama. Se la pressione non è parallela alla lama durante il taglio, l'angolo della lama potrebbe spostarsi compromettendo la precisione del taglio.

5. Taglio composito

Il taglio composito è il processo in cui sul pezzo viene fatto un taglio a unghia contemporaneamente a un taglio obliquo. Il taglio composito può essere eseguito all'angolo mostrato nella tabella.

Angolo di taglio obliquo	Angolo di taglio a unghia
Destro e Sinistro 45°	Sinistro 0° – 45°
Destro 50°	Sinistro 0° – 40°
Destro 55°	Sinistro 0° – 30°
Destro 57°	Sinistro 0° – 25°

Per l'esecuzione del taglio composito, riferirsi alle altre sezioni "Taglio con pressione", "Taglio a scorrimento", "Taglio obliquo" e "Taglio a unghia".

6. Taglio delle estrusioni di alluminio (Fig. 36)

Per fissare le estrusioni di alluminio, usare blocchi distanziatori o pezzi di scarto, come mostrato nella illustrazione, per impedire la deformazione dell'alluminio. Per tagliare le estrusioni di alluminio, usare un lubrificante di taglio per evitare l'accumularsi dei trucioli di alluminio sulla lama.

ATTENZIONE:

- Mai cercare di tagliare estrusioni di alluminio spesse o rotonde. Le estrusioni di alluminio spesse possono staccarsi durante il taglio, e quelle rotonde non possono essere fissate saldamente con questo utensile.

7. Spessore di legno (Fig. 37)

L'impiego di uno spessore di legno assicura il taglio senza schegge del pezzo. Attaccare lo spessore di legno alla guida pezzo usando i fori della guida pezzo. Per lo spessore di legno consigliato, riferirsi alla tabella delle dimensioni.

ATTENZIONE:

- Come spessore di legno, usare un legno diritto di spessore uniforme.
- Usare viti per attaccare lo spessore di legno alla guida pezzo. Le viti devono essere installate in modo che le teste delle viti siano sotto la superficie dello spessore di legno.
- Quando si attacca lo spessore di legno, non girare la base girevole con il manico abbassato. La lama e/o lo spessore di legno vengono danneggiati.

8. Tagli ripetuti della stessa lunghezza (Fig. 38)

Per tagliare diversi pezzi della stessa lunghezza dai 220 mm ai 385 mm, l'impiego della piastra di regolazione (accessorio opzionale) rende il lavoro più efficiente. Installare la piastra di regolazione sul supporto (accessorio opzionale) come mostrato nella illustrazione.

Allineare la linea di taglio sul pezzo con il lato destro o sinistro della scanalatura sul piano di taglio e, tenendo fermo il pezzo in modo che non si muova, spostare la piastra di regolazione a raso contro l'estremità del pezzo. Fissare poi la piastra di regolazione con la vite. Quando non si usa la piastra di regolazione, allentare la vite e spostarla in modo che non interferisca con il lavoro.

NOTA:

- L'impiego del gruppo supporti-barre (accessorio opzionale) permette di fare tagli ripetuti della stessa lunghezza di un massimo di 2.200 mm circa.

9. Taglio scanalato (Fig. 39)

Si possono eseguire tagli di tipo a zoccolo procedendo come segue:

Regolare la posizione del limite inferiore della lama usando la vite di regolazione e il braccio di fermo, per limitare la profondità di taglio della lama. Riferirsi alla sezione "Braccio di fermo" più indietro nel testo.

Dopo aver regolato la posizione di limite inferiore della lama, tagliare scanalature parallele lungo la larghezza del pezzo usando il taglio a scorrimento (spinta), come mostrato nella illustrazione. Rimuovere poi il materiale del pezzo tra le scanalature con uno scalpello. Non cercare di eseguire questo tipo di taglio usando lame larghe (spesse) o una lama per zoccoli. C'è pericolo di una perdita di controllo con lesioni.

ATTENZIONE:

- Rimettere il braccio di fermo sulla sua posizione originale quando si eseguono tagli diversi da quelli scanalati.

Trasporto dell'utensile (Figg. 40 e 41)

Accertarsi che l'utensile sia staccato dalla presa di corrente. Fissare la lama all'angolo di taglio a unghia di 0° e girare completamente la base girevole all'angolo di taglio obliquo destro. Fissare i poli di scorrimento dopo aver tirato completamente il carrello verso la guida pezzo. Abbassare completamente il manico e bloccarlo spingendo dentro il perno di fermo.

Trasportare l'utensile tenendo entrambi i lati della base, come mostrato nella illustrazione. Rimuovendo i supporti, il sacchetto segatura, ecc., l'utensile può essere trasportato più facilmente.

ATTENZIONE:

- Fissare sempre le parti mobili prima di trasportare l'utensile.
- Il perno di fermo serve soltanto al trasporto e al deposito dell'utensile, e non deve essere usato per le operazioni di taglio.

MANUTENZIONE

ATTENZIONE:

- Accertarsi sempre che l'utensile sia spento e staccato dalla presa di corrente prima di eseguire l'ispezione o la manutenzione.

AVVERTIMENTO:

- Per ottenere le prestazioni migliori e più sicure, accertarsi sempre che la lama sia affilata e pulita.

Regolazione dell'angolo di taglio

Questo utensile è stato regolato e allineato con cura in fabbrica, ma se è stato trattato male, potrebbe essersi disallineato. Se non è allineato correttamente, procedere come segue:

1. Angolo di taglio obliquo

Spingere il carrello verso la guida pezzo e stringere le due viti di fermo per fissarlo.

Allentare l'impugnatura che fissa la base girevole. Girare la base girevole in modo che l'indice indichi 0° sulla squadra a 45°. Girare poi leggermente la base girevole in senso orario e antiorario per assestarla nella tacca di taglio obliquo di 0°. (Lasciarla com'è se l'indice non indica 0°.) Allentare i bulloni esagonali che fissano la guida pezzo usando la chiave a bussola. (Fig. 42)

Abbassare completamente il manico e bloccarlo spingendo dentro il perno di fermo. Squadrare il lato della lama con la faccia della guida pezzo usando un righello triangolare, squadra di riscontro, ecc. Stringere poi saldamente in successione dal lato destro i bulloni esagonali sulla guida pezzo. (Fig. 43)

Accertarsi che l'indice indichi 0° sulla scala di taglio a quartabuono. Se l'indice non indica 0°, allentare la vite che fissa l'indice e regolare l'indice in modo che indichi 0°. (Fig. 44)

2. Angolo di taglio a unghia

1. Angolo di taglio a unghia di 0°

Spingere il carrello verso la guida pezzo e stringere le due viti di fermo per fissarlo. Abbassare completamente il manico e bloccarlo spingendo dentro il perno di fermo. Allentare la leva sulla parte posteriore dell'utensile.

Girare di due o tre giri in senso antiorario il bullone di regolazione angolo di taglio a unghia di 0° (bullone inferiore) sul lato destro del braccio per inclinare la lama a destra. (Fig. 45)

Squadrare con cura il lato della lama con la superficie superiore della base girevole usando il righello triangolare, squadra di riscontro, ecc., girando in senso orario il bullone di regolazione angolo di taglio a unghia di 0°. Stringere poi saldamente la leva. (Fig. 46)

Accertarsi che l'indice sul braccio indichi 0° sulla squadra falsa sul supporto braccio. Se non indica 0°, allentare la vite che fissa l'indice e regolare l'indice in modo che indichi 0°. (Fig. 47)

2. Angolo di taglio a unghia di 45°

Regolare l'angolo di taglio a unghia di 45° soltanto dopo aver eseguito la regolazione dell'angolo di taglio a unghia di 0°. Per regolare l'angolo di taglio a unghia di 45°, allentare la leva e inclinare completamente la lama a sinistra. Accertarsi che l'indice del braccio indichi 45° sulla squadra falsa sul supporto braccio. Se l'indice non indica 45°, girare il bullone di regolazione angolo di taglio a unghia di 45° (bullone superiore) sul lato destro del braccio finché l'indice indica 45°. (Fig. 48)

Regolazione della posizione della linea laser (Figg. 49 e 50)

Modelli LS0714FL, LS0714L

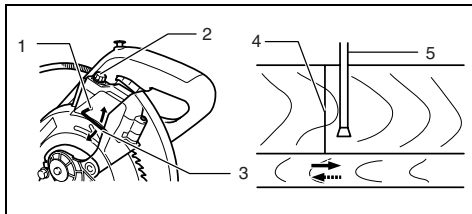
AVVERTIMENTO:

- Collegando l'utensile alla presa di corrente quando si regola la posizione della linea laser, fare soprattutto attenzione a non schiacciare l'interruttore. Se lo si schiaccia accidentalmente avviando l'utensile, c'è pericolo di lesioni personali.

ATTENZIONE:

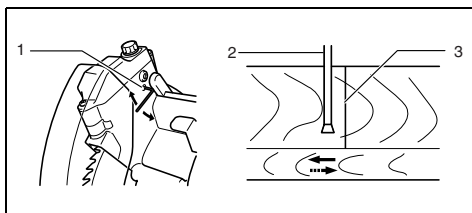
- Mai guardare direttamente il raggio laser. Il raggio laser può danneggiare gli occhi.
- Fare attenzione che l'utensile non subisca urti o colpi. Essi possono causare il posizionamento sbagliato della linea laser danneggiando la parte che emette il raggio laser o riducendo la vita dell'utensile.

Regolazione della linea laser sul lato sinistro della lama



- 1 Vite di cambio gamma di spostamento vite di regolazione
- 2 Vite di regolazione
- 3 Chiave esagonale
- 4 Linea laser
- 5 Lama

Regolazione della linea laser sul lato destro della lama



- 1 Vite di cambio gamma di spostamento vite di regolazione
- 2 Lama
- 3 Linea laser

Per entrambe le regolazioni, procedere come segue.

1. Accertarsi che l'utensile sia staccato dalla presa di corrente.
2. Tracciare la linea di taglio sul pezzo e metterlo sulla base girevole. A questo punto, non fissare il pezzo con la morsa od altro dispositivo di fissaggio.
3. Abbassare la lama abbassando il manico, e controllare solo dove si trova la linea di taglio e la posizione della lama. (Decidere la posizione di taglio sulla linea di taglio.)
4. Dopo aver deciso la posizione di taglio, rimettere il manico sulla sua posizione originale. Fissare il pezzo con la morsa verticale senza spostarlo dalla posizione precedentemente controllata.
5. Collegare l'utensile alla presa di corrente e schiacciare l'interruttore laser.
6. Regolare la posizione della linea laser come segue.

La posizione della linea laser può essere cambiata con il cambiamento della gamma di spostamento della vite di regolazione girando le due viti con la chiave esagonale. (La gamma di spostamento della linea laser è stata regolata in fabbrica entro 1 mm dalla superficie laterale della lama.)

Per spostare maggiormente la gamma di spostamento della linea laser dalla superficie laterale della lama, girare le due viti in senso antiorario dopo aver allentato la vite di regolazione. Girare queste due viti in senso orario per spostarla più vicina alla superficie laterale della lama dopo aver allentato la vite di regolazione.

Riferirsi alla sezione "Utilizzo del raggio laser" e regolare le vite di regolazione in modo che la linea di taglio sul pezzo sia allineata con la linea laser.

NOTA:

- Controllare regolarmente la precisione della posizione della linea laser.
- Far riparare l'utensile presso un centro Makita autorizzato nel caso di un qualsiasi difetto dell'unità laser.

Sostituzione del tubo fluorescente (Fig. 51)

Modelli LS0714F, LS0714FL

ATTENZIONE:

- Accertarsi sempre che l'utensile sia spento e staccato dalla presa di corrente prima di sostituire il tubo fluorescente.
- Non usare forza ed evitare di urtare o di graffiare il tubo fluorescente, perché ciò potrebbe causare la rottura del vetro del tubo con pericolo di lesioni a sé e a chi è vicino.
- Non toccare per qualche tempo il tubo fluorescente immediatamente dopo averlo usato prima di sostituirlo. C'è pericolo di bruciature.

Togliere le viti che fissano la scatola lampadina.

Tirar fuori la scatola lampadina spingendo leggermente la sua parte superiore, come mostrato nella illustrazione.

Tirar fuori il tubo fluorescente e sostituirlo con uno nuovo originale Makita.

Pulizia della lente della lampadina laser (Figg. 52 e 53)

Modelli LS0714FL, LS0714L

Se la lente della lampadina laser diventa sporca, oppure se su di essa è rimasta attaccata della segatura in modo che la linea laser non è più visibile, staccare l'utensile dalla presa di corrente e rimuovere e pulire con cura la lente della lampadina laser con un panno morbido bagnato. Per pulire la lente, non usare solventi o pulitori a base di petrolio.

Per togliere la lente dalla lampadina laser, rimuovere la lama prima della lente secondo le istruzioni della sezione "Installazione o rimozione della lama".

Usando un cacciavite, allentare, senza rimuoverla, la vite che fissa la lente.

Tirar fuori la lente come mostrato nella illustrazione.

NOTA:

- Se la lente non viene via, allentare ulteriormente la vite e tirar via di nuovo la lente senza rimuovere la vite.

Sostituzione delle spazzole di carbone (Figg. 54 e 55)

Rimuovere e ispezionare regolarmente le spazzole di carbone. Sostituirle quando sono consumate fino al limite di usura. Mantenere pulite le spazzole di carbone, che devono potersi muovere liberamente nel portaspazzole. Le spazzole di carbone vanno sostituite entrambe allo stesso tempo. Usare soltanto spazzole di carbone identiche.

Per rimuovere le toppe portaspazzole, usare un cacciavite. Togliere le spazzole usurate, inserire le nuove e fissare i tappi del portaspazzole.

Dopo l'uso

- Dopo l'uso, togliere i trucioli e la segatura attaccati all'utensile con un panno o uno straccio. Mantenere pulita la protezione della lama facendo riferimento alle spiegazioni di "Protezione della lama". Oliare le parti mobili con un lubrificante antiruggine.
- Se si immagazzina l'utensile, tirare il carrello completamente verso di sé in modo che i pali di scorrimento siano inseriti del tutto all'interno della base.

Per preservare la SICUREZZA e l'AFFIDABILITÀ del prodotto, le riparazioni e qualsiasi altro intervento di manutenzione e di regolazione devono essere eseguiti da un centro di assistenza Makita usando ricambi Makita.

ACCESSORI

ATTENZIONE:

- In questo manuale si consiglia di usare questi accessori o ricambi Makita. L'impiego di altri accessori o ricambi potrebbe costituire un pericolo di lesioni. Usare esclusivamente gli accessori o ricambi per il loro scopo specificato.

Per maggiori dettagli riguardo a questi accessori, rivolgersi a un centro di assistenza Makita.

- Lame al carburo
- Gruppo morsa (morsa orizzontale)
- Morsa verticale
- Chiave a bussola 10
- Set supporti
- Gruppo supporti
- Gruppo barre supporti
- Piastra di regolazione
- Sacchetto segatura
- Righello triangolare
- Bottone di sblocco (2 pezzi)
- Tubo fluorescente
- Chiave a bussola

Verklaring van algemene gegevens

1 Aanslagpen	32 Sleutelhouder	59 Twee klemschroeven voor bevestiging van de sledestang
2 Bout	33 Stanghouder	60 Spanschroef
3 Stelbout	34 Middenkap	61 Vulblok
4 Beschermpap	35 Dopsleutel	62 Aluminium werkstuk
5 Vleugelschroef	36 Zeskante bout	63 Meer dan 15 mm
6 Zaagsnedeplaat	37 Veiligheidskap	64 Meer dan 420 mm
7 Zaagblad	38 Asblokkering	65 Gaten
8 Zaagbladtanden	39 Pijltje	66 Stelplaat
9 Linkse schuine snede	40 Zaagbladkast	67 Groeven zagen met het zaagblad
10 Rechte snede	41 Zeskante bout (linkse schroefdraad)	68 Driehoekslniaal
11 Draaitafel	42 Buitenflens	69 Armhouder
12 Geleider	43 Binnenflens	70 Stelbout voor 0° schuine hoek
13 Bovenvlak van draaitafel	44 As	71 Stelbout voor 45° linkse schuine hoek
14 Omtrek van zaagblad	45 Stofzak	72 Werkstuk
15 Stelschroef	46 Verbindingsstuk	73 Zaaglijn
16 Aanslagarm	47 Sluitstrip	74 Verticale spanschroef
17 Vergrendelknok	48 Steun	75 Naar buiten trekken
18 Verstekschaal	49 Spanschroefarm	76 Duwen
19 Wijzer	50 Spanschroefstang	77 Lampkast
20 Handgreep	51 Houder	78 Schroeven
21 Hendel	52 Houdermontage (los verkrijgbaar accessoire)	79 TL-buis
22 Vrijmakingsknop	53 Spanschroefknop	80 Schroevendraaier
23 Schuine-hoek schaal	54 Uitsteeksel	81 Schroef (één stuk)
24 Arm	55 Spanschroefas	82 Laserstraallens
25 Schroef	56 Voetstuk	83 Limietmarkering
26 Ontgrendelknop	57 Stang 12	84 Borstelhouderdop
27 Trekschakelaar	58 Twee klemschroeven voor bevestiging van de sledestang	
28 Handvat		
29 Lamp		
30 Lampschakelaar		
31 Laserschakelaar		

TECHNISCHE GEGEVENS

Model	LS0714/LS0714F/LS0714FL/LS0714L
Diameter zaagblad	190 mm
Diameter zaagbladgat (asgat)	20 mm
Max. verstekhoek	Links 47°, Rechts 57°
Max. schuine hoek	Links 45°, Rechts 5°
Max. zaagcapaciteiten (H x B) met een zaagblad van 190 mm diameter	

Verstekhoek	Schuine hoek		
	45° (links)	0°	45° (rechts)
0°	*45 mm x 265 mm (Opmerking 1)	*60 mm x 265 mm (Opmerking 1)	—
	40 mm x 300 mm	52 mm x 300 mm	40 mm x 300 mm
45° (links en rechts)	*45 mm x 185 mm (Opmerking 2)	*60 mm x 185 mm (Opmerking 2)	—
	40 mm x 212 mm	52 mm x 212 mm	—
57° (rechts)	—	*60 mm x 145 mm (Opmerking 3)	—
		52 mm x 163 mm	

(Opmerking)

Het * teken duidt aan dat een houten hulpstuk van de volgende dikte wordt gebruikt.

- 1: Bij gebruik van een houten hulpstuk met een dikte van 20 mm.
- 2: Bij gebruik van een houten hulpstuk met een dikte van 15 mm.
- 3: Bij gebruik van een houten hulpstuk met een dikte van 10 mm.

Toerental onbelast (min ⁻¹).....	6 000
Lasertype (LS0714FL/L).....	Rode laser 650 nm, <1mW (Laser Klasse 2)
Afmetingen (L x B x H).....	670 mm x 430 mm x 458 mm
Netto gewicht.....	LS0714: 12,5 kg, LS0714F: 12,8 kg, LS0714FL: 13,1 kg, LS0714L: 13,0 kg

- In verband met ononderbroken research en ontwikkeling, behouden wij ons het recht voor de bovenstaande technische gegevens zonder voorafgaande kennisgeving te wijzigen.
- Opmerking: De technische gegevens kunnen van land tot land verschillen.

Doeleinden van gebruik

Dit gereedschap is bedoeld voor nauwkeurig recht zagen en verstekzagen in hout. Bij gebruik van de geschikte zaagbladen kan ook aluminium worden gezaagd.

Stroomvoorziening

Het gereedschap mag alleen worden aangesloten op een stroombron van hetzelfde voltage als aangegeven op de naamplaat, en kan alleen op enkel-fase wisselstroom worden gebruikt. Het gereedschap is dubbel-geïsoleerd volgens de Europese standaard en kan derhalve ook op een niet-geaard stopcontact worden gebruikt.

Veiligheidswenken

Voor uw veiligheid dient u de bijgevoegde Veiligheidsvoorschriften nauwkeurig op te volgen.

AANVULLENDE VEILIGHEIDSVoORSCHRIFTEN VOOR HET GEREEDSCHAP

- 1. Draag oogbescherming.**
- 2. Houd uw handen uit de buurt van het zaagblad.** Raak het freewheelende zaagblad niet aan, aangezien dit nog ernstige verwonding kan veroorzaken.
- 3. Gebruik de zaag niet zonder dat de veiligheidskappen zijn aangebracht.** Controleer vóór elk gebruik of de veiligheidskap goed sluit. Gebruik de zaag niet indien de veiligheidskap niet goed beweegt en niet snel over het zaagblad sluit. Klem of bind de veiligheidskap nooit in de geopende stand vast.
- 4. Zaag nooit met het werkstuk in uw hand.** Gebruik altijd de spanschroef om het werkstuk goed vast te zetten op het draaibaar voetstuk en tegen de geleider. Gebruik nooit uw hand om het werkstuk tijdens het zagen vast te houden.
- 5. Reik nooit in de nabijheid van het zaagblad.**
- 6. Schakel het gereedschap uit en wacht totdat het zaagblad volledig tot stilstand is gekomen alvorens het werkstuk te verwijderen of instellingen te veranderen.**
- 7. Trek de stekker uit het stopcontact alvorens het zaagblad te verwisselen of onderhoud aan het gereedschap uit te voeren.**
- 8. Zet altijd alle bewegende onderdelen vast alvorens het gereedschap te dragen.**
- 9. De aanslagpen die de zaagkop in de omlaagpositie vergrendelt, wordt alleen gebruikt voor het dragen en opbergen van het gereedschap en niet voor zaagbedieningen.**
- 10. Gebruik het gereedschap niet in de nabijheid van ontvlambare gassen of vloeistoffen.**
- 11. Controleer het zaagblad zorgvuldig op barsten of beschadiging, alvorens het gereedschap te gebruiken.** Een gebarsten of beschadigd zaagblad dient onmiddellijk te worden vervangen.
- 12. Gebruik alleen flenzen die voor dit gereedschap zijn bestemd.**
- 13. Pas op dat u de as, de flenzen (vooral hun montagevlak) of de bout niet beschadigt.** Beschadiging van deze onderdelen kan zaagbladbreuk veroorzaken.
- 14. Zorg dat het draaibaar voetstuk goed vastgezet is, zodat het tijdens het zagen niet kan bewegen.**
- 15. Verwijder voor uw eigen veiligheid zaagafval, stukjes hout e.d. van de werktafel alvorens te gaan zagen.**
- 16. Vermijd het zagen op spijkers.** Inspecteer het werkstuk en verwijder alle eventuele spijkers alvorens met het zagen te beginnen.
- 17. Zet de asvergrendeling in de vrije stand alvorens de trekschakelaar in te drukken.**
- 18. Zorg ervoor dat het zaagblad in zijn laagste positie niet in aanraking komt met het draaibaar voetstuk.**
- 19. Houd het handvat stevig vast.** Denk eraan dat de zaag bij het starten en stoppen even op- en neergaat.
- 20. Zorg dat het zaagblad bij het inschakelen niet in contact is met het werkstuk.**
- 21. Laat het gereedschap een tijdje draaien alvorens het op het werkstuk te gebruiken.** Controleer op trillingen of schommelingen die op onjuiste installatie of op een slecht gebalanceerd zaagblad kunnen wijzen.
- 22. Wacht totdat het zaagblad op volle toeren draait, alvorens het werkstuk te zagen.**
- 23. Stop onmiddellijk met zagen indien u iets abnormaals opmerkt.**
- 24. Probeer niet om de trekschakelaar in de INGESCHAKELD positie te vergrendelen.**
- 25. Laat uw aandacht nooit verslappen, vooral niet wanneer het werk saai is en uit herhalingen bestaat.** Laat u niet door een vals gevoel van veiligheid misleiden, aangezien zaagbladen altijd uiterst gevaarlijk zijn.
- 26. Gebruik uitsluitend de accessoires die in deze gebruiksaanwijzing worden aanbevolen.** Het gebruik van ongeschikte accessoires, zoals slijpschijven, kan verwonding veroorzaken.
- 27. Gebruik de zaag niet voor het zagen van andere materialen dan aluminium, hout of soortgelijk materiaal.**
- 28. Sluit verstekzagen tijdens het zagen aan op een stofvanginrichting.**
- 29. Selecteer de zaagbladen in overeenstemming met het te zagen materiaal.**
- 30. Wees voorzichtig wanneer u gleuven zaagt.**
- 31. Vervang de zaagsnedeplaat wanneer deze versleten is.**
- 32. Gebruik geen zaagbladen die van sneldraaistaal zijn gemaakt.**
- 33. Sommige stofafval van de zaagbediening bevat chemicaliën die kanker, geboortefwijkingen of andere voortplantingsdefecten kunnen veroorzaken.** Een paar voorbeelden van deze chemicaliën zijn:
 - lood van materiaal dat met loodhoudende inkt is geverfd
 - larseen en chroom van chemisch behandeld timmerhout

Het gevaar van blootstelling hangt af van hoe vaak u dit soort werk uitvoert. Om blootstelling aan deze chemicaliën tot een minimum te beperken, dient u in een goed geventileerde omgeving te werken en gebruik te maken van goedgekeurde veiligheidsapparatuur zoals stofmaskers die speciaal ontworpen zijn voor het filteren van microscopische deeltjes.

34. Zorg altijd dat het zaagblad scherp en schoon is om het voortgebrachte geluid tot een minimum te beperken.
35. De gebruiker dient volledig vertrouwd te zijn met het gebruik, de afstelling en de bediening van het gereedschap.
36. Gebruik juist aangescherpte zaagbladen. Neem altijd de maximale snelheid, die op het zaagblad is aangeduid, in acht.
37. Probeer niet om afgezaagde stukken of andere delen van het werkstuk uit het zaaggebied te verwijderen terwijl het gereedschap nog draait en de zaagkop niet in de uitgangspositie staat.

BEWAAR DEZE VOORSCHRIFTEN.

INSTALLEREN

Op een werktafel monteren

Bij de verzending uit de fabriek is het handvat door middel van de aanslagpen in de omlaagpositie vergrendeld. Ontgrendel de aanslagpen door het handvat ietwat omlaag te drukken en aan de aanslagpen te trekken. (Fig. 1)

Dit gereedschap dient op een effen en stabiel oppervlak te worden gemonteerd door gebruik te maken van de boutgaten in de voet van het gereedschap. Hierdoor wordt voorkomen dat het gereedschap omkantelt en mogelijk verwondingen veroorzaakt. (Fig. 2)

Draai de stelbout naar rechts of naar links totdat deze met het vloeroppervlak in contact komt om het gereedschap stabiel te houden. (Fig. 3)

BESCHRIJVING VAN DE FUNCTIES

LET OP:

- Controleer altijd of het gereedschap is uitgeschakeld en zijn stekker uit het stopcontact is verwijderd alvorens de functies op het gereedschap te controleren of af te stellen.

Beschermkap (Fig. 4 en 5)

Wanneer het handvat omlaag wordt gebracht, gaat de beschermkap automatisch omhoog. De beschermkap is veerbelast zodat zij naar haar oorspronkelijke positie terugkeert wanneer het zagen is voltooid en het handvat omhoog wordt gebracht. ZET DE BESCHERMKAP NOOIT VAST EN VERWIJDER NOOIT DE BESCHERMKAP OF DE VEER DIE ERAAN IS BEVESTIGD.

Voor uw persoonlijke veiligheid dient de beschermkap altijd in goede staat te worden gehouden. Elke onregelmatigheid in de werking van de beschermkap dient onmiddellijk te worden gerepareerd. Controleer of de veer goed werkt zodat de beschermkap goed terugkeert. GEBRUIK HET GEREEDSCHAP NOOIT WANNEER DE BESCHERMKAP OF DE VEER BESCHADIGD, DEFECT, OF VERWIJDERD ZIJN. DIT IS NAMELIJK BIJZONDER GEVAARLIJK EN KAN ERNSTIGE VERWONDINGEN VEROORZAKEN.

Als de transparante beschermkap vuil is of met zaagsel is bedekt zodat het zaagblad niet meer goed zichtbaar is, verwijder dan de stekker uit het stopcontact en maak de beschermkap met een bevochtigde doek goed schoon. Gebruik voor het reinigen van de plastic beschermkap nooit oplosmiddelen of benzinehoudende schoonmaakmiddelen.

Als de beschermkap erg vuil is zodat het zaagblad moeilijk te zien is, gebruik dan de bijgeleverde dopsleutel om de zeskante bout van de middenkap los te draaien. Draai de zeskante bout linksom los en breng de beschermkap en de middenkap omhoog. In deze positie kan de beschermkap grondiger en gemakkelijker worden schoongemaakt. Voer deze procedure in de omgekeerde volgorde uit en draai de bout weer vast nadat het schoonmaken is voltooid. Verwijder de veer van de beschermkap niet. Wanneer de beschermkap door ouderdom of blootstelling aan ultraviolet-licht verkleurd is geraakt, neem dan contact op met een Makita servicecentrum voor een nieuwe beschermkap. DE BESCHERMKAP NOOIT VASTZETTEN OF VERWIJDEREN.

Afstellen van de zaagsnedeplaten (Fig. 6 en 7)

Om scheuren op de uitlaatkant van een snede tot een minimum te beperken, is dit gereedschap voorzien van zaagsnedeplaten in de draaitafel. De zaagsnedeplaten zijn in de fabriek zodanig afgesteld dat het zaagblad niet met de zaagsnedeplaten in aanraking komt. Stel de zaagsnedeplaten als volgt af alvorens de zaag in gebruik te nemen:

Trek eerst de stekker uit het stopcontact. Draai alle schroeven (2 aan de linkerzijde en 2 aan de rechterzijde) waarmee de zaagsnedeplaten zijn vastgemaakt los. Trek de schroeven weer aan in zulke mate dat de zaagsnedeplaten nog gemakkelijk met de hand kunnen worden bewogen. Breng het handvat volledig omlaag en druk de aanslagpen naar binnen om het handvat in de omlaagpositie te vergrendelen. Draai de twee klemschroeven waarmee de sledestangen zijn vastgemaakt los. Trek de slede helemaal naar u toe. Stel de positie van de zaagsnedeplaten af zodat deze net in aanraking komen met de zijkant van de zaagbladtanden. Trek de voorste schroeven aan (niet te hard aantrekken). Duw de slede zo ver mogelijk naar de geleider en stel de positie van de zaagsnedeplaten zodanig af dat deze net in aanraking komen met de zijkant van de zaagbladtanden. Trek de achterste schroeven aan (niet te hard aantrekken). Nadat de zaagsnedeplaten zijn afgesteld, ontgrendel u de aanslagpen en brengt u het handvat omhoog. Trek vervolgens alle schroeven stevig aan.

LET OP:

- Stel de zaagsnedeplaten altijd op de bovenstaande manier af telkens voordat of nadat u de schuine hoek wijzigt.

Handhaven van de maximale zaagcapaciteit (Fig. 8 en 9)

Deze zaag is in de fabriek ingesteld voor het leveren van maximale zaagcapaciteit met een 190 mm zaagblad.

Wanneer u een nieuw zaagblad installeert, dient u altijd de laagste positie van het zaagblad te controleren en indien nodig als volgt af te stellen:

Trek eerst de stekker uit het stopcontact. Duw de slede zo ver mogelijk naar de geleider en breng het handvat volledig omlaag. Gebruik de dop sleutel en verdraai de stelling totdat de omtrek van het zaagblad een beetje onder het bovenvlak van de draaitafel komt te zitten op het punt waar het voorvlak van de geleider in aanraking komt met het bovenvlak van de draaitafel.

Zorg dat de stekker uit het stopcontact is verwijderd en draai met de hand het zaagblad rond terwijl u het handvat volledig omlaag gedrukt houdt, en controleer of het zaagblad met geen enkel deel van het onderste voetstuk in aanraking komt. Stel opnieuw een beetje af, indien nodig.

LET OP:

- Na het installeren van een nieuw zaagblad, dient u altijd te controleren of het zaagblad met geen enkel deel van het onderste voetstuk in aanraking komt wanneer het handvat volledig omlaag is gebracht. Trek voor deze controle altijd de stekker van het gereedschap uit het stopcontact.

Aanslagarm (Fig. 10)

Met de aanslagarm kunt u de laagste positie van het zaagblad gemakkelijk instellen. Stel in door de aanslagarm in de richting van het pijltje te bewegen, zoals afgebeeld. Stel de stelschroef zodanig in dat het zaagblad bij de gewenste positie stopt wanneer het handvat volledig omlaag wordt gebracht.

Instellen van de verstekhoek (Fig. 11)

Draai de handgreep naar links los. Verdraai de draaitafel terwijl u de vergrendelknop ingedrukt houdt. Beweeg de handgreep naar de positie waar de wijzer de gewenste hoek op de verstekschaal aanwijst en draai dan de handgreep weer stevig naar rechts vast.

LET OP:

- Voor het verdraaien van de draaitafel dient u het handvat in de hoogste positie te plaatsen.
- Na het wijzigen van de verstekhoek, dient u de draaitafel altijd vast te zetten door de handgreep stevig vast te draaien.

Instellen van de schuine hoek (Fig. 12 en 13)

Om de schuine hoek in te stellen, draait u de hendel op de achterkant van het gereedschap naar links los.

Duw het handvat naar links om het zaagblad te kantelen totdat de wijzer naar de gewenste hoek op de schuinehoek schaal wijst. Draai daarna de hendel weer stevig naar rechts vast om de arm te vergrendelen.

Om het zaagblad naar rechts te kantelen, drukt u de vrijmakingsknop op de achterkant van het gereedschap in terwijl u het zaagblad ietwat naar links kantelt nadat de hendel is losgedraaid. Houd de vrijmakingsknop ingedrukt en kantel het zaagblad naar rechts.

LET OP:

- Voor het schuin zetten van het zaagblad dient u het handvat in de hoogste positie te plaatsen.
- Na het wijzigen van de schuine hoek, dient u altijd de arm vast te zetten door de hendel naar rechts vast te draaien.
- Wanneer u de schuine hoek wijzigt, dient u de zaagsnedeplaten in de juiste positie te zetten zoals beschreven in "Afstellen van de zaagsnedeplaten".

Afstellen van de hendelpositie (Fig. 14)

Indien de hendel niet stevig kan worden vastgedraaid, kunt u de positie ervan bij elke hoek met 30° afstellen.

Draai de bevestigingsschroef van de hendel op de achterkant van het gereedschap los en verwijder de schroef. Verwijder de hendel en installeer hem opnieuw zodat hij ietwat boven het niveau komt. Maak de hendel stevig vast met de schroef.

Werking van de schakelaar

LET OP:

- Alvorens de stekker in een stopcontact te steken, moet u altijd controleren of de trekschakelaar goed werkt en bij het loslaten naar de "OFF" (uitgeschakeld) positie terugkeert.
- Verwijder de ontgrendelknop en bewaar hem op een veilige plaats wanneer u het gereedschap niet gebruikt. Hierdoor voorkomt u ongeoorloofd gebruik van het gereedschap.
- Druk de trekschakelaar niet hard in zonder dat de ontgrendelknop is ingedrukt. Hierdoor kan de schakelaar namelijk breken.

Voor Europese landen (Fig. 15)

Een ontgrendelknop is voorzien om te voorkomen dat de trekschakelaar per ongeluk wordt ingedrukt. Om het gereedschap te starten, duw de hendel naar links, druk de ontgrendelknop in, en druk vervolgens de trekschakelaar in. Laat de trekschakelaar los om het gereedschap te stoppen.

Voor alle niet-Europese landen (Fig. 16)

Een ontgrendelknop is voorzien om te voorkomen dat de trekschakelaar per ongeluk wordt ingedrukt. Om het gereedschap te starten, druk de ontgrendelknop in en druk vervolgens de trekschakelaar in. Laat de trekschakelaar los om het gereedschap te stoppen.

WAARSCHUWINGEN:

- Gebruik het gereedschap NOOIT met een defecte trekschakelaar. Elk gereedschap met een defecte schakelaar is UITERST GEVAARLIJK en moet worden gerepareerd alvorens het verder wordt gebruikt.
- Voor uw veiligheid is dit gereedschap voorzien van een ontgrendelknop die ongewild starten van het gereedschap voorkomt. Gebruik het gereedschap NOOIT indien het gaat draaien wanneer u gewoon de trekschakelaar indrukt zonder de ontgrendelknop in te drukken. Breng het naar een Makita servicecentrum voor reparatie ALVORENS het verder te gebruiken.
- Zet de ontgrendelknop NOOIT vast met plakband en belemmer nooit het doel en de functie ervan.

Aanzetten van de lampen (Fig. 17)

Voor de modellen LS0714F, LS0714FL

LET OP:

- De lamp is niet waterdicht. Was de lamp niet in water en gebruik hem niet in de regen of in een natte omgeving. Dit kan namelijk een elektrische schok en uitwaseming veroorzaken.
- Raak de lens van de lamp niet aan, daar deze tijdens of onmiddellijk na het gebruik uiterst heet is en brandwonden kan veroorzaken.
- Stel de lamp niet bloot aan schokken of stoten, aangezien de lamp hierdoor beschadigd kan raken of minder lang zal meegaan.
- Richt de stralenbundel van de lamp niet langdurig naar uw ogen. Dit kan namelijk oogletsel veroorzaken.
- Bedek de brandende lamp niet met een doek, papier, karton of soortgelijke voorwerpen. Dit kan namelijk brand of ontbranding veroorzaken.

Druk op het bovenste gedeelte van de schakelaar om de lamp aan te zetten, en op het onderste gedeelte om de lamp uit te doen.

Beweeg de lamp om de gewenste plek te verlichten.

OPMERKING:

- Gebruik een droge doek om vuil op de lens van de lamp eraf te vegen. Pas op dat u geen krassen maakt op de lens, omdat de verlichtingssterkte hierdoor zal verminderen.

Werking van de laserstraal (Fig. 18 en 19)

Voor de modellen LS0714FL, LS0714L

LET OP:

- Kijk nooit in de laserstraal. Een directe laserstraal kan oogletsel veroorzaken.

Om de laser in te schakelen, drukt u op de bovenkant (I) van de schakelaar. Druk op de onderkant (O) om de laser uit te schakelen.

U kunt de laserlijn verplaatsen naar de linker- of rechterzijde van het zaagblad door de stelschroef als volgt in te stellen.

1. Draai de stelschroef naar links los.
2. Schuif de losgedraaide stelschroef zo ver mogelijk naar links of rechts.
3. Draai de stelschroef stevig vast bij de positie waar deze niet verder kan worden verschoven.

De laserlijn is in de fabriek zodanig ingesteld dat deze zich binnen 1 mm vanaf het zijvlak van het zaagblad (zaagpositie) bevindt.

OPMERKING:

- Wanneer de laserlijn duister is en moeilijk of helemaal niet zichtbaar is vanwege direct zonlicht in de werkplek binnenshuis of buitenshuis, dient u een andere werkplek die niet blootstaat aan direct zonlicht te kiezen.

Afstellen van de laserlijn (Fig. 20)

U kunt de laserlijn verplaatsen naar de linker- of rechterzijde van het zaagblad, afhankelijk van de zaagbewerking. Voor het verplaatsen van de laserlijn, zie de uitleg onder "Werking van de laserstraal".

OPMERKING:

- Plaats een houten hulpstuk tegen de geleider wanneer u de zaaglijn instelt met de laserlijn aan de zijkant van de geleider voor gecombineerd zagen (45° schuine hoek en 45° rechtse verstekhoek).
- A) Wanneer u de juiste afmeting krijgt aan de linkerzijde van het werkstuk
 - Verplaats de laserlijn naar de linkerzijde van het zaagblad.
 - B) Wanneer u de juiste afmeting krijgt aan de rechterzijde van het werkstuk
 - Verplaats de laserlijn naar de rechterzijde van het zaagblad.

Doe de zaaglijn op het werkstuk overeenkomen met de laserlijn.

INEENZETTEN

LET OP:

- Zorg altijd dat het gereedschap is uitgeschakeld en zijn stekker uit het stopcontact is verwijderd alvorens enig werk aan het gereedschap uit te voeren.

Opbergen van de dopsleutel (Fig. 21)

De dopsleutel wordt opgeborgen zoals afgebeeld. Trek de dopsleutel uit de sleutelhouder om hem te gebruiken. Berg hem na het gebruik weer op in de sleutelhouder.

Installeren of verwijderen van het zaagblad

LET OP:

- Zorg altijd dat het gereedschap is uitgeschakeld en zijn stekker uit het stopcontact is verwijderd alvorens het zaagblad te installeren of te verwijderen.
- Gebruik voor het installeren of verwijderen van het zaagblad uitsluitend de bijgeleverde Makita dopsleutel. Doet u dit niet, dan kan de zeskante bout te vast of te los worden aangedraaid. Dit kan leiden tot persoonlijk verwonding.

Druk de aanslagpen in om het handvat in de omhoogpositie te vergrendelen. (Fig. 22)

Om het zaagblad te verwijderen, gebruik de dopsleutel om de zeskante bout, die de middenkap op haar plaats houdt, naar links los te draaien. Breng de beschermkap en de middenkap omhoog. (Fig. 23)

Druk de asblokkering in om de as te vergrendelen en draai met de dopsleutel de zeskante bout naar rechts los. Verwijder vervolgens de zeskante bout, de buitenflens en het zaagblad. (Fig. 24)

Om het zaagblad te installeren, monteert u het zaagblad zorgvuldig op de as, ervoor zorgend dat de pijltjes op het zaagblad en op de zaagbladkast in dezelfde richting wijzen. Monteer de buitenflens en de zeskante bout, en draai met de dopsleutel de zeskante bout (linkse schroefdraad) stevig naar links vast terwijl u daarbij de asblokkering ingedrukt houdt.

Breng de beschermkap en de middenkap terug naar hun oorspronkelijke positie. Draai daarna de zeskante bout naar rechts vast om de middenkap vast te zetten. Trek de aanslagpen naar buiten om de omhoogpositie van het handvat te ontgrendelen. Breng het handvat omlaag om te controleren of de beschermkap goed beweegt. Zet de asblokkering in de vrije stand alvorens te gaan zagen. (Fig. 25 en 26)

Stofzak (Fig. 27)

Door de stofzak te gebruiken wordt het zaagsel opgevangen en kunt u schoon werken. Om de stofzak te bevestigen, monteert u hem op het verbindingstuk.

Wanneer de stofzak ongeveer halfvol is, maakt u hem los van het gereedschap en trekt u de sluitstrip eruit. Maak de stofzak leeg en tik er zachtjes op voor het verwijderen van achtergebleven stofdeeltjes die verdere stofopvangging zouden kunnen belemmeren.

OPMERKING:

U kunt doeltreffender en schoner werken door een Makita stofzuiger op het gereedschap aan te sluiten.

Vastzetten van het werkstuk (Fig. 28)

WAARSCHUWING:

- Het is uiterst belangrijk dat u het werkstuk altijd juist en stevig vastzet met behulp van de spanschroef. Als u dit niet doet, kan het gereedschap beschadiging oplopen en/of het werkstuk worden vernield. OOK PERSOONLIJK LETSEL KAN HET GEVOLG ZIJN. Nadat het zagen is voltooid, mag u de zaag NIET omhoogbrengen voordat het zaagblad volledig tot stilstand is gekomen.

LET OP:

- Bij het zagen van lange werkstukken moet u steunen gebruiken die even hoog zijn als het bovenzvlak van de draaitafel. Verlaat u niet alleen op de verticale en/of horizontale spanschroef om het werkstuk op zijn plaats te houden. Dun materiaal hangt gemakkelijk door. Ondersteun het werkstuk over zijn hele lengte om vastklemmen van het zaagblad en mogelijke TERUGSLAG te voorkomen.

Verticale spanschroef (Fig. 29)

De verticale spanschroef kan in twee posities, aan de linkerzijde of rechterzijde van de geleider of de houdermontage (los verkrijgbaar accessoire), worden geïnstalleerd. Steek de stang van de spanschroef in het gat in de geleider of houdermontage en trek de schroef aan om de stang vast te zetten.

Zet de arm van de spanschroef in de positie die geschikt is voor de dikte en vorm van het werkstuk, en zet de arm vast door de schroef vast te draaien. Indien de bevestigingsschroef van de arm in aanraking komt met de geleider, moet u de schroef op de tegenovergestelde zijde van de arm monteren. Controleer of geen enkel deel van het gereedschap in aanraking komt met de spanschroef wanneer het handvat volledig omlaag wordt gebracht en de zaagslede zo ver mogelijk wordt getrokken of geduwd. Indien dit wel het geval is, moet u de positie van de spanschroef veranderen.

Druk het werkstuk vlak tegen de geleider en de draaitafel. Plaats het werkstuk in de gewenste zaagpositie en zet het stevig vast door de knop van de spanschroef vast te draaien.

LET OP:

- Tijdens alle bedieningen moet het werkstuk door de spanschroef stevig tegen de draaitafel en de geleider worden gedrukt.

Horizontale spanschroef (los verkrijgbaar accessoire) (Fig. 30)

De horizontale spanschroef kan aan de linkerzijde van de gereedschapsvoet worden geïnstalleerd. Door de knop van de spanschroef naar links te draaien wordt de spanschroef in de vrije stand gezet en kunt u de spanschroefas snel naar binnen en naar buiten bewegen. Door de knop van de spanschroef naar rechts te draaien wordt de spanschroef vastgezet. Om het werkstuk te grijpen, draait u de knop van de spanschroef langzaam naar rechts totdat het uitsteeksel zijn hoogste positie bereikt, en daarna draait u de knop stevig vast. Indien de spanschroefknop naar binnen of naar buiten wordt getrokken terwijl u hem naar rechts draait, kan het uitsteeksel in een schuine positie stoppen. In dit geval draait u de spanschroefknop terug naar links totdat de spanschroef los komt, en dan draait u hem weer langzaam naar rechts.

De maximale breedte van werkstukken die met de horizontale spanschroef kunnen worden vastgezet is 120 mm.

LET OP:

- Grijp het werkstuk alleen wanneer het uitsteeksel in zijn hoogste positie staat. Als u dit niet doet, zal het werkstuk mogelijk niet goed vastgezet zijn. Het werkstuk kan dan weggeslingerd worden, hetgeen beschadiging van het zaagblad, verlies van controle over het gereedschap en mogelijke PERSOONLIJKE VERWONDING kan veroorzaken.

Houders en houdermontage (los verkrijgbare accessoire) (Fig. 31 en 32)

U kunt de houders en de houdermontage aan beide zijden van het gereedschap aanbrengen om de werkstukken horizontaal te ondersteunen. Installeer deze accessoire zoals afgebeeld. Draai daarna de schroeven goed vast om de houders en de houdermontage vast te zetten.

Gebruik de houder/stang montage (los verkrijgbaar accessoire) voor het zagen van lange werkstukken. Deze bestaat uit twee houdermontages en twee stangen 12.

LET OP:

- Ondersteun lange werkstukken altijd op gelijke hoogte met het bovenzvlak van de draaitafel, om nauwkeurige zaagsneden te krijgen en gevaarlijk controleverlies over het gereedschap te voorkomen.

BEDIENING

LET OP:

- Voordat u het gereedschap inschakelt, dient u het handvat uit zijn omlaagpositie te halen door de aanslagpen naar buiten te trekken.
- Zorg dat het zaagblad niet in aanraking is met het werkstuk e.d. voordat u de trekschakelaar indrukt.
- Oefen tijdens het zagen geen overmatige druk op het handvat uit. Wanneer u te hard drukt, kan de motor overbelast raken en/of de zaagcapaciteit verminderen. Druk alleen zo hard als nodig is voor soepel zagen zonder dat de draaisnelheid van het zaagblad aanzienlijk vermindert.
- Druk het handvat zachtjes naar beneden om te zagen. Indien het handvat met geweld omlaag wordt gedrukt of zijwaartse druk erop wordt uitgeoefend, zal het zaagblad trillen en een merkteken (zaagteken) in het werkstuk achterlaten, en zal ook de zaagsnede minder nauwkeurig zijn.
- Voor glijdend zagen duwt u de zaagslede langzaam en zonder te stoppen naar de geleider. Als de slede tijdens het zagen wordt gestopt, zal een merkteken in het werkstuk achterblijven en zal de zaagsnede minder nauwkeurig zijn.

1. Drukkend zagen (zagen van kleine werkstukken) (Fig. 33)

Werkstukken die maximaal 50 mm hoog en 97 mm breed zijn kunt u als volgt zagen.

Duw de slede zo ver mogelijk naar de geleider en zet de slede vast door de twee klemschroeven van de sledestangen naar rechts vast te draaien. Zet het werkstuk vast met de spanschroef. Schakel het gereedschap in zonder dat het zaagblad met het werkstuk in contact is, en wacht totdat het zaagblad op volle toeren draait. Breng dan het handvat langzaam omlaag naar de laagste positie om het werkstuk te zagen. Nadat het zagen is voltooid, schakelt u het gereedschap uit. **WACHT TOTDAT HET ZAAGBLAD VOLLEDIG TOT STILSTAND IS GEKOMEN** alvorens het zaagblad naar zijn hoogste positie terug te brengen.

LET OP:

- Draai de twee klemschroeven van de sledestangen stevig naar rechts vast zodat de slede tijdens het zagen niet kan bewegen. Als deze schroeven niet goed vastzitten, kan het zaagblad onverwachts terugslaan, hetgeen ernstige **PERSOONLIJKE VERWONDING** kan veroorzaken.

2. Glijdend (duwend) zagen (zagen van brede werkstukken) (Fig. 34)

Draai de twee klemschroeven van de sledestangen naar links los zodat de slede vrij kan bewegen. Zet het werkstuk vast met de spanschroef. Trek de slede zo ver mogelijk naar u toe. Schakel het gereedschap in zonder dat het zaagblad met het werkstuk in contact is, en wacht totdat het zaagblad op volle toeren draait. Druk het handvat omlaag en **DUW DE SLEDE NAAR DE GELEIDER OM HET WERKSTUK TE ZAGEN**. Nadat het zagen is voltooid, schakelt u het gereedschap uit. **WACHT TOTDAT HET ZAAGBLAD VOLLEDIG TOT STILSTAND IS GEKOMEN** alvorens het zaagblad naar zijn hoogste positie terug te brengen.

LET OP:

- Voor glijdend zagen **DIENT U EERST DE SLEDE ZO VER MOGELIJK NAAR U TOE TE TREKKEN**. Druk dan het handvat omlaag tot in de laagste positie en **DUW DE SLEDE NAAR DE GELEIDER TOE**. **BEGIN NOOIT MET ZAGEN WANNEER DE SLEDE NIET VOLLEDIG NAAR U TOE IS GETROKKEN**. Als u de slede niet zo ver mogelijk naar u toe trekt of zaagt naar uw richting toe, kan het zaagblad onverwachts worden teruggeslagen, hetgeen ernstige **PERSOONLIJKE VERWONDING** kan veroorzaken.
- Glijdend zagen mag nooit worden uitgevoerd wanneer het handvat in de laagste positie is vergrendeld door het indrukken van de aanslagpen.
- Draai de klemschroef van de slede nooit los terwijl het zaagblad draait. Dit kan leiden tot ernstige verwonding.

3. Verstekzagen

Zie het gedeelte "Instellen van de verstekhoek" hierboven.

4. Schuine sneden zagen (Fig. 35)

Draai de hendel los en zet het zaagblad schuin om de schuine hoek in te stellen (zie "Instellen van de schuine hoek" hierboven). Draai daarna de hendel weer stevig vast om de gekozen schuine hoek goed vast te houden. Zet het werkstuk vast met een spanschroef. Zorg dat de slede volledig naar u toe is getrokken. Schakel het gereedschap in zonder dat het zaagblad met het werkstuk in contact is en wacht totdat het zaagblad op volle toeren draait. Breng dan het handvat langzaam omlaag naar de laagste positie door druk uit te oefenen evenwijdig met het zaagblad en **DUW DE SLEDE NAAR DE GELEIDER OM HET WERKSTUK TE ZAGEN**. Nadat het zagen is voltooid, schakelt u het gereedschap uit. **WACHT TOTDAT HET ZAAGBLAD VOLLEDIG TOT STILSTAND IS GEKOMEN** alvorens het zaagblad naar zijn hoogste positie terug te brengen.

LET OP:

- Controleer tijdens het zagen van schuine sneden altijd of het zaagblad in schuine richting naar beneden beweegt. Houd uw handen uit de buurt van het zaagblad.
- Tijdens het zagen van schuine sneden kan het gebeuren dat het afgezaagde stuk tegen de zijkant van het zaagblad komt te liggen. Indien het zaagblad omhoog wordt gebracht terwijl het nog draait, kan dit stuk door het draaiende zaagblad worden gegrepen zodat brokstukken in het rond worden geslingerd, hetgeen natuurlijk gevaarlijk is. Breng daarom het zaagblad omhoog **ALLEEN** nadat het volledig tot stilstand is gekomen.
- Wanneer u het handvat omlaag drukt, dient u druk uit te oefenen evenwijdig met het zaagblad. Indien de druk tijdens het zagen niet evenwijdig is met het zaagblad, kan de hoek van het zaagblad verschuiven zodat de zaagsnede minder nauwkeurig zal zijn.

5. Gecombineerd zagen

Gecombineerd zagen betekent dat het werkstuk tegelijk met een schuine hoek en een verstekhoek wordt gezaagd. Gecombineerd zagen is mogelijk voor de hoeken aangegeven in de onderstaande tabel.

Verstekhoek	Schuine hoek
Links en Rechts 45°	Links 0° – 45°
Rechts 50°	Links 0° – 40°
Rechts 55°	Links 0° – 30°
Rechts 57°	Links 0° – 25°

Voor de bedieningen voor gecombineerd zagen, zie de beschrijvingen onder “Drukkend zagen”, “Glijdend (duwend) zagen”, “Verstekzagen”, en “Schuine sneden zagen”.

6. Zagen van aluminium werkstukken (Fig. 36)

Gebruik vulblokken of afgedankte blokstukken voor het vastzetten van aluminium werkstukken, zoals afgebeeld, om vervorming van de aluminium te voorkomen. Gebruik voor het zagen ook zaagolie, om te voorkomen dat aluminium zaagsel zich op het zaagblad vastzet.

LET OP:

- Probeer nooit om dikke of ronde aluminium werkstukken te zagen. Dikke aluminium werkstukken kunnen tijdens het zagen los komen, terwijl ronde aluminium werkstukken op dit gereedschap niet goed kunnen worden vastgezet.

7. Houten hulpstuk (Fig. 37)

Het gebruik van een houten hulpstuk helpt om splinter-vrije sneden te krijgen. Gebruik de gaten in de geleider om een houten hulpstuk aan de geleider te bevestigen. Zie de afbeelding voor de afmetingen van een dergelijk houten hulpstuk.

LET OP:

- Gebruik als houten hulpstuk een recht stuk hout van gelijke dikte.
- Gebruik schroeven om het houten hulpstuk aan de geleider te bevestigen. Zorg dat de schroefkoppen niet uit het bovenzak van het houten hulpstuk steken.
- Draai de draaitafel na het bevestigen van het houten hulpstuk niet met het handvat in de omlaagpositie. Als u dit doet, kan het zaagblad en/of het houten hulpstuk worden beschadigd.

8. Stukken van gelijke lengte zagen (Fig. 38)

Wanneer u verschillende stukken van dezelfde lengte tussen 220 mm en 385 mm wilt zagen, kunt u gemakkelijker werken door de stelplaat (los verkrijgbaar accessoire) te gebruiken. Monteer de stelplaat op de houder (los verkrijgbaar accessoire) zoals afgebeeld.

Breng de zaaglijn op uw werkstuk op één lijn met de linkerzijde of de rechterzijde van de groef in de zaagsnedeplaat. Houd het werkstuk vast zodat het niet kan bewegen, en plaats de stelplaat vlak tegen het einde van het werkstuk. Zet daarna de stelplaat vast met de schroef. Wanneer u de stelplaat niet gebruikt, draait u de schroef los en draait u de stelplaat uit de weg.

OPMERKING:

- Door de houder/stang montage (los verkrijgbaar accessoire) te gebruiken kunt u stukken van dezelfde lengte van ongeveer maximaal 2 200 mm zagen.

9. Groeven zagen (Fig. 39)

Sokkel-type zaagsneden kunnen als volgt worden gemaakt:

Stel de laagste positie van het zaagblad in met behulp van de stelschroef en de aanslagarm, om de zaagdiepte van het zaagblad te beperken. Zie “Aanslagarm” hierboven.

Nadat de laagste positie van het zaagblad is ingesteld, kunt u evenwijdige groeven over de breedte van het werkstuk zagen door gebruik te maken van de methode voor glijdend (duwend) zagen, zoals afgebeeld. Verwijder daarna het werkstukmateriaal tussen de groeven met behulp van een beitel. Probeer niet om dit soort zaagsnede uit te voeren door gebruik te maken van een breed (dik) zaagblad of een dado-zaagblad. Deze kunnen controleverlies en verwonding veroorzaken.

LET OP:

- Breng de aanslagarm terug naar zijn oorspronkelijke positie voor andere zaagbedieningen dan het zagen van groeven.

Het gereedschap dragen (Fig. 40 en 41)

Zorg dat de stekker uit het stopcontact is getrokken. Zet het zaagblad vast op de 0° schuine hoek en zet de draaitafel vast op de maximale rechtse verstekhoek. Trek de slede volledig naar de geleider en zet de sledestangen vast. Breng het handvat volledig omlaag en vergrendel het in de laagste positie door de aanslagpen naar binnen te duwen.

Draag het gereedschap door beide zijden van de gereedschapsvoet vast te houden, zoals afgebeeld. Het gereedschap is gemakkelijker om dragen wanneer u de houders, stofzak, enz., ervan verwijdert.

LET OP:

- Zet altijd alle bewegende onderdelen vast alvorens het gereedschap te dragen.
- De aanslagpen dient alleen voor het dragen en ophangen van het gereedschap, en niet voor zaagbedieningen.

ONDERHOUD

LET OP:

- Zorg altijd dat het gereedschap is uitgeschakeld en zijn stekker uit het stopcontact is verwijderd alvorens te beginnen met inspectie of onderhoud.

WAARSCHUWING:

- Zorg altijd dat het zaagblad scherp en schoon is om optimale en veilige prestaties te krijgen.

Afstellen van de zaaghoek

Dit gereedschap werd in de fabriek nauwkeurig afgesteld en uitgelijnd, maar door ruwe behandeling kan de uitlijning ervan verslechterd zijn. Doe het volgende indien uw gereedschap niet meer juist is uitgelijnd:

1. Verstekhoek

Duw de slede naar de geleider toe en draai twee klem-schroeven vast om de slede vast te zetten.

Draai de handgreep los om de draaitafel los te maken. Draai de draaitafel zodat de wijzer wijst naar 0° op de verstekschaal. Draai daarna de draaitafel een beetje naar rechts en naar links zodat hij in de 0° verstek-inkeping komt te zitten. (Laat de draaitafel zoals hij is indien de wijzer niet naar 0° wijst.) Draai de zeskanale bouten van de geleider los met de dopsleutel. (Fig. 42)

Breng het handvat volledig omlaag en vergrendel het in de laagste positie door de aanslagpen in te drukken. Gebruik een driehoeksliniaal of een winkelhaak e.d. om de zijde van het zaagblad haaks te zetten ten opzichte van het vlak van de geleider. Draai vervolgens de zes-kante bouten op de geleider stevig vast, beginnend vanaf de rechterzijde. (Fig. 43)

Controleer of de wijzer wijst naar 0° op de verstekschaal. Indien de wijzer niet naar 0° wijst, draait u de bevestigingsschroef van de wijzer los en stelt u de wijzer juist in zodat hij naar 0° wijst. (Fig. 44)

2. Schuine hoek

1. 0° schuine hoek

Duw de slede naar de geleider toe en draai twee klemmschroeven vast om de slede vast te zetten. Breng het handvat volledig omlaag en vergrendel het in de laagste positie door de aanslagpen in te drukken. Draai de hendel op de achterkant van het gereedschap los.

Draai de 0° schuine-hoek stelbout (onderste bout) op de rechterzijde van de arm twee of drie slagen naar links om het zaagblad naar rechts te doen hellen. (Fig. 45)

Zet de zijde van het zaagblad haaks ten opzichte van het bovenvlak van de draaitafel door de 0° schuine-hoek stelbout voorzichtig naar rechts te draaien; gebruik hiervoor een driehoeksliniaal, een winkelhaak, e.d. Draai vervolgens de hendel stevig vast. (Fig. 46)

Controleer of de wijzer op de arm wijst naar 0° op de schuine-hoek schaal op de armhouder. Indien niet, draai dan de bevestigingsschroef van de wijzer los en verstel de wijzer zodat hij naar 0° wijst. (Fig. 47)

2. 45° schuine hoek

Stel de 45° schuine hoek pas in nadat de 0° schuine hoek is ingesteld. Voor het instellen van de linkse 45° schuine hoek, draait u de hendel los en doet u het zaagblad volledig naar links hellen. Controleer of de wijzer op de arm wijst naar 45° op de schuine-hoek schaal op de armhouder. Indien niet, dan draait u de 45° schuine-hoek stelbout (bovenste bout) op de rechterzijde van de arm totdat de wijzer naar 45° wijst. (Fig. 48)

Afstellen van de positie van de laserlijjn (Fig. 49 en 50)

Voor de modellen LS0714FL, LS0714L

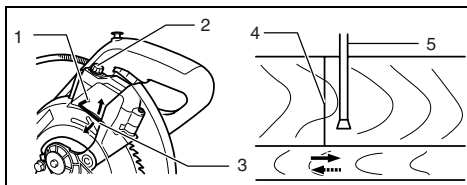
WAARSCHUWING:

Bij het afstellen van de laserlijjn is het gereedschap op het stopcontact aangesloten. Let daarom goed op dat u de trekschakelaar niet indrukt. Bij toevallig indrukken van de trekschakelaar zal de zaag beginnen draaien en kan de gebruiker verwondingen oplopen.

LET OP:

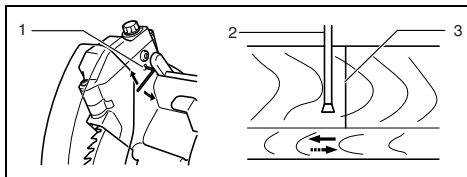
- Kijk nooit direct in de laserstraal. Een directe laserstraal kan oogletsel veroorzaken.
- Stel het gereedschap nooit bloot aan stoten of schokken. Stoten of schokken kunnen leiden tot een onjuiste positie van de laserlijjn. Bovendien kan de laserstraalzender hierdoor beschadigd raken en zal het gereedschap minder lang meegaan.

Afstellen van de laserlijjn aan de linkerzijde van het zaagblad



- 1 Schroef voor verandering van het verplaatsingsbereik van de stelschroef
- 2 Stelschroef
- 3 Inbussleutel
- 4 Laserlijjn
- 5 Zaagblad

Afstellen van de laserlijjn aan de rechterzijde van het zaagblad



- 1 Schroef voor verandering van het verplaatsingsbereik van de stelschroef
- 2 Zaagblad
- 3 Laserlijjn

Voer beide afstellingen als volgt uit.

1. Haal de stekker van het gereedschap uit het stopcontact.
2. Teken de zaaglijjn op het werkstuk en plaats het werkstuk op de draaitafel. Zet het werkstuk voorlopig niet vast met een spanschroef of een soortgelijk bevestigingsmiddel.
3. Breng het zaagblad omlaag door het handvat omlaag te brengen en controleer de positie van het zaagblad in vergelijking met de zaaglijjn. (Bepaal de te zagen positie op de zaaglijjn.)
4. Nadat de te zagen positie is bepaald, brengt u het handvat terug naar de oorspronkelijke positie. Zet nu het werkstuk vast met de verticale spanschroef zonder daarbij het werkstuk te verschuiven uit de eerder gecontroleerde positie.
5. Steek de stekker in het stopcontact en zet de laserschakelaar aan.
6. Stel de positie van de laserlijjn als volgt af.

De positie van de laserlijjn verandert wanneer u het verplaatsingsbereik van de stelschroef voor de laser verandert door twee schroeven te draaien met een inbussleutel. (Het verplaatsingsbereik van de laserlijjn is in de fabriek ingesteld binnen 1 mm vanaf het zijvlak van het zaagblad.)

Om het verplaatsingsbereik van de laserlijjn verder weg van het zijvlak van het zaagblad in te stellen, draait u de stelschroef los en vervolgens draait u de twee schroeven naar links. Draai de stelschroef los en draai de twee schroeven naar rechts om het verplaatsingsbereik dichter bij het zijvlak van het zaagblad in te stellen.

Zie het gedeelte "Werking van de laserstraal" hierboven en stel de stelschroef zodanig in dat de zaaglijjn op het werkstuk precies overeenkomt met de laserlijjn.

OPMERKING:

- Controleer regelmatig of de positie van de laserlijn nauwkeurig is.
- In geval van een defect in de laserinrichting dient u het gereedschap door een erkend Makita servicecentrum te laten repareren.

Vervanging van de TL-buis (Fig. 51)

Voor de modellen LS0714F, LS0714FL

LET OP:

- Zorg altijd dat het gereedschap is uitgeschakeld en zijn stekker uit het stopcontact is verwijderd alvorens de TL-buis te vervangen.
- Bescherm de TL-buis tegen stoten, krassen of schokken waardoor het glas van de TL-buis zou kunnen breken met mogelijke verwonding van uzelf of omstanders als gevolg.
- Laat de TL-buis na het gebruik een tijdje afkoelen alvorens deze te vervangen. De buis is dan namelijk nog heet en kan brandwonden veroorzaken.

Verwijder de schroeven van de lampkast.

Trek de lampkast eruit terwijl u lichtjes blijft drukken op het bovenste gedeelte ervan, zoals afgebeeld.

Trek de TL-buis eruit en vervang deze door een nieuwe originele Makita TL-buis.

Reinigen van de laserstraallens (Fig. 52 en 53)

Voor de modellen LS0714FL, LS0714L

Als de laserstraallens vuil is of met zaagsel is bedekt zodat de laserlijn niet meer goed zichtbaar is, verwijder dan de stekker uit het stopcontact en reinig de laserstraallens voorzichtig met een bevochtigde, zachte doek. Gebruik nooit oplosmiddelen of benzinehoudende schoonmaakmiddelen op de lens.

Om de laserstraallens te verwijderen, verwijdert u eerst het zaagblad volgens de aanwijzingen onder "Installeren of verwijderen van het zaagblad" en daarna verwijdert u de lens.

Draai met een schroevendraaier de bevestigingsschroef van de lens los zonder de schroef te verwijderen.

Trek de lens eruit zoals afgebeeld.

OPMERKING:

- Als de lens niet eruit komt, draai dan de schroef verder los zonder deze te verwijderen en probeer opnieuw om de lens eruit te trekken.

Vervangen van de koolborstels (Fig. 54 en 55)

Verwijder en controleer regelmatig de koolborstels. Vervang de koolborstels wanneer deze tot aan de limietmerkstreep versleten zijn. Houd de koolborstels schoon zodat ze vlot in hun houders glijden. Beide koolborstels dienen tegelijkertijd te worden vervangen. Gebruik uitsluitend identieke koolborstels.

Gebruik een schroevendraaier om de koolborsteldoppen te verwijderen. Haal de versleten koolborstels eruit, schuif de nieuwe erin, en zet de koolborsteldoppen goed vast.

Na het gebruik

- Veeg na gebruik alle zaagsel en stof op het gereedschap eraf met een doek of iets dergelijks. Houd de veiligheidskap schoon volgens de instructies die in de paragraaf "Veiligheidskap" werden beschreven. Smeer de glijdende onderdelen in met machine-olie om roestvorming te voorkomen.
- Wanneer u de machine opbergt, moet u de slede zo ver mogelijk naar u toe trekken zodat de glijstangen helemaal in het draaibaar voetstuk komen te zitten.

Om de VEILIGHEID en BETROUWBAARHEID van het gereedschap te handhaven, dienen alle reparaties, onderhoud of afstellingen te worden uitgevoerd bij een erkend Makita servicecentrum, en altijd met gebruik van Makita vervangingsonderdelen.

ACCESSOIRES

LET OP:

- Deze accessoires of hulpstukken worden aanbevolen voor gebruik met het Makita gereedschap dat in deze gebruiksaanwijzing is beschreven. Bij gebruik van andere accessoires of hulpstukken bestaat er gevaar voor persoonlijke verwonding. Gebruik de accessoires of hulpstukken uitsluitend voor hun bestemd doel.

Wenst u meer bijzonderheden over deze accessoires, neem dan contact op met het plaatselijke Makita servicecentrum.

- Hardmetalen zaagbladen
- Spanschroefmontage (Horizontale spanschroef)
- Verticale spanschroef
- Dopsleutel 10
- Houderstet
- Houdermontage
- Houder/stang montage
- Stelplaat
- Stofzak
- Driehoeksliniaal
- Ontgrendelknop (2 stuks)
- TL-buis
- Inbussleutel

Explicación de los dibujos

1 Pasador de retención	31 Interruptor para láser	59 Dos tornillos de fijación que sujetan la barra deslizable
2 Perno	32 Portallaves	60 Mordaza
3 Perno de ajuste	33 Portatubos	61 Bloque espaciador
4 Protector de disco	34 Cubierta central	62 Extrusión de aluminio
5 Tornillo de apriete manual	35 Llave de tubo	63 Más de 15 mm
6 Placa de corte	36 Perno hexagonal	64 Más de 420 mm
7 Disco de sierra	37 Cubierta de seguridad	65 Agujeros
8 Dientes del disco	38 Bloqueo del eje	66 Placa de presión
9 Corte en bisel izquierdo	39 Flecha	67 Corte ranuras con el disco
10 Corte recto	40 Caja del disco	68 Escuadra
11 Base giratoria	41 Perno hexagonal (rosca hacia la izquierda)	69 Soporte de brazo
12 Guía lateral	42 Brida exterior	70 Perno de ajuste del ángulo de bisel a 0 grados
13 Parte superior de la mesa giratoria	43 Brida interior	71 Perno de ajuste del ángulo de bisel a 45 grados a la izquierda
14 Periferia del disco	44 Eje	72 Pieza de trabajo
15 Tornillo de ajuste	45 Bolsa de polvo	73 Línea de corte
16 Brazo de retención	46 Boquilla de polvo	74 Mordaza vertical
17 Palanca de bloqueo	47 Cierre	75 Sacar
18 Escala de inglete	48 Apoyo	76 Empujar
19 Puntero	49 Brazo de la mordaza	77 Caja de la lámpara
20 Mango	50 Barra de la mordaza	78 Tornillos
21 Palanca	51 Soporte	79 Tubo fluorescente
22 Botón de liberación	52 Conjunto de soporte (accesorio opcional)	80 Destornillador
23 Escala de bisel	53 Pomo de la mordaza	81 Tornillo (una pieza solamente)
24 Brazo	54 Proyección	82 Lente de la luz láser
25 Tornillo	55 Eje de la mordaza	83 Marca límite
26 Botón de desbloqueo	56 Base	84 Tapón portaescobillas
27 Gatillo interruptor	57 Barra de 12	
28 Empuñadura	58 Dos tornillos de fijación que sujetan la barra deslizable	
29 Luz		
30 Interruptor de la luz		

ESPECIFICACIONES

Modelo

LS0714/LS0714F/LS0714FL/LS0714L

Diámetro del disco.....	190 mm
Diámetro del agujero (eje).....	20 mm
Ángulo de inglete máximo.....	Izquierda 47°, Derecha 57°
Ángulo de bisel máximo.....	Izquierda 45°, Derecha 5°
Capacidades de corte máximas (Al x An) con disco de 190 mm de diámetro.	

Ángulo de inglete	Ángulo de bisel		
	45° (izquierda)	0°	45° (derecha)
0°	*45 mm x 265 mm (Nota 1)	*60 mm x 265 mm (Nota 1)	—
	40 mm x 300 mm	52 mm x 300 mm	40 mm x 300 mm
45° (izquierda y derecha)	*45 mm x 185 mm (Nota 2)	*60 mm x 185 mm (Nota 2)	—
	40 mm x 212 mm	52 mm x 212 mm	—
57° (derecha)	—	*60 mm x 145 mm (Nota 3)	—
	—	52 mm x 163 mm	—

(Nota) La marca * indica que se utiliza una guarnición de madera del grosor siguiente.

1: Cuando se utilice una guarnición de madera de 20 mm de grosor.

2: Cuando se utilice una guarnición de madera de 15 mm de grosor.

3: Cuando se utilice una guarnición de madera de 10 mm de grosor.

Velocidad en vacío (min⁻¹) 6.000

Tipo de láser (LS0714FL/L)..... Láser rojo de 650 nm, <1mW (Láser Clase 2)

Dimensiones (L x A x A)670 mm x 430 mm x 458 mm

Peso neto LS0714: 12,5 kg, LS0714F: 12,8 kg, LS0714FL: 13,1 kg, LS0714L: 13,0 kg

- Debido a un programa continuo de investigación y desarrollo, las especificaciones aquí dadas están sujetas a cambios sin previo aviso.
- Nota: Las especificaciones pueden ser diferentes de país a país.

Uso previsto

La herramienta ha sido prevista para hacer cortes precisos rectos y de inglete en madera. Con discos de sierra apropiados, también se puede serrar aluminio.

Alimentación

La herramienta ha de conectarse solamente a una fuente de alimentación de la misma tensión que la indicada en la placa de características, y sólo puede funcionar con corriente alterna monofásica. El sistema de doble aislamiento de la herramienta cumple con la norma europea y puede, por lo tanto, usarse también en enchufes hembra sin conductor de tierra.

Sugerencias de seguridad

Para su propia seguridad, consulte las instrucciones de seguridad incluidas.

NORMAS DE SEGURIDAD ADICIONALES PARA LA HERRIMIENTO

1. **Utilice protección para los ojos.**
2. **Mantenga las manos apartadas del recorrido del disco de sierra.** Evite el contacto con cualquier disco cuando esté girando por inercia. Incluso entonces puede causar heridas graves.
3. **No utilice la sierra sin las guardas puestas.** Compruebe que la guarda del disco se cierra debidamente antes de cada uso. **No utilice la sierra si la guarda del disco no se mueve libremente y se cierra instantáneamente. No sujete ni ate nunca la guarda del disco en la posición abierta.**
4. **No realice ninguna operación sin sujetar la pieza de trabajo.** La pieza de trabajo deberá estar sujeta firmemente contra la base giratoria y la guía lateral con la mordaza durante todas las operaciones. No utilice nunca su mano para sujetar la pieza de trabajo.
5. **No se acerque nunca alrededor del disco de sierra.**
6. **Apague la herramienta y espere hasta que el disco de sierra se haya parado antes de mover la pieza de trabajo o de cambiar los ajustes.**
7. **Desenchufe la herramienta antes de cambiar el disco o hacerle el mantenimiento.**
8. **Sujete siempre todas las partes móviles antes de transportar la herramienta.**
9. **El pasador de tope que bloquea el cabezal de corte en posición bajada es solamente para transportar y almacenar la herramienta y no para ninguna operación de corte.**
10. **No utilice la herramienta donde haya líquidos o gases inflamables.**
11. **Inspeccione cuidadosamente el disco antes de la operación para ver si tiene grietas o está dañado. Sustituya inmediatamente el disco si está agrietado o dañado.**
12. **Utilice solamente las bridas especificadas para esta herramienta.**
13. **Tenga cuidado de no dañar el eje, las bridas (en especial la superficie de instalación) o el perno.** Si estas piezas resultan dañadas se podrá romper el disco.
14. **Asegúrese de que la base giratoria esté debidamente sujeta de forma que no se mueva durante la operación.**
15. **Por su propia seguridad, antes de iniciar la operación quite las virutas, pequeños trozos de material, etc. de la superficie superior de la mesa.**
16. **Evite cortar clavos.** Antes de iniciar la operación, inspeccione y extraiga todos los clavos que haya en la pieza de trabajo.
17. **Antes de activar el interruptor, asegúrese de que el bloqueo del eje esté quitado.**
18. **Asegúrese de que el disco no toque la base giratoria cuando esté en la posición más baja.**
19. **Sujete la empuñadura firmemente.** Tenga presente que la sierra se mueve un poco hacia arriba y hacia abajo durante el inicio y la parada.
20. **Asegúrese de que el disco no esté tocando la pieza de trabajo antes de activar el interruptor.**
21. **Antes de utilizar la herramienta para cortar la pieza de trabajo definitiva, déjela funcionar durante un rato.** Observe para ver si se producen vibraciones o bamboleos que puedan indicar que el disco está mal instalado o mal equilibrado.
22. **Espere a que el disco alcance plena velocidad antes de cortar.**
23. **Detenga la operación inmediatamente si nota algo anormal.**
24. **No intente bloquear el gatillo en la posición activada.**
25. **Esté alerta en todo momento, especialmente durante las operaciones repetitivas y monótonas.** No se deje llevar por el falso sentido de seguridad. Los discos de sierra nunca perdonan un descuido.
26. **Emplee siempre los accesorios recomendados en este manual.** El empleo de accesorios incorrectos tales como muelas abrasivas puede ocasionar heridas.
27. **No utilice la sierra para cortar otra cosa que no sea aluminio, madera o materiales similares.**
28. **Conecte las sierras ingletadoras a un dispositivo de recogida de polvo cuando sierre.**
29. **Seleccione los discos de sierra según el material a cortar.**
30. **Tenga cuidado cuando abra ranuras.**
31. **Reemplace la placa de corte cuando se gaste.**
32. **No utilice discos de sierra fabricados con acero rápido.**
33. **El polvo de las operaciones de corte algunas veces contiene productos químicos que se sabe ocasionan cáncer, defectos de nacimiento u otros peligros relacionados con la reproducción. Algunos ejemplos de estos productos químicos son:**
 - plomo de materiales pintados con pinturas que contengan plomo.
 - arsénico y cromo de maderas tratadas químicamente.

El riesgo al que se expone variará, dependiendo de la frecuencia con la que realice este tipo de trabajo. Para reducir la exposición a estos productos químicos: trabaje en un área bien ventilada y póngase el equipo de seguridad indicado, tal como esas máscaras contra el polvo que están especialmente diseñadas para filtrar partículas microscópicas.

34. Para reducir el ruido emitido, asegúrese siempre de que el disco esté afilado y limpio.
35. El operario deberá estar debidamente preparado para utilizar, ajustar y manejar la herramienta.
36. Utilice discos de sierra correctamente afilados. Observe la velocidad máxima marcada en el disco de sierra.
37. Absténgase de retirar cualquier recorte u otras partes de la pieza de trabajo del área de corte mientras la herramienta esté en marcha y la cabeza de la sierra no esté en posición de descanso.

GUARDE ESTAS INSTRUCCIONES.

INSTALACIÓN

Montaje en un banco de trabajo

Cuando la herramienta sale de fábrica, la empuñadura está bloqueada en la posición bajada con el pasador de retención. Suelte el pasador de retención bajando ligeramente la empuñadura y tirando del pasador de retención. (Fig. 1)

Esta herramienta se deberá fijar con dos pernos a una superficie nivelada y estable utilizando los agujeros para pernos provistos en la base de la herramienta. Esto ayudará a evitar que se vuelque y pueda ocasionar heridas. (Fig. 2)

Gire el perno de ajuste hacia la derecha o hacia la izquierda de forma que toque la superficie del suelo para mantener estable la herramienta. (Fig. 3)

DESCRIPCIÓN DEL FUNCIONAMIENTO

PRECAUCIÓN:

- Asegúrese siempre de que la herramienta esté apagada y desenchufada antes de ajustar o comprobar cualquier función de la herramienta.

Protector de disco (Fig. 4 y 5)

Al bajar la empuñadura, el protector de disco se sube automáticamente. El protector de disco se acciona por resorte por lo que retornará a su posición original cuando se complete el corte y se suba la empuñadura. **NO ANULE NI QUITE NUNCA EL PROTECTOR DE DISCO NI EL RESORTE QUE HAY EN EL PROTECTOR.**

Por su propia seguridad personal, mantenga el protector de disco siempre en buena condición. Cualquier operación irregular del protector de disco deberá ser corregida inmediatamente. Compruebe para asegurarse de que el protector de disco retorna accionado por resorte. **NO UTILICE NUNCA LA HERRAMIENTA SI EL PROTECTOR DE DISCO O EL RESORTE ESTÁ DAÑADO, DEFECTUOSO O SE HA QUITADO. HACER ESTO ES MUY PELIGROSO Y PUEDE OCASIONAR HERIDAS PERSONALES GRAVES.**

Si el protector de disco transparente se ensucia, o si se adhiere a él serrín de tal forma que no pueda verse fácilmente el disco, desenchufe la herramienta y limpie el protector cuidadosamente con un paño húmedo. No utilice disolventes ni productos de limpieza a base de petróleo para limpiar el protector de plástico.

Si el protector de disco está especialmente sucio y no se puede ver bien a través de él, afloje el perno hexagonal que sujeta la cubierta central utilizando la llave de tubo suministrada. Afloje el perno hexagonal girándolo hacia la izquierda y suba el protector de disco y la cubierta central. Con el protector de disco en esta posición, la limpieza se puede hacer de forma más completa y eficiente. Cuando haya completado la limpieza, invierta el procedimiento de arriba y apriete el perno. No quite el resorte que sujeta el protector de disco. Si el protector de disco se descolora con el paso del tiempo o por la exposición a los rayos ultravioleta, póngase en contacto con el Centro de servicio Makita para adquirir un protector nuevo. **NO ANULE NI QUITE EL PROTECTOR.**

Posicionamiento de las placas de corte (Fig. 6 y 7)

Esta herramienta se provee con placas de corte en la base giratoria para minimizar el desgarro en el lado de salida de un corte. Las placas de corte se ajustan en fábrica para que el disco de sierra no las toque. Antes de usar la herramienta, ajuste las placas de corte de la forma siguiente:

En primer lugar, desenchufe la herramienta. Afloje todos los tornillos (2 en cada lado derecho e izquierdo) que sujetan las placas de corte. Apriételos otra vez pero solamente hasta el punto en el que las placas de corte puedan seguir moviéndose fácilmente con la mano. Baje la empuñadura completamente y empuje hacia dentro el pasador de retención para bloquear la empuñadura en la posición bajada. Afloje los dos tornillos de fijación que sujetan las barras deslizables. Tire del carro hacia usted completamente. Ajuste las placas de corte de forma que justamente hagan contacto con los laterales de los dientes del disco. Apriete los tornillos delanteros (no los apriete mucho). Empuje el carro hacia la guía lateral completamente y ajuste las placas de corte de forma que justamente hagan contacto con los laterales de los dientes del disco. Apriete los tornillos traseros (no los apriete mucho).

Después de ajustar las placas de corte, libere el pasador de retención y suba la empuñadura. Después apriete todos los tornillos firmemente.

PRECAUCIÓN:

- Antes y después de cambiar el ángulo de bisel, ajuste siempre las placas de corte como se describe arriba.

Para mantener la máxima capacidad de corte (Fig. 8 y 9)

Esta herramienta se ajusta en fábrica para lograr su capacidad de corte máxima con un disco de sierra de 190 mm.

Cuando instale un disco nuevo, compruebe siempre la posición límite inferior del disco, y si es necesario, ajústela de la forma siguiente:

En primer lugar, desenchufe la herramienta. Empuje el carro a tope hacia la guía lateral y baje la empuñadura completamente. Gire el perno de ajuste utilizando la llave de tubo hasta que la periferia del disco esté ligeramente por debajo de la parte superior de la base giratoria en el punto donde la cara delantera de la guía lateral se encuentra con la parte superior de la base giratoria.

Con la herramienta desenchufada, gire el disco con la mano a la vez que sujeta la empuñadura bajada completamente para asegurarse de que el disco no hace contacto con ninguna parte de la base inferior. Reajuste ligeramente, si es necesario.

PRECAUCIÓN:

- Después de instalar un disco nuevo, asegúrese siempre de que el disco no haga contacto con ninguna parte de la base inferior cuando la empuñadura está bajada completamente. Haga esto siempre con la herramienta desenchufada.

Brazo de retención (Fig. 10)

La posición inferior máxima del disco puede ajustarse fácilmente con el brazo de retención. Para ajustarla, mueva el brazo de retención en el sentido de la flecha como se muestra en la figura. Ajuste el tornillo de ajuste de forma que el disco se pare en la posición deseada cuando baje completamente la empuñadura.

Ajuste del ángulo de inglete (Fig. 11)

Afloje el mango girándolo hacia la izquierda. Gire la base giratoria a la vez que presiona hacia abajo la palanca de bloqueo. Cuando haya movido el mango a la posición donde el puntero apunta al ángulo deseado en la escala de inglete, apriete firmemente el mango hacia la derecha.

PRECAUCIÓN:

- Cuando vaya a girar la base giratoria, asegúrese de subir la empuñadura completamente.
- Después de cambiar el ángulo de inglete, sujete siempre la base giratoria apretando el mango completamente.

Ajuste del ángulo de bisel (Fig. 12 y 13)

Para ajustar el ángulo de bisel, afloje la palanca de la parte trasera de la herramienta moviéndola hacia la izquierda.

Empuje la empuñadura hacia la izquierda para inclinar el disco hasta que el puntero apunte al ángulo deseado en la escala de bisel. Después apriete la palanca hacia la derecha para sujetar el brazo.

Para inclinar el disco hacia la derecha, presione el botón de liberación de la parte trasera de la herramienta a la vez que inclina el disco ligeramente hacia la izquierda después de aflojar la palanca. Con el botón de liberación presionado, incline el disco hacia la derecha.

PRECAUCIÓN:

- Cuando vaya a inclinar el disco de sierra, asegúrese de subir la empuñadura completamente.
- Después de cambiar el ángulo de bisel, sujete siempre el brazo apretando la palanca hacia la derecha.

- Cuando quiera cambiar el ángulo de bisel, asegúrese de posicionar las placas de corte debidamente como se explica en la sección "Posicionamiento de las placas de corte".

Ajuste de la posición de la palanca (Fig. 14)

La palanca puede recolocarse a cada 30° de ángulo cuando no está completamente apretada.

Afloje y quite el tornillo que sujeta la palanca en la parte trasera de la herramienta. Quite la palanca e instálela otra vez de forma que esté ligeramente por encima del nivel. Sujete la palanca con el tornillo firmemente.

Accionamiento del interruptor

PRECAUCIÓN:

- Antes de enchufar la herramienta, compruebe siempre para cerciorarse de que el gatillo interruptor se acciona debidamente y que vuelve a la posición "OFF" cuando lo suelta.
- Cuando no esté utilizando la herramienta, quite el botón de desbloqueo y guárdelo en un lugar seguro. Esto evitará que alguien la use sin autorización.
- No apriete el gatillo interruptor con fuerza sin presionar el botón de desbloqueo. Esto podrá ocasionar la rotura del interruptor.

Para países europeos (Fig. 15)

Para evitar que el gatillo pueda accionarse accidentalmente, se ha provisto un botón de desbloqueo. Para poner en marcha la herramienta, empuje la palanca hacia la izquierda, presione hacia dentro el botón de desbloqueo y apriete el gatillo interruptor. Suelte el gatillo interruptor para parar.

Para todos los países excepto los países europeos (Fig. 16)

Para evitar que el gatillo pueda accionarse accidentalmente, se ha provisto un botón de desbloqueo. Para poner en marcha la herramienta, presione hacia dentro el botón de desbloqueo y apriete el gatillo interruptor. Suelte el gatillo interruptor para parar.

ADVERTENCIA:

- No utilice NUNCA la herramienta si el gatillo interruptor no funciona perfectamente. Cualquier herramienta con un interruptor que no funciona es MUY PELIGROSA y deberá ser reparada antes de seguir utilizándola.
- Por su propia seguridad, esta herramienta está equipada con un botón de desbloqueo para evitar que la herramienta se ponga en marcha sin querer. No utilice NUNCA la herramienta si se pone en marcha cuando usted simplemente aprieta el gatillo interruptor sin presionar el botón de desbloqueo. Lleve la herramienta a un Centro de servicio Makita para que le hagan las reparaciones apropiadas ANTES de seguir utilizándola.
- No sujete NUNCA con cinta ni anule la finalidad y la función para la que se ha provisto el botón de desbloqueo.

Iluminación de las lámparas (Fig. 17)

Para los modelos LS0714F, LS0714FL

PRECAUCIÓN:

- Esta no es una luz a prueba de lluvia. No lave la luz con agua ni la utilice bajo la lluvia o en un área mojada. Dicha acción podrá ocasionar una descarga eléctrica y humo.
- No toque la lente de la luz, porque estará muy caliente mientras esté encendida o poco después de haberla apagado. Esto podría ocasionarle una quemadura.
- No exponga la luz a golpes, porque podrá ocasionar daños a la misma o acortar su vida de servicio.
- No mantenga la trayectoria del foco de la luz dirigida a sus ojos. Ello podrá ocasionarle dolor de ojos.
- No cubra la luz con un trapo, cartón, cartulina u objetos similares mientras esté encendida, porque podrá ocasionar un incendio o ignición.

Pulse la posición superior del interruptor para encender la luz y la posición inferior para apagarla.

Mueva la luz para cambiar el área de iluminación.

NOTA:

- Utilice un paño seco para quitar la suciedad de la lente de la lámpara. Tenga cuidado de no rayar la lente de la lámpara, porque podrá disminuir la iluminación.

Accionamiento del rayo láser (Fig. 18 y 19)

Para los modelos LS0714FL, LS0714L

PRECAUCIÓN:

- No mire nunca directamente al rayo láser. El rayo láser directo puede dañar sus ojos.

Para encender el rayo láser, presione la posición superior (I) del interruptor. Presione la posición inferior (O) para apagar.

La línea láser puede moverse tanto hacia el lado izquierdo como el derecho del disco ajustando el tornillo de ajuste de la forma siguiente.

1. Afloje el tornillo de ajuste girándolo hacia izquierda.
2. Con el tornillo de ajuste aflojado, deslice el tornillo de ajuste hacia la derecha o hacia la izquierda a tope.
3. Apriete el tornillo de ajuste firmemente en la posición donde deje de deslizarse.

La línea láser se ajusta en fábrica de forma que está posicionada en 1 mm desde la superficie lateral del disco (posición de corte).

NOTA:

- Cuando la línea láser sea débil y casi o totalmente invisible debido a la luz solar directa en exteriores o en interiores cerca de una ventana donde se trabaja, reubique el área de trabajo a un lugar no expuesto a la luz solar directa.

Alineación de la línea láser (Fig. 20)

La línea láser se puede cambiar al lado derecho o izquierdo del disco de acuerdo con las aplicaciones de corte. Consulte la explicación titulada "Accionamiento del rayo láser" referente a su método de cambio.

NOTA:

- Cuando quiera alinear la línea de corte con la línea láser en el lado de la guía lateral en corte compuesto (ángulo de bisel de 45 grados y ángulo de inglete derecho de 45 grados), utilice una guarnición de madera contra la guía lateral.
- A) Cuando obtenga el tamaño correcto en el lado izquierdo de la pieza de trabajo
 - Cambie la línea láser al lado izquierdo del disco.
 - B) Cuando obtenga el tamaño correcto en el lado derecho de la pieza de trabajo
 - Cambie la línea láser al lado derecho del disco.

Alinee la línea de corte de su pieza de trabajo con la línea láser.

MONTAJE

PRECAUCIÓN:

- Asegúrese siempre de que la herramienta esté apagada y desenchufada antes de realizar cualquier trabajo en ella.

Para guardar la llave de tubo (Fig. 21)

La llave de tubo se almacena como se muestra en la figura. Cuando quiera utilizar la llave de tubo, extráigala del portallaves. Después de utilizar la llave de tubo, póngala otra vez en el portallaves.

Instalación o desmontaje del disco

PRECAUCIÓN:

- Asegúrese siempre de que la herramienta esté apagada y desenchufada antes de instalar o desmontar el disco.
- Utilice solamente la llave de tubo Makita provista para instalar o desmontar el disco. De lo contrario, podrá producirse apretamiento excesivo o insuficiente del perno hexagonal. Esto podría ocasionarle heridas.

Bloquee la empuñadura en la posición levantada empujando hacia dentro el pasador de retención. (Fig. 22)

Para desmontar el disco, utilice la llave de tubo para aflojar el perno hexagonal que sujeta la cubierta central girándolo hacia la izquierda. Suba el protector de disco y la cubierta central. (Fig. 23)

Presione el bloqueo del eje para bloquear el eje y utilice la llave de tubo para aflojar el perno hexagonal hacia la derecha. Después quite el perno hexagonal, brida exterior y disco. (Fig. 24)

Para instalar el disco, móntelo con cuidado en el eje, asegurándose de que la dirección de la flecha en la superficie del disco coincida con la dirección de la flecha en la caja del disco. Instale la brida exterior y perno hexagonal, y después utilizando la llave de tubo apriete el perno hexagonal (rosca hacia la izquierda) firmemente hacia la izquierda a la vez que presiona el bloqueo del eje.

Devuelva el protector de disco y la cubierta central a sus posiciones originales. Después apriete el perno hexagonal hacia la derecha para sujetar la cubierta central. Libere la empuñadura de la posición levantada tirando del pasador de retención. Baje la empuñadura para asegurarse de que el protector de disco se mueve debidamente. Asegúrese de que el bloqueo del eje ha liberado el eje antes de hacer el corte. (Fig. 25 y 26)

Bolsa de polvo (Fig. 27)

La utilización de la bolsa de polvo permite realizar operaciones de corte limpias y recoger fácilmente el polvo. Para colocar la bolsa de polvo, encájela en la boquilla de polvo.

Cuando la bolsa de polvo esté medio llena, quítela de la herramienta y extraiga el cierre. Vacíe la bolsa de polvo golpeándola ligeramente con objeto de extraer las partículas adheridas en el interior para que no impidan la posterior recogida de polvo.

NOTA:

Si conecta un aspirador Makita a su sierra, podrá realizar operaciones más eficaces y limpias.

Sujeción de la pieza de trabajo (Fig. 28)

ADVERTENCIA:

- Es sumamente importante que sujete siempre la pieza de trabajo debida y firmemente con la mordaza. En caso de no hacerlo podrá ocasionar daños a la herramienta y/o echar a perder la pieza de trabajo. TAMBIÉN PODRÁ SUFRIR HERIDAS PERSONALES. Además, después de la operación de corte, NO suba el disco hasta que se haya parado completamente.

PRECAUCIÓN:

- Cuando corte piezas de trabajo largas, utilice apoyos que sean tan altos como el nivel de la parte superior de la base giratoria. No confíe únicamente en la mordaza vertical y/o mordaza horizontal para sujetar la pieza de trabajo. El material fino tiende a combarse. Apoye la pieza de trabajo sobre su entera longitud para evitar que el disco se trabe y ocurra un posible RETROCESO BRUSCO.

Mordaza vertical (Fig. 29)

La mordaza vertical se puede instalar en dos posiciones tanto en el lado derecho como el izquierdo de la guía lateral o el conjunto del soporte (accesorio opcional). Inserte la barra de la mordaza en el agujero de la guía lateral o del conjunto del soporte y apriete el tornillo para sujetar la barra de la mordaza.

Posicione el brazo de la mordaza de acuerdo con el grosor y forma de la pieza de trabajo y sujete el brazo de la mordaza apretando el tornillo. Si el tornillo que sujeta el brazo de la mordaza toca la guía lateral, instale el tornillo en el lado opuesto del brazo de la mordaza. Asegúrese de que ninguna parte de la herramienta toque la mordaza cuando baje la empuñadura completamente o tire o empuje el carro a tope. Si alguna parte toca la mordaza, reposicione la mordaza.

Presione la pieza de trabajo a ras contra la guía lateral y la base giratoria. Ponga la pieza de trabajo en la posición de corte deseada y sujétela firmemente apretando el pomo de la mordaza.

PRECAUCIÓN:

- La pieza de trabajo deberá estar firmemente sujeta contra la base giratoria y la guía lateral con la mordaza durante todas las operaciones.

Mordaza horizontal (accesorio opcional) (Fig. 30)

La mordaza horizontal se puede instalar en el lado izquierdo de la base. Girando el pomo de la mordaza hacia la izquierda se afloja el tornillo y el eje se puede mover rápidamente hacia dentro y hacia fuera. Girando el pomo de la mordaza hacia la derecha, el tornillo se mantiene apretado. Para sujetar la pieza de trabajo, gire el pomo de la mordaza suavemente hacia la derecha hasta que la proyección alcance su máxima posición superior, después apriete firmemente. Si fuerza el pomo de la mordaza o lo saca mientras lo esté girando hacia la derecha, la proyección podrá quedar en ángulo. En este caso, vuelva a girar el pomo de la mordaza hacia la izquierda hasta que se suelte el tornillo, antes de girar otra vez suavemente hacia la derecha. La anchura máxima de la pieza de trabajo que se puede sujetar con la mordaza horizontal es de 120 mm.

PRECAUCIÓN:

- Sujete la pieza de trabajo solamente cuando la proyección esté en la posición máxima superior. En caso contrario podrá resultar en una insuficiente sujeción de la pieza de trabajo. Esto podrá hacer que la pieza de trabajo salga lanzada, ocasionar daños al disco u ocasionar la pérdida del control, que podrá resultar en HERIDAS PERSONALES.

Soportes y conjuntos de soportes (accesorios opcionales) (Fig. 31 y 32)

Los soportes y los conjuntos de soportes se pueden instalar en cualquiera de los lados como medio útil para sujetar piezas de trabajo horizontalmente. Instáloslos como se muestra en la figura. Después apriete los tornillos firmemente para sujetar los soportes y los conjuntos de soporte.

Cuando corte piezas de trabajo largas, utilice el conjunto de barra de soporte (accesorio opcional). Éste consiste en dos conjuntos de soporte y dos barras de 12.

PRECAUCIÓN:

- Apoye siempre las piezas de trabajo largas a nivel con la superficie de la base giratoria para realizar cortes precisos y evitar una peligrosa pérdida del control de la herramienta.

OPERACIÓN

PRECAUCIÓN:

- Antes de utilizar, asegúrese de liberar la empuñadura de la posición bajada tirando del pasador de retención.
- Asegúrese de que el disco no esté haciendo contacto con la pieza de trabajo, etc., antes de activar el interruptor.
- No ejerza presión excesiva en la empuñadura cuando corte. Una fuerza excesiva podrá resultar en una sobrecarga del motor y/o reducir la eficacia de corte. Empuje hacia abajo la empuñadura con la fuerza únicamente necesaria para cortar suavemente y sin reducir significativamente la velocidad del disco.
- Presione hacia abajo suavemente la empuñadura para realizar el corte. Si presiona hacia abajo la empuñadura con fuerza o si ejerce fuerza lateral, el disco vibrará y dejará una marca (marca de sierra) en la pieza de trabajo y se deteriorará la precisión del corte.
- Durante un corte de deslizamiento, empuje suavemente el carro hacia la guía lateral sin parar. Si para el movimiento del carro durante el corte, quedará una marca en la pieza de trabajo y se deteriorará la precisión del corte.

1. Corte por presión (corte de piezas de trabajo pequeñas) (Fig. 33)

De la forma siguiente se pueden cortar piezas de trabajo de hasta 50 mm de alto y 97 mm de ancho.

Empuje el carro hacia la guía lateral a tope y apriete los dos tornillos de fijación que sujetan las barras deslizables girándolos hacia la derecha para sujetar el carro. Sujete la pieza de trabajo con la mordaza. Encienda la herramienta sin que el disco esté tocando nada y espere hasta que el disco adquiera plena velocidad antes de bajarlo. Después baje suavemente la empuñadura hasta la posición totalmente bajada para cortar la pieza de trabajo. Cuando haya completado el corte, apague la herramienta y ESPERE HASTA QUE EL DISCO SE HAYA PARADO COMPLETAMENTE antes de devolver el disco a su posición completamente elevada.

PRECAUCIÓN:

- Apriete firmemente los dos tornillos de fijación que sujetan las barras deslizables girándolos hacia la derecha para que el carro no se mueva durante la operación. Un apretado insuficiente podrá ocasionar un repentino retroceso brusco del disco. Podrá resultar en posibles HERIDAS PERSONALES graves.

2. Corte de deslizamiento (empujando) (corte de piezas de trabajo anchas) (Fig. 34)

Afloje los dos tornillos de fijación que sujetan las barras deslizables girándolos hacia la izquierda para poder deslizar el carro libremente. Sujete la pieza de trabajo con la mordaza. Tire del carro hacia usted completamente. Encienda la herramienta sin que el disco esté tocando nada y espere hasta que el disco adquiera plena velocidad. Presione hacia abajo la empuñadura y EMPUJE EL CARRO HACIA LA GUÍA LATERAL Y A TRAVÉS DE LA PIEZA DE TRABAJO. Cuando haya completado el corte, apague la herramienta y ESPERE HASTA QUE EL DISCO SE HAYA PARADO COMPLETAMENTE antes de devolver el disco a su posición completamente elevada.

PRECAUCIÓN:

- Siempre que realice el corte de deslizamiento, PRIMERO TIRE DEL CARRO HACIA USTED COMPLETAMENTE y presione hacia abajo la empuñadura hasta la posición completamente bajada, después EMPUJE EL CARRO HACIA LA GUÍA LATERAL. NO INICIE NUNCA EL CORTE SIN HABER TIRADO DEL CARRO COMPLETAMENTE HACIA USTED. Si realiza el corte de deslizamiento sin haber tirado del carro completamente o si realiza el corte de deslizamiento en dirección hacia usted, el disco podrá retroceder bruscamente de forma inesperada y posiblemente causarle graves HERIDAS PERSONALES.
- No realice nunca el corte de deslizamiento con la empuñadura bloqueada en la posición bajada presionando hacia dentro el pasador de retención.
- No afloje nunca el tornillo de fijación que sujeta el carro mientras el disco esté girando. Podría ocasionarle heridas graves.

3. Corte en inglete

Consulte la sección "Ajuste del ángulo de inglete" explicada más atrás.

4. Corte en bisel (Fig. 35)

Afloje la palanca e incline el disco para establecer el ángulo de bisel (consulte la sección "Ajuste del ángulo de bisel" explicada más atrás.) Asegúrese de apretar la palanca firmemente para sujetar de forma segura el ángulo de bisel seleccionado. Sujete la pieza de trabajo con una mordaza. Asegúrese de que el carro esté empujado completamente hacia usted. Encienda la herramienta sin que el disco esté tocando nada y espere hasta que el disco adquiera plena velocidad. Después baje con cuidado la empuñadura hasta la posición completamente bajada mientras aplica presión en dirección paralela al disco y EMPUJE EL CARRO HACIA LA GUÍA LATERAL PARA CORTAR LA PIEZA DE TRABAJO. Cuando haya completado el corte, apague la herramienta y ESPERE HASTA QUE EL DISCO SE HAYA PARADO COMPLETAMENTE antes de devolver el disco a su posición completamente elevada.

PRECAUCIÓN:

- Asegúrese siempre de que el disco se moverá hacia abajo en la dirección del bisel durante un corte en bisel. Mantenga las manos alejadas de la trayectoria del disco.
- Durante un corte en bisel, se podrá crear una condición en la que la pieza cortada quede apoyada contra el costado del disco. Si sube el disco mientras aún está girando, esta pieza podrá ser pillada por el disco, haciendo que salgan despedidos fragmentos que pueden resultar peligrosos. El disco SOLAMENTE deberá ser subido después de que se haya parado completamente.
- Cuando presione hacia abajo la empuñadura, ejerza presión paralela al disco. Si la presión no es paralela al disco durante el corte, el ángulo del disco podrá cambiar y la precisión del corte se deteriorará.

5. Corte compuesto

El corte compuesto es el procedimiento en el que se hace un ángulo de bisel al mismo tiempo que se corta un ángulo de inglete en una pieza de trabajo. El corte compuesto se puede realizar a los ángulos mostrados en la tabla.

Ángulo de inglete	Ángulo de bisel
Izquierda y Derecha 45°	Izquierda 0° – 45°
Derecha 50°	Izquierda 0° – 40°
Derecha 55°	Izquierda 0° – 30°
Derecha 57°	Izquierda 0° – 25°

Cuando quiera realizar un corte compuesto, consulte las explicaciones de "Corte por presión", "Corte de deslizamiento", "Corte en inglete" y "Corte en bisel".

6. Corte de extrusiones de aluminio (Fig. 36)

Cuando sujete extrusiones de aluminio, utilice bloques espaciadores o trozos de madera de desecho como se muestra en la figura para evitar la deformación del aluminio. Cuando corte extrusiones de aluminio utilice un lubricante para operaciones de corte para evitar la acumulación de material de aluminio en el disco.

PRECAUCIÓN:

- No intente nunca cortar extrusiones de aluminio gruesas o redondas. Las extrusiones de aluminio gruesas pueden aflojarse durante la operación y las extrusiones de aluminio redondas no se pueden sujetar firmemente con esta herramienta.

7. Guarnición de madera (Fig. 37)

La utilización de la guarnición de madera ayuda a conseguir cortes sin astillar la pieza de trabajo. Coloque la guarnición de madera en la guía lateral utilizando los agujeros de la guía lateral.

Consulte la figura referente a las dimensiones para elegir una guarnición de madera sugerida.

PRECAUCIÓN:

- Utilice madera recta de grosor uniforme para la guarnición de madera.
- Utilice tornillos para colocar la guarnición de madera en la guía lateral. Los tornillos deberán ser instalados de forma que las cabezas de los mismos queden por debajo de la superficie de la guarnición de madera.
- Cuando esté puesta la guarnición de madera, no gire la base giratoria con la empuñadura bajada. El disco y/o la guarnición de madera se dañarán.

8. Corte de longitudes repetitivas (Fig. 38)

Cuando quiera cortar varias piezas de madera a la misma longitud, de entre 220 mm a 385 mm, la utilización de la placa de presión (accesorio opcional) le ayudará a realizar una operación más eficaz. Instale la placa de presión en el soporte (accesorio opcional) como se muestra en la figura.

Alinee la línea de corte de su pieza de trabajo con el lado izquierdo o derecho de la ranura en la placa de corte, y mientras sujeta la pieza de trabajo para que no se mueva, mueva la placa de presión hasta ponerla a ras contra el extremo de la pieza de trabajo. Después sujete la placa de presión con el tornillo. Cuando no utilice la placa de presión, afloje el tornillo y gire la placa de presión para que no estorbe.

NOTA:

- La utilización del conjunto de barra de soporte (accesorio opcional) permite cortar longitudes repetitivas de hasta 2.200 mm aproximadamente.

9. Ranurado (Fig. 39)

Procediendo de la forma siguiente se puede hacer un corte tipo ranura:

Ajuste la posición límite inferior del disco utilizando el tornillo de ajuste y el brazo de retención para limitar la profundidad de corte del disco. Consulte la sección "Brazo de retención" descrita previamente.

Después de ajustar la posición límite inferior del disco, corte ranuras paralelas a través de la pieza de trabajo utilizando un corte de deslizamiento (empujando) como se muestra en la figura. Después quite con un formón el material que queda entre las ranuras hechas en la pieza de trabajo. No intente realizar este tipo de corte con discos anchos (gruesos) ni con un disco de moldurar. Podría producirse una pérdida de control y heridas.

PRECAUCIÓN:

- Asegúrese de volver a poner el brazo de retención en la posición original cuando realice otros cortes que no sean de ranurado.

Transporte de la herramienta (Fig. 40 y 41)

Asegúrese de que la herramienta esté desenchufada. Sujete el disco a un ángulo de bisel de 0° y la base giratoria a un ángulo de inglete derecho completo. Sujete las barras de deslizables después de tirar del carro completamente hacia la guía lateral. Baje la empuñadura completamente y bloquéela en la posición bajada presionando hacia dentro el pasador de retención.

Transporte la herramienta cogiéndola por ambos costados de la base como se muestra en la figura. Si quita los soportes, la bolsa de polvo, etc., podrá transportar la herramienta más fácilmente.

PRECAUCIÓN:

- Sujete siempre todas las partes móviles antes de transportar la herramienta.
- El pasador de retención ha sido pensado solamente para transportar y almacenar la herramienta y no para ninguna operación de corte.

MANTENIMIENTO

PRECAUCIÓN:

- Asegúrese siempre de que la herramienta esté apagada y desenchufada antes de intentar realizar una inspección o mantenimiento.

ADVERTENCIA:

- Asegúrese siempre de que el disco esté afilado y limpio para obtener el mejor y más seguro rendimiento.

Ajuste del ángulo de corte

Esta herramienta ha sido ajustada y alineada cuidadosamente en fábrica, pero un manejo brusco podrá haber afectado la alineación. Si su herramienta no está debidamente alineada, realice lo siguiente:

1. Ángulo de inglete

Empuje el carro hacia la guía lateral y apriete los dos tornillos de fijación para sujetar el carro.

Afloje el mango que sujeta la base giratoria. Gire la base giratoria de forma que el puntero apunte a 0° en la escala de inglete. Después gire la base giratoria ligeramente hacia la derecha y hacia la izquierda para asentarla en la muesca de inglete de 0°. (Déjela tal como está si el puntero no apunta a 0°.) Afloje los pernos hexagonales que sujetan la guía lateral utilizando la llave de tubo. (Fig. 42)

Baje la empuñadura completamente y bloquéela en la posición bajada presionando hacia dentro el pasador de retención. Escuadre el costado del disco con la cara de la guía lateral utilizando una escuadra, cartabón, etc. Después apriete firmemente los pernos hexagonales de la guía lateral en orden desde el lado derecho. (Fig. 43) Asegúrese de que el puntero apunta a 0° en la escala de inglete. Si el puntero no apunta a 0°, afloje el tornillo que sujeta el puntero y ajuste el puntero de forma que apunte a 0°. (Fig. 44)

2. Ángulo de bisel

1. Ángulo en bisel de 0°

Empuje el carro hacia la guía lateral y apriete los dos tornillos de fijación para sujetar el carro. Baje la empuñadura completamente y bloquéela en la posición bajada presionando hacia dentro el pasador de retención. Afloje la palanca de la parte trasera de la herramienta.

Gire el perno de ajuste del ángulo de bisel a 0° (perno inferior) del lado derecho del brazo dos o tres vueltas hacia la izquierda para inclinar el disco hacia la derecha. (Fig. 45)

Escuadre cuidadosamente el costado del disco con la parte superior de la base giratoria utilizando la escuadra, cartabón, etc., y apriete el perno de ajuste del ángulo de bisel a 0° hacia la derecha. Después apriete la palanca firmemente. (Fig. 46)

Asegúrese de que el puntero del brazo apunte a 0° en la escala de bisel del soporte del brazo. Si el puntero no apunta a 0°, afloje el tornillo que sujeta el puntero y ajuste el puntero de forma que apunte a 0°. (Fig. 47)

2. Ángulo en bisel de 45°

Ajuste el ángulo de bisel de 45° solamente después de haber realizado el ajuste del ángulo de bisel de 0°. Para ajustar el ángulo de bisel de 45°, afloje la palanca e incline el disco completamente hacia la izquierda. Asegúrese de que el puntero del brazo apunte a 45° en la escala de bisel del soporte del brazo. Si el puntero no apunta a 45°, gire el perno de ajuste del ángulo de bisel a 45° (perno superior) del lado derecho del brazo hasta que el puntero apunte a 45°. (Fig. 48)

Ajuste de la posición de la línea láser (Fig. 49 y 50)

Para los modelos LS0714FL, LS0714L

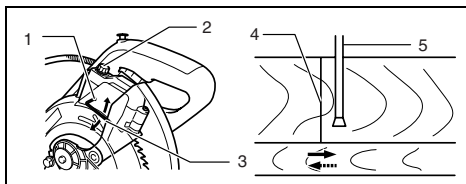
ADVERTENCIA:

• Como la herramienta está enchufada cuando se ajusta la línea láser, preste mucha atención especialmente al accionamiento del interruptor. Si presiona el gatillo interruptor accidentalmente ocasionará un inicio de la herramienta sin querer y heridas personales.

PRECAUCIÓN:

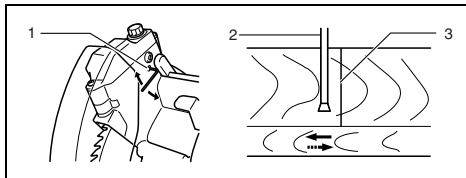
• No mire nunca directamente al rayo láser. El rayo láser directo producirá daño a sus ojos.
• No aplique golpes ni impactos a la herramienta. Un golpe o impacto resultará en una posición incorrecta de la línea láser, daños a la parte emisora del rayo láser o en un acortamiento de la vida de servicio de la herramienta.

Al hacer el ajuste la línea láser aparece en el lado izquierdo del disco



- 1 Tornillo para cambiar el rango movable del tornillo de ajuste
- 2 Tornillo de ajuste
- 3 Llave hexagonal
- 4 Línea láser
- 5 Disco de sierra

Al hacer el ajuste la línea láser aparece en el lado derecho del disco



- 1 Tornillo para cambiar el rango movable del tornillo de ajuste
- 2 Disco de sierra
- 3 Línea láser

Para ambos ajustes, haga lo siguiente.

1. Asegúrese de que la herramienta esté desenchufada.
2. Trace la línea de corte en la pieza de trabajo y póngala en la base giratoria. En este momento, no sujete la pieza de trabajo con una mordaza o dispositivo de sujeción similar.
3. Baje el disco bajando la empuñadura y simplemente compruebe para ver donde están la línea de corte y la posición del disco. (Decida qué posición quiere cortar en la línea de corte.)
4. Después de decidir la posición a cortar, vuelva a poner la empuñadura en la posición original. Sujete la pieza de trabajo con la mordaza vertical sin cambiar la pieza de trabajo de la posición precomprobada.
5. Enchufe la herramienta y active el interruptor láser.
6. Ajuste de la posición de la línea láser de la forma siguiente.

La posición de la línea láser se puede cambiar dado que el rango móvil del tornillo de ajuste para el láser se cambia girando los dos tornillos con una llave hexagonal. (El rango móvil de la línea láser ha sido ajustado en fábrica en 1 mm desde la superficie lateral del disco.)

Para cambiar el rango móvil de la línea láser a una distancia mayor desde la superficie lateral del disco, gire los dos tornillos hacia la izquierda después de aflojar el tornillo de ajuste. Gire estos dos tornillos hacia la derecha para cambiarla a una distancia más próxima a la superficie lateral del disco después de aflojar el tornillo de ajuste.

Consulte la sección titulada "Accionamiento del rayo láser" y regule el tornillo de ajuste de forma que la línea de corte de su pieza de trabajo quede alineada con la línea láser.

NOTA:

- Compruebe regularmente la posición de la línea láser para mayor precisión.
- Haga que le reparen la herramienta en un Centro de servicio autorizado Makita si ocurre cualquier fallo en la unidad láser.

Reemplazo del tubo fluorescente (Fig. 51)

Para los modelos LS0714F, LS0714FL

PRECAUCIÓN:

- Asegúrese siempre de que la herramienta esté apagada y desenchufada antes de reemplazar el tubo fluorescente.
- No aplique fuerza, impactos o arañazos al tubo fluorescente, porque podrá romperse el cristal del mismo y ocasionarle heridas a usted o a alguien que esté cerca de usted.
- Deje el tubo fluorescente sin tocarlo durante un rato inmediatamente después de utilizarlo y después reemplácelo. Si no, podrá quemarse.

Quite los tornillos que sujetan la caja de la lámpara para la luz.

Extraiga la caja de la lámpara manteniendo presionada ligeramente la parte superior de la misma como se muestra en la figura.

Extraiga el tubo fluorescente y después reemplácelo con uno nuevo original de Makita.

Limpieza de la lente de la luz láser (Fig. 52 y 53)

Para los modelos LS0714FL, LS0714L

Si la lente de la luz láser se ensucia, o si se adhiere serrín a ella de tal forma que impida ver fácilmente la línea láser, desenchufe la herramienta y quite y limpie la lente de la luz láser cuidadosamente con un paño suave humedecido. No utilice disolventes ni productos de limpieza a base de petróleo para limpiar la lente.

Para quitar la lente de la luz láser, quite el disco antes de quitar la lente de acuerdo con las instrucciones en la sección titulada "Instalación o desmontaje del disco".

Afloje pero no quite el tornillo que sujeta la lente utilizando un destornillador.

Extraiga la lente como se muestra en la figura.

NOTA:

- Si la lente no saliera, afloje un poco más el tornillo y tire de la lente otra vez sin quitar el tornillo.

Reemplazo de las escobillas de carbón

(Fig. 54 y 55)

Extraiga y compruebe las escobillas de carbón regularmente. Reemplácelas cuando se hayan gastado hasta la marca de límite. Mantenga las escobillas de carbón limpias y de forma que entren libremente en el portaescobillas. Ambas escobillas de carbón deberán ser reemplazadas al mismo tiempo. Utilice únicamente escobillas de carbón idénticas.

Utilice un destornillador para quitar los tapones portaescobillas. Extraiga las escobillas gastadas, inserte las nuevas y vuelva a fijar los tapones portaescobillas.

Después de la utilización

- Después de la utilización, limpie las virutas y el polvo adheridos a la herramienta con un paño o similar. Mantenga la guarda del disco limpia de acuerdo con las indicaciones de la sección ya vista titulada "Protector de disco". Lubrique las partes deslizantes con aceite para máquinas para evitar que se oxiden.
- Cuando guarde la herramienta, tire del carro hacia usted completamente de forma que la barra deslizante se introduzca completamente en la base giratoria.

Para mantener la SEGURIDAD y FIABILIDAD del producto, las reparaciones, y cualquier otra tarea de mantenimiento o ajuste deberán ser realizadas en Centros de servicio autorizados por Makita, empleando siempre repuestos Makita.

ACCESORIOS

PRECAUCIÓN:

- Estos accesorios o acoplamientos están recomendados para utilizar con la herramienta Makita especificada en este manual. El empleo de otros accesorios o acoplamientos conllevará un riesgo de sufrir heridas personales. Utilice los accesorios o acoplamientos solamente para su fin establecido.

Si necesita cualquier ayuda para más detalles en relación con estos accesorios, pregunte al centro de servicio Makita local.

- Discos de sierra de carburo
- Conjunto de mordaza (Mordaza horizontal)
- Mordaza vertical
- Llave de tubo de 10
- Juego de soporte
- Conjunto de soporte
- Conjunto de barra de soporte
- Placa de presión
- Bolsa de polvo
- Escuadra
- Botón de desbloqueo (2 piezas)
- Tubo fluorescente
- Llave hexagonal

Explicação geral

1	Pino de bloqueio	32	Suporte da chave	59	Dois parafusos de aperto que prendem a braçadeira deslizando
2	Perno	33	Suporte do tubo	60	Torno
3	Perno de regulação	34	Cobertura central	61	Calço
4	Resguardo da lâmina	35	Chave de tubo	62	Extrusão de alumínio
5	Parafuso de precisão	36	Perno hexagonal	63	Mais de 15 mm
6	Placa de corte	37	Cobertura de segurança	64	Mais de 420 mm
7	Lâmina da serra	38	Travão do eixo	65	Orifícios
8	Dentes da lâmina	39	Seta	66	Cavilha de regulação
9	Ângulo de bisel à esquerda	40	Caixa da lâmina	67	Corte de ranhuras com a lâmina
10	Corte direito	41	Perno hexagonal (para a mão esquerda)	68	Régua triangular
11	Base giratória	42	Falange exterior	69	Suporte do braço
12	Guiã de esquadria	43	Falange interior	70	Perno de regulação do ângulo de bisel de 0° graus
13	Superfície superior da mesa giratória	44	Veio	71	Perno de regulação do ângulo de bisel à esquerda de 45° graus
14	Periferia da lâmina	45	Saco do pó	72	Peça de trabalho
15	Parafuso de regulação	46	Bocal do pó	73	Linha de corte
16	Placa de retenção	47	Fecho	74	Torno vertical
17	Alavanca de bloqueio	48	Suporte	75	Retirar
18	Escala de esquadria	49	Braço do torno	76	Empurrar
19	Ponteiro	50	Varão do torno	77	Caixa da lâmpada
20	Punho	51	Suporte	78	Parafusos
21	Alavanca	52	Conjunto de suporte (acessório opcional)	79	Lâmpada fluorescente
22	Botão de libertação	53	Botão do torno	80	Chave de parafusos
23	Escala de bisel	54	Projecção	81	Parafuso (só um)
24	Braço	55	Eixo do torno	82	Lentes para a luz laser
25	Parafuso	56	Base	83	Marca limite
26	Botão de segurança	57	Varão 12	84	Tampa do suporte da escova
27	Gatilho	58	Dois parafusos de aperto que prendem a braçadeira deslizando		
28	Pega				
29	Luz				
30	Interruptor da luz				
31	Interruptor para laser				

ESPECIFICAÇÕES

Modelo

LS0714/LS0714F/LS0714FL/LS0714L

Diâmetro da lâmina	190 mm
Diâmetro do orifício (suporte).....	20 mm
Máx. ângulo de esquadria	Esquerdo 47°, Direito 57°
Máx. ângulo de bisel	Esquerdo 45°, Direito 5°

Capacidades máximas de corte (A x L) com lâmina de 190 mm de diâmetro.

Ângulo de esquadria	Ângulo de bisel		
	45° (esquerdo)	0°	45° (direito)
0°	*45 mm x 265 mm (Nota 1)	*60 mm x 265 mm (Nota 1)	—
	40 mm x 300 mm	52 mm x 300 mm	40 mm x 300 mm
45° (esquerdo e direito)	*45 mm x 185 mm (Nota 2)	*60 mm x 185 mm (Nota 2)	—
	40 mm x 212 mm	52 mm x 212 mm	—
57° (direito)	—	*60 mm x 145 mm (Nota 3)	—
	—	52 mm x 163 mm	—

(Nota) A marca * indica que está a utilizar um revestimento de madeira com a seguinte espessura.

1: Quando utiliza um revestimento de madeira de 20 mm de espessura.

2: Quando utiliza um revestimento de madeira de 15 mm de espessura.

3: Quando utiliza um revestimento de madeira de 10 mm de espessura.

Velocidade em vazio (min⁻¹) 6.000

Tipo Laser (Só LS0714FL/L) Laser Vermelho 650 nm, <1mW (Classe Laser 2)

Dimensões (C x L x A) 670 mm x 430 mm x 458 mm

Peso líquido LS0714: 12,5 kg, LS0714F: 12,8 kg, LS0714FL: 13,1 kg, LS0714L: 13,0 kg

- Devido a um programa contínuo de pesquisa e desenvolvimento, estas especificações estão sujeitas a alterações sem aviso prévio.
- Nota: As especificações podem diferir de país para país.

Fins a que se destina

Esta ferramenta destina-se a realizar cortes de precisão, rectos e de meia esquadria, em madeira. Com discos de corte apropriados, é possível cortar também alumínio.

Alimentação

A ferramenta só deve ser ligada a uma fonte de alimentação de tensão igual à indicada na placa de características, e só funciona com alimentação CA monofásica. Dispõe de isolamento duplo em conformidade com as normas europeias e pode, portanto, utilizar tomadas sem ligação à terra.

Conselhos de segurança

Para sua segurança, leia as instruções anexas.

REGRAS DE SEGURANÇA ADICIONAIS PARA A FERRAMENTA

1. Use óculos de protecção.
2. Mantenha as mãos afastadas da parte cortante do disco. Evite tocar no disco quando este rodar por inércia. Pois, mesmo assim, este pode provocar lesões.
3. Não utilize a serra sem os resguardos de segurança montados. Verifique se o resguardo de segurança do disco se encontra devidamente fechado antes de cada utilização. Não trabalhe com a serra se o resguardo de segurança do disco não se movimentar livremente e fechar instantaneamente. Nunca fixe nem prenda o resguardo de segurança do disco em posição aberta.
4. Não efectue qualquer operação com as mãos livres. A peça a trabalhar tem de estar fixa com segurança à base giratória, e a placa guia ao torno durante todas as operações. Nunca utilize as mãos para segurar a peça a trabalhar.
5. Nunca toque na periferia cortante do disco.
6. Desligue a ferramenta e aguarde que o disco de corte pare antes de movimentar a peça a trabalhar ou antes de alterar a regulação.
7. Desligue a ferramenta da tomada antes de mudar ou disco ou de proceder a operações de manutenção.
8. Prenda as porções moveis antes de transportar a ferramenta.
9. O pino de travagem que bloqueia a cabeça de corte é só para fins de transporte e armazenagem e não para operação de corte.
10. Não utilize a ferramenta na presença de líquidos ou gases inflamáveis.
11. Verifique cuidadosamente o disco de corte quanto a fissuras ou danos antes da operação. Substitua de imediato o disco se este apresentar fissuras ou danos.
12. Utilize exclusivamente as flanges especificadas para esta ferramenta.
13. Tenha cuidado para não danificar o eixo, as flanges (especialmente a superfície de instalação) ou o perno. Os danos nestes componentes podem provocar a fractura do disco.

14. Certifique-se de que a base giratória está bem fixa, de modo a que não se movimente durante a operação.
15. Por razões de segurança, e antes da utilização limpe a bancada de aparas, restos e detritos, etc.
16. Evite cortar pregos. Inspeccione a peça a trabalhar e retire todos os pregos antes da operação.
17. Certifique-se de que soltou o travão do eixo antes de ligar o interruptor.
18. Certifique-se de que, na posição mais baixa, o disco de corte não fica em contacto com a base giratória.
19. Agarre na pega com firmeza. Tenha em conta que a serra se movimentará um pouco para cima e para baixo, durante o arranque e a paragem da ferramenta.
20. Verifique se o disco não está em contacto com a peça a trabalhar antes de ligar o interruptor.
21. Antes de utilizar a ferramenta na peça a trabalhar, deixe-a funcionar em vazio durante algum tempo. Verifique se existem vibrações ou movimento irregular que possam indicar má instalação ou desequilíbrio do disco.
22. Aguarde que o disco atinja a velocidade máxima antes de iniciar o corte.
23. Pare a ferramenta de imediato se notar algo no funcionamento que não seja normal.
24. Não tente bloquear o gatilho na posição ON (Ligado).
25. Mantenha-se atento, especialmente no decorrer de operações repetitivas e monótonas. Não se deixe convencer por uma falsa sensação de segurança. Os discos de corte provocam lesões muito graves.
26. Utilize sempre os acessórios recomendados neste manual. A utilização de acessórios inadequados tais como discos abrasivos podem dar origem a lesões.
27. Utilize a serra apenas para cortar alumínio, madeira ou materiais semelhantes.
28. Ligue as serras de esquadria a um dispositivo de pó, ao serrar.
29. Seleccionar os discos de corte em função do material a cortar.
30. Tenha cuidado quando fizer rasgos.
31. Substitua a placa de corte quando estiver gasta.
32. Não utilize discos de corte feitos de aço rápido.
33. Algum do pó proveniente da operação contém químicos que provocam cancro, defeitos congénitos ou problemas no aparelho reprodutor. Alguns exemplos desses químicos são:
 - Chumbo de material cuja tinta contenha chumbo
 - Arsénico ou crómio de madeira tratada quimicamente.

O risco a esta exposição varia, dependendo da frequência com que executa este tipo de trabalho. Para reduzir a exposição a estes químicos: trabalhe numa área bem ventilada e utilize equipamento de segurança adequado, como uma máscara contra o pó especialmente concebida para filtrar as partículas microscópicas.
34. Para reduzir o ruído emitido, verifique sempre se o disco de corte está afiado e limpo.
35. O operador tem a formação adequada para utilização, ajuste e manutenção da ferramenta.
36. Utilize discos de corte correctamente afiaos. Respeite cuidadosamente as velocidades máximas marcadas no disco de corte.

37. Não retire, da área de corte, aparas ou fragmentos da peça que está a trabalhar enquanto a ferramenta estiver ligada e a cabeça do disco de corte não se encontrar na posição de descanso.

GUARDE ESTAS INSTRUÇÕES.

INSTALAÇÃO

Montagem da bancada

Quando a ferramenta sai de fábrica, a pega está bloqueada na posição inferior pelo pino de bloqueio. Solte o pino de bloqueio descendo ligeiramente a pega e puxando o pino de bloqueio. (Fig. 1)

Esta ferramenta deve ser presa com dois pernos a uma superfície nivelada e estável utilizando os orifícios para os pernos existentes na base da ferramenta. Isto evitará que tombe e possíveis injúrias. (Fig. 2)

Rode o perno de regulação para a direita ou esquerda de modo a que fique em contacto com a superfície para manter a ferramenta estável. (Fig. 3)

DESCRIÇÃO FUNCIONAL

PRECAUÇÃO:

- Certifique-se sempre de que a ferramenta está desligada e a ficha retirada da tomada antes de regular ou inspecionar qualquer função da ferramenta.

Resguardo da lâmina (Fig. 4 e 5)

Quando desce a pega, o resguardo da lâmina sobe automaticamente. O resguardo tem uma mola e por isso volta para a posição original quando termina o corte e levanta a pega. **NUNCA ESTRAGUE OU RETIRE O RESGUARDO DA LÂMINA OU A MOLA QUE PRENDE O RESGUARDO.**

Para sua segurança pessoal, mantenha sempre o resguardo da lâmina em boas condições. Qualquer operação irregular do resguardo da lâmina deve ser corrigida imediatamente. Verifique para se assegurar que o retorno do resguardo com a mola funciona bem. **NUNCA UTILIZE A FERRAMENTA SE O RESGUARDO DA LÂMINA OU MOLA ESTIVEREM ESTRAGADOS, DEFEITUOSOS OU RETIRADOS. SE O FIZER É EXTRAORDINARIAMENTE PERIGOSO E PODE CAUSAR SÉRIOS DANOS PESSOAIS.**

Se o resguardo da lâmina transparente ficar sujo, ou partículas de pó aderirem de modo a que a lâmina deixe ser facilmente visível, desligue a serra e limpe cuidadosamente o resguardo com um pano húmido. Não utilize dissolventes nem produtos de limpeza à base de petróleo no resguardo de plástico.

Se o resguardo da lâmina estiver especialmente sujo e não conseguir ver bem através do resguardo, utilize a chave de tubo fornecida para soltar o perno hexagonal que prende a cobertura central. Liberte o perno hexagonal rodando-o para a esquerda e levante o resguardo da lâmina e a cobertura central. Com o resguardo da lâmina assim posicionado, pode executar uma limpeza mais completa e eficiente. Quando termina a limpeza, execute o procedimento inverso e aperte o perno. Não retire a mola que prende o resguardo da lâmina. Se o resguardo ficar sem cor com o tempo ou por exposição a luz UV, contacte um serviço de assistência da Makita para obter um novo resguardo. **NÃO ESTRGUE OU RETIRE O RESGUARDO.**

Posicionamento da placa de corte (Fig. 6 e 7)

Esta ferramenta é fornecida com placas de corte na base giratória. As placas de corte foram reguladas na fábrica de modo a que a lâmina da serra não toque nas placas de corte. Antes da utilização regule as placas de corte como se segue:

Primeiro, desligue a ferramenta da corrente. Desaperte todos os parafusos (2 em cada lado esquerdo e direito) que prendem as placas de corte. Volte a apertá-los de modo que as placas de corte sejam facilmente movimentadas com a mão. Desça completamente a pega e empurre o pino de travagem para bloquear a pega na posição inferior. Solte os dois parafusos de aperto que prendem as braçadeiras deslizantes. Puxe o carroto completamente para si. Regule as placas de corte de modo a que contactem ligeiramente os lados dos dentes da lâmina. Aperte os parafusos da frente (não aperte demasiado). Empurre o carroto completamente na direção da placa guia e regule as placas de corte de modo a que contactem ligeiramente os lados dos dentes da lâmina. Aperte os parafusos de trás (não aperte demasiado).

Depois de regular as placas de corte, solte o pino de travagem e levante a pega. Em seguida aperte todos os parafusos firmemente.

PRECAUÇÃO:

- Antes e depois de mudar o ângulo de bisel, regule sempre as placas de corte como descrito acima.

Manutenção da máxima capacidade de corte (Fig. 8 e 9)

Esta ferramenta foi regulada na fábrica para fornecer a máxima capacidade de corte para uma lâmina de serra de 190 mm.

Quando instala uma nova lâmina, verifique sempre a posição limite inferior da lâmina e, se necessário, regule como se segue:

Primeiro desligue a ferramenta da corrente. Empurre o carroto até à guia de esquadria e desça a pega completamente. Utilize a chave de tubo para rodar o perno de regulação até que a periferia da lâmina esteja ligeiramente saída debaixo da superfície da base giratória no local onde a face da frente da guia de esquadria encontra a superfície superior da base giratória.

Com a ferramenta desligada da corrente, rode a lâmina com a mão enquanto agarra na pega completamente para baixo para se certificar de que a lâmina não contacta qualquer parte da base inferior. Reajuste ligeiramente, se necessário.

PRECAUÇÃO:

- Depois de instalar uma lâmina nova, certifique-se sempre de que a lâmina não contacta nenhuma parte da base inferior quando a pega está completamente des-cida. Faça sempre isto com a ferramenta desligada da corrente.

Placa de retenção (Fig. 10)

A posição limite inferior da lâmina pode ser facilmente regulada com a placa de retenção. Para a regular, rode a placa de retenção na direcção da seta como indicado na figura. Regule os parafusos de modo a que a lâmina páre na posição desejada quando desce completamente a pega.

Regulação do ângulo de esquadria (Fig. 11)

Solte o punho rodando-o para a esquerda. Rode a base giratória enquanto pressiona a alavanca de bloqueio. Quando tiver deslocado o punho para a posição onde o ponteiro aponta para o ângulo desejado na escala de esquadria, aperte firmemente o punho para a direita.

PRECAUÇÃO:

- Quando roda a base giratória, certifique-se de que levanta a pega completamente.
- Depois de mudar o ângulo de esquadria, prenda sempre a base giratória apertando firmemente o punho.

Regulação do ângulo de bisel (Fig. 12 e 13)

Para regular o ângulo de bisel, liberte a alavanca na parte traseira da ferramenta para a esquerda.

Empurre a pega para a esquerda para inclinar a lâmina da serra até que o ponteiro aponte para o ângulo desejado na escala de bisel. Em seguida aperte a alavanca firmemente para a direita para prender o braço.

Para inclinar a lâmina para a direita, empurre o botão de libertação na parte traseira da ferramenta enquanto inclina ligeiramente a lâmina para a esquerda depois de libertar a alavanca. Com o botão de libertação pressionado, empurre a lâmina da serra para a direita.

PRECAUÇÃO:

- Quando inclina a lâmina da serra, certifique-se de que levanta a pega completamente.
- Depois de mudar o ângulo de bisel, prenda sempre o braço apertando a alavanca.
- Quando muda os ângulos de bisel, certifique-se de que posiciona as placas de corte correctamente como explicado na secção "Posicionamento da placa de corte".

Regulação da posição da alavanca (Fig. 14)

A alavanca pode ser reposicionada em qualquer ângulo de 30° quando a alavanca não fornece aperto adequado. Liberte e retire os parafusos que prendem a alavanca na parte traseira da ferramenta. Retire a alavanca e volte a instalá-la outra vez de modo a que esteja ligeiramente acima do nível. Prenda a alavanca firmemente com o parafuso.

Acção do interruptor

PRECAUÇÃO:

- Antes de ligar a ferramenta à corrente, certifique-se sempre de que o gatilho funciona correctamente e volta para a posição "OFF" quando libertado.
- Quando a ferramenta não está em utilização, retire o botão de segurança e guarde-a num local seguro. Para evitar utilização não autorizada.
- Não carregue com força no gatilho sem pressionar o botão de segurança. Pode estragar o interruptor.

Para países Europeus (Fig. 15)

Para evitar que o gatilho seja acidentalmente accionado, existe um botão de segurança. Para iniciar a ferramenta empurre a alavanca para a esquerda, pressione o botão de bloqueio e em seguida carregue no gatilho. Liberte o gatilho para parar.

Para todos os países não Europeus (Fig. 16)

Para evitar que o gatilho seja acidentalmente accionado, existe um botão de segurança. Para iniciar a ferramenta pressione o botão de bloqueio e carregue no gatilho. Liberte o gatilho para parar.

AVISO:

- NUNCA utilize a ferramenta se o gatilho não funcionar correctamente. Qualquer ferramenta com o gatilho estragado é MUITO PERIGOSA e deve ser reparada antes da utilização.
- Para a sua segurança, esta ferramenta está equipada com um botão de segurança que evita que ligue acidentalmente a ferramenta. NUNCA utilize a ferramenta se ela funcionar quando carrega no gatilho sem ter pressionado o botão de bloqueio. Devolva a ferramenta a um centro de Assistência da Makita para reparação ANTES de a voltar a utilizar.
- NUNCA prenda o botão de segurança para o tornar inoperante.

Acender as luzes (Fig. 17)

Para os modelos LS0714F, LS0714FL

PRECAUÇÃO:

- A lâmpada não é à prova de água. Não a lave ou utilize à chuva ou numa zona molhada. Pode causar choque eléctrico e fumaça.
- Não toque nas lentes da lâmpada pois podem estar muito quentes quando está acesa ou depois de desligar. Pode causar queimaduras.
- Não dê pancadas na lâmpada pois pode estragá-la ou diminuir a sua vida útil.
- Não aponte o raio da luz para os seus olhos. Pode ferir os seus olhos.
- Nunca cubra a luz com tecido, cartão ou objectos semelhantes enquanto está acesa pois pode causar incêndio.

Empurre a posição superior do interruptor para ligar a luz e a inferior para desligar.

Desloque a luz para mudar a área iluminada.

NOTA:

- Utilize um pano seco para limpar a sujidade das lentes da lâmpada. Tenha cuidado para não riscar as lentes da lâmpada pois pode diminuir a iluminação.

Acção do raio laser (Fig. 18 e 19)

Para os modelos LS0714FL, LS0714L

PRECAUÇÃO:

- Nunca olhe para o raio laser. Se olhar directamente para o raio laser pode ferir os seus olhos.

Para desligar o raio laser, pressione a posição superior (I) do interruptor. Pressione a posição inferior (O) para desligar.

A linha do laser pode ser deslocada tanto para a esquerda como para a direita da lâmina da serra regulando o parafuso como se segue.

1. Solte o parafuso de regulação rodando-o para a esquerda.
2. Com o parafuso de regulação solto, deslize-o para a direita ou esquerda o mais possível.
3. Aperte o parafuso de regulação firmemente na posição onde parar de deslizar.

A linha de laser foi regulada na fábrica de modo a estar posicionada a 1mm da superfície lateral da lâmina (posição de corte).

NOTA:

• Quando a linha de laser for fraca e quase ou inteiramente invisível devido à luz solar directa por trabalho exterior ou interior perto de uma janela, mude a área de trabalho para um local não exposto à luz solar directa.

Alinhamento da linha de laser (Fig. 20)

A linha de laser pode ser deslocada tanto para o lado esquerdo como direito da lâmina de acordo com as aplicações de corte. Refira-se à explicação em "Acção do raio laser" acerca do método de deslocação.

NOTA:

- Utilize revestimento de madeira contra a placa guia quando alinha a linha de corte com a linha de laser no lado da placa guia no corte composto (ângulo de bisel de 45 graus e ângulo de esquadria à direita de 45 graus).
- A) Quando obtém o tamanho correcto no lado esquerdo da peça de trabalho.
- Desloque a linha de laser para a esquerda da lâmina.
- B) Quando obtém o tamanho correcto no lado direito da peça de trabalho.
- Desloque a linha de laser para a direita da lâmina.
- Alinhe a linha de corte na sua peça de trabalho com a linha de laser.

MONTAGEM

PRECAUÇÃO:

- Certifique-se sempre de que a ferramenta está desligada e a ficha retirada da tomada antes de executar qualquer inspecção na ferramenta.

Armazenamento da chave de tubo (Fig. 21)

A chave de tubo é armazenada como indicado na figura. Quando utiliza a chave de tubo, tire-a do suporte da chave. Depois de utilizar a chave de tubo, volte a colocá-la no suporte da chave.

Instalar ou retirar a lâmina da serra

PRECAUÇÃO:

- Certifique-se sempre de que a ferramenta está desligada e a ficha retirada da tomada antes de instalar ou retirar a lâmina.
- Utilize só a chave da Makita fornecida para instalar ou retirar a lâmina. Se assim não for pode resultar em aperto excessivo ou insuficiente do perno hexagonal. Pode causar danos.

Prenda a pega na posição elevada empurrando o pino de bloqueio. (Fig. 22)

Para retirar a lâmina, utilize a chave de tubo para soltar o perno hexagonal que prende a cobertura central rodando-o para a esquerda. Levante o resguardo da lâmina e a cobertura central. (Fig. 23)

Pressione o bloqueio do veio para prender o eixo e utilize a chave de tubo para libertar o perno hexagonal para a direita. Em seguida retire o perno hexagonal, falgange exterior e lâmina. (Fig. 24)

Para instalar a lâmina, monte-a cuidadosamente no eixo certificando-se de que a direcção da seta na superfície da lâmina corresponde à direcção da seta na caixa da lâmina. Instale a falgange exterior e o perno hexagonal e em seguida utilize a chave de tubo para apertar o perno hexagonal (para a mão esquerda) seguramente para a esquerda enquanto pressiona o bloqueio do veio.

Volte a colocar o resguardo da lâmina e a cobertura central na sua posição original. Em seguida aperte o perno hexagonal para a direita para prender a cobertura central. Solte a pega da sua posição elevada empurrado o pino de bloqueio. Desça a pega para se certificar que o resguardo da lâmina funciona correctamente. Certifique-se de que o travão do veio soltou o eixo antes de fazer o corte. (Fig. 25 e 26)

Saco do pó (Fig. 27)

A utilização do saco do pó torna as operações de corte mais limpas e a recolha de pó mais fácil. Para prender o saco do pó, coloque-o no bocal do pó.

Quando o saco do pó se encontrar meio cheio, retire-o da ferramenta e tire o fecho. Esvazie o saco do pó, batendo-lhe ligeiramente para remover as partículas aderentes no interior que podem dificultar a recolha.

NOTA:

Se ligar um aspirador Makita à sua serra, pode obter uma limpeza mais eficaz.

Prender a peça de trabalho (Fig. 28)

AVISO:

- É extremamente importante que prenda sempre correcta e seguramente a peça de trabalho com o torno. Se assim não for a ferramenta pode estragar-se e/ou a peça de trabalho pode ficar destruída. **TAMBÉM PODEM OCORRER DANOS PESSOAIS.** Depois de uma operação de corte, **NÃO** levante a lâmina até que esteja completamente parada.

PRECAUÇÃO:

- Quando corta peças de trabalho compridas, utilize suportes que sejam tão altos como o nível da superfície superior da base giratória. Não conte só com o torno vertical e/ou horizontal para prender a peça de trabalho.

Material fino tem tendência a curvar. Suporte a peça de trabalho a todo o seu comprimento para evitar que a lâmina encrave e possível RECUO.

Torno vertical (Fig. 29)

O torno vertical pode ser instalado em duas posições, tanto à esquerda como à direita da placa guia ou do conjunto de suporte (acessório auxiliar). Introduza o varão do torno no orifício existente na placa guia ou no conjunto de suporte e aperte o parafuso para fixar o varão do torno.

Posicione o braço do torno de acordo com a espessura e forma da peça de trabalho e prenda o braço do torno apertando o parafuso. Se o parafuso que prende o braço do torno contacta a placa guia, instale o parafuso no lado oposto do braço do torno. Certifique-se de que nenhuma parte da ferramenta contacta o torno quando baixa completamente a pega e puxa ou empurra os carretos até ao fim. Se algumas partes contactar o torno, volte a posicionar o torno.

Pressione a peça de trabalho direita contra a placa guia e a base giratória. Posicione a peça de trabalho na posição de corte desejada.

PRECAUÇÃO:

- A peça de trabalho deve ser presa firmemente contra a base giratória e placa guia com o torno durante todas as operações.

Torno horizontal (acessório opcional) (Fig. 30)

O torno horizontal pode ser instalado no lado esquerdo da base. Rodando o botão do torno para a esquerda, o parafuso fica solta e o eixo do torno pode ser movimentado rapidamente para fora e para dentro. Rodando o botão do torno para a direita, o parafuso mantém-se preso. Para agarrar a peça de trabalho, rode o botão do torno com cuidado até que a projecção atinja a sua posição superior e em seguida aperte-o seguramente. Se o botão do torno for forçado para dentro ou para fora enquanto está a ser rodado para a direita, a projecção pode parar num ângulo. Neste caso, volta a rodar o botão do torno para a esquerda até que o parafuso fique solte antes de o voltar a rodar cuidadosamente para a direita.

A largura máxima da peça de trabalho que pode ser presa pelo torno horizontal é 120 mm.

PRECAUÇÃO:

- Só agarre a peça de trabalho quando a projecção está na posição superior. Se assim não for pode resultar em aperto insuficiente da peça de trabalho. Pode causar com que a peça de trabalho caia, estragar a lâmina ou causar perca de controlo que pode resultar em **DANOS PESSOAIS.**

Suportes e conjunto de suporte (acessórios opcionais) (Fig. 31 e 32)

Os suportes e o conjunto do suporte podem ser instalados em qualquer dos lados como um meio conveniente de suportar peças de trabalho horizontalmente. Instale-as como indicado na figura. Em seguida aperte os parafusos firmemente para prender os suportes e o conjunto do suporte.

Quando corta peças de trabalho compridas utilize o conjunto suporte-varão (acessório opcional). Consiste de dois conjuntos de suporte e dois varões 12.

PRECAUÇÃO:

- Suporte sempre peças de trabalho compridas nivelas com a superfície da base giratória para cortes precisos e para evitar perigosa perca de controlo.

OPERAÇÃO

PRECAUÇÃO:

- Antes da utilização, certifique-se de que liberta a pega da sua posição inferior puxando o pino de bloqueio.
 - Certifique-se de que a lâmina não está em contacto com a peça de trabalho, etc., antes de ligar o interruptor.
 - Não aplique pressão excessiva na pega enquanto corta. Força demasiada pode resultar em sobrecarga do motor e/ou diminuição de eficiência do corte. Empurre a pega para baixo só com a força necessária para um corte suave e sem diminuição significativa da velocidade da lâmina.
 - Pressione suavemente a pega para baixo para executar o corte. Se a pega for pressionada para baixo com força ou se aplicar força lateral, a lâmina vibrará e deixará marca (marca da serra) na peça de trabalho e o corte não será perfeito.
 - Quando executa corte correção empurre o carreto suavemente na direcção da placa guia sem parar. Se o movimento do carreto parar durante o corte, ficará uma marca na peça de trabalho e o corte não será perfeito.
1. **Corte de pressão (corte de peças pequenas) (Fig. 33)**

Peças com até 50 mm de altura e 97 mm de largura podem ser cortadas da seguinte maneira.

Empurre os carretos completamente na direcção da placa guia e aperte os parafusos de aperto que prendem as braçadeiras deslizantes para a direita para prender os carretos. Prenda a peça de trabalho com o torno. Puxe os carretos completamente para si. Ligue a ferramenta sem que a lâmina faça qualquer contacto e espere até que a lâmina atinja toda a velocidade antes de a descer. Em seguida desça a pega suavemente para a posição completamente descida para cortar a peça de trabalho. Quando o corte termina, desligue a ferramenta e **ESPERE ATÉ QUE A LÂMINA PÁRE** antes de a voltar a colocar na posição elevada.

PRECAUÇÃO:

- Aperte firmemente os parafusos de aperto que prendem as braçadeiras deslizantes para a direita para que os carretos não se movam durante a operação. Aperto insuficiente pode causar recuo inesperado da lâmina. Pode resultar em DANOS PESSOAIS sérios.

2. Corte correção (empurrão) (corte de peças largas) (Fig. 34)

Solte os parafusos de aperto que prendem as braçadeiras deslizantes para a esquerda para que os carretos possam deslizar livremente. Prenda a peça de trabalho com o torno. Puxe os carretos completamente para si. Ligue a ferramenta sem que a lâmina faça qualquer contacto e espere até que atinja a velocidade máxima. Empurre a pega para baixo e EMPURRE OS CARRETOS NA DIRECÇÃO DA PLACA GUIA E NA PEÇA DE TRABALHO. Quando o corte estiver concluído desligue a ferramenta e ESPERE ATÉ QUE A LÂMINA ESTEJA COMPLETAMENTE PARADA antes de a fazer voltar à posição completamente elevada.

PRECAUÇÃO:

- Quando executa o corte correção, PRIMEIRO PUXE OS CARRETOS COMPLETAMENTE PARA SI e pressione a pega para a posição mais baixa e em seguida EMPURRE OS CARRETOS NA DIRECÇÃO DA PLACA GUIA. NUNCA INICIE O CORTE QUANDO OS CARRETOS NÃO ESTÃO COMPLETAMENTE PUXADOS PARA SI. Se executar o corte deslizante sem puxar completamente os carretos ou se executar o corte correção na sua direcção, a lâmina pode retornar inesperadamente podendo causar sérios DANOS PESSOAIS.
- Nunca execute o corte correção com a pega bloqueada na posição inferior por ter pressionado o pino de bloqueio.
- Nunca desaperte o parafuso de aperto que prende os carretos enquanto a lâmina está a rodar. Pode causar danos sérios.

3. Corte de esquadria

Refira-se à descrição prévia “Regulação do ângulo de esquadria”.

4. Corte de bisel (Fig. 35)

Solte a alavanca e incline a lâmina da serra para o ângulo de bisel regulado (Refira-se a “Regulação do ângulo de bisel” descrita anteriormente). Certifique-se de que volta a apertar a alavanca firmemente para prender seguramente o ângulo de bisel seleccionado. Prenda a peça de trabalho com um torno. Certifique-se de que o carreto está puxado completamente para trás para o operador. Ligue a ferramenta sem que a lâmina faça qualquer contacto e espere até que a lâmina atinja a velocidade máxima. Em seguida desça cuidadosamente a pega até à posição mais baixa enquanto aplica pressão em paralelo com a lâmina e EMPURRE O CARRETO NA DIRECÇÃO DA PLACA GUIA PARA CORTAR A PEÇA DE TRABALHO. Quando o corte estiver concluído, desligue a ferramenta e ESPERE ATÉ QUE A LÂMINA ESTEJA COMPLETAMENTE PARADA antes de a fazer voltar à posição totalmente elevada.

PRECAUÇÃO:

- Certifique-se sempre de que a lâmina se movimentará para baixo na direcção de bisel durante um corte de bisel. Mantenha as mãos afastadas do percurso da lâmina.

- Durante um corte de bisel pode ser criada uma condição em que a peça cortada cai encostada à lâmina. Se a lâmina for levantada enquanto ainda está a rodar, esta peça pode ser apanhada pela lâmina e estilhaçar o que pode ser perigoso. A lâmina SÓ deve ser levantada quando estiver completamente parada.
- Quando pressiona a pega para baixo, aplique pressão paralelamente à lâmina. Se a pressão não for paralela à lâmina durante o corte, o ângulo da lâmina pode mudar e o corte não será preciso.

5. Corte composto

Corte composto é o processo em que um ângulo de bisel é feito ao mesmo tempo em que um ângulo de esquadria é cortado na peça de trabalho. O corte composto pode ser executado no ângulo indicado na tabela.

Ângulo de esquadria	Ângulo de bisel
Esquerdo e Direito 45°	Esquerdo 0° – 45°
Direito 50°	Esquerdo 0° – 40°
Direito 55°	Esquerdo 0° – 30°
Direito 57°	Esquerdo 0° – 25°

Quando executa corte composto refira-se às explicações de “Corte de pressão”, “Corte correção”; “Corte de esquadria” e “Corte de bisel”.

6. Corte de extrusões de alumínio (Fig. 36)

Quando prende extrusões de alumínio, utilize calços ou bocados de madeira como indicado na figura para evitar deformação do alumínio. Utilize um lubrificante de corte quando corta a extrusão de alumínio para evitar acumulação do material do alumínio na lâmina.

PRECAUÇÃO:

- Nunca tente cortar extrusões de alumínio espessas ou redondas. Extrusões de alumínio espessas podem soltar-se durante a operação e extrusões de alumínio redondas não podem ser seguras firmemente com esta ferramenta.

7. Revestimento de madeira (Fig. 37)

A utilização de um revestimento de madeira assegura que as peças de trabalho não estilhaçam. Prenda um revestimento de madeira à placa guia utilizando os orifícios na placa guia.

Veja a figura relativamente às dimensões sugeridas de um revestimento de madeira.

PRECAUÇÃO:

- Utilize madeira com espessura uniforme para o revestimento de madeira.
- Utilize parafusos para prender o revestimento de madeira à placa guia. Os parafusos devem ser instalados de modo a que as cabeças dos parafusos estejam abaixo da superfície do revestimento de madeira.
- Quando o revestimento de madeira está colocado, não rode a base giratória com a pega descida. A lâmina e/ou o revestimento de madeira ficarão estragados.

8. Corte do mesmo comprimento repetidamente (Fig. 38)

Quando corta várias peças de material com o mesmo comprimento, de 220 mm a 385 mm a utilização da placa de apoio (acessório opcional) facilitará uma operação mais eficiente. Instale a placa de apoio no suporte (acessório opcional) como indicado na figura.

Alinhe a linha de corte na sua peça de trabalho com o lado esquerdo ou direito da ranhura na placa de corte e enquanto placa de apoio não estiver em utilização, solte o parafuso e rode a placa de apoio para não interferir.

NOTA:

- A utilização do conjunto suporte-varão (acessório opcional) permite cortes repetidos com o mesmo comprimento até 2.200 mm.

9. Corte de ranhura (Fig. 39)

Pode fazer um corte tipo dado procedendo como se segue:

Regule a posição inferior da lâmina utilizando os parafusos de regulação e o braço de bloqueio para limitar a profundidade de corte da lâmina. Refira-se à secção "Placa de retenção" descrita anteriormente.

Depois de regular a posição de limite inferior da lâmina, corte ranhuras paralelas ao longo da largura da peça de trabalho utilizando um corte desizante (empurrão) como indicado na figura. Em seguida retire o material da peça de trabalho entre as ranhuras com um cinzel. Não tente executar este tipo de corte utilizando lâminas largas (espessas) ou com uma lâmina dado. Pode perder o controlo resultando em danos sérios.

PRECAUÇÃO:

- Certifique-se que volta a colocar o braço de bloqueio na posição original quando executa cortes que não sejam de ranhuras.

Transporte da ferramenta (Fig. 40 e 41)

Certifique-se de que a ferramenta está desligada da corrente. Prenda a lâmina no ângulo de bisel de 0° e rode a base completamente para o ângulo de esquadria à direita. Prenda as braçadeiras deslizantes depois de puxar os carretos completamente para si. Desça a pega completamente e prenda-a na posição inferior empurrando o pino de bloqueio.

Transporte a ferramenta agarrando nos dois lados da base da ferramenta como indicado na figura. Se retirar os suportes, saco do pó, etc., pode transportar mais facilmente a ferramenta.

PRECAUÇÃO:

- Prenda sempre todas as partes móveis antes de transportar a ferramenta.
- O pino de bloqueio é só para fins de transporte e armazenamento e não para qualquer operação de corte.

MANUTENÇÃO

PRECAUÇÃO:

- Certifique-se sempre de que a ferramenta está desligada e a ficha retirada da tomada antes de tentar executar qualquer inspeção ou manutenção.

AVISO:

- Certifique-se sempre de que a lâmina está afiada e limpa para um rendimento melhor e mais seguro.

Regulação do ângulo do corte

Esta ferramenta foi cuidadosamente regulada e alinhada na fábrica, mas manuseamento pouco cuidado pode afectar o alinhamento. Se a sua ferramenta não estiver alinhada correctamente proceda como se segue:

1. Ângulo de esquadria

Empurre o carreto na direcção da placa guia e aperte os dois parafusos de aperto para prender o carreto.

Solte o punho que prende a base giratória. Rode a base giratória de modo a que o ponteiro aponte para 0° na escala de esquadria. Em seguida rode a base giratória ligeiramente para a direita e esquerda para colocar a base giratória na ranhura de 0° de esquadria. (Deixe-a como está se o ponteiro não apontar para 0°.) Liberte os pernos hexagonais que prendem a placa guia utilizando a chave hexagonal. (Fig. 42)

Desça a pega completamente e prenda-a na posição inferior empurrando o pino de bloqueio. Ajuste o lado da lâmina com a face da placa guia, utilizando um triângulo, esquadro, etc. Em seguida aperte firmemente os pernos hexagonais na placa guia em ordem a partir do lado direito. (Fig. 43)

Certifique-se de que o ponteiro aponta para 0° na escala de esquadria. Se o ponteiro não apontar para 0°, liberte o parafuso que prende o ponteiro e regule o ponteiro de modo a que aponte para 0°. (Fig. 44)

2. Ângulo de bisel

1. Ângulo de bisel de 0°

Empurre o carreto na direcção da placa guia e aperte os dois parafusos de aperto para prender o carreto. Desça a pega completamente e prenda-a na posição inferior empurrando o pino de bloqueio. Liberte a alavanca na parte traseira da ferramenta. Rode o perno de ajuste do ângulo de bisel de 0° (perno mais baixo) no lado direito do braço duas ou três voltas para a esquerda para inclinar a lâmina para a direita. (Fig. 45)

Ajuste o lado da lâmina com a superfície superior da base giratória utilizando um triângulo, esquadro, etc., rodando o perno de ajuste do ângulo de bisel de 0° para a direita. Em seguida aperte a alavanca firmemente. (Fig. 46)

Certifique-se de que o ponteiro no braço aponta para 0° na escala de bisel no suporte do braço. Se não apontar para 0°, solte o parafuso que prende o ponteiro e regule-o de modo a que aponte para 0°. (Fig. 47)

2. Ângulo de bisel de 45°

Regule o ângulo de bisel de 45° só depois de regular o ângulo de bisel de 0°. Para regular o ângulo de bisel de 45°, solte a alavanca e incline a lâmina completamente para a esquerda. Certifique-se de que o ponteiro no braço aponta para 45° na escala de bisel. Se o ponteiro não apontar para 45°, rode o perno de regulação do ângulo de bisel de 45° (perno superior) no lado direito do braço até que o ponteiro aponte para 45°. (Fig. 48)

Regulação da posição da linha de laser (Fig. 49 e 50)

Para os modelos LS0714FL, LS0714L

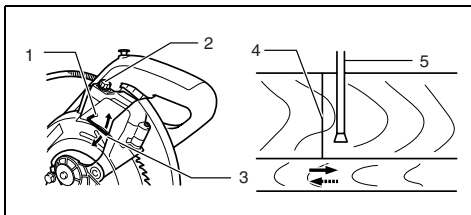
AVISO:

- Se a ferramenta estiver ligada à corrente quando regula a posição da linha de laser, tenha cuidado especial com a acção do interruptor. Carregar no gatilho acidentalmente pode causar um início acidental da ferramenta e danos pessoais.

PRECAUÇÃO:

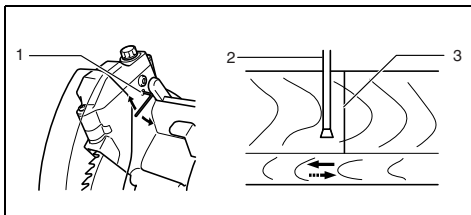
- Nunca olhe para o raio laser. Se olhar directamente para o raio laser pode ferir os seus olhos.
- Nunca dê pancadas ou safanões na ferramenta. Uma pancada ou safanão pode causar uma posição incorrecta de linha de laser, estragar a parte de emissão do raio laser ou diminuir a vida útil da ferramenta.

Quando regula, a linha de laser aparece na parte esquerda da lâmina da serra



- 1 Aparafuse para mudar a deslocação do parafuso de regulação
- 2 Parafuso de regulação
- 3 Chave hexagonal
- 4 Linha de laser
- 5 Lâmina da serra

Quando regula, a linha de laser aparece na parte direita da lâmina da serra



- 1 Aparafuse para mudar a deslocação do parafuso de regulação
- 2 Lâmina da serra
- 3 Linha de laser

Para as duas regulações, proceda como se segue.

1. Certifique-se de que a ferramenta está desligada da corrente.
2. Desenhe a linha de corte na peça de trabalho e coloque-a na mesa giratória. Nesta altura, prenda a peça de trabalho com um torno ou um instrumento semelhante.
3. Desça a lâmina descendo a pega e verifique a localização da linha de corte e da lâmina da serra. (Decida a posição a cortar na linha de corte.)
4. Depois de decidir a posição de corte, volte a colocar a pega na posição original. Prenda a peça de trabalho com o torno vertical sem mudar a peça de trabalho de posição pré-verificada.

5. Ligue a ferramenta à corrente e ligue o interruptor de laser.
6. Regule a posição da linha de laser como se segue.

A posição da linha de laser pode ser mudada de acordo com a gama deslocável do parafuso de regulação pois o laser é mudado rodando dois parafusos com a chave hexagonal. (A gama deslocável da linha de laser foi regulada na fábrica a 1 mm da superfície lateral da lâmina.)

Para mudar a gama deslocável da linha de laser para mais afastada da superfície da lâmina, rode os dois parafusos para a esquerda depois de soltar o parafuso de regulação. Rode estes dois parafusos para a direita para mudar para mais próximo da lâmina depois de soltar o parafuso de regulação.

Refira-se à secção “Acção do raio laser” e regule o parafuso de regulação de modo a que a linha de corte na sua peça de trabalho esteja alinhada com a linha de laser.

NOTA:

- Verifique regularmente a precisão da linha de laser.
- No caso de qualquer correcção na linha de laser mande reparar a ferramenta num centro de assistência autorizado da Makita.

Substituição da lâmpada fluorescente (Fig. 51)

Para os modelos LS0714F, LS0714FL

PRECAUÇÃO:

- Certifique-se sempre de que a ferramenta está desligada e a ficha retirada da tomada antes de substituir a lâmpada fluorescente.
- Não aplique força, impacto ou risque a lâmpada fluorescente pois pode partir o vidro da lâmpada fluorescente causando ferimentos a si ou alguém perto.
- Espere um pouco depois da utilização da lâmpada antes de a substituir. Pode queimar-se.

Retire os parafusos que prendem a Caixa da Lâmpada para a luz.

Retire a Caixa da Lâmpada empurrando ligeiramente a sua posição superior como indicado na figura.

Retire a lâmpada fluorescente e substitua-a por uma nova lâmpada da Makita.

Limpeza das lentes para a luz laser (Fig. 52 e 53)

Para os modelos LS0714FL, LS0714L

Se as lentes para a luz laser ficarem sujas ou poeira aderir de modo a que a linha de laser deixe de ser visível, desligue a serra da corrente e retire e limpe as lentes da luz laser cuidadosamente com um pano húmido, macio. Não utilize solventes ou outros produtos de limpeza à base de petróleo.

Para retirar as lentes para a luz laser, retire a lâmina da serra antes de retirar as lentes de acordo com as instruções na secção “Instalar ou retirar a lâmina da serra”.

Solte mas não retire o parafuso que prende as lentes utilizando uma chave de parafusos.

Tire as lentes como indicado na figura.

NOTA:

- Se as lentes não saírem, solte mais o parafuso e tire as lentes para fora sem retirar o parafuso.

Substituição das escovas de carvão (Fig. 54 e 55)

Desmonte e verifique as escovas de carvão regularmente. Substitua-as quando estas apresentarem um desgaste até à marca limite. Mantenha as escovas de carvão limpas e soltas, podendo deslizar nos suportes. Ambas as escovas de carvão devem ser substituídas em simultâneo. Utilize exclusivamente escovas de carvão idênticas.

Recorra a uma chave de fendas para retirar as tampas dos suportes de escovas. Retire as escovas de carvão gastas, introduza as novas e fixe as tampas dos suportes.

Depois da utilização

- Depois da utilização, limpe as aparas e o pó que aderiu à ferramenta com um pano ou material semelhante. Mantenha o resguardo de segurança do disco limpo conforme instruções constantes da anterior secção com o título “Resguardo de segurança do disco de corte”. Lubrifique os componentes deslizantes com óleo de máquina para evitar a ferrugem.
- Quando guardar a ferramenta, puxe o carro completamente para si de modo a que o braço telescópico fique completamente introduzido na base giratória.

Para manter a SEGURANÇA e a FIABILIDADE do produto, as reparações e qualquer outra manutenção ou ajuste devem ser levadas a cabo pelos centros de assistência Makita autorizados, utilizando sempre peças de substituição Makita.

ACESSÓRIOS

PRECAUÇÃO:

- Estes acessórios ou extensões são recomendados para utilização com a sua ferramenta Makita especificada neste manual. A utilização de quaisquer outros acessórios ou extensões pode representar um risco de lesões para pessoas. Utilize apenas um acessório ou extensão para o fim a que se destina.

Se necessitar de informações adicionais relativas a estes acessórios, solicite-as ao seu centro de assistência Makita.

- Lâminas de serra com pontas de carboneto
- Conjunto do torno (torno horizontal)
- Torno vertical
- Chave hexagonal 10
- Apoio do suporte
- Conjunto do suporte
- Conjunto do Suporte-varão
- Placa de apoio
- Saco do pó
- Régua triangular
- Botão de segurança (2 peças)
- Lâmpada fluorescente
- Chave hexagonal

Illustrationsoversigt

1	Stopstifte	31	Laserkontakt	59	To spændeskruer, som holder skydestangen
2	Bolt	32	Nøgleholder	60	Skrue
3	Justeringsbolt	33	Rørholder	61	Afstandsklods
4	Beskyttelseskærm	34	Midterafdækning	62	Aluminium-profiler
5	Fingerskrue	35	Topnøgle	63	Over 15 mm
6	Indlægsplade	36	Sekskantbolt	64	Over 420 mm
7	Savklinge	37	Sikkerhedsafdækning	65	Huller
8	Klingetænder	38	Spindellås	66	Indstillingsplade
9	Venstre skråsnit	39	Pil	67	Skær riller med klingen
10	Lige snit	40	Klingehus	68	Trekantslineal
11	Drejeskive	41	Sekskantbolt (venstreskåret)	69	Armholder
12	Anslag	42	Ydre flange	70	0 graders geringsvinkel justeringsbolt
13	Overflade på drejeskive	43	Indre flange	71	Venstre 45 graders geringsvinkel justeringsbolt
14	Klingeperiferi	44	Spindel	72	Arbejdsstykke
15	Justeringskrue	45	Støvmundstykke	73	Skærelinie
16	Stoparm	46	Støvtud	74	Lodret skrue
17	Låsearm	47	Lukkeskinne	75	Træk ud
18	Vinkelskala	48	Støtte	76	Tryk
19	Viser	49	Skruearm	77	Lampeboks
20	Indstillingsgreb	50	Skruestang	78	Skruer
21	Håndtag	51	Holder	79	Lysstofrør
22	Udløserknap	52	Holderenhed (ekstraudstyr)	80	Skruetrækker
23	Skråsnitskala	53	Skrueknap	81	Skrue (kun een)
24	Arm	54	Fremspring	82	Linse til laserlys
25	Skrue	55	Skruespindel	83	Slidgrænse
26	Aflåseknap	56	Bund	84	Kulholderdæksel
27	Afbryderkontakt	57	Stang 12		
28	Håndtag	58	To spændeskruer, som holder skydestangen		
29	Lampe				
30	Lampekontakt				

SPECIFIKATIONER

Model	LS0714/LS0714F/LS0714FL/LS0714L
Klingediameter	190 mm
Hul (skaft) diameter	20 mm
Maks. geringsvinkel	Venstre 47°, Højre 57°
Maks. skråvinkel	Venstre 45°, Højre 5°
Maks. skærekapacitet (H x B) med klinge med diameter på 190 mm.	

Geringsvinkel	Skråvinkel		
	45° (venstre)	0°	45° (højre)
0°	*45 mm x 265 mm (Bemærk 1)	*60 mm x 265 mm (Bemærk 1)	—
	40 mm x 300 mm	52 mm x 300 mm	40 mm x 300 mm
45° (venstre og højre)	*45 mm x 185 mm (Bemærk 2)	*60 mm x 185 mm (Bemærk 2)	—
	40 mm x 212 mm	52 mm x 212 mm	—
57° (højre)	—	*60 mm x 145 mm (Bemærk 3)	—
		52 mm x 163 mm	

(Bemærk)

* mærket angiver, at et træanlæg med den følgende tykkelse anvendes.

1. Ved anvendelse af træanlæg med en tykkelse på 20 mm.
2. Ved anvendelse af træanlæg med en tykkelse på 15 mm.
3. Ved anvendelse af træanlæg med en tykkelse på 10 mm.

Omdrejninger (ubelastet).....	6 000 min ⁻¹
Lasertype (LS0714FL/L).....	Rød laser 650 nm, <1mW (laserklasse 2)
Mål (L x B x H).....	670 mm x 430 mm x 458 mm
Nettovægt	LS0714: 12,5 kg, LS0714F: 12,8 kg, LS0714FL: 13,1 kg, LS0714L: 13,0 kg

- Af hensyn til vort løbende udviklingsprogram forbeholdes ret til ændring af specifikationer uden varsel.
- Bemærk: Tekniske data kan variere fra land til land.

Tilsluttet anvendelse

Denne maskine er beregnet til udførelse af præcis lige afkortning og geringssskæring i træ. Ved brug af passende savklinger kan der også savs i aluminium.

Netspænding

Maskinen må kun tilsluttes den netspænding, der er angivet på typeskiltet. Maskinen arbejder på enkeltfaset vekselspænding og er dobbeltisoleret iht. de europæiske normer og må derfor tilsluttes en stikkontakt uden jordtilslutning.

Sikkerhedsbestemmelser

Af sikkerhedsgrunde bør De sætte Dem ind i de medfølgende Sikkerhedsforskrifter.

YDERLIGERE SIKKERHEDSBESTEMMELSER FOR MASKINEN

1. **Brug altid beskyttelsesbriller.**
2. **Anbring aldrig Deres hænder eller fingre i savklingens bane.** Undgå kontakt med klingens, mens denne kører i frihjul. Berøring kan medføre alvorlig tilskadekomst.
3. **Anvend ikke saven, hvis beskyttelsesanordningerne ikke er forskriftsmæssigt anbragt.** Kontrollér beskyttelsesskærmen for korrekt funktion før hver brug. **Anvend ikke saven, hvis beskyttelsesskærmen ikke bevæger sig frit og lukker øjeblikkeligt.** Beskyttelsesskærmen må aldrig åbnes eller bindes til åben position.
4. **Udfør ikke nogen savninger på frihånd.** Emnet skal altid være forsvarligt fastspændt mod drejeskiven og anslaget ved hjælp af skruestikken under alt arbejde med maskinen. Brug aldrig hånden til at holde emnet fast.
5. **Tag aldrig fast om og ræk aldrig omkring savklingen.**
6. **Sluk maskinen og vent indtil savklingen står helt stille, før emnet flyttes eller indstillinger ændres.**
7. **Træk netstikket ud før der udskiftes klinge eller foretages servicering.**
8. **Fastgør altid alle bevægelige dele, inden maskinen transporteres.**
9. **Stopstift, som fastlåser skærehovedet, er kun beregnet til transport- og opbevaringsformål og ikke til nogen form for skæring.**
10. **Anvend ikke maskinen i nærheden af letantændelige væsker eller gasser.**
11. **Før maskinen startes, bør De undersøge savklingen omhyggeligt for eventuelle brud eller anden beskadigelse.**
Revnede eller på anden måde beskadigede savklinger skal straks udskiftes.
12. **Anvend kun flanger, der er anbefalet til brug med denne maskine.**
13. **Behandl aksel, flanger (specielt anlægssflanger) og bolte med omhu.** Beskadigelse af disse dele kan medføre beskadigelse af savklingen.

14. **Sørg for, at drejeskiven er fastlåst og ikke bevæger sig under brug.**
 15. **Af hensyn til Deres sikkerhed bør affald og smådele fjernes fra drejeskivens overflade, før arbejdet påbegyndes.**
 16. **Undgå at skære i søm.** Fjern alle søm fra emnet, før arbejdet påbegyndes.
 17. **Forvis Dem om, at spindellåsen er løsnet, før De starter maskinen.**
 18. **Sørg for, at savklingen ikke rører drejeskiven i nederste position.**
 19. **Hold godt fast i grebet.** Saven kan ved start og stop bevæge sig let op og ned.
 20. **Sørg for, at savklingen ikke er i berøring med emnet, før maskinen startes.**
 21. **Før maskinen anvendes på emnet, skal den løbe i tomgang et stykke tid.** Undersøg om der forekommer vibrationer eller rystelser, der kan være forårsaget af forkert montage eller manglende afbalancering af savklingen.
 22. **Påbegynd først savningen, når maskinen er oppe på fulde omdrejninger.**
 23. **Afbryd straks anvendelsen, hvis De bemærker noget unormalt under brugen.**
 24. **Forsøg aldrig at fastlåse afbryderen i "on" stillingen.**
 25. **Vær altid på vagt; især under gentaget, monotont arbejde.** Det er farligt at blive lullet ind i en falsk følelse af sikkerhed. Savklingerne er meget farlige.
 26. **Anvend altid kun det tilbehør, der er anbefalet i denne brugsanvisning.** Anvendelse af upassende tilbehør, eksempelvis slibeskiver, kan medføre tilskadekomst.
 27. **Anvend ikke saven til at skære andet end aluminium, træ eller lignende materialer.**
 28. **Tilslut en afkorter-geringsstav til en støvopsamlende anordning, når der savs.**
 29. **Vælg savklinger, der passer til det materiale, der skal skæres.**
 30. **Vær omhyggelig, når der skal laves notning.**
 31. **Udskift indlægspladen, når den bliver slidt.**
 32. **Anvend ikke savklinger, der er fremstillet af hurtigstål.**
 33. **Støv frembragt under anvendelse kan indeholde kemikalier, der er kendte for at kunne fremkalde kræft, give medfødte defekter eller anledning til anden skade på forplantningsevnen.** Nogle eksempler på disse kemikalier er:
 - bly fra materialer, der er malet med blyholdigt maling
 - arsenik eller chrom fra kemisk behandlet tømmer.
- Risikoen i forbindelse med udsættelse for disse kemikalier afhænger af, hvor ofte De udfører denne type arbejde. For at reducere udsættelse for disse kemikalier bør De: arbejde i veludlufede områder og med anvendelse af godkendt sikkerhedsudstyr, såsom støvmasker, der er specielt konstrueret til at filtrere mikroskopiske partikler.

34. For at reducere den frembragte mængde støv bør De sikre, at savklingen altid er skarp og ren.
35. Operatøren skal være tilstrækkelig øvet i anvendelse, justering og operation af maskinen.
36. Anvend korrekt skærpede savklinger. Overhold den maksimale hastighed, der er angivet på savklingen.
37. Undlad at fjerne nogen form for afskær eller andre dele af emnet fra skæreamrådet, så længe maskinen kører og savhovedet ikke er i hvileposition.

GEM DISSE INSTRUKTIONER.

MONTERING

Montering på bæk

Når maskinen afsendes fra fabrikken, er håndtaget låst i den sænkede stilling af stopstiften. Frigør stopstiften ved at sænke håndtaget langsomt og trække stopstiften ud. (Fig. 1)

Denne maskine bør altid befæstes med to bolte til en plan og stabil overflade med brug af de bolthuller, som findes i maskinens bund. Dette vil forhindre, at maskinen tipper med personskaade til følge. (Fig. 2)

Drej justeringsbolten i retningen med eller mod uret, så den kommer i berøring med gulvfladen, hvorved maskinen holdes stabil. (Fig. 3)

FUNKTIONSBESKRIVELSE

FORSIGTIG:

- Kontroller altid, at maskinen er slået fra og at netstikket er trukket ud, før der udføres justeringer eller inden funktioner kontrolleres på denne maskine.

Beskyttelsesskærm (Fig. 4 og 5)

Når De sænker håndtaget, hæver beskyttelsesskærmen sig automatisk. Beskyttelsesskærmen er udstyret med en fjeder, så den vender tilbage til udgangspositionen, når savningen er færdig og håndtaget hæves. BESKYTTELSSESKÆRMEN MÅ ALDRIG SÆTTES UD AF FUNKTION OG FJEDEREN PÅ SKÆRMEN MÅ ALDRIG FJERNES.

I Deres egens sikkerheds interesse bør De altid holde beskyttelsesskærmen i forskriftsmæssig stand. Uregelmæssigheder i beskyttelsesskærmens gang bør straks korrigeres. BRUG ALDRIG MASKINEN. HVIS BESKYTTELSSESKÆRMEN ELLER FJEDEREN HAR LIDT SKADE, ER DEFEKT ELLER MANGLER. DETTE ER MEGET FARLIGT OG KAN FØRE TIL ALVORLIG PERSONSKADE.

Hvis den transparente beskyttelsesskærm bliver snavset eller der sidder så meget savsmuld på den, at savklingen ikke længere kan ses tydeligt, skal De tage saven ud af forbindelse og rengøre beskyttelsesskærmen med en fugtig klud. Benyt ikke opløsningsmidler eller rengøringsmidler på petroleumbasis på plasticskærmen.

Hvis beskyttelsesskærmen er meget snavset og der ikke kan ses tydeligt gennem skærmen, anvendes den medfølgende topnøgle til at løse den sekskantbolt, der holder midterafskærmningen på plads. Løs sekskantbolten ved at dreje den mod uret og hæv beskyttelsesskærmen og midterafskærmningen. Med beskyttelsesskærmen anbragt på denne måde, er det lettere at udføre en mere effektiv rengøring. Når rengøringen er færdig, udføres den beskrevne procedure i omvendt orden, og sekskantbolten spændes til. Fjern ikke den fjeder, der holder beskyttelsesskærmen. Hvis beskyttelsesskærmen i tidens løb bliver misfarvet på grund af alder eller ultraviolet stråling, bør De kontakte et Makita-servicecenter for at få en ny beskyttelsesskærm. DE MÅ ALDRIG OMGÅ ELLER AFMONTERE BESKYTTELSSESKÆRMEN.

Placering af indlægsplader (Fig. 6 og 7)

Denne maskine er udstyret med indlægsplader i drejeskiven med det formål at minimere slitage på afslutningssiden af en savning. Indlægspladerne er fra fabrikken indstillet således, at savklingen ikke kommer i berøring med indlægspladerne. Indstil indlægspladerne inden brug på følgende måde:

Tag først maskinen ud af forbindelse. Løs alle de skruer (2 hver i venstre og højre side), som fastholder indlægspladerne. Stram kun skruerne så meget, at indlægspladerne stadig nemt kan flyttes med hånden. Sænk håndtaget helt og tryk stopstiften ind for at låse håndtaget i den nederste stilling. Løs de to spændeskruer, som fastholder skydestængerne. Træk slæden helt imod Dem. Indstil indstillingspladerne således, at de lige netop berører siderne af klingetænderne. Stram de forreste skruer (stram ikke for meget). Skub slæden helt mod anslaget og indstil indlægspladerne således, at de lige netop berører siderne af klingetænderne. Stram de bageste skruer (stram ikke for meget).

Frigør stopstiften, når indlægspladerne er indstillet og hæv håndtaget. Stram derefter alle skruerne godt til.

FORSIGTIG:

- Før og efter ændring af skråvinklen skal indlægspladerne altid indstilles som beskrevet herover.

Sikring af maksimal skæredybde (Fig. 8 og 9)

Denne maskine er på fabrikken indstillet til at give den maksimale skæredybde med en 190 mm savklinge.

Når der monteres en ny savklinge, skal den nedre grænseposition på klingens altid kontrolleres, og såfremt det er påkrævet, justeres som beskrevet herunder:

Tag først maskinen ud af forbindelse ved at trække netstikket ud. Skub slæden helt mod anslaget og sænk håndtaget fuldstændigt. Anvend en topnøgle til at dreje justeringsbolten, indtil klingeperiferien stikker en smule længere ned end overfladen på drejeskiven på det sted, hvor fronten på anslaget møder overfladen på drejeskiven.

Stadig med netstikket trukket ud, drejes savklingen med hånden, mens håndtaget holdes helt nede. Sorg for, at savklingen ikke berører nogen del af den nederste bund. Juster om nødvendigt en smule.

FORSIGTIG:

- Efter montering af en ny savklinge skal man altid sikre sig, at klingens ikke er i kontakt med nogen del af den nedre bund, når håndtaget er fuldstændigt sænket. Udfør altid dette med netstikket trukket ud.

Stoparm (Fig. 10)

Klingens nedre grænseposition kan nemt indstilles med stoparmen. For at indstille den, drejes stoparmen i pilens retning som vist på illustrationen. Indstil justerings-skruen således, at klingens stopper i den ønskede position, når håndtaget sænkes helt.

Justering af geringsssnit (Fig. 11)

Løsn indstillingsgrebet ved at dreje det mod uret. Drej drejeskiven, mens låsearmen holdes nede. Når grebet er flyttet til den position, hvor viseren står ud for den ønskede vinkel på vinkelskalaen, fastgøres indstillingsgrebet ved at dreje det med uret.

FORSIGTIG:

- Når drejeskiven drejes, skal håndtaget være helt hævet.
- Efter ændring af geringsvinklen, skal drejeskiven altid sikres ved at indstillingsgrebet spændes stramt til.

Justering af skråvinklen (Fig. 12 og 13)

For at justere vinklen ved skråsnit, løsnes håndtaget på bagsiden af maskinen i retningen mod uret.

Tryk håndtaget mod venstre for at kipe savklingen, indtil viseren står ud for den ønskede vinkel på skråsnitskalaen. Stram derefter håndtaget for at holde armen på plads.

For at kipe savklingen mod højre, skal man trykke på udløserknappen på bagsiden af maskinen, mens man kiper klingens smule mod venstre, efter at håndtaget er frigjort. Med udløserknappen nedtrykket, kippes savklingen derefter mod højre.

FORSIGTIG:

- Når savklingen kippes, skal håndtaget altid være helt hævet.
- Efter ændring af skråvinklen skal håndtaget altid sikres ved at det strammes i retningen med uret.
- Husk, når skråvinklerne ændres, at placere indlægspladerne korrekt som forklaret i afsnittet "Placering af indlægsplader".

Indstilling af håndtagets position (Fig. 14)

Håndtagets stilling kan skiftes ved hver vinkel 30°, hvis håndtaget ikke giver en fuldstændig stramning.

Løsn og fjern den skrue, der holder håndtaget på bagsiden af maskinen. Fjern håndtaget og monter det igen på en sådan måde, at det er en smule over niveau. Fastgør håndtaget godt med skruen.

Afbryderfunktion

FORSIGTIG:

- For netstikket sættes i en stikkontakt, bør det altid kontrolleres, at afbryderkontakten fungerer korrekt og returnerer til "OFF"-stillingen, når den slippes.
- Når maskinen ikke anvendes, fjernes aflåseknappen og opbevares på et sikkert sted. Dette forhindrer, at uvedkommende anvender maskinen.
- Tryk ikke hårdt på afbryderkontakten uden at trykke aflåseknappen ind. Dette kan ødelægge afbryderkontakten.

For lande i Europa (Fig. 15)

For at forhindre at afbryderkontakten trykkes ind ved et uheld, er maskinen forsynet med en aflåseknop. Maskinen startes ved at man skubber håndtaget til venstre, trykker aflåseknappen ind og derefter trykker på afbryderkontakten. Slip afbryderkontakten for at stoppe.

For alle lande udenfor Europa (Fig. 16)

For at forhindre at afbryderkontakten trykkes ind ved et uheld, er maskinen udstyret med en aflåseknop. Maskinen startes ved at man, trykker aflåseknappen ind og derefter trykker på afbryderkontakten. Slip afbryderkontakten for at stoppe.

ADVARSEL:

- Anvend ALDRIG maskinen, hvis afbryderkontakten ikke fungerer som den skal. Enhver maskine med en afbryderkontakt, der ikke virker, er MEGET FARLIG og skal repareres før yderligere anvendelse.
- Af sikkerhedsårsager er denne maskine forsynet med en aflåseknop, der forhindrer utilsigtet start af maskinen. Anvend ALDRIG maskinen, hvis den kører blot ved at De trykker på afbryderkontakten, uden at der først er trykket på aflåseknappen. Indlever maskinen til et Makita servicecenter til reparation FØR yderligere anvendelse.
- De må ALDRIG tape aflåseknappen fast eller omgå aflåseknappens formål og funktion.

Tænding af lamperne (Fig. 17)

Gælder model LS0714F, LS0714FL

FORSIGTIG:

- Denne lampe er ikke vandtæt. Vask ikke lampen med vand og anvend den ikke på steder med fugt. Det kan medføre elektrisk stød og røg.
- Berør ikke lampens linse, mens lampen er tændt, og umiddelbart efter at den er slukket, da linsen er meget varm. Berøring af den varme linse kan give forbrændinger.
- Udsæt ikke lampen for voldsomme fysiske påvirkninger, da dette kan bevirke, at den lider skade og at dens levetid afkortes.
- Lad ikke lysstrålen falde direkte i øjnene. Det kan give øjensmerter eller øjenskader.
- Tildæk ikke lampen med klæde, karton, pap eller lignende materialer, mens lampen er tændt, da dette kan føre til brand.

Tryk på den øverste del af afbryderen for at tænde lyset og på den nederste del for at slukke det.

Flyt lampen for at oplyse et andet område.

BEMÆRK:

- Benyt en tør klud til at tørre snavs af lampens linse. Undgå at ridse lampens linse, da det kan medføre reduceret lysstyrke.

Anvendelse af laserstråler (Fig. 18 og 19)

Gælder model LS0714FL, LS0714L

FORSIGTIG:

- Se aldrig ind i laserstrålen. Direkte bestråling kan føre til øjenskader.

For at aktivere laserstrålen, skal De trykke på den øverste del (I) af afbryderen. Tryk på den nederste del (O) for at afbryde.

Laserlinjen kan skiftes til enten venstre eller højre side af savklingen ved at man justerer skruen som vist herunder.

1. Løsn justerings-skruen ved at dreje den i retningen mod uret.
2. Med justerings-skruen løst skydes justerings-skruen mod højre eller venstre så langt som den kan komme.
3. Stram justerings-skruen godt til i den position, hvor den holder op med at glide.

Laserlinien er på fabrikken indstillet således, at den er placeret indenfor 1 mm fra siden af klingens overflade (skæreposition).

BEMÆRK:

- Hvis laserlinien er utydelig og næsten usynlig på grund af direkte sol i det indendørs eller udendørs vindue, skal der findes et nyt arbejdssted, som ikke er udsat for direkte sol.

Indstilling af laserlinien (Fig. 20)

Laserlinien kan flyttes til enten venstre eller højre side af klingens, alt efter skæremetoden. Vi henviser til forklaringen med overskriften "Anvendelse af laserstråler" angående metoden til flytning.

BEMÆRK:

- Anvend træanlæg mod anslaget, når skærelinien sættes ud for laserlinien på siden af anslaget ved kombineret snit (skråvinkel 45 grader og geringsvinkel til højre 45 grader).
- A) Når den korrekte størrelse på venstre side af arbejdsstykket er opnået
 - Flyt laserlinien til venstre side af klingens.
- B) Når den korrekte størrelse på højre side af arbejdsstykket er opnået
 - Flyt laserlinien til højre side af klingens.

Sæt skærelinien på arbejdsstykket på linie med laserlinien.

SAMLING

FORSIGTIG:

- Sørg altid for, at maskinen er slukket og at netledningen er taget ud af forbindelse, inden der foretages noget arbejde på selve maskinen.

Opbevaring af topnøgle (Fig. 21)

Topnøglen opbevares som vist på illustrationen. Tag topnøglen ud af nøgleholderen, når den ikke skal anvendes. Sæt den tilbage i nøgleholderen, når den ikke skal anvendes mere.

Montering og afmontering af savklingen

FORSIGTIG:

- Sørg altid for, at maskinen er slukket og taget ud af forbindelse, før savklingen monteres eller afmonteres.
- Anvend kun den topnøgle, som er leveret af Makita, til at montere og afmontere savklingen. Anvendelse af andre topnøgler kan medføre en for hård eller for let tilspænding af sekskantbolten. Dette kan medføre personskade.

Lås håndtaget i den hævdede stilling ved at trykke stopstiften ind. (Fig. 22)

For at afmontere savklingen anvendes topnøglen til at løse den sekskantbolt, der holder midterafdækningen, ved at dreje den i retningen mod uret. Løft beskyttelsesskærmen og midterafdækningen. (Fig. 23)

Tryk på spindellåsen, så spindelen låses, og anvend topnøglen til at løse sekskantbolten i retningen med uret. Fjern derefter sekskantbolten, den ydre flange og savklingen. (Fig. 24)

For at montere savklingen sættes denne på spindelen, idet De forviser Dem om, at pilens retning på savklingen stemmer overens med pilens retning på klingehuset. Monter den ydre flange og sekskantbolten. Benyt derefter topnøglen til at spænde sekskantbolten (venstreskåret gevind) fast ved at dreje den mod uret, mens der trykkes på spindellåsen.

Sæt beskyttelsesskærmen og midterafdækningen tilbage på plads. Stram dernæst sekskantbolten til i retningen med uret for at holde midterafdækningen på plads. Frigør håndtaget fra dets hævdede position ved at trække i stopstiften. Sænk håndtaget for at sikre, at beskyttelsesskærmen bevæger sig på korrekt vis. Sørg for, at spindellåsen er udløst, før der saves. (Fig. 25 og 26)

Støvpose (Fig. 27)

Anvendelse af støvposen giver et renere arbejdsmiljø og gør det nemmere at opsamle støv. Støvposen sættes på ved at posens mundstykke sættes over støvmundstykket. Når støvposen er cirka halvt fyldt, tages den af maskinen og lukkeskinnen trækkes ud. Tøm støvposen og bank let på den, så de støvpartikler, der har samlet sig på de indvendige flader og som kan nedsætte effektiviteten af støvopsamlingen, fjernes.

BEMÆRK:

Hvis De tilslutter en Makita-støvsuger til denne maskine, kan en renere og mere udsugning opnås.

Fastspænding af arbejdsstykket (Fig. 28)

ADVARSEL:

- Det er meget vigtigt altid at fastspænde arbejdsstykket godt og stramt med skruestikken. Gøres dette ikke, kan maskinen lide skade og/eller arbejdsstykket kan blive ødelagt. PERSONSKADE KAN BLIVE RESULTATET. Efter anvendelse af maskinen, må savklingen IKKE hæves, før den er stoppet fuldstændigt.

FORSIGTIG:

- Ved skæring af lange arbejdsstykker bør der benyttes oplæggerforlængere, der har samme højde som drejeskivens overflade. Forlad Dem ikke udelukkende på den lodrette og vandrette skruestik, når arbejdsstykket spændes fast.

Tynde materialer har en tendens til at bøje. Understøt altid et arbejdsstykke i hele dets længde, så det undgås at klingens klemmes fast med TILBAGESLAG som resultat.

Lodret skruestik (Fig. 29)

Den lodrette skruestik kan monteres i to positioner i enten den venstre eller højre side af anslaget eller holderenheden (ekstraudstyr). Sæt skruestangen ind i hullet på anslaget eller holderenheden og stram skruen til for at holde skruestangen på plads.

Indstil skruearmen efter arbejdsstykkets tykkelse og form og fastspænd den ved at stramme skruen. Hvis skruen til fastspænding af skruearmen kommer i kontakt med anslaget, skal skruen monteres på den modsatte side af skruearmen. Sørg for, at ingen del af maskinen kommer i kontakt med skruestikken, når håndtaget sænkes helt og slæden skubbes eller trækkes hele vejen. Hvis nogen dele berører skruestikken, bør skruearmen genindstilles. Tryk arbejdsstykket fladt mod anslaget og drejeskiven. Juster arbejdsstykket til den ønskede skråningsposition og fastgør det ved at stramme skruen.

FORSIGTIG:

- Arbejdsstykket bør være helt fastspændt mod drejeskiven og anslaget med skruestikken under al arbejde.

Vandret skruestik (ekstraudstyr) (Fig. 30)

Den vandrette skruestik kan monteres enten på venstre side af bunden. Ved at dreje skruenappen i retningen mod uret, frigøres skruen og skruespindelen kan bevæges hurtigt ind og ud. Ved at dreje skruenappen i retningen med uret, holdes skruen på plads. Arbejdsstykket fastholdes ved at man drejer skruenappen forsigtigt i retningen med uret, indtil fremspringet når den øverste position. Spænd derefter godt til. Hvis skruenappen tvinges ind eller trækkes ud, mens den drejer i retningen med uret, kan fremspringet stoppe i en vinkel. I dette tilfælde skal skruenappen drejes tilbage i retningen mod uret, indtil skruen frigøres, inden den igen drejes forsigtigt i retningen med uret.

Den maksimale bredde af arbejdsstykket, som kan fastspændes med den vandrette skruestik, er 120 mm.

FORSIGTIG:

- Fastspænd kun arbejdsstykket, når fremspringet er i den øverste position. Forsømmelse af dette kan resultere i, at arbejdsemnet ikke fastspændes ordentligt. Dette kan igen bevirke, at arbejdsstykket slynges bort, hvilket kan beskadige klingens eller medføre, at man mister kontrollen over maskinen. Dette kan resultere i PERSONSKADE.

Holdere og holderenhed (ekstraudstyr) (Fig. 31 og 32)

Holderne og holderenheden kan monteres på begge sider, hvilket er ideelt til at holde arbejdsstykket vandret. Monter dem som vist på illustrationen. Stram derefter skrueerne godt til for at fastgøre holderne og holderenheden.

Når der skæres i lange arbejdsstykker, skal holderstangen (ekstraudstyr) anvendes. Det udgøres af to holdere og to stænger.

FORSIGTIG:

- Understøt altid lange arbejdsstykker, så de holdes i plan med oversiden af drejeskiven, så der opnås præcise snit og det ikke risikeres, at operatøren mister kontrollen over maskinen.

ANVENDELSE

FORSIGTIG:

- For brugen bør håndtaget altid frigøres fra den nederste stilling ved at man trækker i stopstiften.
- Sørg for, at savklingen ikke berører emnet etc., inden maskinen startes.
- Læg ikke for meget tryk på håndtaget, når der saves. Et for kraftigt tryk kan resultere i overbelastning af motoren og/eller formindsket saveeffektivitet. Tryk kun håndtaget ned med så megen kraft, som der kræves for at udføre ubesværet savning og uden at klingens hastighed reduceres ret meget.
- Tryk forsigtigt håndtaget ned for at udføre savningen. Hvis håndtaget trykkes ned med magt, eller hvis det udsættes for sidelæns tryk, vil savklingen vibrere og efterlade mærker (savmærker) på arbejdsstykket, ligesom savningen ikke vil blive nøjagtig.
- Ved glidende snit skal slæden forsigtigt skubbes mod anslaget uden at stoppe. Hvis slæden stoppes under savningen, vil der komme et mærke på arbejdsstykket og savningen vil desuden ikke være nøjagtig.

1. Savning ved tryk (små arbejdsstykker) (Fig. 33)

Arbejdsstykker op til 50 mm i højden og 97 mm i bredden kan saves på følgende måde.

Skub slæden helt mod anslaget og stram de to spændeskruer, som holder skydestængerne, i retningen med uret for at fastspænde slæden. Fastspænd arbejdsstykket med skruestikken. Tænd for maskinen, uden at klingens kommer i kontakt, og vent til klingens er kommet op på fulde omdrejninger, inden sænkning. Sænk derefter grebet til den helt sænkede position for at skære arbejdsstykket. Når savningen er færdig, slukkes maskinen, hvorefter De skal VENTE TIL SAVKLINGEN STÅR HELT STILLE, før savbladet bringes tilbage til den helt hævede position.

FORSIGTIG:

- Stram de to spændeskruer, som holder skydestængerne, i retningen med uret, så slæden ikke flytter sig under arbejdet. Utilstrækkelig stramning kan forårsage pludseligt tilbageslag af klingens. Dette kan resultere i PERSONSKADE.

2. Savning ved gliden (tryk) (skæring af brede arbejdsstykker) (Fig. 34)

Løsn de to spændeskruer, som holder skydestængerne, i retningen mod uret, så slæden kan glide frit. Fastspænd arbejdsstykket med skruestikken. Træk slæden helt imod dig. Tænd for maskinen, uden at klingens kommer i kontakt med arbejdsstykket og vent, indtil klingens er kommet op på fuld hastighed. Tryk håndtaget ned og SKYD SLÆDEN MOD ANSLAGET OG GENNEM ARBEJDSSTYKKET. Afbrød maskinen, når skæringen er færdig, og VENT TIL SAVKLINGEN STÅR HELT STILLE, inden De sætter klingens tilbage til den øverste position.

FORSIGTIG:

- Når der udføres savning ved gliden, skal De FØRST TRÆKKE SLÆDEN HELT IMOD DEM og trykke håndtaget ned til den nederste position og derefter SKUBBE SLÆDEN MOD ANSLAGET. BEGYND ALDRIG SKÆRINGEN, HVIS SLÆDEN IKKE ER TRUKKET HELT IMOD DEM. Hvis De udfører savning, uden at trække slæden helt imod Dem eller hvis De udfører skråsnittet i retningen mod Dem, kan der opstå pludseligt tilbageslag af savklingen med PERSONSKADE til følge.
- Udfør aldrig savning ved gliden med håndtaget låst i den nederste position ved at trykke på stopstiften.
- Løsn aldrig spændeskruen, som fastholder slæden, mens savklingen roterer. Dette kan resultere i alvorlig tilskadekomst.

3. Geringsnit

Vi henviser til det tidligere afsnit "Justering af geringsvinklen".

4. Skråsnit (Fig. 35)

Løsn armen og vip savklingen for at indstille vinklen til skråsnit. (Vi henviser til det tidligere afsnit "Justering af skråsnit"). Sørg for at spænde armen godt fast igen, så skråsnitvinklen ikke ændrer sig. Fastspænd arbejdsstykket i skruestikken. Kontroller, at slæden er trukket helt tilbage mod Dem. Tænd for maskinen uden at savklingen berører arbejdsstykket og vent, til klingens er kommet op på fulde omdrejninger. Sænk derefter forsigtigt håndtaget til den laveste position, mens der lægges tryk parallelt med savklingen og SKUB SLÆDEN MOD ANSLAGET FOR AT SKÆRE ARBEJDSMÆT. Når skæringen er afsluttet, skal De slukke for maskinen og VENTE TIL SAVKLINGEN STÅR HELT STILLE, før savklingen bringes tilbage til dens øverste position.

FORSIGTIG:

- Sørg altid for, at klingens bevæger sig ned i skråsnittets retning, når der udføres skråsnit. Hold hænderne væk fra savklingsens bane.
- Når der udføres skråsnit, kan der opstå en situation, hvor det afskårne stykke hviler mod siden af savklingen. Hvis savklingen hæves, mens den stadig roterer, kan dette fraskær blive fanget i savklingen, og små stykker fraskær kan blive slynget væk, hvilket er meget farligt. Savklingen må KUN hæves, efter at den er stoppet fuldstændigt.
- Når håndtaget trykkes ned, skal dette gøres samtidigt med at savklingen trykkes ned. Hvis trykket ikke er parallelt med savklingen under en skæring, kan savklingsens vinkel ændre sig, hvorved skærenøjagtigheden vil blive forringet.

5. Kombineret snit

Kombineret snit er betegnelsen for den proces, hvor der frembringes en skråvinkel, samtidig med at der laves en geringsvinkel i arbejdsstykket. Kombineret snit kan udføres i en vinkel som vist i nedenstående tabel.

Geringsvinkel	Skråvinkel
Venstre og højre 45°	Venstre 0° – 45°
Højre 50°	Venstre 0° – 40°
Højre 55°	Venstre 0° – 30°
Højre 57°	Venstre 0° – 25°

Se forklaringerne i "Savning ved tryk", "Savning ved gliden", "Geringssnit" og "Skråsnit", når der skal udføres kombineret savning.

6. Skæring af aluminium-profiler (Fig. 36)

Når aluminium-profiler fastspændes, skal der anvendes afstandsklodser eller nogle stykker affaldstræ som vist på illustrationen for at forhindre, at aluminiumet bliver bøjet eller beskadiget. Anvend skæreeolie, når der skæres aluminium-profiler, for at forhindre, at der sætter sig aluminium på savklingen.

FORSIGTIG:

- Forsøg aldrig at skære tykke eller runde aluminium-profiler. Tykke aluminium-profiler kan løsne sig under arbejdet, og runde profiler kan ikke fastspændes godt nok med denne maskine.

7. Træanlæg (Fig. 37)

Anvendelse af træanlæg hjælper med til opnåelse af snit, der er fri for splinter. Fastgør et træanlæg til anslaget ved hjælp af hullerne i anslaget. Se illustrationen angående målene for et foreslået træanlæg.

FORSIGTIG:

- Anvend et lige stykke træ med ensartet tykkelse som træanlæg.
- Anvend skruer til at montere træanlægget på anslaget. Skrueerne skal anbringes således, at skrueens hoveder ikke stikker op over overfladen af træanlægget.
- Når træanlægget er monteret, må De ikke dreje bunden med håndtaget sænket. Klingens og/eller træanlægget vil i så fald lide skade.

8. Savning af ensartede længder (Fig. 38)

Når der skæres flere stykker materiale af samme længde, rækkende fra 220 mm til 385 mm, lettes bearbejdningen ved anvendelse af en indstillingsplade (ekstraudstyr). Monter indstillingspladen på holderen (ekstraudstyr) som vist på illustrationen. Ret snitlinien på arbejdsstykket ind efter enten den venstre eller højre side af slidens i indlægspladen. Mens arbejdsstykket holdes ubevægeligt, bringes indstillingspladen i flugt med enden af arbejdsstykket. Fastgør derefter indstillingspladen med skruen. Når indstillingspladen ikke anvendes, løsnes skruen, og indstillingspladen drejes væk, så den ikke er i vejen.

BEMÆRK:

- Anvendelse af holderstangenheden (ekstraudstyr) muliggør savning af ensartede længder op til cirka 2 200 mm.

9. Notskæring (Fig. 39)

En skæring af frisetyper kan udføres ved at man går frem som følger:

Indstil den nedre grænseposition for klingens ved hjælp af justeringsskruen og stoparmen for at begrænse savklingsens skæredybde. Se det tidligere afsnit "Stoparm". Når klingens nedre grænseposition er indstillet, skæres parallelle noter langs arbejdsstykket med anvendelse af savning ved gliden (tryk) som vist på illustrationen. Fjern derefter materialet mellem noterne med en mejsel. Forsøg ikke at udføre denne type skæring ved hjælp af brede (tykke) klinger eller en friseklinge. Der vil i så fald være risiko for, at De mister kontrollen over maskinen og kommer til skade.

FORSIGTIG:

- Sørg altid for at sætte stoparmen tilbage til udgangsstillingen, når De udfører andet end notskæring.

Transport af maskinen (Fig. 40 og 41)

Sørg for, at maskinen er taget ud af strømforbindelse. Fastgør klingens i 0° til skråsnit og drej bunden til højre til fuld geringsvinkel. Fastgør skydestængerne efter at De har trukket slæden helt mod Dem. Sænk håndtaget helt og lås det i den nederste position ved at trykke stopstiften ind.

Bær maskinen ved at holde i begge sider af maskinens bund som vist på illustrationen. Hvis De fjerner holderne, støvposen etc. bliver det nemmere at bære maskinen.

FORSIGTIG:

- Fastgør altid alle bevægelige dele, før maskinen transporteres.

- Stopstiften er beregnet til at bruges, når maskinen bæres og ved opbevaring. Den er ikke til brug ved savning.

VEDLIGEHOLEDSE

FORSIGTIG:

- Sørg altid for, at maskinen er slået fra og taget ud af forbindelse, før der udføres eftersyn eller vedligeholdelse.

ADVARSEL:

- Sørg altid for, at klingen er skarp og ren, så dens ydelse blive bedst mulig og sikkerhedsmæssigt forsvarlig.

Indstilling af skærevinklen

Denne maskine er omhyggeligt indstillet og justeret på fabrikken, men indstillingerne kan ændre sig under transport og brug. De kan selv foretage indstillinger, som beskrevet herunder, hvis maskinen ikke er indstillet korrekt.

1. Geringsvinkel

Skub slæden mod anslaget og stram de to spændeskruer for at fastspænde slæden.

Løsn grebet, som holder drejeskiven. Drej drejeskiven, så viseren kommer til at stå ud for 0° på vinkelskalaen. Drej derefter en smule i retningen med og mod uret for at stille drejeskiven i 0° mærket. (Lad den være som den er, hvis viseren ikke står ud for 0°). Løsn sekskantboltene, som holder anslaget, med topnøglen. (Fig. 42)

Sænk håndtaget helt og lås det i den nederste position ved at skubbe stopstiften ind. Sæt savklingsens side i en ret vinkel til anslagets forside ved hjælp af en trekantslineal, anslagsvinkel etc. fastspænd sekskantboltene på anslaget, begyndende fra højre. (Fig. 43)

Sørg for at viseren står ud for 0° på vinkelskalaen. Hvis den ikke gør det, løsnes skruen, som holder viseren, og viseren justeres. (Fig. 44)

2. Skråvinkel

1. 0° skråvinkel

Skub slæden mod anslaget og stram de to spændeskruer for at fastspænde slæden. Sænk håndtaget fuldstændigt og lås det i den laveste position ved at skubbe stopstiften ind. Løsn håndtaget på bagsiden af maskinen.

Drej justeringsbolten til justering af 0° skråvinkel på højre side af armen to eller tre gange i retningen mod uret for at hælde savklingen mod højre. (Fig. 45)

Sæt omhyggeligt savklingsens side i en ret vinkel til overfladen af drejeskiven ved hjælp af en trekantslineal, anslagsvinkel etc. ved at dreje skråvinkeljusteringsbolten til 0° skråvinkel i retningen med uret. Fastspænd derefter armen godt. (Fig. 46)

Sørg for, at viseren på armen står ud for 0° på vinkelskalaen på armholderen. Hvis den ikke gør det, løsnes skruen, som holder viseren, og viseren justeres, så den står ud for 0°. (Fig. 47)

2. 45° skråvinkel

Indstil kun 45° skråvinklen efter først at have udført justeringen for 0° skråvinklen. Indstil 45° skråvinklen ved at løsne håndtaget og hælde klingens helt til venstre. Sørg for, at viseren på armen står ud for 45° på vinkelskalaen på armholderen. Hvis den ikke gør det, drejes 45° skråvinkeljusteringsbolten på højre side af armholderen, indtil viseren står ud for 45°. (Fig. 48)

Indstilling af laserliniens position (Fig. 49 og 50)

Gælder model LS0714FL, LS0714L

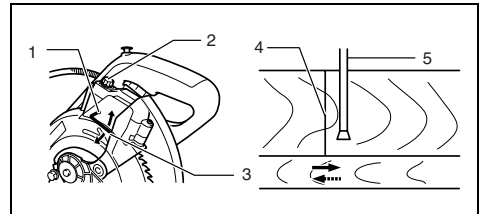
ADVARSEL:

- Da maskinen er i strømforbindelse, når positionen af laserlinien indstilles, skal der udvises den størst mulige forsigtighed, specielt ved anvendelse af afbryderen. Hvis afbryderen aktiveres ved et uheld, kan maskinen starte og operatøren kan komme til skade.

FORSIGTIG:

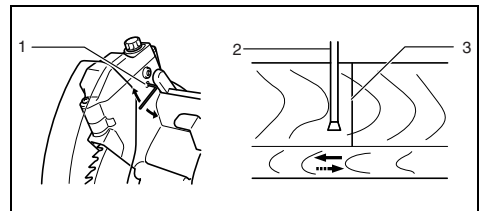
- Se aldrig direkte ind i laserstrålen. Direkte udsættelse for laserstråling er farligt for synet.
- Udsæt aldrig maskinen for stød eller fysiske påvirkninger. Dette kan bevirke, at laserliniens position bliver fejlagtig, at laserstrålsens udsendingsdel beskadiges og at maskinens levetid afkortes.

Under indstilling vil laserlinien ses på venstre side af savklingen



- 1 Skru til ændring af justeringssskruens flytbare område
- 2 Justeringssskrue
- 3 Sekskantnøgle
- 4 Laserlinie
- 5 Savklinge

Under indstilling vil laserlinien ses på højre side af savklingen



- 1 Skru til ændring af justeringssskruens flytbare område
- 2 Savklinge
- 3 Laserlinie

Udfør følgende for begge indstillinger:

1. Kontroller, at maskinen er taget ud af forbindelse.
2. Lav skærelinien på arbejdsstykket og læg det på drejeskiven. På dette tidspunkt må arbejdsstykket ikke fastspændes med en skruestik eller en lignende fastspændingsanordning.
3. Sænk savklingen ved at sænke håndtaget og kontroller, hvor skærelinien og savklingsens position er. (Bestem, hvilken position der skal skæres i på skærelinien).
4. Når De har bestemt den position, der skal skæres, sættes håndtaget tilbage til udgangsstillingen. Fastspænd arbejdsstykket med den lodrette skruestik uden at flytte arbejdsstykket fra den forhåndskontrolerede position.

5. Tilslut maskinen og aktiver laserknappen.
6. Indstil laserliniens position som vist herunder.

Laserliniens position kan ændres i takt med at de bevægelige område for justeringsskruen for laseren ændres ved at man drejer to skruer med sekskantbolten. (Det bevægelige område for laserlinien er fabriksindstillet indenfor 1 mm fra savklings side).

For at flytte laserliniens bevægelige område længere væk fra savklings side, skal De dreje de to skruer i retningen mod uret, når justeringsskruen er løst. Drej disse to skruer i retningen med uret for at føre dem nærmere savklings side, når justeringsskruerne er løst. Se afsnittet med titlen "Anvendelse af laserstråler" og indstil justeringsskruen således, at skærelinien på arbejdsstykket flugter med laserlinien.

BEMÆRK:

- Kontroller med jævne mellemrum, om positionen af laserlinien er præcis.
- Få maskinen repareret hos et servicecenter, der er autoriseret af Makita, hvis laserdelen ikke fungerer.

Udskiftning af lysstofrør (Fig. 51)

Gælder model LS0714F, LS0714FL

FORSIGTIG:

- Kontroller altid, at maskinen er slået fra og taget ud af forbindelse, inden lysstofrøret skiftes ud.
- Brug ikke magt, og stød eller rids ikke et lysstofrør, da det kan få glasset til at gå i stykker, hvilket igen kan bevirke, at De selv eller omkringstående personer kommer til skade.
- Lad lysstofrøret køle lidt af, inden det skiftes ud. Ellers kan De brænde Dem.

Fjern skruerne, der holder lampeboksen.

Træk lampeboksen ud, idet De bliver ved med at trykke en smule på dens øverste del som vist på illustrationen. Træk lysstofrøret ud og skift det ud med et nyt, originalt Makita-lystofrør.

Rengøring af linsen til laserlyset (Fig. 52 og 53)

Gælder model LS0714FL, LS0714L

Hvis linsen til laserlyset er blevet snavset, eller hvis savsmuld har sat sig fast på den på en sådan måde, at laserlinien ikke længere er synlig, skal De tage maskinen ud af forbindelse og rengøre laserlyset omhyggeligt med en blød, fugtig klud. Der må ikke anvendes opløsningsmidler eller petroleumsbaserede rengøringsmidler til rengøring af linsen.

Linsen til laserlyset fjernes ved at man afmonterer savklingen, inden linsen fjernes, i overensstemmelse med anvisningerne i afsnittet med titlen "Montering og afmontering af savklingen".

Løsn, men fjern ikke skruen, der holder linsen, ved hjælp af en skruetrækker.

Træk linsen ud som vist på illustrationen.

BEMÆRK:

- Hvis linsen ikke kommer ud, skal De løsne skruen yderligere og trække linsen ud igen uden at fjerne skruen.

Udskiftning af kulbørsterne (Fig. 54 og 55)

Tag kulbørsterne ud og efterse dem periodisk. Kullene skal udskiftes, når de er slidt ned til slidgrænsen. Hold kulbørsterne rene, så de altid passer ind i hullerne. Begge kulbørster bør udskiftes parvis og samtidigt. Anvend kun identiske kulbørster.

Benyt en skruetrækker til at fjerne kuldækslerne. Tag de slidte kulbørster ud, sæt de nye i, og fastgør kuldækslerne.

Efter anvendelse

- Efter anvendelse aftørres spåner eller støv, der måtte klæbe til maskinen, med en klud eller lignende. Hold beskyttelsesskærmen ren som beskrevet i afsnittet "Beskyttelsesskærm". Smør de glidende dele på maskinen med olie for at forhindre rustdannelse.
- Når maskinen skal opbevares, skal slæden trækkes helt mod Dem selv, så tappene bliver sat helt ind i dreskiven.

For at opretholde produktets sikkerhed og pålidelighed, må istandsættelse, vedligeholdelse eller justering kun udføres af et autoriseret Makita service center med anvendelse af Makita reservedele.

TILBEHØR

FORSIGTIG:

- Dette udstyr og tilbehør bør anvendes sammen med Deres Makita maskine, sådan som det er beskrevet i denne brugsanvisning. Anvendelse af andet udstyr eller tilbehør kan udgøre en risiko for personskade. Tilbehøret bør kun anvendes til det, det er beregnet til.

Hvis De behøver hjælp ved valg af tilbehør eller ønsker yderligere informationer, bedes De kontakte Deres lokale Makita service center.

- Savklinge rmed hårdmetalplatte
- Skruestik (vandret skruestik)
- Lodret skruestik
- Topnøgle 10
- Holder
- Holderenhed
- Holderstangenhed
- Indstillingsplade
- Støvpose
- Trekantslineal
- Aflåseknop (2 stk.)
- Lysstofrør
- Sekskantnøgle

Förklaring av allmän översikt

1 Låstapp	30 Lampkontakt	58 Två skruvar som håller fast glidplanet
2 Bult	31 Laserkontakt	
3 Justeringsbult	32 Hylsnyckelhållare	59 Två skruvar som håller fast glidplanet
4 Klingskydd	33 Rörhållare	60 Tving
5 Skruv	34 Mittskydd	61 Kloss
6 Spårbädd	35 Hylsnyckel	62 Aluminiumprofil
7 Sägklinga	36 Sexkantbult	63 Över 15 mm
8 Klingans sågtänder	37 Skyddskåpa	64 Över 420 mm
9 Vinkelsågning åt vänster	38 Spindellås	65 Hål
10 Rak sågning	39 Pil	66 Fixeringsplatta
11 Geringskiva	40 Klinghölje	67 Såga ut skåror
12 Anhåll	41 Sexkantsbult (vänstergångad)	68 Vinkelhake
13 Geringskivans yta	42 Yttre fläns	69 Armhållare
14 Klingans periferi	43 Inre fläns	70 0-gradersskruv
15 Justerskruv	44 Spindel	71 45-gradersskruv vänster
16 Stopparm	45 Spånsamlarpåse	72 Arbetsstycke
17 Låsspak	46 Spånutkast	73 Säglinje
18 Geringskala	47 Påsöppning	74 Vertikal tving
19 Visare	48 Stöd	75 Dra ut
20 Skruvhandtag	49 Tvingarm	76 Tryck
21 Spak	50 Tvingstång	77 Lamphus
22 Låsknapp	51 Hållare	78 Skruvar
23 Vinkelskala	52 Hållarsats (tillbehör)	79 Lysrör
24 Arm	53 Tvingskruv	80 Skruvmejsel
25 Skruv	54 Fäste	81 Skruv (endast en)
26 Säkerhetsknapp	55 Tvingskruv	82 Lins för lasern
27 Brytare	56 Sågbord	83 Slitagegränsmärke
28 Handtag	57 Typ 12-stång	84 Kolborstlock
29 Lampa		

TEKNISKA DATA

Modell	LS0714/LS0714F/LS0714FL/LS0714L
Klingans diameter.....	190 mm
Håldiameter (axelhål)	20 mm
Maximal geringsvinkel	Vänster 47°, Höger 57°
Max. vinkel f. vinkelsågning	Vänster 45°, Höger 5°
Max. sågkapacitet (H x D) med 190 mm klingdiameter.	

Geringsvinkel	Vinkelsågning		
	45° (vänster)	0°	45° (höger)
0°	*45 mm x 265 mm (Obs! 1)	*60 mm x 265 mm (Obs! 1)	—
	40 mm x 300 mm	52 mm x 300 mm	40 mm x 300 mm
45° (vänster och höger)	*45 mm x 185 mm (Obs! 2)	*60 mm x 185 mm (Obs! 2)	—
	40 mm x 212 mm	52 mm x 212 mm	—
57° (höger)	—	*60 mm x 145 mm (Obs! 3)	—
		52 mm x 163 mm	

(Obs!) * markerar att en träskoning med följande tjocklek används.

- 1: Med en 20 mm tjock träskoning.
- 2: Med en 15 mm tjock träskoning.
- 3: Med en 10 mm tjock träskoning.

Obelastat varvtal (v/min).....	6 000
Lasertyp (LS0714FL/L).....	Röd laser 650 nm, <1mW (Laserklass 2)
Mått (L x B x H).....	670 mm x 430 mm x 458 mm
Nettovikt.....	LS0714: 12,5 kg, LS0714F: 12,8 kg, LS0714FL: 13,1 kg, LS0714L: 13,0 kg

- Tack vare det kontinuerliga programmet för forskning och utveckling, kan här angivna tekniska data ändras utan föregående meddelande.
- Observera: Tekniska data kan variera från land till land.

Avsedd användning

Denna maskin är avsedd för precisionsmässig raksågning och geringssågning i trä. Med lämpliga sågklingor går det även att såga i aluminium.

Strömförsörjning

Maskinen får endast anslutas till nät med samma spänning som anges på typplåten och kan endast köras med enfas växelström. Den är dubbelisolerad i enlighet med europeisk standard och kan därför anslutas till vägguttag som saknar skyddsjord.

Säkerhetstips

För din egen säkerhets skull, bör du läsa igenom de medföljande säkerhetsföreskrifterna.

KOMPLETTERANDE SÄKERHETSFÖRESKRIFTER

1. Använd ögonskydd.
2. Håll händerna på avstånd från sågklingan. Undvik att komma i kontakt med en klinga som snurrar på frigång. Den kan fortfarande orsaka allvarliga skador.
3. Använd inte maskinen om inte skydden sitter på plats. Kontrollera att klingskyddet slår igen som det ska innan ett arbetsmoment påbörjas. Använd inte maskinen om klingskyddet inte kan röra sig fritt eller inte slår igen omedelbart. Skruva eller bind aldrig fast klingskyddet i det öppna läget.
4. Såga aldrig på frihand. Arbetsstycket måste vara ordentligt fastsatt mot geringsskivan och anhållet med skruvstycket under allt sågarbete. Håll aldrig fast arbetsstycket med handen.
5. Sträck dig aldrig runt sågklingan.
6. Stäng av strömmen och vänta till sågklingan stannat innan arbetsstycket flyttas eller några inställningar ändras.
7. Dra ut nätkontakten ur nätuttaget innan klingan byts eller något underhåll utförs.
8. Se till att alla rörliga delar sitter fast ordentligt innan maskinen flyttas.
9. Låstappen som låser fast såghuvudet i nerfällt läge är endast till för förvaring och transport och används aldrig vid sågning.
10. Använd inte maskinen i närheten av lättantändliga vätskor eller gaser.
11. Kontrollera klingan noggrant före användning för att upptäcka sprickor eller andra skador. Byt genast ut klingor med sprickor eller andra skador.
12. Använd endast flänsar (klingbrickor) som är avsedda för denna maskin.
13. Var försiktig så att maskinaxeln, flänsarna (speciellt på monteringsidan) eller bulten inte skadas. Skador på någon av dessa delar kan medföra att klingan förstörs.
14. Se till att geringsskivan sitter fast ordentligt, så att den inte rör sig under arbetets gång.
15. Avlägsna spån och andra småbitar från sågbordets ovasida före drift, för din egen säkerhets skull.
16. Undvik att såga i spikar. Kontrollera arbetsstycket före sågarbetets början och avlägsna alla spikar.

17. Kontrollera att spindellåset är bortkopplat innan strömställaren trycks in.
18. Se till att klingan inte ligger an mot geringsskivan i det nedersta läget.
19. Håll maskinhandtaget i ett stadigt grepp. Observera att sågen rör sig uppåt eller nedåt en aning under igångsättning och när sågen stannas.
20. Se till att sågklingan inte vidrör arbetsstycket innan strömställaren trycks in.
21. Låt maskinen gå en stund innan den används på ett arbetsstycke. Kontrollera att klingan inte vibrerar eller skakar, vilket skulle kunna indikera dålig monteringen eller en dåligt balanserad klinga.
22. Vänta till klingan uppnått full hastighet innan sågningen påbörjas.
23. Avsluta arbetet omedelbart om du skulle upptäcka något onormalt.
24. Försök inte låsa strömställaren i det påslagna läget (ON).
25. Var hela tiden uppmärksam, speciellt under repetitiva och monotona arbetsmoment. Luras inte in i en falsk känsla av säkerhet. Klingor är långt ifrån förlåtande.
26. Använd alltid tillbehör som rekommenderas i denna bruksanvisning. Att använda olämpliga tillbehör, som till exempel slipskivor, kan orsaka skador.
27. Använd aldrig sågen för att kapa annat än aluminium, trä och liknande material.
28. Anslut kap- och geringssågar till en spånuppsamlare vid sågning.
29. Välj sågklinga med avseende på det material som ska sågas.
30. Var försiktig vid spårsågning.
31. Byt ut spårådden när den har slitits ut.
32. Använd inte sågklingor som är tillverkade av snabbstål.
33. Man vet att det damm som avges från vissa material innehåller kemikalier som kan orsaka cancer, ge fosterskador och andra fortplantningsskador. Några exempel på sådana kemikalier är:
 - Bly i material som är målade med blyhaltig färg.
 - Arsenik och krom från kemiskt behandlat timmer.
 Hur pass stor risken med att utsättas för dessa ämnen är varierar beroende på hur ofta du utför denna typ av arbete. För att utsättas i mindre utsträckning bör du arbeta på en plats med god ventilation samt använda godkänd säkerhetsutrustning, till exempel andningsmasker som är speciellt konstruerade för att filtrera bort mikroskopiska partiklar.
34. Se alltid till att sågklingan är skarpslipad och ren, för att minska brusnivån under arbetet.
35. Operatören ska vara tillräckligt utbildad på användning, justering och drift av maskinen.
36. Använd sågklingor som är slipade på rätt sätt. Observera det maximala varvtal som finns angivet på klingan.
37. Undvik att rensa bort avsågade bitar, eller andra delar av arbetsstycket, från det område där du sågar, så länge maskinen är igång och såghuvudet inte är i viloläget.

SPARA DESSA ANVISNINGAR.

INSTALLATION

Bänkmontage

Maskinen levereras med handtaget låst i nerfällt läge med låstappen. Frigör låstappen genom att sänka handtaget något och dra ut den. (Fig. 1)

Maskinen ska skrivas fast med två bultar på en plan och stabil arbetsbänk. Använd hålen som finns i sågbordet.

Detta minskar risken för att maskinen välter vilket skulle kunna orsaka skador. (Fig. 2)

Skruva in eller ut justeringsbulten så att den kommer i kontakt med bänkytan och maskinen står stabilt. (Fig. 3)

BESKRIVNING AV FUNKTIONER

FÖRSIKTIGT:

- Se alltid till att maskinen är av stängd och att nåtsladd- den dragits ut innan justeringar eller kontroll av maskinen görs.

Klingskydd (Fig. 4 och 5)

När handtaget sänks lyfts klingskyddet upp automatiskt. Klingskyddet är försett med en fjäder så att det går tillbaka till ursprungsläget när sågningen är avslutad och handtaget höjs. KLINGSKYDDET ELLER DESS FJÄDER FÅR ALDRIG HINDRAS ELLER TAS BORT.

För säkerhets skull bör klingskyddet alltid hållas i gott skick. Om klingskyddet inte fungerar som det ska bör detta åtgärdas omgående. Kontrollera även att fjädern gör att klingskyddet går tillbaka. ANVÄND ALDRIG MASKINEN OM KLINGSKYDD ELLER DESS FJÄDER ÄR SKADADE, INTE FUNGERAR KORREKT ELLER SAKNAS. SÅDAN ANVÄNDNING ÄR MYCKET FARLIG OCH KAN ORSAKA ALLVARLIGA PERSONSKADOR.

Om det genomskinliga klingskyddet blir smutsigt eller om sågspån fastnar på det så att inte klingan syns bra, måste maskinen kopplas ur och skyddet rengöras noga med en fuktig trasa. Använd inte lösningsmedel eller petroleumbaserade rengöringsmedel då det skadar plasten i skyddet.

Om klingskyddet är mycket smutsigt och det inte går bra att se igenom det använder du den medföljande hylsnyckeln för att lossa sexkantbulten som håller fast mittskyddet. Lossa sexkantbulten genom att vrida den moturs och lyft upp klingskydd och mittskydd. Med klingskyddet i detta läge är en noggrannare rengöring möjlig. När rengöringen är klar gör du bara på motsatt sätt och drar åt bulten. Ta inte bort fjädern som sitter i klingskyddet. Om klingskyddet blir missfärgat med tiden eller p.g.a. UV-ljus kontaktar du ett av Makitas servicecenter för att få ett nytt klingskydd. KLINGSKYDDET FÅR ALDRIG BLOCKERAS ELLER TAS BORT.

Inställning av spårbädd (Fig. 6 och 7)

Den här maskinen är försedd med en spårbädd i geringskivan för att minska slitaget på utgångssidan av en sågning. Spårbädden är fabriksjusterad så att sågklingan aldrig kommer i kontakt med den. Ställ in spårbädden på följande sätt innan maskinen används:

Koppla först ur maskinen. Lossa alla skruvar (2 på vardera sidan) som håller fast spårbädden. Dra åt dem igen försiktigt så att spårbädden fortfarande kan röras för hand. Sänk ner handtaget helt och tryck in låstappen för att låsa fast handtaget i nerfällt läge. Lossa de två skruvarna som håller fast gliplanen. Dra löpvagnen mot dig så långt det går. Justera spårbädden så att dess sidor precis vidrör sidorna på klingans sågtänder. Dra åt de främre skruvarna (inte hårt). Tryck löpvagnen mot anhållet helt och justera spårbädden så att dess sidor precis vidrör sidorna på klingans sågtänder. Dra åt de bakre skruvarna (inte hårt).

Efter justering av spårbädden lossar du låstappen och lyfter upp handtaget. Dra sedan åt alla skruvar hårt.

FÖRSIKTIGT:

- Före och efter byte av vinkel för vinkelsågning måste spårbädden alltid justeras enligt ovan.

Bibehålla maximal sågkapacitet (Fig. 8 och 9)

Maskinen är fabriksinställd för att ge maximal sågkapacitet för en 190 millimeters sågklinga.

Om du monterar en ny klinga måste klingans nedre gränsläge kontrolleras och vid behov justeras på följande sätt:

Koppla först ur maskinen. Tryck löpvagnen mot anhållet och sänk handtaget helt. Använd hylsnyckeln för att vrida på justeringsbulten tills klingans periferi går ner något under geringskivans yta där anhållets framsida ligger mot geringskivans översida.

Medan maskinen är urkopplad roterar du klingan för hand medan handtaget hålls ner helt för att säkerställa att inte klingan går emot något. Vid behov justerar du på nytt.

FÖRSIKTIGT:

- Efter montering av en ny klinga måste du alltid kontrollera att klingan inte går emot någon del av maskinen när handtaget sänks helt. Utför denna kontroll endast när maskinen är urkopplad.

Stopparm (Fig. 10)

Den nedre gränsen för klingan kan enkelt justeras med stopparmen. Justera höjden genom att först röra stopparmen i pilens riktning enligt figuren. Ställ sedan in justerskruven så att klingan stannar på önskad höjd när handtaget sänks helt.

Ändra geringsvinkel (Fig. 11)

Lossa skruvhandtaget genom att skriva upp den något. Vrid geringskivan samtidigt som låsspaken trycks ner. När du har vridit geringskivan så att visaren pekar på den önskade vinkeln på geringskvalan skruvar du åt skruvhandtaget igen.

FÖRSIKTIGT:

- Se till att lyfta upp handtaget helt innan du vrider på geringskivan.
- När geringsvinkeln har ändrats måste geringskivan skrivas fast genom att dra åt skruvhandtaget ordentligt.

Ändra vinkel för vinkelsågning (Fig. 12 och 13)

För att ändra vinkel för vinkelsågning lossar du spaken på maskinens baksida genom att dra den moturs.

Tryck handtaget åt vänster för att luta klingan tills visaren pekar på önskad vinkel på skalan. Dra sedan åt spaken så att armen sitter fast.

För att luta klingan till höger trycker du in låsknappen på maskinens baksida samtidigt som du lutar klingan något till vänster efter att ha lossat spaken. Luta sedan klingan åt höger medan låsknappen är intryckt.

FÖRSIKTIGT:

- Se till att lyfta upp handtaget helt innan du lutar klingan.
- När vinkelsågningsvinkeln har ändrats måste armen fästas genom att spaken dras åt medurs.
- Vid ändring av vinkel för vinkelsågning måste spårbädden ställas in så som beskrivs i avsnittet "Inställning av spårbädd".

Ändra spakens läge (Fig. 14)

Spaken kan flyttas med 30° i taget om den inte kan dras åt tillräckligt.

Lossa och ta bort skruven som håller fast spaken på maskinens baksida. Ta bort spaken och sätt tillbaka den så att den kommer något över bordet. Sätt fast spaken genom att dra åt skruven ordentligt.

Brytarens funktion

FÖRSIKTIGT:

- Innan maskinen ansluts till vägguttaget måste du alltid kontrollera att brytaren fjädrar tillbaka om den trycks in och sedan släpps.
- När maskinen inte används bör säkerhetsknappen tas bort och förvaras på ett säkert ställe. Därigenom förhindras obehörig användning.
- Tryck inte in strömbrytaren hårt utan att först ha tryckt in säkerhetsknappen. Då kan strömbrytaren gå sönder.

För länder i Europa (Fig. 15)

För att inte strömbrytaren ska tryckas in av misstag måste du först trycka in en säkerhetsknapp. Starta maskinen genom att föra spaken till vänster, trycka in säkerhetsknappen och sedan trycka in strömbrytaren. Släpp strömbrytaren för att stänga av maskinen.

För alla länder utanför Europa (Fig. 16)

För att inte strömbrytaren ska tryckas in av misstag måste du först trycka in en säkerhetsknapp. Starta maskinen genom att trycka in säkerhetsknappen och sedan trycka in strömbrytaren. Släpp strömbrytaren för att stänga av maskinen.

VARNING:

- Använd ALDRIG maskinen om inte strömbrytaren fungerar som den ska. Maskiner med trasiga strömbrytare är MYCKET FARLIGA och måste repareras innan de används på nytt.
- För din säkerhet har denna maskin utrustats med en säkerhetsknapp vilket hindrar dig från att oavsiktligen starta maskinen. Använd ALDRIG maskinen om den startar genom att bara trycka in strömbrytaren utan att först ha tryckt in säkerhetsknappen. Lämna in maskinen på ett Makita servicecenter för att få den reparerad INNAN den används igen.
- Sätt ALDRIG fast säkerhetsknappen in intryckt läge och koppla inte ur den på annat sätt.

Tända lamporna (Fig. 17)

För modellerna LS0714F, LS0714FL

FÖRSIKTIGT:

- Detta är inte en vattentät lampa. Tvätta inte lampan med vatten och använd den inte i våta utrymmen eller i regn. Detta kan leda till elektriska stötar och ångor.
- Vidrör inte lamplinsen eftersom den är mycket varm när lampan är på eller just har stängts av. Du kan få brännskador.
- Rör inte lampan, det kan skada lampan eller förkorta dess livslängd.
- Lys inte direkt in i ögonen. Detta kan skada ögonen.
- Täck inte över lampan med tyg, papp eller liknande medan den är tänd. Det kan orsaka brand.

Tryck upptill på brytaren för att tända lampan och nertill för att släcka den.

Flytta lampan om något nytt område ska belysas.

OBSERVERA:

- Använd en torr trasa för att torka bort smuts från lampans lins. Se till att inte repa lampans lins. Annars kommer ljuset att försämrats.

Laserns funktion (Fig. 18 och 19)

För modellerna LS0714FL, LS0714L

FÖRSIKTIGT:

- Titta aldrig in i laserstrålen. Direkt laserljus kan skada ögonen.

Sätt på lasern genom att trycka upptill (I) på brytaren. Stäng av genom att trycka nertill (O).

Laserlinjen kan flyttas antingen till vänster eller till höger om sågklingan genom att vrida på justerskruven på följande sätt.

1. Lossa justerskruven genom att skruva upp den.
2. Medan justerskruven är lös skjuter du justerskruven till höger eller vänster så långt som möjligt.
3. Dra åt justerskruven ordentligt i det läge där den inte kan skjutas längre.

Laserlinjen är fabriksinställd så att den ligger inom 1 millimeter från sågklingans sida (sågposition).

OBSERVERA:

- När laserlinjen är suddig och nästan helt osynlig på grund av direkt solbelysning, inne eller ute, flyttar du arbetsplatsen till en plats som inte är solbelyst.

Rikta laserlinjen (Fig. 20)

Laserlinjen kan flyttas antingen till vänster eller till höger sida om klingan beroende på vilken typ av sågning som ska utföras. Flyttning av laserlinjen beskrivs i avsnittet "Laserns funktion".

OBSERVERA:

- Använd träskoning mot anhållet när såglinjen riktas längs laserlinjen vid sidan om anhållet vid kombinationssågning (vinkelsågning 45 grader och geringsvinkeln höger 45 grader).
- A) När du får korrekt storlek på arbetsstyckets vänstersida
 - Flytta laserlinjen till vänster om klingan.
 - B) När du får korrekt storlek på arbetsstyckets högersida
 - Flytta laserlinjen till höger om klingan.

Rikta såglinjen i arbetsstycket längs laserlinjen.

SAMMANSÄTTNING

FÖRSIKTIGT:

- Se alltid till att maskinen är avstängd och att nåtalsladden dragits ut innan något arbete utförs på maskinen.

Förvaring av hylsnyckeln (Fig. 21)

Hylsnyckeln förvaras enligt figuren. När hylsnyckeln ska användas dras den ut ur hållaren. När hylsnyckeln har använts sätts den tillbaka i hållaren.

Ta bort och sätta fast en sågklinga

FÖRSIKTIGT:

- Se alltid till att maskinen är avstängd och att sladden är utdragen innan klingan tas bort eller sätts fast.
- Använd endast den Makita-hylsnyckel som medföljde för att montera eller ta bort sågklingan. I annat fall kan du dra sexkantbulten åt för hårt eller för löst. Detta kan leda till olyckor.

Lås handtaget i upplyft läge genom att trycka in låstappen. (Fig. 22)

För att ta bort klingan använder du hylsnyckeln och skruvar upp sexkantbulten som håller mittskyddet på plats. Lyft klingskydd och mittskydd. (Fig. 23)

Tryck in spindellåset så att spindel är låst och använd sedan hylsnyckeln för att skruva upp sexkantbulten med-sols (högergångad). Ta sedan bort sexkantbulten, yttre flänsen och klingan. (Fig. 24)

För att sätta fast en sågklinga sätter du den försiktigt på spindel och ser till att riktningen på den pil som finns på klingans sida stämmer med pilen på klinghöljet. Sätt fast yttre fläns och sexkantbult som du sedan drar fast (vänstergångad, dra åt moturs) ordentligt medan du håller in spindellåset.

Sätt tillbaka klingskyddet och mittskyddet i ursprungligt läge. Dra sedan fast sexkantbulten som håller mittskyddet (högergångad, dra åt medurs som vanligt). Släpp handtaget från upplyft läge genom att dra ut låstappen. Sänk handtaget för att kontrollera att klingskyddet rör sig som det ska. Kontrollera att spindellåset inte längre låser fast spindel innan du försöker såga. (Fig. 25 och 26)

Spånsamlarpåse (Fig. 27)

Användning av spånsamlaren gör att man kan såga utan att skräpa ner och insamling av sågspån blir enkelt. Sätt fast spånsamlarpåsen genom att trä den på spånutkastet.

Ta bort spånsamlaren från maskinen när den är ungefär halvfull och öppna påsen. Töm spånsamlaren och slå lätt på den för att avlägsna allt skräp som fastnat på insidan. Sådant skräp kan annars blockera spånsamlaren.

OBSERVERA:

Du kan få en ännu effektivare och renare användning om du ansluter en Makita dammsugare till sågen.

Fästa arbetsstycket (Fig. 28)

VARNING:

- Det är mycket viktigt att alltid sätta fast arbetsstycket ordentligt med tvingen. Om detta inte görs kan maskinen skadas och/eller arbetsstycket bli förstört. PERSONSKADOR KAN DESSUTOM UPPSTÅ. Dessutom FÅR INTE klingan lyftas upp efter en sågning förrän den har klistat helt.

FÖRSIKTIGT:

- Vid sågning av långa arbetsstycken måste de stöttas upp så att hela arbetsstycket är i jämn höjd med geringsskivan. Lita inte på att vertikal och/eller horisontal tving ensamt kan hålla fast arbetsstycket. Tunna material kan tyngas ner. Stötta arbetsstycket hela längd för att inte klingan ska nypa fast vilket kan leda till ett KAST.

Vertikal tving (Fig. 29)

Den vertikala tvingen kan monteras till höger eller vänster i anhåll eller hållarsats (tillbehör). Sätt in tvingstängen i anhållets eller hållarsatsens hål och skruva fast den.

Höjjustera tvingarmen så att den passar arbetsstyckets tjocklek och form och skruva fast den i stängen. Om tvingarmens skruv kommer i kontakt med anhållet måste den flyttas till tvingarmens andra sida. Kontrollera att ingen del av maskinen kommer i kontakt med tvingen när handtaget sänks helt och löpvagnen skjuts helt åt respektive håll. Om vissa delar kommer åt tvingen monterar du om den.

Tryck arbetsstycket mot anhållet och geringsskivan. Placera arbetsstycket i önskad sågposition och sätt fast det genom att dra åt tvingskruven.

FÖRSIKTIGT:

- Arbetsstycket måste fästas ordentligt mot geringsskiva och anhåll med tvingen innan någon sågning utförs.

Horisontal tving (tillbehör) (Fig. 30)

Den horisontala tvingen kan monteras på vänster sida av sågbordet. Genom att skruva ut tvingkruven frigörs den och tvingaxeln kan sedan snabbt föras in eller dras ut. Den fäster om den skruvas in. Fäst arbetsstycket genom att försiktigt skruva in tvingkruven tills den ligger an mot arbetsstycket och då dras den åt ordentligt. Om skruven trycks inåt eller dras ut medan den skruvas kan den komma snett i fästet. Skruva i så fall ut skruven tills den frigörs och skruva därefter in den försiktigt igen. Den största bredden på arbetsstycken som kan fästas med den horisontala tvingen är 120 millimeter.

FÖRSIKTIGT:

- Se till att fästet är längst ut innan arbetsstycket dras åt. Om detta inte görs kommer inte arbetsstycket att sitta fast som det ska. Detta kan leda till att arbetsstycket kastas ut, orsakar skador på klingan eller gör att användaren förlorar kontrollen över sågen vilket kan leda till PERSONSKADOR.

Hållare och hållarsats (tillbehör) (Fig. 31 och 32)

Hållare och hållarsats kan monteras på endera sidan för att på ett bekvämt sätt stötta arbetsstycken horisontellt. Montera dem enligt figuren. Skruva sedan ordentligt fast hållare och hållarsats.

När långa arbetsstycken sågas används stånghållarsats (tillbehör). Den består av två hållarsatser och två stänger av typ 12.

FÖRSIKTIGT:

- Långa arbetsstycken måste hållas uppe i jämnhöjd med geringsskivans yta för att få en noggrann sågning och undvika olyckor.

ANVÄNDNING

FÖRSIKTIGT:

- Se till att dra ut låstappen och höja upp handtaget innan sågen används.
- Kontrollera att inte klingan är i kontakt med arbetsstycket eller annat innan sågen sätts på.
- Tryck inte onödigt hårt i handtaget under sågning. Detta kan leda till att motorn överbelastas och/eller försämrade sågning. Tryck ner handtaget endast så mycket som behövs för att sågningen ska löpa smidigt utan att klingans hastighet minskar påtagligt.
- Tryck försiktigt ner handtaget för att såga. Om handtaget trycks ner hårt eller i sidled kommer klingan att vibrera vilket ger sågmärken i arbetsstycket samtidigt som sågprecisionen försämras.
- Vid bakåtriktad sågning trycks försiktigt löpvagnen mot anhållet utan att stoppa. Om löpvagnen stoppas under sågningen lämnar det ett märke i arbetsstycket samtidigt som sågprecisionen försämras.

1. Genomsågning (såga små stycken) (Fig. 33)

Arbetsstycken upp till 50 mm höga och 97 mm breda kan sågas på följande sätt.

Tryck löpvagnen mot anhållet och dra åt de två skruvarna så att vagnen låses fast. Sätt fast arbetsstycket i tvingen. Starta maskinen utan att klingan har någon kontakt och sänk den först när den har uppnått full hastighet. Handtaget sänks försiktigt så mycket det går för att såga arbetsstycket. När sågningen är klar stänger du av sågen och VÄNTAR TILLS KLINGAN HAR STANNAT HELT innan den lyfts upp.

FÖRSIKTIGT:

- De två skruvarna som håller glidplanet ska dras åt hårt för att vagnen inte ska kunna röra sig under sågningen. Om detta inte görs kan klingan kasta oväntat under sågningen. Det kan leda till ALLVARLIGA PERSONSKADOR.

2. Bakåtriktad sågning (såga breda stycken) (Fig. 34)

Frigör glidplanet så att det kan röra sig fritt genom att lossa de två skruvarna som låser det. Sätt fast arbetsstycket i tvingen. Dra löpvagnen mot dig så långt det går. Starta maskinen utan att klingan har kontakt med arbetsstycket och vänta tills klingan har uppnått full hastighet. Tryck ner handtaget och SKJUT LÖPVAGNEN MOT ANHÅLLET OCH GENOM ARBETSSTYCKET. När sågningen är klar stänger du av sågen och VÄNTAR TILLS KLINGAN HAR STANNAT HELT innan den lyfts upp.

FÖRSIKTIGT:

- När du gör en bakåtriktad sågning MÅSTE FÖRST LÖPVAGNEN DRAS MOT DIG SÅ LÅNGT SOM MÖJLIGT och därefter trycks handtaget ner så långt det går och sedan TRYCKER DU LÖPVAGNEN MOT ANHÅLLET. STARTA ALDRIG EN SÅGNING OM INTE LÖPVAGNEN HELT DRAGITS MOT DIG. Om du utför en bakåtriktad sågning utan att ha dragit löpvagnen mot dig helt eller om du sågar i riktning mot dig själv kan klingan plötsligt kastas upp och orsaka allvarliga PERSONSKADOR.
- Utför aldrig en bakåtriktad sågning med handtaget låst i nedsänkt läge genom att låstappen har tryckts in.
- Lossa aldrig skruven som låser löpvagnen medan klingan roterar. Detta kan orsaka allvarliga skador.

3. Geringsågning

Se avsnittet "Ändra geringsvinkel".

4. Vinkelsågning (Fig. 35)

Lossa spaken och luta klingan till önskad vinkel (Se avsnittet "Ändra vinkel för vinkelsågning"). Dra sedan åt spaken igen så att den inställda vinkeln är säkert inställd. Sätt fast arbetsstycket med en tving. Se till att löpvagnen dras tillbaka så långt det går mot användaren. Starta maskinen utan att klingan har kontakt med arbetsstycket och vänta tills klingan har uppnått full hastighet. Sänk sedan handtaget försiktigt tills det har sänkts helt medan du trycker på parallellt med sågklingan och SKJUTER LÖPVAGNEN MOT ANHÅLLET FÖR ATT SÅGA AV ARBETSSTYCKET. När sågningen är klar stänger du av sågen och VÄNTAR TILLS KLINGAN HAR STANNAT HELT innan den lyfts upp.

FÖRSIKTIGT:

- Se alltid till att klingan rör sig ner i vinkelriktningen när vinkelsågning görs. Håll händerna borta från sågklingans väg.
- Under vinkelsågning kan en avsågad bit ligga kvar mot klingans sida. Om då klingan lyfts upp medan den fortfarande roterar kan den biten dras med av klingan så att den, eller delar av den slungas iväg vilket är farligt. Klingan får höjas ENDAST om den har slutat att rotera.
- När handtaget trycks ner ska du trycka i samma riktning som klingan lutar. Om trycket inte är parallellt med sågklingan kan klingan förskjutas vilket ger sämre sågprecision.

5. Kombinerad sågning

Kombinerad sågning är när man gör en vinkelsågning och en geringssågning på samma gång, d.v.s. sågningen är vinklad i två led. Kombinerad sågning kan göras i de vinklar som anges i tabellen.

Geringsvinkel	Vinkelsågning
Vänster och Höger 45°	Vänster 0° – 45°
Höger 50°	Vänster 0° – 40°
Höger 55°	Vänster 0° – 30°
Höger 57°	Vänster 0° – 25°

I avsnitten "Genomsågning", "Bakåtriktad sågning", "Geringssågning" och "Vinkelsågning" finns förklaringar för de olika momenten av kombinerad sågning.

6. Såga aluminium (Fig. 36)

När aluminiumprofiler fästs före sågning ska klossar eller andra bitar användas enligt figuren för att inte aluminiumprofilen ska deformeras. Använd en skärvåtska vid sågning av aluminiumprofiler för att inte aluminiumrester ska fastna på klingan.

FÖRSIKTIGT:

- Försök aldrig att såga tjocka eller runda aluminiumprofiler. Tjocka aluminiumprofiler kan lossna under sågningen och runda profiler kan inte fästas ordentligt i den här maskinen.

7. Träskoning (Fig. 37)

Skoning med trä hjälper till att ge stickfri sågning av arbetsstycket. Sätt fast en skoningen på anhållet med hjälp av hålen i anhållet.

I figuren visas dimensionerna på föreslagen träskoning.

FÖRSIKTIGT:

- Använd ett rakt trästycke av jämn tjocklek som skoning.
- Använd skruvar för att fästa träskoningen på anhållet. Skruvarna bör skruvas i så att deras huvuden inte sticker ut från skoningen.
- Vrid inte på geringsskivan när träskoningen sitter på och handtaget är nedsänkt. Detta skadar klingan och/eller träskoningen.

8. Upprepad sågning av samma längder (Fig. 38)

Vid sågning av flera stycken i samma längd inom ett storleksområde på mellan 220 och 385 millimeter kan fixeringsplattan (tillbehör) underlätta arbetet. Montera fixeringsplattan på hållaren (tillbehör) enligt figuren.

Rikta såglinjen i arbetsstycket antingen till vänster eller höger om spåret i spårbädden och justera fixeringsplattan så att den ligger an mot änden av arbetsstycket. Skruva sedan fast fixeringsplattan. När den inte används lossar du fixeringsplattan och vrider undan den så att den inte är i vägen.

OBSERVERA:

- Genom att använda stånghållarsatsen (tillbehör) går kan upprepade sågning göras i längder på upp till cirka 2 200 millimeter.

9. Såga skåror (Fig. 39)

Panelliknande sågning kan göras på följande sätt:

Ställ in klingans lägstaposition med justerskruven och stopparmen till önskat sågdjup. Se avsnittet "Stopparm" ovan.

Efter inställning av klingans lägstaposition sågar du parallella skåror tvärs över arbetsstyckets bredd med bakåtriktad sågning enligt figuren. Avlägsna sedan materialet mellan skårorerna med ett stämjärn. Försök inte att utföra denna typ av sågning med breda (tjocka) klingor eller med panelklingor. Detta kan orsaka olyckor.

FÖRSIKTIGT:

- Se till att stopparmen sätts tillbaka i ursprungligt läge när annat än skåror ska sågas.

Att bära maskinen (Fig. 40 och 41)

Se till att maskinens nåtsladd är utdragen. Fäst klingan vid 0° vinkel för vinkelsågning och geringsskivan i maximal höger geringsvinkel. Lås fast glidplanen efter att löpvagnen dragits helt mot anhållet. Sänk ner handtaget helt och lås det i nedsänkt läge genom att trycka in låstappen.

Bär maskinen genom att hålla på båda sidorna av sågbordet enligt figuren. Om du tar bort hållare, spänsamlare m.m. blir maskinen enklare att bära.

FÖRSIKTIGT:

- Se till att alla rörliga delar sitter fast ordentligt innan maskinen flyttas.
- Låstappen ska bara användas vid transport och förvaring av maskinen, inte vid sågning.

UNDERHÅLL

FÖRSIKTIGT:

- Se alltid till att maskinen är avstängd och att sladden är utdragen före kontroller eller underhåll.

VARNING:

- Se alltid till att klingan är vass och ren för att få ett så bra och säkert resultat som möjligt.

Ändra sågvinkel

Maskinen är noga inställd på fabriken men ovarsam hantering kan påverka detta. Om sågen inte är korrekt riktad gör du på följande sätt:

1. Geringsvinkel

Tryck löpvagnen mot anhållet och skruva fast den med de två skruvarna.

Lossa skruvhandtaget som håller geringsskivan. Vrid geringsskivan så att visaren pekar på 0° på geringsskalan. Vrid sedan geringsskivan något medurs och moturs för att ställa in geringsskivan på 0-gradersmärket. (Låt det vara om visaren inte pekar på 0°.) Med hylsnyckeln lossar du sexkantsbultarna som anhållet sitter i. (Fig. 42)

Sänk ner handtaget helt och lås det i nedsänkt läge genom att trycka in låstappen. Kontrollera, med t.ex. vinkelhake, att klingans sida är vinkelrät mot anhållet. Dra sedan åt sexkantsbultarna på anhållet ordenligt, början på höger sida. (Fig. 43)

Kontrollera att pilen pekar på 0° på geringsskalan. Om den inte gör det skruva du loss pilen och justera den så att den pekar rätt. (Fig. 44)

2. Vinkelsågning

1. 0° vinkel för vinkelsågning

Tryck löpvagnen mot anhållet och skruva fast den med de två skruvarna. Sänk ner handtaget helt och lås det i nedsänkt läge genom att trycka in låstappen. Lossa spaken på maskinens baksida.

Skruva ut justeringsbulten för 0° vinkelsågning (nedre bulten) på armens högra sida två eller tre varv så att klingan lutar en aning åt höger. (Fig. 45) Skruva sedan in justeringsbulten försiktigt tills klingan är vinkelrät mot geringsskivan, använd t.ex. en vinkelhake. Dra sedan åt spaken ordentligt. (Fig. 46)

Kontrollera att visaren på armen pekar på 0° på armhållarens skala. Om den inte gör det skruvar du loss pilen och justerar den så att den pekar rätt. (Fig. 47)

2. 45° vinkel för vinkelsågning

Ställ in 45-graders vinkelsågning först efter att 0-graders vinkelsågning har ställts in. Lossa spaken och luta bladet maximalt åt vänster för att ställa in 45-graders vinkelsågning åt vänster. Kontrollera att visaren på armen pekar på 45° på armhållarens skala. Om den inte gör det vrid du justeringsbulten för vänster 45° (övre bulten) på armhållarens högersida tills visaren pekar på 45°. (Fig. 48)

Ändra läget på laserlinjen (Fig. 49 och 50)

För modellerna LS0714FL, LS0714L

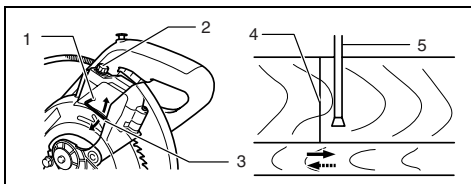
VARNING:

Eftersom maskinen är inkopplad när du justerar laserlinjen måste du vara försiktig så att du inte sätter på sågen. Om du råkar starta sågen av misstag kan det leda till personskador.

FÖRSIKTIGT:

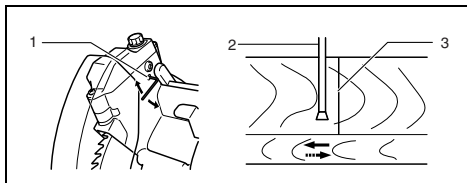
- Titta aldrig direkt in i laserstrålen. Direkt laserljus kan skada ögonen.
- Slå aldrig på maskinen. Slag eller stötar kan förskjuta laserns läge, förstöra lasern eller förkorta maskinens livslängd.

Justering av laserlinjen på vänster sida av sågklingan



- 1 Skruva för att ändra justerskruvens flyttbara område
- 2 Justerskruv
- 3 Insexnyckel
- 4 Laserlinje
- 5 Sågklinga

Justering av laserlinjen på höger sida av sågklingan



- 1 Skruva för att ändra justerskruvens flyttbara område
- 2 Sågklinga
- 3 Laserlinje

Gör på följande sätt i båda fallen.

1. Se till att maskinens nåtsladd är utdragen.
2. Rita in såglinjen på arbetsstycket och placera det på geringsskivan. Sätt inte fast arbetsstycket nu med tving eller liknande.
3. Sänk ner klingan genom att dra ner handtaget för att kontrollera läget av såglinjen och sågklinga. (Bestäm vilken del av såglinjen som ska sågas.)
4. När detta är gjort höjer du handtaget till ursprungsläget. Sätt fast arbetsstycket med vertikal tving utan att flytta det ur det redan kontrollerade läget.
5. Sätt på maskinen och lasern.
6. Ändra läget på laserlinjen på följande sätt.

Laserlinjens läge kan ändras genom att justerskruvens flyttbara område för lasern ändras när du vrider de två skruvarna med en insexnyckel. (Laserlinjens flyttbara område är fabriksinställt till inom 1 millimeter från sågklingan.)

Flytta laserlinjens flyttbara område längre bort från klingan genom att vrida de två skruvarna moturs efter att ha lossat justerskraven. Lossa justerskraven och vrid skruvarna medurs för att flytta närmare klingan.

I avsnittet "Laserns funktion" beskrivs hur justerskraven används för att rikta laserlinjen längs såglinjen i arbetsstycket.

OBSERVERA:

- Kontrollera regelbundet laserlinjens läge för att bibehålla noggrannheten.
- Låt maskinen repareras på ett auktoriserat Makita servicecenter om det blir något fel på lasern.

Byta lysrör (Fig. 51)

För modellerna LS0714F, LS0714FL

FÖRSIKTIGT:

- Se alltid till att maskinen är avstängd och att sladden är utdragen innan lysröret byts.
- Tryck eller slå inte på lysröret och repa det inte eftersom glas från ett krossat lysrör kan skada personer i närheten.
- Vid behov låter du lysröret svalna innan du byter det. Annars kan du bränna dig.

Ta bort skruvarna som håller lamphuset.

Dra ut lamphuset och tryck samtidigt försiktigt på dess överdel enligt figuren.

Dra ut lysröret och byt ut det mot ett nytt originallysörör från Makita.

Rengöring av laserns lins (Fig. 52 och 53)

För modellerna LS0714FL, LS0714L

Om laserns lins blir smutsig eller om sågspån fastnar på den så att inte laserlinjen syns stänger du av maskinen, tar bort linsen och rengör den försiktigt med en fuktig mjuk trasa. Använd inte lösningsmedel eller petroleum-baserade rengöringsmedel på linsen.

För att ta bort laserns lins tar du först bort sågklingan enligt avsnittet "Ta bort och sätta fast en sågklinga".

Använd en skruvmejsel och lossa skruven som håller linsen men ta inte bort den.

Dra ut linsen enligt figuren.

OBSERVERA:

- Om linsen inte kan dras ut kan du lossa skruven ytterligare, utan att ta bort den, och sedan försöka dra ut linsen igen.

Utbyte av kolborstarna (Fig. 54 och 55)

Ta ur och kontrollera kolborstarna med jämna mellanrum. Byt ut dem om de har slitits ner till slitgränsmarkeringen. Håll kolborstarna rena, och se till att de lätt kan röra sig i hållarna. Båda kolborstarna ska bytas ut samtidigt. Använd endast identiska kolborstar.

Använd en skruvmejsel för att ta bort locken över kolborsthållarna. Ta ur de utslitna kolborstarna, sätt i nya och sätt sedan tillbaka kolborsthållarnas lock.

Efter användning

- Torka bort de spån och det damm som har fastnat på maskinen med en tygduk eller liknande efter att arbetet är avslutat. Se till att du håller klingskyddet rent, i enlighet med de anvisningar som ges i avsnittet med titeln "Klingskydd" ovan. Smörj in de rörliga delarna med maskinolja för att förhindra rostbildning.
- Dra vagnen fullständigt mot dig när maskinen ska ställas undan för förvar så att skjutstängan är helt inskjuten i geringsskivan.

För att upprätthålla produktens SÄKERHET och TILLFÖRLITLIGHET bör allt underhålls- och justeringsarbete utföras av ett auktoriserat Makita servicecenter, med användning av Makita reservdelar.

TILLBEHÖR

FÖRSIKTIGHET:

- Dessa tillbehör och tillsatser rekommenderas för användning tillsammans med den maskin från Makita som anges i den här bruksanvisningen. Att använda några andra tillbehör eller tillsatser kan medföra en risk för personskador. Använd endast tillbehören och tillsatserna för de ändamål som de är avsedda för.

Kontakta ditt lokala Makita servicecenter om du behöver hjälp med eller mer detaljerad information om dessa tillbehör.

- Klingor med hårdmetallskär
- Tving (Horisontal tving)
- Vertikal tving
- Hylsnyckel nr. 10
- Hållaruppsättning
- Hållarsats
- Stånghållarsats
- Fixeringsplatta
- Spånsamlarpåse
- Vinkelhake
- Säkerhetsknapp (2 st.)
- Lysrör
- Insexnyckel

Forklaring til generell oversikt

1	Stopperstift	30	Lysbryter	59	To klemskruer som holder glide- stangen
2	Skruer	31	Laserbryter	60	Skrustikke
3	Justeringssskrue	32	Nøkkelholder	61	Avstandsklosse
4	Bladvern	33	Pipeholder	62	Aluminiumsprofil
5	Fingerskrue	34	Senterdeksel	63	Over 15 mm
6	Skjæreplate	35	Pipenøkkel	64	Over 420 mm
7	Sagblad	36	Sekskantskrue	65	Huller
8	Sagbladtenner	37	Sikkerhetsdeksel	66	Settplate
9	Venstre gjæringsssnitt i vertikal- planet	38	Spindellås	67	Sage spor med bladet
10	Rett snitt	39	Pil	68	Trekantlinjal
11	Dreifot	40	Sagbladhus	69	Armholder
12	Føringverne	41	Sekskantskrue (venstregjenget)	70	Justeringssskrue for 0 graders gjæringsvinkel i vertikalplanet
13	Oversiden av det dreibare bor- det	42	Ytre flens	71	Justeringssskrue for 45 graders venstre gjæringsvinkel i vertikal- planet
14	Bladperiferien	43	Indre flens	72	Arbeidsstykke
15	Justeringssskrue	44	Spindel	73	Kappelinje
16	Stopperarm	45	Støvpose	74	Vertikal skrustikke
17	Låsehendel	46	Støvutløp	75	Trekk ut
18	Horisontal gjæringssskala	47	Lukkeanordning	76	Skyv
19	Viser	48	Støtte	77	Lampeboks
20	Dreiehåndtak	49	Skrustikkearm	78	Skruer
21	Hendel	50	Skrustikkestang	79	Lysrør
22	Utløserknapp	51	Holder	80	Skrutrekker
23	Gjæringssskala i vertikalplanet	52	Holderenhet (tilleggsutstyr)	81	Skruer (bare ett stykk)
24	Arm	53	Skrustikkeknott	82	Linse for laserlys
25	Skruer	54	Knast	83	Grensemerke
26	AV-sperreknapp	55	Skrustikkesskaft	84	Børsteholderhette
27	Startbryter	56	Fot		
28	Håndtak	57	Stang 12		
29	Lys	58	To klemskruer som holder glidestangen		

SPESIFIKASJONER

Modell

LS0714/LS0714F/LS0714FL/LS0714L

Bladdiameter	190 mm
Hulldiameter (akselhull).....	20 mm
Maksimal gjæringsvinkel i horisontalplanet	Venstre 47°, Høyre 57°
Maksimal gjæringsvinkel i vertikalplanet	Venstre 45°, Høyre 5°

Maks. sagekapasitet (H x B) med blad med 190 mm diameter.

Gjæringsvinkel i horisontalplanet	Gjæringsvinkel i vertikalplanet		
	45° (venstre)	0°	45° (høyre)
0°	*45 mm x 265 mm (Merk 1)	*60 mm x 265 mm (Merk 1)	—
	40 mm x 300 mm	52 mm x 300 mm	40 mm x 300 mm
45° (Venstre og høyre)	*45 mm x 185 mm (Merk 2)	*60 mm x 185 mm (Merk 2)	—
	40 mm x 212 mm	52 mm x 212 mm	—
57° (høyre)	—	*60 mm x 145 mm (Merk 3)	—
	—	52 mm x 163 mm	—

(Merk) En stjerne (*) betyr at det brukes en gjæringskloss med følgende tykkelse.

1: Ved bruk av 20 mm tykk gjæringskloss.

2: Ved bruk av 15 mm tykk gjæringskloss.

3: Ved bruk av 10 mm tykk gjæringskloss.

Tomgangshastighet (turtall)..... 6 000

Lasertype (kun LS0714FL/L) Rød laser 650 nm, <1mW (laserklasse 2)

Mål (lengde x bredde x høyde).....670 mm x 430 mm x 458 mm

Nettvekt LS0714: 12,5 kg, LS0714F: 12,8 kg, LS0714FL: 13,1 kg, LS0714FL: 13,0 kg

- Grunnet det kontinuerlige forsknings- og utviklingsprogrammet, forbeholder vi oss retten til å foreta endringer i tekniske data uten forvarsel.
- Merknad: Tekniske data kan variere fra land til land.

Bruksområde

Maskinen er beregnet for nøyaktig rett og skrå saging i tre. Utstyrt med de riktige bladene kan maskinen også brukes til skjæring i aluminium.

Strømforsyning

Maskinen må kun koples til den spenning som er angitt på typeskiltet og arbeider kun med enfas-vekselstrøm. Den er dobbelt verneisoleret i henhold til de Europeiske Direktiver og kan derfor også koples til stikkontakter uten jording.

Sikkerhetstips

For din egen sikkerhets skyld ber vi deg lese de medfølgende sikkerhetsreglene.

EKSTRA SIKKERHETSREGLER

1. **Bruk vernebriller.**
2. **Hold hendene unna sagbladets bevegelsesområde.** Rør aldri det roterende bladet erttersom dette kan resultere i alvorlige legemsskader.
3. **Sagen må ikke brukes med mindre vernene er på plass.** Sjekk at bladvernet lukker seg slik det skal før maskinen tas i bruk. Sagen må ikke brukes hvis bladvernet ikke beveger seg fritt/ikke lukker seg umiddelbart. Bladvernet må aldri klemmes på eller bli stående i åpen stilling.
4. **Utfør aldri arbeid med bare én hånd.** Arbeidselementet må være forsvarlig festet mot dreiefoten og føringsvernet med skrustikken under hele arbeidsoperasjonen. Bruk aldri hånden til å holde arbeidselementet fast med.
5. **Grip aldri rundt sagbladet med hånden.**
6. **Slå av maskinen og vent til sagbladet har stanset opp før arbeidselementet fjernes eller innstillinger endres.**
7. **Dra ut kontakten på maskinen før et blad skiftes ut eller vedlikehold utføres.**
8. **Fest alle bevegelige deler før verktøyet skal flyttes.**
9. **Stopperstiften som holder saghodet nede er kun beregnet på transport og lagring, og har ingen funksjon under saging.**
10. Maskinen må ikke brukes i nærheten av brennbare væsker eller gasser.
11. Sjekk bladet nøye for sprekker eller andre skader før maskinen brukes. Sprukne eller ødelagte blad må straks skiftes ut.
12. Bruk bare flenser som er spesifisert for denne maskinen.
13. Vær forsiktig så ikke spindel, flenser (spesielt monteringsoverflatene) eller bolter påføres skader. Hvis noen av disse delene blir skadet, kan dette resultere i at bladet knekker.
14. Sørg for at dreiefoten sitter fast slik at den ikke flytter seg under arbeidet.
15. Av sikkerhetsmessige årsaker må spon, små biter o.l. fjernes fra arbeidselementet før arbeidet begynner.
16. Unngå å sage over spikre. Se etter og fjern eventuelle spikre fra arbeidselementet før arbeidet begynner.
17. Sørg for å frigjøre aksellåsen før bryteren slås på.
18. Sørg for at bladet ikke kommer i berøring med dreiefoten i nederste stilling.

19. Hold godt fast i håndtaket. Vær oppmerksom på at sagen beveger seg opp og ned under oppstart og når maskinen stopper.
20. Sørg for at bladet ikke kommer i berøring med arbeidselementet før bryteren slås på.
21. Før maskinen brukes på et arbeidselement bør motoren gå en stund. Vær på utkikk etter vibrasjoner eller slingringer da dette kan være tegn på feilmontering eller et dårlig balansert blad.
22. Vent til bladet oppnår full hastighet før du begynner å sage.
23. Stans maskinen øyeblikkelig hvis du oppdager noe unormalt.
24. Forsøk aldri å låse startbryteren slik at maskinen fortsetter å gå kontinuerlig.
25. Ha hele tiden oppmerksomheten rettet mot det du gjør, spesielt under gjentakende og monotone arbeidsoperasjoner. Ikke la deg selv få en falsk trygghetsfølelse. Sagblad er ekstremt hensynsløse.
26. Bruk alltid det utstyret som er anbefalt i denne bruksanvisningen. Bruk av ukorrekt utstyr som f.eks. slipehjul, kan forårsake legemsskader.
27. **Sagen må ikke brukes til annet enn skjæring av aluminium, tre, eller lignende materialer.**
28. **Kople gjæringsagen til en støvsamler mens du sager.**
29. **Velg et sagblad som passer til materialet det skal sages i.**
30. **Utvis forsiktighet når du lager spor.**
31. **Skift ut skjæreplaten når den er slitt.**
32. **Sagblad av høyhastighetsstål må ikke brukes.**
33. **Noen typer støv inneholder kjemikalier som kan fremkalle kreft, fødselskader eller andre forplantningsskader. Noen eksempler på slike kjemikalier er:**
 - bly fra materialer som er malt med blybasert maling
 - arsenikk og kromium fra kjemisk behandlet tømmer.
- Risikoen du utsettes for kan variere avhengig av hvor ofte du utfører denne typen arbeid. For å redusere risikoen for at du utsettes for disse kjemikalierne: utfør arbeidet på et godt ventilert sted og arbeid med godkjent verneutstyr slik som støvmasker som er spesielt beregnet til å filtrere ut mikroskopiske partikler.
34. For å redusere støv under arbeidet, må bladene alltid være skarpe og rene.
35. Operatøren må være opplært i bruk, justering og betjening av maskinen.
36. Bruk korrekte blader som er skikkelig slipt. Overhold den maksimale hastigheten som er angitt på sagbladet.
37. Fjern aldri avkapp eller andre deler av arbeidselementet fra kappeområdet mens maskinen går og sagbladet ikke er i hvileposisjon.

TA VARE PÅ DISSE INSTRUKSENE.

INSTALLERING

Montering på benk

Når maskinen sendes fra fabrikk, er håndtaket låst i nedre stilling av stopperstiften. Løsne stopperstiften ved å senke håndtaket litt, så stopperstiften kan trekkes ut. (Fig. 1)

Denne maskinen må festes med to skruer til et jevnt og stabilt underlag ved hjelp av skruellullene i maskinfoten. Dette forhindrer at maskinen velter og forårsaker personskader. (Fig. 2)

Skru justeringskruen med klokken eller mot klokken, så den kommer i kontakt med gulvet og holder maskinen stabil. (Fig. 3)

FUNKSJONSBEKRIVELSE

NB!

- Forviss deg alltid om at maskinen er slått av og støpselet trukket ut av kontakten før du justerer maskinen eller kontrollerer dens mekaniske funksjoner.

Bladvern (Fig. 4 og 5)

Når du senker håndtaket, heves bladvernet automatisk. Vernet er fjærbelastet, så det returnerer til sin opprinnelige posisjon når snittet er utført og håndtaket løftes. HVERKEN BLADVERNET ELLER FJÆREN SOM ER FESTET TIL VERNET MÅ NOEN GANG FJERNES ELLER SETTES UT AV FUNKSJON.

Av hensyn til din personlige sikkerhet, må du alltid holde bladvernet i god stand. Skulle bladvernet ikke fungere normalt, må dette rettes omgående. Kontroller at bladvernets fjærmekanisme fungerer som den skal. MASKINEN MÅ ALDRI BRUKES HVIS BLADVERNET ELLER FJÆREN ER ØDELAGT, IKKE FUNGERER PERFEKT, ELLER ER FJERNET. DET VIL VÆRE MEGET FARLIG OG KAN FORÅRSAKE ALVORLIGE HELSESKADER.

Hvis det gjennomskitige sikkerhetsdekslet (også kalt bladvernet) blir skittent, eller det setter seg så mye sagflis på det at bladet ikke lenger er godt synlig, må du trekke støpselet til sagen ut av stikkkontakten og gjøre dekslet forsiktig rent med en fuktig klut. Ikke bruk løsemidler eller noen bensinbaserte rensmidler på plastvernet.

Hvis bladvernet er spesielt skittent og sikten gjennom vernet er blitt dårlig, må du bruke den inkluderte pipenøkelen til å løsne sekskantskruen som holder senterdekslet. Løsne sekskantskruen ved å skru den mot klokken og heve bladvernet og senterdekslet. Når bladvernet er plassert slik, blir rengjøringen både bedre og mer effektiv. Når rengjøringen er fullført, må du følge ovenstående prosedyre i motsatt rekkefølge, og feste skruen igjen. Ikke fjern fjæren som holder bladvernet. Hvis vernet blir misfarget som følge av alder eller UV-lys, må du ta kontakt med et Makita-senter for å få et nytt. VERNET MÅ IKKE FJERNES ELLER SETTES UT AV FUNKSJON.

Plassere skjæreplaten (Fig. 6 og 7)

Maskinen er utstyrt med skjæreplater i dreiefoten, slik at det skal bli minst mulig oppflising eller slitasje der sagbladet kommer ut av snittet. Skjæreplatene er fabrikkjustert slik at sagbladet ikke får kontakt med dem. Før bruk må du justere skjæreplatene som følger:

Trekk først støpselet til maskinen ut av stikkkontakten. Løsne alle skruene (2 på høyre og 2 på venstre side) som holder skjæreplatene. Stram dem igjen akkurat så mye at skjæreplatene fortsatt kan beveges lett for hånd. Senk håndtaket helt og skyv inn stopperstiften for å låse håndtaket i nedre stilling. Løsne to klemskruer som holder glidestengene. Trekk vognen helt mot deg. Juster skjæreplatene slik at de akkurat berører siden av sagbladetennene. Stram de fremre skruene (ikke hardt). Skyv vognen helt mot føringsvernet og juster skjæreplatene slik at de akkurat berører siden av sagbladetennene. Stram de bakre skruene (ikke hardt).

Etter at skjæreplatene er justert, må du løsne stopperstiften og heve håndtaket. Deretter må alle skruene strammes godt.

NB!

- Før og etter en endring av den vertikale gjæringsvinkelen må du alltid justere skjæreplatene som beskrevet ovenfor.

Opprettholde maksimal sagekapasitet (Fig. 8 og 9)

Denne maskinen er fabrikkjustert til å gi maksimal sagekapasitet for et sagblad med 190 mm diameter.

Når du installerer et nytt blad, må du alltid kontrollere den nederste mulige stillingen til bladet og om nødvendig justere denne som følger:

Trekk først støpselet til maskinen ut av stikkkontakten. Skyv vognen helt mot føringsvernet og senk håndtaket fullstendig. Bruk pipenøkelen til å skru på justeringskruen til periferien av bladet stikker litt lavere enn oversiden av dreiefoten der hvor fotsiden av føringsvernet møter oversiden av dreiefoten.

Pass på at maskinen er koblet fra strømtilførselen, og drei bladet for hånd mens du holder håndtaket helt nede, for å være sikker på at bladet ikke berører noen del av foten. Juster bladet litt på nytt, om nødvendig.

NB!

- Etter at du har installert et nytt blad, må du alltid forviss deg om at bladet ikke berører noen del av den nedre foten når håndtaket senkes helt. Støpselet til maskinen må alltid være ute av stikkkontakten når dette gjøres.

Stopperarm (Fig. 10)

Bladets nederste stilling kan enkelt justeres med stopperarmen. For å justere den må du bevege stopperarmen i pilens retning, som vist på figuren. Still justeringskruen slik at bladet stopper i ønsket posisjon når du senker håndtaket helt.

Justere den horisontale gjæringsvinkelen (Fig. 11)

Løsne dreiehåndtaket ved å skru det mot klokken. Drei dreiefoten mens du holder låsehendelen nede. Når du har flyttet dreiehåndtaket til den plasseringen hvor viseren peker på den ønskede vinkelen på den horisontale gjæringskalaen, må du stramme det godt ved å vri det med klokken.

NB!

- Når du dreier dreiefoten må du passe på å løfte håndtaket til dets øverste stilling.
- Etter at du har endret den horisontale gjæringsvinkelen, må du alltid feste dreiefoten ved å stramme dreiehåndtaket godt.

Justere gjæringsvinkelen i vertikalplanet (Fig. 12 og 13)

For å justere den vertikale gjæringsvinkelen må du løsne hendelen på baksiden av maskinen i retning mot klokken. Skyv håndtaket til venstre for å legge sagbladet på skrå, inntil viseren peker på den ønskede vinkelen på den vertikale gjæringskalaen. Stram så hendelen godt, i retning med klokken, for å feste armen.

For å legge sagbladet på skrå til høyre må du trykke på utløserknappen på baksiden av maskinen mens du vipper bladet litt mot venstre etter å ha løst hendelen. Mens du holder utløserknappen inne, kan du vippe sagbladet mot høyre.

NB!

- Når du legger sagbladet på skrå, må du passe på å løfte håndtaket til dets øverste stilling.
- Etter å ha endret gjæringsvinkelen i vertikalplanet må du passe på å stille skjæreplaten riktig, som forklart i avsnittet "Plassere skjæreplaten".

Justere hendelens stilling (Fig. 14)

Hendelen kan settes i en ny stilling for hver 30° hvis den ikke strammer skikkelig.

Løsne og ta ut skruen som holder hendelen på baksiden av maskinen. Ta av hendelen og installer den igjen så den står en tanke opp fra horisontalplanet. Fest hendelen godt med skruen.

Bruke startbryteren

NB!

- For kobler maskinen til strømnettet, må du alltid kontrollere at startbryteren aktiverer maskinen på riktig måte og går tilbake til "AV"-stilling når den slippes.
- Når du ikke skal bruke maskinen på en stund, må du fjerne AV-sperreknappen og oppbevare den på et trygt sted. Dette forhindrer at uvedkommende kan bruke maskinen.
- Ikke press hardt på startbryteren uten å skyve inn AV-sperreknappen. Dette kan få bryteren til å brette.

For land i Europa (Fig. 15)

For å unngå at startbryteren trykkes inn ved en feiltakelse, er maskinen utstyrt med en AV-sperreknapp. For å starte maskinen må du trykke inn AV-sperreknappen og deretter trykke på startbryteren. Slipp startbryteren for å stoppe.

For land utenom Europa (Fig. 16)

For å unngå at startbryteren trykkes inn ved en feiltakelse, er maskinen utstyrt med en AV-sperreknapp. For å starte maskinen må du trykke inn AV-sperreknappen og trykke på startbryteren. Slipp startbryteren for å stoppe.

ADVARSEL:

- Maskinen må ALDRI brukes uten at startbryteren er i perfekt stand. En maskin med en bryter som ikke virker er MEGET FARLIG og må repareres før ytterligere bruk.
- Av hensyn til din sikkerhet er denne maskinen utstyrt med en AV-sperreknapp som forhindrer utilsiktet start av maskinen. Maskinen må ALDRI brukes hvis den begynner å gå bare du trykker på startbryteren, uten at du må trykke på AV-sperreknappen også. Returner maskinen til et Makita-servicesenter for å få den reparert FØR videre bruk.
- AV-sperreknappen må ALDRI holdes inne med tape, og den må ALDRI settes ut av funksjon.

Tenne lampene (Fig. 17)

Gjelder modellene LS0714F og LS0714FL

NB!

- Denne lampen er ikke regnetett. Ikke vask lampen i vann eller bruk den i regn eller et fuktig område. Det kan forårsake elektrisk støt og røykutvikling.
- Ikke berør lampelinsen, da den er meget varm så lenge den er tent og en kort stund etter at lampen er slått av. Dette kan gi forbrenninger.
- Ikke utsett lampen for støt, da dette kan skade den eller redusere dens levetid.
- Ikke rett lyset fra lampen mot øynene dine. Dette kan skade øynene dine.
- Ikke dekk til lampen med tøy, papp eller liknende mens den er i bruk, da dette er brannfarlig.

Skyv bryteren til øverste stilling for å slå lampen på, og til nederste stilling for å slå den av.

Flytt lampen for å lyse opp et annet område.

MERK:

- Bruk en tørr klut til å tørke urenheter av lampelinsen. Vær forsiktig så det ikke blir riper i lampelinsen, da dette kan redusere lysstyrken.

Bruke laserstrålen (Fig. 18 og 19)

Gjelder modellene LS0714FL og LS0714L

NB!

- Se aldri inn i laserstrålen. En direkte laserstråle kan skade øynene dine.

Slå på laserstrålen ved å skyve bryteren til øverste stilling (I). Skyv den til nederste stilling (O) for å slå den av.

Laserlinjen kan flyttes til venstre eller høyre side av sagbladet ved hjelp av justeringsskruen, som beskrevet nedenfor.

1. Løsne justeringsskruen ved å skru den mot klokken.
2. Mens justeringsskruen er løs, må du skyve den så langt til høyre eller venstre som den går.
3. Stram justeringsskruen godt når den ikke går lenger.

Laserlinjen er fabrikkjustert, så den befinner seg mindre enn 1 mm fra siden av sagbladet (sagestilling).

MERK:

- Når laserlinjen er uklart og nesten eller helt usynlig på grunn av direkte sollys på arbeidsplassen, må du flytte arbeidet til et sted som ikke er utsatt for direkte sollys.

Justere laserlinjen (Fig. 20)

Laserlinjen kan flyttes til enten venstre eller høyre side av bladet, avhengig av den aktuelle arbeidssituasjonen. Se forklaring under "Bruke laserstrålen" når det gjelder flytting av laserlinjen.

MERK:

- Bruk en gjæringskloss mot føringsvernet når du koordinerer kappelinjen og laserlinjen ved siden av føringsvernet ved kombinasjonssaging (45 graders gjæringsvinkel i vertikalplanet og 45 graders høyre gjæringsvinkel i horisontalplanet).

A) Når du får riktig størrelse på venstre side av arbeidsstykket.

- Flytt laserlinjen til venstre for bladet.

B) Når du får riktig størrelse på høyre side av arbeidsstykket.

- Flytt laserlinjen til høyre for bladet.

Sørg for at kappelinjen på arbeidsstykket faller sammen med laserlinjen.

SAMMENSETTING

NB!

- Forviss deg alltid om at maskinen er slått av og støpselet trukket ut av kontakten før du utfører noe arbeid på maskinen.

Oppbevaring av pipenøkkelen (Fig. 21)

Pipenøkkelen oppbevares som vist på figuren. Når du skal bruke pipenøkkelen, må du trekke den ut av nøkkelholderen. Etter at du har brukt pipenøkkelen, må du sette den tilbake i nøkkelholderen.

Montere eller fjerne sagbladet

NB!

- Forviss deg alltid om at maskinen er slått av og støpselet trukket ut av kontakten før du monterer eller fjerner bladet.
- Bruk bare den Makita-pipenøkkelen som fulgte med maskinen, til å montere eller fjerne bladet. Hvis du bruker en annen nøkkel, kan det føre til at sekskantskruen blir strammet for mye eller ikke tilstrekkelig. Dette kan resultere i helseskader.

Lås håndtaket i øvre stilling ved å skyve inn stopperstiften. (Fig. 22)

Når du vil fjerne bladet, må du bruke pipenøkkelen til å løse sekskantskruen som holder nede senterdekselet, ved å skru den mot klokken. Hev bladvernet og senterdekselet. (Fig. 23)

Trykk på spindellåsen for å låse spindelen, og bruk pipenøkkelen til å løse sekskantskruen med klokken. Fjern så sekskantskruen, den ytre flensen og bladet. (Fig. 24) Monter bladet ved å sette det forsiktig på spindelen. Pass på at pilen på overflaten av bladet peker i samme retning som pilen på sagbladhuset. Monter den ytre flensen og sekskantskruen, og bruk så pipenøkkelen til å stramme sekskantskruen (venstregjengen) godt mot klokken, mens du trykker inn spindellåsen.

Sett bladvernet og senterdekselet tilbake på plass. Stram så sekskantskruen med klokken for å feste senterdekselet. Løsne håndtaket fra øvre stilling ved å trekke ut stopperstiften. Senk håndtaket for å forvise deg om at bladvernet beveger seg som det skal. Forviss deg om at spindellåsen har sluppet spindelen før du sager. (Fig. 25 og 26)

Støvpose (Fig. 27)

Støvposen forenkler støvoppsamlingen og gjør bruken av sagen renere. Fest støvposen ved å trø den over støvtøppet.

Når støvposen er ca. halvfull, må du fjerne støvposen fra maskinen og trekke ut lukkeanordningen. Tøm støvposen, og bank lett på den for å fjerne partikler som sitter fast på innsiden av posen og som kan være til hinder for videre støvoppsamling.

MERK:

Hvis du kobler en Makita-støvsuger til sagen, blir driften av sagen enda mer effektiv og enda renere.

Feste arbeidsstykket (Fig. 28)

ADVARSEL:

- Det er meget viktig alltid å feste arbeidsstykket ordentlig og stramt ved hjelp av skrustikken. Om dette ikke gjøres, kan maskinen bli skadet og/eller arbeidsstykket ødelagt. DETTE KAN OGSÅ RESULTERE I HELSESKADER. Etter saging må du HELLER IKKE heve bladet før det helt har sluttet å rotere.

NB!

- Når du sager lange arbeidsstykker, må du bruke støtteklusser som er så høye som overflaten av dreiefoten. Ikke stol på at bare den vertikale og/eller den horisontale skrustikken klarer å feste arbeidsstykket godt nok. Tynne materialer har en tendens til å henge. Støtt opp under arbeidsstykket over hele dets lengde for å unngå at bladet kommer i klem og eventuelt at bladet kastes tilbake mot deg.

Vertikal skrustikke (Fig. 29)

Den vertikale skrustikken kan monteres i to stillinger på enten venstre eller høyre side av føringsvernet eller holderenheten (tilleggsutstyr). Sett skrustikkestangen inn i hullet i føringsvernet eller holderenheten og stram skruen for å feste stangen.

Plasser skrustikkearmen i samsvar med tykkelsen av og formen på arbeidsstykket, og fest skrustikkearmen ved å stramme skruen. Hvis skruen som fester skrustikkearmen berører føringsvernet, må du sette skruen på motsatt side av skrustikkearmen. Pass på at ingen del av maskinen berører skrustikken når håndtaket senkes helt, eller når vognen trekkes eller skyves til endeposisjonen. Hvis noen del berører skrustikken, må du sette skrustikken i en ny stilling.

Trykk siden av arbeidsstykket mot føringsvernet og dreiefoten. Plasser arbeidsstykket i den ønskede kappestillingen og fest det godt ved å stramme skrustikkeknotten.

NB!

- Arbeidsstykket må være godt festet mot dreiefoten og føringsvernet ved hjelp av skrustikken under alle operasjoner.

Horisontal skrustikke (tilleggsutstyr) (Fig. 30)

Den horisontale skrustikken kan monteres på venstre side av foten. Hvis du skrur skrustikkeknotten mot klokken, løsnes skruen, og skrustikkeskafet kan beveges hurtig inn og ut. Hvis du skrur skrustikkeknotten med klokken, forblir skruen festet. Hvis du vil feste arbeidsstykket, må du skru skrustikkeknotten med klokken, inntil knasten når sin øverste stilling, og deretter stramme godt til. Hvis skrustikkeknotten skyves inn eller trekkes ut med makt mens den skrur inn med klokken, kan det hende at knasten blir stående på skjeve. I så fall må du skru skrustikkeknotten tilbake mot klokken, inntil skruen er løs, før du skrur forsiktig med klokken igjen.

Maksimal bredde av det arbeidsstykket som skal festes med den horisontale skrustikken, er 120 mm.

NB!

- Sett fast arbeidsstykket kun når knasten befinner seg i den øverste stillingen. Hvis du ikke gjør det, vil ikke arbeidsstykket bli skikkelig festet. Dette kan resultere i at arbeidsstykket kastes ut, forårsake skade på bladet eller føre til at brukeren mister kontroll over maskinen, noe som igjen kan føre til HELSESKADER.

Holdere og holderenhet (tilleggsutstyr) (Fig. 31 og 32)

Holderne og holderenheten kan monteres på begge sider som et praktisk middel til å støtte opp arbeidsstykkene horisontalt. Monter dem som vist på figuren. Stram så skruene godt for å feste holderne og holderenheten. Ved kapping av lange arbeidsstykker må holderstangenheten (tilleggsutstyr) brukes. Den består av to holderenheter og to stenger 12.

NB!

- Lange arbeidsstykker må alltid støttes slik at de ligger flatt nedpå oversiden av dreiefoten. Dette er viktig for å oppnå nøyaktige snitt og for å motvirke at maskinen kommer ut av kontroll.

BRUK

NB!

- Før bruk må du passe på å løsne håndtaket fra den senkede posisjonen, ved å trekke ut stopperstiften.
- Forviss deg om at bladet ikke har kontakt med arbeidsstykket osv. før startbryteren er slått på.
- Ikke bruk mer kraft på håndtaket enn nødvendig under saging. For stor kraft kan resultere i overbelastning av motoren og/eller redusert sageeffektivitet. Trykk ned håndtaket med bare akkurat så mye kraft som kreves for jevn saging, uten at bladshastigheten reduseres nevneverdig.
- Trykk håndtaket forsiktig ned for å lage snittet. Hvis håndtaket trykkes ned med makt, eller hvis bladet trykkes sideveis, vil bladet begynne å vibrere og etterlate et merke (sagmerke) i arbeidsstykket, og snittet vil bli mindre nøyaktig.
- Under saging med uttrekksfunksjonen må du skyve vognen forsiktig mot føringsvernet uten å stoppe. Hvis vognens bevegelse stoppes under saging, vil det bli et merke i arbeidsstykket, og snittet vil bli mindre nøyaktig.

1. Trykksaging (kapping av små arbeidsstykker) (Fig. 33)

Arbeidsstykker på opptil 50 mm høyde og 97 mm bredde kan kappes på følgende måte.

Trykk vognen helt mot føringsvernet, og skru de to klem-skruene (som holder glidestengene) med klokken for å stramme dem og feste vognen. Fest arbeidsstykket med skrustikken. Slå på maskinen uten at bladet berører arbeidsstykket, og vent til bladet går med full hastighet før du senker det. Senk så forsiktig håndtaket til dets nederste stilling for å kappe arbeidsstykket. Når snittet er gjort, må du slå av maskinen og VENTE TIL BLADET HAR STOPPET HELT, før du setter bladet tilbake i helt oppreist stilling.

NB!

- Stram de to klem-skruene som holder glidestengene, ved å skru dem med klokken, slik at vognen ikke vil bevege seg under saging. Hvis knotten ikke strammes skikkelig, kan det føre til at bladet plutselig slår tilbake mot operatøren. Resultatet kan bli ALVORLIGE HELSESKADER.

2. Sage med uttrekksfunksjonen (kappe brede arbeidsstykker) (Fig. 34)

Løse de to klem-skruene som holder glidestengene, ved å skru dem mot klokken, så vognen kan gli fritt. Fest arbeidsstykket med skrustikken. Trekk vognen helt mot deg. Slå på maskinen uten at bladet berører arbeidsstykket, og vent til bladet går med full hastighet. Trykk håndtaket ned, og SKYV VOGNEN MOT FØRINGSVERNET OG GJENNOM ARBEIDSSTYKKET. Når snittet er gjort, må du slå av maskinen og VENTE TIL BLADET HAR STOPPET HELT, før du setter bladet tilbake i helt oppreist stilling.

NB!

- Når du skal sage med uttrekksfunksjonen, må du FØRST TREKKE VOGNEN HELT TIL DEG, trykke håndtaket ned til sin aller nederste stilling, og deretter TRYKKE VOGNEN MOT FØRINGSVERNET. DU MÅ ALDRI BEGYNNE SNITTET UTEN AV VOGNEN ER TRUKKET SÅ LANGT DEN GÅR MOT DEG. Hvis du utfører glidesnittet uten at du har trukket vognen helt til deg, eller hvis du utfører glidesnittet mens du trekker bladet mot deg, kan bladet plutselig hoppe tilbake mot deg, med fare for at du blir ALVORLIG SKADET.
- Uttrekksfunksjonen må aldri brukes mens du holder håndtaket låst i nedre stilling ved å trykke inn stopperstiften.
- Klem-skruen som holder vognen festet må aldri løsnes mens bladet roterer. Dette kan forårsake alvorlige helseskader.

3. Gjæringsaging i horisontalplanet

Slå opp i avsnittet "Justere den horisontale gjæringsvinkelen" tidligere i denne håndboken.

4. Gjærings-saging i vertikalplanet (Fig. 35)

Løsne hendelen og vipp sagbladet til siden for å stille inn gjæringsvinkelen i vertikalplanet (se også avsnittet "Justere den vertikale gjæringsvinkelen" tidligere i denne håndboken). Pass på å stramme hendelen godt igjen for å feste den valgte gjæringsvinkelen skikkelig. Fest arbeidsstykket med en skrustikke. Pass på at vognen er trukket helt tilbake mot operatøren. Slå på maskinen uten at bladet berører arbeidsstykket, og vent til bladet går med full hastighet. Senk så håndtaket forsiktig til det når sin nederste stilling, mens du utøver et visst press parallelt med bladet, og TRYKK VOGNEN MOT FØRINGSVERNET FOR Å KAPPE ARBEIDSTYKKET. Når snittet er gjort, må du slå av maskinen og VENDE TIL BLADET HAR STOPPET HELT, før du setter bladet tilbake i helt oppreist stilling.

NB!

- Pass alltid på at bladet vil bevege seg ned i riktig skråretning ved gjærings-saging i vertikalplanet. Hold hendene unna sagbladets bane.
- Under gjærings-saging i vertikalplanet kan det hende at det stykket som er kappet av vil bli liggende inntil siden av sagbladet. Hvis bladet er hevet mens det fortsatt roterer, kan det komme borti dette stykket og sende fliser eller biter i alle retninger, hvilket kan være farlig. Bladet må BARE heves etter at det helt har sluttet å rotere.
- Når du trykker ned håndtaket, må kraften utøves parallelt med bladet. Hvis kraften ikke er rettet parallelt med bladet under saging, kan bladvinkelen endres, og snittet vil bli mindre nøyaktig.

5. Kombinasjonssaging

Kombinasjonssaging går ut på at gjærings-saging i vertikalplanet utføres samtidig som det sages en gjæringsvinkel i horisontalplanet. Kombinasjonssaging kan foregå i de vinklene som er vist i tabellen.

Horisontal gjæringsvinkel	Vertikal gjæringsvinkel
Venstre og høyre 45°	Venstre 0° – 45°
Høyre 50°	Venstre 0° – 40°
Høyre 55°	Venstre 0° – 30°
Høyre 57°	Venstre 0° – 25°

I forbindelse med kombinasjonssaging kan du slå opp under "Trykksaging", "Sage med uttrekksfunksjonen", "Gjærings-saging i horisontalplanet" og "Gjærings-saging i vertikalplanet".

6. Kappe aluminiumsprofil (Fig. 36)

Når du fester aluminiumsprofiler, må du bruke avstandsklosser eller biter av kapp som vist på figuren for å forhindre at aluminiumet blir deformert. Bruk en skjærevæske ved saging av aluminiumsprofiler, for å hindre opphopning av aluminiumspon på bladet.

NB!

- Forsøk aldri å kappe tykke eller runde aluminiumsprofiler. Tykke aluminiumsprofiler kan løsne under saging, og runde aluminiumsprofiler kan ikke festes tilstrekkelig godt med denne maskinen.

7. Gjæringskloss (Fig. 37)

Bruk av en gjæringskloss bidrar til at det ikke går fliser av arbeidsstykkene. Fest en gjæringskloss til føringsvernet ved hjelp av hullene i føringsvernet.

Se figuren når det gjelder dimensjonene på et forslag til gjæringskloss.

NB!

- Bruk rett plank av jevn tykkelse som gjæringskloss.
- Bruk skruer til å feste gjæringsklossen til føringsvernet. Skruene må være montert slik at skruhodene befinner seg under overflaten til gjæringsklossen.
- Når gjæringsklossen er festet, må du ikke dreie dreiefoten med håndtaket senket. Bladet og/eller gjæringsklossen vil bli skadet.

8. Kapping av flere like lengder (Fig. 38)

Når du kapper flere bord med samme lengde, mellom 220 mm og 385 mm, vil bruk av settplaten (tilleggsstyr) bidra til å gjøre arbeidet mer effektivt. Monter settplaten på holderen (tilleggsstyr) som vist på figuren. Plasser arbeidsstykket slik at kappelinjen blir liggende overett med enten venstre eller høyre side av sporet i skjæreplaten. Hold deretter arbeidsstykket så det ikke beveger seg, og flytt settplaten flatt inntil enden av arbeidsstykket. Fest så settplaten med skruen. Når settplaten ikke skal brukes, må du løsne skruen og dreie settplaten bort, så den ikke er i veien.

MERK:

- Bruk av en holderstangenhet (tilleggsstyr) muliggjør kapping av flere like lengder på opptil ca. 2 200 mm.

9. Skjære spor (Fig. 39)

Et falsespor kan utføres på følgende måte:

Juster den nederste stillingen til bladet ved hjelp av justeringskruen og stopperarmen, for å begrense bladets skjæredybde. Se også avsnittet "Stopperarm" tidligere i denne håndboken.

Etter at bladets nedre stilling er justert, må du skjære parallelle spor tvers over arbeidsstykket ved hjelp av uttrekksfunksjonen, som vist på figuren. Fjern deretter arbeidsstykkematerialet mellom sporene med et huggjern. Ikke forsøk å utføre denne typen snitt ved hjelp av brede (tykke) blader eller med et "falsblad". Resultatet kan bli at maskinen kommer ut av kontroll, og at noen blir skadet.

NB!

- Pass på å sette stopperarmen tilbake i sin opprinnelige stilling når du skal gjøre noe annet enn å skjære spor.

Bære maskinen (Fig. 40 og 41)

Pass på at maskinen er koblet fra strømmettet (støpselet ute av stikkkontakten). Fest bladet i en vertikal gjæringsvinkel på 0°, og dreie dreiefoten til største mulige høyre gjæringsvinkel i horisontalplanet. Fest glidehengene etter at du har trukket vognen helt inntil føringsvernet. Senk håndtaket helt og lås det i nedre stilling ved å skyve inn stopperstiften.

Bær maskinen fra begge sider av maskinfoten, som vist på figuren. Hvis du fjerner holderne, støvposen osv., blir det enklere å bære maskinen.

NB!

- Fest alle bevegelige deler før maskinen skal flyttes.
- Stopperstiften er beregnet på bæring og lagringsformål, og ikke for noen sagoperasjoner.

VEDLIKEHOLD

NB!

- Forviss deg alltid om at maskinen er slått av og støpselet trukket ut av kontakten før du foretar inspeksjon eller vedlikehold.

ADVARSEL:

- Pass på at bladet alltid er skarpt og rent. Da er det tryggest å bruke sagen, og resultatet blir best mulig.

Justere kappevinkelen

Denne maskinen ble justert og fininnstilt i fabrikk, men uforsiktig håndtering kan ha påvirket innstillingen. Hvis maskinen din ikke er innstilt skikkelig, må du gjøre følgende:

1. Horizontal gjæringsvinkel

Skyv vognen mot føringsvinkelen og stram to klemskruer for å feste vognen.

Løsne håndtaket som holder dreiefoten. Drei dreiefoten slik at viseren peker på 0° på den horisontale gjæringskalaen. Drei så dreiefoten såvidt med klokken og deretter mot klokken, så dreiefoten glir inn i hakket på 0° horisontal gjæringsvinkel. (Ikke gjør noen endringer om viseren ikke peker på 0°.) Løsne sekskantskruene som holder føringsvernet, ved hjelp av pipenøkkelen. (Fig. 42)

Senk håndtaket helt og lås det i nedre stilling ved å skyve inn stopperstiften. Bruk en trekantlinjal, en ansatsvinkel e.l. til å stille inn en rett vinkel mellom sagbladet og føringsvernet. Trekk deretter sekskantskruene på føringsvernet godt til, fra høyre mot venstre. (Fig. 43)

Pass på at viseren peker på 0° på den horisontale gjæringskalaen. Hvis viseren ikke peker på 0°, må du løsne skruen som holder viseren, og justere denne så den peker på 0°. (Fig. 44)

2. Gjæringsvinkel i vertikalplanet

1) 0° vertikal gjæringsvinkel

Skyv vognen mot føringsvinkelen og stram to klemskruer for å feste vognen. Senk håndtaket helt og lås det i nedre stilling ved å skyve inn stopperstiften. Løsne hendelen på baksiden av maskinen.

Drei justeringsskruen for 0° gjæringsvinkel i vertikalplanet (nedre skruen) på høyre side av armen to eller tre omdreininger mot klokken for å vippe bladet mot høyre. (Fig. 45)

Bruk en trekantlinjal, en ansatsvinkel e.l. til forsiktig å stille inn en rett vinkel mellom sagbladet og oversiden av dreiefoten, ved å skru justeringsskruen for 0° gjæringsvinkel i vertikalplanet med klokken. Deretter må hendelen strammes godt. (Fig. 46)

Pass på at viseren på armen peker på 0° på skalaen for den vertikale gjæringsvinkelen på armholderen. Hvis den ikke peker på 0°, må du løsne skruen som holder viseren, og justere denne så den peker på 0°. (Fig. 47)

2) 45° vertikal gjæringsvinkel

45° vertikal gjæringsvinkel må bare justeres etter justering av 0° vertikal gjæringsvinkel. Juster venstre 45° vertikal gjæringsvinkel ved å løsne hendelen og vippe bladet så langt som mulig mot venstre. Pass på at viseren på armen peker på 45° på skalaen for den vertikale gjæringsvinkelen på armholderen. Hvis viseren ikke peker på 45°, må du skru på justeringsskruen for 45° vertikal gjæringsvinkel (øvre skruen) på høyre side av armen, til viseren peker på 45°. (Fig. 48)

Justere laserlinjens posisjon (Fig. 49 og 50)

Gjelder modellene LS0714FL og LS0714L

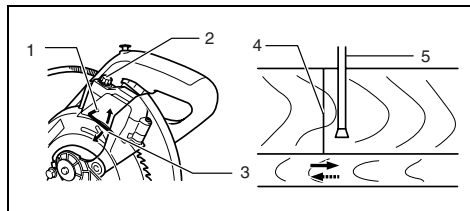
ADVARSEL:

- Siden maskinen er forbundet med stikkkontakten når du justerer laserlinjens posisjon, må du utvise ekstrem forsiktighet ved bruk av startbryteren. Om startbryteren trykkes ved et ulykkestifelle, kan maskinen starte og forårsake helseskader.

NB!

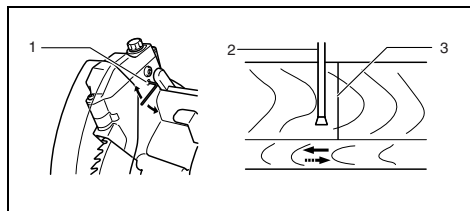
- Se aldri direkte inn i laserstrålen. En direkte laserstråle kan skade øynene dine.
- Utsett aldri maskinen for støt eller slag. Et støt eller et slag kan forskyve laserlinjen, skade selve laserenheten eller forkorte maskinens levetid.

Ved justering vises laserlinjen på venstre side av sagbladet



- 1 Skruen til endring av justeringsskruens bevegelsesområde
- 2 Justeringsskruen
- 3 Sekskantnøkkel
- 4 Laserlinje
- 5 Sagblad

Ved justering vises laserlinjen på høyre side av sagbladet



- 1 Skruen til endring av justeringsskruens bevegelsesområde
- 2 Sagblad
- 3 Laserlinje

For å utføre begge justeringene må du gjøre som følger:

1. Pass på at maskinen er koblet fra strømmettet (støpselet ute av stikkkontakten).
2. Tegn opp kappelinjen på arbeidsstykket og plasser dette på det dreibare bordet. På dette stadium må du ikke feste arbeidsstykket med en skrustikke eller en liknende festeanordning.
3. Senk bladet ved å senke håndtaket, og bare kontroller hvor kappelinjen og sagbladet befinner seg. (Bestem deg for hvor du vil begynne å sage på kappelinjen.)

- Etter at du har bestemt deg for hvor du vil sage, må du heve håndtaket til utgangsstillingen igjen. Fest arbeidsstykket med den vertikale skrustikken uten å flytte arbeidsstykket fra det stedet det lå da du kontrollerte posisjonen.
- Sett støpselet fra maskinen inn i stikkkontakten, og slå på laserbryteren.
- Juster laserlinjens posisjon som følger:

Du kan endre laserlinjens posisjon ved å endre bevegesområdet for laserens justeringssskrue ved å skru på to skruer med en sekskantnøkkel. (Bevegesområdet for laserlinjen er fabrikkjustert til å ligge innenfor 1 mm fra siden av sagbladet.)

Hvis du vil øke bevegesområdet for laserlinjen, må du skru de to skrueene mot klokken etter at du har løsnet justeringssskrue. Hvis du vil redusere bevegesområdet for laserlinjen, må du skru disse to skrueene med klokken etter at du har løsnet justeringssskrue.

Slå opp i avsnittet med overskriften "Bruke laserstrålen", og juster justeringssskrue slik at kappelinjen på arbeidsstykket ditt faller sammen med laserlinjen.

MERK:

- Med jevne mellomrom må du kontrollere at laserlinjens posisjon er korrekt.
- Ved enhver feil på laserenheten må maskinen repareres av et autorisert Makita-verksted.

Skifte lysrør (Fig. 51)

Gjelder modellene LS0714F og LS0714FL

NB!

- Forviss deg alltid om at maskinen er slått av og støpselet trukket ut av kontakten før du skifter lysrør.
- Ikke bruk makt på lysrøret, ikke la det få riper og ikke utsett det for støt, da dette kan knuse glasset i lysrøret og skade deg eller andre personer i nærheten.
- Hvis lysrøret akkurat har vært i bruk, må du la det kjøle seg ned litt før du skifter det. Hvis ikke, kan du brenne deg.

Fjern skrueene som holder lampeboksen for lyset.

Trekk ut lampeboksen mens du trykker lett på toppen av den, som vist til på figuren.

Trekk ut lysrøret og skift det ut med et nytt, originalt Makita-lysør.

Rengjøre linsen til laserlyset (Fig. 52 og 53)

Gjelder modellene LS0714FL og LS0714L

Hvis linsen til laserlyset blir skitten, eller hvis den blir full av sagmugg, slik at laseren ikke lenger er klart synlig, må du trekke støpselet til sagen ut av stikkkontakten og fjerne og rengjøre linsen forsiktig med en fuktig, myk klut. Ikke bruk løsemidler eller noen bensinbaserte rensmidler på linsen.

For å fjerne linsen for laserlyset må du fjerne sagbladet først og deretter ta ut linsen i samsvar med anvisningene i avsnittet "Montere eller fjerne sagbladet".

Bruk en skrutrekker til å løsne, men ikke ta ut, skruen som holder linsen.

Trekk ut linsen som vist på figuren.

MERK:

- Hvis linsen ikke kommer ut, må du løsne skruen ytterligere og trekke ut linsen igjen uten å ta ut skruen.

Utskifting av kullbørster (Fig. 54 og 55)

Ta ut og kontroller kullbørstene regelmessig. Skift ut kullbørstene når de er slitt ned til slitastegrensen. Hold kullbørstene rene og klare til å bli satt inn i holderne. Begge kullbørstene må skiftes ut samtidig. Bruk kun helt like kullbørster.

Bruk en skrutrekker til å fjerne børsteholderhettene. Ta ut de slitte kullbørstene, sett inn nye børster og fest børsteholderhettene.

Etter bruk

- Etter at maskinen har vært i bruk, børst av sagspon og støv som har festet seg på maskinen med en klut eller lignende. I samsvar med bestemmelsene beskrevet i avsnittet "Bladvern" må bladvernet holdes rent. Smør de skyvbare delene på maskinen med maskinolje for å forhindre rustdannelse.
- Ved lagring av maskin, trekkes vognen helt mot deg så skyvestangen føres skikkelig inn i dreiefoten.

For å garantere at maskinen arbeider SIKKERT og PÅLITELIG, bør alle reparasjoner, alt vedlikehold og justeringer utføres av et autorisert Makita-servicesenter. Bruk kun deler produsert av Makita.

TILLEGGSUTSTYR

NB!

- Tilleggsutstyr eller tilbehør som anbefales for din Makita-maskin er spesifisert i denne bruksanvisningen. Bruk av annet tilleggsutstyr eller tilbehør enn dette kan øke risikoen for personskader. Tilleggsutstyr eller annet tilbehør må bare brukes for de formål det er beregnet for.

Hvis du har behov for flere detaljer som gjelder dette ekstrautstyret, spør ditt lokale Makita servicesenter om hjelp.

- Sagblad med karbidskjær
- Skrustikke-enhet (horisontal skrustikke)
- Vertikal skrustikke
- Pipenøkkel 10
- Holdersett
- Holderenhet
- Holderstangenhet
- Settplate
- Støvpose
- Trekantlinjal
- AV-sperreknapp (2 stk.)
- Lysør
- Sekskantnøkkel

Yleisselostus

1	Rajoitintappi	31	Laserin katkaisin	59	Kaksi liukuvarren paikallaan pitävää kiristysruuvia
2	Pultti	32	Avaimen pidin	60	Ruuvipuristin
3	Säätöpultti	33	Putken pidin	61	Välike
4	Terän suojus	34	Keskisuojaus	62	Alumiininen puristetanko
5	Kiristysruuvi	35	Hylsyvain	63	Yli 15 mm
6	Uurrostaso	36	Kuusiopultti	64	Yli 420 mm
7	Sahanterä	37	Turvasuojaus	65	Reiät
8	Terän hammas	38	Karalukitus	66	Pohjalevy
9	Vasemmanpuoleinen viistesahaus	39	Nuoli	67	Sahaa uria terällä
10	Suora sahaus	40	Terän kotelo	68	Kolmikulma
11	Kääntöjalusta	41	Kuusiopultti (vasenkätinen)	69	Varren pidin
12	Ohjain	42	Ulkolaippa	70	0 asteen viistekulman säätöpultti
13	Kääntöjalustan yläpinta	43	Sisälaippa	71	Vasemmanpuoleisen 45 asteen viistekulman säätöpultti
14	Terän reuna	44	Kara	72	Työkappale
15	Säätöruuvi	45	Pölypussi	73	Sahauslinja
16	Rajoitinvarsi	46	Pölysuutin	74	Pystypenkki
17	Lukitusvipu	47	Suljin	75	Vedä irti
18	Jiirisahausasteikko	48	Tuki	76	Paina
19	Osoitin	49	Ruuvipuristimen varsi	77	Lampun laatikko
20	Kädensija	50	Ruuvipuristimen tanko	78	Ruuvit
21	Vipu	51	Pidin	79	Loisteputki
22	Vapautuskytkin	52	Pitimen asennussarja (lisävaruste)	80	Ruuvitaltta
23	Viisteytysasteikko	53	Ruuvipuristimen nuppi	81	Ruuvi (vain yksi)
24	Varsi	54	Ulkonema	82	Laservalon linssi
25	Ruuvi	55	Ruuvipuristimen kara	83	Rajamerkki
26	Lukituksen vapautuspainike	56	Jalusta	84	Harjanpitimen kansi
27	Liipaisinkytkin	57	Tanko 12		
28	Kahva	58	Kaksi liukuvarren paikallaan pitävää kiristysruuvia		
29	Valo				
30	Valokatkaisin				

TEKNISET TIEDOT

Malli

LS0714/LS0714F/LS0714FL/LS0714L

Terän läpimitta	190 mm
Reiän (akselin) halkaisija	20 mm
Suurin jiirisahauskulma	Vasen 47°, oikea 57°
Suurin viistekulma	Vasen 45°, oikea 5°
Suurin sahauskyky (K x L) 190 mm halkaisijan terällä.	

Jiirisahauskulma	Viistekulma		
	45° (vasen)	0°	45° (oikea)
0°	*45 mm x 265 mm (Huomautus 1)	*60 mm x 265 mm (Huomautus 1)	—
	40 mm x 300 mm	52 mm x 300 mm	40 mm x 300 mm
45° (vasen ja oikea)	*45 mm x 185 mm (Huomautus 2)	*60 mm x 185 mm (Huomautus 2)	—
	40 mm x 212 mm	52 mm x 212 mm	—
57° (oikea)	—	*60 mm x 145 mm (Huomautus 3)	—
		52 mm x 163 mm	

(Huomautus)

* -merkki tarkoittaa, että käytetään seuraavan paksuista puukehystä.

1: Käytettäessä 20 mm paksuista puukehystä.

2: Käytettäessä 15 mm paksuista puukehystä.

3: Käytettäessä 10 mm paksuista puukehystä.

Tyhjäkäyntinopeus (min ⁻¹)	6 000
Lasertyyppi (LS0714FL/L)	Punainen laser 650 nm, <1mW (Laser-luokka 2)
Mitat (p x l x k)	670 mm x 430 mm x 458 mm
Nettopaino	LS0714: 12,5 kg, LS0714F: 12,8 kg, LS0714FL: 13,1 kg, LS0714L: 13,0 kg

- Jatkuvan tutkimus- kehitysohjelman vuoksi pidätämme oikeuden muuttaa tässä mainittuja teknisiä ominaisuuksia ilman ennakkoilmoitusta.
- Huomaa: Tekniset ominaisuudet saattavat vaihdella eri maissa.

Käyttötarkoitus

Tämä kone on tarkoitettu puuhun tehtävään tarkkaan suoraan ja viistosahaukseen. Myös alumiinia voidaan sahata käytettävässä siihen sopivia sahanterä.

Virransyöttö

Laitteen saa kytkeä ainoastaan virtalähteeseen, jonka jännite on sama kuin tyyppikilvessä ilmoitettu. Laitetta voidaan käyttää ainoastaan yksivaiheisella vaihtovirralla. Laite on kaksinkertaisesti suojaeristetty eurooppalaisten standardien mukaisesti, ja se voidaan tästä syystä liittää maadoittamattomaan pistorasiaan.

Turvaohjeita

Oman turvallisuutesi vuoksi lue mukana seuraavat turvaohjeet.

LISÄTURVAOHEJITA KONEELLE

- Käytä silmäsuojusta.**
- Pidä kädet poissa sahanterän tieltä.** Varo koskemasta vapaalla pyörivään terään. Sekin voi aiheuttaa vakavia vammoja.
- Älä käytä sahaa, kun suojuksen ovat poissa paikoiltaan.**
Tarkista ennen jokaista käyttökertaa, että terän suojuksen sulkeutuu kunnolla. Älä käytä sahaa, jos terän suojuksen ei liiku vapaasti tai sulkeudu välittömästi. Älä koskaan kiilaa tai sido terän suojuksen avoimeen asentoon.
- Älä koskaan työskentele käsivarailta.** Työkappale tulee kiinnittää kaikkien töiden ajaksi ruuvipuristimella tiukasti kääntöjalustaa ja ohjainta vasten. Älä koskaan tue työkappaletta kädelläsi.
- Älä koskaan kurota sahanterän ympärillä.**
- Sammuta kone ja odota, että terä on kokonaan pysähtynyt, ennen kuin irrotat työkappaleen tai muut asetukset.**
- Irrota koneen virtajohto pistorasiasta ennen terän vaihtamista ja kunnossapitoa.**
- Lukitse aina kaikki liikkuvat osat paikoilleen ennen koneen kantamista.**
- Sahan pään alas lukitseva tappi on vain kanto- ja säilytystarkoituksiin. Sitä ei saa käyttää sahatessa.**
- Älä käytä konetta syttyvien nesteiden äläkä kaasujen lähellä.**
- Tarkista terä huolellisesti ennen käyttöä mahdollisten murtumien ja vaurioiden varalta.**
Vaihda murtunut tai vaurioitunut terä välittömästi uuteen.
- Käytä vain tälle koneelle tarkoitettuja laippoja.**
- Varo, ettet vahingoita akselia, laippoja (etenkään asennuspintaa) tai ruuvia.** Näiden osien vahingoittuminen saattaa aiheuttaa terän rikkoutumisen.
- Varmista, että kääntöjalusta on kunnolla kiinnitetty, jottei se liikkuisi työskentelyn aikana.**

- Oman turvallisuutesi vuoksi poista lastut, pienet roskat yms. pöydältä, ennen kuin aloitat työskentelyn.**
- Varo sahaamasta naulaa.** Tutki työkappale ja poista kaikki naulat, ennen kuin aloitat työskentelyn.
- Varmista, että karalukitus on vapautettu, ennen kuin kytket virran päälle.**
- Varmista, että terä ei osu kääntöjalustaan ala-asennossaan.**
- Pidä kahvasta tiukasti kiinni.** Muista, että saha liikahdattaa hieman ylös- tai alaspäin käynnistettäessä ja pysäytettäessä.
- Varmista, että terä ei kosketa työkappaletta ennen virran kytkemistä.**
- Anna koneen käydä hetken aikaan, ennen kuin käytät sitä työkappaleeseen.** Terän värinä tai huojunta kertoo huonosta asennuksesta tai heikosti tasapainotetusta terästä.
- Anna terän saavuttaa täysi käyntinopeus, ennen kuin aloitat sahaamisen.**
- Lopeta sahaaminen välittömästi, jos havaitset jotain tavallisesta poikkeavaa.**
- Älä lukitse liipaisinta käyttöasentoon (ON).**
- Ole jatkuvasti varuillasi, etenkin toistuvien yksitoikkoisten työvaiheiden aikana.** Älä tuuditaudu väärään turvallisuudentunteeseen. Terä ei anna huolimattomuutta anteeksi.
- Käytä aina tässä käyttöohjeessa suositeltuja lisävarusteita.** Epäsopivien lisävarusteiden, kuten hiomalaikan käyttö saattaa aiheuttaa loukkaantumisen.
- Älä käytä sahaa muun kuin alumiinin, puun tai vastaavan materiaalin sahaamiseen.**
- Liitä jiiirsahat pölynkeräimeen sahaamisen ajaksi.**
- Valitse sahanterät sahattavan materiaalin mukaan.**
- Ole varovainen sahatessasi uria.**
- Vaihda uurrastaso uuteen, kun se on kulunut.**
- Älä käytä pikateräksestä valmistettuja sahanterä.**
- Työskentelyn yhteydessä syntyvä pöly voi sisältää kemikaaleja, joiden tiedetään aiheuttavan syöpää, syntymävikoja ja muita kehityshäiriöitä.**
Esimerkkejä tällaisista kemikaaleista ovat:
• ylijohjaisella maalilla käsitellystä materiaalista peräisin oleva lyijy
• Akemiallisesti käsitellystä puusta peräisin oleva arsenikki ja kromi.
Altistumisesta aiheutuva riski vaihtelee riippuen siitä, kuinka usein teet tällaista työtä. Kemikaaleille altistumisen vähentämiseksi: työskentele tilassa, jossa on hyvä ilmanvaihto ja käytä hyväksytyjä suojavälineitä kuten erityisesti mikrohiukkasten suodattamiseen tarkoitettuja hengityssuojaimia.
- Melun vähentämiseksi pidä terä aina terävänä ja puhtaana.**
- Käyttäjällä tulee olla riittävät taidot koneen käytöstä, säädöistä ja toiminnasta.**
- Käytä oikein teroitettuja sahanterä.** Huomioi sahanterään merkitty enimmäisnopeus.

37. Älä poista irtileikattuja paloja tai muita työkalujen osia sahausalueelta koneen käydessä ja sahan pään ollessa poissa lepoasennosta.

SÄILYTÄ NÄMÄ OHJEET.

ASENNUS

Kiinnittäminen penkkiin

Kun kone toimitetaan, kahva on lukittu rajoitintapilla alasentoon. Vapauta rajoitintappi laskemalla kahvaa hieman ja vetämällä rajoitintapista. (Kuva 1)

Kone tulee pultata kahdella pultilla tasaiselle ja vakaalle alustalle koneen jalustassa olevien pulttireikiä avulla. Tämä estää osaltaan koneen kaatumista ja mahdollista loukkaantumista. (Kuva 2)

Käännä säätöpulttia myötöpäivään tai vastapäivään siten, että se koskettaa lattiapintaa pitäen koneen vakaana. (Kuva 3)

TOIMINTOJEN KUVAUS

VARO:

- Varmista aina ennen koneelle tehtäviä säätöjä ja tarkistuksia, että kone on sammutettu ja irrotettu pistorasiasta.

Teräsuojus (Kuva 4 ja 5)

Kun kahva lasketaan, teräsuojus nousee automaattisesti. Suojus toimii jousella, joten se palautuu alkuperäiseen asentoonsa, kun sahaus on valmis ja kahva nostetaan. ÄLÄ KOSKAAN ESTÄ TERÄSUOJUKSEN TAI SUOJUKSESSA KIINNI OLEVAN JOUSEN TOIMINTAA TAI IRROTA NIITÄ.

Pidä oman turvallisuutesi vuoksi teräsuojus aina toimintakunnossa. Kaikki tavallisesta poikkeava teräsuojuksessa tulee korjata välittömästi. Varmista, että suojus palautuu jousen avulla. ÄLÄ KOSKAAN KÄYTÄ KONETTA, JOS TERÄSUOJUS TAI JOUSI ON VAHINGOITTUNUT, VIALLINEN TAI IRROTETTU. TÄMÄ ON ERITTÄIN VAARALLISTA JA VOI AIHEUTTAA VAKAVAN LOUKKAANTUMISEN.

Jos läpinäkyvä suojus likaantuu tai siihen tarttuu sahanpurua siten, että terää ei enää näe helposti, irrota saha pistorasiasta ja puhdista suojus huolellisesti kostealla liinalla. Älä käytä liuottimia äläkä bensiinipohjaisia puhdistimia muovisuojukseen.

Jos teräsuojus on erityisen likainen ja näkyvyys suojuksen läpi estynyt, löysennä keskisuojuksen paikallaan pitävä kuusiopultti varusteisiin kuuluvalla hylsyavaimella. Löysennä kuusiopultti kääntämällä sitä vastapäivään ja nosta teräsuojus ja keskisuojus. Kun teräsuojus on tässä asennossa, perusteellinen puhdistus on helpompi suorittaa. Kun puhdistus on valmis, tee edellä mainitut toimet päinvastaisessa järjestyksessä ja kiristä pultti. Älä irrota teräsuojuksen paikallaan pitävää joustia. Jos suojus menettää värinsä ajan myötä tai UV-valon vaikutuksesta, ota yhteys Makita-huoltoon uuden hankkimiseksi. ÄLÄ KOSKAAN ESTÄ SUOJUKSEN TOIMINTAA ÄLÄKÄ IRROTA SITÄ.

Uurrostason sijoittaminen (Kuva 6 ja 7)

Koneen kääntöjalusta on varustettu uurrostasoilla repeämiin estämiseksi sahan ulostulopuolella. Uurrostasot on tehtaalta säädetty siten, että sahanterä ei kosketa uurrostasoa. Sääädä uurrostasot ennen käyttöä seuraavasti: Irrota kone ensin pistorasiasta. Löysennä kaikki uurrostasot paikallaan pitävät ruuvit (2 sekä vasemmalla että oikealla). Kiristä niitä vain sen verran, että uurrostasoa voidaan edelleen helposti siirtää käsin. Laske kahva kokonaan alas ja työnnä rajoitintappi sisään lukitaksesi kahvan alas-asentoon. Löysennä liukuvaren paikallaan pitävät kiristysruuvit. Vedä kelkka kokonaan puoleesi. Sääädä uurrostasot siten, että uurrostasot juuri ja juuri koskettavat terän hampaiden syrjiä. Kiristä eturuuvit (älä kiristä liikaa). Työnnä kelkka kokonaan ohjaimen suuntaan ja sääädä uurrostasot siten, että uurrostasot juuri ja juuri koskettavat terän hampaiden syrjiä. Kiristä ruuvit (älä kiristä tiukasti).

Kun uurrostasojen säätö on tehty, vapauta rajoitintappi ja nosta kahva. Kiristä sitten kaikki ruuvit tiukasti.

VARO:

- Sääädä uurrostasot aina ennen ja jälkeen viistekulman säätämisen yllä kuvatulla tavalla.

Parhaan sahauskyvyn ylläpitäminen (Kuva 8 ja 9)

Kone on tehtaalta säädetty tuottamaan paras sahauskyky 190 mm:n sahanterällä.

Kun asennat uuden terän, tarkista aina terän alarajoinnikohta ja sääädä tarvittaessa seuraavasti:

Irrota ensin kone pistorasiasta. Työnnä kelkka kokonaan ohjaimen suuntaan ja laske kahva kokonaan alas. Käännä säätöruuvia hylsyavaimella, kunnes terän reuna ulottuu hieman kääntöjalustan yläpinnan alapuolelle kohdassa, jossa ohjaimen etupuoli kohtaa kääntöjalustan yläpinnan.

Kun kone on irrotettuna virtalähteestä, kierrä terää käsin pitäen samalla kahvan kokonaan alhaalla varmistaaksesi, että terä ei kosketa alajalustan mitään kohtaa. Sääädä vielä tarvittaessa hieman.

VARO:

- Kun olet asentanut uuden terän, varmista aina, että terä ei kosketa alajalustan mitään kohtaa, kun kahva lasketaan kokonaan alas. Tarkista tämä aina vain koneen ollessa irti pistorasiasta.

Rajoitinvarsi (Kuva 10)

Terän alarajoinnikohta voidaan säätää helposti rajoitinvarrella. Kun haluat säätää sitä, siirrä rajoitinvarrtta nuolen suuntaan kuvan osoittamalla tavalla. Sääädä ruuvia siten, että terä pysähtyy haluamassasi kohdassa, kun kahva lasketaan kokonaan alas.

Jiirisahauskulman säätäminen (Kuva 11)

Löysennä kädensija kääntämällä vastapäivään. Käännä kääntöjalustaa painaen samalla lukitusvipua alas. Kun olet siirtänyt kädensijan haluamaasi asentoon, jossa osoitin osoittaa haluamaasi kulmaa jiirisahausteikolla, kiristä kädensija tiukasti myötöpäivään.

VARO:

- Kun käännät kääntöjalustaa, muista nostaa kahva kokonaan ylös.
- Kun olet muuttanut jiirisahauskulmaa, varmista aina kääntöjalustan kiinnitys kiristämällä kädensija.

Viistekulman säätäminen (Kuva 12 ja 13)

Kun haluat säätää viistekulmaa, löysennä koneen takana olevaa vipua vastapäivään.

Työnnä kahvaa vasemmalle kääntäaksesi sahanterää, kunnes osoitin osoittaa haluamaasi kulmaa viisteasteikolla. Varmista sitten varren kiinnitys kiristämällä vipu tiukasti myötäpäivään.

Kun haluat kääntää terää oikealle, paina koneen takana olevaa vapautuspainiketta kääntäen samalla terää vapautusvasemmalle löysennettyäsi ensin vivun. Pidä vapautuspainike painettuna ja käännä sahanterää oikealle.

VARO:

- Kun käännät sahanterää, muista nostaa kahva kokonaan ylös.
- Kun olet muuttanut viistekulmaa, varmista aina varren kiinnitys kiristämällä vipu tiukasti myötäpäivään.
- Kun muutat viistekulmaa, muista aina sijoittaa uurrastot oikein kohdassa "Uurrastason sijoittaminen" kuvattulla tavalla.

Vivun asennon säätäminen (Kuva 14)

Vipu voidaan sijoittaa mihin tahansa 30° kulmaan, kun vipu ei ole täysin kiristetty.

Löysennä ja irrota koneen takana oleva vivun paikallaan pitävä ruuvi. Irrota vipu ja asenna se takaisin paikalleen siten, että se tulee hieman tason yläpuolelle. Varmista vivun kiinnitys kiristämällä ruuvi tiukasti.

Kytkimen käyttäminen

VARO:

- Tarkista aina ennen koneen kytkemistä pistorasiaan, että liipaisinkytkin toimii moitteettomasti ja että se palautuu vapautettaessa "OFF"-asentoon.
- Kun konetta ei käytetä, irrota lukituksen vapautuspainike ja säilytä sitä varmassa paikassa. Tämä estää luvattoman käytön.
- Älä paina liipaisinkytkintä liian kovaa painamatta lukituksen vapautuspainiketta sisään. Tämä voi rikkoa kytkimen.

Euroopan maat (Kuva 15)

Liipaisinkytkimen tahattoman painamisen estämiseksi kone on varustettu lukituksen vapautuspainikkeella. Kone käynnistetään painamalla vipu vasemmalle, painamalla lukituksen vapautuspainike sisään ja painamalla sitten liipaisinkytkintä. Kone pysähtyy vapautettaessa liipaisinkytkin.

Kaikki muut kuin Euroopan maat (Kuva 16)

Liipaisinkytkimen tahattoman painamisen estämiseksi kone on varustettu lukituksen vapautuspainikkeella. Kone käynnistetään painamalla vipu vasemmalle, painamalla lukituksen vapautuspainiketta ja painamalla liipaisinkytkintä. Kone pysähtyy vapautettaessa liipaisinkytkin.

VAROITUS:

- ÄLÄ KOSKAAN käytä konetta ilman täysin toimivaa liipaisinkytkintä. Mikä tahansa virallisella käyttökytkimellä varustettu kone on ERITTÄIN VAARALLINEN ja tulee välittömästi korjata ennen käyttöä.
- Oman turvallisuutesi vuoksi kone on varustettu lukituksen vapautuspainikkeella, joka estää koneen tahattoman käynnistämisen. ÄLÄ KOSKAAN käytä konetta, jos se käynnistyy pelkästään painamalla liipaisinkytkintä ilman että painetaan lukituksen vapautuspainiketta. Palauta kone Makitan huoltoon asianmukaista korjausta varten ENNEN käytön jatkamista.
- ÄLÄ KOSKAAN teippaa lukituksen vapautuspainiketta ala-asentoon tai muuten estä sen toimintaa.

Lamppujen syyttäminen (Kuva 17)

Malli LS0714F ja LS0714FL

VARO:

- Tämä lamppu ei kestä sadetta. Älä pese lamppua vedessä äläkä käytä sitä sateessa tai märissä tiloissa. Tämä voi aiheuttaa sähköiskun ja savun muodostusta.
- Älä koske lampun linssiin, koska se on erittäin kuuma palaessaan ja heti sammuttamisen jälkeen. Tämä voi aiheuttaa ihmiselle palovammoja.
- Älä iske lamppua mihinkään, koska tämä voi rikkoa lampun tai lyhentää sen käyttöikää.
- Älä osoita lampulla silmiin. Tämä voi satuttaa silmiä.
- Älä koskaan peitä lamppua vaatteilla, kartongilla, pahlilla tai vastaavalla sen palaessa, koska tämä voi aiheuttaa tulipalon materiaalin syttyessä.

Valo syytyä painettaessa kytkenen yläosaa ja sammuu painettaessa alaosaa.

Siirrä lamppua, kun haluat valaista eri alueen.

HUOMAA:

- Puhdista lampun linssi kuivalla liinalla pyyhkimällä. Varo naarmuttamasta lampun linssiä, koska tämä heikentää valotehoa.

Lasersäteen käyttäminen (Kuva 18 ja 19)

Malli LS0714FL ja LS0714L

VARO:

- Älä koskaan katso lasersädettä. Suora lasersäde voi vioittaa silmiä.

Kun haluat käynnistää lasersäteen, paina kytkimen yläosaa (I). Kun haluat sammuttaa laserin, paina alaosaa (O).

Laserlinjaa voi siirtää sahanterän vasemmalle tai oikealle puolelle säätämällä säätöruuvia seuraavasti.

1. Löysennä säätöruuvia vastapäivään kääntämällä.
2. Kun säätöruuvi on löysennetty, siirrä säätöruuvia oikealle tai vasemmalle niin pitkälle kuin se menee.
3. Kiristä säätöruuvi tiukasti kohdassa, jossa se lakkaa liukumasta.

Laserlinja on tehtaalta säädetty siten, että se on 1 mm:n sisällä terän sivupinnasta (sahaussasento).

HUOMAA:

- Kun laserlinja himmenee lähes tai kokonaan näkymättömiin johtuen suorasta auringonvalosta ulkona tai sisällä ikkunan vieressä, siirrä työskentelypiste paikkaan, joka ei ole alttiina suoralle auringonvalolle.

Laserlinjan suuntaaminen (Kuva 20)

Laserlinjaa voidaan siirtää terän vasemmalle tai oikealle puolelle sahaustyön mukaan. Katso siirtämisenettely ohjeet kohdasta "Lasersäteen käyttäminen".

HUOMAA:

- Käytä puukehystä ohjainta vasten tasatessasi sahauslinjaa ohjaimen sivussa olevan laserlinjan kanssa, kun teet yhdistelmätoita (viistekulma 45 astetta ja oikeanpuoleinen jirisausaulkuma 45 astetta).
- A) Kun työkappaleen vasemmalla puolella on oikean kokoinen pala
 - Siirrä laserlinja terän vasemmalle puolelle.
 - B) Kun työkappaleen oikealla puolella on oikean kokoinen pala
 - Siirrä laserlinja terän oikealle puolelle.

Tasaa työkappaleen sahauslinja laserlinjan kanssa.

KOKOAMINEN

VARO:

- Varmista aina ennen koneelle tehtäviä toimenpiteitä, että kone on sammutettu ja irrotettu pistorasiasta.

Hylysyavaimen säilyttäminen (Kuva 21)

Hylysyavainta säilytetään kuvan osoittamalla tavalla. Kun haluat käyttää hylysyavainta, vedä se irti avaimenpiteimestä. Palauta hylysyavaimen käytön jälkeen avaimenpiteimeen.

Sahanterän kiinnittäminen ja irrottaminen

VARO:

- Varmista aina ennen terän kiinnittämistä ja irrottamista, että kone on sammutettu ja irrotettu pistorasiasta.
- Käytä vain varusteisiin kuuluvaa Makitan hylysyavainta terän kiinnittämiseen ja irrottamiseen. Muutoin kuusiopultti voi tulla liian kireälle tai jäädä liian löysälle. Tämä voi aiheuttaa loukkaantumisen.

Lukitse kahva yläasentoon työntämällä rajoitintappi sisään. **(Kuva 22)**

Terä irrotetaan seuraavasti. Löysennä keskisuojuksen paikallaan pitävä kuusiopultti kääntämällä sitä hylysyavaimella vastapäivään. Nosta teräsuojus ja keskisuojuus.

(Kuva 23)

Paina karalukitusta lukitaksesi karan ja löysennä kuusiopulttia kääntämällä hylysyavaimella myötäpäivään. Irrota sitten kuusiopultti, ulkolaippa ja terä. **(Kuva 24)**
Terä kiinnitetään seuraavasti. Kiinnitä terä varovasti karalle varmistaen, että terän pinnassa olevan nuolen suunta vastaa teräkotelossa olevaa nuolta. Kiinnitä ulkolaippa ja kuusiopultti ja kiristä sitten kuusiopultti (vasenkätinen) kääntämällä hylysyavaimella tiukasti vastapäivään samalla kun painat karalukitusta.

Palauta teräsuojus ja keskisuojuus alkuperäiseen asentoon. Kiristä sitten kuusiopultti tiukasti myötäpäivään keskisuojuksen kiinnittämiseksi. Vapauta kahva alasennoista vetämällä rajoitintappia. Laske kahva varmistaaksesi, että teräsuojus liikkuu kunnolla. Varmista ennen sahaamista, että karalukitus on vapauttanut karan. **(Kuva 25 ja 26)**

Pölypussi (Kuva 27)

Pölypussin käyttäminen tekee sahaamisesta siistiä ja roskien keräämisestä helppoa. Pölypussi kiinnitetään sovitamalla se pölysuuttimen päälle.

Kun pölypussi on noin puoliksi täynnä, irrota pölypussi koneesta ja vedä suljin irti. Tyhjennä kaikki roskat pölypussista napauttamalla sitä kevyesti siten, että sisäpinnalle tarttuneet, myöhempiä roskien keräämistä haittaavat hiukkaset irtoavat.

HUOMAA:

Jos liität sahaan Makitan pölynimurin, työskentely on tehokkaampaa ja siistimpää.

Työkappaleen kiinnittäminen (Kuva 28)

VAROITUS:

- Työkappaleen oikea ja tiukka kiinnittäminen penkkiin on erittäin tärkeää. Muutoin kone voi vioittua ja/tai työkappale tuhoutua. SEURAUKSENA VOI OLLA MYÖS LOUKKAANTUMINEN. ÄLÄ nosta terää sahausken jälkeen, ennen kuin terä on kokonaan pysähtynyt.

VARO:

- Kun sahaat erityisen pitkiä työkappaleita, käytä kääntöjalustan ylätason korkuisia tukia. Älä luota yksinomaan pystypenkin ja/tai vaakapenkin kiinnittävän työkappaleen.
Ohuella materiaalilla on taipumus painua notkolle. Tue työkappale koko pituudeltaan välttääksesi terän jumiumisen ja mahdollisen TAKAISKUN.

Pystypenkki (Kuva 29)

Pystypenkin voi asentaa kahteen eri asentoon joko ohjaimen tai pitimen asennussarja (lisävaruste) vasemmalle tai oikealle puolelle. Työnnä ruuvipuristimen tanko ohjaimen tai pitimen asennussarja aukkoon ja varmista ruuvipuristimen tangon kiinnitys kiristämällä ruuvi.

Aseta ruuvipuristimen varsi työkappaleen paksuuden ja muodon mukaan ja varmista ruuvipuristimen varren kiinnitys kiristämällä ruuvi. Jos ruuvipuristimen kiinnittävä ruuvi osuu ohjaimen, kiinnitä ruuvi ruuvipuristimen vastakkaiselle puolelle. Varmista, että koneen mikään osa ei osu ruuvipuristimeen, kun kahva lasketaan kokonaan alas ja kun kelkka työnnetään tai vedetään ääriasentoon. Jos jokin osa osuu ruuvipuristimeen, muuta sen asentoa. Paina työkappale kiinni ohjaimen ja kääntöjalustaan. Aseta työkappale haluamaasi sahausasentoon ja varmista sen kiinnitys kiristämällä ruuvipuristimen nuppi.

VARO:

- Työkappale on kaikkien töiden ajaksi kiinnitettävä ruuvipuristimella tiukasti kääntöjalustaa ja ohjainta vasten.

Vaakapenkki (lisävaruste) (Kuva 30)

Vaakapenkin voi asentaa jalustan vasemmalle puolelle. Kun ruuvipuristimen nuppia käännetään vastapäivään, ruuvi vapautuu ja ruuvipuristimen karaa voidaan siirtää nopeasti sisään ja ulos. Kun käännät ruuvipuristimen nuppia myötäpäivään, ruuvi pysyy kiinnitettynä. Kun haluat kiinnittää työkappaleen, käännä ruuvipuristimen nuppia kevyesti myötäpäivään, kunnes ulkonema on ylimmässä asennossaan. Kiristä sitten tiukasti. Jos ruuvipuristimen nuppia pakotetaan tai se vedetään irti kääntäessä myötäpäivään, ulkonema saattaa jäädä vinoon. Käännä tällöin ruuvipuristimen nuppia takaisin vastapäivään, kunnes ruuvi vapautuu. Käännä sitten taas kevyesti myötäpäivään.

Levein vaakapenkillä kiinnitettävissä oleva työkappale on 120 mm leveä.

VARO:

- Kiinnitä työkappale vain ulkoneman ollessa ylimmässä asennossaan. Muutoin seurauksena on työkappaleen riittämätön kiinnitys. Tämä voi saada työkappaleen lentämään irti, mikä voi johtaa terän vioittumiseen tai koneen hallinnan menettämiseen. Tämä voi aiheuttaa LOUKKAANTUMISEN.

Pitimet ja pitimen asennussarja (lisävaruste) (Kuva 31 ja 32)

Pitimet ja pitimen asennussarja voi asentaa kummalle puolelle tahansa käteväksi avuksi työkappaleiden vaakutukseen. Asenna ne kuvan osoittamalla tavalla. Varmista sitten pitimien ja pitimen asennussarja kiinnitys kiristämällä ruuvit tiukasti.

Kun sahaat pitkiä työkappaleita, käytä pidin-tanko-sarjaa (lisävaruste). Se koostuu kahdesta sarjasta ja kahdesta tangosta 12.

VARO:

- Tue pitkät työkappaleet aina käänntöjalustan yläpinnan tasolle, jotta sahaus olisi tarkkaa ja jotta kone ei karvaisi vaarallisesti hallinnasta.

TYÖSKENTELY

VARO:

- Varmista ennen käyttöä, että kahva on palautettu alasenosta vetämällä rajoitintappia.
- Varmista, että terä ei kosketa työkappaletta tms. ennen käynnistämistä.
- Älä paina kahvaa liikaa sahatessasi. Liiallinen painaminen voi aiheuttaa moottorin ylikuormittumisen ja/tai heikentyneen sahaustehon. Paina kahvaa alas vain sellaisella voimalla, joka tarvitaan tasaiseen sahausseen ilman että terän nopeus laskee huomattavasti.
- Paina kahva kevyesti alas sahataksesi. Jos kahva painetaan alas väkisin tai sitä painetaan sivusuunnassa, terä alkaa väristä, jolloin se jättää jäljen työkappaleeseen ja sahaustarkkuus kärsii.
- Kun työntösahaat, paina kelkkaa kevyesti kohti ohjainta pysähtymättä. Jos kelkan liike pysähtyy kesken sahausken, työkappaleeseen jää jälki ja sahaustarkkuus kärsii.

1. PAINOSAHAUS (PIENTEN TYÖKAPPALEIDEN SAHAAMINEN) (Kuva 33)

Enintään 50 mm korkeat ja 97 mm leveät työkappaleet voidaan sahata seuraavasti:

Työnnä kelkka kokonaan ohjaimen suuntaan ja varmista kelkan kiinnitys kiristämällä liukuvarret paikallaan pitävät kaksi kiristysruuvia. Varmista työkappaleen kiinnitys ruuvipenkillä. Käynnistä kone antamatta terän koskea mihinkään ja odota, kunnes terä on saavuttanut täyden nopeutensa. Sahaa sitten työkappale laskemalla kahva kevyesti kokonaan alas. Kun sahaus on valmis, sammuta kone ja ODOTA, KUNNES TERÄ ON KOKONAAN PYSÄHTYNYT, ennen kuin palautat terän kokonaan ylös.

VARO:

- Kiristä liukuvarret paikallaan pitävät kaksi kiristysruuvia tiukasti siten, että kelkka ei liiku työskentelyn aikana. Riittämätön kiristys voi aiheuttaa terän yllättävän takaiskun. Tästä voi aiheutua LOUKKAANTUMINEN.

2. TYÖNTÖSAHAAMINEN (LEVEIDEN TYÖKAPPALEIDEN SAHAAMINEN) (Kuva 34)

Löysennä liukuvarren kiinnittävät kaksi kiristysruuvia siten, että kelkka pääsee liukumaan vapaasti. Kiinnitä työkappale ruuvipuristimella. Vedä kelkka kokonaan puoleesi. Käynnistä kone ilman, että terä osuu mihinkään ja odota, että terä on saavuttanut täyden nopeuden. Paina kahva alas ja TYÖNNÄ KELKKA KOHTI OHJAINTA TYÖKAPPALEEN LÄPI. Kun sahaus on valmis, sammuta kone ja ODOTA, KUNNES TERÄ ON KOKONAAN PYSÄHTYNYT ennen kuin palautat terän kokonaan ylös.

VARO:

- Aina kun työntösahaat, VEDÄ ENSIN KELKKA KOKONAAN PUOLEESI ja paina kahva kokonaan alas. TYÖNNÄ SITTEN KELKKA KOHTI OHJAINTA. ÄLÄ KOSKAAN ALOITA SAHAUSTA, JOS KELKKA EI OLE KOKONAAN VEDETTYÄ PUOLEESI. Jos työntösahaat vetämättä kelkkaa kokonaan puoleesi tai jos sahaat vetämällä itseesi päin, terä voi yllättäen iskeä takaisin, mikä voi johtaa vakavaan LOUKKAANTUMISEEN.
- Älä koskaan työntösahaa kahvan ollessa lukittuna alas, kun rajoitintappi on työnnetty sisään.
- Älä koskaan löysennä kelkan paikallaan pitävää kiristysruuvia terän pyöriessä. Tämä voi aiheuttaa vakavan loukkaantumisen.

3. Jiirisahaus

Katso tarkemmat tiedot edeltä kohdasta "Jiirisahauskulman säätäminen".

4. Viistesahaus (Kuva 35)

Löysennä vipu ja käännä sahanterää asettaaksesi viestekulman (Katso edellä kohtaa "Viestekulman säätäminen"). Muista kiristää vipu tiukasti varmistaaksesi valitun viestekulman pysymisen. Kiinnitä työkappale ruuvipuristimella. Varmista, että kelkka on vedetty kokonaan taakse käyttäjän puoleen. Käynnistä kone ilman, että terä osuu mihinkään ja odota, kunnes terä on saavuttanut täyden nopeuden. Laske sitten kahva kevyesti kokonaan alas painaen samalla terällä ja TYÖNNÄ KELKKA KOHTI OHJAINTA SAHATAKSESI TYÖKAPPALEEN. Kun sahaus on valmis, sammuta kone ja ODOTA, KUNNES TERÄ ON KOKONAAN PYSÄHTYNYT ennen kuin palautat terän kokonaan ylös.

VARO:

- Varmista aina viistesahaoksen yhteydessä, että terä liikkuu alas viisteen suunnassa. Pidä kädet poissa sahanterän tieltä.
- Viistesahaoksen yhteydessä voi syntyä tilanne, jossa irtisahattu kappale jää lepäämään terän syrjää vasten. Jos terä nostetaan terän vielä pyöriessä, tämä kappale voi tarttua terään, jolloin sirpaleet leviävät vaarallisesti. Terä tulee nostaa VASTA kun terä on kokonaan pysähtynyt.
- Kun painat kahvan alas, työnnä samalla terää. Jos painaminen ei ole samanaikaista terän kanssa sahausken aikana, terän kulma voi siirtyä, jolloin sahausken tarkkuus kärsii.

5. Yhdistelmäsaahas

Yhdistelmäsaahuksessa viistesahaus yhdistyy työkappaleen jiirisahaukseen. Yhdistelmäsaahuksessa voidaan käyttää taulukon osoittamia kulmia.

Jiirisahauskulma	Viestekulma
Vasen ja Oikea 45°	Vasen 0° – 45°
Oikea 50°	Vasen 0° – 40°
Oikea 55°	Vasen 0° – 30°
Oikea 57°	Vasen 0° – 25°

Kun yhdistelmäsaahaat, katso kohtien "Painosahaus", "Työntösahaus", "Jiirisahaus" ja "Viestesahaus" ohjeita.

6. Alumiinisen puristetangon sahaaminen (Kuva 36)

Kun kiinnität alumiinista puristetankoa, käytä välikkeitä tai hukkapaloja kuvan osoittamalla tavalla estääksesi alumiinin vääntymisen. Käytä voitelunestettä sahatessasi alumiinista puristetankoa estääksesi alumiinin kertymisen terälle.

VARO:

- Älä koskaan sahaa paksua tai pyöreää alumiinista puristetankoa. Paksumat alumiiniset puristetangot voivat irrota kesken työskentelyn ja pyöreitä alumiinisia puristetankoja ei voi kiinnittää tiukasti tähän koneeseen.

7. Puukehys (Kuva 37)

Käytä puukehystä varmistaaksesi säilöttömän sahauksen. Kiinnitä puukehys ohjaimen ohjaimessa olevien reikien avulla.

Katso kuvasta suositeltavat puukehysten mitat.

VARO:

- Käytä puukehystenä suoraa tasapaksuista puuta.
- Kiinnitä puukehys ohjaimen ruuveilla. Ruuvit tulee kiinnittää siten, että ruuvien kannat jäävät puukehysten tason alle.
- Kun puukehys on kiinnitetty, älä käännä kääntöjalustaa kahvan ollessa alhaalla. Terä ja/tai puukehys vioittuu tästä.

8. Useiden samanpituisten kappaleiden sahaaminen (Kuva 38)

Kun sahaat useita samanpituisia (220 mm – 385 mm) kappaleita, pohjalevyn (lisävaruste) käyttö tehostaa työskentelyä. Kiinnitä pohjalevy pitimeen (lisävaruste) kuvan osoittamalla tavalla. Tasaa työkappaleen sahauslinja joka uurrostos uran vasemman tai oikean puolen kanssa. Pidä työkappale paikallaan ja siirrä pohjalevy työkappalelta vasten. Kiinnitä sitten pohjalevy ruuvilla. Kun pohjalevyä ei käytetä, löysennä ruuvi ja käännä pohjalevy pois tieltä.

HUOMAA:

- Pidin-tanko-sarjan (lisävaruste) käyttö mahdollistaa useiden samanpituisten (enintään noin 2200 mm) sahausten tekemisen.

9. Urasahaus (Kuva 39)

Urasahaus tapahtuu seuraavasti:

Säädä terän alarajointikohtaa säätöruuvilla ja rajoitinvarrella rajoittaaksesi terän sahausvyöryttä. Katso edellä selostettua kohtaa "Rajointinvarsi".

Kun olet säätänyt terän alarajointikohdan, sahaa rinnakkaisia uria työkappaleen leveydeltä työntösahaamalla kuvan osoittamalla tavalla. Irrota sitten työkappaleen urien välissä oleva materiaali taltalla. Älä tee tällaista sahausta leveällä (paksulla) terällä tai uraterällä. Tästä voi seurata hallinnan menetys ja loukkaantuminen.

VARO:

- Muista palauttaa rajoitinvarsi alkuperäiseen asentoon tehdessäsi muita töitä kuin urasahausta.

Koneen kantaminen (Kuva 40 ja 41)

Varmista, että kone on irrotettu pistorasiasta. Kiinnitä terä 0° viistekulmaan ja kääntöjalusta kokonaan oikeanpuoleiseen jiirisahauskulmaan. Kiinnitä liukuvarret vedettyäsi kelkan kokonaan ohjaimen päin. Laske kahva kokonaan ja lukitse se ala-asentoon työntämällä rajoitintappi sisään.

Kanna konetta tarttumalla koneeseen jalustan molemmilta puolilta kuvan osoittamalla tavalla. Jos irrotat pitiimet, pölypussin yms., koneen kantaminen on helpompaa.

VARO:

- Kiinnitä kaikki liikkuvat osat aina ennen koneen kantamista.
- Rajoitintappi on vain kantamista ja säilyttämistä varten. Sitä ei pidä käyttää työskentelyn aikana.

KUNNOSSAPITO

VARO:

- Varmista aina ennen koneelle tarkistuksia ja huoltotöitä, että kone on sammutettu ja virtajohto irrotettu pistorasiasta.

VAROITUS:

- Pidä huolta terän terävyydestä ja puhtaudesta, jotta kone toimii hyvin ja turvallisesti.

Sahauskulman säätäminen

Kone on säädetty ja suunnattu huolella tehtaalla, mutta kovakourainen käsittely voi vaikuttaa suuntaukseen. Jos kone ei ole suunnattu oikein, toimi seuraavasti:

1. Jiirisahauskulma

Työnä säädetty ja suunnattu kohti ja kiristä kelkan kiinnittävät kaksi kiristysruuvia.

Löysennä kääntöjalustan kiinnittävät kädensija. Käännä kääntöjalustaa siten, että osoitin osoittaa 0° jiirisahausasteikolla. Käännä sitten kääntöjalustaa hieman myötäpäivään ja vastapäivään sovittaaksesi kääntöjalustan 0° jiirin loveen. (Jätä se paikalleen, jos osoitin ei osoita 0°.) Löysennä ohjaimen kiinnittävät kuusiopultit hylsyavaimella. (Kuva 42)

Laske alakahva kokonaan ja lukitse se ala-asentoon työntämällä rajoitintappi sisään. Tasaa terän syrjä ohjaimen tason kanssa kolmikulmalla, vastekulmakolla tms. Kiristä sitten ohjaimen kuusiopultit tiukasti alkaen oikealta. (Kuva 43)

Varmista, että osoitin osoittaa 0° jiirisahausasteikolla. Jos osoitin ei osoita 0°, löysennä osoittimen paikallaan pitävä ruuvi ja säädä osoitin siten, että se osoittaa 0°. (Kuva 44)

2. Viistekulma

1. 0° viistekulma

Työnä kelkka ohjainta kohti ja kiristä kelkan kiinnittävät kaksi kiristysruuvia. Laske kahva kokonaan alas ja lukitse se ala-asentoon työntämällä rajoitintappi sisään. Löysennä koneen takana oleva vipu. Käännä varren oikealla puolella olevaa 0° viistekulman säätöpulttia (alapulttia) kaksi tai kolme kierosta vastapäivään kääntääksesi terää oikealle. (Kuva 45) Tasaa terän reuna huolellisesti kääntöjalustan yläpinnan kanssa kolmikulmalla, vastekulmakolla tms. kääntämällä 0° viistekulman säätöpulttia myötäpäivään. Kiristä sitten vipu tiukasti. (Kuva 46)

Varmista, että varressa oleva osoitin osoittaa 0° varren pitimen viisteasteikolla. Jos se ei osoita 0°, löysennä osoittimen paikallaan pitävä ruuvi ja säädä osoitinta siten, että se osoittaa 0°. (Kuva 47)

2. 45° viistekulma
Säädä 45° viistekulma vasta tehtyäsi 0° viistekulma-säädön. Kun haluat säätää vasemmanpuoleisen 45° viistekulman, löysennä vipua ja käännä terä kokonaan vasemmalle. Varmista, että varressa oleva osoitin osoittaa 45° varren pitimen viisteasteikolla. Jos osoitin ei osoita 45°, käännä varren oikealla puolella olevaa 45° viistekulman säätöpulttia (yläpulttia), kunnes osoitin osoittaa 45°. **(Kuva 48)**

Laserlinjan kohdan säätäminen (Kuva 49 ja 50)

Malli LS0714FL ja LS0714L

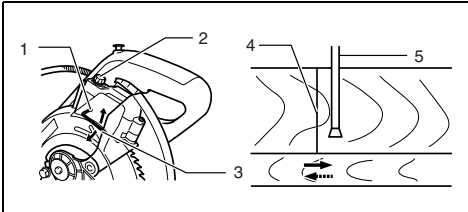
VAROITUS:

- Koska laite on kytkettynä pistorasiaan säätäessäsi laserlinjaa, ole erityisen varovainen etenkin liipaisimen kanssa. Liipaisinkytkimen tahaton painaminen aiheuttaa koneen käynnistymisen ja loukkaantumisen.

VARO:

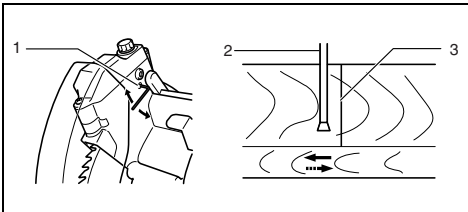
- Älä koskaan katso suoraan lasersäteeseen. Suora lasersäde vahingoittaa silmiä.
- Älä koskaan iske tai kolhi konetta. Isku tai kolhu kohdistaa laserlinjan väärin, vioittaa laserlinjan emitteriä ja lyhentää koneen käyttöikää.

Kun säädettävä laserlinja näkyy sahanterän vasemalla puolella



- 1 Ruuvi, jolla muutetaan säätöruuvien liikkumavaraa
- 2 Säätöruuvi
- 3 Kuusioavain
- 4 Laserlinja
- 5 Sahanterä

Kun säädettävä laserlinja näkyy sahanterän oikealla puolella



- 1 Ruuvi, jolla muutetaan säätöruuvien liikkumavaraa
- 2 Sahanterä
- 3 Laserlinja

Toimi molempia säätöjä varten seuraavasti:

1. Varmista, että kone on irrotettu pistorasiasta.
2. Piirrä työkalupaleeseen sahauslinja ja aseta se kääntöjalustalle. Älä kiinnitä tällöin työkalupalletta ruuvipuristimella tai vastaavalla.
3. Laske terä laskemalla kahva ja tarkista vain, mihin sahauslinja ja sahanterä asetuvat. (Päätä, mihin kohtaan sahauslinjaa haluat sahata.)
4. Kun olet päättänyt sahauskohdan, palauta kahva alkuperäiseen asentoonsa. Kiinnitä työkalupale pysytymällä liikkumattoma työkalupalletta tarkistetusta asennostaan.
5. Kytke virtajohto pistorasiaan ja käynnistä laser.
6. Säädä laserlinjan asema seuraavasti.

Laserlinjan asemaa voidaan muuttaa, sillä laserin säätöruuvien liikkumavara muuttuu kääntämällä kahta ruuvia kuusioavaimella. (Laserlinjan liikkumavara on tehtaalla säädetty 1 mm:n päähän terän sivupinnasta.)

Kun haluat siirtää laserlinjan liikkumavaraa kauemmas terän sivupinnasta, käännä kahta ruuvia vastapäivään löysennettyäsi ensin säätöruuvien. Käännä näitä kahta ruuvia myötäpäivään siirtääksesi sitä lähemmäs terän sivupintaa löysennettyäsi ensin säätöruuvien. Katso kohtaa "Lasersäteen käyttäminen" ja säädä säätöruuvia siten, että työkalupaleen sahauslinja on samansuuntainen laserlinjan kanssa.

HUOMAA:

- Tarkista laserlinjan tarkkuus säännöllisesti.
- Korjauta kone Makitan valtuuttamassa huollossa, jos laseryksikössä on vikaa.

Loisteputken vaihtaminen (Kuva 51)

Malli LS0714F ja LS0714FL

VARO:

- Varmista aina ennen loisteputken vaihtamista, että kone on sammutettu ja irrotettu pistorasiasta.
- Älä käytä voimaa, äläkä kolhi tai naarmuta loisteputkea, koska loisteputken lasi voi rikkoutua vahingoittain sinua tai sivullisia.
- Anna loisteputken olla jonkin aikaa käytön jälkeen, ennen kuin vaihdat sen. Voit polttaa itsesi.

Irrota lamppukotelon paikallaan pitävät ruuvit.

Vedä lamppukotelo irti painamalla kevyesti sen yläosaa vasemmassa olevan kuvan osoittamalla tavalla.

Vedä loisteputki irti ja vaihda se uuteen alkuperäiseen Makita-lamppuun.

Laservalon linssin puhdistaminen (Kuva 52 ja 53)

Malli LS0714FL ja LS0714L

Jos laservalon linssi likaantuu, tai siihen tarttuu sahanpurua siten, että laserlinja ei enää näy helposti, irrota saha pistorasiasta. Irrota ja puhdista laservalon linssi huolellisesti kostealla, pehmeällä liinalla. Älä käytä liuottimia äläkä bensiinipohjaisia puhdistimia linssiin.

Kun haluat irrottaa laservalon linssin, irrota sahanterä ennen kuin irrotat linssin. Noudata kohdan "Sahanterän kiinnittäminen ja irrottaminen" mukaisia ohjeita.

Löysennä mutta älä irrota linssin paikallaan pitävä ruuvi ruuvitaltalla.

Vedä linssi irti kuvan osoittamalla tavalla.

HUOMAA:

- Jos linssi ei irtoa, löysennä ruuvia lisää ja vedä linssiä uudelleen irrottamatta ruuvia.

Harjahiilten vaihtaminen (Kuva 54 ja 55)

Irrota harjahiilet säännöllisesti tarkastusta varten. Vaihda harjahiilet uusiin, kun ne ovat kuluneet rajamerkkiin saakka. Pidä harjahiilet puhtaina ja vapaina liikkumaan pitimissään. Hiilet on vaihdettava aina pareittain. Käytä vain keskenään samanlaisia harjahiiliä. Irrota harjahiilten kannet ruuvitaltalla. Poista kuluneet harjahiilet, aseta uudet harjahiilet paikalleen ja kiinnitä harjahiilten kansi paikalleen.

Käytön jälkeen

- Poista koneeseen tarttuneet lastut ja roskat käytön jälkeeseen liinalla tai vastaavalla. Pidä terän suojus puhtaana edellä kohdassa "Terän suojus" selostetulla tavalla. Voitele koneen liukuvat osat koneöljyllä estääksesi ruosteen muodostumisen.
- Kun laitat koneen säilytykseen, vedä kelkka kokonaan itseäsi kohti siten, että liukuvarsi on kunnolla kääntöjaluustan sisällä.

Laitteen TURVALLISUUDEN ja KÄYTTÖVARMUUDEN säilyttämiseksi korjaukset ja muut huolto- ja säätötyöt saa suorittaa ainoastaan Makitan hyväksymä huoltopiste käyttäen Makitan alkuperäisiä varaosia.

LISÄVARUSTEET

VARO:

- Näitä lisävarusteita ja -laitteita suositellaan käytettäväksi tässä ohjekirjassa mainitun Makitan koneen kanssa. Minkä tahansa muun lisävarusteen tai -laitteen käyttäminen voi aiheuttaa loukkaantumisvaaran. Käytä lisävarusteita ja -laitteita vain niiden käyttötarkoituksen mukaisesti.

Jos tarvitset apua tai yksityiskohtaisempia tietoja seuraavista lisävarusteista, ota yhteys paikalliseen Makitan huoltopisteeseen.

- Karbidikärkiset sahanterät
- Ruuvipuristinsarja (vaakapenkki)
- Pystypenkki
- Hylsyavain 10
- Pidinsarja
- Pitimen asennussarja
- Pidin-tanko-sarja
- Pohjalevy
- Pölypussi
- Kolmikulma
- Lukituksen vapautuspainike (2 kpl)
- Loisteputki
- Kuusiavain

Περιγραφή γενικής άποψης

1 Ανασταλτικός πείρος	32 Θήκη κλειδιού	59 Δύο βίδες σύσφιξης που ασφαλίζουν τον στύλο ολίσθησης
2 Μπουλόνι	33 Θήκη σωλήνα	60 Μέγγενη
3 Ρυθμιστικό μπουλόνι	34 Κάλυμμα κέντρου	61 Τάκος διαστήματος
4 Προφυλακτικής λάμας	35 Κοίλο κλειδί	62 Προεξοχή αλουμινίου
5 Κεφαλόβιδα	36 Εξάγωνο μπουλόνι	63 Περισσότερο από 15 χιλ
6 Σανίδα εγκοπής	37 Κάλυμμα ασφάλειας	64 Περισσότερο από 420 χιλ
7 Λάμα πριονιού	38 Ασφάλιση άξονα	65 Τρύπες
8 Δόντια λάμας	39 Βέλος	66 Πλάκα ρύθμισης
9 Αριστερή κωνική κοπή	40 Θήκη λάμας	67 Κόψτε αυλακώσεις με την λάμα
10 Ίσια κοπή	41 Εξάγωνο μπουλόνι (αριστερόχειρο)	68 Τριγωνικός κανόνας
11 Περιστροφική βάση	42 Εξωτερική φλάντζα	69 Θήκη βραχίονα
12 Φράχτης οδηγός	43 Εσωτερική φλάντζα	70 Ρυθμιστικό μπουλόνι κωνικής γωνίας 0 μοιρών
13 Ανω επιφάνεια περιστροφικού τραπέζιου	44 Αξονίσκος	71 Ρυθμιστικό μπουλόνι αριστερής κωνικής γωνίας 45 μοιρών
14 Περιφέρεια λάμας	45 Σάκος σκόνης	72 Τεμάχιο εργασίας
15 Ρυθμιστική βίδα	46 Στόμιο σκόνης	73 Γραμμή κοπής
16 Ανασταλτικός βραχίονας	47 Προοδετήρας	74 Κατακόρυφη μέγγενη
17 Μοχλός ασφάλισης	48 Υποστήριξη	75 Τραβήχτε έξω
18 Λοξή κλίμακα	49 Βραχίονας μέγγενης	76 Σπρώχτε
19 Δείκτης	50 Ράβδος μέγγενης	77 Κουτί λάμπας
20 Λαβή	51 Θήκη	78 Βίδες
21 Μοχλός	52 Σύνολο θήκης (προαιρετικό εξάρτημα)	79 Σωλήνας φθορισμού
22 Κουμπί ελευθέρωσης	53 Κουμπί μέγγενης	80 Κατσαβίδι
23 Κωνική κλίμακα	54 Προβολή	81 Βίδα (μόνο μία)
24 Βραχίονας	55 Άξονας μέγγενης	82 Φακοί για την λάμα λείζερ
25 Βίδα	56 Βάση	83 Σημάδι ορίου
26 Κουμπί κλειδώματος off	57 Ράβδος 12	84 Κατάκι θήκης ψήκτρας
27 Σκανδάλη διακόπτης	58 Δύο βίδες σύσφιξης που ασφαλίζουν τον στύλο ολίσθησης	
28 Λαβή		
29 Φως		
30 Διακόπτης φωτισμού		
31 Διακόπτης για λείζερ		

ΠΡΟΔΙΑΓΡΑΦΕΣ

Μοντέλο

LS0714/LS0714F/LS0714FL/LS0714L

Διάμετρος λάμας.....	190 χιλ
Διάμετρος τρύπας (άξονα).....	20 χιλ
Μεγ. Λοξή γωνία.....	Αρ. 47° , Δεξ. 57°
Μεγ. Κωνική γωνία.....	Αρ. 45° , Δεξ. 5°

Μεγ. Ικανότητες κοπής (Υ x Π) με λάμα διαμέτρου 190 χιλ.

Λοξή γωνία	Κωνική γωνία		
	45° (αρ.)	0°	45° (δεξ.)
0°	*45 χιλ x 265 χιλ (Σημείωση: 1)	*60 χιλ x 265 χιλ (Σημείωση: 1)	—
	40 χιλ x 300 χιλ	52 χιλ x 300 χιλ	40 χιλ x 300 χιλ
45° (αρ. και δεξ.)	*45 χιλ x 185 χιλ (Σημείωση: 2)	*60 χιλ x 185 χιλ (Σημείωση: 2)	—
	40 χιλ x 212 χιλ	52 χιλ x 212 χιλ	—
57° (δεξ.)	—	*60 χιλ x 145 χιλ (Σημείωση: 3)	—
	—	52 χιλ x 163 χιλ	—

(Σημείωση)

* σύμβολο υποδεικνύει ότι μία επικάλυψη ξύλου με το εξής πάχος χρησιμοποιείται.

1: Όταν χρησιμοποιείται επένδυση ξύλου πάχους 20 χιλ.

2: Όταν χρησιμοποιείται επένδυση ξύλου πάχους 15 χιλ.

3: Όταν χρησιμοποιείται επένδυση ξύλου πάχους 10 χιλ.

Ταχύτητα χωρίς φορτίο (λεπ ⁻¹).....	6.000
Τύπος λέιζερ (LS0714FL/L)	Κόκκινο λέιζερ 650 nm, <1mW (Τάξη Laser 2)
Διαστάσεις (Μ x Π x Υ)	670 χιλ x 430 χιλ x 458 χιλ
Βάρος καθαρό	LS0714: 12,5 Χγρ, LS0714F: 12,8 Χγρ, LS0714FL: 13,1 Χγρ, LS0714L: 13,0 Χγρ

- Λόγω του συνεχιζόμενου προγράματός έρευνας και ανάπτυξης, οι προδιαγραφές αυτές υπόκεινται σε αλλαγές χωρίς προειδοποίηση.
- Σημείωση: Οι προδιαγραφές μπορεί να διαφέρουν από χώρα σε χώρα.

Προοριζόμενη χρήση

Το εργαλείο προορίζεται για ευθείες και λοξές κοπές ακριβείας σε ξύλο. Με τις κατάλληλες λάμες πριονιού, μπορεί επίσης να κόψει αλουμίνιο.

Παροχή ρεύματος

Το εργαλείο πρέπει να συνδεθεί σε παροχή ρεύματος ίδιας τάσης με αυτή που αναγράφεται στην πινακίδα του και μπορεί μόνο να λειτουργήσει με μονοφασικό εναλλασσόμενο ρεύμα. Έχει διπλή μόνωση σύμφωνα με τα Ευρωπαϊκά Πρότυπα και έτσι μπορεί να χρησιμοποιηθεί σε ρευματοδότες χωρίς γείωση.

Υποδείξεις ασφάλειας

Για την προσωπική σας ασφάλεια, ανατρέξτε στις εσωκλειστές οδηγίες ασφάλειας.

ΠΡΟΣΘΕΤΟΙ ΚΑΝΟΝΕΣ ΑΣΦΑΛΕΙΑΣ ΓΙΑ ΤΟ ΕΡΓΑΛΕΙΟ

1. Φοράτε προστατευτικά οφθαλμών.
2. Κρατάτε τα χέρια μακριά από την τροχιά της λάμης πριονιού. Αποφύγετε επαφή και με λάμες μικρής ταχύτητας. Μπορεί επίσης να προκαλέσουν σοβαρό τραυματισμό.
3. Μη χειρίζεστε το εργαλείο χωρίς τους προφυλακτήρες στη θέση τους. Ελέγξτε τον προφυλακτήρα λάμας για κανονικό κλείσιμο πριν από κάθε χρήση. Μη λειτουργείτε το πριόνι εάν ο προφυλακτήρας λάμας δεν κινείται ελεύθερα και δεν κλείνει αμέσως. Ποτέ μη σφίξετε ή δέσετε τον προφυλακτήρα λάμας στη θέση ανοιγματος.
4. Μην εκτελείτε καμιά λειτουργία στο χέρι. Το αντικείμενο εργασίας πρέπει να είναι ασφαλισμένο σταθερά στην περιστροφική βάση και στον φράκτη οδηγό με την μέγγνη σε κάθε λειτουργία. Ποτέ μη χρησιμοποιείτε το χέρι σας για να ασφαλίσετε το αντικείμενο εργασίας.
5. Ποτέ μην αγγίζετε τη λάμα πριονιού.
6. Σταματείστε το εργαλείο και περιμένετε για τη λάμα πριονιού να σταματήσει πριν μετακινήσετε το αντικείμενο εργασίας ή αλλάξετε τις ρυθμίσεις.
7. Απουσιάζετε το εργαλείο πριν αλλάξετε λάμα ή κάνετε συντήρηση.
8. Πάντοτε ασφαλίστε όλα τα κινούμενα τμήματα πριν μεταφέρετε το εργαλείο.
9. Ο πείρος αναστολής που κλειδώνει την κεφαλή του κόπτη κάτω είναι μόνο για τον σκοπό μεταφοράς και αποθήκευσης και όχι για λειτουργίες κόπης.
10. Μη χρησιμοποιείτε το εργαλείο όταν υπάρχουν κοντά εύφλεκτα υγρά ή αέρια.
11. Ελέγχετε την λάμα προσεκτικά για ρωγμές ή ζημιές πριν την λειτουργία. Αντικαταστήστε αμέσως μία λάμα με ρωγμές ή ζημιές.
12. Χρησιμοποιείτε μόνο τις ειδικές φλάντζες για το εργαλείο αυτό.
13. Προσέξτε να μη κάνετε ζημιά στην άτρακτο, φλάντζες (ειδικά στην επιφάνεια εγκατάστασης) ή στο μπουλόνι.
14. Βεβαιώστε ότι η περιστροφική βάση είναι κατάλληλα ασφαλισμένη, ώστε να μη μετακινηθεί κατά την λειτουργία.
15. Για την ασφάλειά σας, αφαιρέστε τα αποκοπείδια, μικρά τεμάχια, κλπ. από το τραπέζι πριν την λειτουργία.
16. Αποφύγετε την κοπή καρφιών. Ελέγξτε και αφαιρέστε όλα τα καρφιά από το αντικείμενο εργασίας πριν την λειτουργία.
17. Βεβαιώστε ότι ο άξονας ασφάλισης είναι ελεύθερος πριν ενεργοποιήσετε τον διακόπτη.
18. Βεβαιώστε ότι η λάμα δεν αγγίζει την περιστροφική βάση στην κατώτατη θέση.
19. Κρατάτε σταθερά τη λαβή. Έχετε υπόψη σας ότι το πριόνι κινείται πάνω και κάτω ελαφρά κατά το ξεκίνημα και το σταμάτημα.
20. Βεβαιώστε ότι η λάμα δεν αγγίζει το αντικείμενο εργασίας πριν την ενεργοποίηση του διακόπτη.
21. Πριν χρησιμοποιήσετε το εργαλείο στο πραγματικό αντικείμενο εργασίας, αφήστε το να τρέξει για λίγο. Παρακολουθείστε το για κραδασμούς ή ταλαντώσεις που μπορεί να δείχνουν κακή εγκατάσταση ή κακή ισοζύγισή λάμας.
22. Περιμένετε μέχρι η λάμα να αποκτήσει πλήρη ταχύτητα πριν αρχίσετε να κόβετε.
23. Σταματήστε αμέσως την λειτουργία εάν παρατηρήσετε κάτι αφύσικο.
24. Μη προσπαθήσετε να κλειδώσετε την σκανδάλη στη θέση ON.
25. Να είστε πάντοτε σε κατάσταση ετοιμότητας, ιδιαίτερα όταν κάνετε επαναληπτικές και μονότονες εργασίες. Μην ξεγελαστείτε ποτέ ότι βρισκόσαστε σε κατάσταση ασφάλειας. Οι λάμες είναι υπερβολικά αδυσώπητες.
26. Πάντοτε χρησιμοποιείτε τα ανταλλακτικά που συνιστώνται στο εγχειρίδιο αυτό. Χρήση ακατάλληλων ανταλλακτικών όπως λειαντικών τροχών μπορεί να προκαλέσουν τραυματισμό.
27. Μη χρησιμοποιείτε το πριόνι για να κόψετε οτιδήποτε άλλο εκτός από αλουμίνιο, ξύλο ή παρόμοια υλικά.
28. Συνδέστε το πριόνι λοξότμησης σε μία συσκευή συλλογής σκόνης όταν πριονίζετε.
29. Επιλέγτε τις λάμες πριονιού ανάλογα με το υλικό που πρόκειται να κοπεί.
30. Προσέξτε όταν κάνετε εγχοπές.
31. Αντικαταστήστε την πλάκα εγχοπής όταν παρουσιάσει φθορά.

32. Μη χρησιμοποιείτε λάμες πριονιού κατασκευασμένες από ατσάλι υψηλής ταχύτητας.
33. Σκόνη προερχόμενη από την λειτουργία περιέχει χημικά τα οποία είναι γνωστά καρκινογόνα, προκαλούν γεννητικές δυσμορφίες ή άλλη αναπαραγωγική ζημιά. Μερικά παραδείγματα των χημικών αυτών είναι:
- μόλυβδος από υλικά χρωματισμένα με ουσίες με βάση τον μόλυβδο
 - αρσενικό και χρώμιο από χημικούς επεξεργασμένη ξυλεία.
- Ο κίνδυνος από την έκθεση στις ουσίες αυτές διαφέρει, εξαρτώμενος από πόσο συχνά κάνετε το είδος αυτό της εργασίας. Για να μειώσετε την έκθεσή σας στα χημικά αυτά: εργάζεστε σε μία πολύ καλά αεριζόμενη αίθουσα και εργάζεστε με χρησιμοποίηση εγκεκριμένων εφοδίων ασφάλειας όπως π.χ. με εκείνες τις μάσκες σκόνης που είναι ειδικά σχεδιασμένες να συγκρατούν μικροσκοπικά σωματίδια.
34. Για την μείωση του προκαλούμενου θορύβου, πάντοτε σιγουρεύεστε ότι η λεπίδα είναι ακονισμένη και καθαρή.
35. Ο χρήστης είναι επαρκώς εκπαιδευμένος στην χρήση, ρύθμιση και λειτουργία του εργαλείου.
36. Χρησιμοποιείτε σωστά ακονισμένες λεπίδες πριονιού. Τηρείτε την μέγιστη ταχύτητα που είναι σημειωμένη στην λεπίδα πριονιού.
37. Μην αφαιρείτε αποκόμματα ή άλλα μέρη του αντικειμένου εργασίας από την περιοχή κοπής ενώ το εργαλείο λειτουργεί και η κεφαλή του πριονιού δεν βρίσκεται στην θέση ακινητοποίησης.

ΦΥΛΑΞΤΕ ΤΙΣ ΟΔΗΓΙΕΣ ΑΥΤΕΣ.

ΕΓΚΑΤΑΣΤΑΣΗ

Τοποθέτηση στον πάγκο

Όταν το εργαλείο αποστέλλεται, η λαβή είναι κλειδωμένη στην κάτω θέση κοντά στον ανασταλτικό πείρο. Ελευθερώστε τον ανασταλτικό πείρο χαμηλώνοντας ελαφρά την λαβή και τραβώντας τον ανασταλτικό πείρο. **(Εικ. 1)**

Αυτό το εργαλείο πρέπει να βιδωθεί με δύο μπουλόνια σε μία επίπεδο και σταθερή επιφάνεια χρησιμοποιώντας τις τρύπες μπουλονιών που παρέχονται στην βάση του εργαλείου. **(Εικ. 2)**

Γυρίστε το ρυθμιστικό μπουλόνι δεξιόστροφα ή αριστερόστροφα έτσι ώστε να έρθει σε επαφή με την επιφάνεια του πατώματος για να κρατάει το εργαλείο σταθερό. **(Εικ. 3)**

ΛΕΙΤΟΥΡΓΙΚΗ ΠΕΡΙΓΡΑΦΗ

ΠΡΟΣΟΧΗ:

- Πάντοτε βεβαιώνεστε ότι το εργαλείο είναι σβηστό και αποσυνδεδεμένο πριν ρυθμίσετε ή ελέγξετε κάποια λειτουργία στο εργαλείο.

Προφυλακτήρας λάμας (Εικ. 4 και 5)

Όταν χαμηλώνετε την λαβή, ο προφυλακτήρας λάμας σηκώνεται αυτόματα. Ο προφυλακτήρας έχει ελατήριο για να επανέρχεται στην αρχική του θέση όταν η κοπή έχει ολοκληρωθεί και η λαβή έχει σηκωθεί. ΠΟΤΕ ΜΗΝ ΕΞΟΥΔΕΤΕΡΩΣΕΤΕ Η ΑΦΑΙΡΕΣΕΤΕ ΤΟΝ ΠΡΟΦΥΛΑΚΤΗΡΑ Η ΤΟ ΕΛΑΤΗΡΙΟ ΠΟΥ ΠΡΟΣΑΡΜΟΖΕΤΑΙ ΣΤΟΝ ΠΡΟΦΥΛΑΚΤΗΡΑ.

Για την προσωπική σας ασφάλεια, πάντοτε διατηρείτε τον προφυλακτήρα λάμας σε καλή κατάσταση. Οποιαδήποτε αντικανονική εργασία του προφυλακτήρα πρέπει να διορθώνεται αμέσως. Ελέγξτε να βεβαιωθείτε για την δράση του ελατηρίου επαναφοράς του προφυλακτήρα. ΠΟΤΕ ΜΗ ΧΡΗΣΙΜΟΠΟΙΕΙΤΕ ΤΟ ΕΡΓΑΛΕΙΟ ΕΑΝ Ο ΠΡΟΦΥΛΑΚΤΗΡΑΣ Η ΤΟ ΕΛΑΤΗΡΙΟ ΕΧΟΥΝ ΖΗΜΙΑ. ΒΛΑΒΗ Η ΕΧΟΥΝ ΑΦΑΙΡΕΘΕΙ. ΕΑΝ ΤΟ ΚΑΝΕΤΕ ΕΙΝΑΙ ΠΟΛΥ ΕΠΙΚΙΝΔΥΝΟ ΚΑΙ ΜΠΟΡΕΙ ΝΑ ΠΡΟΚΑΛΕΣΕΙ ΣΟΒΑΡΟ ΠΡΟΣΩΠΙΚΟ ΤΡΑΥΜΑΤΙΣΜΟ.

Εάν ο διαφανής προφυλακτήρας λάμας ρυπανθεί, ή πριονόσκηνη κολλήσει πάνω του έτσι ώστε η λάμα δεν είναι εύκολα ορατή, αποσυνδέστε το πριόνι και καθαρίστε τον προφυλακτήρα προσεκτικά με ένα υγρό ύφασμα. Μη χρησιμοποιήσετε διαλύτες ή απορρυπαντικά με βάση πετρέλαιο στον πλαστικό προφυλακτήρα.

Εάν ο προφυλακτήρας λάμας έχει ρυπανθεί ιδιαίτερα και είναι δύσκολο να δει κανείς μέσω του προφυλακτήρα, χρησιμοποιήστε το παρεχόμενο κοίλο κλειδί να χαλαρώσετε το εξάγωνο μπουλόνι που συγκρατεί το κάλυμμα κέντρου. Χαλαρώστε το εξάγωνο μπουλόνι στρίβοντας το αριστερόστροφα και σηκώστε τον προφυλακτήρα λάμας και το κάλυμμα κέντρου. Με τον προφυλακτήρα λάμας στην θέση αυτή το καθάρισμα γίνεται καλύτερα και επαρκέστερα. Όταν ολοκληρωθεί το καθάρισμα, αντιστρέψτε την παραπάνω διαδικασία και ασφαλίστε το μπουλόνι. Μην αφαιρέσετε τον ελατηριούχο προφυλακτήρα λάμας. Εάν ο προφυλακτήρας αποχρωματισθεί από τον χρόνο ή από έκθεση σε υπεριώδη ακτινοβολία, αποτανθείτε σε ένα κέντρο εξυπηρέτησης Μάκιτα για νέο προφυλακτήρα. ΜΗΝ ΕΞΟΥΔΕΤΕΡΩΣΕΤΕ Η ΑΦΑΙΡΕΣΕΤΕ ΤΟΝ ΠΡΟΦΥΛΑΚΤΗΡΑ.

Τοποθέτηση της σανίδας εγκοπής (Εικ. 6 και 7)

Αυτό το εργαλείο είναι εφωδιασμένο με τις σανίδες εγκοπών στην περιστροφική βάση του για να ελαχιστοποιεί το σχίσμο στην πλευρά εξόδου κοπής. Οι σανίδες εγκοπών είναι εργοστασιακά ρυθμισμένες έτσι ώστε η λάμα πριονιού δεν κάνει επαφή με τις σανίδες εγκοπών. Πριν από την χρήση, ρυθμίστε τις σανίδες εγκοπών ως εξής:

Πρώτα, αποσυνδέστε το εργαλείο. Χαλαρώστε όλες τις βίδες (από 2 στα αριστερά και δεξιά) που ασφαλίζουν τις σανίδες εγκοπών. Ξασφαλίστε τις βίδες έτσι ώστε οι σανίδες εγκοπών να μπορούν να κινηθούν με το χέρι. Χαμηλώστε την λαβή πλήρως και σπρώξτε μέσα τον ανασταλτικό πείρο για να κλειδώσει την λαβή στην κάτω θέση. Χαλαρώστε τις δύο βίδες σύσφιξης που ασφαλίζουν τις ράβδους ολίσθησης. Τραβήχτε την κινητή βάση πλέρως το μέρος σας πλήρως. Ρυθμίστε τις σανίδες εγκοπών έτσι ώστε μόλις να αγγίζουν τις πλευρές των δοντιών της λάμας. Σφίχτε τις εμπρόσθιες βίδες (μη τις σφίξετε πολύ). Σπρώχτε την κινητή βάση προς τον φράχτη οδηγό πλήρως και ρυθμίστε τις σανίδες εγκοπών έτσι ώστε μόλις να αγγίζουν τις πλευρές των δοντιών της λάμας. Σφίχτε τις πίσω βίδες (μη τις σφίξετε πολύ).

Μετά την ρύθμιση των σανίδων εγκοπών, ελευθερώστε τον ανασταλτικό πείρο και σηκώστε την λαβή. Μετά σφίχτε όλες τις βίδες με ασφάλεια.

ΠΡΟΣΟΧΗ:

- Πριν και μετά την αλλαγή της κωνικής γωνίας, πάντοτε ρυθμίστε τις σανίδες εγκοπών όπως περιγράφηκε παραπάνω.

Διατήρηση μέγιστης ικανότητας κοπής (Εικ. 8 και 9)

Αυτό το εργαλείο είναι εργοστασιακά ρυθμισμένο για να παρέχει την μέγιστη ικανότητα κοπής για μία λάμα πριονιού 190 χιλ.

Όταν τοποθετείτε μία νέα λάμα, πάντοτε ελέγχετε την κάτω οριακή θέση της λάμας, και εάν είναι απαραίτητο, ρυθμίστε ως εξής:

Πρώτα, αποσυνδέστε το εργαλείο. Τραβήχτε την κινητή βάση προς το φράχτη οδηγό πλήρως και χαμηλώστε εντελώς την λαβή. Χρησιμοποιείστε το κοίλο κλειδί για να γυρίσετε το ρυθμιστικό μπουλόνι μέχρι η περιφέρεια της λάμας να εκτείνεται ελαφρά κάτω από την άνω επιφάνεια της περιστροφικής βάσης στο σημείο όπου η εμπρόσθια όψη του φράχτη οδηγού συναντά την άνω επιφάνεια της περιστροφικής βάσης.

Με το εργαλείο αποσυνδεδεμένο, περιστρέψτε την λάμα με το χέρι ενώ κρατάτε την λαβή εντελώς κάτω ώστε να είναι σίγουρο ότι η λάμα δεν κάνει επαφή με κανένα τμήμα της κάτω βάσης. Επαναρρυθμίστε ελαφρά, εάν είναι απαραίτητο.

ΠΡΟΣΟΧΗ:

- Αφού τοποθετήσετε μία νέα λάμα, πάντοτε βεβαιώνετε ότι η λάμα δεν κάνει επαφή με κανένα τμήμα της κάτω βάσης όταν η λαβή είναι εντελώς χαμηλωμένη. Πάντοτε να το κάνετε με το εργαλείο αποσυνδεδεμένο.

Ανασταλτικός βραχίονας (Εικ. 10)

Η θέση κάτω ορίου της λάμας μπορεί εύκολα να ρυθμιστεί με τον ανασταλτικό βραχίονα. Για την ρύθμισή του, μετακινείστε τον ανασταλτικό βραχίονα κατά την διεύθυνση του βέλους όπως φαίνεται στην εικόνα. Ρυθμίστε την ρυθμιστική βίδα έτσι ώστε η λάμα σταματά στην επιθυμητή θέση όταν η λαβή χαμηλώνεται εντελώς.

Ρύθμιση της λοξής γωνίας (Εικ. 11)

Χαλαρώστε την λαβή στρίβοντας την αριστερόστροφα. Γυρίστε την περιστροφική βάση ενώ πιέζετε προς τα κάτω τον μοχλό ασφαλίσης. Όταν έχετε μετακινήσει την λαβή στην θέση που ο δείκτης δείχνει την επιθυμητή γωνία στην λοξή κλίμακα, σφίχτε με ασφάλεια την λαβή δεξιόστροφα.

ΠΡΟΣΟΧΗ:

- Όταν στρέφετε την περιστροφική βάση, βεβαιώνετε ότι σηκώνετε την λαβή πλήρως.
- Αφού αλλάξετε την λοξή γωνία, πάντοτε ασφαλίστε την περιστροφική βάση σφίγγοντας την λαβή σταθερά.

Ρύθμιση της κωνικής γωνίας (Εικ. 12 και 13)

Για να ρυθμίσετε την κωνική γωνία, χαλαρώστε τον μοχλό στο πίσω μέρος του εργαλείου αριστερόστροφα.

Σπρώχτε την λαβή στα αριστερά, να δώσετε κλίση στην λάμα πριονιού μέχρι ο δείκτης δείχνει την επιθυμητή γωνία στην κωνική κλίμακα. Μετά σφίχτε τον μοχλό σταθερά δεξιόστροφα να ασφαλίσετε τον βραχίονα.

Για να δώσετε κλίση στην λαβή προς τα δεξιά, σπρώχτε το κουμπί ελευθέρωσης στο πίσω μέρος του εργαλείου ενώ κλίνετε την λαβή ελαφρά στα αριστερά αφού χαλαρώσετε τον μοχλό. Με το κουμπί ελευθέρωσης πατημένο, δώστε κλίση στην λάμα προς τα δεξιά.

ΠΡΟΣΟΧΗ:

- Όταν δίνετε κλίση στην λάμα πριονιού, βεβαιώνετε ότι σηκώνετε την λαβή πλήρως.
- Αφού αλλάξετε την κωνική γωνία, πάντοτε ασφαλίστε την περιστροφική βάση σφίγγοντας την λαβή σταθερά.
- Όταν αλλάζετε κωνικές γωνίες, βεβαιώνετε ότι τοποθετείτε τις σανίδες εγκοπών κατάλληλα όπως εξηγείται στο εδάφιο “Τοποθέτηση των σανίδας εγκοπής”.

Ρύθμιση της θέσης μοχλού (Εικ. 14)

Ο μοχλός μπορεί να επανατοποθετείται σε κάθε γωνία 30° όταν ο μοχλός δεν παρέχει πλήρες σφίξιμο.

Χαλαρώστε και αφαιρέστε την βίδα που ασφαλίζει τον μοχλό στο πίσω μέρος του εργαλείου. Αφαιρέστε τον μοχλό και τοποθετήστε τον πάλι έτσι ώστε είναι ελαφρά πάνω από το επίπεδο. Ασφαλίστε τον μοχλό με την βίδα σταθερά.

Δράση διακόπτη

ΠΡΟΣΟΧΗ:

- Πριν συνδέσετε στο ρεύμα το εργαλείο. Πάντοτε ελέγχετε να δείτε ότι η σκανδάλη διακόπτη ενεργοποιείται κανονικά και επιστρέφει στην θέση "OFF" όταν ελευθερώνεται.
- Όταν δεν χρησιμοποιείτε το εργαλείο, αφαιρέστε το κουμπί κλειδώματος off και αποθηκεύστε το σε μία ασφαλή θέση. Αυτό εμποδίζει την λειτουργία χωρίς άδεια.
- Μη τραβάτε την σκανδάλη διακόπτη σκληρά χωρίς να πιέσετε μέσα το κουμπί κλειδώματος off. Αυτό μπορεί να προκαλέσει σπάσιμο του διακόπτη.

Για χώρες της Ευρώπης (Εικ. 15)

Για να εμποδιστεί το τυχαίο τράβηγμα της σκανδάλης διακόπτη, ένα κουμπί κλειδώματος - off παρέχεται. Για να ξεκινήσει το εργαλείο, σπρώχτε τον μοχλό στα αριστερά, πατήστε μέσα το κουμπί κλειδώματος - off και μετά πατήστε την σκανδάλη διακόπτη. Ελευθερώστε την σκανδάλη διακόπτη για να σταματήσει.

Για όλες τις χώρες εκτός των Ερωπαϊκών (Εικ. 16)

Για να εμποδιστεί το τυχαίο τράβηγμα της σκανδάλης διακόπτη, ένα κουμπί κλειδώματος - off παρέχεται. Για να ξεκινήσει το εργαλείο, πατήστε μέσα το κουμπί κλειδώματος - off και πατήστε την σκανδάλη διακόπτη. Ελευθερώστε την σκανδάλη διακόπτη για να σταματήσει.

ΠΡΟΕΙΔΟΠΟΙΗΣΗ:

- ΠΟΤΕ μη χρησιμοποιείτε το εργαλείο εάν η σκανδάλη διακόπτη δεν είναι σε άριστη κατάσταση λειτουργίας. Οποιοδήποτε εργαλείο με ελαττωματικό διακόπτη είναι ΕΞΑΙΡΕΤΙΚΑ ΕΠΙΚΙΝΔΥΝΟ και πρέπει να επισκευαστεί πριν περαιτέρω χρήση.
- Για την ασφάλειά σας, αυτό το εργαλείο είναι εφωδιασμένο με ένα κουμπί κλειδώματος - off το οποίο εμποδίζει το εργαλείο να ξεκινήσει τυχαίως. ΠΟΤΕ μη χρησιμοποιείτε το εργαλείο εάν λειτουργεί με απλό τράβηγμα της σκανδάλης διακόπτη χωρίς να πατήσετε το κουμπί κλειδώματος - off. Επιστρέψτε το εργαλείο στο κέντρο Εξυπηρέτησης Μάκιτα για κατάλληλες επισκευές PRIN από περαιτέρω χρήση.
- ΠΟΤΕ μην κρατάτε κάτω με ταινία ή εξουδετερώνετε τον σκοπό και την λειτουργία του κουμπιού κλειδώματος off.

Αναμμα των λαμπών (Εικ. 17)

Για μοντέλα LS0714F, LS0714FL

ΠΡΟΣΟΧΗ:

- Αυτό το φως δεν είναι αδιάβροχο. Μη πλένετε το φως σε νερό ή το χρησιμοποιείτε στην βροχή ή σε υγρή περιοχή. Τέτοια μεταχείριση θα προκαλέσει ηλεκτροπληξία και καπνούς.
- Μην αγγίζετε τους φακούς του φωτός, καθώς είναι πολύ θερμά όταν είναι αναμμένο ή αμέσως αφού σβήσει. Αυτό μπορεί να προκαλέσει εγκαύματα στο ανθρώπινο σώμα.
- Μη προκαλείτε χτυπήματα στο φως, γιατί μπορεί να πάθει ζημιά ή να επιβραχυνθεί η ωφέλιμη ζωή του.
- Μη ρίχνετε την ακτίνα φωτός στα μάτια σας. Αυτό μπορεί να προκαλέσει τραυματισμό στα μάτια σας.
- Μη καλύπτετε το φως με ρούχα, χαρτόνι, χαρτοσανίδια ή παρόμοια αντικείμενα ενώ είναι αναμμένο, γιατί μπορεί να προκληθεί φωτιά ή ανάφλεξη.

Σπρώχτε την πάνω θέση του διακόπτη για να ανάψετε το φως και την κάτω θέση για να το σβήσετε.

Μετακινήστε το φως για να αλλάξετε την περιοχή φωτισμού.

ΣΗΜΕΙΩΣΗ:

- Χρησιμοποιείτε ένα στεγνό ύφασμα να σκουπίσετε τους ρύπους από τους φακούς της λάμπας. Προσέχετε να μη γρατσουνίσετε τους φακούς του φωτός γιατί θα ελαττωθεί ο φωτισμός.

Ενέργεια ακτίνας λέιζερ (Εικ. 18 και 19)

Για μοντέλα LS0714FL, LS0714L

ΠΡΟΣΟΧΗ:

- Ποτέ μη κυττάτε μέσα στην ακτίνα λέιζερ. Απευθείας κτύπημα της ακτίνας λέιζερ θα τραυματίσει τα μάτια σας.

Για να ανάψετε την ακτίνα λέιζερ, πατήστε την άνω θέση (I) του διακόπτη. Πατήστε την κάτω θέση (O) του διακόπτη για να την σβήσετε.

Η γραμμή λέιζερ μπορεί να μετακινηθεί είτε στην αριστερή είτε στην δεξιά πλευρά της λάμπας πρινιού ρυθμίζοντας την ρυθμιστική βίδα ως εξής:

1. Χαλαρώστε την ρυθμιστική βίδα γυρίζοντας την αριστερόστροφα.
2. Με την ρυθμιστική βίδα χαλαρωμένη, σύρτε την στα δεξιά ή αριστερά όσο βαθειά μπορεί να πάει.
3. Σφίχτε την ρυθμιστική βίδα σταθερά στην θέση όπου σταματά να ολισθαίνει.

Η γραμμή λέιζερ είναι ρυθμισμένη από το εργοστάσιο να είναι τοποθετημένη σε 1 χιλ από την πλευρική επιφάνεια της λάμπας (θέση κοπής).

ΣΗΜΕΙΩΣΗ:

- Όταν η γραμμή λέιζερ είναι θαμπή και σχεδόν ή εντελώς αόρατη λόγω του απευθείας ηλιακού φωτός σε παράθυρο εσωτερικού ή εξωτερικού χώρου εργασίας, μετακινήστε την θέση εργασίας σε μέρος που δεν υπόκειται στο απευθείας ηλιακό φως.

Ευθυγράμμιση της γραμμής λέιζερ (Εικ. 20)

Η γραμμή λέιζερ μπορεί να μετακινηθεί στην αριστερή ή στην δεξιά πλευρά της λάμας σύμφωνα με τις εφαρμογές κοπής. Ανατρέξτε στις εξηγήσεις του εδαφίου με τίτλο “Ενέργεια της ακτίνας λέιζερ” σχετικά με την μέθοδο μετακίνησης.

ΣΗΜΕΙΩΣΗ:

- Χρησιμοποιείστε επένδυση ξύλου στον φράκτη οδηγό όταν ευθυγραμμίζετε την γραμμή κοπής με την γραμμή λέιζερ στην πλευρά του φράκτη οδηγού σε σύνθετες κπές (κωνική γωνία 45 μοιρών και λοξή δεξιά γωνία 45 μοιρών).

A) Όταν πετυχαίνετε σωστό μέγεθος στην αριστερή πλευρά του τεμαχίου εργασίας.

- Μετακινείστε την γραμμή λέιζερ στα αριστερά της λάμας.

B) Όταν πετυχαίνετε σωστό μέγεθος στην δεξιά πλευρά του τεμαχίου εργασίας.

- Μετακινείστε την γραμμή λέιζερ στα δεξιά της λάμας.

Ευθυγράμμιστε την γραμμή κοπής στο τεμάχιο εργασίας σας με την γραμμή λέιζερ.

ΣΥΝΟΛΟ

ΠΡΟΣΟΧΗ:

- Πάντοτε βεβαιώνετε ότι το εργαλείο είναι σβηστό και αποσυνδεδεμένο πριν εκτελέσετε οποιαδήποτε εργασία στο εργαλείο.

Αποθήκευση κοίλου κλειδιού (Εικ. 21)

Το κοίλο κλειδί αποθηκεύεται όπως φαίνεται στην εικόνα. Όταν χρησιμοποιείτε το κοίλο κλειδί, τραβήχτε το έξω από την θήκη του. Μετά την χρήση του, επαναφέρετε το στην θήκη κλειδιού.

Τοποθέτηση ή αφαίρεση της λάμας πριονιού

ΠΡΟΣΟΧΗ:

- Πάντοτε βεβαιώνετε ότι το εργαλείο είναι σβηστό και αποσυνδεδεμένο πριν τοποθετήσετε ή αφαιρέσετε την λάμα.

- Χρησιμοποιείτε μόνο το παρεχόμενο κοίλο κλειδί Μάκιτα για να τοποθετήσετε ή αφαιρέσετε την λάμα. Διαφορετικά μπορεί να προκληθεί υπερβολικό ή ανεπαρκές σφίξιμο του εξαγωγού μπουλονιού. Πράγμα που μπορεί να προκαλέσει τραυματισμό.

Κλειδώστε την λαβή στην ανασηκωμένη θέση σπρώχνοντας μέσα τον ανασταλτικό πείρο. (Εικ. 22)

Για να αφαιρέσετε την λάμα, χρησιμοποιείστε το κοίλο κλειδί για να χαλαρώσετε το εξαγωνο μπουλόνι που κρατάει το κάλυμμα κέντρου υυρίζοντας το αριστερόστροφα. Σηκώστε τον προφυλακτήρα λάμας και το κάλυμμα κέντρου. (Εικ. 23)

Πατήστε την ασφάλιση άξονα για να κλειδώσετε τον αξονίσκο και χρησιμοποιείστε το κοίλο κλειδί για να χαλαρώσετε το εξαγωνο μπουλόνι δεξιόστροφα. Μετά αφαιρέστε το εξαγωνο μπουλόνι, εξωτερική φλάντζα και λάμα. (Εικ. 24)

Για να τοποθετήσετε την λάμα, βάλτε την προσεκτικά πάνω στον αξονίσκο, κάνοντας βέβαιο ότι η διεύθυνση του βέλους στην επιφάνεια της λάμας συμπίπτει με την διεύθυνση του βέλους στην θήκη της λάμας. Τοποθετήστε την εξωτερική φλάντζα και εξαγωνο μπουλόνι και μετά χρησιμοποιείστε το κοίλο κλειδί να σφίξετε το εξαγωνο μπουλόνι (αριστερόχειρο) με ασφάλεια αριστερόστροφα ενώ πιέζετε την ασφάλεια άξονα.

Επαναφέρετε τον προφυλακτήρα λάμας και κάλυμμα κέντρου στην αρχική τους θέση. Μετά σφίχτε το εξαγωνο μπουλόνι δεξιόστροφα να ασφαλίσετε το κάλυμμα κέντρου. Ελευθερώστε την λαβή από την ανασηκωμένη θέση τραβώντας τον ανασταλτικό πείρο. Χαμηλώστε την λαβή να κάνετε βέβαιο ότι ο προφυλακτήρας λάμας κινείται κατάλληλα. Βεβαιωθείτε ότι η ασφάλιση άξονα έχει ελευθερώσει τον αξονίσκο πριν κάνετε την κοπή. (Εικ. 25 και 26)

Σάκος σκόνης (Εικ. 27)

Η χρησιμοποίηση του σάκου σκόνης κάνει τις λειτουργίες κοπής καθαρές και την συλλογή σκόνης εύκολη. Για να προσαρμόσετε τον σάκο σκόνης, εφαρμόστε τον πάνω στο στόμιο σκόνης.

Όταν ο σάκος σκόνης είναι περίπου μισογεμάτος, αφαιρέστε τον από το εργαλείο και τραβήχτε τον προσδετήρα έξω. Αδειάστε τον σάκο σκόνης από τα περιεχόμενά του, χτυπήστε τον ελαφρά έτσι ώστε να αφαιρεθούν τα σωματίδια που είναι κολλημένα από μέσα και μπορεί να εμποδίζουν την περαιτέρω συλλογή.

ΣΗΜΕΙΩΣΗ:

Εάν συνδέσετε μία ηλεκτρική σκούπα Μάκιτα στο πρίονι σας, πιο επαρκείς και καθαρές εργασίες μπορούν να εκτελούνται.

Ασφάλιση του τεμαχίου εργασίας (Εικ. 28)

ΠΡΟΕΙΔΟΠΟΙΗΣΗ:

- Είναι εξαιρετικά σημαντικό να ασφαλίσετε πάντοτε το τεμάχιο εργασίας κατάλληλα και σφικτά με την μέγγενη. Αμέλεια να το κάνετε μπορεί να προκαλέσει ζημιά στο εργαλείο και/ή καταστροφή στο τεμάχιο εργασίας. ΠΡΟΣΩΠΙΚΟΣ ΤΡΑΥΜΑΤΙΣΜΟΣ ΜΠΟΡΕΙ ΕΠΙΣΗΣ ΝΑ ΣΥΜΒΕΙ. Επίσης, μετά από μία λειτουργία κοπής, ΜΗ σηκώσετε την λάμα μέχρι να σταματήσει τελείως.

ΠΡΟΣΟΧΗ:

- Όταν κόβετε ένα επίμηκες τεμάχιο εργασίας, χρησιμοποιείτε υποστηρίγματα που είναι του ίδιου ύψους με την κορυφή της επιφάνειας της περιστροφικής βάσης. Μη βασίζεστε αποκλειστικά στην κατακόρυφη και/ή οριζόντια μέγγενη για την ασφάλιση του τεμαχίου εργασίας.

Τα λεπτά υλικά έχουν τάση να λυγίζουν. Υποστηρίξτε το τεμάχιο εργασίας σε όλο το μήκος του για να αποφύγετε τοίμηγμα λάμας και πιθανό ΟΠΙΣΘΟΛΑΚΤΙΣΜΑ.

Κατακόρυφη μέγγεννη (Εικ. 29)

Η κατακόρυφη μέγγεννη μπορεί να τοποθετηθεί σε δύο θέσεις στα αριστερά ή στα δεξιά του φράχτη οδηγού ή του συνόλου θήκης (προαιρετικό εξάρτημα). Βάλτε την ράβδο μέγγεννης μέσα στην τρύπα του οδηγού φράκτη ή του συνόλου θήκης και σφίχτε τις βίδες να ασφαλίσετε την ράβδο μέγγεννης.

Τοποθετείστε τον βραχίονα της μέγγεννης σύμφωνα με το πάχος και το σχήμα του τεμαχίου εργασίας και ασφαλίστε τον βραχίονα της μέγγεννης σφίγγοντας την βίδα. Εάν η βίδα που ασφαλίζει τον βραχίονα της μέγγεννης αγγίζει τον φράχτη οδηγό, τοποθετείστε την βίδα στην απέναντι πλευρά του βραχίονα της μέγγεννης. Βεβαιωθείτε ότι κανένα μέρος του εργαλείου δεν κάνει επαφή με την μέγγεννη όταν χαμηλώνετε την λαβή εντελώς και σπρώχνετε ή τραβάτε την κινητή βάση σε όλη την διαδρομή της. Εάν κάποιο μέρος κάνει επαφή, επανατοποθετείστε την μέγγεννη.

Πιέστε το τεμάχιο εργασίας επίπεδα επί του φράχτη οδηγού και της περιστροφικής βάσης. Τοποθετείστε το τεμάχιο εργασίας στην επιθυμητή θέση κοπής και ασφαλίστε το σταθερά σφίγγοντας το κουμπί της μέγγεννης.

ΠΡΟΣΟΧΗ:

- Το τεμάχιο εργασίας πρέπει να ασφαλιστεί σταθερά επί της περιστροφικής βάσης και φράκτη οδηγού με την μέγγεννη κατά την διάρκεια όλων των λειτουργιών.

Οριζόντια μέγγεννη (προαιρετικό εξάρτημα) (Εικ. 30)

Η οριζόντια μέγγεννη μπορεί να τοποθετηθεί στην αριστερή πλευρά της βάσης. Γυρίζοντας το κουμπί της μέγγεννης αριστερόστροφα, η βίδα ελευθερώνεται και ο άξονας της μέγγεννης μπορεί να μετακινηθεί γρήγορα μέσα και έξω. Γυρίζοντας το κουμπί της μέγγεννης δεξιόστροφα, η βίδα παραμένει ασφαλισμένη. Για να πιάσετε το τεμάχιο εργασίας, γυρίστε το κουμπί της μέγγεννης απαλά δεξιόστροφα μέχρι η προβολή να φθάσει στην υψηλότερη θέση, μετά στερεώστε με ασφάλεια. Εάν το κουμπί της βίδας της μέγγεννης σπρωχθεί μέσα ή τραβηχθεί έξω ενώ περιστρέφεται δεξιόστροφα, η προβολή θα σταματήσει σε κάποια γωνία. Στην περίπτωση αυτή γυρίστε το κουμπί της μέγγεννης πίσω αριστερόστροφα μέχρι να ελευθερωθεί η βίδα, πριν το γυρίσετε πάλι απαλά δεξιόστροφα. Το μέγιστο πλάτος του τεμαχίου εργασίας το οποίο μπορεί να ασφαλιστεί με την οριζόντια μέγγεννη είναι 120 χιλ.

ΠΡΟΣΟΧΗ:

- Πιάστε το τεμάχιο εργασίας μόνο όταν η προβολή είναι στην υψηλότερη θέση. Αμέλεια να το κάνετε θα έχει ως αποτέλεσμα ανεπαρκή ασφάλεια του τεμαχίου εργασίας. Αυτό μπορεί να προκαλέσει την εκτόξευση του τεμαχίου εργασίας, ζημιά στην λάμα ή να προκαλέσει την απώλεια ελέγχου, που μπορεί να έχει ως αποτέλεσμα ΠΡΟΣΩΠΙΚΟ ΤΡΑΥΜΑΤΙΣΜΟ.

Θήκες και σύνολο θήκης (προαιρετικά εξάρτηματα) (Εικ. 31 και 32)

Οι θήκες και σύνολο θήκης μπορούν να τοποθετηθούν σε οποιαδήποτε πλευρά ως ένα βολικό μέσο υποστήριξης τεμαχίων εργασίας οριζόντια. Τοποθετήστε τα όπως φαίνεται στην εικόνα. Μετά σφίχτε τις βίδες σταθερά να ασφαλίσετε τις θήκες και το σύνολο θήκης.

Όταν κόβετε μακρούς τεμάχια εργασίας, χρησιμοποιείτε το σύνολο θήκη-ράβδος (προαιρετικό εξάρτημα). Αυτό αποτελείται από δύο σύνολα θήκης και δύο ράβδους 12.

ΠΡΟΣΟΧΗ:

- Πάντοτε υποστηρίζετε επιμήκη τεμάχια εργασίας στο ίδιο επίπεδο με την άνω επιφάνεια της περιστροφικής βάσης για κοπές ακριβείας και για να εμποδιστεί η επικίνδυνη απώλεια ελέγχου του εργαλείου.

ΛΕΙΤΟΥΡΓΙΑ

ΠΡΟΣΟΧΗ:

- Πριν από την χρήση, βεβαιώστε ότι ελευθερώνετε την λαβή από την χαμηλωμένη θέση σπρώχνοντας τον ανασταλτικό πεύρο.
- Βεβαιώστε ότι η λάμα δεν κάνει επαφή με το τεμάχιο εργασίας, κλπ. πριν ανάψετε τον διακόπτη.
- Μην εφαρμόζετε υπερβολική πίεση στην λαβή όταν κόβετε. Υπερβολική δύναμη μπορεί να έχει ως αποτέλεσμα υπερφόρτωση του κινητήρα και η μειωμένη επάρκεια κοπής. Πιέστε την λαβή μόνο με όση δύναμη είναι απαραίτητη για απαλή κοπή και χωρίς σημαντική μείωση στην ταχύτητα της λάμας.
- Πιέστε προς τα κάτω απαλά την λαβή για να εκτελέσετε την κοπή. Εάν η λαβή πιεστεί κάτω με δύναμη ή εάν πλευρική δύναμη εφαρμοστεί, η λάμα θα δονείται και θα αφήσει κάποιο σημάδι (σημάδι πριονιού) στο τεμάχιο εργασίας και η ακρίβεια της κοπής θα ελαττωθεί.
- Κατά την διάρκεια ολισθητικής κοπής, σπρώχτε απαλά την κινούμενη βάση προς τον φράχτη οδηγό χωρίς να σταματήσετε. Εάν η κίνηση της κινητής βάσης διακοπεί κατά την κοπή, ένα σημάδι θα μείνει στο τεμάχιο εργασίας και η ακρίβεια της κοπής θα ελαττωθεί.

1. Κοπή πίεσης (κοπή μικρών τεμαχίων εργασίας) (Εικ. 33)

Τεμάχια εργασίας μέχρι ύψους 50 χιλ και πλάτους 97 χιλ μπορούν να κοπούν με τον ακόλουθο τρόπο: Σπρώχτε την κινητή βάση προς τον φράχτη οδηγό και σφίχτε τις δύο βίδες σύσφιξης που ασφαλίζουν τους στύλους ολίσθησης δεξιόστροφα για να ασφαλίσουν την κινητή βάση. Ασφαλίστε το τεμάχιο εργασίας με την μέγγενη. Ανάψτε το εργαλείο χωρίς η λάμα να κάνει καμιά επαφή και περιμένετε μέχρι η λάμα να αποκτήσει πλήρη ταχύτητα πριν την χαμηλώσετε. Μετά χαμηλώστε απαλά την λαβή στην κατώτερη δυνατή θέση για να κόψετε το τεμάχιο εργασίας. Όταν η κοπή έχει ολοκληρωθεί, σβήστε το εργαλείο και ΠΕΡΙΜΕΝΕΤΕ ΜΕΧΡΙ Η ΛΑΜΑ ΝΑ ΣΤΑΜΑΤΗΣΗ ΤΕΛΕΙΩΣ πριν επαναφέρετε την λάμα στην πλήρως ανασηκωμένη θέση της.

ΠΡΟΣΟΧΗ:

- Σφίχτε σταθερά τις δύο βίδες σύσφιξης που ασφαλίζουν τους ολισθητικούς στύλους δεξιόστροφα έτσι ώστε η κινητή βάση δεν θα κινηθεί κατά την λειτουργία. Ανεπαρκές σφίξιμο μπορεί να προκαλέσει μη αναμενόμενο οπισθολακτίσμο της λάμας. Πιθανός σοβαρός ΠΡΟΣΩΠΙΚΟΣ ΤΡΑΥΜΑΤΙΣΜΟΣ μπορεί να προκληθεί.

2. Κοπή ολίσθησης (ώθησης) (κοπή τεμαχίων εργασίας μεγάλου πλάτους) (Εικ. 34)

Χαλαρώστε τις δύο βίδες σύσφιξης που ασφαλίζουν τους ολισθητικούς στύλους αριστερόστροφα έτσι ώστε η κινητή βάση μπορεί να ολισθαίνει ελεύθερα. Ασφαλίστε το τεμάχιο εργασίας με την μέγγενη. Τραβήχτε την κινητή βάση προς το μέρος σας πλήρως. Ανάψτε το εργαλείο χωρίς η λάμα να κάνει καμιά επαφή και περιμένετε μέχρι η λάμα να αποκτήσει πλήρη ταχύτητα. Πιέστε κάτω την λαβή και ΣΠΡΩΧΤΕ ΤΗ ΚΙΝΗΤΗ ΒΑΣΗ ΠΡΟΣ ΤΟΝ ΦΡΑΧΤΗ ΟΔΗΓΟ ΚΑΙ ΔΙΑ ΜΕΣΟΥ ΤΟΥ ΤΕΜΑΧΙΟΥ ΕΡΓΑΣΙΑΣ. Όταν η κοπή έχει ολοκληρωθεί, σβήστε το εργαλείο και ΠΕΡΙΜΕΝΕΤΕ ΜΕΧΡΙ Η ΛΑΜΑ ΝΑ ΣΤΑΜΑΤΗΣΗ ΤΕΛΕΙΩΣ πριν επαναφέρετε την λάμα στην πλήρως ανασηκωμένη θέση της.

ΠΡΟΣΟΧΗ:

- Οποτεδήποτε εκτελείτε ολισθητική κοπή, ΠΡΩΤΑ ΤΡΑΒΑΤΕ ΤΗΝ ΚΙΝΗΤΗ ΒΑΣΗ ΠΡΟΣ ΤΟ ΜΕΡΟΣ ΣΑΣ ΕΝΤΕΛΩΣ και μετά πιέστε κάτω την λαβή στην χαμηλότερη δυνατή θέση, μετά ΣΠΡΩΧΤΕ ΤΗΝ ΚΙΝΗΤΗ ΒΑΣΗ ΠΡΟΣ ΤΟΝ ΦΡΑΧΤΗ ΟΔΗΓΟ. ΠΟΤΕ ΜΗΝ ΑΡΧΙΖΕΤΕ ΤΗΝ ΚΟΠΗ ΧΩΡΙΣ ΝΑ ΕΧΕΤΕ ΤΡΑΒΗΞΕΙ ΤΗΝ ΚΙΝΗΤΗ ΒΑΣΗ ΠΡΟΣ ΤΟ ΜΕΡΟΣ ΣΑΣ ΕΝΤΕΛΩΣ. Εάν εκτελέσετε ολισθητική κοπή χωρίς να τραβήξετε την κινητή βάση εντελώς προς το μέρος σας ή όταν εκτελέσετε ολισθητική κοπή προς την διεύθυνσή σας, η λάμα μπορεί να οπισθολακτίσει αναπάντεχα με την δυνατότητα να προκαλέσει σοβαρό ΠΡΟΣΩΠΙΚΟ ΤΡΑΥΜΑΤΙΣΜΟ.
- Ποτέ μην εκτελείτε ολισθητική κοπή με την λαβή κλειδωμένη στην κάτω θέση πιέζοντας τον ανασταλτικό πείρο.
- Ποτέ μη χαλαρώνετε την βίδα σύσφιξης που ασφαλίζει την κινητή βάση ενώ η λάμα περιστρέφεται. Αυτό μπορεί να προκαλέσει σοβαρό τραυματισμό.

3. Λοξή κοπή

Ανατρέξτε στο προηγούμενο εδάφιο “Ρύθμιση της λοξής γωνίας”.

4. Κωνική κοπή (Εικ. 35)

Χαλαρώστε τον μοχλό και κλίνετε την λάμα πριονιού να ρυθμίσετε την κωνική γωνία (Ανατρέξτε στο προηγούμενο εδάφιο “Ρύθμιση της κωνικής γωνίας”). Βεβαιώστε ότι ξανασφίγγετε τον μοχλό σταθερά να ασφαλίσετε την επιλεχθείσα κωνική γωνία με ασφάλεια. Ασφαλίστε το τεμάχιο εργασίας με μία μέγγενη. Βεβαιωθείτε ότι η κινητή βάση έχει τραβηχθεί εντελώς προς τον χειριστή. Ανάψτε το εργαλείο χωρίς η λάμα να κάνει καμιά επαφή και περιμένετε μέχρι η λάμα να αποκτήσει πλήρη ταχύτητα. Μετά χαμηλώστε απαλά την λαβή στην κατώτερη δυνατή θέση ενώ εφαρμόζετε πίεση παράλληλα με την λάμα και ΣΠΡΩΧΤΕ ΤΗΝ ΚΙΝΗΤΗ ΒΑΣΗ ΠΡΟΣ ΤΟΝ ΦΡΑΧΤΗ ΟΔΗΓΟ ΓΙΑ ΝΑ ΚΟΨΕΤΕ ΤΟ ΤΕΜΑΧΙΟ ΕΡΓΑΣΙΑΣ. Όταν η κοπή έχει ολοκληρωθεί, σβήστε το εργαλείο και ΠΕΡΙΜΕΝΕΤΕ ΜΕΧΡΙ Η ΛΑΜΑ ΝΑ ΣΤΑΜΑΤΗΣΗ ΤΕΛΕΙΩΣ πριν επαναφέρετε την λάμα στην πλήρως ανασηκωμένη θέση της.

ΠΡΟΣΟΧΗ:

- Πάντοτε βεβαιώνετε ότι η λάμα θα κινηθεί κάτω προς κωνική διεύθυνση κατά την διάρκεια μιάς κωνικής κοπής. Κρατάτε τα χέρια σας μακριά από την διαδρομή της λάμας πριονιού.
- Κατά την διάρκεια μιάς κωνικής κοπής, μπορεί να δημιουργηθεί μιά κατάσταση όπου το κομμένο τεμάχιο θα παραμείνει στην πλευρά της λάμας. Εάν η λάμα ανασηκωθεί ενώ περιστρέφεται, αυτό το τεμάχιο μπορεί να πιαστεί από την λάμα, και να προκληθεί διασκορπισμός τεμαχιδίων πράγμα που είναι επικίνδυνο. Η λάμα πρέπει να ανασηκωνεται ΜΟΝΟ αφού έχει σταματήσει τελείως.
- Όταν πιέζετε την λαβή κάτω, εφαρμόζετε πίεση παράλληλα στην λάμα. Εάν η πίεση δεν είναι παράλληλη στην λάμα κατά την διάρκεια της κοπής, η γωνία της λάμας μπορεί να μετακινηθεί και η ακρίβεια της κοπής θα μειωθεί.

5. Σύνθετη κοπή

Σύνθετη κοπή είναι η διαδικασία κατά την οποία μιά κωνική γωνία γίνεται την ίδια στιγμή που μιά λοξή γωνία κόβεται σε ένα τεμάχιο εργασίας. Σύνθετη κοπή μπορεί να εκτελεσθεί στην γωνία που φαίνεται στον πίνακα.

Λοξή γωνία	Κωνική γωνία
Αρ. και Δεξ. 45°	Αρ. 0° – 45°
Δεξ. 50°	Αρ. 0° – 40°
Δεξ. 55°	Αρ. 0° – 30°
Δεξ. 57°	Αρ. 0° – 25°

Όταν εκτελείτε σύνθετη κοπή, ανατρέξτε στις εξηγήσεις των εδαφίων “Κοπή ώθησης”, “Κοπή ολίσθησης”, “Λοξή κοπή” και “Κωνική κοπή”.

6. Κοπή προεξοχής αλουμινίου (Εικ. 36)

Όταν ασφαρίζετε προεξοχές αλουμινίου, χρησιμοποιείτε τάκους διαστήματος ή κομμάτια άχρηστα όπως φαίνεται στην εικόνα για να αποφύγετε παραμόρφωση του αλουμινίου. Χρησιμοποιείτε ένα λιπαντικό κοπής όταν κόβετε προεξοχή αλουμινίου για να αποφύγετε συσσώρευση υλικού αλουμινίου πάνω στην λάμα.

ΠΡΟΣΟΧΗ:

- Ποτέ μην επιχειρήσετε να κόψετε παχειές ή στρωγυλές προεξοχές αλουμινίου. Παχειές προεξοχές αλουμινίου μπορεί να χαλαρώσουν κατά την λειτουργία και στρωγυλές προεξοχές αλουμινίου δεν μπορούν να στερεωθούν σταθερά με το εργαλείο αυτό.

7. Επένδυση ξύλου (Εικ. 37)

Η χρήση επένδυσης ξύλου βοηθάει στην εξασφάλιση κοπών χωρίς σκληρές στα τεμάχια εργασίας. Προσαρμόστε μία επένδυση ξύλου στον φράχτη οδηγό χρησιμοποιώντας τις τρύπες στον φράχτη οδηγό.

Δείτε την εικόνα σχετικά με τις διαστάσεις για μία προτεινόμενη επένδυση ξύλου.

ΠΡΟΣΟΧΗ:

- Χρησιμοποιείτε ίσιο ξύλο ομοιόμορφου πάχους για την επένδυση ξύλου.
- Χρησιμοποιείτε βίδες για να προσαρμόσετε την επένδυση ξύλου στον φράχτη οδηγό. Οι βίδες πρέπει να τοποθετούνται έτσι ώστε οι κεφαλές των βιδών είναι κάτω από την επιφάνεια της επένδυσης ξύλου.
- Όταν η επένδυση ξύλου προσαρμόζεται, μη περιστρέψετε την περιστροφική βάση με την λαβή χαμηλωμένη. Η λάμα και/ή επένδυση ξύλου μπορεί να πάθουν ζημιά.

8. Κοπή επαναληπτικών μηκών (Εικ. 38)

Όταν κόβετε πολλά τεμάχια υλικού στο ίδιο μήκος, από 220 χιλ έως 385 χιλ, χρήση της πλάκας ρύθμισης (προαιρετικό ανταλλακτικό) θα διευκολύνει την επαρκέστερη λειτουργία. Τοποθετείστε την πλάκα ρύθμισης στην θήκη (προαιρετικό εξάρτημα) όπως φαίνεται στην εικόνα.

Ευθυγραμμίστε την γραμμή κοπής στο τεμάχιο εργασίας σας με την αριστερή ή δεξιά πλευρά της αυλάκωσης στην σανίδα εγκοπής και ενώ εμποδίζετε το τεμάχιο εργασίας να κινηθεί, μετακινείτε την πλάκα ρύθμισης στο ίδιο ύψος με την ακρη του τεμαχίου εργασίας. Μετά ασφαλίστε την πλάκα ρύθμισης με την βίδα. Όταν η πλάκα ρύθμισης δεν χρησιμοποιείται, χαλαρώστε την βίδα και γυρίστε την πλάκα ρύθμισης ώστε να μην εμποδίζει.

ΣΗΜΕΙΩΣΗ:

- Η χρησιμοποίηση του συνόλου θήκης - ράβδου (προαιρετικό εξάρτημα) επιτρέπει κοπή επαναληπτικών μηκών μέχρι 2.200 χιλ περίπου.

9. Κοπή αυλάκωσης (Εικ. 39)

Ένας τύπος κοπής dado μπορεί να γίνει προχωρώντας ως εξής:

Ρυθμίστε την θέση του κάτω ορίου της λάμας χρησιμοποιώντας την ρυθμιστική βίδα και τον ανασταλτικό βραχίονα να περιορίσετε το βάθος κοπής της λάμας. Ανατρέξτε στο εδάφιο “Ανασταλτικός βραχίονας” που περιγράφηκε προηγουμένως.

Αφού ρυθμίσετε την θέση κάτω ορίου της λάμας, κόψτε παράλληλες αυλακώσεις κατά πλάτος του τεμαχίου εργασίας χρησιμοποιώντας μία ολισθητική (σπρωχτή) κοπή όπως φαίνεται στην εικόνα. Μετά μετακινείτε το υλικό του τεμαχίου εργασίας μεταξύ των αυλακώσεων με ένα σκαρπέλο. Μην επιχειρήσετε να εκτελέσετε αυτό τον τύπο της κοπής με χρήση πλατειάς (παχειάς) λάμας ή με μία λάμα dado. Πιθανή απώλεια ελέγχου και τραυματισμός μπορεί να συμβεί.

ΠΡΟΣΟΧΗ:

- Βεβαιώνεστε ότι επαναφέρετε τον ανασταλτικό βραχίονα στην αρχική θέση όταν εκτελείτε κάτι άλλο εκτός από κοπή αυλάκωσης.

Μεταφορά εργαλείου (Εικ. 40 και 41)

Βεβαιώνεστε ότι το εργαλείο είναι αποσυνδεδεμένο. Ασφαλίστε την λάμα σε κωνική γωνία 0° και την περιστροφική βάση σε δεξιά λοξή γωνία πλήρως. Ασφαλίστε τους ολισθητικούς στύλους αφού τραβήξετε την κινητή βάση προς τον φράχτη οδηγό πλήρως. Χαμηλώστε την λαβή εντελώς και κλειδώστε την στην κάτω θέση σπρώχνοντας μέσα τον ανασταλτικό πείρο.

Μεταφέρετε το εργαλείο κρατώντας και τις δύο πλευρές της βάσης του εργαλείου όπως φαίνεται στην εικόνα. Εάν αφαιρέσετε τις θήκες, σάκο σκόνης, κλπ., μπορείτε να μεταφέρετε το εργαλείο πολύ ευκολότερα.

ΠΡΟΣΟΧΗ:

- Πάντοτε ασφαρίζετε όλα τα κινητά μέρη πριν μεταφέρετε το εργαλείο.
- Ο ανασταλτικός πείρος είναι μόνο για λόγους μεταφοράς και αποθήκευσης μόνο και όχι για λειτουργίες κοπής.

ΣΥΝΤΗΡΗΣΗ

ΠΡΟΣΟΧΗ:

- Πάντοτε βεβαιώνετε ότι το εργαλείο είναι σβηστό και αποσυνδεδεμένο πριν επιχειρήσετε να εκτελέσετε επιθεώρηση ή συντήρηση.

ΠΡΟΕΙΔΟΠΟΙΗΣΗ:

- Πάντοτε βεβαιώνετε ότι η λάμα είναι αιχμηρή και καθαρή για καλές και ασφαλείς κοπές.

Ρύθμιση της γωνίας κοπής

Αυτό το εργαλείο είναι προσεκτικά ρυθμισμένο και ευθυγραμμισμένο στο εργοστάσιο, αλλά σκληρή μεταχείριση μπορεί να έχει επηρεάσει την ευθυγράμμιση. Εάν το εργαλείο σας δεν είναι ευθυγραμμισμένο κατάλληλα, εκτελέστε τα ακόλουθα:

1. Λοξή γωνία

Σπρώχτε την κινητή βάση προς τον φράχτη οδηγό και σφίχτε τις δύο βίδες σύσφιξης για να ασφαλίσετε την κινητή βάση.

Χαλαρώστε την λαβή που ασφαλίζει την περιστροφική βάση. Γυρίστε την περιστροφική βάση έτσι ώστε ο δείκτης δείχνει στις 0° στην λοξή κλίμακα. Μετά γυρίστε την περιστροφική βάση ελαφρά δεξιόστροφα και αριστερόστροφα να τοποθετήσετε την περιστροφική βάση στην λοξή εγκοπή των 0°. (Αφήστε το όπως είναι εάν ο δείκτης δεν δείχνει στις 0°.) Χαλαρώστε τα εξάγωνα μπουλόνια που ασφαλίζουν τον φράχτη οδηγό χρησιμοποιώντας το κόιλο κλειδί. **(Εικ. 42)**

Χαμηλώστε την λαβή πλήρως και κλειδώστε την στην κάτω θέση σπρώχνοντας μέσα τον ανασταλκτικό πείρο. Τετραγωνίστε την πλευρά της λάμας με την όψη του φράκτη οδηγού χρησιμοποιώντας ένα τριγωνικό κανόνα, τετράγωνικό κανόνα, κλπ. Μετά σφίχτε με ασφάλεια τα εξάγωνα μπουλόνια στον φράχτη οδηγό στην σειρά από την δεξιά πλευρά. **(Εικ. 43)**

Βεβαιωθείτε ότι ο δείκτης δείχνει στις 0° στην λοξή κλίμακα. Εάν ο δείκτης δεν δείχνει στις 0° χαλαρώστε την βίδα που ασφαλίζει τον δείκτη και ρυθμίστε τον δείκτη έτσι ώστε να δείχνει στις 0°. **(Εικ. 44)**

2. Κωνική γωνία

1. 0° Κωνική γωνία

Σπρώχτε την κινητή βάση προς τον φράκτη οδηγό και σφίχτε τις δύο βίδες σύσφιξης για να στερεώσετε την κινητή βάση. Χαμηλώστε την λαβή πλήρως και κλειδώστε την στην κάτω θέση σπρώχνοντας μέσα τον ανασταλκτικό πείρο. Χαλαρώστε τον μοχλό στο πίσω μέρος του εργαλείου.

Γυρίστε το ρυθμιστικό μπουλόνι 0° κωνικής γωνίας (κάτω μπουλόνι) στην δεξιά πλευρά του βραχίονα δύο ή τρεις περιστροφές αριστερόστροφα για να δώσετε κλίση στην λάμα στα δεξιά. **(Εικ. 45)**

Προσεκτικά τετραγωνίστε την πλευρά της λάμας με την επιφάνεια κορυφής της περιστροφικής βάσης χρησιμοποιώντας τον τριγωνικό κανόνα, τετράγωνικό κανόνα, κλπ. γυρίζοντας το ρυθμιστικό μπουλόνι κωνικής γωνίας 0° δεξιόστροφα. Μετά σφίχτε τον μοχλό με ασφάλεια. **(Εικ. 46)**

Βεβαιώνετε ότι ο δείκτης στον βραχίονα δείχνει στο 0° στην κωνική κλίμακα στη θήκη του βραχίονα. Εάν δεν δείχνει στο 0°, χαλαρώστε την βίδα που ασφαλίζει τον δείκτη και ρυθμίστε τον δείκτη έτσι ώστε να δείχνει στο 0°. **(Εικ. 47)**

2. 45° κωνική γωνία

Ρυθμίστε την κωνική γωνία 45° μόνο αφού εκτελέσετε ρύθμιση κωνικής γωνίας 0°. Για να ρυθμίσετε αριστερή κωνική γωνία 45° χαλαρώστε τον μοχλό και κλίνετε την λάμα στα αριστερά πλήρως. Βεβαιώνετε ότι ο δείκτης στον βραχίονα δείχνει στις 45° στην κωνική κλίμακα στην θήκη του βραχίονα. Εάν ο δείκτης δεν δείχνει στις 45°, γυρίστε το ρυθμιστικό μπουλόνι (άνω μπουλόνι) της κωνικής γωνίας 45° στην δεξιά πλευρά του βραχίονα μέχρι ο δείκτης να δείξει στις 45°. **(Εικ. 48)**

Ρύθμιση της θέσης της γραμμής λείζερ **(Εικ. 49 και 50)**

Για μοντέλα LS0714FL, LS0714L

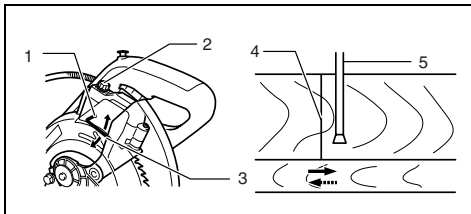
ΠΡΟΕΙΔΟΠΟΙΗΣΗ:

- Καθώς το εργαλείο είναι συνδεδεμένο όταν ρυθμίζετε την θέση της γραμμής λείζερ, προσέχετε πολύ ιδιαίτερα στην λειτουργία του διακόπτη. Το τυχαίο τράβηγμα τη σκανδάλης διακόπτη θα προκαλέσει τυχαίο ξεκίνημα του εργαλείου και προσωπικό τραυματισμό.

ΠΡΟΣΟΧΗ:

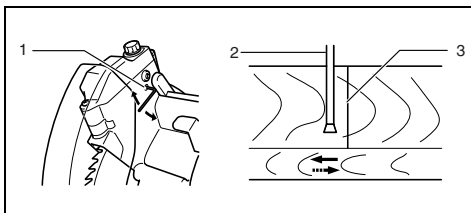
- Ποτέ μη κυττάτε μέσα στην ακτίνα λείζερ απευθείας. Απευθείας κύτταγμα της ακτίνας λείζερ θα προκαλέσει ζημιά στα μάτια σας.
- Ποτέ μην προκαλέσετε κτύπημα ή κρούση στο εργαλείο. Κτύπημα ή κρούση μπορεί να έχει ως αποτέλεσμα εσφαλμένη θέση της γραμμής λείζερ, ζημιά στο τμήμα εκπομπής της ακτίνας λείζερ ή μείωση της ζωής του εργαλείου.

Όταν ρυθμίζετε η γραμμή λέιζερ εμφανίζεται στην αριστερή πλευρά της λάμας πριονιού



- 1 Βιδώστε για να αλλάξετε το κινητό πεδίο της ρυθμιστικής βίδας
- 2 Ρυθμιστική βίδα
- 3 Εξάγωνο κλειδί
- 4 Γραμμή λέιζερ
- 5 Λάμα πριονιού

Όταν ρυθμίζετε η γραμμή λέιζερ εμφανίζεται στην δεξιά πλευρά της λάμας πριονιού



- 1 Βιδώστε για να αλλάξετε το κινητό πεδίο της ρυθμιστικής βίδας
- 2 Λάμα πριονιού
- 3 Γραμμή λέιζερ

Και για τις δύο ρυθμίσεις κάντε τα εξής:

1. Βεβαιωθείτε ότι το εργαλείο είναι αποσυνδεδεμένο.
2. Τραβήχτε την γραμμή κοπής στο τεμάχιο εργασίας και τοποθετήστε το στο περιστροφικό τραπέζι. Αυτή την φορά, μην ασφαλίσετε το τεμάχιο εργασίας με μία μέγγενη ή παρόμοια συσκευή ασφάλειας.
3. Κατεβάστε την λάμα χαμηλώνοντας την λαβή και ελέγξτε να δείτε που είναι η γραμμή κοπής και η θέση της λάμας πριονιού. (Αποφασίστε ποιά θέση θα κόψετε στην γραμμή κοπής.)
4. Αφού αποφασίσετε την θέση που θα κοπεί, γυρίστε την λαβή στην αρχική της θέση. Ασφαλίστε το τεμάχιο εργασίας με την κατακόρυφη μέγγενη χωρίς να μετακινήσετε το τεμάχιο εργασίας από την προελεγμένη θέση.
5. Σύνδεστε το εργαλείο και ανάψτε τον διακόπτη λέιζερ.
6. Ρυθμίστε τη θέση της γραμμής λέιζερ ως εξής:

Η θέση της γραμμής λέιζερ μπορεί να αλλάξει καθώς το κινητό πεδίο της ρυθμιστικής βίδας του λέιζερ αλλάζει γυρίζοντας δύο βίδες με ένα εξάγωνο κλειδί. (Το κινητό πεδίο της γραμμής λέιζερ είναι εργοστασιακά ρυθμισμένο σε 1 χιλ από την πλευρική επιφάνεια της λάμας.)

Για να μετακινήσετε το κινητό πεδίο της γραμμής λέιζερ μακρύτερα από την πλευρική επιφάνεια της λάμας, γυρίστε τις δύο βίδες αριστερόστροφα αφού χαλαρώσετε την ρυθμιστική βίδα. Γυρίστε αυτές τις δύο βίδες δεξιόστροφα για να το μετακινήσετε πιο κοντά στην πλευρική επιφάνεια της λάμας αφού χαλαρώσετε την ρυθμιστική βίδα.

Ανατρέξτε στο εδάφιο με τίτλο “Ενέργεια γραμμής λέιζερ” και ρυθμίστε την ρυθμιστική βίδα έτσι ώστε η γραμμή κοπής στο τεμάχιο εργασίας σας ευθυγραμμίζεται με την γραμμή λέιζερ.

ΣΗΜΕΙΩΣΗ:

- Ελέγχετε την θέση της γραμμής λέιζερ τακτικά για ακρίβεια.
- Επισκευάζετε το εργαλείο σε εξουσιοδοτημένο κέντρο Μάκita για οποιαδήποτε πρόβλημα στην μονάδα λέιζερ.

Αντικατάσταση του σωλήνα φθορισμού (Εικ. 51)

Για μοντέλα LS0714F, LS0714FL

ΠΡΟΣΟΧΗ:

- Πάντοτε βεβαιώνεστε ότι το εργαλείο είναι σβηστό και αποσυνδεδεμένο πριν αντικαταστήσετε τον σωλήνα φθορισμού.
- Μην εφαρμόζετε δύναμη, χτυπήματα ή γρατσουνιές σε ένα σωλήνα φθορισμού, που μπορεί να προκαλέσουν το σπάσιμο κάποιας γυάλινης επιφάνειας του σωλήνα φθορισμού με αποτέλεσμα τραυματισμό σε σας ή στους γύρω σας.
- Αφήστε τον σωλήνα φθορισμού για λίγο αμέσως μετά την χρήση του και μετά αντικαταστήστε τον. Διαφορετικά μπορεί να πάθετε εγκαύματα.

Αφαιρέστε τις βίδες, που ασφαλίζουν το Κουτί Λάμπας του φωτός.

Τραβήξτε έξω το Κουτί Λάμπας σπρώχνοντας συνεχώς ελαφρά την άνω θέση αυτού όπως φαίνεται στην εικόνα.

Τραβήχτε έξω τον σωλήνα φθορισμού και αντικαταστήστε τον με ένα αυθεντικό Μάκita.

Καθόρισμα των φακών της λάμπας λέιζερ (Εικ. 52 και 53)

Για μοντέλα LS0714FL, LS0714L

Εάν οι φακοί του φωτός λέιζερ ρυπανθούν ή πριονόσκονη κολλήσει σ' αυτό με τέτοιο τρόπο ώστε η γραμμή λέιζερ δεν είναι εύκολα ορατή, αποσυνδέστε το πριόνι και αφαιρέστε και καθαρίστε τους φακούς του φωτός λέιζερ προσεκτικά με ένα νωπό, μαλακό ύφασμα. Μην χρησιμοποιήσετε διαλύτες ή απορρυπαντικά με βάση το πετρέλαιο στους φακούς.

Για να αφαιρέσετε τους φακούς του φωτός λέιζερ, αφαιρέστε την λάμα πριονιού πριν αφαιρέσετε τους φακούς σύμφωνα με τις οδηγίες στο εδάφιο "Τοποθέτηση ή αφαίρεση της λάμας πριονιού".

Χαλαρώστε αλλά μην αφαιρέσετε την βίδα που ασφαλίζει τους φακούς χρησιμοποιώντας ένα κατσαβίδι. Τραβήξτε έξω τους φακούς όπως φαίνεται στην εικόνα.

ΣΗΜΕΙΩΣΗ:

- Εάν οι φακοί δεν βγαίνουν έξω, χαλαρώστε την βίδα περισσότερο και τραβήχτε πάλι τους φακούς έξω χωρίς να αφαιρέσετε την βίδα.

Αντικατάσταση ψηκτρών άνθρακα (Εικ. 54 και 55)

Αφαιρείτε και ελέγχετε τις ψήκτρες άνθρακα τακτικά. Αντικαθιστάτε τις όταν έχουν φθαρεί στο σημάδι ορίου. Κρατάτε τις ψήκτρες άνθρακα καθαρές και ελεύθερες να γλιστρούν στις θήκες. Και οι δύο ψήκτρες άνθρακα πρέπει να αντικαθίστανται ταυτόχρονα. Χρησιμοποιείτε μόνο ταυτόσημες ψήκτρες άνθρακα.

Χρησιμοποιείτε ένα κατσαβίδι για να αφαιρέσετε τα καπάκια των ψηκτρών άνθρακα. Βγάλετε τις φθαρμένες ψήκτρες άνθρακα, βάλτε τις καινούργιες και ασφαλίστε τα καπάκια των ψηκτρών άνθρακα.

Μετά την χρήση

- Μετά την χρήση, σφουγγίστε τα τεμαχίδια και την σκόνη που είναι κολλημένα στο εργαλείο με ένα πανί ή κάτι παρόμοιο. Κρατείστε τον προφυλακτήρα λάμας καθαρά σύμφωνα με τις οδηγίες στο προηγούμενος καλυφθέν τμήμα με τίτλο "Προφυλακτήρας λάμας". Λιπαίνετε τα μέρη που γλιστρούν με μηχανικό έλαιο για να μην οξειδωθούν.
- Όταν αποθηκεύετε το μηχάνημα, τραβήξτε τη κινητή βάση πλήρως προς το μέρος σας έτσι ώστε η ολισθαίνουσα ράβδος να έχει μπει καλά μέσα στη περιστροφική βάση.

Για την διατήρηση της ΑΣΦΑΛΕΙΑΣ και ΑΞΙΟΠΙΣΤΙΑΣ του προϊόντος, επισκευές, οποιαδήποτε άλλη συντήρηση ή ρύθμιση πρέπει να εκτελούνται από Εξειδικωμένα Κέντρα Σερβις της Μάκιτα, πάντοτε με χρήση ανταλλακτικών Μάκιτα.

ΕΞΑΡΤΗΜΑΤΑ

ΠΡΟΣΟΧΗ:

- Αυτά τα εξαρτήματα ή προσαρτήματα συνιστώνται για χρήση με το εργαλείο Μάκιτα που περιγράφτηκε στις οδηγίες αυτές. Η χρήση οτιδήποτε άλλων εξαρτημάτων ή προσαρτημάτων μπορεί να προκαλέσει κίνδυνο τραυματισμού σε άτομα. Χρησιμοποιείτε τα εξαρτήματα ή προσαρτήματα μόνο για την χρήση που προορίζονται.

Εάν χρειάζεστε οποιαδήποτε βοήθεια για περισσότερες πληροφορίες σε σχέση με αυτά τα εξαρτήματα, αποτανθείτε στο τοπικό σας κέντρο εξυπηρέτησης Μάκιτα.

- Λάμες πριονιού καρβιδικών άκρων
- Σύνολο μέγγενης (οριζόντια μέγγενη)
- Κατακόρυφη μέγγενη
- Κόιλο κλειδί 10
- Ρύθμιση θήκης
- Σύνολο θήκης
- Σύνολο ράβδου θήκης
- Πλάκα ρύθμισης
- Σάκος σκόνης
- Τριγωνικός κανόνας
- Κουμπί κλειδώματος - off (2 τμχ)
- Σωλήνας φθορισμού
- Εξάγωνο κλειδί

ENGLISH**EC-DECLARATION OF CONFORMITY**

We declare under our sole responsibility that this product is in compliance with the following standards of standardized documents, EN61029, EN55014, EN61000 in accordance with Council Directives, 89/336/EEC and 98/37/EC.

FRANÇAISE**DÉCLARATION DE CONFORMITÉ CE**

Nous déclarons sous notre entière responsabilité que ce produit est conforme aux normes des documents standardisés suivants, EN61029, EN55014, EN61000 conformément aux Directives du Conseil, 89/336/CEE et 98/37/EG.

DEUTSCH**CE-KONFORMITÄTSERKLÄRUNG**

Hiermit erklärt wir unter unserer alleinigen Verantwortung, daß dieses Produkt gemäß den Ratsdirektiven 89/336/EWG und 98/37/EG mit den folgenden Normen von Normendokumenten übereinstimmen:

EN61029, EN55014, EN61000.

ITALIANO**DICHIARAZIONE DI CONFORMITÀ
CON LE NORME DELLA COMUNITÀ EUROPEA**

Dichiariamo sotto la nostra sola responsabilità che questo prodotto è conforme agli standard di documenti standardizzati seguenti: EN61029, EN55014, EN61000 secondo le direttive del Consiglio 89/336/CEE e 98/37/CE.

NEDERLANDS**EG-VERKLARING VAN CONFORMITEIT**

Wij verklaren hierbij uitsluitend op eigen verantwoordelijkheid dat dit product voldoet aan de volgende normen van genormaliseerde documenten,

EN61029, EN55014, EN61000

in overeenstemming met de richtlijnen van de Raad 89/336/EEC en 98/37/EC.

ESPAÑOL**DECLARACIÓN DE CONFORMIDAD DE LA CE**

Declaramos bajo nuestra sola responsabilidad que este producto cumple con las siguientes normas de documentos normalizados, EN61029, EN55014, EN61000 de acuerdo con las directivas comunitarias, 89/336/EEC y 98/37/CE.

PORTUGUÊS**DECLARAÇÃO DE CONFORMIDADE DA CE**

Declaramos sob inteira responsabilidade que este produto obedece às seguintes normas de documentos normalizados, EN61029, EN55014, EN61000 de acordo com as directivas 89/336/CEE e 98/37/CE do Conselho.

DANSK**EU-DEKLARATION OM KONFORMITET**

Vi erklærer hermed på eget ansvar, at dette produkt er i overensstemmelse med de følgende standarder i de normsættende dokumenter,

EN61029, EN55014, EN61000

i overensstemmelse med Rådets Direktiver 89/336/EEC og 98/37/EC.

SVENSKA**EG-DEKLARATION OM ÖVERENSSTÄMMELSE**

Under eget ansvar deklarerar vi härmed att denna produkt överensstämmer med följande standardiseringar för standardiserade dokument,

EN61029, EN55014, EN61000

i enlighet med EG-direktiven 89/336/EEC och 98/37/EC.

NORSK**EU's SAMSVARS-ERKLÆRING**

Vi erklærer på eget ansvar at dette produktet er i overensstemmelse med følgende standard i de standardiserte dokumenter:

EN61029, EN55014, EN61000

i samsvar med Råds-direktivene, 89/336/EEC og 98/37/EC.

SUOMI**VAKUUTUS EC-VASTAAVUDESTA**

Yksinomaisesti vastuullisina ilmoitamme, että tämä tuote on seuraavien standardoitujen dokumenttien standardien mukainen, EN61029, EN55014, EN61000

neuvoston direktiivien 89/336/EEC ja 98/37/EC mukaisesti.

ΕΛΛΗΝΙΚΑ**ΔΗΛΩΣΗ ΣΥΜΜΟΡΦΩΣΗΣ EK**

Δηλώνουμε υπό την μοναδική μας ευθύνη ότι αυτό το προϊόν βρίσκεται σε Συμφωνία με τα ακόλουθα πρότυπα τυποποιημένων εγγράφων,

EN61029, EN55014, EN61000

σύμφωνα με τις Οδηγίες του Συμβουλίου, 89/336/EEC και 98/37/KE.

Yasuhiko Kanzaki **CE2004**



Director	Director
Directeur	Direktør
Direktor	Direktör
Amministratore	Direktor
Directeur	Johtaja
Director	Διευθυντής

MAKITA INTERNATIONAL EUROPE LTD.

Michigan Drive, Tongwell, Milton Keynes,
Bucks MK15 8JD, ENGLAND

ENGLISH**Noise and Vibration**

The typical A-weighted noise levels are
 sound pressure level: 92 dB (A)
 sound power level: 105 dB (A)
 – Wear ear protection. –

The typical weighted root mean square acceleration value is not more than 2,5 m/s².

FRANÇAISE**Bruit et vibrations**

Les niveaux de bruit pondérés types A sont:
 niveau de pression sonore: 92 dB (A)
 niveau de puissance du son: 105 dB (A)
 – Porter des protecteurs anti-bruit. –

L'accélération pondérée ne dépasse pas 2,5 m/s².

DEUTSCH**Geräusch- und Vibrationsentwicklung**

Die typischen A-bewerteten Geräuschpegel betragen:
 Schalldruckpegel: 92 dB (A)
 Schalleistungspegel: 105 dB (A)
 – Gehörschutz tragen. –

Der gewichtete Effektivwert der Beschleunigung beträgt nicht mehr als 2,5 m/s².

ITALIANO**Rumore e vibrazione**

I livelli del rumore pesati secondo la curva A sono:
 Livello pressione sonora: 92 dB (A)
 Livello potenza sonora: 105 dB (A)
 – Indossare i paraorecchi. –

Il valore quadratico medio di accelerazione non supera i 2,5 m/s².

NEDERLANDS**Geluidsniveau en trilling**

De typische A-gewogen geluidsniveau's zijn
 geluidsdrukniveau: 92 dB (A)
 geluidsenergie-niveau: 105 dB (A)
 – Draag oorbeschermers. –

De typische gewogen effectieve versnellingswaarde is niet meer dan 2,5 m/s².

ESPAÑOL**Ruido y vibración**

Los niveles típicos de ruido ponderados A son
 presión sonora: 92 dB (A)
 nivel de potencia sonora: 105 dB (A)
 – Póngase protectores en los oídos. –

El valor ponderado de la aceleración no sobrepasa los 2,5 m/s².

PORTUGUÊS**Ruído e vibração**

Os níveis normais de ruído A são
 nível de pressão de som: 92 dB (A)
 nível do som: 105 dB (A)
 – Utilize protetores para os ouvidos –

O valor médio da aceleração é inferior a 2,5 m/s².

DANSK**Lyd og vibration**

De typiske A-vægtede lyd-niveauer er
 lydtryksniveau: 92 dB (A)
 lydeffektniveau: 105 dB (A)
 – Bær høreværn. –

Den vægtede effektive accelerationsværdi overstiger ikke 2,5 m/s².

SVENSKA**Buller och vibration**

De typiska A-vägda bullernivåerna är
 ljudtrycksnivå: 92 dB (A)
 ljudeffektnivå: 105 dB (A)
 – Använd hörselskydd –

Det typiskt vägda effektivvärdet för acceleration överstiger inte 2,5 m/s².

NORSK**Støy og vibrasjon**

De vanlige A-belastede støynivå er
 lydtrykknivå: 92 dB (A)
 lydstyrkenivå: 105 dB (A)
 – Benytt hørselvern. –

Den vanlig belastede effektiv-verdi for akselerasjon overskrider ikke 2,5 m/s².

SUOMI**Melutaso ja värinä**

Tyypilliset A-painotetut melutasot ovat
 äänenpainetaso: 92 dB (A)
 äänen tehotaso: 105 dB (A)
 – Käytä kuulosuojaimia. –

Tyypillinen kihtyvyyden painotettu tehollisarvo ei ylitä 2,5 m/s².

ΕΛΛΗΝΙΚΑ**Θόρυβος και κραδασμός**

Οι τυπικές Α-μετρούμενες εντάσεις ήχου είναι
 πίεση ήχου: 92 dB (A)
 δύναμη του ήχου: 105 dB (A)
 – Φοράτε ωτοασπίδες. –

Η τυπική αξία της μετρούμενης ρίζας του μέσου τετραγώνου της επιτάχυνσης δεν ξεπερνά τα 2,5 m/s².

Makita Corporation

Anjo, Aichi Japan

884547A997