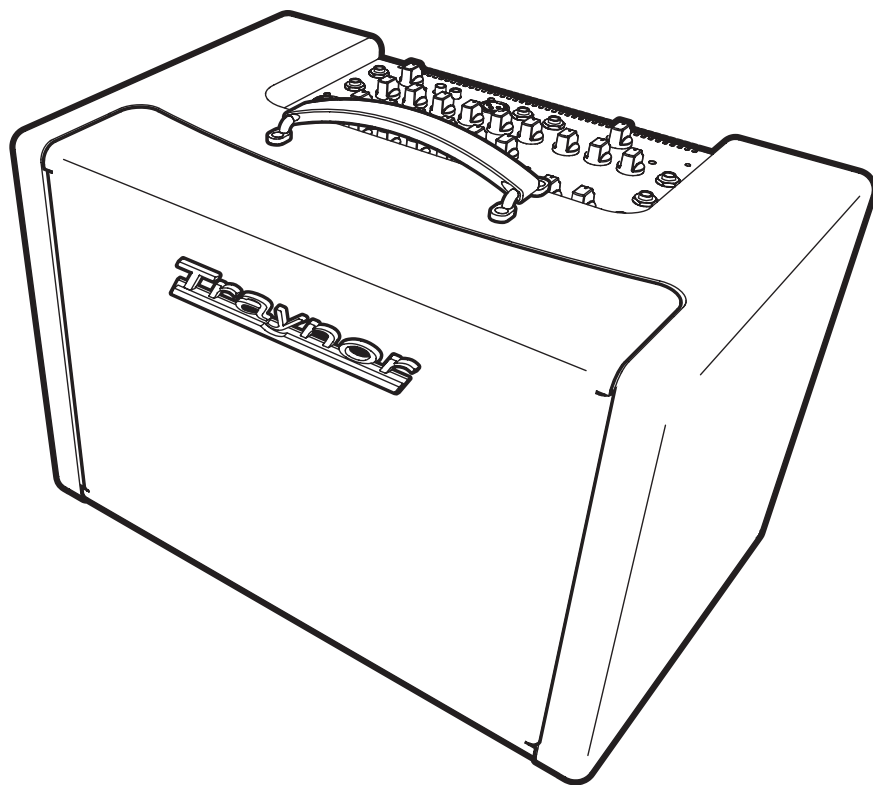


# *Traynor*

---



MODEL TYPE: YS1084

## **Acoustic Master Custom**

---

**ACOUSTIC - GUITAR AMPLIFIER**

# IMPORTANT SAFETY INSTRUCTIONS



This lightning flash with arrowhead symbol, within an equilateral triangle, is intended to alert the user to the presence of uninsulated "dangerous voltage" within the product's enclosure that may be of sufficient magnitude to constitute a risk of electric shock to persons.

Ce symbole d'éclair avec tête de flèche dans un triangle équilatéral est prévu pour alerter l'utilisateur de la présence d'un « voltage dangereux » non-isolé à proximité de l'enceinte du produit qui pourrait être d'ampleur suffisante pour présenter un risque de choqe électrique.



## CAUTION AVIS

**RISK OF ELECTRIC SHOCK  
DO NOT OPEN**

**RISQUE DE CHOC ELECTRIQUE  
NE PAS OUVRIR**



The exclamation point within an equilateral triangle is intended to alert the user to the presence of important operating and maintenance (servicing) instructions in the literature accompanying the appliance.

Le point d'exclamation à l'intérieur d'un triangle équilatéral est prévu pour alerter l'utilisateur de la présence d'instructions importantes dans la littérature accompagnant l'appareil en ce qui concerne l'opération et la maintenance de cet appareil.



S2125A

### FOLLOW ALL INSTRUCTIONS

**Instructions pertaining to a risk of fire,  
electric shock, or injury to a person**

**CAUTION: TO REDUCE THE RISK OF ELECTRIC  
SHOCK, DO NOT REMOVE COVER (OR BACK).**

**NO USER SERVICEABLE PARTS INSIDE.**

**REFER SERVICING TO QUALIFIED  
SERVICE PERSONNEL.**

### SUIVEZ TOUTES LES INSTRUCTIONS

**Instructions relatives au risque de feu,  
choc électrique, ou blessures aux personnes**

**AVIS: AFIN DE REDUIRE LES RISQUE DE CHOC  
ELECTRIQUE, N'ENLEVEZ PAS LE COUVERT (OU LE  
PANNEAU ARRIERE) NE CONTIENT AUCUNE PIECE**

**REPARABLE PAR L'UTILISATEUR.**

**CONSULTEZ UN TECHNICIEN QUALIFIE  
POUR L'ENTRETIEN**

**Read Instructions:** The Owner's Manual should be read and understood before operation of your unit. Please, save these instructions for future reference and heed all warnings.

Clean only with dry cloth.

**Packaging:** Keep the box and packaging materials, in case the unit needs to be returned for service.

**Warning:** To reduce the risk of fire or electric shock, do not expose this apparatus to rain or moisture. *Do not use this apparatus near water!*

**Warning:** When using electric products, basic precautions should always be followed, including the following:

#### Power Sources

Your unit should be connected to a power source only of the voltage specified in the owners manual or as marked on the unit. This unit has a polarized plug. Do not use with an extension cord or receptacle unless the plug can be fully inserted. Precautions should be taken so that the grounding scheme on the unit is not defeated. An apparatus with CLASS I construction shall be connected to a Mains socket outlet with a protective earthing ground. Where the MAINS plug or an appliance coupler is used as the disconnect device, the disconnect device shall remain readily operable.

#### Hazards

Do not place this product on an unstable cart, stand, tripod, bracket or table. The product may fall, causing serious personal injury and serious damage to the product. Use only with cart, stand, tripod, bracket, or table recommended by the manufacturer or sold with the product. Follow the manufacturer's instructions when installing the product and use mounting accessories recommended by the manufacturer. Only use attachments/accessories specified by the manufacturer

Note: Prolonged use of headphones at a high volume may cause health damage on your ears.

The apparatus should not be exposed to dripping or splashing water; no objects filled with liquids should be placed on the apparatus.

Terminals marked with the "lightning bolt" are hazardous live; the external wiring connected to these terminals require installation by an instructed person or the use of ready made leads or cords.

Ensure that proper ventilation is provided around the appliance. Do not install near any heat sources such as radiators, heat registers, stoves, or other apparatus (including amplifiers) that produce heat.

No naked flame sources, such as lighted candles, should be placed on the apparatus.

#### Power Cord

Do not defeat the safety purpose of the polarized or grounding-type plug. A polarized plug has two blades with one wider than the other. A grounding type plug has two blades and a third grounding prong. The wide blade or the third prong are provided for your safety. If the provided plug does not fit into your outlet, consult an electrician for replacement of the obsolete outlet. The AC supply cord should be routed so that it is unlikely that it will be damaged. Protect the power cord from being walked on or pinched particularly at plugs. If the AC supply cord is damaged DO NOT OPERATE THE UNIT. To completely disconnect this apparatus from the AC Mains, disconnect the power supply cord plug from the AC receptacle. The mains plug of the power supply cord shall remain readily operable.

Unplug this apparatus during lightning storms or when unused for long periods of time.

#### Service

The unit should be serviced only by qualified service personnel. Servicing is required when the apparatus has been damaged in any way, such as power-supply cord or plug is damaged, liquid has been spilled or objects have fallen into the apparatus, the apparatus has been exposed to rain or moisture, does not operate normally, or has been dropped.

**Veillez Lire le Manuel:** Il contient des informations qui devraient étre comprises avant l'opération de votre appareil. Conservez. Gardez S.V.P. ces instructions pour consultations ultérieures et observez tous les avertissements.

Nettoyez seulement avec le tissu sec.

**Emballage:** Conservez la boîte au cas où l'appareil devait étre retourner pour réparation.

**Avertissement:** Pour réduire le risque de feu ou la décharge électrique, n'exposez pas cet appareil à la pluie ou à l'humidité. *N'utilisez pas cet appareil près de l'eau!*

**Attention:** Lors de l'utilisation de produits électrique, assurez-vous d'adhérer à des précautions de bases incluant celle qui suivent:

#### Alimentation

L'appareil ne doit étre branché qu'à une source d'alimentation correspondant au voltage spécifié dans le manuel ou tel qu'indiqué sur l'appareil. Cet appareil est équipé d'une prise d'alimentation polarisée. Ne pas utiliser cet appareil avec un cordon de raccordement à moins qu'il soit possible d'insérer complètement les trois lames. Des précautions doivent étre prises afin d'éviter que le système de mise à la terre de l'appareil ne soit désengagé. Un appareil construit selon les normes de CLASS I devrait étre raccordé à une prise murale d'alimentation avec connexion intacte de mise à la masse. Lorsqu'une prise de branchement ou un coupleur d'appareils est utilisée comme dispositif de débranchement, ce dispositif de débranchement devra demeurer pleinement fonctionnel avec raccordement à la masse.

#### Risque

Ne pas placer cet appareil sur un chariot, un support, un trépied ou une table instables. L'appareil pourrait tomber et blesser quelqu'un ou subir des dommages importants. Utiliser seulement un chariot, un support, un trépied ou une table recommandés par le fabricant ou vendus avec le produit. Suivre les instructions du fabricant pour installer l'appareil et utiliser les accessoires recommandés par le fabricant. Utilisez seulement les attachements/accessoires indiqués par le fabricant

Note: L'utilisation prolongée des écouteurs à un volume élevé peut avoir des conséquences néfastes sur la santé sur vos oreilles. .

Il convient de ne pas placer sur l'appareil de sources de flammes nues, telles que des bougies allumées.

L'appel ne doit pas étre exposé à des égouttements d'eau ou des éclaboussures et qu'aucun objet rempli de liquide tel que des vases ne doit étre placé sur l'appareil.

Assurez que l'appareil est fourni de la propre ventilation. Ne procédez pas à l'installation près de source de chaleur tels que radiateurs, registre de chaleur, fours ou autres appareils (incluant les amplificateurs) qui produisent de la chaleur.

Les dispositifs marqués d'une symbole "d'éclair" sont des parties dangereuses au toucher et que les câblages extérieurs connectés à ces dispositifs de connexion extérieure doivent étre effectués par un opérateur formé ou en utilisant des cordons déjà préparés.

#### Cordon d'Alimentation

Ne pas enlever le dispositif de sécurité sur la prise polarisée ou la prise avec tige de mise à la masse du cordon d'alimentation. Une prise polarisée dispose de deux lames dont une plus large que l'autre. Une prise avec tige de mise à la masse dispose de deux lames en plus d'une troisième tige qui connecte à la masse. La lame plus large ou la tige de mise à la masse est prévu pour votre sécurité. La prise murale est désuète si elle n'est pas conçue pour accepter ce type de prise avec dispositif de sécurité. Dans ce cas, contactez un électricien pour faire remplacer la prise murale. Évitez d'endommager le cordon d'alimentation. Protégez le cordon d'alimentation. Assurez-vous qu'on ne marche pas dessus et qu'on ne le pince pas en particulier aux prises. N'UTILISEZ PAS L'APPAREIL si le cordon d'alimentation est endommagé. Pour débrancher complètement cet appareil de l'alimentation CA principale, déconnectez le cordon d'alimentation de la prise d'alimentation murale. Le cordon d'alimentation du bloc d'alimentation de l'appareil doit demeurer pleinement fonctionnel.

Débranchez cet appareil durant les orages ou si inutilisé pendant de longues périodes.

#### Service

Consultez un technicien qualifié pour l'entretien de votre appareil. L'entretien est nécessaire quand l'appareil a été endommagé de quelque façon que se soit. Par exemple si le cordon d'alimentation ou la prise du cordon sont endommagés, si il y a eu du liquide qui a été renversé à l'intérieur ou des objets sont tombés dans l'appareil, si l'appareil a été exposé à la pluie ou à l'humidité, si il ne fonctionne pas normalement, ou a été échappé.

# Traynor



## The Acoustic Master Custom

The Traynor Acoustic Master Custom is a 225-watt bi-amped amplifier designed specifically to make an acoustic guitar sound as natural and realistic as possible when amplified. The compact size and light weight of the Acoustic Master Custom makes it easy to take anywhere. Active or passive pickups of your acoustic guitar, a microphone, and even line-level signals can all be used. Other features include two separate digital effects processors with 16 custom sounds, one shared on channels 1 and 2 and the other on channel 3. Balanced line outputs (pre and post effects), inserts, and a sweepable notch filter make this amp perfect for stage use. The versatility and response of the Acoustic Master Custom will make it a pleasure to play for years to come.

### 1. Power

The Blue LED, located next to the Master Volume, will illuminate when the unit is turned on. The power switch is located at the back of the unit near the power receptacle.

### 2. Channel 1

Channel 1 has been voiced specifically for acoustic guitars. This input is unbalanced with an input impedance of 1 Mega-ohm. It can accept either passive (piezo/coil) or active pick-ups. Tone controls include Gain, Bass, Lo-Mid, Hi-Mid and Treble, as well as a sweepable notch filter which eliminates most feedback generated by the guitar at high volumes.

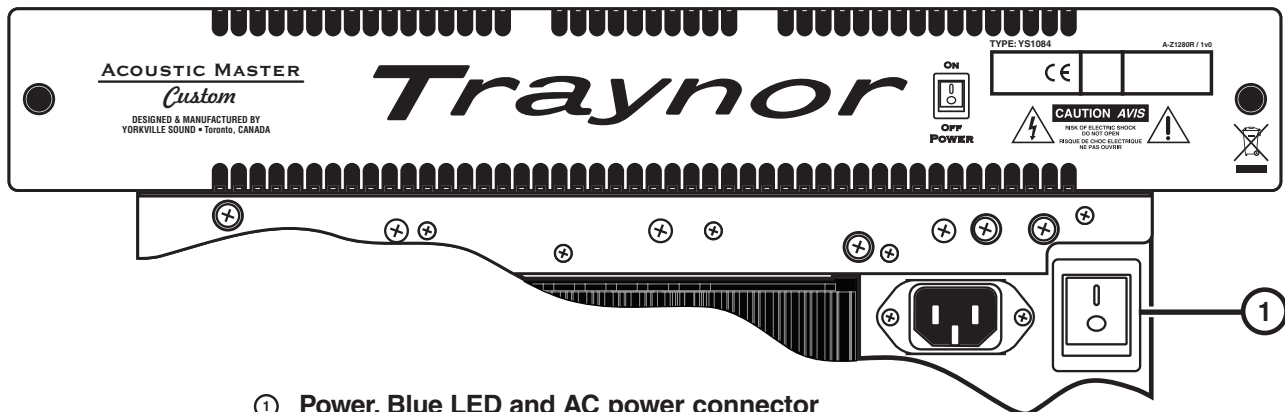
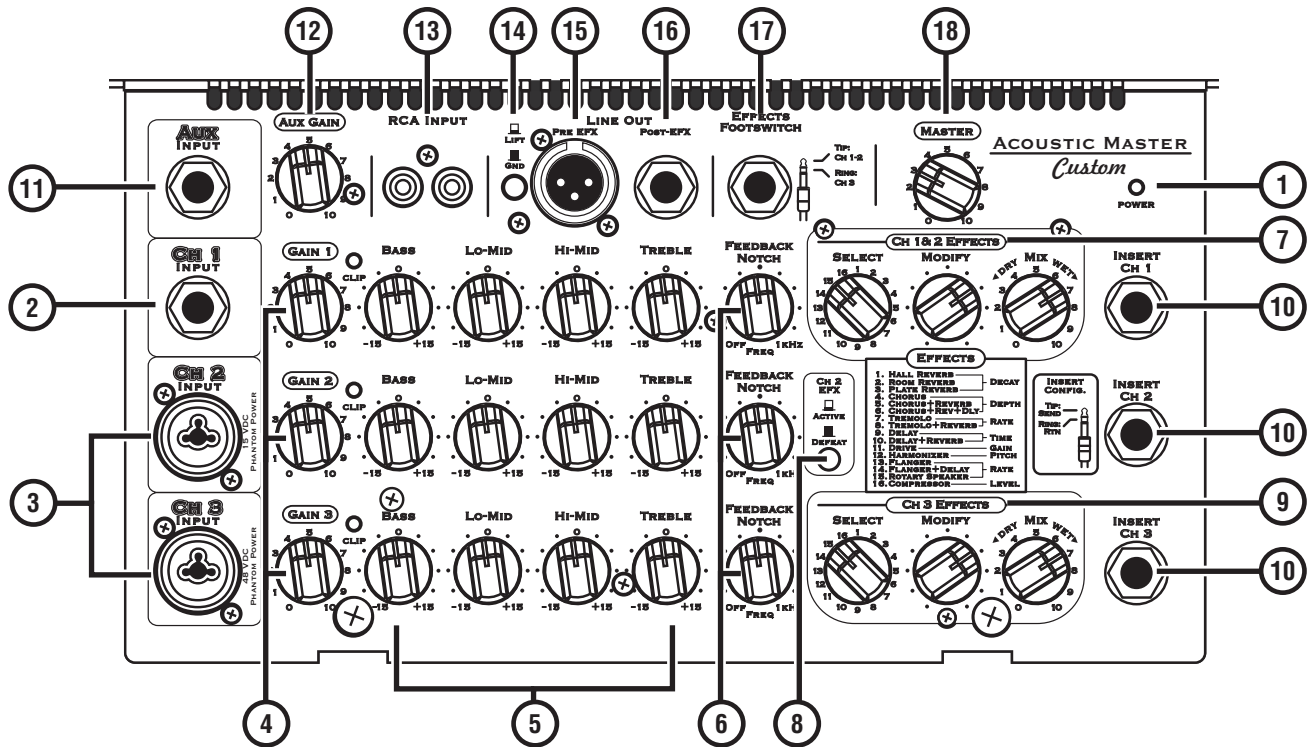
### 3. Channel 2 and 3

Channel 2 and 3 feature XLR / 1/4-inch hybrid combi-jacks. The 1/4-inch inputs are used for line-level signals from acoustic guitars (using an active pickup) or other 'line-level' sources. The hybrid combi-jacks also accept microphones through the incorporated balanced XLR connector. Tone controls include Gain, Bass, Lo-Mid, Hi-Mid and Treble which enable great control of your equalization. Both channels have been designed with a flat frequency response, making them ideal for vocals, keyboards and drum machines. The channel inputs both XLR and 1/4-inch are balanced but can also accept unbalanced 1/4-inch cables. To reduce noise, it is advised that you use balanced cables for interconnection wherever possible.



*Tech Note: In order to power condenser microphones, phantom power is applied to devices connected with an XLR cable (15-volt for channel 2 and 48-volt for channel 3). Using a correctly wired XLR cable, phantom power is effectively invisible to balanced dynamic microphones and will not cause any damage. Phantom power IS NOT applied to the 1/4-inch portion of the hybrid combi-jacks.*

# Traynor



- ① Power. Blue LED and AC power connector
- ② Channel 1 Input – ¼-inch / XLR Combi-jack
- ③ Channel 2 Input – ¼-inch / XLR Combi-jack
- ④ Gain controls, Channels 1, 2 and 3
- ⑤ Tone controls, Channels 1, 2 and 3 – Bass, Lo-Mid, Hi-Mid and Treble
- ⑥ Feedback Notch Filter control, Channels 1, 2 and 3
- ⑦ Digital Effects controls, Channels 1 and 2
- ⑧ Effects Bypass Switch for Channel 2
- ⑨ Digital Effects controls, Channel 3
- ⑩ Insert Jacks, Channels 1, 2 and 3
- ⑪ AUX Input – ¼-inch TRS phone jack
- ⑫ Gain control for the Aux Input
- ⑬ RCA Input – RCA connectors
- ⑭ Ground Lift Switch
- ⑮ Line Out (pre effects) – XLR jack
- ⑯ Line Out (post effects) – ¼-inch TRS phone jack
- ⑰ Footswitch – ¼-inch TRS phone jack
- ⑱ Master Volume control

## 4. Gain Controls (Ch 1, Ch 2 and Ch 3)

The Gain controls are used to set the input level of your instrument. The clip LED can be used to gauge input level to avoid audible clipping. If clipping occurs, lower the signal by turning the volume down on your guitar or reducing the Gain control.

## 5. Tone Controls (Ch 1, Ch 2 and Ch 3)

The Channel tone controls help shape the sound of the acoustic guitar. The tone controls of individual channels DO NOT affect the other channels. All tone controls can be used to either boost or cut certain frequencies in your instrument's signal. Use the Bass control to reduce boominess or add low end thump. Change the Lo-Mid and Hi-Mid frequency controls to add clarity or reduce harshness. The Treble control can be adjusted to accentuate percussive sounds when using a light pick or to attenuate the sound of your fingers moving across the strings.

## 6. Feedback Notch Filter Control (Ch 1, Ch 2 and Ch 3)

Use the sweepable Feedback Notch filter to help eliminate feedback caused when the guitar is too close to the amp at higher volume levels. If feedback does occur, rotate the notch control slowly until the feedback is eliminated. To bypass this filter, rotate it fully counter-clockwise to the off position.

*Note: If feedback occurs when you are in close proximity to the guitar amp, the notch filter may not help. Therefore either reduce power or move the guitar farther away from the amplifier.*



## 7. Digital Effects (Ch 1 and Ch 2)

Channel 1 and 2 share one of the built-in digital effects processors. From lush reverb to a swirling rotary speaker simulator, the Acoustic Master Custom uses a DSP (Digital Signal Processor) to create 16 custom Traynor effects. The Mix control is used to blend in the amount of the original, clean signal with the wet signal while the Modify control alters the nature (parameter) of the selected effect. The parameters are listed for each effect on the amp. See the end of this manual for a description of each effect.

*Note: An optional footswitch can be used to bypass the Acoustic Master Custom's built-in digital effects. Use a two-channel footswitch such as the Apex AFS2 which allows you to bypass channel 1 and 2 (shared) and 3 independently..*



## 8. EFX Bypass Switch (Ch 2)

The Bypass switch enables the user to choose whether the Built-In Digital Effect setup for channel 1 will be applied to channel 2.

## 9. Digital Effects (Ch 3)

Channel 3 features a totally independent digital effects processor from channel 1 and 2 allowing two channels to use completely different effects. The Mix control is used to blend in the amount of the original, clean signal with the wet signal while the Modify control alters the nature (parameter) of the selected effect. The parameters are listed for each effect on the amp. See the end of this manual for a description of each effect.

## 10. Insert Jacks (Ch 1, Ch 2 and Ch 3)

The Insert Jack loop allows an external sound processor to be applied directly to each of the input channels 1, 2 and 3) independently. The loops are post-tone control and pre-EFX on all three channels.

*Tech Note: The pin configuration for the Insert jacks are Tip = Send and Ring = Return. Use a 1/4-inch Y-cable (e.g. the Apex A203SPY or A210SXY) to connect external sound processing equipment such as an equalizer, compressor, etc.*



## 11. Aux Input

This channel has been designed to be used with a line-level signal and optimized for stage monitoring but can also be used as a 4th input for instruments or other line-level signals. The audio signal from the Aux Input goes directly to the Acoustic Master Custom's amplifier even bypassing the Master Volume.

*Tech Note: The audio signal for this Aux channel is sent directly to the Acoustic Master's amplifiers, bypassing the line outs, the insert jacks on Ch1, 2 and 3 and the Master Volume.*



## 12. Gain Control for the AUX Input

The Gain control is used to set the input level of your instrument. The clip LED can be used to gauge input level to avoid audible clipping. If clipping occurs, lower the signal by turning the volume down on your guitar or reducing the Gain control.



### 13. RCA Input

The RCA input consists of a stereo RCA, summed internally to Mono for use with line-level devices like MP3 players, CD players or tape machines, etc. The audio signal plugged into the RCA Input jack is sent to the Acoustic Master amplifier just before the Master Volume control.

### 14. Ground Lift Switch

The Ground Lift switch affects both the pre and post EFX line outs to help reduce ground hum. This switch is located beside the line out jacks.

### 15. Line Out (XLR) – Pre-effects

The Line Out is a balanced mono-signal that combines Channel 1, 2 and 3 before the internal digital effects and the channels Inserts (i.e. this signal does not contain the built-in digital effects or signals routed through the Insert jacks). You can use this output to directly connect to a mixer, or PA system. Please note that the Master control does not affect the line out level, however the Volume and Tone controls of Channels 1, 2 and 3 do.

### 16. Line Out (Balanced 1/4-inch jack) – Post-effects

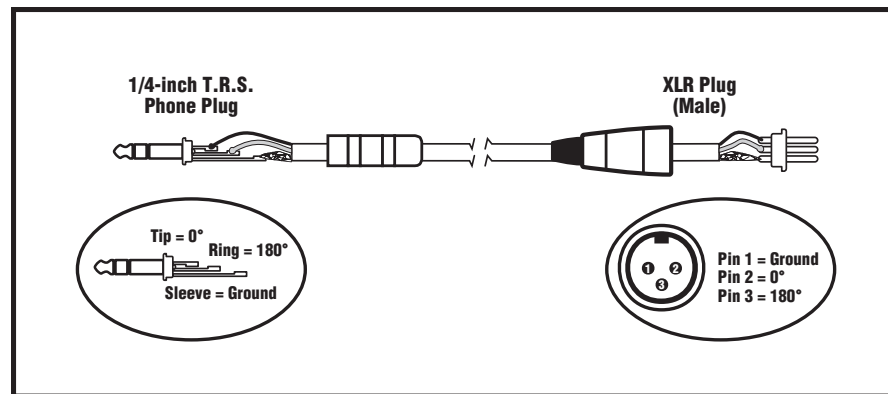
The post-effects line out is a low noise, balanced mono signal which can be used to connect to recording devices, mixers or other amplifiers. The Master Volume control does not affect the signal however the individual channel's volume and Tone controls of Channels 1, 2 and 3 do. The signal DOES contain the built-in digital effects and signals routed through the Insert jacks.

### 17. Footswitch Jack

An optional footswitch, such as the dual-switch, latching APEX AFS2, can be used to bypass the built in effects for both channels (1/2) and 3 independently of each other.

### 18. Master Volume

The Master control is used to increase or decrease the overall output of the Acoustic Master Custom. It has no effect on the line out signal level or the effects loop.



Balanced 1/4-inch T.R.S. to Balanced XLR

# Traynor



## L'Acoustic Master Custom

L'Acoustic Master Custom de Traynor est un amplificateur bi-amp de 225 watts conçue pour reproduire la sonorité naturelle et réaliste de votre guitare quand elle est amplifiée. Les dimensions compacte et le poids léger du Acoustic Master Custom le rend facile à transporter partout où vous le désirez. Vous pouvez brancher à l'amplificateur les sorties actives ou passives des micro de guitare acoustique, un microphone, et même tous les signaux de niveau ligne. Parmi les autres caractéristiques incluses vous trouverez aussi 2 unités d'effets numériques indépendantes avec 16 sonorités customs, une partagé par les canaux 1 et 2, et une pour le canal 3. Les sorties ligne symétriques (pré et post effets), une boucle d'effets et un filtre coupe bande à balayage en font l'amplificateur parfait pour usage sur scène. La polyvalence et la réponse de l'Acoustic Master Custom en feront un appareil plaisant à jouer pour bien des années à venir.

### 1. Alimentation

La DEL Bleue, située à côté de la commande Master Volume, s'illumine quand l'appareil est mis en marche. Le commutateur d'alimentation est situé à l'arrière de l'appareil près du réceptacle de cordon d'alimentation.

### 2. Canal 1

Le canal 1 a été conçu pour utilisation avec guitares acoustiques. L'entrée du canal 1 est asymétrique avec une impédance d'entrée de 1 Mega ohm. Vous pouvez y brancher des micros passifs ou actifs (piézo/bobine). Ce canal est équipé de commandes de gain, bass, lo-mid, hi-mid et treble, en plus d'un filtre coupe bande à balayage qui élimine la plupart des feedback causé par l'utilisation de la guitare à des niveaux élevés.

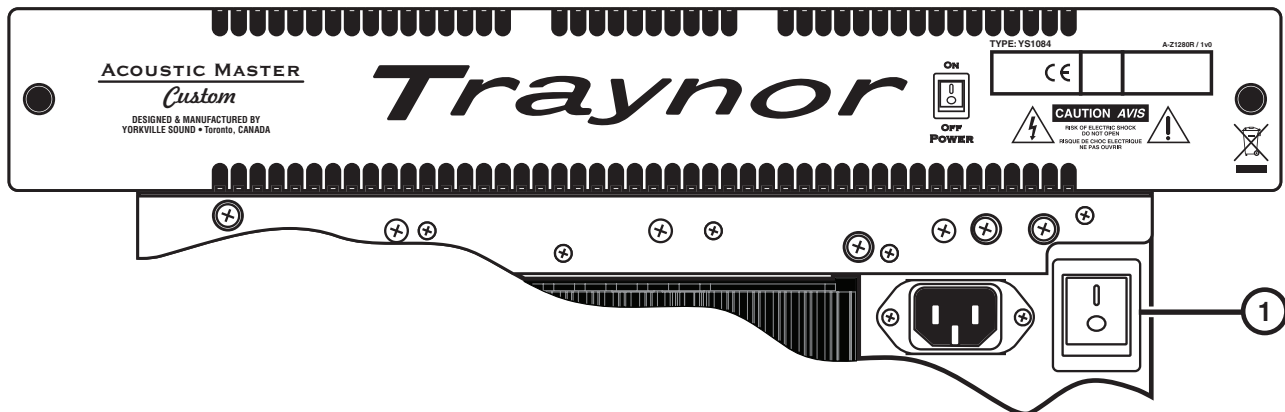
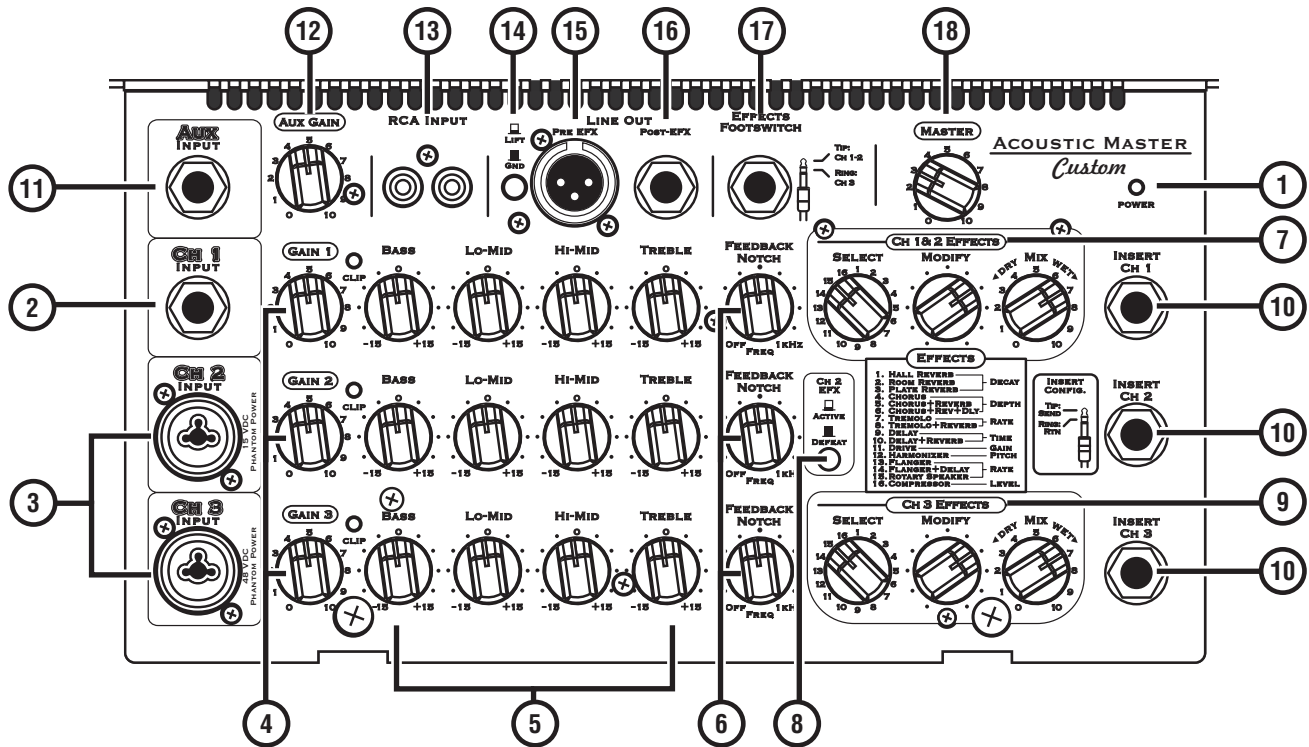
### 3. Canaux 2 et 3

Les canaux 2 et 3 sont équipés de prises hybride XLR / 1/4 pouce combi-jacks. Les entrées 1/4 pouce sont utilisés pour les signaux de niveau ligne provenant de guitares acoustiques (avec micro actif) ou autre sources de niveau ligne. Les combi-jacks hybrides acceptent aussi les branchements de microphones grâce au connecteur XLR incorporé. Les commandes de tonalité inclus Gain, Bass, Lo-Mid, Hi-Mid et Treble permettent un excellent commande de l'égalisation. Les deux canaux ont été conçues avec une réponse en fréquence linéaire, ce qui est idéal pour les voix, claviers et boîtes à rythmes. Les prises d'entrées XLR et 1/4 pouce sont symétriques, mais peuvent également accepter des câbles asymétriques 1/4 pouce. Nous vous recommandons d'utiliser des câbles symétriques pour l'interconnexion dans la mesure du possible pour réduire le bruit.



*Afin d'alimenter des micros à condensateur, l'alimentation fantôme est appliqué aux appareils connectés avec un câble XLR (15 volts pour le canal 2 et 48 volts pour le canal 3). L'alimentation fantôme est invisible pour les microphones dynamiques symétriques et ne causera aucun dommage si vous utilisez un câble avec prises XLR correctement branché. L'alimentation en duplex n'est pas appliquée à la portion 1/4 pouce de la prise hybride combi-jacks.*

# Traynor



- ① Alimentation. DEL Bleue et Connecteur d'alimentation CA
- ② Entrée Canal 1 – ¼-pouce / XLR Combi-jack
- ③ Entrée Canal 2 – ¼-pouce / XLR Combi-jack
- ④ Commandes de Gain, Canaux 1, 2 et 3
- ⑤ Commandes de Tonalité – Bass, Low-Mid, Hi-Mid et Treble
- ⑥ Commande de Filtre de feedback, Canaux 1, 2 et 3
- ⑦ Commandes d'Effets Numériques, Canaux 1, 2 et 3
- ⑧ Sélecteur de Contournement d'Effet pour le canal 2
- ⑨ Commandes d'Effets Numériques, Canal 3
- ⑩ Prises d'Insert, Canaux 1, 2 et 3
- ⑪ Entrée AUX – ¼ pouce PBM prise de type Phone
- ⑫ Commande de Gain pour l'entrée AUX
- ⑬ Entrée RCA – Connecteur RCA
- ⑭ Commutateur de débranchement de la Mise à la Terre
- ⑮ Sortie Ligne (pré effets) – prise XLR
- ⑯ Sortie Ligne (post effets) – ¼-pouce PBM prise de type phone
- ⑰ Commutateur au pied – ¼-pouce PBM prise de type phone
- ⑱ Commande Master Volume



## 4. Commandes de Gain (Canaux 1, 2 et 3)

La commande de Gain est utilisée pour régler le niveau d'entrée de votre instrument. La DEL clip peut être utilisée pour déterminer le niveau d'entrée afin de prévenir l'écrêtage audible. Si l'écrêtage se produit, réduisez le niveau du signal d'entrée en baissant le volume sur votre guitare ou en réduisant le niveau de la commande de gain.

## 5. Commandes de Tonalité (Canaux 1, 2 et 3)

Tous les commandes de tonalité peuvent être utilisés pour accentuer ou réduire certaines fréquences dans le signal de votre instrument. Utiliser la commande Bass pour réduire la sonorité boom ou pour augmenter le battement des graves. Réglez les commandes des fréquences médianes (Lo-Mid et Hi-Mid) pour obtenir plus de clarté ou pour réduire la discordance. La commande High peut être utilisée pour accentuer les sons percutants lors de l'utilisation d'un plectre léger ou pour atténuer le son produit par vos doigts qui frottent sur les cordes.

## 6. Commande de Filtre Coupe Bande (Canaux 1, 2 et 3)

Utilisez le filtre coupe bande à balayage pour éliminer le feedback causé par la proximité de la guitare de l'amplificateur lors de l'utilisation à des niveaux élevés. Lorsqu'un feedback se produit, tournez la commande lentement jusqu'à ce que le feedback soit éliminé. Pour contourner ce filtre, tournez complètement la commande dans le sens anti-horaire à la position OFF.



*Notez que si un feedback survient lorsque que vous êtes près de l'amplificateur, le filtre coupe bande pourrait ne pas pouvoir vous aider. Vous devrez alors soit réduire la puissance soit vous éloigner de l'amplificateur.*

## 7. Effets Numériques (Canaux 1 et 2)

Les canaux 1 et 2 partagent un des deux Processeur d'Effets Numériques intégrés. Utilisez le Processeur d'Effet pour créer 16 effets customs Traynor dont des effets de réverbération luxueuse et simulateur de haut-parleur tournant. La commande Mix est utilisée pour y mélanger la quantité de signal original et dépourvue d'effet. Utilisez la commande Modify pour modifier l'effet sélectionné. Une liste énumérant les paramètres est située sur l'amplificateur. Vous trouverez une description de chaque effet à la fin du manuel.



*Note: Un commutateur au pied optionnel peut être utilisé pour contourner les effets internes de l'Acoustic Master Custom. Utilisez un commutateur au pied à deux canaux tel que le Apex AFS2 pour permettre de contourner indépendamment les canaux 1 et 2 (partagé) et 3.*

## 8. Sélecteur de Contournement d'EFX (Canal 2)

Le sélecteur Bypass permet à l'utilisateur de choisir si l'effet numérique intégré du canal 1 fonctionne aussi sur le canal 2.

## 9. Effets Numériques (Canal 3)

Le canal 3 est équipé d'un processeur d'effet numérique entièrement indépendant des canaux 1 et 2 permettant l'utilisation sur deux canaux, de deux effets complètement différents. La commande Mix est utilisée pour y mélanger la quantité de signal original et dépourvue d'effet. Utilisez la commande Modify pour modifier l'effet sélectionné. Une liste énumérant les paramètres est située sur l'amplificateur. Vous trouverez une description de chaque effet à la fin du manuel.



## 10. Prises d'Insert (Canaux 1, 2 et 3)

La boucle de la prise d'insert permet le raccordement indépendant d'un processeur d'effet externe directement à l'entrée de chaque canal (1, 2 et 3). Les boucles sont post commande de tonalité et pré-EFX sur les trois canaux.

*Note technique: Les raccordements correctes des tiges pour les prises d'insert sont: Pointe = Envoi et Bague = Retour. Utilisez un câble en "Y" 1/4 pouce (ex. le Apex A203SPY ou A210SXY) pour connecter le processeur de traitement de signal tel qu'un égalisateur, compresseur, etc.*



## 11. Entrée Aux

Ce canal a été conçu pour être utilisé avec un signal de niveau ligne et il est optimisé pour les retours de scène et peut aussi être utilisée comme 4ème entrée pour instruments ou autre signaux de niveau ligne. Le signal audio de l'entrée AUX va directement à l'amplificateur de l'Acoustique Master Custom et contourne même le volume Master.

*Note technique: Le signal audio de ce canal Aux est envoyé directement aux amplificateurs de l'Acoustic Master, en contournant les sorties ligne, les jacks d'insertion sur Ch1, 2 et 3 et le volume principal.*

## 12. Commande de Gain pour l'Entré Aux

La commande de gain est utilisée pour définir le niveau d'entrée de votre instrument. La DEL Clip peut être utilisé pour évaluer le niveau d'entrée pour éviter l'écrêtage audible. Si un écrêtage se produit, réduisez le niveau du volume sur votre guitare ou celui de la commande de Gain.

## 13. Entrée RCA

L'entrée RCA se compose d'un ensemble stéréo de prise RCA, qui mélange les signaux à l'interne produisant un signal Mono. L'entrée est conçu pour utilisation avec les appareils de niveau ligne comme les lecteurs MP3, lecteurs CD ou les machines à bande magnétique, etc. Le signal audio branché dans la prise d'entrée RCA est acheminé à l'amplificateur de l'Acoustique Master juste avant la commande de volume principal.

## 14. Commutateur de Débranchement de la Mise à la Terre

Le commutateur de débranchement de la mise à la terre affecte à la fois les sorties lignes pré et post EFX afin de réduire les bruits de grondements. Ce commutateur est situé à côté de la sortie ligne.

## 15. Sortie Ligne (XLR) – Pré-effets

La Sortie Ligne offre un signal symétrique mono qui combine les canaux 1,2 et 3 avant l'effet numérique interne et les inserts de canal (ex. ce signal ne contient ni les signaux de l'effet numérique intégré ni ceux provenant des jacks d'insert). Vous pouvez utiliser cette sortie pour connecter directement à une console, ou système de sonorisation. Noter que contrairement aux commandes de Volume et de Tonalité qui ont un effet sur le niveau du signal présent à cette prise, la commande Master n'affect pas le niveau de sortie de cette prise.

## 16. Sortie Ligne (Symétrique jack 1/4 de pouce) – Post-effets

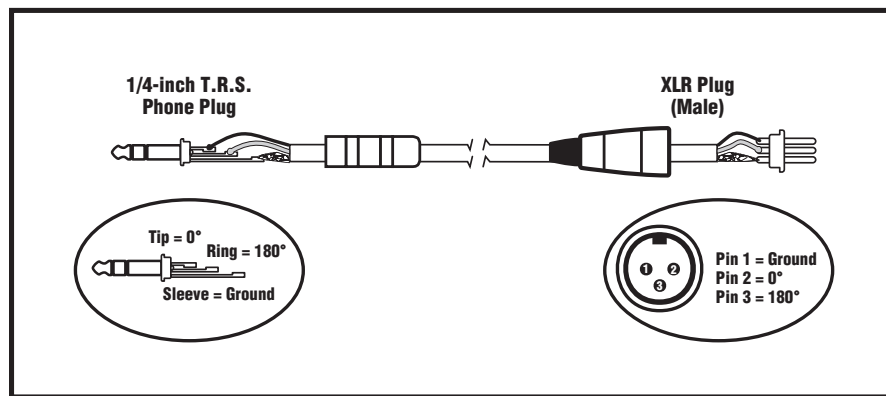
Cette sortie ligne post-effets offre un signal symétrique mono à bas niveau de bruit qui peut être utilisée pour le raccordement d'appareils d'enregistrement, mixeurs ou autres amplificateurs. La commande Master Volume n'affecte pas le signal à cette prise mais les commandes de Volume et de Tonalité sur les canaux 1 et 2 elles, auront un effet sur le signal de cette prise. Le signal présent à cette prise CONTIENT les signaux de l'effet numérique intégré et ceux provenant des jacks d'insert

## 17. Prise Pour Commutateur au Pied

Un commutateur au pied optionnel tel que le APEX AFS2 (double commutateur, à verrouillage) peut être utilisé pour contourner indépendamment les effets internes pour les canaux (1/2) et 3.

## 18. Commande Master Volume

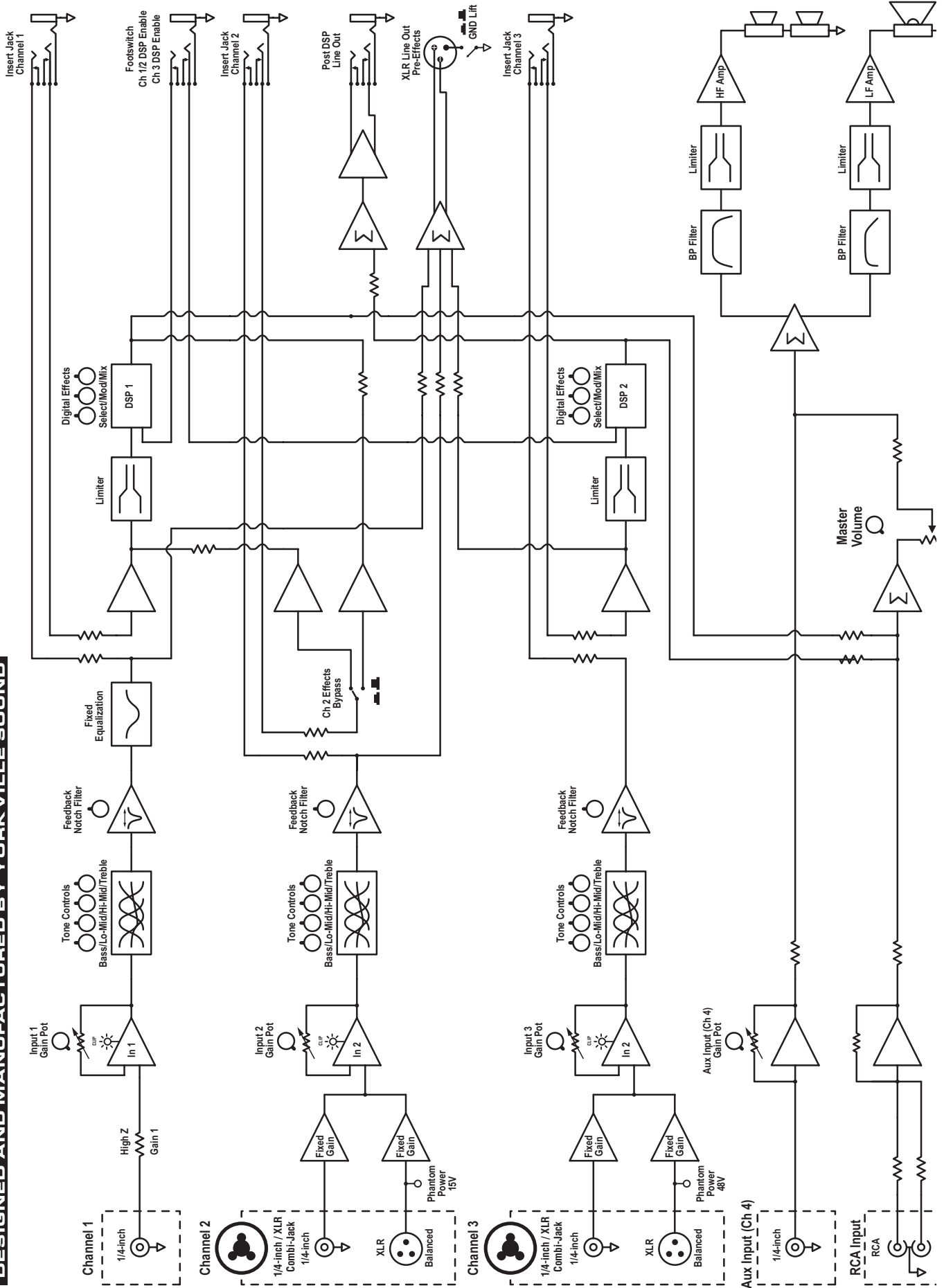
La commande Master est utilisée pour augmenter ou réduire le niveau général de votre Acoustic Master Custom. Cette commande n'a aucun effet sur le niveau du signal de sortie ligne ou sur la boucle d'effet.



Balanced 1/4-inch T.R.S. to Balanced XLR

# Block Diagram for Acoustic Master Custom

DESIGNED AND MANUFACTURED BY YORKVILLE SOUND





---

# Traynor

---

## Specifications

|                                                   |                                                 |
|---------------------------------------------------|-------------------------------------------------|
| <b>Model:</b>                                     | Acoustic Master Custom                          |
| <b>Type:</b>                                      | Acoustic Combo Amplifier                        |
| <b>Cabinet Program Power (Watts):</b>             | 225                                             |
| <b>Cabinet Impedance (ohms):</b>                  | 4                                               |
| <b>Power @ min. impedance (Watts):</b>            | 225                                             |
| <b>Minimum Impedance (ohms):</b>                  | 4                                               |
| <b>Burst Power - 2 cycle:</b>                     | 250                                             |
| <b>Speaker Configuration - LF (Size / Power):</b> | 150 watt, 2-inch voice coil, 8-inch woofer      |
| <b>Speaker Configuration - HF (Size / Power):</b> | 2 X 1-inch Neo Dome Tweeter                     |
| <b>Frequency Response (Hz +/-3dB):</b>            | 50- 20 kHz                                      |
| <b>Hum and Noise (dB):</b>                        | -98                                             |
| <b>Input Channels:</b>                            | 4 + Aux                                         |
| <b>Channel 1 - inputs:</b>                        | 1                                               |
| <b>Channel 1 - controls:</b>                      | gain, 4 band tone control, Notch, D-EFX (ch1/2) |
| <b>Channel 2 - inputs:</b>                        | 1                                               |
| <b>Channel 2 - controls:</b>                      | gain, 4 band tone control, Notch                |
| <b>Channel 2 - switches:</b>                      | EFX enable/disable                              |
| <b>Channel 3 - inputs:</b>                        | 1                                               |
| <b>Channel 3 - controls:</b>                      | gain, 4 band tone control, Notch, D-EFX         |
| <b>Channel 4 - inputs:</b>                        | 1                                               |
| <b>Channel 4 - controls:</b>                      | gain, monitor channel post Master Volume        |
| <b>Channel 5 - inputs:</b>                        | RCA pre master volume                           |
| <b>Master Volume Control:</b>                     | yes                                             |
| <b>Main Tone Controls:</b>                        | no, independent                                 |
| <b>Graphic EQ:</b>                                | no                                              |
| <b>Input Sensitivity (mV):</b>                    | ch1/100, ch2/100, ch3/100, ch4/100              |
| <b>Master Outputs:</b>                            | no                                              |
| <b>Line Out (type / configuration):</b>           | 1/4-inch jack post EFX / XLR Pre EFX            |
| <b>Line Out Sensitivity (Vrms):</b>               | 1                                               |
| <b>Effects Volume:</b>                            | wet and dry control                             |
| <b>Effects Loop / Location:</b>                   | inserts on ch1-3                                |
| <b>Effects Footswitch / Function:</b>             | ch1/2 and ch3                                   |
| <b>Effects Return Sensitivity (Vrms):</b>         | 0.5                                             |
| <b>Internal Reverb / Effects:</b>                 | DSP                                             |
| <b>LED Indicators:</b>                            | Power, clip                                     |
| <b>Protection:</b>                                | EFX input limiter, Clip limiter                 |
| <b>External speaker output / location:</b>        | no                                              |
| <b>Headphone Jack:</b>                            | no                                              |
| <b>Dimensions (DWH, inches):</b>                  | 12.5 x 20 x 13                                  |
| <b>Dimensions (DWH, cm):</b>                      | 50.8 x 32 x 33                                  |
| <b>Weight (lbs / kg):</b>                         | 35 / 15.9                                       |



## Specifications

|                                                                          |                                                               |
|--------------------------------------------------------------------------|---------------------------------------------------------------|
| <b>Modèle:</b>                                                           | Acoustic Master Custom                                        |
| <b>Type:</b>                                                             | Amplificateur Combo Acoustique                                |
| <b>Puissance Programme de l'enceinte (Watts):</b>                        | 225                                                           |
| <b>Impédance de l'enceinte (ohms):</b>                                   | 4                                                             |
| <b>Puissance @ impédance min. (Watts):</b>                               | 225                                                           |
| <b>Impédance Minimum (ohms):</b>                                         | 4                                                             |
| <b>Suramplification brusque - 2 cycle:</b>                               | 250                                                           |
| <b>Configuration de haut-parleur- Graves<br/>(Dimension / Puissance)</b> | 150 watt, Bobine 2 pouces, woofer 8 pouces                    |
| <b>Configuration de haut-parleur- Aiguës<br/>(Dimension / Puissance)</b> | 2 X 1-pouce Tweeter Neo Dome                                  |
| <b>Réponse en Fréquence (Hz +/-3dB):</b>                                 | 50- 20 kHz                                                    |
| <b>Bruits et Bourdonnements (dB):</b>                                    | -98                                                           |
| <b>Canaux d'Entrées:</b>                                                 | 4 + Aux                                                       |
| <b>Canal 1 - entrées:</b>                                                | 1                                                             |
| <b>Canal 1 - commandes:</b>                                              | gain, 4 bandes de commandes de tonalité, Notch, D-EFX (ch1/2) |
| <b>Canal 2 - entrées:</b>                                                | 1                                                             |
| <b>Canal 2 - commandes:</b>                                              | gain, 4 bandes de commandes de tonalité, Notch                |
| <b>Canal 2 - sélecteurs:</b>                                             | EFX activation/désactivation                                  |
| <b>Canal 3 - entrées:</b>                                                | 1                                                             |
| <b>Canal 3 - commandes:</b>                                              | gain, 4 bandes de commandes de tonalité, Notch, D-EFX         |
| <b>Canal 4 - entrées:</b>                                                | 1                                                             |
| <b>Canal 4 - commandes:</b>                                              | gain, canal de moniteur post Master Volume                    |
| <b>Canal 5 - entrées:</b>                                                | RCA pré master volume                                         |
| <b>Commande Master Volume :</b>                                          | oui                                                           |
| <b>Commandes de Tonalité Principale:</b>                                 | non, indépendant                                              |
| <b>Égalisateur Graphique:</b>                                            | non                                                           |
| <b>Sensibilité d'Entrée (mV):</b>                                        | c.1/100, c.2/100, c.3/100, c.4/100                            |
| <b>Sorties Principales:</b>                                              | non                                                           |
| <b>Sortie Ligne (type / configuration):</b>                              | prise 1/4-pouce post EFX / XLR Pré EFX                        |
| <b>Sortie Ligne - sensibilité (Vrms):</b>                                | 1                                                             |
| <b>Effets - Volume:</b>                                                  | commande de mélange avec/sans effets                          |
| <b>Boucle d'effet / endroit:</b>                                         | inserts sur canaux 1-3                                        |
| <b>Commutateur au pied pour effet / Fonction:</b>                        | c.1/2 et c.3                                                  |
| <b>Retour d'Effet - Sensibilité (Vrms):</b>                              | 0.5                                                           |
| <b>Réverbération Interne / Effets:</b>                                   | PSN                                                           |
| <b>DEL Indicatrices:</b>                                                 | Alimentation, clip                                            |
| <b>Protection:</b>                                                       | limiteur d'entrée EFX, limiteur Clip                          |
| <b>Sortie pour Haut-Parleur Externe / endroit:</b>                       | non                                                           |
| <b>HeadPrise pour casque d'écoute:</b>                                   | non                                                           |
| <b>Dimensions (PLH, pouce):</b>                                          | 12.5 x 20 x 13                                                |
| <b>Dimensions (PLH, cm):</b>                                             | 50.8 x 32 x 33                                                |
| <b>Poids (livres / kg):</b>                                              | 35 / 15.9                                                     |

## Acoustic Master Custom Digital Effects

1. **Hall Reverb** – A long, smooth reverb simulating the sound of a large concert hall. High frequencies are progressively rolled off as the signal cycles through the reverberator. The Modify control sets the decay time.
2. **Room Reverb** – This is a simulation of a short decay reverb, similar in sound to a small room with hard surfaces. Use the MODIFY control to set the decay time.
3. **Plate Reverb** – Another long reverb, this one being a recreation of the reverb devices found in classic recording studios. Longer decay time than the hall reverb and with more emphasis on the top end. The Modify control sets the decay time.
4. **Chorus** – Chorus is an electronic effect that multiplies your signal and staggers each copy in time and pitch, similar to what happens when a choir sings. The Modify knob is used to increase the amount by which the individual signals vary from one another.
5. **Chorus + Reverb** – As above, followed by a hall reverb.
6. **Chorus + Reverb + Delay** – As above with a single repeat delay. From 0 – 5 the Modify sets the delay time at 200 ms. Beyond that the delay is 130 ms.
7. **Tremolo** – This effect varies the volume of your signal at a rate controlled by the Modify knob.
8. **Tremolo + Reverb** – As above, followed by a large hall reverb.
9. **Delay** – A standard, multiple repeat delay. Use the Modify control to set the delay from 100 – 980 ms.
10. **Delay + Reverb** – This is a delay that is followed by a smaller hall reverb. The Modify knob sets the delay in the range of 200 – 600 ms.
11. **Drive** – Similar to the style of distortion you get as you overdrive a tube preamp. Turn the Modify knob to get more clipping and rolloff the high frequencies.
12. **Harmonizer** – This effect transposes the pitch of your signal to one of four fixed harmonies. Use the Modify control to choose from an octave down, a fifth down, a fifth up and an octave up.
13. **Flanger** – Flanging is an effect created by comb filtering as a result of mixing a signal with a delayed version of itself. By rhythmically changing the delay time, you get the sound of a shifting comb filter. Use the Modify control to set this rate.
14. **Flanger + Delay** – As above with a single repeat delay. From 0 – 5 the MODIFY sets the delay time at 200 ms. Beyond that, the delay is 130 ms.
15. **Rotary Speaker** – This is a recreation of an effect originally popular with organ players. The sound of a spinning speaker is akin to a tremolo with Doppler pitch shifting. The Modify control set the speed at which the speaker spins.
16. **Compressor** – Compressors are used to automatically control the volume of the signal passing through them. When the signal goes beyond the compressor's threshold, the volume will automatically be reduced. This allows the player to turn up the input gain without fear of clipping the amplifier. The end result is a signal that is on average louder. Use the Modify control to set this increase in level.

## Acoustic Master Custom Effets Numériques

1. **Hall Reverb** – Un reverb long et doux. Une simulation de la sonorité d'une grande salle de concert. Une pente de réduction des fréquences aiguës est introduite progressivement à mesure que le signal passe par l'unité de réverbération. La commande Modify ajuste le temps d'amortissement.
2. **Room Reverb** – Simulation de reverb à courte durée, semblable à la sonorité d'une petite salle avec surfaces dures. La commande Modify ajuste le temps d'amortissement.
3. **Plate Reverb** – Un autre reverb de longue durée, celui-ci étant une représentation des résultats obtenu avec les dispositifs de reverb trouvé dans les studios d'enregistrement classiques. Le temps d'amortissement est plus long que celui du hall reverb et il y a plus d'emphase sur les fréquences aiguës. La commande Modify ajuste le temps d'amortissement.
4. **Chorus** – Le Chorus est un effet électronique qui multiplie votre signal, décale et change la hauteur du ton pour chaque copie. Son effet est semblable aux résultats obtenus quand une chorale chante. La commande Modify est utilisée pour augmenter le degré de modification appliqué aux signaux individuels.
5. **Chorus + Reverb** – Comme ci-dessus, suivi d'un hall reverb.
6. **Chorus + Reverb + Delay** – Comme ci-dessus avec un retard à répétition unique. Un réglage de 0 – 5 de la commande Modify ajuste le retard à 200 ms. Au-delà de ce réglage, le retard est fixé à 130 ms.
7. **Tremolo** – Cet effet varie le volume de votre signal à une vitesse contrôlé par la commande Modify.
8. **Tremolo + Reverb** – Comme ci-dessus, suivi d'un vaste hall reverb.
9. **Delay** – Un délai standard à répétition multiple. La commande Modify ajuste le retard de 100 – 980 ms.
10. **Delay + Reverb** – Un retard suivi d'un hall reverb plus petit. La commande Modify ajuste le temps de retard de 200 – 600 ms.
11. **Drive** – Effet semblable au style de distorsion obtenu avec un amplificateur à lampe amené en saturation. La commande Modify ajuste le niveau d'écrêtage et introduit une pente de coupure pour les fréquences aiguës.
12. **Harmonizer** – Cet effet transpose la hauteur du son de votre signal à une des quatre harmonies fixes. La commande Modify permet de sélectionner entre une octave supérieure, une quinte inférieure, une quinte supérieure et une octave supérieure.
13. **Flanger** – L'effet de Flanger est obtenu lorsqu'on mélange un signal avec une version retardé de ce même signal. En introduisant des variations rythmique au temps de retard, on obtient le son décalé d'un filtre en peigne. La commande Modify ajuste le taux.
14. **Flanger + Delay** – Comme ci-dessus avec en plus un délai. À un réglage de 0 – 5, la commande Modify règle le temps de retard à 200 ms. Au delà de ce réglage le retard est réglé à 130 ms.
15. **Rotary Speaker** – Une reproduction d'un effet qui était à l'origine populaire avec les joueurs d'orgue. Le son d'un haut-parleur tournant est similaire à la sonorité obtenue avec la combinaison d'un effet de trémolo et de l'effet de décalage Doppler. La commande Modify ajuste la vitesse à laquelle le haut-parleur tourne.
16. **Compressor** – Les compresseurs sont utilisés pour contrôler automatiquement le volume du signale qu'ils traitent. Le volume est automatiquement réduit quand un signal dépasse le seuil du compresseur. Cela permet au musicien d'augmenter le gain d'entrée sans crainte d'introduire de l'écrêtage à l'amplificateur créant ainsi un signal qui est en moyenne plus fort. La commande Modify ajuste cette augmentation de niveau.

# Traynor

## Two Year Warranty

### Unlimited Warranty

Your Traynor two year unlimited warranty on this product is transferable and does not require registration with Yorkville Sound or your dealer. If this product should fail for any reason within two years of the original purchase date, simply return it to your Traynor dealer with original proof of purchase and it will be repaired free of charge.

Freight charges, consequential damages, weather damage, damage as a result of improper installation, damages due to exposure to extreme humidity, accident or natural disaster are excluded under the terms of this warranty. Warranty does not cover consumables such as vacuum tubes, bulbs or batteries beyond 90 days of original purchase. See your Yorkville dealer for more details. Warranty valid only in Canada and the United States.

### Garantie Illimitée

La garantie illimitée de deux ans de ce produit est transférable. Il n'est pas nécessaire de faire enregistrer votre nom auprès de Yorkville Sound ou de votre détaillant. Si, pour une raison quelconque, ce produit devient défectueux durant les deux années qui suivent la date d'achat initial, retournez-le simplement à votre détaillant Traynor avec la preuve d'achat original et il sera réparé gratuitement.

Les frais de port et de manutention ainsi que les dommages indirects ou dommages causés par désastres naturels, extrême humidité ou mauvaise installation ne sont pas couverts par cette garantie. Cette garantie ne couvre pas les produits consommables tels que lampes ou les piles. Les produits consommables ne sont garantie que pour 90 jours suivant la date d'achat. Voir votre détaillant Yorkville pour plus de détails. Cette garantie n'est valide qu'au Canada et aux États Unis d'Amérique.

**REAL Gear.**  
**REAL People.**



**Canada U.S.A.**

Voice: (905) 837-8481 Voice: (716) 297-2920  
Fax: (905) 837-8746 Fax: (716) 297-3689

[www.yorkville.com](http://www.yorkville.com)

Yorkville Sound Yorkville Sound Inc.  
550 Granite Court 4625 Witmer Industrial Estate  
Pickering, Ontario Niagara Falls, New York  
L1W-3Y8 CANADA 14305 USA



**WEB:** [www.yorkville.com](http://www.yorkville.com)

**WORLD HEADQUARTERS  
CANADA**

**Yorkville Sound**  
550 Granite Court  
Pickering, Ontario  
L1W-3Y8 CANADA

Voice: (905) 837-8481  
Fax: (905) 837-8746

**U.S.A.**

**Yorkville Sound Inc.**  
4625 Witmer Industrial Estate  
Niagara Falls, New York  
14305 USA

Voice: (716) 297-2920  
Fax: (716) 297-3689



**Quality and Innovation Since 1963**  
Printed in Canada

Manual-Owners-AMCUSTOM-00-1v1 • February 25/2010