

# *Installation and operating instructions*

---

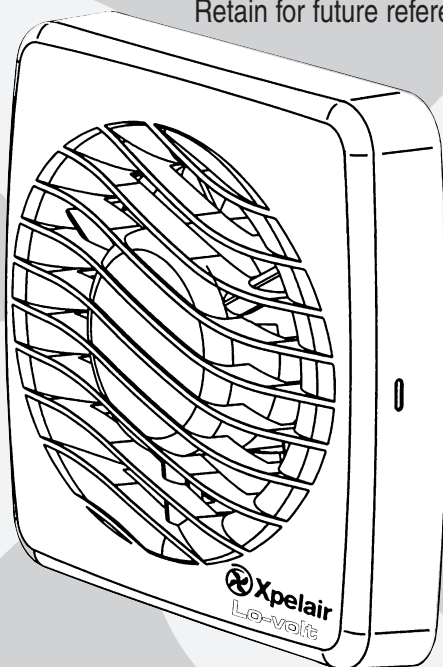
<b>LV100</b>	Standard
<b>LV100PC</b>	Pull Cord
<b>LV100T</b>	Timer
<b>LV100H</b>	Humidistat
<b>LV100HP</b>	Humidistat and Pull Cord
<b>LV100PIR</b>	Integral Body Movement Sensor

---

*Safety extra low voltage toilet/bathroom  
100mm fan range*

---

Retain for future reference



 **Xpelair**<sup>®</sup>

GB

F

D

NL

I

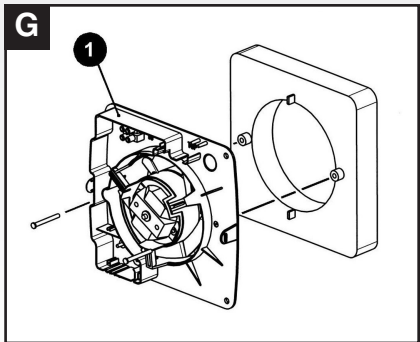
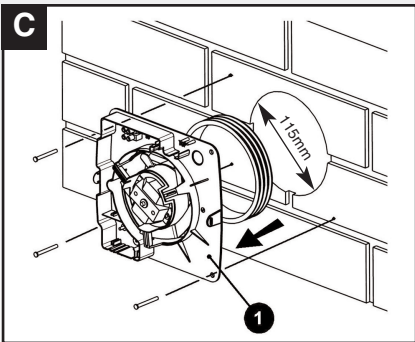
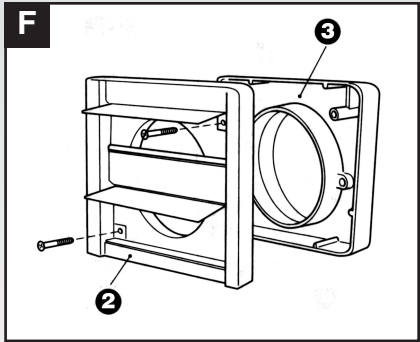
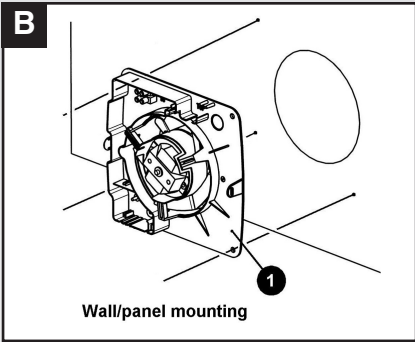
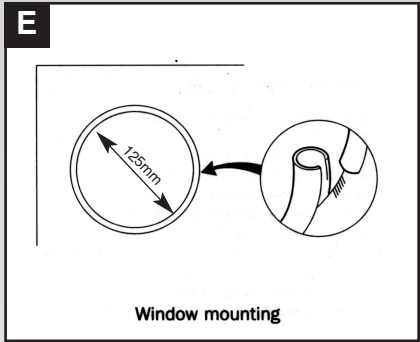
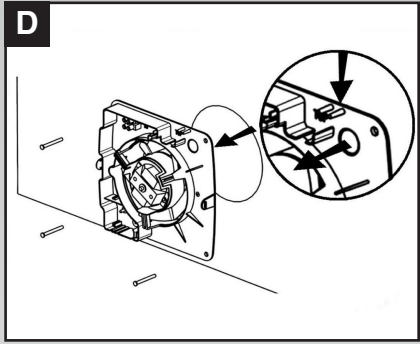
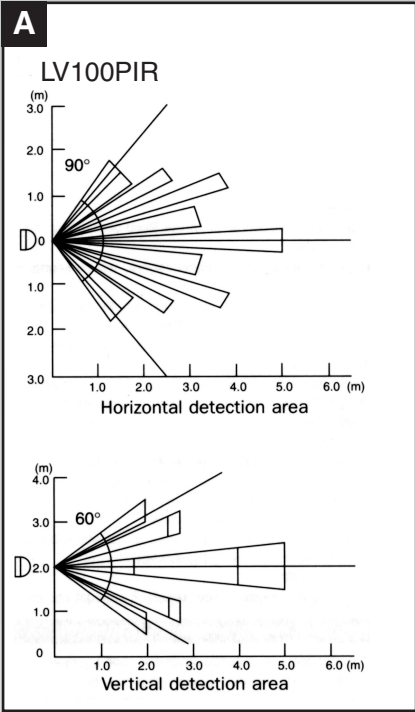
S

GR

N

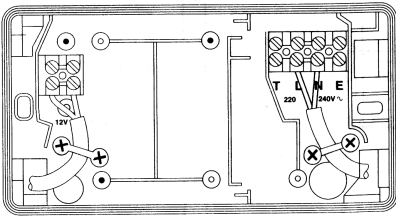
SE

A

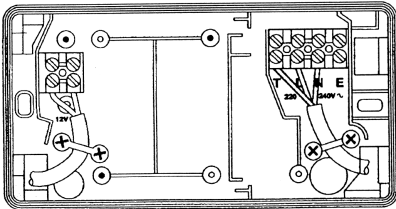


**H**

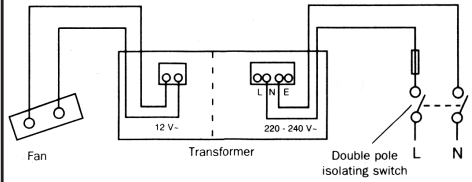
LV100, LV100PC, LV100H,  
LV100HP & LV100PIR



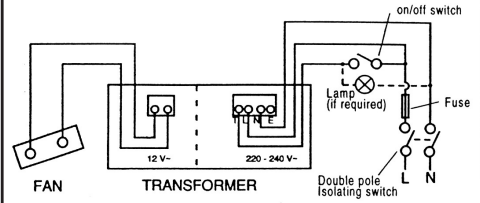
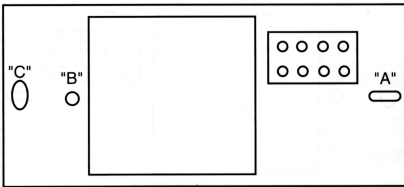
LV100T

**J**

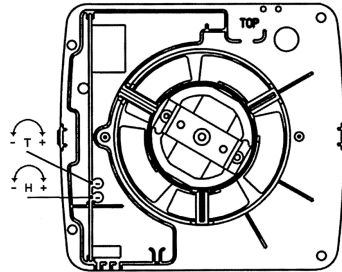
LV100, LV100PC, LV100H,  
LV100HP & LV100PIR



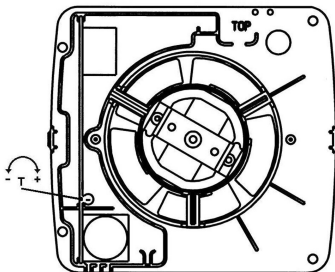
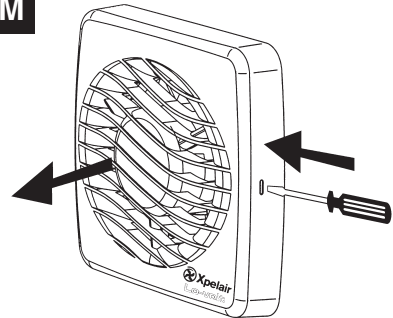
LV100T

**I****K**

LV100H & LV100HP

**L**

LV100PIR

**M**

*Xpelair  
Toilet/Bathroom  
Fans LV100,  
LV100PC, LV100T,  
LV100H, LV100HP &  
LV100PIR  
installation &  
operating  
instructions*

Please leave this leaflet with the fan for the benefit of the user

### Installing the fan

These appliances are intended for connection to fixed wiring.

Check that the electrical rating shown on the transformer matches the mains supply.

**THESE APPLIANCES ARE DOUBLE INSULATED AND DO NOT REQUIRE AN EARTH CONNECTION.**

**All installations must be supervised by a qualified electrician.**

**Installations and wiring must conform to current IEE Regulations (UK), local or appropriate regulations (other countries).**

If you have any queries before installing these products or after they have been installed, call the Xpelair Technical Hotline +44(0) 8709 000430. Our Engineers are there to help you during normal office hours (UK only) and may be faxed at all other times +44(0) 8709 000530.

Customers outside the UK may contact your local Xpelair distributor.

### Description

#### All fans

- Universal mounting kit allows Window/Wall/Panel/Ventilation Shaft/Ceiling mounting options. See termination details. If Ceiling mounting the fan, see section 'What the installer will need'.
- Single speed extraction.
- 12V a.c. operation.

#### LV100

- Operate the fan using an on/off switch (not supplied).

#### LV100PC

- Operate the fan using the integral pull cord.

#### LV100T

- Built-in timer automatically operates fan for a preset delay of up to 25 minutes.

#### LV100H

- Operates when triggered automatically by the humidity sensor.
- Built-in timer automatically operates fan for a preset delay of 2 to 20 minutes once humidity drops below preset Relative Humidity (RH) value.

#### LV100HP

- Operates either when triggered automatically by the humidity sensor or when turned on using the integral pull cord switch (light indicates when fan is operating in manual mode).

#### LV100PIR

- An integral body movement sensor operates the fan as long as movement is detected. Built-in timer automatically operates fan for a preset delay of 2 to 20 minutes.

### Transformer

- Wall mounted out of reach of bath or shower.
- Provides safety insulated supply for 12V a.c. fan.

### What the installer will need

A double pole isolating switch with a minimum contact gap of 3mm (Wall or Ceiling mounted).

**If metal switch boxes are used, earthing regulations must be followed.**

Suitably rated 2-core cable (wiring from transformer to fan).

**Guidelines for maximum cable run between the transformer and fan.**

- a) Limited to 0.3 volts drop, corresponding to 1.5% reduction in fan performance.

	Flexible		Fixed	
Conductor size mm <sup>2</sup>	0.75	1.00	1.50	2.50
Recommended max cable run-metres.	4.50	6.00	9.00	15.00

- b) Limited to 0.5 volts drop, corresponding to 3% reduction in fan performance.

	Flexible		Fixed	
Conductor size mm <sup>2</sup>	0.75	1.00	1.50	2.50
Recommended max. cable run-metres.	7.50	10.00	15.00	25.00

- Suitably rated 2 core cable (supply to transformer) LV100, LV100PC, LV100H, LV100HP, LV100PIR.
- Suitably rated 3 core cable (supply to transformer LV100T only).
- 3mm Electricians Screwdriver and No.1 or 2 Pozidriv screwdrivers.
- **To prevent a possible hazardous situation from water ingress, a condensation trap (Xpelair No. XCT100) must be fitted as close as possible to the fan in all situations where any section of the ductwork is positioned higher than the fan itself.**

#### If wall mounting the fan, you will also need

- Masonry drill, Hammer & Chisel (or Core Drill equipment if available).
- Mortar to make good the hole if required.

#### If window mounting the fan

- You will need a window pane between 3mm and 6mm thick (preferably 4mm).
- Do not install in glass 3mm thick if the window pane area is more than 0.2 sq.m.
- If installing in sealed double glazing, a specially manufactured unit should be obtained from the glazing manufacturer. You will also require a special kit, Xpelair Cat. ref. DXDG.
- If installing in sash windows, you should mount the fan in the upper window. Secure the upper sash in the closed position and fit stops just below the level of the fan, to prevent damaging it when the sash is raised.
- If installing in a panel which is between 9mm and 46mm thick, you will need a special kit, Xpelair Cat. ref. DXDG. Do not install these fans in panel which is more than 46mm thick.



### *If ceiling mounting the fan*

Use the appropriate ancillaries for termination.

These items are available from Xpelair.

1. WT10 - Termination ducting kit.
2. CFWG100 - Soffit board termination grille (white or grey).
3. FD100/3 and FD100/6 - flexible ducting.

### **Where to locate it**

#### *Fan*

- Locate it as high as possible.
- At least 110mm from the edges of the mounting surface to the centre of the hole.
- As far away as possible from and opposite to the main source of air replacement to ensure airflow across the room (e.g. opposite the internal doorway).
- Near the source of steam or odours.
- **Not where ambient temperatures are likely to exceed 50°C.**
- **If installed in a kitchen fans must not be mounted immediately above a cooker hob, or eye level grill.**
- **If installing in a room containing a fuel burning device which has a non-balanced flue, it is the installers responsibility to ensure that there is enough replacement air to prevent fumes being drawn down the flue when the fan is operating up to maximum extract. Refer to Building Regulations for specific requirements.**
- **Exhaust air must not be discharged into a flue used for exhausting of fumes from appliances supplied with energy other than electric. Requirements of all authorities concerned must be observed for exhaust air discharge and intake flow rates.**
- **When intended for use in possible chemical corrosive atmospheres, consult our Technical Service Department. (For overseas markets contact your local Xpelair distributor).**
- **LV100PIR Only - Siting must ensure detection of movement. Care should be taken to avoid any obstructions that may affect detection beams **A** .**

#### *Transformer*

- In a loft or any convenient position on a wall (not suitable for ceiling mounting). **The transformer must not be covered by loft insulation.**
- Must be positioned the correct way up to fulfil ingress protection requirements.
- Not within 0.6m of a bath or shower cubicle, up to a height of 2.25m.
- **Not where ambient temperatures are likely to exceed 50°C.**

### **Installing the isolating switch and cables**

1. Check that the electrical rating shown inside the back plate matches your mains supply.

2. **Check there are no buried pipes or cables e.g. electricity, gas, water behind the switch location (in the wall or above the ceiling).**

**If in doubt, seek professional advice.**

3. **Isolate the mains supply.**

4. Lay in the cable from the supply to the double pole isolating switch.
5. Lay in the cable from the isolating switch to the transformer location.
6. Lay in the cable from the transformer to the fan location.
7. Install the isolating switch.
8. Make all connections within the isolating switch.

**Note: On/off switch must be so situated that it cannot be touched by persons making use of the bath or shower.**

**WARNING: DO NOT MAKE ANY CONNECTIONS TO THE ELECTRICAL SUPPLY AT THIS STAGE.**

### **Preparing the hole for the fan**

**If working above Ground Floor level, appropriate safety precautions must be observed.**

**WARNING: EYE PROTECTION MUST BE WORN DURING ALL DRILLING AND CHISELLING OPERATIONS.**

#### *If installing in a wall*

1. **Check there are no buried pipes or cables in the wall or obstructions on the outside e.g. Electricity, Gas, Water. If in doubt, seek professional advice.**
2. Mark on the wall the centre of the duct hole.
3. Use this centre to mark a circle to suit the wall duct (115mm diameter)

#### *If core drill equipment is available*

- 4a. Use as directed by Core Drill manufacturer.

#### *If core drill equipment is not available*

- 4b. Drill a centre hole right through the wall.
5. Cut the hole. Do not cut right through the wall, cut from both sides. (The recommended method is to drill a series of holes, close together, around the edge of the cutting line and remove the brick between the holes with a chisel).
6. Go outside and cut a hole in the outer wall, repeating the process described above.
7. Cut ducting to the correct length if required. The wall tube supplied is telescopic and can extend to 300mm maximum.
8. Fit the ducting. Ensure that the duct slopes down away from the fan to allow drainage of any incoming rain water to the outside.
9. Make good the hole. Allows the Mortar to set before continuing the fan installation.

#### *If installing in a window or panel*

Cut a hole, 125mm in diameter. The centre of the hole should be at least 110mm away from the edge of the panel or pane of glass. It is recommended that you obtain a ready cut pane for window installation.

*Xpelair  
Toilet/Bathroom  
Fans IV100,  
IV100PC, IV100T,  
IV100H, IV100HP &  
IV100PIR  
installation &  
operating  
instructions*

Please leave this leaflet with the fan for the benefit of the user

*If installing in a ventilation shaft*

1. **Check there are no buried pipes or cables in the ventilation shaft. If in doubt, seek professional advice.**
2. Cut a hole 110mm in diameter, in the side of the shaft.
3. If the shaft has cavity walls, use the wall tube to bridge the cavity.
4. Fit ducting and condensation trap if necessary, positioning condensation trap as near to the fan as possible.

*If installing in a ceiling*

- 1 **Check there are no buried pipes or cables in the ceiling joists etc. If in doubt, seek professional advice.**
- 2 Cut a hole 115mm diameter.

**Preparing the fan for installation**

Remove the front cover by pressing the release catches located on the sides of the unit with a 3mm screwdriver, whilst pulling the front cover forward **M**

**Mount the fan in the hole**

**If working above Ground Floor Level, appropriate safety precautions must be observed.**

*If installing in a wall, ceiling or vent*

**Mark the position of the back plate **B****

1. Hold the back plate so that the terminal block faces you in the left hand corner, and the lip points towards the hole.
2. Carefully insert the lip into the wall duct/ceiling or vent shaft.
3. Adjust the position of the back plate until it is level.
4. Mark on the wall/ceiling or vent shaft the positions of the three fixing holes in the back plate.
5. Remove the back plate from the ducting.
6. Drill screw holes in these positions if necessary, and fit wall plugs if necessary.

**Mount the back plate **C****

1. Push the ribbed gasket (RG100) onto the lip of the back plate **1**
2. If installing in a ceiling or vent, push the larger diameter piece of the telescopic wall tube onto the ribbed gasket. Cut the tube to the required length, if necessary.
3. If wiring the fan from behind, remove knockout. Feed the mains cable through the cable entry hole in the backplate to the terminals **D**
4. If wiring from above, leave the cable free to be fitted into labyrinth.
5. Insert the lip of the back plate into the wall duct/ceiling or vent shaft as before.
6. Fasten the back plate to the wall/ceiling or vent shaft using appropriate fasteners. If using screws, **do not overtighten the screws.**

**Mount the back draught shutter**

1. Peel the backing from the foam strip supplied and attach it around the outside of the lip on the back draught shutter.
2. Go outside. Holding open the top and bottom vanes, insert the lip into the wall duct.
3. Making sure the back draught shutter is level, mark the positions of the two fixing holes in the top right hand and bottom left hand corners.
4. Remove the back draught shutters from the wall duct.
5. Drill screw holes in these positions, and fit the remaining wall plugs.
6. Holding open the top and bottom vanes, refit the back draught shutter and fasten it to the wall using the pointed end self-tapping screws. **Do not overtighten screws.**
7. Make sure the vanes open and shut freely.

*If installing in a window or panel*

**Sealing the hole **E****

If installing in a window or panel no more than 9mm thick, fit the white rubber gasket around the edge of the hole. If installing in a panel or sealed double glazing more than 9mm thick, a DXG Double Glazing kit is required. Follow the instructions supplied with the special kit.

**Attach the back draught shutter to the spacer **F****

1. Holding open the top and bottom vanes, insert the back draught shutter **2** into the spacer **3** so that the fixing holes in the top right and bottom left hand corners match those on the spacer.
2. Insert two of the flat ended self-tapping screws provided and fasten the back draught shutter to the spacer.

**Mount the fan in the window **G****

1. Someone else must hold the back draught shutter and spacer in position outside, with the spacer against the glass.
2. Make sure that the two raised fixing holes in the spacer are horizontal and are positioned within the hole.
3. From inside, hold back plate so that the terminal block faces you in the top left hand and the lip points towards the hole.
4. Align the holes in the back plate with those in the spacer.
5. Insert two of the flat ended self-tapping screws provided in the fixing holes, and fasten the back plate to the spacer. **Do not overtighten the screws.**

**Mounting the transformer **I****

The transformer can be fixed directly to the wall or attached to a suitable recessed wall box.

*If fixing directly*

1. Remove two screws securing the cover, remove cover.
2. Position the transformer on the wall and mark the two fixing holes "A" and "C".

3. Drill and plug the two holes and fix the transformer with two pointed end self-tapping screws supplied.

#### *If fitting to a recessed wall box*

1. Route the cables into the wall box and fix the wall box to the wall.
  2. Connect the protective earth conductor if required.
  3. Remove the two round knock-outs in the back of the transformer and route the 12v a.c. mains supply cables into their respective compartments.
  4. Fix the transformer to the wall by inserting the two screws provided through holes "A" and "C" and securing to the lugs on the wall box.
- For loft mounting, the transformer can be fixed to a wooded surface with the two screws.
  - **THE TRANSFORMER MUST NOT BE COVERED BY LOFT INSTALLATION.**

#### **Wire the fan **H****

##### **MAKE SURE THE MAINS SUPPLY IS ISOLATED.**

Wire the fan as shown in **H**. Feeding the cable between the two raised pegs, if wiring from above and through the labyrinth to the terminal block.

- **For fixed wire and circuits the protective fuse for the appliance must not exceed 5A.**

#### *LV100T only*

- To adjust the overrun timer insert a small screwdriver into the recess in the control spindle and turn clockwise to increase and anti-clockwise to decrease.

#### *LV100H & LV100HP only **K***

- Humidity operation is factory set at approx 70% Relative Humidity (RH), but can be adjusted between 50% and 90% RH by control (H).
- Time delay is factory set at approx. 20 mins, but can be adjusted by control (T).
- Both controls are adjustable. Turn the controls clockwise to increase time or RH, and anti clockwise to decrease.

#### *LV100PIR only **L***

- Adjust the overrun period with control (T). Turn screwdriver clockwise to increase and anti-clockwise to decrease.

#### *All fans*

- If wiring from above cut out the cable entry slot marked on top of the front cover.
- Fit the front cover by aligning it square to the duct and pushing it onto the duct until the release catches snap into the slots on the front cover.

#### **Wiring the transformer **H & J****

##### **MAKE SURE THE MAINS SUPPLY IS ISOLATED.**

1. If surface mounting, route 12V a.c. mains supply cable through the appropriate knock-outs into their respective compartments.

2. Locate the cables in the cable grips (mains cable shown in **H**), and make the connections shown in **J**).

3. Ensure all connections are tight.

#### **4. Switch off the mains electrical supply and remove fuses.**

5. Connect the cable from the isolating switch to the electrical supply wiring.

- **For fixed wiring circuits the protective fuse for the appliance must not exceed 5A.**

6. Refit fuses and switch on supply.

#### **Using your fan**

##### *LV100 only*

- Operate the fan using on/off switch (not supplied). Repeat to switch off.

##### *LV100PC only*

- Operate the fan by pulling and releasing the integral pull cord.
- Repeat to switch off.

##### *LV100T only*

- Operate the fan using the on/off switch. When the switch is turned off, the fan continues to operate for the adjustable time delay period.

##### *LV100H only*

- Fan operates when relative humidity exceeds the set level. When relative humidity drops the fan continues to operate for the adjustable time delay.

##### *LV100HP only*

- Manual mode: use the integral pull cord switch. When you switch off the fan, it goes into automatic mode after the time delay. (Light indicates when fan is operating in manual mode.)

##### *LV100PIR only*

- The sensor detects movement in the room and activates the fan. When movement is sensed, the fan will run for a pre-set overrun period and any further movement sensed will re-start the sequence. This ensures that the room is only ventilated during and immediately after use. When the fan is first installed there will be a stabilising period of approximately five minutes. During this time the fan will run for up to two minutes.

#### **Cleaning (recommended once a month)**

##### **A QUALIFIED ELECTRICIAN SHOULD CARRY OUT ALL CLEANING**

1. **Before cleaning isolate the fan completely from the mains supply.**
2. Remove the front cover by pressing the release catches located on the sides of the unit with a 3mm screwdriver whilst pulling the front cover forward **M**.
3. To clean the front cover either wipe it with a damp, lint free cloth or wash it in warm soapy water. Thoroughly dry the front cover and re-fit.
4. Do not immerse the fan in water or other liquids to clean any other parts of the fan.
5. Never use strong solvents to clean the fan.
6. Apart from cleaning, no other maintenance is required.

## Ventilateurs Xpelair pour W.C./Salle de bains

LV100, LV100PC, LV100T, LV100H, LV100HP, LV100PIR  
 Notice d'installation et d'entretien

Prière de conserver cette notice avec le ventilateur, pour que l'utilisateur puisse s'y référer ultérieurement.

### Installation du ventilateur

Cet appareil doit être raccordé à des câbles électriques fixes. Vérifier que la tension électrique nominale indiquée sur le transformateur correspond à celle de l'alimentation secteur.

### CES APPAREILS AYANT UNE DOUBLE ISOLATION, IL EST INUTILE DE LES METTRE A LA MASSE

Toutes les installations doivent être effectuées sous la supervision d'un Électricien qualifié. L'installation et le câblage électrique doivent être conformes aux règlements IEE en vigueur (G.B.), aux règlements municipaux ou aux règlements applicables (autres pays).

Pour toutes questions éventuelles avant ou après l'installation de ce produit, prière d'appeler la ligne Assistance Technique Xpelair au n° + 44 (0) 87 09 00 04 30. Nos techniciens sont à votre disposition pour vous aider pendant les heures ouvrables (G.B. seulement), ou les envoyer par fax en dehors des heures ouvrables au n° + 44 (0) 87 09 00 05 30.

Les clients en dehors de la G.B. peuvent contacter, le cas échéant, le revendeur Xpelair de votre région.

### Description

#### Tous les ventilateurs

- Grâce au kit de montage universel, il est possible d'obtenir un montage sur vitre/mur/panneau/puits de ventilation/plafond. Se reporter aux renseignements concernant les terminaisons. Pour le montage du ventilateur au plafond, se reporter à la section "Outils nécessaires pour l'installateur".
- Extraction à une vitesse.
- Fonctionnement 12 V c.a.

#### LV100

- Fonctionnement du ventilateur à l'aide de l'interrupteur Marche/Arrêt (non fourni).

#### LV100PC

- Fonctionnement du ventilateur à l'aide de l'interrupteur à cordon incorporé.

#### LV100T

- Le temporisateur incorporé fait automatiquement fonctionner le ventilateur pendant un délai prédéterminé (jusqu'à 25 minutes).

#### LV100H

- Fonctionne lorsqu'il est déclenché automatiquement par le détecteur d'humidité
- Si l'humidité descend au-dessous du taux d'humidité relative pré réglé, le temporisateur incorporé fait automatiquement fonctionner le ventilateur pendant un délai prédéterminé de 2 à 20 minutes.

#### LV100HP

- Fonctionne lorsqu'il est déclenché automatiquement par le détecteur d'humidité,

ou lorsqu'il est mis en marche à l'aide de l'interrupteur à cordon (le voyant indique que le ventilateur fonctionne en mode manuel).

#### LV100PIR

- Le détecteur de mouvement incorporé fait fonctionner le ventilateur tant qu'un mouvement est détecté. Le temporisateur incorporé fait automatiquement fonctionner le ventilateur pendant un délai prédéterminé de 2 à 20 minutes.

#### Transformateur

- A monter sur un mur hors de portée de la baignoire ou de la douche.
- Assure l'alimentation électrique isolée du ventilateur 12 V c.a.

### Outils nécessaires pour l'installateur

Bouton-sectionneur bipolaire avec un espace de contact minimum de 3 mm (Montage sur mur ou plafond).

**Si on utilise des boîtiers métalliques pour interrupteurs, il est impératif de respecter les règlements concernant la mise à la masse.**

Câble à 2 conducteurs convenant à la tension nominale (câblage entre le transformateur et le ventilateur)

**Directives concernant la longueur maximale du câble entre le transformateur et le ventilateur.**

a) Limitée à une chute de tension de 0,3 V correspondant à une réduction de 1,5% de la performance du ventilateur.

	Flexible		Fixe	
	0,75	1,00	1,50	2,50
Diamètre de conducteur mm <sup>2</sup>	0,75	1,00	1,50	2,50
Longueur maxi recommandée du câble (mètre)	4,5	6,0	9,0	15,0

b) Limitée à une chute de tension de 0,5 V correspondant à une réduction de 3% de la performance du ventilateur.

	Flexible		Fixe	
	0,75	1,00	1,50	2,50
Diamètre de conducteur mm <sup>2</sup>	0,75	1,00	1,50	2,50
Longueur maxi recommandée du câble (mètre)	7,5	10,0	15,0	25,0

- Câble à 2 conducteurs convenant à la tension nominale (alimentation dans le transformateur), LV100, LV100PC, LV100H, LV100HP et LV100PIR.
- Câble à 3 conducteurs convenant à la tension nominale (alimentation dans le transformateur) LV100T seulement.
- Tournevis d'électricien à lame de 3 mm et tournevis Pozidriv n° 1 et 2.
- **Pour éviter tout danger éventuel dû à l'infiltration d'eau, il faut installer un piège de condensation (Xpelair n° XCT100) aussi près que possible du ventilateur, dans toutes les installations où une partie des**

**conduits est placée à une position supérieure au ventilateur.**

*Pour monter le ventilateur dans un mur, il faut également prévoir*

- Foret pour béton, marteau et burin (ou équipement de perçage si disponible).
- Mortier (pour colmater la zone autour du trou).

*Pour monter le ventilateur dans une vitre*

- Vitre de 3 à 6 mm d'épaisseur (de préférence, 4 mm)
- Ne pas installer le ventilateur dans une vitre de 3 mm d'épaisseur si la superficie de la vitre est supérieure à 0,2 m<sup>2</sup>.
- Pour installer le ventilateur dans un double vitrage hermétique, il faut se procurer une unité fabriquée spécialement auprès du fabricant du vitrage. Il faut aussi se procurer le kit spécial Xpelair, réf. DXDG.
- Pour les vitres à guillotine, le ventilateur doit être installé dans la vitre supérieure. Fixer la partie supérieure de la fenêtre en position fermée, puis fixer des butées juste au-dessous du niveau du ventilateur afin d'éviter de l'endommager si la partie inférieure de la fenêtre à guillotine est remontée.
- Pour installer le ventilateur dans un panneau de 9 à 46 mm d'épaisseur, il faut se procurer un kit spécial Xpelair réf. DXDG. Ne pas installer ces ventilateurs dans des panneaux ayant une épaisseur supérieure à 46 mm.

*Pour monter le ventilateur au plafond*

Il faut utiliser les accessoires appropriés pour la finition de l'installation. Ces accessoires sont disponibles auprès de Xpelair.

1. WT10 : kit de conduits de finition.
2. CFWG100 : Grille de finition de plafond (blanc ou gris).
3. FD100 / 3 et FD100 / 6 : conduits flexibles.

## Choix de l'emplacement

*Ventilateur*

- Le placer aussi haut que possible.
- A une distance d'au moins 110 mm entre les bords de la surface de montage et le centre du trou.
- Aussi loin que possible et en face de la source principale du flux d'air afin d'obtenir la circulation de l'air dans la pièce (ex. en face d'une porte interne).
- Près de la source de vapeur ou d'odeurs.
- **Ne pas l'installer dans un local où les températures ambiantes sont susceptibles d'être supérieures à 50°C.**
- **Si le ventilateur est installé dans une cuisine, il ne faut pas le placer juste au-dessus de la plaque de cuisson ou d'un gril à hauteur des yeux.**
- Pour l'installer dans une pièce contenant un appareil de chauffage au mazout disposant d'un conduit d'évacuation non équilibré, il incombe aux installateurs de vérifier qu'il existe une circulation d'air suffisante pour empêcher l'aspiration des

fumées dans le conduit lorsque le ventilateur fonctionne à son débit d'extraction maximum.

Pour les conditions spécifiques, se référer aux règlements sur la construction.

- **Il ne faut pas décharger l'air de refoulement dans un conduit d'évacuation prévu pour expulser les fumées provenant d'appareils qui ne sont pas alimentés à l'électricité. Il est impératif de respecter les conditions concernant les débits de flux d'admission et de décharge requises par tous les organismes compétents de réglementation.**
- **Si le ventilateur doit fonctionner éventuellement dans une atmosphère chimique corrosive, consulter nos services techniques. (Pour les marchés de l'étranger, prière de contacter le distributeur Xpelair local).**
- **LV100PIR seulement : L'emplacement doit être choisi afin de pouvoir détecter tout mouvement. Prendre soin d'éviter toute obstruction susceptible d'affecter les faisceaux de détection **A**.**

*Transformateur*

- Dans un grenier ou un emplacement pratique sur le mur (ne convient pas au montage sur plafond).  
**Il ne faut pas recouvrir le transformateur avec le matériau d'isolation du grenier.**
- Doit être installé correctement à la verticale pour respecter les conditions d'infiltration.
- Doit être éloigné de plus de 0,6 m de la baignoire ou de la douche, jusqu'à une hauteur de 2,25 m.
- **Ne doit pas être installé dans un endroit où la température ambiante est susceptible d'être supérieure à 50°C.**

**Installation du bouton-sectionneur et des câbles**

1. Vérifier que la tension nominale indiquée sur la plaque correspond à la tension secteur.
2. **Vérifier qu'il n'y a pas de tuyaux ou de câbles dissimulés sous la surface (ex. électricité, gaz, eau) derrière l'emplacement du bouton (dans le mur ou au-dessus du plafond). En cas de doute, consulter un professionnel qui vous conseillera.**
3. **Isoler l'alimentation électrique secteur.**
4. Poser le câble entre l'alimentation électrique et le sectionneur bipolaire.
5. Poser le câble entre le sectionneur et l'emplacement du transformateur.
6. Poser le câble entre le transformateur et l'emplacement du ventilateur.
7. Installer le sectionneur.
8. Faire toutes les connexions dans le sectionneur.

**Remarque : Il faut placer l'interrupteur Marche/Arrêt de manière à être hors de portée des personnes utilisant la baignoire ou la douche.**

*Ventilateurs Xpelair  
pour W.C./Salle de  
bains  
IV100, IV100PC,  
IV100T, IV100H,  
IV100HP, IV100PIR  
Notice d'installation  
et d'entretien*

Prière de conserver cette notice avec le ventilateur, pour que l'utilisateur puisse s'y référer ultérieurement.

**AVERTISSEMENT : NE PAS FAIRE DE RACCORDEMENTS A L'ALIMENTATION ELECTRIQUE POUR L'INSTANT.**

**Préparation du trou pour le ventilateur**

**Pour les travaux au-dessus du niveau du sol, il faut toujours respecter les consignes de sécurité appropriées.**

**AVERTISSEMENT : IL FAUT TOUJOURS PORTER DES LUNETTES DE PROTECTION PENDANT TOUTES LES OPERATIONS A LA PERCEUSE ET AU BURIN.**

*Pour un montage mural*

1. Vérifier qu'il n'y a pas de tuyaux ou de câbles dissimulés dans le mur, ni d'obstructions à l'extérieur (ex. électricité, gaz, eau). En cas de doute, consulter un professionnel qui vous conseillera.
2. Faire un repère sur le mur correspondant au centre du trou du conduit.
3. Utiliser ce repère pour tracer un cercle correspondant à la gaine murale (diamètre de 115 mm).

*Si vous disposez d'une perceuse électrique:*

- 4a. Utiliser conformément aux instructions du fabricant de la perceuse.

*Si vous ne disposez pas d'une perceuse électrique :*

- 4b. Percer le centre du trou dans le mur.
5. Découper le trou. Ne pas traverser le mur. Découper à partir des deux côtés. (La méthode de perçage recommandée consiste à percer plusieurs trous, proches les uns des autres, près de la ligne de découpe, puis utiliser un burin pour retirer la brique qui se trouve entre les trous).
6. Passer à l'extérieur et découper un trou dans le mur extérieur en recommençant l'opération indiquée ci-dessus.
7. Couper la gaine à la longueur correcte, le cas échéant. Le tube mural fourni est escamotable et peut se déployer sur 300 mm maximum.
8. Poser la gaine. Vérifier que la gaine est inclinée vers le bas à partir du ventilateur afin que l'eau de pluie puisse s'écouler à l'extérieur.
9. Colmater la zone autour du trou. Attendre que le mortier durcisse avant de procéder à l'installation du ventilateur.

*Pour le montage dans une vitre ou dans un panneau*

1. Découper un trou de 125 mm de diamètre dont le centre doit se trouver à au moins 110 mm du bord du panneau ou du bord de la vitre. Pour l'installation dans une fenêtre, il est recommandé de se procurer une vitre toute découpée.

*Pour le montage dans un puits de ventilation*

1. Vérifier qu'il n'y a pas de tuyaux ou de

câbles dissimulés dans le puits de ventilation. En cas de doute, consulter un professionnel qui vous conseillera.

2. Découper un trou de 110 mm de diamètre dans la paroi du puits.
3. Si le puits comporte une paroi à cavité, utiliser le tube mural pour traverser la cavité.
4. Monter la gaine et le piège de condensation, le cas échéant, en le plaçant aussi près que possible du ventilateur.

*Pour le montage dans le plafond*

1. Vérifier qu'il n'y a pas de tuyaux ou de câbles dissimulés dans le plafond/les solives, etc. En cas de doute, consulter un professionnel qui vous conseillera.
2. Découper un trou de 115 mm de diamètre.

**Préparation du ventilateur pour le montage**

Retirer le couvercle avant. Pour cela, utiliser un tournevis de 3 mm pour appuyer sur les agrafes situées sur les côtés de l'appareil, tout en tirant le couvercle vers l'avant **M**

**Montage du ventilateur dans le trou**

**Si le travail doit être effectué au-dessus du sol, respecter les précautions de sécurité appropriées.**

*Montage dans un mur, un plafond ou un puits de ventilation*

**Faire un repère de la position sur la plaque de support **B****

1. Tenir la plaque de support de manière à ce que le bloc de bornes soit orienté vers vous, dans le coin en haut et à gauche, et que la lèvre soit dirigée vers le trou.
2. Présenter la lèvre avec précaution dans la gaine murale, le plafond ou le puits de ventilation.
3. Ajuster la position de la plaque de support jusqu'à ce qu'elle soit à niveau.
4. Marquer les positions des trois trous de fixation dans la plaque de support dans le mur/plafond/puits de ventilation.
5. Retirer la plaque de support de la gaine.
6. Percer les trous aux positions prévues, le cas échéant, et poser des chevilles, si besoin est.

**Montage de plaque de support **C****

1. Plaquer le joint à nervures (RG100) sur la lèvre de la plaque de support **1**
2. Pour le montage dans le plafond ou dans un puits de ventilation, pousser le morceau du tube mural escamotable de gros diamètre sur le joint à nervures. Couper tout d'abord le tube à la longueur requise, si besoin est.
3. Si le raccordement électrique du ventilateur se fait de l'arrière, retirer l'obturateur. Faire passer le câble secteur par le trou prévu dans la plaque de support et l'amener aux bornes **D**.
4. Si le raccordement électrique se fait du dessus, ne pas fixer le câble afin de pouvoir le monter dans le labyrinthe.



- Introduire la lèvre de la plaque de support dans la gaine du mur/plafond ou dans le puits de ventilation, comme indiqué précédemment.
- Utiliser les fixations appropriées pour fixer la plaque de support sur le mur/plafond ou le puits de ventilation. Si on utilise des vis, **ne pas trop les serrer**.

#### Montage du volet anti-refouleur

- Détacher la bande adhésive de la bande en mousse fournie, puis le fixer sur l'extérieur de la lèvre du volet anti-refouleur.
- Passer à l'extérieur. Introduire la lèvre dans la gaine murale tout en maintenant ouvertes les vannes du haut et du bas.
- Vérifier que le volet anti-refouleur est à l'horizontale, puis marquer les positions des deux trous de fixation dans le coin en haut à droite et dans le coin en bas à gauche.
- Retirer les volets anti-refouleurs de la gaine murale.
- Percer des trous dans ces emplacements, puis poser les autres chevilles murales.
- Tout en maintenant les vannes du haut et du bas ouvertes, reposer le volet anti-refouleur, puis le fixer au mur à l'aide des vis autotaraudeuses à extrémité pointue. **Ne pas trop serrer les vis.**
- Vérifier que les vannes peuvent s'ouvrir et se fermer sans coincement.

#### Pour le montage dans une fenêtre ou un panneau

#### Étanchéisation du trou **E**

- Pour le montage dans une fenêtre ou un panneau dont l'épaisseur est inférieure à 9 mm, monter le joint blanc en caoutchouc sur le bord du trou. Pour le montage dans un panneau ou un double vitrage dont l'épaisseur est supérieure à 9 mm, il faut se procurer le kit pour double vitrage DXG. Suivre la notice du fabricant fourni avec ce kit spécial.

#### Fixer le volet anti-refouleur dans l'entretoise **F**

- Tout en maintenant les vannes du haut et du bas, introduire le volet anti-refouleur **2** dans l'entretoise **3** de manière à ce que les trous de fixation dans le coin en haut à droite et le coin en bas à gauche correspondent aux trous prévus dans l'entretoise.
- Introduire deux des vis autotaraudeuses à extrémité plate fournies, et fixer le volet anti-refouleur sur l'entretoise.

#### Montage du ventilateur dans une fenêtre **G**

- Il faut qu'une deuxième personne maintienne en place à l'extérieur le volet anti-refouleur et l'entretoise, l'entretoise étant plaquée contre la vitre.
- Vérifier que les deux trous de fixation avec collerette en saillie prévus dans l'entretoise sont à l'horizontale et se trouvent à l'intérieur du trou principal.
- En travaillant de l'intérieur, tenir la plaque de

support de manière à ce que le bloc de bornes soit orienté vers vous, dans le coin en haut et à gauche, et que la lèvre soit dirigée vers ce trou.

- Aligner les trous prévus dans la plaque de support avec ceux de l'entretoise.
- Introduire deux des vis autotaraudeuses à extrémité plate fournies dans les trous de fixation, et fixer le volet anti-refouleur sur l'entretoise. **Ne pas trop serrer les vis.**

#### Montage du transformateur **I**

Le transformateur peut se fixer directement dans le mur ou s'attacher sur un boîtier mural en retrait.

#### Pour fixer directement le transformateur

- Retirer les deux vis assujettissant le couvercle, puis retirer le couvercle.
- Placer le transformateur sur le mur et faire des repères pour les deux trous de fixation "A" et "C".
- Percer et obturer les deux trous, puis fixer le transformateur à l'aide des deux vis autotaraudeuses à extrémité pointue fournies.

#### Pour fixer le transformateur sur un boîtier mural

- Acheminer les câbles dans le boîtier mural et fixer le boîtier sur le mur.
- Connecter, le cas échéant, le conducteur de mise à la masse de protection.
- Retirer les deux obturateurs circulaires au dos du transformateur, et acheminer les câbles d'alimentation secteur 12 V c.a. dans leur compartiment respectif.
- Pour fixer le transformateur sur le mur, introduire les deux vis fournies dans les trous "A" et "C", puis le fixer aux tétons du boîtier mural.

- Pour monter le transformateur dans un grenier, on peut le fixer sur une surface en bois à l'aide des deux vis fournies.

**● IL NE FAUT PAS RECOUVRIR LE TRANSFORMATEUR AVEC LE MATERIAU D'ISOLATION DU GRENIER.**

#### Raccordement électrique du ventilateur **H**

#### VERIFIER QUE L'ALIMENTATION ELECTRIQUE EST ISOLEE.

Effectuer le raccordement électrique du ventilateur comme indiqué à **H**. Faire passer le câble entre les deux tétons en saillie (pour un raccordement à partir du dessus), et à travers le labyrinthe jusqu'au bloc de bornes.

**● Pour les circuits et les circuits électriques fixes, le fusible de protection de l'appareil doit avoir une intensité inférieure à 5 A.**

#### LV100T seulement

- Pour régler le délai de continuation de fonctionnement, introduire un petit tournevis dans l'encastrement de la broche de commande, et le tourner dans le sens des aiguilles d'une montre pour le prolonger et dans le sens contraire pour le raccourcir.



*Ventilateurs Xpelair  
pour W.C./Salle de  
bains  
DX100, DX100PC,  
DX100T, DX100H,  
DX100HP, DX100PIR  
et DX100VTD  
Notice d'installation  
et d'entretien*

Prière de conserver  
cette notice avec le  
ventilateur, pour que  
l'utilisateur puisse s'y  
référer ultérieurement.

**LV100H et LV100HP seulement** **K**

- L'humidistat est réglé à l'usine pour un taux d'humidité relative (HR) de 70%, mais il peut être réglé entre 50% et 90% HR à l'aide du bouton (H).
- Le temporisateur est réglé à l'usine pour un délai d'environ 20 minutes, mais il peut être réglé à l'aide du bouton (T).
- Ces deux boutons sont réglables. Tourner les boutons dans le sens des aiguilles d'une montre pour augmenter le délai ou l'HR, et dans le sens contraire pour le diminuer.

**LV100PIR seulement** **L**

Pour régler le délai de continuation de fonctionnement, tourner le tournevis dans le sens des aiguilles d'une montre pour le prolonger et dans le sens contraire pour le raccourcir.

**Tous les ventilateurs**

- Si le raccordement électrique est effectué par le haut, découper la fente prévue pour le câble marquée sur le dessus du couvercle avant.
- Poser le couvercle avant en l'alignant à l'équerre par rapport à la gaine, puis l'enfoncer dans la gaine jusqu'à ce que les agrafes s'encliquettent dans les fentes prévues sur le couvercle avant.

**Raccordement du transformateur H et J**

**VERIFIER QUE L'ALIMENTATION  
ELECTRIQUE EST ISOLEE.**

1. Pour un montage en surface, acheminer le câble d'alimentation 12 V c.a. à travers les obturateurs à enfoncer appropriés jusqu'à son compartiment respectif.
2. Placer les câbles dans les colliers à câble (câble secteur indiqué en **H**), et faire les raccordements indiqués en **J**.
3. Vérifier que tous les raccordements sont fermement fixés.
4. **Couper l'alimentation électrique secteur et retirer les fusibles.**
5. Connecter le câble entre le sectionneur et le câblage d'alimentation électrique.
- **Pour les circuits électriques fixes, le fusible de protection de l'appareil doit avoir une intensité inférieure à 5 A.**
6. Reposer les fusibles et mettre le circuit sous tension.

**Utilisation du ventilateur**

**LV100 seulement**

- Pour mettre le ventilateur en marche ou à l'arrêt, utiliser l'interrupteur Marche/Arrêt (non fourni). Recommencer pour le mettre à l'arrêt.

**LV100PC seulement**

- Pour mettre le ventilateur en marche ou à l'arrêt, tirer puis relâcher le cordon incorporé.
- Recommencer pour le mettre à l'arrêt.

**LV100T seulement**

- Pour mettre le ventilateur en marche ou à l'arrêt, utiliser l'interrupteur Marche/Arrêt. Lorsque l'interrupteur est mis sur arrêt, le ventilateur continue de fonctionner pendant le délai de temporisation réglable.

**LV100H seulement**

- Le ventilateur fonctionne lorsque le taux d'humidité relative dépasse le niveau préréglé. Lorsque le taux d'humidité diminue, le ventilateur continue de fonctionner pendant le délai prédéterminé réglable.

**LV100HP seulement**

- Mode manuel : utiliser le cordon incorporé. Lorsque le ventilateur est mis sur arrêt, il passe en mode automatique après le délai de temporisation (le voyant indique que le ventilateur fonctionne en mode manuel).

**LV100PIR seulement**

- Le détecteur détecte tout mouvement dans la pièce et déclenche le ventilateur. Après détection d'un mouvement, le ventilateur continue de fonctionner pendant un délai prédéterminé. Tout autre mouvement détecté enclenche à nouveau la séquence. Ainsi, la pièce n'est ventilée que pendant et juste après l'utilisation. Après le montage du ventilateur pour la première fois dans la pièce, il y aura un délai de stabilisation d'environ cinq minutes. Pendant cette période, le ventilateur fonctionnera continuellement pendant un délai allant jusqu'à deux minutes.

**Nettoyage (recommandé une fois par mois)**

**IL EST PRECONISE DE DEMANDER A UN  
ELECTRICIEN QUALIFIE D'EFFECTUER  
TOUTES LES OPERATIONS DE NETTOYAGE.**

1. **Avant de nettoyer le ventilateur, il faut complètement l'isoler de l'alimentation secteur.**
2. Retirer le couvercle avant. Pour cela, utiliser un tournevis de 3 mm pour appuyer sur les agrafes situées sur les côtés de l'appareil, tout en tirant le couvercle vers l'avant **M**.
3. Pour nettoyer le couvercle avant, l'essuyer avec un chiffon humide non pelucheux, ou le laver dans une solution d'eau savonneuse. Sécher soigneusement le couvercle avant, puis le remonter.
4. Ne pas immerger le ventilateur dans de l'eau ni d'autres liquides pour nettoyer les autres parties du ventilateur.
5. Ne jamais utiliser de solvants forts pour nettoyer le ventilateur.
6. A part le nettoyage, le ventilateur n'exige aucun autre entretien.



*Xpelair*  
**Installations- und  
 Bedienungsanleitung**  
 für die WC- und  
 Badezimmerlüfter,  
 Modelle *IV100*,  
*IV100PC*, *IV100T*,  
*IV100H*, *IV100HP*,  
*IV100PIR*

Diese Anleitung zum zukünftigen Nachschlagen bitte stets in der Nähe des Lüfters aufbewahren.

### Installation des Lüfters

Diese Geräte sind zum Anschluss an fest verlegte Kabel vorgesehen. Prüfen Sie, dass die am Transformator angegebene Nennspannung mit derjenigen der Spannungsversorgung übereinstimmt.

### DIESE GERÄTE SIND DOPPELT ISOLIERT UND BRAUCHEN NICHT GEERDET ZU WERDEN.

**Alle Installationsarbeiten sind von einem dafür ausgebildeten Elektriker auszuführen bzw. zu beaufsichtigen. Einbau und Kabel müssen den derzeit geltenden IEE-Vorschriften (Großbritannien) bzw. den regionalen und allen anderen Vorschriften (andere Länder) entsprechen.**

Sollten Sie während oder nach der Installation dieser Produkte Fragen haben, wenden Sie sich bitte an die technische Hotline von Xpelair unter + 44 (0) 8709 000430. Unser technisches Personal steht Ihnen während der üblichen Büroöffnungszeiten gern zur Verfügung (gilt nur für Großbritannien), zu allen anderen Zeiten können Sie uns unter + 44 (0) 8709 000530 faxen.

Kunden außerhalb Großbritanniens können sich auch an ihren zuständigen Xpelair Regionalvertreter wenden.

### Produktbeschreibung

#### Alle Lüfter

- Universal-Einbausatz zum Einbau in Fenster, Wand, Verkleidung, Entlüftungsschacht oder Decke. Siehe Angaben zum Endanschluss. Bei Deckenmontage des Lüfters siehe Abschnitt „Was der Installateur benötigt“.
- Extraktion (Luftabsaugung) mit einer Geschwindigkeit
- 12-V-Wechselstrombetrieb

#### IV100

- Lüfterbedienung per Ein-/Ausschalter (gehört nicht zum Lieferumfang)

#### IV100PC

- Lüfterbedienung per integrierter Zugschnur

#### IV100T

- Integrierter Zeitgeber schaltet Lüfter automatisch nach einer zuvor eingestellten Verzögerungszeit von bis zu 25 Minuten ein

#### IV100H

- Wird automatisch durch den Feuchtigkeitssensor eingeschaltet.
- Ein integrierter Zeitgeber schaltet den Lüfter automatisch nach einer zuvor eingestellten Verzögerungszeit von zwei bis 20 Minuten ein, wenn die Luftfeuchtigkeit unter den zuvor eingestellten RH- (relative Luftfeuchtigkeit) Wert fällt).

#### IV100HP

- Wird entweder automatisch durch den

Feuchtigkeitssensor oder per integrierter Zugschnur eingeschaltet (eine Kontrolllampe zeigt an, wenn die manuelle Betriebsart eingestellt ist).

### IV100PIR

- Ein integrierter Bewegungssensor schaltet den Lüfter bei Feststellen einer Körperbewegung ein. Der integrierte Zeitgeber schaltet den Lüfter automatisch nach einer zuvor eingestellten Verzögerungszeit von zwei bis 20 Minuten ein.

### Transformator

- Wandmontiert, außerhalb des Bereichs von Badewanne oder Dusche.
- Isolierte Sicherheits-Spannungsversorgung für einen 12-V-Wechselstromlüfter.

### Was der Installateur benötigt

Einen zweipoligen Trennschalter mit einem Kontaktabstand von mindestens 3 mm (wand- oder deckeninstalliert).

### Bei Verwendung von Schaltkästen aus Metall sind die entsprechenden Erdungsvorschriften zu befolgen.

Zweiadriges Kabel entsprechender Bemessung (Verdrahtung vom Transformator zum Lüfter).

### Richtlinien für maximale Kabelläufe zwischen Transformator und Lüfter:

- a) Begrenzt auf 0,3 V Spannungsabfall entspr. 1,5% Senkung der Lüfterleistung.

	Lose verlegt		Fest verlegt	
Leiterquerschnitt (mm <sup>2</sup> )	0,75	1,00	1,50	2,50
Empf. max. Kabellauf (m)	4,50	6,00	9,00	15,00

- b) Begrenzt auf 0,5 V Spannungsabfall entspr. 3% Senkung der Lüfterleistung.

	Lose verlegt		Fest verlegt	
Leiterquerschnitt (mm <sup>2</sup> )	0,75	1,00	1,50	2,50
Empf. max. Kabellauf (m)	7,50	10,00	15,00	25,00

- Zweiadriges Kabel entsprechender Bemessung (zum Transformator) - LV100, LV100PC, LV100H, LV100HP, LV100PIR.
- Dreiadriges Kabel entsprechender Bemessung (zum Transformator) - nur LV100T.
- Einen Elektriker-Schraubenzieher mit einer 3-mm-Klinge, Pozidrive Schraubenzieher Nr. 1 und 2.
- **Um eine mögliche Gefahrenquelle durch eindringendes Wasser zu verhindern, muss in allen Fällen, in denen ein Bereich des Abzugsrohres, das höher als der Lüfter angebracht ist, so dicht wie möglich am Lüfter eine Kühlfalle (Xpelair**

## Bestell-Nr. XCT100) installiert werden.

Bei Wandmontage des Lüfters werden außerdem benötigt:

- Mauerbohrer, Hammer und Meißel (oder Kernbohrer, insofern verfügbar)
- Mörtel bzw. Spachtelmasse zum Verschließen des Lochs (insofern erforderlich)

Bei Fenstermontage des Lüfters:

- Eine Fensterscheibe, zwischen 3 mm und 6 mm dick (4 mm im Idealfall).
- Lüfter nicht in 3 mm dicke Fensterscheiben einbauen, wenn die Fläche der Scheibe größer als 0,2 Quadratmeter ist.
- Bei Einbau in eine Thermoscheibe ist beim Glashersteller eine Spezialscheibe zu bestellen. Außerdem ist der Xpelair Spezialsatz (Katalog-Bestellnummer DXDG) erforderlich.
- Bei Einbau in Fallfenster ist der Lüfter in das obere Fenster einzubauen. Hierzu oberes Fenster in der geschlossenen Stellung sichern und Anschläge direkt unterhalb des Lüfters anbringen, damit dieser beim Hochschieben des unteren Fensters nicht beschädigt wird.
- Bei Einbau in eine zwischen 9 mm und 46 mm dicke Glasscheibe ist der Xpelair Spezialsatz (Katalog-Bestellnummer DXDG) erforderlich. Lüfter nicht in Glasscheiben einbauen, die über 46 mm stark sind.

Bei Deckenmontage des Lüfters:

Hierzu sind die entsprechenden Zusatzgeräte zum Endanschluss erforderlich. Diese Artikel sind von Xpelair erhältlich.

1. Endanschluss-Abzugsrohrsatz WT10
2. Schaltungs-Endanschlussgrill CFWG100 (weiß oder grau)
3. Biegsame Abzugsrohre FD100/3 und FD100/6

## Auswahl des Einbauortes für den Lüfter

Lüfter

- Lüfter so hoch wie möglich anbringen.
- Der Abstand von den Kanten der Einbaufläche zum Mittelpunkt der Bohrung muss mindestens 110 mm betragen.
- So weit wie möglich entfernt und gegenüber der Hauptquelle des Luftaustausches, um einen Luftstrom durch den Raum zu gewährleisten (z. B. gegenüber dem Inneneingang).
- In der Nähe von Dampf- oder Geruchsquellen.
- **Nicht dort, wo die Umgebungstemperaturen 50°C überschreiten können.**
- **Bei Einbau in einer Küche darf der Lüfter nicht unmittelbar über einem Herd oder einem in Augenhöhe angebrachten Grill installiert werden.**
- Bei Installation in einem Raum, der einen

Ölbrenner mit unausgeglichenem Flammrohr enthält, hat der Installateur zu gewährleisten, dass ausreichend Austauschluft vorhanden ist, um zu verhindern, dass während des maximalen Absaugbetriebs des Lüfters Dämpfe in das Flammrohr gesogen werden.

Siehe entsprechende Bauvorschriften.

- **Abluft darf nicht in ein Flammrohr austreten, das zum Absaugen von Abgasen anderer Geräte dient, die mit anderen Energiearten als Elektrizität betrieben werden. Hinsichtlich des Abforderns von Abluft und der Strömungsgeschwindigkeiten beim Ansaugen sind die geltenden Vorschriften aller entsprechenden Behörden einzuhalten.**
- **Vor dem Einsatz des Lüfters in möglicherweise chemisch ätzenden Atmosphären muss unsere technische Kundendienstabteilung konsultiert werden. (Ausland: Bitte an den zuständigen Xpelair Regionalvertreter wenden.)**
- **Gilt nur für den LV100PIR: Der Einbauort ist so zu wählen, dass Bewegungen festgestellt werden können. Hierbei ist auch darauf zu achten, dass der Erfassungsbereich **A** nicht durch Gegenstände blockiert oder in anderer Form beeinträchtigt wird.**

Transformator

- Auf einem Dachboden oder an einer geeigneten Stelle an einer Wand (der Trafo ist nicht zur Deckenmontage geeignet). **Der Transformator darf nicht von Dachboden-Isolationsmaterial verdeckt sein.**
- Im Rahmen der Vorschriften zum Schutz des Transformators vor eindringenden Materialien ist dieser mit der Oberseite nach obenweisend anzubringen.
- Installation nicht innerhalb von 0,6 m einer Badewanne oder Duschkabine, bis zu einer Höhe von 2,25 m.
- **Nicht dort, wo die Umgebungstemperaturen 50°C überschreiten können.**

**Installation des Trennschalters und der Kabel**

1. Prüfen, dass die an der Rückseite des Gerätes angegebene Nennspannung mit derjenigen der Spannungsversorgung übereinstimmt.
2. **Prüfen, dass an der Stelle, an der die Installation des Schalters beabsichtigt ist, keine Elektrokabel, Gas- oder Wasserleitungen o.ä. verlaufen (in der Wand oder oberhalb der Decke). Im Zweifelsfall fachmännischen Rat einholen.**
3. Spannungsversorgung trennen.

4. Kabel von der Spannungsversorgung zum zweipoligen Trennschalter verlegen.
5. Kabel vom Trennschalter zum Transformator verlegen.
6. Kabel vom Transformator zum Lüfter verlegen.
7. Trennschalter installieren.
8. Alle erforderlichen Anschlüsse am Trennschalter herstellen.

**Hinweis: Die Stelle, an der der Ein-/Ausschalter angebracht wird, muss so ausgewählt werden, dass er von badenden oder duschenden Personen nicht berührt werden kann.**

**WARNUNG: ZU DIESEM ZEITPUNKT NOCH KEINEN ANSCHLUSS AN DE SPANNUNGSVERSORGUNG HERSTELLEN!**

#### Vorbereitung des Lochs für den Lüfter

Bei **Übergrunderarbeiten** sind entsprechende Sicherheitsvorkehrungen zu treffen.

**WARNUNG: BEIM BOHREN UND MEISSELN IST EIN AUGENSCHUTZ ZU TRAGEN!**

#### Bei Einbau in eine Wand

1. Prüfen, dass in der Wand, an der die Installation des Lüfters vorgesehen ist, keine Rohrleitungen oder Kabel verlaufen und an der Wand keine anderen Hindernisse vorhanden sind, wie z.B. Elektro-, Gas- oder Wasseranschlüsse.

**Im Zweifelsfall fachmännischen Rat einholen.**

2. An der Wand den Mittelpunkt des Abzugsloches markieren.
3. Um diesen Mittelpunkt herum einen Kreis mit einem Durchmesser von 115 mm für die Mauerdurchführung anzeichnen.

#### Bei Einsatz eines Kernbohrers:

- 4a. Der Bedienungsanleitung des Bohrmaschinenherstellers entsprechend verwenden.

#### Falls kein Kernbohrer verfügbar ist:

- 4b. Ein mittiges Loch vollständig durch die Wand bohren.
5. Das Loch ausschneiden. Hierbei nicht komplett durch die Wand, sondern von beiden Seite schneiden. (Empfohlene Methode: Entlang der Markierungslinie eine Reihe dicht beieinander liegender Löcher bohren und das Mauerwerk zwischen den Löchern mit einem Meißel entfernen.)
6. Nach draußen gehen und ein Loch in der Außenwand ausschneiden, wobei das oben erläuterte Verfahren wiederholt wird.
7. Das Abzugsrohr ggf. auf die korrekte Länge zuschneiden. Das beiliegende Teleskop-Wandrohr kann auf eine Länge von max. 300 mm ausgezogen werden.

8. Das Abzugsrohr einsetzen. Gewährleisten, dass das Abzugsrohr ein Gefälle vom Lüfter wegweisend besitzt, damit evtl. eindringendes Regenwasser nach außen abläuft.
9. Loch verschließen. Vor dem Fortsetzen mit der Lüfterinstallation warten, bis der Mörtel bzw. die Spachtelmasse abgebunden sind.

#### Bei Installation in ein Fenster oder eine Verkleidung

1. Ein Loch mit einem Durchmesser von 125mm ausschneiden. Der Abstand vom Mittelpunkt des Loches zur Kante der Verkleidung oder Glasscheibe muss mindestens 110 mm betragen. Zum Einbau in ein Fenster wird empfohlen, eine bereits entsprechend zugeschnittene Glasscheibe zu besorgen.

#### Bei Einbau in einen Lüftungsschacht

1. Prüfen, dass im Lüftungsschacht keine Leitungen oder Kabel verlaufen. Im Zweifelsfall fachmännischen Rat einholen.

2. An der Seite des Schachtes ein Loch mit einem Durchmesser von 110 mm ausschneiden.
3. Ist der Schacht von einer Hohlwand umgeben, den Hohlraum mit dem Wandrohr überbrücken.
4. Abzugsrohr und ggf. Kühlfalle anbringen, wobei sich die Kuuhlfalle so nahe wie möglich am Lüfter befinden sollte.

#### Bei Einbau des Lüfters in eine Decke

1. Prüfen, dass in der Decke bzw. in den Deckenträgern keine Leitungen oder Kabel verlaufen.

**Im Zweifelsfall fachmännischen Rat einholen.**

2. Ein Loch mit einem Durchmesser von 115 mm ausschneiden.

#### Vorbereitung des Lüfters zum Einbau

Vordere Abdeckung abnehmen, indem die Verriegelungen an den Seiten des Geräts mit einem 3-mm-Schraubendreher eingedrückt werden und die vordere Abdeckung zugleich nach vorn gezogen wird. **M**

#### Lüfter in das Loch einsetzen

Bei **Übergrunderarbeiten** sind die entsprechenden Sicherheitsvorkehrungen zu treffen.



#### Bei Einbau des Lüfters in eine Wand, Decke oder einen Lüftungsschacht

#### Die Position der Sockelplatte markieren. **B**

1. Die Sockelplatte so halten, dass der Anschlussklemmenblock in der linken oberen Ecke auf Sie und die Lippe in Richtung Loch weist.
2. Die Lippe vorsichtig in die Mauerdurchführung, die Decke oder den Abzugsschacht einsetzen.

3. Die Sockelplatte so ausrichten, dass sie bündig und waagrecht sitzt.
4. An der Wand, Decke oder dem Abzugsschacht die Lage der drei Befestigungslöcher in der Sockelplatte markieren.
5. Die Sockelplatte aus dem Abzug herausnehmen.
6. An diesen Stellen ggf. Schraubenlöcher bohren und Dübel einsetzen.

#### **Befestigung der Sockelplatte**

1. Die gerippte Dichtung (RG100) auf die Lippe der Sockelplatte schieben. 
2. Bei Einbau in eine Decke oder einen Abzugsschacht: Das Stück des Teleskop-Wandrohres mit dem größeren Durchmesser auf die gerippte Dichtung drücken. Zuvor ggf. das Rohr auf die erforderliche Länge zuschneiden.
3. Falls der Lüfter von hinten verkabelt wird, den Auswerfer entfernen. Das Netzkabel durch die Kabeleinlassöffnung in der Sockelplatte zu den Anschlussklemmen führen. 
4. Bei Verkabelung von oben das Kabel frei lassen, so dass es im Labyrinth angeschlossen werden kann.
5. Die Lippe der Sockelplatte wie zuvor in die Mauerdurchführung, die Decke oder den Lüftungsschacht einsetzen.
6. Die Sockelplatte mit entsprechenden Befestigungselementen an der Wand, der Decke oder dem Lüftungsschacht befestigen. Bei Verwendung von Schrauben **diese nicht überdrehen**.

#### **Anbringen der Rückstauklappe**



1. Das Schutzpapier von dem beiliegenden Schaumgummistreifen abziehen und den Streifen an der Außenseite der Lippe an der Rückstauklappe befestigen.
2. Nach draußen gehen. Die oberen und unteren Lüfterblätter aufhalten und gleichzeitig die Lippe in die Mauerdurchführung einsetzen.
3. Darauf achten, dass die Rückstauklappe horizontal ausgerichtet ist, und die Lage der beiden Befestigungslöcher oben rechts und unten links anzeichnen.
4. Die Rückstauklappe aus der Mauerdurchführung entfernen.
5. An den markierten Stellen Schraubenlöcher bohren und die restlichen Wanddübel einsetzen.
6. Die oberen und unteren Lüfterblätter aufhalten, die Rückstauklappe wieder einsetzen und mit den Schneidschrauben an der Wand sichern. **Schrauben nicht überdrehen**.
7. Davon überzeugen, dass die Lüfterblätter ungehindert öffnen und schließen.

#### **Bei Einbau des Lüfters in ein Fenster oder eine Verkleidung**

#### **Abdichten des Loches**

1. Bei Einbau des Lüfters in ein Fenster oder eine Verkleidung, die nicht stärker als 9 mm sind, wird die weiße Gummidichtung um die Kante des Lochs geführt. Bei Einbau des Lüfters in eine Verkleidung oder Thermo-scheibe, die stärker als 9 mm sind, ist der Thermoglassatz DXG erforderlich. Die mit dem Spezialsatz gelieferte Anleitung befolgen.

#### **Anbringen der Rückstauklappe am Abstandshalter**

1. Die oberen und unteren Lüfterblätter aufhalten und die Rückstauklappe  in den Abstandshalter  einsetzen, so dass die Befestigungslöcher oben rechts und unten links mit denen des Abstandshalters übereinstimmen.
2. Zwei der beiliegenden Flachkopf-Schneidschrauben einsetzen und damit die Rückstauklappe am Abstandshalter sichern.

#### **Einbau des Lüfters in das Fenster**

1. Die Rückstauklappe und der Abstandshalter müssen zunächst von einer zweiten Person von außen gehalten werden, wobei der Abstandshalter gegen das Glas gedrückt wird.
2. Darauf achten, dass die beiden erhöhten Befestigungslöcher im Abstandshalter horizontal ausgerichtet und im Loch positioniert sind.
3. Die Sockelplatte von innen so halten, dass der Anschlussklemmenblock links oben liegt und die Lippe in Richtung Loch weist.
4. Die Löcher in der Sockelplatte mit denen des Abstandshalters ausrichten.
5. Zwei der beiliegenden Flachkopf-Schneidschrauben in die Befestigungslöcher einsetzen und damit die Sockelplatte am Abstandshalter sichern. **Schrauben nicht überdrehen**.

#### **Befestigung des Transformators**

Der Transformator kann entweder direkt an der Wand oder an einer geeigneten, eingelassenen Wanddose befestigt werden.

#### **Direkte Befestigung**

1. Die beiden Schrauben, mit denen das Gehäuse gesichert wird, herausschrauben und Gehäuse abnehmen.
2. Transformator an die Wand anhalten und die beiden Befestigungslöcher A und C anzeichnen.
3. Die beiden Löcher bohren, Dübel einsetzen und den Trafo mit den beiden beiliegenden Schneidschrauben befestigen.

#### **Befestigung an einer eingelassenen Wanddose**

1. Die Kabel in die Wanddose führen und Dose an der Wand befestigen.

Diese Anleitung zum  
zukünftigen  
Nachschlagen bitte stets  
in der Nähe des Lüfters  
aufbewahren.

2. Den Schutzerdungsleiter anschließen, insofern erforderlich.
3. Die beiden runden Kabeldurchführungsblenden an der Rückseite des Transformators herausdrücken und die 12 V Wechselstrom-Netz-kabel zu ihren entsprechenden Anschlüssen führen.
4. Transformator an der Wand befestigen. Hierzu die beiden beiliegenden Schrauben durch die Löcher A und C führen und die Ösen an der Wanddose sichern.
  - Wird der Trafo auf einem Dachboden angebracht, so kann er mit den beiden Schrauben an einer Holzfläche befestigt werden.
  - **DER TRANSFORMATOR DARF NICHT VON DACHBODEN- ISOLATIONS-MATERIAL VERDECKT SEIN.**

#### Verdrahtung des Lüfters **H**

#### SPANNUNGSVERSORGUNG TRENNEN!

Den Lüfter so, wie in **H** gezeigt, verdrahten. Das Kabel zwischen die beiden erhöhten Klammern führen, falls die Verdrahtung von oben vorgenommen wird, und durch das Labyrinth zum Anschlussklemmenblock.

- **Bei fest verlegten Kabeln und Stromkreisen darf die Nennstromstärke der Gerätesicherung 5 A nicht überschreiten.**

#### Nur IV100T

- Zum Einstellen des Overrun-Zeitgebers einen kleinen Schraubendreher in die Aussparung der Steuerspindel einsetzen und Schraubenzieher drehen. Bei Drehung im Uhrzeigersinn wird die Länge des Zeitraums erhöht, bei Drehung gegen den Uhrzeigersinn gesenkt.

#### Nur IV100H und IV100HP **K**

- Der Betrieb zur Feuchtigkeitsregelung ist werksseitig auf ca. 70% relative Luftfeuchtigkeit (RH) voreingestellt, kann aber über den Regler H zwischen 50% und 90% reguliert werden.
- Der Verzögerungszeitgeber ist werksseitig auf ca. 20 Minuten voreingestellt, kann aber über den Regler T reguliert werden.
- Beide Regler sind verstellbar. Zum Erhöhen der Zeitspanne bzw. relativen Luftfeuchtigkeit wird der Regler im Uhrzeigersinn gedreht, zum Senken gegen den Uhrzeigersinn.

#### Nur IV100PIR **L**

Der Overrun-Zeitraum wird mit dem Regler T gesteuert. Zum Erhöhen mit dem Schraubendreher im Uhrzeigersinn drehen, zum Senken gegen den Uhrzeigersinn.

#### Alle Lüfter

- Bei Verdrahtung von oben den oben auf der vorderen Abdeckung markierten Kabeleinlassschlitz ausschneiden.
- Anbringen der vorderen Abdeckung:

Rechtwinklig zum Abzug ausrichten und so weit auf das Abzugsrohr schieben, bis die Verriegelungen in den Schlitz an der vorderen Abdeckung einrasten.

#### Verdrahtung des Transformators H und J NETZSPANNUNG TRENNEN!

1. Bei Montage auf einer Fläche das 12 V Wechselstrom-Netz-kabel durch die entsprechenden Durchführungen (deren Blenden herausdrückbar sind) zu ihren jeweiligen Anschlüssen führen.
2. Kabel in die Kabelziehklemmen (Netz-kabel wird in **H** gezeigt; in **J** gezeigte Anschlüsse herstellen) führen.
3. Festen Sitz aller Anschlüsse prüfen.
4. **Netzspannungsversorgung abschalten und Sicherungen herausnehmen.**
5. Das vom Trennschalter führende Kabel am Netz-kabel anschließen.
- **Bei Stromkreisen mit fest verlegten Kabeln darf die Nennstromstärke der Gerätesicherung 5 A nicht überschreiten.**
6. Sicherungen wieder einsetzen und Spannungsversorgung einschalten.

#### Bedienung des Lüfters

##### Nur IV100H

- Der Lüfter wird mit dem Ein-/Ausschalter (gehört nicht zum Lieferumfang) ein- und ausgeschaltet.

##### Nur IV100PC

- Der Lüfter wird durch Ziehen der integrierten Zugschnur ein- und ausgeschaltet.

##### Nur IV100T

- Der Lüfter wird mit dem Ein-/Ausschalter ein- und ausgeschaltet. Im ausgeschalteten Zustand bleibt der Lüfter über den eingestellten Verzögerungszeitraum hinweg in Betrieb.

##### Nur IV100H

- Der Lüfter wird eingeschaltet, wenn die relative Luftfeuchtigkeit die eingestellte Stufe übersteigt. Bei sinkender Luftfeuchte läuft der Lüfter über den verstellbaren Verzögerungszeitraum hinweg weiter.

##### Nur IV100HP

- Manuelle Betriebsart: Der Lüfter wird mit der integrierten Zugschnur ein- und ausgeschaltet. Nach dem Ausschalten geht der Lüfter nach dem Verzögerungszeitraum in die automatische Betriebsart über (eine Kontrolllampe zeigt an, wenn der Lüfter in der manuellen Betriebsart läuft).

##### Nur IV100PIR

- Der Bewegungssensor stellt Bewegungen im Raum fest und schaltet den Lüfter ein. Bei Feststellen von Bewegungen läuft der Lüfter über einen voreingestellten Overrun-Zeitraum hinweg, und werden weitere



Bewegungen festgestellt, wird die Folge erneut gestartet. Hierdurch wird sichergestellt, dass der Raum nur während der Benutzung und unmittelbar danach gelüftet wird. Nach dem ersten Einbau des Lüfters erfolgt ein Stabilisierungszeitraum von etwa fünf Minuten, in dem der Lüfter bis zu zwei Minuten läuft.

### **Reinigung (einmal pro Monat empfohlen)**

#### **DIE REINIGUNG DES LÜFTERS SOLLTE NUR VON EINEM DAZU BERECHTIGTEN ELEKTRIKER VORGENOMMEN WERDEN!**

- 1. Vor dem Ausführen von Reinigungsarbeiten Lüfter vollständig vom Stromnetz trennen.**
2. Vordere Abdeckung entfernen, indem die Verriegelungen an den Seiten des Geräts mit einem 3-mm-Schraubendreher eingedrückt werden und die vordere Abdeckung zugleich nach vorn gezogen wird. **M**
3. Zum Reinigen wird die vordere Abdeckung entweder mit einem feuchten, fusselreifen Tuch abgewischt oder in warmem Seifenwasser gewaschen. Abdeckung anschließend gründlich trocknen und wieder anbringen.
4. Alle anderen Teile des Lüfters dürfen weder mit Wasser noch mit anderen Flüssigkeiten gereinigt werden.
5. Zum Reinigen des Lüfters keine aggressiven Lösungsmittel benutzen!
6. Außer der Reinigung des Lüfters sind keine weiteren Wartungsarbeiten erforderlich.



*Xpelair  
Toilet- en  
badkamerventilators  
LV100, LV100PC,  
LV100T, LV100H,  
LV100HP LV100PIR &  
installatie- en  
werkingsinstructies*

Laat deze instructies bij de ventilator liggen ten voorde van de gebruiker.

### Installatie van de ventilator

Deze apparaten moeten aangesloten worden aan vaste bedrading. Ga na of het maximum vermogen van de transformator overeenstemt met het elektriciteitsnet.

### DEZE APPARATEN ZIJN DUBBEL GEÏSOLEERD EN HEBBEN GEEN AARDVERBINDING NODIG

Alle installaties moeten gecontroleerd worden door een bevoegd elektricien. Installaties en bedrading moeten overeenstemmen met de huidige IEE Regulaties (GB), plaatselijke of toepasselijke regulaties (andere landen).

Als u vragen mocht hebben voor u deze producten installeert of na installatie telefooneer dan de Xpelair Technische Hotline +44 (0) 8709 000430. Onze technici staan om u tijdens de normale kantooruren (alleen GB) van dienst te zijn en kunnen op alle andere tijden gefaxt worden naar +44 (0) 8709 000530.

Klanten buiten GB mogen contact opnemen met hun plaatselijke Xpelair verdeler.

### Beschrijving

- Universeel montagepakket maakt montage op venster/ muur/ paneel/ ventilatieschacht/ plafond mogelijk. Verwijs naar de informatie over afwerking. Als u de ventilator aan het plafond monteert, verwijs dan naar "Wat de installateur nodig zal hebben."
- Enkele afzuign snelheid.
- 12V wisselstroomwerking.

#### LV100

- De ventilator werkt met een aan /af schakelaar (niet bijgeleverd).

#### LV100PC

- De ventilator werkt met een integrale trekkoord.

#### LV100T

- Ingebouwde timer brengt de ventilator in werking voor een vooraf ingestelde vertraging van maximaal 25 minuten.

#### LV100H

- Werkt wanneer hij automatisch aangezet wordt door de vochtigheidssensor.
- Ingebouwde timer doet de ventilator werken voor een vooraf ingestelde vertraging van 2 tot 20 minuten eens de vochtigheid onder de vooraf ingestelde Relatieve Vochtigheids-waarde (RH) valt.

#### LV100HP

- Werkt ofwel wanneer hij automatisch aangeschakeld wordt door de vochtigheids-sensor of wanneer hij aangezet wordt met de integrale trekkoordschakelaar (het licht toont aan wanneer de ventilator op handbediening werkt).

### LV100PIR

- Een integrale lichaamsbewegingssensor doet de ventilator werken zo lang als er beweging opgespoord wordt. Ingebouwde timer doet de ventilator werken voor een vooraf ingestelde vertraging van 2 tot 20 minuten.

### Transformator

- Op de muur gemonteerd buiten het bereik van het bad of de douche.
- Verschaff veilige geïsoleerde elektriciteits-toevoer voor 12V wisselstroomventilator.

### Wat de installateur zal hebben

Een isolatieschakelaar met dubbele polen met een minimum contactafstand van 3mm (gemonteerd op muur of plafond).

### Als metalen schakel dozen gebruikt worden, moeten de aardregulaties nageleefd worden.

2-ziel kabel met geschikt vermogen (bedrading van de transformator naar de ventilator).

### Richtlijnen voor maximale kabellengte tussen de transformator en de ventilator.

- a) Beperkt tot een val van 0,3 volt, wat overeenstemt met 1,5% reductie in ventilatorprestatie.

	Flexibel	Vast
Omvang van conductor in mm <sup>2</sup>	0,75 1,00	1,50 2,50
Aanbevolen max. kabellengte in meters	4,50 6,00	9,00 15,00

- b) Beperkt tot een val van 0,5 volt, wat overeenstemt met 3% reductie in ventilatorprestatie

	Flexibel	Vast
Omvang van conductor in mm <sup>2</sup>	0,75 1,00	1,50 2,50
Aanbevolen max. kabellengte in meters	7,50 10,00	15,00 25,00

- 2-ziel kabel met geschikt vermogen (bron naar transformator) LV100, LV100PC, LV100H, LV100HP, LV100PIR.
- 3-ziel kabel met geschikt vermogen (bron naar transformator) LV100T alleen.
- 3mm elektriciensschroevendraaier en nr. 1 of 2 kruisschroevendraaiers.
- Om een mogelijke gevaarlijke situatie van watertoegang te vermijden, moet een condensatiefilter (Xpelair nr. XCT100) zo dicht mogelijk bij de ventilator gemonteerd worden in alle situaties waar een onderdeel van het buiswerk zich hoger bevindt dan de ventilator.

Als u de ventilator op de muur monteert, zal u ook het volgende nodig hebben:

- Steenboor, hamer en beitel (of kernboor indien beschikbaar).
- Mortel om het gat te vullen indien nodig.

#### Als u de ventilator op het venster monteert.

- U zal een ruit nodig hebben die tussen 3mm en 6mm dik is (bij voorkeur 4mm).
- Installeer de ventilator niet in glas dat 3mm dik is als de ruit groter is dan 0,2m<sup>2</sup>.
- Als u de ventilator installeert in verzegelde dubbele ramen moet u een speciaal vervaardigde unit vragen aan uw glazenmaker. U zal ook een speciaal pakket nodig hebben, Xpelair Cat. ref. DXDG.
- Bij schuiframen moet u de ventilator installeren in het bovenste raam. Beveilig het bovenste schuifraam in de gesloten positie en bevestig stoppen juist onder het niveau van de ventilator om te vermijden dat deze beschadigd wordt wanneer het raam omhoog geschoven wordt.
- Als de ventilator geïnstalleerd wordt in een paneel dat tussen 9mm en 46mm dik is, zal u het speciale pakket Xpelair Cat. ref. DXDG nodig hebben. Installeer deze ventilators niet in panelen die dikker zijn dan 46mm.

#### Als u de ventilator op het plafond monteert.

U zal de juiste accessoires nodig hebben voor de afwerking. Deze zijn verkrijgbaar bij Xpelair.


1. WT10 - Buizenpakket.
2. CFW- Soffietboord afwerkinggrille (wit of grijs).
3. FD100 / 3 en FD100 / 6 - buigbare buizen.

#### De beste plaats

##### Ventilator

- Installeer de ventilator zo hoog mogelijk
- Minstens 110mm van de randen van het oppervlak waarop de ventilator gemonteerd wordt tot het centrum van het gat.
- Zo ver mogelijk verwijderd van en tegenover de voornaamste bron van luchtverversing om een luchtstroom in de kamer te verzekeren (b.v. tegenover een binnendeur).
- Naast de bron van stoom of geuren.
- **Niet waar de omgevingstemperatuur hoger kan stijgen dan 50°C.**
- **Als de ventilator in de keuken geïnstalleerd wordt, mag hij niet rechtstreeks boven een kookplaat of grill op oogniveau bevestigd worden.**
- **Als de ventilator geïnstalleerd wordt in een kamer met een brandstofbrander met een niet-gebalanceerd rookkanaal is de installateur ervoor verantwoordelijk om te verzekeren dat er voldoende luchtverversing is om te vermijden dat uitwasemingen uit het rookkanaal getrokken worden als de ventilator om maximale extractie werkt. Verwijs naar de Bouwregulaties voor specifieke vereisten.**
- **De afgezogen lucht mag niet vrijgelaten worden in een rookkanaal dat gebruikt wordt voor uitlaatgassen van apparaten die werken op een andere energiebron dan**

elektriciteit. De vereisten van alle betrokken autoriteiten moeten nageleefd worden voor de uitlaat van lucht en de snelheid van de inlaattoevoer.

- **Wanneer de ventilator bedoeld is om gebruikt te worden in mogelijke chemisch corrosieve omgevingen moet u onze Afdeling Technische Dienst raadplegen. (Voor de buitenlandse markten contact opnemen met uw plaatselijke Xpelair verdeler).**
- **LV100PIR alleen - zorg ervoor dat de waarneming van bewegingen mogelijk is. Vermijd obstructies die de waarnemingsstralen zouden kunnen blokkeren .**

##### Transformator

- Op een zolder of een geschikte plaats op de muur (niet geschikt voor montage aan het plafond). **De transformator mag niet bedekt worden met isolatiemateriaal.**
- Moet met de juiste kant naar boven geïnstalleerd worden om te voldoen aan de vereisten betreffende toegangsbescherming.
- Niet binnen 0,6m afstand van een bad of douche en niet hoger dan 2,25m.
- **Niet waar de omgevingstemperatuur hoger kan zijn dan 50°C.**

#### Installatie van de isolatieschakelaar en kabels

1. Zorg ervoor dat de elektrische belasting die binnenin de achterplaat aangeduid wordt, overeenstemt met uw elektriciteitstoevoer.
2. **Zorg ervoor dat er geen verborgen buizen of kabels aanwezig zijn (b.v. elektriciteit, gas, water) op de plaats waar de schakelaar zich moet bevinden (in de muur of boven het plafond). Raadpleeg een deskundige als u twijfelt.**
3. **Isoleer de elektriciteitstoevoer.**
4. Leg de kabel van de bron naar de isolatieschakelaar met dubbele pool.
5. Leg de kabel van de isolatieschakelaar naar de plaats van de transformator.
6. Leg de kabel van de transformator naar de plaats van de ventilator.
7. Installeer de isolatieschakelaar.
8. Maak alle verbindingen in de isolatieschakelaar.

**Opmerking: de aan/ af schakelaar mag niet bereikbaar zijn door personen die gebruik maken van de douche of het bad.**

**WAARSCHUWING: MAAK OP DIT PUNT NOG GEEN VERBINDINGEN AAN DE ELEKTRICITEITSTOEVOER.**

#### Het gat voorbereiden voor de ventilator

Voor werk boven het gelijkvloerse moeten de nodige veiligheidsmaatregelen in acht genomen worden.

**WAARSCHUWING: DRAAG STEEDS DE NODIGE OOGBESCHERMING TIJDENS BOREN EN BEITELLEN.**

*Xpelair  
Toilet- en  
badkamerventilators  
IV100, IV100PC,  
IV100T, IV100H,  
IV100HP IV100PIR &  
installatie- en  
werkingsinstructies*

Laat deze instructies bij de ventilator liggen ten voordele van de gebruiker.

*Bij installatie in een muur.*

**1. Zorg ervoor dat er geen buizen of kabels verborgen zitten in de muur of dat er geen obstructies zijn aan de buitenkant, b.v. gas, elektriciteit, water. Raadpleeg een deskundige als u twijfelt.**

2. Teken het centrum van het afvoerbuisgat aan op de muur.
3. Gebruik dit centrum om een cirkel aan te tekenen die overeenstemt met de muurbuis (115mm diameter).

*Als u een kernboor ter beschikking hebt:*

- 4a. Gebruik volgens de aanwijzingen van de fabrikant van de kernboor.

*Als u geen kernboor ter beschikking hebt:*

- 4b. Boor een centraal gat rechtstreeks door de muur.
5. Snijd het gat maar zorg ervoor dat u niet helemaal door de muur snijdt, snijd van beide kanten. (De aanbevolen methode is een aantal gaatjes dicht bij elkaar te boren rond de rand van de snijlijn en de baksteen tussen de gaatjes te verwijderen met een beitel).
6. Ga naar buiten en maak een gat in de buitenmuur door de bovenstaande methode te herhalen.
7. Snijd de buizen op de juiste lengte af indien nodig. De bijgeleverde muurbuis is telescopisch en kan uitgerekt worden tot maximaal 300mm.
8. Zorg er bij het installeren van de buizen voor dat ze schuin aflopen (weg van de ventilator) om inkomend regenwater naar buiten te draineren.
9. Repareer het gat. Zorg ervoor dat de mortel hard is vooraleer u verder gaat met het installeren van de ventilator.

*Bij installatie in een venster of paneel*

Maak een gat met een diameter van 125mm. Het centrum van het gat moet minstens 110mm verwijderd zijn van de rand van het paneel of de ruit. Het is aanbevolen dat u een ruit koopt die vooraf werd gesneden voor installatie in een venster.

*Bij installatie in een ventilatieschacht.*

**1. Zorg ervoor dat er geen verborgen buizen of kabels aanwezig zijn in de ventilatieschacht. Raadpleeg een deskundige als u twijfelt.**

2. Maak een gat met een diameter van 110mm in de zijkant van de schacht.
3. Als de schacht een spouwmuur heeft, gebruik dan de muurbuis om de spouw te overbruggen.
4. Monteer de buizen en de condensatiefilter indien nodig. De condensatiefilter moet zo dicht mogelijk bij de ventilator geïnstalleerd worden.

*Bij installatie in het plafond*

**1. Zorg ervoor dat er geen verborgen buizen of kabels aanwezig zijn in het plafond/ de**

**balken enz. Raadpleeg een deskundige als u twijfelt.**

2. Maak een gat met een diameter van 115mm.

**De ventilator voorbereiden voor installatie**

Verwijder het voorste deksel door met een 3mm schroevendraaier op de grepen aan de kanten van het apparaat te drukken en tegelijkertijd het voorste deksel naar voren te trekken **M**

**De ventilator in het gat monteren**

**Voor werk boven het gelijkvloerse moeten de nodige veiligheidsmaatregelen in acht genomen worden.**

*Bij installatie in een muur, plafond of ventilatieschacht*

**Teken de positie van de achterplaat aan **B****

1. Houd de achterplaat in de volgende positie: het klemblok staat tegenover u in de linkerbovenhoek en de rand wijst in de richting van het gat.
2. Stop voorzichtig de rand in de muurbuis/ plafond of ventilatieschacht.
3. Pas de positie van de achterplaat aan zodat hij waterpas is.
4. Markeer de posities van de drie bevestigingsgaatjes in de achterplaat op de muur/ plafond of ventilatieschacht.
5. Verwijder de achterplaat van het buiswerk.
6. Boor gaatjes in deze posities indien nodig en gebruik, indien nodig, muurpluggen.

**De achterplaat monteren **C****

1. Druk de geribbelde pakking (RG100) aan op de rand van de achterplaat **1**
2. Bij installatie in een plafond of ventilatieschacht: druk het stuk telescopische muurbuis met de grootste diameter aan op de geribbelde pakking. Snijd, indien nodig, eerst de buis af op de gewenste lengte.
3. Als u de ventilator van de achterkant bedraadt, verwijder dan de uitsnijding. Schuif de elektrische kabel door het daarvoor bestemde gat in de achterplaat naar de poelklemmen **D**.
4. Als u de ventilator van de bovenkant bedraadt, laat de kabel dan vrij om in het labyrint te passen.
5. Steek de rand van de achterplaat in de muurbuis/ plafond of ventilatieschacht zoals voorheen.
6. Bevestig de achterplaat aan de muur/ plafond of ventilatieschacht met de geschikte hechtingen. Als u schroeven gebruikt, **zorg er dan voor dat u ze niet te vast aandraait.**

**De achterste tochtklep monteren**

1. Pel de achterkant van de bijgeleverde schuimrubberen strook af en bevestig deze rond de buitenkant van de rand van de achterste tochtklep.
2. Ga naar buiten. Houd de bovenste en

onderste vinnen open en steek de rand in de muurbuis.

3. Zorg ervoor dat de achterste tochtklep waterpas is en teken de posities van de twee bevestigingsgaatjes aan in de rechterbovenhoek en de linkerbenedenhoek.
4. Neem de achterste tochtkleppen weg van de muurbuis. Boor gaten in deze posities en gebruik de overblijvende muurpluggen.
5. Boor gaten in deze posities en gebruik de overblijvende muurpluggen.
6. Houd de bovenste en onderste vinnen open, monteer opnieuw de achterste tochtklep en maak hem aan de muur vast met het puntige einde van de zelfindraaiende schroeven.  
**Draai de schroeven niet te vast aan.**
7. Controleer of de vinnen goed openen en sluiten.

#### *Bij installatie in een venster of paneel*

##### **Het gat vullen E**

1. Bij installatie in een venster of paneel dat niet dikker is dan 9mm, bevestig de witte rubberen pakking rond de rand van het gat. Bij installatie in een paneel of verzegelde dubbele ramen met een dikte die groter is dan 9mm moet een DXDG pakket voor dubbele beglazing gebruikt worden. Volg de richtlijnen die bijgeleverd worden bij dit speciale pakket.

##### **De achterste tochtklep bevestigen aan het vulstuk F**

1. Houd de bovenste en onderste vinnen open en steek de achterste tochtklep **E** in het vulstuk **F** zodat de bevestigingsgaatjes in de rechterbovenhoek en de linkerbenedenhoek overeenstemmen met de gaatjes op het vulstuk.
2. Gebruik twee van de bijgeleverde zelfindraaiende schroeven met platte kop en bevestig de achterste tochtklep aan het vulstuk.

##### **De ventilator in het venster monteren G**

1. Een tweede persoon moet de achterste tochtklep en het vulstuk buiten op de juiste plaats houden met het vulstuk tegen het glas.
2. Zorg ervoor dat de twee verhoogde bevestigingsgaatjes in het vulstuk horizontaal zijn en in het gat passen.
3. Van de binnenkant, houd de achterplaat in de volgende positie: het klemblok staat tegenover u in de linkerbovenhoek en de rand wijst in de richting van het gat.
4. Zorg ervoor dat de gaten in de achterplaat overeenkomen met de gaatjes in het vulstuk.
5. Gebruik twee van de bijgeleverde zelfindraaiende schroeven met platte kop en bevestig de achterplaat aan het vulstuk.  
**Draai de schroeven niet te vast aan.**

##### **De transformator monteren I**

De transformator kan rechtstreeks op de muur gemonteerd worden of vastgemaakt worden aan

een geschikte verzonken muurdoos.

#### *Rechtstreeks op de muur*

1. Verwijder de twee schroeven die het deksel op zijn plaats houden en verwijder het deksel.
2. Houd de transformator tegen de muur en markeer de twee bevestigingsgaatjes "A" en "C".
3. Boor de twee gaatjes en stop er een plug in. Monteer de transformator met de twee gepunte zelfindraaiende schroeven die bijgeleverd worden.

#### *Aan een verzonken muurdoos*

1. Leid de kabels in de muurdoos en maak de muurdoos aan de muur vast.
2. Verbind de beschermende aardegeleider indien vereist.
3. Verwijder de twee uitsnijdingen in de achterkant van de transformator en leid de 12V wisselstroom elektrische voedingskabels in hun respectieve secties.
4. Maak de transformator aan de muur vast door de twee bijgeleverde schroeven in gaten "A" en "C" te stoppen en ze vast te schroeven aan de uitsteeksels op de muurdoos.
  - Voor montage in de zolder kan de transformator met de twee schroeven bevestigd worden aan het houten oppervlak.
  - **DE TRANSFORMATOR MAG NIET BEDEKT WORDEN MET ISOLATIEMATERIAAL.**

#### **De ventilator bedraden H**

##### **ZORG ERVOOR DAT DE ELEKTRICITEITSTOEVOER GEÏSOLEERD IS.**

Bedraad de ventilator zoals aangetoond in **H**. Schuif de kabel tussen de twee verhoogde pinnen, als u van de bovenkant bedraadt, en door het labirint naar het klemblok.

- **Voor vaste bedrading en circuits mag de beschermende zekering voor het apparaat niet hoger zijn dan 5A.**

#### *IV100T alleen.*

- Om de overschrijdingstimer te regelen, stopt u een kleine schroevendraaier in de holte in de controlespil en draait u naar rechts om te vermeerderen en naar links om te verminderen.

#### *IV100H & IV100HP alleen K*

- De vochtigheidsregeling werd ingesteld in de fabriek aan ongeveer 70% relatieve vochtigheid (RH), maar kan aangepast worden tussen 50% en 90% RH met knop (H).
- De tijdsvertraging werd ingesteld in de fabriek aan ongeveer 20 min. maar kan aangepast worden met knop (T).
- Beide knoppen zijn regelbaar. Draai de knoppen naar rechts om de tijd of RH te vermeerderen en naar links om te verminderen.

#### *IV100PIR alleen L*

- Regel de overschrijdingsperiode met knop (T). Draai de schroevendraaier naar rechts om te vermeerderen en naar links om te verminderen.

*Xpelair  
Toilet- en  
badkamerventilators  
LV100, LV100PC,  
LV100T, LV100H,  
LV100HP LV100PIR &  
installatie- en  
werkingsinstructies*

Laat deze instructies bij de ventilator liggen ten voordele van de gebruiker.

#### *Alle ventilators*

- Als u van boven aan bedraadt, snij dan het aangeduide gat voor de kabel weg uit de bovenkant van het voorste deksel.
- Bevestig het voorste deksel door het te doen overeenkomen met de buis en het op de buis te drukken tot de greepjes in de gleufjes van het voorste deksel klikken.

#### **De transformator bedraden H & J**

#### **ZORG ERVOOR DAT DE ELEKTRICITEITSTOEVOER GEÏSOLEERD IS.**

1. Bij montage op een oppervlak, leid 12V wisselstroom elektrische voedingskabel door de geschikte uitsnijdingen in hun respectieve secties.
2. Leg de kabels in de kabelklemmen (elektrische kabel aangetoond in **H**), en maak de verbindingen zoals aangetoond in **J**).
3. Zorg ervoor dat alle verbindingen stevig vast zijn.
4. **Schakel de elektriciteit uit en verwijder de zekeringen.**
5. Verbind de kabel van de isolatieschakelaar naar de elektriciteitstoevoer.
  - **Voor vaste bedradingcircuits mag de beschermende zekering voor het apparaat niet hoger zijn dan 5A.**
6. Plaats de zekeringen terug en schakel de elektriciteit aan.

#### **Uw ventilator gebruiken**

##### *LV100 alleen*

- Zet de ventilator aan en af met een aan/ af schakelaar (niet bijgeleverd).

##### *LV100PC alleen*

- Zet de ventilator aan door aan de integrale koord te trekken en los te laten.
- Herhaal deze actie om de ventilator af te zetten.

##### *LV100T alleen*

- Zet de ventilator aan en af met de aan/ af schakelaar. Wanneer de ventilator afgezet wordt, zal hij blijven werken voor de ingestelde tijdsvertragsperiode.

##### *LV100H alleen*

- De ventilator werkt wanneer de relatieve vochtigheid het ingestelde niveau overschrijdt. Wanneer de relatieve vochtigheid daalt, zal de ventilator blijven werken voor de regelbare tijdsvertraging.

##### *LV100HP alleen*

- Manuele stand: gebruik de integrale trekkoord. Wanneer u de ventilator afzet, gaat hij in automatische stand werken na de tijdsvertraging (het licht toont aan wanneer de ventilator werkt op de manuele stand).

##### *DX100PIR alleen*

- De sensor spoort bewegingen op in de kamer en activeert de ventilator. Wanneer beweging opgespoord wordt, zal de ventilator werken voor een vooraf ingestelde overschrijdingsperiode en verdere

bewegingen zullen de openvolging opnieuw starten. Hierdoor wordt de kamer enkel geventileerd tijdens en onmiddellijk na gebruik. Wanneer de ventilator voor het eerst geïnstalleerd is, zal er een stabilisatieperiode zijn van ongeveer 5 minuten. Tijdens deze periode zal de ventilator voor maximum 2 minuten blijven werken.

#### **Reiniging (aanbevolen om eens per maand te reinigen)**

#### **DE REINIGING ZOU UITGEVOERD MOETEN WORDEN DOOR EEN BEVOEGD ELEKTRICIEN.**

1. **Isoleer de ventilator volledig van de elektriciteit.**
2. Verwijder het voorste deksel door met een 3mm schroevendraaier op de grepen aan de kanten van het apparaat te drukken en tegelijkertijd het voorste deksel naar voren te trekken **M**.
3. Om het voorste deksel te reinigen, veeg het ofwel schoon met een vochtig doek zonder pluksels of was het is warm zeepwater. Droog het voorste deksel zorgvuldig en plaats het terug.
4. Dompel de ventilator niet onder in water of andere vloeistoffen om andere onderdelen van de ventilator te reinigen.
5. Gebruik nooit bijtende oplosmiddelen om de ventilator te reinigen.
6. Naast het reinigen is er geen ander onderhoud vereist.





Por favor, guarde este folleto junto con el extractor para beneficio del usuario.

## Instalación del extractor

Estos electrodomésticos están diseñados para ser conectados mediante un cableado fijo. Compruebe que las especificaciones eléctricas que figuran en el transformador coinciden con las de su red de suministro eléctrico.

### ESTOS ELECTRODOM...STICOS POSEEN AISLAMIENTO DOBLE Y NO ES NECESARIO QUE EST...N CONECTADOS A TIERRA.

Todas las instalaciones deberán ser supervisadas por un electricista debidamente cualificado. Las instalaciones y el tendido de cables deberán cumplir y satisfacer las Normativas IEE (Reino Unido) actualmente vigentes, las de ámbito local, o aquellas que sean de aplicación en otros países.

Si antes o después de instalar estos productos desea hacer alguna consulta, por favor llame a la línea de atención telefónica directa de Asistencia Técnica de Xpelair: +44 (0) 8709 000430, en la que nuestros ingenieros estarán encantados de atenderle personalmente en horario laboral normal (sólo para el Reino Unido). Siempre podrá remitirnos durante las 24 horas del día un fax con sus consultas al número +44 (0) 8709 000530.

Aquellos clientes que no residan en el Reino Unido deberán ponerse en contacto con su distribuidor local de Xpelair.

## Descripción

### Todos los extractores

- El kit de montaje universal ofrece múltiples opciones de montaje: ventanas, muros, paneles, respiraderos y techos. Consulte los detalles de acabados. Si tiene intención de instalar el extractor en el techo, consulte la sección "Material necesario para la instalación"cción.
- Velocidad única de extracción.
- Funcionamiento con corriente alterna a 12 V.

### LV100

- Permite operar el extractor mediante un conmutador de pared de encendido/apagado (no se suministra).

### LV100PC

- Permite operar el extractor mediante un cable retraíble integrado en el mismo.

### LV100T

- Su temporizador incorporado activa automáticamente el extractor en períodos predeterminados de hasta 25 minutos.

### DX 100H

- Funciona cuando el sensor de humedad lo dispara automáticamente. Si la humedad ambiental cae por debajo del umbral predeterminado de Humedad Relativa (HR),El temporizador incorporado automáticamente pone en funcionamiento el

extractor durante un período de tiempo predeterminado (que se puede establecer entre 2 y 20 minutos).

### LV100HP

- Se pone en funcionamiento automáticamente cuando se dispara su sensor de humedad (higrostat) o cuando se enciende utilizando el cable retraíble incorporado en el extractor (los indicadores luminosos del extractor informan si está funcionando en modo manual).

### LV100PIR

- El sensor de movimiento integrado en el extractor lo pone en funcionamiento siempre que se detecta movimiento en el recinto o sala en el que está instalado el extractor. El temporizador hace funcionar automáticamente el extractor en períodos predeterminados de 2 a 20 minutos.

## Transformador

- El montaje mural se deberá realizar fuera del alcance del baño o de la ducha.
- Ofrece una alimentación eléctrica de 12 voltios de corriente alterna, segura y aislada para el extractor.

## Material necesario para la instalación

Dispositivo de aislamiento de doble polo, con una distancia de contacto mínima de 3 mm (para el montaje en pared o en techo).

**Si los conmutadores son de cajado metálico, se deberá seguir la normativa sobre conexiones a tierra.**

Cable nominal de 2 hilos adecuado (para el cableado desde el transformador hasta el extractor).

**Directrices orientativas para establecer la longitud máxima de cable entre el transformador y el extractor.**

- a) Limitado a una caída de voltaje de 0,3 voltios, correspondiente a una reducción en el rendimiento del extractor del 1,5%.

	Flexible	Fija
Sección del conductor (mm <sup>2</sup> )	0,75 1,00	1,50 2,50
Longitud máxima recomendada para el cable (metros)	4,50 6,00	9,00 15,00

- b) Limitado a una caída de voltaje de 0,5 voltios, correspondiente a una reducción en el rendimiento del extractor del 3%.

	Flexible	Fija
Sección del conductor (mm <sup>2</sup> )	0,75 1,00	1,50 2,50
Longitud máxima recomendada para el cable (metros)	7,5 10,00	15,00 25,00

- Cable nominal de 2 hilos adecuado (para el suministro del transformador) LV100, LV100PC, LV100H, LV100HP y LV100PIR.
- Cable nominal de 3 hilos adecuado (sólo para el suministro del transformador modelo LV100T).

- Atornillador de electricista de 3 mm y atornillador Pozdriv del número 1 ó del 2.
- **Siempre que en las proximidades del extractor existan cañerías situadas por encima del extractor, y con el fin de prevenir posibles situaciones de peligro derivadas de entradas de agua en el aparato, es preciso instalar una trampa de condensación (Xpelair N| XCT100) en un lugar lo más cercano posible al mismo.**

#### Material adicional para montaje en pared

- Se precisa un berbiquí de mampostería, un martillo y un buril (o si está disponible, una taladradora de tubo).
- En caso de que sea necesario, mezcla de mortero o argamasa para el reajuste del orificio.

#### Material adicional necesario para montaje en ventana

- Se necesita un cristal de ventana de un grosor mínimo de 3 mm y máximo de 6 mm (preferiblemente de 4 mm).
- Si el área del cristal de ventana es superior a los 0,2 m<sup>2</sup> no utilice cristal de 3 mm de espesor.
- Si la instalación se va a realizar en una ventana de doble acristalamiento, se deberá obtener del fabricante de la ventana una unidad especialmente diseñada para estos casos. También podrá solicitar el kit especial con referencia de catálogo Xpelair: DXDG.
- Si la instalación va a tener lugar en ventanas correderas de desplazamiento vertical, se deberá instalar el extractor en la ventana superior. Asegure el marco superior en su posición de cierre e instale topes justo debajo del extractor para evitar que se dañe cuando se suba la ventana.
- Si el extractor se va a instalar en un panel de un grosor situado entre los 9 mm y los 46 mm, necesitará el kit especial con referencia de catálogo DXDG. No instale estos extractores en ningún panel cuyo grosor sea superior a los 46 mm.

#### Montaje en el techo

Será preciso utilizar accesorios especiales para su acabado. Estos artículos los puede solicitar a Xpelair.

1. WT10 - kit de acabado de tubos
2. CFWG100 - rejilla de acabado (blanca o gris)
3. FD100 / 3 y FD100 / 6 - Tubos flexibles.

#### Dónde realizar la instalación

##### Extractor

- Sitúe el extractor en un lugar lo más elevado posible.
- Entre los bordes de la superficie de montaje y el punto central del orificio debe mediar como mínimo una distancia de 110 mm.
- Coloque el extractor lo más lejos posible y enfrente de la fuente principal de renovación de aire para asegurar que el flujo de aire pase

adecuadamente por toda la sala.

- Ponga el extractor lo más cerca posible de las fuentes de vapor o de olores.
- **No instale el extractor en lugares en los que la temperatura ambiente pueda superar los 50°C.**
- Si se instala en una cocina, el extractor no se deberá instalar justo encima de los hornillos o de la parrilla.
- Si el extractor se va a instalar en una sala en la que exista algún aparato que consuma combustible y que no tenga un tubo de humos equilibrado, será responsabilidad del instalador asegurar que en dicha sala exista una suficiente renovación de aire que impida que los humos se queden en el tubo cuando el extractor funcione a su máxima potencia. Consulte la Normativa sobre Construcción de Edificios para determinar los requisitos específicos.
- El aire extraído no se deberá eliminar por los mismos conductos que se eliminan los humos procedentes de aparatos que utilizan una fuente energética distinta de la eléctrica. Se deberán observar todas las ordenanzas y regulaciones promulgadas por las autoridades competentes relativas a la evacuación y entrada de aire, así como sobre las tasas de flujo de aire.
- Si se pretende instalar el extractor en un lugar en el que la atmósfera pueda contener compuestos químicos corrosivos, consulte con nuestro Departamento de Servicio Técnico. (En mercados extranjeros, consulte con el distribuidor Xpelair local).
- **Sólo para el modelo LV100PIR: Coloque el extractor en una posición que asegure la detección del movimiento. Se deberá poner especial atención a que los rayos detectores no encuentren ninguna obstrucción que pueda afectar al funcionamiento del sensor de movimiento **A**.**

##### Transformador

- En el falso techo o en cualquier otra posición conveniente en una pared (no idóneo para el montaje en techo).  
**El transformador no debe quedar cubierto por el aislante existente en el falso techo.**
- Se debe colocar de la forma correcta hacia arriba para que satisfaga los requisitos de protección contra la entrada de humedades.
- No instale por debajo de los 0,6 metros situados encima del cubículo de un baño o una ducha, y hasta una altura máxima de 2,25 metros.
- **No instale en lugares cuya temperatura ambiente pueda superar los 50°C.**

#### Instalación de los cables y del dispositivo de aislamiento

1. Compruebe que las especificaciones eléctricas que figuran en la placa de la parte posterior del aparato coinciden con las de su

Por favor, guarde este folleto junto con el extractor para beneficio del usuario.

red de suministro eléctrico.

2. **Verifique que por detrás del lugar elegido para situar el aparato no hay cañerías de agua o gas o cables eléctricos empotrados en la pared o en el techo. En caso de duda, requiera el asesoramiento de un profesional.**
3. **Aísle la toma de corriente.**
4. Tienda el cable desde la fuente de alimentación hasta el dispositivo de aislamiento de doble polo.
5. Tienda el cable desde el dispositivo de aislamiento hasta el lugar en el que esté situado el transformador.
6. Tienda el cable desde el transformador hasta la posición del extractor.
7. Instale el dispositivo de aislamiento.
8. Realice todas las conexiones necesarias en el interior del dispositivo de aislamiento.

**Nota: el conmutador de encendido/apagado se debe situar en un lugar que no pueda ser tocado, ni siquiera accidentalmente, por las personas que utilizan el baño o las duchas.**

**ATENCIÓN: EN ESTA ETAPA NO REALICE NINGUNA CONEXIÓN A LA RED ELÉCTRICA.**

#### Preparación del orificio para el montaje del extractor

Se deberán tomar precauciones especiales al trabajar en lugares situados por encima del nivel del suelo.

**ATENCIÓN: SE DEBERÁN UTILIZAR GAFAS PROTECTORAS DURANTE TODAS LAS OPERACIONES EN LAS QUE SE UTILICE UNA TALADRADORA O UN BURIL.**

#### Instalación sobre muro

1. Compruebe que la pared no contiene en su interior cables, cañerías o conductos de cualquier tipo, y que en el exterior no existen elementos que puedan obstruir, por ejemplo, electricidad, gas o agua. En caso de duda, requiera el asesoramiento de un profesional.
2. Marque en la pared el centro geométrico del orificio.
3. Utilice este punto marcado para dibujar un círculo que se ajuste al diámetro del tubo de pared (115 mm de diámetro).

*En caso de disponer de una taladradora de tubo:*

- 4a. Utilicela según las instrucciones proporcionadas por el fabricante.

*Si no se dispone de una taladradora de tubo:*

- 4b. Haga un taladro central que atraviese la pared.
5. Corte el orificio. Realice el corte desde ambos lados. No atraviese directamente la pared. El método recomendado es realizar una serie de taladros muy próximos entre sí alrededor de la línea de corte y quitar la mampostería existente entre los taladros con un buril.

6. Salga al exterior y corte un orificio en la pared exterior, repitiendo el proceso anteriormente descrito.
7. Si es necesario, corte un tubo de la longitud adecuada. El tubo mural que se suministra es telescópico y se puede estirar hasta un máximo de 300 mm.
8. Fije el tubo. Asegúrese de que el tubo tiene la suficiente caída y está lo suficientemente lejos y por debajo del extractor para que pueda drenarse en el caso de que entre agua de lluvia desde el exterior.
9. Repare el orificio. Deje fraguar el mortero antes de seguir con la instalación del extractor.

#### Instalación en ventana o en panel

Corte un orificio de 125 mm de diámetro. El centro del orificio deberá estar situado a una distancia mínima de 110 mm del borde del panel o del cristal. Si la instalación se va a realizar en ventana, recomendamos que disponga de un vidrio ya cortado.

#### Instalación en un respiradero

1. **Compruebe que el respiradero no contiene cables o cañerías empotradas. En caso de duda, solicite asesoramiento de un profesional.**
2. Corte un orificio de 110 mm en la parte lateral del respiradero.
3. Si el respiradero está aislado con doble pared, utilice el tubo mural para traspasar el hueco entre paredes del respiradero.
4. Fije el tubo, y si es necesario, fije también la trampa de condensación, situándola lo más próxima posible al extractor.

#### Instalación en el techo

1. **Compruebe que ni en el techo ni en las viguetas existen cables empotrados. En caso de duda, solicite asesoramiento a un profesional.**
2. Corte un orificio de 115 mm de diámetro.

#### Preparación del extractor para su instalación

Quite la cubierta delantera presionando con un atornillador de 3 mm sobre las pestañas situadas en los laterales de la unidad, a la vez que tira hacia delante de la cubierta delantera **M**

#### Montaje del extractor en el orificio

**Si se trabaja por encima del nivel del suelo se deberán tomar las adecuadas medidas de seguridad.**

#### Instalación en pared, en techo o en respiradero

##### Marque la posición de la placa trasera **B**

1. Sostenga la placa trasera de forma que el bloque terminal mire hacia Ud. en la esquina superior izquierda, con el reborde dirigido hacia el orificio.
2. Inserte cuidadosamente el reborde en el tubo de pared / techo o en el respiradero.
3. Ajuste la posición de la placa trasera hasta nivelarla convenientemente.

4. Marque en la pared, el techo o en el respiradero las posiciones de los agujeros de montaje situados en la placa trasera.
5. Quite la placa trasera del tubo.
6. Taladre agujeros para los tornillos en estas posiciones, y si es preciso, inserte tacos de fijación.

#### Monte la placa trasera **C**

1. Presione la junta acanalada (RG100) sobre el reborde de la placa trasera **1**
2. Si la instalación se va a realizar en el techo o en un respiradero, presione la pieza de mayor diámetro del tubo telescópico sobre la junta acanalada. En caso necesario, corte primero el tubo a la medida adecuada.
3. Si los cables deben entrar en el extractor desde atrás, abra el orificio ciego, introduzca los cables a través del orificio de entrada situado en la placa trasera y llévelos hasta los terminales de conexión **2**
4. Si los cables deben entrar desde arriba, deje el cable libre para fijarlo en el interior del laberinto.
5. Inserte el reborde de la placa trasera en el tubo de pared / techo/ respiradero tal como se describe anteriormente.
6. Asegure la placa trasera a la pared / techo / respiradero mediante dispositivos de fijación adecuados. Si se utilizan tornillos, **no pase de rosca al atornillarlos.**

#### Montaje del obturador posterior

1. Quite el papel del burlete de espuma que se suministra y adhéralo alrededor del exterior del reborde del obturador posterior.
2. Salga afuera. Mantenga abiertas las aspas superior e inferior e inserte el reborde en el tubo de pared.
3. Compruebe que el obturador posterior está convenientemente nivelado, marque las posiciones de los dos orificios de fijación, situados en las esquinas superior derecha e inferior izquierda.
4. Quite el obturador posterior del tubo de pared.
5. Taladre orificios para tornillos en estas posiciones y fije los restantes tacos de pared.
6. Mientras mantiene abiertas las aspas superior e inferior, vuelva a colocar el obturador posterior y fíjelo a la pared con los tornillos. **No los pase de rosca.**
7. Compruebe que las aspas se abren y cierran con libertad.

#### Instalación en una ventana o en un panel

##### Sellado del orificio **E**

Si la instalación se va a realizar en una ventana o en un panel de grosor no superior a los 9 mm, coloque la arandela de goma blanca en el borde del orificio. Si la instalación se lleva a cabo en un panel o en una ventana de doble acristalamiento de grosor superior a los 9 mm, es preciso utilizar el kit DXG. Siga las instrucciones que vienen con este kit especial.

#### Fije el obturador posterior al separador **F**

1. Sostenga las aspas superior e inferior, inserte el obturador posterior **2** en el separador **3** de forma que los taladros de fijación situados en las esquinas superior derecha e inferior izquierda coincidan con los del separador.
2. Inserte dos de los tornillos de punta plana que se suministran para fijar el obturador posterior al separador.

#### Monte el extractor en la ventana **G**

1. Desde el exterior otra persona debe sujetar en su posición el obturador posterior y el separador, con el separador apoyado en el cristal.
2. Compruebe que los dos taladros elevados de fijación del separador están situados horizontalmente y dentro del orificio.
3. Desde el interior, sostenga la placa trasera de manera que el bloque terminal esté situado de cara hacia Ud. en la esquina superior izquierda y con el reborde dirigido hacia ese taladro.
4. Alinee los taladros de la placa trasera con los del separador.
5. Inserte dos de los tornillos de extremo plano que se suministran en los orificios de sujeción, y fije la placa trasera al separador. **No pase de rosca los tornillos.**

#### Montaje del transformador **II**

El transformador se puede fijar directamente a la pared o en el interior de un cajetín empotrado en la misma.

#### Montaje directo en la pared

1. Quite los dos tornillos que aseguran la cubierta y sáquela.
2. Ponga el transformador en el lugar de la pared en el que desea fijarlo. Marque las posiciones de los orificios de fijación "A" y "C".
3. Taladre los orificios en la pared, ponga los tacos y utilice los dos tornillos que se suministran para fijar el transformador a la pared.

#### Montaje en un cajetín empotrado

1. Introduzca los cables en el cajetín y empótrelo en la pared.
  2. De ser necesario, conecte a tierra el cable protector.
  3. Abra los dos orificios ciegos existentes en la parte posterior del transformador y lleve los cables de alimentación eléctrica de 12 V de corriente alterna a sus compartimentos correspondientes.
  4. Fije el transformador a la pared introduciendo los dos tornillos que se suministran a través de los orificios "A" y "C" y asegure las pestañas en el cajetín empotrado.
- Si el montaje se va a realizar en un techo falso, el transformador se puede fijar a una superficie de madera utilizando dos tornillos.

#### ● EL TRANSFORMADOR NO DEBE QUEDAR CUBIERTO POR EL MATERIAL AISLANTE DEL FALSO TECHO

Por favor, guarde este folleto junto con el extractor para beneficio del usuario.

### Conexiones eléctricas del extractor **H**

#### ASEGÚRESE DE QUE LA TOMA DE ELECTRICIDAD ESTÁ CONVENIENTEMENTE AISLADA.

Tienda los cables tal como se observa en la figura **H**. Si el cableado se tiende desde arriba, introduzca el cable entre las dos espiguillas y llévelo a lo largo del laberinto hasta alcanzar el bloque de terminales de conexión.

- **El fusible de protección del aparato para circuitos y cableado fijo no debe superar los 5 amperios.**

#### LV100T sólo

- Para ajustar el período de funcionamiento adicional del temporizador, introduzca un atornillador fino en la escotadura del mando de control y gire en sentido horario para incrementar el período, y en sentido antihorario para reducirlo.

#### LV100H y LV100HP sólo **K**

- La humedad se fija en fábrica aproximadamente al 70% de Humedad Relativa (HR), pero puede ajustarse entre un 50% y un 90% con el mando (H).
- El tiempo de retardo se fija en fábrica aproximadamente en 20 minutos, pero puede ajustarse con el mando (T).
- Se pueden ajustar los dos mandos. Gire los mandos en sentido horario para incrementar el tiempo o la HR, y en sentido antihorario para reducirlos.

#### LV100PIR sólo **L**

- Ajuste del período de funcionamiento con el mando (T). Gire el destornillador en sentido horario para incrementar el período y en sentido antihorario para reducirlo.

#### Todos los extractores

- Si se cablea desde arriba, corte la ranura de entrada del cable que está marcada en la parte superior de la cubierta delantera.
- Coloque la cubierta delantera ajustándola al conducto y empujándola hacia el mismo hasta que el disparador emita un golpe seco al unirse a las ranuras de la cubierta delantera.

### Conexiones eléctricas del transformador H y J

#### ASEGÚRESE DE QUE LA TOMA DE ELECTRICIDAD ESTÁ CONVENIENTEMENTE AISLADA.

1. Si el montaje se va a realizar en superficie (no empotrado), pase los cables de alimentación eléctrica de 12 V CA a través de los orificios ciegos y llévelos a sus correspondientes compartimentos.
2. Sitúe los cables en sus fijadores (la figura **H** muestra el cable de alimentación eléctrica, y la figura **J** muestra cómo realizar las conexiones)
3. Verifique que todas las conexiones están bien sujetas.
4. **Desconecte la alimentación eléctrica y**

#### quite los fusibles.

5. Conecte el cable procedente del dispositivo de aislamiento al cableado de alimentación eléctrica,
- **El fusible de protección del aparato para cableado fijo no debe superar los 5 amperios.**
6. Vuelva a poner los fusibles y dé paso a la corriente.

### Utilización del extractor

#### LV100 sólo

- Encienda el extractor mediante un interruptor de encendido/apagado.  
Haga lo mismo para apagar el aparato.

#### LV100PC sólo

- Encienda el extractor tirando del cable y soltándolo después.
- Haga lo mismo para apagar el aparato.

#### LV100T sólo

- Encienda el extractor mediante un interruptor de encendido/apagado. Cuando el interruptor está en posición de apagado, el extractor continúa funcionando durante el tiempo de retardo ajustable.

#### LV100H sólo

- El extractor empieza a funcionar en el momento en el que la humedad relativa de la estancia supera el umbral predeterminado. Cuando la humedad relativa cae por debajo de ese umbral, el extractor seguirá activo durante el tiempo predeterminado de funcionamiento adicional establecido.

#### LV100HP sólo

- Modo manual: utilice el cordón de encendido/apagado. Transcurrido el tiempo de funcionamiento adicional posterior al apagado del extractor, éste entrará en modo de funcionamiento automático cuando haya acabado el tiempo de retardo (una luz le indicará si el extractor está en modo manual).

#### LV100PIR sólo

- El sensor detecta cualquier movimiento que tenga lugar en la habitación y enciende el extractor. Cuando se detecta un movimiento, el extractor se enciende durante un período de tiempo adicional prefijado que se volverá a activar si se detectan más movimientos. Esto permite que la habitación esté ventilada sólo mientras alguien la esté utilizando (y justo después). **La primera vez que se instala el extractor, tendrá lugar un período de adaptación que durará aproximadamente cinco minutos. Durante este tiempo, el extractor funcionará hasta un máximo de dos minutos.**

### Limpieza (se recomienda una vez al mes)

#### EL PROCEDIMIENTO DE LIMPIEZA DEBERÁ SER REALIZADO POR UN ELECTRICISTA

**DEBIDAMENTE CUALIFICADO.**

**1. Antes de limpiar el extractor, desconéctelo por completo de la alimentación eléctrica.**

2. Retire la cubierta delantera presionando el pestillo del disparador situado a los lados de la unidad con un destornillador de 3 mm, mientras tira de la cubierta delantera hacia delante **M**.

3. Puede limpiar la cubierta delantera con un paño húmedo y sin hilos, o también puede lavarla con agua caliente y jabón. Seque bien la cubierta delantera y vuelva a colocarla.

4. No introduzca el extractor en agua o en cualquier otro líquido para limpiar otras partes del mismo.

5. No utilice nunca disolventes fuertes para limpiar el extractor.

6. No hay ningún requisito de mantenimiento aparte de la limpieza.



## Xrelair Ανεμιστήρες τουαλέτας- μπάνιου LV100, LV100PC, LV100T, LV100H, LV100HP, LV100PIR

Οδηγίες εγκατάστασης και λειτουργίας  
Παρακαλείσθε ν' αφήσετε το φυλλάδιο αυτό με τον εξεριστήρα, για να το συμβουλευτείτε ο χρήστης

### Εγκατάσταση του εξεριστήρα

Οι συσκευές αυτές προορίζονται για σύνδεση σε σταθερή καλωδίωση. Βεβαιωθείτε ότι η ηλεκτρική διαβάθμιση που αναγράφεται στον μετασχηματιστή ανταποκρίνεται προς την ηλεκτρική παροχή.

### ΟΙ ΣΥΣΚΕΥΕΣ ΑΥΤΕΣ ΕΙΝΑΙ ΔΙΠΛΟΜΟΝΩΜΕΝΕΣ ΚΑΙ ΔΕΝ ΧΡΕΙΑΖΟΝΤΑΙ ΓΕΙΩΣΗ.

Κάθε εγκατάσταση πρέπει να επιβλέπεται από ειδικευμένο ηλεκτρολόγο. Οι εγκαταστάσεις και καλωδιώσεις πρέπει να συμμορφώνονται προς τους τρέχοντες Κανονισμούς του ΙΕΕ (στο Ηνωμένο Βασίλειο), και τους εθνικούς ή σχετικούς κανονισμούς (σε άλλες χώρες).

Αν έχετε οποιοδήποτε ερωτήσεις πριν την εγκατάσταση των συσκευών αυτών ή μετά την εγκατάστασή τους, καλέστε τη Γραμμή Τεχνικής Υποστήριξης της Xrelair +44 (0) 8709 000430. Οι μηχανικοί μας βρίσκονται εκεί για να σας βοηθούν κατά τη διάρκεια των κανονικών ωρών γραφείου (μόνο στο Ηνωμένο Βασίλειο) και μπορείτε να τους στείλετε φαξ κατά τις υπόλοιπες ώρες στο +44 (0) 8709 000530.

Οι πελάτες έξω από το Ηνωμένο Βασίλειο, μπορούν να αποτεινούνται στους κατά τόπους διανομείς της Xrelair.

### Περιγραφή

#### Όλοι οι εξεριστήρες

- Γενικής χρήσης εξάρτημα εγκατάστασης επιτρέπει επιλογές τοποθέτησης σε παράθυρο, τοίχο, πάνελ, αγωγό εξερισμού και ταβάνι. Βλέπε λεπτομέρειες τερματισμού. Αν ο εξεριστήρας τοποθετείται στο ταβάνι, συμβουλευθείτε το μέρος «Τι θα χρειαστεί αυτός που κάνει την εγκατάσταση».

- Εξαγωγή μίας ταχύτητας.
- Λειτουργία εναλλασσόμενου ρεύματος 12V.

#### LV100

- Ο εξεριστήρας λειτουργεί με τη χρήση διακόπτη on/off (που δεν παρέχεται).

#### LV100PC

- Ο εξεριστήρας λειτουργεί με τη χρήση ενσωματωμένου κορδονιού τραβήγματος.

#### LV100T

- Ενσωματωμένος χρονορυθμιστής λειτουργεί αυτόματα τον εξεριστήρα με προρυθμισμένη καθυστέρηση 25 λεπτών.

#### LV100H

- Λειτουργεί με αυτόματη ενεργοποίηση από τον αισθητήρα υγρασίας.
- Ενσωματωμένος χρονορυθμιστής λειτουργεί αυτόματα τον εξεριστήρα με προρυθμισμένη καθυστέρηση 2 ως 20 λεπτών όταν η υγρασία πέφτει κάτω από την προρυθμισμένη τιμή της Σχετικής Υγρασίας.

#### LV100HP

- Λειτουργεί είτε με αυτόματη ενεργοποίηση από τον αισθητήρα υγρασίας είτε με

εκκίνηση χρησιμοποιώντας τον ενσωματωμένο διακόπτη με κορδόνι τραβήγματος (φωτάκι δείχνει πότε ο εξεριστήρας λειτουργεί με τον μη αυτόματο τρόπο).

#### LV100PIR

- Ενσωματωμένος αισθητήρας σωματικής κίνησης θέτει σε λειτουργία τον εξεριστήρα κάθε φορά που επισμαίνεται κίνηση. Ενσωματωμένος χρονορυθμιστής λειτουργεί αυτόματα τον εξεριστήρα με προρυθμισμένη καθυστέρηση 2 ως 20 λεπτών.

#### Μετασχηματιστής

- Τοποθετείται στον τοίχο, μακριά από το μπάνιο ή το ντουζ.
- Παρέχει μονωμένη ηλεκτροδότηση ασφαλείας για εξεριστήρα εναλλασσόμενου ρεύματος 12V.

#### Τι θα χρειαστεί αυτός που κάνει την εγκατάσταση

Διπολικό μονωτικό διακόπτη με ελάχιστο κενό επαφής 3 χλστ. (τοποθετημένο σε τοίχο ή ταβάνι).

Όταν χρησιμοποιούνται μεταλλικά κιβώτια διακοπών, πρέπει να εφαρμόζονται οι κανονισμοί γείωσης.

Κατάλληλα διαβαθμισμένο καλώδιο 2 πυρήνων (καλωδίωση από τον μετασχηματιστή στον εξεριστήρα).

#### Οδηγίες για μέγιστη καλωδίωση μεταξύ του μετασχηματιστή και του εξεριστήρα

a) Περιορισμένο σε πτώση 0,3 βολτ που αντιστοιχεί προς 1,5% μείωση στην απόδοση του εξεριστήρα.

	Εύκαμπο		Σταθερό	
Μέγεθος αγωγού σε χλστ. <sup>2</sup>	0,75	1,00	1,50	2,50
Συνιστ. μέγ. καλωδίωση σε μέτρα	4,50	6,00	9,00	15,00

β) Περιορισμένο σε πτώση 0,5 που αντιστοιχεί προς 3% μείωση στην απόδοση του εξεριστήρα.

	Εύκαμπο		Σταθερό	
Μέγεθος αγωγού σε χλστ. <sup>2</sup>	0,75	1,00	1,50	2,50
Συνιστ. μέγ. καλωδίωση σε μέτρα	7,50	10,00	15,00	25,00

- Κατάλληλα διαβαθμισμένο καλώδιο 2 πυρήνων (παροχή σε μετασχηματιστή LV100, LV100PC, LV100H, LV100HP, LV100PIR).
- Κατάλληλα διαβαθμισμένο καλώδιο 3 πυρήνων (παροχή σε μετασχηματιστή LV100T μόνο).
- Κατσαβίδι ηλεκτρολόγου 3 χλστ. και κατσαβίδια Pozdriv No. 1 & 2.
- Για την αποφυγή πιθανής επικίνδυνης κατάστασης από εισροή νερού, πρέπει να τοποθετείται παγίδα υγραποίησης (Xrelair no. XCT100) όσο το δυνατό πιο κοντά στον εξεριστήρα, σε όλες τις καταστάσεις που



**οποιοδήποτε τμήμα των δικτύου αγωγών είναι τοποθετημένο πιο ψηλά από τον ίδιο εξεριστήρα.**

**Αν ο εξεριστήρας πρόκειται να τοποθετηθεί σε τοίχο, θα χρειαστείτε επίσης**

- Τρυπάνι τοίχου, σφυρί & σμίλη (ή εξοπλισμό σωληνωτού τρυπανιού, αν υπάρχει).
- Κονίαμα για να στερεωθεί καλά η τρύπα, αν απαιτείται.

**Αν ο εξεριστήρας πρόκειται να τοποθετηθεί σε παράθυρο**

- Θα χρειαστείτε τζάμι πάχους μεταξύ 3 χλστ. και 6 χλστ. (κατά προτίμηση 4 χλστ.).
- Μην το εγκαταστήσετε σε γυαλί πάχους 3 χλστ. αν το εμβαδόν του τζαμιού είναι πάνω από 0,2 τ.μ.
- Αν η εγκατάσταση γίνεται σε σφραγισμένο διπλό τζάμι, πρέπει να προμηθευθείτε ειδικά κατασκευασμένο τζάμι από τον κατασκευαστή. Θα χρειαστείτε επίσης ειδικό εξάρτημα, που μπορείτε να το προμηθευθείτε αναφέροντας τα στοιχεία «Xrelair Cat. ref. DXDG».
- Αν η εγκατάσταση γίνεται σε παράθυρα που ανυψώνονται κατακόρυφα, πρέπει να τοποθετήσετε τον εξεριστήρα στο πάνω παράθυρο. Στερώστε το πάνω παράθυρο στην κλειστή θέση και τοποθετήστε τεμάχια ακινητοποίησης ακριβώς κάτω από το επίπεδο του εξεριστήρα, για να μην του προκαλείται βλάβη κατά την ανύψωση του παραθύρου.
- Αν η εγκατάσταση γίνεται σε πάνελ που έχει πάχος μεταξύ 9 χλστ. και 46 χλστ., θα χρειαστείτε ειδικό εξάρτημα, που μπορείτε να το προμηθευθείτε αναφέροντας τα στοιχεία «Xrelair Cat. ref. DXDG». Μην τοποθετείτε τους εξεριστήρες αυτούς σε πάνελ του οποίου το πάχος ξεπερνάει τα 46 χλστ.

**Αν ο εξεριστήρας πρόκειται να τοποθετηθεί σε ταβάνι**

Θα χρειαστεί να χρησιμοποιήσετε τα κατάλληλα βοηθητικά για τερματισμό. Τα αντικείμενα αυτά διατίθενται από την Xrelair.

1. WT10 - Εξάρτημα αγωγού τερματισμού.
2. CFWG100 - Κιγκλίδωμα τερματισμού πύνακα Soffit (άσπρο ή γκριζο).
3. FD100 / 3 και FD100 / 6 - Εύκαμπτος αγωγός.

**Πού να τον τοποθετήσετε**

**Εξεριστήρας**

- Τοποθετήστε τον όσο το δυνατό πιο ψηλά.
- Οι άκρες της επιφάνειας τοποθέτησης να απέχουν τουλάχιστο 110 χλστ. από το κέντρο της τρύπας.
- Όσο το δυνατό πιο μακριά και απέναντι από την κύρια πηγή ανανέωσης του αέρα για να εξασφαλίζεται ροή αέρα μέσα στο δωμάτιο

(π.χ. απέναντι από μια εσωτερική πόρτα).

- Κοντά στην πηγή του ατμού ή της μυρωδιάς.
- Όχι σε σημεία όπου η περιβαλλοντική θερμοκρασία είναι δυνατό να υπερβεί τους 50°C.
- Αν η εγκατάσταση γίνεται σε κουζίνα, ο εξεριστήρας δεν πρέπει να τοποθετείται ακριβώς πάνω από τα μάτια της κουζίνας ή πάνω από σχάρα επιπέδου ματιών.
- Αν η εγκατάσταση γίνεται σε δωμάτιο που περιέχει συσκευή η οποία κατανάλώνει καύσιμο και έχει μη ισορροπημένο καπναγωγό, αποτελεί ευθύνη του προσώπου που κάνει την εγκατάσταση να διασφαλίσει ότι υπάρχει ικανοποιητική ανανέωση αέρα για να αποφεύγεται η αναρρόφηση αερίων από τον καπναγωγό όταν ο εξεριστήρας λειτουργεί με το μέγιστο ρυθμό εξαγωγής.

**Συμβουλευθείτε τους Οικοδομικούς Κανονισμούς για συγκεκριμένες απαιτήσεις.**

- Ο εξαγόμενος αέρας δεν πρέπει να απελευθερώνεται σε καπναγωγό που χρησιμοποιείται για την εξαγωγή αερίων από συσκευές που τροφοδοτούνται με ενέργεια άλλη από τον ηλεκτρισμό. Πρέπει να εφαρμόζονται οι απαιτήσεις όλων των ενδιαφερομένων αρχών σχετικά με την εξαγωγή αέρα και τους ρυθμούς ροής του εισαγόμενου αέρα.
- Όταν προορίζεται για χρήση σε πιθανώς χημικές οξειδωτικές ατμόσφαιρες, συμβουλευθείτε το Τμήμα Τεχνικής Εξυπηρέτησης της εταιρείας μας. (Για τις αγορές του εξωτερικού, απευθύνεστε στο διανομέα της Xrelair στην περιοχή σας).
- LV100PIR μόνο: Το σημείο τοποθέτησης πρέπει να εξασφαλίζει την ανίχνευση κάθε κίνησης. Πρέπει να επιδεικνύεται προσοχή για να αποφεύγονται τα εμπόδια που είναι δυνατό να επηρεάσουν τις ανιχνευτικές δέσμες **A**.

**Μετασηματιστής**

- Σε πατάρι ή σε κάποια βολική θέση σε τοίχο (αλλά δεν είναι κατάλληλος για τοποθέτηση σε ταβάνι). Ο μετασηματιστής δεν πρέπει να καλύπτεται με μόνωση παταριού.
- Πρέπει να τοποθετείται με την κατάλληλη πλευρά προς τα πάνω για να συμμορφώνεται προς τις απαιτήσεις προστασίας από την εισροή νερού.
- Σε απόσταση τουλάχιστον 0,6 μ. από το μπάνιο ή το ντουζ, σε ύψος μέχρι και 2,25 μ.
- Όχι σε σημεία όπου η περιβαλλοντική θερμοκρασία είναι δυνατό να υπερβεί τους 50°C.

**Εγκατάσταση των απομονωτικών διακοπών και καλωδίων**

1. Βεβαιωθείτε ότι η ηλεκτρική διαβάθμιση που αναγράφεται στο εσωτερικό της πιναίης

## Xprelair Ανεμιστήρες τουαλέτας- μπάνιου LV100, LV100PC, LV100T, LV100H, LV100HP, LV100PIR

Οδηγίες εγκατάστασης και λειτουργίας  
Παρακαλείσθε ν' αφήσετε το φυλλάδιο αυτό με τον εξεριστήρα, για να το συμβουλευέται ο χρήστης

πλάκας ανταποκρίνεται προς την ηλεκτρική παροχή.

**2. Βεβαιωθείτε ότι δεν υπάρχουν θαμμένοι σωλήνες ή καλώδια, π.χ. του νερού, του γκαζιού, του ηλεκτρισμού, πίσω από το σημείο όπου βρίσκεται ο διακόπτης (στον τοίχο ή πάνω από το ταβάνι). Αν αμφιβάλλετε, ζητήστε συμβουλή από ειδικό.**

**3. Απομονώστε την ηλεκτρική παροχή.**

4. Τοποθετήστε το καλώδιο από την παροχή ως τον διπολικό απομονωτικό διακόπτη.

5. Τοποθετήστε το καλώδιο από τον απομονωτικό διακόπτη ως τη θέση του μετασχηματιστή.

6. Τοποθετήστε το καλώδιο από τον μετασχηματιστή ως τη θέση του εξεριστήρα.

7. Εγκαταστήστε τον απομονωτικό διακόπτη.

8. Κάνετε όλες τις συνδέσεις μέσα στον απομονωτικό διακόπτη.

**Σημείωση: Ο διακόπτης on/off πρέπει να τοποθετείται σε σημείο όπου δεν μπορούν να τον αγγίξουν τα πρόσωπα που χρησιμοποιούν το μπάνιο ή το ντους.**

**ΠΡΟΕΙΔΟΠΟΙΗΣΗ: ΜΗΝ ΚΑΝΕΤΕ ΚΑΜΙΑ ΣΥΝΔΕΣΗ ΣΤΗΝ ΗΛΕΚΤΡΙΚΗ ΠΑΡΟΧΗ Σ' ΑΥΤΟ ΤΟ ΣΤΑΔΙΟ.**

### Ετοιμασία της τρύπας για τον εξεριστήραΑν

θα δουλέψετε πάνω από το επίπεδο του πατώματος, πρέπει να ληφθούν κατάλληλα προστατευτικά μέτρα.

**ΠΡΟΕΙΔΟΠΟΙΗΣΗ: ΠΡΕΠΕΙ ΝΑ ΦΟΡΑΤΕ ΠΡΟΣΤΑΣΙΑ ΓΙΑ ΤΑ ΜΑΤΙΑ ΚΑΘΕ ΦΟΡΑ ΠΟΥ ΤΡΥΠΑΤΕ Ή ΣΜΙΛΕΥΕΤΕ.**

### Αν η εγκατάσταση γίνεται σε τοίχο

1. Βεβαιωθείτε ότι δεν υπάρχουν θαμμένοι σωλήνες ή καλώδια στον τοίχο ή εμπόδια στο εξωτερικό, π.χ. ηλεκτρισμός, γκάζι, νερό.

**Αν αμφιβάλλετε, ζητήστε συμβουλή από ειδικό.**

2. Σημαδέψτε στον τοίχο το κέντρο της τρύπας του αγωγού.

3. Χρησιμοποιήστε το κέντρο αυτό για να σχεδιάσετε ένα κύκλο που ταυριάζει με τον αγωγό του τοίχου (διαμέτρου 115 χλστ.)

**Αν υπάρχει εξοπλισμός σωληνωτού τρυπανιού**

4a. Πρέπει να το χρησιμοποιείτε σύμφωνα με τις οδηγίες του κατασκευαστή του.

**Αν δεν υπάρχει εξοπλισμός σωληνωτού τρυπανιού**

4β. Ανοίξτε μια κεντρική τρύπα καθ' όλο το πάχος του τοίχου.

5. Κόψτε την τρύπα. Μην την κόψετε καθ' όλο το πάχος του τοίχου, κόψτε την κι από τις δυο πλευρές. (Η συνιστώμενη μέθοδος είναι να ανοίξετε μια σειρά από τρύπες, τη μια κοντά στην άλλη, γύρω από την άκρη της γραμμής κοπής, και ν' αφαιρέσετε το τούβλο μεταξύ των οπών με μια σμίλη).

6. Πηγαίνετε έξω και κόψτε μια τρύπα στον εξωτερικό τοίχο, επαναλαμβάνοντας τη διαδικασία που περιγράφεται πιο πάνω.

7. Κόψτε τον αγωγό στο σωστό μήκος, αν χρειαστεί. Ο σωλήνας τοίχου που παρέχεται είναι τηλεσκοπικός και μπορεί να επεκταθεί σε μέγιστο μήκος 300 χλστ.

8. Τοποθετήστε τον αγωγό, φροντίζοντας να απομακρύνεται από τον εξεριστήρα με κλίση προς τα κάτω για να εξασφαλίζεται η αποστράγγιση τυχόν εισερχομένου νερού βροχής προς το εξωτερικό.

9. Στερεώστε την τρύπα. Αφήστε το κόνιαμα να σφίξει πριν συνεχίσετε την εγκατάσταση.

### Αν η εγκατάσταση γίνεται σε παράθυρο ή πάνελ

Κόψτε μια τρύπα διαμέτρου 125 χλστ. Το κέντρο της τρύπας πρέπει να απέχει τουλάχιστο 110 χλστ. από την άκρη του πάνελ ή του τζαμιού. Σας συνιστούμε να πάρετε ετοιμοκομμένο τζάμι για εγκατάσταση σε παράθυρο.

### Αν η εγκατάσταση γίνεται σε αγωγό εξερισμού

1. Βεβαιωθείτε ότι δεν υπάρχουν θαμμένοι σωλήνες ή καλώδια στον αγωγό εξερισμού. **Αν αμφιβάλλετε, ζητήστε συμβουλή από ειδικό.**

2. Κόψτε μια τρύπα διαμέτρου 110 χλστ. στην πλευρά του αγωγού.

3. Αν ο αγωγός έχει κίλο τοίχο, χρησιμοποιήστε τον σωλήνα τοίχου για να γεφυρώσετε την κούδωπη.

4. Τοποθετήστε αγωγό και παγίδα υγραποίησης, αν χρειάζεται, βάζοντας την παγίδα υγραποίησης όσο το δυνατό πιο κοντά στον εξεριστήρα.

### Αν η εγκατάσταση γίνεται σε ταβάνι

1. Βεβαιωθείτε ότι δεν υπάρχουν θαμμένοι σωλήνες ή καλώδια στο ταβάνι/στα δοκάρια κλπ. **Αν αμφιβάλλετε, ζητήστε συμβουλή από ειδικό.**

2. Κόψτε μια τρύπα διαμέτρου 115 χλστ.

### Προετοιμασία του εξεριστήρα για εγκατάσταση

Αφαιρέστε το μπροστινό κάλυμμα, πιέζοντας τα πιασίματα απελευθέρωσης που βρίσκονται στις πλευρές της συσκευής, με ένα κατσαβίδι 3 χλστ., τραβώντας ταυτόχρονα το μπροστινό κάλυμμα προς τα εμπρός. **M**

### Εγκατάσταση του εξεριστήρα στην τρύπα

**Αν θα δουλέψετε πάνω από το επίπεδο του ισογείου, πρέπει να ληφθούν κατάλληλα προστατευτικά μέτρα.**

**Αν η εγκατάσταση γίνεται σε τοίχο, ταβάνι ή αεραγωγό**

**Σημειώστε τη θέση της πιασής πλάκας B**

1. Κρατήστε την πιασινή πλάκα έτσι που το τερματικό μπλοκ να βλέπει προς την κατεύθυνση σας στην πάνω αριστερή γωνία και το χείλος να δείχνει προς την τρύπα.

2. Εισάγετε προσεκτικά το χείλος μέσα στον αγωγό τοίχου/το ταβάνι ή τον αγωγό εξερισμού.

3. Ρυθμίστε τη θέση της πιαινής πλάκας μέχρι να γίνει επίπεδη.
4. Σημειώστε στον τοίχο/το ταβάνι ή τον αγωγό εξερισμού τις θέσεις των τριών οπών στερέωσης στην πιαινή πλάκα.
5. Αφαιρέστε την πιαινή πλάκα από τον αγωγό.
6. Ανοίξτε τρύπες βιδώματος στις θέσεις αυτές, αν χρειάζεται, και τοποθετήστε τακάκια τοίχου, αν χρειάζεται.

#### **Τοποθετήστε την πιαινή πλάκα C**

1. Σπρώξτε τη ραβδωτή φλάντζα (RG100) επάνω στο χείλος της πιαινής πλάκας 1
2. Αν η εγκατάσταση γίνεται σε ταβάνι ή αεραγωγό, σπρώξτε το μεγαλύτερης διαμέτρου τεμάχιο του τηλεσκοπικού σωλήνα τοίχου επάνω στη ραβδωτή φλάντζα. Κόψτε πρώτα τον σωλήνα στο απαιτούμενο μήκος, αν χρειαστεί.
3. Αν καλωδιώνετε τον εξεριστήρα από την πίσω πλευρά, αφαιρέστε το τεμάχιο της κομμένης τρύπας. Περάστε το καλώδιο της ηλεκτρικής παροχής μέσα από την τρύπα εισαγωγής του καλωδίου, στην πιαινή πλάκα, προς τα τερματικά D
4. Αν η καλωδίωση γίνεται από την πάνω πλευρά, αφήστε το καλώδιο ελεύθερο για τοποθέτηση μέσα στον λαβύρινθο.
5. Εισάγετε το χείλος της πιαινής πλάκας στον αγωγό του τοίχου/το ταβάνι ή τον αγωγό εξερισμού, όπως και προηγούμενως.
6. Στερεώστε την πιαινή πλάκα στον τοίχο/στο ταβάνι ή στον αγωγό εξερισμού χρησιμοποιώντας κατάλληλους συνδετήρες. Αν χρησιμοποιείτε βίδες, **μη παρασφίγγετε τις βίδες.**

#### **Τοποθέτηση του φράκτη οπισθίου ρεύματος**

1. Αφαιρέστε την επένδυση από την αφρώδη ταινία που παρέχεται και τοποθετήστε την γύρω στο εξωτερικό του χείλους του φράκτη οπισθίου ρεύματος.
2. Πηγαίνετε έξω. Κρατώντας ανοικτό το πάνω και το κάτω πτερύγιο, εισάγετε το χείλος μέσα στον αγωγό του τοίχου.
3. Αφού βεβαιωθείτε ότι ο φράκτης οπισθίου ρεύματος είναι επίπεδος, σημειώστε τις θέσεις των δυο οπών στερέωσης στην πάνω δεξιά και κάτω αριστερή γωνία.
4. Αφαιρέστε τους φράκτες οπισθίου ρεύματος από τον αγωγό τοίχου.
5. Ανοίξτε τρύπες βιδών στις θέσεις αυτές, και τοποθετήστε τα εναπομείνοντα τακάκια τοίχου.
6. Κρατώντας ανοικτό το πάνω και το κάτω πτερύγιο, επανατοποθετήστε τον φράκτη οπισθίου ρεύματος και στερεώστε τον στον τοίχο χρησιμοποιώντας τις τοποθετούμενες βίδες με αιχμηρές άκρες. **Μην παρασφίγγετε τις βίδες.**
7. Βεβαιωθείτε ότι τα πτερύγια ανοίγουν και κλείνουν ελεύθερα.

#### **Αν η εγκατάσταση γίνεται σε παράθυρο ή πάνελ**

#### **Σφράγισμα της τρύπας E**

1. Αν η εγκατάσταση γίνεται σε παράθυρο ή πάνελ του οποίου το πάχος δεν υπερβαίνει τα 9 χλστ., τοποθετήστε την άσπρη λαστιχένια φλάντζα γύρω από την άκρη της τρύπας. Αν η εγκατάσταση γίνεται σε πάνελ ή σε παράθυρο με σφραγισμένο διπλό τζάμι του οποίου το πάχος υπερβαίνει τα 9 χλστ., τότε χρειάζεται το εξάρτημα DXG για διπλό τζάμι. Ακολουθήστε τις οδηγίες που συνοδεύουν το ειδικό εξάρτημα.

#### **Προσαρτήστε τον φράκτη οπισθίου ρεύματος στο διαχωριστή F**

1. Κρατώντας το πάνω και το κάτω πτερύγιο, εισάγετε τον φράκτη οπισθίου ρεύματος 2 μέσα στον διαχωριστή 3 έτσι που οι τρύπες στερέωσης στην πάνω δεξιά και κάτω αριστερή γωνία να ταιριάζουν με αυτές του διαχωριστή.
2. Εισάγετε δυο από τις παρεχόμενες επιπεδοκέφαλες αυτοπροωθούμενες βίδες και στερεώστε τον φράκτη οπισθίου ρεύματος στο διαχωριστή.

#### **Τοποθέτηση του εξεριστήρα στο παράθυρο G**

1. Κάποιοι άλλοι ρυθμιστές πρέπει να κρατάει τον φράκτη οπισθίου ρεύματος και τον διαχωριστή στη θέση τους από την εξωτερική μεριά, με τον διαχωριστή επάνω στο γυαλί.
2. Βεβαιωθείτε ότι οι δυο υπερυψωμένες τρύπες στερέωσης στον διαχωριστή είναι οριζόντιες και είναι τοποθετημένες μέσα στην τρύπα.
3. Από την εσωτερική μεριά, κρατάτε την πιαινή πλάκα έτσι που το τερματικό μπλοκ να βλέπει προς την κατεύθυνση σας στην πάνω αριστερή γωνία και το χείλος έχει κατεύθυνση προς την ίδια τρύπα.
4. Ευθυγραμμίστε τις τρύπες της πιαινής πλάκας με αυτές του διαχωριστή.
5. Εισάγετε δυο από τις παρεχόμενες επιπεδοκέφαλες αυτοπροωθούμενες βίδες στις τρύπες στερέωσης και σφίξτε την πιαινή πλάκα στον διαχωριστή. **Μην παρασφίγγετε τις βίδες.**

#### **Τοποθέτηση του μετασχηματιστή I**

Ο μετασχηματιστής μπορεί να τοποθετηθεί άμεσα στον τοίχο ή σε κατάλληλο κιβώτιο τοίχου με εσοχή.

#### **Αν τοποθετηθεί άμεσα**

1. Αφαιρέστε τις βίδες που ασφαλίζουν το κάλυμμα και αφαιρέστε το κάλυμμα.
2. Τοποθετήστε τον μετασχηματιστή στον τοίχο και σημαδέψτε τις δυο τρύπες τοποθέτησης «Α» και «C».
3. Με τρυπάνι ανοίξτε τις τρύπες, βάλτε μέσα τακάκια, και τοποθετήστε τον μετασχηματιστή χρησιμοποιώντας τις δυο αυτοπροωθούμενες βίδες με αιχμηρές τρύπες που παρέχονται.

## Xpelair Ανεμιστήρες τουαλέτας- μπάνιου LV100, LV100PC, LV100T, LV100H, LV100HP, LV100PIR

Οδηγίες εγκατάστασης και  
λειτουργίας  
Παρακαλείσθε ν' αφήσετε  
το φυλλάδιο αυτό με τον  
εξαεριστήρα, για να το  
συμβουλευτείτε ο χρήστης

### Αν τοποθετηθεί σε κιβώτιο τοίχου με εσοχή

1. Περάστε τα καλώδια μέσα στο κιβώτιο τοίχου και τοποθετήστε το κιβώτιο τοίχου στον τοίχο.
2. Συνδέστε τον προστατευτικό αγωγό γείωσης, αν απαιτείται.
3. Αφαιρέστε τα δυο στρογγυλά νοκάουτ στο πίσω μέρος του μετασχηματιστή και περάστε τα καλώδια εναλλασσόμενου ρεύματος 12V της ηλεκτρικής παροχής μέσα στις αντίστοιχες υποδοχές.
4. Τοποθετήστε τον μετασχηματιστή στον τοίχο εισάγοντας τις δυο βίδες που παρέχονται μέσα από τις τρύπες «Α» και «C» και ασφαλιζοντας τις στα αυτάκια του κιβωτίου τοίχου.

- Για τοποθέτηση σε πατάρι, ο μετασχηματιστής μπορεί να τοποθετηθεί με τις δυο βίδες σε επιφάνεια επενδυμένη με ξύλο.

- **Ο ΜΕΤΑΣΧΗΜΑΤΙΣΤΗΣ ΔΕΝ ΠΡΕΠΕΙ ΝΑ ΚΑΛΥΠΤΕΤΑΙ ΑΠΟ ΜΟΝΩΣΗ ΠΑΤΑΡΙΟΥ.**

### Καλωδιώστε τον εξαεριστήρα **[H]**

#### ΒΕΒΑΙΩΘΕΙΤΕ ΟΤΙ Η ΗΛΕΚΤΡΙΚΗ ΠΑΡΟΧΗ ΕΙΝΑΙ ΑΠΟΜΟΝΩΜΕΝΗ.

Καλωδιώστε τον εξαεριστήρα όπως φαίνεται στο **[H]**, τροφοδοτώντας το καλώδιο ανάμεσα στα δυο ανασηκωμένα αυτάκια, αν η καλωδίωση γίνεται από την πάνω πλευρά, και μέσα από τον λαβύρινθο προς το τερματικό μπλοκ.

- Για σταθερό καλώδιο και κυκλώματα, η προστατευτική ασφάλεια της συσκευής δεν πρέπει να υπερβαίνει τα 5A.

### Μόνο για το LV100T

- Για να ρυθμίσετε τον χρονορυθμιστή υπέρβασης εισάγετε ένα μικρό κατσαβίδι στο αξόνιο ελέγχου, μέσα στην εσοχή, και το γυρίζετε σύμφωνα με τη φορά του ρολογιού για αύξηση και αντίθετα προς τη φορά του ρολογιού για μείωση.

### Μόνο για τα LV100H και LV100HP **[K]**

- Η λειτουργία της υγρασίας είναι ρυθμισμένη από το εργοστάσιο σε σχετική υγρασία περίπου 70%, αλλά είναι δεκτική ρύθμισης σε σχετική υγρασία μεταξύ περίπου 50% και 90% με χειριστήριο (H).
- Ο χρόνος υπέρβασης είναι ρυθμισμένος από το εργοστάσιο σε περίπου 20 δευτερόλεπτα αλλά μπορεί να ρυθμιστεί με χειριστήριο (T).
- Και τα δυο χειριστήρια είναι δεκτικά ρύθμισης. Γυρίζετε τα χειριστήρια σύμφωνα με τη φορά του ρολογιού για αύξηση του χρόνου ή της σχετικής υγρασίας και αντίθετα προς τη φορά του ρολογιού για μείωση.

### Μόνο για το LV100PIR **[L]**

- Ρυθμίζετε την περίοδο υπέρβασης με το χειριστήριο (T). Γυρίζετε το κατσαβίδι

σύμφωνα με τη φορά του ρολογιού για να την αυξήσετε και αντίθετα προς την φορά του ρολογιού για να τη μειώσετε.

### Όλοι οι εξαεριστήρες

- Αν η καλωδίωση γίνεται από τα πάνω, αποκόψτε την εγκοπή εισόδου καλωδίου που είναι σημαδεμένη στο πάνω μέρος του μπροστινού καλύμματος.
- Τοποθετήστε το μπροστινό κάλυμμα ευθυγραμμίζοντας το τετραγωνικά με τον αγωγό και σπρώχνοντας το επάνω στον αγωγό μέχρι να αρπάξουν τα πιασίματα απελευθέρωσης μέσα στις εγκοπές του μπροστινού καλύμματος.

### Καλωδίωση του μετασχηματιστή **[H]** & **[J]**

#### ΒΕΒΑΙΩΘΕΙΤΕ ΟΤΙ Η ΗΛΕΚΤΡΙΚΗ ΠΑΡΟΧΗ ΕΙΝΑΙ ΑΠΟΜΟΝΩΜΕΝΗ.

1. Αν η τοποθέτηση γίνεται στην επιφάνεια, περάστε το καλώδιο εναλλασσόμενου ρεύματος 12V της ηλεκτρικής παροχής από τα κατάλληλα νοκάουτ και μέσα στις αντίστοιχες υποδοχές.
2. Βάλτε τα καλώδια στα πιασίματα καλωδίων (το καλώδιο της ηλεκτρικής παροχής που φαίνεται στο **[H]** και κάντε τις συνδέσεις που φαίνονται στο **[J]**).
3. Φροντίστε να σφίξετε τις συνδέσεις.
4. **Κλείστε τον διακόπτη της ηλεκτρικής παροχής και αφαιρέστε τις ασφάλειες.**
5. Συνδέστε το καλώδιο από τον απομονωτικό διακόπτη στην καλωδίωση της ηλεκτρικής παροχής.
- Για σταθερά καλωδιακά κυκλώματα, η προστατευτική ασφάλεια της συσκευής δεν πρέπει να υπερβαίνει τα 5A.
6. Ξαναβάλτε τις ασφάλειες και ανοίξτε το διακόπτη της ηλεκτρικής παροχής.

### Η χρήση του εξαεριστήρα

#### Μόνο για το LV100

- Ο εξαεριστήρας λειτουργεί με τη χρήση του διακόπτη on/off (που δεν παρέχεται). Επαναλαμβάνετε την ίδια διαδικασία για να τον σταματήσετε.

#### Μόνο για το LV100PC

- Ο εξαεριστήρας λειτουργεί τραβώντας και απελευθερώνοντας το ενσωματωμένο κορδόνι.
- Επαναλαμβάνετε την ίδια διαδικασία για να τον σταματήσετε.

#### Μόνο για το LV100T

- Ο εξαεριστήρας λειτουργεί με τη χρήση του διακόπτη on/off. Όταν κλείνετε τον διακόπτη, ο εξαεριστήρας συνεχίζει να λειτουργεί για μια ρυθμιζόμενη χρονική περίοδο.

#### Μόνο για το LV100H

- Ο εξαεριστήρας λειτουργεί όταν η σχετική υγρασία υπερβαίνει το προκαθορισμένο

επίπεδο. Όταν η σχετική υγρασία κατέρχεται, ο εξαεριστήρας συνεχίζει να λειτουργεί για μια ρυθμιζόμενη χρονική καθυστέρηση.

#### **Μόνο για το LV100HP**

- **Μη αυτόματη λειτουργία:** Χρησιμοποιείτε τον ενσωματωμένο διακόπτη με κορδόνι τραβήγματος. Όταν κλείνετε τον διακόπτη, ο εξαεριστήρας περιέρχεται στην αυτόματη λειτουργία μετά τη χρονική καθυστέρηση. (Το φως δείχνει πότε ο εξαεριστήρας βρίσκεται στη μη αυτόματη λειτουργία).

#### **Μόνο για το LV100PIR**

- Ο αισθητήρας ανιχνεύει κίνηση μέσα στο δωμάτιο και ενεργοποιεί τον εξαεριστήρα. Όταν επισημανθεί κίνηση, ο εξαεριστήρας θα λειτουργήσει για μια προρυθμισμένη περίοδο υπέρβασης και σε κάθε άλλη περίπτωση που θα επισημαίνεται κίνηση η διαδικασία αυτή θα επαναλαμβάνεται. Αυτό διασφαλίζει ότι το δωμάτιο εξαερίζεται μόνο κατά τη διάρκεια της χρήσης και μετά από αυτή. Μετά την αρχική εγκατάσταση του εξαεριστήρα θα υπάρξει μια σταθεροποιητική περίοδος περίπου πέντε λεπτών. Κατά τη διάρκεια της περιόδου αυτής, ο εξαεριστήρας θα λειτουργήσει για μέχρι και δυο λεπτά.

#### **Καθάρισμα (συνιστάται μια φορά τον μήνα)**

##### **ΤΟ ΚΑΘΑΡΙΣΜΑ ΠΡΕΠΕΙ ΝΑ ΓΙΝΕΤΑΙ ΠΑΝΤΑ ΑΠΟ ΕΙΔΙΚΕΥΜΕΝΟ ΗΛΕΚΤΡΟΛΟΓΟ**

1. Πριν το καθάρισμα, απομονώστε τελείως τον εξαεριστήρα από την ηλεκτρική παροχή.
2. Αφαιρέστε το μπροστινό κάλυμμα πιέζοντας τα πιασίματα απελευθέρωσης που βρίσκονται στις πλευρές της μονάδας με ένα κατσαβίδι των 3 χλστ και τραβώντας ταυτόχρονα το μπροστινό κάλυμμα προς τα εμπρός. **M**
3. Για να καθαρίσετε το μπροστινό κάλυμμα, το σφουγγίζετε με ένα υγρό, απαλλαγμένο από νήματα πανί, ή το πλένετε με ζεστό σαπουνόνερο. Στεγνώνετε σχολαστικά το μπροστινό κάλυμμα και το επανατοποθετείτε.
4. Μη βυθίζετε τον εξαεριστήρα σε νερό ή άλλα υγρά για να καθαρίσετε οποιαδήποτε άλλα μέρη του.
5. Μη χρησιμοποιείτε δυνατά διαλυτικά για να καθαρίσετε τον εξαεριστήρα.
6. Εκτός από το καθάρισμα, καμιά άλλη συντήρηση δεν απαιτείται.

## Xpelair Toalett/Baderom svifter LV100 , LV100PC, LV100T, LV100H, LV100HP LV100PIR Installasjons- og bruksanvisning

Vennligst oppbevar denne håndboken sammen med viften, til nytte for brukeren.

### Installasjon av viften

Disse apparatene er beregnet på tilkobling til fast ledningsnett.

Kontroller at den elektriske merkeplaten på transformatoren passer til hovednettforsyningen.

### DISSE APPARATENE ER DOBBELTISOLERTE, OG DET ER UNYDVENDIG MED JORDING.

Alle installasjoner må kontrolleres av en kvalifisert elektriker.

Installasjoner og ledninger må være i samsvar med gjeldende IEE Regulations (i Storbritannia), og med lokale eller gjeldende regelverk (i andre land).

Hvis du har noen spørsmål før installasjonen av disse produktene eller etter at de er installert, kan du ringe Xpelair på direkte linje til teknisk avdeling: + 44 (0) 8709 000430. Våre ingeniører står til tjeneste i vanlig kontortid (gjelder kun Storbritannia), eller du kan sende dem en fax utenom kontortiden: + 44 (0) 8709 000530.

Kunder utenfor Storbritannia kan kontakte sin lokale Xpelair distributør.

### Beskrivelse

#### Samtlige vifter

- Universalmonteringsutstyr gir deg valget mellom vindus-/vegg-/panel-/ventilasjonssjakk-/takmontering. Se opplysningene om utgang. Hvis viften takmonteres, se avsnittet om "Hva installatøren vil trenge."
- Uttrekk med én hastighet.
- 12V vekselstrømdrift.

#### LV100

- Sett i gang viften med en på/av bryter (følger ikke med).

#### LV100PC

- Sett i gang viften med en integrert trekksnor.

#### LV100T

- Innebygd ur driver viften automatisk i et forhåndsinnstilt tidsrom på inntil 25 minutter.

#### LV100H

- Virker når den automatisk settes i gang av fuktighetssensoren.
- Innebygd ur driver viften automatisk i et forhåndsinnstilt tidsrom fra 2 til 20 minutter når fuktigheten synker under den forhåndsinnstilte relative fuktighetsverdien (Relative Humidity (RH)).

#### LV100HP

- Virker enten når den automatisk settes i gang av fuktighetssensoren eller når den slås på med den integrerte trekksnorbryteren (lampen viser når viften drives i manuell modus).

#### LV100PIR

- En integrert bevegelsessensor driver viften så

lenge den detekterer bevegelse. Innebygd ur driver viften automatisk i et forhåndsinnstilt tidsrom fra 2 til 20 minutter.

### Transformator

- Veggmontert slik at den ikke kan nås fra badekar eller dusj.
- Gir sikkerhetsisolert tilførsel til 12V vekselstrømsvifte.

### Hva installatøren vil trenge

En topolet skillebryter med minimum kontaktavstand på 3mm (vegg- eller takmontert). **Hvis det brukes bryterbokser av metall, må reglene for jording følges.**

Egnet klassifisert tolederkabel. (når det kobles fra transformatoren til viften).

### Retningslinjer for maksimal kabelseng mellom transformatoren og viften.

a) Begrenset til 0,3 volt fall som tilsvarer 1,5% reduksjon i viftens ytelse.

	Flexibel	Fast		
Lederstørrelse mm <sup>2</sup>	0,75	1,00	1,50	2,50
Maksimalt anbefalte kabelseng - meter	4,50	6,00	9,00	15,00

b) Begrenset til 0,5 volt fall som tilsvarer 3% reduksjon i viftens ytelse.

	Flexibel	Fast		
Lederstørrelse mm <sup>2</sup>	0,75	1,00	1,50	2,50
Maksimalt anbefalte kabelseng - meter	7,50	10,00	15,00	25,00

- Egnet klassifisert tolederkabel (mating til transformator) LV100, LV100PC, LV100H, LV100HP, LV100PIR.
- Egnet klassifisert trelederkabel (mating til transformator) gjelder kun LV100T.
- Elektroskrutrekker med 3mm blad og nr. 1 eller 2 Pozidrive skrutrekker (skrutrekker med krysshode).
- **For å forhindre en potensielt farlig situasjon på grunn av inntrengning av vann må en kondensasjonspotte (Xpelair nr. XCT100) monteres så nær viften som mulig, på alle steder hvor noen del av kanalen befinner seg høyere enn selve viften.**

### Hvis viften veggmonteres, vil du også trenge

- Murbor, hammer & meisel (eller kjerneborutstyr om tilgjengelig).
- Mørtel for å utbedre hullet om nødvendig.

### Hvis viften installeres i et vindu

- Du vil trenge en vindusrute som er mellom 3mm og 6mm tykk (helst 4mm).
- Viften må ikke installeres i glass som er 3mm tykt hvis vindusruten er mer enn 0,2m<sup>2</sup>
- Hvis du installerer i isolerruter (dobbelvinduer), anbefaler vi at du anskaffer deg en spesiallaget enhet fra vindusprodusenten. Du kommer også til å trenge spesialutstyr fra oss, Xpelair referansenr. DXDG.
- Hvis du installerer i heisevinduer, anbefaler vi at du monterer viften i det øvre vinduet. Fest



den øvre vindusrammen i lukket stilling og monter stoppere like under der hvor viften er monteret for å unngå at den blir skadd når vinduet heves.

- Hvis du installerer i et panel som er mellom 9mm og 46mm tykt, vil du trenge spesialutstyr fra oss, Xpelair referansenr. DXDG. Viftene må ikke installeres i et panel som er mer enn 46mm tykt.


#### Hvis viften takmonteres

Du vil trenge egnet utgangsutstyr. Disse artiklene er å få hos Xpelair.

1. WT10 ñ Utstyr til utgangskanal.
2. CFWG 100 ñ Utgangsgrill til sofftilist (hvitt eller grå).
3. FD100 / 3 og FD100 / 6 ñ Fleksibelt kanalsystem.

#### Hvor den skal plasseres

##### Vifte

- Plasser den så høyt som mulig.
- Minst 110mm fra monteringsflaten kant til midten av hullet.
- Så langt bort som mulig fra og på motsatt side av den viktigste lufttilførselskilden som erstatter luften som trekkes ut, for å sikre luftstrøm gjennom rommet (f.eks. på motsatt side av den innvendige døråpningen).
- Nær kilden til damp eller lukt.
- Ikke hvor det er sannsynlig at omgivelsenes temperatur vil overskride 50°C.
- Hvis viften skal installeres på et kjøkken, må den ikke monteres like over kokeplater eller en grill i ansiktshøyde.
- Hvis viften installeres i et rom med en fyringsanordning for brensel, uten balansert røkkanal, er installatøren ansvarlig for å påse at det finnes tilstrekkelig tilførsel av frisk luft til å forhindre at røk trekkes ned røkkanalens når viften går med maksimalt uttrekk. Vi viser til regelverk for bygg med særskilte krav.
- Avtrekksluft må ikke slippes ut i en røkkanal som brukes til avtrekk av røk fra apparater med annen enn elektrisk energikilde. Krav fra samtlige myndigheter må etterkommes med hensyn til utslipp av avtrekksluft og inntakets strømningshastigheter.
- Når beregnet på bruk i en atmosfære med mulighet for kjemisk korrosjon, må du rådføre deg med Teknisk Serviceavdeling. For oversjøiske markeder ta kontakt med din Xpelair distributør.
- Gjelder kun for LV100PIR ñ Plasseringen må være slik at det kan skje uhindret deteksjon av bevegelse. Vær påpasselig med å unngå hindringer som kan påvirke deteksjonsstrålene .

#### Transformator

- På et loft eller egnet sted på en vegg (passer ikke til takmontering). **Transformatoren må**

**ikke tildekkes av loftisolasjonsmateriale.**

- Må plasseres med riktig side opp for å oppfylle kravene til beskyttelse mot inntrengning.
- Ikke nærmere enn, 0,6m fra et badekar eller dusjkabinett, opptil en høyde på 2,25m.
- **Ikke hvor det er sannsynlig at omgivelsenes temperatur vil overskride 50°C.**

#### Installasjon av skillebryter og kabler

1. Kontroller at den elektriske merkeplaten på innsiden av den bakre platen passer til hovednettforstyrningen.
2. **Kontroller at det ikke finnes skjulte rør eller kabler, f.eks. elektrisitet, gass, vann, bakkenfor bryterens plassering (i veggen eller i taket).**  
Hvis du er i tvil, rådfør deg med ekspert.
3. **Isoler hovednettforstyrningen.**
4. Legg inn kablet fra forstyrningen til den topolede skillebryteren.
5. Legg in kablet fra skillebryteren til transformatoren.
6. Legg in kablet fra transformatoren til viften.
7. installer skillebryteren.
8. Foreta alle koblinger til skillbryteren.

**Merk: På/av bryteren må være plassert slik at den ikke kan berøres av personer som bader eller dusjer.**

**ADVARSEL: DET MÅ IKKE KOBLES TIL STRÛMFORSYNINGEN PÅ DETTE STADIET.**

#### Forberedelse av hulle for viften

Hvis du arbeider over bakkenivå, må egnede forholdsregler med hensyn til sikkerhet overholdes.

**ADVARSEL: ØYENBESKYTTELSE MÅ ALLTID BRUKES NÅR DET BORES ELLER MEISLES.**

#### Hvis viften skal installeres på en vegg

1. **Kontroller at det ikke finnes skjulte rør eller kabler inni veggen eller hindringer på utsiden, f.eks. elektrisitet, gass, vann.**  
Hvis du er i tvil, rådfør deg med ekspert.
2. Merk av på veggen midten på kanalens hull.
3. Bruk dette merket til tegning av en sirkel som passer til veggkanalen (115mm diameter).

#### Hvis kjerneborutstyr er tilgjengelig

4a Bruk som anvist av kjerneborfabrikanten.

#### Hvis kjerneborutstyr ikke er tilgjengelig

- 4b Bor et hull midt i merket helt gjennom veggen.
5. Skjær ut hullet. Ikke skjær helt gjennom veggen, skjær fra begge sider. (Det anbefales at du borer ut en rekke hull, tett sammen, rundt kanten av skjærelinjen og fjerner muren mellom hullene med en meisel.)
6. Gå ut og skjær et hull på ytterveggen, gjenta prosedyren som er beskrevet ovenfor.
7. Skjær kanalen til riktig lengde om nødvendig. Veggslangen som følger med er teleskopisk og kan forlenges til maksimalt 300mm.
8. Monter kanalen. Påse at kanalen vender ned og bort fra viften slik at eventuelt innkommende regnvann kan renne ut.



## Xpelair Toalett/Baderom svifter LV100 , LV100PC, LV100T, LV100H, LV100HP LV100PIR Installasjons- og bruksanvisning

Vennligst oppbevar denne håndboken sammen med viften, til nytte for brukeren.

- Utbedre hullet. La mørtelen stivne før du fortsetter med installasjonen av viften.

### Hvis viften installeres i et vindu eller panel

Skjær et hull med diameter på 125mm. Midten på hullet skal være minst 110mm unna panelets eller vindusrutens kant. Det anbefales at du skaffer deg en ferdigskåret rute til vindusinstallasjon.

### Hvis viften skal installeres i en ventilasjonssjakt

- Kontroller at det ikke finnes skjulte rør eller kabler i ventilasjonssjakten. Hvis du er i tvil, rådfør deg med ekspert.
- Skjær et hull med diameter på 110mm i siden på sjakten.
- Hvis sjakten har hulmur, bruk veggslangen gjennom hulrommet.
- Monter kanalen og kondensasjonspotten om nødvendig, og plasser kondensasjonspotten så nær viften som mulig.

### Hvis viften skal installeres i et tak

- Kontroller at det ikke finnes skjulte rør eller kabler i taket / bjelkene osv. Hvis du er i tvil, rådfør deg med ekspert.
- Skjær et hull med diameter på 115mm.

### Forberedelse av viften til installasjon

Fjern frontdekslet ved å trykke inn låsehakene på sidene av enheten med en 3mm skrutrekker mens du trekker frontdekslet fremover **M**.

### Monter viften i hullet

Hvis du arbeider over bakkenivå, må egnede forholdsregler med hensyn til sikkerhet overholdes.

### Hvis du installerer i en vegg, tak eller luftekanal

#### Merk av bakplattens stilling **B**

- Hold bakplaten slik at kabelhodet (rekkeklemmen) vender mot deg i øverste venstre hjørne og leppen peker mot hullet.
- Sett leppen forsiktig inn i veggkanalen/taket eller luftekanalsjakten.
- Juster bakplattens stilling inntil den er vannrett.
- Merk av på veggen/taket eller luftekanalsjakten plasseringen av de tre festehullene i bakplaten
- Fjern bakplaten fra kanalen.
- Bor skruerull på disse stedene om nødvendig og monter veggpluggen om nødvendig.

#### Monter bakplaten **C**

- Skyv den riflete tetningsringen (RG100) inn på bakplattens leppe **1**.
- Hvis du installerer i et tak eller luftekanal, skyv det stykket med teleskopisk veggslange med størst diameter inn på den riflete tetningsringen. Skjær slangen til passelig lengde først om nødvendig.
- Hvis du kobler til viften bakfra, fjern utstøteren. Mat nettkabelen gjennom kabelinnføringshullet i bakplaten til koblingspunktene **D**.
- Hvis du kobler til ovenfra, la kabelen være fri slik at den kan passes inn i labyrinten.

- Sett bakplattens leppe inn i veggkanalen/taket eller luftekanalsjakten som før.
- Fest bakplaten til veggen/taket eller luftekanalsjakten og bruk egnede festeanordninger. Hvis du bruker skruer, **må du ikke trekke til skruene for mye.**

### Monter baktrekkestengslet

- Trekk beskyttelsesfilmen av skummumiremsen som følger med og fest den rundt utsiden av leppen på baktrekkestengslet.
- Gå ut. Mens du holder øvre og nedre stengselsvinge åpne, sett leppen inn i veggkanalen.
- Vær sikker på at baktrekkestengslet er vannrett og merk av plasseringen til de to festehullene øverst i høyre hjørne og nederst i venstre hjørne.
- Fjern baktrekkestengslene fra veggkanalen.
- Bor skruerullene i disse stillingene og monter de gjenværende veggpluggene.
- Mens du holder øvre og nedre stengselsvinge åpne, monterer du baktrekkestengslet igjen og fester det til veggen ved bruk av de selvskrueende spisskruene. **Ikke trekk til skruene for mye.**
- Påse at stengselsvingene åpner og lukker seg fritt.

### Hvis du installerer i en vegg eller panel

#### Tetting av hullet **E**

- Hvis du installerer i et vindu eller panel som ikke er mer enn 9mm tykke, fest den hvite gummitetningsringen rundt kanten av hullet. Hvis du installerer i et panel eller en isolerrute som er mer enn 9mm tykke, er det nødvendig med DXG dobbelt vindusutstyr. Følg anvisningene som følger med spesialutstyret.

#### Fest baktrekkestengslet til mellomstykket **F**

- Hold øvre og nedre stengselsvinger og sett inn baktrekkestengslet **2** i mellomstykket **3**, slik at festehullene i øverste høyre og nederste venstre hjørne er rettet inn etter de på mellomstykket.
- Sett inn to av de butte selvskrueende skruene som følger med og fest baktrekkestengslet til mellomstykket.

#### Monter viften i vinduet **G**

- Du må få en annen person til å holde baktrekkestengslet og mellomstykket på plass på utsiden, med mellomstykket mot glasset.
- Vær sikker på at de to forhøyede festehullene i mellomstykket er horisontale og befinner seg innenfor hullet.
- Fra innsiden må du holde bakplaten slik at klemmeblokken (rekkeklemmen) vender mot deg i øverste venstre hjørne og leppen peker mot det hullet.
- Ret inn hullene i bakplaten etter de i mellomstykket.
- Sett to av de butte selvskrueende skruene som følger med inn i festehullene og fest bakplaten til mellomstykket. **Ikke trekk til skruene for mye.**

## Montering av transformatoren **I**

Transformatoren kan festes direkte til veggen eller festes til en egnet tilbakeliggende veggboкс.

### Hvis du fester direkte

1. Fjern de to skruene som holder dekslet, og fjern dekslet.
2. Plasser transformatoren på veggen og merk av de to festehullene "A" og "C".
3. Bor ut og plugg de to hullene og fest transformatoren med de to selvskruende spisskruene som følger med.

### Hvis du fester i en tilbakeliggende veggboкс.

1. Før kablene inn i veggboксen og fest veggboксen til veggen.
2. Koble til vernejordledningen om nødvendig.
3. Fjern de to runde utstøtterne bakerst i transformatoren og før 12V vekselstrømkablene fra hovednettfor syningen til sine respektive seksjoner.
4. Fest transformatoren til veggen ved å sette de to skruene som følger med inn gjennom hullene "A" og "C" og feste til festeørene på veggboксen.
  - For loftsmontering kan transformatoren festes til en flate av tre med de to skruene.
  - **TRANSFORMATOREN MÅ IKKE TILDEKKES AV LOFTISOLASJONSMATERIALE.**

## Tilkobling av viften **H**

### PÅSE AT HOVEDNETTFORSYNINGEN ER ISOLERT.

Koble til viften som vist i **H**. Mat kabelen inn mellom de to forhøyede klypene hvis du kobler til ovenfra og gjennom labyrinten til kabelhodet (rekkeklemmen).

- **For fast ledning og kretser må apparatets vernesikring ikke overskride 5A.**

### Gjelder kun for IV100T

- For å justere overløpsuret sett en liten skrutrekker inn i fordypningen i kontrollspindelen og dreii med klokken for å forlenge og mot klokken for å redusere.

### Gjelder kun for IV100H og IV100HP **K**

- Driften i forhold til fuktighet er innstilt fra fabrikk på ca. 70% Relative Humidity (RH) (Relativ fuktighet), men kan justeres mellom 50% og 90% RH ved hjelp av betjeningsknapp (H).
- Tidsbryterfunksjonen er innstilt fra fabrikk på ca. 20 minutter, men kan justeres med betjeningsknapp (T).
- Begge betjeningsfunksjonene er justerbare. Drei betjeningsknappene med klokken for å forlenge tiden eller øke RH, og mot klokken for å redusere.

### Gjelder kun for DX100PIR **L**

- Juster overløpsperioden med betjeningsknapp (T). Drei skrutrekkeren med klokken for å forlenge perioden og mot klokken for å redusere perioden.

## Samtlige vifter

- Hvis du kobler til ovenfra, skjær ut kabelinnføringsåpningen som er merket av øverst på frontdekslet.
- Monter frontdekslet ved å rette det inn i rett vinkel etter kanalen og skyve det inn på kanalen inntil låsehakene smekker på plass i åpningene på frontdekslet.

## Tilkobling av transformatoren **H & J**

### PÅSE AT HOVEDNETTFORSYNINGEN ER ISOLERT.

1. Hvis du overflatemonterer, før 12V vekselstrømkabelen fra hovednettfor syningen gjennom de riktige utstøtterne inn i sine respektive seksjoner.
2. Plasser kablene i kabeltengene (nettkabelen vist i **H**) og foreta koblingene vist i **J**).
3. Påse at alle koblingene er sikre.
4. **Slå av hovednettfor syningen og fjern sikringene.**
5. Koble kabelen fra skillebryteren til strømforsyningen.
  - **For faste ledningskretser må apparatets vernesikring ikke overskride 5A.**
6. Sett inn sikringene igjen og slå på hovednettfor syningen.

## Bruk av viften

### Gjelder kun for IV100

- Sett viften i gang ved å bruke på/av bryteren (følger ikke med). Gjenta for å slå av.

### Gjelder kun for IV100PC

- Sett viften i gang ved å trekke i og slippe den integrerte trekksnoren.
- Gjenta for å slå av.

### Gjelder kun for IV100T

- Sett viften i gang ved å bruke på/av bryteren. Når bryteren er slått av, fortsetter viften å gå i den justerbare forsinkelsesperioden.

### Gjelder kun for IV100H

- Viften går når relativ fuktighet overskrider det innstilte nivået. Når den relative fuktigheten synker, fortsetter viften å gå i den justerbare forsinkelsesperioden.

### Gjelder kun for IV100HP

- Manuell modus: bruk den integrerte trekksnorbryteren. Når du slår av viften, går den over til automatisk modus etter forsinkelsen. (Lampen indikerer når viften går i manuell modus).

### Gjelder kun for IV100PIR

- Sensoren detekterer bevegelse i rommet og aktiverer viften. Når den "merker" bevegelse, vil viften gå i en forhåndsinnstilt overløpsperiode, og eventuell ytterligere bevegelse vil få viften til å starte på nytt. På denne måten sørges det for at rommet kun er ventilert under og like etter bruk. Når viften er nyinstallert, vil det være en stabiliseringsperiode på ca. fem minutter. I

*Xpelair  
Toalett/Baderom  
svifter  
LV100 ,  
LV100PC, LV100T,  
LV100H,  
LV100HP  
LV100PIR  
Installasjons- og  
bruksanvisning*

Vennligst oppbevar denne håndboken sammen med viften, til nytte for brukeren.

løpet av denne tiden vil viften gå i inntil to minutter.

**Renhold (anbefales én gang i måneden)**

**EN KVALIFISERT ELEKTRIKER BØR UTFØRE ALT RENHOLD.**

1. Før det utføres renhold, må viften isoleres helt fra hovednettfor­syningen.
2. Fjern frontdekslet ved å trykke inn låsehakene som er plassert på sidene av enheten med en 3mm skrutrekker, mens du trekker frontdekslet fremover **M**.
3. For å rengjøre frontdekslet kan du enten tørke av det med en fuktig, løfri klut eller vaske det i varmt såpevann. Tørk frontdekslet grundig og sett det på plass igjen.
4. Viften må ikke nedsenkes i vann eller andre væsker for å rengjøre andre deler av viften.
5. Du må aldri bruke sterke løsemidler til rengjøring av viften.
6. Bortsett fra rengjøring er det ikke nødvendig med annet vedlikehold.



## Anvisningar om installation och underhåll av toalett/badrumsflykt LV100, LV100PC, LV100T, LV100H, LV100HP, LV100PIR från Xpelair

Förvara denna bruksanvisning tillsammans med fläkten för användarens bekvämlighet

### Installera fläkten

Dessa elektriska apparater är avsedda att anslutas till fast ledningsdragnig. Kontrollera att den elektriska märkdaten på transformatorn överensstämmer med matningen från nätet.

### DESSA ELEKTRISKA APPARATER ÄR DUBBELT ISOLERADE OCH BEHÖVER INTE JORDAS.

All installation måste överses av en kvalificerad elektriker. Installation och ledningsdragnig måste överensstämma med aktuella IEE-bestämmelser (Storbritannien) eller relevanta lokala bestämmelser (övriga länder).

Om du vill ställa några frågor innan du installerar dessa produkter eller efter du har installerat dem, är du välkommen att kontakta Xpelairs tekniska hjälpline på +44 (0) 8799 000430. Våra tekniker finns till hands enbart på kontorstid (enbart Storbritannien), men du kan faxa dina frågor till hjälplinjen när som helst på numret +44 (0) 8799 000530.

Kunder utanför Storbritannien kan kontakta närmaste Xpelair-distributör.

### Beskrivning

#### Alla fläktar

- En monteringsatts som passar både fönster, vägg, panel, ventilationstrumma och tak. Se ledningsdragnig. Se avsnittet "Detta behövs vid installation" vid takmontering.

- En hastighet
- 12V växelström

#### LV100

- Fläkten kontrolleras med en på/av-knapp (medföljer ej).

#### LV100PC

- Fläkten kontrolleras med ett dragsnöre.

#### LV100T

- En inbyggd timer startar fläkten automatiskt efter högst 25 minuter.

#### LV100H

- Fläkten startar automatiskt av fuktensorn.
- Fläkten startas automatiskt av den inbyggda timern vid förhandsinställd tid (mellan 2 och 20 minuter) när fukthetsgraden understiger förhandsinställt värde för relativ fuktighet (RH)

#### LV100HP

- Fläkten startar automatiskt av fuktensorn eller manuellt via dragsnöret (lampan anger om fläkten befinner sig i manuellt läge).

#### LV100PIR

- En kroppssensor håller igång fläkten så länge rörelser registreras. Fläkten startas

automatiskt av den inbyggda timern vid förhandsinställd tid (mellan 2 och 20 minuter).

### Transformator

- Vägghalterad utom räckhåll från badkar eller dusch.
- Säker strömförsörjning (12V) till fläkt.

### Detta behövs vid installation

En tvåpolig strömbrytare med ett kontaktavstånd som inte överstiger 3 mm (vägg- eller takmontering).

Jordningsbestämmelser måste följas om kopplingsdosor av metall används.

Lämplig tvåådrig kabel (ledningsdragnig från transformator till fläkt).

### Riktlinjer för maximal kabellängd mellan transformator och fläkt.

- a. Begränsad till 0,3 volts fall eller 1,5 % minskning av fläktens prestanda.

	Flexibel	Fast		
Ledarstorlek i mm?	0,75	1,00	1,50	2,50
Rekommenderad längsta kabellängd i meter.	4,50	6,00	9,00	15,00

- b. Begränsad till 0,5 volts fall eller 3 % minskning av fläktens prestanda.

	Flexibel	Fast		
Ledarstorlek i mm?	0,75	1,00	1,50	2,50
Rekommenderad längsta kabellängd i meter.	7,50	10,00	15,00	25,00

- Lämplig tvåådrig kabel (till transformator) - LV100, LV100PC, LV100H, LV100HP och LV100PIR.
- Lämplig treådrig kabel (till transformator) - enbart LV100T.
- 3mm-skruvmejsel och Pozdriv-skruvmejslar nr. 1 och 2.

- Undvik fara genom vattenbildning genom att montera fast en kondensvattenavledare (Xpelair nr. XCT100) så nära fläkten som möjligt om någon del av trumman befinner sig högre än fläkten.

### För väggmontering behöver du även

- Slagborr, hammare och mejsel (eller kärnborrströmsning).
- Murbruk för eventuell tätning av hål.

### Fönstermontering

- Använd fönsterglas som är mellan 3 och 6 mm tjockt (helst 4 mm).
- Installera inte glas som är 3 mm tjockt om fönsterglasets överstiger 0,2 m $\leq$ .
- Om installationen sker på dubbelglasat fönster bör du använda en specialtillverkad enhet som

glastillverkaren tillhandahåller. Du behöver även Xpelairs specialsats DXDG.

- Om installationen sker på skjutfönster bör du montera fläkten på det övre fönstret. Se till att det övre fönstret är låst och montera fast stoppar strax under fläktens position för att undvika skada när fönstret skjuts uppåt.
- Om installation sker på en panel som är mellan 9 och 46 mm tjock måste du använda Xpelairs specialsats DXDG. Installera inte dessa fläktar på en panel som är tjockare än 46 mm.

#### Takmontering

Du måste använda lämplig utrustning för ledningsdragning. Följande utrustning finns tillgänglig från Xpelair.

1. WT 10 - Tunnelsats.
2. CFWG100 - Sofftgrill (vit eller grå).
3. FD100 / 3 och FD100 / 6 - Flexibel monteringsssats.

#### Utplacering

##### Fläkt

- Placera så högt upp som möjligt.
- Minst 110 mm från monteringsytans kanter till hålets centrum.
- Så långt från den huvudsakliga luftbyteskällan som möjligt så att luftströmningen i rummet maximeras (till exempel mittemot dörröppningen)
- Nära det område som behöver renas.
- **Inte på platser där omgivningstemperaturen i regel överstiger 50°C.**
- Installera inte strax ovanför en spishäll eller grill (i huvudhöjd) om installation sker i kök.
- Om du installerar fläkten i ett rum som innehåller en förbränningsenhet med en obalanserad rökkanal måste du se till att det finns tillräckligt med ersättningsluft som förhindrar att ångor dras in i rökgången när fläkten suger ut maximalt. Se byggregler för specifika krav.
- Frånluft kan inte förpassas till en rökgång som är avsedd för ångor från apparater med annan energikälla än elektricitet. Regler utfärdade av tillämpliga myndigheter rörande utsläpp av frånluft och insugning måste följas.
- Rådgör med vår tekniska hjälppersonal om du avser att använda fläkten i kemiskt frätande miljö (kontakta närmaste Xpelair-distributör om du inte bor i Storbritannien).
- Enbart LV100PIR: Utplaceringen måste vara sådan att rörelser kan registreras. Undvik hinder som negativt kan påverka detekteringsstråle **A**.

#### Transformator

- I ett vindsutrymme eller i lämplig väggposition (ej lämplig för takmontering).

#### Transformatorn får inte täckas med vindsisolering

- Måste placeras med rätt sida upp för att möta skyddskrav.
- Inte mindre än 0,6 m från badkar eller duschkabin (upp till 2,25 m).
- **Inte där omgivningstemperaturen sannolikt överstiger 50°C.**

#### Installera strömbrytare och kablar

1. Kontrollera att den elektriska märkdaten på den bakre plattan överensstämmer med matningen från nätet.
2. Kontrollera att det inte finns några dolda rör eller kablar, till exempel el/gas/vatten, bakom strömbrytaren (i väggen eller ovanför taket). Sök professionell hjälp om du är osäker.
3. Isolera matningen från nätet.
4. Dra kabeln från nätet till den tvåpoliga strömbrytaren.
5. Dra kabeln från strömbrytaren till transformatorn.
6. Dra kabeln från transformatorn till fläkten.
7. Installera strömbrytaren.
8. Genomför samtliga anslutningar till strömbrytaren.

**Obs: Du måste placera på/av-knappen så att den inte kan nås av den person som använder duschen eller badkaret.**

**VARNING: ANSLUT INTE TILL ELNÄTET I DETTA SKEDE.**

#### Förbereda ett hål för fläkten

Följ tillämpliga säkerhetsföreskrifter om arbetet sker ovanför marknivå.  
**VARNING: BÅR SKYDDSGLASÖGON VID BORRNING OCH MEJSLING.**

#### Väggmontering

1. Kontrollera att det inte finns några dolda rör eller kablar i väggen eller hinder på utsidan, till exempel el/gas/vatten. Sök professionell hjälp om du är osäker.
2. Markera trummans mittpunkt på väggen.
3. Använd denna mittpunkt för att rita en cirkel som motsvarar väggtrumman (115 mm diameter).

#### Om du använder kärnborr:

- 4a. Följ anvisningarna från borrhjälverkaren.

#### Om du inte använder kärnborr:

- 4b. Borra ett centrumhål i väggen.
5. Skär till hålet från båda sidor (inte igenom hela väggen). Vi rekommenderar att du borrar ett antal näraliggande hål runt skärinjen och avlägsnar murbruket mellan hålen med hjälp av en mejsl.
6. Gör ett hål i väggen från utsidan (upprepa proceduren angiven ovan).
7. Korta av trumman genom att skära den om detta blir nödvändigt.
8. Montera fast trumman. Se till att den löper nedåt och bortåt från fläkten så att eventuellt regnvatten dräneras ut.
9. Laga hålet. Låt murbruket stelna innan du fortsätter med installationen av fläkten.

## Anvisningar om installation och underhåll av toalett/badrumsflikt IV100, IV100PC, IV100T, IV100H, IV100HP, IV100PIR från Xpelair

Förvara denna bruksanvisning tillsammans med fläkten för användarens bekvämlighet

### Fönster- eller panelmontering

Gör ett hål (125 mm i diameter). Hålets centrum måste befinna sig minst 110 mm från panelens eller fönsterrutans kant. Du bör använda en korrekt skuren fönsterruta vid fönstermontering.

### Montering i ventilationstrumma

1. **Kontrollera att det inte finns några dolda rör eller kablar i ventilationstrumman. Sök professionell hjälp om du är osäker.**
2. Gör ett hål (110 mm i diameter) i trummans sida.
3. Om trumman har en hålmur överbryggas du hålet med röret.
4. Montera fast trumma och kondensvattenavledare (om nödvändigt). Placera den senare så nära fläkten som möjligt.

### Takmontering

1. **Kontrollera att det inte finns några dolda rör eller kablar i taket/balkar, etc. Sök professionell hjälp om du är osäker.**
2. Gör ett hål (115 mm i diameter).

### Förberedelser av fläkt inför installation

Avlägsna det främre skyddet genom att trycka på spännhakarna på enhetens sidor med en 3 mm-skruvmejsel samtidigt som du drar det främre skyddet framåt **M**.

### Montera fläkten i hålet

Följ tillämpliga säkerhetsföreskrifter om arbetet sker ovanför marknivå.

### Montering i vägg, tak eller ventil

**Markera den bakre plattans läge **B**.**

1. Håll den bakre plattan så att kopplingsplinten är vänd mot dig i det övre vänstra hörnet och läppen pekar mot hålet.
2. Infoga läppen försiktigt i väggtrumman, taket eller ventilationstrumman.
3. Justera den bakre plattans läge tills den är vågrät.
4. Markera de tre fastsättningspunkterna för den bakre plattan på väggen, taket eller ventilationstrumman.
5. Avlägsna den bakre plattan från trumman.
6. Borra skruvhål i dessa punkter om nödvändigt och används väggpluggar vid behov.

### Montera fast den bakre plattan **C**

1. Placera packningen (RG100) på den bakre plattans läpp **1**.
2. Om du installerar i tak eller ventil ska du skjuta den del av teleskopröret som har den största diametern över packningen. Skår till röret innan du gör detta om detta visar sig nödvändigt.
3. Avlägsna uppslagning om du ledningsdrar bakom fläkten. Dra nätkabeln genom kabelns ingångshål i den bakre plåten till plintarna **D**.

4. Om du ledningsdrar ovanifrån lämnar du kabeln fri så att den kan läggas i labyrinten.
5. För in den bakre plattans läpp i väggen, taket eller ventilationstrumman på samma sätt som beskrivits tidigare.
6. Sätt fast den bakre plattan i väggen, taket eller ventilationstrumman med hjälp av lämplig utrustning. **Skruva inte fast för hårt om du använder skruvar.**

### Montera fast baksläppning

1. Avlägsna bakfyllningen från bifogad skumremsa och sätt fast runt läppens utsida på baksläppningen.
2. Gå ut. Håll den övre och undre vingen och för in läppen i väggtrumman.
3. Se till att baksläppningen är vågrät och markera lägens för de två fastsättningshålerna i det övre högra hörnet och det undre vänstra hörnet.
4. Avlägsna baksläppningen från väggtrumman.
5. Borra skruvhål i fastsättningshålerna och skruva fast kvarvarande väggpluggar.
6. Håll den övre och undre vingen och montera fast baksläppningen i väggen med hjälp av de spetsiga och självgående skruvarna. **Skruva inte fast för hårt.**
7. Se till att vingarna öppnas och stängs utan problem.

### Fönster- eller panelinstallation

#### Täta hålet **E**

1. Placera den vita gummipackningen runt hålets kant om du installerar i ett fönster eller en panel som inte är tjockare än 9 mm. Du behöver en DXG-sats för dubbelglasat fönster om du installerar i en panel eller dubbelglasat fönster som är tjockare än 9 mm. Följ de instruktioner som bifogas specialsatsen.

#### Fäst baksläppningen på brickan **F**

1. Håll den övre och undre vingen och infoga baksläppningen **2** i brickan **3** så att fastsättningspunkterna i det övre högra hörnet och det undre vänstra hörnet överensstämmer med hålen i brickan.

2. Stoppa in två av de platta, självgående skruvarna och fäst baksläppningen mot brickan.

#### Montera fläkten i fönstret **G**

1. Någon annan måste hålla baksläppningen och brickan i läge på utsidan (brickan hålls mot gaset).
2. Se till att de två upphöjda fastsättningspunkterna i brickan ligger horisontellt samt inom hålets diameter.
3. Håll den bakre plattan från insidan så att kopplingsplinten är vänd mot dig i det övre vänstra hörnet och läppen pekar mot hålet.
4. Se till att hålen i den bakre plattan överensstämmer med hålen i brickan.



5. Stoppa in två av de bifogade platta, självgående skruvarna i fastsättningspunkterna och fäst den bakre plattan mot brickan. **Skruva inte fast för hårt.**

#### Montering av transformator **I**

Transformatorn kan monteras direkt på en vägg eller ett lämpligt väggskåp.

#### Direkt montering

1. Avlägsna de två skruvarna från skyddet. Avlägsna skyddet.
2. Placera transformatorn på väggen och markera de två fastsättningshålerna A och C.
3. Borra upp hålen och förse med pluggar. Montera fast transformatorn med hjälp av de två bifogade spetsiga, självgående skruvarna.

#### Montering på skåp

1. Dra kablar till skåpet och montera fast skåpet på väggen.
  2. Anslut den skyddande jordledaren (om tillämpligt).
  3. Avlägsna de två utslagbara hålen på transformatorns baksida och dra en 12 voltskabel (växelström) till respektive hålighet.
  4. Montera fast transformatorn i väggen genom att skriva fast de två bifogade skruvarna i hål A och C samt låsa mot skåpets fäste.
- I ett vindstrymme kan transformatorn monteras fast med två skruvar på ett träyta.
  - **TRANSFORMATORN FÅR INTE TÄCKAS AV VINDISOLERING.**

#### Kabeldragning **H**

#### KONTROLLERA ATT STRÖMMEN ÄR BORTKOPPLAD

Dra fläktens kablar enligt **H**. Dra kabeln mellan de två upphöjda stiften (om du drar ovanifrån) och genom labyrinten till kopplingsplinten.

- **Den skyddande säkring för apparaten får inte överstiga 5 amp. för fasta ledningskretsar.**

#### Enbart IV100T

- Justera körperioden genom att föra in en liten skruvmejsel i styrsindelns fördjupning och vrida medsols för höjning och motsols för sänkning.

#### Enbart IV100H & IV100HP **K**

- Fuktighetsgraden är förhandsinställd på cirka 70% RH (relativ fuktighet), men kan ställas in på mellan 50% och 95% RH med kontrollen (H).
- Tidsfördröjningen är förhandsinställd på cirka 20 minuter, men kan ställas in med kontrollen (T).
- Båda kontrollerna är inställbara. Vrid dem medsols för att öka tid eller RH och motsols för att minska.

#### Enbart IV100PIR **L**

- Justera körperioden med kontrollen (T). Vrid skruvmejseln medsols för höjning och motsols för sänkning.

#### Alla fläktar

- Om du drar ledningar ovanifrån skär du till öppningshålet som finns markerad på det främre skyddets översida.
- Placera det övre skyddet så att det överensstämmer med trumman. Skjut skyddet mot trumman tills klämmorna låser fast skyddet.

#### Ledningsdragning för transformator ( H & J)

#### KONTROLLERA ATT STRÖMMEN ÄR BORTKOPPLAD

1. Om du ytmonterar ska du dra en nätkabel (12V växelström) genom håligheterna till avsedda utrymmen.
2. Lokalisera kablarna i kabelskorna (nätkablen visas i **H** - genomför anslutningar som anges i **J**).
3. Kontrollera att samtliga anslutningar är korrekta.
4. **Bryt huvudströmmen och avlägsna säkringarna.**
5. Anslut kabeln från strömbrytaren till den elektriska ledningsdragningen.
- **Den skyddande säkring för apparaten får inte överstiga 5 amp. för fasta ledningskretsar.**
6. Skruva fast säkringarna och koppla på strömmen.

#### Använda fläkten

#### Enbart IV100

- Starta och stanna fläkten med på/av-knappen (bifogas ej).

#### Enbart IV100PC

- Starta fläkten genom att dra i snöret.
- Upprepa samma procedur för att stanna fläkten.

#### Enbart IV100T

- Starta och stanna fläkten med på/av-knappen. När du stänger av fläkten fortsätter den att arbeta under inställd tidsfördröjningsperiod.

#### Enbart IV100H

- Fläkten startar när relativ fuktighet överstiger inställd nivå och fortsätter att arbeta under inställd tidsperiod efter att den relativa fuktighetsnivån nått acceptabel nivå.

#### Enbart IV100HP

- Manuellt läge: Använd snöret. När du stänger av fläkten intar den automatiskt läge efter inställd tidsfördröjning (lampa anger om fläkten befinner sig i manuellt läge).

#### Enbart IV100PIR

- Sensorn startar fläkten när den detekterar rörelser i rummet och fortsätter att arbeta under förhandsinställd körperiod. Den startar på nytt om den känner av nya rörelser, vilket innebär att rummet enbart ventileras när det används och omedelbart efteråt. När fläkten installeras för första gången iscensätts en stabiliseringsperiod på cirka 5 minuter, under

*Anvisningar om  
installation och  
underhåll av  
toalett/badrumsl  
äkt LV100,  
LV100PC, LV100T,  
LV100H, LV100HP,  
LV100PIR från  
Xpelair*

Förvara denna  
bruksanvisning  
tillsammans med fläkten  
för användarens  
bekvämlighet

vilken fläkten arbetar i cirka 2 minuter.

**Rengöring (rekommenderar en gång i  
månaden)**

**EN KVALIFICERAD ELEKTRIKER BÖR  
UTFÖRA ALLT RENGÖRINGSARBETE.**

1. Se till att strömmen är bruten till fläkten innan något rengöringsarbete påbörjas.
2. Avlägsna det främre skyddet genom att trycka på spännhakarna på enhetens sidor med en 3 mm-skruvmejsel samtidigt som du drar det främre skyddet framåt **M**.
3. Rengör det främre skyddet med en fuktad, luddfri trasa eller en varm tvållösning. Torka det främre skyddet noga innan du monterar fast det igen.
4. Sänk inte ned fläkten i vatten eller någon annan vätska i syfte att rengöra några svåråtkomliga delar.
5. Rengör inte fläkten med starkt lösningsmedel.
6. Ingen annan typ av underhåll än rengöring behövs.



٣ احفر فتحتين وضع بداخلهما سداة وثبت المحول باستخدام المسامير اللولبيين الموجودين مع المحول.

عند تثبيته على صندوق داخل الحائط

١ وصل الكبلات بالصندوق وثبت الصندوق على الحائط.  
٢ وصل الموصل الأرضي الواقي إذا لزم الأمر.

٣ اخلع السدادتين المستديرتين الموجودتين خلف المحول ووصل كبلات التيار المتردد ١٢ فولت بالأماكن المخصصة لهم.

٤ ثبت المحول على الحائط بإدخال المسامير اللولبيين الموجودين مع المحول من خلال الفتحتين وضد ثم ثبتهما على الطبلين الموجودين بالصندوق.

• التثبيت في شرفة يمكن تثبيت المحول على سطح خشبي باستخدام مسامير لولبيين.

• يراعى عدم تغطية المحول بتركيبه في الشرفة.

## وصل الأسلاك بالمروحة H

تأكد من أن مصدر التيار الكهربائي معزول.

وصل أسلاك المروحة كما هو مبين H، مع وضع الكبل بين المشبكين البارزين في حالة توصيل السلك من أعلى ومن خلال المتأهة إلى المكعب النهائي.

• بالنسبة لدوائر التوصيلات الثابتة يراعى أن لا يزيد الفيوز الواقي على ٥ أمبير.

إل في ١٠٠ تي فقط

• لضبط مدة انتهاء الوقت المحدد ضع ملف صغير في الفتحة الموجودة في عمود التحكم ولف في اتجاه عقارب الساعة لزيادة المدة وعكس اتجاه عقارب الساعة لتقليلها.

إل في ١٠٠ إنتش ، إل في ١٠٠ إنتش بي فقط K

• تشغيل الرطوبة مضبوط على ٧٠٪ رطوبة نسبية تقريباً ولكن يمكن ضبطه بين ٥٠٪ و ٩٠٪ بمفتاح (H).  
• تأخير الوقت مضبوط في المصنع على ٢٠ دقيقة تقريباً ولكن يمكن ضبطه بالمفتاح (T).  
• كلا المفاتيح يمكن ضبطهما لـ ف المفاتيح في اتجاه عقارب الساعة لزيادة الوقت أو الرطوبة النسبية RH وعكس اتجاه عقارب الساعة لتقليلها.

دي إكس ١٠٠ بي أي آر فقط L

• اضبط مدة انتهاء الوقت بالمفتاح (T). لف المفك في اتجاه عقارب الساعة لزيادة المدة ولفه عكس عقارب الساعة لتقليل المدة.

## جميع المراوح

• إذا كنت تقوم بتوصيل الأسلاك من أعلى اقطع فتحة دخول الكبل المحددة أعلى الغطاء الأمامي.  
• ركب الغطاء الأمامي يجعله في زاوية قائمة مع الأنبوب ودفعه على الأنبوب حتى تدخل سقاطات التحرير في الفتحات الموجودة على الغطاء الأمامي.

## توصيل اسلاك المحول H و J

تأكد من أن مصدر التيار الكهربائي معزول.

١ عند التثبيت على السطح وصل كبل تيار متردد ١٢ فولت من الفتحات المناسبة إلى الأماكن المخصصة لها.

٢ حدد مكان الكبلات في مقابض الكبلات ( كبل الطاقة الرئيسي موضح في H، واعمل التوصيلات المبينة في J).

٣ تأكد من أن جميع الوصلات مشدودة.

٤ أطفئ مصدر الطاقة وانزع الفيوزات.

٥ وصل الكبل من مفتاح العزل إلى سلك التيار الكهربائي.

• بالنسبة لدوائر التوصيلات الثابتة يراعى أن لا يزيد الفيوز الواقي على ٥ أمبير.

٦ أعد تركيب الفيوزات وشغل التيار الكهربائي.

## استخدام المروحة

إل في ١٠٠ فقط

• شغل المروحة باستخدام مفتاح التشغيل/ الإطفاء (لا يقدم مع المروحة). كرر ذلك لإطفائها.

إل في ١٠٠ بي سي فقط

• شغل المروحة بسحب السلك وتركه.  
• كرر ذلك لإطفائها.

إل في ١٠٠ تي فقط

• شغل المروحة باستخدام مفتاح التشغيل/ الإطفاء. عند إطفاء المفاتيح تستمر المروحة تعمل حتى مدة التأخير المحددة.

إل في ١٠٠ إنتش فقط

• تعمل المروحة عندما يزيد معدل الرطوبة عن المعدل المحدد. عندما تنخفض الرطوبة النسبية تستمر المروحة في العمل طوال مدة التأخير المحددة.

إل في ١٠٠ إنتش بي فقط

• الوضع اليدوي: استخدم مفتاح سلك السحب. عندما تطفئ المروحة تتحول إلى الوضع الآلي بعد مدة التأخير المحددة. (الضوء يشير إلى أن المروحة تعمل في الوضع اليدوي).

إل في ١٠٠ بي أي آر فقط

• عندما يكتشف جهاز الإحساس وجود حركة في الغرفة يقوم بتشغيل المروحة. عند اكتشاف حركة تعمل المروحة لمدة التشغيل المحددة مسبقاً، وتؤدي أي حركة أخرى يتم الإحساس بها إلى إعادة التشغيل مرة أخرى. يضمن ذلك أن يتم فقط تهوية الغرفة أثناء استخدامها وبعد استخدامها مباشرة. عند تركيب المروحة للمرة الأولى تكون هناك فترة ثبات لخمس دقائق تقريباً. خلال هذه المدة تعمل المروحة حتى دقيقتين.

## التنظيف (مرة كل شهر)

يجب أن يتم التنظيف من قبل كهربائي مؤهل.

١ قبل إجراء التنظيف يجب عزل المروحة بالكامل عن مصدر الطاقة.

٢ انزع الغطاء الأمامي بالضغط على سقاطات التحرير الموجودة على جانبي المروحة باستخدام مفك ٣ مم مع سحب الغطاء الأمامي للامام M.

٣ لتنظيف الغطاء الأمامي يمكنك إما أن تمسحه بقطعة قماش مبللة خالية من الألياف، أو غسله في ماء دافئ به صابون. يجب تنظيف الغطاء الأمامي جيداً وإعادة تركيبه.

٤ لا تغمر المروحة في الماء أو السوائل الأخرى لتنظيف أية أجزاء أخرى من أجزاء المروحة.

٥ لا تستخدم المذيبات القوية لتنظيف المروحة.

٦ يراعى عدم إجراء أي صيانة للمروحة باستثناء التنظيف.

## إكسيلير مراوح للمراحيض والحمامات إل في ١٠٠، إل في ١٠٠ بي سي، إل في ١٠٠ تي، إل في ١٠٠ إتش، إل في ١٠٠ إتش بي، إل في ١٠٠ بي أي آر تعليمات التركيب والتشغيل

مراعاة لمصلحة المستخدم  
يرجى ترك هذه التعليمات مع  
المروحة

### لتركيبها في فتحة تهوية

- ١ تأكد من عدم وجود أنابيب أو كبلات مدفونة في فتحة التهوية.  
إذا كان لديك أي شك استشر شخصاً متخصصاً.
- ٢ اقطع فتحة قطرها ١١٠ مم في جانب فتحة التهوية.
- ٣ إذا كان بفتحة التهوية حائط مزدوج به تجويف داخلي استخدم أنبوب الحائط لعمل جسر على التجويف.
- ٤ ركب الأنبوب ومصيدة التكثيف إذا لزم الأمر، وضع مصيدة التكثيف قريبة من المروحة بقدر الإمكان.

### لتركيبها على السقف

- ١ تأكد من عدم وجود أنابيب أو كبلات مدفونة في السقف/ الألواح الخشبية... الخ.  
إذا كان لديك شك في ذلك استشر شخصاً متخصصاً.
- ٢ اقطع حفرة قطرها ١١٥ مم.

### تجهيز المروحة للتركيب

انزع الغطاء الخارجي بالضغط على سقاطات التحرير الموجودة على جانبي الوحدة باستخدام مفك ٢ مم مع شد الغطاء الأمامي للأمام **M**.

### ركب المروحة في الفتحة

إذا كنت تعمل في طابق أعلى من الطابق الأرضي يجب مراعاة احتياطات السلامة المناسبة.

لتركيبها على حائط أو سقف أو فتحة تهوية

### حدد مكان اللوحة الخلفية **B**

- ١ امسك اللوحة الخلفية بحيث يكون المكعب النهائي مواجهاً لك في الزاوية اليسرى من أعلى وتكون الشفة متجهة نحو الفتحة.
- ٢ ضع الشفة بعناية في الأنبوب الموجود في الحائط/ السقف أو فتحة التهوية.
- ٣ اضبط مكان اللوحة الخلفية حتى يصبح مستوياً.
- ٤ حدد مكان فتحات التثبيت الثلاث للوحة الخلفية على الحائط/ السقف أو فتحة التهوية.
- ٥ اخلع اللوحة الخلفية من الأنبوب.
- ٦ احفر فتحات لمسامير لولبية في هذه المواضع إذا لزم الأمر.

### ركب اللوحة الخلفية **C**

١ ادفع سدادة إحكام القفل المضلعة (أر جي ١٠٠) على شفة اللوحة الخلفية **1**.

٢ لتركيبها على سقف أو فتحة تهوية ادفع الجزء الذي يحتوي على القطر الأكبر من أنبوب الحائط التلسكوبي على سدادة إحكام القفل المضلعة. اقطع الأنبوب حسب الطول المطلوب أولاً إذا لزم الأمر.

٣ إذا كنت تقوم بتوصيل أسلاك المروحة من الخلف اخلع غطاء الفتحة. أدخل كبل الطاقة من فتحة دخول الكبل في اللوحة الخلفية للأطراف **D**.

٤ إذا كنت تقوم بتوصيل أسلاك المروحة من أعلى اترك الكبل حراً لتركيبه في التامة.

٥ ضع شفة اللوحة الخلفية في أنبوب الحائط/ السقف أو فتحة التهوية كما سبق.

٦ ثبت اللوحة الخلفية على الحائط/ السقف أو فتحة التهوية باستخدام الأربطة المناسبة. إذا كنت تستخدم المسامير اللولبية لا تغالي في ربط المسامير.

### ركب الغطاء المتحرك الخلفي

- ١ أزل الجزء الخلفي من الشريط الرفوي الموجود مع المروحة وثبته حول الشفة من الخارج على الغطاء المتحرك الخلفي.
- ٢ اذهب للخارج. افتح الريش العلوية والسفلية وضع الشفة في أنبوب الحائط.
- ٣ تأكد من أن الغطاء الخلفي المتحرك في وضع مستو ثم حدد مكان فتحتي التثبيت في الزاوية العلوية على اليمين والسفلية على اليسار.
- ٤ انزع الأغصنة الخلفية من أنبوب الحائط.
- ٥ احفر فتحتين بالمثقاب في هذين الموضعين وثبت سدادات الحائط المتبقية.
- ٦ افتح الريش العلوية والسفلية وأعد تركيب الغطاء الخلفي المتحرك وثبته على الحائط باستخدام الطرف المسنن للمسامير اللولبية. لا تغالي في ربط المسامير اللولبية.
- ٧ تأكد من أن الريش تفتح وتغلق بحرية.

### لتركيبها على نافذة أو لوح

### إغلاق الفتحة **E**

- ١ عند تركيبها على نافذة أو لوح لا يزيد سمكه على ٩ مم ركب طوق إحكام القفل المطاطي الأبيض حول حافة الفتحة. عند تركيبها على لوح أو زجاج مزدوج مغلق لا يزيد سمكه على ٩ مم يجب استخدام طقم زجاج مزدوج دي إكس جي. اتبع التعليمات الواردة مع الطقم الخاص.

### ثبت الغطاء الخلفي المتحرك على المبادع **F**

- ١ افتح الريش العلوية والسفلية ثم أعد وضع الغطاء الخلفي **2** في المبادع **3** بحيث تكون فتحات التثبيت الموجودة في الزوايا العلوية من اليمين والسفلية من اليسار متوافقة مع فتحات المبادع.
- ٢ ضع مسامير من المسامير اللولبية الذاتية التركيب ذات الطرف المستوي الموجودة مع المروحة وثبت الغطاء الخلفي المتحرك على المبادع.

### ركب المروحة على النافذة **G**

- ١ يجب أن يقوم شخص آخر بالإمساك بالغطاء الخلفي المتحرك والمبادع في موضعهما من الخلف بحيث يكون المبادع على الزجاج.
- ٢ تأكد من أن فتحتي التثبيت البارزتين الموجودتين في المبادع في وضع أفقي ومثبتتين في الفتحة.
- ٣ امسك اللوح الخلفي من الداخل بحيث يكون المكعب النهائي مواجهاً لك في الزاوية العلوية اليسرى وتكون الشفة في اتجاه الفتحة.
- ٤ اجعل الفتحات الموجودة في اللوح الخلفي بمحاذاة الفتحات الموجودة في المبادع.
- ٥ ضع المسامير اللولبية المستويين عند نهايتهما والموجودين مع المروحة وثبت اللوح الخلفي بالمبادع. لا تغالي في ربط المسامير اللولبية.

### تركيب المحول **I**

يمكن تثبيت المحول مباشرة على الحائط أو تثبيته على صندوق داخل حائط.

### عند تثبيته على الحائط مباشرة

- ١ انزع المسامير اللولبية اللذين يثبتان الغطاء. انزع الغطاء.
- ٢ ضع المحول على الحائط وحد فتحتي التثبيت A و C.

## تركيب المروحة على السقف

- سوف تحتاج إلى استخدام المحلقات المناسبة اللازمة للتركيب. هذه المحلقات يتم الحصول عليها من "إكسبيلير".
- ١ دبليوي تي ١٠ - طقم تركيب أنابيب
- ٢ سي إف دبليو جي ١٠٠ - شبكة تركيب لوحة سفلية (بيضاء أو بنية اللون).
- ٣ إف دي ٣/١٠٠، إف دي ٦/١٠٠ - أنابيب مرنة

## مكان التركيب

### المروحة

- يجب أن توضع المروحة في أعلى مكان ممكن.
- على بعد ١١٠ مم على الأقل من حافات أسطح التركيب إلى وسط الفتحة.
- في أبعد مكان ممكن وفي الجهة المقابلة من مصدر تجديد الهواء لضمان تدفق الهواء في الحجر (في الجهة المقابلة للممر الداخلي مثلاً).

## تجهيز الفتحة للمروحة

- بالقرب من مصدر الأبخرة أو الروائح.
- بعيداً عن الأماكن التي من المحتمل أن تزيد فيها درجة الحرارة على ٥٠ درجة مئوية.
- في حالة تركيبها في المطبخ يراعى عدم تركيبها فوق سطح الموقد مباشرة أو في مستوى النظر للشواية.
- في حالة تركيبها في غرفة بها جهاز يعمل باحتراق الوقود به مدخنة غير متوازنة يعد الشخص الذي يقوم بالتركيب مسئولاً عن التأكد من وجود هواء متجدد كافه لمنع سحب الأبخرة من المدخنة في حالة تشغيل المروحة على أعلى سرعة تشغيل. يجب الرجوع إلى لوائح البناء لمعرفة الاشتراطات المحددة.

### لتركيبها على الحائط

- ١ تأكد من عدم وجود أنابيب أو كبلات مدفونة في الحائط أو عوائق من الخارج مثل الكهرباء والغاز والماء.

إذا كان لديك أي شك يجب استشارة شخص متخصص.

٢ ضع علامة تحدد مركز فتحة الأنبوب على الحائط.

٣ استخدم هذا المركز لتحديد دائرة تناسب الفتحة التي سيتم عملها في الحائط (قطرها ١١٥ مم).

### إذا كان لديك مثقاب لاستخراج العينات:

٤ استخدمه وفقاً لتعليمات جهة صنع المثقاب.

### إذا لم يكن لديك مثقاب لاستخراج العينات:

٤ب احفر فتحة في الوسط في الحائط.

٥ اقطع الفتحة. لا تقطع الفتحة حتى نهاية الحائط. اقطع من الجانبين.

(الطريقة التي ننصح بها هي أن يتم حفر مجموعة من الحفر قريبة من بعضها حول حافة خط القطع وإزالة القرميد الموجود بين الفتحات باستخدام إزميل).

٦ اذهب من الخارج واقطع فتحة في الحائط من الخارج وكرر الخطوات السابقة.

٧ اقطع أنبوباً بالطول المناسب إذا لزم الأمر. الأنابيب الموجودة مع المروحة من النوع التلسكوبي ومن الممكن تمده حتى ٣٠٠ مم.

٨ ركب الأنبوب. تأكد من أن الأنبوب مائل لأسفل من جهة المروحة حتى يسمح بتصريف ماء المطر للخارج.

٩ قم بتسوية الفتحة. انتظر حتى يصبح الملاط صلباً قبل مواصلة تركيب المروحة.

### لتركيبها على نافذة أو لوح

اقطع فتحة قطرها ١٢٥ مم أو احصل على لوح مقطوع وجاهز في حالة تركيبها على النافذة.

### المحول

- في شرفة أو مكان مناسب على حائط (غير مناسب للتركيب على السقف).
- يجب عدم تغطية المحول بعازل في شرفة.
- يجب تركيبه بالطريقة الصحيحة للوفاء باشتراطات حماية المداخل.
- بعيداً عن المكان المخصص للاستحمام أو الدوش بمسافة لا تقل عن ٦٠ م، وعلى ارتفاع لا يقل عن ٢٥.٢ م.
- بعيداً عن الأماكن التي قد تزيد فيها درجة الحرارة على ٥٠ درجة مئوية.

## تركيب مفتاح العزل والكبلات

- ١ تأكد من أن القدرة الكهربائية المبنية على اللوحة الخلفية من الداخل متوافقة مع مصدر الطاقة.
- ٢ تأكد من عدم وجود أنابيب أو كبلات مدفونة (مثل أنابيب الكهرباء والغاز الماء) خلف مكان المفتاح (في الحائط أو فوق السقف).
- إذا كان لديك شك في ذلك استشر أحد المتخصصين.

صممت هذه الأجهزة للتوصيل بوحدة كهربائية ثابتة. تأكد من أن القدرة الكهربائية المبينة على كل مروحة متوافقة مع مصدر التيار الكهربائي.

هذه الأجهزة معزولة عزلاً مزدوجاً ولا تحتاج إلى وصلة أرضية.

يجب الإشراف على جميع التركيبات من قبل كهربائي مؤهل.

يجب أن تكون التركيبات والوصلات متوافقة مع لوحة مؤسسة المهندسين الكهربائيين (المملكة المتحدة)، أو اللوائح المحلية المناسبة (البلدان الأخرى).

إذا كانت لديك أي استفسارات قبل تركيب هذه الأجهزة أو بعد تركيبها يرجى الاتصال بالخط الفني الساخن لـ "إكسبيلير" على هاتف رقم: ٤٢٠ ٠٠٠ ٨٧٠٩٠٠٠ (+٤٤ (٠) مهندسونا متواجدون هناك خلال ساعات العمل العادية لمساعدتك (المملكة المتحدة فقط)، ويمكن إرسال الاستفسارات في غير أوقات العمل العادية إلى فاكس رقم: ٥٣٠٠ ٠٠٠ ٨٧٠٩٠٠٠ (+٤٤ (٠).

يجب على العملاء في خارج المملكة المتحدة الاتصال بموزع "إكسبيلير" المحلي.

## إكسبيلير

## مراوح للمراحيض والحمامات إل في

١٠٠، إل في ١٠٠ بي سي، إل في ١٠٠ تي، إل في ١٠٠ إتش، إل في ١٠٠ إتش بي، إل في ١٠٠ بي أي آر تعليمات التركيب والتشغيل

مراعاة لمصلحة المستخدم يرجى ترك هذه التعليمات مع المروحة

## ما يحتاجه من يقوم بتركيب المروحة

مفتاح عازل بقطبين لا تقل فتحة نقطة الاتصال به عن ٣ مم (التثبيت على الحائط أو السقف).

في حالة استخدام صناديق المفاتيح المعدنية يجب اتباع تعليمات القطب الأرضي.

كل بقطبين بجهد مناسب للتوصيل من المحول للمروحة.

إرشادات حول أقصى طول للكبل الواصل بين المحول والمروحة

(أ) معدل الانخفاض لا يزيد على ٣.٠ فولت أي ما يعادل ٠.١٪ خفض في أداء المروحة.

مروحة	ثابت
حجم الموصل ٣ مم	٠.٧٥ ١.٠٠ ١.٥٠ ٢.٥٠
أقصى طول للكبل	٤.٥٠ ٦.٠٠ ٩.٠٠ ١٥.٠٠
موصى به بالمتري	

(ب) معدل الانخفاض لا يزيد على ٥.٠ فولت أي ما يعادل ٣٪ خفض في أداء المروحة.

مروحة	ثابت
حجم الموصل ٣ مم	٠.٧٥ ١.٠٠ ١.٥٠ ٢.٥٠
أقصى طول للكبل	٠.٧٥ ١.٠٠ ١٥.٠٠ ٥٢.٠٠
موصى به بالمتري	

• كبل بقطبين بجهد مناسب (توصيل للمحول) إل في ١٠٠، إل في ١٠٠ بي سي، إل في ١٠٠ إتش، إل في ١٠٠ إتش بي، إل في ١٠٠ بي أي آر

• كبل ب ٣ أقطاب بجهد مناسب (توصيل للمحول) إل في ١٠٠ تي فقط

• مفك كهربائي ٣ مم ومفك "بوردريف" رقم ١ أو ٢.

• لتجنب الأخطار التي قد تنتج عن احتمال دخول الماء يجب تركيب مصيدة تكثيف (إكسبيلير رقم إكس سي تي ١٠٠) في أقرب مكان ممكن من المروحة في جميع الحالات التي يكون فيها أي جزء من أعمال الأنابيب موجوداً في مكان أعلى من المروحة نفسها.

## لتركيب المروحة على الحائط تحتاج أيضاً إلى

• مثقاب للحفر في البناء ومطرقة وإزميل (أو مثقاب لاستخراج العينات إن وجد)

• ملاط لإصلاح الفتحة إذا لزم الأمر

## لتركيب المروحة على النافذة

• سوف تحتاج إلى لوحة للنافذة بسمك ٣ مم إلى ٦ مم (يفضل ٤ مم).

• يراعى عدم تركيبها في زجاج بسمك ٣ مم إذا كانت مساحة لوحة النافذة تزيد على ٢.٠ متر مربع.

• عند تركيبها في زجاج مزدوج مقل يجب الحصول على وحدة مصنعة خصيصاً لذلك من جهة تصنيع الزجاج. سوف تحتاج أيضاً إلى طقم خاص اسمه "إكسبيلير كات" ورقمه هو "دي إكس دي سي".

• في حالة تركيبها في النوافذ ذات الإطارات يجب تركيب المروحة في النافذة العلوية. ثبت الإطار العلوي في الوضع المغلق وثبت حواجز أسفل مستوى المروحة مباشرة لمنع حدوث أضرار عند رفع الإطار.

• عند تثبيتها في لوحة يتراوح سمكها بين ٩ مم و ٤٦ مم تحتاج إلى طقم "إكسبيلير كات" ورقمه "دي إكس دي سي". لا تركيب هذه المراوح في لوحة يزيد سمكها على ٤٦ مم.

## الوصف

## جميع المراوح

• طقم التثبيت العالمي يسمح بخيارات التثبيت على النافذة/ لوح بالحائط/ فتحة تهوية/ السقف. انظر طريقة توصيل الأطراف في حالة تركيب المروحة على السقف يرجى الاطلاع على: "ما يحتاجه من يقوم بتركيب المروحة".

• شفط بسرعة واحدة

• تشغيل بتيار متردد ١٢ فولت

## إل في ١٠٠

• تشغيل المروحة باستخدام مفتاح تشغيل/ إطفاء (لا يقدم مع المروحة)

## إل في ١٠٠ بي سي

• تشغيل المروحة باستخدام سلك متكامل يتم سحبه

## إل في ١٠٠ تي

• مؤقت داخلي يشغل المروحة ألياً لمدة محددة مسبقاً لا تزيد على ٣٠ دقيقة.

## إل في ١٠٠ إتش

• تعمل عند تشغيلها ألياً بواسطة جهاز إحساس بالرطوبة.

• يقوم مؤقت داخلي بتشغيل مروحة ألياً لمدة تتراوح بين دقيقتين و ٢٠ دقيقة عندما ينخفض معدل الرطوبة عن معدل الرطوبة النسبية HR.

## إل في ١٠٠ إتش بي

• تعمل بطريقتين: إما ألياً بواسطة جهاز إحساس بالرطوبة، أو عند تشغيلها باستخدام مفتاح سلك متكامل يتم سحبه (يكون الضوء مضاءً عندما تعمل المروحة في الوضع اليدوي).

## إل في ١٠٠ بي أي آر

• الجهاز المتكامل للإحساس بحركة الجسم يشغل المروحة عندما يكتشف حركة الموقت الداخلي يشغل المروحة ألياً لمدة تتراوح بين دقيقتين و ٢٠ دقيقة.

## المحول

• يثبت على الحائط بعيداً عن منطقة الاستحمام أو الدوش.

• يوفر طاقة آمنة معزولة لمروحة تعمل بتيار متردد ١٢ فولت.



## Notes

*LV100, LV100PC,  
LV100T, LV100H,  
LV100HP,  
LV100PIR*



## Do's and dont's

- Do read all the instruction leaflet before commencing installation.
- Do install each fan with a double pole isolating switch.
- Do make sure the mains supply is switched off before attempting to make electrical connections or carry out any maintenance or cleaning
- Don't install this fan in any window/panel which is less than 4mm thick.

## Guarantee

### Customers outside UK - see international below.

- UK: The fan is guaranteed against defects for 3 years from the date of purchase.
- Please keep your purchase receipt.
- If you have any problems, contact Xpelair's Head Office at the address shown below.

## Technical advice and service

### Customers outside UK - see international below.

- UK: Xpelair have a comprehensive range of services including:
- Free technical advice help-desk from Engineers on all aspects of ventilation.
- Free design service, quotations and site surveys.
- Service and maintenance contracts to suit all requirements.

### *Please ask for details:*

- By telephone on Techline: +44 (0) 8709 000430
- By fax on Techfax: +44 (0) 8709 000530
- At the address below

## Head Office, UK Sales Office and Spares

Applied Energy Products Ltd, Morley Way, Peterborough, PE2 9JJ England

Telephone: +44 (0) 1733 456789

Fax: +44 (0) 1733 310606

Sales Hotline: +44 (0) 8709 000420

<http://www.xpelair.co.uk>

## International

- Guarantee: Contact your local distributor or Xpelair direct for details.
- Technical Advice and Service: Contact your local Xpelair distributor.



FM02118 ISO 9001: 2000

applied energy///



Part No. 567 2027 01  
(Revision B)