

# GEORGE FOREMAN®

THE LEAN MEAN FAT REDUCING GRILLING MACHINE™

Please Read and Save this Use and Care Book

Por favor lea este instructivo antes de usar el producto

Veillez lire et conserver ce guide d'entretien et d'utilisation



Register your product at  
[www.prodprotect.com/applica](http://www.prodprotect.com/applica)  
and view the details for our latest sweepstakes!

? USA/Canada 1-800-231-9786  
[www.prodprotect.com/applica](http://www.prodprotect.com/applica)

Accessories/Parts (USA/Canada)  
Accesorios/Partes (EE.UU./Canadá)  
Accessoires/Pièces (É.-U./Canada)  
1-800-738-0245

## Models Modelos Modèles

- GR236CTB
- GR236CTP
- GR236CTR
- GR236CTW
- GR236CTBQ
- GR236CTDP
- GR236CTPQ
- GR236CTRQ
- GR236CTBCAN

# IMPORTANT SAFEGUARDS

When using electrical appliances, basic safety precautions should always be followed, including the following:

- Read all instructions.
- Do not touch hot surfaces. Use handles or knobs.
- To protect against electrical shock do not immerse cord, plugs or appliance in water or other liquid.
- Close supervision is necessary when any appliance is used by or near children.
- Unplug from outlet when not in use and before cleaning. Allow to cool before putting on or taking off parts, and before cleaning the appliance..
- Do not operate any appliance with a damaged cord or plug, or after the appliance malfunctions or has been damaged in any manner. Return appliance to the nearest authorized service facility for examination, repair or adjustment. Or, call the appropriate toll-free number on the cover of this manual.
- The use of accessory attachments not recommended by the appliance manufacturer may cause injuries.
- Do not use outdoors.
- Do not let cord hang over edge of table or counter, or touch hot surfaces.
- Do not place on or near a hot gas or electric burner, or in a heated oven.
- Extreme caution must be used when moving an appliance containing hot oil or other hot liquids.
- To disconnect, turn any control to OFF, then remove plug from wall outlet.
- Do not use this appliance for other than intended use.
- The appliance is only to be operated in the closed position.

## SAVE THESE INSTRUCTIONS.

**This product is for household use only.**

### POLARIZED PLUG (FOR US MODELS ONLY)

This appliance has a polarized plug (one blade is wider than the other). To reduce the risk of electric shock, this plug is intended to fit into a polarized outlet only one way. If the plug does not fit fully into the outlet, reverse the plug. If it still does not fit, contact a qualified electrician. Do not attempt to modify the plug in any way.

### GROUNDING PLUG (FOR CANADIAN MODELS ONLY)

As a safety feature, this product is equipped with a grounded plug, which will only fit into a three-prong outlet. Do not attempt to defeat this safety feature. Improper connection of the grounding conductor may result in the risk of electric shock. Consult a qualified electrician if you are in doubt as to whether the outlet is properly grounded.

### TAMPER-RESISTANT SCREW

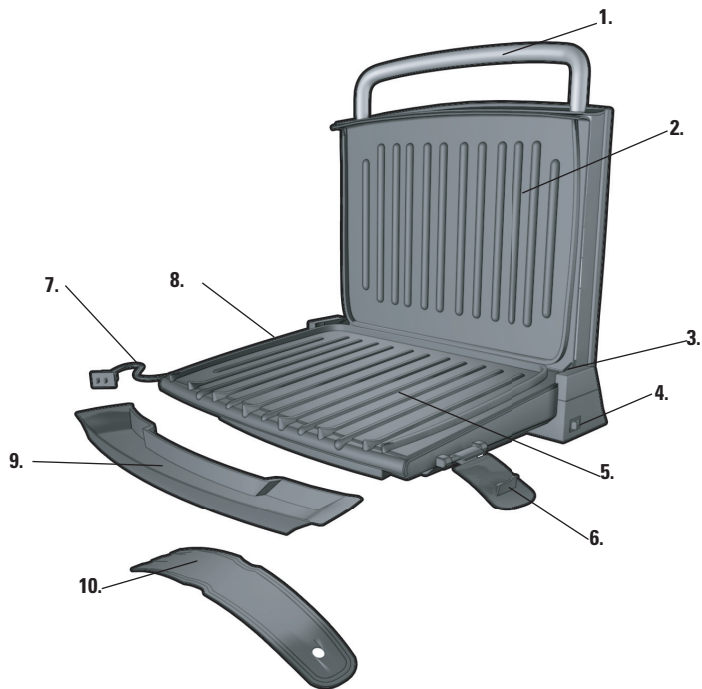
**Warning: This appliance is equipped with a tamper-resistant screw to prevent removal of the outer cover. To reduce the risk of fire or electric shock, do not attempt to remove the outer cover. There are no user-serviceable parts inside. Repair should be done only by authorized service personnel.**

### ELECTRICAL CORD

- a) A short power-supply cord (or detachable power-supply cord) is to be provided to reduce the risk resulting from becoming entangled in or tripping over a longer cord.
- b) Longer detachable power-supply cords or extension cords are available and may be used if care is exercised in their use.
- c) If a long detachable power-supply cord or extension cord is used,
  - 1) The marked electrical rating of the detachable power-supply cord or extension cord should be at least as great as the electrical rating of the appliance,
  - 2) If the appliance is of the grounded type, the extension cord should be a grounding-type 3-wire cord, and
  - 3) The longer cord should be arranged so that it will not drape over the countertop or tabletop where it can be pulled on by children or tripped over.

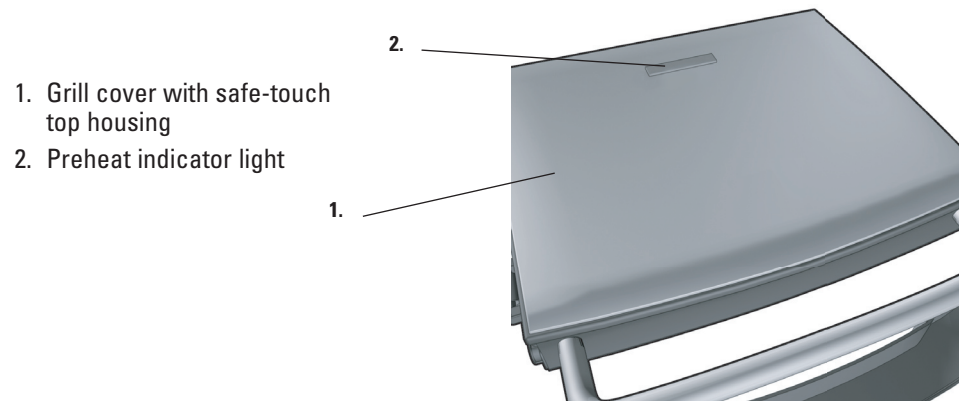
**Note:** If the power supply cord is damaged, it should be replaced by qualified personnel; in Latin America, by an authorized service center.

Product may vary slightly from what is illustrated.



A

- |  |   |
|--|---|
| 1. Extended metal loop carrying handle         | 7. Power cord   |
| 2. Grill plate (upper)                         | 8. Cord wrap (under unit)   |
| 3. Float & lock hinge                          | † 9. Drip tray (Part # GRP236-01)                                 |
| 4. On/Off (I/O) switch                         | † 10. Spatula (Part # GRP236-02)                                  |
| 5. Grill plate (lower)                         | <b>Note:</b> † indicates consumer replaceable/<br>removable parts |
| 6. Safety locking side latches<br>(both sides) |   |



3

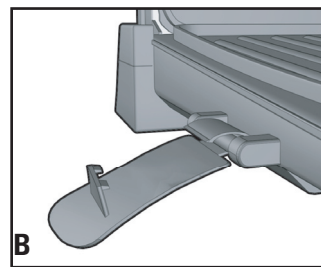
## How to use

This product is for household use only.

### GETTING STARTED

- Remove all packing material and any stickers.
- Remove and save literature.
- Please go to [www.prodprotect.com/applica](http://www.prodprotect.com/applica) to register your warranty.
- Wash removable parts as instructed in CARE AND CLEANING section of this manual.
- Wipe grill plates with a damp cloth or sponge to remove any dust. Wipe dry with a soft cloth or paper towels.
- Select location where unit is to be used, leaving enough space between back of unit and wall to allow heat to flow without damage to cabinets and walls.

### PREHEATING THE GRILL



B

1. Close cover on grill.  
**Important: Be sure locking side latches are opened fully and away from the grill plates (B).**
2. Unwind cord and plug into standard electrical outlet.



C

3. Press the On/Off (I/O) switch on bottom right side of the grill to ON (I) position to begin preheating (C).
4. The power light comes on to indicate that the elements are heating.
5. Allow the grill to preheat (approximately 5 minutes) before grilling. When the selected temperature is reached, the preheat indicator light will go out.

**Note:** The preheat indicator light will turn on and off during cooking to indicate your desired temperature is being maintained.

### GRILLING IN THE FLOATING HINGE POSITION

**Important: The floating hinge position allows for grilling extra thick foods. In this position, the upper grill plate rests on top of the food.**

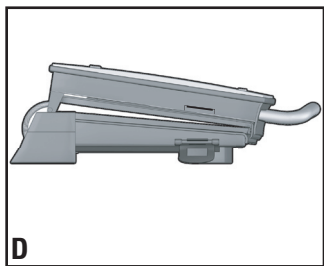
1. Using a pot holder, carefully open the preheated grill.
2. Before first use, lightly oil both grill plates, if desired.

**Note:** Aerosol cooking spray should not be used on nonstick surface. Chemicals that allow spray to come out of can build up on surface of grill plates and reduce their efficiency.

4

3. Carefully place foods to be cooked on lower grill plate of preheated grill. This grill model usually accommodates 2 to 4 servings.

**Note:** Do not overload the cooking plate.



4. Close grill cover in **Floating Hinge** position (D) with the cover closing directly onto the food.

5. Allow the food to cook for the desired time. If desired, use a kitchen timer.

**Note:** Use suggested cooking times found in the GRILLING CHART on pages 6 and 7.

**Important: Do not leave the appliance unattended during use.**

6. **Light pressure** can be used on the handle to press and heat food to your liking. This feature is especially handy when preparing grilled sandwiches and grilling thick pieces of meat and poultry.

**Important: Do not exert excessive pressure when using handle to press; use only light pressure to avoid putting extreme stress on float & lock hinge.**

7. After selected time, the food should be done. If you would prefer longer cooking, simply follow the steps in this section beginning at step 4.

8. Press On/Off (I/O) switch to turn grill off (O).

**Important: Heating elements will continue to be ON until the On/Off (I/O) switch is pressed or the appliance is unplugged.**

9. Using a pot holder, carefully open the grill cover.

10. Remove cooked food using plastic spatula provided.

**Note:** Always use heatproof plastic, nylon or wood utensils to avoid scratching nonstick surface of grill plates. Never use metal skewers, tongs, forks or knives.

11. Allow the drip tray to cool before removing it from under the grill. Wash and dry the drip tray after each use.

## SUGGESTED GRILLING CHART

The following are meant to be used as a guideline only. The times reflect a full grill of food. Cooking time will depend upon thickness and cut being used. Use a meat thermometer as a test for doneness. If the food needs longer cooking, check periodically to avoid overcooking the food.

FOOD	COOKING TIME	COMMENTS
<b>MEAT</b>		
Hamburger (5 oz.)	4 – 6 minutes	¾-inch thick Cooked to medium (160°F)
Frozen hamburger (5 oz.)	5 – 6 minutes	¾-inch thick Cooked to medium (160°F)
Flank steak (¾ lb.)	6 – 8 minutes	¾-inch thick Cooked to medium rare (145°F)
Skirt steak (½ lb.)	4 – 6 minutes	¾-inch thick Cooked to medium (160°F)
NY strip steak (shell steak) (6 oz.)	6 – 8 minutes	¾-inch thick Cooked to medium rare (145°F)
Beef tenderloin (5 oz.)	4 – 6 minutes	¾-inch thick Cooked to medium rare (145°F)
Beef kabobs	5 – 7 minutes	Cooked to medium (160°F)
Pork loin chops, boneless	4 – 6 minutes	¾-inch thick Cooked to 160°F
Pork loin chops, bone in	4 – 6 minutes	½ -inch thick Cooked to 160°F
Sausage, link or patty	4 – 6 minutes	Cooked to 160°F
Hot dogs	4 – 5 minutes	Cooked to 168°F
Bacon	6 – 8 minutes	Cook until crisp
Smoked pork loin chops, boneless	4 – 6 minutes	Cooked to 160°F
Lamb chops, loin	5 – 7 minutes	¾-inch thick Cooked to medium (160°F)
<b>POULTRY</b>		
Chicken breast, boneless and skinless (8 oz.)	11 – 13 minutes	Cooked to 170°F
Chicken tenderloins 4 to 6 pieces	4 – 6 minutes	Cooked to 170°F
Turkey tenderloin (¾ lb.)	9 – 11 minutes	Cooked to 170°F

FOOD	COOKING TIME	COMMENTS
Turkey burgers (5 oz.)	4 – 6 minutes	Cooked to 170°F
<b>FISH</b>		
Tilapia fillets (6 oz., ea.)	5 – 7 minutes	Cooked to 145°F
Trout fillet (6 oz.)	4 – 6 minutes	Cooked to 145°F
Salmon fillet (8 oz. piece)	5 – 7 minutes	Cooked to 145°F
Salmon steak (8 oz.)	7 – 9 minutes	Cooked to 145°F
Tuna steak (6 oz.)	4 – 6 minutes	Cooked to 145°F
Shrimp	3 – 4 minutes	Cooked to 145°F
<b>SANDWICHES</b>		
Grilled cheese	2 – 3 minutes	Cook until cheese is melted and sandwich is golden
Grilled cheese with tomato tuna, ham or bacon	3 – 4 minutes	Cook until cheese is melted and sandwich is golden
Quesadillas	2 – 3 minutes	Cook until cheese is melted and tortilla is lightly browned

**Please note:** To be sure your food is fully cooked the USDA recommends the following guidelines. Use a kitchen timer. Using a meat thermometer, test for doneness by inserting the meat thermometer into the center of the food being cooked and make sure the thermometer is not touching the bone or grill plates.

FOOD TO BE COOKED	MEDIUM		WELL DONE OR FULLY COOKED	
	°F	°C	°F	°C
Chicken Breast			170°F	77°C
Chicken Thigh			180°F	82°C
Beef / Lamb/Veal	160°F	71°C	170°F	77°C
Pork			160°F	71°C
Reheated cooked meats and poultry			165°F	74°C

## GRILLING FRUITS AND VEGETABLES

The following are meant to be used as a guideline only. The times reflect a full grill of food. Cooking time will depend upon thickness of food. Use a fork inserted into the center of the food to test for doneness. (Be careful not to touch the grill plate.) If the food needs longer cooking, check periodically to avoid overcooking the food.

FOOD	GRILLING TIME
Asparagus spears	4 – 6 minutes
Bell peppers, assorted colors cut into ½-inch rings	5 – 7 minutes
Mushrooms, thickly sliced	4 – 5 minutes
Onion slices, ½-inch	5 – 7 minutes
Potato slices, ½-inch	15 – 18 minutes
Portabella mushrooms, 3-inch diameter	4 – 6 minutes
Zucchini slices, ½-inch	3 – 4 minutes
Fresh pineapple slices, ½-inch	2 – 4 minutes

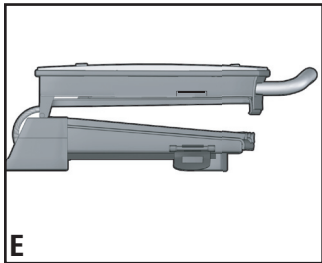
### GRILLING TIPS

- To prevent heat loss and promote even cooking, do not open the grill cover frequently while cooking.
- Do not overfill grill; it will hold 2 to 4 servings comfortably.
- When first cooking a particular food, check for doneness several minutes before suggested time; if necessary, adjust timer using control button.
- If cooking more than one piece of food, try to have them similar in size and thickness.
- Remember that since grill is cooking from both sides, cooking time will typically be shorter than expected. Watch carefully to avoid overcooking.
- For added flavor, add dry seasonings before grilling or marinate foods before cooking.

## USING THE LOCKING HINGE POSITION

**Important:** This feature keeps upper grill plate above food on lower grill plate.

1. This grill has a unique hinge that allows the grill cover to adjust to the thickness of food being grilled. This allows for even melting of cheese on top of hot cooked hamburgers.
2. If the grill is not hot, preheat grill following directions under PREHEATING THE GRILL.
3. Lift handle of the grill cover up and forward into the locking position of float & lock hinge.



4. Lower the grill cover into the BROILING position above the food (E).

**Important:** Make sure the latches are always fully opened when cooking on the grill.

5. Allow food to cook for desired time.
6. For even browning and cooking, when grilling more than one sandwich or piece of meat, it is important that the thickness of each be about the same.

## Care and Cleaning

### CLEANING

**Caution:** To avoid accidental burns, allow grill to cool thoroughly before cleaning.

1. Before cleaning, unplug grill from wall outlet and allow to cool.

**Important:** Heating elements will continue to be ON until the On/Off (I/O) switch is pressed or the appliance is unplugged.

2. Place drip tray under front of grill (see illustration D). Use plastic spatula to scrape off any excess fat and food particles left on the grill plates; runoff will drip into the drip tray.
3. Use a warm, soapy sponge to wipe plates clean, then rinse sponge and wipe again to remove any soapy residue. Dry thoroughly with an absorbent paper towel.
4. Empty drip tray and wash in warm, soapy water; dry thoroughly with a paper towel.
5. To remove stubborn buildup, use a nylon or nonmetallic scrubbing pad to clean the grill plates.

**Important:** Do not use metallic scrubbing pads, steel wool or any abrasive cleaners to clean any part of your grill; use only nylon or nonmetallic scrubbing pads.

6. To clean the grill cover, wipe with a warm, wet sponge and dry with a soft, dry cloth.

**Important:** Do not immerse body of grill in water or any other liquid.

7. Any servicing requiring disassembly other than the above cleaning must be performed by a qualified electrician.

**Caution:** Make sure to hold grill cover by the handle while cleaning to prevent accidental closing and injury.

### STORAGE

- Always make sure grill is clean and dry before storing.
- Be sure locking side latches are fully closed and locked before storing grill. This allows you to store the grill vertically.



# TROUBLESHOOTING

PROBLEM	POSSIBLE CAUSE	SOLUTION
Finish on grill plates has cut marks.	Metal utensils have been used.	Always use heatproof plastic, nylon or wood utensils to avoid scratching nonstick surface of grill plates. Never use metal skewers, tongs, forks or knives.
Grill marks on food are very light.	Grill was not fully preheated before use.	Always preheat grill at least 5 minutes before cooking any foods.
There is food buildup on grill plates.	Grill not properly cleaned after use.	Use nylon scrubbing pad and hot, soapy water to clean grill plates. Do not use steel wool scrubbing pads or abrasive cleaners to clean grill.
Food is dry and burnt.	Food is overcooked.	Because grill is cooking from both sides, food is cooked much faster than in a skillet or under a broiler. Use cooking chart as a guide and check food at lowest time stated on chart.
Grill does not turn on.	Grill is not plugged in.	Check to be sure appliance is plugged into working outlet and On/Off (I/O) switch in the ON (I) position.

# RECIPES

## CHURRASCO

1 tbsp. Adobo seasoning mix  
 1 tbsp. instant minced onion  
 ½ tsp dried pepper flakes  
 ½ tsp. garlic pepper  
 1½ lb. skirt steak

- In small bowl, combine seasonings. Sprinkle evenly on both sides of steak. Refrigerate while preheating grill.
- Grill 6 to 8 minutes to desired doneness.
- Slice into strips to serve.

Makes 2 servings.

## GRILLED FLANK STEAK

1 tbsp. instant minced onion  
 1 tsp. Montreal seasoning mix  
 ½ tsp. roasted garlic and herb seasoning  
 1½ lb. flank steak

- In small bowl, combine seasonings. Sprinkle evenly on both sides of steak. Refrigerate while preheating grill.
- Grill 7 to 9 minutes to desired doneness.
- Slice diagonally to serve.

Makes 2 servings.

### **CROQUE MONSIEUR A LA GEORGE FOREMAN®**

¼ cup Egg Beaters

¼ cup milk

¼ tsp. salt

4 slices white bread

1 tbsp. honey mustard

4 oz. sliced ham

4 oz. sliced low-fat Swiss cheese

4 oz. sliced turkey

- In glass pie plate or shallow dish, combine egg beaters, milk and salt; blend well. Place 2 slices of bread on cutting board, spread honey mustard on bread. Top each slice of bread with ham, cheese and turkey. Cover with remaining slices of bread.
- Dip sandwiches into egg mixture and turn to coat both sides.
- Place on preheated grill and close cover. Grill 3 minutes or until sandwich is golden and cheese is melted.

Makes 4 servings.

### **HAM AND PINEAPPLE GRILLED SANDWICH**

¼ cup pineapple preserves

¼ cup chopped canned peaches

1 tbsp. finely diced candied ginger

4 slices sour dough bread

4 oz. thinly sliced ham

4 oz. brie, sliced

2 tbsp. melted butter

- In small bowl, combine preserves, peaches and ginger; set aside. Spread melted butter on one side of each slice of bread.
- Place 2 slices of bread buttered side down on cutting board, spread pineapple mixture on bread. Top each slice of bread with ham and cheese. Cover with remaining slices of bread with buttered side up.
- Place on preheated grill and close cover. Grill 3 minutes or until sandwich is golden and cheese is softened.

Makes 2 sandwiches.

### **GRILLED REUBEN**

¼ cup sauerkraut

4 tsp. melted butter

4 slices rye bread

4 tbsp. fat free Thousand Island dressing

4 oz. thinly sliced lean corned beef

4 oz. low-fat Swiss cheese

- Rinse sauerkraut under running water and dry well. Spread melted butter on one side of each slice of bread.
- Place 2 slices of bread buttered side down on cutting board, spread dressing on bread. Top each slice of bread with corned beef, sauerkraut and cheese. Cover with remaining slices of bread with buttered side up.
- Place on preheated grill and close cover. Grill 3 minutes or until sandwich is golden and cheese is softened.

Makes 2 sandwiches.

### **TURKEY SALSA ROLL**

¼ cup packaged salsa

1 tbsp. minced purple onion

1 tbsp. chopped cilantro

2 large tomato wraps

4 oz. sliced turkey

4 oz. shredded Monterey Jack cheese with jalapeno peppers

- In small bowl, combine salsa, onion and cilantro; set aside.
- Place wraps on cutting board, spread salsa down center of wrap. Top each with turkey and cheese. Fold in sides and roll up. Place end side down on preheated grill and close cover. Grill 3 minutes until sandwich is golden and cheese is melted.

Makes 2 sandwiches.



# INSTRUCCIONES IMPORTANTES DE SEGURIDAD

Cuando se usan aparatos eléctricos, siempre se deben respetar las siguientes medidas básicas de seguridad:

- Por favor lea todas las instrucciones.
- No toque las superficies calientes. Use las asas o las perillas.
- A fin de protegerse contra un choque eléctrico y lesiones a las personas, no sumerja el cable, los enchufes ni el aparato en agua ni en ningún otro líquido.
- Todo aparato eléctrico usado en la presencia de los niños o por ellos mismos requiere la supervisión de un adulto.
- Desconecte el aparato del tomacorriente cuando no esté en uso y antes de limpiarlo. Espere que el aparato se enfríe antes de instalarle o retirarle piezas y antes de limpiarlo.
- No use ningún aparato eléctrico que tenga el cable o el enchufe averiado, que presente un problema de funcionamiento o que esté dañado. Acuda a un centro de servicio autorizado para que lo examinen, reparen o ajusten o llame gratis al número correspondiente en la cubierta de este manual.
- El uso de accesorios no recomendados por el fabricante del aparato puede ocasionar incendio, choque eléctrico o lesiones a las personas.
- No use este aparato a la intemperie.
- No permita que el cable cuelgue del borde de la mesa o del mostrador ni que entre en contacto con superficies calientes.
- No coloque el aparato sobre ni cerca de las hornillas de gas o eléctricas ni adentro de un horno caliente.
- Tome mucha precaución al mover de un lugar a otro un aparato que contenga aceite u otros líquidos calientes.
- Para desconectar, ajuste todo control a la posición de apagado (0) y después, retire el enchufe del tomacorriente.
- Este aparato se debe usar únicamente con el fin previsto.
- Este aparato solo debe dejarse funcionar en posición cerrada.

## CONSERVE ESTAS INSTRUCCIONES.

**Este aparato eléctrico es para uso doméstico solamente.**

### ENCHUFE POLARIZADO (SOLAMENTE PARA LOS MODELOS DE EE.UU)

Este aparato cuenta con un enchufe polarizado (un contacto es más ancho que el otro). A fin de reducir el riesgo de un choque eléctrico, este enchufe encaja en un tomacorriente polarizado en un solo sentido. Si el enchufe no entra en el tomacorriente, invértalo y si aun así no encaja, consulte con un electricista. Por favor no trate de alterar esta medida de seguridad.

### ENCHUFE DE TIERRA (SOLAMENTE PARA LOS MODELOS DE CANADÁ)

Como medida de seguridad, este producto cuenta con un enchufe de tierra que tiene tres contactos. No trate de alterar esta medida de seguridad. La conexión inapropiada del conductor de tierra puede resultar en un riesgo de choque eléctrico. Si tiene alguna duda, consulte con un electricista calificado para asegurarse de que el tomacorriente sea una de tierra.

### TORNILLO DE SEGURIDAD

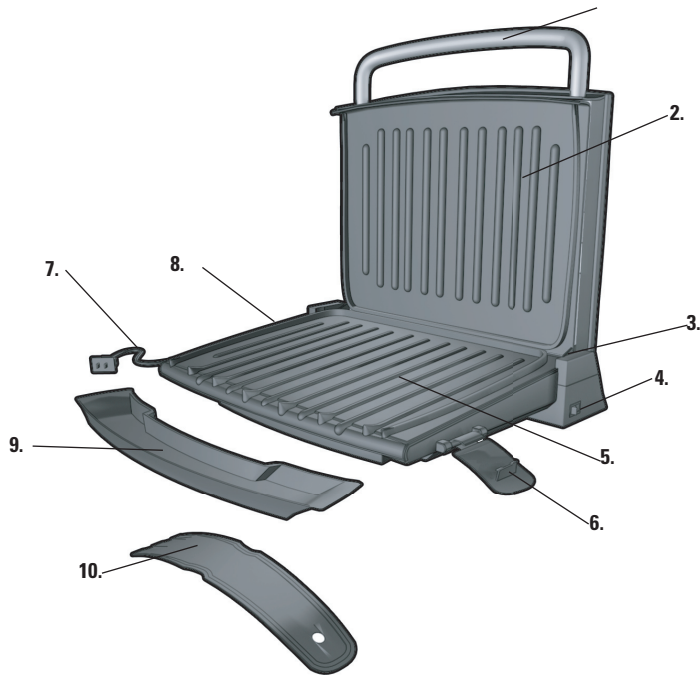
**Advertencia: Este aparato cuenta con un tornillo de seguridad para evitar la remoción de la cubierta exterior del mismo. A fin de reducir el riesgo de incendio o de choque eléctrico, por favor no trate de remover la cubierta exterior. Este producto no contiene piezas reparables por el consumidor. Toda reparación se debe llevar a cabo únicamente por personal de servicio autorizado.**

### CABLE ELÉCTRICO

- a) El producto se debe proporcionar con un cable eléctrico corto (o uno separable), a fin de reducir el riesgo de tropezar o de enredarse en un cable más largo.
- b) Existen cables eléctricos más largos y separables o cables de extensión que uno puede utilizar si toma el cuidado debido.
- c) Si se utiliza un cable separable o de extensión
  - 1) El régimen nominal del cable separable o del cable de extensión debe ser, como mínimo, igual al del régimen nominal del aparato.
  - 2) Si el aparato es de conexión a tierra, el cable de extensión debe ser un cable de tres alambres de conexión a tierra.
  - 3) Uno debe acomodar el cable más largo de manera que no cuelgue del mostrador o de la mesa, para evitar que un niño tire del mismo o que alguien se tropiece.

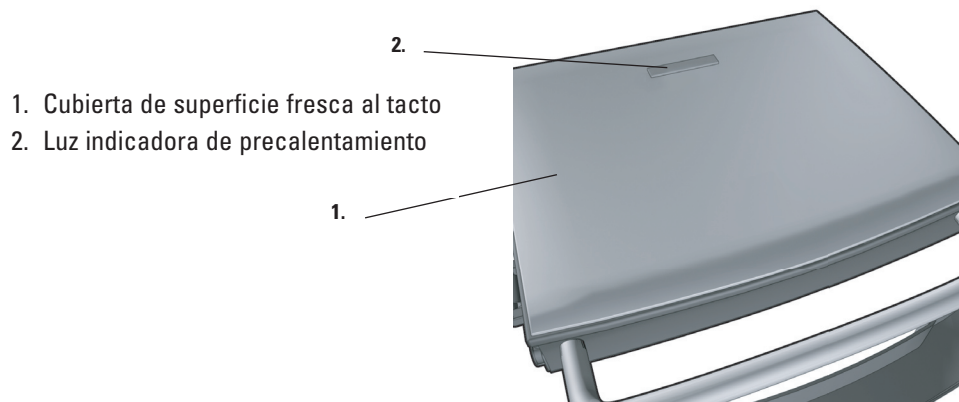
**Nota:** Si el cordón de alimentación es dañado, en América Latina debe sustituirse por personal calificado o por el centro de servicio autorizado.

El producto puede variar ligeramente del que aparece ilustrado aquí.



A

- |  |   |
|--|---|
| 1. Mango alargado de metal para transportar    | 7. Cable de alimentación  |
| 2. Placa superior de la parrilla               | 8. Enrollado para el cable (debajo del aparato)                           |
| 3. Bisagra flotante con dispositivo de bloqueo | † 9. Bandeja de goteo (Pieza N° GRP236-01)                                |
| 4. Interruptor de encendido/apagado            | † 10. Espátula (Pieza N° GRP236-02)                                       |
| 5. Placa superior de la parrilla               | <b>Nota:</b> † Indica piezas desmontables/reemplazables por el consumidor |
| 6. Aldabas de seguridad laterales              |   |



1. Cubierta de superficie fresca al tacto
2. Luz indicadora de precalentamiento

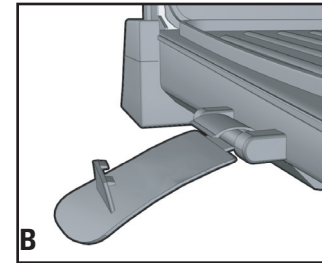
## Como usar

Este producto es para uso doméstico solamente.

### PRIMEROS PASOS

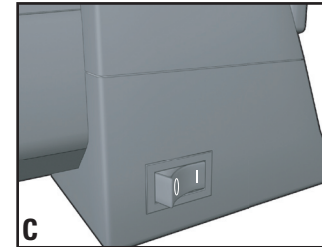
- Elimine todo el material de embalaje y las etiquetas.
- Retire y conserve el material de lectura.
- Vaya a [www.prodprotect.com/aplica](http://www.prodprotect.com/aplica) para registrar su garantía.
- Lave las piezas removibles según las instrucciones de CUIDADO Y LIMPIEZA de este manual.
- Seleccione el lugar donde se utilizará este aparato dejando el espacio suficiente entre la parte de atrás del aparato y la pared para permitir que el calor fluya sin dañar armarios y paredes.

### PRECALENTAR LA PLANCHA



B

1. Cierra la tapa de la plancha.  
**Importante: Asegúrese de que los ganchos laterales de traba estén completamente abiertos y hacia afuera de las placas de la plancha (B).**
2. Desenrolle el cable y enchúfelo a un tomacorriente eléctrica estándar.



C

3. Presione el interruptor de encendido/apagado en el lado derecho inferior de la plancha para colocarlo en la posición de encendido (I) y comenzar el precalentamiento (C).
4. La luz indicadora de precalentamiento se enciende para indicar que los elementos de calefacción han sido activados.

5. Precaliente la parrilla (aproximadamente 5 minutos) antes de usarla. La luz se apagará cuando la parrilla haya alcanzado la temperatura deseada.

**Nota:** La luz indicadora de precalentamiento se encenderá y apagará durante el ciclo de cocción a fin de mantener la temperatura deseada.

### COMO ASAR A LA PLANCHA EN LA POSICIÓN DE BISAGRA FLOTANTE

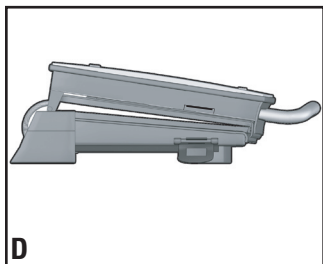
**Importante:** La posición de bisagra flotante permite asar a la plancha alimentos extra gruesos. En esta posición, la placa superior de la plancha se apoya sobre los alimentos.

1. Con un agarrador, abra cuidadosamente la plancha precalentada.
2. Antes del primer uso, aceite ligeramente las placas de la plancha, si lo desea.

**Nota:** Nunca use rociadores de cocinar sobre las superficies antiadherentes de las placas. Los químicos de los rociadores, se acumulan en las superficies y reducen la eficiencia de las placas.

3. Coloque cuidadosamente los alimentos que desea cocinar en la placa inferior de la plancha precalentada. Este modelo de plancha generalmente sirve para 2 a 4 porciones.

**Nota:** No sobrecargue la placa de cocción.



4. Cierre la tapa de la plancha en la posición de **bisagra flotante (D)**; la tapa cierra directamente sobre el alimento.

5. Permita que los alimentos se cocinen por el tiempo programado. Si desea, puede usar un cronómetro de cocina.

**Nota:** Use los tiempos de cocción sugeridos que se encuentran en la TABLA PARA ASAR A LA PLANCHA,

en la páginas 20 y 21.

**Importante:** No deje el electrodoméstico sin supervisión durante su uso.

6. Se puede ejercer una presión ligera en el tirador para presionar y calentar el alimento a su agrado. Esta característica es especialmente útil al preparar sándwiches asados y al asar a la plancha trozos gruesos de carne y aves.

**Importante:** No ejerza presión excesiva al usar el tirador para presionar; aplique únicamente una presión ligera para evitar ejercer demasiada tensión sobre la bisagra flotante y de traba.

7. Después del tiempo seleccionado, el alimento debería estar cocinado. Si prefiere una cocción más prolongada, simplemente siga los pasos de esta sección a partir del paso 4.

8. Presione el interruptor de encendido/apagado (I/O) para apagar (O) la plancha.

**Importante:** Los elementos de calentamiento seguirán estando encendidos hasta presionar el interruptor de encendido/apagado (I/O) o hasta desenchufar el electrodoméstico.

9. Con un agarrador, abra cuidadosamente la tapa de la plancha.

10. Retire el alimento cocinado con la espátula de plástico suministrada.

**Nota:** Siempre use utensilios de plástico, nailon o madera antitérmicos para evitar rayar la superficie antiadherente de las placas de la plancha. Nunca use espetones, pinzas, tenedores ni cuchillos de metal.

11. Deje que la bandeja de goteo se enfríe antes de retirarla de debajo de la plancha. Lave y seque la bandeja de goteo después de cada uso.

## TABLA PARA ASAR A LA PLANCHA SUGERIDO PARA CARNES, AVES, PESCADOS Y SÁNDWICHES

Los siguientes valores se deben usar como guía únicamente. Los tiempos sugeridos corresponden a la capacidad completa de la plancha. El tiempo de cocción depende del grosor y del corte utilizados. Use un termómetro de cocción para comprobar si el alimento está listo. Si el alimento necesita una cocción más prolongada, verifique periódicamente para evitar cocinarlo en exceso.

ALIMENTO	TIEMPO DE COCCIÓN	COMENTARIOS
<b>CARNE</b>		
Hamburguesa 141,75 g (5 oz)	4 – 6 minutos	1,91 cm (¾ pulgada) de grosor Cocción a término medio 71 °C (160 °F)
Hamburguesas congeladas 141,75 g (5 oz)	5 – 6 minutos	Cocción a término medio 71 °C (160 °F)
Bistec de vacío 340,19 g (¾ lb)	6 – 8 minutos	1,91 cm (¾ pulgada) de grosor Cocción a punto 63 °C (145 °F)
Bistec de falda 226,8 g (½ lb)	4 – 6 minutos	1,91 cm (¾ pulgada) de grosor Cocción a término medio 71 °C (160 °F)
Bistec tipo NY (del lomo corto) 170,1 g (6 oz)	6 – 8 minutos	1,91 cm (¾ pulgada) de grosor Cocción a punto 63 °C (145 °F)
Filete de carne de res 141,75 g (5 oz)	4 – 6 minutos	1,91 cm (¾ pulgada) de grosor Cocción a punto 63 °C (145 °F)
Pinchos de carne de res	5 – 7 minutos	Cocción a término medio 71 °C (160 °F)
Chuletas de lomo de puerco, deshuesadas	4 – 6 minutos	1,91 cm (¾ pulgada) de grosor Cocción a 71 °C (160 °F)
Chuletas de lomo de puerco, con hueso	4 – 6 minutos	1,27 cm (½ pulgada) de grosor Cocción a 71 °C (160 °F)
Embutido, salchichita o pati	4 – 6 minutos	Cocción a 71 °C (160 °F)
Hot dogs	4 – 5 minutos	Cocción a 75,5 °C (168 °F)
Pinchos de carne de res	5 – 7 minutos	Cocción a término medio 71 °C (160 °F)
Tocino	6 – 8 minutos	Cocinar hasta estar crujiente

ALIMENTO	TIEMPO DE COCCIÓN	COMENTARIOS
<b>CARNE</b>		
Chuletas de lomo de puerco ahumadas, deshuesadas)	4 – 6 minutos	Cocción a 71 °C (160 °F)
Chuletas de cordero, lomo	5 – 7 minutos	1,91 cm (¾ pulgada) de grosor Cocción a término medio 71 °C (160 °F)
<b>AVES</b>		
Pechuga de pollo, deshuesada y sin piel 226,8 g (8 oz)	11 – 13 minutos	Cocción a 77 °C (170 °F)
Lomitos de pollo (4 a 6 trozos)	4 – 6 minutos	Cocción a 77 °C (170 °F)
Lomo de pavo 340,19 g (¾ lb)	9 – 11 minutos	Cocción a 77 °C (170 °F)
Hamburguesas de pavo 141,75 g (5 oz)	4 – 6 minutos	Cocción a 77 °C (170 °F)
<b>PESCADO</b>		
Filetes de tilapia 170,1 g (6 oz) c/u	5 – 7 minutos	Cocción a 63 °C (145 °F)
Filete de trucha 170,1 g (6 oz)	4 – 6 minutos	Cocción a 63 °C (145 °F)
Filete de salmón 226,8 g (8 oz) por pieza	5 – 7 minutos	Cocción a 63 °C (145 °F)
Bistec de salmón 226,8 g (8 oz)	7 – 9 minutos	Cocción a 63 °C (145 °F)
Bistec de atún 170,1 g (6 oz)	4 – 6 minutos	Cocción a 63 °C (145 °F)
Langostinos	3 – 4 minutos	Cocción a 63 °C (145 °F)
<b>SÁNDWICHES</b>		
Queso asado a la plancha	2 – 3 minutos	Cocine hasta que el queso se derrita y el sándwich se dore
Queso asado a la plancha con tomate, atún, jamón o tocino	3 – 4 minutos	Cocine hasta que el queso se derrita y el sándwich se dore
Quesadillas	2 – 3 minutos	Cocine hasta que el queso se derrita y la tortilla adquiera un color ligeramente dorado

**Tenga en cuenta:** Para asegurarse de que su alimento esté completamente cocinado, el Departamento de Agricultura de los Estados Unidos (United States Department of Agriculture, USDA) recomienda las siguientes pautas. Use un cronómetro de cocina. Use un termómetro para carnes para comprobar si el alimento está listo insertando el termómetro para carnes en el centro del alimento que está cocinando y asegúrese de que el termómetro no toque el hueso o las placas de la parrilla.

ALIMENTO PARA COCINAR	TÉRMINO MEDIO	BIEN COCIDO O TOTALMENTE COCIDO
Pechuga de pollo		170 °F 77 °C
Muslo de pollo		180 °F 82 °C
Carne de res/Cordero/Ternera	160 °F 71 °C	170 °F 77 °C
Puerco		160 °F 71 °C
Carne de res y ave cocidas recalentadas		165 °F 74 °C

## COMO ASAR FRUTAS Y VERDURAS A LA PLANCHA

Los siguientes valores se deben usar como guía únicamente. Los tiempos sugeridos corresponden a la capacidad completa de la plancha. El tiempo de cocción depende del grosor del alimento. Introduzca un tenedor en el centro del alimento para comprobar si está listo. (Tenga cuidado de no tocar la placa de la plancha). Si el alimento necesita una cocción más prolongada, verifique periódicamente para evitar cocinarlo en exceso.

ALIMENTO	TIEMPO PARA ASAR A LA PLANCHA
Racimos de espárragos	4 – 6 minutos
Pimientos, diversos colores cortados en aros de 1,27 cm (½ pulgada)	5 – 7 minutos
Hongos, en rebanadas gruesas	4 – 5 minutos
Rebanadas de cebolla, 1,27 cm (½ pulgada)	5 – 7 minutos
Rebanadas de papa, 1,27 cm (½ pulgada)	15 – 18 minutos
Hongos portobello, 7,62 cm (3 pulgadas) de diámetro	4 – 6 minutos
Rebanadas de zucchini, 1,27 cm (½ pulgada)	3 – 4 minutos
Rodajas de piña fresca, 1,27 cm (½ pulgada)	2 – 4 minutos

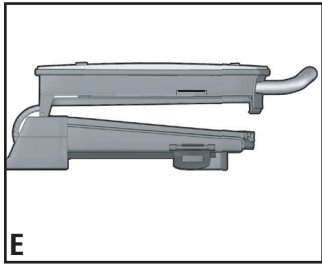
## CONSEJOS PARA ASAR A LA PLANCHA

- Para impedir la pérdida de calor y generar una cocción pareja, no abra la tapa de la plancha frecuentemente durante la cocción.
- No llene la plancha en exceso; entran 2 a 4 porciones cómodamente.
- Al cocinar por primera vez un alimento específico, compruebe si está listo varios minutos antes del tiempo sugerido; si es necesario, ajuste el cronómetro con el botón de control.
- Si cocina más de un trozo de alimento, intente que tengan un tamaño y grosor similares.
- Recuerde que, dado que la plancha cocina de ambos lados, el tiempo de cocción será típicamente más corto que lo esperado. Preste atención para evitar cocinar en exceso.
- Para obtener un sabor más intenso, agregue los condimentos secos antes de asar a la plancha o marine los alimentos antes de cocinarlos.

## USO DE LA POSICIÓN DE BISAGRA DE TRABA

**Importante:** Esta característica mantiene la placa superior de la plancha por encima del alimento que se encuentra en la placa inferior de la plancha.

1. Esta rejilla tiene una bisagra exclusiva que permite que la tapa de la plancha se ajuste según el grosor del alimento que se está asando. Esto permite que el queso se derrita en forma pareja sobre las hamburguesas cocidas calientes.
2. Si la plancha no está caliente, precaliéntela siguiendo las indicaciones en PRECALENTAR LA PLANCHA.
3. Levante el tirador de la tapa de la plancha hacia arriba y adelante a la posición de traba de la bisagra flotante y de traba.



4. Baje la tapa de la plancha hasta la posición de asar sobre el alimento (E).

**Importante:** Cuando use la parrilla, asegúrese de que las aldabas estén completamente abiertas.

5. Deje cocinar el alimento durante el tiempo deseado.
6. Para obtener un color dorado y una cocción pareja, al asar a la plancha más de un sándwich o trozo de carne, es importante que los grosores sean similares.

## Cuidado y limpieza

### LIMPIEZA

**Precaución:** Para evitar quemaduras accidentales, espere hasta que la plancha se enfríe completamente antes de limpiarla.

1. Antes de limpiar, desenchufe la plancha del tomacorriente de la pared y deje que se enfríe.

**Importante:** Las resistencias seguirán estando encendidas hasta presionar el interruptor de encendido/apagado (I/O) o hasta desenchufar el electrodoméstico

2. Coloque una bandeja de goteo debajo del frente de la plancha. Use la espátula de plástico para raspar el exceso de grasa y las partículas de alimentos que queden en las placas de la plancha; el escurrimiento caerá en la bandeja de goteo.
3. Limpie las placas de la parrilla con una esponja y agua tibia jabonada. Enjuague la esponja y repase las placas para limpiar todo residuo de jabón. Seque bien con papel de toalla absorbente.
4. Vacíe la bandeja de goteo y lávela con agua templada en jabón; séquela bien con una toalla de papel.
5. Para eliminar las acumulaciones difíciles, use una esponjilla de nailon o no metálica para limpiar las placas de la plancha.

**Importante:** No use esponjillas metálicas, lana de acero ni limpiadores abrasivos para limpiar ninguna parte de su plancha; use únicamente esponjillas de nailon o no metálicas.

6. Para limpiar la tapa de la plancha, limpie con una esponja húmeda templada y seque con un trapo seco suave.

**Importante:** No sumerja la estructura de la plancha en agua ni en ningún otro líquido.

7. Cualquier servicio técnico que requiera desarmar la plancha, además de la limpieza mencionada, debe ser realizado por un electricista calificado.

**Precaución:** Asegúrese de sujetar la tapa de la plancha por el tirador al limpiarla para evitar que se cierre accidentalmente y provoque lesiones.

### ALMACENAMIENTO

- Siempre asegúrese de que la plancha esté limpia y seca antes de almacenarla.
- Asegúrese de que los ganchos laterales de traba estén completamente cerrados y trabados antes de almacenar la plancha. Esto le permite almacenar la plancha en posición vertical.



# DETECCIÓN DE FALLAS

PROBLEMA	CAUSA POSIBLE	SOLUCIÓN
Las terminaciones de las placas de la plancha tienen marcas de cortes.	Se han utilizado utensilios de metal.	Siempre use utensilios de plástico, nailon o madera antitérmicos para evitar rayar la superficie antiadherente de las placas de la plancha. Nunca use espetones, pinzas, tenedores ni cuchillos de metal.
Las marcas del asado a la plancha en los alimentos son muy leves.	No se precalentó la plancha completamente antes de usarla.	Siempre precaliente la plancha, por lo menos, 5 minutos antes de cocinar cualquier alimento.
Hay acumulación de comida en las placas de la plancha.	No se limpió la plancha correctamente después de usarla.	Use esponjillas de nailon y agua caliente en jabón para limpiar las placas de la plancha. No use esponjillas de lana de acero ni limpiadores abrasivos para limpiar la plancha.
El alimento está seco y quemado.	El alimento se ha cocinado en exceso.	Dado que la plancha cocina de ambos lados, los alimentos se cocinan mucho más rápidamente que en una sartén o en un asador. Use el cuadro de cocción como guía y controle el alimento cuando haya pasado el tiempo más bajo establecido en el cuadro.
La plancha no enciende.	La plancha no está enchufada.	Compruebe que el electrodoméstico esté enchufado en una toma de corriente que funcione y que el interruptor de encendido/apagado (I/O) esté en la posición de encendido (I).

# RECETAS

## CHURRASCO

1 cda. mezcla de sazón Adobo  
 1 cda. cebolla seca finamente picada  
 ½ cda. escamas de pimienta seca  
 ½ cda. pimienta con ajo  
 1½ lb. bistec de falda de res

- En un tazón pequeño, combine los condimentos. Rocíe uniformemente en ambos lados del bistec. Refrigérela mientras se precalienta la parrilla.
  - Coloque sobre la parrilla precalentada y cierre la tapa. Cocine de 6 a 8 minutos al punto deseado.
  - Corte en tiras para servir.
- Rinde 2 porciones.

## BISTEC DE FALDA DE RES A LA PARRILLA

1 cda. cebolla seca finamente picada  
 ½ cda. sazón de ajo asado con hierbas  
 1 cda. condimento Montreal para bistec  
 1½ lb. bistec de falda de res

- En un tazón pequeño, combine los condimentos Rocíe uniformemente en ambos lados del bistec. Refrigérela mientras se precalienta la parrilla.
  - Coloque sobre la parrilla precalentada y cierre la tapa. Cocine de 7 a 9 minutos al punto deseado.
  - Corte diagonalmente para servir.
- Rinde 2 porciones.

## **CROQUE MONSIEUR A LA GEORGE FOREMAN®**

¼ taza sustituto de huevo " Egg Beaters "

¼ taza leche

¼ cdta. sal

4 rebanadas de pan blanco

1 cdta. mostaza con miel

4 oz. tajadas de jamón

4 oz. queso suizo en lascas

4 oz. tajadas de pavo

- Combine el sustituto de huevo, la leche y la sal dentro de un molde de vidrio poco hondo para hornear; mezcle bien.
- Coloque dos rebanadas de pan sobre la tabla de cortar, y unte la mostaza con miel. Cubra cada rebanada con jamón, queso y pavo. Cubra con el pan restante.
- Sumerja los sándwiches en la mezcla de huevo y voltéelos para cubrir ambos lados.
- Coloque sobre la parrilla precalentada y cierre la tapa. Cocine durante 3 minutos o hasta que doren y el queso se haya derretido.

Rinde 2 sándwiches.

## **SÁNDWICH ASADO DE JAMÓN CON PIÑA**

¼ taza conserva de piña

¼ taza melocotones enlatados, picados

1 cda. jengibre caramelizado, picado finamente

4 rebanadas pan de masa agria

4 oz. jamón, en tajadas finas

4 oz. queso brie, tajado

2 cdas. mantequilla derretida

- En un tazón pequeño, combine la conserva, el melocotón y jengibre; ponga aparte. Unte la mantequilla derretida en un lado de cada rebanada de pan.
- Coloque 2 rebanadas de pan con el lado untado de mantequilla hacia abajo sobre la tabla de cortar, y úntelas con la mezcla de piña. Cubra cada rebanada con el jamón y el queso. Cubra con las rebanadas de pan restantes, con el lado untado de mantequilla hacia arriba.
- Coloque sobre la parrilla precalentada y cierre la tapa. Cocine durante 3 minutos o hasta que doren y el queso se haya ablandado.

Rinde 2 sándwiches.

## **SÁNDWICH "REUBEN" A LA PARRILLA**

¼ taza repollo ácido "sauerkraut"

4 cdta. mantequilla derretida

4 rebanadas de pan de centeno

4 cdas. aderezo para ensalada Thousand Island; sin grasa

4 oz. carne de res envasada, tipo corned beef

4 oz. queso suizo, bajo en grasa

- Enjuague el repollo ácido con agua y séquelo bien. Unte un lado de las rebanadas de pan con la mantequilla derretida.
- Coloque 2 rebanadas de pan con el lado untado de mantequilla hacia abajo sobre la tabla de cortar, y úntelas con el aderezo de ensalada. Cubra cada rebanada con la carne de res, el repollo y el queso. Cubra con las rebanadas de pan restantes, con el lado untado de mantequilla hacia arriba.
- Coloque sobre la parrilla precalentada y cierre la tapa. Cocine durante 3 minutos o hasta que doren y el queso se haya ablandado.

Rinde 2 sándwiches.

## **ENROLLADO DE PAVO CON SALSA**

¼ taza salsa envasada

1 cda. cebolla morada, picada finamente

1 cda. cilantro picado

2 tortillas de harina con sabor a tomate

4 oz. pavo en tajadas

4 oz. queso tipo Monterey Jack con chile jalapeño

- En un tazón pequeño, combine la salsa, la cebolla y el cilantro; ponga aparte.
- Coloque las envolturas sobre la tabla de cortar y unte la mezcla de salsa en el centro. Cubra cada una con el pavo y el queso. Enróllelas y colóquelas con la orilla hacia abajo sobre la parrilla precalentada y cierre la tapa. Cocine durante 3 minutos o hasta que el sándwich esté dorado y el queso se haya derretido.

Rinde 2 sándwiches.



# IMPORTANTES CONSIGNES DE SÉCURITÉ

Lorsqu'on utilise des appareils électriques, il faut toujours respecter certaines règles de sécurité fondamentales, notamment les suivantes :

- Lire toutes les directives.
- Ne pas toucher aux surfaces chaudes; utiliser les poignées et les boutons.
- Afin d'éviter les risques de choc électrique, ne pas immerger le cordon, la fiche ou l'appareil dans l'eau ou tout autre liquide.
- Exercer une étroite surveillance lorsque l'appareil est utilisé par un enfant ou près d'un enfant.
- Débrancher l'appareil lorsqu'il ne sert pas ou avant de le nettoyer. Laisser l'appareil refroidir avant d'y placer ou d'en retirer des composantes, et de le nettoyer.
- Ne pas utiliser un appareil dont la fiche ou le cordon est abîmé, qui fonctionne mal ou qui a été endommagé de quelque façon que ce soit. Pour un examen, une réparation ou un réglage, rapporter l'appareil à un centre de service autorisé. Ou composer le numéro sans frais inscrit sur la page couverture du présent guide.
- L'utilisation d'accessoires non recommandés par le fabricant de l'appareil peut occasionner des blessures.
- Ne pas utiliser l'appareil à l'extérieur.
- Ne pas laisser pendre le cordon sur le bord d'une table ou d'un comptoir ni le laisser entrer en contact avec une surface chaude.
- Ne pas placer l'appareil sur le dessus ou près d'un élément chauffant électrique ou à gaz ni dans un four chaud.
- Faire preuve de grande prudence pour déplacer un appareil contenant de l'huile brûlante ou autre liquide chaud.
- Pour débrancher l'appareil, placer toutes les commandes à la position « 0 » (arrêt) et retirer la fiche de la prise.
- Utiliser l'appareil uniquement aux fins pour lesquelles il a été conçu.
- Faire fonctionner l'appareil uniquement lorsqu'il est fermé.

## CONSERVER CES INSTRUCTIONS.

L'appareil est conçu pour une utilisation domestique seulement.

### FICHE POLARISÉE (POUR MODÈLES DES É.-U SEULEMENT)

L'appareil est muni d'une fiche polarisée (une lame plus large que l'autre). Afin de minimiser les risques de secousses électriques, ce genre de fiche n'entre que d'une façon dans une prise polarisée. Lorsqu'on ne peut insérer la fiche à fond dans la prise, il faut tenter de le faire après avoir inversé les lames de côté. Si la fiche n'entre toujours pas dans la prise, il faut communiquer avec un électricien certifié. Il ne faut pas tenter de modifier la fiche.

### FICHE MISE À LA TERRE (POUR MODÈLES DES CANADA SEULEMENT)

Par mesure de sécurité, le produit comporte une fiche mise à la terre qui n'entre que dans une prise à trois trous. Il ne faut pas neutraliser ce dispositif de sécurité. La mauvaise connexion du conducteur de terre présente des risques de secousses électriques. Communiquer avec un électricien certifié lorsqu'on se demande si la prise est bien mise à la terre.

### VIS INDESSERRABLE

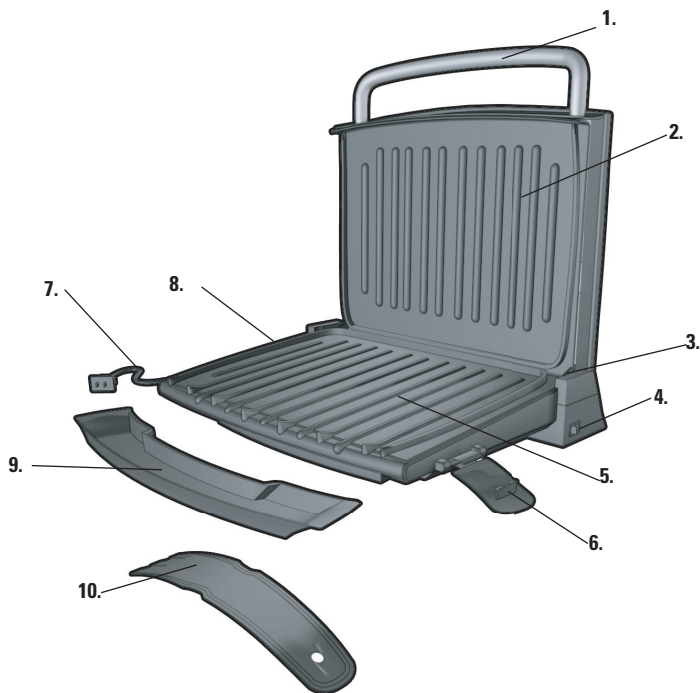
**Avertissement : L'appareil est doté d'une vis indesserrable empêchant l'enlèvement du couvercle extérieur. Pour réduire les risques d'incendie ou de secousses électriques, ne pas tenter de retirer le couvercle extérieur. L'utilisateur ne peut pas remplacer les pièces de l'appareil. En confier la réparation seulement au personnel des centres de service autorisés.**

### CORDON

- a) a) Le cordon d'alimentation de l'appareil est court (ou amovible) afin de minimiser les risques d'enchevêtrement ou de trébuchement.
- b) Il existe des cordons d'alimentation amovibles ou de rallonge plus longs et il faut s'en servir avec prudence.
  - 1) La tension nominale du cordon d'alimentation amovible ou de rallonge soit au moins égale à celle de l'appareil, et que;
  - 2) Lorsque l'appareil est de type mis à la terre, il faut utiliser un cordon de rallonge mis à la terre à trois broches, et;
  - 3) Le cordon plus long soit placé de sorte qu'il ne soit pas étalé sur le comptoir ou la table d'où des enfants pourraient le tirer, ni placé de manière à provoquer un trébuchement.

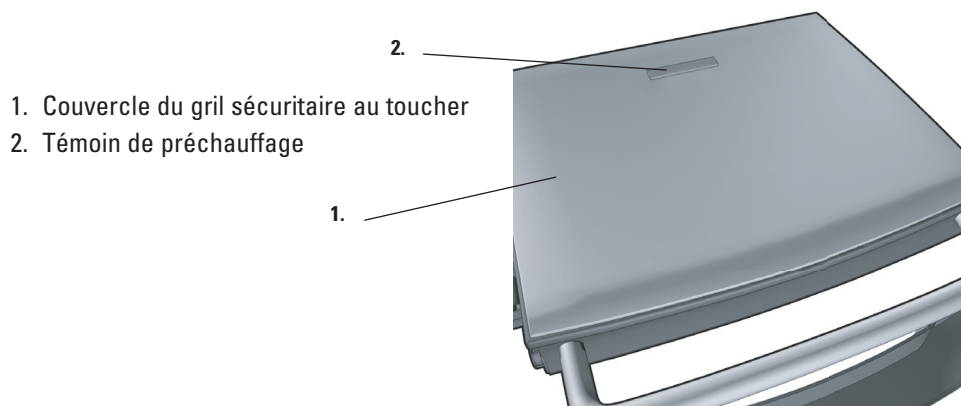
**Note:** Lorsque le cordon d'alimentation est endommagé, il faut le faire remplacer par du personnel qualifié ou, en Amérique latine, par le personnel d'un centre de service autorisé.

Le produit peut différer légèrement de celui illustré.



A

- |   |   |
|---|---|
| 1. Poignée de transport métallique en boucle allongée | 7. Cordon d'alimentation  |
| 2. Plaque supérieure du grill                         | 8. Enrouleur de cordon (sous le socle)  |
| 3. Charnière flottante et verrouillable               | † 9. Plateau d'égouttage (n° de pièce GRP236-01)                                    |
| 4. Interrupteur marche/arrêt (I/O)                    | † 10. Spatule (n° de pièce GRP236-02)   |
| 5. Plaque inférieure du grill                         | <b>Remarque :</b> † indique que la pièce est remplaçable par l'utilisateur/amovible |
| 6. Verrous de sûreté latéraux (sur les deux côtés)    |   |



31

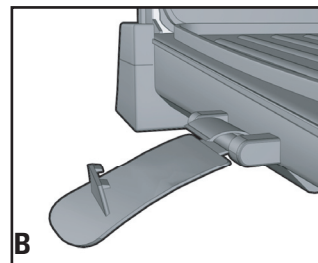
## Utilisation

Cet appareil est conçu pour un usage domestique seulement.

### POUR COMMENCER

- Retirer tous les matériaux d'emballage et les étiquettes.
- Retirer et conserver la documentation.
- Laver toutes les pièces amovibles tel qu'il est indiqué à la section ENTRETIEN ET NETTOYAGE de ce guide.
- Choisir un endroit où placer l'appareil en laissant suffisamment d'espace entre l'arrière et le dessus de l'appareil et le mur pour permettre à la chaleur de circuler sans endommager les armoires ou les murs.

### PRÉCHAUFFAGE DU GRIL



B

1. Fermer le couvercle du grill.  
**Important : S'assurer que les verrous de sûreté latéraux sont ouverts complètement et éloignés des plaques du grill (B).**
2. Dérouler le cordon d'alimentation et le brancher dans une prise de courant standard.



C

3. Appuyer sur l'interrupteur marche/arrêt (I/O), situé du côté inférieur droit du grill, en position MARCHÉ (I) pour démarrer le préchauffage (C).
4. Le témoin de préchauffage s'allume, indiquant que les éléments chauffent.
5. Préchauffer le grill (environ 5 minutes) avant d'y cuire des aliments. Une fois la température sélectionnée atteinte, le témoin de préchauffage s'éteint.

**Remarque :** Le témoin de préchauffage s'allumera et s'éteindra pendant la cuisson pour indiquer que la température désirée est maintenue.

### UTILISATION DE LA CHARNIÈRE FLOTTANTE

**Important :** La charnière flottante permet de griller les aliments très épais. Dans cette position, le grill supérieur repose sur le dessus des aliments.

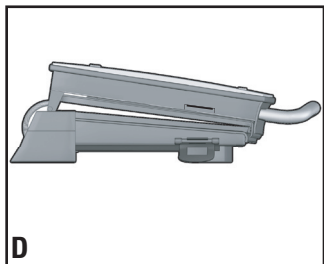
1. Ouvrir le grill préchauffé avec précaution à l'aide d'un gant de cuisine.
2. Huiler légèrement les plaques avant la première utilisation, au besoin.

**Note :** Éviter l'emploi d'antiadhésif en aérosol sur les surfaces antiadhésives, car les produits chimiques permettant la vaporisation peuvent s'accumuler sur la surface des plaques du grill et réduire leur efficacité.

3. Placer prudemment les aliments à cuire sur la plaque inférieure du grill préchauffé. Le grill a une capacité d'environ 2 à 4 portions.

32

**Note :** Ne pas surcharger la plaque de cuisson.



4. Fermer le couvercle du gril en position charnière flottante (**D**), en l'appuyant directement sur les aliments.
5. Laisser cuire les aliments le temps désiré. Utiliser une minuterie de cuisine au besoin.

**Note :** Utiliser les temps de cuisson suggérés dans le TABLEAU DE CUISSON à la page 34, 35 et 36.

**Important :** Ne pas laisser l'appareil sans surveillance pendant son utilisation.

6. Une pression légère peut être appliquée sur la poignée pour presser et chauffer les aliments à votre façon. Cette méthode est particulièrement pratique pour la préparation de sandwichs grillés et la cuisson de pièces de viande ou de volaille épaisses.

**Important :** Ne pas exercer de pression excessive sur la poignée. Appuyer légèrement pour éviter de soumettre la charnière flottante et verrouillable à une pression exagérée.

7. Lorsque le temps sélectionné est écoulé, les aliments devraient être cuits. Pour prolonger le temps de cuisson, suivre les instructions de cette section en débutant à l'étape 4.
8. Appuyer sur l'interrupteur marche/arrêt (I/O) pour arrêter le gril.

**Important :** Les éléments chauffants demeureront en **MARCHE (I)** jusqu'à ce que l'interrupteur marche/arrêt (I/O) soit enfoncé ou que l'appareil soit débranché.

9. Ouvrir le gril avec précaution à l'aide d'un gant de cuisine.
  10. Retirer les aliments cuits à l'aide de la spatule en plastique fournie.
- Note :** Toujours utiliser des ustensiles résistants à la chaleur en plastique, en nylon ou en bois, pour éviter d'égratigner la surface antiadhésive des plaques. Ne jamais utiliser de broches, de pinces, de fourchettes ou de couteaux métalliques.
11. Laisser le plateau d'égouttage refroidir avant de le retirer de sous le gril. Laver et sécher le plateau d'égouttage après chaque utilisation.

## TABLEAU DE CUISSON SUGGÉRÉE POUR LE GRILLAGE DES VIANDES, DE LA VOLAILLE, DU POISSON ET DES SANDWICHS

Les temps de cuisson suivants sont fournis uniquement à titre indicatif, pour une cuisson complète. Ils varieront selon la coupe ou l'épaisseur de l'aliment à cuire. Pour s'assurer que l'aliment est bien cuit, utiliser un thermomètre à cuisson. Si l'aliment doit cuire plus longtemps, le replacer sur le gril et le vérifier régulièrement pour éviter qu'il ne soit trop cuit.

ALIMENT	TEMPS DE CUISSON	COMMENTAIRES
<b>VIANDE</b>		
Hamburger (142 g)	4 à 6 minutes	Épaisseur de 19 mm Cuisson à point (71 °C)
Hamburgers surgelés (142 g)	5 à 6 minutes	Épaisseur de 19 mm Cuisson à point (71 °C)
Bave tte à bifteck (340 g)	6 à 8 minutes	Épaisseur de 19 mm Cuisson mi-saignant (63 °C)
Bifteck de hampe (227 g)	4 à 6 minutes	Épaisseur de 19 mm Cuisson à point (71 °C)
Coquille d'ailoyau (170 g)	6 à 8 minutes	Épaisseur de 19 mm Cuisson mi-saignant (63 °C)
Filet mignon (142 g)	4 à 6 minutes	Épaisseur de 19 mm Cuisson mi-saignant (63 °C)
Kebabs de bœuf	5 à 7 minutes	Cuisson à point (71 °C)
Côtelette de filet de porc désossée	4 à 6 minutes	Épaisseur de 19 mm Cuisson à 71 °C
Côtelette de filet de porc non désossée	4 à 6 minutes	Épaisseur de 13 mm Cuisson à 71 °C
Saucisse en chapelet ou en boulette	4 à 6 minutes	Cuisson à 71 °C
Hot-dogs	4 à 5 minutes	Cuisson à 76 °C
Bacon	6 à 8 minutes	Cuire jusqu'à ce qu'il devienne croustillant
Côtelette de filet de porc fumé désossée	4 à 6 minutes	Cuisson à 71 °C
Côtelette de filet d'agneau	5 à 7 minutes	Épaisseur de 19 mm Cuisson à point (71 °C)

ALIMENT	TEMPS DE CUISSON	COMMENTAIRES
<b>VOLAILLE</b>		
Poitrine de poulet désossée, sans peau (227 g)	11 à 13 minutes	Cuisson à 77 °C
Filets de poulet (4 à 6 morceaux)	4 à 6 minutes	Cuisson à 77 °C
Filets de dinde (340 g)	9 à 11 minutes	Cuisson à 77 °C
Hamburgers à la dinde (142 g)	4 à 6 minutes	Cuisson à 77 °C
<b>POISSON</b>		
Filets de tilapia (170 g, chacun)	5 à 7 minutes	Cuisson à 63 °C
Filet de truite (170 g)	4 à 6 minutes	Cuisson à 63 °C
Filet de saumon (morceau de 227 g)	5 à 7 minutes	Cuisson à 63 °C
Darne de saumon (227 g)	7 à 9 minutes	Cuisson à 63 °C
Darne de thon (170 g)	4 à 6 minutes	Cuisson à 63 °C
Crevettes	3 à 4 minutes	Cuisson à 63 °C
<b>SANDWICHS</b>		
Sandwich grillé au fromage	2 à 3 minutes	Cuire jusqu'à ce que le fromage soit fondu et que le sandwich soit doré
Sandwich grillé au fromage avec tomates et thon, jambon ou bacon	3 à 4 minutes	Cuire jusqu'à ce que le fromage soit fondu et que le sandwich soit doré
Quesadillas	2 à 3 minutes	Cuire jusqu'à ce que le fromage soit fondu et que le tortilla soit doré

**Note :** Pour assurer la cuisson complète des aliments, le United States Department of Agriculture (ministère américain de l'Agriculture) recommande que la viande et la volaille soient cuites aux températures internes suivantes. Pour s'assurer que la viande est bien cuite, utiliser un thermomètre à cuisson et l'insérer au centre du morceau de viande, en s'assurant qu'il ne touche pas à l'os ou les plaques du gril.

ALIMENT À CUIRE	À POINT	BIEN CUIT OU COMPLÈTEMENT CUIT	
Poitrine de poulet		170 °F	77 °C
Cuisse de poulet		180 °F	82 °C
Bœuf / agneau / veau	160 °F	71 °C	170 °F
Porc		160 °F	71 °C
Viandes et volailles cuites, réchauffées		165 °F	74 °C

## GRILLAGE DE FRUITS ET DE LÉGUMES

Les temps de cuisson suivants sont fournis uniquement à titre indicatif, pour une cuisson complète. Ils varieront selon l'épaisseur de l'aliment à cuire. Pour s'assurer que l'aliment est bien cuit, insérer une fourchette au centre de l'aliment (s'assurer de ne pas toucher la plaque du gril). Si l'aliment doit cuire plus longtemps, le vérifier régulièrement pour éviter de trop le cuire.

ALIMENT	TEMPS DE CUISSON
Pointes d'asperge	4 à 6 minutes
Poivrons de couleurs variées, coupés en rondelles de 13 mm	5 à 7 minutes
Champignons tranchés épais	4 à 5 minutes
Oignon en tranches de 13 mm	5 à 7 minutes
Pommes de terre en tranches de 13 mm	15 à 18 minutes
Champignons portobellos de 76 mm de diamètre	4 à 6 minutes
Courgettes en tranches de 13 mm	3 à 4 minutes
Ananas en tranches de 13 mm	2 à 4 minutes

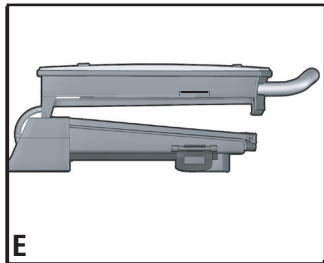
## CONSEILS POUR LE GRILLAGE

- Pour éviter la perte de chaleur et favoriser la cuisson uniforme, ne pas ouvrir le couvercle du gril souvent pendant la cuisson.
- Ne pas surcharger le gril; il est conçu pour cuire facilement de 2 à 4 portions.
- Lors de la cuisson d'un aliment pour la première fois, vérifier l'état de la cuisson plusieurs minutes avant la fin du temps de cuisson suggéré.
- Pour la cuisson de plusieurs morceaux d'aliments, favoriser des morceaux d'une taille et d'une épaisseur similaires.
- Comme la cuisson s'effectue des deux côtés, se rappeler que le temps de cuisson sera habituellement plus court que prévu. Surveiller de près pour éviter de trop cuire.
- Pour rehausser le goût, ajouter des épices sèches avant le grillage ou mariner les aliments avant de les cuire.

## UTILISATION DE LA CHARNIÈRE VERROUILLABLE

**Cette fonction maintient la plaque supérieure du gril au-dessus des aliments.**

1. Ce gril possède une charnière unique qui permet de régler le couvercle selon l'épaisseur des aliments grillés. Cela permet de faire fondre du fromage de façon uniforme sur les hamburgers chauds.
2. Si le gril n'est pas chaud, le préchauffer en suivant les instructions de la section PRÉCHAUFFAGE DU GRIL.
3. Lever la poignée du couvercle du gril et la pousser vers l'avant, jusqu'à ce que la charnière flottante et verrouillable bloque le couvercle en place.



4. Abaisser le couvercle du gril en position GRILLAGE au-dessus des aliments (E).

**Important : S'assurer que les verrous de sûreté latéraux sont ouverts complètement et éloignés des plaques du gril.**

5. Cuire les aliments le temps désiré.
6. Pour griller et cuire uniformément plusieurs sandwiches ou morceaux de viande, il est important que l'épaisseur de chaque morceau soit semblable.

## Entretien et nettoyage

### NETTOYAGE

**Mise en garde : Pour éviter les brûlures accidentelles, laisser refroidir le gril complètement avant de le nettoyer.**

1. Avant de nettoyer le gril, le débrancher de la prise de courant et le laisser refroidir.

**Important : Les éléments chauffants demeureront en MARCHÉ (I) jusqu'à ce que l'interrupteur marche/arrêt (I/O) soit enfoncé ou que l'appareil soit débranché.**

2. Placer le plateau d'égouttage sous l'avant de l'appareil (voir l'image D). À l'aide de la spatule en plastique, gratter toute particule de graisse ou d'aliments qui reste. L'excédent s'écoulera dans le plateau d'égouttage. Essuyer les plaques à l'aide de papier absorbant ou d'une éponge pour éviter que la graisse tombe sur le comptoir lors du retrait des plaques.
3. Utiliser une éponge tiède et savonneuse pour nettoyer les plaques, puis rincer l'éponge et essuyer à nouveau pour éliminer tout résidu de savon. Sécher complètement à l'aide d'un essuie-tout absorbant.
4. Vider le plateau d'égouttage et le nettoyer avec de l'eau tiède savonneuse et bien l'assécher à l'aide d'une serviette en papier.
5. Pour nettoyer les résidus tenaces sur les plaques du gril, utiliser un tampon à récurer en nylon ou non métallique.

**Important : Ne pas utiliser de tampons à récurer métalliques, en laine d'acier ou tout autre nettoyeur abrasif pour nettoyer n'importe quelle partie du gril. Utiliser seulement des tampons à récurer en nylon ou non métalliques.**

6. Pour nettoyer le couvercle du gril, l'essuyer avec une éponge humidifiée à l'eau tiède, et sécher avec un linge doux et sec.

**Important : Ne pas immerger l'appareil dans l'eau ou dans un autre liquide.**

7. Tout entretien, autre que le nettoyage ci-dessus, requérant un démontage doit être effectué par un électricien qualifié

**Mise en garde : S'assurer de maintenir la partie supérieure (couvercle) du gril par la poignée pendant le nettoyage pour éviter tout risque de fermeture accidentelle et de blessure.**

### RANGEMENT

- S'assurer que le gril est toujours propre et sec avant de le ranger.
- S'assurer que les verrous de sûreté latéraux sont fermés complètement et verrouillés avant de ranger le gril. Cela permet de ranger le gril à la verticale.



## DÉPANNAGE

PROBLÈME	CAUSE POSSIBLE	SOLUTION
Le fini des plaques du grill porte des marques de couteau.	Des ustensiles en métal ont été utilisés.	Toujours utiliser des ustensiles résistants à la chaleur en plastique, en nylon ou en bois, pour éviter d'égratigner les surfaces antiadhésives des plaques du grill. Ne jamais utiliser de broches, de pinces, de fourchettes ou de couteaux métalliques.
Les marques de grillage sur les aliments sont très pâles.	Le grill n'a pas été préchauffé complètement avant l'utilisation.	Toujours préchauffer le grill 5 minutes avant d'y cuire des aliments.
Il y a des résidus d'aliments sur les plaques du grill.	Le grill n'est pas nettoyé correctement après l'utilisation.	Utiliser un tampon à récurer en nylon avec de l'eau chaude savonneuse pour nettoyer les plaques du grill. Ne pas utiliser de tampons à récurer en laine d'acier ou d'autres nettoyeurs abrasifs pour nettoyer le grill.
Les aliments sont secs et brûlés.	Les aliments sont trop cuits.	Comme la cuisson s'effectue des deux côtés, la cuisson sera plus rapide que dans une poêle ou une rôtissoire. Utiliser le tableau de cuisson comme référence et vérifier la cuisson au temps indiqué le plus court.
Le grill ne se met pas en marche.	Le grill n'est pas branché.	S'assurer que l'appareil est branché à une prise de courant fonctionnelle et que l'interrupteur marche/arrêt (I/O) est en position MARCHE (I).

## RECETTES

### CHURRASCO

15 ml (1 c. à table) d'assaisonnement Adobo

15 ml (1 c. à table) d'oignon haché déshydraté

2,5 ml (½ c. à thé) de flocons de piment séché

2,5 ml (½ c. à thé) de poivre d'ail

675 g (1½ lb) de bifteck de hampe

- Dans un petit bol, mélanger les assaisonnements. Saupoudrer uniformément sur les deux côtés du bifteck. Placer au réfrigérateur pendant que vous préchauffez le grill.
- Faire cuire sur le grill de 6 à 8 minutes jusqu'à la cuisson désirée.
- Couper en lanières pour servir.

Donne 2 portions.

### BAVETTE À BIFTECK GRILLÉE

15 ml (1 c. à table) d'oignon haché déshydraté

5 ml (1 c. à thé) d'assaisonnement à steak Montréal

2,5 ml (½ c. à thé) d'assaisonnement à l'ail rôti et aux fines herbes

675 g (1½ lb) de bavette à bifteck

- Dans un petit bol, mélanger les assaisonnements. Saupoudrer uniformément sur les deux côtés du bifteck. Placer au réfrigérateur pendant que vous préchauffez le grill.
- Faire cuire sur le grill de 7 à 9 minutes jusqu'à la cuisson désirée. Couper en diagonale pour servir.

Donne 2 portions.

## **CROQUE-MONSIEURS À LA GEORGE FOREMAN®**

60 ml (¼ tasse) d'œuf liquide Egg Beaters

60 ml (¼ tasse) de lait

1,25 ml (¼ c. à thé) de sel

4 tranches de pain blanc

15 ml (1 c. à table) de moutarde au miel

120 g (4 oz) de jambon tranché

120 g (4 oz) de fromage suisse tranché faible en gras

120 g (4 oz) de dinde tranchée

- Dans une assiette à tarte en verre ou un plat peu profond, bien mélanger l'œuf liquide Egg Beaters, le lait et le sel. Mettre 2 tranches de pain sur une planche à découper et les tartiner de moutarde au miel. Garnir chaque tranche de pain de jambon, de fromage et de dinde, puis recouvrir avec les tranches de pain restantes.
- Tremper les deux côtés de chaque sandwich dans le mélange à base d'œuf.
- Placer sur le gril préchauffé et fermer le couvercle. Cuire 3 minutes ou jusqu'à ce que le sandwich soit doré et le fromage, fondu.

Donne 4 portions.

## **SANDWICHS GRILLÉS AU JAMBON ET À L'ANANAS**

60 ml (¼ tasse) d'ananas en conserve

60 ml (¼ tasse) de pêches en conserve coupées en morceaux

15 ml (1 c. à table) de gingembre confit coupé finement en dés

4 tranches de pain au levain

120 g (4 oz) de jambon tranché finement

120 g (4 oz) de brie tranché

30 ml (2 c. à table) de beurre fondu

- Dans un petit bol, mélanger les morceaux d'ananas et de pêches avec le gingembre; réserver. Tartiner de beurre fondu un côté de chaque tranche de pain.
- Mettre 2 tranches de pain, côté beurré vers le bas, sur une planche à découper. Garnir chaque tranche du mélange d'ananas, puis ajouter le jambon et le fromage.
- Recouvrir des tranches de pain restantes, côté beurré vers le haut.
- Placer sur le gril préchauffé et fermer le couvercle. Cuire 3 minutes ou jusqu'à ce que le sandwich soit doré et le fromage, légèrement fondu.

Donne 2 sandwiches.

## **SANDWICHS REUBEN GRILLÉ**

60 ml (¼ tasse) de choucroute

20 ml (4 c. à thé) de beurre fondu

4 tranches de pain de seigle

60 ml (4 c. à table) de vinaigrette Mille-Îles sans gras

120 g (4 oz) de corned-beef maigre tranché finement

120 g (4 oz) de fromage suisse faible en gras

- Rincer la choucroute sous l'eau courante et bien égoutter. Tartiner de beurre fondu un côté de chaque tranche de pain.
- Mettre 2 tranches de pain, côté beurré vers le bas, sur une planche à découper. Garnir chaque tranche de pain de corned-beef, de choucroute et de fromage.
- Recouvrir avec les tranches de pain restantes, côté beurré vers le haut.
- Placer sur le gril préchauffé et fermer le couvercle. Cuire 3 minutes ou jusqu'à ce que le sandwich soit doré et le fromage, légèrement fondu.

Donne 2 sandwiches.

## **ROULEAUX DE DINDE À LA SALSA**

60 ml (¼ tasse) de salsa prête à servir

15 ml (1 c. à table) d'oignon rouge haché

15 ml (1 c. à table) de coriandre hachée

2 grandes tortillas aux tomates

120 g (4 oz) de dinde tranchée

120 g (4 oz) de fromage râpé Monterey Jack avec piments jalapenos

- Dans un petit bol, mélanger la salsa, les oignons et la coriandre; réserver.
- Mettre les tortillas sur une planche à découper et ajouter de la salsa au centre de chacune d'elles. Les garnir de dinde et de fromage. Rabattre les extrémités et faire un rouleau. Placer les rouleaux sur le gril préchauffé, le côté avec rebord vers le bas, et fermer le couvercle. Faire cuire 3 minutes ou jusqu'à ce que les rouleaux soient dorés et le fromage, fondu.

Donne 2 rouleaux.



## **NEED HELP?**

For service, repair or any questions regarding your appliance, call the appropriate 800 number on cover of this book. Please **DO NOT** return the product to the place of purchase. Also, please **DO NOT** mail product back to manufacturer, nor bring it to a service center. You may also want to consult the website listed on the cover of this manual.

### **Two-Year Limited Warranty (Applies only in the United States and Canada)**

#### **What does it cover?**

- Any defect in material or workmanship provided; however, Applicia's liability will not exceed the purchase price of product.

#### **For how long?**

- Two years after the date of original purchase.

#### **What will we do to help you?**

- Provide you with a reasonably similar replacement product that is either new or factory refurbished.

#### **How do you get service?**

- Save your receipt as proof of date of sale.
- Check our on-line service site at [www.prodprotect.com/applicia](http://www.prodprotect.com/applicia), or call our toll-free number, 1-800-231-9786, for general warranty service.
- If you need parts or accessories, please call 1-800-738-0245.

#### **What does your warranty not cover?**

- Damage from commercial use
- Damage from misuse, abuse or neglect
- Products that have been modified in any way
- Products used or serviced outside the country of purchase
- Glass parts and other accessory items that are packed with the unit
- Shipping and handling costs associated with the replacement of the unit
- Consequential or incidental damages (Please note, however, that some states do not allow the exclusion or limitation of consequential or incidental damages, so this limitation may not apply to you.)

#### **How does state law relate to this warranty?**

- This warranty gives you specific legal rights, and you may also have other rights that vary from state to state or province to province.

## ¿NECESITA AYUDA?

Para servicio, reparaciones o preguntas relacionadas al producto, por favor llame gratis al número "800" que aparece en la cubierta de este manual. No devuelva el producto al establecimiento de compra. No envíe el producto por correo al fabricante ni lo lleve a un centro de servicio. También puede consultar el sitio web que aparece en la cubierta de este manual.

### **Dos años de garantía limitada (Aplica solamente en Estados Unidos o Canadá)**

#### **¿Qué cubre la garantía?**

- La garantía cubre cualquier defecto de materiales o de mano de obra. Aplica no se responsabiliza por ningún costo que exceda el valor de compra del producto.

#### **¿Por cuánto tiempo es válida la garantía?**

- Por dos años a partir de la fecha original de compra.

#### **¿Qué clase de asistencia recibe el consumidor?**

- El consumidor recibe un producto de reemplazo nuevo o restaurado de fábrica, parecido al original.

#### **¿Cómo se obtiene el servicio necesario?**

- Conserve el recibo original como comprobante de la fecha de compra.
- Se puede visitar el sitio web de asistencia al consumidor [www.prodprotect.com/applica](http://www.prodprotect.com/applica), o se puede llamar gratis al número 1-800-231-9786, para obtener información relacionada al servicio de garantía.
- Si necesita piezas o accesorios, por favor llame gratis al 1-800-738-0245.

#### **¿Qué aspectos no cubre esta garantía?**

- Los daños al producto ocasionados por el uso comercial
- Los daños ocasionados por el mal uso, abuso o negligencia
- Los productos que han sido alterados de cualquier manera
- Los productos utilizados o reparados fuera del país original de compra
- Las piezas de vidrio y demás accesorios empacados con el aparato
- Los gastos de tramitación y embarque relacionados con el reemplazo del producto
- Los daños y perjuicios indirectos o incidentales (sin embargo, por favor observe que algunos estados no permiten la exclusión ni la limitación de los daños y perjuicios indirectos ni incidentales, de manera que esta restricción podría no aplicar a usted).

#### **¿Qué relación tiene la ley estatal con esta garantía?**

- Esta garantía le otorga derechos legales específicos y el consumidor podría tener otros derechos que varían de una región a otra.

## BESOIN D'AIDE?

Pour communiquer avec les services d'entretien ou de réparation, ou pour adresser toute question relative au produit, composer le numéro sans frais approprié indiqué sur la page couverture. Ne pas retourner le produit où il a été acheté. Ne pas poster le produit au fabricant ni le porter dans un centre de service. On peut également consulter le site web indiqué sur la page couverture.

### **Garantie limitée de deux ans (Valable seulement aux États-Unis et au Canada)**

#### **Quelle est la couverture?**

- Tout défaut de main-d'oeuvre ou de matériau; toutefois, la responsabilité de la société Aplica se limite au prix d'achat du produit.

#### **Quelle est la durée?**

- Deux ans après l'achat original.

#### **Quelle aide offrons nous?**

- Remplacement par un produit raisonnablement semblable nouveau ou réusiné.

#### **Comment se prévaut-on du service?**

- Conserver son reçu de caisse comme preuve de la date d'achat.
- Visiter notre site web au [www.prodprotect.com/applica](http://www.prodprotect.com/applica), ou composer sans frais le 1 800 231-9786, pour obtenir des renseignements généraux relatifs à la garantie.
- On peut également communiquer avec le service des pièces et des accessoires au 1 800 738-0245.

#### **Qu'est-ce que la garantie ne couvre pas?**

- Des dommages dus à une utilisation commerciale.
- Des dommages causés par une mauvaise utilisation ou de la négligence.
- Des produits qui ont été modifiés.
- Des produits utilisés ou entretenus hors du pays où ils ont été achetés.
- Des pièces en verre et tout autre accessoire emballés avec le produit.
- Les frais de transport et de manutention reliés au remplacement du produit.
- Des dommages indirects (il faut toutefois prendre note que certains états ne permettent pas l'exclusion ni la limitation des dommages indirects).

#### **Quelles lois régissent la garantie?**

- Les modalités de la présente garantie donnent des droits légaux spécifiques. L'utilisateur peut également se prévaloir d'autres droits selon l'état ou la province qu'il habite.

Copyright © 2008 - 2009 Applica Consumer Products, Inc.

Made in People's Republic of China  
Printed in People's Republic of China

Fabricado en la República Popular de China  
Impreso en la República Popular de China

Fabriqué en République populaire de Chine  
Imprimé en République populaire de Chine



R22008/5-1-3E/S/F