

GB

DISHWASHER

*Use and maintenance
handbook*

D

GESCHIRRSPÜLAUTOMAT

*Bedienungs- und
Wartungshandbuch*

F

LAVE-VAISSELLE

*Livret d'instructions
et d'entretien*

E

LAVAVAJILLAS

*Manual de uso y
manutención*

I

LAVASTOVIGLIE

*Manuale uso
e manutenzione*

1 BEFORE USING THE APPLIANCE

1.1 SAFETY INSTRUCTIONS

Norms and regulations to be respected

- The dishwasher may only be used to clean household dishes. If the appliance is used for other purposes or in a wrong manner, the manufacturer declines all responsibilities for possible damages.
- For safety reasons, no modifications must be carried out on the appliance.
- Before connecting the appliance to the electric power supply system, check that the power supply at the place of installation is compatible with the electric data indicated on the data tag.
- The installation must be carried out by qualified personnel.

Before running the appliance for the first time

- Make sure the dishwasher was not damaged during transport. Do not hook up the appliance if there is any damage. In case of damage, contact the vendor.

For the safety of children

- Do not allow children to play with the appliance.
- Detergents can cause permanent damage to eyes, mouth and throat.

They should therefore be kept outside the reach of children.

- The water in the dishwasher is not drinkable. Any residues of detergent in the appliance constitute a source of danger for children. They must therefore be kept away from the open dishwasher.

Daily use

- Do not turn on the dishwasher if the electric cable, or the water supply or water drainage pipes are damaged, or if the control board, the work surface or the base are in very bad condition.
- In case of a malfunction, shut off the water supply, then turn off the appliance and pull the electric plug from the outlet. If there is a permanent electric connection, turn off the service switch (if present) or remove the fuse (or fuses).
- To remove the plug from the electric outlet, hold the plug itself and pull; never pull the cable.
- All repairs of the dishwasher must be carried out by specialised personnel. Inappropriate repairs can create a severe danger for the user. For repairs, you should therefore contact our technical customer assistance service or a specialised vendor.
- The replacement of the supply cable must be carried out only by the technical service staff.
- If the pipes and tubes are deteriorated, substitute them with new original parts before hooking up the appliance.
- Do not use detergent substances that could lead to an explosion.
- Do not sit or lean on the open door. The appliance might otherwise tilt over.
- Before adding special dishwasher salt, detergent and rinse aid, make sure that the manufacturer of these substances recommends their use for household dishwashers.
- Always shut off the water supply when the dishwasher is not in use for longer periods of time, e.g., during your vacations.

2 UNPACKING – DISPOSAL

2.1 UNPACKING

Remove the external plastic packaging material, the corner re-enforcements, and the styrofoam base. Open the door and remove the styrofoam blocks from the inside baskets.

Collect and recycle the packaging materials. This will preserve primary materials and help reduce the amount of waste.

Take the packaging materials to specialised recycling centres .

When the appliance eventually has to be disposed of, it should be made non-functional before eliminating it.



Attention! Some packaging materials (e.g., plastic bags, styrofoam) can be dangerous for children. Children should therefore be kept away from them.

2.2 FINAL DISPOSAL OF APPLIANCE

At the end of its life span, the appliance must be eliminated by a specialised company, respecting all existing laws and regulations.

This will make it possible to dispose of the old appliance while at the same time recuperating and sorting synthetic materials that are fit for recycling, thus contributing to the protection of the environment.

3 GENERAL ADVICE

3.1 WASHING DISHES IN AN ECONOMIC AND ECOLOGICAL WAY

- Don't rinse your dishes under running water before placing them in the dishwasher
- Run the appliance only when it is full, because only like this the process becomes economical and respects the environment.
- Always choose a programme that is adequate for the kind of dishes you want to wash and that corresponds to how dirty they are
- You should avoid to use too much detergent, dishwasher salt, and rinse aid. Refer to the dosages recommended in the usage instructions provided by the manufacturers of these substances.
- Make sure that the water softness regulator is set correctly.

3.2 DISHES NOT TO BE WASHED IN THE DISHWASHER

You must not wash in this appliance:

- Cutting boards or small containers in wood
- Plastic objects that are not heat resistant
- Lead crystal
- Objects made from tin or copper
- Dishes or cutlery with glued components
- Old cutlery with heat sensitive glue
- Steel objects that are oxidised easily
- Cutlery with handles in wood, horn, antler, porcelain, or mother of pearl.

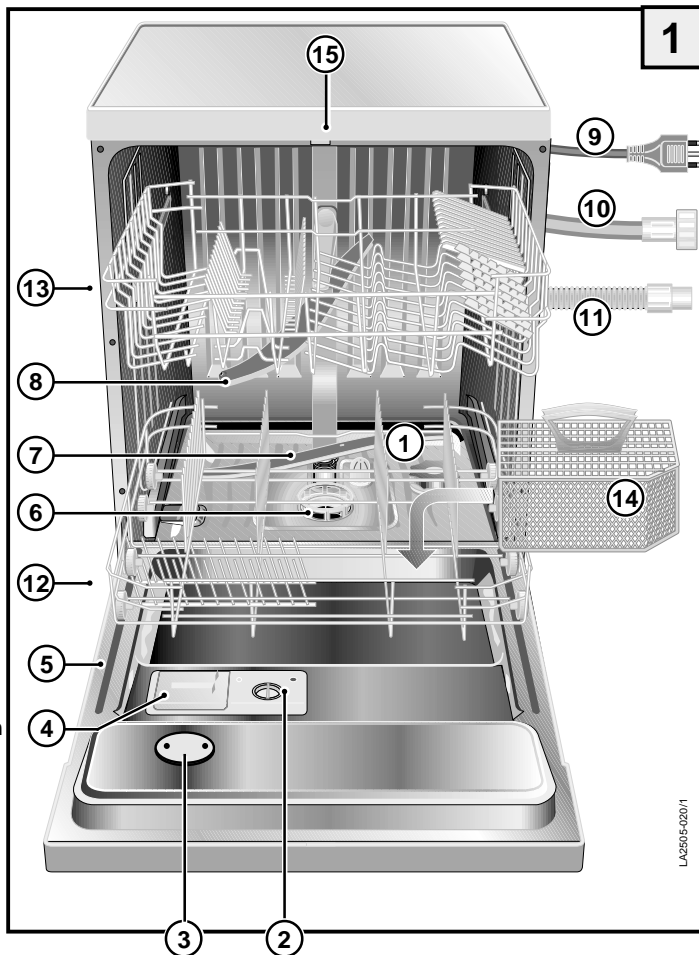


When purchasing dishes, cutlery, or glasses, make sure that they are dishwasher resistant.

4 DESCRIPTION OF THE APPLIANCE

4.1 GENERAL PARTS

- 1) salt container
- 2) rinse aid container
- 3) drying ventilator (if included)
- 4) container for detergent
- 5) data tag
- 6) filters
- 7) lower spray-rotor
- 8) upper spray-rotor
- 9) electric cable
- 10) water supply tube
- 11) water drainage tube
- 12) lower basket
- 13) upper basket
- 14) cutlery container
- 15) hook for door closing mechanism





4.2 TECHNICAL DATA

capacity (standard settings): 12
 pressure of water supply system
 minimum pressure: 0.05 Mpa
 maximum pressure: 1 Mpa

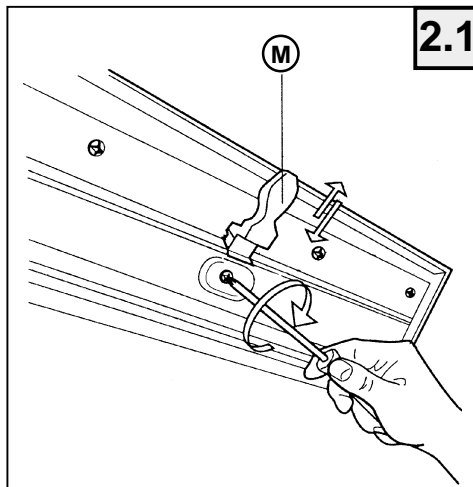
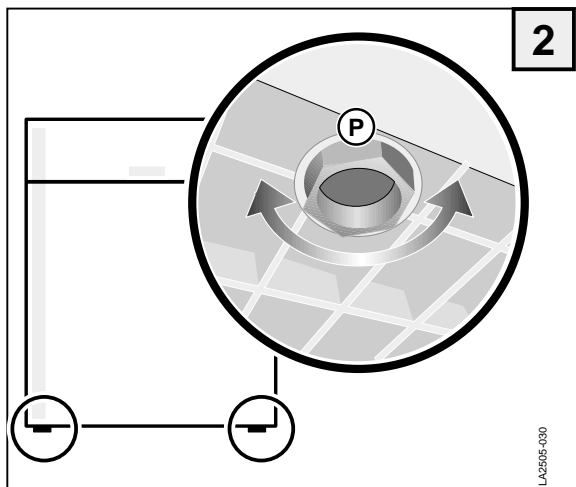


Attention: the necessary characteristics of the electric supply grid are indicated on the data tag.

0,05 - 1MPa	Model.	 12
.....A MAXW	
.....V.....Hz Made in EU		
		

5 INSTALLATION

5.1 LEVELLING



Place the appliance in the spot where you want to install it. Use feet **P** (unscrew or screw in) to regulate (if necessary) the height of each foot to assure that the appliance is in a fully level position.

If the appliance is positioned in a level position, its correct functioning is assured.

Maximum error = 2 degrees

After levelling the appliance, regulate the hook of the door closing mechanism, to assure that the door closes perfectly.

In order to obtain a perfect seal adjust the door locking device but only after having levelled the machine in its final installation position.

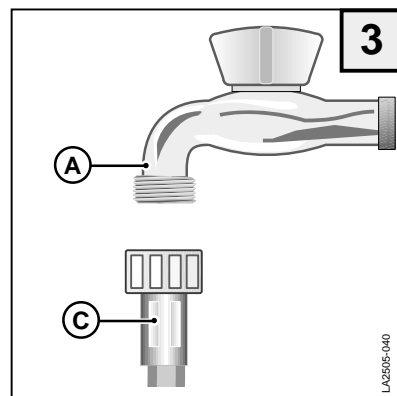
5.2 WATER CONNECTION

The water supply tube **C**, which accompanies the dishwasher, makes it possible to connect the appliance to a faucet with a 3/4" attachment.

During the installation, the following instructions must be followed:

- Attach tube **C** to the cold water faucet **A**.
- If the tube is being attached to new pipes that have not been used for a long time, you should let the water run for some time before attaching the tube in order to make sure that dirt and rust residues are eliminated.
- Make sure that the water pressure corresponds to the range indicated on the data tag.

The appliance may be connected to the cold water system. It must not be connected to the hot water system.



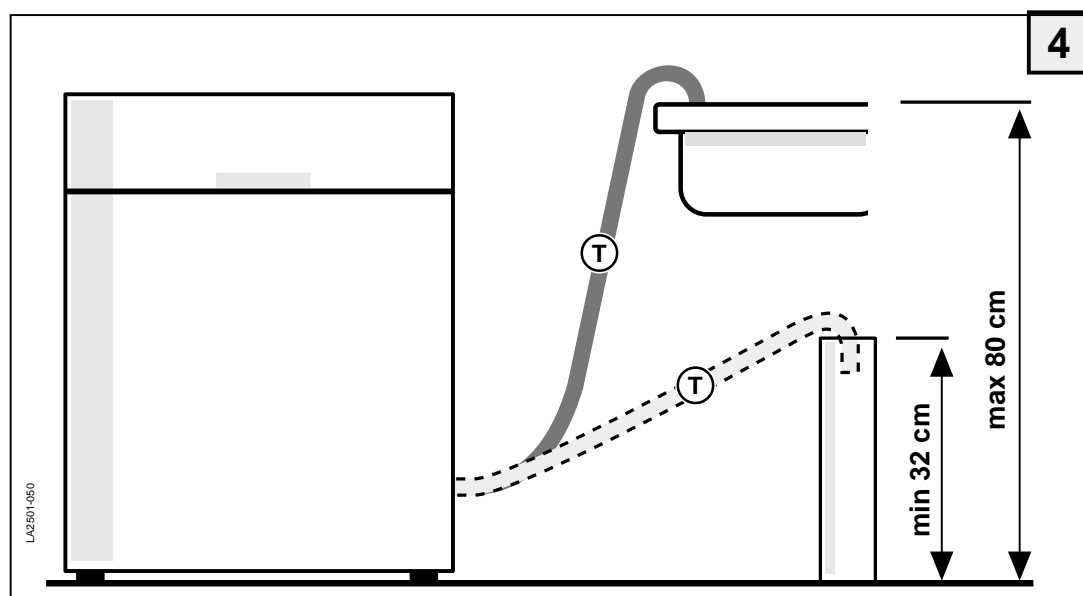
5.3 CONNECTION OF DRAINAGE WATER

The curved end of drainage tube **T**, which is being supplied with your appliance, should be hooked onto the edge of a sink or into a drainage pipe.

A special siphon should be used to prevent bad odours.

During the assembly, the following precautions should be taken:

- the drainage tube must not be bent to avoid blockages;
- the tube's end, relative to the top surface of the dishwasher (fig. 4), must be placed at a height between 32 and 80 cm;
- the end of the tube must never be immersed in water;
- the drainage tube must not be extended to more than a maximum length of 1 metre. The extension must have the same internal diameter. Furthermore, the maximum height at which the tube's end can be placed (in the case of an extended tube) must be reduced from 80 to 50 cm.
- If you use a drainage pipe, make sure its internal diameter is not inferior to 4 cm.



5.4 ELECTRIC CONNECTIONS

The appliance may only be connected to a properly installed electric outlet with an earth (ground) contact. The connection must be carried out in correspondence with existing laws and regulations and supplementary rules issued by the supplier of electric power.

The tension shown on the data tag must correspond to the power tension of the electric grid at the site of installation.



See data tag for the size and format of the electric outlet to be used.

6.1 BEFORE USING THE APPLIANCE

Before turning on the appliance, make sure that the plug attached to the electric cable is connected to the electric outlet, the water supply tube is connected to the faucet, the faucet is turned on, the drainage tube has been connected according to the instructions.

Opening of the door

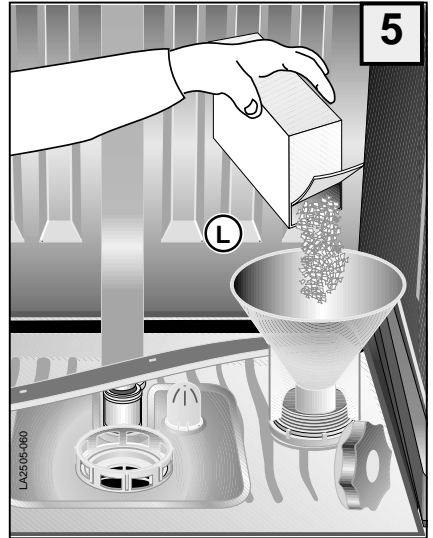
Pull the handle forward. The door should open without effort. If you pull the handle while the dishwasher is running, a safety mechanism will turn off the appliance.

Adding special dishwasher salt

- Open the door and take out the lower basket.
- Remove the lid of the salt container by turning it anticlockwise.

Only during the first time you carry out this operation: fill about 1/2 litre of water into the salt container.

- Use funnel L to fill the special dishwasher salt into the container (use about 1.0-1.5 kg of salt).
- Remove possible salt residues from the opening of the container.
- Put the lid of the container back in its place by turning it clockwise.
- If you don't use the dishwasher immediately after filling the salt container, run the programme *pre-wash* to rinse away the water and salt particles that spilled over from the container.
- * The water softening system is equipped with an electric instrument that indicates the salt content level. A control light will be illuminated on the front panel (fig. 18, 6) of your dishwasher to indicate when it is necessary to add more dishwasher salt.



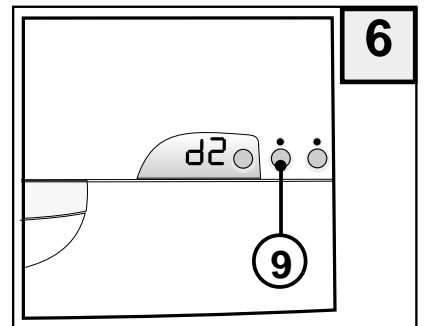
Regulation of the water softener system

For the washing process it is better to use soft water (with a low calcium content), to avoid calcium deposits on the dishes and on the inside of the dishwasher.

To find out the degree of hardness of your water contact your town administration or use a commercial testing kit.

To reach an optimal regeneration setting, keep the button DELAY 9 (fig. 6) pressed when turning on the appliance. Now, the current setting is being displayed (e.g., d5). To modify the setting (within 5 seconds), press the same button again until the desired level is reached (see table).

Wait for 6 seconds without modifying the setting. A buzzer sound will indicate that the new setting was accepted. On the display, the request select programme will appear.



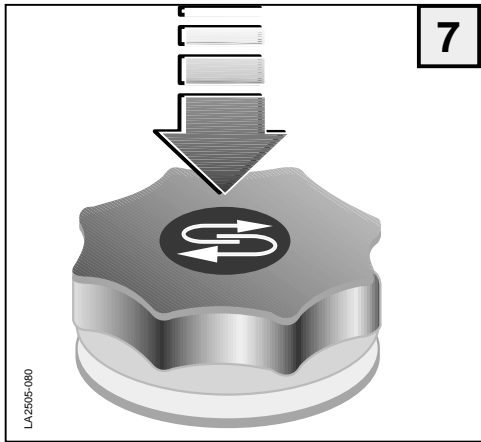
Regeneration levels

Position of regulation device	French degrees °fH	German degrees °dH
d1	<15	<8,4
d2	>15 <25	>8,4 <14
d3	>25 <40	>14 <22,4
d4	>40 <60	>22,4 <33,6
d5	>60 <80	>33,6 <44,8
d6	>80 <90	>44,8 <50,4

>=higher/<=lower



Use only special dishwasher salt. Other types of salt (e.g., regular household salt) often contain substances that do not dissolve completely in water and can therefore obstruct the water softener, thus making it unusable.

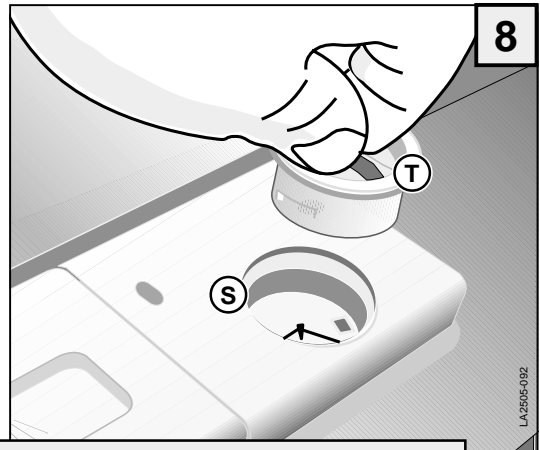


Indication of salt level (if present)

The green mark under the cap indicates that there is still enough salt in the container. If the green mark is no longer visible, the salt container needs to be refilled with special dishwasher salt.

Refilling of rinse aid

The rinse aid, which is released automatically during the final phase of the wash cycle, guarantees that the dishes dry quickly and prevents the formation of stains and calcium sediments.



Only use rinse aids for dishwashers. Other products won't obtain the desired effect.

The rinse aid container **S** is located on the inside of the door.

- Remove the container cap **T** by turning it 1/4 revolution anticlockwise.
- Fill container with rinse aid up to the broken line. Maximum quantity: about 140 ml.
- Put the cap back in its place.
- Clean off possible residues of rinse aid with a cloth, otherwise too much foam might be produced during the rinsing process.

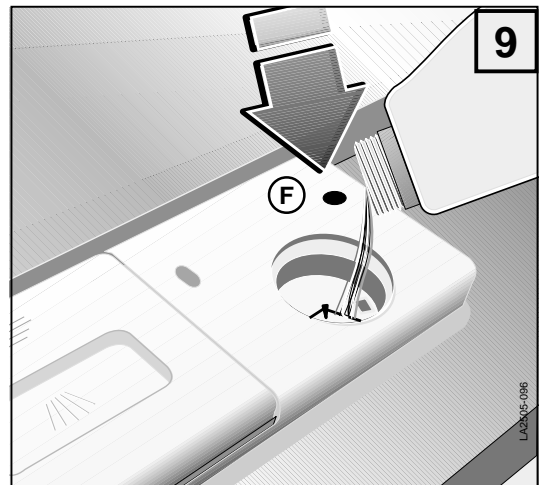
Indication of rinse aid level

• Electric (fig. 18-18.1)

The appliance is equipped with a level indicator for the rinse aid. When it lights up, more rinse aid needs to be added.

• Mechanical (fig. 9)

More rinse aid needs to be added when the indicator (located on the container **F**) is clear (●). When the container is full, the indicator has a dark coloration.



Regulation of rinse aid dosage

The regulation **R** of the quantity of rinse aid that is released can be found in the refill opening of the rinse aid container.

It can be adjusted with a screwdriver. The possible settings range from **1 to 4**, **1** corresponds to a release of one ml of rinse aid, **4** to four ml, etc. The appliance has been set on **2 (two ml)** by the manufacturer.

A full rinse aid container is sufficient for about 50 wash cycles. The quantity of rinse aid to be released should be adjusted when the result of the wash process is not satisfactory.

- Always wipe off with a cloth any rinse aid that spilled over from the container.

It is important to check the level of rinse aid in the container periodically – if possible every 31 wash cycles.

Adding the detergent

IMPORTANT! Do not use detergents in this dishwasher that are made for dish washing by hand! These substances produce large quantities of foam but they do not clean the dishes in a dishwasher. They can even lead to a malfunctioning of the appliance.

You should therefore only use detergents that are specifically made for household dishwashers.

Keep your detergent containers closed and in a dry place.

Only when you use the pre-wash programme no detergent is needed.

During a programme the detergent is automatically taken from the detergent container.

We recommend the use of about 25 g of detergent.

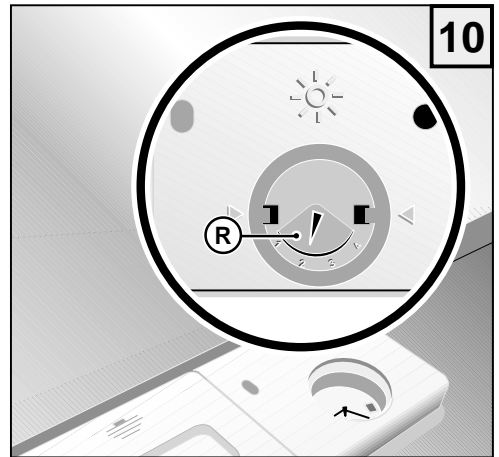
Detergents vary in their strength and efficiency. You should therefore pay attention to the dosage recommendations of each manufacturer.

The container for the detergent is located on the inside of the door.

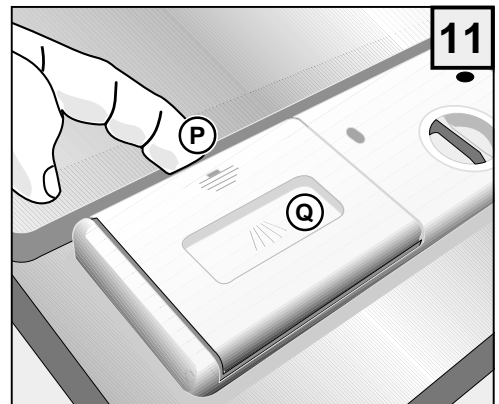
If the lid is closed:

- Push forward closing mechanism **P**. The lid will open with a “click”.
- Fill the detergent into the container **V**.
- To close the lid, press until you hear a closing “click”.

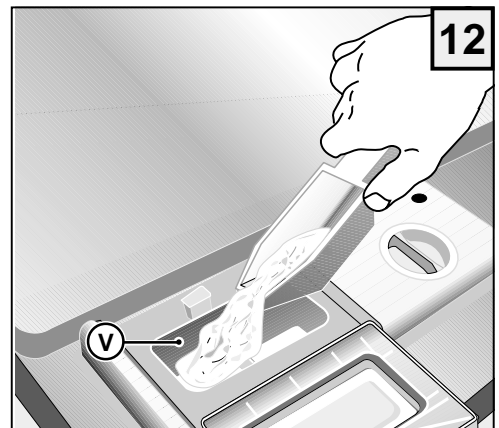
If your dishes are exceptionally dirty, you can also fill some detergent into the indentation **Q** of the lid. In this case, fill the indentation up to the edge. This detergent will be available and active during the pre-wash phase.



LA2505-094



LA2505-090



LA2505-100

How to load and unload the dishwasher

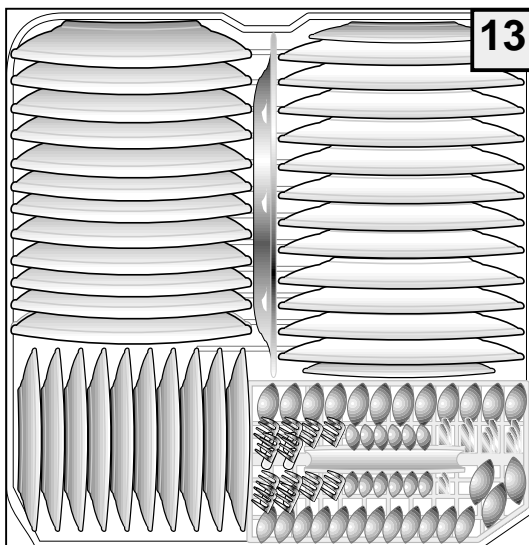
There are two dish baskets that allow you to store all different kinds of dishes.

- Remove from the dishes any larger pieces of food to avoid an obstruction of the filter and the development of bad odours.
- If pots and pans are particularly dirty and contain crusts of food (after frying or roasting), soak them in a water bath before washing them in the dishwasher.

Use of the lower basket

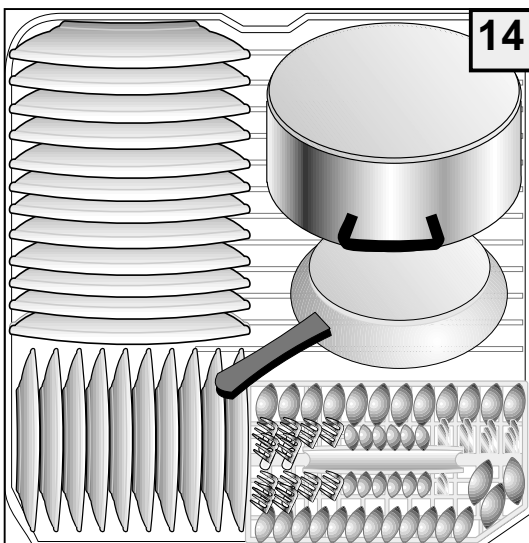
The lower basket is intended to hold dishes that are more difficult to clean, as well as the cutlery basket.

The lower basket holds regular plates, soup bowls, pans, soup tureens, lids, and serving dishes. Flat and deep plates must be placed in a way that leaves some space between the individual plates.



All plates must be in a vertical position so that the water can pass freely.

Pans and pots must always be placed upside down. You can choose any kind of loading configuration, but you should make sure that the dirtiest surface of dishes, pots and pans faces the water spray and that the water can flow off without hindrances.



Cutlery

For best cleaning results, cutlery should be inserted with its handles facing down. Spoons, forks, and knives must be placed in the specific areas of the cutlery basket that are designed for them.



ATTENTION:

Particularly long cutlery, specifically "long knives", should not be positioned pointing upwards but should be placed horizontally in the top tray or washed by hand.

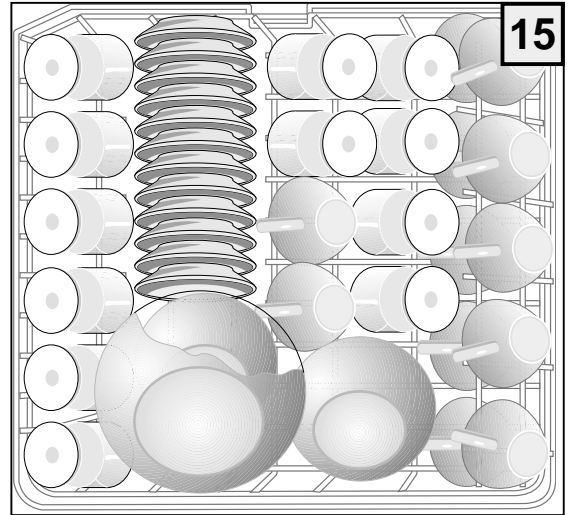
Use of the upper basket

The upper basket can be pulled out all the way. It holds small and medium sized dishes such as glasses, small plates, tea and coffee cups, small salad bowls, and small pans and pots that are not very dirty.

Desert plates must always be placed vertically; glasses, cups, pots and pants must be placed upside down.

Light dishes should be held by a support structure so that they don't get thrown around by the water jet.

An optimal arrangement of dishes inside the dishwasher will guarantee best washing results, allowing the appliance will be able to develop its full effectiveness.



LA2505-120

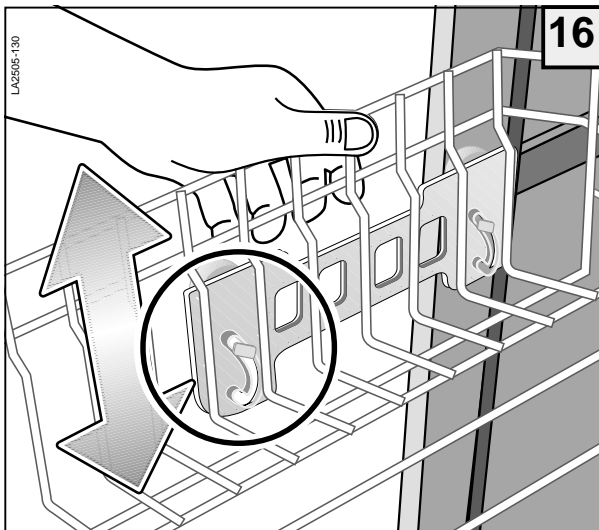


Because of the elevated temperature of the water used to wash the dishes and of potential chemical reactions with the detergent, it is recommended not to wash copper or aluminium dishes, cutlery with wood or horn handles, delicate porcelains, or non heat resistant glass or plastic dishes in the appliance. If you possess decorated porcelain, you should test one single piece to make sure that the décor is not being damaged or altered.

Height regulation of the upper basket

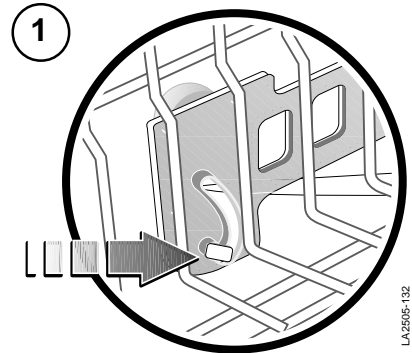
Use the handle on the side (only on left) to regulate the basket's height and inclination.

- 1 regulation of horizontal position
- 2 regulation of inclination

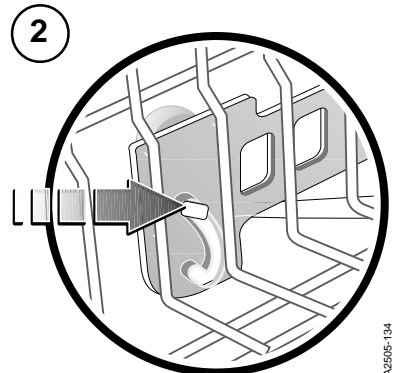


LA2505-130

16



LA2505-132

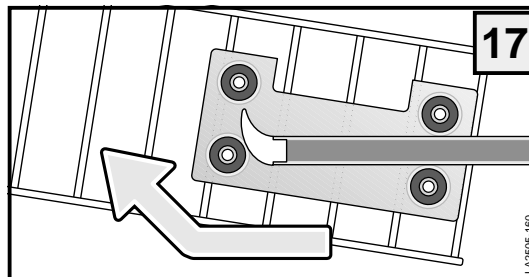


LA2505-134

Pulling out the upper basket

The upper basket can be pulled out and removed as shown in the figure.

Description of control buttons and indication lights

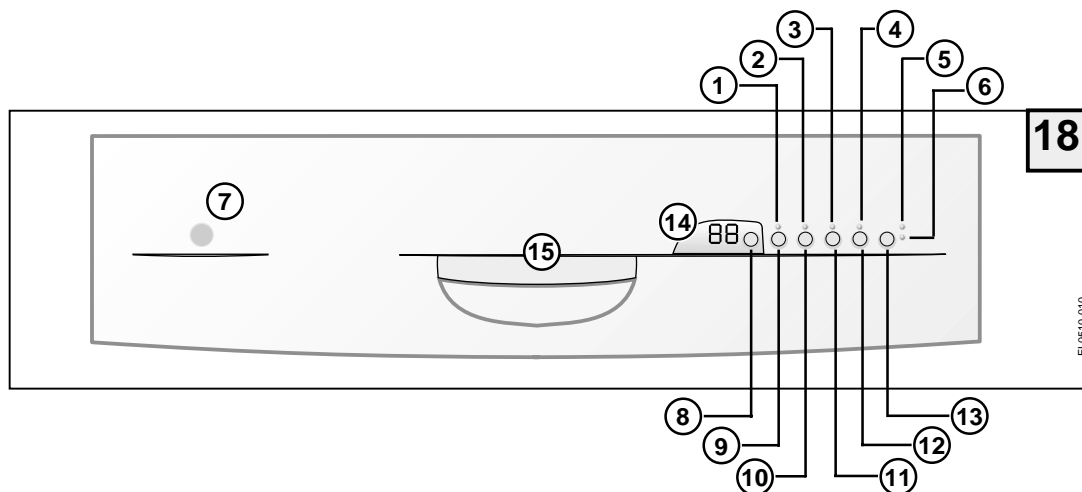


Led Display

- 1) Indication of delayed start (Delay)
- 2) Indication of half load
- 3) Indication of pre-wash cancel
- 4) Indication of drying
- 5) Indication of low salt level
- 6) Indication of low rinse aid level

Control buttons

- 7) On/Off
- 8) Programme selection
- 9) Delayed start selection (Delay)
- 10) Half load selection
- 11) Pre-wash cancel selection
- 12) Drying selection
- 13) Start/Stop/Pause programme
- 14) Multifunction display
- 15) Door opening handle



Start

After checking the quantities of regeneration salt and of rinse aid, open the water faucet completely, place the dishes in the baskets, fill detergent into the detergent container and add also detergent for the pre-wash (if necessary) then close the front door.

Now proceed as follows:

- Use the On/Off button (7). On the display (14) the words **programme selection** will appear.
- Use the programme selection button (8) to select the desired programme
- Press the start/pause programme button (13). After a sound signal, which indicates the initiation of the programme, the appliance will run the wash cycle automatically.

Note: On the display, the duration of the chosen programme will be shown.



It is advisable not to open the dishwasher during the wash.

Options

(Note: the various options must be selected before initiating the wash cycle)

- **Delayed start (9)**: time delays for the initiation of the wash cycle can be set ranging from 1 to 16 hours. On the display, the delay period that was selected will be shown. The LED display will be blinking during the entire delay period.
The selection of this setting option is confirmed when the number of the pre -selected programme appears on the display.
- **Half load (10)**: when choosing this wash cycle option, the following indication will appear on the display: (_=wash superior basket, _=wash inferior basket). The corresponding LED indication will be illuminated. The selection of this setting option is confirmed when the number of the pre-selected programme appears on the display.
- **Pre-wash cancel (11)**: This option is only available for programmes that include a pre-wash. When pressing the button, the corresponding LED indication will be illuminated. The selection of this setting option is confirmed when the number of the pre-selected programme appears on the display.
- **Drying (12)**: this programme option is carried out automatically by the programmes in whose cycle it is included (see programme table). To modify the dryer setting, the drying button (12) must be pressed before initiating the chosen programme. On the display, the following information will appear: AO = no drying; A1 = Drying 20'; A2 = Drying 35'; A3 = Drying 45'.
The corresponding LED indication will be illuminated.
The selection of this setting option is confirmed when the number of the pre -selected programme appears on the display.
- **Note**: In the models without the drying ventilator, this option is to be considered as waiting time at the end of the cycle.
- **Description of Start/Stop/Pause button (13)**
- It initiates the wash programme cycle (7) (the buzzer sound indicates that the cycle has started).
- When you turn on the machine, using the ON/OFF button, the display indicates the number of the last program that has been carried out. In cases where the previous program has not yet finished, the display will flash the number of this program. In order to re-start it you must simply press the "START" button (13), the remaining time that is necessary in order to finish the cycle will appear automatically on the display. (Situations such as this will occur each time that you open the machine when it is carrying out a program).
- If pressed during the wash for less than 5" the machine will pause, the number of the program will be seen flashing on the display, (in this case it is possible to add or remove dishes etc.)
In order to proceed with the washing program, close the door and press the button (13) again.
- **Programme settings by mistake (change programme)**
- Reset by using the start/stop/pause button (13): keep the button pressed until the buzzer stops beeping (it produces a series of beeps).
- Repeat the select programme operation.
Note: If the programme has been initiated and has run beyond the water fill phase, the display indicates " 00 ", Then, the appliance will discharge all water, and (after a prolonged buzzer sound) the display will indicate the pre-selected programme setting.

Now, the appliance is ready for a new setting.

- **Note**: Once you have opened the door, always press the Start button (13) in order to restart the dishwasher.

• Activation / Elimination of the buzzer

b0 = Buzzer DEACTIVATED

b1 = Buzzer ACTIVATED

In order to access the setting of the BUZZER, keep the PROGRAM button (8) pressed down when you turn on the machine. The current setting "b1" will be visualised on the Display. In order to change this setting, press the same button until you have selected the status of the buzzer that you desire. Wait for approximately 6 seconds, without changing your choice, following this, the sound of the BUZZER will confirm that the setting has been memorised.

• End of cycle

Once the washing cycle is finished (14), the program number will appear lit up and still on the display, if it is flashing wait for the end of the cycle.

• Checking the functions

During the washing phase it is possible to visualise the various functions in the following manner:

By pressing the program selection button (8), the number of the pre-set program will be visualised on the display.

By pressing the half load button (10), the upper or lower washing area will be seen.

By pressing the drying button (12), the level of drying will be seen.

Stop

After the wash cycle, the dishwasher stops automatically, then unit will emit a long buzz to indicate the end of the washing cycle. To turn it off, press the button on/off (7). After each wash cycle, the water faucet must be closed to insulate the appliance from the water supply system.

Table of wash programmes

Programmes	Programme number	Turn on & Select Prog.	Add Detergent		Dishes and degree of dirt	Programme descriptions	Duration* (1)
		ON OFF ⓘ	pre-wash	wash			
Rinse	P1	•			Pans and dishes until the next wash cycle	Short cold wash to prevent food residues from drying up and forming crusts on the dishes	11'
Intensive 70 ° C	P2	•	•	•	Very dirty dishes (except delicate pieces)	1 warm Pre-wash – Main wash 3 rinse (2 cold – 1 warm) Drying	2h
Normal 60° C (EN 50242)	P3	•	•	•	Medium dirty dishes (except delicate parts)	1 cold pre-wash – Main wash 2 rinse (1 cold – 1 warm) Drying	2h 17'
Delicate 60° C	P4	•		•	Very dirty pans and dishes	Main wash 2 rinse (1 cold – 1 warm) Drying	1h 40'
Normal 40° C	P5	•	•	•	Normally dirty dishes	1 cold pre-wash – Main wash 2 rinse (1 cold – 1 warm)	49'
Rapid 40° C	P6	•		•	Very dirty dishes	Main wash 2 rinse (1 cold – 1 warm)	39'
Biological 60° C	P7	•		•	Pans and dishes	Main wash 3 rinse (2 cold – 1 warm) Drying	1h 38'
Strong 70° C	P8	•	•	•	Pans and dishes very dirty	1 warm Pre-wash – Main wash 3 rinse (2 cold – 1 warm) Drying	2h 11'

(1) N.B. Indicative duration of the washing times including the duration of the drying times in the programs where drying is included.

Drying time "setting of the defaults in A2=35".

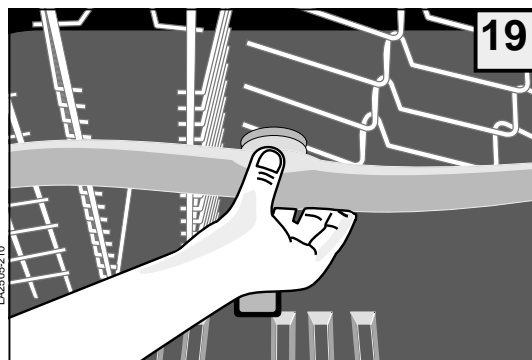
(*) In the P1 program it is possible to have a drying setting (see options paragraph); in this way you will have a warm rinse program with a drying feature (PLATE WARMER) with the following settings:

A1 washes at 65°C it dries for 20' – A2 washes at 60°C and dries for 35' – A3 washes at 50° C and dries for 45'.

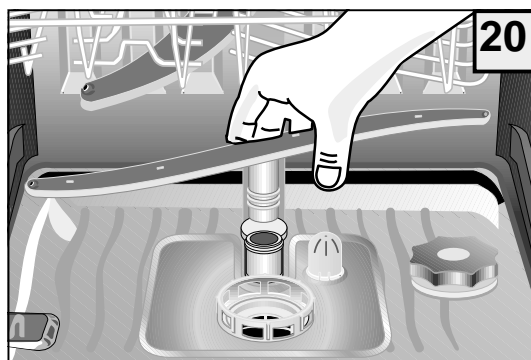
7 MAINTENANCE

7.1 CLEANING OF SPAY-ROTORS

The spray-rotors can easily be removed for the periodic cleaning of the jets in order to prevent possible obstructions. Wash them thoroughly under running water and put them back in their correct position.



To remove the upper spray-rotor:
Unscrew anticlockwise the support of the spray-rotor.



To remove the lower spray-rotor:
Pull the spray-rotor upwards and take it out.

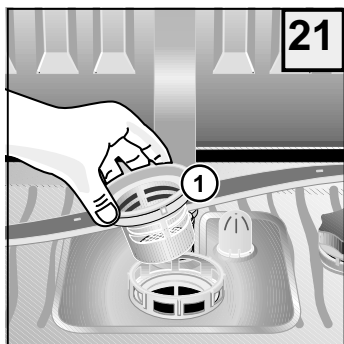
7.2 CLEANING OF FILTERS

After each wash the filter group should be checked in order to remove possible dirt residues. Proceed as follows:

- take out the central filter 1.
- remove the external water filter 2.
- take out mobile grid 3.

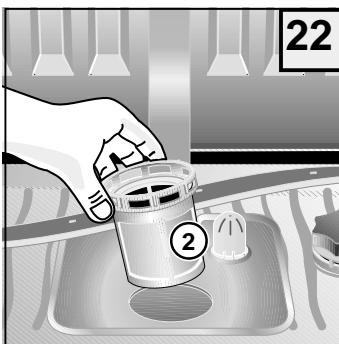
Clean all these components under running water. It is important to clean all filters thoroughly because the dishwasher cannot function properly with obstructed filters.

We recommend to put the cleaned filters back in their positions immediately to avoid damage to the wash pump.



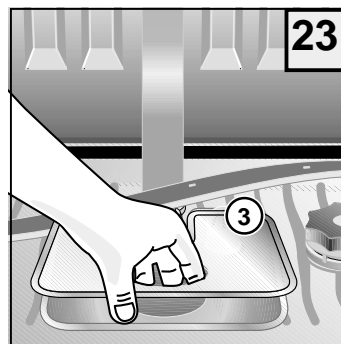
21

LA2505-180



22

LA2505-190



23

LA2505-200

7.3 CLEANING OF THE DISHWASHER'S EXTERNAL SURFACES

The dishwasher's surfaces (made of metal, and in the front of plastic) must be cleaned periodically. Use a clean and soft piece of fabric. Never use acids or abrasive detergents.

If you don't use the appliance for long periods of time

If the dishwasher is not being used for extended periods of time, you should proceed as follows:

- run the pre-wash programme twice
- remove the electric plug from the outlet
- disconnect the water supply tube
- leave the door slightly open to avoid the formation of bad odours.

7.4 TABLE OF ERROR CODES

Error	When this occurs	Checks to carry out	Action to be taken
E1	During the water cycle (the program stops)	- Tap closed - Filter of loading tube blocked - Drainage tube flat - Drainage tube broken - Water supply tube bent - Insufficient water pressure	- Reset the dishwasher - Check - Reset the dishwasher - Call the authorised assistance centre - Reset the dishwasher - Verify the water pressure
E2	At the end of the cycle	- Repeat the washing cycle	- If the same problem reoccurs, contact the authorised technical assistance centre immediately communicating to them the type of error that is shown.
E4	At the end of the cycle	- Insufficient water pressure - The litre counter valve is not working	- Verify the water pressure - Call the authorised assistance centre
E5	At the end of the cycle	- The drainage tube is bent - The siphon is blocked - The drainage pump is blocked	- Check - Check - Call the authorised assistance centre
E6	At the end of the cycle	- The filter grills are blocked - A pot is placed up side down	- Clean the filter grills - Check at the end of the cycle, position the pots correctly during the next wash
E7	At the end of the cycle	- Repeat the washing cycle	- If the same problem reoccurs, contact the authorised technical assistance centre immediately communicating to them the type of error that is shown.

N.B.: Upon contacting the authorised technical assistance centre always communicate the type of error encountered.

8 WHAT TO DO IN CASE OF MALFUNCTIONS

You should first check whether it is possible to rectify some minor problems yourself. Follow these instructions. If you are unable to identify or remove the problem, you should contact the technical client assistance service.

- **The programme does not start**

- Are the internal fuses broken? Is the dishwasher connected to the electric supply system?
- Is the door closed properly? Press on the door to close it completely.

- **No water enters the appliance**

- Is the water faucet open?
- Is the filter between the faucet and the water supply tube obstructed? If so, clean the filter.
- Is the water supply tube obstructed? Check the tube.

- **The programme indicator does not move on from its starting position**

- Is the water faucet completely open?
- Is the filter between the faucet and the water supply tube obstructed? If so, clean the filter.
- Is the water pressure lower than 0.05 Mpa?

- **The used water is not removed from the dishwasher**

- Is the waste disposal tube obstructed? Check the tube.
- The siphon is obstructed? Check the siphon.

- **The dishes are not clean after washing them**

- Did you choose an appropriate programme for the type of dishes and the degree of dirt you are dealing with?
- Are the dishes arranged in a way that allows the water-jet to reach all their surfaces?
- Are the dishwasher's baskets overloaded?
- Are the spray-rotors blocked by a dish or some cutlery?
- Are all filters at the bottom of the dishwasher clean? Are they all in their correct position?
- Did you add the correct amount of detergent?
- Is the water discharge tube connected properly?
- Is there still any special dishwasher salt in the appropriate container? Without salt the water is not being softened.
- Was the water softening system adjusted according to the local amount of calcium in the water?

- **The dishes do not dry or they remain opaque**

- Is there any rinse aid left in the appropriate container?

- **Glasses and dishes show the formation of lines, spots, and stains or a shiny blue coloration**

- During the rinse process too much rinse aid is being released. Adjust the rinse aid release.

- **Glasses and dishes show stains of dried water**

- During the rinse process too little rinse aid is being released. Adjust the rinse aid release.

Please note:

The appliance was tested and checked by the manufacturer. As a consequence, you may find some traces of water inside. These will disappear after the first use.

1 VOR DER BENUTZUNG DES GERÄTS

1.1 HINWEISE ZUR SICHERHEIT

Vorschriftsmäßige Benutzung

- Der Geschirrspüler darf nur zur Reinigung von Haushaltsgeschirr verwendet werden. Sollte das Gerät für andere Zwecke oder unzumutbar gehandhabt werden, so kann die Herstellerfirma keinerlei Verantwortung für eventuelle Schäden übernehmen.
- Aus Sicherheitsgründen ist es nicht erlaubt, am Geschirrspüler Umbauten oder Änderungen vorzunehmen.
- Bevor das Gerät an das elektrische Stromnetz angeschlossen wird, prüfen, ob die auf dem Datenschild angegebenen Spannungs- und Stromdaten mit den Werten, die am Aufstellort gegeben sind übereinstimmen.
- Die Installation hat durch qualifiziertes Personal zu erfolgen.

Handhabungen vor dem ersten Starten

- Prüfen Sie, ob der Geschirrspüler beim Transport Schäden erlitten hat. Keinesfalls ein beschädigtes Gerät anschließen. Wenden Sie sich bei Schäden an Ihren Vertragshändler.

Zur Sicherheit Ihrer Kinder

- Erlauben Sie Kindern nicht, mit dem Gerät zu spielen.
- Die Reinigungsmittel können unwiderrufliche Schäden an Augen, am Mund und im Hals verursachen. **Reinigungsmittel deshalb außerhalb der Reichweite von Kindern aufbewahren.**
- Das Wasser im Geschirrspüler ist kein Trinkwasser. Sollten sich im Gerät noch Reste des Reinigungsmittels befinden, besteht für Kinder weiterhin eine Gefahrensituation. Kinder müssen vom geöffneten Geschirrspüler ferngehalten werden.

Zum täglichen Gebrauch

- Setzen Sie den Geschirrspüler niemals in Funktion, wenn das Stromkabel, der Wasserzulaufschlauch oder der Wasserabflussschlauch beschädigt sind, oder wenn die Schalterblende, die Arbeitsplatte oder die Leiste in einem schlechten Zustand sind.
- Bei Störungen zuerst den Wasserhahn abdrehen, dann das Gerät ausschalten und den Stecker aus der Steckdose ziehen. Bei Festinstallation, den jeweiligen Schalter ausstellen oder die Sicherung (oder die Sicherungen) herausdrehen.
- Den Stromstecker stets am Kopf und niemals am Kabel aus der Dose herausziehen.
- Die Reparaturen des Geschirrspülers dürfen nur durch geschultes Personal durchgeführt werden. Unsachgemäße Reparaturen können den Benutzer in große Gefahr bringen. Wenn Sie sich deshalb für eventuelle Reparaturen an unseren Kundendienst oder an Ihren eigenen Vertragshändler.
- Das Austauschen des Speisekabel muß nur vom spezialisiertem Personal ausgeführt werden.
- Im Falle, dass die Schläuche in einem schlechten Zustand sind, müssen sie, um das Gerät anzuschließen, mit Originalschläuchen ersetzt werden.
- Geben Sie keine Lösungsmittel in den Geschirrspüler. Sie können Explosionen auslösen.
- Setzen oder lehnen Sie sich nicht auf die geöffnete Tür: das Gerät könnte umkippen.
- Bevor Sie Speisesalz, Reinigungsmittel oder Klarspüler einfüllen, müssen Sie sich vergewissern, dass ihr Gebrauch vom Hersteller dieser Mittel für die Verwendung in Haushaltsgeschirrspülern empfohlen wird.
- Drehen Sie stets den Wasserhahn zu, wenn der Geschirrspüler für längere Zeit, wie z.B. im Urlaub nicht benutzt wird.

2 AUSPACKEN - VERPACKUNGSBESEITIGUNG

2.1 AUSPACKEN

Entfernen Sie die äußere Verpackung aus Plastik, die Eckverstärkung sowie die Teile aus Styropor. Tür öffnen und die Styroporblöcke der Körbe herausnehmen.

Das Sammeln und Recycling von Verpackungsmaterial trägt zum Sparen von Rohmaterial und zur Verringerung des Müllvolumens bei.

Geben Sie die Verpackung bei den Sammelstellen für Recyclingmaterial ab.

Wenn das Gerät eines Tages endgültig entsorgt werden muss, machen Sie es vor seiner Entsorgung gebrauchsunfähig.



WARNUNG! Einige Verpackungsmaterialien (z.B. Plastiktüten, Styropor) können für Kinder eine Gefahrenquelle darstellen. Halten Sie deshalb diese Materialien von Kindern fern.

2.2 ENTSORGUNG DES ZU VERSCHROTTENEN GERÄTS

Am Ende der Lebensdauer des Geräts muss es unter Einhaltung der gültigen Rechtsvorschriften von spezialisierten Firmen verschrottet werden.

Auf diese Weise kann durch die Entsorgung eines alten Geräts, eine Wiederverwertung der für das Recycling bestimmten synthetischen Materialien durchgeführt werden und somit die Umwelt geschont werden.

3 ALLGEMEINE HINWEISE

3.1 SPARSAMES UND ÖKOLOGISCHES SPÜLEN

- Setzen Sie den Geschirrspüler nur in Betrieb, wenn er vollbeladen ist. Nur so kann sparsam und umweltbewusst gespült werden.
- Wählen Sie stets ein Spülprogramm, das dem Typ des Geschirrs und seinem Grad der Verschmutzung entspricht.
- Überdosierung von Reinigungsmittel, Spezzialsalz und Klarspüler unbedingt vermeiden. Befolgen Sie die empfohlenen Dosierungsmengen in den Gebrauchsanweisungen und Angaben der Herstellerfirma dieser Produkte.
- Prüfen Sie, ob die Wasserenthärteranlage korrekt eingestellt ist.

3.2 UNGEEIGNETES GESCHIRR

Für die Reinigung im Geschirrspüler nicht geeignet sind:

- Holzschneidebretter oder kleine Holztablets
- Plastikgegenstände, die nicht hitzebeständig sind
- Bleikristall
- Gegenstände aus Zinn oder Kupfer
- Geschirr oder Besteck mit zusammengeklebten Teilen
- Relativ altes Besteck, dessen Klebstoff hitzeempfindlich ist
- Gegenstände aus Stahl, die leicht rosten
- Besteck mit Griffen aus Holz, Horn, Porzellan oder Perlmutter.

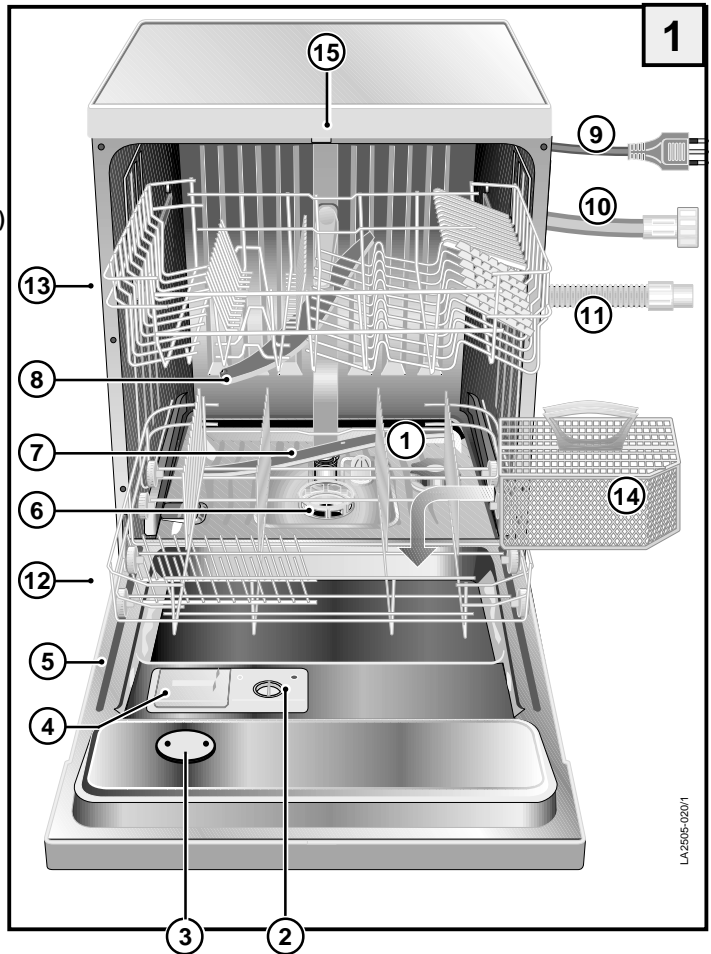


Beim Kauf von Geschirr, Gläsern und Besteck darauf achten, dass sie geschirrspülmaschinenfest sind.

4 BESCHREIBUNG DES GERÄTS

4.1 ALLGEMEINE ÜBERSICHT

- 1) Salzfach
- 2) Fach für den Klarspüler
- 3) Trocknungsbelüfter (falls vorgesehen)
- 4) Fach für das Reinigungsmittel
- 5) Datenschild
- 6) Filter
- 7) Unterer Sprüharm
- 8) Oberer Sprüharm
- 9) Stromkabel
- 10) Wasserzulaufschlauch
- 11) Abwasserschlauch
- 12) Unterkorb
- 13) Oberkorb
- 14) Besteckkorb
- 15) Verschlusshaken der Tür



4.2 TECHNISCHE DATEN

Fassungsvermögen
(internationales Maßgedeck) : 12
Druck in der Hydraulikanlage
Minstdruck: 0,05 MPa
Höchstdruck: 1 MPa

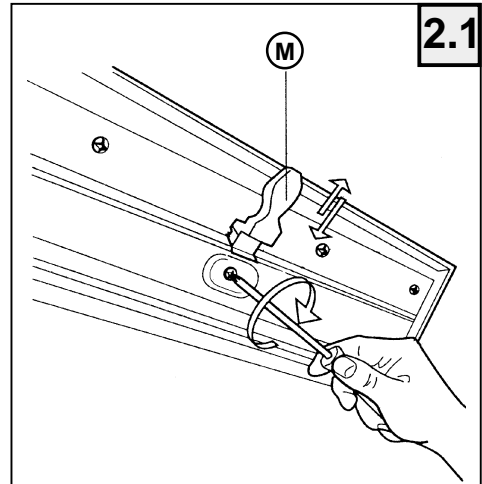
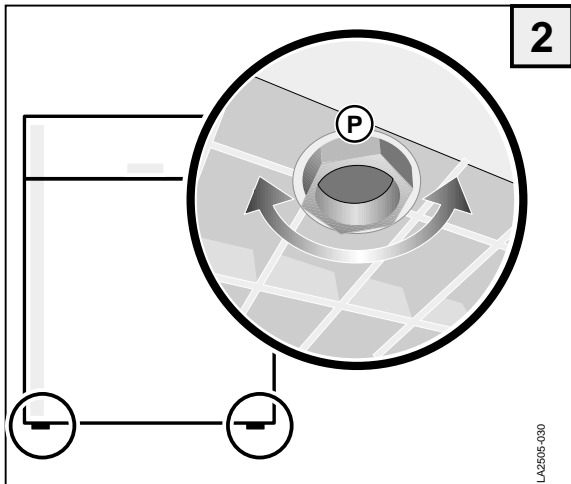


ACHTUNG: die elektrischen Eigenschaften werden auf dem Datenschild angegeben.

0,05 - 1MPa	Model.	
A MAXW	
.....V.....Hz Made in EU		

5 INSTALLATION

5.1 AUSRICHTEN



Nachdem das Gerät am Installationsort aufgestellt wurde, falls erforderlich solange die Schraubfüße **P** drehen, bis die erforderliche Höhe des Geräts erreicht ist und ausrichten.

Eine gute Ausrichtung sichert die korrekte Funktionsweise des Geschirrspülers.

Max. Fehler=2 Grad

Nach dem Ausrichten des Geräts muss auch der Türverschlusshaken reguliert werden, damit sich die Tür perfekt schließen lässt.

Sollte beim Schließen der Türe die Schließnase am Gehäuse (**M**) nicht in die Türaufnahme passen, so kann diese Schließnase durch die darunterliegende Schraube entsprechend neu eingestellt werden.

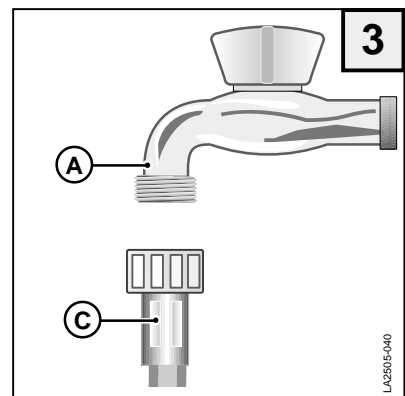
5.2 WASSERANSCHLUSS

Der beiliegende Wasserzulaufschlauch **C** ermöglicht den Anschluss an den Wasserhahn mit 3/4 Zoll.

Während der Montage müssen folgende Anweisungen befolgt werden:

- Den Schlauch **C** an den Kaltwasserhahn **A** anschließen.
- Wenn der Anschluss an alte Rohrleitungen erfolgt, die seit langer Zeit benutzt werden, ist es ratsam, vor dem Anschließen des Wasserzulaufschlauchs das Wasser laufen zu lassen, um Dreck- und Rostablagerungen zu entfernen.
- Überprüfen Sie, ob der Druck im Wassernetz innerhalb der Werte liegt, die in den technischen Angaben genannt werden.

Der Geschirrspüler kann an die Kaltwasserleitung, aber nicht an die Warmwasserleitung angeschlossen werden.



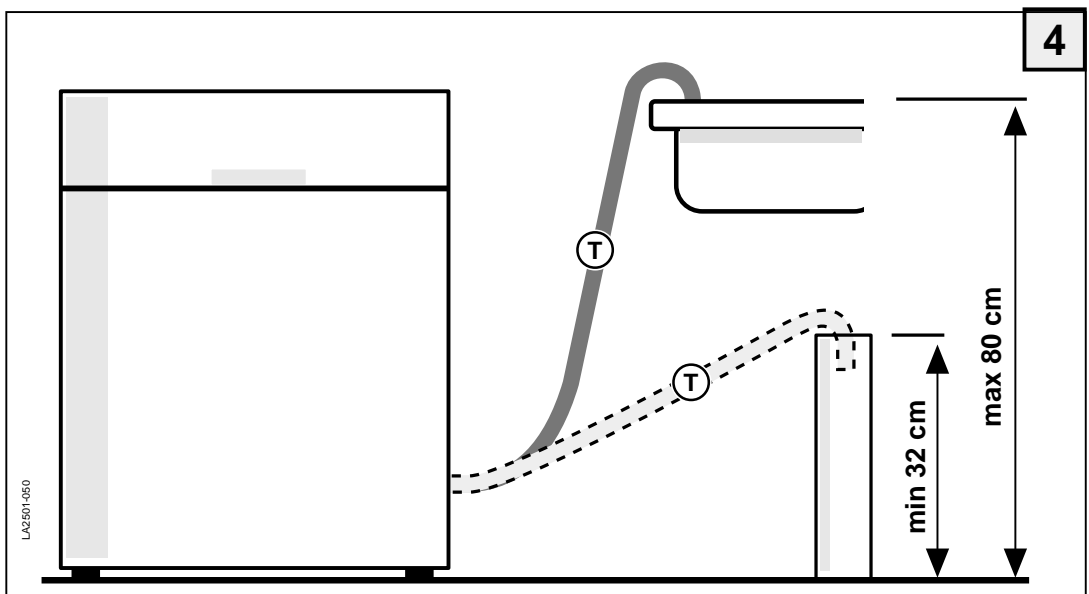
5.3 ANSCHLUSS DES WASSERABLAUFS

Der beiliegende Abwasserschlauch **T** wird mit dem starkgekrümmten Ende am Rand eines Spülbeckens angebracht oder an eine Abflussleitung angeschlossen.

Der Einsatz eines Siphon (Geruchsverschluss) wird empfohlen.

Während der Montage müssen folgende Sicherheitsmassnahmen berücksichtigt werden:

- Der Abwasserschlauch darf nicht geknickt werden, damit keine Drosselstellen entstehen;
- Das äußere Ende des Schlauches muss im Verhältnis zur Abstellplatte des Geschirrspülers (Abb. 4) in einer Höhe zwischen 32 cm und 80 cm angebracht werden.
- Das Schlauchende darf keinesfalls in Wasser getaucht werden;
- Eine eventuelle Verlängerung des Abwasserschlauchs darf eine Länge von 1 Meter nicht überschreiten und muss den gleichen Innendurchmesser besitzen. Des weiteren muss die maximale Höhe in der das freie Ende angebracht werden kann, von 80 cm auf 50 cm herabgesetzt werden;
- Bei einer Abflussleitung darf der Innendurchmesser nicht weniger als 4 cm betragen.



5.4 ELEKTRISCHER ANSCHLUSS

Der elektrische Anschluss des Geräts darf nur über eine ordnungsgemäß installierte Schutzkontaktdose erfolgen. Der Anschluss muss den gültigen gesetzlichen Richtlinien sowie den zusätzlichen Richtlinien des zuständigen Elektrizitätswerks entsprechen.

Der angegebene Spannungswert muss mit der Netzspannung am Aufstellort übereinstimmen.



Die Anschlusswerte der Steckdose können Sie dem Datenschild entnehmen.

6 GEBRAUCH

6.1 HANDHABUNGEN VOR DER INBETRIEBNAHME

Vor der Inbetriebnahme des Geräts prüfen, ob der Stecker des Stromkabel an die Steckdose angeschlossen ist, ob der Wasserzufuhrschlauch an den Wasserhahn angeschlossen ist, ob der Wasserhahn geöffnet ist und ob der Abflussschlauch vorschriftsmäßig angeschlossen wurde.

Öffnen der Tür

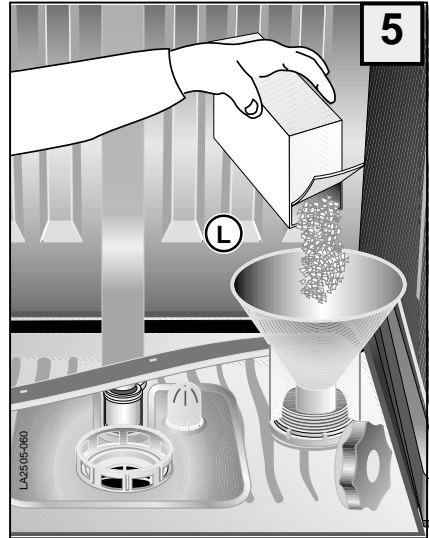
Den Griff nach vorn ziehen: die Tür ist leicht zu öffnen. Wird diese Handhabung durchgeführt, während der Geschirrspüler in Funktion ist, schaltet eine Sicherheitsvorrichtung den Geschirrspüler ab.

Einfüllen von Speziessalz

- Tür öffnen und Unterkorb herausziehen.
- Deckel des Salzbehälters gegen den Uhrzeigersinn drehen, um ihn abzunehmen.

Nur für den ersten Durchlauf: circa 1/2 Liter Wasser in den Salzbehälter geben.

- Das Speziessalz durch den Trichter L in den dafür vorgesehenen Behälter (circa 1,0 - 1,5 kg) einfüllen.
- Eventuelle Salzreste an der Behälteröffnung entfernen.
- Den Deckel wiederaufdrehen, dazu im Uhrzeigersinn drehen.
- Wenn das Geschirr nicht sofort nach dem Einfüllen des Salzes gespült wird, das Programm EINWEICHEN einschalten, damit das Wasser und das Granulat, die aus dem Behälter entwichen sind weggespült werden.
- Die Wasserenthärteranlage beinhaltet eine elektrische Anzeige, die angibt, wieviel Salz noch im Behälter vorhanden ist. Auf der Programmleiste Ihres Geschirrspülers (fig. 18, ⑥) leuchtet eine Kontrolllampe auf, wenn das Nachfüllen von Regeneriersalz notwendig ist.



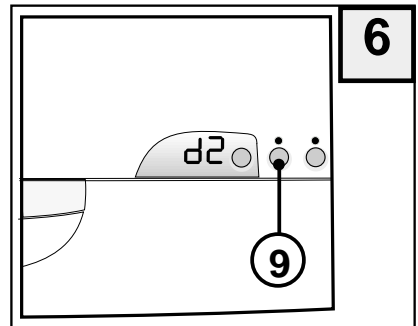
Einstellung der Wasserenthärteranlage

Empfehlenswert ist das Spülen mit weichem Wasser (kalkarmem Wasser), damit der Entstehung von Ablagerungen auf dem Geschirr und im Geschirrspüler vorgebeugt wird.

Zur Ermittlung des Härtegrads des Wasserwendens Sie sich an Ihr Kommunalamt oder benutzen Sie eines der im Handel erhältlichen Tests.

Zur Einstellung der optimalen Regenerierung drücken Sie die Taste DELAY 9 beim Einschalten des Geräts, dannach wird die aktuelle Einstellung (z.B. d5) angezeigt (innerhalb von 5 Sekunden)

Zur Änderung die gleiche Taste solange drücken, bis das gewünschte Regenerierniveau (siehe Tabelle) angezeigt wird. Warten Sie circa 6 Sekunden, ohne die Wahl zu ändern und das Piepen des Summers bestätigt dann die Einstellung des neuen Niveaus, wobei auf dem Display die Aufforderung zur Programmwahl erscheint.

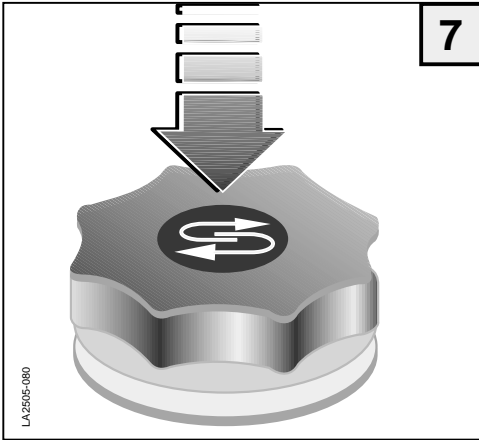


Regenerierniveaus

Position des Reglers	Französischer Härtegrad °fH	Deutscher Härtegrad °dH
d1	<15	<8,4
d2	>15 <25	>8,4 <14
d3	>25 <40	>14 <22,4
d4	>40 <60	>22,4 <33,6
d5	>60 <80	>33,6 <44,8
d6	>80 <90	>44,8 <50,4
	>=höher/<=niedriger	



Verwenden Sie nur spezielles Geschirrspülersalz. Andere Salzarten (z.B. Kochsalz) enthalten Substanzen, die sich nicht in Wasser auflösen und den Wasserenthärter verstopfen und somit unbrauchbar machen können.

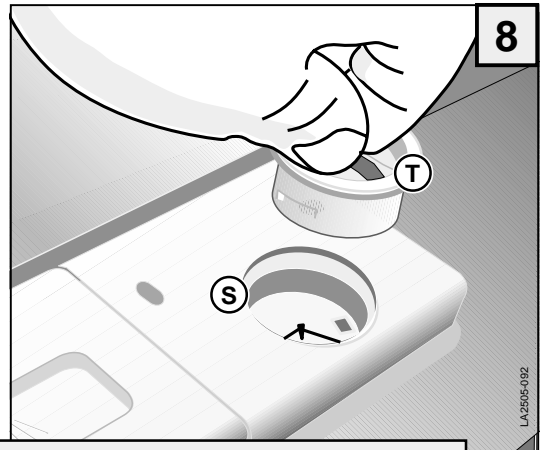


Salzmangelanzeige zum Nachfüllen von Regeneriersalz (falls vorhanden)

Die grüne Markierung unter der Kappe zeigt an, dass noch ausreichend Spezi­alsalz im Behälter vorhanden ist. Wenn die grüne Markierung nicht mehr sichtbar ist, dann muss Spezi­alsalz nach­gefüllt werden.

Einfüllen von Klarspüler

Der Klarspüler, der während der letzten Phase des Spülvorgangs automatisch hinzugefügt wird, garantiert ein schnelles Trocknen des Geschirrs und verhindert die Bildung von Flecken und Kalkablag­erungen auf dem Geschirr.



Nur speziellen Klarspüler für Geschirrspüler verwenden. Andere Produkte führen nicht zum gewünschten Effekt.

Der Klarspülerbehälter **S** befindet sich auf der Innenseite der Tür.

- Den Deckel **T** des Behälters mit einer Viertel­drehung gegen den Uhrzeigersinn drehen, um ihn abzunehmen.
- Den Klarspüler bis zur gestrichelten Linie einfüllen.
Die Höchstmenge liegt bei circa 140 ml.
- Den Deckel wiederaufsetzen.
- Gegebenfalls ausgetretenen Klarspüler mit einem Tuch entfernen, da sich sonst während des Spülvorgangs zu viel Schaum bildet.

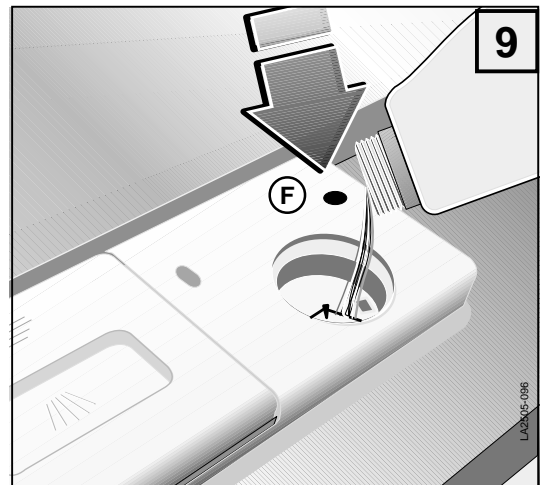
Klarspülermangelanzeige

• Elektrisch (Abb. 18 - 6)

Das Gerät verfügt über eine Klarspülermangel­anzeige, die das Niveau des Klarspülers angibt. Wenn die Anzeige aufleuchtet, muss Klarspüler nachgefüllt werden.

• Mechanisch (Abb.9)

Der Klarspüler muss eingefüllt werden, wenn die Anzeige auf dem Behälter **F**, eine helle Farbe aufweist (◉). Wenn der Behälter voll ist, weist die Anzeige eine dunkle Farbe auf.



Einstellung der Dosierung des Klarspülers

Die Einstellung **R** der Dosierung befindet sich in der Öffnung des Klarspülers nachfüllbehälters.

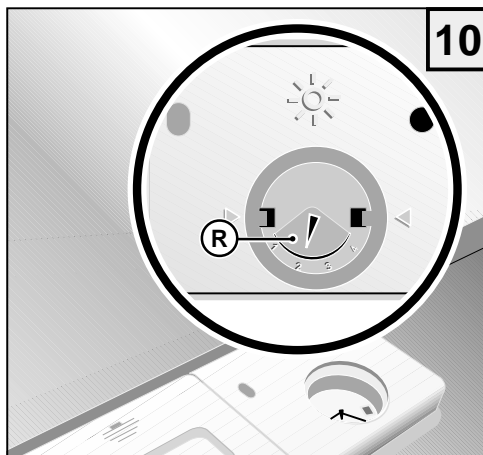
Er kann mit einem Schraubenzieher eingestellt werden und ist von **1 bis 4** regulierbar. Diese Zahlen entsprechen der Klarspülerzugabe von **1 bis 4 ml**. Im Werk wurde die Zahl **2 (2 ml)** eingestellt.

Der vollständig gefüllte Klarspülerbehälter reicht für ca. 50 Spülprogramme aus.

Eine Änderung der Dosiermenge ist erforderlich, wenn das Ergebnis der Dosierung den gewünschten Anforderungen nicht entspricht.

- Eventuell ausgetretenen Klarspüler stets mit einem Tuch entfernen.

Es ist erforderlich, dass das Niveau des Klarspülers regelmäßig kontrolliert wird.



LA2505-094

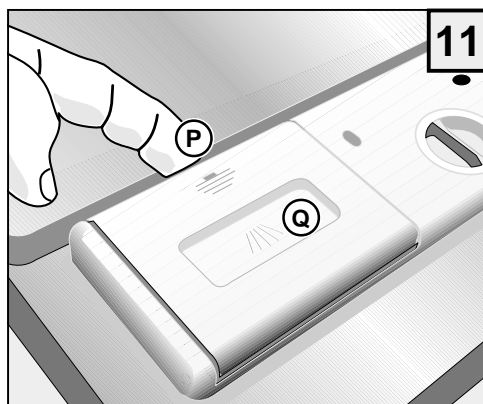
Einfüllen des Reinigungsmittels

WICHTIG! Kein Geschirrpulver im Geschirrspüler verwenden, das für das Abwaschen per Hand gedacht ist! Diese Reinigungsmittel bilden sehr viel Schaum, reinigen das Geschirr im Geschirrspüler jedoch nicht und können sogar zu Funktionsstörungen führen. Verwenden Sie daher nur spezielle Reinigungsmittel für Haushaltsgeschirrspüler.

Reinigungsmittel gut verschlossen und an einem trockenen Ort aufbewahren.

Nur beim Einweichprogramm ist kein Reinigungsmittel erforderlich. Während des Programms wird das Reinigungsmittel automatisch aus dem Behälter freigesetzt.

Die empfohlene Menge an Reinigungsmittel ist 25 g.



LA2505-090

Die Wirksamkeit der verschiedenen Reinigungsmittel kann unterschiedlich sein. Achten Sie deshalb auf die empfohlenen Mengenangaben der jeweiligen Herstellerfirma.

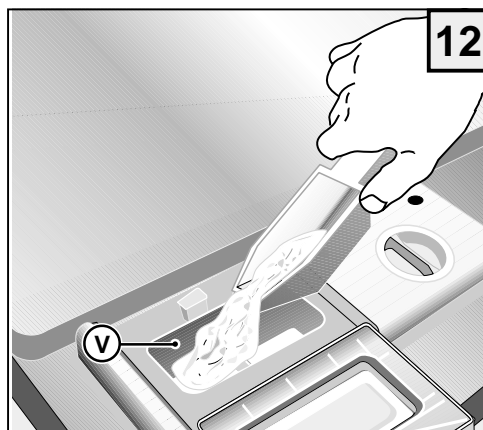
Der Behälter für das Reinigungsmittel befindet sich auf der Innenseite der Tür.

Wenn der Deckel geschlossen ist:

- Den Verschlusshebel **P** nach vorn drücken. Der Deckel schnappt auf.
- Das Reinigungsmittel in den Behälter **V** einfüllen.
- Zum Schließen des Deckels, den Deckel hinunterdrücken, bis der Verschluss einschnappt.

Wenn das Geschirr besonders stark verschmutzt ist, kann zusätzliches Reinigungsmittel in die Aushöhlung **Q** des Deckels eingefüllt werden.

Die Aushöhlung bis zum Rand füllen, das Reinigungsmittel ist somit schon in der Einweichphase aktiv.



LA2505-100

Einladen und Anordnung des Geschirrs

Die beiden Körbe erlauben das Einladen von verschiedenen Geschirrrarten.

- Größere Speisereste vom Geschirr entfernen, um ein mögliches Verstopfen des Filters sowie Geruchsbildung zu vermeiden.
- Besonders stark mit Speiseresten (vom Braten oder Frittieren) verschmutzte Pfannen und Töpfe in Wasser einweichen, bevor sie in den Geschirrspüler eingeladen werden.

Gebrauch des Unterkorbs

Der Unterkorb ist für das Geschirr vorgesehen, das schwierig zu Spülen ist, sowie für den Besteckkorb.

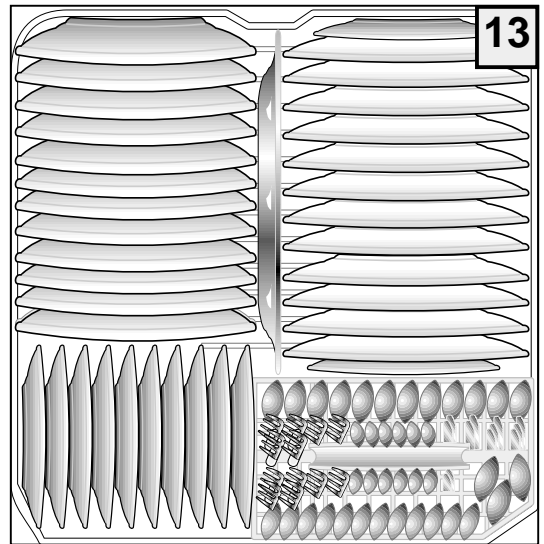
In den Unterkorb werden flache Teller, tiefe Teller, Pfannen, Terrinen, Deckel und Servierteller eingeladen.

Die flachen und tiefen Teller müssen so angeordnet werden, dass zwischen den einzelnen Tellern ein Zwischenraum bestehen bleibt.

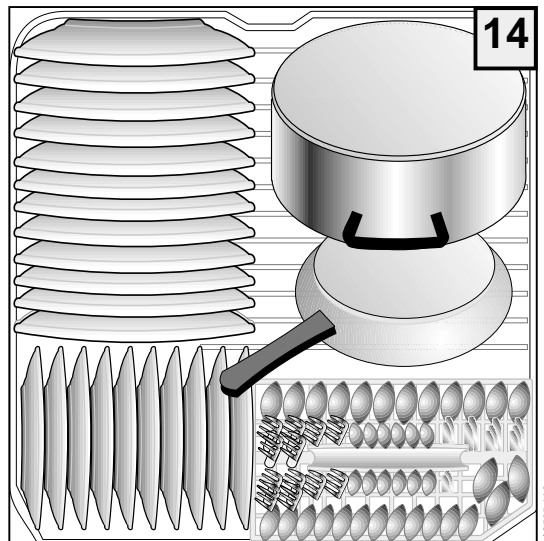
Sie müssen in senkrechter Lage angeordnet werden, damit das Wasser frei zirkulieren kann.

Töpfe und Pfannen müssen stets umgedreht angeordnet werden.

Es gibt viele verschiedene Einräummöglichkeiten. Wichtig ist jedoch, dass das Geschirr, die Töpfe und die Pfannen so eingeladen werden, dass alle verschmutzten Oberflächen dem Wasserstrahl ausgesetzt werden und dass das Wasser frei zirkulieren kann.



LA2505-110



LA2505-112

Besteck

Um ein besseres Spülergebnis zu erhalten, muss das Besteck mit dem Griff nach unten eingeräumt werden. Löffel, Gabel und Messer müssen in den Besteckkorb einsortiert werden.



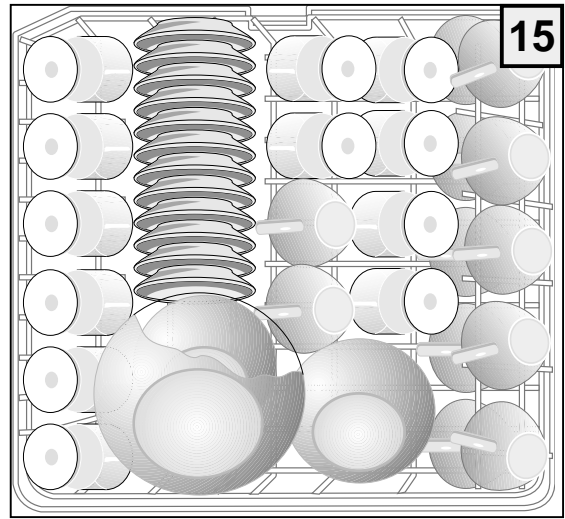
ACHTUNG:

Besonders langes Besteck und vor allem, lange Messer, soll nicht mit dem Spitzen nach oben eingefüllt werden, sondern horizontal in dem oberen Korb gelegt oder von Hand gewaschen werden.

Gebrauch des Oberkorbs

Der vollständig herausziehbare Oberkorb dient zum Einladen von Geschirr geringer und mittlerer Größe, wie Gläser, Untertassen, Kaffee- oder Teetassen, flache Salatschüsseln, flache und nur leicht verschmutzte Töpfe oder Pfannen. Dessertteller müssen stets senkrecht angeordnet werden. Gläser, Tassen, Töpfe und Pfannen auf dem Kopf stehend. Leichtes Geschirr muss so zwischen den Halterungen angeordnet werden, dass es nicht vom Wasserstrahl fortgespült wird. Das beste Spülergebnis wird erzielt, wenn Sie die geeignetste Anordnung des Geschirrs in den Körben herausgefunden haben.

Von diesem Moment an, kann der Spülvorgang seine volle Wirkung entfalten.



LA2505-120

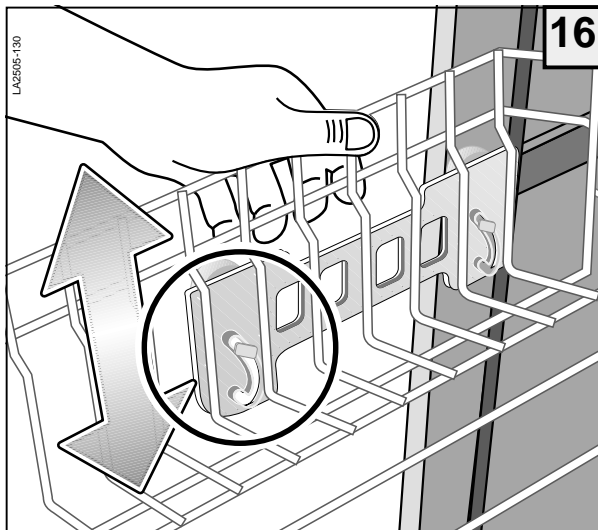


Aufgrund der erhöhten Temperatur des Spülwassers sowie der chemischen Reaktion des verwendeten Reinigungsmittels, ist es empfehlenswert Gegenstände aus Kupfer, eloxiertem Aluminium, Besteck mit Griffen aus Holz oder Horn, empfindliches Porzellan, nicht hitzebeständiges Geschirr aus Glas und Plastik nicht im Geschirrspüler zu reinigen. Bei dekoriertem Porzellan ist es empfehlenswert, mit einem der Teile einen Probespülgang durchzuführen, um zu prüfen, ob die Dekoration verändert oder beschädigt wird.

Höheneinstellung des Oberkorbs.

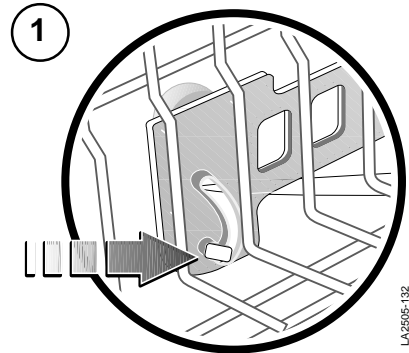
Durch Einwirken auf den seitlichen Griff (nur auf der linken Seite), können die Höhe und die Neigung des Korbs reguliert werden.

- 1 Einstellung horizontale Position
- 2 Einstellung Schräglage

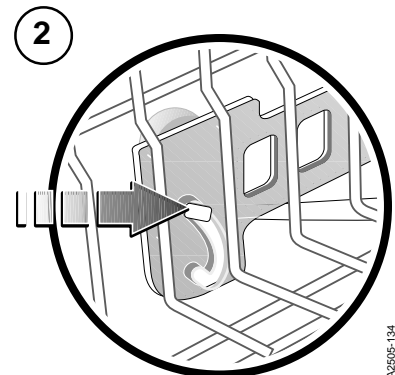


LA2505-130

16



LA2505-132

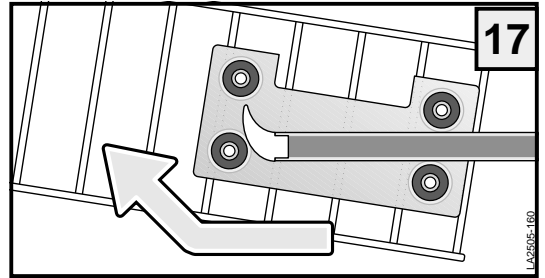


LA2505-134

Herausnehmen des Oberkorbs

Der Oberkorb kann wie in der Abbildung dargestellt, aus den Leitschienen herausgezogen werden.

Beschreibung der Bedien- und der Anzeigeelemente

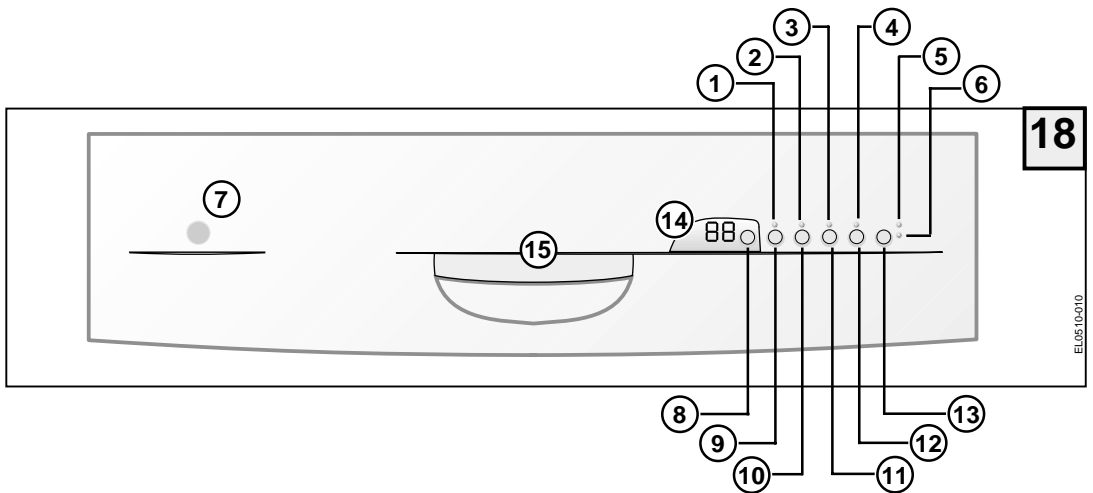


Anzeige-Led

- 1) Startverzögerungsanzeige (Delay)
- 2) Anzeige der halben Ladung
- 3) Anzeige ohne Vorspülen
- 4) Anzeige Trocknungsvorgang
- 5) Salzmangelanzeige
- 6) Klarspülermangelanzeige

Kommandotasten

- 7) Ein/Aus
- 8) Programmwahl
- 9) Wahl Startverzögerung (Delay)
- 10) Wahl halbe Ladung
- 11) Wahl ohne Vorspülen
- 12) Wahl Trocknungsvorgang
- 13) Start/Stop/Pause Programm
- 14) Multifunktionsdisplay
- 15) Türgriff



Starten

Nach der Kontrolle der Menge des Regeneriersalzes und des Klarspülers, den Wasserhahn vollständig aufdrehen, das Geschirr in die Körbe einräumen, das Reinigungsmittel und (falls nötig) das Reinigungsmittel für die Vorspülung in den Reinigungsmittelbehälter geben und die Tür schließen. Wie folgt verfahren:

- Die Taste "Ein-Aus" drücken (7). Das Display (14) **Programmwahl leuchtet auf**.
- Das gewünschte Programm über die Taste (8) eingeben (Programmwahl)
- Die Taste Programmstart/pause (13) drücken. Nach dem akustischen Signal der Anzeige des Programmbeginns führt das Gerät automatisch den Spülvorgang aus.
Achtung: Auf dem Display wird die Dauer des eingestellten Programms angezeigt.



Es ist ratsam, den Geschirrspüler während des Waschgangs nicht zu öffnen.

Optionen

(Beachten Sie, dass die verschiedenen Optionen vor Beginn des Spülvorgangs eingestellt werden müssen)

- **Startverzögerung (Delay) ⑨**; die Verzögerungseinstellungen (von 1 Stunde bis zu 16 Stunden) werden auf dem Display angezeigt, wobei das entsprechende Led beginnt, während der gesamten Dauer der eingestellten Verzögerung aufzublinken.

Um die Bestätigung der eingestellten Option zu erhalten, muss auf dem Display die Nummer des voreingestellten Programms erscheinen.

- **Halbe Ladung ⑩**; wenn die Spülbedingungen über diese Taste ausgewählt werden, erscheinen auf dem Display die folgenden Angaben (=Spülen Oberkorb, _ =Spülen Unterkorb) und das entsprechende Led leuchtet auf. Um die Bestätigung der eingestellten Option zu erhalten, muss auf dem Display die Nummer des voreingestellten Programms erscheinen.

- **Ohne Vorspülen ⑪**; diese Option ist nur bei den Programmen möglich, bei denen das Vorspülen vorgesehen ist. Beim Drücken der Taste leuchtet das entsprechende Led auf. Um die Bestätigung der eingestellten Option zu erhalten, muss auf dem Display die Nummer des voreingestellten Programms erscheinen.

- **Trocknungsvorgang ⑫**; diese Option wird automatisch bei den Programmen durchgeführt, bei denen sie vorgesehen ist (siehe Programmtabelle). Um die Einstellung des Trocknungsvorgangs zu ändern, die Taste Trocknen ⑫ drücken, bevor das Programm gestartet wird. Folgende Anzeigen erscheinen auf dem Display: A0 = ohne Trocknen - A1 = Trocknen 20' - A2 = Trocknen 35' - A3 = Trocknen 45' das entsprechende Led auf der Programmleiste leuchtet auf. Um die Bestätigung der eingestellten Option zu erhalten, muss auf dem Display die Nummer des voreingestellten Programms erscheinen.

- **Anmerkung:** Bei Modellen ohne Trocknungsbefürer muss diese **Option** als Aufschub am Ende des Waschgangs angerechnet werden;

- **Beschreibung der Start/Stop/Pausen-Taste ⑬**

- Der Programmstart wird durchgeführt. ⑦ (der Ton des Summers bestätigt den Beginn des Programms).

- Wenn die Maschine über den Schalter **Start/Stop (EIN/AUS)** eingeschaltet wird, zeigt das Display die Nummer des letzten ausgeführten Programms an. Falls das vorhergehende Programm nicht beendet war, blinkt die Programmnummer auf dem Display. Um das Programm wieder in Gang zu setzen, die Taste **“START”** drücken, und auf dem Display erscheint automatisch die verbleibende Laufzeit.

(Dies geschieht jedesmal, wenn die Maschine während des Waschgangs geöffnet wird)

- Falls sie während des Waschgangs für weniger als 5" gedrückt wird, macht die Maschine eine Pause, auf dem Display blinkt die Nr. des gewählten Programms (in diesem Fall kann Geschirrpulver eingefüllt oder entnommen werden).

Um das Waschprogramm fortzusetzen, die Tür schließen und die Taste ⑬ erneut drücken.

- **Falsche Einstellung der Programme (Programmwechsel)**

- Programm über die Start/Stop/Pausen-Taste ⑬ zurücksetzen und solange drücken, bis der Summer aufhört zu piepen.

- Die „Programmwahl“ wiederholen.

Achtung: Wenn das Programm begonnen hat und die Phase des Wassereinlaufens durchgeführt wurde, erscheint auf dem Display die Anzeige "□□". Danach entlädt das Gerät das Wasser nach dem anhaltenden Piepen des Summers und auf dem Display erscheint die Einstellung des voreingestellten Programms.

Jetzt ist das Gerät für eine neue Einstellung bereit.

- **Anmerkung:** Wenn man die Tür geöffnet hat, die Taste Start ⑬ erneut drücken, um den Geschirrspüler wieder in Gang zu setzen.

- **Ein-/Ausschalten des akustischen Signals (Buzzer)**

b0 = akustisches Signal AUS

b1 = akustisches Signal EIN

Um das AKUSTISCHE SIGNAL (BUZZER) einzuschalten, die Taste PROGRAMM ⑧ gedrückt halten, wenn die Maschine gestartet wird. Auf dem Display erscheint die Einstellung "b1". Um diese Einstellung zu ändern, dieselbe Taste so lange drücken, bis der gewünschte Stand des akustischen Signals erreicht ist. Ungefähr 6 Sekunden warten, ohne die Option zu verändern, danach wird der Signalton des BUZZERS die Speicherung bestätigen;

- **Ende des Waschgangs**

Wenn der Waschgang beendet ist, bleibt die **Programmnummer** auf dem Display ⑭ fix angezeigt; falls diese blinkt, das Ende des Waschgangs abwarten.

- **Überprüfen der Funktionen**

In der folgenden Weise ist es möglich während der Waschphasen die verschiedenen Funktionen sichtbar zu machen:

Durch Drücken der Taste Programmwahl ⑧ erscheint auf dem Display die Nr. des vorher gewählten Programms.

Durch Drücken der Taste halbvoll ⑩ wird auf dem Display die obere oder untere Waschzone angezeigt.






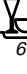

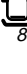
Durch Drücken der Taste Trocknen ⑫ wird auf dem Display der Trocknungsstand angezeigt.

Stop

Nach dem Spüldurchlauf hält der Geschirrspüler automatisch an, ein längeres Ertönen ⑦ Summers zeigt das Ende des Waschvorgangs an. Zum Ausschalten der Kontrolllampe die Ein/Aus - Taste

drücken. Nach jedem Spüldurchlauf unbedingt den Wasserhahn abdrehen, um den Geschirrspüler vom Wasserversorgungsnetz zu trennen.

Tabelle der Spülprogramme

Programme	Programmnummer	TASTE		REINIGUNGSMITTEL		Geschirr und Art der Verschmutzung	Programmbeschreibung	Dauer* (1)
		Ein	Aus	Vorspülen	Spülen			
 1	Einweichen Vor-Kurzspülen	P1	●			Töpfe und Geschirr bis zum nächsten Spüldurchlauf	Kurzes Kalt-Spülen, damit keine Speisereste am Geschirr haften	11'
 2 70°C	Intensiv 70°C	P2	●	●	●	Stark verschmutzte Töpfe (mit Ausnahme von empfindlichen Teilen)	1 Vorspülen warm – Hauptprogramm 3 Spülen (2 kalt - 1 warm) Trocknen	2h
 3 60°C	Normal 60°C (EN 50242)	P3	●	●	●	Mäßig verschmutztes Geschirr (mit Ausnahme von empfindlichen Teilen)	1 Vorspülen kalt – Hauptprogramm 2 Spülen (1 kalt - 1 warm) Trocknen	2h 17'
 4 60°C	Sanft 60°C	P4	●		●	Empfindliches Geschirr stark verschmutzt	Hauptprogramm 2 Spülen (1 kalt - 1 warm) Trocknen	1h 40'
 5 40°C	Normal 40°C	P5	●	●	●	Normal verschmutztes Geschirr	1 Vorspülen kalt – Hauptprogramm 2 Spülen (1 kalt - 1 warm)	49'
 6 40°C	Schnell 40°C	P6	●		●	Stark verschmutztes Geschirr	Hauptprogramm 2 Spülen (1 kalt - 1 warm)	39'
 7 60°C	Öko 60°C	P7	●		●	Töpfe und Geschirr	Hauptprogramm 3 Spülen (2 kalt - 1 warm) Trocknen	1h 38'
 8 70°C	Stark 70°C	P8	●	●	●	Stark verschmutzte Töpfe und Geschirr	1 Vorspülen kalt – Hauptprogramm 3 Spülen (2 kalt - 1 warm) Trocknen	2h 11'

(1) N.B. Richtungsweisende Dauer der Waschzeiten einschließlich Trocknungszeit für Programme bei denen dieser Vorgang vorgesehen ist; Trocknungszeit "Einstellung der Standards auf A2 = 35".

(*) Bei Programm P1 ist die Einstellung "Trocknen" möglich (siehe Abschnitt Optionen); damit hat man ein Warmspül-Programm mit Trocknen (TELLERWÄRMER) mit den folgenden Einstellungen:

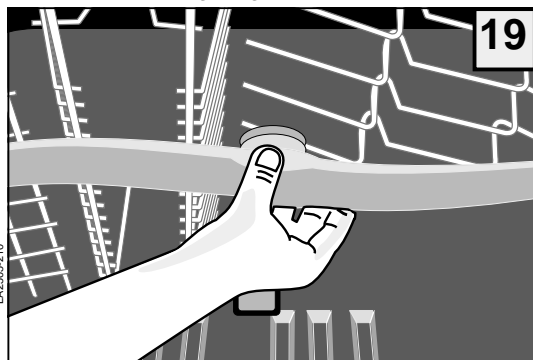
A1 wäscht bei 65°C, trocknet 20' - A2 wäscht bei 60°C, trocknet 35' - A3 wäscht bei 50°C, trocknet 45'.

7 WARTUNG

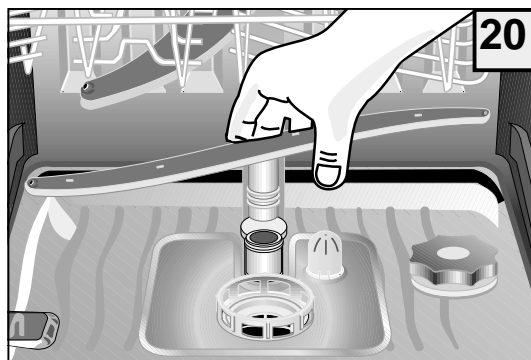
7.1 REINIGUNG DER SPRÜHARME

Die Sprüharme können ganz einfach ausgebaut werden, um die regelmäßige Reinigung der Düsen durchzuführen und somit möglichen Verstopfungen vorzubeugen.

Spülen Sie sie sorgfältig unter fließendem Wasser ab und setzen Sie sie wieder an ihren Standort ein.



Demontage des oberen Sprüharmes:
Die Halterung des Sprüharmes gegen den Uhrzeigersinn drehen.



Demontage des unteren Sprüharmes:
Den Sprüharm nach oben ziehen und herausziehen.

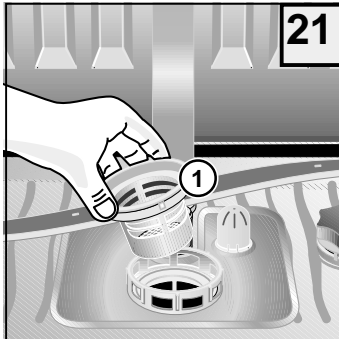
7.2 REINIGUNG DER FILTER

Nach jedem Spülgang ist es empfehlenswert, die Filter zu kontrollieren und eventuelle Reste wie folgt zu entfernen:

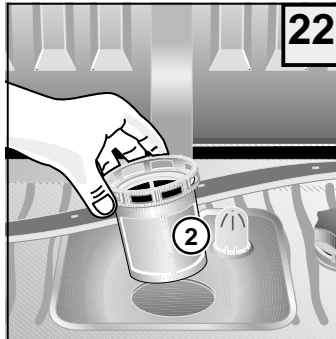
- Den mittleren Filter herausnehmen 1.
- Den äusseren Filtersieb herausnehmen 2.
- Das bewegliche Sieb entfernen 3.

Die Teile müssen unter fliessendem Wasser abgespült werden. Die Filter müssen unbedingt sorgfältig gereinigt werden, da der Geschirrspüler mit verstopften Filtern nicht funktioniert.

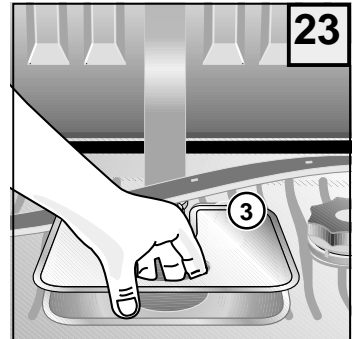
Vergessen Sie nicht, die sauberen Filter wieder an ihren Platz einzusetzen, damit an der Spülpumpe keine Schäden entstehen.



LA2505-180



LA2505-190



LA2505-200

7.3 REINIGUNG DER ÄUSSEREN OBERFLÄCHEN DES GERÄTS

Die Oberflächen des Geräts, aus Metall oder Plastik der frontalen Bedienungsleiste müssen regelmäßig mit einem weichen und feuchten Tuch gereinigt werden. Verwenden Sie dazu aber keinesfalls Säuren oder Kratzer verursachende Scheuermittel.

Längere Außerbetriebnahme

Wenn der Geschirrspüler längere Zeit nicht benutzt wird, wie folgt vorgehen:

- Führen Sie zwei Einweichprogramme durch.
- Ziehen Sie den elektrischen Stromstecker heraus.
- Den Wasserzufuhrschlauch abtrennen.
- Die Tür etwas offen lassen, damit kein übler Geruch entsteht

7.4 FEHLER KODE-TABELLE

Fehler	Auftreten	Kontrollen	Abhilfe
E1	Während des Wassereinflaßs (das Programm bleibt stehen)	- Wasserhahn zu - Filter des Auslaufschlauchs verstopft - Auslaufschlauch auf dem Boden - Auslaufschlauch defekt - Wassereinflaßschlauch geknickt - Unzureichender Wasserdruck	- Programm in Ausgangsstellung zurückbringen - Nachprüfen - Programm in Ausgangsstellung zurückbringen - Zuständigen Kundendienst anrufen - Programm in Ausgangsstellung zurückbringen - Wasserdruck prüfen
E2	Am Ende des Waschgangs	- Waschzyklus wiederholen	- Falls das Problem erneut auftritt, sofort den zuständigen Kundendienst benachrichtigen und die Art des Fehlers angeben
E4	Am Ende des Waschgangs	- Unzureichender Wasserdruck - Das Ventil des Wasserzähler funktioniert nicht	- Wasserdruck prüfen - Zuständigen Kundendienst anrufen
E5	Am Ende des Waschgangs	- Auslaufschlauch geknickt - Der Siphon ist verstopft - Auslaufpumpe blockiert	- Nachprüfen - Nachprüfen - Zuständigen Kundendienst anrufen
E6	Am Ende des Waschgangs	- Filtergitter verstopft - Umgedrehter Kochtopf	- Filtergitter reinigen - Am Ende des Waschgangs nachprüfen, beim nächsten Waschgang die Töpfe korrekt hineinstellen
E7	Am Ende des Waschgangs	- Waschzyklus wiederholen	- Falls das Problem erneut auftritt, sofort den zuständigen Kundendienst benachrichtigen und die Art des Fehlers angeben

N.B.: Geben Sie immer die Fehlerart an, wenn Sie den zuständigen Kundendienst anrufen.

8 **SUCHE NACH STÖRUNGSURSACHEN**

Prüfen Sie zunächst einmal, ob Sie eventuelle Schäden mit Hilfe der folgenden Anleitung allein beheben können. Sollten diese Anweisungen zur Lösung des Problems nicht hilfreich sein, wenden Sie sich bitte an den Kundendienst.

- **Das Programm startet nicht.**
 - Sind die Sicherungen der elektrischen Anlage beschädigt? Ist das Gerät elektrisch angeschlossen?
 - Ist die Tür richtig geschlossen? Um die Tür richtig zu schliessen, Tür andrücken.
- **Es läuft kein Wasser in das Gerät ein.**
 - Ist der Wasserhahn geöffnet?
 - Ist der Filter zwischen dem Wasserhahn und dem Wasserzufuhrschlauch verstopft? Gegebenenfalls den Filter säubern.
 - Weist der Wasserzufuhrschlauch Drosselstellen auf? Schlauch kontrollieren.
- **Die Anzeige des Programmdruckknopfs bleibt am Anfang des Spülvorgangs stehen.**
 - Ist der Wasserhahn vollständig aufgedreht?
 - Ist der Filter zwischen dem Wasserhahn und dem Wasserzufuhrschlauch verstopft? Gegebenenfalls den Filter säubern.
 - Beträgt der Mindestdruck des Wassers mindestens 0,05 Mpa?
- **Das Wasser wird nicht abgepumpt.**
 - Weist der Abflussschlauch Drosselstellen auf? Die Installation des Schlauchs prüfen.
 - Ist der Geruchsverschluss (Siphon) verstopft? Den Geruchsverschluss überprüfen.
 - Das Geschirr wird nicht sauber.
- **Das Geschirr wird nicht sauber**
 - Ist das gewählte Programm für den Typ und den Verschmutzungsgrad des Geschirrs geeignet?
 - Wurde das Geschirr so eingeräumt, dass das der Wasserstrahl die innere und äussere Oberfläche des Geschirrs erreichen kann?
 - Die Geschirrkörbe dürfen nicht überladen werden.
 - Werden die Flügleräder vom Geschirr oder von Teilen des Bestecks behindert?
 - Sind alle Filter des Innenraums sauber? Wurden die Filter korrekt wieder an ihren Platz eingesetzt?
 - Ist die Dosierung des verwendeten Reinigungsmittels korrekt?
 - Ist der Abflussschlauch korrekt installiert worden?
 - Ist noch Spezi­alsalz im Salzbehälter vorhanden? Ohne das Spezi­alsalz wird das Wasser nicht enthärtet.
 - Ist die Wasserenthärteranlage gemäß der örtlichen Wasserhärte eingestellt worden?
- **Das Geschirr trocknet nicht und bleibt stumpf.**
 - Ist noch Klarspüler im Tank?
- **Die Gläser und das Geschirr haben Streifen, Ränder, weisse Flecken ode einen blauen Schimmer.**
 - Beim Spülen wird eine übertriebene Menge an Klarspüler freigesetzt. Setzen Sie die Klarspülerdosis herab.
- **Die Gläser und das Geschirr weisen durch getrocknete Wassertropfen Flecken auf.**
 - Wird während des Spülens nicht genügend Klarspüler freigesetzt? Erhöhen Sie die Klarspülerdosis.

Warnung!

Dadurch, dass der Geschirrspüler im Werk sorgfältig getestet und geprüft wurde, können kleine Wassertropfen vorhanden sein, die nach dem ersten Spülgang wieder verschwinden.

1 AVANT D'UTILISER L'APPAREIL

1.1 INSTRUCTIONS DE SECURITE

Utilisation d'après les normes

- La machine à laver la vaisselle doit être utilisée seulement pour le lavage de la vaisselle à usage domestique.
Si l'appareil est utilisé pour d'autres objectifs ou de façon erronée, la Maison de construction ne s'assume aucune responsabilité pour des dommages éventuels.
- Pour des motifs de sécurité, aucune transformation ou modification au lave-vaisselle n'est admise
- Avant de brancher l'appareil au réseau électrique, assurez-vous que les données de tension et de courant indiquées sur la plaque des données correspondent à celles qui sont indiquées à l'endroit de l'installation.
- L'installation doit être faite par du personnel qualifié.

Opérations préliminaires lors de la première mise en marche

- Contrôlez si le lave-vaisselle a subi des dégâts éventuels durant le transport. Dans tous les cas, ne branchez pas l'appareil endommagé. En cas de dégâts, adressez-vous à votre fournisseur.

Pour la sécurité des enfants

- Ne permettez pas aux enfants de jouer avec l'appareil.
- Les produits détersifs peuvent causer des dommages irréparables au yeux, à la bouche et à la gorge.
Garder donc les détersifs hors de la portée des enfants.
- L'eau dans le lave-vaisselle n'est pas potable. Tant qu'il y a encore des restes de détergents dans la machine, c'est un danger pour les enfants qui doivent s'éloigner du lave-vaisselle ouvert.

Pour le fonctionnement quotidien

- Ne mettez jamais en marche le lave-vaisselle si le câble du courant, les tuyaux d'entrée et d'évacuation de l'eau sont endommagés ou si le tableau des commandes, le dessus de la machine ou le socle sont très détériorés.
- En cas de panne, fermez avant tout le robinet de l'eau, éteignez l'appareil et enlevez la fiche de la prise de courant. En cas de connexion fixe, débranchez éventuellement l'interrupteur de service ou enlevez le fusible (ou les fusibles).
- Pour ôter la fiche de la prise de courant, saisissez la fiche par le corps et jamais par le câble.
- Les réparations de la machine à laver la vaisselle doivent être effectuées seulement par des personnes spécialisées. Des réparations non appropriées peuvent mettre l'utilisateur en grave danger. En cas de réparations, adressez-vous donc à notre service technique assistance clients ou à votre revendeur spécialisé.
- Le remplacement du câble d'alimentation doit être effectué seulement par le personnel du service assistance technique.
- En cas de détérioration des tuyaux, pour le raccordement de l'appareil, ceux-ci doivent être remplacés par des tuyaux originaux.
- N'introduisez pas de substances dissolvantes qui pourraient provoquer une explosion dans le lave-vaisselle.
- Ne vous asseyez pas et ne vous appuyez pas sur la porte ouverte: la machine pourrait se renverser.
- Avant d'introduire le sel spécial, le détersif et le liquide de rinçage, assurez-vous que le producteur de ces substances recommande leur utilisation pour les machines à laver la vaisselle à usage domestique.
- Fermez toujours le robinet de l'eau si vous n'utilisez pas le lave-vaisselle pendant quelque temps, par exemple durant les vacances.

2 DEBALLAGE- TRAITEMENT DES ORDURES

2.1 DEBALLAGE

Enlevez l'emballage externe en plastique, les coins renforcés et les bases en polystyrène. Ouvrez la porte et enlevez les pièces de polystyrène des paniers.

La récupération et le recyclage du matériel d'emballage contribuent à économiser les matières premières et à diminuer le volume des ordures.

Livrez l'emballage à la décharge pour la récupération des matériaux recyclables.

Quand un jour l'appareil devra être mis définitivement hors d'usage, rendez-le inutilisable avant son élimination.



ATTENTION! Le matériel de l'emballage (par ex. des sacs en plastique, polystyrène) peut représenter une source de danger pour les enfants; pour cette raison, il faut le mettre hors de leur portée.

2.2 TRAITEMENT DES ORDURES – APPAREIL A METTRE AU REBUT

Quand la machine ne fonctionne plus, elle doit être mise au rebut par des maisons spécialisées, en respectant les règles en vigueur.

De cette façon, en éliminant un vieil appareil il est possible d'effectuer la récupération différenciée des matériaux synthétiques destinés au recyclage, pour respecter l'environnement.

3 APERÇUS GENERAUX

3.1 LAVER DE FAÇON ECONOMIQUE ET ECOLOGIQUE

- Ne lavez pas la vaisselle avant sous l'eau courante.
- Utilisez le lave-vaisselle toujours bien rempli, puisqu'il est possible seulement ainsi d'effectuer un lavage économique et dans le respect pour l'environnement.
- Sélectionnez toujours un programme de lavage correspondant au type de vaisselle et à leur degré de saleté.
- Evitez absolument des dosages trop abondants de détersif, de sel spécial et de liquide de rinçage. Faites attention aux doses recommandées dans le mode d'emploi et dans les indications de la Maison de production de ces substances.
- Vérifiez si le dispositif adoucisseur de l'eau est réglé correctement.

3.2 VAISSELLE NON APPROPRIEE

Ne sont pas appropriés au lavage dans le lave-vaisselle:

- les planches à hacher ou les petits plateaux en bois
- les objets en matière plastique non résistant à la chaleur
- le cristal au plomb
- les objets en étain ou en cuivre
- la vaisselle ou les services ayant des parties collées
- les services plutôt vieux, dont la colle est sensible à la chaleur
- les objets en acier qui s'oxydent facilement
- les services aux manches en bois, en corne, en porcelaine ou en nacre.

Au moment de l'achat de vaisselle, de verres et de services, assurez-vous qu'ils sont appropriés pour le lavage dans le lave-vaisselle.

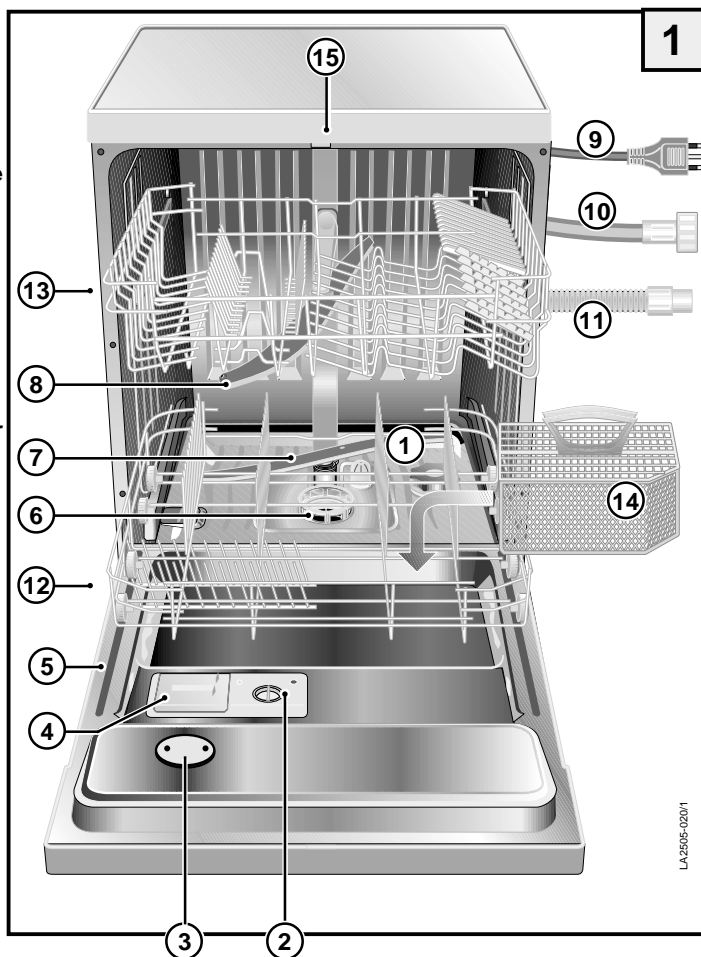


Au moment de l'achat de vaisselle, de verres et de services, assurez-vous qu'ils sont appropriés pour le lavage dans le lave-vaisselle.

4 DESCRIPTION DE LA MACHINE

4.1 VUE GENERALE

- 1) Réservoir pour le sel
- 2) Réservoir pour le liquide de rinçage
- 3) Ventilateur essuyage (si prévu)
- 4) Distributeur de détergent
- 5) Plaque des données
- 6) Filtres
- 7) Bras d'irrotation tournant inférieur
- 8) Bras d'irrotation tournant supérieur
- 9) Câble alimentation électrique
- 10) Tuyau alimentation eau
- 11) Tuyau d'écoulement
- 12) Panier inférieur
- 13) Panier supérieur
- 14) Récipiente services
- 15) Crochet fermeture porte


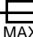



4.2 DONNEES TECHNIQUES

Capacité (selon nombre couverts standard) : 12
 Pression dans l'installation hydraulique
 pression minimum: 0,05 MPa
 pression maximum: 1 MPa

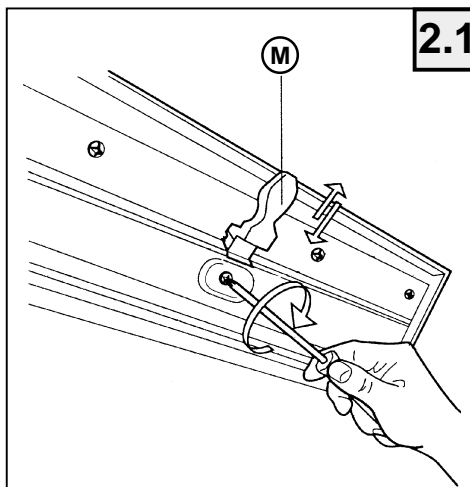
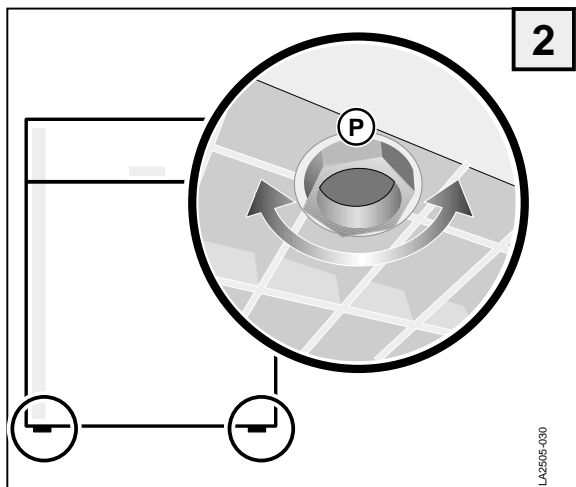


ATTENTION: les caractéristiques électriques sont indiquées sur la plaque des données.

0,05 - 1MPa	Model.	 12
A MAXW	
.....V.....Hz Made in EU		

5 INSTALLATION

5.1 NIVELLEMENT



Quand l'appareil est placé à son endroit d'installation, réglez les petits pieds **P** en les vissant ou dévissant, si nécessaire, pour trouver la même hauteur de la machine et le même niveau.

Un bon nivellement assure le fonctionnement correct du lave-vaisselle.

Ecart max=2 degrés

Après que la machine a été nivelée, régler en outre le crochet fermeture porte de sorte que celle-ci se ferme parfaitement.

Une fois l'appareil mis à niveau, régler la gache de fermeture de porte pour obtenir une fermeture parfaite.

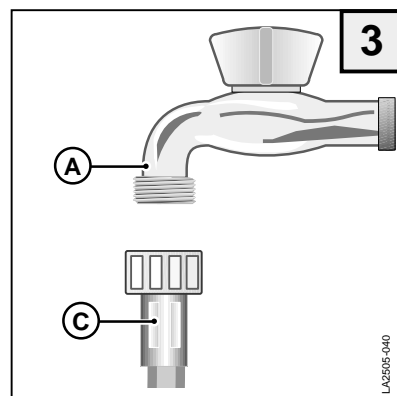
5.2 RACCORDEMENT HYDRAULIQUE

Le tube d'entrée eau **C**, fourni avec l'appareil permet le raccordement à un robinet avec raccord 3/4".

Durant le montage, vous devez respecter les instructions suivantes:

- vissez le tube **C** au robinet de l'eau froide **A**.
- si le raccordement est effectué avec une tuyauterie qui est utilisée depuis longtemps, on conseille de laisser couler l'eau avant de raccorder le tuyau d'entrée de l'eau afin d'éliminer les dépôts de rouille et de saleté;
- assurez-vous que la pression dans l'installation hydraulique est dans les valeurs limite indiquées dans les données techniques.

Le lave-vaisselle peut être relié à la conduite de l'eau froide, mais jamais à celle de l'eau chaude.



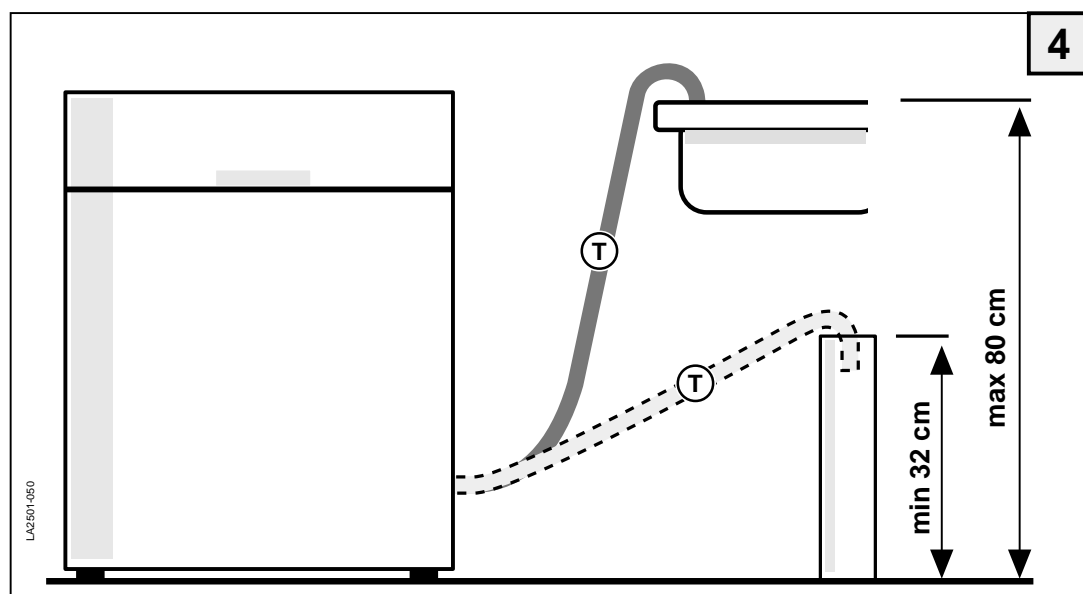
5.3 RACCORDEMENT POUR L'EVACUATION DU PRODUIT NETTOYANT

Le tube d'évacuation T fourni avec l'appareil doit être accroché avec la partie extrême recourbée au bord d'un évier ou une conduite d'écoulement.

Il est opportun de placer un siphon anti-odeur.

Durant le montage, il est nécessaire d'observer les précautions suivantes:

- Le tube d'évacuation ne doit pas être plié pour ne pas causer d'étranglements;
- L'extrémité du tube par rapport au dessus du lave-vaisselle (fig. 4) doit être placée à une hauteur comprise entre 32 cm et 80 cm.
- En aucun cas, l'extrémité du tube doit être plongée dans l'eau;
- Une rallonge éventuelle du tube d'évacuation ne doit pas dépasser la longueur d'un mètre et doit avoir le même diamètre interne et en outre la hauteur maximale à laquelle l'extrémité libre peut être placée doit être réduite de 80 cm. à 50 cm.;
- Dans le cas d'une conduite d'évacuation, le diamètre interne ne doit pas être inférieur à 4 cm.



5.4 BRANCHEMENT ELECTRIQUE

Il le branchement électrique de la machine doit être effectué seulement à l'aide d'une prise avec contact à terre installée selon les instructions. Le branchement doit correspondre aux normes légales en vigueur et aux normes supplémentaires de l'entreprise électrique compétente.

L'indication de la tension doit correspondre à la tension du réseau du lieu d'installation.



Pour le dimensionnement de la prise de courant, rappelez-vous à la plaque des données.

6 USAGE

6.1 OPERATIONS PRELIMINAIRES

Avant la mise en marche de la machine, assurez-vous que la fiche du câble d'alimentation est enfilée dans la prise de courant, que le tuyau d'entrée de l'eau est raccordé au robinet, que le robinet est ouvert et que le tuyau d'évacuation a été relié en suivant les instructions.

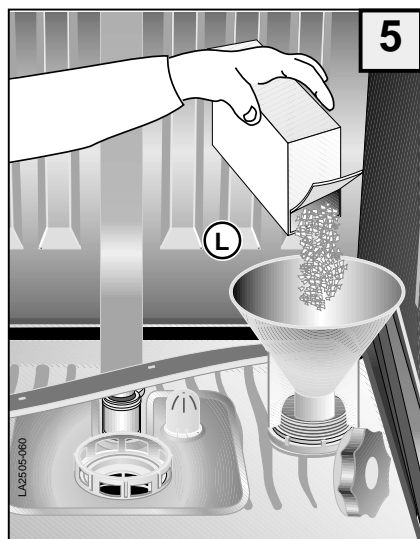
Ouverture de la porte

Tirer en avant la poignée: la porte s'ouvre facilement. Si cette opération est accomplie pendant que la machine est en marche, un dispositif de sécurité arrête le lave-vaisselle.

Introduction du sel spécial

- Ouvrir la porte, sortir le panier inférieur.
- Dévisser le bouchon du réservoir du sel en le tournant dans le sens contraire des aiguilles d'une montre,
- **Seulement pour la première mise en marche:** introduire environ 1/2 litre d'eau dans le réservoir du sel.
- Renversez le sel spécial à travers l'entonnoir L dans le réservoir fait exprès (environ 1,0 - 1,5 kg).
- Nettoyez l'ouverture du réservoir des résidus éventuels de sel.
- Revissez le bouchon du réservoir en le tournant dans le sens des aiguilles d'une montre.
- Si tout de suite après l'introduction du sel la vaisselle ne se lave pas, appuyez sur le programme TREMPAGE, jusqu'à ce que l'eau et les grains de sel sortis du réservoir soient dilués et éliminés.
- L'installation d'adoucissement comprend un indicateur électrique pour signaler le contenu du sel.

Une lampe témoin s'allume sur le panneau antérieur (fig. 18, ⑥) de votre lave-vaisselle quand il est nécessaire d'ajouter du sel régénérant.



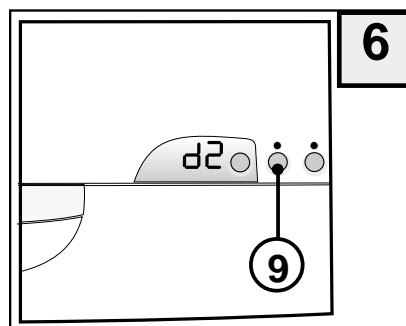
Réglage du dispositif adoucisseur de l'eau

Pour le lavage, on conseille l'eau douce (pauvre en calcaire), pour éviter que des dépôts se forment sur la vaisselle et dans le lave-vaisselle même.

Pour savoir le degré de dureté de l'eau, adressez-vous au bureau de votre commune ou utilisez un kit commercial de relèvement.

Pour arriver à la position de régénération la meilleure, il faut maintenir pressée la touche DELAY 9 (fig.6) à la mise en marche de la machine; tout de suite après, la nouvelle sélection sera affichée (ex. d5); pour la modifier (dans les 5 secondes), appuyer sur la même touche jusqu'à ce que vous aurez sélectionné le niveau voulu de régénération (voir tableau).

Attendre environ 6 secondes, sans modifier le choix; le son du buzzer confirmera la lecture du nouveau niveau; sur le Display apparaîtra la sélection du programme demandé.

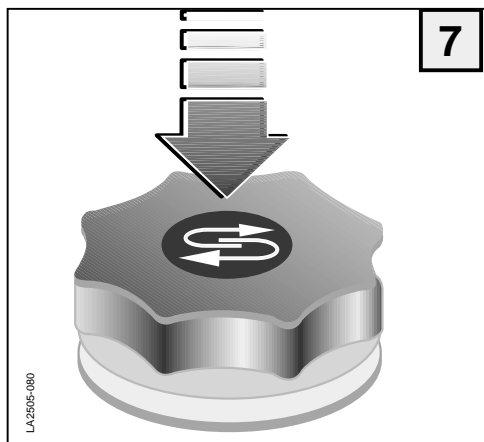


Niveaux de régénération.

Position du régulateur	Degrés français °fH	Degrés allemands °dH
d1	<15	<8,4
d2	>15 <25	>8,4 <14
d3	>25 <40	>14 <22,4
d4	>40 <60	>22,4 <33,6
d5	>60 <80	>33,6 <44,8
d6	>80 <90	>44,8 <50,4
	>=majeur <=mineur	



Utilisez seulement du sel spécial pour lave-vaisselle; d'autres types de sel (par ex. le sel de cuisine) contiennent souvent des substances qui ne se diluent pas avec l'eau et ils peuvent boucher l'adoucisseur et le rendre inutilisable.



7

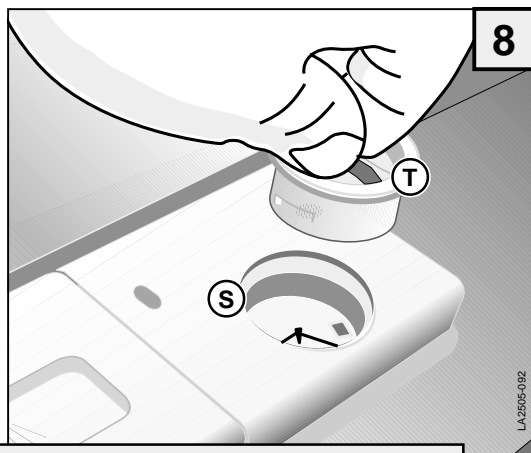
Signalisation de contrôle pour l'introduction du sel (si prévu)

La couleur verte sous le capuchon, indique qu'il y a encore suffisamment de sel spécial dans le réservoir.

Se la couleur verte n'est plus visible, alors il est nécessaire d'introduire davantage de sel spécial.

Introduction du liquide de rinçage

Le liquide de rinçage qui est ajouté automatiquement durant la dernière phase de lavage, garantit un essuyage rapide de la vaisselle et évite la formation de taches et de résidus calcaires sur la vaisselle.



8



Utiliser seulement du liquide de rinçage spécifique pour lave-vaisselle, les autres produits ne produisent pas l'effet voulu.

Le réservoir du liquide de rinçage **S** se trouve à l'intérieur de la porte .

- Tournez le bouchon **T** du réservoir d'un quart de tour dans le sens contraire des aiguilles d'une montre pour l'extraire.
- Introduisez le liquide de rinçage jusqu'à la ligne en tirets.
Quantité maximum environ 140 ml.
- Remettez le bouchon.
- Nettoyez le liquide de rinçage qui éventuellement est sorti, avec un chiffon, sinon il y aura trop de mousse durant le rinçage.

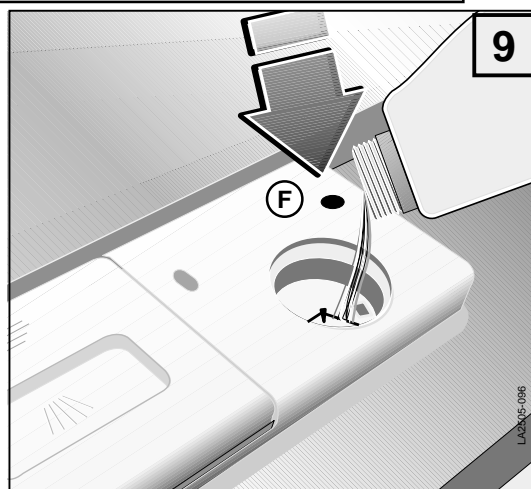
Signalisation de contrôle pour l'introduction du liquide de rinçage

• **Electrique (fig. 18 - 18.1)**

L'appareil a un indicateur de niveau du liquide de rinçage. Quand il s'allume, il faut ajouter l'additif.

• **Mécanique (fig.9)**

Le liquide de rinçage doit être introduit si l'indicateur sur le réservoir **F** a une couleur claire (○).
Quand le réservoir est plein, l'indicateur a une couleur foncée.



9

Réglage du dosage du liquide de rinçage

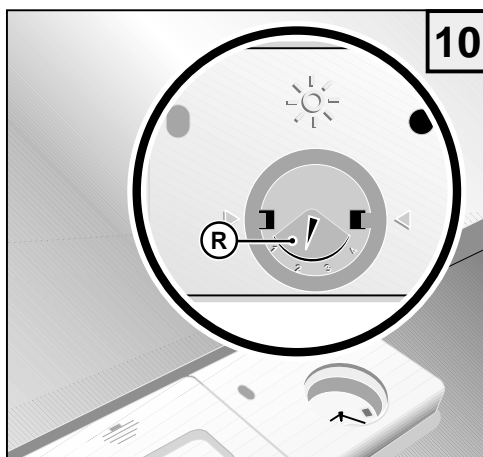
Le réglage **R** du dosage se trouve dans l'ouverture de remplissage du réservoir du liquide de rinçage.

En se servant d'un tourne-vis, on peut le régler de **1 à 4**, chiffres qui correspondent à l'adjonction du liquide de rinçage de **1 à 4 ml**. Au départ de l'usine, il est réglé sur **2(2 ml)**.

Le réservoir du liquide de rinçage complètement plein est suffisant pour environ 50 programmes de lavage. Il est nécessaire d'effectuer un changement dans la quantité du dosage si le résultat n'est pas celui qui est désiré.

- Nettoyer toujours le liquide de rinçage qui éventuellement est sorti avec un chiffon.

Il est important de contrôler périodiquement le niveau du liquide de rinçage, possiblement tous les 31 cycles de lavage.



Introduction du détergent

IMPORTANT! Dans le lave-vaisselle, n'utilisez pas de produits détersifs pour laver la vaisselle à la main! Ceux-ci produisent beaucoup de mousse, mais dans le lave-vaisselle, ils ne nettoient pas la vaisselle et ils peuvent souvent compromettre son fonctionnement. Utilisez donc seulement des détergents spécifiques pour le lave-vaisselle à usage domestique.

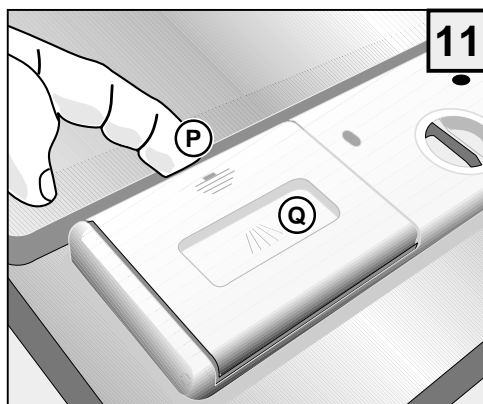
Gardez les confections des détergents bien fermées et dans un endroit bien sec.

Seulement avec le programme "trempage" le détersif n'est pas nécessaire.

Durant le programme, le détergent est prélevé du bac automatiquement.

La quantité de détersif conseillée est de 25 g.

L'efficacité des divers détergents peut être différente. Faites donc attention aux doses conseillées par les Maisons productrices.

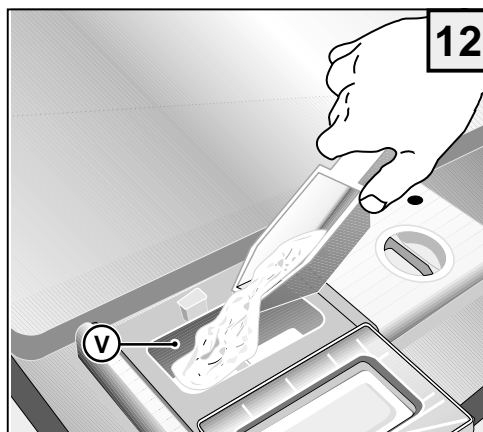


Le réservoir pour le détersif se trouve à l'intérieur de la porte.

Au cas où le couvercle est fermé:

- Pousser en avant le levier de fermeture **P**. Le couvercle s'ouvre après un déclic.
- Introduisez le détersif dans le bac **V**.
- Pour fermer le couvercle, appuyer sur lui jusqu'à ce que la fermeture se déclenche.

Quand la vaisselle est exceptionnellement sale, il est possible de mettre davantage de détersif dans le creux **Q** du couvercle; remplissez le creux jusqu'au bord, ce détergent est déjà actif durant la phase de trempage.



Comment remplir et placer la vaisselle

Deux paniers permettent de remplir différents types de vaisselle.

- Enlevez de la vaisselle les déchets les plus gros d'aliments pour éviter le risque d'obstruction du filtre et la sortie de mauvaises odeurs.
- Si les poêles et les casseroles sont particulièrement incrustées de restes de nourriture (friture ou rôti) plongez-les dans l'eau un moment avant de les introduire dans le lave-vaisselle.

Utilisation du panier inférieur

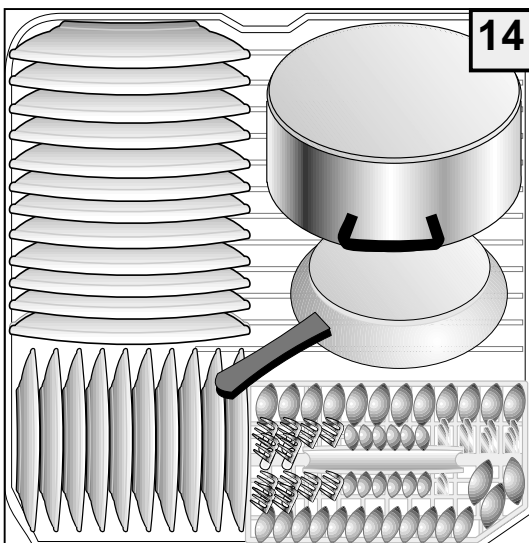
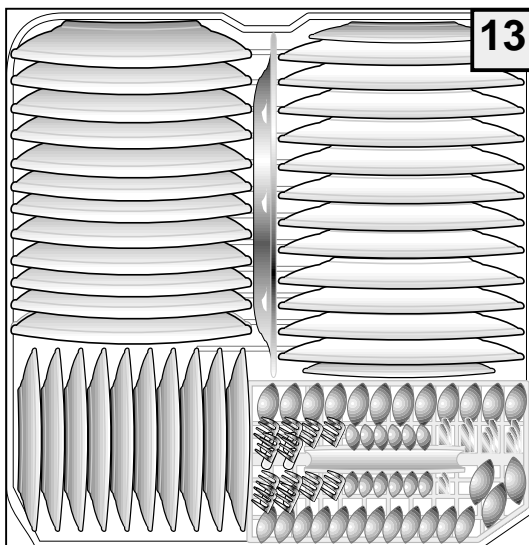
Le panier inférieur est disposé pour recevoir la vaisselle difficilement lavable et le petit panier pour les services.

Dans le panier inférieur, on place les assiettes plates, creuses, les poêles, les soupières, les couvercles et les plats.

Les assiettes plates et les creuses doivent être placées en tenant compte qu'entre chaque assiette il doit y avoir un espace intermédiaire.

Leur position doit être toujours verticale de façon que l'eau puisse passer librement.

Les poêles et les casseroles doivent être placées toujours à l'envers. Toutes les possibilités de remplissage sont à essayer, mais en tenant compte que la vaisselle, les casseroles et les poêles doivent être placées de sorte que toutes les surfaces sales soient exposées au jet d'aspersion et que l'eau puisse s'écouler librement.



Services

Pour obtenir de meilleurs résultats de lavage, les services doivent être placés avec les manches vers le bas. Les cuillères, les fourchettes et les couteaux doivent être mis dans les compartiments du panier des services.



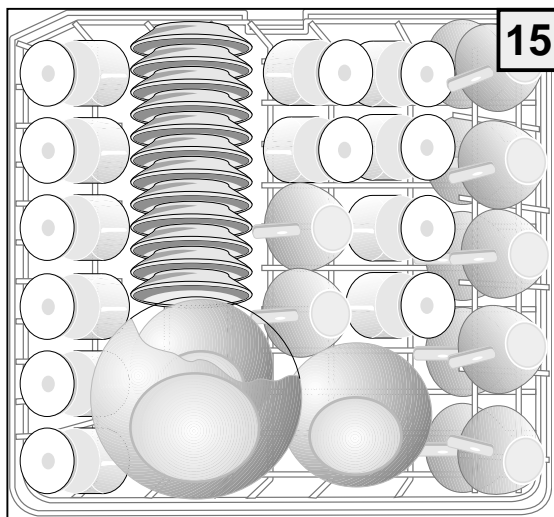
ATTENTION:

Les couverts particulièrement longs, et dans le cas spécifique «les longs couteaux» ne doivent pas être positionnés avec les pointes en haut; ils doivent être mis horizontalement dans le panier supérieur ou bien lavés à main.

L'utilisation du panier supérieur

Le panier supérieur complètement extractible reçoit la petite et la moyenne vaisselle comme les verres, les soucoupes, les tasses de thé et de café, les petits saladiers, les casseroles et les poêles basses pas très sales. Les assiettes à dessert doivent être placées toujours verticalement; verres, tasses, marmites et poêles tournés à l'envers. La vaisselle légère doit être calée entre les soutiens de façon à ne pas être giclée directement par le jet de lavage.

Le meilleur résultat de lavage est atteint quand on a trouvé la disposition la plus appropriée de la vaisselle dans les paniers. A partir de ce moment, le procédé de lavage peut montrer toute son efficacité.



LA2505-120

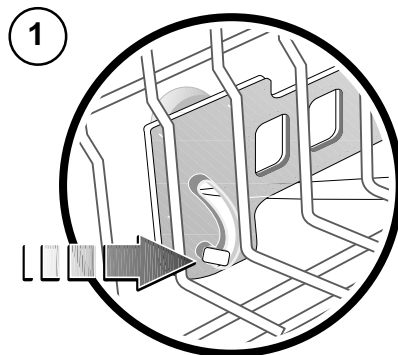
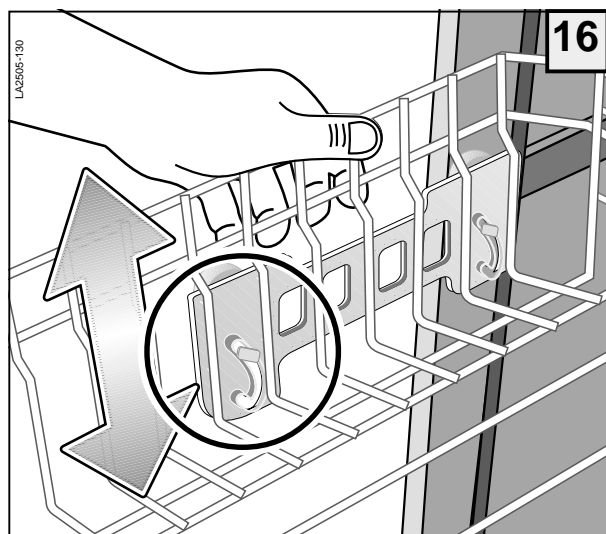


A cause de la température élevée de l'eau de lavage et de la réaction chimique du détergent employé, il est à conseiller d'éviter les objets en cuivre, la vaisselle en aluminium anodisé, les services aux manches en bois ou en corne, les porcelaines délicates, la vaisselle en verre et en plastique non thermorésistant. A la présence de vaisselle en porcelaine décorée, il est à conseiller d'effectuer un essai de lavage sur une seule pièce pour vérifier si la décoration se modifie ou s'endommage.

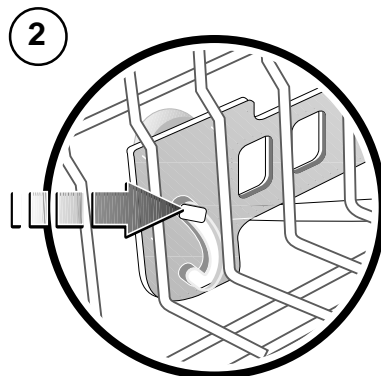
Réglage en hauteur du panier supérieur.

En agissant sur la poignée latérale (seulement côté gauche), il est possible de régler le panier en hauteur et son inclinaison.

- 1 Réglage position horizontale
- 2 Réglage position inclinée



LA2505-132

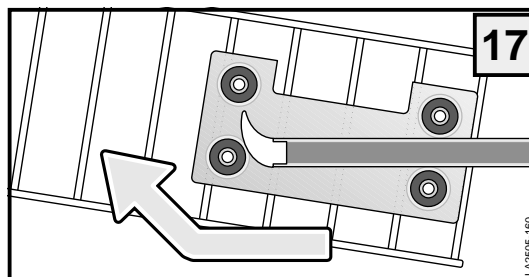


LA2505-134

Extraction du panier supérieur

Il est possible de sortir le panier supérieur des glissières comme c'est représenté dans la figure.

Description du tableau de commande et indication

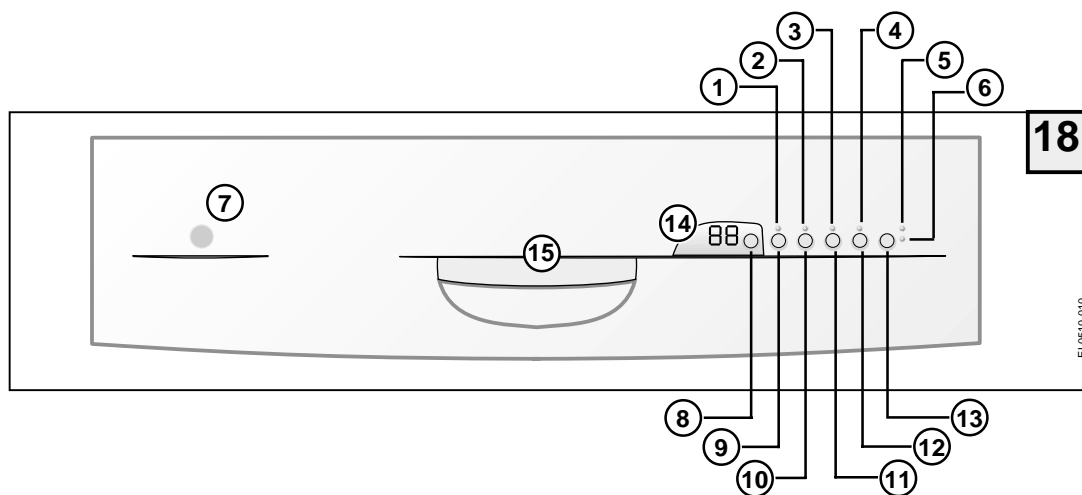


Del d'indication

- 1) Indication départ en retard (Delay)
- 2) Indication remplissage à moitié
- 3) Indication exclusion prélavage
- 4) Indication essuyage
- 5) Indication manque de sel
- 6) Indication manque de liquide de rinçage

Touches commande

- 7) Allumé/éteint
- 8) Sélection programmes
- 9) Sélection départ en retard (Delay)
- 10) Sélection remplissage à moitié
- 11) Sélection exclusion prélavage
- 12) Sélection essuyage
- 13) Marche/arrêt/pause programme
- 14) Display multifonction
- 15) Poignée ouverture porte



Mise en marche

Après avoir contrôlé la quantité de sel de régénération et de liquide de rinçage, ouvrez complètement le robinet de l'eau, placez la vaisselle dans les paniers, versez le déterfif dans son bac et le déterfif pour le pré lavage (si nécessaire) et fermez la porte de la machine.

Procédez de cette façon:

- Appuyez sur la touche "allumé/éteint" (7). Le Display s'allume (14)

Sélection programmes

- Sélectionnez le programme désiré à l'aide de la touche (8) (sélection programmes)
- Pressez la touche marche/pause programme (13), après le signal acoustique d'indication début programme, la machine effectue automatiquement la phase de lavage.

Remarque: Sur le Display est affichée la durée du programme sélectionné.



Nous vous conseillons de ne pas ouvrir le lave-vaisselle pendant le lavage.

Options

(N.B. les différentes options doivent être sélectionnées avant de mettre en marche le cycle de lavage)

- **Départ en retard (Delay)** (9) ; les sélections de retard (de 1h à 16h) sont affichées sur le Display et en même temps la Del correspondante commence à clignoter pendant toute la durée du retard sélectionné. Pour avoir la confirmation de l'option demandée, il faut que le n° du programme sélectionné à l'avance apparaisse sur le Display.
- **Remplissage à moitié** (10) ; en sélectionnant les modalités de lavage au moyen de cette touche, sur le Display sont reportées les indications suivantes (¯ =lavage panier supérieur, _ =lavage panier inférieur), la Del correspondante s'allume. Pour avoir la confirmation de l'option demandée, il faut que le n° du programme sélectionné à l'avance apparaisse sur le Display.
- **Exclusion pré-lavage** (11) ; cette option existe seulement dans les programmes où le pré-lavage est prévu. En appuyant sur la touche, la Del correspondante s'allume. Pour avoir la confirmation de l'option demandée, il faut que le n° du programme sélectionné à l'avance apparaisse sur le Display.
- **Essuyage** (12) ; cette option est effectuée automatiquement dans les programmes où il est prévu, (voir tableau programmes). Pour changer la sélection de l'essuyage, il faut appuyer sur la touche essuyage avant la mise en marche du programme ; sur le Display, il sera affiché ce qui suit: A0 =n'essuie pas - A1 =Essuyage 20' - A2 =Essuyage 35' - A3=Essuyage 45' La Del qui correspond sur le tableau de commandes s'allume. Pour avoir la confirmation de l'option demandée, il faut que le n° du programme sélectionné à l'avance apparaisse sur le Display.
- **Note:** Pour les modèles où le ventilateur d'essuyage n'est pas prévu, cette option doit être considérée comme un temps d'attente de fin de cycle.
- **Description de la touche Marche/arrêt/pause** (13)
- Elle effectue la mise en marche des programmes de lavage, (le son du buzzer confirme le début du programme (7)).
- Lorsque vous allumez le lave-vaisselle avec le bouton **Marche/Arrêt (ON/OFF)**, le display indique le numéro du dernier programme effectué. Si le programme précédent effectué n'est pas terminé le display clignote le numéro de ce programme. Pour le faire repartir il suffira d'appuyer sur la touche «**START**» (13), et le temps qui reste pour terminer le cycle apparaîtra automatiquement sur le display.
(Cette situation se vérifie chaque fois que l'on ouvre le lave-vaisselle lorsqu'il effectue un programme)
- Si vous appuyez sur le bouton pendant le lavage pour moins de 5", la machine se mettra en pause. Le numéro du programme qui a été introduit apparaîtra sur le Display (dans ce cas là, il est possible d'ajouter ou d'enlever de la vaisselle etc..).
Fermer la porte et appuyer de nouveau sur le bouton (13) pour continuer le programme de lavage.
- **Sélections erronées des programmes (changement de programme)**
- Remise à zéro à l'aide de la touche Marche/arrêt/pause (13), maintenir pressé jusqu'à ce que le buzzer ne cesse de sonner (série de bip).
- Répéter l'opération "sélection programmes".
Remarque: Si le programme a commencé et a déjà dépassé la phase de remplissage eau, sur le Display apparaît le sigle "□□", ensuite la machine se vide après le son prolongé du buzzer, sur le Display apparaît la position du programme présélectionné. A ce point-là, la machine est prête pour une nouvelle sélection.
- **Note:** Lorsque la porte est ouverte, appuyer toujours sur la touche **START** (13) pour faire repartir le lave-vaisselle.
- **Activation/Exclusion de l'indicateur sonore (buzzer)**
b0 = Indicateur sonore DISACTIVE
b1 = Indicateur sonore ACTIVE
Pour obtenir l'introduction de l'INDICATEUR SONORE (BUZZER), appuyer sur la touche PROGRAMME (8) lorsque vous allumez le lave-vaisselle. "b1" apparaîtra sur le display. Pour modifier cette introduction, appuyer sur cette même touche jusqu'à ce que vous aurez sélectionné l'état de l'Indicateur Sonore que vous désirez obtenir. Attendre 6 secondes, sans modifier le choix, ensuite le son du BUZZER confirmera la mise en mémoire.
- **Fin de cycle**
Lorsque la fin du cycle de lavage est terminé sur le Display (14), le numéro du programme reste allumé fixe, si il clignote, attendre la fin du lavage.
- **Contrôle des fonctions**
Vous pouvez visualiser les différentes fonctions pendant les phases de lavage de la façon suivante:
Appuyer sur le bouton de la sélection des programmes (8), vous obtiendrez sur le Display le numéro du programme pré-introduit.
Appuyer sur le bouton de demi-charge (10), vous obtiendrez la zone de lavage supérieure ou inférieure.
Appuyer sur le bouton de essuyage (12), vous obtiendrez le niveau d'essuyage.

Arrêt

Après le cycle de lavage, le lave-vaisselle s'arrête automatiquement le bruit prolongé de buzzer confirme la fin du cycle de lavage. Pour l'éteindre, appuyer sur le bouton allumé/éteint (7). Après chaque cycle de lavage, fermer absolument le robinet de l'eau pour isoler le lave-vaisselle du réseau d'approvisionnement hydrique.

Tableau des programmes de lavage

Programmes	Numéro programme	TOUCHES		DÉTERGENT		Vaisselle et type de salissure	Description programmes	Durée* (1)
		Allumé Eteint ⓘ		Prélavage	Lavage			
Trempage	P1	•				Casserolles et vaisselle jusqu'au prochain cycle de lavage	Lavage court, à froid, de sorte que les restes d'aliments ne s'attachent pas à la vaisselle	11'
Intensif 70°C	P2	•	•	•		Vaisselle très sales (excepté les parties délicates)	1 Prélavage chaud - Lavage principal 3 rinçages (2 froids - 1 chaud) Essuyage	2h
Normal 60°C (EN 50242)	P3	•	•	•		Vaisselle moyennement sale (excepté les parties délicates)	1 Prélavage froid - Lavage économique 2 rinçages (1 froid - 1 chaud) Essuyage	2h 17'
Délicat 60°C	P4	•			•	Vaisselle délicate très sale	Lavage principal 2 rinçages (1 froid - 1 chaud) Essuyage	1h 40'
Normal 40°C	P5	•	•	•		Vaisselle normalement sale	1 Prélavage froid - Lavage principal 2 rinçages (1 froid - 1 chaud)	49'
Rapide 40°C	P6	•			•	Vaisselle très sale	Lavage principal 2 rinçages (1 froid - 1 chaud)	39'
Biologique 60°C	P7	•			•	Casserolles et vaisselle	Lavage principal 3 rinçages (2 froids - 1 chaud) Essuyage	1h 38'
Energique 70C	P8	•	•	•		Casserolles et vaisselle très sale	1 Prélavage chaud - Lavage principal 3 rinçages (2 froids - 1 chaud) Essuyage	2h 11'

(1) N.B. Durée indicative des temps de lavage y compris la durée d'essuyage pour les programmes lorsque il est prévu. Temps d'essuyage "introduction des défauts en A2=35".

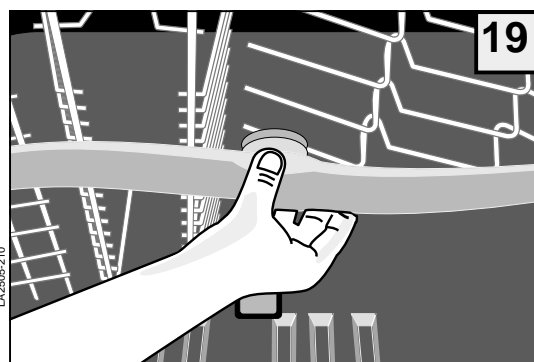
(*) Durant le programme P1 il est possible d'habiliter l'introduction d'essuyage (voir paragraphe options); dans cette façon on obtiens un programme di rinçage chaud avec essuyage (chauffe-assiettes) avec les impositions suivants: A1 lavé à 65°C essuyé 20' - A2 lavé à 60°C essuyé 35' - A3 lavé à 50°C essuyé 45'.

7 ENTRETIEN

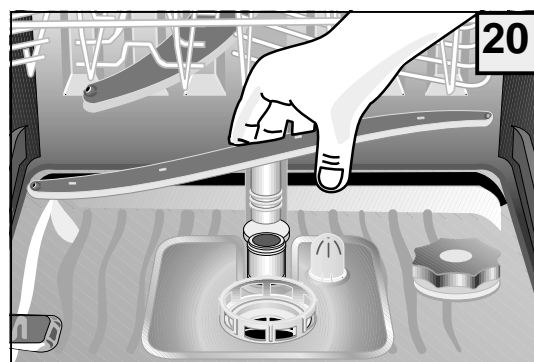
7.1 NETTOYAGE DES BRAS D'IRRORATION

Les bras d'irrotation s'enlèvent facilement pour permettre le nettoyage périodique des gicleurs et pour prévenir de possibles obturations.

Lavez-les soigneusement sous un jet d'eau et remontez-les dans leur emplacement.



Pour démonter le bras d'irrotation supérieur: dévissez le support du bras dans le sens contraire des aiguilles d'une montre.



Pour démonter le bras d'irrotation inférieur: Tirez le bras d'irrotation vers le haut et enlevez-le.

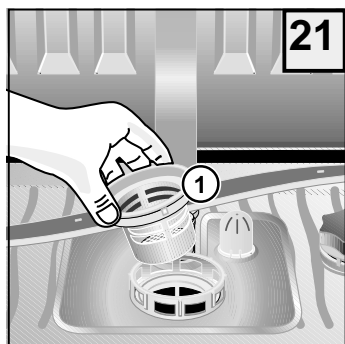
7.2 NETTOYAGE DES FILTRES

Après chaque lavage, il faut contrôler le groupe filtrant et le nettoyer de tous dépôts en agissant de la façon suivante:

- Retirez le filtre central 1.
- Sortez le filtre externe en forme de puisard 2.
- Enlevez la grille mobile 3.

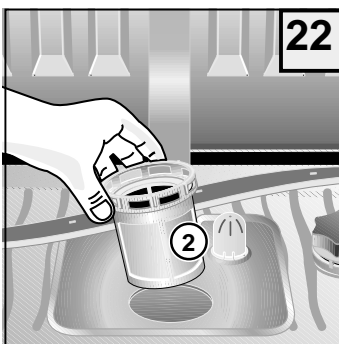
Tous les éléments doivent être nettoyés sous l'eau courante. Il est indispensable de nettoyer les filtres avec soin, sinon le lave-vaisselle ne pourra pas fonctionner avec les filtres obstrués.

Nous vous recommandons de remettre les filtres propres à leur place afin d'éviter des dégâts à la pompe de lavage.



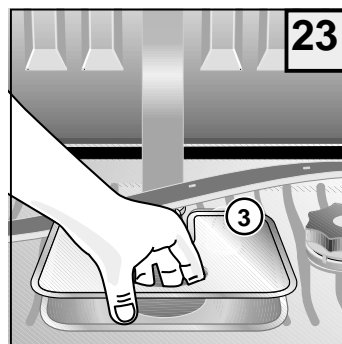
21

LA2505-180



22

LA2505-190



23

LA2505-200

7.3 NETTOYAGE DES SURFACES EXTERNES DE LA MACHINE

Les surfaces de la machine, en métal et en plastique de la partie frontale, doivent être nettoyées périodiquement à l'aide d'un chiffon doux et humide. N'employez jamais d'acides ou de détergents abrasifs.

Mise hors service prolongée

Si le lave-vaisselle ne sera plus utilisé pendant une longue période, il faut procéder de la façon suivante:

- Faites tourner deux programmes de trempage.
- Débranchez la fiche du réseau électrique.
- Déconnectez le tube d'alimentation de l'eau.
- Laissez la porte frontale légèrement ouverte pour éviter la formation de mauvaises odeurs.

7.4 TABLEAU DES MESSAGES D'ERREUR

Erreur	Moment	Contrôles à faire	Action
E1	Durant le chargement d'eau (le programme se ferme)	- Le robinet est fermé - Filtre du tuyau bouché - Tuyau de vidange à terre - Tuyau de vidange percé - Tuyau de alimentation d'eau plié - Pression d'eau insuffisante	- Le mètre en place - Vérifiez - Le mètre en place - Appelez le service après-vente agréé - Le mètre en place - Vérifiez la pression
E2	Fin du cycle	- Répétez le cycle de lavage	- Si le problème se présente de nouveau appelez le service après-vente agréé pour communiquer le message d'erreur
E4	Fin du cycle	- Pression d'eau insuffisante - La vanne compte-litres ne fonctionne pas	- Vérifiez la pression - Appelez le service après-vente agréé
E5	Fin du cycle	- Tuyau de vidange plié - Le siphon est bouché - Pompe de vidange bloquée	- Vérifiez - Vérifiez - Appelez le service après-vente agréé
E6	Fin du cycle	- Grilles de filtre sales - Casserole renversée	- Nettoyez les grilles du filtre - Vérifier à fin du cycle, la prochaine fois mettre correctement les casseroles
E7	Fin du cycle	- Répétez le cycle de lavage	- Si le problème se présente de nouveau appelez le service après-vente agréé pour communiquer le message d'erreur

N.B.: Quand on appelle le service après-vente communiquer toujours le message d'erreur.

8 RECHERCHE CAUSES PANNE

Contrôlez s'il est possible de remédier personnellement aux petits dérangements éventuels de l'appareil avec l'aide des indications suivantes. Si ces informations ne vous sont d'aucune aide pour résoudre le problème, mettez-vous en contact avec le service technique assistance clients.

- **Le programme ne démarre pas.**

- Les fusibles de l'installation interne sont-ils défectueux? L'appareil est-il branché au réseau électrique?
- La porte est-elle fermée correctement? Appuyer sur la porte pour la fermer complètement.

- **L'eau n'entre pas dans la machine.**

- Le robinet de l'eau est-il ouvert?
- Le filtre placé entre le robinet et le tube d'alimentation de l'eau est-il bouché? Nettoyez éventuellement le filtre.
- La conduite d'arrivée de l'eau présente-t-elle des étranglements? Contrôler la conduite.

- **L'indication des phases du programme est arrêtée au début du lavage.**

- Le robinet de l'eau est-il complètement ouvert?
- Le filtre placé entre le robinet et le tube d'alimentation de l'eau est-il bouché? Nettoyez éventuellement le filtre.
- La pression minimum de l'eau est-elle au moins de 0,05 MPa?

- **L'eau n'est pas évacuée.**

- Le tuyau d'évacuation présente-t-il des étranglements? Contrôlez l'installation du tuyau.
- Le siphon est-il bouché? Contrôler le siphon.

- **La vaisselle n'est pas propre.**

- Le programme sélectionné est-il approprié au type et au niveau de saleté de la vaisselle?
- La vaisselle a-t-elle été rangée de façon que le jet de l'eau puisse atteindre sa surface interne et externe?
- Les paniers de la vaisselle ne doivent pas être surchargés.
- Les bras tournants sont-ils bloqués par des pièces de vaisselle ou par quelques services?
- Tous les filtres placés au fond de l'espace lavage sont-ils propres? Les filtres sont-ils remis à leur place correctement?
- La dose de détergent introduite est-elle correcte?
- Le tuyau d'évacuation de l'eau est-il installé correctement? Y a-t-il encore du sel spécial dans le réservoir du sel? Sans le sel spécial, l'eau n'est pas adoucie.
- L'installation adoucisseur de l'eau est-elle réglée d'après la dureté de l'eau distribuée localement?

- **La vaisselle ne sèche pas et reste opaque.**

- Y a-t-il encore du liquide de rinçage dans le réservoir?

- **Les verres et la vaisselle présentent des rayures, des traînées, des taches laiteuses ou bien une patine bleue brillante.**

- Durant le rinçage, une dose excessive de liquide de rinçage a été prélevée. Diminuez le dosage de liquide de rinçage.

- **Les verres et la vaisselle présentent des taches de gouttes d'eau désormais sèches.**

- Durant le rinçage, une dose insuffisante de liquide de rinçage a-t-elle été prélevée? Augmentez le dosage de liquide de rinçage.

Notice!

Étant donné que le lave-vaisselle a été testé et contrôlé soigneusement en fabrique, vous pourrez trouver pour cette raison des gouttelettes d'eau qui disparaîtront après le premier lavage.

1 ANTES DE USAR EL APARATO

1.1 INSTRUCCIONES DE SEGURIDAD

Utilización según las normas

- El lavavajillas tiene que utilizarse solamente para lavar vajillas domésticas. Siempre que el aparato se utilice para otros fines o de manera equivocada, la empresa constructora rechaza toda responsabilidad por eventuales daños.
- Por motivo de seguridad, no se autoriza la realización de transformaciones o modificaciones al lavavajillas.
- Antes de conectar el aparato a la corriente eléctrica, asegúrense de que los datos de la tensión y de la corriente indicados en la placa de los datos correspondan a los del sitio en el que se va a instalar.
- La instalación del mismo, tiene que realizarla un personal especializado.

Operaciones preliminares que hay que realizar antes de la primera puesta en marcha del lavavajillas

- Controlen el lavavajillas para que no existan eventuales daños causados por el transporte. En ningún caso instalen un aparato dañado. En caso de daños, diríjense a la persona que les vendió el aparato.

Para la seguridad de los niños

- No permitan que los niños jueguen con el aparato.
- Los detergentes pueden causar daños irreparables a los ojos, a la boca y a la garganta.
Por lo tanto, conserven los detergentes fuera del alcance de los niños.
- El agua del lavavajillas no es potable. Si quedan residuos de detergente en el aparato, puede ocasionar una situación de peligro para los niños, mantener los lejos del lavavajillas cuando este abierto.

Para el funcionamiento de todos los días

- No pongan en marcha nunca el lavavajillas si el cable de la corriente o los tubos de carga y de descarga del agua están estropeados o si el cuadro de mandos, la superficie de trabajo o la base del mismo están muy deteriorados.
- En caso de avería, cierren, en primer lugar, el grifo del agua, apaguen después el aparato y desconecten el enchufe de la corriente. En las conexiones fijas, desconecten el eventual interruptor de servicio o quiten el fusible (o los fusibles).
- Para desconectar el enchufe de la corriente, cojan el enchufe por el cuerpo y nunca por el cable.
- Las reparaciones del lavavajillas tienen que realizarlas solamente personal especializado. Reparaciones inapropiadas pueden poner en grave peligro a la persona que lo usa. En caso de reparaciones, por lo tanto, diríjense a nuestro servicio técnico de asistencia al cliente o al propio revendedor especializado.
- La sustitución del cable de alimentación debe ser efectuada solo por el personal de la asistencia técnica.
- En caso de deterioro de los tubos, para la conexión del aparato, éstos tienen que cambiarse con tubos originales.
- No introduzcan en el lavavajillas sustancias solventes que puedan provocar una explosión.
- No se sienten ni se apoyen en la puerta abierta: el aparato puede volcar.
- Antes de introducir la sal especial, el detergente y el abrillantador, asegúrense de que el productor de estas sustancias recomienda el uso de los mismos para el lavavajillas de uso doméstico.
- Cierren siempre el grifo del agua si el lavavajillas no se utiliza por bastante tiempo, por ejemplo, durante las vacaciones.

2 DESEMBALADO - DESTRUCCION

2.1 DESEMBALADO

Quiten del embalaje externo de plástico las esquinas de refuerzo y las bases de poliesterol. Abran la puerta y quiten los bloques de poliesterol de los contenedores.

La recuperación y el reciclaje de los materiales de embalado ayudan a ahorrar materias primas y a que disminuya el volumen de residuos.

Entreguen el embalaje en las descargas para recuperar los materiales reciclables.

Cuando el aparato se haya estropeado y esté definitivamente roto, hagan que sea inutilizable antes de destruirlo.



ADVERTENCIA! Algunos materiales del embalaje (por ejemplo. Las bolsas de plástico, el poliesterol &) pueden representar una fuente de peligro para los niños, por lo tanto, hay que tener este material fuera del alcance de los mismos.

2.2 ELIMINACION DEL APARATO DESHECHADO

Al final de la vida funcional del aparato, éste tiene que ser eliminado por empresas especializadas, respetando la normativa vigente.

De esta manera, con la eliminación de un viejo aparato se puede realizar la recuperación diferenciada de los materiales sintéticos destinados al reciclaje, en el pleno respeto del ambiente.

3 INDICACIONES GENERALES

3.1 LAVAR DE MANERA ECONOMICA Y ECOLOGICA

- No laven la vajilla antes en agua corriente.
- Utilicen el lavavajillas siempre lleno, ya que solamente de esta forma, se puede realizar un lavado económico y que respete el ambiente.
- Seleccionen siempre un programa de lavado que corresponda al tipo de vajillas y al grado de suciedad.
- Eviten absolutamente utilizar más detergente, sal especial y abrillantador del que corresponda. Tengan cuidado y pongan las dosis recomendada en las instrucciones para el uso y en las indicaciones de la casa productora de tales sustancias.
- Comprueben que la instalación del suavizador del agua esté regulado correctamente.

3.2 OBJETOS QUE NO SE PUEDEN LAVAR EN EL LAVAVAJILLAS

No se pueden lavar en el lavavajillas:

- tablas o pequeñas bandejas de madera,
- objetos de material plástico que no resista al calor,
- cristal de plomo,
- objetos de estaño o de cobre o de bronce,
- vajillas o cubiertos con partes pegadas,
- cubiertos antiguos, cuya cola sea sensible al calor,
- objetos de acero que se oxiden fácilmente,
- cubiertos con mangos de madera, cuerno, porcelana o madreperla.

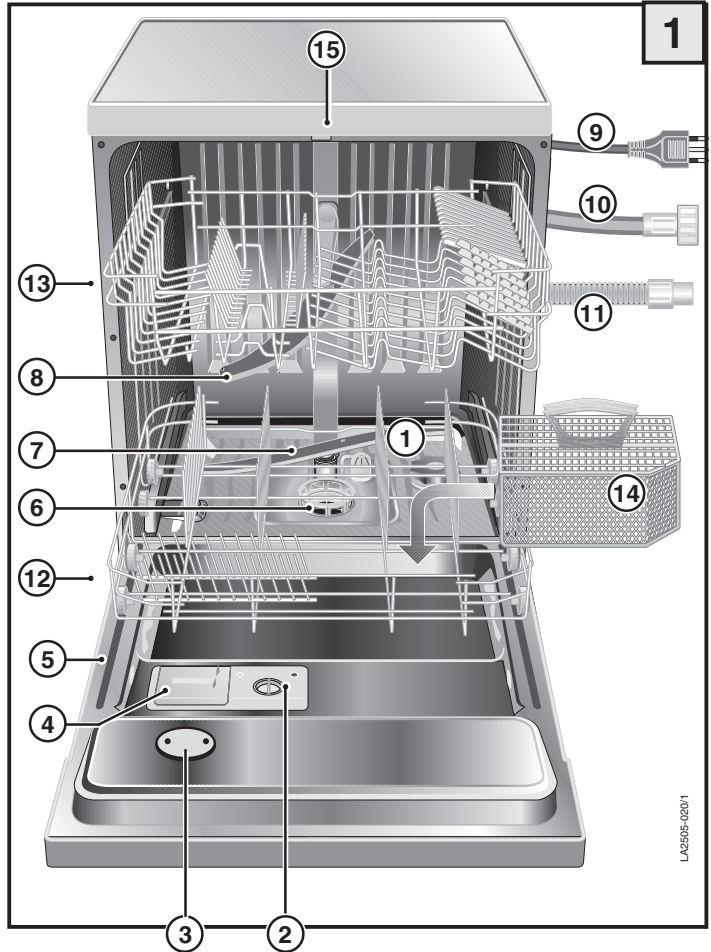


En el momento de la compra de vajillas, vasos y cubiertos, asegúrense de que se puedan lavar en el lavavajillas.

4 DESCRIPCIÓN DEL APARATO

4.1 VISTA GENERAL

- 1) Depósito para la sal
- 2) Depósito para el abrillantador
- 3) Ventilador de secado (si está previsto)
- 4) Contenedor para el detergente
- 5) Placa de datos
- 6) Filtros
- 7) Hélice inferior
- 8) Hélice superior
- 9) Cable de alimentación eléctrica
- 10) Tubo de alimentación del agua
- 11) Tubo de desagüe
- 12) Contenedor inferior
- 13) Contenedor superior
- 14) Contenedor de los cubiertos
- 15) Gancho de cierre de la puerta



LA3505-02011

4.2 DATOS TECNICOS

Capacidad (según datos estándar) :
 12 presión en la instalación hidráulica
 presión mínima: 0,05 MPa
 presión máxima: 1 MPa

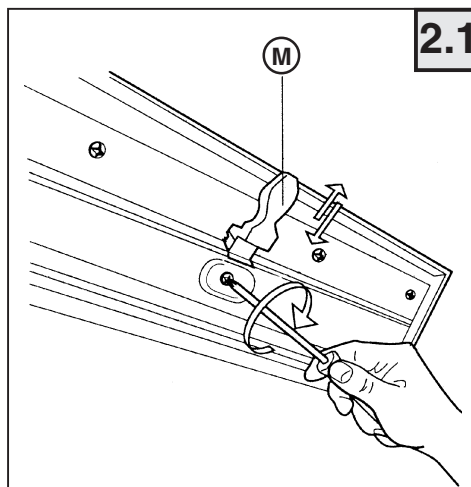
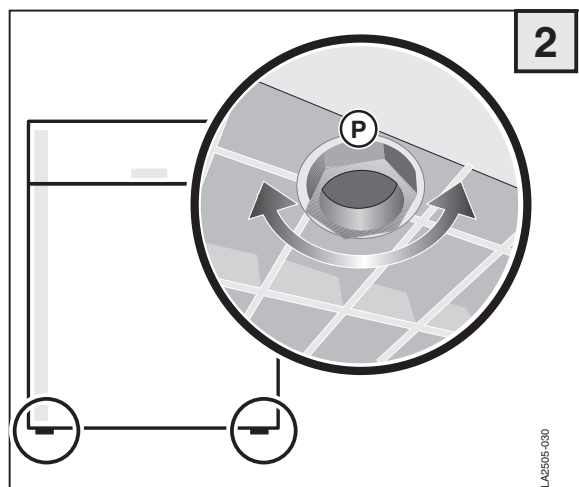


ATENCIÓN: las características eléctricas se indican en la placa de datos.

0,05 - 1MPa	Model.	
MAXA	
.....V.....Hz		
Made in EU	CE	

5 INSTALACION

5.1 NIVELADO



Una vez colocado el aparato en el sitio en el que se va a instalar. Si es necesario muevan las patitas **P** atornillándolas o desatornillándolas para regular la altura de la máquina y nivelarla.

Un buen nivelado asegura el correcto funcionamiento del lavavajillas.

Error máx=2 grados

Después de que se niveló la máquina, regulen además el gancho de cierre colocado en la puerta, de modo que ésta se pueda cerrar perfectamente.

Para regular el cierre (Fig. 2.1 «M») procedere así: girar el tornillo hasta regular el gatillo logrando el perfecto cierre de la puerta.

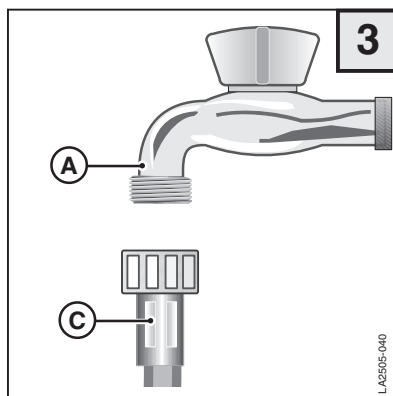
5.2 CONEXION HIDRAULICA

El tubo de entrada del agua **C**, que se entrega con la máquina, permite la conexión del mismo a un grifo con una junta de 3/4".

Durante el montaje del mismo, hay que seguir las siguientes instrucciones:

- enrosquen el tubo **C** al grifo del agua fría **A**.
- si la conexión se realiza a tubos nuevos o que no se usan desde hace tiempo, se aconseja que dejen correr el agua antes de conectar el tubo de entrada de la misma, de tal manera que se eliminen los depósitos de óxido y de suciedad;
- asegúrense de que la presión de la instalación hidráulica esté dentro de los valores límites indicados en los datos técnicos.

El lavavajillas puede conectarse a la cañería del agua fría pero no a la del agua caliente.



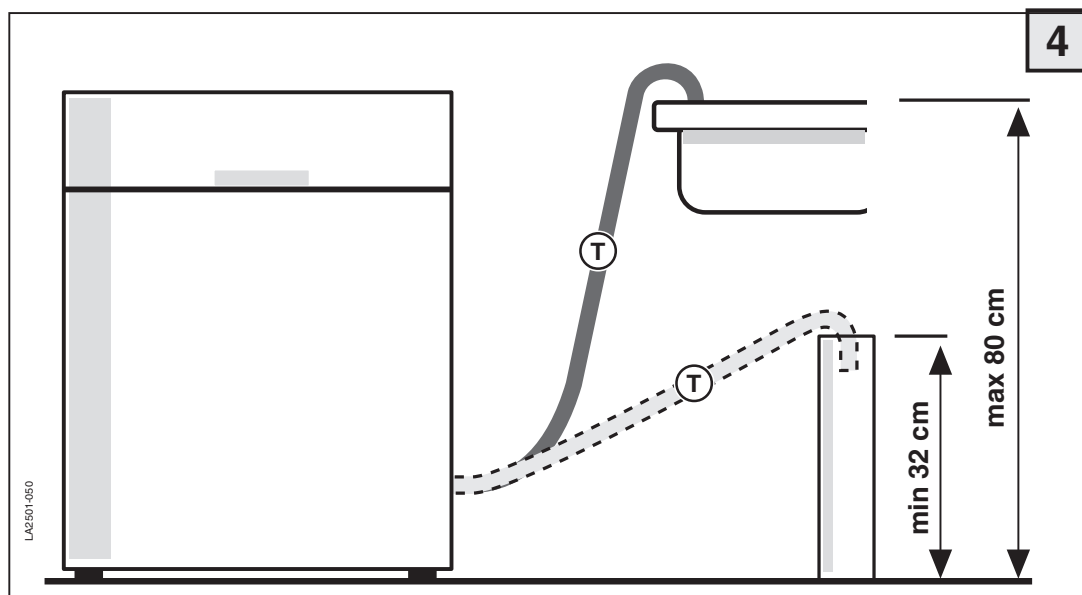
5.3 CONEXION PARA EL DESAGUE LIXIVIO

El tubo del desagüe T, que se entrega con la máquina, se engancha por la parte extrema curva al borde de un fregadero o en un tubo de desagüe.

Conviene realizar un sifón antiolores.

Durante el montaje hay que observar las siguientes precauciones:

- No doblen el tubo del desagüe para no causarle roturas;
- Hay que colocar la extremidad del tubo en relación con la superficie de apoyo del lavavajillas (fig. 4) a una altura comprendida entre 32 cm. y 80 cm.
- En ningún caso la extremidad del tubo tiene que estar dentro del agua;
- Una eventual prolongación del tubo de desagüe no debe superar la longitud de 1 metro, tiene que tener el mismo diámetro interior y, además, la altura máxima en la que se puede colocar el extremo libre tiene que reducirse de 80 cm. a 50 cm.;
- En el caso del tubo de desagüe, el diámetro interior no puede ser inferior a 4 cm.



5.4 CONEXION ELECTRICA

La conexión eléctrica de la máquina tiene que realizarse únicamente mediante un enchufe con toma de tierra instalada respetando la normativa y siguiendo las instrucciones. La conexión tiene que respetar las normas legales en vigor y las normas suplementarias de la empresa eléctrica competente.

La indicación de la tensión tiene que corresponder a la tensión de la red del lugar en el que se instala el aparato.



Para la dimensión del enchufe de corriente, hagan referencia a la placa de datos.

6.1 OPERACIONES PRELIMINARES

Antes de la puesta en marcha de la máquina, asegúrense de que el enchufe del cable de alimentación esté conectado al enchufe de la corriente, que el tubo de entrada del agua esté conectado al grifo, que el grifo esté abierto y que el tubo de desagüe haya sido conectado según las instrucciones.

Apertura de la puerta

Tiren hacia adelante de la manilla: la puerta se abre fácilmente. Si tal operación se realiza mientras la máquina está funcionando, un dispositivo de seguridad apaga el lavavajillas.

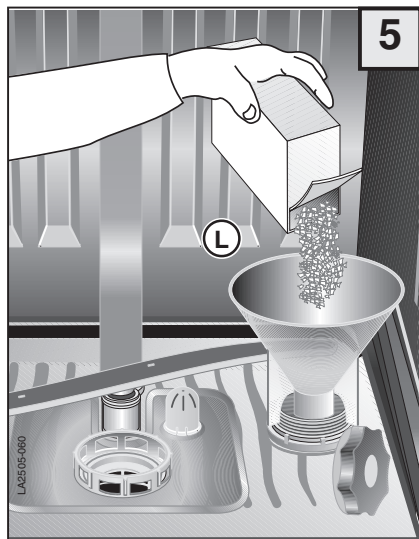
Introducción de la sal especial

- Abran la compuerta y extraigan el contenedor inferior.
- Desenrosquen la tapa del depósito de la sal dándole vueltas en sentido antihorario.

Sólo para la primera puesta en marcha: Introduzcan, aproximadamente, 1/2 litro de agua en el depósito de la sal.

- Metan la sal especial mediante el embudo L en el correspondiente contenedor (aproximadamente 1,0 - 1,5 kg).
- Limpíen la apertura del depósito de los eventuales restos de sal.
- Enrosquen de nuevo el tapón del depósito, dándole vueltas en sentido horario.
- Si inmediatamente después de la introducción de la sal no se puede lavar la vajilla, pongan en marcha el programa REMOJO, para que el agua y los granitos de sal que salgan del depósito se disuelvan y desaparezcan.
- EL aparato de decalcificación incluye un indicador eléctrico para señalar la cantidad de sal.

Cuando es necesario agregar la sal regeneradora, se enciende un indicador en el panel frontal (fig. 18, **6**) de vuestra lavavajilla.



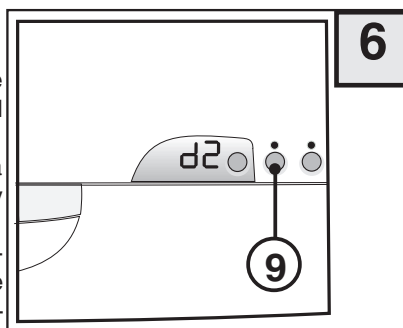
Regulación de la instalación del suavizador del agua

Para lavar se aconseja usar agua dulce (es decir, pobre de cal), para evitar que se formen depósitos en las vajillas y en el mismo lavavajillas.

Para conocer el grado de dureza del agua, diríjense a las oficinas del ayuntamiento o utilicen un kit comercial de toma y análisis de muestras de agua.

Para acceder a la planificación de regeneración optimal es necesario tener apretada la tecla DELAY **9** (fig.6) al encendido de la máquina, en seguida viene visualizada la actual planificación (es.d5), para modificarla (dentro de 5 segundos) apretar la misma tecla hasta seleccionar la regeneración deseada (vea recuadro).

Espere unos 6 segundos, sin modificar la elección, el sonido del buzzer confirmará la lectura del nuevo nivel, en el Display aparecerá la solicitud seleccione programa.

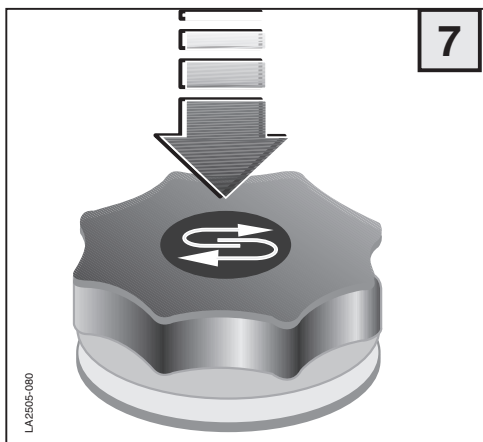


Niveles de regeneración

Posición del regulador	Grados franceses °fH	Grados alemanes °dH
d1	<15	<8,4
d2	>15 <25	>8,4 <14
d3	>25 <40	>14 <22,4
d4	>40 <60	>22,4 <33,6
d5	>60 <80	>33,6 <44,8
d6	>80 <90	>44,8 <50,4
>=mayor/<=menor		



Utilicen solamente sal especial para lavavajillas; otros tipos de sale (por ejemplo sal de cocina) contienen a menudo sustancias insolubles en agua y que Pueden obstaculizar el suavizador del agua, haciéndolo inutilizable.

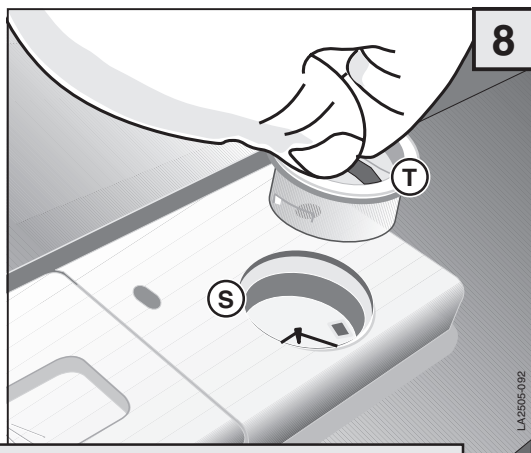


Señales de control para la introducción de la sal (si está previsto).

La señal verde situada bajo la tapa, indica que hay todavía suficiente sal especial en el depósito. Si la señal verde no se ve, significa que es necesario introducir más sal especial.

Introducción del abrillantador

El abrillantador que se añade automáticamente durante la última fase del lavado, garantiza un rápido secado de la vajilla y evita la formación de manchas y de sedimentos de cal en las mismas.



Utilicen solamente abrillantadores específicos para lavavajillas, otros productos no producen el efecto deseado.

El depósito del abrillantador **S** está colocado en la parte interna de la puerta del lavavajillas .

- Den la vuelta al tapón **T** del depósito, 1/4 de vuelta en sentido antihorario para sacarlo.
- Introduzcan el abrillantador hasta llegar a la línea de puntos.

Cantidad máxima, unos 140 ml., aproximadamente.

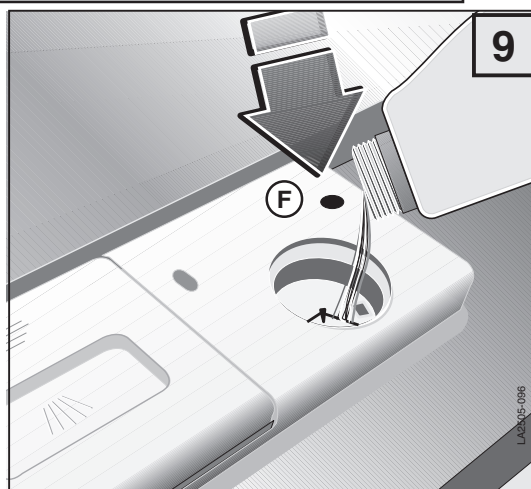
- Coloquen nuevamente el tapón.
- Limpíen el posible abrillantador que haya salido fuera con un paño, sino, durante el aclarado, se forma demasiada espuma.

Señales de control para la introducción del abrillantador.

• Eléctrico (fig. 18 - 18.1)

El aparato tiene un indicador del nivel del abrillantador. Cuando se ilumina es necesario agregar el aditivo.

• Mecánico (fig.9)



Hay que poner el abrillantador cuando el indicador del depósito **F**, es de color claro (☉). Cuando el depósito está lleno, el indicador es de color oscuro.

Regulación de la dosificación del abrillantador

La regulación **R** de la dosificación está situada en la apertura de carga del contenedor del abrillantador.

Se acciona mediante un destornillador y se regula de **1 a 4**, números que corresponden al añadido del abrillantador de **1 a 4 ml**. En la fábrica se memoriza el número **2 (2 ml)**.

El contenedor del abrillantador completamente lleno es suficiente para unos 50 programas de lavado, aproximadamente.

Hay que realizar un cambio en la cantidad de la dosis si el resultado de la dosificación no es el deseado.

- Limpie siempre el abrillantador que haya podido caer fuera del contenedor con un paño.

Es importante controlar periódicamente el nivel del abrillantador, posiblemente cada 31 ciclos de lavado.

Introducción del detergente

¡IMPORTANTE! No utilicen en el lavavajillas detergente para lavar a mano los platos! Estos producen mucha espuma, además, en el lavavajillas no lavan bien y hasta pueden poner en peligro el funcionamiento del mismo.

Utilicen solamente detergentes específicos para el lavavajillas de uso doméstico.

Conserven los paquetes de detergente bien cerrados y en un sitio seco.

Sólo con el programa de remojo, no es necesario usar el detergente. Durante el programa el detergente sale automáticamente del contenedor.

La cantidad de detergente aconsejada es de 25 g.

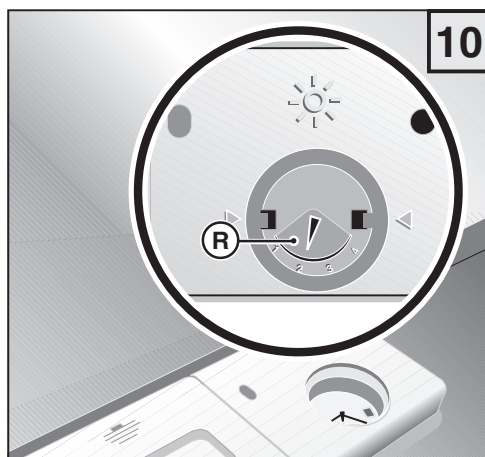
La eficacia de los distintos detergentes puede ser diferente. Tengan cuidado con las dosis aconsejadas por las correspondientes casas productoras.

El contenedor para el detergente está colocado en el lado interno de la puerta.

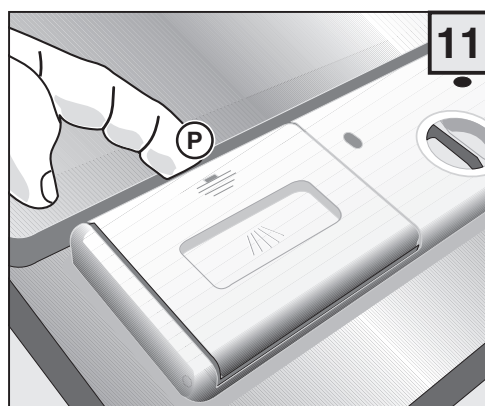
En el caso de que la tapa esté cerrada:

- Pulsen hacia adelante la palanca de cierre **P**. La tapa se abre inmediatamente.
- Metan el detergente en el contenedor **V**.
- Para cerrar la tapa, aprieten hasta que se sienta el cierre.

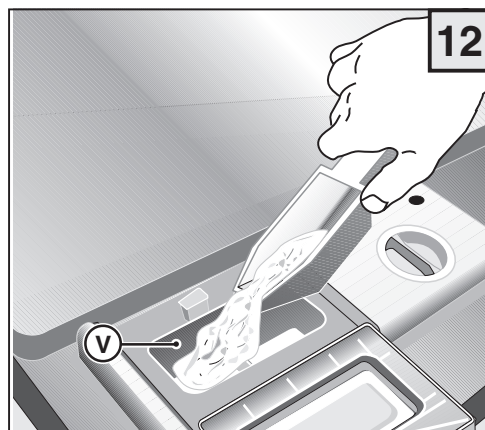
Cuando la vajilla está muy sucia, se puede poner el detergente en el hueco **Q** de la tapa; llénelo hasta el borde, pues el detergente es ya activo en la fase de enjabonado.



LA2505-094



LA2505-090



LA2505-100

Cómo cargar y disponer la vajilla

Dos cestas permiten cargar los distintos tipos de vajillas.

- Quitar de la vajilla los restos más grandes de comida para evitar una obstrucción del filtro y la salida de malos olores.
- Si las sartenes y las tarteras contienen residuos de comida muy pegados (fritos o asados), sumérlas en un baño de agua antes de meterlas en el lavavajillas.

Uso del contenedor inferior

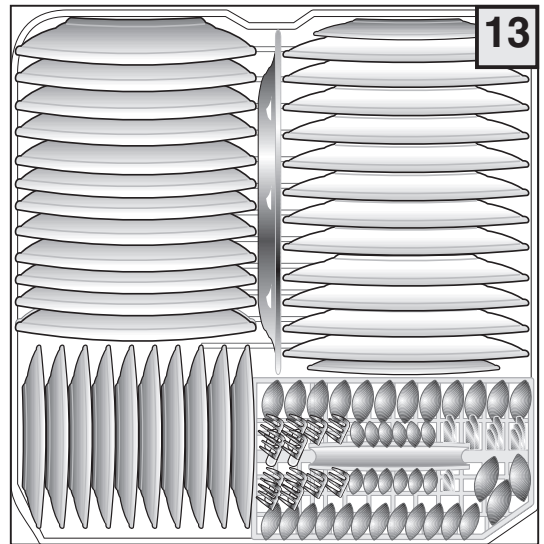
El contenedor inferior está preparado para contener la vajilla que se lava con dificultad y el contenedor para los cubiertos.

En el contenedor inferior se colocan los platos llanos, hondos, sartenes, soperas, tapas y bandejas de servir.

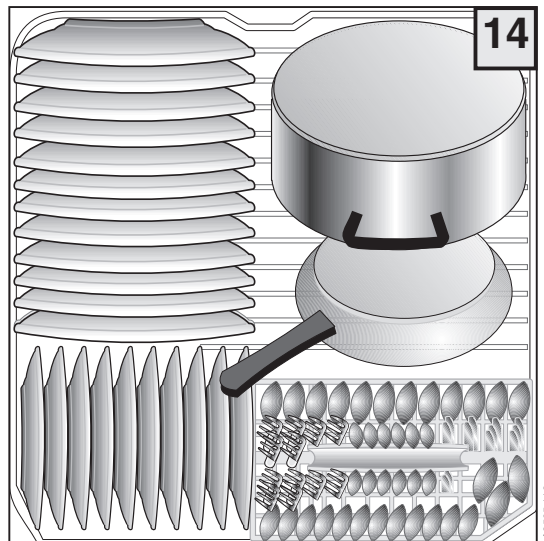
Los platos llanos y hondos se deben colocar teniendo en cuenta que entre cada plato tiene que quedar un espacio intermedio.

Su posición tiene que ser siempre vertical de manera que el agua pueda pasar libremente entre ellos.

Tarteras y sartenes se colocarán con la apertura para abajo. Son posibles todas las combinaciones y la posibilidad de carga es infinita, pero hay que tener en cuenta que las vajillas, las tarteras y las sartenes se deben colocar de tal manera que todas las superficies sucias estén expuestas al chorro de agua y que el agua pueda pasar entre ellas libremente.



LA2505-110



LA2505-112

Cubiertos

Para obtener los mejores resultados de lavado, los cubiertos se colocarán con los mangos hacia abajo. Cucharas, tenedores y cuchillos se colocarán en los espacios correspondientes de la parrilla del contenedor de los cubiertos.



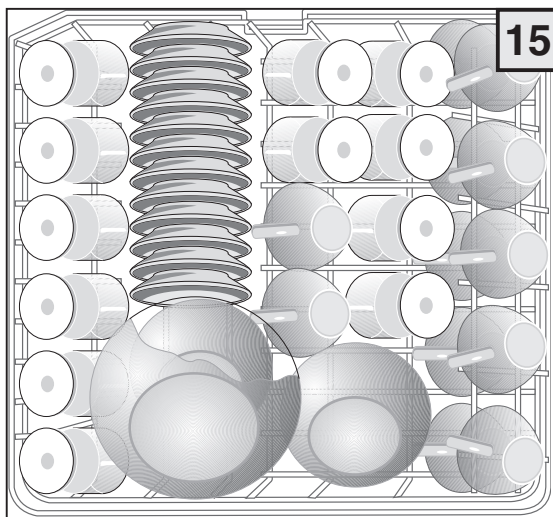
ATENCIÓN:

Cubiertos particularmente largos y en el caso específico "cuchillos largos", no se colocan con las puntas hacia arriba sino que van puestos en posición horizontal en el cesto superior o se lavan a mano.

El uso del contenedor superior

El contenedor superior, completamente extraíble, sirve para colocar la vajilla pequeña y mediana, como vasos, platos, tacitas de té y de café, ensaladeras bajas, tarteras y sartenes bajas no muy sucias. Los platos para postre se colocan siempre verticalmente; vasos, tazas, tarteras y sartenes, con la apertura para abajo. La vajilla ligera tiene que colocarse entre sostenes, de manera que no la golpee el chorro de agua.

El mejor resultado del lavado se alcanza cuando se encuentra la colocación ideal para toda la vajilla en el contenedor. A partir de este momento el proceso de lavado puede desarrollarse en toda su eficacia.



LA2505-120



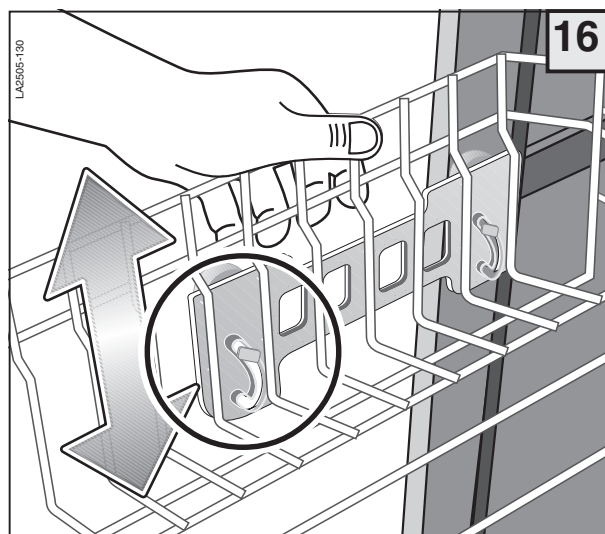
A causa de la temperatura elevada del agua de lavado y de las reacciones químicas del detergente usado, se aconseja evitar objetos de cobre o bronce, vajillas de aluminio anodizado, cubiertos con mango de madera o cuerno, porcelanas delicadas, vajillas de cristal y plástico que no sean resistentes al calor.

En el caso de vajillas de porcelana decorada, se aconseja realizar una prueba de lavado en una única pieza para comprobar que la decoración no se modifica o se daña.

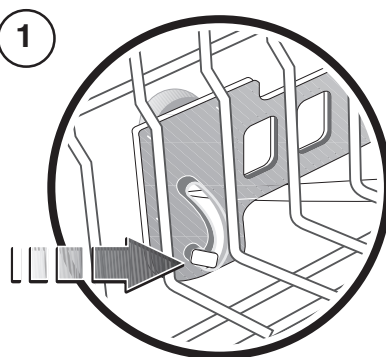
Regulación en altura del contenedor superior

Moviendo la manilla lateral (solamente hacia el lado izquierdo) se puede regular el contenedor en altura e inclinación.

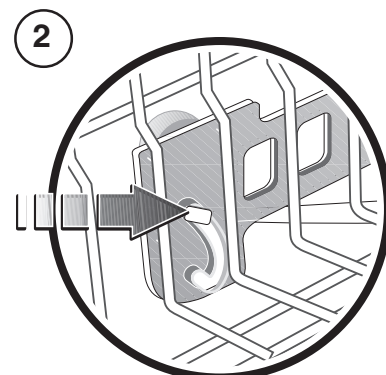
- 1 Regulación de la posición horizontal,
- 2 Regulación de la posición inclinada.



LA2505-130



LA2505-132

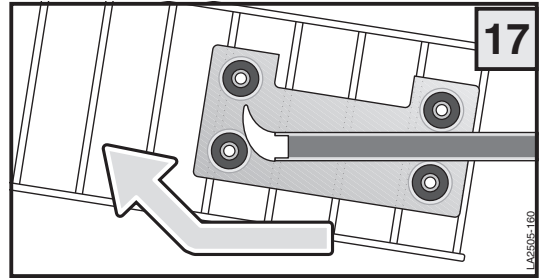


LA2505-134

Extracción del contenedor superior

El contenedor superior puede sacarse a través de las guías, como se representa en la figura.

Descripción de los elementos de mando e indicaciones

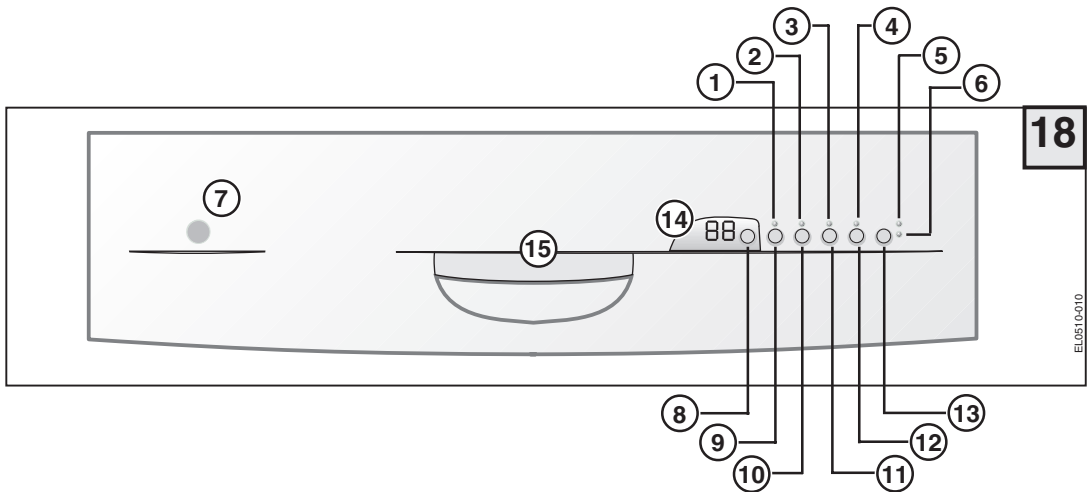


Led de indicación

- 1) Indicación retraso de arranque (Delay)
- 2) Indicación carga media
- 3) Indicación exclusión prelavado
- 4) Indicación secado
- 5) Indicación falta sal
- 6) Indicación falta abrillantador

Teclas de mando

- 7) Encendido/apagado
- 8) Selección programas
- 9) Selección retraso arranque (Delay)
- 10) Selección media carga
- 11) Selección exclusión prelavado
- 12) Selección secado
- 13) Start/stop/pausa programa
- 14) Display multifunción
- 15) Manilla apertura puerta



Puesta en marcha

Después de haber controlado la cantidad de sal de regeneración y de abrillantador, abran completamente el grifo del agua, coloquen la vajilla en los contenedores, echen el detergente en su contenedor y el detergente para el prelavado (si es necesario) y cierren la puerta frontal. Sigán realizando las siguientes fases:

- Accione la tecla “encendido-apagado” (7). Se ilumina el display (14).

Selección de programa

- Seleccione el programa deseado mediante la tecla (8) (selección programas).
- Apriete la tecla start/pausa programa (13), después del señal acústico que indica inicio programa; la máquina efectúa automáticamente la fase de lavado.

Nota: En el display se visualiza la duración planificada.



Se aconseja no abrir el lavavajillas durante el ciclo de lavado.

Opciones

(n.b. las varias opciones deben ser seleccionadas antes de activar el ciclo de lavado)

- **Retraso de arranque (Delay) (9)**; las planificaciones de retraso (de 1h a 16h) se visualizan en el Display y al mismo tiempo el led correspondiente inicia a parpadear por toda la duración del retraso planificado. Para tener confirmación de la opción planificada, en el Display debe aparecer el número del programa preseleccionado.
- **Media carga (10)**: seleccionando las modalidades de lavado a través de esta tecla, el Display lleva las siguientes indicaciones (¯ =lavado tambor superior, _ =lavado tambor inferior), el led correspondiente se ilumina. Para tener la confirmación de la opción planificada, en el Display debe aparecer el número programa preseleccionado.
- **Exclusión prelavado (11)**; esta opción está habilitada sólo en los programas dotados de prelavado. Apretando la tecla, se ilumina el led correspondiente. Para tener la confirmación de la opción planificada, en el Display debe aparecer el número programa preseleccionado.
- **Secado (12)**; esta opción es efectuada automáticamente en los programas donde está previsto (vea recuadro programas). Para variar la planificación del secado, se debe apretar la tecla secado (12) antes del arranque del programa; en el Display se visualizará como sigue:
A0 =no seca - A1 =Secado 20' - A2 =Secado 35' - A3=Secado 45' el led correspondiente en el panel de mandos se ilumina. Para tener la confirmación de la opción planificada, en el Display debe aparecer el número programa preseleccionado.
- **Nota:** En los modelos en los que no está previsto el ventilador de secado, tal **opción** debe ser considerada como un tiempo de espera de fin de ciclo.
- **Descripción tecla Start/stop/pausa (13)**
- Efectúa el arranque de programas de lavado (el sonido del buzzer confirma el arranque (7) del programa).
- Cuando se enciende la máquina con el pulsador **Marcha/Paro (ON/OFF)**, el display indica el número del último programa realizado. En caso que el programa realizado precedentemente no haya terminado, el display centelleará el número del programa seleccionado (en este momento, podrá colocar o extraer la vajilla). Para reanudar el programa de lavado, cierre la puerta y vuelva a presionar el pulsador (13).
- Si se presiona durante el lavado por un tiempo inferior a 5", la máquina se pondrá en pausa y en el Display centelleará el número del programa seleccionado (en este momento, podrá colocar o extraer la vajilla). Para reanudar el programa de lavado, cierre la puerta y vuelva a presionar el pulsador (13).
- **Planificaciones equivocadas de los programas (cambio programa)**
- Reposicionar mediante la tecla Start/stop/pausa (13), tener apretado hasta que el buzzer no pare de sonar (serie de 'beep').
- Repita la operación "selección programa".
Nota: Si el programa está iniciado y ha superado la fase de carga de agua, en el Display aparece la sigla " □□ ", a continuación la máquina descarga, luego del sonido prolongado del buzzer, y en el Display aparece la planificación del programa pre-seleccionado. Ahora la máquina está lista para una nueva planificación.
- **Nota:** Una vez abierta la puerta, pulse siempre el pulsador Start (13) para volver a poner en marcha el lavavajillas.
- **Activación/Desactivación de la señal acústica (buzzer)**
b0 = Señal acústica DESACTIVADA
b1 = Señal acústica ACTIVADA
Para acceder a la configuración de la SEÑAL ACÚSTICA (BUZZER), mantenga presionado el pulsador PROGRAMA (8) en el momento de encender la máquina. En el Display aparecerá visualizada la configuración actual «b1». Para modificarla, presione el mismo pulsador hasta seleccionar el estado de la Señal Acústica deseado. Espere unos 6 segundos, sin modificar la elección, a continuación el sonido del BUZZER confirmará la memorización.
- **Fin de ciclo**
Una vez acabado el tiempo de lavado, en el Display (14) el **número del programa** queda encendido fijo; si centellea espere el fin del lavado.
- **Verificación de las funciones**
Durante las fases de lavado, se pueden visualizar las distintas funciones del siguiente modo :
Presionando el pulsador selección de programas (8), en el Display aparecerá visualizado el número del programa preseleccionado;
Presionando el pulsador media carga (10), en el Display aparecerá visualizada la zona de lavado superior o inferior;
Presionando el pulsador secado (12), en el Display aparecerá visualizado el nivel de secado.

Parada

Después del ciclo de lavado, el lavavajillas se para automáticamente el buzzer produce un sonido prolongado para confirmar que el ciclo de lavado se ha terminado. Para apagarlo, pulsen el botón encendido/apagado (7). Después de cada ciclo de lavado, cierren del todo el grifo del agua para aislar el lavavajillas de la red de aprovisionamiento hídrico.

Cuadro de los programas de lavado

Programas	Número de programa	PULSADORES		DETERGENTE		Vajillas y tipo de sucio	Descripción de los programas	Duración* (1)
		Encendido Apagado ①		Pre-lavado	Lavado			
Previo	P1	•				Tarteras y vajillas hasta el próximo ciclo de lavado	Lavado breve en frío de manera que no se peguen los restos de la comida a las vajillas.	11'
Intensivo 70°C	P2	•		•	•	Vajillas muy sucias (con excepción de partes delicadas)	1 Prelavado caliente - Lavado principal 3 enjuagues (2 fríos - 1 caliente) - Secado.	2h
Normal 60°C (EN 50242)	P3	•		•	•	Vajillas mediamente sucia (con excepción de partes delicadas)	1 Prelavado frío - Lavado principal 2 enjuagues (1 frío - 1 caliente) - Secado	2h 17'
Delicado 60°C	P4	•			•	Vajilla delicadas muy sucias	Lavado principal 2 enjuagues (1 frío - 1 caliente) - Secado	1h 40'
Normal 40°C	P5	•		•	•	Vajilla normalmente sucia	1 Prelavado frío - Lavado principal 2 enjuagues (1 frío - 1 caliente)	49'
Rápido 40°C	P6	•			•	Vajillas muy sucias	Lavado principal 2 enjuagues (1 frío - 1 caliente)	39'
Biológico 60°C	P7	•			•	Tarteras y vajillas	Lavado principal 3 enjuagues (2 fríos - 1 caliente) - Secado	1h 38'
Enérgico 70°C	P8	•		•	•	Tarteras y vajillas muy sucias	1 Prelavado caliente - Lavado principal 3 enjuagues (2 fríos - 1 caliente) Secado.	2h 11'

(1) N.B. Duración indicativa de los tiempos de lavado incluida la duración del secado en los programas donde está previsto.

Tiempo de secado "configuración de los default en A2=35".

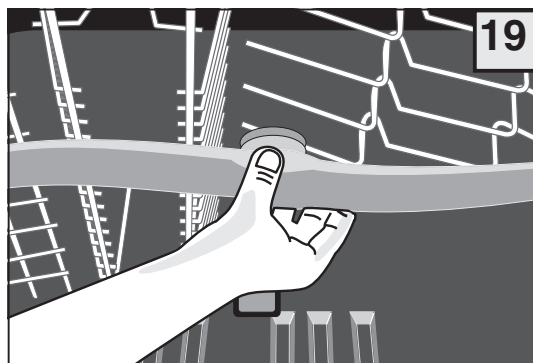
(*) En el programa P1 se puede habilitar la configuración de secado (véase párrafo opciones); de esta manera se obtiene un programa de aclarado caliente con secado (CALIENTAPLATOS) con las siguientes configuraciones: A1 lava a 65°C seca 20' - A2 lava a 60°C seca 35' - A3 lava a 50°C seca 45'.

7 MANTENIMIENTO

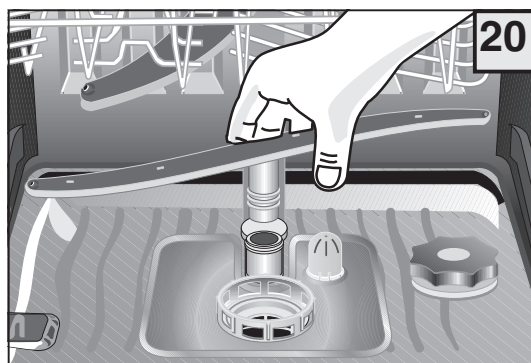
7.1 LIMPIEZA DE LOS ROCIADORES

Los rociadores se pueden sacar con facilidad para consentir la periódica limpieza de las toberas y para prevenir posibles obstrucciones.

Lávenlos con mucha atención bajo un chorro de agua y móntenlos nuevamente en el sitio que les corresponde.



Para desmontar el rociador superior: Desenrosquen el soporte del rociador en sentido antihorario



Para desmontar el rociador inferior: Tiren del rociador hacia arriba y sáquenlo.

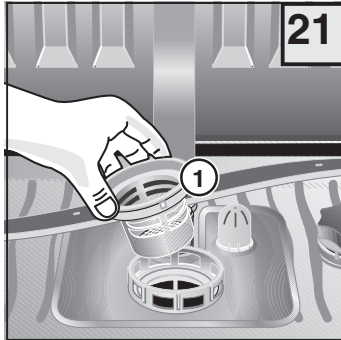
7.2 LIMPIEZA DE LOS FILTROS

Después de cada lavado conviene inspeccionar el grupo de los filtros y limpiarlo de los eventuales depósitos actuando de la siguiente manera:

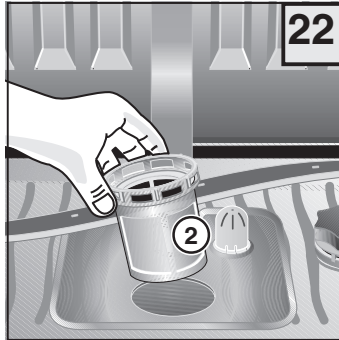
- Saquen el filtro central 1.
- Saquen el filtro externo con forma de cilindro 2.
- Quiten la rejilla móvil 3.

Todos los componentes deben limpiarse con agua corriente. Es indispensable que limpien con mucho cuidado los filtros ya que el lavavajillas no puede funcionar con los filtros obstruidos.

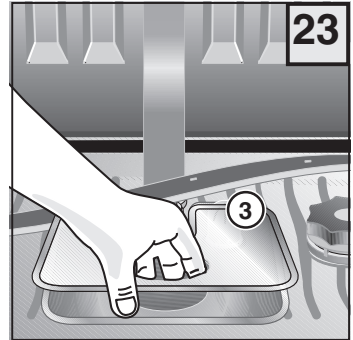
Les recomendamos que vuelvan a poner en su lugar los filtros limpios para evitar causar daños a la bomba de lavado.



LA2505-180



LA2505-190



LA2505-200

7.3 LIMPIEZA DE LAS SUPERFICIES EXTERIORES DE LA MAQUINA

Las superficies de la máquina, de metal y de plástico, de la parte frontal, tienen que limpiarse periódicamente con un paño suave y húmedo. No usen nunca ácidos o detergentes abrasivos.

Qué hay que hacer cuando no se va a usar el lavavajillas por un amplio período de tiempo ?

Si el lavavajillas no se usa durante un período amplio de tiempo, hay que proceder de la siguiente manera:

- Pongan en marcha dos programas de remojo.
- Quiten el enchufe de la corriente eléctrica.
- Desconecten el tubo de alimentación del agua.
- Dejen un poco abierta la puerta frontal para evitar la formación de mal olor.

7.4 TABLA MENSAJES DE ERROR

Error	Cuando se verifica	Controles a efectuar	Acciones a realizar
E1	Durante la toma de agua (el programa se para)	<ul style="list-style-type: none"> - Grifo cerrado - Filtro tubo de desagüe obstruido - Tubo de desagüe en el suelo - Tubo de desagüe roto - Tubo de alimentación de agua doblado - Presión de agua insuficiente 	<ul style="list-style-type: none"> - Poner en marcha el lavavajillas - Verificar - Poner en marcha el lavavajillas - Llamar al servicio de asistencia autorizado - Poner en marcha el lavavajillas - Verificar si hay presión
E2	Fin de ciclo	<ul style="list-style-type: none"> - Repetir el ciclo de lavado 	<ul style="list-style-type: none"> - Si se vuelve a presentar el mismo problema, llame enseguida al servicio de asistencia técnica autorizado y comunique el tipo de error
E4	Fin de ciclo	<ul style="list-style-type: none"> - Presión de agua insuficiente - La válvula cuentalitos no funciona 	<ul style="list-style-type: none"> - Verificar si hay presión - Llamar al servicio de asistencia autorizado
E5	Fin de ciclo	<ul style="list-style-type: none"> - Tubo de desagüe doblado - El sifón está obstruido - Bomba de desagüe bloqueada 	<ul style="list-style-type: none"> - Verificar - Verificar - Llamar al servicio de asistencia autorizado
E6	Fin de ciclo	<ul style="list-style-type: none"> - Rejilla filtro atascada - Olla volcada 	<ul style="list-style-type: none"> - Limpiar la rejilla del filtro - Verificar a fin de ciclo, colocar correctamente las ollas en el próximo lavado
E7	Fin de ciclo	<ul style="list-style-type: none"> - Repetir el ciclo de lavado 	<ul style="list-style-type: none"> - Si se vuelve a presentar el mismo problema, llame enseguida al servicio de asistencia técnica autorizado y comunique el tipo de error

N.B.: Cuando llame al servicio de asistencia técnica autorizado, comunique siempre el tipo de error.

8 BUSQUEDA DE LAS AVERIAS

Antes, si es posible, intenten eliminar personalmente los eventuales pequeños defectos del aparato con la ayuda de las siguientes instrucciones. Si estas informaciones no les sirven de ayuda para resolver el problema, pónganse en contacto con el servicio técnico de asistencia al cliente.

- **El programa no se pone en marcha.**

- ¿ Los fusibles de la instalación interna son defectuosos?, El aparato está conectado a la corriente eléctrica ?
- ¿ La puerta está cerrada correctamente?, Empujen la puerta para cerrarla completamente.

- **No entra agua en el aparato.**

- ¿ El grifo del agua está abierto?
- ¿ El filtro colocado entre el grifo y el tubo de alimentación del agua está atascado?, limpien eventualmente, el filtro.
- ¿ El tubo de carga del agua presenta estrangulaciones?, controlen el tubo.

- **El indicador de paso de los programas permanece parado al principio del lavado.**

- ¿ El grifo del agua está completamente abierto?
- ¿ El filtro colocado entre el grifo y el tubo de alimentación del agua está atascado?, limpien eventualmente, el filtro.
- ¿ La presión mínima del agua es de, al menos, 0.05 Mpa?

- **No descarga el agua.**

- ¿ El tubo de descarga del agua presenta estrangulaciones?, controlen la instalación del tubo.
- ¿ El sifón está atascado?, controlen el sifón.

- **Los cacharros no parecen limpios.**

- ¿ El programa seleccionado es el ideal para el tipo y el grado de suciedad de la vajilla?
- ¿ La vajilla está colocada de tal manera que el chorro de agua puede lacanzar su superficie interna y externa?
- ¿ Los cestos de los cubiertos no tienen que estar sobrecargados.
- ¿ Los brazos rotantes están bloqueados por la vajilla o por algunos cubiertos?
- ¿ Todos los filtros colocados en el fondo del lavavajillas están limpios?, ¿ los filtros están colocados correctamente en su sitio?
- ¿ La dosis de detergente que echaron es la correcta?
- ¿ El tubo de descarga del agua está instalado correctamente?
- ¿ Queda todavía sal especial en el depósito de la sal?, sin la sal especial el agua no se suaviza.
- ¿ La instalación del suavizador del agua está regulada en base a la dureza del agua localmente suministrada?

- **La vajilla no se seca y queda opaca.**

- ¿ Hay todavía abrillantador en el depósito?

- **Los vasos y la vajilla presentan estrías, rayas, manchas lechosas o una pátina azul brillante.**

- Durante los enjuagues se toma una dosis excesiva de abrillantador. Disminuyan la dosis del abrillantador.

- **Los vasos y la vajilla presentan manchas de gotas de agua que se secaron.**

- Durante los enjuagues se toma una dosis insuficiente de abrillantador. Aumenten la dosis del abrillantador.

¡ Advertencia!

Como el lavavajillas fue probado y controlado con mucho cuidado en la fábrica, se pueden encontrar dentro gotas de agua que desaparecen nada más que se realice el primer lavado.

1 PRIMA DI USARE L'APPARECCHIO

1.1 ISTRUZIONI DI SICUREZZA

Utilizzo secondo le norme

- La lavastoviglie deve essere utilizzata solo per il lavaggio di stoviglie domestiche. Qualora l'apparecchio fosse utilizzato per altri scopi o in modo errato, la ditta costruttrice non può assumersi alcuna responsabilità per eventuali danni.
- Per motivi di sicurezza, non sono ammesse trasformazioni o modifiche alla lavastoviglie.
- Prima del collegamento dell'apparecchio alla rete elettrica assicuratevi che i dati di tensione e corrente indicati sulla targa dati corrispondano con quelli erogati sul luogo di installazione.
- L'installazione deve essere compiuta da personale qualificato.

Operazioni preliminari al primo avviamento

- Controllate la lavastoviglie per eventuali danni causati dal trasporto. In nessun caso allacciare un apparecchio danneggiato. In caso di danni rivolgersi al proprio fornitore.

Per la sicurezza dei bambini

- Non permettete ai bambini di giocare con l'apparecchio.
- I detersivi possono causare danni irreparabili agli occhi, alla bocca e alla gola.

Conservare quindi i detersivi fuori della portata dei bambini.

- L'acqua nella lavastoviglie non é potabile. Nel caso che ci siano ancora residui di detersivo nell'apparecchio, permane una situazione di pericolo per i bambini, che devono essere tenuti lontano dalla lavastoviglie aperta.

Per il funzionamento quotidiano

- Non mettete mai in funzione la lavastoviglie se il cavo della corrente, i tubi di carico e di scarico dell'acqua sono danneggiati oppure se il cruscotto dei comandi, il piano di lavoro o lo zoccolo sono molto deteriorati.
- In caso di guasto, chiudete prima il rubinetto dell'acqua, spegnete poi l'apparecchio e togliete la spina dalla presa di corrente. Nel collegamento fisso disinserite l'eventuale interruttore di servizio oppure estraete il fusibile (o i fusibili).
- Per togliere la spina dalla presa di corrente afferrare la spina dal corpo e mai dal cavo.
- Le riparazioni della lavastoviglie devono essere eseguite solo da personale specializzato. Riparazioni non appropriate possono mettere in grave pericolo l'utente. In caso di riparazioni quindi rivolgersi al nostro servizio tecnico assistenza clienti o al proprio rivenditore specializzato.
- La sostituzione del cavo alimentazione deve essere eseguita solo dal personale dell'assistenza tecnica.
- In caso di deterioramento dei tubi, per l'allacciamento dell'apparecchio, questi devono essere sostituiti con tubi originali.
- Non introducete nella lavastoviglie sostanze solventi che potrebbero provocare un'esplosione.
- Non sedetevi e non appoggiatevi sullo sportello aperto: l'apparecchio potrebbe ribaltarsi.
- Prima di introdurre il sale speciale, il detersivo e il brillantante, assicuratevi che il produttore di queste sostanze ne raccomandi l'utilizzo per le lavastoviglie ad uso domestico.
- Chiudete sempre il rubinetto dell'acqua se la lavastoviglie non viene utilizzata per parecchio tempo, ad esempio durante le vacanze.

2 DISIMBALLO- SMALTIMENTO

2.1 DISIMBALLO

Togliete l'imballaggio esterno in plastica gli angoli di rinforzo e le basi in polistirolo. Aprite la porta e togliete i blocchi di polistirolo dei cestelli.

Il recupero e il riciclaggio dei materiali d'imballaggio contribuisce al risparmio delle materie prime e alla diminuzione del volume dei rifiuti.

Consegnare l'imballaggio alle discariche per il recupero dei materiali riciclabili.

Quando un giorno l'apparecchio dovrà essere messo definitivamente fuori uso, renderlo inutilizzabile prima della sua eliminazione.



AVVERTIMENTO! Alcuni materiali dell'imballaggio (ad es. sacchetti di plastica, polistirolo) possono rappresentare una fonte di pericolo per i bambini pertanto occorre tenere questi materiali lontano.

2.2 SMALTIMENTO APPARECCHIO DA ROTTAMARE

Al termine della vita funzionale dell'apparecchio questo deve essere rottamato da ditte specializzate, nel rispetto delle normative vigenti.

In questo modo, con l'eliminazione di un vecchio apparecchio è possibile effettuare il recupero differenziato dei materiali sintetici destinati al riciclaggio, nel pieno rispetto dell'ambiente.

3 CENNI GENERALI

3.1 LAVARE IN MANIERA ECONOMICA ED ECOLOGICA

- Non lavate le stoviglie prima sotto l'acqua corrente.
- Utilizzate la lavastoviglie sempre a pieno carico, poiché solo così è possibile eseguire un lavaggio economico e nel rispetto per l'ambiente.
- Selezionate sempre un programma di lavaggio corrispondente al tipo di stoviglie e al loro grado di sporco.
- Evitate assolutamente sovradosaggi di detersivo, sale speciale e brillantante. Fate attenzione alle dosi raccomandate nelle istruzioni per l'uso e nelle indicazioni della casa produttrice di tali sostanze.
- Verificate che l'impianto addolcitore dell'acqua sia regolato correttamente.

3.2 STOVIGLIE NON ADATTE

Non sono adatti al lavaggio in lavastoviglie:

- taglieri o piccoli vassoi in legno
- oggetti in materiale plastico non resistenti al calore
- cristallo al piombo
- oggetti in stagno o in rame
- stoviglie o posate con parti incollate
- posate piuttosto vecchie, il cui collante è sensibile al calore
- oggetti in acciaio che si ossidano facilmente
- posate con manici in legno, corno, porcellana o madreperla.

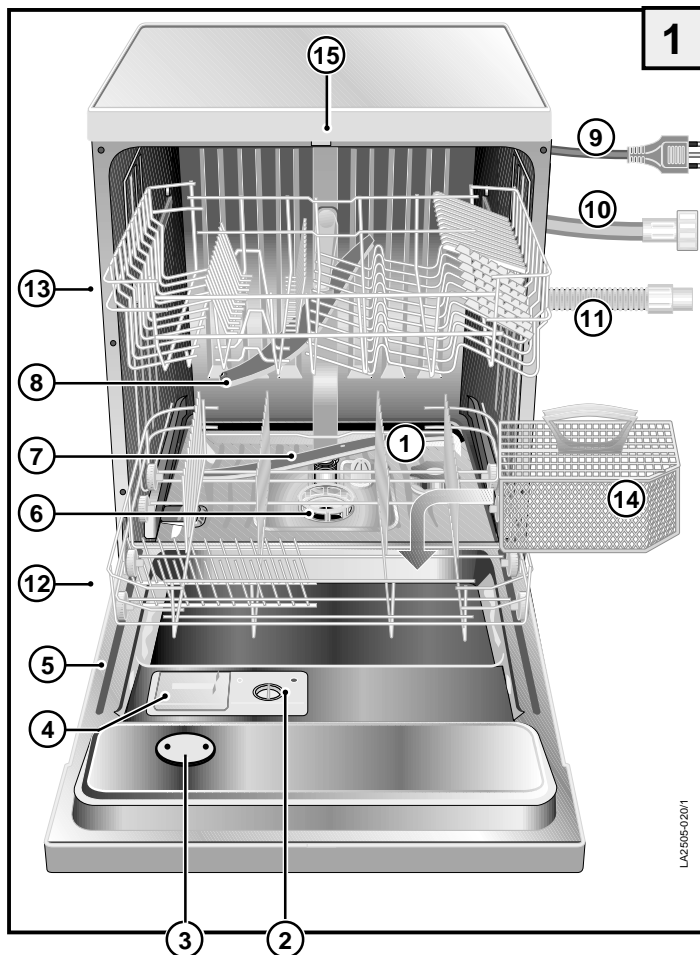


Al momento dell'acquisto di stoviglie, bicchieri e posate assicurarsi che siano adatti per il lavaggio in lavastoviglie.

4 DESCRIZIONE DELL'APPARECCHIO

4.1 VISTA GENERALE

- 1) Serbatoio per il sale
- 2) Serbatoio per il brillantante
- 3) Ventilatore asciugatura (se previsto)
- 4) Vaschetta per il detersivo
- 5) Targa dati
- 6) Filtri
- 7) Girante inferiore
- 8) Girante superiore
- 9) Cavo alimentazione elettrica
- 10) Tubo alimentazione acqua
- 11) Tubo di scarico
- 12) Cestello inferiore
- 13) Cestello superiore
- 14) Contenitore posate
- 15) Gancio chiusura porta



4.2 DATI TECNICI

Capacità (secondo coperti standard) : 12
 Pressione nell'impianto idraulico
 pressione minima: 0,05 MPa
 pressione massima: 1 MPa

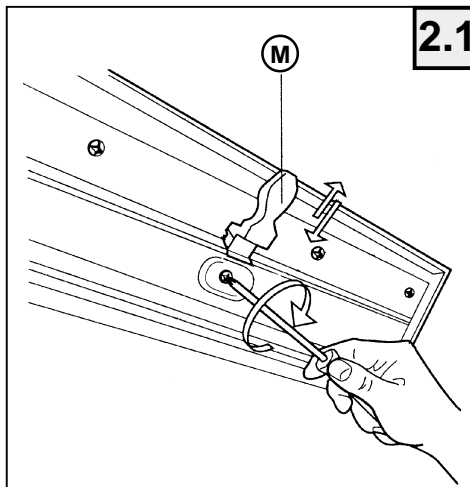
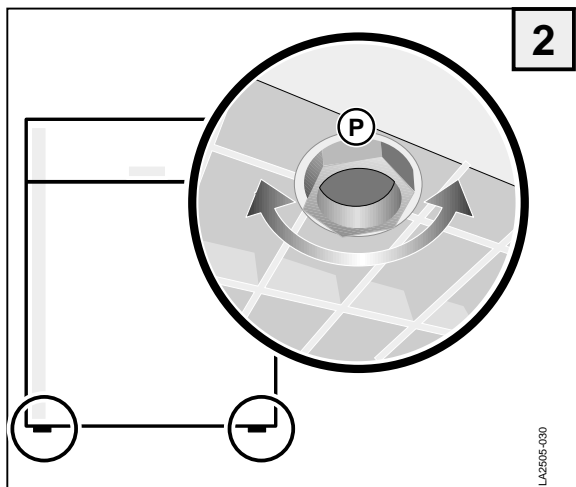


ATTENZIONE: le caratteristiche elettriche sono indicate sulla targa dati.

0,05 - 1MPa	Model.	
.....A	
MAXW	12
.....V.....Hz		
Made in EU	CE	

5 INSTALLAZIONE

5.1 LIVELLAMENTO



Una volta posizionato l'apparecchio nel luogo d'installazione, agite sui piedini **P** avvitandoli e svitandoli al fine di regolare, se necessario, l'altezza della macchina e livellarla.

Un buon livellamento assicurerà il corretto funzionamento della lavastoviglie.

Errore max=2 gradi

Dopo che la macchina è stata livellata, regolare inoltre il gancio chiusura porta in modo che questa si chiuda perfettamente.

Dopo che la macchina sia stata livellata regolare inoltre il nasello chiusura porta (Fig. 2.1 "M") in modo che la porta chiuda perfettamente.

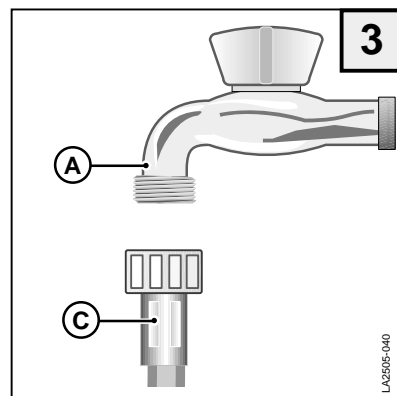
5.2 COLLEGAMENTO IDRAULICO

Il tubo d'entrata acqua **C**, in dotazione rende possibile il collegamento ad un rubinetto con attacco 3/4".

Durante il montaggio devono essere rispettate le seguenti istruzioni:

- avvitate il tubo **C** al rubinetto dell'acqua fredda **A**;
- se l'allacciamento viene effettuato in tubature nuove o che sono state usate da molto tempo, è consigliabile far scorrere acqua prima di allacciare il tubo d'entrata acqua in modo da eliminare depositi di ruggine e di sporcizia;
- assicuratevi che la pressione nell'impianto idraulico sia entro i valori limite indicati nei dati tecnici.

La lavastoviglie può essere collegata alla condotta dell'acqua fredda ma non a quella dell'acqua calda.



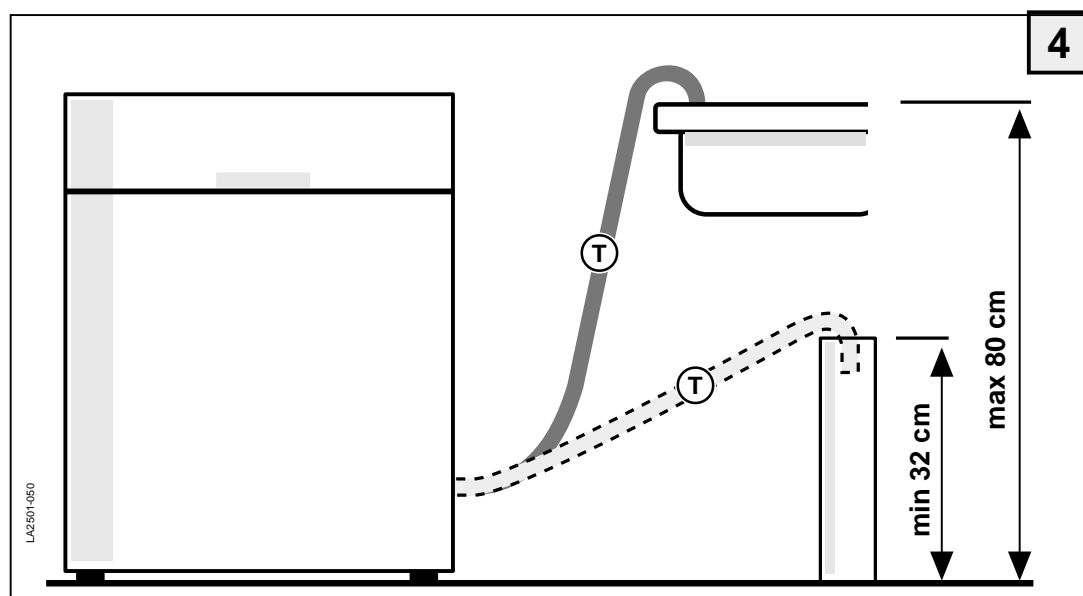
5.3 COLLEGAMENTO PER LO SCARICO LISCIVIA

Il tubo di scarico **T** in dotazione viene agganciato con la parte estrema ricurva al bordo di un livello o una condotta di scarico.

E' opportuno predisporre un sifone antiodore.

Durante il montaggio é necessario osservare le seguenti precauzioni:

- Il tubo di scarico non deve essere piegato per non causare strozzature;
- L'estremità del tubo in relazione al piano di appoggio della lavastoviglie (fig. 4) deve essere sistemata ad un'altezza compresa fra 32 cm e 80 cm.
- In nessun caso l'estremità del tubo deve essere immersa nell'acqua;
- Un eventuale prolungamento del tubo di scarico non deve superare la lunghezza di 1 metro e deve avere lo stesso diametro interno ed inoltre l'altezza massima in cui può essere sistemata l'estremità libera deve essere ridotta da 80 cm. a 50 cm.;
- Nel caso di una condotta di scarico, il diametro interno deve essere non inferiore a 4 cm.



5.4 COLLEGAMENTO ELETTRICO

Il collegamento elettrico della macchina deve essere effettuato solo tramite una presa con contatto a terra installata secondo le istruzioni. Il collegamento deve corrispondere alle norme legali in vigore e alle norme supplementari dell'azienda elettrica competente.

L'indicazione della tensione deve corrispondere alla tensione di rete del luogo d'installazione.



Per il dimensionamento della presa di corrente, riferitevi alla targa dati.

6.1 OPERAZIONI PRELIMINARI

Prima della messa in esercizio della macchina, assicuratevi che la spina del cavo di alimentazione sia collegata alla presa di corrente, che il tubo d'entrata acqua sia collegato al rubinetto, che il rubinetto sia aperto e che il tubo di scarico sia stato collegato secondo le istruzioni.

Apertura della porta

Tirare in avanti la maniglia: la porta si apre facilmente. Se tale operazione viene compiuta mentre la macchina è in funzione, un dispositivo di sicurezza spegne la lavastoviglie.

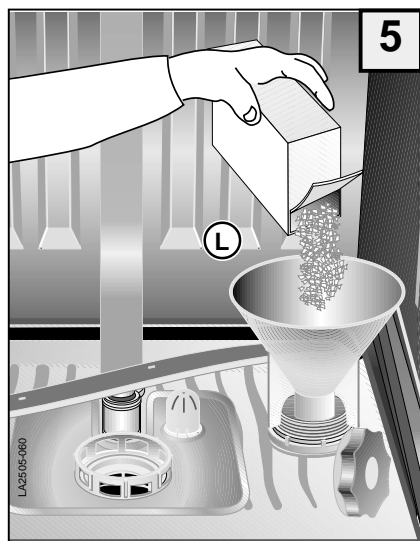
Introduzione di sale speciale

- Aprire lo sportello, estrarre il cestello inferiore.
- Svitare il cappuccio del serbatoio del sale ruotandolo in senso antiorario.

Solo per il primo avviamento: introdurre circa 1/2 litro d'acqua nel serbatoio del sale.

- Caricate il sale speciale attraverso l'imbuto L nel contenitore apposito (circa 1,0 - 1,5 kg).
- Pulite l'apertura del serbatoio da eventuali residui di sale.
- Riavvitate il tappo del serbatoio ruotandolo in senso orario.
- Se subito dopo l'introduzione di sale le stoviglie non vengono lavate, avviate il programma AMMOLLO, affinché l'acqua e i granuli di sale fuoriusciti dal serbatoio vengano scioccati via.
- L'impianto di addolcimento include un indicatore elettrico per la segnalazione del contenuto del sale.

Una spia luminosa si accende sul pannello frontale della vostra lavastoviglie (vedi fig. 18, **6**) quando e' necessario aggiungere sale rigeneratore.



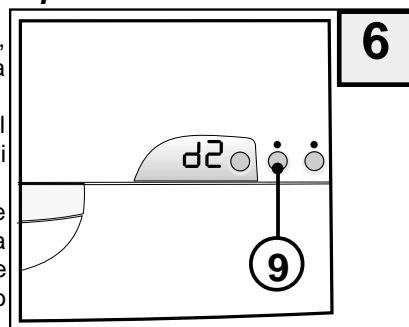
Regolazione dell'impianto addolcitore dell'acqua

Per il lavaggio è consigliabile acqua dolce (povera di calcare), per evitare che si formino depositi sulle stoviglie e sulla stessa lavastoviglie.

Per conoscere il grado di durezza dell'acqua rivolgetevi al vostro ufficio comunale oppure utilizzate un kit commerciale di rilevamento.

Per accedere all'impostazione di rigenerazione ottimale occorre tenere premuto il tasto DELAY **9** (fig.6) all'accensione della macchina, di seguito viene visualizzata l'attuale impostazione (es. d5), per modificarla (entro 5 sec.), premere lo stesso tasto fino a selezionare il livello di rigenerazione voluto (vedi tabella).

Attendere circa 6 secondi, senza modificare la scelta, il suono del buzzer confermerà la lettura del nuovo livello, sul Display comparirà la richiesta selezione programma.

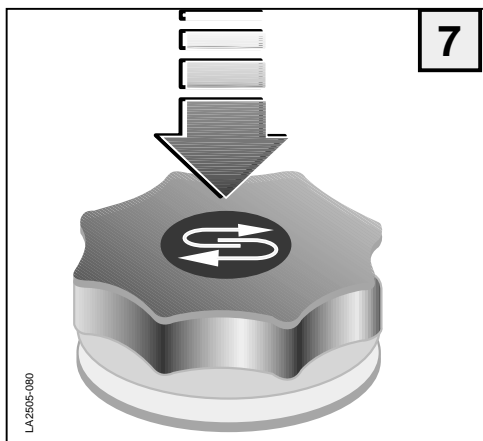


Livelli di rigenerazione

Posizione del regolatore	Gradi francesi °fH	Gradi tedeschi °dH
d1	<15	<8,4
d2	>15 <25	>8,4 <14
d3	>25 <40	>14 <22,4
d4	>40 <60	>22,4 <33,6
d5	>60 <80	>33,6 <44,8
d6	>80 <90	>44,8 <50,4
	>=maggiore/<=minore	



Utilizzate solo sale speciale per lavastoviglie; altri tipi di sale (ad es. sale da cucina) contengono spesso sostanze che non si sciolgono con l'acqua e possono otturare l'addolcitore rendendolo inutilizzabile.

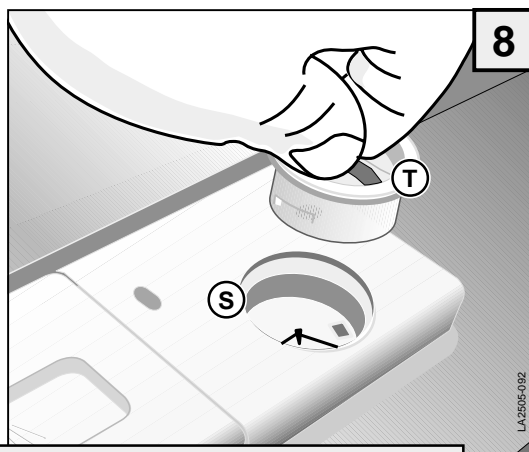


Segnalazione di controllo per l'introduzione del sale (se previsto)

La marcatura verde sotto il cappuccio, indica che c'è ancora sufficiente sale speciale nel serbatoio. Se la marcatura verde non è più visibile, allora è necessario introdurre altro sale speciale.

Introduzione del brillantante

Il brillantante che viene aggiunto automaticamente durante l'ultima fase di lavaggio, garantisce una veloce asciugatura delle stoviglie e evita la formazione di macchie e di sedimenti calcarei sulle stoviglie.



Utilizzare solo brillantanti specifici per lavastoviglie, altri prodotti non producono l'effetto desiderato.

Il serbatoio del brillantante **S** si trova sul lato interno dello sportello.

- Ruotate il tappo **T** del serbatoio di 1/4 di giro in senso antiorario per estrarlo.
- Introducete il brillantante fino alla linea tratteggiata. Quantità massima circa 140 ml.
- Rimettere il tappo.
- Pulite il brillantante eventualmente fuoriuscito con un panno, altrimenti durante il risciacquo si forma troppa schiuma.

Segnalazione di controllo per l'introduzione del brillantante

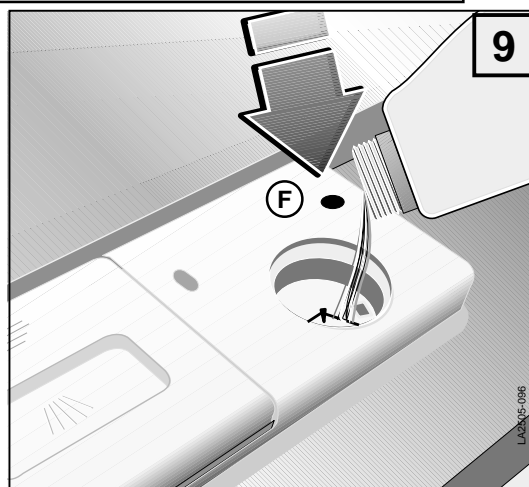
• Elettrico (fig. 18 - 18.1)

L'apparecchio ha un indicatore del livello del brillantante. Quando si illumina e' necessario aggiungere l'additivo.

• Meccanico (fig.9)

Il brillantante deve essere inserito se l'indicatore sul serbatoio **F**, è di colore chiaro (●).

Quando il serbatoio è pieno, l'indicatore è di colore scuro.



Regolazione del dosaggio di brillantante

La regolazione **R** del dosaggio si trova nell'apertura di carica della vaschetta del brillantante.

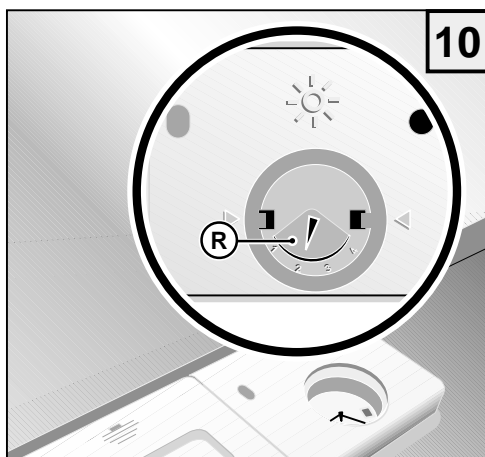
È azionabile con un cacciavite e regolabile da **1 a 4**, numeri che corrispondono all'aggiunta di brillantante da **1 a 4 ml**. In fabbrica viene impostato il numero **2(2 ml)**.

La vaschetta del brillantante completamente piena è sufficiente per circa 50 programmi di lavaggio.

È necessario effettuare un cambiamento nella quantità del dosaggio se l'esito del dosaggio non è quello desiderato.

- Pulire sempre il brillantante eventualmente fuoriuscito con un panno.

È importante controllare periodicamente il livello del brillantante, possibilmente ogni 31 cicli di lavaggio.



Introduzione del detersivo

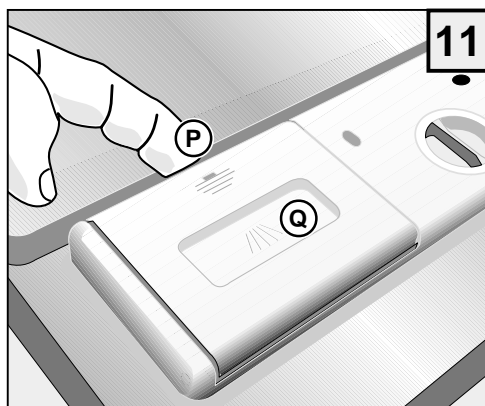
IMPORTANTE! Non utilizzate nella lavastoviglie detersivo per lavare i piatti a mano! Questi producono molta schiuma, ma nella lavastoviglie non puliscono le stoviglie e possono addirittura comprometterne il funzionamento.

Utilizzate dunque solamente detersivi specifici per la lavastoviglie ad uso domestico.

Conservate le confezioni dei detersivi ben chiuse e in luogo ben asciutto.

Solo con il programma ammollo il detersivo non è necessario. Durante il programma il detersivo viene prelevato dalla vaschetta automaticamente.

La quantità di detersivo consigliata è 25 g.



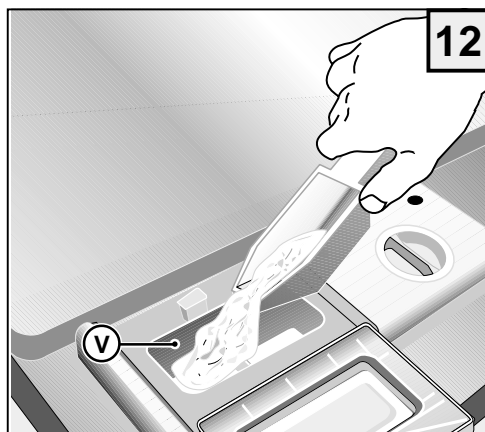
L'efficacia dei diversi detersivi può essere differente. Fate quindi attenzione alle dosi consigliate dalle rispettive case produttrici.

La vaschetta per il detersivo si trova sul lato interno dello sportello.

Nel caso che il coperchio sia chiuso:

- Premere in avanti la leva di chiusura **P**. Il coperchio si apre a scatto.
- Introducete il detersivo nella vaschetta **V**.
- Per chiudere il coperchio, premerlo finché non scatta la chiusura.

Quando le stoviglie sono eccezionalmente sporche è possibile mettere detersivo in più nell'incavo **Q** del coperchio; riempite l'incavo fino all'orlo, questo detersivo è già attivo nella fase di ammollo.



Come caricare e disporre le stoviglie

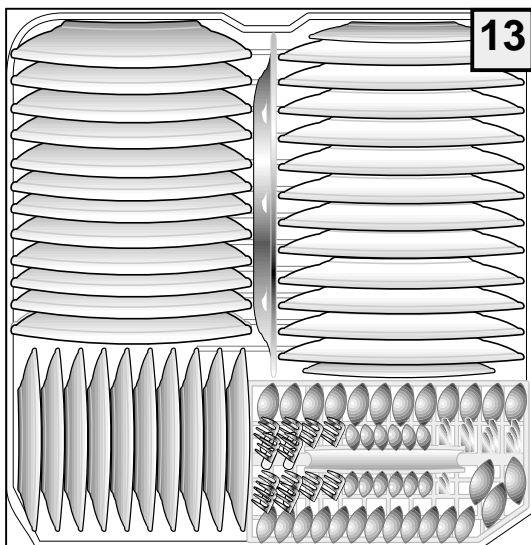
Due cestelli consentono di caricare i vari tipi di stoviglie.

- Togliete dalle stoviglie i resti più grandi di cibo per evitare il rischio di un intasamento del filtro e l'uscita di cattivi odori.
- Se le padelle e pentole sono particolarmente incrostate con resti di cibo (fritto o arrosto) immergeteli in un bagno d'acqua prima d'introdurli nella lavastoviglie.

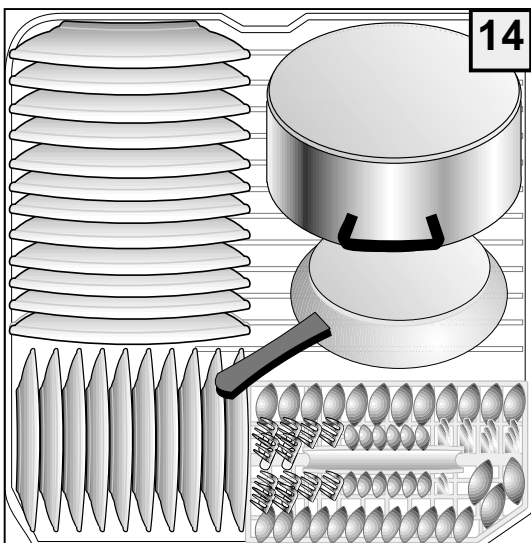
Uso del cestello inferiore

Il cestello inferiore è predisposto per ricevere le stoviglie difficilmente lavabili e il cestello per le posate.

Nel cestello inferiore vengono messi i piatti piani, fondi, padelle, zuppierie, coperchi e piatti di portata. I piatti piani e fondi devono essere disposti tenendo in considerazione che tra i singoli piatti deve rimanere uno spazio intermedio.



La loro posizione deve essere sempre verticale in modo che l'acqua possa passare liberamente. Pentole e padelle devono essere disposte sempre capovolte. Sono possibili tutte le combinazioni e possibilità di caricamento, però bisogna tenere in considerazione che le stoviglie, le pentole e le padelle vengono disposte in modo tale che tutte le superfici sporche siano esposte allo spruzzo d'acqua e che l'acqua possa defluire liberamente.



Posate

Per ottenere i migliori risultati di lavaggio, le posate devono essere disposte con i manici verso il basso. Cucchiari, forchette e coltelli devono essere disposti negli appositi spazi della griglia contenitore posate.



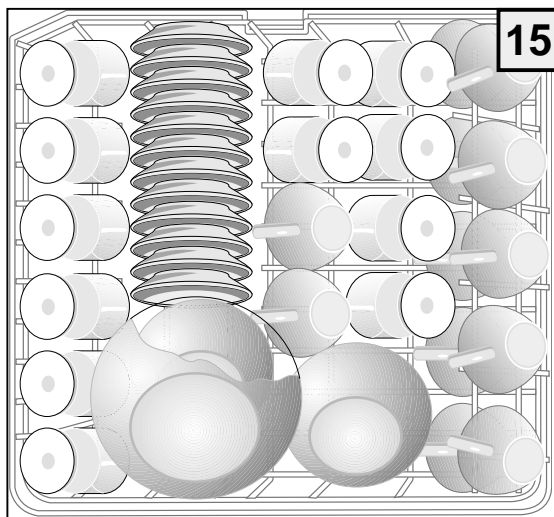
ATTENZIONE:

Posate particolarmente lunghe, e nel caso specifico "coltelli lunghi", non vanno posizionati con le punte rivolte verso l'alto; ma vanno sistemati in posizione orizzontale nel cestello superiore o lavati a mano.

L'uso del cestello superiore

Il cestello superiore completamente estraibile riceve le stoviglie piccole e medie come bicchieri, piattini, tazzine da té e da caffè, insalatiere basse, pentole e padelle basse non molto sporche. I piattini da dolce devono essere disposti sempre verticalmente; bicchieri, tazze, pentole e padelle, capovolti. Le stoviglie leggere devono essere disposte tra i sostegni in modo da non essere colpiti dal getto di lavaggio.

Il miglior risultato di lavaggio viene raggiunto quando si è trovata la disposizione più adatta delle stoviglie nei cestelli. Da questo momento in poi il processo di lavaggio può sviluppare tutta la sua efficacia.



LA2505-120

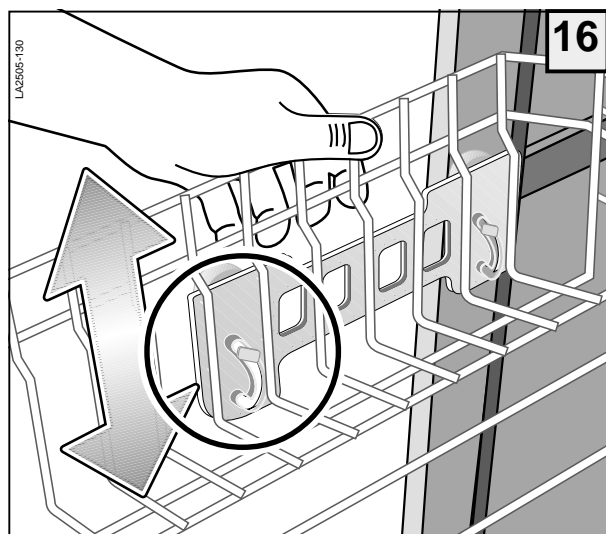


A causa della temperatura elevata dell'acqua di lavaggio e della reazione chimica del detersivo impiegato, è consigliabile evitare oggetti di rame, stoviglie in alluminio anodizzato, posate con manici in legno o corno, porcellane delicate, stoviglie in vetro e plastica non termoresistente. In presenza di stoviglie di porcellana decorata, è consigliabile effettuare una prova di lavaggio su un singolo pezzo per verificare che la decorazione non venga modificata o danneggiata.

Regolazione altezza cestello superiore.

Agendo sulla maniglia laterale (solo lato sinistro), è possibile regolare il cestello in altezza e inclinazione.

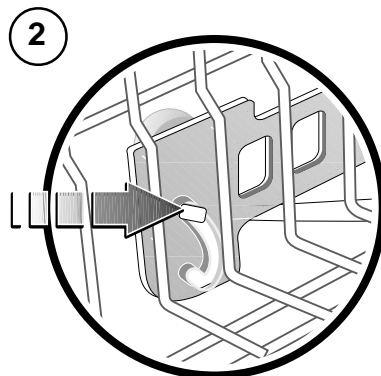
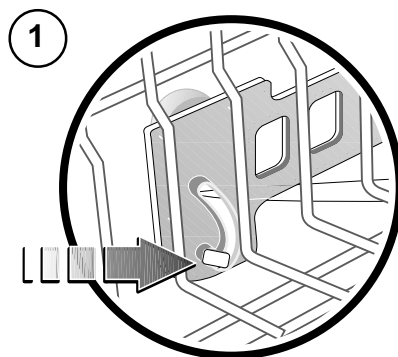
- 1 Regolazione posizione orizzontale
- 2 Regolazione posizione inclinata



LA2505-130

16

LA2505-132

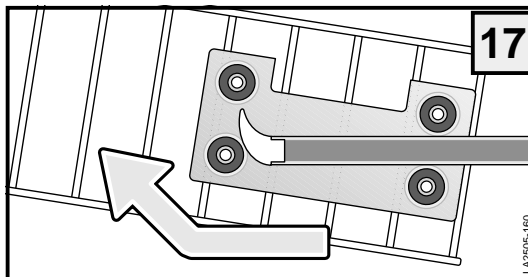


LA2505-134

Estrazione del cestello superiore

Il cestello superiore può essere estratto dalle guide come rappresentato nella figura.

Descrizione elementi di comando e indicazione

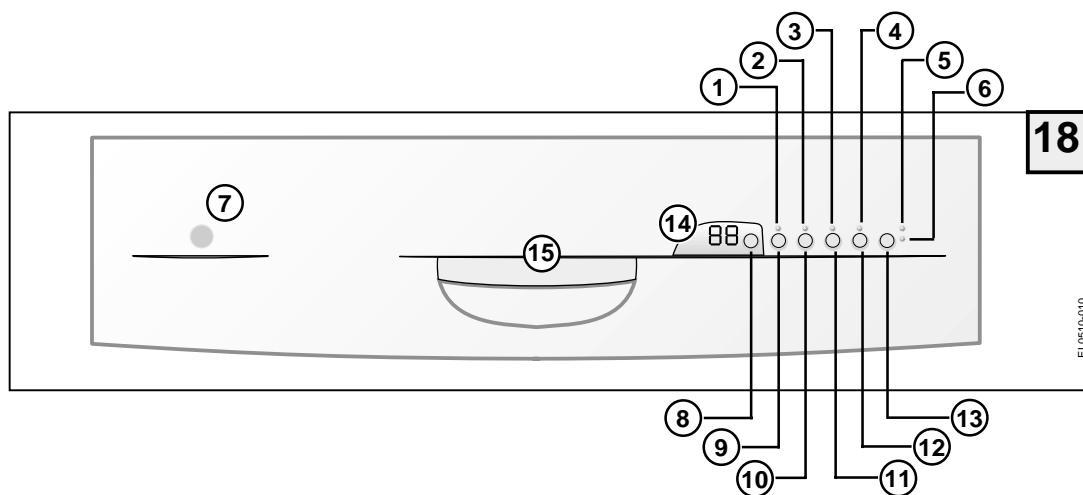


Led di indicazione

- 1) Indicazione ritardo partenza (Delay)
- 2) Indicazione mezzo carico
- 3) Indicazione esclusione prelavaggio
- 4) Indicazione asciugatura
- 5) Indicazione mancanza sale
- 6) Indicazione mancanza Brillantante

Tasti comando

- 7) Acceso/spento
- 8) Selezione programmi
- 9) Selezione ritardo partenza (Delay)
- 10) Selezione mezzo carico
- 11) Selezione esclusione prelavaggio
- 12) Selezione asciugatura
- 13) Start/stop/pausa programma
- 14) Display multifunzione
- 15) Maniglia apertura porta



Avviamento

Dopo il controllo della quantità di sale di rigenerazione e brillantante, aprite completamente il rubinetto dell'acqua, disponete le stoviglie nei cestelli, versare il detersivo nel suo contenitore e il detersivo per il prelavaggio (se necessario) e chiudete la porta frontale.

Procedete come segue:

- Azionate il tasto "acceso-spento" (7). Si illumina il Display (14)

Selezione programmi

- Selezionate il programma desiderato tramite il tasto (8) (selezione programmi)
- Premete il tasto start/pausa programma (13), dopo il segnale acustico di indicazione inizio programma, la macchina svolge automaticamente la fase di lavaggio.

Nota: Sul Display viene visualizzata la durata del programma impostato.



E' consigliabile non aprire la lavastoviglie durante il lavaggio.

Opzioni

(n.b. le varie opzioni vanno selezionate prima di avviare il ciclo di lavaggio)

- **Ritardo di partenza (Delay) (9)**; le impostazioni di ritardo (da 1h a 16h) vengono visualizzate sul Display e contemporaneamente il led corrispondente inizia a lampeggiare per tutta la durata del ritardo impostato.

Per avere la conferma dell'opzione impostata, sul Display deve comparire il nr. programma preselezionato.

- **Mezzo carico (10)**; selezionando le modalita' di lavaggio tramite questo tasto, sul Display vengono riportate le seguenti indicazioni (˘ =lavaggio cestello superiore, _ =lavaggio cestello inferiore), il led corrispondente si illumina.

Per avere la conferma dell'opzione impostata, sul Display deve comparire il nr. programma preselezionato.

- **Esclusione prelavaggio (11)**; questa opzione e' abilitata solo in quei programmi previsti di prelavaggio. Premendo il tasto si illumina il led corrispondente.

Per avere la conferma dell'opzione impostata, sul Display deve comparire il nr. programma preselezionato.

- **Asciugatura (12)**; questa opzione viene eseguita automaticamente nei programmi dove previsto, (vedi tabella programmi). Per variare l'impostazione dell'asciugatura si deve premere il tasto asciugatura (12) prima dell'avvio del programma, nel Display verra' indicato come segue:

A0 =non asciuga - A1 =Asciugatura 20' - A2 =Asciugatura 35' - A3 =Asciugatura 45'

il led corrispondente sul pannello comandi si illumina.

Per avere la conferma dell'opzione impostata sul Display deve comparire il nr. programma preselezionato.

- **Nota:** Nei modelli dove **non è previsto** il ventilatore di asciugatura tale **opzione** è da considerarsi come un tempo di attesa di fine ciclo.

- **Descrizione tasto Start/stop/pausa (13)**

- Esegue l'avvio dei programmi di lavaggio, (il suono del buzzer conferma l'inizio (7) programma).

- Quando si accende la macchina con il pulsante **Marcia/Arresto (ON/OFF)**, il display indica il numero dell'ultimo programma eseguito. In caso che il programma precedentemente eseguito non sia terminato il display lampeggerà il numero di questo programma, per farlo ripartire sarà sufficiente premere il tasto "START" (13), automaticamente sul display comparirà il tempo residuo per finire il ciclo.

(Tale situazione si verifica ogni qualvolta si apre la macchina quando sta eseguendo un programma).

- Se premuto durante il lavaggio per un tempo inferiore a 5" mette la macchina in pausa, nel Display lampeggia il nr. del programma impostato, (è possibile in questo caso aggiungere o togliere stoviglie ecc.). Per continuare il programma di lavaggio chiudere la porta e ripremere il tasto (13).

- **Impostazioni errate dei programmi (cambio programma)**

- Resettare tramite il tasto Start/stop/pausa (13), tenere premuto finche' il buzzer non smette di suonare (serie di beep).

- Ripetere l'operazione "selezione programmi".

Nota: Se il programma e' iniziato e ha superato la fase di carico acqua, sul Display compare la sigla "□□", di seguito la macchina scarica dopo il suono prolungato del buzzer, sul Display compare l'impostazione del programma pre-impostato.

A questo punto la macchina e' pronta per una nuova impostazione.

- **Nota:** Una volta aperta la porta, pigiare sempre il tasto Start (13) per fare ripartire la lavastoviglie.

- **Attivazione/Esclusione dell'indicatore sonoro (buzzer)**

b0 = Indicatore sonoro DISATTIVATO

b1 = Indicatore sonoro ATTIVATO

Per accedere all'impostazione dell'INDICATORE SONORO (BUZZER), tenere premuto il tasto PROGRAMMA (8) all'accensione della macchina. Viene visualizzato sul Display, l'attuale impostazione "b1".

Per modificare quest'impostazione, premere lo stesso tasto fino a selezionare lo stato dell'Indicatore Sonoro desiderato. Attendere circa 6 secondi, senza modificare la scelta, in seguito il suono del BUZZER conferma l'avvenuta memorizzazione.

- **Fine ciclo**

Finito il ciclo di lavaggio sul Display (14) il **numero programma** rimane acceso fisso, se lampeggia attendere la fine del lavaggio.

- **Verifica funzioni**

E' possibile visualizzare le varie funzioni durante le fasi di lavaggio nel seguente modo:

Premendo il tasto selezione programmi (8), sul Display viene visualizzato il nr. del programma preimpostato;

Premendo il tasto mezzo carico (10), sul Display viene visualizzata la zona di lavaggio superiore o inferiore;

Premendo il tasto asciugatura (12), sul Display viene visualizzato il livello di asciugatura.

Arresto

Dopo il ciclo di lavaggio, la lavastoviglie si ferma automaticamente, il suono prolungato del buzzer conferma la fine del ciclo di lavaggio. Per spegnerla, premere il bottone acceso/spento (7). Dopo ogni ciclo di lavaggio, chiudere assolutamente il rubinetto dell'acqua per isolare la lavastoviglie dalla rete di approvvigionamento idrico.

Tabella dei programmi di lavaggio

Programmi	Numero programma	PULSANTI	DETERSIVO		Stoviglie e tipo di sporco	Descrizione programmi	Durata* (1)
		Acceso Spento ⏻	Pre-lavaggio	Lavaggio			
Ammollo	P1	•			Pentole e stoviglie fino al prossimo ciclo di lavaggio	Lavaggio breve a freddo in modo da non far attaccare i resti del cibo alle stoviglie	11'
Intensivo 70°C	P2	•	•	•	Stoviglie molto sporche (con eccezione di parti delicate)	1 Prelavaggio caldo - Lavaggio principale 3 risciacqui (2 freddi - 1 caldo) Asciugatura	2h
Normale 60°C (EN 50242)	P3	•	•	•	Stoviglie mediamente sporche (con eccezione di parti delicate)	1 Prelavaggio freddo - Lavaggio principale 2 risciacqui (1 freddo - 1 caldo) Asciugatura	2h 17'
Delicato 60°C	P4	•		•	Stoviglie delicate molto sporche	Lavaggio principale 2 risciacqui (1 freddo - 1 caldo) Asciugatura	1h 40'
Normale 40°C	P5	•	•	•	Stoviglie normalmente sporche	1 Prelavaggio freddo - Lavaggio principale 2 risciacqui (1 freddo - 1 caldo)	49'
Rapido 40°C	P6	•		•	Stoviglie molto sporche	Lavaggio principale 2 risciacqui (1 freddo - 1 caldo)	39'
Biologico 60°C	P7	•		•	Pentole e stoviglie	Lavaggio principale 3 risciacqui (2 freddi - 1 caldo) Asciugatura	1h 38'
Energico 70°C	P8	•	•	•	Pentole e stoviglie molto sporche	1 Prelavaggio caldo - Lavaggio principale 3 risciacqui (2 freddi - 1 caldo) Asciugatura	2h 11'

(1) N.B. Durata indicativa dei tempi di lavaggio inclusa la durata dell'asciugatura nei programmi dove previsto. Tempo di asciugatura "impostazione di default in A2=35'".

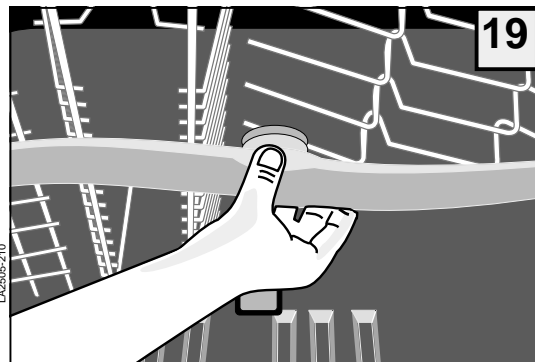
(*) Nel programma P1 è possibile abilitare l'impostazione asciugatura (vedi paragrafo opzioni); in questo modo si ottiene un programma di risciacquo caldo con asciugatura (SCALDAPIAZZI) con le seguenti impostazioni: A1 lava a 65°C asciuga 20' - A2 lava a 60°C asciuga 35' - A3 lava a 50°C asciuga 45'.

7 MANUTENZIONE

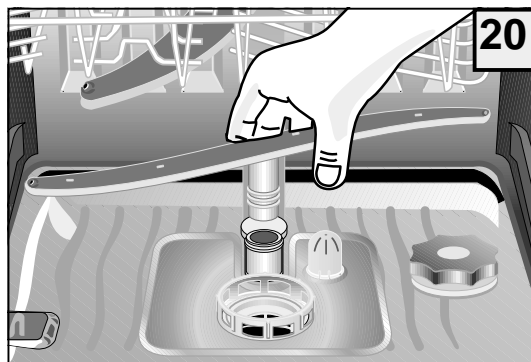
7.1 PULIZIA DEGLI IRRORATORI

Gli irroratori sono facilmente asportabili per consentire la periodica pulizia degli ugelli e per prevenire possibili otturazioni.

Lavateli accuratamente sotto un getto d'acqua e rimontateli nelle proprie sedi.



Per smontare l'irroratore superiore:
Svitate il supporto dell'irroratore in senso antiorario



Per smontare l'irroratore inferiore:
Tirate l'irroratore verso l'alto e sfilatelo

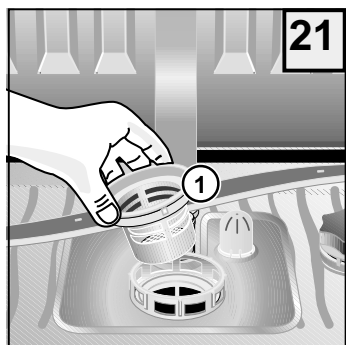
7.2 PULIZIA DEI FILTRI

Dopo ogni lavaggio è opportuno ispezionare il gruppo filtrante e ripulirlo da eventuali depositi agendo nel seguente modo:

- Estraete il filtro centrale 1.
- Sfilate il filtro esterno a pozzetto 2.
- Rimuovete la griglia mobile 3.

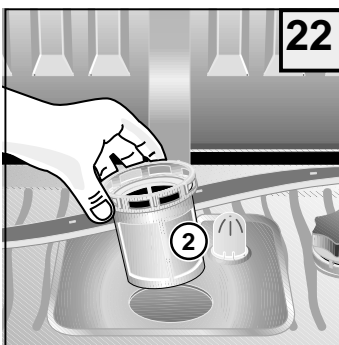
Tutti i componenti vanno puliti in acqua corrente. È indispensabile pulire con attenzione i filtri in quanto la lavastoviglie non potrà funzionare con i filtri ostruiti.

Vi raccomandiamo di rimettere a posto i filtri puliti per evitare danni alla pompa di lavaggio.



21

LA2505-190



22

LA2505-190



23

LA2505-200

7.3 PULIZIA DELLE SUPERFICI ESTERNE ALLA MACCHINA

Le superfici della macchina, di metallo e di plastica del frontalino, devono essere pulite periodicamente con un panno morbido ed umido. Non usate mai acidi o detergenti abrasivi.

Messa fuori servizio prolungata.

Se la lavastoviglie non viene usata per un lungo periodo, si deve procedere come segue:

- Fate girare due programmi di ammollo.
- Staccate la spina dalla rete elettrica.
- Scollegate il tubo di alimentazione dell'acqua.
- Lasciate leggermente aperta la porta frontale per evitare la formazione di cattivo odore.

7.4 TABELLA CODICI DI ERRORE

Errore	Quando si verifica	Controlli da effettuare	Azioni da fare
E1	Durante il carico dell'acqua (il programma si ferma)	- Rubinetto chiuso - Filtro tubo di carico ostruito - Tubo di scarico a terra - Tubo di scarico rotto - Tubo di alimentazione acqua piegato - Insufficiente pressione dell'acqua	- Resettare la lavastoviglie - Verificare - Resettare la lavastoviglie - Chiamare il centro di assistenza autorizzato - Resettare la lavastoviglie - Verificare se c'è pressione
E2	A fine ciclo	- Ripetere il ciclo di lavaggio	- Se si ripresenta lo stesso problema contattare subito il centro assistenza tecnica autorizzato comunicando il tipo di errore
E4	A fine ciclo	- Insufficiente pressione dell'acqua - La valvola contaltri non funziona	- Verificare se c'è pressione - Chiamare il centro di assistenza autorizzato
E5	A fine ciclo	- Tubo di scarico piegato - Il sifone è ostruito - Pompa di scarico bloccata	- Verificare - Verificare - Chiamare il centro di assistenza autorizzato
E6	A fine ciclo	- Griglie filtro intasate - Pentola rovesciata	- Pulire le griglie filtro - Verificare a fine ciclo, posizionare correttamente le pentole al prossimo lavaggio
E7	A fine ciclo	- Ripetere il ciclo di lavaggio	- Se si ripresenta lo stesso problema contattare subito il centro assistenza tecnica autorizzato comunicando il tipo di errore

N.B.: Quando si contatta il centro assistenza tecnica autorizzato comunicare sempre il tipo di errore.

8 RICERCA GUASTI

Controllare prima se è possibile eliminare personalmente eventuali piccoli difetti dell'apparecchio con l'ausilio delle seguenti istruzioni. Se queste informazioni non sono di alcun aiuto per risolvere il problema, mettersi in contatto con il servizio tecnico assistenza clienti.

- **Il programma non si avvia.**

- I fusibili dell'impianto interno sono difettosi? L'apparecchio è allacciato alla rete elettrica?
- Lo sportello è chiuso correttamente? Premere sullo sportello per chiuderlo completamente.

- **Non entra acqua nell'apparecchio.**

- Il rubinetto dell'acqua è aperto?
- Il filtro posto fra rubinetto e tubo di alimentazione acqua è otturato? Pulite eventualmente il filtro.
- Il tubo di carico dell'acqua presenta delle strozzature? Controllate il tubo.

- **L'indicazione di decorso del programma rimane ferma all'inizio del lavaggio.**

- Il rubinetto dell'acqua è completamente aperto?
- Il filtro posto fra rubinetto e tubo di alimentazione acqua è otturato? Pulite eventualmente il filtro.
- La pressione minima dell'acqua è almeno di 0,05 MPa?

- **L'acqua non viene scaricata.**

- Il tubo di scarico presenta delle strozzature? Controllate l'installazione del tubo.
- Il sifone è otturato? Controllate il sifone.

- **Le stoviglie non diventano pulite.**

- Il programma selezionato è adatto al tipo e al grado di sporco delle stoviglie?
- Le stoviglie sono sistemate in modo tale che il getto dell'acqua possa raggiungere la loro superficie interna ed esterna?
- I cestelli delle stoviglie non devono essere sovraccarichi.
- I bracci rotanti sono bloccati dalle stoviglie o da alcune posate?
- Tutti i filtri sul fondo del vano lavaggio sono puliti? I filtri sono messi al loro posto correttamente?
- La dose di detersivo introdotta è quella corretta?
- Il tubo di scarico dell'acqua è installato correttamente?
- C'è ancora sale speciale nel serbatoio del sale? Senza il sale speciale l'acqua non viene addolcita.
- L'impianto addolcitore dell'acqua è regolato in base alla durezza dell'acqua localmente erogata?

- **Le stoviglie non si asciugano e rimangono opache.**

- C'è ancora brillantante nel serbatoio?

- **I bicchieri e le stoviglie presentano delle striature, striscie, macchie lattiginose oppure una patina blu lucente.**

- Durante il risciacquo viene prelevata una dose eccessiva di brillantante. Diminuire il dosaggio di brillantante.

- **I bicchieri e le stoviglie presentano macchie di gocce d'acqua ormai asciutte.**

- Durante il risciacquo viene prelevata una dose insufficiente di brillantante? Aumentare il dosaggio di brillantante.

Avvertenza!

Dato che la lavastoviglie è stata collaudata e controllata accuratamente in fabbrica, si potranno trovare per questo delle goccioline di acqua che scompariranno dopo il primo lavaggio.

