

REFERENCE

FLOORSTANDING LOUDSPEAKERS

OWNER'S MANUAL




REFERENCE SERIES




IMPORTANT SAFETY INSTRUCTIONS

1. READ these instructions.
2. KEEP these instructions.
3. HEED all warnings.
4. FOLLOW all instructions.
5. DO NOT use this apparatus near water.
6. CLEAN ONLY with dry cloth.
7. DO NOT block any ventilation openings. Install in accordance with the manufacturer's instructions.
8. DO NOT install near any heat sources such as radiators, heat registers, stoves, or other apparatus (including amplifiers) that produce heat.
9. DO NOT defeat the safety purpose of the polarized or grounding type plug. A polarized plug has two blades with one wider than the other. A grounding type plug has two blades and a third grounding prong. The wider blade or the third prong are provided for your safety. If the provided plug does not fit into your outlet, consult an electrician for replacement of the obsolete outlet.
10. PROTECT the power cord from being walked on or pinched, particularly at plugs, convenience receptacles, and the point where they exit from the apparatus.
11. ONLY USE attachments/accessories specified by the manufacturer.
12. USE only with a cart, stand, tripod, bracket, or table specified by the manufacturer, or sold with the apparatus. When a cart is used, use caution when moving the cart/apparatus combination to avoid injury from tip-over.
13. UNPLUG this apparatus during lightning storms or when unused for long periods of time.
14. REFER all servicing to qualified service personnel. Servicing is required when the apparatus has been damaged in any way, such as power-supply cord or plug is damaged, liquid has been spilled or objects have fallen into the apparatus, the apparatus has been exposed to rain or moisture, does not operate normally, or has been dropped.



 This symbol indicates that there are important operating and maintenance instructions in the literature accompanying this unit.

 This symbol indicates that dangerous voltage constituting a risk of electric shock is present within this unit.

WARNING: To reduce the risk of fire or electrical shock, do not expose this apparatus to rain or moisture.



WARNING: Voltages in this equipment are hazardous to life. No user-serviceable parts inside. Refer all servicing to qualified service personnel.

CAUTION: Changes or modifications not expressly approved by the manufacturer could void the user's authority to operate this device.

ABOUT YOUR KLIPSCH PURCHASE

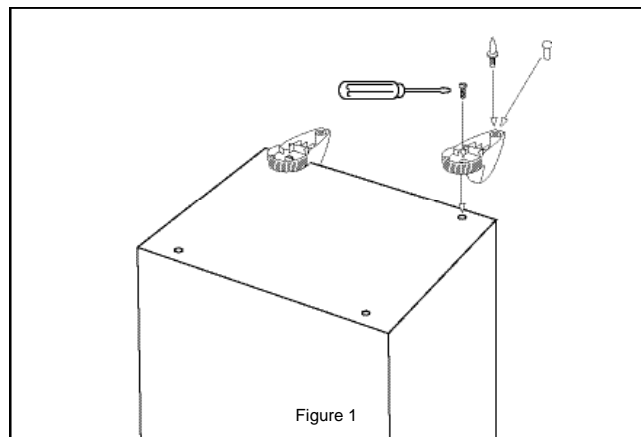
Thank you for your purchase of Klipsch floorstanding loudspeakers. After reading this manual and connecting your system, you will hear the result of over 55 years of stringent engineering and class-leading research and development. Like all Klipsch products, your floorstanding loudspeakers feature Klipsch Tracrix® Horn-loaded Technology—the guiding design for the first Klipschorn® developed in 1946 and for every product that has followed. Horn-loading allows your speakers to deliver high sensitivity, low distortion, flat frequency response and wide dispersion, which translates to unequalled power, detail and dynamics, the hallmarks of "The Klipsch Sound." Please be sure to fill out the warranty card at the back of this manual or online at www.klipsch.com so we are better able to serve you. Again, thank you for choosing Klipsch and we hope that your speakers bring life to your music and movies for many years.

UNPACKING AND ASSEMBLING THE SPEAKER

NOTE: Although this loudspeaker can be unpacked and set up by a single person, a helper will make the job easier, not to mention safer, for speaker and owner alike.

The easiest way to remove the speaker from its carton is to turn the open end of the box down so that it is resting on the floor, with the flaps spread out and away. Then pull the box straight up and off. Remove any packing material from the speaker and grille, place it back in the carton, and store in case you ever need to ship the loudspeaker. Locate the speaker's four stabilizing feet and retaining screws, which are needed for the next step.

If the speaker is not already standing on its head, carefully turn it over so that the bottom is facing up. Near the corners are threaded inserts for attaching the feet. For each one, take one of the supplied feet and align it so that its screw hole is over the insert. Thread one of the supplied screws through and tighten it firmly with a Phillips-head screwdriver. (See Figure 1.)



Once the feet are attached, install either a carpet spike or a rubber tipped bolt into the threaded insert in each foot. The best sonic performance on carpeted surfaces will be achieved by using the supplied spikes. Then, carefully turn the speaker right side up. Once installed, the speaker must be lifted when moved to avoid carpet damage. The spikes are sharp; keep your feet clear!

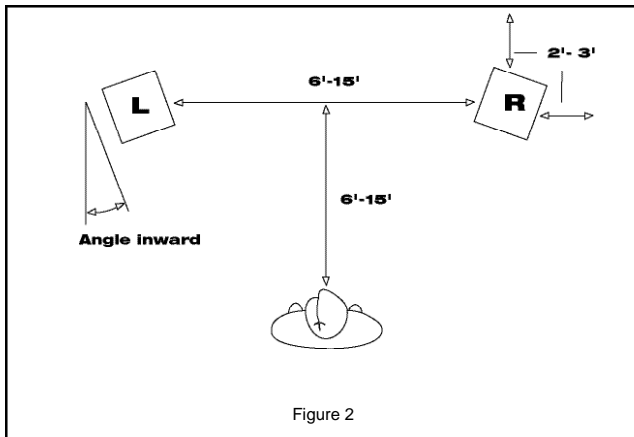
Align the magnetic posts on the inside of the grille with the screws on the front of the speaker, and it will snap into place.

PLACEMENT

Although your Reference Series speakers will perform well in a wide variety of locations, you will get the most out of them by following some simple guidelines:

- The speakers require a few inches of clearance behind them to allow their ports to breathe, and they will sound best when they are at least two feet (60 centimeters) from any nearby walls.
- If possible, arrange both speakers so that they are equal distances from the floor and the wall behind them. It can also help to have the left and right speakers at different distances from their nearest side walls. This sort of staggering helps smooth the bass range.
- Any speaker's bass output and response is strongly influenced by its distance from room boundaries, such as walls and the floor. Moving a speaker closer to a room boundary will increase its bass output, while moving it away will reduce the bass. Following the suggestions above will typically yield good results with Klipsch Reference Series floorstanding speakers, but you may find that you can "fine-tune" the sound by moving them slightly from side to side or front to back until music recordings with strong bass content sound just right to you. Don't be afraid to experiment.

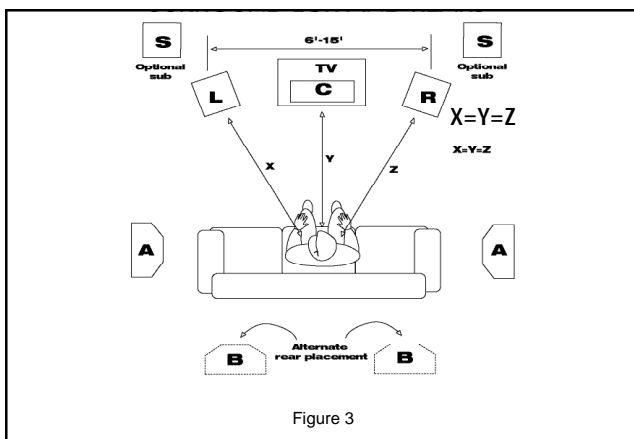
Two-Channel Stereo System - Figure 2 shows a typical speaker arrangement for a two-channel stereo system. A good starting point is to create an equilateral triangle with the speakers and your listening position. Depending on the size of the room and the furniture arrangement, you may find



it convenient to make the distance from the listening position to the line between the speakers somewhat larger or smaller, but try to keep it centered, so that you are at approximately the same distance from each speaker. That will yield the best stereo image. Angling widely spread speakers in slightly toward the listening position can help maintain a good stereo image.

Stereo Setup for Wide Coverage - If you are primarily interested in being able to hear the sound well from any position in the room rather than from a particular seating area, you may prefer to move the speakers far apart along adjoining walls, creating a big "L." This will not provide a very good stereo image, but it will give spacious, well-balanced sound with good coverage.

Home Theater System - Figure 3 shows a typical home theater speaker setup, with a pair of floorstanding speakers at the front left and right, a horizontal center-channel speaker between them, and a pair of surround speakers on the side walls. The basic strategy for placing the front left and right speakers is similar to the one described above for a two-channel stereo system, but anchored by the video screen. Ideally, the front left and right speakers should be approximately in line with the screen and equidistant from it. Unless your video screen is very large, you may prefer less spread between the left and right speakers than in a dedicated stereo music system. This may better associate the size of the sonic image with the video image.



CONNECTIONS

Note: Proper connection of your speakers to your amplifier or receiver is vital to obtaining good sound quality. Please follow these directions carefully. Sloppy connections can cause amplifier malfunction or damage.

Klipsch Reference Series speakers are wired internally with Bandwidth Balanced™ Monster® Cable. Bandwidth Balanced technology employs multiple gauges of high-purity copper wire, carefully selected and wound to ensure optimum signal transfer at all frequencies. You will

obtain best performance from your speakers if you connect them to your amplifier or receiver with Monster Cable or similar quality wire available from your dealer. We recommend that you use 16-gauge or heavier stranded copper wire. Use a lower gauge (heavier) wire for longer runs to reduce the amount of amplifier power lost due to the wire's resistance.

On the back of each speaker are two sets of binding posts, one feeding the tweeter and the other the woofers. For conventional wiring, these sets are connected together with gold-plated metal straps, which must be removed for bi-wiring or biamping. We will explain ordinary single-wiring first and then the alternatives. All the information regarding single-wiring also applies to bi-wiring.

BUT FIRST: TYPES OF CONNECTORS

Bare wire. Pull the two conductors apart for about an inch and strip approximately 1/4-inch of insulation from the end of each. (A wire stripper will simplify this, but you can use an ordinary pocket knife to cut around and through the insulation down to the wire.) Twist the strands of wire on each individual conductor tightly together. Loosen the nuts on a pair of binding posts until the holes through the metal posts are exposed, then insert the bare wire through the holes. Screw the nuts down finger-tight on the wire. Make sure that no strands of wire are touching from one binding post to the other or to any strands from the other conductor. Failure to observe this precaution at either end of the connection can result in amplifier malfunction or damage.

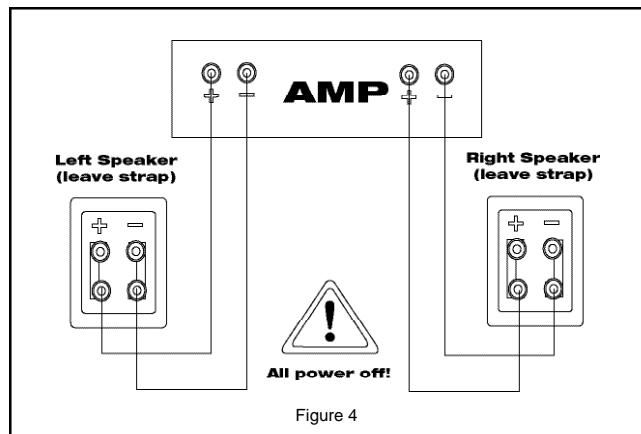
Pins. Many pre-made speaker cables are terminated with metal pins. Loosen the nuts on a pair of binding posts until the holes through the metal posts are exposed, then insert the pins through the holes. Screw the nuts down finger-tight on the pins — do not overtighten. Make sure that there is no metal-to-metal contact between the two pins or binding posts. Failure to observe this precaution at either end of the connection can result in amplifier malfunction or damage.

Spade lugs. Some speaker cables are terminated with U-shaped connectors called spade lugs. Loosen the nuts on a pair of binding posts and slip the spade lugs around the metal posts. Screw the nuts down finger-tight on the lugs and inspect to ensure they have remained firmly in place. Make sure that there is no metal-to-metal contact between the two lugs or binding posts. Failure to observe this precaution at either end of the connection can result in amplifier malfunction or damage.

OTHER TYPES OF SPECIALTY CONNECTORS ARE AVAILABLE TO FACILITATE HOOKING UP YOUR SPEAKERS. PLEASE CONSULT YOUR AUTHORIZED KLIPSCH DEALER FOR SUGGESTIONS AND FURTHER DETAILS.

SPEAKERS TO AMPLIFIER: KEEPING IT STRAIGHT

One of the most important things about hooking up your speakers is keeping them in the same polarity, or phase. If they are connected out of phase, bass and sound imaging will be degraded. The easiest way to ensure that your speakers are wired in phase is to always connect the positive and negative output terminals on your amplifier or receiver to the matching input terminals on your speakers: positive (+, color-coded red) to positive and negative (-, color-coded black) to negative. (See Figure 4.)



REFERENCE SERIES



Most pre-terminated speaker cables have color-coded connectors that make it easy to match output and inputs correctly. If yours do not, or if you are making your own out of paired, two-conductor wire, look for identifying marks on the insulation of the two conductors. Normally there will be printing, a stripe or a molded ridge along one of the conductors.

Bi-wiring - In bi-wiring, separate cables are connected from the amplifier or receiver output terminals to the speaker input terminals for the tweeter and woofers. (See Figure 5.) This results in lower electrical resistance between the amplifier and speaker than single-wiring with the same gauge cable. In some cases bi-wiring may be preferable to single-wiring with lower-gauge cable, which will be thicker and probably less flexible.

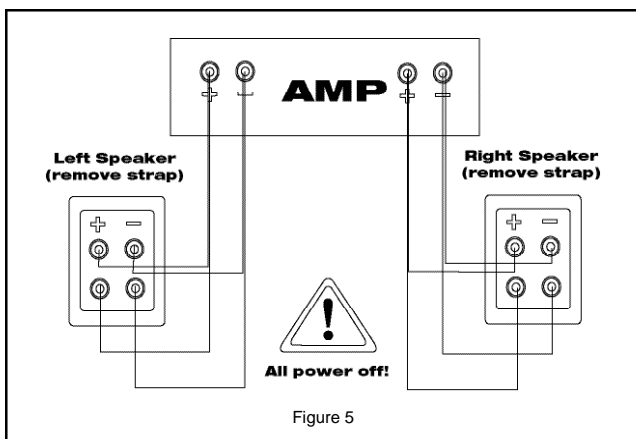


Figure 5

To bi-wire your Reference Series speakers, loosen the nuts on the binding posts and remove the metal straps linking the woofer and tweeter terminals. Observing proper polarity, connect one cable to the tweeter binding posts (upper) and another to the woofer binding posts (lower). Run both cables back to your amplifier or receiver and attach them to the same channel. (Do not, for example, attach one to an A speaker output and the other to a B speaker output on an amplifier or receiver with A/B speaker switching.) Amplifiers may be severely damaged if straps are not removed.

Bi-amplification - In bi-amplification, the tweeter and woofers are driven by separate amplifiers fed from the same preamplifier output. We do not recommend bi-amplifying any of our speakers, since in general it will produce no benefit that could not be obtained simply by using a single larger amplifier and may cause severe sound degradation if not done properly. If you do bi-amplify, use the same model amplifier for the tweeter and woofer sections (to prevent frequency-response errors caused by different amplifier gains) and be sure to remove the straps linking the two sets of input terminals on the speaker. Amplifiers may be severely damaged if straps are not removed.

BASS MANAGEMENT SETTINGS

Surround-sound receivers and processors use what is known as bass management to ensure that low frequencies in the various channels are sent to speakers that can handle them well and away from small speakers that cannot. All Klipsch Reference Series floorstanding models are full-range loudspeakers that can be set to Large in your receiver or processor's speaker setup menu. If your system includes a good powered subwoofer, however, you may get better overall performance by setting all speakers to Small, which will route all low bass to the subwoofer. Experiment to see what works best in your system.

CARE AND CLEANING

The only thing you should ever need to do to your speakers is dust them occasionally. Never apply any abrasive or solvent-based cleaner or any harsh detergent. You can clean the grilles with the brush attachment of a vacuum cleaner.

WARRANTY— U.S. AND CANADA ONLY

The Warranty below is valid only for sales to consumers in the United States or Canada. KLIPSCH, L.L.C. ("KLIPSCH") warrants this product to be free from defects in materials and workmanship (subject to the terms set forth below) for a period of five (5) years from the date of purchase. During the Warranty period, KLIPSCH will repair or replace (at KLIPSCH's option) this product or any defective parts (excluding electronics and amplifiers). For products that have electronics or amplifiers, the Warranty on those parts is for a period of two (2) years from the date of purchase.

To obtain Warranty service, please contact the KLIPSCH authorized dealer from which you purchased this product. If your dealer is not equipped to perform the repair of your KLIPSCH product, it can be returned, freight paid, to KLIPSCH for repair. Please call KLIPSCH at 1-800-KLIPSCH for instructions. You will need to ship this product in either its original packaging or packaging affording an equal degree of protection.

Proof of purchase in the form of a bill of sale or receipted invoice, which is evidence that this product is within the Warranty period, must be presented or included to obtain Warranty service.

This Warranty is invalid if (a) the factory-applied serial number has been altered or removed from this product or (b) this product was not purchased from a KLIPSCH authorized dealer. You may call 1-800-KLIPSCH to confirm that you have an unaltered serial number and/or you purchased from a KLIPSCH authorized dealer.

This Warranty is only valid for the original purchaser and will automatically terminate prior to expiration if this product is sold or otherwise transferred to another party.

This Warranty does not cover cosmetic damage or damage due to misuse, abuse, negligence, acts of God, accident, commercial use or modification of, or to any part of, the product. This Warranty does not cover damage due to improper operation, maintenance or installation, or attempted repair by anyone other than KLIPSCH or a KLIPSCH dealer which is authorized to do KLIPSCH warranty work. Any unauthorized repairs will void this Warranty. This Warranty does not cover product sold AS IS or WITH ALL FAULTS.

REPAIRS OR REPLACEMENTS AS PROVIDED UNDER THIS WARRANTY ARE THE EXCLUSIVE REMEDY OF THE CONSUMER. KLIPSCH SHALL NOT BE LIABLE FOR ANY INCIDENTAL OR CONSEQUENTIAL DAMAGES FOR BREACH OF ANY EXPRESS OR IMPLIED WARRANTY ON THIS PRODUCT. EXCEPT TO THE EXTENT PROHIBITED BY LAW, THIS WARRANTY IS EXCLUSIVE AND IN LIEU OF ALL OTHER EXPRESS AND IMPLIED WARRANTIES WHATSOEVER, INCLUDING BUT NOT LIMITED TO, THE WARRANTY OF MERCHANTABILITY AND FITNESS FOR A PRACTICAL PURPOSE.

Some states do not allow the exclusion or limitation of incidental or consequential damages or implied warranties so the above exclusions may not apply to you. This Warranty gives you specific legal rights, and you may have other rights, which vary from state to state.

WARRANTY OUTSIDE THE UNITED STATES AND CANADA

The warranty on this product if it is sold to a consumer outside of the United States or Canada shall comply with applicable law and shall be the sole responsibility of the distributor that supplied this product. To obtain any applicable warranty service, please contact the dealer from which you purchased this product, or the distributor that supplied this product.

IMPORTANTES CONSIGNES DE SÉCURITÉ

1. LIRE ces instructions.
2. CONSERVER ces instructions.
3. RESPECTER tous les avertissements.
4. SUIVRE toutes les instructions.
5. NE PAS utiliser cet appareil à proximité de l'eau.
6. NETTOYER UNIQUEMENT avec un chiffon sec.
7. NE PAS OBSTRUER les ouies de ventilation. Installer conformément aux instructions du constructeur.
8. Ne pas installer à proximité de sources de chaleur telles que les radiateurs, les grilles de chauffage, les cuisinières et les autres appareils (notamment les amplificateurs) dégagant de la chaleur.
9. NE PAS neutraliser le dispositif de sécurité que constitue la fiche polarisée ou à broche de terre. Une fiche polarisée a une lame plus large que l'autre. Une fiche à broche de terre est munie de deux lames et d'une troisième broche pour la terre. La lame large et la troisième broche sont prévues pour la sécurité de l'utilisateur. Si la fiche fournie ne rentre pas dans votre prise de courant, demander à un électricien de remplacer cette prise d'un type ancien.
10. PROTÉGER le cordon d'alimentation en s'assurant qu'il ne risque pas d'être piétiné ou écrasé, en particulier près des fiches, des blocs multiprises et de son point de sortie de l'appareil.
11. UTILISER UNIQUEMENT les accessoires préconisés par le constructeur.
12. UTILISER exclusivement avec un chariot, un support, un trépied, une console ou un bâti recommandé par le fabricant ou vendu avec l'appareil. Lorsqu'un chariot est utilisé, faire preuve de prudence pour déplacer l'ensemble chariot/appareil afin d'éviter un renversement pouvant causer des blessures.
13. DÉBRANCHER cet appareil en cas d'orage ou lorsqu'il reste inutilisé pendant une longue durée.
14. CONFIER tout travail de dépannage à un réparateur professionnel compétent. En cas de dommages, il faut faire réparer l'appareil, par exemple si la fiche ou le cordon d'alimentation a été endommagé, si un liquide a été renversé ou si un objet a pénétré à l'intérieur de l'appareil, si l'appareil a été exposé à la pluie ou à l'humidité, s'il ne fonctionne pas normalement ou s'il a subi une chute.



Ce symbole indique d'importantes instructions d'utilisation et d'entretien dans l'accompagnement cet appareil.



Ce symbole indique qu'une tension dangereuse présentant un risque d'électrocution est présente dans l'appareil.

AVERTISSEMENT: Pour réduire les risques d'incendie et d'électrocution, ne pas exposer cet appareil à la pluie ni à l'humidité.



AVERTISSEMENT: Les tensions présentes dans cet appareil peuvent être mortelles. Cet appareil ne contient pas de pièces pouvant être remplacées par l'utilisateur. Tout travail de dépannage doit être confié à un réparateur professionnel compétent.

ATTENTION: Les changements ou modifications non expressément approuvés par le fabricant pourraient annuler le droit de l'utilisateur à utiliser cet appareil.

À PROPOS DE VOTRE ACHAT DE PRODUIT KLIPSCH

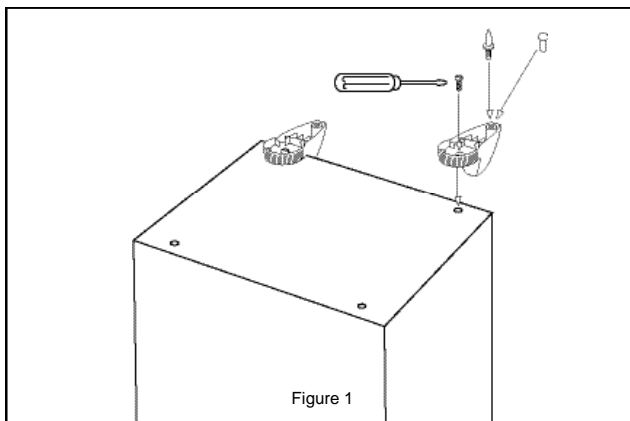
Merci d'avoir acheté ces enceintes à piétement Klipsch. Après avoir lu ce manuel et raccordé votre système, vous entendrez le résultat de plus de 55 ans d'étude technique rigoureuse et de recherche et développement de pointe. Comme tous les produits Klipsch, ces enceintes à piétement bénéficient de la technologie de haut-parleur à pavillon Klipsch Tracrix® qui a servi de ligne directrice au premier modèle Klipschorn® développé en 1946 et à tous les produits qui ont suivi. Le haut-parleur à pavillon permet aux enceintes d'offrir une réponse dotée de haute sensibilité, faible distorsion, réponse en fréquence uniforme et large dispersion, ce qui se traduit par une supériorité inégalée du « son Klipsch » au niveau de la puissance, des détails et de la dynamique. N'oubliez pas de remplir la fiche de garantie à la fin de ce manuel ou en ligne sur www.klipsch.com, afin que nous puissions mieux vous servir. Encore une fois, merci d'avoir choisi Klipsch. Nous espérons que ces enceintes vous permettront d'apprécier pleinement votre musique et vos films pendant de nombreuses années.

DÉBALLAGE ET ASSEMBLAGE DE L'ENCEINTE

REMARQUE : Bien que cette enceinte puisse être déballée et installée par une seule personne, l'aide d'une deuxième personne rendra le travail plus facile, mais aussi plus sûr pour l'enceinte comme pour son propriétaire.

La manière la plus simple de retirer l'enceinte de son carton d'emballage est de retourner celui-ci de façon à avoir le côté ouvert posé sur le sol, avec les rabats bien écartés. Puis enlevez le carton en le tirant vers le haut. Retirez tous les matériaux d'emballage autour de l'enceinte et de la grille et remettez-les dans le carton. Conservez le tout pour le cas où il faudrait expédier l'enceinte. Préparez les quatre pieds stabilisateurs de l'enceinte et les vis de fixation, nécessaires pour l'étape suivante.

Si l'enceinte n'est pas déjà posée la tête en bas, retournez-la avec précaution de façon à ce que sa base soit orientée vers le haut. Vous verrez près des coins des douilles taraudées prévues pour la fixation des pieds. Pour chacune, alignez l'un des pieds fournis de façon à ce que le trou de vis du pied soit au-dessus de la douille. Vissez-y l'une des vis fournies et serrez fermement à l'aide d'un tournevis cruciforme. (Voir la figure 1.)



Une fois les pieds fixés, insérez soit une pointe de découpage pour moquette, soit un boulon à patin de caoutchouc dans la douille fileté de chaque pied. Lorsque l'enceinte est posée sur une moquette, les pointes de découpage fournies permettent d'obtenir les meilleures performances acoustiques. Retournez ensuite l'enceinte avec précaution pour la mettre à l'endroit. Une fois l'enceinte en place, il faut la soulever pour la déplacer, afin de ne pas abîmer la moquette. Les pointes de découpage sont dangereuses. Faites attention à vos pieds !

Après avoir retiré le sachet d'emballage, alignez les montants magnétiques sur la face intérieure de la grille avec les vis placées à l'avant de l'enceinte pour mettre la grille en place.

PLACEMENT

Les enceintes de la gamme Reference fonctionneront correctement dans de nombreux endroits, mais vous en tirerez le meilleur en suivant simplement les directives ci-dessous :

- Il faut laisser quelques dizaines de centimètres de dégagement derrière les enceintes afin de permettre la respiration de leurs événements. Prévoyez au moins 60 centimètres entre l'enceinte et tout mur voisin pour obtenir un son optimal.
- Si possible, disposez les enceintes à égale distance du sol et du mur devant lequel elles se trouvent. Il peut en outre être préférable d'avoir les enceintes gauche et droite à différentes distances des murs latéraux les plus proches, afin d'améliorer les graves.
- Pour toute enceinte, la restitution des graves est très influencée par la distance entre l'enceinte et les limites de la pièce, notamment les murs et le sol. Le niveau de restitution des graves augmente si vous rapprochez l'enceinte d'un mur et il diminue si vous l'en éloignez. En suivant les suggestions ci-dessus, vous obtiendrez en général de bons résultats avec les enceintes à piétement de la gamme Reference de Klipsch, mais vous découvrirez peut-être qu'il est possible « d'affiner » le son en les déplaçant légèrement longitudinalement ou latéralement jusqu'à ce que la restitution de la musique à fort contenu grave vous semble correcte. N'hésitez pas à faire des essais.

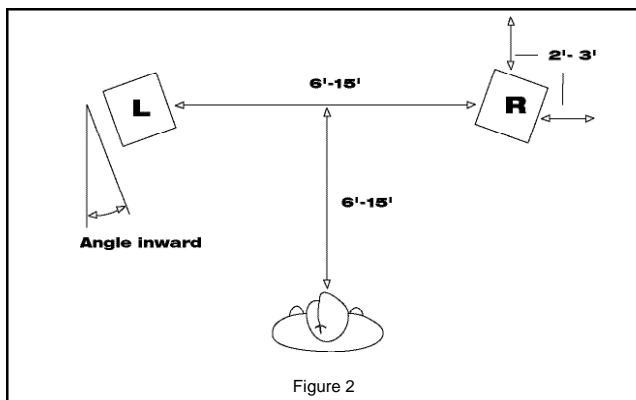


Figure 2

Système stéréo à deux canaux: La figure 2 représente un exemple de disposition d'enceintes pour un système stéréo à deux canaux. Un bon point de départ consiste à disposer les enceintes de façon à former un triangle équilatéral avec la position d'écoute. Selon la taille de la pièce et la disposition du mobilier, il peut être plus pratique d'augmenter ou de réduire la distance entre la position d'écoute et l'axe reliant les enceintes, mais il est préférable de rester à peu près à égale distance de chacune des deux enceintes. Vous obtiendrez ainsi la meilleure qualité de restitution stéréophonique. Celle-ci peut être encore améliorée si les enceintes sont très écartées, en les tournant légèrement de façon à les orienter vers la position d'écoute.

Mise en place stéréophonique pour une couverture étendue: Si vous souhaitez avant tout pouvoir entendre le son de n'importe quel endroit de la pièce et non à partir d'une zone d'écoute particulière, il est conseillé d'écarter les enceintes en les plaçant contre deux murs adjacents, de façon à former un grand L. La restitution stéréophonique ne sera pas optimisée, mais vous obtiendrez un son bien équilibré avec une bonne couverture.

Système de cinéma maison: La figure 3 représente un exemple de configuration pour cinéma maison, avec une paire d'enceintes à piétement à l'avant gauche et à droite, une enceinte de canal central entre les deux et une paire d'enceintes ambiophoniques sur les murs latéraux. Le principe de placement des enceintes avant gauche et droite est semblable à celui décrit ci-dessus pour un système stéréophonique à deux canaux, à ceci près que l'écran vidéo est utilisé comme point de référence. L'idéal est que ces enceintes soient à peu près alignées avec l'écran et à égale distance de celui-ci. Si votre écran vidéo n'est pas très large, il est préférable que les enceintes gauche et droite soient moins écartées que pour un système stéréophonique réservé à la musique. La taille apparente de l'image acoustique est ainsi mieux adaptée à celle de l'image vidéo.

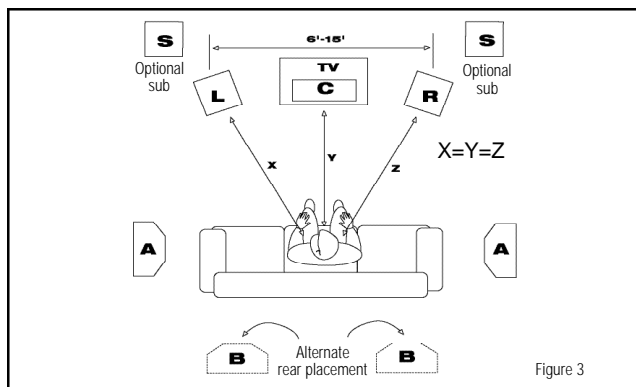


Figure 3

RACCORDEMENTS

Remarque : Un bon raccordement des enceintes à l'amplificateur ou au récepteur est essentiel pour l'obtention d'un son de qualité supérieure. Suivez attentivement les instructions ci-dessous. Des raccordements mal réalisés risquent d'entraîner un mauvais fonctionnement de l'amplificateur ou de l'endommager.

Le câblage interne des enceintes Klipsch de la gamme Reference est effectué avec un câble de type Bandwidth Balanced™ Monster®. La technologie Bandwidth Balanced™ fait appel à des fils de cuivre de grande pureté et de différents diamètres, soigneusement sélectionnés et bobinés de façon à assurer une transmission optimale des signaux de différentes fréquences. Vous tirerez le maximum de vos enceintes en les reliant à l'amplificateur ou au récepteur à l'aide de fils de type Monster Cable ou de qualité identique, en vente chez un détaillant. Nous recommandons d'utiliser des fils de cuivre multibrin d'au moins 2 mm² de section (calibre 16). Utilisez un plus grand diamètre de fil pour les plus grandes longueurs afin de réduire la puissance perdue à cause de la résistance du fil.

À l'arrière de chaque enceinte se trouvent deux paires de bornes de connexion, l'une pour l'alimentation du haut-parleur d'aigus et l'autre pour celle des haut-parleurs de graves. Pour le câblage conventionnel, ces paires de bornes sont reliées entre elles par des cavaliers métalliques dorés, devant être retirés pour le bi-câblage ou la bi-amplification. Nous allons d'abord décrire le simple câblage, puis les autres possibilités. Toutes les informations relatives au simple câblage s'appliquent aussi au bi-câblage.

TOUT D'ABORD : TYPES DE CONNECTEURS

Fil nu. Séparez les deux conducteurs sur environ 25 mm, puis dénudez leurs extrémités sur environ 6 mm. (Une pince à dénuder simplifie cette opération, mais vous pouvez aussi entailler le pourtour de l'isolant jusqu'au fil à l'aide d'un canif ordinaire.) Torsadez en serrant bien les brins de chaque conducteur. Desserrez les écrous d'une paire de bornes de connexion de façon à voir apparaître les trous qui les traversent, puis insérez dans ces trous les extrémités dénudées des fils. Vissez chaque écrou sur le fil en serrant à la main. Vérifiez à chaque extrémité du raccordement qu'aucun brin de fil ne met en contact les deux bornes entre elles ni ne touche un brin de l'autre conducteur, afin d'éviter un mauvais fonctionnement ou un endommagement de l'amplificateur.

Broches. Beaucoup de câbles d'enceintes préfabriqués sont pourvus de terminaisons à broches métalliques. Desserrez les écrous d'une paire de bornes de connexion de façon à voir apparaître les trous qui les traversent, puis insérez les broches dans ces trous. Vissez chaque écrou sur la broche en serrant à la main. Ne serrez pas trop. Vérifiez à chaque extrémité du raccordement qu'il n'y a aucun contact métallique entre les deux broches, entre les deux bornes ou entre une broche et une borne, afin d'éviter un mauvais fonctionnement ou un endommagement de l'amplificateur.

Cosses à fourche. Certains câbles d'enceintes sont pourvus de connecteurs en U appelés cosses à fourche. Desserrez les écrous d'une paire de bornes de connexion et mettez chaque cosse à fourche à cheval sur la borne. Vissez chaque écrou sur la cosse en serrant à la main et inspectez les cosses pour vous assurer qu'elles sont bien en place. Vérifiez à chaque extrémité du raccordement qu'il n'y a aucun contact métallique entre les deux cosses, entre les deux bornes ou entre une cosse et une borne, afin d'éviter un mauvais fonctionnement ou un endommagement de l'amplificateur.

IL EXISTE D'AUTRES TYPES DE CONNECTEURS SPECIAUX PERMETTANT DE FACILITER LE RACCORDEMENT DES ENCEINTES. ADRESSEZ-VOUS A UN REVENDEUR AGREE KLIPSCH POUR OBTENIR DES SUGGESTIONS ET DE PLUS AMPLES DETAILS.

ENCEINTES À AMPLIFICATEUR : RESPECT DE LA POLARITÉ

Le respect de la polarité ou phase est primordial pour le raccordement des enceintes. En effet, si le raccordement est déphasé, les graves et l'image acoustique sont dégradés.

La façon la plus simple d'assurer le raccordement en phase des enceintes est de toujours relier les bornes de sortie positive et négative de l'amplificateur ou du récepteur aux bornes d'entrée correspondantes des enceintes : borne positive (« + », rouge) à la borne positive et borne négative (« - », noire) à la borne négative. (Voir la figure 4.)

La plupart des câbles préfabriqués possèdent des connecteurs de couleur facilitant le raccordement adéquat des entrées et des sorties. Si ce n'est pas le cas des vôtres ou si vous fabriquez vous-même vos câbles à partir de fil à deux conducteurs, recherchez sur ceux-ci des repères d'identification. Ils sont, en général, constitués de caractères imprimés, d'une bande ou d'une ligne en relief le long de l'un des conducteurs.

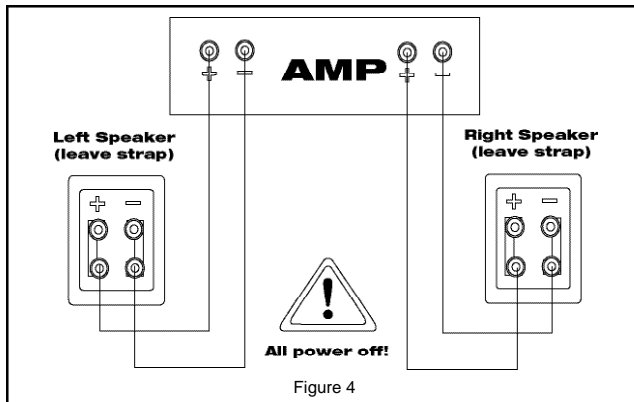


Figure 4

Bi-câblage. Le bi-câblage consiste à raccorder des câbles distincts des bornes de sortie de l'amplificateur ou du récepteur aux bornes d'entrée d'enceinte correspondant au haut-parleur d'aigus et aux haut-parleurs de graves (voir la figure 5). Cela se traduit par une résistance électrique entre l'amplificateur et l'enceinte inférieure à celle que présente un simple câblage réalisé avec des fils de la même section. Dans certains cas, le bi-câblage peut être préférable au simple câblage à fils de forte section, plus gros et sans doute moins souples.

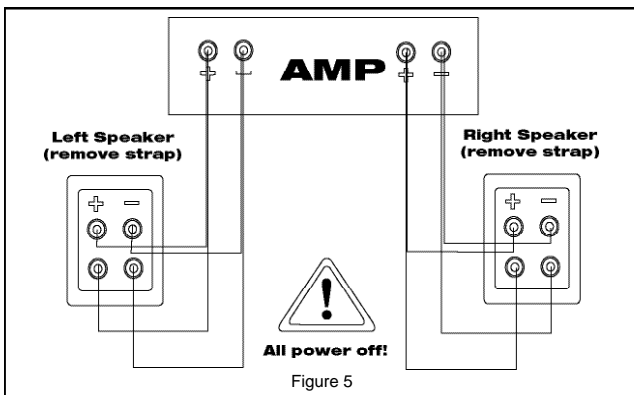


Figure 5

Pour raccorder en bi-câblage les enceintes de la gamme Reference, desserrez les écrous des bornes de connexion et retirez les fils de pontage ou cavaliers métalliques reliant les bornes du haut-parleur d'aigus à celles du haut-parleur de graves. En respectant la polarité (voir ci-dessus), raccordez un câble aux bornes de connexion du haut-parleur d'aigus (celles du haut) et un autre aux bornes de connexion du haut-parleur de graves (celles du bas). Conduisez les deux câbles jusqu'à l'amplificateur ou au récepteur et raccordez-les au même canal. (En particulier, ne raccordez pas un câble à une sortie d'enceinte A et l'autre à une sortie d'enceinte B dans le cas d'un amplificateur ou d'un récepteur à commutation d'enceintes A/B.) Les amplificateurs risquent d'être gravement endommagés si les cavaliers ne sont pas retirés.

Bi-amplification. En bi-amplification, le haut-parleur d'aigus et les haut-parleurs de graves sont pilotés par des amplificateurs distincts, alimentés par la même sortie de préamplificateur. La bi-amplification est déconseillée pour toutes nos enceintes. En effet, cette opération ne présente en général aucun avantage par rapport à l'utilisation d'un seul amplificateur plus grand. De plus, une forte dégradation du son peut être provoquée par une mauvaise mise en œuvre. Si toutefois vous choisissez la bi-amplification, utilisez le même modèle d'amplificateur pour les sections des aigus et des graves (afin d'éviter des erreurs de réponse en fréquence résultant de gains d'amplification différents), et n'oubliez pas de retirer les cavaliers reliant entre elles les deux paires de bornes d'entrées de l'enceinte. Les amplificateurs risquent d'être gravement endommagés si les cavaliers ne sont pas retirés.

RÉGLAGES DE GESTION DES GRAVES

Les processeurs et les récepteurs ambiophoniques utilisent ce que l'on appelle la gestion des graves : il s'agit de faire en sorte que les basses fréquences des différents canaux soient envoyées aux enceintes capables de bien les reproduire et qu'elles évitent les petites enceintes qui ne le peuvent pas. Tout modèle d'enceinte à piètement de la gamme

Reference de Klipsch est une enceinte utilisant toute la gamme de fréquences et pouvant donc être réglée sur Large dans le récepteur ou le processeur, sous le menu de configuration des enceintes. Mais si votre système comporte un bon caisson de graves amplifié, vous obtiendrez peut-être un meilleur fonctionnement d'ensemble en réglant les enceintes sur Small, ce qui dirige tous les graves vers ce caisson. Faites des essais pour trouver ce qui convient le mieux à votre système.

ENTRETIEN ET NETTOYAGE

Le nettoyage de vos enceintes ne demande qu'un époussetage de temps en temps. N'utilisez jamais de produits de nettoyage abrasifs ou à base de solvant ni de détergents puissants. Vous pouvez nettoyer les grilles à l'aide d'une brosse d'aspirateur.

GARANTIE (États-Unis et Canada seulement)

La garantie ci-dessous est valable exclusivement pour les articles vendus aux consommateurs aux États-Unis et au Canada.

KLIPSCH AUDIO TECHNOLOGIES (KLIPSCH dans ce qui suit) garantit cet article contre tout défaut de fabrication ou de matériau (sous réserve des conditions énoncées ci-dessous) pour une période de cinq (5) ans à compter de la date d'achat. Pendant cette période de garantie, KLIPSCH réparera ou remplacera, à sa discrétion, l'article ou la pièce défectueuse (à l'exception des amplificateurs et autres appareils électroniques). Pour les articles comportant des amplificateurs ou d'autres composants électroniques, la période de garantie de ces composants est de deux (2) ans à compter de la date d'achat.

Pour tout service entrant dans le cadre de la garantie, veuillez prendre contact avec le concessionnaire agr. KLIPSCH auprès duquel l'article a été acheté. Si le concessionnaire ne dispose pas des moyens d'effectuer la réparation de l'article KLIPSCH, celui-ci peut être renvoyé à KLIPSCH en port payé pour réparation. Veuillez appeler KLIPSCH au 1-800-KLIPSCH pour recevoir des instructions à ce propos. L'article devra être expédié dans son emballage d'origine ou dans un emballage offrant le même niveau de protection.

Toute demande de réparation ou de remplacement dans le cadre de la garantie doit être accompagnée d'une preuve d'achat datée (facture ou ticket de caisse) attestant que la période de garantie n'a pas expiré.

Cette garantie est annulée si (a) le numéro de série apposé à l'usine est modifié ou retiré de l'article ou (b) l'article n'a pas été acheté auprès d'un concessionnaire agr. KLIPSCH. Il est possible d'appeler le 1-800-KLIPSCH pour vérifier que le numéro de série n'a pas été modifié ou que le vendeur est bien un concessionnaire agr. KLIPSCH.

Cette garantie ne couvre pas les dommages superficiels ou résultant d'une mauvaise utilisation, d'un mauvais traitement, d'une utilisation commerciale ou d'une modification de cet article ou de toute pièce de celui-ci, ou encore d'une négligence, d'une catastrophe naturelle ou d'un accident. Cette garantie ne couvre pas les dommages résultant d'un emploi, d'une installation ou d'un entretien inadéquats, ou d'une tentative de réparation par toute personne non autorisée par KLIPSCH à effectuer des réparations dans le cadre de la garantie. Toute réparation non autorisée annule cette garantie. Cette garantie ne couvre pas les articles vendus EN L TAT ou SANS GARANTIE.

LES RÉPARATIONS OU REMPLACEMENTS OFFERTS DANS LE CADRE DE CETTE GARANTIE CONSTITUENT LE SEUL RECOURS DE L'ACHETEUR. KLIPSCH DÉCLINE TOUTE RESPONSABILITÉ EN CAS DE DOMMAGES INDIRECTS OU ACCESSOIRES POUR MANQUEMENT À TOUTE GARANTIE EXPRESSE OU IMPLICITE DE CE PRODUIT. SAUF DISPOSITIONS CONTRAIRES PRÉVUES PAR LA LOI, CETTE GARANTIE EXCLUE ET REMPLACE TOUTE AUTRE GARANTIE EXPRESSE OU IMPLICITE, Y COMPRIS, MAIS DE FAÇON NON LIMITATIVE, LES GARANTIES DE QUALITÉ MARCHANDE ET D'ADAPTATION À UN USAGE PARTICULIER.

Certaines collectivités territoriales n'autorisent pas l'exclusion ou la limitation des dommages indirects ou accessoires ou des garanties implicites. Il est possible que les limitations ou exclusions ci-dessus ne s'appliquent pas à votre cas. Cette garantie vous donne des droits particuliers. Vous bénéficiez peut-être d'autres droits selon votre lieu de résidence.

GARANTIE À L'EXTÉRIEUR DES ÉTATS-UNIS ET DU CANADA

Si ce produit est vendu à l'extérieur des États-Unis et du Canada, la garantie doit être conforme aux lois en vigueur et n'engage que la responsabilité du distributeur qui a fourni ce produit. Pour obtenir un service en garantie, contactez le détaillant chez qui vous avez acheté ce produit ou le distributeur qui l'a fourni.

REFERENCE SERIES



WICHTIGER SICHERHEITSHINWEIS

1. LESEN Sie diese Anweisungen durch.
2. BEHALTEN Sie diese Anweisungen.
3. BEACHTEN Sie alle Warnhinweise.
4. FOLGEN Sie allen Anweisungen.
5. Verwenden Sie diese Geräte NICHT in der Nähe von Wasser.
6. Reinigen Sie sie NUR mit einem trockenen Tuch.
7. Blockieren Sie KEINE Lüftungsöffnungen. Installieren Sie die Geräte entsprechend den Herstelleranweisungen.
8. Installieren Sie sie nicht in der Nähe von Wärmequellen wie Heizkörpern, Warmlufteintrittsöffnungen, Öfen oder anderen wärmeerzeugenden Geräten (einschließlich Verstärkern).
9. Sie dürfen die Sicherheitsfunktion polarisierter oder geerdeter Stecker NICHT außer Kraft setzen. Ein polarisierter Stecker hat zwei Stifte, wobei einer dicker ist als der andere. Ein geerdeter Stecker hat zwei Stifte und einen dritten Erdungsstift. Der dickere Stift oder der dritte Stift dienen zu Ihrer Sicherheit. Wenn der mitgelieferte Stecker nicht in Ihre Steckdose passt, sollten Sie die veraltete Steckdose durch einen Elektriker ersetzen lassen.
10. VERMEIDEN Sie, dass das Netzkabel belastet oder geknickt wird, vor allem bei Steckern, Zusatzsteckdosen und beim Ausgang aus dem Gerät
11. Verwenden Sie AUSSCHLIESSLICH vom Hersteller empfohlene Zusatzgeräte/Zubehör.
12. Verwenden Sie beim Transport ausschließlich Wagen, Ständer, Stative, Halterungen oder Tische, die vom Hersteller empfohlen oder mit dem Gerät verkauft wurden. Bei Verwendung eines Wagens sollten Sie vorsichtig sein, damit Wagen und Gerät nicht umkippen und Verletzungen verursachen.
13. Trennen Sie dieses Gerät bei Gewitter vom Netz, oder wenn es längere Zeit nicht benutzt wird.
14. Lassen Sie alle Wartungen bzw. Reparaturen von geschulten Kundendiensttechnikern durchführen. Eine Wartung bzw. Reparatur ist nötig, wenn das Gerät auf irgendeine Weise beschädigt wurde, z.B. durch Schäden am Netzkabel oder -stecker, durch Verschütten von Flüssigkeiten, durch das Hineinfallen von Gegenständen, durch Regen oder Feuchtigkeit, wenn es nicht richtig funktioniert oder wenn es fallen gelassen wurde.



Dieses Symbol weist darauf hin, dass die dieser Einheit beiliegenden Anleitungen wichtige Betriebs- und Wartungsanweisungen enthalten.



Dieses Symbol weist auf die Gefahr eines Stromschlags aufgrund von gefährlichen Spannungen in dieser Einheit hin.

WARNUNG: Um die Gefahr eines Feuers oder Stromschlags zu verringern, ist dieses Gerät vor Regen oder Feuchtigkeit zu schützen.



WARNUNG: In diesem Gerät gibt es lebensgefährliche Stromspannung. Das Gerät enthält keine durch den Benutzer zu wartenden Teile. Lassen Sie alle Wartungen bzw. Reparaturen von geschulten Kundendiensttechnikern durchführen.

WARNUNG: Änderungen oder Modifikationen, die nicht ausdrücklich vom Hersteller genehmigt sind, könnten das Recht des Benutzers zum Betrieb des Geräts ungültig werden lassen.

ÜBER IHR KLIPSCH-PRODUKT

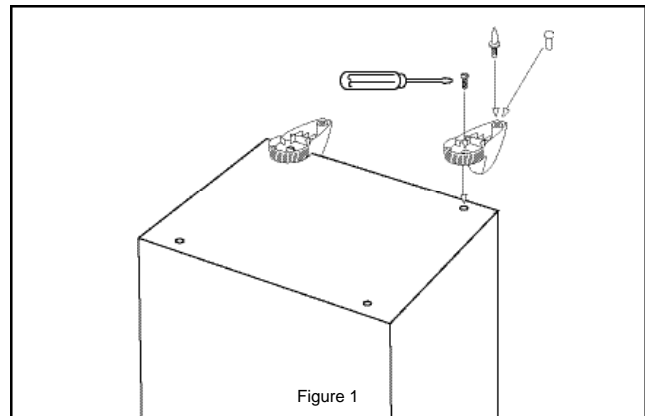
Vielen Dank, dass Sie Klipsch-Standlautsprecher gekauft haben. Nach der Lektüre dieses Handbuchs und dem Anschluss Ihres Systems werden Sie das Ergebnis von über 55 Jahren herausragender Technologie und führender Forschungs- und Entwicklungsarbeit hören können. Wie alle Produkte von Klipsch verfügen auch Ihre Standlautsprecher über die Klipsch Tractrix® Horn-Load-Technologie – das Grund-Design für das erste, 1946 entwickelte Klipschorn®, und für jedes darauf folgende Produkt. Horn-Loading ermöglicht es Ihrem Lautsprecher, hohe Empfindlichkeit, niedrige Verzerrung, einen ebenen Frequenzgang und ein breites Abstrahlverhalten zu bieten, was zu unvergleichlicher Leistung, Klangtreue und Dynamik führt, eben den Merkmalen des „Klipsch-Sound“. Füllen Sie bitte die Garantiekarte auf der Rückseite dieses Handbuchs aus, oder tun Sie dies online bei www.klipsch.com, so dass wir Ihnen besser helfen können. Nochmals vielen Dank, dass Sie Klipsch gewählt haben. Wir hoffen, dass Ihre Lautsprecher viele Jahre lang Ihre Musik und Ihre Filme zum Leben erwecken werden.

AUSPACKEN UND ZUSAMMENBAU DER LAUTSPRECHER

HINWEIS: Obwohl dieser Lautsprecher von einer Person ausgepackt und aufgestellt werden kann, macht die Mithilfe einer weiteren Person die Arbeit sowohl für den Lautsprecher als auch dessen Besitzer einfacher und sicherer.

Die einfachste Methode, den Lautsprecher aus dem Karton zu bringen, besteht darin, das offene Ende der Schachtel nach unten zu richten, so dass es auf dem Boden aufsitzt, wobei die Deckkasschen nach außen geklappt sind. Ziehen Sie dann den Karton direkt nach oben. Entfernen Sie das Verpackungsmaterial vom Lautsprecher und vom Lautsprechergrill, legen Sie es in den Karton, und heben Sie es für den Fall auf, dass Sie den Lautsprecher versenden müssen. Suchen Sie die vier StabilisierungsfüÙe und die Sicherungsschrauben des Lautsprechers, da sie für den nächsten Schritt benötigt werden.

Wenn der Lautsprecher nicht bereits auf dem Kopf steht, drehen Sie ihn vorsichtig um, so dass die Unterseite nach oben zeigt. In der Nähe der Ecken befinden sich die Einschraubgewinde zum Anbringen der FüÙe. Nehmen Sie jeweils einen der mitgelieferten FüÙe und richten Sie dessen Schraubloch über dem Einschraubgewinde aus. Führen Sie eine der beiliegenden Schrauben durch und ziehen Sie diese mit einem Kreuzschlitzschraubendreherzieher fest an. (Siehe Abbildung 1).



Sobald die FüÙe angebracht sind, installieren Sie entweder einen Teppich-Spike oder einen Bolzen mit Gummispitze im Einschraubgewinde in jedem Fuß. Durch die Verwendung der mitgelieferten Spikes erreichen Sie auf Teppichböden die beste Klangleistung. Drehen Sie dann den Lautsprecher vorsichtig wieder um. Sobald der Lautsprecher aufgestellt wurde, muss er hochgehoben werden, wenn man ihn verschiebt, da sonst der Teppichboden beschädigt wird. Die Spikes sind scharf, also passen Sie auf Ihre FüÙe auf!

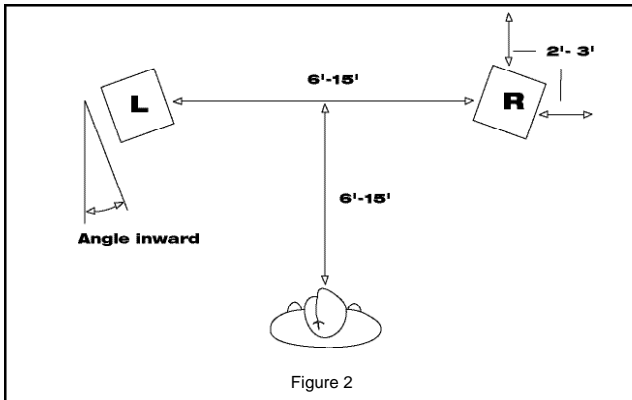
Richten Sie nach dem Entfernen der Versandverpackung die magnetischen Halterungen an der Innenseite des Grills an den Schraubentliften vorne am Lautsprecher aus, um den Grill einrasten zu lassen.

PLATZIERUNG

Obwohl die Lautsprecher der Reference-Serie in einer Vielzahl von Positionen eine gute Leistung bieten, können Sie diese optimieren, indem Sie folgenden einfachen Regeln folgen.

Die Lautsprecher benötigen einige Zentimeter freien Raum hinten, damit Luft durch die Öffnungen fließen kann, und sie klingen am besten, wenn Sie mindestens 60 Zentimeter von der nächsten Wand entfernt sind.

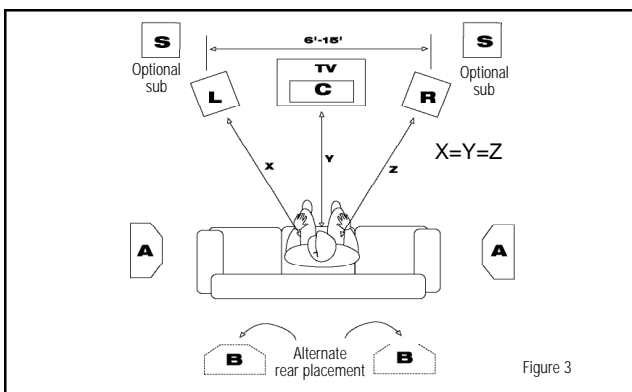
Bassleistung und Wiedergabe jedes Lautsprechers wird stark durch dessen Abstand von Raumgrenzen, wie Wänden und dem Boden, beeinflusst. Bringt man einen Lautsprecher näher an eine Raumgrenze, so steigt dessen Bassleistung, während diese sinkt, wenn man den Lautsprecher weiter weg davon aufstellt. Wenn Sie obenstehenden Vorschlägen folgen, bringt das bei Standlautsprechern der Klipsch-Reference-Serie meist gute Ergebnisse, aber Sie werden merken, dass Sie eine „Feineinstellung“ des Klangs erreichen, indem Sie die Lautsprecher etwas von rechts nach links oder vorn nach hinten bewegen, bis sich Musikaufnahmen mit starkem Bassanteil gerade richtig anhören. Versuchen Sie es doch einmal!



Zweikanal-Stereosystem. Abbildung 2 zeigt eine typische Lautsprecheranordnung für ein Zweikanal-Stereosystem. Ein guter Ausgangspunkt wäre, ein gleichseitiges Dreieck aus den Lautsprechern und Ihrer Hörposition zu bilden. Je nach Raumgröße und der Verteilung der Möbel empfiehlt es sich eventuell, die Entfernung zwischen der Hörposition und der Linie zwischen den beiden Lautsprechern zu vergrößern oder verkleinern, wobei aber eine Mittelposition mit ungefähr gleicher Entfernung zu beiden Lautsprechern beibehalten werden sollte. Dies garantiert den besten Stereoeffekt. Wenn weit voneinander entfernte Lautsprecher leicht nach innen zur Hörposition hin gedreht werden, ermöglicht dies noch eine gute Stereowirkung.

Stereo-Aufstellung für eine breite Beschallung. Wenn Sie primär daran interessiert sind, den Sound von jeder Position im Zimmer aus gut zu hören, statt nur von einer bestimmten Sitzgruppe aus, können Sie die Lautsprecher an benachbarten Wänden weit auseinanderrücken, und so ein großes „L“ bilden. So entsteht zwar keine sehr gute Stereowirkung, aber Sie erhalten eine raumfüllende, gut ausgeglichene Beschallung.

Heimkino-System. Abbildung 3 zeigt die Aufstellung für ein typisches Heimkino-System, mit zwei Standlautsprechern vorne links und rechts, dazwischen einem horizontalen Center-Lautsprecher, und zwei Surround-Lautsprechern an den Seitenwänden. Die Richtlinien für die Platzierung der vorderen linken und rechten Lautsprecher ähneln den obenstehend für ein Zweikanal-Stereosystem beschriebenen, allerdings bildet der Videobildschirm den Mittelpunkt. Am besten sollten sich der vordere linke und rechte Lautsprecher ungefähr auf einer Linie mit dem Bildschirm befinden und gleich weit von ihm entfernt sein. Sie können den Abstand zwischen dem linken und rechten Lautsprecher geringer halten als bei einem Stereo-Musiksystem, es sei denn, Ihr Videobildschirm ist sehr groß. So wird die empfundene Größe des Klangbilds besser mit dem Videobild assoziiert.



ANSCHLÜSSE

Hinweis: Der korrekte Anschluss Ihrer Lautsprecher an den Verstärker oder Receiver ist entscheidend für eine gute Tonqualität. Folgen Sie bitte sorgfältig diesen Anweisungen. Schlechte Anschlüsse können zu Fehlfunktionen oder Beschädigungen des Verstärkers führen.

Lautsprecher der Klipsch Reference-Serie sind intern mit Bandwidth Balanced™ Monster® Cable Kabel verdrahtet. Die Bandwidth Balanced™-Technologie verwendet mehrere Drähte aus hochreinem hochreinem Kupfer, die sorgfältig ausgewählt und verflochten wurden, um eine optimale Signalübertragung über den gesamten Frequenzbereich hinweg zu gewährleisten. Sie können die beste Leistung aus Ihren Lautsprechern herausholen, wenn Sie sie mit Monster Cable Kabel oder einem ähnlich guten, durch Ihren Fachhändler erhältlichen, Kabel mit dem Verstärker oder Receiver verbinden. Wir empfehlen die Verwendung von geflochtenen Kupferkabeln (16 Gauge oder schwerer). Verwenden Sie ein Kabel mit schwererem Draht (niedrigerem Gauge-Wert) für längere Entfernungen, um den durch den Kabelwiderstand erzeugten Verlust der Verstärkerleistung zu reduzieren.

An der Rückseite jedes Lautsprecherbox befinden sich zwei Gruppen von Anschluss terminals, einer für den Hochtöner und einer für die Basslautsprecher. Diese Gruppen sind für einen konventionellen Anschluss mit goldbeschichteten Metallstreifen verbunden, die für das Bi-Wiring oder Bi-Amping entfernt werden müssen. Zunächst wird die konventionelle Einkabel-Anschlussmethode erläutert, dann die Alternativen. Alle Informationen über einkabligen Anschluss gelten auch für das Bi-Wiring.

ERSTER SCHRITT: ANSCHLUSSARTEN

Blanker Draht. Ziehen Sie die zwei Adern auf einer Länge von etwa 2,5 cm auseinander und entfernen Sie am Ende jeweils ca. 7 mm der Isolierung. (Das geht mit einer Abisolierzange einfacher, aber Sie können auch ein normales Taschenmesser verwenden, um die Isolierung vom Draht abzuschneiden.) Drehen Sie die Drahtfasern jeder Ader fest zusammen. Lösen Sie die Muttern an einem Paar Anschluss terminals, bis die Löcher in den Metallstiften frei sind, und stecken Sie dann den blanken Draht in die Löcher. Drehen Sie die Muttern fingerfest auf den Draht hinunter. Stellen Sie sicher, dass keine Kupferfasern von einem Terminal zum anderen, oder zu einer Faser der anderen Ader verlaufen. Wenn diese Vorsichtsmaßnahme an einem der Anschlussenden missachtet wird, kann es zu Fehlfunktionen oder Beschädigungen des Verstärkers kommen.

Stifte. Viele im Handel erhältliche Lautsprecherkabel haben am Ende Metallstifte. Lösen Sie die Muttern an einem Paar Anschluss terminals, bis die Löcher in den Metallstiften frei sind, und stecken Sie dann die Stifte in die Löcher. Drehen Sie die Muttern fingerfest auf die Stifte hinunter, aber drehen Sie sie nicht zu fest an. Stellen Sie sicher, dass kein Metall-zu-Metall-Kontakt zwischen den beiden Stiften oder Anschluss terminals besteht. Wenn diese Vorsichtsmaßnahme an einem der Anschlussenden missachtet wird, kann es zu Fehlfunktionen oder Beschädigungen des Verstärkers kommen.

Gabelschuhe. Manche Lautsprecherkabel haben am Ende U-förmige Anschlüsse, die als Gabelschuhe bezeichnet werden. Lösen Sie die Muttern an einem Paar Anschluss terminals und schieben Sie die Gabelschuhe um die Metallstifte herum. Drehen Sie die Muttern fingerfest auf die Gabelschuhe hinunter und prüfen Sie, ob diese richtig festgeschraubt sind.

Stellen Sie sicher, dass kein Metall-zu-Metall-Kontakt zwischen den beiden Gabelschuhen oder Anschluss terminals besteht. Wenn diese Vorsichtsmaßnahme an einem der Anschlussenden missachtet wird, kann es zu Fehlfunktionen oder Beschädigungen des Verstärkers kommen.

ES GIBT ANDERE ARTEN SPEZIELLER VERBINDUNGEN, DIE DAS ANSCHLIESSEN IHRER LAUTSPRECHER ERLEICHTERN. SETZEN SIE SICH BITTE MIT IHREM KLIPSCH-FACHHÄNDLER IN VERBINDUNG, DER IHNEN RATSCHLÄGE UND WEITERE INFORMATIONEN GEBEN KANN.

LAUTSPRECHER ZU VERSTÄRKER: DIREKTE VERBINDUNG

Einer der wichtigsten Faktoren beim Anschluss Ihrer Lautsprecher ist die richtige Polung. Wenn der Lautsprecheranschluss falsch gepolt ist, wirken der Bass und das Klangbild schwächer.

Die einfachste Methode, um einen richtig gepolten Lautsprecheranschluss sicherzustellen, besteht darin, die positiven und negativen Ausgangs terminals an Ihrem Verstärker oder Receiver immer mit den entsprechenden Anschluss terminals an Ihren Lautsprechern zu verbinden: positiv (+) Farbmarkierung rot) zu positiv, und negativ (-) Farbmarkierung schwarz) zu negativ. (Siehe Abbildung 4).

REFERENCE SERIES

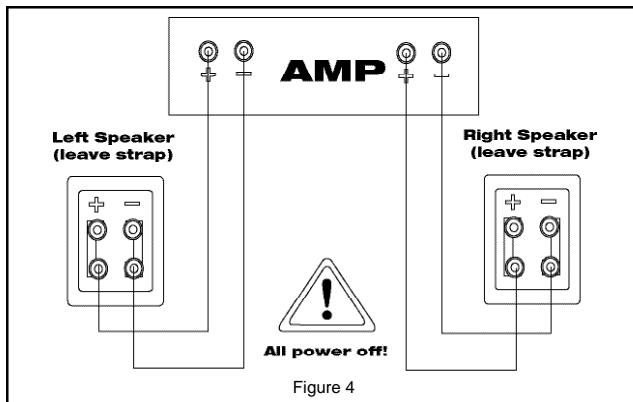


Figure 4

Die meisten mit Anschlüssen versehenen Lautsprecherkabel haben farbliche markierte Adern, die es einfach machen, die Ausgänge und Eingänge korrekt zu verbinden. Wenn das bei Ihren Kabeln nicht der Fall ist, oder wenn Sie ihre eigenen Kabel aus zweiadrigem Draht herstellen, sollten Sie auf der Isolierung der beiden Adern nach Merkmalen suchen. Normalerweise befindet sich aufgedruckter Text, ein Streifen, oder ein erhöhter Kamm entlang einer Ader.

Bi-Wiring. Beim Bi-Wiring werden separate Kabel von den Ausgangsterminals des Verstärkers oder Receivers mit den Lautsprecheranschlussterminals des Hochtöners und des Basslautsprechers (Abbildung 5) verbunden. Dies führt zu einem geringeren elektrischen Widerstand zwischen dem Verstärker und dem Lautsprecher, als dies bei der Verbindung mit einem einzelnen Kabel gleichen Querschnitts der Falls wäre. In manchen Fällen ist das Bi-Wiring der Verwendung eines einzelnen Kabels mit größerem Querschnitt niedrigerem Gauge-Wert vorzuziehen, das dicker und wahrscheinlich weniger biegsam wäre.

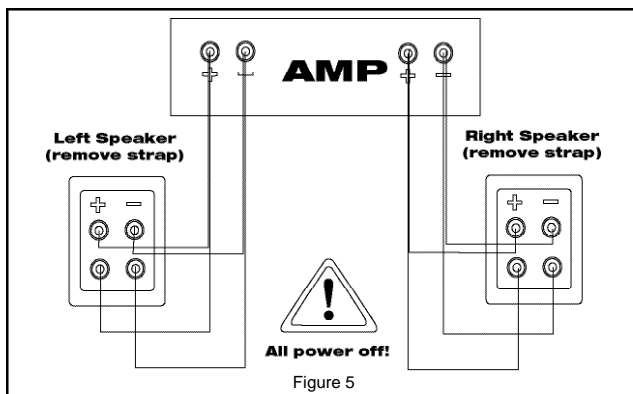


Figure 5

Für das Bi-Wiring Ihrer Lautsprecher der Reference-Serie lösen Sie die Muttern an den Anschlusssterminals und entfernen die Metallstreifen oder Drahtbrücken, die die Terminals für die Hochtöner und Basslautsprecher verbinden. Verbinden Sie ein Kabel mit dem den Hochtöner-Anschlusssterminals (oben), und das andere mit den Basslautsprecher-Terminals (unten), wobei Sie auf die richtige Polung (siehe oben) achten müssen. Verbinden Sie dann beide Kabel an Ihrem Verstärker oder Receiver mit dem gleichen Kanal. (Sie dürfen beispielsweise nicht eines mit einem Lautsprecherausgang A und das andere mit einem Lautsprecherausgang B verbinden, wenn Ihr Verstärker oder Receiver über eine A/B-Lautsprecherumschaltung verfügt). Wenn die Metallstreifen nicht entfernt werden, können die Verstärker schwer beschädigt werden.

BASS-MANAGEMENT-EINSTELLUNGEN

Surround-Sound-Receiver und -Prozessoren verwenden das so genannte Bass-Management-Verfahren, das sicherstellt, dass die niedrigen Frequenzen in den verschiedenen Kanälen an Lautsprecher übertragen werden, die diese gut wiedergeben können, und das sie bei kleinen Lautsprechern, die dazu nicht in der Lage sind, wegfiltert. Alle

Standlautsprecher der Klipsch-Reference-Serie decken den gesamten Frequenzbereich ab und können im Lautsprecher-Setup-Menü Ihres Receivers oder Prozessors auf Large (groß) eingestellt werden. Wenn Ihr System aber einen guten Aktiv-Subwoofer enthält, können Sie die Gesamtsystemleistung wahrscheinlich dadurch verbessern, dass Sie die Einstellung Small (klein) wählen, damit der Subwoofer die tiefen Bassfrequenzen übernimmt. Testen Sie, was bei Ihrem System am besten funktioniert.

PFLEGE UND REINIGUNG

Die einzig nötige Pflege Ihrer Lautsprecher besteht darin, sie gelegentlich abzustauben. Verwenden Sie nie Scheuermittel, Lösungsmittel enthaltende oder aggressive Reinigungsmittel. Sie können die Lautsprechergrills mit dem Bürstenaufsatz eines Staubsaugers reinigen.

AUSSERHALB DER USA UND KANADA

Falls dieses Produkt an Kunden außerhalb der USA oder Kanada verkauft wurde, entspricht die Garantie für dieses Produkt dem jeweils geltenden Recht und liegt ausschließlich in der Verantwortung des Distributors, der dieses Produkt geliefert hat. Zur Inanspruchnahme von Garantieleistungen den Händler, der dieses Produkt verkauft hat, oder den Distributor, der dieses Produkt geliefert hat, kontaktieren.



LEGGERE QUESTE ISTRUZIONI

1. CONSERVARLE.
2. RISPETTARE tutte le avvertenze.
3. SEGUIRE tutte le istruzioni.
4. NON usare questo apparecchio vicino all'acqua.
5. PULIRE SOLO con un panno asciutto.
6. NON ostruire nessuna apertura per l'aria. Installare seguendo le istruzioni del produttore.
7. Non installare presso fonti di calore come ad esempio radiatori, bocchette di uscita dell'aria di riscaldamento, forni o altri apparecchi (compresi amplificatori) che generano calore.
8. NON annullare la funzione di sicurezza offerta da una spina polarizzata o con presa di terra. Le spine polarizzate hanno due spinotti lamellari, uno più largo dell'altro, mentre le spine con presa di terra hanno due spinotti cilindrici e un terzo, anch'esso cilindrico, per il collegamento all'impianto di messa a terra. Lo spinotto più largo e il terzo spinotto proteggono l'incolumità personale. Se la spina in dotazione non si adatta alla presa di corrente, rivolgersi a un elettricista.
9. PROTEGGERE il cordone di alimentazione in modo che non possa essere pestato o schiacciato, particolarmente in corrispondenza della spina, della presa di corrente e del punto di uscita dall'apparecchio.
10. USARE SOLO gli accessori specificati dal produttore.
11. USARE solo con i supporti (carrello, sostegno, treppiede, staffa o tavolo) specificati dal produttore o venduti con l'apparecchio. Se si usa un carrello, fare attenzione quando lo si sposta assieme all'apparecchio, per prevenire infortuni causati da un ribaltamento.
12. SCOLLEGARE dalla presa di corrente questo apparecchio durante i temporali o se non verrà usato per lunghi periodi.



13. RIVOLGERSI a personale qualificato per qualsiasi intervento. Occorre intervenire sull'apparecchio ogni volta che viene danneggiato in modo qualsiasi, per esempio se la spina o il cordone di alimentazione si danneggiano, se si versa un liquido o cadono oggetti sull'apparecchio, se l'apparecchio è rimasto esposto alla pioggia o all'umidità, non funziona normalmente o è caduto.



Questo simbolo indica che la documentazione allegata a questo apparecchio contiene istruzioni importanti per l'uso e la manutenzione.



Questo simbolo indica che all'interno di questo apparecchio è presente una tensione pericolosa, che comporta il rischio di scosse elettriche.

ATTENZIONE: per ridurre il rischio di scosse elettriche, non esporre questo apparecchio né alla pioggia né all'umidità.



ATTENZIONE: le tensioni all'interno di questo apparecchio sono mortali. All'interno non vi sono parti riparabili dall'utente. Per qualsiasi intervento rivolgersi a personale qualificato.

ATTENZIONE: eventuali modifiche non approvate espressamente dal produttore potrebbero annullare l'autorizzazione concessa all'utente per l'uso di questo apparecchio.

INFORMAZIONI RELATIVE ALL'ACQUISTO DEL PRODOTTO KLIPSCH

Grazie per l'acquisto di questi altoparlanti da pavimento Klipsch. Una volta letto questo manuale e collegato l'impianto, potrete provare i risultati di oltre 55 anni di tecniche avanzate e di ricerche e sviluppi di classe mondiale. Come tutti i prodotti Klipsch, questi altoparlanti sono basati sulla tecnologia "con caricamento a tromba" Tracrix®, sviluppata da Klipsch con il primo Klipschorn®, nel 1946, e perfezionata in tutti i prodotti che lo hanno seguito. Grazie al sistema a tromba gli altoparlanti offrono alta sensibilità, bassa distorsione, risposta piatta in frequenza e ampia dispersione. Queste caratteristiche si traducono nelle qualità distintive del suono Klipsch: in potenza, dettagli e dinamica ineguagliati. Vi preghiamo di riempire il modulo della garanzia, sul retro di questo manuale, oppure on line sul sito www.klipsch.com. Di nuovo, grazie per la preferenza accordataci: gli altoparlanti Klipsch daranno vita ai vostri dischi e film per anni e anni.

DISIMBALLAGGIO E MONTAGGIO DELL'ALTOPARLANTE

NOTA: sebbene questo altoparlante possa essere disimballato e montato da una persona sola, lavorando in due si procederà più facilmente, con maggiore sicurezza e con minor rischio di danni all'altoparlante stesso.

Il metodo più semplice per disimballare l'altoparlante consiste nel capovolgere la scatola in modo che il lato aperto poggi sul pavimento, con i lembi spiegati: a questo punto estraete la scatola tirandola verso l'alto. Rimuovete il materiale d'imballaggio dall'altoparlante e dalla griglia e rimettetelo nella scatola, conservando il tutto nel caso occorra spedire l'altoparlante. Individuate i quattro sostegni sulla parte inferiore e le viti di fissaggio, necessarie per il passo successivo.

Se l'altoparlante non è già poggiato con la parte superiore in giù, capovoltetelo con cautela. Vicino agli angoli ci sono inserti filettati a cui fissare i sostegni. Avvitare ciascun sostegno a un inserto e serratelo bene usando un cacciavite a stella (vedi Figura 1).

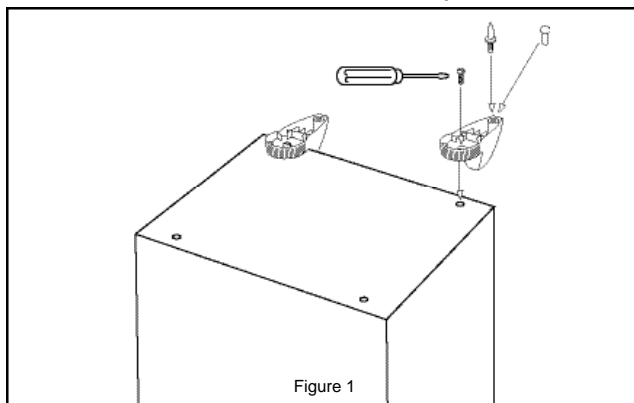


Figure 1

Se sul pavimento c'è la moquette, fissate all'inserto filettato di ciascun sostegno un chiodo per moquette o un cono di gomma. Sulla moquette si ottengono le migliori prestazioni sonore adoperando i chiodi in dotazione. Con cautela, raddrizzate l'altoparlante. Una volta installato l'altoparlante, se si deve spostarlo occorre sollevarlo per evitare di danneggiare la moquette. I chiodi sono appuntiti; fate attenzione a non posarvi i piedi.

Dopo aver tolto la busta di spedizione, allineate i supporti magnetici, situati all'interno della griglia, alle viti poste sulla parte frontale dell'altoparlante; si bloccheranno con uno scatto.

COLLOCAZIONE

Sebbene gli altoparlanti serie Reference funzionino bene in svariate posizioni, otterrete i migliori risultati seguendo queste semplici indicazioni:

- Lasciare alcuni centimetri di spazio libero dietro gli altoparlanti in modo da non ostruire le aperture per l'aria; si ottiene il suono migliore quando gli altoparlanti sono posti ad almeno 60 centimetri dalle pareti vicine.
- Se possibile, disponete entrambi gli altoparlanti in modo che siano equidistanti dal pavimento e dalla parete retrostante. Può inoltre essere utile disporli a distanze diverse dalle pareti più vicine; in questo modo si rendono più regolari i bassi.
- La risposta e l'uscita sui bassi dipendono in modo notevole dalla distanza dell'altoparlante dalle superfici perimetrali della stanza, come ad esempio le pareti e il pavimento. Avvicinando l'altoparlante a una di queste superfici si aumenta il livello dei bassi, mentre allontanandolo si riduce il livello dei bassi. Seguendo queste indicazioni in genere si ottengono buoni risultati con gli altoparlanti da pavimento serie Reference; potrete anche ottimizzare il suono spostandoli lateralmente, più avanti o più indietro, finché non sarete soddisfatti della riproduzione di brani con un forte contenuto di bassi. Fate varie prove.

Impianto stereo a due canali - La figura 2 illustra una disposizione tipica degli altoparlanti per un impianto stereo a due canali. Un buon punto di partenza consiste nel creare un triangolo equilatero formato dagli altoparlanti e dalla posizione dell'ascoltatore. A seconda delle dimensioni della stanza e della disposizione dei mobili, potrebbe risultare utile aumentare o ridurre leggermente la distanza tra la posizione d'ascolto e la linea ideale che congiunge gli altoparlanti; cercate comunque di mantenere questi ultimi sempre simmetrici con la posizione d'ascolto, per ottenere la migliore immagine stereo. Può anche essere utile orientare leggermente gli altoparlanti verso la posizione d'ascolto se sono molto lontani tra di loro.

REFERENCE SERIES

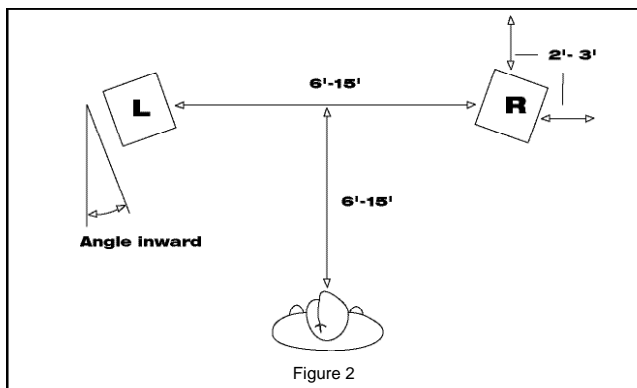


Figure 2

Configurazione dell'impianto stereo per un'ampia copertura. Se vi interessa ottenere una buona ricezione dei suoni da qualsiasi posizione nella stanza anziché in un punto particolare, può essere preferibile allontanare gli altoparlanti spostandoli lungo le pareti adiacenti, in modo da creare una grande "L". Ciò non solo consente di ottenere un'ottima immagine stereo ma produce un suono spaziale e ben bilanciato, con una buona copertura.

Impianto Home Theater. La figura 3 illustra una tipica configurazione di altoparlanti per un impianto home theater, con un paio di altoparlanti da pavimento collocati frontalmente a sinistra e a destra, un altoparlante per il canale centrale posto in orizzontale tra di essi e una coppia di altoparlanti surround sulle pareti laterali. Il metodo base di collocazione degli altoparlanti frontali sinistro e destro è simile a quello descritto in precedenza per un impianto stereo a due canali, ma occorre tenere presente la posizione dello schermo; idealmente, gli altoparlanti devono essere allineati allo schermo ed equidistanti da esso. A meno che lo schermo non sia molto grande, può essere preferibile una distanza minore tra gli altoparlanti dell'Home Theater che tra quelli di un impianto stereo utilizzato esclusivamente per la riproduzione di brani musicali. Ciò può consentire di associare meglio le dimensioni apparenti dell'immagine audio con l'immagine video.

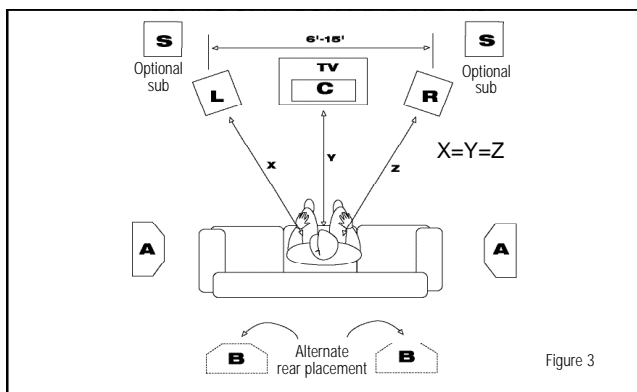


Figure 3

CONNESSIONI

Nota: per ottenere una buona qualità del suono, è essenziale collegare correttamente gli altoparlanti all'amplificatore o al ricevitore. Seguite scrupolosamente queste istruzioni. Connessioni inadeguate possono causare un malfunzionamento dell'amplificatore o anche danneggiarlo.

Gli altoparlanti Klipsch serie Reference impiegano internamente cavi Bandwidth Balanced™ Monster Cable®. La tecnologia Bandwidth Balanced™ è basata sull'utilizzo di conduttori di rame di grande purezza di vari diametri, selezionati accuratamente e attorcigliati in modo da assicurare una propagazione ottimale del segnale a tutte le frequenze. Potete ottenere i migliori risultati dagli altoparlanti se li collegate all'amplificatore o al ricevitore con cavi Monster Cable o di qualità simile, reperibili presso il rivenditore. Vi suggeriamo di adoperare cavi di rame in trefoli, con diametro uguale o maggiore di 1,29 mm (misura americana AWG uguale o minore di 16). Usate cavi di diametro maggiore per i percorsi più lunghi, in modo da ridurre l'attenuazione del segnale dell'amplificatore causata dalla resistenza dei cavi.

ANSCLOSSE

Hinweis: Der korrekte Anschluss Ihrer Lautsprecher an den Verstärker oder Receiver ist entscheidend für eine gute Tonqualität. Folgen Sie bitte sorgfältig diesen Anweisungen. Schlechte Anschlüsse können zu Fehlfunktionen oder Beschädigungen des Verstärkers führen.

Lautsprecher der Klipsch Reference-Serie sind intern mit Bandwidth Balanced™ Monster® Cable Kabel verdrahtet. Die Bandwidth Balanced™-Technologie verwendet mehrere Drähte aus hochreinem Kupfer, die sorgfältig ausgewählt und verflochten wurden, um eine optimale Signalübertragung über den gesamten Frequenzbereich hinweg zu gewährleisten. Sie können die beste Leistung aus Ihren Lautsprechern herausholen, wenn Sie sie mit Monster Cable oder einem ähnlich guten, durch Ihren Fachhändler erhältlichen Kabel mit dem Verstärker oder Receiver verbinden. Wir empfehlen die Verwendung von geflochtenen Kupferkabeln (16 Gauge oder schwerer). Verwenden Sie ein Kabel mit schwererem Draht (niedrigerem Gauge-Wert) für längere Entfernungen, um den durch den Kabelwiderstand erzeugten Verlust der Verstärkerleistung zu reduzieren.

An der Rückseite jedes Lautsprecherbox befinden sich zwei Gruppen von Anschluss terminals, einer für den Hochtöner und einer für die Basslautsprecher. Diese Gruppen sind für einen konventionellen Anschluss mit goldbeschichteten Metallstreifen verbunden, die für das Bi-Wiring oder Bi-Amping entfernt werden müssen. Zunächst wird die konventionelle Einkabel-Anschlussmethode erläutert, dann die Alternativen. Alle Informationen über einkabligen Anschluss gelten auch für das Bi-Wiring.

ERSTER SCHRITT: ANSCHLUSSARTEN

Blanker Draht. Ziehen Sie die zwei Adern auf einer Länge von etwa 2,5 cm auseinander und entfernen Sie am Ende jeweils ca. 7 mm der Isolierung. (Das geht mit einer Abisolierzange einfacher, aber Sie können auch ein normales Taschenmesser verwenden, um die Isolierung vom Draht abzuschneiden.) Drehen Sie die Drahtfasern jeder Ader fest zusammen. Lösen Sie die Muttern an einem Paar Anschluss terminals, bis die Löcher in den Metallstiften frei sind, und stecken Sie dann den blanken Draht in die Löcher. Drehen Sie die Muttern fingerfest auf den Draht hinunter. Stellen Sie sicher, dass keine Kupferfasern von einem Terminal zum anderen, oder zu einer Faser der anderen Ader verlaufen. Wenn diese Vorsichtsmaßnahme an einem der Anschlussenden missachtet wird, kann es zu Fehlfunktionen oder Beschädigungen des Verstärkers kommen.

Stifte. Viele im Handel erhältliche Lautsprecherkabel haben am Ende Metallstifte. Lösen Sie die Muttern an einem Paar Anschluss terminals, bis die Löcher in den Metallstiften frei sind, und stecken Sie dann die Stifte in die Löcher. Drehen Sie die Muttern fingerfest auf die Stifte hinunter, aber drehen Sie sie nicht zu fest an. Stellen Sie sicher, dass kein Metall-zu-Metall-Kontakt zwischen den beiden Stiften oder Anschluss terminals besteht. Wenn diese Vorsichtsmaßnahme an einem der Anschlussenden missachtet wird, kann es zu Fehlfunktionen oder Beschädigungen des Verstärkers kommen.

Gabelschuhe. Manche Lautsprecherkabel haben am Ende U-förmige Anschlüsse, die als Gabelschuhe bezeichnet werden. Lösen Sie die Muttern an einem Paar Anschluss terminals und schieben Sie die Gabelschuhe um die Metallstifte herum. Drehen Sie die Muttern fingerfest auf die Gabelschuhe hinunter und prüfen Sie, ob diese richtig festgeschraubt sind.

Sul pannello posteriore di ciascun altoparlante ci sono due coppie di terminali cilindrici: una è l'ingresso del tweeter e l'altra è l'ingresso del woofer. Le due coppie di terminali sono collegate fra di loro mediante piattine metalliche placcate in oro, che vanno lasciate in posizione per il cablaggio convenzionale, mentre vanno rimosse per altri due tipi di cablaggio, quello "doppio" e quello con due amplificatori. Di seguito sono spiegati prima il cablaggio ordinario, con cavi singoli, e poi i cablaggi alternativi. Tutte le informazioni sul cablaggio con cavi singoli sono pertinenti anche al cablaggio doppio.

TIPI DI CONNETTORE

Conduttori nudi. Staccate i due cavi l'uno dall'altro per circa 2,5 centimetri e asportate circa 6 mm di isolante dall'estremità di ciascuno (l'operazione risulta più facile usando una pinza spellafili, ma si può utilizzare un normale temperino multiuso per tagliare l'isolante lungo il diametro sino al conduttore nudo). Attorcigliate bene tra di loro i trefoli di ciascun conduttore. Allentate i dadi su una coppia di terminali cilindrici fino a esporre i fori praticati su di essi e inserite i conduttori attraverso i fori. Serrate bene i dadi a mano. Accertatevi che

nessun trefolo di un conduttore tocchi il terminale cilindrico a cui è connesso l'altro conduttore o i trefoli di quest'ultimo. La mancata osservanza di questa precauzione può causare un malfunzionamento dell'amplificatore o anche danneggiarlo.

Pin. Molti tipi di cavi da altoparlante preassemblati sono terminati con spinotti metallici (pin). Allentate i dadi di una coppia di terminali cilindrici fino a esporre i fori praticati su di essi e infilate i pin nei fori. Serrate bene i dadi a mano; non serrate eccessivamente. Accertatevi che nessun pin di un cavo tocchi il terminale cilindrico a cui è connesso l'altro cavo o il pin di quest'ultimo. La mancata osservanza di questa precauzione può causare un malfunzionamento dell'amplificatore o anche danneggiarlo.

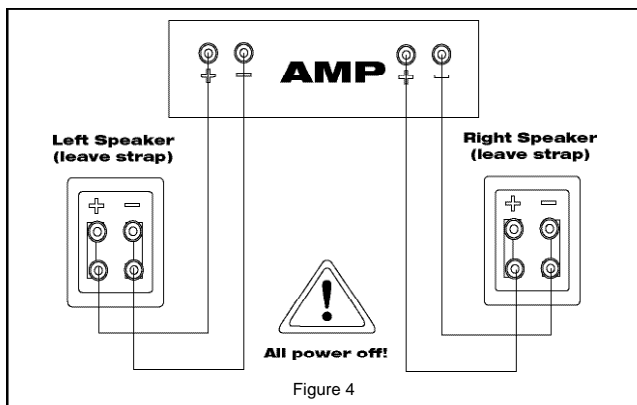
Terminali a forcilla. Alcuni tipi di cavi da altoparlante hanno terminali a forcilla. Allentate i dadi di una coppia di terminali cilindrici e inserite su questi i terminali a forcilla. Serrate i dadi a mano e verificate che i terminali a forcilla rimangano bloccati. Accertatevi che nessun terminale a forcilla di un cavo tocchi il terminale cilindrico a cui è connesso l'altro cavo o il terminale a forcilla di quest'ultimo. La mancata osservanza di questa precauzione può causare un malfunzionamento dell'amplificatore o anche danneggiarlo.

SONO DISPONIBILI ALTRI TIPI DI CONNETTORI SPECIALI PER FACILITARE IL COLLEGAMENTO DEGLI ALTOPARLANTI. PER SUGGERIMENTI E ULTERIORI INFORMAZIONI RIVOLGETEVI AL RIVENDITORE KLIPSCH.

MANTENIMENTO DELLA POLARITÀ TRA ALTOPARLANTI E AMPLIFICATORE

Uno degli aspetti più importanti, per quanto riguarda il collegamento degli altoparlanti, è mantenerli alla stessa polarità, ossia in fase. Lo sfasamento può infatti causare una degradazione dei bassi e dell'immagine audio.

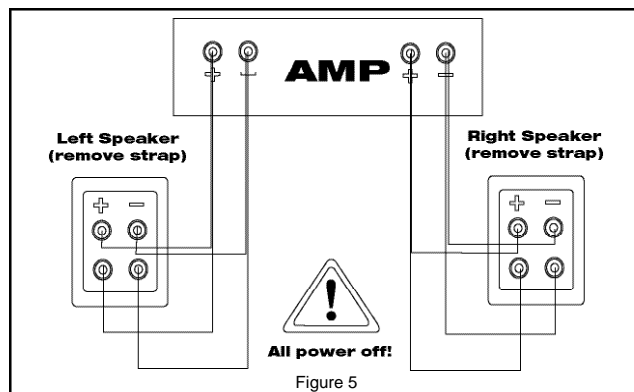
Il metodo più facile per assicurarsi che gli altoparlanti siano cablati in fase consiste nel collegare sempre i terminali di uscita positivo e negativo dell'amplificatore o del ricevitore ai terminali di ingresso corrispondenti degli altoparlanti: positivo ("+", colore rosso) con positivo e negativo ("—", colore nero) con negativo (vedi Figura 4).



La maggior parte dei cavi da altoparlante pre-terminati hanno connettori colorati per facilitare il giusto collegamento tra ingressi e uscite. Se i connettori che intendete usare non sono codificati a colori o se costruirete voi stessi i cavi utilizzando coppie di cavi a due conduttori, controllate i segni di identificazione sull'isolante dei due conduttori; in genere su uno di essi c'è un codice stampato, una striscia o una nervatura.

Cablaggio doppio. Questo tipo di cablaggio consiste nel collegare cavi separati tra i terminali di uscita dell'amplificatore o del ricevitore e i terminali di ingresso del tweeter e del woofer (vedi Figura 5). Si ottiene così una resistenza elettrica tra l'amplificatore e l'altoparlante più bassa che se si fosse adoperato un solo cavo avente lo stesso diametro. In alcuni casi il cablaggio doppio può essere preferibile al cablaggio con un solo cavo anche se di diametro maggiore, dato che quest'ultimo sarà più spesso e probabilmente meno flessibile.

Per collegare gli altoparlanti serie Reference mediante cablaggio doppio, allentate i dadi dei terminali cilindrici e togliete i ponticelli o le piattine metalliche che connettono fra di loro i terminali del woofer e del tweeter. Osservando la giusta polarità (vedi sezione precedente), collegate un cavo ai terminali cilindrici del tweeter (quelli superiori) e un altro ai terminali cilindrici del woofer (quelli inferiori). Collegate entrambi i cavi all'amplificatore o al ricevitore, allo stesso canale (non collegate, ad esempio, un cavo all'uscita A e l'altro all'uscita B per altoparlanti su un amplificatore o ricevitore dotato di selettore A/B). Gli amplificatori possono subire danni gravi se non si tolgono le piattine.



Cablaggio con due amplificatori

Con questo tipo di cablaggio il tweeter e i woofer sono pilotati da amplificatori separati, che ricevono il segnale dalla stessa uscita del preamplificatore. Sconsigliamo questo tipo di cablaggio per i nostri amplificatori, dato che in genere offre gli stessi vantaggi ottenibili semplicemente con un solo amplificatore più potente, mentre se eseguito nel modo sbagliato può causare una grave degradazione del suono. Se decidete di utilizzare comunque questo tipo di cablaggio, usate lo stesso modello di amplificatore per il tweeter e per il woofer (per prevenire errori nella risposta in frequenza causati da guadagni diversi degli amplificatori) e accertatevi che le piattine che collegano le due coppie di terminali di ingresso sull'altoparlante siano state rimosse. Gli amplificatori possono subire danni gravi se non si tolgono le piattine.

IMPOSTAZIONI PER LA GESTIONE DEI BASSI

I ricevitori e i processori surround utilizzano un sistema detto "gestione dei bassi" per assicurare che le basse frequenze sui vari canali siano trasmesse agli altoparlanti in grado di riprodurle bene e non agli altoparlanti più piccoli, che non possono riprodurle adeguatamente. Qualsiasi modello di altoparlante da pavimento Klipsch serie Reference riproduce le frequenze dell'intera gamma ed è impostabile, se necessario, su Large dall'apposito menu disponibile sul ricevitore o sul processore. Ma se il vostro impianto include un subwoofer con potenza adeguata, probabilmente otterrete risultati migliori utilizzando l'impostazione Small, che instraderà tutti i bassi estremi verso il subwoofer. Fate varie prove finché il suono non è soddisfacente.

CURA E PULIZIA

Per pulire gli altoparlanti basta spolverarli di tanto in tanto. Non applicate mai abrasivi o detersivi forti o a base di solvente. Potete pulire le griglie con l'accessorio a spazzola di un aspirapolvere.

GARANZIA APPLICABILE FUORI DEGLI USA E DEL CANADA

Se questo prodotto viene venduto fuori degli USA o del Canada, esso è coperto da una garanzia conforme alle leggi locali e la validità di tale garanzia è di esclusiva responsabilità del distributore del prodotto stesso. Per richiedere un intervento in garanzia rivolgersi al rivenditore o al distributore.

REFERENCE SERIES



INSTRUÇÕES IMPORTANTES DE SEGURANÇA

1. LEIA estas instruções.
2. GUARDE estas instruções.
3. SIGA todos os avisos.
4. SIGA todas as instruções.
5. NÃO USE este equipamento próximo de água.
6. LIMPE SOMENTE com um pano seco.
7. NÃO bloqueie nenhuma saída de ventilação. Faça a instalação de acordo com as instruções do fabricante.
8. Não instale próximo de nenhuma fonte de calor, como radiadores, fornos ou outros equipamentos (incluindo amplificadores) que produzam calor.
9. NÃO anule o efeito de segurança do plugue de aterramento ou polarizado. Um plugue polarizado tem dois terminais planos, um mais largo que o outro. Um plugue do tipo aterramento tem dois terminais planos e um terceiro pino para aterramento. O terminal plano mais largo e o terceiro pino são fornecidos para sua segurança. Se o plugue fornecido não encaixar na tomada, peça para um electricista trocar a tomada da parede.
10. PROTEJA o fio de energia para que ele não seja pisado ou esmagado, especialmente nos plugues, adaptadores e no ponto em que eles saem do equipamento.
11. USE SOMENTE acessórios/conexões especificados pelo fabricante.
12. USE somente com uma base, tripé, suporte ou mesa especificada pelo fabricante, ou vendida com o equipamento. Quando for usada uma base móvel, tenha cuidado ao movimentar a combinação base/equipamento para evitar ferimentos causados pelo tombamento da caixa.
13. DESCONECTE o equipamento durante tempestades de raios ou quando o equipamento não estiver sendo usado por um longo período de tempo.
14. Toda manutenção deve ser feita por pessoal qualificado. A manutenção só é necessária se o equipamento for danificado de alguma forma, como danos no cabo de energia, líquidos derramados ou objetos caídos dentro do equipamento, exposição do equipamento à chuva ou umidade, operação anormal ou queda do equipamento.



Este símbolo indica que existem importantes instruções de manutenção e operação na literatura que acompanha a unidade.



Este símbolo indica a presença de tensão perigosa que constitui um risco de choque elétrico.

ATENÇÃO: Para reduzir o risco de incêndio ou choques elétricos, não exponha o equipamento à umidade ou à chuva.



ATENÇÃO: Existem tensões perigosas neste equipamento. Não existem no equipamento peças que possam ser reparadas pelo usuário. Toda manutenção deve ser feita por pessoal qualificado. **ATENÇÃO:** Alterações ou modificações que não tenham sido expressamente aprovadas pelo fabricante podem tornar inválida a autoridade do usuário para operação deste dispositivo.

SOBRE A SUA COMPRA DE PRODUTOS KLIPSCH

Agradecemos sua preferência pelas caixas acústicas compactas Klipsch. Após ler este manual e fazer as conexões de seu sistema, você irá ouvir o resultado de 55 anos de rigorosa engenharia e de pesquisa e desenvolvimento sem concorrência na área. Como todos os produtos Klipsch, suas caixas acústicas compactas apresentam a tecnologia Klipsch Tractrix® para sistema de corneta (horn-loaded) – o design que serviu de base para o primeiro Klipschorn® desenvolvido em 1946 e para todos os outros produtos que se seguiram. O sistema de corneta "horn-loaded" permite que suas caixas acústicas tenham um desempenho com alta sensibilidade, baixa distorção, resposta em frequência plana e ampla dispersão, o que se traduz em potência, detalhes e dinâmica incomparáveis, as marcas do "Som Klipsch". Não se esqueça de preencher o cartão de garantia no final deste manual ou no site www.klipsch.com para que você possa receber um atendimento ainda melhor. Novamente agradecemos sua preferência. Esperamos que suas caixas acústicas tragam vida à sua música e a seus filmes por muitos e muitos anos.

DESEMBALAGEM E MONTAGEM DA CAIXA ACÚSTICA

Observação: Embora esta caixa acústica possa ser desembalada e montada por uma pessoa, duas pessoas tornariam a tarefa mais fácil, além de mais segura para a caixa e para o proprietário.

A forma mais fácil de remover a caixa acústica da embalagem é colocar a face aberta da caixa para baixo, de forma que esteja apoiada no chão, com as abas viradas para fora. Em seguida, puxe a embalagem para cima e retire-a. Remova qualquer material de embalagem da caixa acústica e da grade, coloque de volta na caixa de papelão e guarde, para o caso de você ter que enviar a caixa acústica. Localize os quatro pés de sustentação e os parafusos de fixação, necessários para a próxima etapa.

Se a caixa acústica não estiver de cabeça para baixo, vire-a cuidadosamente e coloque-a nesta posição. Existem furos com rosca nos cantos para fixação dos pés. Para cada furo, pegue um pé e alinhe de forma que o furo do pé coincida com o da caixa. Fixe com um dos parafusos fornecidos e aperte bem com uma chave de fenda Phillips. (Veja a Figura 1.)

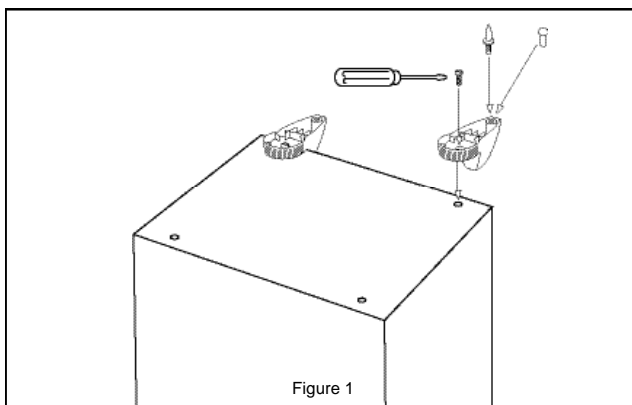


Figure 1

Uma vez que os pés estejam conectados, instale um pino de fixação para carpete ou um parafuso com ponta de borracha em cada furo rosqueado. O melhor desempenho em superfícies de carpete será obtido com os pinos de fixação para carpete fornecidos. Em seguida, coloque cuidadosamente a caixa na posição correta. Uma vez instalada, a caixa acústica precisa ser levantada quando for movida, para evitar danos ao carpete. Os pinos para fixação são afiados, cuidado com seus pés!

Depois de retirar a embalagem, alinhe os pinos magnéticos do lado de dentro da grade com os parafusos da frente da caixa acústica e eles irão se encaixar no lugar.

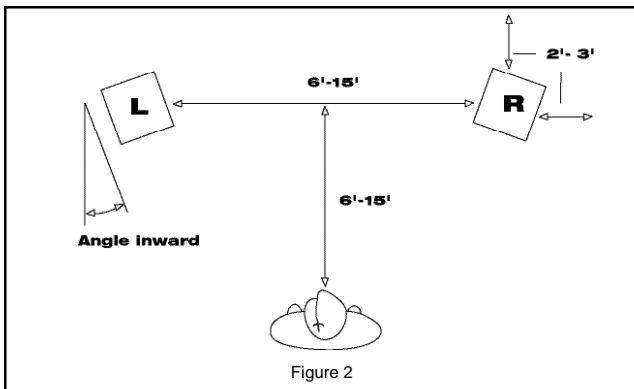
DISPOSIÇÃO

Embora as caixas acústicas da linha Reference tenham um bom desempenho em uma ampla variedade de locais, você obterá os melhores resultados seguindo algumas orientações simples:

- As caixas acústicas requerem alguns poucos centímetros de espaço livre atrás delas para poder "respirar" e produzirão o melhor som quando afastadas pelo menos 60 cm de qualquer parede.
- Se possível, posicione ambas as caixas de forma que estejam à mesma distância do chão e da parede atrás delas. Também é interessante posicionar as caixas acústicas da direita e da esquerda a distâncias diferentes das paredes mais próximas ao lado delas. Esta disposição não alinhada ajuda a suavizar os sons graves.
- Qualquer resposta e saída de graves de caixas acústicas é altamente influenciada pela distância da caixa aos limites da sala, como as paredes e o chão. Mover uma caixa para perto de um limite da sala irá aumentar a saída de graves, e afastar das paredes e do chão irá reduzir a saída. Se você seguir estas sugestões, provavelmente terá bons resultados com a linha Reference Klipsch de caixas acústicas tipo torre, mas você também poderá fazer um ajuste fino do som movimentando as caixas para os

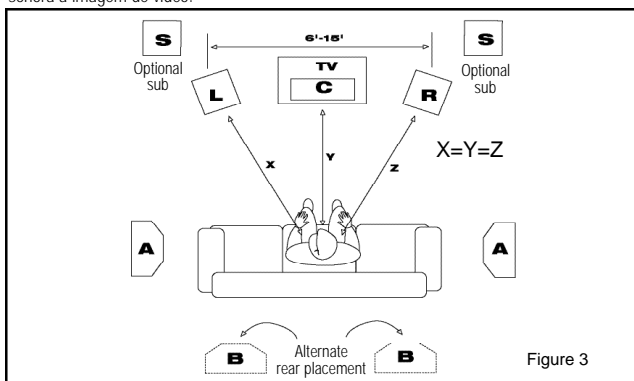
LADOS E PARA FRENTE E PARA TRÁS, ATÉ QUE OS SONS GRAVES DA MÚSICA ESTEJAM COMO VOCÊ GOSTA. NÃO TENHA RECEIO DE FAZER EXPERIÊNCIAS.

Sistema stereo de dois canais. A figura 2 mostra um arranjo típico para um sistema stereo de dois canais. Um bom ponto de partida é a criação de um triângulo equilátero com vértices nas caixas e na sua posição de ouvir. Dependendo do tamanho da sala e do arranjo da mobília, pode ser conveniente fazer a distância da posição de audição à linha entre as caixas acústicas maior ou menor, mas tente mantê-la centralizada, de forma que você fique à mesma distância de cada caixa. Isto irá produzir o melhor efeito stereo. A disposição de caixas bem afastadas em ângulo, apontadas para a posição de audição, pode ajudar a manter um bom efeito stereo.



Configuração stereo para cobertura ampla. Se seu objetivo principal é a capacidade de ouvir bem o som de qualquer posição da sala, em vez de um lugar específico de audição, posicione as caixas acústicas bem afastadas, ao longo de paredes adjacentes, criando um grande L. Isso não proporcionará um bom efeito stereo, mas você terá um som bem balanceado e espacial, com boa cobertura.

Sistema Home Theater. A figura 3 mostra uma configuração típica de caixas acústicas tipo torre frontais à esquerda e à direita, um canal central horizontal entre eles e um par de caixas acústicas surround nas paredes laterais. A estratégia básica para a colocação das caixas acústicas frontais à direita e à esquerda é similar à descrita anteriormente para um sistema stereo de dois canais ancorado na tela de vídeo. A situação ideal seria colocar as caixas acústicas frontais à direita e à esquerda alinhadas com a tela e à mesma distância dela. A menos que sua tela de vídeo seja muito grande, você provavelmente prefere menos espaçamento entre as caixas à direita e à esquerda do que você teria em um sistema stereo dedicado, para música. Isto associa melhor o tamanho aparente da imagem sonora à imagem de vídeo.



CONEXÕES

Observação: A conexão apropriada de suas caixas acústicas a seu amplificador ou receiver é vital para a obtenção de boa qualidade de som. Siga cuidadosamente estas instruções. Conexões mal feitas podem causar o mau funcionamento do amplificador ou danificá-lo.

As caixas acústicas da linha Reference da Klipsch têm sua fiação interna feita com cabo Bandwidth Balanced® Monster®. A tecnologia Bandwidth Balanced® utiliza várias bitolas de fio de cobre de alta pureza, selecionados e enrolados de forma a obter ótima

transferência de sinal em todas as frequências. Você obterá o melhor desempenho de suas caixas acústicas se conectá-las ao seu amplificador ou receiver com o cabo Monster ou outro de qualidade similar. Recomendamos que você use fios de cobre de bitola 16 AWG (1,0 mm) ou trançado de bitola mais grossa. Utilize uma bitola mais grossa para trechos mais longos, para reduzir a perda de potência do amplificados devida à resistência do fio.

Na parte traseira de cada caixa acústica existem dois conjuntos de conectores, um alimentando o tweeter e outro alimentando os woofers. Para fiação convencional, estes conjuntos são ligados um ao outro por placas de metal folheadas a ouro, que precisam ser removidas para dupla fiação ou para dupla amplificação. Explicaremos primeiro a fiação comum de um fio e depois as alternativas. Todas as informações relacionadas a fiação de um fio se aplicam também a dois fios.

MAS PRIMEIRO: TIPOS DE CONECTORES

Fio nu. Separe os dois fios por cerca de 3 cm e retire a cobertura de aproximadamente 1 cm na extremidade de cada fio, deixando este trecho do fio nu. (Um descascador de fios simplificaria esta operação, mas você pode usar um canivete, uma faca pequena ou um alicate para cortar a isolamento.) Torça os filamentos de cada fio para que fiquem bem em contato uns com os outros. Solte as porcas de um par de conectores até que os furos através dos conectores fiquem visíveis. Em seguida, insira os fios nus através dos furos. Rosqueie de volta as porcas até que apertem os fios. Certifique-se de que nenhum filamento de um fio esteja em contato com o outro conector ou com qualquer filamento do outro fio. Se você não tiver este cuidado em cada conexão, pode ocorrer o mau funcionamento ou o dano do amplificador.

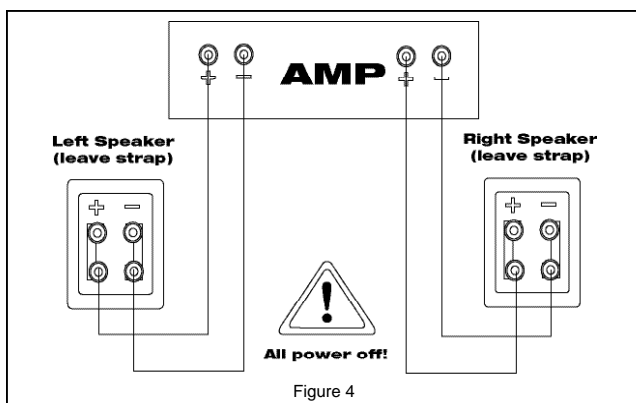
Pinos. Muitos cabos para caixas acústicas pré-fabricados têm a extremidade em pinos de metal. Solte as porcas de um par de conectores até que os furos através dos conectores fiquem visíveis. Em seguida, insira os pinos através dos furos. Rosqueie de volta as porcas até que apertem os pinos, sem apertar demais. Certifique-se de que não há contato de metal com metal entre os dois pinos ou conectores. Se você não tiver este cuidado em cada conexão, pode ocorrer o mau funcionamento ou o dano do amplificador.

Terminais abertos. Alguns cabos para caixas acústicas têm a extremidade feita com terminais em forma de U chamados terminais abertos. Solte as porcas em um par de conectores e deslize o terminal aberto ao redor do metal do conector. Rosqueie de volta as porcas e aperte-as nos terminais. Certifique-se de que os terminais estão bem presos e imóveis. Certifique-se de que não há contato de metal com metal entre os dois terminais ou conectores. Se você não tiver este cuidado em cada conexão, pode ocorrer o mau funcionamento ou o dano do amplificador.

EXISTEM OUTROS TIPOS DE CONECTORES ESPECIAIS DISPONÍVEIS QUE FACILITAM A CONEXÃO DE SUAS CAIXAS ACÚSTICAS. CONSULTE SEU REVENDEDOR AUTORIZADO KLIPSCH PARA OBTER SUGESTÕES E INFORMAÇÕES DETALHADAS.

DA CAIXA ACÚSTICA PARA O AMPLIFICADOR: MANTENDO ALINHADO

Uma das coisas mais importantes sobre a conexão de suas caixas acústicas é mantê-las na mesma polaridade, ou fase. Se elas forem conectadas fora de fase, haverá uma degradação no som em geral e nos graves em particular.

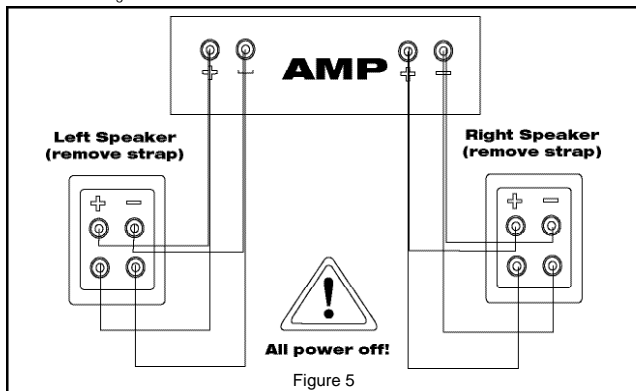


REFERENCE SERIES



A maneira mais fácil de assegurar que suas caixas acústicas estão ligadas com os fios em fase é conectar sempre os terminais positivo e negativo de saída no seu amplificador ou receber aos correspondentes terminais de entrada nas caixas acústicas: positivo (+, vermelho) ao positivo (-, preto) ao negativo. (Veja a Figura 4.)

A maioria dos cabos para caixas acústicas pré-fabricados tem conectores coloridos que facilitam a correspondência correta das entradas e saídas. Se o seu cabo não tem, ou se você está fazendo seu próprio cabo a partir de um cabo com dois fios, procure marcas de identificação na cobertura do cabo. Normalmente existem impressões, uma faixa ou uma saliência ao longo de um dos fios.



Fiação dupla. Na fiação dupla, cabos separados são conectados dos terminais de saída do amplificador ou receiver aos terminais de entrada da caixa acústica para o tweeter e os woofers (Veja a Figura 5). Isto resulta em uma resistência menor entre o amplificador e a caixa acústica que a fiação com um único cabo da mesma bitola. Em alguns casos, a fiação dupla pode ser preferível que a fiação de um fio com uma bitola menor, que será mais grosso e provavelmente menos flexível.

Para fazer a fiação dupla em suas caixas acústicas da linha Reference, solte a porca nos conectores e remova as placas de metal ou conexões por fio que estejam ligando os terminais do tweeter e do woofer. Observando a polaridade correta (veja acima), conecte um cabo aos terminais do tweeter (em cima) e outro aos terminais do woofer (em baixo). Acompanhe os cabos de volta até o seu amplificador ou receiver e conecte-os ao mesmo canal. (Não conecte, por exemplo, um à saída da caixa A e outro à saída da caixa B em um amplificador ou receiver com saídas para dois conjuntos de caixas A/B.) Os amplificadores podem sofrer danos severos se as placas de metal não forem removidas.

Amplificação dupla. Na amplificação dupla, o tweeter e os woofers são alimentados por amplificadores separados, por sua vez alimentados pela mesma saída de pré-amplificador. Não recomendamos a amplificação dupla de nenhuma de nossas caixas acústicas, uma vez que geralmente isso não terá benefício que não possa ser obtido pelo uso de um único amplificador maior. Além disso, isto pode causar uma degradação significativa do som se não for feito de forma correta. Se você fizer a amplificação dupla, use o mesmo modelo de amplificador para as seções do tweeter e do woofer (para evitar a ocorrência de erros de resposta em frequência causados por ganhos de amplificador diferentes). Certifique-se também de que foram removidas as placas de metal que conectam os dois conjuntos de terminais de entrada das caixas acústicas. Os amplificadores podem sofrer danos severos se as placas de metal não forem removidas.

CONFIGURAÇÕES DE GERENCIAMENTO DE GRAVES

Os receivers e processadores de som surround usam o que é conhecido como gerenciamento de graves para assegurar que as baixas frequências nos vários canais sejam enviadas às caixas acústicas que podem lidar bem com esse tipo de som e não sejam enviadas às caixas pequenas que não lidam bem com isso. Todos os modelos de caixas acústicas tipo torre da linha Reference da Klipsch são caixas full-range que podem ser configurados como Large (Grande) no menu de configuração do seu receiver ou processador. Se, no entanto, o sistema tiver um bom subwoofer ativo, você provavelmente terá melhores resultados se usar a configuração Small (Pequena) e deixar o subwoofer cuidar dos graves. Experimente e veja o que funciona melhor para seu sistema.

MANUTENÇÃO E LIMPEZA

A única coisa que você vai precisar fazer com suas caixas acústicas é remover a poeira delas de vez em quando. Nunca use limpadores abrasivos ou a base de solventes e detergentes fortes. Você pode limpar as grades com o acessório de escova de um aspirador de pó.

GARANTIA FORA DOS ESTADOS UNIDOS E CANADÁ

A garantia deste produto, quando vendido para um cliente fora dos Estados Unidos ou Canadá, deve estar de acordo com a legislação em vigor e é de inteira responsabilidade do distribuidor que vendeu o produto. Para obter os serviços aplicáveis previstos na garantia, entre em contato com o representante de quem você comprou o produto ou com o distribuidor do produto.



IMPORANTES INSTRUCCIONES DE SEGURIDAD

1. LEA estas instrucciones.
2. GUARDE estas instrucciones.
3. RESPETE todas las advertencias.
4. SIGA todas las instrucciones.
5. NO use este dispositivo cerca del agua.
6. LÍMPIELO SOLAMENTE con un paño seco.
7. NO bloquee los orificios de ventilación. Instálelo de acuerdo con las instrucciones del fabricante.
8. NO lo instale cerca de fuentes de calor tales como radiadores, rejillas de calefacción, cocinas u otros aparatos (incluyendo amplificadores) que generen calor.
9. NO neutralice la característica de seguridad del enchufe polarizado o con clavija de conexión a tierra. Los enchufes polarizados tienen dos patas y una es más ancha que la otra. Los enchufes con clavija de conexión a tierra tienen dos patas y una clavija de conexión a tierra. La pata ancha o la clavija son características de seguridad. Si el enchufe del dispositivo no entra en el enchufe de pared, consulte a un electricista para que cambie el enchufe de pared obsoleto.
10. PROTEJA el cordón de alimentación. Evite que lo aprieten o lo doblen en exceso o que lo pisén, especialmente en el punto en que el cordón se une al enchufe, el punto en que el cordón sale del dispositivo y cuando el dispositivo está enchufado.
11. USE SOLAMENTE los accesorios especificados por el fabricante.
12. USE este dispositivo solamente en un carrito, base, trípode, soporte o mesa especificado por el fabricante o vendido con el producto. Cuando use un carrito, tenga cuidado al mover el carrito con el dispositivo encima para evitar lesiones si el conjunto se vuelca.
13. DESENCHUFE este dispositivo cuando haya tormentas eléctricas o cuando no se durante largos períodos de tiempo.
14. REMITA todas las reparaciones al personal de servicio calificado. Acuda a un profesional si el dispositivo ha sufrido desperfectos tales como que se ha dañado el enchufe o el cordón de alimentación, el dispositivo se ha dejado caer, parece no funcionar correctamente o ha estado expuesto a la lluvia o a la humedad, o han caído objetos o se ha derramado líquido en su interior.



Este símbolo indica que el manual que acompaña a esta unidad contiene instrucciones importantes sobre operación y mantenimiento.



Este símbolo indica que hay voltaje peligroso que constituye un peligro de descarga eléctrica dentro de esta unidad

ADVERTENCIA: Para reducir el riesgo de incendio o descarga eléctrica, no exponga este aparato a la lluvia o a la humedad.



ADVERTENCIA: Los voltajes de este equipo constituyen un peligro de muerte. No hay piezas que el usuario pueda reparar dentro del dispositivo. Remita todas las reparaciones al personal de servicio calificado.

PRECAUCIÓN: Los cambios o modificaciones que el fabricante no apruebe expresamente pueden anular la autoridad del usuario para operar este dispositivo.

ACERCA DE SU COMPRA KLIPSCH

Gracias por comprar estos altavoces de piso Klipsch. Después de leer este manual y conectar el sistema, usted podrá escuchar el resultado de más de 55 años de rigurosa ingeniería acompañada de investigación y desarrollo a la vanguardia de su clase. Como todos los productos Klipsch, los altavoces de piso tienen tecnología de acoplamiento a la trompeta Klipsch Tractrix®, que es el diseño en que se basó el primer Klipschorn® desarrollado en 1946 y todos los productos que han venido después. El acoplamiento a la trompeta permite a los altavoces producir alta sensibilidad, baja distorsión, respuesta de frecuencias bajas y amplia dispersión, lo cual se traduce en la potencia, el detalle y la dinámica sin igual que son las marcas distintivas del "Sonido Klipsch". No olvide llenar la tarjeta de garantía en línea en www.klipsch.com o al dorso de este manual para que podamos prestarle mejor servicio. Nuevamente le agradecemos que haya escogido a Klipsch y esperamos que sus altavoces den vida a su música y a sus películas durante muchos años.

DESEMPAQUE Y MONTAJE DEL ALTAVOZ

NOTA: Aunque es posible que una sola persona pueda desempacar este altavoz, la colaboración de un ayudante hará que esto sea más fácil, por no decir menos peligroso, tanto para el altavoz como para el propietario.

La manera más fácil de desempacar el altavoz es invertir la caja sobre una mesa o sobre el piso con las tapas abiertas y dispuestas hacia los lados. Luego se puede tirar de la caja hacia arriba. Quite el material de empaque del altavoz y de la rejilla, vuelva a poner el material en la caja y luego guarde caja y material por si alguna vez necesita enviar el altavoz a alguna parte. Ubique las cuatro patas estabilizadoras y los tornillos de retención, que se necesitan para el paso siguiente.

Si el altavoz no está invertido, invértalo cuidadosamente de modo que la base quede hacia arriba. Hay agujeros roscados cerca de las esquinas para colocar las patas. En cada esquina, alinee una de las patas suministradas de manera que su agujero para tornillo quede sobre el agujero roscado de la caja. Atornille uno de los tornillos suministrados y aprételo firmemente con un atornillador para tornillos con cabeza Phillips. (Vea la figura 1).

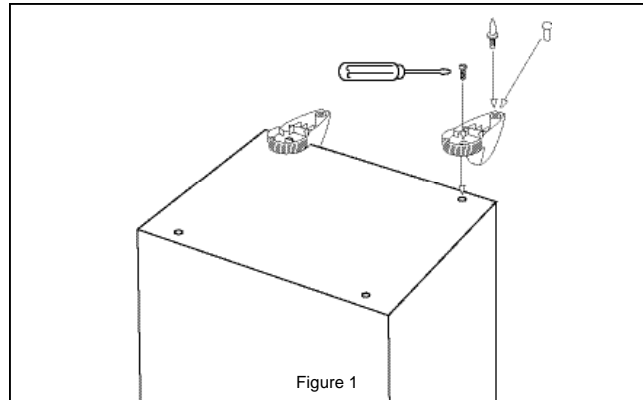


Figure 1

Una vez que las patas estén puestas, instale una púa para alfombras o un perno con punta de goma en el inserto roscado de cada pata. El mejor sonido sobre superficies con alfombra se obtiene usando las púas que se suministran. Luego, ponga el altavoz cuidadosamente de pie. Una vez que esté instalado, hay que levantar el altavoz al moverlo para que la alfombra no se dañe. Las púas son puntiagudas, así es que mantenga los pies alejados.

Después de quitar la bolsa de empaque, alinee las clavijas imantadas que hay dentro de la rejilla con los tornillos de la parte de adelante del altavoz y la rejilla encajará en posición.

UBICACIÓN

Aunque los altavoces de la serie Reference funcionan en una amplia variedad de ubicaciones, el mejor rendimiento se obtiene siguiendo las siguientes simples indicaciones:

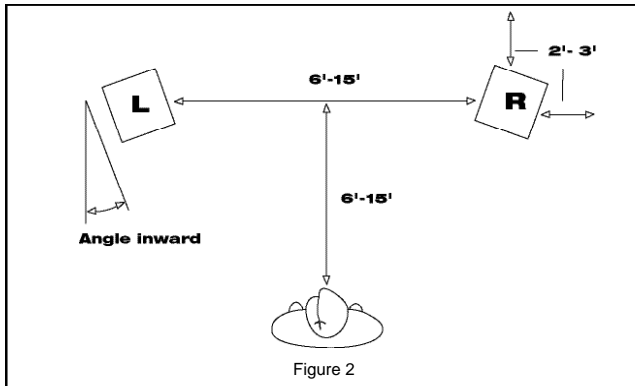
Los altavoces necesitan varias pulgadas de espacio libre detrás para permitirles ventilarse por los puertos, y suenan mejor cuando están a por lo menos 60 cm (2 pies) de la pared más cercana.

Si es posible, coloque ambos altavoces de manera que queden a igual distancia del piso y de la pared que haya detrás. También es bueno poner los altavoces derecho e izquierdo a distintas distancias de las paredes más cercanas. Esta especie de escalonamiento suaviza las frecuencias bajas.

La distancia a las superficies cercanas, tales como las paredes y el piso, influye en gran medida en la respuesta y el rendimiento de bajos de todo altavoz. Acercar el altavoz hacia una de las superficies aumenta el rendimiento de bajos; alejarlo, disminuye tal rendimiento. Estas sugerencias por lo general producen buenos resultados con los altavoces de piso de la serie Reference de Klipsch, pero usted notará que puede "afinar" el sonido desplazando los altavoces ligeramente de lado a lado o de adelante hacia atrás hasta que la música con alto contenido de bajos suene ideal para usted. No tema experimentar.

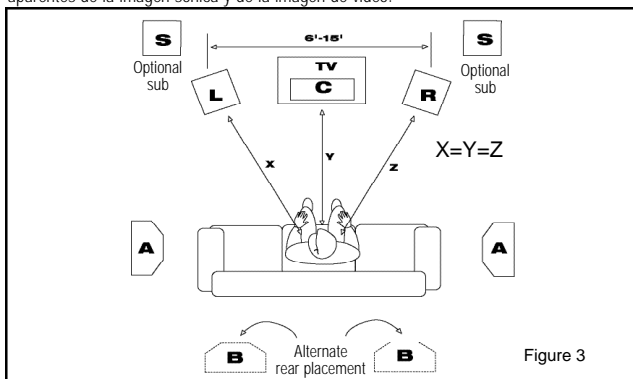


Sistema estéreo de dos canales. La figura 2 muestra una disposición de altavoces común de un sistema estéreo de dos canales. Crear un triángulo equilátero con los altavoces y la posición del oyente es un buen punto de partida. Dependiendo del tamaño de la sala y de la disposición de los muebles, puede ser conveniente disminuir o aumentar la distancia entre la posición del oyente y la línea entre los altavoces, pero trate de que el oyente quede a la misma distancia de los dos altavoces. Eso produce la mejor imagen estereofónica. Orientar ligeramente hacia el oyente los altavoces que estén muy separados mejora la imagen estereofónica.



Instalación estereofónica para cobertura amplia. Si a usted le interesa principalmente escuchar bien el sonido desde cualquier posición en la sala, es bueno colocar los altavoces alejados uno de otro y contra paredes adyacentes de manera que formen una gran L. Esto no produce muy buena imagen estéreo, pero sí buena cobertura y un sonido espacioso y bien balanceado.

Sistema de cine en casa. La figura 3 muestra una instalación común de cine en casa con un par de altavoces de piso como altavoces frontales izquierdo y derecho, un altavoz de canal central horizontal entre ellos y un par de altavoces surround en las paredes laterales. La estrategia básica para ubicar los altavoces frontales derecho e izquierdo es similar a la que se describe anteriormente para un sistema estéreo de dos canales; la diferencia es que los altavoces se ubican con respecto a la pantalla de video. Idealmente, los altavoces frontales izquierdo y derecho deben estar equidistantes y aproximadamente alineados con respecto a tal pantalla. A menos que la pantalla de video sea muy grande, puede ser preferible que haya menos distancia entre los altavoces izquierdo y derecho que en un sistema de música estéreo exclusivamente. Esto asocia mejor los tamaños aparentes de la imagen sónica y de la imagen de video.



CONEXIONES

Nota: Conectar correctamente los altavoces al amplificador es de importancia fundamental para obtener buena calidad de sonido. Siga al pie de la letra estas instrucciones. Las malas conexiones pueden causar daños o falla de amplificador.

Los altavoces de la serie Reference de Klipsch tienen cableado interno con cable Bandwidth Balanced™ Monster®. La tecnología Bandwidth Balanced™ emplea varios

cables de cobre de alta pureza y distinto calibre cuidadosamente seleccionados y enrollados para que haya transferencia óptima de la señal a todas las frecuencias. El mejor rendimiento se obtiene si los altavoces se conectan al amplificador o receptor con cable Monster o con un cable de calidad similar que tenga su distribuidor. Recomendamos que use cable de cobre trenzado calibre 16 o más grueso. Si hay que cubrir grandes distancias, usar cable de menor calibre (más grueso) reduce la potencia de amplificación que se pierde debido a la resistencia del cable.

En la parte de atrás de los altavoces hay dos conjuntos de tornillos de presión, uno para el tweeter y otro para el woofer. Si el cableado es convencional, estos conjuntos están conectados entre sí con bandas de metal enchapadas en oro que se deben quitar para hacer cableado doble o amplificación doble. Explicaremos primero el cableado convencional y luego las alternativas. Toda la información sobre cableado convencional se aplica al cableado doble.

PERO PRIMERO: TIPOS DE CONECTORES

Pele el cable. Separe los dos conductores una pulgada más o menos y pélelos aproximadamente 6 mm (1/4 de pulgada). (Esto es más fácil con un pelacables, pero también se puede usar una cortaplumas común y corriente para cortar alrededor del aislamiento). Trece apretadamente las hebras de los dos conductores. Afloje las tuercas de los tornillos de presión hasta que aparezca el agujero del tornillo, luego inserte los cables pelados a través de los agujeros. Apriete las tuercas a mano sobre el cable. Las hebras no deben hacer contacto de un tornillo de presión a otro ni de un conductor a otro. No seguir esta recomendación en cualquiera de los dos extremos de la conexión puede causar daños o falla de amplificador.

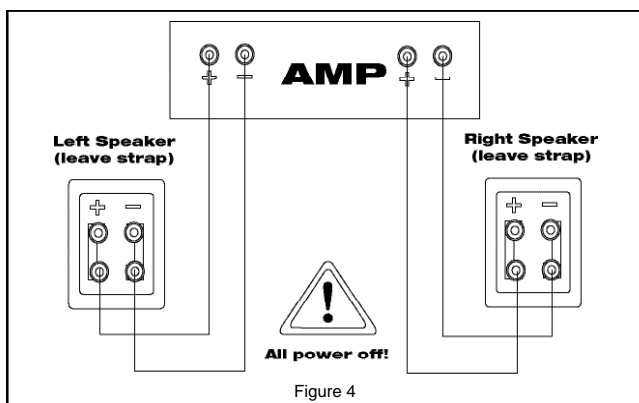
Clavijas. Hay muchos cables que vienen con clavijas de metal en los extremos. Afloje las tuercas de los tornillos de presión hasta que aparezca el agujero del tornillo, luego inserte las clavijas a través de los agujeros. Apriete las tuercas a mano sobre las clavijas. No las apriete en exceso. No debe haber contacto de metal a metal entre las clavijas ni con los tornillos de presión. No seguir esta recomendación en cualquiera de los dos extremos de la conexión puede causar daños o falla de amplificador.

Conectores en U. Hay cables de altavoz que tienen conectores en forma de U en los extremos. Afloje las tuercas de un par de tornillos de presión y coloque los conectores alrededor de los tornillos. Apriete las tuercas a mano sobre los conectores y asegúrese de que éstos queden firmemente en posición. No debe haber contacto de metal a metal entre los conectores ni con los tornillos de presión. No seguir esta recomendación en cualquiera de los dos extremos de la conexión puede causar daños o falla de amplificador.

HAY OTROS TIPOS DE CONECTORES ESPECIALES PARA FACILITAR LA CONEXIÓN DE LOS ALTAVOCES. SU DISTRIBUIDOR AUTORIZADO KLIPSCH LE PUEDE DAR SUGERENCIAS O MÁS DETALLES.

DE LOS ALTAVOCES AL AMPLIFICADOR: CONSERVACIÓN DE LA POLARIDAD O FASE

Uno de los aspectos más importantes al conectar los altavoces es mantener la polaridad o fase. Si los altavoces no se conectan en fase, los bajos o la imagen de sonido se deterioran.

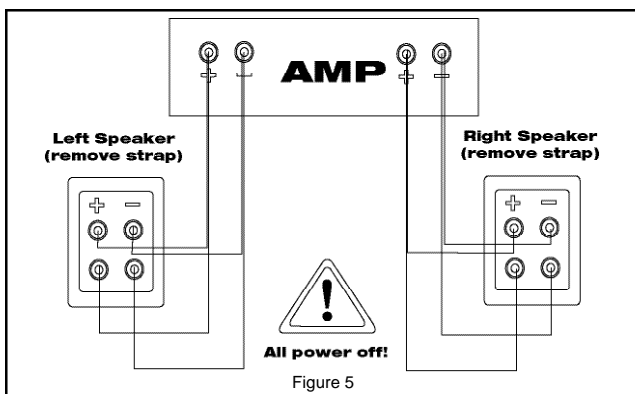




La manera más fácil de que los altavoces queden conectados en fase es conectar siempre los terminales de salida positivo y negativo del amplificador o receptor a los terminales de entrada correspondientes de los altavoces: positivo ("+" de color rojo) y negativo ("- " de color negro). (Vea la figura 4).

La mayoría de los cables de altavoz con terminales tienen conectores de colores que facilitan la correspondencia correcta entre entradas y salidas. Si los suyos no son así, o si usted está haciendo sus propios cables con cable de conductor doble, busque las marcas de identificación en el aislamiento de los conductores. Normalmente hay una banda, una cresta moldeada o letras impresas en uno de los conductores.

Cableado doble. Cuando se hace cableado doble, se conectan cables separados desde los terminales de salida del amplificador o receptor a los terminales de entrada del tweeter y del woofer. (Vea la figura 5). Esto produce menos resistencia eléctrica entre el amplificador y el altavoz que la conexión con un solo cable del mismo calibre. En algunos casos es preferible hacer cableado doble en lugar de cableado convencional con cable de menor calibre, que será más grueso y probablemente menos flexible.



Para hacer cableado doble con los altavoces de la serie Reference, afloje las tuercas de los tornillos de presión y quite las bandas de metal o los puentes de cable que unen los terminales del woofer y del tweeter. Manteniendo la polaridad correcta (vea arriba), conecte un cable a los tornillos de presión del tweeter (arriba) y otro cable a los tornillos de presión del woofer (abajo). Lleve los dos cables hasta el amplificador o receptor y conéctelos al mismo canal. (No conecte, por ejemplo, uno de los cables a una salida A de altavoz y el otro a una salida B de altavoz de un amplificador o receptor con conmutación A/B de altavoces). El amplificador puede sufrir graves daños si no se quitan las bandas.

Amplificación doble. Cuando se hace amplificación doble, el tweeter y el woofer se conectan a amplificadores distintos alimentados desde la misma salida de preamplificador. Recomendamos no hacer amplificación doble con ninguno de nuestros altavoces pues en general esto no produce ningún beneficio que no pueda obtenerse simplemente con un solo amplificador más potente y, por otra parte, el sonido puede deteriorarse mucho si no se hace correctamente. Si de todas maneras usted hace amplificación doble, use amplificadores de igual modelo para las secciones de tweeter y de woofer (a fin de evitar errores de respuesta de frecuencia causados por diferentes volúmenes de amplificación) y asegúrese de quitar las bandas que unen los dos conjuntos de terminales del altavoz. Los amplificadores pueden sufrir graves daños si no se quitan las bandas.

CONFIGURACIÓN DE ADMINISTRACIÓN DE BAJOS

Los receptores y procesadores de sonido surround hacen uso de lo que se conoce como administración de bajos para que las frecuencias bajas de los diversos canales se envíen a los altavoces que pueden reproducirlas bien y no a los altavoces pequeños, que no pueden. Todos los modelos de altavoces de piso de la serie Reference de Klipsch son altavoces de gama completa de frecuencias que se pueden poner en la configuración Grande (Large) del menú de configuración de altavoces de su receptor o procesador. Sin embargo, si su sistema tiene un buen subwoofer con alimentación, es probable que se pueda obtener mejor rendimiento en la configuración Pequeño (Small), lo cual canalizará los bajos profundos hacia el subwoofer. Experimente para ver lo que dé mejores resultados en su sistema.

CUIDADO Y LIMPIEZA

Lo único que se necesita para limpiar los altavoces es quitarles el polvo de vez en cuando. No les aplique nunca limpiadores a base de solvente o detergentes fuertes. Las rejillas se pueden limpiar con el accesorio de escobilla de la aspiradora.

GARANTÍA FUERA DE LOS ESTADOS UNIDOS Y CANADÁ

Si este producto se vende a un consumidor fuera de los Estados Unidos o Canadá, la garantía deberá cumplir con las leyes correspondientes y será responsabilidad exclusiva del distribuidor que lo suministró. Para obtener cualquier servicio de garantía aplicable, comuníquese con el minorista que le vendió este producto o con el distribuidor que lo suministró.

有關安全的重要說明

1. 請閱讀這些說明。
2. 請保留這些說明。
3. 請保留所有警告。
4. 請讀取所有說明。
5. 請勿在水池使用此裝置。
6. 僅使用乾布清潔。
7. 請勿堵塞任何通風孔。請按照廠商說明進行安裝。
8. 請勿把該裝置安裝在靠近熱源的地方，例如：散熱器、保溫裝置、火爐或其他產生熱量的裝置（包括菸灰缸）。
9. 請勿破壞氣性濾網或接地線罩的安全功能。氣性濾網有兩個網片，其中一個比另一個寬。接地線罩有兩個網罩片外加一個接地罩。採用寬的網罩和外加接地罩是出於安全考慮。如果所提供的網罩不能合適地裝到氣性濾網上，請接洽專業技術人員更換款式網罩。
10. 請防止走動時絆到電線線上，防止電線線處於疲勞狀態，特別是靠近車庫、車房、碼頭處和其他有較舊電線的地方。
11. 請僅使用廠商指定的附件。
12. 請僅使用廠商指定的手推車、支架、三腳架、托架或車子，或使用與此裝置一起出售的這些物品。當使用手推車時，請確保有較舊的車隨時要小心，以防止車禍發生。
13. 當臨時或較舊風扇不用時，請拔下較舊的電線線頭。
14. 有關所有維修事宜請接洽有資格的維修人員。無論因為何種原因造成裝置損壞時，均需要更換進行維修。例如電線線或濾網損壞後，需要更換到裝置上或將濾網裝到裝置上。較舊線頭于開水或海水中，較舊無法正常運行，或較舊損壞時。

此標記表示在該位置提供的文件中有重要的操作等說明。

此標記表示裝置內有危險電壓，可導致觸電。

警告：了降低火災或觸電的危險，請勿把該物暴露于雨水或濕氣中。



警告：此設備中的電壓對人身構成危險。設備內沒有需要用戶維修的零件。有關維修事宜請接洽有資格的維修人員。

注意：未經製造商明確許可的改變或修改有可能使本設備的用戶使用權變得失效。

關於如何購買 Klipsch 產品

請速來購買 Klipsch 專業式揚聲器。在閱讀本手冊並檢查好音響系統之後，您將聽到該音響系統發出的美妙聲音，這種美妙聲音的真實源自五十五年來嚴格的工程研發和業內領先的研發成果。與所有 Klipsch 產品一樣，您將真的專業式揚聲器採用了 Klipsch "Trunk" 裝內負載 (Horn-loading) 技術。在 1946 年問世出的首套 Klipsch 產品以及所有後續產品的主導設計中也均採用了這項技術。使用裝內負載 (Horn-loading) 技術能提高揚聲器的靈敏度，降低失真，獲得平滑的頻率響應和寬廣的頻響效果，因而使您獲得與輸出功率、聆聽到精確的細節和感受到震撼效果。建立了 "Klipsch 之聲" 的品牌。請速來購買本手冊使用的所有保卡，或查閱 www.klipsch.com 網站填寫實惠保卡，以便我們能更好地為您服務。再次感謝和購買 Klipsch 產品，我們希望 Klipsch 揚聲器能伴您多年，並在為您提供歡樂和電聲時，帶給您身臨其境的妙妙感受。

關於如何安裝揚聲器

注：雖然揚聲器的安裝和放置一個人就可以完成，但是如果兩個不會更輕易，另外會使揚聲器和線路標的主會更安全。

拆掉揚聲器包裝紙箱的最簡便方法如下：把紙箱蓋鋪開，把紙箱開口的一面朝下置於地板上，然後直接把紙箱拉起來並取走。帶用揚聲器和面網的包裝物，把這些包裝物放回紙箱中存放，以備將來搬運揚聲器時使用。請按照揚聲器的四個固定腳和固定線線，因為下一步要用到這些零件。

如果揚聲器還沒有拆出來，請小心地把它擱置，使其底面朝上。在底面角上附近有些軟物件可以連接揚聲器底面。在我們所提供的底面中，取其中一隻底面，把底面的螺絲孔對準軟物件，然後把我們提供的螺絲穿入螺絲孔，並用十字改錐擰緊。(見圖 1)

底面安裝好以後，請在每只底面的螺絲軟物件上安裝地盤釘或帶橡膠頭的螺絲。使用所提供的地盤釘可取得在地盤表面擴放音響的最佳音響效果。之後，請小心地把揚聲器正立起來。安裝完畢之後，在專點揚聲器時，請把揚聲器擱起，以避免損壞地盤。要卸掉螺絲，請避免用螺絲及螺釘！

在專點揚聲器包裝以後，請把圖 2 裏的附註性註射準揚聲器端網的螺絲，圖 2 將扣入其位置。

揚聲器

專點 Reference Series 揚聲器在大多數場合均表現良好，但是如果您能按照下列一些簡單步驟安裝揚聲器將收到最佳效果：

- 揚聲器後面應有有英尺吋的孔處以能與虛空迴空，另外如果揚聲器與任何附近的牆壁保持至少兩英尺 (60 公分) 的距離，會獲得最佳音響效果。
- 盡可能把兩隻揚聲器放在同一高度，並與後牆等距，使左右兩隻揚聲器相對的傾斜保持不同距離能得到更好的效果，因為這種交錯的擺放方式能使聲音區域更平衡。
- 任何揚聲器的任何輸出和回聲都會受到揚聲器與房間邊界如牆和地板之間距離的擴大影響。使揚聲器靠近牆或地板等房間邊界會使其聲音輸出增大，反之則會使其聲音輸出減小。採用以上直線進行擺放將會得到 Klipsch Reference Series 專業式揚聲器的真正效果，也可以通過調整揚聲器的左右或前後參數來對聲音進行“微調”，直到所有有效內容的音響線音響起來得到好處為止。請放心嘗試吧。

揚聲器身擺放系統

圖 2 顯示的是一種揚聲器身擺放系統的典型揚聲器擺放方式。應先將揚聲器與牆有的位置畫出一個等邊三角形。由於揚聲器大小和與身擺放的擺放，位於從牆有位置到兩揚聲器間的距離會增長成倍數，請儘量使牆有的位置居中，以便其與兩揚聲器之間的距離大致相等。這樣將產生最好的身擺放

接器器帶和功率放大器或接收機給揚聲器得到最好的播放效果。我們推薦使用16號或更粗的軟鋼絲。進行揚聲器接時使用低阻抗（更粗）的線材以減少由線材電阻引起的功率放大器功率損耗。

每只揚聲器的接線上有兩根接線柱，一根用於接接高音喇叭，另一根用於接低音喇叭。常規接線時，接線柱由鍍金的金屬片連接在一起。進行雙聲道分音或雙功率放大器接線時均必須鬆動。我們將首先解釋音道的單聲道接，然後是其替代接法。有關單聲道接的所有資訊都可用於雙聲道分音接線。

首先：接線器類型

環繞：獨用兩個接線柱的一英寸長，分別由鍍金制網的1/4英寸的圓盤圈。（使用制鐵錐操作起來更簡單，但也可使用普通的小刀把圓盤圈沿四周割開。）分別把線圈繞在接線器上。伸縮一對接線柱上的螺帽至露出鍍金金屬柱的小孔，然後把線圈穿過小孔。用手指把螺帽壓在線上。確保兩個接線柱之間唯一接線柱與另一接線柱之間的距離不會互相接觸。如抽離螺帽來完成操作，則可抽離功率放大器與音工作電路地。

螺環：許多昂貴的揚聲器接線末端具有金屬螺環。伸縮一對接線柱上的螺環至露出鍍金金屬柱的小孔，然後把螺環插入小孔。用手指把螺環壓在螺環上。一不要伸得太緊，確保兩個螺環或接線柱之間沒有金屬接觸。如抽離螺環來完成操作，則可抽離功率放大器與音工作電路地。

平接線片：某些昂貴的接線末端具有環繞平接線片的U形接線架。伸縮一對接線柱上的螺環，把平接線片繞在金屬柱周圍。用手指把螺環伸入接線片上，檢查其是否鬆動。確保兩個接線片或接線柱之間沒有金屬接觸。如抽離螺環來完成操作，則可抽離功率放大器與音工作電路地。

儘可能用其他類型的水母接線架進行雙聲道接線。將揚聲器與接收機並肩設置。

接線器與功率放大器：接線器接線

接線揚聲器時，最重要的是按其極性或相位相同。假如接線時相位相反，低音有聲音或音質將會下降。

為了確保正確地連接您的揚聲器，請始終把放大器或接收器的正負極對準接線器揚聲器的輸入端正負極上，也就是說：正極（紅色“+”）連接正極，負極（黑色“-”）連接負極。（見圖4）。

效果：把相距較遠的兩隻揚聲器稍稍扭轉朝向聽者位置有助於保持良好的身體感效果。

大響聲揚聲器與接收機接線
如果您主要期望在屋子裏的任何地方不僅僅在某個特定位置聽音樂時聽到清晰的音響，那麼您可能會向於沿著四圍的牆壁來擺放各個揚聲器，使其形成一個大L型。這樣做雖然不能產生最好的身體感效果，但是效果稍大，聲音具有空間感和運動感，聽起來很和諧。

雙聲道接線
圖3是一個典型的家庭影院揚聲器擺放方式，其中一對環繞式揚聲器分別擺放在離左和右位置，中間擺放一個水平放置的中置揚聲器，側牆上放置一對環繞揚聲器。前置左右揚聲器的基本擺放原理與前述的雙聲道身體感系統相似，只是擺放位置能視視角顯示。理想的擺放要求是前置兩隻揚聲器與顯示幕平齊並距離相等。顯示幕亦非常寬，請儘量使前置兩隻揚聲器間的擺放距離小於或與顯示幕寬度相等。這樣擺放能使聲音印象的形式大小與視角關係之圖更協調。

接線方法

請注意：把揚聲器正確地連到功率放大器或接收器對於獲得好的音質至關重要。請嚴格按照以下方法進行接線。錯誤的接線可能引起功率放大器異常工作或損壞。

Klipsch Reference揚聲器的內部線圈採用Banderith Balanced™ Manstar® 電圈。該電圈採用多種磁性的增進高純度鋼線製成以保證在任何頻率下的最佳音質和响。採用該電圈可使揚聲器能與南面所購買的相似質量材料重

參考系列



多單元制的揚聲器總線有帶色的連接頭以便正確地接輸出和輸入端子。假如您的總線沒有帶色標記並設置，或被採用色形碼的白銀線時，可以在兩線總線的標籤上找到識別標號。通常情況下，導線上會印有一條色帶或有缺口的標誌。

雙軌分音總線

進行雙軌分音總線時，採用分軌的總線來連接功率放大器或接收機的輸出端子和兩個獨立的低音喇叭和高音喇叭的輸入端子（如圖7）。這種總線與使用同一根總線的單軌總線相比，能降低功率放大器有損揚聲器之間的電阻。某些情況下，雙軌總線比使用低標號總線的單軌總線更可取，因為其後者更難，不易增進。

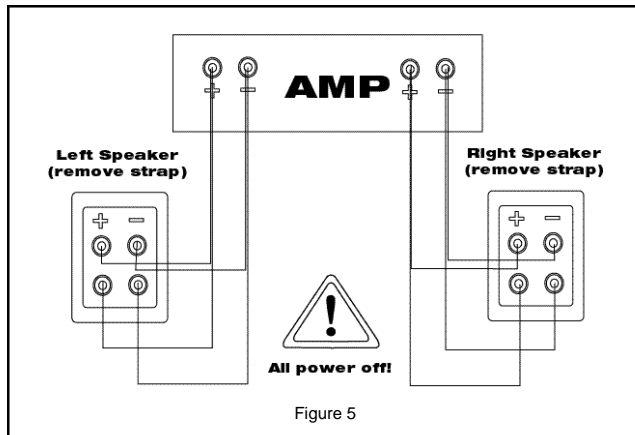


Figure 5

對Reference Series揚聲器使用雙軌總線時，將雙軌總線上的揚聲器標號連接低音喇叭和高音喇叭端子的金屬片或軟線。按照正確的特性（見上文），把線分別與高音喇叭總線柱（上）和低音喇叭總線柱（下）連接。再把兩根線拉到功率放大器和接收機處並接入同一根線。（比如，在具有A/B揚聲器轉換功能的功率放大器或接收機上，不要把一根線插入揚聲器A的輸出端而另一根線插入揚聲器B的輸出端。）如果不帶顏色金屬片，功率放大器可能受到嚴重損壞。

雙功率放大器總線

進行雙功率放大器總線時，高音和低音喇叭分別由採用同一個放大器輸出的兩台功率放大器分別驅動。我們不建議將我們的揚聲器採用雙功率放大器總線，因為從經驗上說，使用一台更大功率的功率放大器也能獲得使用雙功率放大器所能達到的效果，而且雙功率放大器如果使用不當會引起嚴重的聲音變質。如果要採用雙功率放大器總線，請對高音和低音單元使用同一臺功率放大器（以防止由不同的功率放大器增益引起的聲譽錯誤），並務必將每根總線連接到兩個輸入端子的金屬片。如果不帶顏色金屬片，功率放大器可能受到嚴重損壞。

低音管理設置

環繞聲接收機和處理器使用所謂的低音管理來確保不同環境中的低頻信號被適當地將其進行良好處理的揚聲器，並且避免把其推測無法將其進行處理的小揚聲器。所有亞達的Open Reference Series揚聲器均為全頻帶揚聲器，都可以在功能表上把接收機或處理器的揚聲器設置調到Large(L)。如果所用環境內有大功率低音喇叭，把所有的揚聲器均設置為Small(S)或許聽的效果會更好。這確保所有低音均被轉到低音喇叭上。請嘗試各種設置以取得最佳效果。

保護揚聲器

唯一能真正保護揚聲器的事就是給揚聲器揚灰。不要使用任何摩擦性或磨損性清潔劑以及任何粗糙的去污劑。而則可以使用真空吸塵器的軟毛絨套進行清潔。

保固期（適用於美國和加拿大以外的地區）

如果購買本產品的消費者住在美國或加拿大以外的地方，本產品保固條件會適用法律，而且提供該產品的經銷商對保固負責有全部責任。如要獲得任何適用的產品保固服務，請與您購買本產品的經銷商聯繫，或者與提供本產品的代理商聯繫。

Register your new Klipsch product now at www.klipsch.com!

Cut along dotted line and mail.

For multiple speaker purchases, please fill out only one warranty card.

Name: _____

Street Address: _____

City/State/Zip: _____

Home Phone: _____

Work Phone: _____

E-mail Address: _____

Would you like to receive the latest product updates and news via e-mail? Yes No

Product Purchase

Model and serial number must be included to honor your warranty card. For multiple speaker purchases, please fill out only one warranty card.

Model _____ **Serial Number** _____

Model _____ **Serial Number** _____

Model _____ **Serial Number** _____

Model _____ **Serial Number** _____

Model _____ **Serial Number** _____

Model _____ **Serial Number** _____

What store did you purchase your Klipsch products from?

Store Name: _____ **State:** _____

How did you hear about Klipsch? Audio/Home Theater Magazine Other Magazine TV

Radio Newspaper Trade Show Friend Retail Dealer Direct Mail

Have you purchased Klipsch products before? Yes No

If yes, what products?

Product Name(s): _____

When do you hope to purchase additional loudspeakers? 6 mos.– 1 yr. 1–2 yrs.

How likely are you to consider Klipsch products for your upcoming purchases?

Very likely Somewhat likely Doubtful

If doubtful, why? Don't carry product I'm looking for Too expensive

Klipsch dealer too far away Other

Please tell us about you!

Married Single Student Male Female

Age: 15-17 18-24 25-35 36-45 46-55 55-64 65+

Annual Household Income: Under \$25,000 \$25-35,000 \$35-50,000 \$50-75,000

\$75-100,000 \$100,000+



3502 Woodview Trace, Suite 200
Indianapolis, Indiana 46268 USA
1-800-KLIPSCH • www.klipsch.com

Make sure you return your warranty card so that we may keep you up-to-date on new Klipsch products and promotions. If you have any questions, contact your local authorized Klipsch dealer.

For your records:

Model: _____

Date Purchased: _____

Klipsch Audio Technologies
3502 Woodview Trace, Suite 200
Indianapolis, IN 46268 USA

Place
FIRST CLASS
Postage
Stamp Here