



POWER Amplifiers

400, 760, 880, 900, 920, 1050

Installation & Operation Manual

Amplificadores Power
Manual de Instalación y Operación

Amplificateurs Power
Manual de Installation et Operation



Contents

Introduction	1
Features and Specifications	2
Installation	3
Power Wiring	4
Speaker Wiring	6
Indicators and Controls	10
Testing	11
Remote Input Level Control	11
Troubleshooting	12
CEA Power Output	13

Contenido

Introducción	15
Características y Especificaciones	16
Instalación	17
Cableado de Energía	18
Cableado de Altavoz	20
Indicadores y Controles	24
Testeo	25
Control de Nivel de Entrada Remoto	25
Localización de Problemas	26
Salida de Energía CEA	27

Table des matières

Introduction	29
Fonctions et spécifications	30
Installation	31
Câblage puissant	32
Câblage des haut parleurs	34
Indicateurs et contrôles	38
Essais	39
Contrôle du niveau d'entrée à distance	39
Dépannage	40
Sortie de puissance CEA	41





Introduction

The Jensen Power series of amplifiers were designed to meet or exceed the CEA-2006 test standards. These new standards give all participating manufacturers (and many don't participate) a baseline when comparing amplifiers of similar power output. The CEA Power rating protects you, the customer. "Power is power – it doesn't matter who makes it," is not always true. What does matter is whether the power can be produced in the first place. The RMS rating is the true power you are getting. At Jensen, to be fair to you and to the competition, we rate our amps in the two most popular ratings, including the CEA RMS rating. So feel confident that your Jensen purchase decision was a sound one, and remember "If it's Too Loud, You're Too Old."

Before You Begin

We need to get the legal stuff out of the way, so please keep reading. Afterwards, you'll be armed with the knowledge to install your new hard-hitting, speaker-pumping Jensen amplifier.

Exposure to loud sounds or music can permanently damage your hearing. Unfortunately, in many cases, the damage is not noticeable until years later. In addition, loud music may hinder your ability to hear traffic, police, and fire or emergency vehicles. Please be responsible and have respect for other people by listening at moderate volumes!

Warranty Service

If your Jensen amplifier should ever require service, you will need the original dated receipt. If you must return the unit for any reason, always include the receipt with the product.



Features and Specifications

Your new Jensen Power mobile stereo power amplifier is the amplifier of choice for the high demands of auto sound reproduction. With its deep-bass reproduction and plenty of reserve power, low harmonic distortion and neutral reproduction, the Power series of amplifiers takes Mobile Hi-Fi to new heights. Like all Jensen products, when it comes to accurate sound reproduction the Power series takes a back seat to no one. Jensen will bring your Hi-Fi experience to new heights with the following features:

- MOSFET Power Supply
- High Current Bi-Polar Output Transistors
- Optimized Class B Design Minimizes Distortion and Reduces Idle Current
- Easily Drives 2-Ohm Loads
- Pass-Thru RCA's
- Variable Bass EQ 0 - 12dB @ 45 Hz
- 12dB / Octave Low Pass and High Pass filters
- Variable Input Level 400mV - 5V
- Short Circuit, DC-offset and Thermal Overload Protection Circuitry
- Diagnostic LED's - Green: Power, Red: Standby / Fault

Power 400 / 760 / 880 / 920

- Low Pass Filter 40 - 300 Hz
- High Pass Filter 40 - 300 Hz
- High Pass / Low Pass / Full Range Selector Switch
- Stereo / Mono Mode Switch (Power 400 and 880 only)
- 2 / 3 / 4 Channel Mode Switch (Power 760 and 920 only)

Power 900 / 1050

- Mono Subwoofer Amp
- Low Pass Filter 40 - 240 Hz (Power 900)
- Low Pass Filter 40 - 150 Hz (Power 1050)
- Subsonic Filter 10 - 40 Hz, 12dB / octave (Power 900)
- Subsonic Filter 15 - 55 Hz, 12dB / octave (Power 1050)
- Remote Input Level Control (Remote Bass Control) w/ 5 Meter Interface Cable

Specifications

Power 400 / 760 / 880 / 920

- Load Impedance: 2 / 4-Ohm
- Signal to Noise @ 1 kHz: >100dB (rated power)
- Channel Separation @ 1 kHz: >60dB
- Frequency Response: 5-60 kHz, -3dB

- Input Impedance: 20 kHz, nominal
- THD+N @ 5 Watts: 0.02%, 1 kHz, 14.4VDC

Power 900 / 1050

- Signal to Noise @ 120 Hz: >100dB (Rated Power)
- Channel Separation Not Applicable
- THD+N @ 5 Watts: 0.02%, 125 Hz, 14.4VDC

Power Output

RMS Power Output @ 2% THD+N, 1kHz, 14.4VDC

Power 400

- 75 x 2 Watts, 4-Ohm
- 100 x 2 Watts, 2-Ohm
- 200 x 1 Watts, 4-Ohm Bridged

Power 760

- 75 x 4 Watts, 4-Ohm
- 100 x 4 Watts, 2-Ohm
- 190 x 2 Watts, 4-Ohm Bridged Stereo

Power 880

- 135 x 2 Watts, 4-Ohm
- 220 x 2 Watts, 2-Ohm
- 440 x 1 Watts, 4-Ohm Bridged

Power 900

- 300 x 1 Watts, 4-Ohm
- 450 x 1 Watts, 2-Ohm

Power 920

- 100 x 4 Watts, 4-Ohm
- 140 x 4 Watts, 2-Ohm
- 230 x 2 Watts, 4-Ohm Bridged Stereo

Power 1050

- 350 x 1 Watts, 4-Ohm
- 525 x 1 Watts, 2-Ohm

Specifications subject to change without notice.



Installation

Before you begin the installation of your Power series amp remember, there are two ways to do things – right and twice! Use the proper installation techniques, tools and accessories to ensure that your Jensen Power series amp will put out all the power it was designed to. If necessary, seek a professional installer to have the amplifier installed correctly. Most mobile amp installations do not have the proper gauge wire for power and ground – do not let your amp be a victim of this common installation oversight!

NOTE: This device is a high-power audio amplifier intended for installation in vehicles with a 12-Volt negative ground electrical system. Attempting to connect or operate the amplifier with another type of electrical system may cause damage to the amplifier or the electrical system.

Installation Assistance

For installation assistance, call 1-800-323-4815 during normal business hours, or visit www.jensen.com at any time.

Supplies and Tools Needed

To install the amplifier, you will need tools, supplies and adapters. It is best to make sure you have everything you need before you start.

Supplies

- Black electrical tape
- Amplifier Installation Kit

Tools

- Cordless drill with assortment of bits
- Flat-head and Philips screwdrivers
- Wire cutters/strippers
- Crimping tool
- 12-volt test light or digital multimeter
- Wire brush, sandpaper or scraping tool (ground connection to vehicle should be a clean, unpainted metal surface)

Disconnect Battery

Disconnect the negative (-) battery cable before starting the installation. Check the battery ground (there should be two (2) ground wires coming from the battery – one going to the starter mounting bolt or engine block and another

going to the vehicle chassis) and make sure the battery is grounded to the chassis with at least a #8 gauge wire. Also check the alternator connections, making sure they are tight and free from corrosion, rust or dirt.

Location and Mounting

The amplifier's compact design allows great flexibility in mounting. Common mounting locations include under the front passenger seat or in the trunk area.

When selecting a location, remember that amplifiers generate heat. Select a location on a flat surface away from heat and moisture where air can circulate around the amplifier.

Place the amplifier in the mounting location and mark the positions of the holes with a marker, pen or pencil. Carefully drill the mounting holes in the marked positions, then use the supplied mounting screws to securely fasten the amplifier to the mounting surface.

WARNING: Do not cover the amplifier with carpets or enclose it behind interior trim panels, and do not mount the amplifier in an inverted or upside down configuration. Be sure the mounting location and the drilling of pilot holes will not damage any wires, control cables, fuel lines, fuel tanks, hydraulic lines or other vehicle systems or components.

Routing Wires

Proper wiring connections are illustrated on the following pages. If wiring connections are made incorrectly, the unit will not operate properly and could become permanently damaged. Follow the installation instructions carefully, or have the amplifier installed by an experienced technician.

Power Wiring

Charging System

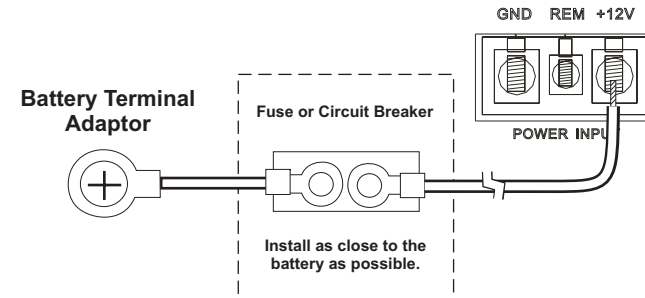
In some cases, the installation of just one (1) amplifier could be enough to overload your factory electrical system (i.e., alternator). Depending on the state of your electrical system and overall condition of your vehicle, you may need to upgrade your alternator and battery. After the vehicle is started, the alternator provides the power to your electrical system, not the battery. When the engine is running, the alternator is your main source of power. Upgrading the alternator should be your first consideration if you should experience a voltage drop in the system when operating your audio system. Adding capacitors and/or batteries without upgrading the alternator will only make the problem worse because these devices put an extra load on the alternator. After upgrading the alternator, capacitors and/or batteries can be installed if desired.

Use the following recommended wire gauge as a guide when installing your amplifier(s):

MODEL NUMBER	MAX CURRENT DRAW	MIN WIRE GAUGE
400	25A	#8
760	40A	#8
880	60A	#6
900	60A	#6
920	60A	#6
1050	100A	#4

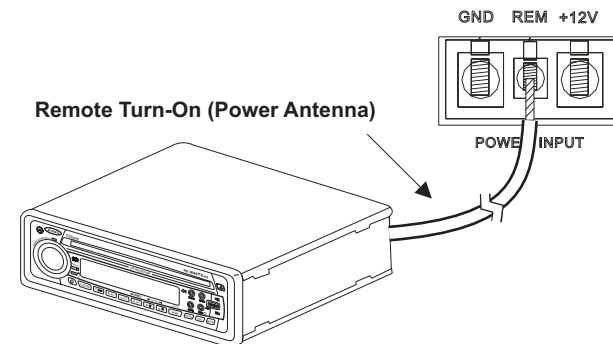
Power Terminal (+12V/B+)

Connect the main power wire to the battery, within 18 inches from the positive (+) battery post, using an adequate size fuse or circuit breaker capable of handling the current of the selected power wire. A fuse or circuit breaker must be installed to prevent a possible electrical fire should the main power wire short to ground.



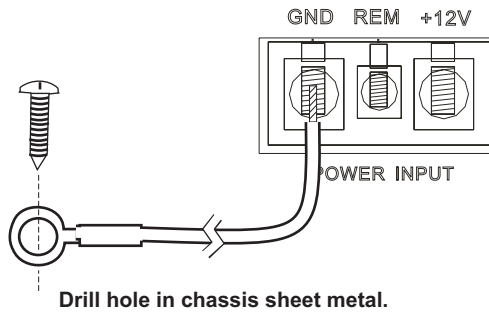
Remote Terminal (REM)

Connect the power antenna or amplifier turn-on lead from the receiver to the amplifier remote terminal.



Ground Terminal (GND)

Make the ground lead as short as possible, leaving enough length to complete the installation and to allow for any service that may be needed at a later date. To ensure a good ground, scrape away any paint or undercoating to expose bare metal. Use a "ring" terminal of the proper gauge and an "outside star washer" (between the chassis and ring terminal) when making your ground connection. Although you've scraped away the paint to expose bare metal, the outside star washer will help to "bite into" the chassis for a tight, secure ground.



Replacement Fuse Requirements (FUSE)

Model	Quantity	Amps	Type
400	1	25	ATO
760	2	20	ATO
880	2	30	ATO
900	2	30	ATO
920	2	30	ATO
1050	4	25	ATO

Speaker Wiring

The Speaker Wiring diagrams illustrate options for connecting one or two speakers. Observe the proper speaker polarity.

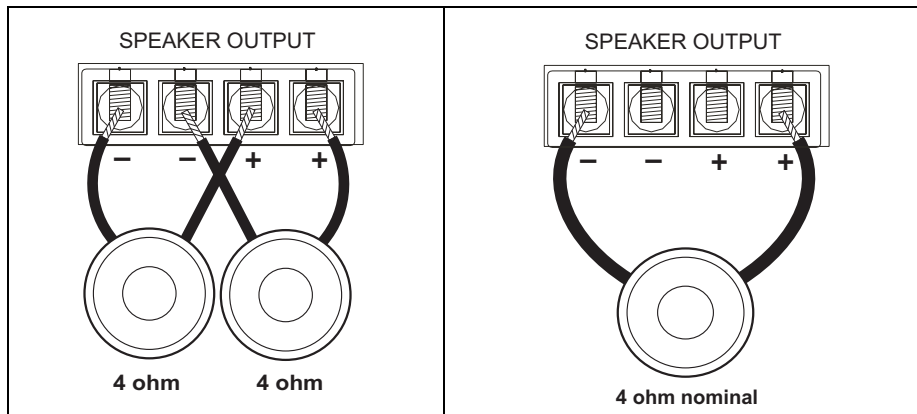
NOTE: Power amplifiers can drive speakers with a nominal impedance range of 2~ 4-ohms. For maximum power, configure your speakers for a nominal 2-ohm load.

NOTE: Do not overlook the use of the proper gauge speaker wire. The Power series of amplifiers require a minimum of 12-gauge wire.

Power 900/1050

Two Subwoofer

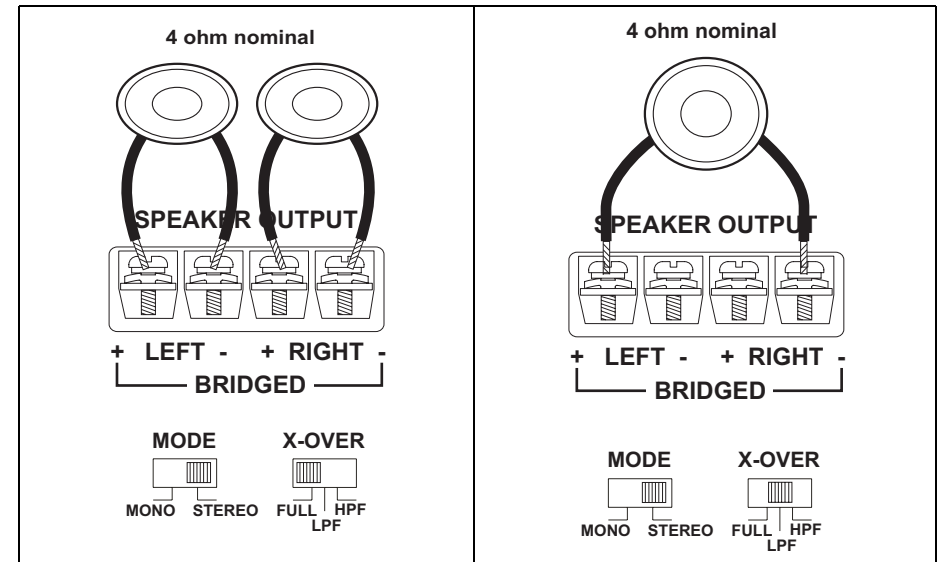
One Subwoofer



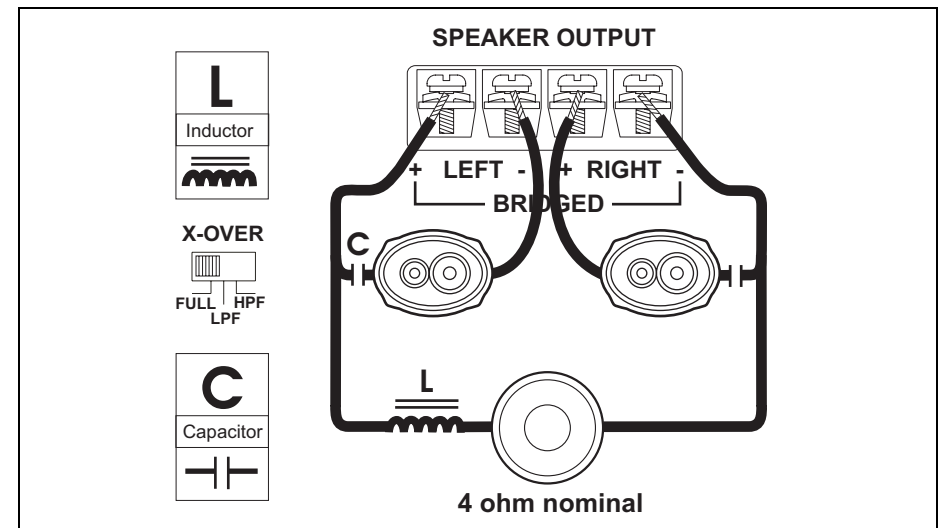
Power 400/880

Two Speakers

One Subwoofer

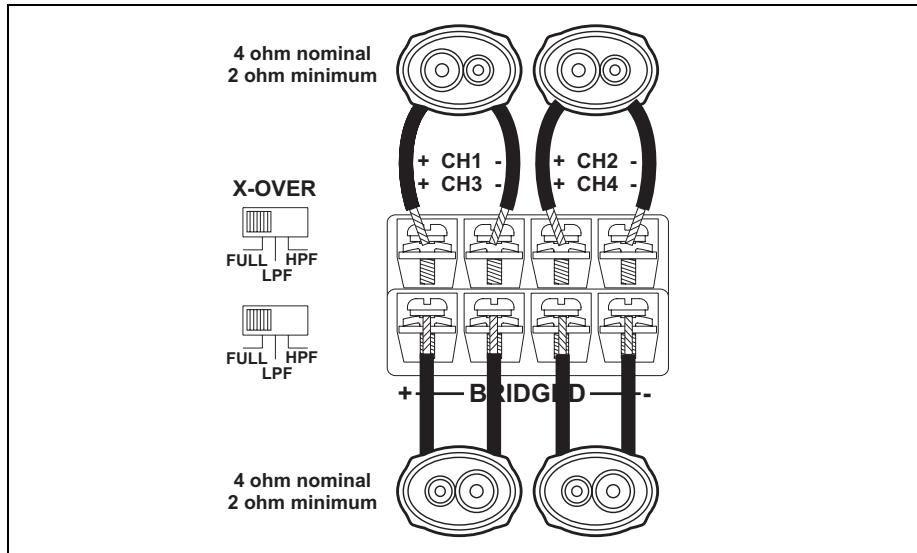


Tri-Mode

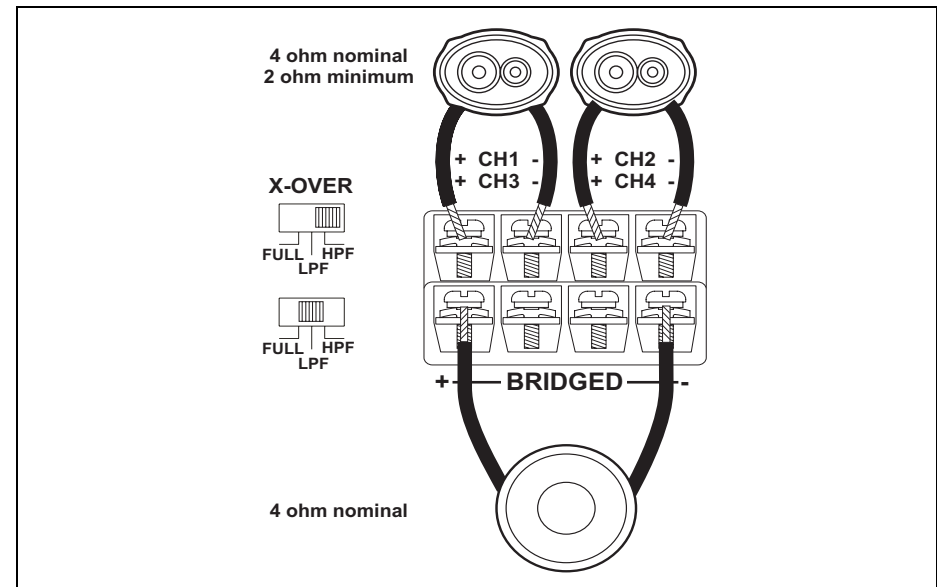


Power 760/920

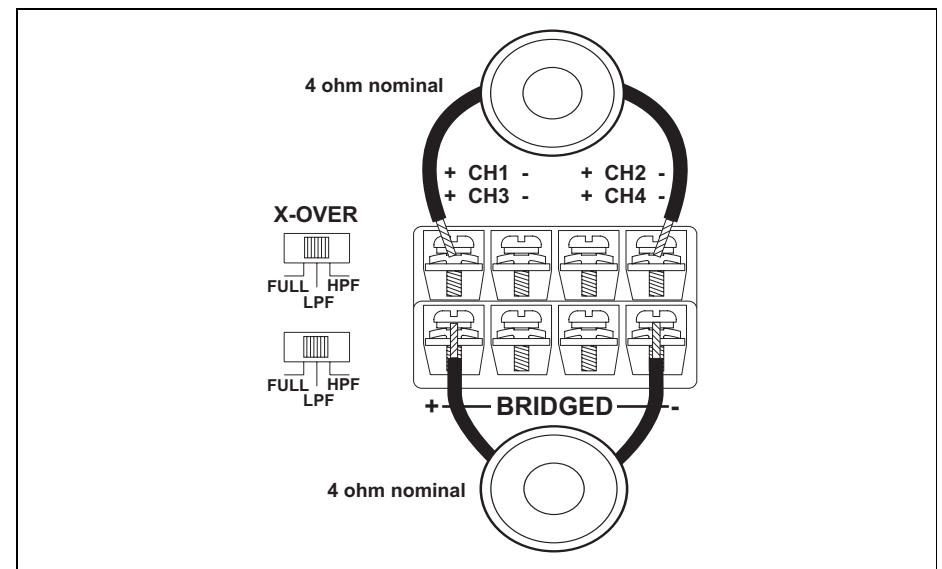
Four Speakers



Two Speakers and Bridged Subwoofer



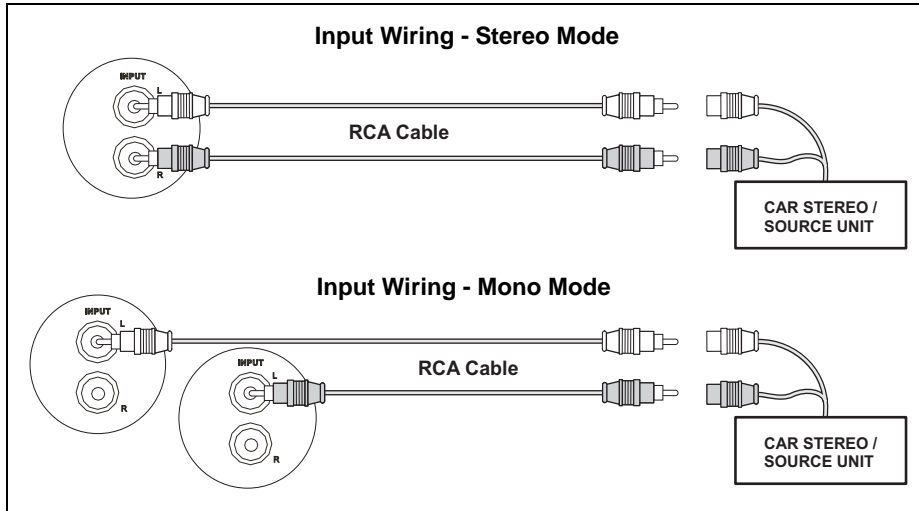
Two Subwoofers



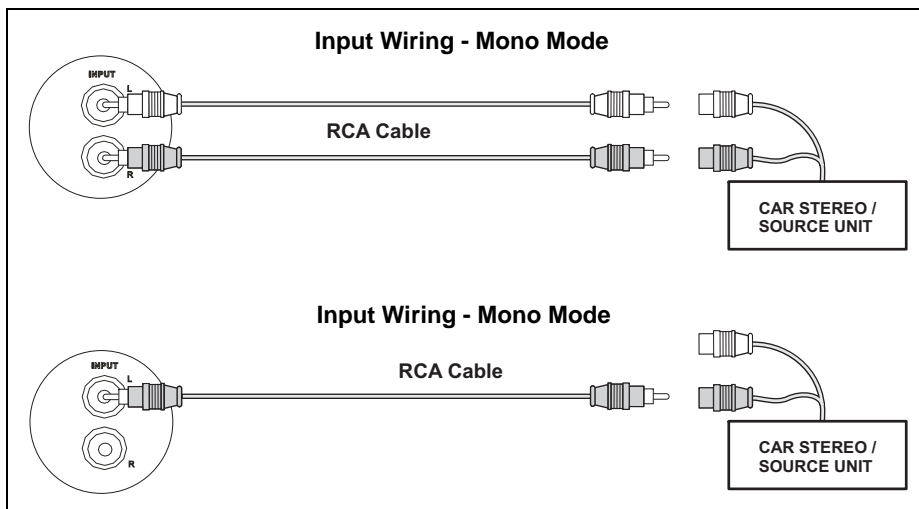
Input Wiring

Most trunk/hatchback installations will require a 15-20 foot RCA cable, while pickup trucks and under-seat mounting will require a 6-12 foot RCA cable. Connect an RCA cable from your receiver to the RCA input on your amplifier.

Power 400/880

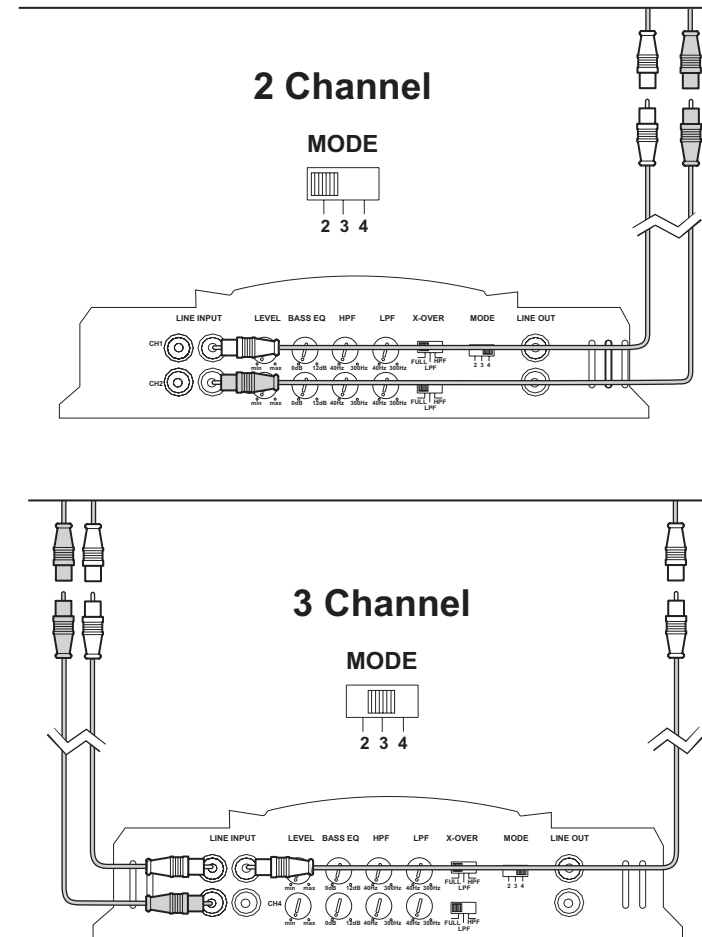


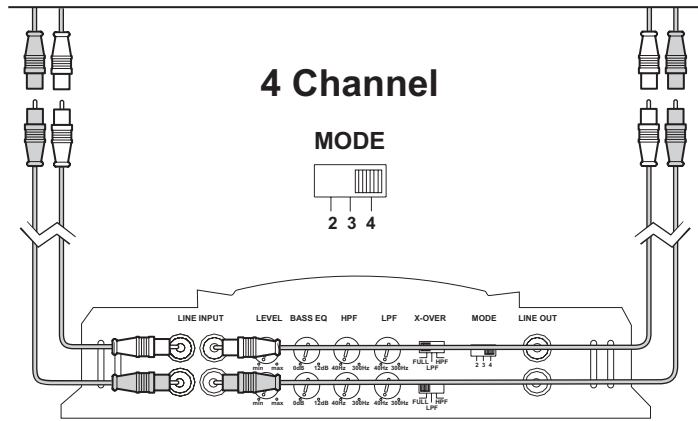
Power 900/1050



Power 760/920

The Power 760 and 920 can be configured for three different input modes: 2 channel, 3 channel or 4 channel.





NOTE: The use of good quality RCA cables is just as important as power and speaker wire. Choose a high quality low capacitance cable for the best results.

Connecting Additional Amplifiers

Pass-Thru RCA connectors are provided to connect additional amplifiers without the need to purchase "Y" adapters.



Indicators and Controls

Power Indicator (POWER)

The power indicator provides a visual indication that the amplifier is turned on.

Input Level Control (LEVEL)

The input LEVEL control matches the output of your radio to the input of the amplifier. After the installation is complete, make sure the input level control on the amplifier is turned down all the way (counter-clockwise or all the way to the left). Play a tape or CD (make sure bass and treble settings or Bass EQ are flat) and turn the volume up slowly until you just start to hear distortion. Back the volume down just a bit. On the amplifier, slowly turn up the input level control (clockwise or to the right) until you just start to hear distortion, then back it down a bit. Now your radio and amplifier levels are matched.

BASS EQ

The Bass EQ is continuously adjustable from 0 to +12dB @ 45Hz. Adjusting the Bass Boost level allows different subwoofer/enclosure combinations to be equalized. Use this control to increase the level of low bass available from your subwoofer/enclosure combination. Ported and Band Pass enclosures should be limited to about +6dB to +9dB of boost. Sealed enclosures should be able to accept the full +12dB of boost, if necessary. The full +12dB of boost should be reserved for special applications since improper use of the Bass Boost could damage your subwoofers at high volumes.

Low Pass Filter (LPF)

The Low Pass Filter controls adjust the crossover point. Typical crossover is between 60Hz and 80Hz for ported and sealed enclosures. Bandpass boxes will typically use a higher crossover setting between 125Hz and 150Hz. Since musical tastes vary, you should play music that you would normally listen to in your vehicle, with the above settings as a starting point. If necessary, set the crossover by ear.

High Pass Filter (HPF)

The high pass filter will limit the low frequencies being transmitted to your speakers. This can be useful in number of situations. For example, if you selected the high pass filter and set the crossover to 40Hz, then you would have an infra-sonic (sub-sonic) filter at 40Hz, which would be useful with certain enclosure/subwoofer combinations that were tuned between 45Hz and 50Hz. Other uses might include limiting the low frequencies to smaller

speakers (6 1/2", 6 X 9", etc.) by adjusting the crossover to a higher setting (80–100Hz).

Crossover (X-OVER)

The Jensen Power series of amplifiers have built-in low-pass and high-pass crossover filters for bi-amplifying the system. Adjust the crossover to accommodate your chosen installation method. Select LPF (low pass filter) when the amplifier will be driving woofers or subwoofers. Choose FULL when crossover mode is not active and the amplifier is in "full range" mode. Select HPF (high pass filter) when the amplifier will be driving full-range or separate speakers, and you want to limit the "bass" being transferred to these speakers.

Mode Switch

Power 400 and 880

The 400 and 880 come equipped with a MONO/STEREO MODE switch. Use STEREO mode when you have a 2-channel input from the source unit. Use MONO mode when you have a single input from the source unit. See "Input Wiring" on page 8.

Power 760 and 920

The 760 and 920 come equipped with a 2/3/4 MODE switch and can be configured for three different input modes: 2 channel, 3 channel or 4 channel.

Testing

Before finishing the installation, perform the following tests to make sure the wiring is correct and everything is operating properly.

Reconnect Battery

When wiring is complete, reconnect the battery negative terminal.

Test Power Wiring

Turn on the receiver, but do not turn up the volume. The amplifier power light should come on. If not, check the REM and +12V (B+) wires. Turn up the receiver volume slightly. All speakers should operate. If not, check wiring connections at amplifier and speakers.

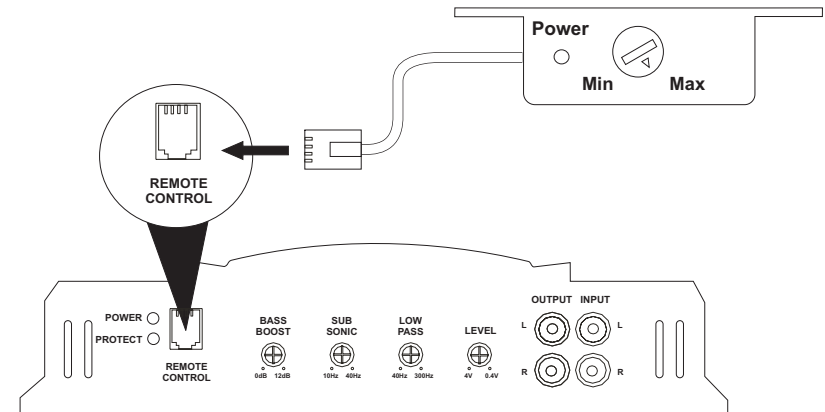
Test Speaker Connections

These tests make sure the speakers are connected properly. If speakers don't play at all, one (or both) speaker wires may be disconnected.

Remote Input Level Control

The **Power 900 and 1050** come equipped with a Remote Input Level Control. The Remote Input Level Control allows the input level to be adjusted from an alternate location. It can be mounted under-dash or in-dash. When the amplifier is used to drive subwoofers and the low pass crossover is activated, the Remote Input Level Control can be used as a "remote bass level control". This enables you to control the bass level independent from the rest of the system. This is convenient for system tuning and/or when playing many different types of music.

The Remote Input Level Control uses a 6-pin modular cable for connectivity. Simply plug the 6-pin modular cable into the amplifier and then into the Remote Input Level Control to activate the circuit.





Troubleshooting

Problem	Possible Cause	Corrective Action
Amplifier does not turn on	No power to +12V terminal	Check fuse(s)
	No power to REM terminal	Check head unit fuse(s) and wiring
	Blown main fuse at battery	Replace fuse and identify cause of failure
	Blown fuse at amplifier	Replace fuse and identify cause of failure
	Faulty ground	Re-ground main power ground to bare metal chassis
Volume control too sensitive	Input level control adjusted too high	Re-adjust the input level (refer to page 8)
Distorted sound	Input level control adjusted too high	Re-adjust the input level (refer to page 8)
Blows fuse(s) at amp	Power wires connected backwards	Reconnect power wires properly
	Internal problem with amp	Take unit for service
Engine noise / Alternator whine	Ground loop(s)	Use good quality shielded RCA cables
	Faulty ground at amp	Re-ground amp to clean bare metal chassis
	Faulty ground at head unit	Re-ground head unit to clean bare metal chassis
	Inductive coupling	Re-route RCA and/or speaker wires away from factory harnesses
	Input level on amp set too high	Re-adjust input level (refer to page 8)
Thermal protection activated	Amplifier driving 2 ohm load for long durations	If the amplifier "thermals" frequently while driving subwoofers, install fan to keep amp cool.

Short circuit protection activated	Blown speakers	Check all speakers
	Speaker wire(s) shorting to ground	Check for faulty wiring
	Defective crossover	Faulty passive crossover
Low impedance protection activated	Amp connected to improper load	Check speaker connections
	Amp will not drive a 1 ohm mono load, 2 ohm minimum in mono configuration	Verify that speakers are connected properly
	Speakers defective/blown	Check speakers
	Faulty passive crossovers	Check crossovers
	Poor bass response	Speakers out of phase

NOTE: If the protection light is activated with no speakers connected to the amplifier, and all the power connections are correct, this would indicate an internal problem with the amplifier.



CEA Power Output



RMS Power Output @ 1% THD+N, 14.4VDC

Power 400

Power Output: 60 watts RMS X 2 channels into 4-ohms @ < 1% THD+N
Signal to Noise Ratio: 100dBA below reference (Reference: 1 watt, 4-ohms)
Additional Power Output:
80 watts RMS X 2 channels into 2-ohms @ < 1% THD+N
160 watts RMS X 1 channels (Bridged Mono) into 4-ohms @ < 1% THD+N
Frequency Response: 10Hz to 60 kHz, -3dB (Reference: 1 watt)
Dimensions: L9.5" x H2.5" x W9.0"

Power 760

Power Output: 60 watts RMS X 4 channels into 4-ohms @ < 1% THD+N
Signal to Noise Ratio: 100dBA below reference (Reference: 1 watt, 4-ohms)
Additional Power Output:
80 watts RMS X 4 channels into 2-ohms @ < 1% THD+N
155 watts RMS X 2 channels (Bridged Stereo) into 4-ohms @ < 1% THD+N
Frequency Response: 10Hz to 60 kHz, -3dB (Reference: 1 watt)
Dimensions: L12.5" x H2.5" x W9.0"

Power 880

Power Output: 125 watts RMS X 2 channels into 4-ohms @ < 1% THD+N
Signal to Noise Ratio: 100dBA below reference (Reference: 1 watt, 4-ohms)
Additional Power Output:
200 watts RMS X 2 channels into 2-ohms @ < 1% THD+N
410 watts RMS X 1 channels (Bridged Mono) into 4-ohms @ < 1% THD+N
Frequency Response: 10Hz to 60kHz, -3dB (Reference: 1 watt)
Dimensions: L14.0" x H2.5" x W9.0"

Power 900

Power Output: 230 watts RMS X 1 channels into 4-ohms @ < 1% THD+N
Signal to Noise Ratio: 100dBA below reference (Reference: 1 watt, 4-ohms)
Additional Power Output:
340 watts RMS X 1 channels into 2-ohms @ < 1% THD+N
Frequency Response: 10Hz to 240Hz, -3dB (Reference: 1 watt)
Dimensions: L15.75" x H2.5" x W9.0"

Power 920

Power Output: 90 watts RMS X 4 channels into 4-ohms @ < 1% THD+N
Signal to Noise Ratio: 100dBA below reference (Reference: 1 watt, 4-ohms)
Additional Power Output:
120 watts RMS X 4 channels into 2-ohms @ < 1% THD+N
190 watts RMS X 2 channels (Bridged Stereo) into 4-ohms @ < 1% THD+N
Frequency Response: 10Hz to 60 kHz, -3dB (Reference: 1 watt)
Dimensions: L15.75" x H2.5" x W9.0"

Power 1050

Power Output: 290 watts RMS X 1 channels into 4-ohms @ < 1% THD+N
Signal to Noise Ratio: 100dBA below reference (Reference: 1 watt, 4-ohms)
Additional Power Output:
430 watts RMS X 1 channel into 2-ohms @ < 1% THD+N
Frequency Response: 10Hz to 150Hz, -3dB (Reference: 1 watt)
Dimensions: L17.25" x H2.5" x W9.0"





Introducción

La Serie Power de amplificadores Jensen fue diseñada para alcanzar o exceder los estándares CEA-2006. Estos nuevos estándares proveen a todos los fabricantes que participan (y a muchos que no participan) una base al comparar amplificadores de potencia similar. La calificación de Potencia de CEA lo protege a usted, el cliente. No es siempre verdad que "la potencia es la potencia, no importa quien la hace". Lo que importa principalmente es si se puede producir esa potencia. La calificación RMS es la verdadera potencia que usted está adquiriendo. En Jensen, para ser honesto con usted y con la competencia, calificamos nuestros amplificadores en dos de los más populares sistemas de calificación, incluyendo CEA RMS. De tal forma que usted esté seguro de que su compra de un Jensen fue una elección de sonido, y recuerde "Si está muy alto, usted está muy viejo".

Antes de Empezar

Necesitamos primero repasar rápidamente el tema legal, así que por favor siga leyendo. Luego, usted tendrá el conocimiento para instalar su nuevo amplificador con altavoz bombeador de golpe duro Jensen.

La exposición a sonidos o música fuerte puede dañar permanentemente su oído. Desafortunadamente, en muchos casos, el daño no se detecta hasta varios años después. Además, la música fuerte puede entorpecer su habilidad de oír el tráfico, la policía, bomberos o vehículos de emergencia. Sea responsable y respete a las otras personas, ¡escuche en volumen moderado!

Servicio de Garantía

Si su amplificador Jensen alguna vez necesita servicio, necesitará el recibo original con la fecha. Si debe devolver la unidad por cualquier motivo, siempre incluya el recibo con el nuevo producto.

Características y Especificaciones

Su nuevo amplificador de potencia estéreo móvil Power de Jensen es el amplificador elegido por grandes demandas de reproducción en sonido estéreo. Con su reproducción de graves profundos y mucha potencia de reserva, distorsión armónica baja y reproducción neutra, la serie Power de amplificadores lleva al Hi-Fi Móvil a nuevos estándares. Como todos los productos Jensen, cuando se trata de sonido de precisión, la serie Power va a la cabeza. Jensen llevará su experiencia Hi-Fi a nuevos estándares con las siguientes características:

- Fuente de Alimentación del MOSFET
- Transistores Bipolares Actuales Altos de la Salida
- El diseño optimizado de la clase B reduce al mínimo la distorsión y reduce la corriente ociosa
- Conduce Fácilmente Cargas de los 2-Ohmios
- RCA de paso
- EQ de Graves Variable de 0 - 12dB @ 45Hz
- Filtros de Paso Bajo y Alto de 12dB / octavos
- Nivel de Entrada Variable de 400mV - 5V
- Circuito de protección contra corto circuito, compensación de corriente continua y sobrecarga
- LED de diagnóstico - Verde: Encendido, Rojo: Standby / Falla

Power 400 / 760 / 880 / 920

- Filtro de paso bajo 40 - 300Hz
- Filtro de paso alto 40 - 300Hz
- Llave selectora de Paso Alto / Paso Bajo / Rango Total
- Llave de Modo Estéreo/Mono (Power 400 y 880))
- Llave de Modo de Canal 2/3/4 (Power 760 y 920)

Power 900 / 1050

- Amplificador de altavoz de graves monoaural
- Filtro de paso bajo 40 -240Hz (Power 900)
- Filtro de paso bajo 40 -150Hz (Power 1050)
- Filtro subsónico 10 - 40 Hz, 12dB / octavo (Power 900)
- Filtro subsónico 15 - 55 Hz, 12dB / octavo (Power 1050)
- Control de Nivel de Entrada Remoto con cable de interfaz de 5 metros

Especificaciones

Power 400 / 760 / 880 / 920

- Carga de impedancia: 2-4ohm
- Señal a Ruido @ 1kHz: >100dB (potencia calificada)

- Separación de Canal @ 1 kHz: > 60dB
- Frecuencia de Respuesta 5-60 kHz, -3dB
- Impedancia de Entrada: 20 kHz, nominal
- THD+N @ 5 wats: 0.02%, 1 kHz, 14.4VDC

Power 900 / 1050

- Señal a Coeficiente de Ruido @ 120Hz: >100dB (potencia calificada)
- Separación de Canal no aplicable
- THD+N @ 5 wats: 0.02%, 125 Hz, 14.4VDC

Salida de Potencia

Salida de Potencia RMS @ 2% THD+N, 1kHz, 14.4VDC

Power 400

- 75 x 2 Wats, 4-ohm
- 110 x 2 Wats, 2-ohm
- 200 x 1 Wats, 4-ohm en Puente

Power 760

- 75 x 4 Wats, 4-ohm
- 100 x 4 Wats, 2-ohm
- 190 x 2 Wats, 4-ohm Estéreo en Puente

Power 880

- 135 x 2 Wats, 4-ohm
- 220 x 2 Wats, 2-ohm
- 440 x 1 Wats, 4-ohm en Puente

Power 900

- 300 x 1 Wats, 4-ohm
- 450 x 1 Wats, 2-ohm

Power 920

- 100 x 4 Wats, 4-ohm
- 140 x 4 Wats, 2-ohm
- 230 x 2 Wats, 4-ohm Estéreo en Puente

Power 1050

- 350 x 1 Wats, 4-ohm
- 525 x 1 Wats, 2-ohm

Especificaciones sujetas a cambios sin notificación.



Instalación

Antes de iniciar la instalación de la serie de amplificadores de Power recuerde, hay dos maneras de hacer las cosas ¡bien o dos veces! Utilice las técnicas de instalación, herramientas y accesorios adecuados para asegurar que su amplificador Jensen de serie Power podrá sacar toda la potencia para la que fue diseñado. Si es necesario, busque un instalador profesional para instalar el amplificador correctamente. La mayoría de las instalaciones de amplificadores móviles no tienen un cableado del calibre adecuado para la potencia y la toma a tierra. ¡No permita que su amplificador sea víctima de estos descuidos comunes en una instalación!

NOTA: Este dispositivo es un amplificador de audio de alta potencia diseñado para vehículos con sistema eléctrico con toma a tierra negativo de 12 Voltios. Intentar operar o conectar el amplificador con otro tipo de sistema eléctrico puede causar daños en el amplificador o en el sistema eléctrico.

Asistencia en la Instalación

Para asistencia en la instalación, llame al 1-800-323-4815 durante horas comerciales normales, o visite www.jensen.com en cualquier momento.

Herramientas y Suministros Necesarios

Para instalar el amplificador, usted necesitará herramientas, suministros y adaptadores. Es mejor asegurarse de tener todo antes de empezar.

Suministros

- Cinta eléctrica negra
- Equipo de Instalación del Amplificador

Herramientas

- Taladro inalámbrico con puntas varias
- Destornilladores planos y Philips
- Cúter y peladores de cables
- Herramienta crimpadora
- Luz de verificación de 12 voltios o multímetro digital
- Cepillo de cables, lija o herramienta de raspar (la conexión a tierra del vehículo debe ser una superficie metálica sin pintura y limpia)

Desconecte la Batería

Desconecte el cable de batería negativo (-) antes de iniciar la instalación. Verifique la toma a tierra de la batería (debe haber dos (2) cables a tierra que salgan de la batería, uno yendo al perno de montaje de ignición o al bloque del motor y otro yendo al chasis del vehículo) y asegúrese de que la batería esté conectada a tierra al chasis con un cable mínimo de calibre #8. Verifique también las conexiones del alternador, asegurándose de que estén ajustados y libres de corrosión, óxido o suciedad.

Ubicación y Montaje

El diseño compacto del amplificador permite gran flexibilidad en el montaje. Las ubicaciones de montaje más comunes son bajo el asiento del pasajero delantero o en la cajuela.

Cuando seleccione la ubicación, recuerde que el amplificador genera calor. Seleccione una ubicación en una superficie plana lejos del calor o la humedad, donde el aire pueda circular alrededor del amplificador.

Ubique el amplificador en el lugar de montaje y marque la posición de los agujeros con un marcador, lápiz o lapicera. Cuidadosamente taladre los agujeros de montaje en las posiciones marcadas, luego utilice los tornillos de montaje provistos para asegurar el amplificador en la superficie de montaje.

ADVERTENCIA: No cubra el amplificador con alfombras o lo confine dentro de paneles interiores decorativos, y no monte el amplificador en posición invertida o al revés. Asegúrese de que la posición de montaje y de que los agujeros taladrados no dañen ningún cable, control, líneas de combustible, tanque de combustible, líneas hidráulicas u otros sistemas o componentes del vehículo.

Cableado

La adecuada conexión de cables se ilustra en las páginas siguientes. Si las conexiones de cables se realizan incorrectamente, la unidad no operará como corresponde y podría dañarse permanentemente. Siga las instrucciones del cableado cuidadosamente o haga que un técnico experto realice la instalación del amplificador.

Cableado de Energía

Sistema de Carga

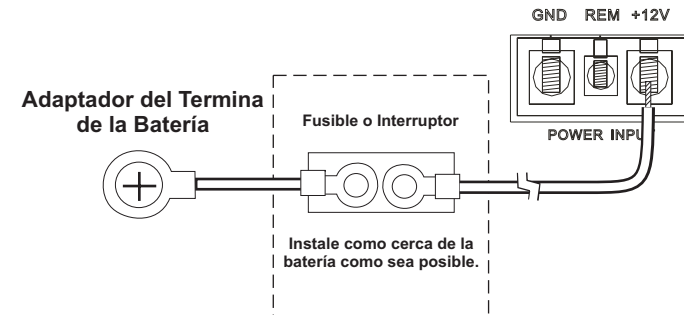
En algunos casos, la instalación de solo un (1) amplificador podría ser suficiente para sobrecargar el sistema eléctrico de fábrica (ej., alternador). Dependiendo del estado de su sistema eléctrico y de las condiciones generales de su vehículo, puede que necesite renovar su alternador y batería. Luego de encender el vehículo, el alternador provee la energía a su sistema eléctrico, no la batería. Cuando el motor está funcionando, el alternador es su principal fuente de energía. Renovar el alternador debe ser su primera opción si experimenta una caída del voltaje en el sistema cuando opere el audio. Agregar capacitores y/o baterías sin renovar el alternador empeorará el problema porque estos dispositivos agregan carga extra al alternador. Luego de cambiar el alternador, pueden instalar los capacitadores y/o baterías si lo desea.

Utilice los siguientes calibres de cableado recomendados como guía cuando instale su o sus amplificadores:

NÚMERO DE MODELO	TOMA DE CORRIENTE MÁXIMA	CALIBRE DE CABLE MÍNIMO
400	25A	#8
760	40A	#8
880	60A	#6
900	60A	#6
920	60A	#6
1050	100A	#4

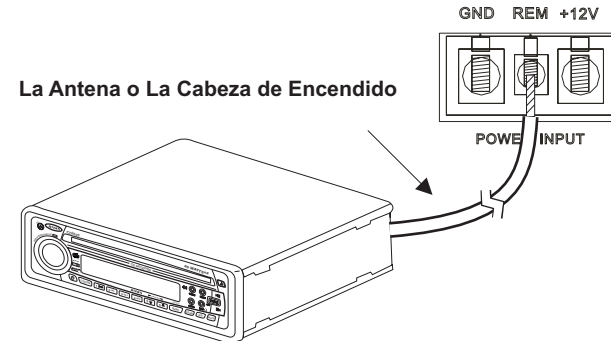
Terminal de Potencia (+12V/B+)

Conecte el cable de energía principal a la batería, a 18 pulgadas del polo positivo (+) de la batería, usando un tamaño adecuado de fusible o un interruptor de circuito capaz de manejar la corriente del cable seleccionado. Un fusible o interruptor de circuito se debe instalar para prevenir posibles incendios eléctricos por si el cable de energía principal causa corto circuito a tierra.



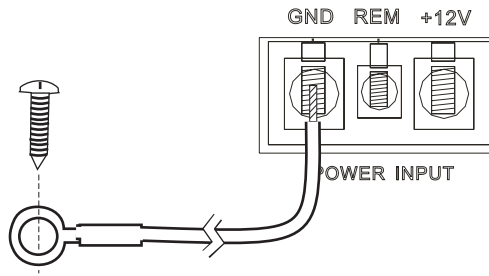
Terminal Remota (REM)

Conecte la antena de energía o la punta de encendido del amplificador desde el receptor al terminal remoto del amplificador.



Terminal a Tierra (GND)

Haga la punta de la toma a tierra tan corto como sea posible, dejando largo suficiente para completar la instalación y para permitir que se realice cualquier servicio que sea necesario en el futuro. Para asegurar una buena toma a tierra, raspe toda pintura o cobertura hasta exponer el metal desnudo. Utilice un terminal "anillo" de calibre apropiado y una "arandela externa" (entre el chasis y el terminal anillo) cuando realice su conexión a tierra. Aunque haya quitado la pintura hasta dejar el metal desnudo, la arandela exterior ayuda a "morder dentro" del chasis para una conexión segura y firme a tierra.



Perfore un agujero en metal de hoja del chasis.

Requerimiento de Fusible de Reemplazo (FUSE)

Modelo	Cantidad	Amp	Tipo
400	1	25	ATO
760	2	20	ATO
880	1	30	ATO
900	1	30	ATO
920	1	30	ATO
1050	4	25	ATO

Cableado del Altavoz

Los diagramas del Cableado del Altavoz ilustran las opciones para conectar uno o dos altavoces. Observe la polaridad adecuada del altavoz.

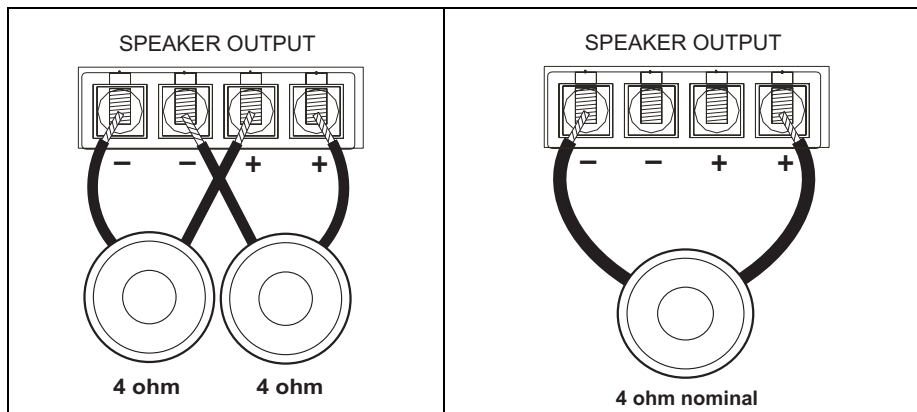
NOTA: Los amplificadores Power pueden conducir altavoces con un rango de impedancia nominal de 2~ 4-ohms. Para potencia máxima, configure su altavoz para carga nominal de 2-ohm.

NOTA: No desestime el uso de cables de calibre apropiado para el altavoz. La serie de amplificadores Power requiere un cable mínimo de calibre 12.

Power 900/1050

Altavoz de Graves Dos

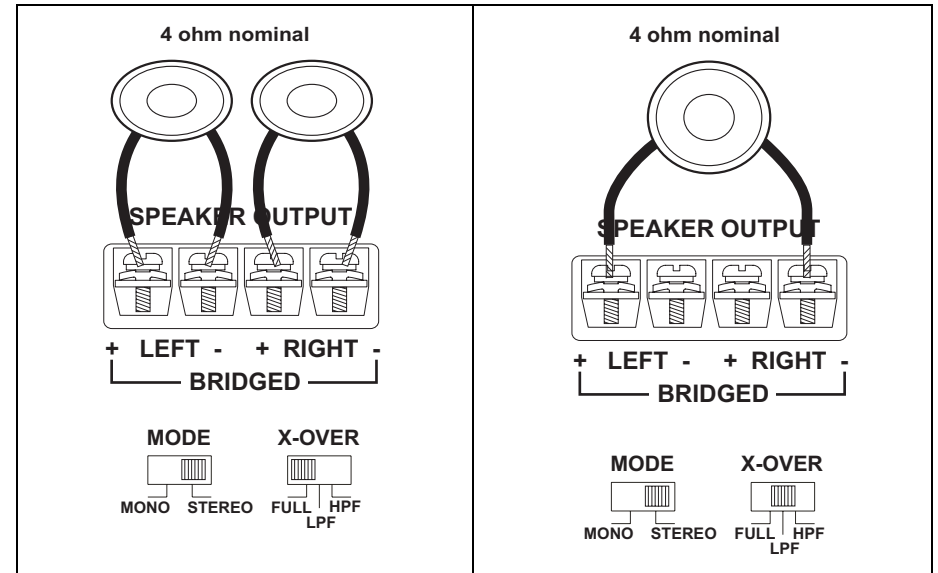
Altavoz de Graves Uno



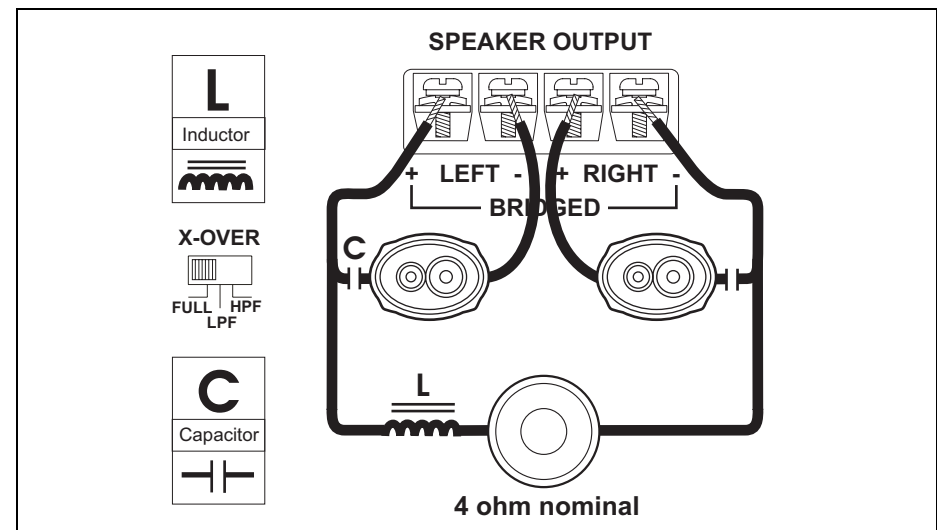
Power 400/880

Altavoz Dos

Altavoz Uno

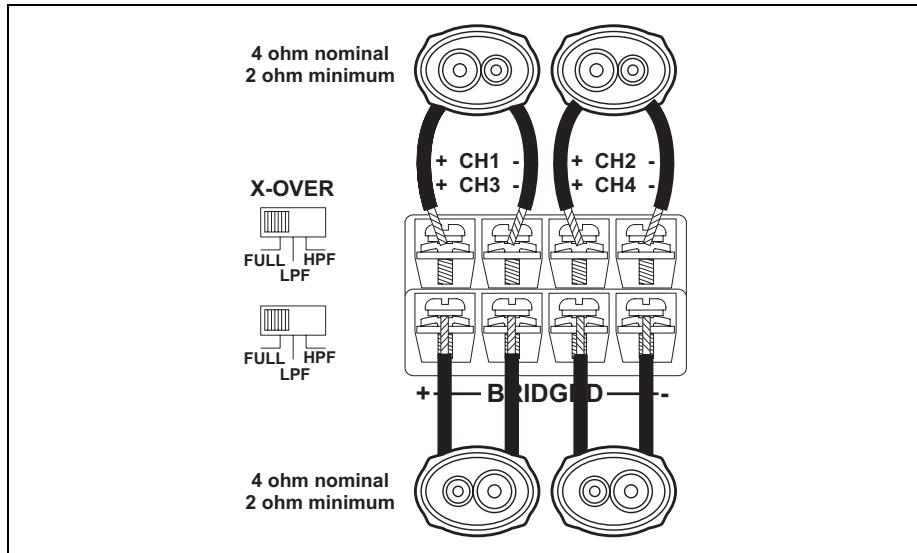


Tri-Modo

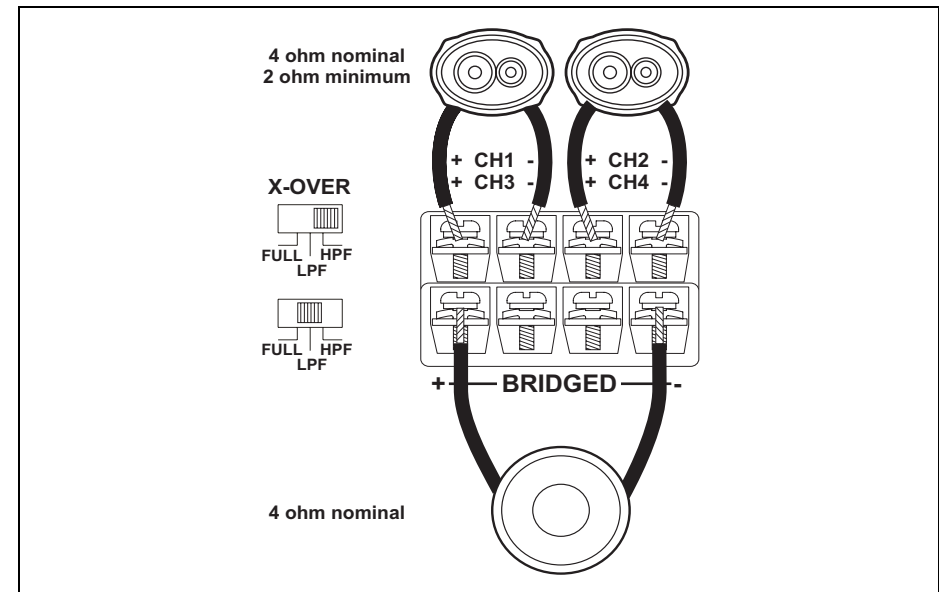


Power 760/920

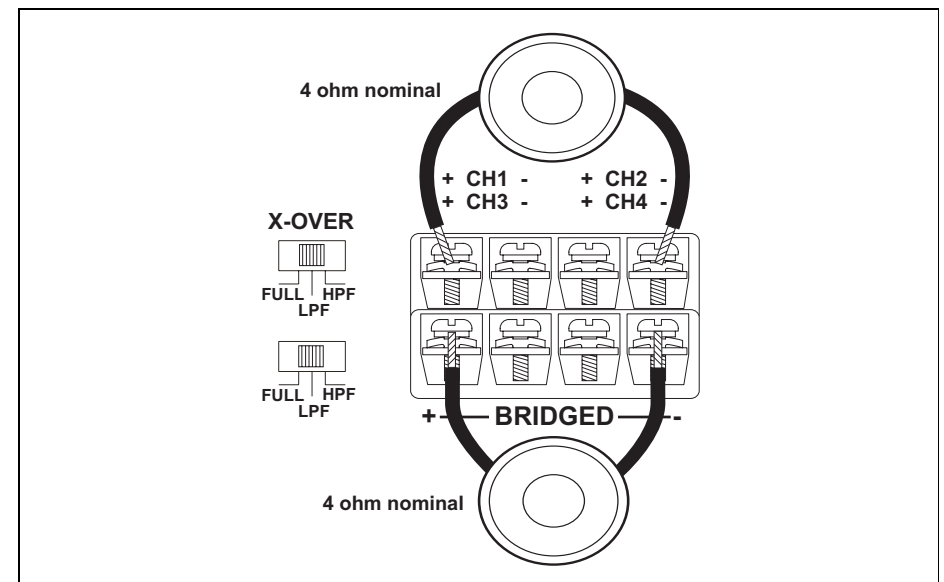
Cuatro Altavoces



Dos Altavoces y Altavoz de Graves en Puento



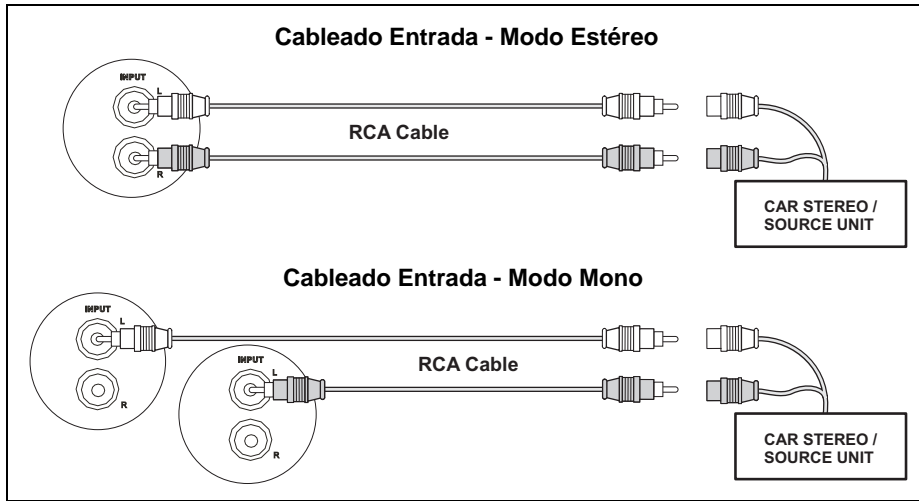
Dos Altavoces de Graves



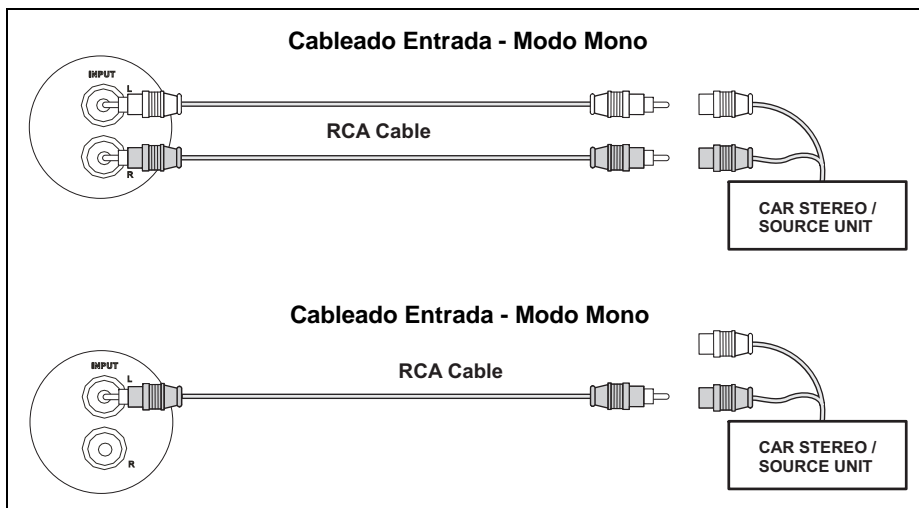
Cableado de Entrada

La mayoría de las instalaciones del baúl/cajuela requerirán cable RCA de 15-20 pies, mientras que las cajuelas de camionetas y montajes bajo asientos requerirán cable RCA de 6 a 12 pies. Conecte el cable RCA desde su receptor a la entrada RCA de su amplificador.

Power 400/880

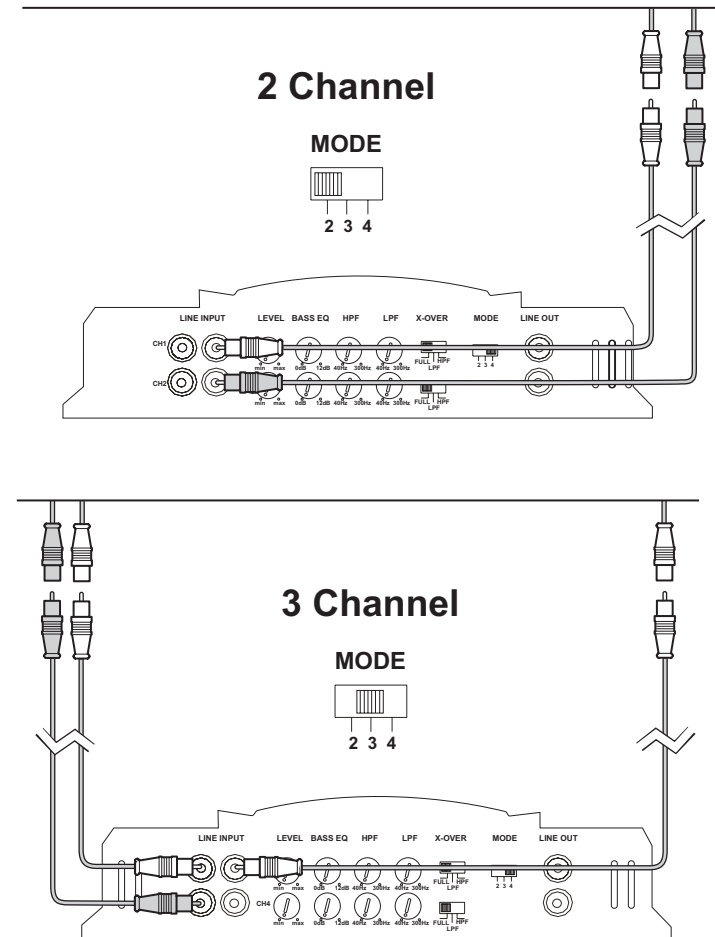


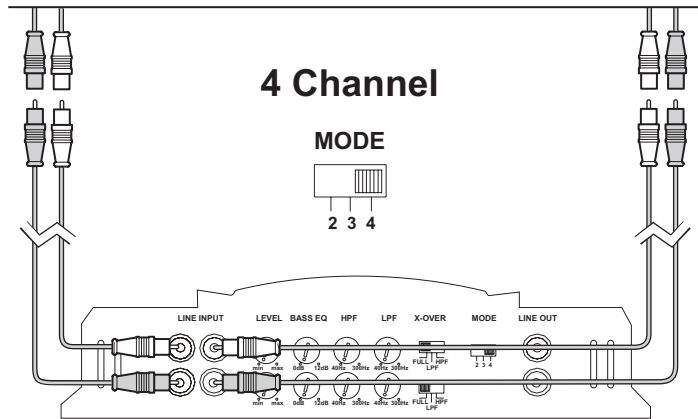
Power 900/1050



Power 760/920

El Power 760 y 920 se pueden configurar en tres diferentes modos de entrada: 2 canales, 3 canales o 4 canales.





NOTA: El uso de cables RCA de buena calidad es tan importante como los cables de energía o altavoces. Elija un cable de alta calidad y baja impedancia para mejores resultados.

Conectando Amplificadores Adicionales

Los conectores RCA de paso a través se proveen para conectar amplificadores adicionales sin la necesidad de comprar adaptadores "Y".



Indicadores y Controles

Indicador de Encendido (POWER)

El indicador de encendido provee verificación visual de que el amplificador está encendido.

Control de Nivel de Entrada (LEVEL)

El control de NIVEL DE ENTRADA hace coincidir la salida de su radio a la entrada de su amplificador. Luego de que se completa la instalación, asegúrese que el control de entrada en el amplificador esté hacia abajo completamente (o completamente hacia la izquierda). Reproduzca una cinta o CD (asegúrese que los graves y agudos o el EQ de Graves estén planos) y encienda el volumen despacio hasta que empiece a escuchar distorsión. Baje el volumen solo un poco. En el amplificador, suba lentamente el control de nivel de entrada (hacia la derecha) hasta que empiece a escuchar distorsión, luego bájelo un poco. Ahora los niveles de su radio y amplificador están parejos.

EQ de Graves

El EQ de Graves se ajusta continuamente desde 0 a +12db @ 45Hz. Ajustando el nivel de Potencia de Graves (Bass Boost) permite diferentes combinaciones de altavoces de graves y de aislamientos a ser ecualizados. Utilice este control para subir el nivel de graves bajos disponibles desde su combinación de altavoz de graves/aislamientos. Aislamientos portados y de Paso de Banda se deben limitar a alrededor de +6dB a +9dB de potenciamiento. Aislamientos sellados deberían ser capaces de aceptar un potenciamiento de +12dB completos, si es necesario. El potenciamiento de +12dB completos se debe reservar para aplicaciones especiales debido a que el uso inadecuado del Potenciador de Graves puede dañar el altavoz de graves en volúmenes altos.

Filtro de Paso Bajo (LPF)

Los controles de Filtro de Paso Bajo ajustan el punto de entrecruce. El entrecruce típico es entre 60Hz y 80Hz para aislamientos portados y sellados. Las cajas de paso de banda (bandpass) típicamente utilizarán una configuración de entrecruce alta entre 125Hz y 150Hz. Debido a que los gustos musicales varían, usted debe pasar música que normalmente escucharía en su vehículo, con la configuración de arriba como punto de partida. Si es necesario, configure el entrecruce de oído.

Filtro de Alto Paso (HPF)

El filtro de alto paso limitará las frecuencias bajas que pasen a sus altavoces. Esto puede ser útil en diferentes situaciones. Por ejemplo, si usted seleccionó un filtro de alto paso y configuró el entrecruce a 40Hz, entonces usted tendría un filtro infrasónico (subsónico) a 40Hz, lo cual sería útil con ciertas combinaciones de cercamientos/altavoces de graves que fueron sintonizados entre 45 - 50Hz. Otros usos incluirían limitar las frecuencias bajas a altavoces menores (6 1/2", 6 X 9", etc.) ajustando el entrecruce a una configuración más alta (80 - 100Hz).

Entrecruce (X-OVER)

La serie de amplificadores Power de Jensen tienen filtros de paso bajo y paso alto incorporados para una biamplificación del sistema. Ajuste el entrecruce para acomodar su método de instalación elegido. Seleccione el LPF (filtro de paso bajo) cuando el amplificador maneje altavoces y graves. Elija FULL (completo) cuando el modo entrecruce no esté activo y el amplificador esté en modo de "rango total". Seleccione HPF (filtro de paso alto) cuando el amplificador esté conduciendo altavoces de rango total o separados, y usted quiera limitar los "graves" que se transfieren a esos altavoces.

Llave de Modo

Power 400 y 880

El 400 y 880 viene equipado con una llave de MODE MONO/STEREO. Use modo ESTÉREO cuando usted tiene una entrada de 2 canales desde la unidad fuente. Use modo MONO cuando tiene una entrada sola desde la unidad fuente. Vea "Cableado de Entrada" en página 22.

Power 760 y 920

El 760 y 920 viene equipado con una llave de MODE 2/3/4 y se puede configurar para tres modos de entrada diferentes: 2 canales, 3 canales o 4 canales.

Testeo

Antes de finalizar la instalación, realice las siguientes pruebas para asegurarse que el cableado esté correcto y todo esté operando adecuadamente.

Reconecte la Batería

Cuando el cableado se complete, reconecte el terminal negativo de la batería.

Verifique el Cableado de Energía

Encienda el receptor, pero no suba el volumen. La luz de encendido del amplificador debería encender. Si no, verifique el REM y los cables +12V (B+). Suba el volumen del receptor lentamente. Todos los altavoces deberían operar. Si no, verifique las conexiones de cables en el amplificador y altoparlantes.

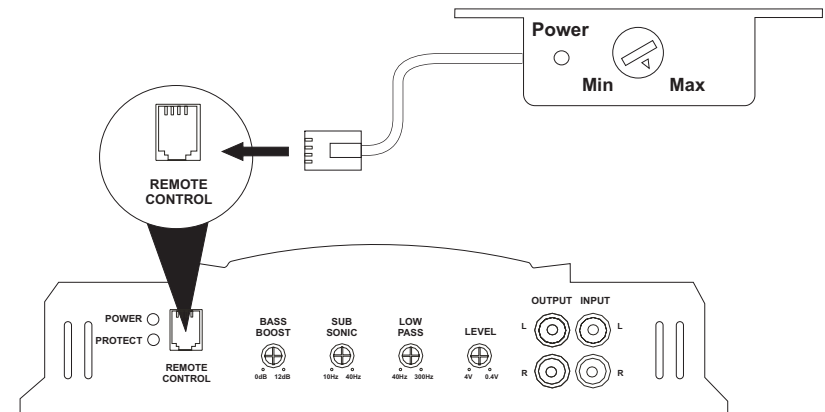
Verifique las Conexiones del Altavoz

Estas pruebas se aseguran que los altoparlantes estén conectados adecuadamente. Si los altavoces no funcionan para nada, uno (o ambos) cables de altavoz pueden estar desconectados.

Control de Nivel de Entrada Remoto

El **Power 900 y 1050** viene equipado con un Control de Nivel de Entrada Remoto. El Control de Nivel de Entrada Remoto permite ajustar el nivel de entrada desde una ubicación alternativa. Puede ser montado bajo o dentro del tablero. Cuando el amplificador se usa para conducir altavoces de graves y el entrecruce de paso bajo está activo, el Control de Nivel de Entrada Remoto se puede usar como un "control de nivel de bajos remoto". Esto le permite controlar los niveles de graves independientemente del resto del sistema. Esto es conveniente para sintonía del sistema y/o cuando se reproducen diferentes tipos de música.

El Control de Nivel de Entrada Remoto usa un cable modular de 6 pines para conectividad. Simplemente enchufe el cable modular de 6 pines en el amplificador y luego en el Control de Nivel de Entrada Remoto para activar el circuito.



Localización de Problemas

Problema	Causa	Acción Correctiva
No hay energía	No llega energía a la terminal +12V	Verifique fusibles
	No llega energía a la terminal REM	Verifique fusible(s) de la unidad principal y el cableado
	Fusible quemado en la batería	Reemplace el fusible e identifique la causa del fallo
	Fusible quemado en el amplificador	Reemplace el fusible e identifique la causa del fallo
	Conexión a tierra defectiva	Conecte nuevamente la toma a tierra eléctrica principal al metal descubierto del chasis
Volumen demasiado sensible	Control de nivel de entrada demasiado alto	Reajuste el nivel de entrada (refiérase a la página 8)
Sonido distorsionado	Control de nivel de entrada demasiado alto	Reajuste el nivel de entrada (refiérase a la página 8)
Quema fusibles en el amplificador	Cables de energía conectados incorrectamente	Conecte nuevamente y de manera apropiada los cables de energía
	Problema interno con el amplificador	Lleve la unidad al servicio
Ruido del motor / Chirrido del alternador	Toma a tierra en puntos de diferente potencial de voltaje	Utilice cables RCA con protección de calidad
	Toma a tierra defectuoso en el amplificador	Tome a tierra nuevamente a un chasis de metal descubierto y limpio
	Toma a tierra defectuoso en la unidad principal	Tome a tierra nuevamente a un chasis de metal descubierto y limpio
	Acoplamiento inductivo	Reubique los cables lejos de los arneses de fábrica
	Nivel de entrada en el amplificador configurado demasiado alto	Ajuste nuevamente los niveles de entrada (refiérase a la página 8)

Protección termal activada	Amplificador se sobrecalienta con frecuencia mientras opera el altavoces de graves	Se debe necesitar instalar un ventilador para mantener el amplificador fresco
Protección de corto circuito activada	Altavoces quemados	Verifique todos los altavoces
	Cableado del altavoz que pone en cortocircuito a la tierra	Busque conexiones
	Cruce defectuosa	Cruce pasiva culpable
Protección de baja impedancia activada	Amplificador conectado a carga inadecuada	Verifique las conexiones del altavoz
	El amplificador no operará una carga mono de 1 ohm, mono mínimo de 2 ohm	Verifique las conexiones del altavoz
	Altavoces defectuosos	Verifique los altavoces
	Cruzamientos pasivos defectuosos	Verifique cableado defectuoso
Respuesta de bajos pobre	Altavoces fuera de fase	Verifique la polaridad del altavoz; revierta la conexión a un altavoz solamente

NOTA: Si las luces de protección se activan sin altavoces conectados al amplificador, y todas las conexiones de energía están bien, esto indicaría un problema interno con el amplificador.

Salida de Energía CEA



Salida de Potencia RMS @ 1% THD+N, 14.4VDC

Power 400

Salida de Energía: Canales 60 wats RMS X 2 en 4-ohms @ < 1% THD+N
Señal a Coeficiente de Ruido: Referencia bajo 100dBA (Referencia: 1 wat, 4-ohms)
Salida Adicional de Energía:
Canales 00 wats RMS X 2 en 2-ohms @ < 1% THD+N
Canales de 100 wats RMS X 1 (Mono en Puente) en 4-ohms @ < 1% THD+N
Frecuencia de Respuesta: 10Hz a 60 kHz -3dB (Referencia: 1 wat)
Dimensiones: L9,5" x H2,5" x W9,0"

Power 760

Salida de Energía: Canales 00 wats RMS X 4 en 4-ohms @ < 1% THD+N
Señal a Coeficiente de Ruido: Referencia bajo 100dBA (Referencia: 1 wat, 4-ohms)
Salida Adicional de Energía:
Canales 80 wats RMS X 4 en 2-ohms @ < 1% THD+N
Canales de 155 wats RMS X 2 (Estéreo en Puente) en 4-ohms @ < 1% THD+N
Frecuencia de Respuesta: 10Hz a 60 kHz -3dB (Referencia: 1 wat)
Dimensiones: L12,5" x H2,5" x W9,0"

Power 880

Salida de Energía: Canales 125 wats RMS X 2 en 4-ohms @ < 1% THD+N
Señal a Coeficiente de Ruido: Referencia bajo 100dBA (Referencia: 1 wat, 4-ohms)
Salida Adicional de Energía:
Canales 200 wats RMS X 2 en 2-ohms @ < 1% THD+N
Canales de 410 wats RMS X 1 (Mono en Puente) en 4-ohms @ < 1% THD+N
Frecuencia de Respuesta: 10Hz a 60kHz, -3dB (Referencia: 1 wat)
Dimensiones: L14" x H2,5" x W9,0"

Power 900

Salida de Energía: Canales 230 wats RMS X 1 en 4-ohms @ < 1% THD+N
Señal a Coeficiente de Ruido: Referencia bajo 100dBA (Referencia: 1 wat, 4-ohms)
Salida Adicional de Energía:
Canales 340 wats RMS X 1 en 2-ohms @ < 1% THD+N
Frecuencia de Respuesta: 10Hz a 240Hz, -3dB (Referencia: 1 wat)
Dimensiones: L15,75" x H2,5" x W9,0"

Power 920

Salida de Energía: Canales 90 wats RMS X 4 en 4-ohms @ < 1% THD+N
Señal a Coeficiente de Ruido: Referencia bajo 100dBA (Referencia: 1 wat, 4-ohms)
Salida Adicional de Energía:
Canales 120 wats RMS X 4 en 2-ohms @ < 1% THD+N
Canales de 190 wats RMS X 2 (Estéreo en Puente) en 4-ohms @ < 1% THD+N
Frecuencia de Respuesta: 10Hz a 60 kHz -3dB (Referencia: 1 wat)
Dimensiones: L15,75" x H2,5" x W9,0"

Power 1050

Salida de Energía: Canales 290 wats RMS X 1 en 4-ohms @ < 1% THD+N
Señal a Coeficiente de Ruido: Referencia bajo 100dBA (Referencia: 1 wat, 4-ohms)
Salida Adicional de Energía:
Canales 430 wats RMS X 1 en 2-ohms @ < 1% THD+N
Frecuencia de Respuesta: 10Hz a 150Hz -3dB (Referencia: 1 wat)
Dimensiones: L17,25" x H2,5" x W9,0"





Introduction

L'ensemble d'amplificateurs Jensen Pozer Plus est conçu pour satisfaire ou dépasser les standards d'essai CEA 2006 : Ces nouveaux standards donnent aux fabricants qui y participent (et plusieurs ne participent pas) un étalon pour comparer des amplificateur de puissance comparable. L'indice CEA Power vous protège, vous le client. " La puissance est la puissance ; peu importe qui la fabrique " n'est pas toujours vrai. Ce qui importe, c'est si la puissance peut être produite en premier lieu. L'indice RMS est la vraie puissance que vous obtenez. Pour être franc avec nos clients et la compétition, nous mesurons nos amplificateurs selon les deux indices les plus populaires, y compris l'indice CEA RMS. Alors ; soyez confidant que votre achat Jensen est une bonne décision et rappelez vous que " Si c'est trop fort, vous êtes trop vieux'.

Avant de commencer

Continuez à lire, nous devons traiter des questions légales. Après, vous serez armé avec la connaissance nécessaire pour installer votre nouveau amplificateur Jensen sans concession, gave-haut parleur.

S'exposer à des sons ou à la musique trop forts peut nuire à votre ouïe d'une manière permanente. Malheureusement, dans beaucoup de cas, le dégât n'est visible que plusieurs années plus tard. En outre, la musique trop forte peut diminuer votre capacité d'entendre la circulation, la police, ou les pompiers et les services d'urgence. Soyez responsable et ayez du respect pour les autres en écoutant à des volumes modérés.

Service de garantie

Si jamais votre amplificateur Jensen a besoin d'être dépanné, vous aurez besoin du récépissé avec la date d'achat. Si vous devez rendre votre appareil pour une raison quelconque, incluez toujours le récépissé avec le produit.

Fonctions et spécifications

Votre nouveau amplificateur mobile, stéréo Jensen Power est l'amplificateur de choix pour la reproduction du son auto. Avec sa reproduction de basse et de puissance en réserve, distorsion harmonique basse et la reproduction en neutre, l'ensemble d'amplificateurs Power donne un nouvel élan au Hi-Fi Mobile. Comme tous les produits Jensen, en ce qui concerne la reproduction en précision de son, l'ensemble Power n'en sort pas au deuxième rang. Jensen portera votre expérience Hi Fi à des nouvelles hauteurs avec des fonctions suivantes :

- Alimentation d'énergie de transistor MOSFET
- Hauts transistors bipolaires courants de rendement
- La conception optimisée de la classe B réduit au minimum la déformation et réduit le courant à vide
- Conduit facilement des charges d'2-ohms
- Traversez des raccordements de RCA
- Basse variable EQ 0 - 12 dB @45Hz
- 12dB/octave filtres passe bas et passe haut
- Niveau d'entrée variable 400 MV - 5V
- Circuiterie pour protéger contre les court-circuits, DC offset et des surcharges thermiques
- DELs diagnostiques - Vert puissance, Rouge en attente/ Faute

Power 400/760/880/920

- Filtre passe bas 40 - 300 Hz
- Filtre passe haut 40 - 300 Hz
- Interrupteur de sélection passe bas/passe haut/gamme pleine
- Interrupteur Stéréo/Mono (Power 400 et 880))
- Interrupteur mode de chaîne 2/3/4 (Power 760 et 920)

Power 900/1050

- Amplificateurs caisson de basse mono
- Filtre passe bas 40 - 240 Hz (Power 900)
- Filtre passe bas 40 - 150 Hz (Power 1050)
- Filtre soussonique 10 - 40 Hz, 12dB/Octave (Power 900)
- Filtre soussonique 15 - 55 Hz, 12dB/Octave (Power 1050)
- Contrôle du niveau d'entrée à distance avec un câble d'interface de 5 mètres

Spécifications

Power 400/760/880/920

- Impédance de charge 2-4 ohm

- Signal au bruit @ 1kHz : > 100 dB (indice de puissance)
- Séparation des chaîne @ 1 kHz : >60dB
- Réponse fréquence : 5-60 kHz ; -3dB
- Impédance d'entrée : 20 Hz, nominal
- THD+N @ 5 watts : 0.02%, 1kHz, 14.4 VDC

Power 900/1050

- Signal au Bruit @ 120Hz : >100dB (indice de puissance)
- Séparation des chaînes : n'est pas applicable
- THD+N @ 5 watts : 0.02%, 125Hz, 14.4 VDC

Sortie de puissance

Sortie de puissance RMS @ 2%, THD+N, 1kHz, 14.4VDC

Power 400

- 75 x 2 watts, 4ohm
- 100 x 2 watts ; 2 ohm
- 200 x 1 watt; 4 ohm, Ponté

Power 760

- 75 x 4 watts, 4ohm
- 100 x 4 watts; 2ohm
- 190 x 2 watts; 4ohm, Ponté, stereo

Power 880

- 135 x 2 watts, 4ohm
- 220 x 2 watt, 2ohm
- 440 x 1 watt; 4 ohm, Ponté

Power 900

- 300 x 1 watt, 4 ohm
- 450 x 1 watt, 2 ohm

Power 920

- 100 x 4 watts, 4 ohm
- 140 x 4 watts, 2 ohm
- 230 x 2 watts, 4 ohm; Ponté, Stéréo

Power 1050

- 350 x 1 watts, 4 ohm
- 525 x 1 watts; 2 ohm

Les spécifications sont susceptibles à être changées sans avis préalable.

Installation

Avant de commencer l'installation de votre amplificateur d'ensemble Power, rappelez-vous qu'il y a deux façons de faire quelque chose : la bonne et la deuxième fois ! Utilisez les bonnes techniques d'installation, les bons outils et accessoires, pour assurer que votre amplificateur d'ensemble Power Jensen peut sortir la puissance dont il est capable. Si nécessaire ; consultez un professionnel pour installer correctement. La plupart des installations d'amplificateur mobile n'a pas le fer jauge correct pour la puissance et la terre - ne laissez pas votre amplificateur devenir une victime de cette erreur d'installation si commune.

A NOTER : Cet engin est un amplificateur audio de haute puissance, conçu pour être installé dans des véhicules qui ont un système électrique à 12V terre négative. Des tentatives de brancher ou d'opérer l'amplificateur avec un autre type de système électrique peut nuire à l'amplificateur et à votre système électrique.

Aide d'installation

Pour aide avec installation, appelez 1-800-323-4815 pendant les heures de travail ou visitez www.jensen.com n'importe quand.

Outils et fournitures requis

Pour installer l'amplificateur vous aurez besoin d'outils ; de fournitures et des adaptateurs. Il est meilleur d'avoir tout ce qu'il faut pour installer avant de commencer.

Fournitures

- Ruban isolant
- Ensemble d'outils pour installer l'amplificateur

Outils

- Perceuse sans fil avec un assortiment de bits
- Des tournevis Philips et à tête fraisée
- Coupe-fil et outil à dénuder
- Outil à sertissage
- Lumière d'essai à 12 volts ou un multimètre digital
- Brosse métallique, papier abrasif ou outil à gratter, (le branchement à terre du véhicule doit être une surface métallique propre et sans peinture).

Débranchez la pile

Débranchez le câble de la pile négative avant de commencer l'installation. Vérifiez la terre de la pile (il doit y avoir deux (2) fils de terre venant de la pile - l'un qui va au vis de fixation du démarrage ou au bloc moteur, et l'autre qui va au châssis du véhicule) et rassurez-vous que la pile est terrée au châssis avec, au moins, un n° 3 fer jauge.

Emplacement et montage

La conception compacte de l'amplificateur permet une grande flexibilité dans le montage. Des emplacements de montage très communs comprennent sous le siège passager en avant et dans la coffre.

Lorsque vous sélectionnez un emplacement, rappelez-vous que les amplificateurs produisent beaucoup de chaleur. Choisissez un emplacement sur une surface plate, loin de la chaleur et de l'humidité, un endroit qui permet à l'air de circuler autour de l'amplificateur.

Placez l'amplificateur dans l'emplacement de montage et marquez les positions de trous avec un stylo marqueur, stylo ou crayon. Percez des trous de montage dans les positions marquées et puis utilisez les écrous de montage fournis pour attacher l'amplificateur à la surface de montage d'une manière ferme.

AVERTISSEMENT : Ne couvrez pas l'amplificateur avec des tapis, ou l'enfermer derrière les habillages intérieurs et ne montez pas l'amplificateur dans une position sens dessus sens dessous. Assurez-vous que l'emplacement de montage et les trous pilotes à perce ne nuiront pas aux fils, câbles de contrôles, canalisation de carburant, réservoir de carburant, des conduites hydrauliques ou d'autres systèmes ou composants du véhicule.

Routes des câbles

Les branchements de câbles sont illustrés dans les pages suivantes. Si les branchements ne sont pas faits correctement, l'appareil ne fonctionnera pas bien et peut être endommagé d'une manière permanente. Suivez les instructions d'installation ou faites installer par un technicien expérimenté.

Câblage puissant

Systeme de charge

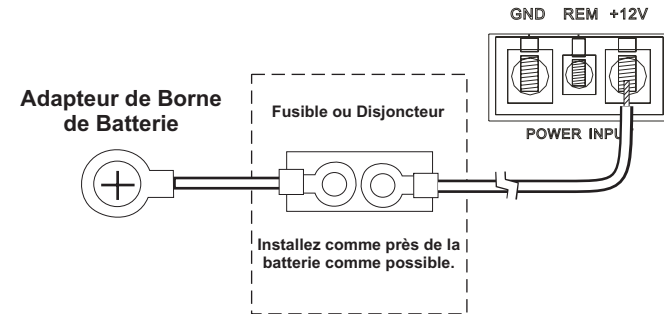
Dans certains cas, l'installation d'un seul amplificateur suffit pour surcharger votre système électrique d'usine (c'est-à-dire, alternation). En fonction de l'état de votre système électrique et la condition générale de votre véhicule, vous pouvez avoir besoin de mettre à jour votre alternateur et pile. Après le démarrage du véhicule, l'alternateur fournit la puissance à votre système électrique, mais pas à votre pile. Lorsque le moteur est en marche, l'alternateur est la source principale de puissance. La mise à jour de votre alternateur doit être votre premier souci lorsque vous voyez une chute de potentiel dans le système lors que vous opérez votre système audio. Ajouter des condensateurs et/ou des piles sans mettre à jour votre alternateur va aggraver la situation parce que ces engins mettront une charge supplémentaire sur l'alternateur. Après la mise à jour de l'alternateur, des condensateurs et piles peuvent être installés.

Utilisez les épaisseurs de fil recommandées suivantes comme un guide lorsque vous installez votre amplificateur.

NUMERO DU MODELE	TIRAGE DE COURANT MAXIMUM	EPAISSEUR DE FIL MINIMUM
400	25A	#8
760	40A	#8
880	60A	#6
900	60A	#6
920	60A	#6
1050	100A	#4

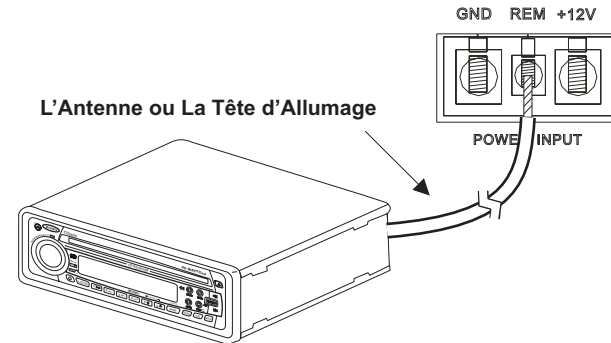
Borne de puissance (+12V/B+)

Branchez le fil de puissance principal à la pile, dans 18 pouces de la borne de pile positive (+) en utilisant un fusible de taille suffisante ou un disjoncteur capable de manipuler le courant du fil de puissance sélectionné. Il est impératif d'installer un fusible ou un disjoncteur pour empêcher des incendies électriques possibles au cas ou le fil de puissance principal fait court-circuit à terre.



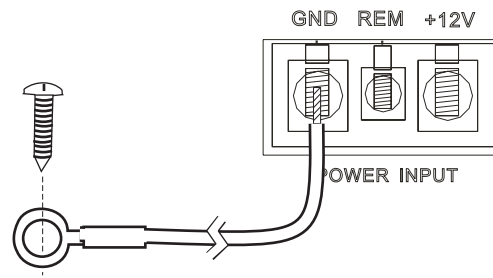
Borne à distance (REM)

Branchez l'antenne de puissance ou le fil de mise en marche de l'amplificateur du récepteur à la borne à distance de l'amplificateur.



Borne à terre (GND)

Voyez que le fil de terre soit aussi court que possible, et laissez assez de longueur pour terminer l'installation et permettre tout service dont on peut avoir besoin plus tard. Pour assurer une bonne terre, grattez toute peinture ou revêtement pour exposer la surface métallique d'origine. Utilisez une cosse à anneau de bonne épaisseur et une rondelle en étoile (entre le châssis et la cosse) lorsque vous faites votre branchement à terre. Bien que vous ayez gratté la surface pour faire exposer le métal, la rondelle en étoile vous aidera à mordre le châssis pour une bonne terre sûre.



Forez un trou en métal de feuille de châssis.

Exigences de fusible de remplacement (Fusible)

Modèle	Quantité	Amps	Type
400	1	25	ATO
760	2	20	ATO
880	2	30	ATO
900	2	30	ATO
920	2	30	ATO
1050	4	25	ATO

Câblage des haut parleurs

Les diagrammes pour le câblage des haut parleurs illustrent les options pour brancher un ou deux haut parleurs. Maintenez la bonne polarité des haut parleurs.

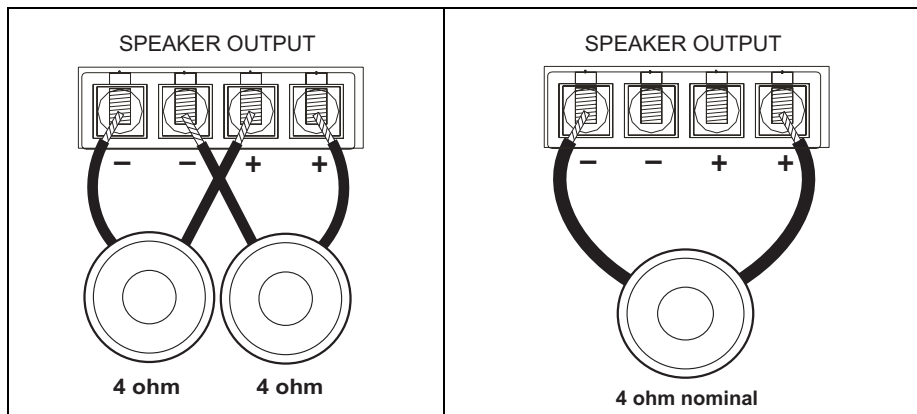
A NOTER : Des amplificateurs Power peuvent alimenter des haut parleurs d'ye gamme d'impédance nominale de 2 à 4 ohm. Pour maximiser la puissance, configurez vos haut parleurs pour une charge nominale de 2 ohm.

A NOTER : Ne négligez pas l'aspect qui concerne l'utilisation du fil de haut parleurs de la bonne épaisseur. La série d'amplificateurs Power exige un fil d'épaisseur 12.

Power 900/1050

Deux caissons de basse

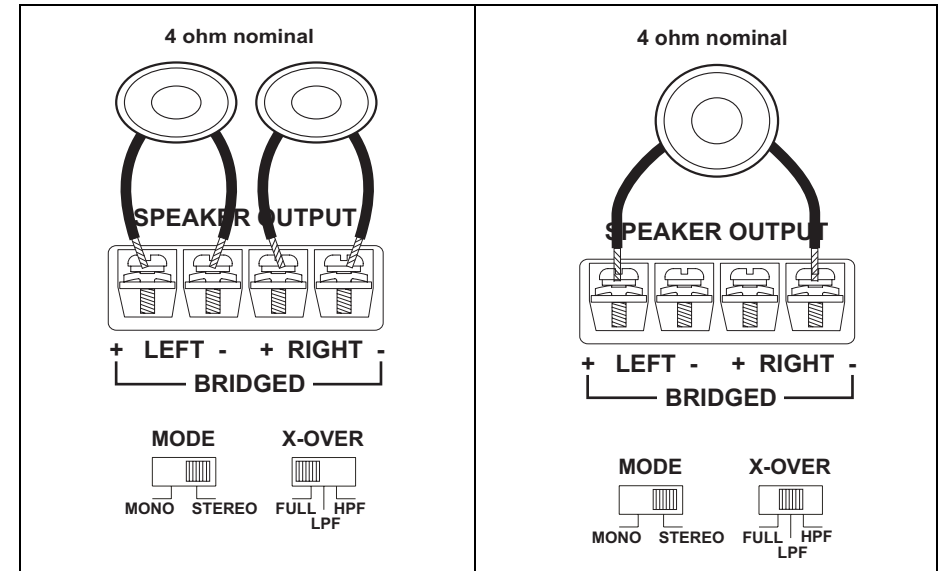
Un caisson de basse



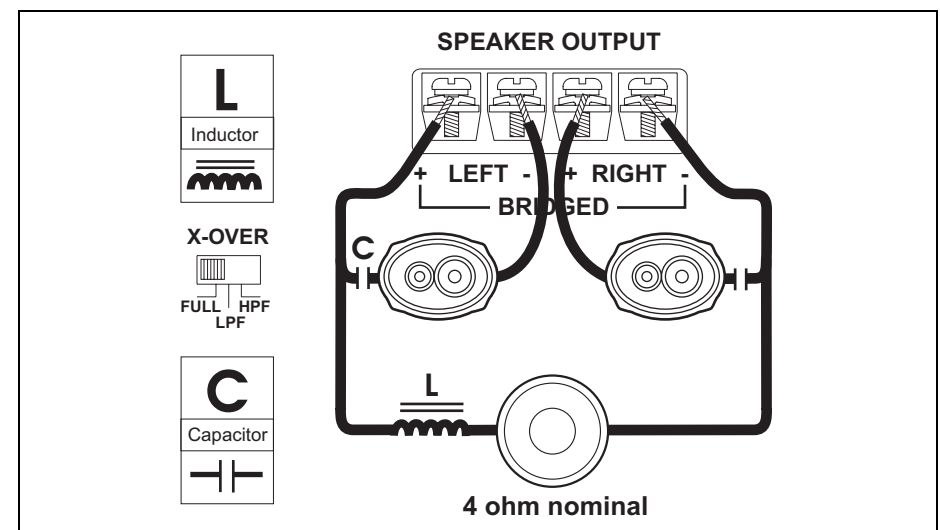
Power 400/880

Deux haut parleurs

Un caisson de basse

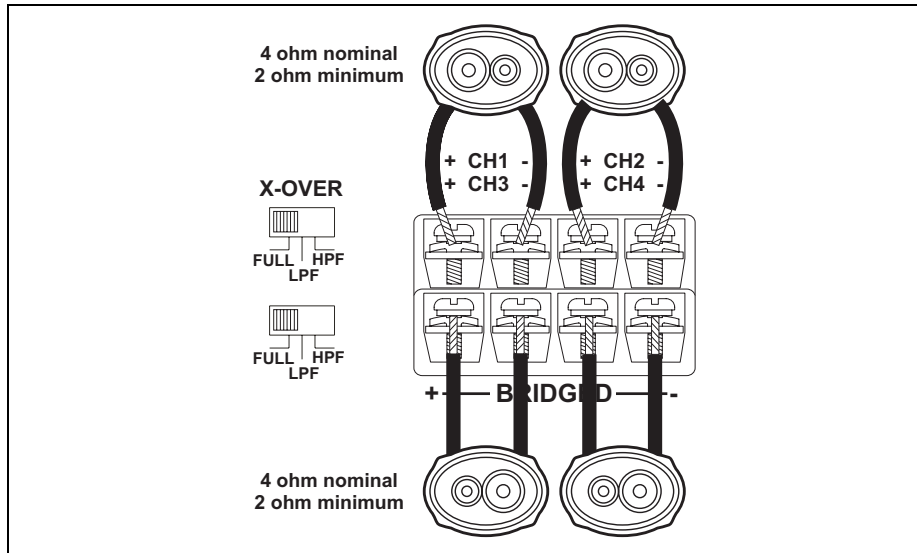


Tri-mode

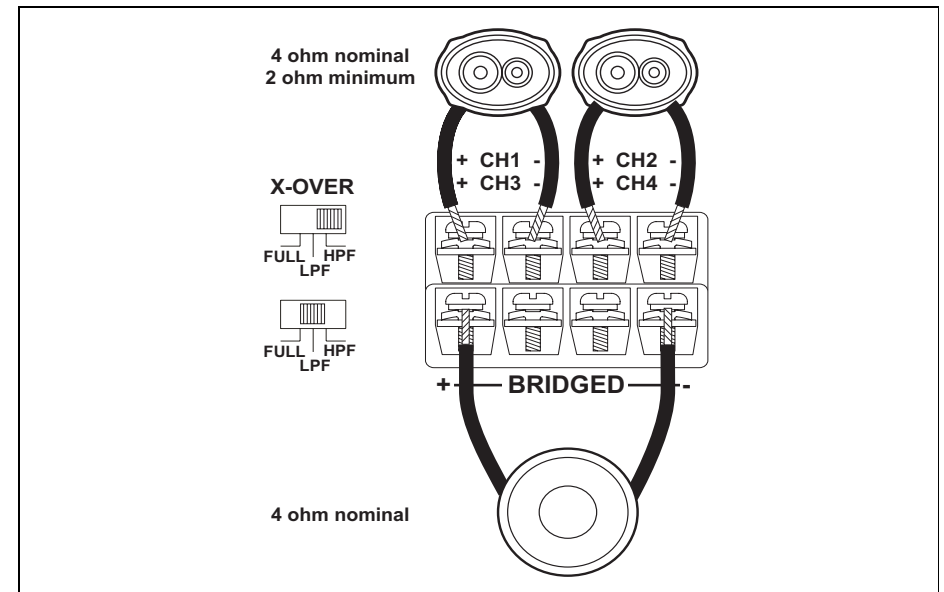


Power 760/920

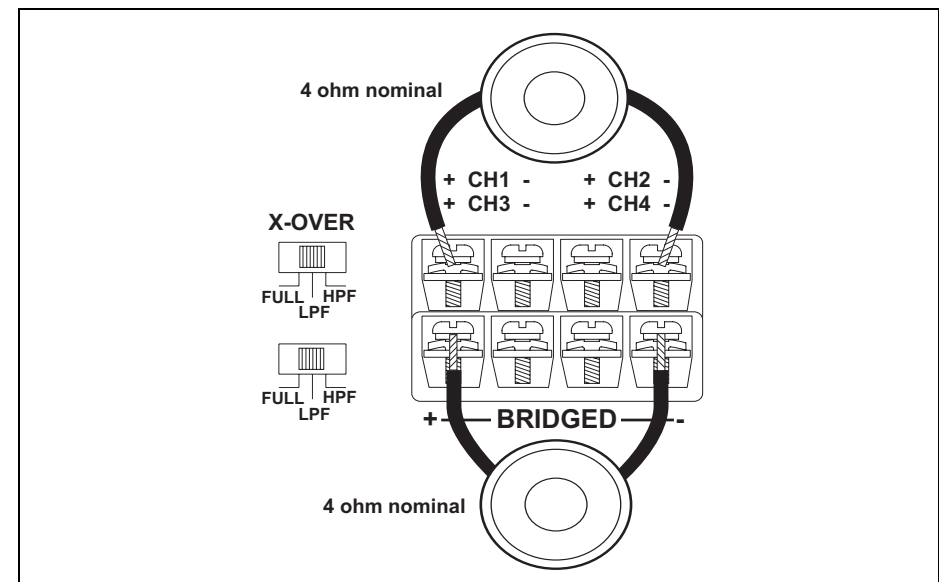
Quatre haut parleurs



Deux haut parleurs et un caisson de basse ponté



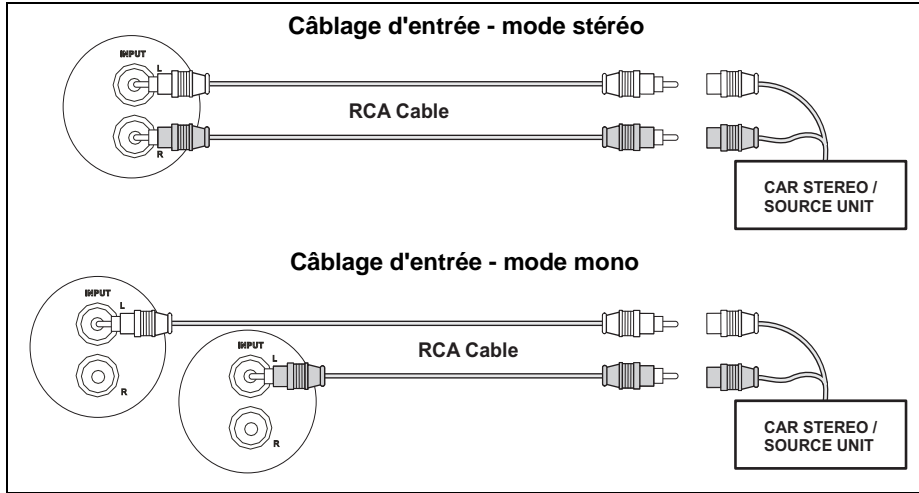
Deux caissons de basse



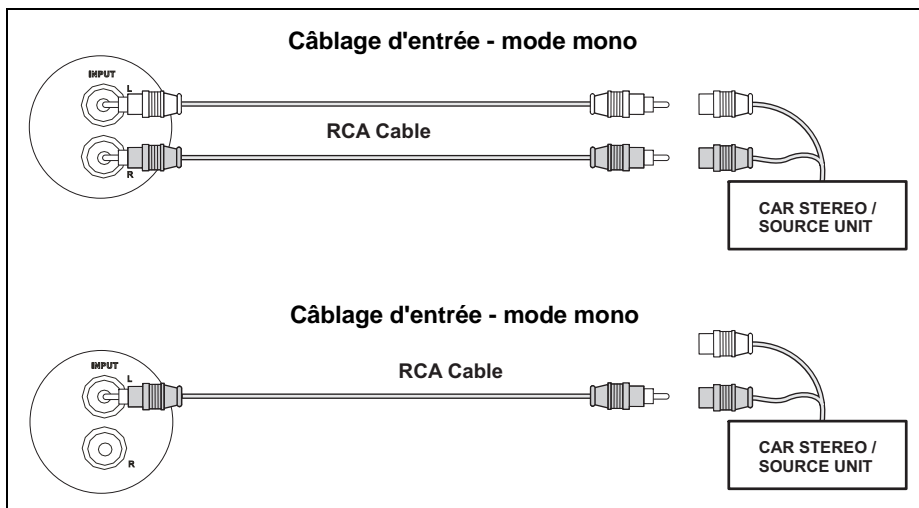
Câblage d'entrée

La plupart des installations dans le coffre/bicorps exigeront un câble RCA de 15 à 20 pieds, alors que le montage pour des camionnettes et sous le siège exigeront un câble RCA de 6 à 12 pieds. Branchez un câble RCA depuis votre récepteur à l'entrée RCA sur votre amplificateur.

Power 400/880

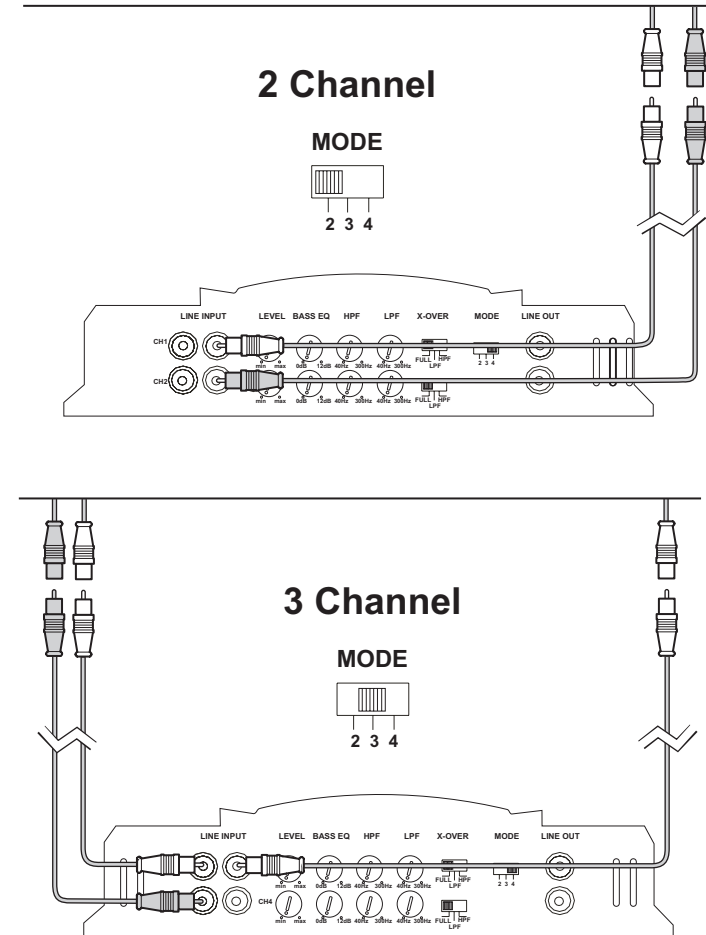


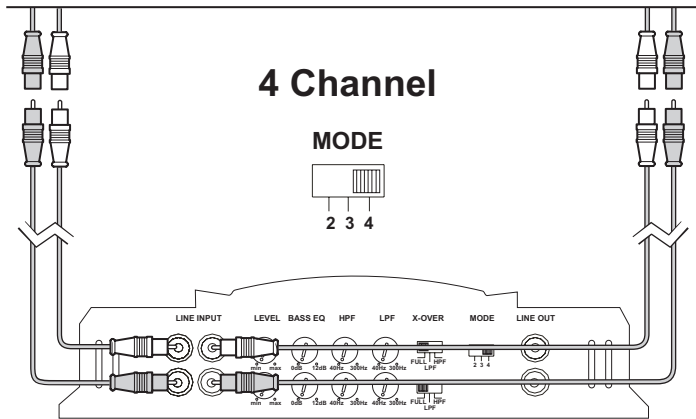
Power 900/1050



Power 760/920

Les Power 760 et 920 peuvent être configurés pour trois modes d'entrée différentes : 2 chaînes (channel), 3 chaînes ou 4 chaînes.





A NOTER : L'utilisation de câble RCA de bonne qualité est aussi importante que les fils de puissance et d'haut parleurs. Choisissez un câble de haute qualité et de basse capacité pour obtenir les meilleurs résultats.

Branchements des amplificateurs supplémentaires

Des connecteurs RCA pass thru sont fournis pour brancher des amplificateurs supplémentaires sans avoir besoin d'acheter des adaptateurs " Y ".

Indicateurs et Contrôles

Indicateur de Puissance (POWER)

L'indicateur de puissance fournit une indication visuelle que l'amplificateur est en marche.

Contrôle du niveau d'entrée (LEVEL)

Le contrôle de NIVEAU D'ENTREE accorde la sortie de votre radio avec l'entrée de votre amplificateur. Après que l'installation soit terminée, assurez-vous que le contrôle du niveau d'entrée soit mis en arrêt (contre le sens des aiguilles d'une montre à gauche). Jouez une cassette ou un CD pour vérifier que les réglages de basse et d'aigu ou le Bass EQ sont plats et puis faites hausser le volume jusqu'à ce que vous entendiez la distorsion. Faites baisser le volume un petit peu. Sur l'amplificateur, faites hausser le contrôle du niveau d'entrée (dans le sens des aiguilles d'une montre à droite) jusqu'à ce que vous entendiez la distorsion, et puis faites baisser un peu. Maintenant les niveaux de votre radio et amplificateur sont accordés.

Bass EQ

Le Bass EQ est ajustable de manière continue de 0 à +12dB@45Hz. Ajuster le niveau de Bass Boost permet aux différentes combinaisons caissons de basse/enclos d'être égalisées. Utilisez ce contrôle pour augmenter le niveau de basse bas disponible de votre combinaison caisson de basse/enclos. Des enclos pontés et bande passante doivent être limités entre +6dB et +9dB. Des enclos scellés doivent être capables d'accepter +12dB si nécessaire. Le +12dB doit être réservé pour des applications spéciales puisque l'utilisation incorrecte de Bass Boost peut nuire à vos caissons de basse aux hauts volumes.

Filtre passe bas (LPF)

Les contrôles du filtre passe bas ajustent le point de recouvrement. Un recouvrement typique est entre 60 Hz et 80 Hz pour des enclos scellés et pontés. Les boîtes bande passante utiliseront typiquement un réglage de recouvrement plus haut entre 125Hz et 150Hz. Grâce à la variation des goûts musicaux, vous devez jouer la musique que vous écoutez normalement dans votre véhicule avec ces réglages pour commencer. Si nécessaire régler le recouvrement par l'ouïe.

Filtre passe haut (HPF)

Le filtre passe haut va empêcher les fréquences basses d'être transmises à vos haut parleurs. Ceci peut être utiles dans un certain nombre de situations.

Par exemple, si vous avez sélectionné le filtre passe haut et réglé le recouvrement à 40 Hz, alors vous aurez un filtre intra-sonique (sous-sonique) à 40 Hz ce qui sera utiles pour certaines combinaisons caisson de basse/enclos qui étaient syntonisés entre 45 Hz et 50 Hz. D'autres utilisations peuvent comprendre la limitation des basses fréquences aux haut parleurs plus petits (6 ½, 6"x 9") en ajustant le recouvrement à un réglage plus haut (80 Hz à 100Hz).

Recouvrement (X-OVER)

La série d'amplificateurs Jensen Power ont des filtres de recouvrement passe bas et passe haut encastrés pour bi-amplifier le système. Ajuster le recouvrement pour accommoder votre méthode d'installation choisie. Sélectionnez LPF (filtre passe bas) lorsque l'amplificateur conduit les haut parleurs de graves et les caissons de basse. Choisissez FULL lorsque la mode de recouvrement n'est pas active, et l'amplificateur est en mode "gamme pleine". Sélectionnez HPF (filtre passe haut) lorsque les amplificateurs conduiront des haut parleurs gamme pleine ou séparés, et vous voulez limiter la basse qui est transmise à ces haut parleurs.

Interrupteur de Mode

Power 400 and 880

Le 400 et le 880 sont équipés d'un interrupteur de mode MONO/STEREO. Utilisez la mode Stéréo lorsque vous avez une entrée à 2 chaînes depuis votre appareil de source. Utilisez Mono lorsque vous avez une entrée simple depuis l'appareil de source. Voir "Câblage d'entrée" à la page 36.

Power 760 and 920

Le 760 et le 920 sont équipés d'un interrupteur de mode 2/3/4 et peuvent être configurés pour trois modes d'entrée : 2 chaînes, 3 chaînes, ou 4 chapines.

Essais

Avant de terminer l'installation exécuter les essais suivants pour assurer que le câblage est correct et que tout fonctionne comme il faut.

Rebranchez la pile

Lorsque le câblage est terminé, rebranchez la borne négative de la pile.

Essayez le câblage de puissance

Mettez le récepteur en marche mais sans hausser le volume. La lumière puissance de l'amplificateur doit être en marche. Sinon, vérifiez les câbles REM et +12V (B+). Haussez le volume du récepteur un tout petit peu. Tous les haut parleurs doivent opérer. Sinon, vérifiez les branchements de câblage à l'amplificateur et les haut parleurs.

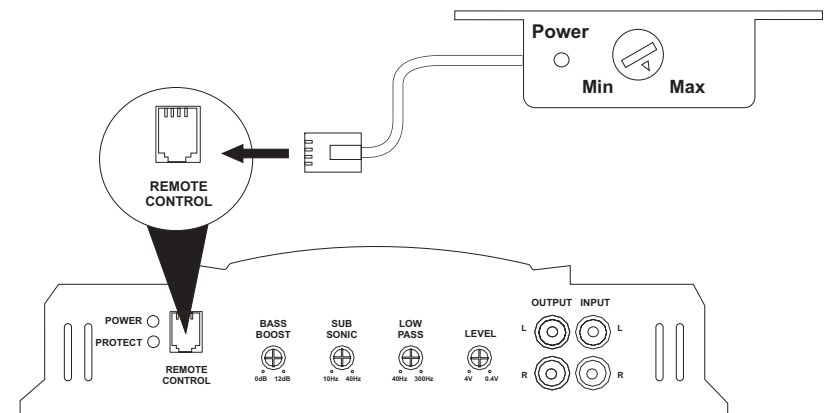
Essayez les branchements de haut parleurs

Ces essais vérifient que les branchements pour haut parleurs ont été faits correctement. Si les haut parleurs ne jouent pas, les fils de l'un (ou des deux) haut parleurs peuvent être débranchés.

Contrôle du niveau d'entrée à distance

Le **Power 900 et 1050** viennent équipés d'un contrôle de niveau d'entrée à distance. Le contrôle du niveau d'entrée à distance permet le niveau d'être ajusté d'un emplacement alternatif. Il peut être installé sous le tableau de bord ou dans le tableau de bord. Lorsque l'amplificateur est utilisé pour conduire les caissons de basse et le recouvrement passe bas est activé, le contrôle du niveau d'entrée peut être utilisé comme un " contrôle du niveau de basse à distance ". Ceci vous permet de contrôler le niveau de basse d'une manière indépendante du reste du système. Ceci convient à la syntonisation du système et lorsque vous jouez des musiques de types différents.

Le Contrôle du Niveau d'Entrée à Distance se sert d'un câble modulaire à 6 aiguilles pour le branchement. Branchez le câble modulaire à 6 aiguilles à l'amplificateur et puis dans le Contrôle du Niveau d'Entrée à Distance pour activer le circuit.



Dépannage

Problèmes	Cause	Rectifications
Pas d'alimentation	Pas d'alimentation à la borne +12V	Vérifiez les fusibles
	Pas d'alimentation à la borne REM	Vérifiez les fusibles d'installations de tête et le câblage
	Fusible sauté à la batterie	Remplacez le fusible et identifiez la cause de l'échec
	Fusible sauté à l'amplificateur	Remplacez le fusible et identifiez la cause de l'échec
	Terre défectueuse	Reterrez la terre de puissance principale au châssis en métal nu
Volume trop sensible	Contrôle niveau d'entrée trop haut	Réajuster le niveau d'entrée (référez vous à la page 8)
Distorsion du son	Contrôle niveau d'entrée trop haut	Réajuster le niveau d'entrée (référez vous à la page 8)
Fusible sauté à l'amplificateur	Branchement incorrect de fils de puissance	Rebranchez correctement les câbles d'électricité
	Problèmes internes avec amplificateur	Envoyez l'unité pour service amplificateur
Bruit de moteur/alternateur	Boucles de terre	Utilisez des câbles RCA protégés de bonne qualité
	Terre défectueuse à l'amplificateur	Reterrez au châssis en métal nu et propre
	Terre défectueuse à installations de tête	Reterrez au châssis en métal nu et propre
	Couplage inductif	Redirigez les fils loin des harnais d'usine
	Niveau d'entrée sur l'amplificateur réglé trop haut	Réajustez le niveau d'entrée (référez vous à la page 8)
Protection thermique activée	Amplificateur se réchauffe fréquemment en conduisant les caissons de basse	Il vous faut un ventilateur pour refroidir l'amplificateur

Protection contre court circuit activée	Haut parleurs sautés	Vérifiez tous les haut parleurs
	Câblage d'orateur court-circuitant à la terre	Vérifiez le câblage
	Croisement défectueux	Croisement passif défectueux
Protection contre impédance basse activée	Amplificateur branché à une charge incorrect	Vérifiez les raccordements de haut-parleur
	Amplificateur ne conduit pas une charge de 1 ohms mono, 2 ohm minimum mono	Vérifiez les raccordements de haut-parleur
	Haut parleurs défectueux	Vérifiez les haut-parleurs
	Croisement passif défectueux	Vérifiez le câblage
Réponse basse faible	Discordance de phases des haut parleurs	Vérifiez la polarité de haut parleurs, renversez la connexion à un haut parleur seulement

A NOTER : Si la lumière de protection est activée sans des haut-parleurs reliés à l'amplificateur, et tous les raccordements de puissance sont corrects, ceci indique un problème interne avec l'amplificateur.

Sortie de puissance CEA



Sortie de puissance RMS @ 1% THD+N, 14.4VDC

Power 400

Sortie de puissance : 60 watts RMS x 2 chaînes multipliés par 4 ohm @ 1 % THD+N

Rapport signal au bruit : 100 dBA sous référence (Référence : 1 watt, 4 ohm)

Sortie de puissance supplémentaire :

80 watts RMS x 2 chaînes multipliés par 2 ohm @ < 1% THD+N

160 watts x 1 chaîne (Ponté Mono) multiplié par 4 ohm @ < 1% THD+N

Réponse fréquence : 10Hz à 60 kHz, -3dB (Référence : 1 watt)

Dimensions : Longueur 9,5" x Hauteur 2,5" x Largeur 9,0"

Power 760

Sortie de puissance : 60 watts x 4 chaînes multipliés par 4ohm @ < 1% THD+N

Rapport signal au bruit : 100 dBA sous référence (Référence : 1 watt)

Sortie de puissance supplémentaire :

80 watts x 4 chaînes multipliés par 2 ohm @ < 1% THD+N

155 watts x 2 chaînes (Stéréo ponté) multipliés par 4 ohm @ < 1% THD+N

Réponse fréquence : 10 Hz à 60 kHz, -3dB (Référence : 1watt)

Dimensions : Longueur 12,5" x Hauteur 2,5" x Largeur 9,0"

Power 880

Sortie de puissance : 125 watts RMS x 2 chaînes multipliés par 4 ohm @ < 1% THD+N

Rapport signal au bruit : 100 dBA sous référence (Référence : 1 watt 4 ohm)

Sortie de puissance supplémentaire :

200 watts x 2 chaînes multipliés par 2 ohm @ < 1% THD+N

410 watts x 1 chaîne (Ponté Mono) multiplié par 4 ohm @ < 1% THD+N

Réponse fréquence : 10 Hz à 60 kHz, -3dB (Référence : 1 watt)

Dimensions : Longueur 14" x Hauteur 2,5" x Largeur 9,0"

Power 900

Sortie de puissance : 230 watts x 1 chaînes multiplié par 4ohm @ < 1% THD+N

Rapport signal au bruit : 100 dBA sous référence (Référence : 1 watt, 4ohm)

Sortie de puissance supplémentaire :

340 watts RMS x 1 chaînes multiplié par 2 ohm @ < 1% THD+N

Réponse fréquence : 10Hz à 240 Hz, -3dB (Référence : 1watt)

Dimensions : Longueur 15,75" x Hauteur 2,5" x Largeur 9,0

Power 920

Sortie de puissance : 90 watts RMS x 4 chaînes multipliés par 4 ohm @ < 1% THD+N

Rapport signal au bruit : 100dBA sous référence (Référence : 1 watt, 4ohm)

Sortie de puissance supplémentaire :

120 watts RMS x 4 chaînes multipliés par 2 ohm @ < 1% THD+n

190 watts RMS x 2 chaînes (Stéréo Ponté) multipliés par 4ohm @ < 1% THD+N

Réponse fréquence : 10 Hz à 60 kHz, -3dB (Référence : 1 watt)

Dimensions : Longueur 15,75" x Hauteur 2,5" x Largeur 9,0"

Power 1050

Sortie de puissance : 290 watts RMS x 1 chaîne multiplié par 4 ohm @ < 1% THD+N

Rapport signal au bruit : 100 dBA sous référence (Référence : 1 watt, 4 ohm)

Sortie de puissance supplémentaire :

430 watts RMS x 1 chaîne multiplié par 2ohm @ < 1% THD+N

Fréquence réponse : 10 Hz à 150 Hz, -3dB (Référence : 1 watt)

Dimensions : Longueur 17,25" x Hauteur 2,5" x Largeur 9,0"

12-Month Limited Warranty

CD or Multimedia Radios/Headunits

Audiovox Electronics Corporation (“the Company”) is committed to quality and customer service, and are pleased to offer you this Warranty. Please read it thoroughly and contact the Company at 1-800-323-4815 with any questions.

Who is covered?

The Company extends this warranty to the original retail purchaser of products purchased through an authorized Audiovox retailer in the U.S.A., Puerto Rico or Canada. This warranty is not transferable or assignable. Proof of purchase is required in the form of an original sales receipt.

What is covered?

The Company warrants that should this product or any part thereof, under normal use, be proven defective in material or workmanship within 12 months from the date of original purchase, such defect(s) will be repaired or replaced with a new or reconditioned product (at the Company's option) without charge for parts and repair labor.

What is not covered?

This Warranty *does not* cover the following:

- Damage incurred during shipping or transporting the product to the Company or a service center
- Elimination of car static or motor noise
- Defects in cosmetic, decorative or non-operative structural parts
- Costs incurred for installation, removal or reinstallation of the product
- Consequential damage to any included plexiglass or lighting (i.e. neon or LED lights), accessories, or vehicle electrical systems
- Damage caused by improper installation, mishandling, misuse, neglect, accident, blown fuse, battery leakage, theft or improper storage; burned voice coils caused by over-driving the speaker; or mechanical failures due to punctures or tears
- Products whose factory serial number/bar code label(s) or markings have been removed or defaced
- Damage resulting from moisture, humidity, excessive temperature, extreme environmental conditions or external natural causes

Please review the “Care and Maintenance” section of your Installation and Operation Manual for additional information regarding the proper use of your product.

DO NOT RETURN THIS PRODUCT TO THE STORE

Limitations

THE EXTENT OF THE COMPANY'S LIABILITY UNDER THIS WARRANTY IS LIMITED TO THE REPAIR OR REPLACEMENT PROVIDED ABOVE AND, IN NO EVENT, SHALL THE COMPANY'S LIABILITY EXCEED THE PURCHASE PRICE PAID BY PURCHASER FOR THE PRODUCT.

This Warranty is in lieu of all other express warranties or liabilities. ANY IMPLIED WARRANTIES, INCLUDING ANY IMPLIED WARRANTY OF MERCHANTABILITY, SHALL BE LIMITED TO THE DURATION OF THIS WRITTEN WARRANTY. ANY ACTION FOR BREACH OF ANY WARRANTY HEREUNDER INCLUDING ANY IMPLIED WARRANTY OF MERCHANTABILITY MUST BE BROUGHT WITHIN A PERIOD OF 24 MONTHS FROM DATE OF ORIGINAL PURCHASE. IN NO CASE SHALL THE COMPANY BE LIABLE FOR ANY CONSEQUENTIAL OR INCIDENTAL DAMAGES FOR BREACH OF THIS OR ANY OTHER WARRANTY, EXPRESS OR IMPLIED, WHATSOEVER. No person or representative is authorized to assume for the Company any liability other than expressed herein in connection with the sale of this product.

Some states do not allow limitations on how long an implied warranty lasts or the exclusion or limitation of incidental or consequential damage so the above limitations or exclusions may not apply to you. This Warranty gives you specific legal rights and you may also have other rights which vary from state to state.

Obtaining Warranty Service

- To obtain repair or replacement within the terms of this Warranty, call 1-800-323-4815 for the location of a warranty station serving your area.
- You must prepay the initial shipping charges to the Company. The Company will pay the return shipping charges for all warranted products returned to an address within the U.S.A., Puerto Rico or Canada.
- Please package the product securely to avoid shipping damage. We recommend using a carrier that provides tracking service to prevent lost packages. Lost or damaged packages are not covered by this warranty.
- Provide a detailed description of the problem(s) for which you require service.

Garantía Limitada

Radios del CD o de los Multimedia

NO RETORNE ESTE PRODUCTO A LA TIENDA

Audiovox Electronics Corporation (“la Compañía) es una corporación comprometida con la calidad y el servicio al cliente, y se complace en ofrecerle esta Garantía. Por favor, léala completamente y contacte a la Compañía al 1-800-323-4815 por cualquier duda.

¿Quién está cubierto?

La Compañía extiende esta garantía al comprador minorista original de los productos comprados a un distribuidor Audiovox autorizado en USA, Puerto Rico o Canadá. Esta garantía no es transferible o asignable. Se requiere prueba de compra en forma de recibo de venta original.

¿Qué está cubierto?

La Compañía garantiza que si este producto o cualquier parte del mismo, bajo uso normal, se prueba que tiene defectos en materiales o mano de obra dentro de los 12 meses desde la fecha de compra original, dichos defectos serán reparados o reemplazados con un producto nuevo o reacondicionado (a opción de la Compañía) sin costos por repuestos o por labor de reparación.

¿Qué no está cubierto?

Esta Garantía *no cubre* lo siguiente:

- Daños ocurridos durante el envío o transporte del producto a la Compañía o al centro de servicio
- Eliminación de estática o ruido de motor
- Defectos en cosmética, partes estructurales decorativas o no operativas tales como marcos
- Costos incurridos por instalación, retiro o reinstalación del producto
- Daños consecuentes a accesorios o propiedades. Cualquier plexiglás o luz incluida con el producto (ej Luces de Neón, Luces LED)
- Daños causados por instalación inadecuada, mal manejo o uso, negligencia, accidentes, fusibles quemados, goteras en la batería, robo o almacenamiento inadecuado; espirales de voces quemados por sobre conducción del altavoz, o fallas mecánicas debido a punciones o jalones
- Productos cuyo número de serie o código de barra de fábrica o sus marcas hayan sido quitados o borrados
- Daños resultantes de la humedad, temperatura excesiva, condiciones medioambientales extremas o causas naturales externas

Por favor, revea la sección “Cuidados y Mantenimiento” de su Manual de Instalación y Operación para obtener información adicional relacionada al uso adecuado de su producto.

Limitaciones

LA EXTENSIÓN DE LA RESPONSABILIDAD DE LA COMPAÑÍA BAJO ESTA GARANTÍA SE LIMITA A LA REPARACIÓN O REEMPLAZO PROVISTO ARRIBA Y, EN NINGÚN CASO, EXCEDERÁ LA RESPONSABILIDAD DE LA COMPAÑÍA EL PRECIO DE COMPRA PAGADO POR EL COMPRADOR DEL PRODUCTO.

Esta Garantía está en lugar de todas las otras garantías o responsabilidades. CUALQUIER GARANTÍAS IMPLICADAS, INCLUYENDO CUALQUIER GARANTÍA IMPLICADA DE MERCANTIBILIDAD, SERÁ LIMITADA A LA DURACIÓN DE ESTA GARANTÍA ESCRITA. CUALQUIER ACCIÓN POR INCUMPLIMIENTO DE CUALQUIER GARANTÍA AQUÍ ESPECIFICADA INCLUIDA CUALQUIER GARANTÍA IMPLÍCITA DE MERCANTIBILIDAD DEBE SER LLEVADA A CABO DENTRO DE UN PERIODO DE 24 MESES DESDE LA FECHA DE COMPRA ORIGINAL. IN NINGÚN CASO LA COMPAÑÍA SERÁ RESPONSABLE POR NINGÚN DAÑO CONSECUENTE O INCIDENTAL POR INCUMPLIMIENTO DE ESTA O CUALQUIER OTRA GARANTÍA, EXPRESA O IMPLICADA, DE NINGUNA FORMA. No se autoriza a ninguna persona o representante a asumir por parte de la Compañía ninguna responsabilidad diferente a la aquí expresada en conexión con la venta de este producto.

Algunos estados no permiten limitaciones sobre el tiempo de duración de una garantía implicada o de la exclusión o limitación de daños incidentales o consecuentes, entonces las limitaciones y exclusiones antes mencionadas pueden no aplicarle a usted. Esta Garantía le da derechos legales específicos y usted también puede tener otros derechos que pueden variar de estado en estado.

Obteniendo el Servicio de Garantía

- Para obtener reparación o reemplazo dentro de los términos de esta Garantía, llame al 1-800-323-4815 por la ubicación de un servicio de garantía en su área.
- Usted debe pagar previamente los costos de envío inicial a la Compañía. La Compañía pagará los costos de envío de retorno de todos los productos en garantía enviados a direcciones dentro de USA, Puerto Rico o Canadá.
- Por favor empaquete el producto de forma segura para evitar daños en el transporte. Recomendamos usar una empresa de transporte que provea servicio de rastreo para prevenir la pérdida de paquetes. Paquetes perdidos o dañados no están cubiertos por esta garantía.
- Provea una descripción detallada del problema o problemas por los cuales usted requiere servicio.

Garantie Limitée

Haut parleur, passe bande, enclos et caissons de basse

NE RENVOYEZ PAS CE PRODUIT AU MAGASIN

Audiovox Electronics Corporation (la Société) s'engage à la qualité et au service des clients, et est content de vous offrir cette garantie. Nous vous prions de le lire attentivement et prendre contact avec la Société au 1-800-323-4815 avec des questions.

Qui est couvert ?

La Société étend cette garantie à l'acheteur d'origine en détail des produits achetés à un détaillant autorisé d'Audiovox aux Etats-Unis, Puerto Rico ou Canada. Cette garantie ne peut pas être transférée ni aliénée. Preuve d'achat est exigé sous forme du récépissé de vente d'origine.

Ce qui est couvert ?

La Société garantit que si ce produit ou une partie de ce produit, sous l'utilisation normale par l'acheteur d'origine, dans des conditions normales, s'avère défectueux en matériel ou en artisanat, dans 12 mois depuis la date d'achat d'origine, de tels défauts seront réparés ou remplacés avec un nouveau produit ou un produit reconditionné (à la seule discrétion de la société) sans frais pour les pièces de rechange ou le travail réparateur.

Ce qui n'est pas couvert ?

Cette garantie ne couvre pas le suivant :

- Des dommages survenus lors de la transportation de ce produit à la Société ou à un centre d'entretien
- Elimination des parasites de voiture ou le bruit du moteur
- Des défauts dans des parties cosmétiques, décoratives ou structurelles non-opératives
- Le coût de l'installation, de l'enlèvement ou de la réinstallation du produit
- Dommages indirects aux accessoires ou aux biens personnels. Tout plexiglass fourni avec ce produit. Toute lumière fourni avec ce produit (tels que des lampe néons, des DELs, etc) Des dégâts survenus à cause de la manipulation mauvaise, l'installation incorrecte, mauvaise utilisation, négligence, des accidents, des fusibles sautés, fuite de la pile, du vol et du stockage incorrect ; Mauvaise utilisation y compris des bobines vocales brûlés par la surconduite des haut parleurs ou des échecs mécaniques causés par des crevaisons ou des déchirures
- Produits soumis à l'enlèvement ou la dégradation du numéro de série d'usine/étiquettes de code à barres ou des marquages
- Des dégâts survenus à cause de la moisissure, l'humidité, des températures excessives, des conditions environnementales extrêmes ou des causes naturelles externes

Veillez revoir la section Soins et Entretien de votre Guide d'Opération, pour avoir des informations supplémentaires quant à la bonne utilisation de votre produit.

Limitations

LA MESURE DE LA RESPONSABILITE DE LA SOCIETE SOUS CETTE GARANTIE EST LIMITEE A LA REPARATION OU REMPLACEMENT MENTIONNES CI-DESSUS ET DANS AUCUN CAS LA RESPONSABILITE DE LA SOCIETE N'EXCEDERA LE PRIX D'ACHAT PAYE PAR L'ACHETEUR POUR CE PRODUIT.

Cette garantie tient lieu de toute autre garantie ou responsabilité expresses. TOUTE GARANTIE IMPLIQUEE, Y COMPRIS UNE GARANTIE IMPLIQUEE DE MARCHANDABILITE, SERA LIMITEE A LA DUREE DE CETTE GARANTIE ECRITE. TOUTE ACTION POUR RUPTURE D'UNE GARANTIE QUELCONQUE SOUS LA PRESENTE, Y COMPRIS TOUTE GARANTIE IMPLIQUEE DE MARCHANDABILITE DOIT ÊTRE PORTEE DANS UNE PERIODE DE 24 MOIS DEPUIS LA DATE D'ACHAT D'ORIGINE. EN AUCUN CAS LA SOCIETE NE SERA RESPONSABLE POUR TOUT DOMMAGE INDIRECT OU ACCESSOIRE POUR RUPTURE DE CETTE GARANTIE OU TOUTE AUTRE GARANTIE, EXPRESSE OU IMPLIQUEE. Aucune personne ni un représentant n'est autorisée d'assumer de la part de la société une responsabilité autre que celle exprimée ici relatif à la vente de ce produit.

Certains états ne permettent pas de limitations sur la durée d'une garantie impliquée ou sur l'exclusion ou la limitation des dommages indirects et accessoires, tels que les informations ci-dessus ne s'appliquent pas à vous. Cette garantie vous donne des droits légaux spécifiques et vous pouvez aussi jouir d'autres droits qui varient d'état à l'état.

Obtenir le service de garantie

- Pour obtenir la réparation ou le remplacement dans les termes de cette garantie, appelez 1-800-323-4815 pour avoir l'emplacement d'une station de garantie qui dessert votre région.
- Si le produit est envoyé pour un service de garantie vous devez payer les frais de transportation de départ. La Société payera la transportation de retour pour tout produit sous garantie si le produit est retourné à une adresse située aux Etats-Unis, Puerto Rico ou Canada.
- Assurez-vous que le produit soit bien emballé pour éviter des accidents pendant la transportation. Nous recommandons un transporteur qui fournit un service de dépistage pour éviter la perte des paquets. Des paquets perdus ou endommagés ne sont pas couverts par cette garantie.
- Fournissez une description détaillée des problèmes que vous voulez faire résoudre par le service de garantie.

if it's too
LOUD
you're too
OLD!



Audiovox Electronics Corporation
Hauppauge, NY 11788

1-800-323-4815
www.jensen.com

© 2007 Audiovox
v. 012407