



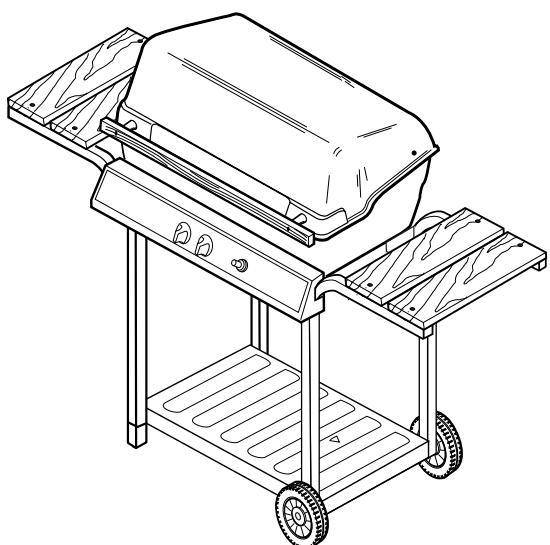
Manual For The Use & Care of Your

SpacemakerTM

OUTDOOR GAS BARBEQUE / GRILL



MODELS A24027



The Model Shown Has Options.
Model Purchased May Not Be As Shown

⚠ WARNING!

Hazardous Fire or Explosion may result if these instructions are ignored.

It is your responsibility to see that your new barbecue is assembled, installed, maintained and cared for properly. Failing to carefully follow the instructions in this manual could result in serious bodily injury and/or property damage.

FOR YOUR SAFETY

IF YOU SMELL GAS:

1. Shut off gas supply to the appliance.
2. Extinguish any open flame.
3. Open lid.
4. If odour continues, immediately call your gas supplier or your fire department.

FOR YOUR SAFETY

- Do not store or use gasoline or other flammable vapours and liquids in the vicinity of this or any other appliance.
- An LP cylinder not connected for use shall not be stored in the vicinity of this or any other appliance.

WARRANTY INFORMATION

Full Model # (from outer carton):

Date Purchased:

Serial Number
(from rating plate):

SAVE THIS MANUAL FOR YOUR FUTURE REFERENCE

Installer must leave these instructions with the consumer for future reference.

KEEP YOUR RECEIPT AS PROOF OF PURCHASE TO VALIDATE THE WARRANTY. ATTACH YOUR RECEIPT TO THE INSIDE COVER OF THIS MANUAL FOR EASY REFERENCE.



TEL. 1-800-387-8643

FAX 1-888-801-7772

www.fiestabbq.com

FIESTA BARBEQUESTM LIMITED
2 Walker Drive, Brampton, Ontario L6T 5E1

THIS APPLIANCE IS FOR OUTDOOR USE ONLY

SP908-37

ASSEMBLY INSTRUCTIONS:

TOOLS REQUIRED:

11 and 13mm spanner, small adjustable spanner, crosshead & slothead screwdrivers.

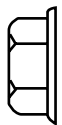
- Extra Common Nuts & Bolts are supplied.
- Refer to diagrams to assemble your grill.

FIGURE 1.

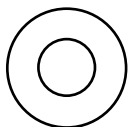
1. Take leg (rear left), insert leg extension plug and attach using 1 1/2" bolt, washer and nut. (Fig. A)
2. Attach wheels and right legs as shown using (2) Wheel bolts, washers and nuts. (B)
3. Attach back support as shown using 1 1/2" bolts and nuts.
4. Attach (2) casting supports to rear legs **ONLY** using (2) 1 1/2" bolts and nuts.

Tighten all connections and insert (3) leg caps.

1/4"-20 X 1 1/2" BOLT (X5)



1/4"-20 NUT (X7)



WASHER (3)

WHEEL BOLT (X2)

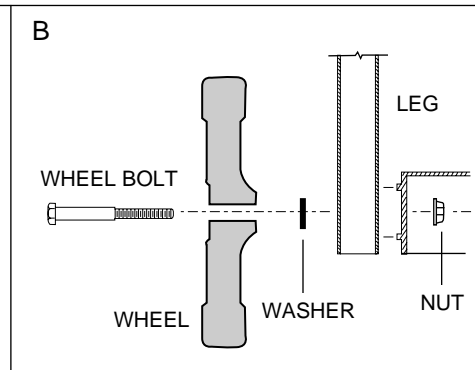
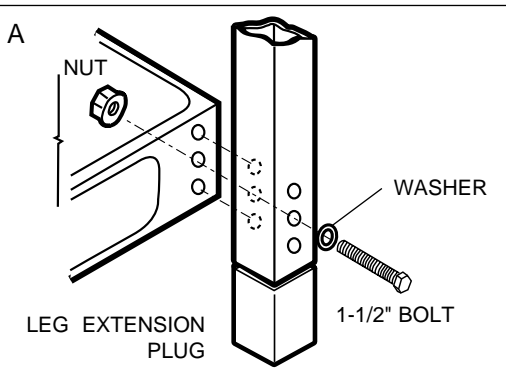
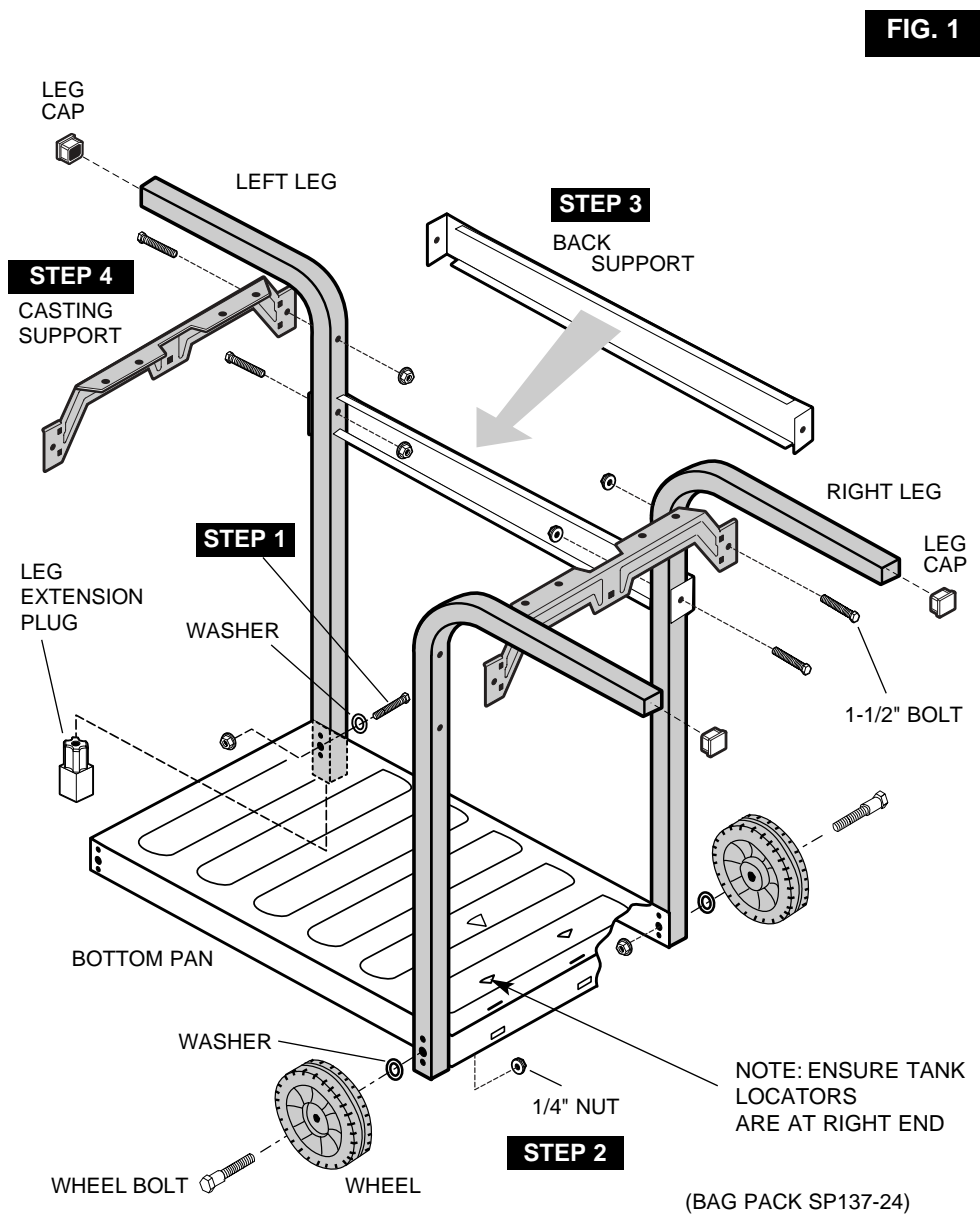
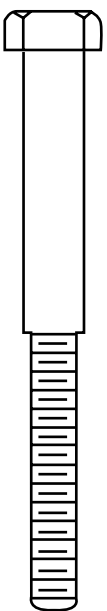
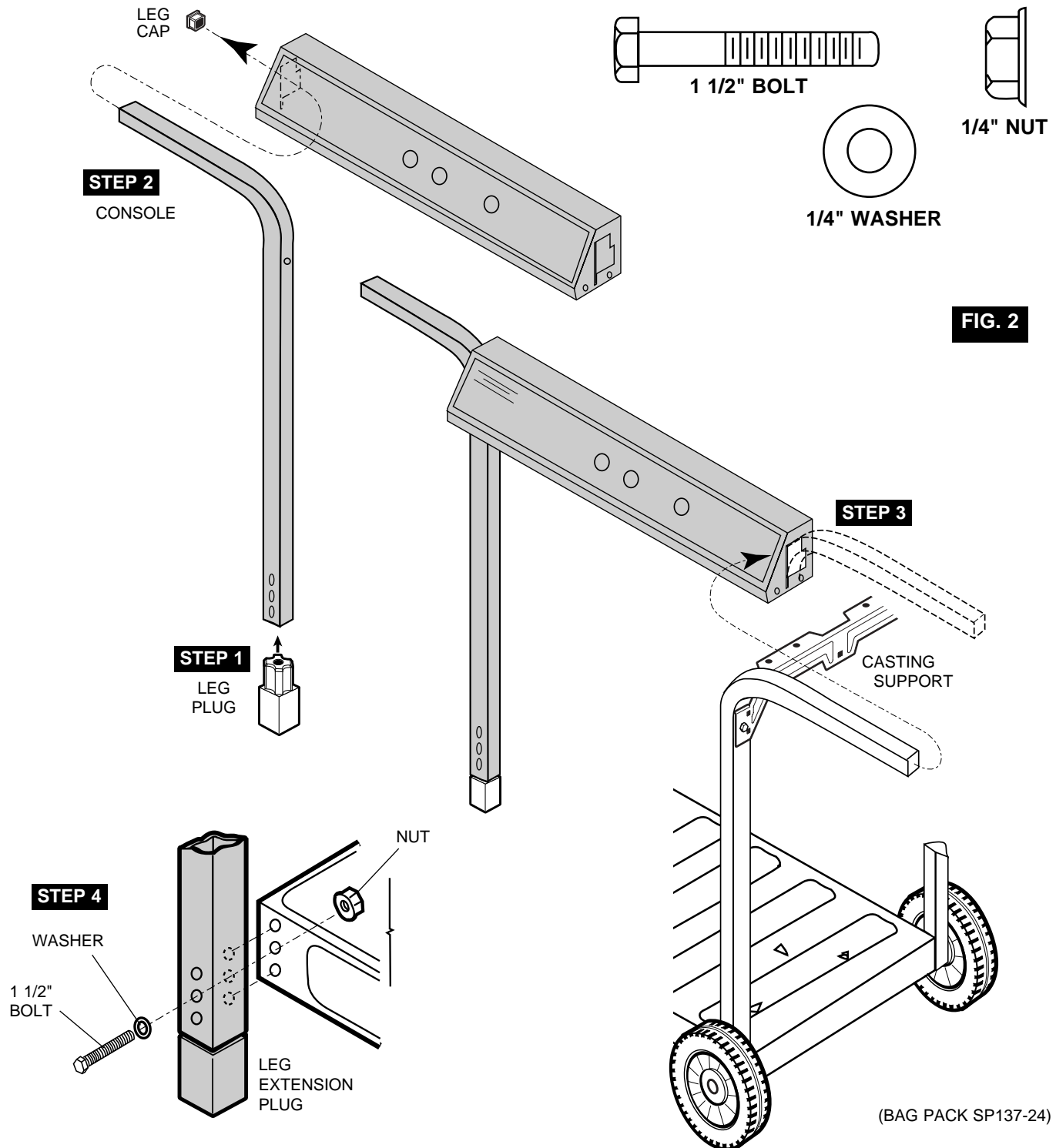
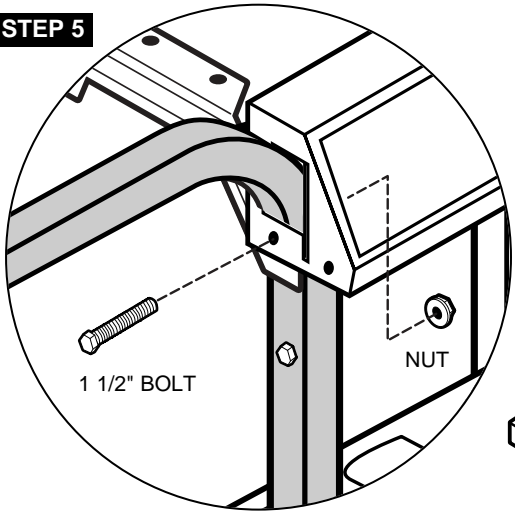


FIGURE 2.

- 1** Insert leg plug in front left leg.
- 2** Position remaining left front leg through console slot and insert leg cap.
- 3** Position console over right front leg through console slot. Casting support must locate **BETWEEN** leg and console.
- 4** Position left leg on bottom pan and loosely assemble with 1 1/2" bolt, washer and nut.



STEP 5



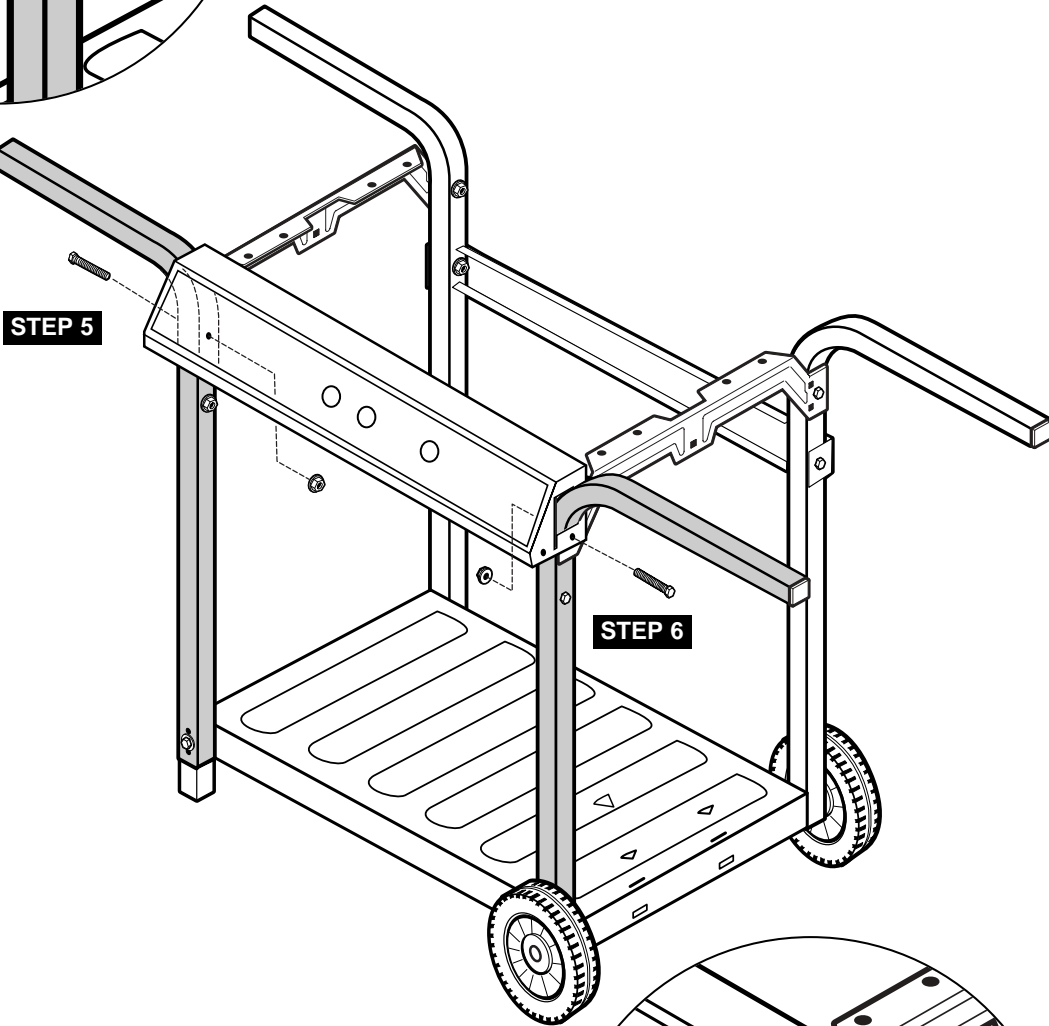
LEFT
FRONT
VIEW

FIGURE 3.

5 Loosely assemble left leg to console with casting bracket **BETWEEN** as shown with 1 1/2" bolt and nut.

6 Assemble right leg to console same as Step 5.

NOTE: Align and square console and tighten all connections, Steps 4, 5, 6.



STEP 5


STEP 6

FIG. 3

STEP 6

FIGURE 4.

Attach valve assembly to console as shown using 3/8" screws. Insert push button ignitor and snap into place. Push on valve knobs.

 **SCREW (X2)**
#6-32 X 3/8"

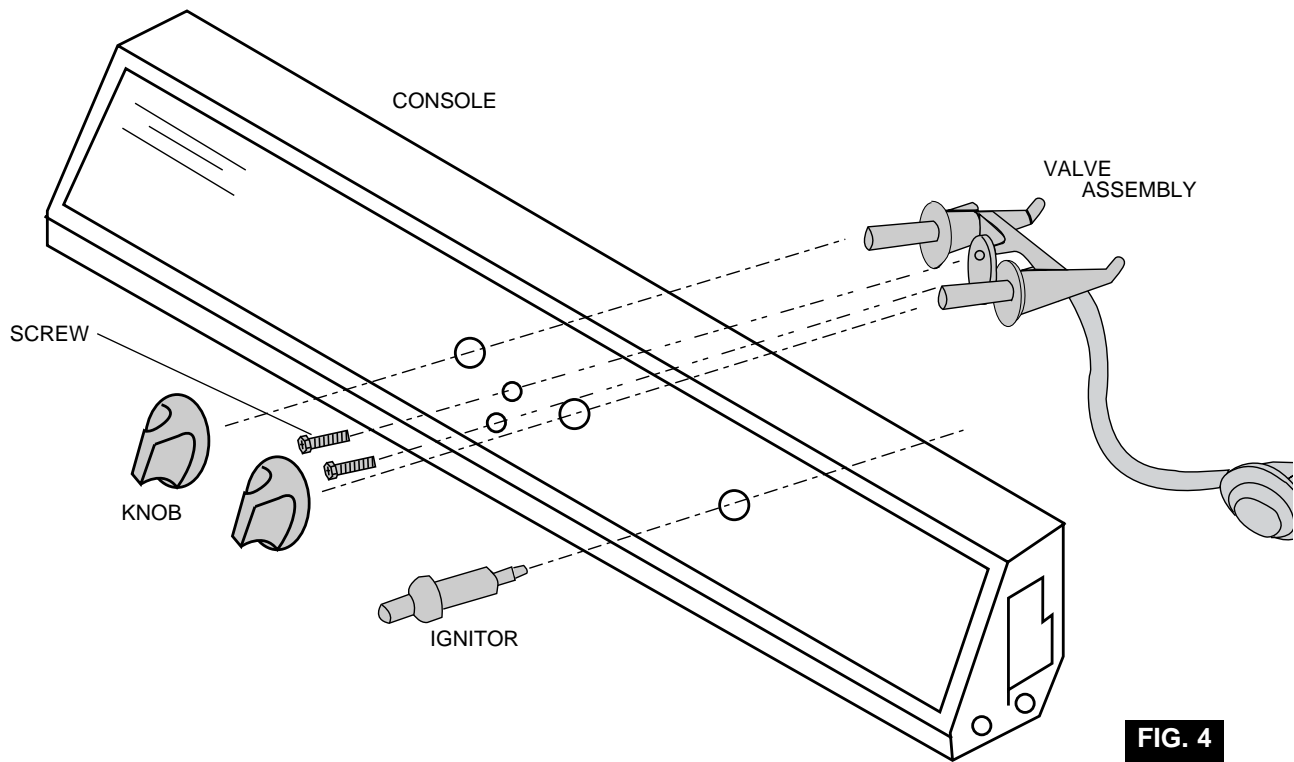


FIGURE 5.

- Position base on brackets as shown.
- Position wing brackets as shown and secure with wing nuts.
- Insert grease clip through hole as shown.

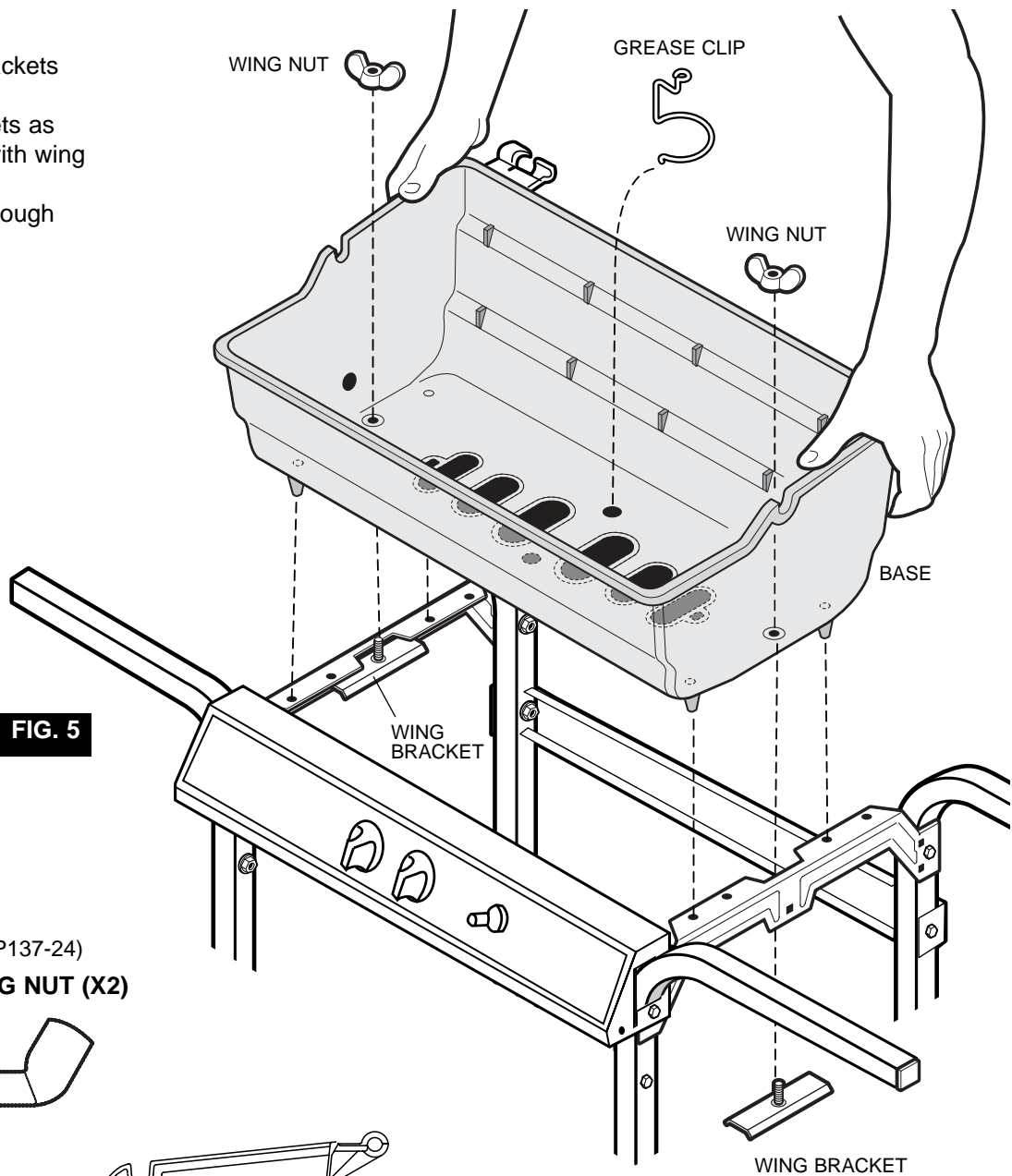
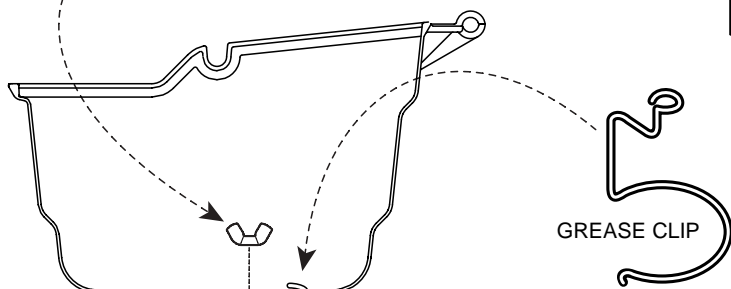
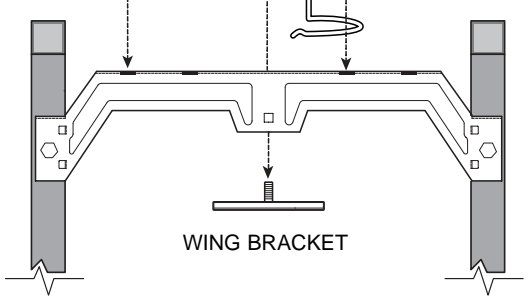


FIG. 5

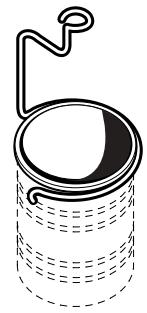
(BAG SP137-24)
1/4"-20 WING NUT (X2)



GREASE CLIP



WING BRACKET



Grease cup not supplied.
 Any metal tin (i.e. vegetable tin) will work.

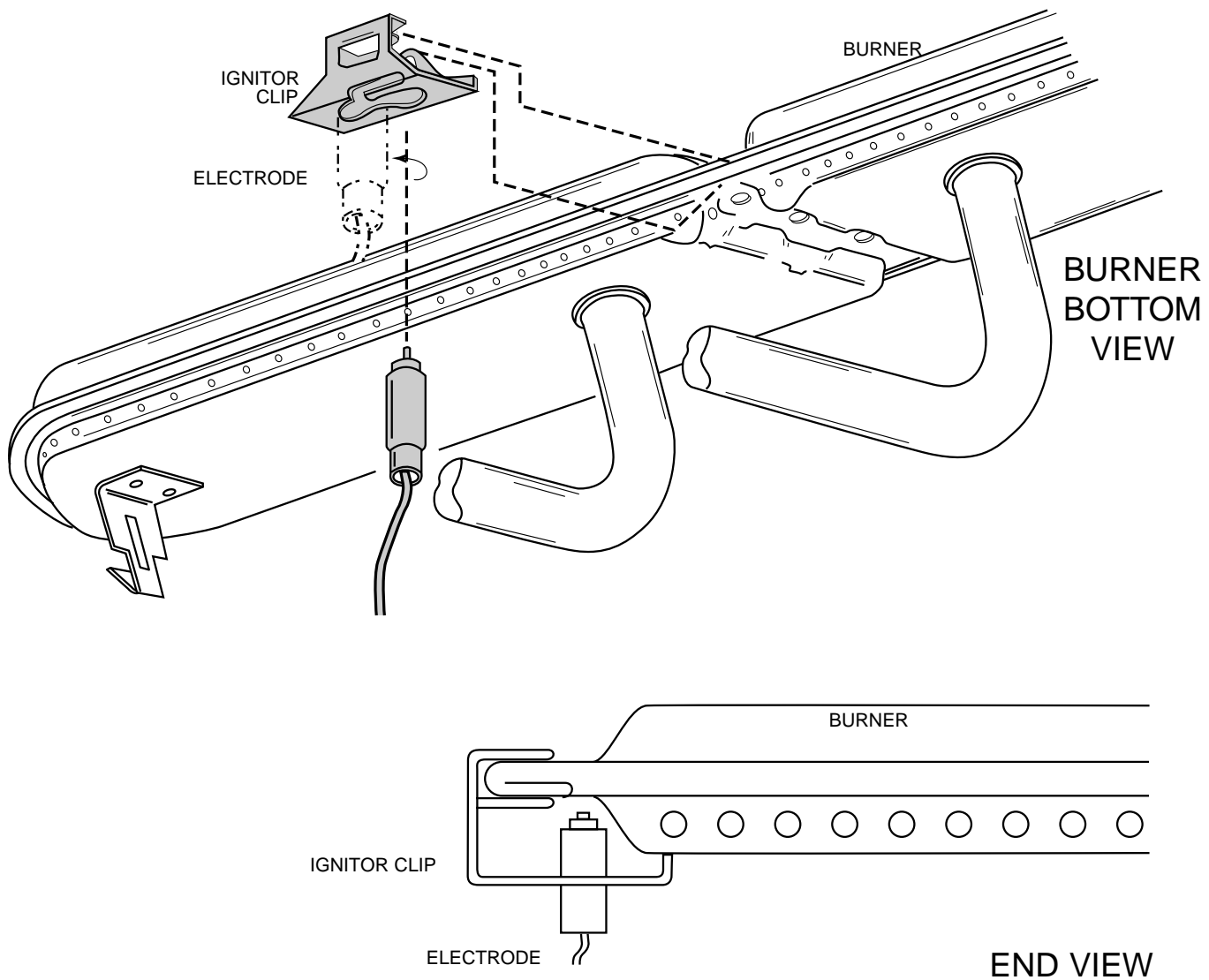


FIG. 6

FIGURE 6.

Carefully insert and snap ignitor electrode into ignitor clip as shown. Push into left hole with a twisting motion. Push clip assembly into lower centre groove of burner. Ensure clip is firmly in place by pushing the bottom lip over the 2 bumps on the burner underside.

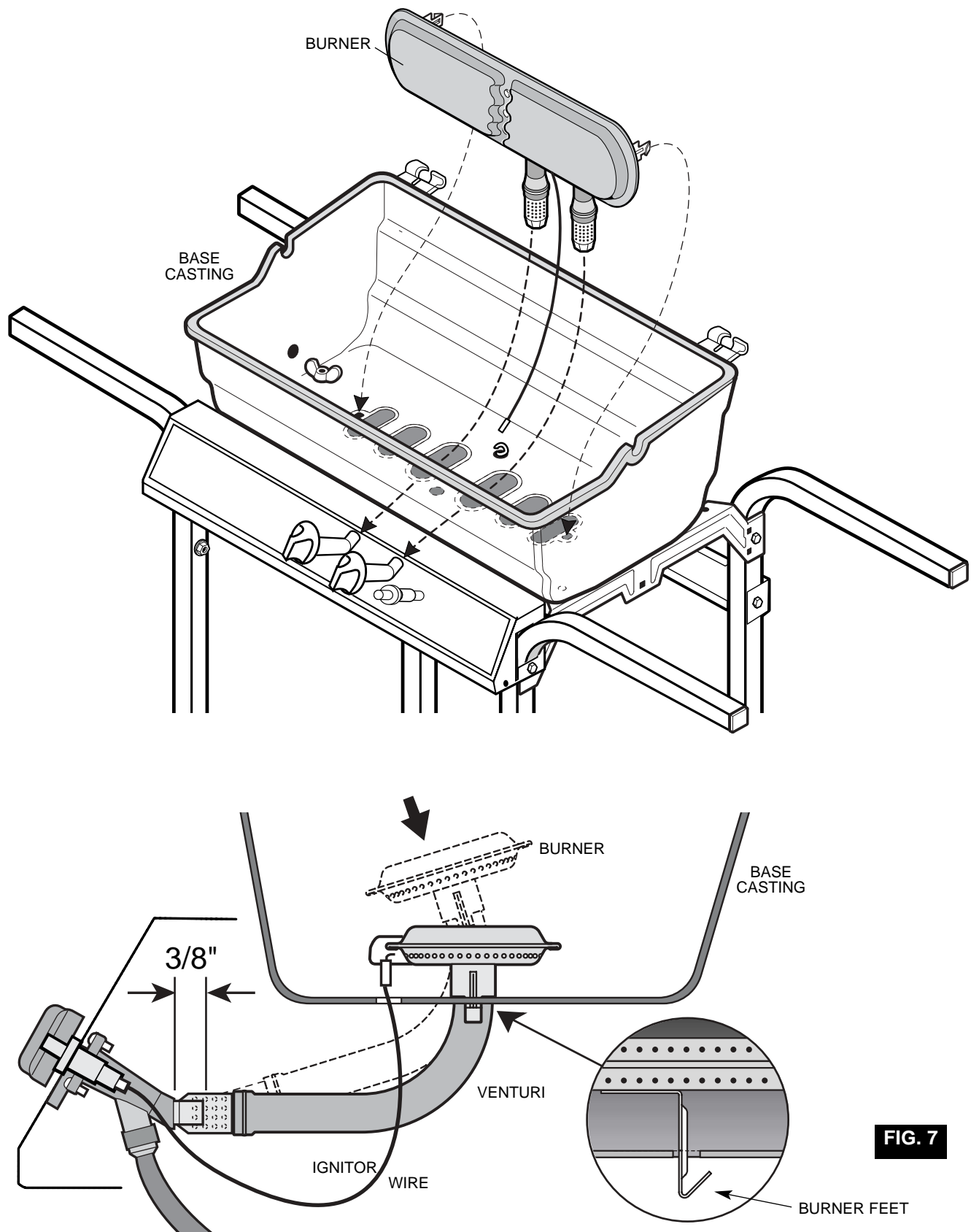


FIGURE 7.

Carefully install burner through holes in bottom of casting. Ensure end of ignitor electrode and wire fit down through hole in casting, and electrode does not get damaged. Also ensure burner legs fit into casting slots and that venturi tube is centered over valve orifice by 10mm. Attach wire to ignitor end terminal.

FIGURE 8.

Install lava grill, lava rock,
and cooking grill.

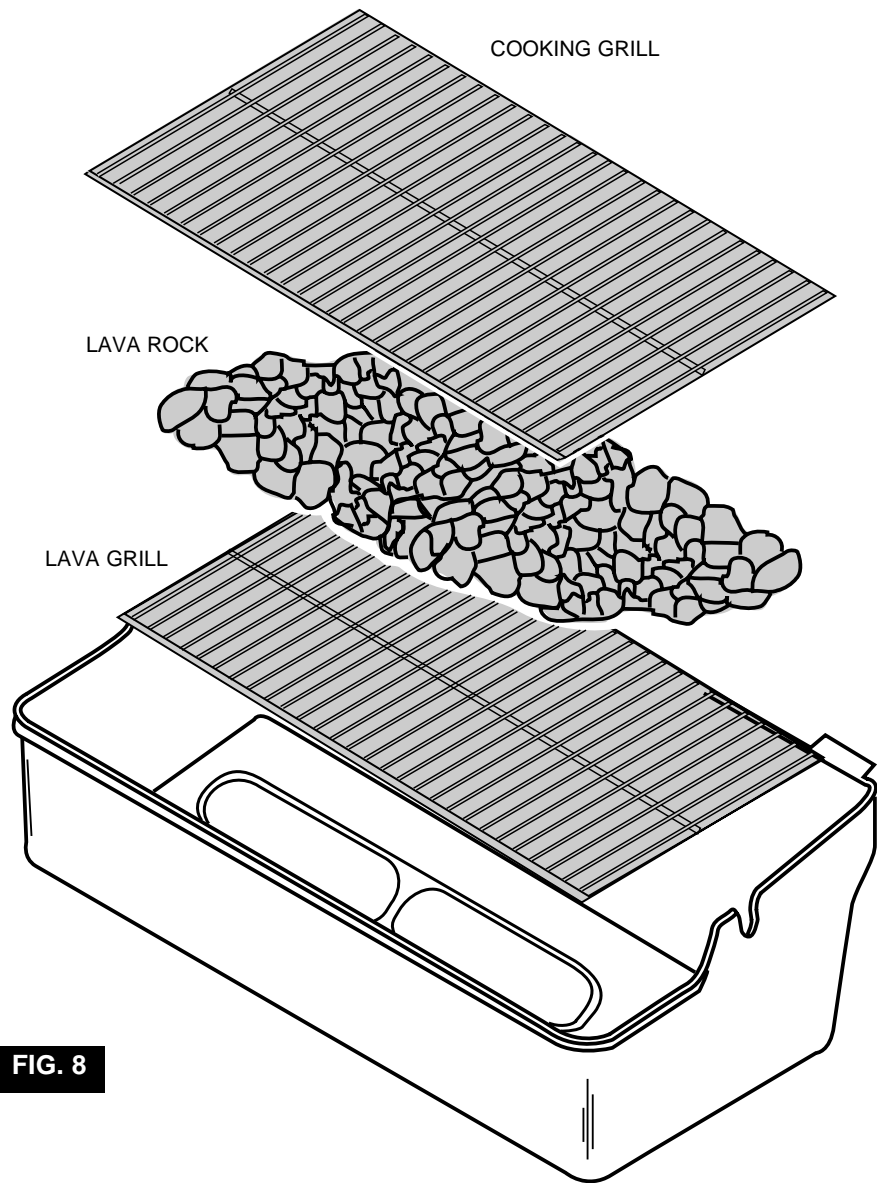
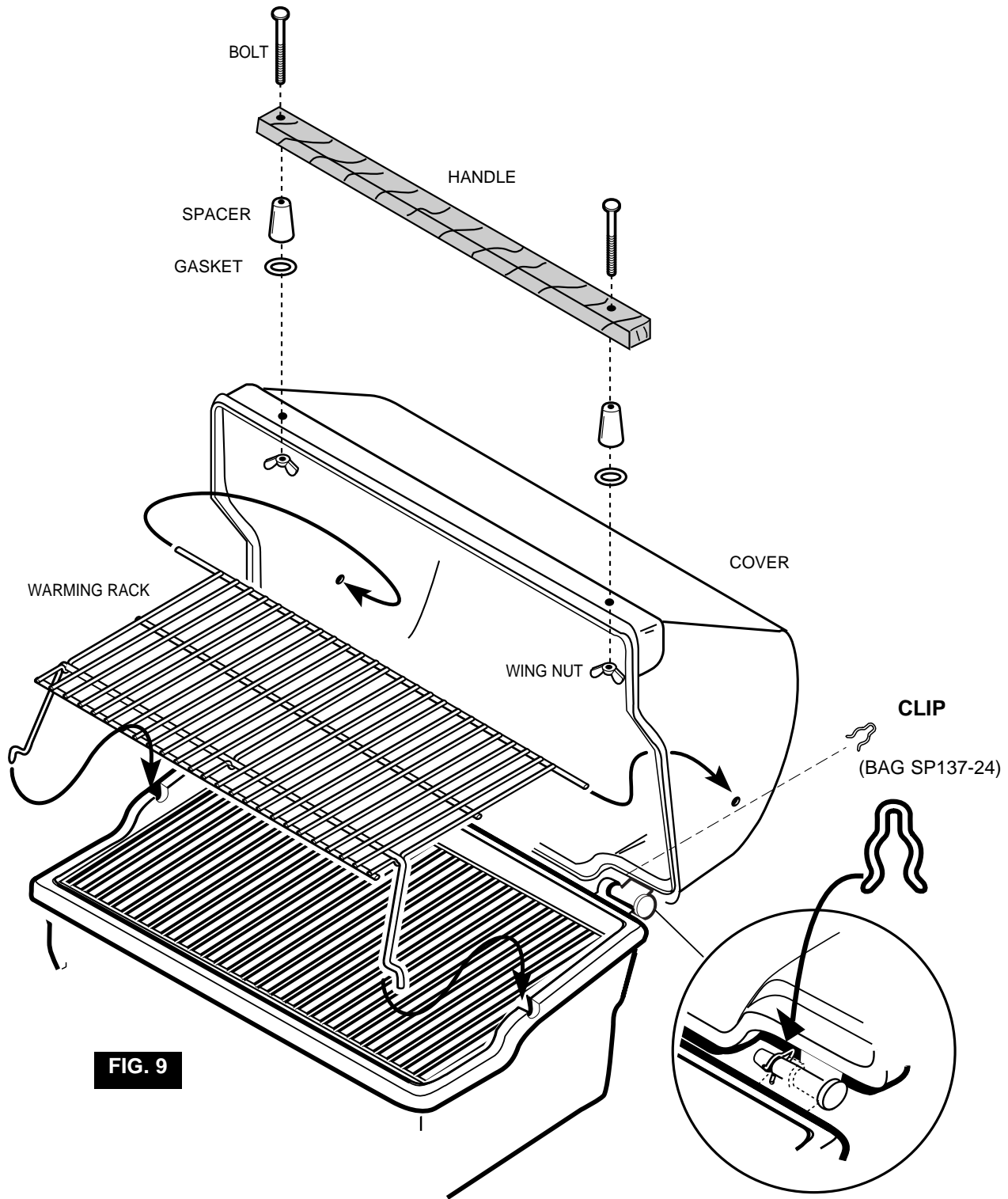


FIG. 8

FIGURE 9.

- Position cover and secure from rear with spring clip in groove on right hinge pin.
- Install front handle as shown using #10 x 3" bolts, plastic spacer, heat gasket and wing nuts. (BAG SP11A-24)
- Install warming rack.



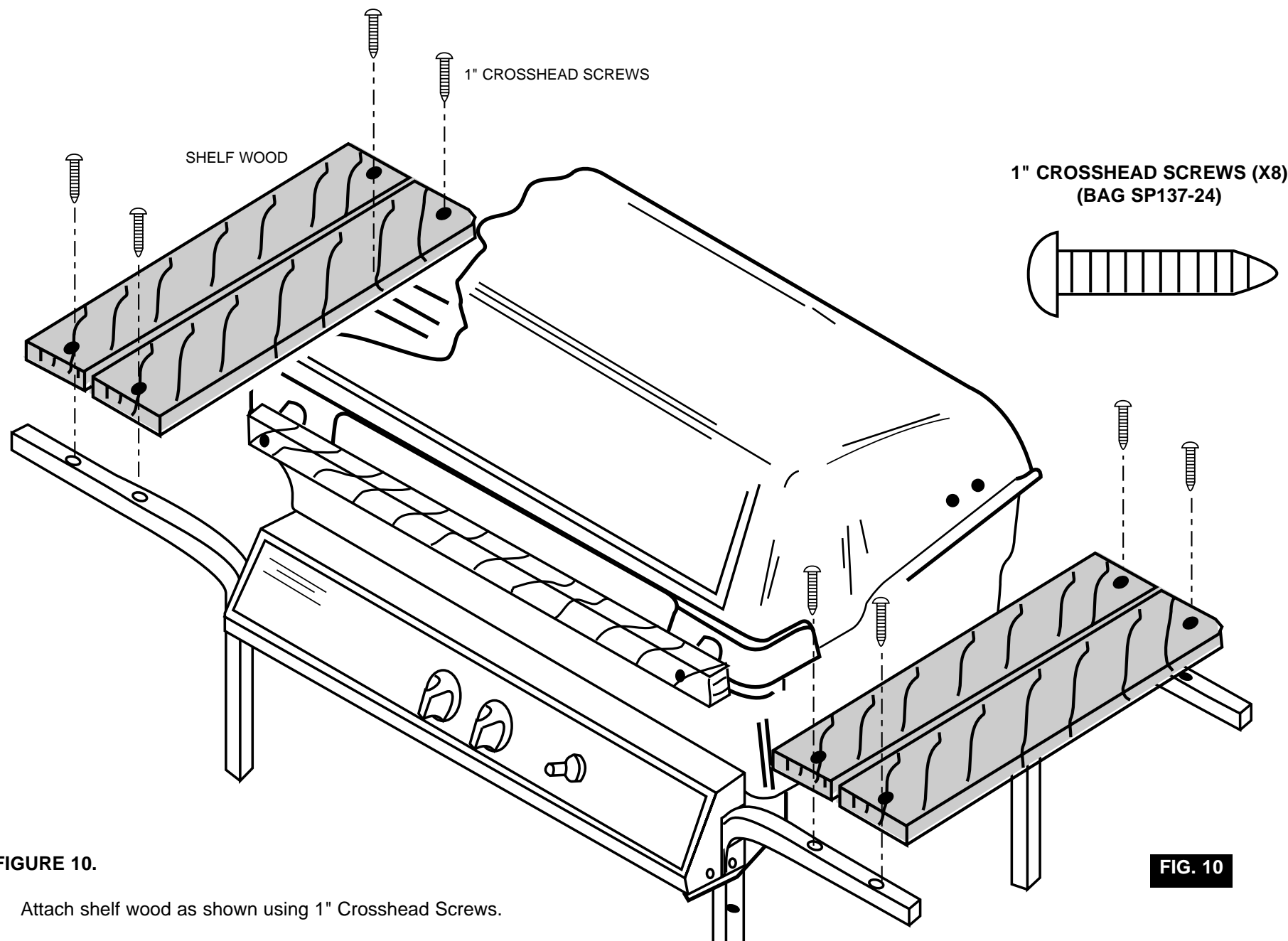


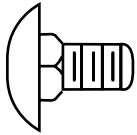
FIGURE 10.

Attach shelf wood as shown using 1" Crosshead Screws.

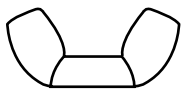
Long overhang goes toward front.

FIGURE 11.

Loosely attach tank bracket using carriage bolt and wing nut. Position tank on pan tank locator. Raise tank bracket and position over tank ring, tighten wing nut.



1/4" X 1/2" CARRIAGE BOLT



1/4"-20 WING NUT

(BAG SP137-24)

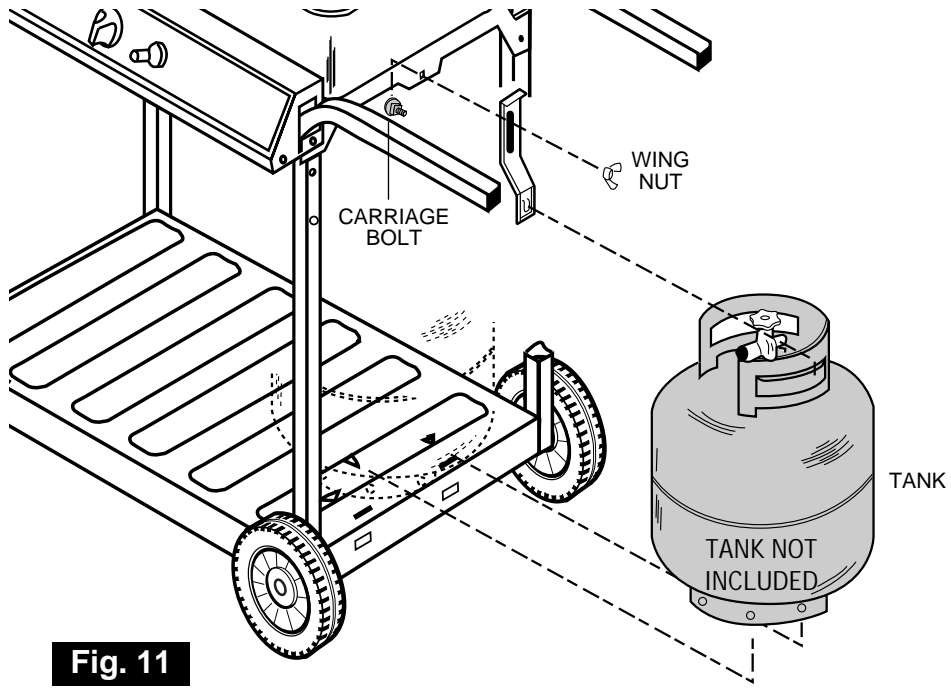


Fig. 11

WARNING: Before proceeding with the following steps, ensure you have read: • L.P. Gas Cylinder • Hose and Regulator

Sections of the **USE AND CARE INSTRUCTIONS** located at the front of this manual. The L.P. gas cylinder, if supplied with your grill, has been shipped empty for safety reasons. The cylinder must be purged of air, and filled, prior to use. Follow all directions under "L.P. Gas Cylinder - Filling" section of the **Use and Care Instructions**.

FIGURE 12.

Before attaching hose/regulator to tank, be sure cylinder valve and appliance valves are **OFF**. The Q.C.C.1 cylinder valve has an internal back check module which will not allow gas to flow until a connection has been made. The valve is turned off by rotating the handwheel (Fig. 2B, Use and Care) Clockwise (left to right) until it stops. When attaching regulator to tank, make sure that the small probe (Fig. 12) in the nipple is centered in the mating Q.C.C.1 cylinder valve, turn the right hand threaded Q.C.C.1 nut onto the valve in a clockwise motion until there is a positive stop. **DO NOT USE A WRENCH, HAND TIGHTEN ONLY.**

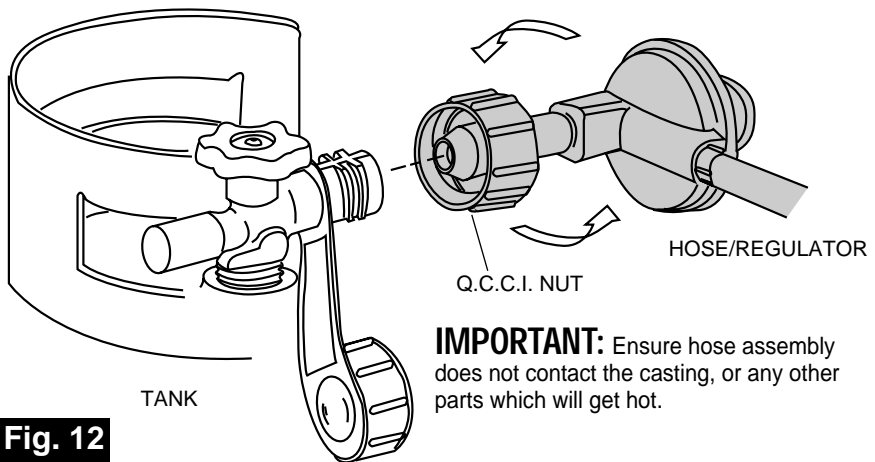


Fig. 12

IMPORTANT: Ensure hose assembly does not contact the casting, or any other parts which will get hot.

WARNING

Refer to the checklist in the “**Prior To Use**” section of the **USE AND CARE INSTRUCTIONS** for the Leak Check and other safety checks which **MUST BE PERFORMED** before lighting your grill.

Failure to follow those instructions may result in a hazardous fire or explosion causing serious bodily injury and/or property damage.

ITEM NO.	PART NO.	DESCRIPTION	QTY. A24027
1	SM7-1B	COVER CASTING	1
2	SP11A-24	COVER HANDLE BAG PACK (SPACER, BOLT, NUT)	1
3	SP8-19	COVER HANDLE WOOD	1
4	SP4-15	COVER SPRING CLIP	1
5	SP130A-3	WARMING RACK	1
6	SP19-3	COOKING GRILL	1
7	SP3-28	LAVA ROCK	1
8	SP17-3	LAVA GRILL	1
9	SM45A-12	BURNER ALUMINIZED	1
10		IGNITOR ELECTRODE AND WIRE	1
11	SM30-2B	BASE CASTING	1
12	SP25-16	WING NUT 1/4-20 (BAG PACK SP137-24)	2
13	SP59-18	WING BRACKET (BAG PACK SP137-24)	2
14	SP6-15	GREASE CUP CLIP	1
15	SM146-4	VALVE ASSEMBLY (VHR)	1
16	SM14-31B	CONSOLE	1
17		CONSOLE LABEL	1
18	SP4-7	CONSOLE KNOB	2
19	SP11-20	PUSH BUTTON IGNITOR KIT	1
20	SP14-21	#6-32 X 3/8" SCREW	2
21	SM82-6B	CASTING BRACKET	2
22	SM35-8B	LEG	4
23	SM17A-9B	BOTTOM PAN	1
24		RATING PLATE/SERIAL #	1
25	SP78-23ND	SHELF WOOD PACK OF 4	1
26	SP16-21	1" CROSSHEAD SCREW (BAG PACK SP137-24)	8
27	SP7-33B	LEG EXTENSION PLUG	2
28	SP7-22	WHEEL	2
29	SP17-18	WHEEL BOLT	2
30	SP2-17	WASHER (BAG PACK SP137-24)	4
31	SP11-16	1/4" NUT (BAG PACK SP137-24)	11
32	SP1-33	LEG CAP (BAG PACK SP137-24)	4
33	SP7-18	1/4-20 X 1 1/2" BOLT HEX HD. (BAG PACK SP137-24)	9
34	SM35-6B	BACK SUPPORT	1
35	SP36-6B	TANK SUPPORT BRACKET	1
36	SP2-18	1/4-20 X 1/2" CARRIAGE BOLT (BAG PACK SP137-24)	1
37	SP2-16	1/4-20 WING NUT (BAG PACK SP137-24)	1

Fiesta Gas Barbeque Grill: Model A24027

How to Order Spare Parts: When ordering, always give the following information:

1. The Part Number
2. The Model Description
3. The Part Colour
4. The Part Description
5. The Serial Number
6. Wood identify R-Redwood G-Grey N-Natural

**NOTE: THE USE OF NON-FIESTA REPLACEMENT PARTS
AUTOMATICALLY VOIDS THE FIESTA BARBEQUE WARRANTY.**