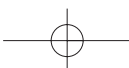


HOOVER - Via privata Eden Fumagalli
20047 BRUGHERIO - MI
ITALIA

5719134600/12.04



HOOVER



FORNO COMPATTO ELETTRONICO

COMPACT ELECTRONIC OVEN

FOUR COMPACTE ÉLECTRONIQUE

ELEKTRONISCHE KOMPAKTMIKROWELLE

ELEKTRONISCHE COMPACTOVEN

HORNO COMPACTO ELECTRÓNICO

HBM303 EX

Data and instruction for Performance Tests according to IEC 705 and EN 60705 (1999-04)

The International Electrotechnical Commission SC 59H, has developed a Standard for comparative testing of heating performances of microwave ovens.

We recommend the following for this oven:

Test Nr. on standard	Item	Duration	Function	Power Level	Oven temp.	Weight	Standing time	Note
12.3.1	Egg custard	16 min.	only mw	1000 W	-	750 gr	5 min	The upper surface shall be evaluated after the standing time. The inner custard evaluation shall be conducted after two hours.
12.3.2	Sponge cake	6 min.	only mw	1000 W	-	475 gr	5 min	Use the borosilicate glass container stated in the Standard (max. dia. 210 mm) or a Pyrex® glass container dia. 210 mm, height 50 mm and wall thick 6 mm. Put the container on the low wire rack placed on the turntable.
12.3.3	Meat loaf	20 min.	only mw	750 W	-	900 gr	5 min	Cover the container with cling film and pierce the film. Use the rectangular borosilicate glass container stated in the Standard or the Arcopal® Cat. nr. Z1/B8 (01)10460-1.
13.3	Defrosting minced meat	11 min.	only mw	*△	-	500 gr	15 min	Place the frozen load directly on the turntable (I). Turn upsidedown the load after half of the defrosting time.
12.3.4	Potato gratin	20 min.	combi mw + fan (simult.)	750 W	190°C	1100 gr	5 min	Use the borosilicate glass container stated in the Standard (max. dia. 210 mm) or a Pyrex® glass container dia. 210 mm, height 50 mm and wall thick 6 mm. Put the container on the lower wire rack (F) placed on the turntable. Do not preheat the oven.
12.3.5	Cake	30 min.	combi mw + fan (simult.)	150 W	160°C	710 gr	5 min	Use the borosilicate glass container stated in the Standard (max. dia. 210 mm) or a Pyrex® glass container dia. 210 mm, height 50 mm and wall thick 6 mm. The oven shall be preheated (in FAN ONLY function) with the lower rack (F) placed on the turntable. Once preheated, place the container on the lower rack (F).
12.3.6	Chicken	40 min.	combi mw + fan (simult.)	750 W	190°C	1200 gr	5 min	The following instruction shall be strictly observed for this type of load: put the chicken in a pyrex® glass container dia 210 mm, height 50 mm and wall thickness of 6 mm. Put the container on the lower wire rack (F) placed on the turntable.

ISTRUZIONI PER L'USO

pag. 5

INSTRUCTION MANUAL

pag. 27

MODE D'EMPLOI

pag. 49

GEBRAUCHSANWEISUNG

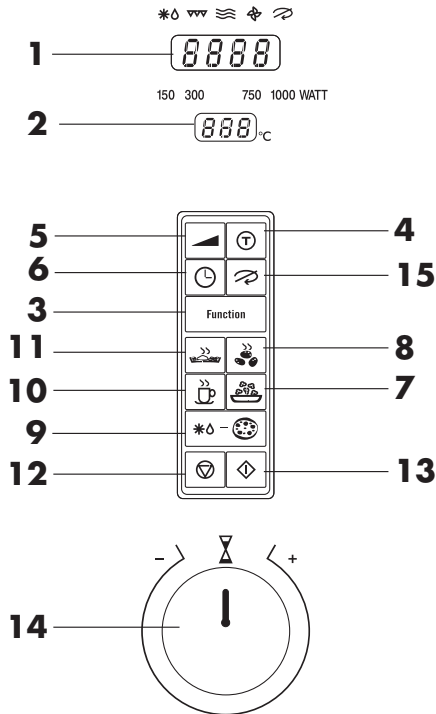
Seite 71

GEBRUIKSSAANWIJZINGEN

pag. 93

MANUAL DE INSTRUCCIONES

pag. 115



DESCRIZIONE DEL PANNELLO COMANDI I

- | | |
|----------------------------------------------------|-------------------------------------------------------------------------------------|
| 1. Display tempo e funzioni | 7 - 8 - 9 - 10 - 11
Tasti "Funzioni Automatiche": cotture rapide pre-memorizzate |
| 2. Display temperatura forno | 12. Tasto : arresto cotture e cancellazione impostazioni |
| 3. Tasto Function : selezione funzioni | 13. Tasto : partenza cotture e riscaldamento rapido |
| 4. Tasto T : selezione temperatura forno | 14. Manopola : impostazione ora del giorno e durata delle cotture. |
| 5. Tasto : selezione livello di potenza microonde | 15. Tasto fermapiatto |
| 6. Tasto : regolazione orologio | |

DESCRIPTION OF THE CONTROL PANEL GB

- | | |
|---------------------------------------------|--------------------------------------------------------------------------------|
| 1. Time and mode display | 7 - 8 - 9 - 10 - 11
"Automatic Functions" keys: pre-memorised rapid cooking |
| 2. Oven temperature display | 12. key: interruption of cooking and cancellation of settings |
| 3. Mode Function : mode selection | 13. key: start of cooking and rapid reheating |
| 4. T key: oven temperature selection | 14. knob: setting of time and length of cooking |
| 5. key: microwave power level selection | 15. turntable Stop key |
| 6. key: setting the clock | |

DESCRIPTION DU TABLEAU DE COMMANDE F

- | | |
|---------------------------------------------------------------|----------------------------------------------------------------------------|
| 1. Afficheur temps et fonctions | Automatique : cuissons rapides pré-mémorisées. |
| 2. Afficheur température four | 12. Touche : interruption de la cuisson et effacement des programmations. |
| 3. Touche Function : sélection des fonctions | 13. Touche : démarrage des cuissons et réchauffement rapide. |
| 4. Touche T : sélection de la température du four | 14. Bouton : réglage de l'heure du jour et de la durée des cuissons. |
| 5. Touche : sélection du niveau de puissance des micro-ondes | 15. Touche |
| 6. Touche : réglage de l'horloge | |
| 7 - 8 - 9 - 10 - 11
Touches "Functions" | |

BESCHREIBUNG DER BEDIENBLENDE D

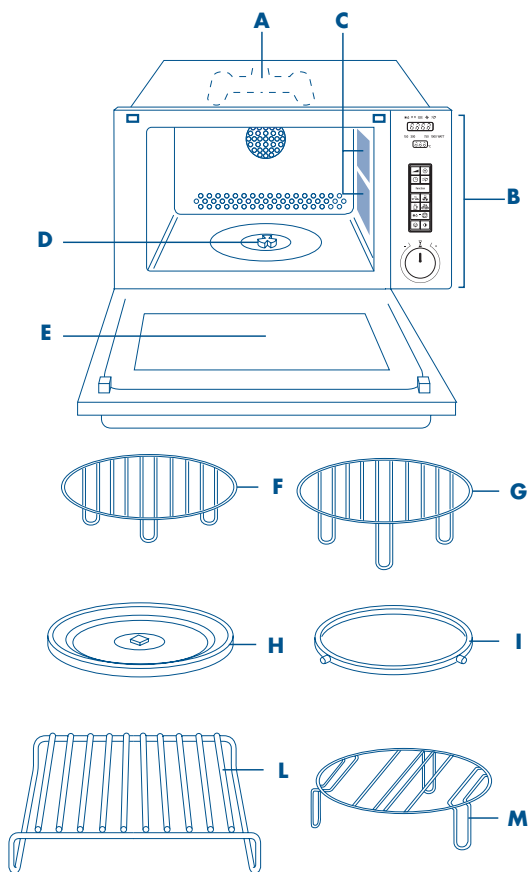
- | | |
|-------------------------------------------------|---------------------------------------------------------------------|
| 1. Display (Anzeige) Zeit und Betriebsarten | Funktionen : Bereits gespeicherte, rasche Garvorgänge |
| 2. Display Backofentemperatur | 12. Taste : Unterbrechung des Garvorgangs und Löschen der Eingaben |
| 3. Taste Function : Wahl der Betriebsart | 13. Taste : Start Garvorgang und rasches Erwärmen |
| 4. Taste T : Wahl der Backofentemperatur | 14. Drehknopf : Einstellen der Uhrzeit und der Kochzeitdauer |
| 5. Taste : Wahl der Mikrowellenleistungsstufe | 15. Taste |
| 6. Taste : Einstellen der Uhr | |
| 7 - 8 - 9 - 10 - 11
Tasten "Automatik- | |

BESCHRIJVING VAN HET BEDIENINGSPANEEL NL

- | | |
|-------------------------------------------------------|----------------------------------------------------------------------------|
| 1. Display tijd en functies | voorgeprogrammeerde snelle bereidingen |
| 2. Display oven temperatuur | 12. toets: onderbreking bereidingen en annulatie ingestelde bereidingen |
| 3. Function toets: keuze functies | 13. toets: start bereidingen en snel verwarmen |
| 4. T toets: keuze oven temperatuur | 14. toets: instellen van de tijd van de dag en de duur van de bereidingen |
| 5. toets: keuze vermogen niveau magnetron | 15. Toets |
| 6. toets: instellen klok | |
| 7 - 8 - 9 - 10 - 11
"Automatische Functietoetsen": | |

DESCRIPCION DEL PANEL DE MANDOS E

- | | |
|-------------------------------------------------------------------|------------------------------------------------------------------|
| 1. Visor tiempo y funciones | rápidas pre-memorizadas |
| 2. Visor temperatura horno | 12. Botón : paro de cocción y anulación de planteos |
| 3. Botón Function : selección funciones | 13. Botón : arranque cocción y calentamiento rápido |
| 4. Botón T : selección temperatura horno | 14. Selector : planteo hora del día y duración de las cocciones |
| 5. Botón : selección nivel de potencia microondas | 15. Botón |
| 6. Botón : regulación reloj | |
| 7 - 8 - 9 - 10 - 11
Botones "Funciones Automáticas": cocciones | |



DESCRIZIONE GB

- A** Grill heating element
- B** Control panel
- C** Microwave outlet cover
- D** Turntable spindle
- E** Inside of door
- F** Low wire rack
- G** High wire rack
- H** Turntable
- I** Turntable support
- L** Rectangular wire rack
- M** Medium wire rack

DESCRIPTION F

- A** Résistance du grill
- B** Tableau de commande
- C** Couvercle sortie micro-ondes
- D** Axe du plateau tournant
- E** Côté intérieur de la porte
- F** Grille basse
- G** Grille haute
- H** Plateau tournant
- I** Support du plateau tournant
- L** Grille rectangulaire
- M** Grille de hauteur moyenne

DESCRIZIONE D

- A** Heizelement Grill
- B** Bedienblende
- C** Abdeckblende der Mikrowellenaustrittsöffnung
- D** Drehtellerstift
- E** Türinnenseite
- F** Niedriger Rost
- G** Hoher Rost
- H** Drehteller
- I** Drehtellerhalterung
- L** Rechteckiger Rost
- M** Mittelhoher Rost

BESCHRIJVING NL

- A** Grill weerstand
- B** Bedieningspaneel
- C** Deksel uitgang microgolven
- D** Pin draaischijf
- E** Binnenkant ovendeur
- F** Laag rooster
- G** Hoog rooster
- H** Draaischijf
- I** Houder voor draaischijf
- L** Rechthoekige rooster
- M** Gemiddeld rooster

DESCRIZIONE I

- A** Resistenza grill
- B** Pannello comandi
- C** Coperchio uscita microonde
- D** Perno piatto rotante
- E** Lato interno porta
- F** Griglia bassa
- G** Griglia alta
- H** Piatto rotante
- I** Supporto piatto rotante
- L** Griglia rettangolare
- M** Griglia media

DESCRIPCIÓN E

- A** Resistencia del grill
- B** Panel de mandos
- C** Tapa de salida de las microondas
- D** Perno del plato giratorio
- E** Lado interior de la puerta
- F** Pasrilla baja
- G** Parilla alta
- H** Plato giratorio
- I** Soporte del plato giratorio
- L** Rejilla rectangular
- M** Parilla Mediana