

# Instructions for use

## WASHING MACHINE

GB

GB

English,1

FR

Français,13

DE

Deutsch,25

NL

Nederlands,37

**FMD 963**

### Contents

#### Installation, 2-3

Unpacking and levelling  
Connecting the electricity and water supplies  
The first wash cycle  
Technical data

#### Care and maintenance, 4

Cutting off the water or electricity supply  
Cleaning the washing machine  
Cleaning the detergent dispenser drawer  
Caring for the door and drum of your appliance  
Cleaning the pump  
Checking the water inlet hose

#### Precautions and tips, 5

General safety  
Disposal  
Opening the porthole door manually

#### Description of the washing machine, 6-7

Control panel  
Display

#### Running a wash cycle, 8

#### Wash cycles and functions, 9

Table of wash cycles  
Wash functions

#### Detergents and laundry, 10

Detergent dispenser drawer  
Preparing the laundry  
Special wash cycles  
Load balancing system

#### Troubleshooting, 11

#### Service, 12

 **Hotpoint**  

---

**ARISTON**

# Installation

GB

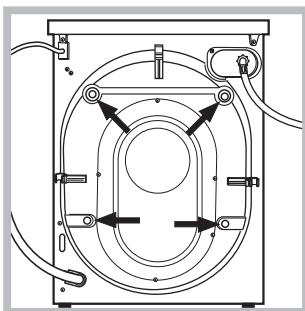
! This instruction manual should be kept in a safe place for future reference. If the washing machine is sold, transferred or moved, make sure that the instruction manual remains with the machine so that the new owner is able to familiarise himself/herself with its operation and features.

! Read these instructions carefully: they contain vital information relating to the safe installation and operation of the appliance.

## Unpacking and levelling

### Unpacking

1. Remove the washing machine from its packaging.
2. Make sure that the washing machine has not been damaged during the transportation process. If it has been damaged, contact the retailer and do not proceed any further with the installation process.

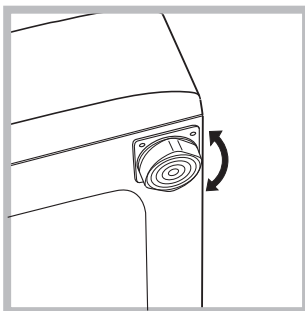


3. Remove the 4 protective screws (used during transportation) and the rubber washer with the corresponding spacer, located on the rear part of the appliance (see figure).

4. Close off the holes using the plastic plugs provided.
5. Keep all the parts in a safe place: you will need them again if the washing machine needs to be moved to another location.

! Packaging materials should not be used as toys for children.

### Levelling

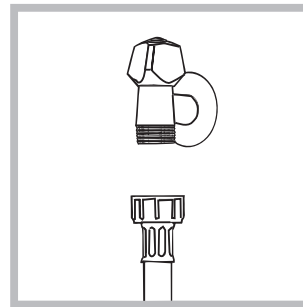


1. Install the washing machine on a flat sturdy floor, without resting it up against walls, furniture cabinets or anything else.
2. If the floor is not perfectly level, compensate for any unevenness by tightening or loosening the adjustable front feet (see figure); the angle of inclination, measured in relation to the worktop, must not exceed 2°.

Levelling the machine correctly will provide it with stability, help to avoid vibrations and excessive noise and prevent it from shifting while it is operating. If it is placed on carpet or a rug, adjust the feet in such a way as to allow a sufficient ventilation space underneath the washing machine.

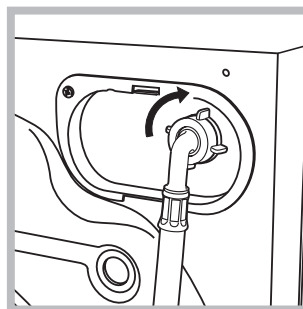
## Connecting the electricity and water supplies

### Connecting the water inlet hose



1. Connect the inlet hose by screwing it to a cold water tap using a 3/4 gas threaded connection (see figure).

Before performing the connection, allow the water to run freely until it is perfectly clear.



2. Connect the inlet hose to the washing machine by screwing it onto the corresponding water inlet of the appliance, which is situated on the top right-hand side of the rear part of the appliance (see figure).

3. Make sure that the hose is not folded over or bent.

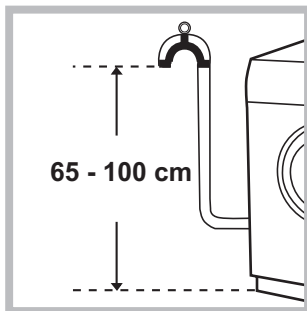
! The water pressure at the tap must fall within the range of values indicated in the Technical data table (see next page).

! If the inlet hose is not long enough, contact a specialised shop or an authorised technician.

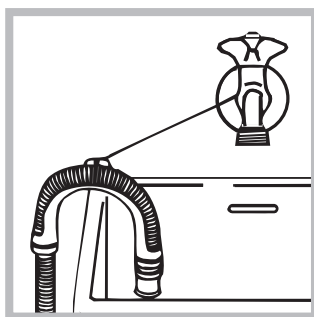
! Never use second-hand hoses.

! Use the ones supplied with the machine.

## Connecting the drain hose



Connect the drain hose, without bending it, to a drain duct or a wall drain situated between 65 and 100 cm from the floor;



alternatively, placed it over the edge of a basin, sink or tub, fastening the duct supplied to the tap (see *figure*). The free end of the hose should not be underwater.

! We advise against the use of hose extensions; if it is absolutely necessary, the extension must have the same diameter as the original hose and must not exceed 150 cm in length.

## Electrical connections

Before plugging the appliance into the electricity socket, make sure that:

- the socket is earthed and complies with all applicable laws;
- the socket is able to withstand the maximum power load of the appliance as indicated in the Technical data table (see *opposite*);
- the power supply voltage falls within the values indicated in the Technical data table (see *opposite*);
- the socket is compatible with the plug of the washing machine. If this is not the case, replace the socket or the plug.

! The washing machine must not be installed outdoors, even in covered areas. It is extremely dangerous to leave the appliance exposed to rain, storms and other weather conditions.



! When the washing machine has been installed, the electricity socket must remain within easy reach.

- ! Do not use extension cords or multiple sockets.
- ! The cable should not be bent or compressed.
- ! The power supply cable must only be replaced by authorised technicians.

Warning! The company shall not be held responsible in the event that these standards are not observed.

## The first wash cycle

Once the appliance has been installed, and before you use it for the first time, run a wash cycle with detergent and no laundry, using wash cycle number "Auto Clean" (see "Cleaning the washing machine").

| Technical data  |  |
|---|--|
| <b>Model</b>  | FMD 963  |
| <b>Dimensions</b>   | width 59.5 cm<br>height 85 cm<br>depth 60.5 cm   |
| <b>Capacity</b>   | from 1 to 9 kg   |
| <b>Electrical connections</b>   | please refer to the technical data plate fixed to the machine  |
| <b>Water connections</b>  | maximum pressure 1 MPa (10 bar)<br>minimum pressure 0.05 MPa (0.5 bar)<br>drum capacity 62 litres  |
| <b>Spin speed</b>   | up to 1600 rotations per minute  |
| <b>Test wash cycles in accordance with directives 1061/2010 1015/2010</b>   | programme 2 (60°) (1st press of the button);<br>Cotton Standard 60°.<br>programme 2 (40°) (2nd press of the button);<br>Cotton Standard 40°.           |
| <br> | This appliance conforms to the following EC Directives:<br>- 2004/108/EC (Electromagnetic Compatibility)<br>- 2006/95/EC (Low Voltage)<br>- 2012/19/EU |

# Care and maintenance

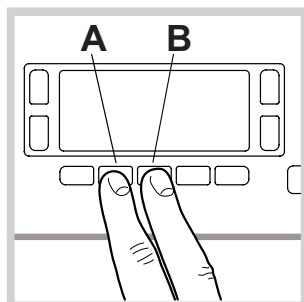
GB

## Cutting off the water and electricity supplies

- Turn off the water tap after every wash cycle. This will limit wear on the hydraulic system inside the washing machine and help to prevent leaks.
- Unplug the washing machine when cleaning it and during all maintenance work.

## Cleaning the washing machine

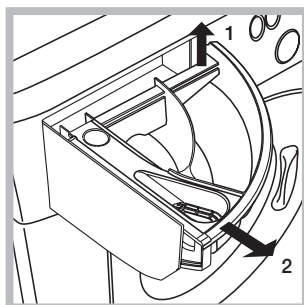
- The outer parts and rubber components of the appliance can be cleaned using a soft cloth soaked in lukewarm soapy water. Do not use solvents or abrasives.
- The washing machine has a “Auto Clean” programme for its internal parts that **must be run with no load in the drum**.



To help the wash cycle you may want to use either the detergent (i.e. a quantity 10% the quantity specified for lightly-soiled garments) or special additives to clean the washing machine. We recommend running a cleaning

programme every 40 wash cycles. To start the programme press buttons **A** and **B** simultaneously for 5 seconds (see figure). The programme will start automatically and will run for about 70 minutes. To stop the cycle press the START/PAUSE button.

## Cleaning the detergent dispenser drawer



Remove the dispenser by raising it and pulling it out (see figure). Wash it under running water; this operation should be repeated frequently.

## Caring for the door and drum of your appliance

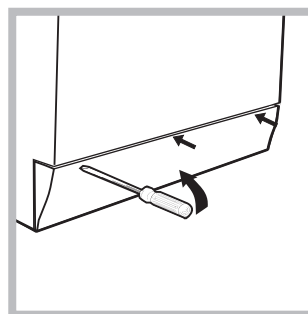
- Always leave the porthole door ajar in order to prevent unpleasant odours from forming.

## Cleaning the pump

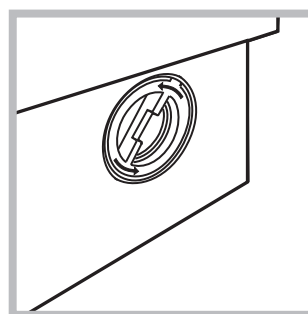
The washing machine is fitted with a self-cleaning pump which does not require any maintenance. Sometimes, small items (such as coins or buttons) may fall into the pre-chamber which protects the pump, situated in its bottom part.

**!** Make sure the wash cycle has finished and unplug the appliance.

To access the pre-chamber:



1. using a screwdriver, remove the cover panel on the lower front part of the washing machine (see figure);



2. unscrew the lid by rotating it anti-clockwise (see figure): a little water may trickle out. This is perfectly normal;

3. clean the inside thoroughly;
4. screw the lid back on;
5. reposition the panel, making sure the hooks are securely in place before you push it onto the appliance.

## Checking the water inlet hose

Check the inlet hose at least once a year. If there are any cracks, it should be replaced immediately: during the wash cycles, water pressure is very strong and a cracked hose could easily split open.

**!** Never use second-hand hoses.

! This washing machine was designed and constructed in accordance with international safety regulations. The following information is provided for safety reasons and must therefore be read carefully.

## General safety

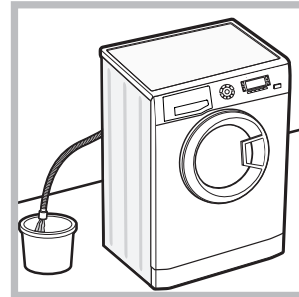
- This appliance was designed for domestic use only.
- This appliance can be used by children aged from 8 years and above and persons with reduced physical, sensory or mental capabilities or lack of experience and knowledge if they have been given supervision or instruction concerning use of the appliance in a safe way and understand the hazards involved. Children shall not play with the appliance. Cleaning and user maintenance shall not be made by children without supervision.
- Do not touch the machine when barefoot or with wet or damp hands or feet.
- Do not pull on the power supply cable when unplugging the appliance from the electricity socket. Hold the plug and pull.
- Do not open the detergent dispenser drawer while the machine is in operation.
- Do not touch the drained water as it may reach extremely high temperatures.
- Never force the porthole door. This could damage the safety lock mechanism designed to prevent accidental opening.
- If the appliance breaks down, do not under any circumstances access the internal mechanisms in an attempt to repair it yourself.
- Always keep children well away from the appliance while it is operating.
- The door can become quite hot during the wash cycle.
- If the appliance has to be moved, work in a group of two or three people and handle it with the utmost care. Never try to do this alone, because the appliance is very heavy.
- Before loading laundry into the washing machine, make sure the drum is empty.

## Disposal

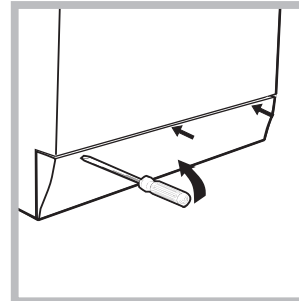
- Disposing of the packaging materials: observe local regulations so that the packaging may be re-used.
- The European Directive 2012/19/EU on Waste Electrical and Electronic Equipment, requires that old household electrical appliances must not be disposed of in the normal unsorted municipal waste stream. Old appliances must be collected separately in order to optimise the recovery and recycling of the materials they contain and reduce the impact on human health and the environment. The crossed out "wheeled bin" symbol on the product reminds you of your obligation, that when you dispose of the appliance it must be separately collected. Consumers should contact their local authority or retailer for information concerning the correct disposal of their old appliance.

## Opening the porthole door manually

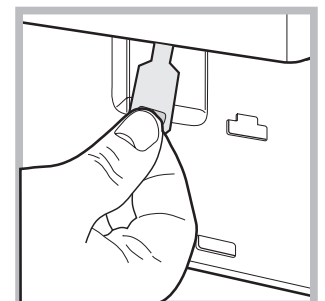
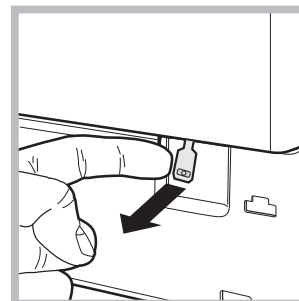
In the event that it is not possible to open the porthole door due to a powercut, and if you wish to remove the laundry, proceed as follows:



1. remove the plug from the electrical socket.
2. make sure the water level inside the machine is lower than the door opening; if it is not, remove excess water using the drain hose, collecting it in a bucket as indicated in the figure.



3. using a screwdriver, remove the cover panel on the lower front part of the washing machine (see figure).



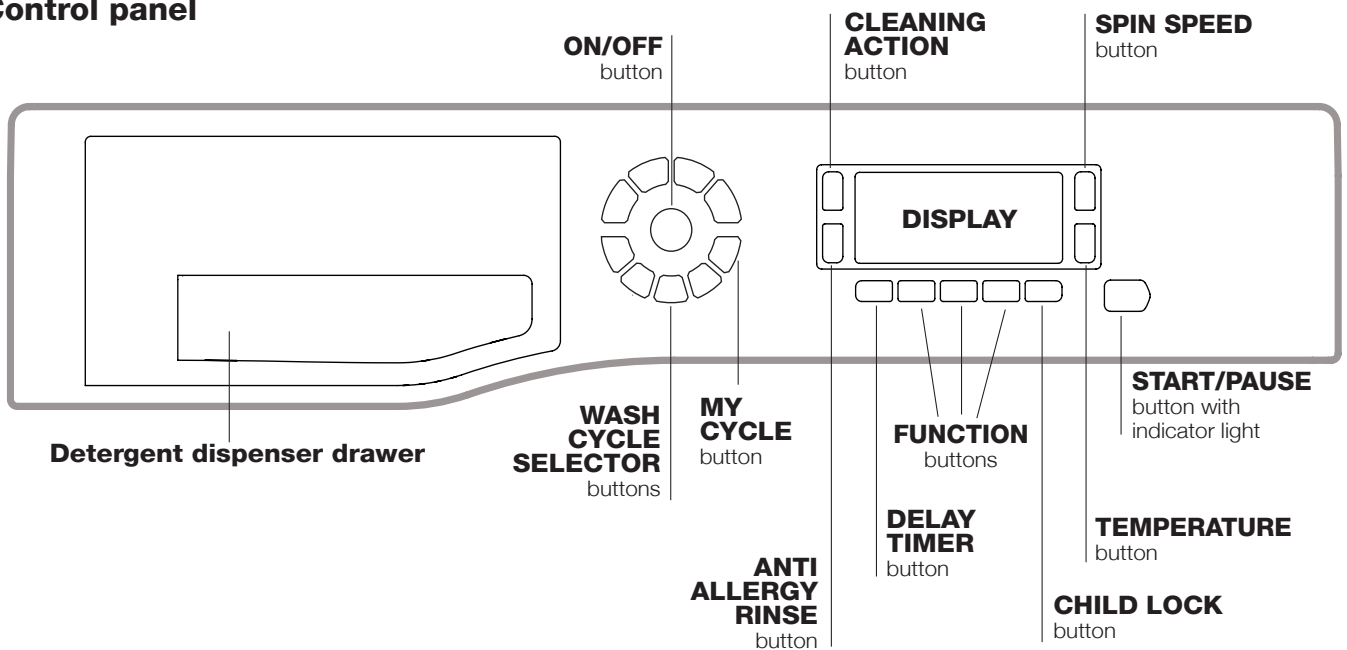
4. pull outwards using the tab as indicated in the figure, until the plastic tie-rod is freed from its stop position; pull downwards and open the door at the same time.

5. reposition the panel, making sure the hooks are securely in place before you push it onto the appliance.


# Description of the washing machine

GB

## Control panel



**Detergent dispenser drawer:** used to dispense detergents and washing additives (see “Detergents and laundry”).

**ON/OFF** button : press this briefly to switch the machine on or off. The START/PAUSE indicator light, which flashes slowly in a green colour shows that the machine is switched on. To switch off the washing machine during the wash cycle, press and hold the button for approximately 3 seconds; if the button is pressed briefly or accidentally the machine will not switch off. If the machine is switched off during a wash cycle, this wash cycle will be cancelled.


**WASH CYCLE SELECTOR** buttons: used to set the desired wash cycle (see “Table of wash cycles”).

**MY CYCLE** button: press and hold the button to store a cycle with your own set of preferences in the memory of the machine. To recall a previously stored cycle, press the MY CYCLE button.



**FUNCTION** buttons: press the button to select the desired function. The corresponding indicator light on the display will switch on.


**CLEANING ACTION** button : to select the desired wash intensity.


**ANTI ALLERGY RINSE** button : press to select the desired rinse type.

**SPIN** button : press to reduce or completely exclude the spin cycle - the value is indicated on the display.

**TEMPERATURE** button : press to decrease the temperature: the value will be shown on the display.

**CHILD LOCK** button : to activate the control panel lock, press and hold the button for approximately 2 seconds. When the symbol  is illuminated, the control panel is locked (apart from the ON/OFF button). This means it is possible to prevent wash cycles from being modified accidentally, especially where there are children in the home. To deactivate the control panel lock, press and hold the button for approximately 2 seconds.

**DELAY TIMER** button : press to set a delayed start time for the selected wash cycle. The delay time will be shown on the display.

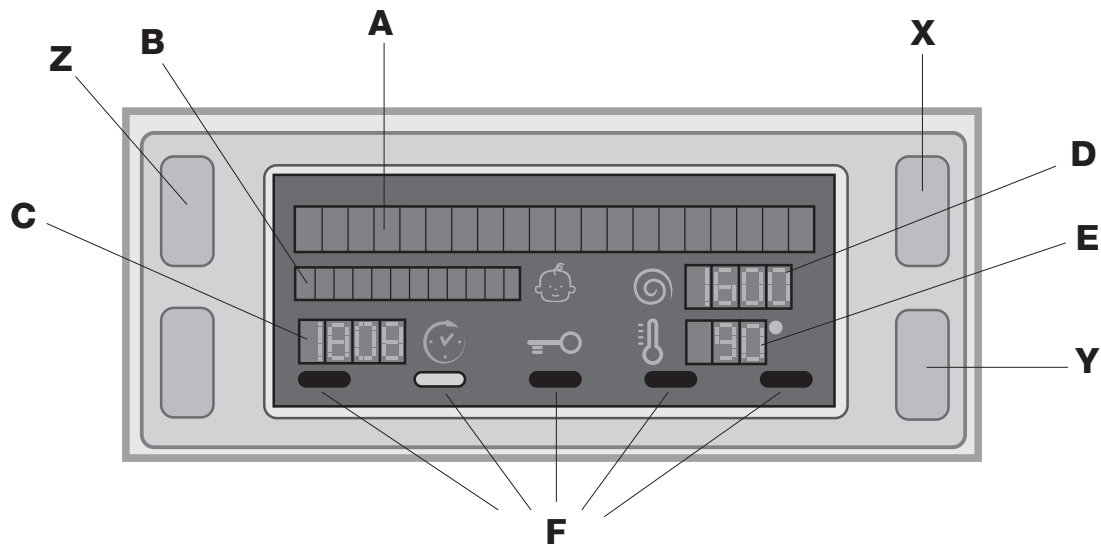
**START/PAUSE** button with indicator light: when the green indicator light flashes slowly, press the button to start a wash cycle. Once the cycle has started the indicator light will remain lit in a fixed manner. To pause the wash cycle, press the button again; the indicator light will flash in an orange colour. If the symbol  is not illuminated, the door may be opened. To start the wash cycle from the point at which it was interrupted, press the button again.

### Standby mode

This washing machine, in compliance with new energy saving regulations, is fitted with an automatic standby system which is enabled after about 30 minutes if no activity is detected. Press the ON-OFF button briefly and wait for the machine to start up again.



## Display



The display is useful when programming the machine and provides a great deal of information.

The two upper strings **A** and **B** provide details of the wash cycle selected, the wash cycle phase in progress and all information relating to the progress status of the wash cycle.

String **C** shows the time remaining until the end of the wash cycle in progress and, if a DELAYED START has been set, the time remaining until the start of the selected wash cycle.

String **D** shows the maximum spin speed value (this depends on the selected wash cycle); if the wash cycle does not include a spin cycle, the string remains unused.

String **E** shows the maximum temperature value which may be selected (this depends on the wash cycle used); if the temperature of the wash cycle cannot be modified, the string remains unused.

Indicator lights **F** correspond to the functions and light up when the selected function is compatible with the set wash cycle.

### Door locked symbol

If the symbol is lit, this indicates that the washing machine door is blocked to prevent it from being opened accidentally. To prevent any damage from occurring, wait for the symbol to switch itself off before opening the appliance door.

N.B.: if the DELAYE TIMER function has been activated, the door cannot be opened; pauses the machine by pressing the START/PAUSE button if you wish to open it.


**!** The first time the machine is switched on, you will be asked to select the language and the display will automatically show the language selection menu.

To select the desired language press the **X** and **Y** buttons; to confirm the selection press the **Z** button.

To change the language switch off the machine and press buttons **X**, **Y**, **Z** **simultaneously** until an alarm is heard: the language-selection menu will be displayed again.


# Running a wash cycle


GB

1. **SWITCH THE MACHINE ON.** Press the On/Off button ; the text POWER ON will appear on the display and the START/PAUSE indicator light will flash slowly in a green colour.
2. **LOAD THE LAUNDRY.** Open the porthole door. Load the laundry, making sure you do not exceed the maximum load value indicated in the table of programmes on the following page.
3. **MEASURE OUT THE DETERGENT.** Open the detergent dispenser drawer and pour the detergent into the relevant compartments as described in “Detergents and laundry”.
4. **CLOSE THE DOOR.**
5. **SELECT THE WASH CYCLE.** Press one of the WASH CYCLE SELECTOR buttons to select the required wash cycle; the name of the wash cycle will appear on the display. A temperature and spin speed is set for each wash cycle; these may be adjusted. The duration of the cycle will appear on the display.
6. **CUSTOMISE THE WASH CYCLE.** Use the relevant buttons:

## Modifying the temperature and/or spin speed.


The machine automatically selects the maximum temperature and spin speed set for the selected wash cycle; these values cannot therefore be increased.

The temperature can be decreased by pressing the  button, until the cold wash “OFF” setting is reached.


The spin speed may be progressively reduced by pressing the  button, until it is completely excluded (the “OFF” setting). If these buttons are pressed again, the maximum values are restored.


! Exception: if the 2 (60°) (1st press of the button) programme is selected, the temperature can be increased up to a value of 90°C.

## Setting a delayed start.

To set a delayed start for the selected programme, press the corresponding button repeatedly until the required delay period has been reached. When this option is enabled, the  symbol lights up on the display. To remove the delayed start function press the button until the text “OFF” appears on the display.

## Set the desired wash intensity.

Option  makes it possible to optimise washing based on the level of soil in the fabrics and on desired wash cycle intensity.

Select the wash programme: the cycle will be automatically set to “Normal” as optimised for garments with an average level of soil (this setting is not applicable to the “Wool” cycle, which is automatically set to “Delicate”). For heavily-soiled garments press button  until the “Super Wash” level is reached. This level ensures a high-performance wash due to a larger quantity of water used in the initial phase of the cycle and due to increased drum rotation. It is useful when removing the most stubborn stains.


It can be used **with** or **without** bleach. If you wish to bleach the items insert the additional compartment (4) into compartment 1. When pouring the bleach, be careful not to exceed the “max” level marked on the central pivot (see figure pag. 10).

For lightly-soiled garments or a more delicate treatment

of the fabrics, press button  until the “Delicate” level is reached.

The cycle will reduce the drum rotation to ensure washing results are perfect for delicate garments.

## Set the rinse type.

Option  makes it possible to select the desired rinse type for sensitive skin. Press the button once for the “Extra Rinse” level, which makes it possible to select an additional rinse after the standard cycle rinse and remove all traces of detergent. Press the button again for the “Sensitive Skin” level, which makes it possible to select two additional rinses to the standard cycle rinses; it is recommended for very sensitive skin. When the button is pressed for the third time, the “Anti allergy Rinse” level is set, thus allowing the selection of 3 rinses in addition to the standard cycle’s rinses. The option - started with cycles at a temperature of 40°C - makes it possible to remove major allergens such as pollen, cat and dog hair. With cycles at a temperature higher than 40° a very good level of antiallergic protection is achieved. Press the button again to go back to the “Normal Rinse” rinse type. If the current adjustment can be neither set nor changed, the display will show “Not allowed”.



## Modifying the cycle settings.


- Press the button to enable the function; the indicator light corresponding to the button will switch on.
- Press the button again to disable the function; the indicator light will switch off.

! If the selected function is not compatible with the programmed wash cycle, the indicator light will flash and the function will not be activated.

! If the selected function is not compatible with another function which has been selected previously, the indicator light corresponding to the first function selected will flash and only the second function will be activated; the indicator light corresponding to the enabled function will remain lit.

! The functions may affect the recommended load value and/or the duration of the cycle.

7. **START THE PROGRAMME.** Press the START/PAUSE button. The corresponding indicator light will become green, remaining lit in a fixed manner, and the door will be locked (the DOOR LOCKED symbol will be on). During the wash cycle, the name of the phase in progress will appear on the display. To change a wash cycle while it is in progress, pause the washing machine using the START/PAUSE button (the START/PAUSE indicator light will flash slowly in an orange colour); then select the desired cycle and press the START/PAUSE button again. To open the door while a cycle is in progress, press the START/PAUSE button; if the DOOR LOCKED  symbol is switched off the door may be opened. Press the START/PAUSE button again to restart the wash cycle from the point at which it was interrupted.
8. **THE END OF THE WASH CYCLE.** This will be indicated by the text “END OF CYCLE” on the display; when the DOOR LOCKED  symbol switches off the door may be opened. Open the door, unload the laundry and switch off the machine.






! If you wish to cancel a cycle which has already begun, press and hold the  button. The cycle will be stopped and the machine will switch off.



# Wash cycles and functions

GB

## Table of wash cycles

| Wash cycles   | Description of the wash cycle   | Max. temp. (°C) | Max. speed (rpm) | Detergents |      |        |                 | Max. load (kg) | Residual dampness % | Energy consumption kWh | Total water lt | Cycle duration |
|---|---|-----------------|------------------|------------|------|--------|-----------------|----------------|---------------------|------------------------|----------------|----------------|
|   |   |                 |                  | Prewash    | Wash | Bleach | Fabric softener |                |                     |                        |                |                |
| <b>CLEAN Plus</b>   |   |                 |                  |            |      |        |                 |                |                     |                        |                |                |
| 1   | <b>Anti Stain</b> (1st press of the button)   | 40°             | 1600             | ●          | ●    | -      | ●               | 5              | -                   | -                      | -              | 180'           |
| 1   | <b>Anti Stain Quick</b> (2nd press of the button)   | 40°             | 1200             | -          | ●    | -      | ●               | 4,5            | -                   | -                      | -              | 60'            |
| 2   |  <b>Standard Cotton 60°</b> (1st press of the button) (1): heavily soiled whites and delicate colours. | 60° (Max. 90°)  | 1600             | ● (3)      | ●    | ●      | ●               | 9              | 44                  | 1,19                   | 57,5           | 205'           |
| 2   |  <b>Standard Cotton 40°</b> (2nd press of the button) (2): lightly soiled whites and delicate colours. | 40°             | 1600             | -          | ●    | ●      | ●               | 9              | 44                  | 1,09                   | 92             | 180'           |
| 2   | <b>Standard Cotton 20°</b> (3rd press of the button): lightly soiled whites and delicate colours.   | 20°             | 1600             | -          | ●    | ●      | ●               | 9              | -                   | -                      | -              | 175'           |
| 3   | <b>Synthetics</b> (Synths Resistant) (1st press of the button): heavily soiled resistant colours.   | 60°             | 800              | ●          | ●    | ●      | ●               | 4,5            | 46                  | 1,03                   | 60             | 115'           |
| 3   | <b>Synthetics</b> (Synths Resistant) (1st press of the button) (4): lightly soiled resistant colours.   | 40°             | 800              | ●          | ●    | ●      | ●               | 4,5            | 46                  | 0,56                   | 60             | 100'           |
| 3   | <b>Synthetics</b> (Synths Delicate) (2nd press of the button): lightly soiled delicate colours.   | 40°             | 800              | ●          | ●    | ●      | ●               | 4,5            | -                   | -                      | -              | 75'            |
| <b>SPECIALS</b>   |   |                 |                  |            |      |        |                 |                |                     |                        |                |                |
| 4   | <b>Fast Wash 30'</b> (2nd press of the button): to refresh lightly soiled garments quickly (not suitable for wool, silk and clothes which require washing by hand).                     | 30°             | 800              | -          | ●    | -      | ●               | 3              | 71                  | 0,20                   | 38             | 30'            |
| M   | <b>My Cycle</b> (Memory): allows for any wash cycle to be stored.   |                 |                  |            |      |        |                 |                |                     |                        |                |                |
| 6   | <b>Bed &amp; Bath:</b> washes bathroom laundry and bedlinen.  | 60°             | 1600             | ●          | ●    | -      | ●               | 9              | -                   | -                      | -              | 140'           |
| <b>EXTRA CARE</b>   |   |                 |                  |            |      |        |                 |                |                     |                        |                |                |
| 7   | <b>Wool</b> (Woolmark Platinum): for wool, cashmere, etc.   | 40°             | 800              | -          | ●    | -      | ●               | 2              | -                   | -                      | -              | 85'            |
| 8   | <b>Delicates</b>  | 30°             | 0                | -          | ●    | -      | ●               | 1              | -                   | -                      | -              | 80'            |
|  | <b>Spin</b> (1st press of the button)   | -               | 1600             | -          | -    | -      | -               | 9              | -                   | -                      | -              | 16'            |
|  | <b>Rinse</b> (2nd press of the button)  | -               | 1600             | -          | -    | -      | ●               | 9              | -                   | -                      | -              | 36'            |
|  | <b>Pump out</b> (3rd press of the button)   | -               | 0                | -          | -    | -      | -               | 9              | -                   | -                      | -              | 2'             |

The length of cycle shown on the display or in this booklet is an estimation only and is calculated assuming standard working conditions. The actual duration can vary according to factors such as water temperature and pressure, the amount of detergent used, the amount and type of load inserted, load balancing and any wash options selected.

### 1) Test wash cycle in compliance with directive 1061/2010: set wash cycle "2" 60°C (1st press of the button).

This cycle is designed for cotton loads with a normal soil level and is the most efficient in terms of both electricity and water consumption; it should be used for garments which can be washed at 60°C. The actual washing temperature may differ from the indicated value.

### 2) Test wash cycle in compliance with directive 1061/2010: set wash cycle "2" 40°C (2nd press of the button).

This cycle is designed for cotton loads with a normal soil level and is the most efficient in terms of both electricity and water consumption; it should be used for garments which can be washed at 40°C. The actual washing temperature may differ from the indicated value.

### 3) At 60 °C the "Prewash" function cannot be selected.

For all Test Institutes:

2) Long wash cycle for cottons: set wash cycle "2" 40°C (2nd press of the button).


4) Long wash cycle for synthetics: set wash cycle "3" 60°C (1st press of the button); temperature of 40°C (press TEMPERATURE button).

## Wash functions

### Prewash

If this function is selected, the pre-wash cycle will run; this is useful for removing stubborn stains.


**N.B.:** put the detergent in the relevant compartment.

! It cannot be used in conjunction with wash cycles "Anti Stain Quick", 2 (60°) (1st press of the button), 2 (2nd press of the button), 2 (3rd press of the button), 4, 7, 8, .

### Easy Iron

By selecting this function, the wash and spin cycles will be modified in order to reduce the formation of creases.


At the end of the cycle the washing machine will perform slow rotations of the drum; the "Easy Iron" and START/PAUSE indicator lights will flash (orange) and the text "END OF CYCLE" will appear on the display. To end the cycle, press the START/PAUSE button or the "Easy Iron" button.

! It cannot be used with the 1, 4, 7, 8, .

### Eco Wash

The Eco Wash function saves energy by not heating the water used to wash your laundry – an advantage both to the environment and to your energy bill. Instead, intensified wash action and water optimisation ensure great wash results in the same average time of a standard cycle.

For the best washing results we recommend the usage of a liquid detergent.

! It cannot be used with the 1, 2 (3rd press of the button), 6, 7, 8, .

# Detergents and laundry

GB

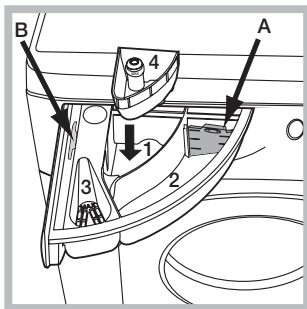
## Detergent dispenser drawer

Good washing results also depend on the correct dose of detergent: adding too much detergent will not necessarily result in a more efficient wash, and may in fact cause a build up on the inside of your appliance and contribute to environmental pollution.

! Use powder detergent for white cotton garments, for pre-washing, and for washing at temperatures over 60°C.

! Follow the instructions given on the detergent packaging.

! Do not use hand washing detergents because these create too much foam.



Open the detergent dispenser drawer and pour in the detergent or washing additive, as follows.

### compartment 1: Pre-wash detergent (powder)

Before pouring in the detergent, make sure that extra

compartment 4 has been removed.

### compartment 2: Detergent for the wash cycle (powder or liquid)

If liquid detergent is used, it is recommended that the removable plastic partition **A** (supplied) be used for proper dosage.

If powder detergent is used, place the partition into slot **B**.

### compartment 3: Additives (fabric softeners, etc.)

The fabric softener should not overflow the grid.

### extra compartment 4: Bleach

## Preparing the laundry

- Divide the laundry according to:
  - the type of fabric/the symbol on the label
  - the colours: separate coloured garments from whites.
- Empty all garment pockets and check the buttons.
- Do not exceed the listed values, which refer to the weight of the laundry when dry: see "Table of wash cycles".

### How much does your laundry weigh?

- 1 sheet 400-500 g
- 1 pillow case 150-200 g
- 1 tablecloth 400-500 g
- 1 bathrobe 900-1200 g
- 1 towel 150-250 g

## Special wash cycles

**Anti Stain:** this programme is suitable to heavily-soiled garments with resistant colours. It ensures a washing class that is higher than the standard class (A class). When running the programme, do not mix garments of different colours. We recommend the use of powder detergent. Pre-treatment with special additives is recommended if there are obstinate stains.

**Anti Stain Quick:** this programme is ideal for washing the most difficult daily stains in 1 hour. It is ideal for mixed fabrics and coloured garments, caring for your clothes as it washes.

**Standard Cotton 20°:** ideal for lightly soiled cotton loads. The effective performance levels achieved at cold temperatures, which are comparable to washing at 40°, are guaranteed by a mechanical action which operates at varying speed, with repeated and frequent peaks.


**Bed & Bath:** use programme **6** to wash bed linen and towels in one single cycle: it optimises softener performance and helps you save time and energy. We recommend the use of powder detergent.

**Wool:** the wool wash cycle of this machine has been approved by The Woolmark Company for the washing of wool garments labelled as "hand wash" provided that the products are washed according to the instructions on the garment label and those issued by the manufacturer of this washing machine (M1127)



*In UK, Eire, Hong Kong and India the Woolmark trade mark is a Certification trade mark.*

**Delicates:** use programme **8** to wash very delicate garments with decorative features, such as diamantes and sequins.

To wash **silk** garments and **curtains** select the cycle **8** and set the "Delicate" level from option .

We recommend turning the garments inside out before washing and placing small items into the special bag for washing delicates. Use liquid detergent on delicate garments for best results.

## Load balancing system

Before every spin cycle, to avoid excessive vibrations and to distribute the load in a uniform manner, the drum rotates continuously at a speed which is slightly greater than the washing rotation speed. If, after several attempts, the load is not balanced correctly, the machine spins at a reduced spin speed. If the load is excessively unbalanced, the washing machine performs the distribution process instead of spinning. To encourage improved load distribution and balance, we recommend small and large garments are mixed in the load.

Your washing machine could fail to work. Before contacting the Technical Assistance Centre (see "Assistance"), make sure that the problem cannot be solved easily using the following list.

## Problem:

## Possible causes / Solutions:

**The washing machine does not switch on.**

- The appliance is not plugged into the socket fully, or is not making contact.
- There is no power in the house.

**The wash cycle does not start.**

- The washing machine door is not closed properly.
- The ON/OFF button has not been pressed.
- The START/PAUSE button has not been pressed.
- The water tap has not been opened.
- A delayed start has been set (see "Running a wash cycle").

**The washing machine does not take in water (the text "NO WATER, CHECK SUPPLY" appears on the display).**

- The water inlet hose is not connected to the tap.
- The hose is bent.
- The water tap has not been opened.
- There is no water supply in the house.
- The pressure is too low.
- The START/PAUSE button has not been pressed.

**The washing machine continuously takes in and drains water.**

- The drain hose is not fitted at a height between 65 and 100 cm from the floor (see "Installation").
- The free end of the hose is under water (see "Installation").
- The wall drainage system is not fitted with a breather pipe.

If the problem persists even after these checks, turn off the water tap, switch the appliance off and contact the Assistance Service. If the dwelling is on one of the upper floors of a building, there may be problems relating to water drainage, causing the washing machine to fill with water and drain continuously. Special anti-draining valves are available in shops and help to avoid this inconvenience.

**The washing machine does not drain or spin.**

- The wash cycle does not include draining: some wash cycles require the drain phase to be started manually (see "Wash cycles and functions").
- The EASY IRON function has been activated: To complete the wash cycle, press the START/PAUSE button (see "Wash cycles and functions").
- The drain hose is bent (see "Installation").
- The drainage duct is clogged.

**The washing machine vibrates a lot during the spin cycle.**

- The drum was not unlocked correctly during installation (see "Installation").
- The washing machine is not level (see "Installation").
- The washing machine is trapped between cabinets and walls (see "Installation").

**The washing machine leaks.**

- The water inlet hose is not screwed on properly (see "Installation").
- The detergent dispenser drawer is blocked (for cleaning instructions, see "Care and maintenance").
- The drain hose is not fixed properly (see "Installation").

**The machine is locked and the display flashes, indicating an error code (e.g. F-01, F-..).**

- Switch off the machine and unplug it, wait for approximately 1 minute and then switch it back on again.  
If the problem persists, contact the Technical Assistance Service.

**There is too much foam.**

- The detergent is not suitable for machine washing (it should display the text "for washing machines" or "hand and machine wash", or the like).
- Too much detergent was used.

# Service

GB

## Before calling for Assistance:

- Check whether you can solve the problem alone (see "Troubleshooting");
- Restart the programme to check whether the problem has been solved;
- If this is not the case, contact an authorised Technical Assistance Centre using the telephone number provided on the guarantee certificate.

! Always request the assistance of authorised technicians.

## Have the following information to hand:

- the type of problem;
- the appliance model (Mod.);
- the serial number (S/N).

This information can be found on the data plate applied to the rear of the washing machine, and can also be found on the front of the appliance by opening the door.

### COMMISSION DELEGATED REGULATION (EU) No 1061/2010

|  |                  |
|--|------------------|
| Brand  | HOTPOINT/ARISTON |
| Model  | FMD 963BX EU     |
| Rated capacity in kg of cotton   | 9.0              |
| Energy efficiency class on a scale from A+++ (low consumption) to G (high consumption)         | A+++             |
| Energy consumption per year in kWh <sup>1)</sup>   | 216.0            |
| Energy consumption of the standard 60 °C cotton programme at full load in kWh <sup>2)</sup>    | 1.193            |
| Energy consumption of the standard 60 °C cotton programme at partial load in kWh <sup>2)</sup> | 0.792            |
| Energy consumption of the standard 40 °C cotton programme at partial load in kWh <sup>2)</sup> | 0.708            |
| Power consumption of the off-mode in W   | 0.5              |
| Power consumption of the left-on mode in W   | 8.0              |
| Water consumption per year in litres <sup>3)</sup>   | 12254            |
| Spin-drying efficacy class on a scale from G (minimum efficacy) to A (maximum efficacy)        | A                |
| Maximum spin speed attained <sup>4)</sup>  | 1600             |
| Remaining moisture content <sup>5)</sup>   | 44%              |
| Programme time of the "standard 60 °C cotton" at full load in minutes                          | 205              |
| Programme time of the "standard 60 °C cotton" at partial load in minutes                       | 165              |
| Programme time of the "standard 40°C cotton" at partial load in minutes                        | 160              |
| Duration of the left-on mode in minutes  | 30               |
| Noise in dB(A) re 1 pW washing <sup>6)</sup>   | 53               |
| Noise in dB(A) re 1 pW spinning <sup>6)</sup>  | 83               |
| Built-in model   |                  |

<sup>1)</sup> The "standard 60°C cotton" at full and partial load and the "standard 40°C cotton" at partial load are the standard washing programmes to which the information in the label and the fiche relates. Standard 60°C cotton and standard 40°C cotton are suitable to clean normally soiled cotton laundry and are the most efficient programmes in terms of combined energy and water consumption. Partial load is half the rated load.

<sup>2)</sup> Based on 220 standard washing cycles for cotton programmes at 60°C and 40°C at full and partial load, and the consumption of the low-power modes. Actual energy consumption will depend on how the appliance is used.

<sup>3)</sup> Based on 220 standard washing cycles for cotton programmes at 60°C and 40°C at full and partial load. Actual water consumption will depend on how the appliance is used.

<sup>4)</sup> For the standard 60 °C at full and partial load or the 40°C at partial whichever is lower.

<sup>5)</sup> Attained for 60 °C cotton at full and partial load or the 40°C at partial whichever is higher.

<sup>6)</sup> Based on washing and spinning phases for the standard 60°C cotton programme at full load.

FR

Français

FMD 963

## Sommaire

### Installation, 14-15

Déballage et mise à niveau  
Raccordements eau et électricité  
Premier cycle de lavage  
Caractéristiques techniques

### Entretien et soin, 16

Coupure de l'arrivée d'eau et du courant  
Nettoyage du lave-linge  
Nettoyage du tiroir à produits lessiviels.  
Entretien du hublot et du tambour  
Nettoyage de la pompe  
Contrôle du tuyau d'arrivée de l'eau

### Précautions et conseils, 17

Sécurité générale  
Mise au rebut  
Ouverture manuelle de la porte hublot

### Description du lave-linge, 18-19

Bandeau de commandes  
Écran

### Comment faire un cycle de lavage, 20

### Programmes et fonctions, 21

Tableau des programmes  
Fonctions de lavage

### Produits lessiviels et linge, 22

Tiroir à produits lessiviels  
Triage du linge  
Programmes spéciaux  
Système d'équilibrage de la charge

### Anomalies et remèdes, 23

### Assistance, 24

# Installation

FR

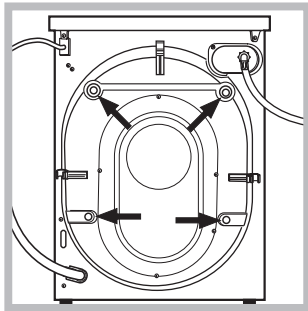
! Conserver ce mode d'emploi pour pouvoir le consulter à tout moment. En cas de vente, de cession ou de déménagement, veiller à ce qu'il suive toujours le lave-linge pour que son nouveau propriétaire soit informé sur son mode de fonctionnement et puisse profiter des conseils correspondants.

! Lire attentivement les instructions: elles fournissent des conseils importants sur l'installation, l'utilisation et la sécurité de l'appareil.

## Déballage et mise à niveau

### Déballage

1. Déballer le lave-linge.
2. Contrôler que le lave-linge n'a pas été endommagé pendant le transport. S'il est abîmé, ne pas le raccorder et contacter le vendeur.



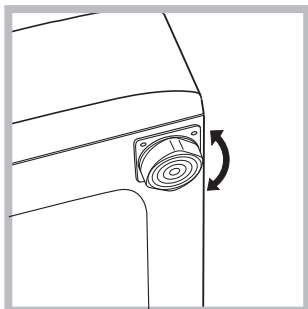
3. Enlever les 4 vis de protection servant au transport, le caoutchouc et la cale, placés dans la partie arrière (voir figure).

4. Boucher les trous à l'aide des bouchons plastique fournis.
5. Conserver toutes ces pièces: il faudra les remonter en cas de transport du lave-linge.

! Les pièces d'emballage ne sont pas des jouets pour enfants.

### Mise à niveau

1. Installer le lave-linge sur un sol plat et rigide, sans l'appuyer contre des murs, des meubles ou autre.

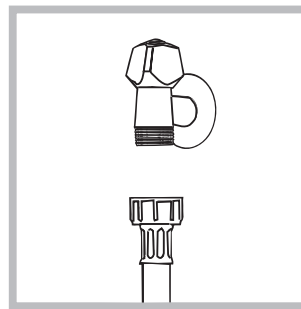


2. Si le sol n'est pas parfaitement horizontal, visser ou dévisser les pieds de réglage avant (voir figure) pour niveler l'appareil; son angle d'inclinaison, mesuré sur le plan de travail, ne doit pas dépasser 2°.

Une bonne mise à niveau garantit la stabilité de l'appareil et évite qu'il y ait des vibrations, du bruit et des déplacements en cours de fonctionnement. Si la machine est posée sur de la moquette ou un tapis, régler les pieds de manière à ce qu'il y ait suffisamment d'espace pour assurer une bonne ventilation.

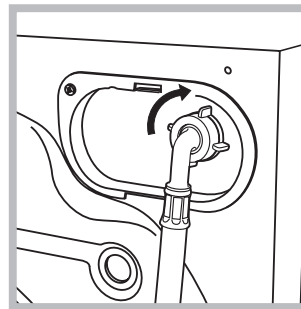
## Raccordements eau et électricité

### Raccordement du tuyau d'arrivée de l'eau



1. Reliez le tuyau d'alimentation en le vissant à un robinet d'eau froide à embout fileté 3/4 gaz (voir figure).

Faire couler l'eau jusqu'à ce qu'elle soit limpide et sans impuretés avant de raccorder.



2. Raccorder le tuyau d'arrivée de l'eau au lave-linge en le vissant à la prise d'eau prévue, dans la partie arrière en haut à droite (voir figure).

3. Attention à ce que le tuyau ne soit pas plié ou écrasé.

! La pression de l'eau doit être comprise entre les valeurs indiquées dans le tableau des Caractéristiques techniques (voir page ci-contre).

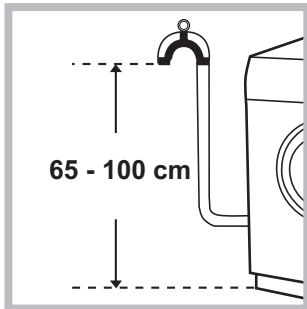
! Si la longueur du tuyau d'alimentation ne suffit pas, s'adresser à un magasin spécialisé ou à un technicien agréé.

! N'utiliser que des tuyaux neufs.

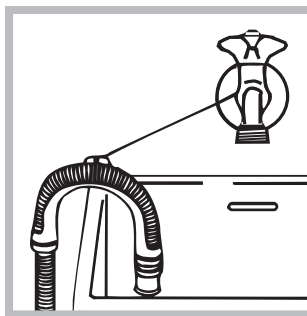
! Utiliser ceux qui sont fournis avec l'appareil.



## Raccordement du tuyau de vidange



Raccorder le tuyau d'évacuation, sans le plier, à un conduit d'évacuation ou à une évacuation murale placés à une distance du sol comprise entre 65 et 100 cm ;



ou bien l'accrocher à un évier ou à une baignoire, dans ce cas, fixer le support en plastique fourni avec l'appareil au robinet (voir figure). L'extrémité libre du tuyau d'évacuation ne doit pas être plongée dans l'eau.

! L'utilisation d'un tuyau de rallonge est absolument déconseillée mais si on ne peut faire autrement, il faut absolument qu'il ait le même diamètre que le tuyau original et sa longueur ne doit pas dépasser 150 cm.

## Raccordement électrique

Avant de brancher la fiche dans la prise de courant, s'assurer que :

- la prise est bien reliée à la terre et est conforme aux réglementations en vigueur;
- la prise est bien apte à supporter la puissance maximale de l'appareil indiquée dans le tableau des Caractéristiques techniques (voir ci-contre);
- la tension d'alimentation est bien comprise entre les valeurs figurant dans le tableau des Caractéristiques techniques (voir ci-contre);
- la prise est bien compatible avec la fiche du lave-linge. Autrement, remplacer la prise ou la fiche.

! Le lave-linge ne doit pas être installé dehors, même à l'abri, car il est très dangereux de le laisser exposé à la pluie et aux orages.

! Après installation du lave-linge, la prise de courant doit être facilement accessible.

! N'utiliser ni rallonges ni prises multiples.

- ! Le câble ne doit être ni plié ni trop écrasé.
- ! Le câble d'alimentation ne doit être remplacé que par des techniciens agréés.

Attention! Nous déclinons toute responsabilité en cas de non-respect des normes énumérées ci-dessus.

## Premier cycle de lavage

Avant la première mise en service de l'appareil, effectuer un cycle de lavage avec un produit lessiviel mais sans linge et sélectionner le programme «Auto nettoyage» (voir «Nettoyage du lave-linge»).

### Caractéristiques techniques

|  |  |
|--|--|
| <b>Modèle</b>  | FMD 963  |
| <b>Dimensions</b>  | largeur 59,5 cm<br>hauteur 85 cm<br>profondeur 60,5 cm   |
| <b>Capacité</b>  | de 1 à 9 kg  |
| <b>Raccorde-ments élec-triques</b>                                     | Voir la plaque signalétique appliquée sur la machine   |
| <b>Raccor-dements hydrauliques</b>                                     | pression maximale 1 MPa (10 bar)<br>pression minimale 0,05 MPa (0,5 bar)<br>capacité du tambour 62 litres  |
| <b>Vitesse d'essorage</b>  | jusqu'à 1600 tours minute  |
| <b>Programmes de contrôle selon les directives 1061/2010 1015/2010</b> | programme 2 (60°)<br>(1° pression de la touche);<br>Coton standard 60°C.<br>programme 2 (40°)<br>(2° pression de la touche);<br>Coton standard 40°C. |



Cet appareil est conforme aux Directives Communautaires suivantes:  
- 2004/108/CE (Compatibilité électromagnétique)  
- 2012/19/EU  
- 2006/95/CE (Basse Tension)

# Entretien et soin

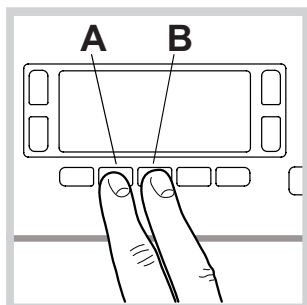
FR

## Coupure de l'arrivée d'eau et du courant

- Fermer le robinet de l'eau après chaque lavage. Cela réduit l'usure de l'installation hydraulique du lave-linge et évite tout danger de fuites.
- Débrancher la fiche de la prise de courant lors de tout nettoyage du lave-linge et pendant tous les travaux d'entretien.

## Nettoyage du lave-linge

- Pour nettoyer l'extérieur et les parties en caoutchouc, utiliser un chiffon imbibé d'eau tiède et de savon. N'utiliser ni solvants ni abrasifs.
- Ce lave-linge est équipé d'un programme «Auto nettoyage» des parties internes qui doit être effectué **tambour complètement vide**. La lessive (dans une quantité égale à 10% de celle conseillée pour du linge peu sale) ou les additifs spéciaux pour le nettoyage du lave-linge, pourront être utilisés comme adjuvants dans le programme de lavage. Il est conseillé d'effectuer le programme de nettoyage tous les 40 cycles de lavage.



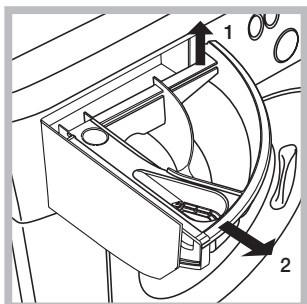
Pour activer le programme, appuyer simultanément sur les touches **A** et **B** pendant 5 secondes (voir figure).

Le programme démarrera automatiquement et durera environ 70 minutes.

Pour stopper le cycle,

appuyer sur la touche START/PAUSE.

## Nettoyage du tiroir à produits lessiviels.



Soulever le tiroir et le tirer vers soi pour le sortir de son logement (voir figure).

Le laver à l'eau courante; effectuer cette opération assez souvent.

## Entretien du hublot et du tambour

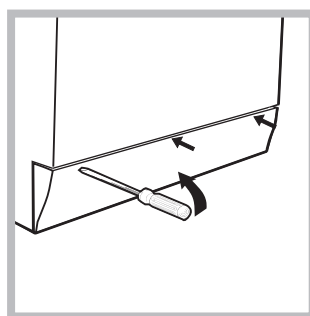
- Il faut toujours laisser le hublot entrouvert pour éviter la formation de mauvaises odeurs.

## Nettoyage de la pompe

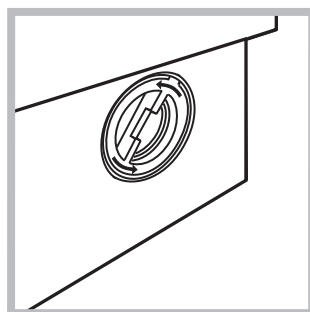
Le lave-linge est équipé d'une pompe auto-nettoyante qui n'exige aucune opération d'entretien. Il peut toutefois arriver que de menus objets (pièces de monnaie, boutons) tombent dans la préchambre qui protège la pompe, placée en bas de cette dernière.

! S'assurer que le cycle de lavage est bien terminé et débrancher la fiche.

Pour accéder à cette préchambre:



1. démonter le panneau situé à l'avant du lave-linge à l'aide d'un tournevis (voir figure);



2. dévisser le couvercle en le tournant dans le sens inverse des aiguilles d'une montre (voir figure); il est normal qu'un peu d'eau s'écoule;

3. nettoyer soigneusement l'intérieur;
4. revisser le couvercle;
5. remonter le panneau en veillant à bien enfiler les crochets dans les fentes prévues avant de le pousser contre l'appareil.

## Contrôle du tuyau d'arrivée de l'eau

Contrôler le tuyau d'alimentation au moins une fois par an. Procéder à son remplacement en cas de craquements et de fissures: car les fortes pressions subies pendant le lavage pourraient provoquer des cassures.

! N'utiliser que des tuyaux neufs.

! Ce lave-linge a été conçu et fabriqué conformément aux normes internationales de sécurité. Ces consignes sont fournies pour des raisons de sécurité, il faut les lire attentivement.

## Sécurité générale

- Cet appareil est conçu pour un usage domestique.
- Cet appareil peut être utilisé par les enfants à partir de 8 ans et par les personnes dont les capacités physiques, sensorielles ou mentales sont réduites ou qui ne disposent pas des connaissances suffisantes, à condition qu'ils soient encadrés ou aient été formés de façon appropriée pour l'utilisation de l'appareil de façon sûre et en comprenant les dangers qui y sont liés. Les enfants ne doivent pas jouer avec l'appareil. L'entretien et le nettoyage ne doivent pas être effectués par les enfants sans surveillance.
- Ne jamais toucher l'appareil si l'on est pieds nus et si les mains sont mouillées ou humides.
- Ne jamais tirer sur le câble pour débrancher la fiche de la prise de courant.
- Ne pas ouvrir le tiroir à produits lessiviels si la machine est branchée.
- Ne pas toucher à l'eau de vidange, elle peut atteindre des températures très élevées.
- Ne pas forcer pour ouvrir le hublot: le verrouillage de sécurité qui protège contre les ouvertures accidentelles pourrait s'endommager.
- En cas de panne, éviter à tout prix d'accéder aux mécanismes internes pour tenter une réparation.
- Veiller à ce que les enfants ne s'approchent pas de l'appareil pendant son fonctionnement.
- Pendant le lavage, le hublot a tendance à se réchauffer.
- Deux ou trois personnes sont nécessaires pour déplacer l'appareil avec toutes les précautions nécessaires. Ne jamais le déplacer tout seul car il est très lourd.
- Avant d'introduire le linge, s'assurer que le tambour est bien vide.

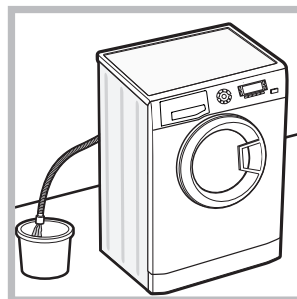
## Mise au rebut

- Mise au rebut du matériel d'emballage: se conformer aux réglementations locales de manière à ce que les emballages puissent être recyclés.
- La Directive Européenne 2012/19/EU sur les Déchets des Equipements Electriques et Electroniques, exige que les appareils ménagers usagés ne soient pas jetés dans le flux normal des déchets municipaux. Les appareils usagés doivent être collectés séparément afin d'optimiser le taux de récupération et le recyclage des matériaux qui les composent et réduire l'impact sur la santé humaine et l'environnement. Le symbole de la "poubelle barrée" est apposée sur tous les produits pour rappeler

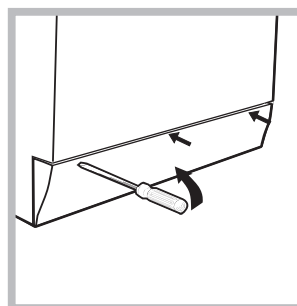
les obligations de collecte séparée. Les consommateurs devront contacter les autorités locales ou leur revendeur concernant la démarche à suivre pour l'enlèvement de leur vieil appareil.

## Ouverture manuelle du hublot

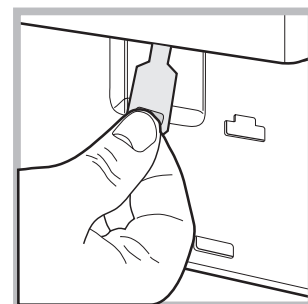
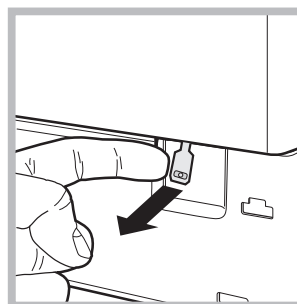
A défaut de pouvoir ouvrir la porte hublot à cause d'une panne de courant pour étendre le linge, procéder comme suit :



1. débrancher la fiche de la prise de courant.
2. s'assurer que le niveau de l'eau à l'intérieur de l'appareil se trouve bien au-dessous de l'ouverture du hublot, si ce n'est pas le cas vider l'eau en excès à travers le tuyau de vidange dans un seau comme illustré voir figure.



3. démonter le panneau situé à l'avant du lave-linge à l'aide d'un tournevis (voir figure).



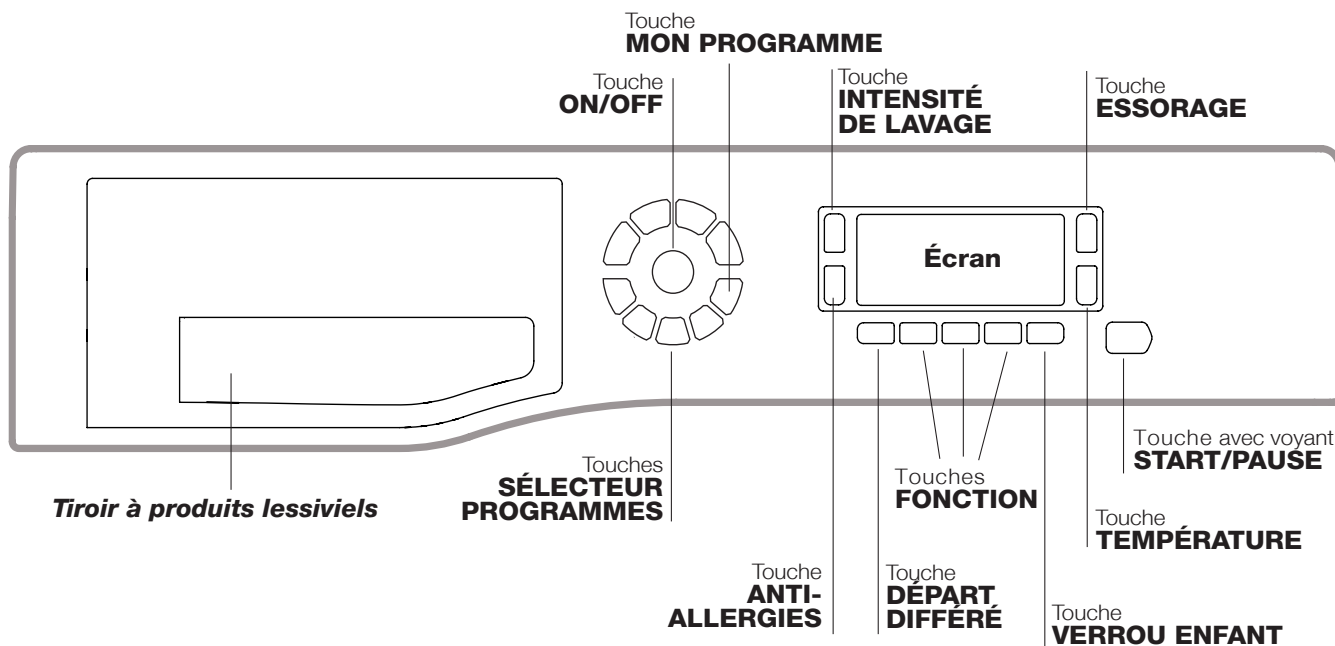
4. se servir de la languette indiquée, tirer vers soi jusqu'à ce que le tirant en plastique se dégage de son cran d'arrêt; tirer ensuite vers le bas et ouvrir l'hublot en même temps.

5. remonter le panneau en veillant à bien enfiler les crochets dans les fentes prévues avant de le pousser contre l'appareil.


# Description du lave-linge

FR

## Bandeau de commandes



**Tiroir à produits lessiviels:** pour charger les produits lessiviels et les additifs (voir "Produits lessiviels et linge").

Touche **ON/OFF** : appuyer brièvement sur la touche pour allumer ou éteindre l'appareil. Le voyant vert START/PAUSE clignotant lentement indique que la machine est allumée. Pour éteindre le lave-linge en cours de lavage, appuyer sur la touche pendant au moins 3 secondes de suite ; une pression brève ou accidentelle n'entraîne pas l'arrêt de l'appareil. L'arrêt de l'appareil pendant un lavage annule le lavage en cours.


Touches **SÉLECTEUR PROGRAMMES:** pour sélectionner le programme désiré (voir "Tableau des programmes").

Touche **MON PROGRAMME:** maintenir la touche enfoncée pour mémoriser un cycle et les personnalisations préférées. Pour retourner à un cycle précédemment mémorisé, appuyer sur la touche MON PROGRAMME.


Touches **FONCTION:** appuyer sur la touche pour sélectionner la fonction désirée. Le voyant correspondant s'affiche à l'écran.


Touche **INTENSITÉ DE LAVAGE** : appuyer pour sélectionner l'intensité de lavage désirée.

Touche **ANTI-ALLERGIES** : appuyer pour sélectionner le type de rinçage désiré.

Touche **ESSORAGE** : appuyer sur cette touche pour diminuer la vitesse de l'essorage ou pour le supprimer complètement - la valeur correspondante s'affiche à l'écran.

Touche **TEMPÉRATURE** : appuyer pour diminuer la température : la valeur correspondante est affichée à l'écran.

Touche **VERROU ENFANT:** pour **activer** le verrouillage des commandes, garder la touche enfoncée pendant environ 2 secondes. Le symbole  allumé indique que le bandeau de commandes est verrouillé (exception faite de la touche ON/OFF). Ceci permet d'éviter toute modification involontaire des programmes, surtout s'il y a des enfants à la maison. Pour **désactiver** le verrouillage des commandes, garder la touche enfoncée pendant environ 2 secondes.

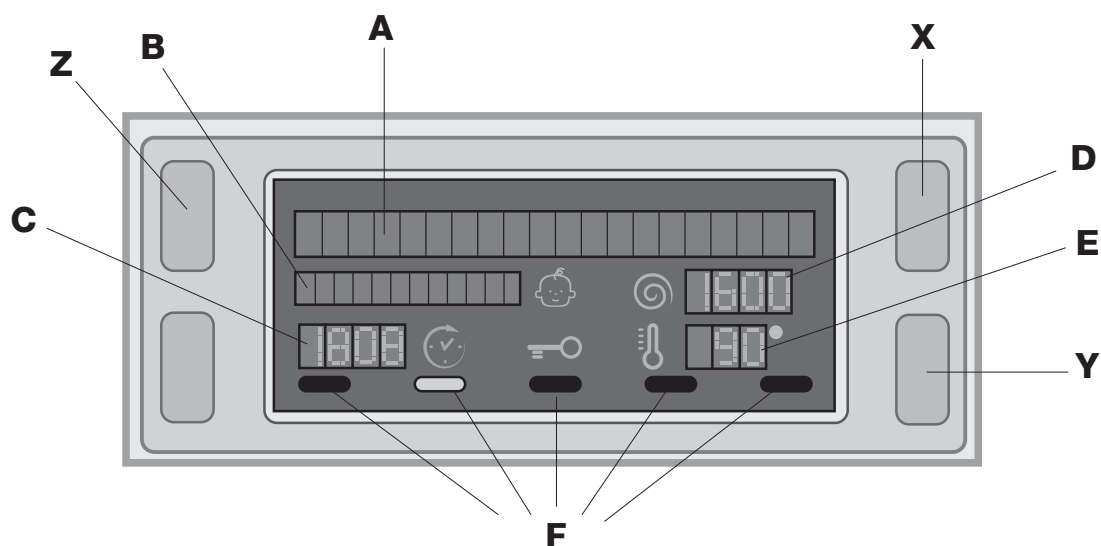
Touche **DÉPART DIFFÉRÉ** : appuyer sur cette touche pour sélectionner un départ différé pour le programme choisi. Le retard est affiché à l'écran.

Touche avec voyant **START/PAUSE** : quand le voyant vert clignote lentement, appuyer sur la touche pour démarrer un lavage. Une fois le cycle lancé, le voyant passe à l'allumage fixe. Pour activer une pause de lavage, appuyer à nouveau sur la touche ; le voyant passe à l'orange et se met à clignoter. Si le symbole  n'est pas allumé, il est possible d'ouvrir le hublot. Pour faire redémarrer le lavage exactement à l'endroit de l'arrêt, appuyer une nouvelle fois sur la touche.

### Stand-by

Ce lave-linge, conformément aux nouvelles normes en vigueur dans le domaine de l'économie d'énergie, est équipé d'un système d'extinction automatique (veille) activé après 30 minutes environ d'inutilisation. Appuyez brièvement sur la touche ON/OFF et attendre que la machine soit réactivée.

## Écran



L'écran est utile pour programmer la machine et fournit de multiples renseignements.

Les deux chaînes supérieures **A** et **B** affichent : le programme de lavage sélectionné, la phase de lavage en cours et toutes les indications relatives au déroulement du programme.

La chaîne **C** affiche le temps restant à la fin du cycle de lavage en cours et si un DÉPART DIFFÉRÉ a été sélectionné, le temps restant avant le démarrage du programme sélectionné.

La chaîne **D** affiche la valeur maximum de la vitesse d'essorage que la machine peut effectuer en fonction du programme sélectionné ; si le programme ne prévoit pas d'essorage, la chaîne reste éteinte.

La chaîne **E** affiche la valeur maximale de la température qui peut être sélectionnée en fonction du programme choisi ; si le programme ne prévoit pas la sélection de la température, la chaîne reste éteinte.

Les voyants **F** correspondent aux fonctions et s'allument quand la fonction programmée est compatible avec le programme sélectionné.

### Symbole **verrouillage hublot**

Le symbole allumé indique que le hublot est verrouillé pour éviter toute ouverture accidentelle. Pour éviter d'abîmer l'appareil, attendre que le symbole s'éteigne avant d'ouvrir le hublot.

**N.B.:** si la fonction DÉPART DIFFÉRÉ est active, le hublot reste verrouillé, pour l'ouvrir mettre la machine en pause en appuyant sur la touche START/PAUSE .

**!** À la première mise en service, un message s'affiche demandant de sélectionner la langue et l'écran entre automatiquement dans le menu de sélection de la langue.


Pour choisir la langue désirée, appuyer sur les touches **X** et **Y**; pour confirmer la sélection, appuyer sur la touche **Z**.

Pour changer de langue, éteindre l'appareil, appuyer **simultanément** sur les touches **X**, **Y** et **Z** jusqu'au signal sonore, le menu de sélection de la langue s'affichera à nouveau





# Comment faire un cycle de lavage

FR

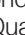
1. **METTRE L'APPAREIL SOUS TENSION.** Appuyer sur la touche , l'inscription BONJOUR s'affiche à l'écran ; le voyant de START/PAUSE passe au vert et clignote lentement.
2. **CHARGER LE LINGE.** Ouvrir la porte hublot. Charger le linge en faisant attention à ne pas dépasser la quantité indiquée dans le tableau des programmes de la page suivante.
3. **DOSER LE PRODUIT LESSIVIEL.** Sortir le tiroir et placer le produit lessiviel dans les bacs correspondants comme indiqué au paragraphe "Detersifs et linge".
4. **FERMER LE HUBLLOT.**
5. **CHOISIR LE PROGRAMME.** Appuyer sur l'une des touches du SÉLECTEUR PROGRAMMES pour sélectionner le programme désiré ; le nom du programme est affiché à l'écran avec attribution d'une température et d'une vitesse d'essorage qui peuvent être modifiées. La durée du cycle s'affiche sur l'écran.
6. **PERSONNALISER LE CYCLE DE LAVAGE.** Appuyer sur les touches correspondantes :

## Modifier la température et/ou la vitesse d'essorage.


L'appareil sélectionne automatiquement la température et la vitesse d'essorage maximales prévues pour le programme sélectionné qui ne peuvent par conséquent pas être augmentées. Par pression sur la touche  on peut diminuer progressivement la température de lavage jusqu'à un lavage à froid "OFF". Par pression sur la touche  on peut diminuer progressivement la vitesse d'essorage jusqu'à sa suppression totale "OFF". Une autre pression sur les touches ramènera les valeurs aux maximales prévues.


! Exception: lors de la sélection du programme 2 (60°C) (1<sup>e</sup> pression de la touche) la température peut être augmentée jusqu'à 90°.

## Sélectionner un départ différé.

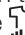
Pour programmer le départ différé d'un programme sélectionné, appuyer sur la touche correspondante jusqu'à ce que le retard désiré soit atteint. Quand cette option est active, le symbole  s'affiche à l'écran. Pour annuler le départ différé, appuyer sur la touche jusqu'à ce que l'inscription OFF s'affiche à l'écran.

## Programmer l'intensité de lavage désirée.

L'option  permet d'optimiser le lavage selon le degré de salissure des tissus et l'intensité de lavage désirée. Sélectionner le programme de lavage, le cycle se place automatiquement sur le niveau «Normal» optimisé pour du linge moyennement sale, (cette sélection n'est pas acceptée pour le cycle «Laine», qui se règle automatiquement sur le niveau «Délicat»).

Pour du linge très sale, appuyer sur la touche  jusqu'à ce que le niveau «Super Lavage» soit atteint. Ce niveau permet d'obtenir un lavage très performant car l'utilisation d'une plus grande quantité d'eau au cours de la phase initiale du cycle et un brassage mécanique plus intense permettent d'éliminer les taches les plus difficiles; possibilité d'utilisation avec ou sans eau de Javel.

Pour traiter le linge avec de l'eau de Javel, ajouter le bac supplémentaire 4 fourni avec l'appareil à l'intérieur du bac 1. Au moment de verser l'eau de Javel, attention à ne pas dépasser le niveau «max» indiqué sur le pivot central (voir figure page 22).

Pour du linge peu sale ou pour un traitement plus délicat des tissus, appuyer sur la touche  jusqu'à ce que le niveau «Délicat» soit atteint. Ce cycle réduira le brassage mécanique pour assurer des résultats de lavage parfaits du linge délicat.

## Programmer le type de rinçage.

L'option  permet de sélectionner le type de rinçage désiré pour un maximum de protection des peaux sensibles. Une première pression sur la touche programme le niveau «Extra Rinçage» qui permet d'ajouter un rinçage supplémentaire à ceux normalement prévus par le cycle de manière à éliminer toute trace de lessive. Une deuxième pression sur la touche programme le niveau «Peaux sensibles» qui permet d'ajouter deux rinçages supplémentaires à ceux normalement prévus par le cycle, il est conseillé pour les peaux extrêmement sensibles. Une troisième pression sur la touche programme le niveau «Anti-allergies», qui permet d'ajouter 3 rinçages supplémentaires à ceux normalement prévus par le cycle. Cette option activée avec les cycles à une température de 40° permet de supprimer les principaux allergènes tels que les poils de chat, de chien et les pollens. Un excellent niveau de protection hypoallergénique est obtenu avec les cycles à une température supérieure à 40°. Appuyer une nouvelle fois pour retourner au type de rinçage «Rinçage Normal». S'il n'est pas possible de sélectionner ou de modifier le réglage existant, le message «INACTIF» s'affiche.

## Modifier les caractéristiques du cycle.

- Appuyer sur la touche pour activer la fonction; le voyant correspondant à la touche s'allume.
- Appuyer de nouveau sur la touche pour désactiver la fonction ; le voyant s'éteint.

! Si la fonction sélectionnée est incompatible avec le programme sélectionné, le voyant se met à clignoter et la fonction n'est pas activée.

! Si la fonction sélectionnée est incompatible avec une autre fonction précédemment sélectionnée, le voyant correspondant à la première fonction se met à clignoter et seule la deuxième fonction est activée alors que le voyant de la fonction activée s'allume.

! Les fonctions permettent de modifier le chargement conseillé et/ou la durée du cycle de lavage.

7. **DEMARRER LE PROGRAMME.** Appuyer sur la touche START/PAUSE . Le voyant correspondant s'allume en vert fixe et le hublot est verrouillé (symbole HUBLOT VERROUILLÉ  allumé). Pendant le lavage, le nom de la phase en cours s'affiche à l'écran. Pour modifier un programme lorsqu'un cycle est en cours, **mettre le lave-linge en pause** en appuyant sur la touche START/PAUSE (le voyant START/PAUSE passe à l'orange et clignote lentement) ; sélectionner le cycle désiré et appuyer de nouveau sur la touche START/PAUSE . Pour ouvrir la porte tandis qu'un cycle est en cours, appuyer sur la touche START/PAUSE ; si le symbole HUBLOT VERROUILLÉ  est éteint, on peut ouvrir le hublot. Pour faire redémarrer le programme exactement à l'endroit de l'arrêt, appuyer une nouvelle fois sur la touche START/PAUSE .
  8. **FIN DU PROGRAMME.** Elle est signalée par l'inscription "FIN DE CYCLE" qui s'affiche à l'écran; quand le symbole HUBLOT VERROUILLÉ  s'éteint, on peut ouvrir le hublot. Ouvrir le hublot, vider le lave-linge et éteindre l'appareil.
- ! Une pression prolongée sur la touche  permet d'annuler un cycle déjà lancé. Le cycle est interrompu et la machine s'éteint.



## Tableau des programmes

| Programmes        | Description du Programme   | Temp. maxi. (°C) | Vitesse maxi (tours minute) | Produits lessiviels |        |       |               | Charge maxi (kg) | Humidité résiduelle % | Consommation d'énergie kWh | Eau totale lt | Durée cycle |
|-------------------|--|------------------|-----------------------------|---------------------|--------|-------|---------------|------------------|-----------------------|----------------------------|---------------|-------------|
|                   |  |                  |                             | Prélavage           | Lavage | Javel | Assouplissant |                  |                       |                            |               |             |
| <b>CLEAN Plus</b> |  |                  |                             |                     |        |       |               |                  |                       |                            |               |             |
| 1                 | Anti-taches (1° pression de la touche)   | 40°              | 1600                        | ●                   | ●      | -     | ●             | 5                | -                     | -                          | -             | 180'        |
| 1                 | Anti-taches Rapide (2° pression de la touche)  | 40°              | 1200                        | -                   | ●      | -     | ●             | 4,5              | -                     | -                          | -             | 60'         |
| 2                 | Coton Standard 60° (1) (1° pression de la touche): blancs et couleurs résistantes très sales.  | 60° (Max. 90°)   | 1600                        | ● (3)               | ●      | ●     | ●             | 9                | 44                    | 1,19                       | 57,5          | 205'        |
| 2                 | Coton Standard 40° (2) (2° pression de la touche): blancs et couleurs délicates peu sales.   | 40°              | 1600                        | -                   | ●      | ●     | ●             | 9                | 44                    | 1,09                       | 92            | 180'        |
| 2                 | Coton Standard 20° (3° pression de la touche): blancs et couleurs délicates peu sales.   | 20°              | 1600                        | -                   | ●      | ●     | ●             | 9                | -                     | -                          | -             | 175'        |
| 3                 | Synthétique Intensif (1° pression de la touche): couleurs résistantes très sales.  | 60°              | 800                         | ●                   | ●      | ●     | ●             | 4,5              | 46                    | 1,03                       | 60            | 115'        |
| 3                 | Synthétique Intensif (4) (1° pression de la touche): couleurs résistantes très sales.  | 40°              | 800                         | ●                   | ●      | ●     | ●             | 4,5              | 46                    | 0,56                       | 60            | 100'        |
| 3                 | Synthétique Delicat (2° pression de la touche): couleurs résistantes peu sales.  | 40°              | 800                         | ●                   | ●      | ●     | ●             | 4,5              | -                     | -                          | -             | 75'         |
| <b>SPECIALS</b>   |  |                  |                             |                     |        |       |               |                  |                       |                            |               |             |
| 4                 | Mix 30' (Rapide 30'): pour rafraîchir rapidement du linge peu sale (ne convient pas pour la laine, la soie et le linge à laver à la main). | 30°              | 800                         | -                   | ●      | -     | ●             | 3                | 71                    | 0,20                       | 38            | 30'         |
| M                 | Mon Programme (Memo): permet de mémoriser un cycle de lavage quelconque.   |                  |                             |                     |        |       |               |                  |                       |                            |               |             |
| 6                 | Lit&Bain: pour le linge de lit et le linge de toilette.  | 60°              | 1600                        | ●                   | ●      | -     | ●             | 9                | -                     | -                          | -             | 140'        |
| <b>EXTRA CARE</b> |  |                  |                             |                     |        |       |               |                  |                       |                            |               |             |
| 7                 | Laine (Woolmark Platinum): pour laine, cachemire, etc.   | 40°              | 800                         | -                   | ●      | -     | ●             | 2                | -                     | -                          | -             | 85'         |
| 8                 | Délicat (Ultra délicat)  | 30°              | 0                           | -                   | ●      | -     | ●             | 1                | -                     | -                          | -             | 80'         |
|                   | Essorage (1° pression de la touche).   | -                | 1600                        | -                   | -      | -     | -             | 9                | -                     | -                          | -             | 16'         |
|                   | Rinçage (2° pression de la touche).  | -                | 1600                        | -                   | -      | -     | ●             | 9                | -                     | -                          | -             | 36'         |
|                   | Vidange (3° pression de la touche).  | -                | 0                           | -                   | -      | -     | -             | 9                | -                     | -                          | -             | 2'          |

La durée du cycle indiquée sur l'écran ou dans la notice représente une estimation calculée dans des conditions standard. Le temps effectif peut varier en fonction de nombreux facteurs tels que : température et pression de l'eau en entrée, température ambiante, quantité de lessive, quantité et type de charge, équilibrage de la charge, options supplémentaires sélectionnées.

1) Programme de contrôle selon la directive 1061/2010: sélectionner le programme 2 à 60°C (1° pression de la touche).

Ce cycle convient au lavage d'une charge de coton normalement sale et c'est le plus performant en termes de consommation d'eau et d'énergie, l'utiliser pour du linge lavable à 60°C. La température effective de lavage peut différer de la température indiquée.

2) Programme de contrôle selon la directive 1061/2010: sélectionner le programme 2 à 40°C (2° pression de la touche).

Ce cycle convient au lavage d'une charge de coton normalement sale et c'est le plus performant en termes de consommation d'eau et d'énergie, l'utiliser pour du linge lavable à 40°C. La température effective de lavage peut différer de la température indiquée.

3) À 60 °C la fonction "Prélavage" ne peut pas être sélectionnée.

Pour tous les instituts qui effectuent ces tests :

2) Programme coton long : sélectionner le programme 2 à 40°C (2° pression de la touche).

4) Programme Synthétique long : sélectionner le programme 3 à 60°C (1° pression de la touche); température de 40°C (appuyer sur la touche TEMPÉRATURE).

## Fonctions de lavage

### Prélavage

Cette fonction permet d'effectuer un prélavage, très utile pour enlever les taches plus tenaces.

**N.B.:** Ajouter le produit lessiviel dans le bac prévu.

! Elle n'est pas activable sur les programmes "Anti-taches Rapide", 2 (60°) (1° pression de la touche), 2 (2° pression de la touche), 2 (3° pression de la touche), 4, 7, 8, .

### Repassage facile

En cas de sélection de cette fonction, le lavage et l'essorage seront dûment modifiés pour réduire la formation de plis. À la fin du cycle de lavage, le lave-linge fait tourner le tambour lentement; le voyant de la fonction REPASSAGE FACILE et celui de START/PAUSE se mettent à clignoter (orange), l'inscription "FIN DE CYCLE" s'affiche à l'écran. Pour compléter le cycle, il faut appuyer sur la

touche START/PAUSE ou sur la touche REPASSAGE FACILE.

! Cette option n'est pas activable avec les programmes 1, 4, 7, 8, .

### Lavage a Froid

La fonction Lavage a Froid permet d'économiser l'énergie puisque l'eau utilisée pour la lessive n'est pas réchauffée : un plus pour l'environnement et pour votre facture d'électricité. L'action renforcée et l'optimisation de la consommation de l'eau garantissent d'excellents résultats pour une durée moyenne identique à celle d'un cycle standard. Pour de meilleurs résultats en matière de lavage, utilisez une lessive liquide.

! Cette fonction n'est pas activable avec les programmes 1, 2 (3° pression de la touche), 6, 7, 8, .

# Produits lessiviels et linge

FR

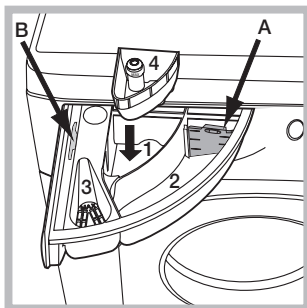
## Tiroir à produits lessiviels

Un bon résultat de lavage dépend aussi d'un bon dosage de produit lessiviel: un excès de lessive ne lave pas mieux, il incruste l'intérieur du lave-linge et pollue l'environnement.

! Utiliser des lessives en poudre pour du linge en coton blanc et en cas de pré-lavage et de lavages à une température supérieure à 60°C.

! Respecter les indications figurant sur le paquet de lessive.

! Ne pas utiliser de lessives pour lavage à la main, elles moussent trop.



Sortir le tiroir à produits lessiviels et verser la lessive ou l'additif comme suit.

### bac 1: Lessive pré-lavage (en poudre)

Avant d'introduire la lessive, s'assurer que le bac supplémentaire 4 n'est pas présent.

### bac 2: Lessive lavage (en poudre ou liquide)

En cas d'utilisation de lessive liquide, nous conseillons d'introduire le séparateur A fourni avec le lave-linge pour mieux déterminer la dose correcte.

En cas d'utilisation de lessive en poudre, placer le séparateur dans le bac B.

### bac 3: Additifs (assouplissant, etc.)

L'assouplissant ne doit pas déborder de la grille.

### bac supplémentaire 4: Produit javélinisé

## Triage du linge

- Trier correctement le linge d'après:
  - le type de textile / le symbole sur l'étiquette.
  - les couleurs: séparer le linge coloré du blanc.
- Vider les poches et contrôler les boutons.
- Ne pas dépasser les valeurs indiquées correspondant au poids de linge sec : voir "Tableau des programmes".

### Combien pèse le linge ?

- 1 drap 400-500 g
- 1 taie d'oreiller 150-200 g
- 1 nappe 400-500 g
- 1 peignoir 900-1200 g
- 1 serviette éponge 150-250 g

## Programmes spéciaux

**Anti-taches:** ce programme est idéal pour le lavage de linge très sale, aux couleurs résistantes. Il assure une classe de lavage supérieure à la classe standard (classe A). Ce programme ne permet pas de mélanger du linge de couleurs différentes. Nous conseillons d'utiliser de la lessive en poudre. En cas de taches tenaces, nous conseillons un prétraitement avec des additifs spéciaux.

**Anti-taches Rapide:** ce programme été conçu pour laver les vêtements aux taches les plus coriaces en une heure. Pour le linge coloré en fibre mixte, en garantissant un respect maximum de ce dernier.

**Coton Standard 20°:** idéal pour des charges de linge sale en coton. Les bonnes performances, même à froid, comparables à celles d'un lavage à 40°, sont assurées grâce à une action mécanique qui brasse en variant la vitesse et avec des pics répétés et rapprochés.

**Lit&Bain :** pour laver le linge de toilette et de lit en un seul cycle, utiliser le programme 6 qui optimise l'utilisation de l'assouplissant et permet de faire des économies de temps et d'électricité. Nous conseillons d'utiliser de la lessive en poudre.

**Laine:** le cycle de lavage « Laine » de ce lave-linge a été approuvé par la société Woolmark Company pour le lavage d'articles en laine classés comme « lavables à la main », à condition que le lavage soit effectué conformément aux instructions indiquées sur l'étiquette du vêtement et aux indications fournies par le fabricant de ce lave-linge. (M1127)



**Délicat:** utiliser le programme 8 pour le lavage d'articles particulièrement délicats avec applications de strass ou de paillettes.

Pour le lavage d'articles en soie et de rideaux, sélectionner le cycle 8 et programmer le niveau «Délicat» de l'option

Il est recommandé de mettre le linge à l'envers avant le lavage et d'introduire les articles plus petits dans le sachet prévu pour le lavage des articles délicats.

Pour obtenir de meilleurs résultats, nous conseillons d'utiliser de la lessive liquide spéciale textiles délicats.

## Système d'équilibrage de la charge

Avant tout essorage, pour éviter toute vibration excessive et répartir le linge de façon uniforme, le lave-linge fait tourner le tambour à une vitesse légèrement supérieure à la vitesse de lavage. Si au bout de plusieurs tentatives, la charge n'est toujours pas correctement équilibrée, l'appareil procède à un essorage à une vitesse inférieure à la vitesse normalement prévue. En cas de déséquilibre excessif, le lave-linge préfère procéder à la répartition du linge plutôt qu'à son essorage. Pour une meilleure répartition de la charge et un bon équilibrage, nous conseillons de mélanger de grandes et petites pièces de linge.

Il peut arriver que le lave-linge ne fonctionne pas bien. Avant d'appeler le Service de dépannage (voir "Assistance"), contrôler s'il ne s'agit pas par hasard d'un problème facile à résoudre à l'aide de la liste suivante.

## Anomalies:

## Causes / Solutions possibles:

### Le lave-linge ne s'allume pas.

- La fiche n'est pas branchée dans la prise de courant ou mal branchée.
- Il y a une panne de courant.

### Le cycle de lavage ne démarre pas.

- Le hublot n'est pas bien fermé.
- La touche ON/OFF n'a pas été enfoncée.
- La touche START/PAUSE n'a pas été enfoncée.
- Le robinet de l'eau n'est pas ouvert.
- Un départ différé a été sélectionné (voir "Comment faire un cycle de lavage").

### Il n'y a pas d'arrivée d'eau (le message "Pas d'eau, ouvrir robinet" s'affiche à l'écran).

- Le tuyau d'arrivée de l'eau n'est pas raccordé au robinet.
- Le tuyau est plié.
- Le robinet de l'eau n'est pas ouvert.
- Il y a une coupure d'eau.
- La pression n'est pas suffisante.
- La touche START/PAUSE n'a pas été enfoncée.

### Le lave-linge prend l'eau et vidange continuellement.

- Le tuyau de vidange n'est pas installé à une distance du sol comprise entre 65 et 100 cm (voir "Installation").
- L'extrémité du tuyau de vidange est plongée dans l'eau (voir "Installation").
- L'évacuation murale n'a pas d'évent.

Si après ces vérifications, le problème persiste, fermer le robinet de l'eau, éteindre la machine et appeler le service Assistance. Si l'appartement est situé en étage dans un immeuble, il peut y avoir des phénomènes de siphonnage qui font que le lave-linge prend et évacue l'eau continuellement. Pour supprimer cet inconvénient, on trouve dans le commerce des soupapes spéciales anti-siphonnage.

### Le lave-linge ne vidange pas et n'essore pas.

- Le programme ne prévoit pas de vidange: pour certains programmes, il faut la faire partir manuellement ("Programmes et fonctions").
- La fonction REPASSAGE FACILE est activée: pour compléter le programme, appuyer sur la touche START/PAUSE ("Programmes et fonctions").
- Le tuyau de vidange est plié (voir "Installation").
- La conduite d'évacuation est bouchée.

### Le lave-linge vibre beaucoup pendant l'essorage.

- Le tambour n'a pas été débloqué comme il faut lors de l'installation du lave-linge (voir "Installation").
- Le lave-linge n'est pas posé à plat (voir "Installation").
- Le lave-linge est coincé entre des meubles et le mur (voir "Installation").

### Le lave-linge a des fuites.

- Le tuyau d'arrivée de l'eau n'est pas bien vissé (voir "Installation").
- Le tiroir à produits lessiviels est bouché (pour le nettoyer voir "Entretien et soin").
- Le tuyau de vidange n'est pas bien fixé (voir "Installation").

### L'appareil est bloqué, l'écran clignote et affiche un code d'anomalie (par ex. : F-01, F-...).

- Eteindre l'appareil et débrancher la fiche de la prise de courant, attendre 1 minute environ avant de rallumer.  
Si l'anomalie persiste, appeler le service d'assistance.

### Il y a un excès de mousse.

- Le produit de lavage utilisé n'est pas une lessive spéciale machine (il faut qu'il y ait l'inscription "pour lave-linge", "main et machine", ou autre semblable).
- La quantité utilisée est excessive.

# Assistance

FR

## Avant d'appeler le service après-vente:

- Vérifier si on ne peut pas résoudre l'anomalie par ses propres moyens (voir "Anomalies et Remèdes");
- Remettre le programme en marche pour contrôler si l'inconvénient a disparu;
- Autrement, contacter le Centre d'Assistance technique agréé au numéro de téléphone indiqué sur le certificat de garantie.

! Ne jamais s'adresser à des techniciens non agréés.

## Communiquer:

- le type de panne;
- le modèle de l'appareil (Mod.);
- son numéro de série (S/N).

Ces informations se trouvent sur la plaque signalétique apposée à l'arrière du lave-linge et à l'avant quand on ouvre la porte hublot.

## RÈGLEMENT DÉLÉGUÉ (UE) N° 1061/2010 DE LA COMMISSION

|   |                  |
|---|------------------|
| Marque  | HOTPOINT/ARISTON |
| Modèle  | FMD 963BX EU     |
| Capacité nominale en kg de coton  | 9.0              |
| Classe énergétique sur une échelle de A+++ (faible consommation) à G (consommation élevée)          | A+++             |
| Consommation d'énergie par année en kWh <sup>1)</sup>   | 216.0            |
| Consommation d'énergie d'un programme coton standard à 60°C et à pleine charge en kWh <sup>2)</sup> | 1.193            |
| Consommation d'énergie d'un programme coton standard à 60°C et à demi-charge en kWh <sup>2)</sup>   | 0.792            |
| Consommation d'énergie d'un programme coton standard à 40°C et à demi-charge en kWh <sup>2)</sup>   | 0.708            |
| Consommation d'énergie en mode "off" en W   | 0.5              |
| Consommation d'énergie en mode "on" en W  | 8.0              |
| Consommation d'eau par an en litres <sup>3)</sup>   | 12254            |
| Classe d'efficacité d'essorage sur une échelle de G (efficacité minimum) à A (efficacité maximum)   | A                |
| Vitesse d'essorage maximum <sup>4)</sup>  | 1600             |
| Taux d'humidité résiduelle (en %) <sup>5)</sup>   | 44%              |
| Durée du « programme coton standard à 60°C » à pleine charge en minutes                             | 205              |
| Durée du « programme coton standard à 60°C » à demi-charge en minutes                               | 165              |
| Durée du « programme coton standard à 40°C » à demi-charge en minutes                               | 160              |
| Durée du mode laissé en marche en minutes   | 30               |
| Émissions acoustiques dans l'air, exprimées en dB(A) re 1 pW en phase de lavage <sup>6)</sup>       | 53               |
| Émissions acoustiques dans l'air, exprimées en dB(A) re 1 pW en phase d'essorage <sup>6)</sup>      | 83               |
| Encastrable   |                  |

<sup>1)</sup> Le programme "coton standard 60°C" pleine et demi-charge et le programme "coton standard 40°C" demi-charge sont les programmes de lavage standard auxquels se rapportent les informations qui figurent sur l'étiquette et sur la fiche. Ils conviennent pour laver du linge en coton normalement sale, et il s'agit des programmes les plus efficaces en termes de consommation combinée d'eau et d'énergie. La demi-charge correspond à la moitié de la charge nominale.

<sup>2)</sup> Sur la base de 220 cycles de lavage standard pour les programmes coton à 60°C et à 40°C à pleine et à demi-charge, et de la consommation des modes à faible puissance. La consommation réelle d'énergie dépend des conditions d'utilisation de l'appareil.

<sup>3)</sup> Sur la base de 220 cycles de lavage standard pour les programmes coton à 60°C et à 40°C à pleine et à demi-charge. La consommation réelle d'eau dépend des conditions d'utilisation de l'appareil.

<sup>4)</sup> Pour le programme standard à 60°C à pleine ou demi-charge, ou le programme standard à 40°C à demi-charge, la valeur la plus faible des deux étant retenue.

<sup>5)</sup> Atteint avec le programme coton à 60°C à pleine et demi-charge, ou le programme coton à 40°C à demi-charge, la valeur la plus élevée des deux étant retenue.

<sup>6)</sup> Sur la base des phases de lavage et d'essorage pour le programme coton standard à 60°C à pleine charge.

DE

Deutsch

FMD 963

### INHALTSVERZEICHNIS

DE

#### **Installation, 26-27**

Auspacken und Aufstellen  
Wasser- und Elektroanschlüsse  
Erster Waschgang  
Technische Daten

#### **Reinigung und Pflege, 28**

Abstellen der Wasser- und Stromversorgung  
Reinigung des Gerätes  
Reinigung der Waschmittelschublade  
Pflege der Gerätetür und Trommel  
Reinigung der Pumpe  
Kontrolle des Wasserzulaufschlauchs

#### **Vorsichtsmaßnahmen und Hinweise, 29**

Allgemeine Sicherheit  
Entsorgung  
Manuelles Öffnen der Gerätetür

#### **Beschreibung Ihres Waschvollautomaten, 30-31**

Bedienblende  
Display

#### **Durchführung eines Waschprogramms, 32**

#### **Programme und Funktionen, 33**

Programmtabelle  
Waschfunktionen

#### **Waschmittel und Wäsche, 34**

Waschmittelschublade  
Vorsortieren der Wäsche  
Sonderprogramme  
Unwuchtkontrollsystem

#### **Störungen und Abhilfe, 35**

#### **Kundendienst, 36**



# Installation

DE

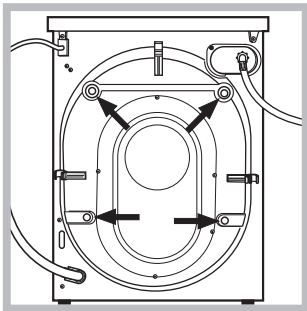
! Es ist äußerst wichtig, diese Bedienungsanleitung sorgfältig aufzubewahren, um sie jederzeit zu Rate ziehen zu können. Sorgen Sie dafür, dass sie im Falle eines Umzugs oder einer Übergabe an einen anderen Benutzer das Gerät stets begleitet, damit auch der neue Inhaber die Möglichkeit hat, diese zu Rate zu ziehen.

! Lesen Sie bitte folgende Hinweise aufmerksam durch: sie liefern wichtige Informationen hinsichtlich der Installation, des Gebrauchs und der Sicherheit.

## Auspacken und Aufstellen

### Auspacken

1. Gerät auspacken.
2. Sicherstellen, dass der Waschvollautomat keine Transportschäden erlitten hat. Schließen Sie das Gerät im Falle einer Beschädigung bitte nicht an und kontaktieren Sie Ihren Händler.



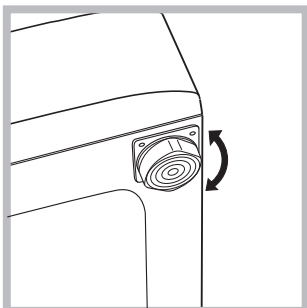
3. Die 4 Transport-schutzschrauben aus-schrauben und das an der Rückwand befindliche Gummitteil und das entsprechende Abstandsstück abnehmen (siehe Abbildung).

4. Die Löcher mittels der mitgelieferten Kunststoffstöpsel schließen.
5. Sämtliche Teile aufbewahren: Sollte der Waschvollautomat erneut transportiert werden müssen, müssen diese Teile wieder eingesetzt werden.

! Verpackungsmaterial ist kein Spielzeug für Kinder.

### Nivellierung

1. Der Waschvollautomat muss auf einem ebenen, festen Untergrund aufgestellt werden, ohne diesen an Wände, Möbelteile oder ähnliches anzulehnen.



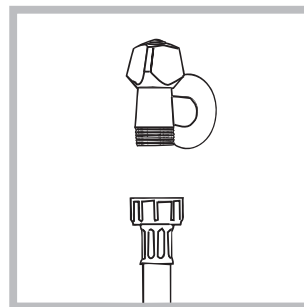
2. Sollte der Boden nicht perfekt eben sein, müssen die Unebenheiten durch An- bzw. Ausdrehen der vorderen Stellfüße ausgeglichen werden (siehe Abbildung), der auf der Arbeitsfläche zu ermittelnde Neigungsgrad darf 2°

nicht überschreiten.

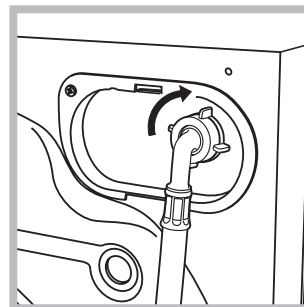
Eine präzise Nivellierung verleiht dem Gerät die erforderliche Stabilität, durch die Vibrationen, Betriebsgeräusche und ein Verrücken des Gerätes vermieden werden. Bei Teppichböden müssen die Stellfüße so reguliert werden, dass ein ausreichender Freiraum zur Belüftung unter dem Waschvollautomaten gewährleistet ist.

## Wasser- und Elektroanschlüsse

### Anschluss des Zulaufschlauches



1. Schrauben Sie den Wasserschlauch an einen Kaltwasserhahn mit  $\frac{3}{4}$ -Zoll-Gewindeanschluss an (siehe Abbildung). Lassen Sie das Wasser vor dem Anschluss so lange auslaufen, bis klares Wasser austritt.



2. Das andere Ende des Schlauches an den oben rechts am Rückteil des Waschvollautomaten befindlichen Wasseranschluss anschließen (siehe Abbildung).

3. Der Schlauch darf nicht eingeklemmt oder abgknickt werden.

! Der Wasserdruck muss innerhalb der Werte liegen, die in der Tabelle der Technischen Daten angegeben sind (siehe nebenstehende Seite).

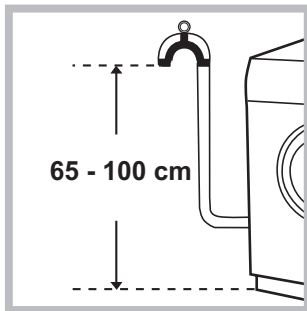
! Sollte der Zulaufschlauch nicht lang genug sein, dann wenden Sie sich bitte an einen Fachhändler oder an einen autorisierten Fachmann.

! Verwenden Sie niemals bereits gebrauchte Schläuche.

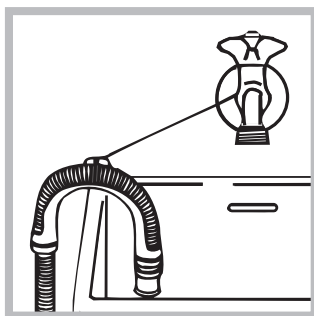
! Verwenden Sie die Schläuche, die mit dem Gerät geliefert wurden.



## Anschluss des Ablaufschlauches



Schließen Sie den Ablaufschlauch, ohne ihn dabei zu knicken, an eine Ablaufleitung, oder an einen in der Wand, in einer Höhe von 65cm bis 100cm an;



oder hängen Sie diesen in ein Becken oder eine Wanne ein; befestigen Sie den Schlauch in diesem Falle mittels der mitgelieferten Führung an dem Wasserhahn (siehe Abbildung). Das freie Ablaufschlauchende darf

nicht unter Wasser bleiben.

! Verlängerungsschläuche sollten nicht eingesetzt werden, sollte dies jedoch absolut unvermeidlich sein, muss die Verlängerung denselben Durchmesser des Originalschlauchs aufweisen und darf eine Länge von 150 cm nicht überschreiten.

## Elektroanschluss

Vor Einfügen des Netzsteckers in die Steckdose ist sicherzustellen, dass:

- die Steckdose über eine normgerechte Erdung verfügt;
- die Steckdose die in den Technischen Daten angegebenen Höchstlast des Gerätes trägt (siehe nebenstehende Tabelle);
- die Stromspannung den in den Technischen Daten angegebenen Werten entspricht (siehe nebenstehende Tabelle);
- die Steckdose mit dem Netzstecker des Waschvollautomaten kompatibel ist. Andernfalls muss der Netzstecker (oder die Steckdose) ersetzt werden.

! Der Waschvollautomat darf nicht im Freien installiert werden, auch nicht, wenn es sich um einen geschützten Platz handelt. Es ist gefährlich, das Gerät Gewittern und Unwettern auszusetzen.

! Die Steckdose muß jederzeit zugänglich sein.

! Verwenden Sie bitte keine Verlängerungen oder Mehrfachstecker.

! Das Netzkabel darf nicht gebogen bzw. eingeklemmt werden.

! Das Versorgungskabel darf nur durch autorisierte Fachkräfte ausgetauscht werden.

Achtung! Der Hersteller übernimmt keinerlei Haftung, sollten diese Vorschriften nicht genau beachtet werden.

## Erster Waschgang

Lassen Sie nach der Installation bzw. vor erstmaligem Gebrauch erst einen Waschgang (mit Waschmittel) ohne Wäsche durchlaufen. Stellen Sie hierzu das Waschprogramm Auto reinigen ein (siehe „Reinigung des Gerätes“).

### Technische Daten

|  |   |
|--|---|
| <b>Modell</b>  | FMD 963   |
| <b>Abmessungen</b>   | Breite 59,5 cm<br>Höhe 85 cm<br>Tiefe 60,5 cm   |
| <b>Fassungsvermögen</b>  | 1 bis 9 kg  |
| <b>Elektroanschlüsse</b>   | siehe das am Gerät befindliche Typenschild  |
| <b>Wasseranschlüsse</b>  | Höchstdruck<br>1 MPa (10 bar)<br>Mindestdruck<br>0,05 MPa (0,5 bar)<br>Trommelvolumen 62 Liter  |
| <b>Schleudertouren</b>   | bis zu 1600 U/min.  |
| <b>Prüfprogramme gemäß der Richtlinien 1061/2010 und 1015/2010</b> | Programm 2 (60°) (erster tastendruck);<br>Standard Baumwolle 60°C.<br>Programm 2 (40°) (zweiter tastendruck);<br>Standard Baumwolle 40°C. |



Dieses Gerät entspricht den folgenden EG-Richtlinien:  
- 2004/108/CE (elektromagnetische Verträglichkeit)  
- 2012/19/EU  
- 2006/95/CE (Niederspannung)

# Reinigung und Pflege

DE

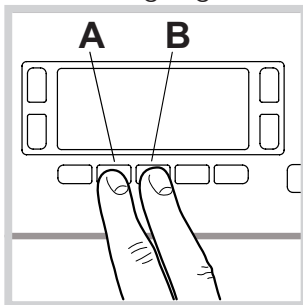
## Abstellen der Wasser- und Stromversorgung

- Drehen Sie den Wasserhahn nach jedem Waschvorgang zu. Hierdurch wird der Verschleiß der Wasseranlage verringert und Wasserlecks vorgebeugt.
- Ziehen Sie den Netzstecker aus der Steckdose, bevor Sie Ihren Waschvollautomaten reinigen.

## Reinigung des Gerätes

- Die Gehäuseteile und die Teile aus Gummi können mit einem mit warmer Spülmittellaug angefeuchteten Tuch gereinigt werden. Vermeiden Sie Löse- und Scheuermittel.
- Die Waschmaschine verfügt über ein Auto reinigen-Programm der inneren Teile, das **gänzlich ohne Wäsche** durchgeführt werden muss.

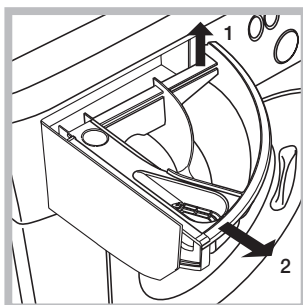
Als Hilfsmittel können bei diesem Waschgang Waschmittel (10 % von der für gering verschmutzte Kleidungsstücke empfohlenen Menge) oder spezifische Zusatzstoffe für die Reinigung von Waschmaschinen verwendet werden. Es wird empfohlen, das Reinigungsprogramm alle 40 Waschgänge durchzuführen.



Um das Programm zu aktivieren, drücken Sie fünf Sekunden lang gleichzeitig die Tasten **A** und **B** (siehe Abb.). Das Programm startet automatisch und dauert etwa 70 Minuten. Um den Zyklus anzuhalten, drücken

Sie die Taste START/PAUSE.

## Reinigung der Waschmittelschublade



Heben Sie die Schublade leicht an und ziehen Sie sie nach vorne hin heraus (siehe Abbildung). Spülen Sie sie regelmäßig unter fließendem Wasser gründlich aus.

## Pflege der Gerätetür und Trommel

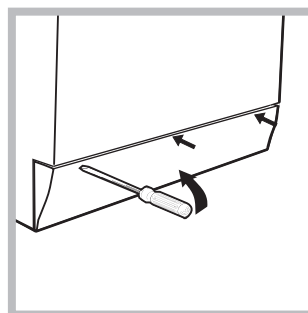
- Lassen Sie die Gerätetür stets leicht offen stehen, um die Bildung unangenehmer Gerüche zu vermeiden.

## Reinigung der Pumpe

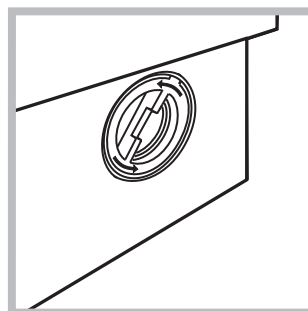
Ihr Gerät ist mit einer selbstreinigenden Pumpe ausgerüstet, eine Wartung ist demnach nicht erforderlich. Es könnte jedoch vorkommen, dass kleine Gegenstände (Münzen, Knöpfe) in die zum Schutz der Pumpe dienende Vorkammer (befindlich unter der Pumpe) fallen.

! Vergewissern Sie sich, dass der Waschgang abgeschlossen ist und ziehen Sie den Netzstecker heraus.

Zugang zur Vorkammer:



1. Nehmen Sie die Abdeckung (befindlich an der Gerätefront) mit Hilfe eines Schraubenziehers ab (siehe Abbildung);



2. Drehen Sie den Deckel gegen den Uhrzeigersinn ab (siehe Abbildung): es ist ganz normal, wenn etwas Wasser austritt;

3. Reinigen Sie das Innere gründlich;
4. Schrauben Sie den Deckel wieder auf;
5. Bringen Sie die Abdeckung wieder an. Stellen Sie hierbei sicher, dass die Haken in die Schlitze eingreifen, bevor Sie die Abdeckung fest andrücken.

## Kontrolle des Wasserzulaufschlauchs

Kontrollieren Sie den Zulaufschlauch mindestens einmal im Jahr. Weist er Risse bzw. Brüche auf, muss er ausgetauscht werden. Der starke Druck während des Waschprogramms könnte zu plötzlichem Platzen führen.

! Verwenden Sie niemals bereits gebrauchte Schläuche.

! Der Waschvollautomat wurde nach den strengsten internationalen Sicherheitsvorschriften entworfen und gebaut. Nachstehende Hinweise werden aus Sicherheitsgründen geliefert und sollten aufmerksam gelesen werden.

## Allgemeine Sicherheit

- Dieses Gerät wurde ausschließlich für den Einsatz im privaten Haushalt konzipiert.
- Dieses Gerät darf von Kindern ab 8 Jahren und von Personen mit eingeschränkten körperlichen, sensorischen oder geistigen Fähigkeiten oder mit unzureichender Erfahrung und Kenntnis verwendet werden, vorausgesetzt, sie werden überwacht oder sie haben eine ausreichende Einweisung in die sichere Nutzung des Geräts erhalten und haben die damit verbundenen Gefahren verstanden. Erlauben Sie Kindern nicht, mit dem Gerät zu spielen. Wartung und Reinigung dürfen nicht von unbeaufsichtigten Kindern ausgeführt werden.
- Der Waschvollautomat darf nur von Erwachsenen und gemäß den Anleitungen dieses Handbuchs bedient werden.
- Berühren Sie das Gerät nicht, wenn Sie barfuß sind, und auch nicht mit nassen oder feuchten Händen oder Füßen.
- Ziehen Sie den Gerätestecker nicht am Kabel aus der Steckdose, sondern nur am Netzstecker selbst.
- Öffnen Sie die Waschmittelschublade nicht, wenn das Gerät in Betrieb ist.
- Berühren Sie nicht das Ablaufwasser, es könnte sehr heiß sein.
- Öffnen Sie die Gerätetür nicht mit Gewalt: Der Sicherheits-Schließmechanismus könnte hierdurch beschädigt werden.
- Bei etwaigen Störungen versuchen Sie bitte nicht, Innenteile selbst zu reparieren.
- Halten Sie Kinder stets von dem in Betrieb befindlichen Gerät fern.
- Während des Waschgangs kann die Gerätetür sehr heiß werden.
- Muss das Gerät versetzt werden, sollten hierfür zwei oder drei Personen verfügbar sein. Versetzen Sie es niemals allein, das Gerät ist äußerst schwer.
- Bevor Sie die Wäsche einfüllen, stellen Sie bitte sicher, dass die Wäschetrommel leer ist.

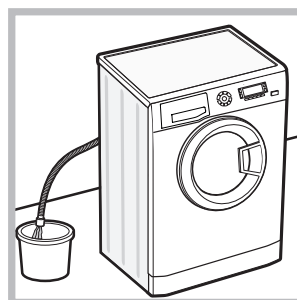
## Entsorgung

- Entsorgung des Verpackungsmaterials: Befolgen Sie die lokalen Vorschriften, Verpackungsmaterial kann wiederverwertet werden.
- Gemäß der Europäischen Richtlinie 2012/19/EU über Elektro- und Elektronik-Altgeräte dürfen Elektrohaushalts-Altgeräte nicht über den herkömmlichen Haushaltsmüllkreislauf entsorgt werden. Altgeräte müssen separat gesammelt werden, um die Wiederverwertung und das Recycling der beinhalteten Materialien zu optimieren und die Einflüsse auf die Umwelt und die Gesundheit zu reduzieren. Das Symbol

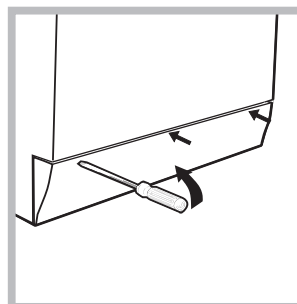
„durchgestrichene Mülltonne“ auf jedem Produkt erinnert Sie an Ihre Verpflichtung, dass Elektrohaushaltsgeräte gesondert entsorgt werden müssen. Endverbraucher können sich an Abfallämter der Gemeinden wenden, um mehr Informationen über die korrekte Entsorgung ihrer Elektrohaushaltsgeräte zu erhalten.

## Manuelles Öffnen der Gerätetür

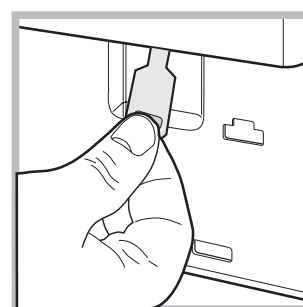
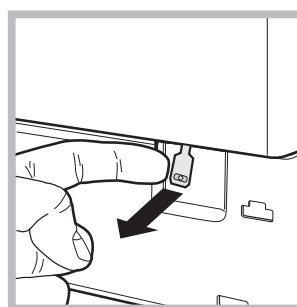
Sollte die Gerätetür aufgrund eines Stromausfalls nicht geöffnet werden können, gehen Sie wie folgt vor, um die Wäsche entnehmen und somit aufhängen zu können:



1. Ziehen Sie den Netzstecker aus der Steckdose.
2. Stellen Sie sicher, dass der Wasserstand im Innern des Gerätes die Gerätetür nicht übersteigt, andernfalls lassen Sie das überschüssige Wasser, so wie auf der *Abbildung* veranschaulicht, durch den Ablaufschlauch in einen Eimer ablaufen.



3. Nehmen Sie die Abdeckung (befindlich an der Gerätefront) mit Hilfe eines Schraubenziehers ab (*siehe Abbildung*).

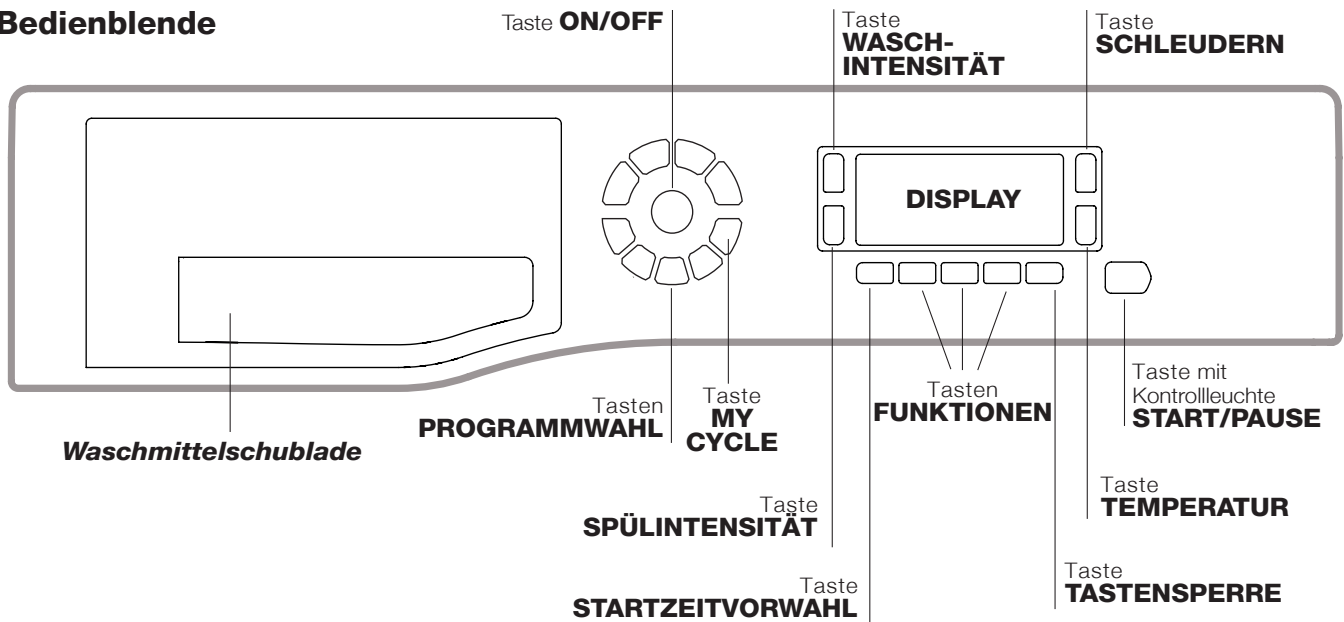


4. Befreien Sie mithilfe der auf der *Abbildung* veranschaulichten Zunge (nach vorne ziehen) die Kunststoff-Spannvorrichtung aus der Arretierung; ziehen Sie letztere dann nach unten und öffnen Sie gleichzeitig die Gerätetür.
5. Bringen Sie die Abdeckung wieder an. Stellen Sie hierbei sicher, dass die Haken in die Schlitze eingreifen, bevor Sie die Abdeckung fest andrücken.


# Beschreibung Ihres Waschvollautomaten

DE

## Bedienblende



**Waschmittelschublade:** für Waschmittel und Zusätze (siehe „Waschmittel und Wäsche“).

**Taste ON/OFF** : Drücken Sie kurz auf die Taste, um das Gerät ein- bzw. auszuschalten. Die Kontrollleuchte START/PAUSE, die langsam grün blinkt, zeigt an, dass das Gerät eingeschaltet ist. Um den Waschvollautomaten während eines Waschganges auszuschalten, muss die Taste etwas länger gedrückt werden (ca. 3 Sekunden); ein kurzer oder ein ungewollter Druck bewirkt kein Ausschalten des Gerätes. Das Ausschalten des Gerätes während eines laufenden Waschprogramms löscht den gesamten Waschzyklus.


**Tasten PROGRAMMWAHL:** zur Einstellung des gewünschten Programms (siehe „Programmtabelle“).

**Taste MY CYCLE:** Halten Sie die Taste gedrückt, um einen Waschzyklus und die gewünschten Individualisierungseinstellungen zu speichern. Um einen bereits gespeicherten Zyklus abzurufen, drücken Sie die Taste MY CYCLE.

**Tasten FUNKTIONEN:** Drücken Sie die Taste, um die gewünschte Funktion auszuwählen. Auf dem Display schaltet sich die entsprechende Kontrollleuchte ein.

**Taste WASCHINTENSITÄT** : Drücken Sie diese Taste, um die gewünschte Waschintensität zu wählen.

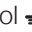
**Taste SPÜLINTENSITÄT** : Drücken Sie diese Taste, um die gewünschte Spülung auszuwählen.

**Taste SCHLEUDERN** : Drücken Sie die Taste, um die Schleudergeschwindigkeit herabzusetzen oder das Schleudern ganz auszuschließen. Der Wert wird auf dem Display angezeigt.

**Taste TEMPERATUR** : Drücken Sie die Taste, um die Temperatur herabzusetzen: Der Wert wird auf dem Display angezeigt.

**Taste TASTENSPERRE** : Zur **Aktivierung** der Sperre der Bedienblende halten Sie die Taste ca. 2 Sekunden lang gedrückt. Das eingeschaltete Symbol  zeigt an, dass die Bedienblende gesperrt ist (mit Ausnahme der Taste ON/OFF). Auf diese Weise wird verhindert, dass ein Programm aus Versehen geändert wird, vor allem, wenn kleine Kinder im Hause sind. Zur **Deaktivierung** der Sperre der Bedienblende halten Sie die Taste ca. 2 Sekunden lang gedrückt.

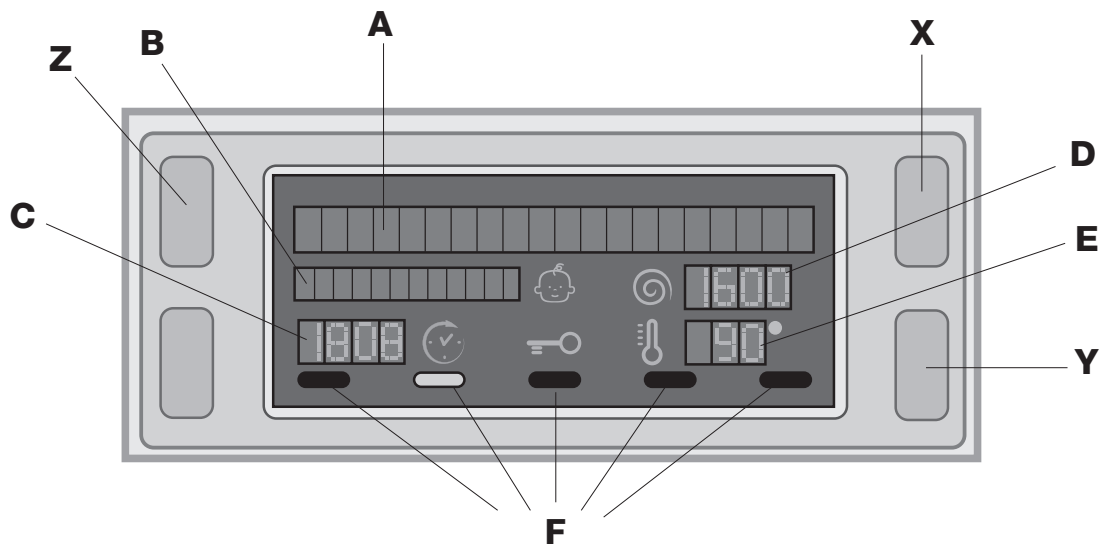
**Taste STARTZEITVORWAHL** : Zur Vorwahl der Startzeit des gewählten Programms drücken Sie bitte diese Taste. Die Zeitverzögerung wird auf dem Display angezeigt.

**Taste mit Kontrollleuchte START/PAUSE:** Sobald die grüne Kontrollleuchte auf langsames Blinklicht schaltet, drücken Sie die Taste, um den Waschgang zu starten. Nach Ingangsetzung des Programms schaltet die Kontrollleuchte auf Dauerlicht. Um den Waschgang zu unterbrechen, drücken Sie erneut die Taste; die Kontrollleuchte schaltet auf orangefarbenes Blinklicht. Wenn das Symbol  nicht leuchtet, kann die Gerätetür geöffnet werden. Um das Programm an der Stelle, an der es unterbrochen wurde, wieder in Gang zu setzen, drücken Sie die Taste erneut.

### Funktion Standby

Zur Erfüllung der neuen Richtlinien zum Energieverbrauch ist diese Waschmaschine mit einem automatischen Ausschaltensystem (Standby) ausgestattet, das nach 30 Minuten des Nichtgebrauchs in Funktion tritt. Drücken Sie kurz die Taste ON/OFF und warten Sie, bis sich die Maschine wieder einschaltet.

## Display



Das Display dient nicht nur zur Programmierung des Gerätes, sondern liefert auch zahlreiche Informationen.

In den beiden oberen Zeilenreihen **A** und **B** werden das ausgewählte Waschprogramm, die laufende Waschphase und alle Angaben zum Programmfortschritt angezeigt.

In der Zeilenreihe **C** werden die Restzeit bis zum Ende des laufenden Waschvorgangs und bei Einstellung einer STARTZEITVORWAHL die bis zum Start des ausgewählten Programms verbleibende Zeit angezeigt.

In der Zeilenreihe **D** wird der Höchstwert der Schleudergeschwindigkeit angezeigt, die das Gerät für das eingestellte Programm zulässt; wenn das Programm keinen Schleudervorgang vorsieht, bleibt die Zeilenreihe ausgeschaltet.

In der Zeilenreihe **E** wird der Höchstwert der Temperatur angezeigt, der für das eingestellte Programm ausgewählt werden kann; wenn das Programm keine Temperatureinstellung vorsieht, bleibt die Zeilenreihe ausgeschaltet.

Die Kontrollleuchten **F** sind den Funktionen zugeordnet und leuchten, wenn die ausgewählte Funktion mit dem eingestellten Programm kompatibel ist.

### Symbol **Gerätetür gesperrt**

Durch Leuchten des Symbols meldet das Gerät, dass die Gerätetür gesperrt ist, um ein versehentliches Öffnen zu vermeiden. Zur Vermeidung einer evtl. Beschädigung warten Sie bis das Symbol erlischt, bevor Sie die Gerätetür öffnen.

**NB:** Wenn die Funktion STARTZEITVORWAHL aktiviert ist, kann die Gerätetür nicht geöffnet werden. Zum Öffnen schalten Sie das Gerät mittels der Taste START/PAUSE auf Pause.

**!** Vor dem ersten Einschalten werden Sie zur Auswahl der Sprache aufgefordert, und das Display blendet automatisch das Menü zur Sprachauswahl ein.


Wählen Sie die gewünschte Sprache mittels der Tasten **X** und **Y** aus und drücken Sie dann zum Bestätigen der Auswahl auf die Taste **Z**.

Um die Sprache zu ändern, schalten Sie das Gerät aus und drücken gleichzeitig die in der Abbildung mit **X**, **Y** und **Z** gekennzeichneten Tasten. Nach dem ertönen eines akustischen Signals wird das Menü der Sprachauswahl angezeigt.



# Durchführung eines Waschprogramms

DE


- 1. EINSCHALTEN DES GERÄTES.** Drücken Sie auf die Taste , woraufhin auf dem Display die Meldung POWER EIN erscheint; die Kontrollleuchte START/PAUSE blinkt langsam grün.
- 2. EINFÜLLEN DER WÄSCHE.** Öffnen Sie die Gerätetür. Füllen Sie die Wäsche ein. Achten Sie hierbei bitte darauf, die in der Programmtabelle (auf der nächsten Seite) angegebene Wäschemenge nicht zu überschreiten.
- 3. DOSIERUNG DES WASCHMITTELS.** Ziehen Sie die Waschmittelschublade heraus und füllen Sie das Waschmittel in die entsprechenden Kammern (siehe "Waschmittel und Wäsche").
- 4. SCHLIESSEN SIE DIE GERÄTETÜR.**
- 5. WAHL DES WASCHPROGRAMMS.** Wählen Sie das gewünschte Programm mittels einer der PROGRAMMWAHL-Tasten aus; die Bezeichnung des Programms wird auf dem Display angezeigt; dem Programm sind eine Temperatur und eine Schleudergeschwindigkeit zugeordnet, die jedoch geändert werden können. Auf dem Display wird die Programmdauer angezeigt.
- 6. INDIVIDUALISIERUNG DES WASCHGANGS.** Verwenden Sie hierzu die entsprechenden Tasten:

## Änderung der Temperatur und/oder Schleudern.


Das Gerät wählt automatisch die für das eingestellte Programm vorgesehene maximale Temperatur sowie die maximale Schleudergeschwindigkeit. Diese können demnach nicht erhöht werden. Durch Drücken der Taste  kann die Temperatur bis auf Kaltwäsche "OFF" herabgesetzt werden. Durch Drücken der Taste  kann die Schleudergeschwindigkeit herabgesetzt oder der Schleudervorgang auf "OFF" ausgeschlossen werden. Ein weiterer Druck auf die Tasten bewirkt die Einstellung der möglichen Maximalwerte.

! Ausnahme: Wird das Waschprogramm 2 (60 °C) (erster Tastendruck) eingestellt, kann die Temperatur bis auf 90° erhöht werden.

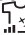
## Startzeitvorwahl.

Zur Vorwahl der Startzeit des eingestellten Programms drücken Sie die entsprechende Taste bis die gewünschte Zeitverschiebung angezeigt wird. Sobald diese Zusatzfunktion aktiviert wird, leuchtet auf dem Display das Symbol  auf. Um die Startzeitvorwahl wieder zu deaktivieren, drücken Sie die Taste bis auf dem Display der Schriftzug "OFF" eingeblendet wird.


## Einstellen der gewünschten Waschintensität.

Die Option  ermöglicht Ihnen die optimale Einstellung des Waschgangs auf Grundlage des Verschmutzungsgrades der Kleidung und der gewünschten Waschintensität. Wählen Sie das Spülprogramm. Der Zyklus wird automatisch auf „Normal“ eingestellt, was optimal für durchschnittlich verschmutzte Kleidung ist (diese Einstellung ist nicht geeignet für den Zyklus „Wolle“, der automatisch auf „Feines“ gestellt wird).

Für stark verschmutzte Kleidung drücken Sie die Taste , bis Sie die Einstellung „Super Wash“ erreicht haben. Diese Einstellung gewährleistet dank der Verwendung einer größeren Menge Wasser zu Beginn des Zyklus sowie dank einer größeren mechanischen Bewegung einen leistungsstarken Waschgang und ermöglicht die Entfernung der widerstandsfähigsten Flecken. Es ist eine Verwendung mit oder ohne Bleichmittel möglich. Wenn Sie Bleichmittel verwenden möchten, setzen Sie die mitgelieferte zusätzliche Kammer 4 in Kammer 1 ein. Bei der Dosierung des Bleichmittels darf der auf dem Zentralstift mit „max“ gekennzeichnete Höchststand (siehe Abb. auf Seite 34) nicht überschritten werden.

Für gering verschmutzte Kleidung oder für eine schonende Behandlung der Kleidung drücken Sie die Taste , bis Sie die Einstellung „Feines“ erreicht haben. Der Zyklus verringert die mechanische Bewegung und sorgt somit für einen idealen Waschgang für Feinwäsche.

## Einstellen des Spülgangs.

Die Option  ermöglicht die Auswahl des gewünschten Spülgangs, um sensible Haut so gut wie möglich zu schonen. Beim ersten Tastendruck wird die Einstellung „Extraspülen“ ausgewählt, die die Auswahl eines zusätzlichen Spülgangs ermöglicht, um alle Spuren des Waschmittels zu beseitigen. Beim zweiten Tastendruck wird die Einstellung „Empfindliche Haut“ ausgewählt, die die Auswahl von zwei zusätzlichen Spülgängen ermöglicht. Diese Einstellung wird für eine äußerst sensible Haut empfohlen. Beim dritten Drücken der Taste wird die Stufe „Anti Allergie Spülen“ eingestellt, mit der 3 zusätzliche Spülgänge zu den Standardspülgängen des Zyklus hinzugefügt werden. Bei 40°-Waschgängen entfernt diese Option die wichtigsten Allergene wie Katzen- und Hundehaare sowie Pollen, bei Waschgängen über 40° wird ein hervorragender Allergieschutz erreicht. Drücken Sie die Taste erneut, um zur Spülgangeinstellung „Spülen“ zurückzukehren. Wenn es nicht möglich ist, die bestehende Einstellung zu ändern, wird auf dem Display „Nicht Gültig“ angezeigt.

## Änderung der Eigenschaften des Waschgangs.


- Drücken Sie die Taste zum Aktivieren der Funktion; die der Taste entsprechende Kontrollleuchte schaltet sich dabei ein.
- Durch erneutes Drücken der Taste kann die Funktion wieder ausgeschaltet werden; die Kontrollleuchte erlischt.

! Ist die gewählte Funktion nicht vereinbar mit dem eingestellten Programm, schaltet die Kontrollleuchte auf Blinklicht und die Funktion wird nicht aktiviert.

! Ist die gewählte Funktion mit einer anderen bereits eingestellten nicht kompatibel, schaltet die der ersten Funktion entsprechende Kontrollleuchte auf Blinklicht und nur die zweite Funktion wird aktiviert, die Kontrollleuchte der aktivierten Funktion schaltet auf Dauerlicht.






! Die Funktionen können eine Änderung der empfohlenen Beladungsmenge und/oder der Waschzeit bewirken.

- 7. STARTEN DES PROGRAMMS.** Drücken Sie die Taste START/PAUSE. Die zugehörige Kontrollleuchte schaltet auf grünes Dauerlicht und die Gerätetür wird gesperrt (Symbol GERÄTETÜR GESPERRT  leuchtet) Während des Programmablaufs erscheint auf dem Display die Bezeichnung der laufenden Programmphase. Um ein Programm während eines laufenden Waschgangs zu ändern, schalten Sie den Waschvollautomat mittels der Taste START/PAUSE auf Pause (die Kontrollleuchte START/PAUSE blinkt nun langsam orangefarben); wählen Sie daraufhin das gewünschte Programm aus und drücken Sie erneut auf die Taste START/PAUSE. Um während eines laufenden Programms die Gerätetür zu öffnen, drücken Sie die Taste START/PAUSE; wenn das Symbol GERÄTETÜR GESPERRT  erloschen ist, kann die Gerätetür geöffnet werden. Drücken Sie die Taste START/PAUSE erneut, um das Programm an der Stelle an der es unterbrochen wurde, wieder in Gang zu setzen.
- 8. ENDE DES PROGRAMMS.** Das Programmende wird durch die Anzeige "PROGRAMMENDE" auf dem Display angezeigt. Wenn das Symbol GERÄTETÜR GESPERRT  erlischt, kann die Gerätetür geöffnet werden. Öffnen Sie die Gerätetür, nehmen Sie die Wäsche heraus und schalten Sie das Gerät aus.

! Möchten Sie ein bereits in Gang gesetztes Waschprogramm löschen, drücken Sie die Taste  etwas länger. Der Waschgang wird unterbrochen und das Gerät schaltet sich aus.



### Programmtabelle

| Waschprogramm  | Beschreibung des Programms   | Max. Temperatur (°C) | Max. Schleuder-Geschwindigkeit (U/min) | Waschmittel |             |              |             | Max. Beladungsmenge (kg) | Restfeuchtigkeit % | Energieverbrauch kWh | Wassergehalt lt | Programmdauer |
|--|--|----------------------|--|-------------|-------------|--------------|-------------|--------------------------|--------------------|----------------------|-----------------|---------------|
|  |  |                      |  | Vorwäsche   | Hauptwäsche | Bleichmittel | Weichspüler |                          |                    |                      |                 |               |
| <b>CLEAN Plus</b>  |  |                      |  |             |             |              |             |                          |                    |                      |                 |               |
| 1  | <b>Flecken</b> (erster Tastendruck)  | 40°                  | 1600                                   | ●           | ●           | -            | ●           | 5                        | -                  | -                    | -               | 180'          |
| 1  | <b>Schnell Fleckenlos</b> (zweiter Tastendruck)  | 40°                  | 1200                                   | -           | ●           | -            | ●           | 4,5                      | -                  | -                    | -               | 60'           |
| 2  |  <b>Standard Baumwolle 60° (1)</b> (erster Tastendruck): stark verschmutzte Weiß- und farbechte Buntwäsche.           | 60° (Max. 90°C)      | 1600                                   | ●(3)        | ●           | ●            | ●           | 9                        | 44                 | 1,19                 | 57,5            | 205'          |
| 2  |  <b>Standard Baumwolle 40° (2)</b> (zweiter Tastendruck): leicht verschmutzte Weißwäsche und empfindliche Buntwäsche. | 40°                  | 1600                                   | -           | ●           | ●            | ●           | 9                        | 44                 | 1,09                 | 92              | 180'          |
| 2  | <b>Standard Baumwolle 20°</b> (dritter Tastendruck): leicht verschmutzte Weißwäsche und empfindliche Buntwäsche.   | 20°                  | 1600                                   | -           | ●           | ●            | ●           | 9                        | -                  | -                    | -               | 175'          |
| 3  | <b>Synthetik Robust</b> (erster Tastendruck): stark verschmutzte, farbechte Buntwäsche.  | 60°                  | 800                                    | ●           | ●           | ●            | ●           | 4,5                      | 46                 | 1,03                 | 60              | 115'          |
| 3  | <b>Synthetik Robust (4)</b> (erster Tastendruck): leicht verschmutzte, farbechte Buntwäsche.   | 40°                  | 800                                    | ●           | ●           | ●            | ●           | 4,5                      | 46                 | 0,56                 | 60              | 100'          |
| 3  | <b>Synthetik Fein</b> (zweiter Tastendruck): leicht verschmutzte farbechte Buntwäsche.   | 40°                  | 800                                    | ●           | ●           | ●            | ●           | 4,5                      | -                  | -                    | -               | 75'           |
| <b>SPECIALS</b>  |  |                      |  |             |             |              |             |                          |                    |                      |                 |               |
| 4  | <b>Schnell 30'</b> : zum kurzen Auffrischen leicht verschmutzter Wäsche (nicht geeignet für Wolle, Seide und Handwäsche).  | 30°                  | 800                                    | -           | ●           | -            | ●           | 3                        | 71                 | 0,20                 | 38              | 30'           |
| <b>M My Cycle</b> (Speicher): hiermit kann jede beliebige Art von Waschgang gespeichert werden |  |                      |  |             |             |              |             |                          |                    |                      |                 |               |
| 6  | <b>Bett &amp; Bad</b> : bettwäsche Bade- und Handtücher.   | 60°                  | 1600                                   | ●           | ●           | -            | ●           | 9                        | -                  | -                    | -               | 140'          |
| <b>EXTRA CARE</b>  |  |                      |  |             |             |              |             |                          |                    |                      |                 |               |
| 7  | <b>Wolle</b> (Woolmark Platin): wolle, Kaschmir usw.   | 40°                  | 800                                    | -           | ●           | -            | ●           | 2                        | -                  | -                    | -               | 85'           |
| 8  | <b>Feinwäsche</b>  | 30°                  | 0                                      | -           | ●           | -            | ●           | 1                        | -                  | -                    | -               | 80'           |
|             | <b>Schleudern</b> (erster Tastendruck)   | -                    | 1600                                   | -           | -           | -            | -           | 9                        | -                  | -                    | -               | 16'           |
|             | <b>Spülen</b> (zweiter Tastendruck)  | -                    | 1600                                   | -           | -           | -            | ●           | 9                        | -                  | -                    | -               | 36'           |
|             | <b>Abpumpen</b> (dritter Tastendruck)  | -                    | 0                                      | -           | -           | -            | -           | 9                        | -                  | -                    | -               | 2'            |

Die auf dem Display und in der Bedienungsanleitung genannte Zyklusdauer wird ausgehend von Standardbedingungen berechnet. Die effektiv benötigte Zeit kann aufgrund zahlreicher Faktoren wie Temperatur und Druck des Zulaufwassers, Raumtemperatur, Waschmittelmenge, Art, Menge und Verteilung der Waschladdung sowie der gewählten Zusatzfunktionen variieren.

1) Prüfprogramm gemäß 1061/2010: Wählen Sie das Programm 2 bei 60 °C (erster Tastendruck).

Dieser Zyklus ist für den Waschvorgang von normal schmutziger Baumwollwäsche geeignet; es ist der wirksamste in Bezug auf den kombinierten Energie-Wasser-Verbrauch; für bei 60°C. zu waschende Wäsche zu verwenden. Die effektive Waschttemperatur kann von der angegebenen abweichen.

2) Prüfprogramm gemäß 1061/2010: wählen Sie das Programm 2 bei 40 °C (zweiter Tastendruck).

Dieser Zyklus ist für den Waschvorgang von normal schmutziger Baumwollwäsche geeignet; es ist der wirksamste in Bezug auf den kombinierten Energie-Wasser-Verbrauch; für bei 40°C. zu waschende Wäsche zu verwenden. Die effektive Waschttemperatur kann von der angegebenen abweichen.

3) Die "Vorwäsche" funktion kann beim Temperaturwert 60 °C nicht aktiviert werden.

Für alle Testinstitute:

2) Langes Baumwollprogramm: wählen Sie das Programm 2 bei 40 °C (zweiter Tastendruck).


4) Langes Kunstfaserprogramm: wählen Sie das Programm 3 bei 60 °C (erster Tastendruck); Temperatur von 40 °C (drücken Sie die Taste TEMPERATUR).

### Waschfunktionen

#### Vorwäsche


Beim Wählen dieser Funktion wird eine Vorwäsche aktiviert, so dass auch hartnäckige Flecken beseitigt werden.

**NB:** Füllen Sie das Waschpulver in die entsprechende Kammer ein.

! Diese Funktion kann zu den Programmen "Schnell Fleckenlos", 2 (60°) (erster Tastendruck), 2 (zweiter Tastendruck), 2 (dritter Tastendruck), 4, 7, 8,  nicht zugeschaltet werden.


#### Bügelleicht

Bei Einstellung dieser Funktion wird zur Vermeidung einer Knitterbildung der Wasch- und Schleudergang entsprechend geändert. Am Ende des Waschgangs erfolgen langsame Umdrehungen der Trommel; die Kontrollleuchte der Funktion BÜGELLEICHT und die der Taste START/PAUSE blinken (orange) und auf dem Display wird "PROGRAMMENDE" angezeigt. Um den Waschgang abzuschließen, drücken Sie die Taste START/PAUSE oder die Taste BÜGELLEICHT.

! Diese Funktion kann zu den Programmen 1, 4, 7, 8,  nicht zugeschaltet werden.

#### Eco Wash

Die Funktion Eco Wash trägt dazu bei, Energie zu sparen, indem das Wasser für die Wäsche nicht aufgeheizt wird - ein Vorteil sowohl für die Umwelt als auch für die Stromrechnung. Tatsächlich sichern die verstärkte Waschkaktion und der optimierte Wasserverbrauch hervorragende Ergebnisse bei gleicher durchschnittlicher Dauer eines Standardzyklusses zu. Für maximale Waschergebnisse empfehlen wir den Einsatz eines Flüssigwaschmittels.

! Diese Funktion kann zu den Programmen 1, 2 (dritter Tastendruck), 6, 7, 8,  nicht zugeschaltet werden.

# Waschmittel und Wäsche

DE

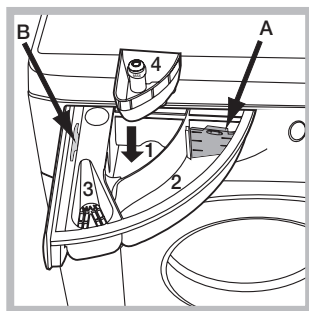
## Waschmittel und Wäsche

Ein gutes Waschergebnis hängt auch von einer korrekten Waschmitteldosierung ab: Eine zu hohe Dosierung bedeutet nicht unbedingt reinere Wäsche, sie trägt nur dazu bei, die Maschinenteile zu verkrusten und die Umwelt zu belasten.

! Waschmittel in Pulverform für Baumwollweißwäsche, für die Vorwäsche und für Waschprogramme bei Temperaturen über 60°C verwenden.

! Bitte befolgen Sie den auf der Waschmittelverpackung angegebenen Anweisungen.

! Verwenden Sie keine Handwaschmittel, sie verursachen eine zu hohe Schaumbildung.



Schublade herausziehen und Waschmittel oder Zusätze wie folgt einfüllen:

### Kammer 1: Waschpulver für die Vorwäsche (Waschpulver)

Vergewissern Sie sich vor Einfüllen des Waschmittels, dass die Zusatzkammer 4 nicht eingesetzt wurde.

### Kammer 2: Waschmittel für die Hauptwäsche (Waschpulver oder Flüssigwaschmittel)

Falls Sie ein Flüssigwaschmittel verwenden, wird empfohlen, die mitgelieferte Trennwand A zu benutzen, um eine korrekte Dosierung zu gewährleisten. Wenn Sie ein Pulverwaschmittel verwenden, geben Sie die Trennwand in die Kammer B.

### Kammer 3: Zusätze (Weichspüler usw.)

Der Weichspüler darf das Gitter nicht übersteigen.

### Zusätzliche Kammer 4: Bleichmittel

## Vorsortieren der Wäsche

- Sortieren Sie die Wäsche nach:
  - Gewebeat / Waschetikettensymbol.
  - und Farben: Buntwäsche von Weißwäsche trennen.
- Entleeren Sie alle Taschen.
- Das angegebene Gewicht, das sich auf die maximale Ladung an Trockenwäsche bezieht, sollte nicht überschritten werden: siehe "Programmtabelle".

### Wie schwer ist Wäsche?

- 1 Betttuch 400-500 gr
- 1 Kissenbezug 150-200 gr
- 1 Tischdecke 400-500 gr
- 1 Bademantel 900-1.200 gr
- 1 Handtuch 150-250 gr

## Sonderprogramme

**Flecken:** das Programm ist für die Reinigung stark verschmutzter Kleidung mit widerstandsfähigen Farben geeignet. Das Programm gewährleistet einen Waschgang, der besser als der Standard (Klasse A) ist. Mischen Sie bei diesem Programm keine Kleidungsstücke mit unterschiedlicher Farbe. Es empfiehlt sich die Verwendung von Pulverwaschmittel. Bei hartnäckigen Flecken empfiehlt sich die Vorbehandlung mit spezifischen Zusatzstoffen.

**Schnell Fleckenlos:** das Programm wurde speziell für das Entfernen von auch hartnäckigen, einen Tag alte Flecken in nur einer Stunde entwickelt. Das sehr schonende Programm eignet sich für Buntwäsche aus Mischfasern.

**Standard Baumwolle 20°:** ideal für normalverschmutzte Baumwolle. Die auch mit kaltem Wasser erreichten Leistungen, vergleichbar mit einer Wäsche bei 40°, werden mechanisch erzielt. Die Trommel arbeitet mit wiederholten, kurz auf einander folgenden Beschleunigungen.

**Bett & Bad:** um Ihre Handtücher- und Bettwäsche in einem einzigen Waschgang zu waschen, verwenden Sie das 6-Programm, das die Verwendung von Weichspülern optimiert. Dadurch sparen Sie zusätzlich Zeit und Energie. Es empfiehlt sich die Verwendung von Pulverwaschmittel.

**Wolle:** das Waschprogramm „Wolle“ dieser Waschmaschine wurde von der Woolmark Company für die Wäsche von mit „Handwäsche“ gekennzeichneten Wollkleidungsstücken anerkannt, vorausgesetzt die Wäsche erfolgt gemäß der Anweisungen auf Etikett des Kleidungsstück und den Angaben des Herstellers dieser Waschmaschine. (M1127)



**Feinwäsche:** verwenden Sie das Programm 8 für die Reinigung von Feinwäsche, die Applikationen wie Strass oder Pailletten aufweist.

Wählen Sie für die Reinigung von Kleidungsstücken aus **Seide** und **Vorhänge** den Zyklus 8 und wählen Sie bei der Option die Einstellung „Feines“.

Es wird empfohlen, die Kleidungsstücke vor der Reinigung umzudrehen und kleinere Kleidungsstücke in den entsprechenden Reinigungsbeutel für Feinwäsche zu geben. Um bessere Ergebnisse zu erzielen, wird für die Reinigung von Feinwäsche die Verwendung von Flüssigwaschmittel empfohlen.

## Unwuchtkontrollsystem

Um starke Vibrationen oder eine Unwucht beim Schleudern zu vermeiden, verfügt das Gerät über ein Schleudrunwuchtsystem. Die Waschlade wird durch eine erhöhte Rotation der Trommel als die des WASchganges ausbalanciert. Sollte die Wäscheladung nach Ablauf mehrerer Versuche immer noch nicht korrekt verteilt sein, schleudert das Gerät die Wäsche bei einer niedrigeren Geschwindigkeit als die der vorgesehenen Schleudergeschwindigkeit. Sollte die Wäsche extrem ungleichmäßig verteilt sein, führt das Gerät anstelle des Schleudergangs einen Wäscheverteilungs-Zyklus durch. Um eine optimale Verteilung der Wäscheladung und somit eine korrekte Auswuchtung zu fördern, sollten große und kleine Wäscheteile gemischt eingefüllt werden.

Bei Funktionsstörung: Bevor Sie sich an den Technischen Kundendienst wenden (siehe „Kundendienst“), vergewissern Sie sich zuerst, ob es sich nicht um eine Kleinigkeit handelt, die Sie selbst beheben können. Ziehen Sie hierzu nachstehendes Verzeichnis zu Rate.

## Störungen:

**Der Waschvollautomat schaltet sich nicht ein.**

**Der Waschgang startet nicht.**

**Der Waschvollautomat lädt kein Wasser (auf dem Display wird die Meldung „WASSERZULAUF PRÜFEN“ eingeblendet).**

**Der Waschvollautomat lädt laufend Wasser und pumpt es laufend ab.**

**Der Waschvollautomat pumpt nicht ab und schleudert nicht.**

**Der Waschvollautomat vibriert zu stark während des Schleuderns.**

**Der Waschvollautomat ist undicht.**

**Das Gerät ist blockiert, das Display blinkt und zeigt einen Fehlercode an (zum Beispiel: F-01, F-..).**

**Es bildet sich zu viel Schaum.**

## Mögliche Ursachen / Lösungen:

- Der Stecker steckt nicht in der Steckdose, oder nicht so, dass der Kontakt hergestellt wird.
- Der Strom ist ausgefallen.
- Die Gerätetür wurde nicht vorschriftsmäßig geschlossen.
- Die ON/OFF-Taste wurde nicht gedrückt.
- Die Taste START/PAUSE wurde nicht gedrückt.
- Der Wasserhahn ist nicht aufgedreht.
- Es wurde ein verzögerter Start gewählt (siehe „Durchführung eines Waschprogramms“).
- Der Zufuhrschlauch ist nicht am Wasserhahn angeschlossen.
- Der Schlauch ist geknickt.
- Der Wasserhahn ist nicht aufgedreht.
- Es ist kein Wasser da.
- Der Druck ist unzureichend.
- Die Taste START/PAUSE wurde nicht gedrückt.
- Der Ablaufschlauch befindet sich nicht auf der vorgeschriebenen Höhe, d.h. 65 – 100 cm vom Boden (siehe „Installation“).
- Das Schlauchende liegt unter Wasser (siehe „Installation“).
- Der Abfluss der Hausinstallation wurde nicht mit einer Entlüftungsöffnung versehen. Könnte die Störung durch diese Kontrollen nicht behoben werden, dann drehen Sie den Wasserhahn zu, schalten das Gerät aus und fordern den Kundendienst an. Falls Sie in einer der obersten Etagen eines Gebäudes wohnen, kann es vorkommen, dass sich im Syphon ein Vakuum bildet, und der Waschvollautomat ständig Wasser ansaugt und wieder abpumpt. Zur Lösung dieser Probleme bietet der Handel spezielle Syphonventile.
- Das Programm siehe kein Abpumpen vor: Bei einigen Programmen muss es von Hand eingestellt werden (siehe „Programme und Funktionen“).
- Die Funktion „BÜGELLEICHT“ wurde aktiviert: zur Beendigung des Programms Taste START/PAUSE drücken (siehe „Programme und Funktionen“).
- Der Ablaufschlauch ist geknickt (siehe „Installation“).
- Die Ablaufleitung ist verstopft.
- Die Trommel wurde bei der Installation nicht korrekt befreit (siehe „Installation“).
- Der Waschvollautomat steht nicht eben (siehe „Installation“).
- Der Waschvollautomat steht zu eng zwischen der Wand und einem Möbel (siehe „Installation“).
- Der Zulaufschlauch wurde nicht ordnungsgemäß aufgeschraubt (siehe „Installation“).
- Die Waschmittelschublade ist verstopft (zur Reinigung siehe „Wartung und Pflege“).
- Der Ablaufschlauch ist nicht korrekt befestigt (siehe „Installation“).
- Schalten Sie das Gerät aus und ziehen Sie den Netzstecker; warten Sie daraufhin ca. 1 Minute und schalten Sie es wieder ein. Bleibt die Störung bestehen, kontaktieren Sie bitte den Kundendienst.
- Das Waschmittel ist für Waschmaschinen nicht geeignet (es muss mit der Aufschrift „Für Waschmaschinen“, „Für Handwäsche und Waschmaschinen“ usw. versehen sein).
- Es wurde zu hoch dosiert.

# Kundendienst

DE

**Bevor Sie sich an den Kundendienst wenden:**

- Sollten einige Kontrollen vorab selbst durchgeführt werden (siehe „Störungen und Abhilfe“);
- Starten Sie daraufhin das Programm erneut, um sicherzustellen, dass die Störung auch wirklich behoben wurde;
- Ist dies nicht der Fall, dann kontaktieren Sie den autorisierten Kundendienst unter der auf dem Garantieschein befindlichen Telefonnummer.

! Wenden Sie sich auf keinen Fall an nicht autorisierte Techniker.

**Geben Sie bitte Folgendes an:**

- die Art der Störung;
- das Maschinenmodell (Mod.);
- die Seriennummer (S/N).

Diese Daten entnehmen Sie bitte dem auf der Rückseite des Waschvollautomaten und auf der Vorderseite (Gerätetür öffnen) befindlichen Typenschild.

**DELEGIERTE VERORDNUNG (EU) Nr. 1061/2010 DER KOMMISSION**

|   |                  |
|---|------------------|
| Marke   | HOTPOINT/ARISTON |
| Modell  | FMD 963BX EU     |
| Nennkapazität Baumwolle in kg   | 9,0              |
| Energieeffizienzklasse (A+++ niedriger Verbrauch) bis D (hoher Verbrauch)               | A+++             |
| Energieverbrauch pro Jahr in kWh <sup>1)</sup>  | 216,0            |
| Energieverbrauch Standardprogramm 60° C Baumwolle bei ganzer Beladung <sup>2)</sup>     | 1.193            |
| Energieverbrauch Standardprogramm 60° C Baumwolle bei teilweiser Beladung <sup>2)</sup> | 0.792            |
| Energieverbrauch Standardprogramm 40° C Baumwolle bei teilweiser Beladung <sup>2)</sup> | 0.708            |
| Leistungsaufnahme im Aus-Zustand in W   | 0,5              |
| Leistungsaufnahme im unausgeschalteten Zustand in W                                     | 8,0              |
| Wasserverbrauch pro Jahr in Liter <sup>3)</sup>   | 12254            |
| Schleudereffizienzklasse (A höchste Effizienz) bis G (geringe Effizienz)                | A                |
| Maximale Schleuderdrehzahl U/min <sup>4)</sup>  | 1600             |
| Restfeuchte in % <sup>5)</sup>  | 44%              |
| Programmdauer 60° Baumwolle bei ganzer Beladung in Minuten                              | 205              |
| Programmdauer 60° Baumwolle bei teilweiser Beladung in Minuten                          | 165              |
| Programmdauer 40° Baumwolle bei teilweiser Beladung in Minuten                          | 160              |
| Dauer des unausgeschalteten Zustandes in Minuten nach Programmende                      | 30               |
| Luftschallemissionen Waschen dB(A) re 1pW <sup>6)</sup>                                 | 53               |
| Luftschallemissionen Schleudern dB(A) re 1pW <sup>6)</sup>                              | 83               |
| Einbaugerät   |                  |

<sup>1)</sup> Die Angaben beziehen sich auf die Standardprogramme 60° C Baumwolle, volle und teilweise Beladung sowie 40° C Baumwolle teilweise Beladung. Diese Programme eignen sich für normal verschmutzte Wäsche und sind die effizientesten Programme in Bezug auf den kombinierten Energie- und Wasserverbrauch. Unter teilweiser Beladung versteht man halbe Beladung.

<sup>2)</sup> Angabe auf Grundlage von 220 Standard-Waschzyklen für 60 °C- und 40 °C- Baumwollprogramme bei vollständiger Befüllung und Teilbefüllung sowie dem Verbrauch der Betriebsarten mit geringer Leistungsaufnahme. Der tatsächliche Energieverbrauch hängt von der Art der Nutzung des Geräts ab

<sup>3)</sup> Angabe auf Grundlage von 220 Standard-Waschzyklen für 60 °C- und 40 °C- Baumwollprogramme bei vollständiger Befüllung und Teilbefüllung. Der tatsächliche Wasserverbrauch hängt von der Art der Nutzung des Geräts ab.

<sup>4)</sup> Für Programme Standard 60° Baumwolle bei ganzer und teilweiser Beladung oder für 40° Baumwolle bei teilweiser Beladung . Angabe des jeweils niedrigeren Wertes.

<sup>5)</sup> Für Programme Standard 60° Baumwolle bei ganzer und teilweiser Beladung oder für 40° Baumwolle bei teilweiser Beladung . Angabe des jeweils höheren Wertes.

<sup>6)</sup> Gemessen am Programme Standard 60° Baumwolle Vollast.

NL

Nederlands

FMD 963

## Inhoud

### Installatie, 38-39

Uitpakken en waterpas zetten  
Hydraulische en elektrische aansluitingen  
Eerste wascyclus  
Technische gegevens

### Onderhoud en verzorging, 40

Afsluiten van water en stroom  
Reinigen van de wasautomaat  
Reinigen van het wasmiddelbakje  
Onderhoud van deur en trommel  
Reinigen van de pomp  
Controleren van de buis van de watertoevoer

### Voorzorgsmaatregelen en advies, 41

Algemene veiligheid  
Afvalverwijdering  
Handmatige opening van de deur

### Beschrijving van de wasautomaat, 42-43

Bedieningspaneel  
Controlelampjes  
Een programma starten

### Het uitvoeren van een wascyclus, 44

### Programma's en functies, 45

Programmatabel  
Wasfuncties

### Wasmiddelen en wasgoed, 46

Wasmiddelbakje  
Vorbereiden van het wasgoed  
Speciale programma's  
Balanceersysteem van de lading

### Storingen en oplossingen, 47

### Service, 48



# Installatie

NL

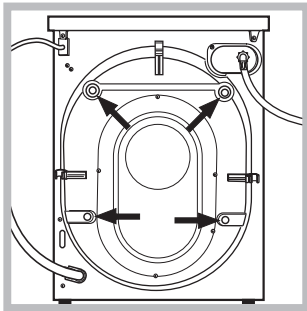
! Het is belangrijk deze handleiding te bewaren voor latere raadpleging. In het geval u het apparaat verkoopt, of u verhuist, moet het boekje bij de wasautomaat blijven zodat de nieuwe gebruiker de functies en betreffende raadgevingen kan doornemen.

! Lees de instructies aandachtig door: u vindt er belangrijke informatie betreffende installatie, gebruik en veiligheid.

## Uitpakken en waterpas zetten

### Uitpakken

1. De wasautomaat uitpakken.
2. Controleer of de wasautomaat geen schade heeft geleden gedurende het vervoer. Indien dit wel het geval is moet hij niet worden aangesloten en moet u contact opnemen met de handelaar.



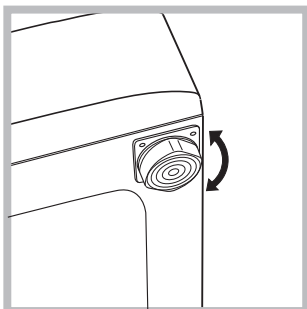
3. Verwijder de 4 schroeven die het apparaat beschermen tijdens het vervoer en de rubberen ring met bijbehorende afstandslider die zich aan de achterkant bevinden (zie afbeelding).

4. Sluit de openingen af met de bijgeleverde plastic doppen.
5. Bewaar alle onderdelen: mocht de wasautomaat ooit worden vervoerd, dan moeten deze weer worden aangebracht.

! Het verpakkingsmateriaal is geen speelgoed voor kinderen.

### Waterpas zetten

1. Installeer de wasautomaat op een rechte en stevige vloer en laat hem niet steunen tegen een muur, meubel of dergelijke.



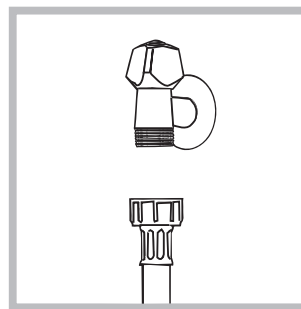
2. Als de vloer niet volledig horizontaal is kunt u de onregelmatigheid opheffen door de stelvoetjes aan de voorkant losser vast te schroeven (zie afbeelding); de inclinatiehoek, gemeten ten opzichte van het werkvlak, mag de 2°

niet overschrijden.

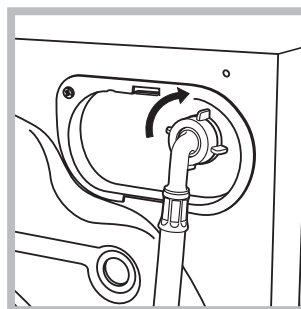
Een correcte nivellering geeft de machine stabiliteit en voorkomt trillingen, lawaai en het zich verplaatsen van de automaat tijdens de werking. In het geval van vloerbedekking of een tapijt regelt u de stelvoetjes zodanig dat onder de wasmachine genoeg plaats is voor ventilatie.

## Hydraulische en elektrische aansluitingen

### Aansluiting van de watertoevoerbuis



1. Sluit de toevoerbuis aan op de koudwaterkraan met een mondstuk met schroefdraad van 3/4 gas (zie afbeelding). Voordat u de wasautomaat aansluit moet u het water laten lopen totdat het helder is.



2. Verbind de watertoevoerbuis aan de wasautomaat door hem op de betreffende watertoevoer te schroeven, rechtsboven aan de achterkant (zie afbeelding).

3. Let erop dat er geen knellingen of kronkels in de buis zijn.

! De waterdruk van de kraan moet zich binnen de waarden van de tabel Technische Gegevens bevinden (zie bladzijde hiernaast).

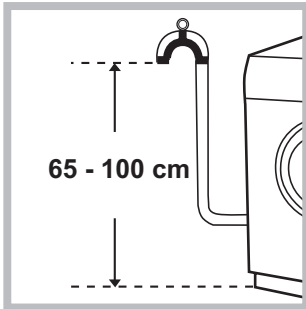
! Als de toevoerbuis niet lang genoeg is moet u zich wenden tot een gespecialiseerde winkel of een bevoegde installateur.

! Gebruik nooit tweedehands buizen.

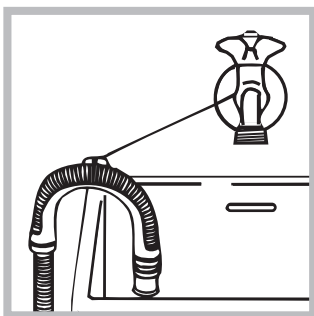
! Gebruik de buizen die bij het apparaat worden geleverd.



## Aansluiting van de afvoerbuïs



Verbind de buïs, zonder hem te buïgen, aan een afvoerleiding of aan een afvoer in de muur tussen de 65 en 100 cm van de grond af;



of hang hem aan de rand van een wasbak of badkuip, en bind de bijgeleverde steun aan de kraan (zie afbeelding). Het uiteinde van de afvoerslang mag niet onder water hangen.

! Gebruik nooit verlengstukken voor de buïs; indien dit niet te vermijden is moet het verlengstuk dezelfde doorsnede hebben als de oorspronkelijke buïs en mag hij niet langer zijn dan 150 cm.

## Elektrische aansluiting

Voordat u de stekker in het stopcontact steekt moet u zich ervan verzekeren dat:

- het stopcontact geaard is en voldoet aan de geldende normen;
- het stopcontact het maximum vermogen van de wasautomaat kan dragen, zoals aangegeven in de tabel Technische Gegevens (zie hiernaast);
- de spanning zich bevindt tussen de waarden die zijn aangegeven in de tabel Technische Gegevens (zie hiernaast);
- de contactdoos geschikt is voor de stekker van de wasautomaat. Indien dit niet zo is moet de stekker of het stopcontact vervangen worden.

! De machine mag alleen binnenshuis op een vorstvrije en droge plek worden geïnstalleerd om elektronische schade door bevriezing of condensatie te voorkomen.

! Als de wasautomaat is geïnstalleerd moet het stopcontact gemakkelijk te bereiken zijn.

! Gebruik geen verlengsnoeren of dubbelstekkers.

! Het snoer mag niet gebogen of samengedrukt worden.

! De voedingskabel mag alleen door een bevoegde installateur worden vervangen.

Belangrijk! De fabrikant kan niet aansprakelijk worden gesteld wanneer deze normen niet worden nageleefd.

## Eerste wascyclus

Na de installatie en voor u de wasautomaat in gebruik neemt, dient u een wascyclus uit te voeren met wasmiddel maar zonder wasgoed, op het programma "Zelfreinigen" (zie "Reinigen van de wasautomaat").

## Technische gegevens

|  |  |
|--|--|
| <b>Model</b>   | FMD 963  |
| <b>Afmetingen</b>  | breedte 59,5 cm<br>hoogte 85 cm<br>diepte 60,5 cm  |
| <b>Laadcapaciteit</b>  | van 1 tot 9 kg   |
| <b>Elektrische aansluitingen</b>   | zie het typeplaatje met de technische eigenschappen dat op het apparaat is bevestigd   |
| <b>Hydraulische aansluitingen</b>  | maximale druk 1 MPa (10 bar)<br>minimale druk 0,05 MPa (0,5 bar)<br>inhoud trommel 62 liter  |
| <b>Centrifuge-toerental</b>  | tot 1600 toeren per minuut   |
| <b>Controleprogramma's volgens de richtlijnen 1061/2010 en 1015/2010</b> | programma 2 (60°)<br>(1 <sup>e</sup> druk op de toets);<br>Standaard katoen 60°C.<br>programma 2 (40°)<br>(2 <sup>e</sup> druk op de toets);<br>Standaard katoen 40°C. |



Deze apparatuur voldoet aan de volgende CE voorschriften:  
- 2004/108/CE (Elektromagnetische compatibiliteit)  
- 2012/19/EU  
- 2006/95/CE (Laagspanning)

# Onderhoud en verzorging

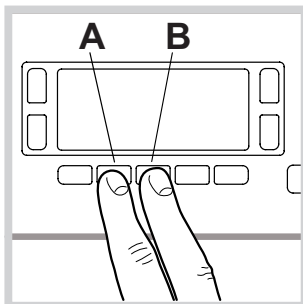
NL

## Afsluiten van water en stroom

- Sluit na iedere wasbeurt de kraan af. Hiermee beperkt u slijtage van de waterinstallatie van de wasmachine en voorkomt u lekkage.
- Sluit altijd eerst de stroom af voordat u de wasautomaat gaat schoonmaken en gedurende onderhoudswerkzaamheden.

## Reinigen van de wasautomaat

- De buitenkant en de rubberen onderdelen kunnen met een spons en een lauw sopje worden schoongemaakt. Gebruik nooit schuurmiddelen of oplosmiddelen.
- De wasautomaat beschikt over een programma "Zelfreinigen" voor het reinigen van de binnenkant van de automaat. Dit moet worden uitgevoerd **als de automaat volledig leeg is**. Het wasmiddel (circa 10% van de hoeveelheid die wordt aanbevolen voor een niet zo vuile was) of de speciale reinigingsmiddelen voor wasautomaten kunnen worden gebruikt als hulpmiddelen tijdens dit wasprogramma. We raden u aan dit reinigingsprogramma elke 40 wascycli uit te voeren.

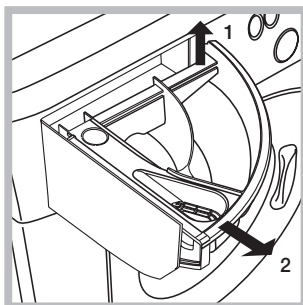


Om dit programma te activeren drukt u tegelijkertijd 5 sec. op de toetsen **A** en **B** (zie *afb.*).

Het programma start automatisch en heeft een duur van circa 70 minuten. Om de cyclus te beëindigen drukt u op de toets

START/PAUSE.

## Reinigen van het wasmiddelbakje



Verwijder het bakje door het op te lichten en naar voren te trekken (zie *afbeelding*). Was het onder stromend water. Dit moet u regelmatig doen.

## Onderhoud van deur en trommel

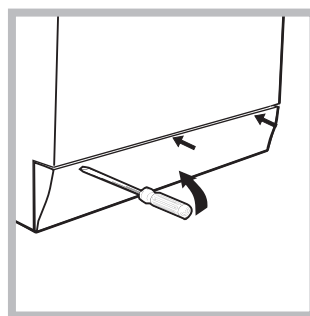
- Laat de deur altijd op een kier staan om nare luchtjes te vermijden.

## Reinigen van de pomp

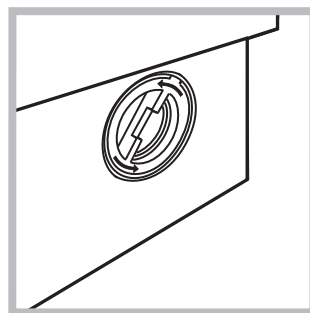
De wasautomaat is voorzien van een zelfreinigende pomp en hoeft dus niet te worden onderhouden. Het kan echter gebeuren dat kleine voorwerpen (muntjes, knopen) in het voorvakje dat de pomp beschermt en zich aan de onderkant ervan bevindt, terechtkomen.

**!** Verzeker u ervan dat de wascyclus klaar is en haal de stekker uit het stopcontact.

Toegang tot het voorvakje:



1. verwijder het afdekpaneel aan de voorkant van de wasautomaat met behulp van een schroevendraaier (zie *afbeelding*);



2. draai het deksel eraf, tegen de klok in (zie *afbeelding*); het is normaal dat er een beetje water uit komt;

3. maak de binnenkant goed schoon;
4. schroef het deksel er weer op;
5. monteer het paneel weer, met de haakjes goed bevestigd in de juiste openingen, voordat u het paneel tegen de machine aandrukt.

## Controleren van de buis van de watertoevoer

Controleer minstens eenmaal per jaar de slang van de watertoevoer. Als er barstjes of scheuren in zitten moet hij vervangen worden: gedurende het wassen kan de hoge waterdruk onverwachts breuken veroorzaken.

**!** Gebruik nooit tweedehands buizen.

! De wasmachine is ontworpen en geproduceerd volgens de internationale veiligheidsnormen. Deze aanwijzingen zijn voor uw eigen veiligheid geschreven en moeten aandachtig worden doorgenomen.

## Algemene veiligheid

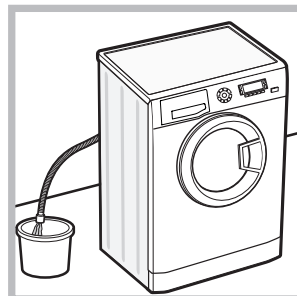
- Dit apparaat is uitsluitend ontworpen voor huishoudelijk niet-professioneel gebruik.
- Dit apparaat mag alleen door kinderen van 8 jaar en ouder, door personen met een beperkt lichamelijk, sensorieel of geestelijk vermogen, of met onvoldoende ervaring of kennis worden gebruikt, mits ze worden begeleid, of wanneer zij toereikende instructies hebben gekregen betreffende het veilige gebruik van het apparaat en mits zij op de hoogte zijn van de betreffende gevaren. Kinderen mogen niet met het apparaat spelen. Onderhoud en reiniging mogen niet door kinderen zonder supervisie worden uitgevoerd.
- Raak de machine niet aan als u blootsvoets bent of met natte of vochtige handen of voeten.
- Trek de stekker nooit uit het stopcontact door aan het snoer te trekken, maar altijd door de stekker zelf beet te pakken.
- Open het wasmiddelbakje niet terwijl de machine in werking is.
- Raak het afvoerwater niet aan aangezien het zeer heet kan zijn.
- Forceer de deur nooit: het veiligheidsmechanisme dat een ongewild openen van de deur voorkomt, kan beschadigd worden.
- Probeer in geval van storingen nooit zelf de interne mechanismen van de wasautomaat te repareren.
- Zorg ervoor dat kleine kinderen niet te dicht bij de machine komen als deze in werking is.
- De deur kan tijdens het wassen zeer heet worden.
- Als de machine verplaatst moet worden, doe dit dan met twee of drie personen tegelijk en zeer voorzichtig. Doe dit nooit alleen, want het apparaat is erg zwaar.
- Voordat u het wasgoed in de automaat laadt, moet u controleren of hij leeg is.

## Afvalverwijdering

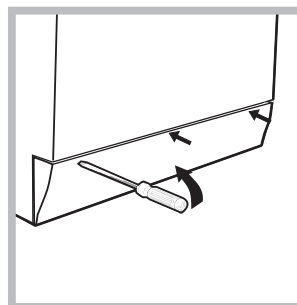
- Het wegdoen van het verpakkingsmateriaal: houdt u aan de plaatselijke normen zodat het materiaal hergebruikt kan worden.
- De Europese Richtlijn 2012/19/EU over Vernietiging van Elektrische en Electronische Apparatuur, vereist dat oude huishoudelijke elektrische apparaten niet mogen vernietigd via de normale ongesorteerde afvalstroom. Oude apparaten moeten apart worden ingezameld om zo het hergebruik van de gebruikte materialen te optimaliseren en de negatieve invloed op de gezondheid en het milieu te reduceren.  
Het symbool op het product van de "afvalcontainer met een kruis erdoor" herinnert u aan uw verplichting, dat wanneer u het apparaat vernietigt, het apparaat apart moet worden ingezameld. Consumenten moeten contact opnemen met de lokale autoriteiten voor informatie over de juiste wijze van vernietiging van hun oude apparaat.

## Handmatige opening van de deur

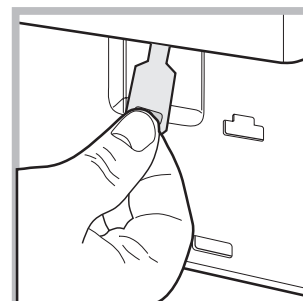
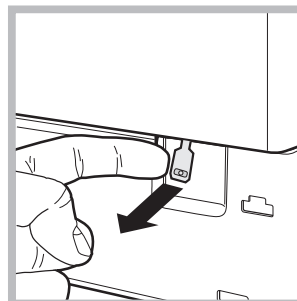
Mocht er in het huis geen stroom aanwezig zijn en u wilt het deurtje openen om de was op te hangen, dan dient u het volgende te doen:



1. haal de stekker uit het stopcontact.
2. controleer dat het water-niveau in de automaat lager is dan het deurtje; als dat niet het geval is kunt het water weg laten lopen door middel van de afvoerbuis en dit opvangen in een emmer, zoals aangegeven in de afbeelding.



3. verwijder het afdekpaneel aan de voorkant van de wasautomaat met behulp van een schroevendraaier (zie afbeelding).



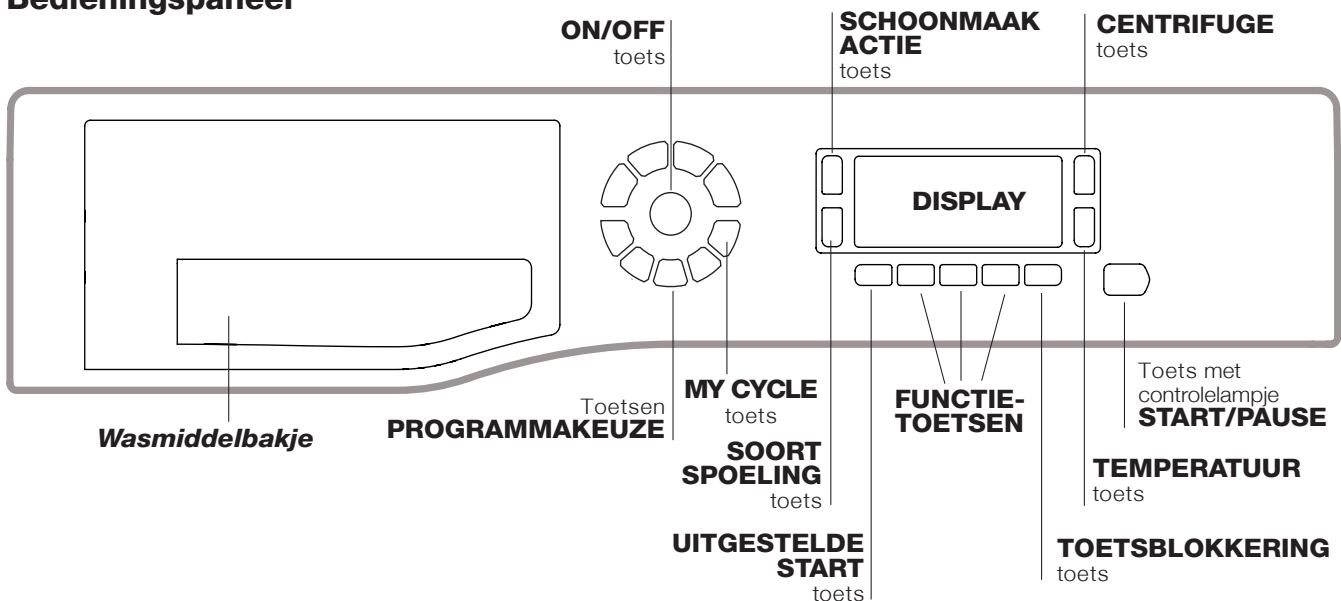
4. trek het lipje dat wordt aangegeven in de afbeelding naar voren totdat het plastic bandje loskomt; trek hem daarna naar beneden en open tegelijkertijd de deur.

5. monteer het paneel weer, met de haakjes goed bevestigd in de juiste openingen, voordat u het paneel tegen de machine aandrukt.

# Beschrijving van de wasautomaat

NL

## Bedieningspaneel



**Wasmiddelbakje:** voor wasmiddelen en wasversterkers (zie "Wasmiddelen en wasgoed").

Toets **ON/OFF** : druk even op de toets om de wasautomaat aan of uit te zetten. Het groene START/PAUSE controlelampje dat langzaam knippert geeft aan dat de wasautomaat aanstaat. Om de wasautomaat tijdens de wascyclus uit te zetten moet u de toets iets langer, circa 3 seconden, ingedrukt te houden. Als u de toets kort, of per ongeluk indrukt zal de wasautomaat niet uitgaan. Als u de wasautomaat tijdens de wascyclus uitdoet wordt de cyclus automatisch geannuleerd.

Toetsen **PROGRAMMAKEUZE:** voor het instellen van het gewenste programma (zie "Programmatabel").

Toets **MY CYCLE:** druk op deze toets om de wascyclus en uw persoonlijke instellingen op te slaan. Om een voorheen opgeslagen wascyclus te starten drukt u op de toets MY CYCLE.

**FUNCTIETOETSSEN:** druk op de toets om de gewenste functie te selecteren. Op het display gaat het bijbehorende controlelampje aan.

Toets **SCHOONMAAK ACTIE** : druk op deze toets om de gewenste wasintensiteit te kiezen.

Toets **SOORT SPOELING** : druk op deze toets om de gewenste spoeling te kiezen.

Toets **CENTRIFUGE** : druk hierop om het centrifugetoental te verminderen of om de centrifuge in zijn geheel uit te sluiten - de waarde wordt op het display aangegeven.

Toets **TEMPERATUUR** : druk hierop om de temperatuur te verlagen: de waarde wordt op het display aangegeven.

Toets **TOETSBLOKKERING** : om de blokkering van het bedieningspaneel te **activeren** dient u de toets circa 2 seconden lang ingedrukt te houden. Het ontstoken symbool  geeft aan dat het bedieningspaneel geblokkeerd is (met uitzondering van de knop ON/OFF). Op deze manier kunt u voorkomen dat er ongewilde wijzigingen aan de programma's worden aangebracht, bijvoorbeeld bij aanwezigheid van kinderen. Om de blokkering van het bedieningspaneel te **deactiveren** dient u de toets circa 2 seconden lang ingedrukt te houden.

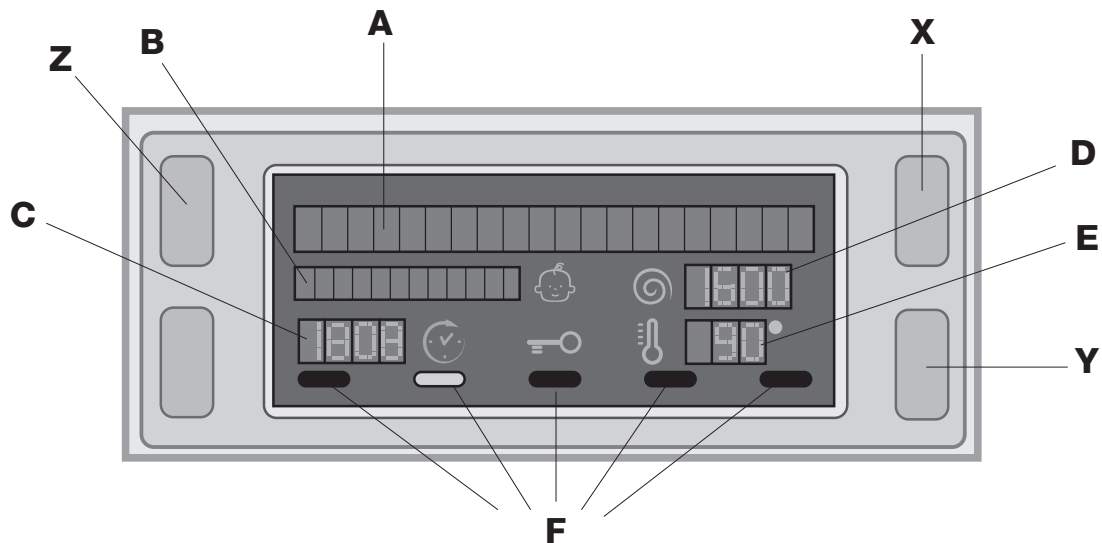
Toets **UITGESTELDE START** : druk hierop om een uitgestelde start van het gekozen programma in te stellen. De vertraging wordt door het display aangegeven.

Toets met controlelampje **START/PAUSE:** als het groene controlelampje langzaam knippert, moet u op de toets drukken om de wascyclus te starten. Als de cyclus is gestart blijft het controlelampje vast aanstaan. Als u de wascyclus wilt PAUSEren drukt u nogmaals op de toets; het controlelampje wordt oranje en gaat knipperen. Als het symbool  niet aan is kunt u de deur openen. Om het programma te hervatten drukt u opnieuw op de toets.

### Stand-by modus

Deze wasdroogmachine beschikt, in overeenkomst met de nieuwe normen betreffende de energiebesparing, over een systeem wat het apparaat automatisch na 30 minuten uitschakelt (stand-by) indien men het niet gebruikt. Druk kort op de ON/OFF toets en wacht tot de wasdroogmachine weer aangaat.

## Display



Het display is nodig om de wasautomaat te programmeren en geeft meerdere soorten informatie.

In de twee bovenste vakken **A** en **B** verschijnen het geselecteerde wasprogramma, de lopende wasfase en alle aanwijzingen met betrekking tot het verloop van het wasprogramma.

In het vak **C** verschijnt de resterende tijd tot het einde van de wascyclus. Indien een UITGESTELDE START is geselecteerd verschijnt de resterende tijd tot aan de start van het geselecteerde wasprogramma.

In het vak **D** verschijnt het maximale centrifuge-toerental dat het apparaat kan uitvoeren bij het ingestelde programma. Als het programma geen centrifuge voorziet dan zal er in dit vak niets verschijnen.

In het vak **E** verschijnt de maximale temperatuur die u kunt selecteren bij het ingestelde programma. Als het programma geen instelling van de temperatuur voorziet dan zal er in dit vak niets verschijnen.

De controlelampjes **F** hebben betrekking tot de functies en zullen aangaan als de geselecteerde functie compatibel is met het ingestelde programma.

### Symbool **Deur geblokkeerd**

Het symbool geeft aan dat de deur is geblokkeerd om ongewild openen te vermijden. Om schade te voorkomen moet u wachten tot het symbool uitgaat voordat u de deur van de wasautomaat opent.

**N.B.:** als de functie UITGESTELDE START actief is kunt u de deur niet openen. Om hem toch te openen zet u het apparaat op PAUSE door middel van de START/PAUSE toets.

**!** Wanneer u het apparaat voor het eerst aanzet kunt u een taal selecteren en zal op het display automatisch het menu taal selecteren verschijnen.

Om de gewenste taal te selecteren drukt u op de toetsen **X** en **Y**. Om uw keuze te bevestigen drukt u op de toets **Z**.

Als u van taal wilt veranderen, schakelt u de wasautomaat uit en drukt u tegelijkertijd op de toetsen **X**, **Y**, **Z**, totdat u een geluidssignaal hoort. Nu zal opnieuw het menu voor de taalselectie verschijnen.





# Het uitvoeren van een wascyclus

NL

1. **DE WASAUTOMAAT AANZETTEN.** Druk op de toets , op het display verschijnt de tekst AANZETTEN. Het groene controlelampje START/PAUSE zal langzaam knipperen.
2. **HET WASGOED INLADEN.** Open de deur. Laad het wasgoed in en zorg ervoor nooit de laadhoeveelheid te overschrijden aangegeven in de programmatabel op de volgende bladzijde.
3. **WASMIDDEL DOSEREN.** Trek het bakje naar buiten en doe het wasmiddel in de speciale bakjes, zoals aangegeven in "Wasmiddelen en wasgoed".
4. **SLUIT DE DEUR.**
5. **KIES HET PROGRAMMA.** Druk op een van de toetsen van de PROGRAMMAKEUZE om het gewenste programma te selecteren. De naam van het programma verschijnt op het display; hieraan worden automatisch een temperatuur en een centrifugesnelheid gekoppeld die naderhand kunnen worden gewijzigd. Op het display verschijnt de duur van de cyclus.
6. **DE WASCYCLUS AANPASSEN.** Druk op de speciale toetsen:

## Wijzigen van de temperatuur en/of de centrifuge.

De wasautomaat selecteert automatisch de maximale temperatuur en centrifuge die voor het ingestelde programma gelden. Deze maximum waarden kunnen niet worden overschreden. Door op de toets  te drukken kunt u de temperatuur langzaam verlagen, tot aan de koude wascyclus "OFF". Door op de toets  te drukken kunt u het toerental van de centrifuge langzaam verlagen, tot aan de complete uitsluiting "OFF". Als u nogmaals op de toetsen drukt zult u op de maximaal toegestane waarden terugkeren.

! Uitzondering: als u het programma 2 (60°C) (1<sup>e</sup> druk op de toets) selecteert kunt u de temperatuur tot op 90° instellen.


## Een uitgestelde start instellen.

Om de uitgestelde start van het gekozen programma in te stellen drukt u op de betreffende toets totdat u de gewenste vertraging heeft bereikt. Als deze optie is geactiveerd verschijnt op het display het symbool . Om de uitgestelde start te annuleren drukt u net zolang op de toets tot op het display de tekst OFF verschijnt.

## De gewenste wasintensiteit te kiezen.

Met de optie  kunt u het wasprogramma optimaliseren op basis van de vuilgraad van het wasgoed en de gewenste wasintensiteit.

Selecteer het wasprogramma, de cyclus wordt automatisch ingesteld op het niveau "Normaal", dat geoptimaliseerd is voor middelmatig vuile was (deze instelling geldt niet voor de cyclus "Wol" die automatisch wordt ingesteld op het niveau "Delicaat").

Voor zeer vuile was drukt u op de toets  totdat u het niveau "Super Wash" bereikt. Dit niveau garandeert een kwalitatief zeer hoog wasresultaat dankzij het gebruik van een grotere hoeveelheid water in de beginfase van de cyclus, en een grotere mechanische beweging van de trommel. Hierdoor worden zelfs de hardnekkigste vlekken verwijderd. Kan met of zonder bleekmiddel gebruikt worden.

Als u bleekmiddel wil toevoegen plaatst u het bijgeleverde bakje 4 in vakje 1. Schenk het bleekmiddel en zorg ervoor nooit het "max" niveau, aangegeven op de centrale spil, te overschrijden (zie fig. op pag. 46).

Voor niet zo vuile was of voor een voorzichtigere behandeling van het wasgoed drukt u op de toets  totdat u het niveau "Delicaat" bereikt. Deze cyclus zorgt voor een beperktere mechanische beweging waardoor fijne was perfect kan worden gewassen.

## Het soort spoeling instellen.

Met de optie  kunt u het type spoeling selecteren voor een maximale zorg van de gevoelige huid. De eerste keer dat u op de toets drukt selecteert u het niveau "Extra spoelen" waarmee een extra spoelcyclus wordt ingesteld om alle sporen van wasmiddel te verwijderen. De tweede keer dat u op de toets drukt selecteert u het niveau "Gevoelige Huid" waarmee u twee extra spoelcycli instelt. Dit wordt aangeraden voor de gevoeligere huid. Door drie keer op de toets te drukken stelt u het niveau "Anti-allergie" in, waarmee u 3 aanvullende spoelbeurten kunt selecteren, naast de standaard spoelbeurten van de cyclus. Als u de optie activeert met cycli op een temperatuur van 40° kunt u de belangrijkste allergenen zoals katten- en hondenhaar en stuifmeel verwijderen. Bij cycli met temperaturen van meer dan 40° bereikt u een zeer goed anti-allergie beschermingsniveau. Druk nogmaals op deze toets om terug te keren naar het type "Normaal spoelen" spoeling. Indien het niet mogelijk is de bestaande afregeling in te stellen of te wijzigen, verschijnt op het display de tekst "Niet Actief".

## De eigenschappen van de cyclus wijzigen.

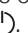
- Druk op de toets om de functie te activeren. Het controlelampje dat bij de toets hoort gaat aan.
- Druk nogmaals op de toets om de functie te deactiveren. Het controlelampje gaat uit.

! Als de gekozen functie niet geschikt is voor het ingestelde programma gaat het controlelampje knipperen en zal de functie niet worden geactiveerd.

! Als de geselecteerde functie niet compatibel is met een optie die daarvoor is ingesteld, zal het controlelampje van de eerder geselecteerde functie gaan knipperen en zal alleen de tweede functie worden geactiveerd; het controlelampje van de geactiveerde functie zal aangaan.

! De functies kunnen van invloed zijn op de aanbevolen washoeveelheid en/of de duur van de cyclus.

7. **HET PROGRAMMA STARTEN.** Druk op de toets START/PAUSE. Het betreffende controlelampje zal aangaan met een groen licht en de deur wordt geblokkeerd (het symbool DEUR GEBLOKKEERD  is aan). Tijdens het wassen zal op het display de naam van de lopende wasfase verschijnen. Om een programma te wijzigen terwijl de cyclus bezig is moet u de wasautomaat pauzeren door middel van de toets START/PAUSE (het controlelampje START/PAUSE gaat langzaam knipperen met een oranje licht); selecteer daarna de gewenste cyclus en druk opnieuw op de toets START/PAUSE. Om de deur te openen terwijl de cyclus bezig is, drukt u op de START/PAUSE toets. Als het symbool DEUR GEBLOKKEERD  uit is kunt u de deur openen. Druk nogmaals op de START/PAUSE toets om het programma te hervatten vanaf het punt dat het werd onderbroken.
8. **EINDE VAN HET PROGRAMMA.** De tekst "EINDE CYCLUS" verschijnt op het display. Als het symbool DEUR GEBLOKKEERD  uitgaat kunt u de deur openen. Open het deurtje, laad het wasgoed uit en schakel het apparaat uit.

! Als u een reeds gestarte cyclus wilt annuleren drukt u langere tijd op de toets . De cyclus wordt onderbroken en het apparaat gaat uit.

## Programmatabel

| Programma's       | Beschrijving van het Programma  | Maximale Temp (°C) | Maximaal toerental (toeren per minuut) | Wasmiddel |        |              |                | Maximale lading (kg) | Energieverbruik % | Energieverbruik kWh | Totaal water l | Duur cyclus |
|-------------------|---|--------------------|--|-----------|--------|--------------|----------------|----------------------|-------------------|---------------------|----------------|-------------|
|                   |   |                    |  | Voorwas   | Wassen | Bleek-middel | Wasver-zachter |                      |                   |                     |                |             |
| <b>CLEAN Plus</b> |   |                    |  |           |        |              |                |                      |                   |                     |                |             |
| 1                 | Vlekkenverwijdering (1 <sup>e</sup> druk op de toets)   | 40°                | 1600                                   | ●         | ●      | -            | ●              | 5                    | -                 | -                   | -              | 180'        |
| 1                 | Anti vleck Snel (2 <sup>e</sup> druk op de toets)   | 40°                | 1200                                   | -         | ●      | -            | ●              | 4,5                  | -                 | -                   | -              | 60'         |
| 2                 | 60°C Standaard Katoen 60° (1) (1 <sup>e</sup> druk op de toets): zeer vuile wit en kleurecht bont wasgoed.  | 60° (Max. 90°C)    | 1600                                   | ● (3)     | ●      | ●            | ●              | 9                    | 44                | 1,19                | 57,5           | 205'        |
| 2                 | 40°C Standaard Katoen 40° (2) (2 <sup>e</sup> druk op de toets): niet zo vuile witte en bonte fijne was.    | 40°                | 1600                                   | -         | ●      | ●            | ●              | 9                    | 44                | 1,09                | 92             | 180'        |
| 2                 | Standaard Katoen 20° (3 <sup>e</sup> druk op de toets): niet zo vuile witte en bonte fijne was.             | 20°                | 1600                                   | -         | ●      | ●            | ●              | 9                    | -                 | -                   | -              | 175'        |
| 3                 | Synthetisch Resistent (1 <sup>e</sup> druk op de toets): zeer vuile kleurvaste bonte was.                   | 60°                | 800                                    | ●         | ●      | ●            | ●              | 4,5                  | 46                | 1,03                | 60             | 115'        |
| 3                 | Synthetisch Resistent (4) (1 <sup>e</sup> druk op de toets): niet zo vuile kleurvaste bonte was.            | 40°                | 800                                    | ●         | ●      | ●            | ●              | 4,5                  | 46                | 0,56                | 60             | 100'        |
| 3                 | Fijn Synthetisch (2 <sup>e</sup> druk op de toets): niet zo vuile kleurvaste bonte was.                     | 40°                | 800                                    | ●         | ●      | ●            | ●              | 4,5                  | -                 | -                   | -              | 75'         |
| <b>SPECIALS</b>   |   |                    |  |           |        |              |                |                      |                   |                     |                |             |
| 4                 | Snelle Was 30': voor het snel oprispen van niet zo vuil wasgoed (niet geschikt voor wol, zijde en handwas). | 30°                | 800                                    | -         | ●      | -            | ●              | 3                    | 71                | 0,20                | 38             | 30'         |
| M                 | My Cycle (Geheugen): maakt het memoriseren van ieder soort wassen mogelijk.                                 |                    |  |           |        |              |                |                      |                   |                     |                |             |
| 6                 | Bed & Bath Cyclus: voor handdoeken en beddengoed.   | 60°                | 1600                                   | ●         | ●      | -            | ●              | 9                    | -                 | -                   | -              | 140'        |
| <b>EXTRA CARE</b> |   |                    |  |           |        |              |                |                      |                   |                     |                |             |
| 7                 | Wol (Woolmark Platinum): voor wol, kasjmier, etc.   | 40°                | 800                                    | -         | ●      | -            | ●              | 2                    | -                 | -                   | -              | 85'         |
| 8                 | Fijne was   | 30°                | 0                                      | -         | ●      | -            | ●              | 1                    | -                 | -                   | -              | 80'         |
|                   | Centrifuge (1 <sup>e</sup> druk op de toets).   | -                  | 1600                                   | -         | -      | -            | -              | 9                    | -                 | -                   | -              | 16'         |
|                   | Spoelen (2 <sup>e</sup> druk op de toets).  | -                  | 1600                                   | -         | -      | -            | ●              | 9                    | -                 | -                   | -              | 36'         |
|                   | Waterafvoer (3 <sup>e</sup> druk op de toets).  | -                  | 0                                      | -         | -      | -            | -              | 9                    | -                 | -                   | -              | 2'          |

De duur van de cyclus die wordt aangegeven op het display of op de gebruiksaanwijzing is een geschatte waarde die wordt gecalculerd bij standaard omstandigheden. De effectieve tijd kan variëren aan de hand van talloze factoren zoals temperatuur en druk van de watertoevoer, de kamertemperatuur, de hoeveelheid wasmiddel, de hoeveelheid en type lading, de balancering van de was en de geselecteerde aanvullende opties.

- 1) Controleprogramma volgens de norm 1061/2010: stel het programma 2 in op 60°C (1<sup>e</sup> druk op de toets). Dit is de geschikteste cyclus voor het wassen van een middelmatig vuile lading katoenen wasgoed. Het is ook de efficiëntste cyclus v.w.b. het gecombineerde verbruik van energie en water, voor wasgoed dat op 60°C kan worden gewassen. De effectieve wastemperatuur kan verschillen van de temperatuur die wordt aangegeven.
- 2) Controleprogramma volgens de norm 1061/2010: stel het programma 2 in op 40°C (2<sup>e</sup> druk op de toets). Dit is de geschikteste cyclus voor het wassen van een middelmatig vuile lading katoenen wasgoed. Het is ook de efficiëntste cyclus v.w.b. het gecombineerde verbruik van energie en water, voor wasgoed dat op 40°C kan worden gewassen. De effectieve wastemperatuur kan verschillen van de temperatuur die wordt aangegeven.
- 3) Bij een temperatuur van 60°C kan de functie "Voorwas" niet worden geactiveerd.

Voor alle Test Institutes:

- 2) Programma katoen lang: stel het programma 2 in op 40°C (2<sup>e</sup> druk op de toets).
- 4) Programma syntetisch lang: stel het programma 3 in op 60°C (1<sup>e</sup> druk op de toets); temperatuur 40°C (druk op de toets TEMPERATUUR).

## Wasfuncties

### Voorwas

Als u deze functie selecteert wordt de voorwas uitgevoerd, handig voor het verwijderen van moeilijke vlekken.

**N.B.:** doe het wasmiddel in het speciale vakje.

! Deze functie is niet activeerbaar bij de programma's "Anti vleck Snel", 2 (60°) (1<sup>e</sup> druk op de toets), 2 (2<sup>e</sup> druk op de toets), 2 (3<sup>e</sup> druk op de toets), 4, 7, 8, .

### Makkelijk Strijken

Als u deze functie selecteert zullen het wassen en de centrifuge dusdanig worden aangepast dat er minder kreuken worden gevormd. Aan het einde van de wascyclus zal de wasautomaat de trommel langzaam laten ronddraaien; het controlelampje van de functie MAKKELIJK STRIJKEN en die van START/PAUSE gaan knipperen (oranje) en de tekst "EINDE CYCLUS" verschijnt op het display. Om de cyclus te beëindigen drukt u op de START/PAUSE toets of op de toets MAKKELIJK STRIJKEN.

! Deze optie kan niet worden geactiveerd bij de programma's 1, 4, 7, 8, .

### Eco Wash

De functie Eco Wash draagt bij aan energiebesparing door het voor het wassen van het wasgoed niet te verwarmen: een voordeel voor zowel het milieu als de energierekening. De versterkte werking en het geoptimaliseerde waterverbruik garanderen uitstekende resultaten met een gelijke gemiddelde tijdsduur als een standaardcyclus. Om betere wasresultaten te verkrijgen, wordt het gebruik van een vloeibaar wasmiddel aanbevolen.

! Deze optie kan niet worden geactiveerd bij de programma's 1, 2 (3<sup>e</sup> druk op de toets), 6, 7, 8, .

# Wasmiddelen en wasgoed

NL

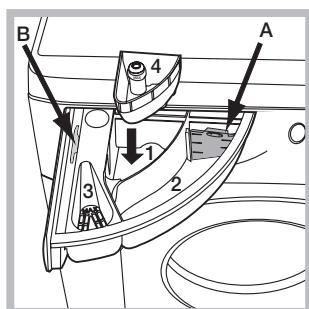
## Wasmiddelbakje

Een goed wasresultaat hangt ook af van de juiste dosis wasmiddel: te veel wasmiddel maakt het wassen niet beter. Het wasmiddel blijft aan de binnenzijde van de wasautomaat zitten en zorgt voor het vervuilen van het milieu.

! Gebruik waspoeder voor witte katoenen was, voor de voorwas en voor het wassen op temperaturen van meer dan 60°C.

! Volg de aanwijzingen op de wasmiddelverpakking.

! Gebruik nooit wasmiddelen voor handwas aangezien die te veel schuim vormen.



Trek het laatje naar voren en giet het wasmiddel of de wasversterker er als volgt in:

### Vak 1: Wasmiddel voor voorwas (poeder)

Voordat u het middel erin strooit moet u controleren of het aanvullende bakje 4 er niet in zit.

### Vak 2: Wasmiddel voor hoofdwash (poeder of vloeibaar)

Als u een vloeibaar wasmiddel gebruikt raden we u aan het bijgeleverde schotje **A** te gebruiken voor een correcte dosering. Voor het gebruik van poederwasmiddel doet u het schotje terug in de opening **B**.

### Vak 3: Wasversterkers (wasverzachter, enz.)

De wasverzachter mag niet boven het roostertje uitkomen.

### Extra bakje 4: Bleekmiddel

## Vorbereiden van het wasgoed

- Verdeel het wasgoed volgens:
  - het soort stof / het symbool op het etiket.
  - de kleuren: scheid de bonte was van de witte was.
- Leeg de zakken en controleer de knopen.
- Overschrijd het aangegeven gewicht, berekend voor droog wasgoed, nooit: zie "Programmatabel".

### Hoeveel weegt wasgoed?

- 1 laken 400-500 g.
- 1 sloop 150-200 g.
- 1 tafelkleed 400-500 g.
- 1 badjas 900-1200 g.
- 1 handdoek 150-250 g.

## Speciale programma's

**Vlekkenverwijdering:** dit programma is geschikt voor het wassen van zeer vuil kleurvast wasgoed. Het programma garandeert een hogere wasklasse dan de standaard klasse (klasse A). Meng tijdens dit programma nooit kleding van verschillende kleuren. We raden u aan waspoeder te gebruiken. We raden u aan hardnekkige vlekken voor te behandelen met wasversterkers.

**Anti vlek Snel:** het programma is ontwikkeld om kledingstukken met moeilijke vlekken die dezelfde dag gemaakt zijn in een uur te wassen. Het programma is geschikt voor bonte was van gemengde vezels. Er wordt een optimale bescherming gegarandeerd.

**Standaard katoen 20°:** ideaal voor een lading vuil katoen. De optimale prestaties, zelf met koud water, die kunnen worden vergeleken met een wascyclus op 40°C, worden gegarandeerd door een mechanische werking die de snelheid varieert met herhaaldelijke en zeer dicht op elkaar liggende piekvariaties.

**Bed & Bath Cyclus:** u kunt al uw handdoeken en beddengoed in een enkele cyclus wassen met het programma **6**. Dit programma optimaliseert het gebruik van de wasverzachter en bespaart tijd en energie. We raden u aan waspoeder te gebruiken.

**Wol:** de wascyclus "Wol" van deze wasmachine is goedgekeurd door de 'Woolmark Company' voor het wassen van wollen kleding die "met de hand" kan worden gewassen, mits de wascyclus wordt uitgevoerd volgens de aanwijzingen op het etiket van het kledingstuk en volgens de aanwijzingen van de fabrikant van deze wasmachine. (M1127)



**Fijne was:** gebruik het programma **8** voor het wassen van zeer fijne was met stras of pailletten.

Voor het wassen van **zijden** kleding of **gordijnen** selecteert u de cyclus **8** en stelt u het niveau "Delicaat" in van de optie .

We raden u aan de kleding binnenstebuiten te draaien voor u hem wast en om kleine kledingstukken in het speciale zakje voor fijne was te stoppen.

Voor een beter resultaat raden we u aan voor de fijne was een vloeibaar wasmiddel te gebruiken.

## Balanceersysteem van de lading

Om overmatige trillingen te vermijden verdeelt de automaat de lading voor het centrifugeren op een gelijkmatige manier. Dit gebeurt door de trommel te laten draaien op een snelheid die iets hoger ligt dan de wassnelheid. Als na herhaaldelijke pogingen de lading nog steeds niet goed is gebalanceerd, zal de wasautomaat de centrifuge op een lagere snelheid uitvoeren dan die voorzien was. Als de lading zeer uit balans is zal de wasautomaat een verdeling uitvoeren in plaats van een centrifuge. Teneinde een betere distributie van de waslading en een juiste balancering te bereiken raden wij u aan kleine en grote kledingstukken te mengen.

Het kan gebeuren dat de wasautomaat niet werkt. Voor u contact opneemt met de Servicedienst (zie "Service") moet u controleren of het niet een storing betreft die u zelf makkelijk kunt verhelpen met behulp van de volgende lijst.

## Storingen:

### De wasautomaat gaat niet aan.

- De stekker zit niet in het stopcontact of niet ver genoeg om contact te maken.
- Het hele huis zit zonder stroom.

### De wascyclus start niet.

- De deur zit niet goed dicht.
- De ON/OFF toets is niet ingedrukt.
- De START/PAUSE toets is niet ingedrukt.
- De waterkraan is niet open.
- De uitgestelde start is ingesteld (zie "Het uitvoeren van een wascyclus").

### De wasautomaat heeft geen watertoevoer (Op het display verschijnt de tekst "GEEN WATER, CONTROLEER TOEVOER").

- De watertoevoerbuï is niet aangesloten op de kraan.
- De buï is gebogen.
- De waterkraan is niet open.
- Het hele huis zit zonder water.
- Er is onvoldoende druk.
- De START/PAUSE toets is niet ingedrukt.

### De wasautomaat blijft water aanen afvoeren.

- De afvoerbuï is niet op 65 tot 100 cm afstand van de grond af geïnstalleerd (zie "Installatie").
- Het uiteinde van de afvoerbuï ligt onder water (zie "Installatie").
- De afvoer in de muur heeft geen ontluïcting.

Als na deze controles het probleem niet is opgelost, moet u de waterkraan dichtdraaien, de wasautomaat uitzetten en de Servicedienst inschakelen. Als u op een van de hoogste verdiepingen van een flatgebouw woont kan zich een hevelingsprobleem voordoen, waarbij de wasautomaat voortdurend water aanen afvoert. Om deze storing te verhelpen zijn er in de handel speciale beluchters te koop.

### De wasautomaat voert het water niet af of centrifugeert niet.

- Het programma voorziet geen afvoer: bij enkele programma's moet dit met de hand worden gestart (zie "Programma's en functies").
- De functie MAKKELIJKER STRIJKEN is ingeschakeld: voor het beëindigen van het programma drukt u op de START/PAUSE toets ("Programma's en functies").
- De afvoerbuï is gebogen (zie "Installatie").
- De afvoerleiding is verstopt.

### De machine trilt erg tijdens het centrifugeren.

- De trommel is bij het installeren niet op de juiste wijze gedeblokkeerd (zie "Installatie").
- De wasautomaat staat niet goed recht (zie "Installatie").
- De wasautomaat staat te krap tussen meubels en muur (zie "Installatie").

### De wasautomaat lekt.

- De buï van de watertoevoer is niet goed aangeschroefd (zie "Installatie").
- Het wasmiddelbakje is verstopt (voor reiniging zie "Onderhoud en verzorging").
- De afvoerbuï is niet goed aangesloten (zie "Installatie").

### Het apparaat is geblokkeerd, het display knippert en er verschijnt een storingscode (bv.: F-01, F-..).

- Doe de wasautomaat uit en haal de stekker uit het stopcontact. Wacht circa 1 minuut en doe hem daarna weer aan. Als de storing voortzet, dient u de Servicedienst in te schakelen.

### Er ontstaat teveel schuim.

- Het wasmiddel is niet bedoeld voor wasautomaten (er moet "voor wasautomaat", "handwas en machinewas", of dergelijke op staan).
- U heeft teveel wasmiddel gebruikt.



## Voordat u de Servicedienst inschakelt:

- Controleer eerst of u het probleem zelf kunt oplossen (zie "Storingen en oplossingen").
- Start het programma opnieuw om te controleren of de storing is verholpen;
- Als dit niet het geval is moet u contact opnemen met de erkende Technische Servicedienst via het telefoonnummer dat op het garantiebewijs staat.

! Wendt u nooit tot een niet erkende installateur.

## Vermeld:

- het type storing;
- het model van de machine (Mod.);
- het serienummer (S/N).

Deze informatie vindt u op het typeplaatje aan de achterkant van de wasautomaat en aan de voorzijde als u het deurtje opendoet.

## GEDELEGEERDE VERORDENING (EU) Nr. 1061/2010 VAN DE COMMISSIE

|  |                  |
|--|------------------|
| Merk   | HOTPOINT/ARISTON |
| Model  | FMD 963BX EU     |
| Beladingscapaciteit in kg katoen   | 9.0              |
| Energie-efficiëntieklasse op een schaal van A+++ (laag gebruik) tot G (hoog gebruik)                             | A+++             |
| Energieverbruik per jaar kWh <sup>1)</sup>   | 216.0            |
| Energieverbruik in kWh van het standaard katoenwasprogramma op 60°C op volle belading <sup>2)</sup>              | 1.193            |
| Energieverbruik in kWh van het standaard katoenwasprogramma op 60°C op halve belading <sup>2)</sup>              | 0.792            |
| Energieverbruik in kWh van het standaard katoenwasprogramma op 40°C op halve belading <sup>2)</sup>              | 0.708            |
| Energieverbruik in de uit-stand in W   | 0.5              |
| Energieverbruik in de aan-stand in W   | 8.0              |
| Waterverbruik per jaar in liters <sup>3)</sup>   | 12254            |
| Droogeffectiviteit van de centrifuge op een schaal van G (minimale effectiviteit) tot A (maximale effectiviteit) | A                |
| Maximaal toerental <sup>4)</sup>   | 1600             |
| Restvochtpercentage <sup>5)</sup>  | 44%              |
| Programmaduur in minuten van de standaard 60°C katoencyclus op volle belading                                    | 205              |
| Programmaduur in minuten van de standaard 60°C katoencyclus op halve belading                                    | 165              |
| Programmaduur in minuten van de standaard 40°C katoencyclus op halve belading                                    | 160              |
| Tijdsduur van de aan-modus in minuten  | 30               |
| Geluidsniveau in dB(A) re 1pW bij wassen <sup>6)</sup>   | 53               |
| Geluidsniveau in dB(A) re 1pW bij centrifugeren <sup>6)</sup>  | 83               |
| Inbouwmodel  |                  |

<sup>1)</sup> Het "standaard 60°C katoenprogramma" met volle belading en deelbelading en het "standaard 40°C katoenprogramma" met halve belading zijn standaardwasprogramma's waarop de informatie op het label en de productkaart betrekking . Het "standaard 60°C katoenprogramma" en het "standaard 40°C katoenprogramma" zijn geschikt om normaal vervuild katoenwasgoed te wassen en de meest efficiënte programma's wat betreft water- en energieverbruik. Halve belading is de helft van de volledige belading.

<sup>2)</sup> Gebaseerd op 220 cycli met het standaard 60°C katoenprogramma en het standaard 40°C katoenprogramma met volle en halve belading en het energieverbruik in aan- en uit-stand. Het werkelijke energieverbruik is afhankelijk van de manier waarop het apparaat wordt gebruikt.

<sup>3)</sup> Gebaseerd op 220 cycli met het standaard 60°C katoenprogramma en het standaard 40°C katoenprogramma met volle en halve belading. Het werkelijke waterverbruik is afhankelijk van de manier waarop het apparaat wordt gebruikt.

<sup>4)</sup> Minimale waarde bij het standaard 60°C katoenprogramma en het standaard 40°C katoenprogramma met volle en halve belading, net welke lager is.

<sup>5)</sup> Maximale waarde bij het standaard 60°C katoenprogramma en het standaard 40°C katoenprogramma met volle en halve belading, net welke hoger is.

<sup>6)</sup> Gebaseerd op de was- en centrifugefases bij het standaard 60°C katoenprogramma met volle belading.