

Refrigerator

Installation and use

Réfrigérateur

Installation et emploi

Kühlschrank

Installation und Gebrauch

Koelkast

Installatie en gebruik



BD 262 AI EU

GB	Two-door refrigerator/freezer Instructions for installation and use	1
F	Réfrigérateur-congélateur 2 portes Instructions pour l'installation et l'emploi	10
D	Kühl-Gefrierkombination mit 2 Türen Installation- und Gebrauchshinweise	19
NL	2 Deurs koel-vriescombinatie Gebruiksaanwijzingen voor plaatsing en gebruik	28

To maintain the EFFICIENCY and SAFETY of this appliance, we recommend:

- call only the Service Centers authorized by the manufacturer
- always use original Spare Parts

Pour garantir l'efficacité et la sécurité de ce produit:

- adressez-vous exclusivement aux Centres d'assistance technique agréés
- demander toujours l'utilisation de pièces détachées originales

Um die Leistungsfähigkeit und Sicherheit dieses Gerätes zu gewährleisten, bitte folgendes beachten:

- wenden Sie sich ausschließlich an unsere autorisierten Service-Stellen
- verlangen Sie, daß nur Original-Ersatzteile verwendet werden

Om de doelmatigheid en veiligheid van dit toestel te garanderen raden wij u aan:

- voor reparaties alleen de Service Centers te bellen die door de fabrikant gemachtigd zijn
- altijd gebruik te maken van originele onderdelen

Safety - a good habit to get into.

ATTENTION

Read your manual carefully since it contains instructions which will ensure safe installation, use and maintenance of your appliance.

Your Refrigerator is built to International safety standards (EN60) and has been awarded the European approval mark (IMQ) for compliance with UK electrical safety requirements. It also meets the EC standards on the prevention and elimination of radio interference (EC directive 87/308 - 02.06.89).

1. This appliance must not be installed outdoors - not even in an area protected by a roof. It is extremely dangerous to leave it exposed to rain or storms.
2. It must only be used by adults and exclusively to refrigerate and freeze foodstuffs, following the instructions for use contained in this manual.
3. Do not ever touch or handle the appliance with bare feet or with wet hands or feet.
4. It is highly recommended that you do not use extension cords or multiple socket adapters. If the refrigerator is installed between cabinets, make sure that the cord is not bent or dangerously pinched or compressed.
5. Never pull on the cord or the refrigerator to remove the plug from the wall socket - this is very dangerous.
6. Never touch the cooling components within the appliance, especially with wet hands because this could result in injury. Never put ice cubes just removed from the freezer

into your mouth because they could stick to your mouth and cause burns.

7. Never clean or perform maintenance on the appliance without first removing the plug from the socket; in fact, turning the knob for adjusting the temperature to the ● setting is not sufficient to eliminate all electrical contact with the mains.

8. Before having your old refrigerator picked up for disposal, remove or make inoperable any locking devices to prevent children who might play in or around the appliance from being locked inside.

9. Before calling for service/assistance in the case of malfunction, consult the chapter entitled "Is There a Problem?" to determine whether it is possible to eliminate the problem. Do not try to repair the problem by trying to access the internal components of the appliance.

10. If damaged, the power supply cord on this appliance must necessarily be replaced by our service centre because special tools are required for replacement.

11. Do not use electric appliances inside the compartment for food storage, if these are not those recommended by the manufacturer.

12. At the end of the functional life of your appliance – containing cyclopentane gas in the insulation foam and perhaps gas R600a (isobutane) in the refrigeration circuit – the latter should be made safe before being sent to the dump. For this operation, please contact your dealer or the Local Organisation in charge of waste disposal.

Installation

To ensure that the appliance operates properly and to reduce energy consumption, it is important that the appliance is installed correctly.

Ventilation

The compressor and condenser generate heat and, therefore, need to be ventilated properly. Rooms with less than perfect ventilation are not very suited for installation of the appliance. Therefore, it should be installed in a room with an opening (window or French window) that provide the appropriate amount of air re-circulation. It is also important that the room not be too humid.

During installation, make sure not to cover or obstruct the grates that allow for proper ventilation of the appliance.

Away from Heat

Avoid positioning the appliance in a place where it is directly exposed to sunlight or near an oven, cook top or the like.

Electrical Connection and Earthing

Before proceeding with the electrical connection, make sure that the voltage indicated on the rating plate, located at the

bottom left near the vegetable crisper, corresponds to the mains voltage in your home and that the socket is fitted with a standard earthing wire in accordance with safety standards for 46/90 systems. If the socket is not fitted with an earthing wire, the manufacturer will not be held liability for any damages and or injuries arising out of the use of the appliance. Do not use multiple sockets or adapters.

Position the appliance in such a way that you can access the socket where it is plugged in.

Insufficient power?

The electrical socket must be able to handle the maximum power load of the appliance, which is indicated on the rating plate located at the bottom left next to the vegetable crisper.

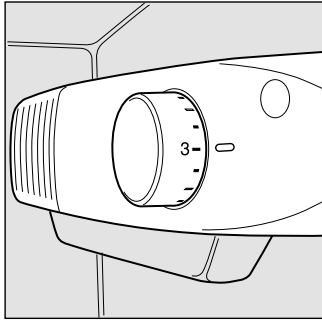
Before making the electrical connection ...

After the appliance has been delivered, place it in the vertical upright position and wait at least 3 hours before inserting the plug into the socket in order to ensure that it functions properly.

A closer look

A Thermostat knob for regulating the temperature

Use this knob to regulate the temperature of the refrigerator. The following settings are available:



- The refrigerator is off;
- 1 less cold;
- 5 colder

I Drain for defrost water

J Removable height adjustable shelves

K Compartment for storing frozen foods, freezing fresh foods and making ice

B Removable door shelves with lid, with egg tray and lidded butter dish

C Removable miscellaneous shelf

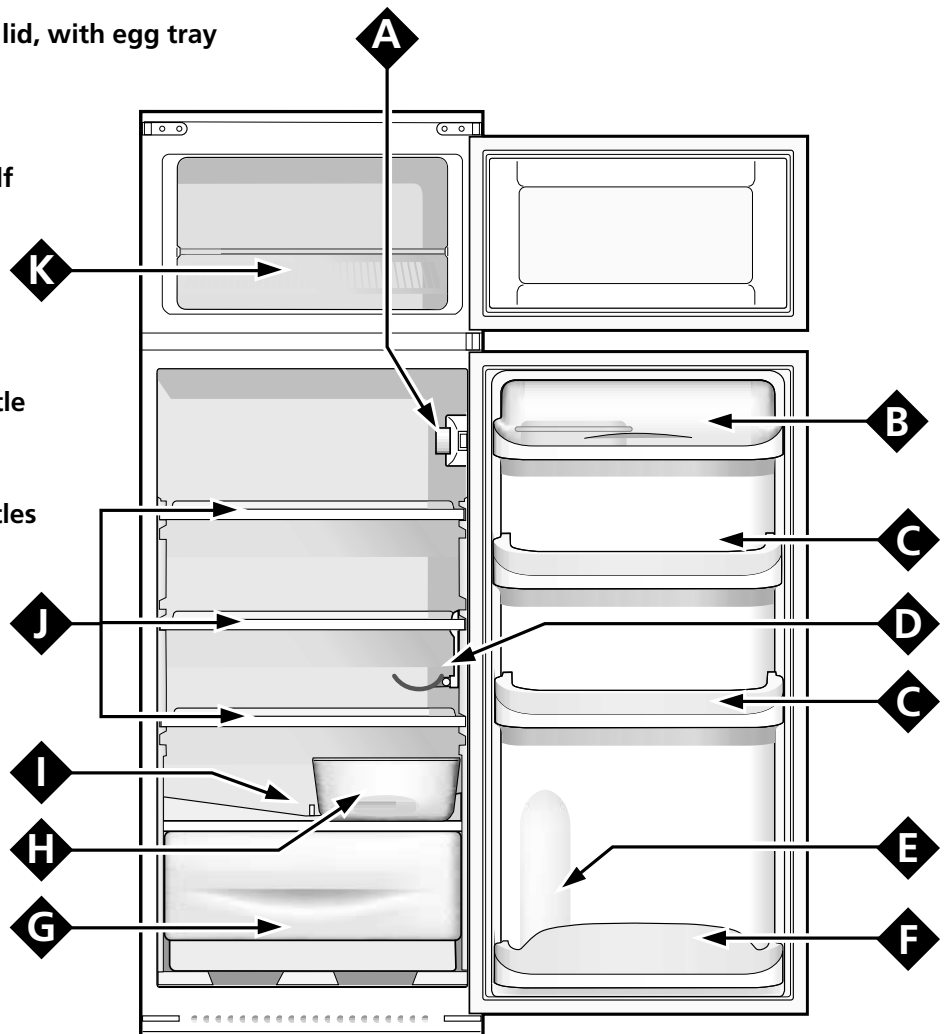
D Hinged bottle rack

E Compartment for a 2 litre bottle

F Removable door shelf for bottles

G Fruit and vegetable drawer

H Meat/cheese storage box



How to Start the Appliance

NOTICE

After the appliance has been delivered, stand it in the upright position and wait approximately 3 hours before connecting it to the electrical outlet to guarantee that it operates properly.

Before placing foodstuffs in the refrigerator or freezer, clean the interior well with warm water and baking soda.

After putting the plug in the socket, make sure that the light is on inside the appliance and then turn the thermostat knob (A) to the "3" setting. After a few hours have passed, you can place fresh food in the refrigerator compartment and frozen foods into the freezer.

Food hygiene

1. Once you have bought your food, remove all external packaging made of paper/cardboard or other wrappers, which could introduce bacteria or dirt inside your refrigerator.
2. Protect the food, (especially easily perishable items and those that have a strong smell), in order to avoid contact between them, thereby removing both the possibility of germ/bacteria contamination as well as the diffusion of strong odours inside the fridge.
3. Store all food in such a way as to ensure air can circulate freely between different items.
4. Keep the inside of your fridge clean, taking care not to use oxidiser or abrasive products.
5. Remove all food past its expiry date from the refrigerator.
6. For the correct preservation of food, all easily perishable items (soft cheeses, raw fish, meat, etc.) should be stored in the coldest zone of the fridge compartment, i.e. just above the salad crisper where the temperature indicator is situated.

How to use the refrigerator compartment...

The thermostat automatically regulates the temperature inside the appliance

- 1 = less cold
- 5 = colder

It is recommended that a medium setting be used.

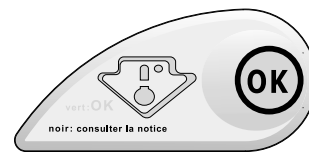
To increase the amount of space, optimize arrangement and improve appearance, this appliance has a "cooling area" located within the back panel of the refrigerator compartment. When the appliance is operating, this panel may be covered with frost or droplets of water depending on whether the compressor is operating or not at a given time. Do not be concerned about this! The refrigerator is operating normally.

If the thermostat knob is positioned on higher settings while the refrigerator is heavily filled and the ambient temperature high, the appliance may run continuously, resulting in the formation of frost on the back cooling area. This will lead to an increase in energy consumption.

To avoid this situation, just turn the thermostat knob to a lower setting so that the appliance defrosts automatically.

The temperature indicator

The fridge has been equipped with a temperature indicator for an improved, more precise definition of the coldest zone. Make sure "OK" comes up on the indicator.



Correct lighting also ensures an easier indicator reading. If the word "OK" does not appear it means that the temperature is too high.

Adjust the thermostat (of the fridge compartment) to a higher setting (colder).

Each time you adjust the thermostat setting, wait for the temperature inside the fridge compartment to become stable (approximately 10 hours) before making any further adjustments.

WARNING: Should you place large quantities of food inside the fridge or should the fridge door have been opened frequently or for a prolonged period of time, it is quite normal for OK not to come up on the indicator.

Wait at least 10 hours before adjusting the thermostat to a higher setting.

Storing Food in the Refrigerator Compartment

Food	Storage Time	Location in the Refrigerator
Wrapped meat and cleaned fish (use plastic wrap or pack in plastic bags)	2 or 3 days	On the shelf above the vegetable crisper (which is the coldest area).
Fresh cheese	3 or 4 days	On the shelf above the vegetable crisper (which is the coldest area).
Eggs	1 month	In special egg rack on door.
Butter, margarine		On any shelf.
Cooked or precooked food (place in air-tight containers and when cool store in refrigerator)	3 or 4 days	On any shelf.
Sausages, salami, sandwich meats in general, fresh pasta, custards, puddings, chocolates, cream pastries, bread, dry pastries, red tomatoes	3 or 4 days	On any shelf.
Bottled products, milk, drinks, yoghurt		On special door shelves.
Fruits and legumes		In vegetable crisper.

What Not to Store in the Refrigerator

Garlic (transmits odour), onions and leeks.
Bananas (they will turn black).
Citrus fruits.
Potatoes and root vegetables (store in dark, dry places).

- Within the refrigerator compartment, the air circulates naturally, with the colder air falling because it is heavier. This is the reason why meat and cheeses should be placed above the vegetable crisper.
- Please follow our instructions carefully on maximum storage time: any food, even the freshest, will not remain edible for any extended amount of time.
- Contrary to popular belief, cooked foods do not store any longer than raw food.
- Do not place liquids in containers without covering them because this will lead to an increase in the level of moisture within the refrigerator, causing the formation of frost.
- Remember to cool hot food before storing otherwise the temperature inside the appliance will increase, causing the compressor to work harder and use more energy.
- Be careful not to place containers (plastic or glass), food or other objects in direct contact with the cooling area of the back wall of the refrigerator. This could harm the food, increase energy consumption and facilitate the formation of condensate (on food, containers, etc.).
- The refrigerator compartment is equipped with convenient, removable shelves (Fig. 1) which can be adjusted for height using the shelf guides. This allows you to place even large containers and foodstuffs in the refrigerator.

The side bottle rack can be used either for storing bottles (Fig. 2) as well as several cans (2-4) placed horizontally (Fig. 3). If not in use, the bottle/can rack can be tipped up and away to make more room inside the refrigerator.

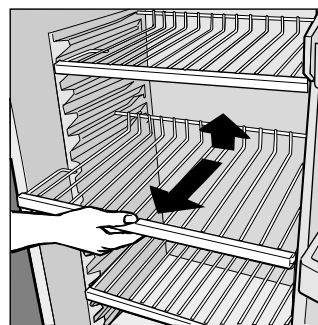


Fig. 1

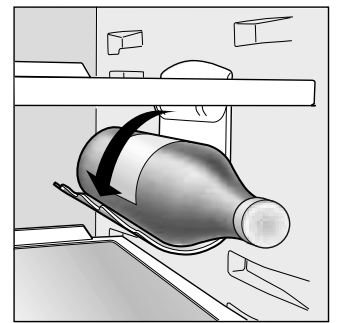


Fig. 2

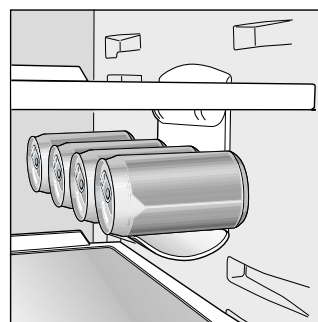


Fig. 3

Freezing Foods Properly

- For the preparation of food to be frozen, please consult a specialized manual.

- Food that has been thawed, even partially, must not be re-frozen: you must cook it in order to consume it (within 24 hours) or to freeze it once again.
- Fresh foods that you intend to freeze must not be placed in contact with those that are already frozen or those that have been fast-frozen. Rather, they must be placed atop the grate in the freezer compartment, in contact with the walls of the compartment (back or side) if possible. Please keep in mind that proper conservation of frozen foods depends on the speed with which they are frozen.
- During the freezing process, avoid opening the door of the freezer.
- The maximum daily quantity of food that can be frozen is indicated on the rating plate located to the left of the vegetable crisper.

- In order to freeze and then thaw foods optimally, it is recommended that you divide food into small portions so that they freeze quickly and uniformly. The packages should be clearly marked with the content and the date they were frozen.

- Do not open the freezer door in the event of a power failure or malfunction. This precaution will slow the rise in temperature within the compartment. If the door is not opened, frozen and fast-frozen foods will remain in their current state for approximately 9-14 hours.

- Do not place full bottles in the freezer: they could easily burst because all liquids increase in volume when they freeze.

- Fill the ice cube trays about 3/4 full.

- If the ambient temperature remains below 14°C for an extended period of time, the temperature needed for extended storage of food in the freezer will not be reached, resulting in reduced storage life of the food.

Tips on Saving Energy

- Install the Appliance Correctly

This means that the appliance should be installed away from heat sources or direct sunlight in a well ventilated room.

THE ACTUAL ENERGY CONSUMPTION OF THE APPLIANCE DEPENDS ON THE WAY THE SAME IS USED AND ON ITS LOCATION. The consumption tests were performed in 560mm deep column units, the most common installation setting for this appliance.

- Use the Right Temperature Setting

A setting which is too cold increases energy consumption.

- Do not Overfill

To conserve food properly, the cold air must circulate freely within the refrigerator. If it is overfilled, this will prevent proper air circulation, forcing the compressor to work continuously.

- Close the Doors

Open your refrigerator as little as possible because each time you do so you lose much of the cold air. To raise the temperature to the proper level again, the motor must work for a long time, consuming energy.

- Keep an Eye on the Seals

Keep the seals clean and make sure that they adhere well to the door. This alone will ensure that no cold air escapes.

- No Hot Foods

A hot pot or pan placed in the refrigerator immediately raises the temperature several degrees. Let hot cookware and food cool to ambient temperature before placing them in the refrigerator.

- Defrost the Freezer

Check the thickness of the frost on the walls of the freezer and immediately defrost it if the layer of frost is too thick. (see the section entitled, "Keeping your Appliance in Shape").

Guide to Using the Freezer

Meat and Fish

Food	Wrapping	Tenderising (days)	Storage (months)	Thawing Time
Beef Roast	Tinfoil	2 / 3	9 / 10	Not required.
Lamb	Tinfoil	1 / 2	6	Not required.
Pork Roast	Tinfoil	1	6	Not required.
Veal Roast	Tinfoil	1	8	Not required.
Veal/Pork Chops	Each piece wrapped in cling wrap and then in tinfoil (4 to 6 slices)		6	Not required.
Veal/Lamb Cutlets	Each piece wrapped in cling wrap and then in tinfoil (4 to 6 slices)		6	Not required.
Minced Meat	In aluminium containers covered with cling wrap.	Freshly minced	2	Slowly in refrigerator.
Heart and Liver	Plastic Baggies		3	Not required.
Sausages	Cling Wrap or Tinfoil		2	As necessary.
Chicken and Turkey	Tinfoil	1 / 3	9	Very slowly in refrigerator.
Duck and Goose	Tinfoil	1 / 4	6	Very slowly in refrigerator.
Pheasant, Partridge and Wild Duck	Tinfoil	1 / 3	9	Very slowly in refrigerator.
Hare and Rabbit	Tinfoil	3 / 4	6	Very slowly in refrigerator.
Venison	Tinfoil or Cling Wrap	5 / 6	9	Very slowly in refrigerator.
Large Fish	Tinfoil or Cling Wrap		4 / 6	Very slowly in refrigerator.
Small Fish	Plastic Baggies		2 / 3	Not required.
Crustaceans	Plastic Baggies		3 / 6	Not required.
Shellfish	Store in salted water in aluminium containers or plastic containers.		3	Very slowly in refrigerator.
Boiled Fish	Tinfoil or Cling Wrap		12	In hot water.
Fried Fish	Plastic Baggies		4 / 6	Directly in pan.

Fruits and Vegetables

Food	Preparation	Blanching Time	Wrapping	Storage (months)	Thawing Time
Apples and Pears	Peel and cut into slices.	2'	In Containers (cover with syrup)	12	In refrigerator very slowly.
Apricots, Peaches, Cherries and Plums	Peel and pit.	1' / 2'	In Containers (cover with syrup)	12	In refrigerator very slowly.
Strawberries Blackberries and Raspberries	Rinse and fry.		In Containers (cover with sugar)	10 / 12	In refrigerator very slowly.
Cooked Fruit	Cut, cook and strain.		In Containers (add 10% sugar)	12	In refrigerator very slowly.
Fruit Juice	Wash, cut and crush.		In Containers (sugar to taste)	10 / 12	In refrigerator very slowly.
Cauliflower	Remove leaves, cut head into small pieces and blanch in water and a little lemon juice.	2'	Plastic Baggies	12	Not required.
Cabbage and Brussel Sprouts	Wash and cut into small pieces.	1' / 2'	Plastic Baggies	10 / 12	At room temperature.
Peas	Shell and wash.	2'	Plastic Baggies	12	Not required.
French Beans	Wash and slice if required.	2	Plastic Baggies	10 / 12	Not required.
Carrots, Peppers and Turnips	Peel, wash and slice if necessary.	3' / 4'	Plastic Baggies	12	Not required.
Mushrooms and Asparagus	Wash, peel and cut up.	3' / 4'	Plastic Baggies or Containers	6	At room temperature.
Spinach	Wash and mince.	2'	Plastic Baggies	12	At room temperature.
Vegetable for Soups	Wash and cut up in small pieces.	3'	Plastic Baggies or Containers	6 / 7	Not required.
Various Foods	Preparation	Blanching Time	Wrapping	Storage (months)	Thawing time
Bread			Plastic Baggies	4	At room temperature and in the oven.
Cakes			Plastic Baggies	6	About 10 minutes at room temperature, cook at 100/200°C.
Cream			Plastic Containers	6	At room temperature or in refrigerator.
Butter			In original wrapping or tinfoil	6	In refrigerator.
Boiled Food or Vegetable Soup			Plastic or Glass Containers	3 / 6	At room temperature or in hot water.
Eggs			Freeze without shells in small containers	10	At room temperature or in refrigerator.

Keeping Your Appliance in Shape

Before doing any cleaning, disconnect the appliance from the electricity (by pulling out the plug or turning off the general switch in your home).

Defrosting

WARNING: do not damage the refrigeration circuit. Do not use mechanical devices or other tools to speed up the defrosting process, unless they have been recommended by the manufacturer.

How to Defrost the Refrigerator

This appliance defrosts automatically and the water is channeled to the back toward the drain installed for this purpose (fig. 4). Here, the heat produced by the compressor will make it evaporate. The only thing you must do is to periodically check and clean the hole of the drain, which is located behind the vegetable crispers, so that the water drains properly.

How to Defrost the Freezer

- Every so often, remove the frost with the scraper provided with the appliance (do not use knives or metal objects).
- If the frost is more than 15 mm thick, the freezer must be defrosted.

Proceed as follows: turn the thermostat knob (A) to the setting ●. Then wrap all the frozen and fast-frozen food in newspaper, placing it either in the refrigerator or in a cool place. Leave the freezer door open so that the frost thaws completely. You can speed this process by placing containers of warm water in the compartment.

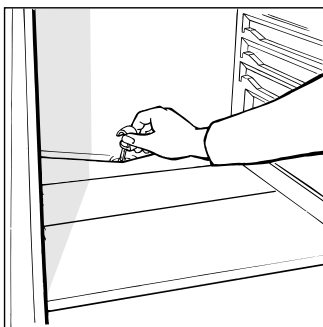


Fig. 4

Cleaning and maintenance

Always unplug the appliance from the mains before cleaning.

- Your appliance is manufactured with hygienic odourless materials. To preserve these characteristics, always use sealed containers for strong smelling foods to avoid the formation of odours that are difficult to remove.

- Use only a water and bicarbonate solution: Clean the internal and exterior of your appliance with a sponge soaked with a warm water and sodium bicarbonate solution, which is also a good disinfectant. If you do not have any sodium bicarbonate at home, use neutral detergent.

- What not to use: Do not use abrasive detergents, bleach or detergents containing ammonia. Never use solvent based products.

- Dishwashable: All the removable parts can be cleaned by soaking in hot soapy water or detergent. If you own a dishwasher, you may wash these parts in the dishwasher. Remember to dry thoroughly before replacing them.

- Discontinued use of the appliance: If the appliance is not in use for any length of time, remember to clean the interior and dry thoroughly, leaving the doors open to prevent the formation of bad odours and mould.

- Replacing the light bulb. The bulb for lighting the interior of the appliance is located at the back of the thermostat box. Unscrew the burnt bulb and replace it with another bulb of no more than 15 Watt, follow the instructions illustrated in fig. 5.

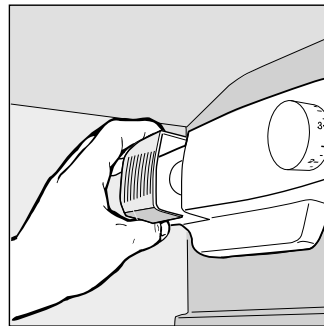


Fig. 5

Is There a Problem?

The refrigerator does not function.

Have you checked whether:

- The main switch for the electricity to the apartment or home has been turned off;
- The plug is properly inserted in the outlet;
- The outlet is adequate; try inserting the plug into another outlet in the room.

The refrigerator and the freezer do not cool properly.

Have you checked whether:

- The doors do not close well or the seals are faulty;
- The doors are left open too long;
- The thermostat knob is not on the proper setting;
- The refrigerator or freezer is overfilled.

The food in the refrigerator becomes too cold.

Have you checked whether:

- The thermostat knob is on the proper setting;
- The food is in contact with the back wall - which is the coldest part.

The motor runs continuously.

Have you checked whether

- The doors are not closed well or have remained open too long;
- The ambient temperature is too high;
- The thermostat knob is not on the proper setting.

The appliance makes too much noise.

The gas refrigerant produces a slight noise even when the compressor is not running (this is not a defect).

Have you checked whether:

- The refrigerator is level.
- The appliance was installed between cabinets or objects that vibrate and make noise.

There is water on the bottom of the refrigerator.

Have you checked whether:

- The hole for draining the water from the frost is clogged (see fig. 4).

If after all the checks, the appliance still does not operate or the problem persists, call the nearest Service Centre and inform them of: the type of problem, the abbreviation of the model name (Mod.) and the relative numbers (S/N) written on the rating plate located at the bottom left next to the vegetable crisper (see example in the figure below).

Mod. RG 2330		TI	Cod. 93139180000		S/N 704211801	
240 V-	Hz	150 W	W	Fuse	A	Max 15
Total	340	75			Freez. Capac	Class
Gross Bruto		Gross Bruto	Net Util Utile	Gross Bruto	Poder de Cong kg/24 h	Clase N
Compr. Syst.	R 134 a	Test P.S.-I.	Pressure HIGH-235	[Barcode]		
Kompr.	kg 0,090	LOW	140	Made in Italy 13918		

Never call on unauthorized technicians and always refuse spare parts which are not originals.

La sécurité, une bonne habitude

ATTENTION

Lire attentivement les avertissements contenus dans ce livret car ils fournissent des indications importantes pour la sécurité de l'installation, de l'utilisation et de l'entretien. Ce réfrigérateur a été construit conformément aux normes internationales de sécurité qui ont pour but de protéger le consommateur. Cet appareil a en effet obtenu le label IMQ que les techniciens de l'Institut Italien de Qualité n'accordent qu'aux appareils conformes aux normes du CEI: Comité Electrotechnique Italien.

1. Cet appareil ne doit pas être installé à l'extérieur, même à l'abri d'un appentis, il est extrêmement dangereux de le laisser exposé à la pluie et aux orages.
2. Il ne doit être utilisé que par des adultes et uniquement pour conserver et congeler des aliments, conformément à ce mode d'emploi.
3. Ne touchez jamais ni ne manœuvrez l'appareil pieds nus ou avec les mains ou les pieds mouillés.
4. Nous déconseillons d'utiliser des rallonges ou des prises multiples. Si le réfrigérateur est installé entre des meubles, veillez par soucis de sécurité à ce que le cordon d'alimentation ne soit ni plié ni comprimé.
5. Ne tirez jamais sur le cordon ou le réfrigérateur pour débrancher la fiche de la prise murale: c'est extrêmement dangereux.
6. Ne touchez pas aux parties intérieures réfrigérantes surtout avec les mains mouillées, vous pourriez vous brûler ou

vous blesser. Ne portez jamais à la bouche des glaçons à peine sortis du freezer, vous risqueriez de vous brûler.

7. Ne procédez à aucune opération de nettoyage ou d'entretien sans avoir auparavant débranché la fiche de l'appareil; il ne suffit pas, en effet, d'amener la manette de réglage de la température sur la position ● pour éliminer tout contact électrique.

8. Avant d'envoyer votre ancien réfrigérateur à la déchetterie, rendez sa serrure inutilisable. Vous éviterez ainsi que des enfants en jouant, ne restent enfermés à l'intérieur.

9. En cas de panne et avant de faire appel au service après-vente, consultez le chapitre «Quelque chose ne va pas?» pour vérifier si vous pouvez vous-même résoudre le problème. Ne tentez pas de réparer la panne en essayant d'accéder aux parties internes.

10. En cas de changement du câble d'alimentation, adressez-vous à nos Services après-vente. Dans certains cas, les connexions sont réalisées au moyen de bornes spéciales, dans d'autres, un outil spécial est indispensable pour accéder aux raccordements.

11. Ne pas utiliser d'appareils électriques à l'intérieur du compartiment de conservation des aliments s'ils n'appartiennent pas aux catégories recommandées par le fabricant.

12. Avant d'envoyer votre appareil hors d'usage à la déchetterie, veillez à le rendre sûr car sa mousse isolante contient du gaz cyclopentane et son circuit réfrigérant peut contenir du gaz R600a (isobutane). Pour cette opération, adressez-vous à votre revendeur ou au Service local prévu à cet effet.

Installation

Pour garantir le bon fonctionnement de votre appareil tout en réduisant sa consommation d'électricité, il faut qu'il soit installé correctement.

L'aération

Le compresseur et le condenseur produisent de la chaleur et exigent par conséquent une bonne aération. Les pièces mal ventilées sont par conséquent déconseillées. L'appareil doit donc être installé dans une pièce munie d'une ouverture (fenêtre ou porte-fenêtre) qui permette de renouveler l'air et qui ne soit pas trop humide.

Attention, lors de son installation, à ne pas boucher les grilles d'aération de l'appareil.

Loin de toute source de chaleur

Évitez d'installer votre appareil dans un endroit exposé à la lumière directe du soleil ou près d'une cuisinière électrique ou autre.

Raccordement électrique et mise à la terre

Avant de procéder à tout raccordement électrique, contrôlez si le voltage indiqué sur la plaquette des caractéristiques, placée en bas à gauche à côté du bac à légumes, corres-

pond bien à celui de votre installation et contrôlez si la prise est dotée d'une mise à la terre conforme, comme prescrit par la loi 46/90 sur la sécurité des installations. S'il n'y a pas de mise à la terre, le Fabricant décline toute responsabilité. N'utilisez ni prises multiples ni adaptateurs.

Installez l'appareil de manière à ce que la prise à laquelle il est connecté soit parfaitement accessible.

La puissance est insuffisante?

La prise électrique doit être en mesure de supporter la charge maximum de puissance de l'appareil, indiquée sur la plaquette des caractéristiques placée en bas à gauche à côté du bac à légumes.

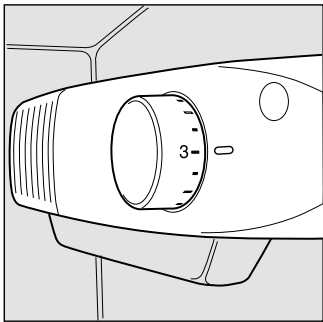
Avant de le raccorder électriquement

Après le transport, pour que votre appareil fonctionne bien, placez-le à la verticale et attendez au moins 3 heures avant de le brancher à la prise.

Vu de près

A Manette pour le réglage de la température

Cette manette permet de régler la température des deux compartiments sur des positions différentes



- le réfrigérateur est éteint;
- 1 moins froid;
- 5 plus froid.

H Bac à viande et fromages

I Convoyeur de l'eau de dégivrage

J Clayettes coulissantes et réglables en hauteur

K Compartiment pour la conservation de produits surgelés, la congélation d'aliments frais et la production de glace

B Balconnet amovible avec couvercle, casier à œufs et beurrier

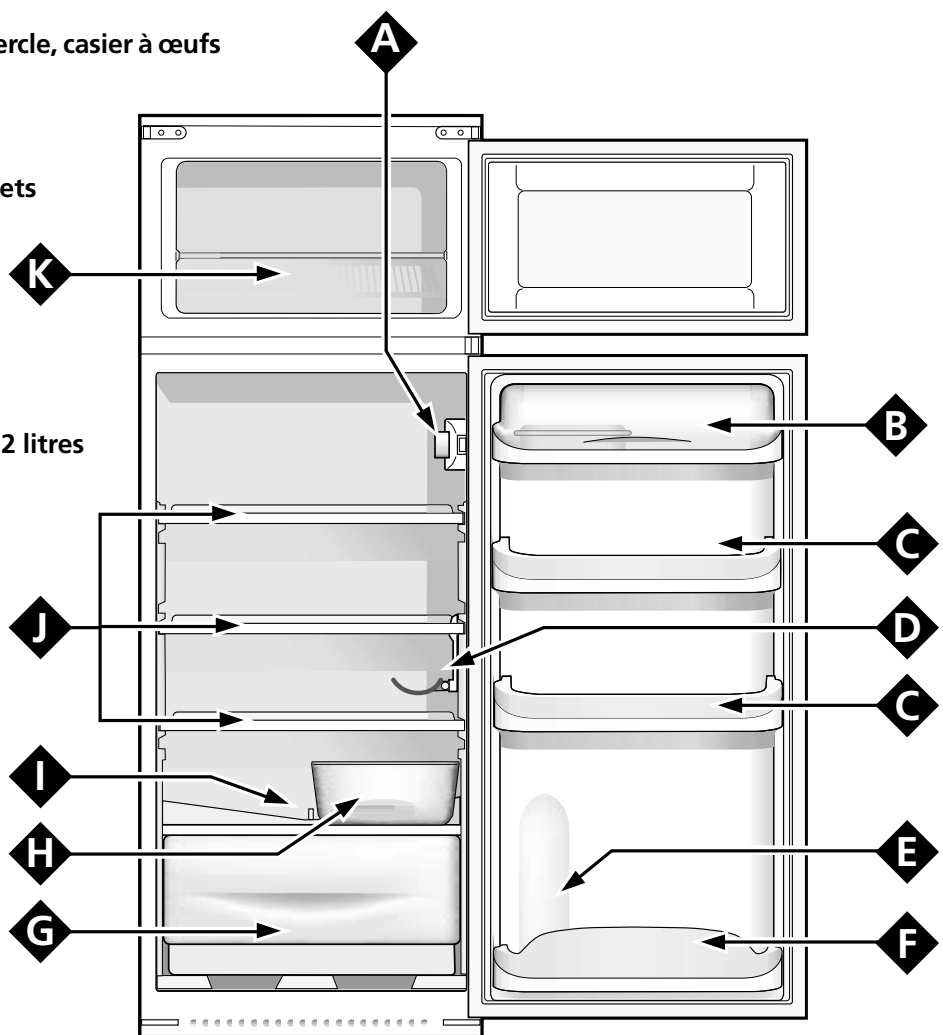
C Balconnet amovible porte-objets

D Porte-bouteilles basculat

E Compartiment pour bouteille 2 litres

F Balconnet pour bouteilles

G Bac pour fruits et légumes



Comment mettre en marche l'appareil

ATTENTION

Après le transport, pour que votre appareil fonctionne bien, placez-le à la verticale et attendez au moins 3 heures avant de le brancher à la prise de courant.

Avant d'introduire les aliments dans le réfrigérateur ou dans le freezer, nettoyez bien l'intérieur de l'appareil avec de l'eau tiède et du bicarbonate.

Après avoir branché la fiche à la prise de courant, contrôlez si la lumière à l'intérieur est bien allumée puis tournez la manette pour le réglage de la température "A" jusqu'à la position "3", au bout de quelques heures vous pouvez commencer à introduire les aliments frais dans le compartiment réfrigérateur et les aliments congelés dans le freezer..

L'hygiène alimentaire

1. Après achat, les aliments doivent être débarrassés de leur emballage extérieur en papier/carton ou autre qui pourrait véhiculer des bactéries ou des saletés à l'intérieur du réfrigérateur.
2. Protégez les aliments (notamment ceux qui se détériorent rapidement et ceux qui dégagent une forte odeur) pour éviter tout contact entre eux et éliminer ainsi toute possibilité de contamination de germes/bactéries et la diffusion d'odeurs particulières à l'intérieur du réfrigérateur.
3. Rangez les aliments de manière à ce que l'air puisse circuler librement entre eux.
4. Veillez à ce que l'intérieur du réfrigérateur soit toujours propre.
Attention : ne pas utiliser de produits oxydants ou abrasifs pour son nettoyage.
5. Sortez les aliments du réfrigérateur dès qu'ils dépassent leur durée limite de conservation.
6. Pour une bonne conservation, les aliments facilement périssables (fromages à pâte molle, poisson cru, viande, etc.) doivent être placés dans la zone plus froide où est situé l'indicateur de température.

Comment utiliser au mieux le compartiment réfrigérateur

Le thermostat règle automatiquement la température à l'intérieur de l'appareil.

1 = moins froid

5 = plus froid

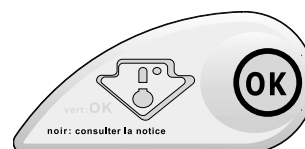
Une position intermédiaire est de toute manière conseillée. Pour augmenter la place disponible et améliorer l'aspect esthétique, la «partie réfrigérante» de cet appareil est située à l'intérieur de la paroi arrière du compartiment réfrigérateur. En cours de fonctionnement, cette paroi sera par conséquent recouverte de givre ou de gouttelettes d'eau suivant que le compresseur est en marche ou pas. Ne vous en faites pas! Votre réfrigérateur fonctionne tout à fait normalement.

Si vous réglez la manette sur des chiffres plus élevés, en emmagasinant des quantités importantes de nourriture et avec une température ambiante élevée, votre appareil risque de fonctionner sans interruption favorisant ainsi la formation de givre sur la paroi arrière réfrigérante tout en consommant beaucoup plus d'électricité.

Pour résoudre cet inconvénient il suffit de déplacer la manette du thermostat vers des chiffres plus bas permettant ainsi un dégivrage automatique de l'appareil.

L'indicateur de température

Pour mieux repérer la zone la plus froide du réfrigérateur, ce dernier a été équipé d'un indicateur de température. Contrôlez que l'indicateur affiche bien «OK».



Un bon éclairage permet de mieux lire l'indicateur.

Si le message OK n'est pas affiché, c'est que la température est trop élevée.

Réglez le thermostat (du compartiment réfrigérateur) sur une position plus élevée (plus froide).

À chaque réglage du thermostat, attendez que la température se soit stabilisée à l'intérieur du compartiment réfrigérateur (10 h environ) avant de procéder à tout autre réglage.

ATTENTION: en cas d'introduction de grosses quantités d'aliments ou d'ouverture fréquente et prolongée de la porte du réfrigérateur, il est normal que l'indicateur n'affiche pas «OK». Attendez au moins 10 h avant de régler le thermostat sur une position plus élevée.

Guide au rangement et à la conservation des aliments dans le réfrigérateur

Aliments	Durée de conservation	Rangement à l'intérieur de réfrigérateur
Viande et poisson vidé (mettre sous sachets ou envelopper dans des feuilles plastique)	2 ou 3 jours	Au-dessus du bac à légumes (zone la plus froide du réfrigérateur)
Fromages frais	3 ou 4 jours	Au-dessus du bac à légumes (zone la plus froide du réfrigérateur)
Oeufs	1 mois	Dans le casier correspondant de la contre-porte
Beurre et margarine		Dans le balconnet de la contre-porte
Aliments cuits ou précuisinés (enfermer dans des récipient étanches et introduire après refroidissement)	3 ou 4 jours	Sur une clayette quelconque
Charcuterie crue, pain de mie, pâtes fraîches, crème, flans, chocolats, gâteaux à la crème, lard, gâteaux secs, tomates	3 ou 4 jours	Sur une clayette quelconque
Bouteilles, lait, boisson, yaourt		Dans le balconnet correspondant de la contre-porte
Fruits et légumes		Dans le bac à légumes

Ce qu'il ne faut pas mettre dans le réfrigérateur

L'ail (il transmet les odeurs), les oignons et les poireaux

Les bananes (elles noircissent)

Les agrumes (il vaut mieux les conserver au frais sur le balcon)

Les pommes de terre et les tubercules (un endroit sec et obscur est préférable)

Suivez attentivement nos conseils quant à la durée maximum de conservation: tout aliment, pour frais qu'il soit, ne reste pas intact très longtemps..

Contrairement à ce que l'on pense, les aliments cuits ne se conservent pas plus longtemps que les aliments crus.

Le compartiment réfrigérateur est équipé de clayettes amovibles extrêmement pratiques (Fig. 1) et réglables en hauteur grâce à des glissières spéciales. Vous pouvez ainsi introduire de grands récipients et des aliments particulièrement volumineux.

N'introduisez que des aliments froids ou tièdes en évitant d'y placer ceux qui sont encore chauds: ils augmenteraient tout de suite la température interne en obligeant le compresseur à un surplus de travail qui représenterait un gaspillage d'énergie électrique.

N'introduisez pas de liquides dans des récipients ouverts, ils entraîneraient une augmentation de l'humidité à l'intérieur du réfrigérateur et donc la formation de givre.

Le porte-bouteilles latéral peut aussi bien servir pour ranger des bouteilles (Fig. 2) que plusieurs boîtes de boisson (2-3) placées à l'horizontale (Fig. 3).

Quand vous ne vous en servez pas, vous pouvez rabattre le porte-bouteilles/boîtes pour avoir davantage de place de rangement à l'intérieur de votre réfrigérateur..

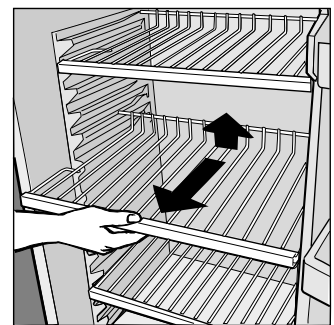


Fig. 1

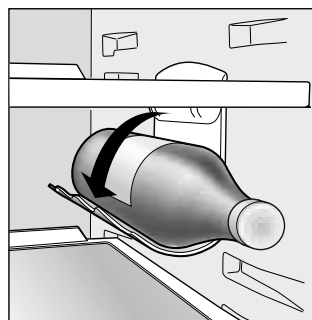


Fig. 2

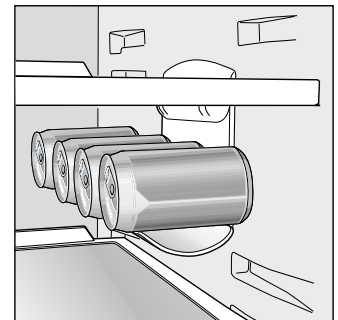


Fig. 3

Pour bien congeler

- Lors de la préparation des aliments à congeler, consultez un manuel spécialisé.

- Un aliment décongelé, ne serait ce que partiellement, ne doit jamais être remis à congeler : il faut le faire cuire pour le consommer (dans les 24 heures) ou bien pour le congeler à nouveau.

- Les aliments frais à congeler ne doivent pas être rangés tout contre des aliments déjà congelés ou surgelés, ils doivent être posés sur la clayette du compartiment freezer et, si possible, contre les parois (latérales et arrière). N'oubliez pas, en effet, que la bonne conservation des aliments congelés dépend de leur vitesse de congélation.

- En cours de congélation, évitez d'ouvrir la porte du freezer.

- La quantité maximum pouvant être congelée, par jour, est indiquée sur la plaquette des caractéristiques située à gauche du bac à légumes.

- Pour obtenir une congélation et une décongélation parfaites, il vaut mieux congeler de petites portions d'aliments, leur congélation n'en sera que plus rapide et homogène. Indiquez sur vos sachets ou barquettes leur contenu et la date de congélation.

- N'ouvrez pas la porte du freezer en cas de coupure de courant ou de panne, vous éviterez ainsi d'accélérer la montée de la température à l'intérieur du freezer. Les produits surgelés et congelés se conserveront ainsi inaltérés pendant environ 9-14 heures.

- Ne mettez jamais de bouteilles pleines dans votre freezer: elle pourraient se briser car tous les liquides augmentent de volume en gelant.

- Ne remplissez les bacs à glaçons qu'aux 3/4 de leur hauteur.

- Si l'on a pendant longtemps une température ambiante plus froide que 14°C, les températures indispensables à une longue conservation ne pourront être atteintes à l'intérieur du freezer et la durée de conservation sera par conséquent réduite.

Quelques conseils pour faire des économies

- Installez-le bien

Autrement dit loin de sources de chaleur, de la lumière directe du soleil, dans une pièce bien ventilée et en respectant les distances signalées dans le paragraphe «Installation/L'aération».

LA CONSOMMATION D'ÉNERGIE DE L'APPAREIL DÉPEND DE SES CONDITIONS D'UTILISATION ET DE SON EMPLACEMENT. Les essais sur la consommation ont été effectués sur des appareils montés dans des éléments colonnes de 560 mm de profondeur, condition d'installation la plus courante.

- Le froid nécessaire

Un froid excessif entraîne une augmentation de la consommation d'électricité.

- Ne le remplissez pas trop

Pour bien conserver les aliments, il faut que le froid puisse circuler librement à l'intérieur du réfrigérateur. Si vous le remplissez trop, vous gênez cette circulation et obligez le compresseur à fonctionner sans arrêt.

- Portes fermées

Ouvrez votre réfrigérateur le moins souvent possible car chaque fois que vous le faites, de l'air froid s'échappe. Pour rétablir la température voulue, le moteur doit fonctionner longtemps en consommant beaucoup d'électricité.

- Attention aux joints

Veillez à ce qu'ils soient toujours propres et en bon état pour bien adhérer aux portes; ce n'est qu'ainsi qu'ils empêcheront toute fuite d'air froid.

- Jamais d'aliments chauds

Une casserole chaude mise au réfrigérateur entraîne automatiquement une hausse de la température de plusieurs degrés, laissez-la refroidir à température ambiante avant de l'introduire dans le réfrigérateur.

- Du givre dans le freezer

Contrôlez l'épaisseur du givre sur les parois du freezer et procédez immédiatement au dégivrage si la couche est trop épaisse (Voir plus bas "Comment le garder en forme").

Guide à la congélation

Viandes et poisson

Type	Confection	Faisandage (jours)	Conservation (mois)	Décongélation
Rôti et boeuf bouilli	Enveloppé dans du papier aluminium	2 / 3	9 / 10	Pas nécessaire
Agneau	Enveloppé dans du papier aluminium	1 / 2	6	Pas nécessaire
Rôti de porc	Enveloppé dans du papier aluminium	1	6	Pas nécessaire
Veau rôti ou blanchi	Enveloppé dans du papier aluminium	1	8	Pas nécessaire
Biftecks et côtelettes de porc ou de veau	Par tranche enveloppée une par une dans une feuille de polythène puis dans du papier aluminium, pas plus de 4 à 5 morceaux ensemble		6	Pas nécessaire
Tranches et côtelettes d'agneau ou de boeuf	Chaque tranche enveloppée dans une feuille de polythène puis dans du papier aluminium, pas plus de 4 à 5 morceaux ensemble		6	Pas nécessaire
Viande hachée	Dans des bacs aluminium recouverts d'une feuille de polypropylène	Très fraîche	2	Lentement dans le réfrigérateur
Coeur et foie	Sachets en polypropylène		3	Pas nécessaire
Saucisses	Papier aluminium ou polypropylène		2	Selon l'emploi
Poulets et dindons	Papier aluminium	1 / 3	9	Lentement dans le réfrigérateur
Canards et oies	Papier aluminium	1 / 4	6	Lentement dans le réfrigérateur
Canards sauvages faisans, perdrix	Papier aluminium	1 / 3	9	Lentement dans le réfrigérateur
Lapins, lièvres	Papier aluminium	3 / 4	6	Lentement dans le réfrigérateur
Chevreuril, cerf	Papier aluminium ou polypropylène	5 / 6	9	Lentement dans le réfrigérateur
Gros poissons	Papier aluminium ou polypropylène		4 / 6	Lentement dans le réfrigérateur
Petits poissons	Sachets en polypropylène		2 / 3	Pas nécessaire
Crustacés	Sachets en polypropylène		3 / 6	Pas nécessaire
Mollusques	Dans des bacs aluminium ou plastique plongés dans du sel et de l'eau		3	Lentement dans le réfrigérateur
Poissons cuits	Papier aluminium ou polypropylène		12	Dans de l'eau chaude
Poissons frits	Sachets en polypropylène		4 / 6	Directement dans la poêle

Fruits et légumes

Type	Préparation	Cuisson	Confection	Conserv. (mois)	Décongélation
Pommes et poires	Peler et couper en morceaux	2'	Dans des bacs, couvrir avec du sirop	12	Lentement dans le réfrigérateur
Abricots pêches cerises, prunes	Ôter les noyaux et peler	1' / 2'	Dans des bacs, couvrir avec du sirop	12	Lentement dans le réfrigérateur
Fraises, mûres et myrtilles	Nettoyer, laver et laisser sécher		Dans des bacs, couvrir avec du sucre	10 / 12	Lentement dans le réfrigérateur
Fruits cuits	Couper, cuire et passer		Dans des bacs, ajouter 10% de sucre	12	Lentement dans le réfrigérateur
Jus de fruit	Laver, couper et écraser		Dans des bacs, sucre à discrétion	10 / 12	Lentement dans le réfrigérateur
Choux-fleurs	Couper en morceaux et blanchir à l'eau additionnée de jus de citron	2'	Sachets en polythène	12	Pas nécessaire
Choux, choux de Bruxelles	Nettoyer, laver et couper	1' / 2'	Sachets en polythène	10 / 12	À température ambiante
Petits pois	Écosser et laver	2'	Sachets en polythène	12	Pas nécessaire
Haricots verts	Laver et couper en morceaux	2'	Sachets en polythène	10 / 12	Pas nécessaire
Carottes, poivrons, navets	Couper en lamelles, peler et laver	3' / 4'	Sachets en polythène	12	Pas nécessaire
Champignons et asperges	Laver et couper	3' / 4'	Sachets ou bacs	6	À température ambiante
Epinards	Laver et hacher	2'	Sachets en polythène	12	À température ambiante
Légumes assortis pour potage	Laver et couper en morceaux	3'	En petites portions dans des sachets	6 / 7	À température ambiante
Denrées diverses	Préparation	Cuisson	Confection	Conserv. (mois)	Décongélation
Pain			Sachets en polythène	4	À température ambiante et dans le four
Gâteaux			Feuilles de polythène	6	À température ambiante et cuire à 100/200°C
Crème fraîche			Bacs en plastique	6	À température ambiante ou dans le réfrigérateur
Beurre			Dans son papier original enveloppé dans du papier aluminium	6	Dans le réfrigérateur
Denrées cuites, soupe de légumes			Partagés dans des bacs verre ou plastique	3 / 6	À température ambiante ou dans de l'eau chaude
Oeufs			Congeler sans coquille dans de petits bacs	10	À température ambiante ou dans le réfrigérateur

Comment le garder en forme

Avant tout nettoyage de votre réfrigérateur, coupez l'alimentation électrique (en débranchant la fiche ou l'interrupteur général de votre appartement).

Dégivrage

ATTENTION: ne pas endommager le circuit réfrigérant. Attention: n'utilisez ni dispositifs mécaniques ni outils pour accélérer l'opération de dégivrage, en dehors de ceux conseillés par le fabricant. Comment dégivrer le compartiment réfrigérateur.

Comment dégivrer le compartiment réfrigérateur.

Cet appareil est à dégivrage automatique, l'eau est acheminée vers l'arrière par un conduit spécial (fig. 4) où la chaleur produite par le compresseur la fait évaporer. Vous n'avez qu'une opération à faire périodiquement: nettoyer le trou d'évacuation qui se trouve derrière les bac à légumes afin que l'eau puisse s'écouler normalement.

Comment décongeler le compartiment freezer

- Éliminez de temps en temps le givre à l'aide du racloir fourni avec l'appareil (jamais de couteaux ou d'objets métalliques).
- Si le givre dépasse 5 mm d'épaisseur, il faut procéder au dégivrage.

Procédez comme suit: positionnez la manette pour le réglage des températures **A** sur **●**; enveloppez tous les produits surgelés et congelés dans du papier journal et mettez-les au réfrigérateur ou dans un endroit frais. Laissez la porte ouverte pour que le givre fonde complètement, accélérez l'opération en introduisant des récipients pleins d'eau tiède.

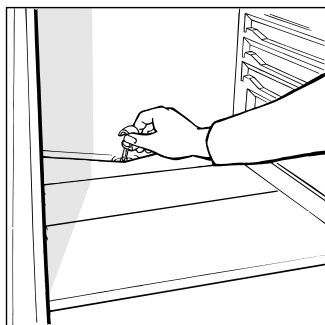


Fig. 4

Nettoyage et entretien particulier

- Les matériaux de fabrication utilisés pour votre appareil sont hygiéniques et inodores mais pour conserver ces propriétés il faut que les aliments soient toujours bien protégés et enfermés, pour éviter toute formation de taches difficiles à enlever ou la formation de mauvaises odeurs.

- De l'eau et du bicarbonate: c'est tout. Pour nettoyer l'intérieur et l'extérieur, utilisez une éponge, de l'eau tiède et du bicarbonate de soude qui est entre autre un excellent désinfectant. Si vous n'en avez pas chez vous, utilisez du savon neutre (du savon de Marseille, par exemple).

- Ce qu'il ne faut jamais utiliser: des produits abrasifs, de l'eau de Javel, de l'ammoniaque. Les solvants et autres produits semblables sont absolument interdits.

- Tout ce qui est amovible peut être mis tremper dans de l'eau chaude avec du savon ou du liquide vaisselle. Avant de remettre ces pièces en place, rincez-les et essuyez-les bien.

- Quand il est inutilisé pendant de longues périodes. En été, si vous décidez d'arrêter votre réfrigérateur, nettoyez-le à l'intérieur et laissez les portes ouvertes, vous éviterez ainsi toute formation de mauvaises odeurs et de moisissures.

- Eclairage intérieur: comment changer la lampe. Cette dernière est située dans la partie arrière de la boîte du thermostat. Pour la changer, débranchez l'appareil de la prise de courant, dévissez la lampe grillée et remplacez-la par une autre d'une puissance ne dépassant pas 15 W., procédez comme illustré figure 5.

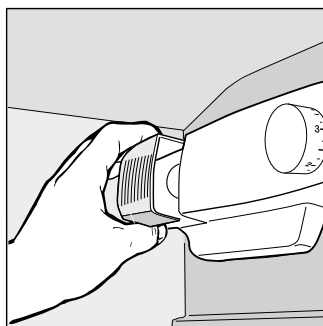


Fig. 5

Quelque chose ne va pas

Le réfrigérateur ne fonctionne pas.

Avez-vous contrôlé si:

- l'interrupteur général de votre appartement est déconnecté;
- la fiche n'est pas bien branchée dans la prise de courant;
- la prise n'est pas endommagée; essayez de la brancher dans une autre prise de l'appartement.

Le réfrigérateur et le freezer ne réfrigèrent pas assez.

Avez-vous contrôlé si:

- les portes ne ferment pas bien ou si les joints sont abîmés;
- les portes restent trop longtemps ouvertes;
- la manette de réglage de la température n'est pas bien positionnée;
- le réfrigérateur ou le freezer ont été excessivement remplis.

Les aliments à l'intérieur du réfrigérateur gèlent trop.

Avez-vous contrôlé si:

- la manette de réglage de la température est bien positionnée;
- les aliments touchent à la paroi arrière qui est la plus froide.

Le moteur fonctionne sans arrêt.

Avez-vous contrôlé si:

- les portes sont bien fermées ou si elles sont restées ouvertes trop longtemps;
- la température extérieure est trop élevée;
- la manette de réglage de la température n'est pas bien positionnée.

L'appareil est trop bruyant.

Il gaz réfrigérant interne produit un léger bruit même quand le compresseur est à l'arrêt (ce n'est pas un défaut).

Avez-vous contrôlé si:


- le réfrigérateur est bien positionné à plat;
- s'il a été installé entre des meubles ou des objets qui vibrent en faisant du bruit;

Il y a de l'eau dans le fond du réfrigérateur.

Avez-vous contrôlé si:

- le trou d'évacuation de l'eau de dégivrage est bouché (voir fig. 4).

Si, malgré tous ces contrôles, l'appareil ne fonctionne toujours pas et l'inconvénient persiste, faites appel au service après-vente le plus proche de chez vous en indiquant: le type de panne, le sigle du modèle (Mod.) ainsi que les chiffres (S/N) indiqués sur la plaquette des caractéristiques située en bas, à gauche, à côté du bac à légumes (voir exemple dans la figure suivante).

Mod. RG 2330		TI	Cod. 93139180000		S/N 704211801	
240 V-	50 Hz	150 W	W	Fuse	A	Max 15
Total	340	75			Freez. Capac	Class
Gross Bruto Brut		Gross Bruto Brut	Net Util Utile	Gross Bruto Brut	Poder de Cong	Clase N
					kg/24 h 4,0	Classe
Compr. Syst.	R 134 a	Test	Pressure HIGH-235			
Kompr.	kg 0,090	P.S-I.	LOW 140			
Made in Italy 13918						

Ne faites jamais appel à des techniciens non agréés et refusez toujours des pièces détachées non originales.

Die Sicherheit - Eine gute Gewohnheit und unsere Verpflichtung

ACHTUNG

Lesen Sie bitte vor Inbetriebnahme aufmerksam die nachstehenden Sicherheitshinweise dieser Anleitung. Sie enthalten wichtige Angaben über die Sicherheit bei der Installation, Benutzung und Instandhaltung des Gerätes. Dieses Gerät wurde gemäß der internationalen Sicherheitsregelung zum Schutz des Verbrauchers konstruiert. Das Gerät weist das IMQ Qualitätszeichen auf, ausgegeben vom Istituto Italiano di Qualità (Ital. Institut zur Qualitätsüberprüfung). Dieses Zeichen wird nur den Geräten zuteil, die den Normen des CEI, Comitato Elettrotecnico Italiano (Elektrotechn. Komitat Italiens) entsprechen.

Dieses Gerät eignet sich zum Kühlen und Gefrieren von Lebensmitteln und zur Eisbereitung.

Es ist für die Verwendung im privaten Haushalt bestimmt. Bei Einsatz im gewerblichen Bereich sind die für das Gewerbe gültigen Bestimmungen zu beachten.

1. Sollte das Gerät wider Erwarten auf dem Transport zu Ihnen beschädigt worden sein, nehmen Sie es nicht in Betrieb ohne zuvor Rücksprache mit Ihrem Lieferanten gehalten zu haben.
2. Es darf nur von Erwachsenen benutzt werden und ausschließlich zur Konservierung und zum Einfrieren von Speisen unter Beachtung der hier aufgeführten Anleitung.
3. Berühren oder bedienen Sie niemals das Gerät mit nassen Händen oder barfuß, wenn Sie auf feuchtem oder nassem Bodenbelag stehen.
4. Wir raten vom Einsatz von Mehrfachsteckern, Adaptersteckern oder Verlängerungen ab.
5. Trennen Sie das Gerät bei Störungen, Wartung und Reinigung vom Stromnetz, oder schalten Sie die entsprechende Sicherung aus. Ziehen Sie bitte bei Entfernen des Netzkabels nie am Kabel, sondern bitte immer am Netzstecker.
6. Reinigen Sie das Gerät niemals, oder nehmen Sie keine Instandhaltungsarbeiten vor, ohne vorher den Stecker gezogen zu haben; es genügt nicht, die beiden Temperatur-Reglerknöpfe auf "●" gestellt zu haben, um jeglichen elektrischen Kontakt zu unterbrechen.
7. Berühren Sie nicht die inneren Kühlteile, besonders nicht mit nassen Händen; Sie könnten sich verbrennen oder verletzen. Nehmen Sie niemals frisch entnommene Eiswürfel oder gefrorenes Speiseeis in den Mund, Sie könnten sich durch die sehr starken Temperaturunterschiede verbrennen.
8. Vor der Entsorgung Ihres alten Kühlschranks entfernen Sie das Schloß, soweit vorhanden, um zu verhindern, daß spielende Kinder eingesperrt werden könnten.

9. Reparaturen an Elektrogeräten dürfen nur von Fachkräften ausgeführt werden. Durch unsachgemäße Reparaturen können erhebliche Gefahren für den Benutzer entstehen.

10. Lagern Sie hochprozentigen Alkohol nur dicht verschlossen und stehend, durch austretende Alkoholdämpfe kann Explosionsgefahr bestehen.

11. Vermeiden Sie Beschädigungen an Teilen des Kältemittelkreislaufes, zum Beispiel durch Aufstechen von Kältemittelkanälen mit scharfen Gegenständen usw.

12. Lagern Sie keine Flüssigkeiten in Flaschen oder Dosen, insbesondere mit kohlenensäurehaltigen Flüssigkeiten, im Gefrierfach des Gerätes. Ihr Gerät könnte durch platzende Gebinde beschädigt werden.

13. Sollte Ihr Gerät nicht funktionieren oder einen Defekt aufweisen, lesen Sie zuerst das Kapitel "Gibt's ein Problem?", bevor Sie den technischen Service anrufen; eventuell kann der Fehler so behoben werden. Versuchen Sie nicht, in das Innere der Kombination zu gelangen, um den Defekt zu reparieren.

14. Im Falle einer Beschädigung des Gerätespeisekabels muß dieses zwangsläufig durch unseren Kundendienst ausgewechselt werden, da hierzu Spezialwerkzeuge benötigt werden.

15. Bitte verwenden Sie im Innern des Lagerfachs für Speisen keine Elektrogeräte, die nicht ausdrücklich von der Herstellerfirma empfohlen wurden.

16. Vor der Entsorgung eines Altgerätes - das Zyklopentane-Gas im Isolierschaum, und eventuell R600a - Gas (Isobutan) im Kühlkreis enthält - muss dieses sichergestellt werden, bevor es der Entsorgung zugeführt wird. Wenden Sie sich hierzu an Ihren Händler oder an die zuständige kommunale Entsorgungsstelle.

Entsorgung Ihres Altgerätes sowie der Verpackung des Neugerätes.

Ältere Kühl- und Gefriergeräte enthalten im Kältekreis und in der Isolation Fluorchlorkohlenwasserstoffe (FCKW). Dieses FCKW kann, wenn es freigesetzt wird, die Ozonschicht der Atmosphäre schädigen.

Nehmen Sie deshalb zum Entsorgen des Altgerätes Ihre zuständige kommunale Entsorgungsstelle in Anspruch. Achten Sie bitte darauf, daß die Rohrleitungen Ihres Kältegerätes bis zum Abtransport zu einer sachgerechten und umweltfreundlichen Entsorgung nicht beschädigt werden.

In der Bundesrepublik Deutschland können Sie die Verpackung Ihres Neugerätes zur weiteren stofflichen Verwendung Ihrem Händler zurückgeben.

Installationshinweise

Um eine optimale und langfristige Funktion sowie einen möglichst geringen Stromverbrauch zu erzielen, ist es wichtig, das Gerät korrekt zu installieren.

Die Be- und Entlüftung

Der Kompressor sowie der Kondensator strahlen Wärme aus, weshalb sich eine gute Lüftung als notwendig erweist. Das Gerät muß deshalb in einem trockenen Raum aufgestellt werden, in dem eine Öffnung (Fenster oder Balkontür) für den nötigen Luftaustausch sorgt. Achten Sie bitte bei der Installation darauf, die Luftgitter, die eine gute Belüftung des Gerätes ermöglichen, zu verdecken oder zu verstopfen.

Von Hitzequellen fernhalten

Vermeiden Sie, das Gerät dort aufzustellen, wo es der direkten Einwirkung von Sonnenstrahlen ausgesetzt ist, oder in der Nähe des Elektroherdes oder ähnlichen Wärmespendern.

Elektroanschluß und Erdung

Vor dem Stromanschluß kontrollieren Sie bitte, ob die Voltangaben auf dem Schild links neben dem Gemüsefach den Stromdaten Ihrer Wohnung entsprechen, und ob die Steckdose über eine ordnungsgemäße, dem Stromanlagen-sicherheitsgesetz 46/90 entsprechende Erdung aufweist. Fehlt diese Erdung, lehnt der Hersteller jegliche Verantwortung und Gewährleistung ab. Benutzen Sie keine Mehrfachstecker oder Adapter.

Für eine Installation zwischen einzelnen Möbelteilen befolgen Sie bitte die Anleitungen auf dem beiliegenden Blatt.

Ist die Stromleistung ausreichend?

Die Steckdose muß die Höchststromleistung des Gerätes, die auf dem Schild unten links neben dem Gemüsefach angegeben ist, aufnehmen können.

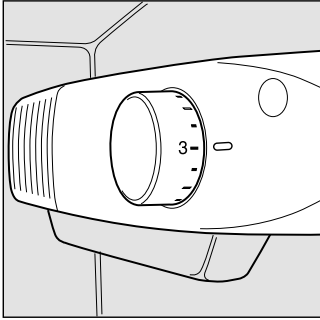
Vor dem Stromanschluß

Stellen Sie das Gerät nach dem Transport senkrecht auf und warten Sie mind. 3 Stunden, bevor Sie es an den Stromkreis anschließen, um eine einwandfreie Funktionsweise zu garantieren.

Aus der Nähe betrachtet

A Temperaturregler

Mit diesem Knopf können folgende unterschiedliche, für beide Räume geltende Temperaturen eingestellt werden:



- der Kühlschrank ist ausgeschaltet;
- 1 minimale Kühltemperatur;
- 5 maximale Kühltemperatur

H Fleisch- und Käsebehälter

I Tauwasser - Ableitung

J Herausziehbare und höhenverstellbare Ablageroste

K Fach zur Aufbewahrung von Gefriergut, zum Einfrieren frischer Nahrungsmittel und zur Bereitung von Eis.

B Ausziehbares Abstellbord mit Decl, Eierablage Butterfach

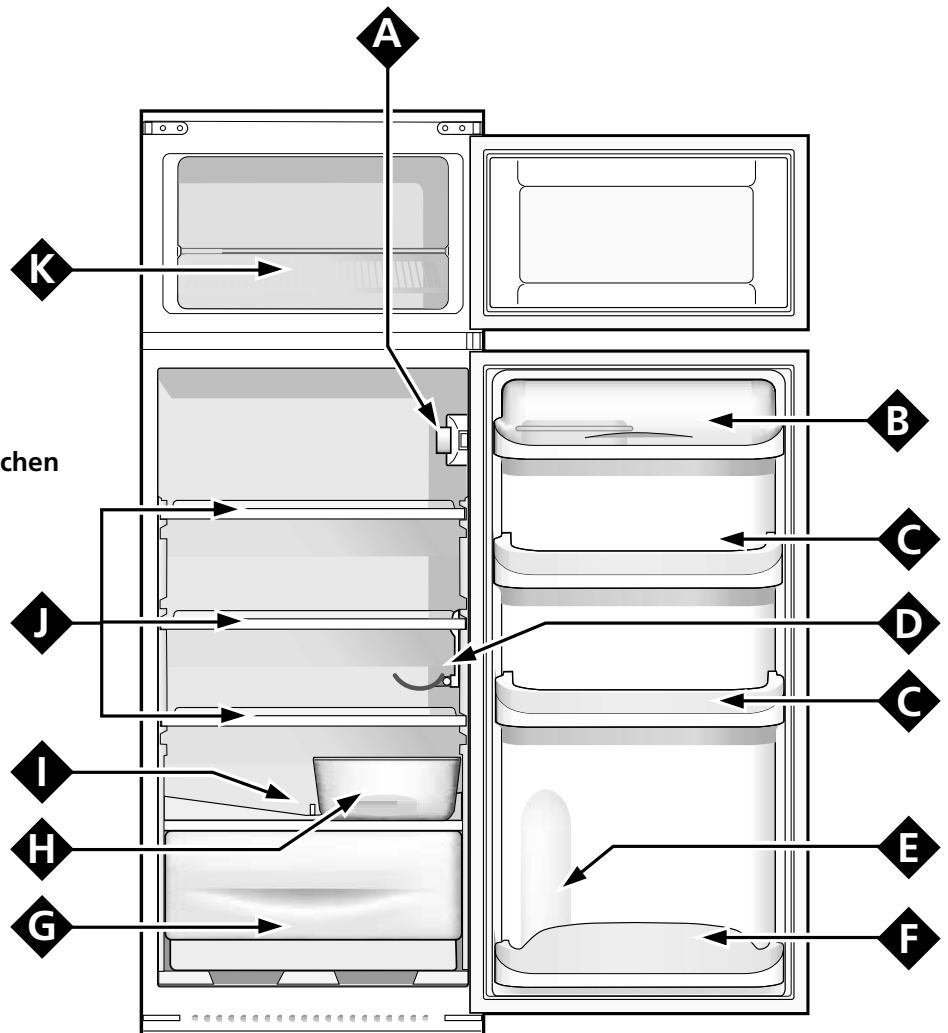
C Abnehmbare Kippkonsolen

D Einklappbares Flaschenbord

E Fach für eine 2-Liter-Flasche

F Abnehmbare Konsole für Flaschen

G Obst- und Gemüsefach



Die erste Inbetriebnahme des Gerätes

ACHTUNG

Bitte warten Sie nach dem Aufstellen, bzw. nach einem Transport ca. 3 Stunden, bevor Sie das Gerät anschließen, um eine optimale Funktionsweise zu gewährleisten.

Bevor Sie das erste Mal Nahrungsmittel in den Kühlschrank oder in das Gefrierfach legen, reinigen Sie bitte den Innen-

raum mit lauwarmem Wasser und Bicarbonat. Nach Einstecken des Steckers in die Steckdose vergewissern Sie sich bitte, daß die Lampe aufleuchtet, stellen Sie dann den Temperaturregler "A" auf Position "3". Nach Ablauf einiger Stunden können die frischen Nahrungsmittel in den Kühlraum und die tiefgekühlten Speisen in das Gefrierfach eingeräumt werden.

Lebensmittelhygiene

1. Entfernen Sie nach dem Erwerb der Nahrungsmittel jedwede äußere Verpackung aus Papier/Karton oder andere äußere Umhüllungen, durch die Bakterien oder Schmutz in den Kühlschrank gelangen könnten.
2. Sorgen Sie dafür, dass die Nahrungsmittel (insbesondere die leicht verderblichen und diejenigen mit starkem Eigengeruch/Eigengeschmack) nicht direkt untereinander in Kontakt kommen. Auf diese Weise verringert sich das Risiko der Verbreitung von Keimen/Bakterien oder der Verbreitung von starkem Eigengeruch bzw. Eigengeschmack im Inneren des Kühlschranks.
3. Ordnen Sie die Nahrungsmittel nicht zu dicht aneinander an, sodass die Luft im Inneren des Geräts frei zirkulieren kann.
4. Reinigen Sie das Innere des Kühlschranks regelmäßig. Verwenden Sie dazu keine Oxidations- oder Scheuermittel.
5. Nehmen Sie die Nahrungsmittel, deren max. Haltbarkeitsdatum verstrichen ist, aus dem Kühlschrank.
6. Bewahren Sie leicht verderbliche Nahrungsmittel (Weichkäse, roher Fisch, Fleisch etc.) im kältesten Bereich des Kühlschranks auf, das heißt also über den Gemüseschalen, wo sich die Temperaturanzeige befindet.

Der Thermostat reguliert automatisch die Temperatur im Innern des Gerätes

1 = minimale Kühltemperatur

5 = maximale Kühltemperatur

Es sollten jedoch möglichst mittlere Temperaturwerte eingestellt werden.

Zur Optimierung des zur Verfügung stehenden Platzes und aus ästhetischen Gründen wurde die "Kühlzelle" bei diesem Gerät im Innern der Kühlraumrückwand angebracht. Bei in Betrieb befindlichem Gerät ist diese Wand demnach entweder mit einer Reifschicht, oder mit Wassertropfen bedeckt, je nach dem, ob der Kompressor arbeitet, oder stillsteht. Das ist ganz normal ! Der Kühlschrank arbeitet korrekt.

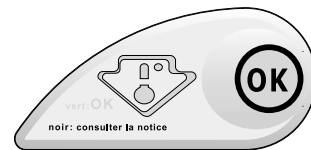
Wird der Temperaturregler auf hohe Zahlen eingestellt, wie z.B. bei großen Kühlgutmengen oder bei hoher Raumtemperatur, ist es möglich, daß das Gerät ununterbrochen läuft, was eine Reifbildung auf der Rückwand des Kühlraums, und somit einen erhöhten Energieverbrauch zur Folge hat .

Um dies zu vermeiden genügt es, den Regler wieder auf niedrigere Zahlen zurückzustellen, damit das Gerät wieder normal und automatisch abtaut.

Temperaturanzeige

Zur besseren und exakteren Kennzeichnung des kältesten Bereichs im Kühlschrank wurde der Kühlschrank mit einer Temperaturanzeige ausgestattet.

Vergewissern Sie sich, dass auf der Anzeige der Schriftzug "OK" erscheint.



Eine korrekte Beleuchtung erleichtert das Ablesen der Anzeige.

Erscheint die Anzeige OK nicht, ist die Temperatur zu hoch. Stellen Sie in diesem Fall den Thermostat (der Kühlzone) auf eine niedrigere Temperatur ein.

Warten Sie nach jeder Veränderung am Thermostaten ab, bis die gewünschte Temperatur erreicht wird (ca. 10 Std.), bevor Sie eine erneute Einstellungsveränderung vornehmen. BEACHTEN SIE: Wird der Kühlschrank mit großen Mengen an Nahrungsmitteln gefüllt oder wird die Kühlschranktür häufig oder längere Zeit geöffnet, so verschwindet auf der Temperaturanzeige der Schriftzug „OK“.

Warten Sie in diesem Fall mind. 10 Std. ab, bevor Sie den Thermostaten auf eine niedrigere Temperatur stellen.

Tips zur zweckmäßigen Einlagerung von Lebensmitteln im Kühlraum

Nahrungsmittel	Lagerdauer	Lagerort
Fleisch und kochfertiger Fisch (ausgenommen,entschuppt,gewaschen) luftdicht verpackt in Polybeuteln oder in Folie	2 - 3 Tage	Im unteren Kühlraumbereich (unmittelbar über den Obst- und Gemüse- schalen)
Frischer Käse	3 - 4 Tage	Im unteren Kühlraumbereich (unmittelbar über den Obst- und Gemüse- schalen)
Eier	1 Monat	Eierbord in der Innentür
Butter und Margarine		Behälter in der Innentür
Gekochte oder vorgegarte Speisen (erkaltete Speisen in gut verschließbaren Behältern)	3 - 4 Tage	Alle Gitterroste
Wurst, abgepacktes Brot, Süßspeisen, Speck Gebäck, Schokolade	3 - 4 Tage	Alle Gitterroste
Getränke, Milch, Joghurt		Flaschenbord in der Innentür
Obst und Gemüse		Obst- und Gemüseschale

Was gehört nicht in den Kühlschrank?

Knoblauch (Geruch), Zwiebeln und Lauch
 Bananen (werden schwarz)
 Südfrüchte (besser ist Frischluft, z.B. auf dem Balkon)
 Kartoffeln und Knollengewächse (nur im Dunkeln, keine Feuchtigkeit).

- Im Innern des Kühlraums zirkuliert die Luft auf natürliche Art; die kältere Luft drängt wegen des größeren Gewichts nach unten. Aus diesem Grunde sollten Fleisch und Käse über dem Gemüsefach aufbewahrt werden.
- Befolgen Sie unbedingt unsere Ratschläge für die maximalen Aufbewahrungszeiten, denn alle Nahrungsmittel, auch die frischesten, sind nur begrenzt haltbar.
- Beachten Sie auch bitte, daß es ein Irrtum ist, anzunehmen, daß sich gekochte Speisen länger halten, als rohe.
- Stellen Sie Flüssigkeiten niemals in offenen Behältern in den Kühlschrank, um zu verhindern, daß sich zuviel Feuchtigkeit und demzufolge übermäßig viel Reif bildet.
- Achten Sie darauf, Glas- oder Plastikbehälter, Nahrungsmittel usw. so in den Kühlschrankinnenraum einzustellen, daß sie die Kühlzelle (Kühlraumrückwand) nicht berühren. Hierdurch könnten die Nahrungsmittel beschädigt, der Stromverbrauch erhöht und die Bildung einer Reifschicht (auf Nahrungsmitteln, Behältern usw.) gefördert werden.
- Der Kühlraum ist mit praktischen herausziehbaren Abstellrosten (Abb. 1) versehen. Diese dank der entsprechenden Führungsschienen auch höhenverstellbaren Abstellroste ermöglichen eine Veränderung der Innenraumaufteilung gemäß Ihren Bedürfnissen.

Das seitliche Flaschenbord kann entweder zum Abstellen

von Flaschen (Abb. 2) oder von mehreren horizontal angeordneten Dosen (3/4; Abb. 3) verwendet werden. Falls das Flaschenbord gerade nicht gebraucht wird, kann es eingeklappt werden. Auf diese Weise verfügen Sie in ihrem Kühlschrank über mehr Platz.

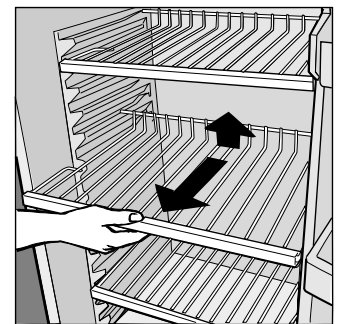


Abb. 1

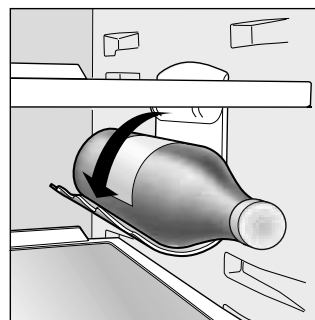


Abb. 2

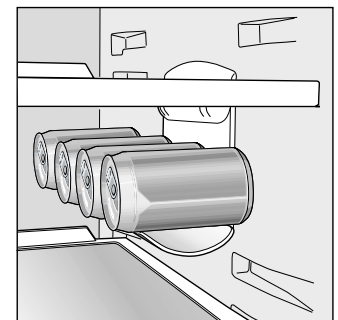


Abb. 3

So friere ich richtig ein

- Für das Verpacken von einzufrierenden Nahrungsmitteln sollte ein spezielles Handbuch zu Rate gezogen werden.

- Eine einmal, auch nur teilweise aufgetaute Speise darf auf keinen Fall noch einmal eingefroren werden: Sie muß (innerhalb 24 Stunden) verbraucht, d.h. gekocht werden. Das gekochte Gericht kann dann wieder eingefroren werden.

- Wenn Sie frische Nahrungsmittel einfrieren möchten, achten Sie bitte darauf, daß diese nicht mit bereits eingefrorenen oder tiefgefrorenen Speisen in Berührung kommen. Lagern Sie frische Nahrungsmittel daher auf dem Gefrierfachrost und möglichst fest an den Kühlraumwänden. Vergessen Sie nicht, daß die Haltbarkeit der Tiefkühlgutes davon abhängt, wie schnell es eingefroren wurde.

- Während des Einfrierens vermeiden Sie ein Öffnen des Gefrierteils.

- Frieren Sie täglich nur die Mengen ein, die in kg auf dem Schild links am Gemüsefach angegeben sind.

- Um eine optimale Konservierung und nachträglich ein optimales Auftauen zu gewährleisten, empfehlen wir, die Speisen in kleine Portionen abzufüllen; auf diese Weise tauen sie schnell und gleichmäßig auf. Beschriften Sie die Behälter mit Angaben wie Inhalt und Einfrier-Datum.

- Bitte öffnen Sie bei einem Stromausfall oder Defekt nicht die Tür des Gefrierteils; so zögern Sie einen Temperaturanstieg im Innern hinaus. Die eingefrorenen bzw. tiefgekühlten Speisen halten sich so unverändert ca. 9 - 14 Stunden.

- Stellen Sie keine vollen Glasflaschen ins Gefrierfach, da gefrierende Flüssigkeiten das Glas zum Explodieren bringen.

- Füllen Sie die Eiswürfelbehälter nur bis ca. $\frac{3}{4}$ ihres Volumens auf.

- Wenn die Raumtemperatur für einen längeren Zeitraum 14°C unterschreiten sollte, wird die für eine lange Haltbarkeit erforderliche Temperatur im Gefrierfach nicht vollständig erreicht, wodurch die Haltbarkeitsdauer geschmälert wird.

Tips zum Sparen

- Die richtige Installation

Das heißt fern von Hitzequellen, von direkter Sonneneinstrahlung, in einem gut belüfteten Raum und unter Beachtung der im Abschnitt "Installationshinweise/Be- und Entlüftung" angegebenen Abstände.

DER TATSÄCHLICHE ENERGIEVERBRAUCH HÄNGT DAVON AB, WIE DAS GERÄT EINGESETZT WIRD UND WO ES AUFGESTELLT WIRD.

Die wurden in einem 560 mm tiefen Säulenschrank, die üblichsten Installationsverhältnisse für ein derartiges Gerät, vorgenommen.

- Die richtige Kühltemperatur

Zu große Kälte erhöht den Stromverbrauch.

- Lagern Sie niemals zuviel ein

Um eine einwandfreie Aufbewahrung der Speisen zu gewährleisten, muß die Kälte frei im Innern des Kühlraums zirkulieren können. Bei unsachgemäßer Befüllung ist dies nicht möglich und der Kompressor kühlt ständig nach.

- Halten Sie die Türen Ihres Kombigerätes geschlossen

Öffnen Sie die Türen Ihres Kombigerätes nur wenn es unbedingt nötig ist, denn bei jedem Öffnen geht Kälte verloren. Um die richtige Temperatur erneut zu erreichen, kühlt der Kompressor nach, was ebenfalls zu erhöhtem Stromverbrauch führt.

- Kontrollieren Sie die Dichtungen

Halten Sie diese elastisch und sauber, kontrollieren Sie, daß sie gut an den Türen anliegen, nur so lassen sie keine Kälte entweichen.

- Niemals warme Speisen

Ein Topf mit warmen Speisen erhöht sofort die Temperatur um einige Grade; lassen Sie sie erst auf Raumtemperatur abkühlen, bevor Sie sie in den Kühlschrank stellen.

- Eisschicht

Kontrollieren Sie die Eisschicht an den Wänden des Gefrierfachs. Tauen Sie Ihr Gerät sofort ab, wenn die Schicht zu dick geworden ist (siehe auch den nächsten Abschnitt "So halte ich das Gerät in Topform").

Anleitung zum Gebrauch des Gefriergerätes

Fleisch und Fisch

Lebensmittel	Verpackung	Abhängen	Lagerdauer (Monate)	Auftauen
Rindfleisch	Aluminiumfolie	2 / 3	9 / 10	Nicht nötig
Hammelfleisch	Aluminiumfolie	1 / 2	6	Nicht nötig
Schweinefleisch	Aluminiumfolie	1	6	Nicht nötig
Kalbfleisch	Aluminiumfolie	1	8	Nicht nötig
Kalb-oder Schweinekotelett	Plastikfolie zwischen den einzelnen Scheiben anschließend 4-6 Stück in Alufolie		6	Nicht nötig
Hammekotelett	Plastikfolie zwischen den einzelnen Scheiben anschließend 4-6 Stück in Alufolie		6	Nicht nötig
Hackfleisch	Alubehälter und Plastikfolie	Frisch	2	Langsam im Kühlschrank
Leber	Plastikbeutel		3	Nicht nötig
Wurst	Plastik- oder Alufolie		2	Je nach Gebrauch
Geflügel	Alufolie	1 / 3	9	Langsam im Kühlschrank
Gans - Ente	Alufolie	1 / 4	6	Langsam im Kühlschrank
Wild	Alufolie	1 / 3	9	Langsam im Kühlschrank
Hasen - Kanichen	Alufolie	3 / 4	6	Langsam im Kühlschrank
Hirsch	Alufolie oder Plastikfolie	5 / 6	9	Langsam im Kühlschrank
Große Fische	Alufolie oder Plastikfolie		4 / 6	Langsam im Kühlschrank
Kleine Fische	Plastikbeutel		2 / 3	Nicht nötig
Schalentiere	Plastikbeutel		3 / 6	Nicht nötig
Muscheln	Alu- oder Plastikbehälter mit Salzwasser		3	Langsam im Kühlschrank
Gekochter Fisch	Alufolie oder Plastikfolie		12	In warmem Wasser
Bratfisch	Plastikbeutel		4 / 6	Direkt in der Bratpfanne

Obst und Gemüse

Lebensmittel	Vorbereitung	Blanchierzeit (Minuten)	Verpackung	Lagerdauer (Monate)	Auftauen
Äpfel und Birnen	Waschen, schälen und in Stücke schneiden	2'	Behälter mit Zuckersirup bedecken	12	Langsam im Kühlschrank
Aprikosen, Pfirsiche, Kirschen, Zwetschgen	Waschen und entkernen	1' / 2'	Behälter mit Zuckersirup bedecken	12	Langsam im Kühlschrank
Erdbeeren, Heidelbeeren, Johannisbeeren, Himbeeren	Waschen, verlesen, gut abtropfen lassen		Behälter mit Zuckersirup bedecken	10 / 12	Langsam im Kühlschrank
Gekochtes Obst	Waschen, In Stücke schneiden		Behälter 10% Zucker zugeben	12	Langsam im Kühlschrank
Obst	Waschen, In Stücke schneiden		Behälter nach Belieben zuckern	10 / 12	Langsam im Kühlschrank
Blumenkohl	Putzen, verlesen, blanchieren in Zitronenwasser	2'	Plastikbeutel	12	Nicht nötig
Rosenkohl	Putzen, waschen, in Stücke schneiden	1' / 2'	Plastikbeutel	10 / 12	Bei Raumtemperatur
Erbsen	Waschen und auslesen	2'	Plastikbeutel	12	Nicht nötig
Bohnen, grüne	Waschen, in Stücke schneiden	3'	Plastikbeutel	10 / 12	Nicht nötig
Karotten, Paprika	Waschen schülen, scheiben schneiden	3' / 4'	Plastikbeutel	12	Nicht nötig
Pilze, Spargel	Waschen und schneiden	3' / 4'	Plastikbeutel - Behälter	6	Bei Raumtemperatur
Spinat	Waschen und zerschneiden	2'	Plastikbeutel	12	Bei Raumtemperatur
Suppengemüse	Waschen und zerschneiden	3'	Verpackt in kleinen Portionen	6 / 7	Bei Raumtemperatur
Verschiedene Speisen	Vorbereitung	Blanchierzeit	Verpackung	Lagerdauer (Monate)	Auftauen
Brot			Plastikbeutel	4	Bei Raumtemperatur oder im Backofen
Torten			In Plastikfolien	6	Bei Raumtemperatur und bei 100/200°C backen
Sahne			Behälter	6	Bei Raumtemperatur oder im Kühlschrank
Butter			Originalverpackung Alufolie	6	Kühlschrank
Gekochte Lebensmittel			Aufgeteilt in entsprechenden Behältern	3 / 6	Kühlschrank
Eier			In kleinen Behältern ohne Schale	10	Raumtemperatur oder Kühlschrank

So halte ich das Gerät in Topform

Vor jedem Reinigungsvorgang ist die Stromversorgung des Gerätes zu unterbrechen. (Stecker herausziehen oder Hauptsicherung abschalten)

Abtauen

ACHTUNG: Der Kältekreis darf nicht beschädigt werden. Vermeiden Sie den Gebrauch mechanischer Vorrichtungen oder anderer Gegenstände, außer den vom Hersteller empfohlenen, um den Abtauvorgang zu beschleunigen.

Wie taut man den Kühlraum ab

Das Abtauen erfolgt automatisch und das Tauwasser wird mittels einer Tropfrinne aufgefangen und durch das Ablaufloch (Abb. 4) abgeleitet, wo es aufgrund der vom Kompressor ausgestrahlten Hitze verdampft. Das Ablaufloch, das sich hinter dem Gemüsefach befindet, muß jedoch regelmäßig gereinigt werden, damit das Wasser ordnungsgemäß ablaufen kann.

Wie taut man das Gefrierfach ab

- Entfernen Sie ab und zu die Reifschicht mit Hilfe des beiliegenden Plastik-Kratzers (absolut nicht mit Messern oder Metallgegenständen).

- Ist die Eischicht stärker als 5 mm muß abgetaut werden. Stellen Sie hierzu den Temperaturregler "A" auf das Symbol ●; umwickeln Sie die tiefgekühlten Nahrungsmittel mit Zeitungspapier und lagern Sie diese im Kühlraum oder an einem kühlen Ort. Lassen Sie die Tür bis zum völligen Abtauen der Reifschicht offenstehen; zur Beschleunigung kann eine Schale mit lauwarmem Wasser in das Fach gestellt werden.

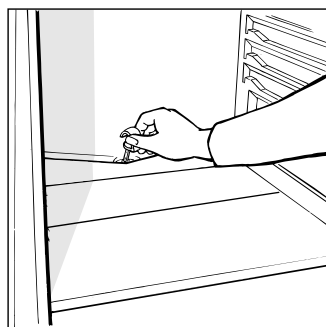


Abb. 4

Reinigung und Pflege

Vor jedem Reinigungsvorgang ist die Stromversorgung des Gerätes zu unterbrechen. (Stecker herausziehen oder Hauptsicherung abschalten)

- Das Material aus dem Ihr Gerät hergestellt wurde, ist hygienisch einwandfrei und überträgt keine Geruchsstoffe. Um diese Vorzüge beizubehalten, ist es notwendig, daß die Nahrungsmittel immer gut geschützt und verschlossen gelagert werden, um nur schwer entfernbare Flecken und unangenehme Geruchsbildung zu vermeiden.

- Nur Wasser und Bicarbonat: Zur Reinigung der Innen- und Außenteile verwenden Sie bitte nur einen weichen Schwamm, getränkt mit lauwarmem Wasser und Natriumbicarbonat, welches außerdem auch ein ausgezeichnetes Desinfektionsmittel ist. Wenn Sie keines zur Hand haben, nehmen Sie eine neutrale Seife (z.B. Marseille- oder Kernseife).

- Niemals zu benutzen sind: Scheuermittel, Weißmacher, Ammoniak, Benzin oder sonstige Lösungsmittel.

- Alle herausnehmbaren Teile können in einer warmen Spülmittellauge eingeweicht werden, diese dann mit klarem Wasser nachspülen und vor Wiedereinsetzen sorgfältig trocknen.

- Um auf der Rückseite eine Staubansammlung, die die Funktionsweise nachträglich beeinflussen könnte, zu vermeiden, muß auch diese regelmäßig und mit besonderer Vorsicht gereinigt werden. Verwenden Sie hierzu einen Staubsauger.

- Sollte das Gerät für längere Zeit abgeschaltet werden, z.B. während der Sommerferien, ist es ratsam, es innen sorgfältig zu reinigen und die Tür vorstehen zu lassen, um Schimmelbildung oder die Bildung schlechter Gerüche zu vermeiden.

- Wie tauscht man die Innenlampe aus? Am hinteren Teil des Thermostatengehäuses befindet sich die Birne für die Innenbeleuchtung. Bevor Sie diese austauschen, ziehen Sie den Stecker aus der Steckdose; schrauben Sie hierauf die defekte Birne heraus und ersetzen Sie diese durch eine neue, die nicht stärker als 15 Watt sein darf. (Siehe Abb. 5).

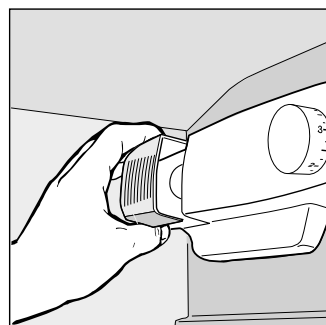


Abb. 5

Gibt's ein Problem?

Das Gerät funktioniert nicht

Bitte kontrollieren Sie, ob:

- die Hauptsicherung eingeschaltet ist;
- der Stecker richtig in der Steckdose steckt;
- die Steckdose in Ordnung ist defekt ist; kontrollieren Sie dies, indem Sie den Stecker in eine andere Steckdose stecken.

Kühlraum und Gefrierfach kühlen unzureichend

Bitte kontrollieren Sie, ob:

- die Türen richtig schließen oder die Dichtungen beschädigt sind;
- die Türen vielleicht zu lange offenstehen;
- der Temperaturregler richtig eingestellt ist;
- der Kühlraum oder das Gefrierfach nicht überladen wurde.

Im Kühlraum gefrieren Nahrungsmittel

Bitte kontrollieren Sie, ob:

- der Temperaturregler richtig eingestellt ist;
- die Nahrungsmittel an die Rückwand (Kühlzelle) anstoßen.

Der Motor läuft ständig

Bitte kontrollieren Sie, ob:

- die Türen richtig geschlossen wurden, oder für längere Zeit offengeblieben sind;
- die Außentemperatur sehr hoch ist;
- der Temperaturregler richtig eingestellt ist.

Das Gerät macht zu viel Lärm

Das im Innern des Geräts befindliche Kühlgas erzeugt ein leichtes Geräusch, auch bei Stillstand des Kompressors (das ist kein Defekt).

Bitte kontrollieren Sie, ob:

- Ihr Gerät gerade steht;
- es zwischen Möbelteilen oder Gegenständen steht, die vibrieren und daher Lärm verursachen.

Auf dem Kühlraumboden sammelt sich Wasser an

Kontrollieren Sie, ob:

- der Tauwasserablauf nicht verstopft ist (siehe Abb. 4).

Sollte trotz aller Kontrollen das Gerät nicht funktionieren und der von Ihnen festgestellte Fehler weiter bestehen bleiben, dann fordern Sie bitte den nächstgelegenen technischen Kundendienst an und teilen Sie dort zusammen mit Ihrer Fehlerbeschreibung folgende Daten mit: die Modellbezeichnung (Mod.), die entsprechenden Nummern (S/N), die auf dem Schild unten links neben dem Gemüsefach angegeben sind (siehe untenstehende Beispiele).

Mod. RG 2330		TI	Cod. 93139180000	S/N 704211801		
240 V	Hz	150 W	W	Fuse	Max 15	
Total	340	75		Freez. Capac	Class	
Gross Bruto Brut		Gross Bruto Brut	Net Util Utile	Gross Bruto Brut	Poder de Cong kg/24 h 4,0	Clase N
Compr. Syst.	R 134 a	Test	Pressure HIGH-235	Barcode		
Kompr.	kg 0,090	P.S.-I.	LOW 140			
Made in Italy 13918						

Beauftragen Sie auf keinen Fall einen nicht befugten Kundendienst und lassen Sie ausschließlich Original-Ersatzteile einbauen.

De veiligheid, een goede gewoonte

BELANGRIJK

Lees de inhoud van deze gebruiksaanwijzing aandachtig door aangezien hij belangrijke instructies bevat betreffende de veiligheid van installeren, gebruik en onderhoud.

Deze combinatie is vervaardigd volgens de internationale veiligheidsnormen die gericht zijn op het beschermen van de gebruiker. Dit apparaat heeft het merkteken IMQ verworven, dat door het Italiaanse Instituut van Kwaliteit alleen wordt uitgereikt aan apparaten die voldoen aan de normen van de CEI, de Italiaanse Elektrotechnische Commissie.

1. Dit apparaat mag niet buiten worden geïnstalleerd, zelfs niet onder een dakje; het is uiterst gevaarlijk het bloot te stellen aan regen en onweer.
2. Het mag alleen door volwassenen worden gebruikt en alleen voor het bewaren van etenswaren, volgens de gebruiksaanwijzingen in dit handboekje.
3. Raak het apparaat nooit aan als u blootsvoets bent of met natte handen of voeten.
4. Wij raden het gebruik van verlengsnoeren en dubbelstekkers af. Als de koelkast tussen meubelen in wordt geïnstalleerd, controleer dan dat de kabel niet krom of onder gevaarlijke druk ligt.
5. Trek nooit aan de kabel of aan de koelkast zelf om de stekker uit het stopcontact te halen: dit is uiterst gevaarlijk.
6. Raak de verkoelingselementen binnen in de koelvriescombinatie nooit aan, vooral niet met natte handen; u kunt

zich branden of verwonden. Stop geen ijsblokjes in uw mond zodra het uit de freezer komt; u riskeert zich te branden.

7. Sluit altijd eerste de stroom af voordat u overgaat tot reinigen of onderhoud; het is niet voldoende de temperatuurknop op de positie ● te zetten om ieder elektrisch contact te elimineren.

8. Voordat u uw oude koelkast weg laat halen, maak het slot onklaar om te vermijden dat spelende kinderen erin opgesloten worden.

9. Voordat u er de technische dienst bij haalt als er een storing optreedt, controleer eerst in het hoofdstuk "Is er een probleem?" of het mogelijk is dit probleem te verhelpen. Probeer niet zelf de reparatie uit te voeren door te trachten toegang te krijgen tot de interne onderdelen.

10. Als uw voedingskabel vervangen moet worden, moet u zich tot onze Technische Dienst wenden. In sommige gevallen zijn de aansluitingen uitgevoerd met speciale contacten; in andere gevallen is het noodzakelijk een speciaal gereedschap te gebruiken teneinde toegang te krijgen tot de verbindingen.

11. Gebruik geen elektrische apparaten in het bewaarvak van de etenswaren tenzij van het soort dat door de fabrikant wordt aangeraden.

12. Als het apparaat op is moet het veilig worden gemaakt voordat het definitief wordt weggedaan, aangezien het isolerende piepschuim cyclopentaangas bevat en zich eventueel R600a gas (isobutaan) in het koelcircuit bevindt.

Wendt u zich voor deze ingreep tot uw handelaar of tot de betreffende plaatselijke autoriteit.

Het installeren

Voor het goed functioneren en zuinig energieverbruik is het belangrijk dat het installeren op de juiste wijze wordt uitgevoerd.

Ventilatie

De compressor en de condensator geven warmte af en vragen dus om een goede ventilatie. Het apparaat moet dus geplaatst worden in een vertrek met een raam of buiten deur, die de nodige luchtvervanging garanderen. Het vertrek mag niet vochtig zijn.

Let erop gedurende het installeren dat de ventilatieroosters van het apparaat niet bedekt of verstopt worden.

Ver van de hitte

Plaats het apparaat niet op een zonnige plek, naast het fornuis of dergelijke.

Electrische aansluiting en aarding

Controleer om te beginnen of de gegevens op het typeplaatje, linksonder naast de groentelade, overeenkomen

met die van het elektrische net van uw woning en of het stopcontact voorzien is van een aardleiding zoals voorgeschreven door de wet voor de veiligheid van installaties 46/90. Als de aardleiding ontbreekt wijst de Fabrikant iedere aansprakelijkheid af. Gebruik geen dubbelstekkers of adapters.

Plaats het apparaat op zodanige wijze dat het stopcontact waarmee het is verbonden gemakkelijk bereikbaar is.

Is het vermogen voldoende?

Het stopcontact moet in staat zijn de maximum lading van het vermogen van het apparaat te verdragen; deze is aangegeven op het typeplaatje linksonder naast de groentelade.

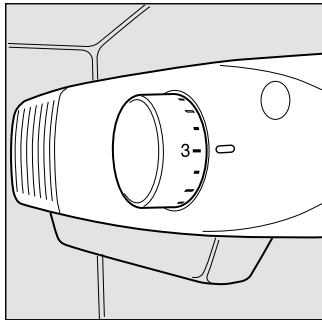
Voor de elektrische aansluiting

Houd het apparaat vertikaal gedurende het vervoer en, voor het goed functioneren, wacht minstens 3 uren voordat u het aansluit.

Van dichtbij gezien

A Temperatuurknop

Deze knop regelt de temperatuur van de twee afdelingen op verschillende posities:



- de koelkast is uit;
- 1 minder koud;
- 5 kouder

H Doos voor vlees en vis

I Dooiwater-afvoeropening

J Uitneembare rekken die in hoogte verstelbaar zijn

K Afdeling diepvries, invriezen verse etenswaren en ijsblokjes

B Uitneembaar rek met deksel, eierbakje en botervak

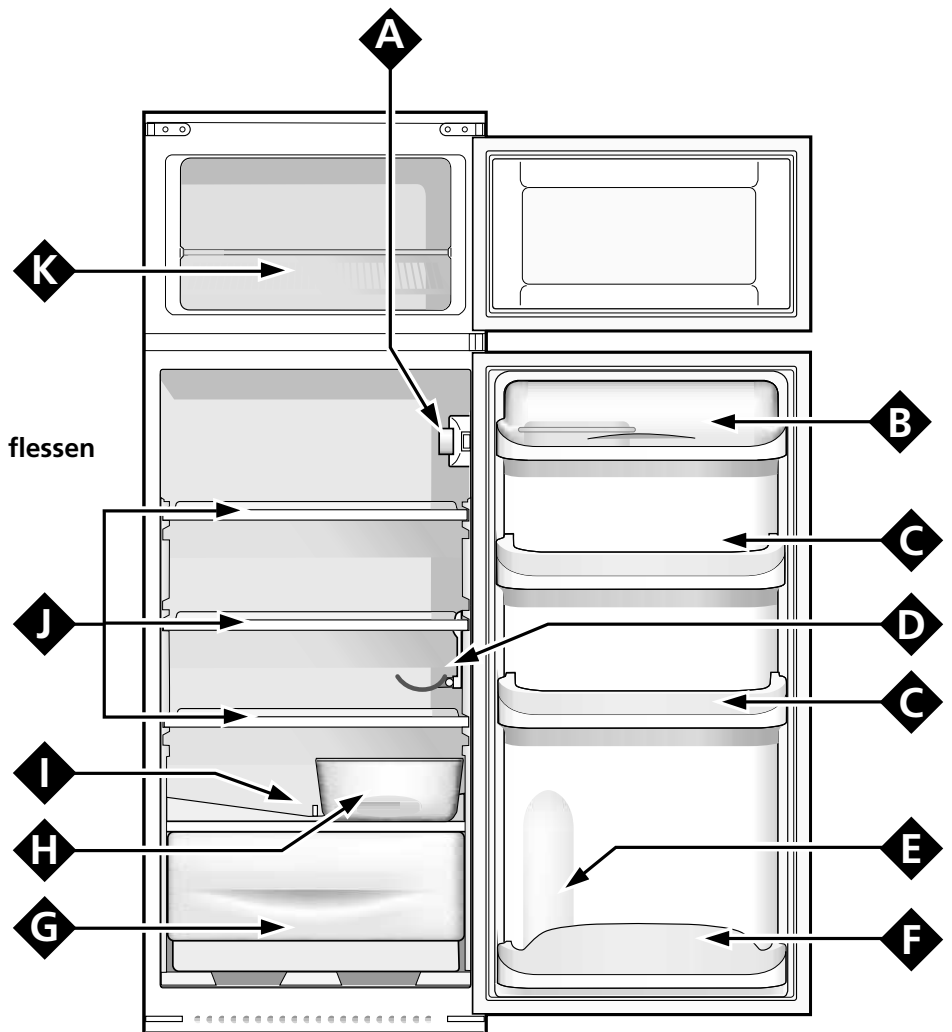
C Uitneembaar bakje

D Uitklapbaar flessenrek

E Ruimte voor een 2 liter fles

F Uineembaar flessenrek voor flessen

G Groente- en fruitvak



Het inschakelen van het apparaat

BELANGRIJK

Houd na het transport het apparaat vertikaal geplaatst en wacht, voor het goed functioneren, ongeveer 3 uren voordat u het aansluit.

Voordat u etenswaren in de koelkast of freezer plaatst, moet de binnenkant met lauw water en soda gewassen worden. Nadat u de stekker in het stopcontact heeft gestoken moet de verlichting aan gaan en draait u de temperatuurknop "A" op de positie "3". Na enkele uren kunt u de verse etenswaren in de koelkast plaatsen en de diepvriesproducten in de freezer.

Hygiëne van de etenswaren

1. Na aankoop van de etenswaren verwijdert u de papieren/kartonnen of andere verpakking, die bacteriën of vuil in de koelkast kunnen introduceren.
2. Bescherm de etenswaren (vooral die niet lang houdbaar zijn en die een sterke lucht verspreiden) op zodanige wijze dat ze niet met elkaar in contact komen; zo vermijdt u de mogelijkheid van besmetting onder elkaar door kiemen/bacteriën zowel als het verspreiden van geuren in de koelkast
3. Zorg voor voldoende vrije luchtcirculatie om de etenswaren heen
4. Houd de binnenkant van de koelkast schoon maar vermijd gebruik van bijtende of schuurmiddelen
5. Als de vervaldatum is afgelopen moeten de etenswaren uit de koelkast worden verwijderd
6. Voor een correcte manier van conserveren moeten de minder houdbare etenswaren (verse kazen, rauwe vis, vlees enz...) op de koelste plaats worden gezet, namelijk bovenop de groenteladen, waar de temperatuurindicator zich bevindt.

De beste gebruikmaking van de koelafdeling

De thermostaatknop regelt automatisch de temperatuur in de apparaat:

1 = minder koud

5 = kouder

Wij raden een gemiddelde stand aan.

Voor het creëren van ruimte en voor het esthetische aspect bevindt het verkoelingselement zich in de achterwand van de koelafdeling. Deze wand wordt met ijs of waterdruppels bedekt gedurende het gebruik van het apparaat al naar gelang de compressor in functie is of in rust. Maakt u zich geen zorgen! De koelkast voert zijn normale taak uit.

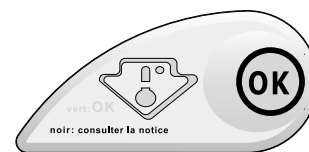
Als u de knop op een hoog nummer zet, met veel etenswaren in de koelkast en een hoge kamertemperatuur, dan kan het apparaat in werking blijven, hetgeen de vorming van ijs op de verkoelende achterwand begunstigt met hieruitvolgend hoger energieverbruik.

Om dit te voorkomen kunt u de thermostaatknop op een lager nummer zetten, zodat het apparaat automatisch regelmatig de ijs ontdoet.

Aanduiding van de temperatuur

De koelkast is voorzien van een temperatuurindicator voor het gemakkelijk en op preciese wijze herkennen van de koudste zone.

Controleer of op de indicator het woord "OK" verschijnt.



De verlichting is voldoende voor het gemakkelijk aflezen van de indicator

Als er geen OK verschijnt, betekent het dat de temperatuur te hoog is.

Regelen van de thermostaat (koelkast) op een hogere stand (kouder)

Iedere keer dat u de thermostaat anders heeft ingesteld moet u wachten (ongeveer 10 uren) totdat de temperatuur in de koelkast stabiel is geworden voordat u hem nogmaals gaat verstellen

BELANGRIJK: als u grote hoeveelheden etenswaren heeft

Gids voor het plaatsen en conserveren van de etenswaren in de koelafdeling

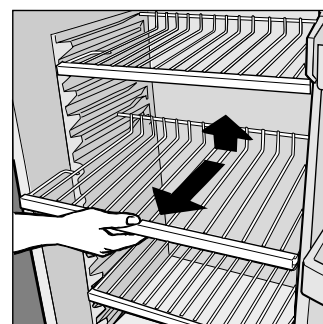
Etenswaren	Bewaartijd	Plaatsing in koelkast
Vlees en vis (in zakjes of plastic folie)	2 of 3 dagen	In de bak boven de groenten-la (koelste plaats van de koelkast)
Kaas	3 of 4 dagen	In de bak boven de groenten-la (koelste plaats van de koelkast)
Eieren	1 maand	In het eierrek in de deur
Boter en margarine		In de botervloot in de deur
Gekookt voedsel (goed afgedekt en reeds afgekoeld)	3 of 4 dagen	Op een willekeurig rek
Rauw beleg, brood, chocolade, taartjes, tomaten enz.	3 of 4 dagen	In het flessenrek in de deur
Flessen, melk, frisdranken, yoghurt		In de overeenkomstige deurrekken
Fruit en groenten		In de groenten-la

Wat niet in de koelkast gaat

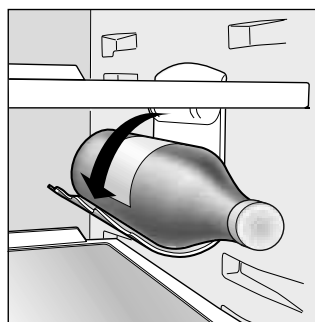
Knoflook (vanwege de reuk), uien en prei.
 Bananen (worden bruin).
 Citrusvruchten (beter buiten, op het balkon).
 Aardappelen en knollen (moeten donker en droog liggen).

- In de koelkast circuleert de lucht op natuurlijke wijze en de koudere lucht daalt omdat hij zwaarder is. Daarom moeten vlees en kaas boven de groentenlade geplaatst worden.
- Volg onze aanwijzingen voor de maximum conservatietijd zorgvuldig: geen enkel type voedsel, hoe vers ook, blijft heel lang goed.
- In tegenstelling tot wat over het algemeen geloofd wordt, blijven gekookte etenswaren niet langer goed dan rauwe etenswaren.
- Laat geen onafbedekte vloeistoffen in de koelkast staan aangezien deze de vochtigheid verhogen en dus ijsvorming bevorderen.
- Plaats geen containers (plastic, glas) of voedsel in contact met het verkoelingselement (achterwand). Dit kan het voedsel beschadigen, energieverbruik verhogen en de condensvorming op de etenswaren en containers bevorderen.
- De koelkast is voorzien van praktische, uitneembare rekken (afb.1) die in hoogte versteld kunnen worden dankzij de gleuven. Het is dus mogelijk ook hoge containers en voedsel van grote afmetingen te plaatsen.

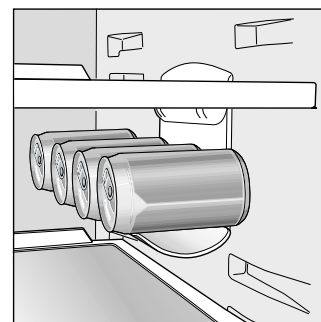
Het flessenrek aan de zijkant kan zowel voor flessen worden gebruikt (afb. 2) als voor 3-4 horizontaal geplaatste blikken (afb.3). Als u deze mogelijkheid niet gebruikt kunt u het flessen/blikkenrek sluiten zodat u meer ruimte heeft in de koelkast.



Afb. 1



Afb. 2



Afb. 3

Invriezen

- Raadpleeg een gespecialiseerd boekje voor de voorbereiding van in te vriezen etenswaren.

- reeds ontdooide etenswaren, ook al zijn ze slechts gedeeltelijk ontdooid, mogen niet meer ingevroren worden: u moet het koken en opeten (binnen 24 uren) of weer invriezen.

- De verse etenswaren mogen niet in contact komen met reeds ingevroren producten; zij worden op het rek in de freezer gelegd, liefst tegen de zij- of achterwand aan. Vergeet niet dat goede conservering afhangt van de snelheid van invriezen.

- Open de deur van de freezer niet gedurende het invriezen.

- De maximum dagelijkse hoeveelheid die u kunt invriezen is aangegeven op het typeplaatje links van de groentelade.

- Voor de beste resultaten van invriezen en ontdooien raden wij aan de etenswaren in kleine porties te verdelen zodat ze snel en gelijkmatig bevriezen. Zet de datum en de inhoud op de verpakking.

- Mocht de stroom uitvallen, open dan de deur van de freezer niet teneinde de temperatuur binnenin niet te verhogen. Op deze manier blijven de diepvriesproducten voor ongeveer 12-14 uren zonder verandering geconserveerd.

- Zet geen volle flessen in de freezer: alle vloeistoffen zetten uit bij het invriezen en de flessen kunnen dus breken.

- Vul de bakjes van de ijsblokjes tot 3/4 van hun hoogte.

- Als de kamertemperatuur voor langere tijd lager dan 14°C blijft, worden de temperaturen die noodzakelijk zijn voor het langdurig conserveren in de freezer niet helemaal bereikt en de conservatieperiode wordt dus korter.

Raadgevingen voor energiebesparing

- Installeer op de juiste wijze

Dat wil zeggen ver weg van warmtebronnen, van rechtstreeks zonlicht, in een goed geventileerd vertrek en op de afstanden aangegeven in de paragraaf "Het installeren/De ventilatie".

- De juiste koude

Te koud verhoogt het energieverbruik.

- Laad hem niet te vol

Teneinde de etenswaren goed te conserveren moet de koude lucht vrijelijk circuleren binnen in de koelkast. Hem te vol laden betekent dat u de circulatie belemmert terwijl u de compressor voortdurend laat werken.

- Met dichte deuren

Open uw koelkast zo min mogelijk omdat iedere keer een hoeveelheid koude lucht ontsnapt. De motor moet weer werken om de temperatuur op peil te brengen en dit kost energie.

- Let op de afdichtingen

Houd ze schoon en efficiënt zodat ze goed aan de deur aansluiten; zo laten ze geen koude ontsnappen.

- Geen warme gerechten

Een warme pan in de koelkast verhoogt de temperatuur onmiddellijk met een paar graden; laat de pan afkoelen voordat u hem in de koelkast plaatst.

- Ijs in de freezer

Controleer de dikte van het ijslaagje op de wanden van de freezer en ontdooi hem meteen als het ijslaagje te dik is (zie verderop "Hoe onderhoud ik hem").

Gids voor het klaarmaken en invriezen

Vlees en vis

Soorten	Verpakken	Besterven (dagen)	Conservatie (in maanden)	Ontdooien
Runderbraadstuk	Gewikkeld in aluminium folie	2 / 3	9 / 10	Niet nodig
Lamsvlees	Gewikkeld in aluminium folie	1 / 2	6	Niet nodig
Varkensbraadstuk	Gewikkeld in aluminium folie	1	6	Niet nodig
Kalfsbraadstuk	Gewikkeld in aluminium folie	1	8	Niet nodig
Biefstukjes en varkenslap	leder afzonderlijk in plastic folie en dan 4-6 samen in aluminium folie		6	Niet nodig
Lams- en varkenscoteletten	leder afzonderlijk in plastic folie en dan 4-6 samen in aluminium folie		6	Niet nodig
Gehaktvlees	In aluminium met plastic er omheen	Zeer vers	2	Langzaam in koelkast
Hart en lever	In plastic zakjes		3	Niet nodig
Worstjes	In plastic of aluminium folie		2	Volgens gebruik
Kip en kalkoen	Gewikkeld in aluminium folie	1 / 3	9	Langzaam in koelkast
Eend en gans	Gewikkeld in aluminium folie	1 / 4	6	Langzaam in koelkast
Wilde eend, fazant en patrijs	Gewikkeld in aluminium folie	1 / 3	9	Langzaam in koelkast
Konijn en haas	Gewikkeld in aluminium folie	3 / 4	6	Langzaam in koelkast
Hert en ree	In aluminium of plastic folie	5 / 6	9	Langzaam in koelkast
Grote vissen	In aluminium of plastic folie		4 / 6	Langzaam in koelkast
Kleine vissen	In plastic zakjes		2 / 3	Niet nodig
Schaaldieren	In plastic zakjes		3 / 6	Niet nodig
Weekdieren	In aluminium of plastic bakken met water en zout		3	Langzaam in koelkast
Gekookte vis	In aluminium of plastic folie		12	In warm water
Gebakken vis	In plastic zakjes		4 / 6	Rechtstreeks in pan

Fruit en groenten

Soot	Preparatie	In heet water	Vorbereiding	Conservatie (in maanden)	Ondtoeien
Appel	Schillen en in stukjes snijden	2'	In bakjes, in siroop	12	Langzaam in koelkast
Abrikozen, perziken, kersen en pruimen	Ontpitten en schillen	1' / 2'	In bakjes, in siroop	12	Langzaam in koelkast
Aardbeien, moerbeien en bosbessen	Wassen en laten drogen		In bakjes, met suiker bedekt	10 / 12	Langzaam in koelkast
Gekookt fruit	Snijden, koken en zeven		In bakjes, 10% suiker toevoegen	12	Langzaam in koelkast
Vruchtensap	Wassen, snijden en persen		In bakjes, suiker naar smaak	10 / 12	Langzaam in koelkast
Bloemkool	In stukjes in water met citroen dompelen	2'	In plastic zakjes	12	Niet nodig
Kool en spruitjes	Reinigen en wassen (in stukjes)	1' / 2'	In plastic zakjes	10 / 12	Kamertemperatuur
Erwtjes	Doppen en wasser	2'	In plastic zakjes	12	Niet nodig
Sperziebonen	Wassen en in stukjes	2	In plastic zakjes	10 / 12	Niet nodig
Wortels, paprika's en knolraap	In schijven, schillen en wasser	3' / 4'	In plastic zakjes	12	Niet nodig
Paddestoelen en asperges	Wassen en snijden	3' / 4'	In zakjes of bakjes	6	Kamertemperatuur
Spinazie	Wassen en fijn snijden	2'	In zakjes of bakjes	12	Kamertemperatuur
Soepgroenten	Wassen en in stukjes snijden	3'	In zakjes, in kleine porties	6 / 7	Kamertemperatuur
Diversen	Preparatie	In heet water	Vorbereiding	Conservatie (in maanden)	Ondooien
Brood			In plastic zakjes	4	Op kamertemperatuur en in de oven
Taarten			In plastic folie	6	Op kamertemperatuur en koken op 100/200°C
Room			In plastic bakjes	6	Op kamertemperatuur of in de koelkast
Boter			In de originele verpakking met aluminium eromheen	6	In de koelkast
Gekookt voedsel en groentesceep			Onderverdeeld in plastic of glazen bakjes	3 / 6	Op kamertemperatuur of in warm water
Eieren			Invriezen zonder guscio in kleine bakjes	10	Op kamertemperatuur of in de koelkast

Hoe onderhoud ik hem

Sluit altijd eerste de stroom af voordat u de koelkast gaat reinigen (de stekker uit het stopcontact trekken of de hoofdzekering van uw woning uitschakelen).

Ontdooien

BELANGRIJK: let erop dat u het koelcircuit niet beschadigt. Gebruik geen mechanische middelen of andere voorwerpen om het ontdooiingsproces te versnellen, maar alleen die door de fabrikant worden aanbevolen.

Hoe ontdooi ik de koelkast.

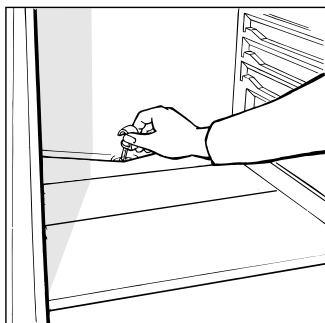
Dit apparaat ontdooit automatisch en het water wordt opgevangen en naar de afvoer aan de achterkant gevoerd (afb. 4) waar de warmte van de compressor het verdampt. Het enige dat u regelmatig moet doen is het afvoergat schoonmaken; dit bevindt zich achter de groentenlade.

Hoe ontdooi ik de freezer

- Verwijder regelmatig de ijs met het bijgeleverde schrapertje (geen messen of metalen voorwerpen).

- Als de ijs dikker is dan 5mm moet er ontdooid worden.

Ga als volgt te werk: zet de temperatuurknop A op de positie ●; pak de inhoud van de freezer in kranten en leg het in de koelkast of op een koele plaats. Laat de deur open staan zodat alle ijs verdwijnt, ook met behulp van bakjes met lauwwater.



Afb. 4

Speciale reiniging en onderhoud

- De materialen van de vries-koelkast zijn van hygiënisch materiaal gemaakt en geven geen geuren af, maar om dit zo te houden moeten de etenswaren altijd goed afgedekt zijn om eventuele vlekken of luchtjes te vermijden.

- Alleen water en soda. Zowel voor de buitenkant als voor de binnenkant gebruikt u een spons met lauwwater en soda, hetgeen bovendien een goede ontsmetter is. Als u dit niet in huis heeft kunt u een neutrale zeep gebruiken.

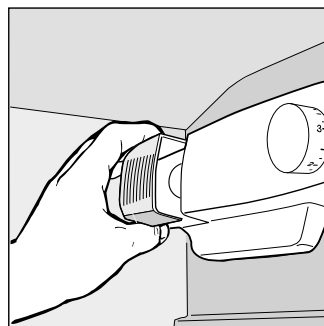
- Wat niet te gebruiken. Nooit schuurmiddelen, nooit bleekwater, nooit ammoniak. Ten strengste verboden zijn oplosmiddelen.

- Leg alle onderdelen die verwijderd kunnen worden in een lauwwater. Goed spoelen en afdrogen vòòr het weer op hun plaats zetten.

- En de achterkant? Hier verzamelt zich stof, hetgeen de goede functionering van het apparaat kan belemmeren. Gebruik de slang van uw stofzuiger op midden-sterkte voor het verwijderen van de stof. Ga voorzichtig te werk!

- Bij langdurig niet in gebruik zijn. Als u besluit de koelkast uit te schakelen, maak dan de binnenkant schoon en laat de deuren open staan, anders kunnen zich luchtjes en schimmel ontwikkelen.

- Hoe vervang ik het lampje. Dit bevindt zich achter de thermostaatdoos. Sluit eerst de stroom af, schroef het doorgebrande lampje los en vervang het met een nieuw lampje van niet meer dan 15 W, zoals aangegeven in de afbeelding 5.



Afb. 5

Er is een probleem

De koelkast functioneert niet.

Heeft u gecontroleerd of:

- de zekering is doorgeslagen;
- de stekker niet goed in het stopcontact zit;
- het stopcontact niet werkt; probeer de stekker in een ander stopcontact.

De koelkast en de freezer zijn niet koud genoeg.

Heeft u gecontroleerd of:

- de deuren niet goed sluiten of de afdichtingen versleten zijn;
- de deuren langdurig open zijn geweest;
- de temperatuurknop niet op de juiste positie staat;
- de koelkast of de freezer te vol zijn.

De etenswaren in de koelkast bevroren.

Heeft u gecontroleerd of:

- de temperatuurknop niet op de juiste positie staat;
- de etenswaren tegen de achterwand aan staan, die het koudst is.

De motor blijft functioneren.

Heeft u gecontroleerd of:

- de deuren niet goed gesloten zijn of lang opengelaten;
- de buitentemperatuur hoog is;
- de temperatuurknop niet op de juiste positie staat.

Het apparaat maakt teveel lawaai.

Het verkoelende gas produceert een licht geluid ook als de compressor stil staat (dit is geen gebrek).

Heeft u gecontroleerd of:

- de koelkast niet goed horizontaal staat;
- naast meubelen of voorwerpen staat die trillen of geluid maken.

Er is water op de bodem van de koelkast.

Heeft u gecontroleerd of:

- het afvoergat verstopt is (zie afb. 4).

Als ondanks alle controles het apparaat niet functioneert en het door u geconstateerde gebrek er nog steeds is, wend u zich dan tot een erkende installateur met deze informatie: het soort gebrek, het codenummer van het model (Mod.) en de betreffende nummers (S/N) op het typeplaatje dat zich linksonder naast de groentenlade bevindt (zie de hier volgende voorbeelden).

Mod. RG 2330		TI	Cod. 93139180000		S/N 704211801	
240 V-	50 Hz	150 W	W	Fuse A	Max 15	
Total	340	75			Freez. Capac	Class
Gross Bruto Brut		Gross Bruto Brut	Net Util Utile	Gross Bruto Brut	Poder de Cong kg/24 h	Clase N Classe
Compr. Syst.	R 134 a	Test P.S-I.	Pressure HIGH-235	[Barcode]		
Kompr.	kg 0,090	LOW	140	Made in Italy 13918		

Wend u zich nooit tot een niet-erkende installateur en weiger niet-originele onderdelen.

Indesit Company
Viale Aristide Merloni, 47
60044 Fabriano (AN) Italy
Tel. +39 0732 6611
www.aristonchannel.com