

# Instructions for use

## WASHING MACHINE

GB

**GB**

English,1

**FR**

Français,13

**DE**

Deutsch,25

**NL**

Nederlands,37

**ES**

Espanol,49

**PT**

Português,61

**AVF 149**

### Contents

#### Installation, 2-3

Unpacking and levelling, 2  
Electric and water connections, 2-3  
The first wash cycle, 3  
Technical details, 3

#### Washing machine description, 4-5

Control panel, 4  
Display, 5

#### Starting and Programmes, 6

Briefly: how to start a programme, 6  
Programme table, 6

#### Personalisations, 7

Setting the spin cycle, 7  
Setting the temperature, 7  
Setting the delay Timer, 7  
Functions, 7

#### Detergents and laundry, 8

Detergent dispenser, 8  
Preparing your laundry, 8  
Special items, 8  
Woolmark Platinum Care, 8

#### Precautions and advice, 9

General safety, 9  
Disposal, 9  
Saving energy and respecting the environment, 9

#### Care and maintenance, 10

Cutting off the water or electricity supply, 10  
Cleaning your appliance, 10  
Cleaning the detergent dispenser, 10  
Caring for your appliance door and drum, 10  
Cleaning the pump, 10  
Checking the water inlet hose, 10

#### Troubleshooting, 11

#### Service, 12

Before calling for Assistance, 12

# Installation

GB

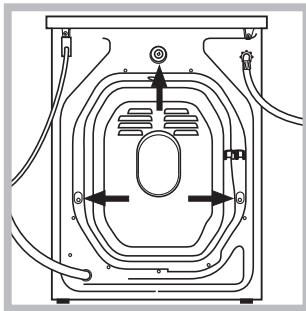
! Keep this instruction manual in a safe place for future reference. Should the appliance be sold, transferred or moved, make sure the instruction manual accompanies the washing machine to inform the new owner as to its operation and features.

! Read these instructions carefully: they contain vital information on installation, use and safety.

## Unpacking and levelling

### Unpacking

1. Unpack the washing machine.
2. Check whether the washing machine has been damaged during transport. If this is the case, do not install it and contact your retailer.



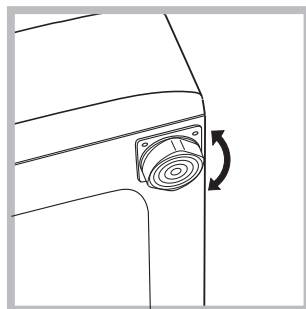
3. Remove the 3 protective screws and the rubber washer with the respective spacer, situated on the rear of the appliance (see figure).

4. Seal the gaps using the plastic plugs provided.
5. Keep all the parts: you will need them again if the washing machine needs to be moved to another location.

! Packaging materials are not children's toys.

### Levelling

1. Install the washing machine on a flat sturdy floor, without resting it up against walls, furniture cabinets or other.

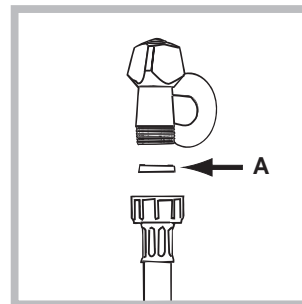


2. If the floor is not perfectly level, compensate for any unevenness by tightening or loosening the adjustable front feet (see figure); the angle of inclination, measured according to the worktop, must not exceed 2°.

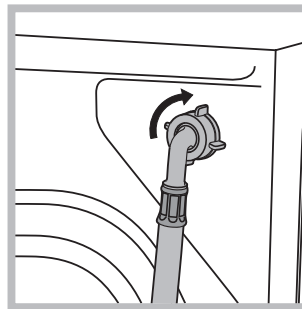
Levelling your appliance correctly will provide it with stability and avoid any vibrations, noise and shifting during operation. If it is placed on a fitted or loose carpet, adjust the feet in such a way as to allow enough room for ventilation beneath the washing machine.

## Electric and water connections

### Connecting the water inlet hose



1. Insert seal A into the end of the inlet hose and screw the latter onto a cold water tap with a 3/4 gas threaded mouth (see figure). Before making the connection, allow the water to run freely until it is perfectly clear.



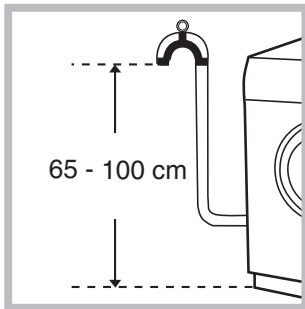
2. Connect the other end of the water inlet hose to the washing machine, screwing it onto the appliance's cold water inlet, situated on the top right-hand side on the rear of the appliance (see figure).

3. Make sure there are no kinks or bends in the hose.

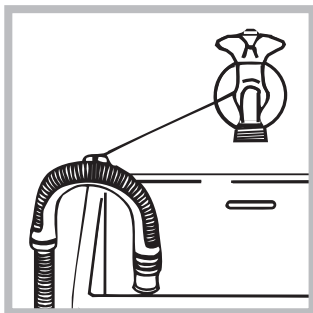
! The water pressure at the tap must be within the values indicated in the Technical details table (on the next page).

! If the water inlet hose is not long enough, contact a specialist store or an authorised serviceman.

### Connecting the drain hose



Connect the drain hose, without bending it, to a draining duct or a wall drain situated between 65 and 100 cm from the floor;



alternatively, place it over the edge of a basin, sink or tub, fastening the duct supplied to the tap (see figure). The free end of the hose should not be underwater.

! We advise against the use of hose extensions; in case of absolute need, the extension must have the same diameter as the original hose and must not exceed 150 cm in length.

### Electric connection

Before plugging the appliance into the mains socket, make sure that:

- the socket is earthed and in compliance with the applicable law;
- the socket is able to sustain the appliance's maximum power load indicated in the Technical details table (on the right);
- the supply voltage is included within the values indicated on the Technical details table (on the right);
- the socket is compatible with the washing machine's plug. If this is not the case, replace the socket or the plug.

! The washing machine should not be installed in an outdoor environment, not even when the area is sheltered, because it may be very dangerous to leave it exposed to rain and thunderstorms.

! When the washing machine is installed, the mains socket must be within easy reach.

! Do not use extensions or multiple sockets.

! The power supply cable must never be bent or dangerously compressed.

! The power supply cable must only be replaced by an authorised serviceman.

Warning! The company denies all liability if and when these norms are not respected.

### The first wash cycle

Once the appliance has been installed, and before you use it for the first time, run a wash cycle with detergent and no laundry, setting the 90°C programme without a pre-wash cycle.

### Technical details

<b>Model</b>	AVF 149
<b>Dimensions</b>	59.5 cm wide 85 cm high 52,5 cm deep
<b>Capacity</b>	from 1 to 5 kg
<b>Electric connections</b>	voltage 220/230 Volts 50 Hz maximum absorbed power 1850 W
<b>Water connections</b>	maximum pressure 1 MPa (10 bar) minimum pressure 0.05 MPa (0.5 bar) drum capacity 46 litres
<b>Spin speed</b>	up to 1400 rpm
<b>Control programmes according to IEC456 directive</b>	programme 3; temperature 60°C; run with a load of 5 kg.

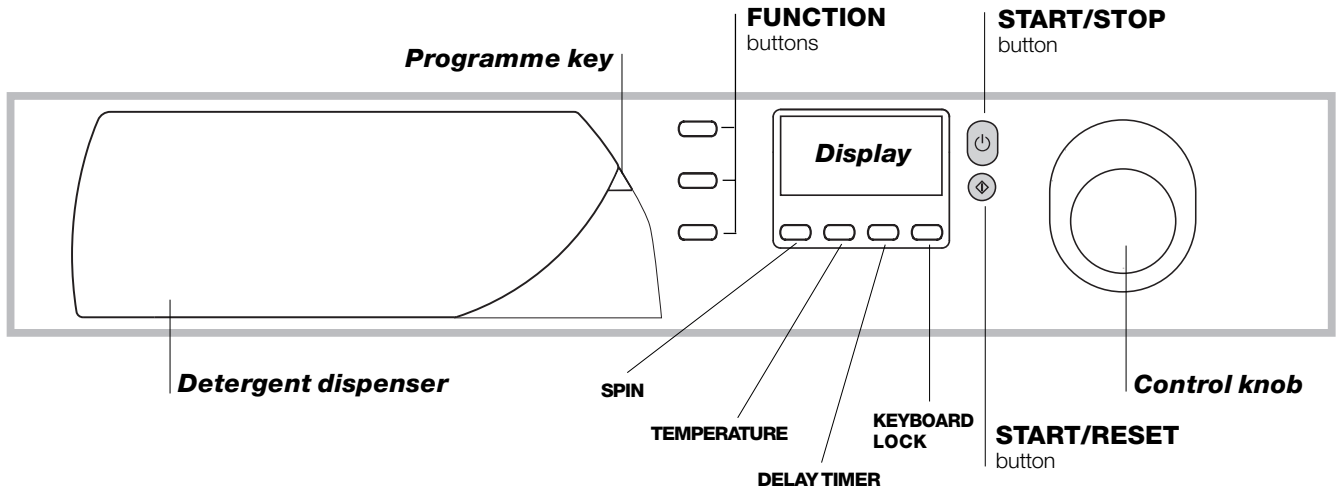


This appliance is compliant with the following European Community Directives:  
- 73/23/CEE of 19/02/73 (Low Voltage) and subsequent amendments  
- 89/336/CEE of 03/05/89 (Electromagnetic Compatibility) and subsequent amendments

# Washing machine description

GB

## Control panel



**Detergent dispenser** to add detergent and fabric softener (see page 8).

**Programme key** to consult a straightforward chart of the different programmes available: pull the grey tab outwards to open it.

**FUNCTION** buttons to select the functions available. The button corresponding to the function selected will remain on.

**SPIN** button to adjust the spin speed or exclude it altogether (see page 7).

**TEMPERATURE** button to adjust the wash temperature (see page 7).

**DELAY TIMER** button to delay the start of the set programme for a maximum period of 24 hours (see page 7).

**KEYBOARD LOCK** key. To lock all the keys on the washing machine during operation or during Stand-by mode.

**Display** to programme the washing machine and follow the wash cycle progress (see opposite page).

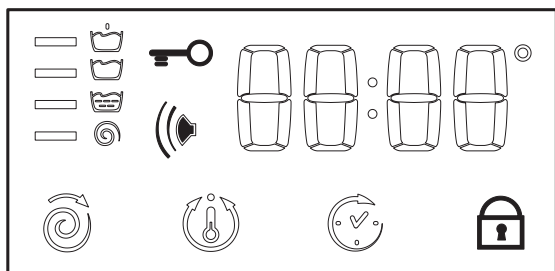
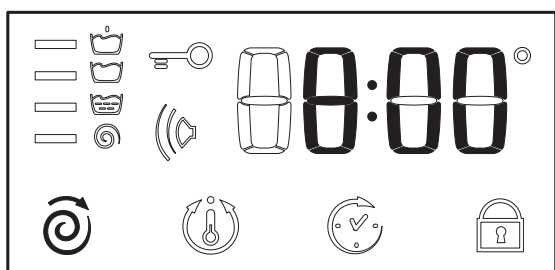
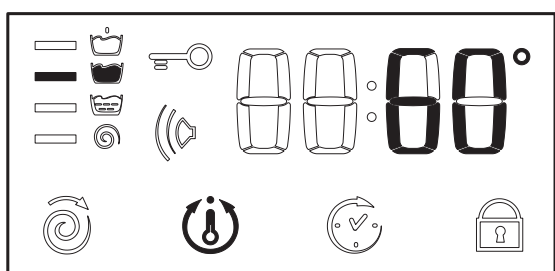
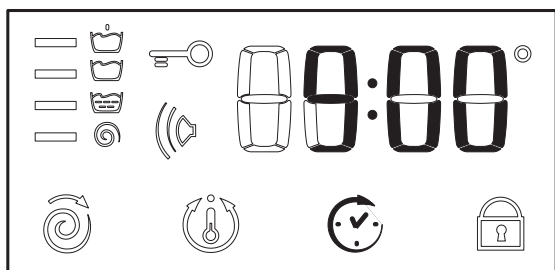
**START/STOP** button to turn the washing machine on and off (see page 6).

**START/RESET** button to start the programmes or cancel any incorrect settings (see page 6).

**Control knob** to select the wash programmes. The retractable control knob: press the centre of the knob for it to pop out. The knob stays still during the cycle.

## Display

In addition to being a practical tool to programme your appliance (see page 7), the display provides useful information concerning the wash cycle and status.



Once you have pressed the START/RESET button to start the programme, the display will indicate the amount of time left until the end of the wash cycle. If a delayed start has been set (using the Delay Timer, see page 7), the delay time will be indicated on the display.

The following information is displayed during the wash cycle:

### Cycle phase under way:

- Pre-wash
- Wash cycle
- Rinse
- Spin cycle

### Customised functions and options:

To select functions and options, see below and on page 7.

### Buzzer:

Your washing machine comes with a buzzer, which will inform you of the various functions being carried out, or of any malfunctions: incompatibility, option/programme keys, start, end of cycle, reset.

### Keyboard lock:

For your safety and that of your children, you can block all the keys during the machine's operation or during waiting position (delayed start - Stand-by) by pressing the function key for 2 seconds. To disable this function, hold the same button down for 4 seconds.

### Door lock:

If the symbol is on, the washing machine door is locked to prevent it from being opened accidentally. To avoid any damages, wait for the symbol to switch itself off before you open the appliance door. This model is fitted with a device that allows you to open the appliance door during some of the programme phases. This is possible when the symbol is not on.



At the end of the programme, the word END is displayed.

! In the event of an anomaly, an error code will appear, such as: F-01, which should be communicated to the Service Centre (see page 12).






# Starting and Programmes

GB

## Briefly: starting a programme

- Turn the washing machine on by pressing button . All the icons will light up for a few seconds and then go off.
- Load your laundry into the washing machine and shut the appliance door.
- Set the knob to the desired programme. The estimated duration of the selected programme is displayed. The temperature and spin speed are automatically set according to the programme (to change them, see page 7).
- Add the detergent and any fabric softener (see page 8).
- Select any function (see page 7).
- Start the programme by pressing the START/RESET button.  
To cancel it, keep the START/RESET button pressed for at least 2 seconds.
- When the programme has ended, the word END is displayed. Take out your laundry and leave the appliance door ajar to allow the drum to dry thoroughly.
- Turn the washing machine off by pressing button .

## Programme table

Type of fabric and degree of soil	Programmes	Wash temp.	Detergent		Fabric softener	Cycle length (minutes)	Description of wash cycle
			Pre-wash	Wash			
<b>Cotton</b>							
Extremely soiled whites (sheets, tablecloths, etc.)	1	90°C	•	•	•	160	Pre-wash, wash cycle, rinse cycles, intermediate and final spin cycles
Extremely soiled whites (sheets, tablecloths, etc.)	2	90°C		•	•	143	Wash cycle, rinse cycles, intermediate and final spin cycles
Heavily soiled whites and fast colours	3	60°C		•	•	120	Wash cycle, rinse cycles, intermediate and final spin cycles
Slightly soiled whites and delicate colours (shirts, jumpers, etc.)	4	40°C		•	•	85	Wash cycle, rinse cycles, intermediate and final spin cycles
Slightly soiled delicate colours	5	30°C		•	•	77	Wash cycle, rinse cycles, intermediate and final spin cycles
<b>Synthetics</b>							
Heavily soiled fast colours (baby linen, etc.)	6	60°C		•	•	92	Wash cycle, rinse cycles, anti-crease or delicate spin cycle
Fast colours (all types of slightly soiled garments)	6	40°C		•	•	77	Wash cycle, rinse cycles, anti-crease or delicate spin cycle
Heavily soiled fast colours (baby linen, etc.)	7	50°C		•	•	86	Wash cycle, rinse cycles, anti-crease or delicate spin cycle
Delicate colours (all types of slightly soiled garments)	8	40°C		•	•	76	Wash cycle, rinse cycles, anti-crease or delicate spin cycle
Delicate colours (all types of slightly soiled garments)	9	30°C		•	•	30	Wash cycle, rinse cycles and delicate spin cycle
<b>Delicate</b>							
Wool	10	40°C		•	•	42	Wash cycle, rinse cycles and delicate spin cycle
Very delicate fabrics (curtains, silk, viscose, etc.)	11	30°C		•	•	52	Wash cycle, rinse cycles, anti-crease or draining cycle
<b>PARTIAL PROGRAMMES</b>							
Rinse					•		Rinse cycles and spin cycle
Delicate rinse cycle					•		Rinse cycles, anti-crease or draining
Spin cycle							Draining and heavy duty spin cycle
Delicate spin cycle							Draining and delicate spin cycle
Draining							Draining

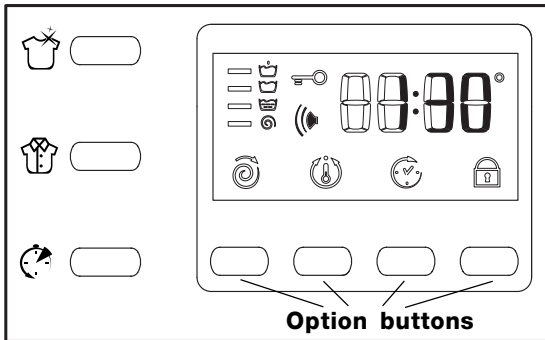
## Notes

For the anti-crease function: see Easy iron, *opposite page*. The information contained in the table is purely indicative.

## Special programme

*Daily 30'* (programme 9 for Synthetics) is designed to wash lightly soiled garments in a short amount of time: it only lasts 30 minutes and allows you to save on both time and energy. By setting this programme (9 at 30°C), you can wash different fabrics together (except for woollen and silk items), with a maximum load of 3 kg.

*We recommend the use of liquid detergent.*



## Setting the spin cycle

If, when the appliance is switched on, the KNOB is positioned on a programme with a spin cycle, a fixed appears. Press button and the maximum spin speed allowed for the programme set will be displayed, and the icon flashes. Press it again and the values lower until they reach OFF, which indicates that the spin cycle has been excluded (press it again to go back to the maximum value); stop on the desired speed, after approximately 2 seconds the setting is accepted: the symbol remains fixed. The spin cycle setting is enabled with all the programmes except for 11 and the Draining cycle.

## Setting the temperature

If, when the appliance is switched on, the KNOB is positioned on a programme for which the temperature needs to be regulated, a fixed appears. Press button and the maximum temperature allowed for the programme set will be displayed and the icon flashes. Press it again and the temperature lowers until it reaches OFF, which indicates a cold wash cycle (press it again to go back to the maximum value); stop on the desired value, after approximately 2 seconds the setting is accepted: the symbol remains fixed. The temperature adjustment is enabled with all wash programmes.

## Setting the delay Timer

Press the button and you will see the word OFF on the display, while the relative symbol flashes. Press the button again and "1h" appears, that is, a delay of one hour (this can reach up to 24h); stop on the "desired" delay; after approximately 2 seconds the setting is accepted, following which, the time for the set programme appears on the display and the symbol remains on. If you now press the START/RESET button, the set "delay" appears; this decreases every hour until the start of the cycle. In this phase, the "delay" can only be modified by decreasing it. The Delay Timer regulation is enabled with all programmes.

## Keyboard Lock (see page 5).

## Functions

To enable a function:

1. press the button corresponding to the desired function, according to the table below;
2. the function is enabled when the corresponding button is illuminated.

Note: The rapid flashing of the button indicates that the corresponding function cannot be selected for the programme set.

If you set a function that is incompatible with another function you selected previously, only the last one selected will be enabled.

Function	Effect	Comments	Enabled with programmes:
Super wash	Allows for an impeccable wash, visibly whiter than a standard Class A wash.	This option is incompatible with the RAPID option.	1, 2, 3, 4, 5, 6, 7, 8
Easy iron	This option reduces the amount of creasing on fabrics, making them easier to iron.	If you set this option, programmes 6, 7, 8, 11 and Delicate Rinse will be suspended, leaving the laundry to soak (Anti-crease) and icon  will flash: - to conclude the cycle, press the START/RESET button; - to run the draining cycle alone, set the knob to the relative symbol  and press the START/RESET button.	All programmes except for 1, 2, 9, 10 and Draining.
Rapid	Cuts the duration of the wash cycle by 30%.	This option is incompatible with the SUPER WASH option.	1, 2, 3, 4, 5, 6, 7, 8

GB

Installation

Description

Programmes

Detergents

Precautions

Care

Troubleshooting

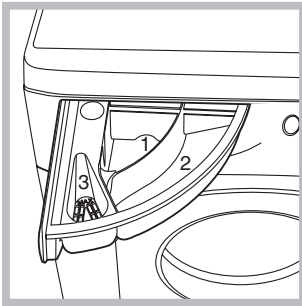
Service

# Detergents and laundry

GB

## Detergent dispenser

Good washing results also depend on the correct dose of detergent: adding too much detergent won't necessarily make for a more efficient wash, and may in fact cause build up on the interior of your appliance and even pollute the environment.



Open up the detergent dispenser and pour in the detergent and fabric softener, as follows.

**compartment 1: Detergent for pre-wash (powder)**

**compartment 2: Detergent for the wash cycle (powder or liquid)**

Liquid detergent should only be poured in immediately prior to the wash cycle start.

**compartment 3: Additives (fabric softeners, etc.)**

The fabric softener should not overflow from the grid.

! Do not use hand wash detergent because it may form too much foam.

## Preparing your laundry

- Divide your laundry according to:
  - the type of fabric/the symbol on the label.
  - the colours: separate coloured garments from whites.
- Empty all pockets and check for loose buttons.
- Do not exceed the weight limits stated below, which refer to the weight when dry:
  - Sturdy fabrics: max 5 kg
  - Synthetic fabrics: max 2.5 kg
  - Delicate fabrics: max 2 kg
  - Wool: max 1 kg

### How much does your laundry weigh?

- 1 sheet 400-500 g
- 1 pillow case 150-200 g
- 1 tablecloth 400-500 g
- 1 bathrobe 900-1,200 g
- 1 towel 150-250 g

## Special items

**Curtains:** fold curtains and place them in a pillow case or mesh bag. Wash them separately without exceeding half the appliance load. Use programme 11 which excludes the spin cycle automatically.

**Quilted coats and windbreakers:** if they are padded with goose or duck down, they can be machine-washed. Turn the garments inside out and load a maximum of 2-3 kg, repeating the rinse cycle once or twice and using the delicate spin cycle.

**Trainers:** remove any mud. They can be washed together with jeans and other tough garments, but not with whites.

**Wool:** for best results, use a specific detergent, taking care not to exceed a load of 1 kg.

## Woolmark Platinum Care



### As gentle as a hand wash.

Ariston sets a new standard of superior performance that has been endorsed by The Woolmark Company with the prestigious Woolmark Platinum Care brand. Look for the Woolmark Platinum Care logo on the washing machine to ensure you can safely and effectively wash wool garments labelled as "hand wash" (M.00221):



Set programme 10 for all "Hand wash" garments, using the appropriate detergent.



# Precautions and advice



! The washing machine was designed and built in compliance with the applicable international safety regulations. The following information is provided for your safety and should consequently be read carefully.

## General safety

- This appliance has been designed for non-professional, household use and its functions must not be changed.
- This washing machine should only be used by adults and in accordance with the instructions provided in this manual.
- Never touch the washing machine when barefoot or with wet or damp hands or feet.
- Do not pull on the power supply cable to unplug the appliance from the electricity socket. Pull the plug out yourself.
- Do not open the detergent dispenser while the appliance is in operation.
- Do not touch the drain water as it could reach very high temperatures.
- Never force the washing machine door: this could damage the safety lock mechanism designed to prevent any accidental openings.
- In the event of a malfunction, do not under any circumstances touch internal parts in order to attempt repairs.
- Always keep children well away from the appliance while in operation.
- The appliance door tends to get quite hot during the wash cycle.
- Should it have to be moved, proceed with the help of two or three people and handle it with the utmost care. Never try to do this alone, because the appliance is very heavy.
- Before loading your laundry into the washing machine, make sure the drum is empty.

## Disposal

- Disposing of the packaging material: observe local regulations, so the packaging can be re-used.

- Disposing of an old washing machine: before scrapping your appliance, cut the power supply cable and remove the appliance door.

## Saving energy and respecting the environment

### Environmentally-friendly technology

If you only see a little water through your appliance door, this is because thanks to the latest Ariston technology, your washing machine only needs less than half the amount of water to get the best results: an objective reached to respect the environment.

### Saving on detergent, water, energy and time

- To avoid wasting resources, the washing machine should be used with a full load. A full load instead of two half loads allows you to save up to 50% on energy.
- The pre-wash cycle is only necessary on extremely soiled garments. Avoiding it will save on detergent, time, water and between 5 and 15% energy.
- Treating stains with a stain remover or leaving them to soak before washing will cut down the need to wash them at high temperatures. A programme at 60°C instead of 90°C or one at 40°C instead of 60°C will save up to 50% on energy.
- Use the correct quantity of detergent depending on the water hardness, how soiled the garments are and the amount of laundry you have, to avoid wastage and to protect the environment: despite being biodegradable, detergents do contain ingredients that alter the natural balance of the environment. In addition, avoid using fabric softener as much as possible.
- If you use your washing machine from late in the afternoon until the early hours of the morning, you will help reduce the electricity board's peak load. The Delay Timer option (see page 7) helps to organise your wash cycles accordingly.
- If your laundry has to be dried in a tumble dryer, select a high spin speed. Having the least water possible in your laundry will save you time and energy in the drying process.

GB

Installation

Description

Programmes

Detergents

Precautions

Care

Troubleshooting

Service

# Care and maintenance

GB

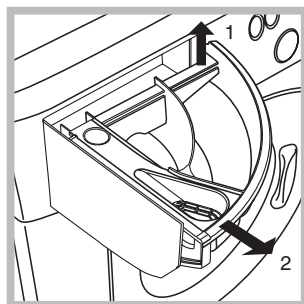
## Cutting off the water or electricity supply

- Turn off the water tap after every wash. This will limit the wear of your appliance's water system and also prevent leaks.
- Unplug your appliance when cleaning it and during all maintenance operations.

## Cleaning your appliance

The exterior and rubber parts of your appliance can be cleaned with a soft cloth soaked in lukewarm soapy water. Do not use solvents or abrasives.

## Cleaning the detergent dispenser



Remove the dispenser by raising it and pulling it out (see figure). Wash it under running water; this operation should be repeated frequently.

## Caring for your appliance door and drum

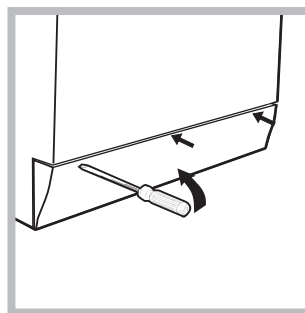
- Always leave the appliance door ajar to prevent unpleasant odours from forming.

## Cleaning the pump

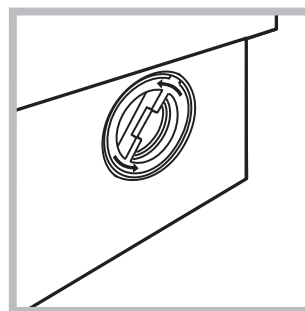
The washing machine is fitted with a self-cleaning pump that does not require any maintenance. Sometimes, small items (such as coins or buttons) may fall into the pre-chamber that protects the pump, situated in the lower part of the same.

**!** Make sure the wash cycle has ended and unplug the appliance.

To access the pre-chamber:



1. using a screwdriver, remove the cover panel on the lower front of the washing machine (see figure);



2. unscrew the lid rotating it anti-clockwise (see figure): a little water may trickle out. This is perfectly normal;

3. clean the interior thoroughly;
4. screw the lid back on;
5. reposition the panel, making sure the hooks are securely in place before you push it onto the appliance.

## Checking the water inlet hose

Check the water inlet hose at least once a year. If you see any cracks, replace it immediately: during the wash cycles, water pressure is very strong and a cracked hose could easily split open.

**!** Never use hoses that have already been used.

Your washing machine could fail to work. Before calling for Assistance (see page 12), make sure the problem can't easily be solved by consulting the following list.


## Problem

## Possible causes/Solution:

**The washing machine won't start.**

- The appliance is not plugged into the socket, or not enough to make contact.
- There has been a power failure.

**The wash cycle won't start.**

- The appliance door is not shut properly (the word DOOR is displayed).
- The  button has not been pressed.
- The START/RESET button has not been pressed.
- The water tap is not turned on.
- A delayed start has been set (using the Delay Timer, see page 7).

**The washing machine fails to load water (The wording H2O is displayed).**

- The water inlet hose is not connected to the tap.
- The hose is bent.
- The water tap is not turned on.
- There is a water shortage.
- The water pressure is insufficient.
- The START/RESET button has not been pressed.

**The washing machine continuously loads and unloads water.**

- The drain hose is not fitted between 65 and 100 cm from the floor (see page 3).
- The free end of the hose is underwater (see page 3).
- The wall drainage system doesn't have a breather pipe.

If the problem persists even after these checks, turn off the water tap, switch the appliance off and call for Assistance. If the dwelling is on one of the upper floors of a building, there may be drain trap problems causing the washing machine to load and unload water continuously. In order to avoid such an inconvenience, special anti-drain trap valves are available in shops.

**The washing machine does not drain or spin.**

- The programme does not foresee the draining: some programmes require enabling the draining manually (see page 6).
- The Easy iron option is enabled: to complete the programme, press the START/RESET button (see page 7).
- The drain hose is bent (see page 3).
- The drain duct is clogged.

**The washing machine vibrates too much during the spin cycle.**

- The drum was not unblocked correctly during installation (see page 2).
- The washing machine is not level (see page 2).
- The washing machine is closed in between furniture cabinets and the wall (see page 2).

**The washing machine leaks.**

- The water inlet hose is not screwed on correctly (see page 2).
- The detergent dispenser is obstructed (to clean it, see page 10).
- The drain hose is not secured properly (see page 3).

**There is too much foam.**

- The detergent is not suitable for machine washing (it should bear the definition "for washing machines" or "hand and machine wash", or the like).
- You used too much detergent.

GB

Installation

Description

Programmes

Detergents

Precautions

Care

Troubleshooting

Service

**Before calling for Assistance:**

- Check whether you can solve the problem on your own (*see page 11*);
- Restart the programme to check whether the problem has been solved;
- If this is not the case, contact an authorised Technical Service Centre on the telephone number provided on the guarantee certificate.

! Always request the assistance of authorised servicemen.

**Notify the operator of:**

- the type of problem;
- the appliance model (Mod.);
- the serial number (S/N).

This information can be found on the data plate situated on the rear of the washing machine.

F

Français

AVF 149

F

### Sommaire

#### Installation, 14-15

Déballage et mise à niveau, 14  
Raccordements hydrauliques et électriques, 14-15  
Premier cycle de lavage, 15  
Caractéristiques techniques, 15

#### Description du lave-linge, 16-17

Bandeau de commandes, 16  
Ecran, 17

#### Mise en marche et Programmes, 18

En bref: démarrage d'un programme, 18  
Tableau des programmes, 18

#### Personnalisations, 19

Réglage de l'essorage, 19  
Réglage de la température, 19  
Réglage du Delay Timer (Départ différé), 19  
Fonctions, 19

#### Produits lessiviels et linge, 20

Tiroir à produits lessiviels, 20  
Triage du linge, 20  
Pièces de linge particulières, 20  
Woolmark Platinum Care, 20

#### Précautions et conseils, 21

Sécurité générale, 21  
Mise au rebut, 21  
Economies et respect de l'environnement, 21

#### Entretien et soin, 22

Coupure de l'arrivée d'eau et de courant, 22  
Nettoyage du lave-linge, 22  
Nettoyage du tiroir à produits lessiviels, 22  
Entretien du hublot et du tambour, 22  
Nettoyage de la pompe, 22  
Contrôle du tuyau d'arrivée de l'eau, 22

#### Anomalies et remèdes, 23

#### Assistance, 24

Consultation à tout moment, 24



ARISTON

# Installation

F

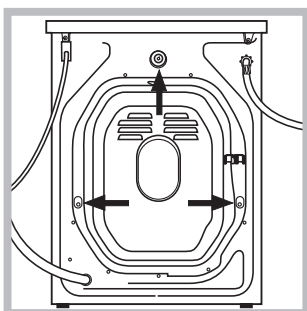
! Conservez ce mode d'emploi pour pouvoir le consulter à tout moment. En cas de vente, de cession ou de déménagement, veillez à ce qu'il suive toujours le lave-linge pour que son nouveau propriétaire soit informé sur son mode de fonctionnement et puisse profiter des conseils correspondants.

! Lisez attentivement les instructions: elles fournissent d'importantes informations sur l'installation, l'utilisation et la sécurité.

## Déballage et mise à niveau

### Déballage

1. Déballez le lave-linge.
2. Contrôlez que le lave-linge n'a pas été endommagé pendant le transport. S'il est abîmé, ne le raccordez pas et contactez votre revendeur.



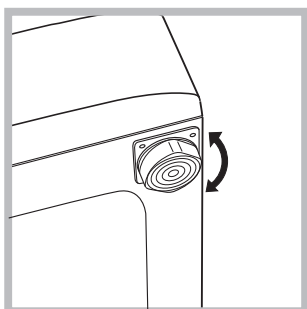
3. Enlevez les 3 vis de protection pour le transport, le caoutchouc et la cale, placés dans la partie arrière (voir figure).

4. Bouchez les trous à l'aide des bouchons plastique fournis.
5. Conservez bien toutes ces pièces: il faudra les remonter en cas de transport du lave-linge.

! Les emballages ne sont pas des jouets pour enfants.

### Mise à niveau

1. Installez le lave-linge sur un sol plat et rigide, sans l'appuyer contre des murs, des meubles ou autre.

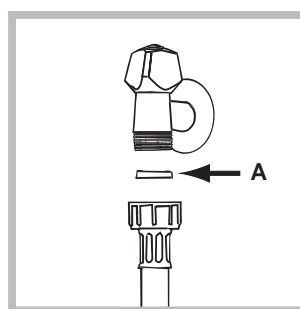


2. Si le sol n'est pas parfaitement horizontal, vissez ou dévissez les petits pieds avant (voir figure) pour niveler l'appareil; son angle d'inclinaison, mesuré sur le plan de travail, ne doit pas dépasser 2°.

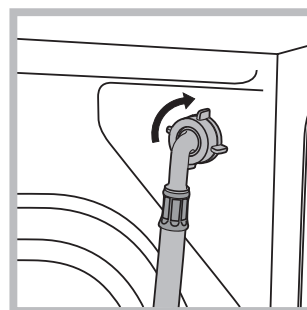
Une bonne mise à niveau garantit la stabilité de la machine et évite qu'il y ait des vibrations, du bruit et des déplacements en cours de fonctionnement. Si la machine est posée sur de la moquette ou un tapis, réglez les petits pieds de manière à ce qu'il y ait suffisamment d'espace pour assurer une bonne ventilation.

## Raccordements hydrauliques et électriques

### Raccordement du tuyau d'arrivée de l'eau



1. Montez le joint A sur l'extrémité du tuyau d'alimentation et vissez-le à un robinet d'eau froide à embout fileté 3/4 gaz (voir figure). Faites couler l'eau jusqu'à ce qu'elle soit limpide et sans impuretés avant de raccorder.



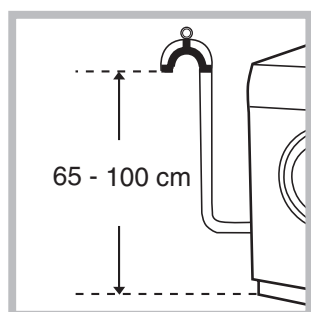
2. Raccordez le tuyau d'alimentation au lave-linge en le vissant à la prise d'eau prévue, dans la partie arrière en haut à droite (voir figure).

3. Faites attention à ce que le tuyau ne soit ni plié ni écrasé.

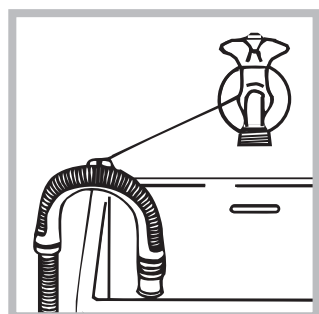
! La pression de l'eau doit être comprise entre les valeurs indiquées dans le tableau des Caractéristiques techniques (voir page ci-contre).

! Si la longueur du tuyau d'alimentation ne suffit pas, adressez-vous à un magasin spécialisé ou à un technicien agréé.

### Raccordement du tuyau de vidange



Raccordez le tuyau d'évacuation, sans le plier, à un conduit d'évacuation ou à une évacuation murale placés à une distance du sol comprise entre 65 et 100 cm;



ou bien accrochez-le à un évier ou à une baignoire, dans ce cas, fixez le support en plastique fourni avec l'appareil au robinet (voir figure). L'extrémité libre du tuyau d'évacuation ne doit pas être plongée dans l'eau.

! L'utilisation de tuyaux de rallonge est absolument déconseillée, si vous ne pouvez vraiment pas faire autrement vous devrez utiliser un tuyau de même diamètre et de longueur maximum de 150 cm.

### Branchement électrique

Avant de brancher la fiche dans la prise de courant, contrôlez que:

- la prise dispose de mise à la terre et est conforme aux normes;
- la prise est bien apte à supporter la puissance maximale de la machine indiquée dans le tableau des Caractéristiques techniques (voir ci-contre);
- la tension d'alimentation est bien comprise entre les valeurs figurant dans le tableau des Caractéristiques techniques (voir ci-contre);
- la prise est bien compatible avec la fiche du lave-linge. Autrement, remplacez la prise ou la fiche.

! Votre lave-linge ne doit pas être installé dehors, même à l'abri, car il est très dangereux de le laisser exposé à la pluie et aux orages.

! Après installation du lave-linge, la prise de courant doit être facilement accessible.

! N'utilisez ni rallonges ni prises multiples.

! Le câble ne doit être ni plié ni écrasé.

! Le câble d'alimentation ne doit être remplacé que par des techniciens agréés.

Attention! Nous déclinons toute responsabilité en cas de non respect des normes énumérées ci-dessus.

### Premier cycle de lavage

Avant la première utilisation de la machine, effectuez un cycle de lavage avec un produit lessiviel mais sans linge et sélectionnez le programme à 90°C sans pré-lavage.

### Caractéristiques techniques

<b>Modèle</b>	AVF 149
<b>Dimensions</b>	largeur 59,5 cm hauteur 85 cm profondeur 52,5 cm
<b>Capacité</b>	de 1 à 5 kg
<b>Raccordements électriques</b>	tension 220/230 Volt 50 Hz puissance maximale absorbée 1850 W
<b>Raccordements hydrauliques</b>	pression maximale 1 MPa (10 bar) pression minimale 0,05 MPa (0,5 bar) capacité du tambour 46 litres
<b>Vitesse d'essorage</b>	jusqu'à 1400 tours minute
<b>Programmes de contrôle selon la norme IEC456</b>	programme 3; température 60°C; effectué avec une charge de 5 kg.
	Cet appareil est conforme aux Directives Communautaires suivantes: - 73/23/CEE du 19/02/73 (Basse Tension) et modifications suivantes - 89/336/CEE du 03/05/89 (Compatibilité électromagnétique) et modifications suivantes

F

Installation

Description

Programmes

Bac produits

Précautions

Entretien

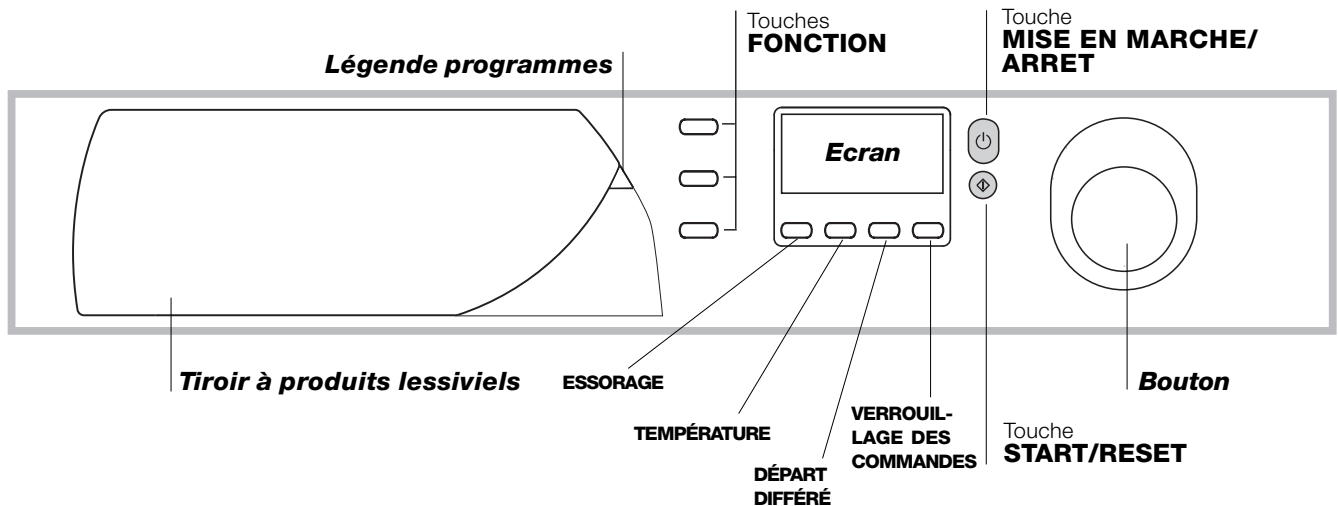
Anomalies

Assistance

# Description du lave-linge

F

## Bandeau de commandes



**Tiroir à produits lessiviels**: chargement des produits lessiviels et additifs (voir page 20).

**Légende programmes**: consultation rapide des programmes: pour l'ouvrir, tirez la languette grise vers vous.

Touches **FONCTION**: sélection des fonctions disponibles. La touche correspondant à la fonction sélectionnée restera allumée.

Touche **ESSORAGE**: réglage de la vitesse d'essorage ou exclusion (voir page 19).

Touche **TEMPÉRATURE**: modification de la température de lavage (voir page 19).

Touche **DÉPART DIFFÉRÉ** pour différer le démarrage du programme sélectionné jusqu'à 24 heures maximum (voir page 19).

Touche **VERROUILLAGE DES COMMANDES** pour bloquer tous les touches de votre machine pendant la marche ou pendant le Stand-by.

**Ecran**: visualisation de l'avancement du cycle de lavage et/ou de la programmation (voir page ci-contre).

Touche **MISE EN MARCHÉ/ARRET**: mise en marche ou arrêt du lave-linge (voir page 18).

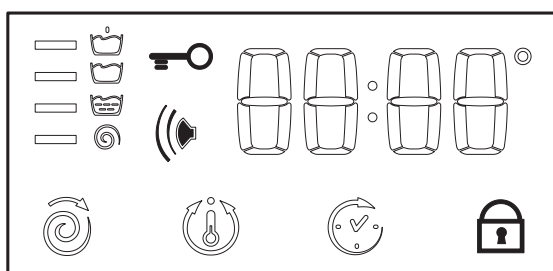
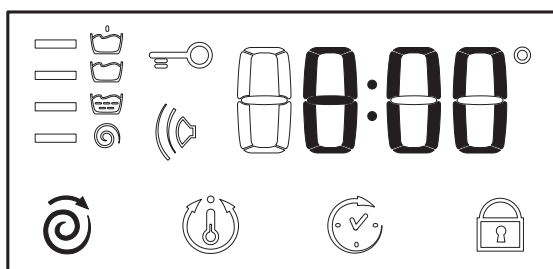
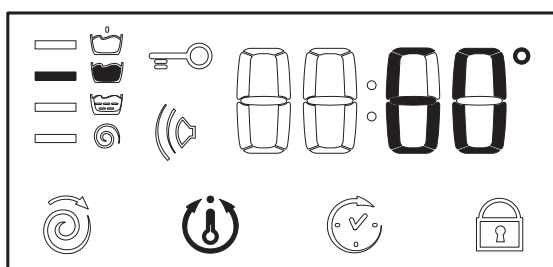
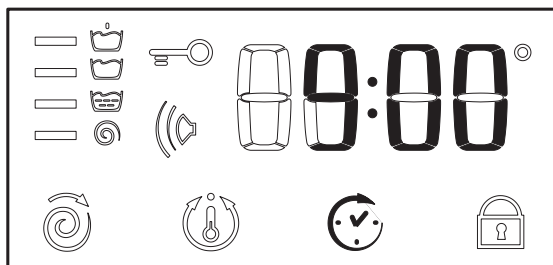
Touche **START/RESET**: démarrage des programmes ou annulation (en cas d'erreur) (voir page 18).

**Bouton**: choix des programmes (voir page 18). Le bouton est escamotable: pour le faire sortir, pressez légèrement au centre. En cours de lavage, le bouton ne bouge pas.



## Ecran

C'est non seulement un instrument très utile pour programmer la machine (voir page 19), mais il fournit aussi des informations sur le cycle de lavage et sur son stade d'avancement.



### Verrouillage des commandes:

Pour votre sécurité et celle de vos enfants, il vous suffit d'appuyer 2 secondes de suite sur la touche fonction pour verrouiller toutes les touches lorsque votre machine est en marche ou en position d'attente (départ différé - Stand-by). Pour le déverrouiller, gardez la touche enfoncée pendant 4 secondes.

### Verrouillage de porte:

Le symbole éclairé indique que le hublot est verrouillé pour éviter toute ouverture accidentelle. Attendez que le symbole s'éteigne avant d'ouvrir le hublot, vous risqueriez d'endommager l'appareil.

Ce modèle est équipé d'un dispositif qui vous permet d'ouvrir votre hublot même pendant certains stades de déroulement du programme. Ceci est possible quand le symbole n'est pas éclairé.

L'affichage de l'inscription END signale la fin du programme.

! En cas d'anomalie, un code erreur est affiché, exemple: F-01, à communiquer au le Service-après-vente (voir page 24).

Après avoir appuyé sur la touche START/RESET pour démarrer le programme, l'écran affiche le temps estimé qui reste avant la fin du cycle. En cas de sélection d'un départ différé (Départ différé, voir page 19), le retard sera affiché.

Pendant le cycle de lavage, il ya a affichage de:

### Phases en cours :

- Prélavage
- Lavage
- Rinçage
- Essorage

### Options et Fonctions de personnalisation:

Pour choisir les options/fonctions voir page 19.

### Sonnerie Buzzer:

Votre appareil est équipé d'un buzzer qui vous signalera le stade de déroulement des fonctions ou tout dysfonctionnement: incompatibilité, touches options/programmes, démarrage, fin de cycle, reset.

F

Installation

Description

Programmes

Bac produits

Précautions

Entretien



Anomalies

Assistance






# Mise en marche et Programmes

F

## En bref: démarrage d'un programme

- Allumez le lave-linge en appuyant sur la touche . Toutes les icônes s'éclaireront pendant quelques secondes puis s'éteindront.
- Chargez le lave-linge et fermez le hublot.
- Sélectionnez à l'aide du bouton le programme désiré. L'écran affiche la durée prévue. La température et l'essorage sont sélectionnés automatiquement en fonction du programme (pour les modifier voir page 19).
- Versez le produit lessiviel et les additifs (voir page 20).
- Appuyez un touche des options (voir page 19).
- Appuyez sur la touche START/RESET pour lancer le programme.  
Pour annuler, poussez sur la touche START/RESET pendant 2 secondes au moins.
- L'inscription END est affichée à la fin du programme. Sortez le linge et laissez le hublot entrouvert pour faire sécher le tambour.
- Eteignez le lave-linge en appuyant sur la touche .

## Tableau des programmes

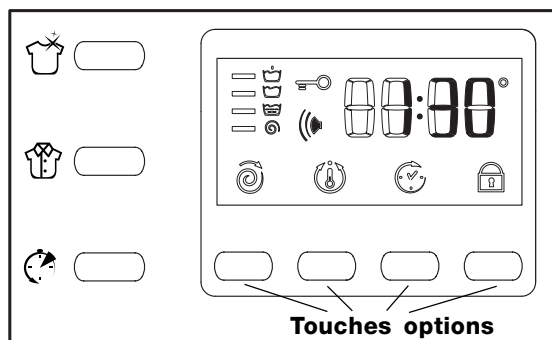
Nature des tissus et degré de salissure	Programmes	Temp. lavage	Lessive		Assouplissant	Durée du cycle (minutes)	Description du cycle de lavage
			prélav.	lavage.			
<b>Coton</b>							
Blancs extrêmement sales (draps, nappes, etc.)	1	90°C	•	•	•	160	Prélavage, lavage, rinçages, essorages intermédiaires et finaux
Blancs extrêmement sales (draps, nappes, etc.)	2	90°C		•	•	143	Lavage, rinçages, essorages intermédiaires et finaux
Blancs et couleurs résistantes très sales	3	60°C		•	•	120	Lavage, rinçages, essorages intermédiaires et finaux
Blancs peu sales et couleurs délicates (chemises, pulls, etc.)	4	40°C		•	•	85	Lavage, rinçages, essorages intermédiaires et finaux
Couleurs délicates peu sales	5	30°C		•	•	77	Lavage, rinçages, essorages intermédiaires et finaux
<b>Synthétiques</b>							
Couleurs résistantes très sales (linge de bébé, etc.)	6	60°C		•	•	92	Lavage, rinçages, anti-froissement ou essorage délicat
Couleurs résistantes (linge en tout genre légèrement sale)	6	40°C		•	•	77	Lavage, rinçages, anti-froissement ou essorage délicat
Couleurs résistantes très sales (linge de bébé, etc.)	7	50°C		•	•	86	Lavage, rinçages, anti-froissement ou essorage délicat
Couleurs délicates (linge en tout genre légèrement sale)	8	40°C		•	•	76	Lavage, rinçages, anti-froissement ou essorage délicat
Couleurs délicates (linge en tout genre légèrement sale)	9	30°C		•	•	30	Lavage, rinçages et essorage délicat
<b>Délicats</b>							
Laine	10	40°C		•	•	42	Lavage, rinçages et essorage délicat
Tissus particulièrement délicats (rideaux, soie, viscose, etc.)	11	30°C		•	•	52	Lavage, rinçages, anti-froissement ou vidange
<b>PROGRAMMES PARTIAUX</b>							
Rinçage					•		Rinçages et essorage
Rinçage délicat					•		Rinçages, anti-froissement ou vidange
Essorage							Vidange et essorage énergétique
Essorage délicat							Vidange et essorage délicat
Vidange							Vidange

### Remarque

Pour la fonction anti-froissement: voir Repassage facile, page ci-contre. Les données reportées dans le tableau sont à titre indicatif.

### Programme spécial

*Quotidien 30'* (programme 9 pour Synthétiques) spécialement conçu pour laver du linge peu sale en un rien de temps: il ne dure que 30 minutes et permet ainsi de faire des économies d'énergie et de temps. Choisissez le programme (9 à 30°C), vous pourrez laver ensemble des textiles différents (sauf laine et soie) en ne dépassant pas 3 kg de charge. Nous vous conseillons d'utiliser des lessives liquides.



## Réglage de l'essorage

Si à l'allumage de la machine, le BOUTON est placé sur un programme qui prévoit l'essorage, l'icône apparaît fixe. Appuyez sur la touche pour afficher la vitesse d'essorage maximale autorisée pour le programme sélectionné et l'icône se met à clignoter. Si vous appuyez à nouveau, le nombre de tours s'abaisse jusqu'à OFF, qui indique la suppression de l'essorage (appuyez encore une fois pour retourner à la valeur plus élevée); arrêtez-vous sur la vitesse désirée, au bout de 2 secondes environ la sélection est acceptée : le symbole reste fixe. Le réglage de l'essorage est activé avec tous les programmes sauf 11 et Vidange.

## Réglage de la température

Si à l'allumage de la machine, le BOUTON est placé sur un programme qui prévoit un réglage de la température, l'icône apparaît fixe. Appuyez sur la touche pour afficher la température maximale autorisée pour le programme sélectionné et l'icône se met à clignoter. Si vous appuyez à nouveau, la température s'abaisse jusqu'à OFF, qui indique le lavage à froid (appuyez encore une fois pour retourner à la valeur plus élevée); arrêtez-vous sur la valeur désirée, au bout de 2 secondes environ la sélection est acceptée : le symbole reste fixe. Le réglage de la température est activé avec tous les programmes de lavage.

## Réglage du Delay Timer (Départ différé)

Appuyez sur la touche , l'écran affiche l'inscription OFF et le symbole correspondant se met à clignoter. Si vous appuyez une nouvelle fois sur la touche, il y a affichage de "1h" c'est à dire retard d'une heure et ainsi de suite jusqu'à 24h; arrêtez-vous sur le "retard" souhaité, au bout de 2 secondes environ la sélection est acceptée; après quoi l'écran affiche la durée prévue pour le programme sélectionné et le symbole reste allumé. Appuyez à présent sur la touche START/RESET pour afficher à nouveau la valeur du "retard" sélectionné qui diminue d'heure en heure jusqu'au départ du cycle, pendant cette phase vous pouvez modifier la valeur du "retard" mais uniquement pour la diminuer. Le réglage du Delay Timer est activé avec tous les programmes.

**Verrouillage des commandes** (voir page 17).

## Fonctions

Les différentes fonctions de lavage prévues par le lave-linge permettent d'obtenir la propreté et le blanc souhaités. Pour activer les fonctions:

1. appuyez sur la touche correspondant à la fonction désirée, d'après le tableau ci-dessous;
2. l'allumage de la touche correspondante signale que la fonction est activée.

Remarque: Le clignotement rapide de la touche signale que la fonction correspondante n'est pas disponible pour le programme sélectionné.

En cas de sélection d'une fonction incompatible avec une autre précédemment sélectionnée, la seule à être activée sera la dernière validée.

Option	Effet	Mode d'emploi	Activée avec les programmes:
<b>Super lavage</b>	Pour obtenir un linge d'une propreté impeccable, visiblement plus blanc par rapport au standard de lavage de la Classe A.	Elle est incompatible avec l'option PEU SALE.	1, 2, 3, 4, 5, 6, 7, 8.
<b>Repassage facile</b>	Pour moins froisser les tissus et simplifier leur repassage.	Si cette option est sélectionnée, les programmes 6, 7, 8, 11 et Rinçage délicat s'interrompent en laissant le linge tremper dans l'eau (Anti-froissement) et l'icône  clignotera : - pour compléter le cycle appuyez sur la touche START/RESET; - pour n'effectuer que la vidange amenez le bouton sur le symbole correspondant  et appuyez sur la touche START/RESET.	Tous sauf 1, 2, 9, 10, Vidange.
<b>Peu sale</b>	Pour réduire de 30% environ la durée du cycle de lavage.	Elle est incompatible avec l'option SUPER LAVAGE.	1, 2, 3, 4, 5, 6, 7, 8.

F

Installation

Description

Programmes

Bac produits

Précautions

Entretien

Anomalies

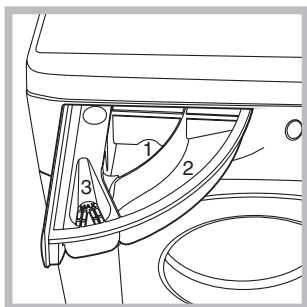
Assistance

# Produits lessiviels et linge

F

## Tiroir à produits lessiviels

Un bon résultat de lavage dépend aussi d'un bon dosage de produit lessiviel: un excès de lessive ne lave pas mieux, il incruste l'intérieur de votre lave-linge et pollue l'environnement.



Sortez le tiroir à produits lessiviels et versez la lessive ou l'additif comme suit.

**bac 1: Lessive pré-lavage (en poudre)**

**bac 2: Lessive lavage (en poudre ou liquide)**

Versez la lessive liquide juste avant la mise en marche.

**bac 3: Additifs (adoucissant, etc.)**

L'assouplissant ne doit pas déborder de la grille.

! N'utilisez pas de lessives pour lavage à la main, elles génèrent trop de mousse.

## Triage du linge

- Triez correctement votre linge d'après:
  - le type de textile / le symbole sur l'étiquette.
  - les couleurs: séparez le linge coloré du blanc.
- Videz les poches et contrôlez les boutons.
- Ne dépassez pas les valeurs indiquées correspondant au poids de linge sec:
  - Textiles résistants: 5 kg max.
  - Textiles synthétiques: 2,5 kg max.
  - Textiles délicats: 2 kg max.
  - Laine: 1 kg max.

## Combien pèse le linge ?

- 1 drap 400-500 g
- 1 taie d'oreiller 150-200 g
- 1 nappe 400-500 g
- 1 peignoir 900-1.200 g
- 1 serviette éponge 150-250 g

## Pièces de linge particulières

**Rideaux:** pliez-les bien et glissez-les dans une taie d'oreiller ou dans un sac genre filet. Lavez-les seuls sans dépasser la demi-charge. Sélectionnez le programme 11 qui supprime automatiquement l'essorage.

**Doudounes et anoraks:** s'ils sont en duvet d'oie ou de canard, ils peuvent être lavés à la machine. Lavez les vêtements sur l'envers. La charge ne doit pas excéder 2-3 kg. Prévoyez 2, voire 3 rinçages et un essorage léger.

**Chaussures de tennis:** débarrassez-les de la boue. Lavez-les en même temps que jeans et vêtements résistants, jamais avec du linge blanc.

**Laine:** pour obtenir d'excellents résultats utilisez un produit lessiviel spécial et ne dépassez pas une charge de 1kg.

## Woolmark Platinum Care



### Délicat comme le lavage à la main.

Ariston a introduit un nouveau standard de performances supérieures, reconnu par The Woolmark Company qui lui a attribué le prestigieux label Woolmark Platinum Care. Si le logo Woolmark Platinum Care est appliqué sur votre lave-linge, vous pouvez laver avec d'excellents résultats vos vêtements en laine portant l'étiquette "laver à la main" (M.00221):



Sélectionnez le programme 10 pour tous les vêtements portant l'étiquette "Laver à la main" et utilisez un produit lessiviel spécial.

! Ce lave-linge a été conçu et fabriqué conformément aux normes internationales de sécurité. Ces avertissements sont fournis pour des raisons de sécurité, lisez-les attentivement.

## Sécurité générale

- Cet appareil a été conçu pour une utilisation domestique, non professionnelle et ses fonctions ne doivent pas être altérées.
- Ce lave-linge ne doit être utilisé que par des adultes en suivant les instructions reportées dans ce mode d'emploi.
- N'utilisez pas l'appareil si vous êtes pieds nus. ne touchez jamais l'appareil si vous avez les pieds ou les mains humides.
- Ne tirez jamais sur le câble pour débrancher la fiche de la prise de courant.
- N'ouvrez pas le tiroir à produits lessiviels si la machine est en marche.
- Ne touchez pas à l'eau de vidange, elle peut atteindre des températures très élevées.
- Ne forcez pas pour ouvrir le hublot: le verrouillage de sécurité qui protège contre les ouvertures accidentelles pourrait s'endommager.
- En cas de panne, n'essayez en aucun cas d'accéder aux mécanismes internes pour tenter de la réparer.
- Veillez à ce que les enfants ne s'approchent pas de la machine pendant son fonctionnement.
- Pendant le lavage, le hublot a tendance à se réchauffer.
- Deux ou trois personnes sont nécessaires pour la déplacer en faisant très attention. Ne jamais la déplacer seul car la machine est très lourde.
- Avant d'introduire votre linge, contrôlez si le tambour est bien vide.

## Mise au rebut

- Mise au rebut du matériel d'emballage: se conformer aux réglementations locales de manière à ce que les emballages puissent être recyclés.

- Mise au rebut de votre vieux lave-linge: avant de le mettre à la déchetterie, rendez-le inutilisable en coupant le cordon d'alimentation électrique et en démontant le hublot.

## Economies et respect de l'environnement

### La technologie au service de l'environnement

Si vous voyez peu d'eau à travers le hublot c'est parce que grâce à la nouvelle technologie Ariston, il suffit de moins de la moitié d'eau pour obtenir une propreté impeccable: un but atteint pour protéger l'environnement.

### Economie de produit lessiviel, d'eau, d'électricité et de temps

- Pour ne pas gaspiller de ressources, utilisez le lave-linge à sa charge maximale. Mieux vaut une pleine charge que deux demies, vous économiserez jusqu'à 50% d'électricité.
- Un prélavage n'est nécessaire qu'en cas de linge très sale. S'en passer permet de faire des économies de produit lessiviel, de temps, d'eau et entre 5 et 15% d'électricité.
- Si vous traitez les taches avec un produit détachant ou si vous les laissez tremper avant de les laver, vous éviterez d'avoir à laver à de hautes températures. Un programme à 60°C au lieu de 90°C ou un à 40°C au lieu de 60°C, fait économiser jusqu'à 50% d'électricité.
- Bien doser la quantité de produit lessiviel en fonction de la dureté de l'eau, du degré de salissure et de la quantité de linge à laver évite les gaspillages et protège l'environnement: bien que biodégradables, les produits lessiviels contiennent des éléments qui altèrent l'équilibre de la nature. Evitez le plus possible l'utilisation d'assouplissant.
- Effectuer ses lavages tard dans l'après-midi et jusqu'aux premières heures du matin permet de réduire la charge d'absorption des opérateurs énergétiques. L'option Départ différé (voir page 19) aide à mieux organiser les lavages en ce sens.
- Si le linge doit être séché dans un sèche-linge, sélectionnez une haute vitesse d'essorage. Du linge qui contient moins d'eau fait économiser du temps et de l'électricité dans le programme de séchage.

LI

Installation

Description

Programmes

Bac produits

Précautions

Entretien

Anomalies

Assistance

# Entretien et soin

F

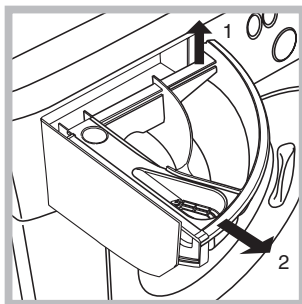
## Coupure de l'arrivée d'eau et de courant

- Fermez le robinet de l'eau après chaque lavage: vous limiterez ainsi l'usure de l'installation hydraulique de votre lave-linge et éliminerez le danger de fuites.
- Débranchez la fiche de la prise de courant quand vous nettoyez votre lave-linge et pendant tous vos travaux d'entretien.

## Nettoyage du lave-linge

Pour nettoyer l'extérieur et les parties en caoutchouc, utilisez un chiffon imbibé d'eau tiède et de savon. N'utilisez ni solvants ni abrasifs.

## Nettoyage du tiroir à produits lessiviels



Pour sortir le tiroir, soulevez-le et tirez-le vers vous (voir figure). Lavez-le à l'eau courante, effectuez cette opération assez souvent.

## Entretien du hublot et du tambour

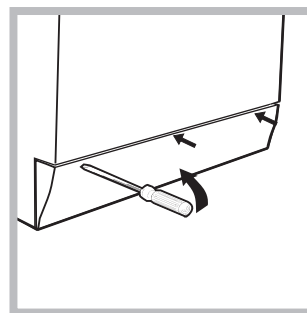
- Quand vous n'utilisez pas votre lave-linge, laissez toujours le hublot entrouvert pour éviter la formation de mauvaises odeurs.

## Nettoyage de la pompe

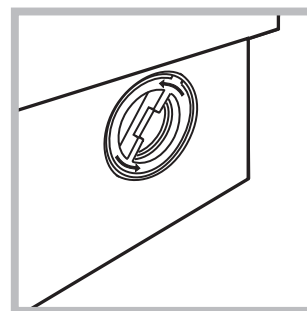
Le lave-linge est équipé d'une pompe autonettoyante qui n'exige aucune opération d'entretien. Il peut toutefois arriver que de menus objets (pièces de monnaie, boutons) tombent dans la préchambre qui protège la pompe, placée en bas de cette dernière.

! Contrôlez que le cycle de lavage est bien terminé et débranchez la fiche.

Pour accéder à cette préchambre:



1. démontez le panneau situé à l'avant du lave-linge à l'aide d'un tournevis (voir figure);



2. dévissez le couvercle en le faisant tourner dans le sens inverse des aiguilles d'une montre (voir figure): il est normal qu'un peu d'eau s'écoule;

3. nettoyez soigneusement à l'intérieur;
4. revissez le couvercle;
5. remontez le panneau en veillant à bien enfiler les crochets dans les fentes prévues avant de le pousser contre la machine.

## Contrôle du tuyau d'arrivée de l'eau

Contrôlez le tuyau d'alimentation au moins une fois par an. Remplacez-le dès que vous remarquez des craquèlements et des fissures: les fortes pressions subies pendant le lavage pourraient provoquer des cassures.

! N'utilisez jamais de tuyaux usés.

Il peut arriver que le lave-linge ne fonctionne pas bien. Avant de appeler le Service après-vente (voir page 24), contrôlez s'il ne s'agit pas d'un problème facile à résoudre grâce à la liste suivante.


## Anomalies:

### Le lave-linge ne s'allume pas.

## Causes / Solutions possibles:

- La fiche n'est pas branchée dans la prise de courant ou mal branchée.
- Il y a une panne de courant.

### Le cycle de lavage ne démarre pas.

- Le hublot n'est pas bien fermé (affichage de l'inscription DOOR).
- La touche  n'a pas été actionnée.
- La touche START/RESET n'a pas été actionnée.
- Le robinet de l'eau n'est pas ouvert.
- Un départ différé a été sélectionné (Départ différé, voir page 19).

### Il n'y a pas d'arrivée d'eau (Il y aura affichage du message "H2O").

- Le tuyau d'arrivée de l'eau n'est pas raccordé au robinet.
- Le tuyau est plié.
- Le robinet de l'eau n'est pas ouvert.
- Il y a une coupure d'eau.
- La pression n'est pas suffisante.
- La touche START/RESET n'a pas été actionnée.

### Le lave-linge prend l'eau et vidange continuellement.

- le tuyau de vidange n'est pas installé à une distance du sol comprise entre 65 et 100 cm (voir page 15).
- L'extrémité du tuyau de vidange est plongée dans l'eau (voir page 15).
- L'évacuation murale n'a pas d'évent.

Si après ces vérifications, le problème persiste, fermez le robinet de l'eau, éteignez la machine et appelez le service Assistance. Si vous habitez en étage dans un immeuble, il peut y avoir des phénomènes de siphonnement qui font que votre lave-linge prend et évacue l'eau continuellement. Pour supprimer cet inconvénient, vous pouvez trouver dans le commerce des valves spéciales anti-siphonnement.

### Votre lave-linge ne vidange pas et n'essore pas.

- Le programme ne prévoit pas de vidange: pour certains programmes, il faut intervenir pour la faire démarrer (voir page 18).
- L'option Repassage facile est activée: pour compléter le programme, appuyez sur la touche START/RESET (voir page 19).
- Le tuyau de vidange est plié (voir page 15).
- La conduite de l'installation de vidage est bouchée.

### Votre lave-linge vibre beaucoup pendant l'essorage.

- Le tambour n'a pas été débloqué (comme indiqué page 14) lors de l'installation du lave-linge.
- Le lave-linge n'est pas posé à plat (voir page 14).
- Le lave-linge est coincé entre des meubles et le mur (voir page 14).

### Le lave-linge a des fuites.

- Le tuyau d'arrivée de l'eau n'est pas bien vissé (voir figure page 14).
- Le tiroir à produits lessiviels est bouché (pour le nettoyer voir pag. 22).
- Le tuyau de vidange n'est pas bien fixé (voir page 15).

### Il y a un excès de mousse.

- Le produit de lavage utilisé n'est pas une lessive spéciale machine (il faut qu'il y ait l'inscription "pour lave-linge", "main et machine", ou autre semblable).
- La quantité utilisée est excessive.

L

Installation

Description

Programmes

Bac produits

Précautions

Entretien

Anomalies

Assistance

**Avant d'appeler le service après-vente:**

- Vérifiez si vous ne pouvez pas résoudre vous-même le problème (*voir page 23*);
- Remettez le programme en marche pour contrôler si le dysfonctionnement a disparu;
- Autrement, appelez le Service après-vente de votre revendeur;

! Ne vous adressez jamais à des techniciens non agréés.

**Communiquez:**

- le type de panne;
- le modèle de la machine (Référence);
- le numéro de série (S/N);

Vous trouverez tous ces renseignements sur la plaquette signalétique située sur le panneau arrière de votre lave-linge.



### **INHALTSVERZEICHNIS**

#### **Installation, 26-27**

Auspacken und Aufstellen, 26  
Wasser- und Elektroanschlüsse, 26-27  
Erster Waschgang, 27  
Technische Daten, 27

#### **Beschreibung des Waschvollautomaten, 28-29**

Schalterblende, 28  
Display, 29

#### **Inbetriebnahme und Programme, 30**

Kurz zusammengefasst: Waschprogramm starten, 30  
Programmtabelle, 30

#### **Individualisierungen, 31**

Einstellen der Schleuder, 31  
Einstellen der Temperatur, 31  
Einstellung der Startvorwahl, 31  
Funktionen, 31

#### **Waschmittel und Wäsche, 32**

Waschmittelschublade, 32  
Vorsortieren der Wäsche, 32  
Besondere Wäscheteile, 32  
Woolmark Platinum Care, 32

#### **Vorsichtsmaßnahmen und Hinweise, 33**

Allgemeine Sicherheit, 33  
Entsorgung, 33  
Energie sparen und Umwelt schonen, 33

#### **Reinigung und Pflege, 34**

Wasser- und Stromversorgung abstellen, 34  
Reinigung des Gerätes, 34  
Reinigung der Waschmittelschublade, 34  
Pflege der Gerätetür und Trommel, 34  
Reinigung der Pumpe, 34  
Kontrolle des Wasserzulaufschlauchs, 34

#### **Störungen und Abhilfe, 35**

#### **Kundendienst, 36**

Bevor Sie sich an den Kundendienst wenden, 36

# Installation

DE

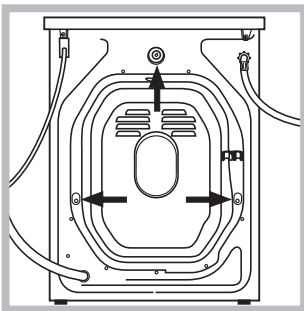
! Es ist äußerst wichtig, diese Bedienungsanleitung sorgfältig aufzubewahren, um sie jederzeit zu Rate ziehen zu können. Sorgen Sie dafür, dass sie im Falle eines Umzugs oder Übergabe an einen anderen Benutzer das Gerät stets begleitet, damit auch der neue Inhaber die Möglichkeit hat, diese zu Rate zu ziehen.

! Lesen Sie bitte folgende Hinweise aufmerksam durch, sie liefern wichtige Informationen hinsichtlich der Installation, dem Gebrauch und der Sicherheit.

## Auspacken und Aufstellen

### Auspacken

1. Gerät auspacken.
2. Sicherstellen, dass der Waschvollautomat keine Transportschäden erlitten hat. Im Falle einer Beschädigung Gerät bitte nicht anschließen, sondern den Kundendienst anfordern.



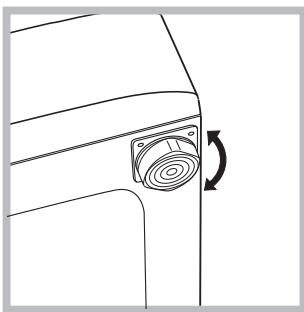
3. Die 3 Transportschutzschrauben ausschrauben und das an der Rückwand befindliche Gummiteil nebst entsprechendem Distanzstück abnehmen (siehe Abbildung).

4. Die Löcher mittels der mitgelieferten Kunststoffstöpsel schließen.
5. Sämtliche Teile aufbewahren: Sollte der Waschvollautomat erneut transportiert werden müssen, müssen diese Teile wieder eingesetzt werden.

! Verpackungsmaterial ist kein Spielzeug für Kinder

### Standfläche

1. Der Waschvollautomat muss auf einem ebenen, festen Untergrund aufgestellt werden, ohne ihn an Wände, Möbelteile oder ähnliches anzulehnen.

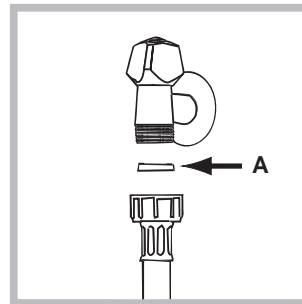


2. Sollte der Boden nicht perfekt eben sein, müssen die Unebenheiten durch An- bzw. Ausdrehen der vorderen Stellfüße ausgeglichen werden (siehe Abbildung), der auf der Arbeitsfläche zu ermittelnde Neigungsgrad darf 2° nicht überschreiten.

Eine präzise Nivellierung verleiht dem Gerät die erforderliche Stabilität, durch die Vibrationen, Betriebsgeräusche und ein Verrücken des Gerätes vermieden werden. Bei Teppichböden müssen die Stellfüße so reguliert werden, dass ein ausreichender Freiraum zur Belüftung unter dem Waschvollautomaten gewährleistet ist.

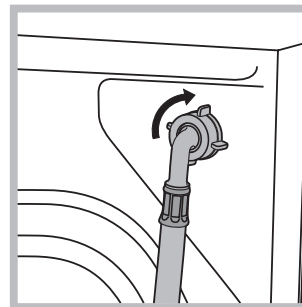
## Wasser- und Elektroanschlüsse

### Anschluss des Zulaufschlauches



1. Legen Sie die Gummidichtung A in das Anschlussstück des Zulaufschlauches ein und drehen Sie dieses an einen mit Gewindeanschluss von  $\frac{3}{4}$  G versehenen Kaltwasserhahn (siehe Abbildung). Lassen Sie das Wasser

vor dem Anschluss so lange auslaufen, bis klares Wasser austritt.



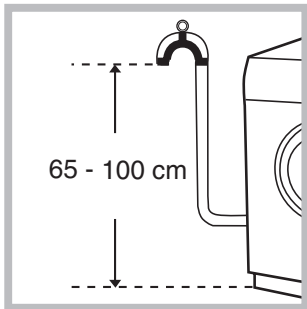
2. Schließen Sie das andere Ende des Schlauches an den oben rechts am Rückteil des Waschvollautomaten befindlichen Wasseranschluss an (siehe Abbildung).

3. Der Schlauch darf hierbei nicht eingeklemmt oder abgeknickt werden.

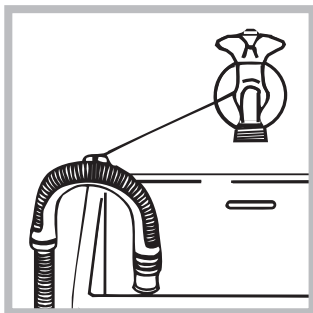
! Der Wasserdruck muss innerhalb der Werte liegen, die in der Tabelle der Technischen Daten angegeben sind (siehe nebenstehende Seite).

! Sollte der Zulaufschlauch nicht lang genug sein, dann wenden Sie sich bitte an einen Fachhändler oder an einen autorisierten Fachmann.

### Anschluss des Ablaufschlauches



Schließen Sie den Ablaufschlauch, ohne ihn dabei zu krümmen, an eine Ablaufleitung, oder an einen in der Wand in einer Mindesthöhe von 65 - 100 cm angelegten Ablauf an;



oder hängen Sie ihn in ein Becken oder eine Wanne ein; befestigen Sie ihn in diesem Falle mittels der mitgelieferten Führung an dem Wasserhahn (siehe Abbildung). Das freie Ablaufschlauchende darf nicht unter Wasser bleiben.

! Verlängerungsschläuche sollten nicht eingesetzt werden, sollte dies jedoch absolut unvermeidlich sein, muss die Verlängerung denselben Durchmesser des Originalschlauchs aufweisen und 150 cm nicht überschreiten.

### Elektronanschluss

Vor Einfügen des Steckers in die Steckdose ist sicherzustellen, dass:

- die Steckdose über eine normgerechte Erdung verfügt;
- die Steckdose die in nebenstehender Datentabelle angegebene Höchstlast des Gerätes trägt;
- die Stromspannung den in nebenstehender Datentabelle aufgeführten Werten entspricht;
- der Stecker in die Steckdose passt. Andernfalls muss der Stecker (oder die Steckdose) ersetzt werden.

! Der Waschvollautomat darf nicht im Freien installiert werden, auch nicht, wenn es sich um einen geschützten Platz handelt. Es ist gefährlich, Ihren Vollwaschautomaten Gewittern und Unwettern auszusetzen.

! Die Steckdose sollte nach installiertem Gerät leicht zugänglich sein.

! Verwenden Sie bitte keine Verlängerungen oder Mehrfachstecker.

! Das Kabel darf nicht gebogen bzw. eingeklemmt werden.


! Das Versorgungskabel darf nur durch autorisierte Fachkräfte ausgetauscht werden.

Achtung! Der Hersteller weist jede Haftung zurück, falls diese Vorschriften nicht eingehalten werden sollten.

### Erster Waschgang

Lassen Sie nach der Installation bzw. vor erstmaligem Gebrauch erst einen Waschgang (mit Waschmittel) ohne Wäsche durchlaufen. Stellen Sie hierzu das 90°C-Waschprogramm ohne Vorwäsche ein.

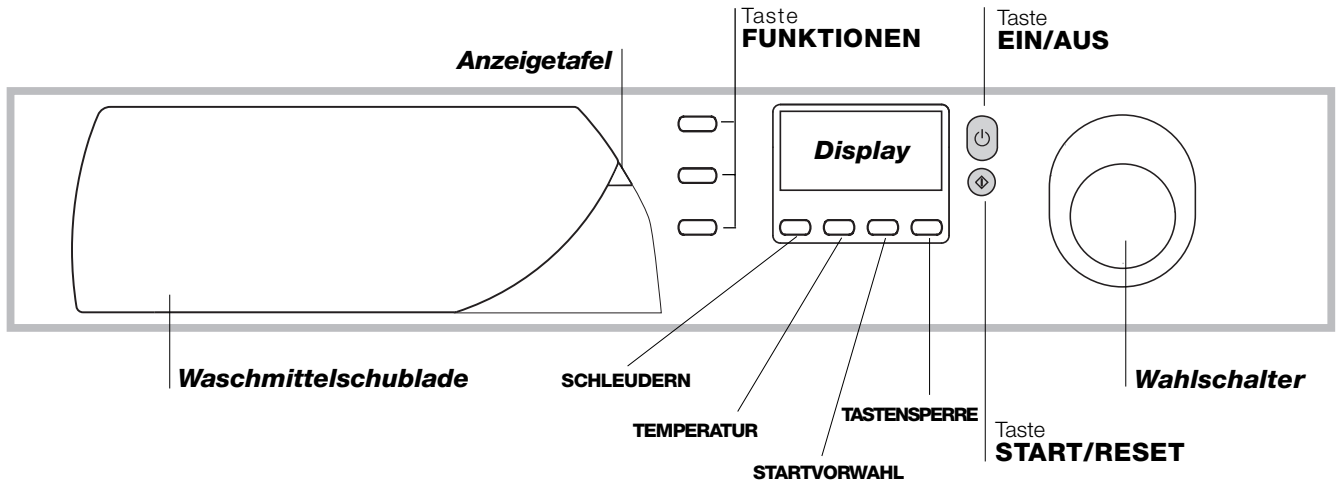
### Technische Daten

<b>Modell</b>	AVF 149
<b>Abmessungen</b>	Breite 59,5 cm Höhe 85 cm Tiefe 52,5 cm
<b>Fassungsvermögen</b>	1 bis 5 kg
<b>Elektroanschlüsse</b>	Spannung 220/230 Volt 50 Hz max. Leistungsaufnahme 1850 W
<b>Wasseranschlüsse</b>	Höchstdruck 1 MPa (10 bar) Mindestdruck 0,05 MPa (0,5 bar) Trommelvolumen 46 Liter
<b>Schleudertouren</b>	bis zu 1400 U/min.
<b>Prüfprogramme gemäß IEC456</b>	Programm 3; Temperatur 60°C; bei einer Lademenge von 5 kg.
	Dieses Gerät entspricht den folgenden EG-Richtlinien: - 73/23/EWG vom 19.02.73 (Niederspannung) und nachfolgenden Änderungen - 89/336/EWG vom 03.05.89 (elektromagnetische Verträglichkeit) und nachfolgenden Änderungen

# Beschreibung des Waschvollautomaten

## Schalterblende

DE



**Waschmittelschublade** für Waschmittel und Zusätze (siehe Seite 32).

**Anzeigetafel** die zu jeder Zeit einen klaren Überblick über die möglichen Programme gewährleistet. Ganz einfach an der grauen Zunge herausziehen.

Tasten **FUNKTIONEN** zur Einstellung der verfügbaren Funktionen. Die gewählte Einstellung der entsprechenden Funktionstaste bleibt eingeschaltet. (sie leuchtet)

Taste **"SCHLEUDERN"** zur Geschwindigkeitsregelung oder gänzlichen Ausschaltung der Schleuder (siehe Seite 31).

Taste **"TEMPERATUR"** zur Änderung der Waschttemperaturen (siehe Seite 31).

Taste **STARTVORWAHL**: Mit dieser Taste kann der Start des eingestellten Programms um bis zu 24 Std. verzögert werden (siehe Seite 31).

Die Taste **TASTENSPERRE** dient zur Sperre sämtlicher Tasten Ihres Waschvollautomaten während des Betriebs bzw. des Standby-Betriebs.

**Display** zur Programmierung des Waschvollautomaten und Ansicht des Programmablaufs (siehe nebenstehende Seite).

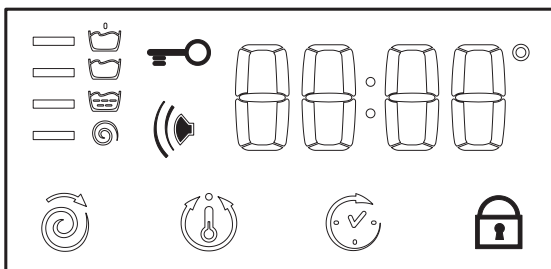
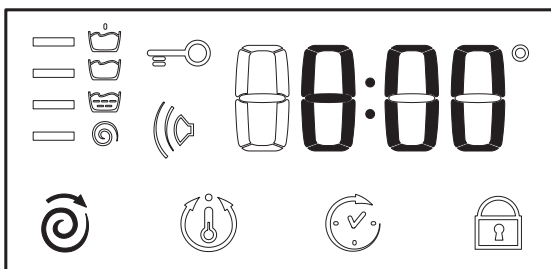
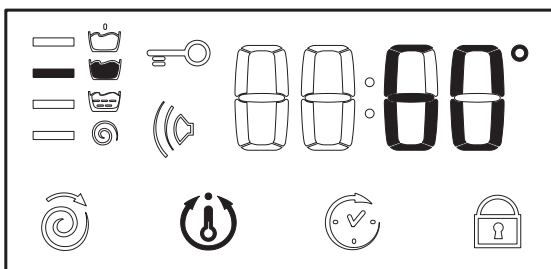
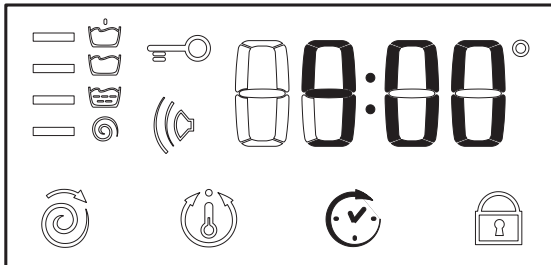
Taste **"EIN/AUS"** zur Ein- und Ausschaltung des Waschvollautomaten (siehe Seite 30).

Taste **"START/RESET"** um die Programme zu starten bzw. zu löschen, falls unkorrekt eingestellt (siehe Seite 30).

**Wahlschalter** zur Programmwahl Die Wahlschalter sind flächenbündig angebracht: Durch leichten Druck auf die Knopfmitte können Sie herausgezogen werden. Während des Programmablaufs bleibt der Schalter feststehend.

## Display

Das Display ist nicht nur ein praktisches Mittel zur Programmierung des Gerätes (*siehe Seite 31*), es liefert auch Informationen über den Waschgang und seinen Ablauf.



Nach Drücken der Taste START/RESET, durch das das Waschprogramm in Gang gesetzt wird, wird auf dem Display die bis zum Ende des Waschgangs noch verbleibende Zeit angezeigt. Sollte ein zeitverschobener Start eingestellt worden sein („Startvorwahl“, *siehe Seite 31*), dann wird dies auf dem Display angezeigt.

Während des Waschgangs wird Folgendes angezeigt:

### Laufende Programmphase:

- Vorwäsche
- Hauptwäsche
- Spülen
- Schleudern

### Individualisierungs-Funktionen und -optionen:

Zur Wahl dieser Funktionen und Optionen siehe unten und *Seite 31*.

### Buzzer:

Ihr Gerät ist mit einem Warnsummer ausgestattet, der den Ablauf der verschiedenen Funktionen oder eventuelle Störungen anzeigt: Unvereinbarkeit, Tasten Optionen/ Programme, Start, Ende des Waschvorgangs, Reset.

### Tastensperre:

Zu Ihrer Sicherheit und der Ihrer Kinder können die Tasten während des Betriebs des Gerätes, oder während des Standby-Betriebs (verzögerter Start - Standby-Betrieb) gesperrt werden. Drücken Sie hierzu die Taste "FUNKTIONEN" für 2 Sekunden. Um die Sperre zu beseitigen, drücken Sie die Taste für ca. 4 Sekunden.

### Füllfenstersicherung:

Durch Leuchten des Symbols meldet das Gerät, dass das Füllfenster gesperrt ist, um ein versehentliches Öffnen zu vermeiden. Warten Sie bitten, bis das Symbol erlischt, um eine evtl. Beschädigung des Fensters zu vermeiden. Dieses Modell ist mit einer Vorrichtung ausgestattet, dank derer das Füllfenster während der ersten Programmphase noch geöffnet werden kann. Dies ist möglich, wenn das Symbol nicht eingeschaltet ist.



Nach Ablauf des gesamten Waschprogramms erscheint die Anzeige END.

! Im Falle eventueller Anomalien wird ein Fehlercode eingeblendet, wie zum Beispiel: F-01, der dem Kundendienst zu übermitteln ist (*siehe Seite 36*).






# Inbetriebnahme und Programme

DE

## Kurz zusammengefasst: Waschprogramm starten

1. Maschine durch Drücken der Taste  einschalten. Sämtliche Symbole leuchten für einige Sekunden auf, um dann wieder zu erlöschen.
2. Wäsche einfüllen und Füllfenster schließen.
3. Das gewünschte Programm mittels des Wahlschalters einstellen. Auf dem Display wird die voraussichtliche Programmdauer angezeigt. Temperatur und Schleuder werden je nach gewähltem Programm automatisch eingestellt (evtl. Änderung siehe Seite 31).
4. Waschmittel und Zusätze einfüllen (siehe Seite 32).
5. Wählen Sie eine beliebige Funktion (siehe Seite 31).
6. Programm durch Druck auf die Taste START/RESET in Gang setzen.  
Um dieses zu löschen, Taste START/RESET für mindestens 2 Sekunden gedrückt halten.
7. Bei Programmabschluss erscheint die Anzeige END. Wäsche herausnehmen und Füllfenster leicht offenstehen lassen, damit die Trommel trocknen kann.
8. Maschine durch Drücken der Taste  ausschalten.

## Programmtabelle

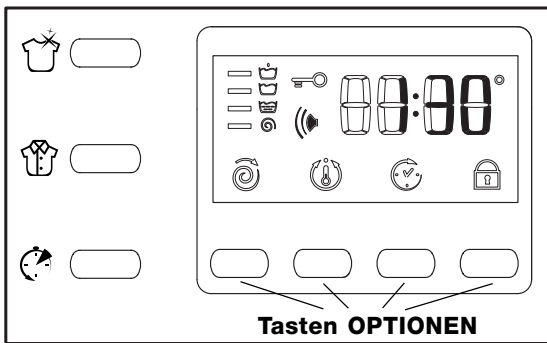
Gewebeart und Verschmutzungsgrad	Waschprogramme	Temperatur	Waschmittel		Weichmacher	Programmdauer (Minuten)	Beschreibung des Waschprogramms
			Vorw.	Hauptw.			
<b>Baumwolle</b>							
Stark verschmutzte Kochwäsche (Bettücher, Tischdecken usw.)	1	90°C	•	•	•	160	Vorwäsche, Hauptwäsche, Spülen, Zwischen- und Endschleudern
Stark verschmutzte Kochwäsche (Bettücher, Tischdecken usw.)	2	90°C		•	•	143	Hauptwäsche, Spülen, Zwischen- und Endschleudern
Widerstandsfähige, stark verschmutzte Weiß- und Buntwäsche	3	60°C		•	•	120	Hauptwäsche, Spülen, Zwischen- und Endschleudern
Leicht verschmutzte Weißwäsche und empfindliche Buntwäsche (Oberhemden, Maschenware usw.)	4	40°C		•	•	85	Hauptwäsche, Spülen, Zwischen- und Endschleudern
Leicht verschmutzte empfindliche Buntwäsche	5	30°C		•	•	77	Hauptwäsche, Spülen, Zwischen- und Endschleudern
<b>Synthetik</b>							
Stark verschmutzte, farbechte Buntwäsche (Babywäsche usw.)	6	60°C		•	•	92	Hauptwäsche, Spülen, Knitterschutz oder sanftes Schleudern
Waschechte Farben (leicht verschmutzte Wäsche jeder Art).	6	40°C		•	•	77	Hauptwäsche, Spülen, Knitterschutz oder sanftes Schleudern
Stark verschmutzte, farbechte Buntwäsche (Babywäsche usw.)	7	50°C		•	•	86	Hauptwäsche, Spülen, Knitterschutz oder sanftes Schleudern
Zarte Farben (leicht verschmutzte Wäsche jeder Art).	8	40°C		•	•	76	Hauptwäsche, Spülen, Knitterschutz oder sanftes Schleudern
Zarte Farben (leicht verschmutzte Wäsche jeder Art).	9	30°C		•	•	30	Hauptwäsche, Spülen und sanftes Schleudern
<b>Wolle/seide</b>							
Wolle	10	40°C		•	•	42	Hauptwäsche, Spülen und sanftes Schleudern
Sehr zarte Feinwäsche (Gardinen, Seide, Viskose, usw.)	11	30°C		•	•	52	Hauptwäsche, Spülen, Knitterschutz oder Wasser abpumpen
<b>TEILPROGRAMME</b>							
Spülen					•		Spülen und Schleudern
Sanftes Spülen					•		Spülen, Knitterschutz oder Abpumpen
Schleudern							Abpumpen und energisches Schleudern
Sanftes Schleudern							Abpumpen und sanftes Schleudern
Abpumpen							Abpumpen

## Anmerkungen

Zum Knitterschutz: siehe "Bügelleicht", auf *nebenstehender Seite*. Bei den in der Tabelle aufgeführten Daten handelt es sich um Richtwerte.

## Spezialprogramm

*Kurzprogramm 30'* (Programm 9 für Kunstfasern) Kurzprogramm für die tägliche Wäsche leicht verschmutzter Teile: in nur 30 Minuten, zur Einsparung von Zeit und Energie. Stellen Sie dieses Waschprogramm (9 bei 30°C) ein, dann können, bei einer maximalen Lademenge von 3 kg, Gewebe unterschiedlicher Art (mit Ausnahme von Wolle und Seide) zusammen gewaschen werden. *Es ist ratsam, flüssige Waschmittel einzusetzen.*



## Einstellen der Schleuder

Befindet sich der WAHLSCHALTER bei Einschalten des Waschautomaten auf einer Position, bzw. einem Programm, das einen Schleudergang vorsieht, dann schaltet die Ikone auf Dauerlicht. Durch drücken der Taste wird die für das eingestellte Programm maximal zulässige Schleuderdrehzahl angezeigt und die Ikone schaltet auf Blinklicht. Durch erneutes drücken dieser Taste kann die Schleuderdrehzahl bis auf OFF (Schleuderstop), reduziert werden. (Drücken Sie die Taste erneut, schaltet die Schleuderdrehzahl wieder hoch.) Geben Sie die Taste frei, sobald die gewünschte Schleuderdrehzahl eingeblendet wird. Nach ca. 2 Sekunden wird diese gespeichert: Das Symbol schaltet auf Dauerlicht. Obiges gilt für alle Programme mit Ausnahme des Programms 11 und Abpumpen.

## Einstellen der Temperatur

Befindet sich der WAHLSCHALTER beim Einschalten des Waschautomaten auf einer Position bzw. einem Programm, das die Einstellung einer Temperatur vorsieht, dann schaltet die Ikone auf Dauerlicht. Durch drücken der Taste wird die für das eingestellte Programm maximal zulässige Temperatur angezeigt und die Ikone schaltet auf Blinklicht. Durch erneutes drücken dieser Taste kann die Temperatur bis auf OFF (Kaltwäsche), reduziert werden. (Drücken Sie die Taste erneut, schaltet die Temperatur wieder hoch.) Geben Sie die Taste frei, sobald die gewünschte Temperatur eingeblendet wird. Nach ca. 2 Sekunden wird diese gespeichert: Das Symbol schaltet auf Dauerlicht. Obiges gilt für alle Waschprogramme.

## Einstellung der Startvorwahl

Drücken Sie die Taste , auf dem Display wird die Anzeige OFF eingeblendet und das entsprechende Symbol schaltet auf Blinklicht. Drücken Sie diese Taste erneut, erscheint die Anzeige "1h", das entspricht einer Zeitverzögerung des Programmstarts von einer Stunde. Durch mehrmaliges drücken dieser Taste kann eine Zeitverzögerung bis auf "24h" gewählt werden. Geben Sie die Taste frei, wenn die von Ihnen gewünschte "Startvorwahl" eingeblendet wird; diese wird nach ca. 2 Sekunden gespeichert, auf dem Display wird die für das eingestellte Waschprogramm vorgesehene Zeit angezeigt. Das Symbol bleibt eingeschaltet.

Drücken Sie nun die Taste START - RESET. Die eingestellte "Startvorwahl" wird angezeigt. In dieser Phase kann die "Startvorwahl" nur noch durch eine Reduzierung der Zeit geändert werden. Die Einstellung der Startvorwahl ist bei allen Programmen möglich.

## Tastensperre (siehe Seite 29).

## Funktionen

Die verschiedenen Waschfunktionen, die Ihnen Ihr Waschvollautomat bietet, ermöglichen es Ihnen, hygienisch saubere und weiße Wäsche zu erhalten, die Ihren Wünschen entsprechen. Aktivierung der Funktionen:

1. Die Taste der gewünschten Funktion gemäss untenstehender Tabelle drücken;
2. Das Einschalten bzw. Aufleuchten der entsprechenden Taste zeigt an, dass die Funktion aktiviert wurde.

Anmerkung: Sollte die Taste jedoch auf Blinklicht schalten, bedeutet dies, dass die Funktion zu dem eingestellten Programm nicht zugeschaltet werden kann.

Wird eine Funktion eingestellt, die zu der bereits eingestellten nicht zugeschaltet werden kann, bleibt nur die zuletzt gewählte aktiv.

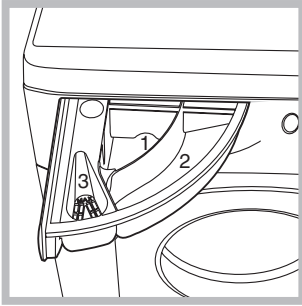
Optionen	Wirkung	Anleitungen zur Anwendung	Aktiv mit den Programmen:
 <b>Super Wash</b>	Für einwandfrei saubere, sichtbar weißere Wäsche des Klasse A-Standards.	Nicht vereinbar mit der Funktion KURZ.	1, 2, 3, 4, 5, 6, 7, 8
 <b>Bügelleicht</b>	Reduziert die Knitterbildung und erleichtert so das Bügeln.	Bei dieser Option werden die Programme 6, 7, 8, 11 und Sanftes Spülen unterbrochen, das Wasser wird nicht abgepumpt, die Wäsche bleibt im Wasser liegen (Knitterschutz), das Symbol  blinkt: - um den Waschgang zu beenden, Taste START/RESET drücken; - nur das Wasser abpumpen: Knopf auf das entsprechende Symbol  drehen und die Taste START/RESET drücken.	Alle, mit Ausnahme 1, 2, 9, 10, Abpumpen.
 <b>Kurz</b>	Verkürzt die Dauer des Waschvorgangs um ca. 30%.	Nicht vereinbar mit der Option SUPER WASH.	1, 2, 3, 4, 5, 6, 7, 8

# Waschmittel und Wäsche

DE

## Waschmittelschublade

Ein gutes Waschergebnis hängt auch von einer korrekten Waschmitteldosierung ab: Eine zu hohe Dosierung bedeutet nicht unbedingt reinere Wäsche, sie trägt nur dazu bei, die Maschineninnenteile zu verkrusten und die Umwelt zu belasten.



Schublade herausziehen und Waschmittel oder Zusätze wie folgt einfüllen:

**In Kammer 1: Waschpulver für die Vorwäsche (kein Flüssigwaschmittel)**

**In Kammer 2: Waschmittel für die Hauptwäsche (Waschpulver oder Flüssigwaschmittel)**

Flüssigwaschmittel nur kurz vor dem Start einfüllen.

**In Kammer 3: Zusätze (Weichspüler usw.)**

Der Weichspüler darf das Gitter nicht übersteigen.

! Verwenden Sie keine Handwaschmittel, sie verursachen eine zu hohe Schaumbildung.

## Vorsortieren der Wäsche

- Sortieren Sie die Wäsche nach:
  - Gewebeat / Waschetikettensymbol
  - und Farben: Buntwäsche von Weißwäsche trennen.
- Entleeren Sie alle Taschen.
- Das angegebene Gewicht, das sich auf die maximale Ladung an Trockenwäsche bezieht, sollte nicht überschritten werden:
  - Widerstandsfähige Gewebe: max 5 kg
  - Kunstfasergewebe: max 2,5 kg
  - Feinwäsche: max 2 kg
  - Wolle: max 1 kg

### Wie schwer ist Wäsche?

- 1 Bettuch 400-500 gr
- 1 Kissenbezug 150-200 gr
- 1 Tischdecke 400-500 gr
- 1 Bademantel 900-1.200 gr
- 1 Handtuch 150-250 gr

## Besondere Wäscheteile

**Gardinen:** Gardinen zusammengefaltet in einem Kissenbezug oder in einem netzartigen Beutel waschen. Waschen Sie diese allein, ohne das Gesamtgewicht für halbe Füllung zu übersteigen. Stellen Sie das Programm 11 ein, das ein automatisches Ausschließen der Schleuder vorsieht.

**Skijacken und Anoraks:** Sind diese mit Gänse- oder Daunenfedern gefüttert, können sie im Waschvollautomaten gewaschen werden. Ziehen Sie die Teile auf links, achten Sie auf eine maximale Beladung von 2/3 kg, wiederholen Sie 2/3 Spülgänge und stellen Sie die Schleuder auf Schonschleudern ein.

**Tennisschuhe:** Entfernen Sie Schlammreste. Tennisschuhe können zusammen mit Jeans oder sonstigen widerstandsfähigen Teilen, nicht jedoch mit Weißwäsche, gewaschen werden.

**Wolle:** Verwenden Sie Spezialwaschmittel; Lademenge von 1 kg bitte nicht überziehen.

## Woolmark Platinum Care



### Schonend wie Waschen von Hand.

Ariston hat einen neuen Standard hochwertiger Leistungen geschaffen, der von The Woolmark Company mit dem prestigevollen Warenzeichen Woolmark Platinum Care zugelassen wurde. Befindet sich auf Ihrem Waschvollautomaten das Logo Woolmark Platinum Care, können Teile aus Schurwolle, die mit dem Pflegeetikett "Handwäsche" ausgezeichnet sind, darin gewaschen werden (M.00221):



Verwenden Sie für alle mit "Handwäsche" ausgezeichneten Teile das Programm 10 und Spezialwaschmittel.



# Vorsichtsmaßnahmen und Hinweise

! Der Waschvollautomat wurde nach den strengsten internationalen Sicherheitsvorschriften entworfen und gebaut. Nachstehende Hinweise werden aus Sicherheitsgründen geliefert und sollten aufmerksam gelesen werden.

## Allgemeine Sicherheit

- Dieses Gerät wurde für den nicht professionellen Einsatz im privaten Haushalt konzipiert und seine Funktionen dürfen nicht verändert werden.
- Der Waschvollautomat darf nur von Erwachsenen und gemäß den Anleitungen dieses Handbuchs bedient werden.
- Berühren Sie das Gerät nicht, wenn Sie barfuß sind, und auch nicht mit nassen oder feuchten Händen oder Füßen.
- Ziehen Sie den Gerätestecker nicht am Kabel aus der Steckdose, sondern nur am Stecker selbst.
- Öffnen Sie die Waschmittelschublade nicht, wenn das Gerät in Betrieb ist.
- Berühren Sie nicht das Ablaufwasser, es kann sehr heiß sein.
- Öffnen Sie das Füllfenster nicht mit Gewalt: Der Sicherheits-Schließmechanismus könnte hierdurch beschädigt werden.
- Bei etwaigen Störungen versuchen Sie bitte nicht, Innenteile selbst zu reparieren.
- Halten Sie Kinder stets von dem in Betrieb befindlichen Gerät fern.
- Während des Waschgangs kann das Füllfenster sehr heiß werden.
- Muss der Waschvollautomat versetzt werden, sollten hierfür mindestens 2/3 Personen verfügbar sein. (Vorsichtig vorgehen). Versuchen Sie es niemals allein, das Gerät ist äußerst schwer.
- Vergewissern Sie sich, dass die Trommel völlig leer ist, bevor Sie die Wäsche einfüllen.

## Entsorgung

- Entsorgung des Verpackungsmaterials: Befolgen Sie die lokalen Vorschriften, Verpackungsmaterial kann wiederverwertet werden.

- Entsorgung des Altgerätes: Machen Sie das Gerät vor der Entsorgung unbrauchbar. Schneiden Sie das Kabel ab und nehmen Sie das Füllfenster ab.

## Energie sparen und Umwelt schonen

### Technologie im Dienste der Umwelt

Glauben Sie, durch das Füllfenster hindurch wenig Wasser zu sehen? Dank der neuen Ariston-Technik genügt die halbe Wassermenge für eine maximale Sauberkeit: eine Maßnahme die zum Schutze der Umwelt angestrebt wurde.

### Waschmittel, Wasser, Energie und Zeit sparen

- Verschwendung von Strom, Wasser, Waschmittel und Zeit kann man vermeiden, indem man die Waschmaschine mit der empfohlenen Höchstwäschemenge benutzt. Bei einer vollen Auslastung Ihres Waschvollautomaten können Sie bis zu 50% Energie sparen.
- Vorwäsche ist nur bei stark verschmutzter Wäsche erforderlich. Durch Vermeidung einer solchen kann Waschmittel, Zeit, Wasser und 5-15% Energie gespart werden.
- Flecken sollten mit einem Fleckenmittel vorbehandelt werden, oder weichen Sie die Wäsche vor der Wäsche ein. Hierdurch können hohe Waschttemperaturen vermieden werden. Ein 60°C-Programm anstelle eines 90°C-Programms, oder ein 40°C-Programm anstelle eines 60°C-Programms hilft bis zu 50% Energie zu sparen.
- Dosieren Sie Waschmittel sparsam je nach Wasserhärte, Verschmutzungsgrad und Wäschemenge, um die Umwelt nicht über Gebühr zu belasten: obwohl sie biologisch abbaubar sind, beinhalten Sie dennoch Stoffe, die die Umwelt belasten. Auch Weichmacher sollten höchst sparsam eingesetzt werden.
- Waschen Sie am späten Nachmittag oder in den ersten Morgenstunden, hierdurch tragen sie dazu bei, die Belastung der Elektrizitätswerke zu mindern. Die Option ‚Startvorwahl‘ (siehe Seite 31) hilft Ihnen in dieser Hinsicht außerordentlich.
- Soll die Wäsche in einem Wäschetrockner getrocknet werden, dann stellen Sie eine hohe Schleudergeschwindigkeit ein. Je trockener die Wäsche geschleudert wird, desto niedriger ist der zum Trocknen erforderliche Energieverbrauch.

DE

Installation

Beschreibung

Waschprogramme

Waschmittel

Vorsichtsmaßnahmen

Wartung und Pflege

Störungen

Kundendienst

# Reinigung und Pflege

DE

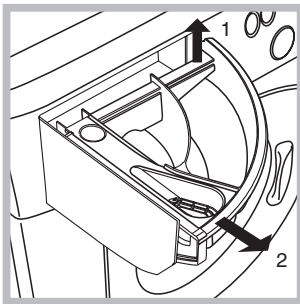
## Wasser- und Stromversorgung abstellen

- Wasserhahn nach jedem Waschvorgang zudrehen. Hierdurch wird der Verschleiß der Wasseranlage verringert und Wasserlecks vorgebeugt.
- Ziehen Sie den Stecker aus der Steckdose, bevor Sie Ihren Waschvollautomaten reinigen.

## Reinigung des Gerätes

Die Gehäuseteile und die Teile aus Gummi können mit einem mit warmer Spülmittellauge angefeuchteten Tuch gereinigt werden. Vermeiden Sie Löse- und Scheuermittel.

## Reinigung der Waschmittelschublade



Heben Sie die Schublade leicht an und ziehen Sie sie nach vorne hin heraus (siehe Abbildung). Spülen Sie diese regelmäßig unter fließendem Wasser gründlich aus.

## Pflege der Gerätetür und Trommel

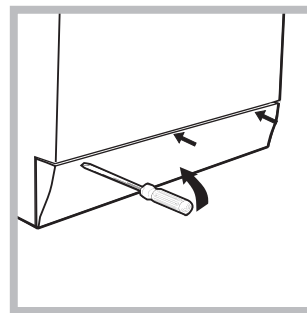
- Lassen Sie die Füllfenstertür stets leicht offen stehen, um die Bildung unangenehmer Gerüche zu vermeiden.

## Reinigung der Pumpe

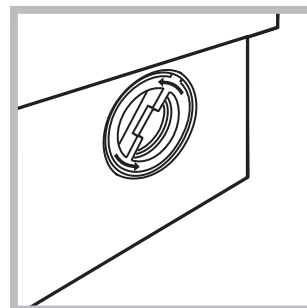
Ihr Gerät ist mit einer selbstreinigenden Pumpe ausgerüstet, eine Wartung ist demnach nicht erforderlich. Es könnte doch einmal vorkommen, dass kleine Gegenstände (Münzen, Knöpfe) in die zum Schutz der Pumpe dienende Vorkammer (befindlich unter der Pumpe) fallen. ! Vergewissern Sie sich, dass der Waschgang abgeschlossen ist und ziehen Sie den Stecker heraus.

! Vergewissern Sie sich, dass der Waschgang abgeschlossen ist und ziehen Sie den Stecker heraus.

Zugang zur Vorkammer:



1. Die Abdeckung (befindlich an der Gerätefront) mit Hilfe eines Schraubenziehers abnehmen (siehe Abbildung);



2. den Deckel gegen den Uhrzeigersinn abdrehen (siehe Abbildung): es ist ganz normal, wenn etwas Wasser austritt;

3. das Innere gründlich reinigen;
4. den Deckel wieder aufschrauben;
5. die Abdeckung wieder anbringen. Stellen Sie hierbei sicher, dass die Haken in die Schlitze eingreifen, bevor Sie die Abdeckung fest andrücken.

## Kontrolle des Wasserzulaufschlauchs

Kontrollieren Sie den Zulaufschlauch mindestens einmal im Jahr. Weist er Risse bzw. Brüche auf, muss er ausgetauscht werden. Der starke Druck während des Waschprogramms könnte zu plötzlichem Platzen führen.

! Verwenden Sie niemals bereits gebrauchte Schläuche.

Es kann immer einmal vorkommen, dass Ihr Waschvollautomat nicht funktioniert. Bevor Sie sich an den Technischen Kundendienst wenden (*siehe Seite 36*), vergewissern Sie sich zuerst, ob es sich nicht um eine Kleinigkeit handelt, die Sie selbst beheben können. Ziehen Sie hierzu nachstehendes Verzeichnis zu Rate.

## Störungen:

**Der Waschvollautomat schaltet sich nicht ein.**

**Der Waschgang startet nicht.**

**Der Waschvollautomat lädt kein Wasser (Auf dem Display ist die Anzeige H<sub>2</sub>O eingeblendet).**

**Der Waschvollautomat lädt laufend Wasser und pumpt es laufend ab.**


**Der Waschvollautomat pumpt nicht ab und schleudert nicht.**

**Der Waschvollautomat vibriert zu stark während des Schleuderns.**

**Der Waschvollautomat ist undicht.**

**Es bildet sich zu viel Schaum.**

## Mögliche Ursachen / Lösungen:

- Der Stecker steckt nicht in der Steckdose, oder nicht so, dass der Kontakt hergestellt wird.
  - Der Strom ist ausgefallen.
  - Das Füllfenster ist nicht richtig geschlossen (Display-Anzeige: DOOR).
  - Die Taste  wurde nicht gedrückt.
  - Die Taste START/RESET wurde nicht gedrückt.
  - Der Wasserhahn ist nicht auf.
  - Es wurde ein verzögerter Start gewählt („Startvorwahl“, *siehe Seite 31*).
  - Der Zufuhrschlauch ist nicht am Wasserhahn angeschlossen.
  - Der Schlauch ist geknickt.
  - Der Wasserhahn ist nicht auf.
  - Es ist kein Wasser da.
  - Der Druck ist unzureichend.
  - Die Taste START/RESET wurde nicht gedrückt.
  - Der Ablaufschlauch befindet sich nicht auf der vorgeschriebenen Höhe, d.h. 65 - 100 cm vom Boden (*siehe Seite 27*).
  - Das Schlauchende liegt unter Wasser (*siehe Seite 27*).
  - Der Mauerablauf wurde nicht mit einer Entlüftungsöffnung versehen.
- Konnte die Störung durch diese Kontrollen nicht behoben werden, dann drehen Sie den Wasserhahn zu, schalten das Gerät aus und fordern den Kundendienst an. Falls Sie in einer der obersten Etagen eines Gebäudes wohnen, kann es vorkommen, dass sich im Syphon ein Vakuum bildet, und der Waschvollautomat ständig Wasser ansaugt und wieder abpumpt. Zur Lösung dieser Probleme bietet der Handel spezielle Syphonventile.
- Das Programm siehe kein Abpumpen vor: bei einigen Programmen muss diese Funktion manuell gestartet werden (*siehe Seite 30*).
  - Die Funktion ‚Bügelleicht‘ wurde eingestellt: zur Beendigung des Programms Taste START/RESET drücken (*siehe Seite 31*).
  - Der Ablaufschlauch ist geknickt (*siehe Seite 27*).
  - Die Ablaufleitung ist verstopft.
  - Die Trommel wurde bei der Installation nicht korrekt befreit (*siehe Seite 26*).
  - Der Waschvollautomat steht nicht eben (*siehe Seite 26*).
  - Der Waschvollautomat steht zu eng zwischen der Wand und einem Möbel (*siehe Seite 26*).
  - Der Zulaufschlauch wurde nicht ordnungsgemäß aufgeschraubt (*siehe Seite 26*).
  - Die Waschmittelschublade ist verstopft (*zur Reinigung siehe Seite 34*).
  - Der Ablaufschlauch wurde nicht ordnungsgemäß befestigt (*siehe Seite 27*).
  - Das Waschmittel ist für Waschmaschinen nicht geeignet (es muss mit der Aufschrift "Für Waschmaschinen", "Für Handwäsche und Waschmaschinen" usw. versehen sein).
  - Es wurde zu hoch dosiert.

DE

Installation

Beschreibung

Waschprogramme

Waschmittel

Vorsichtsmaßnahmen

Wartung und Pflege

Störungen

Kundendienst

**Bevor Sie sich an den Kundendienst wenden:**

- Kontrollieren Sie zuerst, ob das Problem nicht allein gelöst werden kann (*siehe Seite 35*);
- Starten Sie das Programm erneut, um sicherzustellen, dass die Störung auch wirklich behoben wurde;
- Ist dies nicht der Fall, dann kontaktieren Sie den autorisierten Kundendienst unter der auf dem Garantieschein befindlichen Telefonnummer.

! Wenden Sie sich auf keinen Fall an nicht autorisierte Techniker.

**Geben Sie bitte Folgendes an:**

- die Art der Störung;
- das Maschinenmodell (Mod.);
- die Seriennummer (S/N).

Diese Daten entnehmen Sie bitte dem auf der Rückseite der Maschine befindlichen Typenschild.

**NL****Nederlands****AVF 149**

### **Inhoud**

#### **Installatie, 38-39**

Uitpakken en waterpas zetten, 38  
Water- en elektrische aansluiting, 38-39  
Eerste wasprogramma, 39  
Technische gegevens, 39

#### **Beschrijving van de wasmachine, 40-41**

Bedieningspaneel, 40  
Display, 41

#### **Start en programma's, 42**

In het kort: een programma starten, 42  
Tabel van de programma's, 42

#### **Persoonlijk instellen, 43**

Toerental centrifuge, 43  
Temperatuur, 43  
Uitgestelde start, 43  
Functies, 43

#### **Wasmiddel en wasgoed, 44**

Wasmiddellaatje, 44  
Prepareren van het wasgoed, 44  
Speciale stukken, 44  
Woolmark Platinum Care, 44

#### **Voorzorgsmaatregelen en raadgevingen, 45**

Algemene veiligheid, 45  
Het afvoeren, 45  
Bezuiniging en bescherming van het milieu, 45

#### **Onderhoud, 46**

Afsluiten van water en stroom, 46  
Schoonmaken van de wasmachine, 46  
Het wasmiddellaatje schoonmaken, 46  
Reinigen van deur en trommel, 46  
Reinigen van de pomp, 46  
Controleer de slang van de watertoevoer, 46

#### **Storingen en oplossingen, 47**

#### **Service, 48**

Voordat u er de installateur bijhaalt, 48

# Installatie

NL

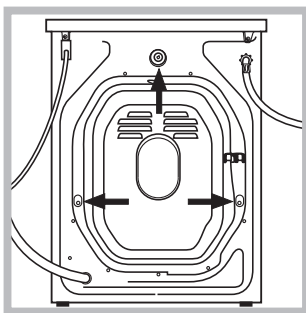
! Het is belangrijk dit boekje te bewaren zodat u het kunt raadplegen wanneer u maar wilt. In het geval dat u de machine verkoopt, of u verhuist, moet het boekje bij de machine blijven zodat de nieuwe gebruiker de functies en betreffende raadgevingen kan leren kennen.

! Lees de instructies met aandacht: u vindt er belangrijke informatie betreffende het installeren, gebruik en veiligheid.

## Uitpakken en waterpas zetten

### Uitpakken

1. Pak de wasmachine uit.
2. Controleer of de wasmachine geen schade heeft geleden gedurende het vervoer. Indien dit wel het geval is moet hij niet worden aangesloten en moet u contact opnemen met de handelaar.



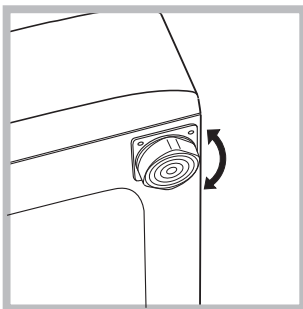
3. Verwijder de 3 transportbouten met de rubberen ring en bijbehorende afstandstukken die zich aan de achterkant bevinden (zie afbeelding).

4. Sluit de gaten af met de bijgeleverde plastic doppen.
5. Bewaar alle stukken: mocht de wasmachine ooit worden vervoerd, dan moeten deze weer worden aangebracht.

! Het verpakkingsmateriaal is geen speelgoed voor kinderen.

### Waterpassen

1. Installeer de wasmachine op een rechte en stevige vloer en laat hem niet leunen tegen een muur, meubel of dergelijken.

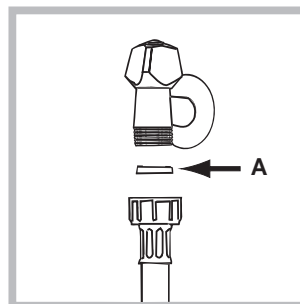


2. Als de vloer niet perfect horizontaal is kunt u de onregelmatigheid opheffen door de stelvoetjes aan de voorkant in- of uit te schroeven (zie afbeelding); de hoek, gemeten ten opzichte van de aanrecht, mag de 2° niet overschrijden.

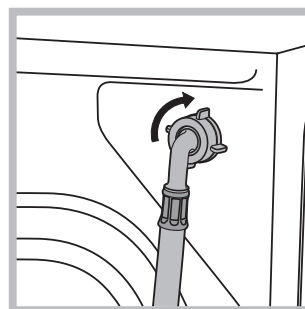
Een correcte waterpas geeft de machine stabiliteit en vermijdt trillingen, lawaai en het zich verplaatsen gedurende het functioneren van de machine. In het geval van vaste vloerbedekking of een tapijt regelt u de stelvoetjes zodanig dat onder de wasmachine genoeg plaats is voor ventilatie.

## Water- en elektrische aansluiting

### Aansluiting van de watertoevoerslang



1. Plaats de pakking A op het uiteinde van de waterslang en schroef hem op een koudwaterkraan met een mondstuk met schroefdraad van 3/4 gas (zie afbeelding). Voordat u hem aansluit moet u het water laten lopen totdat het helder is.



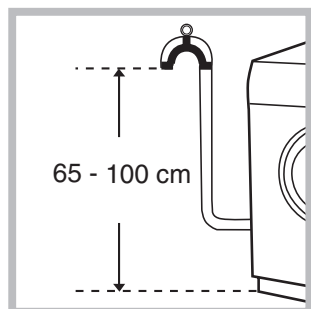
2. Verbind de slang aan de wasmachine door hem op de betreffende watertoevoer aan te schroeven, rechtsboven aan de achterkant (zie afbeelding).

3. Let erop dat er geen knellingen of kronkels in de slang zijn.

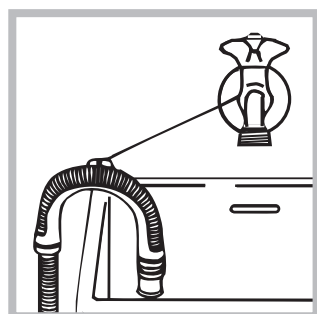
! De waterdruk van de kraan moet binnen de waarden van de tabel Technische Gegevens liggen (zie bladzijde hiernaast).

! Als de slang niet lang genoeg is moet u zich wenden tot een gespecialiseerde handelaar of een bevoegde installateur.

### Aansluiting van de afvoerbuis



Verbind de buis, zonder hem te buigen, aan een afvoerleiding of aan een afvoer in de muur tussen 65 en 100 cm van de grond af;



of hang hem op de rand van een wasbak of bad, en bind de bijgeleverde leiding aan de kraan (zie afbeelding). Het uiteinde van de afvoerslang mag niet onder water hangen.

! Gebruik geen verlengstuk voor de slang ; indien dit niet te vermijden is moet het verlengstuk dezelfde doorsnee hebben als de originele slang en hij mag niet langer zijn dan 150 cm.

### Elektrische aansluiting

Voordat u de stekker in het stopcontact steekt moet u zich ervan verzekeren dat:

- het stopcontact geaard is en voldoet aan de geldende normen;
- het stopcontact het maximum vermogen van de machine kan verdragen, zoals aangegeven in de tabel Technische Gegevens (zie hiernaast);
- het voltage correspondeert met de waarden die zijn aangegeven in de tabel Technische Gegevens (zie hiernaast);
- het stopcontact geschikt is voor de stekker van de machine. Indien dit niet zo is moet de stekker of het stopcontact vervangen worden.

! De wasmachine mag niet buiten worden geïnstalleerd, ook niet op een plaats die beschermd is, aangezien het gevaarlijk is hem aan regen en onweer bloot te stellen.

! Als de wasmachine is geïnstalleerd moet het stopcontact gemakkelijk te bereiken zijn.

! Gebruik geen verleng snoeren of dubbelstekkers.

! Het snoer mag niet in bochten of geknikt liggen.

! De voedingskabel mag alleen door een bevoegde installateur worden vervangen.

Belangrijk! De fabrikant is niet aansprakelijk wanneer deze normen niet gerespecteerd zijn.

### Eerste wasprogramma

Voordat u de machine gaat gebruiken moet u hem een wascycle laten uitvoeren met wasmiddel maar zonder wasgoed, met het programma van 90° zonder voorwassen.

### Technische gegevens

<b>Model</b>	AVF 149
<b>Afmetingen</b>	breedte cm 59,5 hoogte cm 85 diepte cm 52,5
<b>Vermogen</b>	van 1 tot 5 kg
<b>Elektrische aansluitingen</b>	spanning 220/230 Volt 50 Hz max. aansluitwaarde 1850 W
<b>Aansluiting waterleiding</b>	max. druk 1 MPa (10 bar) min. druk 0,05 MPa (0,5 bar) Inhoud trommel 46 liters
<b>Snelheid centrifuge</b>	tot 1400 toeren per minuut
<b>Controle-programma's volgens de norm IEC456</b>	programma 3; temperatuur 60°C; uitgevoerd met 5 kg lading.
	Deze apparatuur voldoet aan de volgende EEC voorschriften: -73/23/EEC van 19/02/73 (Laagspanning) en successievelijke modificaties -89/336/EEC van 03/05/89 (Elektromagnetische compatibiliteit) en successievelijke modificaties

NL

Installatie

Beschrijving

Programma's

Wasmiddel

Voorzorgsmaatregelen

Onderhoud

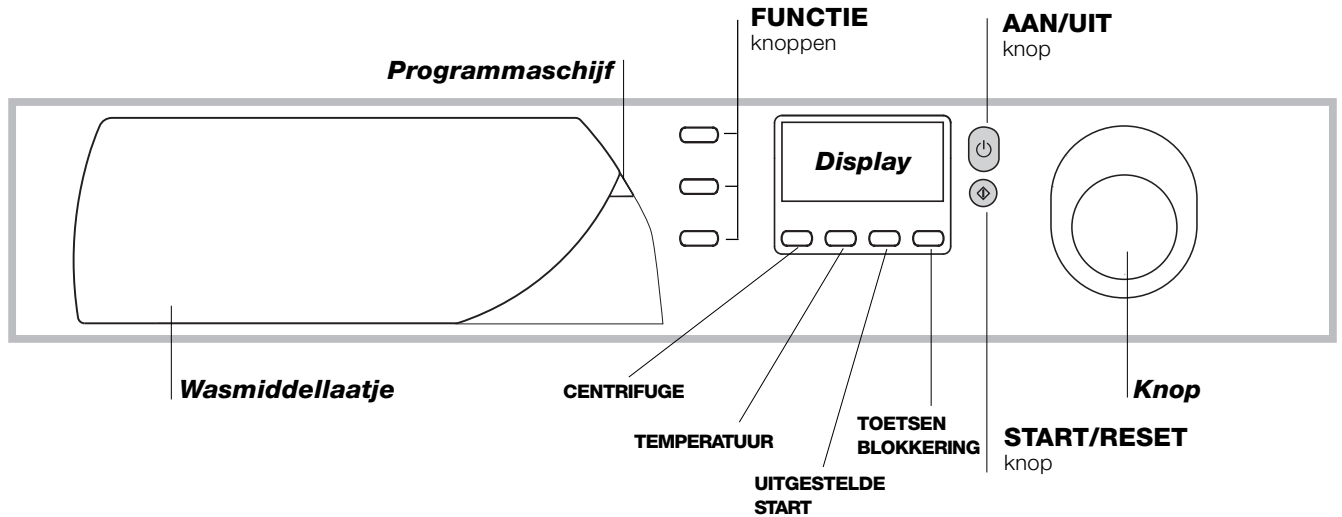
Storingen

Service

# Beschrijving van de wasmachine

## Bedieningspaneel

NL



**Wasmiddellaatje** voor wasmiddel en verdere toevoegingen (zie blz. 44).

**Programmaschijf** voor het raadplegen, op ieder willekeurig moment, van een beknopt schema van de programma's: Trek het grijze lipje naar buiten.

**FUNCTIE** knoppen voor het kiezen van de functies. De knop van de gekozen functie blijft verlicht.

**TOERENTAL CENTRIFUGE** knop voor het regelen van de snelheid van de centrifuge tot aan het uitsluiten ervan (zie blz. 43).

**TEMPERATUUR** knop voor het veranderen van de wastemperatuur (zie blz. 43).

**UITGESTELDE START** knop voor het uitstellen van de start van het ingestelde programma tot een maximum van 24 uren (zie blz. 43).

**TOETSEN BLOKKERING** voor het blokkeren van alle knoppen op uw wasmachine terwijl hij bezig is of in Stand-by.

**Display** voor het programmeren van de wasmachine en voor het volgen van de voortgang van het wasprogramma (zie blz. hiernaast).

**AAN/UIT** knop voor het in- en uitschakelen van de wasmachine (zie blz. 42).

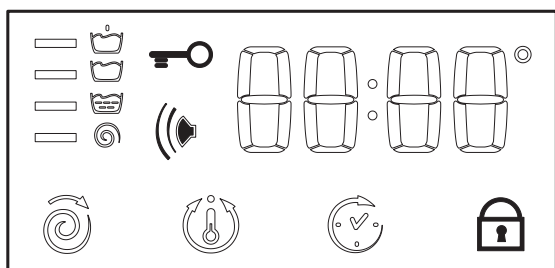
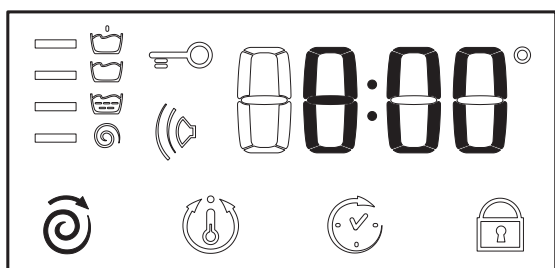
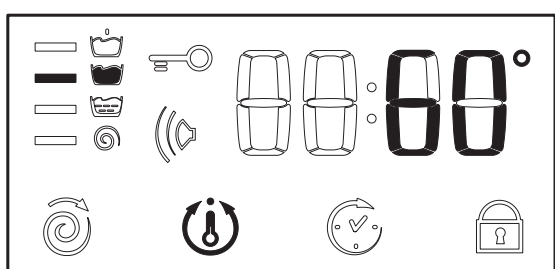
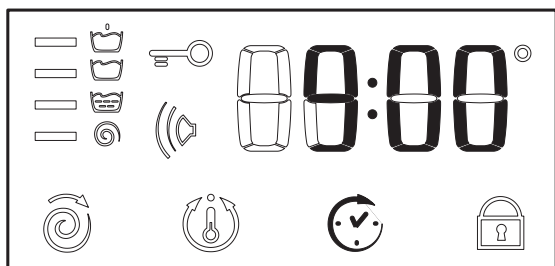
**START/RESET** knop voor het starten van de programma's of voor het annuleren als u per ongeluk verkeerd heeft ingesteld (zie blz. 42).

**Knop** voor het kiezen van de programma's. De knoppen zijn van het verzonken soort: om ze naar voren te halen drukt u licht op het midden. Gedurende het programma blijft de knop stilstaan.



## Display

Behalve dat het een nuttig instrument is voor het programmeren van de machine (zie blz. 43) geeft de display informatie betreffende het voortschrijden van het programma.



Nadat u de knop START/RESET heeft ingedrukt voor het starten van het programma ziet u op de display de tijd die resteert tot aan het einde van het wasprogramma. Als u een uitgestelde start heeft ingesteld (Uitgestelde start, zie blz. 43) wordt deze getoond.

Gedurende het wasprogramma worden getoond:

### Fase die bezig is:

- Voorwassen
- Wassen
- Spoelen
- Centrifuge

### Functies en Opties van persoonlijk instellen:

Voor het kiezen van de functies en opties, zie hieronder en op blz. 43.

### Buzzer:

Uw machine is voorzien van een geluidssignaal dat het uitvoeren van de verschillende functies aangeeft of eventuele stoornissen: incompatibiliteit, knoppen opties/programma's, start, einde cycle, reset.

### Toetsen Blokkering:

Voor de veiligheid van uw kinderen en uzelf kunt u alle knoppen blokkeren gedurende het functioneren van de machine of als de machine zich in de wachtstand bevindt (uitgestelde start-Stand-by), door de bedrijfsknop 2 seconden ingedrukt te houden.

Voor het disactiveren houdt u hem ongeveer 4 seconden ingedrukt.

### Deur geblokkeerd:

Het symbool geeft aan dat de deur is geblokkeerd om eventuele ongelukken te voorkomen. Om schade te voorkomen moet u wachten tot het symbool uitgaat en dan pas de deur openen.

Dit model is voorzien van een systeem dat het mogelijk maakt de deur ook gedurende de eerste fase van het programma open te maken. Dit is mogelijk als het symbool niet aan is.

Aan het einde van het programma ziet u het woord END.

**!** In het geval van storingen verschijnt een codenummer van de storing, b.v.: F-01, dat u moet mededelen aan uw Installateur (zie blz. 48).

NL

Installatie

Beschrijving

Programma's

Wasmiddel

Voorzorgsmaatregelen

Onderhoud


Storingen

Service




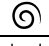

# Start en Programma's

NL

## In het kort: een programma starten

- Schakel de machine in met de knop . Alle symbolen gaan een paar seconden aan en gaan dan weer uit.
- Laad het wasgoed in en sluit de deur.
- Kies met de knop het gewenste programma. Op de display ziet u de geschatte tijdsduur. Temperatuur en centrifuge worden automatisch ingesteld op basis van het programma (voor het veranderen zie blz. 43).
- Giet het wasmiddel en verdere toevoegingen in het laatje (zie blz. 44).
- Het kiezen van de functies (zie blz. 43).
- Start het programma met de START/RESET knop.  
Voor het annuleren houdt u de START/RESET knop minstens 2 seconden ingedrukt.
- Aan het einde van het programma verschijnt het woord END. Haal het wasgoed eruit en laat de deur op een kier staan zodat de trommel kan drogen.
- Schakel de machine uit met de knop .

## Tabel van de programma's

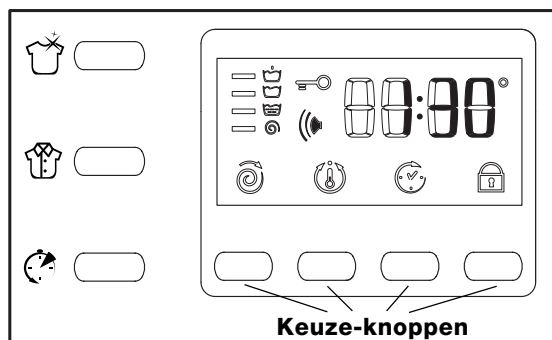
Soort stof en vuil	Programma's	Temperatuur	Wasmiddel		Wasverzachter	Duur van de cycle (min.)	Beschrijving wascycle
			Voorwas	Was			
<b>Katoen</b>							
Zeer vuile witte was (lakens, tafellakens enz.)	1	90°C	•	•	•	160	Voorwas, was, spoelingen, centrifuge tussendoor en einde
Zeer vuile witte was (lakens, tafellakens enz.)	2	90°C		•	•	143	Was, spoelingen, centrifuge tussendoor en einde
Zeer vuil wit en gekleurd wasgoed	3	60°C		•	•	120	Was, spoelingen, centrifuge tussendoor en einde
Weinig vuil wit wasgoed en fijn gekleurd wasgoed (overhemden, truien enz.)	4	40°C		•	•	85	Was, spoelingen, centrifuge tussendoor en einde
Fijn gekleurd wasgoed weinig vuil	5	30°C		•	•	77	Was, spoelingen, centrifuge tussendoor en einde
<b>Synthetisch</b>							
Zeer vuile gekleurde stevige stoffen (babygoed enz.)	6	60°C		•	•	92	Was, spoelingen, kreukvrij of licht centrifuge
Kleurvaste stoffen (weinig vuil wasgoed)	6	40°C		•	•	77	Was, spoelingen, kreukvrij of licht centrifuge
Zeer vuile gekleurde stevige stoffen (babygoed enz.)	7	50°C		•	•	86	Was, spoelingen, kreukvrij of licht centrifuge
Licht gekleurde stoffen (ieder soort weinig vuil wasgoed)	8	40°C		•	•	76	Was, spoelingen, kreukvrij of licht centrifuge
Licht gekleurde stoffen (ieder soort weinig vuil wasgoed)	9	30°C		•	•	30	Was, spoelingen en licht centrifuge
<b>Wolwas</b>							
Wol	10	40°C		•	•	42	Was, spoelingen en licht centrifuge
Speciaal fijne stoffen (gordijnen, zijde, viscose enz.)	11	30°C		•	•	52	Was, spoelingen, kreukvrij of afpompen
<b>PROGRAMMA ONDERDELEN</b>							
Spoelen					•		Spoelingen en centrifuge
Licht spoelen					•		Spoelingen, kreukvrij of afpompen
Centrifugeren							Afpompen en energieke centrifuge
Licht centrifugeren							Afpompen en licht centrifuge
Afpompen							Afpompen

### N.B.

Kijk voor de beschrijving van kreukvrij: Zie Gemakkelijk Strijken, *bladzijde hiernaast*. De gevens in de tabel hebben een indicatieve waarde.

### Speciaal programma

*Dagelijkse was 30'* (programma 9 voor synthetische stoffen) is bedoeld voor het snel wassen van kledingstukken die weinig vuil zijn: het duurt slechts 30 minuten en bespaart dus elektriciteit en tijd. Met programma (9 met 30 °C) kunt u verschillende soorten stoffen tesamen wassen (behalve zijde en wol) met een lading van max. 3 kg. *Het beste is om hierbij vloeibaar wasmiddel te gebruiken.*



## Toerental centrifuge

Als bij het starten van de machine de KNOP zich bevindt op een programma dat centrifuge inhoudt, verschijnt het symbool niet knipperend. Als u op de toets drukt wordt de maximum snelheid van de centrifuge getoond die is toegestaan bij het ingestelde programma en het symbool gaat knipperen. Als u nogmaals drukt gaan de waarden omlaag tot aan OFF, hetgeen betekent dat de centrifuge is uitgesloten (druk nogmaals om tot de hoogste waarde terug te keren); stop op de gewenste snelheid en na ongeveer 2 seconden wordt de keuze bevestigd: het symbool knippert niet. Het instellen van de centrifuge is actief bij alle programma's behalve 11 en Waterafvoer.

## Temperatuur

Als bij het starten van de machine de KNOP zich bevindt op een programma dat voorziet in het regelen van de temperatuur, verschijnt het symbool niet knipperend. Als u op de toets drukt wordt de maximum temperatuur getoond die is toegestaan bij het ingestelde programma en het symbool gaat knipperen. Als u nogmaals drukt gaat de temperatuur omlaag tot OFF, hetgeen koude was betekent (druk nogmaals om naar de hoogste waarde terug te keren); stop op de gewenste waarde en na ongeveer 2 seconden wordt de keuze bevestigd: het symbool knippert niet. Het instellen van de temperatuur is actief bij alle wasprogramma's.

## Uitgestelde start

Door op de toets te drukken ziet u op de display het woord OFF verschijnen en het betreffende symbool gaat knipperen.

Als u nogmaals op de toets drukt verschijnt "1h" hetgeen een uur uitgesteld betekent en zo verder tot aan 24h; stop op de gewenste tijd van uitstel en na ongeveer 2 seconden wordt de keuze bevestigd; vervolgens ziet u op de display de tijdsduur die voor het ingestelde programma is voorzien en het symbool blijft aan.

Als u nu op de START/RESET toets drukt verschijnt de gekozen tijd van uitstel die ieder uur minder wordt tot aan het begin van de cycle; u kunt in deze fase het uitstel alleen maar korter maken.

Het regelen van de Delay Timer is actief bij alle programma's.

## Toetsen Blokkering (zie blz. 41).

## Functies

De verschillende functies van de wasmachine zorgen voor een heldere en witte was zoals door u gewenst. Voor het activeren van de functies:

1. druk op de knop die bij de gewenste functie hoort, volgens de hiervolgende tabel;
2. het oplichten van de betreffende knop geeft aan dat de functie actief is.

N.B.: Snel knipperen van de knop geeft aan dat de bijbehorende functie van het ingestelde programma niet gekozen kan worden.

Als een functie wordt ingesteld die niet past bij een andere eerder ingestelde functie, dan blijft alleen de laatste keuze actief.

Optie	Effect	Notities voor het gebruik	Actief bij de programma's:
 Super Wash	Voor een perfecte was, duidelijk witter dan de standaard in Klasse A.	Deze optie is niet geschikt voor de KORT PROGRAMMA.	1, 2, 3, 4, 5, 6, 7, 8
 Gemakkelijk strijken	Vermindert het kreuken van de stoffen en vergemakkelijkt het strijken.	Met deze optie worden de programma's 6, 7, 8, 11 en Delicate spoeling onderbroken met de was in de week (kreukvrij) en de icoon  gaat knipperen: - voor het afmaken van de cycle drukt u op de START/RESET knop - voor alleen waterafvoer zet u de knop op het symbool  en drukt u op de START/RESET knop.	Allen behalve 1, 2, 9, 10, Afpompen.
 Kort programma	Reduceert de duur van het wasprogramma met ongeveer 30%.	Deze optie is niet geschikt voor de SUPER WASH.	1, 2, 3, 4, 5, 6, 7, 8

NL

Installatie

Beschrijving

Programma's

Wasmiddel

Voorzorgsmaatregelen

Onderhoud

Storingen

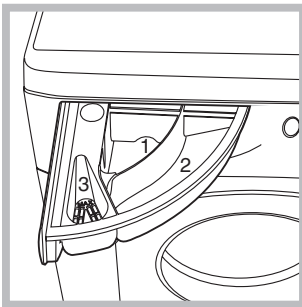
Service

# Wasmiddel en wasgoed

NL

## Wasmiddellaatje

Een goed resultaat van de was hangt ook af van een juiste dosis wasmiddel: te veel maakt het wassen niet beter en blijft in het wasgoed hangen terwijl het slecht is voor het milieu.



Trek het laatje naar voren en giet het wasmiddel en/of de verdere toevoegingen erin als volgt.

### **bakje 1: voorwasmiddel (poeder)**

### **bakje 2: wasmiddel (poeder of vloeibaar)**

Het vloeibare wasmiddel wordt erin gegoten vlak voor de start.

### **bakje 3: toevoegingen (wasverzachter enz.)**

De wasverzachter mag niet boven het roostertje uitkomen.

! Gebruik nooit middelen voor handwas aangezien die te veel schuim vormen.

## Prepareren van het wasgoed

- Verdeel het wasgoed volgens:
  - het soort stof / het symbool op het etiket.
  - de kleuren: scheid gekleurd goed van de witte was.
- Maak de zakken leeg en controleer de knopen.
- Ga niet boven het aangegeven gewicht, berekend voor droog wasgoed:
  - stevige stoffen: max 5 kg
  - synthetische stoffen max 2,5 kg
  - fijne stoffen max 2 kg
  - Wol: max 1 kg

### **Hoeveel weegt het wasgoed?**

- 1 laken 400-500 gr.
- 1 sloop 150-200 gr.
- 1 tafelkleed 400-500 gr.
- 1 badjas 900-1200 gr.
- 1 handdoek 150-200 gr.

## Speciale stukken

**Gordijnen:** vouw de gordijnen nauwkeurig en doe ze in een kussensloop of net. Was ze apart zonder ooit de halve lading te overschrijden. Gebruik programma 11 dat automatisch de centrifuge uitsluit.

### **Donzen dekbedden en met dons gevulde**

**windjacks:** als de vulling uit ganzenveren of eendendons bestaat kunt u ze wassen in de wasmachine. Keer de stukken binnenste buiten en ga niet boven een max. lading van 2-3 kg; herhaal de spoeling een of twee keer en gebruik de delicate centrifuge.

**Tennisschoenen:** verwijder modder. Ze kunnen tegelijk met jeans en sterke stoffen worden gewassen, maar niet tegelijk met de witte was.

**Wol:** Gebruik voor de beste resultaten een wasmiddel dat speciaal voor wol is bestemd en laad niet meer dan 1kg wollen goed in de machine.

## Woolmark Platinum Care



### **Voorzichtig als ware het met de hand gewassen.**

Ariston heeft een nieuwe standaard van superieure prestaties geïntroduceerd, door The Woolmark Company erkend met het prestigieuze kenmerk Woolmark Platinum Care. Als op de wasmachine het logo Woolmark Platinum Care voorkomt kunt u met een gerust hart uw wollen goed wassen dat het etiket "Handwas" bevat (M.00221):



Stel voor alle "Handwas" stukken programma 10 in, met gebruik van wasmiddel voor wol.

# Voorzorgsmaatregelen en raadgevingen



! De wasmachine is ontworpen en geproduceerd volgens de internationale veiligheidsnormen. Deze aanwijzingen worden voor uw eigen veiligheid gegeven en zij moeten met aandacht worden gelezen.

## Algemene veiligheid

- Dit apparaat is gemaakt voor huishoudelijk gebruik, niet-professioneel, en zijn functies mogen niet veranderd worden.
- De wasmachine mag alleen door volwassen personen en volgens de instructies in dit boekje worden gebruikt.
- Raak de machine niet aan als u blootsvoets bent of met natte of vochtige handen of voeten.
- Trek de stekker nooit aan het snoer uit het stopcontact, maar altijd door de stekker aan te pakken.
- Open het wasmiddellaatje niet terwijl de machine in werking is.
- Raak het afvoerwater niet aan aangezien het nogal warm kan zijn.
- Forceer nooit de deur: het veiligheidsmechanisme, dat tegen per ongeluk openen beschermt, kan beschadigd worden.
- Probeer in geval van storingen nooit zelf interne mechanismen van de machine te repareren.
- Zorg ervoor dat kleine kinderen niet te dicht bij de machine komen als deze in werking is.
- De glazen deur kan heet worden.
- Als de machine verplaatst moet worden doe dit dan met twee of drie personen en met grote voorzichtigheid. Nooit alleen want de machine is zwaar.
- Voordat u het wasgoed in de machine laadt, controleer dat hij leeg is.

## Het afvoeren

- Het afvoeren van het verpakkingsmateriaal: houd u zich aan de plaatselijke normen zodat het materiaal gerecycled kan worden.
- Het afvoeren van de oude wasmachine: maak hem eerst onbruikbaar door de kabel door te snijden en de deur te verwijderen.

## Bezuiniging en bescherming van het milieu

### Maximale reiniging

Als er weinig water door de glazen deur te zien is komt dat doordat met de nieuwe Ariston technologie minder dan de helft water voldoende is voor maximum reinheid van de was: een doel dat is bereikt ten gunste van de milieu-bescherming.

### Bezuinigen op wasmiddel, water, energie en tijd

- Teneinde geen energiebronnen te verkwisten moet de machine altijd met maximum lading worden gebruikt. U spaart 50% energie met een volle lading i.p.v. twee half volle ladingen.
- Voorwassen is alleen nodig voor erg vuil wasgoed. Door dit te vermijden bespaart u wasmiddel, tijd, water en ongeveer 5 tot 15% energie.
- Door vlekken met een ontvlekkingsmiddel te behandelen of in de week te zetten kunt u met minder hoge temperaturen wassen. Een programma op 60°C in plaats van op 90°C of op 40°C in plaats van 60°C zorgt voor een besparing van 50% aan energie.
- Doseer het wasmiddel op basis van de hardheid van het water, de vuilheidsgraad en de hoeveelheid wasgoed, zo vermijdt u onnodig energieverbruik en beschermt u het milieu. ook al zijn de wasmiddelen biologisch afbreekbaar, toch bevatten ze elementen die het evenwicht in de natuur verstoren. Bovendien moet u zoveel mogelijk wasverzachters vermijden.
- Door zoveel mogelijk te wassen met goedkope stroomtarieven (s' nachts) werkt u mee aan het reduceren van de belasting van de elektrische centrale. De optie "Uitgestelde start" (Uitgestelde start) (zie blz. 43) is van groot belang voor de uitvoering van het wasprogramma gedurende de nacht.
- Als u na het wassen het wasgoed in een dryer wilt drogen, kunt u een hoge snelheid centrifuge kiezen. Weinig water in het wasgoed spaart tijd en energie bij het droogprogramma.

NL

Installatie

Beschrijving

Programma's

Wasmiddel

Voorzorgs-  
maatregelen

Onderhoud

Storingen

Service

# Onderhoud

NL

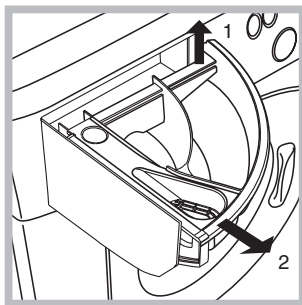
## Afsluiten van water en stroom

- Doe de kraan dicht na iedere wasbeurt. Hiermee reduceert u de kans op lekkage.
- Sluit altijd eerst de stroom af voordat u de wasmachine gaat schoonmaken en gedurende onderhoudswerkzaamheden.

## Schoonmaken van de wasmachine

De buitenkant en de rubber onderdelen kunnen met een spons en lauw sopje worden schoongemaakt. Nooit schuurmiddelen of oplosmiddelen gebruiken!

## Het wasmiddellaatje schoonmaken



Verwijder het laatje door het op te lichten en naar voren te trekken (zie afbeelding). Was het onder stromend water: dit moet u regelmatig doen.

## Reinigen van deur en trommel

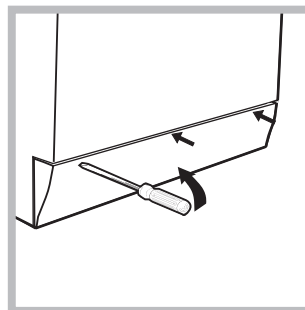
- Laat de deur altijd op een kier staan om muffe lucht te vermijden.

## Reinigen van de pomp

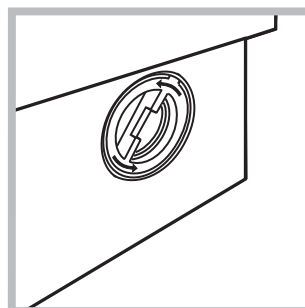
De wasmachine is voorzien van een zelfreinigende pomp en hoeft dus niet te worden schoongemaakt. Het kan echter gebeuren dat kleine voorwerpen (geldstukken, knopen) in het voorvakje terecht komen dat de pomp beschermt en zich aan de onderkant bevindt.

! Verzeker u ervan dat het wasprogramma klaar is en trek de stekker uit het stopcontact.

Toegang tot het paneel:



1. verwijder het paneeltje aan de voorkant van de wasmachine met behulp van een schroevendraaier (zie afbeelding);



2. draai de deksel eraf, tegen de klok in draaiend (zie afbeelding); het is normaal dat er een beetje water uit komt;

3. maak de binnenkant goed schoon;
4. schroef de deksel er weer op;
5. monteer het paneeltje weer, met de haakjes in de betreffende openingen voordat u het paneeltje tegen de machine aan drukt.

## Controleer de slang van de watertoevoer

Controleer minstens eens per jaar de slang van de watertoevoer. Als er barstjes in zitten moet hij vervangen worden: gedurende het wassen kan de hoge waterdruk onverwachts scheurtjes veroorzaken.

! Nooit reeds eerder gebruikte slangen gebruiken.

Het kan gebeuren dat de machine niet werkt. Voordat u de installateur opbelt (zie blz. 48), controleert u of het een storing betreft die gemakkelijk te verhelpen is met behulp van de volgende lijst.

## Storingen:

**De wasmachine gaat niet aan.**

**Het wasprogramma start niet.**

**De wasmachine neemt geen water (Op de display ziet u H2O).**

**De wasmachine blijft water aan- en afvoeren.**

**De wasmachine pompt het water niet af of centrifugeert niet.**

**De machine trilt erg tijdens het centrifugeren.**

**De wasmachine lekt.**

**Er ontstaat teveel schuim.**

## Mogelijke oorzaken / Oplossing:

- De stekker is niet in het stopcontact of niet ver genoeg ingestoken om contact te maken.
- Er is geen stroom.
- De deur is niet goed dicht (op de display ziet u het woord DOOR).
- De knop  is niet ingedrukt.
- De START/RESET knop is niet ingedrukt.
- De waterkraan is niet open.
- Uitgestelde start is ingesteld ("Uitgestelde start", zie blz. 43).
- De watertoevoerslang is niet aangesloten aan de kraan.
- De slang ligt gekneld.
- De kraan is niet open.
- In huis mankeert het water.
- Er is geen voldoende druk.
- De START/RESET knop is niet ingedrukt.
- De afvoerslang is niet geïnstalleerd op 65 tot 100 cm afstand van de grond (zie blz. 39).
- Het uiteinde van de afvoerslang ligt onder water (zie blz. 39).
- De afvoer in de muur heeft geen ontluchting.

Als na deze controle het probleem niet is opgelost, doet u de waterkraan dicht, de machine uit en belt u de installateur. Als u op een van de hoogste verdiepingen van een flatgebouw woont kan zich een probleem met het hevelen voordoen, waarbij de machine voortdurend water aan- en afvoert. Om deze storing te verhelpen bestaan er speciale in de handel verkrijgbare ventielen.

- Het programma voorziet niet in afvoer: bij enkele programma's moet dit met de hand worden gestart (zie blz. 42).
- De optie 'Gemakkelijk Strijken' is actief: voor het afmaken van het programma drukt u op de START/RESET knop (zie blz. 43).
- De afvoerslang ligt gekneld (zie blz. 39).
- De afvoerleiding is verstopt.
- De trommel is bij het installeren niet op de juiste wijze ontgrendeld (zie blz. 38).
- De wasmachine staat niet recht (zie blz. 38).
- De wasmachine staat te nauw tussen meubel en muur (zie blz. 38).
- De slang van de watertoevoer is niet goed aangeschroefd (zie blz. 38).
- Het wasmiddellaatje is verstopt (voor schoonmaken zie blz. 46).
- De afvoerslang is niet goed bevestigd (zie blz. 39).
- Het wasmiddel is niet bedoeld voor wasmachines (er moet "voor wasmachine", "handwas en wasmachine", of dergelijke op staan).
- De dosering is te veel.

NL

Installatie

Beschrijving

Programma's

Wasmiddel

Voorzorgs-  
maatregelen

Onderhoud

Storingen

Service

**Voordat u er de installateur bijhaalt:**

- Kijk eerst even of u het probleem zelf kunt oplossen (*zie blz. 47*);
- Start het programma om te controleren of de storing is verholpen;
- Is dit niet het geval dan neemt u contact op met de bevoegde dichtsbijzijnde Technische Dienst via het telefoonnummer dat op het garantiebewijs/gebruiksaanwijzing staat.

! Nooit een niet-bevoegde installateur erbij halen.

**Vermeld:**

- het soort storing;
- het model van de machine (Mod.);
- het serienummer (S/N).

Deze informatie vindt u op het typeplaatje aan de achterkant van de wasmachine.



### Sumario

#### **Instalación, 50-51**

Desembalaje y nivelación, 50  
Conexiones hidráulicas y eléctricas, 50-51  
Primer ciclo de lavado, 51  
Datos técnicos, 51

#### **Descripción de la lavadora, 52-53**

Panel de control, 52  
Display, 53

#### **Puesta en marcha y Programas, 54**

En la práctica: poner en marcha un programa, 54  
Tabla de programas, 54

#### **Personalizaciones, 55**

Regular el centrifugado, 55  
Regular la temperatura, 55  
Regule el delay timer, 55  
Funciones, 55

#### **Detergentes y ropa, 56**

Cajón de detergentes, 56  
Preparar la ropa, 56  
Prendas especiales, 56  
Woolmark Platinum Care, 56

#### **Precauciones y consejos, 57**

Seguridad general, 57  
Eliminaciones, 57  
Ahorrar y respetar el ambiente, 57

#### **Mantenimiento y cuidados, 58**

Excluir el agua y la corriente eléctrica, 58  
Limpiar la lavadora, 58  
Limpiar el contenedor de detergentes, 58  
Cuidar la puerta y el cesto, 58  
Limpiar la bomba, 58  
Controlar el tubo de alimentación de agua, 58

#### **Anomalías y soluciones, 59**

#### **Asistencia, 60**

Antes de llamar a la Asistencia Técnica, 60

# Instalación

ES

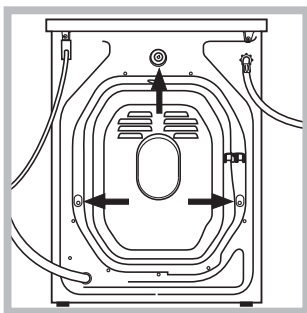
! Es importante conservar este manual para poder consultarlo en cualquier momento. En caso de venta, de cesión o de traslado, verifique que permanezca junto con la lavadora para informar al nuevo propietario sobre el funcionamiento y brindar las correspondientes advertencias.

! Lea atentamente las instrucciones: ellas contienen importante información sobre la instalación, el uso y la seguridad.

## Desembalaje y nivelación

### Desembalaje

1. Desembale la lavadora.
2. Controle que la lavadora no haya sufrido daños durante el transporte. Si estuviera dañada no la conecte y llame al revendedor.



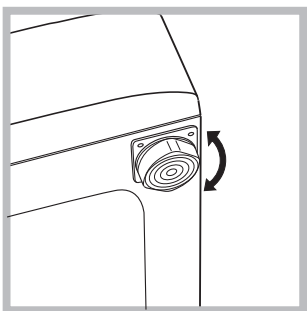
3. Quite los 3 tornillos de protección para el transporte y la arandela de goma con el correspondiente distanciador, ubicados en la parte posterior (ver la figura).

4. Cierre los orificios con los tapones de plástico suministrados con el aparato.
5. Conserve todas las piezas: cuando la lavadora deba ser transportada nuevamente, deberán volver a colocarse.

! Los embalajes no son juguetes para los niños.

### Nivelación

1. Instale la lavadora sobre un piso plano y rígido, sin apoyarla en las paredes, muebles ni en ningún otro aparato.

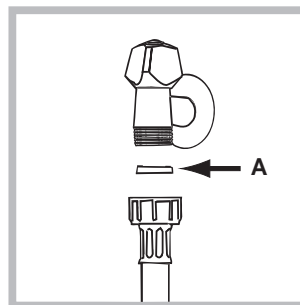


2. Si el piso no está perfectamente horizontal, compense las irregularidades desenroscando o enroscando los pies delanteros (véase la figura); el ángulo de inclinación medido sobre la superficie de trabajo, no debe superar los 2°.

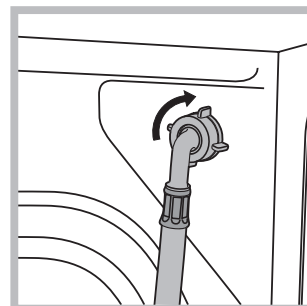
Una cuidadosa nivelación brinda estabilidad a la máquina y evita vibraciones, ruidos y desplazamientos durante el funcionamiento. Cuando se instala sobre moquetas o alfombras, regule los pies para conservar debajo de la lavadora un espacio suficiente para la ventilación.

## Conexiones hidráulicas y eléctricas

### Conexión del tubo de alimentación de agua



1. Introduzca la junta A en el extremo del tubo de alimentación y enrósquelo a un grifo de agua fría con boca roscada de 3/4 gas (véase la figura). Antes de conectarlo, haga correr el agua hasta que salga limpia.



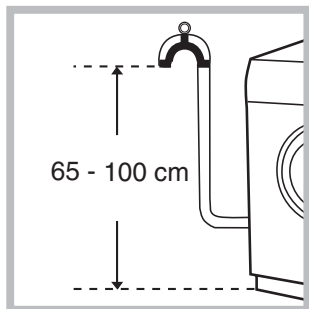
2. Conecte el tubo de alimentación a la lavadora enroscándolo en la toma de agua correspondiente ubicada en la parte posterior arriba y a la derecha (véase la figura).

3. Verifique que el tubo no tenga pliegues ni estrangulaciones.

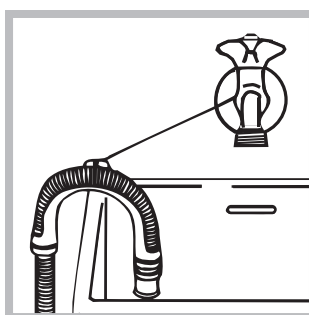
! La presión de agua del grifo debe estar comprendida dentro de los valores contenidos en la tabla de Datos técnicos (ver la página del costado).

! Si la longitud del tubo de alimentación no fuera suficiente, diríjase a una tienda especializada o a un técnico autorizado.

### Conexión del tubo de descarga



Conecte el tubo de descarga, sin plegarlo, a un desagüe de pared ubicado a una distancia del piso comprendida entre 65 y 100 cm;



o apóyelo al borde de un lavabo o de una bañera, uniendo la guía suministrada con el aparato, al grifo (véase la figura). El extremo libre del tubo de descarga no debe permanecer sumergido en el agua.

! No se aconseja utilizar tubos de prolongación, de todos modos, si es indispensable, la prolongación debe tener el mismo diámetro del tubo original y no superar los 150 cm.

### Conexión eléctrica

Antes de enchufar el aparato, verifique que:

- la toma tenga la conexión a tierra y haya sido hecha según las normas legales;
- la toma sea capaz de soportar la carga máxima de potencia de la máquina indicada en la tabla de Datos técnicos (ver al costado);
- la tensión de alimentación esté comprendida dentro de los valores indicados en la tabla de Datos técnicos (ver al costado);
- la toma sea compatible con el enchufe de la lavadora. Si no es así, sustituya la toma o el enchufe.

! La lavadora no debe ser instalada al aire libre, ni siquiera si el lugar está preparado, ya que es muy peligroso dejarla expuesta a la lluvia o a las tormentas.

! Una vez instalada la lavadora, la toma de corriente debe ser fácilmente accesible.

! No utilice alargadores ni conexiones múltiples.

! El cable no debe estar plegado ni sufrir compresiones.

! El cable de alimentación debe ser sustituido sólo por técnicos autorizados.

¡Atención! La empresa fabricante declina toda responsabilidad en caso de que estas normas no sean respetadas.

### Primer ciclo de lavado

Después de la instalación y antes del uso, realice un ciclo de lavado con detergente y sin ropa, seleccionando el programa a 90°C sin prelavado.

### Datos técnicos

<b>Modelo</b>	AVF 149
<b>Dimensiones</b>	ancho 59,5 cm. altura 85 cm. profundidad 52,5 cm.
<b>Capacidad</b>	de 1 a 5 kg.
<b>Conexiones eléctricas</b>	Voltaje de 220/230 voltios 50 Hz potencia máxima consumida 1850 W
<b>Conexiones hídricas</b>	presión máxima 1 MPa (10 bar) presión mínima 0,05 MPa (0,5 bar) capacidad del cesto 46 litros
<b>Velocidad de centrifugado</b>	máxima 1400 r.p.m.
<b>Programas de control según la norma IEC456</b>	programa 3; temperatura 60°C; efectuado con 5 kg. de carga.
	Esta máquina cumple con lo establecido por las siguientes Directivas de la Comunidad: - 73/23/CEE del 19/02/73 (Baja Tensión) y sucesivas modificaciones - 89/336/CEE del 03/05/89 (Compatibilidad Electromagnética) y sucesivas modificaciones

ES

Instalación

Descripción

Programas

Detergentes

Precauciones

Mantenimiento

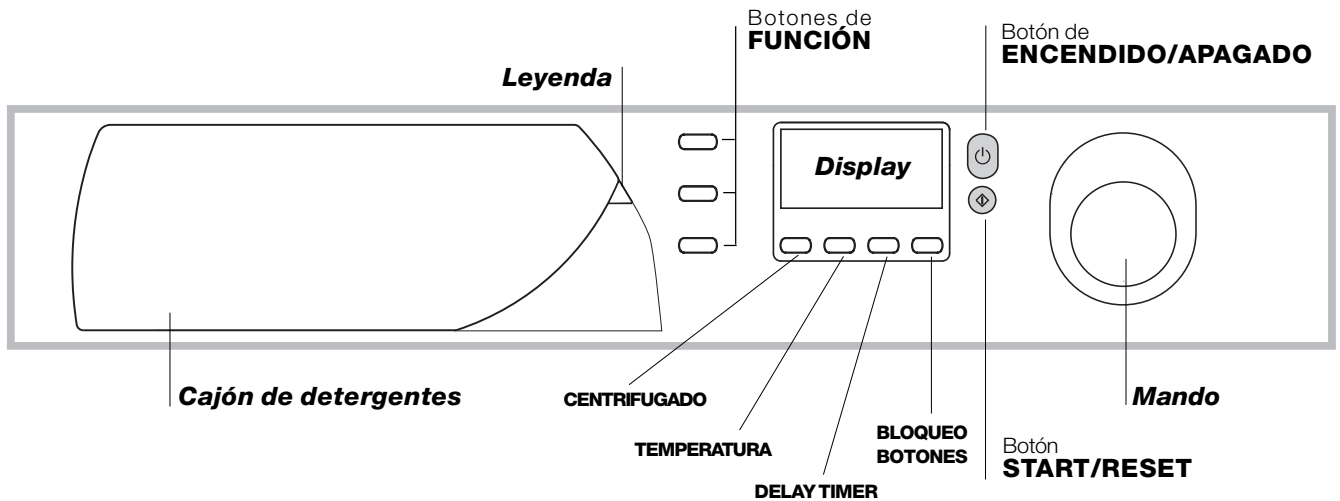
Anomalías

Asistencia

# Descripción de la lavadora

## Panel de control

ES



**Cajón de detergentes** para cargar detergentes y aditivos (véase la pág. 56).

**Leyenda** para consultar en cada momento un esquema sintético de los programas: se abre tirando la lengüeta gris hacia afuera.

Botones de **FUNCIÓN**: para seleccionar las funciones disponibles. El botón correspondiente a la función seleccionada permanecerá encendido.

Botón de **CENTRIFUGADO** para regular la velocidad de centrifugado hasta su exclusión (véase la pág. 55).

Botón de **TEMPERATURA** para modificar la temperatura de lavado (véase la pág. 55).

Botón de **DELAY TIMER** para retrasar el comienzo del programa seleccionado hasta un máximo de 24 horas (véase la pág. 55).

Botón de **BLOQUEO BOTONES** para bloquear todos los botones de su lavadora durante el funcionamiento o en Stand-by.

**Display** para programar la lavadora y seguir el avance de los ciclos de lavado (véase la página del costado).

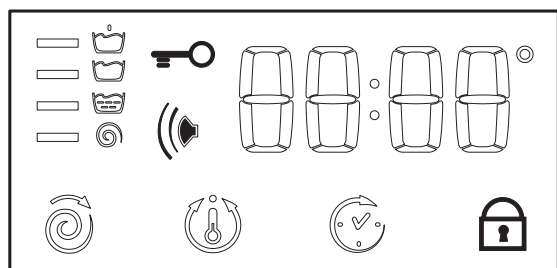
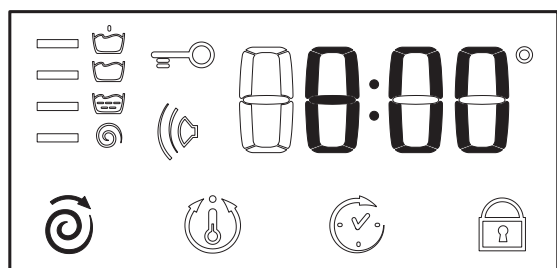
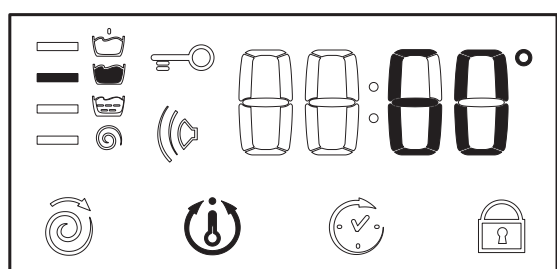
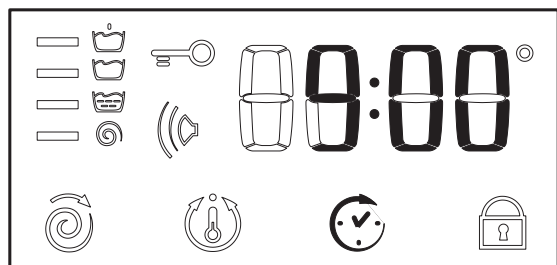
Botón de **ENCENDIDO/APAGADO** para encender y apagar la lavadora (véase la pág. 54).

Botón **START/RESET** para poner en marcha los programas o anular las selecciones incorrectas (véase la pág. 54).

**Mando** para elegir los programas. El mando es del tipo retráctil: para extraerla presiónela ligeramente en el centro. Durante el programa el mando no se mueve.

## Display

Además de ser un útil instrumento para programar la máquina (ver la pág. 55), el display suministra información sobre el ciclo de lavado y sobre su estado de avance.



Después de haber pulsado el botón START/RESET para poner en marcha el programa, en el display se visualiza el tiempo que falta para la finalización del ciclo. Si se ha seleccionado un retraso de la hora de comienzo (Delay Timer, véase la pág. 55), el mismo se visualizará.

Durante el ciclo de lavado se visualizan:

### Fases en curso:

- Prelavado
- Lavado
- Aclarado
- Centrifugado

### Funciones y Opciones de personalización:

Para elegir las funciones y las opciones, lea más adelante y en la pág. 55.

### Timbre:

Su máquina posee un señalador sonoro que indica el desarrollo de las distintas funciones o disfunciones: incompatibilidad, botones de opciones/programas, puesta en funcionamiento, final de ciclo, reset.

### Bloqueo de los botones:

Para su seguridad y la de sus hijos, Ud. puede bloquear todos los botones durante el funcionamiento de la máquina o mientras esté en posición de espera (comienzo diferido-Stand-by), pulsando el botón de función durante 2 segundos. Para desactivarlo, manténgalo presionado durante 4 segundos.

### Puerta bloqueada:

El símbolo encendido indica que la puerta está bloqueada para impedir aperturas accidentales. Para evitar daños, antes de abrir la puerta, se debe esperar que el símbolo se apague.

Este modelo posee un dispositivo que permite abrir la puerta también durante la primera fase del programa. Esto es posible cuando el símbolo no está encendido.

Al final del programa se visualiza la palabra END.

**!** En caso de anomalía, aparece un código de error, por ejemplo: F-01, que se debe transmitir a la Asistencia Técnica (véase la pág. 60).

ES

Instalación

Descripción

Programas

Detergentes

Precauciones

Mantenimiento


Anomalías


Asistencia

# Puesta en marcha y Programas



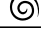
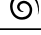

ES

## En la práctica: poner en marcha un programa

1. Encienda la lavadora pulsando el botón .  
Todas los iconos se encenderán durante algunos segundos y luego se apagarán.
2. Cargue la ropa y cierre la puerta.
3. Seleccione el programa deseado con el mando. En el display se indicará el tiempo estimado. Temperatura y centrifugado se seleccionan automáticamente de acuerdo con el programa (para modificarlos ver la pág. 55).

4. Vierta el detergente y los aditivos (véase la pág. 56).
5. Seleccione cualquier función (véase la pág. 55).
6. Ponga en marcha el programa pulsando el botón START/RESET.  
Para anular, mantenga presionado el botón START/RESET durante 2 segundos como mínimo.
7. Al finalizar el programa aparece la palabra END.  
Extraiga la ropa y deje la puerta semiabierto para permitir que se seque el cesto.
8. Apague la lavadora pulsando el botón .

## Tabla de programas

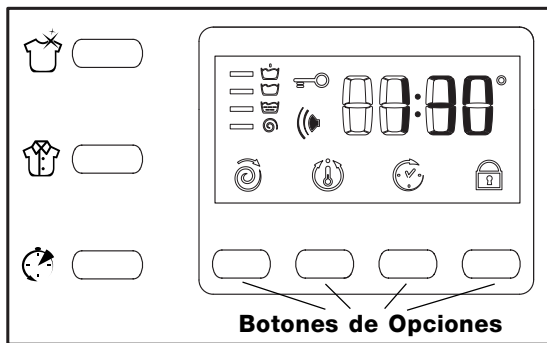
Tipos de tejidos y de suciedad	Programas	Temperatura	Detergente		Suavizante	Duración del ciclo (minutos)	Descripción del ciclo de lavado
			Prelav.	Lavado			
<b>Algodón</b>							
Blancos extremadamente sucios (sábanas, manteles, etc.)	1	90°C	•	•	•	160	Prelavado, lavado, aclarados, centrifugados intermedios y final
Blancos extremadamente sucios (sábanas, manteles, etc.)	2	90°C		•	•	143	Lavado, aclarados, centrifugados intermedios y final
Blancos y de color resistentes muy sucios	3	60°C		•	•	120	Lavado, aclarados, centrifugados intermedios y final
Blancos poco sucios y colores delicados (camisas, camisetas, etc.)	4	40°C		•	•	85	Lavado, aclarados, centrifugados intermedios y final
Colores delicados poco sucios	5	30°C		•	•	77	Lavado, aclarados, centrifugados intermedios y final
<b>Sintéticos</b>							
Colores resistentes muy sucios (ropa para recién nacidos, etc.)	6	60°C		•	•	92	Lavado, aclarados, antiarrugas o centrifugado delicado
Colores resistentes (ropa de todo tipo poco sucia)	6	40°C		•	•	77	Lavado, aclarados, antiarrugas o centrifugado delicado
Colores resistentes muy sucios (ropa para recién nacidos, etc.)	7	50°C		•	•	86	Lavado, aclarados, antiarrugas o centrifugado delicado
Colores delicados (ropa de todo tipo poco sucia)	8	40°C		•	•	76	Lavado, aclarados, antiarrugas o centrifugado delicado
Colores delicados (ropa de todo tipo poco sucia)	9	30°C		•	•	30	Lavado, aclarados y centrifugación delicada
<b>Delicados</b>							
Lana	10	40°C		•	•	42	Lavado, aclarados y centrifugación delicada
Tejidos muy delicados (cortinas, seda, viscosa, etc.)	11	30°C		•	•	52	Lavado, aclarados, antiarrugas o desagüe
<b>PROGRAMAS PARCIALES</b>							
Aclarado					•		Aclarados y centrifugado
Aclarado delicado					•		Aclarados, antiarrugas o desagüe
Centrifugado							Desagüe y centrifugado enérgico
Centrifugado delicado							Desagüe y centrifugación delicada
Desagüe							Desagüe

## Notas

Para la descripción del antiarrugas: consulte Plancha fácil, *página siguiente*. Los datos contenidos en la tabla tienen un valor indicativo.

## Programa especial

*Diario 30'* (programa 9 para Sintéticos) fue estudiado para lavar prendas ligeramente sucias y en poco tiempo: dura sólo 30 minutos y de esa manera hace ahorrar energía y tiempo. Seleccionando el programa (9 a 30°C) es posible lavar conjuntamente tejidos de distinto tipo (excluidas lana y seda), con una carga máxima de 3 kg. *Se aconseja el uso de detergente líquido.*



## Regular el centrifugado

Si al encender la máquina, el MANDO está ubicado en un programa que prevé el centrifugado, el símbolo aparecerá fijo. Pulsando el botón se visualiza la velocidad de centrifugado máxima permitida por el programa seleccionado y el símbolo centellea. Pulsándolo una vez más, los valores descienden hasta OFF, que indica exclusión del centrifugado (si se pulsa nuevamente se vuelve al valor más alto). Al detenerse sobre la velocidad deseada, después de 2 segundos aproximadamente se acepta la selección: el símbolo permanecerá fijo. La regulación del centrifugado se puede realizar en todos los programas excepto el 11 y en Desagüe.

## Regular la temperatura

Si al encender la máquina, el MANDO está ubicado en un programa que prevé la regulación de la temperatura, el símbolo aparecerá fijo. Pulsando el botón se visualiza la temperatura máxima permitida por el programa seleccionado y el símbolo centellea. Pulsándolo una vez más, la temperatura desciende hasta OFF, que indica lavado en frío (si se pulsa nuevamente se vuelve al valor más alto). Al detenerse sobre el valor deseado, después de 2 segundos aproximadamente se acepta la selección: el símbolo permanecerá fijo. La regulación de la temperatura se puede realizar en todos los programas de lavado.

## Regule el delay timer

Pulsando el botón , en el display se visualiza la palabra OFF y el símbolo correspondiente centellea. Pulsando una vez más el botón aparece "1h", o sea retraso de una hora y así hasta 24h. Al detenerse en el "retraso" deseado, después de 2 segundos aproximadamente se aceptará la selección, luego en el display se visualizará el tiempo previsto por el programa seleccionado y el símbolo permanecerá encendido. Pulsando ahora el botón START/RESET vuelve a aparecer el valor del "retraso" seleccionado que disminuye cada hora hasta el comienzo del ciclo. En esta fase se puede modificar el valor del "retraso" sólo disminuyéndolo. La regulación del Delay Timer se puede realizar en todos los programas.

## Bloqueo de los botones *(véase la pág. 53).*

## Funciones

Las distintas funciones de lavado previstas por la lavadora permiten obtener la limpieza y el blanco deseados. Para activar las funciones:

1. pulse el botón correspondiente a la función deseada de acuerdo con la tabla que se encuentra debajo;
2. el encendido del botón correspondiente indica que la función está activa.

Nota: El centelleo rápido del botón indica que la función correspondiente no se puede seleccionar para el programa elegido. Cuando se seleccione una función incompatible con otra seleccionada precedentemente, permanecerá activa sólo la última selección realizada.

Opción	Efecto	Notas para el uso	Activa con los programas:
 Super Wash	Permite una limpieza impecable, visiblemente más blanco del estándar en Clase A.	No es compatible con la opción RÁPIDO.	1, 2, 3, 4, 5, 6, 7, 8
 Plancha fácil	Reduce las arrugas en los tejidos, facilitando el planchado.	Seleccionando esta opción, los programas 6, 7, 8, 11 y Enjuague delicado se interrumpen con las prendas en remojo (Antiarrugas) y el símbolo  centelleará: - para completar el ciclo pulse el botón START/RESET; - para efectuar sólo la descarga coloque la perilla en el símbolo correspondiente  y pulse el botón START/RESET.	Todos excepto 1, 2, 9, 10 y Desagüe.
 Rápido	Disminuye en un 30% aproximadamente la duración del ciclo de lavado.	No es compatible con la opción SUPER WASH.	1, 2, 3, 4, 5, 6, 7, 8

ES

Instalación

Descripción

Programas

Detergentes

Precauciones

Mantenimiento

Anomalías

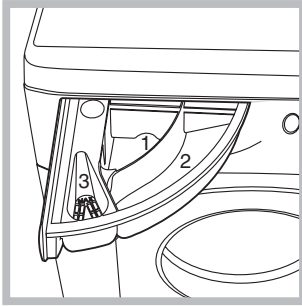
Asistencia

# Detergentes y ropa

ES

## Cajón de detergentes

El buen resultado del lavado depende también de la correcta dosificación del detergente: si se excede la cantidad, no se lava de manera más eficaz, sino que se contribuye a encostrar las partes internas de la lavadora y a contaminar el ambiente.



Extraiga el cajón de detergentes e introduzca el detergente o el aditivo de la siguiente manera:

**cubeta 1: Detergente para prelavado (en polvo)**  
 **cubeta 2: Detergente para lavado (en polvo o líquido)**

El detergente líquido se debe verter sólo antes de la puesta en marcha.

**cubeta 3: Aditivos (suavizante, etc.)**

El suavizante no se debe volcar fuera de la rejilla.

! No use detergentes para el lavado a mano ya que producen demasiada espuma.

## Preparar la ropa

- Subdivida la ropa según:
  - el tipo de tejido / el símbolo en la etiqueta.
  - los colores: separe las prendas de color y las blancas.
- Vacíe los bolsillos y controle los botones.
- No supere los valores indicados, referidos al peso de la ropa seca:
  - Tejidos resistentes: max 5 kg.
  - Tejidos sintéticos: max 2,5 kg.
  - Tejidos delicados: max 2 kg.
  - Lana: max 1 kg.

### ¿Cuánto pesa la ropa?

- 1 sábana 400/500 g
- 1 funda 150/200 g
- 1 mantel 400/500 g
- 1 albornoz 900/1.200 g
- 1 toalla 150/250 g

## Prendas especiales

**Cortinas:** pliéguelas y colóquelas dentro de una funda o de una bolsa de red. Lávelas solas sin superar la media carga. Utilice el programa 11 que excluye automáticamente el centrifugado.

**Cazadoras acolchadas con plumas y**

**anoraks:** si el relleno es de pluma de ganso o de pato, se pueden lavar en la lavadora. Poner las prendas del revés y realizar una carga máxima de 2-3 kg. repitiendo el enjuague una o dos veces y utilizando el centrifugado delicado.

**Zapatillas de tenis:** quíteles el lodo. Se pueden lavar con los jeans y con prendas resistentes pero no con prendas blancas.

**Lana:** para obtener los mejores resultados, utilice un detergente específico y no supere 1 kg. de carga.

## Woolmark Platinum Care



**Delicado como el lavado a mano.**

Ariston introdujo un nuevo estándar de prestaciones superiores reconocido por The Woolmark Company con la prestigiosa marca Woolmark Platinum Care. Si en la lavadora está el logo Woolmark Platinum Care, se pueden lavar las prendas de lana que posean la etiqueta "Lavar a mano" (M.00221) obteniendo excelentes resultados:



Seleccione el programa 10 para todas las prendas con "Lavar a mano", utilizando detergentes específicos.



! La lavadora fue proyectada y fabricada en conformidad con las normas internacionales de seguridad. Estas advertencias se suministran por razones de seguridad y deben ser leídas atentamente.

## Seguridad general

- Este aparato fue fabricado para uso doméstico.
- La lavadora debe ser utilizada sólo por personas adultas y siguiendo las instrucciones contenidas en este manual.
- No toque la máquina con los pies desnudos ni con las manos o los pies mojados o húmedos.
- No desenchufe la máquina tirando del cable, sino tomando el enchufe.
- No abra el contenedor de detergentes mientras la máquina está en funcionamiento.
- No toque el agua de desagüe ya que puede alcanzar temperaturas elevadas.
- En ningún caso fuerce la puerta: podría dañarse el mecanismo de seguridad que la protege de aperturas accidentales.
- En caso de avería, no acceda nunca a los mecanismos internos para intentar una reparación.
- Controle siempre que los niños no se acerquen a la máquina cuando está en funcionamiento.
- Durante el lavado, la puerta tiende a calentarse.
- Si debe ser trasladada, deberán intervenir dos o más personas, procediendo con el máximo cuidado. La máquina no debe ser desplazada nunca por una persona sola ya que es muy pesada.
- Antes de introducir la ropa controle que el cesto esté vacío.

## Eliminaciones

- Eliminación del material de embalaje: respete las normas locales, de ese modo, los embalajes podrán volver a ser utilizados.
- Eliminación de la vieja lavadora: antes de desguazarla, inutilícela cortando el cable de alimentación eléctrica y quitando la puerta.

## Ahorrar y respetar el medio ambiente

### Tecnología a servicio del medio ambiente

Si en la puerta se ve poca agua es porque con la nueva tecnología Ariston basta menos de la mitad del agua para alcanzar la mayor limpieza: un objetivo alcanzado para respetar el medio ambiente.

### Ahorrar detergente, agua, energía y tiempo

- Para no derrochar recursos es necesario utilizar la lavadora con la máxima carga. Una carga completa en lugar de dos medias cargas permite ahorrar hasta el 50% de energía.
- El prelavado es necesario sólo para ropa muy sucia. Evitarlo permite ahorrar detergente, tiempo, agua y entre el 5 y el 15% de energía.
- Tratar las manchas con un quitamanchas o dejarlas en remojo antes del lavado, disminuye la necesidad de lavar a altas temperaturas. Un programa a 60°C en vez de 90°C o uno a 40°C en vez de 60°C, permite ahorrar hasta un 50% de energía.
- Dosificar bien el detergente en base a la dureza del agua, al grado de suciedad y a la cantidad de ropa evita derroches y protege el ambiente: aún siendo biodegradables, los detergentes contienen elementos que alteran el equilibrio de la naturaleza. Además, si es posible, evite utilizar el suavizante.
- Realizando los lavados desde el atardecer hasta las primeras horas de la mañana se colabora para reducir la carga de absorción de las empresas eléctricas. La opción Delay Timer (*ver la pág. 55*) ayuda mucho a organizar los lavados en ese sentido.
- Si el lavado debe ser secado en una secadora, seleccione una velocidad de centrifugado alta. Poca agua en el lavado, permite ahorrar tiempo y energía en el programa de secado.

ES

Instalación

Descripción

Programas

Detergentes

Precauciones

Mantenimiento

Anomalías

Asistencia

# Mantenimiento y cuidados

ES

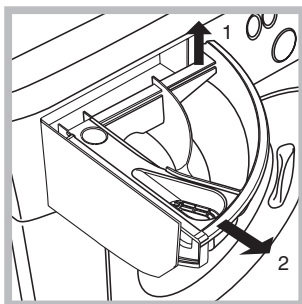
## Excluir agua y corriente eléctrica

- Cierre el grifo de agua después de cada lavado. De este modo se limita el desgaste de la instalación hidráulica de la lavadora y se elimina el peligro de pérdidas.
- Desenchufe la máquina cuando la deba limpiar y durante los trabajos de mantenimiento.

## Limpiar la lavadora

La parte externa y las partes de goma se pueden limpiar con un paño embebido en agua tibia y jabón. No use solventes ni productos abrasivos.

## Limpiar el cajón de los detergentes



Extraiga el contenedor levantándolo y tirando hacia fuera (ver la figura). Lávelo debajo del agua corriente, esta limpieza se debe realizar frecuentemente.

## Cuidar la puerta y el cesto

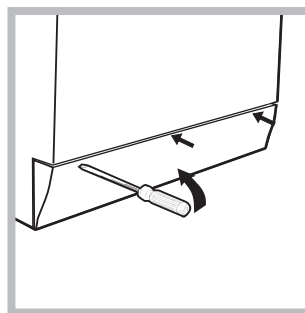
- Deje siempre semicerrada la puerta para evitar que se formen malos olores.

## Limpiar la bomba

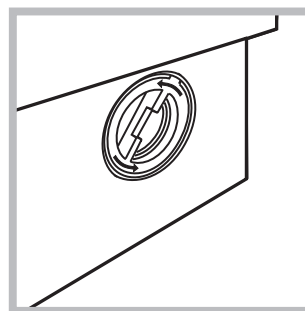
La lavadora posee una bomba autolimpiante que no necesita mantenimiento. Pero puede suceder que objetos pequeños (monedas, botones) caigan en la precámara que protege la bomba, situada en la parte inferior de la misma.

! Verifique que el ciclo de lavado haya terminado y desenchufe la máquina.

Para acceder a la precámara:



1. quite el panel de cobertura delantero de la lavadora con la ayuda de un destornillador (ver la figura);



2. desenrosque la tapa girándola en sentido antihorario (ver la figura); es normal que se vuelque un poco de agua;

3. limpie con cuidado el interior;
4. vuelva a enroscar la tapa;
5. vuelva a montar el panel verificando, antes de empujarlo hacia la máquina, que los ganchos se hayan introducido en las correspondientes ranuras.

## Controle el tubo de alimentación de agua

Controle el tubo de alimentación al menos una vez al año. Si presenta grietas o rozaduras se debe sustituir: durante los lavados, las fuertes presiones podrían provocar roturas imprevistas.

! No utilice nunca tubos ya usados.

Puede suceder que la lavadora no funcione. Antes de llamar a la Asistencia Técnica (ver la pág. 60), controle que no se trate de un problema de fácil solución ayudándose con la siguiente lista.

## Anomalías:

**La lavadora no se enciende.**

**El ciclo de lavado no comienza.**

**La lavadora no carga agua (En el display se visualiza el mensaje H<sub>2</sub>O).**

**La lavadora carga y descarga agua continuamente.**

**La lavadora no descarga o no centrifuga.**


**La lavadora vibra mucho durante la centrifugación.**

**La lavadora pierde agua.**

**Se forma demasiada espuma.**

## Posibles causas / Solución:

- El enchufe no está introducido en la toma de corriente, o no hace contacto.
- En la casa no hay corriente.

- La puerta no está bien cerrada (en el display se visualiza la palabra DOOR).
- El botón  no fue pulsado.
- El botón START/RESET no fue pulsado.
- El grifo del agua no está abierto.
- Se fijó un retraso de la hora de puesta en funcionamiento (Delay Timer, ver la pág. 55).

- El tubo de alimentación de agua no está conectado al grifo.
- El tubo está plegado.
- El grifo de agua no está abierto.
- En la casa falta el agua.
- No hay suficiente presión.
- El botón START/RESET no fue pulsado.

- El tubo de desagüe no está instalado entre los 65 y 100 cm. del suelo (ver la pág. 51).
- El extremo del tubo de descarga está sumergido en el agua (ver la pág. 51).
- La descarga de pared no posee un respiradero.

Si después de estas verificaciones el problema no se resuelve, cierre el grifo de agua, apague la lavadora y llame a la Asistencia. Si la vivienda se encuentra en uno de los últimos pisos de un edificio, es posible que se verifiquen fenómenos de sifonaje, por ello la lavadora carga y descarga agua de modo continuo. Para eliminar este inconveniente se encuentran disponibles en el comercio válvulas especiales que permiten evitar el sifonaje.

- El programa no prevé la descarga: con algunos programas es necesario activarlo manualmente (ver la pág. 54).
- La opción Plancha fácil está activa: para completar el programa, pulse el botón START/RESET (ver la pág. 55).
- El tubo de descarga está plegado (ver la pág. 51).
- El conducto de descarga está obstruido.

- El cesto, en el momento de la instalación, no fue desbloqueado correctamente (ver la pág. 50).
- La lavadora no está instalada en un lugar plano (ver la pág. 50).
- Existe muy poco espacio entre la lavadora, los muebles y la pared (ver la pág. 50).

- El tubo de alimentación de agua no está bien enroscado (ver la pág. 50).
- El cajón de detergentes está obstruido (para limpiarlo ver la pág. 58).
- El tubo de descarga no está bien fijado (ver la pág. 51).

- El detergente no es específico para la lavadora (debe contener algunas de las frases "para lavadora", "a mano o en lavadora" o similares).
- La dosificación fue excesiva.

ES

Instalación

Descripción

Programas

Detergentes

Precauciones

Mantenimiento

Anomalías

Asistencia

**Antes de llamar a la Asistencia Técnica:**

- Verifique si la anomalía la puede resolver solo (*ver la pág. 59*);
- Vuelva a poner en marcha el programa para controlar si el inconveniente fue resuelto;
- Si no es así, llame a la Asistencia técnica autorizada, al número de teléfono indicado en el certificado de garantía.

! No recurra nunca a técnicos no autorizados.

**Comunicar:**

- el tipo de anomalía;
- el modelo de la máquina (Mod.);
- el número de serie (S/N).

Estas informaciones se encuentran en la placa que está fijada en la parte posterior de la lavadora.

# Instruções para utilização

## MÁQUINA DE LAVAR ROUPA

PT

PT

Português

AVF 149

### Sumário

#### **Instalação, 62-63**

Desembalar e nivelar, 62  
Ligações hidráulicas e eléctricas, 62-63  
Primeiro ciclo de lavagem, 63  
Dados técnicos, 63

#### **Descrição da máquina de lavar roupa, 64-65**

Painel de comandos, 64  
Display, 65

#### **Início e Programas, 66**

Como iniciar um programa, 66  
Tabela dos programas, 66

#### **Personalizações, 67**

Regular a centrifugação, 67  
Regular a temperatura, 67  
Regular o delay timer, 67  
Funções, 67

#### **Detergentes e roupa, 68**

Gaveta dos detergentes, 68  
Preparar a roupa, 68  
Roupas especiais, 68  
Woolmark Platinum Care, 68

#### **Precauções e conselhos, 69**

Segurança geral, 69  
Eliminação, 69  
Economizar e respeitar o meio ambiente, 69

#### **Manutenção e cuidados, 70**

Interromper a alimentação de água e de corrente eléctrica, 70  
Limpar a máquina de lavar roupa, 70  
Limpar a gaveta dos detergentes, 70  
Cuidados com a porta de vidro e o tambor, 70  
Limpar a bomba, 70  
Verificar o tubo de alimentação de água, 70

#### **Anomalias e soluções, 71**

#### **Assistência, 72**

Antes de contactar a Assistência Técnica, 72

# Instalação

PT

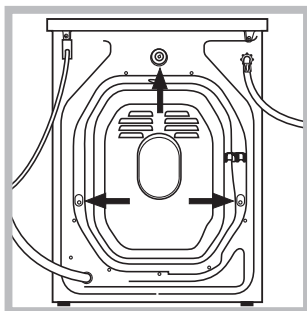
! É importante guardar este manual para poder consultá-lo a qualquer momento. Se a máquina for vendida, cedida ou transferida, certifique-se que este manual permaneça com a máquina para informar o novo proprietário acerca do seu funcionamento e das respectivas advertências.

! Leia com atenção estas instruções: contém informações importantes acerca da instalação, da utilização e da segurança.

## Desembalar e nivelar

### Desembalar

1. Tire a máquina de lavar roupa da embalagem.
2. Verifique se a máquina de lavar roupa sofreu danos no transporte. Se estiver danificada não efectue a sua ligação e contacte o revendedor.



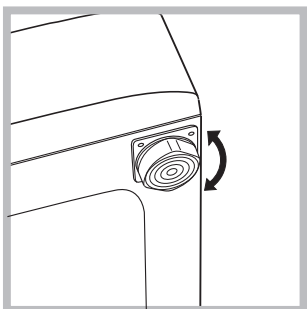
3. Tire os 3 parafusos para protecção no transporte e a borrachinha com o respectivo calço, situados na parte traseira (veja a figura).

4. Tampe os furos com as tampas em plástico fornecidas.
5. Guarde todas as peças: se for necessário transportar a máquina de lavar roupa, terão de ser montadas outra vez.

! Embalagens não são brinquedos para as crianças.

### Nivelamento

1. Instale a máquina de lavar roupa sobre um pavimento plano e rígido, sem encostá-la a paredes, móveis ou outros.

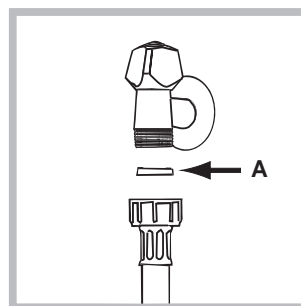


2. Se o pavimento não for perfeitamente horizontal, para compensar qualquer irregularidade, desatarraxe ou atarraxe os pés dianteiros (veja a figura); o ângulo de inclinação, medido no plano de trabalho, não deve ultrapassar 2°.

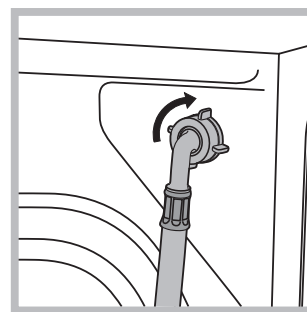
Um cuidadoso nivelamento dá estabilidade à máquina e evita vibrações, ruídos e deslocamentos durante o funcionamento. Se tiver tapete ou alcatifa, regule os pés de modo a que por baixo da máquina de lavar roupa haja espaço suficiente para ventilação.

## Ligações hidráulicas e eléctricas

### Ligação do tubo de alimentação da água



1. Coloque a guarnição A na ponta do tubo de alimentação e atarraxe-o a uma torneira de água fria com bocal de rosca de 3/4 (veja a figura). Antes de realizar esta ligação, deixe a água escorrer até estar límpida.



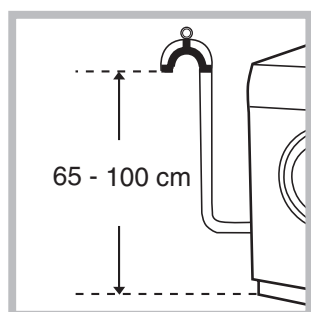
2. Ligue o tubo de alimentação na máquina de lavar roupa atarraxado no apropriado fornecimento de água, na parte traseira, em cima à direita (veja a figura).

3. Tome cuidado para o tubo não ser dobrado nem esmagado.

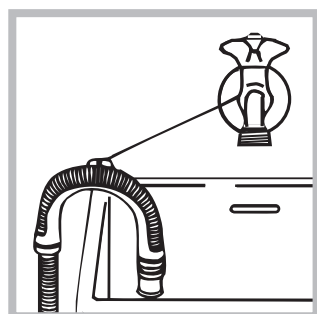
! A pressão hídrica da torneira deve ser entre os valores da tabela dos dados técnicas (veja a página ao lado).

! Se o comprimento do tubo de alimentação não for suficiente, contacte uma oficina especializada ou um técnico autorizado.

### Ligação do tubo de descarga



Ligue o tubo de descarga, sem dobrá-lo, a uma conduta de descarga ou a uma descarga na parede situada entre 65 e 100 cm. de altura do chão;



ou coloque na beira de um lavabo ou de uma banheira, prenda na torneira a guia fornecida (veja a figura). A ponta do tubo de descarga não deve permanecer emergida na água.

! É desaconselhado empregar tubos de extensão; mas se for indispensável, a extensão deve ter o mesmo diâmetro do tubo original e não medir mais de 150 cm. de comprimento.

### Ligação eléctrica

Ante de ligar a ficha na tomada eléctrica, certifique-se que:

- a tomada tenha uma ligação à terra e que esteja nos termos da legislação;
- a tomada tem capacidade para suportar a carga máxima de potência da máquina, indicada na tabela de dados técnicos (veja ao lado);
- a tensão de alimentação seja entre os valores indicados na tabela de dados técnicos (veja ao lado);
- a tomada seja compatível com a ficha da máquina de lavar roupa. Se não for, substitua a tomada ou a ficha.

! Esta máquina de lavar roupa não deve ser instalada ao ar livre, nem mesmo abrigada, porque é muito perigoso deixá-la exposta à chuva e às tempestades.

! Depois de ter instalado a máquina de lavar roupa, o acesso à tomada eléctrica deve ser fácil.

! Não empregue extensões nem fichas múltiplas.

! O cabo não deve ser dobrado nem apertado.


! O cabo de alimentação deve ser substituído somente por técnicos autorizados.

Atenção! O fabricante declina toda a responsabilidade se estas regras não forem respeitadas.

### Primeiro ciclo de lavagem

Depois da instalação, antes de usar, efectue um ciclo de lavagem com detergente mas sem roupa, defina o programa de 90°C sem pré-lavagem.

### Dados técnicos

<b>Modelo</b>	AVF 149
<b>Medidas</b>	largura 59,5 cm. altura 85 cm. profundidade 52,5 cm.
<b>Capacidade</b>	de 1 a 5 kg.
<b>Ligações eléctricas</b>	Tensão a 220/230 Volts 50 Hz potência máxima absorvida 1850 W
<b>Ligações hídricas</b>	pressão máxima 1 MPa (10 bars) pressão mínima 0,05 MPa (0,5 bar) capacidade do tambor 46 litros
<b>Velocidade da centrifugação</b>	até 1400 rotações por minuto
<b>Programas de controlo segundo a norma IEC456</b>	programa 3; temperatura 60°C; realizado com carga de 5 kg.
	Esta aparelhagem é em conformidade com as seguintes Directivas Comunitárias: - 73/23/CEE de 19/02/73 (Baixa Tensão) e posteriores modificações - 89/336/CEE de 03/05/89 (Compatibilidade Electromagnética) e posteriores modificações.

PT

Instalação

Descrição

Programas

Detergentes

Precauções

Manutenção

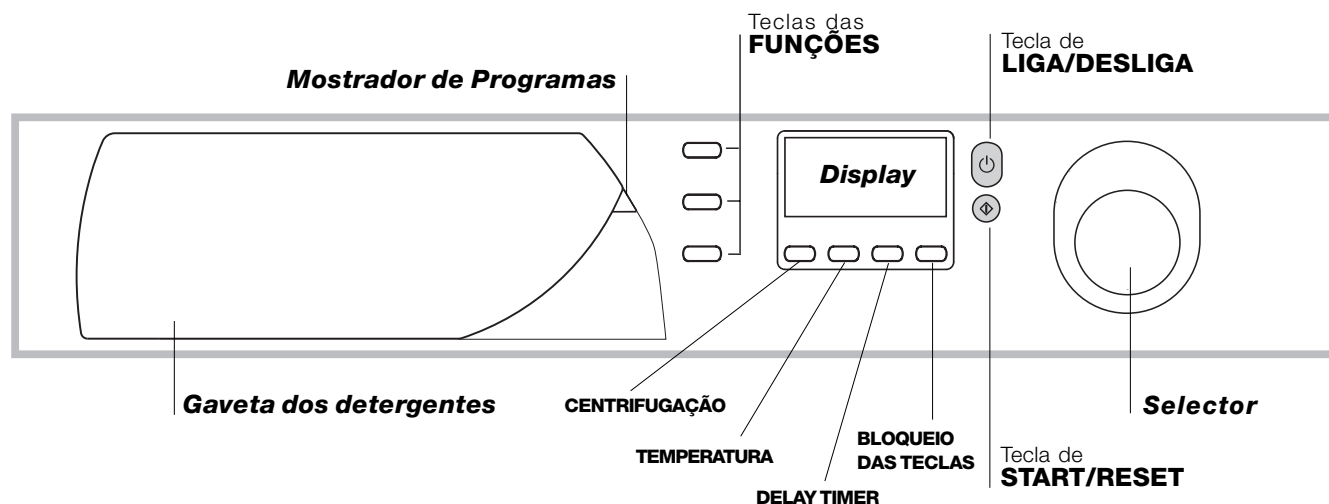
Anomalias

Assistência

# Descrição da máquina de lavar roupa

PT

## Painel de comandos



**Gaveta dos detergentes** para carregar detergentes e aditivos (veja a *pág. 68*).

**Mostrador de Programas** para consulta a qualquer momento do esquema resumido dos programas: para abri-la, puxe a lingueta para fora.

Teclas das **FUNÇÕES** para seleccionar as funções disponíveis. A tecla correspondente à função seleccionada permanecerá acesa.

Tecla de **CENTRIFUGAÇÃO** para regular a velocidade de centrifugação ou mesmo excluí-la (veja a *pág. 67*).

Tecla da **TEMPERATURA** para seleccionar a temperatura de lavagem (veja a *pág. 67*).

Tecla da **DELAY TIMER** atrasa o início do programa definido até um máximo 24 horas (veja a *pág. 67*).

Tecla **BLOQUEIO DAS TECLAS** para bloquear todas as teclas da máquina de lavar roupa durante o funcionamento ou em Stand-by.

**Display** para programar a máquina de lavar roupa e acompanhar o decorrer dos ciclos de lavagem (veja a *página ao lado*).

Tecla **LIGA/DESLIGA** para ligar e desligar a máquina de lavar roupa (veja a *pág. 66*).

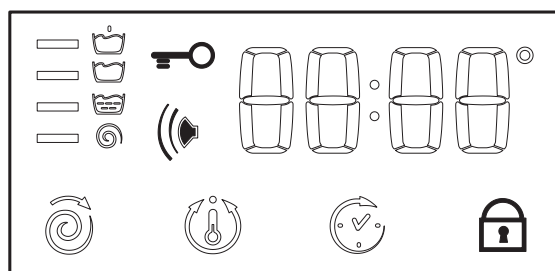
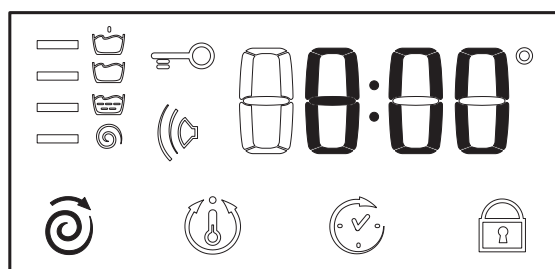
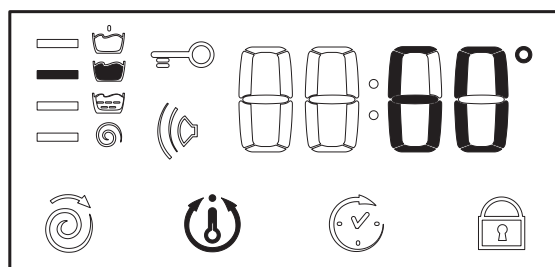
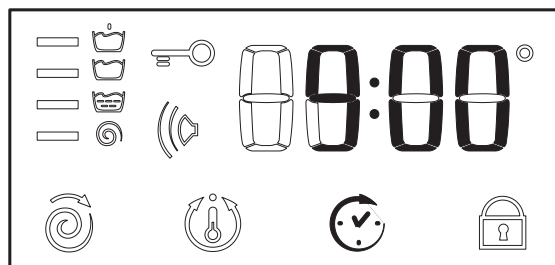
Tecla de **START/RESET** para iniciar os programas ou apagar programações erradas (veja a *pág. 66*).

**Selector** para escolher os programas. Este selector é embutido: Para extraí-lo pressione ligeiramente no centro. Durante o programa o selector permanece parado.



## Display

Além de ser um instrumento útil na programação da máquina (veja a pág. 67), o display fornece informações acerca do ciclo de lavagem e sua duração.



### Bloqueio das teclas:

Para a segurança vossa e dos vossos filhos, é possível bloquear todas as teclas durante o funcionamento da máquina ou enquanto estiver em situação de espera (início posterior/Stand-by), prima 2 segundos esta tecla funcional. Para desactivá-lo, mantenha-a premida aproximadamente 4 segundos.

### Porta bloqueada:

O símbolo aceso indica que a porta está bloqueada para impedir a sua abertura accidental. Para evitar danos é necessário aguardar que o símbolo apague antes de abrir a porta de vidro.

Este modelo é equipado com um dispositivo que possibilita abrir a porta durante a primeira fase do programa. Isto só será possível enquanto o símbolo não estiver aceso.

No final do programa é visualizada a indicação END.

! Se houver uma anomalia aparece um código de erro, por exemplo: F-01, neste caso deverá contactar a Assistência Técnica (veja a pág. 72).

Depois de ter carregado na tecla START/RESET para o início do programa o display mostra o tempo que falta até ao final do ciclo. Se tiver programado a hora de início da lavagem (Delay Timer, veja a pág 67), o display indicará o tempo que falta até começar a lavagem.

Durante o ciclo de lavagem serão mostrados:

### Fase em curso:

- Pré-lavagem
- Lavagem
- Enxaguamento
- Centrifugação

### Funções e opções de personalização:

Para escolher as funções e as opções veja a seguir e na pág. 67.

### Campanha:

Esta máquina é equipada com um aviso acústico que indica a realização de várias funções e, se houver, um mal funcionamento: incompatibilidade, teclas opções/ programas, início, final de ciclo, restabelecimento.

PT

Instalação

Descrição

Programas

Detergentes

Precauções

Manutenção


Anomalias


Assistência

# Início e Programas






PT

## Como iniciar um programa

1. Para ligar a máquina de lavar roupa, carregue na tecla . Todos os ícones acendem-se alguns segundos e, em seguida, apagam-se.
2. Coloque dentro a roupa e feche.
3. Selecciona através do selector, o programa que desejar. No display será indicada uma previsão do tempo de lavagem. A temperatura e a centrifugação serão definidas automaticamente em função do programa (para mudá-las veja a *pág. 67*).

4. Coloque o detergente e os aditivos (veja a *pág. 68*).
5. Selecciona quaisquer funções (veja a *pág. 67*).
6. Para iniciar o programa carregue na tecla START/RESET.  
Para anular mantenha pressionada a tecla START/RESET pelo menos 2 segundos.
7. No final do programa aparece escrito END. Tire a roupa lavada de dentro e deixe a porta entreaberta para que o tambor seque.
8. Para desligar a máquina de lavar roupa, carregue na tecla .

## Tabela dos programas

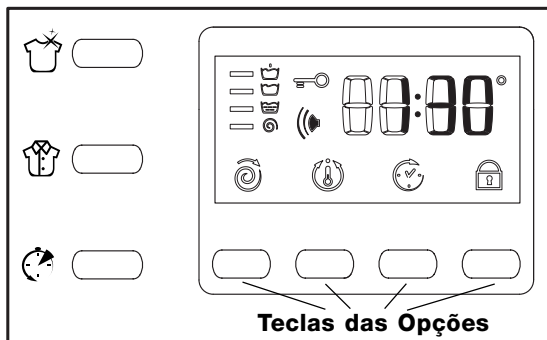
Natureza dos tecidos / sujidade	Programas	Temperatura	Detergente		Amaciador	Duração do ciclo (minutos)	Descrição do ciclo de lavagem
			Pré-lav.	Lavag.			
<b>Algodões</b>							
Branços muito sujos (lençóis, toalhas etc.)	1	90°C	•	•	•	160	Pré-lavagem, lavagem, enxaguamento, centrifugações intermediárias e final
Branços muito sujos (lençóis, toalhas etc.)	2	90°C		•	•	143	Lavagem, enxaguamentos, centrifugações intermediárias e final
Branços e coloridos resistentes muito sujos	3	60°C		•	•	120	Lavagem, enxaguamentos, centrifugações intermediárias e final
Branços pouco sujos e cores delicadas (camisas, camisolas etc.)	4	40°C		•	•	85	Lavagem, enxaguamentos, centrifugações intermediárias e final
Coloridos delicados pouco sujos	5	30°C		•	•	77	Lavagem, enxaguamentos, centrifugações intermediárias e final
<b>Sintéticos</b>							
Coloridos resistentes muito sujos (roupas de bebé etc.)	6	60°C		•	•	92	Lavagem, enxaguamentos, anti-rugas ou centrifugação delicada
Cores resistentes (roupas de todos os tipos levemente suja)	6	40°C		•	•	77	Lavagem, enxaguamentos, anti-rugas ou centrifugação delicada
Coloridos resistentes muito sujos (roupas de bebé etc.)	7	50°C		•	•	86	Lavagem, enxaguamentos, anti-rugas ou centrifugação delicada
Cores delicadas (roupas de todos os tipos ligeiramente sujas)	8	40°C		•	•	76	Lavagem, enxaguamentos, anti-rugas ou centrifugação delicada
Cores delicadas (roupas de todos os tipos ligeiramente sujas)	9	30°C		•	•	30	Lavagem, enxaguamentos e centrifugação delicada
<b>Delicados</b>							
Lã	10	40°C		•	•	42	Lavagem, enxaguamentos e centrifugação delicada
Tecidos muito delicados (cortinas, seda, viscose etc.)	11	30°C		•	•	52	Lavagem, enxaguamentos, anti-rugas ou descarga
<b>PROGRAMAS PARCIAIS</b>							
Enxaguamento					•		Enxaguamentos e centrifugação
Enxaguamento delicado					•		Enxaguamentos, anti-rugas ou descarga
Centrifugação							Descarga e centrifugação enérgica
Centrifugação delicada							Descarga e centrifugação delicada
Descarga							Descarga

## Observações

Para seleccionar a opção anti-rugas: veja Engomar Fácil, na *página ao lado*. Os dados apresentados na tabela têm valor indicativo.

## Programa especial

*Diário 30'* (programa 9 para Sintéticos) foi estudado para lavar peças levemente sujas em pouco tempo; dura apenas 30 minutos e, desta maneira, economiza energia e tempo. Se regular o programa (9 a 30°C) será possível lavar juntos tecidos de natureza diferente (excepto lã e seda), com uma carga máxima de 3 Kg. *Aconselhamos a utilização de detergente líquido.*



## Regular a centrifugação

Ao ligar a máquina e se o SELECTOR estiver seleccionado num programa com centrifugação, o indicador acende-se (fixo). Se carregar na tecla poderá visualizar a velocidade máxima de centrifugação permitida para o programa definido e o indicador estará intermitente. Se continuar a premir essa tecla, a velocidade diminuirá até chegar a OFF, que indica a exclusão da centrifugação (prima mais uma vez para voltar à centrifugação mais alta); páre na velocidade que desejar, após cerca de 2 segundos a selecção será aceite: o símbolo permanecerá aceso (fixo). A regulação da centrifugação é possível em todos os programas excepto o 11 e na descarga.

## Regular a temperatura

Ao ligar a máquina e se o SELECTOR estiver seleccionado num programa para a qual é necessária definir a temperatura, o indicador acende-se (fixo). Se carregar na tecla será visualizada a temperatura máxima permitida para o programa definido e o indicador estará intermitente. Se continuar a premir essa tecla, a temperatura diminuirá até chegar a OFF, o que indica uma lavagem a frio (prima mais uma vez para voltar à temperatura mais alta); páre no valor que desejar, após cerca de 2 segundos a selecção será aceite: o símbolo permanecerá aceso (fixo).

Esta regulação da temperatura ficará activa em todos os programas de lavagem.

## Regular o delay timer

Se carregar na tecla aparecerá escrito no display OFF e o respectivo símbolo ficará intermitente.

Carregue outra vez na tecla e aparecerá "1h" ou seja início daqui a uma hora e assim por diante, até 24h; páre no "início programado" que desejar, após cerca de 2 segundos a selecção será aceite e, em seguida, no display aparecerá o início posterior previsto para o programa definido e o símbolo permanecerá aceso.

Se em seguida carregue na tecla START/RESET aparecerá outra vez a indicação do "início programado", que diminuirá hora a hora até o ciclo iniciar, nesta fase será possível mudar o valor do "início programado" mas somente para diminuí-lo. A regulação do Delay Timer, pode ser utilizada com qualquer programa.

## Bloqueio das teclas *(veja a pág. 65)*

## Funções

As várias funções de lavagem da máquina de lavar roupa possibilitam obter a máxima limpeza e branquear o que desejar. Para activar as funções:

1. carregue na tecla correspondente à função que desejar, segundo a tabela abaixo;
2. a respectiva tecla acende-se para avisar que a função está activa.

Observação: Se a tecla acender intermitentemente, significa que a respectiva função não pode ser seleccionada para o programa definido.

Se for seleccionada uma função incompatível com outra anteriormente seleccionada, permanecerá activa somente a última seleccionada.

Opção	Efeito	Observações para utilização	Possível nos programas:
<b>Super Lavagem</b>	Proporciona uma limpeza impecável, visivelmente mais branco do padrão da Classe A.	Não é compatível com a opção RÁPIDO.	<b>1, 2, 3, 4, 5, 6, 7, 8</b>
<b>Engomar Fácil</b>	O tecido sairá menos amarrotado e mais fácil de engomar.	Se seleccionar esta opção, nos programas 6, 7, 8, 11 e Enxaguadmento delicado, a roupa ficará de molho (Anti-rugas) e o ícone  ficará intermitente: - para completar o ciclo carregue na tecla START/RESET; - para efectuar apenas uma descarga, coloque o selector no correspondente símbolo  e carregue na tecla START/RESET.	<b>Todos excepto 1, 2, 9, 10 e descarga.</b>
<b>Rápido</b>	Diminuiu em cerca de 30% o duração do ciclo de lavagem.	Não é compatível com a opção SUPER LAVAGEM.	<b>1, 2, 3, 4, 5, 6, 7, 8</b>

PT

Instalação

Descrição

Programas

Detergentes

Precauções

Manutenção

Anomalias

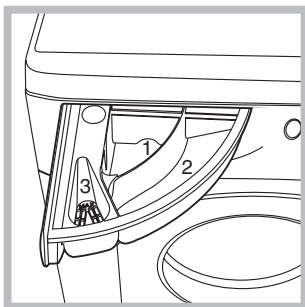
Assistência

# Detergentes e roupa

PT

## Gaveta dos detergentes

O bom resultado da lavagem depende também do uso da dose certa de detergente: com excessos não se lava melhor, e contribui-se quer para a formação de incrustações nas peças internas da máquina de lavar, quer para a poluição do meio ambiente.



Tire a gaveta dos detergentes e deite o detergente ou o aditivo da seguinte maneira:

**gaveta 1: Detergente para pré-lavagem (em pó)**

**gaveta 2: Detergente para lavagem (em pó ou líquido)**

O detergente líquido deve ser colocado depois da máquina ter iniciado a lavagem.

**gaveta 3: Aditivos (amaciador, etc.)**

O amaciador não deve ultrapassar a rede.

**!** Não use detergentes para lavagem à mão, porque fazem demasiada espuma.

## Preparar a roupa

- Separe a roupa em função:
  - do tipo de tecido / do símbolo na etiqueta.
  - as cores: separe as peças coloridas das brancas.
- Esvazie as algibeiras e verifique se há botões soltos.
- Não ultrapasse os valores indicados referentes ao peso da roupa enxuta:
  - Tecidos resistentes: máx. 5 kg.
  - Tecidos sintéticos: máx. 2,5 kg.
  - Tecidos delicados: máx. 2 kg.
  - Lã máx. 1 kg.

## Quanto pesa a roupa?

- 1 lençol 400 - 500 g.
- 1 fronha 150 - 200 g.
- 1 toalha de mesa 400 - 500 g.
- 1 roupão 900 - 1.200 g.
- 1 toalha de rosto 150 - 250 g.

## Roupas especiais

**Cortinas:** dobre-as bem e coloque-as dentro de uma fronha ou de um saquinho de rede. Lave-as separadas, sem ultrapassar a meia carga. Utilize o programa 11 que exclui automaticamente a centrifugação.

**Edredões e anoraques:** se forem acolchoadas com penas de ganso ou pato, podem ser lavados na máquina de lavar roupa. Vire as peças do avesso e coloque no máximo de 2-3 kg., repita o enxaguamento uma ou duas vezes e utilize a centrifugação delicada.

**Sapatilhas:** Tire a lama e lave-as juntamente com calças de ganga e peças resistentes (mas nunca com peças brancas).

**Lã:** para obter os melhores resultados, utilize um detergente específico e não ultrapasse 1 kg. de carga.

## Woolmark Platinum Care



### Delicado como lavagem a mão.

A Ariston lançou um novo padrão de performances superiores reconhecidas pela The Woolmark Company com o prestigioso selo de Woolmark Platinum Care. Se a máquina de lavar roupa tiver o logotipo Woolmark Platinum Care, quer dizer que será possível lavar com resultados excelentes também peças em lã que tenham a etiqueta "Lavar à mão" (M.00221):



Defina o programa 10 para todas as peças com a etiqueta "Lavar à mão" e utilize detergentes específicos.

# Precauções e conselhos

! Esta máquina de lavar roupa foi projectada e fabricada em conformidade com os regulamentos internacionais de segurança. Estas advertências são fornecidas por razões de segurança e devem ser lidas com atenção.

## Segurança geral

- Este aparelho foi projectado para um uso doméstico.
- Esta máquina de lavar roupa deve ser utilizada somente por pessoas adultas e conforme as instruções apresentadas neste manual.
- Não toque na máquina com os pés descalços nem com as mãos ou os pés molhados ou húmidos.
- Não puxe o cabo eléctrico para tirar a ficha da tomada, pegue somente na ficha.
- Não abra a gaveta dos detergentes enquanto a máquina estiver a funcionar.
- Não toque na água de descarga, pois poderá estar muito quente.
- Em nenhum caso force a porta para abri-la: poderá danificar o mecanismo de segurança que a protege contra aberturas acidentais.
- Se houver avarias, não mexa em caso algum nos mecanismos internos para tentar reparar.
- Verifique sempre que as crianças não se aproximem da máquina em funcionamento.
- Durante a lavagem a porta de vidro tende a aquecer.
- Se for preciso deslocar a máquina, são precisas pelo menos duas ou três pessoas, não tente fazê-lo sozinho porque a máquina é muito pesada.
- Antes de colocar a roupa verifique se o tambor está vazio.

## Eliminação

- Elimine a embalagem obedecendo aos regulamentos locais, de maneira a que as embalagens possam ser reutilizadas.
- Eliminação de um máquina de lavar roupa velha: antes de eliminá-la, para torná-la inutilizável, corte o cabo de alimentação eléctrica e desmonte a porta de vidro.

## Economizar e respeitar o meio ambiente

### Tecnologia ao serviço do meio ambiente

Se pela porta de vidro notar pouca água é porque, com a nova tecnologia Ariston, é suficiente menos de metade da água para se obter a limpeza máxima: uma meta atingida para respeitar o meio ambiente.

### Economizar detergente, água, energia e tempo

- Para não desperdiçar recursos, é necessário utilizar a máquina de lavar roupa com a carga máxima. Uma carga plena em vez de duas cargas pela metade permite economizar até 50% de energia.
- A pré-lavagem só é necessária para roupa muito suja. Evite-a para economizar detergente, tempo, água e entre 5 e 15% de energia.
- Trate as nódoas com um produto anti-nódoas ou deixe de molho antes de lavar, desta maneira diminui a necessidade de lavar com altas temperaturas. Um programa a 60°C em vez de 90°C ou a 40°C em vez de 60°C, economiza até 50% de energia.
- Se dosear bem o detergente em função da dureza da água, do nível de sujidade e da quantidade de roupa, evitará desperdícios e protegerá o meio ambiente: mesmo os detergentes biodegradáveis contêm componentes que alteram o equilíbrio da natureza. Evite sempre que possível o uso de amaciador.
- Lavar desde o fim da tarde até as primeiras horas da manhã ajuda a diminuir a carga de absorção das empresas eléctricas. Com a opção Delay Timer (veja a pág. 67) pode programar lavagens desta maneira.
- Se for secar a roupa num secador, seleccione uma velocidade de centrifugação mais alta. Se houver pouca água na roupa economizará tempo e energia no programa de secagem.

PT

Instalação

Descrição

Programas

Detergentes

Precauções

Manutenção

Anomalias

Assistência

# Manutenção e cuidados

PT

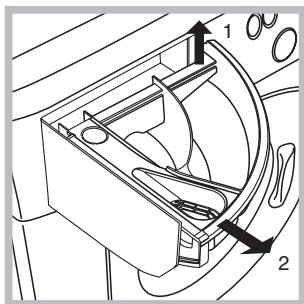
## Interromper a alimentação de água e de corrente eléctrica

- Feche a torneira da água depois de cada lavagem. Desta maneira diminui-se o desgaste do sistema hidráulico da máquina de lavar roupa e elimina-se o risco de inundação.
- Tire a ficha da tomada eléctrica quando for limpar a máquina de lavar roupa e durante os trabalhos de manutenção.

## Limpar a máquina de lavar roupa

A parte externa e as peças em borracha podem ser limpas com um pano molhado com água morna e sabão. Não empregue solventes nem abrasivos.

## Limpar a gaveta dos detergentes



Para tirar a gaveta, erga-a e puxe-a para fora (veja a figura). Lave-a com água corrente; esta limpeza deve ser efectuada frequentemente.

## Cuidados com a porta de vidro e o tambor

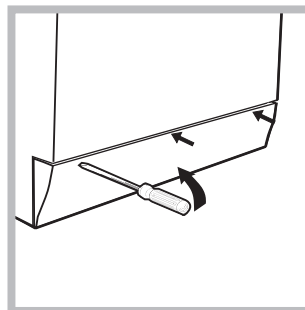
- Deixe a porta sempre entreaberta para evitar que se formem odores desagradáveis.

## Limpar a bomba

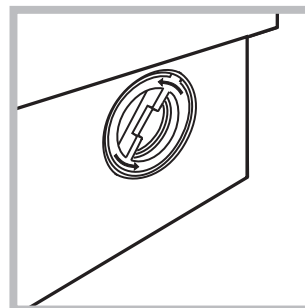
Esta máquina de lavar roupa é equipada com uma bomba com limpeza automática que não precisa de operações de manutenção. Entretanto pode acontecer que pequenos objectos (moedas, botões) caiam na pré-câmara que protege a bomba, situada na parte inferior da mesma.

! Certifique-se que o ciclo de lavagem tenha terminado e tire a ficha da tomada.

Para obter acesso à pré-câmara:



1. tire o painel de cobertura da parte dianteira da máquina de lavar roupa com ajuda de uma chave de fendas (veja a figura);



2. para desenroscar a tampa gire-a na direcção contrária aos ponteiros do relógio (veja a figura): é normal que perca um pouco de água;

3. limpe o interior com cuidado;
4. enrosque outra vez a tampa;
5. monte outra vez o painel, certifique-se, antes de empurrar a máquina, que os ganchos foram colocados nas respectivas ranhuras.

## Verificar o tubo de alimentação de água

Verifique o tubo de alimentação pelo menos uma vez por ano. Se houver rachas ou fendas, será necessário substituí-lo: durante as lavagens as fortes pressões podem dar origem a estas situações.

! Nunca utilize tubos já usados.

Pode acontecer que a máquina de lavar roupa não funcione. Antes de telefonar para a Assistência Técnica (veja a *pág. 72*), verifique que não se trata de um problema fácil de resolver com ajuda da seguinte lista:

## Anomalias:

**A máquina de lavar roupa não liga.**

**O ciclo de lavagem não inicia.**

**A máquina de lavar roupa não carrega água (No display aparece escrito H2O).**

**A máquina de lavar roupa carrega e descarrega água continuamente.**

**A máquina de lavar roupa não descarrega ou nem realiza centrifugação.**


**A máquina de lavar roupa vibra muito durante a centrifugação.**

**Da máquina de lavar roupa está a perder água.**

**Está a formar-se demasiada espuma.**

## Possíveis causas / Solução:

- A ficha não está colocada na tomada eléctrica, ou não o suficiente para haver contacto.
- Em casa não há corrente.

- A porta da máquina não está bem fechada (no display é mostrado escrito DOOR).
- A tecla  não foi pressionada.
- A tecla START/RESET não foi pressionada.
- A torneira da água não está aberta.
- Foi programado um início posterior (Delay Timer, veja a *pág. 67*).

- O tubo de alimentação de água não está ligado à torneira.
- O tubo está dobrado.
- A torneira da água não está aberta.
- Está a faltar água em casa.
- Não há pressão suficiente.
- A tecla START/RESET não foi pressionada.

- O tubo de descarga não está instalado entre 65 e 100 cm. de altura do chão (veja a *pág. 63*).
- A ponta do tubo de descarga está emergida na água (veja a *pág. 63*).
- A descarga na parede não tem ventilação de ar.

Se depois destas verificações o problema não for resolvido, feche a torneira da água, desligue a máquina de lavar roupa e chame a assistência técnica. Se a sua casa é nos últimos andares de um edifício, é possível que aconteçam fenómenos de sifão, e por isso a máquina de lavar roupa carrega e descarrega água continuamente. Para eliminar este inconveniente, há à venda no mercado válvulas apropriadas contra o efeito sifão.

- O programa não faz a descarga: com alguns programas será necessário iniciar a descarga manualmente (veja a *pág. 66*).
- Está activada a opção Engomar Fácil: para completar o programa carregue na tecla START/RESET (veja a *pág. 67*).
- O tubo de descarga está dobrado (veja a *pág. 63*).
- A conduta de descarga está entupida.

- O tambor, no momento da instalação, não foi liberado correctamente (veja a *pág. 62*).
- A máquina de lavar roupa não está nivelada (veja a *pág. 62*).
- A máquina de lavar roupa está apertada entre móveis e parede (veja a *pág. 62*).

- O tubo de alimentação da água não está bem enroscado (veja a *pág. 62*).
- O gaveta dos detergentes está entupida (para limpá-la veja a *pág. 70*).
- O tubo de descarga não está bem preso (veja a *pág. 63*).

- O detergente não é específico para máquina de lavar roupa (deve haver a escrita "para máquina de lavar", "à mão e para máquina de lavar" ou similares).
- A dose de detergente foi excessiva.

PT

Instalação

Descrição

Programas

Detergentes

Precauções

Manutenção

Anomalias

Assistência

**Antes de contactar a Assistência Técnica:**

- Verifique se consegue resolver a anomalia (*veja a pág. 71*);
- Reinicie o programa para verificar se o inconveniente foi resolvido;
- Em caso negativo, contacte a assistência técnica autorizada no número de telefone indicado no certificado de garantia.

! Nunca recorra a técnicos não autorizados.

**Comunique:**

- o tipo de anomalia;
- o modelo da máquina (Mod.);
- o número de série (S/N).

Estas informações encontram-se na placa colocada na parte traseira da máquina de lavar roupa.