

BRIDGEABLE FOUR-CHANNEL
POWER AMPLIFIER

AMPLIFICATEUR DE PUISSANCE
PONTABLE A QUATRE VOIES

PREMIER

Owner's Manual

PRS-X340

Mode d'emploi

Pioneer

PIONEER CORPORATION

4-1, MEGURO 1-CHOME, MEGURO-KU, TOKYO 153-8654, JAPAN

PIONEER ELECTRONICS (USA) INC.

P.O. Box 1760, Long Beach, California 90801, U.S.A.
TEL: (800) 421-1404

PIONEER ELECTRONIC (EUROPE) N.V.

Haven 1087 Keetberglaan 1, 9120 Melsele, Belgium
TEL: (0) 3/570.05.11

PIONEER ELECTRONICS AUSTRALIA PTY. LTD.

178-184 Boundary Road, Braeside, Victoria 3195, Australia
TEL: (03) 9586-6300

PIONEER ELECTRONICS OF CANADA, INC.

300 Allstate Parkway, Markham, Ontario L3R 0P2, Canada
TEL: (905) 479-4411

PIONEER ELECTRONICS DE MEXICO, S.A. de C.V.

San Lorenzo Num 1009 3er piso Desp. 302
Col. Del Valle, Mexico D.F. C.P. 03100
TEL: 5-688-52-90

Published by Pioneer Corporation.
Copyright © 2000 by Pioneer Corporation.
All rights reserved.

Publication de Pioneer Corporation.
Copyright © 2000 Pioneer Corporation.
Tous droits de reproduction et de traduction
réservés.

Printed in U.S.A.
Imprimé aux Etats-Unis

<HRD0144-A> UC

<00B00F0R01>



Dear Customer:

Selecting fine audio equipment such as the unit you've just purchased is only the start of your musical enjoyment. Now it's time to consider how you can maximize the fun and excitement your equipment offers. This manufacturer and the Electronic Industries Association's Consumer Electronics Group want you to get the most out of your equipment by playing it at a safe level. One that lets the sound come through loud and clear without annoying blaring or distortion—and, most importantly, without affecting your sensitive hearing.

Sound can be deceiving. Over time your hearing "comfort level" adapts to higher volumes of sound. So what sounds "normal" can actually be loud and harmful to your hearing. Guard against this by setting your equipment at a safe level BEFORE your hearing adapts.

To establish a safe level:

- Start your volume control at a low setting.
- Slowly increase the sound until you can hear it comfortably and clearly, and without distortion.

Once you have established a comfortable sound level:

- Set the dial and leave it there.

Taking a minute to do this now will help to prevent hearing damage or loss in the future. After all, we want you listening for a lifetime.

We Want You Listening For A Lifetime

Used wisely, your new sound equipment will provide a lifetime of fun and enjoyment. Since hearing damage from loud noise is often undetectable until it is too late, this manufacturer and the Electronic Industries Association's Consumer Electronics Group recommend you avoid prolonged exposure to excessive noise. This list of sound levels is included for your protection.

Decibel

Level	Example
30	Quiet library, soft whispers
40	Living room, refrigerator, bedroom away from traffic
50	Light traffic, normal conversation, quiet office
60	Air conditioner at 20 feet, sewing machine
70	Vacuum cleaner, hair dryer, noisy restaurant
80	Average city traffic, garbage disposals, alarm clock at two feet.

THE FOLLOWING NOISES CAN BE DANGEROUS UNDER CONSTANT EXPOSURE

90	Subway, motorcycle, truck traffic, lawn mower
100	Garbage truck, chain saw, pneumatic drill
120	Rock band concert in front of speakers, thunderclap
140	Gunshot blast, jet plane
180	Rocket launching pad

Information courtesy of the Deafness Research Foundation.



We Want You LISTENING For A Lifetime

Before Using This Product

Thank you for purchasing this PIONEER product. It is designed to give you many years of enjoyment.

PIONEER SUGGESTS USING A PROFESSIONAL INSTALLER DUE TO THE COMPLEXITY OF THIS PRODUCT. Please read all instructions and **WARNINGS** in this manual before attempting operation. Should you have any questions, contact your nearest Pioneer authorized dealer or installation specialist.

Important

The serial number of this amplifier is written on the bottom of the unit. For your own security and convenience, write it down on the enclosed warranty card. Keep the card handy for future reference.

After-sales service for Pioneer products

Please contact the dealer or distributor from where you purchased the product for its after-sales service (including warranty conditions) or any other information. In case the necessary information is not available, please contact the companies listed below:

Please do not ship your product to the companies at the addresses listed below for repair without advance contact.

■ U.S.A.

Pioneer Electronics Service, Inc.
CUSTOMER SERVICE DEPARTMENT
P.O. Box 1760
Long Beach, CA 90801
800-421-1404

■ CANADA

Pioneer Electronics of Canada, Inc.
CUSTOMER SERVICE DEPARTMENT
300 Allstate Parkway
Markham, Ontario L3R 0P2
(905) 479-4411
1-877-283-5901

For warranty information please see the Limited Warranty sheet included with your product.



We Want You LISTENING For A Lifetime

Setting the Unit

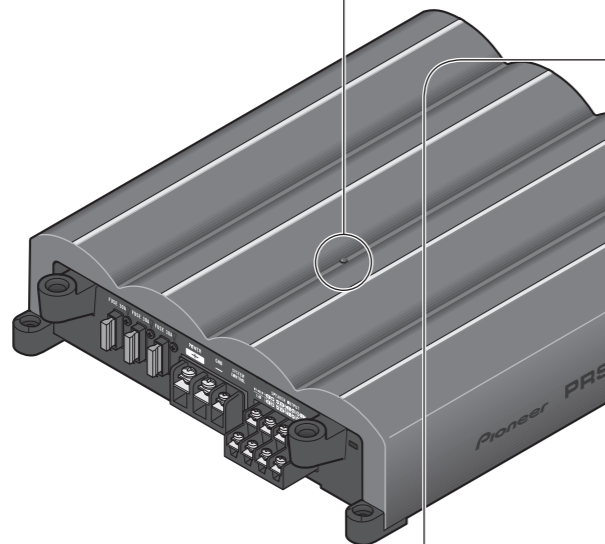
Gain Control

Adjusting the gain controls A and B will help match the output of the car stereo to the Pioneer amplifier. Normally, set the gain controls to the "NORMAL" position. If the output is low, even when the volume of the car stereo is turned up, turn these controls clockwise. If there is distortion when the volume of the car stereo is turned up, turn these controls counter-clockwise.

- If you only use one input plug, set the gain controls for speaker outputs A and B to the same position.
- When using with an RCA equipped car stereo (standard output of 500 mV), set to the NORMAL position. When using with an RCA equipped Pioneer car stereo with max. output of 4 V or more, adjust level to match the car stereo output level.

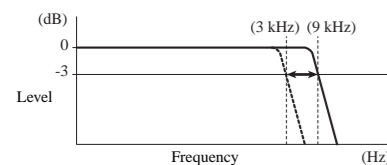
Power Indicator

The power indicator lights when the power is switched on.



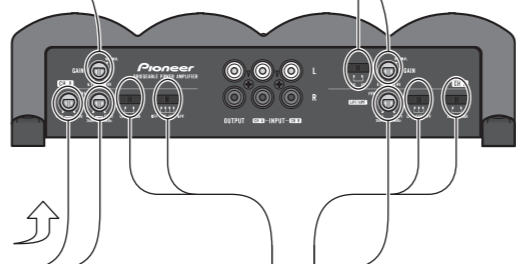
Cut Off Frequency Control

Combining LPF/HPF/BPF and LOW/HIGH select switch settings lets you select between cut off frequencies from 40 to 120 Hz and 3k to 9k Hz. (Example: LPF and HIGH)



RCA Input Select Switch

For two-channel input, slide this switch to the left. For four-channel input, slide this switch to the right.



LPF (Low-Pass Filter)/HPF (High-Pass Filter)/BPF (Band-Pass Filter) and LOW/HIGH Select Switch

Set the LPF/HPF/BPF and LOW/HIGH select switch as follows according to the type of speaker that is connected to the speaker output connector and the car stereo system:

LPF/HPF/BPF and LOW/HIGH Select Switch	Audio frequency range to be output	Speaker Type	Remarks
LPF HIGH	*1 — 3k to 9k Hz	Mid	Connect a mid range speaker.
LPF LOW	*1 — 40 to 120 Hz	Subwoofer	Connect a subwoofer.
HPF HIGH	*1 *2 3k to 9k Hz —	Tweeter*3	Connect a tweeter.
HPF LOW	*1 40 to 120 Hz —	Full range	Use if you want to cut the very low frequency range*1 because it is not necessary for the speakers you are using.
BPF (for CH A)*4	*1 40 to 120 Hz — — 3k to 9k Hz	Mid	Connect a mid range speaker.
OFF	Full range	Full range	

*1 See the "Cut Off Frequency Control" section.

*2 With CH A, even if the setting is HPF-HIGH, you can only select the same cut off frequency as with HPF-LOW (40 to 120 Hz).

*3 If you connect the tweeter directly, you must set the CH B to HPF-HIGH.

*4 Be sure to set the LOW/HIGH select switch to HIGH.

Connecting the Unit

CAUTION

- Disconnect the negative (-) terminal of the battery to avoid the risk of short-circuit and damage to the unit.
- Secure the wiring with cable clamps or adhesive tape. To protect the wiring, wrap adhesive tape around it where they lie against metal parts.
- Do not route wires where they will get hot, for example where the heater will blow over them. If the insulation heats up, it may become damaged, resulting in a short-circuit through the vehicle body.

To prevent damage

- Do not ground the speaker wire directly or connect a negative (-) lead wire for several speakers.
- This unit is for vehicles with a 12-volt battery and negative grounding. Before installing it in a recreational vehicle, truck or bus, check the battery voltage.
- If the car stereo is kept on for a long time while the engine is at rest or idling, the battery may go dead. Turn the car stereo off when the engine is at rest or idling.
- If the system remote control wire of the amplifier is connected to the power terminal through the ignition switch (12 V DC), the amplifier will always be on when the ignition is on— regardless of whether the car stereo is on or off. Because of this, the battery could go dead if the engine is at rest or idle.

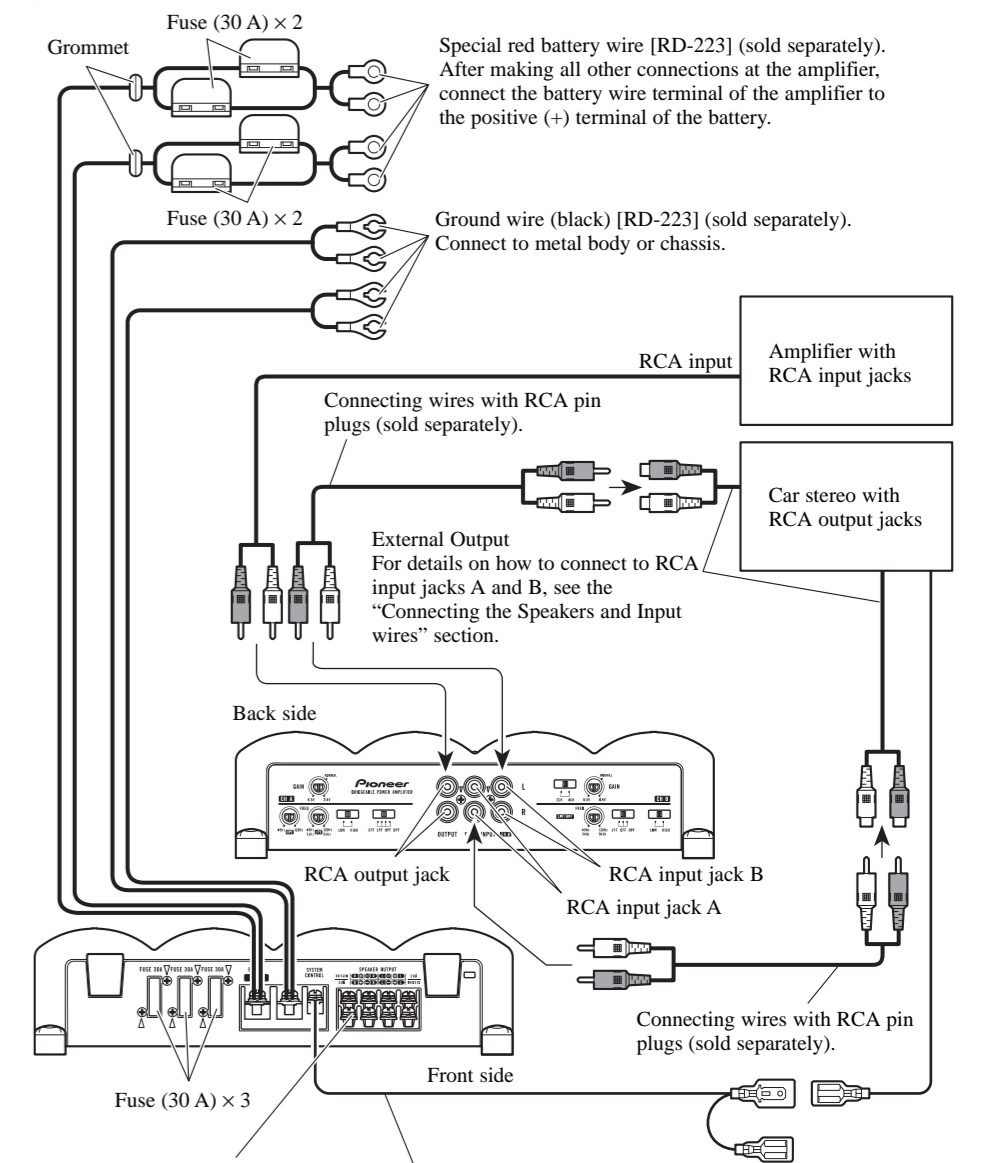
- Make sure that wires will not interfere with moving parts of the vehicle, such as the gearshift, handbrake or seat sliding mechanism.
- Do not shorten any wires. Otherwise the protection circuit may fail to work when it should.
- Never feed power to other equipment by cutting the insulation of the power supply wire to tap from the wire. The current capacity of the wire will be exceeded, causing overheating.

- Speakers to be connected to the amplifier should conform with the standards listed below. If they do not conform, they may catch fire, emit smoke or become damaged. The speaker impedance must be 1 to 8 ohms. But in case of two-channel and other bridge connections, the speaker impedance must be 2 to 8 ohms.
- Install and route the separately sold battery wire as far away as possible from the speaker wires. Install and route the separately sold battery wire, ground wire, speaker wires and the amplifier as far away as possible from the antenna, antenna cable and tuner.

- Cords for this product and those for other products may be different colors even if they have the same function. When connecting this product to another product, refer to the supplied Installation manuals of both products and connect cords that have the same function.

Speaker Channel	Speaker Type	Power
Four-channel	Subwoofer	Nominal input: Min. 95 W
	Other than subwoofer	Max. input: Min. 95 W
Two-channel	Subwoofer	Nominal input: Min. 330 W
	Other than subwoofer	Max. input: Min. 330 W
Three-channel	Subwoofer	Nominal input: Min. 95 W
	Other than subwoofer	Max. input: Min. 95 W
Three-channel	Subwoofer	Nominal input: Min. 330 W
	Other than subwoofer	Max. input: Min. 330 W

Connection Diagram



Speaker output terminal
See the "Connecting the Speakers and Input wires" section for speaker connection instructions.

System remote control wire (sold separately)
Connect the male terminal of this wire to the system remote control terminal of the car stereo (SYSTEM REMOTE CONTROL). The female terminal can be connected to the auto-antenna relay control terminal. If the car stereo does not have a system remote control terminal, connect the male terminal to the power terminal through the ignition switch.

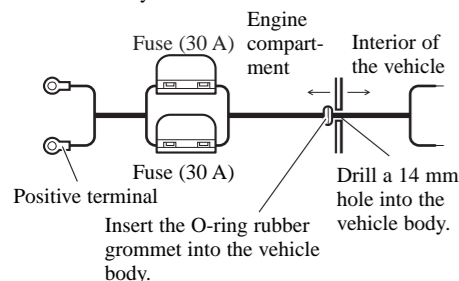
Connecting the Unit

Connecting the Power Terminal

- Always use the special red battery and ground wires (RD-223) × 2, which are sold separately. Connect the battery wire directly to the car battery positive terminal (+) and the ground wire to the car body.

1. Pass the battery wire from the engine compartment to the interior of the vehicle.

- After making all other connections to the amplifier, connect the battery wire terminal of the amplifier to the positive (+) terminal of the battery.

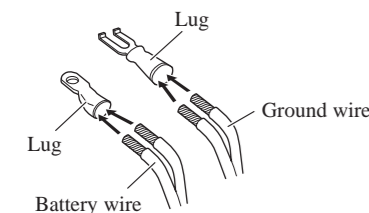


2. Twist the battery wire, ground wire and system remote control wire.



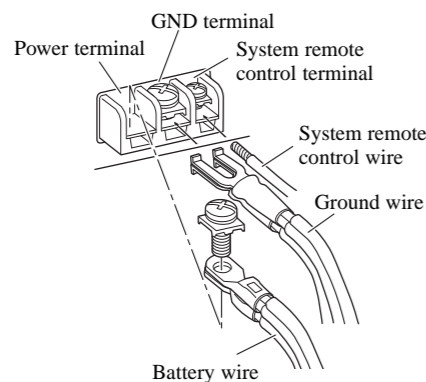
3. Attach lugs to wire ends. Lugs not supplied.

- Use pliers, etc., to crimp lugs to wires.



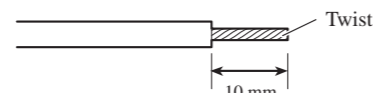
4. Connect the wires to the terminal.

- Fix the wires securely with the terminal screws.



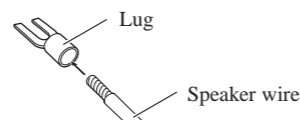
Connecting the Speaker Output Terminals

1. Expose the end of the speaker wires by about 10 mm and twist using nippers or a cutter.



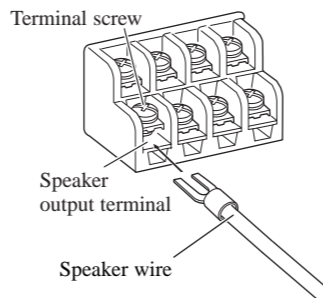
2. Attach lugs to speaker wire ends. Lugs not supplied.

- Use pliers, etc., to crimp lugs to wires.



3. Connect the speaker wires to the speaker output terminals.

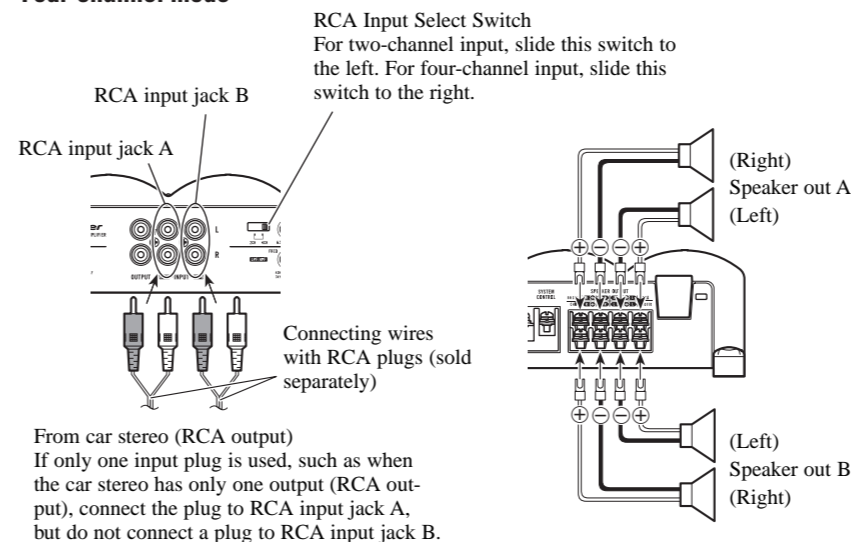
- Fix the speaker wires securely with the terminal screws.



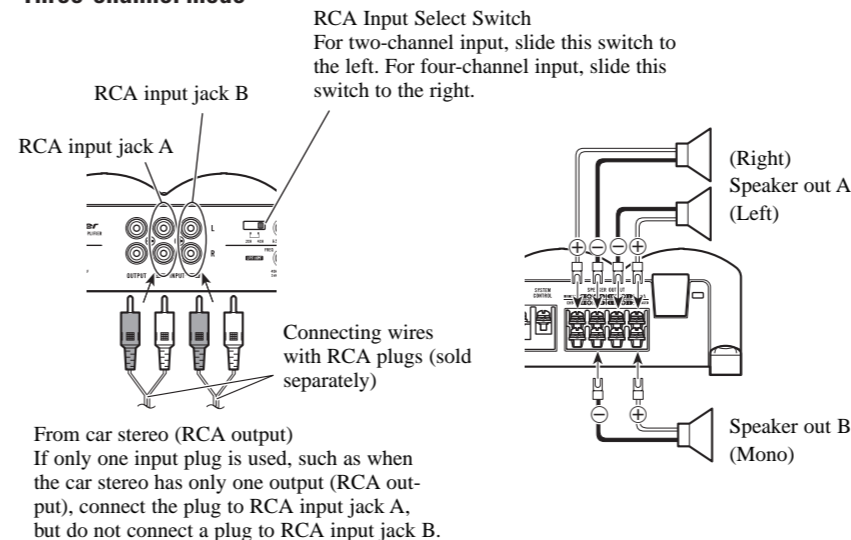
Connecting the Speakers and Input wires

The speaker output mode can be four-channel, three-channel (stereo + mono) or two-channel (stereo, mono). Connect the speaker leads to suit the mode according to the figures shown below.

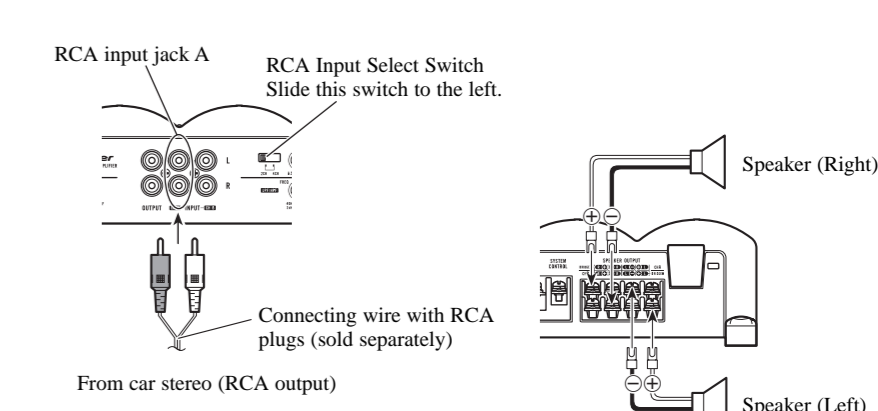
Four-channel mode



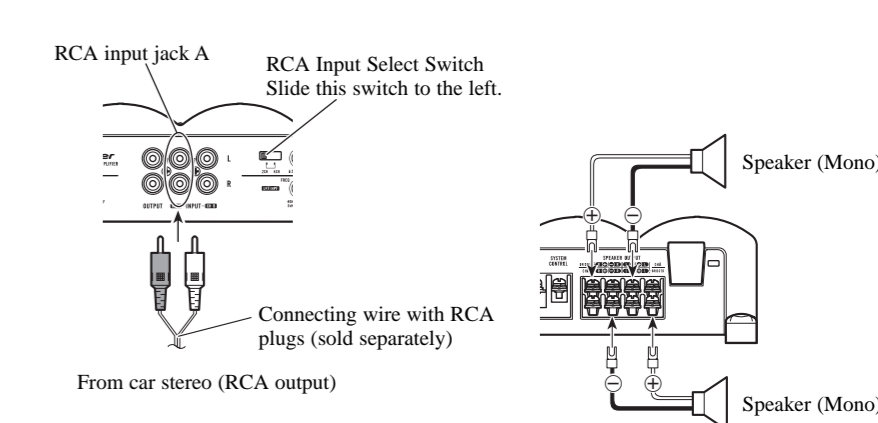
Three-channel mode



Two-channel mode (stereo)



Two-channel mode (mono)



Installation

CAUTION

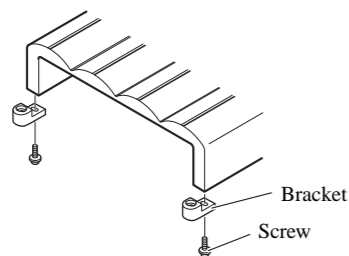
- Do not install in:
 - Places where it could injure the driver or passengers if the vehicle stops suddenly.
 - Places where it may interfere with the driver, such as on the floor in front of the driver's seat.
- Make sure that wires are not caught in the sliding mechanism of the seats, resulting in a short-circuit.
- Confirm that no parts are behind the panel when drilling a hole for installation of the amplifier. Protect all cables and important equipment such as fuel lines, brake lines and electrical wiring from damage.
- Install tapping screws in such a way that the screw tip does not touch any wire. This is important to prevent wires from being cut by vibration of the car, which can result in fire.
- To prevent electric shock, do not install the amplifier in places where it might come in contact with liquids.
- To ensure proper installation, use the supplied parts in the manner specified. If any parts other than the supplied ones are used, they may damage internal parts of the amplifier, or they may become loose causing the amplifier to shut down.

To prevent malfunction

- To ensure proper heat dissipation of the amplifier, be sure of the following during installation.
 - Allow adequate space above the amplifier for proper ventilation.
 - Do not cover the amplifier with a floor mat or carpet.
- Do not install the amplifier near a door where it may get wet.
- Do not install the amplifier on unstable places such as the spare tire board.
- The best location for installation differs with the car model and installation location. Secure the amplifier at a sufficiently rigid location.
- Make temporary connections first and check that the amplifier and the system operate properly.
- After installing the amplifier, confirm that the spare tire, jack and tools can be easily removed.

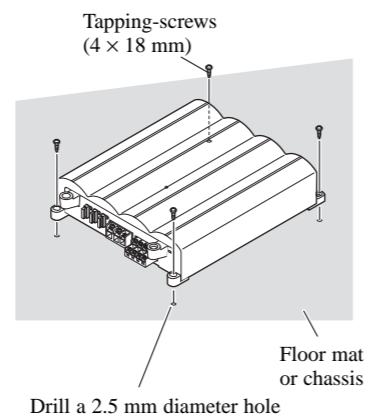
Example of installation on the floor mat or on the chassis

1. Attach the bracket to the main unit.



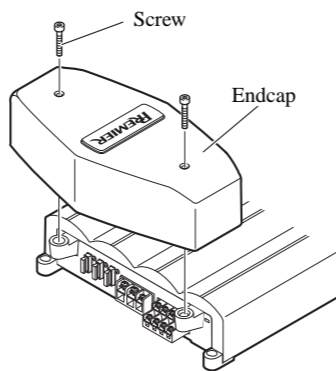
2. Place the amplifier where it is to be installed. Insert the supplied tapping screws (4 × 18 mm) into the screw holes. Push on the screws with a screwdriver so they make marks where the installation holes are to be located.

3. Drill 2.5 mm diameter holes at the point marked, and install the amplifier, either on the carpet or directly to the chassis.

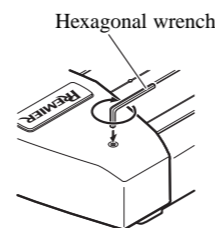


Fitting the end cap

1. Align the main unit and end cap holes, and insert the screw.



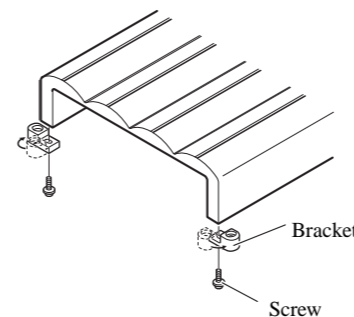
2. Tighten the screw with a 4 mm or 5/32 inch hexagonal wrench (not supplied).



Example of a set up with two units side by side

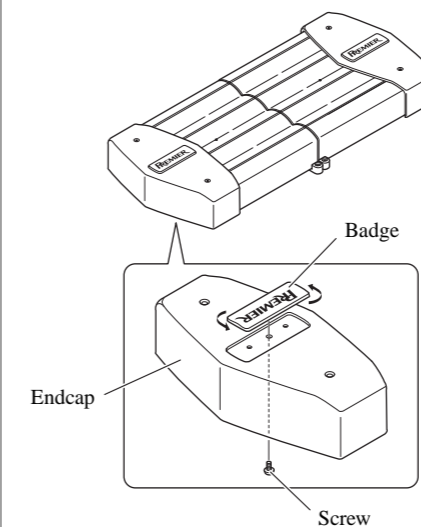
You can set up two units with the opposing ends joined together. (Refer to the illustration in step 2.)

1. Remove the bracket screw, adjust the bracket to the desired position, and then tighten the screw once more to secure.



2. Setting up with two units joined.

If you remove the end cap badge screw, you can adjust the badge so that the letters are straight.



Specifications

Power source	14.4 V DC (10.8 — 15.1 V allowable)
Grounding system	Negative type
Current consumption	43.7 A (at continuous power, 4 Ω)
Average current drawn*	14.5 A (4 Ω for four channels) 26.5 A (4 Ω for two channels)
Fuse	30 A × 3
Dimensions	264 (W) × 65 (H) × 345 (D) mm [10-3/8 (W) × 2-1/2 (H) × 13-5/8 (D) in]
Weight	7.0 kg (15.4 lbs) (Leads for wiring not included)
Continuous power output	37.5 W × 4 (at 14.4 V, 4 Ω, 20 — 20,000 Hz, 0.04% THD) 150 W × 2 (at 14.4 V, 4 Ω, 20 — 20,000 Hz, 0.4% THD) 75 W × 4 (at 14.4 V, 2 Ω, 20 — 20,000 Hz, 0.4% THD)
Load impedance	4 Ω (1 — 8 Ω allowable) (Bridge connection: 2 — 8 Ω allowable)
Frequency response	10 — 50,000 Hz (+0 dB, -1 dB)
Signal-to-noise ratio	105 dB (IHF-A network)
Distortion	0.005% (10 W, 1 kHz)
Separation	65 dB (1 kHz)
Variable crossover network	
A CH: LPF-L/LPF-H/HPF-L/BPF	
B CH: LPF-L/LPF-H/HPF-L/HPF-H	
Cut off frequency	Low frequency: 40 — 120 Hz High frequency: 3k — 9k Hz
Cut off slope	-12 dB/oct
Maximum input level/impedance	RCA: 6.5 V/22 kΩ (0.4 — 6.5 V)

Note:

- Specifications and the design are subject to possible modification without notice due to improvements.

*Average current drawn

- The average current drawn is nearly the maximum current drawn by this unit when an audio signal is input. Use this value when working out total current drawn by multiple power amplifiers.



Cher Client:

La sélection d'un équipement audio de qualité comme l'unité que vous venez d'acheter n'est que le début de votre plaisir musical. Maintenant, il est temps de penser à la manière de profiter au maximum des plaisirs que vous offre votre équipement. Ce fabricant et le Groupe "Consumer Electronics Group" de l'Association des Industries Electroniques veut que vous profitiez au maximum de votre équipement en l'utilisation à un niveau sûr. Un niveau qui permet au son d'être fort et clair, sans beuglement ennuyant ou distorsion — et, ce qui est plus important, sans affecter votre ouïe sensible.

Le son peut être décevant. Avec le temps, le "niveau de confort" de votre ouïe s'adapte aux volumes sonores plus élevés. Ainsi, les sons "normaux" peuvent en fait être forts et affecter votre ouïe. Protégez-vous contre cela en réglant votre équipement à un niveau sûr AVANT l'adaptation de votre ouïe.

Pour établir un niveau sûr:

- Démarrer votre commande de volume à un réglage bas.
- Augmentez lentement le son jusqu'à ce que vous l'entendiez confortablement et clairement, sans distorsion.

Lorsque vous avez établi un niveau sonore confortable:

- Réglez le cadran et laissez-le tel quel.

En prenant une minute pour faire cela, vous pourrez éviter des dommages ou des pertes de sensibilités d'écoute dans le futur. Après tout, nous voulons que vous écoutiez pendant toute votre vie.

Nous voulons que vous écoutiez pendant toute votre vie

Utilisé avec sagesse, votre nouvel équipement sonore sera une source de plaisir pendant toute votre vie. Comme les dommages de l'ouïe provenant d'un bruit fort ne sont souvent détectables que lorsqu'il est trop tard, ce fabricant et le Groupe "Consumer Electronics Group" de l'Association des Industries Electroniques vous recommandent d'éviter toute exposition prolongée à un bruit excessif. Cette liste de niveaux sonores est incluse pour votre protection.

Niveau de

Décibels	Exemple
30	Bibliothèque tranquille, chuchotement
40	Salon, réfrigérateur, chambre à distance de la circulation
50	Circulation légère, conversation normale, bureau tranquille
60	Climatiseur à 20 pieds, machine à coudre
70	Aspirateur, sèche-cheveux, restaurant bruyant
80	Circulation moyenne en ville, évacuateurs de déchets, réveils à deux pieds.

LES BRUITS SUIVANTS PEUVENT ETRE DANGEREUX DANS LE CAS D'UNE EXPOSITION CONSTANTE

90	Méto, motocyclette, circulation de camion, tondeuse à gazon
100	Collecteurs de poubelle, scie à chaîne, perceuse pneumatique
120	Concert de groupe rock devant les haut-parleurs, coup de tonnerre
140	Coup de pistolet, avion à réaction
180	Aire de lancement d'une fusée

Ces informations ont été gracieusement fournies par la Fondation de la Recherche pour les Sourds.



Cher Client:

La sélection d'un équipement audio de qualité comme l'unité que vous venez d'acheter n'est que le début de votre plaisir musical. Maintenant, il est temps de penser à la manière de profiter au maximum des plaisirs que vous offre votre équipement. Ce fabricant et le Groupe "Consumer Electronics Group" de l'Association des Industries Electroniques veut que vous profitiez au maximum de votre équipement en l'utilisation à un niveau sûr. Un niveau qui permet au son d'être fort et clair, sans beuglement ennuyant ou distorsion — et, ce qui est plus important, sans affecter votre ouïe sensible.

Le son peut être décevant. Avec le temps, le "niveau de confort" de votre ouïe s'adapte aux volumes sonores plus élevés. Ainsi, les sons "normaux" peuvent en fait être forts et affecter votre ouïe. Protégez-vous contre cela en réglant votre équipement à un niveau sûr AVANT l'adaptation de votre ouïe.

Pour établir un niveau sûr:

- Démarrer votre commande de volume à un réglage bas.
- Augmentez lentement le son jusqu'à ce que vous l'entendiez confortablement et clairement, sans distorsion.

Lorsque vous avez établi un niveau sonore confortable:

- Réglez le cadran et laissez-le tel quel.

En prenant une minute pour faire cela, vous pourrez éviter des dommages ou des pertes de sensibilités d'écoute dans le futur. Après tout, nous voulons que vous écoutiez pendant toute votre vie.

Nous voulons que vous écoutiez pendant toute votre vie

Utilisé avec sagesse, votre nouvel équipement sonore sera une source de plaisir pendant toute votre vie. Comme les dommages de l'ouïe provenant d'un bruit fort ne sont souvent détectables que lorsqu'il est trop tard, ce fabricant et le Groupe "Consumer Electronics Group" de l'Association des Industries Electroniques vous recommandent d'éviter toute exposition prolongée à un bruit excessif. Cette liste de niveaux sonores est incluse pour votre protection.

Niveau de

Décibels	Exemple
30	Bibliothèque tranquille, chuchotement
40	Salon, réfrigérateur, chambre à distance de la circulation
50	Circulation légère, conversation normale, bureau tranquille
60	Climatiseur à 20 pieds, machine à coudre
70	Aspirateur, sèche-cheveux, restaurant bruyant
80	Circulation moyenne en ville, évacuateurs de déchets, réveils à deux pieds.

LES BRUITS SUIVANTS PEUVENT ETRE DANGEREUX DANS LE CAS D'UNE EXPOSITION CONSTANTE

90	Méto, motocyclette, circulation de camion, tondeuse à gazon
100	Collecteurs de poubelle, scie à chaîne, perceuse pneumatique
120	Concert de groupe rock devant les haut-parleurs, coup de tonnerre
140	Coup de pistolet, avion à réaction
180	Aire de lancement d'une fusée

Ces informations ont été gracieusement fournies par la Fondation de la Recherche pour les Sourds.



Avant d'utiliser cet appareil

Nous vous remercions d'avoir porté votre choix sur un appareil PIONEER. Il a été conçu et fabriqué pour vous apporter de nombreuses années de satisfaction. En raison des problèmes posés par l'installation de cet appareil, Pioneer vous conseille de consulter un professionnel. Avant d'utiliser l'appareil, prenez connaissance de ce mode d'emploi et tout spécialement des **AVERTISSEMENTS**. Pour toute question concernant cet appareil, veuillez vous adresser au revendeur ou à l'installateur.

Service après-vente pour un produit Pioneer

Pour toute question, et en particulier pour toute question relative au service après-vente (y compris celles qui relèvent de la garantie), veuillez vous adresser au revendeur ou au distributeur auprès de qui vous avez acquis ce produit. Dans l'hypothèse où vous ne pourriez pas être renseigné comme vous le désirez, consultez l'une des sociétés mentionnées ci-dessous. N'expédiez pas le produit à l'une de ces sociétés, quelle qu'en soit la raison, avant d'y avoir été expressément invité.

■ Etats-Unis

Pioneer Electronics Service, Inc.
CUSTOMER SERVICE DEPARTMENT
P.O. Box 1760
Long Beach, CA 90801
800-421-1404

■ Canada

Pioneer Electronics of Canada, Inc.
CUSTOMER SERVICE DEPARTMENT
300 Allstate Parkway
Markham, Ontario L3R 0P2
(905) 479-4411
1-877-283-5901

Pour toute question concernant la garantie, veuillez consulter le document Garantie Limitée qui accompagne le produit.

AVERTISSEMENT

- Utiliser toujours la batterie rouge spéciale et des câbles du terrain ([RD-223] × 2), qui sont vendus séparément. Reliez le câble rouge à la borne positive (+) de la batterie et le câble de masse à la carrosserie du véhicule.
- Ne touchez pas l'amplificateur quand vous avez les mains mouillées, faute de quoi vous risquez de ressentir une secousse électrique. Pareillement, ne touchez pas l'amplificateur s'il est mouillé.
- Pour votre sécurité et celles des autres usagers de la route, maintenez le niveau d'écoute à une valeur telle que les bruits de la circulation demeurent nettement perceptibles.
- Si le fusible monté sur le câble de liaison à la batterie, câble qui est vendu séparément, a grillé ou bien s'il en est ainsi de celui de l'amplificateur, vérifiez soigneusement toutes les connexions d'alimentation. Recherchez la cause de l'anomalie puis corrigez-la; enfin, remplacez le fusible grillé par un fusible de même taille et de même calibre.
- Pour éviter d'endommager l'amplificateur et les haut-parleurs, le circuit de protection coupe l'alimentation de l'amplificateur (les sons ne sont plus émis) dès que survient une situation anormale. Dans ce cas, mettez l'ensemble des appareils hors tension et contrôlez les liaisons entre l'amplificateur et les haut-parleurs. Le cas échéant, recherchez la cause de l'anomalie et corrigez-la.
- Consultez le revendeur si vous n'êtes pas en mesure de résoudre le problème qui se pose à vous.
- Pour éviter toute secousse électrique et tout risque de court-circuit au cours des opérations de raccordement et d'installation, n'oubliez pas de débrancher le câble relié au pôle négatif de la batterie (–) avant d'effectuer quelque opération que ce soit.
- Avant d'effectuer un perçage requis par l'installation de l'amplificateur, assurez-vous que vous pouvez le faire sans danger pour les câbles, canalisations, flexibles, etc., qui sont placés derrière le panneau que vous devez percer.

Réglage de l'appareil

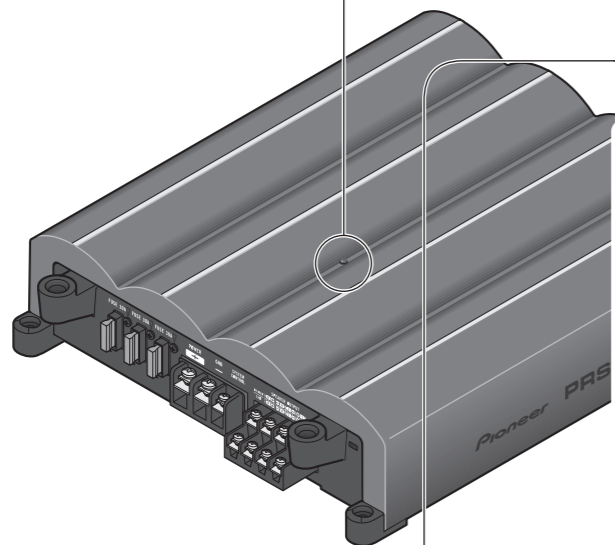
Commande du gain

Le réglage des commandes de gain A et B permet d'adapter la sortie de l'autoradio à l'amplificateur Pioneer. En principe, placez les contrôleurs de gain sur la position "NORMAL". Si le niveau d'écoute est faible même lorsque la commande de l'autoradio est sur la position correspondant au maximum, tournez ces commandes de gain dans le sens des aiguilles d'une montre. Inversement, si vous constatez de la distorsion lorsque vous augmentez le niveau de sortie de l'autoradio, tournez ces commandes dans le sens contraire des aiguilles d'une montre.

- Si vous n'utilisez qu'une seule prise d'entrée, réglez sur la même position, les commandes de gain pour les haut-parleurs A et B.
- Choisissez la position NORMAL si l'autoradio stéréo est équipé de prises Cinch (RCA) (niveau de sortie standard à 500 mV). Si cet appareil est utilisé conjointement avec un autoradio stéréo Pioneer pourvu de prises Cinch (RCA) sur lesquelles peuvent se trouver une tension de sortie de 4 V ou plus, réglez le niveau en fonction du niveau de sortie de l'autoradio.

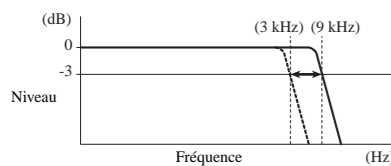
Témoin d'alimentation

Ce témoin s'éclaire lorsque l'amplificateur est sous tension.



Commande de la fréquence de coupure

Connecter le LPF/HPF/BPF et LOW/HIGH les montures de commutateur de sélection vous permet de sélectionner entre fréquences de trancher de 40 à 120 Hz et de 3k à 9k Hz (par exemple: LPF et HIGH).



Sélecteur d'entrée Cinch (RCA)

Dans le cas où deux voies sont appliquées sur l'amplificateur, placez ce sélecteur sur la position de gauche; dans le cas de quatre voies, placez ce sélecteur sur la position de droite.

Sélecteur LPF (Filtre passe-bas)/HPF (Filtre passe-haut)/BPF (Filtre bande-passe) et sélecteur LOW (Bas)/HIGH (Haut)

Positionnez le sélecteur LPF/HPF/BPF et sélecteur LOW/HIGH comme indiqué ci-dessous en tenant compte de l'autoradio et du type du haut-parleur relié au connecteur de sortie.

Sélecteur LPF/HPF/BPF et sélecteur LOW/HIGH	Gamme des fréquences disponibles en sortie	Type de haut-parleur	Remarques
LPF	HIGH (Haut) *1 — 3k à 9k Hz	Moyenne	Connecter un haut-parleur au fréquence moyenne.
	LOW (Bas) *1 — 40 à 120 Hz	Haut-parleur d'extrêmes graves	Connecter un haut-parleur d'extrêmes graves
HPF	HIGH (Haut) *1 *2 3k à 9k Hz —	Haut-parleur à haute fréquence*3	Connecter un haut-parleur à haute fréquence.
	LOW (Bas) *1 40 à 120 Hz —	Haut-parleur pleine gamme	Choisissez cette position si les fréquences*1 très graves sont inutiles compte tenu des haut-parleurs utilisés.
BPF (pour CH A)*4	*1 40 à 120 Hz — — 3k à 9k Hz	Moyenne	Connecter un haut-parleur au fréquence moyenne.
OFF	Tout le spectre des fréquences	Haut-parleur pleine gamme	

*1 Reportez-vous au paragraphe "Commande de la fréquence de coupure".

*2 Avec CH A, même si la monture est HPF-HIGH, vous pouvez seulement sélectionner la même fréquence de trancher que le HPF-LOW (40 à 120 Hz).

*3 Si vous connectez directement le haut-parleur à haute voix, vous devez poser le CH B au HPF-HIGH.

*4 Soyez sûr de poser le LOW/HIGH Commutateur de sélection sur le HIGH.

Raccordement de l'appareil

AVERTISSEMENTS

- Pour éviter tout risque de court-circuit ou d'endommager cet appareil, débranchez le câble relié à la borne négative (-) de la batterie, au niveau de cette borne.
- Fixez les câbles au moyen de colliers ou du ruban adhésif. Lorsque l'isolant du câble peut être endommagé par une pièce métallique, assurez sa protection en le gainant de ruban adhésif.
- Faites cheminer les câbles en évitant les zones chaudes telles que les bouches du chauffage. La chaleur peut endommager l'isolant et il peut en résulter un court-circuit si l'âme du câble vient en contact avec la carrosserie.

Pour éviter toute anomalie

- Ne reliez pas à la masse le câble (-) d'un haut-parleur; ne reliez pas ensemble plusieurs câbles négatifs de haut-parleurs.
- Cet appareil est conçu pour les véhicules alimentés par une batterie 12 V dont le pôle négatif est à la masse. Avant d'installer cet appareil, contrôlez la tension de la batterie.
- Si vous conservez l'autoradio en fonctionnement alors que le moteur est arrêté ou tourne au ralenti, la batterie peut être déchargée au bout d'un certain temps. Pour éviter cela, mettez l'autoradio hors tension.
- Si le câble de commande à distance de l'amplificateur est relié à la borne d'alimentation par l'intermédiaire du contacteur d'allumage (12 V CC), l'amplificateur sera sous tension dès que vous mettez le contact, et cela quelle que soit la situation de l'autoradio. En conséquence, la batterie peut être rapidement déchargée si le moteur ne tourne pas, ou tourne au ralenti.

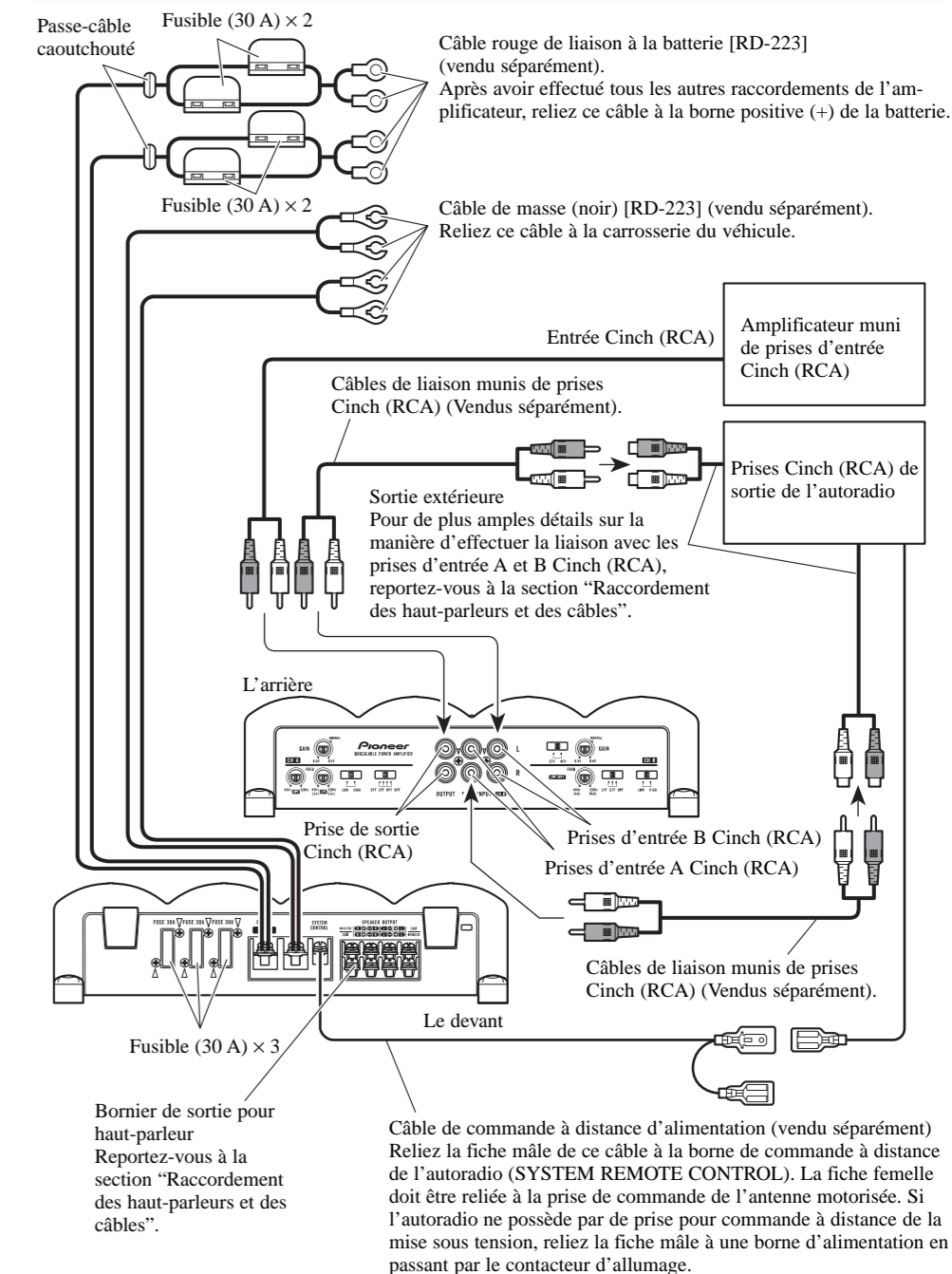
- Assurez-vous que les câbles ne gênent en rien la manoeuvre des organes mobiles tels que rails de siège mais aussi levier de frein de stationnement, pédale de frein, etc.
- Veillez à ce qu'aucun câble ne soit en court-circuit, faute de quoi le circuit de protection pourrait être dans l'incapacité de remplir son office.
- N'alimentez pas un appareil par un piquage sur le câble qui alimente un autre appareil. Ce câble n'a peut-être pas la section suffisante pour supporter sans danger l'intensité consommée par les deux appareils.

- Les haut-parleurs qui sont connectés à l'amplificateur doivent se conformer aux standards suivants. Sinon, ils pourraient prendre feu, fumer ou être endommagés. L'impédance de parleur doit être de 1 à 8 ohms. Mais dans le cas où il deux chaînes ou un autre pont de connecteur, son impédance peut être de 2 à 8 ohms.
- Installez le câble de liaison à la batterie, vendu séparément, et faites-le cheminer aussi loin que possible des câbles de liaison aux haut-parleurs. Installez le câble de liaison à la batterie, vendu séparément, le câble de masse, les câbles de liaison aux haut-parleurs et l'amplificateur aussi loin que possible de l'antenne, du câble d'antenne et du syntoniseur.

- Les câbles de cet appareil et ceux d'autres appareils peuvent fort bien ne pas être de la même couleur bien que remplissant la même fonction. Pour relier cet appareil à un autre appareil, utilisez le manuel d'installation de chacun et effectuez les raccordements en ne tenant compte que de la fonction de chaque câble.

Voie de sortie	Type de haut-parleur	Puissance
Quatre voies	Haut-parleur d'extrêmes graves	P. nominale d'entrée: 95 W minimum
	Autre que haut-parleur d'extrêmes graves	P. maximale d'entrée: 95 W minimum
Deux voies	Haut-parleur d'extrêmes graves	P. nominale d'entrée: 330 W minimum
	Autre que haut-parleur d'extrêmes graves	P. maximale d'entrée: 330 W minimum
Trois voies Sortie haut-parleur A	Haut-parleur d'extrêmes graves	P. nominale d'entrée: 95 W minimum
	Autre que haut-parleur d'extrêmes graves	P. maximale d'entrée: 95 W minimum
Trois voies Sortie haut-parleur B	Haut-parleur d'extrêmes graves	P. nominale d'entrée: 330 W minimum
	Autre que haut-parleur d'extrêmes graves	P. maximale d'entrée: 330 W minimum

Schéma de raccordement



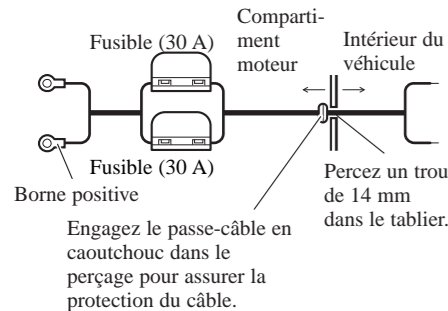
Raccordement de l'appareil

Raccordement de la borne d'alimentation

- Utiliser toujours la batterie rouge spéciale et des câbles du terrain ([RD-223] x 2), qui sont vendus séparément. Reliez le câble rouge à la borne positive (+) de la batterie et le câble de masse à la carrosserie du véhicule.

1. Faites passer le câble de liaison à la batterie du compartiment moteur vers l'intérieur du véhicule.

- Après avoir effectué tous les autres raccordements de l'amplificateur, reliez la borne d'alimentation de l'amplificateur à la borne positive (+) de la batterie.

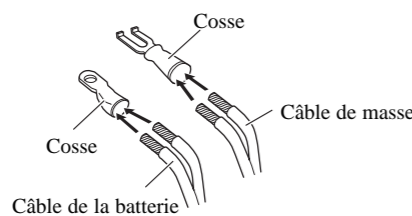


2. Torsadez le câble de la batterie, celui de masse et celui de la commande à distance.



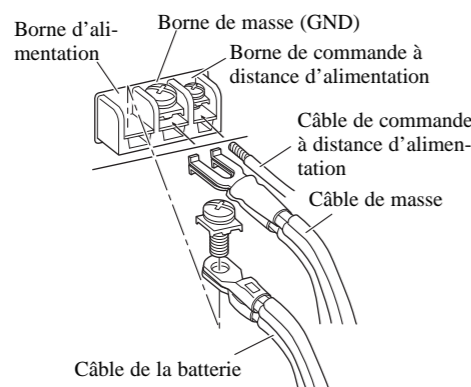
3. Fixez une cosse à l'extrémité de chaque câble. Les cosses ne sont pas fournies.

- Utilisez un outil spécial, etc., pour sertir la cosse sur le câble.



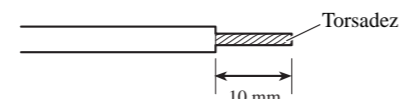
4. Reliez les câbles aux bornes.

- Serrez soigneusement les câbles au moyen des vis.



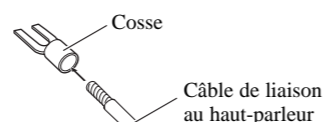
Raccordement des bornes de sortie vers les haut-parleurs

1. Dénudez, sur 10 mm, l'extrémité des câbles de liaison aux haut-parleurs et torsadez les brins du câble.



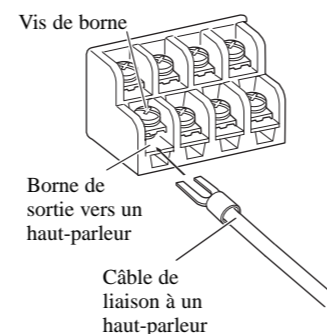
2. Fixez une cosse à l'extrémité de chaque câble de haut-parleur. Les cosses ne sont pas fournies.

- Utilisez un outil spécial, etc., pour sertir la cosse sur le câble.



3. Reliez les câbles de liaisons aux haut-parleurs aux bornes de sortie vers les haut-parleurs.

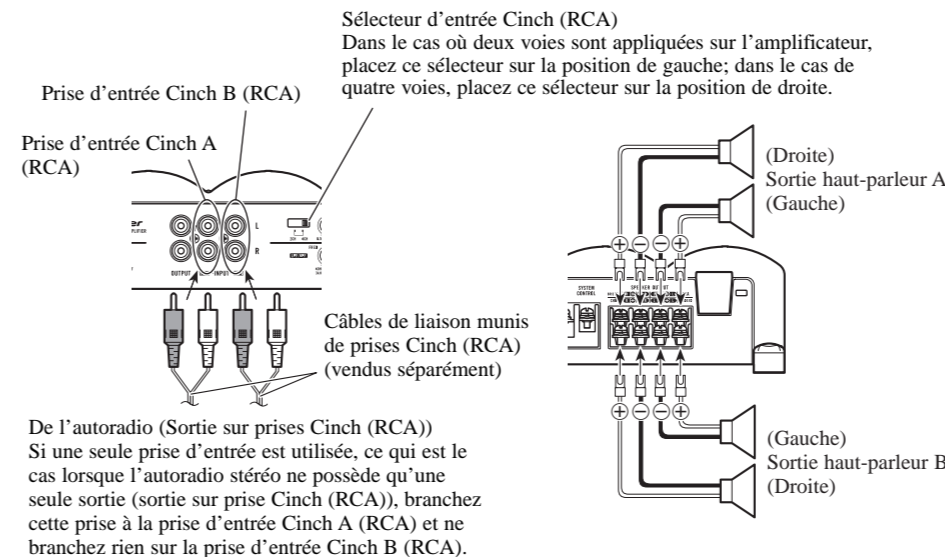
- Serrez soigneusement les cosses au moyen des vis.



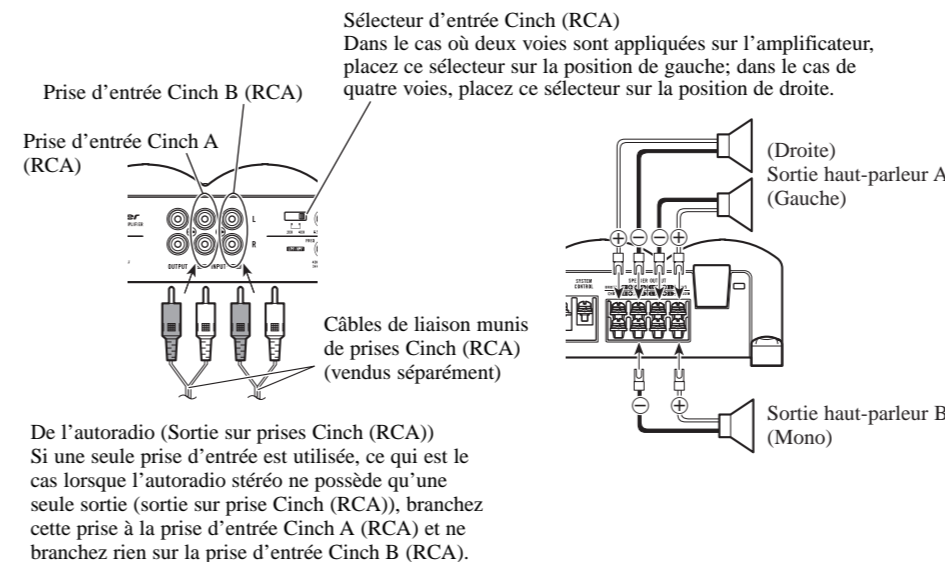
Raccordement des haut-parleurs et des câbles

Les haut-parleurs peuvent fonctionner selon trois modes: quatre voies, trois voies (stéréo + mono) ou deux voies (stéréo, mono). Connecter les fils du haut-parleur pour se conformer au mode suivant les figures cidessous.

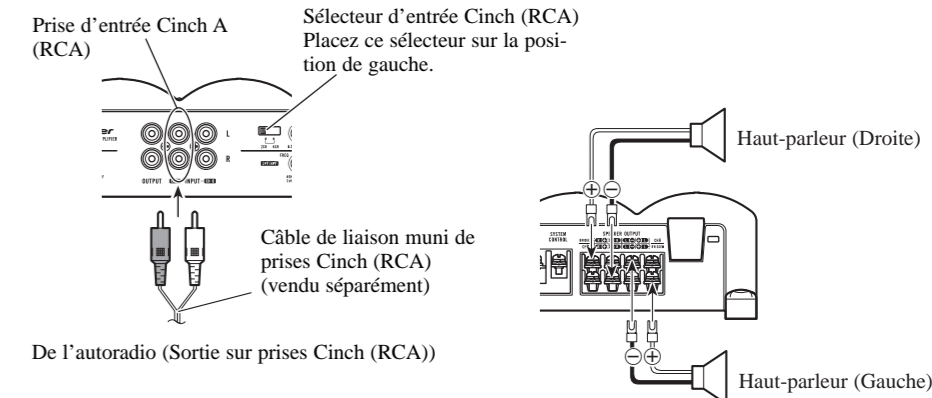
Mode quatre voies



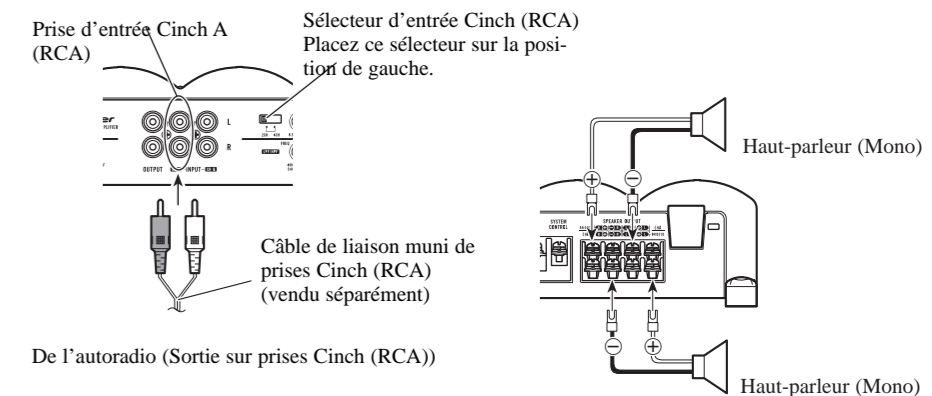
Mode trois voies



Mode deux voies (Stéréo)



Mode deux voies (Mono)



AVERTISSEMENTS

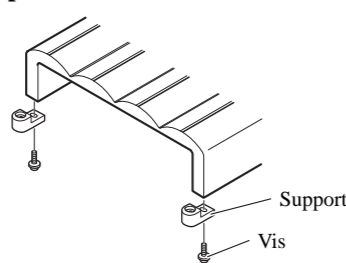
- N'installez pas l'appareil:
 - dans un endroit où il pourrait blesser un occupant du véhicule en cas d'arrêt brusque;
 - dans un endroit où il pourrait gêner le conducteur, par exemple devant son siège.
- Veillez à ce que les câbles ne puissent pas être pincés et endommagés par les sièges, ce qui peut conduire à un court-circuit.
- Avant d'effectuer un perçage requis par l'installation de l'amplificateur, assurez-vous que vous pouvez le faire sans danger pour les câbles, canalisations, flexibles, etc., qui sont placés derrière le panneau que vous devez percer.
- Posez les vis autotaraudeuses de manière que leur extrémité ne puisse pas endommager les câbles. Il est important que l'isolant d'un câble ne soit pas endommagé par le frottement sur une pièce, ce qui pourrait ultérieurement entraîner un court-circuit.
- Pour éviter tout risque de secousse électrique, n'installez pas l'amplificateur dans un endroit où il pourrait être aspergé de liquide.
- Pour effectuer convenablement l'installation, utilisez les pièces fournies et procédez comme il est indiqué. L'utilisation de pièces autres que celles fournies peut endommager l'amplificateur.

Pour éviter toute anomalie de fonctionnement

- Pour que la chaleur puisse se dissiper sans mal, respectez ce qui suit:
 - veillez à ce qu'un espace dégagé existe au-dessus de l'amplificateur.
 - ne recouvrez pas l'amplificateur d'un tapis ou d'une moquette.
- N'installez pas l'amplificateur près d'une portière car il pourrait être mouillé par la pluie lorsque la portière est ouverte.
- N'installez pas l'amplificateur sur une surface instable telle que le tapis amovible cachant la roue de secours.
- Le meilleur emplacement d'installation dépend du véhicule, mais, quoi qu'il en soit, doit être rigide et solide.
- Effectuez tout d'abord des raccordements temporaires pour vous assurer que l'amplificateur et les autres appareils fonctionnent correctement.
- Choisissez un emplacement qui permette le retrait sans peine de la roue de secours, du cric et de la boîte à outils.

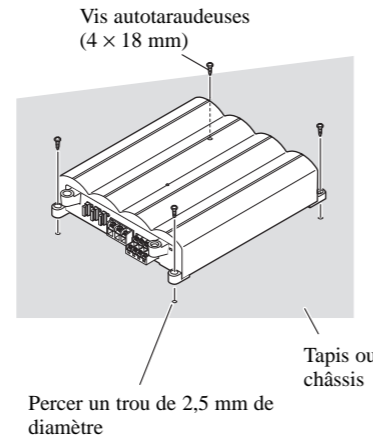
Exemple d'installation sur le tapis de sol ou sur le châssis

1. Attacher le support à l'unité principale.



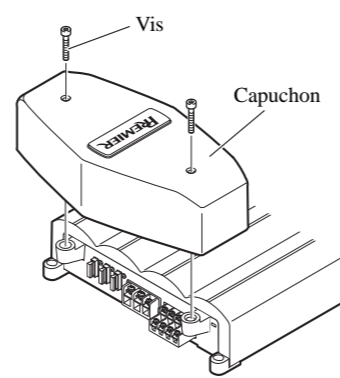
2. Posez l'amplificateur à l'emplacement choisi. Introduisez les vis autotaraudeuses fournies (4 × 18 mm) dans les perçages. Appuyez fermement sur les vis au moyen d'un tournevis pour marquer les points de perçage.

3. Percer des trous de 2,5 mm de diamètre aux emplacements marqués puis fixez l'amplificateur soit à travers le tapis, soit directement sur le châssis.



Pose du capuchon

1. Placez en regard les perçages de l'appareil et du capuchon puis introduisez la vis.



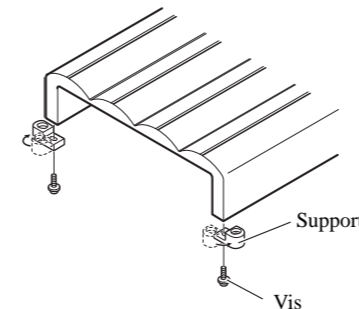
2. Serrez la vis au moyen d'une clé hexagonale de 4 mm, ou 5/32 pouce (non fournie).



Exemple d'une configuration avec deux appareils placés côte à côte

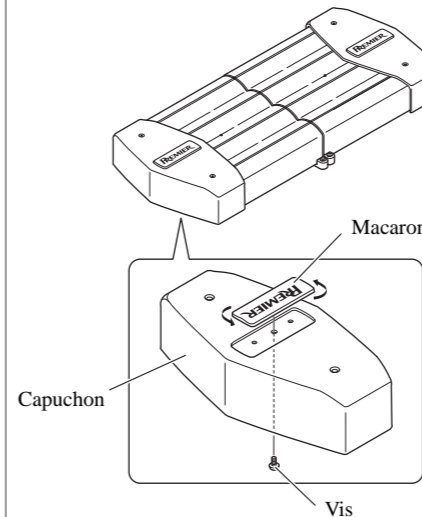
Vous pouvez monter deux appareils de telle sorte qu'ils soient réunis par leurs extrémités opposées. (Reportez-vous à l'illustration qui accompagne l'opération 2.)

1. Retirez la vis du support, réglez le support comme il convient puis serrez la vis pour assurer le maintien.



2. Montage avec les deux appareils réunis.

Si vous retirez la vis du macaron du capuchon, vous pouvez régler le macaron de façon que les lettres soient droites.



Alimentation	14,4 V CC (10,8 — 15,1 V permis)
Mise à la masse	Pôle négatif de la batterie
Consommation de courant	43,7 A (à la puissance continue, 4 Ω)
Consommation moyenne de courant*	14,5 A (4 Ω pour quatre voies) 26,5 A (4 Ω pour deux voies)
Fusible	30 A × 3
Dimensions	264 (L) × 65 (H) × 345 (P) mm
Poids	7,0 kg (sans les câbles)
Puissance continue de sortie	37,5 W × 4 (à 14,4 V, sur 4 Ω, entre 20 — 20.000 Hz, avec DHT de 0,04%) 150 W × 2 (à 14,4 V, sur 4 Ω, entre 20 — 20.000 Hz, avec DHT de 0,4%) 75 W × 4 (à 14,4 V, sur 2 Ω, entre 20 — 20.000 Hz, avec DHT de 0,4%)
Impédance de charge	4 Ω (1 — 8 Ω permis) (Montage ponté: 2 — 8 Ω permis)
Réponse en fréquence	10 — 50.000 Hz (+0 dB, -1 dB)
Rapport signal/bruit	105 dB (Réseau IHF - A)
Distorsion	0,005% (10 W, 1 kHz)
Séparation des voies	65 dB (1 kHz)
Reseau croisé variable	
A CH: LPF-L/LPF-H/HPF-L/BPF	
B CH: LPF-L/LPF-H/HPF-L/HPF-H	
Fréquence de coupure	Basse fréquence: 40 — 120 Hz Haute fréquence: 3k — 9k Hz
Pente	-12 dB/oct.
Niveau maximale/impédance d'entrée	RCA: 6,5 V / 22 kΩ (0,4 — 6,5 V)

Remarque:

- Les caractéristiques et la présentation peuvent être modifiées sans avis préalable à fin d'amélioration.

* Consommation moyenne de courant

- Le courant moyen est proche du courant maximal lorsqu'un signal audio est appliqué à l'entrée de l'amplificateur. Utilisez cette valeur lorsque vous désirez calculer le courant total consommé par plusieurs amplificateurs de puissance.