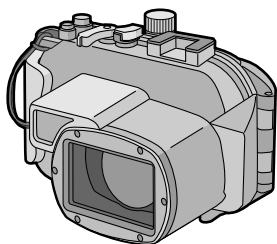


# Panasonic®



Operating Instructions  
Manuel d'utilisation  
Bedienungsanleitung  
Instrucciones de funcionamiento  
Istruzioni d'uso  
使用説明書  
使用说明书  
Инструкция по эксплуатации

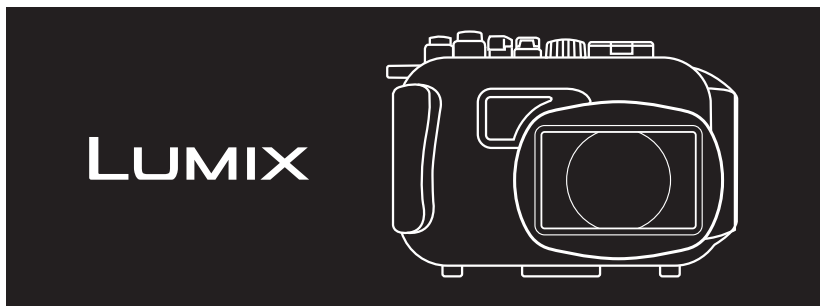
Marine Case  
Boîtier marin

防水盒

型号

Model No.

## DMW-MCTZ5



Before connecting, operating or adjusting this product, please read the instructions completely.  
Avant de raccorder, régler ou utiliser l'appareil, il est recommandé de lire attentivement le manuel d'utilisation.  
Bitte lesen Sie diese Bedienungsanleitung vor der Inbetriebnahme des Gerätes vollständig durch.

Antes del uso, lea completamente estas instrucciones.  
Leggere completamente queste istruzioni prima dell'uso.

使用前，請完整閱讀本說明書。

使用前，請完整閱讀本說明書。

Перед использованием прочтите, пожалуйста, эту инструкцию полностью.

PP E

VQT1Q30-M

## **Contents**

---

Before Use . . . . .	3
Accessories. . . . .	5
Handling and Care . . . . .	6
Components . . . . .	8
What is the O-ring? . . . . .	9
Preparation -Setting the O-ring- . . . . .	10
Preparation -Checking the Case is Waterproof- . . . . .	14
Preparation -Attaching the Digital Camera- . . . . .	15
Taking Pictures . . . . .	18
Tips for Taking Pictures in the Water . . . . .	19
After Use . . . . .	20
Cleaning and Storing . . . . .	21
Caution for Use . . . . .	21
Specifications . . . . .	23

## Before Use

---

- This Marine Case is designed for a Panasonic Digital Camera. You can enjoy taking pictures underwater at depths **up to 40 m/130 feet**.
- In the case of water leakage due to insufficient care, Panasonic is in no way liable for damage to any products (digital camera, batteries, card etc.) inside this Case, photography costs or any other expenses.
- Panasonic also offers no compensation for accidents resulting in injury or damage to property.
- Read the operating instructions for your digital camera.
- **Before attaching the digital camera, submerge the case in water for about 3 minutes or more to check that there is no water leakage.**

### ■ About handling this Case

- Use under the following conditions.
  - **Water depth: Up to 40 m/130 feet**
  - **Ambient temperature: 0 °C to 40 °C/32 °F to 104 °F**
- Do not use the Case in water over 40 °C/104 °F. The heat may damage the Case or cause water leakage.
- The Case is made of impact resistant polycarbonate however be careful when you are using it. It can be easily scratched when taking pictures in rocky places etc. and can be damaged by the impact if dropped etc. When travelling, pack the Case carefully to prevent any direct impact if it is dropped etc. and do not leave the digital camera in the Case. Only attach the digital camera to the case if you are transporting it a short distance such as from the airport to the diving spot. (You cannot reuse the material the Case was packed in at the time of purchase to transport it.)
- When boarding a plane, the change in atmospheric pressure may cause the inside of the Case to expand causing damage to the Case. Remove the O-ring before boarding a plane.
- **Do not leave the digital camera in the Case for a long period of time in a car, a ship, exposed to direct sunlight etc. The Case is an airtight device so the temperature inside the Case will become very high and the digital camera may stop operating properly. Do not let the temperature inside the Case become too high.**

## **Before Use** *(continued)*

---

### ■ **Using the Case in high or low temperatures**

- If you open or close the Case where it is humid or hot and then move to a place that is cold or dive underwater, condensation may appear inside the Case, the glass surface may become cloudy and the digital camera may be damaged.
- If you suddenly move the Case from a cold place or cold water to a warm place, the glass surface may become cloudy. Wait until the Case becomes close to the air temperature before taking pictures.

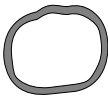



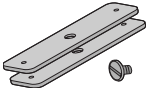
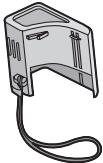
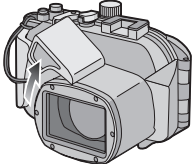
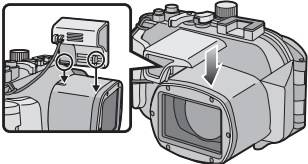
### ■ **About preparation**

- **Do not open or close the Case where it may be splashed by water or sand may get in it. We recommend opening or closing the Case indoors.**
- Replace the battery, card etc. and attach the digital camera indoors where there is little moisture.
- **If you must open or close the Case at the diving spot to replace the battery or the card, be sure to follow the steps below.**
  - Select a place where the Case will not be splashed by water and sand will not get in it.
  - Blow off any drops of water in the gap between the rear case and the front case and on the buckle. Thoroughly wipe off any remaining drops of water with a dry cloth.
  - Thoroughly wipe off any drops of water on your body or hair.
  - Be particularly careful about any water coming from the sleeves of your thermal suit.
  - Do not touch the digital camera if your hands are wet from sea water. Wet a towel with fresh water and place it in a polyester bag beforehand. Use this towel to wipe off any drops of water or sand on your hands or body.
- This Case does not absorb shock. If you place a heavy object on the Case or cause shock to it, the digital camera may be damaged. Be careful when you are using the case.

# Accessories

When you first open the package, check that the Case and all the accessories are included and that there has been no damage to the Case or any of the accessories during distribution or transportation. If you find something unusual, consult your dealer before using the Case.

Do not use any accessories except those specified below.

	<p>O-ring VMG1798</p>		<p>Silica Gel (Desiccant) (1 g /5 pieces) VZG0371</p>
	<p>Grease (for O-ring) VZG0372</p>		<p>Hand Strap VFC4190</p>
	<p>Weight (2) , Weights attachment screw VXA8446</p>		
	<p>Diffuser VYK2D90</p> <ul style="list-style-type: none"> <li>You can remove this diffuser when not using it.</li> </ul> <p><b>Removing</b></p>  <p><b>Attaching</b></p>  <p>Align with the mark on the back of the case and attach.</p>		

## ***Handling and Care***

---

- **Do not place the Case where it may fall.**
  - If the Case falls on your head or foot, it will injure you and cause the Case to malfunction.
- **Never alter the Case.**
  - If water leaks into the digital camera because the Case was altered, the digital camera may be damaged beyond repair.
  - If you continue to use the digital camera after water has leaked into it, this may cause a fire.
- **Do not use the Case while scuba diving without proper training.**
  - You should only operate the Case while scuba diving if you have been properly trained and certified for this sport.
- **Never place the Case, grease, silica gel or O-ring within the reach of infants.**
  - If any part of an infant's body is caught in the Case, it may cause an injury.
  - Infants may accidentally swallow the grease, silica gel or O-ring.
  - Consult a doctor immediately if you think an infant may have swallowed the grease, silica gel or O-ring.
- **Do not hang the strap around your neck underwater.**
  - It may become wound around your neck causing suffocation or other serious injuries.
- **Thoroughly wash off any grease on your hands.**
  - Do not allow the grease on your hands to come into contact with your mouth or eyes.
- **If water leaks into the case, stop using it immediately.**
  - This may cause an electric shock, burning or a fire.
  - Consult your dealer.
- **If anything abnormal occurs while using the Case underwater, please follow all necessary procedures and guidelines for decompressing when you ascend.**
  - If you ascend too quickly, you may get caisson disease.
- **If smoke or abnormal heat, smells or sounds come from the Case, stop using it immediately.**
  - These may cause an electric shock, burning or fire.
  - Remove the digital camera from the Case and then immediately remove the battery from the digital camera.
  - Consult your dealer.
- **Be careful when opening the Case after water leakage.**
  - The leaked water may blow out or the rear case may flip.

---

- **Do not leave the Case where the temperature is high.**

- The temperature inside the Case becomes very high particularly when it is exposed to direct sunlight on a beach, a ship etc. or when it is left in an airtight car in the summer. The heat may damage the Case or its inner parts.
- If a digital camera is attached to the Case, it may also be damaged.
- If you use the attached digital camera when the temperature inside the Case is very high, it may cause leakage, short-circuiting or insulation failure resulting in fire or malfunction.

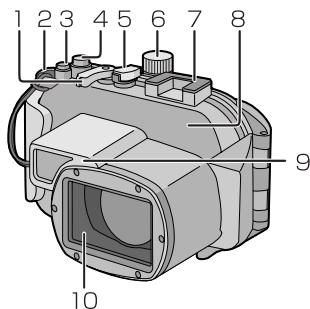
- **Do not handle the digital camera or the battery with wet hands.**

- This may cause an electric shock or malfunction.

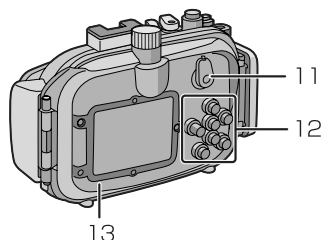
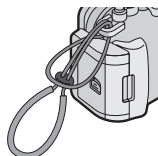
- **When taking pictures with the flash**

- When taking pictures with the flash, the corners of the picture may be vignetted or the picture may not be lit evenly.
- When taking pictures with the flash, the available flash range is less underwater than on land.

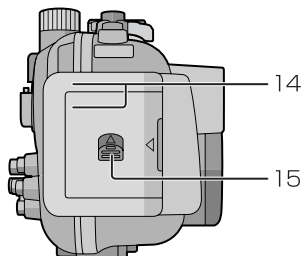
# Components



1. Zoom Lever
2. Strap Eyelet  
(for attaching the supplied hand strap and diffuser)



3. [E.ZOOM] button
4. Shutter Button
5. Camera ON/OFF Switch
6. Mode dial
7. Mounting shoe for INON Inc., external strobe\*<sup>1</sup>
8. Front Case
9. Diffuser (supplied)
10. Front Glass
11. [REC]/[PLAYBACK] selector switch
12. Button operation section  
(Read the operating instructions of the digital camera for details about each button operation.\*<sup>2</sup>)
13. Rear Case



14. Buckle
15. Lock Release Lever

\*1 This is a mounting shoe dedicated for an external strobe manufactured by INON Inc.

Please refer to INON Inc. regarding compatible strobe.

[http://www.inon.co.jp/INON\\_WORLD\\_body.html](http://www.inon.co.jp/INON_WORLD_body.html)

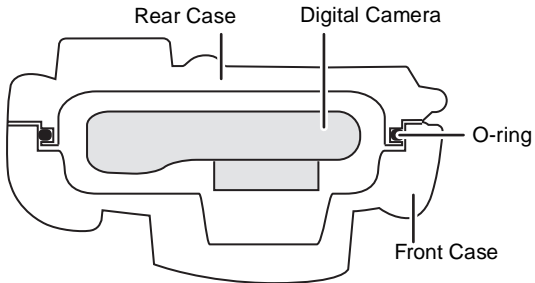
\*2 Depending on the digital camera being used, the button indications on the marine case may be slightly different. Follow the button indications on the digital camera for use.



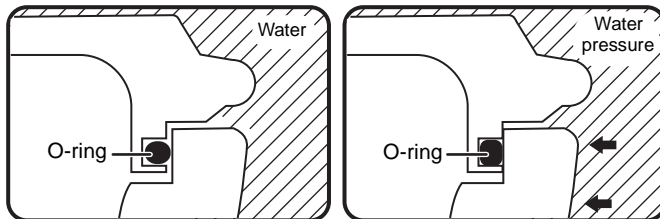
# What is the O-ring?

- The O-ring is a waterproofing packing used for underwater cameras, watches and diving equipment.
- The O-ring keeps the Case waterproof by sealing the gap between the rear case and the front case.

## ■ How the O-ring keeps the Case waterproof



The gum comes into contact with the sides of the Case making the Case waterproof and stopping water from entering from the gap.



When water pressure acts on the O-ring, the surface of the O-ring expands and the Case is sealed more tightly.

**The O-ring prevents water leakage by coming into uniform contact with the sides of the Case. Therefore, good care of the O-ring is very important. Incorrect care of the O-ring may cause water leakage.**

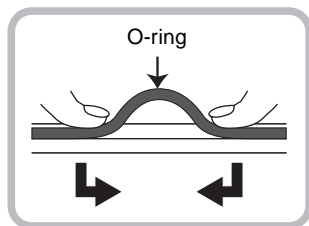
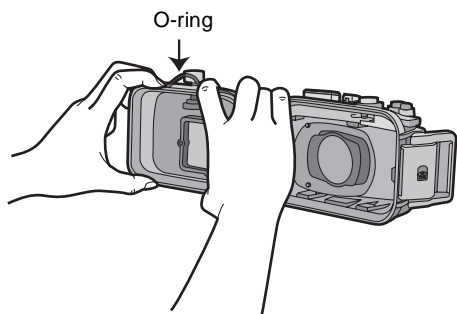
## Preparation -Setting the O-ring-

Be sure to set the O-ring before attaching a digital camera.

Thoroughly wash and dry your hands before handling the O-ring. Place the O-ring where there is no sand or dust.

### 1 Loosen the O-ring with your fingers to remove it.

- Loosen part of the O-ring with the tips of two fingers and then lift the loosened part. Be careful not to scratch the O-ring with your fingernails.

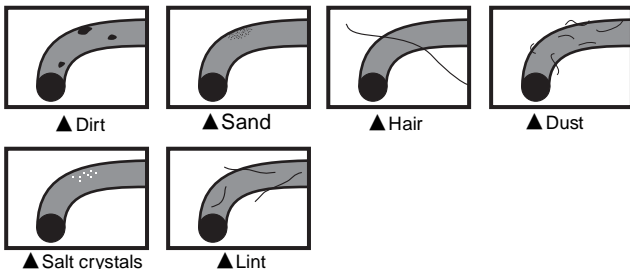


### ■ Note

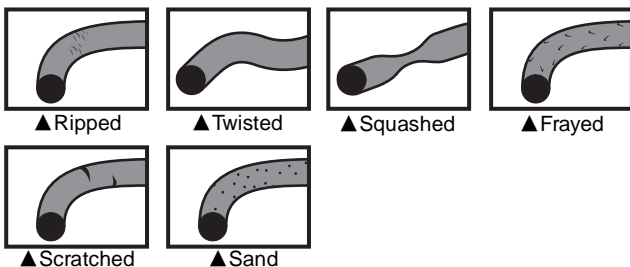
- Do not use a pointed object to remove the O-ring. This may scratch the O-ring.

## 2 Check the O-ring.

- Check that there is no dirt, sand, hair, dust, salt crystals, lint or grease on the O-ring. If you find any of these, remove them with a soft, dry cloth.



- There may be dirt on the O-ring that you cannot see. Check if there is any dirt by rubbing your finger over the O-ring.
- Be careful not to leave any fibers from the dry cloth on the O-ring when wiping it.
- Check that the O-ring is not ripped, twisted, squashed, frayed or scratched and that there is no sand sticking to it. Replace the O-ring in these cases.



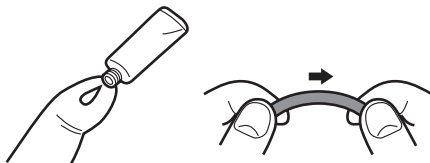
## 3 Inspect the O-ring groove.

- Grains of sand or hardened salt crystals may get into the O-ring groove. Remove them carefully with an air spray or a cotton swab. If you use a cotton swab, be careful not to leave any fibers from it in the O-ring groove.

## Preparation -Setting the O-ring- (continued)

**4** Inspect the opposite side of the O-ring in the same way.

**5** Apply the grease (supplied).

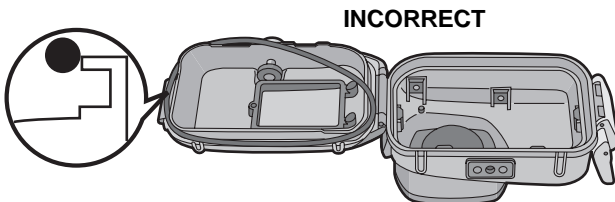
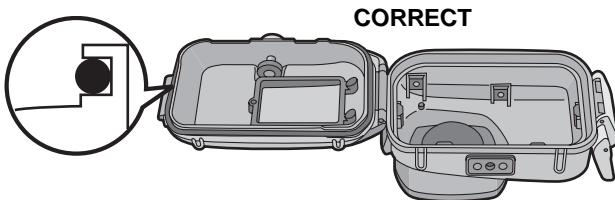


- Apply a rice-grain size of grease (supplied) evenly to the O-ring with the tip of your finger.
- Dirt or dust will stick to the O-ring if you apply too much grease.
- **Use only the specified grease. If you use other types of grease, the surface of the O-ring may be damaged causing water leakage.**
- Do not apply the grease with paper or a cloth. The fibers from the paper or cloth may stick to the O-ring.

**6** Fit the O-ring evenly into the O-ring groove.

Check the following:

- There is no dirt sticking to the O-ring.
- The O-ring has not come out.
- The O-ring is not twisted.
- The O-ring is not stretched too much.



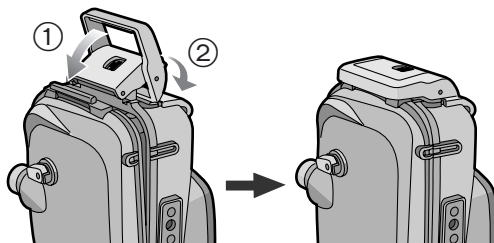
## 7 Inspect the O-ring one last time.

Check the following one more time:

- There is no dirt sticking to the O-ring.
- The O-ring has not come out.
- The O-ring is not twisted.
- There are no scratches or squashed parts on the O-ring.

**Thoroughly wipe any grease off your hands with a dry cloth and then wash your hands with water.**

## 8 Close the buckle.



- Check that no foreign materials are sticking to the outer surface of the O-ring or the buckle on the front case and then close the Case.

### ■ Notes

- To keep the Case completely airtight, do not scratch the surface of the O-ring that comes into contact with the sides of the Case.
- Never use an O-ring that has been scratched or damaged by dirt etc. This will cause water leakage.
- Each time you use the Case, remove the O-ring and check that there is no dirt, sand, hair or other foreign materials in the O-ring groove and then apply a thin coat of grease (supplied). If you apply too much grease, dirt and the dust may stick to the O-ring causing water leakage.
- Be sure to bring a spare O-ring in case the O-ring that you are using becomes damaged or scratched.

## **Preparation -Checking the Case is Waterproof-**

---

**After setting the O-ring, check that no water leaks into the Case by submerging it in a water tank, bath tub etc. for more than about 3 minutes before attaching a digital camera.**

- Do not use the Case in water over 40 °C/104 °F. The heat may damage the Case or cause water leakage.



 **Carry out the same test after attaching the digital camera to the Case. (P15)**

### **■ Notes**

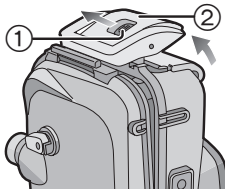
- If bubbles rise from the Case when it is submerged in water or there is water inside the Case when you take it out the water, there is water leakage. In these cases, consult your dealer.
- If water leaks into the Case while you are using it and the digital camera is submerged in water, remove the battery immediately. Hydrogen gas can cause burning or explosion if there is a fire nearby.
- If you dive quickly while holding the Case or throw the Case from a ship into the sea, some water leakage may occur because of high pressure. This is not a malfunction of the Case. Always dive slowly into the water.
- The Case is designed to be used at a depth of up to 40 m/130 feet. If you dive deeper than 40 m/130 feet, part of the Case may be damaged beyond repair.
- When closing the Case, be careful that no foreign materials get caught between the O-ring and the O-ring groove. Even one strand of hair or one grain of sand can cause water leakage.

## Preparation -Attaching the Digital Camera-

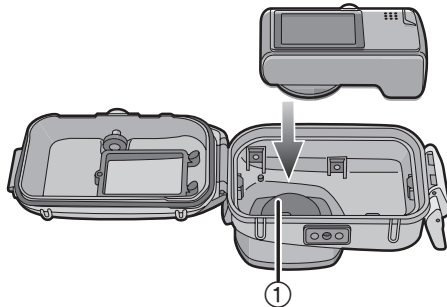
Check that the ON/OFF Switch on the camera and the case is set to [OFF], and [REC]/[PLAYBACK] selector switch is set to [📷].

- Remove the strap from the digital camera.

**1** Push ② up with your finger while sliding ① to open the buckle.



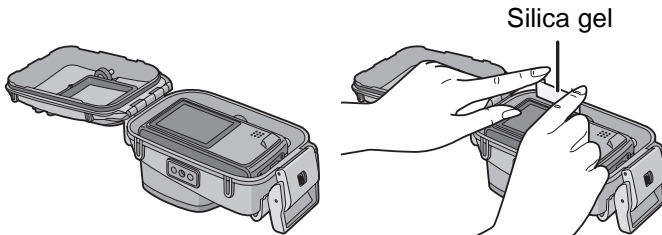
**2** Attach the digital camera to the Case.



- Be careful not to catch the shading ring ①.

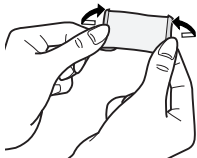
**3** Insert the silica gel (supplied).

- Always use new silica gel.



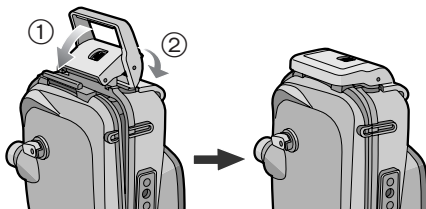
## Preparation -Attaching the Digital Camera- (continued)

- When inserting the silica gel, bend it as shown in the illustration below and then insert it as far as possible. If you close the Case with the silica gel not fully inserted, the silica gel will get caught in the O-ring causing water leakage.

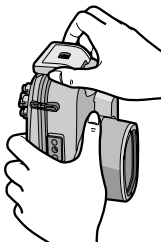


- If the air temperature is high and the water temperature is low, condensation may appear inside the Case. To prevent condensation, make sure that the silica gel (supplied) does not come into contact with the digital camera lens. To prevent the Case from becoming fogged up, insert the silica gel about 1 to 2 hours before using the Case.

### 4 Close the buckle.



- ☞ Check that the buckle is closed firmly.  
Do not insert the strap etc. in the buckle



### 5 After you have attached the digital camera, check one more time that no water leaks into the Case. (P14)



## ■ Notes

- Check one more time that the O-ring is fitted evenly into the O-ring groove.
- Avoid opening or closing the Case where there is a lot of sand or dust and in humid or wet places.
- If there is a sudden change in temperature, condensation may appear inside the Case.
- If sunscreen or sun oil sticks to the Case, wash it off immediately with lukewarm water to prevent reduced waterproofness or discoloration.

## ■ Attaching the weights

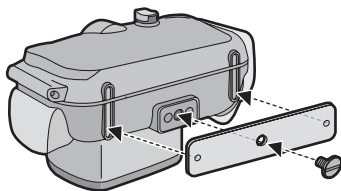
### About using the weights

Attach the weights to adjust to the preferred buoyancy when using the marine case. Use them as necessary.

Refer to the following about buoyancy underwater.

- ① If you use the digital camera and the marine case only:  
They will float slowly in fresh water or seawater. (Plus buoyancy)
- ② If you use the digital camera, the marine case and 1 weight:  
They will float even more slowly in fresh water or seawater than ①.  
(Plus buoyancy)
- ③ If you use the digital camera, the marine case and 2 weights:  
They will sink slowly in fresh water or seawater. (Minus buoyancy)

### How to attach the weights



If you use 1 weight, align the protruding part of the weight with the tripod receptacle on the marine case and then use the supplied screw to attach it. If you use 2 weights, align the projecting part of the second weight with the indented part of the first weight so that the weights do not overlap and then attach them to the tripod receptacle.

## ■ Note

- To prevent rusting, detach the weights after use, wipe off any salt and then store them.

# Taking Pictures

## ■ Before taking pictures underwater

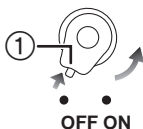
### Check the following before diving.

- Is there sufficient remaining battery power?
- Is there sufficient memory in the card?
- Is the O-ring fitted evenly into the O-ring groove?
- Have you checked that no water leaks into the Case?
- Is the buckle closed firmly?

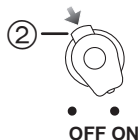
## ■ Taking pictures

### 1 Turn the camera on.

Press ① to release the lock and then set to [ON].



Press ② to lock.



### 2 Display the scene mode menu and then set [UNDERWATER].

- Read the operating instructions of the digital camera for details.

### 3 Aim the AF area on the LCD monitor at the subject you want to focus on.

### 4 Press ◀ (☺/AF-L) to focus.

- Press ◀ (☺/AF-L) again to cancel.

### 5 Press the shutter button fully to take the picture.



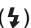
## ■ Notes

- Before attaching the camera to the Case, we recommend setting the clock again. (Read the operating instructions of the digital camera for details.)
- If there are any particles floating in front of the camera, it may focus on them instead of the subject.
- If there are drops of water or dirt sticking to the front glass, you may not be able to focus properly. Be sure to wipe the front glass before taking pictures.

## Tips for Taking Pictures in the Water

---

### When the image is too bluish in the water

- ① Press ▲ (  ) several times until [WB±] appears.
- ② Press ◀ (  AF-L ) / ▶ (  ) to adjust the white balance.
- ③ Press [MENU/SET] to finish.
  - You can also press the shutter button halfway to finish.

### Select the best picture

#### Set the flash to [ ].

Using the auto bracket function (For models with an auto bracket function)

- Each time the shutter button is pressed, 3 pictures with different exposures are automatically recorded. You can select the desired picture from the 3 pictures.

Use Burst mode

- When taking pictures of a fast-moving subject (a fish etc.), you can select your favourite picture after taking the pictures using burst mode.

#### ■ Note

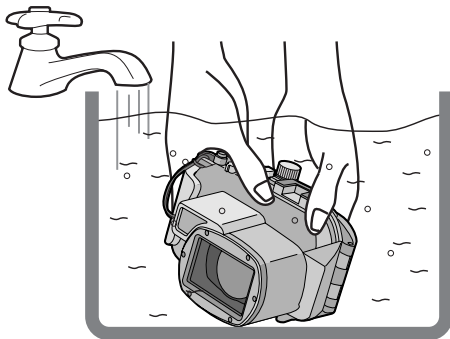
- For more information, read the operating instructions of the digital camera.

## After Use

---

After you have finished taking pictures, follow the steps below.

- 1** Submerge the Case in fresh water for about 30 minutes or more without removing the digital camera to remove any salt crystals etc.

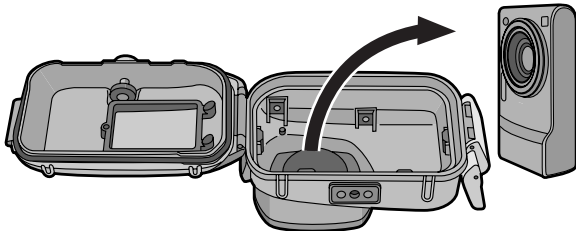


- Press all the operation buttons etc. on the Case to wash away any seawater. If the salt crystals are not removed from the buttons etc., they will harden and the buttons will become unoperable.
- Do not wash the Case with fast-running or pressurized water etc. as it may cause water leakage.

- 2** Wipe the water with a dry cloth that has no salt crystals sticking to it and then dry the Case completely.

- Do not dry the Case by exposing it to direct sunlight. This may discolor or damage the Case or may hasten deterioration of the O-ring.

- 3** Open the rear of the case to remove the digital camera.



---

**4** Remove the O-ring from the Case and check that there is no rubbish etc. in the O-ring groove.

**5** Check that there are no scratches etc. on the O-ring while you are applying the grease.

■ **Notes**

**Be careful when removing the digital camera from the Case so that it does not get wet.**

- Remove the camera with clean hands. (Wash your hands with fresh water and then thoroughly dry them.)
- Thoroughly dry any moisture on your body or hair. (Be particularly careful about any water coming from the sleeves of your thermal suit.)
- When the weather or the sea is particularly bad, select a place where the digital camera will not get wet e.g. indoors or where there is a roof overhead.

## ***Cleaning and Storing***

---

**1** Wash the outside of the Case with water.

- Wash the outside of the Case until it is clean. (P20)
- Be sure to close the Case and then wash the outside only with water.
- Wipe off any dirt inside the Case with a wet, soft cloth.

■ **Notes**

- Do not wash the Case with high-pressure water as it may cause water leakage. Remove the digital camera before washing the Case with water.
- Do not leave the digital camera inside the Case when storing it.
- Store the Case in a cool, well-ventilated place.

## ***Caution for Use***

---

■ **Handling of the O-ring**

- Do not use alcohol, thinner or a chemical cleaning agent for cleaning the O-ring. This will cause damage to, or deterioration of, the O-ring.
- If you will not be using the Case for a long period of time, remove the O-ring from the O-ring groove, apply a thin coat of grease (supplied), place it in a clean polyester bag and then store it in a cool, dark place to prevent the surface from being damaged. When you use the O-ring again, thoroughly check that it is not scratched or split.

## Caution for Use (continued)

- **Use only the specified grease. If you use other types of grease, the surface of the O-ring may be damaged causing water leakage.**
- The O-ring comes into contact with the sides of the Case making the Case waterproof. Do not knock, insert foreign materials (dirt, sand, hair etc.) or scratch the O-ring or sides of the Case.
- Use the tips of your fingers to remove the O-ring. Do not use a pointed object as it may scratch the O-ring.
- After removing the O-ring from the rear case, wipe off any dirt, sand, hair or other foreign materials on it. Also wipe the O-ring groove and the inner sides of the front case which come into contact with the O-ring.
- Never use an O-ring that has been scratched or damaged by dirt etc. This will cause water leakage. Replace it with a new O-ring.
- After replacing an O-ring, not using the Case for a long period of time, opening the Case to attach a digital camera or to replace the battery etc., thoroughly check that the O-ring is not scratched or split. Then, close the Case and check that no water leaks into it by submerging it in a water tank, bath tub etc. for about 3 minutes. (P14)
- O-rings are consumable products. Although the lifespan of O-rings will depend on how well they are maintained, how often they are used and their storage conditions, we recommend replacing them every year even if you cannot see any scratches.

### ■ About maintenance

- **Do not use the chemicals shown below for cleaning, rustproofing, defogging or repair. Using them directly or indirectly (with a chemical spray etc.) on the Case may cause it to crack under high pressure.**

Prohibited chemicals	Cautions
Volatile organic solvents/ Chemical cleansers	Do not clean the Case with volatile organic solvents such as alcohol, gasoline or thinner or with chemical cleansers. Clean it with fresh water or lukewarm water.
Anti-corrosives	Do not use anti-corrosives as the metal parts of the Case are made from stainless steel or brass. Clean it with fresh water.
Anticlouding agents	Do not use commercially available anticlouding agents. Be sure to use the silica gel indicated in these operating instructions.
Adhesives	Do not use adhesives for repair. If the Case needs to be repaired, consult your dealer.

- If grease sticks to the digital camera, wipe it off with a soft, dry cloth.
- When wiping the inside of the Case, only use a soft, dry cloth. Wipe the inside of the front glass with a soft, dry cloth before and after use to keep the glass clear.

---

## ■ About storage and inspection after use

- **Always take the digital camera out of the Case.**
- Make sure that no dirt or dust is stuck to the O-ring.
- Thoroughly dry the Case at room temperature and then store it in a cool, dark place.
- We recommend that the Case be inspected about 3 years after purchase. This inspection involves dismantling and cleaning the Case, inspecting all the parts and repairing them if necessary and checking the waterproofness of the Case using the same hydrostatic test equipment that was used to check the waterproofness before purchase. The customer is responsible for all transportation costs.
- Do not dismantle any parts or use any accessories not specified in these operating instructions and do not alter the Case. If the Case does not work properly, consult your dealer.

## Specifications

---

<b>Compatible model:</b>	DMC-TZ5/DMC-TZ15/DMC-TZ4/DMC-TZ11 (As of March 2008*)
<b>Mass (Weight):</b>	Approx. 434 g/15 1/4 oz
<b>Dimensions:</b>	Approx. 150 mm (W)×94 mm (H)×93 mm (D) [5 15/16" (W)×3 3/4" (H)×3 11/16" (D)] (excluding the projecting parts)
<b>Material:</b>	Polycarbonate
<b>Waterproof construction:</b>	O-ring sealing
<b>Water resistant depth:</b>	40 m/130 feet

\* Refer to the operating instructions, catalogue, website etc. of the digital camera for the latest information on models that can be used.

**Panasonic Consumer Electronics Company,**  
**Division of Panasonic Corporation of North America**  
One Panasonic Way, Secaucus, NJ 07094

**Panasonic Puerto Rico, Inc.**  
Ave. 65 de Infantería, Km. 9.5, San Gabriel Industrial Park, Carolina, Puerto Rico 00985

**Panasonic Canada Inc.**  
5770 Ambler Drive, Mississauga, Ontario, L4W 2T3

© Panasonic Corporation 2008

## **Table des matières**

---

Avant utilisation . . . . .	25
Accessoires. . . . .	27
Manipulation et entretien. . . . .	28
Composants . . . . .	30
Qu'est-ce qu'un joint torique? . . . . .	31
Préparatifs -Mise en place du joint torique- . . . . .	32
Préparatifs -Vérification de l'étanchéité du boîtier- . . .	36
Préparatifs -Mise en place de l'appareil photo numérique- . . . . .	37
Prise de vues . . . . .	40
Conseils pour la prise de vue dans l'eau . . . . .	41
Après utilisation. . . . .	42
Nettoyage et rangement . . . . .	44
Remarques sur l'utilisation de l'appareil . . . . .	45
Spécifications . . . . .	47



## Avant utilisation

- Ce boîtier marin est conçu pour un appareil photo numérique Panasonic. Vous pouvez prendre des photos sous l'eau à une profondeur allant **jusqu'à 40 m/130 pieds**.
- Dans le cas d'une infiltration d'eau provoquée par un manque de précautions, Panasonic n'est responsable en aucune manière des dommages subis par les produits (appareil photo numérique, batteries, carte, etc.) présents à l'intérieur du boîtier, du coût des photographies ou de toutes autres dépenses.
- Panasonic n'offre aucune compensation pour les accidents provoquant des blessures ou des dommages.
- Veuillez lire le manuel d'utilisation de l'appareil photo numérique.
- **Avant d'installer l'appareil photo numérique, immergez le boîtier dans l'eau pendant environ 3 minutes ou plus pour vérifier son étanchéité.**

### ■ Manipulation du boîtier

- Utilisez dans les conditions suivantes:
  - **Profondeur de l'eau: jusqu'à 40 m/130 pieds**
  - **Température ambiante: 0 °C à 40 °C/32 °F à 104 °F**
- N'utilisez pas le boîtier dans une eau de plus de 40 °C/104 °F. La chaleur peut l'endommager et causer des infiltrations d'eau.
- Le boîtier est fait de polycarbonate résistant au choc; toutefois faites attention en l'utilisant. Il peut être facilement éraflé si vous prenez des photos dans des endroits rocheux, etc. et peut être endommagé par le choc s'il venait à tomber, etc. Pour voyager en voiture, bateau, train ou avion, emballez soigneusement le boîtier afin d'éviter les chocs en cas de chute, etc. et ne laissez pas l'appareil photo dans le boîtier. Installez l'appareil photo numérique dans le boîtier uniquement si vous le transportez sur une courte distance comme de l'aéroport vers le point de plongée. (Vous ne pouvez pas réutiliser le matériau avec lequel le boîtier a été emballé au moment de l'achat en vue du transport.)
- Lorsque vous embarquez dans un avion, le changement de pression atmosphérique peut causer une augmentation de la pression à l'intérieur du boîtier qui risque de l'endommager. Retirez le joint torique avant d'embarquer dans un avion.
- **Ne laissez pas l'appareil photo numérique dans le boîtier pendant un long moment dans une voiture, ou un bateau exposés directement aux rayons du soleil, etc. Le boîtier est un appareil hermétique donc sa température intérieure peut devenir très élevée et l'appareil photo numérique peut arrêter de fonctionner correctement. Ne laissez pas la température intérieure du boîtier devenir trop élevée.**

## Avant utilisation (suite)

---

### ■ Utilisation dans de hautes ou basses températures

- Si vous ouvrez ou fermez le boîtier dans un endroit chaud et humide et puis que vous le déplacez vers un endroit froid ou que vous plongez sous l'eau, de la condensation peut apparaître à l'intérieur du boîtier, la surface du verre peut s'embuer et l'appareil photo peut être endommagé.
- Si vous déplacez soudainement le boîtier d'un endroit où la température de l'air ou de l'eau est froide vers un endroit où la température est chaude, la surface du verre peut s'embuer. Attendez jusqu'à ce que la température du boîtier se rapproche de la température ambiante avant de prendre des photos.





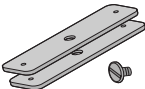
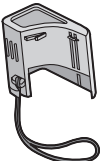
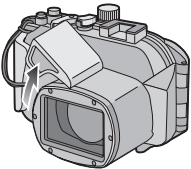
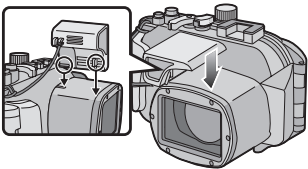
### ■ Préparatifs

- **N'ouvrez pas et ne fermez pas le boîtier dans un endroit où il pourrait être éclaboussé par de l'eau ou dans un endroit où le sable pourrait y pénétrer. Nous vous conseillons d'ouvrir et de fermer le boîtier à l'intérieur.**
- Remplacez la batterie, la carte, etc. et installez l'appareil photo numérique à l'intérieur dans un endroit peu humide.
- **Si vous devez ouvrir ou fermer le boîtier au point de plongée pour remplacer la batterie ou la carte, veillez à suivre les étapes suivantes.**
  - Choisissez un endroit où le boîtier ne sera pas éclaboussé par de l'eau et où le sable ne pourra pas y pénétrer.
  - Enlevez toutes les gouttes d'eau présentes entre le côté avant et le côté arrière du boîtier et sur le loquet de verrouillage en soufflant. Enlevez complètement les gouttes d'eau restantes avec un chiffon sec.
  - Essuyez complètement toutes les gouttes d'eau de votre corps ou vos cheveux.
  - Soyez particulièrement attentif à l'eau qui a pénétré dans votre combinaison de plongée par les manches.
  - Ne touchez pas l'appareil photo numérique si vos mains sont mouillées d'eau de mer. Mouillez une serviette avec de l'eau douce et mettez-la à l'avance dans un sac en plastique. Utilisez cette serviette pour essuyer les gouttes d'eau et le sable présents sur vos mains ou votre corps.
- Ce boîtier n'absorbe pas les chocs. Si vous placez un objet lourd sur le boîtier ou si vous le cognez, l'appareil photo peut être endommagé. Faites attention lorsque vous utilisez le boîtier.

## Accessoires

Lorsque vous ouvrez l'emballage pour la première fois, vérifiez bien qu'il contient le boîtier et tous les accessoires et que ceux-ci n'ont pas été endommagés lors du transport. Si vous constatez quelque chose d'anormal, consultez votre revendeur avant d'utiliser le boîtier.

N'utilisez aucun autre accessoire que ceux indiqués ci-dessous.

	<p>Joint torique VMG1798</p>		<p>Gel de silice (dessiccatif) (1 g/5 pièces) VZG0371</p>
	<p>Tube de graisse (pour joint torique) VZG0372</p>		<p>Dragonne VFC4190</p>
	<p>Poids (2) , Vis de fixation des poids VXA8446</p>		
	<p>Diffuseur VYK2D90</p> <ul style="list-style-type: none"> <li>Vous pouvez retirer le diffuseur lorsque vous ne l'utilisez pas.</li> </ul> <p><u>Retirez</u></p>  <p><u>Fixez</u></p>  <p>Alignez-le avec les repères à l'arrière du boîtier et fixez-le.</p>		

## **Manipulation et entretien**

---

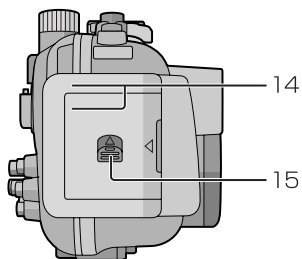
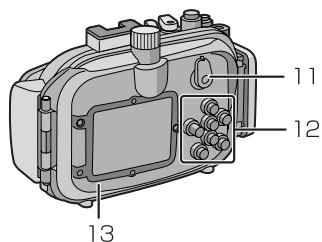
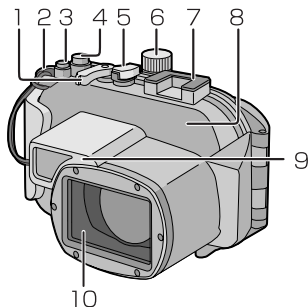
- **Ne placez pas le boîtier dans un endroit où il pourrait tomber.**
  - Si le boîtier tombe sur votre tête ou votre pied, il vous blessera et pourra mal fonctionner.
- **Ne modifiez jamais le boîtier.**
  - Si de l'eau s'introduit dans l'appareil photo numérique parce que le boîtier est abîmé, l'appareil peut être endommagé de façon irrémédiable.
  - Si vous continuez d'utiliser l'appareil photo après que l'eau s'y soit infiltrée, il peut prendre feu.
- **N'utilisez pas le boîtier en plongée sous-marine sans un entraînement adéquat.**
  - Vous ne devez utiliser ce boîtier lors d'une plongée sous-marine que si vous avez été correctement entraîné et êtes qualifié pour ce sport.
- **Ne placez jamais le boîtier, la graisse, le gel de silice ou le joint torique à la portée des enfants.**
  - Si un enfant se coince une partie du corps dans ce boîtier, cela peut provoquer une blessure.
  - Les enfants peuvent accidentellement avaler la graisse, le gel de silice ou le joint torique.
  - Consultez immédiatement votre médecin si vous pensez que votre enfant a avalé de la graisse, du gel de silice ou le joint torique.
- **N'enroulez pas la bandoulière autour de votre cou lorsque vous êtes sous l'eau.**
  - Cela peut vous blesser le cou et causer une suffocation ou d'autres blessures sérieuses.
- **Nettoyez toutes traces de graisse de vos mains.**
  - Ne mettez pas la graisse en contact avec vos yeux ou votre bouche.
- **S'il y a des infiltrations d'eau dans le boîtier, arrêtez immédiatement de l'utiliser.**
  - Ceci peut provoquer un choc électrique, une brûlure ou un incendie.
  - Consultez votre revendeur.
- **Si quelque chose d'anormal survient en utilisant le boîtier sous l'eau, veuillez suivre toutes les procédures nécessaires et les consignes de décompression lors de votre remontée.**
  - Si vous remontez trop rapidement, vous pouvez subir la maladie des caissons.
- **Si de la fumée ou une chaleur, une odeur ou un bruit anormal provient du boîtier, arrêtez de l'utiliser immédiatement.**
  - Cela peut causer un choc électrique, une brûlure ou un incendie.
  - Retirez l'appareil photo numérique du boîtier et puis retirez les batteries de l'appareil photo.
  - Consultez votre revendeur.

- 
- **Faites attention en ouvrant le boîtier après une infiltration d'eau.**
    - L'eau qui s'est infiltrée peut éclabousser ou bien l'arrière du boîtier peut se renverser.
  - **Ne laissez pas le boîtier dans un endroit où la température est élevée.**
    - La température à l'intérieur du boîtier peut devenir très élevée surtout lorsqu'il est exposé directement aux rayons du soleil sur une plage, en voyage, etc. ou lorsqu'il est laissé dans une voiture fermée en plein été. La chaleur peut endommager le boîtier ou ses éléments internes.
    - Si un appareil photo numérique se trouve à l'intérieur du boîtier, celui-ci peut également être endommagé.
    - Si vous utilisez l'appareil photo numérique lorsque la température à l'intérieur du boîtier est très élevée, cela peut causer des infiltrations, des courts-circuits ou une panne d'isolation ayant pour résultat un feu ou un mauvais fonctionnement.
  - **Ne manipulez pas l'appareil photo numérique ou la batterie avec les mains mouillées.**
    - Cela peut provoquer un choc électrique ou un mauvais fonctionnement.

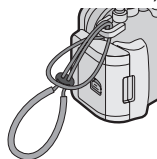
## ■ Prises de vues avec le flash

- Lorsque vous utilisez le flash, les angles de l'image peuvent être coupés ou l'image peut ne pas apparaître illuminée de manière uniforme.
- En prenant des photos avec le flash, la portée disponible de celui-ci est plus faible sous l'eau qu'en plein air.

# Composants



1. Levier de zoom
2. Oeillet de la dragonne (pour fixer la dragonne et le diffuseur fournis)



3. Touche de zoom facile [E.ZOOM]
4. Déclencheur
5. Interrupteur de marche/arrêt
6. Molette de sélection du mode
7. Griffe porte-flash stroboscopique externe de INON Inct.\*1
8. Couvercle avant
9. Diffuseur (fourni)
10. Vitre avant
11. Sélecteur [ENR./] [LECT.]
12. Touches de fonctionnement (Reportez-vous au manuel d'utilisation de l'appareil photo numérique pour plus de détails sur chaque touche de fonctionnement.\*2)
13. Couvercle arrière
14. Loquet de verrouillage
15. Levier de déverrouillage

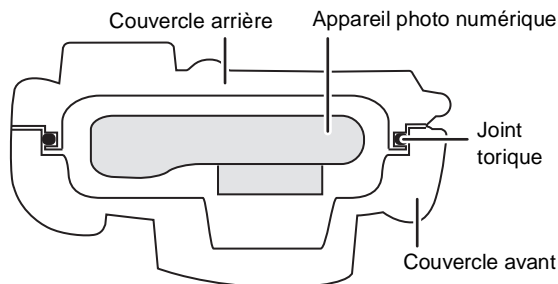
\*1 Il s'agit d'une griffe porte-flash stroboscopique externe fabriqué par INON Inc. Veuillez vous enquérir auprès de INON Inc. concernant le flash stroboscopique externe compatible.  
[http://www.inon.co.jp/INON\\_WORLD\\_body.html](http://www.inon.co.jp/INON_WORLD_body.html) (en anglais seulement)

\*2 Les touches de fonctionnement du boîtier marin peuvent différer légèrement de celles de l'appareil photo numérique utilisé. Lors de l'utilisation, consultez les touches de fonctionnement de l'appareil photo numérique.

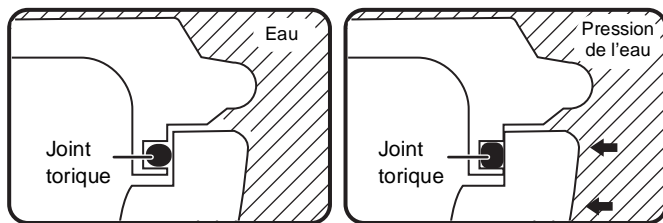
## Qu'est-ce qu'un joint torique?

- Un joint torique est une garniture étanche utilisée pour les appareils photo, montres ou équipements de plongée.
- Le joint torique rend le boîtier étanche en scellant l'espace entre sa partie avant et arrière.

### ■ Comment le joint torique rend le boîtier étanche



Le caoutchouc du joint torique entre en contact avec les côtés du boîtier, le rendant ainsi étanche et empêchant l'eau d'entrer par l'ouverture.



Quand le joint torique est écrasé par la pression de l'eau, sa surface s'élargit et le boîtier est scellé plus hermétiquement.

**Le joint torique évite les infiltrations d'eau en uniformisant le contact des deux côtés du boîtier. Donc, le bon entretien du joint torique est très important. Un mauvais entretien peut causer des infiltrations d'eau.**

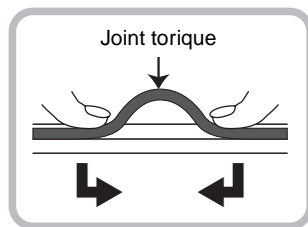
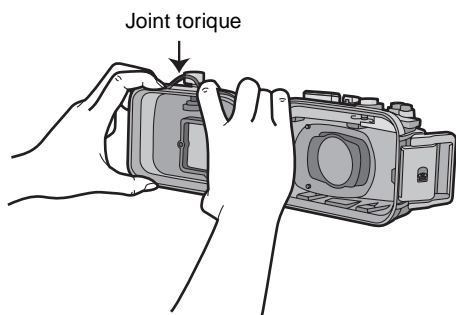
## Préparatifs -Mise en place du joint torique-

Assurez-vous de mettre le joint torique en place avant d'installer l'appareil photo numérique.

Lavez et séchez vos mains avec soin avant de manipuler le joint torique. Placez le joint torique dans un endroit sans sable ni poussière.

### 1 Desserrez le joint torique avec vos doigts pour l'enlever.

- Desserrez une partie du joint torique du bout de vos deux doigts et soulevez la partie détachée. Faites attention de ne pas érafler le joint torique avec vos ongles.



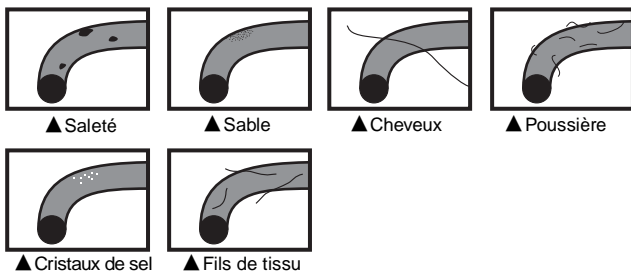
### ■ Nota

- N'utilisez pas d'objet pointu pour retirer le joint torique. Ceci pourrait l'érafler.

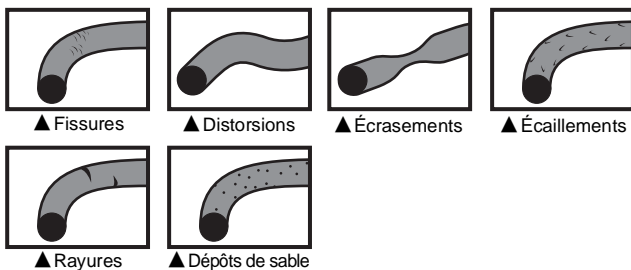


## 2 Vérifiez le joint torique.

- Vérifiez l'absence de saleté, sable, cheveux, poussière, cristaux de sel, fibre ou graisse sur le joint torique. Si vous trouvez une de ces choses, retirez-la avec un chiffon sec et doux.



- Sur le joint torique, il peut y avoir de la saleté que vous ne pouvez pas voir. Vérifiez la présence de saletés en frottant votre doigt sur le joint torique.
- Lors du nettoyage du joint torique, faites attention de ne pas laisser sur celui-ci les fibres du linge sec et doux.
- Vérifiez que le joint torique ne soit ni déchiré, tordu, écrasé, effiloché ou éraflé et qu'il n'y ait pas de sable collé dessus. Si c'est le cas, remplacez le joint torique.



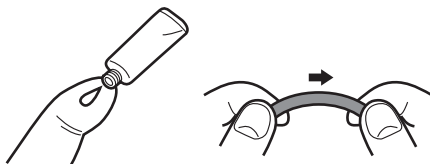
## 3 Vérifiez la rainure du joint torique.

- Des grains de sable ou des cristaux de sel durcis peuvent entrer dans la rainure du joint torique. Retirez-les avec précaution avec un jet d'air ou un tampon de coton. Si vous utilisez un tampon de coton, veillez à ne pas laisser de fibres dans la rainure du joint torique.

## Préparatifs -Mise en place du joint torique- (suite)

**4** Vérifiez le côté opposé du joint torique de la même manière.

**5** Appliquez la graisse (fournie).

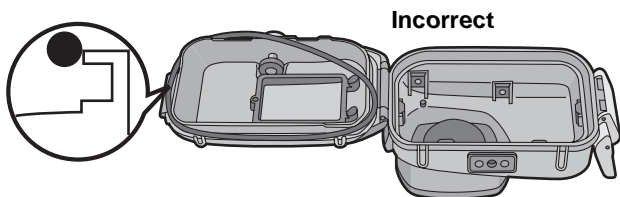
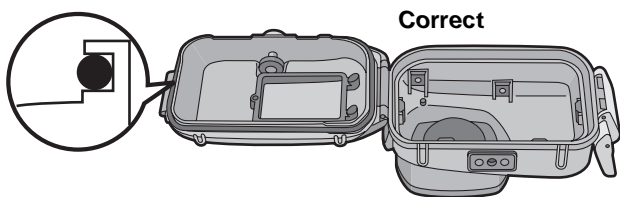


- Appliquez uniformément et du bout du doigt une quantité de graisse (fournie) de la dimension d'un grain de riz sur le joint torique.
- Si vous appliquez trop de graisse, de la saleté ou de la poussière collera au joint torique.
- **Utilisez uniquement la graisse indiquée. Si vous utilisez un autre type de graisse, la surface du joint torique peut s'endommager et causer des infiltrations d'eau.**
- N'appliquez pas la graisse à l'aide d'un papier ou d'un chiffon. Des fibres pourraient rester collées au joint torique.

**6** Placez le joint torique dans la rainure.

Vérifiez les choses suivantes:

- Qu'il n'y ait pas de saleté collée sur le joint torique.
- Que le joint torique ne sorte pas de son logement.
- Que le joint torique n'est pas tordu.
- Que le joint torique ne soit pas trop étiré.



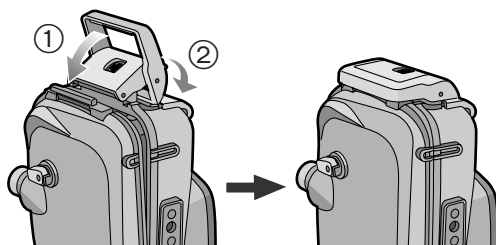
## 7 Vérifiez le joint torique une dernière fois.

Vérifiez les choses suivantes encore une fois:

- Qu'il n'y ait pas de saleté collée sur le joint torique.
- Que le joint torique ne sorte pas de son logement.
- Que le joint torique n'est pas tordu.
- Il n'y a aucune éraflure ou bossellement sur le joint torique.

**Essayez avec soin toute la graisse de vos mains avec un chiffon sec puis lavez-les avec de l'eau.**

## 8 Fermez le loquet.



- Vérifiez qu'aucune matière étrangère ne soit collée à la surface extérieure et au loquet de verrouillage sur la partie avant du boîtier, puis fermez le boîtier.

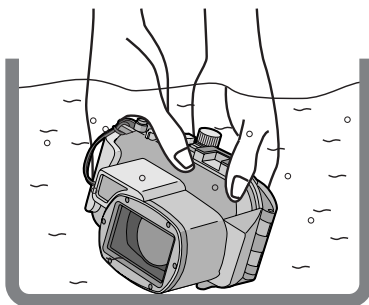
### ■ Nota

- Pour garder le boîtier complètement hermétique, n'éraflés pas la surface du joint torique qui entre en contact avec les côtés du boîtier.
- N'utilisez jamais un joint torique qui a été éraflé ou endommagé par de la saleté, etc. Ceci causerait des infiltrations d'eau.
- Chaque fois que vous utilisez le boîtier, retirez le joint torique et vérifiez qu'il n'y ait ni saleté, sable, cheveux ou autres matériaux étrangers dans la rainure, puis appliquez une mince couche de graisse (fournie). Si vous appliquez trop de graisse, la saleté et la poussière peuvent coller au joint torique et causer une infiltration d'eau.
- Assurez-vous d'avoir un joint torique de rechange dans le cas où celui que vous utilisez soit endommagé ou éraflé.

## Préparatifs -Vérification de l'étanchéité du boîtier-

Après la préparation du joint torique, vérifiez l'absence d'infiltrations d'eau dans le boîtier en l'immergeant dans un bassin d'eau, une baignoire, etc. pendant environ 3 minutes avant d'installer l'appareil photo numérique.

- N'utilisez pas le boîtier dans une eau de plus de 40 °C/104 °F. La chaleur peut l'endommager et causer des infiltrations d'eau.



☞ Effectuez le même test après avoir mis en place l'appareil photo numérique dans le boîtier. (P37)

### ■ Nota

- Si des bulles sont produites lorsque que le boîtier est immergé dans l'eau ou qu'il y a de l'eau à l'intérieur de celui-ci lorsque vous le retirez de l'eau, cela signifie qu'il y a une fuite. Dans de tels cas, consultez le détaillant.
- Si de l'eau s'infiltré dans le boîtier pendant que vous l'utilisez et que l'appareil photo numérique se retrouve submergé, retirez immédiatement la batterie. L'hydrogène peut s'enflammer ou exploser si un feu se trouve à proximité.
- Si vous plongez rapidement tout en tenant le boîtier ou si vous lancez le boîtier d'un bateau dans la mer, une infiltration d'eau peut survenir en raison de la pression élevée. Il ne s'agit pas d'un mauvais fonctionnement du boîtier. Plongez toujours lentement dans l'eau.
- Le boîtier est conçu pour être utilisé à une profondeur allant jusqu'à 40 m/130 pieds. Si vous plongez à une profondeur de plus de 40 m/130 pieds, une partie du boîtier peut être endommagée de façon irréversible.
- En fermant le boîtier, assurez-vous qu'aucun matériau étranger ne se trouve entre le joint torique et la rainure. Un simple cheveu ou grain de sable peut causer une infiltration d'eau.

## Préparatifs - Mise en place de l'appareil photo numérique -

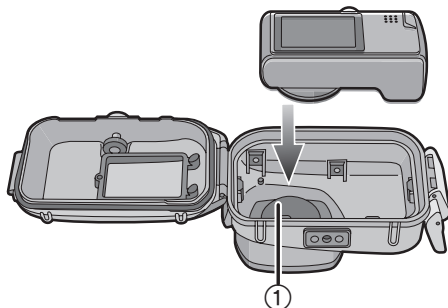
Vérifiez que l'interrupteur de marche/arrêt de l'appareil photo et du boîtier marin sont réglés sur [OFF] et que le sélecteur [ENR.]/[LECT.] est réglé sur [O].

- Retirez la bandoulière de l'appareil photo numérique.

**1** Appuyez sur ② avec votre doigt tout en faisant glisser ① pour ouvrir le loquet.



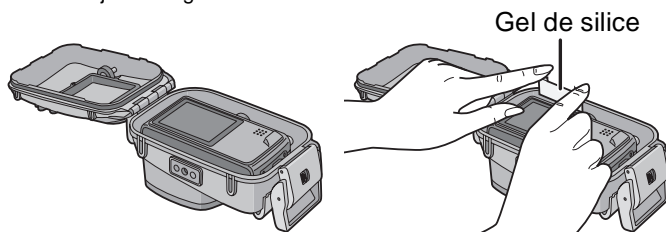
**2** Installez l'appareil photo numérique dans le boîtier.



- Attention à ne pas heurter l'anneau de protection ①.

**3** Insérez le gel de silice (fourni).

- Utilisez toujours du gel de silice neuf.



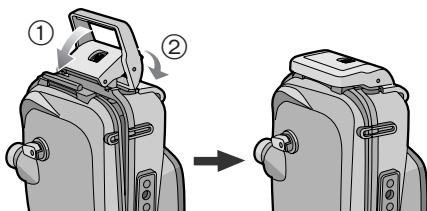
## Préparatifs - Mise en place de l'appareil photo numérique- (suite)

- En introduisant le gel de silice, pliez-le comme montré sur l'illustration ci-dessous et insérez-le aussi loin que possible. Si vous fermez le boîtier alors que le gel de silice n'est pas totalement mis en place, celui-ci sera pris dans le joint torique et causera une infiltration d'eau.



- Si la température de l'air est élevée et si celle de l'eau est basse, de la condensation peut apparaître à l'intérieur du boîtier. Pour éviter cela, assurez-vous que le gel de silice (fourni) n'entre pas en contact avec l'objectif de l'appareil photo. Pour éviter que le boîtier ne s'embue, placez le gel de silice environ 1 à 2 heures avant d'utiliser le boîtier.

### 4 Fermez le loquet.



- ☞ Vérifiez que le loquet est correctement fermé.  
Ne coincez pas la courroie, etc. dans le loquet.



### 5 Après avoir installé l'appareil photo, vérifiez une fois de plus l'absence d'infiltration d'eau dans le boîtier. (P36)

## ■ Nota

- Vérifiez encore une fois la bonne mise en place du joint torique dans sa rainure.
- Évitez d'ouvrir ou de fermer le boîtier lorsqu'il y a beaucoup de sable ou de poussière et dans des endroits humides ou mouillés.
- S'il y a un changement soudain de température, de la condensation peut apparaître à l'intérieur du boîtier.
- Si de l'écran solaire ou de l'huile solaire colle au boîtier, nettoyez-le immédiatement avec de l'eau tiède afin d'éviter la décoloration et une étanchéité amoindrie.

## ■ Fixation des poids

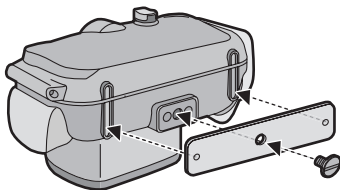
### À propos de l'utilisation des poids

Fixez les poids pour régler la flottabilité préférée lors de l'utilisation du boîtier marin. Utilisez-les selon le besoin.

Consultez les points suivants concernant la flottabilité sous l'eau.

- ① Lors de l'utilisation de l'appareil photo numérique et du boîtier marin seulement: Ils flottent lentement dans l'eau douce ou l'eau de mer. (flottabilité positive)
- ② Lors de l'utilisation de l'appareil photo numérique, du boîtier marin et d'un poids: Ils flottent encore plus lentement dans l'eau douce ou l'eau de mer. (flottabilité positive)
- ③ Lors de l'utilisation de l'appareil photo numérique, du boîtier marin et de deux poids: Ils coulent lentement dans l'eau douce ou l'eau de mer. (flottabilité négative)

## Méthode de fixation des poids



Lors de l'utilisation d'un poids, alignez la partie en saillie du poids avec la prise de fixation de trépied sur le boîtier marin puis utilisez la vis fournie pour le fixer. Si vous utilisez les deux poids, alignez la partie en saillie du deuxième poids avec la partie en creux du premier poids afin qu'ils ne soient pas superposés puis fixez-les à la prise de fixation de trépied.

## ■ Remarques

- Afin d'empêcher la rouille, retirez les poids après leur utilisation, essuyez tout le sel puis rangez-les.

# Prise de vues

## ■ Avant de prendre des photos dans l'eau

### Vérifiez les choses suivantes avant de plonger.

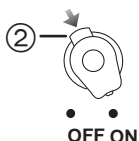
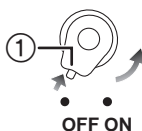
- Reste-t-il suffisamment d'énergie dans la batterie?
- Y a-t-il suffisamment d'espace mémoire sur la carte?
- Est-ce que le joint torique est correctement mis en place dans sa rainure?
- Avez-vous vérifié l'absence d'infiltration d'eau dans le boîtier?
- Le loquet est-il fermement verrouillé?

## ■ Prise de vues

### 1 Allumez l'appareil photo.

Appuyez sur ① pour déverrouiller, puis réglez sur [ON].

Appuyez sur ② pour verrouiller.



### 2 Affichez le menu du mode scène et sélectionnez [SOUS-MARIN] .

- Pour plus de détails, lisez le manuel d'utilisation de l'appareil photo numérique.

### 3 Dirigez la zone MPA de l'écran ACL sur le sujet que vous désirez mettre au point.

### 4 Appuyez sur ◀ (☺/AF-L) pour faire la mise au point.

- Appuyez à nouveau sur ◀ (☺/AF-L) pour annuler.

### 5 Appuyez à fond sur le déclencheur pour prendre une photo.

## ■ Nota

- Avant de placer l'appareil photo numérique dans le boîtier, nous vous conseillons de régler à nouveau l'horloge. (Pour plus de détails, lisez le manuel d'utilisation de l'appareil photo numérique.)
- S'il y a des particules qui flottent devant l'appareil photo, elles peuvent être mises au point à la place du sujet.
- S'il y a des gouttes d'eau ou de la saleté sur le verre avant, vous pouvez ne pas être capable de faire correctement la mise au point. Essayez le verre avant de prendre des photos.



# Conseils pour la prise de vue dans l'eau

---

## Lorsque l'image est trop bleuâtre dans l'eau

- ① Appuyez plusieurs fois sur ▲ ( [WB+] ) jusqu'à ce que [WB+] apparaisse.
- ② Appuyez sur ◀ ( (☺)/AF-L ) / ▶ ( (☹) ) pour régler l'équilibre des blancs.
- ③ Appuyez sur [MENU/SET] pour finir.
  - Vous pouvez également appuyer à mi-course sur le déclencheur pour finir.

## Sélectionnez la meilleure image

### Réglez le flash sur [☺].

Utilisation de la fonction de prise de vues en rafale avec réglage automatique de l'exposition (pour modèles munis de cette fonction)

- Chaque fois que le déclencheur est appuyé, 3 photos avec des expositions différentes sont automatiquement enregistrées. Vous pouvez choisir la photo désirée parmi les 3 qui ont été prises.

Utilisation du mode rafale

- Lors de prises de vues de sujet à mouvement rapide (un Clown orange, par exemple) en mode rafale, vous pouvez sélectionner votre photo préférée parmi celles qui ont été prises.

## ■ Nota

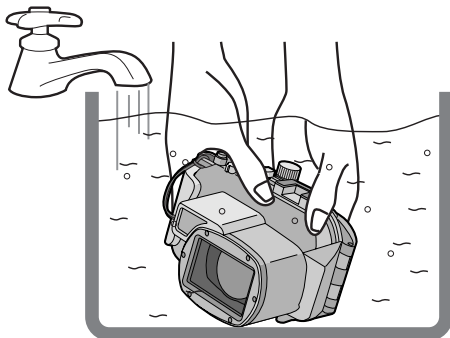
- Pour plus d'informations, lisez le manuel d'utilisation de l'appareil photo numérique.

## Après utilisation

---

Après avoir fini de prendre des photos, suivez les étapes suivantes.

- 1** Immergez le boîtier dans de l'eau douce pendant environ 30 minutes ou plus sans retirer l'appareil photo afin d'enlever tous les cristaux de sel, etc.



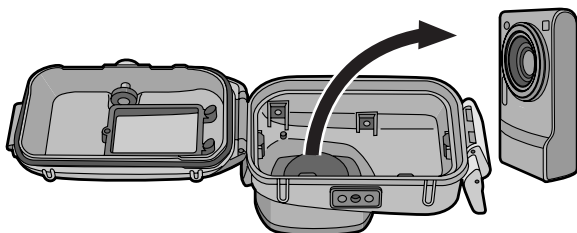
- Appuyez sur toutes les touches de fonctionnement, etc. du boîtier afin d'enlever toute l'eau de mer. Si les cristaux de sel ne sont pas retirés des touches, etc., ceux-ci durciront et les touches deviendront inutilisables.
- Ne lavez pas le boîtier avec de l'eau à trop grand débit ou sous pression, etc. car cela peut causer des infiltrations d'eau.

- 2** Essuyez l'eau avec un chiffon sec qui n'est pas imprégné de cristaux de sel et séchez complètement le boîtier.

- Ne séchez pas le boîtier en l'exposant directement aux rayons du soleil. Ceci peut décolorer ou endommager le boîtier ou bien accélérer la détérioration du joint torique.

---

**3** Ouvrez le couvercle arrière pour retirer l'appareil photo numérique.



**4** Retirez le joint torique du boîtier et vérifiez qu'il n'y ait aucune saleté, etc. dans la rainure.

**5** Vérifiez qu'il n'y ait aucune éraflure, etc. sur le joint torique pendant que vous appliquez la graisse.

■ **Nota**

Faites attention en retirant l'appareil photo du boîtier que celui-ci ne se mouille pas.

- Retirez l'appareil photo avec les mains propres. (Lavez vos mains avec de l'eau douce et séchez-les avec soin.)
- Séchez complètement toute trace d'humidité de votre corps et de vos cheveux. (Soyez particulièrement attentif à l'eau qui a pénétrée dans votre combinaison de plongée par les manches.)
- Lorsque le temps ou la mer est particulièrement mauvais, choisissez un endroit où l'appareil photo ne sera pas mouillé, par exemple à l'intérieur ou sous une toiture.

# Nettoyage et rangement

---

## 1 Lavez l'extérieur du boîtier avec de l'eau.

- Lavez l'extérieur du boîtier jusqu'à ce qu'il soit propre. (P42)
- Veillez à fermer le boîtier et lavez l'extérieur uniquement avec de l'eau.
- Essuyez toutes traces de saleté à l'intérieur du boîtier avec un chiffon doux et humide.

### ■ Nota

- Ne lavez pas le boîtier avec de l'eau sous pression car cela peut provoquer des infiltrations d'eau. Retirez l'appareil photo avant de laver le boîtier avec de l'eau.
- Ne laissez pas l'appareil photo numérique dans le boîtier lorsque vous le rangez.
- Rangez le boîtier dans un endroit frais, bien ventilé.

# Remarques sur l'utilisation de l'appareil

## ■ Manipulation du joint torique

- **N'utilisez pas d'alcool, de solvant ou de nettoyant chimique pour nettoyer le joint torique. Ceci accélérera les dommages ou la détérioration du joint torique.**
- **Si vous n'utilisez pas le boîtier pendant un long moment, retirez le joint torique de la rainure, appliquez une mince couche de graisse (fournie), placez-le dans un sac en polyester propre et placez-le dans un endroit frais et sombre afin d'éviter que la surface ne soit endommagée. Lorsque vous utilisez le joint torique à nouveau, vérifiez avec soin que celui-ci n'est ni égratigné ni plié.**
- **Utilisez uniquement la graisse indiquée. Si vous utilisez d'autres types de graisse, la surface du joint torique peut en être abîmée et causer des infiltrations d'eau.**
- Le joint torique entre en contact avec les côtés du boîtier et le rend hermétique. Ne cognez pas, n'introduisez aucun matériaux étrangers (saleté, sable, cheveux, etc.) et n'érafler pas le joint torique ou les côtés du boîtier.
- Utilisez le bout de vos doigts pour retirer le joint torique. N'utilisez pas d'objet pointu car cela peut érafler le joint torique.
- Après avoir retiré le joint torique de la partie arrière du boîtier, retirez-en toutes les saletés, sable, cheveux ou autres matières étrangères. Essayez également la rainure du joint torique et les parties intérieures du couvercle avant qui sont en contact avec le joint torique.
- Ne jamais utiliser un joint torique qui a été éraflé ou taché par de la saleté, etc. Ceci causerait des infiltrations d'eau. Remplacez-le par un joint torique neuf.
- Après le remplacement du joint torique, la non-utilisation du boîtier pour une période prolongée, l'ouverture du boîtier pour installation de l'appareil photo, le remplacement de la batterie, etc., vérifiez avec soin que le joint torique n'est ni éraflé ni fendu. Puis, fermez le boîtier et vérifiez pour confirmer l'absence de toute infiltration d'eau en l'immergeant dans un bassin d'eau, une baignoire, etc. pendant environ 3 minutes. (P36)
- Les joints toriques sont des produits consommables. Bien que la durée de vie des joints toriques dépende de la manière dont ils sont entretenus, de la fréquence à laquelle ils sont utilisés et de leur condition de rangement, nous vous conseillons de les remplacer chaque année même si vous ne voyez aucune éraflure.

## Remarques sur l'utilisation de l'appareil (suite)

### ■ Entretien

- N'utilisez pas les produits chimiques indiqués ci-dessous pour le nettoyage, la protection antirouille, la protection antibuée ou la réparation. Leur usage direct ou indirect (avec un vaporisateur chimique, etc.) sur le boîtier peut, à haute pression, fissurer celui-ci.

Substances chimiques	Mises en garde
Solvants organiques volatiles/Détergents chimiques	Ne pas nettoyer le boîtier au moyen de solvants organiques volatiles comme l'alcool, le benzine ou des diluants ou avec des détergents chimiques. Nettoyez le boîtier avec de l'eau courante ou tiède.
Produits anticorrosifs	Ne pas utiliser de produits anticorrosifs car les parties en métal du boîtier sont en acier inoxydable ou en laiton. Lavez-les à l'eau douce.
Produits antibuée	Ne pas utiliser de produits antibuée disponibles dans le commerce. Veillez à utiliser le gel de silice indiqué dans ce manuel d'utilisation.
Adhésifs	Ne pas utiliser d'adhésifs pour la réparation. Si le boîtier a besoin d'être réparé, consultez votre revendeur.

- Si la graisse reste collée à l'appareil photo numérique, essuyez-la avec un linge doux et sec.
- Pour essuyer l'intérieur du boîtier, utilisez uniquement un chiffon sec et doux. Essuyez l'intérieur du verre avant avec ce chiffon, avant et après l'utilisation afin qu'il reste propre.

---

## ■ À propos du rangement et de la vérification après l'utilisation

- Retirez toujours l'appareil photo numérique du boîtier.
- Veillez à ce qu'aucune saleté ou poussière n'adhère au joint torique.
- Séchez bien le boîtier à température ambiante et le ranger dans un endroit frais à l'abri de la lumière.
- Nous vous conseillons de faire vérifier le boîtier environ 3 ans après l'achat. Cette vérification comprend le désassemblage et le nettoyage du boîtier, l'inspection de tous ses éléments et leur réparation si nécessaire ainsi que la vérification de son étanchéité en utilisant le même test hydrostatique que celui effectué avant l'achat. Tous les frais de port sont à la charge du client.
- Ne désassemblez aucun élément, n'utilisez aucun accessoire qui ne serait pas indiqué dans ce manuel d'utilisation et ne modifiez pas le boîtier. Si le boîtier ne fonctionne pas correctement, consultez votre revendeur.

## Spécifications

---

<b>Modèles compatibles:</b>	DMC-TZ5/DMC-TZ15/DMC-TZ4/DMC-TZ11 (En date de mars 2008 <sup>*</sup> )
<b>Poids:</b>	Environ 434 g/15 1/4 oz
<b>Dimensions:</b>	Environ 150 mm (L)×94 mm (H)×93 mm (P) [5 15/16 po (L)×3 3/4 po (H)×3 11/16 po (P)] (parties en saillie non comprises)
<b>Matière:</b>	Polycarbonate
<b>Structure étanche:</b>	Fermeture joint torique
<b>Profondeur de résistance à l'eau:</b>	40 m/130 pieds

\* Reportez-vous au manuel d'utilisation, au catalogue, au site Internet, etc., de l'appareil photo numérique pour les informations les plus récentes au sujet des modèles qui peuvent être utilisés.

---

# Panasonic®

Panasonic Canada Inc.  
5770 Ambler Drive,  
Mississauga, Ontario  
L4W 2T3  
(905) 624-5010  
[www.panasonic.ca](http://www.panasonic.ca)  
© Panasonic Corporation 2008

Imprimé au Japon

## ***Inhalt***

---

Vor der Verwendung .....	49
Zubehör .....	51
Handhabung und Pflege .....	52
Bauteile .....	54
Was ist der O-Ring? .....	55
Vorbereitung -Einsetzen des O-Rings- .....	56
Vorbereitung -Kontrollieren, dass das Gehäuse wasserdicht ist- .....	60
Vorbereitung -Anbringen der Digitalkamera- .....	61
Aufnahme von Bildern .....	64
Tipps zur Aufnahme von Bildern im Wasser .....	65
Nach Gebrauch .....	66
Reinigung und Aufbewahrung .....	68
Vorsichtshinweise .....	69
Spezifikationen .....	71



## Vor der Verwendung

- Dieses Unterwassergehäuse wurde für die Digitalkameras von Panasonic. Sie können bis zu einer Wassertiefe von 40 m Spaß an Unterwasseraufnahmen haben.
- Beim Eindringen von Wasser aufgrund Nachlässigkeit haftet Panasonic in keiner Weise für Schäden an jeglichen im Gehäuse enthaltenen Produkten (Digitalkamera, Batterien, Karte, etc.), Kosten für Fotografien oder sonstige Aufwendungen.
- Panasonic leistet außerdem keinen Schadenersatz für Unfälle, die zu Verletzungen oder Sachschaden führen.
- Lesen Sie dazu die Bedienungsanleitung zu Ihrer Digitalkamera.
- **Bevor Sie die Digitalkamera anbringen, das Gehäuse ca. 3 Minuten oder länger in Wasser tauchen, um zu überprüfen, ob kein Wasser eindringt.**

### ■ Zum Umgang mit diesem Gehäuse

- Verwendung unter den folgenden Bedingungen:
  - **Wassertiefe: Bis zu 40 m**
  - **Umgebungstemperatur: 0 °C bis 40 °C**
- Das Gehäuse nicht in Wasser mit einer Temperatur über 40 °C verwenden. Die Wärme kann das Gehäuse beschädigen oder zum Eindringen von Wasser führen.
- Das Gehäuse besteht aus stoßfestem Polykarbonat. Seien Sie jedoch bei der Benutzung vorsichtig, das es leicht zerkratzt, wenn Bilder an felsigen Stellen, etc. aufgenommen werden und kann durch Stöße wie durch Herunterfallen o.ä. beschädigt werden. Bei Reisen im Auto, Schiff, Zug oder Flugzeug, das Gehäuse gut verpacken, um jegliche direkte Stöße zu vermeiden, falls es herunterfallen sollte und lassen Sie die Digitalkamera nicht im Gehäuse. Die Digitalkamera nur im Gehäuse anbringen, wenn Sie diese eine kurze Strecke lang, wie z.B. vom Flughafen zum Tauchort transportieren. (Das Verpackungsmaterial aus dem Kauf des Gehäuses kann nicht zum Transportieren verwendet werden.)
- Beim Besteigen eines Flugzeugs kann der Wechsel des atmosphärischen Druck zur Ausdehnung des Gehäuses führen und dadurch zu Beschädigungen. Entfernen Sie den O-Ring, bevor Sie ein Flugzeug besteigen.
- **Lassen Sie die Digitalkamera nicht längere Zeit in einem Auto, auf einem Schiff oder direkter Sonneneinstrahlung ausgesetzt. Das Gehäuse ist eine luftdichte Vorrichtung, daher wird die Temperatur darin sehr hoch und es kann zu Funktionsstörungen der Digitalkamera kommen. Lassen Sie die Temperatur im Gehäuse nicht zu hoch werden.**

## Vor der Verwendung (Fortsetzung)

---

### ■ Verwendung des Gehäuses bei hohen oder niedrigen Temperaturen

- Wenn Sie das Gehäuse an feuchten oder heißen Orten öffnen und dann an einen kühlen Ort oder unter Wasser bringen, kann es im Inneren des Gehäuses zu Kondensation kommen, die Glasfläche sich trüben und die Digitalkamera beschädigt werden.
- Wenn Sie das Gehäuse plötzlich von einem kalten Ort oder kaltem Wasser an einen warmen Ort bringen, kann die Oberfläche sich trüben. Warten Sie mit dem Aufnehmen von Bildern, bis sich das Gehäuse der Lufttemperatur angepasst hat.





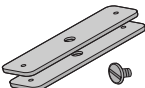
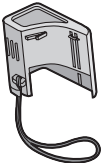
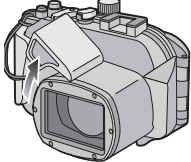
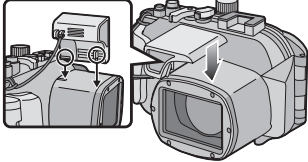
### ■ Zur Vorbereitung

- **Öffnen oder schließen Sie das Gehäuse nicht, wo es Wasserspritzern ausgesetzt ist oder Sand hineingeraten kann. Wir empfehlen das Öffnen oder Schließen des Gehäuses in geschlossenen Räumen.**
- Nehmen Sie das Ersetzender Batterie, der Karte, etc. und das Anbringen der Digitalkamera in geschlossenen Räumen vor, wo wenig Feuchtigkeit vorhanden ist.
- **Wenn Sie das Gehäuse am Tauchort öffnen oder schließen müssen, um die Batterie oder die Karte zu ersetzen, halten Sie unbedingt die unten aufgeführten Schritte ein.**
  - Wählen Sie einen Ort, an dem kein Wasser auf das Gehäuse spritzen und kein Sand in dieses gelangen kann.
  - Entfernen Sie jegliche Wassertropfen im Zwischenraum zwischen vorderem und hinterem Geräteteil und auf der Schnalle. Verbleibende Wassertropfen mit einem trockenen Tuch sorgfältig abreiben.
  - Sorgfältig jegliche Wassertropfen auf dem Körper und den Haaren trockenreiben.
  - Achten Sie besonders auf Wasser aus den Ärmeln Ihres Taucheranzugs.
  - Berühren Sie die Digitalkamera nicht, wenn Ihre Hände mit Salzwasser befeuchtet sind. Feuchten Sie zuvor ein Handtuch mit Süßwasser an und bringen Sie es in einer Plastiktüte unter. Verwenden Sie dieses Handtuch, um jegliche Wassertropfen oder Sand von Händen und Körper zu entfernen.
- Das Gehäuse ist nicht stoßfest. Wenn Sie einen schweren Gegenstand darauf abstellen oder es Stöße erleidet, kann die Digitalkamera beschädigt werden. Seien Sie bei der Verwendung des Gehäuses vorsichtig.

# Zubehör

Beim ersten Öffnen der Verpackung überprüfen, ob das Gehäuse und alle Zubehörteile enthalten sind und dass keine Versand- oder Transportschäden am Gehäuse oder an jeglichen Zubehörteilen vorliegen. Bei Unregelmäßigkeiten wenden Sie sich vor der Verwendung des Gehäuses an Ihren Händler.

Verwenden Sie keine anderen Zubehörteile als die unten aufgeführten.

	<p>O-Ring VMG1798</p>		<p>Kieselgel (Trockenmittel) (1 g/5 Stück) VZG0371</p>
	<p>Fett (für O-Ring) VZG0372</p>		<p>Handriemen VFC4190</p>
	<p>Gewichte (2) , Schraube zum Befestigen der Gewichte VXA8446</p>		
	<p>Diffusor VYK2D90</p> <ul style="list-style-type: none"> <li>• Sie können den Diffusor entfernen, wenn Sie ihn nicht verwenden.</li> </ul> <p><u>Entfernen</u></p>  <p><u>Anbringen</u></p>  <p>Mit der Kennzeichnung auf der Rückseite des Gehäuses ausrichten und anbringen.</p>		

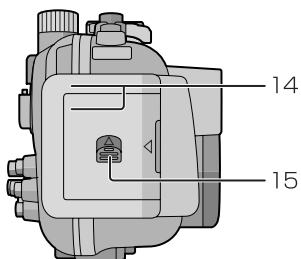
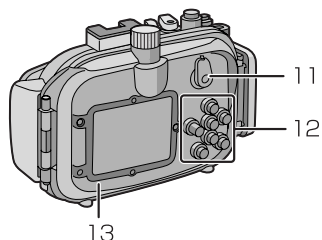
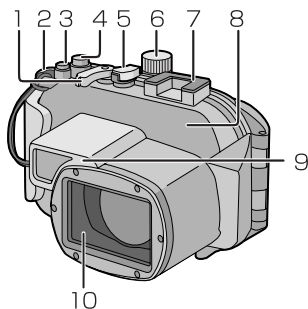
# Handhabung und Pflege

---

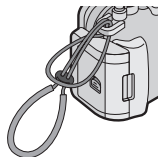
- **Stellen Sie dieses Gehäuse nicht an einem instabilen Ort ab.**
  - Fällt das Gehäuse auf Kopf oder Füße, führt dies zu Verletzungen und zu Funktionsstörungen des Gehäuses.
- **Nehmen Sie keinerlei Veränderungen am Gehäuse vor.**
  - Wenn Wasser in die Digitalkamera eindringt, weil Änderungen am Gehäuse vorgenommen wurden, kann die Digitalkamera irreparabel beschädigt werden.
  - Wenn Sie die Digitalkamera weiter benutzen, nachdem in diese Wasser eingedrungen ist, kann dies einen Brand zur Folge haben.
- **Verwenden Sie das Gehäuse ohne angemessene Einweisung nicht beim Scuba-Tauchen.**
  - Sie sollten das Gehäuse nur beim Scuba-Tauchen einsetzen, wenn Sie über eine angemessene Ausbildung und einen Schein für diesen Sport verfügen.
- **Das Gehäuse, das Fett, das Kieselgel und den O-Ring stets außerhalb der Reichweite von Kindern aufbewahren.**
  - Geraten Körperteile von Kindern in das Gehäuse, kann dies zu Verletzungen führen.
  - Kinder können das Fett, das Kieselgel oder den O-Ring versehentlich verschlucken.
  - Suchen Sie umgehend den Arzt auf, wenn Sie annehmen, dass ein Kind Fett, Kieselgel oder den O-Ring verschluckt hat.
- **Den Riemen unter Wasser nicht um den Hals hängen.**
  - Dieser könnte sich um den Hals winden und zu Erstickten oder schweren Verletzungen führen.
- **Die Hände sorgfältig von jeglichem Fett reinigen.**
  - Vermeiden Sie, dass Fett an Ihren Händen in Kontakt mit Mund oder Augen gerät.
- **Gerät Wasser in das Gehäuse, unterbrechen Sie die Verwendung umgehend.**
  - Dies kann sonst zu einem Stromschlag, Verbrennungen oder Brand führen.
  - Verständigen Sie Ihren Händler.
- **Bei unvorhergesehenen Ereignissen während des Gebrauchs des Gehäuses unter Wasser halten Sie sich beim Auftauchen bitte an alle vorgeschriebenen Vorgehensweisen und Richtlinien zum Druckausgleich.**
  - Wenn Sie zu schnell auftauchen, kann dies die Caissonkrankheit zur Folge haben.

- 
- **Wenn das Gehäuse Rauch oder anormale Wärme, Gerüche oder Geräusche erzeugt, unterbrechen Sie die Verwendung unverzüglich.**
    - Diese können zu einem Stromschlag, Verbrennungen oder Brand führen.
    - Entnehmen Sie die Digitalkamera aus dem Gehäuse und entfernen Sie dann umgehend die Batterien.
    - Verständigen Sie Ihren Händler.
  - **Beim Öffnen des Gehäuses nach dem Eintreten von Wasser vorsichtig vorgehen.**
    - Das eingedrungene Wasser kann herausgedrückt werden oder die Gehäuserückseite abspringen.
  - **Lassen Sie das Gehäuse nicht an Orten mit hohen Temperaturen zurück.**
    - Die Innentemperatur des Gehäuses erreicht besonders hohe Werte, wenn dieses direkter Sonneneinstrahlung am Strand, auf einem Schiff, etc. ausgesetzt wird oder wenn dieses im Sommer im geschlossenen Auto gelassen wird. Die Wärme kann zu Beschädigung des Gehäuses oder seiner internen Teile führen.
    - Wird eine Digitalkamera im Gehäuse angebracht, kann diese ebenso beschädigt werden.
    - Wenn Sie die daran angebrachte Digitalkamera verwenden, wenn die Innentemperatur des Gehäuses sehr hoch ist, kann dies zum Eindringen von Wasser, Kurzschluss oder Ausfall der Isolierung und so zu Brand oder Funktionsstörungen führen.
  - **Berühren Sie die Digitalkamera oder die Batterie nicht mit feuchten Händen.**
    - Dies kann zu Stromschlag oder Funktionsstörungen führen.
- **Bei der Aufnahme von Bildern mit Blitzlicht**
- Bei der Aufnahme von Bildern mit Blitzlicht können die Ecken des Bildes verschwommen sein oder das Bild kann nicht gleichmäßig ausgeleuchtet sein.
  - Bei der Aufnahme von Bildern mit Blitzlicht ist der verfügbare Blitzlichtbereich unter Wasser geringer als auf dem Land.

# Bauteile



1. Zoom-Hebel
2. Riemenöse  
(zum Anbringen des in der Lieferung enthaltenen Handriemens und des Diffusors)



3. Taste [E.ZOOM]
4. Auslösetaste
5. ON/OFF-Schalter
6. Modusschalter
7. Zubehörschuh für externes Blitzgerät von INON Inc.\*1
8. Vorderes Gehäuse
9. Diffusor (beiliegend)
10. Vordere Glasscheibe

11. Auswahlschalter [REC]/ [WIEDERG.]
12. Funktionstastenbereich (Lesen Sie die Bedienungsanleitung zur Digitalkamera für Details zu jeder Tastenfunktion.\*2)
13. Hinteres Gehäuse
14. Schnalle
15. Sperrfreigabe-Schalter

\*1 Dieser Zubehörschuh ist für ein externes Blitzgerät von INON Inc. vorgesehen.

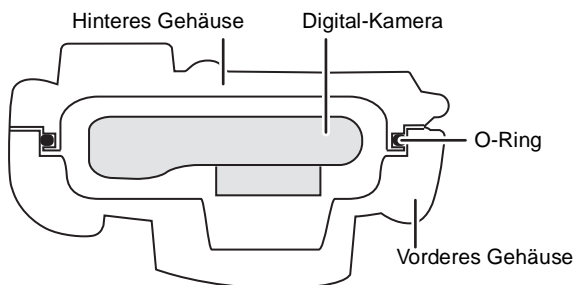
Für Informationen zu kompatiblen Blitzgeräten wenden Sie sich an INON Inc. [http://www.inon.co.jp/INON\\_WORLD\\_body.html](http://www.inon.co.jp/INON_WORLD_body.html)

\*2 Je nach der verwendeten Digitalkamera können die Tastensymbole am Unterwassergehäuse geringfügig voneinander abweichen. Beachten Sie die Tastensymbole an der Digitalkamera zum Gebrauch.

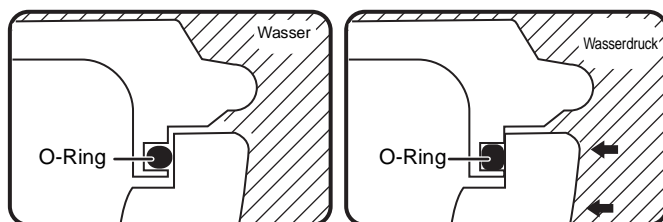
## Was ist der O-Ring?

- Der O-Ring ist eine wasserdichte Dichtung, die für Unterwasserkameras, Uhren und Tauchausrüstungen verwendet wird.
- Der O-Ring erhält das Gehäuse wasserdicht, indem er den Zwischenraum zwischen dem hinteren und vorderen Gehäuseteil abdichtet.

### ■ Wie der O-Ring das Gehäuse wasserdicht erhält



Das Gummi befindet sich in Kontakt mit den Gehäuseseiten, macht das Gehäuse so wasserdicht und verhindert, dass über den Zwischenraum Wasser eintritt.



Wird der O-Ring durch den Wasserdruck zusammengedrückt, dehnt sich dessen Oberfläche aus und das Gehäuse wird so noch besser abgedichtet.

**Der O-Ring verhindert das Eindringen von Wasser durch den gleichmäßigen Kontakt mit den Gehäuseseiten. Daher ist die korrekte Pflege des O-Rings sehr wichtig. Fehlerhafte Pflege kann zum Eindringen von Wasser führen.**

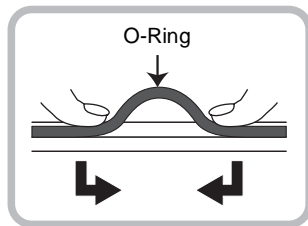
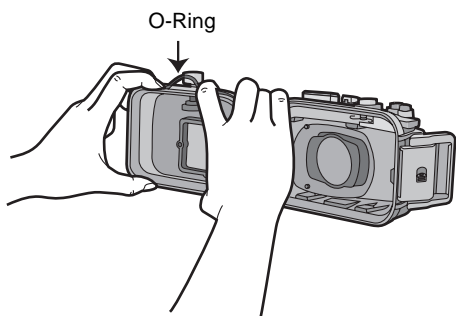
## Vorbereitung -Einsetzen des O-Rings-

Setzen Sie vor dem Anbringen einer Digitalkamera unbedingt zuerst den O-Ring ein.

Waschen und trocknen Sie Ihre Hände vor der Handhabung des O-Rings gründlich. Den O-Ring an einem sand- und staubfreien Ort einsetzen.

### 1 Den O-Ring zum Entfernen mit den Fingern lösen.

- Einen Teil des O-Rings mit zwei Fingerspitzen lösen und dann den gelösten Teil anheben. Darauf achten, dass keine Kratzer durch Fingernägel am O-Ring entstehen.



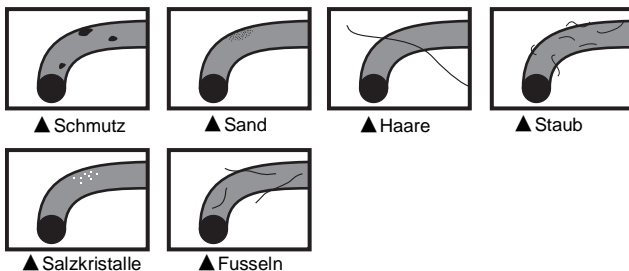
### ■ Hinweis

- Verwenden Sie keine spitzen Gegenstände zum Entfernen des O-Rings, da er dadurch beschädigt werden könnte.

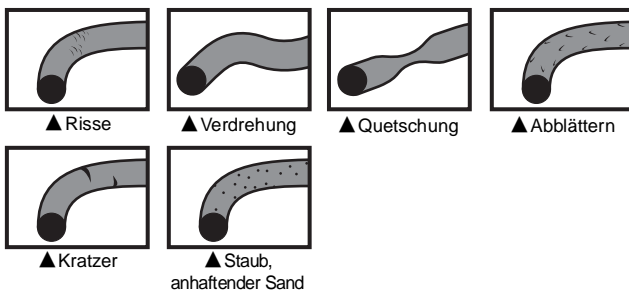


## 2 Prüfen des O-Rings.

- Kontrollieren Sie, dass kein Schmutz, Sand, keine Haare, Salzkristalle, Fusseln oder altes Fett auf dem O-Ring vorhanden sind. Stellen Sie dies fest, diese mit einem weichen, trockenen Tuch entfernen.



- Es kann sich nicht erkennbarer Schmutz auf dem O-Ring befinden. Kontrollieren Sie den O-Ring auf Schmutz, indem Sie mit dem Finger darüber fahren.
- Achten Sie darauf, dass nach dem Abreiben keine Fasern des trockenen Tuchs auf dem O-Ring zurückbleiben.
- Kontrollieren, dass der O-Ring nicht gerissen, verdreht, gequetscht, rissig oder zerkratzt ist und kein Sand daran haftet. In diesen Fällen den O-Ring ersetzen.



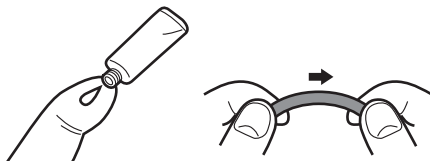
## 3 Die Nut des O-Rings überprüfen.

- Sandkörner oder hart gewordene Salzkristalle können in die Nut des O-Rings gelangen. Diese vorsichtig durch Aufsprühen von Luft oder mit einem Baumwolltuch entfernen. Wenn Sie ein Baumwolltuch verwenden, achten Sie darauf, dass dessen Fasern nicht in der Nut des O-Rings zurückbleiben.

## Vorbereitung -Einsetzen des O-Rings- (Fortsetzung)

**4** Überprüfen Sie die gegenüberliegende Seite des O-Rings auf dieselbe Weise.

**5** Tragen Sie das Fett auf (beiliegend).

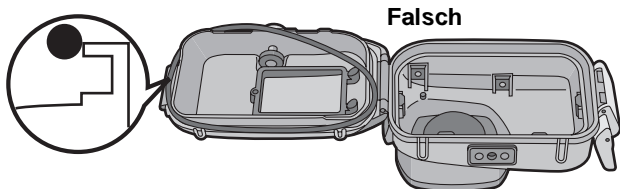
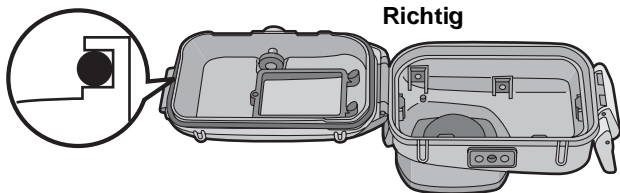


- Tragen Sie eine reiskorngroße Fettmenge (beiliegend) gleichmäßig mit der Fingerkuppe auf den O-Ring auf.
- Schmutz oder Staub bleiben am O-Ring haften, wenn Sie zu viel Fett auftragen.
- **Verwenden Sie nur das angegebene Fett. Bei Verwendung anderer Fettarten kann die Oberfläche des O-Rings beschädigt werden und zum Eindringen von Wasser führen.**
- Tragen Sie das Fett nicht mit Papier oder Stoff auf. Die Papier- oder Stofffasern können am O-Ring haften bleiben.

**6** Den O-Ring gleichmäßig in seine Nut einsetzen.

Kontrollieren Sie Folgendes:

- Dass kein Schmutz am O-Ring haftet.
- Dass der O-Ring nicht heraustritt.
- Dass der O-Ring nicht verdreht ist.
- Dass der O-Ring nicht zu stark gedehnt ist.



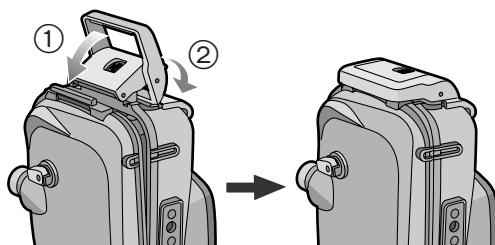
## 7 Letzte Überprüfung des O-Rings.

Überprüfen Sie Folgendes erneut:

- Dass kein Schmutz am O-Ring haftet.
- Dass der O-Ring nicht heraustritt.
- Dass der O-Ring nicht verdreht ist.
- Es sind keine Kratzer oder Quetschungen am O-Ring vorhanden.

**Jedliches Fett mit einem trockenen Tuch sorgfältig von denn Händen wischen und dann die Hände mit Wasser waschen.**

## 8 Schließen Sie die Schnalle.



- Kontrollieren, ob kein Fremdmaterial an der Außenoberfläche des O-Rings oder der Schnalle an der vorderen Geräteseite haftet und dann das Gehäuse schließen.

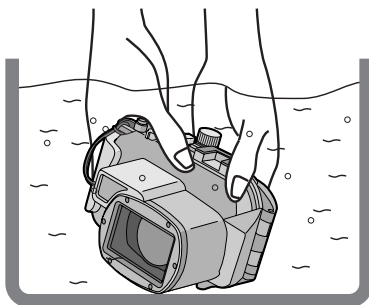
### ■ Hinweise


- Um das Gehäuse vollkommen luftdicht zu halten, Kratzer auf der Oberfläche des O-Rings vermeiden, die mit den Gehäuseseiten in Kontakt kommt.
- Nie einen O-Ring verwenden, der durch Schmutz, etc. zerkratzt oder beschädigt wurde. Dies führt zum Eindringen von Wasser.
- Bei jeder Verwendung des Gehäuses den O-Ring entfernen und kontrollieren, dass sich kein Schmutz, Sand, Haare oder anderes Fremdmaterial in der Nut des O-Rings befindet und dann eine dünne Schicht Fett (beiliegend) auftragen. Wird zu viel Fett aufgetragen, können Schmutz und Staub am O-Ring haften bleiben und zum Eindringen von Wasser führen.
- Nehmen Sie zur Sicherheit einen O-Ring als Ersatz mit, sollte der benutzte beschädigt oder verkratzt sein.

## **Vorbereitung** -Kontrollieren, dass das Gehäuse wasserdicht ist-

Nach dem Einsetzen des O-Rings überprüfen, dass kein Wasser in das Gehäuse eindringt, indem Sie es 3 Minuten lang in einen Wassertank, eine Badewanne, etc. Eintauchen, bevor Sie die Digitalkamera anbringen.

- Das Gehäuse nicht in Wasser mit einer Temperatur über 40 °C verwenden. Die Wärme kann das Gehäuse beschädigen oder zum Eindringen von Wasser führen.



 Denselben Test nach dem Anbringen der Digitalkamera im Gehäuse durchführen. (P61)

### ■ Hinweise

- Steigen Blasen vom Gehäuse auf, wenn es unter Wasser getaucht ist oder befindet sich Wasser im Gehäuse, wenn Sie es aus dem Wasser nehmen, ist es nicht wasserdicht. Wenden Sie sich in diesem Fall an Ihren Händler.
- Gerät während der Verwendung Wasser in das Gehäuse und die Digitalkamera wird ins Wasser getaucht, unverzüglich die Batterie entfernen. Wasserstoff kann zu Brand oder Explosion führen, wenn sich offenes Feuer in der Nähe befindet.
- Wenn Sie schnell ins Wasser tauchen, während Sie das Gehäuse halten oder das Gehäuse von einem Schiff ins Meer werfen, kann es durch den hohen Druck zum Eindringen von Wasser kommen. Hierbei handelt es sich nicht um eine Funktionsstörung des Gehäuses. Tauchen Sie stets langsam ins Wasser ein.
- Das Gehäuse ist darauf ausgelegt, auf einer Tiefe von bis zu 40 m verwendet zu werden. Wenn Sie tiefer als 40 m tauchen, können Teile des Gehäuses irreparabel beschädigt werden.
- Beim Schließen des Gehäuses darauf achten, dass keinerlei Fremdmaterial zwischen den O-Ring und die Nut des O-Rings gelangt. Auf eine Haarsträhne oder ein Sandkorn kann zum Eindringen von Wasser führen.

## Vorbereitung -Anbringen der Digitalkamera-

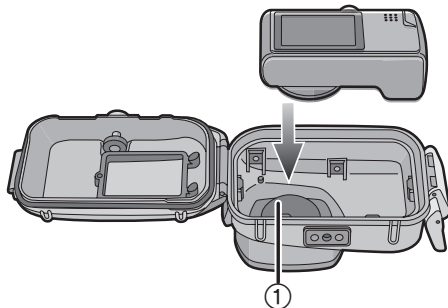
Stellen Sie sicher, dass der ON/OFF-Schalter der Kamera auf [OFF] steht und der Auswahlswitch [REC]/[WIEDERG.] auf [ ] gestellt ist.

- Den Riemen von der Digitalkamera entfernen.

**1** Drücken Sie ② mit dem Finger nach oben, während ① zum Öffnen der Schnalle verschoben wird.



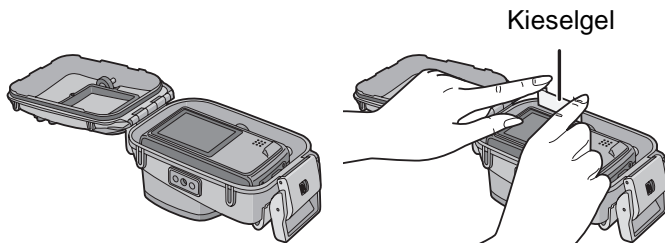
**2** Die Digitalkamera am Gehäuse anbringen.



- Achten Sie darauf, den Sonnenschutzring ① nicht zu entfernen.

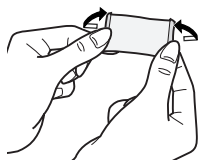
**3** Legen Sie das Kieselgel ein (beiliegend).

- Stets neues Kieselgel verwenden.



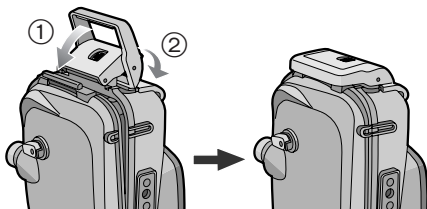
## Vorbereitung -Anbringen der Digitalkamera- (Fortsetzung)

- Beim Einlegen des Kieselgels, dieses wie in der Abbildung unten biegen und dann so weit wie möglich einschieben. Schließen Sie das Gehäuse bei nicht vollständig eingeschobenem Kieselgel, gerät dieses in den O-Ring und führt zum Eindringen von Wasser.



- Bei hoher Luft- und niedriger Wassertemperatur kann im Inneren des Gehäuses Kondensation auftreten. Um Kondensation vorzubeugen, sicherstellen, dass das Kieselgel (beiliegend) nicht mit dem Objektiv der Digitalkamera in Kontakt kommt. Um ein Beschlagen des Gehäuses zu vermeiden, das Kieselgel ca. 1 bis 2 Stunden vor dem Verwenden des Gehäuses einlegen.

### 4 Schließen Sie die Schnalle.



- ☞ Kontrollieren Sie, ob die Schnalle fest verschlossen ist. Nicht den Gurt usw. in die Schnalle einführen.



### 5 Nach dem Anbringen der Digitalkamera ein weiteres Mal überprüfen, ob kein Wasser in das Gehäuse eindringt. (P60)

## ■ Hinweise

- Ein weiteres Mal überprüfen, ob der O-Ring gleichmäßig in die Nut des O-Rings eingesetzt ist.
- Vermeiden Sie das Öffnen und Schließen des Gehäuses an Orten mit viel Sand oder Staub oder feuchten oder nassen Stellen.
- Bei einem plötzlichen Temperaturwechsel kann Kondensation im Inneren des Gehäuses auftreten.
- Gerät Sonnenschutzmittel oder –öl auf das Gehäuse, dies unverzüglich mit lauwarmem Wasser abwaschen, um einer verringerten Wasserdichtigkeit oder Entfärbung vorzubeugen.

## ■ Anbringen der Gewichte

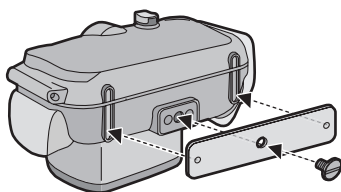
### Benutzung der Gewichte

Bringen Sie die Gewichte an, um den gewünschten Auftrieb bei Benutzung des Unterwassergehäuses zu korrigieren. Verwenden Sie sie bei Bedarf.

Beachten Sie zum Auftrieb unter Wasser:

- ① Wenn Sie nur die Digitalkamera und das Unterwassergehäuse benutzen, dass diese geringfügig in Süß- oder Salzwasser schwimmen. (positiver Auftrieb)
- ② Wenn Sie die Digitalkamera, das Unterwassergehäuse und 1 Gewicht benutzen, dass diese noch geringfügiger in Süß- oder Salzwasser schwimmen, als bei ①. (positiver Auftrieb)
- ③ Wenn Sie die Digitalkamera, das Unterwassergehäuse und 2 Gewichte benutzen, dass diese geringfügig in Süß- oder Salzwasser sinken. (negativer Auftrieb)

## Anbringen der Gewichte



Richten Sie bei Benutzung 1 Gewichts dessen vorstehenden Teil zum Stativanschluss des Unterwassergehäuses aus und verwenden Sie dann die beiliegende Schraube zum Befestigen. Richten Sie bei Benutzung von 2 Gewichten des vorstehenden Teil des zweiten Gewichts zur Einkerbung des ersten Gewichts aus, so dass sich die Gewichte nicht überlappen, und bringen Sie am Stativanschluss an.

## ■ Hinweis

- Entfernen Sie die Gewichte nach dem Gebrauch, säubern Sie sie von Salz und bewahren Sie sie dann auf, um die Ausbildung von Rost zu verhindern.

# Aufnahme von Bildern

## ■ Vor der Aufnahme von Bildern unter Wasser

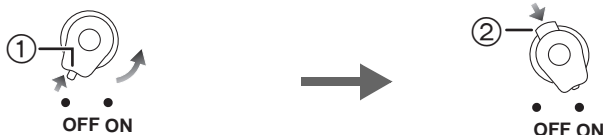
### Vor dem Tauchen Folgendes überprüfen.

- Verbleibt ausreichend Batterieleistung?
- Ist ausreichend Speicher auf der Karte?
- Ist der O-Ring gleichmäßig in die Nut des O-Rings eingesetzt?
- Haben Sie kontrolliert, dass kein Wasser in das Gehäuse eindringt?
- Ist die Schnalle fest verschlossen?

## ■ Aufnahme von Bildern

### 1 Schalten Sie die Kamera ein.

Drücken Sie ①, um die Sperre freizugeben und stellen Sie die Kamera auf [ON]. Drücken Sie ② zur Verriegelung.



### 2 Das Szenenmodus-Menü einblenden und [UNTER WASSER] einstellen.

- Lesen Sie wegen Details in der Bedienungsanleitung der Digitalkamera nach.

### 3 Den AF-Bereich auf dem LCD-Monitor auf das scharfzustellende Objekt richten.

### 4 Drücken Sie ◀ (☺/AF-L) zum Scharfstellen.

- Drücken Sie erneut ◀ (☺/AF-L) zum Löschen.

### 5 Die Auslösetaste ganz drücken, um das Bild aufzunehmen.

## ■ Hinweise

- Vor dem Anbringen der Kamera am Gehäuse empfehlen wir das erneute Einstellen der Uhr. (Lesen Sie wegen Details in der Bedienungsanleitung der Digitalkamera nach.)
- Befinden sich schwebende Teilchen vor der Kamera, kann die Scharfeinstellung auf diese anstatt auf das Objekt erfolgen.
- Befinden sich Wassertropfen oder Schmutz auf der vorderen Glasscheibe, kann die Scharfeinstellung vielleicht nicht korrekt erfolgen. Achten Sie darauf, die vordere Scheibe vor der Aufnahme abzureiben.



# Tipps zur Aufnahme von Bildern im Wasser

---

## Das Bild ist im Wasser zu bläulich

- ① Drücken Sie ▲ (WB) mehrmals, bis [WB±] erscheint.
- ② Drücken Sie ◀ (☺/AF-L)/▶ (⚡), um den Weißabgleich einzustellen.
- ③ Drücken Sie [MENU/SET], um zu beenden.
  - Sie könne zum Beenden auch die Auslösetaste halb drücken.

## Wählen Sie das beste Bild

### Stellen Sie den Flash auf [☺].

Gebrauch der Auto Bracket-Funktion (bei Modellen mit Auto Bracket-Funktion)

- Bei jedem Drücken der Auslösetaste werden automatisch 3 Bilder mit verschiedener Belichtung aufgenommen. Sie können das gewünschte Bild unter den 3 Bildern aussuchen.

Verwendung des Burst-Modus

- Beim Aufnehmen von Bildern eines sich schnell bewegenden Objektes (ein Clownfisch, usw.), können Sie das von Ihnen bevorzugte Bild nach der Aufnahme im Burst-Modus auswählen.

## ■ Hinweis

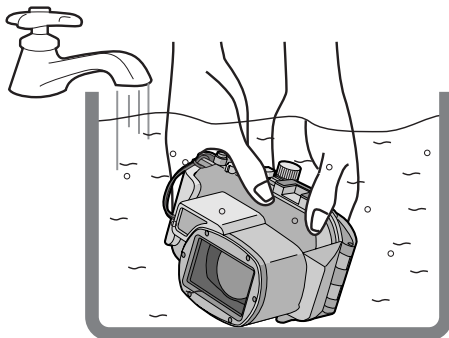
- Für weitere Informationen siehe Bedienungsanleitung der Digitalkamera.

## Nach Gebrauch

---

Nach der Bildaufnahme die folgenden Schritte ausführen.

- 1** Das Gehäuse ca. 30 Minuten oder mehr in Süßwasser tauchen, ohne die Digitalkamera zu entfernen, um jegliche Salzkristalle, etc. zu entfernen.



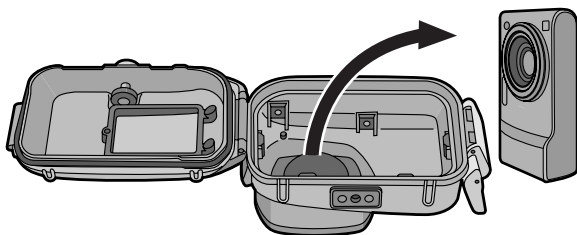
- Alle Bedienknöpfe etc. auf dem Gehäuse drücken, um jegliches Salzwasser zu entfernen. Werden die Salzkristalle nicht von den Knöpfen, etc. Entfernt, werden diese hart und mit der Zeit unbenutzbar.
- Das Gehäuse nicht unter fließendem oder unter Druck stehendem Wasser, o.ä. waschen, da dies zum Eindringen von Wasser führen kann.

- 2** Das Wasser mit einem trockenen Tuch abreiben, an dem keine Salzkristalle haften und dann vollkommen trockenreiben.

- Das Gehäuse nicht durch direkte Sonneneinstrahlung trocknen. Dies kann das Gehäuse entfärben oder beschädigen oder den Verschleiß des O-Rings beschleunigen.

---

**3** Die Geräterückseite öffnen, um die Digitalkamera zu entfernen.



**4** Den O-Ring aus dem Gehäuse entfernen und sicherstellen, dass keine Rückstände, o.ä. in der Nut des O-Rings vorhanden sind.

**5** Beim Auftragen des Fetts überprüfen, ob sich keine Kratzer, etc. auf dem O-Ring befinden.

■ **Hinweise**

**Achten Sie beim Entfernen der Digitalkamera aus dem Gehäuse darauf, dass diese nicht nass wird.**

- Die Kamera mit sauberen Händen entfernen. (Hände mit Süßwasser waschen und sorgfältig abtrocknen.)
- Trocknen Sie jegliche Feuchtigkeit auf Körper und Haar sorgfältig ab. (Achten Sie insbesondere auf aus den Ärmeln des Taucheranzugs austretendes Wasser.)
- Bei besonders schlechten Wetterbedingungen und hohen Wellen, eine Stelle auswählen, an der die Digitalkamera nicht nass werden kann, z.B. in Innenräumen oder an überdachten Plätzen.

# Reinigung und Aufbewahrung

---

## **1 Die Außenseite des Gehäuses mit Wasser abwaschen.**

- Die Außenseite des Gehäuses mit Wasser sauberwaschen. (P66)
- Vergewissern Sie sich, dass das Gehäuse geschlossen ist und waschen Sie dann die Außenseite nur mit Wasser.
- Jeglichen Schmutz im Inneren des Gehäuses mit einem nassen, weichen Tuch abreiben.

## **■ Hinweise**

- Das Gehäuse nicht mit unter hohem Druck stehenden Wasser abwaschen, da dies zum Eindringen von Wasser führen kann. Die Digitalkamera entfernen, bevor Sie das Gehäuse mit Wasser reinigen.
- Lassen Sie die Digitalkamera zur Aufbewahrung nicht im Gehäuse.
- Verwahren Sie das Gehäuse an einem kühlen, gut belüfteten Ort.

# Vorsichtshinweise

---

## ■ Handhabung des O-Rings

- **Verwenden Sie weder Alkohol, Verdüner, noch chemische Reinigungsmittel zum Reinigen des O-Rings. Dies führt zu Beschädigungen oder einem schnelleren Verschleiß des O-Rings.**
- **Wenn Sie das Gehäuse für längere Zeit nicht verwenden, den O-Ring aus seiner Nut entfernen, eine dünne Schicht Fett (beiliegend) auftragen, in einem sauberen Plastikbeutel unterbringen und dann an einem kühlen, dunklen Ort lagern, um ein Beschädigen der Oberfläche zu verhindern. Wenn Sie den O-Ring erneut benutzen, untersuchen Sie vorher, ob dieser keine Kratzer oder Risse aufweist.**
- **Verwenden Sie nur das angegebene Fett. Bei Verwendung anderer Fettarten kann die Oberfläche des O-Rings beschädigt werden und es kann zum Eindringen von Wasser kommen.**
- Der O-Ring kommt mit den Geräteseiten in Kontakt und macht das Gehäuse wasserdicht. Nicht gegen den O-Ring oder die Geräteseiten stoßen, Fremdmaterialien hineingeraten lassen (Schmutz, Sand, Haar, etc.) oder den O-Ring oder die Seiten des Gehäuses verkratzen.
- Verwenden Sie die Fingerspitzen, um den O-Ring zu entfernen. Verwenden Sie keine spitzen Gegenstände, da diese den O-Ring verkratzen könnten.
- Nach dem Entfernen des O-Rings aus der Geräte rückseite jeglichen Schmutz, Sand, Haare oder andere Fremdmaterialien darauf abreiben. Ebenso die Nut des O-Rings und die Innenseiten der Vorderseite des Gehäuses abreiben, die mit dem O-Ring in Kontakt kommen.
- Nie einen O-Ring verwenden, der durch Schmutz, o.ä. beschädigt wurde. Dies kann zum Eindringen von Wasser führen. Durch einen neuen O-Ring ersetzen.
- Nach dem Ersetzen eines O-Rings, längerem Nichtgebrauch des Gehäuses oder Öffnen des Gehäuses zum Anbringen einer Digitalkamera, Ersetzen der Batterie, etc. Sorgfältig überprüfen, ob der O-Ring nicht zerkratzt oder gerissen ist. Dann das Gehäuse schließen und kontrollieren, dass kein Wasser eindringt, wenn Sie es ca. drei Minuten in einen Wassertank, eine Badewanne o.ä. eintauchen. (P60)
- O-Ring sind Verbrauchsmaterialien. Obwohl die Lebensdauer von O-Ringen davon abhängt, wie gut sie gewartet und wie oft sie benutzt werden und von ihren Lagerbedingungen, empfehlen wir, diese einmal im Jahr zu ersetzen, auch wenn Sie keine Kratzer erkennen können.

## Vorsichtshinweise (Fortsetzung)

### ■ Zur Wartung

- Verwenden Sie keine der unten gezeigten Chemikalien zum Reinigen, als Rostschutz, zum Entfernen des Beschlags oder für Reparaturen. Durch deren direkte oder indirekte Verwendung (in einem chemischen Spray o.ä.) kann das Gehäuse unter hohem Druck Risse bekommen.

Verbotene Chemikalien	Vorsichtsmaßnahmen
Flüchtige organische Lösungsmittel/ Chemische Reinigungsmittel	Reinigen Sie das Gehäuse nicht mit flüchtigen organischen Lösungsmitteln wie Alkohol, Benzin oder Verdünner bzw. chemischen Reinigungsmitteln. Reinigen Sie es mit Süßwasser oder lauwarmem Wasser.
Korrosionsschutzmittel	Verwenden Sie keine Korrosionsschutzmittel, da die Metallteile an diesem Gehäuse aus rostfreiem Stahl oder Messing bestehen. Reinigen Sie diese mit Süßwasser.
Mittel zum Schutz gegen Trübung	Verwenden Sie keine handelsüblichen Wirkstoffe gegen Trübung von Glas. Verwenden Sie unbedingt das in dieser Bedienungsanleitung angegebene Kieselgel.
Klebstoffe	Verwenden Sie keine Klebstoffe zum Reparieren. Ist eine Reparatur des Gehäuses erforderlich, verständigen Sie Ihren Händler.

- Haftet Fett an der Digitalkamera, reiben Sie es mit einem weichen, trockenen Tuch ab.
- Zum Abreiben der Innenseite des Gehäuses nur ein weiches, trockenes Tuch verwenden. Die Innenseite der vorderen Glasscheibe vor und nach dem Gebrauch mit einem weichen, trockenen Tuch abreiben, um das Glas sauber zu halten.

---

## ■ Zur Aufbewahrung und Inspektion nach der Benutzung

- Die Digitalkamera stets aus dem Gehäuse nehmen.
- Vergewissern Sie sich, dass kein Schmutz oder Staub am O-Ring haftet.
- Trocknen Sie das Gehäuse bei Raumtemperatur und verwahren Sie es dann an einem kühlen, dunklen Ort.
- Wir empfehlen eine Inspektion des Gehäuses ca. 3 Jahre nach Erwerb. Diese Inspektion umfasst das Zerlegen und Reinigen des Gehäuses, Inspizieren aller Teile und deren Reparatur, wenn erforderlich und die Überprüfung der Wasserdichtigkeit des Gehäuses unter Verwendung derselben hydrostatischen Testausrüstung, die vor dem Kauf eingesetzt wurde. Alle Transportkosten sind vom Kunden zu tragen.
- Keinerlei Teile zerlegen und kein Zubehör verwenden, das nicht in der Bedienungsanleitung aufgeführt ist und keine Veränderungen am Gehäuse anbringen. Bei Funktionsstörungen des Gehäuses verständigen Sie Ihren Händler.

## Spezifikationen

---

<b>Kompatibles Modell:</b>	DMC-TZ5/DMC-TZ15/DMC-TZ4/DMC-TZ11 (gültig ab März 2008*)
<b>Gewicht:</b>	Ca. 434 g
<b>Abmessungen :</b>	Ca. 150 mm (W)×94 mm (H)×93 mm (D) (ohne hervorstehenden Teil)
<b>Material:</b>	Polykarbonat
<b>Wasserdicht gebaut:</b>	O-Ring-Dichtung
<b>Wasserdicht bis:</b>	40 m

\* Für die neuesten Informationen zu den verwendbaren Modellen, siehe in der Bedienungsanleitung, im Katalog, auf der Internetseite, usw. zur Digitalkamera.

## **Índice**

---

Antes del uso . . . . .	73
Accesorios . . . . .	75
Manejo y Cuidado . . . . .	76
Componentes . . . . .	78
¿Qué es el anillo tórico? . . . . .	79
Preparación -Ajuste del anillo tórico-. . . . .	80
Preparación -Control de lo impermeable del estuche-. . . . .	84
Preparación -Unión de la cámara digital-. . . . .	85
Sacar imágenes . . . . .	88
Consejos para sacar imágenes en el agua. . . . .	89
Después del uso . . . . .	89
Limpieza y almacenamiento . . . . .	91
Precauciones para el uso . . . . .	91
Especificaciones . . . . .	93



## Antes del uso

- Este estuche marino ha sido diseñado para las cámaras digitales de Panasonic. Puede gozar de la toma de imágenes submarinas a una profundidad hasta 40 m.
- En el caso de infiltración debida a escaso cuidado, Panasonic no se responsabiliza por los daños padecidos por cualquier producto (cámara digital, baterías, tarjeta, etc.) que quepa en este estuche, los costes fotográficos o cualquier otros gastos.
- Panasonic no proporciona ninguna compensación por accidentes que condujesen a heridas o daños a la propiedad.
- Lea las instrucciones de funcionamiento de su cámara digital.
- **Antes de unir la cámara digital, sumerja el estuche en el agua durante 3 minutos o más para comprobar que no haya infiltración de agua.**

### ■ Acerca del manejo del estuche

- Utilice teniendo en cuenta las siguientes condiciones.
  - **Profundidad del agua: Hasta 40 m**
  - **Temperatura ambiente: 0 °C a 40 °C**
- No use el estuche en agua por encima de los 40 °C. El calor puede dañar el estuche o causar infiltración de agua.
- El estuche está hecho de policarbonato resistente al impacto, sin embargo ponga cuidado cuando lo va a usar. Él puede arañarse fácilmente cuando toma imágenes en lugares con escollos etc. y puede dañarse por el impacto debido a caída etc. Cuando viaja en coche, buque, avión embale con esmero el estuche para evitar un impacto directo en el caso de que se caiga y no deje la cámara digital dentro del estuche. Sólo una la cámara digital al estuche cuando la lleva por cortas distancias como la del aeropuerto al lugar del buceo (para transportarlo, no puede volver a usar el material con el que fue embalado al momento de la compra).
- Cuando se embarca en un avión, el cambio de presión atmosférica podría hacer expandir el interior del estuche causándole daño. Quite el anillo tórico antes de embarcarse en un avión.
- **No deje la cámara digital en el estuche por largos períodos de tiempo dentro de un coche, un buque, o bien expuesto a la luz directa del sol etc. El estuche es un dispositivo estanco al aire así que la temperatura dentro del estuche va a subir mucho y la cámara podría dejar de funcionar correctamente. No deje que la temperatura dentro del estuche aumente demasiado.**

## **Antes del uso** (continuación)

---

### ■ **Uso del estuche a altas o bajas temperaturas**

- Si abre o cierra el estuche donde haya humedad o calor y luego va a un lugar frío o bien va a bucear, podría tener lugar condensación dentro del estuche, ponerse empañada la superficie del cristal y dañarse la cámara digital.
- Si de repente desplaza el estuche de un lugar, o agua, frío a uno caliente, podría empañarse la superficie del cristal. Espere hasta que el estuche se acerque a la temperatura del aire antes de tomar las imágenes.

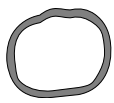



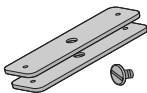
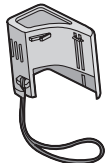
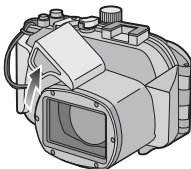
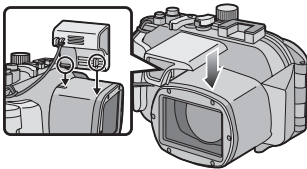
### ■ **Acerca de la preparación**

- **No abra el estuche ni lo cierre donde puede rociarse por el agua o done pueda entra arena en él. Le recomendamos que lo abra o lo cierra en casa.**
- Reemplace la batería, la tarjeta etc. y una la cámara digital en casa donde haya poca humedad.
- **Si tiene que abrir o cerrar el estuche en lugares de buceo para reemplazar la batería o la tarjeta, tenga cuidado de seguir los pasos siguientes.**
  - Elija un lugar donde el estuche no pueda ser rociado con agua o entrar arena en su interior.
  - Quite soplando cualquier gota de agua en el espacio entre la parte delantera y la trasera del estuche y en la hebilla. Saque enteramente las gotas que quedan de agua con un trapo seco.
  - Seque enteramente cualquier gota de agua de su cuerpo o pelo.
  - Ponga cuidado en el agua que pueda caer de las mangas de su traje térmico.
  - No toque la cámara digital si sus manos están mojadas de agua del mar. Moje una toalla con agua fresca y la coloque en una bolsa de poliéster de antemano. Emplee esta toalla para sacar las gotas de agua o arena de su mano o cuerpo.
- Este estuche no absorbe los golpes. Si coloca un objeto pesado encima del estuche o lo golpee, la cámara digital podría dañarse. Ponga cuidado cuando usa el estuche.

## Accesorios

Cuando antes abre el paquete, asegúrese de que estén incluidos tanto el estuche como todos los accesorios y de que ambos no hayan padecido daño alguno durante la distribución o el transporte. En el caso de que encontrarse algo insólito, llame a su comerciante antes de utilizar el estuche.

No utilice ningún accesorio salvo los detallados a continuación.

	Anillo tórico VMG1798		Silicagel (Desecante) (1 g/5 piezas) VZG0371
	Grasa (para el anillo tórico) VZG0372		Correa de mano VFC4190
	Pesos (2) , Tornillo de unión de los pesos VXA8446		
	<p>Difusor VYK2D90</p> <ul style="list-style-type: none"><li>• Puede quitar este difusor cuando no lo utiliza.</li></ul> <p><u>Remoción</u></p>  <p><u>Unión</u></p>  <p>Alinee la marca de la parte trasera del estuche y únalo.</p>		

## Manejo y Cuidado

---

- **No coloque el estuche donde pueda caerse.**
  - Por si se cae el estuche en su cabeza o pie, él herirá a usted y causará al estuche un funcionamiento defectuoso.
- **Nunca modifique el estuche.**
  - Si se filtra agua dentro de la cámara debido a que el estuche fue modificado, la cámara digital podría dañarse sin posibilidad de ser reparada.
  - Si sigue utilizando la cámara digital después de filtrarse agua en ella, eso podría hacerla incendiar.
- **No utilice el estuche para el buceo sin adecuado adiestramiento.**
  - El estuche tendría que ser hecho funcionar en el buceo sólo si usted tiene adecuado entrenamiento y certificación para este deporte.
- **Nunca deje el estuche, la grasa, el silicagel o el anillo tórico al alcance de los niños.**
  - Si el estuche agarra una cualquier parte del cuerpo del niño puede causarle heridas.
  - Los niños podrían por casualidad tragarse la grasa, el silicagel e el anillo tórico.
  - Llame de inmediato a un médico por si duda que el niño pueda haberse tragado la grasa, el silicagel o el anillo tórico.
- **No cuelgue la correa alrededor de su cuello cuando está sumergido en el agua.**
  - Ésta podría envolverse alrededor de su cuello causándole sofocación u otra seria herida.
- **Limpie toda grasa de sus manos.**
  - Con sus manos untadas de grasa no frote su boca ni sus ojos.
- **Por si se filtra agua en el estuche, deje de usarlo de inmediato.**
  - Eso puede causar una descarga eléctrica, una quemadura o un incendio.
  - Llame a su comerciante.
- **Si ocurre algo anómalo mientras que está utilizando el estuche sumergido en el agua, cuando sube siga todos los necesarios procedimientos y líneas de guía para la descompresión.**
  - Si sube demasiado rápido, puede contraer la enfermedad del buzo.
- **Si del estuche sale humo o calor anómalo, olor o sonido, déjelo de usarlo de inmediato.**
  - Eso puede causar una descarga eléctrica, una quemadura o un incendio.
  - Saque la cámara digital fuera del estuche y, de inmediato, quite la batería de la cámara digital.
  - Llame a su comerciante.
- **Ponga cuidado cuando abre el estuche después de una infiltración de agua.**
  - El agua penetrada podría hacerlo reventar o podría volcar el estuche trasero.

---

- **No deje el estuche donde hay una lata temperatura.**

- La temperatura dentro del estuche aumenta mucho sobre todo cuando éste está expuesto a la luz directa del sol en una playa, un buque etc. o bien cuando se deja en un coche sin aire durante el verano. El calor puede dañar el estuche o sus piezas internas.
- Si al estuche está unida una cámara digital, también ésta podría salir dañada.
- Si utiliza la cámara digital unida cuando la temperatura dentro del estuche es demasiado alta, éste podría causar una infiltración, un cortocircuito o una falta de aislamiento y de eso hacer originar un incendio o un funcionamiento defectuoso.

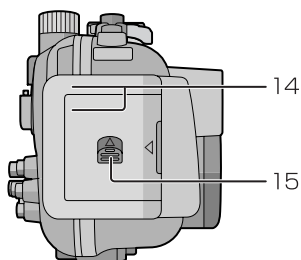
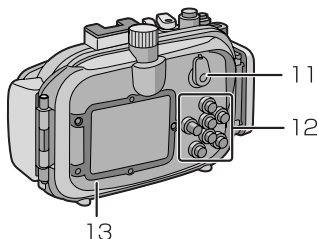
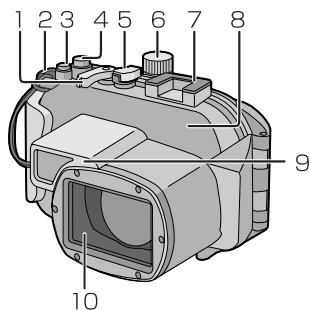
- **No maneje la cámara digital o la batería con las manos mojadas.**

- Eso podría causar una descarga eléctrica o un funcionamiento defectuoso.

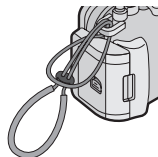
- **Cuando se sacan imágenes con el flash**

- Cuando toma imágenes usando el flash, lo que sale de las imágenes podría resultar viñeteado o bien la imagen podría no alumbrarse uniformemente.
- Cuando toma imágenes con el flash, el rango disponible de éste último es menos debajo de la superficie del agua que estando en tierra.

# Componentes



1. Palanca del zoom
2. Ojal de la correa  
(para unir la correa de mano suministrada y el difusor)



3. Botón [E.ZOOM]
4. Botón del obturador
5. Interruptor ON/OFF
6. Disco del modo
7. Zapata de montaje para INON Inc., strobe externo\*1
8. Estuche delantero
9. Difusor (suministrada)
10. Cristal delantero
11. Interruptor selector [REC]/[REPR.]
12. Sección de funcionamiento de botones  
(Lea las instrucciones de funcionamiento de la cámara digital para los detalles acerca de cada botón de funcionamiento.\*2)
13. Estuche trasero
14. Hebilla
15. Palanca para soltar el bloqueo

\*1 Ésta es una zapata de montaje dedicada al strobe externo fabricado por INON Inc.

Pregunte a INON Inc. sobre el strobe compatible.

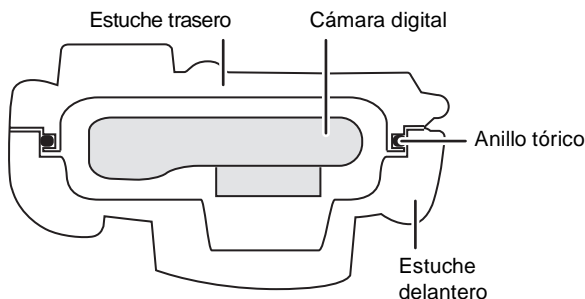
[http://www.inon.co.jp/INON\\_WORLD\\_body.html](http://www.inon.co.jp/INON_WORLD_body.html)

\*2 Según la cámara digital que se está usando, las indicaciones de botones en el estuche marino pueden ser un poco diferentes. Para el uso siga las instrucciones de botones en la cámara digital.

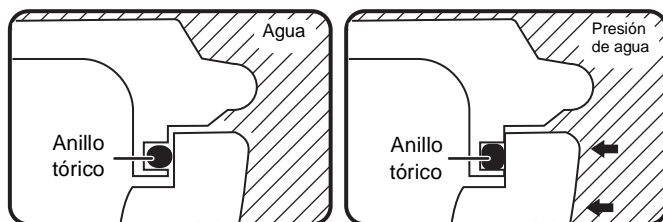
## ¿Qué es el anillo tórico?

- El anillo tórico es una junta hermética utilizada para cámaras, reloj submarinos y otros dispositivos de buceo.
- El anillo tórico mantiene lo impermeable del estuche cerrando la holgura entre su parte trasera y la delantera.

### ■ Cómo el anillo tórico mantiene lo impermeable del estuche



La goma toca ambos lados del estuche volviéndolo impermeable e impidiendo al agua infiltrarse a través de la holgura.



Cuando el anillo tórico está prensado por la presión del agua, la superficie del mismo anillo se expande yendo a proporcionar al estuche un cierre más fuerte.

**El anillo tórico impide la infiltración del agua por su contacto uniforme con los lados del estuche. Por lo tanto, es muy importante poner mucho cuidado en dicho anillo. Un cuidado inadecuado del anillo tórico podría causar infiltraciones de agua.**

## Preparación -Ajuste del anillo tórico-

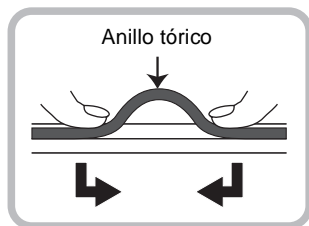
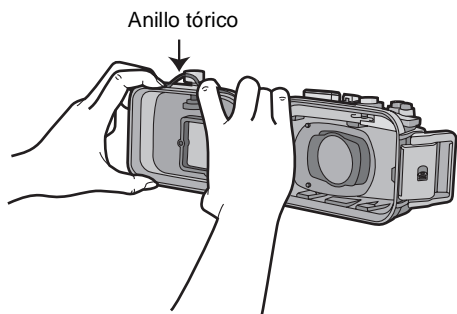
Tenga cuidado de poner el anillo tórico antes de unir una cámara digital.

Limpie a fondo y seque sus manos antes de manejar el anillo tórico.

Coloque dicho anillo en un lugar donde no haya arena ni polvo.

### 1 Afloje el anillo tórico con sus dedos para quitarlo.

- Afloje parte del anillo tórico con la punta de dos dedos, luego levante la parte aflojada. Tenga cuidado de no arañar dicho anillo con las uñas.



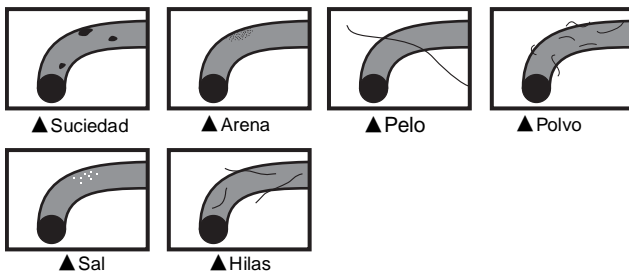
### ■ Nota

- No utilice un objeto puntiagudo para quitar el anillo tórico ya que eso podría arañarlo.

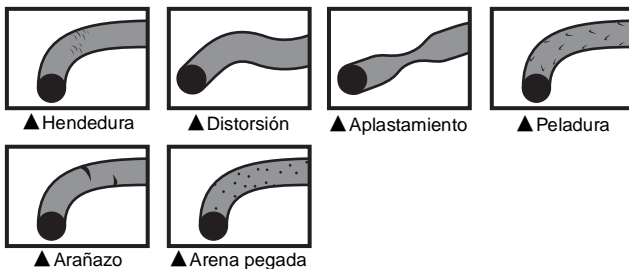


## 2 Controle el anillo tórico.

- Compruebe que en el anillo tórico no haya suciedad, arena, pelo, polvo, cristales de sal, hilas o grasa vieja. En el caso de que los encuentre, sáquelos con un trapo blanco y seco.



- Podría haber suciedad en el anillo tórico que no puede verse. Compruebe si hay suciedad frotando con su dedo encima del anillo tórico.
- Tenga cuidado de no dejar fibras del trapo seco en el anillo tórico cuando lo va a limpiar.
- Compruebe que el anillo no esté desgarrado, torcido, apretado, deshilachado o arañado y que no tenga arena pegada encima. En estos casos reemplace el anillo tórico.



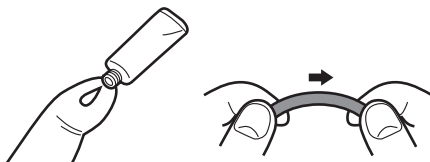
## 3 Controle la ranura del anillo tórico.

- Granos de arena o cristales de sal endurecidos pueden entrar en la ranura del anillo tórico. Sáquelos con un chorro de aire o un estropajo de algodón. Si usa un estropajo de algodón, tenga cuidado de no dejar ninguna de sus fibras en la ranura de dicho anillo.

## Preparación -Ajuste del anillo tórico- (continuación)

**4** Controle el lado opuesto del anillo tórico de la misma manera.

**5** Aplique la grasa (suministrada).

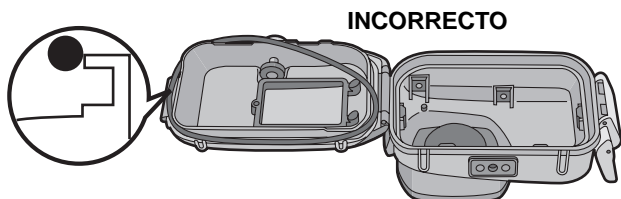
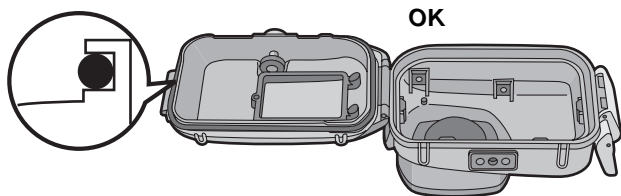


- Con la punta de su dedo aplique uniformemente en el anillo tórico grasa (suministrada) que tenga un tamaño de un grano de arroz.
- Suciedad o polvo se pegarán al anillo tórico por si aplica demasiada grasa.
- **Sólo utilice la grasa especificada. Si usa grasa de otro género, puede dañarse la superficie del anillo tórico causando infiltración de agua.**
- No aplique la grasa usando papel o un trapo ya que las fibras de éstos podrían pegarse al anillo tórico.

**6** Ponga el anillo tórico de manera uniforme dentro de la respectiva ranura.

Compruebe lo siguiente:

- No haya suciedad pegada al anillo tórico.
- El anillo tórico no salga.
- El anillo tórico no esté torcido.
- El anillo tórico no esté extendido demasiado.



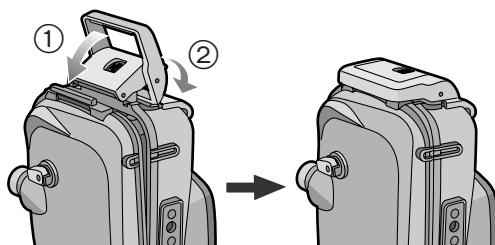
## 7 Controle el anillo tórico una última vez.

Compruebe lo siguiente una vez más:

- No haya suciedad pegada al anillo tórico.
- El anillo tórico no salga.
- El anillo tórico no esté torcido.
- No haya ningún arañazo ni partes apretadas en el anillo tórico.

**Saque a fondo toda grasa de sus manos con un trapo seco luego límpielas con agua.**

## 8 Cierre la hebilla.



- Compruebe que ningún material extraño esté pegado a la superficie externa del anillo tórico y de la hebilla en el estuche delantero luego ciérralo.

### ■ Notas

- Para mantener el estuche enteramente estanco al aire, no arañe la superficie del anillo tórico que va a tocar los lados del estuche.
- Nunca utilice un anillo tórico que haya sido arañado o dañado por la suciedad etc. Eso causará infiltración de agua.
- Cada vez que utiliza el estuche, quite el anillo tórico y compruebe que no haya suciedad, arena, pelo u otro material extraño en la ranura del anillo tórico y, luego, aplique una ligera capa de grasa (suministrada). Si aplica demasiada grasa, podrían pegarse a dicho anillo suciedad y polvo causando infiltración de agua.
- Tenga cuidado de llevar consigo un anillo tórico de repuesto en el caso de que se dañase o arañase el que está usando.

## **Preparación -Control de lo impermeable del estuche-**

Después de colocar el anillo tórico, compruebe que no haya infiltración de agua dentro del estuche sumergiendo éste último en un tanque de agua, una bañera etc. durante alrededor de 3 minutos antes de unirlo a la cámara digital.

- No use el estuche en agua por encima de los 40 °C. El calor puede dañar el estuche o causar infiltración de agua.



☞ **Realice la misma prueba después de unir la cámara digital al estuche. (P85)**

### ■ **Notas**

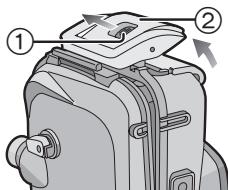
- Compruebe que ningún material extraño esté pegado a la superficie externa del anillo tórico y de la hebilla en el estuche delantero luego ciérrelo.
- Si el agua se filtra en el estuche mientras que está usándolo y la cámara digital está sumergida en el agua, quite de inmediato la batería. El gas de hidrógeno podría incendiarse o causar una explosión por si hay un fuego cerca.
- Si bucea rápidamente mientras que mantiene el estuche o tira éste desde un buque a la mar, podría ocurrir infiltración de agua debido a la alta presión. Eso no es un funcionamiento defectuoso, sin embargo siempre bucee lentamente.
- El estuche está diseñado para que pueda ser usado a una profundidad hasta 40 m. Por si bucea a una profundidad mayor de 40 m, parte del estuche podría dañarse irreparablemente.
- Cuando cierra el estuche, ponga cuidado en que no sea agarrado ningún material extraño entre el anillo tórico y su ranura incluso un pequeño pelo o grano de arena podría causar infiltración de agua.

## Preparación -Unión de la cámara digital-

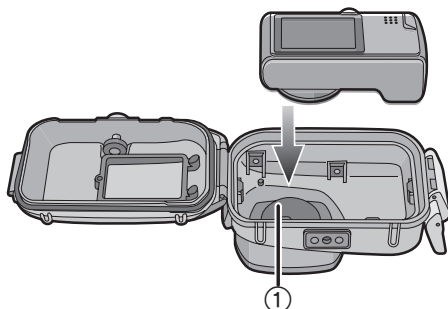
Compruebe que el interruptor ON/OFF de la cámara y el estuche esté ajustado en [OFF] y el interruptor selector [REC]/[REPR.] esté ajustado en [REPR.].

- Quite la correa de la cámara digital.

**1** Empuje hacia arriba ② con su dedo, mientras hace deslizar ① para abrir la hebilla.



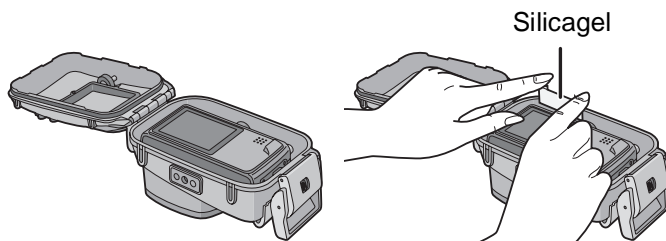
**2** Una la cámara digital al estuche.



- Tenga cuidado de no agarrar la espira de sombra ①.

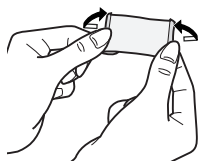
**3** Inserte el silicagel (suministrado).

- Siempre utilice silicagel nuevo.



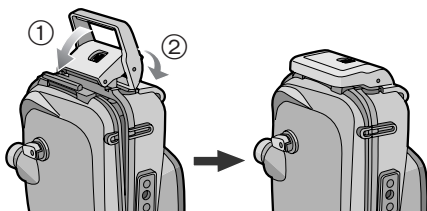
## **Preparación -Unión de la cámara digital- (continuación)**

- Cuando inserta el silicagel, dóblele como se muestra en la figura abajo, luego insértelo lo más allá que sea posible. Si cierra el estuche con el silicagel no insertado enteramente, éste será agarrado en el anillo tórico causando infiltración de agua.



- Si la temperatura del aire es alta y la del agua es baja, puede tener lugar condensación dentro del estuche. Para impedir la condensación, asegúrese de que el silicagel (suministrado) no vaya a tocar el objetivo de la cámara digital. Para evitar que se forme neblina en el estuche, inserte el silicagel cerca de 1 a 2 horas antes de utilizar el estuche.

### **4 Cierre la hebilla.**



- ☞ Compruebe que la hebilla esté cerrada firmemente. No inserte la correa etc. en la hebilla.



### **5 Después de unir la cámara digital, compruebe una vez más que no haya infiltración de agua en el estuche. (P84)**

## ■ Notas

- Compruebe una o más veces que el anillo tórico esté aplicado de manera uniforme dentro de su ranura.
- Evite abrir o cerrar el estuche donde haya mucha arena o polvo o en lugares húmedos o mojados.
- Si ocurre un repente cambio de temperatura, puede tener lugar condensación dentro del estuche.
- Si un protector o aceite solar se pega al estuche, sáquelo de inmediato con agua tibia para evitar que se reduzca lo impermeable suyo o se descolore.

## ■ Unión de los pesos

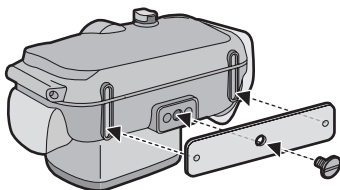
### Acerca del uso de los pesos

Cuando usa el estuche marino, una los pesos hasta lograr la flotabilidad deseada. Úselos como necesita.

Se refiere a lo siguiente por lo que respecta a la flotabilidad submarina.

- ① Si sólo utiliza la cámara digital y el estuche marino:  
Ellos flotan lentamente en el agua dulce o el agua del mar (Más flotabilidad).
- ② Si sólo utiliza la cámara digital, el estuche marino y 1 peso:  
Ellos flotan aún más lentamente en la agua dulce o el agua del mar que ① (Más flotabilidad).
- ③ Si sólo utiliza la cámara digital, el estuche marino y 2 pesos:  
Ellos se hunden lentamente en la agua dulce o el agua del mar (Menos flotabilidad).

### Cómo unir los pesos



Si utiliza 1 peso, alinee la parte saliente del peso con el receptáculo en el estuche marino, luego utilice el tornillo suministrado para unirlos. Si utiliza 2 pesos, alinee la parte saliente del segundo peso con la parte dentada del primero de manera que los pesos no se superpongan, luego los una al receptáculo del tripode.

## ■ Nota

- Para evitar el herrumbre, quite los pesos tras el uso, les saque todo indicio de sal y almacénelos.

# Sacar imágenes

## ■ Antes de sacar imágenes estando sumergidos en el agua Compruebe lo siguiente antes de bucear.

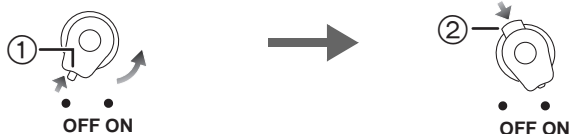
- ¿Queda bastante carga en la batería?
- ¿Queda bastante memoria en la tarjeta?
- ¿El anillo tórico está aplicado de manera uniforme dentro de su ranura?
- ¿Ha comprobado que no haya infiltración de agua en el estuche?
- ¿La hebilla está cerrada firmemente?

## ■ Sacar imágenes

### 1 Encienda la cámara.

Pulse ① para soltar el bloqueo, luego ajusta a [ON].

Pulse ② para bloquear.



### 2 Visualice el menú del modo de escena y luego ajuste a [SUBMARINO].

- Lea las instrucciones de funcionamiento de la cámara digital para más detalles.

### 3 Dirija el área AF en el monitor LCD hacia el sujeto que quiere enfocar.

### 4 Pulse ◀ (☺/AF-L) para enfocar.

- Vuelva a pulsar ◀ (☺/AF-L) para cancelar.

### 5 Pulse a tope el botón del obturador para tomar la imagen.

## ■ Notas

- Antes de unir la cámara al estuche, le recomendamos que ajuste de nuevo el reloj. (Lea las instrucciones de funcionamiento de la cámara digital para más detalles.)
- Si hay algunas partículas flotantes delante de la cámara, puede enfocar éstas en lugar del sujeto.
- Si hay gotas de agua o suciedad pegadas en el cristal delantero, podría no ser posible enfocar correctamente. Tenga cuidado de limpiar el cristal antes de tomar las imágenes.



## Consejos para sacar imágenes en el agua

### Cuando la imagen es demasiado azulada en el agua

- ① Pulse muchas veces ▲ (WB) hasta que aparezca [WB±].
- ② Pulse ◀ (AF-L)/▶ (AF-L) para ajustar el balance del blanco.
  - Para terminar puede también pulsar a mitad el botón del obturador.
- ③ Pulse [MENU/SET] para terminar.

### Elija la mejor imagen

#### Ajuste el flash a [OFF].

Uso de la función del bracketing automático (Para modelos que tienen dicha función)

- Cada vez que pulsa el botón del obturador, se graban automáticamente 3 imágenes con diferente exposición. Entre las 3 puede elegir la imagen deseada.

Use el modo de ráfaga

- Cuando toma imágenes de un sujeto que se mueve rápido (un pez payaso etc.), puede seleccionar su imagen favorita después de tomar las imágenes con el modo de ráfaga.

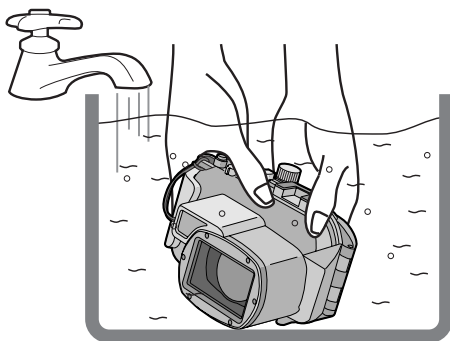
### ■ Nota

- Para más información, lea las instrucciones de funcionamiento sobre la cámara digital.

## Después del uso

Después de terminar la toma de las imágenes, siga los pasos a continuación.

- 1 Sumerja el estuche en agua fresca durante 30 minutos o más sin quitar la cámara digital para sacar los cristales de sal etc.



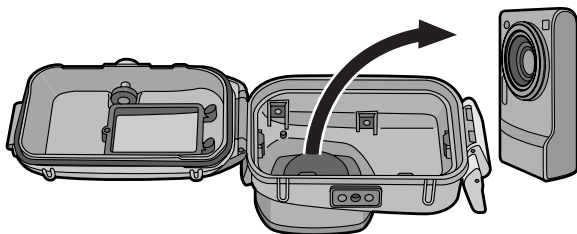
## Después del uso (continuación)

- Pulse todos los botones operacionales etc. en el estuche para sacar toda agua del mar. En el caso de que de los botones no se saquen los cristales de sal etc., éstos se endurecerán y los botones dejarán de ser operables.
- No limpie el estuche con agua de chorro rápido o presurizada etc. ya que eso podría causar infiltración de agua.

### 2 Saque el agua con un trapo seco que no tenga cristales de sal pegados en él y, luego, seque enteramente el estuche.

- No seque el estuche exponiéndolo a la luz directa del sol. Eso podría hacer decolorar o dañar el estuche o acelerar el deterioro del anillo tórico.

### 3 Abra la parte trasera del estuche para quitar la cámara digital.



### 4 Quite el anillo tórico del estuche y compruebe que no haya suciedad etc. en su ranura.

### 5 Compruebe que no haya arañazos etc. en el anillo tórico mientras va aplicando la grasa.

#### ■ Notas

Tenga cuidado cuando va a quitar la cámara digital del estuche de manera que no se moje.

- Quite la cámara con las manos limpias. (Lave sus manos con agua fresca y las seque enteramente.)
- Seque cualquier humedad de su cuerpo o pelo. (Ponga especial cuidado en el agua que sale de las mangas de su traje térmico.)
- Cuando el tiempo o el mar es muy malo, elija un lugar donde la cámara digital no se moje como, por el ejemplo, en casa o donde haya un techo encima.

# Limpieza y almacenamiento

---

## 1 Lave la parte externa del estuche con agua.

- Lave la parte externa del estuche hasta que esté limpia. (P89)
- Tenga cuidado de cerrar el estuche y luego lave solo con agua su parte externa.
- Saque toda suciedad dentro del estuche con un trapo mojado y blando.

### ■ Notas

- No lave el estuche con agua a alta presión ya que eso podría causar infiltración de agua. Quite la cámara digital antes de lavar el estuche con agua.
- No deje la cámara digital en el interior del estuche cuando vaya a almacenarla.
- Almacene el estuche en un lugar frío y bien ventilado.

## Precauciones para el uso

---

### ■ Manejo del anillo tórico

- No utilice alcohol, diluyente o un agente químico para limpiar el anillo tórico. Eso causará daño o deterioro al anillo tórico.
- Si no utiliza el estuche durante un largo período de tiempo, quite el anillo tórico de su ranura, le aplique una ligera capa de grasa (suministrada), lo meta en una bolsa limpia de poliéster y, luego, lo almacene en un lugar frío y oscuro para evitar dañar su superficie. Cuando vuelve a usarlo, compruebe con esmero que no esté arañado ni roto.
- Sólo utilice la grasa especificada. Si usa grasa de otro género, puede dañarse la superficie del anillo tórico causando infiltración de agua.
- El anillo tórico toca los lados del estuche volviendo éste último impermeable. No golpee, haga entrar material extraño (suciedad, arena o pelo etc.) ni arañe el anillo tórico ni los lados del estuche.
- Use las puntas de sus dedos para quitar el anillo tórico. No utilice objetos puntiagudos ya que eso podría arañar el anillo tórico.
- Después de quitar el anillo tórico de la parte trasera del estuche, le saque toda suciedad, arena, pelo u otro material extraño. Limpie también la ranura del anillo tórico y los lados internos de la parte delantera del estuche que toca el anillo tórico.
- Nunca utilice un anillo tórico que haya sido arañado o dañado por la suciedad etc. Eso causará infiltración de agua. Reemplácelo con uno nuevo.

## Precauciones para el uso (continuación)

- Después de reemplazar el anillo tórico, no usar el estuche durante un largo período de tiempo o abrir el estuche para unir la cámara, reemplace la batería etc., compruebe a fondo que el anillo tórico no esté arañado ni roto. Luego cierre el estuche y compruebe que no haya infiltración de agua en él sumergiéndolo en un tanque de agua, bañera etc. durante más o menos 3 minutos. (P84)
- Los anillo tóricos son productos consumibles. Sin embargo su duración dependerá del cómo se mantendrán, del cuánto se utilizan y de sus condiciones de almacenamiento, le recomendamos reemplazarlos cada año aunque no vea ningún arañazo.

### ■ Acerca del mantenimiento

- **No utilice los productos químicos a continuación para la limpieza, antioxidante, antiempañante o reparación. Lo de usarlos directa o indirectamente (por aspersión química etc.) en el estuche puede producir grietas si sujeto a alta presión.**

Productos químicos prohibidos	Cuidado
Disolventes orgánicos volátiles/ Agentes químicos para limpieza	No limpie el estuche con disolventes orgánicos volátiles como el alcohol, la gasolina o un diluyente y agentes químicos para limpieza. Límpielo con agua fría o tibia.
Anticorrosivos	No utilice anticorrosivos ya que las partes metálica están hechas de acero inoxidable o bronce. Límpielo con agua fresca.
Agentes antiempañantes	No utilice agentes antiempañantes a la venta. Tenga cuidado de usar el silicagel indicado en estas instrucciones de funcionamiento.
Adhesivos	No utilice adhesivos para reparar. En el caso de que su estuche necesitare ser reparado, llame a su comerciante.

- Si la grasa se pega a la cámara digital, sáquela con un trapo blando y seco.
- Cuando limpia el interior del estuche, sólo hágalo utilizando un trapo blando y seco. Limpie el interior del cristal delantero con un trapo blando y seco antes y después del uso para que el cristal se mantenga claro.

---

## ■ Acerca del almacenamiento y de la inspección después del uso

- **Siempre tenga la cámara digital fuera del estuche.**
- Ponga cuidado en que no haya suciedad ni polvo pegados en el anillo tórico.
- Seque a fondo el estuche a temperatura ambiente, luego almacénelo en un sitio frío y oscuro.
- Le recomendamos que inspeccione el estuche después de 3 años desde la compra. Esta inspección conlleva el desmontaje y la limpieza del estuche, comprobando todas las piezas y reparándolas si fuese necesario y controlando lo impermeable del estuche usando el mismo equipo de ensayo hidrostático que fue usado para controlar lo impermeable antes de la compra. Todos los costes de transporte están a cargo del cliente.
- No desmonte ninguna pieza ni utilice accesorio alguno que no esté especificado en estas instrucciones de mantenimiento ni modifique el estuche. Si el estuche no funciona correctamente, llame a su comerciante.

## *Especificaciones*

---

<b>Modelo compatible:</b>	DMC-TZ5/DMC-TZ15/DMC-TZ4/DMC-TZ11 (A partir de marzo de 2008*)
<b>Peso:</b>	Aproximadamente 434 g
<b>Dimensiones:</b>	Aproximadamente 150 mm (W)×94 mm (H)×93 mm (D) (excluyendo las partes salientes)
<b>Material:</b>	Policarbonato
<b>Sistema impermeable:</b>	Cierre de anillo tórico
<b>Profundidad de resistencia al agua:</b>	40 m

\* Se refiera a las instrucciones de funcionamiento, catálogo, sitio web etc. de la cámara digital para la última información sobre los modelos que puede usar.

## **Indice**

---

Prima dell'uso . . . . .	95
Accessori . . . . .	97
Manipolazione e cura . . . . .	98
Componenti . . . . .	100
Cosa é un O-ring? . . . . .	101
Preparazione -Preparazione dell'O-ring- . . . . .	102
Preparazione -Controllo dell'impermeabilità della custodia- . . . . .	106
Preparazione -Inserimento della fotocamera digitale- . . . . .	107
Ripresa di immagini . . . . .	110
Consigli per la ripresa di immagini in acqua . . . . .	111
Dopo l'uso . . . . .	112
Pulizia e custodia . . . . .	114
Precauzioni per l'uso . . . . .	115
Specifiche . . . . .	117

## Prima dell'uso

- Questa Custodia Marina può essere utilizzata con le fotocamere digitali Panasonic. Consente di riprendere immagini sott'acqua a profondità fino a 40 m.
- In caso di infiltrazioni d'acqua dovute a negligenza da parte dell'utente, Panasonic non può essere ritenuta responsabile dei danni ai prodotti (fotocamera digitale, batterie, scheda ecc.) inseriti nella custodia, dei costi fotografici o di ogni altra spesa.
- Panasonic non offre inoltre alcun risarcimento in caso di incidenti che causino lesioni alle persone o danni alla proprietà.
- Leggere il manuale di istruzioni della fotocamera digitale.
- **Prima di inserire la fotocamera digitale, immergere la custodia in acqua per 3 o più minuti, allo scopo di controllare che non vi siano infiltrazioni d'acqua.**

### ■ Trattamento della custodia

- Utilizzo nelle seguenti condizioni.
  - **Profondità dell'acqua: fino a 40 m**
  - **Temperatura ambiente: 0 °C a 40 °C**
- Non utilizzare la custodia in acqua a temperatura superiore a 40 °C. Il calore può danneggiare la custodia o causare infiltrazioni.
- La custodia è in policarbonato resistente agli urti, ma fare comunque attenzione quando la si utilizza. Si graffia facilmente, specialmente in ambienti rocciosi, e può danneggiarsi in caso di urti violenti o cadute. Quando si viaggia in auto, nave, treno o aereo, imballare attentamente la custodia per evitare urti diretti in caso di caduta, e non lasciare la fotocamera digitale nella custodia. Inserire la fotocamera digitale nella custodia solo se la distanza da coprire è breve, ad esempio quando si va dall'aeroporto al luogo di immersione. (Non è possibile riutilizzare per il trasporto l'imballaggio originale della custodia.)
- Quando ci si trova a bordo di un aereo, il cambiamento della pressione atmosferica può causare l'espansione della parte interna della custodia, danneggiandola. Rimuovere l'O-ring prima di imbarcarsi su un aereo.
- **Non lasciare per lungo tempo la fotocamera digitale nella custodia all'interno di un'auto o di una nave, esposta alla luce solare diretta, ecc. La custodia è a tenuta ermetica, per cui la temperatura al suo interno può raggiungere livelli molto elevati, e la fotocamera digitale può cessare di funzionare correttamente. Non lasciare che la temperatura all'interno della custodia diventi troppo elevata.**

### ■ Utilizzo della custodia in condizioni di bassa o alta temperatura

- Se si apre o si chiude la custodia in un ambiente umido o caldo e poi si passa in un posto freddo o ci si immerge sott'acqua, all'interno della custodia può formarsi della condensa, la superficie del vetro può appannarsi e la fotocamera digitale può essere danneggiata.
- Se si porta repentinamente la custodia da un luogo in cui la temperatura dell'aria o dell'acqua è bassa a un ambiente riscaldato, la superficie del vetro può appannarsi. Attendere che la temperatura della custodia si avvicini a quella dell'ambiente prima di riprendere le immagini.

### ■ Preparazione

- **Non aprire o chiudere la custodia dove spruzzi d'acqua potrebbero colpirla o la sabbia rischia di penetrare al suo interno. Si consiglia di aprire o chiudere la custodia all'interno.**
- Quando si sostituisce la batteria, la scheda, ecc. e si inserisce la fotocamera nella custodia, eseguire l'operazione al coperto, e in condizioni di scarsa umidità.
- **Se si deve aprire o chiudere la custodia nella zona dell'immersione per sostituire la batteria o la scheda, attenersi alla seguente procedura.**
  - Scegliere un punto in cui la custodia non possa essere raggiunta da spruzzi d'acqua, e in cui la sabbia non possa penetrare al suo interno.
  - Eliminare le eventuali gocce d'acqua dall'intercapedine tra la copertura anteriore e quella posteriore, e dalla fibbia. Quindi rimuovere attentamente eventuali gocce d'acqua residue con un panno asciutto.
  - Eliminare attentamente eventuali gocce d'acqua dal corpo e dai capelli.
  - Fare particolare attenzione all'acqua presente nelle maniche della muta termica.
  - Non toccare la fotocamera digitale con le mani bagnate di acqua di mare. Inumidire prima un asciugamano in acqua dolce e metterlo in una busta di poliestere. Utilizzare tale asciugamano per rimuovere l'acqua o la sabbia dalle mani o dal corpo.
- La custodia non è in grado di ammortizzare gli urti. Se si colloca un oggetto pesante sulla custodia o la si urta, la fotocamera digitale può danneggiarsi. Fare attenzione quando si utilizza la custodia.

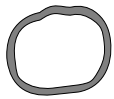



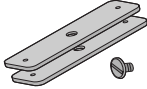
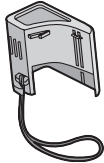


## Accessori

Quando si apre la confezione per la prima volta, controllare che siano presenti la custodia e tutti gli accessori, e che non abbiano subito danni durante la distribuzione o il trasporto.

Se si riscontra qualche anomalia, contattare il rivenditore prima di utilizzare la custodia.

Non utilizzare accessori diversi da quelli sotto indicati.

	O-ring VMG1798		Silica Gel (Essiccante) (1 g/5 pezzi) VZG0371
	Grasso (per O-ring) VZG0372		Cinturino VFC4190
	Pesi (2) , Vite di installazione dei pesi VXA8446		
	<p>Diffusore VYK2D90</p> <ul style="list-style-type: none"><li>• È possibile rimuovere il diffusore quando non lo si utilizza.</li></ul> <p><u>Rimozione</u></p>  <p><u>Installazione</u></p>  <p>Allineare con il segno sul retro della custodia e installare.</p>		

## **Manipolazione e cura**

---

- **Non collocare la custodia in punti instabili.**
  - Se la custodia dovesse cadere su un piede o sulla testa, potrebbe ferire l'utente. Inoltre potrebbe non funzionare più in modo corretto.
- **Non modificare mai la custodia.**
  - Se dell'acqua dovesse penetrare nella fotocamera digitale a causa di una modifica alla custodia, la fotocamera può essere danneggiata in modo irreparabile.
  - Se si continua ad utilizzare la fotocamera digitale dopo che l'acqua è penetrata al suo interno, può svilupparsi un incendio.
- **Non utilizzare la custodia per immersioni con respiratore se non si ha una preparazione adeguata.**
  - Utilizzare la custodia durante immersioni con respiratore solo se si dispone di una preparazione adeguata e di una certificazione per questo sport.
- **Tenere la custodia, il grasso, il silica gel o l'O-ring al di fuori della portata dei bambini.**
  - Se un bambino dovesse restare con una parte del corpo intrappolata nella custodia, rischia di ferirsi.
  - I bambini possono inghiottire accidentalmente il grasso, il silica gel o l'O-ring.
  - Consultare immediatamente un medico se si ritiene che un bambino possa aver inghiottito il grasso, il silica gel o l'O-ring.
- **Non appendere la cinghia al collo sott'acqua.**
  - Infatti potrebbe avvolgersi intorno al collo, causando soffocamento o serie lesioni.
- **Lavare via accuratamente ogni traccia di grasso dalle mani.**
  - Non strofinare gli occhi o la bocca con le mani sporche di grasso.
- **Se l'acqua dovesse penetrare nella custodia, smettere immediatamente di utilizzarla.**
  - In caso contrario si rischia di prendere la scossa o di ustionarsi, oppure può verificarsi un incendio.
  - Consultare il rivenditore.
- **Se si verifica qualche anomalia mentre si utilizza la custodia sott'acqua, seguire tutte le procedure necessarie e le istruzioni per la decompressione durante la risalita.**
  - Se si risale troppo rapidamente, si rischia un'embolia gassosa.
- **Se si verificano eventi quali fuoriuscita di fumo, surriscaldamento, emissione di odori o suoni strani, cessare immediatamente di utilizzare la custodia.**
  - In caso contrario si rischia di prendere la scossa o di ustionarsi, oppure può verificarsi un incendio.
  - Rimuovere la fotocamera digitale dalla custodia, quindi rimuovere immediatamente la batteria dalla fotocamera digitale.
  - Consultare il rivenditore.

---

- **Fare attenzione quando si apre la custodia dopo una infiltrazione di acqua.**

- L'acqua che si era infiltrata può fuoriuscire, o la copertura posteriore può capovolgersi.

- **Non lasciare la custodia esposta a temperature elevate.**

- La temperatura interna raggiunge valori molto elevati in particolare quando la custodia è esposta alla luce solare diretta su una spiaggia, su una nave, ecc., o quando viene lasciata in una macchina chiusa in estate. Il calore può danneggiare la custodia o le parti interne.
- Se nella custodia era inserita una fotocamera digitale, anche questa può essere danneggiata.
- Se si utilizza la fotocamera digitale inserita nella custodia quando la temperatura interna è molto elevata, possono verificarsi perdite, cortocircuiti o perdite di isolamento, e la fotocamera può incendiarsi o guastarsi.

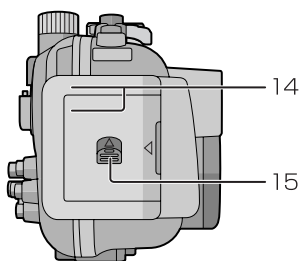
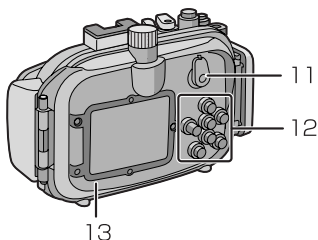
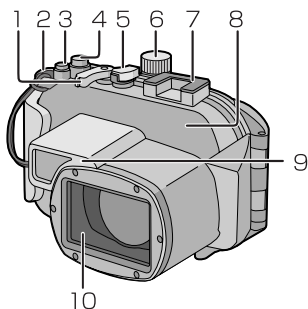
- **Non maneggiare la fotocamera digitale o la batteria con le mani bagnate.**

- In caso contrario di rischia di prendere la scossa, o di danneggiare l'apparecchio.

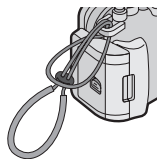
## ■ **Quando si riprendono immagini con il flash**

- Quando si riprendono immagini con il flash, gli angoli dell'immagine possono essere soggetti all'effetto vignetta, o la luminosità dell'immagine può non essere uniforme.
- Quando si riprendono immagini con il flash, la distanza utile del flash è inferiore in acqua che sulla terraferma.

# Componenti



1. Leva dello zoom
2. Occhiello cinghia  
(Per l'installazione del cinghino e del diffusore in dotazione)



3. Pulsante [E.ZOOM]
4. Pulsante di scatto otturatore
5. Interruttore ON/OFF
6. Selettore modalità di funzionamento
7. Connettore per flash stroboscopico esterno di INON Inc.\*1
8. Copertura anteriore
9. Diffusore (in dotazione)
10. Vetro anteriore
11. Selettore [REC]/[RIPR.]
12. Funzionamento dei pulsanti  
(Per ulteriori informazioni sul funzionamento di ciascun pulsante leggere le istruzioni per l'uso della fotocamera digitale.\*2)
13. Copertura posteriore
14. Fibbia
15. Leva di sblocco chiusura

\*1 Si tratta di un connettore dedicato ad un flash stroboscopico esterno prodotto da INON Inc.

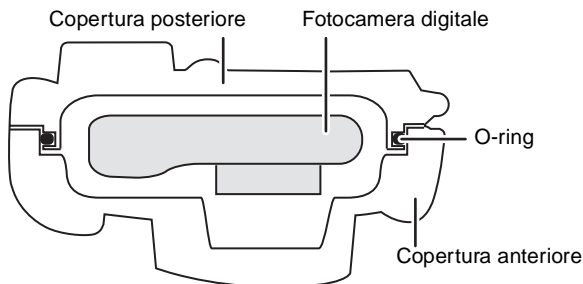
Contattare INON Inc. riguardo ai flash stroboscopici compatibili.  
[http://www.inon.co.jp/INON\\_WORLD\\_body.html](http://www.inon.co.jp/INON_WORLD_body.html)

\*2 Per alcuni modelli di fotocamera digitale, le indicazioni dei pulsanti sulla custodia subacquea possono essere leggermente diverse. Per l'utilizzo seguire le indicazioni dei pulsanti sulla fotocamera digitale.

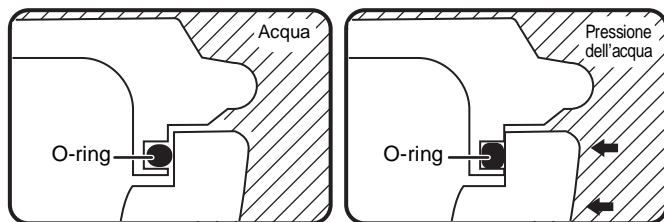
## Cosa é un O-ring?

- L'O-ring é una guarnizione impermeabile utilizzata per fotocamere, orologi e attrezzature subacquee.
- L'O-ring mantiene l'impermeabilità della custodia sigillando lo spazio tra la copertura posteriore e quella anteriore.

### ■ Come l'O-ring mantiene l'impermeabilità della custodia



La gomma aderisce a i lati della custodia, rendendola impermeabile e impedendo all'acqua di entrare.



Quando l'O-ring viene schiacciato dalla pressione dell'acqua, la superficie dell'O-ring si espande, sigillando più saldamente la custodia.

**L'O-ring impedisce l'infiltrazione di acqua aderendo uniformemente ai lati della custodia. Perciò una buona manutenzione dell'O-ring è molto importante. In caso contrario si rischia che l'acqua filtri all'interno.**

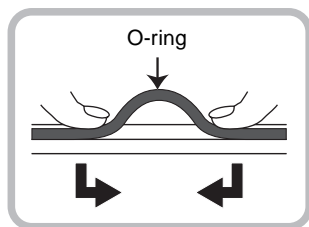
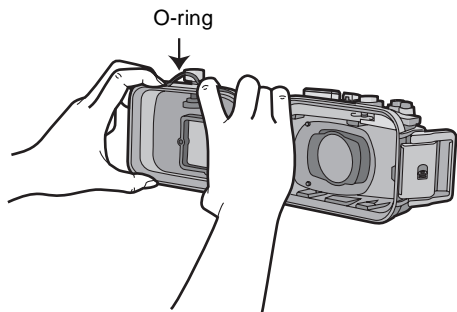
## Preparazione -Preparazione dell'O-ring-

Ricordarsi di preparare l'O-ring prima di inserire la fotocamera digitale nella custodia.

Lavare e asciugare accuratamente le mani prima di toccare l'O-ring. Tenere l'O-ring lontano dalla sabbia e dalla polvere.

### 1 Allentare l'O-ring con le dita per rimuoverlo.

- Allentare l'O-ring con la punta di due dita, quindi sollevare la parte allentata. Fare attenzione a non graffiare l'O-ring con le unghie.

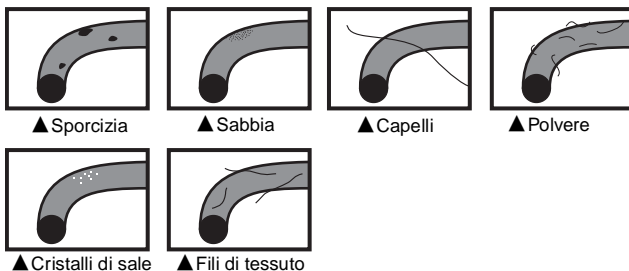


### ■ Nota

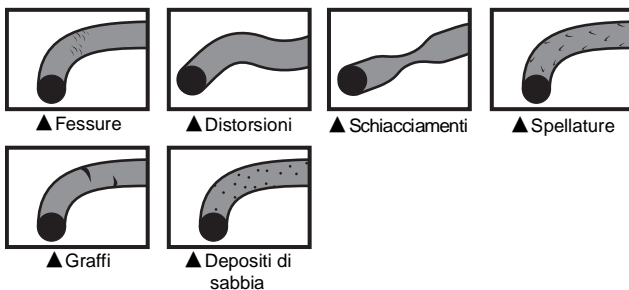
- Non utilizzare oggetti acuminati per rimuovere l'O-ring, per evitare di graffiarlo.

## 2 Controllare l'O-ring.

- Controllare che non vi siano sporcizia, sabbia, capelli, polvere, cristalli di sale, fili di tessuto o residui di grasso sull'O-ring. Se si riscontra la presenza di quanto sopra, rimuoverlo con un panno asciutto e morbido.



- Sull'O-ring può essere presente della sporcizia che non si riesce a vedere. Controllare passando un dito sull'O-ring.
- Quando si pulisce l'O-ring, fare attenzione a non lasciare sullo stesso i pelucchi del panno.
- Controllare che l'O-ring non sia strappato, piegato, schiacciato, consumato o graffiato, e che non vi sia sabbia attaccata. In caso contrario sostituire l'O-ring.



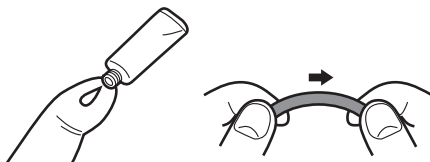
## 3 Controllare l'alloggiamento dell'O-ring.

- Granelli di sabbia o cristalli di sale possono introdursi nell'alloggiamento dell'O-ring. Rimuoverli attentamente con un getto d'aria o un tampone di cotone. Se si utilizza un tampone di cotone, fare attenzione a non lasciare pelucchi sull'O-ring.

## Preparazione -Preparazione dell'O-ring- (continua)

**4** Controllare il lato opposto dell'O-ring in modo analogo.

**5** Applicare il grasso (in dotazione).

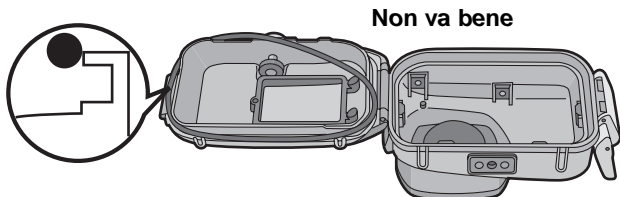
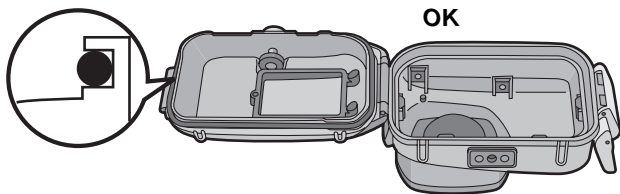


- Applicare uniformemente una quantità di grasso (in dotazione) delle dimensioni di un chicco di riso sull'O-ring con la punta di un dito.
- Se si applica una quantità di grasso eccessiva, la sporcizia o la polvere aderiranno all'O-ring.
- **Utilizzare solo il grasso specificato. Se si utilizzano altri tipi di grasso, la superficie dell'O-ring può essere danneggiata, causando infiltrazioni d'acqua.**
- Non utilizzare della carta o un panno per applicare il grasso. Le fibre della carta o del panno potrebbero restare attaccate all'O-ring.

**6** Inserire l'O-ring in maniera uniforme nell'alloggiamento.

Controllare che:

- All'O-ring non sia rimasta attaccata della sporcizia.
- L'O-ring non sia fuoriuscito dall'alloggiamento.
- L'O-ring non sia torto.
- L'O-ring non sia troppo teso.





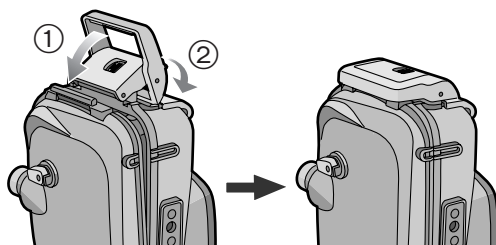
## 7 Controllare un'ultima volta l'O-ring.

Ricontrollare che:

- All'O-ring non sia rimasta attaccata della sporcizia.
- L'O-ring non sia fuoriuscito dall'alloggiamento.
- L'O-ring non sia torto.
- Non vi siano graffi o ammaccature sull'O-ring.

**Rimuovere accuratamente il grasso dalle mani con un panno asciutto, quindi lavarle con acqua.**

## 8 Chiudere la fibbia.



- Controllare che non vi siano corpi estranei sulla superficie esterna dell'O-ring e sulla fibbia sulla copertura anteriore, quindi chiudere la custodia.

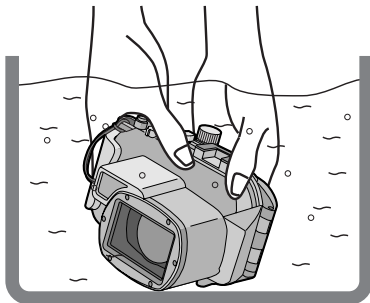
### ■ Note

- Per mantenere la custodia completamente ermetica, non graffiare la superficie dell'O-ring che aderisce ai lati della custodia.
- Non utilizzare mai un O-ring graffiato o danneggiato dalla sporcizia, ecc. In caso contrario si verificheranno infiltrazioni d'acqua.
- Ogni volta che si utilizza la custodia, rimuovere l'O-ring e controllare che non vi siano sporcizia, sabbia, capelli o altri corpi estranei nell'alloggiamento dell'O-ring, quindi applicare un sottile strato di grasso (in dotazione). Se si applica una quantità di grasso eccessiva, la sporcizia e la polvere possono aderire all'O-ring, causando l'infiltrazione di acqua.
- Ricordarsi di portare un O-ring di ricambio, nel caso che quello in uso si danneggi o si graffi.

## **Preparazione -Controllo dell'impermeabilità della custodia-**

Dopo aver installato l'O-ring, controllare che non vi siano infiltrazioni d'acqua immergendo la custodia in una vasca per circa 3 minuti prima di inserirvi una fotocamera digitale.

- Non utilizzare la custodia in acqua a temperatura superiore a 40 °C. Il calore può danneggiare la custodia o causare infiltrazioni.



 **Eseguire una prova analoga dopo aver inserito la fotocamera nella custodia. (P107)**

### **■ Note**

- Se dalla custodia fuoriescono delle bolle quando è immersa in acqua, o se quando la si estrae si trova dell'acqua al suo interno, significa che vi sono delle infiltrazioni. In questi casi, contattare il rivenditore.
- Se l'acqua si infiltra nella custodia mentre la si sta utilizzando e la fotocamera digitale viene sommersa dall'acqua, rimuovere immediatamente la batteria. Infatti potrebbe verificarsi la formazione di idrogeno, un gas altamente infiammabile.
- Se ci si immerge rapidamente tenendo in mano la custodia o si getta in mare la custodia da una nave, la pressione elevata può causare infiltrazioni d'acqua. Non si tratta di un malfunzionamento della custodia. Quando ci si immerge in acqua, farlo sempre lentamente.
- La custodia è progettata per essere utilizzata fino a una profondità di 40 m. Se ci si immerge a una profondità superiore, alcuni componenti della custodia possono essere danneggiati in modo irreparabile.
- Quando si chiude la custodia, fare attenzione a non intrappolare corpi estranei tra l'O-ring e l'alloggiamento. Anche un singolo capello o un granello di sabbia possono causare l'infiltrazione di acqua.

## Preparazione -Inserimento della fotocamera digitale-

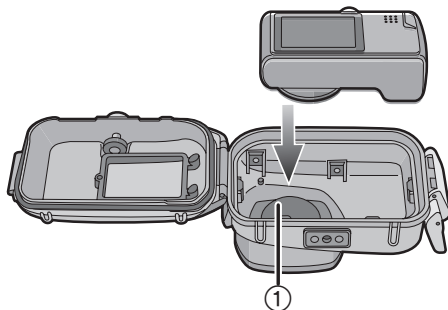
Verificare che l'interruttore ON/OFF sulla fotocamera e sulla custodia sia impostato su [OFF], e che il selettore [REC]/[RIPR.] sia impostato su [O].

- Rimuovere la cinghia dalla fotocamera digitale.

- 1** Spingere ② verso l'alto con un dito, e contemporaneamente far scorrere ① per aprire la fibbia.



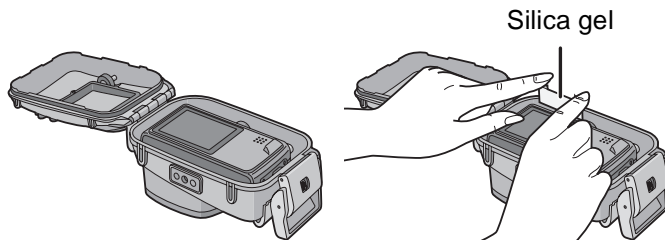
- 2** Inserire la fotocamera digitale nella custodia.



- Fare attenzione a non urtare l'anello di protezione ①.

- 3** Inserire il silica gel (in dotazione).

- Utilizzare sempre silica gel nuovo.



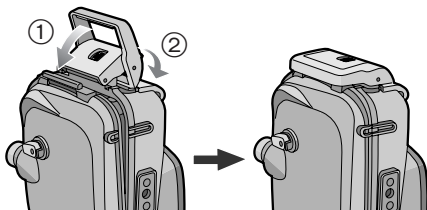
## **Preparazione -Inserimento della fotocamera digitale- (continua)**

- Quando si inserisce il silica gel, piegarlo come indicato nella figura sotto, quindi inserirlo il più a fondo possibile. Se si chiude la custodia senza aver inserito il silica gel fino in fondo, questo rimarrà intrappolato nell'O-ring, causando l'infiltrazione di acqua.

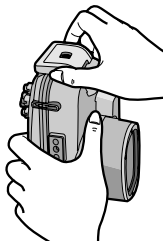


- Se la temperatura dell'aria è elevata e quella dell'acqua è bassa, all'interno della custodia può formarsi della condensa. Per evitarlo, accertarsi che il silica gel (in dotazione) non venga a contatto con l'obiettivo della fotocamera. Per evitare che la custodia si appanni, inserire il silica gel circa 1 o 2 ore prima dell'uso.

### **4 Chiudere la fibbia.**



- ☞ **Controllare che la fibbia sia ben chiusa. Non inserire la cinghia ecc. nella fibbia.**



### **5 Dopo aver inserito la fotocamera digitale, ricontrollare che non vi siano infiltrazioni d'acqua nella custodia. (P106)**

## ■ Note

- Ricontrollare che l'O-ring sia inserito in modo uniforme nell'apposito alloggiamento.
- Evitare di aprire o chiudere la custodia in luoghi caratterizzati dalla presenza di sabbia, polvere, umidità elevata o acqua.
- In caso di cambiamenti di temperatura improvvisi, all'interno della custodia può formarsi della condensa.
- Se la custodia viene a contatto con lozioni o olio solare, lavarla immediatamente con acqua tiepida, per evitare che si scolorisca, o che la sua impermeabilità si riduca.

## ■ Installazione dei pesi

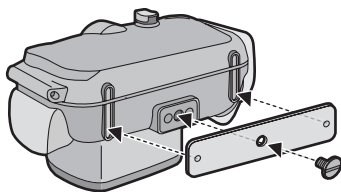
### Utilizzo dei pesi

Installare i pesi per regolare la galleggiabilità quando si utilizza la custodia subacquea. Utilizzarli a seconda delle necessità.

Fare riferimento alle seguenti indicazioni sulla galleggiabilità sott'acqua.

- ① Se si utilizza solo la fotocamera digitale e la custodia subacquea:  
L'unità galleggerà lentamente nell'acqua dolce o salata (Galleggiabilità positiva).
- ② Se si utilizza la fotocamera digitale, la custodia subacquea e 1 peso:  
L'unità galleggerà nell'acqua dolce o salata ancora più lentamente che nel caso ① (Galleggiabilità positiva).
- ③ Se si utilizza la fotocamera digitale, la custodia subacquea e 2 pesi:  
L'unità affonderà lentamente nell'acqua dolce o salata (Galleggiabilità negativa).

### Come installare i pesi



Se si utilizza 1 peso, allineare la parte sporgente del peso con l'attacco per il treppiede sulla custodia subacquea, quindi utilizzare la vite in dotazione per installarlo. Se si utilizzano 2 pesi, allineare la parte sporgente del secondo peso con la parte incavata del primo, in modo che i pesi non si sovrappongano, quindi installarli sull'attacco per il treppiede.

## ■ Nota

- Per evitare che arrugginiscono, rimuovere i pesi dopo l'uso, eliminare le eventuali tracce di sale e riporli.

# Ripresa di immagini

## ■ Prima di riprendere immagini sott'acqua

### Prima di immergersi controllare quanto segue.

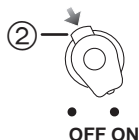
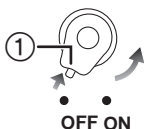
- La carica residua della batteria è sufficiente?
- La memoria residua della scheda è sufficiente?
- L'O-ring è inserito in maniera uniforme nell'apposito alloggiamento?
- Si è controllato che non vi siano infiltrazioni di acqua nella custodia?
- La fibbia è ben chiusa?

## ■ Ripresa di immagini

### 1 Accendere la fotocamera.

Premere ① per eliminare il blocco, quindi accendere la fotocamera.

Premere ② per ripristinare il



### 2 Visualizzare il menu della modalità scena, quindi impostare [SUBACQUEA].

- Per ulteriori informazioni leggere le istruzioni operative della fotocamera digitale.

### 3 Inquadrare il soggetto che si desidera mettere a fuoco nell'area AF sul monitor LCD.

### 4 Premere ◀ (☺/AF-L) per mettere a fuoco.

- Premere nuovamente ◀ (☺/AF-L) per annullare.

### 5 Premere fino in fondo il pulsante di scatto dell'otturatore per riprendere l'immagine.




## ■ Note

- Prima di inserire la fotocamera nella custodia, si consiglia di reimpostare l'orologio. (Per ulteriori informazioni leggere le istruzioni operative della fotocamera digitale.)
- Se vi sono particelle che fluttuano davanti alla fotocamera, è possibile che vengano messe a fuoco al posto del soggetto.
- Se sul vetro anteriore sono presenti gocce d'acqua o sporcizia, la messa a fuoco può risultare impossibile. Ricordarsi di pulire il vetro anteriore prima di riprendere le immagini.

# Consigli per la ripresa di immagini in acqua

---

## Quando l'immagine risulta troppo bluastra

- ① Premere ripetutamente ▲ (  ) finché non appare [WB+].
- ② Premere ◀ (  /AF-L) / ▶ (  ) per regolare il bilanciamento del bianco.
- ③ Premere [MENU/SET] per terminare.
  - Per terminare è anche possibile premere parzialmente il pulsante di scatto dell'otturatore.

## Selezionare l'immagine migliore

### Impostare il flash su [ ].

Utilizzo della funzione di bracketing automatico (Per i modelli dotati della funzione di bracketing automatico).

- Ogni volta che si preme il pulsante di scatto dell'otturatore, vengono riprese automaticamente 3 immagini con esposizioni differenti. Sarà poi possibile scegliere l'immagine desiderata.

Utilizzo della modalità Scatto a raffica

- Quando si riprendono immagini di un soggetto in rapido movimento (come un pesce pagliaccio), è possibile selezionare l'immagine che si preferisce dopo averne riprese diverse in sequenza utilizzando la modalità Scatto a raffica.

### ■ Nota

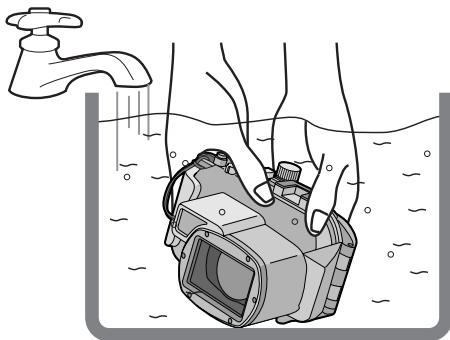
- Per ulteriori informazioni, leggere il manuale di istruzioni della fotocamera digitale.

## ***Dopo l'uso***

---

Al termine delle riprese, attenersi alla seguente procedura.

- 1** Immergere la custodia in acqua dolce per circa 30 minuti o più senza rimuovere la fotocamera digitale, per eliminare eventuali cristalli di sale, ecc.



- Premere tutti i pulsanti operativi sulla custodia per eliminare l'eventuale acqua di mare. Se non si rimuovono i cristalli di sale dai pulsanti, questi ultimi si induriranno e non potranno più essere azionati.
- Non lavare la custodia con acqua corrente o a forte pressione, per evitare infiltrazioni.

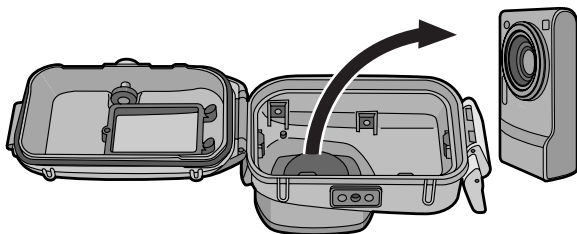


---

**2** Rimuovere l'acqua con un panno asciutto, facendo attenzione che non vi siano cristalli di sale attaccati, quindi asciugare completamente la custodia.

- Non asciugare la custodia esponendola alla luce solare diretta. Questo può causare lo scolorimento della custodia o danneggiarla, oppure accelerare il deterioramento dell'O-ring.

**3** Aprire la copertura posteriore per rimuovere la fotocamera digitale.



## ***Dopo l'uso (continua)***

---

**4** Rimuovere l'O-ring dalla custodia e controllare che non vi sia sporcizia nell'alloggiamento dell'O-ring.

**5** Controllare che non vi siano graffi ecc. sull'O-ring mentre si applica il grasso.

### **■ Note**

**Quando si rimuove la fotocamera digitale dalla custodia fare attenzione che non si bagni.**

- Fare attenzione di avere le mani pulite prima di rimuovere la fotocamera. (Lavarsi le mani in acqua dolce e asciugarle accuratamente.)
- Asciugare accuratamente eventuali tracce di umidità dal corpo e dai capelli. (Fare particolare attenzione all'acqua presente nelle maniche della muta termica.)
- Quando le condizioni del tempo o del mare sono particolarmente sfavorevoli, scegliere un luogo riparato, in cui la fotocamera digitale non rischi di bagnarsi.

## ***Pulizia e custodia***

---

**1** Lavare l'esterno della custodia con acqua.

- Lavare l'esterno della custodia finché non risulta pulito. (P112)
- Ricordarsi di chiudere la custodia, e lavare l'esterno solo con acqua.
- Rimuovere l'eventuale sporcizia all'interno della custodia con un panno morbido inumidito.

### **■ Note**

- Non lavare la custodia con acqua ad alta pressione, per evitare infiltrazioni. Rimuovere la fotocamera digitale prima di lavare la custodia con acqua.
- Quando si ripone la custodia, non lasciare la fotocamera digitale all'interno.
- Conservare la custodia in un posto fresco, ben aerato.

## Precauzioni per l'uso

---

### ■ Trattamento dell'O-ring

- **Non utilizzare alcol, diluenti o detersivi chimici per pulire l'O-ring.** Questo accelererebbe il danneggiamento o il deterioramento dell'O-ring.
- **Se si prevede di non utilizzare la custodia per un lungo periodo di tempo, rimuovere l'O-ring dall'alloggiamento, applicare un sottile strato di grasso (in dotazione), collocare l'O-ring in una busta di poliestere pulita, quindi riporlo in un luogo fresco e al riparo dalla luce per evitare di danneggiare la superficie.** Quando si utilizza nuovamente l'O-ring, controllare attentamente che non sia graffiato o tagliato.
- **Utilizzare solo il grasso specificato. Se si utilizzano altri tipi di grasso, la superficie dell'O-ring può essere danneggiata, causando infiltrazioni d'acqua.**
- L'O-ring aderisce ai lati della custodia, rendendola impermeabile. Non urtare, contaminare con corpi estranei (sporcizia, sabbia, capelli, ecc.) o graffiare l'O-ring o i lati della custodia.
- Utilizzare la punta delle dita per rimuovere l'O-ring. Non utilizzare un oggetto appuntito, perché potrebbe graffiare l'O-ring.
- Dopo aver rimosso l'O-ring dalla copertura posteriore, rimuovere l'eventuale sporcizia, sabbia, capelli o altri corpi estranei presenti. Pulire anche l'alloggiamento dell'O-ring e i lati interni della copertura anteriore a contatto con l'O-ring.
- Non utilizzare mai un O-ring graffiato o danneggiato dalla sporcizia, ecc. In caso contrario si verificherebbero infiltrazioni d'acqua. Sostituirlo con un nuovo O-ring.
- Quando si sostituisce un O-ring, quando non si utilizza la custodia per lungo tempo o quando si apre la custodia per inserirvi una fotocamera digitale, sostituire la batteria, ecc., controllare attentamente che l'O-ring non sia graffiato o tagliato. Quindi chiudere la custodia e controllare che non vi siano infiltrazioni d'acqua immergendola in una vasca d'acqua per circa 3 minuti. (P106)
- Gli O-ring sono materiali di consumo. Anche se la durata degli O-ring dipende dalla regolarità della manutenzione e dalle condizioni di utilizzo e di conservazione, si consiglia di sostituirli ogni anno anche se non vi sono graffi visibili.

## Precauzioni per l'uso (continua)

### ■ Manutenzione

- Non utilizzare le sostanze chimiche sotto indicate per la pulizia, la protezione dalla ruggine, lo sbrinamento o la riparazione. Il loro utilizzo diretto o indiretto (mediante spray, ecc.) può causare la rottura della custodia se sottoposta a pressioni elevate.

Sostanze chimiche proibite	Precauzioni
Solventi organici volatili/ Detergenti chimici	Non pulire la custodia con solventi organici volatili come alcol, benzina o diluenti o con detergenti chimici. Pulire la custodia con acqua corrente o tiepida.
Anticorrosivi	Non utilizzare anticorrosivi perché le parti in metallo di questa custodia sono in acciaio inossidabile o in ottone. Pulirla con acqua dolce.
Agenti antiappannamento	Non utilizzare gli antiappannanti disponibili in commercio. Ricordarsi di utilizzare il silica gel indicato in queste istruzioni operative.
Adesivi	Non utilizzare adesivi per le riparazioni. Se occorre riparare la custodia, consultare il rivenditore.

- Se del grasso rimane attaccato alla fotocamera digitale, pulirlo con un panno asciutto e morbido.
- Quando si pulisce l'interno della custodia, utilizzare solo un panno asciutto e morbido. Pulire l'interno del vetro anteriore con un panno asciutto e morbido prima e dopo l'uso per mantenere trasparente il vetro.

---

## ■ Custodia e ispezione dopo l'uso

- **Rimuovere sempre la fotocamera digitale dalla custodia.**
- Accertarsi che non vi sia sporcizia o polvere attaccata all'O-ring.
- Asciugare bene la custodia a temperatura ambiente, quindi riporla in un luogo fresco e riparato dalla luce.
- Si consiglia di far ispezionare la custodia circa 3 anni dopo l'uso. Tale ispezione consiste nello smontare e pulire la custodia, ispezionare tutti i componenti e se necessario ripararli, quindi controllare l'impermeabilità della custodia utilizzando la stessa apparecchiatura per prove idrostatiche utilizzata per tale prova prima dell'acquisto. Tutti i costi di trasporto sono a carico del cliente.
- Non smontare alcuna parte o utilizzare accessori non specificati in queste istruzioni, e non alterare in alcun modo la custodia. In caso di funzionamento non corretto, consultare il rivenditore.

## *Specifiche*

---

<b>Modello compatibile:</b>	DMC-TZ5/DMC-TZ15/DMC-TZ4/DMC-TZ11 (Dati aggiornati a marzo 2008*)
<b>Massa:</b>	Circa 434 g
<b>Dimensioni:</b>	Circa 150 mm (W)×94 mm (H)×93 mm (D) (escluse le parti sporgenti)
<b>Materiale:</b>	Policarbonato
<b>Costruzione impermeabile:</b>	Guarnizione O-ring
<b>Impermeabile fino a:</b>	40 m

\* Per accedere alle informazioni più aggiornate sui modelli utilizzabili, consultare le istruzioni per l'uso, il catalogo, o il sito Web della fotocamera digitale.

# 目錄

---

用前須知 .....	119
附件 .....	121
處理和維護 .....	122
部件 .....	123
什麼是 O 形環? .....	124
準備 - 安裝 O 形環 - .....	125
準備 - 盒子的防水檢查 - .....	129
準備 - 安裝數位相機 - .....	130
拍攝圖片 .....	133
水中拍攝圖片的技巧 .....	134
使用後 .....	135
清潔與存放 .....	136
使用注意事項 .....	136
規格 .....	138

## 用前須知

- 此防水盒被設計用於 Panasonic 的數位相機。  
可以享受在水下 40 m 的深度內拍攝圖片的樂趣。
- 由於不適當的管理而造成漏水的情況下，Panasonic 公司不對該盒中任何產品（數位相機、電池、卡等）的損壞、攝影成本或者任何其它費用負責。
- Panasonic 公司同樣不對意外事故造成的傷害和財產損失進行補償。
- 請閱讀數位相機的使用說明書。
- 在安裝數位相機之前，將盒子浸到水中約 3 分鐘或更長的時間，以便檢查是否漏水。

### ■ 關於盒子的處理

- 在下列條件下使用。
  - 水深：在 40 m 範圍內
  - 環境溫度：0 °C 到 40 °C
- 請勿在溫度高於 40 °C 的水中使用此盒子。該溫度可能會損壞盒子或者導致漏水。
- 本盒子是由抗擠壓的聚碳酸酯製成的，但使用時也要多加小心。當在多岩石的地方等拍攝圖片時它特別容易擦傷，並且可能被跌落時的撞擊損壞。當乘坐汽車、輪船、火車或飛機旅行時，請包裝好盒子以防止任何如跌落等的直接撞擊，並且不要將數位相機留在盒子內。請僅在短距離運輸時將數位相機安裝在盒子里，例如：從機場到潛水地。（請勿重新使用銷售時的包裝進行運輸。）
- 乘坐飛機時，氣壓的改變會引起盒子內部膨脹，從而導致盒子損壞。乘坐飛機前，請取出 O 形環。
- 請勿在汽車、輪船內、陽光直射的地方等，將數位相機長時間留在盒子內。盒子是一種密封設備，因此盒子內的溫度將很快升高，數位相機可能無法正常工作。請勿使盒子內部溫度太高。

## 用前須知 (續)

---

### ■ 在高溫或低溫環境下使用盒子

- 如果在潮濕或炎熱的地方打開或關閉盒子後，將盒子移到寒冷處或者潛入水下，在盒子內部可能會生成水汽凝結，玻璃表面可能會變得模糊不清並且數位相機可能會損壞。
- 如果突然將盒子從水下或寒冷的地方移向暖和的地方，玻璃表面會變得模糊不清。拍攝圖片前請等待直到盒子溫度接近空氣溫度。

### ■ 關於準備

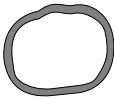



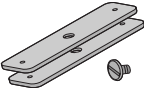
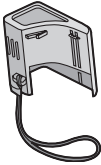
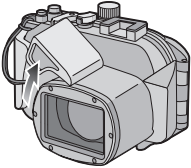
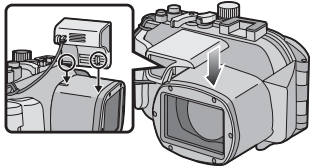
- 請勿在水滴飛濺或沙子可能進入盒子的地方打開或關閉盒子。建議在室內打開或關閉盒子。
- 請在濕氣少的室內更換電池、卡等，安裝數位相機。
- 如果必須在潛水地打開或關閉盒子以更換電池或卡，請務必按照下列步驟進行操作。
  - 選擇一個沒有水滴飛濺或沙子不能進入盒子的地方。
  - 請吹去所有位於後封蓋和前封蓋之間的封隙中，以及盒扣中的水滴。用乾布完全擦去所有剩餘的水滴。
  - 徹底擦乾身體和頭髮上的水滴。
  - 特別要注意衣袖里的水。
  - 請勿用沾有海水的濕手觸摸數位相機。請預先用清水弄濕毛巾，然後將其放在聚酯袋中。使用這塊毛巾擦去手或身體上的水滴或沙子。
- 此盒子不能承受震動。如果在盒子上放置重物或者使其震動，數位相機可能會損壞。使用盒子時請多加小心。



## 附件

當第一次打開包裝時，請檢查盒子和所有的附件，確定它們沒有在銷售或運輸時受到任何損壞。若發現某些不尋常處，請在使用盒子前與經銷商聯繫。

請勿使用除以下那些指定附件以外的任何附件。

	<p>O 形環 VMG1798</p>		<p>硅膠（乾燥劑） (1 g/5 片) VZG0371</p>
	<p>潤滑油（用於 O 形環） VZG0372</p>		<p>擴散器 VFC4190</p>
	<p>加重塊 (2), 加重塊安裝螺絲 VXA8446</p>		
	<p>擴散器 VYK2D90</p> <ul style="list-style-type: none"> <li>當不使用漫散屏時，可以將其取下。</li> </ul> <p><u>取下</u></p>  <p><u>安裝</u></p>  <p>對準盒子背面的標記，然後安上。</p>		

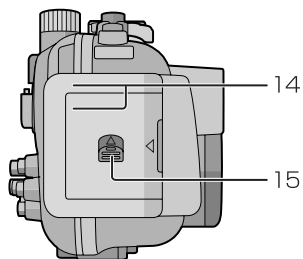
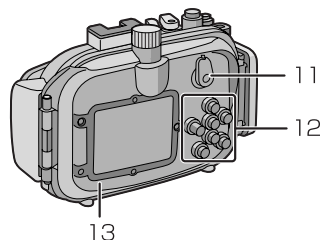
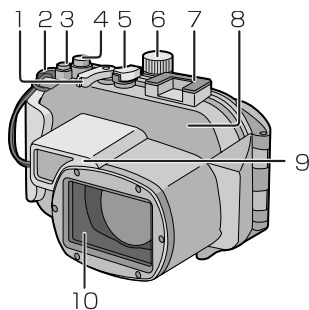
## 處理和維護

- **請勿將此盒子放在不穩定的地方。**
  - 如果盒子掉在頭或腳上，可能會造成人身傷害以及導致盒子故障。
- **切勿改造盒子。**
  - 如果由於改造盒子而導致數位相機進水，數位相機可能遭到不可修復的損壞。
  - 如果在數位相機進水後繼續使用，它可能導致火災。
- **未經專門訓練，請勿在水肺潛水中使用此盒子。**
  - 如果已經經過專門的訓練並得到水肺潛水的證書，才能在該項運動時使用此盒子。
- **切勿將此盒子、潤滑油、硅膠和 O 形環放在兒童所能觸及的範圍內。**
  - 如果兒童身體的任何部位被夾在盒子中，可能會引起傷害。
  - 兒童會在無意中吞下潤滑油、硅膠或 O 形環。
  - 如果認為兒童可能吞下了潤滑油、硅膠或 O 形環，請立即就醫。
- **切勿在水下將背帶掛在脖子上。**
  - 背帶可能會纏繞在脖子上，從而導致窒息或者其它嚴重傷害。
- **徹底沖洗手上的潤滑油。**
  - 請勿使手上的潤滑油接觸到眼睛和嘴巴。
- **如果盒子中進水，請立即停止使用。**
  - 這可能導致電擊、燒傷或起火。
  - 請與經銷商聯繫。
- **在水下使用此盒子時如果出現任何異常情況，則在上浮時請注意遵循所有減壓時的必要步驟和指導方針。**
  - 如果上浮速度太快，可能會引起潛水病。
- **如果盒子中冒煙或異常發熱、出現氣味或響聲，請立即停止使用。**
  - 這可能導致電擊、燒傷或起火。
  - 從盒子中取出數位相機，然後迅速從數位相機中取出電池。
  - 請與經銷商聯繫。
- **漏水後打開盒子時請多加小心。**
  - 漏入的水可能噴出或者後封蓋可能會翻轉。
- **請勿將此盒子放在溫度高的地方。**
  - 當盒子暴露在海灘、船上等直射的陽光下，或者當盒子被放置在夏天密閉的汽車內時，其內部的溫度會特別得高。該溫度可能會損壞盒子或其內部部件。
  - 如果數位相機被安裝到盒子中，則它也可能被損壞。
  - 如果在盒子內的溫度很高時使用安裝的數位相機，則可能導致漏水、短路或者絕緣失效，從而導致火災或故障。
- **請勿用濕手觸摸數位相機或電池。**
  - 這可能導致電擊或故障。

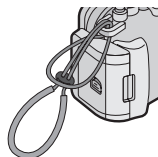
### ■ 使用閃光燈拍攝圖片

- 使用閃光燈拍攝圖片時，圖片的四角可能會出現虛光或者圖片感光不均的現象。
- 使用閃光燈拍攝圖片時，水下的可用閃光範圍要小於陸地上的。

## 部件



1. 變焦桿
2. 背帶孔  
(用於安裝附帶的掛帶和擴散器)



3. [E.ZOOM] 按鈕
4. 快門鍵
5. ON/OFF 開關
6. 模式旋鈕
7. 用於 INON Inc. 的外部閃光燈的配件冷靴 \*1
8. 前封蓋
9. 擴散器 (提供)
10. 前玻璃
11. [拍攝]/[播放] 選擇開關
12. 按鈕操作部分  
(有關每各按鈕的操作詳情，請閱讀數位相機的使用說明書。\*2)
13. 後封蓋
14. 盒扣
15. 鎖定解除桿

\*1 這是專門用於由 INON Inc. 製造的外部閃光燈的配件冷靴。  
關於相容的閃光燈，請諮詢 INON Inc.。

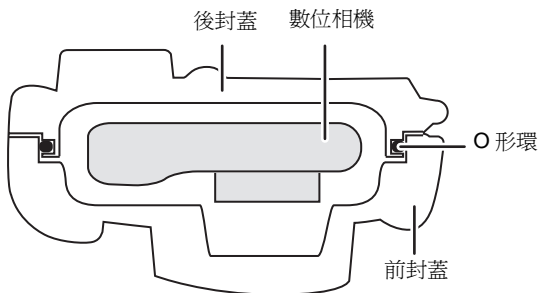
[http://www.inon.co.jp/INON\\_WORLD\\_body.html](http://www.inon.co.jp/INON_WORLD_body.html)

\*2 根據所使用的數位相機不同，潛水盒上的按鈕指示會略有不同。請按照數位相機上的按鈕指示使用。

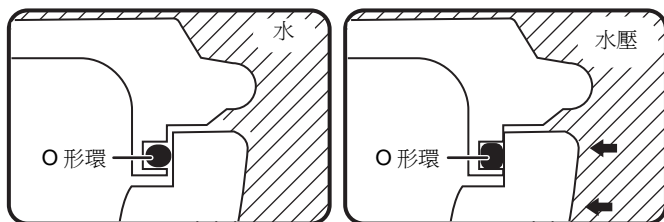
## 什麼是 O 形環？

- O 形環是一種防水密封墊，可用於水下照相機、手錶或潛水設備。
- O 形環通過密封在後封蓋和前封蓋之間的縫隙，從而保持盒子的防水性能。

### ■ O 形環如何使盒子防水



膠脂物接觸到盒子邊緣使盒子防水，並且阻止水從縫隙進入盒子。



當周圍的水壓擠壓 O 形環時，O 形環的表面擴張，使得盒子密封得更嚴密。

**O 形環通過與盒子邊緣均勻地接觸，可以防止漏水。因此，對 O 形環的良好維護是非常重要的。O 形環的錯誤的維護可能導致漏水。**

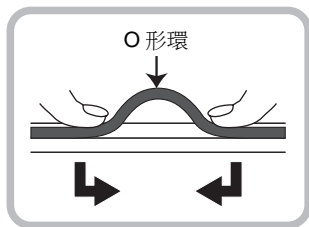
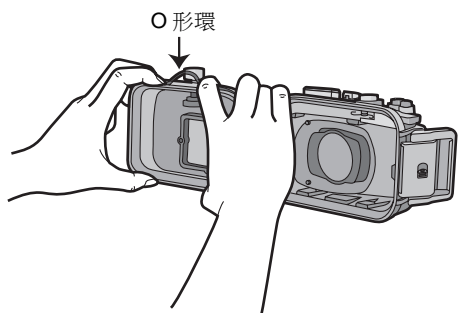
## 準備 - 安裝 O 形環 -

在安裝數位相機前，請務必安裝 O 形環。

在觸摸 O 形環前，請將手洗淨並擦乾。請在沒有砂粒或灰塵的地方放置 O 形環。

### 1 用手指將 O 形環鬆開，然後取下。

- 用兩手指的指尖鬆開部分的 O 形環，然後將鬆開的部分抬起。請小心不要讓指甲擦傷 O 形環。



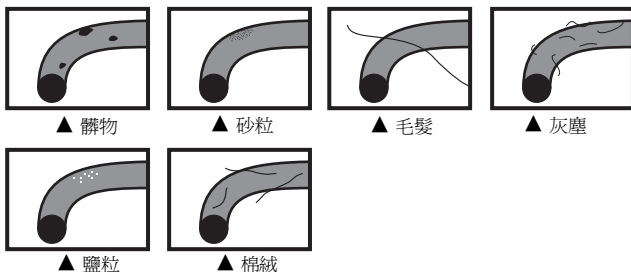
### ■ 注意

- 請勿使用有尖角的物體取下 O 形環。這可能會擦傷 O 形環。

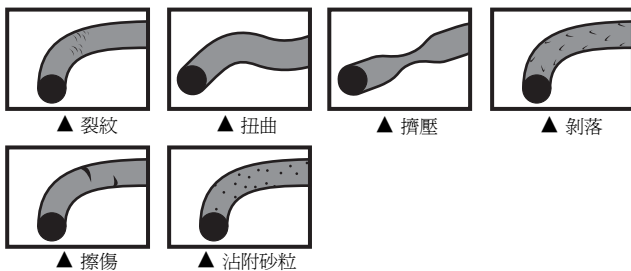
## 準備-安裝O形環- (續)

### 2 檢查O形環。

- 請檢查O形環上是否有髒物、砂粒、毛髮、灰塵、鹽粒、棉絨或以前的潤滑油。如果有的話，可以用乾軟布將其擦掉。



- O形環上可能有無法看到的髒物。用手指在O形環上擦拭以檢查是否有髒物。
- 擦拭O形環時，請小心不要在O形環上留下任何乾布的纖維。
- 請檢查O形環上是否有裂紋、扭曲、擠壓、磨損或擦傷，是否沾有砂粒。在這些情況下，請更換O形環。

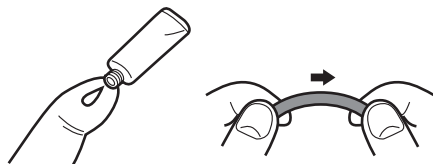


### 3 檢查O形環槽。

- 砂粒或堅硬的鹽粒可能會進入O形環槽中。請用空氣噴嘴或棉籤仔細清除。如果使用棉籤，請小心不要在O形環槽中留下棉籤纖維。

**4** 請用同樣的方式檢查 O 形環的另一面。

**5** 塗抹潤滑油（提供）。

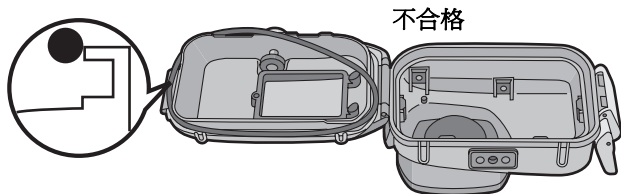
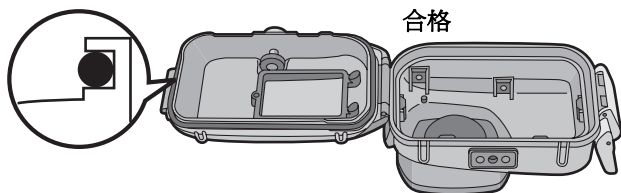


- 請用指尖將一塊米粒大小的潤滑油（提供）均勻地塗抹在 O 形環上。
- 如果塗抹過多的潤滑油，髒物或灰塵會附著在 O 形環上。
- 請僅使用指定的潤滑油。如果使用其它類型的潤滑油，可能會破壞 O 形環的表面，從而導致漏水。
- 請勿用紙或布塗抹潤滑油。紙或布的纖維可能會沾附在 O 形環上。

**6** 將 O 形環均勻地安裝到 O 形環槽中。

檢查下列各項：

- O 形環上是否沾有髒物。
- O 形環是否露出。
- O 形環是否扭曲。
- O 形環是否延伸過長。



## 準備-安裝O形環- (續)

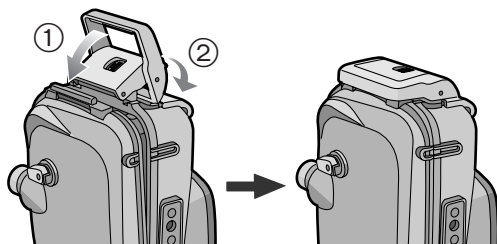
### 7 最後檢查 O 形環。

請再次檢查下列各項：

- O 形環上是否沾有髒物。
- O 形環是否露出。
- O 形環是否扭曲。
- O 形環上沒有劃痕或壓壞的部分。

用乾布徹底擦掉手上的潤滑油，然後用水將手洗淨。

### 8 關上盒扣。



- 檢查 O 形環的外部表面和前盒上的盒扣是否附有外來物，然後關閉盒子。

### ■ 注意

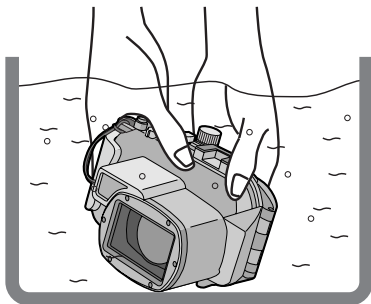
- 爲了使盒子保持完全密封，請勿擦傷 O 形環與盒子邊緣相接觸的表面。
- 請勿使用由於髒物等被擦傷或者變形的 O 形環。這可能導致漏水。
- 每當使用該盒子時，請取出 O 形環，並檢查 O 形環槽內是否有髒物、砂粒、毛髮或其它外來物，然後塗抹薄薄一層潤滑油（提供）。如果塗抹過多的潤滑油，髒物或灰塵會附著在 O 形環上，從而導致漏水。
- 請務必攜帶備用 O 形環，以防正在使用的 O 形環損壞或擦傷。



## 準備 - 盒子的防水檢查 -

裝好 O 形環後，請在將數位相機裝入盒子前檢查盒子是否有可能漏水，方法是將盒子沉入水槽或浴盆等容器中大約 3 分鐘。

- 請勿在溫度高於 40 °C 的水中使用此盒子。該溫度可能會損壞盒子或者導致漏水。



☞ 在將數位相機裝入盒子後，請進行同樣的測試。(P130)

### ■ 注意

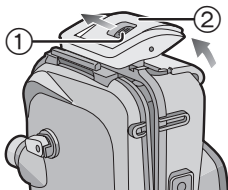
- 如果在它被浸在水中時會從盒中產生氣泡或當您將它從水中拿出時盒子內部有水，則說明漏水。在這種情況下，請向經銷商諮詢。
- 在使用盒子並且數位相機被浸入水中時，如果發生漏水，請立刻取下電池。如果附近有火，氫氣可能會燃燒或者爆炸。
- 如果拿著盒子快速潛入水中，或者從船上將盒子丟入海中時，可能會因為高壓而有少許漏水。這不是盒子的故障。請小心慢慢潛入水中。
- 本盒子專用於 40 m 內的深度。如果潛入深度超過 40 m，則盒子的某些部位可能受到無法修復的損壞。
- 當蓋上盒子時，請小心不要將外來物帶到 O 形環及 O 形環槽之間。即使一根毛髮或一顆砂粒也會導致漏水。

## 準備 - 安裝數位相機 -

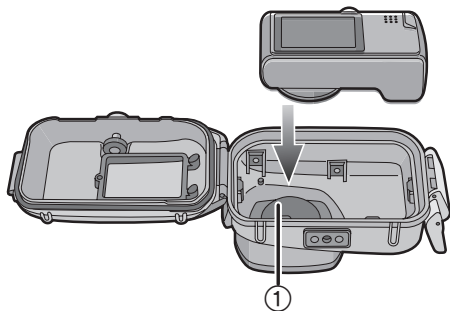
請確認相機和防水盒上的 ON/OFF 開關被設定到 [OFF]，[拍攝] / [播放] 選擇器開關被設定到 [📷]。

- 從數位相機上取下背帶。

**1** 在滑動 ① 的同時，用手指上推 ② 打開盒扣。



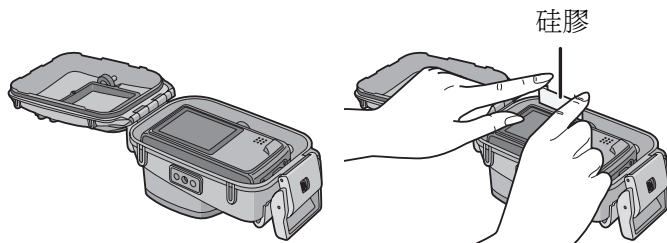
**2** 將數位相機裝入盒子。



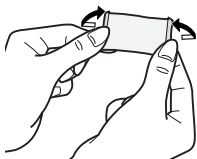
- 請小心不要碰到遮蔽環 ①。

**3** 插入硅膠（提供）。

- 要一直使用新硅膠。

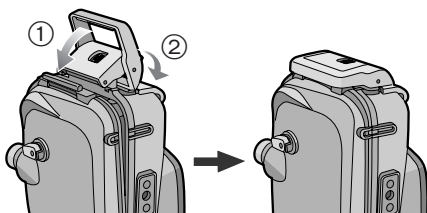


- 當插入硅膠時，請將硅膠如下圖所示弄彎，然後將其插入盡可能得深。如果在硅膠沒有完全插入的情況下就關上盒子，則由於硅膠被夾在 O 形環內而導致漏水。

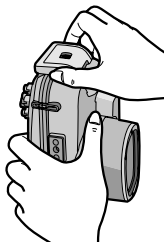


- 如果氣溫高水溫低，盒子內部可能會出現水汽凝結。爲了防止水汽凝結，請確保硅膠（提供）沒有與數位相機的鏡頭接觸。爲了防止盒子霧化，請在使用盒子前插入硅膠約 1 到 2 小時。

#### 4 關上盒扣。



- ☞ 檢查盒扣是否牢固地關上。  
請勿將掛帶等夾在盒扣中。



#### 5 裝入數位相機後，請再次檢查盒子是否漏水。(P129)

## 準備 - 安裝數位相機 - (續)

### ■ 注意

- 再次檢查 O 形環是否均勻地安裝在 O 形環槽中。
- 請盡可能避免在沙子多、灰塵大、以及潮濕或多雨的地方打開或關閉盒子。
- 如果溫度驟然變化，盒子內部可能會出現水汽凝結。
- 如果遮光劑或防晒油沾到盒子上，請立刻用溫水清洗乾淨，以防止防水性能下降或盒子退色。

### ■ 安裝加重塊

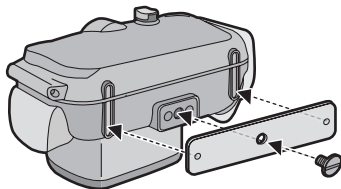
#### 關於使用加重塊

使用潛水盒時，請安裝加重塊以調整所需的浮力。  
請按需要使用它們。

關於水下的浮力，請參閱下列各項。

- ① 如果僅使用數位相機和潛水盒：  
在淡水或海水中，它們會慢慢地漂浮。（正浮力）
- ② 如果使用數位相機、潛水盒和 1 個加重塊：  
在淡水或海水中，它們比 ①（正浮力）漂浮的更慢
- ③ 如果使用數位相機、潛水盒和 2 個加重塊：  
在淡水或海水中，它們會慢慢地沉下去。（負浮力）

#### 如何安裝加重塊



如果使用 1 個加重塊，請將加重塊的突出部分對準潛水盒上的三腳架插座，然後使用提供的螺絲進行安裝。如果使用 2 個加重塊，請將第二個加重塊的突出部分對準第一個加重塊的鋸齒部分，以使加重塊不會重疊，然後將它們安裝到三腳架插座上。

### ■ 注意

- 為了避免生鏽，使用後請拆下加重塊，擦掉鹽分後儲存。

# 拍攝圖片

## ■ 在水下拍攝圖片前

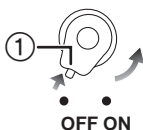
請在潛水前檢查下列各項。

- 剩餘電池電量足夠用嗎？
- 記憶卡的容量足夠嗎？
- O 形環均勻地安裝到 O 形環槽中了嗎？
- 已經檢查過沒有水漏入盒子嗎？
- 盒扣牢固地關上了嗎？

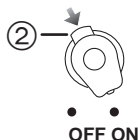
## ■ 拍攝圖片

### 1 打開相機。

按下 ① 釋放鎖定，然後設定到 [ON]。



按下 ② 鎖定。



### 2 顯示場景模式選單，然後設定為 [水中]。

- 詳情請閱讀數位相機的使用說明書。

### 3 瞄準想對焦的目標，將其置於 LCD 顯示屏上的 AF 區域中。

### 4 按下 ◀ (☺/AF-L) 聚焦。

- 再次按下 ◀ (☺/AF-L) 取消。

### 5 完全按下快門鍵拍攝圖片。

## ■ 注意

- 在將相機安裝到盒子上之前，我們建議重新設定時鐘。  
(詳情請閱讀數位相機的使用說明書。)
- 如果相機前漂浮有任何的小微粒，則相機可能聚焦在這些東西上而不是在目標上。
- 如果有水滴或髒物沾附在前玻璃上，可能無法正常聚焦。請務必在拍攝圖片前擦乾淨前玻璃。

# 水中拍攝圖片的技巧

---

## 當影像在水中偏藍時

- ① 按幾下 ▲(☒) 直到出現 [WB±]。
- ② 按下 ◀(☺/AF-L) / ▶(⚡) 調整白平衡。
- ③ 按下 [MENU/SET] 完成設定。
  - 也可以半按快門鍵完成設定。

## 選擇最佳圖片

將閃光燈設定為 [☺]。

使用自動曝光包圍功能（對於具有自動曝光包圍功能的機型）

- 每按下快門鍵，就自動拍攝 3 張不同曝光的圖片。可以從 3 張圖片中選擇想要的圖片。

使用連拍模式

- 拍攝快速移動物體（小丑魚等）的圖片時，可以在使用連拍模式拍攝後選擇您特別喜歡的圖片。

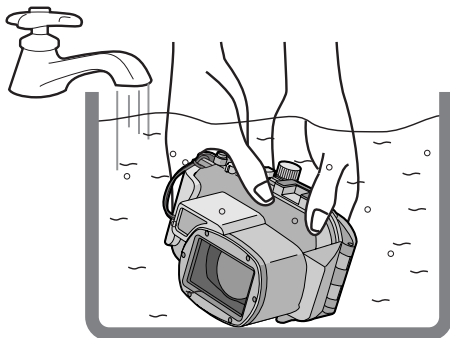
## ■ 注意

- 詳細信息，請參閱數位相機的使用說明書。

## 使用後

完成拍攝後，請按照下列步驟進行操作。

- 1 不要取出數位相機，將盒子浸沒在清水中約 30 分鐘或更長時間以清除所有的鹽粒等。

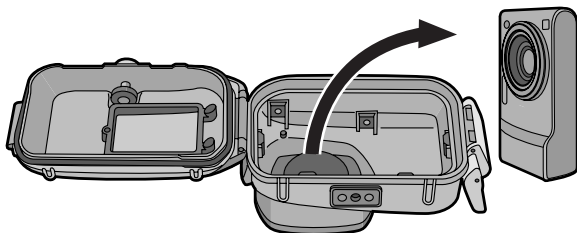


- 按下所有盒子上的操作鍵等以將海水清洗乾淨。如果鍵子等上的鹽粒沒有清除乾淨，鹽粒會硬化，鍵子將會無法操作。
- 不要用傾洩的水或有壓力的水等，這可能導致漏水。

- 2 請用沒有沾有鹽粒的乾布將水擦去，然後將盒子完全擦乾。

- 請勿將此盒子暴露在直射的陽光下使其曬乾。這可能導致盒子退色或損壞，或者加速 O 形環的老化。

- 3 打開後封蓋取出數位相機。



## 使用後 (續)

---

**4** 從盒子中取出 O 形環，並檢查 O 形環槽中沒有廢物等。

**5** 當塗抹潤滑油時，檢查 O 形環上沒有擦傷。

### ■ 注意

當從盒子中取出數位相機時，請小心不要弄濕。

- 用清潔的雙手取下相機。（請用清水洗手，然後完全擦乾。）
- 徹底擦乾身體和頭髮上的水。（特別要注意衣袖里的水。）
- 當天氣或海水狀況很糟糕時，請選擇一個不會弄濕數位相機的地方，例如：室內或有屋篷遮蔽的地方。

## 清潔與存放

---

**1** 用水沖洗盒子的外部。

- 用水沖洗盒子的外部直到乾淨。(P135)
- 務必關上盒子，然後用水祇沖洗盒子的外部。
- 用濕軟布擦去盒子內部的任何髒物。

### ■ 注意

- 不要用傾洩的水沖洗盒子，因為這可能導致漏水。用水沖洗盒子前，應先取出數位相機。
- 存放時，請勿將數位相機留在盒子里。
- 請將盒子放在涼爽、通風條件好的地方。

## 使用注意事項

---

### ■ 處理 O 形環

- 請勿用酒精、稀釋劑或化學清洗劑清洗 O 形環。這樣將加速 O 形環的損壞或老化。
- 如果長時間不使用盒子，請將 O 形環從 O 形環槽中取出，塗上薄薄一層潤滑油（提供），放在乾淨的聚酯袋中，然後將其放在陰涼避光的地方以防止表面損壞。當再次使用 O 形環時，請徹底檢查是否有擦傷或者裂紋。
- 請僅使用指定的潤滑油。如果使用其它類型的潤滑油，可能會破壞 O 形環的表面，從而導致漏水。



- O 形環接觸到盒子的邊緣使盒子防水。請勿敲打、插入外來物（髒物、沙子、毛髮等）或者擦傷 O 形環或盒子邊緣。
- 請用指尖取下 O 形環。請勿使用有尖角的物體因為它可能會擦傷 O 形環。
- 從後封蓋取出 O 形環後，請擦去 O 形環上所有髒物、沙子、毛髮或其它外來物。也請擦拭 O 形環槽以及與 O 形環相接觸的前封蓋的內邊。
- 請勿使用由於髒物等被擦傷或者變形的 O 形環。這可能導致漏水。請用新的 O 形環更換。
- 更換 O 形環後，在長時間不使用盒子或者打開盒子安裝數位相機、更換電池等時，請徹底檢查 O 形環是否有擦傷或裂紋。然後，關上盒子，檢查盒子是否有可能漏水，方法是將盒子沉入水槽或浴盆等容器中大約 3 分鐘。(P129)
- O 形環是消耗品。儘管它的壽命依賴於維護、使用頻率和存放條件，但我們建議即使沒有發現任何擦傷也請每年更換一次。

## ■ 關於維護

- 請勿使用下列所示的化學製品清洗、除鏽、除霧或修理。直接或間接地在盒子上使用它們可能會導致盒子在高壓下產生裂紋。

禁用的化學製品	注意事項
揮發性有機溶劑 / 化學清潔劑	請勿使用諸如酒精、汽油或稀釋劑這樣的揮發性有機溶劑或化學清潔劑清洗盒子。請用清水或溫水清洗盒子。
抗腐蝕劑	請勿使用抗腐蝕劑，因為盒子的金屬部分是不鏽鋼或黃銅製成的。請用清水清洗它們。
抗濕潤劑	請勿使用商業流通的抗濕潤試劑。請務必使用說明書中指定的硅膠。
黏合劑	請勿使用黏合劑進行修理。如果盒子需要修理，請與經銷商聯繫。

- 如果潤滑劑沾到數位相機上，請用乾軟布將其擦去。
- 當擦拭盒子內部時，請僅使用乾軟布。請在使用前後用乾軟布擦拭前玻璃的內側，以保持玻璃清潔。

## 使用注意事項 (續)

---

### ■ 關於使用後的存放和檢查

- 請從盒子中取出數位相機。
- 確保 O 形環上沒有沾上髒物或灰塵。
- 請在室溫下徹底弄乾盒子，然後將其存放在陰涼避光的地方。
- 我們建議在購買後每 3 年檢查一次盒子。檢查包括拆卸和清洗盒子、檢查所有的部件、如果需要請進行修理、以及使用與購買前進行盒子防水檢查相同的流體靜力學測試設備檢查盒子的防水性能。客戶必須支付所有運費。
- 請勿拆除任何部件，或者使用說明書中沒有指定的附件，並且不要修改盒子。如果盒子不能正常工作，請與經銷商聯繫。

## 規格

---

相容型號：	DMC-TZ5/DMC-TZ15/DMC-TZ4/DMC-TZ11 (截止到 2008 年 3 月*)
重量：	約 434 g
尺寸：	約 150 mm (寬) × 94 mm (高) × 93 mm (深) (不包括突出部分)
材料：	聚碳酸酯
防水構造：	O 形環封口
防水深度：	40 m

\* 有關可使用機型的最新資訊，請參閱數位相機的使用說明書、目錄、網站等。

## 目录

用前须知 .....	140
附件 .....	142
处理和维护 .....	143
部件 .....	144
什么是 O 形环? .....	145
准备 - 安装 O 形环 - .....	146
准备 - 盒子的防水检查 - .....	150
准备 - 安装数码相机 - .....	151
拍摄图片 .....	154
水中拍摄图片的技巧 .....	155
使用后 .....	156
清洁与存放 .....	157
使用注意事项 .....	158
规格 .....	159

## 用前须知

- 此防水盒被设计用于 Panasonic 的数码相机。  
可以享受在水下 40 m 的深度内拍摄图片的乐趣。
- 由于不适当的管理而造成漏水的情况下，Panasonic 公司不对该盒中任何产品（数码相机、电池、卡等）的损坏、摄影成本或者任何其它费用负责。
- Panasonic 公司同样不对意外事故造成的伤害和财产损失进行补偿。
- 请阅读数码相机的使用说明书。
- **在安装数码相机之前，将盒子浸到水中约 3 分钟或更长的时间，以便检查是否漏水。**

### ■ 关于盒子的处理

- 在下列条件下使用。
  - **水深：在 40 m 的范围内**
  - **环境温度：0 °C 到 40 °C**
- 请勿在温度高于 40 °C 的水中使用此盒子。该温度可能会损坏盒子或者导致漏水。
- 本盒子是由抗挤压的聚碳酸酯制成的，但使用时也要多加小心。当在多岩石的地方等拍摄图片时它特别容易擦伤，并且可能被跌落时的撞击损坏。当乘坐汽车、轮船、火车或飞机旅行时，请包装好盒子以防止任何如跌落等的直接撞击，并且不要将数码相机留在盒子内。请仅在短距离运输时将数码相机安装在盒子里，例如：从机场到潜水地。（请勿重新使用销售时的包装进行运输。）
- 乘坐飞机时，气压的改变会引起盒子内部膨胀，从而导致盒子损坏。乘坐飞机前，请取出 O 形环。
- 请勿在汽车、轮船内、阳光直射的地方等，将数码相机长时间留在盒子内。盒子是一种密封设备，因此盒子内的温度将很快升高，数码相机可能无法正常工作。请勿使盒子内部温度太高。

## ■ 在高温或低温环境下使用盒子

- 如果在潮湿或炎热的地方打开或关闭盒子后，将盒子移到寒冷处或者潜入水下，在盒子内部可能会生成水汽凝结，玻璃表面可能会变得模糊不清并且数码相机可能会损坏。
- 如果突然将盒子从水下或寒冷的地方移向暖和的地方，玻璃表面会变得模糊不清。拍摄图片前请等待直到盒子温度接近空气温度。

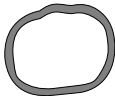



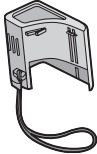
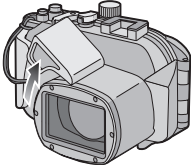
## ■ 关于准备

- **请勿在水滴飞溅或沙子可能进入盒子的地方打开或关闭盒子。建议在室内打开或关闭盒子。**
- 请在湿气少的室内更换电池、卡等，安装数码相机。
- **如果必须在潜水地打开或关闭盒子以更换电池或卡，请务必按照下列步骤进行操作。**
  - 选择一个没有水滴飞溅或沙子不能进入盒子的地方。
  - 请吹去所有位于后封盖和前封盖之间的封隙中，以及盒扣中的水滴。用干布完全擦去所有剩余的水滴。
  - 彻底擦干身体和头发上的水滴。
  - 特别要注意衣袖里的水。
  - 请勿用粘有海水的湿手触摸数码相机。请预先用清水弄湿毛巾，然后将其放在聚酯袋中。使用这块毛巾擦去手或身体上的水滴或沙子。
- 此盒子不能承受震动。如果在盒子上放置重物或者使其震动，数码相机可能会损坏。使用盒子时请多加小心。

## 附件

当第一次打开包装时，请检查盒子和所有的附件，确定它们没有在销售或运输时受到任何损坏。若发现某些不寻常处，请在使用盒子前与经销商联系。

请勿使用除以下那些指定附件以外的任何附件。

	O 形环 VMG1798		硅胶 (干燥剂) (1 g/5 片) VZG0371
	润滑油 (用于 O 形环) VZG0372		挂带 VFC4190
	加重块 (2), 加重块安装螺丝 VXA8446		
	扩散器 VYK2D90		
	<ul style="list-style-type: none"><li>当不使用漫散屏时，可以将其取下。</li></ul>		
	<u>取下</u>	<u>安装</u>	
			
			对准盒子背面的标记，然后安上。

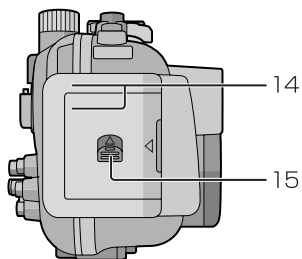
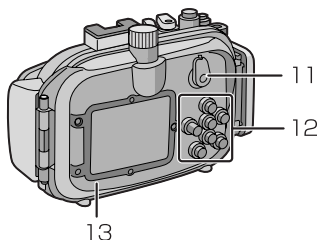
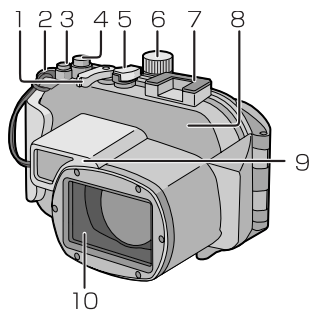
## 处理和维护

- **请勿将此盒子放在不稳定的地方。**
  - 如果盒子掉在头或脚上，可能会造成人身伤害以及导致盒子故障。
- **切勿改造盒子。**
  - 如果由于改造盒子而导致数码相机进水，数码相机可能遭到不可修复的损坏。
  - 如果在数码相机进水后继续使用，它可能导致火灾。
- **未经专门训练，请勿在水肺潜水中使用此盒子。**
  - 如果已经经过专门的训练并得到水肺潜水的证书，才能在该项运动时使用此盒子。
- **切勿将此盒子、润滑油、硅胶和 O 形环放在儿童所能触及的范围内。**
  - 如果儿童身体的任何部位被夹在盒子中，可能会引起伤害。
  - 儿童会在无意中吞下润滑油、硅胶或 O 形环。
  - 如果认为儿童可能吞下了润滑油、硅胶或 O 形环，请立即就医。
- **切勿在水下将背带挂在脖子上。**
  - 背带可能会缠绕在脖子上，从而导致窒息或者其它严重伤害。
- **彻底冲洗手上的润滑油。**
  - 请勿使手上的润滑油接触到眼睛和嘴巴。
- **如果盒子中进水，请立即停止使用。**
  - 这可能导致电击、烧伤或起火。
  - 请与经销商联系。
- **在水下使用此盒子时如果出现任何异常情况，则在上浮时请注意遵循所有减压时的必要步骤和指导方针。**
  - 如果上浮速度太快，可能会引起潜水病。
- **如果盒子中冒烟或异常发热、出现气味或响声，请立即停止使用。**
  - 这可能导致电击、烧伤或起火。
  - 从盒子中取出数码相机，然后迅速从数码相机中取出电池。
  - 请与经销商联系。
- **漏水后打开盒子时请多加小心。**
  - 漏入的水可能喷出或者后封盖可能会翻转。
- **请勿将此盒子放在温度高的地方。**
  - 当盒子暴露在海滩、船上等直射的阳光下，或者当盒子被放置在夏天密闭的汽车内时，其内部的温度会特别得高。该温度可能会损坏盒子或其内部部件。
  - 如果数码相机被安装到盒子中，则它也可能被损坏。
  - 如果在盒子内的温度很高时使用安装的数码相机，则可能导致漏水、短路或者绝缘失效，从而导致火灾或故障。
- **请勿用湿手触摸数码相机或电池。**
  - 这可能导致电击或故障。

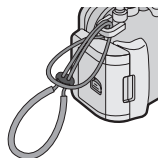
### ■ 使用闪光灯拍摄图片

- 使用闪光灯拍摄图片时，图片的四角可能会出现虚光或者图片感光不均的现象。
- 使用闪光灯拍摄图片时，水下的可用闪光范围要小于陆地上的。

# 部件



1. 变焦杆
2. 背带孔  
(用于安装附带的挂带和扩散器)



3. [E.ZOOM] 按钮
4. 快门按钮
5. ON/OFF 开关
6. 模式旋钮
7. 用于 INON Inc. 的外部闪光灯的配件冷靴 \*1
8. 前封盖
9. 扩散器 (附件)
10. 前玻璃
11. [拍摄]/[回放] 选择开关
12. 按钮操作部分  
(有关每个按钮的操作详情, 请阅读数码相机的使用说明书。\*2)
13. 后封盖
14. 盒扣
15. 锁定解除杆

\*1 这是专门用于由 INON Inc. 制造的外部闪光灯的配件冷靴。

关于兼容的闪光灯, 请咨询 INON Inc.。

[http://www.inon.co.jp/INON\\_WORLD\\_body.html](http://www.inon.co.jp/INON_WORLD_body.html)

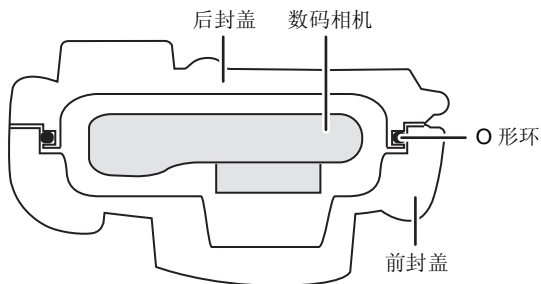
\*2 根据所使用的数码相机不同, 潜水包上的按钮指示会略有不同。请按照数码相机上的按钮指示使用。



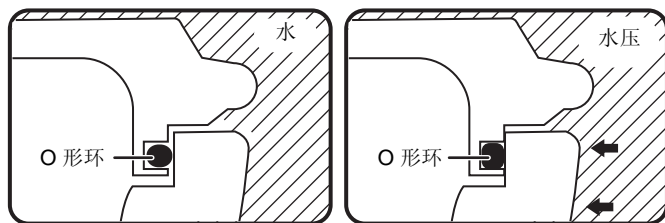
## 什么是 O 形环？

- O 形环是一种防水密封垫，可用于水下照相机、手表或潜水设备。
- O 形环通过密封在后封盖和前封盖之间的缝隙、从而保持盒子的防水性能。

### ■ O 形环如何使盒子防水



胶脂物接触到盒子边缘使盒子防水，并且阻止水从缝隙进入盒子。



当周围的水压挤压 O 形环时，O 形环的表面扩张，使得盒子密封得更严密。

**O 形环通过与盒子边缘均匀地接触，可以防止漏水。因此，对 O 形环的良好维护是非常重要的。O 形环的错误维护可能导致漏水。**

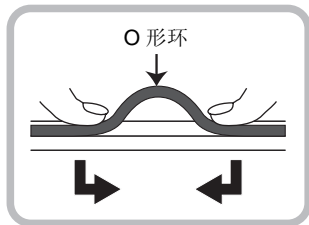
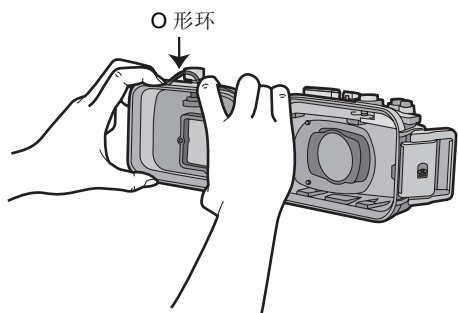
## 准备 - 安装 O 形环 -

在安装数码相机前，请务必安装 O 形环。

在触摸 O 形环前，请将手洗净并擦干。请在没有沙粒或灰尘的地方放置 O 形环。

### 1 用手指将 O 形环松开，然后取下。

- 用两手指的指尖松开部分的 O 形环，然后将松开的部分抬起。请小心不要让指甲擦伤 O 形环。

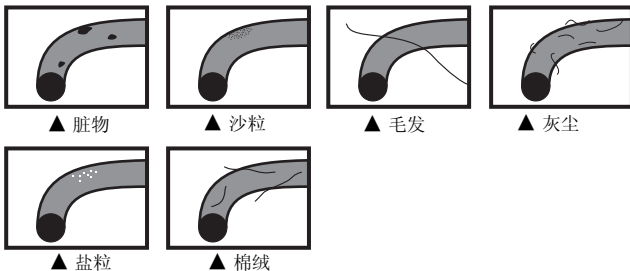


### ■ 注意

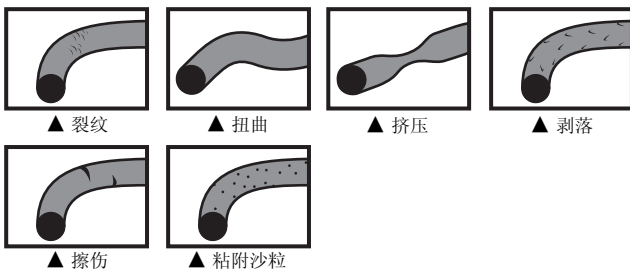
- 请勿使用有尖角的物体取下 O 形环。这可能会擦伤 O 形环。

## 2 检查 O 形环。

- 请检查 O 形环上是否有脏物、沙粒、毛发、灰尘、盐粒、棉绒或以前的润滑油。如果有的话，可以用干软布将其擦掉。



- O 形环上可能有无法看到的脏物。用手指在 O 形环上擦拭以检查是否有脏物。
- 擦拭 O 形环时，请小心不要在 O 形环上留下任何干布的纤维。
- 请检查 O 形环上是否有裂纹、扭曲、挤压、磨损或擦伤，是否粘有沙粒。在这些情况下，请更换 O 形环。



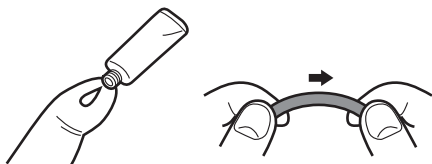
## 3 检查 O 形环槽。

- 沙粒或坚硬的盐粒可能会进入 O 形环槽中。请用空气喷嘴或棉签仔细清除。如果使用棉签，请小心不要在 O 形环槽中留下棉签纤维。

## 准备 - 安装 O 形环 - (续)

**4** 请用同样的方式检查 O 形环的另一面。

**5** 涂抹润滑油 (附件)。

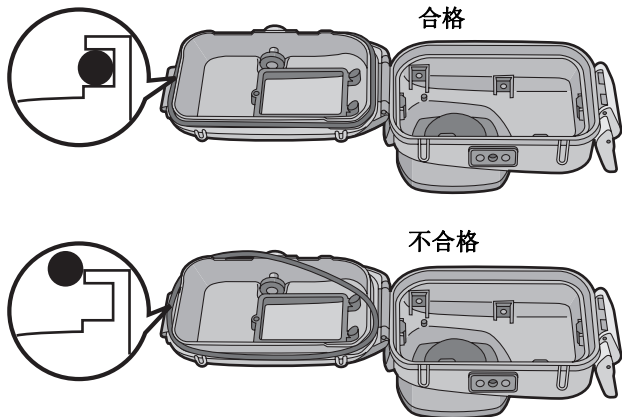


- 请用指尖将一块米粒大小的润滑油 (附件) 均匀地涂抹在 O 形环上。
- 如果涂抹过多的润滑油, 脏物或灰尘会附着在 O 形环上。
- 请仅使用指定的润滑油。如果使用其它类型的润滑油, 可能会破坏 O 形环的表面, 从而导致漏水。
- 请勿用纸或布涂抹润滑油。纸或布的纤维可能会粘附在 O 形环上。

**6** 将 O 形环均匀地安装到 O 形环槽中。

检查下列各项：

- O 形环上是否粘有脏物。
- O 形环是否露出。
- O 形环是否扭曲。
- O 形环是否延伸过长。



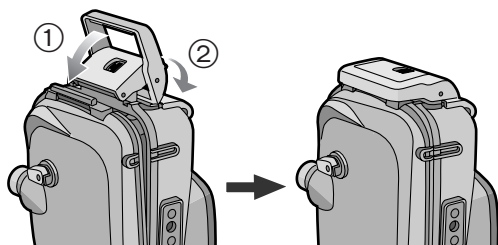
## 7 最后检查 O 形环。

请再次检查下列各项：

- O 形环上是否粘有脏物。
- O 形环是否露出。
- O 形环是否扭曲。
- O 形环上没有划痕或压坏的部分。

用干布彻底擦掉手上的润滑油，然后用水将手洗净。

## 8 关上盒扣。



- 检查 O 形环的外部表面和前盒上的盒扣是否附有外来物，然后关闭盒子。

### ■ 注意


- 为了使盒子保持完全密封，请勿擦伤 O 形环与盒子边缘相接触的表面。
- 请勿使用由于脏物等被擦伤或者变形的 O 形环。这可能导致漏水。
- 每当使用该盒子时，请取出 O 形环，并检查 O 形环槽内是否有脏物、沙粒、毛发或其它外来物，然后涂抹薄薄一层润滑油（附件）。如果涂抹过多的润滑油，脏物或灰尘会附着在 O 形环上，从而导致漏水。
- 请务必携带备用 O 形环，以防正在使用的 O 形环损坏或擦伤。

## 准备 - 盒子的防水检查 -

装好 O 形环后，请在将数码相机装入盒子前检查盒子是否有可能漏水，方法是将盒子沉入水槽或浴盆等容器中大约 3 分钟。

- 请勿在温度高于 40 °C 的水中使用此盒子。该温度可能会损坏盒子或者导致漏水。



 在将数码相机装入盒子后，请进行同样的测试。(P151)

### ■ 注意

- 如果在它被浸在水中时会从盒中产生气泡或当您将它从水中拿出时盒子内部有水，则说明漏水。在这种情况下，请向经销商咨询。
- 在使用盒子并且数码相机被浸入水中时，如果发生漏水，请立刻取下电池。如果附近有火，氢气可能会燃烧或者爆炸。
- 如果拿着盒子快速潜入水中，或者从船上将盒子丢入海中时，可能会因为高压而有少许漏水。这不是盒子的故障。请小心慢慢潜入水中。
- 本盒子专用于 40 m 内的深度。如果潜入深度超过 40 m，则盒子的某些部位可能受到无法修复的损坏。
- 当盖上盒子时，请小心不要将外来物带到 O 形环及 O 形环槽之间。即使一根毛发或一颗沙粒也会导致漏水。

## 准备 - 安装数码相机 -

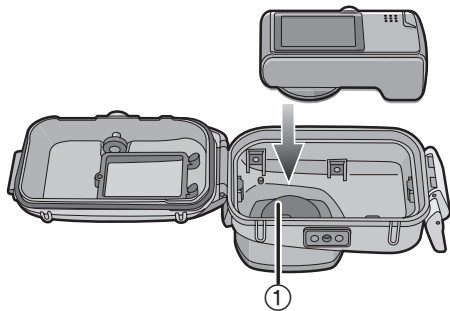
请确认相机和潜水包上的 ON/OFF 开关被设置到 [OFF]，[ 拍摄 ]/[ 回放 ] 选择器开关被设置到 [📷]。

- 从数码相机上取下背带。

**1** 在滑动 ① 的同时，用手指上推 ② 打开盒扣。



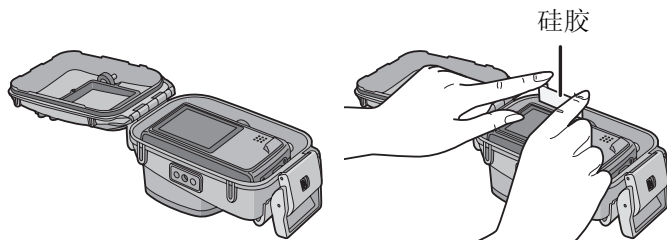
**2** 将数码相机装入盒子。



- 请小心不要碰到遮蔽环 ①。

**3** 插入硅胶（附件）。

- 要一直使用新硅胶。



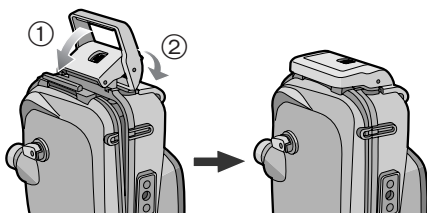
## 准备 - 安装数码相机 - (续)

- 当插入硅胶时，请将硅胶如下图所示弄弯，然后将其插入尽可能得深。如果在硅胶没有完全插入的情况下就关上盒子，则由于硅胶被夹在 O 形环内而导致漏水。



- 如果气温高水温低，盒子内部可能会出现水汽凝结。为了防止水汽凝结，请确保硅胶（附件）没有与数码相机的镜头接触。为了防止盒子雾化，请在使用盒子前插入硅胶约 1 到 2 小时。

### 4 关上盒扣。



- ☞ 检查盒扣是否牢固地关上。  
请勿将挂带等夹在盒扣中。



### 5 装入数码相机后，请再次检查盒子是否漏水。(P150)



## ■ 注意

- 再次检查 O 形环是否均匀地安装在 O 形环槽中。
- 请尽可能避免在沙子多、灰尘大、以及潮湿或多雨的地方打开或关闭盒子。
- 如果温度骤然变化，盒子内部可能会出现水汽凝结。
- 如果遮光剂或防晒油粘到盒子上，请立刻用温水清洗干净，以防止防水性能下降或盒子褪色。

## ■ 安装加重块

### 关于使用加重块

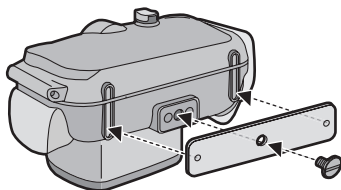
使用潜水盒时，请安装加重块以调整所需的浮力。

请按需要使用它们。

关于水下的浮力，请参阅下列各项。

- ① 如果仅使用数码相机和潜水盒：  
在淡水或海水中，它们会慢慢地漂浮。（正浮力）
- ② 如果使用数码相机、潜水盒和 1 个加重块：  
在淡水或海水中，它们比 ①（正浮力）漂浮的更慢
- ③ 如果使用数码相机、潜水盒和 2 个加重块：  
在淡水或海水中，它们会慢慢地沉下去。（负浮力）

### 如何安装加重块



如果使用 1 个加重块，请将加重块的突出部分对准潜水盒上的三脚架插座，然后使用提供的螺丝进行安装。如果使用 2 个加重块，请将第二个加重块的突出部分对准第一个加重块的锯齿部分，以使加重块不会重叠，然后将它们安装到三脚架插座上。

## ■ 注意

- 为了避免生锈，使用后请拆下加重块，擦掉盐分后存储。

# 拍摄图片

## ■ 在水下拍摄图片前

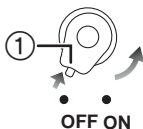
请在潜水前检查下列各项。

- 剩余电池电量足够用吗？
- 记忆卡的容量足够吗？
- O 形环均匀地安装到 O 形环槽中了吗？
- 已经检查过没有水漏入盒子吗？
- 盒扣牢固地关上了吗？

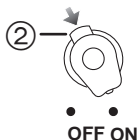
## ■ 拍摄图片

### 1 打开相机。

按下 ① 释放锁定，然后设置到 [ON]。



按下 ② 锁定。



### 2 显示场景模式菜单，然后设置为 [水中]。

- 详情请阅读数码相机的使用说明书。

### 3 瞄准想对焦的目标，将其置于 LCD 显示屏上的 AF 区域中。

### 4 按下 ◀ (☺/AF-L) 聚焦。

- 再次按下 ◀ (☺/AF-L) 取消。

### 5 完全按下快门按钮拍摄图片。

## ■ 注意

- 在将相机安装到盒子上之前，我们建议重新设置时钟。（详情请阅读数码相机的使用说明书。）
- 如果相机前漂浮有任何的小微粒，则相机可能聚焦在这些东西上而不是在目标上。
- 如果有水滴或脏物粘附在前玻璃上，可能无法正常聚焦。请务必在拍摄图片前擦干净前玻璃。

# 水中拍摄图片的技巧

## 当影像在水中偏蓝时

- ① 按几下 ▲ (WB) 直到出现 [WB±]。
- ② 按下 ◀ (☺/AF-L) / ▶ (⚡) 调整白平衡。
- ③ 按下 [MENU/SET] 完成设置。
  - 也可以半按快门按钮完成设置。

## 选择最佳图片

### 将闪光灯设置为 [☺]。

使用自动括弧式曝光功能（对于具有自动括弧式曝光功能的机型）

- 每按下快门按钮，就自动拍摄 3 张不同曝光的图片。可以从 3 张图片中选择想要的图片。

使用连拍模式

- 拍摄快速移动物体（小丑鱼等）的图片时，可以在使用连拍模式拍摄后选择您特别喜欢的图片。

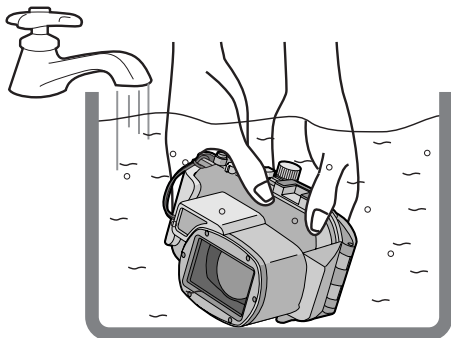
## ■ 注意

- 详细信息，请参阅数码相机的使用说明书。

## 使用后

完成拍摄后，请按照下列步骤进行操作。

- 1 不要取出数码相机，将盒子浸没在清水中约 30 分钟或更长时间以清除所有的盐粒等。

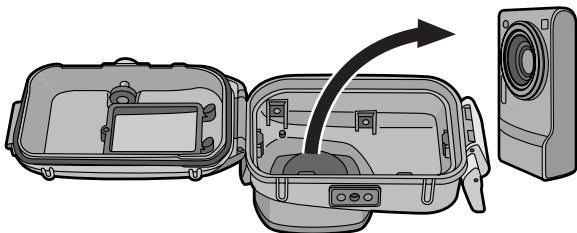


- 按下所有盒子上的操作按钮等以将海水清洗干净。如果按钮等上的盐粒没有清除干净，盐粒会硬化，按钮子将会无法操作。
- 不要用倾泄的水或有压力的水等，这可能导致漏水。

- 2 请用没有粘有盐粒的干布将水擦去，然后将盒子完全擦干。

- 请勿将此盒子暴露在直射的阳光下使其晒干。这可能导致盒子褪色或损坏，或者加速 O 形环的老化。

- 3 打开后封盖取出数码相机。



---

**4** 从盒子中取出 O 形环，并检查 O 形环槽中没有废物等。

**5** 当涂抹润滑油时，检查 O 形环上没有擦伤。

■ **注意**

当从盒子中取出数码相机时，请小心不要弄湿。

- 用清洁的双手取下相机。（请用清水洗手，然后完全擦干。）
- 彻底擦干身体和头发上的水。（特别要注意衣袖里的水。）
- 天气或海水状况很糟糕时，请选择一个不会弄湿数码相机的地方，例如：室内或有屋檐遮蔽的地方。

## 清洁与存放

---

**1** 用水冲洗盒子的外部。

- 用水冲洗盒子的外部直到干净。(P156)
- 务必关上盒子，然后用水只冲洗盒子的外部。
- 用湿软布擦去盒子内部的任何脏物。

■ **注意**

- 不要用倾泄的水冲洗盒子，因为这可能导致漏水。用水冲洗盒子前，应先取出数码相机。
- 存放时，请勿将数码相机留在盒子里。
- 请将盒子放在凉爽、通风条件好的地方。

# 使用注意事项

## ■ 处理 O 形环

- 请勿用酒精、稀释剂或化学清洗剂清洗 O 形环。这样将加速 O 形环的损坏或老化。
- 如果长时间不使用盒子，请将 O 形环从 O 形环槽中取出，涂上薄薄一层润滑油（附件），放在干净的聚酯袋中，然后将其放在阴凉避光的地方以防止表面损坏。当再次使用 O 形环时，请彻底检查是否有擦伤或者裂纹。
- 请仅使用指定的润滑油。如果使用其它类型的润滑油，可能会破坏 O 形环的表面，从而导致漏水。
- O 形环接触到盒子的边缘使盒子防水。请勿敲打、插入外来物（脏物、沙子、毛发等）或者擦伤 O 形环或盒子边缘。
- 请用指尖取下 O 形环。请勿使用有尖角的物体因为它可能会擦伤 O 形环。
- 从后封盖取出 O 形环后，请擦去 O 形环上所有脏物、沙子、毛发或其它外来物。也请擦拭 O 形环槽以及与 O 形环相接触的前封盖的内边。
- 请勿使用由于脏物等被擦伤或者变形的 O 形环。这可能导致漏水。请用新的 O 形环更换。
- 换 O 形环后，在长时间不使用盒子或者打开盒子安装数码相机、更换电池等时，请彻底检查 O 形环是否有擦伤或裂纹。然后，关上盒子，检查盒子是否有可能漏水，方法是将盒子沉入水槽或浴盆等容器中大约 3 分钟。(P150)
- O 形环是消耗品。尽管它的寿命依赖于维护、使用频率和存放条件，但我们建议即使没有发现任何擦伤也请每年更换一次。

## ■ 关于维护

- 请勿使用下列所示的化学制品清洗、除锈、除雾或修理。直接或间接地在盒子上使用它们可能会导致盒子在高压下产生裂纹。

禁用的化学制品	注意事项
挥发性有机溶剂 / 化学清洁剂	请勿使用诸如酒精、汽油或稀释剂这样的挥发性有机溶剂或化学清洁剂清洗盒子。请用清水或温水清洗盒子。
抗腐蚀剂	请勿使用抗腐蚀剂，因为盒子的金属部分是用不锈钢或黄铜制成的。请用清水清洗它们。
抗湿润剂	请勿使用商业流通的抗湿润试剂。请务必使用使用说明书中指定的硅胶。
粘合剂	请勿使用粘合剂进行修理。如果盒子需要修理，请与经销商联系。

- 如果润滑剂粘到数码相机上，请用干软布将其擦去。
- 当擦拭盒子内部时，请仅使用干软布。请在使用前后用干软布擦拭前玻璃的内侧，以保持玻璃清洁。

---

## ■ 关于使用后的存放和检查

- 请从盒子中取出数码相机。
- 确保 O 形环上没有粘上脏物或灰尘。
- 请在室温下彻底弄干盒子，然后将其存放在阴凉避光的地方。
- 我们建议在购买后每 3 年检查一次盒子。检查包括拆卸和清洗盒子、检查所有的部件、如果需要请进行修理、以及使用与购买前进行盒子防水检查相同的流体静力学测试设备检查盒子的防水性能。客户必须支付所有运费。
- 请勿拆除任何部件，或者使用使用说明书中没有指定的附件，并且不要修改盒子。如果盒子不能正常工作，请与经销商联系。

## 规格

---

相容型号：	DMC-TZ5/DMC-TZ15/DMC-TZ4/DMC-TZ11 (截止到 2008 年 3 月*)
重量：	约 434 g
尺寸：	约 150 mm (宽) × 94 mm (高) × 93 mm (深) (不包括突出部分)
材料：	聚碳酸酯
防水构造：	O 形环封口
防水深度：	40 m

\* 有关可使用机型的最新信息，请参阅数码相机的使用说明书、目录、网站等。

## **Содержание**

---

Перед использованием . . . . .	161
Принадлежности . . . . .	163
Обращение и уход . . . . .	164
Составные части . . . . .	166
Что такое уплотнительное кольцо? . . . . .	167
Подготовка -Установка уплотнительного кольца-. . . . .	168
Подготовка -Проверка водонепроницаемости футляра-. . . . .	172
Подготовка -Установка цифровой камеры-. . . . .	173
Съемка . . . . .	176
Советы по съемке под водой . . . . .	177
После использования . . . . .	178
Очистка и хранение . . . . .	179
Предосторожности при использовании . . . . .	180
Технические характеристики . . . . .	183



## Перед использованием

- Этот футляр для подводной съемки предназначен для цифровых камер Panasonic.  
Допускается делать снимки под водой на глубине до 40 м.
- При протекании футляра вследствие недостаточного ухода компания Panasonic не несет ответственности за ущерб, причиненный устройствам (цифровой камере, батарейкам, картам памяти и т.д.), находящимся внутри футляра, за стоимость фотографий и за любые другие расходы.
- Кроме того, компания Panasonic не выплачивает компенсации за несчастные случаи, повлекшие за собой причинение травм или материальные убытки.
- Изучите руководство по эксплуатации цифровой камеры.
- **Перед установкой цифровой камеры погрузите футляр в воду примерно на 3 минуты или более и убедитесь, что футляр не протекает.**

### ■ Обращение с футляром

- Используйте в следующих условиях.
  - **глубина: до 40 м**
  - **температура окружающей среды: 0 °C до 40 °C**
- Не используйте футляр в воде с температурой выше 40 °C. Высокая температура может привести к повреждению футляра или к попаданию воды в футляр.
- Футляр изготовлен из ударопрочного поликарбоната, тем не менее, будьте осторожны при его использовании. Футляр можно легко поцарапать при съемке в скалистых и других подобных местах или повредить от удара, если его уронить. Перед путешествием на автомобиле, корабле или самолете тщательно упакуйте футляр во избежание прямых ударов при падении футляра. Не оставляйте камеру в футляре. Устанавливайте камеру в футляр только при поездках на небольшие расстояния, например, от аэропорта до места погружения. (Для транспортировки футляра не допускается использовать упаковку, в которую футляр был запакован при покупке.)
- При посадке в самолет изменение атмосферного давления может привести к расширению воздуха внутри футляра и повреждению футляра. Перед посадкой в самолет снимите уплотнительное кольцо.
- **Не оставляйте цифровую камеру в футляре на продолжительное время под прямыми солнечными лучами в автомобиле или на катере. Футляр – это герметичное приспособление, поэтому температура внутри футляра поднимется до очень высокой, и камера может перестать нормально функционировать. Не допускайте значительного повышения температуры внутри футляра.**

## Перед использованием (продолжение)

---

### ■ Использование футляра при высоких или низких температурах

- Если открыть или закрыть футляр в условиях высокой влажности или температуры, а затем поместить его в прохладные условия или погрузить под воду, внутри футляра может начаться конденсация, поверхность стекла может запотеть, а цифровая камера может получить повреждения.
- При быстром перемещении футляра из холодного места либо холодной воды в теплое место поверхность стекла может запотеть. Прежде чем делать снимки, подождите, пока температура футляра не повысится до температуры воздуха.

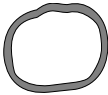



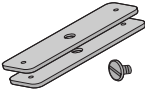
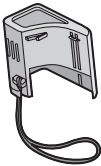
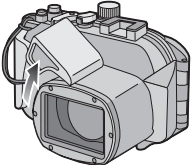
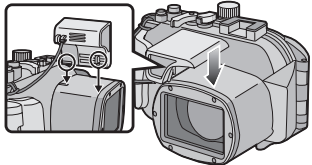
### ■ Подготовка

- **Не открывайте и не закрывайте футляр в местах, где в футляр могут попасть брызги воды или песок. Рекомендуется открывать и закрывать футляр в помещении.**
- Замена батарейки, карты памяти и установка цифровой камеры в футляр должны производиться в помещении с низким содержанием влаги.
- **Если футляр необходимо открыть или закрыть на месте погружения для замены батарейки или карты памяти, следуйте описанным ниже указаниям.**
  - Выберите место, где в футляр не попадут брызги воды и песок.
  - Сдуйте капли воды со стыка между задней и передней частями футляра и с защелки. Тщательно вытрите оставшиеся капли воды сухой тканью.
  - Тщательно вытрите капли воды на теле и волосах.
  - Будьте особенно осторожны, чтобы вода не вылилась из рукавов костюма для подводного плавания.
  - Не прикасайтесь к камере руками, мокрыми от морской воды. Предварительно смочите полотенце пресной водой и положите его в пакет из полиэстера. С помощью этого полотенца вытрите капли воды или песок на руках и теле.
- Футляр не поглощает удары. Если поместить на футляр тяжелый предмет или нанести удар, можно повредить цифровую камеру. Будьте осторожны при использовании футляра.

## Принадлежности

При первом открытии упаковки убедитесь, что в ней присутствует футляр и все принадлежности. Проверьте, чтобы футляр и принадлежности не были повреждены при пересылке или транспортировке. При обнаружении чего-либо необычного, перед тем как начать пользоваться футляром, обратитесь к дилеру.

Используйте только аксессуары, описанные ниже.

	<p>Уплотнительное кольцо VMG1798</p>		<p>Силикагель (влагопоглотитель) (1 г/5 шт.) VZG0371</p>
	<p>Смазка (для уплотнительного кольца) VZG0372</p>		<p>Ремешок VFC4190</p>
	<p>Грузы (2) , Винт для прикрепления грузов VXA8446</p>		
	<p>Диффузор VYK2D90</p> <ul style="list-style-type: none"> <li>Этот диффузор можно снять, если вы им не пользуетесь.</li> </ul> <p><u>Снятие</u></p>  <p><u>Прикрепление</u></p>  <p>Совместите с меткой на задней части футляра и прикрепите.</p>		

## Обращение и уход

---

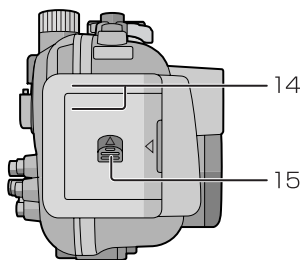
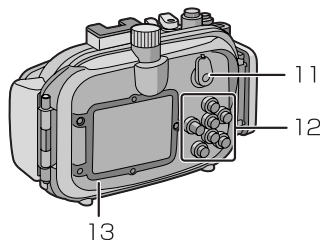
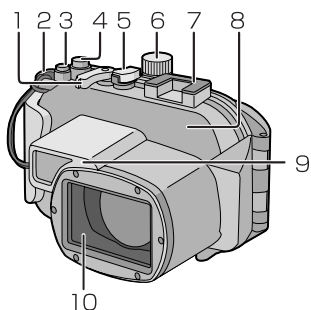
- **Не оставляйте футляр в местах, где он может упасть.**
  - Падение футляра на голову или ногу может нанести травму и стать причиной неисправности футляра.
- **Не вносите изменений в футляр.**
  - При попадании воды в цифровую камеру вследствие внесения изменений в футляр камера может получить неисправимые повреждения.
  - Если камера используется после попадания в нее воды, это может вызвать пожар.
- **Не используйте футляр при погружениях с аквалангом, если вы не прошли надлежащую подготовку.**
  - Если вы предполагаете использовать футляр только при погружениях с аквалангом, вы должны пройти соответствующее обучение и получить сертификат, разрешающий заниматься подводным плаванием с аквалангом.
- **Не оставляйте футляр, смазку, силикагель или уплотнительное кольцо в пределах досягаемости детей.**
  - Если какая-либо часть тела ребенка попадет в футляр, ребенок может получить травму.
  - Дети могут случайно проглотить смазку, силикагель или уплотнительное кольцо.
  - Если вы полагаете, что ребенок проглотил смазку, силикагель или уплотнительное кольцо, немедленно обратитесь к врачу.
- **Не надевайте ремешок на шею под водой.**
  - Ремешок может намотаться на шею и вызвать удушение или другие серьезные травмы.
- **Тщательно смывайте смазку с рук.**
  - Не допускайте попадания смазки в рот или в глаза.
- **При попадании в футляр воды немедленно прекратите его использование.**
  - Попадание воды может вызвать электрический удар, привести к возгоранию или стать причиной пожара.
  - Обратитесь к дилеру.
- **Если возникли неисправности при использовании футляра под водой, при всплытии следуйте всем процедурам и правилам декомпрессии.**
  - Слишком быстрое всплытие может стать причиной кессонной болезни.

- **При появлении из футляра дыма, выделении большого количества тепла, выделении необычного запаха или появлении необычного звука немедленно прекратите использовать футляр.**
  - Перечисленные признаки могут привести к электрическому удару, возгоранию или пожару.
  - Немедленно выньте цифровую камеру из футляра, а затем извлеките батарейку из камеры.
  - Обратитесь к дилеру.
- **Будьте осторожны при открытии футляра после попадания в него воды.**
  - Попавшая в футляр вода может вырваться, а задняя часть футляра может отскочить.
- **Не оставляйте футляр в местах с высокой температурой.**
  - Температура в футляре становится очень высокой, особенно если оставить футляр под прямыми солнечными лучами летом на пляже, на катере и т.д. или в герметично закрытом автомобиле. Высокая температура может привести к повреждению футляра или его внутренних элементов.
  - Если при этом в футляре находится цифровая камера, она также может получить повреждения.
  - Использование камеры при высокой температуре внутри футляра может привести к протеканию футляра, короткому замыканию или пробое изоляции, что, в свою очередь, может стать причиной пожара или неисправности.
- **Не прикасайтесь к цифровой камере или к батарейке мокрыми руками.**
  - Это может привести к электрическому удару или вызвать неисправность.

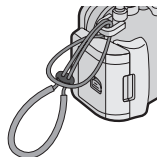
## ■ **Съемка со вспышкой**

- При съемке со вспышкой углы снимка могут быть затемненными, или яркость снимка может оказаться неоднородной.
- При съемке со вспышкой под водой допустимое расстояние будет меньше, чем на суше.

## Составные части



1. Рычажок трансфокатора
2. Отверстие для крепления ремешка  
(для крепления поставляемого ремешка и диффузора)



3. Кнопка [E.ZOOM]
4. Кнопка затвора
5. Переключатель ON/OFF
6. Диск рабочего режима
7. Установочный башмак для INON Inc., выносной импульсной вспышки\*1
8. Передняя часть футляра
9. Диффузор (входит в комплект поставки)
10. Переднее стекло
11. [ЗАП.]/[ВОСП.] селекторный переключатель
12. Раздел об использовании кнопок  
(Информацию об использовании каждой кнопки см. в инструкции по эксплуатации цифровой камеры.\*2)
13. Задняя часть футляра
14. Защелка
15. Рычажок открытия замка

\*1 Данный установочный башмак предназначен для выносной импульсной вспышки производства INON Inc.

Для получения информации о совместимой импульсной вспышке обращайтесь в INON Inc.

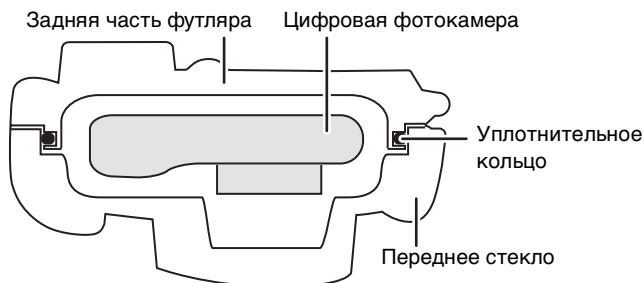
[http://www.inon.co.jp/INON\\_WORLD\\_body.html](http://www.inon.co.jp/INON_WORLD_body.html)

\*2 В зависимости от используемой цифровой камеры, обозначения кнопок на футляре для подводной съемки могут незначительно отличаться. При использовании смотрите обозначения кнопок на цифровой камере.

## Что такое уплотнительное кольцо?

- Уплотнительное кольцо – это влагоизоляционное уплотнение, которое применяется в подводных камерах, часах и снаряжении для подводного плавания.
- Уплотнительное кольцо обеспечивает водонепроницаемость футляра за счет герметизации стыка между задней и передней частью футляра.

### ■ Каким образом уплотнительное кольцо обеспечивает водонепроницаемость?



Резина кольца входит в контакт с торцами частей футляра, тем самым обеспечивая водонепроницаемость и не допуская пропускания воды через стык.



При сдавливании уплотнительного кольца давлением воды поверхность кольца расширяется, за счет чего обеспечивается более плотная герметизация футляра.

**Уплотнительное кольцо предотвращает попадание воды в футляр за счет равномерного контакта с торцами частей футляра. Поэтому очень важное значение имеет правильный уход за уплотнительным кольцом. Неправильный уход может привести к попаданию воды в футляр.**

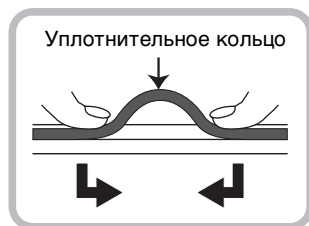
## Подготовка -Установка уплотнительного кольца-

Перед установкой цифровой камеры не забудьте установить уплотнительное кольцо.

Перед работой с уплотнительным кольцом тщательно вымойте и высушите руки. Устанавливайте кольцо в условиях отсутствия песка и пыли.

**1** Для снятия уплотнительного кольца ослабьте его пальцами рук.

- Ослабьте кольцо кончиками пальцев рук, а затем поднимите ослабленную часть. Будьте осторожны, чтобы не поцарапать уплотнительное кольцо ногтями.



### ■ Примечание

- При снятии уплотнительного кольца не пользуйтесь заостренными предметами. Это может привести к появлению царапин.

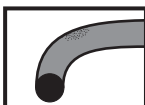


## 2 Проверка уплотнительного кольца.

- Убедитесь, что на уплотнительном кольце нет грязи, песка, волос, пыли, кристаллов соли, ворса или старой смазки. При обнаружении любого загрязнения удалите его мягкой сухой тканью.



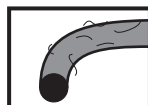
▲ Грязь



▲ Песок



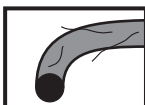
▲ Волосы



▲ Пыль



▲ Кристалл  
соли

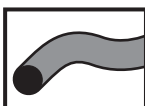


▲ Ворс

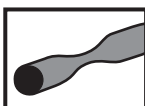
- На уплотнительном кольце может находиться грязь, которую нельзя увидеть. Убедитесь в отсутствии грязи, проведя пальцем по кольцу.
- Будьте осторожны, чтобы не оставить волокна сухой ткани на кольце при его вытирании.
- Убедитесь, что уплотнительное кольцо не разорвано, не перекручено, не раздавлено, не потерто и не поцарапано. Также убедитесь в отсутствии на кольце частиц песка. В случае обнаружения любого из перечисленных условий замените кольцо.



▲ Разрыв



▲ Искривление



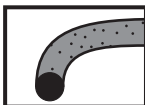
▲ Сдавливание



▲ Шелушение



▲ Царапина



▲ Прилипшие  
песчинки

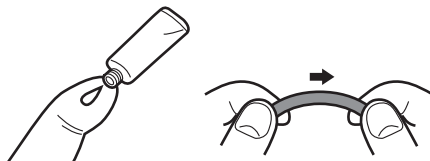
## 3 Проверьте паз уплотнительного кольца.

- В паз кольца могут попасть частицы песка или кристаллы соли. Осторожно удалите их с помощью струи воздуха или ватного тампона. При использовании тампона будьте осторожны, не оставляйте волокна в пазе уплотнительного кольца.

## Подготовка -Установка уплотнительного кольца- (продолжение)

**4** Точно таким же образом проверьте другую поверхность уплотнительного кольца.

**5** Нанесите смазку (входит в комплект поставки).

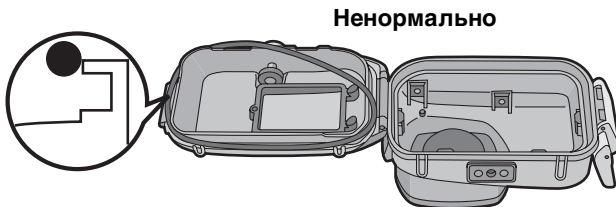
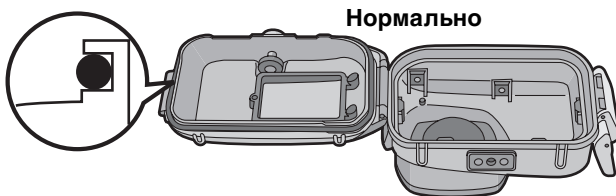


- Кончиком пальца равномерно нанесите на уплотнительное кольцо смазку, которая (входит в комплект поставки), примерно в объеме рисового зерна.
- Если нанести большое количество смазки, к кольцу будет прилипать грязь или пыль.
- Применяйте смазку только указанного типа. При использовании смазок других типов уплотнительное кольцо может быть повреждено, что приведет к попаданию воды в футляр.
- Не наносите смазку с помощью бумаги или ткани. Волокна бумаги или ткани могут прилипнуть к кольцу.

**6** Равномерно установите уплотнительное кольцо в паз.

Убедитесь, что:

- к кольцу не прилипла грязь.
- кольцо не вышло из паза.
- кольцо не перекручено.
- кольцо не растянуто больше, чем нужно.



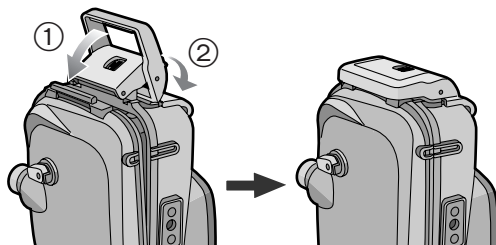
## 7 Проверьте уплотнительное кольцо еще раз.

Еще раз проверьте, чтобы:

- к кольцу не прилипла грязь.
- кольцо не вышло из паза.
- кольцо не было перекручено.
- на уплотнительном кольце нет царапин либо вмятин.

**Тщательно удалите смазку с рук с помощью сухой ткани, а затем вымойте руки водой.**

## 8 Закройте защелку.



- Убедитесь, что на внешней поверхности уплотнительного кольца и на защелке передней части футляра отсутствуют частицы загрязнения, и закройте футляр.

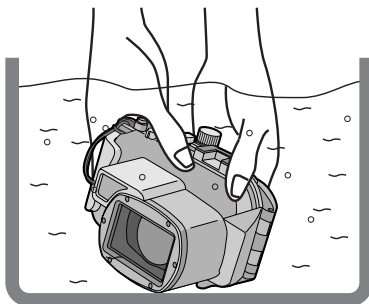
### ■ Примечания

- Для обеспечения полной герметичности футляра не царапайте поверхность уплотнительного кольца, которая находится в контакте с торцами частей футляра.
- Не пользуйтесь кольцом с царапинами или повреждениями. Это может привести к попаданию воды в футляр.
- При каждом использовании футляра снимите уплотнительное кольцо и убедитесь, что в пазе кольца нет грязи, песка, волос и других инородных материалов, а затем нанесите тонкий слой смазки (входит в комплект поставки). Если нанести большое количество смазки, к уплотнительному кольцу могут прилипнуть грязь и пыль, что приведет к попаданию воды в футляр.
- Убедитесь, что у вас есть запасное уплотнительное кольцо на случай, если используемое кольцо будет повреждено или поцарапано.

## **Подготовка -Проверка водонепроницаемости футляра-**

После установки уплотнительного кольца перед установкой цифровой камеры проверьте, что вода не попадает в футляр, погрузив футляр в бак с водой, ванну или другую емкость с водой примерно на 3 минуты.

- Не используйте футляр в воде с температурой выше 40 °С. Высокая температура может привести к повреждению футляра или к попаданию воды в футляр.



 Проведите эту же проверку после установки камеры в футляр. (P173)

### **■ Примечания**

- Если при погружении в воду из футляра выходят пузырьки воздуха, либо внутри футляра оказывается влага, когда он вынимается из воды, то футляр протекает. В таких случаях обратитесь к дилеру.
- При попадании воды в футляр, когда в футляре установлена камера, немедленно удалите батарейку. При наличии огня водород может загореться или взорваться.
- При быстром погружении с футляром в руках или при бросании футляра с катера в воду из-за высокого давления в футляр может попасть некоторое количество воды. Это не неисправность футляра. Всегда медленно погружайтесь под воду.
- Футляр предназначен для использования на глубинах до 40 м. При погружении более чем на 40 м футляр может получить невозможные повреждения.
- При закрытии футляра убедитесь, что инородные материалы не попали в зазор между уплотнительным кольцом и пазом кольца. Даже один волосок или частица песка может привести к попаданию воды в футляр.

## Подготовка -Установка цифровой камеры-

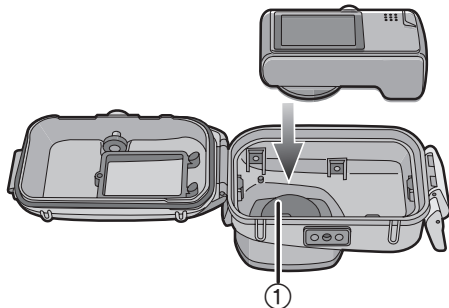
Убедитесь, что переключатель ВКЛ/ВЫКЛ на камере и футляре установлен на [OFF], а селекторный переключатель [ЗАП.]/[ВОСП.] установлен на [📷].

- Снимите ремешок с цифровой камеры.

**1** Для открытия защелки поднимите деталь ② пальцем, перемещая деталь ①.



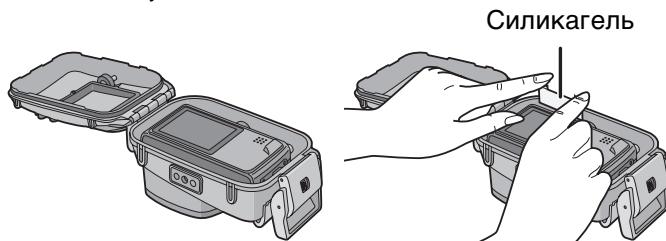
**2** Установите цифровую камеру в футляр.



- Будьте осторожны, чтобы не задеть бленду ①.

**3** Вставьте силикагель (входит в комплект поставки).

- Всегда используйте новый силикагель.



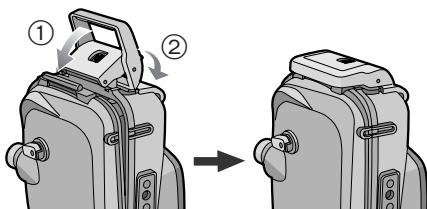
## Подготовка -Установка цифровой камеры- (продолжение)

- При вставке силикагеля согните его, как показано на рисунке ниже, а затем вставьте как можно глубже. Если закрыть футляр при неполностью вставленном силикагеле, силикагель заденет уплотнительное кольцо, что приведет к попаданию воды в футляр.

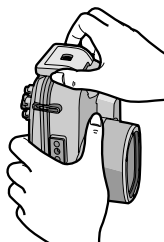


- При высокой температуре воздуха и низкой температуре воды внутри футляра может начаться конденсация. Для предотвращения конденсации убедитесь, что силикагель (входит в комплект поставки) не касается объектива камеры. Для предотвращения образования тумана в футляре вставьте силикагель за 1 до 2 часа до использования футляра.

### 4 Закройте защелку.



- ☞ Убедитесь, что защелка плотно закрыта. Не вставляйте в защелку ремень и т.д.



### 5 После установки цифровой камеры еще раз проверьте, что в футляр не попадает вода. (P172)

## ■ Примечания

- Еще раз проверьте, что уплотнительное кольцо равномерно распределено по пазу.
- Избегайте открытия и закрытия футляра в местах с большим количеством песка или пыли, а также в условиях большого содержания влаги.
- При внезапной смене температуры в футляре может начаться конденсация.
- Если на футляр попал солнцезащитный крем или масло для загара, немедленно смойте его теплой водой для предотвращения снижения уровня водонепроницаемости или обесцвечивания футляра.

## ■ Прикрепление грузов

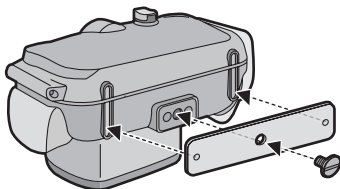
### Об использовании грузов

Прикрепляйте грузы для установки необходимого уровня плавучести при использовании футляра для подводной съемки. Используйте их по мере необходимости.

Касательно плавучести под водой учитывайте следующее.

- ① При использовании только цифровой камеры и футляра для подводной съемки: Они будут медленно всплывать в пресной или морской воде. (Положительная плавучесть)
- ② При использовании цифровой камеры, футляра для подводной съемки и 1 груза: Они будут всплывать еще медленнее в пресной или морской воде, чем ①. (Положительная плавучесть)
- ③ При использовании цифровой камеры, футляра для подводной съемки и 2 грузов: Они будут медленно тонуть в пресной или морской воде. (Отрицательная плавучесть)

### Как прикреплять грузы



При использовании 1 груза совместите выступающую часть груза с гнездом штатива на футляре для подводной съемки, а затем используйте для закрепления винт, входящий в комплект поставки. При использовании 2 грузов совместите выступающую часть второго груза с частью первого груза, имеющей выемку, чтобы грузы не накладывались друг на друга, а затем прикрепите их к гнезду штатива.

## ■ Примечание

- Во избежание образования ржавчины отсоединяйте грузы после использования, вытирайте соль и затем помещайте их на хранение.

# Съемка

## ■ Перед съемкой под водой

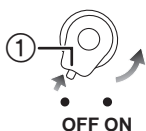
Перед погружением проведите следующие проверки.

- Достаточно ли оставшаяся емкость батарейки?
- Если ли на карте памяти свободное место достаточного объема?
- Равномерно ли установлено уплотнительное кольцо в пазе?
- Проверен ли футляр на водонепроницаемость?
- Плотно ли закрыта защелка?

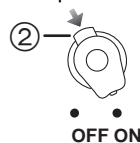
## ■ Съемка

### 1 Включите камеру.

Нажмите ①, чтобы снять блокировку, а затем установите в положение [ON].



Нажмите ② для блокировки.



### 2 Выведите на дисплей меню режима сцены, а затем установите [ПОДВОД. СЪЕМКА].

- Подробную информацию можно найти в руководстве по эксплуатации цифровой камеры.

### 3 Наведите область автофокусировки на мониторе ЖКД на объект фокусировки.

### 4 Для фокусировки нажмите ◀ (☺/AF-L).

- Для отмены нажмите ◀ (☺/AF-L) еще раз.

### 5 Для съемки полностью нажмите кнопку затвора.

## ■ Примечания




- Перед установкой камеры в футляр рекомендуется еще раз установить часы. (Подробную информацию можно найти в руководстве по эксплуатации цифровой камеры.)
- Если перед камерой плавают какие-либо объекты, камера может сфокусироваться на них, а не на объекте съемки.
- Если на переднем стекле находятся капли воды или грязь, правильная фокусировка может оказаться невозможной. Перед съемкой обязательно протрите переднее стекло.



## Советы по съемке под водой

---

### Если при подводной съемке снимки имеют синеватый оттенок

- ① Несколько раз нажмите ▲ (  ) до появления [WB±].
- ② Нажмите ◀ (  ) / AF-L / ▶ (  ) для регулировки баланса белого.
- ③ Для завершения нажмите [MENU/SET].
  - Кроме того, для завершения можно наполовину нажать кнопку затвора.

### Выберите наилучший снимок

#### Установите вспышку на .

Использование функции автоматической настройки значений экспозиции (для моделей, оснащенных функцией автоматической настройкой значений экспозиции)

- При каждом нажатии кнопки затвора автоматически записываются 3 снимка с разными значениями экспозиции. Из полученных 3 снимков можно выбрать наилучший.

Пользуйтесь режимом серийной съемки

- При съемке быстродвижущегося объекта (дельфина и т. д.), можно выбрать любимый снимок, сделав снимки с использованием режима серийной съемки.

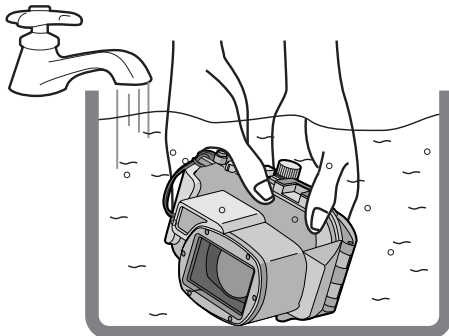
### ■ Примечание

- Более подробная информация приведена в руководстве по эксплуатации цифровой камеры.

## После использования

После съемки выполните следующие операции.

- 1** Погрузите футляр в пресную воду не менее чем на 30 минут, не вынимая цифровую камеру. Это необходимо для удаления кристаллов соли и т.д.

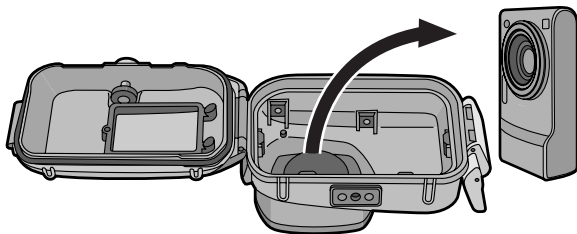


- Чтобы смыть морскую воду, нажмите все кнопки на футляре. Если кристаллы соли не будут удалены с кнопок и других элементов, кристаллы затвердеют, и кнопки перестанут работать нормально.
- Не промывайте футляр в быстрой проточной воде или в проточной воде с большим напором. Это может привести к попаданию воды в футляр.

- 2** Вытрите воду сухой тканью, на которой нет кристаллов соли, а затем сразу же высушите футляр.

- Не сушите футляр под прямыми солнечными лучами. Это может привести к обесцвечиванию или повреждению футляра и ускорить старение уплотнительного кольца.

- 3** Чтобы вынуть цифровую камеру, откройте заднюю часть футляра.



---

**4** Снимите уплотнительное кольцо с футляра и убедитесь, что в пазе кольца нет грязи и других инородных частиц.

**5** Нанесите смазку на уплотнительное кольцо и проверьте, нет ли на кольце царапин и других повреждений.

■ **Примечания**

**Будьте осторожны при удалении камеры из футляра, чтобы влага не попала на камеру.**

- Выньте камеру чистыми руками. (Вымойте руки пресной водой и тщательно высушите.)
- Тщательно высушите влагу на теле и волосах. (Будьте особенно осторожны, чтобы вода не вылилась из рукавов костюма для подводного плавания.)
- При плохой погоде выберите место, в котором влага не попадет на камеру, например, в помещении или в под крышей.

## **Очистка и хранение**

---

**1** Промойте наружную поверхность футляра водой.

- Дочиста вымойте наружную поверхность футляра. (P178)
- Закройте футляр, а затем вымойте наружную поверхность футляра водой.
- Вытрите грязь внутри футляра с помощью влажной мягкой ткани.

■ **Примечания**

- Не промывайте футляр в быстрой проточной воде или в проточной воде с большим напором. Перед промыванием футляра в воде выньте камеру.
- При хранении футляра не оставляйте в нем камеру.
- Храните футляр в прохладном, хорошо проветриваемом месте.

# Предосторожности при использовании

## ■ Обращение с уплотнительным кольцом

- Не используйте спирт, растворители или химические моющие средства для очистки уплотнительного кольца. Эти вещества могут нанести повреждения уплотнительному кольцу или ухудшить его свойства.
- Если футляр не будет использоваться в течение продолжительного периода времени, удалите уплотнительное кольцо из паза, нанесите тонкий слой смазки (входит в комплект поставки), поместите кольцо в пакет из полиэстера и храните в темном прохладном месте. Это предотвратит повреждение поверхности кольца. Перед повторным использованием уплотнительного кольца после хранения тщательно проверьте, чтобы поверхность кольца не имела царапин или разрывов.
- Применяйте смазку только указанного типа. При использовании смазок других типов уплотнительное кольцо может быть повреждено, что приведет к попаданию воды в футляр.
- Уплотнительное кольцо входит в контакт с торцами частей футляра, чем обеспечивается водонепроницаемость футляра. Не ударяйте, не допускайте попадания инородных материалов (грязи, песка, волос и т.д.) и не царапайте уплотнительное кольцо или торцы частей футляра.
- Снимайте уплотнительное кольцо кончиками пальцев. При снятии уплотнительного кольца не пользуйтесь заостренными предметами, поскольку они могут поцарапать уплотнительное кольцо.
- После снятия уплотнительного кольца с задней части футляра удалите с кольца грязь, песок, волосы и другие инородные материалы. Кроме того, протрите паз кольца и внутренние поверхности передней части футляра, контактирующие с уплотнительным кольцом.
- Не пользуйтесь кольцом с царапинами или повреждениями. Это может привести к попаданию воды в футляр. Замените уплотнительное кольцо новым.
- После замены уплотнительного кольца, перед использованием футляра после длительного периода хранения или при открытии футляра для установки камеры, замены батареек и т.п. тщательно проверьте, чтобы поверхность кольца не имела царапин или разрывов. После этого закройте футляр и убедитесь, что вода не попадает в футляр, погрузив футляр в бак с водой, ванну или другую емкость с водой примерно на 3 минуты. (P172)
- Уплотнительные кольца – это расходный элемент. Несмотря на то, что срок службы уплотнительных колец зависит от ухода за ними, частоты их использования и условий хранения, уплотнительные кольца рекомендуется менять каждый год, даже если на кольцах отсутствуют царапины.

## ■ Уход

- Не используйте перечисленные ниже химические вещества для очистки, предотвращения ржавления, предотвращения запотевания или ремонта. Непосредственное их нанесение на футляр (с помощью пульверизатора или другими методами) может привести к появлению трещин на футляре под воздействием высокого давления.

Химические вещества, запрещенные к использованию	Предостережения
Летучие органические растворители/ химические моющие средства	Не очищайте футляр таким летучими органическими растворителями, как спирт, бензин или растворитель, или химическими моющими средствами. Для очистки используйте пресную или теплую воду.
Противокоррозионные составы	Не пользуйтесь противокоррозионными составами, поскольку металлические детали футляра изготовлены из нержавеющей стали или латуни. Для очистки используйте пресную воду.
Вещества, предотвращающие запотевание	Не пользуйтесь имеющимися в продаже веществами, предотвращающими запотевание. Используйте силикагель, указанный в настоящем руководстве.
Клеящие вещества	Не пользуйтесь клеящими веществами для ремонта футляра. Если футляр нуждается в ремонте, обратитесь к дилеру.

- Если на цифровую камеру попала грязь, вытрите ее мягкой сухой тканью.
- Для протирания внутренней поверхности футляра пользуйтесь только мягкой сухой тканью. Для обеспечения прозрачности стекла протирайте внутреннюю поверхность переднего стекла мягкой сухой тканью до и после использования футляра.

### **■ Хранение и проверка после использования**

- **Всегда вынимайте камеру из футляра.**
- Убедитесь, что на уплотнительном кольце нет грязи или пыли.
- Тщательно высушите футляр при комнатной температуре, а затем поместите его на хранение в темное прохладное место.
- Рекомендуется провести проверку футляра спустя примерно 3 года после покупки. Эта проверка включает разборку и очистку футляра, проверку всех его деталей и, при необходимости, их ремонт, а также проверку водонепроницаемости футляра с помощью того же оборудования для гидростатических испытаний, что использовалось для проверки водонепроницаемости перед покупкой. Все транспортные расходы оплачиваются покупателем.
- Не снимайте детали футляра и не используйте принадлежности, не описанные в настоящем руководстве. Не вносите изменения в футляр. Если футляр не работает нормально, обратитесь к дилеру.

## Технические характеристики

---

**Совместимые модели:** DMC-TZ5/DMC-TZ15/DMC-TZ4/DMC-TZ11  
(По состоянию на март 2008 г.\*)

**Масса:** около 434 г

**Размеры:** около 150 мм (Ш) × 94 мм (В) × 93 мм (Г)  
(исключая выступающую часть)

**Материал:** поликарбонат

**Метод обеспечения**

**водонепроницаемости:** уплотнительное кольцо

**Глубина обеспечения**

**водонепроницаемости:** 40 м

\* Последнюю информацию о моделях, которые могут использоваться, смотрите в руководствах по эксплуатации, каталогах, на веб-сайтах и т. д.

VQT1Q30-M  
S0208KD1098

**Panasonic Corporation**  
Web Site : <http://panasonic.net>