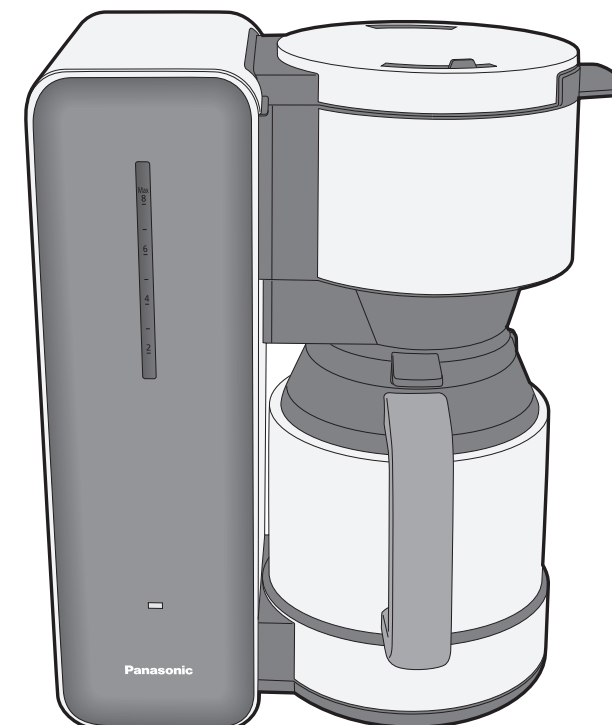


**Panasonic®**

**Operating Instructions  
Bedienungsanleitung  
Gebruiksaanwijzing  
Mode d'emploi  
Istruzioni operative  
Instrucciones de funcionamiento**

**Coffee Maker** (Household Use)  
**Kaffeemaschine** (Hausgebrauch)  
**Koffiezetapparaat** (voor huishoudelijk gebruik)  
**Machine à café** (usage domestique)  
**Macchina da caffè americano** (utilizzo domestico)  
**Cafetera** (uso doméstico)

Model No. **NC-ZF1**  
**NC-DF1**



NC-ZF1

Representative in EU :  
Panasonic Marketing Europe GmbH  
Panasonic Testing Centre  
Winsbergring 15, 22525 Hamburg, Germany

**Panasonic Taiwan Co., Ltd.**

Web Site : <http://panasonic.net/>

© Panasonic Taiwan Co., Ltd. 2012

CZ45B153  
F0712S0

(XE)

NC-ZF1: NC-ZF1HXC, NC-ZF1VXC, NC-ZF1HXE, NC-ZF1VXE  
NC-DF1: NC-DF1WXC, NC-DF1BXC, NC-DF1WXE, NC-DF1BXE

Contents	Page
Safety Precautions	4
Important Information	10
Parts Names and Handling Instructions	11
How to Use	12
How to Clean	14
Troubleshooting	16
Specifications	17

Thank you for purchasing the Panasonic product.

- This product is intended for household use only.
- Please read these instructions carefully to use the product correctly and safely.
- Before using this product **please give your special attention to “Safety Precautions” (Page 4~10)**.
- Please keep this Operating Instructions for future use.

Inhaltsverzeichnis	Seite
Sicherheitsvorkehrungen	18
Wichtige Informationen	24
Teilenamen und Bedienungsanleitung	25
Bedienung	26
Reinigung	28
Fehlerbehebung	30
Technische Daten	31

Wir danken Ihnen für den Kauf des Panasonic-Produkts.

- Dieses Produkt ist nur für den Haushaltsgebrauch vorgesehen.
- Bitte lesen Sie sorgfältig diese Anleitung, um einen korrekten und sicheren Betrieb der Maschine zu gewährleisten.
- Bevor Sie dieses Produkt verwenden, **lesen Sie sich bitte aufmerksam die „Sicherheitsvorkehrungen“ (Seite 18-24) durch**.
- Bitte bewahren Sie diese Bedienungsanleitung für eine spätere Verwendung auf.

Inhoud	Pagina
Veiligheidsmaatregelen	32
Belangrijke informatie	38
Onderdeelnamen en bedieningsinstructies	39
De machine gebruiken	40
De machine schoonmaken	42
Problemen oplossen	44
Specificaties	45

Hartelijk dank voor uw aankoop van dit Panasonic product.

- Dit product is alleen bestemd voor huishoudelijk gebruik.
- Lees deze handleiding zorgvuldig door om het apparaat juist en veilig te gebruiken.
- Voordat u dit product gebruikt, **lees aandachtig de “Veiligheidsmaatregelen” (Pagina 32~38)**.
- Bewaar deze gebruiksaanwijzing voor toekomstig gebruik.

Table des matières	Page
Consignes de sécurité	46
Information importante	52
Nom des pièces et consignes de manipulation	53
Mode d'emploi	54
Nettoyage	56
Problèmes et solutions	58
Spécifications	59

Nous vous remercions d'avoir choisi le produit Panasonic.

- Ce produit est destiné aux particuliers uniquement.
- Veuillez lire attentivement ces consignes afin d'utiliser la machine à café de manière correcte et sécurisée.
- Avant d'utiliser ce produit, **veuillez porter une attention toute particulière à la section intitulée “Consignes de sécurité” (Page 46~52)**.
- Veuillez conserver ce mode d'emploi pour référence ultérieure.

Indice	Pagina
Precauzioni di sicurezza	60
Informazioni importanti	66
Nomi dei componenti e istruzioni per l'uso	67
Modalità d'uso	68
Pulizia della macchina	70
Risoluzione dei problemi	72
Specifiche	73

Grazie per aver acquistato il prodotto Panasonic.

- Questo prodotto è destinato esclusivamente a un uso domestico.
- Leggere attentamente queste istruzioni per utilizzare l'apparecchio in modo corretto e sicuro.
- Prima di utilizzare questo prodotto **prestare particolare attenzione alle “Precauzioni di sicurezza” (Pagine 60~66)**.
- Conservare queste istruzioni operative per la consultazione in futuro.

Índice	Página
Precauciones de seguridad	74
Información importante	80
Nombres de las piezas e instrucciones de uso	81
Modo de uso	82
Limpieza	84
Resolución de problemas	86
Especificaciones	87

Gracias por comprar el producto de Panasonic.

- Este producto se ha diseñado exclusivamente para un uso doméstico.
- Lea atentamente estas instrucciones para utilizar el aparato de forma correcta y segura.
- Antes de utilizar este producto, **preste especial atención a las “Precauciones de seguridad” (páginas 74~80)**.
- Conserve estas instrucciones de funcionamiento para su uso en el futuro.

# Safety Precautions

Please make sure to follow these instructions.

In order to prevent accidents or injuries to the user, other people, and damage to property, please follow the instructions below.

■ The following charts indicate the degree of damage caused by wrong operation.

⚠ **WARNING:** Indicates serious injury or death.

⚠ **CAUTION:** Indicates risk of injury or property damage.

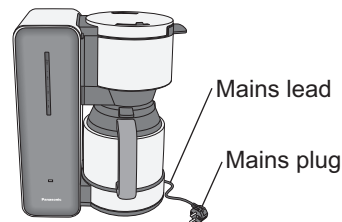
■ The symbols are classified and explained as follows.

⊘ This symbol indicates prohibition.

! This symbol indicates requirement that must be followed.

## ⚠ WARNING

⊘ ● **Do not damage the mains lead or mains plug.**  
Following actions are strictly prohibited. Modifying, touching on or placing near heating elements, bending, twisting, pulling, pulled over sharp edges, putting heavy objects on top, bundling the mains lead and carrying the appliance by the mains lead.  
(It may cause electric shock, or fire due to short circuit.)



● **Do not use the appliance if the mains lead or mains plug is damaged or the mains plug is loosely connected to the household mains socket.**  
(It may cause electric shock, or fire due to short circuit.)  
→ If the supply cord is damaged, it must be replaced by the manufacturer, its service agent or similarly qualified person in order to avoid a hazard.



## ⚠ WARNING

- ⊘ ● **Do not plug or unplug the mains plug with wet hands.**  
(It may cause electric shock.)
  - Always ensure that hands are dry before handling the mains plug or switching on the appliance.
- ! ● **Make sure the voltage indicated on the label of the appliance is the same as your local supply.**  
(It may cause electric shock or fire.)  
Also avoid plugging other devices into the same household mains socket to prevent electrical over heating. However, if you are connecting a number of mains plugs, make sure the total wattage does not exceed the rated wattage of the household mains socket.
- **Insert the mains plug firmly.**  
(Otherwise it may cause electric shock and fire due to heat that may be generated around the mains plug.)
- **Clean the mains plug regularly.**  
(Dust and moisture build-up on the mains plug may cause insufficient insulation, which may cause a fire.)  
→ Unplug the mains plug, and wipe with a dry cloth.
- **Keep the mains lead out of reach of children. Do not let the mains lead hang over the edge of the table or worktop.**  
(It may cause burns, injury or electric shock.)


# Safety Precautions

Please make sure to follow these instructions.


## WARNING

-  ● **Do not immerse the appliance in water or splash it with water.**  
(It may cause electric shock, or fire due to short circuit.)
- **Do not disassemble, repair or modify this appliance.**  
(It may cause fire, electric shock or injury.)  
→ Consult the place of purchase or a Panasonic service centre.
- **Do not touch or get your face close to places where steam is coming out.**  
(It may cause burns or injury.)
  - Especially keep the appliance out of reach of infants and children.
- **Do not use the appliance without the jug.**  
(It may cause burns.)
-  ● **This appliance is not intended for use by persons (including children) with reduced physical, sensory or mental capabilities, or lack of experience and knowledge, unless they have been given supervision or instruction concerning use of the appliance by a person responsible for their safety. Children should be supervised to ensure that they do not play with the appliance.**  
(It may cause burns, injury or electric shock.)
- **Always keep the children away from the appliance.**  
(It may cause burns or injury.)
  - Children do not realise dangers that are likely to occur because of improper use of appliances.

## WARNING

-  ● **Discontinue using the appliance immediately and unplug in the unlikely event that this appliance stops working properly.**  
(It may cause smoking, fire, electric shock or burns.)  
e.g. for abnormal or breaking down
  - The mains plug and the mains lead become abnormally hot.
  - The mains lead is damaged or the appliance power fails.
  - The main body is deformed, has visible damage or is abnormally hot.
  - The handle of the jug is loosen.
  - There is another abnormality or failure.→ Unplug the appliance immediately and consult the place of purchase or a Panasonic service centre for inspection or repair.

## CAUTION

-  ● **Do not use the appliance for any purpose other than those described in these instructions.**  
(It may cause burns or injury.)
  - Panasonic will not accept any liability if the appliance is subject to improper use, or failure to comply with these instructions.
- **Do not allow the mains lead to come into contact with the plate. (NC-DF1 only)**  
(It may cause fire or injury)
- **Do not touch the hot surface such as the top surface of the main body while appliance is in use or after use.**  
(It may cause burns.)
  - The plate for the NC-DF1 also gets hot.

# Safety Precautions

Please make sure to follow these instructions.

## ⚠ CAUTION

- ⊘ ● **Do not move the appliance when the jug is in place.**  
(It may cause burns.)
- **Do not remove the jug while brewing.**  
(It may cause burns.)
- **Do not move the appliance by holding the water tank lid or basket.**  
(It may cause burns or injury.)
- **Do not use the appliance (including the jug) on following places.**
  - On uneven surfaces, on non-heat-resistant carpet or table cloths etc.  
(It may cause fire or injury.)
  - Places where it may be splashed with water or near a heat source.  
(It may cause electric shock or electrical leakage.)
  - Near any open water such as bathtubs, sinks, or other containers.  
(It may cause electric shock or electrical leakage.)
  - Near a wall or furniture.  
(It may cause discolouration or deformation.)
  - Places that could be damaged even by moderate heat.  
(It may cause discolouration or deformation.)
- **Do not open the water tank lid while the coffee is brewing.**  
(It may cause burns.)

## ⚠ CAUTION

- ⊘ ● **Do not leave the appliance unattended when it is in use.**  
(It may cause fire.)
  - When leaving it, turn the power off.
- **Do not insert any object in the gaps.**  
(It may cause electric shock.)
  - Especially metal objects such as pins or wires.
- ! ● **Make sure to hold the mains plug when unplugging the mains plug.**  
**Never pull on the mains lead.**  
(Otherwise it may cause electric shock, or fire due to short circuit.)
- **Always ensure the appliance is switched off and unplug the mains plug when the appliance is not in use, before moving and before cleaning.**  
(Otherwise it may cause electric shock, or fire due to electric leakage.)
- **Place the appliance on a firm, dry, clean flat heatproof worktop.**  
(Otherwise it may cause burns or injury.)
- **Beware not to be tripped over or get caught in the mains lead while in use.**  
(Otherwise it may cause burns or injury.)
- **Unplug and allow the appliance to cool down fully before cleaning and storing away.**  
(It may cause burns.)

# Safety Precautions

Please make sure to follow these instructions.

## CAUTION

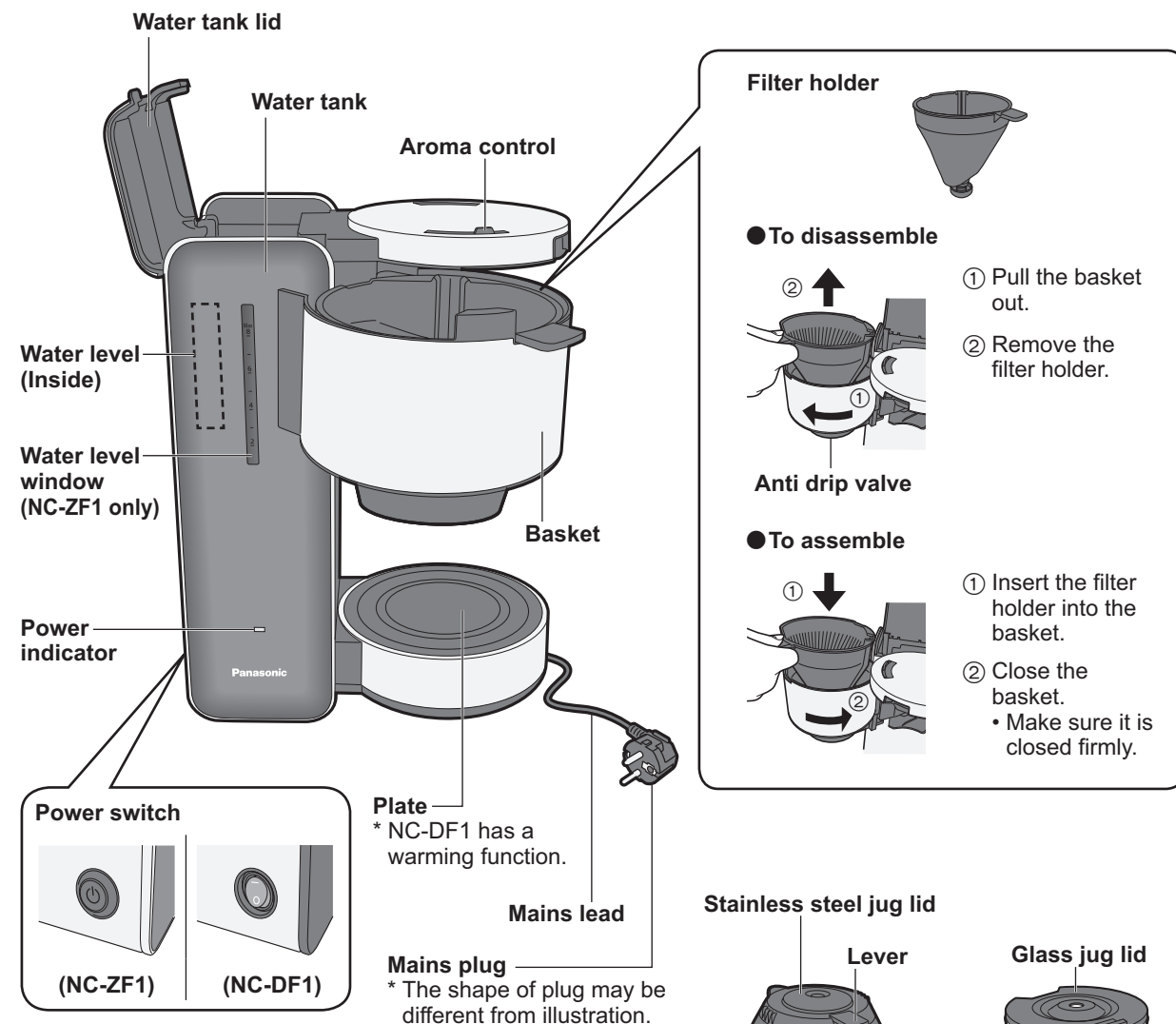
- ❗ ● When handling the jug with hot coffee in, do not tilt or open the jug lid. Hot liquid may spurt out or drop on your hand. (It may cause burns.)
  - Always hold the jug handle.
- Make sure to clean the appliance after every use. (Otherwise it may cause burns due to overflow by clogging the filter holder.)

## Important Information

- Do not fill the tank with milk, hot water etc. Only use cold water. (It may cause malfunction.)
- Do not place the jug on any heat sources or in a microwave. (It may cause damage to the jug.)
- Do not use other jugs than the one provided.
- Do not use the appliance outdoors.

# Parts Names and Handling Instructions

■ The illustrations inside mainly show model NC-ZF1.

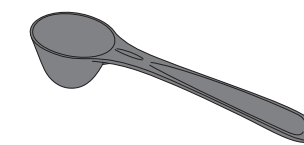


### Before use

Clean the appliance by following the steps below for the first time or when you have not used it for a while.

- ① Wash all detachable parts. (P.14~15)
- ② Set the filter holder and jug in place.
  - Do not fill with ground coffee.
- ③ Fill water in the water tank up to 8 on the scale and close the watertank lid.
- ④ Plug in and turn on the power switch.
- ⑤ When the water tank gets empty, turn off the power switch and throw the hot water in the jug away.

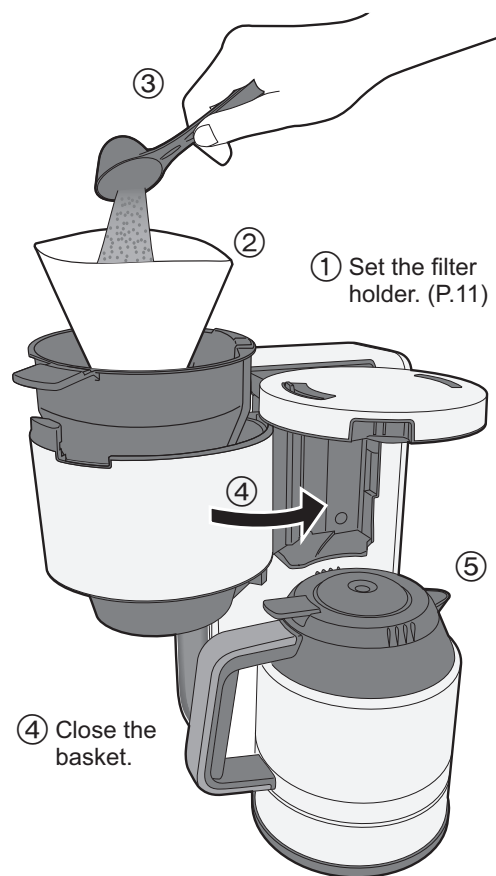
### Accessory



Measuring spoon

# How to Use

**1** Place the filter holder, paper filter, jug and add ground coffee.



④ Close the basket.

**Note:** Make sure the basket is closed firmly when closing it.

## Preheating the jug (NC-ZF1 only)

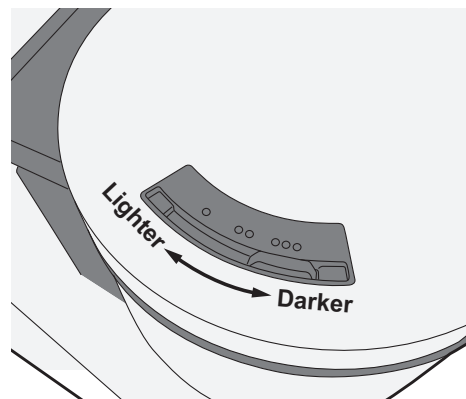
- When you are brewing small amount of coffee or room temperature is low, preheat the jug by pouring hot water to have hot and tasty coffee.
- After preheat the jug, throw the hot water away.
- Do not use any heat source or microwave to preheat the jug.

## Reference for amount of coffee

Brewed Coffee	Fine Ground Coffee (Approx.)	Medium Ground Coffee (Approx.)
2 cups	4 scoops	5 scoops
4 cups	8 scoops	7½ scoops
6 cups	11 scoops	10 scoops
8 cups	14 scoops	12 scoops

- 1 cup=Approx. 120 mL
- Measured by measuring spoon provided. (Level off the top.)

**2** Set the aroma control as desired.



**3** Fill water in the water tank, then plug in and turn on the power switch.



(For NC-ZF1)

- The power indicator will light up while brewing coffee and turn it off automatically.

(For NC-DF1)

- Power indicator will light while the switch is on.

## Note

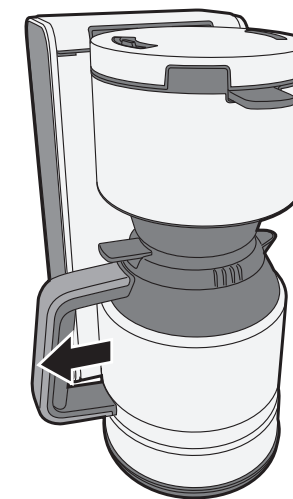
- Do not fill the water tank with hot water. (A lot of steam may spurt out.)
- Do not brew coffee when the water is below 2 or more than the maximum 8 on the scale.
- Do not add water while brewing.
- When water is added more than you desire, please remove it by using another container.

## To brew coffee consecutively

Repeat step 1~3.

- Wait for 5 minutes to add water in the water tank. (If water is added too soon, steam may spurt out.)

**4** (For NC-ZF1) Remove the jug after light is turned off.  
(For NC-DF1) After brewing is completed, turn off the switch and remove the jug.



- Press down the lever on the jug lid to pour the coffee into cups. (NC-ZF1 only)

## Note

- Do not pull out the basket when jug is set on the plate. (Coffee will drip.)
- Coffee is hot, remove the jug slowly. (Hot coffee may spill out.)
- When the jug is removed immediately after brewing, coffee may drip. In that case, please wait to remove the jug for a while after brewing.
- When handling the jug with hot coffee in, do not open the jug lid. Hot liquid may spurt out or drop on your hand. (It may cause burns.)
- When removing the jug, pull it in line with the handle.
- To keep the coffee warm, leave the power switch in the on position. (NC-DF1 only)
- For a better taste, keeping the coffee warm for a long time is not recommended.

## After use

- Unplug the coffee maker after use.

## When you have remaining water in the water tank

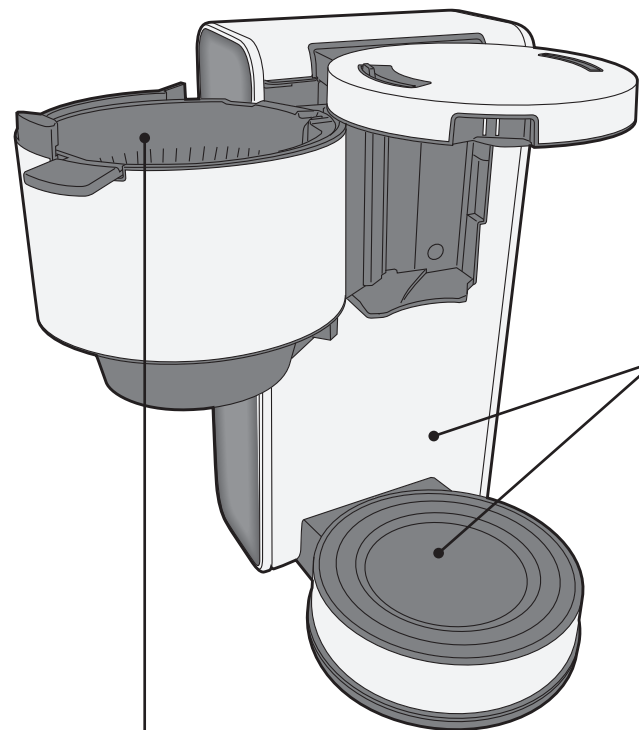
- Turn on the coffee maker and extract water completely into the jug, then throw it away.

# How to Clean

- Clean the appliance after every use.
- Unplug and make sure that the appliance has cooled down before cleaning.

## Note

- Do not use benzene, thinner, alcohol, bleach, polishing powder, metal brush or nylon brush, otherwise the surface will be damaged.
- Do not use a dishwasher.
- Do not clean the appliance with pointed object such as a toothpick or pin.
- Handle the jug with care.  
Do not use the jug if it is chipped or cracked.



## Body / Plate

Wipe with a well-wrung cloth.

To avoid damaging surfaces of the body and the plate.

- Do not hit with hard objects or rub them with scouring pad.

## Glass jug (For NC-DF1)

Wash with diluted dish soap (neutral) and a soft sponge.



## Filter holder

Wash with diluted dish soap (neutral) and a soft sponge.

### • Anti drip valve

It is to prevent leakage of the remaining drops from the basket.

- ① Pour water in the filter holder.
- ② Push the anti drip valve up and shake it for 2~3 times.

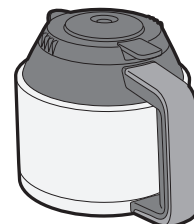


## Measuring spoon

Wash with diluted dish soap (neutral) and a soft sponge.

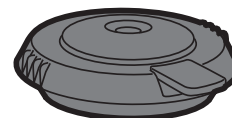
## Stainless steel jug (For NC-ZF1)

Wash with diluted dish soap (neutral) and a soft sponge.



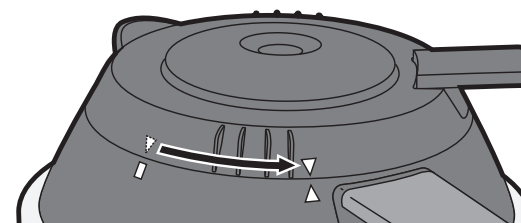
## Stainless steel jug lid

Rinse off the lid in water. Discard water inside of it through the hole by lever after rinsing it.



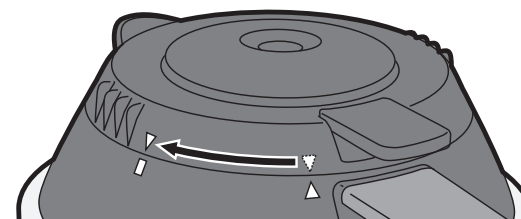
## To remove the jug lid

Turn the jug lid in the direction of the arrow to line up the triangles.



## To attach the jug lid

Line up the triangles and turn the jug lid in the direction of the arrow to line up the triangle line up with rectangle.

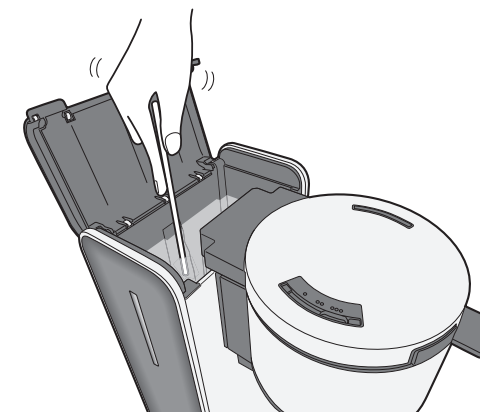


## Clean the water tank with citric acid when brewing is slow

The brewing speed gets slow when the mineral such as the calcium contained in water adheres to the water pipe and the water tank.

\*Scale build-up will occur more in areas where the water contains more minerals.

- 1 Set the basket and jug.
- 2 Fill the water tank with cold water up to 8 on the scale and add approx. 20 g (2 tbsp) of citric acid. Mix well with a stick and then close the watertank lid.



- 3 Plug in and turn on the power switch.
- 4 When the water tank gets empty, turn off the power switch and throw hot water in the jug away.
- 5 Repeat step 1~4 with only water to remove the smell of the citric acid.



# Troubleshooting

Please check the following points before arranging for service.

Problem	Cause
Ground coffee is spilled from the paper filter.	<ul style="list-style-type: none"> <li>● More than maximum amount of ground coffee was added. → Do not add more than maximum amount of ground coffee. (P.12)</li> <li>● The paper filter is torn off. → Replace the paper filter.</li> </ul>
Brewing speed is slow or coffee is not coming out.	<ul style="list-style-type: none"> <li>● Scale has built up in the water pipe and in the water tank. → Clean the water tank with citric acid. (P.15)</li> </ul>
Brewing temperature is low.	<ul style="list-style-type: none"> <li>● Preheat the jug by filling it with hot water, then emptying it before brewing. (P.12)</li> </ul>

# Specifications

	NC-ZF1	NC-DF1
Power supply	230 - 240 V ~ 50 - 60 Hz	
Power consumption	900 - 980 W	
Max. amount of water	1.1 L (8 cups)	
Dimensions (W × D × H) (approx.)	293 × 172 × 346 mm	293 × 167 × 346 mm
Weight (approx.)	3.8 kg	2.9 kg
Length of the mains lead (approx.)	0.9 m	



## Information on Disposal for Users of Waste Electrical & Electronic Equipment (private households)

This symbol on the products and/or accompanying documents means that used electrical and electronic products should not be mixed with general household waste. For proper treatment, recovery and recycling, please take these products to designated collection points, where they will be accepted on a free of charge basis. Alternatively, in some countries you may be able to return your products to your local retailer upon the purchase of an equivalent new product.

Disposing of this product correctly will help to save valuable resources and prevent any potential negative effects on human health and the environment which could otherwise arise from inappropriate waste handling. Please contact your local authority for further details of your nearest designated collection point. Penalties may be applicable for incorrect disposal of this waste, in accordance with national legislation.

## For business users in the European Union

If you wish to discard electrical and electronic equipment, please contact your dealer or supplier for further information.

## Information on Disposal in other Countries outside the European Union

This symbol is only valid in the European Union.

If you wish to discard this product, please contact your local authorities or dealer and ask for the correct method of disposal.

# Sicherheitsvorkehrungen

Bitte befolgen Sie diese Anweisungen.

Um Unfälle oder Verletzungen des Benutzers und anderer Personen sowie Sachschäden zu vermeiden, befolgen Sie bitte die folgenden Anweisungen.

## ■ Die folgenden Symbole weisen auf das mögliche Ausmaß der Folgen unsachgemäßer Bedienung hin.

**⚠️ WARNUNG:** Weist auf die Möglichkeit schwerer Verletzungen oder Tod hin.

**⚠️ ACHTUNG:** Weist auf die Möglichkeit von Verletzungen oder Sachschäden hin.

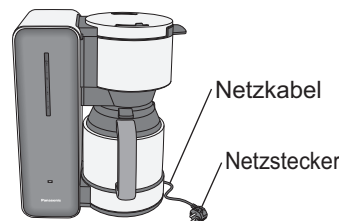
## ■ Die Symbole werden wie folgt kategorisiert und erläutert:

**🚫** Dieses Symbol weist auf ein Verbot hin.

**!** Dieses Symbol weist auf eine erforderliche Anweisung hin, die befolgt werden muss.

## ⚠️ WARNUNG

- 🚫 ● Beschädigen Sie nicht das Netzkabel oder den Netzstecker.**  
Sie dürfen auf keinen Fall das Netzkabel bzw. den Netzstecker modifizieren, auf oder an Heizkörper legen, knicken, verdrehen, über scharfe Kanten ziehen, durch schwere Gegenstände quetschen oder das Gerät am Netzkabel transportieren.  
(Es besteht Brand- und Stromschlaggefahr durch Kurzschluss.)



- Verwenden Sie das Gerät nicht, wenn das Netzkabel oder der Netzstecker beschädigt ist bzw. der Netzstecker nur lose in der Steckdose steckt.**  
(Es besteht Brand- und Stromschlaggefahr durch Kurzschluss.)  
→ Wenn das Netzkabel beschädigt ist, muss es vom Hersteller, einem Servicemitarbeiter oder einer anderen qualifizierten Person ersetzt werden, um Gefahren zu vermeiden.



## ⚠️ WARNUNG

- 🚫 ● Lösen und befestigen Sie den Netzstecker nicht mit nassen Händen.**  
(Es besteht Stromschlaggefahr.)
  - Achten Sie stets darauf, dass Ihre Hände trocken sind, bevor Sie den Netzstecker anfassen oder das Gerät einschalten.
- ! ● Prüfen Sie vor Inbetriebnahme, ob die Spannungsangabe auf dem Gerät mit der örtlichen Netzspannung übereinstimmt.**  
(Es besteht Brand- und Stromschlaggefahr.)  
Stecken Sie auch keine anderen Geräte in dieselbe Steckdose, um Überhitzung der Leitungen zu vermeiden. Überprüfen Sie auf alle Fälle, wenn Sie mehrere Netzstecker anschließen, dass die Gesamtleistung die Nennleistung der Netzsteckdose nicht überschreitet.
- Stecken Sie den Netzstecker fest in die Steckdose.**  
(Andernfalls könnte es aufgrund der Hitze rund um den Netzstecker zum elektrischen Stromschlag oder sogar zu einem Brand kommen.)
- Reinigen Sie den Netzstecker regelmäßig.**  
(Staub und/oder Feuchtigkeit auf dem Netzstecker können zu verminderter Isolation führen, was wiederum einen Brand zur Folge haben kann.)  
→ Ziehen Sie den Netzstecker aus der Steckdose und reinigen Sie ihn mit einem trockenen Tuch.
- Machen Sie das Netzkabel für Kinder unzugänglich. Lassen Sie das Netzkabel nicht über die Tischkante oder Arbeitsfläche hängen.**  
(Es besteht Verbrennungs-, Verletzungs- und Stromschlaggefahr.)


# Sicherheitsvorkehrungen

Bitte befolgen Sie diese Anweisungen.


## WARNUNG

-  ● **Tauchen Sie das Gerät nicht in Wasser und bespritzen Sie es auch nicht damit.**  
(Es besteht Stromschlag- und Brandgefahr durch Kurzschluss.)
- **Sie dürfen das Gerät weder auseinanderbauen, noch reparieren oder modifizieren.**  
(Es besteht Brand-, Stromschlag- und Verletzungsgefahr.)  
→ Wenden Sie sich an den Verkäufer oder an ein Panasonic-Servicecenter.
- **Berühren Sie keine Flächen, wo heißer Dampf austreten kann und halten Sie Abstand zu ihrem Gesicht.**  
(Es besteht Verbrennungs- und Verletzungsgefahr.)
  - Machen Sie die Kaffeemaschine insbesondere für Kinder und Kleinkinder unzugänglich.
- **Verwenden Sie das Gerät nicht ohne Edelstahl- oder Glaskanne.**  
(Es besteht Verbrennungsgefahr.)
-  ● **Dieses Gerät ist für Personen (einschließlich Kinder) mit eingeschränkten physischen, sensorischen oder psychischen Fähigkeiten bzw. ohne jegliche Erfahrung oder Vorwissen nur dann geeignet, wenn eine angemessene Aufsicht oder ausführliche Anleitung zur Benutzung des Geräts durch eine verantwortliche Person sichergestellt ist. Kinder sollten beaufsichtigt werden, um sicherzustellen, dass sie nicht mit dem Gerät spielen.**  
(Es besteht Verbrennungs-, Verletzungs- und Stromschlaggefahr.)
- **Machen Sie das Gerät für Kinder stets unzugänglich.**  
(Es besteht Verbrennungs- und Verletzungsgefahr.)
  - Kindern sind die Gefahren, die vom falschen Gebrauch eines Gerätes ausgehen, nicht bewusst.

## WARNUNG

-  ● **Sollte das Gerät nicht mehr ordnungsgemäß funktionieren, verwenden Sie es nicht mehr und ziehen Sie den Netzstecker aus der Steckdose.**  
(Es besteht die Gefahr von Rauchentwicklung, sowie Brand-, Stromschlag- und Verbrennungsgefahr.)  
z. B. bei Fehlfunktionen oder Ausfall
  - Der Netzstecker und das Netzkabel werden ungewöhnlich heiß.
  - Das Netzkabel ist beschädigt oder die Stromversorgung ist ausgefallen.
  - Das Gehäuse ist deformiert, hat sichtbare Schäden oder wird ungewöhnlich heiß.
  - Der Griff der Kanne ist locker.
  - Das Gerät verhält sich in irgendeiner Weise abnormal.→ Trennen Sie sofort das Gerät vom Netz und wenden Sie sich an den Verkäufer des Gerätes oder an ein Panasonic-Servicecenter, um es überprüfen oder reparieren zu lassen.

## ACHTUNG

-  ● **Verwenden Sie das Gerät ausschließlich zu den in dieser Anleitung beschriebenen Zwecken.**  
(Es besteht Verbrennungs- und Verletzungsgefahr.)
  - Panasonic übernimmt keine Verantwortung, wenn das Gerät falsch verwendet oder diese Anleitung nicht befolgt wird.
- **Vermeiden Sie jeglichen Kontakt des Netzkabels mit der Platte (nur NC-DF1).**  
(Es besteht Brand- und Verletzungsgefahr.)
- **Berühren Sie nicht die heiße Oberfläche, wie z. B. oben am Gehäuse, während das Gerät in Betrieb ist bzw. kurz danach.**  
(Es besteht Verbrennungsgefahr.)
  - Die Platte der NC-DF1 wird auch heiß.

# Sicherheitsvorkehrungen

Bitte befolgen Sie diese Anweisungen.

## ⚠ ACHTUNG

- ⊘ ● **Bewegen Sie das Gerät nicht mit eingesetzter Kanne.**  
(Es besteht Verbrennungsgefahr.)
- **Entfernen Sie die Kanne nicht während der Kaffeezubereitung.**  
(Es besteht Verbrennungsgefahr.)
- **Transportieren Sie das Gerät nicht am Deckel des Wasserbehälters oder am Filterträger.**  
(Es besteht Verbrennungs- und Verletzungsgefahr.)
- **Das Gerät (einschließlich der Kanne) darf an den folgenden Orten nicht verwendet werden.**
  - Auf unebenen Oberflächen sowie auf nicht hitzebeständigen Teppichen, Tischtüchern etc.  
(Es besteht Brand- und Verletzungsgefahr.)
  - In Umgebungen, an denen es nass werden kann bzw. in der Nähe von Wärmequellen.  
(Dies könnte zu Stromschlag oder elektrischen Leckströmen führen.)
  - In Umgebungen, die mit Wasser gefüllt werden, wie z. B. Badewannen, Spülen oder anderen Behältern.  
(Dies könnte zu Stromschlag oder elektrischen Leckströmen führen.)
  - In der Nähe einer Wand oder von Möbeln.  
(Es besteht Verfärbungs- und Verformungsgefahr.)
  - An Stellen, die schon durch leichte Hitze beschädigt werden können.  
(Es besteht Verfärbungs- und Verformungsgefahr.)
- **Öffnen Sie während der Kaffeezubereitung nicht den Deckel des Wasserbehälters.**  
(Es besteht Verbrennungsgefahr.)

## ⚠ ACHTUNG

- ⊘ ● **Lassen Sie das Gerät während des Betriebs nicht unbeaufsichtigt.**  
(Es besteht Brandgefahr.)
  - Wenn es nicht beaufsichtigt wird, schalten Sie es aus.
- **Stecken Sie keine Gegenstände in die Schlitze des Geräts.**  
(Es besteht Stromschlaggefahr.)
  - Insbesondere keine Metallgegenstände wie z. B. Stecknadeln oder Drähte.
- ! ● **Stellen Sie sicher, dass Sie beim Herausziehen des Netzsteckers den Netzstecker festhalten. Ziehen Sie niemals am Netzkabel selbst.**  
(Andernfalls besteht Stromschlag- und Brandgefahr durch Kurzschluss.)
- **Schalten Sie das Gerät immer aus und ziehen Sie den Netzstecker aus der Steckdose, wenn Sie es nicht verwenden bzw. bevor Sie es bewegen oder reinigen.**  
(Andernfalls besteht Stromschlag- und Brandgefahr durch Kriechstrom.)
- **Stellen Sie das Gerät auf eine feste, trockene, saubere, ebene und hitzebeständige Oberfläche.**  
(Andernfalls kann dies zu Brand oder Verletzung führen.)
- **Geben Sie während des Betriebs darauf Acht, nicht über das Netzkabel zu stolpern oder sich darin zu verfangen.**  
(Andernfalls kann dies zu Brand oder Verletzung führen.)
- **Bevor Sie das Gerät reinigen oder verstauen, ziehen Sie den Netzstecker aus der Steckdose und lassen Sie es vollständig abkühlen.**  
(Es besteht Verbrennungsgefahr.)

# Sicherheitsvorkehrungen

Bitte befolgen Sie diese Anweisungen.

## ⚠ ACHTUNG

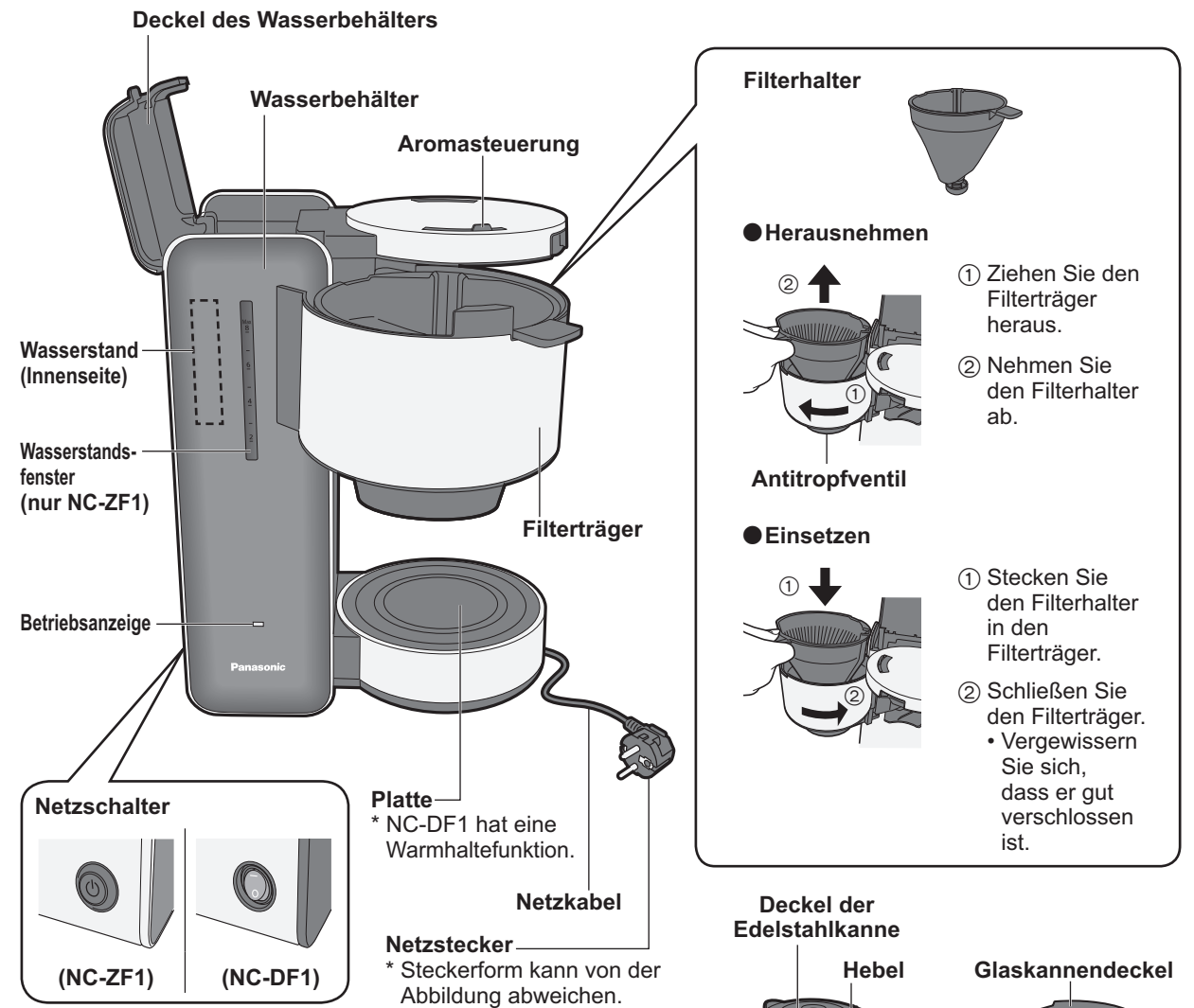
- ❗ **Wenn die Kanne mit heißem Kaffee gefüllt ist, kippen Sie sie nicht und öffnen Sie nicht den Kannendeckel. Es könnte heiße Flüssigkeit auslaufen oder auf Ihre Hand tropfen.** (Es besteht Verbrennungsgefahr.)
  - Halten Sie die Kanne immer an ihrem Griff fest.
- **Reinigen Sie das Gerät nach jedem Gebrauch.** (Brandgefahr durch Überlaufen durch einen verstopften Filterhalter.)

## Wichtige Informationen

- Befüllen Sie den Wasserbehälter nicht mit Milch, heißem Wasser, etc. Verwenden Sie ausschließlich kaltes Wasser. (Dies kann zu Funktionsstörungen führen.)
- Stellen Sie die Kanne auf keine Wärmequellen oder in den Mikrowellenherd. (Dadurch könnte die Kanne beschädigt werden.)
- Verwenden Sie keine andere Kanne als die im Lieferumfang enthaltene.
- Verwenden Sie das Gerät nicht im Freien.

# Teilenamen und Bedienungsanleitung

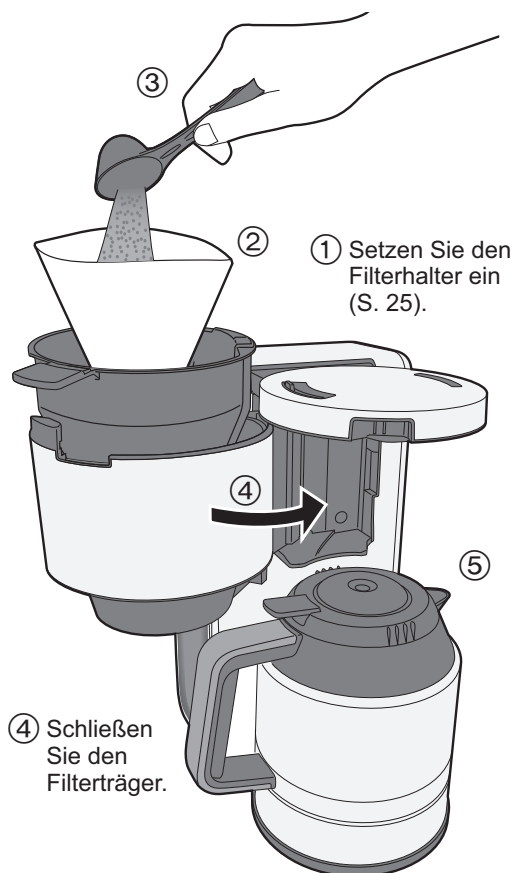
■ Bei den hier verwendeten Abbildungen handelt es sich meist um das Modell NC-ZF1.



- Vor der Inbetriebnahme**
- Reinigen Sie das Gerät wie folgt vor der ersten Verwendung oder wenn Sie es länger nicht benutzt haben.
- 1 Reinigen Sie alle abnehmbaren Teile (S. 28–29).
  - 2 Setzen Sie Filterhalter und Kanne ein.
    - Geben Sie kein Kaffeepulver hinein.
  - 3 Füllen Sie Wasser in den Wasserbehälter bis zur Markierung 8 ein und schließen Sie den Deckel.
  - 4 Stecken Sie den Netzstecker in die Steckdose und schalten Sie die Kaffeemaschine ein.
  - 5 Sobald der Wasserbehälter leer ist, schalten Sie die Kaffeemaschine aus und schütten das heiße Wasser in der Kanne weg.

# Bedienung

**1** Setzen Sie Filterhalter und Kanne ein, legen Sie einen Papierfilter ein und geben Sie Kaffeepulver hinein.



**Hinweis:** Vergewissern Sie sich, dass der Filterträger gut verschlossen ist.

## Vorheizen der Kanne (nur NC-ZF1)

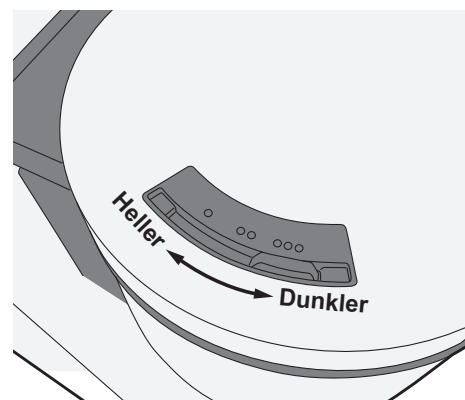
- Wenn Sie nur eine kleine Menge Kaffee zubereiten oder die Raumtemperatur niedrig ist, heizen Sie die Kanne vor, indem Sie heißes Wasser hineineben, um so heißen und schmackhaften Kaffee zu erhalten.
- Schütten Sie das heiße Wasser, mit dem Sie die Kanne vorgewärmt haben, danach weg.
- Verwenden Sie zum Vorwärmen der Kanne keine Wärmequelle oder den Mikrowellenherd.

## Richtwerte für Kaffeemengen

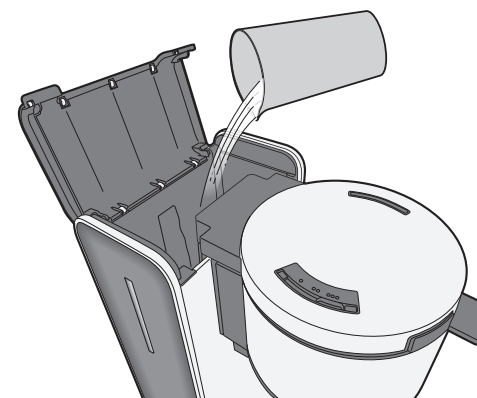
Gebrühter Kaffee	Feines Kaffeepulver (ca.)	Mittelfeines Kaffeepulver (ca.)
2 Tassen	4 Messlöffel	5 Messlöffel
4 Tassen	8 Messlöffel	7½ Messlöffel
6 Tassen	11 Messlöffel	10 Messlöffel
8 Tassen	14 Messlöffel	12 Messlöffel

- 1 Tasse = ca. 120 ml
- Gemessen mit dem mitgelieferten Messlöffel. (gestrichen voll)

**2** Stellen Sie die Aromasteuerung je nach Geschmack ein.



**3** Füllen Sie Wasser in den Wasserbehälter, stecken Sie den Netzstecker in die Steckdose und schalten Sie die Kaffeemaschine ein.



## (Für NC-ZF1)

- Während der Kaffeezubereitung leuchtet eine Lampe, die sich danach automatisch ausschaltet.

## (Für NC-DF1)

- Die Betriebsanzeige leuchtet bei eingeschaltetem Netzschalter.

## Hinweis

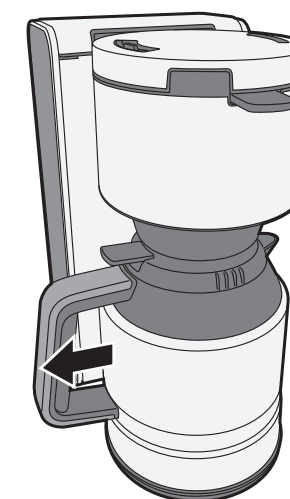
- Füllen Sie den Wasserbehälter nicht mit heißem Wasser. (Dampf könnte austreten.)
- Brühen Sie keinen Kaffee mit weniger Wasser als der Mindestmenge (Ziffer 2 der Skala) oder mehr als der Höchstmenge (Ziffer 8).
- Geben Sie während des Brühvorgangs kein Wasser hinzu.
- Sollte mehr Wasser hinzugefügt worden sein, als Sie möchten, entfernen Sie es bitte mit einem anderen Behälter.

## Kaffee hintereinander zubereiten

### Wiederholen Sie die Schritte 1 bis 3.

- Warten Sie 5 Minuten, bevor Sie frisches Wasser in den Wasserbehälter füllen (Wenn Sie zu früh Wasser nachfüllen, kann Dampf austreten.)

**4** (Für NC-ZF1) Entnehmen Sie die Kanne, nachdem die Lampe erloschen ist. (Für NC-DF1) Nachdem der Kaffee fertig ist, schalten Sie die Kaffeemaschine aus und entnehmen Sie die Kanne.



- Zum Einschenken des Kaffees in die Tassen drücken Sie den Hebel auf dem Kannendeckel nieder (nur NC-ZF1).

## Hinweis

- Ziehen Sie den Filterträger nicht heraus, solange die Kanne auf der Platte steht. (Es tropft sonst Kaffee heraus.)
- Entnehmen Sie die Kanne langsam, da der Kaffee heiß ist. (Heißer Kaffee kann herausspritzen.)
- Wenn die Kanne unmittelbar nach dem Brühen entnommen wird, kann Kaffee heraus tropfen. Warten Sie deshalb nach dem Brühen etwas, bevor Sie die Kanne abnehmen.
- Öffnen Sie nicht den Kannendeckel, wenn die Kanne mit heißem Kaffee gefüllt ist. Es könnte heiße Flüssigkeit auslaufen oder auf Ihre Hand tropfen. (Es besteht Verbrennungsgefahr.)
- Ziehen Sie die Kanne beim Herausnehmen in Richtung des Griffes.
- Um den Kaffee warmzuhalten, lassen Sie die Kaffeemaschine eingeschaltet (nur NC-DF1).
- Es wird nicht empfohlen den Kaffee lange warmzuhalten, da dies den Geschmack beeinträchtigt.

## ■ Nach Gebrauch

- Ziehen Sie nach Gebrauch den Netzstecker aus der Steckdose.

## Wenn im Wasserbehälter noch Restwasser vorhanden ist

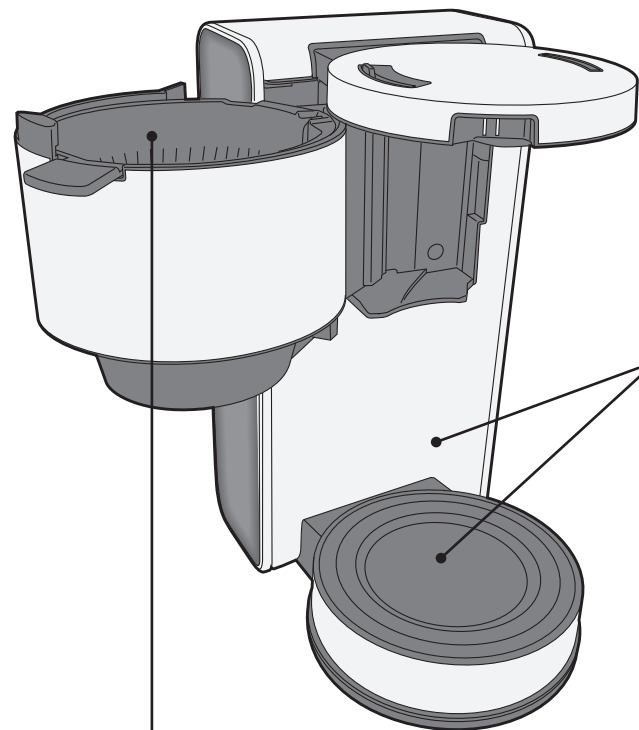
- Schalten Sie die Kaffeemaschine ein und lassen Sie das Wasser vollständig in die Kanne laufen; schütten Sie dieses dann weg.

# Reinigung

- Reinigen Sie die Kaffeemaschine nach jedem Gebrauch.
- Ziehen Sie den Netzstecker aus der Steckdose und vergewissern Sie sich, dass alle Teile kühl sind, bevor Sie mit der Reinigung beginnen.

## Hinweis

- Verwenden Sie kein Benzin, Verdünnungsmittel, Bleichmittel, Scheuerpulver, keinen Alkohol, sowie keine Metall- oder Nylonbürsten, da diese die Oberfläche beschädigen.
  - Nicht in der Geschirrspülmaschine reinigen.
  - Reinigen Sie die Kaffeemaschine nicht mit spitzen Gegenständen, wie z. B. Stecknadeln oder Zahnstochern.
  - Reinigen Sie die Kanne vorsichtig.
- Verwenden Sie die Kanne nicht, wenn sie angeschlagen oder gesprungen ist.



## Gehäuse / Platte

Wischen Sie hier mit einem feuchten Tuch ab.

Um Beschädigungen der Oberflächen des Gehäuses und der Platte zu vermeiden.

- Schlagen Sie nicht mit harten Gegenständen gegen die Kaffeemaschine und reinigen Sie sie nicht mit einem Topfreiniger.

## Filterhalter

Reinigen Sie ihn mit einer verdünnten (neutralen) Seifenlösung und einem weichen Schwamm.

- **Antitropfventil**  
Dies soll verhindern, dass Restflüssigkeit aus dem Filterträger heraustropft.



- ① Füllen Sie Wasser in den Filterhalter.
- ② Drücken Sie das Antitropfventil hoch und schütteln Sie es zwei- bis dreimal.

## Glaskanne (Für NC-DF1)

Reinigen Sie sie mit einer verdünnten (neutralen) Seifenlösung und einem weichen Schwamm.

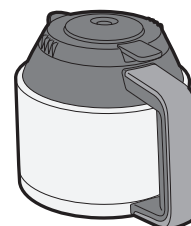


## Messlöffel

Reinigen Sie ihn mit einer verdünnten (neutralen) Seifenlösung und einem weichen Schwamm.

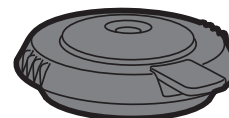
## Edelstahlkanne (Für NC-ZF1)

Reinigen Sie sie mit einer verdünnten (neutralen) Seifenlösung und einem weichen Schwamm.



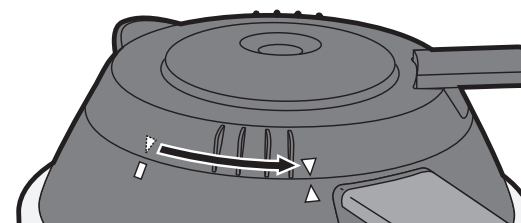
## Deckel der Edelstahlkanne

Spülen Sie den Deckel mit Wasser ab. Entleeren Sie darin befindliches Wasser nach dem Spülen durch das Loch.



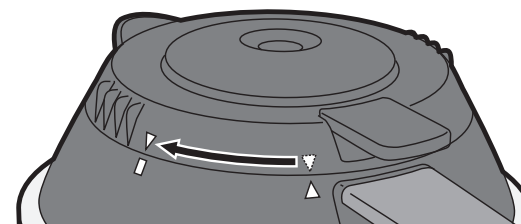
## Abnehmen des Kannendeckels

Drehen Sie den Kannendeckel in Pfeilrichtung, bis die beiden Dreiecke aufeinander zeigen.



## Anbringen des Kannendeckels

Legen Sie den Kannendeckel so auf, dass die beiden Dreiecke aufeinander zeigen und drehen Sie ihn dann in Pfeilrichtung, bis das Dreieck auf das Rechteck zeigt.

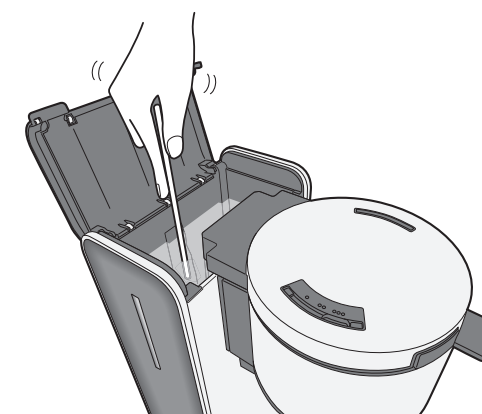


## Reinigen Sie den Wasserbehälter mit Zitronensäure, wenn die Kaffeezubereitung sehr lange dauert

Die Kaffeezubereitung wird verlangsamt, wenn sich Mineralstoffe, wie z. B. der im Wasser befindliche Kalk, an den Wasserschläuchen und dem Wasserbehälter anlagern.

\*In Gegenden, in denen das Wasser stark mineralhaltig ist, wird das Gerät rascher verkalken.

- 1 Setzen Sie Filterträger und Kanne ein.
- 2 Füllen Sie Wasser in den Wasserbehälter bis zur Markierung 8 ein und fügen Sie etwa 20 g (2 TL) Zitronensäure hinzu. Rühren Sie mit einem Stab gut um und schließen Sie den Deckel.



- 3 Stecken Sie den Netzstecker in die Steckdose und schalten Sie die Kaffeemaschine ein.
- 4 Sobald der Wasserbehälter leer ist, schalten Sie die Kaffeemaschine aus und schütten das heiße Wasser in der Kanne weg.
- 5 Wiederholen Sie Schritt 1–4 mit klarem Wasser, um den Geruch der Zitronensäure zu entfernen.

# Fehlerbehebung

Bitte überprüfen Sie die folgenden Punkte, bevor Sie sich an den Kundendienst wenden.

Problem	Ursache
Kaffeepulver rinnt aus dem Papierfilter.	<ul style="list-style-type: none"> <li>● Es wurde mehr als die maximale Menge Kaffeepulver hinzugefügt. → Fügen Sie nicht mehr als die maximale Menge Kaffeepulver hinzu (S. 26).</li> <li>● Der Papierfilter ist zerrissen. → Ersetzen Sie den Papierfilter.</li> </ul>
Die Kaffeezubereitung ist langsam oder es kommt kein Kaffee heraus.	<ul style="list-style-type: none"> <li>● In Wasserschlauch und Wasserbehälter hat sich Kalk abgelagert. → Reinigen Sie den Wasserbehälter mit Zitronensäure (S. 29).</li> </ul>
Die Brühtemperatur ist zu niedrig.	<ul style="list-style-type: none"> <li>● Wärmen Sie die Kanne mit heißem Wasser vor, bevor Sie den Kaffee zubereiten (S. 26).</li> </ul>

# Technische Daten

	NC-ZF1	NC-DF1
Netzspannung	230 - 240 V ~ 50 - 60 Hz	
Leistungsaufnahme	900 - 980 W	
Max. Wassermenge	1,1 L (8 Tassen)	
Abmessungen (B × T × H) (ca.)	293 × 172 × 346 mm	293 × 167 × 346 mm
Gewicht (ca.)	3,8 kg	2,9 kg
Länge des Netzkabels (ca.)	0,9 m	



## Benutzerinformationen zur Entsorgung von elektrischen und elektronischen Geräten (private Haushalte)

Entsprechend der grundlegenden Firmengrundsätze der Panasonic-Gruppe, wurde ihr Produkt aus hochwertigen Materialien und Komponenten entwickelt und hergestellt, die recycelbar und wiederverwendbar sind.

Dieses Symbol auf Produkten und/oder begleitenden Dokumenten bedeutet, dass elektrische und elektronische Produkte am Ende ihrer Lebensdauer vom Hausmüll getrennt entsorgt werden müssen.

Bringen Sie bitte diese Produkte für die Behandlung, Rohstoffrückgewinnung und das Recycling zu den eingerichteten kommunalen Sammelstellen bzw. Wertstoffsammelhöfen, die diese Geräte kostenlos entgegennehmen.

Die ordnungsgemäße Entsorgung dieses Produkts dient dem Umweltschutz und verhindert mögliche schädliche Auswirkungen auf Mensch und Umwelt, die sich aus einer unsachgemäßen Handhabung der Geräte am Ende Ihrer Lebensdauer ergeben könnten.

Genauere Informationen zur nächstgelegenen Sammelstelle bzw. Recyclinghof erhalten Sie bei Ihrer Gemeindeverwaltung.

## Für Geschäftskunden in der Europäischen Union

Bitte treten Sie mit Ihrem Händler oder Lieferanten in Kontakt, wenn Sie elektrische und elektronische Geräte entsorgen möchten. Er hält weitere Informationen für sie bereit.

## Informationen zur Entsorgung in Ländern außerhalb der Europäischen Union

Dieses Symbol ist nur in der Europäischen Union gültig.



# Veiligheidsmaatregelen

Houdt u zich aan de volgende instructies.

Volg de onderstaande instructies om ongelukken of verwondingen aan gebruikers en andere mensen, evenals beschadigingen aan uw eigendom te voorkomen.

- De volgende tabellen laten zien hoeveel schade verkeerd gebruik kan veroorzaken.

**⚠ WAARSCHUWING:** Geeft ernstig letsel of de dood aan.

**⚠ LET OP:** Geeft risico op letselschade of eigendommen aan.

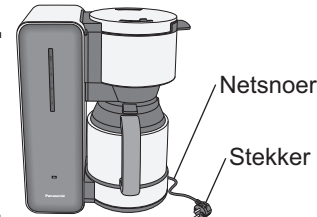
- De symbolen worden als volgt ingedeeld en omschreven.

**⊘** Dit symbool geeft een verbod aan.

**!** Dit symbool geeft een vereiste aan dat moet worden nageleefd.

## ⚠ WAARSCHUWING

- ⊘ ● Beschadig het netsnoer of de stekker niet.**  
De volgende handelingen zijn streng verboden.  
Wijzigen, aanraken van of in de buurt plaatsen van verwarmingselementen, buigen, draaien, trekken, trekken over scherpe randen, zware voorwerpen er op zetten, het netsnoer bundelen en het apparaat dragen aan het netsnoer.  
(Dit kan een elektrische schok veroorzaken, of brand, door kortsluiting.)
- Gebruik het apparaat niet als het netsnoer of de stekker is beschadigd of de stekker losjes in het stopcontact zit.**  
(Dit kan een elektrische schok veroorzaken, of brand, door kortsluiting.)  
→ Als de voedingskabel beschadigd is, moet deze uit voorzorg worden vervangen door de fabrikant, iemand van de technische dienst van de fabrikant of iemand met vergelijkbare bevoegdheden.



## ⚠ WAARSCHUWING

- ⊘ ● Steek de stekker niet in of trek hem niet uit het stopcontact met natte handen.**  
(Dit kan een elektrische schok veroorzaken.)  
• Zorg er altijd voor dat uw handen droog zijn voordat u de stekker aanraakt of het apparaat inschakelt.
- ! ● Zorg ervoor dat het voltage aangegeven op het etiket van het apparaat dezelfde is als uw lokale voltage.**  
(Indien dit niet het geval is, kan dit een elektrische schok of brand veroorzaken.)  
Vermijd ook het aansluiten van andere apparaten op hetzelfde stopcontact om elektrische oververhitting te voorkomen. Maar als u een aantal stekkers aansluit, zorg ervoor dat de totale wattage het nominale vermogen van het stopcontact niet overschrijdt.
- Steek de stekker stevig in het stopcontact.**  
(De warmte die kan worden gegenereerd rond de stekker kan een elektrische schok en/of brand veroorzaken.)
- Maak de stekker regelmatig schoon.**  
(Stof- en vochtigheidsopbouw op de stekker kunnen onvoldoende isolatie veroorzaken, wat brand kan veroorzaken.)  
→ Trek de stekker uit het contact en veeg deze schoon met een droge doek.
- Houd het netsnoer buiten het bereik van kinderen. Laat het netsnoer niet over de rand van de tafel of het aanrecht hangen.**  
(Dit kan brandwonden, letsel of elektrische schokken veroorzaken.)

# Veiligheidsmaatregelen

Houdt u zich aan de volgende instructies.

## ⚠ WAARSCHUWING

- ⊘ ● **Zet het apparaat niet in water en zorg dat er geen water op komt.**  
(Dit kan een elektrische schok veroorzaken, of brand, door kortsluiting.)
- **Dit apparaat niet repareren, demonteren of wijzigen.**  
(Dit kan brand, elektrische schokken of letsel veroorzaken.)  
→ Neem contact op met de verkoper of een servicecentrum van Panasonic.
- **Vermijd aanraking of uw gezicht in de buurt brengen van plaatsen waar stoom uit komt.**  
(Dit kan brandwonden of letsel veroorzaken.)
  - Houd het apparaat vooral buiten het bereik van baby's en kinderen.
- **Gebruik het apparaat niet zonder de kan.**  
(Dit kan brandwonden veroorzaken.)
- ⚠ ● **Dit apparaat is niet geschikt om te worden gebruikt door personen (met inbegrip van kinderen) met fysieke, motorieke of geestelijke beperkingen of door personen met te weinig ervaring en kennis, tenzij iemand die garant staat voor hun veiligheid toezicht houdt of uitleg heeft gegeven over het gebruik van dit apparaat. Kinderen moeten onder toezicht staan om te voorkomen dat zij het apparaat als speelgoed gebruiken.**  
(Dit kan brandwonden, letsel of elektrische schokken veroorzaken.)
- **Houd de kinderen altijd uit de buurt van het apparaat.**  
(Dit kan brandwonden of letsel veroorzaken.)
  - Kinderen realiseren zich niet de gevaren die kunnen optreden als gevolg van onjuist gebruik van apparaten.

## ⚠ WAARSCHUWING

- ⚠ ● **Gebruik het apparaat niet meer en haal de stekker uit het stopcontact in het onwaarschijnlijke geval dat dit apparaat niet naar behoren functioneert.**  
(Dit kan rook, brand, elektrische schokken of brandwonden veroorzaken.)  
bijvoorbeeld bij abnormale werking of demontage.
  - De stekker en het netsnoer worden abnormaal heet.
  - Het netsnoer is beschadigd of er is een stroomstoring.
  - De behuizing is vervormd, vertoont zichtbare schade of is abnormaal heet.
  - Het handvat van de kan zit los.
  - Er is een andere abnormaliteit of storing.→ Ontkoppel het apparaat direct en neem contact op met de verkoper of een servicecentrum van Panasonic om het te laten controleren of repareren.

## ⚠ LET OP

- ⊘ ● **Gebruik het apparaat niet voor andere doeleinden dan die beschreven zijn in deze handleiding.**  
(Dit kan brandwonden of letsel veroorzaken.)
  - Panasonic aanvaardt geen aansprakelijkheid indien het apparaat onderworpen wordt aan onjuist gebruik, of niet-naleving van deze instructies.
- **Zorg ervoor dat het netsnoer niet in contact komt met de plaat. (NC-DF1 alleen)**  
(Het kan een brand of letsel veroorzaken)
- **Raak het hete oppervlak, zoals het bovenste oppervlak van de behuizing niet aan als het apparaat in gebruik is of na gebruik.**  
(Dit kan brandwonden veroorzaken.)
  - De plaat van de NC-DF1 wordt ook heet.

# Veiligheidsmaatregelen

Houdt u zich aan de volgende instructies.

## ⚠ LET OP

- ⊘ ● **Verplaats het apparaat niet als de kan op zijn plaats staat.**  
(Dit kan brandwonden veroorzaken.)
- **Verwijder de kan nooit tijdens het brouwen.**  
(Dit kan brandwonden veroorzaken.)
- **Verplaats het apparaat niet terwijl u het waterreservoir deksel of de mand vasthoudt.**  
(Dit kan brandwonden of letsel veroorzaken.)
- **Gebruik het apparaat (inclusief de kan) niet op de volgende plaatsen:**
  - Oneffen en niet hitte-bestendige oppervlaktes zoals niet-hittebestendig vloerbedekking of tafelkleed enz.  
(Het kan een brand of letsel veroorzaken.)
  - Plaatsen waar het apparaat kan worden bespat met water of in de buurt van een warmtebron.  
(Het kan elektrische schokken of elektrische lekkage veroorzaken.)
  - Plaatsen waar met water wordt gevuld, zoals een bad, wastafel of in andere containers.  
(Het kan elektrische schokken of elektrische lekkage veroorzaken.)
  - In de buurt van een muur of meubels.  
(Dit kan verkleuring of misvorming veroorzaken.)
  - De plaats die zelfs kan worden beschadigd door een lichte verwarming.  
(Dit kan verkleuring of misvorming veroorzaken.)
- **Open het waterreservoir deksel nooit terwijl de koffie wordt gebrouwen.**  
(Dit kan brandwonden veroorzaken.)

## ⚠ LET OP

- ⊘ ● **Laat het apparaat niet onbeheerd achter als het in gebruik is.**  
(Dit kan brand veroorzaken.)
  - Zet de stroom uit wanneer het apparaat niet wordt gebruikt.
- **Steek geen objecten in de gaten.**  
(Dit kan brandwonden veroorzaken.)
  - Vooral geen metalen voorwerpen, zoals pennen of draden.
- ⓘ ● **Houd de stekker vast als u het uit het stopcontact trekt. Trek nooit aan het netsnoer.**  
(Anders kan er een elektrische schok of brand ontstaan, vanwege kortsluiting.)
- **Trek altijd de stekker uit het stopcontact wanneer het apparaat wordt uitgeschakeld, voordat u het verplaatst en voor het schoonmaken.**  
(Anders kan er een elektrische schok of brand ontstaan, vanwege lekstroom.)
- **Plaats het apparaat op een stevig, droog, schoon, vlak, hittebestendig aanrecht.**  
(Anders kan het brandwonden of letsel veroorzaken.)
- **Pas op niet te struikelen over of vast komen te zitten in het netsnoer tijdens het gebruik.**  
(Anders kan het brandwonden of letsel veroorzaken.)
- **Trek de stekker uit het stopcontact en laat het apparaat volledig afkoelen alvorens het te reinigen en op te bergen.**  
(Dit kan brandwonden veroorzaken.)

# Veiligheidsmaatregelen

Houdt u zich aan de volgende instructies.

## ! LET OP

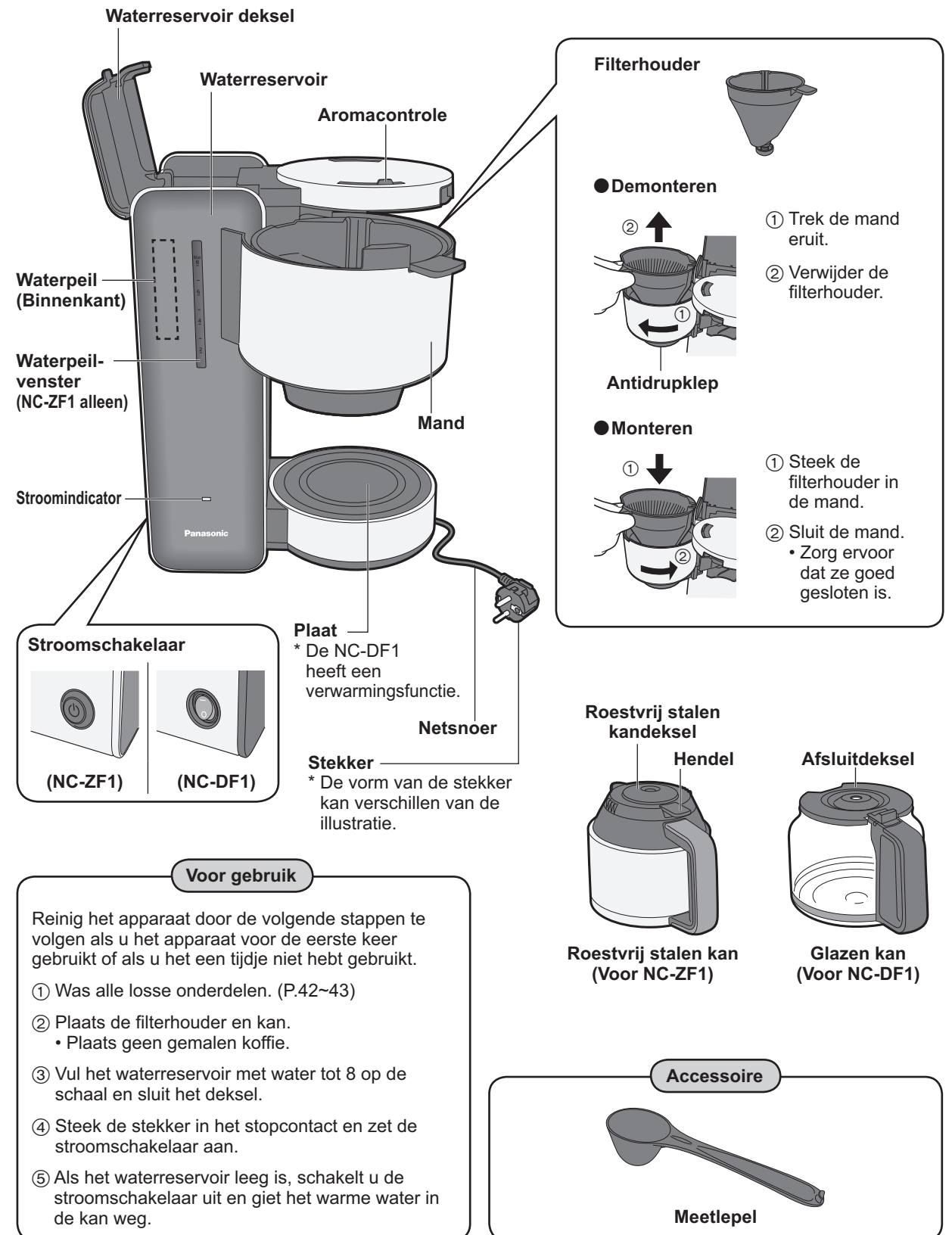
- Bij het hanteren van de kan met hete koffie, het kandeksel niet kantelen of openen. Hete vloeistof kan opspatten of op uw hand terecht komen.  
(Dit kan brandwonden veroorzaken.)
  - Houd het handvat van de kan altijd vast.
- Zorg ervoor dat u het apparaat na elk gebruik reinigt.  
(Anders kan het brandwonden veroorzaken omwille van overstroming door verstopping van de filterhouder.)

## Belangrijke informatie

- Vul het waterreservoir niet met melk, heet water, enz. Gebruik alleen koud water.  
(Dit kan een storing veroorzaken.)
- Plaats de kan niet op warmtebronnen of in de magnetron.  
(Het kan schade berokkenen aan de kan.)
- Gebruik geen andere kan dan deze die wordt meegeleverd.
- Gebruik het apparaat niet buitenhuis.

# Onderdeelnamen en bedieningsinstructies

■ De afbeeldingen hierin behandelen voornamelijk het gebruik van het NC-ZF1 model.



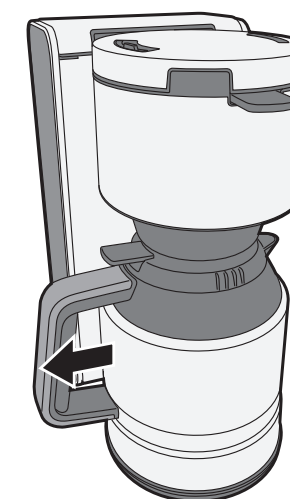
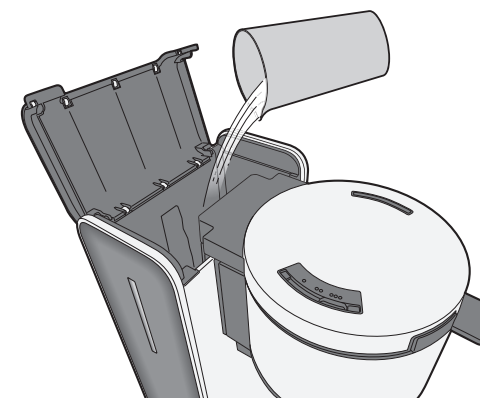
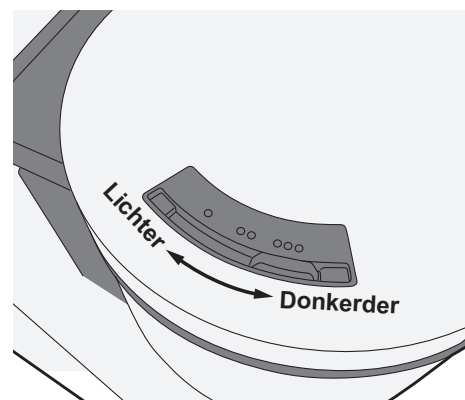
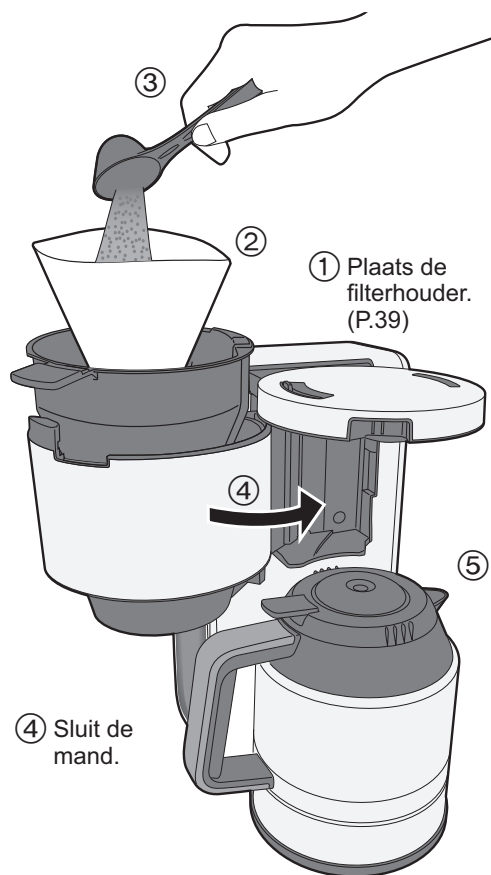
# De machine gebruiken

**1** Plaats de filterhouder, papieren filter, kan en gemalen koffie.

**2** Zet de aromacontrole op uw gewenste stand.

**3** Vul het waterreservoir met water, steek vervolgens de stekker in het stopcontact en zet de stroomschakelaar aan.

**4** (Voor NC-ZF1) Verwijder de kan nadat de stroomindicator is uitgeschakeld. (Voor NC-DF1) Nadat het brouwen is voltooid, zet de stroomschakelaar uit en verwijder de kan.



**Opmerking:** Zorg ervoor dat u de mand goed sluit voor gebruik.

## De kan voorverwarmen (NC-ZF1 alleen)

- Wanneer u een kleine hoeveelheid koffie brouwt of de kamertemperatuur is laag, verwarm de kan dan eerst voor door er heet water in te gieten. Dit geeft een hete en lekkere koffie.
- Na het voorverwarmen van de kan, gooit u het warm water weg.
- Gebruik geen warme saus of magnetron om de kan voor te verwarmen.

## Raadpleeg voor de hoeveelheid koffie

Gezette koffie	Fijn gemalen koffie (ongeveer)	Medium gemalen koffie (ongeveer)
2 kopjes	4 lepeltjes	5 lepeltjes
4 kopjes	8 lepeltjes	7½ lepeltjes
6 kopjes	11 lepeltjes	10 lepeltjes
8 kopjes	14 lepeltjes	12 lepeltjes

- 1 kop = Ong. 120 mL
- Gemeten met meegeleverde meetlepel. (Afgestroken.)

## (Voor NC-ZF1)

- De stroomindicator licht op tijdens het zetten van de koffie en daarna schakelt het apparaat automatisch uit.

## (Voor NC-DF1)

- Stroomindicator gaat branden als de schakelaar aan staat.

## Opmerking

- Vul het waterreservoir niet met warm water. (Er kan veel stoom naar buiten spuiten.)
- Maak geen koffie met minder water dan de minimale hoeveelheid 2 op de schaal of meer dan de maximale hoeveelheid 8 op de schaal.
- Voeg geen water toe tijdens het brouwen.
- Wanneer meer water wordt toegevoegd dan u wenst, dan kunt u het verwijderen door een andere container te gebruiken.

## Meerdere keren opeenvolgend koffie zetten

### Herhaal stap 1~3.

- Wacht 5 minuten om water toe te voegen in het waterreservoir. (Als water te snel wordt toegevoegd, kan stoom naar buiten spuiten.)

## Opmerking

- Druk de hendel op het afsluitdeksel naar beneden om de koffie in koppen te gieten. (NC-ZF1 alleen)
- Trek de mand er niet uit als de kan op de plaat staat. (De koffie kan morsen.)
- Koffie is heet, verwijder de kan langzaam. (Hete koffie kan morsen.)
- Wanneer de kan wordt verwijderd onmiddellijk na het brouwen, kan de koffie morsen. In dat geval, wacht even om de kan te verwijderen na het brouwen.
- Bij het hanteren van de kan met hete koffie, het kandeksel niet openen. Hete vloeistof kan opspatten of op uw hand terecht komen. (Dit kan brandwonden veroorzaken.)
- Bij het verwijderen van de kan, trek ze in de richting van het handvat.
- Om de koffie warm te houden, laat de stroomschakelaar op AAN. (NC-DF1 alleen)
- Voor een betere smaak is voor lange tijd warm houden niet aan te raden.

## Na gebruik

- Koppel de stekker van het koffiezetapparaat los na gebruik.

## Wanneer u nog water hebt in het waterreservoir

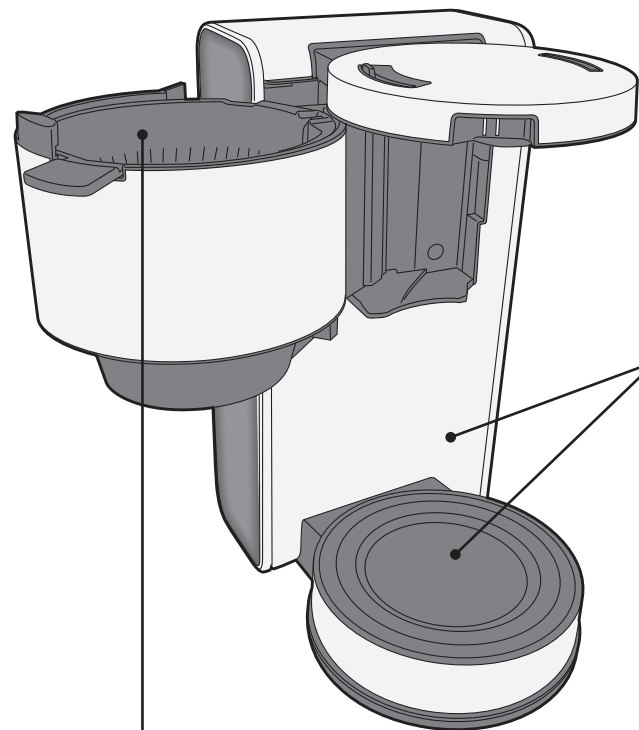
- Zet het koffiezetapparaat aan en laat het water volledig in de kan lopen, en gooi het daarna weg.

# De machine schoonmaken

- Reinig het apparaat na elk gebruik.
- Trek de stekker uit het stopcontact en controleer of elk deel is afgekoeld voordat u begint met het schoonmaken.

## Opmerking

- Gebruik geen benzine, verdunner, alcohol, bleekmiddel, schuurpoeder, metalen borstel of nylon borstel, anders wordt het oppervlak beschadigd.
- Niet geschikt voor in de vaatwasser.
- Reinig het apparaat niet met een puntig voorwerp zoals een tandenstoker of pin.
- Behandel de kan voorzichtig.  
Gebruik de kan niet als deze beschadigd of gebarsten is.



## Behuizing / Plaat

Veeg schoon met een goed uitgewrongen doek.

Om beschadiging van de oppervlakken van de behuizing en de plaat te voorkomen.

- Niet met harde voorwerpen aanraken of er met een schuurspons over wrijven.

## Glazen kan (Voor NC-DF1)

Wassen met verdund afwasmiddel (neutraal) en een zachte spons.



## Filterhouder

Wassen met verdund afwasmiddel (neutraal) en een zachte spons.

- **Antidrupklep**  
Dit kan lekkage voorkomen van de resterende druppels uit de mand.



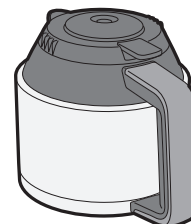
- ① Giet water in de filterhouder.
- ② Druk de antidrupklep omhoog en schud ze 2~3 keer.

## Meetlepel

Wassen met verdund afwasmiddel (neutraal) en een zachte spons.

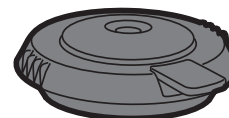
## Roestvrij stalen kan (Voor NC-ZF1)

Wassen met verdund afwasmiddel (neutraal) en een zachte spons.



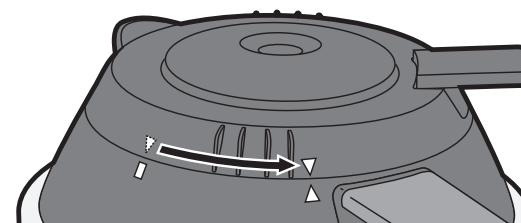
## Roestvrij stalen kandeysel

Spoel het deksel in water. Gooi na het spoelen het water weg via de opening in het handvat.



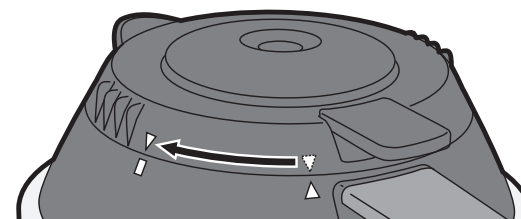
## Het kandeysel verwijderen

Draai het kandeysel in de richting van de pijl om de driehoeken uit te lijnen.



## Het kandeysel bevestigen

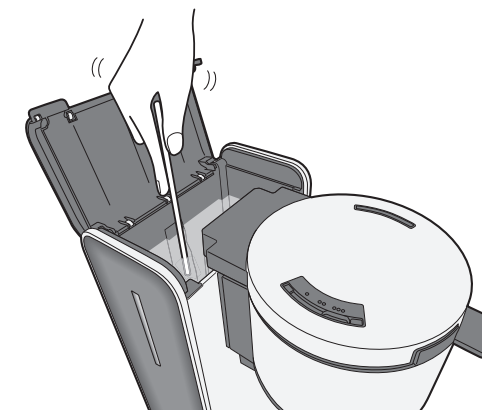
Lijn de driehoeken uit en draai het kandeysel in de richting van de pijl om de driehoek uit te lijnen met de rechthoek.



## Reinig het waterreservoir met citroenzuur wanneer het brouwen langzaam gaat

De brouwsnelheid wordt langzaam als het mineraal, zoals calcium bevat in water, zich aan de waterpijp en het waterreservoir hecht.  
\*Kalkaanslag komt meer voor in gebieden waar het water meer mineralen bevat.

- 1 Zet de mand en kan terug.
- 2 Vul water in het waterreservoir tot maximaal 8 op de schaal en voeg ong. 20 g (2 eetlepels) citroenzuur toe.  
Meng vervolgens goed met een stokje en sluit het deksel.



- 3 Steek de stekker in het stopcontact en zet de stroomschakelaar aan.
- 4 Als het waterreservoir leeg is, schakelt u de stroomschakelaar uit en giet het warme water in de kan weg.
- 5 Herhaal stappen 1~4 met alleen water om de geur van het citroenzuur te verwijderen.

# Problemen oplossen

Controleer de volgende punten voordat u een afspraak maakt voor onderhoud.

Probleem	Oorzaak
Gemalen koffie wordt gemorst uit de papieren filter.	<ul style="list-style-type: none"> <li>● Meer dan de maximale hoeveelheid gemalen koffie werd toegevoegd. → Voeg niet meer dan de maximale hoeveelheid gemalen koffie toe. (P.40)</li> <li>● Het papieren filter is gescheurd. → Vervang het papieren filter.</li> </ul>
Brouwsnelheid is traag of de koffie komt er niet uit.	<ul style="list-style-type: none"> <li>● Kalk heeft zich opgebouwd in de waterleiding en in het waterreservoir. → Reinig het waterreservoir met citroenzuur. (P.43)</li> </ul>
Brouwtemperatuur is laag.	<ul style="list-style-type: none"> <li>● Verwarm de kan voor door er heet water in te gieten vóór het brouwen. (P.40)</li> </ul>

# Specificaties

	NC-ZF1	NC-DF1
Stroomtoevoer	230 - 240 V ~ 50 - 60 Hz	
Stroomverbruik	900 - 980 W	
Max. hoeveelheid water	1,1 L (8 kopjess)	
Afmetingen (B × D × H) (ongeveer)	293 × 172 × 346 mm	293 × 167 × 346 mm
Gewicht (ongeveer)	3,8 kg	2,9 kg
Lengte van het netsnoer (ongeveer)	0,9 m	



## Informatie over het weggooien van elektrische en elektronische apparatuur (particulieren)

Dit symbool op de producten en/of de bijbehorende documenten betekent dat gebruikte elektrische en elektronische producten niet bij het normale huishoudelijke afval mogen. Lever deze producten in bij de aangewezen inzamelpunten, waar ze gratis worden geaccepteerd en op de juiste manier worden verwerkt, teruggewonnen en hergebruikt. In sommige landen kunt u uw producten bij een lokale winkelier inleveren bij de aanschaf van een equivalent nieuw product.

Wanneer u dit product op de juiste manier als afval inlevert, spaart u waardevolle hulpbronnen en voorkomt u potentiële negatieve gevolgen voor de volksgezondheid en het milieu, die anders kunnen ontstaan door een onjuiste verwerking van afval. Neem contact op met uw gemeente voor meer informatie over het dichtstbijzijnde inzamelpunt.

Er kunnen boetes gelden voor een onjuiste verwijdering van dit afval, in overeenstemming met de nationale wetgeving.

## Voor zakelijke gebruikers in de Europese Unie

Neem voor het weggooien van elektrische en elektronische apparatuur contact op met uw leverancier voor verdere informatie.

## Informatie over verwijdering van afval in landen buiten de Europese Unie

Dit symbool is alleen geldig in de Europese Unie.

Neem wanneer u dit product wilt weggooien, contact op met de lokale overheid of uw leverancier en vraag wat de juiste verwijderingsmethode is.

# Consignes de sécurité

**Veillez vous assurer de suivre ces instructions.**

Afin d'empêcher des dommages matériels, des accidents ou des dommages à l'utilisateur ou d'autres personnes, veuillez suivre les instructions ci-dessous.

■ **Les diagrammes suivants indiquent le degré de dommages provoqué par une utilisation incorrecte.**

**⚠ AVERTISSEMENT:** Indique de sérieuses blessures ou la mort.

**⚠ ATTENTION:** Indique un risque de blessure ou de dommages matériels.

■ **Les symboles sont classifiés et expliqués comme suit.**

⊘ Ce symbole indique une interdiction.

! Ce symbole indique les conditions préalables à suivre.

## ⚠ AVERTISSEMENT

⊘ ● **N'endommagez pas le cordon d'alimentation ou la prise.**  
Les actions suivantes sont strictement interdites.

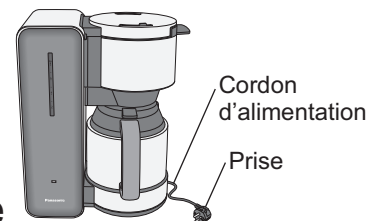
Modifier le cordon d'alimentation, le mettre en contact avec, ou le placer à proximité des résistances, le plier, le tordre, le tirer, le tirer sur des bords tranchants, installer des objets lourds dessus, le mettre en boule et déplacer l'appareil par le cordon d'alimentation.

(Cela peut causer une décharge électrique, ou un incendie dû à un court-circuit.)

● **N'utilisez pas l'appareil si le cordon d'alimentation ou la prise est endommagé(e) ou si la prise n'est pas correctement branchée au bloc secteur.**

(Cela peut causer une décharge électrique, ou un incendie dû à un court-circuit.)

→ Si le câble d'alimentation est endommagé, il doit être remplacé par le fabricant, son service après-vente ou des personnes de qualification similaire afin d'éviter un danger.



## ⚠ AVERTISSEMENT

⊘ ● **Ne branchez pas ou ne débranchez pas la prise avec les mains humides.**  
(Cela peut causer une décharge électrique.)  
• Veillez à ce que vos mains soient sèches avant de manipuler la prise ou de mettre sous et hors tension l'appareil.

! ● **Vérifiez que la tension d'alimentation indiquée sur l'étiquette de l'appareil est similaire à celle de votre source d'alimentation locale.**  
(Cela peut causer une décharge électrique ou un incendie.)  
Évitez également de brancher d'autres appareils dans la même bloc secteur afin d'empêcher une surchauffe électrique.  
Toutefois, si vous branchez plusieurs prises, vérifiez que la puissance en Watt totale n'excède pas la puissance nominale en Watt de la source électrique.

● **Insérez la prise fermement.**

(Sinon, cela pourrait provoquer un incendie ou un choc électrique dû à la chaleur susceptible d'être générée autour de la prise.)

● **Nettoyez régulièrement la prise.**

(L'accumulation de poussière et d'humidité sur la prise peut entraîner une isolation insuffisante susceptible de provoquer un incendie.)

→ Débranchez la prise et essuyez-la avec un tissu sec.

● **Conservez le cordon d'alimentation hors de la portée des enfants. Ne laissez pas pendre le cordon d'alimentation sur le bord de la table ou du plan de travail.**

(Cela peut causer une brûlure, une blessure ou une décharge électrique.)



# Consignes de sécurité

Veuillez vous assurer de suivre ces instructions.

## ⚠ AVERTISSEMENT

- ⊘ ● **N'immergez pas l'appareil dans l'eau ou ne l'éclaboussez pas avec de l'eau.**  
(Cela peut causer une décharge électrique, ou un incendie dû à un court-circuit.)
- **Ne pas démonter, réparer ou modifier cet appareil.**  
(Cela peut causer un incendie, une décharge électrique ou des blessures.)  
→ Consultez votre revendeur ou un centre d'assistance Panasonic.
- **Ne touchez pas ou n'approchez pas votre visage des endroits où la vapeur s'échappe.**  
(Cela peut causer une blessure.)
  - Conservez absolument l'appareil hors de la portée des enfants.
- **N'utilisez pas l'appareil sans la carafe.**  
(Cela peut causer une brûlure.)
- ! ● **Cet appareil n'est pas prévu pour être utilisé par des personnes (y compris les enfants) dont les capacités physiques, sensorielles ou mentales sont réduites, ou des personnes dénuées d'expérience ou de connaissance, sauf si elles ont pu bénéficier, par l'intermédiaire d'une personne responsable de leur sécurité, d'une surveillance ou d'instructions préalables concernant l'utilisation de l'appareil. Il convient de surveiller les enfants pour s'assurer qu'ils ne jouent pas avec l'appareil.**  
(Cela peut causer une brûlure, une blessure ou une décharge électrique.)
- **Conservez toujours l'appareil hors de la portée des enfants.**  
(Cela peut causer une brûlure ou une blessure.)
  - Les enfants ne réalisent pas les dangers susceptibles de surgir, suite à une utilisation incorrecte des appareils.

## ⚠ AVERTISSEMENT

- ! ● **Arrêter l'appareil immédiatement et débranchez-le dans le cas improbable que l'appareil cesse de fonctionner correctement.**  
(Cela peut causer de la fumée, une décharge électrique, un incendie ou des brûlures.)  
p. ex. pour quelque chose d'anormal ou une panne
  - La prise et le cordon d'alimentation deviennent anormalement chauds.
  - Le cordon d'alimentation est endommagé ou panne de courant.
  - Corps de l'appareil principal est déformé, a été visiblement endommagé ou est anormalement chaud.
  - La poignée de la carafe est desserrée.
  - Une autre anomalie ou panne est constatée.→ Débranchez l'appareil immédiatement et consultez le lieu où vous l'avez acheté ou un centre de service de Panasonic pour un contrôle ou une réparation.

## ⚠ ATTENTION

- ⊘ ● **N'utilisez pas l'appareil dans un autre but que celui décrit dans ces consignes de sécurité.**  
(Cela peut causer une brûlure ou une blessure.)
  - Panasonic ne pourra être tenu pour responsable si l'appareil fait l'objet d'une utilisation incorrecte ou si l'utilisateur ne se conforme pas à ces consignes de sécurité.
- **Ne laissez pas le cordon d'alimentation entrer en contact avec la plaque. (NC-DF1 uniquement)**  
(Ceci pourrait provoquer un incendie ou des blessures.)
- **Ne touchez pas la surface chaude, comme la partie supérieure du corps de l'appareil alors que celui-ci est en cours d'usage ou après son utilisation.**  
(Cela peut causer une brûlure.)
  - La plaque du modèle NC-DF1 chauffe également.

# Consignes de sécurité

Veuillez vous assurer de suivre ces instructions.

## ⚠ ATTENTION

- ⊘ ● **Ne déplacez pas l'appareil lorsque la carafe est en place.**  
(Cela peut causer une brûlure.)
- **Ne retirez pas la carafe pendant la préparation du café.**  
(Cela peut causer une brûlure.)
- **N'agrippez pas l'appareil par le couvercle du réservoir d'eau ou par le panier et ne le déplacez pas de cette manière.**  
(Cela peut causer une brûlure ou une blessure.)
- **N'utilisez pas l'appareil (carafe comprise) aux endroits suivants.**
  - Dans les endroits où la surface est inégale, sur un tapis ou une nappe qui ne résiste pas à la chaleur, etc.  
(Ceci pourrait provoquer un incendie ou des blessures.)
  - Dans les endroits où il pourrait être aspergé d'eau ou à proximité d'une source de chaleur.  
(Ceci pourrait provoquer une électrocution ou une fuite électrique.)
  - À proximité d'une baignoire, d'un lavabo ou autres, où l'on remplit de l'eau.  
(Ceci pourrait provoquer une électrocution ou une fuite électrique.)
  - À proximité d'un mur ou d'un meuble.  
(Cela peut causer une décoloration ou une déformation.)
  - Dans un endroit susceptible d'être endommagé par une chaleur modérée.  
(Cela peut causer une décoloration ou une déformation.)
- **N'ouvrez pas le couvercle du réservoir d'eau lorsque le café est en cours de préparation.**  
(Cela peut causer une brûlure.)

## ⚠ ATTENTION

- ⊘ ● **Ne laissez pas l'appareil sans surveillance en cours de fonctionnement.**  
(Ceci pourrait provoquer un incendie.)
  - Seul l'appareil éteint peut être laissé sans surveillance.
- **N'insérez aucun objet dans les fentes.**  
(Cela peut causer une décharge électrique.)
  - En particulier les objets métalliques, tels que des épingles ou des aiguilles.
- ! ● **Assurez-vous de tenir la prise en la débranchant. Ne tirez jamais sur le cordon d'alimentation.**  
(Autrement cela peut causer une décharge électrique ou un incendie dû à un court-circuit.)
- **Éteignez l'appareil et retirez toujours la prise lorsqu'il ne fonctionne pas, et avant de le déplacer ou de le nettoyer.**  
(Autrement cela peut causer une décharge électrique ou un incendie dû à une fuite électrique.)
- **Poser l'appareil sur un plan de travail plat, stable, propre et résistant à la chaleur.**  
(Sinon ceci pourrait provoquer des brûlures ou des blessures.)
- **Faites attention à ne pas trébucher ou à ne pas vous emmêler dans le cordon d'alimentation lorsque l'appareil est en cours de fonctionnement.**  
(Sinon ceci pourrait provoquer des brûlures ou des blessures.)
- **Débranchez l'appareil et laissez-le refroidir complètement avant de le nettoyer et de le ranger.**  
(Cela peut causer une brûlure.)

# Consignes de sécurité

Veuillez vous assurer de suivre ces instructions.

## ⚠ ATTENTION

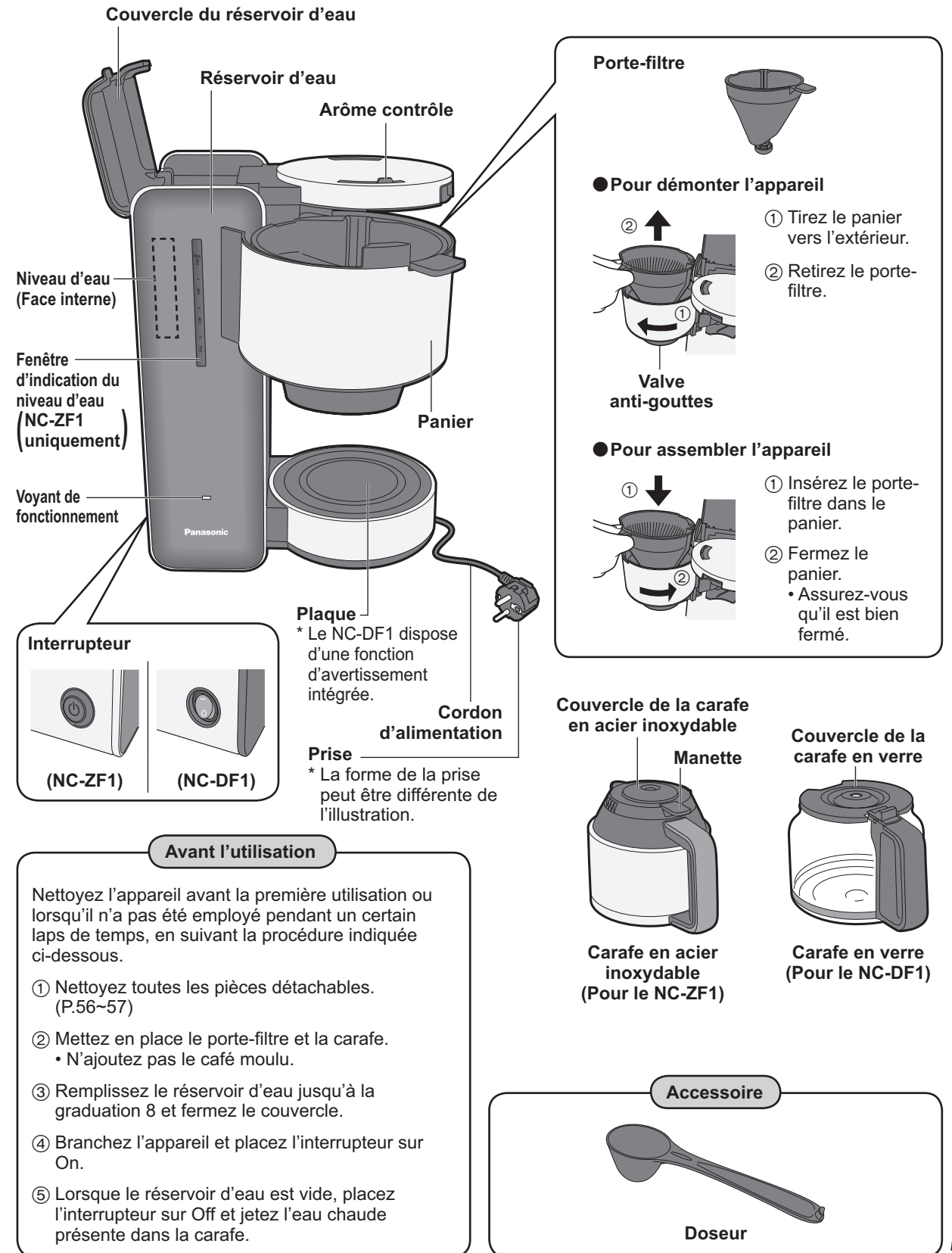
- Lorsque vous manipulez la carafe qui contient du café chaud, n'inclinez pas ou n'ouvrez pas le couvercle de la carafe. Du liquide chaud pourrait s'en échapper ou couler sur votre main.  
(Cela peut causer une brûlure.)
  - Tenez toujours la carafe par la poignée.
- Nettoyez l'appareil après chaque utilisation.  
(Sinon, il pourrait provoquer des brûlures dues à un débordement de liquide suite à un encrassement du porte-filtre.)

## Information importante

- Ne remplissez pas le réservoir d'eau de lait, d'eau chaude, etc. N'utilisez que de l'eau froide.  
(Ceci pourrait entraîner un mauvais fonctionnement de l'appareil.)
- Ne posez pas la carafe sur une source de chaleur ou dans un micro-ondes.  
(Cela pourrait endommager la carafe.)
- N'utilisez pas d'autres carafes que celle fournie.
- N'utilisez pas l'appareil à l'extérieur.

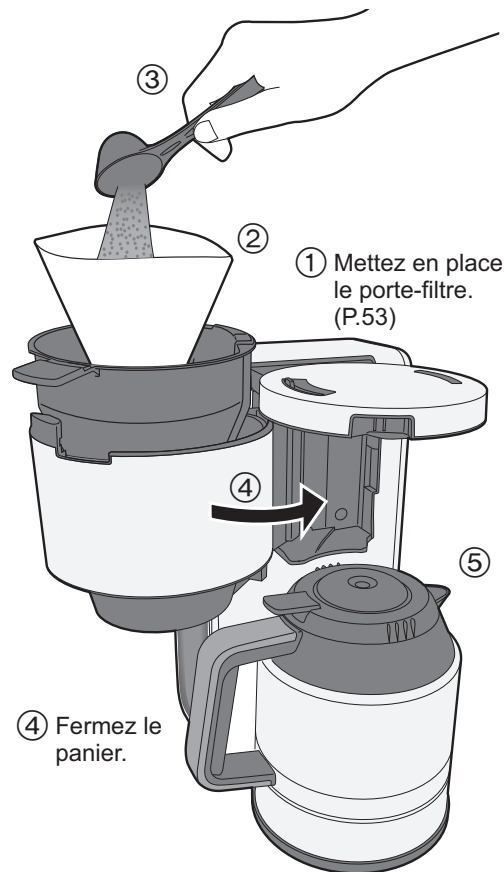
# Nom des pièces et consignes de manipulation

■ Les illustrations de ce document concernent principalement le modèle NC-ZF1.



# Mode d'emploi

**1** Mettez en place le porte-filtre, le filtre en papier, la carafe et ajoutez le café moulu.



① Mettez en place le porte-filtre. (P.53)

④ Fermez le panier.

**Remarque:** Veillez à bien fermer le panier.

## Préchauffage de la carafe (NC-ZF1 uniquement)

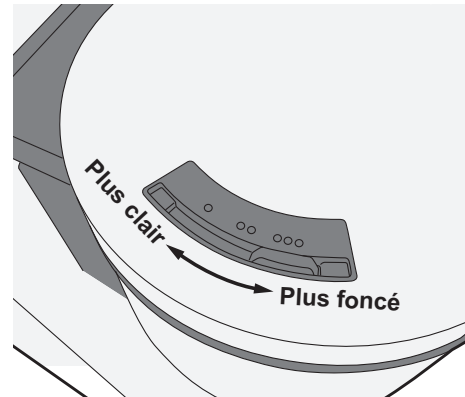
- Lorsque vous préparez une petite quantité de café ou si la température ambiante est basse, préchauffez la carafe en y versant de l'eau chaude pour obtenir un café appétissant.
- Après avoir préchauffé la carafe, jetez l'eau chaude.
- N'utilisez aucune source de chaleur ou n'insérez pas la carafe dans le micro-ondes pour la préchauffer.

## Référence pour la quantité de café

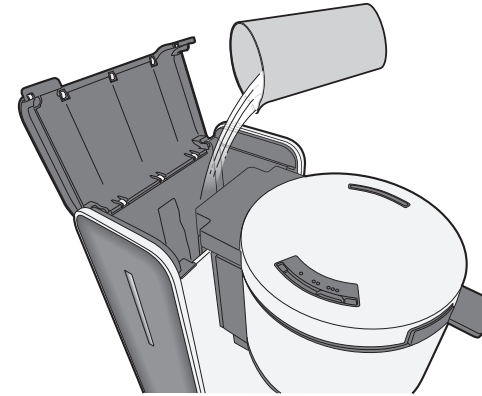
Café préparé	Café finement moulu (env.)	Café moyennement moulu (env.)
2 tasses	4 doses	5 doses
4 tasses	8 doses	7½ doses
6 tasses	11 doses	10 doses
8 tasses	14 doses	12 doses

- 1 tasse=Env. 120 mL
- Mesuré à l'aide du doseur fourni. (Mesure rase.)

**2** Réglez la commande d'arôme comme souhaité.



**3** Remplissez le réservoir d'eau, puis branchez l'appareil et placez l'interrupteur sur On.



(Pour le NC-ZF1)

- Le voyant de fonctionnement s'allume pendant la préparation du café, puis s'éteint automatiquement.

(Pour le NC-DF1)

- Le voyant de fonctionnement s'allume lorsque l'interrupteur est placé sur On.

## Remarque

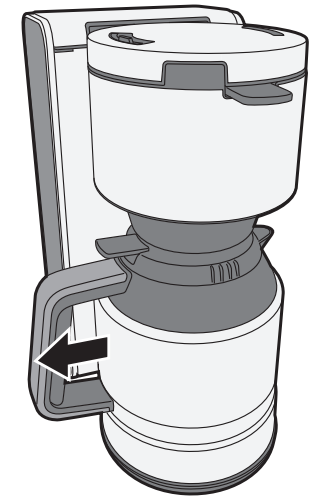
- Ne remplissez pas le réservoir d'eau chaude. (Une grande quantité de vapeur pourrait s'en échapper.)
- Ne préparez pas de café si la quantité d'eau est inférieure à la graduation 2 (minimum) ou supérieure à la graduation 8 (maximum).
- Ne rajoutez pas d'eau pendant la préparation du café.
- Lorsque trop d'eau a été ajoutée, videz-la en utilisant un autre conteneur.

## Pour préparer du café de manière consécutive

Répétez les étapes 1-3.

- Attendez 5 minutes avant d'ajouter de l'eau dans le réservoir d'eau. (Si de l'eau est ajoutée trop tôt, de la vapeur pourrait s'en échapper.)

**4** (Pour le NC-ZF1) Retirez la carafe, une fois que le voyant de fonctionnement lumineux s'est éteint. (Pour le NC-DF1) Sitôt le café préparé, placez l'interrupteur sur Off et retirez la carafe.



- Abaissez la manette qui se trouve sur le couvercle de la carafe pour verser le café dans les tasses. (NC-ZF1 uniquement)

## Remarque

- Ne retirez pas le panier quand la carafe est placée sur la plaque. (Le café s'écoulera.)
- Le café est chaud, retirez doucement la carafe. (Du café chaud pourrait se renverser.)
- Lorsque la carafe est retirée juste après la préparation du café, celui-ci risque s'écouler. Dans ce cas, après la préparation du café veuillez attendre quelques instants avant d'enlever la carafe.
- Lorsque vous manipulez la carafe qui contient du café chaud, n'ouvrez pas le couvercle de la carafe. Du liquide chaud pourrait s'en échapper ou couler sur votre main. (Cela peut causer une brûlure.)
- Pour retirer la carafe, saisissez-la par la poignée.
- Pour maintenir le café au chaud, laissez l'interrupteur sur On. (NC-DF1 uniquement)
- Pour un café plus goûteux, évitez de le maintenir au chaud trop longtemps.

## ■ Après utilisation de l'appareil

- Débranchez la machine à café après l'avoir utilisée.

## Lorsqu'il reste de l'eau dans le réservoir d'eau

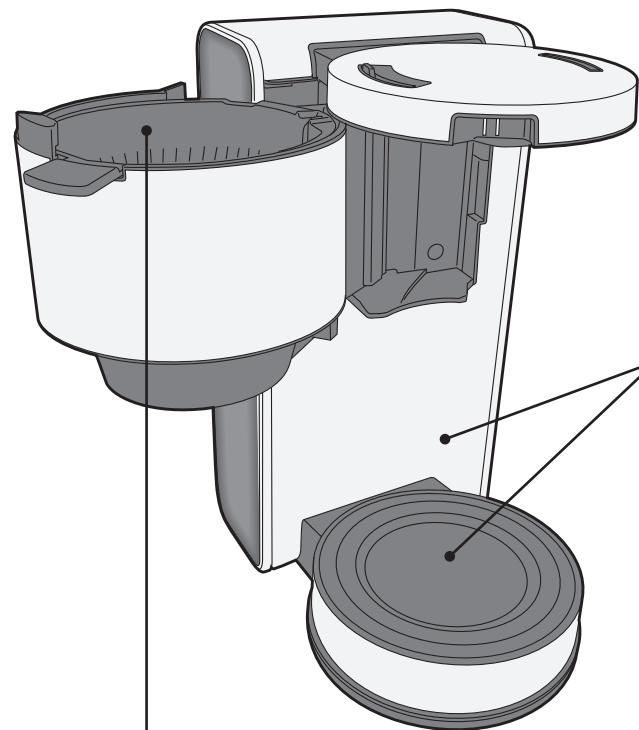
- Mettez en marche la machine à café et versez toute l'eau restante dans la carafe, puis jetez-la.

# Nettoyage

- Nettoyez l'appareil après chaque utilisation.
- Débranchez l'appareil puis assurez-vous que toutes les pièces ont refroidi avant de le nettoyer.

## Remarque

- N'utilisez pas d'essence de térébenthine, de diluant, de poudre de polissage, d'eau de javel, de brosse en métal ou de brosse en nylon, sinon vous risquez d'endommager les surfaces de l'appareil.
- N'utilisez pas un lave-vaisselle.
- Ne nettoyez pas l'appareil avec un objet pointu, tel qu'un cure-dent ou une épingle.
- Manipulez la carafe avec soin.
- N'utilisez pas la carafe si elle est ébréchée ou fissurée.



## Corps de l'appareil / Plaque

Essuyez avec un chiffon bien essoré.

Pour éviter d'endommager les surfaces du corps de l'appareil et de la plaque.

- Ne les heurtez pas avec des objets durs ou ne les frottez pas avec un tampon à récurer.

## Porte-filtre

Lavez-les avec du produit à vaisselle dilué (neutre) et une éponge douce.

- **Valve anti-gouttes**  
Ceci afin d'éviter la fuite des gouttes restantes dans le panier.



Valve anti-gouttes

- 1 Versez de l'eau dans le porte-filtre.
- 2 Soulevez-la valve anti-gouttes et secouez-le 2 ou 3 fois.

## Carafe en verre (Pour le NC-DF1)

Lavez-les avec du produit à vaisselle dilué (neutre) et une éponge douce.

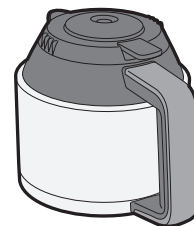


## Doseur

Lavez-les avec du produit à vaisselle dilué (neutre) et une éponge douce.

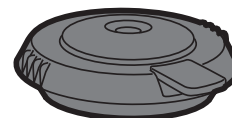
## Carafe en acier inoxydable (Pour le NC-ZF1)

Lavez-les avec du produit à vaisselle dilué (neutre) et une éponge douce.



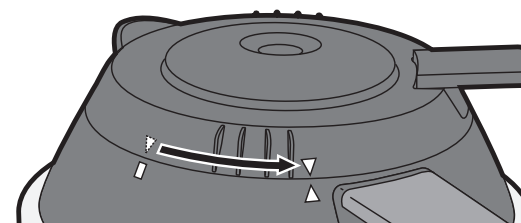
## Couvercle de la carafe en acier inoxydable

Rincez le couvercle sous l'eau. Évacuez l'eau présente à l'intérieur par l'orifice, en l'extrayant après l'avoir rincé.



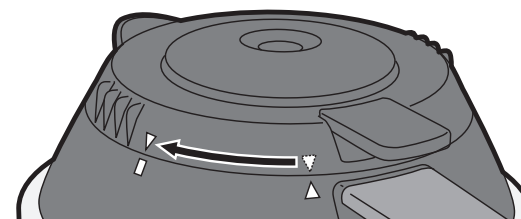
## Pour retirer le couvercle de la carafe

Tournez le couvercle de la carafe dans le sens de la flèche, afin d'aligner les triangles.



## Pour fixer le couvercle de la carafe

Alignez les triangles et tournez le couvercle de la carafe dans le sens de la flèche, afin d'aligner la ligne de triangle sur le rectangle.

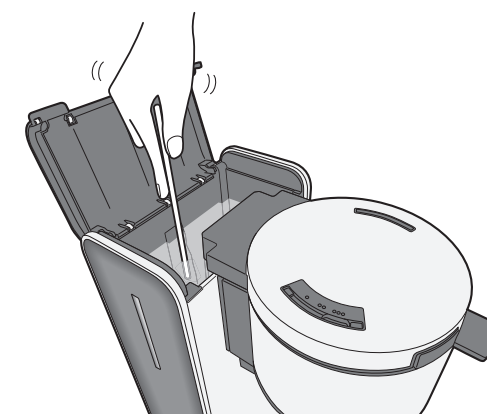


## Nettoyez le réservoir d'eau avec de l'acide citrique si la préparation du café est lente

La vitesse de préparation du café ralentit lorsque des minéraux, tels que le calcium contenu dans l'eau adhère à la conduite d'eau et au réservoir d'eau.

\*L'accumulation de tartre se produira plus facilement dans les régions où l'eau contient plus de minéraux.

- 1 Mettez en place le panier et la carafe.
- 2 Remplissez le réservoir d'eau jusqu'à la graduation 8 et ajoutez environ 20 g (2 cuillères à café) d'acide citrique. Puis mélangez bien avec un bâton et fermez le couvercle.



- 3 Branchez l'appareil et placez l'interrupteur sur On.
- 4 Lorsque le réservoir d'eau est vide, placez l'interrupteur sur Off et jetez l'eau chaude présente dans la carafe.
- 5 Répétez les étapes 1~4 avec uniquement de l'eau pour enlever l'odeur d'acide citrique.

# Problèmes et solutions

Veillez contrôler les points suivants avant de contacter le service après-vente.

Problème	Cause
Le café moulu se déverse du filtre en papier.	<ul style="list-style-type: none"> <li>● Une quantité de café moulu supérieure au maximum a été ajoutée. → N'ajoutez pas une quantité de café moulu supérieure à celle indiquée. (P.54)</li> <li>● Le filtre en papier est déchiré. → Remplacez le filtre en papier.</li> </ul>
La vitesse de préparation est lente ou le café ne s'écoule pas.	<ul style="list-style-type: none"> <li>● Du tartre s'est accumulé dans le tuyau d'eau et dans le réservoir d'eau. → Nettoyez le réservoir d'eau avec de l'acide citrique. (P.57)</li> </ul>
La température de la préparation de café est basse.	<ul style="list-style-type: none"> <li>● Préchauffez la carafe en ajoutant de l'eau chaude avant de préparer le café. (P.54)</li> </ul>

# Spécifications

	NC-ZF1	NC-DF1
Alimentation électrique	230 - 240 V ~ 50 - 60 Hz	
Consommation électrique	900 - 980 W	
Quantité max. d'eau	1,1 L (8 tasses)	
Dimensions (L × P × H) (env.)	293 × 172 × 346 mm	293 × 167 × 346 mm
Poids (env.)	3,8 kg	2,9 kg
Longueur du cordon d'alimentation (env.)	0,9 m	



## Informations relatives à l'évacuation des déchets, destinées aux utilisateurs d'appareils électriques et électroniques (appareils ménagers domestiques)

Lorsque ce symbole figure sur les produits et/ou les documents qui les accompagnent, cela signifie que les appareils électriques et électroniques ne doivent pas être jetés avec les ordures ménagères. Pour que ces produits subissent un traitement, une récupération et un recyclage appropriés, envoyez-les dans les points de collecte désignés, où ils peuvent être déposés gratuitement. Dans certains pays, il est possible de renvoyer les produits au revendeur local en cas d'achat d'un produit équivalent.

En éliminant correctement ce produit, vous contribuerez à la conservation des ressources vitales et à la prévention des éventuels effets négatifs sur l'environnement et la santé humaine qui pourraient survenir dans le cas contraire.

Afin de connaître le point de collecte le plus proche, veuillez contacter vos autorités locales.

Des sanctions peuvent être appliquées en cas d'élimination incorrecte de ces déchets, conformément à la législation nationale.

## Utilisateurs professionnels de l'Union européenne

Pour en savoir plus sur l'élimination des appareils électriques et électroniques, contactez votre revendeur ou fournisseur.

## Informations sur l'évacuation des déchets dans les pays ne faisant pas partie de l'Union européenne

Ce symbole n'est reconnu que dans l'Union européenne.

Pour vous débarrasser de ce produit, veuillez contacter les autorités locales ou votre revendeur afin de connaître la procédure d'élimination à suivre.

# Precauzioni di sicurezza

Attenersi alle presenti istruzioni.

Per evitare incidenti o infortuni all'utente o ad altre persone e danni a oggetti, è necessario attenersi alle istruzioni riportate di seguito.

■ **Gli schemi seguenti mostrano l'entità dei danni causati da operazioni sbagliate.**

**⚠ AVVERTENZA:** Indica infortuni gravi o mortali.

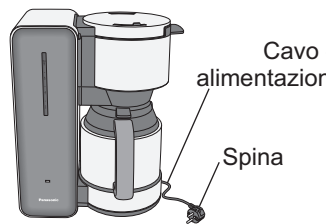
**⚠ ATTENZIONE:** Indica il rischio di infortuni o danni agli oggetti.

■ **I simboli sono classificati e spiegati come segue.**

**⊘** Questo simbolo indica divieto.

**!** Questo simbolo indica la necessità di adottare determinati accorgimenti.

## ⚠ AVVERTENZA

- ⊘ ● Non danneggiare il cavo di alimentazione o la spina.**  
Le seguenti operazioni sono severamente vietate:  
Modifica, posizionamento sopra o vicino elementi riscaldanti, piegatura, attorcigliamento, trazione, contatto con superfici affilate, posizionamento di oggetti pesanti sulla parte superiore, piegatura il cavo di alimentazione e trascinarsi dell'apparecchio mediante il cavo di alimentazione.  
(In tal caso potrebbero verificarsi scosse elettriche o incendi dovuti a cortocircuiti.)
- 
- Non utilizzare l'apparecchio se il cavo di alimentazione o la spina sono danneggiati o se la spina è collegata debolmente alla presa.**  
(In tal caso potrebbero verificarsi scosse elettriche o incendi dovuti a cortocircuiti.)  
→ Se il cavo di alimentazione è danneggiato, deve essere sostituito dal produttore, da un centro di assistenza autorizzato o da un tecnico qualificato per evitare pericoli.

## ⚠ AVVERTENZA

- ⊘ ● Non collegare o scollegare la spina con le mani bagnate.**  
(Questa operazione potrebbe causare scosse elettriche.)  
• Prima di maneggiare la spina o di accendere l'apparecchio, assicurarsi sempre di avere le mani asciutte.
- ! ● Assicurarsi che la tensione indicata sull'etichetta dell'apparecchio corrisponda a quella fornita.**  
(Questa operazione potrebbe causare scosse elettriche o incendi.)  
Evitare inoltre di collegare altri apparecchi alla stessa presa di alimentazione per evitare il surriscaldamento. Tuttavia, se si collega più di un spina, assicurarsi che il wattaggio totale non superi il wattaggio nominale della presa di alimentazione.
- Inserire saldamente la spina.**  
(Altrimenti, si potrebbero causare scosse elettriche e incendi a causa del calore generato intorno alla spina.)
- Pulire regolarmente la spina.**  
(Una spina sporca potrebbe determinare un isolamento insufficiente per l'accumulo di umidità e polvere e causare incendi.)  
→ Scollegare la presa di alimentazione e pulirla con un panno asciutto.
- Mantenere il cavo di alimentazione lontano dalla portata dei bambini. Non lasciare il cavo di alimentazione sospeso sopra il bordo del tavolo o della superficie di lavoro.**  
(In caso contrario potrebbero verificarsi ustioni, infortuni o scosse elettriche.)

# Precauzioni di sicurezza

Attenersi alle presenti istruzioni.

## ⚠ AVVERTENZA

- ⊘ ● **Non immergere l'apparecchio in acqua e non spruzzarlo con acqua.**  
(In tal caso potrebbero verificarsi scosse elettriche o incendi) dovuti a cortocircuiti.
- **Non smontare, riparare o modificare l'apparecchio.**  
(Tali operazioni potrebbero provocare incendi, scosse elettriche o infortuni.)  
→ Rivolgersi al rivenditore o a un centro assistenza Panasonic.
- **Non toccare né avvicinare troppo il viso ai punti da cui fuoriesce il vapore.**  
(La mancata osservanza di questo accorgimento potrebbe provocare ustioni o infortuni.)
  - In particolare mantenere l'apparecchio fuori dalla portata di bambini.
- **Non utilizzare l'apparecchio senza la caraffa.**  
(Queste operazioni potrebbero provocare ustioni.)
- ! ● **Questo apparecchio non è destinato a essere utilizzato da persone (bambini inclusi) con ridotte capacità fisiche, sensoriali o mentali, o con esperienza e conoscenze insufficienti, se non dietro sorveglianza e istruzioni di un soggetto responsabile della loro incolumità. I bambini devono essere sorvegliati per evitare che giochino con l'apparecchio.**  
(In caso contrario potrebbero verificarsi ustioni, infortuni o scosse elettriche.)
- **Mantenere sempre i bambini lontano dall'apparecchio.**  
(La mancata osservanza di questo accorgimento potrebbe provocare ustioni o infortuni.)
  - I bambini non riconoscono i rischi che possono verificarsi in seguito all'uso inadeguato degli apparecchi.

## ⚠ AVVERTENZA

- ! ● **Interrompere immediatamente l'utilizzo dell'apparecchio e scollegarlo dalla presa elettrica nel caso in cui smetta di funzionare correttamente.**  
(In caso contrario potrebbe prodursi fumo o potrebbero verificarsi incendi, scosse elettriche o ustioni.)  
ad es. per anomalie o guasti
  - La spina e il cavo di alimentazione si surriscaldano in maniera anomala.
  - Il cavo di alimentazione è danneggiato o si è verificata un'interruzione dell'alimentazione.
  - Il corpo principale è deformato, ha danni visibili o è caldo in modo anomalo.
  - La maniglia della caraffa si sta per staccare.
  - Vi è un'altra anomalia o un altro guasto.→ Scollegare immediatamente l'apparecchio e rivolgersi al rivenditore o a un centro assistenza Panasonic per un controllo o per la riparazione.

## ⚠ ATTENZIONE

- ⊘ ● **Non utilizzare l'apparecchio per qualsiasi scopo diverso da quelli previsti all'interno di queste istruzioni.**  
(La mancata osservanza di questo accorgimento potrebbe provocare ustioni o infortuni.)
  - Panasonic non accetta alcuna responsabilità nel caso in cui l'apparecchio sia stato soggetto a uso inappropriato o le presenti istruzioni non siano state rispettate.
- **Non lasciare che il cavo di alimentazione entri a contatto con la piastra. (Solo NC-DF1)**  
(Potrebbe causare incendi o lesioni.)
- **Non toccare le superfici calde come la superficie superiore del corpo quando l'apparecchio è in uso o è stato utilizzato.**  
(Queste operazioni potrebbero provocare ustioni.)
  - Anche la piastra dell'NC-DF1 diventa calda.



# Precauzioni di sicurezza

Attenersi alle presenti istruzioni.

## ⚠ ATTENZIONE

- ⊘ ● **Non spostare l'apparecchio se la caraffa è in posizione.**  
(Queste operazioni potrebbero provocare ustioni.)
- **Non rimuovere la caraffa durante l'infusione.**  
(Queste operazioni potrebbero provocare ustioni.)
- **Non spostare l'apparecchio tenendo il coperchio del serbatoio dell'acqua o il cestino.**  
(La mancata osservanza di questo accorgimento potrebbe provocare ustioni o infortuni.)
- **Non utilizzare l'apparecchio (compresa la caraffa) nei luoghi seguenti.**
  - Un luogo la cui superficie non è piana, su un tappeto non resistente al calore o su una tovaglia ecc.  
(Potrebbe causare incendi o lesioni.)
  - Un luogo sottoposto a schizzi d'acqua o vicino a una fonte di calore.  
(Può causare scosse elettriche o perdite di corrente elettrica.)
  - Vicino a un luogo in cui si riempie con acqua come una vasca, un lavandino o un altro contenitore.  
(Può causare scosse elettriche o perdite di corrente elettrica.)
  - Vicino a una parete o a un mobile.  
(La mancata osservanza di questo accorgimento potrebbe causarne lo scolorimento o la deformazione.)
  - Un luogo che può essere danneggiato anche da un calore moderato.  
(La mancata osservanza di questo accorgimento potrebbe causarne lo scolorimento o la deformazione.)
- **Non aprire il coperchio del serbatoio dell'acqua mentre il caffè è in infusione.**  
(Queste operazioni potrebbero provocare ustioni.)

## ⚠ ATTENZIONE

- ⊘ ● **Non lasciare l'apparecchio incustodito mentre è in uso.**  
(Si possono causare incendi.)
  - Spegnere l'apparecchio quando ci si allontana.
- **Non inserire oggetti all'interno degli interstizi.**  
(Questa operazione potrebbe causare scosse elettriche.)
  - In particolare oggetti metallici come spilli o fili.
- ! ● **Accertarsi di afferrare saldamente la spina quando la si scollega dalla presa.**  
**Non tirare mai il cavo di alimentazione.**  
(In caso contrario potrebbero verificarsi scosse elettriche o incendi dovuti a cortocircuiti.)
- **Tenere sempre l'apparecchio spento e scollegare la spina quando l'apparecchio non è in uso, prima di spostarlo e di pulirlo.**  
(In caso contrario potrebbero verificarsi scosse elettriche o incendi dovuti a dispersioni elettriche.)
- **Collocare l'apparecchio su una superficie stabile, piatta, asciutta, pulita e resistente al calore.**  
(Altrimenti si possono causare incendi o lesioni.)
- **Fare attenzione a non inciampare o impigliarsi nel cavo di alimentazione durante l'uso.**  
(Altrimenti si possono causare incendi o lesioni.)
- **Scollegare e far raffreddare completamente l'apparecchio prima di pulirlo e metterlo via.**  
(Queste operazioni potrebbero provocare ustioni.)

# Precauzioni di sicurezza

Attenersi alle presenti istruzioni.

## ⚠ ATTENZIONE

- ❗ **Se si maneggia la caraffa con il caffè caldo, non inclinarla né aprirne il coperchio. È possibile che il liquido caldo schizzi o cada sulle mani.**  
(Queste operazioni potrebbero provocare ustioni.)
  - Reggere sempre la maniglia della caraffa.
- **Assicurarsi di pulire l'apparecchio dopo ogni uso.**  
(Altrimenti si possono causare bruciate dovute allo straripamento, intasando il contenitore del filtro.)

## Informazioni importanti

- Non riempire il serbatoio dell'acqua di acqua, acqua calda ecc. Utilizzare solo acqua fredda.  
(Si possono causare malfunzionamenti.)
- Non posizionare la caraffa sopra fonti di calore o nel microonde.  
(Potrebbe danneggiare la caraffa.)
- Non utilizzare caraffe diverse da quella fornita.
- Non utilizzare l'apparecchio all'esterno.

# Nomi dei componenti e istruzioni per l'uso

■ Le immagini contenute sono principalmente relative al modello NC-ZF1.

**Coperchio del serbatoio dell'acqua**  
**Serbatoio dell'acqua**  
**Aroma di controllo**  
**Contenitore del filtro**  
**● Per smontarlo**  
 ① Estrarre il cestino.  
 ② Rimuovere il contenitore del filtro.  
**Valvola dosatrice**  
**● Per montarlo**  
 ① Inserire il contenitore del filtro nel cestino.  
 ② Chiudere il cestino.  
 • Assicurarsi che sia ben chiuso.

**Livello dell'acqua (Lato interno)**  
**Apertura per il livello dell'acqua (Solo NC-ZF1)**  
**Cestino**  
**Indicatore dell'alimentazione**  
**Interruttore**  
 (NC-ZF1) (NC-DF1)  
**Piastra**  
 \* Il modello NC-DF1 è dotato di una funzione di riscaldamento.  
**Spina**  
 \* La forma della spina può essere diversa da quella nella figura.  
**Cavo di alimentazione**  
**Coperchio della caraffa in acciaio inossidabile**  
**Levetta**  
**Caraffa in acciaio inossidabile (Per NC-ZF1)**  
**Coperchio della caraffa in vetro**  
**Caraffa in vetro (Per NC-DF1)**  
**Accessorio**  
**Cucchiaino dosatore**

**Prima dell'utilizzo**  
 Pulire l'apparecchio seguendo la procedura seguente se lo si usa per la prima volta o se non è stato usato per qualche tempo.  
 ① Lavare tutte le parti smontabili. (P.70~71)  
 ② Collocare il contenitore del filtro e la caraffa.  
 • Non collocare il caffè macinato.  
 ③ Riempire il serbatoio dell'acqua con l'acqua fino alla scala 8 e chiudere il coperchio della caraffa.  
 ④ Inserire la spina e accendere l'interruttore.  
 ⑤ Quando il serbatoio dell'acqua è vuoto, spegnere l'interruttore e gettare l'acqua calda nella caraffa.

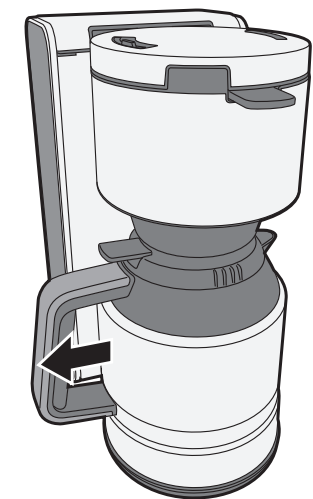
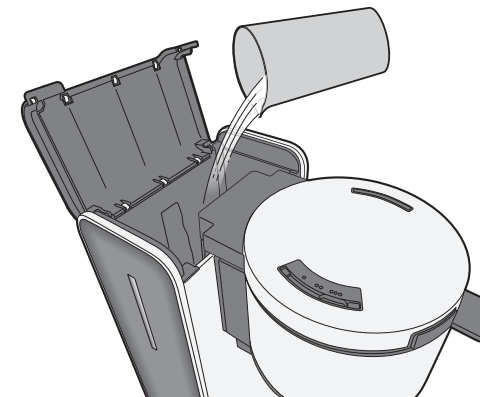
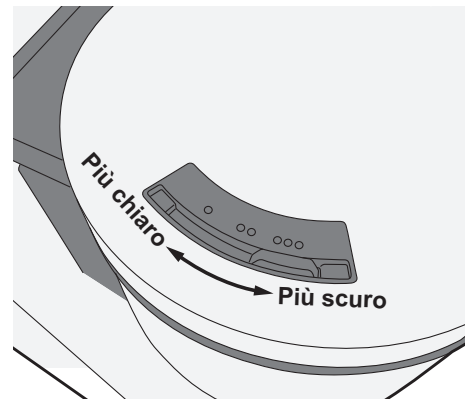
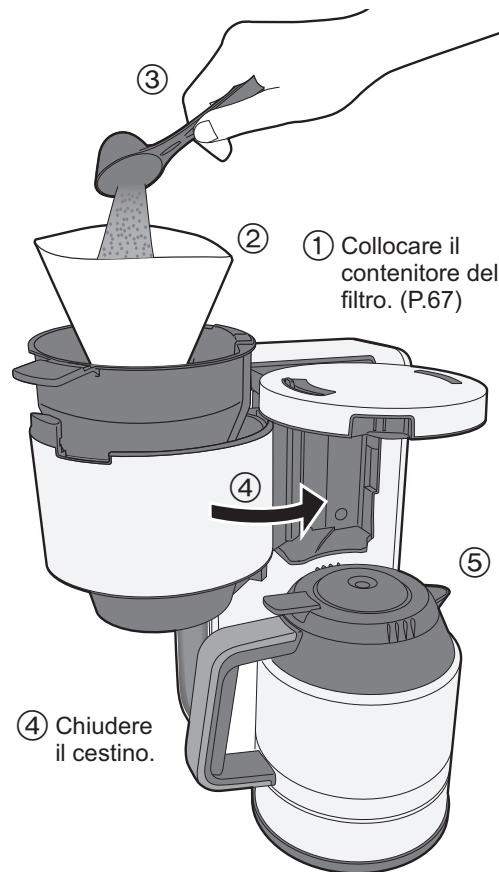
# Modalità d'uso

**1** Collocare il contenitore del filtro, il filtro in carta, la caraffa e del caffè macinato.

**2** Impostare il controllo aroma secondo le preferenze.

**3** Riempire il serbatoio dell'acqua, quindi attaccare la spina e accendere l'interruttore.

**4** (Per NC-ZF1) Rimuovere la caraffa dopo che si è spenta la spia.  
(Per NC-DF1) Una volta fatto il caffè, spegnere l'interruttore e rimuovere la caraffa.



**Nota:** Mentre si chiude il cestino, assicurarsi che sia ben chiuso.

### Preriscaldamento della caraffa (Solo NC-ZF1)

- Se si sta preparando una piccola quantità di caffè o la temperatura ambiente è bassa, preriscaldare la caraffa versandovi dell'acqua calda in modo che il caffè sia caldo e gustoso.
- Una volta preriscaldata la caraffa, gettare via l'acqua.
- Non utilizzare fonti di calore o microonde per preriscaldare la caraffa.

### Riferimento per la quantità di caffè

Caffè preparato	Caffè finemente macinato (circa)	Caffè macinato medio (circa)
2 tazze	4 cucchiaini	5 cucchiaini
4 tazze	8 cucchiaini	7½ cucchiaini
6 tazze	11 cucchiaini	10 cucchiaini
8 tazze	14 cucchiaini	12 cucchiaini

- 1 tazza=120 mL circa
- Misurati con il cucchiaino dosatore in dotazione. (Rasi.)

### (Per NC-ZF1)

- L'indicatore dell'alimentazione si accende durante la preparazione del caffè e si spegne automaticamente.

### (Per NC-DF1)

- L'indicatore dell'alimentazione si accende se l'interruttore è acceso.

### Nota

- Non riempire il serbatoio dell'acqua con acqua calda. (È possibile che fuoriesca molto vapore.)
- Non preparare caffè con una quantità d'acqua inferiore alla scala 2 o superiore alla quantità massima della scala 8.
- Non aggiungere acqua durante la preparazione del caffè.
- Se si aggiunge troppa acqua, rimuoverla utilizzando un altro contenitore.

### Per preparare caffè ripetutamente

#### Ripetere i passaggi 1~3.

- Attendere 5 minuti prima di aggiungere acqua nel serbatoio dell'acqua. (Se si aggiunge l'acqua troppo presto, è possibile che fuoriesca del vapore.)

### Nota

- Non estrarre il cestino quando la caraffa si trova sulla piastra. (Il caffè comincia a gocciolare.)
- Il caffè è caldo, rimuovere la caraffa lentamente. (È possibile che si versi del caffè.)
- Quando si rimuove la caraffa subito dopo aver preparato il caffè, è possibile che sgoccioli un poco. In tal caso, attendere qualche momento prima di rimuovere la caraffa dopo aver preparato il caffè.
- Se si maneggia la caraffa con il caffè caldo, non aprire il coperchio della caraffa. È possibile che il liquido caldo schizzi o cada sulle mani. (Queste operazioni potrebbero provocare ustioni.)
- Quando si rimuove la caraffa tirarla dalla maniglia.
- Per tenere il caffè caldo, lasciare l'interruttore in posizione. (Solo NC-DF1)
- Per ottenere un sapore migliore, si sconsiglia di lasciarlo caldo a lungo.

### ■ Dopo l'uso

- Scollegare la macchina da caffè dopo l'uso.

### Se rimane dell'acqua nel serbatoio dell'acqua

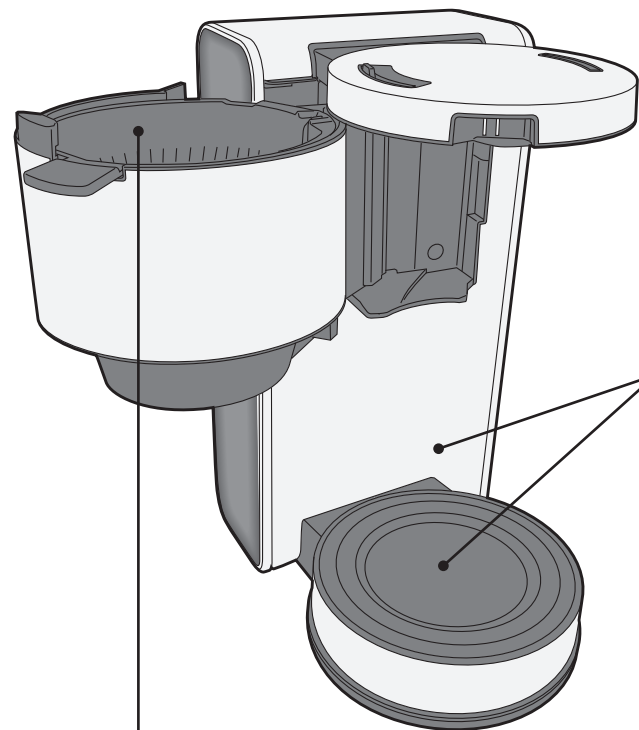
- Spegnere la macchina da caffè ed estrarre completamente l'acqua nella caraffa, quindi gettarla via.

# Pulizia della macchina

- Pulire l'apparecchio dopo ogni uso.
- Prima della pulizia, scollegare e assicurarsi che tutte le parti siano fredde.

## Nota

- Non utilizzare benzina, diluenti, alcol, candeggina, polvere lucidante, spazzole in metallo o nylon, altrimenti la superficie si danneggia.
- Non utilizzare la lavastoviglie.
- Non pulire l'apparecchio con un oggetto appuntito come uno stuzzicadenti o uno spillo.
- Maneggiare la caraffa con cura.  
Non utilizzare la caraffa se è scheggiata o incrinata.



## Corpo / Piastra

Strofinare con un panno ben strizzato.

Per evitare di danneggiare le superfici del corpo e della piastra.

- Non colpirla con oggetti duri né strofinarla con una spugna abrasiva.

## Caraffa in vetro (Per NC-DF1)

Lavarla con sapone per piatti (neutro) diluito e una spugna morbida.



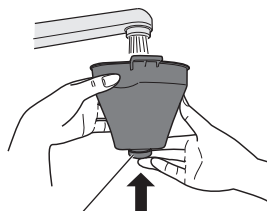
## Cucchiaino dosatore

Lavarla con sapone per piatti (neutro) diluito e una spugna morbida.

## Contenitore del filtro

Lavarla con sapone per piatti (neutro) diluito e una spugna morbida.

- **Valvola dosatrice**  
Serve a impedire la fuoriuscite delle gocce rimanenti dal cestino.

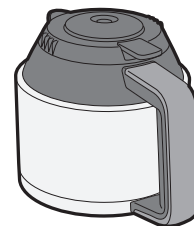


Valvola dosatrice

- ① Versare dell'acqua nel contenitore del filtro.
- ② Premere la valvola dosatrice e scuoterla 2-3 volte.

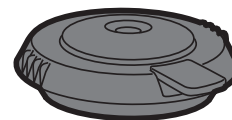
## Caraffa in acciaio inossidabile (Per NC-ZF1)

Lavarla con sapone per piatti (neutro) diluito e una spugna morbida.



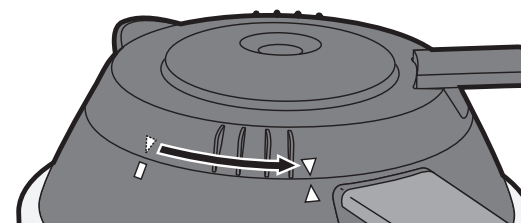
## Coperchio della caraffa in acciaio inossidabile

Sciaccare il coperchio con acqua. Gettare l'acqua all'interno attraverso il foro vicino alla levetta dopo averlo sciacquato.



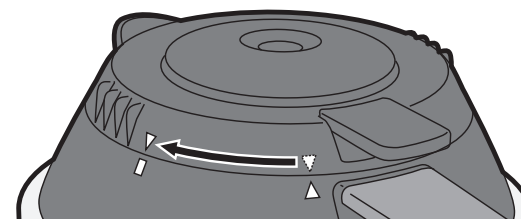
## Per rimuovere il coperchio

Ruotare il coperchio nella direzione della freccia per allineare i triangoli.



## Per ricollocare il coperchio

Allineare i triangoli e ruotare il coperchio nella direzione della freccia per allineare il triangolo rivolto verso l'alto con il rettangolo.



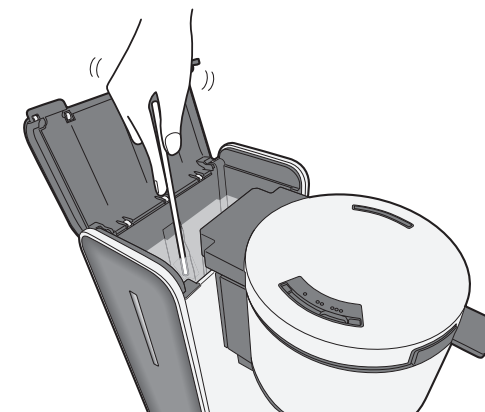
## Pulire il serbatoio dell'acqua con acido citrico se la preparazione del caffè è lenta

La velocità dell'infusione si riduce quando minerali come il calcio contenuto nell'acqua aderiscono al tubo dell'acqua e al serbatoio dell'acqua.

\*I depositi di calcare si accumulano più nelle zone in cui l'acqua contiene più minerali.

**1** Collocare il cestino e la caraffa.

**2** Riempire il serbatoio dell'acqua fino alla scala 8 e aggiungere circa 20 g (2 cucchiaini) di acido citrico. Quindi mescolare bene con un bastoncino e chiudere il coperchio.



**3** Inserire la spina e accendere l'interruttore.

**4** Quando il serbatoio dell'acqua è vuoto, spegnere l'interruttore e gettare l'acqua calda nella caraffa.

**5** Ripetere i passaggi da 1 a 4 solamente con l'acqua per rimuovere l'odore di acido citrico.

# Risoluzione dei problemi

Controllare i punti seguenti prima di organizzare la manutenzione.

Problemi	Causa
Il caffè macinato esce dal filtro in carta.	<ul style="list-style-type: none"> <li>● È stata aggiunta più della quantità massima di caffè macinato. → Non aggiungere più della quantità massima di caffè macinato. (P.68)</li> <li>● Il filtro di carta è strappato. → Sostituire il filtro di carta.</li> </ul>
La velocità di infusione è lenta e il caffè non esce.	<ul style="list-style-type: none"> <li>● Si è accumulato del calcare nel tubo dell'acqua e nel serbatoio dell'acqua. → Pulire il serbatoio dell'acqua con acido citrico. (P.71)</li> </ul>
La temperatura di infusione del caffè è bassa.	<ul style="list-style-type: none"> <li>● Preriscaldare la caraffa versandovi dell'acqua calda prima di preparare il caffè. (P.68)</li> </ul>

# Specifiche

	NC-ZF1	NC-DF1
Alimentazione	230 - 240 V ~ 50 - 60 Hz	
Consumo di energia	900 - 980 W	
Quantità massima di acqua	1,1 L (8 tazze)	
Dimensioni (Larghezza × Profondità × Altezza) (circa.)	293 × 172 × 346 mm	293 × 167 × 346 mm
Peso (circa.)	3,8 kg	2,9 kg
Lunghezza del cavo di alimentazione (circa.)	0,9 m	



## Informazioni per gli utenti sullo smaltimento di apparecchiature elettriche ed elettroniche obsolete (per i nuclei familiari privati)

Questo simbolo sui prodotti e/o sulla documentazione di accompagnamento significa che i prodotti elettrici ed elettronici usati non devono essere mescolati con i rifiuti domestici generici. Per un corretto trattamento, recupero e riciclaggio, portare questi prodotti ai punti di raccolta designati, dove verranno accettati gratuitamente. In alternativa, in alcune nazioni potrebbe essere possibile restituire i prodotti al rivenditore locale, al momento dell'acquisto di un nuovo prodotto equivalente.

Uno smaltimento corretto di questo prodotto contribuirà a far risparmiare preziose risorse ed evitare potenziali effetti negativi sulla salute umana e sull'ambiente, che potrebbero derivare, altrimenti, da uno smaltimento inappropriato. Per ulteriori dettagli, contattare la propria autorità locale o il punto di raccolta designato più vicino. In caso di smaltimento errato di questo materiale di scarto, potrebbero venire applicate delle penali, in base alle leggi nazionali.

## Per gli utenti aziendali nell'Unione Europea

Qualora si desideri smaltire apparecchiature elettriche ed elettroniche, contattare il rivenditore o il fornitore per ulteriori informazioni.

## Informazioni sullo smaltimento in nazioni al di fuori dell'Unione Europea

Questo simbolo è valido solo nell'Unione Europea.

Qualora si desideri smaltire questo prodotto, contattare le autorità locali o il rivenditore e chiedere informazioni sul metodo corretto di smaltimento.

# Precauciones de seguridad

Asegúrese de seguir estas instrucciones.

Para evitar accidentes o lesiones al usuario, a otras personas o daños materiales, siga las instrucciones que se indican a continuación.

■ Los siguientes gráficos indican el nivel del daño causado por un uso incorrecto.

 **ADVERTENCIA:** Indica lesiones graves o la muerte.


 **PRECAUCIÓN:** Indica riesgo de lesiones o daños materiales.

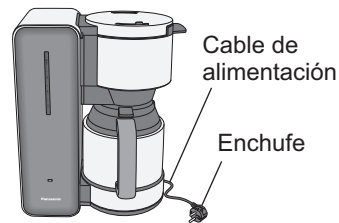
■ Los símbolos se clasifican y explican a continuación.

 Este símbolo indica prohibición.



 Este símbolo indica un requisito que debe cumplirse.

## ADVERTENCIA

-  ● **No dañe el cable de alimentación ni el enchufe.**  
Las siguientes acciones están estrictamente prohibidas.  
Modificar, colocar cerca de elementos que emitan calor, doblar, retorcer, tensar sobre bordes afilados, poner objetos pesados encima, atar el cable de alimentación y tirar del aparato por el cable de alimentación.  
(Puede causar una descarga eléctrica o un incendio debido a un cortocircuito.)
- **No utilice el aparato si el cable de alimentación o el enchufe están dañados o si el enchufe no está conectado con firmeza en la toma de corriente.**  
(Puede causar una descarga eléctrica o un incendio debido a un cortocircuito.)  
→ Si el cable de alimentación está dañado, debe sustituirlo el fabricante, su técnico de mantenimiento o una persona con una cualificación similar para evitar riesgos.



## ADVERTENCIA

-  ● **No enchufe ni desenchufe el enchufe con las manos mojadas.**  
(Puede causar una descarga eléctrica.)
  - Asegúrese siempre de que las manos están secas antes de manipular o encender el aparato.
-  ● **Asegúrese de que la tensión indicada en la etiqueta del aparato es la misma que la de la red eléctrica local.**  
(Puede causar una descarga eléctrica o un incendio.)  
Evite también enchufar otros dispositivos en la misma toma de corriente para evitar un sobrecalentamiento eléctrico. No obstante, si va a conectar varios enchufes, asegúrese de que la potencia total en vatios no supere la potencia en vatios nominal de la toma de corriente.
- **Inserte el enchufe con firmeza.**  
(De lo contrario podría producirse una descarga eléctrica debido al calor que se puede generar alrededor del enchufe.)
- **Limpie el enchufe regularmente.**  
(Si el enchufe está sucio, el aislamiento puede ser insuficiente debido a la acumulación de humedad y pelusa, que puede causar un incendio.)  
→ Desenchufe el enchufe y límpielo con un paño seco.
- **Mantenga el cable de alimentación fuera del alcance de los niños. No permita que el cable de alimentación quede colgando por el borde de la mesa o superficie de trabajo.**  
(Puede causar quemaduras, lesiones o una descarga eléctrica.)

# Precauciones de seguridad

Asegúrese de seguir estas instrucciones.

## ⚠ ADVERTENCIA

- ⊘ ● **No sumerja el aparato en agua ni lo salpique con agua.**  
(Puede causar una descarga eléctrica o un incendio debido a un cortocircuito.)
- **No desmonte, repare ni modifique este aparato.**  
(Puede producirse un incendio, una descarga eléctrica o lesiones.)  
→ Póngase en contacto con el vendedor o con un servicio técnico de Panasonic.
- **No toque ni acerque la cara a los lugares por los que salga vapor.**  
(Puede causar una quemadura o lesiones.)
  - Especialmente mantenga el aparato fuera del alcance de los niños.
- **No utilice el aparato sin la jarra.**  
(Puede causar una quemadura.)
- ⓘ ● **Este aparato no se ha diseñado para que lo utilicen personas (incluidos los niños) con capacidades físicas, sensoriales o mentales reducidas o carezcan de la experiencia y los conocimientos necesarios, a menos que hayan recibido instrucción sobre el uso del aparato o estén bajo la supervisión de una persona responsable de su seguridad. Los niños deben estar bajo supervisión para impedir que jueguen con el aparato.**  
(Puede causar quemaduras, lesiones o una descarga eléctrica.)
- **Mantenga siempre a los niños alejados del aparato.**  
(Puede causar una quemadura o lesiones.)
  - Los niños no son conscientes de los peligros que supone el uso indebido de los aparatos.

## ⚠ ADVERTENCIA

- ⓘ ● **Interrumpa el uso del aparato de inmediato y desenchúfelo en el caso improbable de que deje de funcionar correctamente.**  
(Puede producirse humo, un incendio, una descarga eléctrica o quemaduras.)  
por ejemplo, en caso de funcionamiento inusual o avería
  - El enchufe y el cable de alimentación están inusualmente calientes.
  - El cable de alimentación está dañado o hay un corte del suministro eléctrico.
  - El cuerpo principal está deformado, tiene daños visibles o está anormalmente caliente.
  - El asa de la jarra está floja.
  - Hay otra anomalía o fallo.→ Desenchufe el aparato inmediatamente y póngase en contacto con el vendedor o con un servicio técnico de Panasonic para una revisión o reparación.

## ⚠ PRECAUCIÓN

- ⊘ ● **No utilice el aparato para ningún fin distinto de los descritos en estas instrucciones.**  
(Puede causar una quemadura o lesiones.)
  - Panasonic no acepta ninguna responsabilidad si se hace un uso indebido del aparato o si no se cumplen estas instrucciones.
- **No permita que el cable de alimentación esté en contacto con la placa. (solo NC-DF1)**  
(Podría causar un incendio o una lesión.)
- **No toque las superficies calientes como la superficie superior del cuerpo mientras se está utilizando el aparato o después del uso.**  
(Puede causar una quemadura.)
  - La placa de la NC-DF1 también se calienta.

# Precauciones de seguridad

Asegúrese de seguir estas instrucciones.

## ⚠ PRECAUCIÓN

- ⊘ ● **No mueva el aparato cuando esté colocada la jarra.**  
(Puede causar una quemadura.)
- **No retire la jarra mientras se está preparando el café.**  
(Puede causar una quemadura.)
- **No mueva el aparato sujetando la tapa del depósito de agua ni la cesta.**  
(Puede causar una quemadura o lesiones.)
- **No utilice el aparato (incluida la jarra) en los siguientes lugares.**
  - Superficies irregulares, alfombras o manteles no resistentes al calor, etc.  
(Podría causar un incendio o una lesión.)
  - Lugares donde pueda haber salpicaduras de agua o próximos a una fuente de calor.  
(Puede provocar una descarga eléctrica o fugas eléctricas.)
  - Lugares que se puedan llenar de agua como bañeras, fregaderos u otros recipientes.  
(Puede provocar una descarga eléctrica o fugas eléctricas.)
  - Cerca de una pared o un mueble.  
(Puede causar una decoloración o deformación.)
  - Lugares que podrían sufrir daños incluso con un calor moderado.  
(Puede causar una decoloración o deformación.)
- **No abra la tapa del depósito de agua mientras se está preparando el café.**  
(Puede causar una quemadura.)

## ⚠ PRECAUCIÓN

- ⊘ ● **No deje el aparato sin vigilancia cuando esté en uso.**  
(Podría producirse un incendio.)
  - Cuando lo deje solo, apáguelo.
- **No introduzca ningún objeto en los huecos.**  
(Puede causar una descarga eléctrica.)
  - Especialmente objetos metálicos como alfileres o alambres.
- ⚠ ● **Asegúrese de sujetar el enchufe cuando lo desconecte de la red.**  
**Nunca tire del cable de alimentación.**  
(Si no lo hace así, puede causar una descarga eléctrica o un incendio debido a un cortocircuito.)
- **Apague siempre el aparato y desconecte el enchufe cuando el aparato no esté en uso, antes de moverlo y antes de limpiarlo.**  
(Si no lo hace así, puede causar una descarga eléctrica o un incendio debido a fugas eléctricas.)
- **Coloque el aparato en una superficie de trabajo firme, seca, limpia y plana resistente al calor.**  
(De lo contrario podría causar un incendio o una lesión.)
- **Tenga cuidado de no tropezar ni engancharse con el cable de alimentación cuando el aparato esté en uso.**  
(De lo contrario podría causar un incendio o una lesión.)
- **Desenchufe el aparato y espere a que se enfríe antes de limpiarlo y guardarlo.**  
(Puede causar una quemadura.)



# Precauciones de seguridad

Asegúrese de seguir estas instrucciones.

## ⚠ PRECAUCIÓN

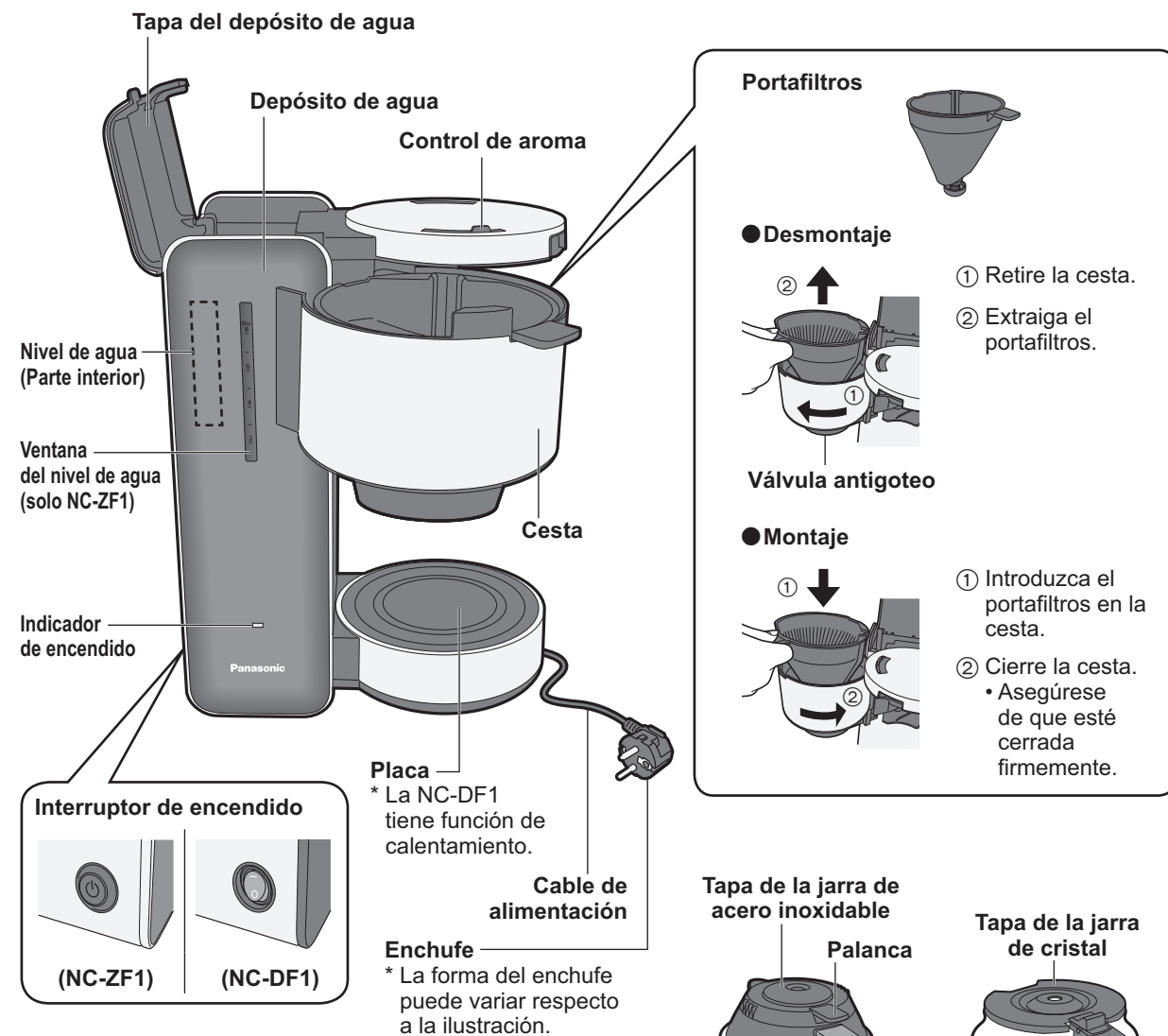
- Cuando manipula la jarra con café caliente dentro, no la incline ni abra la tapa de la jarra. Podría salir un chorro de líquido caliente y caerle en la mano.  
(Puede causar una quemadura.)
  - Sujete siempre el asa de la jarra.
- Asegúrese de limpiar el aparato después de cada uso.  
(De lo contrario podría causar quemaduras debido al desbordarse el líquido por atascamiento del portafiltros.)

## Información importante

- No llene el depósito de agua con leche, agua caliente, etc. Utilice únicamente agua fría.  
(Podría producirse un fallo.)
- No coloque la jarra sobre fuentes de calor ni en un microondas.  
(Puede causar daños en la jarra.)
- No utilice una jarra distinta de la suministrada.
- No utilice el aparato en el exterior.

# Nombres de las piezas e instrucciones de uso

■ En las ilustraciones del interior se muestra principalmente el modelo NC-ZF1.



### Antes del uso

Limpie el aparato siguiendo los pasos que se indican a continuación en su primer uso o cuando no lo haya utilizado durante un periodo prolongado.

- 1 Lave todas las piezas extraíbles. (P.84~85)
- 2 Coloque el portafiltros y la jarra.
  - No ponga café molido.
- 3 Llene de agua el depósito de agua hasta la marca 8 y cierre la tapa del depósito de agua.
- 4 Enchufe el aparato y encienda el interruptor de encendido.
- 5 Cuando se vacíe el depósito de agua, apague el interruptor de encendido y tire el agua caliente de la jarra.

### Accesorio



Cuchara de medición

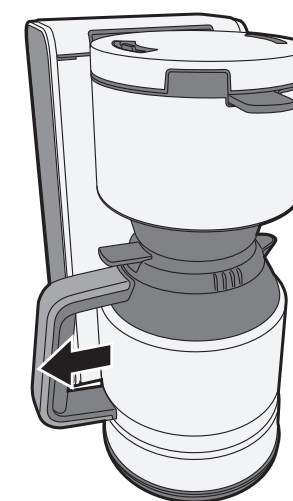
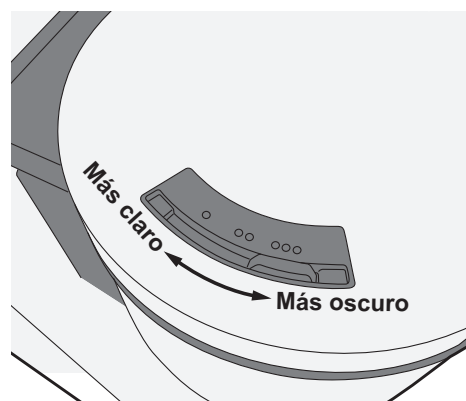
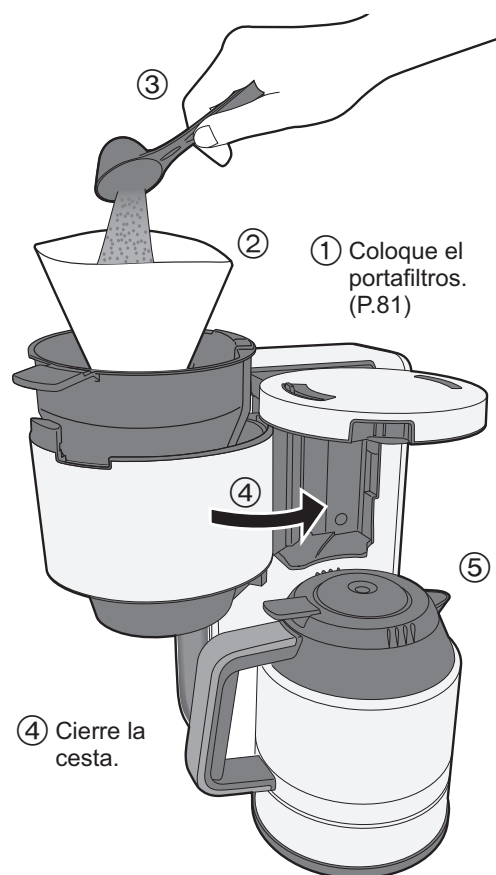
# Modo de uso

**1** Coloque el portafiltros, el filtro de papel, la jarra y el café molido.

**2** Ajuste el control de aroma según prefiera.

**3** Llene el depósito de agua, a continuación enchufe el aparato y encienda el interruptor de encendido.

**4** (Para la NC-ZF1) Retire la jarra cuando se apague la luz. (Para la NC-DF1) Cuando finalice la preparación de café, apague el interruptor de encendido y retire la jarra.



**Nota:** Asegúrese de que la cesta queda cerrada firmemente cuando la cierre.

## Pre calentamiento de la jarra (solo NC-ZF1)

- Cuando esté preparando una pequeña cantidad de café o la temperatura de la habitación sea baja, precaliente la jarra vertiendo agua caliente para obtener café caliente con buen sabor.
- Después de precalentar la jarra, tire el agua caliente.
- No utilice un plato calentador ni el microondas para calentar la jarra.

## Referencia de la cantidad de café

Café preparado	Café molido fino (aprox.)	Café molido medio (aprox.)
2 tazas	4 cucharadas	5 cucharadas
4 tazas	8 cucharadas	7½ cucharadas
6 tazas	11 cucharadas	10 cucharadas
8 tazas	14 cucharadas	12 cucharadas

- 1 taza=aprox. 120 mL
- Medido con la cuchara de medición suministrada. (Nivele en la parte superior.)

## (Para la NC-ZF1)

- El indicador de encendido se iluminará mientras se esté preparando el café y se apagará automáticamente.

## (Para la NC-DF1)

- El indicador de encendido se encenderá cuando el interruptor esté encendido.

## Nota

- No llene el depósito de agua con agua caliente. (Puede salir mucho vapor.)
- No prepare café con un nivel de agua inferior a la marca 2 ni superior a la marca 8, la cantidad máxima.
- No añada agua mientras se está preparando el café.
- Cuando haya añadido más agua de la deseada, retírela utilizando otro recipiente.

## Para preparar café consecutivamente

### Repita los pasos 1~3.

- Espere 5 minutos antes de añadir agua al depósito de agua. (Si se añade agua demasiado pronto, puede ser expulsada.)

## Nota

- No tire de la cesta hacia fuera cuando la jarra esté colocada en la placa. (El café se derramará.)
- El café está caliente, retire la jarra lentamente. (Podría derramarse el café caliente.)
- Si retira la jarra inmediatamente después de la preparación del café, este podría derramarse. En ese caso, espere un rato después de la preparación del café para retirar la jarra.
- Cuando manipule la jarra con café caliente dentro, no abra la tapa de la jarra, podría salir un chorro de líquido caliente y caerle en la mano. (Puede causar una quemadura.)
- Cuando retire la jarra, tire de ella por el asa.
- Para mantener el café caliente, deje el interruptor de encendido en la posición de encendido. (solo NC-DF1)
- Para que el café sepa mejor, no se recomienda mantenerlo caliente durante demasiado tiempo.

## Después del uso

- Desenchufe la cafetera después del uso.

## Cuando quede agua en el depósito de agua

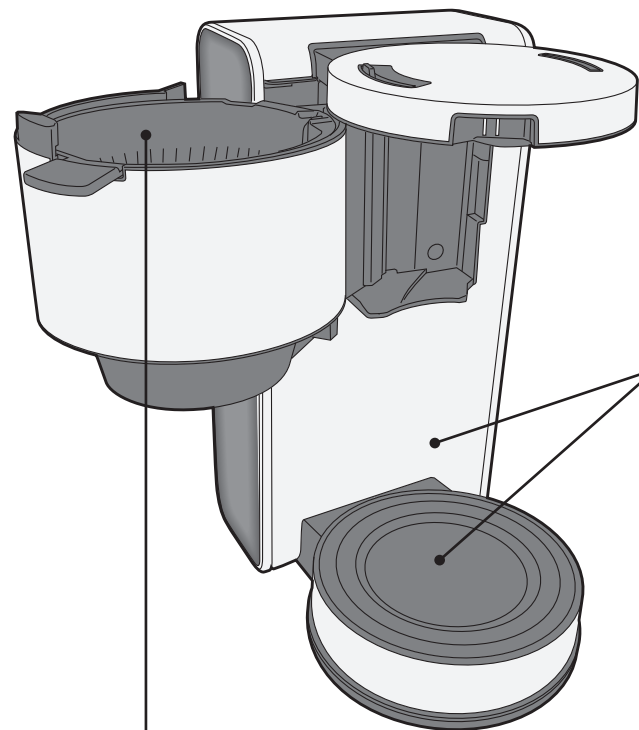
- Encienda la cafetera y extraiga el agua completamente a la jarra y después tírela.

# Limpieza

- Limpie el aparato después de cada uso.
- Desenchúfelo y asegúrese de que las piezas están frías antes de limpiarlas.

## Nota

- No utilice bencina, disolvente, alcohol, lejía, polvo abrillantador, cepillos metálicos o cepillos de nylon. De lo contrario podría dañar la superficie.
  - No utilice un lavavajillas.
  - No limpie el aparato con un objeto acabado en punta como un palillo o un alfiler.
  - Tenga cuidado al coger la jarra.
- No utilice la jarra si está astillada o agrietada.



## Cuerpo / Placa

Limpie con un paño bien escurrido.

Para evitar dañar las superficies del cuerpo y la placa.

- No las golpee con objetos duros ni las frote con un estropajo.

## Jarra de cristal (Para la NC-DF1)

Lávalo con lavavajillas diluido (neutro) y una esponja suave.



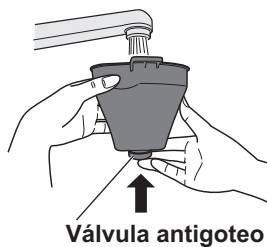
## Cuchara de medición

Lávalo con lavavajillas diluido (neutro) y una esponja suave.

## Portafiltros

Lávalo con lavavajillas diluido (neutro) y una esponja suave.

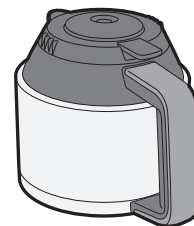
- **Válvula antigoteo**  
Esto es para evitar el derrame de las gotas restantes de la cesta.



- 1 Vierta agua en el portafiltros.
- 2 Empuje la válvula antigoteo hacia arriba y agítela 2 o 3 veces.

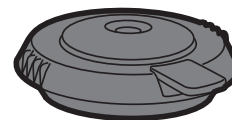
## Jarra de acero inoxidable (Para la NC-ZF1)

Lávalo con lavavajillas diluido (neutro) y una esponja suave.



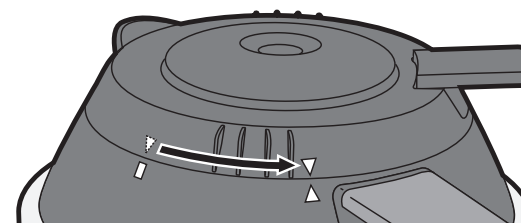
## Tapa de la jarra de acero inoxidable

Enjuague la tapa con agua. Deseche el agua del interior a través del orificio con la palanca después del enjuague.



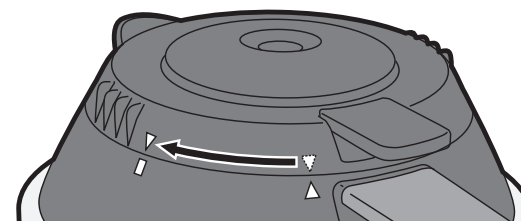
## Para retirar la tapa de la jarra

Gire la tapa de la jarra en la dirección de la flecha para alinear los triángulos.



## Para colocar la tapa de la jarra

Alinee los triángulos y gire la tapa de la jarra en la dirección de la flecha para alinear el triángulo con el rectángulo.

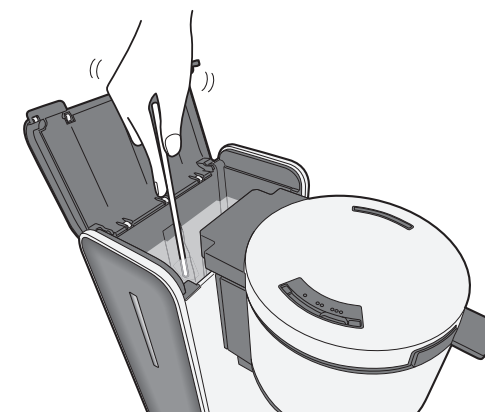


## Limpie el depósito de agua con ácido cítrico cuando la preparación del café sea lenta

La velocidad de preparación del café se ralentiza cuando los minerales que contiene el agua, por ejemplo el calcio, se adhieren al tubo de agua y al depósito de agua.

\*La acumulación de sarro se producirá sobre todo en las zonas donde el agua contiene más minerales.

- 1 Coloque la cesta y la jarra.
- 2 Llene de agua el depósito de agua hasta la marca 8 y añada aprox. 20 g (2 cucharadas) de ácido cítrico.  
A continuación mezcle bien con un palo y cierre la tapa del depósito de agua.



- 3 Enchufe el aparato y encienda el interruptor de encendido.
- 4 Cuando se vacíe el depósito de agua, apague el interruptor de encendido y tire el agua caliente de la jarra.
- 5 Repita los pasos 1~4 solo con agua para eliminar el olor del ácido cítrico.

# Resolución de problemas

Compruebe los siguientes puntos antes de solicitar asistencia.

Problema	Causa
El café molido se derrama del filtro de papel.	<ul style="list-style-type: none"> <li>● Se añadió más de la cantidad máxima de café molido. → No añada más de la cantidad máxima de café molido. (P.82)</li> <li>● El filtro de papel está rasgado. → Sustituya el filtro de papel.</li> </ul>
La velocidad de preparación es lenta o no sale el café.	<ul style="list-style-type: none"> <li>● Se ha acumulado sarro en la tubería de agua y en el depósito de agua. → Limpie el depósito de agua con ácido cítrico. (P.85)</li> </ul>
La temperatura de preparación es baja.	<ul style="list-style-type: none"> <li>● Precaliente la jarra con agua caliente antes de la preparación del café. (P.82)</li> </ul>

# Especificaciones

	NC-ZF1	NC-DF1
Alimentación	230 - 240 V ~ 50 - 60 Hz	
Consumo de energía	900 - 980 W	
Cantidad máxima de agua	1,1 L (8 tazas)	
Dimensiones (An × Pr × AL) (aprox.)	293 × 172 × 346 mm	293 × 167 × 346 mm
Peso (aprox.)	3,8 kg	2,9 kg
Longitud del cable de alimentación (aprox.)	0,9 m	



## Información sobre la eliminación para los usuarios de equipos eléctricos y electrónicos usados (particulares)

La aparición de este símbolo en un producto y/o en la documentación adjunta indica que los productos eléctricos y electrónicos usados no deben mezclarse con la basura doméstica general. Para que estos productos se sometan a un proceso adecuado de tratamiento, recuperación y reciclaje, llévelos a los puntos de recogida designados, donde los admitirán sin coste alguno. En algunos países existe también la posibilidad de devolver los productos a su minorista local al comprar un producto nuevo equivalente.

Si desecha el producto correctamente, estará contribuyendo a preservar valiosos recursos y a evitar cualquier posible efecto negativo en la salud de las personas y en el medio ambiente que pudiera producirse debido al tratamiento inadecuado de desechos.

Póngase en contacto con su autoridad local para que le informen detalladamente sobre el punto de recogida designado más cercano.

De acuerdo con la legislación nacional, podrían aplicarse multas por la eliminación incorrecta de estos desechos.

## Para empresas de la Unión Europea

Si desea desechar equipos eléctricos y electrónicos, póngase en contacto con su distribuidor o proveedor para que le informe detalladamente.

## Información sobre la eliminación en otros países no pertenecientes a la Unión Europea

Este símbolo sólo es válido en la Unión Europea.

Si desea desechar este producto, póngase en contacto con las autoridades locales o con su distribuidor para que le informen sobre el método correcto de eliminación.