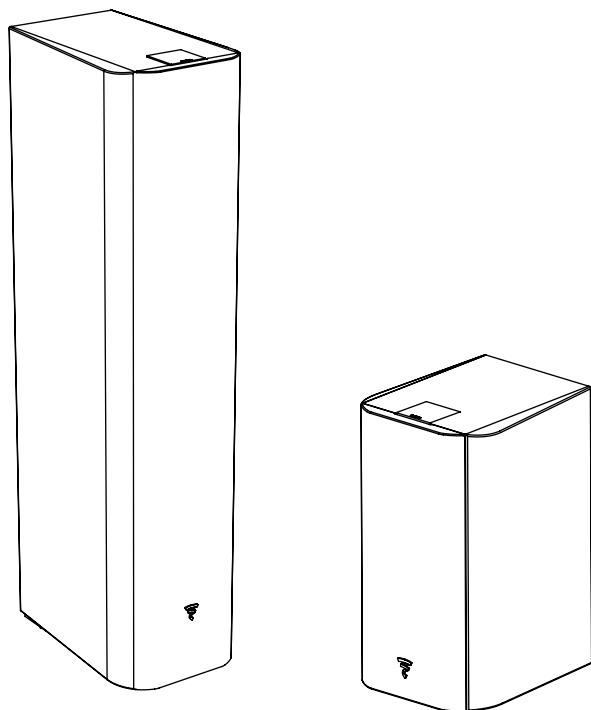


CHORUS® 700 serie

User manual / Manuel d'utilisation



English page 5
Français page 14

CHORUS 700[®] SERIE

User manual/Manuel d'installation

3

F

Nous vous remercions d'avoir choisi les enceintes Focal et de partager avec nous notre philosophie "the Spirit of Sound". Ces enceintes de haute technicité intègrent les ultimes perfectionnements Focal en matière de conception de haut-parleurs pour la haute fidélité et le home cinéma. Afin d'exploiter toutes leurs performances, nous vous conseillons de lire les instructions de ce livret puis de le conserver avec précaution pour vous y référer ultérieurement.

GB

Thank you for choosing Focal loudspeakers. We are pleased to share with you our philosophy : "the Spirit of Sound". These high-performance speakers feature the latest technical developments from Focal in terms of speaker design, whether it is for high fidelity or home theater systems. In order to enjoy the maximum of their performance, we advise you to read this user's manual and to keep it carefully so that you can consult it later.

ES

Gracias por elegir sistemas de altavoces de Focal. Nos complace compartir con usted nuestra filosofía: "The Spirit of Sound". Estos sistemas de altavoces de altas prestaciones de Focal se caracterizan por estar dotados de los últimos avances tecnológicos de Focal en términos de diseño, tanto para sistemas de alta fidelidad como de Home Cinema. Con el objetivo de que disfrute al máximo de las prestaciones de los equipos le recomendamos lea este manual detenidamente y conserve el mismo para futuras consultas.

La garantía Focal solo se aplicará si la tarjeta incluida en el embalaje es devuelta a nosotros en el plazo de diez días tras su compra.

I

Grazie per aver scelto i diffusori acustici Focal. Siamo felici di condividere con voi la nostra filosofia: "The Spirit of Sound". Questi diffusori ad alte prestazioni adottano gli ultimi sviluppi tecnici Focal in termini di design, sia per sistemi hi-fi, sia per home theater. Per godere il massimo delle loro prestazioni, vi invitiamo a leggere questo manuale e conservarlo per future consultazioni.

La garanzia Focal-JMLab è valida solo se il certificato viene rispedito entro 10 giorni dall'acquisto.

D

Vielen Dank, dass Sie sich Für Focal lautsprecher entschieden haben. Gerne teilen wir mit Ihnen unsere Philosophie: "The Spirit of Sound. Was das design von HiFi Und Heimkinosystemen anbelangt, bieten diese Hochleistungs lautsprecher den neuesten technischen Stand von Focal. Um diese lautsprecher voll nutzen und ihre Maximalleistung genießen zu können, sollten Sie das Benutzerhandbuch sorgfältig lesen und für die spätere Einsichtnahme gut aufbewahren.

Die Focal-JMLab Garantie findet nur Anwendung, wenn die beigefügte Garantiekarte innerhalb von 10 Tagen nach Kauf bei uns eingeht.

RU

Благодарим Вас за выбор продукции компании Focal. Мы с удовольствием делимся с Вами нашей философией: «Душа звука». При изготовлении наших громкоговорителей используются самые передовые технологии разработанные компанией Focal, отличительной чертой нашей продукции является передовой дизайн и способность работать превосходно как в системах класса Hi-Fi, так и в домашнем кинотеатре. Для того чтобы ощутить максимум возможностей превосходства нашей продукции мы советуем вам внимательно ознакомиться с руководством пользователя и сохранить его, так как оно может пригодиться вам в будущем.

CN

祝贺和感谢您购买法国 Chorus 700 扬声器。我们很高兴能与您分享我们的理念：「声音的热情追求，音乐的极限发挥」。无论是高品质音响或家庭影院系统，这高性能扬声器俱备Focal最新技术发展音箱设计和声音放大技术，高品质音响或家庭影院系统均有出色表现。为了能享受产品的最佳表现，我们建议您阅读本用户手册，并妥善保存以便您随时参考。

CHORUS 700[®] SERIE

User manual/Manuel d'installation

4

J

この度は、フォーカルスピーカーをお買い上げいただきありがとうございます。"スピリットオブサウンド" (サウンドの精神) という 私たちの哲学を共有していただけただけなことxに感謝申し上げます。
ハイファイかホームシアターシステムのスピーカーであるかどうかに関わらず、高性能スピーカーには、スピーカーの設計面で、フォーカルの最新の技術開発を投入しています。最大のパフォーマンスで楽しんでいただくために、ユーザーズマニュアルをよくお読みください。また後々に参照できるよう大切に保管されることをお勧めします。

KR

Focal 스피커를 구입해주셔서 감사합니다.

우리의 철학인 "The spirit of Sound"를 공유하게 되어서 기쁘게 생각합니다.

본 제품은 뛰어난 성능과 디자인 면에서 Focal의 최신 기술을 사용해 개발했습니다.

본 제품을 최대한 즐길 수 있게, 설명서를 읽어주시고 후에 참조할 수 있도록 보관해 주십시오.

AR

- شكرا لقيامك باختيار مكبرات الصوت Focal. يسرنا أن نتشارك معك بفلسفتنا: "حيوية الصوت" تعبر مكبرات الصوت عالية الأداء هذه عن أحدث التطورات التقنية في شركة Focal من ناحية التصميم سواء كانت للأداء عالي الأمانة أو أنظمة المسرح المنزلي. كي تتمكن من الاستمتاع بالأداء إلى الحد الأقصى، ننصحك بقراءة نصائح المستخدم والاحتفاظ به للرجوع إليه مستقبلا

- تم تصنيع وتطوير منتج Focal-Jmlab من مواد ومكونات عالية الجودة وقابلة لإعادة التدوير و/أو إعادة الاستخدام. يعني هذا الرمز أن التجهيزات الكهربائية والأكثرية يجب التخلص منها بشكل منفصل عن القمامة العادية عند انتهاء عمرها التشغيلي. يرجى التخلص من هذا المنتج عبر نقله إلى نقطة الجمع المحلية أو مركز إعادة التدوير المخصص لهذا النوع من الأجهزة. سيساعد ذلك في حماية البيئة التي نعيش جميعنا فيها.

CHORUS[®] 700 SERIE

User manual

English

Running-in period

The drivers used in the Chorus loudspeaker are complex mechanical devices and require an run-in period before they deliver their best performance. They must get adapted to the temperature and humidity conditions of their environment. This breaking-in period depends on the encountered conditions and can last several weeks. In order to shorten this period, we advise you to let your loudspeakers operate for about twenty hours.

Once the components of the loudspeakers are completely stabilized, it is possible to enjoy the real performance of your Chorus loudspeakers.

Included inside:

- 1 x loudspeaker
- 1 x user manual
- 4 x decoupling spikes (714/716/726)
- 4 x lock nut (714/716/726)
- 4 x protective cap (714/716/726)

The Focal-JMLab guarantee only applies if the enclosed guarantee card is returned to us within 10 days of purchase.

Specifications

The aluminum/magnesium alloy TNV inverted dome tweeter[®]: the tweeter of the Chorus benefits from the inverted dome technology, which is exclusive to Focal. It allows optimal energy transfer and wide dispersion. The aluminum /magnesium alloy making up of the dome guarantees exceptional performances in terms of stiffness and damping thus ensuring a subtle blend of softness and dynamics.

Polyglass[®] cone woofer and midbass: impregnated paper cones with a fine layer of silica micro-balls for a fully dynamic bass impact, precise and distortion-free.

OPC[®] (optimum phase crossover): phase optimization for a precise, natural and stable soundstage and image.

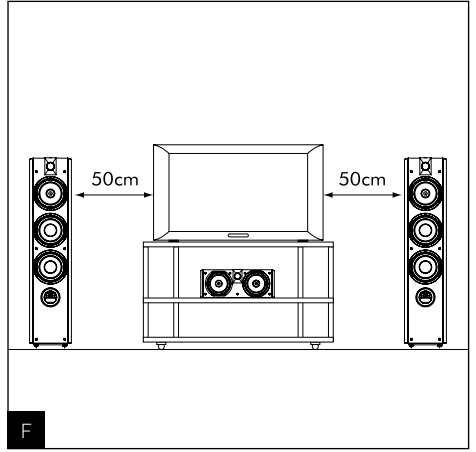
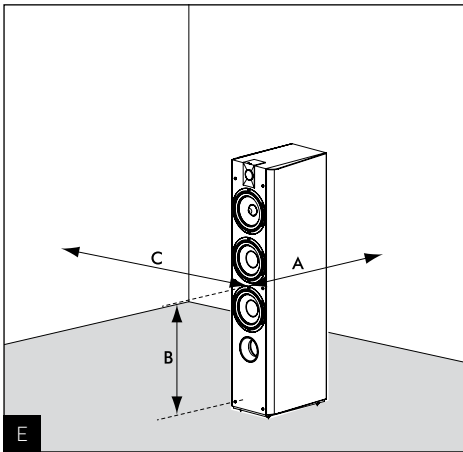
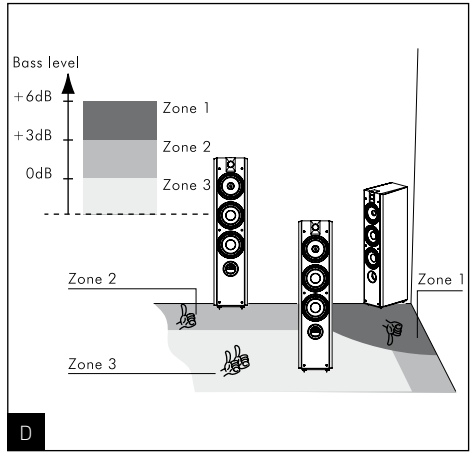
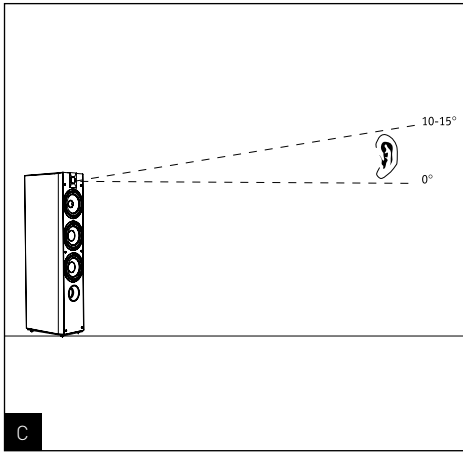
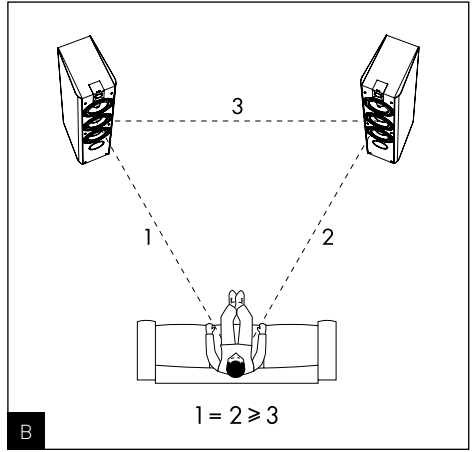
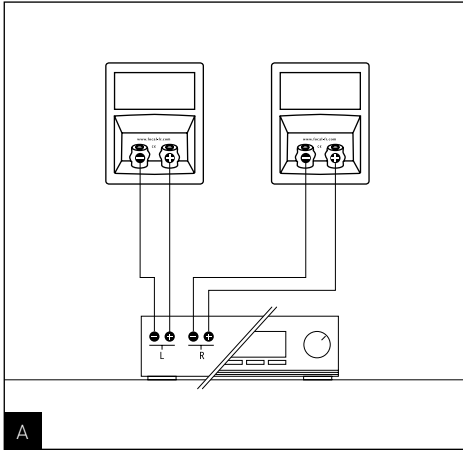
Braced precision MDF cabinets, non parallel inner wall structure:

rigid cabinets without any internal resonance for lower coloration.

Highly efficient acoustic wadding: excellent internal damping, deeper and tighter bass.

Highly reliable input sockets.

Decoupling spikes.



CHORUS[®] 700 SERIE

User manual

7

Connections

The Chorus input sockets ensure reliable multipurpose connections for stripped cables as well as for plugs. The "banana" terminals are obstructed in order to comply with electrical standards currently in force in several countries. Make sure not to remove the plastic safety lids.

It is imperative to respect the connector polarity of both the loudspeaker and amplifier. The positive terminal "+" must be connected to the corresponding (matching) amplifier's terminal and the negative terminal "-" to the negative terminal (*fig. A*). Stereo image, soundstaging and bass perception would be seriously compromised if these conditions were not respected.

Positioning

The Chorus loudspeakers have been engineered to deliver the most faithful sound reproduction, whether they are used for music or home cinema. In order to enhance their performance, to guarantee a high quality of listening, sound image and tone balance, it is important to note the following basic rules.

The listening area must be located at the summit of an equilateral triangle whose two other points of insertion are determined by the position of each speaker. Nevertheless it is possible to modify these distances to find an ideal compromise according to the particular disposition of the room (*fig. B*).

Each loudspeaker must be placed at the same height and on the same floor plan. The tweeter should be at the same height as the listener's ear, when the listener is in their usual listening area (*fig. C*).

Avoid placing the loudspeakers too close to the room's corners or walls. This will induce some unwanted room resonance and artificially increase bass response. On the contrary, if the bass level proves to be insufficient, it is possible to move the speakers closer to the walls to adjust the bass level (*fig. D*).

Optimization

To please the perfectionists, we shall give an optimum positioning formula : if **A** is the distance from the boomer centre to the closest wall (floor or wall), **B** the intermediate distance and **C** the longest distance (**A<B<C**), the relation **B²=AC** determines the ideal position of the speakers.

• Example 1:

If the boomer centre is 50cm [20"] away from the rear wall (**A**) and 60cm [24"] above the floor (**B**), then the side wall will be ideally 72cm [28"] (**C=B²/A=72cm**) (*fig. E*).

User instructions

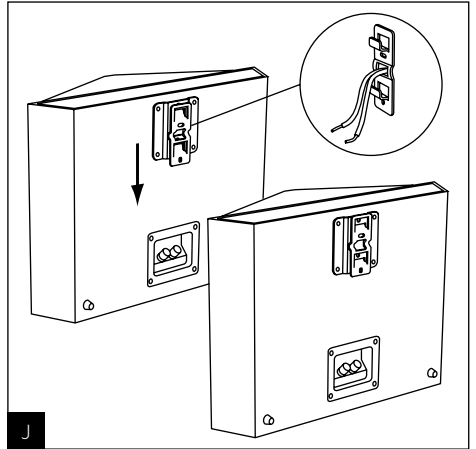
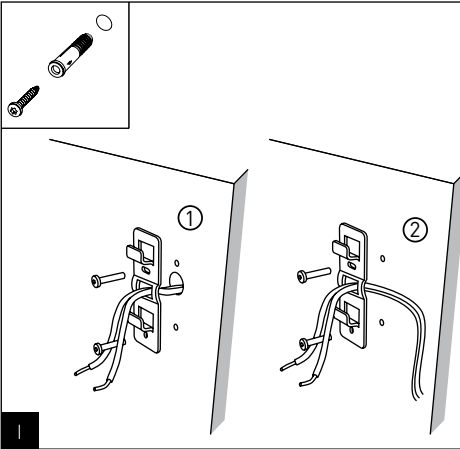
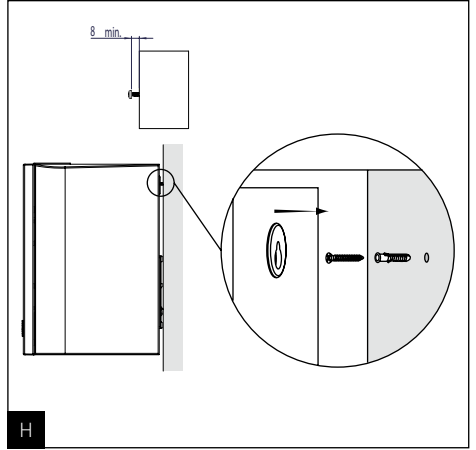
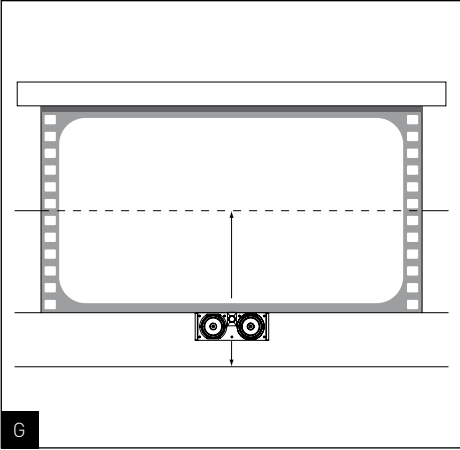
The sound performance of the Chorus loudspeaker depends strongly upon the listening room's acoustics, the place of the loudspeakers and the listening area. These factors can be modified in order to correct or enhance a desired effect.

Should the soundstage be imprecise or not centred, try to move the loudspeakers closer to each other.

Harsh or aggressive sound means that your listening room is probably too reflective. Try to use any absorbing materials (such as carpet, sofa, wall coverings, curtains...) combined with reflective materials to absorb or diffuse resonances.

Should the sound be "flat" or muffled, there are too many absorbing materials in the listening room. The sound appears to be closed-in, with a narrow stereophonic image. Try to find a better compromise between absorbing and reflective materials within your listening room.

Generally the wall to the rear of the speakers should be made up of reflective materials so that the sound image exhibits satisfying volume and width. On the contrary the wall on the rear of the listener should be absorbing in order to avoid reflections damaging the perception of the stereo soundstage. These reflections may limit the impression of depth of the sound image. Furniture, such as bookshelves should be ideally placed along the side walls in order to diffuse sound waves and to prevent some frequencies from being amplified, especially in vocal range (it removes "flutter echo").



CHORUS® 700 SERIE

User manual

Choice of speakers

The Chorus loudspeakers have been engineered to work with stereo systems as well as with home theater systems. If you already own a pair of stereo Chorus loudspeakers and wish to purchase a complete home theater system, it is of the utmost importance that you use the central and effect loudspeakers of the same product line : Chorus. It is the sole possible condition to bring to your system a perfect tonal homogeneity and a realistic and coherent reproduction of tri-dimensional effects within the listening room.

Central channel placement

Central channel speaker should be placed close to the TV-screen to obtain a proper placement and a realistic reproduction of the dialog. It could be placed below the TV-screen (*fig. F*).

If a standard projection screen is used, the central channel speaker must be placed under the screen.

If an acoustically transparent projection screen is used, the central channel speaker can be placed behind and at the bottom of the screen (*fig. G*).

Effect channel speakers's place

The soundtrack mix for a film or music encoded in multichannel format is very complex and allows the listener to benefit from a wide range of special sound effects, which require the use of effect channel speakers. In order to obtain a realistic 3D soundstage, the placement of the speakers is decisive, even when confronted with a restrictive disposition of the listening room.

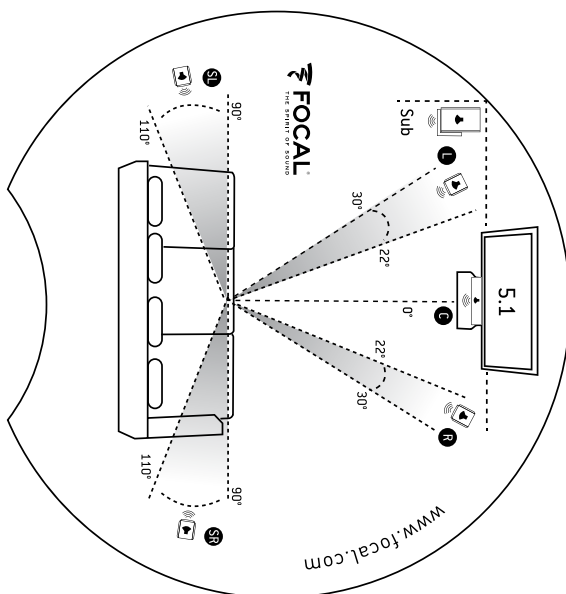
For enhanced performances, the following elements should be noted.

Avoid placing the effect speakers too far from the listening area otherwise the sound perception will be altered. In order to obtain surround effects, with great sound density we advise you to place the speakers against the sidewalls on each side of the listening room (*fig. K, L*).

CHORUS[®] 700 SERIE

User manual

K



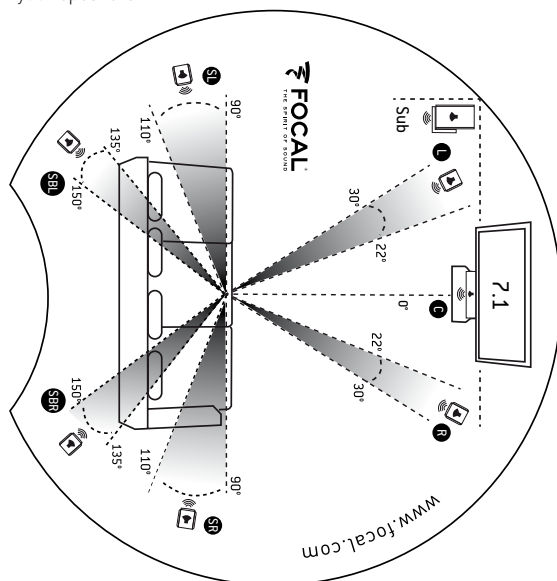
Satellites positioning

- Use the positioning tool below
- Go at your listening spot
- Aim at your screen
- It gives you the best positions for your speakers

Aim at your screen



L



CHORUS[®] 700 SERIE

User manual

11

Bookshelf mounting (705)

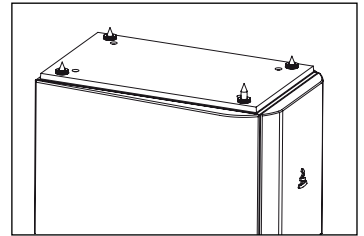
Fixing the bookshelf as indicated (*fig. H*).

Surround mounting (SR 700) with Polyfix wall bracket

- Place the wall rest on to the wall and drill. Use only plugs fitting your wall material.
- If the loudspeaker cable is embedded in the wall, guide it through the wall mounted bracket's opening as indicated ①.
- If the loudspeaker cable is fixed to the wall slide it under the wall mounted bracket as indicated ②.
- Guide the loudspeaker cable through the Polyfix plate as indicated.
- Clip the plate on the loudspeaker to the wall mounted bracket as indicated (*fig. I, J*).

Accessories

The Chorus 700 floorstanding loudspeaker systems include four decoupling spikes (cones) and should be screwed, if necessary, into the four metal inserts situated on the base of the loudspeaker. These spikes ensure a better stability for floorstanding speakers, particularly if the floor is not perfectly flat and smooth. The enclosed spikes are adjustable in height. After having adjusted the height of the spikes, don't forget to lock them with the locknut.



User precautions

The TNV tweeter is made up of a relatively soft aluminum/magnesium alloy and has a "shape memory" that enables it to rapidly take its initial shape again after slight impacts. However we advise you not to remove the speaker grille in order to keep the dome protected. If the dome surface is damaged, tweeter performance may be compromised.

As the loudspeaker's covering materials are strong, scratch- and stain-resistant, maintenance is easy and consists only in cleaning the covering with a dry cloth. If the enclosure is stained, we simply recommend the use of a damp cloth.

Never use any solvents, detergents, alcohol or corrosive products, scrap-pers or scouring powder to clean the surface of the loudspeaker.

Avoid placing the loudspeakers near a heat source.

About amplifiers

Contrary to what one might think, it is not a too powerful amplifier that might damage a loudspeaker, but rather a lack of power. Actually if the output level of the amplifier is too high it will saturate and distort which will irretrievably damage the tweeter.

The power handling and frequency response of the Chorus loudspeakers is good enough to highlight the qualities or weak points of the amplifiers they are combined with. Let your retailer help you make the right choice, matching your personal taste and budget.

Cable

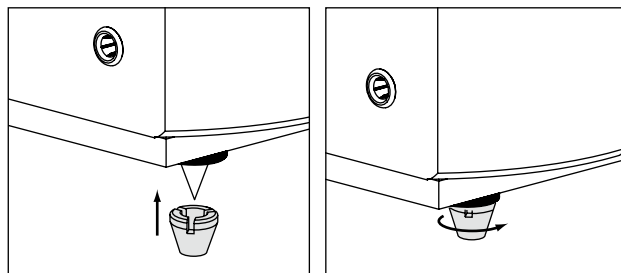
Don't underestimate the importance of the cable: make sure you chose the appropriate section and length. Let your retailer advise you.

CHORUS[®] 700 SERIE

User manual

12

Installation of spike caps



Specifications

	Chorus 705	Chorus 706	Chorus 714	Chorus 716
Description	2-way bass reflex bookshelf loudspeaker	2-way bass reflex bookshelf loudspeaker	2 ¹ / ₂ -way bass reflex floor standing loudspeaker	2 ¹ / ₂ -way bass reflex floor standing loudspeaker
Drivers	5" (130mm) Polyglass mid-bass	6 ¹ / ₂ " (165mm) Polyglass mid-bass	5" (130mm) shielded Polyglass Woofer	6 ¹ / ₂ " (165mm) Polyglass Woofer
	1" (25mm) TNV inverted dome tweeter	1" (25mm) TNV inverted dome tweeter	5" (130mm) shielded Polyglass mid-bass	6 ¹ / ₂ " (165mm) Polyglass mid-bass
			1" (25mm) TNV inverted dome tweeter	1" (25mm) TNV inverted dome tweeter
Frequency response (±3dB)	65Hz-28kHz	55Hz-28kHz	52Hz-28kHz	50Hz-28kHz
Sensibility (2.83V/1m)	89dB	90dB	91dB	91.5dB
Nominal impedance	8 ohms	8 ohms	8 ohms	8 ohms
Minimum impedance	3 ohms @ 200Hz	3.6 ohms @ 226Hz	4.2 ohms @ 160Hz	4.3 ohms @ 146Hz
Recommended amplifier power	25/100W	25/120W	30/150W	40/200W
Crossover frequency	3000Hz	3000Hz	300-3000Hz	300-3000Hz
Dimensions (HxWxD)	315x190x227mm 12 ³ / ₈ x 7 ¹ / ₂ x 8 ¹⁵ / ₁₆ "	390x220x263mm 15 ³ / ₈ x 8 ² / ₃ x 10 ³ / ₈ "	900x200x268mm 35 ⁷ / ₁₆ x 7 ⁷ / ₈ x 10 ⁹ / ₁₆ "	950x221x308mm 37 ³ / ₈ x 8 ¹¹ / ₁₆ x 12 ¹ / ₈ "
Net Weight (unit)	5.7kg - 12.5lbs	8.2kg - 18lbs	16kg - 35.6lbs	20.5kg - 45.1lbs

CHORUS[®] 700 SERIE

User manual

13

	Chorus 726	Chorus CC 700	Chorus SR 700
Description	3-way bass reflex floor standing loudspeaker	2-way center loudspeaker sealed	2-way sealed effects loudspeaker
Drivers	Two 6 ^{1/2} " (165mm) Polyglass Woofer	Two 6 ^{1/2} " (130mm) shielded Polyglass mid-bass	6 ^{1/2} " (165mm) Polyglass mid-bass
	6 ^{1/2} " (165mm) Polyglass mid-range	1" (25mm) TNV inverted dome tweeter	1" (25mm) TNV inverted dome tweeter
	1" (25mm) TNV inverted dome tweeter		
Frequency response [±3dB]	48Hz-28kHz	61Hz-28kHz	75Hz-28kHz
Sensitivity (2.83V/1m)	91.5dB	91dB	90dB
Nominal impedance	8 ohms	8 ohms	8 ohms
Minimum impedance	2.9 ohms @ 118Hz	5.2 ohms @ 160Hz	3.7 ohms @ 260Hz
Power handling With musical program	40/250W	25/200W	25/100W
Crossover frequency	300-3000Hz	3000Hz	3000Hz
Dimensions (HxWxD)	990x222x343mm 39x8 ^{3/4} x13 ^{1/2} "	185x491x195mm 7 ^{5/16} x19 ^{1/3} x7 ^{11/16} "	295x398x149mm 11 ^{5/8} x 15 ^{5/8} x 5 ^{7/8} "
Net Weight (unit)	23.5kg - 51.7lbs	7.5kg - 16.5lbs	4.7kg - 10.3lbs

Conditions of guarantee

All Focal loudspeakers are covered by guarantee drawn up by the official Focal distributor in your country. Your distributor can provide all details concerning the conditions of guarantee. Guarantee cover extends at least to that granted by the legal guarantee in force in the country where the original purchase invoice was issued.



Your Focal-JMlab product was developed and manufactured with high-quality materials and components which can be recycled and/or re-used. This symbol indicates that electrical and electronic equipment must be disposed of separately from normal garbage at the end of its operational lifetime. Please dispose of this product by bringing it to your local collection point or recycling centre for such equipment. This will help to protect the environment in which we all live.

CHORUS[®] 700 SERIE

Manuel d'utilisation

Français

Période de rodage

Les haut-parleurs utilisés dans Chorus sont des éléments mécaniques complexes qui exigent une période d'adaptation pour fonctionner au mieux de leurs possibilités et s'adapter aux conditions de température et d'humidité de votre environnement. Cette période de rodage varie selon les conditions rencontrées et peut se prolonger sur quelques semaines. Pour accélérer cette opération, nous vous conseillons de faire fonctionner vos enceintes une vingtaine d'heures. Une fois les caractéristiques de l'enceinte totalement stabilisées, vous pourrez profiter intégralement des performances de vos enceintes Chorus.

Contenu du carton :

- 1 x enceinte
- 1 x manuel utilisateur
- 4 x pointe de découpage (714/716/726)
- 4 x contre-écrou (714/716/726)
- 4 x embouts de protection pour les pointes (714/716/726)

**Pour validation de la garantie Focal-JMLab,
merci de nous retourner la garantie jointe dans les 10 jours.**

Caractéristiques

Tweeter TNV à dôme inversé[®] en alliage aluminium / magnésium : le tweeter de la Chorus utilise la technologie du dôme inversé exclusive à Focal, permettant un transfert optimal de l'énergie et une directivité limitée. L'alliage aluminium / magnésium du dôme garantit des performances exceptionnelles en matière de rigidité et d'amortissement, pour un aigu à la fois doux et dynamique.

Médium et woofer à cône Polyglass[®] : membrane fibre de cellulose rigidifiée par un composé de microbilles de verre pour un son détaillé et impactant, sans distorsions.

Filtre à phase optimisée OPC[®] : optimisation de la phase pour une image sonore précise, stable et naturelle.

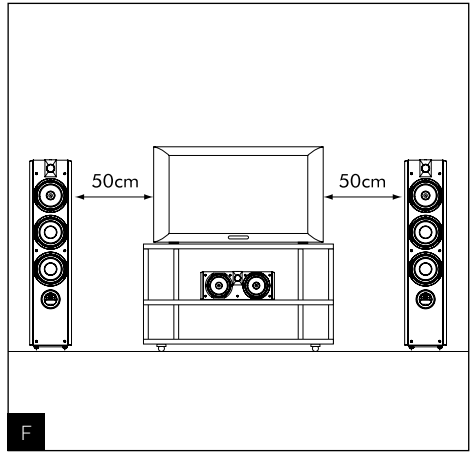
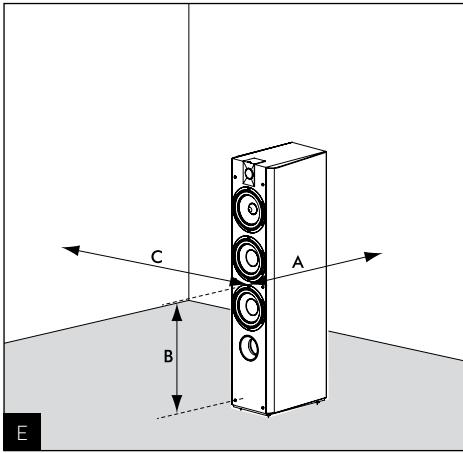
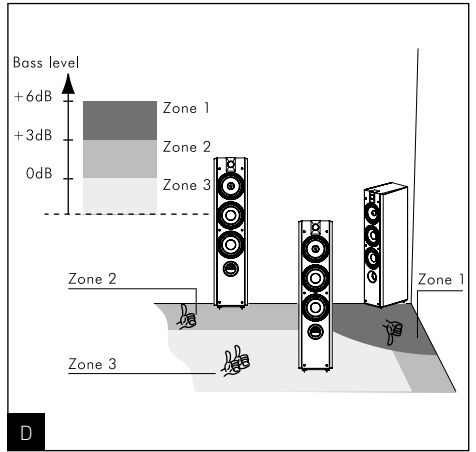
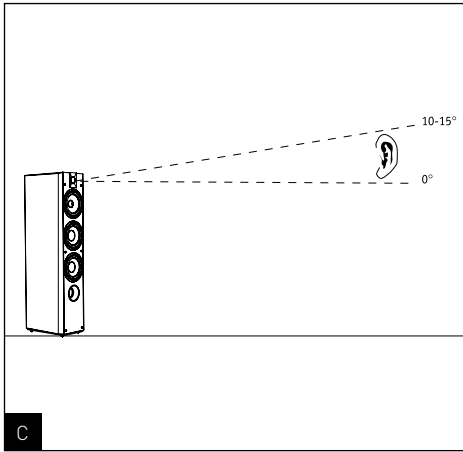
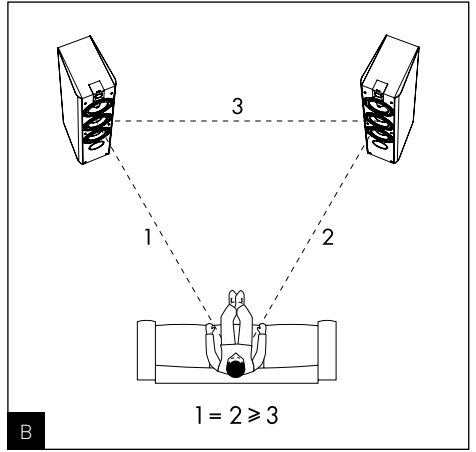
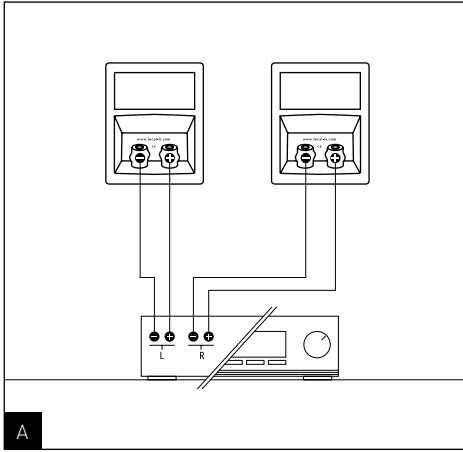
Construction en MDF avec flancs rapportés non parallèles : enceintes rigides, absence de résonance pour une plus grande neutralité des timbres.

Évent profilé : grave puissant sans distorsion.

Quate acoustique haute efficacité : excellent amortissement interne, grave tenu et plus profond.

Connexions haute fiabilité, couple de serrage élevé.

Pointes de découplage fournies.



CHORUS[®] 700 SERIE

Manuel d'utilisation

16

Branchements

Les connecteurs des Chorus assurent des contacts fiables et polyvalents, pour câbles dénudés (jusqu'à 4 mm de diamètre) ou des fourches. Les bornes bananes sont obstruées pour être en conformité avec les normes électriques et de raccordement en vigueur dans certains pays. Ne pas retirer les opercules en plastique.

Il est impératif de respecter la polarité des enceintes. Le connecteur marqué "+" doit être connecté sur la sortie correspondante de l'amplificateur, le connecteur marqué "-" sur la borne négative (*fig. A*). Si cette condition n'est pas respectée, l'image stéréo et la perception du grave se dégraderont considérablement.

Choix de l'emplacement

Vos enceintes Chorus ont été étudiées pour restituer le plus fidèlement possible toutes les formes de musiques ou programmes home cinéma. Il convient toutefois d'observer quelques règles simples pour optimiser leurs performances, garantissant un bon équilibre tonal et une image sonore réaliste.

Les enceintes devront être placées de façon symétrique face à la zone d'écoute, de manière à former idéalement un triangle équilatéral avec celle-ci. Il est néanmoins possible de faire varier ces distances pour trouver le compromis idéal en fonction des conditions d'aménagement particulières (*fig. B*).

Les enceintes devront être placées à même hauteur sur un même plan horizontal. Idéalement, le tweeter sera placé au niveau des oreilles de l'auditeur au point d'écoute habituel (*fig. C*).

Ne placez pas les enceintes trop près d'un angle de la pièce et évitez de trop les rapprocher d'un mur. Ceci aura pour effet d'exciter certaines résonances de la pièce et d'augmenter artificiellement le niveau du grave. A contrario, si le niveau de grave est jugé insuffisant, on pourra tenter de rapprocher les enceintes des murs pour rééquilibrer le niveau de grave (*fig. D*).

Optimisation

Pour les perfectionnistes, nous donnerons une formule de positionnement optimal :

Si **A** est la distance du centre du boomer à la paroi la plus proche (sol ou mur), **B** la distance intermédiaire et **C** la distance la plus grande ($A < B < C$), la relation $B^2 = AC$ définit la position idéale de l'enceinte.

• Exemple :

Si le centre du boomer est éloigné du mur arrière de 50 cm (A) et à 60 cm du sol (B), alors le mur latéral sera idéalement à 72 cm ($C = B^2/A = 72 \text{ cm}$) (*fig. E*).

Conseils d'utilisation

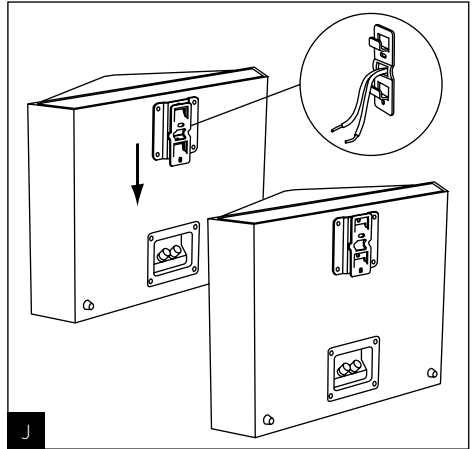
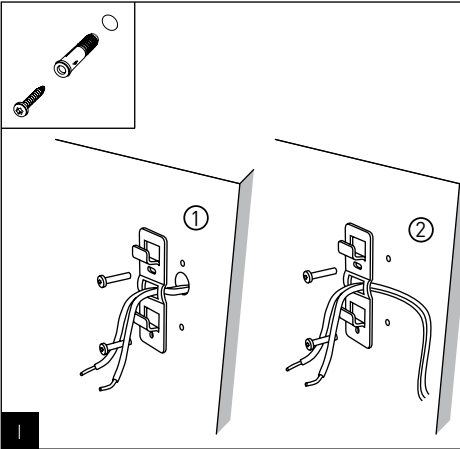
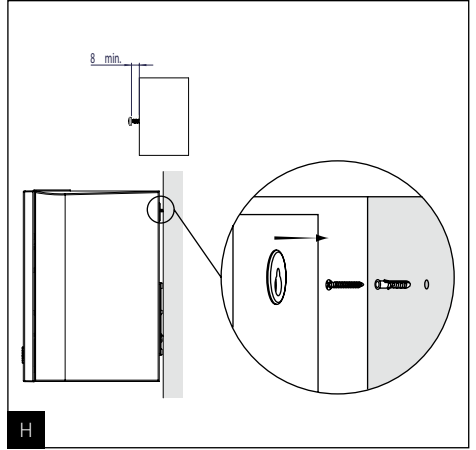
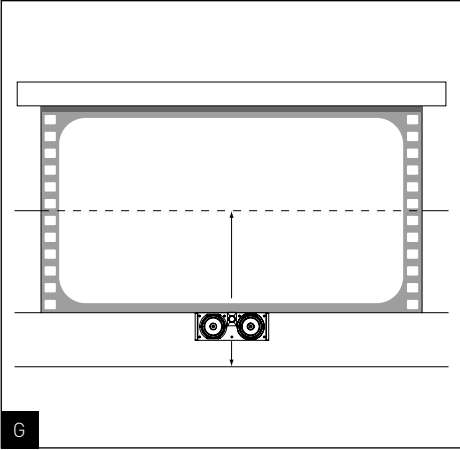
Le comportement des enceintes Chorus dépend de l'acoustique du local d'écoute, du bon positionnement des enceintes dans celui-ci et de l'emplacement de l'auditeur. Il est possible d'interagir sur ces éléments pour corriger ou améliorer un effet recherché.

La perception stéréophonique est imprécise et mal centrée : essayez de rapprocher les enceintes l'une de l'autre et/ou les orienter vers le point d'écoute

Le son est dur, agressif : l'acoustique de votre pièce est probablement trop réverbérante. Envisagez l'utilisation de matériaux absorbants (tapis, canapé, tentures murales, rideau...) et réfléchissants (meublier) pour absorber ou diffuser les résonances.

Le son est "plat", étouffé : excès de matériaux absorbants dans la pièce, le son est bouché, sans relief. Recherchez un meilleur compromis entre les matériaux absorbants et réfléchissants de votre intérieur.

D'une manière générale, on cherchera à ce que le mur placé derrière les enceintes soit de nature réfléchissante pour que le son se développe correctement. À l'inverse, le mur placé derrière la zone d'écoute sera idéalement absorbant pour éviter que des réflexions arrière ne viennent "polluer" la perception de l'image stéréophonique. Le mobilier pourra être placé judicieusement sur les murs latéraux pour diffuser les ondes sonores afin d'éviter d'exciter certaines zones de fréquences notamment dans le médium (suppression du "flutter écho").



CHORUS® 700 SERIE

Manuel d'utilisation

Choix des enceintes

Les enceintes Chorus ont été mises au point pour fonctionner en stéréo comme en home cinéma. Si vous possédez déjà des enceintes Chorus à l'avant et désirez évoluer vers le home cinéma, il est capital d'utiliser une enceinte centrale et des enceintes surround Chorus. Il s'agit de la seule solution envisageable pour vous garantir une parfaite concordance de timbres et une répartition à la fois réaliste et cohérente des effets tridimensionnels dans la pièce.

Placement de l'enceinte centrale

L'enceinte centrale doit être placée à proximité de l'écran pour une restitution réaliste des dialogues. Elle peut être placée sous le téléviseur si le meuble TV le permet (*fig. F*).

Si un écran de projection standard est utilisé, l'enceinte centrale devra être placée au pied de l'écran pour des résultats optimaux. Si un écran micro perforé est utilisé, elle pourra alors être placée derrière l'écran, vers la moitié basse de celui-ci (*fig. G*).

Placement des enceintes surround

La complexité des bandes sonores des films, tout particulièrement celles qui sont mixées en 5.1, permet aujourd'hui d'obtenir une très grande diversité d'effets surround. Le choix du placement des enceintes surround est donc déterminant pour l'obtention d'un espace tridimensionnel réaliste.

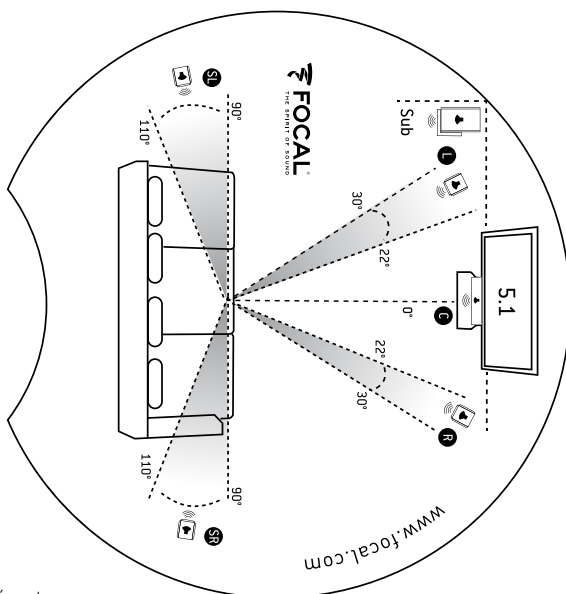
L'objectif visé est d'obtenir des sons suffisamment diffus et difficiles à localiser par l'application de quelques règles de base.

Évitez de placer les enceintes surround trop en arrière de la zone d'écoute, car la perception s'en trouvera dégradée. Privilégiez un placement sur les murs latéraux pour obtenir des effets sonores plus enveloppants (*fig. K, L*).

CHORUS[®] 700 SERIE

Manuel d'utilisation

K



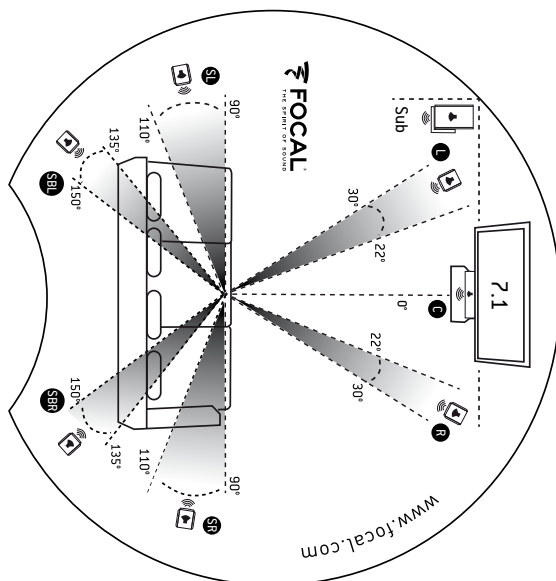
Emplacement des satellites

- Installez-vous à votre place d'écoute
- Positionner l'outil ci-dessous face à votre écran
- Il vous donne le meilleur positionnement pour vos enceintes

Face à l'écran



L



CHORUS[®] 700 SERIE

Manuel d'utilisation

20

Fixation enceintes bookshelf (705)

Montez l'enceinte comme indiqué (fig. H).

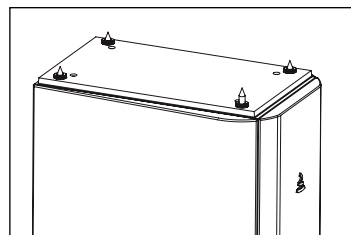
Fixation surround sur support Polyfix (SR 700)

- Positionner le support mural sur la cloison et percez. N'utilisez que des chevilles de fixation adaptées à la nature de votre cloison.
- Si le câble haut-parleur est encastré dans la cloison, le faire passer par l'orifice du support mural comme indiqué ①.
- Si le câble est fixé contre la cloison, le faire passer sous le passage de câble du support comme indiqué ②.
- Faites passer le câble haut-parleur dans la plaque Polyfix comme indiqué.
- Clipez la plaque de l'enceinte sur le support mural comme indiqué (fig. I, J).

Accessoires

Les enceintes colonnes Chorus 700 sont fournies avec quatre pointes (cônes) de découplage, à visser au besoin sur les 4 inserts métalliques situés à la base de l'enceinte.

Ces pointes permettent d'assurer une très bonne stabilité aux enceintes colonnes, notamment lorsque le sol n'est pas parfaitement plan et lisse. Les pointes fournies sont réglables en hauteur, de manière à ce que les 4 pointes reposent uniformément au sol sans aucun basculement. Une fois la hauteur des pointes déterminées, les bloquer avec le contre-écrou.



Précautions d'utilisation

Le tweeter TNV utilise un alliage aluminium / magnésium relativement souple, possédant un effet de "mémoire de forme" pour le mettre à l'abri de la plupart des petits chocs domestiques. Néanmoins nous vous recommandons de laisser en place les grilles de protection en tissu pour mettre le dôme à l'abri. Si la surface du dôme est marquée, le tweeter pourrait être altéré.

L'entretien des enceintes Chorus se limite à un dépoussiérage à l'aide d'un chiffon sec. Si l'enceinte est tâchée, nous vous recommandons simplement l'utilisation d'un chiffon humide.

Ne jamais utiliser de solvants, détergents, alcools ou produits corrosifs, grattoirs ou ustensiles récurants pour nettoyer la surface de l'enceinte.

Éviter la proximité d'une source de chaleur.

Choix de l'amplificateur

Ce n'est pas l'excès de puissance d'un amplificateur qui risque de détériorer l'enceinte et les haut-parleurs, mais au contraire un défaut de puissance. En effet si le volume est trop élevé, l'amplificateur sature et génère des signaux parasites qui risqueraient de détruire le tweeter.

La capacité dynamique et la définition des enceintes Chorus sont suffisamment élevées pour mettre en évidence les qualités et défauts des amplificateurs qui leur seront associés. Votre revendeur saura aiguiller votre choix, en fonction de vos goûts et de votre budget.

Choix des câbles

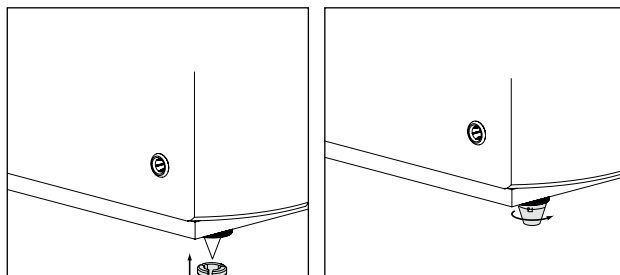
Choisissez des câbles de qualité de section appropriée à la longueur : votre revendeur saura vous conseiller.

CHORUS[®] 700 SERIE

Manuel d'utilisation

21

Mise en place embouts de protection sur pointes



Caractéristiques

	Chorus 705	Chorus 706	Chorus 714	Chorus 716
Type	Bibliothèque bass reflex 2 voies	Bibliothèque bass reflex 2 voies	Colonne bass reflex 2 voies et demie	Colonne bass reflex 2 voies et demie
Haut-parleurs	Grave / médium Polyglass 13 cm	Grave / médium Polyglass 16,5 cm	Grave Polyglass 13 cm	Grave Polyglass 16,5 cm
	Tweeter TNV à dôme inversé 25 mm	Tweeter TNV à dôme inversé 25 mm	Grave / médium Polyglass 13 cm	Grave / médium Polyglass 16,5 cm
			Tweeter TNV à dôme inversé 25 mm	Tweeter TNV à dôme inversé 25 mm
Réponse en fréquence (±3 dB)	65 Hz - 28 kHz	55 Hz - 28 kHz	52 Hz - 28 kHz	50 Hz - 28 kHz
Sensibilité (2,83V/1m)	89 dB	90 dB	91 dB	91,5 dB
Impédance nominale	8 ohms	8 ohms	8 ohms	8 ohms
Impédance minimum	3 ohms @ 200Hz	3.6 ohms @ 226Hz	4.2 ohms @ 160Hz	4.3 ohms @ 146Hz
Puissance ampli recommandée	25 / 100 W	25 / 120 W	30 / 150 W	40 / 200 W
Fréquence de filtrage	3000Hz	3000Hz	300-3000Hz	300-3000Hz
Dimensions (H x L x P)	315 x 190 x 227 mm	390 x 220 x 263 mm	900 x 200 x 268 mm	950 x 221 x 308 mm
Poids (unité)	5,7 kg	8,2 kg	16 kg	20,5 kg

CHORUS[®] 700 SERIE

Manuel d'utilisation

22

	Chorus 726	Chorus CC 700	Chorus SR 700
Type	Colonne bass reflex 3 voies	Enceinte centrale blindée 2 voies close / bass reflex	Enceinte surround close 2 voies
Haut-parleurs	2 x grave Polyglass 16,5 cm	2 x grave / médium Polyglass 16,5 cm	Grave / médium Polyglass 16,5 cm
	Médium Polyglass 16,5 cm	Tweeter TNV à dôme inversé 25 mm	Tweeter TNV à dôme inversé 25 mm
	Tweeter TNV à dôme inversé 25 mm		
Réponse en fréquence (±3 dB)	48 Hz - 28 kHz	61 Hz - 28 kHz	75 Hz - 28 kHz
Sensibilité (2,83V/1m)	91,5 dB	91 dB	90 dB
Impédance nominale	8 ohms	8 ohms	8 ohms
Impédance minimum	2.9 ohms @ 118Hz	5.2 ohms @ 160Hz	3.7 ohms @ 260Hz
Puissance ampli recommandée	40 / 250 W	25 / 200 W	25 / 100 W
Fréquence de filtrage	300-3000Hz	3000Hz	3000Hz
Dimensions (H x L x P)	990 x 222 x 343 mm	185 x 491 x 195 mm	295 x 398 x 149 mm
Poids (unité)	23,5 kg	7,5 kg	4,7 kg

Conditions de garantie

En cas de problème, adressez-vous à votre revendeur Focal.

La garantie pour la France sur tout matériel Focal est de 2 ans non transmissible en cas de revente, à partir de la date d'achat. En cas de matériel défectueux, celui-ci doit être expédié à vos frais, dans son emballage d'origine auprès du revendeur, lequel analysera le matériel et déterminera la nature de la panne. Si celui-ci est sous garantie, le matériel vous sera rendu ou remplacé en "franco de port". Dans le cas contraire, un devis de réparation vous sera proposé.

La garantie ne couvre pas les dommages résultant d'une mauvaise utilisation ou d'un branchement incorrect (bobines mobiles brûlées par exemple...).

En dehors de la France, le matériel Focal est couvert par une garantie dont les conditions sont fixées localement par le distributeur officiel Focal-JMlab de chaque pays, en accord avec les lois en vigueur sur le territoire concerné.



Votre produit Focal-JMlab a été conçu et fabriqué avec des matériaux et composants de haute qualité, susceptibles d'être recyclés et réutilisés. Ce symbole signifie que les appareils électriques et électroniques, lorsqu'ils sont arrivés en fin de vie, doivent être éliminés séparément des ordures ménagères. Veuillez rapporter cet appareil à la déchetterie communale ou à un centre de recyclage. Vous contribuez ainsi à la préservation de l'environnement.



Ihr Focal-JMlab-Produkt wurde mit hochwertigen Materialien und Komponenten entworfen und hergestellt, die recycelbar sind und wieder verwendet werden können. Dieses Symbol bedeutet, dass elektrische und elektronische Geräte am Ende ihrer Nutzungsdauer vom Hausmüll getrennt entsorgt werden müssen. Bitte entsorgen Sie dieses Gerät bei Ihrer örtlichen kommunalen Sammelstelle oder im Recycling Centre. Bitte helfen Sie mit, die Umwelt in der wir leben, zu erhalten.



Su producto Focal-JMlab ha sido concebido y fabricado con materiales y componentes de alta calidad, que pueden ser reciclados y reutilizados. Este símbolo signifi ca que los aparatos eléctricos y electrónicos, al final de su vida útil, deberán ser separados de los residuos domésticos y reciclados. Rogamos llevar este aparato al punto de recogida de su municipio o a un centro de reciclaje. Por favor, contribuya Vd. también en la conservación del ambiente en que vivimos.



Il vostro prodotto Focal- JMlab è stato progettato e realizzato con materiali e componenti pregiati che possono essere riciclati e riutilizzati. Questo simbolo signifi ca che gli apparecchi elettrici ed elettronici devono essere smaltiti separatamente dai rifiuti uti domestici alla fine del loro utilizzo. Vi preghiamo di smaltire questo apparecchio negli appositi punti di raccolta locali o nei centri preposti al riciclaggio. Contribuite anche voi a tutelare l'ambiente nel quale viviamo.



O seu produto Focal-Jmlab foi concebido e fabricado, utilizando materiais e componentes de alta qualidade que, podem ser reciclados e reutilizados. Este símbolo significa que, no fim da sua vida útil, equipamentos eléctricos e electrónicos devem ser eliminados separadamente dos resíduos sólidos domésticos. Por favor, entregue este equipamento ao respectivo ecoponto local ou comunal ou ao centro de reciclagem competente. Por favor, ajude-nos a preservar o meio ambiente em que vivemos.



Tämä Focal-JMlab-tuote on suunniteltu ja valmistettu korkealaatuisista materiaaleista ja komponenteista, joita voidaan kierrättää ja käyttää uudelleen. Tämä symboli tarkoittaa, että sähkölaitteet ja elektroniset laitteet tulee hävittää erillään kotitalousjätteestä, kun niitä ei enää käytetä. Jätä tämä laite paikkakuntasi kunnalliseen keräyspisteeseen tai kierrätyskeskukseen. Auta meitä säästämään luontoa, jossa elämme.



Продукция Focal-JMlab была разработана и произведена из материалов высокого качества, а также компонентов, которые могут быть переработаны и/или использованы повторно. Этот символ означает, что электрические и электронные части в конце эксплуатационного периода продукта должны быть утилизированы отдельно от бытового мусора. Пожалуйста, утилизируйте этот продукт в специально предназначенных и оборудованных для этого местах. Это поможет защитить окружающую среду, в которой мы все живем.



Uw Focal-JMlab-Product is ontworpen voor en gebouwd uit hoogwaardige materialen en componenten die gerecycled kunnen worden en dus geschikt zijn voor hergebruik. Dit symbool betekent, dat elektrische en elektronische apparatuur aan het einde van zijn levensduur gescheiden van het huisvuil apart moet worden ingeleverd. Breng dit apparaat naar een van de plaatselijke verzamelpunten of naar een kringloopwinkel. Help s.v.p. mee, het milieu waarin we leve te beschermen.



Teie Focal-JMlab toode on välja töötatud ning toodetud kõrgkvaliteetsest materjalist ning osades, mida on võimalik ümber töödelda ning/või korduvkasutada. Antud märgis näitab, et elektri- ja elektroonikaseadmeid peab nende kasutusaja lõppemisel kõrvaldama lahus muudest jäätmetest. Palun viige toode kõrvaldamiseks teie kohalikku jäätmete kogumiskohta või antud seadme ümbertöötamiskeskusesse. See aitab kaitsta meid ümbritsevat keskkonda.



Produkt Focal-JMlab został zaprojektowany i wykonany z materiałów i elementów wysokiej jakości, nadających się do recyklingu i ponownego wykorzystania. Symbol ten oznacza, że sprzęt elektryczny i elektroniczny należy utylizować po zakończeniu użytkowania odrębnie od odpadów domowych. Sprzęt należy utylizować w komunalnym punkcie zbiórki lub w punkcie recyklingu. Pomóżcie i Wy chronić środowisko, w którym żyjemy.



Deres Focal-JMlab-produkt er designet og fremstillet med materialer og komponenter af høj kvalitet, som kan recycles og genbruges. Dette symbol betyder, at elektriske og elektroniske apparater skal bortskaffes adskilt fra det almindelige husholdningsaffald, når de ikke længere bruges. Aflever dette apparat på Deres lokale kommunale genbrugsstation eller på genbrugscentret. Hjælp med at passe på det miljø, vi lever i.



Focal-JMlabs produkter har konstruerats och tillverkats av högkvalitativa material och komponenter som kan återvinnas och återanvändas. Symbolen innebär att utjånade elektriska och elektroniska apparater måste tas om hand separerat från hushållsavfallet. Lämna apparaten på kommunens insamlingsställen eller återvinningscentraler. Hjälpa oss att skydda vår miljö.



Az Ön által vásárolt Focal-Jmlab termék kiváló minőségű, újrahasznosítható és/vagy újra felhasználható anyagok és komponensek felhasználásával készült. Ez a szimbólum azt jelzi, hogy az elektromos és elektronikus készüléket a normális hulladéktól elkülönítetten kell kidobni, amikor élettartama végére ért. A termék kidobásakor kérjük, vigye azt a helyi gyűjtőponthoz, vagy az ilyen készülékek számára fenntartott újrahasznosító központba! Ezzel hozzájárulhat környezetünk megóvásához, amelyben mindannyian élünk.



Šis Focal-Jmlab produkts ir izstrādāts un ražots, izmantojot augstas kvalitātes materiālus un komponentus, kurus var atreciklēt pēc pārstrādāt un/vai lietot atkārtoti. Šis simbols norāda, ka elektriskās un elektroniskās ierīces pēc to kalpošanas laika beigām jālikvidē atsevišķi no parastajiem atkritumiem. Lūdzu, likvidējiet šo produktu, tikai nododot vietējam savākšanas punktam vai pārstrādes centrā, kas paredzēti šādai teknikai. Šādi jūs palīdzēsiet aizsargāt vidi, kurā mēs visi dzīvojam.



Vaš Focal-Jmlab proizvod je zasnovan in izdelan iz visoko kakovostnih materialov in komponent, ki so obnovljivo in jih je mogoče ponovno uporabiti. Ta simbol pomeni, da je potrebno električne in elektronske naprave po izteku njihove uporabne dobe, odvesti ločeno od gospodinjjskih odpadkov. Naprošamo vas, da napravo oddate na vašem lokalnem komunalnem zbirnem mestu ali v reciklznem centru. Naprošamo vas za sodelovanje pri pomoči ohranjanja našega življenjskega prostora.



Váš výrobek Focal-Jmlab byl navržen a vyroben z vysoce kvalitních materiálů a komponent, které lze recyklovat a znovu použít. Tento symbol znamená, že se elektrické a elektronické přístroje po uplynutí své životnosti musejí likvidovat odděleně od domácího odpadu. Odevzdejte proto prosím tento přístroj k likvidaci v místně příslušném komunálním sběrném dvoře nebo k recyklaci v příslušném recyklačním středisku. Pomozte nám prosím při ochraně životního prostředí.



Το Focal-Jmlab προϊόν σας ανατινάχθηκε και κατασκευάστηκε με υψηλής ποιότητας υλικά και συστατικά τα οποία μπορούν να ανακυκλωθούν ή να χρησιμοποιηθούν. Αυτό το σύμβολο δηλώνει ότι οι ηλεκτρικές και ηλεκτρονικές συσκευές πρέπει να πετιούνται ξεχωριστά από τα κοινικά σας σκουπίδια στο τέλος του χρόνου λειτουργίας τους. Παρακαλείσθε να πετάτε αυτό το προϊόν με το να το φέρτε το σκάκι σας σημείο ή κέντρο ανακύκλωσης για κάθε συσκευή. Αυτό θα σας βοηθήσει να προστατέψετε το περιβάλλον στο οποίο όλοι ζούμε.



Jūsų Focal-Jmlab gaminys buvo sukurtas ir pagamintas panaudojant aukštos kokybės medžiagas ir komponentus, kuriuos galima perdirbti ir/arba panaudoti pakartotinai. Šis simbolis nurodo, kad elektroninius įtaisus, pasibaigus jų eksploatavimo laikotarpiui, reikia utilizuoti atskirai nuo įprastinių buitinių atliekų. Jeigu šio gaminio tarnavimo laikas baigėsi, tai prašome perduoti jį specialią atliekų surinkimo arba perdirbimo omei. Tai padės apsaugoti aplinką, kurioje mes visi gyvename.



Váš výrobek Focal-Jmlab bol navrhnutý a vyrobený z vysoko kvalitných materiálov a komponentov, ktoré je možné recyklovať a znovu použiť. Tento symbol znamená, že sa elektrické a elektronické prístroje po uplynutí svojej životnosti musia likvidovať oddelene od domáceho odpadu. Odovzdajte preto prosím tento prístroj k likvidácii v miestne príslušnom komunálnom zbernom dvore alebo k recyklácii v príslušnom recyklačnom stredisku. Pomôžte nám prosím pri ochrane životného prostredia.

Garantie France

Pour validation de la garantie Focal, merci de nous retourner cette page dans les 10 jours, à l'adresse suivante :

Focal-JMlab - BP 374 - 108, rue de l'Avenir - 42353 La Talaudière cedex - FRANCE

Il est maintenant possible d'enregistrer son produit en ligne : www.focal.com/garantie

Modèle : _____ N° de série : _____

Nom du revendeur : _____ Ville : _____

Date de l'achat : _____ Prix de l'achat : _____

Votre nom : _____ Âge : _____ Profession : _____

Votre adresse complète : _____

Votre adresse email : _____

Composition de votre installation (marque, modèle) :

■ iPod, iPad, iPhone® : _____ ■ Autre lecteurs de musique portable : _____

■ Tuner / Web Radio : _____ ■ DVD : _____

■ Blu Ray : _____ ■ CD / SACD : _____

■ Satellite / TNT : _____ ■ Ecran plat : _____

■ Amplificateur : _____ ■ Autres : _____

Votre choix pour l'achat de ce modèle Focal s'est fait en fonction de :

Conseil du revendeur

Conseil d'amis, relation

Visite d'exposition, salon

Article de presse

Ecoute en auditorium

Possède déjà Focal

Fiabilité / Qualité

Catalogues

Réputation

Matériel Français

Garantie

Rapport qualité / prix

Esthétique / Finition

Autre _____

Son

En cas de renouvellement, quelles étaient vos précédentes enceintes acoustiques ? _____

Dites en quelques mots pourquoi vous avez choisi Focal... _____

Vos annotations éventuelles : _____

Nous garantissons la confidentialité de ces informations.

Dans un but d'évolution, Focal-JMlab se réserve le droit de modifier les spécifications techniques de ses produits sans préavis. Images non contractuelles.

International Guarantee

The Focal guarantee only applies if this page is returned to us within 10 days of purchase, to the following address:

Focal-JMLab - BP 374 - 108, rue de l'Avenir - 42353 La Talaudière cedex - FRANCE

Now it's possible to register on line : www.focal.com/warranty

Model: _____ Serial number: _____

Name of dealer: _____ Town: _____

Date of purchase: _____ Purchase price: _____

Your name: _____ Age: _____ Occupation: _____

Your complete address: _____

Your email address: _____

Details of your installation (brand, model):

- iPod, iPad, iPhone®: _____
- Other music players: _____
- Tuner / Web Radio: _____
- DVD: _____
- Blu Ray: _____
- CD / SACD: _____
- Satellite / TNT: _____
- Flat screen: _____
- Amplifier: _____
- Others: _____

Your decision for purchasing this Focal model was made according to:

- | | |
|---|---|
| <input type="checkbox"/> Dealer's advice | <input type="checkbox"/> Friend's advice |
| <input type="checkbox"/> Visit to an exhibition, show | <input type="checkbox"/> Press article |
| <input type="checkbox"/> Listening in auditorium | <input type="checkbox"/> Already own Focal products |
| <input type="checkbox"/> Reliability / Quality | <input type="checkbox"/> Documentation |
| <input type="checkbox"/> Reputation | <input type="checkbox"/> French produce |
| <input type="checkbox"/> Guarantee | <input type="checkbox"/> Quality / Price ratio |
| <input type="checkbox"/> Design / Finishes | <input type="checkbox"/> Other _____ |
| <input type="checkbox"/> Sound | |

In case of purchase of new equipment, what were your former speakers ? _____

Explain in a few words why you choose Focal... _____

Further comments: _____

The information given on this page will remain confidential.



Focal-JMlab® - BP 374 - 108, rue de l'Avenir - 42353 La Talaudière cedex - France - www.focal.com
Tel. (+33) 04 77 43 57 00 - Fax (+33) 04 77 43 57 04 - SCEB-130116/1 - codo1368