

# KENWOOD

## KDC-135 KDC-135CR

CD-RECEIVER

### INSTRUCTION MANUAL

AMPLI-TUNER LECTEUR DE CD

### MODE D'EMPLOI

REPRODUCTOR DE DISCOS COMPACTOS RECEPTOR DE FM/AM

### MANUAL DE INSTRUCCIONES

Kenwood Corporation

**Take the time to read through this instruction manual.**

**Familiarity with installation and operation procedures will help you obtain the best performance from your new CD-receiver.**

**For your records**

Record the serial number, found on the back of the unit, in the spaces designated on the warranty card, and in the space provided below. Refer to the model and serial numbers whenever you call upon your Kenwood dealer for information or service on the product.

Model KDC-135/135CR Serial number \_\_\_\_\_

***US Residence Only***

**Register Online**

Register your Kenwood product at  
**[www.Kenwoodusa.com](http://www.Kenwoodusa.com)**

## Contents

---

### **Safety precautions** **3**

---

### **Notes** **3**

---

### **General features** **5**

---

- Power
- Selecting the Source
- Volume
- Attenuator
- Audio Control
- Audio Setup
- Bass Boost
- Speaker Setting
- Clock Display
- Subwoofer Output
- Theft Deterrent Faceplate
- TEL Mute

### **Tuner features** **8**

---

- Tuning
- Tuning Mode
- Station Preset Memory
- Auto Memory Entry
- Preset Tuning

### **CD player features** **10**

---

- Playing CD
- Fast Forwarding and Reversing
- Track Search
- Track Repeat
- Scan Play
- Random Play

### **Menu system** **12**

---

- Menu System
- Touch Sensor Tone
- Manual Clock Adjustment
- DSI (Disabled System Indicator)
- Switching preout
- CRSC (Clean Reception System Circuit)
- Built-in Auxiliary input Setting

### **Accessories/ Installation Procedure** **14**

---

### **Connecting Wires to Terminals** **15**

---

### **Installation** **16**

---

### **Troubleshooting Guide** **18**

---

### **Specifications** **19**

---

## Safety precautions

### ⚠ WARNING

#### To prevent injury or fire, take the following precautions:

- To prevent a short circuit, never put or leave any metallic objects (such as coins or metal tools) inside the unit.
- Mounting and wiring this product requires skills and experience. For safety's sake, leave the mounting and wiring work to professionals.

### ⚠ CAUTION

#### To prevent damage to the machine, take the following precautions:

- Make sure to ground the unit to a negative 12V DC power supply.
- Do not install the unit in a spot exposed to direct sunlight or excessive heat or humidity. Also avoid places with too much dust or the possibility of water splashing.
- Do not place the faceplate (and the faceplate case) in areas exposed to direct sunlight, excessive heat or humidity. Also avoid places with too much dust or the possibility of water splashing.
- To prevent deterioration, do not touch the terminals of the unit or faceplate with your fingers.
- Do not subject the faceplate to excessive shock, as it is a piece of precision equipment.
- When replacing a fuse, only use a new fuse with the prescribed rating. Using a fuse with the wrong rating may cause your unit to malfunction.
- Do not use your own screws. Use only the screws provided. If you use the wrong screws, you could damage the unit.

#### Do Not Load 3-in. CDs in the CD slot

If you try to load a 3 in. CD with its adapter into the unit, the adapter might separate from the CD and damage the unit.

#### Lens Fogging

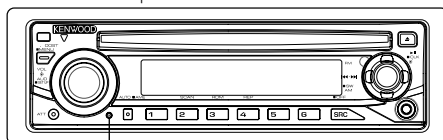
When you turn on the car heater in cold weather, dew or condensation may form on the lens in the CD player of the unit. Called lens fogging, this condensation on the lens may not allow CDs to play. In such a situation, remove the disc and wait for the condensation to evaporate. If the unit still does not operate normally after a while, consult your Kenwood dealer.

## Notes

- If you experience problems during installation, consult your Kenwood dealer.
- When you purchase optional accessories, check with your Kenwood dealer to make sure that they work with your model and in your area.
- Characters in the LCD may become difficult to read in temperatures below 5 °C (41 °F).
- The illustrations of the display and the panel appearing in this manual are examples used to explain more clearly how the controls are used. Therefore, what appears on the display in the illustrations may differ from what appears on the display on the actual equipment, and some of the illustrations on the display may be inapplicable.

#### How to reset your unit

- If the unit fails to operate properly, press the Reset button. The unit returns to factory settings when the Reset button is pressed.



Reset button

#### Cleaning the Unit

If the faceplate of this unit is stained, wipe it with a dry soft cloth such as a silicon cloth.

If the faceplate is stained badly, wipe the stain off with a cloth moistened with neutral cleaner, then wipe it again with a clean soft dry cloth.



- Applying spray cleaner directly to the unit may affect its mechanical parts. Wiping the faceplate with a hard cloth or using a volatile liquid such as thinner or alcohol may scratch the surface or erase characters.

## Notes

### Cleaning the Faceplate Terminals

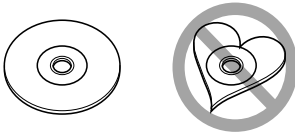
If the terminals on the unit or faceplate get dirty, wipe them with a clean soft dry cloth.


### Handling CDs

- Do not touch the recording surface of the CD.
- Do not stick tape etc. on the CD, or use a CD with tape stuck on it.
- Do not use disc type accessories.
- Clean from the center of the disc and move outward.
- When removing CDs from this unit, pull them out horizontally.
- If the CD center hole or outside rim has burrs, use the CD only after removing the burrs with a ballpoint pen etc.

### CDs that cannot be used

- CDs that are not round cannot be used.



- CDs with coloring on the recording surface or CDs that are dirty cannot be used.
- This unit can only play the CDs with .  
This unit may not correctly play discs which do not have the mark.
- You cannot play a CD-R or CD-RW that has not been finalized. (For the finalization process refer to your CD-R/CD-RW writing software, and your CD-R/CD-RW recorder instruction manual.)

### ⚠CAUTION

Use of controls or adjustments or performance of procedures other than those specified herein may result in hazardous radiation exposure. In compliance with Federal Regulations, following are reproductions of labels on, or inside the product relating to laser product safety.

Kenwood Corporation  
2967-3, ISHIKAWA-MACHI,  
HACHIOJI-SHI  
TOKYO, JAPAN

KENWOOD CORP. CERTIFIES THIS EQUIPMENT  
CONFORMS TO DHHS REGULATIONS NO.21 CFR  
1040. 10, CHAPTER 1, SUBCHAPTER J.

Location : Bottom Panel

### FCC WARNING

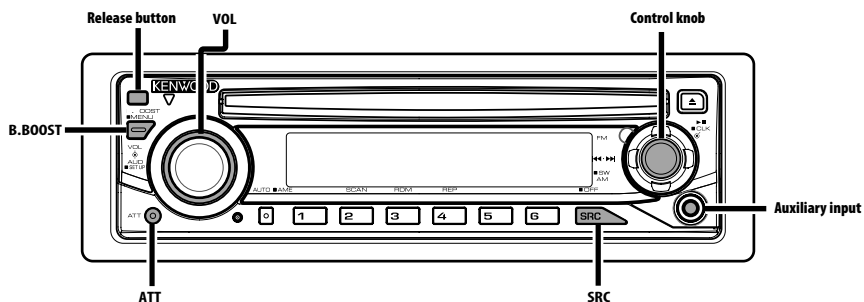
This equipment may generate or use radio frequency energy. Changes or modifications to this equipment may cause harmful interference unless the modifications are expressly approved in the instruction manual. The user could lose the authority to operate this equipment if an unauthorized change or modification is made.

### NOTE

This equipment has been tested and found to comply with the limits for a Class B digital device, pursuant to Part 15 of the FCC Rules. These limits are designed to provide reasonable protection against harmful interference in a residential installation. This equipment may cause harmful interference to radio communications, if it is not installed and used in accordance with the instructions. However, there is no guarantee that interference will not occur in a particular installation. If this equipment does cause harmful interference to radio or television reception, which can be determined by turning the equipment off and on, the user is encouraged to try to correct the interference by one or more of the following measures:

- Reorient or relocate the receiving antenna.
- Increase the separation between the equipment and receiver.
- Connect the equipment into an outlet on a circuit different from that to which the receiver is connected.
- Consult the dealer or an experienced radio/TV technician for help.

## General features



### Power

#### Turning ON the Power

Press the [SRC] button.

#### Turning OFF the Power

Press the [SRC] button for at least 1 second.

### Selecting the Source

Press the [SRC] button.

Source required	Display
Tuner	"TUnE"
CD	"CD"
Auxiliary input*	"AUH"
Standby (Illumination only mode)	"STBY"

\* An equipment such as a portable audio player can be connected to the auxiliary input terminal using a commercially available mini-plug (3.5ø).



- Use the mini-plug which is stereo type and does not have any resistance.

### Volume

#### Increasing Volume

Turn the [VOL] knob clockwise.

#### Decreasing Volume

Turn the [VOL] knob counterclockwise.

### Attenuator

Turning the volume down quickly.

#### Press the [ATT] button.

Each time you press the button, the Attenuator turns ON and OFF.

When the Attenuator is ON, the "ATT" indicator blinks.

# General features

## Audio Control

### 1 Select the source to adjust

Press the [SRC] button.

### 2 Enter Audio Control mode

Press the [VOL] knob.

### 3 Select the Audio item to adjust

Press the [VOL] knob.

Each time you press the knob, the item to be adjusted alternates between the items shown in the table below.

### 4 Adjust the Audio item

Turn the [VOL] knob.

Adjustment Item	Display	Range
Subwoofer level *	"L SUB"	-15 — +15
System Q	"FLAT"/"ROCK"/ "POPS"/"EASY"/ "TP40"/"JAZZ"	Natural/Rock/Pops/Easy/ Top 40/Jazz
Bass level	"L BAS"	-8 — +8
Middle level	"L MID"	-8 — +8
Treble level	"L TRE"	-8 — +8
Balance	"BL"	Left 15 — Right 15
Fader	"FD"	Rear 15 — Front 15

*Exit Audio Control mode (Volume control mode)*



#### About System Q

- You can recall the best sound setting preset for different types of music.
- Change each setting value with the <Speaker Setting> (page 7). First, select the speaker type with the Speaker setting.
- "USER": This appears when Bass level, Middle level, and Treble level are adjusted. When "USER" is selected, these levels are recalled.
- \*Function of KDC-135

### 5 Exit Audio Control mode

Press any button.

Press a button other than the [VOL] knob and [ATT] button.

## Audio Setup

Setting the Sound system, such as Volume offset.

### 1 Select the source to adjust

Press the [SRC] button.

### 2 Enter Audio Setup mode

Press the [VOL] knob for at least 1 second.

### 3 Select the Audio Setup item to adjust

Press the [VOL] knob.

Each time you press the knob, the item to be adjusted alternates between the items shown in the table below.

### 4 Adjust the Audio setup item

Turn the [VOL] knob.

Adjustment Item	Display	Range
Low Pass Filter*	"LPF"	80/120/160/Off Hz
Volume offset	"V-OFF"	-8 — ±0 (AUX: -8 — +8)



- Volume offset: Sets each source's volume as a difference from the basic volume.
- \*Function of KDC-135

### 5 Exit Audio Setup mode

Press the [VOL] knob for at least 1 second.

## Bass Boost

Bass sound can be enhanced by one-touch operation.

Press the [B.BOOST] button.

When you press the button once, the current Bass Boost setting is displayed.

Each time you press the button, the Bass Boost setting alternates.

Setting	Display
Bass Boost 1	"L1 BB-L"
Bass Boost 2	"L2 BB-L"
Bass Boost off	"OFF BB-L"

## Speaker Setting

Fine-tuning so that the System Q value is optimal when setting the speaker type.

### 1 Enter Standby

Press the [SRC] button.

Select the "STBY" display.

### 2 Enter Speaker Setting mode

Press the [VOL] knob.

### 3 Select the Speaker type

Turn the [VOL] knob.

Each time you turn the knob, the setting alternates between the settings shown in the table below.

Speaker type	Display
OFF	"SP-F"
For 5 & 4 in. speaker	"SP-5"
For 6 & 6x9 in. speaker	"SP-6"
For the OEM speaker	"SP-0"

### 4 Exit Speaker Setting mode

Press the [VOL] knob.

## Clock Display

Press the Control knob for at least 1 second.

Each time you press the button, the clock display turns ON and OFF.

*Function of KDC-135*

## Subwoofer Output

Turning the Subwoofer output ON or OFF.

Push the Control knob toward [AM] for at least 2 seconds.

Each time you push the knob, Subwoofer output switches ON and OFF.

When it is ON, "On SUB" is displayed.

## Theft Deterrent Faceplate

The faceplate of the unit can be detached and taken with you, helping to deter theft.

## Removing the Faceplate

Press the Release button.

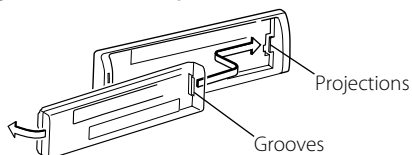
The faceplate unlocks, allowing you to detach it.



- The faceplate is a precision piece of equipment and can be damaged by shocks or jolts.
- Keep the faceplate in its faceplate case while detached. (Faceplate case: Accessory of KDC-135CR)
- Do not expose the faceplate (and the faceplate case) to direct sunlight or excessive heat or humidity. Also avoid places with too much dust or the possibility of water splashing.

## Reattaching the Faceplate

### 1 Align the projections on the unit with the grooves on the faceplate.



### 2 Push the faceplate in until it clicks.

The faceplate is locked in place, allowing you to use the unit.

## TEL Mute

The audio system automatically mutes when a call comes in.

### When a call comes in

"CALL" is displayed.

The audio system pauses.

### Listening to the audio during a call

Press the [SRC] button.

The "CALL" display disappears and the audio system comes back ON.

### When the call ends

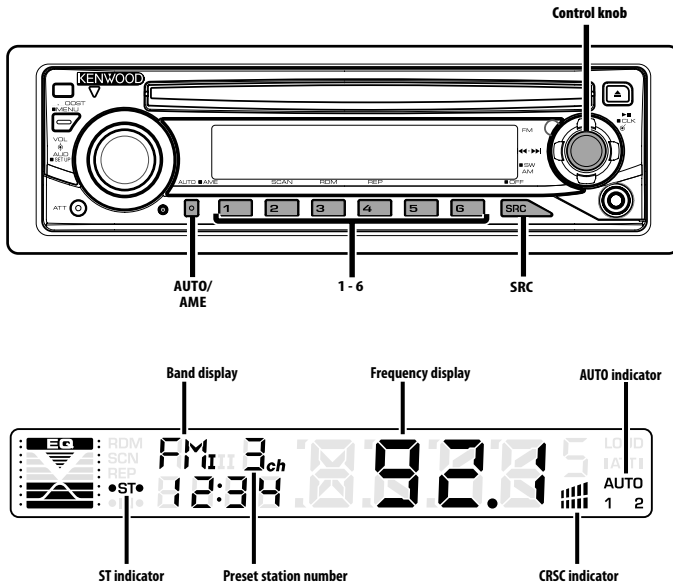
Hang up the phone.

The "CALL" display disappears and the audio system comes back ON.



- To use the TEL Mute feature, you need to hook up the MUTE wire to your telephone using a commercial telephone accessory. Refer to <Connecting Wires to Terminals> (page 15).

## Tuner features



### Tuning

Selecting the station.

#### 1 Select tuner source

Press the [SRC] button.

Select the "TUnE" display.

#### 2 Select the band

Push the Control knob towards [FM] or [AM].

Each time you push the knob toward [FM], it switches between the FM1, FM2, and FM3 bands.

#### 3 Tune up or down band

Push the Control knob towards [◀◀] or [▶▶].



- During reception of stereo stations the "ST" indicator is ON.

### Tuning Mode

Choose the tuning mode.

#### Press the [AUTO] button.

Each time you press the button, the Tuning mode alternates between the modes shown in the table below.

Tuning mode	Display	Operation
Auto seek	"AUTO 1" indicator	Automatic search for a station.
Preset station seek	"AUTO 2" indicator	Search in order of the stations in the Preset memory.
Manual	—	Normal manual tuning control.



---

## Station Preset Memory

Putting a station in the memory.

### 1 Select the band

Push the Control knob towards [FM] or [AM].

### 2 Select the frequency to put in the memory

Push the Control knob towards [◀◀] or [▶▶].

### 3 Put the frequency in the memory

Press the desired [1] — [6] button for at least 2 seconds.

The preset number display blinks 1 time.

On each band, 1 station can be put in the memory on each [1] — [6] button.

---

## Auto Memory Entry

Putting stations with good reception in the memory automatically.

### 1 Select the band for Auto Memory Entry

Push the Control knob towards [FM] or [AM].

### 2 Open Auto Memory Entry

Press the [AME] button for at least 2 seconds.

When 6 stations that can be received are put in the memory Auto Memory Entry closes.

---

## Preset Tuning

Recalling the stations in the memory.

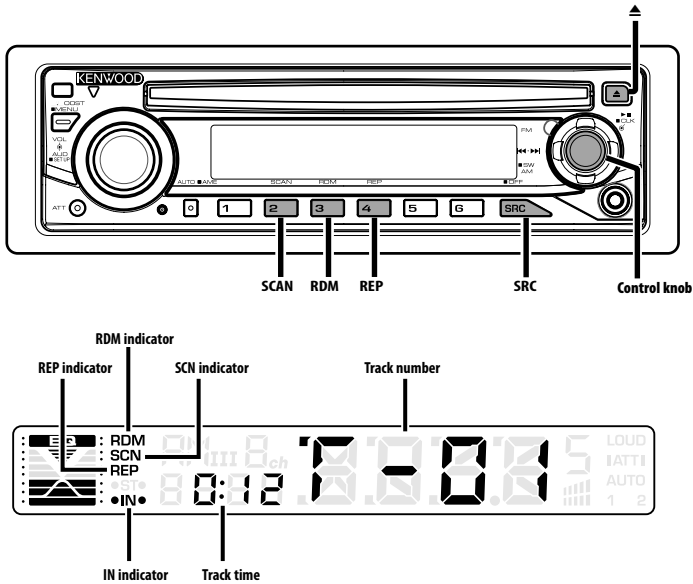
### 1 Select the band

Push the Control knob towards [FM] or [AM].

### 2 Recall the station

Press the desired [1] — [6] button.

## CD player features



### Playing CD

#### When a disc is inserted

Press the [SRC] button.

Select the "CD" display.



- When a CD is inserted, the "IN" indicator is ON.

#### Pause and play

Press the Control knob.

Each time you press the knob, the audio pauses or plays.

#### Eject the CD

Press the [▲] button.



- You can eject the disc for 10 minutes after switching off the engine.

### Fast Forwarding and Reversing

#### Fast Forwarding

Hold down toward [▶▶] with the Control knob.

Release to resume the playback.

#### Reversing

Hold down toward [◀◀] with the Control knob.

Release to resume the playback.

---

## Track Search

---

Selecting the song you want to hear.

Push the Control knob towards [◀◀] or [▶▶].

## Track Repeat

---

Replaying the song you are listening to.

**Press the [REP] button.**

Each time you press the button, the Track Repeat turns ON or OFF.

When the Track Repeat is ON, the "REP" indicator is ON.

## Scan Play

---

Playing the first part of each song on the disc you are listening to and searching for the song you want to hear.

### 1 Start Scan Play

**Press the [SCAN] button.**

"SCN" indicator is ON.

### 2 Release it when the song you want to listen to is played

**Press the [SCAN] button.**

## Random Play

---

Playing all the songs on the disc in random order.

**Press the [RDM] button.**

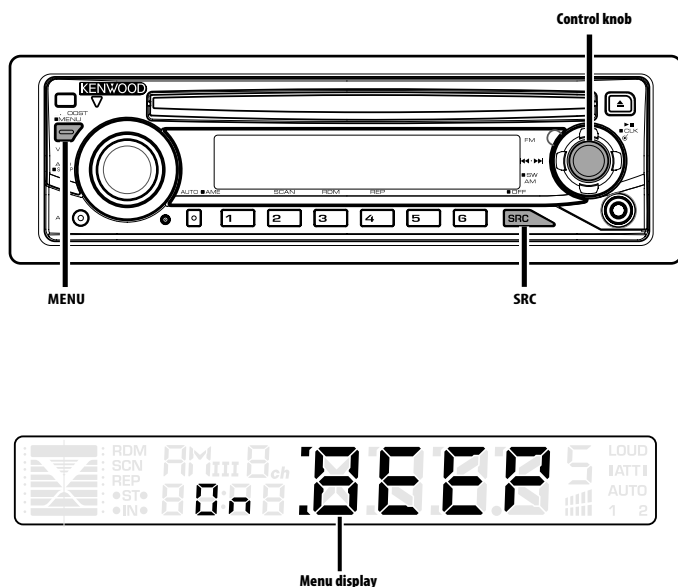
Each time you press the button, Random Play turns ON or OFF.

When the Random mode is ON, the "RDM" indicator is ON.



- When you push the Control knob toward [▶▶], the next random song starts.

# Menu system



## Menu System

Setting beep sound during operation, etc. functions.

The Menu system basic operation method is explained here. The reference for the Menu items and their setting content is after this operation explanation.

### 1 Enter Menu mode

Press the [MENU] button for at least 1 second.

"MEU" is displayed.

### 2 Select the menu item

Push the Control knob towards [FM] or [AM].

Example: When you want to set the beep sound select the "BEEP" display.

### 3 Set the menu item

Push the Control knob towards [◀◀] or [▶▶].

Example: When you select "BEEP", each time you push the knob it alternates between "On BEEP" or "OFF BEEP". Select 1 of them as the setting.

You can continue by returning to step 2 and setting other items.

### 4 Exit Menu mode

Press the [MENU] button.



- When other items those applicable to the basic operation method above are displayed, their setting content chart is entered. (Normally the setting listed at the top of the chart is the original setting.) Also, the explanation for items that are not applicable (<Manual Clock Adjustment> etc.) are entered step by step.

*In Standby mode*

## Touch Sensor Tone

Setting the operation check sound (beep sound) ON/OFF.

Display	Setting
"On BEEP"	Beep is heard.
"OFF BEEP"	Beep canceled.

*In Standby mode*

## Manual Clock Adjustment

### 1 Select Clock Adjustment mode

Push the Control knob towards [FM] or [AM].

Select the "CLCK" display.

### 2 Enter Clock Adjust mode

Press the Control knob for at least 1 second.

The clock display blinks.

### 3 Adjust the hours

Push the Control knob towards [FM] or [AM].

**Adjust the minutes**

Push the Control knob towards [◀◀] or [▶▶].

### 4 Exit Clock adjustment mode

Press the [MENU] button.

*In Standby mode*

## DSI (Disabled System Indicator)

A red indicator will blink on the unit after the faceplate is removed, warning potential thieves.

Display	Setting
"On DSI"	LED flashes.
"OFF DSI"	LED OFF.

*Function of KDC-135*

*In Standby mode*

## Switching preout

Alternating the preout between the rear and subwoofer. (With the subwoofer the sound outputs without being effected by fader control.)

Display	Setting
"REAR"	Rear preout.
"SUB"	Subwoofer preout.

*In FM reception*

## CRSC (Clean Reception System Circuit)

Temporarily have reception alternate from stereo to mono to reduce multi-path noise when listening to the FM station.

Display	Setting
"On CRSC"	The CRSC is ON.
"OFF CRSC"	The CRSC is OFF.



- Strong electrical fields (such as from power lines) may cause unstable sound quality when CRSC is turned ON. In such a situation, turn it OFF.

*In Standby mode*

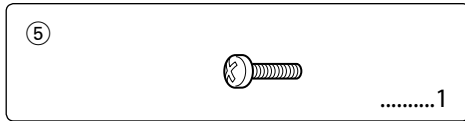
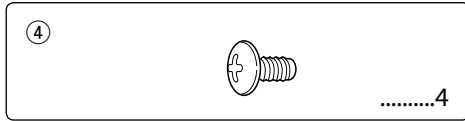
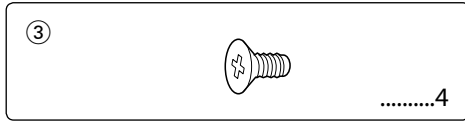
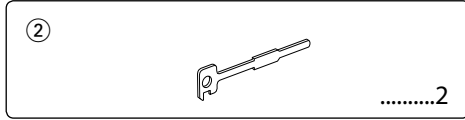
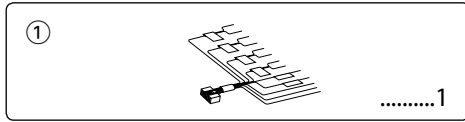
## Built-in Auxiliary input Setting

Set the Built-in Auxiliary Input function.

Display	Setting
"OFF AUH"	When selecting the source there's no Auxiliary Input.
"On AUH"	When selecting the source there's Auxiliary Input.

# Accessories/ Installation Procedure

## Accessories



## Installation Procedure

1. To prevent a short circuit, remove the key from the ignition and disconnect the ⊖ battery.
2. Make the proper input and output wire connections for each unit.
3. Connect the speaker wires of the wiring harness.
4. Connect the wiring harness wires in the following order: ground, battery, ignition.
5. Connect the wiring harness connector to the unit.
6. Install the unit in your car.
7. Reconnect the ⊖ battery.
8. Press the reset button.

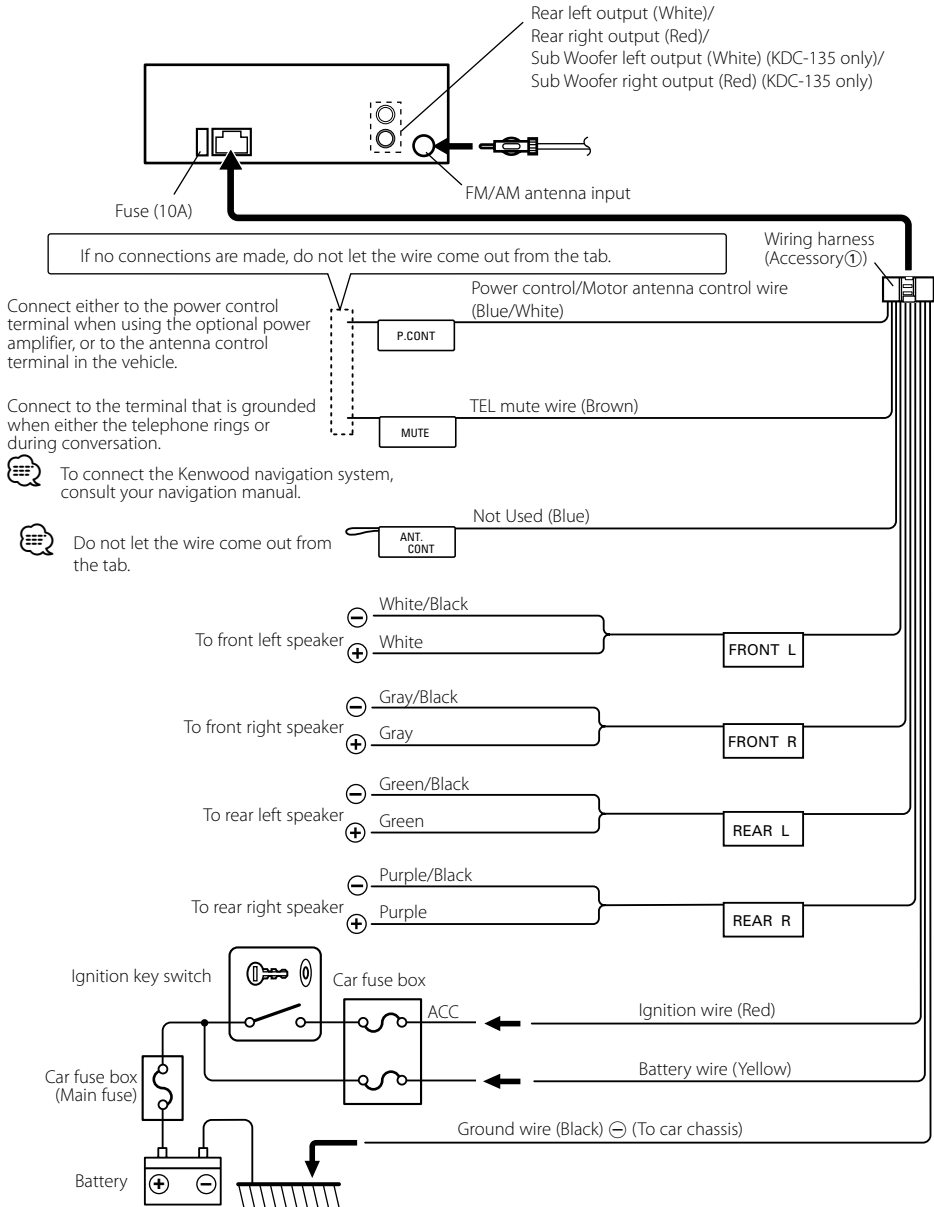
### ▲WARNING

If you connect the ignition wire (red) and the battery wire (yellow) to the car chassis (ground), you may cause a short circuit, that in turn may start a fire. Always connect those wires to the power source running through the fuse box.



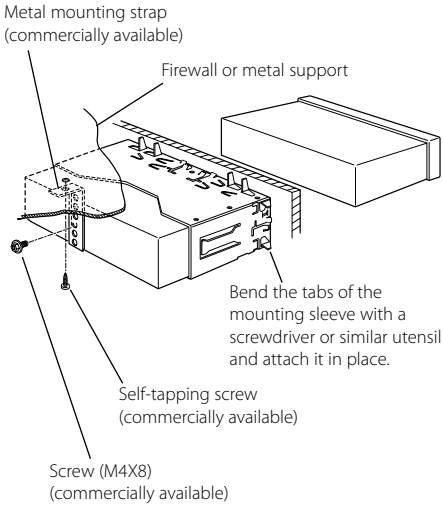
- If the power is not turned ON (or it is ON, but will be OFF immediately), the speaker wire may have a short-circuit or touched the chassis of the vehicle and the protection function may have been activated. Therefore, the speaker wire should be checked.
- If your car's ignition does not have an ACC position, connect the ignition wires to a power source that can be turned on and off with the ignition key. If you connect the ignition wire to a power source with a constant voltage supply, as with battery wires, the battery may die.
- If the console has a lid, make sure to install the unit so that the faceplate will not hit the lid when closing and opening.
- If the fuse blows, first make sure the wires aren't touching to cause a short circuit, then replace the old fuse with one with the same rating.
- Insulate unconnected wires with vinyl tape or other similar material. To prevent a short circuit, do not remove the caps on the ends of the unconnected wires or the terminals.
- Connect the speaker wires correctly to the terminals to which they correspond. The unit may be damaged or fail to work if you share the ⊖ wires or ground them to any metal part in the car.
- When only two speakers are being connected to the system, connect the connectors either to both the front output terminals or to both the rear output terminals (do not mix front and rear). For example, if you connect the ⊕ connector of the left speaker to a front output terminal, do not connect the ⊖ connector to a rear output terminal.
- After the unit is installed, check whether the brake lamps, blinkers, wipers, etc. on the car are working properly.
- Mount the unit so that the mounting angle is 30° or less.

# Connecting Wires to Terminals



# Installation

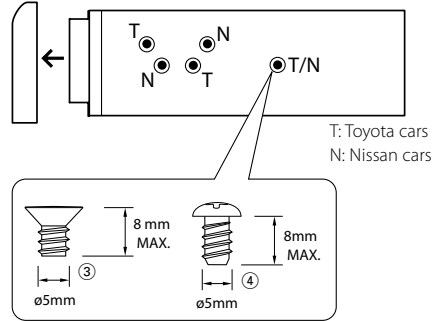
## non-Japanese cars



- Make sure that the unit is installed securely in place. If the unit is unstable, it may malfunction (for example, the sound may skip).

## Japanese cars

- 1 Refer to the section <Removing the hard rubber frame> and then remove the hard rubber frame.
- 2 Align the holes in the unit (two locations on each side) with the vehicle mounting bracket and secure the unit with the accessory screws.



Accessory③...for Nissan car  
Accessory④...for Toyota car

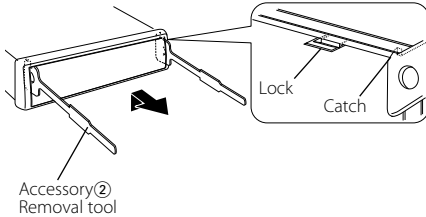


- During installation, do not use any screws except for those provided. The use of different screws might result in damage to the main unit.
- Damage may occur if a screwdriver or similar tool is used with excessive force during the installations.



## Removing the hard rubber frame

- 1 Engage the catch pins on the removal tool and remove the two locks on the upper level. Upper the frame and pull it forward as shown in the figure.



- 2 When the upper level is removed, remove the lower two locations.

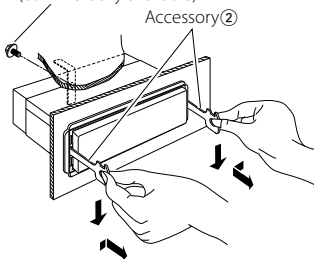


- The frame can be removed from the bottom side in the same manner.

## Removing the Unit

- 1 Refer to the section <Removing the hard rubber frame> and then remove the hard rubber frame.
- 2 Remove the screw (M4 × 8) on the back panel.
- 3 Insert the two removal tools deeply into the slots on each side, as shown.
- 4 Lower the removal tool toward the bottom, and pull out the unit halfway while pressing towards the inside.

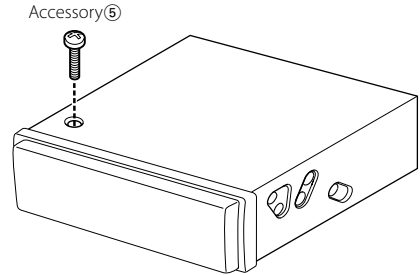
Screw (M4X8)  
(commercially available)  
Accessory 2



- Be careful to avoid injury from the catch pins on the removal tool.
- 5 Pull the unit all the way out with your hands, being careful not to drop it.

## Screwing the Faceplate on the Unit

If you want to fasten the faceplate to the main unit so that it does not fall off, screw in the provided screws in the holes shown below.




- Never insert the screw in any other screw hole than the one specified. If you screw them in another hole, it will contact and may cause damage to the mechanical parts inside the unit.

# Troubleshooting Guide

Some functions of this unit may be disabled by some settings made on this unit.


## ! Cannot switch to Aux source.

- ▶ AUX is not turned on.  <Built-in Auxiliary input Setting> (page 13)

## ! Cannot display the user of System Q.

- ▶ <Audio control> (page 6) is not set.


## ! • Cannot set up the subwoofer. • No output from the subwoofer. • Cannot set up the low pass filter.

- ▶ • Preout is not set to subwoofer.  <Switching preout> (page 13)
- <Subwoofer Output> (page 7) is not set to On.

What might seem to be a malfunction in your unit may just be the result of slight misoperation or miswiring. Before calling service, first check the following table for possible problems.


## General

### ? The Touch Sensor Tone doesn't sound.

- ✓ The preout jack is being used.
  -  The Touch Sensor Tone can't be output from the preout jack.



## Tuner source

### ? Radio reception is poor.

- ✓ The car antenna is not extended.
  -  Pull the antenna out all the way.

## Disc source

### ? The specified disc does not play, but another one plays instead.

- ✓ The specified CD is quite dirty.
  -  Clean the CD.
- ✓ The disc is severely scratched.
  -  Try another disc instead.

## The messages shown below display your systems condition.

E-04:	The CD is quite dirty. The CD is upside-down. The CD is scratched a lot.
E-99:	The unit is malfunctioning for some reason. ⇨ Press the reset button on the unit. If the "E-99" code does not disappear, consult your nearest service center.
IN (Blink):	The CD player section is not operating properly. ⇨ Reinsert the CD. If the CD cannot be ejected or the display continues to flash even when the CD has been properly reinserted, please switch off the power and consult your nearest service center.
DCER:	The speaker wire has a short-circuit or touches the chassis of the vehicle, and then the protection function is activated. ⇨ Wire or insulate the speaker cable properly and press the reset button. If the "DCER" code does not disappear, consult your nearest service center.

# Specifications

---

Specifications subject to change without notice.

## FM tuner section

---

- Frequency range (200 kHz space)
  - : 87.9 MHz – 107.9 MHz
- Usable sensitivity (S/N = 30dB)
  - : 9.3dBf (0.8  $\mu$ V/75  $\Omega$ )
- Quieting Sensitivity (S/N = 50dB)
  - : 15.2dBf (1.6  $\mu$ V/75  $\Omega$ )
- Frequency response ( $\pm$ 3 dB)
  - : 30 Hz – 15 kHz
- Signal to Noise ratio (MONO)
  - : 70 dB
- Selectivity ( $\pm$ 400 kHz)
  - :  $\geq$  80 dB
- Stereo separation (1 kHz)
  - : 40 dB

## AM tuner section

---

- Frequency range (10 kHz space)
  - : 530 kHz – 1700 kHz
- Usable sensitivity (S/N = 20dB)
  - : 28 dB $\mu$  (25  $\mu$ V)

## CD player section

---

- Laser diode
  - : GaAlAs
- Digital filter (D/A)
  - : 8 Times Over Sampling
- D/A Converter
  - : 1 Bit
- Spindle speed
  - : 500 – 200 rpm (CLV)
- Wow & Flutter
  - : Below Measurable Limit
- Frequency response ( $\pm$ 1 dB)
  - : 10 Hz – 20 kHz
- Total harmonic distortion (1 kHz)
  - : 0.01 %
- Signal to Noise ratio (1 kHz)
  - : 93 dB
- Dynamic range
  - : 93 dB

## Audio section

---

- Maximum output power
  - : 50 W x 4
- Full Bandwidth Power (at less than 1% THD)
  - : 22 W x 4
- Speaker Impedance
  - : 4 – 8  $\Omega$
- Tone action
  - Bass : 100 Hz  $\pm$ 8 dB
  - Middle : 1 kHz  $\pm$ 8 dB
  - Treble : 10 kHz  $\pm$ 8 dB
- Preout level / Load (during disc play)
  - : 2000 mV/10 k $\Omega$
- Preout impedance
  - :  $\leq$  600  $\Omega$

## Auxiliary input

---

- Frequency response ( $\pm$ 1 dB)
  - : 20 Hz – 20 kHz
- Input Maximum Voltage
  - : 1200 mV
- Input Impedance
  - : 100 k $\Omega$

## General

---

- Operating voltage (11 – 16V allowable)
  - : 14.4 V
- Current consumption
  - : 10 A
- Installation Size (W x H x D)
  - : 182 x 53 x 155 mm
  - 7-3/16 x 2-1/16 x 6-1/8 inch
- Weight
  - : 3.1 lbs (1.40 kg)

## Table des matières

---

### **Précautions de sécurité** 21

---

### **Remarques** 22

---

### **Caractéristiques générales** 23

---

Alimentation  
Sélectionner la source  
Volume  
Atténuateur  
Commande du son  
Réglage audio  
Bass Boost  
Réglage des enceintes  
Affichage de l'horloge  
Sortie de subwoofer  
Façade antiviol  
Sourdine TEL

### **Fonctions du tuner** 26

---

Syntonisation  
Mode de syntonisation  
Mémoire de station pré-réglée  
Entrée en mémoire automatique  
Syntonisation préréglée

### **Caractéristiques du lecteur CD** 28

---

Lecture de CD  
Avance rapide et retour  
Recherche de plages  
Répétition de plage  
Lecture par balayage  
Lecture aléatoire

### **Système de menu** 30

---

Système de menu  
Tonalité capteur tactile  
Réglage manuel de l'horloge  
DSI (Indicateur de système hors-service)  
Commutation de la sortie pré-amplifiée  
CRSC (Clean Reception System Circuit - Circuit de réception nette)  
Réglage de l'entrée auxiliaire intégrée

### **Accessoires/ Procédure d'installation** 32

---

### **Connexion des câbles aux bornes** 33

---

### **Installation** 34

---

### **Guide de dépannage** 36

---

### **Spécifications** 37

---

## Précautions de sécurité

---

### **⚠AVERTISSEMENT**

---

#### **Pour éviter toute blessure et/ou incendie, veuillez prendre les précautions suivantes:**

- Pour éviter les court-circuits, ne jamais mettre ou laisser d'objets métalliques (comme une pièce de monnaie ou un outil en métal) à l'intérieur de l'appareil.
- Le montage et le câblage de ce produit nécessite des compétences et de l'expérience. Pour des raisons de sécurité, laissez un professionnel effectuer le travail de montage et de câblage.

### **⚠ATTENTION**

---

#### **Pour éviter tout dommage à l'appareil, veuillez prendre les précautions suivantes:**

- Assurez-vous de mettre l'appareil à la masse sur une alimentation négative de 12V CC.
- N'installez pas l'appareil dans un endroit exposé directement à la lumière du soleil, à une chaleur excessive ou à l'humidité. Évitez également les endroits trop poussiéreux ou exposés aux éclaboussures.
- Ne placez pas la façade (et l'étui de la façade) dans des endroits exposés à la lumière directe du soleil, à une chaleur ou une humidité excessive. Évitez également les endroits trop poussiéreux ou exposés aux éclaboussures.
- Pour éviter toute détérioration, ne touchez pas les contacts de l'appareil ou de la façade avec les doigts.
- Ne faites pas subir de choc excessif à la façade car il s'agit d'un équipement de précision.
- Lors du remplacement d'un fusible, utilisez seulement un fusible neuf du même calibre. L'utilisation d'un fusible de calibre différent peut entraîner un mauvais fonctionnement de votre appareil.
- N'utilisez pas vos propres vis. N'utilisez que les vis fournies. L'utilisation de vis incorrectes pourrait endommager l'appareil.

#### **Ne chargez pas de CD de 3 pouces dans la fente à CD**

Si vous essayez de charger un CD de 3 pouces avec son adaptateur dans l'appareil, l'adaptateur pourrait se séparer du CD et endommager l'appareil.

#### **Condensation sur la lentille**

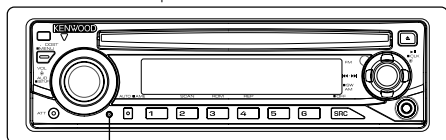
Juste après avoir mis le chauffage de la voiture par temps froid, de l'humidité risque de se former sur la lentille à l'intérieur du lecteur CD. Cette condensation peut rendre la reproduction de CD impossible. Dans ce cas, retirez le disque et attendez que l'humidité s'évapore. Si l'appareil ne fonctionne toujours pas normalement après quelques temps, consultez votre revendeur Kenwood.

## Remarques

- Si vous rencontrez des problèmes pendant l'installation, consultez votre revendeur Kenwood.
- Lorsque vous achetez des accessoires en option, vérifiez auprès de votre revendeur Kenwood que ces accessoires fonctionnent avec votre modèle dans votre région.
- Les caractères de l'affichage LCD peuvent devenir difficiles à lire quand la température est inférieure à 5 °C (41 °F).
- Les illustrations de l'affichage et du panneau apparaissant dans ce manuel sont des exemples utilisés pour expliquer avec plus de clarté comment les commandes sont utilisées. Il est donc possible que les illustrations d'affichage puissent être différentes de ce qui est réellement affiché sur l'appareil, et aussi que certaines illustrations représentent des choses impossibles à réaliser en cours de fonctionnement.

### Comment réinitialiser votre appareil

- Si l'appareil ne fonctionne pas correctement, appuyez sur la touche de réinitialisation. L'appareil retourne aux réglages de l'usine quand la touche de réinitialisation est pressée.



Touche de réinitialisation

### Nettoyage de l'appareil

Si le panneau avant de cet appareil est taché, essayez-le avec un chiffon sec et doux comme ceux au silicone. Si le panneau avant est très taché, essayez-le avec un chiffon imbibé d'un produit de nettoyage neutre et ensuite essayez toute trace de ce produit.



- La pulvérisation directe de produit de nettoyage sur l'appareil risque d'affecter les pièces mécaniques. L'utilisation d'un chiffon rugueux ou d'un liquide volatil tel qu'un solvant ou de alcool pour essuyer le panneau avant peut rayer la surface ou effacer des caractères.

### Nettoyage des contacts de la façade

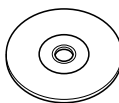
Si les contacts de l'appareil ou de la façade deviennent sales, essuyez-les avec un chiffon sec et doux.

### Manipulation des CD

- Ne pas toucher la surface d'enregistrement d'un CD.
- Ne pas coller de ruban adhésif, etc. sur les CD et ne pas utiliser de CD avec du ruban adhésif collé dessus.
- Ne pas utiliser d'accessoires de type disque CD.
- Nettoyez un CD en partant du centre vers l'extérieur.
- Pour retirer les CD de cet appareil, les extraire à l'horizontale.
- Si le trou central ou le bord extérieur du CD comporte des bavures, ne l'utiliser qu'après les avoir retiré avec un stylo à bille, etc.

### A propos des fCD qui ne peuvent être utilisés

- Les CD non circulaires ne peuvent être utilisés.



- Les CD comportant des colorations sur la surface d'enregistrement ou qui sont sales ne peuvent être utilisés.

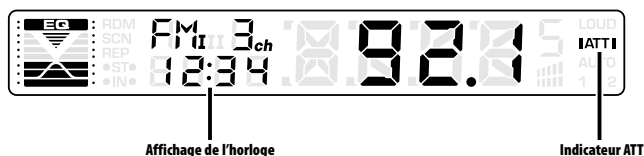
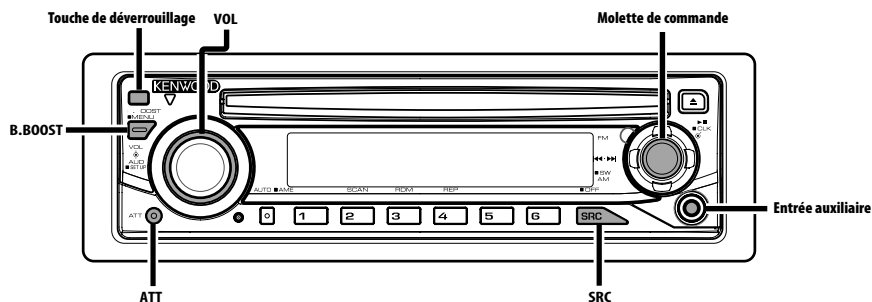
- Cet appareil ne peut lire que les CD comportant



Il ne peut jouer les disques qui ne comportent pas la marque.

- Un CD-R ou CD-RW qui n'a pas été finalisé ne peut être lu. (Pour le procédé de finalisation, veuillez consulter votre programme de gravure de CD-R/CD-RW et les instructions du manuel d'utilisation de votre graveur de CD-R/CD-RW.)

# Caractéristiques générales



## Alimentation

### Allumer l'alimentation

Appuyez sur la touche [SRC].

### Eteindre l'alimentation

Appuyez sur la touche [SRC] pendant au moins 1 seconde.

## Sélectionner la source

Appuyez sur la touche [SRC].

Source requise	Affichage
Tuner	"TUnE"
CD	"CD"
Entrée auxiliaire*	"AUH"
Veille (Mode éclairage uniquement)	"STBY"

\* Il est possible de brancher un appareil tel qu'un lecteur audio portable sur la prise d'entrée auxiliaire à l'aide d'une mini-prise (Ø : 3,5) disponible dans le commerce.



- Utilisez la mini-prise de type stéréo qui ne présente pas de résistance.

## Volume

### Augmenter le volume

Tournez le bouton [VOL] dans le sens des aiguilles d'une montre.

### Baisser le volume

Tournez le bouton [VOL] dans le sens inverse des aiguilles d'une montre.

## Atténuateur

Baisser le volume rapidement.

### Appuyez sur la touche [ATT].

Chaque fois que l'on appuie sur cette touche, l'atténuateur est mis en/hors service.

Lorsque l'atténuateur est activé, l'indicateur "ATT" clignote.

# Caractéristiques générales

## Commande du son

### 1 Sélectionner la source à régler

Appuyez sur la touche [SRC].

### 2 Entrer en mode de commande du son

Appuyez sur la molette [VOL].

### 3 Sélectionner l'élément audio à régler

Appuyez sur la molette [VOL].

Chaque fois que vous appuyez sur la molette, les éléments pouvant être réglés changent comme indiqué ci-dessous.

### 4 Régler l'élément audio

Tournez la molette [VOL].

Élément de réglage	Affichage	Gamme
Niveau subwoofer*	"L SUB"	-15 — +15
System Q	"FLAT"/"ROCK"/ "POPS"/"EASY"/ "TP40"/"JAZZ"	Naturel/Rock/Pop/ Ambiance/Top 40/Jazz
Niveau des graves	"L BAS"	-8 — +8
Niveau des fréquences moyennes	"L MID"	-8 — +8
Niveau des aigus	"L TRE"	-8 — +8
Balance	"BL"	Gauche 15 — Droite 15
Balance avant/arrière	"FD"	Arrière 15 — Avant 15

*Sortez du mode de commande du son (mode de contrôle du volume)*



### A propos du système Q

- Ce système vous permet de conserver les pré-réglages les plus adaptés à chaque type de musique.
- Changez chaque valeur de réglage avec le <Réglage des enceintes> (page 25). D'abord, sélectionnez le type d'enceinte avec le Réglage des enceintes.
- "USER": Ceci s'affiche lorsque les fréquences graves, moyennes et aigus sont réglées. Lorsque "USER" est sélectionné, ces niveaux sont activés.
- \* Fonction du KDC-135

### 5 Sortir du mode de commande du son

Appuyez sur n'importe quelle touche.

Appuyez sur une autre touche que la molette [VOL] et les touche [ATT].

## Réglage audio

Règle le système audio, tel que le décalage de volume.

### 1 Sélectionner la source à régler

Appuyez sur la touche [SRC].

### 2 Entrer en mode de configuration du son

Appuyez sur la molette [VOL] pendant au moins 1 seconde.

### 3 Sélectionner l'élément de configuration du son à régler

Appuyez sur la molette [VOL].

Chaque fois que vous appuyez sur la molette, les éléments pouvant être réglés changent comme indiqué ci-dessous.

### 4 Régler l'élément de configuration du son

Tournez la molette [VOL].

Élément de réglage	Affichage	Gamme
Filtre passe-bas*	"LPF"	80/120/160/Désactivé Hz
Compensation du volume	"V-OF"	-8 — ±0 (AUX : -8 — +8)



- Compensation du volume:  
Le volume de chaque source peut être réglé différemment du volume de base.
- \* Fonction du KDC-135

### 5 Sortir du mode de configuration du son

Appuyez sur la molette [VOL] pendant au moins 1 seconde.

## Bass Boost

Optimisez les graves en appuyant sur une seule touche.

Appuyez sur la touche [B.BOOST].

Le réglage actuel d'amplification des graves s'affiche lorsque vous appuyez une fois sur la touche.

Chaque pression sur la touche entraîne une commutation du réglage d'amplification des graves.

Réglage	Affichage
Bass Boost 1	"L1 BB-L"
Bass Boost 2	"L2 BB-L"
Bass Boost désactivé	"OFF BB-L"



## Réglage des enceintes

Accord fin pour que la valeur du System Q soit optimale en réglant le type d'enceinte.

### 1 Entrer en veille

Appuyez sur la touche [SRC].

Sélectionnez l'affichage "STBY".

### 2 Entrer en mode de réglage des enceintes

Appuyez sur la molette [VOL].

### 3 Sélectionner le type d'enceinte

Tournez la molette [VOL].

A chaque fois que la molette est tournée, le réglage change comme indiqué ci-dessous.

Type d'enceinte	Affichage
OFF	"SP-F"
Pour enceinte 5 & 4 pouces	"SP-5"
Pour enceinte 6 & 6x9 pouces	"SP-6"
Pour enceinte OEM	"SP-0"

### 4 Sortir du mode de réglage des enceintes

Appuyez sur la molette [VOL].

## Affichage de l'horloge

Appuyez sur la molette de commande pendant au moins 1 seconde.

Chaque fois que l'on appuie sur cette touche, l'affichage de l'horloge est activé/désactivé.

Fonction du KDC-135

### Sortie de subwoofer

Vous pouvez activer ou désactiver la sortie du subwoofer.

Maintenez appuyée la molette de commande sur [AM] pendant au moins 2 secondes.

A chaque pression de la molette de commande, la sortie de subwoofer est activée ou désactivée. Lorsqu'elle est activée, "On SUB" est affiché.

## Façade antivol

Vous pouvez détacher la façade de l'appareil et l'emporter avec vous, ce qui permet d'éviter les vols.

### Retrait de la façade

Appuyez sur la touche de détachement.

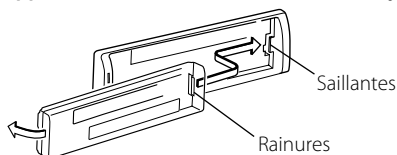
La façade est déverrouillée et vous pouvez la détacher.



- La façade est une pièce de précision de l'équipement et elle peut être endommagée en cas de chocs ou de secousses.
- Conservez la façade dans son étui lorsqu'elle est détachée. (Etui de la façade: Accessoire du KDC-135CR)
- N'exposez pas la façade (et son étui) à la lumière directe du soleil, à une chaleur ou une humidité excessive. Evitez également les endroits poussiéreux ou exposés aux éclaboussures.

### Remise en place de la façade

#### 1 Aligned les parties saillantes situées sur l'appareil avec les rainures situées sur la façade.



#### 2 Poussez la façade jusqu'au clic.

La façade est verrouillée en position et vous pouvez alors utiliser l'appareil.

## Sourdine TEL

Le son est automatiquement coupé lorsqu'un appel est reçu.

### Lorsqu'un appel est reçu

"CALL" est affiché.

Le système audio se met en pause.

### Ecouter l'autoradio pendant un appel

Appuyez sur la touche [SRC].

L'affichage "CALL" disparaît et le système audio se remet en marche.

### A la fin de l'appel

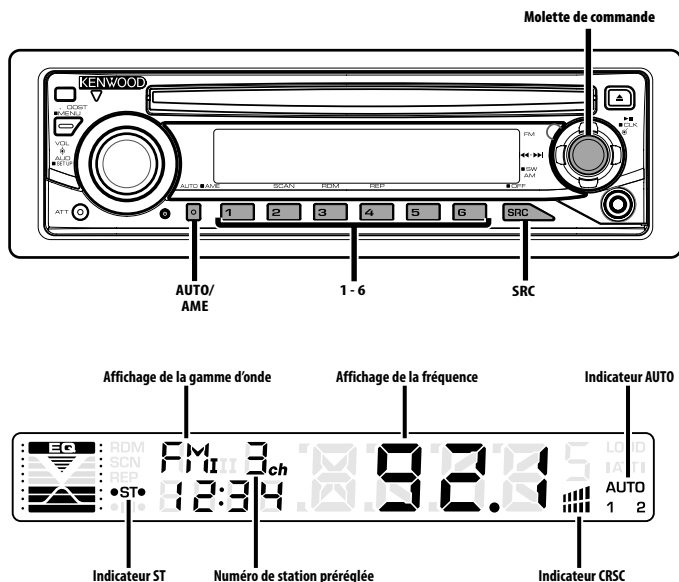
Raccrochez le téléphone.

L'affichage "CALL" disparaît et le système audio se remet en marche.



- Pour utiliser la fonction de sourdine TEL, vous devez connecter le fil MUTE à votre téléphone à l'aide d'un accessoire de téléphone commercial. Reportez-vous à <Connexion des câbles aux bornes> (page 33).

## Fonctions du tuner



### Syntonisation

Vous pouvez sélectionner la station.

#### 1 Sélectionner la source tuner

Appuyez sur la touche [SRC].

Sélectionnez l'affichage "TUnE".

#### 2 Sélectionner la bande

Poussez la molette de commande sur [FM] ou [AM].

A chaque fois qu'on pousse la molette sur [FM], une commutation s'opère entre les bandes FM1, FM2, et FM3.

#### 3 Syntoniser vers le haut ou vers le bas

Poussez la molette de commande sur [◀◀] ou [▶▶].



- Pendant la réception de stations stéréo, l'indicateur "ST" est allumé.

### Mode de syntonisation

Vous pouvez choisir le mode de syntonisation.

#### Appuyez sur la touche [AUTO].

Chaque fois que l'on appuie sur la touche, le mode de syntonisation change comme indiqué ci-dessous.

Mode de syntonisation	Affichage	Opération
Recherche automatique	Indicateur "AUTO 1"	Recherche automatique d'une station.
Recherche de station pré-réglée	Indicateur "AUTO 2"	Recherche dans l'ordre des stations présentes dans la mémoire de pré-réglage.
Manuel	—	Commande normale manuelle de la syntonisation.

---

## **Mémoire de station pré-réglée**

Vous pouvez mettre une station en mémoire.

### **1 Sélectionner la bande**

Poussez la molette de commande sur [FM] ou [AM].

### **2 Sélectionner la fréquence à mettre en mémoire**

Poussez la molette de commande sur [◀◀] ou [▶▶].

### **3 Mettre en mémoire la fréquence**

Appuyez sur la touche souhaitée [1] — [6] pendant au moins 2 secondes.

L'affichage du numéro pré-réglé clignote une fois.

Sur chaque bande, 1 station peut être mise en mémoire sur chaque touche [1] — [6].

---

## **Entrée en mémoire automatique**

Vous pouvez mettre automatiquement en mémoire les stations dont la réception est bonne.

### **1 Sélectionner la bande pour l'entrée en mémoire automatique**

Poussez la molette de commande sur [FM] ou [AM].

### **2 Ouvrir le mode d'entrée en mémoire automatique**

Appuyez sur la touche [AME] pendant au moins 2 secondes.

Lorsque 6 stations qui peuvent être captées sont mises en mémoire, le mode d'entrée en mémoire automatique est fermé.

---

## **Syntonisation pré-réglée**

Vous pouvez rappeler les stations mises en mémoire.

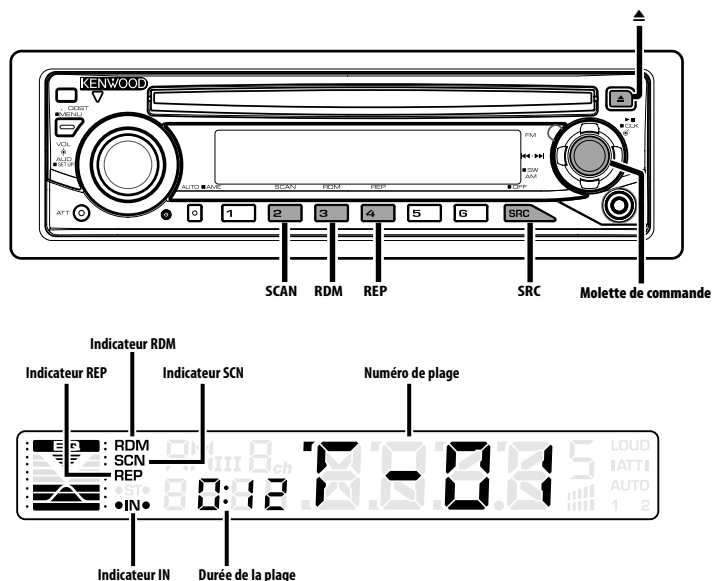
### **1 Sélectionner la bande**

Poussez la molette de commande sur [FM] ou [AM].

### **2 Rappeler la station**

Appuyez sur la touche souhaitée [1] — [6].

## Caractéristiques du lecteur CD



### Lecture de CD

#### Lorsqu'un disque est présent dans l'appareil

Appuyez sur la touche [SRC].

Sélectionnez l'affichage "CD".



- Lorsqu'un CD est présent dans l'appareil, l'indicateur "IN" est allumé.

#### Pause et lecture

Appuyez sur la molette de commande.

A chaque fois qu'on appuie sur la molette, une pause ou une lecture est effectuée.

#### Ejectez le CD

Appuyez sur la touche [▲].



- Il est possible d'éjecter le disque 10 minutes après l'arrêt du moteur.

### Avance rapide et retour

#### Avance rapide

Maintenez appuyée la molette de commande sur [▶▶].

Relâchez pour reprendre la lecture.

#### Retour

Maintenez appuyée la molette de commande sur [◀◀].

Relâchez pour reprendre la lecture.

---

## Recherche de plages

---

Vous pouvez sélectionner la chanson que vous souhaitez entendre.

Poussez la molette de commande sur [◀◀] ou [▶▶].

## Répétition de plage

---

Vous pouvez réécouter la chanson que vous êtes en train d'écouter.

**Appuyez sur la touche [REP].**

A chaque fois qu'on appuie sur la touche, la répétition de plage est activée ou désactivée. Lorsqu'elle est activée, l'indicateur "REP" est affiché.

## Lecture par balayage

---

Vous pouvez écouter le début de chaque chanson du disque que vous écoutez et rechercher la chanson que vous souhaitez écouter.

### 1 Lancer la lecture par balayage

**Appuyez sur la touche [SCAN].**

L'indicateur "SCN" est allumé.

### 2 Relâchez la touche lorsque vous entendez la chanson que vous souhaitez écouter

**Appuyez sur la touche [SCAN].**

## Lecture aléatoire

---

Vous pouvez écouter toutes les chansons du disque dans un ordre aléatoire.

**Appuyez sur la touche [RDM].**

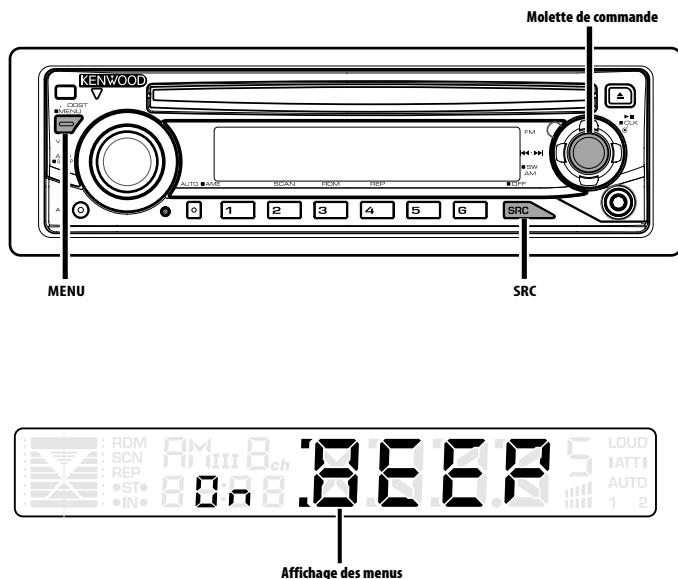
A chaque fois qu'on appuie sur la touche, la lecture aléatoire est activée ou désactivée.

Lorsqu'elle est activée, l'indicateur "RDM" est allumé.



- Lorsque vous poussez la molette de commande sur [▶▶], la chanson aléatoire suivante commence.

# Système de menu



## Système de menu

Vous pouvez activer en cours de fonctionnement des fonctions de signaux sonores etc. La méthode de base d'utilisation du système du menu est expliquée ici. Les références pour les éléments du menu et leur réglage se trouvent après l'explication de cette opération.

### 1 Entrer en mode menu

Appuyez sur la touche [MENU] pendant au moins 1 seconde.  
"MEnU" est affiché.

### 2 Sélectionner l'élément du menu

Poussez la molette de commande sur [FM] ou [AM].

Exemple: Lorsque vous voulez activer le signal sonore, sélectionnez l'affichage "BEEP".

### 3 Régler l'élément du menu

Poussez la molette de commande sur [◀◀] ou [▶▶].

Exemple: Lorsque "BEEP" est sélectionné, à chaque fois qu'on appuie sur la molette elle commute entre "On BEEP" et "OFF BEEP". Sélectionner l'une des deux possibilités comme réglage.

Vous pouvez continuer en retournant à l'étape 2 et en réglant d'autres éléments.

### 4 Sortir du mode menu

Appuyez sur la touche [MENU].



- Lorsque d'autres éléments pour lesquels la méthode de fonctionnement normale ci-dessus est applicable sont affichés, on entre ensuite dans le graphique de réglage. (Normalement les réglages au sommet du graphique sont les réglages d'origine.)

De plus, l'explication des éléments pour lesquels la méthode n'est pas applicable (<Réglage manuel de l'horloge> etc.) est exposée étape par étape.

En mode de veille

## Tonalité capteur tactile

Vous pouvez activer/désactiver le signal sonore de contrôle d'opération (bip).

Affichage	Réglage
"On BEEP"	Le bip est entendu.
"OFF BEEP"	Le bip est annulé.

En mode de veille

## Réglage manuel de l'horloge

### 1 Sélectionner le mode de réglage de l'horloge

Poussez la molette de commande sur [FM] ou [AM].

Sélectionnez l'affichage "CLCK".

### 2 Entrer en mode de réglage de l'horloge

Appuyez sur la molette de commande pendant au moins 1 seconde.

L'affichage de l'horloge clignote.

### 3 Régler les heures

Poussez la molette de commande sur [FM] ou [AM].

#### Régler les minutes

Poussez la molette de commande sur [◀◀] ou [▶▶].

### 4 Sortir du mode de réglage de l'horloge

Appuyez sur la touche [MENU].

En mode de veille

## DSI (Indicateur de système hors-service)

Un indicateur rouge clignotera sur l'appareil après que la façade aura été enlevée, pour mettre en garde les éventuels voleurs.

Affichage	Réglage
"On DSI"	La DEL clignote.
"OFF DSI"	DEL éteinte.

Fonction du KDC-135

En mode de veille

## Commutation de la sortie pré-amplifiée

Vous pouvez commuter la sortie pré-amplifiée entre l'enceinte arrière et le subwoofer. (En mode subwoofer il émet sans effet depuis la commande du fader.)

Affichage	Réglage
"REAR"	Sortie pré-amplifiée arrière.
"SUB"	Sortie pré-amplifiée du subwoofer.

En réception FM

## CRSC (Clean Reception System Circuit - Circuit de réception nette)

La réception passe momentanément de stéréo à mono afin de réduire les interférences de trajets multiples lors de l'écoute de la station FM.

Affichage	Réglage
"On CRSC"	Le système CRSC est activé.
"OFF CRSC"	Le système CRSC est désactivé.



- Les champs électriques puissants (comme les lignes électriques) peuvent causer une instabilité de la qualité sonore lorsque le système CRSC est activé. Dans ce type de situation, désactivez-le.

En mode de veille

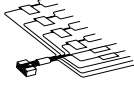


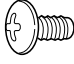
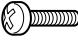
## Réglage de l'entrée auxiliaire intégrée

Vous pouvez régler la fonction d'entrée auxiliaire intégrée.

Affichage	Réglage
"OFF AUH"	Lors de la sélection de la source, il n'y a pas d'entrée auxiliaire.
"On AUH"	Lors de la sélection de la source, il y a entrée auxiliaire.

# Accessoires/ Procédure d'installation

## Accessoires

①		.....1
②		.....2
③		.....4
④		.....4
⑤		.....1

## Procédure d'installation

1. Pour éviter les courts-circuits, retirez la clef de contact et déconnectez la borne  $\ominus$  de la batterie.
2. Connectez le câble d'entrée et de sortie correct à chaque appareil.
3. Connectez les câbles de haut-parleur du faisceau de câbles.
4. Connectez les câbles du faisceau dans l'ordre suivant: masse, batterie, allumage.
5. Connectez le connecteur du faisceau de câbles à l'appareil.
6. Installez l'appareil dans votre voiture.
7. Reconnectez la borne  $\ominus$  de la batterie.
8. Appuyez sur la touche de réinitialisation.

## ▲AVERTISSEMENT

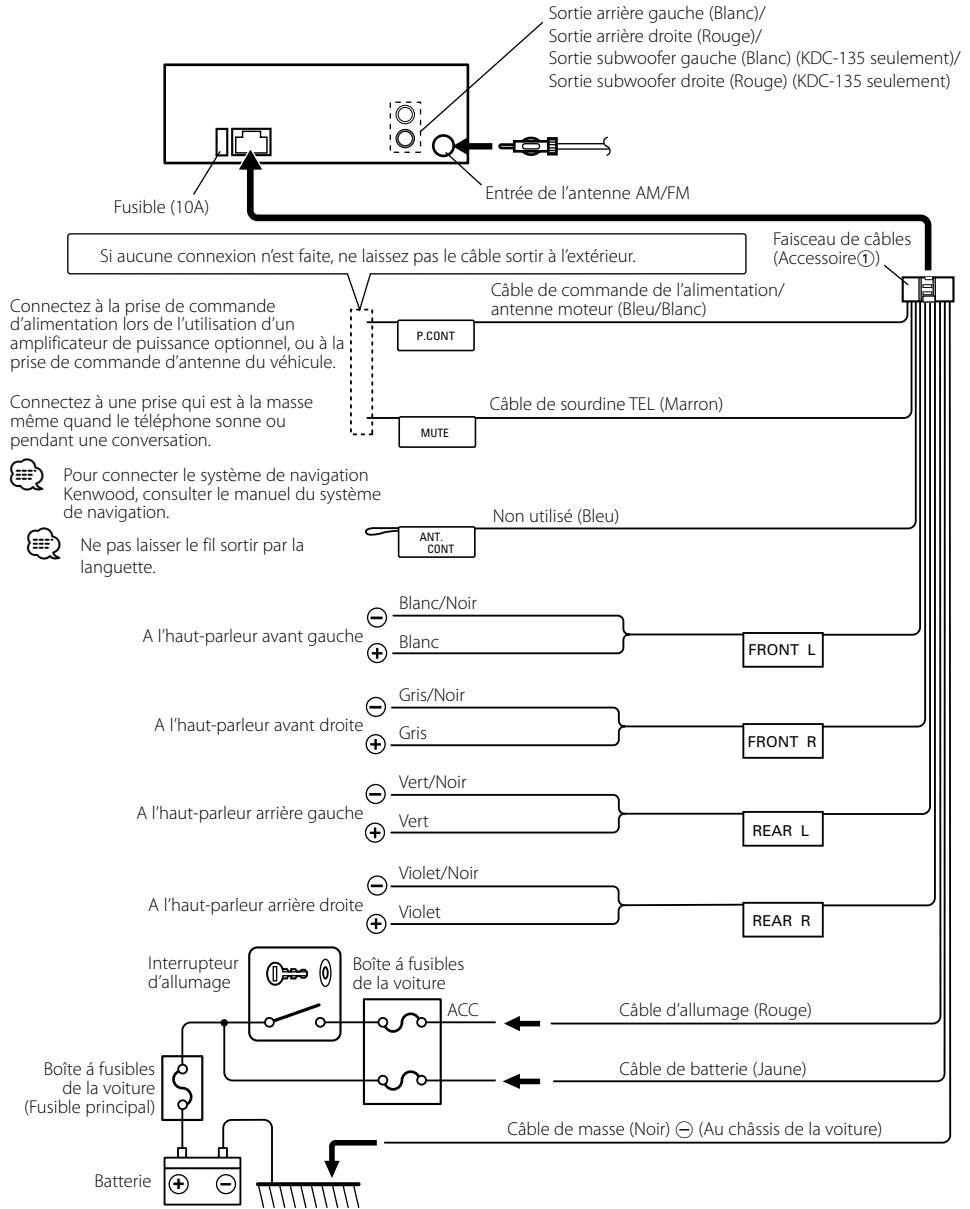
Si vous connectez le câble d'allumage (rouge) et le câble de batterie (jaune) au châssis de la voiture (masse), vous risquez de causer un court-circuit qui peut provoquer un incendie. Connectez toujours ces câbles à la source d'alimentation de la boîte à fusible.



- Si l'appareil ne s'allume pas (ou s'il s'allume et s'éteint immédiatement), le fil d'enceinte a peut-être subi un court-circuit ou touché le châssis du véhicule, et la fonction de protection a pu être activée. Par conséquent, vérifiez le câble de l'enceinte.
- Si l'allumage de votre voiture n'a pas de position ACC, connectez le câble d'allumage à une source d'alimentation qui peut être mise sous et hors tension avec la clef de contact. Si vous connectez le câble d'allumage à une source d'alimentation constante, comme un câble de batterie, la batterie risque de se décharger.
- Si la console est équipée d'un couvercle, assurez-vous d'installer l'appareil de façon à ce que la façade ne touche pas le couvercle lors de la fermeture ou de l'ouverture.
- Si un fusible saute, assurez-vous d'abord que les câbles n'ont pas causé de court-circuit puis remplacez le vieux fusible par un nouveau de même valeur.
- Isolez les câbles non-connectés avec un ruban de vinyle ou d'un autre matériel similaire. Pour éviter les courts-circuits, ne retirez pas non plus les capuchons à l'extrémité des câbles non-connectés ou des prises.
- Connectez séparément chaque câble d'enceinte à la borne correspondante. L'appareil peut être endommagé si le câble négatif  $\ominus$  pour une des enceintes ou le câble de masse entre en contact avec une partie métallique du véhicule.
- Quand deux haut-parleurs seulement sont connectés au système, connectez les câbles soit aux prises de sortie avant, soit aux prises de sortie arrière (c.a.d. ne mélangez pas l'avant et l'arrière). Par exemple, si vous connectez le câble  $\oplus$  du haut parleur de gauche à une prise de sortie avant, ne connectez pas le câble  $\ominus$  du haut-parleur droit à la prise de sortie arrière.
- Après avoir installé l'appareil, vérifiez si les lampes de frein, les indicateurs, les clignotants, etc. de la voiture fonctionnent correctement.
- Monter l'unité de façon à ce que l'angle de montage soit de 30° ou moins.



# Connexion des câbles aux bornes

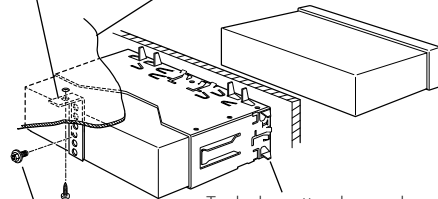


# Installation

## Voitures non-japonaise

Armature de montage métallique  
(disponible dans le commerce)

Tôle pare-feu ou support métallique



Tordre les pattes du manchon de montage avec un tournevis ou un outil similaire et fixer.

Vis autotaraudeuse  
(disponible dans le commerce)

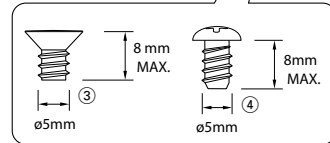
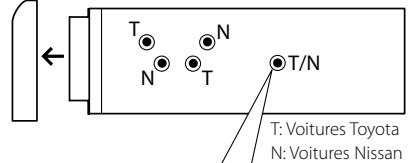
Vis (M4x8)  
(disponible dans le commerce)



- Assurez-vous que l'appareil est solidement installé. Si l'appareil est instable, il risque de mal fonctionner (par ex. le son risque de sauter).

## Voitures japonaise

- Référez vous à la section <Retrait du cadre en caoutchouc dur> puis retirez le cadre en caoutchouc dur.
- Alignez les creux de l'appareil (deux de chaque côté) avec le support de montage du véhicule et fixez l'appareil avec les vis accessoires.



Accessoire③...pour les voitures Nissan

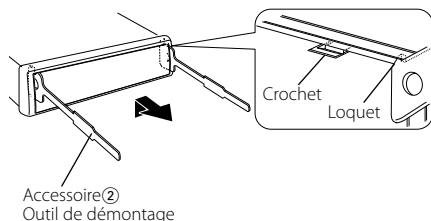
Accessoire④...pour les voitures Toyota



- Pendant l'installation, n'utilisez aucune autres vis que celles fournies. L'utilisation de vis différentes pourrait endommager l'appareil.
- L'appareil risque d'être endommagé si un tournevis ou un outil similaire est utilisé avec une force excessive pendant le montage.

## Retrait du cadre en caoutchouc dur

- 1 Engagez les broches de saisie sur l'outil de retrait et retirez les deux verrous du niveau supérieur. Soulevez le cadre et tirez-le vers l'avant comme indiqué sur la figure.



- 2 Lorsque le niveau supérieur est retiré, retirez les deux emplacements inférieurs.

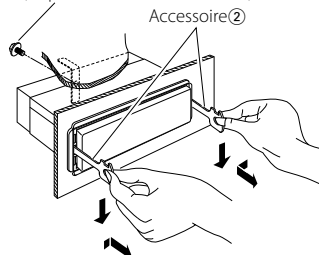


- Le châssis peut être également retiré à partir du côté arrière de la même façon.

## Retrait de l'appareil

- 1 Référez vous à la section <Retrait du cadre en caoutchouc dur> puis retirez le cadre en caoutchouc dur.
- 2 Retirez la vis (M4 × 8) sur le panneau arrière.
- 3 Insérez les deux outils de retrait profondément dans les fentes de chaque côté, comme indiqué.
- 4 Poussez l'outil de retrait vers le bas tout en appuyant, et retirez à moitié l'appareil.

Vis (M4×8)  
(disponible dans le commerce)

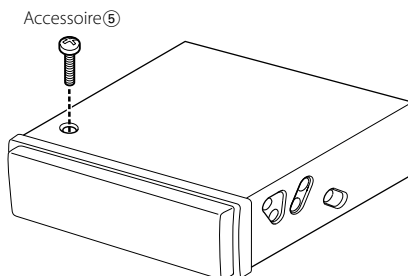


- Faites attention de ne pas vous blesser avec les loquets de l'outil de démontage.

- 5 Sortez l'appareil entièrement avec les mains, en faisant attention de ne pas le faire tomber.

## Vissage de la façade sur l'appareil

Si vous souhaitez fixer la façade sur l'appareil principal de façon qu'elle ne tombe pas, vissez-la avec la vis dans le trou montré ci-dessous.




- Ne jamais insérer les vis dans d'autres trous que ceux spécifiés individuellement pour chacune. Si vous les insérez dans un autre trou, elles peuvent se contracter et causer des dommages aux parties mécaniques à l'intérieur de l'unité.

# Guide de dépannage

Certains réglages de cet appareil peuvent désactiver certaines fonctions de l'unité.

## ❗ Impossible de commuter vers la source Aux.

- ▶ AUX n'est pas allumé.  <Réglage de l'entrée auxiliaire intégrée> (page 31)


## ❗ Impossible d'afficher l'utilisateur de System Q.

- ▶ <Commande du son> (page 24) n'est pas réglé.

## ❗ Impossible de régler le subwoofer.

### • Aucune sortie du subwoofer.


### • Impossible de régler le filtre passe-bas.

- ▶ La pré-sortie n'est pas réglée sur subwoofer.
  -  <Commutation de la sortie pré-amplifiée> (page 31)
- <Sortie de subwoofer> (page 25) n'est pas réglé sur marche.

Ce qui peut apparaître comme un mauvais fonctionnement de votre appareil n'est peut être que le résultat d'une mauvaise opération ou d'une mauvaise connexion. Avant d'appeler un centre de service, vérifiez d'abord dans le tableau suivant les problèmes possibles.


## Général

### ❗ La tonalité de touche ne s'entend pas.

- ✓ La sortie de préampli est en cours d'utilisation.
  -  La tonalité de touche ne peut être émise par le jack de préampli.



## Source tuner

### ❗ La réception radio est mauvaise.

- ✓ L'antenne de la voiture n'est pas sortie.
  -  Sortez l'antenne complètement.

## En source disque

### ❗ Le disque spécifié n'est pas reproduit mais un autre est reproduit à sa place.

- ✓ Le disque spécifié est très sale.
  -  Nettoyez le CD.
- ✓ Le disque est très rayé.
  -  Essayez un autre disque.

## Les messages ci-dessous indiquent l'état de votre système.

- E-04: Le CD est très sale. Le CD est à l'envers. Le CD est très rayé.
- E-99: L'appareil fonctionne mal pour certaines raisons.
  - ⇔ Appuyez sur la touche reset sur l'appareil. Si le message "E-99" ne disparaît pas, veuillez consulter votre centre de service le plus proche.
- IN (clignote): Le lecteur CD ne marche pas correctement.
  - ⇔ Réinsérez le CD. Si le CD ne peut pas être éjecté ou si l'affichage continue à clignoter même si le CD a été correctement remis en place, veuillez couper le courant et consulter votre centre de service après-vente le plus proche.
- DCER: Le fil d'enceinte a un court-circuit ou touche le châssis du véhicule, et par conséquent la fonction de protection est activée.
  - ⇔ Disposez ou isolez le câble d'enceinte correctement et appuyez sur la touche reset. Si le code "DCER" ne disparaît pas, consultez la station technique la plus proche.

# Spécifications

---

Les spécifications sont sujettes à changements sans notification.

## Section tuner FM

---

- Plage de fréquence (espacement de 200 kHz)
  - : 87,9 MHz – 107,9 MHz
- Sensibilité utilisable (S/N = 30dB)
  - : 9,3dBf (0,8  $\mu$ V/75  $\Omega$ )
- Sensibilité silencieuse (S/N = 50dB)
  - : 15,2dBf (1,6  $\mu$ V/75  $\Omega$ )
- Réponse en fréquence ( $\pm 3$  dB)
  - : 30 Hz – 15 kHz
- Taux de Signal/Bruit (MONO)
  - : 70 dB
- Sélectivité ( $\pm 400$  kHz)
  - :  $\geq 80$  dB
- Séparation stéréo (1 kHz)
  - : 40 dB

## Section tuner AM

---

- Plage de fréquence (espacement de 10 kHz)
  - : 530 kHz – 1700 kHz
- Sensibilité utilisable (S/N = 20dB)
  - : 28 dB $\mu$  (25  $\mu$ V)

## Section Disque Compact

---

- Diodes laser
  - : GaAlAs
- Filtre numérique (A/N)
  - : 8 fois suréchantillonnage
- Convertisseur A/N
  - : 1 Bit
- Vitesse de l'axe
  - : 500 – 200 rpm (CLV)
- Pleurage et scintillement
  - : Non mesurables
- Réponse en fréquence ( $\pm 1$  dB)
  - : 10 Hz – 20 kHz
- Distorsion harmonique totale (1 kHz)
  - : 0,01 %
- Taux de Signal/Bruit (1 kHz)
  - : 93 dB
- Gamme dynamique
  - : 93 dB

## Section audio

---

- Puissance de sortie maximum
  - : 50 W x 4
- Pleine Puissance de Largeur de Bande (avec une DHT inférieure à 1%)
  - : 22 W x 4
- Impédance d'enceinte
  - : 4 – 8  $\Omega$
- Action en tonalité
  - Graves : 100 Hz  $\pm 8$  dB
  - Centrale : 1 kHz  $\pm 8$  dB
  - Aiguës : 10 kHz  $\pm 8$  dB
- Niveau de préamplification/charge (pendant le mode CD)
  - : 2000 mV/10 k $\Omega$
- Impédance de sortie préamplificateur
  - :  $\leq 600 \Omega$

## Entrée auxiliaire

---

- Réponse en fréquence ( $\pm 1$  dB)
  - : 20 Hz – 20 kHz
- Tension maximale d'entrée
  - : 1200 mV
- Impédance d'entrée
  - : 100 k $\Omega$

## Général

---

- Tension de fonctionnement (11 – 16V admissible)
  - : 14,4 V
- Courant absorbé
  - : 10 A
- Taille d'installation (L x H x P)
  - : 182 x 53 x 155 mm
  - 7-3/16 x 2-1/16 x 6-1/8 pouce
- Masse
  - : 3,1 lbs (1,40 kg)

# Índice

---

## **Precauciones de seguridad** **39**

---

## **Notas** **40**

---

## **Características generales** **41**

---

- Alimentación
- Selección de la fuente
- Volumen
- Atenuador
- Control de audio
- Configuración de audio
- Bass Boost
- Ajuste de altavoz
- Visualización del reloj
- Salida del subwoofer
- Placa frontal antirrobo
- Silenciamiento de TEL

## **Características del sintonizador** **44**

---

- Sintonización
- Modo de sintonización
- Memoria de presintonización de emisoras
- Entrada de memoria automática
- Sintonización preajustada

## **Características del reproductor de CD** **46**

---

- Reproducción de CDs
- Avance rápido y rebobinado
- Búsqueda de pistas
- Repetición de pista
- Reproducción con exploración
- Reproducción aleatoria

## **Sistema de menú** **48**

---

- Sistema de menús
- Tono de sensor de contacto
- Ajuste manual del reloj
- DSI (Indicador de desactivación del sistema)
- Cambio de salida de preamplificador
- CRSC (Circuito del sistema de recepción clara)
- Configuración de entrada auxiliar incorporada

## **Accesorios/ Procedimiento de instalación** **50**

---

## **Conexión de cables a los terminals** **51**

---

## **Instalación** **52**

---

## **Guia Sobre Localización De Averías** **54**

---

## **Especificaciones** **55**

---

## Precauciones de seguridad

---

### **▲ADVERTENCIA**

---

**Para evitar el riesgo de lesiones y/o fuego, observe las siguientes precauciones:**

- Para evitar cortocircuitos, nunca coloque ni deje objetos metálicos (por ejemplo, monedas o herramientas metálicas) dentro de la unidad.
- La instalación y cableado de este producto requiere de habilidad y experiencia. Por motivos de seguridad, deja la labor de instalación y montaje en manos de profesionales.

### **▲PRECAUCIÓN**

---

**Para evitar daños en la unidad, tome las siguientes precauciones:**

- Asegúrese de utilizar para la unidad una fuente de alimentación de 12V CC con masa negativa.
- No instale la unidad en un sitio expuesto a la luz directa del sol, o excesivamente húmedo o caluroso. Asimismo evite los lugares muy polvorientos o sujetos a salpicaduras de agua.
- No coloque la placa frontal (ni su estuche) en áreas expuestas a la luz solar directa, ni al calor o humedad excesivos. Asimismo evite los lugares muy polvorientos o sujetos a salpicaduras de agua.
- Para evitar el deterioro, no toque con sus dedos los terminales de la unidad o de la placa frontal.
- Evite aplicar golpes fuertes a la placa frontal, dado que se trata de un componente de precisión.
- Cuando tenga que reemplazar un fusible, utilice únicamente uno del régimen prescrito. El uso de un fusible de régimen incorrecto podría ocasionar un funcionamiento defectuoso de la unidad.
- No utilice sus propios tornillos. Útilice sólo los tornillos incluidos. El uso de tornillos diferentes podría causar daños en la unidad principal.

### **No cargue CDs de 3 pulgadas (8 cm) en la ranura de CD**

Si intenta cargar en la unidad un CD de 3 pulgadas con su adaptador, es posible que el adaptador se separe del CD y dañe la unidad.

### **Empañamiento de la lente**

Inmediatamente después de encender el calefactor del automóvil en épocas de frío, se podría formar condensación o vaho sobre la lente del reproductor de CD. Este empañamiento de la lente podría hacer imposible la reproducción de CDs. En tal caso, retire el disco y espere hasta que se evapore la condensación. Si la unidad no opera de la manera normal después de un tiempo, consulte con su distribuidor Kenwood.

## Notas

- Si tiene problemas durante la instalación, consulte con su distribuidor Kenwood.
- Cuando compre accesorios opcionales, verifique antes con su distribuidor Kenwood que dichos accesorios funcionan con su modelo en su área.
- Los caracteres en la pantalla LCD pueden ser difíciles de leer en temperaturas inferiores a los 5 °C (41 °F).
- Las ilustraciones de la pantalla y el panel que aparecen en este manual son ejemplos utilizados para explicar mejor cómo se utilizan los mandos. Por lo tanto, las ilustraciones de la pantalla que aparecen pueden ser distintas a las que aparecen realmente en la pantalla del equipo, y algunas de las ilustraciones de la pantalla puede que representen algo imposible durante el funcionamiento actual.

### Cómo reposicionar su unidad

- Si la unidad no opera correctamente, pulse el botón de reposición. La unidad se reposiciona a los ajustes de fábrica al pulsar el botón de reposición.



Botón de reposición

### Limpeza de la unidad

Si la placa frontal de esta unidad está manchada, límpiela con un paño seco tal como un paño de silicona.

Si la placa frontal está muy sucia, límpiela con un paño humedecido en jabón neutro, y luego vuelva a limpiarla con un trapo suave limpio y seco.



- Si se aplica algún spray para limpiar directamente a la unidad puede que afecte a sus partes mecánicas. Si se limpia la placa frontal con un paño duro o utilizando líquido volátil tal como disolvente o alcohol puede que se raye la superficie o que se borren algunos caracteres.

### Limpeza de los terminales de la placa frontal

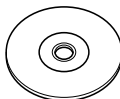
Si se ensucian los terminales de la unidad o de la placa frontal, límpielos con un paño suave y seco.

### Manipulación de CDs

- No toque la superficie de grabación del CD.
- No pegue cinta etc. sobre el CD.
  - Ni tampoco utilice un CD con cinta pegada sobre el.
- No utilice accesorios de tipo disco.
- Limpie desde el centro del disco hacia el exterior.
- Al extraer los CDs de esta unidad tire de ellos hacia afuera en forma horizontal.
- Si el agujero central del CD o el margen exterior tiene rebaba, utilícelo después de haberla quitado con un bolígrafo.

### CDs que no se pueden utilizar

- No se pueden utilizar CDs que no sean redondos.



- No se pueden utilizar CDs coloreados en la superficie de grabación o que estén sucios.
- Esta unidad sólo puede reproducir los CD con

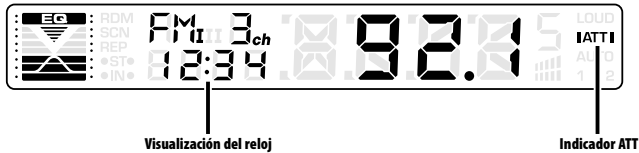
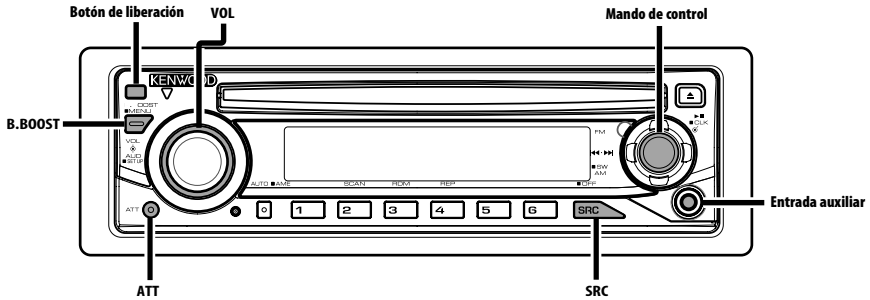


Puede que no reproduzca correctamente los discos que no tienen la marca.

- No se puede reproducir un CD-R o CD-RW que no ha sido finalizado. (Para el proceso de finalización remítase a su software de escritura CD-R/CD-RW, y a su manual de instrucciones de grabador de CD-R/CD-RW.)



# Características generales



## Alimentación

### Encendido de la alimentación

Pulse el botón [SRC].

### Apagado de la alimentación

Pulse el botón [SRC] durante al menos 1 segundo.

## Selección de la fuente

Pulse el botón [SRC].

Fuente requerida	Visualización
Sintonizador	"TUnE"
CD	"CD"
Entrada auxiliar*	"AUH"
Espera (sólo modo de iluminación)	"STBY"

\* Se puede conectar un equipo, como un reproductor de audio portátil, al terminal de entrada auxiliar mediante un miniconector disponible comercialmente (3,5 Ø).



- Utilice el miniconector de tipo estéreo que no tiene resistencia.

## Volumen

### Para aumentar el nivel del volumen

Gire el mando [VOL] en el sentido de las agujas del reloj.

### Para disminuir el nivel de volumen

Gire el mando [VOL] en sentido contrario a las agujas del reloj.

## Atenuador

Para bajar el volumen rápidamente.

### Pulse el botón [ATT].

Cada vez que se pulsa el botón, el atenuador se activa y se desactiva.

Cuando el atenuador está activado, el indicador "ATT" parpadea.

# Características generales

## Control de audio

### 1 Seleccione la fuente para el ajuste

Pulse el botón [SRC].

### 2 Ingrese al modo de control de audio

Pulse el mando [VOL].

### 3 Seleccione el elemento de audio para el ajuste

Pulse el mando [VOL].

Cada vez que se pulse el mando, los ítems que se pueden ajustar, cambian como se muestra en la tabla que sigue a continuación.

### 4 Ajuste el elemento de audio

Gire el mando [VOL].

Ítem de ajuste	Visualización	Margen
Nivel de subwoofer*	"L SUB"	-15 — +15
System Q	"FLAT"/"ROCK"/ "POPS"/"EASY"/ "TP40"/"JAZZ"	Natural/Rock/Pops/Ligera/ Top 40/Jazz
Nivel de graves	"L BAS"	-8 — +8
Nivel de medios	"L MID"	-8 — +8
Nivel de agudos	"L TRE"	-8 — +8
Balance	"BL"	Izquierda 15 — Derecha 15
Fader	"FD"	Posterior 15 — Frontal 15

*Salga del modo de control de audio (modo de control de volumen)*



### Acerca de System Q

- Puede recuperar el mejor ajuste de sonido programado para distintos tipos de música.
- Cada ajuste de valor se cambia con <Ajuste de altavoz> (página 43). Primero deberá seleccionar el tipo de altavoz con el ajuste de Altavoz.
- "USER": Esto aparece cuando se ajustan los niveles de graves, medios o agudos. Al seleccionar "USER", se recuperan estos niveles.
- \* Función del KDC-135

### 5 Salga del modo de control de audio

Pulse cualquier botón.

Pulse un botón que no sea el mando [VOL] y el botón [ATT].

## Configuración de audio

Configuración del sistema de sonido, como la compensación de volumen.

### 1 Seleccione la fuente para el ajuste

Pulse el botón [SRC].

### 2 Ingrese al modo de configuración de audio

Pulse el mando [VOL] durante al menos 1 segundo.

### 3 Seleccione el elemento de configuración de audio para el ajuste

Pulse el mando [VOL].

Cada vez que se pulse el mando, los ítems que se pueden ajustar, cambian como se muestra en la tabla que sigue a continuación.

### 4 Ajuste el ítem de configuración de audio

Gire el mando [VOL].

Ítem de ajuste	Visualización	Margen
Filtro de paso bajo*	"LPF"	80/120/160/desactivado Hz
Compensación de volumen	"V-OF"	-8 — ±0 (AUX : -8 — +8)



• Compensación del volumen:

El volumen de cada fuente puede ajustarse de manera diferente del volumen básico.

- \* Función del KDC-135

### 5 Salga del modo de configuración de audio

Pulse el mando [VOL] durante al menos 1 segundo.

## Bass Boost

Los sonidos graves se pueden mejorar mediante una pulsación.

Pulse el botón [B.BOOST].

Al pulsar el botón una vez, aparece el ajuste de refuerzo de graves.

Cada vez que pulse el botón, cambia dicho ajuste.

Ajuste	Visualización
Bass Boost 1	"L1 BB-L"
Bass Boost 2	"L2 BB-L"
Bass Boost desactivado	"OFF BB-L"

## Ajuste de altavoz

Realice el ajuste fino de sintonización para que el valor de System Q sea óptimo al ajustar el tipo de altavoz.

### 1 Ingrese al modo de espera

**Pulse el botón [SRC].**

Seleccione la visualización "STBY".

### 2 Ingrese al modo de ajuste de altavoz

**Pulse el mando [VOL].**

### 3 Seleccione el tipo de altavoz

**Gire el mando [VOL].**

Cada vez que gire el mando, la configuración cambiará como se indica a continuación.

Tipo de altavoz	Visualización
Desactivado	"SP-F"
Para altavoz de 5 y 4 pulgadas	"SP-5"
Para altavoz de 6 y 6x9 pulgadas	"SP-6"
Para altavoz OEM	"SP-0"

### 4 Salga del modo de ajuste de altavoz

**Pulse el mando [VOL].**

## Visualización del reloj

**Pulse el mando de control durante al menos 1 segundo.**

Cada vez que se pulsa el botón, la visualización del reloj se encenderá o se apagará.

*Función del KDC-135*

## Salida del subwoofer

Activación o desactivación de la salida del subwoofer.

**Mantenga pulsado [AM] del mando de control durante al menos 2 segundos.**

Cada vez que presione el mando, la Salida del subwoofer se activa y se desactiva.

Cuando la salida está activada, se visualiza "On SUB".

## Placa frontal antirrobo

Es posible extraer la placa frontal de la unidad y llevarla consigo para impedir robos.

### Extracción de la placa frontal

**Pulse el botón de liberación.**

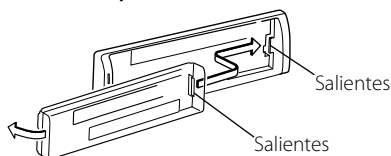
La placa frontal queda desbloqueada permitiendo su extracción.



- La placa frontal es una pieza de precisión y puede resultar dañada por golpes o sacudidas.
- Guarde la placa frontal en su estuche cuando esté fuera del vehículo.  
(Estuche de la placa frontal: accesorio del KDC-135CR)
- No exponga la placa frontal (ni su estuche) a la luz solar directa ni al calor o humedad excesivos. Además deberá evitar sitios con mucho polvo o la posibilidad de que se derrame agua sobre ella.

### Colocación de la placa frontal después de haberla extraído

#### 1 Alinee las proyecciones de la unidad con las ranuras en la placa frontal.



#### 2 Deslice la placa frontal hasta que sienta que hace clic.

La placa frontal queda bloqueada en su sitio, permitiendo utilizar la unidad.

## Silenciamiento de TEL

El sistema de audio se silencia automáticamente al entrar una llamada telefónica.

### Cuando se recibe una llamada

Se visualiza "CALL".

El sistema de audio queda en pausa.

### Audición del audio durante una llamada

**Pulse el botón [SRC].**

La visualización "CALL" desaparece y el sistema de audio vuelve a activarse.

### Cuando termina la llamada

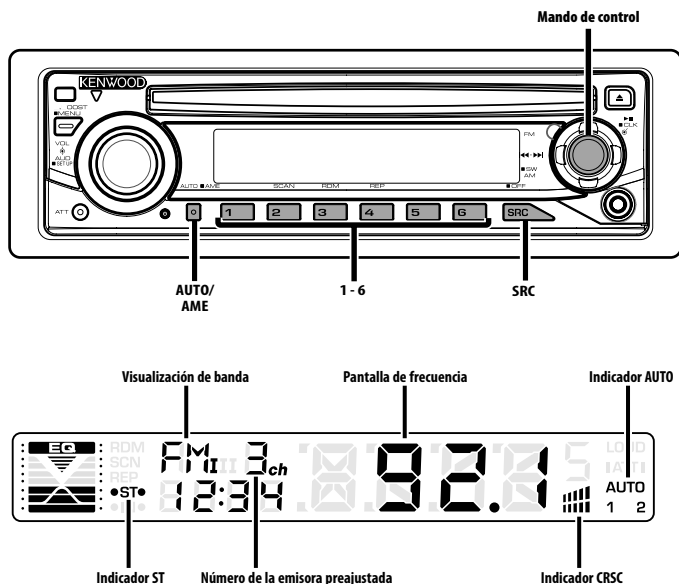
**Cuelgue el teléfono.**

La visualización "CALL" desaparece y el sistema de audio vuelve a activarse.



- Para utilizar la función de silenciamiento de TEL, es necesario conectar el cable MUTE al teléfono mediante el uso de un accesorio telefónico comercial. Remítase a <Conexión de cables a los terminals> (página 51).

## Características del sintonizador



### Sintonización

Selección de la emisora.

#### 1 Seleccione la fuente de sintonizador

Pulse el botón [SRC].

Seleccione la visualización "TUNE".

#### 2 Seleccione la banda

Presione el mando de control hacia [FM] o [AM].

Cada vez que se coloca el mando en [FM], la banda de recepción cambiará entre FM1, FM2 y FM3.

#### 3 Sintonice la banda hacia arriba o hacia abajo

Presione el mando de control hacia [◀◀] o

[▶▶].



- Durante la recepción de emisoras en estéreo, el indicador "ST" se activa.

### Modo de sintonización

Elija el modo de sintonización.

#### Pulse el botón [AUTO].

Cada vez que se pulse el botón, el modo de sintonización cambiará como se indica en la tabla que sigue a continuación.

Modo de sintonización	Visualización	Operación
Búsqueda automática	Indicador "AUTO 1"	Búsqueda automática de una emisora.
Búsqueda de emisora predefinida	Indicador "AUTO 2"	Búsqueda de emisoras por orden en la memoria de preajuste.
Manual	—	Control de sintonización manual normal.

## Memoria de presintonización de emisoras

---

Almacenamiento de emisoras en la memoria.

### 1 Seleccione la banda

Presione el mando de control hacia [FM] o [AM].

### 2 Seleccione la frecuencia que va a guardar en la memoria

Presione el mando de control hacia [◀◀] o [▶▶].

### 3 Guarde la frecuencia en la memoria

Pulse el botón [1] — [6] deseado durante al menos 2 segundos.

La visualización del número predefinido parpadea 1 vez.

En cada banda, se puede guardar 1 emisora en la memoria de cada botón [1] — [6].

## Entrada de memoria automática

---

Almacenamiento automático de emisoras con buena recepción en la memoria.

### 1 Seleccione la banda de la entrada de memoria automática

Presione el mando de control hacia [FM] o [AM].

### 2 Abra la entrada de memoria automática

Pulse el botón [AME] durante al menos 2 segundos.

Cuando se guardan en memoria 6 emisoras que pueden recibirse, la entrada de memoria automática se cierra.

## Sintonización preajustada

---

Recuperación de las emisoras de la memoria.

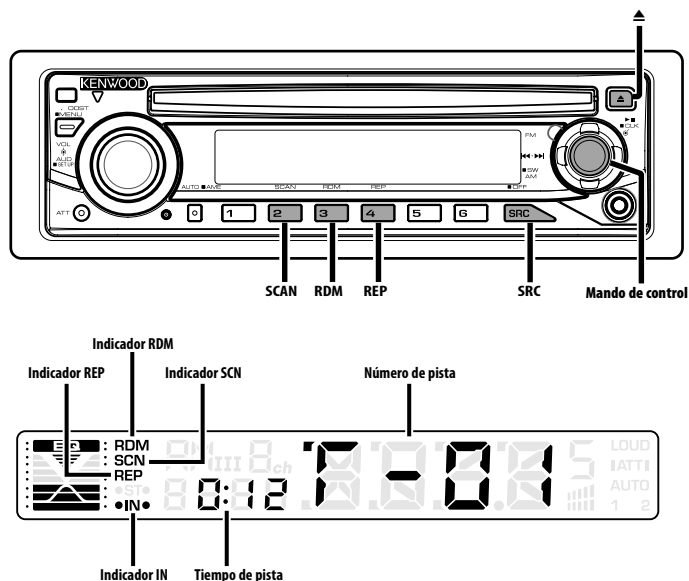
### 1 Seleccione la banda

Presione el mando de control hacia [FM] o [AM].

### 2 Recupere la emisora

Pulse el botón [1] — [6] deseado.

## Características del reproductor de CD



### Reproducción de CDs

#### Cuando hay un CD insertado

Pulse el botón [SRC].

Seleccione la visualización "CD".



- Cuando haya un CD insertado, el indicador "IN" se activa.

#### Pausa y reproducción

Pulse el mando de control.

Cada vez que se pulsa el mando, el modo cambia entre pausa y reproducción.

#### Expulse el CD

Pulse el botón [▲].



- Puede expulsar el disco hasta 10 minutos después de haber apagado el motor.

### Avance rápido y rebobinado

#### Avance rápido

Mantenga pulsada la parte [▶▶] del mando de control.

Libere para reanudar la reproducción.

#### Rebobinado

Mantenga pulsada la parte [◀◀] del mando de control.

Libere para reanudar la reproducción.

---

## Búsqueda de pistas

---

Selección de la canción que se desea escuchar.

Presione el mando de control hacia [**◀◀**] o [**▶▶**].

## Repetición de pista

---

Repetición de la canción que esté escuchando.

**Pulse el botón [REP].**

Cada vez que se pulsa el botón, la repetición de pista se activa y se desactiva.

Cuando está activado, el indicador "REP" se enciende.

## Reproducción con exploración

---

Reproducción de la primera parte de cada canción del disco que esté escuchando y búsqueda de la canción que desee oír.

### 1 Inicie la reproducción con exploración

**Pulse el botón [SCAN].**

El indicador "SCN" se enciende.

### 2 Libere cuando se reproduzca la canción que desee escuchar

**Pulse el botón [SCAN].**

## Reproducción aleatoria

---

Reproducción de todas las canciones del disco en orden aleatorio.

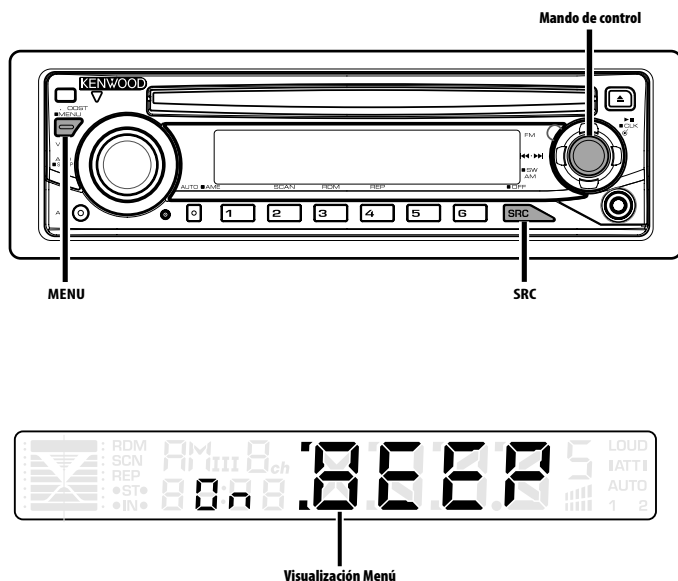
**Pulse el botón [RDM].**

Cada vez que se pulsa el botón, la reproducción aleatoria se activa o desactiva.

Cuando está activada, el indicador "RDM" se activa.



- Cuando se presiona el mando de control hacia [**▶▶**], se inicia la siguiente canción aleatoria.



## Sistema de menú

Ajuste de la función de sonido de bip, etc. durante el funcionamiento.

Aquí se explica el método de funcionamiento básico del sistema de menús. La referencia a los elementos de menús y el contenido de sus ajustes se encuentra a continuación de esta explicación de funcionamiento.

### 1 Ingrese al modo de menú

Pulse el botón [MENU] durante al menos 1 segundo.

Se visualiza "MEnU".

### 2 Seleccione el ítem de menú

Presione el mando de control hacia [FM] o [AM].

Ejemplo: Cuando desee ajustar el sonido de bip, seleccione la visualización "BEEP".

### 3 Ajuste el ítem de menú

Presione el mando de control hacia [◀◀] o [▶▶].

Ejemplo: Si selecciona "BEEP", cada vez que mueva el mando, el ajuste cambiará entre "On BEEP" y "OFF BEEP". Seleccione 1 de estas dos configuraciones.

Puede continuar volviendo al paso 2 y ajustando otras opciones.

### 4 Salga del modo de menú

Pulse el botón [MENU].



- Cuando se visualizan otras opciones, aplicables al método de funcionamiento básico mencionado, se introduce la tabla de contenidos de sus ajustes. (Normalmente, el ajuste situado en la parte superior de la tabla es el ajuste original.) Además, la explicación de los ítems que no son aplicables (<Ajuste manual del reloj> etc.) se introducen paso a paso.

En modo de espera

## Tono de sensor de contacto

Activación/desactivación del sonido de comprobación de funcionamiento (sonido bip).

Visualización	Preajuste
"On BEEP"	Se escucha un beep.
"OFF BEEP"	Beep cancelado.



En modo de espera

## Ajuste manual del reloj

### 1 Seleccione el modo de ajuste de reloj

Presione el mando de control hacia [FM] o [AM].  
Seleccione la visualización "CLCK".

### 2 Ingrese al modo de ajuste del reloj

Pulse el mando de control durante al menos 1 segundo.

La indicación horaria parpadea.

### 3 Ajuste las horas

Presione el mando de control hacia [FM] o [AM].

#### Ajuste los minutos

Presione el mando de control hacia [◀◀] o [▶▶].

### 4 Salga del modo de ajuste del reloj

Pulse el botón [MENU].

En modo de espera

## DSI (Indicador de desactivación del sistema)

Después de retirar la placa frontal de la unidad, parpadea un indicador rojo como advertencia para potenciales ladrones.

Visualización	Preajuste
"On DSI"	El LED parpadea.
"OFF DSI"	LED desactivado.

Función del KDC-135

En modo de espera

## Cambio de salida de preamplificador

Cambio de salida de preamplificador entre el altavoz trasero y el subwoofer. (En el modo subwoofer el control de efecto desvanecimiento queda anulado)

Visualización	Preajuste
"REAR"	Presalida posterior.
"SUB"	Presalida del subwoofer.

En recepción FM

## CRSC (Circuito del sistema de recepción clara)

Cambia temporalmente la recepción de estéreo a mono para reducir el ruido de camino múltiple cuando se reciben emisoras FM.

Visualización	Preajuste
"On CRSC"	El CRSC está activado.
"OFF CRSC"	El CRSC está desactivado.



- Los campos eléctricos fuertes (como las líneas de alta tensión) pueden producir que la calidad del sonido sea inestable cuando CRSC está activado. En tal caso, desactívelo.

En modo de espera

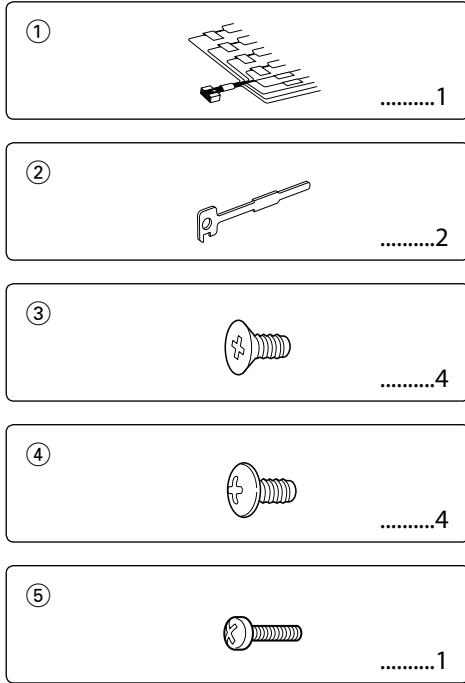
## Configuración de entrada auxiliar incorporada

Ajuste la función de entrada auxiliar incorporada.

Visualización	Preajuste
"OFF AUH"	Al seleccionar la fuente no hay entrada auxiliar.
"On AUH"	Al seleccionar la fuente hay entrada auxiliar.

# Accesorios/ Procedimiento de instalación

## Accesorios



## Procedimiento de instalación

1. Para evitar cortocircuitos, retire la llave del encendido y desconecte el terminal ⊖ de la batería.
2. Conecte el cable de entrada y salida apropiado en cada unidad.
3. Conecte los cables del altavoz del mazo de conductores.
4. Conecte los cables del mazo de conductores en el siguiente orden: tierra, batería, encendido.
5. Conecte el conector del mazo de conductores a la unidad.
6. Instale la unidad en su automóvil.
7. Vuelva a conectar el terminal ⊖ de la batería.
8. Pulse el botón de reposición.

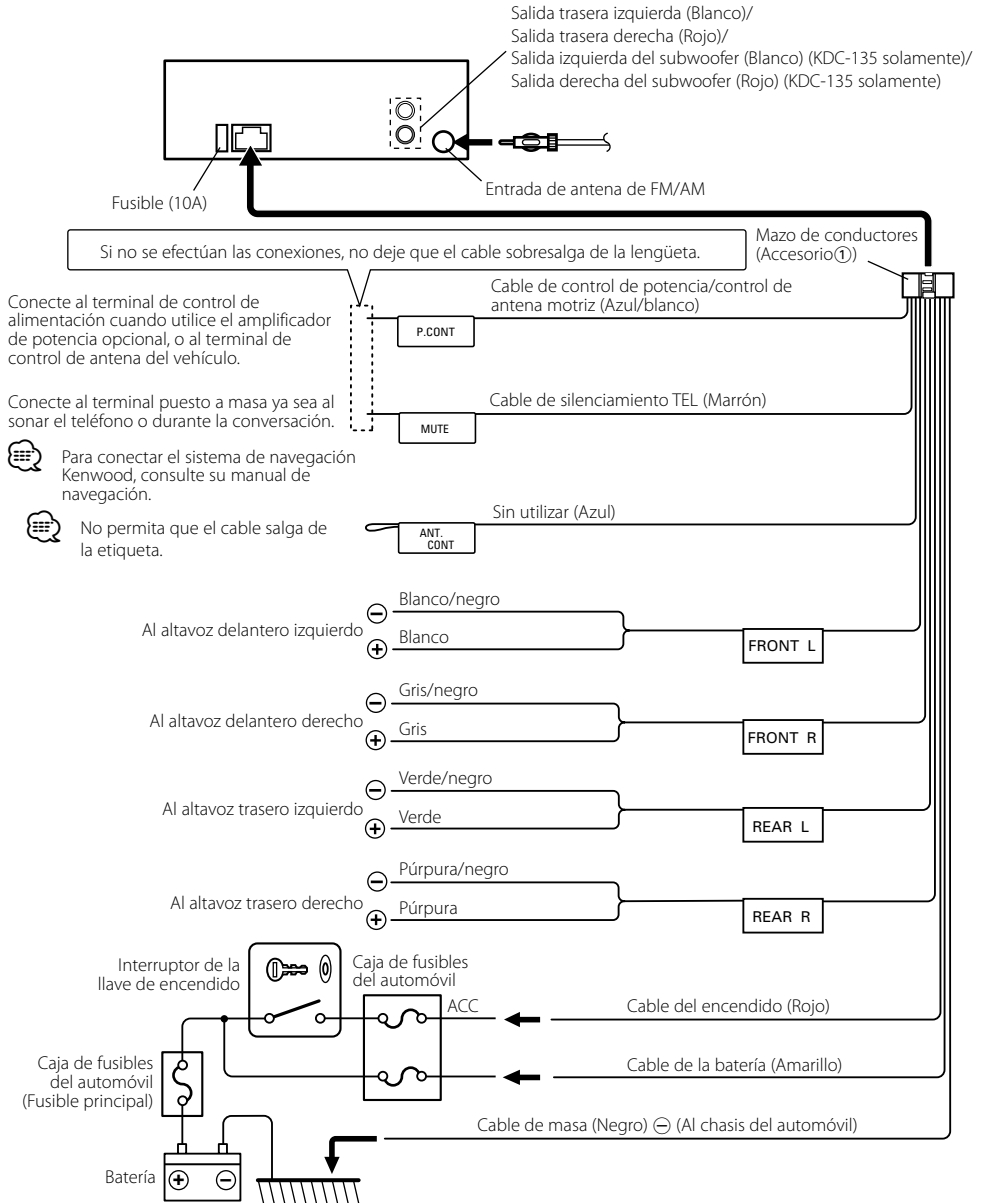
## ▲ADVERTENCIA

Si conecta el cable de encendido (rojo) y el cable de la batería (amarillo) al chasis del automóvil (tierra), podría producir un cortocircuito y esto a su vez, un incendio. Siempre conecte estos cables a la fuente de alimentación que pasa a través de la caja de fusibles.

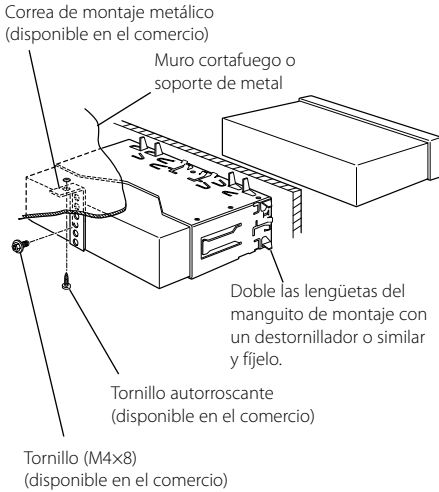


- Si no se enciende la alimentación (o está encendida pero se va a apagar inmediatamente), el cable de altavoz puede que haya sufrido un cortocircuito o haber tocado el chasis del vehículo y se haya activado la función de protección. Por esta razón, compruebe el cable de altavoz.
- Si el encendido de su automóvil no está provisto de la posición ACC, conecte los cables de encendido a una fuente de alimentación que pueda conectarse y desconectarse con la llave de encendido. Si conecta el cable de encendido a una fuente de alimentación que recibe un suministro constante de alimentación tales como los cables de la batería, la batería podría descargarse.
- Si la consola tiene una tapa, asegúrese de instalar la unidad de modo que la placa frontal no golpee la tapa al abrir y cerrar.
- Si se funde el fusible, en primer lugar asegúrese de que los cables no hayan causado un cortocircuito, y luego reemplace el fusible usado por otro del mismo régimen.
- Enrolle los cables no conectados con una cinta de vinilo u otro material similar para que queden aislados. Para evitar cortocircuitos, no retire las tapas de los extremos de los cables o terminales no conectados.
- Conecte los cables de los altavoces a cada uno de los terminales correspondientes. La conexión compartida de los cables ⊖ o la conexión a tierra de los mismos a cualquier parte metálica del automóvil podrá dañar la unidad o impedir su correcto funcionamiento.
- Cuando se han conectado solamente dos altavoces al sistema, conecte los conectores ya sea a ambos terminales de salida delanteros, o a ambos terminales de salida traseros (o sea, no mezcle terminales delanteros y traseros). Por ejemplo, si conecta el conector ⊕ del altavoz izquierdo a un terminal de salida delantero, no conecte el conector ⊖ del altavoz derecho a un terminal de salida trasero.
- Después de instalar la unidad, compruebe que las lámparas de freno, las luces intermitentes, el limpiaparabrisas, etc. funcionen satisfactoriamente.
- Instale la unidad en un ángulo de 30° o menos.

# Conexión de cables a los terminals



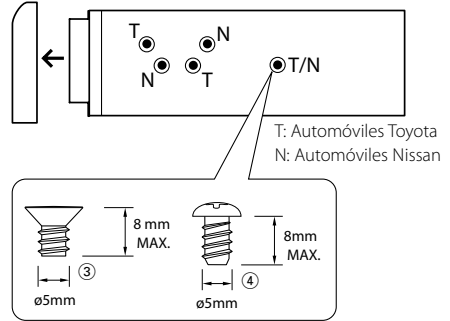
## Automóviles no japoneses



- Asegúrese de que la unidad esté firmemente instalada en su lugar. Si está instalada en forma inestable, podrían ocurrir fallas de funcionamiento (p.ej., saltos de sonido).

## Automóviles japoneses

- 1 Refiérase a la sección <Extracción del marco de goma dura> y retire el marco de goma dura.
- 2 Alinee los orificios de la unidad (dos lugares en cada lado) con la ménsula de montaje del vehículo y fije la unidad con los tornillos suministrados.



Accesorio③...para automóviles Nissan

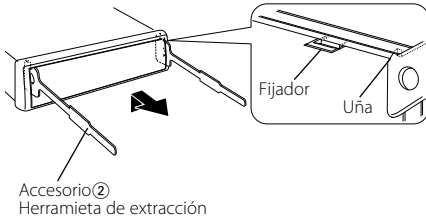
Accesorio④...para automóviles Toyota



- Durante la instalación, no utilice otros tornillos que no sean los suministrados. El uso de tornillos diferentes podría causar daños en la unidad principal.
- El apriete excesivo utilizando un destornillador eléctrico o similar durante la instalación podrá ocasionar daños en el chasis.

## Extracción del marco de goma dura

- 1 Enganche las uñas de agarre en la herramienta de extracción y quite los dos enganches en el nivel superior. Suba el bastidor y tire de él hacia adelante tal como se indica en la figura.



- 2 Al quitar el nivel superior, quite las dos posiciones inferiores.

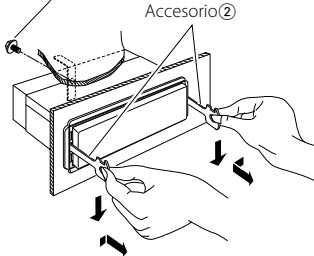


- Se puede quitar el marco de la parte de abajo de la misma forma.

## Desmontaje de la unidad

- 1 Refiérase a la sección <Extracción del marco de goma dura> y retire el marco de goma dura.
- 2 Quite el tornillo (M4 x 8) del panel posterior.
- 3 Inserte profundamente las dos herramientas de extracción en las ranuras de cada lado, tal como se muestra en la figura.
- 4 Empuje la herramienta de extracción hacia abajo, mientras presiona hacia adentro, y extraiga la unidad hasta la mitad.

Tornillo (M4x8)  
(disponible en el comercio)  
Accesorio ②

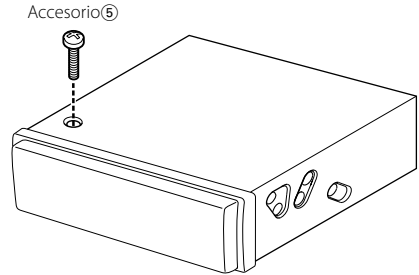


- Preste atención para no lastimarse con las uñas de agarre de la herramienta de extracción.

- 5 Termine de sacar la unidad con las manos, prestando atención para no dejarla caer.

## Fijación de la placa frontal a la unidad

Si desea dejar firmemente sujeta la placa frontal a la unidad, enrosque el tornillo para metales entregado con la unidad en el orificio indicado abajo.



- No inserte nunca los tornillos en otro orificio de tornillo que no sea el especificado. Si los inserta en otro orificio, se contraerá y podrá ocasionar daños a las partes mecánicas del interior de la unidad.

# Guía Sobre Localización De Averías

Algunas funciones de esta unidad pueden estar desactivadas por algunos ajustes realizados en ella.

- !** **No se puede cambiar a la fuente auxiliar.**  
▶ AUX no está activado. <sup>☞</sup> <Configuración de entrada auxiliar incorporada> (página 49)

- !** **No se puede mostrar el usuario de System Q.**  
▶ El <Control de audio> (página 42) no está establecido.

- !** • **No se puede configurar el subwoofer**  
• **No hay salida desde el subwoofer**  
• **No se puede configurar el filtro paso bajo.**  
▶ • La salida de previo no está establecida en el subwoofer. <sup>☞</sup> <Cambio de salida de preamplificador> (página 49)  
• La <Salida del subwoofer> (página 43) no está establecida en On.

Lo que podría parecer un fallo de funcionamiento de su unidad podría ser simplemente el resultado de un pequeño error de operación o de un defecto de conexión. Antes de acudir al servicio, verifique primero el siguiente cuadro sobre los problemas que se podrían presentar.

## General

- ?** **El tono del sensor de toque no suena.**  
✓ El terminal de salida de preamplificador está siendo utilizado.  
<sup>☞</sup> El tono del sensor de toque no puede ser emitido desde el terminal de salida de preamplificador.

## Fuente de sintonizador

- ?** **Recepción de radio deficiente.**  
✓ No está extendida la antena del automóvil.  
<sup>☞</sup> Extraiga completamente la antena.

## Fuente de Disco

- ?** **No se reproduce el disco especificado, sino otro.**  
✓ El CD especificado está muy sucio.  
<sup>☞</sup> Limpie el CD.  
✓ El disco está muy rayado.  
<sup>☞</sup> Pruebe otro disco.

## Los mensajes mostrados a continuación presentan las condiciones de su sistema.

- E-04: El CD está muy sucio. El CD está boca abajo. El CD está muy rayado.
- E-99: Por algún motivo, la unidad funciona en forma defectuosa.  
☞ Pulse el botón de reinicio de la unidad. Si el código "E-99" no desaparece, consulte a su centro de servicio más cercano.
- IN (Parpadeo): La sección del reproductor de CD no está funcionando apropiadamente.  
☞ Reinserte el CD. Si el CD no se puede expulsar o si la pantalla continúa relampagueando aún cuando el CD ha sido reinsertado apropiadamente, por favor desactive la alimentación y consulte con su centro de servicio más cercano.
- DCER: El cable del altavoz se ha cortocircuitado o hace contacto con el chasis del vehículo, por lo que la función de protección se ha activado.  
☞ Ate o aisle el cable de altavoz debidamente y pulse el botón de reajuste. Si el código "DCER" no desaparece, consulte con el centro de servicio más cercano.

# Especificaciones

---

Las especificaciones se encuentran sujetas a cambios sin previo aviso.

## Sección del sintonizador de FM

---

- Gama de frecuencias (Intervalo 200 kHz)
  - : 87,9 MHz – 107,9 MHz
- Sensibilidad útil (Relación señal/ruido = 30dB)
  - : 9,3dBf (0,8  $\mu$ V/75  $\Omega$ )
- Sensibilidad de silenciamiento (Relación señal/ruido = 50dB)
  - : 15,2dBf (1,6  $\mu$ V/75  $\Omega$ )
- Respuesta de frecuencia ( $\pm 3$  dB)
  - : 30 Hz – 15 kHz
- Relación señal a ruido (MONO)
  - : 70 dB
- Selectividad ( $\pm 400$  kHz)
  - :  $\geq 80$  dB
- Separación estéreo (1 kHz)
  - : 40 dB

## Sección del sintonizador de AM

---

- Gama de frecuencias (Intervalo 10 kHz)
  - : 530 kHz – 1700 kHz
- Sensibilidad útil (Relación señal/ruido = 20dB)
  - : 28 dB $\mu$  (25  $\mu$ V)

## Sección del disco compacto

---

- Diode láser
  - : GaAlAs
- Filtro digital (D/A)
  - : 8 veces sobremuestreo
- Convertidor D/A
  - : 1 Bit
- Velocidad de giro
  - : 500 – 200 rpm (CLV)
- Fluctuación y trémolo
  - : Menos del límite medible
- Respuesta de frecuencia ( $\pm 1$  dB)
  - : 10 Hz – 20 kHz
- Distorsión armónica total (1 kHz)
  - : 0,01 %
- Relación señal a ruido (1 kHz)
  - : 93 dB
- Gama dinámica
  - : 93 dB

## Sección de audio

---

- Potencia máxima de salida
  - : 50 W x 4
- Potencia completa de todo el ancho de band (a menos del 1% THD)
  - : 22 W x 4
- Impedancia del altavoz
  - : 4 – 8  $\Omega$
- Acción tonal
  - Graves : 100 Hz  $\pm 8$  dB
  - Registro medio : 1 kHz  $\pm 8$  dB
  - Agudos : 10 kHz  $\pm 8$  dB
- Nivel de salida del preamplificador/carga (durante la reproducción del disco)
  - : 2000 mV/10 k $\Omega$
- Impedancia de salida de preamplificador
  - :  $\leq 600 \Omega$

## Entrada auxiliar

---

- Respuesta de frecuencia ( $\pm 1$  dB)
  - : 20 Hz – 20 kHz
- Voltaje de entrada máximo
  - : 1200 mV
- Impedancia de entrada
  - : 100 k $\Omega$

## General

---

- Tensión de funcionamiento (11 – 16V admisibles)
  - : 14,4 V
- Consumo
  - : 10 A
- Tamaño de instalación (An x Al x F)
  - : 182 x 53 x 155 mm
  - 7-3/16 x 2-1/16 x 6-1/8 pulgada
- Peso
  - : 3,1 lbs (1,40 kg)

---

**KENWOOD**